

Catalogue No. M37090

Issued: October, 1971.

TORANA

"LC"

PARTS CATALOGUE



A "HOLDEN" PUBLICATION

NATIONAL AUTOMOTIVE SERVICE COMPANY
PARTS AND ACCESSORIES DIVISION OF
GENERAL MOTORS-HOLDEN'S PTY. LIMITED

INTRODUCTION

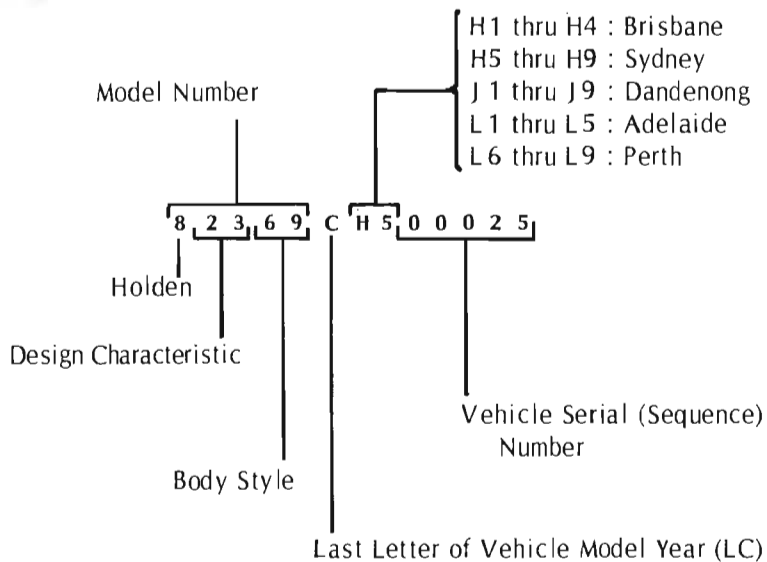
This Holden Parts Catalogue has been compiled to cover all Replacement Parts, Kits and Accessories applicable to the "LC" Series.

VEHICLE IDENTIFICATION NUMBERING SYSTEM

The Vehicle Identification Numbering System (V.I.N.) is based on the uniform car model designation system. The reason for this is to identify the vehicle entirely in one coded series of thirteen digits.

The first five digits will designate the model, the sixth digit denotes the year model in letter form, digits seven and eight denote the assembly plant identification code. The eighth character is also the first digit of the serial number; the remaining five digits represent the sequence number in which the vehicle was built at the plant concerned.

ASSEMBLY PLANT CODE



CONTENTS PRESENTATION SEQUENCE

ALPHABETICAL INDEX

ENGINE and CLUTCH	0
COOLING and OILING	1
ELECTRICAL	2
FUEL	3
TRANSMISSION	4
BRAKES	4/5
REAR AXLE	5
FRONT SUSP. and STEERING	6
FRAME	7
SHEET METAL and STANDARD PARTS	8
MISCELLANEOUS ACCESSORIES HEATER	9
BODY	10-15

NUMERICAL INDEX

COPYRIGHT – GENERAL MOTORS-HOLDEN'S PTY. LIMITED.

Reproduction in whole or in part prohibited without written approval.

HOLDEN "LC" PARTS CATALOGUE

MODEL DESIGNATION:

- 82211 Torana Two Door Sedan 4 Cylinder.
- 82311 Torana "S" Two Door Sedan 6 Cylinder.
- 82369 Torana "S" Four Door Sedan 6 Cylinder.
- 82411 Torana "S" Two Door Sedan 4 Cylinder.
- 82411 Torana "DeLuxe" Two Door Sedan 4 Cylinder.
- 82469 Torana "S" Four Door Sedan 4 Cylinder.
- 82469 Torana "DeLuxe" Four Door Sedan 4 Cylinder.
- 82569 Torana "SL" Four Door Sedan 6 Cylinder.
- 82611 Torana "SL" Two Door Sedan 4 Cylinder.
- 82811 Torana "DeLuxe" Two Door Sedan 4 Cylinder.
- 82869 Torana "DeLuxe" Four Door Sedan 4 Cylinder.
- 82911 Torana "GTR" Two Door Sedan 6 Cylinder.

ENGINE IDENTIFICATION and SPECIFICATIONS:

TRANSFER ON ROCKER COVER OR AIR CLEANER	NO. OF CYLINDERS	BORE	STROKE	COMP. RATIO	ENGINE NO. PREFIX
1160	4	3.062"	2.40"	8.5:1	—
70	4	3.062"	2.40"	9.0:1	—
See Note 1	4	3.375"	2.726"	8.5:1	—
2250 Low Compression	6	3.125"	3.00"	7.8:1	2250L
Holden 2250	6	3.125"	3.00"	9.2:1	2250H
Low Compression 2250	6	3.125"	3.00"	7.8:1	CC
2250	6	3.125"	3.00"	9.2:1	CB
Low Compression	6	3.3/8"	3.00"	8.0:1	2600L
Holden 2600	6	3.3/8"	3.00"	9.2:1	2600H
2600S	6	3.3/8"	3.00"	9.2:1	2600S
Low Compression 2850	6	3.50"	3.00"	8.3:1	CE
2850	6	3.50"	3.00"	9.4:1	CD
2850S	6	3.50"	3.00"	9.4:1	CF
See Note 2	6	3.5/8"	3.00"	10.0:1	186X

NOTE 1. No Transfer but Overhead Cam Engine.

NOTE 2. No Transfer but equipped with three Carburettors.

ILLUSTRATIONS:

Illustrations are included to assist in the identification of parts, but as some parts which perform a similar function vary in detail of design etc., on different models, all illustrations should be regarded as typical.

GROUP SYSTEM and HOW TO LOCATE PARTS:

The Group System used is identical with that operating throughout the General Motors Organisation and briefly is as follows:—

Main units of the car are identified by the Numeral preceding the Decimal, i.e.,

Engine	0.
Cooling and Oiling	1.
Electrical	2.

Individual Parts are assigned a Group Number, the first Numeral identifying the Main Unit it is affiliated with, and following the Decimal is the Sub-Group Number, under which all parts of the same name and function are listed. For instance: Group 0.096: "0" indicated that it is an Engine Part. "096" is the location where all Part Numbers of Crankshaft Front Bearing Units now being serviced may be found.

HOLDEN "LC" PARTS CATALOGUE

OPTION EQUIPMENT and HOW TO INTERPRET:

As optional equipment which includes items such as Engines, Transmissions, Brakes, Seats together with alternate types and colours of interior trim is available to the customer's choice the cataloging of replacement parts, where differences exist, has been achieved by stipulating the type of equipment against the specific part.

The method used to indicate major units or equipment is as follows:—

ENGINE:— 4 Cylinder. Further qualified if necessary.
6 Cylinder. Further qualified if necessary.

Additional identification, if required, is provided by reference to the Rocker Cover/Air Cleaner transfer or Engine No. prefix — Refer Engine Identification and Specifications.

TRANSMISSION:

(M) — Manual Transmission. Further qualified if necessary.
(A) — Automatic Transmission. Further qualified if necessary.

BRAKES:

Drum Brakes — Drum brakes on all wheels.
Power Brakes — Drum brakes on all wheels, power assisted.
Power brake qualification added only when necessary
to differentiate from un-assisted Drum Brakes.
Disc Brakes — Disc brakes on front wheels, drum brakes on rear wheels.

BODY:

Body Style Numbers are:— 11 Two Door Sedan.
69 Four Door Sedan.

SEATS:

Bench Seats — Single full width front seat.
Bucket Seats — Twin front seats, folding type — Further qualified
if necessary.

INTERIOR TRIM:

All items of trim are identified by a part number consisting of a basic number which identifies the item, and a suffix consisting of alphabetical symbols which denotes the colour, etc.,

BASIC NO.	SUFFIX	COMPLETE NO.
2810411	BA	2810411BA

To interpret trim requirements it is necessary to determine the model and trim number from the plate attached to the radiator upper support beneath the engine hood, also the type of seats etc., fitted.

TRIM NUMBER CHART

NOTE:- "Colour" in this chart indicates the colour of the trim on seat cushions and backs.

TRIM NO.	COLOUR	TRIM NO.	COLOUR	TRIM NO.	COLOUR
40B	Black	41W	Gold	44D	Blue
40D	Black	41X	Gold	44E	Blue
40E	Black	41Y	Gold	44F	Blue
40F	Black	42A	Red	44P	Blue
40L	Black	42B	Red	44R	Blue
40P	Black	42D	Red	44T	Blue
40Q	Black	42E	Red	44X	Blue
40R	Black	42F	Red	44Y	Blue
40T	Black	42P	Red	45L	Orange
40V	Black	42R	Red	45V	Orange
40W	Black	42T	Red	46B	Green
40X	Black	42V	Red	46D	Green
40Y	Black	42W	Red	46F	Green
40Z	Black	42X	Red	46P	Green
41A	Gold	42Y	Red	46V	Green
41B	Gold	43D	Turquoise	46W	Green
41D	Gold	43E	Turquoise	48D	Sandalwood
41E	Gold	43F	Turquoise	48F	Sandalwood
41F	Gold	43P	Turquoise	48P	Sandalwood
41P	Gold	43R	Turquoise	48Q	Sandalwood
41Q	Gold	43T	Turquoise	48V	Sandalwood
41R	Gold	43X	Turquoise	48W	Sandalwood
41T	Gold	43Y	Turquoise	48X	Sandalwood
41V	Gold	44A	Blue	48Y	Sandalwood

SPECIAL NOTE - SIDE

The letters L.H. (Left Hand) and R.H. (Right Hand) are used when necessary to distinguish the position of fitment. These letters are NOT a prefix to the part number and MUST NOT be quoted as such.

HOLDEN "LC" PARTS CATALOGUE

Description	Group	Description	Group
ACTUATOR - Trans. neutral starting safety switch -----	4.054	BAND - Transmission reaction -----	4.251
ACTUATOR - Transmission parking brake lock -----	4.294	BAR - Bumper face -----	7.831
ADAPTOR - Air cleaner -----	3.403	BAR - Carb. air horn reinforcing -----	3.763
ADAPTOR - Crankcase ventilator -----	1.762	BAR - Carb. choke starter. -----	3.791
ADAPTOR - Differential pinion flange --	5.545	BAR - Horn actuating -----	2.830
ADAPTOR - Engine sender unit -----	0.277	BARREL & KEY - Deck lid -----	12.248
ADAPTOR - Horn actuating bar -----	2.824	BARREL & KEY - Door locking -----	10.550
ADAPTOR - Inlet manifold pipe -----	3.260	BASE - Tail, stop & turn signal lamp ---	2.679
ADAPTOR - Oil filter -----	1.835	BASE - Dome lamp -----	11.925
ADAPTOR - Transmission rear bearing ---	4.317	BATTERY -----	2.332
ADAPTOR - Trans. support mounting ----	4.081	BEARING - Auxiliary shaft front -----	0.539
ADAPTOR - Trans. vacuum modulator pipe	4.205	BEARING - Auxiliary shaft rear -----	0.549
ADJUSTER - Brake -----	5.103	BEARING - Axle shaft -----	5.855
ADJUSTER - Carburettor orifice jet ---	3.802	BEARING - Brake main cylinder rod end --	4.662
ADJUSTER - Front seat -----	11.561	BEARING - Camshaft centre -----	0.544
ADJUSTER - Trans. control rod -----	4.019	BEARING - Camshaft front -----	0.539
AIR CLEANER and SILENCER -----	3.402	BEARING - Camshaft rear -----	0.549
AIR HORN - Carburettor -----	3.763	BEARING - Camshaft thrust -----	0.533
ANCHOR - Clutch cable -----	0.787	BEARING - Clutch cable -----	0.787
ANTENNA - Radio -----	9.662	BEARING - Clutch gear -----	4.355
ANTI-FREEZE -----	8.800	BEARING - Clutch over-centre spring pivot -	0.848
ARM - Fuel pump rocker -----	3.920	BEARING - Clutch pedal -----	0.831
ARM - Lower control -----	6.168	BEARING - Clutch pilot -----	0.649
ARM - Rear axle suspension -----	5.382	BEARING - Clutch throw-out -----	0.799
ARM - Steering -----	6.103	BEARING - Connecting rod -----	0.616
ARM - Upper control -----	6.168	BEARING - Counter gear -----	4.422
ARM - Valve rocker -----	0.333	BEARING - Crankshaft centre -----	0.101
ARM - Windshield wiper -----	10.147	BEARING - Crankshaft front -----	0.096
ARM - Wiper motor crank -----	10.150	BEARING - Crankshaft rear -----	0.106
ARM REST - Front door -----	14.686	BEARING - Differential side -----	5.536
ARM REST - Rear door -----	14.762	BEARING - First speed gear -----	4.419
ARM REST - Rear quarter -----	14.762	BEARING - Front wheel inner -----	6.311
ARMATURE - Starter motor -----	2.043	BEARING - Front wheel outer -----	6.313
ARMATURE - Wiper motor -----	10.150	BEARING - Gearshift tube lower -----	4.007
ARRESTOR - Transmission mounting ----	4.081	BEARING - Generator drive end -----	2.306
ARRESTOR - Transmission support ----	4.081	BEARING - Generator slip ring end -----	2.298
ASH TRAY - Instrument panel -----	12.009	BEARING - Jockey pulley -----	1.065
ASH TRAY - Rear door -----	12.030	BEARING - Low sun gear thrust -----	4.177
ASH TRAY - Rear quarter -----	12.030	BEARING - Main shaft front -----	4.352
AUXILIARY - Shaft -----	0.519	BEARING - Main shaft rear -----	4.408
AXLE - Rear -----	5.386	BEARING - Pinion front -----	5.447
BACK - Rear seat -----	14.998	BEARING - Pinion rear -----	5.484
BAFFLE - Carb. float chamber -----	3.776	BEARING - Steering gear -----	6.530
BAFFLE - Heater duct -----	9.779	BEARING - Steering shaft -----	6.524
BAFFLE - Trans. rear bearing housing ---	4.318	BEARING - Throttle linkage -----	3.430
BAIL - Brake main cylinder cover -----	4.651	BEARING - Trans. planet -----	4.177
BAIL & SCREW - Fuel pump -----	3.906	BEARING - Trans. planet pinion needle ---	4.177
BALL - Carb. pump check -----	3.760	BEARING - Trans. shift tube to stg. jacket -	4.007
BALL - Counter gear shaft -----	4.428	BEARING - Transmission output shaft ----	4.408
BALL - Distributor breaker plate retaining	2.385	BEARING SET - Camshaft -----	0.536
BALL - Reverse idler gear shaft -----	4.433	BEARING SET - Connecting rod -----	0.616
BALL - Speedometer drive gear -----	4.337	BEARING SET - Crankshaft -----	0.094
BALL - Steel -----	8.899	BEARING UNIT - Connecting rod -----	0.616
BALL - Transmission detent cam -----	4.311	BEARING UNIT - Crankshaft centre ----	0.101
BALL - Transmission selector fork -----	4.311	BEARING UNIT - Crankshaft front -----	0.096
BALL - Transmission selector lock ----	4.311	BEARING UNIT - Crankshaft front inter. --	0.099
BALL - Transmission selector shaft ----	4.108	BEARING UNIT - Crankshaft rear -----	0.106
BALL - Valve rocker arm -----	0.429	BEARING UNIT - Crankshaft rear inter. --	0.103
BALL - Wiper motor -----	10.150	BELT - Camshaft -----	0.727
BALL JOINT - Control arm -----	6.168	BELT - Fan and generator -----	1.066
BAND - Transmission brake -----	4.251	BELT - Front seat -----	14.798
		BELT - Rear seat -----	15.040
		BLADE - Fan -----	1.064

HOLDEN "LC" PARTS CATALOGUE

BLADE - Windshield wiper -----	10.146	BOLT - Generator rectifier -----	2.289
BLEEDER - Carb. high speed -----	3.751	BOLT - Generator terminal shroud -----	2.313
BLEEDER - Carb, idle air -----	3.744	BOLT - Generator through -----	2.316
BLOCK - Carburettor emulsion -----	3.752	BOLT - Hand brake cable hook -----	4.826
BLOCK - Cylinder -----	0.033	BOLT - Hexagon head -----	8.900
BODY ASSEMBLY -----	10.001	BOLT - Hood bumper -----	8.024
BODY - Back-up lamp harness terminal ----	2.697	BOLT - Hood lock -----	8.075
BODY - Body wiring terminal -----	13.090	BOLT - Manifold -----	3.275
BODY - Brake main cylinder -----	4.650	BOLT - Oil pump to cylinder block ----	1.652
BODY - Carburettor economy device ----	3.806	BOLT - Oval head -----	8.909
BODY - Carburettor main -----	3.748	BOLT - Pan head -----	8.910
BODY - Carburettor throttle -----	3.727	BOLT - Rear axle housing -----	5.387
BODY - Connector -----	9.779	BOLT - Rear axle suspension -----	5.382
BODY - Courtesy light switch -----	11.950	BOLT - Rear spring -----	7.552
BODY - Fuel pump -----	3.902	BOLT - Ring gear -----	5.531
BODY - Handbrake warning lamp switch ---	4.610	BOLT - Rocker outer panel moulding ---	8.304
BODY - Main wiring harness terminal ----	2.555	BOLT - Round head -----	8.906
BODY - Oil pump -----	1.653	BOLT - Spare wheel -----	7.632
BODY - Parking & turn signal lamp ----	2.586	BOLT - Starter motor attaching -----	2.041
BODY - Parking & turn signal lamp terminal	2.596	BOLT - Starter motor through -----	2.077
BODY - Rear compartment lamp switch ---	11.960	BOLT - Steering gear to crossmember ---	6.509
BODY - Shell -----	10.002	BOLT - Transmission converter -----	4.156
BODY - Timing chain tensioner -----	0.726	BOLT - Transmission cover -----	4.105
BODY - Transmission governor support ---	4.256	BOLT - Trans, extension housing -----	4.317
BODY - Transmission governor valve ----	4.256	BOLT - Truss head -----	8.913
BODY - Transmission oil control valve ---	4.265	BOLT - Upper control arm -----	6.164
BODY - Transmission valve -----	4.265	BOLT - Valve push rod cover -----	0.449
BODY - Water pump -----	1.073	BOLT - Wheel hub -----	5.812
BODY - Wheel brake cylinder -----	4.665	BOLT - Wiper motor through -----	10.150
BODY & GEAR PACKAGE - Trans, oil pump	4.226	BOOSTER - Brake vacuum servo -----	4.902
BOLT - Aux. driving lamp -----	9.648	BOOT - Brake booster plunger -----	4.907
BOLT - Back-up lamp switch -----	2.697	BOOT - Brake main cylinder push rod ---	4.659
BOLT - Battery mounting -----	2.333	BOOT - Front suspension ball joint ----	6.168
BOLT - Brake backing plate -----	5.002	BOOT - Gearshift lever -----	4.015
BOLT - Brake disc to hub -----	6.307	BOOT - Hand brake cable -----	4.828
BOLT - Brake drum to axle shaft -----	5.420	BOOT - Spark plug -----	2.258
BOLT - Brake drum to hub -----	6.307	BOOT - Starter motor pinion -----	0.686
BOLT - Bumper bar attaching -----	7.836	BOOT - Steering tie rod -----	6.255
BOLT - Bumper bar face -----	7.852	BOOT - Steering tie rod ball -----	6.233
BOLT - Caliper to knuckle -----	5.010	BOOT - Wheel brake cylinder -----	4.670
BOLT - Camshaft housing -----	0.386	BOW - Roof -----	12.952
BOLT - Camshaft thrust plate -----	0.533	BOWL - Fuel pump -----	3.903
BOLT - Clutch to flywheel -----	0.870	BOX - Generator brush -----	2.291
BOLT - Connecting rod -----	0.623	BRACE - Clutch lever -----	0.852
BOLT - Cover to convertor housing -----	0.679	BRACE - Generator -----	2.317
BOLT - Crankcase front cover -----	0.206	BRACE - Instrument panel to dash -----	6.761
BOLT - Crankshaft bearing cap -----	0.056	BRACE - Package tray to wheelhouse ---	12.971
BOLT - Cylinder head -----	0.293	BRACE - Rear shock absorber -----	12.984
BOLT - Differential bearing cap -----	5.506	BRACE - Transmission -----	4.081
BOLT - Differential carrier to housing ---	5.387	BRACE - Transmission support -----	4.081
BOLT - Differential case -----	5.510	BRACE - Wheelhouse to rear comp. hinge	
BOLT - Differential pinion flange -----	5.546	bracket -----	12.971
BOLT - Distributor clamp -----	2.414	BRACE - Inlet manifold -----	3.273
BOLT - Fillister head -----	8.907	BRACKET - Accelerator relay shaft support	3.430
BOLT - Flat head -----	8.908	BRACKET - Accelerator return spring ---	3.459
BOLT - Flywheel to crankshaft -----	0.669	BRACKET - Automatic choke heat pipe	
BOLT - Front cross member -----	6.008	support -----	3.720
BOLT - Front propeller shaft housing ----	4.317	BRACKET - Aux. driving lamp -----	9.648
BOLT - Front seat side arm to cushion ---	11.377	BRACKET - Brake booster mounting ----	4.901
BOLT - Front seat to underbody -----	11.561	BRACKET - Brake hose -----	4.681
BOLT - Front shock absorber -----	7.370	BRACKET - Brake pedal -----	4.627
BOLT - Fuel pump to cylinder block ----	3.900	BRACKET - Bumper bar -----	7.836
BOLT - Gearshift control bracket -----	4.019	BRACKET - Carburettor choke cable ----	3.795
BOLT - Gearshift selector lever pivot ---	4.022	BRACKET - Clutch fork return spring ---	0.846
BOLT - Generator brush plate -----	2.291	BRACKET - Clutch lever brace -----	0.852

HOLDEN "LC" PARTS CATALOGUE

BRACKET - Clutch relay to frame -----	0.852	BULB - Turn signal indicator -----	2.893
BRACKET - Crankcase cover -----	0.206	BUMPER - Brake pedal -----	4.625
BRACKET - Dash pot -----	3.733	BUMPER - Clutch pedal -----	0.830
BRACKET - Deck lid hinge -----	12.184	BUMPER - Control arm -----	6.176
BRACKET - Engine mounting -----	0.027	BUMPER - Deck lid -----	12.212
BRACKET - Front door check link pivot ---	10.608	BUMPER - Front door glass -----	10.716
BRACKET - Front door glass -----	10.716	BUMPER - Front license plate -----	7.796
BRACKET - Front seat adjuster wire support -	11.589	BUMPER - Hood -----	8.024
BRACKET - Front seat lock shaft mounting -	11.377	BUMPER - Inst. panel compartment lid ---	10.263
BRACKET - Front shock absorber -----	7.370	BUMPER - Rear axle -----	7.535
BRACKET - Fuse panel mounting -----	2.481	BUMPER - Rear door glass -----	10.743
BRACKET - Gearshift control -----	4.019	BUMPER - Rear license plate mounting ---	2.670
BRACKET - Gearshift 2nd & 3rd shift cross shaft -----	4.019	BUMPER - Sill panel sealing -----	12.934
BRACKET - Generator mounting -----	2.277	BUSHING - Accelerator pull rod -----	3.430
BRACKET - Hand brake cable anchor ----	4.829	BUSHING - Brake adjuster -----	5.103
BRACKET - Hand brake intermediate lever mounting -----	4.797	BUSHING - Brake booster relay shaft ----	4.628
BRACKET - Hand brake intermediate spring anchor -----	4.792	BUSHING - Brake pedal -----	4.626
BRACKET - Hand brake warning lamp switch mounting -----	4.610	BUSHING - Carb. damper -----	3.803
BRACKET - Hood lock -----	8.075	BUSHING - Carb. orifice jet -----	3.805
BRACKET - Hood lock support rail -----	1.270	BUSHING - Clutch housing -----	0.683
BRACKET - Muffler -----	3.704	BUSHING - Converter housing -----	0.683
BRACKET - Power plant lifting -----	0.027	BUSHING - Distributor housing -----	2.362
BRACKET - Power plant mounting -----	6.008	BUSHING - Front propeller shaft housing --	4.317
BRACKET - Quarter window -----	10.998	BUSHING - Front shock absorber -----	7.370
BRACKET - Radiator grille -----	1.266	BUSHING - Front suspension brace -----	6.008
BRACKET - Radiator grille name plate ----	1.265	BUSHING - Gearshift control shaft -----	4.019
BRACKET - Radiator mounting -----	1.270	BUSHING - Gearshift lever carrier shaft ---	4.019
BRACKET - Radiator side support -----	1.270	BUSHING - Instrument panel compartment lid -----	10.264
BRACKET - Rear axle suspension -----	5.382	BUSHING - Lighting switch -----	2.487
BRACKET - Rear compartment lamp switch -	11.960	BUSHING - Low sun gear -----	4.177
BRACKET - Rear door bumper -----	10.743	BUSHING - Lower control arm -----	6.170
BRACKET - Rear spring mounting -----	12.982	BUSHING - Rear axle suspension -----	5.382
BRACKET - Spare wheel -----	7.629	BUSHING - Rear shock absorber -----	7.370
BRACKET - Spark plug cable -----	0.386	BUSHING - Rear spring -----	7.524
BRACKET - Steering column support ----	6.760	BUSHING - Reverse idler gear -----	4.433
BRACKET - Steering gear -----	6.008	BUSHING - Starter motor comm. end ---	2.083
BRACKET - Switch earth & panel support --	9.743	BUSHING - Starter motor drive end -----	2.083
BRACKET - Throttle linkage -----	3.430	BUSHING - Starter motor pinion -----	2.087
BRACKET - Transmission mounting -----	4.081	BUSHING - Starter motor term. insulating -	2.077
BRACKET - Transmission parking brake ---	4.290	BUSHING - Throttle linkage trunnion ----	3.430
BRACKET - Trans. T. V. cable anchor ---	4.040	BUSHING - Transmission case -----	4.103
BRACKET - Wiper frame support -----	10.150	BUSHING - Transmission clutch -----	4.158
BRACKET & BUSH - Clutch relay -----	0.852	BUSHING - Transmission clutch drum ---	4.158
BRACKET & SCREW - Ignition coil -----	2.170	BUSHING - Trans. control lever to support -	4.019
BRACKET & SHAFT - Clutch pedal -----	0.833	BUSHING - Trans. extension housing ----	4.317
BRAKE - Power -----	4.902	BUSHING - Trans. governor support body --	4.256
BREATHER - Crankcase ventilator -----	1.762	BUSHING - Trans. oil pump body -----	4.226
BREATHER - Rear axle -----	5.387	BUSHING - Trans. planet output shaft ---	4.177
BREATHER - Transmission -----	4.104	BUSHING - Trans. rear bearing housing ---	4.317
BRIDGE - Accelerator pedal -----	3.451	BUSHING - Transmission rear housing ----	4.317
BRIDGE - Air cleaner -----	3.403	BUSHING - Trans. reverse striking lever --	4.307
BRUSH - Distributor cap -----	2.370	BUSHING - Upper control arm -----	6.164
BRUSH PLATE - Generator -----	2.291	BUTTON & EMBLEM - Horn actuating ----	2.820
BRUSH SET - Generator -----	2.285	CABLE - Air control -----	9.779
BRUSH SET - Starter motor -----	2.051	CABLE - Battery ground -----	2.341
BUFFER - Starter motor pinion -----	2.087	CABLE - Clutch control -----	0.787
BULB -----	8.991	CABLE - Demist control -----	9.779
BULB - Dome lamp -----	11.925	CABLE - Engine ground -----	2.348
BULB - Parking & turn signal lamp ----	2.585	CABLE - Gearshift reverse baulk release --	4.006
BULB - Rear license lamp -----	2.714	CABLE - Hand brake -----	4.826
BULB - Tail, stop & turn signal lamp ----	2.679	CABLE - Heat control -----	9.779
		CABLE - Hood lock -----	8.075
		CABLE - Starter -----	2.342
		CABLE - Transmission T. V. detent -----	4.040

HOLDEN "LC" PARTS CATALOGUE

CABLE & CASING - Speedometer -----	4.342	CIRCLIP - Speedometer driving gear -----	4.334
CABLE KIT - Speedometer -----	4.342	CIRCLIP - Steering shaft upper -----	6.524
CALIPER - Brake -----	5.010	CIRCLIP - Steering tie rod ball boot -----	6.233
CAM - Carburettor choke -----	3.791	CIRCLIP - Trans. control lever pin -----	4.019
CAM - Carburettor fast idle -----	3.735	CIRCLIP - Transmission selector shaft -----	4.301
CAM - Distributor -----	2.381	CLAMP - Adaptor to carburettor -----	3.403
CAM - Transmission detent -----	4.311	CLAMP - Air cleaner -----	3.403
CAM - Trans. first and second speed -----	4.308	CLAMP - Ball joint seal -----	6.168
CAMSHAFT -----	0.519	CLAMP - Brake vacuum servo hose -----	4.931
CAP - Brake main cylinder filler -----	4.650	CLAMP - Camshaft cover hose -----	1.762
CAP - Carburettor ventilation -----	3.725	CLAMP - Distributor -----	2.414
CAP - Crankshaft centre bearing -----	0.100	CLAMP - Engine breather hose -----	1.762
CAP - Crankshaft front bearing -----	0.095	CLAMP - Exhaust pipe -----	3.616
CAP - Crankshaft front intermediate ----	0.098	CLAMP - Gearshift 1st & reverse shift rod --	4.020
CAP - Crankshaft rear bearing -----	0.105	CLAMP - Gearshift 2nd & 3rd shift rod -----	4.019
CAP - Crankshaft rear intermediate bearing	0.102	CLAMP - Hose -----	8.948
CAP - Dash pot stem -----	3.733	CLAMP - Muffler support -----	3.704
CAP - Distributor -----	2.367	CLAMP - Manifold -----	3.273
CAP - Door lock case -----	10.550	CLAMP - Oil pump suction pipe -----	1.742
CAP - Door pull-to strap -----	10.511	CLAMP - Radiator hose -----	1.166
CAP - Engine mounting restrictor -----	0.027	CLAMP - Spare wheel -----	7.629
CAP - Front door trim clip -----	14.685	CLAMP - Transmission shifter rod -----	4.035
CAP - Fuel tank filler -----	3.028	CLAMP - Wiper motor cable -----	10.150
CAP - Fuel tank filler locking -----	3.028	CLIP - Accelerator pull rod -----	3.430
CAP - Gearshift lever -----	4.015	CLIP - Air cleaner cover -----	3.410
CAP - Oil filler -----	1.516	CLIP - Ash tray retaining -----	12.030
CAP - Radiator pressure -----	1.203	CLIP - Body wiring -----	13.092
CAP - Starter motor armature bearing ----	2.063	CLIP - Brake pad retaining pin -----	5.020
CAP - Timing chain tensioner -----	0.726	CLIP - Brake pipe -----	4.685
CAP - Transmission brake anchor screw --	4.251	CLIP - Brake vacuum servo hose -----	4.931
CAP - Valve spring -----	0.309	CLIP - Cable ventilator control -----	9.787
CAP - Wheel hub -----	5.858	CLIP - Camshaft cover hose -----	1.762
CARBURETTOR ASSEMBLY -----	3.725	CLIP - Carb. choke cable -----	3.795
CARPET - Front floor -----	15.286	CLIP - Carb. fast idle rod -----	3.793
CARPET - Rear floor -----	15.306	CLIP - Carb. pump link spring -----	3.783
CARRIER - Parking & turn signal lamp lead	2.596	CLIP - Carb. pump strainer screen -----	3.787
CARRIER & CAP - Differential -----	5.505	CLIP - Carb. valve lifting pin spring -----	3.808
CASE - Door lock -----	10.550	CLIP - Clutch cable -----	0.787
CASE - Differential -----	5.510	CLIP - Clutch lever brace to bracket ----	0.852
CASE - Transmission -----	4.103	CLIP - Clutch over-centre spring shaft ----	0.847
CASING - Speedometer cable -----	4.342	CLIP - Clutch rod to relay lever -----	0.852
CATCH - Hood safety -----	8.036	CLIP - Distributor vacuum control rod ----	2.410
CHAIN - Camshaft timing -----	0.727	CLIP - Door belt sealing strip -----	10.712
CHAMBER - Air cleaner -----	3.407	CLIP - Door inside locking rod -----	10.563
CHAMBER - Carb. float -----	3.800	CLIP - Door lock remote control rod -----	10.506
CHANNEL - Door glass run -----	10.701	CLIP - Door lock spring -----	10.550
CHANNEL - Front door glass division ----	10.686	CLIP - Door outside handle -----	10.529
CHANNEL - Front door glass run -----	10.686	CLIP - Front door belt moulding -----	12.112
CHANNEL - Front door glass support ----	10.685	CLIP - Front seat back spring -----	11.374
CHANNEL - Front door ventilator weatherstrip	10.655	CLIP - Front seat cushion spring -----	11.420
CHANNEL - Rear door division -----	10.829	CLIP - Fuel pipe -----	3.202
CHANNEL - Rear door glass run -----	10.759	CLIP - Fuel pump rocker arm pin -----	3.921
CHANNEL - Rear door glass support ----	10.747	CLIP - Gearshift control lever -----	4.019
CHANNEL - Rear window glass -----	11.207	CLIP - Hand brake cable -----	4.826
CHANNEL - Windshield glass -----	10.092	CLIP - Hand brake lever retainer -----	5.158
CIRCLIP - Ball joint -----	6.168	CLIP - Heater control cable -----	9.779
CIRCLIP - Brake main cylinder lock ----	4.656	CLIP - Inlet manifold water hose -----	3.260
CIRCLIP - Carburettor check ball -----	3.760	CLIP - Main wiring harness -----	2.555
CIRCLIP - Carburettor choke shaft -----	3.791	CLIP - Oil indicator tube -----	1.516
CIRCLIP - Carb. fast idle cam swivel ----	3.793	CLIP - Pipe or cable -----	8.950
CIRCLIP - Carb. pump control rod -----	3.783	CLIP - Rear door belt moulding -----	12.114
CIRCLIP - Distributor cam retainer -----	2.381	CLIP - Rear door inside locking -----	10.556
CIRCLIP - Fuel pump rocker arm pin ----	3.921	CLIP - Rear quarter moulding -----	12.116
CIRCLIP - Gearshift control lever -----	4.019	CLIP - Rear quarter trim -----	15.100
		CLIP - Rear seat back spring -----	11.629

HOLDEN "LC" PARTS CATALOGUE

CLIP - Rear seat cushion spring -----	11.611	COVER - Clutch & transmission case -----	0.679
CLIP - Rocker outer panel moulding ----	8.304	COVER - Clutch fork slot -----	0.686
CLIP - Spark control pipe to fuel pipe ----	2.424	COVER - Converter housing -----	0.679
CLIP - Speedometer cable -----	4.342	COVER - Crankcase front end -----	0.206
CLIP - Speedometer cable casing -----	4.342	COVER - Dash panel opening -----	12.803
CLIP - Speedometer drive gear -----	4.338	COVER - Front seat back -----	14.800
CLIP - Steering tie rod boot -----	6.255	COVER - Front seat cushion -----	14.880
CLIP - Throttle linkage -----	3.430	COVER - Front wheel bearing -----	5.858
CLIP - Transmission control housing moulding	15.290	COVER - Fuel pump -----	3.910
CLIP - Transmission modulator pipe ----	4.205	COVER - Fuel pump filter -----	3.903
CLIP - Trans. oil cooler pipe -----	4.128	COVER - Gearshift control -----	4.015
CLIP - Turn signal flasher -----	2.892	COVER - Gearshift lever boot -----	4.015
CLIP - Wheel brake cylinder spring ----	4.670	COVER - Gearshift lever bracket -----	4.015
CLIP - Windshield washer -----	8.798	COVER - Gearshift lever housing -----	4.022
CLIP - Wiper link retainer -----	10.160	COVER - Generator slip ring end plate housing	2.297
CLIP and TERMINAL - Fuse holder -----	2.481	COVER - Head restraint -----	14.924
CLEVIS - Brake main cylinder rod -----	4.662	COVER - Hood lock -----	8.075
CLEVIS - Clutch cable -----	0.787	COVER - Oil pump -----	1.723
CLEVIS - Handbrake cable -----	4.826	COVER - Rear axle housing -----	5.398
CLEVIS - Handbrake equaliser -----	4.765	COVER - Rear seat back -----	15.000
CLUTCH - Transmission -----	4.158	COVER - Rear seat cushion -----	15.035
COCK - Cylinder block drain -----	0.033	COVER - Roof vinyl -----	12.810
COIL - Ignition -----	2.170	COVER - Starter motor commutator	
COIL SET - Starter motor field -----	2.049	end -----	2.070
COLLAR - Starter motor drive end -----	2.096	COVER - Starter motor solenoid switch ---	2.102
COLLAR - Starter motor pinion bearing ---	2.087	COVER - Steering column jacket -----	6.518
COLLAR - Transmission selector shaft ----	4.095	COVER - Steering column lower -----	6.518
COLLAR - Valve stem -----	0.310	COVER - Steering column to dash -----	6.758
COLUMN - Steering -----	6.508	COVER - Stg. column gearshift upper ---	6.518
COMPARTMENT - Instrument panel ----	10.260	COVER - Stg. gear housing end -----	6.807
CONDENSER - Distributor -----	2.393	COVER - Transmission -----	4.105
CONE - Differential side bearing -----	5.536	COVER - Transmission oil pump -----	4.226
CONE - Pinion front bearing -----	5.447	COVER - Trans. selector fork -----	4.313
CONE - Pinion rear bearing -----	5.484	COVER - Transmission selector shaft ----	4.313
CONE - Synchronizing -----	4.383	COVER - Transmission servo -----	4.212
CONNECTOR - Brake pipe -----	4.686	COVER - Valve push rod -----	0.439
CONNECTOR - Brake pressure warning ----	4.686	COVER - Valve rocker -----	0.386
CONNECTOR - Brake vacuum hose -----	4.931	COVER - Wheel brake cylinder dust -----	4.674
CONNECTOR - Carburettor choke hose ---	3.720	COVER - Wiper motor gear and cross	
CONNECTOR - Fuel hose to fuel pump ---	3.163	shaft -----	10.150
CONNECTOR - Pipe -----	8.963	COVER & LEVER - Carburettor pump ----	3.782
CONNECTOR - Spark control pipe -----	2.424	COVER & PRESSURE PLATE - Clutch -----	0.861
CONNECTOR - Water pump body -----	1.073	CRANK SHAFT ASSEMBLY -----	0.646
CONTACT SET - Distributor -----	2.384	CROSSMEMBER - Underbody rear seat ---	12.982
CONTROL - Choke -----	3.521	CUP - Differential side bearing -----	5.536
CONTROL - Door lock remote -----	10.500	CUP - Pinion front bearing -----	5.447
CONTROL - Vent and heater -----	9.779	CUP - Pinion rear bearing -----	5.484
CONTROL - Ventilator -----	9.787	CUP - Wheel brake cylinder -----	4.667
CONVERTER - Transmission -----	4.156	CUSHION - Rear seat -----	15.033
COOLER - Transmission oil -----	1.219	CYLINDER - Brake main -----	4.650
CORE - Radiator -----	1.219	CYLINDER - Ignition switch -----	2.188
CORRECTOR - Inlet manifold -----	3.265	CYLINDER - Wheel brake -----	4.665
COUPLING - Flexible -----	6.524	DAMPER - Carburettor -----	3.803
COUPLING - Gearshift lever -----	4.018	DAMPER - Crankshaft -----	0.659
COUPLING - Trans. selector -----	4.301	DAMPER - Generator rectifier -----	2.289
COVER - Air cleaner -----	3.410	DASH POT - Carburettor -----	3.733
COVER - Brake adjusting hole -----	5.188	DEADENER - Floor sound -----	15.492
COVER - Brake booster dust -----	4.908	DEFLECTOR - Front door ventilator water	10.670
COVER - Brake main cylinder -----	4.651	DEFLECTOR - Mud -----	9.620
COVER - Camshaft -----	0.386	DEFLECTOR - Dash panel water -----	12.803
COVER - Carb. economy device -----	3.806	DEVICE ASSY. - Carburettor economy --	3.806
COVER - Carburettor float chamber ----	3.763	DIAPHRAGM - Brake main cylinder cover	4.651
COVER - Carburettor suction chamber ----	3.804	DIAPHRAGM - Carburettor air valve ----	3.807
COVER - Carburettor thermostat -----	3.796	DIAPHRAGM - Carburettor choke kick --	3.779
COVER - Carburettor thermostat heat mass	3.796	DIAPHRAGM - Carb. economy device --	3.806

HOLDEN "LC" PARTS CATALOGUE

DIAPHRAGM - Carburettor pump -----	3,778	FLUID - Windshield washer -----	8,800
DIAPHRAGM - Fuel pump -----	3,925	FLUID - Brake -----	8,800
DIFFERENTIAL & CARRIER ASSEMBLY ---	5,504	FLY WHEEL & RING GEAR -----	0,666
DIODE - Generator -----	2,287	FORK - Clutch -----	0,795
DISC - Front brake -----	5,809	FORK - Transmission selector -----	4,300
DISTANCE PIECE - Starter motor to converter housing -----	0,683	FORK - Transmission shifter -----	4,303
DISTRIBUTOR ASSEMBLY -----	2,361	FORK - Transmission shifter shaft 1st & reverse	4,304
DOOR ASSEMBLY - Front -----	10,351	FORK - Trans. shifter shaft 2nd & 3rd ----	4,303
DOOR ASSEMBLY - Rear -----	10,373	FRAME - Rear quarter window -----	11,006
DOWEL - Camshaft gear -----	0,730	FRAME - Rear window -----	11,200
DOWEL - Clutch housing -----	0,683	FRAME - Starter motor commutator end -----	2,067
DOWEL - Cylinder block oil feed hole ---	0,034	FRAME - Wiper mounting -----	10,150
DOWEL - Cylinder head -----	0,269	FRONT SUSPENSION ASSEMBLY -----	6,007
DOWEL - Flywheel to crankshaft -----	0,669	FULCRUM - Trans. selector lever -----	4,020
DOWEL - Transmission cover -----	4,105	FUSE -----	2,481
DRIVE - Starter motor -----	2,086	FUSE -----	8,965
DRUM - Brake -----	5,809	GAITER - Handbrake lever -----	4,608
DRUM - Transmission clutch -----	4,158	GASKET - Air chamber to carburettor ---	3,407
DRUM & INPUT SHAFT - Trans. clutch ---	4,153	GASKET - Air cleaner to carburettor ---	3,403
DUCT - Heater air inlet -----	9,779	GASKET - Axle housing to diff. -----	5,508
DUCT - Heater demist -----	9,779	GASKET - Back-up lamp switch -----	2,697
DUCT - Heater distribution -----	9,779	GASKET - Brake main cylinder filler cap -	4,651
ELBOW - Brake vacuum hose -----	4,931	GASKET - Brake pedal support to dash panel	4,627
ELBOW - Pipe -----	8,963	GASKET - Camshaft housing cover -----	0,423
ELEMENT - Air cleaner -----	3,410	GASKET - Carburettor air horn -----	3,765
ELEMENT - Camshaft breather -----	0,386	GASKET - Carb. flange -----	3,726
ELEMENT - Oil filter -----	1,835	GASKET - Carb. float chamber -----	3,749
EMBLEM - Radiator grille -----	1,265	GASKET - Carb. float chamber cover ---	3,765
END - Ventilator control wire -----	9,787	GASKET - Carb. float needle valve seat --	3,772
EQUALISER - Hand brake cable -----	4,764	GASKET - Carb. economy device body ---	3,806
ESCUTCHEON - Aux. driving lamp -----	9,648	GASKET - Carb. main body -----	3,749
ESCUTCHEON - Heater & ventilator -----	9,787	GASKET - Carb. metering jet plug -----	3,756
ESCUTCHEON - Rear window glass -----	11,208	GASKET - Carb. pump nozzle -----	3,758
ESCUTCHEON - Windshield channel -----	10,093	GASKET - Carb. power by-pass jet -----	3,757
EXCLUDER - Wheel brake cylinder bleeder valve dust -----	4,666	GASKET - Carb. pump by-pass jet -----	3,757
EXTENSION - Front fender -----	8,130	GASKET - Carb. pump check valve plug --	3,784
EXTENSION - Radiator panel -----	1,270	GASKET - Carb. thermostat cover -----	3,796
EXTENSION - Underbody cross member ---	12,982	GASKET - Carburettor thermostat housing -	3,796
FACING - Clutch disc -----	0,885	GASKET - Clutch bearing guide -----	0,805
FAN - Generator -----	2,274	GASKET - Clutch gear bearing retainer --	4,358
FASTENER - Door weatherstrip -----	10,695	GASKET - Clutch pedal bracket & shaft --	0,833
FASTENER - Front fender seal drive -----	8,154	GASKET - Crankcase front end cover ----	0,207
FASTENER - Hood landing -----	9,127	GASKET - Cylinder head -----	0,289
FASTENER - Quarter window -----	10,998	GASKET - Deck lid lock cylinder -----	12,248
FASTENER - Rear seat package tray trim --	15,024	GASKET - Deck lid lock cylinder retainer -	12,242
FELT - Distributor housing -----	2,362	GASKET - Distributor housing -----	2,362
FENDER - Front -----	8,130	GASKET - Door lock cylinder -----	10,550
FIELD & HOUSING - Wiper motor -----	10,150	GASKET - Door outside handle -----	10,538
FILLER - Door window channel -----	10,696	GASKET - Exhaust manifold -----	3,270
FILLER - Front wheelhouse -----	8,153	GASKET - Fuel pump bowl -----	3,904
FILLER - Rear quarter window frame -----	11,007	GASKET - Fuel pump flange -----	3,932
FILTER - Carb. pilot jet -----	3,752	GASKET - Fuel pump valve -----	3,913
FILTER - Oil -----	1,835	GASKET - Fuel tank filler pipe -----	3,008
FITTING - Ball joint lubrication -----	6,168	GASKET - Fuel pump filter cover -----	3,904
FITTING - Lubrication -----	8,984	GASKET - Gearshift lever housing cover --	4,023
FITTINGS - Tube and pipe -----	8,963	GASKET - Inlet manifold -----	3,270
FLANGE - Differential pinion -----	5,545	GASKET - Mirror support -----	10,187
FLANGE - Exhaust pipe packing -----	3,610	GASKET - Oil filler cap -----	1,517
FLANGE - Universal joint -----	5,555	GASKET - Oil filter cover -----	1,837
FLANGE - Water pump and fan pulley ----	1,063	GASKET - Oil pan -----	1,429
FLAP - Ventilator control -----	9,786	GASKET - Oil pan drain plug -----	1,453
FLASHER - Turn signal -----	2,892	GASKET - Oil pressure regulator plug ---	1,611
FLOAT - Carburettor -----	3,773	GASKET - Oil pump cover -----	1,724

HOLDEN "LC" PARTS CATALOGUE

GASKET - Oil pump to block -----	1.654	GEAR PACKAGE - Distributor -----	2.374
GASKET - Parking & turn signal lamp lens	2.590	GEAR SET - Differential -----	5.527
GASKET - Rear axle housing cover -----	5.399	GEAR SET - Oil pump -----	1.659
GASKET - Rear axle housing drain plug --	5.400	GEAR SET PACKAGE - Transmission planet	4.177
GASKET - Rear axle housing filler plug --	5.400	GENERATOR ASSEMBLY -----	2.275
GASKET - Rear axle retainer plate -----	5.816	GLASS - Front door rear -----	10.681
GASKET - Rear brake oil deflector -----	5.819	GLASS - Front door ventilator -----	10.658
GASKET - Spark plug -----	2.270	GLASS - Rear door fixed -----	10.827
GASKET - Speedometer driven gear housing	4.337	GLASS - Rear door sliding -----	10.741
GASKET - Starter motor solenoid switch --	2.102	GLASS - Rear window -----	11.204
GASKET - Tail, stop & turn signal lamp lens	2.684	GLASS - Rear quarter window -----	11.011
GASKET - Thermostat housing -----	1.252	GLASS - Windshield -----	10.027
GASKET - Timing chain tensioner body ---	0.726	GOVERNOR - Transmission -----	4.256
GASKET - Trans. control lever support --	4.015	GREASE - Main cylinder -----	8.800
GASKET - Transmission cover -----	4.109	GRILLE - Radiator -----	1.266
GASKET - Transmission extension housing -	4.318	GROMMET -----	8.956
GASKET - Transmission filler plug -----	4.103	GROMMET - Back-up lamp harness ----	2.697
GASKET - Transmission governor -----	4.256	GROMMET - Body wiring -----	13.092
GASKET - Transmission governor support body	4.256	GROMMET - Brake booster push rod ----	4.908
GASKET - Transmission modulator -----	4.265	GROMMET - Choke control -----	3.521
GASKET - Trans. oil pan -----	4.196	GROMMET - Fuel pipe to underbody ----	3.158
GASKET - Transmission oil pan drain screw	4.195	GROMMET - Fuel tank vent pipe -----	3.003
GASKET - Trans. oil pump -----	4.226	GROMMET - Gearshift cover -----	4.015
GASKET - Trans. oil pump suction screen -	4.223	GROMMET - Gearshift lever -----	4.015
GASKET - Trans. oil pump to converter -	4.227	GROMMET - Parking & turn signal lamp lead	2.596
GASKET - Trans. rear bearing housing ---	4.318	GROMMET - Rear license lamp bracket --	2.705
GASKET - Transmission rear housing ----	4.317	GROMMET - Speedometer cable -----	4.342
GASKET - Trans. servo cover -----	4.212	GROMMET - Speedometer cable casing --	4.342
GASKET - Trans. to clutch housing ----	4.004	GROMMET - Starter motor cable outlet --	2.101
GASKET - Transmission transfer plate ---	4.265	GROMMET - Valve cover to block vent --	1.745
GASKET - Trans. upper valve body plate -	4.265	GROMMET - Windshield washer -----	8.798
GASKET - Trans. vacuum modulator ----	4.265	GUARD - Bumper bar -----	9.624
GASKET - Trans. valve transfer plate ---	4.265	GUARD - Front seat adjuster -----	14.860
GASKET - Valve push rod cover -----	0.443	GUARD - Fuel pipe -----	3.158
GASKET - Valve rocker cover -----	0.423	GUARD - Fuel tank vent pipe -----	3.003
GASKET - Water outlet -----	1.154	GUARD - Headlamp -----	9.632
GASKET - Water pump to engine -----	1.079	GUIDE - Clutch bearing -----	0.804
GASKET - Wheel brake cylinder -----	4.665	GUIDE - Front seat head restraint -----	11.376
GASKET - Wiper motor gear & cross shaft cover -----	10.150	GUIDE - Speedometer driven gear -----	4.337
GASKET SET - Cylinder head -----	0.289	GUIDE - Trans. lock & range selector ---	4.279
GASKET SET - Engine overhaul -----	0.001	GUSSET - Battery mounting support ----	2.333
GASKET SET - Manifold -----	3.270	GUTTER - Roof drip -----	12.811
GASKET SET - Oil pan -----	1.429	HANDLE - Door outside -----	10.527
GASKET SET - Transmission -----	4.005	HANDLE - Door remote control -----	10.512
GATE - Trans. control selector -----	4.016	HANDLE - Door window regulator -----	10.797
GAUGE - Fuel tank unit -----	3.107	HANDLE - Front door ventilator locking -	10.664
GEAR - Camshaft -----	0.736	HANDLE - Lifting jack -----	8.820
GEAR - Clutch -----	4.351	HANDLE and BRACKET - Handbrake ---	4.591
GEAR - Counter -----	4.421	HANDLE PACKAGE - Door pull-to -----	9.640
GEAR - Crankshaft -----	0.728	HANGER - Rear suspension arm -----	12.982
GEAR - Differential side -----	5.528	HARNESS - Back-up lamp -----	2.697
GEAR - First & second speed sliding ----	4.417	HARNESS - Body wiring -----	13.090
GEAR - Flywheel ring -----	0.673	HARNESS - Heater -----	9.779
GEAR - Low sun clutch -----	4.158	HARNESS - Main wiring -----	2.555
GEAR - Mainshaft first speed -----	4.418	HARNESS - Rear license lamp -----	2.714
GEAR - Mainshaft reverse -----	4.418	HARNESS PACKAGE - Trailer wiring ----	9.644
GEAR - Mainshaft second speed -----	4.395	HEAD - Cylinder -----	0.269
GEAR - Reverse idler -----	4.430	HEADLINING ASSEMBLY -----	14.640
GEAR - Speedometer drive -----	4.337	HEAD RESTRAINT -----	14.796
GEAR - Speedometer driven -----	4.337	HEAD - Timing chain tensioner -----	0.726
GEAR - Steering -----	6.508	HEATER & DEMISTER ASSY. -----	9.750
GEAR - Third speed -----	4.415	HINGE - Deck lid -----	12.184
GEAR & HUB - Transmission synchronizing	4.380	HINGE - Front door -----	10.450
GEAR and PINION - Differential -----	5.529	HINGE - Hood -----	8.015

HOLDEN "LC" PARTS CATALOGUE

HINGE - Instrument panel compartment lid	10,262	INSULATOR - Front suspension control rod -	6,169
HINGE - Rear door lower	10,460	INSULATOR - Fuel pump heat	3,932
HINGE - Rear door upper	10,456	INSULATOR - Gearshift lever	4,015
HOLDER - Carburettor choke tube	3,795	INSULATOR - Gearshift 1st & reverse shift -	4,020
HOLDER - Starter motor brush	2,052	INSULATOR - Gearshift 2nd & 3rd shift	4,019
HOOK - Coat	14,651	INSULATOR - Instrument panel to dash	14,655
HOOK - Seat belt stowage	14,799	panel	14,655
HORN ASSEMBLY	2,810	INSULATOR - Muffler	3,704
HORN - High note	2,810	INSULATOR - Rear spring	7,545
HOSE - Air cleaner inlet	3,407	INSULATOR - Starter motor	2,049
HOSE - Automatic choke heat	3,720	INSULATOR - Transmission shifter rod	4,035
HOSE - Brake	4,680	INSULATOR - Wiper motor mounting	10,152
HOSE - Brake vacuum servo	4,931	JACK - Lifting	8,820
HOSE - Camshaft cover	1,762	JET - Carburettor compensating	3,754
HOSE - Carburettor choke heat	3,720	JET - Carburettor economy device	3,806
HOSE - Carb, choke kick vacuum	3,799	JET - Carburettor main metering	3,754
HOSE - Carburettor to ventilator valve	1,762	JET - Carburettor orifice	3,754
HOSE - Engine breather	1,762	JET - Carburettor pilot	3,752
HOSE - Fuel line	3,163	JET - Carburettor power by-pass	3,757
HOSE - Fuel tank filler neck	3,003	JET - Carburettor pump	3,754
HOSE - Fuel tank vent	3,003	JET - Carburettor pump by-pass	3,757
HOSE - Heater	9,779	JET - Carburettor slow running	3,752
HOSE - Inlet manifold water	3,260	KEY - Generator rotor	2,279
HOSE - Radiator	1,159	KEY - Reverse idler gear	4,433
HOSE - Spark control	2,424	KEY - Speedometer driving gear	4,334
HOSE - Windshield washer	8,798	KEY - Synchronizing clutch	4,384
HOUSING - Camshaft	0,386	KEY - Transmission synchronizer	4,384
HOUSING - Clutch	0,683	KEY - Valve stem	0,310
HOUSING - Converter	0,683	KEY - Woodruff	8,960
HOUSING - Generator slip ring end plate	2,297	KIT - Brake adjuster	5,103
HOUSING RADIATOR & FAN - Heater	9,779	KIT - Brake adjuster	5,103
HOUSING - Rear axle	5,387	KIT - Brake caliper seal	4,667
HOUSING - Speedometer driven gear	4,337	KIT - Brake main cylinder repair	4,649
HOUSING - Starter motor drive	2,085	KIT - Brake vacuum booster repair	4,902
HOUSING - Steering gear	6,803	KIT - Camshaft gear	0,736
HOUSING - Steering tie rod ball	6,235	KIT - Carburettor gasket	3,724
HOUSING - Thermostat	1,251	KIT - Carburettor pump repair	3,783
HOUSING - Transmission control	15,290	KIT - Carburettor repair	3,725
HOUSING - Transmission extension	4,317	KIT - Control arm ball joint	6,168
HOUSING - Wiper motor gear and cross shaft	10,150	KIT - Control arm ball joint seal	6,168
HOUSING & LEVER - Carburettor thermostat	3,796	KIT - Cylinder block expansion plug	0,033
HUB - Steering wheel	6,513	KIT - Fuel pump diaphragm	3,925
HUB - Synchronizing	4,380	KIT - Fuel pump repair	3,901
HUB - Transmission clutch	4,158	KIT - Oil pump drive gear	1,643
HUB - Water pump and fan pulley	1,063	KIT - Speedometer cable	4,342
HUB and DISC - Front wheel	6,307	KIT - Timing chain tensioner	0,726
HUB and DRUM - Front wheel	6,307	KIT - Transmission gasket	4,005
INDICATOR - Oil level	1,516	KIT - Transmission oil seal ring	4,127
INDICATOR - Transmission oil level	4,133	KIT - Transmission seal	4,005
INHIBITOR - Radiator	8,800	KIT - Transmission oil seal ring	4,127
INJECTOR - Carburettor	3,757	KIT - Transmission repair	4,003
INSERT - Brake main cylinder tube	4,652	KIT - Universal joint repair	5,548
INSERT - Fuel tank filler cap	3,028	KIT - Water pump overhaul	1,071
INSERT - Gearshift lever	4,020	KIT - Wheel brake cylinder repair	4,665
INSERT - Radiator grille emblem	1,265	KNOB - Aux. driving lamp switch	9,648
INSERT - Rear window glass escutcheon	11,208	KNOB - Door inside locking rod	10,559
INSERT - Wheel brake cylinder	4,670	KNOB - Front seat adjuster	11,588
INSERT - Windshield channel	10,093	KNOB - Gearshift lever	4,009
INSTRUMENT - Combined	2,515	KNOB - Headlamp beam adjusting	2,737
INSULATOR - Carburettor heat	3,726	KNOB - Heater control	9,779
INSULATOR - Clutch control cable	0,787	KNOB - Heater fan switch	9,779
INSULATOR - Distributor contact	2,384	KNOB - Trans. shift control lever	4,009
INSULATOR - Front cross member	6,008	KNOB - Turn signal lamp switch lever	2,897
INSULATOR - Front spring	6,364	KNOB - Ventilator air control	9,787
		KNOB & HANDLE - Front seat lock	
		release	11,377

HOLDEN "LC" PARTS CATALOGUE

KNUCKLE - Steering -----	6.020	LID - Deck -----	12.181
LAMP - Hand brake warning -----	4.610	LID - Instrument panel compartment ----	10.261
LAMP - Parking and turn signal -----	2.585	LIFTER - Valve -----	0.459
LAMP - Rear compartment -----	11.960	LIGHTER - Cigarette -----	9.709
LAMP - Tail, stop and turn signal -----	2.679		
LAMP - Trans. control indicator panel ----	4.038	LINER SET - Cylinder block -----	0.034
LEAD - Aux. driving lamp -----	9.648	LINING SET - Brake -----	5.018
LEAD - Cigarette -----	9.709	LINK - Brake adjuster -----	5.105
LEAD - Courtesy light -----	11.950	LINK - Carburettor pump -----	3.783
LEAD - Distributor -----	2.400	LINK - Door check -----	10.606
LEAD - Horn -----	2.810	LINK - Fuel pump -----	3.931
LEAD ASSY. - Parking and turn signal lamp	2.596	LINK - Generator terminal shroud -----	2.313
LEAD ASSY. - Trans. neutral starting safety		LINK - Transmission manual valve lever --	4.265
switch -----	4.055	LINK - Wheel brake cylinder connecting --	4.675
LEAD - Wiper motor -----	10.150	LINK - Windshield wiper -----	10.159
LENS - Dome lamp -----	11.928		
LENS - Parking and turn signal lamp ----	2.589	LOCK - Deck lid -----	12.242
LENS - Tail, stop and turn signal lamp --	2.682	LOCK - Diff. side bearing adjusting nut --	5.539
LENS - Turn signal and back-up lamp ----	2.698	LOCK - Front door -----	10.470
LEVER - Accelerator relay extension ----	3.430	LOCK - Front seat arm safety -----	11.377
LEVER - Brake adjuster -----	5.103	LOCK - Gearshift -----	9.652
LEVER - Brake booster relay -----	4.628	LOCK - Hood -----	8.079
LEVER - Carburettor actuating torsion ----	3.732	LOCK - Instrument panel compartment lid	10.266
LEVER - Carburettor choke -----	3.791	LOCK - Rear door -----	10.473
LEVER - Carburettor fast idle -----	3.792	LOCK SERVICE PACKAGE - Deck lid ----	12.248
LEVER - Carburettor floating -----	3.792	MAGNET - Transmission chip collector ---	4.103
LEVER - Carburettor pump -----	3.780	MANIFOLD - Exhaust -----	3.601
LEVER - Carburettor pump internal -----	3.782	MANIFOLD - Inlet -----	3.265
LEVER - Carburettor thermostat -----	3.797	MANUAL - Owner -----	8.823
LEVER - Carburettor throttle -----	3.731	MANUAL - Workshop -----	8.823
LEVER - Carburettor throttle stop -----	3.792	MASK - Transmission control indicator bulb	4.038
LEVER - Fast idle cam & choke -----	3.735	MASS - Carburettor choke heat -----	3.796
LEVER - Gearshift control -----	4.006	MAT - Front floor -----	15.286
LEVER - Gearshift 1st and reverse shift --	4.020	MAT - Luggage compartment floor -----	15.294
LEVER - Gearshift 2nd and 3rd shift ----	4.019	MAT - Rear floor -----	15.306
LEVER - Gearshift intermediate -----	4.019	MEMBER - Front suspension cross -----	6.008
LEVER - Gearshift selector -----	4.020	MEMBER - Underbody longitudinal -----	12.982
LEVER - Hand brake -----	4.591	MIRROR - Fender mounting -----	10.185
LEVER - Hand brake actuating -----	5.149	MIRROR - Rear vision -----	10.185
LEVER - Hand brake intermediate -----	4.792		
LEVER - Hood lock -----	8.079	MIRROR - Sun visor vanity -----	10.220
LEVER - Hood lock release -----	8.075	MODULATOR - Transmission vacuum ----	4.265
LEVER - Rear door inside locking -----	10.556	MOTOR - Starter -----	2.041
LEVER - Starter motor shift -----	2.108	MOTOR - Windshield wiper -----	10.150
LEVER - Throttle linkage -----	3.430	MOULDING - Front door belt -----	12.112
LEVER - Transmission control -----	4.019	MOULDING - Generator brush box -----	2.291
LEVER - Transmission control -----	4.030	MOULDING - Rear door belt -----	12.114
LEVER - Transmission external control ----	4.041	MOULDING - Rear quarter -----	12.116
LEVER - Trans. first and second shifter ---	4.314	MOULDING - Rocker outer panel -----	8.304
LEVER - Trans. parking lock & range selector	4.279	MOULDING - Roof drip -----	12.075
LEVER - Transmission reverse shifter ----	4.316	MOULDING - Transmission control housing	15.290
LEVER - Transmission reverse speed ----	4.306	MOUNTING - Engine -----	0.027
LEVER - Transmission selector external ---	4.020	MOUNTING - Front suspension -----	6.008
LEVER - Transmission selector external ---	4.050	MOUNTING - Gearshift control lever ----	4.015
LEVER - Transmission shift external -----	4.046	MOUNTING - Rear shock absorber -----	12.984
LEVER - Transmission shifter shaft -----	4.045	MOUNTING - Transmission support -----	4.081
LEVER - Transmission third and fourth shifter	4.315	MUFFLER -----	3.701
LEVER - Transmission T.V. cable pull ----	4.040	NAME PLATE - Deck lid -----	12.182
LEVER - Transmission throttle valve inner -	4.278	NAME PLATE - Front door trim -----	14.691
LEVER - Transmission throttle valve outer -	4.286	NAME PLATE - Front fender -----	8.132
LEVER - Turn signal lamp switch -----	2.897	NAME PLATE - Radiator grille -----	1.265
LEVER & BOOT - Gearshift control -----	4.006	NAME PLATE - Rear quarter -----	12.116
LEVER & ROD SUPPORT - Clutch -----	0.852	NEEDLE - Carb. metering -----	3.814
LEVER & STOP - Throttle -----	3.731	NIPPLE - Distributor cap insulating ----	2.258
LEVER & SUPPORT - Transmission control	4.006		

HOLDEN "LC" PARTS CATALOGUE

NIPPLE - Heater hose -----	9.779	NUT - Spare wheel -----	7.633
NIPPLE - Ignition coil insulating -----	2.258	NUT - Square -----	8.923
NOZZLE - Carburettor pump -----	3.758	NUT - Stamped -----	8.921
NOZZLE - Timing gear oil -----	0.748	NUT - Starter motor commutator end cover	2.070
NOZZLE - Windshield washer -----	8.798	NUT - Starter motor shift lever pivot pin -	2.108
NUT - Air cleaner wing -----	3.410	NUT - Starter motor shift pivot screw ----	2.108
NUT - Aux. driving lamp switch -----	9.648	NUT - Starter solenoid switch terminal --	2.100
NUT - Back-up lamp switch -----	2.697	NUT - Steering gear ball socket lock ---	6.234
NUT - Battery mounting bolt wing -----	2.333	NUT - Steering tie rod ball lock -----	6.235
NUT - Brake adjusting -----	5.111	NUT - Steering tie rod socket -----	6.233
NUT - Carb. choke lever -----	3.792	NUT - Stop light switch -----	2.447
NUT - Carburettor choke shaft -----	3.791	NUT - Tail, stop and turn signal lamp --	2.679
NUT - Carb. choke tube clamp screw ---	3.795	NUT - Transmission brake band -----	4.251
NUT - Carburettor fast idle -----	3.737	NUT - Transmission indicator housing ---	4.038
NUT - Carburettor fast idle lever -----	3.792	NUT - Transmission shift external lever --	4.046
NUT - Carb. idle vent valve stem -----	3.764	NUT - Transmission shifter shaft -----	4.045
NUT - Carburettor pump lever -----	3.781	NUT - Transmission T.V. spring adjusting	4.265
NUT - Carburettor pump lever -----	3.782	NUT - Valve rocker arm -----	0.429
NUT - Carburettor thermostat lever ----	3.797	NUT - Ventilator escutcheon -----	9.787
NUT - Carburettor throttle shaft -----	3.731	NUT - Wheel hub bolt -----	5.813
NUT - Clutch gear bearing retainer ----	4.357	NUT - Windshield wiper motor -----	10.150
NUT - Clutch lever push rod adjusting --	0.839	NUT - Wing -----	8.920
NUT - Connecting rod bolt -----	0.626	NUT - Wiper motor cross shaft crank ----	10.150
NUT - Dashpot securing -----	3.733	'O' RING - Brake vacuum booster -----	4.904
NUT - Deck lid name plate -----	12.182	'O' RING - Carburettor orifice jet -----	3.805
NUT - Differential pinion flange -----	5.545	'O' RING - Carburettor orifice jet adjuster	3.802
NUT - Differential side bearing adjusting -	5.537	'O' RING - Carburettor orifice jet retainer	3.802
NUT - Door lock remote control -----	10.500	'O' RING - Choke control -----	3.521
NUT - Door outside handle rod -----	10.529	'O' RING - Cylinder block oil feed dowel	0.033
NUT - Exhaust pipe to manifold -----	3.275	'O' RING - Oil pump to block -----	1.654
NUT - Front cross member mounting ---	6.008	'O' RING - Rear axle bearing oil -----	5.822
NUT - Front door glass division channel --	10.686	'O' RING - Speedometer driven gear ---	4.338
NUT - Front fender name plate -----	8.132	'O' RING - Trans. oil filler tube to case -	4.133
NUT - Front hub to knuckle -----	6.020	OIL - Radiator -----	8.800
NUT - Front shock absorber bolt -----	7.370	OUTLET - Water pump -----	1.153
NUT - Fuel pipe to carburettor -----	3.202	PACKING - Exhaust pipe -----	3.611
NUT - Fuel pipe to pump -----	3.202	PACKING - Rear door hinge lower ----	10.460
NUT - Gearshift control lever knob ----	4.009	PACKING - Rear door hinge upper ----	10.456
NUT - Gearshift control shaft -----	4.019	PAD - Accelerator pedal -----	3.451
NUT - Gearshift 2nd & 3rd shift -----	4.019	PAD - Brake pedal -----	4.625
NUT - Generator rotor -----	2.280	PAD - Cable to clutch fork -----	0.787
NUT - Generator terminal shroud -----	2.313	PAD - Clutch pedal -----	0.830
NUT - Hand brake cable adjuster -----	4.826	PAD - Front seat back -----	14.802
NUT - Headlamp adjusting -----	2.729	PAD - Front seat cushion -----	14.890
NUT - Headlamp rim screw -----	2.728	PAD - Gearshift carrier shaft -----	4.019
NUT - Heater duct -----	9.779	PAD - Head restraint -----	14.925
NUT - Hexagon -----	8.915	PAD - Instrument panel -----	14.655
NUT - Hexagon jam -----	8.916	PAD - Rear axle filter -----	5.387
NUT - Hexagon self locking -----	8.918	PAD - Rear seat back -----	15.002
NUT - Hexagon slotted -----	8.917	PAD - Rear seat cushion -----	15.036
NUT - Hood lock -----	8.079	PAD - Speedometer driven gear -----	4.334
NUT - Hood lock cover -----	8.075	PAD - Timing chain tensioner -----	0.726
NUT - Ignition switch mounting -----	2.198	PAD - Transmission reverse speed lever --	4.306
NUT - Inlet manifold adaptor -----	3.260	PAD - Wiper motor thrust -----	10.150
NUT - Instrument panel compartment --	10.260	PAD SET - Brake -----	5.018
NUT - Pinion front bearing lock -----	5.448	PAN - Floor -----	12.972
NUT - Pipe -----	8.963	PAN - Oil -----	1.426
NUT - Pump & wiper switch -----	10.151	PAN - Transmission oil -----	4.195
NUT - Radiator grille to header panel ---	1.266	PANEL - Centre pillar -----	12.491
NUT - Rear axle suspension -----	5.382	PANEL - Cowl side trim -----	14.630
NUT - Rear door division channel ----	10.829	PANEL - Dash -----	12.804
NUT - Rear quarter name plate -----	12.116	PANEL - Dash ventilator -----	12.805
NUT - Rear shock absorber -----	7.370	PANEL - Door lock striker -----	12.491
NUT - Rocker outer panel moulding ----	8.304	PANEL - Front door -----	12.895
NUT - Solenoid switch -----	2.100	PANEL - Front end valance -----	1.263

HOLDEN "LC" PARTS CATALOGUE

PANEL - Front fender -----	8,130	PIN - Gearshift 1st and reverse shift rod ---	4,020
PANEL - Front seat head restraint -----	11,376	PIN - Gearshift 2nd & 3rd shift rod -----	4,019
PANEL - Front wheelhouse -----	8,153	PIN - Groove -----	8,940
PANEL - Fuse -----	2,481	PIN - Hand brake cable clevis -----	4,823
PANEL - Hood -----	8,000	PIN - Hand brake lever -----	5,158
PANEL - Hood hinge mounting -----	8,015	PIN - Hood safety catch -----	8,036
PANEL - Instrument -----	10,230	PIN - Piston -----	0,636
PANEL - Instrument facia -----	9,743	PIN - Quarter window -----	10,998
PANEL - Luggage compartment front trim -----	15,224	PIN - Speedometer driven gear guide -----	4,337
PANEL - Package tray -----	15,024	PIN - Spring -----	8,941
PANEL - Quarter inner -----	12,941	PIN - Starter motor shift lever pivot -----	2,108
PANEL - Quarter outer -----	12,940	PIN - Steering tie rod ball nut lock -----	6,235
PANEL - Radiator -----	1,270	PIN - Transmission control lever -----	4,019
PANEL - Rear body lock -----	12,942		
PANEL - Rear compartment front -----	12,971	PIN - Transmission control lever -----	4,030
PANEL - Rear door -----	12,913	PIN - Transmission detent cam -----	4,311
PANEL - Rear end outer -----	12,966	PIN - Transmission downshift timing valve stop -----	4,265
PANEL - Rear wheelhouse -----	12,944	PIN - Transmission 1st & 2nd shifter lever--	4,314
PANEL - Roof -----	12,810	PIN - Trans. 1st & 2nd shifter yoke -----	4,303
PANEL - Shroud ventilator -----	12,803	PIN - Trans. 1st & 2nd speed cam -----	4,308
PANEL - Shroud vent.closing -----	9,786	PIN - Transmission oil pump -----	4,226
PANEL - Shroud vent. front -----	10,307	PIN - Transmission reaction band -----	4,251
PANEL - Sill -----	12,934	PIN - Transmission reverse shifter lever pivot -----	4,316
PANEL - Trans. control indicator -----	4,038	PIN - Transmission reverse shifter yoke ----	4,304
PANEL - Underbody crossmember extension -----	12,982	PIN - Transmission reverse striking lever --	4,307
PANEL - Vent. air duct -----	9,786	PIN - Transmission selector lever -----	4,301
PAWL - Door lock -----	10,550	PIN - Trans. selector shaft interlock collar	
PAWL - Transmission parking brake -----	4,294	stop -----	4,095
PEDAL - Accelerator -----	3,451	PIN - Trans. selector shaft to shift lever ---	4,108
PEDAL - Brake -----	4,625	PIN - Transmission shifter rod -----	4,035
PEDAL - Clutch -----	0,830	PIN - Transmission 3rd & 4th shifter lever -	4,315
PILLAR - Front body -----	12,805	PIN - Transmission 3rd & 4th shifter yoke --	4,303
PILLAR - Rear body -----	12,942	PINION - Differential -----	5,526
PIN - Brake anchor -----	5,055	PINION - Steering -----	6,524
PIN - Brake main cylinder rod clevis ---	4,662	PIPE - Automatic choke heat -----	3,720
PIN - Brake pad retaining -----	5,020	PIPE - Brake -----	4,685
PIN - Brake pedal shaft retaining -----	4,636	PIPE - Camshaft cover hose -----	1,762
PIN - Brake shoe hold down -----	5,041	PIPE - Carburettor fuel -----	3,201
PIN - Carburettor choke rod -----	3,798	PIPE - Exhaust -----	3,609
PIN - Carburettor fast idle cam -----	3,736	PIPE - Fuel tank filler -----	3,003
PIN - Carb. fast idle rod to lever -----	3,793	PIPE - Fuel tank to pump -----	3,158
PIN - Carburettor float fulcrum -----	3,775	PIPE - Fuel tank vent -----	3,003
PIN - Carburettor pump -----	3,783	PIPE - Fuel tank vent connector -----	3,003
PIN - Carburettor pump control rod -----	3,783	PIPE - Manifold to water pump -----	3,260
PIN - Carburettor pump stem -----	3,778	PIPE - Oil pump -----	1,739
PIN - Carburettor valve lifting -----	3,808	PIPE - Spark control -----	2,424
PIN - Clevis -----	8,942	PIPE - Transmission oil cooler -----	4,128
PIN - Clutch cable -----	0,787	PIPE - Transmission vacuum modulator --	4,205
PIN - Clutch housing dowel -----	0,683	PIPE and SCREEN - Oil pump -----	1,656
PIN - Clutch pedal retaining -----	0,837	PISTON ASSEMBLY -----	0,629
PIN - Cotter -----	8,938	PISTON - Brake caliper -----	4,668
PIN - Coupling cotter -----	6,524	PISTON - Carburettor choke -----	3,799
PIN - Deck lid hinge -----	12,186	PISTON - Carburettor pump -----	3,778
PIN - Differential pinion shaft lock ---	5,518	PISTON Brake main cylinder -----	4,653
PIN - Distributor gear -----	2,379	PISTON - Carburettor vacuum power -----	3,788
PIN - Distributor shaft washer retaining ---	2,372	PISTON - Transmission accumulator -----	4,228
PIN - Door hinge -----	10,466	PISTON - Transmission clutch -----	4,166
PIN - Dowel -----	8,939	PISTON - Transmission servo -----	4,228
PIN - Flywheel to crankshaft dowel ---	0,669	PISTON - Wheel brake cylinder -----	4,668
PIN - Front door ventilator locking handle -----	10,664	PIVOT - Carburettor fast idle cam -----	3,735
PIN - Front door ventilator pivot -----	10,669	PIVOT - Front door ventilator -----	10,669
PIN - Fuel pump rocker arm -----	3,921	PIVOT - Valve rocker arm -----	0,429
PIN - Gearshift control tube -----	4,007	PIVOT & BRACKET - Windshield wiper ---	10,159
PIN - Gearshift intermediate lever -----	4,019	PLATE - Battery retainer lock -----	2,333
PIN - Gearshift lever pivot -----	4,007	PLATE - Brake adjuster lever -----	5,103

HOLDEN "LC" PARTS CATALOGUE

PLATE - Brake anchor -----	5.075	PLUG - Carburettor pump check valve ----	3.784
PLATE - Brake backing -----	5.001	PLUG - Carburettor pump jet -----	3.757
PLATE - Brake booster relay shaft lock --	4.628	PLUG - Carburettor throttle body channel --	3.767
PLATE - Brake shoe guide -----	5.045	PLUG - Choke control hole -----	9.743
PLATE - Camshaft thrust -----	0.533	PLUG - Cigarette lighter hole -----	9.743
PLATE - Clutch -----	0.886	PLUG - Crankcase cover -----	0.209
PLATE - Clutch fork guide -----	0.797	PLUG - Cylinder block -----	0.033
PLATE - Clutch fork sliding -----	0.797	PLUG - Cylinder head -----	0.269
PLATE - Clutch pressure -----	0.863	PLUG - Cylinder head and block oil gallery -	1.928
PLATE - Deck lid name -----	12.182	PLUG - Expansion -----	8.970
PLATE - Differential pinion flange lock --	5.546	PLUG - Fuel pump rocker arm -----	3.921
PLATE - Differential preload spring -----	5.511	PLUG - Gearshift lever housing cover -----	4.022
PLATE - Distributor breaker -----	2.385	PLUG - Hand brake cable hole -----	12.980
PLATE - Door lock striker -----	10.571	PLUG - Inlet manifold -----	3.265
PLATE - Engine size -----	8.132	PLUG - Oil pan drain -----	1.453
PLATE - Flywheel crankshaft -----	0.669	PLUG - Oil pressure regulator -----	1.611
PLATE - Front door scuff -----	11.175	PLUG - Pipe -----	8.971
PLATE - Front door trim name -----	14.691	PLUG - Rear seat belt sealing -----	12.980
PLATE - Front door ventilator filler -----	10.655	PLUG - Spark -----	2.270
PLATE - Front door ventilator locking handle striker -----	10.686	PLUG - Transmission case -----	4.103
PLATE - Front fender name -----	8.132	PLUG - Transmission filler -----	4.103
PLATE - Front shock absorber -----	7.370	PLUG - Transmission oil pump -----	4.226
PLATE - Gearshift lever -----	4.015	PLUG - Transmission selector lock -----	4.311
PLATE - Gearshift pattern -----	15.290	PLUG - Transmission valve body -----	4.265
PLATE - Generator drive end -----	2.305	PLUG - Underbody sealing -----	12.980
PLATE - Generator field terminal -----	2.289	PLUG - Wheelhouse sealing -----	12.944
PLATE - Hood catch -----	8.085	PLUNGER - Courtesy light switch -----	11.950
PLATE - Inside door handle bearing ----	10.515	PLUNGER - Hand brake warning lamp switch	4.610
PLATE - Manifold locking -----	3.276	PLUNGER - Hood lock -----	8.085
PLATE - Mirror support mounting -----	10.187	PLUNGER - Rear compartment lamp switch -	11.960
PLATE - Radiator grille name -----	1.265	PLUNGER - Transmission modulator -----	4.265
PLATE - Rear axle bearing retainer ----	5.816	PLUNGER - Trans. reverse shifter lever lock	4.316
PLATE - Rear door belt moulding anchor -	12.114	PLUNGER & KNOB - Cigarette -----	9.709
PLATE - Rear door scuff -----	11.179	POINTER - Transmission control indicator --	4.038
PLATE - Rear quarter name -----	12.116	POLE SHOE - Starter motor -----	2.077
PLATE - Rear shock absorber -----	7.370	PROTECTOR - Brake main cylinder piston --	4.654
PLATE - Reverse gear anti-lash -----	4.419	PROTECTOR - Windshield -----	9.660
PLATE - Sill panel sealing -----	12.934	PULLEY - Auxiliary shaft -----	0.736
PLATE - Starter motor armature thrust --	2.063	PULLEY - Camshaft -----	0.736
PLATE - Starter motor brush holder -----	2.052	PULLEY - Crankshaft -----	0.659
PLATE - Starter motor pinion -----	2.087	PULLEY - Generator -----	2.274
PLATE - Steering gear bolt locking ----	6.509	PULLEY - Jockey -----	1.065
PLATE - Steering gear housing cover ----	6.807	PULLEY - Water pump and fan -----	1.062
PLATE - Throttle shaft abutment -----	3.731	PUMP - Fuel -----	3.900
PLATE - Transmission clutch -----	4.163	PUMP - Oil -----	1.652
PLATE - Transmission oil pump wear ---	4.226	PUMP - Transmission oil -----	4.226
PLATE - Transmission planet pinion locking	4.177	PUMP - Water -----	1.069
PLATE - Transmission planet shaft -----	4.177	RACE & RETAINER - Transmission clutch --	4.158
PLATE - Transmission support mounting nut	4.081	RACK - Steering gear -----	6.525
PLATE - Transmission valve body transfer -	4.265	RADIATOR ASSEMBLY -----	1.219
PLATE - Transmission valve transfer ----	4.265	RADIO -----	9.662
PLATE - Wiper motor mounting seal retainer	10.152	RAIL - Engine mounting side -----	12.980
PLATE - Quarter window -----	10.998	RAIL - Roof side -----	12.956
PLATE - Starter motor brush holder ----	2.052	RAIL - Transmission selector fork -----	4.309
PLUG - Auxiliary shaft -----	0.553	RAIL - Windshield -----	12.807
PLUG - Axle housing drain -----	5.400	RECTIFIER - Generator -----	2.289
PLUG - Axle housing filler -----	5.400	REGULATOR - Front door window -----	10.783
PLUG - Back-up lamp switch hole -----	12.980	REGULATOR - Rear door window -----	10.791
PLUG - Body side panel -----	12.948	REGULATOR - Voltage and current -----	2.500
PLUG - Brake adjusting screw -----	5.111	REINFORCEMENT - Body hinge pillar ----	12.805
PLUG - Brake main cylinder -----	4.652	REINFORCEMENT - Door lock striker panel -	12.491
PLUG - Camshaft rear bearing -----	0.553	REINFORCEMENT - Front seat adjuster ----	11.595
PLUG - Carburettor main body channel --	3.767	REINFORCEMENT - Rear axle bearing ret. -	5.816
PLUG - Carburettor main metering jet ---	3.755	REINFORCEMENT - Rear end outer panel ---	12.966
		REINFORCEMENT - Transmission mounting -	4.081

HOLDEN "LC" PARTS CATALOGUE

REINFORCEMENT - Transmission support --	4.081	RETAINER - Valve lifter plunger -----	0.459
REINFORCEMENT - Trans. valve transfer plate	4.265	RETAINER - Wiper frame -----	10.150
REINFORCEMENT - Valve rocker cover ---	0.413	RETAINER - Wiper motor mounting insulator	10.152
RESERVOIR - Windshield washer -----	8.798	RIM - Headlamp -----	2.728
RESISTOR - Fuel gauge -----	2.515	RIM - Tail, stop & turn signal lamp -----	2.681
RESTRICTOR - Oil feed hole cylinder block	0.033	RING - Ball joint boot -----	6.168
RESTRICTOR - Power plant mounting ----	0.027	RING - Brake main cylinder lock -----	4.656
RETAINER - Battery -----	2.333	RING - Camshaft gear spacing -----	0.738
RETAINER - Brake booster relay lever ----	4.628	RING - Carb. air valve diaphragm retaining	3.807
RETAINER - Brake main cylinder piston spring	4.655	RING - Carb. damper bush retaining ----	3.803
RETAINER - Brake main cylinder push rod -	4.658	RING - Carburettor emulsion block ----	3.752
RETAINER - Brake pedal shaft -----	4.636	RING - Carburettor injector sealing ----	3.757
RETAINER - Camshaft baffle -----	0.386	RING - Carburettor pump lever -----	3.782
RETAINER - Carburettor choke kick rod ---	3.799	RING - Carburettor thermostat -----	3.796
RETAINER - Carburettor choke starter bar -	3.791	RING - Clutch diaphragm spring -----	0.866
RETAINER - Carb. orifice jet bushing ----	3.802	RING - Clutch drum oil seal -----	4.127
RETAINER - Clutch fork ball stud -----	0.796	RING - Clutch flange retainer -----	4.128
RETAINER - Clutch gear bearing -----	4.356	RING - Clutch gear bearing -----	4.376
RETAINER - Clutch lever -----	0.852	RING - Clutch gear bearing lock -----	4.376
RETAINER - Deck lid lock cylinder -----	12.248	RING - Clutch gear bearing oil deflector --	4.374
RETAINER - Deck lid lock tumbler -----	12.248	RING - Clutch gear bearing snap -----	4.376
RETAINER - Distributor breaker plate ball --	2.385	RING - Clutch gear seal -----	4.370
RETAINER - Distributor clamp -----	2.414	RING - Clutch spring snap -----	4.128
RETAINER - Door lock barrel -----	10.553	RING - Distributor cam spacer -----	2.381
RETAINER - Door lock striker plate ----	10.571	RING - Front wheel brake cylinder sealing -	4.665
RETAINER - Door lock tumbler spring ----	10.550	RING - Gearshift lever boot -----	4.015
RETAINER - Door weatherstrip -----	10.695	RING - Gearshift lever knob -----	4.009
RETAINER - Front crossmember insulator --	6.008	RING - Governor hub oil seal -----	4.127
RETAINER - Front door trim -----	14.685	RING - Headlamp mounting -----	2.726
RETAINER - Front seat adjusting spring ----	11.582	RING - Headlamp retaining -----	2.731
RETAINER - Front seat side arm -----	11.377	RING - Inlet manifold adaptor -----	3.260
RETAINER - Fuel pump rocker arm spring --	3.922	RING - Input shaft oil seal -----	4.127
RETAINER - Fuel pump seal -----	3.902	RING - Low servo piston -----	4.127
RETAINER - Fuel pump valve -----	3.913	RING - Main shaft front -----	4.353
RETAINER - Gearshift control cover ----	4.015	RING - Main shaft lock -----	4.412
RETAINER - Gearshift control spacer tube --	4.007	RING - Rear axle bearing retainer -----	5.816
RETAINER - Gearshift lever boot -----	4.015	RING - Rear seat cushion hog -----	11.611
RETAINER - Gearshift lever boot cover ---	4.015	RING - Reverse clutch pack snap -----	4.128
RETAINER - Gearshift lever cover -----	4.015	RING - Reverse clutch piston retainer spring	
RETAINER - Gearshift 1st & reverse shift --	4.020	snap -----	4.128
RETAINER - Gearshift 2nd & 3rd shift ----	4.019	RING - Spark plug wire retainer -----	2.253
RETAINER - Hood catch spring -----	8.085	RING - Speedometer drive gear -----	4.337
RETAINER - Hood stay -----	8.012	RING - Speedometer driven gear -----	4.338
RETAINER - Ignition switch tumbler ----	2.188	RING - Starter motor collar retaining ----	2.096
RETAINER - Inst. panel compartment lid lock	10.267	RING - Starter motor pinion lock -----	2.087
RETAINER - Rear axle bearing -----	5.816	RING - Starter motor pinion retaining ----	2.096
RETAINER - Rear axle filter pad -----	5.387	RING - Starter motor shift lever -----	2.108
RETAINER - Rear quarter moulding -----	12.116	RING - Synchronizing clutch sleeve ----	4.385
RETAINER - Rear quarter trim -----	15.101	RING - Trans. accumulator piston -----	4.128
RETAINER - Rear seat back -----	11.634	RING - Transmission bearing -----	4.412
RETAINER - Rear spring -----	7.552	RING - Transmission clutch retainer ----	4.128
RETAINER - Rocker outer panel moulding -	8.304	RING - Transmission detent cam -----	4.311
RETAINER - Speedometer cable drive end -	4.342	RING - Transmission detent roller -----	4.279
RETAINER - Steering tie rod ball boot ----	6.233	RING - Transmission governor shaft ----	4.259
RETAINER - Transmission converter -----	4.156	RING - Trans. governor to output shaft ---	4.128
RETAINER - Transmission detent roller ----	4.279	RING - Transmission governor weight ----	4.256
RETAINER - Trans. governor secondary		RING - Transmission hydraulic modulator -	4.265
valve spring -----	4.256	RING - Transmission oil seal -----	4.127
RETAINER - Trans. oil pump priming valve	4.226	RING - Trans. parking brake actuator to	
RETAINER - Trans. servo piston -----	4.233	inner lever -----	4.294
RETAINER - Transmission servo spring ---	4.233	RING - Transmission parking brake lock --	4.294
RETAINER - Transmission shift control tube-	4.007	RING - Trans. parking brake pawl shaft	
RETAINER - Transmission shifter rod ----	4.035	retainer -----	4.290
RETAINER - Transmission T.V. control cable	4.040	RING - Transmission pressure regulator ---	4.265
RETAINER - Upper control arm bush -----	6.164	RING - Transmission retainer -----	4.128

HOLDEN "LC" PARTS CATALOGUE

RING - Transmission reverse clutch piston --	4.128	SCREEN - Transmission governor valve ---	4.256
RING - Transmission ring gear retainer ---	4.128	SCREEN - Transmission oil pump suction --	4.224
RING - Transmission selector shaft -----	4.301	SCREEN - Transmission throttle valve feed -	4.265
RING - Trans. servo piston retainer -----	4.128	SCREW - Brake adjusting -----	5.110
RING - Transmission T.V. cable seal -----	4.040	SCREW - Brake main cylinder -----	4.656
RING - Transmission throttle valve retainer	4.265	SCREW - Brake main cylinder primary	
RING - Transmission synchronizer -----	4.383	piston stop -----	4.653
RING - Transmission synchronizer snap ---	4.382	SCREW - Brake main cylinder reservoir to	
RING - Turn signal lamp switch retaining --	2.895	body -----	4.651
RING - Turn signal lamp switch support ---	2.895	SCREW - Camshaft cover -----	0.386
RING - Water pump bearing locking -----	1.112	SCREW - Carburettor air horn -----	3.763
RING - Wheel brake cylinder boot -----	4.670	SCREW - Carburettor air valve diaphragm ring	3.807
RING - Wheel brake cylinder sealing -----	4.667	SCREW - Carburettor choke cable bracket -	3.795
		SCREW - Carburettor choke cable locking -	3.735
RING - Wheel trim -----	5.871	SCREW - Carburettor choke cable locking -	3.791
RING GEAR & PINION ASSEMBLY -----	5.529	SCREW - Carburettor choke kick diaphragm	3.799
RING SET - Piston -----	0.643	SCREW - Carburettor choke piston stop ----	3.799
RIVET -----	8.967	SCREW - Carburettor choke tube clamp ---	3.795
RIVET - Brake lining -----	5.019	SCREW - Carburettor choke valve -----	3.789
RIVET - Clutch facing -----	0.884	SCREW - Carburettor choke wire clamp ---	3.791
RIVET - Cylinder block dip stick hole ---	0.033	SCREW - Carburettor choke tube holder ---	3.795
RIVET - Hood lock lever -----	8.079	SCREW - Carburettor economy device ----	3.806
RIVET - Spark plug cable bracket -----	0.386	SCREW - Carburettor emulsion block -----	3.752
ROD - Accelerator control -----	3.430	SCREW - Carburettor fast idle -----	3.737
ROD - Air cleaner -----	3.403	SCREW - Carburettor float chamber -----	3.800
ROD - Brake main cylinder push -----	4.658	SCREW - Carburettor float chamber cover -	3.763
ROD - Carburettor choke -----	3.798	SCREW - Carb. fast idle rod to cam -----	3.793
ROD - Carburettor choke kick -----	3.799	SCREW - Carburettor metering needle ----	3.814
ROD - Carburettor fast idle -----	3.793	SCREW - Carburettor pump cover to body --	3.782
ROD - Carburettor pump -----	3.782	SCREW - Carburettor pump lever -----	3.781
ROD - Carburettor pump control -----	3.783	SCREW - Carburettor pump nozzle -----	3.759
ROD - Carburettor volume restrictor -----	3.753	SCREW - Carburettor slow idle adjusting --	3.734
ROD - Clutch cable -----	0.787	SCREW - Carburettor suction chamber cover	3.804
ROD - Clutch lever push -----	0.839	SCREW - Carburettor thermostat -----	3.796
ROD - Connecting -----	0.603	SCREW - Carburettor throttle valve attaching	3.729
ROD - Deck lid torque -----	12.187	SCREW - Carburettor ventilation cap -----	3.725
ROD - Door inside locking -----	10.563	SCREW - Distributor breaker plate -----	2.385
ROD - Door lock remote control -----	10.506	SCREW - Distributor cap retaining spring --	2.368
ROD - Door outside handle -----	10.529	SCREW - Distributor condenser attaching --	2.393
ROD - Fast idler inter connecting -----	3.793	SCREW - Distributor contact locking -----	2.384
ROD - Front seat head restraint -----	11.376	SCREW - Distributor vacuum control attaching	2.410
ROD - Front suspension control -----	6.169	SCREW - Flat head -----	8.977
ROD - Gearshift control -----	4.019	SCREW - Fuel pump attaching -----	3.900
ROD - Gearshift 1st & reverse shift -----	4.020	SCREW - Fuel pump cover -----	3.910
ROD - Gearshift 2nd & 3rd shift -----	4.019	SCREW - Fuel pump filter cover -----	3.906
ROD - Lighting switch control -----	2.486	SCREW - Gearshift carrier shaft -----	4.019
ROD - Oil level indicator -----	1.516	SCREW - Generator interference suppressor -	2.314
ROD - Rear door inside locking -----	10.556	SCREW - Headlamp beam adjusting -----	2.737
ROD - Steering tie -----	6.230	SCREW - Headlamp retaining -----	2.731
ROD - Throttle torsion -----	3.430	SCREW - Headlamp rim -----	2.728
ROD - Transmission control -----	4.040	SCREW - Hexagon head -----	8.977
ROD - Transmission servo piston apply ---	4.230	SCREW - Horn actuating bar -----	2.830
ROD - Transmission shifter -----	4.035	SCREW - Horn actuating bar adaptor -----	2.824
ROD - Valve push -----	0.426	SCREW - Horn contact adjusting -----	2.819
ROD & LEVER - Throttle linkage -----	3.430	SCREW - Horn contact support and ring ---	2.822
ROLLER - Transmission detent -----	4.279	SCREW - Inst. panel compartment lid lock	10.267
ROLLER & SPRING - Transmission detent --	4.279	SCREW - Mirror support -----	10.158
ROTOR - Distributor -----	2.382	SCREW - Oil pan -----	1.426
ROTOR - Generator -----	2.279	SCREW - Oil pump cover -----	1.723
ROTOR - Water pump -----	1.109	SCREW - Oval head -----	8.977
SCREEN - Carburettor pump strainer -----	3.787	SCREW - Pan head -----	8.977
SCREEN - Dash panel closing -----	12.803	SCREW - Parking and turn signal lamp lens	2.589
SCREEN - Fuel pump -----	3.929	SCREW - Power plant mounting bracket --	0.027
SCREEN - Oil pump -----	1.656	SCREW - Radiator grille -----	1.269
SCREEN - Radiator insect -----	9.665	SCREW - Rear door division channel -----	10.829

HOLDEN "LC" PARTS CATALOGUE

SCREW - Rocker cover fixing -----	0.386	SEAL - Valve push rod cover bolt -----	0.449
SCREW - Round head -----	8.977	SEAL - Valve spring -----	0.308
SCREW - Seat belt stowage -----	14.799	SEAL - Vent panel aperture -----	9.786
SCREW - Set -----	8.975	SEAL - Water pump -----	1.123
SCREW - Sheet metal -----	8.977	SEAL - Water pump rotor -----	1.109
SCREW - Starter motor armature bearing cap	2.063	SEAL - Wiper motor mounting -----	10.152
SCREW - Starter motor brush holder plate -	2.052	SEAL PACKAGE - Crankshaft rear bearing oil	0.137
SCREW - Starter motor commutator end cover	2.070	SEAL & PLATE - Brake booster -----	4.908
SCREW - Starter motor solenoid switch ---	2.100	SEALED BEAM - Headlamp -----	2.727
SCREW - Transmission cover -----	4.105	SEALING COMPOUND - Crankshaft -----	8.800
SCREW - Transmission governor -----	4.256	SEAT - Bump stop -----	12.982
SCREW - Transmission oil pan -----	4.195	SEAT - Front -----	14.796
SCREW - Transmission planet shaft ----	4.177	SEAT - Front stabiliser shaft -----	7.242
SCREW - Transmission selector coupling -	4.301	SEAT - Fuel pump bowl -----	3.905
SCREW - Trans. selector locking ball ----	4.311	SEAT - Fuel pump diaphragm spring ----	3.927
SCREW - Transmission support mounting --	4.081	SEAT - Gearshift control support -----	4.018
SCREW - Valve tappet adjuster -----	0.429	SEAT - Rear spring -----	7.545
SCREW - Washer head -----	8.977	SEAT - Steering tie rod ball -----	6.235
SCREW - Wheel brake cylinder fixing --	4.665	SEAT - Transmission clutch spring -----	4.158
SCREW - Wiper motor -----	10.150	SEAT - Trans. oil pump valve spring ----	4.226
SCREW & GASKET - Trans. oil pan drain -	4.195	SEAT - Transmission reverse clutch piston -	4.189
SCREW & WASHER - Carb. main body ---	3.748	SEAT - Transmission reverse clutch spring -	4.189
SCREW & WASHER - Dash pot bracket ---	3.733	SEAT - Transmission valve body spring ---	4.265
SCREW & WASHER - Distributor contact		SEAT - Transmission valve detent spring --	4.279
breaker -----	2.387	SEAT & SPRING PACKAGE - Fuel pump valve	3.913
SEAL - Auxiliary shaft front -----	0.539	SENDER UNIT - Engine gauge -----	0.277
SEAL - Brake main cylinder piston -----	4.654	SENDER UNIT - Oil pressure, engine unit -	1.803
SEAL - Brake main cylinder reservoir to body	4.651	SERVICE PACKAGE - Door locking -----	10.550
SEAL - Camshaft front -----	0.539	SERVICE SET - Radiator -----	1.219
SEAL - Carb. pilot jet -----	3.752	SHADE - Venetian -----	9.668
SEAL - Clutch fork -----	0.797	SHADE - Windshield sun -----	9.680
SEAL - Clutch housing -----	0.683	SHAFT - Auxiliary -----	0.519
SEAL - Converter housing -----	0.683	SHAFT - Brake booster relay -----	4.628
SEAL - Crank shaft rear bearing oil -----	0.137	SHAFT - Carburettor choke -----	3.791
SEAL - Crankcase front end cover oil ----	0.209	SHAFT - Carburettor pump -----	3.782
SEAL - Distributor housing -----	2.362	SHAFT - Carburettor throttle -----	3.731
SEAL - Door drain hole dust -----	10.694	SHAFT - Clutch over-centre spring -----	0.847
SEAL - Front door inner panel -----	14.694	SHAFT - Counter gear -----	4.428
SEAL - Front fender -----	8.154	SHAFT - Differential pinion -----	5.517
SEAL - Front propeller shaft housing oil ---	4.317	SHAFT - Distributor -----	2.372
SEAL - Front wheel bearing -----	6.326	SHAFT - Front seat safety lock -----	11.377
SEAL - Fuel gauge tank unit -----	3.112	SHAFT - Front stabiliser -----	7.241
SEAL - Fuel pump body oil -----	3.902	SHAFT - Gearshift control -----	4.019
SEAL - Oil pan end -----	1.429	SHAFT - Gearshift lever carrier -----	4.019
SEAL - Parking & turn signal lamp lens screw	2.589	SHAFT - Gearshift, 1st and reserve cross --	4.020
SEAL - Rear axle bearing oil -----	5.822	SHAFT - Gearshift, 2nd and 3rd cross ----	4.019
SEAL - Rear axle pinion oil -----	5.469	SHAFT - Oil pump driven gear -----	1.658
SEAL - Rear door ash tray -----	12.030	SHAFT - Propeller -----	5.441
SEAL - Speedometer cable -----	4.342	SHAFT - Rear axle -----	5.420
SEAL - Steering column cover to dash ---	6.758	SHAFT - Reverse idler gear -----	4.433
SEAL - Steering gear pinion oil -----	6.809	SHAFT - Steering -----	6.524
SEAL - Transmission clutch -----	4.166	SHAFT - Transmission control -----	4.019
SEAL - Trans. detent valve sleeve oil --	4.279	SHAFT - Transmission control lever -----	4.030
SEAL - Transmission extension housing --	4.317	SHAFT - Transmission governor connecting	4.259
SEAL - Transmission low servo cover ----	4.212	SHAFT - Transmission main -----	4.403
SEAL - Transmission oil pump -----	4.226	SHAFT - Trans. parking brake lock pawl --	4.294
SEAL - Trans. park lock & range selector		SHAFT - Trans. park lock & range selector	4.294
shaft oil -----	4.282	SHAFT - Transmission selector -----	4.107
SEAL - Transmission rear bearing housing -	4.317	SHAFT - Transmission selector -----	4.301
SEAL - Transmission rear bearing housing -	4.318	SHAFT - Transmission shifter -----	4.309
SEAL - Transmission selector shaft -----	4.301	SHAFT - Transmission shift fork -----	4.309
SEAL - Transmission selector shaft ----	4.313	SHAFT - Upper control arm -----	6.164
SEAL - Transmission shift fork shaft ----	4.309	SHAFT - Wiper motor gear & cross ----	10.150
SEAL - Transmission shifter shaft -----	4.309	SHAFT and BEARING - Water pump -----	1.108
SEAL - Transmission throttle valve lever -	4.278	SHAFT and BRACKET - Accelerator -----	3.430

HOLDEN "LC" PARTS CATALOGUE

SHAFT & LEVER - Throttle linkage ----	3.430	SPACER - Differential side bearing -----	5.537
SHAFT & ROTOR - Oil pump -----	1.709	SPACER - Differential side gear thrust ---	5.543
SHELF - Parcel -----	9.672	SPACER - Fan blade -----	1.064
SHIELD - Brake -----	5.001	SPACER - Front cross member insulator ---	6.008
SHIELD - Brake caliper -----	5.011	SPACER - Front seat lock handle -----	11.377
SHIELD - Brake pipe -----	4.685	SPACER - Front seat safety lock -----	11.377
SHIELD - Front bumper stone -----	7.870	SPACER - Front shock absorber -----	7.370
SHIELD - Hand brake intermediate lever bracket -----	4.797	SPACER - Front suspension control insulator	6.169
SHIELD - Spark plug wire heat -----	2.251	SPACER - Gearshift 2nd & 3rd shift -----	4.019
SHIELD - Tail lamp inner lens dividing --	2.679	SPACER - Generator brace -----	2.317
SHIELD - Valve stem -----	0.308	SPACER - Generator mounting bracket ---	2.277
SHIM - Control arm shaft -----	6.163	SPACER - Muffler -----	3.704
SHIM - Crankshaft bearing cap -----	0.153	SPACER - Pinion bearing -----	5.453
SHIM - Differential side bearing spacer --	5.537	SPACER - Reverse idler gear -----	4.431
SHIM - Diff. side gear thrust washer ----	5.543	SPACER - Steering pinion -----	6.524
SHIM - Distributor shaft -----	2.372	SPACER - Transmission clutch plate -----	4.163
SHIM - Mainshaft front -----	4.409	SPACER - Trans. mainshaft front bearing --	4.353
SHIM - Pinion bearing locating -----	5.460	SPACER - Transmission mounting -----	4.081
		SPACER - Trans. planet needle bearing --	4.177
SHIM - Pinion bearing pre-load -----	5.460	SPACER - Transmission planet pinion ----	4.177
SHIM - Pinion bearing spacer -----	5.460	SPACER - Transmission support mounting --	4.081
SHIM - Starter motor pinion -----	2.087	SPACER - Trans. support mounting bolt --	4.081
SHIM - Steering gear housing -----	6.807	SPACER - Transmission T. V. cable lever --	4.040
SHIM - Steering gear yoke -----	6.525	SPACER - Wheel brake cylinder cup ----	4.671
SHIM UNIT - Crankshaft bearing cap ---	0.153	SPLASH GUARD - Engine compartment --	8.112
SHOCK ABSORBER ASSEMBLY -----	7.345	SPINDLE and GEAR - Oil pump -----	1.709
SHOE - Starter motor armature brake ----	2.063	SPRAG - Transmission input -----	4.158
SHOE & LINING - Brake -----	5.017	SPRING - Accelerator return -----	3.459
SINK - Generator heat -----	2.289	SPRING - Ball joint boot -----	6.168
SLEEVE - Accelerator pull rod -----	3.430	SPRING - Brake adjuster -----	5.107
SLEEVE - Back-up lamp switch -----	2.697	SPRING - Brake adjusting nut -----	5.026
SLEEVE - Converter pilot -----	0.649	SPRING - Brake hose yoke -----	4.681
SLEEVE - Cylinder head -----	0.269	SPRING - Brake main cylinder check valve	4.657
SLEEVE - Gearshift 1st & reverse shift cross shaft -----	4.020	SPRING - Brake main cylinder piston ----	4.655
SLEEVE - Gearshift 2nd & 3rd shift -----	4.019	SPRING - Brake pad damping -----	5.020
SLEEVE - Hand brake cable adjuster ----	4.826	SPRING - Brake pedal return -----	4.639
SLEEVE - Hand brake lever gaiter -----	4.608	SPRING - Brake shoe hold down pin ----	5.043
SLEEVE - Pipe -----	8.963	SPRING - Brake shoe retractor -----	5.026
SLEEVE - Starter motor -----	2.086	SPRING - Carb. air valve return , -----	3.805
SLEEVE - Synchronizing clutch -----	4.385	SPRING - Carburettor check valve -----	3.760
SLEEVE - Throttle linkage -----	3.430	SPRING - Carburettor choke control lever --	3.791
SLEEVE - Transmission control lever ----	4.030	SPRING - Carburettor choke shaft return --	3.791
SLEEVE - Transmission detent valve ----	4.279	SPRING - Carburettor choke starter bar ---	3.791
SLEEVE - Trans. oil pump regulator valve	4.226	SPRING - Carb. economy device diaphragm	3.806
SLEEVE - Trans. parking brake actuator --	4.294	SPRING - Carburettor economy device valve	3.806
SLEEVE - Transmission selector shaft ----	4.107	SPRING - Carburettor fast idle -----	3.737
SLEEVE - Transmission shift fork shaft ---	4.309	SPRING - Carburettor fast idle cam return -	3.735
SLEEVE - Trans. vacuum modulator pipe -	4.205	SPRING - Carburettor float fulcrum pin --	3.775
SLEEVE - Transmission vacuum mod. valve	4.265	SPRING - Carburettor idle needle valve ---	3.742
SLEEVE - Transmission valve body -----	4.265	SPRING - Carburettor idle vent valve stem -	3.764
SLINGER - Differential pinion flange ----	5.545	SPRING - Carburettor orifice jet -----	3.754
SLIP RING - Generator rotor -----	2.279	SPRING - Carburettor pump -----	3.779
SOCKET - Body wiring lamp -----	13.090	SPRING - Carburettor pump control rod ---	3.783
SOCKET - Handbrake warning lamp bulb -	4.610	SPRING - Carburettor pump stem -----	3.779
SOCKET - Instrument panel bulb -----	2.515	SPRING - Carburettor slow idle adjusting --	3.734
SOCKET - Steering tie rod -----	6.233	SPRING - Carburettor throttle return -----	3.731
SOCKET & LEAD - Rear compartment lamp	11.960	SPRING - Carburettor valve lifting pin ---	3.808
SPACER - Aux. driving lamp switch -----	9.648	SPRING - Clutch diaphragm -----	0.865
SPACER - Brake booster mounting bracket-	4.901	SPRING - Clutch fork retaining -----	0.844
SPACER - Brake pedal shaft -----	4.636	SPRING - Clutch fork return -----	0.844
SPACER - Carb. main body insulating ---	3.748	SPRING - Clutch fork sliding plate retaining	0.798
SPACER - Clutch pedal bracket & shaft --	0.833	SPRING - Clutch over-centre -----	0.844
SPACER - Counter shaft -----	4.423	SPRING - Clutch pedal retaining -----	0.837
		SPRING - Courtesy light switch -----	11.950
		SPRING - Deck lid lock tumbler -----	12.248

HOLDEN "LC" PARTS CATALOGUE

SPRING - Differential preload -----	5.511	SPRING - Trans. parking brake pawl disengaging	4.295
SPRING - Distributor cap retaining -----	2.368	SPRING - Transmission reverse clutch -----	4.189
SPRING - Door check link -----	10.606	SPRING - Transmission reverse shifter lever -	4.316
SPRING - Door handle -----	10.513	SPRING - Transmission selector fork ball ---	4.311
SPRING - Door lock -----	10.475	SPRING - Transmission selector lever -----	4.020
SPRING - Door lock tumbler -----	10.550	SPRING - Transmission selector lock -----	4.311
SPRING - Door outside handle -----	10.529	SPRING - Transmission selector locking ball	4.311
SPRING - Front -----	6.361	SPRING - Transmission selector shaft -----	4.108
SPRING - Front door ventilator locking handle	10.664	SPRING - Transmission servo piston -----	4.233
SPRING - Front door window regulator clutch	10.783	SPRING - Transmission servo piston apply --	4.228
SPRING - Front seat adjuster -----	11.581	SPRING - Transmission servo piston cushion -	4.233
SPRING - Front seat back -----	11.374	SPRING - Transmission synchronizer -----	4.383
SPRING - Front seat cushion -----	11.420	SPRING - Trans. synchronizing clutch key --	4.384
SPRING - Front seat head restraint -----	11.376	SPRING - Trans. T.V. cable lever return --	4.040
SPRING - Front seat lock return -----	11.377	SPRING - Transmission valve body -----	4.265
SPRING - Fuel pump diaphragm -----	3.927	SPRING - Transmission valve detent -----	4.279
SPRING - Fuel pump rocker arm -----	3.922	SPRING - Valve -----	0.303
SPRING - Gearshift carrier shaft anti-rattle -	4.019	SPRING - Valve rocker arm retainer -----	0.378
SPRING - Gearshift lever -----	4.026	SPRING - Ventilator control -----	9.787
SPRING - Gearshift lever anti-rattle -----	4.017	SPRING - Wheel brake cylinder -----	4.669
SPRING - Gearshift lever pull -----	4.017	SPRING - Window regulator handle escutcheon	10.806
SPRING - Gearshift lower control -----	4.017	SPRING - Wiper motor brush -----	10.150
SPRING - Gearshift reverse control -----	4.012	SPRING SET - Distributor weight -----	2.389
SPRING - Gearshift selector return -----	4.017	SPRING SET - Starter motor brush -----	2.053
SPRING - Generator brush -----	2.286	SPRING & FRAME - Front seat -----	11.373
SPRING - Hand brake cable yoke -----	4.826	SPRING & FRAME - Rear seat back -----	11.628
SPRING - Hand brake intermediate lever ---	4.792	SPRING & FRAME - Rear seat cushion -----	11.610
SPRING - Hand brake lever strut -----	5.151	STARTER BAR - Carburettor choke -----	3.791
SPRING - Hand brake warning lamp switch -	4.610	STATOR - Generator -----	2.310
SPRING - Headlamp light unit retaining ---	2.737	STAY - Hood -----	8.012
SPRING - Hood catch -----	8.085	STAY - Radiator mounting -----	1.270
SPRING - Hood catch lock plate -----	8.081	STEM - Carburettor idle vent valve -----	3.764
SPRING - Hood hinge -----	8.013	STOP - Brake main cylinder primary piston -	4.653
SPRING - Hood lock bolt -----	8.085	STOP - Carburettor throttle -----	3.792
SPRING - Hood safety catch -----	8.036	STOP - Clutch pedal -----	0.829
SPRING - Horn actuating bar adaptor -----	2.824	STOP - Front door ventilator friction -----	10.669
SPRING - Horn button retaining -----	2.820	STOP - Front seat arm lock -----	11.377
SPRING - Ignition switch tumbler -----	2.188	STOP - Instrument panel compartment lid --	10.264
SPRING - Oil pressure regulator -----	1.610	STOP - Rear axle bump -----	5.395
SPRING - Parking & turn signal lamp socket	2.596	STOP - Starter motor pinion -----	2.096
SPRING - Rear -----	7.503	STRAINER - Fuel tank riser pipe -----	3.110
SPRING - Rear compartment lamp switch --	11.960	STRAP - Assist grip -----	15.390
SPRING - Rear door window regulator clutch	10.791	STRAP - Choke cable -----	3.521
SPRING - Rear seat back -----	11.629	STRAP - Door pull-to -----	10.511
SPRING - Rear seat cushion -----	11.611	STRAP - Windshield wiper motor -----	10.150
SPRING - Reverse gear anti-lash -----	4.419	STRIKER - Deck lid lock -----	12.237
SPRING - Starter motor armature brake shoe	2.063	STRIKER - Door lock -----	10.569
SPRING - Starter motor pinion -----	2.087	STRIKER - Inst. panel compartment lid lock -	10.268
SPRING - Stg. gear housing cover plate ---	6.807	STRIP - Hood landing -----	9.127
SPRING - Steering tie rod ball -----	6.235	STRIP - Door glass run channel -----	10.710
SPRING - Steering tie rod ball boot -----	6.233	STRUT - Hand brake actuating lever -----	5.150
SPRING - Synchronizing -----	4.383	STRUT - Transmission brake band -----	4.253
SPRING - Throttle linkage -----	3.430	STUD - Camshaft cover -----	0.386
SPRING - Throttle shaft return -----	3.731	STUD - Carburettor to manifold -----	3.288
SPRING - Timing chain tensioner body lock	0.726	STUD - Clutch fork ball -----	0.796
SPRING - Timing gear oil nozzle -----	0.748	STUD - Crankcase cover -----	0.206
SPRING - Transmission accumulator piston -	4.233	STUD - Hand brake equaliser -----	4.765
SPRING - Transmission clutch release -----	4.164	STUD - Manifold -----	3.275
SPRING - Transmission clutch return -----	4.164	STUD - Rear door division channel -----	10.829
SPRING - Transmission control lever -----	4.019	STUD - Valve rocker arm -----	0.429
SPRING - Transmission detent cam -----	4.311	SUNDRY PARTS KIT - Starter motor -----	2.080
SPRING - Transmission detent roller -----	4.279	SUNDRY PARTS SET - Generator drive end	
SPRING - Transmission governor -----	4.256	bearing -----	2.307
SPRING - Trans. governor secondary valve -	4.256	SUNDRY PARTS SET - Generator heat sink -	2.289
SPRING - Transmission oil pump valve ---	4.226	SUN VISOR -----	10.203

HOLDEN "LC" PARTS CATALOGUE

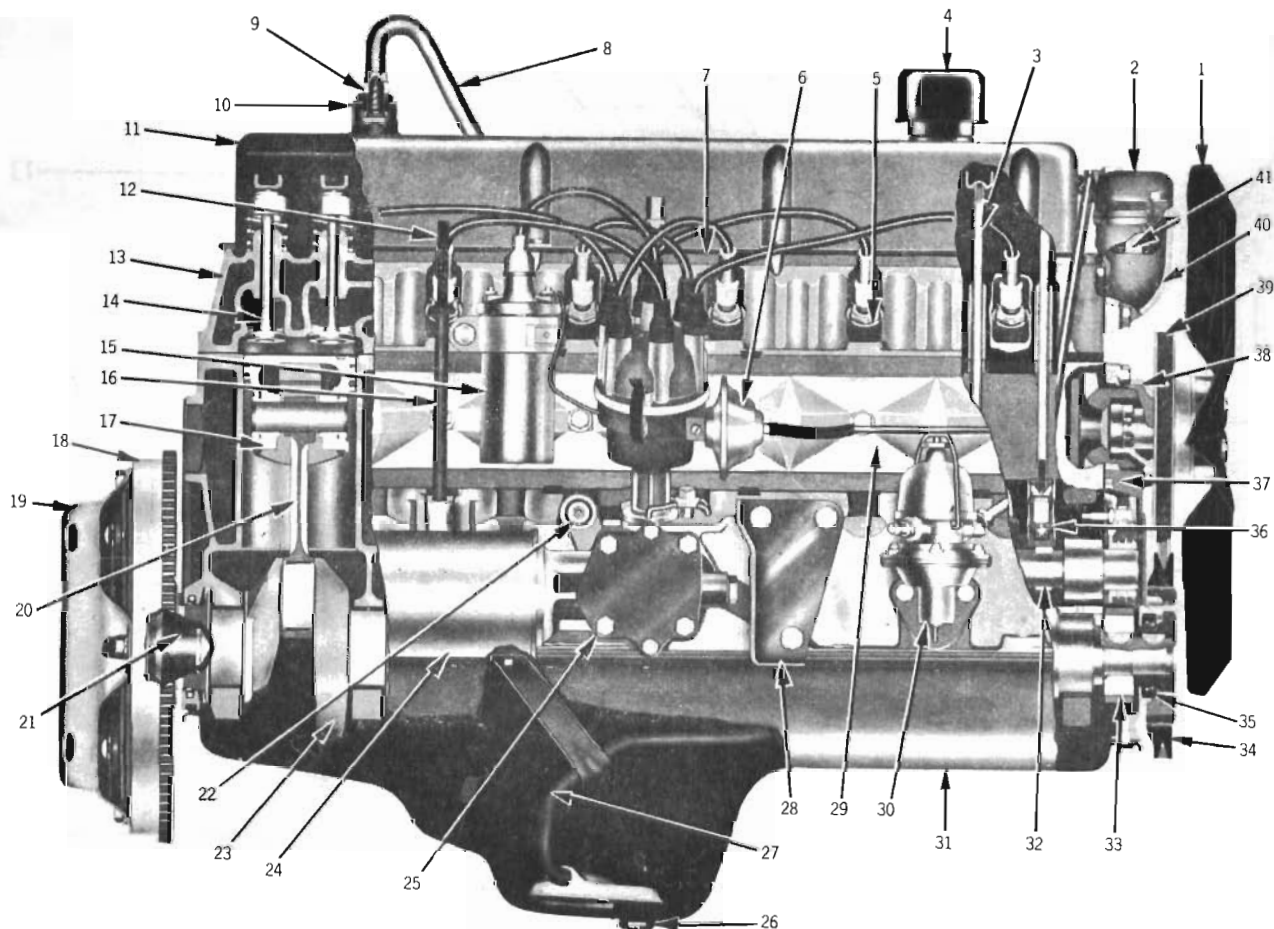
SUPPORT - Battery mounting -----	2,333	TUMBLER - Deck lid lock cylinder ----	12,248
SUPPORT - Brake booster mounting ----	4,901	TUMBLER - Door lock -----	10,550
SUPPORT - Clutch relay shaft -----	0,852	TUMBLER - Ignition switch -----	2,188
SUPPORT - Deck lid lock striker -----	12,237	'U' BOLT - Exhaust pipe -----	3,616
SUPPORT - Door outside handle -----	10,529	'U' BOLT - Front stabiliser shaft ----	7,242
SUPPORT - Front door vent friction unit	10,669	'U' BOLT - Universal joint -----	5,586
SUPPORT - Gearshift control -----	4,018	UNION - Brake pipe -----	4,686
SUPPORT - Muffler -----	3,704	UNION - Pipe -----	8,963
SUPPORT - Oil indicator tube -----	1,516	VACUUM CONTROL - Distributor -----	2,410
SUPPORT - Oil pump suction pipe -----	1,742	VALVE - Brake main cylinder check ----	4,657
SUPPORT - Rear floor cover -----	11,179	VALVE - Brake vacuum booster -----	4,904
SUPPORT - Rear vision mirror -----	10,187	VALVE - Brake vacuum servo hose ----	4,931
SUPPORT - Sun visor -----	10,219	VALVE - Carb. accelerator pump check ball	3,760
SUPPORT - Tail lamp -----	12,940	VALVE - Carburettor air -----	3,807
SUPPORT - Throttle linkage -----	3,430	VALVE - Carburettor choke -----	3,789
SUPPORT - Under body engine rear mounting	12,982	VALVE - Carburettor economy device ---	3,806
SUPPORT and RING - Horn contact -----	2,822	VALVE - Carburettor float needle -----	3,771
SUPPRESSOR - Generator interference ---	2,314	VALVE - Carburettor idle needle -----	3,741
SWITCH - Auxiliary driving lamp -----	9,648	VALVE - Carburettor idle vent -----	3,764
SWITCH - Back-up lamp -----	2,697	VALVE - Carburettor pump check -----	3,784
SWITCH - Brake pressure warning -----	4,686	VALVE - Carburettor pump discharge ---	3,757
SWITCH - Dimmer -----	2,459	VALVE - Carburettor throttle -----	3,729
SWITCH - Heater fan -----	9,779	VALVE - Crankcase ventilator -----	1,762
SWITCH - Ignition and starting -----	2,188	VALVE - Exhaust -----	0,297
SWITCH - Lighting -----	2,485	VALVE - Inlet -----	0,296
SWITCH - Oil pressure tell tale -----	1,803	VALVE ASSY. - Oil filter by-pass -----	1,837
SWITCH - Starter solenoid -----	2,100	VALVE - Oil pressure regulator -----	1,609
SWITCH - Stop light -----	2,447	VALVE - Transmission detent -----	4,279
SWITCH - Thermo. tell tale -----	0,277	VALVE - Transmission governor primary --	4,256
SWITCH - Trans. neutral starting & back-up	4,054	VALVE - Transmission governor secondary	4,256
SWITCH - Turn signal lamp -----	2,895	VALVE - Transmission oil pump -----	4,226
SWITCH - Windshield washer -----	8,798	VALVE - Transmission manual control ---	4,265
SWITCH & PUMP - Wiper & washer ----	10,163	VALVE - Transmission modulator -----	4,265
SWIVEL - Carburettor fast idle rod ----	3,793	VALVE - Transmission vacuum modulator	4,265
SYNCHRONIZER - Transmission -----	4,380	VALVE - Trans. vacuum modulator pipe --	4,205
TANK - Fuel -----	3,001	VALVE - Transmission valve body -----	4,265
TAPPET - Brake adjusting -----	5,111	VALVE - Wheel brake cylinder bleeder ---	4,666
TAPPET - Valve -----	0,459	VALVE & CAGE ASSEMBLY - Fuel pump --	3,909
TEE - Radiator hose -----	9,779	VALVE & RETAINER PACKAGE - Fuel pump	3,909
TERMINAL - Body wiring harness -----	13,090	VENT - Rear axle -----	5,387
TERMINAL - Starter motor field -----	2,077	VENT ASSEMBLY - Transmission -----	4,104
TERMINAL - Windshield wiper motor ---	10,150	VENTILATOR - Front door -----	10,650
THERMOSTAT -----	1,246	VERTEBRA - Windshield wiper blade ---	10,146
THRUST PIECE - Reverse interlock spring -	4,311	WASHER - Auxiliary shaft -----	0,736
TRANSFER - Valve rocker cover -----	0,388	WASHER - Back-up lamp switch -----	2,697
TRANSMISSION ASSEMBLY -----	4,003	WASHER - Ball joint -----	6,168
TRIM - Front door -----	14,685	WASHER - Brake adjusting screw -----	5,110
TRIM - Rear door -----	14,760	WASHER - Brake booster relay lever ---	4,628
TRIM - Rear quarter -----	15,100	WASHER - Brake disc to hub tab -----	6,307
TRIM - Wheel centre -----	5,871	WASHER - Brake main cylinder plug ---	4,652
TRUNNION - Accelerator pull rod ----	3,430	WASHER - Brake main cylinder reservoir to	
TRUNNION - Brake main cylinder push rod	4,658	body -----	4,651
TRUNNION - Throttle linkage -----	3,430	WASHER - Brake main cylinder rod clevis	4,662
TRUNNION - Transmission shifter rod ---	4,035	WASHER - Brake pedal shaft retainer ---	4,636
TUBE - Carburettor emulsion -----	3,752	WASHER - Brake shoe hold down pin cup -	5,043
TUBE - Carburettor idle -----	3,752	WASHER - Bumper bar bolt -----	7,836
TUBE - Carburettor vent -----	3,763	WASHER - Camshaft front -----	0,736
TUBE - Cylinder head water distributor ---	0,270	WASHER - Camshaft rear -----	0,533
TUBE - Exhaust manifold choke heat ----	3,603	WASHER - Carburettor choke shaft -----	3,791
TUBE - Gearshift control -----	4,007	WASHER - Carb. choke tube clamp screw	3,795
TUBE - Oil level rod -----	1,516	WASHER - Carburettor damper -----	3,803
TUBE - Transmission oil filler -----	4,133	WASHER - Carburettor economy device --	3,806
TUBE - Transmission servo apply pressure -	4,265	WASHER - Carburettor fast idle -----	3,793
TUBE - Transmission shift control -----	4,007	WASHER - Carburettor fast idle lever ---	3,792
TUBE - Vacuum hose fitting in manifold --	1,762	WASHER - Carburettor float chamber ---	3,800

HOLDEN "LC" PARTS CATALOGUE

WASHER - Carburettor idle vent -----	3,764	WASHER - Starter motor drive end -----	2,096
WASHER - Carburettor main jet -----	3,754	WASHER - Starter motor drive end bracket	
WASHER - Carburettor orifice jet bushing --	3,805	thrust -----	2,063
WASHER - Carburettor pump lever -----	3,781	WASHER - Starter motor pinion thrust ----	2,087
WASHER - Carburettor pump link pin ----	3,783	WASHER - Starter motor shift lever -----	2,108
WASHER - Carburettor pump spacing ----	3,782	WASHER - Starter solenoid switch -----	2,102
WASHER - Carburettor thermostat cover ---	3,796	WASHER - Starter motor through bolt ----	2,077
WASHER - Carburettor thermostat housing -	3,796	WASHER - Starter solenoid switch terminal nut	2,100
WASHER - Carburettor thermostat lever ---	3,797	WASHER - Steering knuckle spindle nut ---	6,321
WASHER - Carburettor throttle shaft spacing	3,731	WASHER - Throttle shaft distance -----	3,731
WASHER - Clutch cable insulator -----	0,787	WASHER - Throttle shaft sealing -----	3,731
WASHER - Clutch drum thrust -----	4,129	WASHER - Trans. control anti-rattle ----	4,019
WASHER - Clutch fork bracket -----	0,846	WASHER - Transmission control anti-rattle -	4,040
WASHER - Clutch gear bearing oil deflector	4,374	WASHER - Transmission control lever ----	4,030
WASHER - Clutch gear bearing retainer ---	4,356	WASHER - Transmission detent cam -----	4,311
WASHER - Clutch hub front thrust -----	4,129	WASHER - Transmission extension housing --	4,317
WASHER - Clutch hub rear thrust -----	4,129	WASHER - Trans. planet input sun gear thrust	4,177
WASHER - Counter shaft -----	4,423	WASHER - Transmission planet pinion ----	4,177
WASHER - Crankcase cover -----	0,206	WASHER - Transmission rear bearing housing	4,317
WASHER - Crankshaft pulley -----	0,659	WASHER - Transmission selector lever ----	4,020
WASHER - Deck lid name plate sealing ---	12,182	WASHER - Trans. selector locking screw ---	4,311
WASHER - Differential pinion flange nut --	5,545	WASHER - Transmission selector shaft ----	4,301
WASHER - Differential pinion thrust -----	5,542	WASHER - Transmission servo spring -----	4,233
WASHER - Differential side gear thrust ---	5,543	WASHER - Trans. throttle valve outer lever	4,286
WASHER - Distributor breaker plate screw lock	2,385	WASHER - Transmission thrust -----	4,129
WASHER - Distributor cam retainer -----	2,381	WASHER - Turn signal lamp switch thrust --	2,895
WASHER - Distributor shaft -----	2,372	WASHER - Turn signal lamp switch wave --	2,895
WASHER - Distributor weight spacer -----	2,388	WASHER - Wheel brake cylinder fixing screw	
WASHER - Finish -----	8,930	lock -----	4,665
WASHER - First speed gear -----	4,419	WASHER - Wiper motor -----	10,150
WASHER - Flat -----	8,929	WEATHERSHIELD -----	9,684
WASHER - Front cross member -----	6,008	WEATHERSTRIP - Deck lid -----	12,269
WASHER - Front door ventilator friction unit	10,669	WEATHERSTRIP - Door dust -----	10,694
WASHER - Fuel pump filter cover -----	3,906	WEATHERSTRIP - Front door ventilator --	10,652
WASHER - Fuel pump oil seal -----	3,902	WEATHERSTRIP - Rear door fixed glass ---	10,822
WASHER - Fuel pump rocker arm -----	3,921	WEATHERSTRIP - Rear quarter window frame	11,015
WASHER - Gearshift control rod -----	4,019	WEDGE - Steering column adjusting -----	6,760
WASHER - Gearshift control support -----	4,018	WEIGHT - Distributor -----	2,388
WASHER - Gearshift lever pivot bolt ----	4,022	WEIGHT - Transmission governor -----	4,256
WASHER - Gearshift lever pivot pin ----	4,007	WHEEL - Road -----	5,803
WASHER - Gearshift 1st & reverse shift ---	4,020	WHEEL - Steering -----	6,513
WASHER - Gearshift 2nd & 3rd shift -----	4,019	WICK - Distributor -----	2,364
WASHER - Generator brush -----	2,291	WINDLACE - Door opening -----	15,520
WASHER - Generator interference suppressor		WIRE - Front seat adjuster locking -----	11,589
lock -----	2,314	WIRE - Front seat cushion -----	11,420
WASHER - Generator rotor lock -----	2,280	WIRE - Hand brake warning lamp -----	4,610
WASHER - Generator slip ring end plate --	2,297	WIRE - Headlining listing -----	12,955
WASHER - Generator through bolt -----	2,316	WIRE - Heater fan earth -----	9,779
WASHER - Hand brake lever to secondary shoe	5,158	WIRE - Thermo switch -----	2,555
WASHER - Hood -----	8,015	WIRE & CABLE - Ventilator control -----	9,787
WASHER - Instrument panel -----	9,743	WIRE UNIT - Spark plug and distributor ---	2,239
WASHER - Lock -----	8,931	WRENCH - Wheel nut -----	8,821
WASHER - Main shaft bearing thrust -----	4,398	YOKE - Clutch over-centre spring -----	0,848
WASHER - Manifold -----	3,276	YOKE - Gearshift control bracket -----	4,019
WASHER - Mounting to bracket -----	0,027	YOKE - Steering gear rack support -----	6,525
WASHER - Pinion bearing spacer -----	5,453	YOKE - Transmission reverse shifter -----	4,304
WASHER - Rear license plate mounting ---	2,670	YOKE - Trans. shifter first and second ---	4,303
WASHER - Rear quarter moulding sealing ---	12,116	YOKE - Trans. shifter third and fourth ---	4,303
WASHER - Reverse idler gear thrust -----	4,432	YOKE - Universal joint -----	5,555
WASHER - Rocker outer panel moulding ---	8,304		
WASHER - Selector lever external -----	4,020		
WASHER - Shakeproof -----	8,932		
WASHER - Speedometer drive -----	4,337		
WASHER - Spring -----	8,928		
WASHER - Starter motor brush holder plate -	2,052		

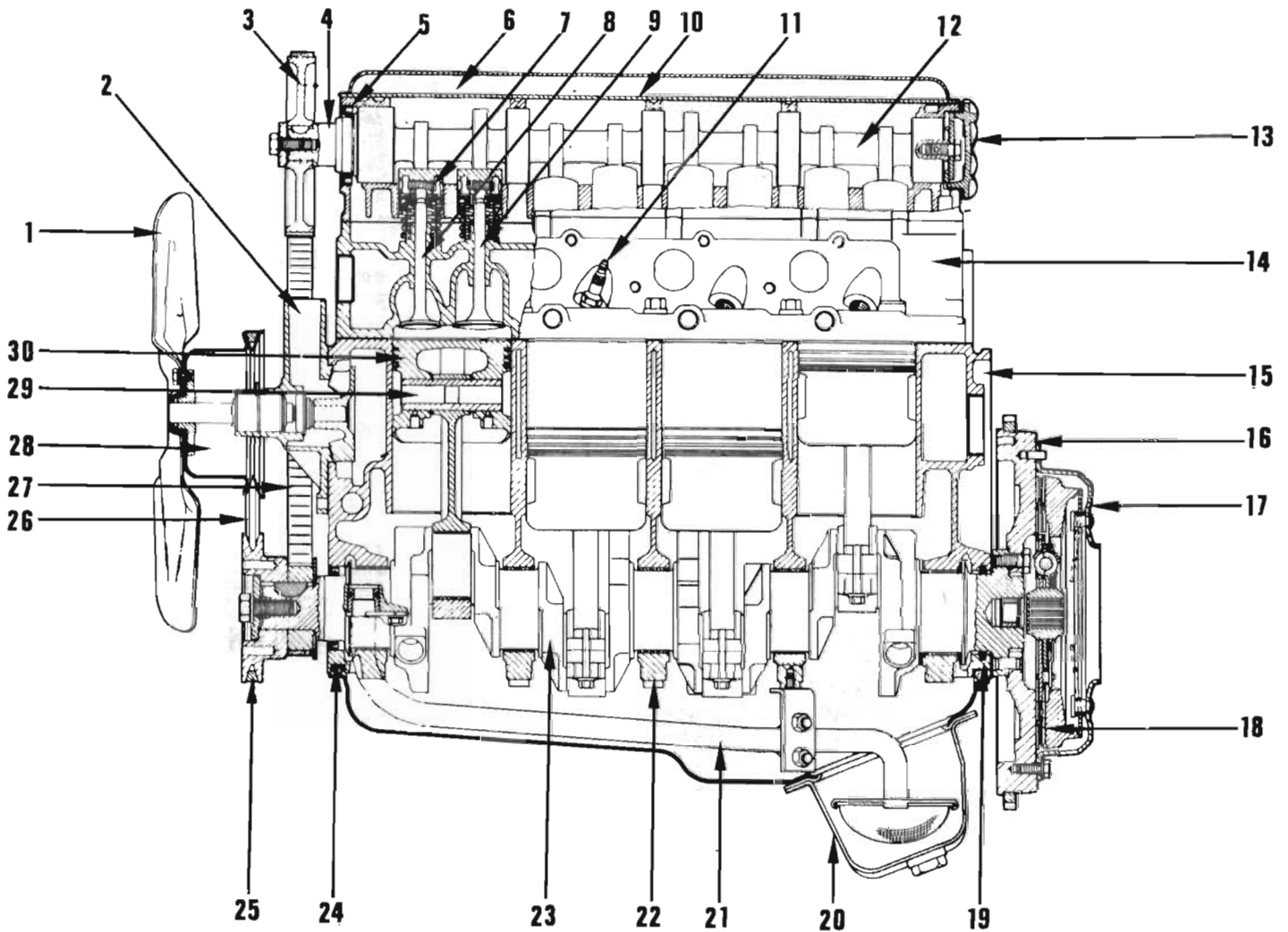
HOLDEN "LC" PARTS CATALOGUE

HOLDEN "LC" PARTS CATALOGUE



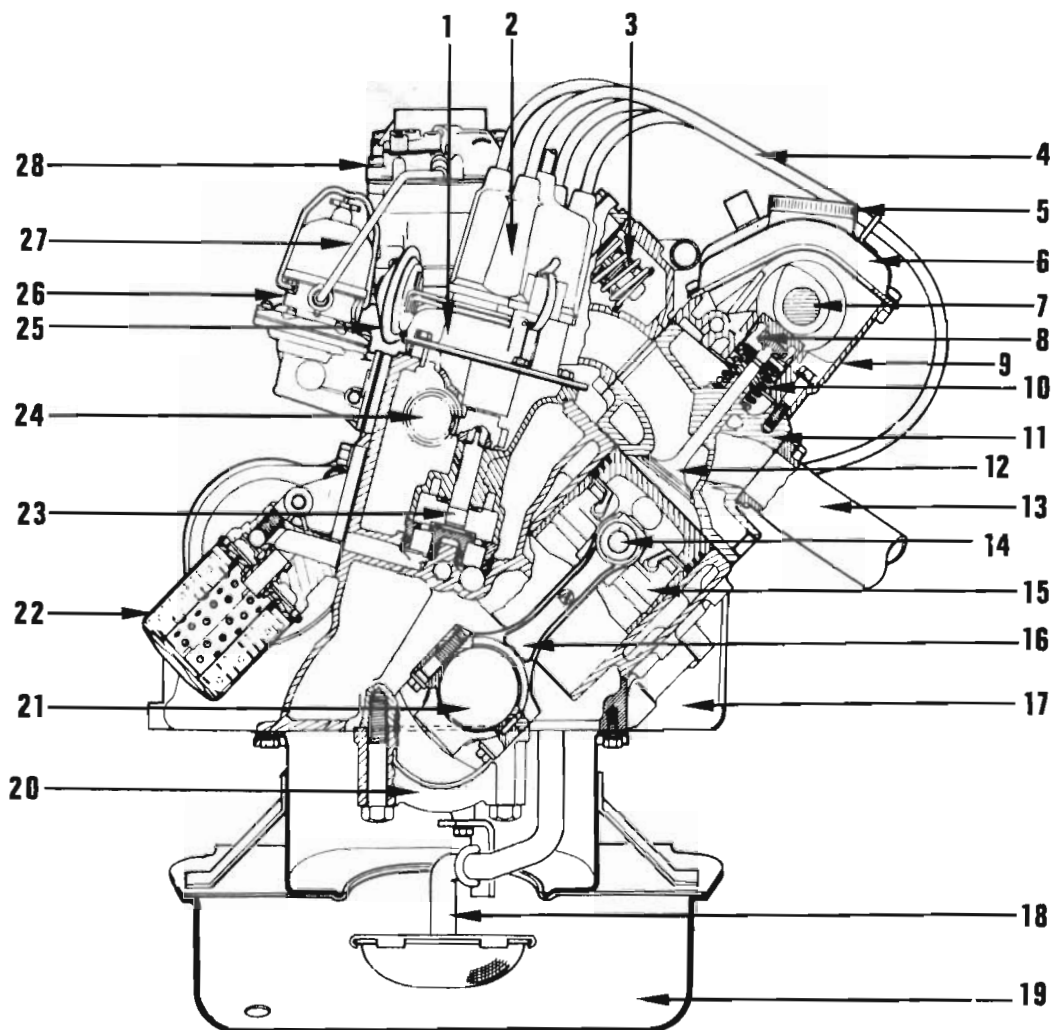
ENGINE ASSEMBLY - 6 CYLINDER

ILLUS. REF. NO.	PART NAME	GROUP	ILLUS. REF. NO.	PART NAME	GROUP
1.	BLADE ASSY. - Fan	1.064	22.	SWITCH ASSY. - Oil pressure	1.803
2.	OUTLET - Cylinder head water	1.153	23.	CRANKSHAFT	0.646
3.	ROD - Valve push	0.426	24.	FILTER ASSY. - Oil	1.835
4.	CAP ASSY. - Oil filler	1.516	25.	PUMP ASSY. - Oil	1.652
5.	PLUG ASSY. - Spark	2.270	26.	PLUG & GASKET ASSY. - Oil pan	1.453
6.	VACUUM CONTROL ASSY. - Distributor	2.410	27.	SCREEN ASSY. - Oil pump	1.656
7.	GASKET - Valve rocker cover	0.423	28.	BRACKET ASSY. - Front mounting	0.027
8.	HOSE - Breather	1.762	29.	COVER ASSY. - Valve push rod	0.439
9.	VALVE ASSY. - Ventilator	1.762	30.	PUMP ASSY. - Fuel	3.900
10.	GROMMET - Valve cover to block vent	1.745	31.	PAN ASSY. - Oil	1.426
11.	COVER - Valve rocker	0.386	32.	CAMSHAFT ASSY.	0.519
12.	INDICATOR ASSY. - Oil level	1.516	33.	GEAR - Crankshaft	0.728
13.	HEAD - Cylinder	0.269	34.	BALANCER ASSY. - Crankshaft	0.659
14.	VALVE	0.296	35.	SEAL - Crankcase cover oil	0.209
15.	COIL ASSY. - Ignition	2.170	36.	LIFTER ASSY. - Hydraulic valve	0.459
16.	TUBE - Oil level indicator	1.516	37.	COVER ASSY. - Crankcase	0.206
17.	PISTON & PIN ASSY.	0.629	38.	PUMP ASSY. - Water	1.069
18.	FLYWHEEL ASSY.	0.666	39.	BELT - Fan & generator	1.066
19.	COVER & PRESSURE PLATE ASSY.	0.861	40.	HOUSING - Thermostat	1.251
20.	ROD ASSY. - Connecting	0.603	41.	THERMOSTAT ASSY.	1.246
21.	BEARING ASSY. - Clutch pilot	0.649			



ENGINE ASSEMBLY - (1600 ENGINE)

ILLUS. REF. NO.	PART NAME	GROUP	ILLUS. REF. NO.	PART NAME	GROUP
1.	BLADE ASSY. - Fan	1.064	16.	FLYWHEEL & RING GEAR ASSY.	0.666
2.	PUMP ASSY. - Water	1.069	17.	COVER & PRESSURE PLATE ASSY.	0.861
3.	PULLEY - Camshaft	0.736	18.	PLATE ASSY. - Clutch	0.886
4.	SHAFT ASSY. - Camshaft auxiliary	0.519	19.	SEAL - Crankshaft rear	0.137
5.	SEAL - Auxiliary shaft	0.539	20.	PAN ASSY. - Oil	1.426
6.	COVER ASSY. - Camshaft	0.386	21.	PIPE & SCREEN ASSY.	1.656
7.	TAPPET ASSY. - Valve	0.459	22.	CAP - Crankshaft main bearing	N.S.S.
8.	VALVE - Exhaust	0.297	23.	CRANKSHAFT ASSY.	0.646
9.	VALVE - Inlet	0.296	24.	SEAL - Crankshaft front	0.137
10.	HOUSING ASSY. - Camshaft	0.386	25.	PULLEY - Crankshaft	0.659
11.	PLUG ASSY. - Spark	2.270	26.	BELT - Fan and generator	1.066
12.	CAMSHAFT	0.519	27.	BELT - Camshaft	0.727
13.	COVER - Camshaft housing rear	0.386	28.	PULLEY - Water pump and fan	1.062
14.	HEAD ASSY. - Cylinder	0.269	29.	PIN - Piston	0.636
15.	BLOCK ASSY.	0.033	30.	PISTON ASSY.	0.629

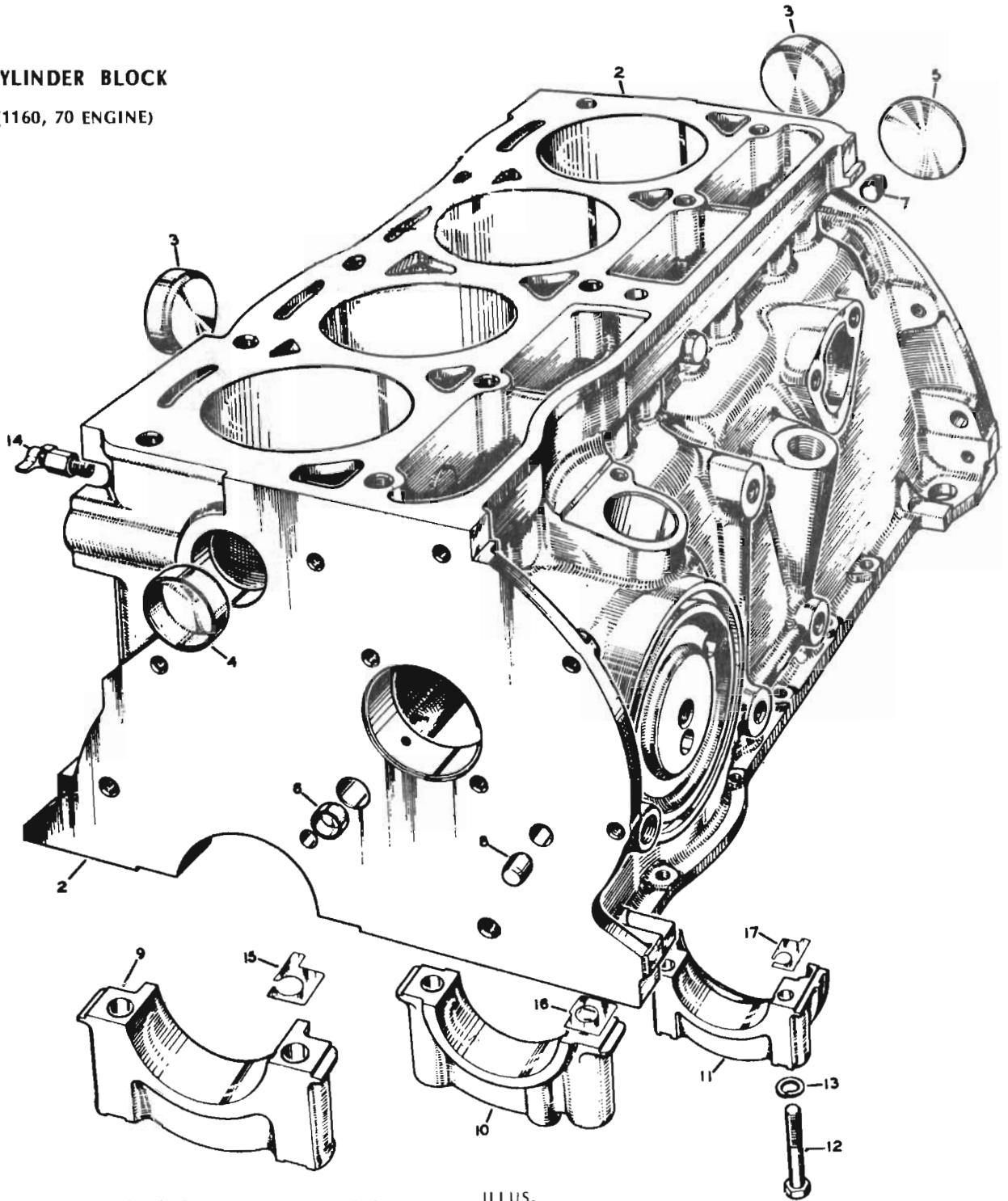


ENGINE ASSEMBLY — (1600 ENGINE)

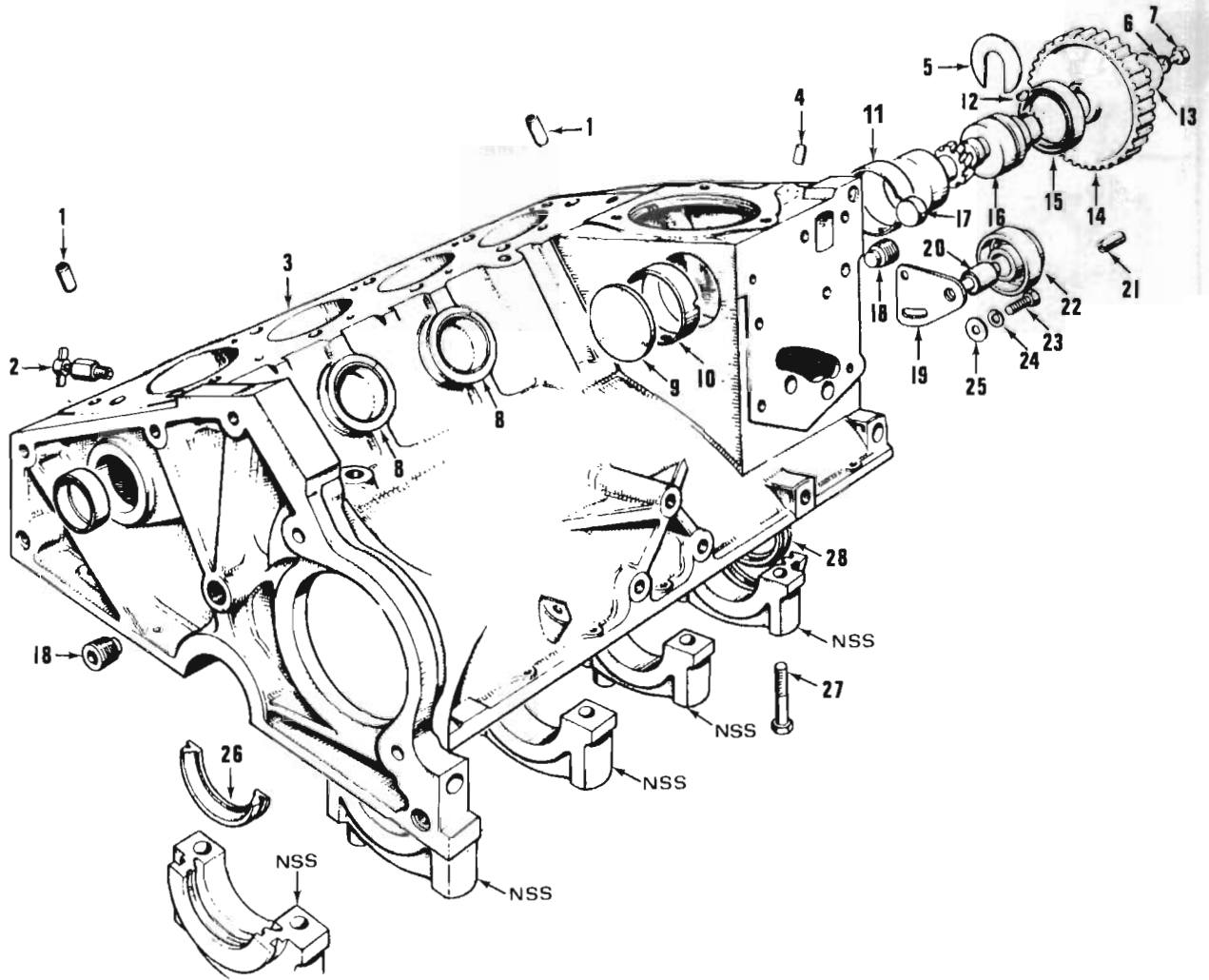
ILLUS. REF. NO.	PART NAME	GROUP	ILLUS. REF. NO.	PART NAME	GROUP
1.	DISTRIBUTOR ASSY.	2.361	15.	PISTON ASSY.	0.629
2.	CAP — Distributor	2.367	16.	ROD ASSY. — Connecting	0.603
3.	THERMOSTAT ASSY.	1.246	17.	BLOCK ASSY.	0.033
4.	WIRE UNIT — Spark plug	2.239	18.	PIPE & SCREEN ASSY.	1.656
5.	CAP ASSY. — Oil filler	1.516	19.	PAN ASSY. — Oil	1.426
6.	COVER ASSY. — Camshaft	0.386	20.	CAP — Crankshaft main bearing	N.S.S.
7.	CAMSHAFT	0.519	21.	CRANKSHAFT ASSY.	0.646
8.	TAPPET ASSY. — Valve	0.459	22.	FILTER ASSY. — Oil	1.835
9.	HOUSING ASSY.	0.386	23.	PUMP ASSY. — Oil	1.652
10.	SPRING — Valve	0.303	24.	PULLEY — Jockey	1.065
11.	HEAD — Cylinder	0.269	25.	VACUUM CONTROL ASSY. — Distributor ..	2.410
12.	VALVE — Inlet	0.296	26.	PUMP ASSY. — Fuel	3.900
13.	MANIFOLD ASSY. — Exhaust	3.601	27.	PIPE — Fuel pump to carburettor	3.201
14.	PIN — Piston	0.636	28.	CARBURETTOR ASSY.	3.725

CYLINDER BLOCK

(1160, 70 ENGINE)

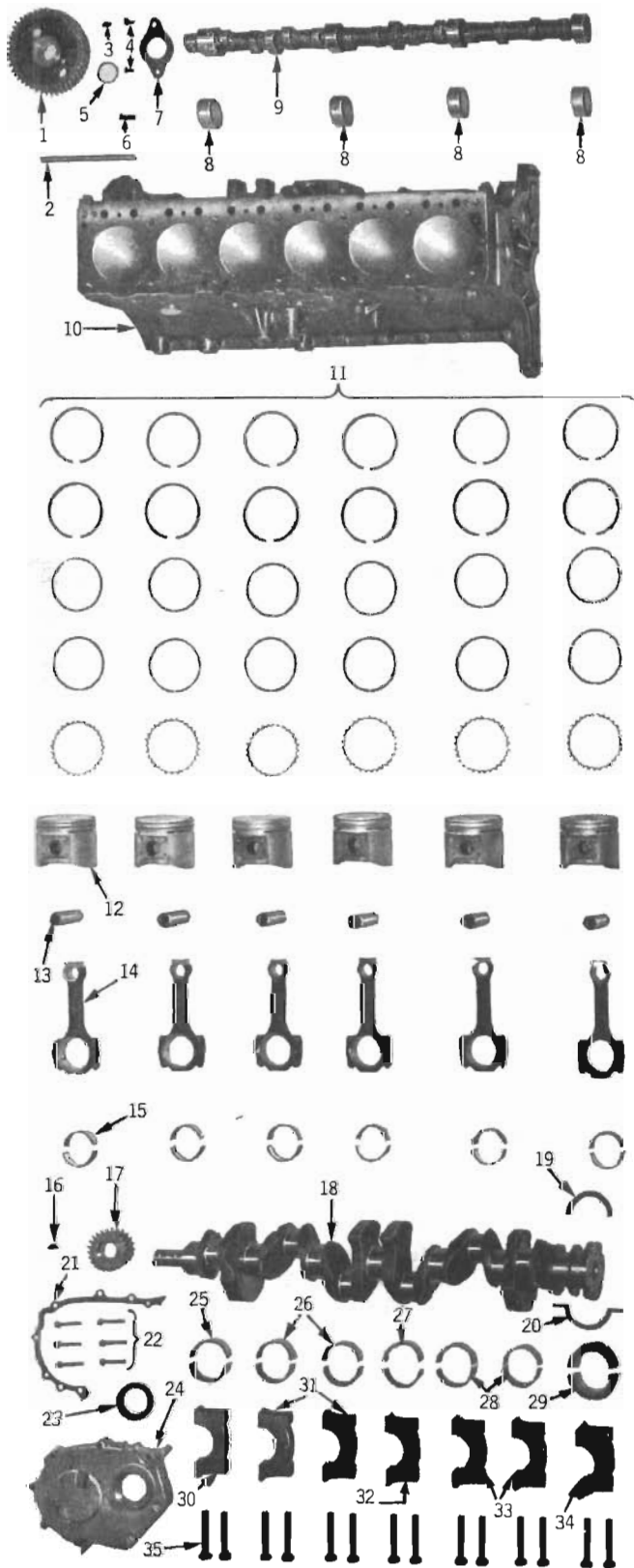


ILLUS. REF. NO.	PART NAME	GROUP	ILLUS. REF. NO.	PART NAME	GROUP
2.	BLOCK ASSY. - Cylinder	0.033	10.	CAP - Centre bearing	0.100
3.	PLUG - Cup - Cylinder block	0.033	11.	CAP - Rear bearing	0.105
4.	PLUG - Cup - Cylinder block	0.033	12.	BOLT - Bearing cap	0.056
5.	PLUG - Expansion - Camshaft rear	0.553	13.	WASHER - Lock	8.931
6.	PLUG - Oil gallery, front	1.928	14.	COCK - Drain	8.951
7.	PLUG - Oil gallery, rear	8.971	15.	SHIM - Front bearing cap	0.153
8.	PLUG - Oil hole	1.928	16.	SHIM - Centre bearing cap	0.153
9.	CAP - Front bearing	0.095	17.	SHIM - Rear bearing cap	0.153



CYLINDER BLOCK — (1600 ENGINE)

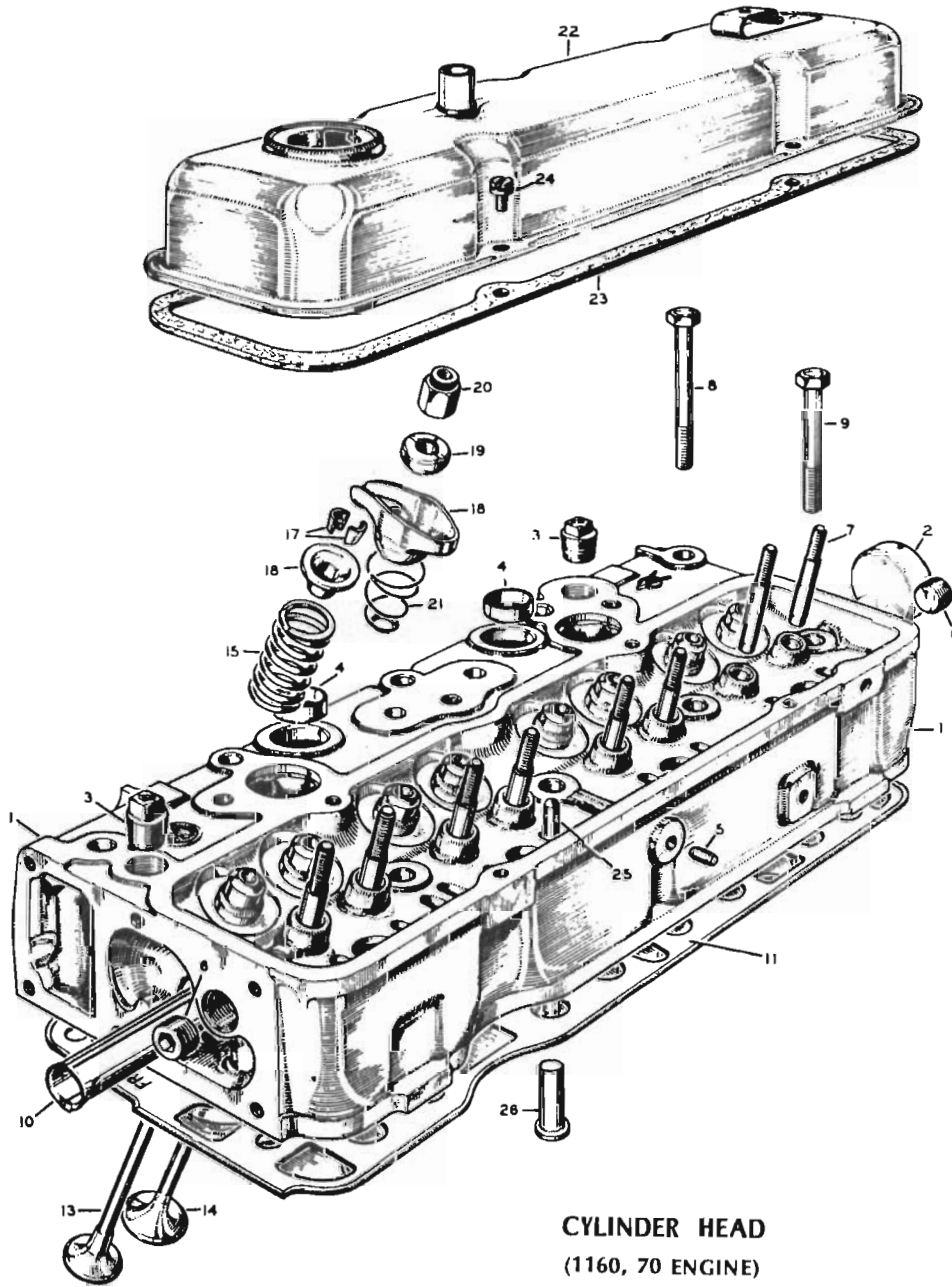
ILLUS. REF. NO.	PART NAME	GROUP	ILLUS. REF. NO.	PART NAME	GROUP
1.	PIN — Spring 1/2" x 1/4"	0.033/8.941	15.	SEAL — Auxiliary shaft front	0.539
2.	COCK ASSY. — Drain	0.033/8.951	16.	SHAFT — Auxiliary	0.519
3.	CYLINDER BLOCK	0.033	17.	COVER — Cup plug	0.033
4.	PLUG — 5/16"	0.033	18.	PLUG — Pipe	8.971
5.	WASHER — Thrust	0.736	19.	BRACKET — Jockey pulley	N.S.S.
6.	WASHER — Shakeproof 3/8" int. tooth	8.932	20.	BEARING — Jockey pulley	1.065
7.	BOLT — Hex. hd. 3/8" — 24 x 3/4"	8.900	21.	PIN — Slotted spring 1/8" x 3/8"	0.736/8.941
8.	PLUG — Cup 1.61/64"	0.033	22.	PULLEY — Jockey	1.065
9.	PLUG — Expansion 2"	0.533	23.	BOLT — Hex. hd. 5/16" — 18 x 3/4"	8.900
10.	BEARING — Auxiliary shaft rear	0.549	24.	WASHER — Lock 5/16"	8.931
11.	BEARING — Auxiliary shaft front	0.539	25.	WASHER — Flat 5/16" large	8.929
12.	KEY — 3/16" x 5/8"	8.960	26.	SEAL — Crankshaft rear	0.137
13.	WASHER — Special	0.736	27.	BOLT — Bearing cap	0.056
14.	PULLEY — Grooved, camshaft	0.736	28.	SEAL — Crankshaft front	0.137



**CYLINDER BLOCK
(6 CYLINDER ENGINE)**

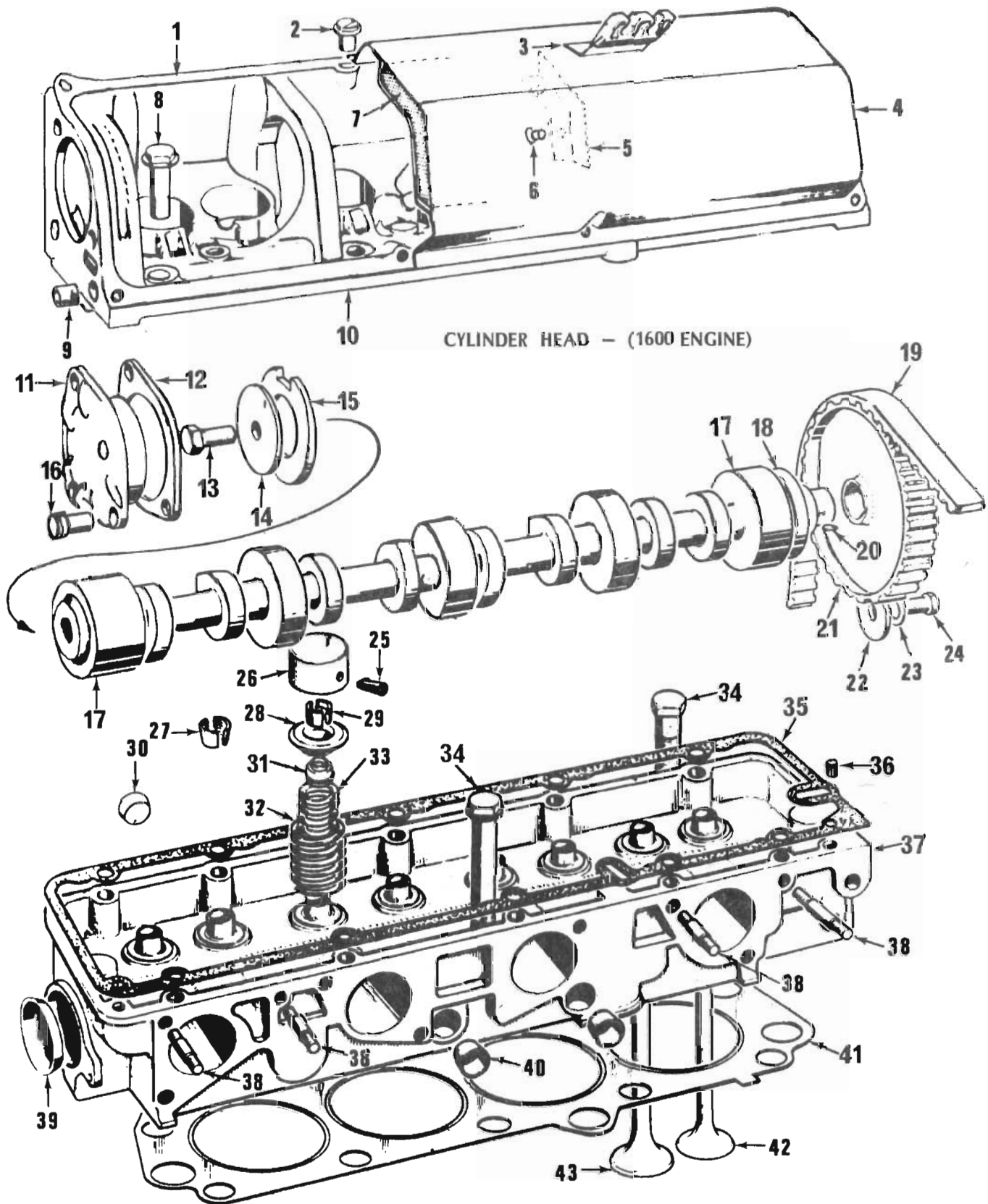
Note: The items illustrated constitute a Short Motor

ILLUS. REF. NO.	PART NAME	GROUP
1.	GEAR - Camshaft	0.736
2.	TUBE - Oil level indicator	1.516
3.	KEY	8.960
4.	SCREW	8.910
5.	RING - Camshaft gear spacing	0.738
6.	NOZZLE - Timing gear oil	0.748
7.	BEARING - Camshaft thrust	0.533
8.	BEARING SET - Camshaft	0.536
9.	CAMSHAFT	0.519
10.	BLOCK ASSY.	0.033
11.	RING SET - Piston	0.643
12.	PISTON & PIN ASSY.	0.629
13.	PIN - Piston	0.636
14.	ROD ASSY. - Connecting	0.603
15.	BEARING - Connecting rod	0.616
16.	KEY	8.960
17.	GEAR - Crankshaft	0.728
18.	CRANKSHAFT	0.646
19.	SEAL - Upper	0.137
20.	SEAL - Lower	0.137
21.	GASKET - Front end cover	0.207
22.	BOLT - Front end cover	0.206
23.	SEAL - Front end cover	0.209
24.	COVER - Front end	0.206
25.	BEARING - Front	0.096
26.	BEARING - Front intermediate	0.099
27.	BEARING - Centre	0.101
28.	BEARING - Rear intermediate	0.103
29.	BEARING - Rear	0.106
30.	CAP - Front bearing	0.095
31.	CAP - Front intermediate bearing	0.098
32.	CAP - Centre bearing	0.100
33.	CAP - Rear intermediate bearing	0.102
34.	CAP - Rear bearing	0.105
35.	BOLT - Bearing cap	0.056



**CYLINDER HEAD
(1160, 70 ENGINE)**

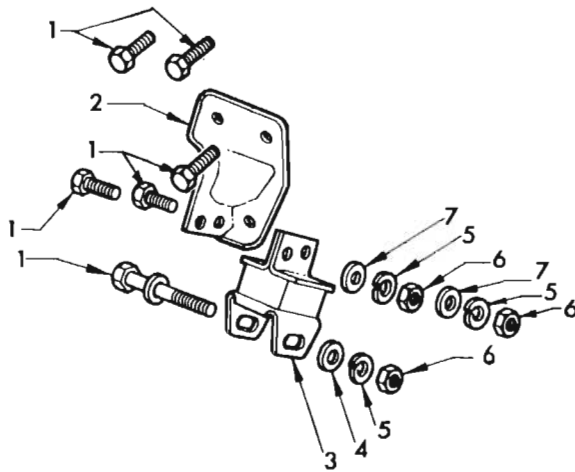
ILLUS. REF. NO.	PART NAME	GROUP	ILLUS. REF. NO.	PART NAME	GROUP
1.	HEAD - Cylinder	0.269	15.	SPRING - Valve	0.303
2.	PLUG - Rear	0.269	16.	CAP - Spring	0.309
3.	PLUG - Sq. hd. pipe	8.971	17.	COLLAR - Valve	0.310
4.	PLUG - Top	0.269	18.	ARM	0.333
5.	PLUG - Oil hole	1.928	19.	BALL	0.429
6.	PLUG - Oil gallery	8.971	20.	NUT	0.429
7.	STUD - Rocker	0.429	21.	SPRING	0.378
8.	BOLT	0.293	22.	COVER	0.386
9.	BOLT	0.293	23.	GASKET	0.423
10.	TUBE - Water distributor	0.270	24.	SCREW	0.386
11.	GASKET	0.289	25.	ROD - Push	0.426
13.	VALVE - Exhaust	0.297	26.	TAPPET	0.459
14.	VALVE - Inlet	0.296			



CYLINDER HEAD — (1600 ENGINE)

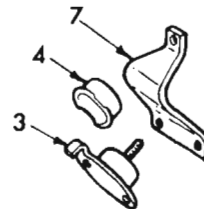
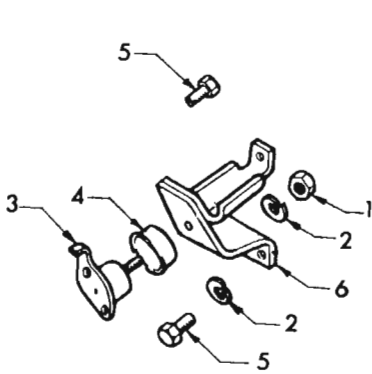
ILLUSTRATION OPPOSITE

ILLUS. REF. NO.	PART NAME	GROUP	ILLUS. REF. NO.	PART NAME	GROUP
1.	GASKET — Camshaft cover to housing	0.423	22.	WASHER — Special	0.736
2.	STUD — Camshaft cover to housing	0.386	23.	WASHER — Lock 3/8" internal tooth	8.931
3.	BRACKET — Spark plug cable	0.386	24.	BOLT — Hex. hd. 3/8" — 24 x 3/4"	8.900
4.	COVER ASSY. — Camshaft	0.386	25.	SCREW — Tappet adjusting	0.429
5.	RETAINER — Baffle	0.386	26.	TAPPET — Valve	0.459
6.	RIVET — Retainer & bracket fixing	0.386	27.	KEY — Valve stem	0.310
7.	ELEMENT — Breather	0.386	28.	CAP — Valve spring	0.309
8.	BOLT — Housing to cylinder head	0.386	29.	COLLAR — Valve stem	0.310
9.	PLUG — Hex. socket 1/4" — 18	0.386/8.971	30.	PLUG — Cup, 5/8"	0.269
10.	HOUSING ASSY. — Camshaft	0.386	31.	COLLAR — Valve	0.310
11.	COVER — Rear, camshaft housing	0.386	32.	SPRING — Valve outer	0.303
12.	GASKET — Rear cover	0.423	33.	SPRING — Valve inner	0.303
13.	BOLT — Hex. hd. 3/8" — 24 x 7/8"	0.533/8.900	34.	BOLT — Cylinder head	0.293
14.	WASHER — Camshaft retaining	0.533	35.	GASKET — Housing to cylinder head	0.423
15.	WASHER — Camshaft thrust	0.533	36.	DOWEL — 5/16" knurled	0.269
16.	STUD — Rear cover to housing 5/16" x 1.1/8"	0.386/8.900	37.	HEAD ASSY. — Cylinder	0.269
17.	CAMSHAFT	0.519	38.	STUD — Manifold	3.275
18.	SEAL — Camshaft front	0.539	39.	PLUG — Cup — 1.1/2"	0.269
19.	BELT — Camshaft, toothed	0.727	40.	PLUG — Cup — 3/4"	0.269
20.	KEY — Woodruff 3/16" x 5/8"	8.960	41.	GASKET — Cylinder head	0.289
21.	PULLEY — Camshaft (grooved)	0.736	42.	VALVE — Exhaust	0.297
			43.	VALVE — Inlet	0.296



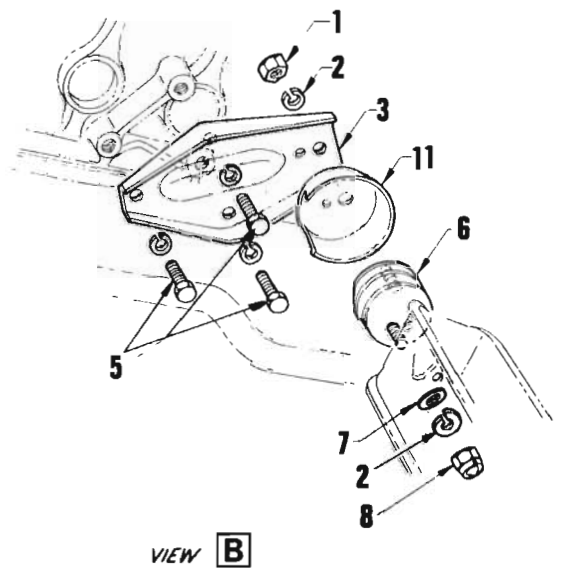
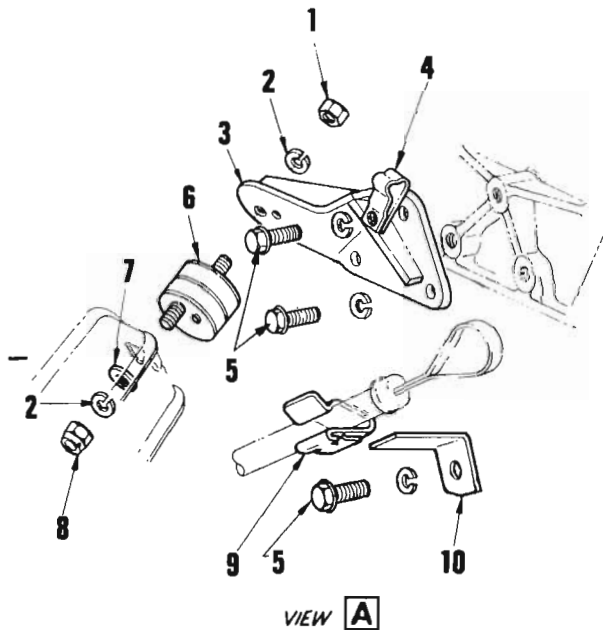
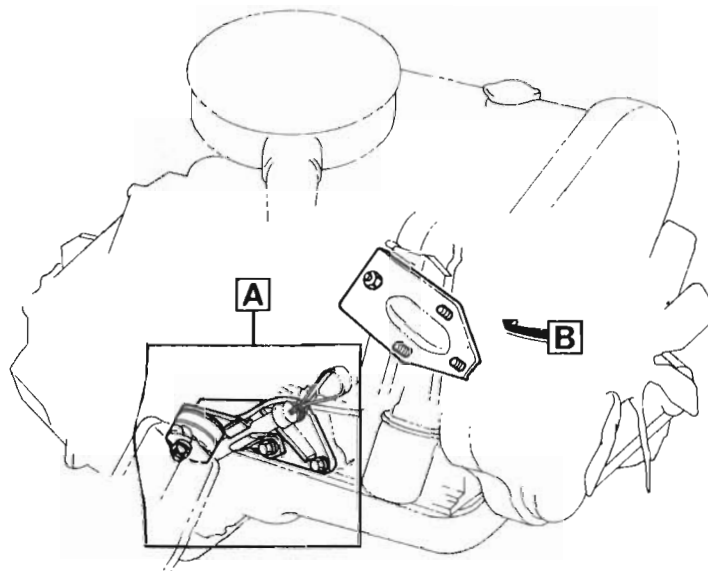
ENGINE MOUNTING — Front
(6 CYLINDER ENGINE)

ILLUS. REF. NO.	PART NAME	GROUP	ILLUS. REF. NO.	PART NAME	GROUP
1.	BOLT	8.900	5.	WASHER — Lock	8.931
2.	BRACKET — Mounting	0.027	6.	NUT	8.915
3.	MOUNTING ASSY.	0.027	7.	WASHER	0.027
4.	WASHER — Flat	8.929			



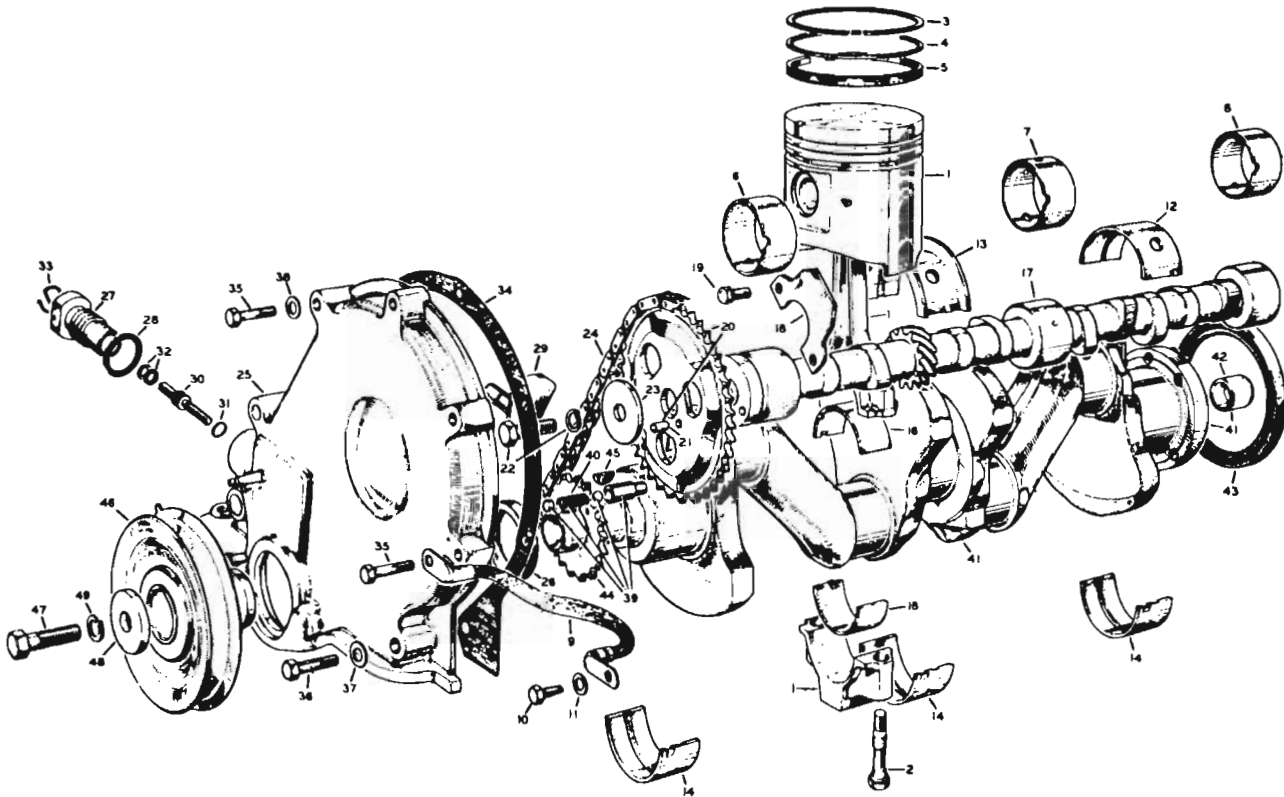
ENGINE MOUNTING — Front
(1160, 70 ENGINE)

ILLUS. REF. NO.	PART NAME	GROUP	ILLUS. REF. NO.	PART NAME	GROUP
1.	NUT	8.915	5.	BOLT	8.900
2.	WASHER — Lock	8.931	6.	BRACKET ASSY. — R.H.	0.027
3.	MOUNTING ASSY.	0.027	7.	BRACKET — L.H.	0.027
4.	CAP — Mounting restrictor	0.027			



ENGINE MOUNTING — (1600 ENGINE)

ILLUS. REF. NO.	PART NAME	GROUP	ILLUS. REF. NO.	PART NAME	GROUP
1.	NUT — Hex. 5/16'' — 24	8,915	7.	WASHER — Flat	8,929
2.	WASHER — Lock	8,931	8.	NUT — Self locking	8,918
3.	BRACKET — Mounting	0,027	9.	CLIP — Indicator tube	1,516
4.	CLIP — Pipe	3,202/8,950	10.	SUPPORT — Indicator tube	1,516
5.	BOLT — Special	0,027	11.	RESTRICTOR — Mounting	0,027
6.	MOUNTING	0,027	12.	BOLT — Hex. hd. 5/16'' — 18 x 3/4''	8,900
			13.	WASHER — Lock, 5/16''	8,931



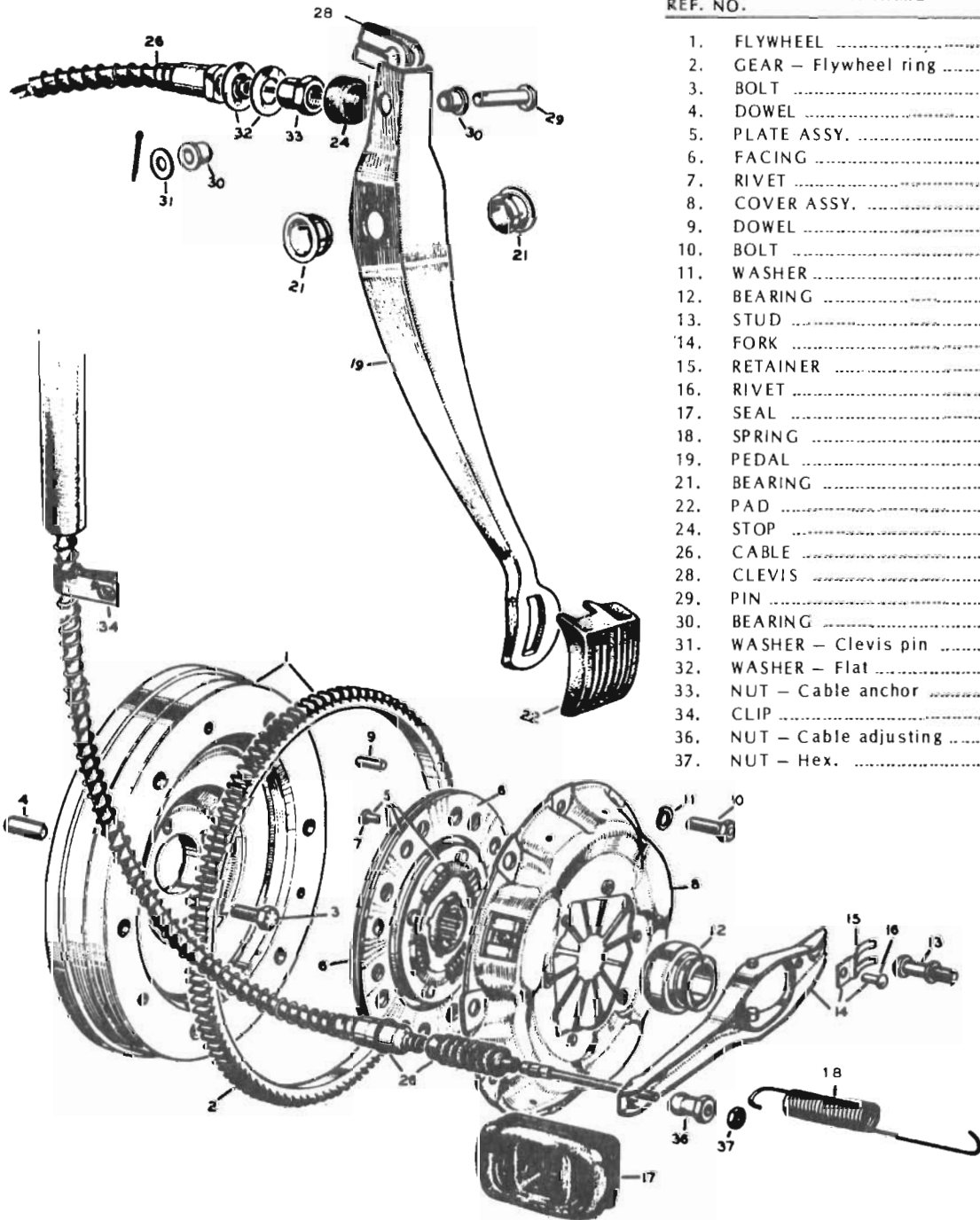
CRANKSHAFT, CAMSHAFT, TIMING

(1160, 70 ENGINE)

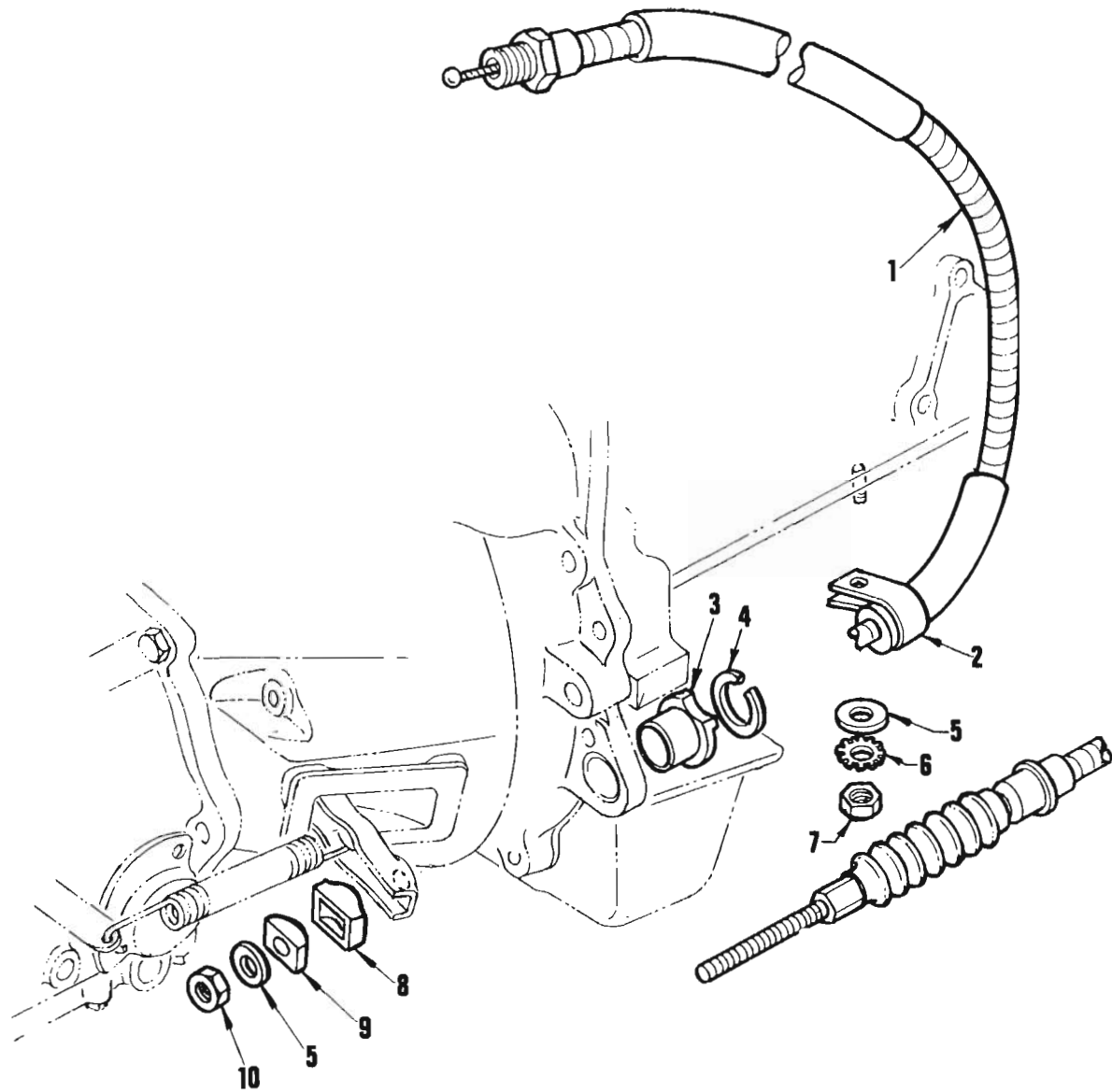
ILLUS. REF. NO.	PART NAME	GROUP	ILLUS. REF. NO.	PART NAME	GROUP
1.	PISTON & CONNECTING ROD	0.629	25.	COVER - Timing chain	0.206
2.	BOLT - Connecting rod	0.623	26.	SEAL - Timing cover	0.209
3.	RING - Piston	0.643	27.	BODY - Chain tensioner	0.726
4.	RING - Piston	0.643	28.	GASKET - Tensioner body	0.726
5.	RING - Piston	0.643	29.	PAD - Tensioner	0.726
6.	BEARING - Camshaft front	0.539	30.	SCREW - Adjusting	0.726
7.	BEARING - Camshaft centre	0.544	31.	RING	0.726
8.	BEARING - Camshaft rear	0.549	32.	RING	0.726
9.	CABLE	2.348	33.	SPRING - Lock	0.726
10.	SCREW - Tapping	8.977	34.	GASKET	0.207
11.	WASHER - Flat	8.929	35.	BOLT	8.900
12.	BEARING - Rear upper	0.106	36.	BOLT	8.900
13.	BEARING - Centre upper	0.101	37.	WASHER - Flat	8.929
14.	BEARING - Front lower	0.096	38.	WASHER - Flat	8.929
	BEARING - Centre lower	0.101	39.	NOZZLE	0.748
	BEARING - Rear lower	0.106	40.	SPRING	0.748
16.	BEARING - Connecting rod	0.616	41.	CRANKSHAFT	0.646
17.	CAMSHAFT	0.519	42.	BEARING	0.649
18.	PLATE - Camshaft thrust	0.533	43.	SEAL	0.137
19.	BOLT - Thrust plate	0.533	44.	GEAR - Crankshaft	0.728
20.	GEAR - Camshaft timing	0.736	45.	KEY	0.659
21.	DOWEL	0.730	46.	PULLEY	0.659
22.	SCREW	8.900	47.	BOLT	8.900
23.	WASHER	0.736	48.	WASHER - Pulley to crankshaft	0.659
24.	CHAIN - Timing	0.727	49.	WASHER - Lock	8.931

FLYWHEEL, CLUTCH & CONTROL

(1160, 70 ENGINE)

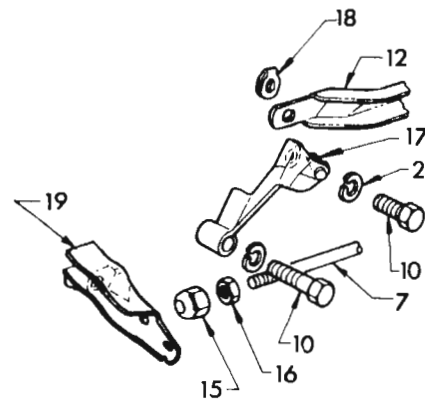
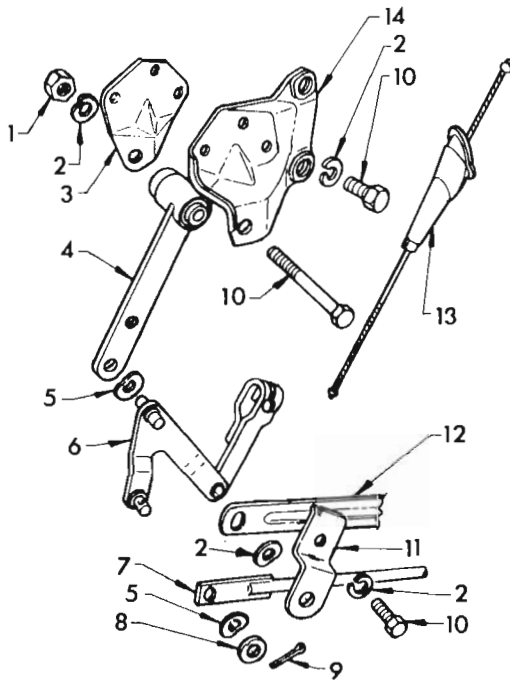


ILLUS. REF. NO.	PART NAME	GROUP
1.	FLYWHEEL	0.666
2.	GEAR - Flywheel ring	0.673
3.	BOLT	0.669
4.	DOWEL	0.669
5.	PLATE ASSY.	0.886
6.	FACING	0.885
7.	RIVET	0.884
8.	COVER ASSY.	0.861
9.	DOWEL	8.939
10.	BOLT	0.870
11.	WASHER	8.931
12.	BEARING	0.799
13.	STUD	0.796
14.	FORK	0.795
15.	RETAINER	0.796
16.	RIVET	8.967
17.	SEAL	0.797
18.	SPRING	0.844
19.	PEDAL	0.830
21.	BEARING	0.831
22.	PAD	0.830
24.	STOP	0.829
26.	CABLE	0.787
28.	CLEVIS	0.787
29.	PIN	0.787
30.	BEARING	0.787
31.	WASHER - Clevis pin	0.787
32.	WASHER - Flat	0.787
33.	NUT - Cable anchor	0.787
34.	CLIP	0.787
36.	NUT - Cable adjusting	0.787
37.	NUT - Hex.	0.787



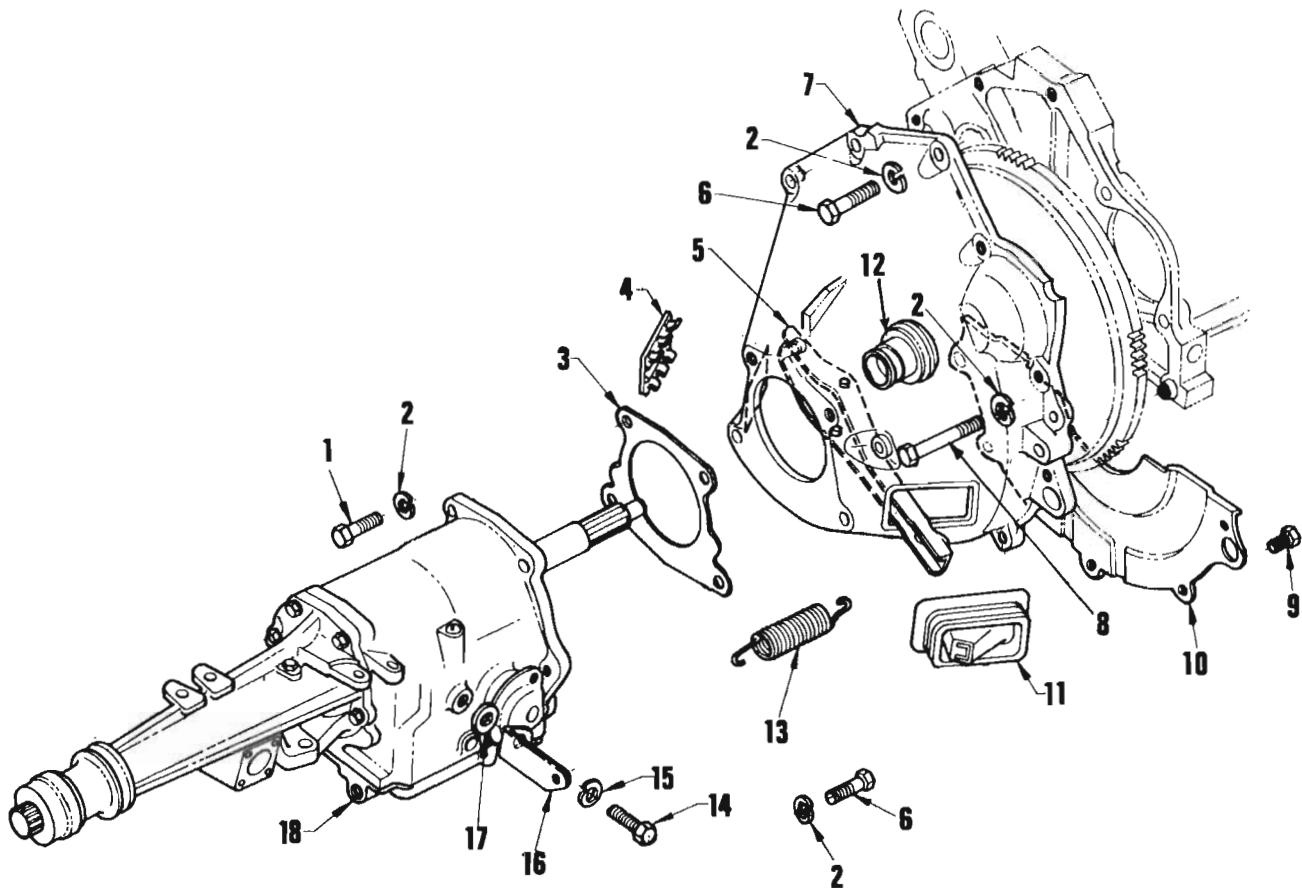
CLUTCH CONTROL — (1600 ENGINE)

ILLUS. REF. NO.	PART NAME	GROUP	ILLUS. REF. NO.	PART NAME	GROUP
1.	CABLE ASSY.	0.787	6.	WASHER — Shakeproof 1/4" ext. tooth	8.932
2.	CLIP — Cable to oil pan	0.787	7.	NUT — 1/4" — 28	8.915
3.	INSULATOR — Clutch cable	0.787	8.	PAD — Insulator (rubber)	0.787
4.	WASHER — Insulator	0.787	9.	PAD — Pressure (nylon)	0.787
5.	WASHER — Flat 9/32" x 5/8" x .065"	8.929	10.	NUT — Hex. jam 1/4" — 28	8.916



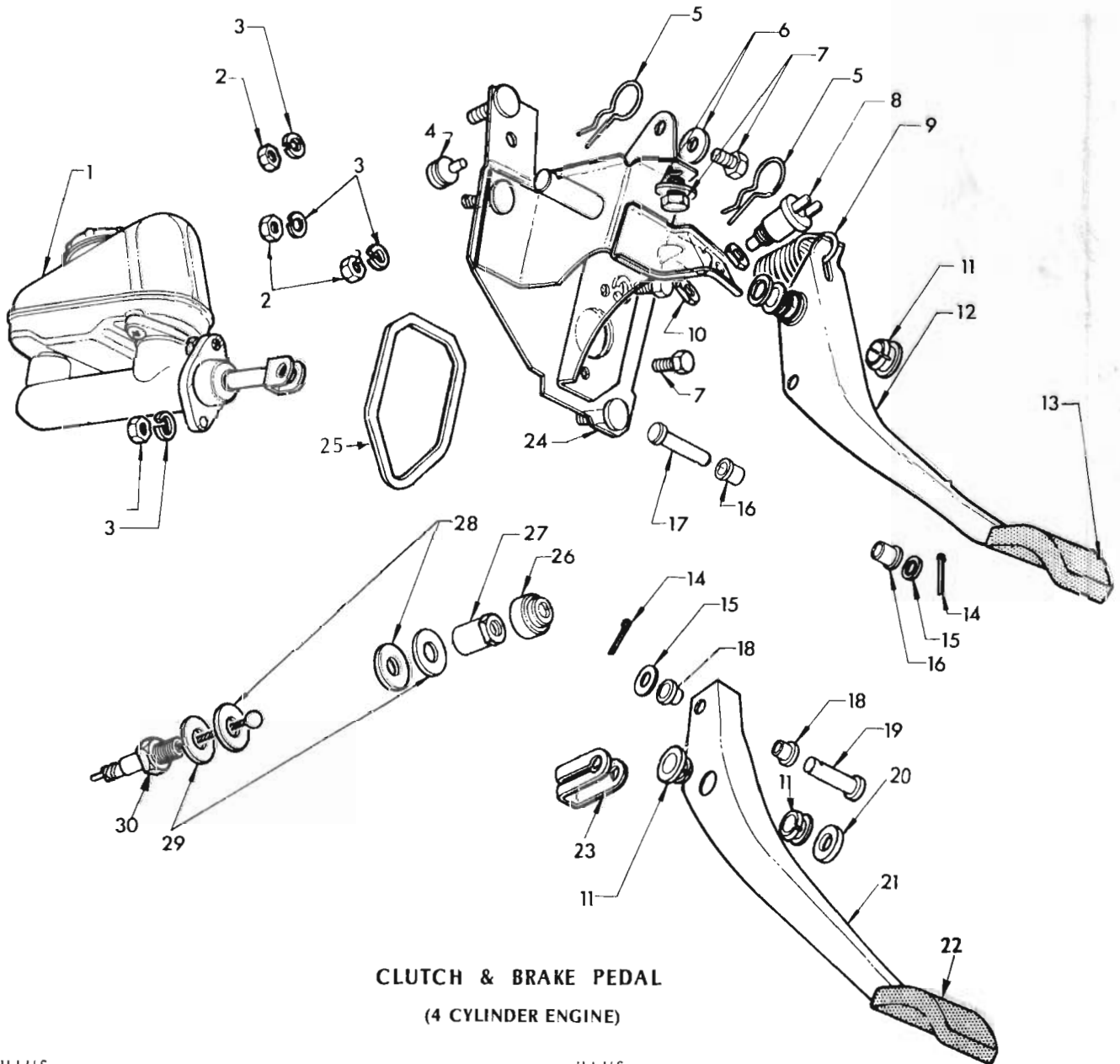
CLUTCH CONTROL (6 CYLINDER ENGINE)

ILLUS. REF. NO.	PART NAME	GROUP	ILLUS. REF. NO.	PART NAME	GROUP
1.	NUT	8.915	11.	RETAINER	0.852
2.	WASHER - Lock	8.931	12.	BRACE	0.852
3.	BRACKET	N.S.S.	13.	ROD ASSY.	0.787
4.	BRACKET ASSY.	0.852	14.	SUPPORT ASSY.	0.852
5.	WASHER - Anti-rattle	0.852	15.	NUT	0.839
6.	LEVER ASSY. - Relay	0.852	16.	NUT - Hexagon jam	8.916
7.	ROD - Push	0.839	17.	BRACKET ASSY. - Lever brace	0.852
8.	WASHER - Flat	8.929	18.	CLIP	0.852
9.	PIN - Cotter	8.938	19.	FORK ASSY. - Clutch	0.795
10.	BOLT	8.900			



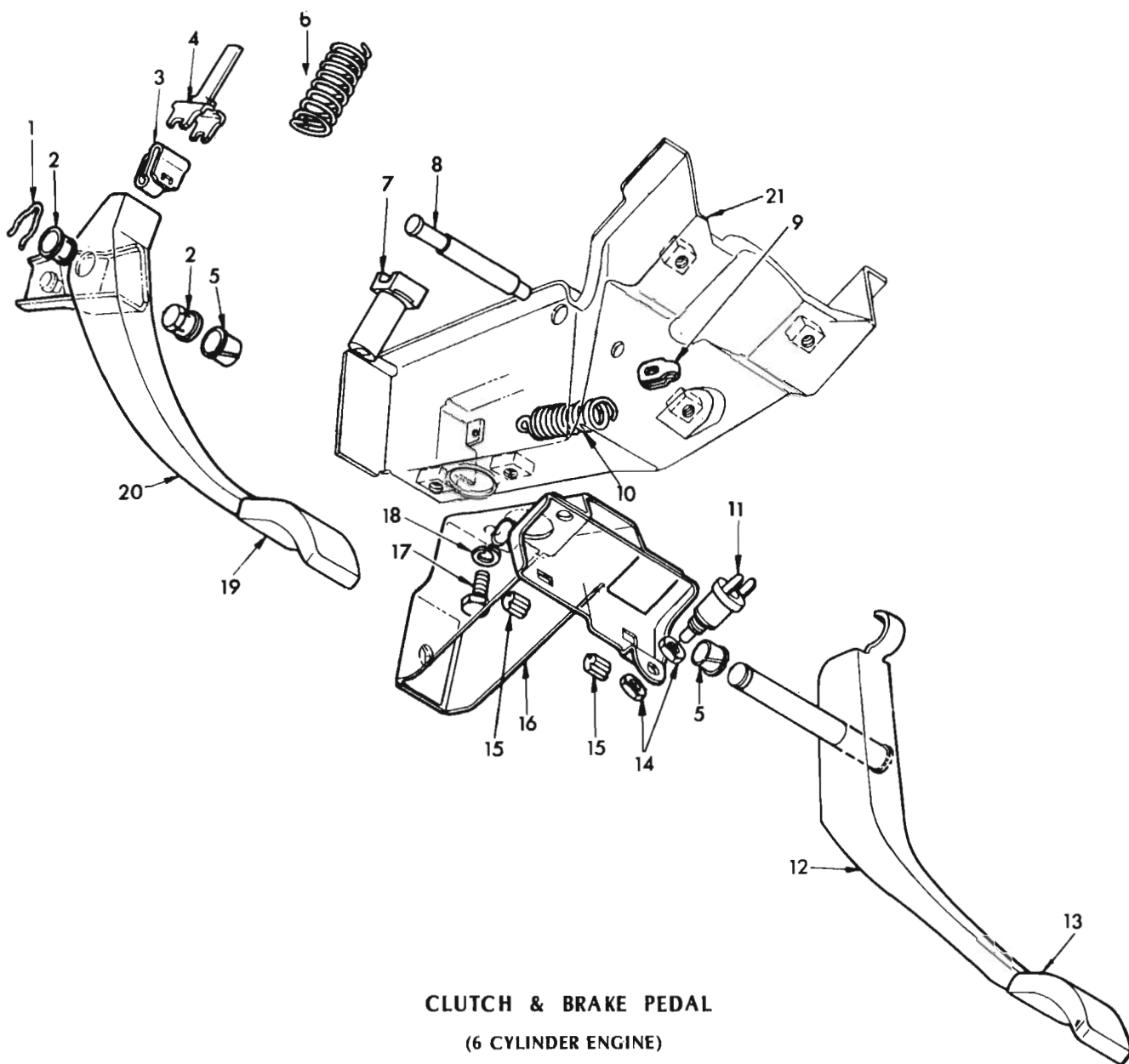
TRANSMISSION & CLUTCH HOUSING — (1600 ENGINE)

ILLUS. REF. NO.	PART NAME	GROUP	ILLUS. REF. NO.	PART NAME	GROUP
1.	BOLT — 7/16" — 14 x 1.1/8"	8,900	10.	COVER — Clutch housing	0.679
2.	WASHER — Lock 7/16"	8,931	11.	SEAL — Clutch fork	0.797
3.	GASKET	4,004	12.	BEARING ASSY. — Clutch throwout	0.799
4.	COVER — Clutch fork slot	0.686	13.	SPRING — Clutch return	0.844
5.	FORK ASSY. — Clutch	0.795	14.	BOLT — 5/16" — 18 x 3/4"	8,900
6.	BOLT — 7/16" — 20 x 1.1/4"	8,900	15.	WASHER — Lock 5/16"	8,931
7.	HOUSING — Clutch	0.683	16.	BRACKET — Return spring	0.846
8.	BOLT — 7/16" — 20 x 1.3/4"	8,900	17.	WASHER — Bracket	0.846
9.	BOLT — 3/8" — 16 x 1/2"	8,900	18.	TRANSMISSION ASSY.	4.003



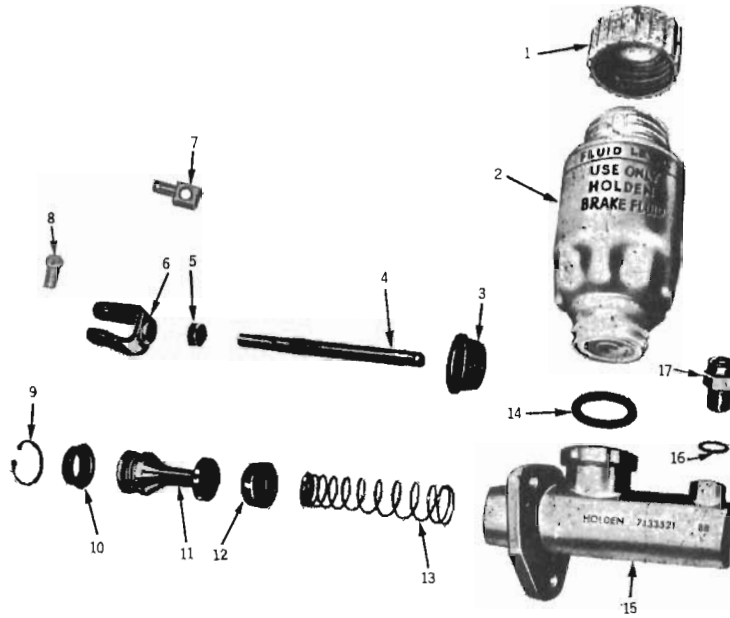
**CLUTCH & BRAKE PEDAL
(4 CYLINDER ENGINE)**

ILLUS. REF. NO.	PART NAME	GROUP	ILLUS. REF. NO.	PART NAME	GROUP
1.	CYLINDER ASSY.	4.650	16.	BEARING	4.662
2.	NUT	8.915	17.	PIN - Clevis	4.662
3.	WASHER - Lock	8.931	18.	BEARING	0.787
4.	PLUG	12.803	19.	PIN - Clevis	0.787
5.	PIN	0.837/4.636	20.	SPACER	0.833
6.	WASHER - Flat	8.929	21.	PEDAL ASSY.	0.830
7.	BOLT	8.900	22.	PAD	0.830
8.	SWITCH	2.447	23.	CLEVIS	0.787
9.	SPRING	4.639	24.	BRACKET ASSY.	0.833
10.	NUT	2.447	25.	GASKET	0.833
11.	BUSHING	0.831/4.626	26.	STOP	0.829
12.	PEDAL	4.625	27.	NUT - Cable anchor	0.787
13.	PAD	4.625	28.	WASHER - Insulating	0.787
14.	PIN - Cotter	8.938	29.	WASHER - Flat	0.787
15.	WASHER - Flat	8.929	30.	CABLE ASSY.	0.787



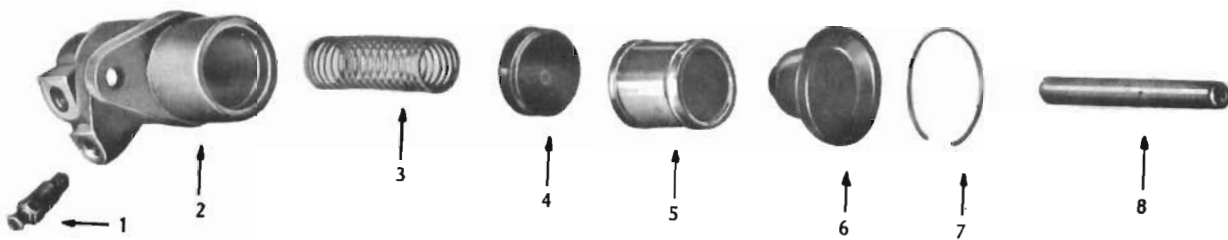
CLUTCH & BRAKE PEDAL
(6 CYLINDER ENGINE)

ILLUS. REF. NO.	PART NAME	GROUP	ILLUS. REF. NO.	PART NAME	GROUP
1.	SPRING	0.837	12.	PEDAL ASSY.	4.625
2.	BEARING - Pedal to shaft	0.831	13.	PAD	4.625
3.	BEARING - Pivot	0.848	14.	NUT	2.447
4.	YOKE ASSY. - Inner	0.848	15.	BUMPER	0.830/4.625
5.	BUSHING	0.831/4.626	16.	BRACKET ASSY.	0.833
6.	SPRING - Over-centre	0.844	17.	BOLT	8.900
7.	YOKE ASSY. - Outer	0.848	18.	WASHER - Lock	8.931
8.	SHAFT	0.847	19.	PAD	0.830
9.	CLIP	0.847	20.	PEDAL ASSY.	0.830
10.	SPRING	4.639	21.	BRACE	6.761
11.	SWITCH	2.447			



CLUTCH MAIN CYLINDER

ILLUS. REF. NO.	PART NAME	GROUP	ILLUS. REF. NO.	PART NAME	GROUP
1.	CAP - Reservoir	0.907	10.	CUP - Piston secondary	0.912
2.	RESERVOIR	0.906	11.	PISTON	0.910
3.	SEAL - Push rod	0.924	12.	CUP - Piston	0.911
4.	ROD - Push	0.918	13.	SPRING ASSY.	0.913
5.	NUT - Push rod	0.918	14.	SEAL - Reservoir	0.904
6.	CLEVIS - Push rod	0.920	15.	BODY	0.902
7.	SWIVEL - Push rod	0.918	16.	WASHER - Special	0.929
8.	PIN - Clevis	0.921	17.	CONNECTOR - Pipe	0.929
9.	RING - Lock	0.914			



CLUTCH ACTUATING CYLINDER

ILLUS. REF. NO.	PART NAME	GROUP	ILLUS. REF. NO.	PART NAME	GROUP
1.	VALVE - Bleeder	0.940	5.	PISTON	0.936
2.	BODY	N.S.S.	6.	SEAL	0.935
3.	SPRING ASSY.	0.938	7.	RING	0.935
4.	CUP	0.937	8.	ROD - Push	0.839

HOLDEN "LC" PARTS CATALOGUE

GROUP	DESCRIPTION	MODEL	SIDE	PART No.	QTY.
0.000 ENGINE ASSEMBLY					
CURRENT PRODUCTION ENGINE ASSEMBLIES WILL BE SUPPLIED ON A FIRM ORDER BASIS.					
0.001 GASKET SET — Engine overhaul					
	GASKET SET — Supplementary (1st. Type)	1160 Eng.		7202843	1
	GASKET SET — Supplementary (2nd. Type)	1160 Eng.		8845622	1
	GASKET SET — Supplementary	70 Eng.		8845626	1
	GASKET SET — Supplementary	4 Cyl. exc. 1600 Eng.		2690421	1
	GASKET SET — Supplementary	1600 Eng.		2698233	1
	GASKET SET — Supplementary	2250, 2600, 186X Eng.		(¹) 2806257	1
	GASKET SET — Supplementary	2250, 2850 Eng.		(²) 2819453	1
0.027 MOUNTING, BRACKET, CAP — Power plant mounting					
	MOUNTING ASSY. — Front	4 Cyl. exc. 1600 Eng.		7438815	2
	BRACKET ASSY. — Front mounting	4 Cyl. exc. 1600 Eng.		7438816	1
	BRACKET — Front mounting	4 Cyl. exc. 1600 Eng.	LH	7439187	1
	CAP — Mounting restrictor	(A) 4 Cyl. exc. 1600 Eng.		7438720	2
	BOLT — Mounting bracket	4 Cyl. exc. 1600 Eng.		SP2073	6
	MOUNTING ASSEMBLY — Front	1600 Eng.		8827188	2
	BRACKET — Front mounting	1600 Eng.	LH	8838409	1
			RH	8838408	1
	RESTRICTOR — Front mounting	1600 Eng.		2817079	2
	BOLT — Bracket to power plant	1600 Eng.	RH	8834103	3
	BRACKET — Power plant lifting, front	1600 Eng.		8839416	1
	SCREW and WASHER ASSEMBLY — Bracket to cylinder head				
	$\frac{3}{8}$ " — 16 x $\frac{7}{8}$ "	1600 Eng.		9905680	1
	MOUNTING ASSY. — Front	6 Cyl. Eng.		7432360	2
	BRACKET — Front mounting	6 Cyl. Eng.	LH	7427365	1
			RH	7427366	1
	WASHER — Mounting to bracket	6 Cyl. Eng.		3713379	4
0.033 CYLINDER BLOCK ASSEMBLY					
	BLOCK COMPLETE — (Short Motor)	(M) 1160 Eng. up to Eng. No. 1442787		8825739	1
	BLOCK COMPLETE — (Short Motor)	(M) 1160 Eng. from Eng. No. 1442788		8850096	1
	BLOCK COMPLETE — (Short Motor)	(M) 70 Eng. up to Eng. No. 1442787		8825747	1
	BLOCK COMPLETE — (Short Motor)	(M) 70 Eng. from Eng. No. 1442788		8850097	1
	BLOCK COMPLETE — (Short Motor)	(A) 70 Eng. up to Eng. No. 1442787		8829293	1
	BLOCK COMPLETE — (Short Motor)	(A) 70 Eng. from Eng. No. 1442788		8850099	1
	BLOCK COMPLETE — (Short Motor)	(M) 1600 Eng.		2700055	1
	BLOCK COMPLETE — (Short Motor)	(A) 1600 Eng.		2700060	1
	BLOCK COMPLETE — (Short Motor)	(M) 2250 Eng.		2813453	1
	BLOCK COMPLETE — (Short Motor)	(A) 2250 Eng.		2813454	1
	BLOCK COMPLETE — (Short Motor)	(M) 2600 exc. S Eng.		7430308	1
	BLOCK COMPLETE — (Short Motor)	(A) 2600 exc. S Eng.		7430307	1
	BLOCK COMPLETE — (Short Motor)	(M) 2600S Eng.		2813455	1
	BLOCK COMPLETE — (Short Motor)	(M) 2850 Eng. 8.3:1 C.R.		2815457	1
	BLOCK COMPLETE — (Short Motor)	(A) 2850 Eng. 8.3:1 C.R.		2815458	1
	BLOCK COMPLETE — (Short Motor)	(M) 2850 Eng. 9.4:1 C.R. EXC. S ENG.		2815455	1
	BLOCK COMPLETE — (Short Motor)	(A) 2850 Eng. 9.4:1 C.R.		2815456	1
	BLOCK COMPLETE — (Short Motor)	(M) 2850S Eng.		2818078	1
	BLOCK COMPLETE — (Short Motor)	(M) 186X Eng.		2817042	1
	BLOCK — Fitted with pistons	(M) 4 Cyl. exc. 1600 Eng.		(³) 2693455	1
	BLOCK — Fitted with pistons	(A) 4 Cyl. up to Eng. No. 1442787 exc. 1600 Eng.		8829294	1
	BLOCK — Fitted with pistons	(A) 4 Cyl. from Eng. No. 1442788 exc. 1600 Eng.		(³) 2693456	1
	BLOCK — Fitted with pistons	1600 Eng.		2688888	1
	BLOCK — Fitted with pistons	2250 Eng.		2813456	1
	BLOCK — Fitted with pistons	2600 Eng.		7430232	1

Nota: (¹) Contains 1-3788429, 1-3788430 Seals, refer group 0.137.

(²) Contains 2-3958001 Seals, refer group 0.137

(³) When using on vehicles prior to Engine No. 1442788 the following parts must also be used, 1-8849870 Gasket, 5-8849877 Bolt, 5-8849879 Bolt.

HOLDEN "LC" PARTS CATALOGUE

GROUP	DESCRIPTION	MODEL	SIDE	PART No.	QTY.
0.033 CYLINDER BLOCK ASSEMBLY (contd.)					
	BLOCK — Fitted with pistons	2850 Eng. 8.3:1 C.R.		2815463	1
	BLOCK — Fitted with pistons	2850 Eng. 9.4:1 C.R.		2815462	1
	BLOCK — Fitted with pistons	(M) 186X Eng.		7430230	1
	PLUG — Water jacket core cup 1 1/2"	4 Cyl. exc. 1600 Eng.		7126018	4
	PLUG — Water jacket core cup 1 1/4"	4 Cyl. exc. 1600 Eng.		6366744	1
	COCK ASSY. — Drain	4 Cyl. exc. 1600 Eng.		7057770	1
	PLUG — Water jacket core cup 5/16"	1600 Eng.		7209450	2
	PLUG — Water jacket core cup 1 1/4"	1600 Eng.		7157925	6
	PIN — Spring 1/4" x 3/8" water transfer holes	1600 Eng.		273709	2
	COCK ASSEMBLY — Drain	1600 Eng.		7057770	1
	DOWELL — Oil feed hole restrictor	1600 Eng.		2697856	1
	"O" RING — Dowel restrictor	1600 Eng.		2697857	1
	RIVET — Dipstick hole 5/16" dia. (plastic)	1600 Eng.		8829296	1
	PLUG — Water jacket core cup 1 1/32"	6 Cyl. Eng.		SP1652	2
	PLUG — Water jacket core cup 1 1/16"	6 Cyl. Eng.		SP1648	3
	PLUG — Water jacket core rear 2 1/64"	6 Cyl. Eng.		3789860	1
	PLUG — Water jacket core cup 2 1/16"	6 Cyl. Eng.		SP1649	1
	PLUG — Water jacket core 1 3/8"	6 Cyl. Eng.		838538	3
	PLUG KIT — Expansion	6 Cyl. Eng.		7420345	1
	PLUG — Water jacket core 1 1/4"	6 Cyl. Eng.		7401296	2
	COCK ASSEMBLY — Drain	6 Cyl. Eng.		444819	2
	PIN — Dowel, 5/16" x 3/16"	6 Cyl. Eng.		141216	2
NOTE — Block Complete — (Short Motor) includes: Crankshaft, Camshaft, Timing Gears, Pistons, Piston Pins, Connecting Rods, Front Cover Plate.					
0.034 LINER SET — Cylinder Block					
	LINER SET	1600 Eng.		7217172	1
0.056 BOLT — Crankshaft bearing cap					
	BOLT — Bearing cap	4 Cyl. exc. 1600 Eng.		1037381	6
	BOLT — Bearing cap	1600 Eng.		7199276	10
	BOLT — Bearing cap	6 Cyl. Eng.		7420106	14
0.094 BEARING SET — Crankshaft					
	BEARING SET — Standard	(M) 4 Cyl. exc. 1600 Eng.		7187697	1
	BEARING SET — .010" U/S	(M) 4 Cyl. exc. 1600 Eng.		7187698	1
	BEARING SET — .020" U/S	(M) 4 Cyl. exc. 1600 Eng.		7187699	1
	BEARING SET — .040" U/S	(M) 4 Cyl. exc. 1600 Eng.		7187700	1
	BEARING SET — Standard	(A) 4 Cyl. exc. 1600 Eng.		2680491	1
	BEARING SET — .010" U/S	(A) 4 Cyl. exc. 1600 Eng.		2680492	1
	BEARING SET — .020" U/S	(A) 4 Cyl. exc. 1600 Eng.		2680493	1
	BEARING SET — .040" U/S	(A) 4 Cyl. exc. 1600 Eng.		2680494	1
	BEARING SET — Standard	1600 Eng.		7217163	1
	BEARING SET — .010" U/S	1600 Eng.		7217164	1
	BEARING SET — .020" U/S	1600 Eng.		7217165	1
	BEARING SET — .040" U/S	1600 Eng.		7217166	1
	BEARING SET — Standard	2250, 2600, 2850 Eng.		7430402	1
	BEARING SET — .001" U/S	2250, 2600, 2850 Eng.		7430403	1
	BEARING SET — .002" U/S	2250, 2600, 2850 Eng.		7430404	1
	BEARING SET — .010" U/S	2250, 2600, 2850 Eng.		7430406	1
	BEARING SET — .020" U/S	2250, 2600, 2850 Eng.		7430407	1
	BEARING SET — .030" U/S	2250, 2600, 2850 Eng.		7430408	1
	BEARING SET — Standard	186X Eng.		7429350	1
	BEARING SET — .001" U/S	186X Eng.		7429380	1
	BEARING SET — .010" U/S	186X Eng.		7429114	1
	BEARING SET — .020" U/S	186X Eng.		7429115	1
	BEARING SET — .030" U/S	186X Eng.		7429116	1

HOLDEN "LC" PARTS CATALOGUE

GROUP	DESCRIPTION	MODEL	SIDE	PART No.	QTY.
0.095	CAP — Crankshaft front bearing				
	CAP	4 Cyl. exc. 1600 Eng.		8825729	1
	CAP — Bolt hole centres 3.240"	6 Cyl. Eng.		7425919	1
	CAP — Bolt hole centres 3.540"	6 Cyl. Eng.		2819465	1
0.096	BEARING, BEARING UNIT — Crankshaft front				
	BEARING — Upper, standard	4 Cyl. exc. 1600 Eng.		7159554	1
	BEARING — Upper, .020" U/S	4 Cyl. exc. 1600 Eng.		7159565	1
	BEARING — Lower, .020" U/S	4 Cyl. exc. 1600 Eng.		7159630	1
	BEARING — Upper, .040" U/S	4 Cyl. exc. 1600 Eng.		6399066	1
	BEARING — Lower, .040" U/S	4 Cyl. exc. 1600 Eng.		7159632	1
	BEARING UNIT — Standard	2250, 2600, 2850 Eng.		7430430	1
	BEARING UNIT — .001" U/S	2250, 2600, 2850 Eng.		7430431	1
	BEARING UNIT — .002" U/S	2250, 2600, 2850 Eng.		7430432	1
	BEARING UNIT — .010" U/S	2250, 2600, 2850 Eng.		7430434	1
	BEARING UNIT — .020" U/S	2250, 2600, 2850 Eng.		7430435	1
	BEARING UNIT — .030" U/S	2250, 2600, 2850 Eng.		7430436	1
	BEARING UNIT — Standard	186X Eng.		7429351	1
	BEARING UNIT — .001" U/S	186X Eng.		7429378	1
	BEARING UNIT — .010" U/S	186X Eng.		7429108	1
	BEARING UNIT — .020" U/S	186X Eng.		7429109	1
	BEARING UNIT — .030" U/S	186X Eng.		7429110	1
0.098	CAP — Crankshaft front intermediate bearing				
	CAP — Bolt hole centres 3.240"	6 Cyl. Eng.		7425919	2
	CAP — Bolt hole centres 3.540"	6 Cyl. Eng.		2819465	2
0.099	BEARING UNIT — Crankshaft front intermediate				
	BEARING UNIT — Standard	2250, 2600, 2850 Eng.		7430430	2
	BEARING UNIT — .001" U/S	2250, 2600, 2850 Eng.		7430431	2
	BEARING UNIT — .002" U/S	2250, 2600, 2850 Eng.		7430432	2
	BEARING UNIT — .010" U/S	2250, 2600, 2850 Eng.		7430434	2
	BEARING UNIT — .020" U/S	2250, 2600, 2850 Eng.		7430435	2
	BEARING UNIT — .030" U/S	2250, 2600, 2850 Eng.		7430436	2
	BEARING UNIT — Standard	186X Eng.		7429351	2
	BEARING UNIT — .001" U/S	186X Eng.		7429378	2
	BEARING UNIT — .010" U/S	186X Eng.		7429108	2
	BEARING UNIT — .020" U/S	186X Eng.		7429109	2
	BEARING UNIT — .030" U/S	186X Eng.		7429110	2
0.100	CAP — Crankshaft centre bearing				
	CAP	4 Cyl. exc. 1600 Eng.		8825730	1
	CAP — Bolt hole centres 3.240"	6 Cyl. Eng.		7425919	1
	CAP — Bolt hole centres 3.540"	6 Cyl. Eng.		2819465	1
0.101	BEARING, BEARING UNIT — Crankshaft centre				
	BEARING — Upper, .010" U/S	4 Cyl. exc. 1600 Eng.		7169639	1
	BEARING — Upper, .020" U/S	4 Cyl. exc. 1600 Eng.		7169640	1
	BEARING — Lower, .020" U/S	4 Cyl. exc. 1600 Eng.		7159630	1
	BEARING — Upper, .040" U/S	4 Cyl. exc. 1600 Eng.		7169641	1
	BEARING — Lower, .040" U/S	4 Cyl. exc. 1600 Eng.		7159632	1
	BEARING UNIT — Standard	2250, 2600, 2850 Eng.		7430430	1
	BEARING UNIT — .001" U/S	2250, 2600, 2850 Eng.		7430431	1
	BEARING UNIT — .002" U/S	2250, 2600, 2850 Eng.		7430432	1
	BEARING UNIT — .010" U/S	2250, 2600, 2850 Eng.		7430434	1
	BEARING UNIT — .020" U/S	2250, 2600, 2850 Eng.		7430435	1
	BEARING UNIT — .030" U/S	2250, 2600, 2850 Eng.		7430436	1
	BEARING UNIT — Standard	186X Eng.		7429351	1
	BEARING UNIT — .001" U/S	186X Eng.		7429378	1
	BEARING UNIT — .010" U/S	186X Eng.		7429108	1
	BEARING UNIT — .020" U/S	186X Eng.		7429109	1
	BEARING UNIT — .030" U/S	186X Eng.		7429110	1

HOLDEN "LC" PARTS CATALOGUE

GROUP	DESCRIPTION	MODEL	SIDE	PART No.	QTY.
0.102	CAP — Crankshaft rear intermediate bearing				
	CAP — Bolt hole centres 3.240"	6 Cyl. Eng.		7425919	2
	CAP — Bolt hole centres 3.540"	6 Cyl. Eng.		2819465	2
0.103	BEARING UNIT — Crankshaft rear intermediate				
	BEARING UNIT — Standard	2250, 2600, 2850 Eng.		7430430	2
	BEARING UNIT — .001" U/S	2250, 2600, 2850 Eng.		7430431	2
	BEARING UNIT — .002" U/S	2250, 2600, 2850 Eng.		7430432	2
	BEARING UNIT — .010" U/S	2250, 2600, 2850 Eng.		7430434	2
	BEARING UNIT — .020" U/S	2250, 2600, 2850 Eng.		7430435	2
	BEARING UNIT — .030" U/S	2250, 2600, 2850 Eng.		7430436	2
	BEARING UNIT — Standard	186X Eng.		7429351	2
	BEARING UNIT — .001" U/S	186X Eng.		7429378	2
	BEARING UNIT — .010" U/S	186X Eng.		7429108	2
	BEARING UNIT — .020" U/S	186X Eng.		7429109	2
	BEARING UNIT — .030" U/S	186X Eng.		7429110	2
0.105	CAP — Crankshaft rear bearing				
	CAP	4 Cyl. exc. 1600 Eng.		8825731	1
	CAP — Bolt hole centres 3.240"	6 Cyl. Eng.		7425926	1
	CAP — Bolt hole centres 3.540"	6 Cyl. Eng.		2819471	1
0.106	BEARING, BEARING UNIT — Crankshaft rear				
	BEARING — Upper, standard	4 Cyl. exc. 1600 Eng.		7159554	1
	BEARING — Upper, .020" U/S	4 Cyl. exc. 1600 Eng.		7159565	1
	BEARING — Lower, .020" U/S	4 Cyl. exc. 1600 Eng.		7159630	1
	BEARING — Upper, .040" U/S	4 Cyl. exc. 1600 Eng.		6399066	1
	BEARING — Lower, .040" U/S	4 Cyl. exc. 1600 Eng.		7159632	1
	BEARING UNIT — Standard	2250, 2600, 2850 Eng.		7430437	1
	BEARING UNIT — .001" U/S	2250, 2600, 2850 Eng.		7430438	1
	BEARING UNIT — .002" U/S	2250, 2600, 2850 Eng.		7430439	1
	BEARING UNIT — .010" U/S	2250, 2600, 2850 Eng.		7430441	1
	BEARING UNIT — .020" U/S	2250, 2600, 2850 Eng.		7430442	1
	BEARING UNIT — .030" U/S	2250, 2600, 2850 Eng.		7430443	1
	BEARING UNIT — Standard	186X Eng.		7429352	1
	BEARING UNIT — .001" U/S	186X Eng.		7429379	1
	BEARING UNIT — .010" U/S	186X Eng.		7429111	1
	BEARING UNIT — .020" U/S	186X Eng.		7429112	1
	BEARING UNIT — .030" U/S	186X Eng.		7429113	1
0.137	SEAL — Crankshaft bearing oil				
	SEAL	4 Cyl. exc. 1600 Eng.		8816552	1
	SEAL — Front	1600 Eng.		7201416	1
	SEAL — Rear	1600 Eng.		6390312	2
	SEAL PACKAGE — (Consists of 1-3788430, 1-3788429)	6 Cyl. Eng.		2806582	1
	SEAL — Upper, $\frac{3}{16}$ " thick	6 Cyl. Eng.		3788430	1
	SEAL — Lower, $\frac{3}{16}$ " thick	6 Cyl. Eng.		3788429	1
	SEAL — $\frac{5}{16}$ " thick	6 Cyl. Eng.		3958001	2
0.153	SHIM, SHIM UNIT — Crankshaft bearing cap				
	SHIM — Front, .002"	4 Cyl. exc. 1600 Eng.		8825732	A.R.
	SHIM — Front, .003"	4 Cyl. exc. 1600 Eng.		8825733	A.R.
	SHIM — Centre, .002"	4 Cyl. exc. 1600 Eng.		8825734	A.R.
	SHIM — Centre, .003"	4 Cyl. exc. 1600 Eng.		8825735	A.R.
	SHIM — Rear, .002"	4 Cyl. exc. 1600 Eng.		8825736	A.R.
	SHIM — Rear, .003"	4 Cyl. exc. 1600 Eng.		8825737	A.R.
	SHIM UNIT — Front, centre & intermediate	6 Cyl. Eng.		(⁴ 7425780)	A.R.
	SHIM UNIT — Rear	6 Cyl. Eng.		(⁴ 7425781)	A.R.
	SHIM UNIT — Front, centre and intermediate	6 Cyl. Eng.		(⁵ 2819464)	A.R.
	SHIM UNIT — Rear	6 Cyl. Eng.		(⁵ 2819470)	A.R.
	Note: (⁴ Use with caps with 3.240" bolt hole centres. (⁵ Use with caps with 3.540" bolt hole centres.				

HOLDEN "LC" PARTS CATALOGUE

GROUP	DESCRIPTION	MODEL	SIDE	PART No.	QTY.
0.206 COVER, BRACKET — Crankcase front end					
	COVER ASSEMBLY	4 Cyl. exc. 1600 Eng.		(⁶ 8847862	1
	COVER ASSEMBLY	1600 Eng.		8839542	1
	BRACKET — Cover support	1600 Eng.		8831518	1
	STUD — Cover to cylinder head	1600 Eng.		7219127	1
	STUD — Cover to oil filter adaptor	1600 Eng.		7219344	1
	WASHER — Cover to oil filter adaptor	1600 Eng.		1036274	1
	COVER ASSEMBLY — Timing pad stamped R	6 Cyl. Eng.		7427341	1
	COVER ASSEMBLY — Timing pad stamped A	6 Cyl. Eng.		2814753	1
	BOLT — Crankcase front cover	6 Cyl. Eng.		7427738	6
0.207 GASKET — Crankcase front end cover					
	GASKET	4 Cyl. exc. 1600 Eng.		6366826	1
	GASKET	6 Cyl. Eng.		7420004	1
0.209 SEAL, PLUG — Crankcase front end cover oil					
	SEAL	4 Cyl. exc. 1600 Eng.		8829404	1
	PLUG — Cup	4 Cyl. from Engine No. 1443095 exc. 1600 Eng.		7146717	1
	SEAL	6 Cyl. Eng.		3835946	1
0.269 HEAD ASSEMBLY — Cylinder					
	HEAD and STUD ASSY.	1160 Eng.		(⁷ 8849882	1
	HEAD and STUD ASSY.	(M) 70 up to Engine No. 1442787		8835291	1
	HEAD ASSEMBLY	(M) 70 from Engine No. 1442788		8849881	1
	HEAD ASSEMBLY	(A) 70 Eng.		8839303	1
	HEAD ASSEMBLY	1600 Eng.		2688865	1
	SLEEVE	4 Cyl. exc. 1600 Eng.		8851721	2
	PLUG — Rear, 1½" cup	4 Cyl. exc. 1600 Eng.		7126018	1
	PLUG — Top cup	4 Cyl. exc. 1600 Eng.		6384848	A.R.
	PLUG — Water jacket core cup ⅝"	1600 Eng.		7199278	4
	PLUG — Water jacket core cup ¾"	1600 Eng.		7199277	2
	PLUG — Water jacket core cup 1½"	1600 Eng.		7126018	2
	DOWEL — ⅝" knurled	1600 Eng.		7219217	2
	HEAD COMPLETE	2250 Eng. 9.2:1 C.R.		(⁸ 7438293	1
	HEAD COMPLETE	2250 Eng. 9.2:1 C.R.		(⁹ 2819454	1
	HEAD COMPLETE	2250 Eng. 7.8:1 C.R.		(⁸ 2817096	1
	HEAD COMPLETE	2250 Eng. 7.8:1 C.R.		(⁹ 2819457	1
	HEAD COMPLETE	2600 exc. S Eng. 9.2:1 C.R.		7438293	1
	HEAD COMPLETE	2600 exc. S Eng. 8.0:1 C.R.		2817096	1
	HEAD COMPLETE	2600 S Eng. 9.2:1 C.R.		2807144	1
	HEAD COMPLETE	2850 exc. S Eng. 9.4:1 C.R.		2819454	1
	HEAD COMPLETE	2850 exc. S Eng. 8.3:1 C.R.		2819457	1
	HEAD COMPLETE	2850S Eng. 9.4:1 C.R.		2820514	1
	HEAD COMPLETE	186X Eng.		2820105	1
	HEAD	2250 Eng. 9.2:1 C.R.		(⁸ 7438299	1
	HEAD	2250 Eng. 9.2:1 C.R.		(⁹ 2811929	1
	HEAD	2250 Eng. 7.8:1 C.R.		(⁸ 7438300	1
	HEAD	2250 Eng. 7.8:1 C.R.		(⁹ 2811930	1
	HEAD	2600 exc. S Eng. 8.0:1 C.R.		7438300	1
	HEAD	2600S Eng. 9.2:1 C.R.		7438299	1
	HEAD	2850 exc. S Eng. 8.3:1 C.R.		2811930	1
	HEAD	2850 Eng. 9.4:1 C.R.		2811929	1
	HEAD	186X Eng.		2817134	1
	PLUG — Water jacket core ¾"	6 Cyl. Eng.		7420138	3
	PLUG — Water jacket core cup 1⅜"	6 Cyl. Eng.		SP1650	3

Note: (⁶ When using on vehicles prior to Engine No. 1443005 the following parts must also be used, 1-8847859 Head, 1-8847861 Cap, 1-8847863 Plate, 1-8847864 Body.

(⁷ When using on vehicles prior to Engine No. 1442788 it is necessary to use 2 Part No. 8851721 Sleeve.

(⁸ Used on Engines with Engine Number Prefix 2250L or 2250H.

(⁹ Used on Engines with Engine Number Prefix CB or CC.

HOLDEN "LC" PARTS CATALOGUE

GROUP	DESCRIPTION	MODEL	SIDE	PART No.	QTY.
0.277 SWITCH, SENDER UNIT — Thermo					
	SWITCH — Thermo tell tale (warning lamp)	4 Cyl. exc. 1600 Eng.		7438028	1
	SWITCH — Thermo tell tale (warning lamp)	1600 Eng.		7438087	1
	SWITCH — Thermo tell tale (warning lamp)	6 Cyl. Eng.		7428031	1
	SENDER UNIT — Engine (gauges)	exc. 1600 Eng.		7438478	1
	SENDER UNIT — Engine (gauges)	1600 Eng.		7966380	1
	ADAPTOR — Engine sender unit (gauges)	4 Cyl. Eng.		7439620	1
	ADAPTOR — Engine sender unit (gauges)	6 Cyl. Eng.		7438477	1
0.289 GASKET SET, GASKET — Cylinder head					
	GASKET SET	4 Cyl. Eng. up to Eng. No. 1442787 exc. 1600		2690418	1
	GASKET	4 Cyl. Eng. up to Eng. No. 1442787 exc. 1600		7173274	1
	GASKET SET	1160 Eng. from Eng. No. 1442788		2690419	1
	GASKET SET	70 Eng. from Eng. No. 1442788		2690420	1
	GASKET	4 Cyl. Eng. from Eng. No. 1442788 exc. 1600		8849870	1
	GASKET SET	1600 Eng.		2698229	1
	GASKET	1600 Eng.		7204255	1
	GASKET SET	2250 Eng.		2812760	1
	GASKET	2250 Eng.		7425993	1
	GASKET SET	2600 exc. S Eng.		7430269	1
	GASKET SET	2600S Eng.		2812828	1
	GASKET	2600 Eng.		7429472	1
	GASKET SET	2850 exc. S Eng.		2819458	1
	GASKET	2850 Eng.		2810692	1
	GASKET SET	186X Eng.		2817135	1
	GASKET	186X Eng.		7429473	1
0.293 BOLT — Cylinder head					
	BOLT — 3 $\frac{1}{16}$ " long	4 Cyl. up to Eng. No. 1442787 exc. 1600		6366857	5
	BOLT — 3 $\frac{1}{8}$ " long	4 Cyl. up to Eng. No. 1442787 exc. 1600		6366858	5
	BOLT — 3 $\frac{1}{4}$ " long	4 Cyl. from Eng. No. 1442788 exc. 1600 Eng.		8849879	5
	BOLT — 4" long	4 Cyl. from Eng. No. 1442788 exc. 1600 Eng.		8849877	5
	BOLT — 3 $\frac{3}{8}$ " long	1600 Eng.		7199388	5
	BOLT — 1 $\frac{1}{4}$ " long	1600 Eng.		7199389	5
	BOLT	6 Cyl. Eng.		7420137	14
0.296 VALVE — Inlet					
	VALVE — Standard	4 Cyl. exc. 1600 Eng.		7195558	4
	VALVE — .003" O/S	4 Cyl. exc. 1600 Eng.		7195559	4
	VALVE — .006" O/S	4 Cyl. exc. 1600 Eng.		7195560	4
	VALVE — .010" O/S	4 Cyl. exc. 1600 Eng.		7195561	4
	VALVE — .015" O/S	4 Cyl. exc. 1600 Eng.		7195562	4
	VALVE — Standard	1600 Eng.		7213126	4
	VALVE — .003" O/S	1600 Eng.		7213127	4
	VALVE — .006" O/S	1600 Eng.		7213128	4
	VALVE — .012" O/S	1600 Eng.		7213129	4
	VALVE — .024" O/S	1600 Eng.		7213130	4
	VALVE — Standard	2250, 2600, 2850 Eng.		7420071	6
	VALVE — .0015" O/S	2250, 2600, 2850 Eng.		7427731	6
	VALVE — .003" O/S	2250, 2600, 2850 Eng.		7420172	6
	VALVE — .015" O/S	2250, 2600, 2850 Eng.		7420173	6
	VALVE — .030" O/S	2250, 2600, 2850 Eng.		7420174	6
	VALVE — Standard	186X Eng.		(¹⁰) 2816516	6
	VALVE — .0015" O/S	186X Eng.		(¹⁰) 2816517	6
	VALVE — .003" O/S	186X Eng.		(¹⁰) 2816518	6

Note: (¹⁰) Key groove $\frac{3}{16}$ " from end of stem.

HOLDEN "LC" PARTS CATALOGUE

GROUP	DESCRIPTION	MODEL	SIDE	PART No.	QTY.
0.296	VALVE — Inlet (contd.)				
	VALVE — .015" O/S	186X Eng.		(¹⁰ 2816519	6
	VALVE — .030" O/S	186X Eng.		(¹⁰ 2816520	6
	VALVE — Standard	186X Eng.		(¹¹ 2822073	6
	VALVE — .0015" O/S	186X Eng.		(¹¹ 2822875	6
	VALVE — .003" O/S	186X Eng.		(¹¹ 2822876	6
	VALVE — .015" O/S	186X Eng.		(¹¹ 2822877	6
	VALVE — .030" O/S	186X Eng.		(¹¹ 2822878	6
0.297	VALVE — Exhaust				
	VALVE — Standard	4 Cyl. exc. 1600 Eng.		7189675	4
	VALVE — .003" O/S	4 Cyl. exc. 1600 Eng.		7199003	4
	VALVE — .006" O/S	4 Cyl. exc. 1600 Eng.		7204100	4
	VALVE — .010" O/S	4 Cyl. exc. 1600 Eng.		7204101	4
	VALVE — .015" O/S	4 Cyl. exc. 1600 Eng.		7204102	4
	VALVE — Standard	1600 Eng.		8813496	4
	VALVE — .003" O/S	1600 Eng.		8829428	4
	VALVE — .006" O/S	1600 Eng.		8829429	4
	VALVE — .012" O/S	1600 Eng.		8829430	4
	VALVE — .024" O/S	1600 Eng.		8829431	4
	VALVE — Standard	2250, 2600 exc. S Eng.		7420072	6
	VALVE — Standard	2850 exc. S Eng.		7420072	6
	VALVE — .0015" O/S	2250, 2600 exc. S Eng.		7427732	6
	VALVE — .0015" O/S	2850 exc. S Eng.		7427732	6
	VALVE — .003" O/S	2250, 2600 exc. S Eng.		7420175	6
	VALVE — .003" O/S	2850 exc. S Eng.		7420175	6
	VALVE — .015" O/S	2250, 2600 exc. S Eng.		7420176	6
	VALVE — .015" O/S	2850 exc. S Eng.		7420176	6
	VALVE — .030" O/S	2250, 2600 exc. S Eng.		7420177	6
	VALVE — .030" O/S	2850 exc. S Eng.		7420177	6
	VALVE — Standard	2600S, 2850S Eng.		7430177	6
	VALVE — .0015" O/S	2600S, 2850S Eng.		7430178	6
	VALVE — .003" O/S	2600S, 2850S Eng.		7430179	6
	VALVE — .015" O/S	2600S, 2850S Eng.		7430180	6
	VALVE — .030" O/S	2600S, 2850S Eng.		7430181	6
	VALVE — Standard	186X Eng.		(¹⁰ 2816511	6
	VALVE — .0015" O/S	186X Eng.		(¹⁰ 2816512	6
	VALVE — .003" O/S	186X Eng.		(¹⁰ 2816513	6
	VALVE — .015" O/S	186X Eng.		(¹⁰ 2816514	6
	VALVE — .030" O/S	186X Eng.		(¹⁰ 2816515	6
	VALVE — Standard	186X Eng.		(¹¹ 2822074	6
	VALVE — .0015" O/S	186X Eng.		(¹¹ 2822879	6
	VALVE — .003" O/S	186X Eng.		(¹¹ 2822880	6
	VALVE — .015" O/S	186X Eng.		(¹¹ 2822881	6
	VALVE — .030" O/S	186X Eng.		(¹¹ 2822882	6
0.303	SPRING — Valve				
	SPRING	4 Cyl. exc. 1600 Eng.		8819564	8
	SPRING — Inner	1600 Eng.		8822866	8
	SPRING — Outer	1600 Eng.		8822867	8
	SPRING	2250, 2600 exc. S Eng.		7420073	12
	SPRING	2850 exc. S Eng.		7420073	12
	SPRING	2600S, 2850S Eng.		7432453	12
	SPRING	186X Eng.		3911068	12
0.308	SEAL, SHIELD — Valve stem				
	SEAL — Oil, inlet valve	4 Cyl. exc. 1600 Eng.		8835236	4
	SEAL — Oil, inlet valve	1600 Eng.		8813341	4
	SEAL	2250, 2600, 2850, 186X Eng.		3835333	A.R.
	SEAL — Oil, inlet valve	186X Eng.		2816914	6
	SHIELD	2250, 2600 exc. S Eng.		3836755	12
	SHIELD	2850 exc. S Eng.		3836755	12
	SHIELD	2600S Eng.		7432452	12
	SHIELD	2850S Eng.		2811938	12

Note: (¹⁰ Key groove $\frac{5}{16}$ " from end of stem.

(¹¹ Key groove $\frac{1}{4}$ " from end of stem.

HOLDEN "LC" PARTS CATALOGUE

GROUP	DESCRIPTION	MODEL	SIDE	PART No.	QTY.
0.309	CAP — Valve spring				
	CAP	4 Cyl. exc. 1600 Eng.		6376599	8
	CAP	1600 Eng.		7209495	8
	CAP	2250, 2600 exc. S Eng.		3711176	12
	CAP	2850 exc S Eng.		3711176	12
	CAP	2600S, 2850S Eng.		3783741	12
	CAP	186X Eng.		3896934	12
0.310	COLLAR, KEY — Valve stem				
	COLLAR	4 Cyl. exc. 1600 Eng.		6377118	16
	COLLAR — Inlet valve	1600 Eng.		1033197	8
	KEY — Exhaust valve	1600 Eng.		3821812	8
	KEY	6 Cyl. Eng.		838029	24
0.333	ARM — Valve rocker				
	ARM	4 Cyl. exc. 1600 Eng.		6366482	8
	ARM — use with ball 7439715	2250, 2600 Eng.		7420056	12
	ARM — use with pivot 2811933	2250 Eng.		2811931	12
	ARM	2850 Eng.		2811931	12
	ARM	186X Eng.		2816450	12
0.378	SPRING — Valve rocker arm retainer				
	SPRING	4 Cyl. exc. 1600 Eng.		6376461	8
0.388	COVER — Valve rocker				
	HOUSING, COVER, ELEMENT, RETAINER, BRACKET — Camshaft				
	COVER — Valve rocker	4 Cyl. exc. 1600 Eng.		7154475	1
	SCREW & WASHER ASSY. — Cover fixing	4 Cyl. exc. 1600 Eng.		7195980	4
	HOUSING — Camshaft	1600 Eng.		8854697	1
	BOLT — Housing to cylinder head	1600 Eng.		7206120	10
	COVER — Camshaft	1600 Eng.		7201221	1
	STUD — Cover to housing	1600 Eng.		8816990	4
	SCREW — Cover to housing	1600 Eng.		9906635	4
	ELEMENT — Cover breather	1600 Eng.		7972117	1
	RETAINER — Cover baffle	1600 Eng.		7213418	1
	BRACKET — Spark plug cable	1600 Eng.		8813140	2
	RIVET — Retainer and bracket fixing	1600 Eng.		7189379	4
	COVER — Rear housing	1600 Eng.		7204470	1
	STUD — Cover to housing	1600 Eng.		8816991	1
	COVER — Valve rocker	2250, 2600 exc. S Eng.		7427335	1
	COVER — Valve rocker	2850 exc. S Eng.		7427335	1
	COVER — Valve rocker (Chrome)	2600S, 2850S, 186X Eng.		2818860	1
0.388	TRANSFER — Valve rocker cover				
	TRANSFER — Engine capacity identification	1160 Eng.		7448490	1
	TRANSFER — Engine capacity identification	70 Eng.		7448826	1
	TRANSFER — Engine capacity identification	2250 Eng. 9.2:1 C.R.		(⁸) 2807847	1
	TRANSFER — Engine capacity identification	2250 Eng. 9.2:1 C.R.		(⁸) 2820466	1
	TRANSFER — "Low Compression"	2250 Eng. 7.8:1 C.R.		(⁸) 2814298	1
	TRANSFER — "Low Compression 2250"	2250 Eng. 7.8:1 C.R.		(⁸) 2822083	1
	TRANSFER — "Low Compression"	2600 Eng. 8.0:1 C.R.		2814298	1
	TRANSFER — Engine capacity identification	2600 exc. S Eng.		2810772	1
	TRANSFER — "Low Compression 2850"	2850 exc. S Eng. 8.3:1 C.R.		2822111	1
	TRANSFER — Engine capacity identification	2850 Eng. 9.4:1 C.R.		2818505	1
	TRANSFER — Engine type "S"	2850S Eng.		2822081	1
	TRANSFER — Plain	2850S Eng.		2822082	1
	TRANSFER — Engine oil requirement instruction	2250, 2600 exc. S Eng.		7426927	1
0.413	REINFORCEMENT — Valve rocker cover				
	REINFORCEMENT	2250, 2600 exc. S Eng.		2806691	8
	REINFORCEMENT	2850 exc. S Eng.		2806691	8
	REINFORCEMENT — (Chrome)	2600S, 2850S, 186X Eng.		2809364	8
	SCREW — (Chrome)	2600S, 2850S, 186X Eng.		121812	8

Note: (⁸) Used on Engines with Engine Number Prefix 2250L or 2250H.

(⁹) Used on Engines with Engine Number Prefix CB or CC.

HOLDEN "LC" PARTS CATALOGUE

GROUP	DESCRIPTION	MODEL	SIDE	PART No.	QTY.
0.423	GASKET — Valve rocker cover				
	GASKET — Camshaft housing, cover				
	GASKET — Rocker cover	4 Cyl. exc. 1600 Eng.		7157744	1
	GASKET — Camshaft housing	1600 Eng.		8851830	1
	GASKET — Cover to housing	1600 Eng.		8849920	1
	GASKET — Rear cover	1600 Eng.		7204357	1
	GASKET — Rocker cover	6 Cyl. Eng.		2805794	1
0.426	ROD — Valve push				
	ROD	4 Cyl. exc. 1600 Eng.		6366673	8
	ROD — 9/8" long	6 Cyl. Eng.		7429562	12
	ROD — 9" long	2250, 2850 Eng.		2811932	12
0.429	STUD, BALL, NUT — Valve rocker arm				
	SCREW — Valve tappet adjuster				
	STUD — Rocker arm, .006" O/S	4 Cyl. exc. 1600 Eng.		6399122	8
	STUD — Rocker arm, .012" O/S	4 Cyl. exc. 1600 Eng.		7159626	8
	BALL — Rocker arm	4 Cyl. exc. 1600 Eng.		6366998	8
	NUT — Rocker arm	4 Cyl. exc. 1600 Eng.		7153847	8
	SCREW — Tappet adjuster, standard	1600 Eng.		7213137	8
	SCREW — Tappet adjuster, 1st O/S (35° taper)	1600 Eng.		7213253	8
	SCREW — Tappet adjuster, 2nd O/S (42° taper)	1600 Eng.		7213254	8
	STUD — Standard	6 Cyl. Eng.		(¹² 7420057)	12
	STUD — .003" O/S	6 Cyl. Eng.		(¹² 7426226)	12
	STUD — .013" O/S	6 Cyl. Eng.		(¹² 7426227)	12
	BALL	6 Cyl. Eng.		(¹² 7439715)	12
	NUT	6 Cyl. Eng.		(¹² 3744341)	12
	PIVOT	2250, 2850 Eng.		(¹³ 2811933)	6
	BOLT — Pivot	2250, 2850 Eng.		(¹³ 9423842)	12
0.439	COVER ASSEMBLY — Valve push rod				
	COVER ASSY.	6 Cyl. Eng.		7420124	2
0.443	GASKET — Valve push rod cover				
	GASKET	6 Cyl. Eng.		2805795	2
0.449	BOLT ASSEMBLY — Valve push rod cover				
	BOLT and SEAL ASSY.	6 Cyl. Eng.		7421877	6
	SEAL	6 Cyl. Eng.		M35821	6
0.459	TAPPET — Valve				
	LIFTER ASSEMBLY — Hydraulic valve				
	TAPPET	4 Cyl. exc. 1600 Eng.		8841885	8
	TAPPET	1600 Eng.		8850004	8
	LIFTER ASSY	6 Cyl. Eng.		7436741	12
	RETAINER — Lifter plunger	6 Cyl. Eng.		5231369	12
0.519	CAMSHAFT				
	AUXILIARY SHAFT				
	CAMSHAFT	1160 Eng.		6366690	1
	CAMSHAFT	70 Eng.		7199203	1
	CAMSHAFT	1600 Eng.		8852016	1
	AUXILIARY SHAFT	1600 Eng.		8829012	1
	CAMSHAFT	2250, 2600 exc. S Eng.		7420034	1
	CAMSHAFT	2850 exc. S Eng.		7420034	1
	CAMSHAFT	2600S Eng.		7428531	1
	CAMSHAFT	186X Eng.		2815739	1
	CAMSHAFT — Stamped XH on front end	2850S, 186X Eng.		2822075	1

Note: (¹² Use with rocker arms 7420056 or 2816450.
(¹³ Use with rocker arm 2811931.

HOLDEN "LC" PARTS CATALOGUE

GROUP	DESCRIPTION	MODEL	SIDE	PART No.	QTY.
0.533	PLATE, WASHER, BEARING — Camshaft				
	PLATE	4 Cyl. up to Eng. No. 1443004 exc. 1600 Eng.		7187940	1
	PLATE	4 Cyl. from Eng. No. 1443005 exc. 1600 Eng.		8847863	1
	BOLT	4 Cyl. exc. 1600 Eng.		7187936	2
	WASHER — Thrust	1600 Eng.		7201027	1
	WASHER — Retaining	1600 Eng.		7201028	1
	BOLT — Hex. hd. selflocking $\frac{3}{8}$ " — 24 x $\frac{7}{8}$ "	1600 Eng.		9906122	1
	BEARING	6 Cyl. Eng.		7429774	1
0.536	BEARING SET — Camshaft				
	BEARING SET	6 Cyl. Eng.		7423616	1
0.539	BEARING SEAL — Camshaft front BEARING SEAL — Auxiliary shaft front				
	BEARING — Camshaft	4 Cyl. exc. 1600 Eng.		7153865	1
	BEARING — Auxiliary shaft	1600 Eng.		7199091	1
	SEAL	1600 Eng.		7199290	2
0.544	BEARING — Camshaft centre				
	BEARING	4 Cyl. exc. 1600 Eng.		7153866	1
0.549	BEARING — Camshaft rear BEARING — Auxiliary shaft rear				
	BEARING — Camshaft	4 Cyl. exc. 1600 Eng.		7153867	1
	BEARING — Auxiliary shaft	1600 Eng.		7199093	1
0.553	PLUG — Camshaft rear bearing PLUG — Auxiliary shaft rear				
	PLUG — Camshaft $1\frac{3}{4}$ " dia.	4 Cyl. exc. 1600 Eng.		9902807	1
	PLUG — Auxiliary shaft 2" dia.	1600 Eng.		9902809	1
	PLUG	6 Cyl. Eng.		3789860	1
	PLUG — Cup $2\frac{1}{16}$ "	6 Cyl. Eng.		SP1649	1
0.603	ROD ASSEMBLY — Connecting				
	ROD ASSEMBLY	4 Cyl. exc. 1600 Eng.		6366738	4
	ROD ASSEMBLY	1600 Eng.		7201064	4
	ROD ASSY.	6 Cyl. Eng.		7429519	6
0.616	BEARING SET, BEARING UNIT, BEARING — Connecting rod				
	BEARING SET — Standard	4 Cyl. exc. 1600 Eng.		7152490	1
	BEARING SET — .010" U/S	4 Cyl. exc. 1600 Eng.		7152491	1
	BEARING SET — .020" U/S	4 Cyl. exc. 1600 Eng.		7152492	1
	BEARING SET — .040" U/S	4 Cyl. exc. 1600 Eng.		7152494	1
	BEARING UNIT — Standard	4 Cyl. exc. 1600 Eng.		M35804	4
	BEARING UNIT — .010" U/S	4 Cyl. exc. 1600 Eng.		M35805	4
	BEARING UNIT — .020" U/S	4 Cyl. exc. 1600 Eng.		M35806	4
	BEARING UNIT — .040" U/S	4 Cyl. exc. 1600 Eng.		M35807	4
	BEARING — .005" U/S	4 Cyl. exc. 1600 Eng.		7153900	8
	BEARING — .030" U/S	4 Cyl. exc. 1600 Eng.		7153903	8
	BEARING — .050" U/S	4 Cyl. exc. 1600 Eng.		7153905	8
	BEARING — .060" U/S	4 Cyl. exc. 1600 Eng.		7153906	8
	BEARING SET — Standard	1600 Eng.		7217186	1
	BEARING SET — .010" U/S	1600 Eng.		7217187	1
	BEARING SET — .020" U/S	1600 Eng.		7217188	1
	BEARING SET — .040" U/S	1600 Eng.		7217189	1
	BEARING SET — Standard	2250, 2600, 2850 Eng.		7430450	1

HOLDEN "LC" PARTS CATALOGUE

GROUP	DESCRIPTION	MODEL	SIDE	PART No.	QTY.
0.616	BEARING SET, BEARING UNIT, BEARING — Connecting rod (contd.)				
	BEARING SET — .001" U/S	2250, 2600, 2850 Eng.		7430451	1
	BEARING SET — .002" U/S	2250, 2600, 2850 Eng.		7430452	1
	BEARING SET — .010" U/S	2250, 2600, 2850 Eng.		7430453	1
	BEARING SET — .020" U/S	2250, 2600, 2850 Eng.		7430454	1
	BEARING UNIT — Standard	2250, 2600, 2850 Eng.		7430444	6
	BEARING UNIT — .001" U/S	2250, 2600, 2850 Eng.		7430445	6
	BEARING UNIT — .002" U/S	2250, 2600, 2850 Eng.		7430446	6
	BEARING UNIT — .010" U/S	2250, 2600, 2850 Eng.		7430448	6
	BEARING UNIT — .020" U/S	2250, 2600, 2850 Eng.		7430449	6
	BEARING SET — Standard	186X Eng.		7429376	1
	BEARING SET — .001" U/S	186X Eng.		7429729	1
	BEARING SET — .010" U/S	186X Eng.		7429119	1
	BEARING SET — .020" U/S	186X Eng.		7429120	1
	BEARING UNIT — Standard	186X Eng.		7429377	6
	BEARING UNIT — .001" U/S	186X Eng.		7429728	6
	BEARING UNIT — .010" U/S	186X Eng.		7429117	6
	BEARING UNIT — .020" U/S	186X Eng.		7429118	6
0.623	BOLT — Connecting rod				
	BOLT	4 Cyl. exc. 1600 Eng.		6366736	8
	BOLT	1600 Eng.		7201067	8
	BOLT	6 Cyl. Eng.		7420086	12
0.626	NUT — Connecting rod bolt				
	NUT	6 Cyl. Eng.		6255523	12
0.629	PISTON and CONNECTING ROD ASSEMBLY				
	PISTON and PIN ASSEMBLY				
	PISTON & CON. ROD SET — Standard	4 Cyl. exc. 1600 Eng.		7213403	1
	PISTON & CON. ROD SET — .005" O/S	4 Cyl. exc. 1600 Eng.		7213404	1
	PISTON & CON. ROD SET — .020" O/S	4 Cyl. exc. 1600 Eng.		7213405	1
	PISTON & CON. ROD SET — .040" O/S	4 Cyl. exc. 1600 Eng.		7213406	1
	PISTON & CON. ROD ASSY. — Standard	4 Cyl. exc. 1600 Eng.		7195628	4
	PISTON & CON. ROD ASSY. — .005" O/S	4 Cyl. exc. 1600 Eng.		7195625	4
	PISTON & CON. ROD ASSY. — .020" O/S	4 Cyl. exc. 1600 Eng.		7195626	4
	PISTON & CON. ROD ASSY. — .040" O/S	4 Cyl. exc. 1600 Eng.		7195627	4
	PISTON & PIN ASSY. — Standard	4 Cyl. exc. 1600 Eng.		M36816	4
	PISTON & PIN SET — .005" O/S	1600 Eng.		(¹⁴ 2680591)	1
	PISTON & PIN SET — .020" O/S	1600 Eng.		(¹⁴ 2680592)	1
	PISTON & PIN SET — .040" O/S	1600 Eng.		(¹⁴ 2680593)	1
	PISTON & PIN ASSY. — .005" O/S	1600 Eng.		(¹⁴ 8822632)	4
	PISTON & PIN ASSY. — .020" O/S	1600 Eng.		(¹⁴ 8822633)	4
	PISTON & PIN ASSY. — .040" O/S	1600 Eng.		(¹⁴ 8822634)	4
	PISTON & PIN ASSY. — Standard	2250 Eng.		2813401	6
	PISTON & PIN ASSY. — Standard, high limit	2250 Eng.		2813402	6
	PISTON & PIN ASSY. — .001" O/S	2250 Eng.		2813403	6
	PISTON & PIN ASSY. — .002" O/S	2250 Eng.		2813404	6
	PISTON & PIN ASSY. — .020" O/S	2250 Eng.		2813405	6
	PISTON & PIN ASSY. — .030" O/S	2250 Eng.		2813406	6
	PISTON & PIN ASSY. — .040" O/S	2250 Eng.		2813407	6
	PISTON & PIN ASSY. — Standard	2600 Eng.		7430518	6
	PISTON & PIN ASSY. — Standard, high limit	2600 Eng.		7430519	6
	PISTON & PIN ASSY. — .001" O/S	2600 Eng.		7430516	6
	PISTON & PIN ASSY. — .002" O/S	2600 Eng.		7430517	6
	PISTON & PIN ASSY. — .020" O/S	2600 Eng.		7430513	6
	PISTON & PIN ASSY. — .030" O/S	2600 Eng.		7430514	6
	PISTON & PIN ASSY. — .040" O/S	2600 Eng.		7430515	6
	PISTON & PIN ASSY. — Standard	2850 Eng. 8.3:1 C.R.		2819526	6
	PISTON & PIN ASSY. — Standard, high limit	2850 Eng. 8.3:1 C.R.		2819527	6

Note: (¹⁴ Includes Piston Rings.

HOLDEN "LC" PARTS CATALOGUE

GROUP	DESCRIPTION	MODEL	SIDE	PART No.	QTY.
0.629 PISTON and CONNECTING ROD ASSEMBLY (contd.)					
PISTON and PIN ASSEMBLY (contd.)					
	PISTON & PIN ASSY. — .001" O/S	2850 Eng. 8.3:1 C.R.		2819528	6
	PISTON & PIN ASSY. — .002" O/S	2850 Eng. 8.3:1 C.R.		2819529	6
	PISTON & PIN ASSY. — .020" O/S	2850 Eng. 8.3:1 C.R.		2819530	6
	PISTON & PIN ASSY. — .030" O/S	2850 Eng. 8.3:1 C.R.		2819531	6
	PISTON & PIN ASSY. — .040" O/S	2850 Eng. 8.3:1 C.R.		2819532	6
	PISTON & PIN ASSY. — Standard	2850 Eng. 9.4:1 C.R.		2819519	6
	PISTON & PIN ASSY. — Standard, high limit	2850 Eng. 9.4:1 C.R.		2819520	6
	PISTON & PIN ASSY. — .001" O/S	2850 Eng. 9.4:1 C.R.		2819521	6
	PISTON & PIN ASSY. — .002" O/S	2850 Eng. 9.4:1 C.R.		2819522	6
	PISTON & PIN ASSY. — .020" O/S	2850 Eng. 9.4:1 C.R.		2819523	6
	PISTON & PIN ASSY. — .030" O/S	2850 Eng. 9.4:1 C.R.		2819524	6
	PISTON & PIN ASSY. — .040" O/S	2850 Eng. 9.4:1 C.R.		2819525	6
	PISTON & PIN ASSY. — Standard	186X Eng.		7430511	6
	PISTON & PIN ASSY. — Standard, high limit	186X Eng.		7430512	6
	PISTON & PIN ASSY. — .001" O/S	186X Eng.		7430509	6
	PISTON & PIN ASSY. — .002" O/S	186X Eng.		7430510	6
	PISTON & PIN ASSY. — .020" O/S	186X Eng.		7430506	6
	PISTON & PIN ASSY. — .030" O/S	186X Eng.		7430507	6
	PISTON & PIN ASSY. — .040" O/S	186X Eng.		7430508	6
0.636 PIN — Piston					
	PIN	4 Cyl. exc. 1600 Eng.		7176861	4
	PIN	1600 Eng.		7199170	4
	PIN	6 Cyl. Eng.		7421214	6
0.643 RING SET — Piston					
	RING SET — Oil control, Standard	4 Cyl. exc. 1600 Eng.		7214476	1
	RING — No. 1 groove, Standard	4 Cyl. exc. 1600 Eng.		7189819	4
	RING — No. 2 groove, Standard	4 Cyl. exc. 1600 Eng.		7154027	4
	RING — Scraper, Standard	4 Cyl. exc. 1600 Eng.		7213251	4
	RING — No. 1 groove, .005" O/S	4 Cyl. exc. 1600 Eng.		7213392	4
	RING — No. 2 groove, .005" O/S	4 Cyl. exc. 1600 Eng.		7154029	4
	RING — Scraper, .005" O/S	4 Cyl. exc. 1600 Eng.		7213398	4
	RING — No. 1 groove, .020" O/S	4 Cyl. exc. 1600 Eng.		7213393	4
	RING — No. 2 groove, .020" O/S	4 Cyl. exc. 1600 Eng.		7154030	4
	RING — Scraper, .020" O/S	4 Cyl. exc. 1600 Eng.		7213399	4
	RING — No. 1 groove, .040" O/S	4 Cyl. exc. 1600 Eng.		7213394	4
	RING — No. 2 groove, .040" O/S	4 Cyl. exc. 1600 Eng.		7154031	4
	RING — Scraper, .040" O/S	4 Cyl. exc. 1600 Eng.		7213400	4
	RING SET — .005" O/S	1600 Eng.		2822174	1
	RING SET — .020" O/S	1600 Eng.		2822175	1
	RING SET — .040" O/S	1600 Eng.		2822176	1
	RING SET — Standard	2250 Eng.		⁽¹⁵⁾ 2813408	1
	RING SET — .020" O/S	2250 Eng.		⁽¹⁵⁾ 2813409	1
	RING SET — .030" O/S	2250 Eng.		⁽¹⁵⁾ 2813410	1
	RING SET — .040" O/S	2250 Eng.		⁽¹⁵⁾ 2813411	1
	RING SET — Standard	2250 Eng.		⁽¹⁶⁾ 2822025	1
	RING SET — .020" O/S	2250 Eng.		⁽¹⁶⁾ 2822026	1
	RING SET — .030" O/S	2250 Eng.		⁽¹⁶⁾ 2822027	1
	RING SET — .040" O/S	2250 Eng.		⁽¹⁶⁾ 2822028	1
	RING SET — Standard	2600 Eng.		7430265	1
	RING SET — .020" O/S	2600 Eng.		7430298	1
	RING SET — .030" O/S	2600 Eng.		7430296	1
	RING SET — .040" O/S	2600 Eng.		7430297	1
	RING SET — Standard	2850 Eng.		2819098	1
	RING SET — .020" O/S	2850 Eng.		2819099	1
	RING SET — .030" O/S	2850 Eng.		2819100	1
	RING SET — .040" O/S	2850 Eng.		2819101	1

Note: ⁽¹⁵⁾ Top Compression Ring inside step.
⁽¹⁶⁾ Top compression Ring plain.

HOLDEN "LC" PARTS CATALOGUE

GROUP	DESCRIPTION	MODEL	SIDE	PART No.	QTY.
0.643	RING SET — Piston (contd.)				
	RING SET — Standard	186X Eng.		(¹⁵ 7430263)	1
	RING SET — .020" O/S	186X Eng.		(¹⁵ 7430316)	1
	RING SET — .030" O/S	186X Eng.		(¹⁵ 7430317)	1
	RING SET — .040" O/S	186X Eng.		(¹⁵ 7430318)	1
	RING SET — Standard	186X Eng.		(¹⁶ 2819696)	1
	RING SET — .020" O/S	186X Eng.		(¹⁶ 2819697)	1
	RING SET — .030" O/S	186X Eng.		(¹⁶ 2819698)	1
	RING SET — .040" O/S	186X Eng.		(¹⁶ 2819699)	1
0.646	CRANKSHAFT ASSEMBLY				
	CRANKSHAFT ASSY.	4 Cyl. exc. 1600 Eng.		7180743	1
	CRANKSHAFT ASSY.	1600 Eng.		8831977	1
	CRANKSHAFT ASSY.	(M) 2250, 2600, 2850 Eng.		7434301	1
	CRANKSHAFT ASSY.	(A) 2250, 2600, 2850 Eng.		7431327	1
	CRANKSHAFT ASSY.	186X Eng.		7434178	1
0.649	BEARING — Crankshaft clutch pilot SLEEVE — Converter pilot				
	BEARING	(M) 4 Cyl. exc. 1600 Eng.		8849939	1
	BEARING	(A) 4 Cyl. exc. 1600 Eng.		8839096	1
	BEARING	(M) 1600 Eng.		7199505	1
	BEARING	(M) 6 Cyl. Eng.		412562	1
	SLEEVE	(A) 6 Cyl. Eng.		7420798	1
0.659	PULLEY ASSEMBLY, DAMPER ASSEMBLY — Crankshaft				
	PULLEY ASSY.	4 Cyl. exc. 1600 Eng.		7154454	1
	WASHER — Pulley to crankshaft	4 Cyl. exc. 1600 Eng.		6366867	1
	PULLEY — Grooved	1600 Eng.		7201108	1
	FLANGE — Grooved pulley	1600 Eng.		7201110	1
	PULLEY — Plain	1600 Eng.		7204026	1
	WASHER — Flat	1600 Eng.		7204076	1
	DAMPER ASSY	6 Cyl. Eng.		7434224	1
0.666	FLYWHEEL and RING GEAR ASSEMBLY				
	FLYWHEEL & RING GEAR ASSY.	(M) 4 Cyl. exc. 1600 Eng.		6366886	1
	FLYWHEEL & RING GEAR ASSY	(A) 4 Cyl. exc. 1600 Eng.		2814572	1
	FLYWHEEL & RING GEAR ASSEMBLY	(M) 1600 Eng.		7199399	1
	FLYWHEEL & RING GEAR ASSEMBLY	(A) 1600 Eng.		8831975	1
	FLYWHEEL & RING GEAR ASSY	(M) 6 Cyl. Eng.		7420114	1
	FLYWHEEL & RING GEAR ASSY.	(A) 6 Cyl. Eng.		7420311	1
0.669	BOLT, DOWEL PLATE — Flywheel to crankshaft				
	BOLT	4 Cyl. exc. 1600 Eng.		6376131	4
	DOWEL	(M) 4 Cyl. exc. 1600 Eng.		7159971	1
	BOLT	(M) 1600 Eng.		7099125	6
	BOLT	(A) 1600 Eng.		8835211	6
	DOWEL	1600 Eng.		345423	2
	PLATE — Distance	(A) 1600 Eng.		7217465	2
	BOLT	(M) 6 Cyl. Eng.		7420118	6
	BOLT	(A) 6 Cyl. Eng.		7420312	6

Note: (¹⁵ Top Compression Ring inside step.
(¹⁶ Top compression Ring plain.

HOLDEN "LC" PARTS CATALOGUE

GROUP	DESCRIPTION	MODEL	SIDE	PART No.	QTY.
0.673	GEAR — Flywheel ring				
	GEAR	(M) 4 Cyl. exc. 1600 Eng.		6366873	1
	GEAR	(M) 1600 Eng.		7199398	1
	GEAR	(M) 6 Cyl. Eng.		7431533	1
0.679	COVER ASSEMBLY — Clutch and transmission case, converter housing				
	COVER ASSY. — Clutch, front	(M) 4 Cyl. exc. 1600 Eng.		7199108	1
	COVER ASSY. — Converter, lower	(A) 4 Cyl. exc. 1600 Eng.		2811372	1
	COVER — Converter, upper	(A) 4 Cyl. exc. 1600 Eng.		8829337	1
	COVER — Clutch, front	(M) 1600 Eng.		7216014	1
	COVER — Converter, front	(A) 1600 Eng.		8834034	1
	BOLT ASSEMBLY — Cover to housing	(A) 1600 Eng.		9905678	4
	COVER ASSY. — Clutch, upper	(M) 6 Cyl. Eng.		7420128	1
	COVER ASSY. — Clutch, lower	(M) 6 Cyl. Eng.		7430096	1
	BOLT & LOCK WASHER ASSY.	(M) 6 Cyl. Eng.		SP1672	4
	COVER ASSY. — Converter, upper	(A) 6 Cyl. Eng.		7420128	1
	COVER ASSY. — Converter, lower	(A) 6 Cyl. Eng.		7439693	1
	BOLT & LOCK WASHER ASSY	(A) 6 Cyl. Eng.		SP1672	4
0.683	HOUSING — Clutch, converter				
	HOUSING — Converter	(A) 4 Cyl. exc. 1600 Eng.		5258272	1
	SEAL — Housing	(A) 4 Cyl. exc. 1600 Eng.		5258953	1
	BUSHING — Housing	(A) 4 Cyl. exc. 1600 Eng.		2814738	1
	DISTANCE PIECE — Starter motor to converter housing	(A) 4 Cyl. exc. 1600 Eng.		7191939	1
	BOLT — Hex. hd. flanged $\frac{5}{16}$ " — 18 x $1\frac{1}{2}$ " housing & oil pump to trans. case	(A) 4 Cyl. exc. 1600 Eng.		9427658	7
	WASHER — Housing to transmission	(A) 4 Cyl. exc. 1600 Eng.		7436448	7
	WASHER — Housing to oil pump	(A) 4 Cyl. exc. 1600 Eng.		7436448	5
	HOUSING — Clutch	(M) 1600 Eng.		8838238	1
	DOWEL — Housing to cylinder block	(M) 1600 Eng.		7140021	2
	HOUSING — Converter	(A) 1600 Eng.		5258273	1
	SEAL — Housing	(A) 1600 Eng.		8625571	1
	BUSHING — Housing	(A) 1600 Eng.		5258125	1
	DISTANCE PIECE — Starter motor to converter housing	(A) 1600 Eng.		2693409	1
	HOUSING — Clutch	(M) 6 Cyl. Eng. 3 Speed Trans.		7435393	1
	HOUSING — Clutch	(M) 6 Cyl. Eng. 4 Speed Trans.		(¹⁷ 7435394	1
	HOUSING — Clutch	(M) 6 Cyl. Eng. 4 Speed Trans.		(¹⁸ 7435393	1
	PIN — Dowel	(M) 6 Cyl. Eng.		7401304	2
	HOUSING — Converter	(A) 6 Cyl. Eng.		5258275	1
	SEAL — Housing	(A) 6 Cyl. Eng.		5258953	1
	BUSHING — Housing	(A) 6 Cyl. Eng.		2814738	1
	BOLT — Hex. hd. flanged $\frac{5}{16}$ " — 18 x $1\frac{1}{2}$ " housing & oil pump trans. case	(A) 6 Cyl. Eng.		9427658	7
	WASHER — Housing to transmission	(A) 6 Cyl. Eng.		7436448	7
	WASHER — Housing to oil pump	(A) 6 Cyl. Eng.		7436448	5
	PIN — Dowel	(A) 6 Cyl. Eng.		7401304	2
0.686	COVER — Clutch fork slot				
	BOOT — Starter motor pinion				
	COVER	(M) 4 Cyl. exc. 1600 Eng.		6380664	1
	COVER	(M) 4 Cyl. exc. 1600 Eng.		8813961	1
	NUT	(M) 4 Cyl. exc. 1600 Eng.		6380665	1
	BOOT	(M) 4 Cyl. exc. 1600 Eng.		6396404	1
	COVER	(M) 1600 Eng.		7202279	1

Note: (¹⁷ Required for vehicles equipped with round terminal Back-up lamp switch.

(¹⁸ Required for vehicles equipped with flat terminal Back-up lamp switch.

HOLDEN "LC" PARTS CATALOGUE

GROUP	DESCRIPTION	MODEL	SIDE	PART No.	QTY.
0.726 COMPONENTS TIMING CHAIN TENSIONER					
	BODY	4 Cyl. to Eng. 1443004 exc. 1600 Eng.		6346058	1
	GASKET — Tensioner body	4 Cyl. to Eng. 1443004 exc. 1600 Eng.		6348488	1
	PAD ASSY.	4 Cyl. to Eng. 1443004 exc. 1600 Eng.		6366866	1
	SCREW — Adjusting	4 Cyl. to Eng. 1443004 exc. 1600 Eng.		6346057	1
	RING — Pad & screw to tensioner body	4 Cyl. to Eng. 1443004 exc. 1600 Eng.		6350226	1
	RING — Screw to tensioner body, lower	4 Cyl. to Eng. 1443004 exc. 1600 Eng.		6331096	2
	SPRING — Tensioner body lock	4 Cyl. to Eng. 1443004 exc. 1600 Eng.		6350225	1
	KIT	4 Cyl. from Eng. No. 1443005 exc. 1600 Eng.		2690455	1
	BODY	4 Cyl. from Eng. No. 1443005 exc. 1600 Eng.		8847864	1
	CAP — Sealing	4 Cyl. from Eng. No. 1443005 exc. 1600 Eng.		8847861	1
	HEAD ASSEMBLY — Plunger and slipper	4 Cyl. from Eng. No. 1443005 exc. 1600 Eng.		8847859	1
0.727 CHAIN, BELT — Camshaft timing					
	CHAIN	4 Cyl. exc. 1600 Eng.		6366743	1
	BELT	1600 Eng.		8813277	1
0.728 GEAR — Crankshaft					
	GEAR	4 Cyl. exc. 1600 Eng.		6366717	1
	GEAR	6 Cyl. Eng.		7420025	1
0.730 DOWEL — Camshaft gear					
	DOWEL	4 Cyl. exc. 1600 Eng.		7159673	1
0.736 GEAR KIT, GEAR, PULLEY — Camshaft					
PULLEY — Auxiliary shaft					
	GEAR	4 Cyl. exc. 1600 Eng.		7206452	1
	WASHER	4 Cyl. exc. 1600 Eng.		6366867	1
	PULLEY — Camshaft	1600 Eng.		7201069	1
	WASHER — Camshaft	1600 Eng.		6366867	1
	PULLEY ASSEMBLY — Auxiliary shaft	1600 Eng.		8829013	1
	WASHER — Auxiliary shaft thrust	1600 Eng.		7199458	1
	PIN — Slotted spring, 1/8" x 3/8"	1600 Eng.		455919	1
	GEAR KIT	2250, 2600, 2850 Eng.		7431746	1
	GEAR	2250, 2600, 2850 Eng.		7430922	1
	GEAR	186X Eng.		2814895	1
0.738 RING — Camshaft gear spacing					
	RING	6 Cyl. Eng.		7420026	1
0.748 NOZZLE — Timing gear oil					
	NOZZLE ASSY.	4 Cyl. exc. 1600 Eng.		7184239	1
	SPRING — Oil nozzle	4 Cyl. exc. 1600 Eng.		7184241	1
	NOZZLE	6 Cyl. Eng.		7427418	1
0.787 CABLE ASSEMBLY, ROD, ANCHOR, INSULATOR, PAD, CLIP — Clutch control					
	CABLE ASSY	(M) 4 Cyl. exc. 1600 Eng.		2812320	1
	CLEVIS	(M) 4 Cyl. exc. 1600 Eng.		7192209	1
	PIN	(M) 4 Cyl. exc. 1600 Eng.		1025707	1
	BEARING	(M) 4 Cyl. exc. 1600 Eng.		7192216	2
	WASHER — Clevis pin	(M) 4 Cyl. exc. 1600 Eng.		6385756	1

HOLDEN "LC" PARTS CATALOGUE

GROUP	DESCRIPTION	MODEL	SIDE	PART No.	QTY.
0.787	CABLE ASSEMBLY, ROD, ANCHOR, INSULATOR, PAD, CLIP — Clutch control (contd.)				
	WASHER — Flat	(M) 4 Cyl. exc. 1600 Eng.		6375361	2
	NUT — Cable anchor	(M) 4 Cyl. exc. 1600 Eng.		6375327	1
	NUT — Cable adjusting	(M) 4 Cyl. exc. 1600 Eng.		6378051	1
	CLIP	(M) 4 Cyl. exc. 1600 Eng.		7447167	1
	CLIP	(M) 4 Cyl. exc. 1600 Eng.		2812319	1
	CABLE ASSEMBLY	(M) 1600 Eng.		2820864	1
	INSULATOR	(M) 1600 Eng.		8832382	1
	WASHER	(M) 1600 Eng.		8832383	1
	PAD — Rubber	(M) 1600 Eng.		7202138	1
	PAD — Nylon	(M) 1600 Eng.		7202134	1
	CLIP — Cable to oil pan	(M) 1600 Eng.		2703076	1
	ROD ASSY.	(M) 6 Cyl. Eng. RIGHT HAND DRIVE		2805945	1
	ANCHOR	(M) 6 Cyl. Eng. RIGHT HAND DRIVE		7433839	1
	CLIP — Anchor to pedal assy.	(M) 6 Cyl. Eng. RIGHT HAND DRIVE		7429228	1
0.795	FORK ASSEMBLY — Clutch				
	FORK ASSY	(M) 4 Cyl. exc. 1600 Eng.		6376212	1
	FORK ASSEMBLY	(M) 1600 Eng.		7198120	1
	FORK ASSY.	(M) 6 Cyl. Eng.		7448624	1
0.796	STUD — Clutch fork ball				
	STUD	(M) 4 Cyl. Eng.		6376216	1
	RETAINER — Stud	(M) 4 Cyl. exc. 1600 Eng.		7153562	1
	RETAINER — Stud	(M) 1600 Eng.		7192108	1
	STUD	(M) 6 Cyl. Eng., 3 Speed Trans.		7433895	1
	STUD	(M) 6 Cyl. Eng., 4 Speed Trans.		(¹⁷ 7430099)	1
	STUD	(M) 6 Cyl. Eng., 4 Speed Trans.		(¹⁸ 7433895)	1
0.797	SEAL, PLATE — Clutch fork				
	SEAL	(M) 4 Cyl. exc. 1600 Eng.		6384656	1
	SEAL	(M) 1600 Eng.		7202139	1
	PLATE — Guide	(M) 6 Cyl. Eng., 3 Speed Trans.		7433793	1
	PLATE — Sliding	(M) 6 Cyl. Eng., 3 Speed Trans.		7433794	1
	PLATE — Guide	(M) 6 Cyl. Eng., 4 Speed Trans.		(¹⁷ 7434507)	1
	PLATE — Sliding	(M) 6 Cyl. Eng., 4 Speed Trans.		(¹⁷ 7434506)	1
	PLATE — Guide	(M) 6 Cyl. Eng., 4 Speed Trans.		(¹⁸ 7433793)	1
	PLATE — Sliding	(M) 6 Cyl. Eng., 4 Speed Trans.		(¹⁸ 7433794)	1
0.798	SPRING — Clutch fork sliding plate retaining				
	SPRING	(M) 6 Cyl. Eng.		7433896	1
0.799	BEARING ASSEMBLY — Clutch throwout				
	BEARING ASSY.	(M) 4 Cyl. exc. 1600 Eng.		6376130	1
	BEARING ASSEMBLY	1600 Eng.		8827050	1
	BEARING ASSY	(M) 6 Cyl. Eng.		CT22	1
0.804	GUIDE — Clutch bearing				
	GUIDE	(M) 6 Cyl. Eng., 3 Speed Trans.		7439685	1
	GUIDE	(M) 6 Cyl. Eng., 4 Speed Trans.		(¹⁷ 668534)	1
0.805	GASKET — Clutch bearing guide				
	GASKET	(M) 6 Cyl. Eng., 4 Speed Trans.		(¹⁷ 668601)	1

Note: (¹⁷ Required for vehicles equipped with round terminal Back-up lamp switch.

(¹⁸ Required for vehicles equipped with flat terminal Back-up lamp switch.

HOLDEN "LC" PARTS CATALOGUE

GROUP	DESCRIPTION	MODEL	SIDE	PART No.	QTY.
0.829 STOP — Clutch pedal					
STOP		(M) 4 Cyl. Eng.		7192223	1
0.830 PEDALASSEMBLY, PAD, BUMPER — Clutch					
PEDAL ASSY.		(M) 4 Cyl. Eng.		7448463	1
PEDAL ASSY.		(M) 6 Cyl. Eng.	RIGHT HAND DRIVE	2807102	1
			LEFT HAND DRIVE	2810116	1
PAD		(M)	RIGHT HAND DRIVE	7202191	1
			LEFT HAND DRIVE	2811586	1
BUMPER — Clutch pedal		(M) 6 Cyl. Eng.		7431380	1
0.831 BEARING — Clutch pedal					
BEARING		(M)	RIGHT HAND DRIVE	6368033	2
			LEFT HAND DRIVE	3798256	2
0.833 BRACKET and SHAFT ASSEMBLY — Clutch pedal					
BRACKET ASSY.		(M) 4 Cyl. Eng.		7448468	1
GASKET		(M) 4 Cyl. Eng.		7192224	1
SPACER		(M) 4 Cyl. Eng.		7192409	1
BRACKET ASSY.		(M) 6 Cyl. Eng.	RIGHT HAND DRIVE	2806053	1
			LEFT HAND DRIVE	2810114	1
0.837 PIN, SPRING — Clutch pedal retaining					
PIN		(M) 4 Cyl. Eng.		7186506	1
SPRING		(M) 6 Cyl. Eng.		7411804	1
0.839 ROD — Clutch lever push					
ROD		(M) 6 Cyl. Eng.	RIGHT HAND DRIVE	2807114	1
			LEFT HAND DRIVE	7409949	1
NUT — Adjusting		(M) 6 Cyl. Eng.	RIGHT HAND DRIVE	7429390	1
			LEFT HAND DRIVE	7409950	1
0.844 SPRING — Clutch return					
SPRING — Clutch fork return		(M) 4 Cyl. exc. 1600 Eng.		6376214	1
SPRING — Clutch fork return		(M) 1600 Eng.		7202135	1
SPRING — Clutch over-centre		(M) 6 Cyl. Eng.	RIGHT HAND DRIVE	7434091	1
			LEFT HAND DRIVE	7437043	1
SPRING — Clutch fork retaining		(M) 6 Cyl. Eng.		7428552	1
SPRING — Clutch fork return		(M) 6 Cyl. Eng.	RIGHT HAND DRIVE	2807116	1
			LEFT HAND DRIVE	7429766	1
0.846 BRACKET — Clutch fork return spring					
BRACKET		(M) 1600 Eng.		7202136	1
WASHER — Bracket transmission case		(M) 1600 Eng.		7139224	1
0.847 SHAFT — Clutch over-centre spring					
SHAFT		(M) 6 Cyl. Eng.	RIGHT HAND DRIVE	7433686	1
			LEFT HAND DRIVE	2810118	1
CLIP — Shaft		(M) 6 Cyl. Eng.		7429228	1
0.848 YOKE — Clutch over-centre spring					
YOKE ASSY. — Inner		(M) 6 Cyl. Eng.		7434092	1
YOKE ASSY. — Outer		(M) 6 Cyl. Eng.		7434127	1
BEARING — Pivot		(M) 6 Cyl. Eng.		2807106	1

HOLDEN "LC" PARTS CATALOGUE

GROUP	DESCRIPTION	MODEL	SIDE	PART No.	QTY.
0.852	BRACKET and BUSH ASSEMBLY, RETAINER, BRACE, LEVER — Clutch relay				
	BRACKET & BUSH ASSY	(M) 6 Cyl. Eng.	RIGHT HAND DRIVE	7433743	1
	RETAINER — Lever	(M) 6 Cyl. Eng.	RIGHT HAND DRIVE	7433742	1
	BRACE — Lever	(M) 6 Cyl. Eng.	RIGHT HAND DRIVE	2807113	1
	BRACKET ASSY. — Lever brace	(M) 6 Cyl. Eng.	RIGHT HAND DRIVE	2806845	1
	PIN — Clutch relay lever brace to bracket	(M) 6 Cyl. Eng.	RIGHT HAND DRIVE	7439085	1
	CLIP — Lever brace to bracket	(M) 6 Cyl. Eng.	RIGHT HAND DRIVE	7429228	1
	LEVER ASSY. — Relay	(M) 6 Cyl. Eng.	RIGHT HAND DRIVE	2807108	1
	CLIP — Rod to relay lever	(M) 6 Cyl. Eng.	RIGHT HAND DRIVE	3749084	1
	ANCHOR	(M) 6 Cyl. Eng.	RIGHT HAND DRIVE	7433839	1
	RIVET — Rod insulator support to relay lever assy.	(M) 6 Cyl. Eng.	RIGHT HAND DRIVE	7433835	1
	WASHER — Anti-rattle .39" I.D.	(M) 6 Cyl. Eng.	RIGHT HAND DRIVE	SP1766	A.R.
	SUPPORT ASSY. — Clutch relay & cross shaft to frame	(M) 6 Cyl. Eng., 3 Speed Trans.	RIGHT HAND DRIVE	2814366	1
	SUPPORT ASSY. — Clutch relay & cross shaft to frame	(M) 6 Cyl. Eng., 4 Speed Trans.		2813916	1
0.861	COVER and PRESSURE PLATE ASSEMBLY — Clutch				
	COVER & PRESSURE PLATE ASSY. — (Includes diaphragm spring)	(M) 4 Cyl. exc. 1600 Eng.		8843748	1
	COVER & PRESSURE PLATE ASSY. — (Includes diaphragm spring)	(M) 4 Cyl. exc. 1600 Eng.		8843793	1
	COVER & PRESSURE PLATE ASSY. — (Includes diaphragm spring)	(M) 1600 Eng.		7202351	1
	COVER & PRESSURE PLATE ASSY. — (Includes diaphragm spring)	(M) 1600 Eng.		7211304	1
	COVER & PRESSURE PLATE ASSY. — (Includes diaphragm spring)	(M) 2250, 2600, 2850 Eng.		2811214	1
	COVER & PRESSURE PLATE ASSY. — (Includes diaphragm spring)	(M) 186X Eng.		7429381	1
0.863	PLATE — Clutch pressure				
	PLATE	(M) 4 Cyl. exc. 1600 Eng.		2680770	1
	PLATE	(M) 1600 Eng.		2690248	1
0.865	SPRING — Clutch diaphragm				
	SPRING	(M) 4 Cyl. exc. 1600 Eng.		2680769	1
	SPRING	(M) 1600 Eng.		2690250	1
0.866	RING — Clutch diaphragm spring retaining				
	RING	(M) 4 Cyl. exc. 1600 Eng.		2680771	1
	RING	(M) 1600 Eng.		2690249	1
0.870	BOLT — Clutch to flywheel				
	BOLT	(M) 4 Cyl. exc. 1600 Eng.		6376215	6
	BOLT	(M) 6 Cyl. Eng.		7402029	4

HOLDEN "LC" PARTS CATALOGUE

GROUP	DESCRIPTION	MODEL	SIDE	PART No.	QTY.
0.884 RIVET — Clutch facing					
RIVET	(Borg & Beck)	(M) 4 Cyl. up to Eng. No. 1444127 exc. 1600 Eng.		7074488	18
RIVET	(Borg & Beck)	(M) 4 Cyl. from Eng. No. 1444128 exc. 1600 Eng.		8819184	16
RIVET	(Laycock)	(M) 4 Cyl. exc. 1600 Eng.		8815417	21
RIVET	(Borg & Beck)	(M) 1600 Eng.		7074488	18
RIVET	(Laycock)	(M) 1600 Eng.		8815417	24
0.885 FACING — Clutch disc					
FACING — 6.25" diameter	(Borg & Beck)	(M) 4 Cyl. up to Eng. No. 1444127 exc. 1600 Eng.		M35458	1
FACING — 6.5" diameter	(Borg & Beck)	(M) 4 Cyl. from Eng. No. 1444128 exc. 1600 Eng.		2688702	2
FACING KIT	(Laycock)	(M) 4 Cyl. exc. 1600 Eng.		2680767	1
FACING	(Borg & Beck)	(M) 1600 Eng.		2688790	2
FACING	(Laycock)	(M) 1600 Eng.		2690247	2
0.886 PLATE ASSEMBLY — Clutch driven					
PLATE ASSEMBLY — 6.25" dia.	(Borg & Beck)	(M) 4 Cyl. up to Eng. No. 1444127 exc. 1600 Eng.		(¹⁹ 8822472)	1
PLATE ASSEMBLY — 6.5" dia.	(Borg & Beck)	(M) 4 Cyl. from Eng. No. 1444128 exc. 1600 Eng.		(¹⁹ 8843795)	1
PLATE ASSEMBLY	(Laycock)	(M) 4 Cyl. exc. 1600 Eng.		(¹⁹ 8843797)	1
PLATE ASSEMBLY	(Borg & Beck)	(M) 1600 Eng.		(¹⁹ 8851026)	1
PLATE ASSEMBLY	(Laycock)	(M) 1600 Eng.		(¹⁹ 7211304)	1
PLATE ASSEMBLY		(M) 6 Cyl. Eng., 3 Speed Trans.		2811217	1
PLATE ASSEMBLY		(M) 2250, 2600 Eng. 4 Speed Trans.		(¹⁷ 2811218)	1
PLATE ASSEMBLY		(M) 186X Eng., 4 Speed Trans.		(¹⁷ 7430022)	1
PLATE ASSEMBLY		(M) 2250, 2850 Eng. 4 Speed Trans.		(¹⁸ 2811217)	1
PLATE ASSEMBLY		(M) 186X Eng., 4 Speed Trans.		(¹⁸ 7434148)	1
0.902 CYLINDER ASSEMBLY, BODY, REPAIR KIT — Clutch master cylinder					
CYLINDER ASSY		(M) LEFT HAND DRIVE		7433520	1
BODY		(M) LEFT HAND DRIVE		7433521	1
REPAIR KIT — With piston		(M) LEFT HAND DRIVE		7436183	1
REPAIR KIT — Less piston		(M) LEFT HAND DRIVE		7436184	1
0.904 SEAL — Reservoir to clutch master cylinder					
SEAL		(M) LEFT HAND DRIVE		7429828	1
0.906 RESERVOIR — Clutch master cylinder					
RESERVOIR		(M) LEFT HAND DRIVE		7436154	1
0.907 CAP — Clutch master cylinder reservoir					
CAP		(M) LEFT HAND DRIVE		7426554	1
0.910 PISTON — Clutch master cylinder					
PISTON		(M) LEFT HAND DRIVE		7409929	1
0.911 CUP — Clutch master cylinder piston					
CUP		(M) LEFT HAND DRIVE		7404734	1
0.912 CUP — Clutch master cylinder piston secondary					
CUP		(M) LEFT HAND DRIVE		7404736	1

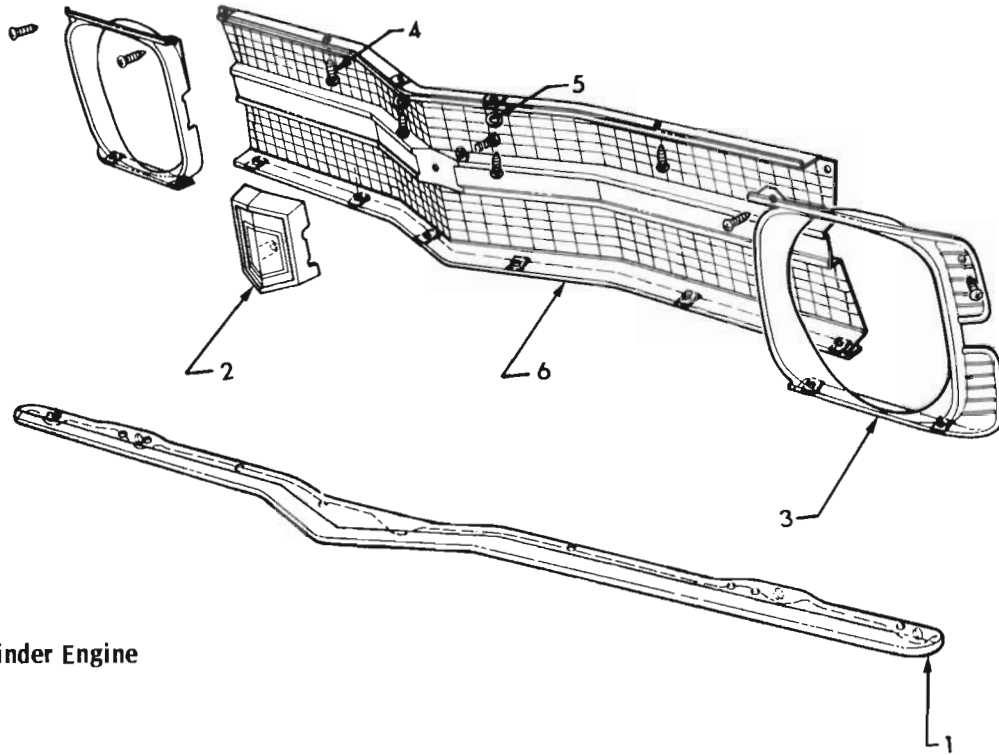
Note: (¹⁷ Required for vehicles equipped with round terminal Back-up lamp switch.

(¹⁸ Required for vehicles equipped with flat terminal Back-up lamp switch.

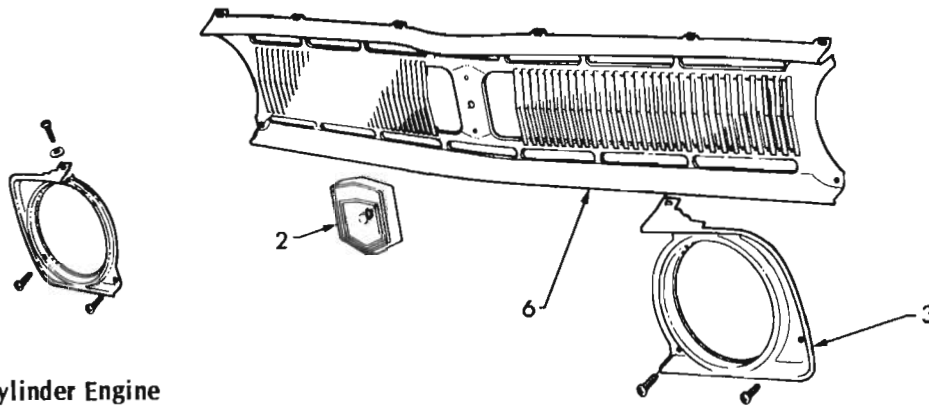
(¹⁹ Borg and Beck type has exposed springs whilst Laycock Type has fully enclosed springs.

HOLDEN "LC" PARTS CATALOGUE

GROUP	DESCRIPTION	MODEL	SIDE	PART No.	QTY.
0.913	SPRING ASSEMBLY — Clutch master cylinder				
	SPRING ASSY	(M)	LEFT HAND DRIVE	7400663	1
0.914	RING — Clutch master cylinder lock				
	RING	(M)	LEFT HAND DRIVE	7400673	1
0.918	ROD — Clutch master cylinder push				
	ROD	(M)	LEFT HAND DRIVE	2810115	1
0.920	CLEVIS — Clutch master cylinder push rod				
	CLEVIS	(M)	LEFT HAND DRIVE	7415761	1
0.921	PIN — Clutch master cylinder push rod clevis				
	PIN — Clevis, .375" x .92"	(M)	LEFT HAND DRIVE	SP1825	1
	WASHER — Clevis pin	(M)	LEFT HAND DRIVE	7411849	1
0.924	SEAL, RETAINER — Clutch master cylinder push rod				
	SEAL — Master cylinder end	(M)	LEFT HAND DRIVE	7433522	1
	SEAL — Pedal end	(M)	LEFT HAND DRIVE	2811302	1
	RETAINER — Pedal end seal	(M)	LEFT HAND DRIVE	2810763	1
0.929	PIPE ASSEMBLY, CONNECTOR — Clutch master cylinder				
	PIPE ASSY	(M)	LEFT HAND DRIVE	7436155	1
	CONNECTOR — Pipe	(M)	LEFT HAND DRIVE	7410766	2
	WASHER — Special	(M)	LEFT HAND DRIVE	7401727	2
	CLIP — Pipe to dash panel	(M)	LEFT HAND DRIVE	SP1795	1
0.934	CYLINDER ASSEMBLY — Clutch actuating				
	CYLINDER ASSY.	(M)	LEFT HAND DRIVE	7429741	1
	BRACKET — Cylinder	(M)	LEFT HAND DRIVE	7429637	1
0.935	SEAL — Clutch actuating cylinder				
	SEAL	(M)	LEFT HAND DRIVE	7409965	1
0.936	PISTON — Clutch actuating cylinder				
	PISTON	(M)	LEFT HAND DRIVE	7409966	1
0.937	CUP — Clutch actuating cylinder piston				
	CUP	(M)	LEFT HAND DRIVE	7409968	1
0.940	VALVE — Clutch actuating cylinder bleeder				
	VALVE	(M)	LEFT HAND DRIVE	7400169	1



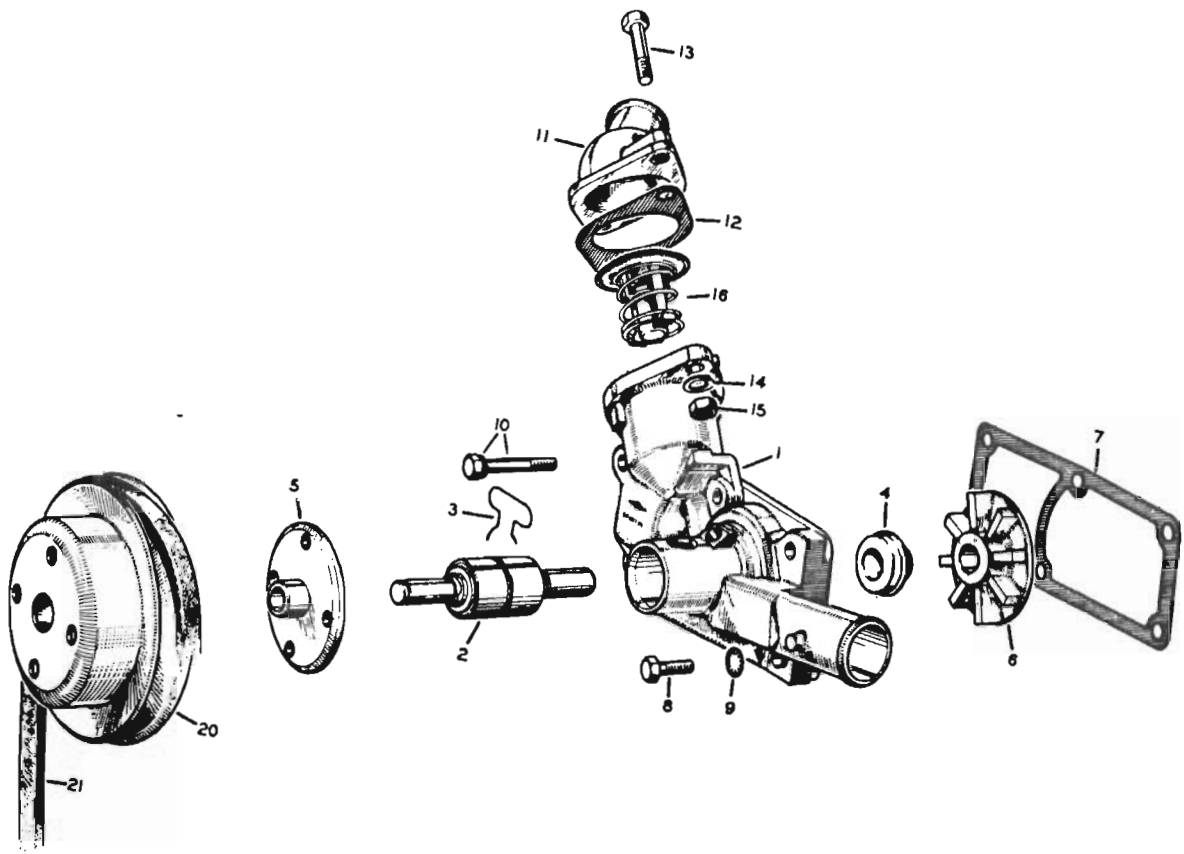
6 Cylinder Engine



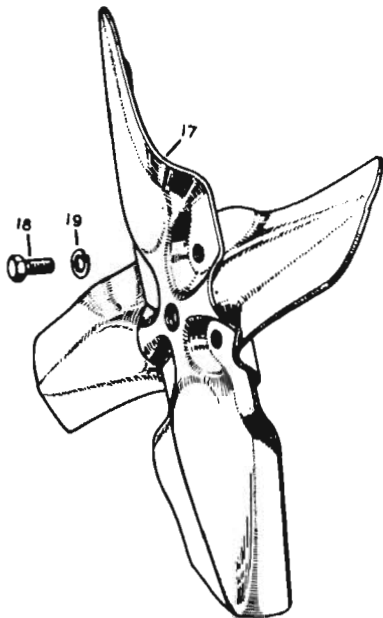
4 Cylinder Engine

RADIATOR GRILLE

ILLUS. REF. NO.	PART NAME	GROUP	ILLUS. REF. NO.	PART NAME	GROUP
1.	SHIELD - Front bumper stone	7.870	4.	SCREW	1.269
2.	EMBLEM - Radiator grille	1.265	5.	WASHER	8.929
3.	RIM - Headlamp	2.728	6.	GRILLE - Radiator	1.266

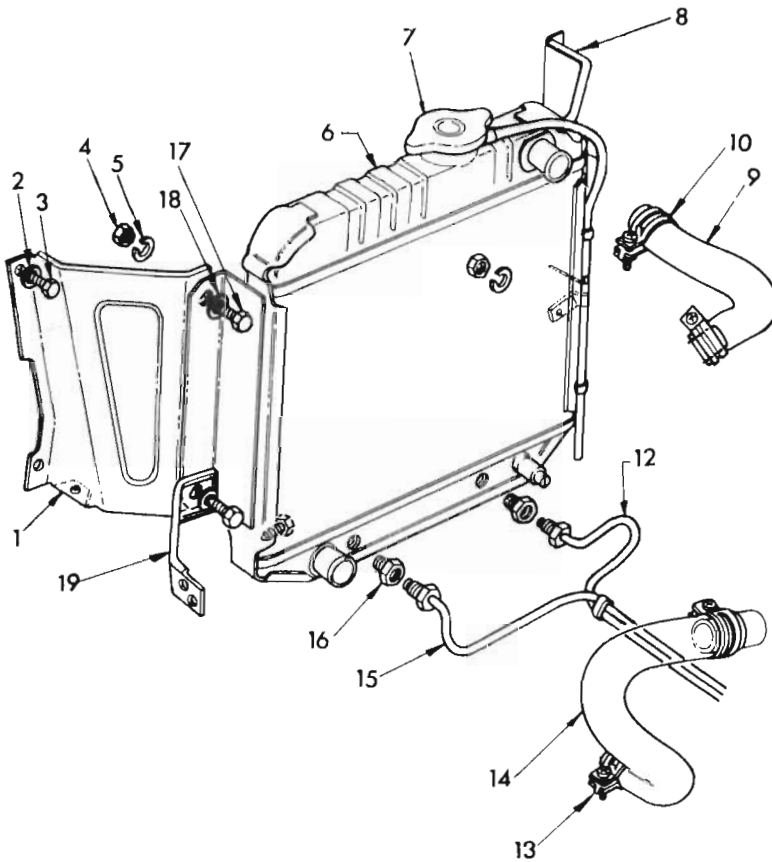


**WATER PUMP, OUTLET, FAN & THERMOSTAT
(4 Cylinder Engine)**

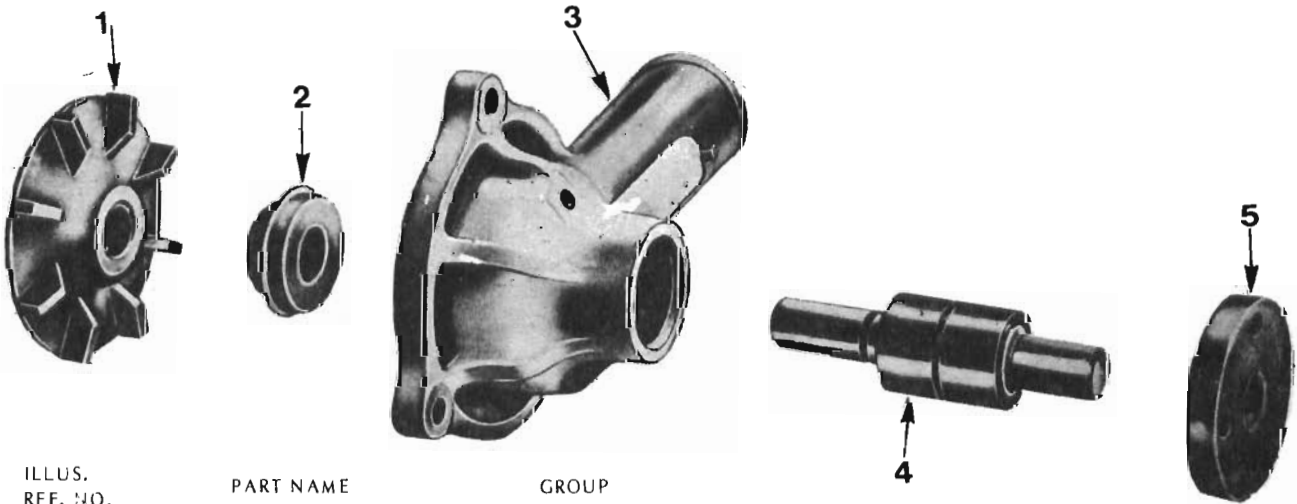


ILLUS. REF. NO.	PART NAME	GROUP
1.	BODY	1.073
2.	SHAFT & BEARING	1.108
3.	RING - Locking	1.112
4.	SEAL	1.123
5.	FLANGE	1.063
6.	ROTOR	1.109
7.	GASKET	1.079
8.	BOLT	8.900
9.	WASHER	8.932
10.	SCREW	8.900
11.	OUTLET	1.153
12.	GASKET	1.154
13.	BOLT	8.900
14.	WASHER	8.931
15.	NUT	8.915
16.	THERMOSTAT	1.246
17.	BLADE	1.064
18.	BOLT	8.900
19.	WASHER	8.931
20.	PULLEY	1.062
21.	BELT	1.066

RADIATOR ASSEMBLY



ILLUS. REF. NO.	PART NAME	GROUP
1.	BRACKET - Radiator mounting ..	1.270
2.	WASHER	8.929
3.	SCREW	8.977
4.	NUT	8.915
5.	WASHER	8.931
6.	RADIATOR ASSY.	1.219
7.	CAP - Radiator	1.203
8.	BRACKET - Radiator mounting ..	1.270
9.	HOSE - Inlet	1.159
10.	CLAMP - Hose	1.166
12.	PIPE ASSY. - Outlet	4.128
13.	CLAMP - Hose	1.166
14.	HOSE - Outlet	1.159
15.	PIPE ASSY. - Inlet	4.128
16.	CONNECTOR - Pipe to radiator	8.963
17.	BOLT	8.900
18.	WASHER	8.929
19.	STAY - Radiator mounting	1.270



ILLUS. REF. NO.	PART NAME	GROUP
1.	ROTOR - Water pump	1.109
2.	SEAL ASSY. - Water pump	1.123
3.	BODY - Water pump	1.073
4.	SHAFT and BEARING ASSY.	1.108
5.	HUB - Water pump and fan pulley	1.063

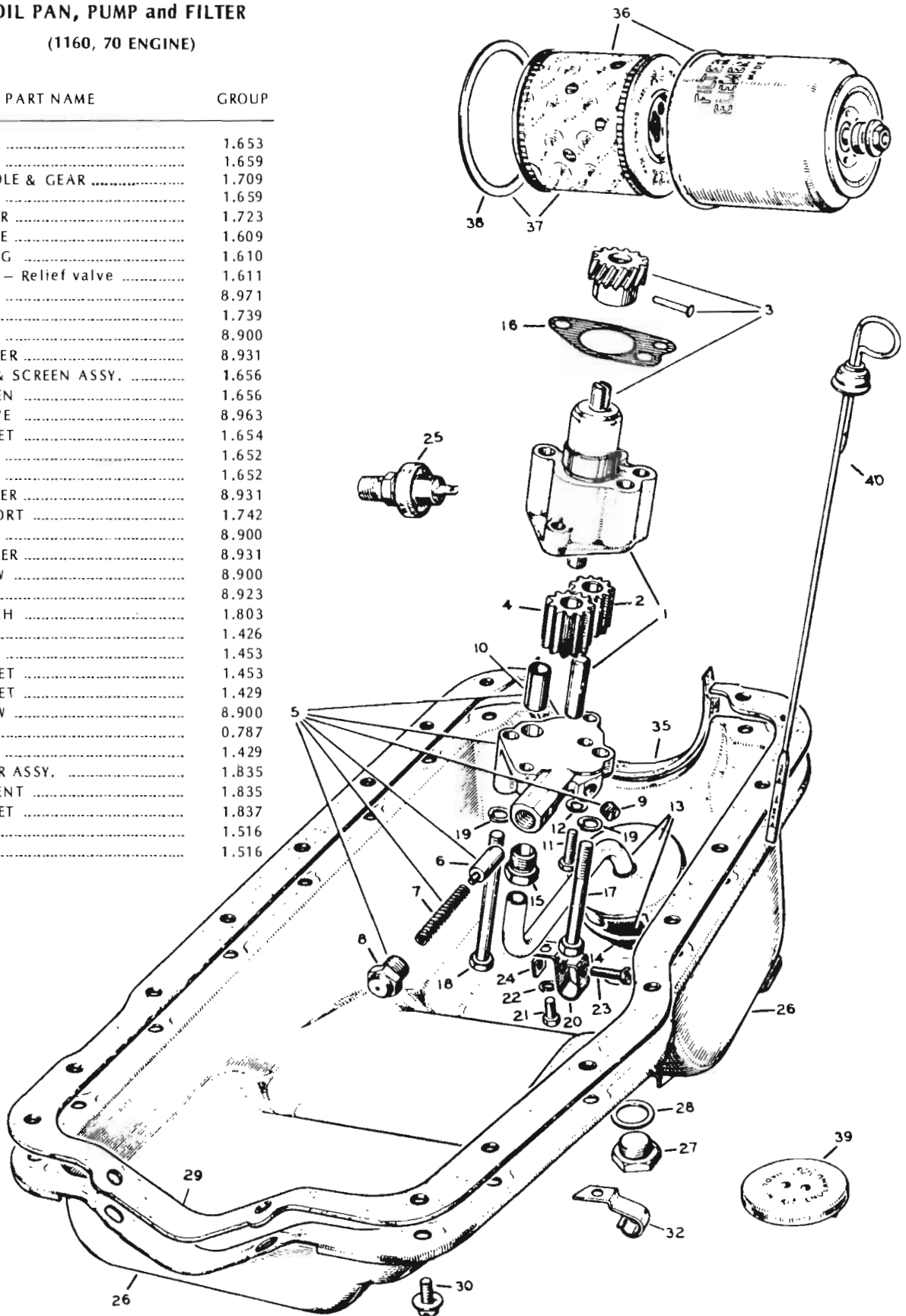
**WATER PUMP
(6 Cylinder Engine)**

HOLDEN "LC" PARTS CATALOGUE

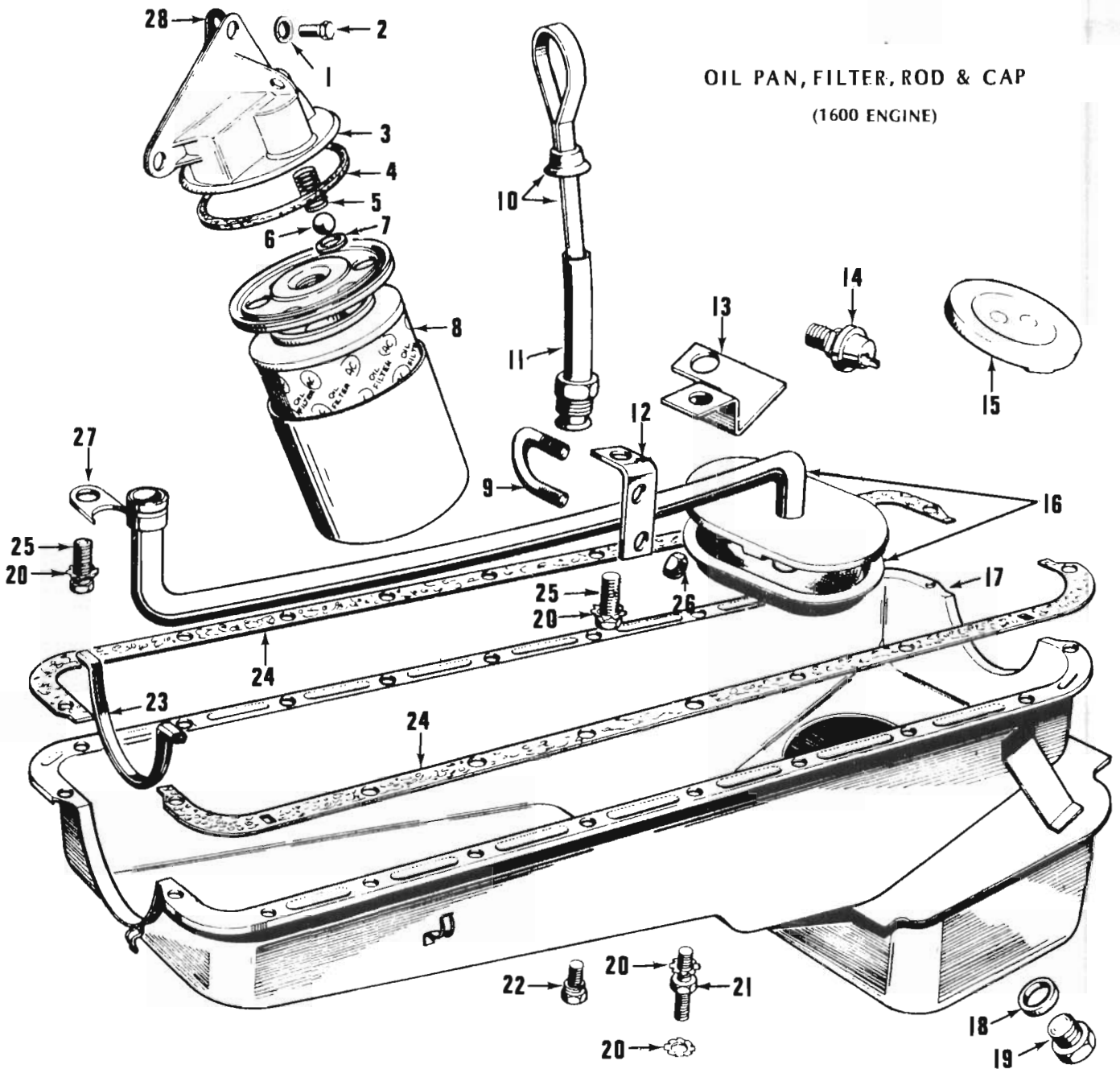
OIL PAN, PUMP and FILTER (1160, 70 ENGINE)

ILLUS. REF. NO. PART NAME GROUP

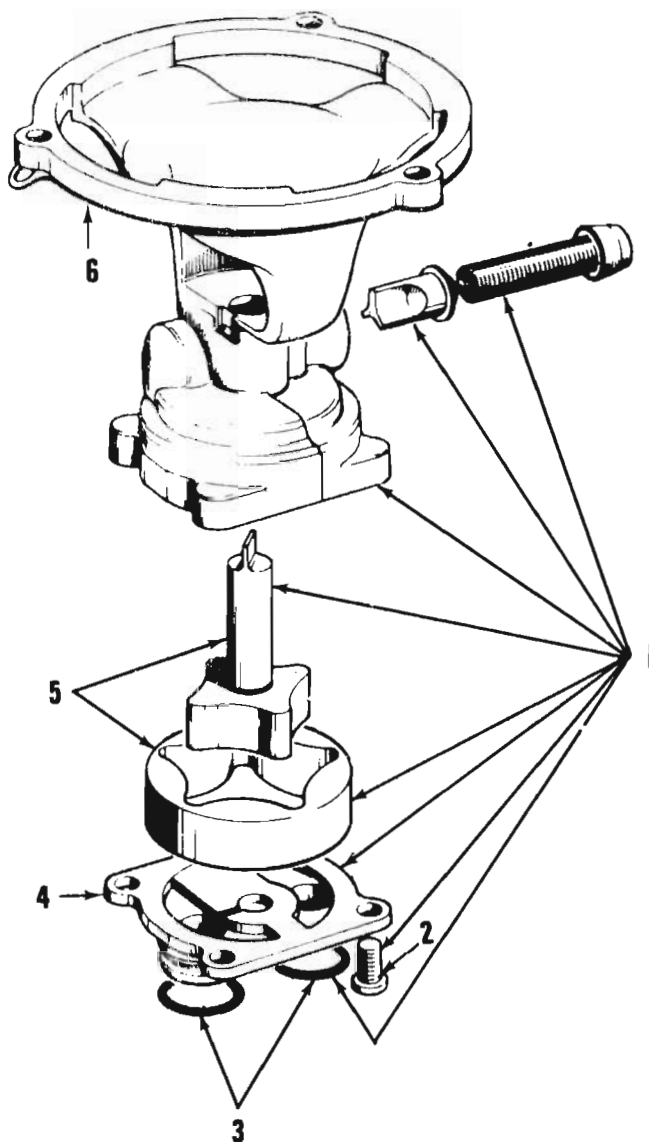
1.	BODY	1.653
2.	GEAR	1.659
3.	SPINDLE & GEAR	1.709
4.	GEAR	1.659
5.	COVER	1.723
6.	VALVE	1.609
7.	SPRING	1.610
8.	PLUG - Relief valve	1.611
9.	PLUG	8.971
10.	PIPE	1.739
11.	BOLT	8.900
12.	WASHER	8.931
13.	PIPE & SCREEN ASSY.	1.656
14.	SCREEN	1.656
15.	SLEEVE	8.963
16.	GASKET	1.654
17.	BOLT	1.652
18.	BOLT	1.652
19.	WASHER	8.931
20.	SUPPORT	1.742
21.	BOLT	8.900
22.	WASHER	8.931
23.	SCREW	8.900
24.	NUT	8.923
25.	SWITCH	1.803
26.	PAN	1.426
27.	PLUG	1.453
28.	GASKET	1.453
29.	GASKET	1.429
30.	SCREW	8.900
32.	CLIP	0.787
35.	SEAL	1.429
36.	FILTER ASSY.	1.835
37.	ELEMENT	1.835
38.	GASKET	1.837
39.	CAP	1.516
40.	ROD	1.516



**OIL PAN, FILTER, ROD & CAP
(1600 ENGINE)**

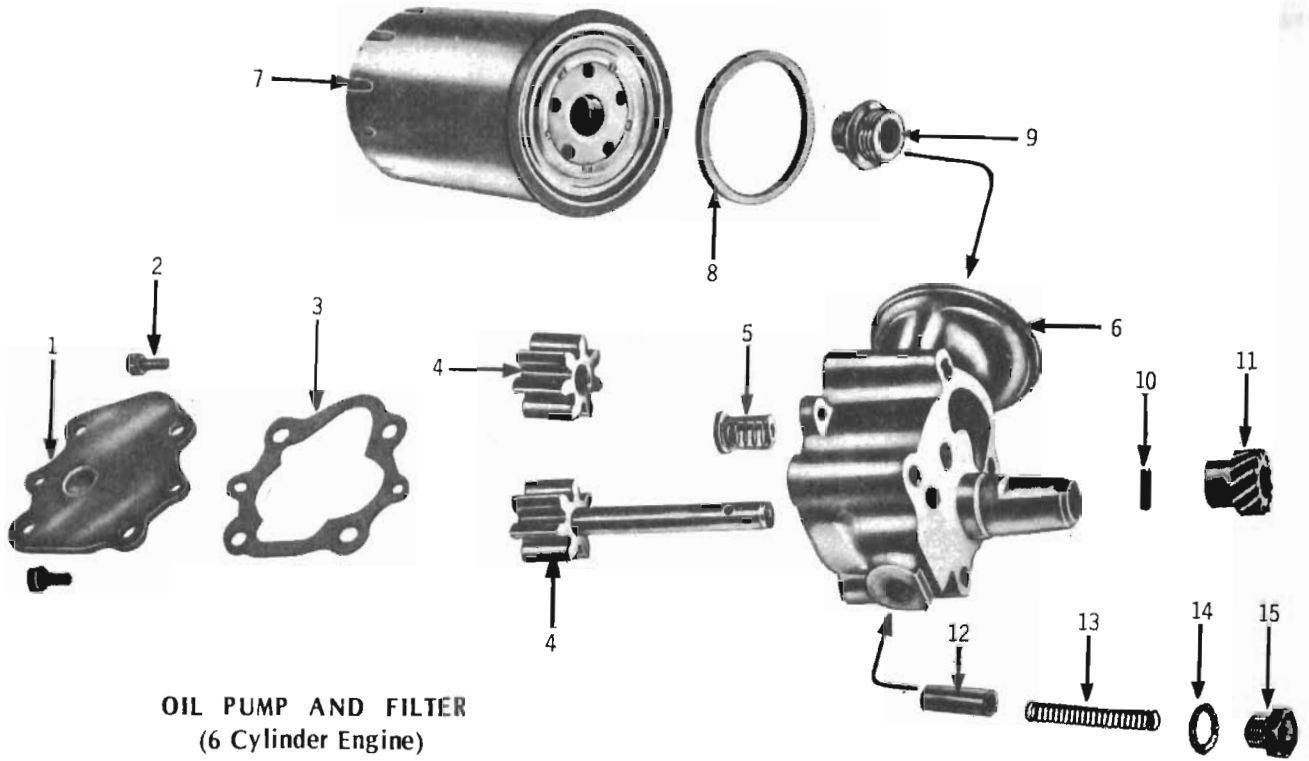


ILLUS. REF. NO.	PART NAME	GROUP	ILLUS. REF. NO.	PART NAME	GROUP
1.	WASHER - 5/16" int. tooth lock	8.932	15.	CAP - Oil filler	1.516
2.	BOLT - 5/16" - 18 x 3/4"	8.900	16.	PIPE & SCREEN ASSY.	1.656
3.			17.	PAN ASSY. - Oil	1.426
4.			18.	GASKET - Drain plug	1.453
5.	FILTER ASSY. - Oil	1.835	19.	PLUG - Oil pan drain	1.453
6.			20.	WASHER - 1/4" Ext. tooth lock	8.932
7.			21.	STUD - Oil Pan fixing	1.426
8.			22.	SCREW & LOCK WASHER ASSY. - Oil pan fixing	1.426
8.	ELEMENT - Oil filter	1.835	23.	SEAL - Oil pan	1.429
9.	CLAMP - Pipe to support	1.742	24.	GASKET - Oil pan	1.429
10.	ROD - Oil level indicator	1.516	25.	BOLT - 1/4" - 20 x 5/8"	8.900
11.	TUBE ASSY. - Oil level rod	1.516	26.	NUT - 1/4" - 28	8.918
12.	SUPPORT - Oil pump suction pipe	1.742	27.	SUPPORT - Oil pump suction pipe front ..	1.742
13.	SUPPORT - Indicator tube	1.516	28.	GASKET - Filter to cyl. block	1.837
14.	SWITCH ASSY.	1.803			



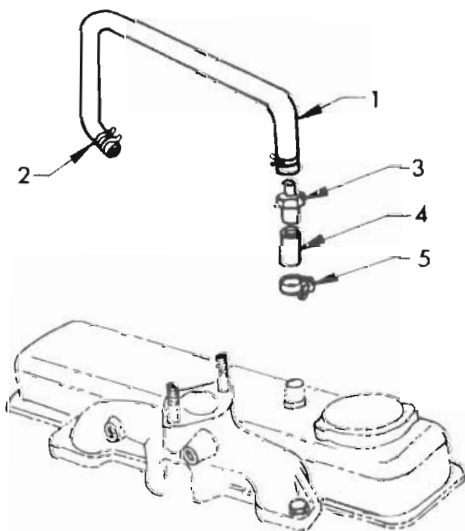
OIL PUMP - (1600 ENGINE)

ILLUS. REF. NO.	PART NAME	GROUP	ILLUS. REF. NO.	PART NAME	GROUP
1.	PUMP ASSY. - Oil	1.652	4.	COVER - Oil pump	1.723
2.	SCREW - Clamping	1.723	5.	SHAFT & ROTOR ASSY. - Oil pump	1.709
3.	"O" RING - Oil pump to block	1.654	6.	GASKET - Oil pump to block	1.654



**OIL PUMP AND FILTER
(6 Cylinder Engine)**

ILLUS. REF. NO.	PART NAME	GROUP	ILLUS. REF. NO.	PART NAME	GROUP
1.	COVER	1.723	9.	ADAPTOR	1.835
2.	SCREW	8.900	10.	PIN	8.941
3.	GASKET	1.724	10/11	GEAR KIT	1.643
4.	GEAR SET	1.659	12.	VALVE	1.609
5.	VALVE ASSY. - Bypass	1.837	13.	SPRING	1.610
6.	BODY & DRIVEN GEAR SHAFT ASSY.	1.653	14.	GASKET	1.611
7.	FILTER ASSY.	1.835	15.	PLUG	1.611
8.	GASKET - Cover	1.837			



ENGINE VENTILATION

ILLUS. REF. NO.	PART NAME	GROUP
1.	HOSE - Carburettor to vent valve ..	1.762
2.	CLAMP - Hose	1.762
3.	VALVE ASSY.	1.762
4.	HOSE - Connector breather	1.762
5.	CLAMP - Hose	1.762

HOLDEN "LC" PARTS CATALOGUE

GROUP	DESCRIPTION	MODEL	SIDE	PART No.	QTY.
1.062	PULLEY — Water pump and fan				
	PULLEY	4 Cyl. exc. 1600 Eng.		6366816	1
	PULLEY	1600 Eng.		7201148	1
	PULLEY	6 Cyl. Eng.		2808189	1
1.063	FLANGE, HUB — Water pump and fan pulley				
	FLANGE	4 Cyl. up to Engine No. 1388138 exc. 1600 Eng.		6384933	1
	FLANGE	4 Cyl. from Engine No. 1388139 exc. 1600 Eng.		7209074	1
	FLANGE	1600 Eng.		7201032	1
	HUB	6 Cyl. Eng.		7449209	1
1.064	BLADE ASSEMBLY — Fan				
	BLADE ASSY	(M) 4 Cyl. exc. 1600 Eng.		2816408	1
	BLADE ASSY	(A) 4 Cyl. exc. 1600 Eng.		2816409	1
	BLADE ASSY	1600 Eng.		2681677	1
	SPACER — Fan	1600 Eng.		2684678	1
	BLADE ASSY	2250, 2600 exc. S Eng.		2808186	1
	BLADE ASSY	2850 exc. S Eng.		2808186	1
	BLADE ASSY	2600S, 2850S Eng.		2810488	1
	BLADE ASSY	186X Eng.		2816157	1
1.065	PULLEY, BEARING, BRACKET — Jockey				
	PULLEY ASSY	1600 Eng.		7209388	1
	PULLEY	1600 Eng.		7204074	1
	BEARING — Pulley	1600 Eng.		7201328	1
1.066	BELT — Fan and Generator				
	BELT	4 Cyl. exc. 1600 Eng.		2811193	1
	BELT	1600 Eng.		7427822	1
	BELT	6 Cyl. Eng.		7427822	1
1.069	PUMP ASSEMBLY — Water				
	PUMP ASSY.	4 Cyl. up to Engine No. 1454525 exc. 1600 Eng.		8829393	1
	PUMP ASSY	4 Cyl. from Engine No. 1454526 exc. 1600 Eng.		8850015	1
	PUMP ASSY	1600 Eng.		7201033	1
	PUMP ASSY	6 Cyl. Eng.		2820740	1
	BOLT & WASHER	6 Cyl. Eng.		7420070	2
	BOLT & WASHER ASSY. — Generator bracket	6 Cyl. Eng.		SP2067	1
	SEAL KIT — Heater hose connection	6 Cyl. Eng.		7430865	1
1.071	OVERHAUL KIT, GASKET KIT — Water pump				
	OVERHAUL KIT	4 Cyl. up to Engine No. 1388138 exc. 1600 Eng.		7214395	1
	OVERHAUL KIT	4 Cyl. Engine No. 1388139- 1454526 exc. 1600 Eng.		8830734	1
	OVERHAUL KIT	4 Cyl. from Engine No. 1454526 exc. 1600 Eng.		2680582	1
	OVERHAUL KIT	1600 Eng.		8819187	1
	REPAIR KIT	6 Cyl. Eng.		7423694	1
1.073	BODY — Water pump				
	BODY	4 Cyl. up to Engine No. 1388138 exc. 1600 Eng.		8829216	1
	BODY	4 Cyl. from Engine No. 1388139 exc. 1600 Eng.		8829351	1
	BODY	1600 Eng.		7199446	1
	CONNECTOR — Ball sleeve	1600 Eng.		8813253	1
	BODY	6 Cyl.		7428737	1

HOLDEN "LC" PARTS CATALOGUE

GROUP	DESCRIPTION	MODEL	SIDE	PART No.	QTY.
1.079 GASKET — Water pump to Engine					
GASKET	4 Cyl. exc. 1600 Eng.		6366991	1
GASKET	1600 Eng.		7201112	1
GASKET	6 Cyl. Eng.		7420069	1
1.108 SHAFT and BEARING ASSEMBLY — Water pump					
SHAFT & BEARING ASSY	4 Cyl. up to Engine No. 1388138 exc. 1600 Eng.		6380561	1
SHAFT & BEARING ASSY	4 Cyl. from Engine No. 1388139 exc. 1600 Eng.		7209071	1
SHAFT & BEARING ASSY	1600 Eng.		7217225	1
SHAFT & BEARING ASSY	6 Cyl. Eng.		7420067	1
1.109 ROTOR — Water pump					
ROTOR	4 Cyl. up to Engine No. 1388138 exc. 1600 Eng.		7182860	1
ROTOR	4 Cyl. from Engine No. 1388139 exc. 1600 Eng.		7209073	1
SEAL — Counter face	4 Cyl. from Engine No. 1454526 exc. 1600 Eng.		8852043	1
ROTOR	1600 Eng.		7191605	1
ROTOR	6 Cyl. Eng.		7420068	1
1.112 RING — Water pump bearing					
RING — Locking	4 Cyl. Eng.		6366097	1
1.123 SEAL ASSEMBLY — Water pump					
SEAL ASSEMBLY	4 Cyl. up to Eng. No. 1388138 exc. 1600 Eng.		7191841	1
SEAL ASSEMBLY	4 Cyl. from Eng. No. 1388139 exc. 1600 Eng.		7209483	1
SEAL ASSEMBLY	1600 Eng.		7209483	1
SEAL ASSY	6 Cyl. Eng.		3927156	1
1.153 OUTLET — Water pump					
OUTLET	4 Cyl. exc. 1600 Eng.		6366997	1
OUTLET	1600 Eng.		7201046	1
OUTLET	6 Cyl. Eng.		7423284	1
BOLT — Thermostat housing	6 Cyl. Eng.		SP2071	1
BOLT — Thermostat housing	6 Cyl. Eng.		SP2070	1
1.154 GASKET — Water outlet					
GASKET	4 Cyl. exc. 1600 Eng.		6303254	1
GASKET	1600 Eng.		7201130	1
GASKET	6 Cyl. Eng.		7401111	1
1.159 HOSE — Radiator					
HOSE — Inlet	4 Cyl. exc. 1600 Eng.		7184487	1
HOSE — Inlet	1600 Eng.		2820601	1
HOSE — Inlet	6 Cyl. Eng.	RIGHT HAND DRIVE	2805211	1
			LEFT HAND DRIVE	2811299	1
HOSE — Outlet	4 Cyl. exc. 1600 Eng.		⁽²⁰⁾ 7447905	1
HOSE — Outlet	4 Cyl. exc. 1600 Eng.		⁽²¹⁾ 7447906	1
HOSE — Outlet	1600 Eng.		2823594	1
HOSE — Outlet extension	4 Cyl. Eng.		⁽²¹⁾ 7447907	1
HOSE & SPRING PACKAGE — Outlet	6 Cyl. Eng.	RIGHT HAND DRIVE	2811694	1
			LEFT HAND DRIVE	2811693	1

Note: ⁽²⁰⁾ Not used when heater fitted.
⁽²¹⁾ Used only when heater fitted.

HOLDEN "LC" PARTS CATALOGUE

GROUP	DESCRIPTION	MODEL	SIDE	PART No.	QTY.
1.166	CLAMP — Hose				
	CLAMP — Inlet hose, 1 $\frac{1}{8}$ " dia.	4 Cyl. Eng.		SP1004	2
	CLAMP — Inlet hose, 1 $\frac{1}{8}$ " dia.	6 Cyl. Eng.		SP1004	2
	CLAMP — Outlet hose, 1 $\frac{1}{8}$ " dia.	4 Cyl. Eng.		SP1004	2
	CLAMP — Outlet hose	6 Cyl. Eng.		SP1572	2
1.203	CAP — Radiator pressure				
	CAP	exc. 1600, 186X Eng.		850559	1
	CAP	1600, 186X Eng.		2806989	1
1.219	RADIATOR, CORE ASSEMBLY, SERVICE SET				
	RADIATOR ASSY	(M) 4 Cyl. exc. 1600 Eng.		7448250	1
	RADIATOR ASSY	(M) 1600 Eng.		2820598	1
	RADIATOR ASSY	(A) 4 Cyl. exc. 1600 Eng.		2813188	1
	RADIATOR ASSY	(A) 1600 Eng.		2820934	1
	RADIATOR ASSY. — Regular	(M) 2250 Eng.		2805208	1
	RADIATOR ASSY. — Regular	(M) 2600, 2850 Eng.		2809857	1
	RADIATOR ASSY. — Regular	(M) 186X Eng.		2816453	1
	RADIATOR ASSY. — Heavy duty	(M) 6 Cyl. Eng.		2814688	1
	RADIATOR ASSY. — Regular	(A) 2250 Eng.		2805209	1
	RADIATOR ASSY. — Regular	(A) 2600, 2850 Eng.		2812450	1
	RADIATOR ASSY. — Heavy duty	(A) 6 Cyl. Eng.		2814687	1
	CORE ASSY.	(M) 4 Cyl. exc. 1600 Eng.		M36669	1
	CORE ASSY	(M) 1600 Eng.		2813473	1
	CORE ASSY	(A) 4 Cyl. exc. 1600 Eng.		2815178	1
	CORE ASSY	(A) 1600 Eng.		2813474	1
	CORE ASSY. — Regular	(M) 2250 Eng.		2813473	1
	CORE ASSY. — Regular	(M) 2600, 2850 Eng.		2813474	1
	CORE ASSY. — Regular	(A) 2250 Eng.		2813474	1
	CORE ASSY. — Regular	(A) 2600, 2850 Eng.		2813475	1
	CORE ASSY. — Regular	(M) 186X Eng.		2817136	1
	CORE ASSY. — Heavy duty	6 Cyl. Eng.		2822057	1
	SERVICE SET	(M) 4 Cyl. exc. 1600 Eng.		M36670	1
	SERVICE SET	(M) 1600 Eng.		2822968	1
	SERVICE SET	(M) 2250, 2600, 2850 Eng.		2813476	1
	SERVICE SET	(A) 4 Cyl. exc. 1600 Eng.		2815180	1
	SERVICE SET	(A) 1600 Eng.		2822969	1
	SERVICE SET	(A) 6 Cyl. Eng.		2813477	1
	SERVICE SET	(M) 186X Eng.		2819012	1
	STRAP & BRACKET KIT	1600, 2250, 2600, 2850 Eng.		2813478	1
	STRAP & BRACKET KIT	4 Cyl. exc. 1600 Eng.		2815179	1
	STRAP & BRACKET KIT	(M) 186X Eng.		2819002	1
	COOLER ASSY. — Oil	(A) 6 Cyl. Eng.		7418131	1
	PIPE — Overflow	4 Cyl. exc. 1600 Eng.		2815181	1
	PIPE — Overflow	1600 Eng.		7427774	1
	PIPE — Overflow	6 Cyl. Eng.		7427774	1
1.221	BOLT — Radiator support				
	BOLT — Hex. washer hd. $\frac{1}{4}$ " — 20 x $\frac{1}{2}$ "	4 Cyl. exc. 1600 Eng.		9411372	4
	BOLT — Hex. washer hd. $\frac{5}{16}$ " — 18 x $\frac{3}{4}$ "	6 Cyl. Eng.		9417350	4
1.246	THERMOSTAT ASSEMBLY				
	THERMOSTAT ASSY.	4 Cyl. exc. 1600 Eng.		1572364	1
	THERMOSTAT ASSY.	1600 Eng.		1572389	1
	THERMOSTAT ASSY.	6 Cyl. Eng.		3749086	1
1.251	HOUSING — Thermostat				
	HOUSING	6 Cyl. Eng.		7429460	1
	BOLT & SPRING WASHER ASSY. — Hex. hd. $\frac{3}{8}$ " — 16 x 1.250"	6 Cyl. Eng.		SP2068	2
	BOLT & SPRING WASHER ASSY. — Hex. hd. $\frac{3}{8}$ " — 16 x 2.00"	6 Cyl. Eng.		SP2069	1

HOLDEN "LC" PARTS CATALOGUE

GROUP	DESCRIPTION	MODEL	SIDE	PART No.	QTY.
1.252	GASKET — Thermostat housing				
	GASKET	2250, 2600, 2850 Eng.		7429459	1
	GASKET	186X Eng.		2817282	1
1.263	PANEL — Front end valance				
	PANEL	4 Cyl. exc. 1600 Eng.		7185112	1
	PANEL	1600 Eng.		2820739	1
	PANEL ASSY	6 Cyl. Eng.		2806685	1
1.265	EMBLEM — Radiator grille				
	EMBLEM	4 Cyl. Eng.		2805407	1
	EMBLEM	6 Cyl. Eng.		2805406	1
	INSERT — Emblem	ALL		2805410	1
	PLATE — Name	569		7447842	1
	PLATE — Name G.T.R.	911 exc. 186X Eng.		2810503	1
	BRACKET — Name plate	569, 911 exc. 186X Eng.		2809236	2
1.266	GRILLE — Radiator				
	GRILLE	211, 411, 469		2805308	1
	GRILLE	611		2806690	1
	BRACKET	211, 411, 469, 611, 811, 869		2805476	1
	GRILLE	311, 369, 569		2814267	1
	GRILLE	811, 869		2822720	1
	GRILLE	911		2814268	1
	NUT — Radiator grille to header panel	311, 369, 569, 911		SP1733	A.R.
1.269	ATTACHING PARTS — Radiator grille				
	SCREW — Rd. hd. tap. 8 — 18 x .50"	311, 369, 569, 911		7448842	A.R.
1.270	PANEL ASSEMBLY — Radiator				
	PANEL ASSY	211, 411, 469, 611, 811, 869		7191338	1
	PANEL ASSY. — Upper, centre	211, 411, 469, 611, 811, 869		2806050	1
	PANEL — Upper, side	211, 411, 469, 611, 811, 869	LH	7447133	1
			RH	7447132	1
	PLATE — Upper panel	211, 411, 469, 611, 811, 869	LH	7447151	1
			RH	7447152	1
	EXTENSION	211, 411, 469, 611, 811, 869	LH	7180433	1
			RH	7180432	1
	BRACKET — Hood lock support rail	211, 411, 469, 611, 811, 869		7191337	1
	BRACKET — Radiator mounting	211, 411, 469, 611	LH	7197403	1
			RH	7197402	1
	BRACKET — Side support	811, 869	LH	2820599	1
			RH	2820742	1
	STAY — Radiator mounting	211, 411, 469, 611		7448021	1
	SUPPORT — Hood lock base plate	311, 369, 569, 911		2806317	1
	PANEL ASSY	311, 369, 569, 911		2806228	1
	PANEL — Upper	311, 369, 569, 911		2806195	1
1.426	PAN ASSEMBLY — Oil				
	PAN ASSY	4 Cyl. exc. 1600 Eng.		7182718	1
	PAN ASSEMBLY	1600 Eng.		8819559	1
	SCREW & LOCK WASHER ASSY. — Oil pan fixing	1600 Eng.		7204205	20
	PAN ASSY	6 Cyl. Eng.		7448918	1
	SCREW & LOCK WASHER	6 Cyl. Eng.		SP1533	4

HOLDEN "LC" PARTS CATALOGUE

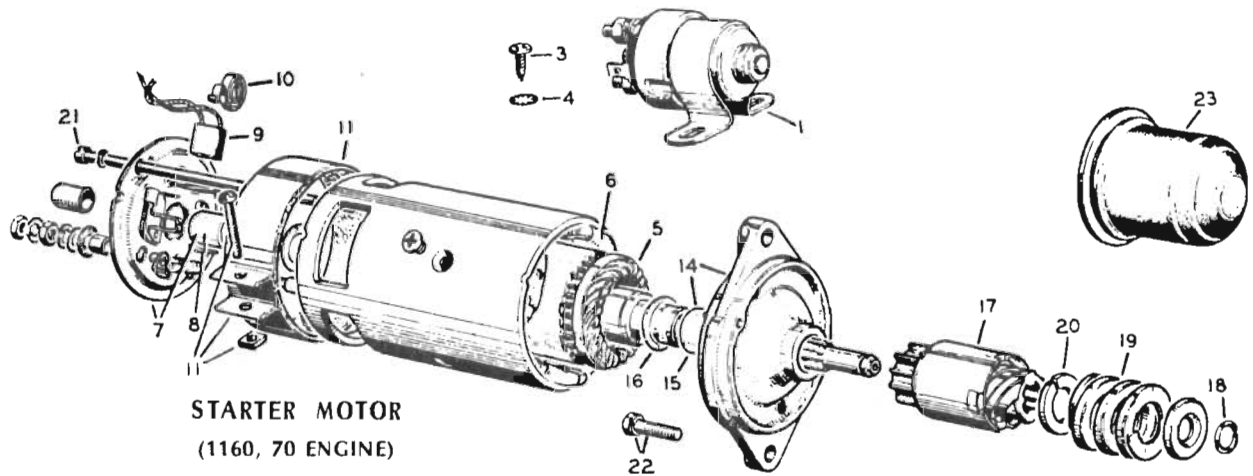
GROUP	DESCRIPTION	MODEL	SIDE	PART No.	QTY.
1.429	GASKET UNIT — Oil pan				
	GASKET	4 Cyl. exc. 1600 Eng.		7187587	1
	SEAL — Oil pan rear	4 Cyl. exc. 1600 Eng.		7157882	1
	GASKET	1600 Eng.		7209189	2
	SEAL — Oil pan	1600 Eng.		8835379	2
	GASKET UNIT	6 Cyl. Eng.		2806298	1
	SEAL — Oil pan front	6 Cyl. Eng.		7420001	1
	SEAL — Oil pan rear	6 Cyl. Eng.		3855180	1
	PACKING — Seal	6 Cyl. Eng.		2815269	2
1.453	PLUG — Oil pan drain				
	PLUG	4 Cyl. Eng.		7127250	1
	GASKET	4 Cyl. exc. 1600 Eng.		6348488	1
	GASKET — Drain plug	1600 Eng.		8825645	1
	PLUG & GASKET ASSY	6 Cyl. Eng.		7423483	1
	PLUG & GASKET — Oversize $\frac{3}{16}$ " — 18	6 Cyl. Eng.		7433631	1
	GASKET — $\frac{3}{16}$ "	6 Cyl. Eng.		7433633	1
	GASKET — Drain plug	6 Cyl. Eng.		513975	1
1.516	CAP, ROD, TUBE, SUPPORT, CLIP, INDICATOR — Oil				
	CAP — Oil filler	4 Cyl. up to Eng. No. 1414390 exc. 1600 Eng.		1571891	1
	CAP — Oil filler	4 Cyl. from Eng. No. 1414391 exc. 1600 Eng.		7966887	1
	CAP — Oil filler	1600 Eng.		7966887	1
	ROD — Oil level indicator	4 Cyl. exc. 1600 Eng.		7176693	1
	ROD — Oil level indicator	1600 Eng.		8819566	1
	TUBE ASSY. — Oil level rod	1600 Eng.		2822101	1
	SUPPORT — Indicator tube	1600 Eng.		2693447	1
	CLIP — Indicator tube	1600 Eng.		7121060	1
	CAP ASSY. — Oil filler	2250, 2600 exc. S Eng.		7422035	1
	CAP ASSY. — Oil filler	2850 exc. S Eng.		7422035	1
	CAP ASSY. — Oil filler	2600S, 2850S, 186X Eng.		7435374	1
	INDICATOR ASSY. — Oil level	6 Cyl. Eng.		2809297	1
	TUBE — Oil level indicator	6 Cyl. Eng.		7427625	1
1.517	GASKET — Oil filler cap				
	GASKET	6 Cyl. Eng.		7425615	1
1.609	VALVE — Oil pressure regulator				
	VALVE	4 Cyl. exc. 1600 Eng.		6366774	1
	VALVE	6 Cyl. Eng.		3702366	1
1.610	SPRING — Oil pressure regulator valve				
	SPRING	4 Cyl. exc. 1600 Eng.		6366808	1
	SPRING	6 Cyl. Eng.		3837115	1
1.611	PLUG — Oil pressure regulator spring				
	PLUG	4 Cyl. exc. 1600 Eng.		6366776	1
	PLUG	6 Cyl. Eng.		7426909	1
	GASKET	6 Cyl. Eng.		7417490	1
1.643	GEAR KIT — Oil pump drive				
	GEAR KIT	6 Cyl. Eng.		7423613	1
1.652	PUMP ASSEMBLY — Oil				
	PUMP ASSY	4 Cyl. exc. 1600 Eng.		7169858	1
	BOLT — Pump to cyl. block $3\frac{3}{8}$ " long	4 Cyl. exc. 1600 Eng.		6384625	1
	PUMP ASSEMBLY	1600 Eng.		8822990	1
	PUMP ASSY.	6 Cyl. Eng.		7449396	1
	BOLT & SPRING WASHER ASSY. — Hex. hd. $\frac{5}{16}$ " — 18 x 2.875"	6 Cyl. Eng.		SP2028	4

HOLDEN "LC" PARTS CATALOGUE

GROUP	DESCRIPTION	MODEL	SIDE	PART No.	QTY.
1.653	BODY and DRIVEN GEAR SHAFT ASSEMBLY — Oil pump				
	BODY & DRIVEN GEAR SHAFT ASSY	4 Cyl. exc. 1600 Eng.		7202769	1
	BODY & DRIVEN GEAR SHAFT ASSY	6 Cyl. Eng.		7449397	1
1.654	GASKET, 'O' RING — Oil pump to block				
	GASKET	4 Cyl. exc. 1600 Eng.		6366775	1
	GASKET	1600 Eng.		7206309	1
	'O' RING	1600 Eng.		7217033	2
	GASKET	6 Cyl. Eng.		7420017	1
1.656	PIPE, SCREEN — Oil pump				
	PIPE & SCREEN ASSY	4 Cyl. exc. 1600 Eng.		6384624	1
	SCREEN ASSY	4 Cyl. exc. 1600 Eng.		7213195	1
	PIPE & SCREEN ASSY	1600 Eng.		8819555	1
	SUCTION PIPE & SCREEN ASSY	6 Cyl. Eng.		7448753	1
1.658	SHAFT — Oil pump driven gear				
	SHAFT	6 Cyl. Eng.		7420011	1
1.659	GEAR SET — Oil pump				
	GEAR — Driven & driving	4 Cyl. exc. 1600 Eng.		6384726	2
	GEAR SET	6 Cyl. Eng.		2815102	1
1.709	SPINDLE and GEAR ASSEMBLY, SHAFT and ROTOR ASSEMBLY — Oil pump				
	SPINDLE & GEAR ASSY	4 Cyl. exc. 1600 Eng.		7150358	1
	SHAFT & ROTOR ASSY	1600 Eng.		8830547	1
1.723	COVER — Oil pump				
	COVER	4 Cyl. exc. 1600 Eng.		6384620	1
	COVER	1600 Eng.		8815400	1
	SCREW — Clamping	1600 Eng.		8815405	4
	COVER	6 Cyl. Eng.		7426937	1
1.724	GASKET — Oil pump cover				
	GASKET	6 Cyl. Eng.		7420016	1
1.739	PIPE — Oil pump				
	PIPE — Oil retainer	4 Cyl. exc. 1600 Eng.		6384628	1
1.742	SUPPORT — Oil pump suction pipe				
	SUPPORT	4 Cyl. exc. 1600 Eng.		7189522	1
	SUPPORT — Front	1600 Eng.		7209185	1
	SUPPORT — Rear	1600 Eng.		7209221	1
	CLAMP — Pipe to support	1600 Eng.		7213112	1
1.745	GROMMET — Valve cover to block vent				
	GROMMET	6 Cyl. Eng.		7427227	1
1.762	BREATHER, VALVE, HOSE, ADAPTOR — Crankcase ventilator				
	BREATHER ASSY.	4 Cyl. exc. 1600 Eng.		7195904	1
	VALVE ASSY	4 Cyl. exc. 1600 Eng.		1533539	1
	HOSE — Carburettor to vent valve	1160 Eng.		7189845	1
	HOSE — Engine breather	70 Eng.		7438404	1
	ADAPTOR	70 Eng.		7438405	1
	HOSE — Connector breather	4 Cyl. exc. 1600 Eng.		7189846	1
	CLAMP	4 Cyl. exc. 1600 Eng.		SP1657	1
	CLAMP	4 Cyl. exc. 1600 Eng.		M36484	1
	CLAMP	1160 Eng.		3786275	1
	CLAMP	70 Eng.		3829058	2
	HOSE — Camshaft cover to air cleaner	1600 Eng.		8822565	1

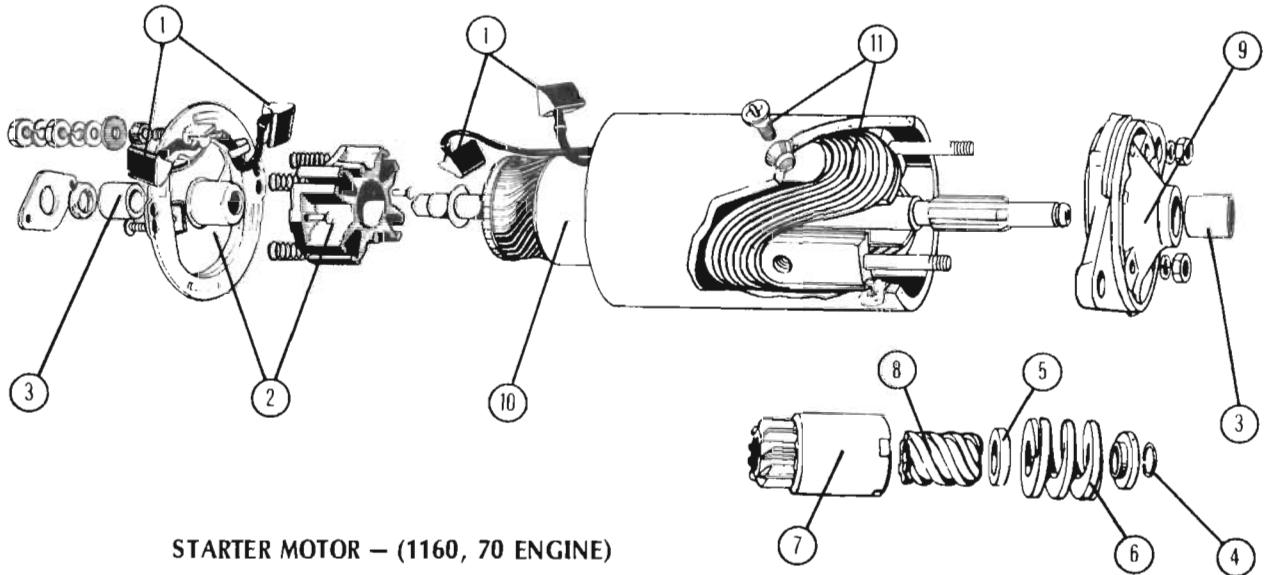
HOLDEN "LC" PARTS CATALOGUE

GROUP	DESCRIPTION	MODEL	SIDE	PART No.	QTY.
1.762	BREATHER, VALVE, HOSE, ADAPTOR — Crankcase ventilator (comtd.)				
	CLAMP — Hose	1600 Eng.		272846	2
	CLIP — Hose fixing	1600 Eng.		9906034	2
	PIPE — Hose to inlet manifold	1600 Eng.		8822593	1
	CONNECTOR — Ball sleeve, pipe to inlet manifold	1600 Eng.		7219186	1
	NUT — Pipe to connector	1600 Eng.		120487	1
	SLEEVE — Ball $\frac{3}{16}$ "	1600 Eng.		120488	1
	VALVE ASSY	6 Cyl. Eng.		1533669	1
	HOSE — Engine breather	2250, 2600 exc. S Eng.		7438562	1
	HOSE — Engine breather	2850 exc. S Eng.		7438562	1
	HOSE — Engine breather	2600S, 2850S Eng.		7434120	1
	HOSE — Engine breather, lower front	186X Eng.		2816555	1
	HOSE — Engine breather, lower rear	186X Eng.		2817009	1
	HOSE — Engine breather, upper	186X Eng.		2816554	1
	CLAMP	2250, 2600, 2850 Eng.		3829058	2
	CLAMP	186X Eng.		3829058	6
	ADAPTOR	6 Cyl. Eng.		7423902	1
	TUBE — Vacuum hose fitting in manifold	2250, 2600 exc. S Eng.		7433250	1
	TUBE — Vacuum hose fitting in manifold	2850 exc. S Eng.		7433250	1
	CONNECTOR — Engine breather (tee)	186X Eng.		2816556	1
	ELBOW — Engine breather	186X Eng.		7406788	2
1.803	SWITCH ASSEMBLY — Oil pressure tell tale SENDER UNIT — Oil pressure — Engine unit				
	SWITCH ASSY. — Warning lamp	4 Cyl. Eng.		7954374	1
	SWITCH ASSY. — Warning lamp	2250, 2600 exc. S Eng.		7441302	1
	SWITCH ASSY. — Warning lamp	2850 exc. S Eng.		7441302	1
	SENDER UNIT — Engine gauge	ALL		7429181	1
1.835	FILTER ASSEMBLY — Oil				
	FILTER ASSY	4 Cyl. exc. 1600 Eng.		A221	1
	ELEMENT	4 Cyl. exc. 1600 Eng.		AC22	1
	FILTER ASSEMBLY	1600 Eng.		7973235	1
	ELEMENT	1600 Eng.		SD	1
	FILTER ASSY	6 Cyl. Eng.		PF10	1
	ADAPTOR	6 Cyl. Eng.		7421853	1
1.837	GASKET, VALVE — Oil filter				
	GASKET — Cover	4 Cyl. exc. 1600 Eng.		7965138	1
	GASKET — Filter to cylinder block	1600 Eng.		7213450	1
	GASKET	6 Cyl. Eng.		5574397	1
	VALVE ASSY. — By-pass	6 Cyl. Eng.		5575416	1
1.928	PLUG — Cylinder head and block oil gallery				
	PLUG — Cylinder block oil gallery front cup	4 Cyl. exc. 1600 Eng.		6366745	1
	PLUG — Cylinder block oil hole	4 Cyl. exc. 1600 Eng.		6366746	1
	PLUG — Cylinder block oil gallery, cup	1600 Eng.		8819892	2
	'O' RING — Cylinder head, oil hole	1600 Eng.		2684725	1
	PLUG — Cylinder block oil gallery, front	6 Cyl. Eng.		7419064	1
	PLUG — Cylinder block oil gallery, rear	6 Cyl. Eng.		444782	1



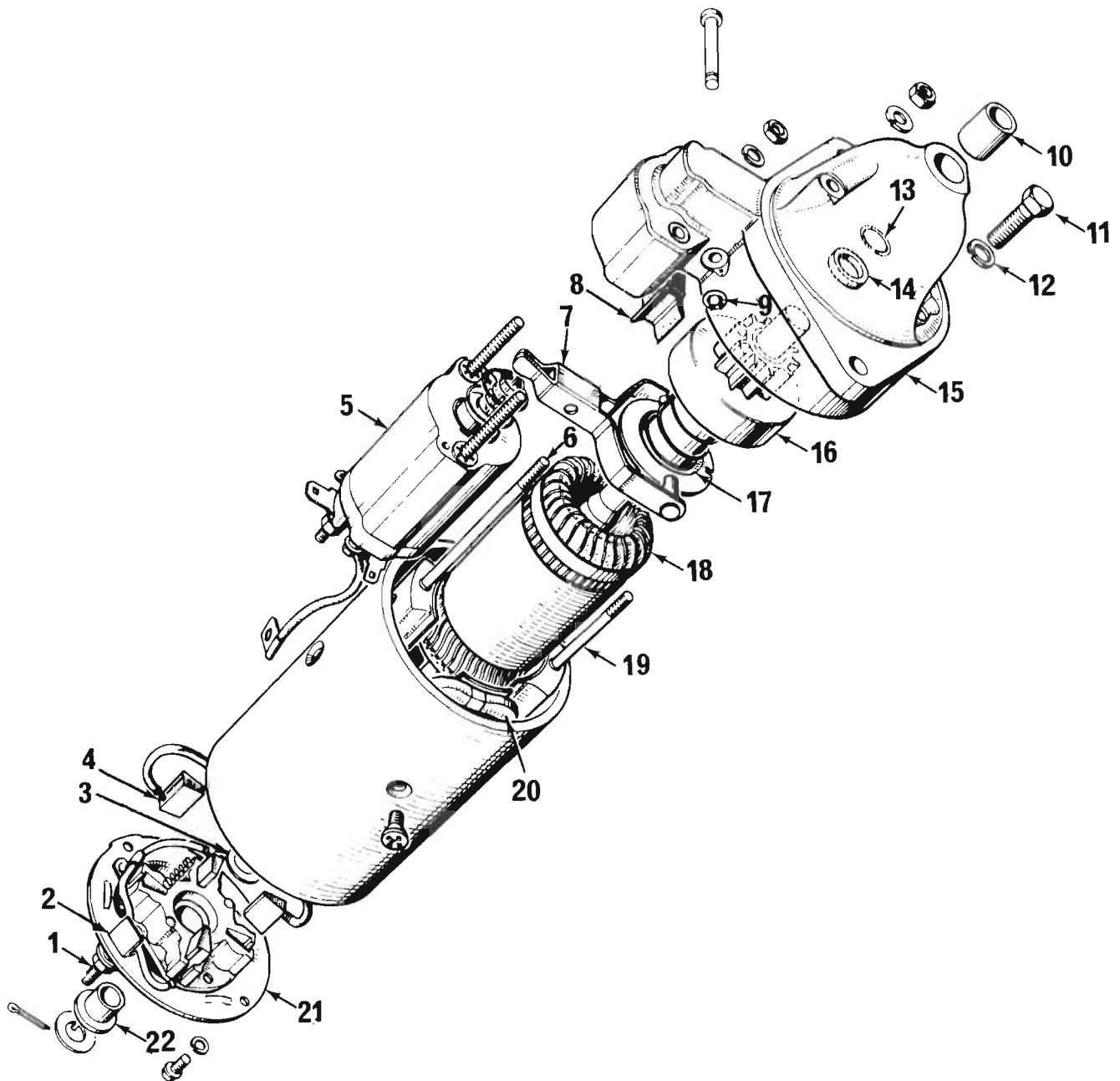
**STARTER MOTOR
(1160, 70 ENGINE)**

ILLUS. REF. NO.	PART NAME	GROUP	ILLUS. REF. NO.	PART NAME	GROUP
1.	SWITCH - Solenoid	2.100	14.	HOUSING	2.085
3.	SCREW	8.977	15.	BUSH	2.083
4.	WASHER	8.932	16.	WASHER	2.063
5.	ARMATURE	2.043	17.	DRIVE ASSY.	2.086
6.	COIL SET	2.049	18.	RING - Retainer	2.096
7.	FRAME ASSY.	2.067	19.	SPRING	2.087
8.	BUSH	2.083	20.	WASHER - Thrust	2.087
9.	BRUSH SET	2.051	21.	BOLT - Through	2.077
10.	SPRING SET	2.053	22.	BOLT	8.900
11.	COVER	2.070	23.	BOOT	0.686



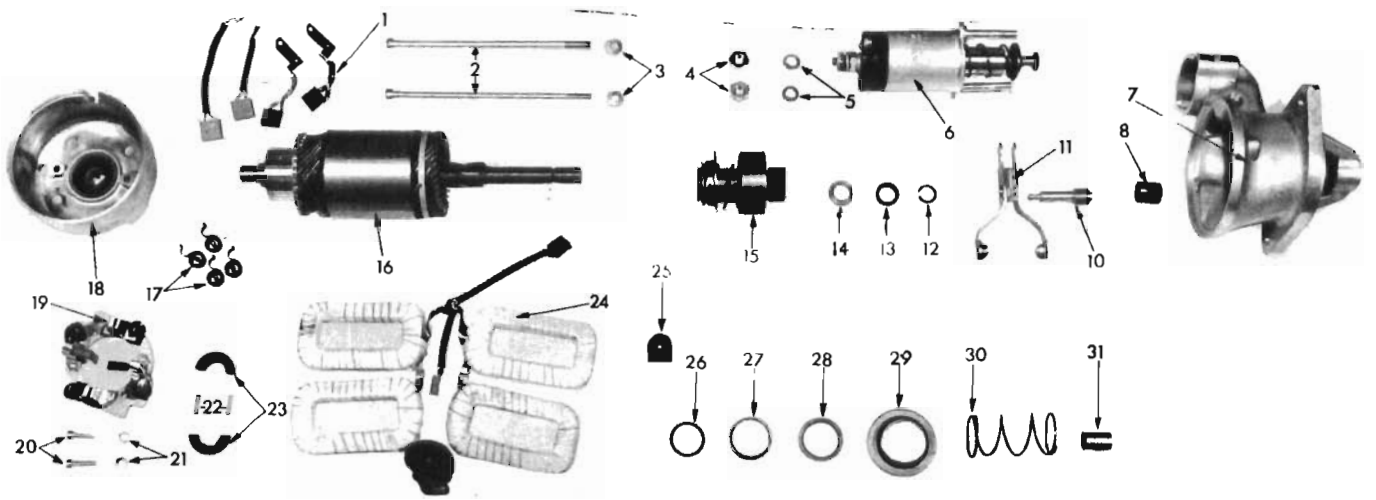
**STARTER MOTOR - (1160, 70 ENGINE)
Inertia Drive**

ILLUS. REF. NO.	PART NAME	GROUP	ILLUS. REF. NO.	PART NAME	GROUP
1.	BRUSH SET	2.051	7.	DRIVE ASSY.	2.086
2.	FRAME ASSY. - Commutator end	2.067	8.	SLEEVE - Screwed	2.086
3.	BUSHING KIT	2.083	9.	HOUSING - Drive end	2.085
4.	RING - Collar retaining	2.096	10.	ARMATURE	2.043
5.	WASHER - Thrust	2.087	11.	COIL SET	2.049
6.	SPRING - Pinion	2.087			



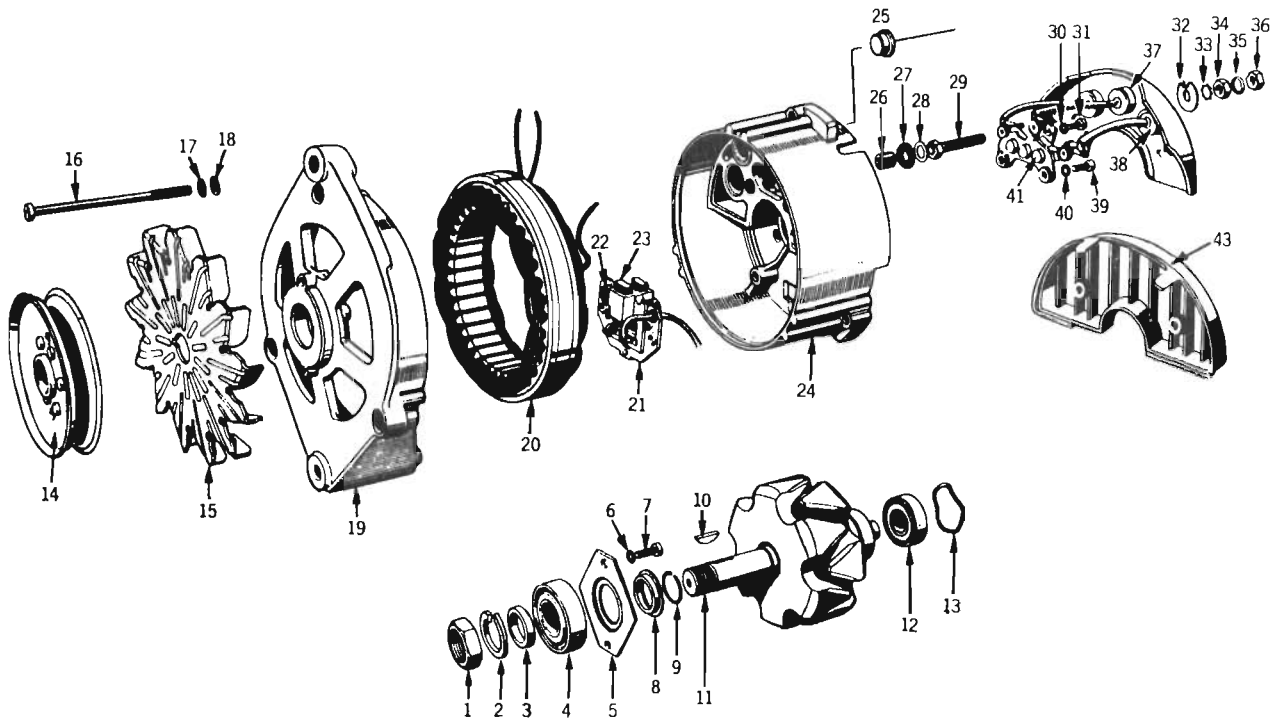
STARTER MOTOR – (1600 ENGINE)

ILLUS. REF. NO.	PART NAME	GROUP	ILLUS. REF. NO.	PART NAME	GROUP
1.	TERMINAL – Field	2.077	12.	WASHER – Lock, 3/8" medium	8.931
2.	BUSH – Terminal insulating	2.077	13.	RING – Collar retaining	2.096
3.	PLATE – Thrust	2.063	14.	COLLAR – Drive end	2.096
4.	BRUSH SET	2.051	15.	HOUSING	2.085
5.	SWITCH – Solenoid	2.100	16.	DRIVE ASSY. – Roller clutch	2.086
6.	POLE SHOE – With long stud	2.077	17.	BUSHING – Pinion	2.087
7.	LEVER ASSY.	2.108	18.	ARMATURE ASSY.	2.043
8.	GROMMET	2.101	19.	POLE SHOE – With short stud	2.077
9.	RING – Pivot pin retaining	2.108	20.	COIL SET	2.049
10.	BUSHING – Drive end	2.083	21.	FRAME ASSY.	2.067
11.	BOLT – 3/8" – 16 x 1.3/4"	8.900	22.	BUSHING – Commutator end	2.083



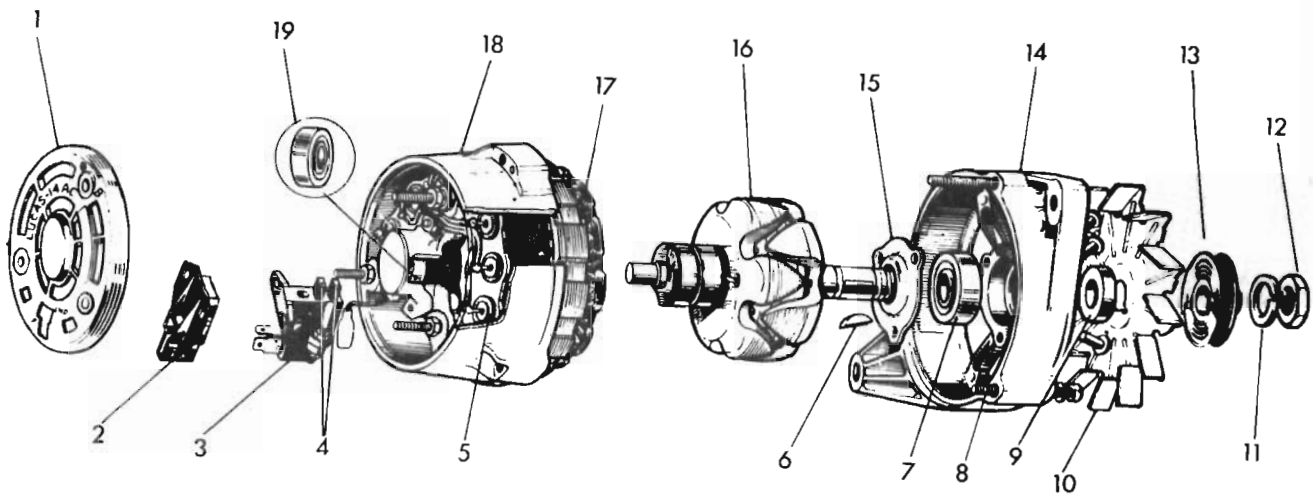
**STARTER MOTOR
(6 Cylinder Engine)**

ILLUS. REF. NO.	PART NAME	GROUP	ILLUS. REF. NO.	PART NAME	GROUP
1.	BRUSH SET	2.051	17.	SPRING SET	2.053
2.	BOLT - Through	2.077	18.	FRAME ASSY.	2.067
3.	WASHER	2.077	19.	PLATE ASSY. - Brush holder	2.052
4.	NUT - Terminal	2.100	20.	SCREW - Attaching	2.052
5.	WASHER	2.100	21.	WASHER	2.052
6.	SWITCH - Solenoid	2.100	22.	SPRING - Brake shoe	2.063
7.	HOUSING - Drive	2.085	23.	SHOE - Brake	2.063
8.	BUSHING - Drive end	2.083	24.	COIL SET - Field	2.049
9.	NUT - Pivot pin	2.108	25.	GROMMET - Cable outlet	2.101
10.	PIVOT PIN	2.108	26.	RING - Lock	2.087
11.	LEVER ASSY. - Shift	2.108	27.	COLLAR - Bearing	2.087
12.	RING - Retaining	2.096	28.	PLATE - Thrust	2.087
13.	COLLAR - Drive end	2.096	29.	PLATE - Operating	2.087
14.	WASHER - Drive end	2.096	30.	SPRING - Pinion	2.087
15.	DRIVE ASSY.	2.086	31.	BUSHING - Pinion	2.087
16.	ARMATURE	2.043			



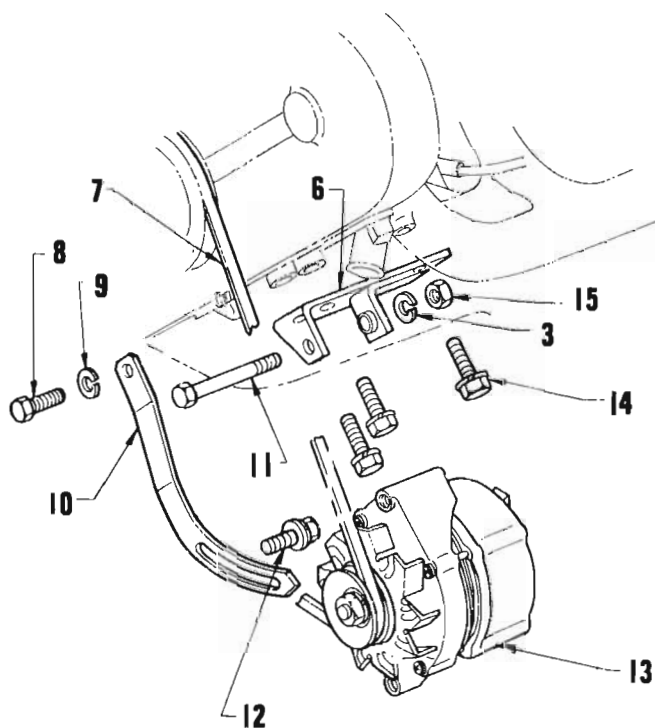
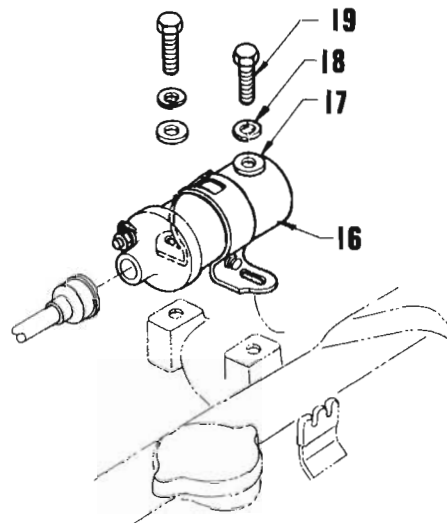
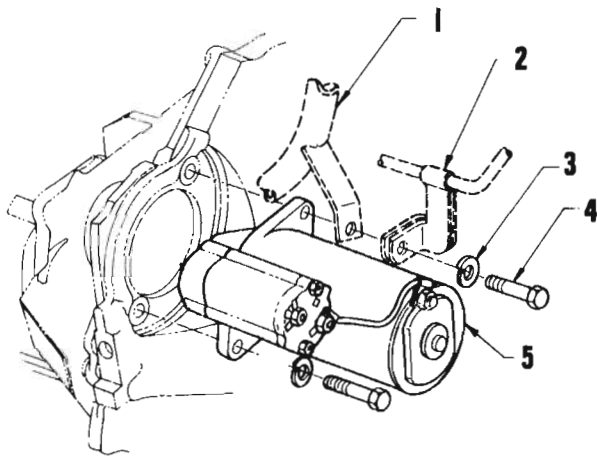
**GENERATOR (Diode Rectified)
(Bosch)**

ILLUS. REF. NO.	PART NAME	GROUP	ILLUS. REF. NO.	PART NAME	GROUP
1.	NUT - Rotor	2.280	1.	} COMPONENTS OF SUNDRY PARTS KIT - BEARING COVER PLATE	2.307
2.	LOCKWASHER	2.280	2.		
4.	BEARING - Drive end	2.306	3.		
10.	KEY - Woodruff	2.279	5.		
11.	ROTOR	2.279	6.		
12.	BEARING - Slip ring end	2.298	7.		
14.	PULLEY ASSY.	2.274	8.		
15.	FAN	2.274	9.		
16.	BOLT - Through	2.316	10.		
17.	WASHER - Lock	2.316	13.		
18.	WASHER - Plain	2.316	26.	} COMPONENTS OF SUNDRY PARTS KIT - HEAT SINK MOUNTING	2.289
19.	PLATE - Drive end	2.305	27.		
20.	STATOR	2.310	28.		
21.	BRUSH PLATE ASSY.	2.291	29.		
22.	SPRING - Brush	2.286	30.		
23.	BRUSH SET	2.285	31.		
24.	HOUSING - Slip ring end plate	2.297	32.		
25.	DIODE - Negative	2.287	33.		
37.	SINK - Heat, positive with diodes	2.289	34.		
38.	DIODE - Positive	2.287	35.		
41.	SINK - Heat, exciter with diodes	2.289	36.		
43.	COVER - Slip ring end	2.297	39.		
			40.		



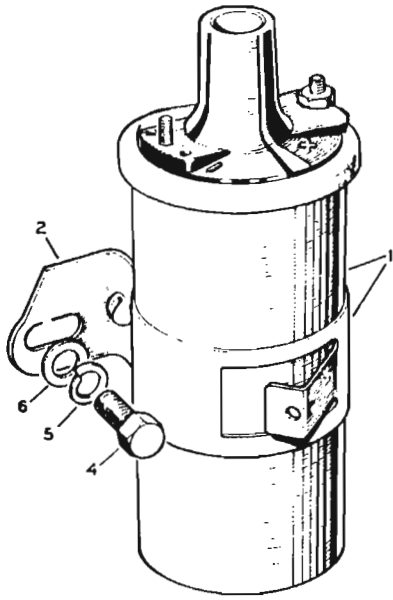
GENERATOR (Lucas)

Illus. Ref. No.	Part Name	Group	Illus. Ref. No.	Part Name	Group
1.	COVER—Slip ring end plate	2.297	11.	WASHER—Lock	2.280
2.	SHROUD—Terminal	2.313	12.	NUT—Rotor	2.280
3.	BRUSH, HOLDER & TERMINAL ASSY.	2.291	13.	PULLEY ASSEMBLY	2.274
4.	BRUSH, SPRING & TERMINAL SET	2.285	14.	PLATE—Drive end	2.305
5.	DIODE—Positive, negative and exciter	2.287	15.	PLATE—Bearing retainer	2.307
6.	KEY—Woodruff	2.279	16.	ROTOR	2.279
7.	BEARING—Drive end	2.306	17.	STATOR	2.310
8.	BOLT—Through	2.316	18.	PLATE—Slip ring end	2.297
9.	COLLAR—Distance	2.307	19.	BEARING—Slip ring end	2.298
10.	FAN	2.274			

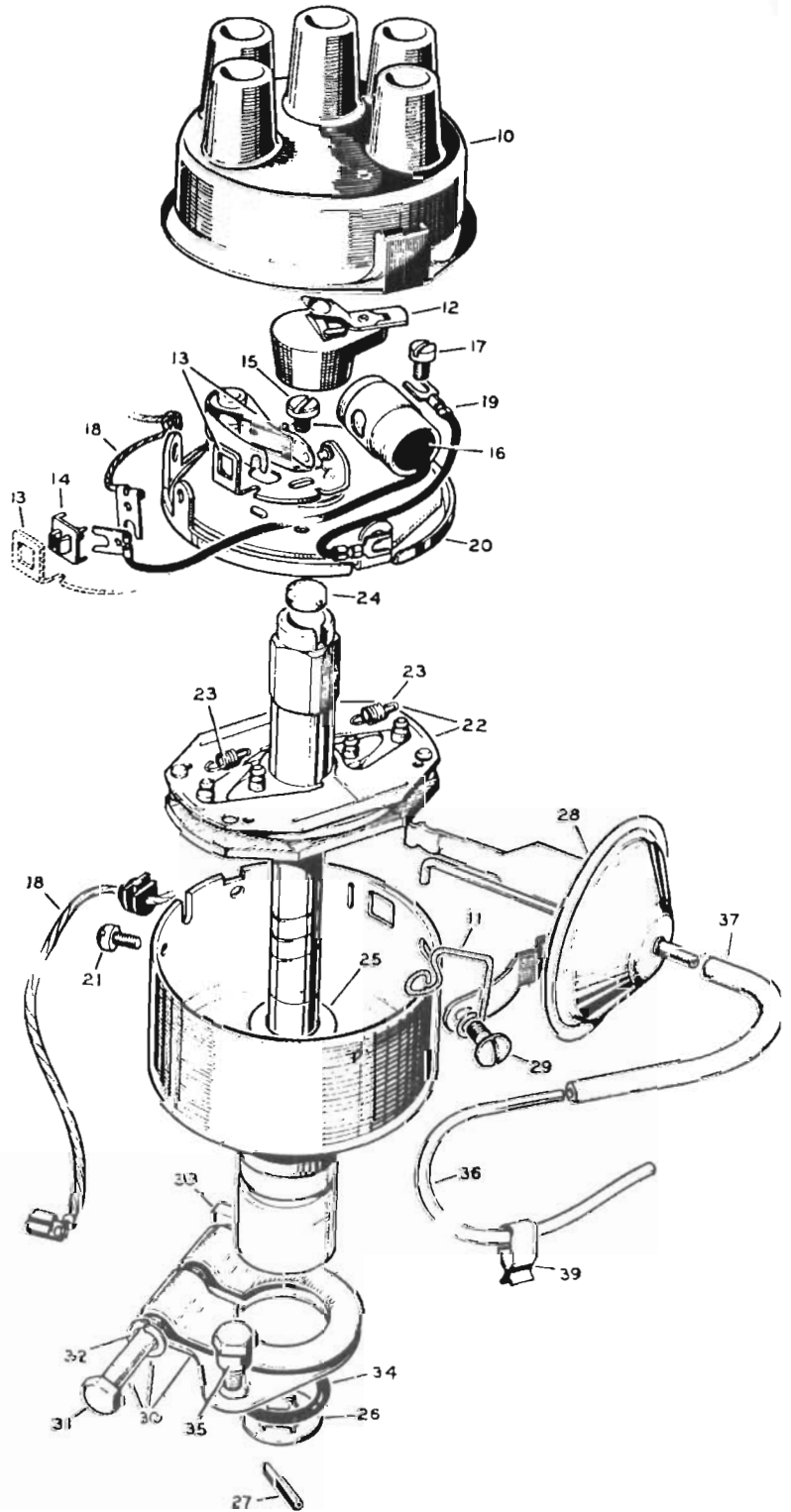


**ELECTRICAL UNITS ATTACHING PARTS
(1600 Engine)**

ILLUS. REF. NO.	PART NAME	GROUP	ILLUS. REF. NO.	PART NAME	GROUP
1.	TUBE ASSY. - Oil filler	4.133	10.	BRACE - Generator	2.317
2.	CLIP - Vacuum modulator pipe to converter housing	4.205	11.	BOLT - 3/8" - 24 x 3.3/4"	8.900
3.	WASHER - Lock 3/8" medium	8.931	12.	BOLT - Generator to brace	2.275
4.	BOLT - 3/8" - 16 x 1.3/4"	8.900	13.	GENERATOR ASSY.	2.275
5.	MOTOR ASSY. - Starter	2.041	14.	BOLT - Bracket to cylinder block 5/16" - 18 x 1.3/4"	2.277
6.	BRACKET ASSY. - Generator mounting	2.277	15.	NUT - 3/8" - 24 light	8.915
7.	BELT - Fan & generator	1.066	16.	COIL ASSY. - Ignition	2.170
8.	BOLT - Brace to cylinder block 5/16" - 18 x 11/16"	8.900	17.	WASHER - 9/32" x 5/8" x .065"	8.929
9.	WASHER - Lock 5/16" medium	8.931	18.	WASHER - Lock 1/4" medium	8.931
			19.	BOLT - 1/4" - 20 x 1/2"	8.900



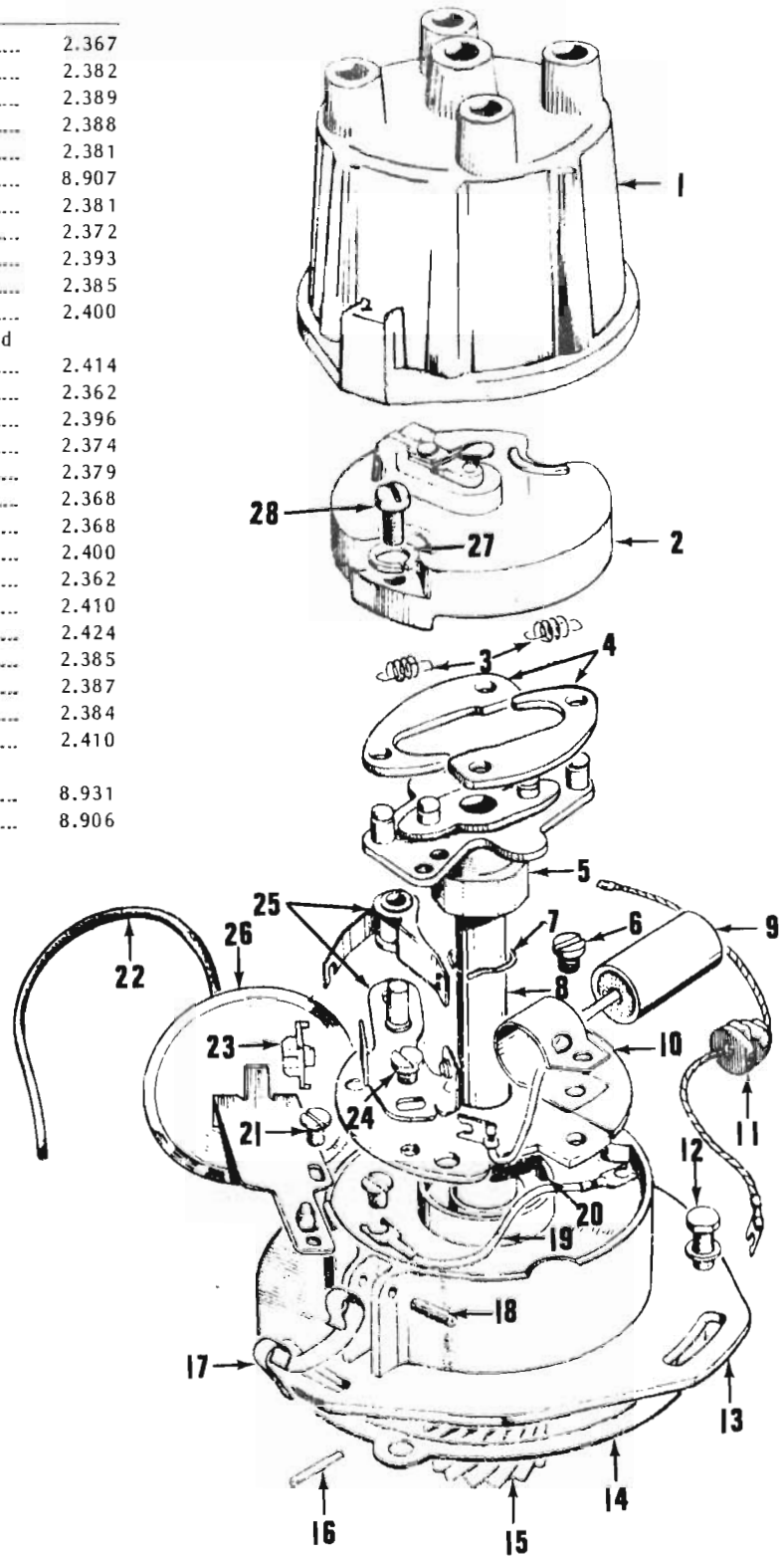
**IGNITION COIL & DISTRIBUTOR
(1160, 70 Engine)**



ILLUS. REF. NO.	PART NAME	GROUP
1.	COIL	2.170
2.	BRACKET	2.170
4.	BOLT	8.900
5.	WASHER	8.931
6.	WASHER	8.929
10.	CAP	2.367
11.	SPRING	2.368
12.	ROTOR	2.382
13.	CONTACT SET	2.384
14.	INSULATOR	2.384
15.	SCREW	2.384
16.	CONDENSER	2.393
17.	SCREW	2.393
18.	LEAD - Low tension	2.400
19.	LEAD - Earth	2.400
20.	PLATE - Breaker	2.385
21.	SCREW	2.385
22.	SHAFT & CAM	2.372
23.	SPRING SET	2.389
24.	WICK	2.364
25.	WASHER - Upper	2.372
26.	WASHER - Lower	2.372
27.	PIN	2.372
28.	VACUUM CONTROL	2.410
29.	SCREW	2.368
30.	CLAMP	2.414
31.	BOLT	2.414
32.	WASHER	8.931
33.	NUT	8.923
34.	SEAL	2.362
35.	BOLT	8.900
36.	PIPE	2.424
37.	CONNECTOR	2.424
39.	CLIP	2.424

DISTRIBUTOR — (1600 Engine)

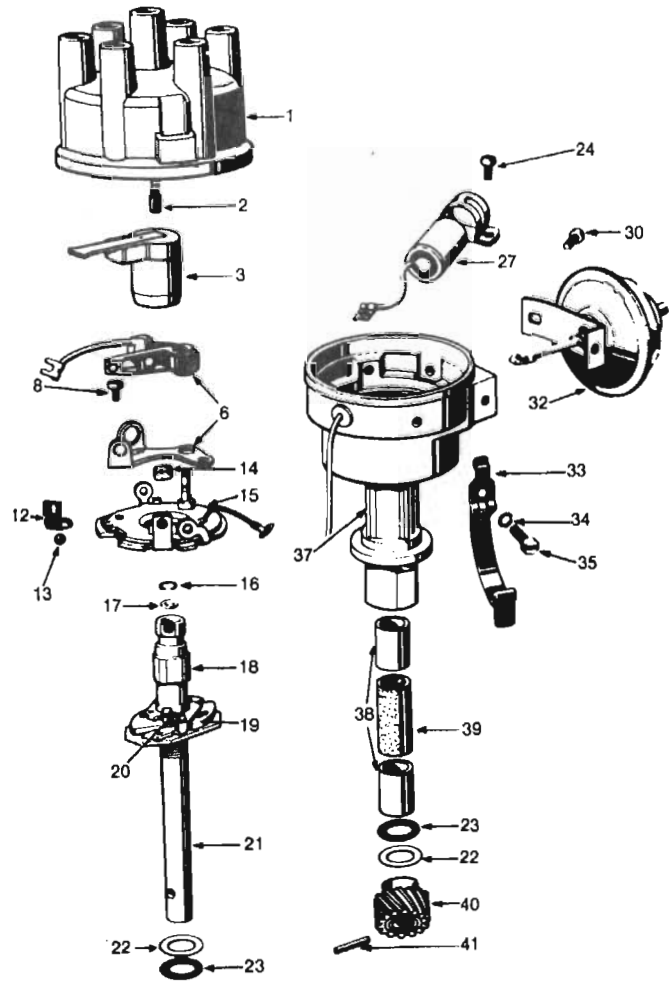
ILLUS. REF. NO.	PART NAME	GROUP
1.	CAP — Distributor	2.367
2.	ROTOR	2.382
3.	SPRING SET	2.389
4.	WEIGHT	2.388
5.	CAM	2.381
6.	BOLT — No. 8 — 32 x 1/4" (slotted)	8.907
7.	RETAINER — Spring	2.381
8.	SHAFT	2.372
9.	CONDENSER	2.393
10.	PLATE — Contact breaker	2.385
11.	LEAD — Low tension, with grommet	2.400
12.	SCREW & WASHER ASSY. — Distributor and oil pump to block	2.414
13.	BASE — Distributor housing	2.362
14.	GASKET — Distributor to oil pump	2.396
15.	GEAR — Distributor	2.374
16.	PIN — Distributor gear	2.379
17.	CLIP — Distributor cap retaining	2.368
18.	PIN — Distributor cap retaining clip	2.368
19.	LEAD — Earth	2.400
20.	WASHER — Felt	2.362
21.	SCREW — Vacuum control attaching	2.410
22.	PIPE — Spark control	2.424
23.	INSULATOR — Circuit breaker	2.385
24.	SCREW — Contact point locking	2.387
25.	CONTACT SET	2.384
26.	VACUUM CONTROL	2.410
27.	WASHER — Lock, No.10 medium (Black Enamel)	8.931
28.	BOLT — No. 8 — 32 x 1/2" (slotted)	8.906

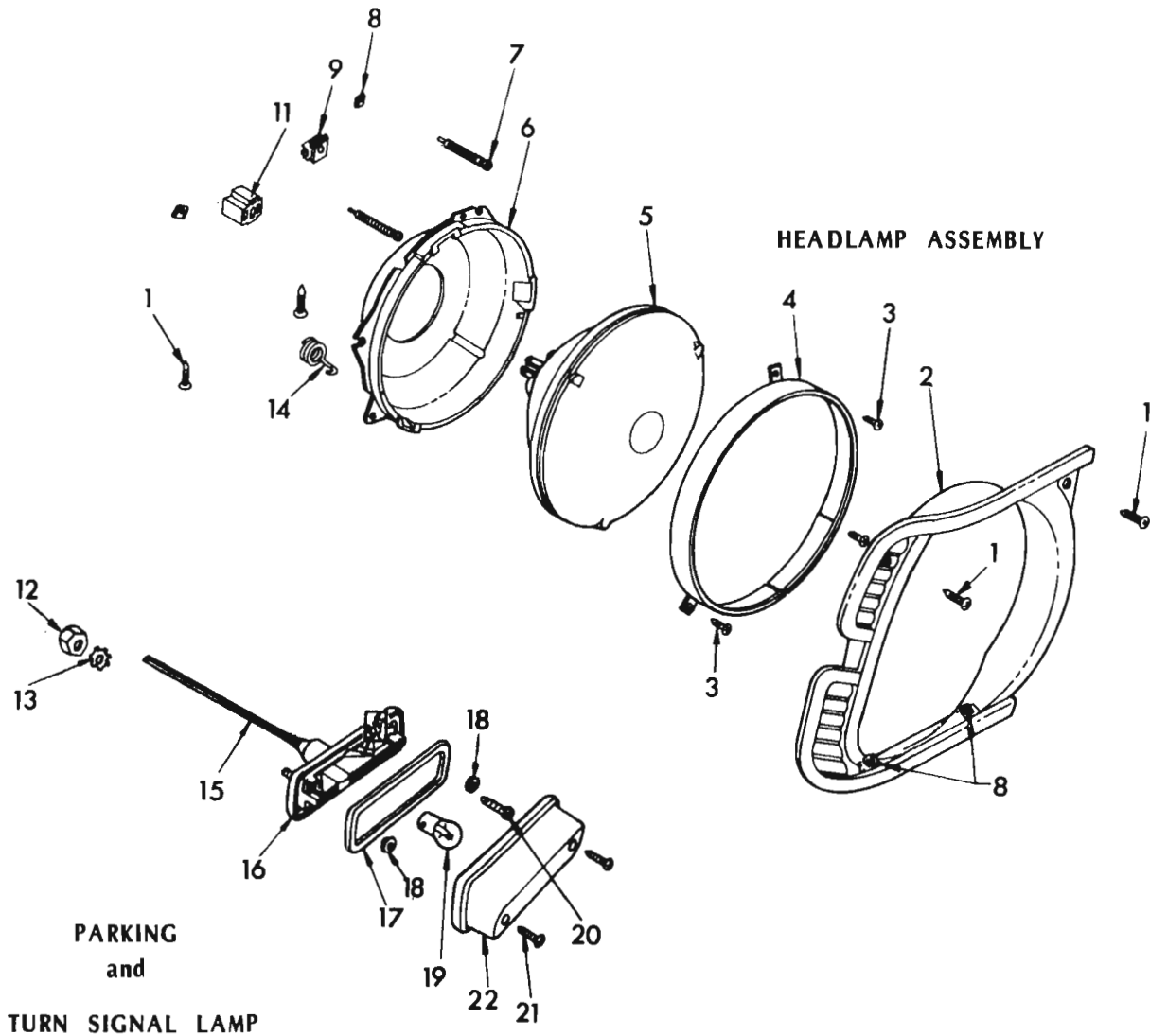


HOLDEN "LC" PARTS CATALOGUE

ILLUS. REF. NO.	PART NAME	GROUP
1.	CAP	2.367
2.	BRUSH - Cap	2.370
3.	ROTOR	2.382
6.	CONTACT SET	2.384
8.	SCREW - Contact breaker	2.387
12.	RETAINER - Plate ball	2.385
13.	BALL - Plate retaining	2.385
14.	WICK	2.364
15.	PLATE and SUPPORT ASSY.	2.385
16.	CIRCLIP - Cam retainer	2.381
17.	WASHER - Cam retainer	2.381
18.	CAM	2.381
19.	WEIGHT	2.388
20.	SPRING	2.389
21.	SHAFT	2.372
22.	SHIM - Thrust, upper and lower	2.372
23.	WASHER - Thrust fibre, upper and lower	2.372
24.	SCREW - Condenser attaching	2.393
27.	CONDENSER	2.393
30.	SCREW - Attaching	2.410
32.	VACUUM CONTROL	2.410
33.	SPRING	2.368
34.	WASHER - Support screw lock	2.385
35.	SCREW - Support	2.385
37.	HOUSING	N. S. S.
38.	BUSHING - Upper and lower	2.362
39.	FELT - Lubricating	2.362
40.	GEAR PACKAGE	2.374
41.	PIN - Slotted spring	2.379

DISTRIBUTOR (Bosch) (6 Cylinder Engine)

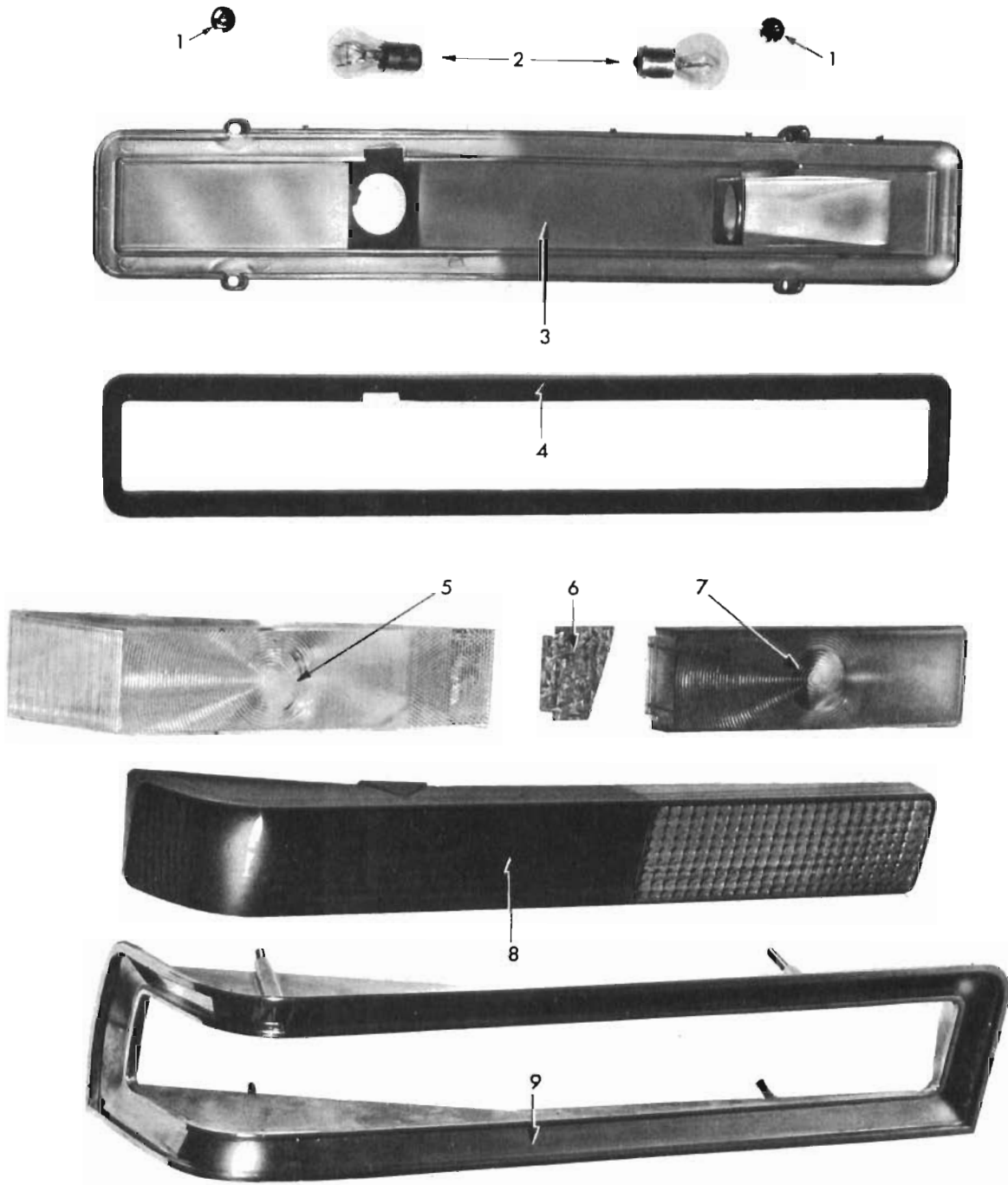




HEADLAMP ASSEMBLY

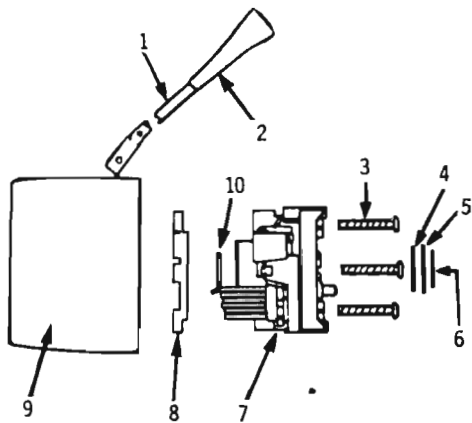
**PARKING
and
TURN SIGNAL LAMP**

ILLUS. REF. NO.	PART NAME	GROUP	ILLUS. REF. NO.	PART NAME	GROUP
1.	SCREW - Rim attaching	2.728	12.	NUT - Hexagon	8.915
2.	RIM	2.728	13.	WASHER - Shakeproof	8.932
3.	SCREW - Pan head retaining	2.731	14.	SPRING - Light unit retaining	2.737
4.	RING ASSY. - Retaining	2.731	15.	LEAD ASSY.	2.596
5.	SEALED BEAM ASSY.	2.727	16.	BODY ASSY.	2.586
6.	RING - Mounting	2.726	17.	GASKET - Lens	2.590
7.	SCREW - Beam adjusting	2.737	18.	SEAL - Lens to body screw	2.589
8.	NUT - U-type spring	2.728	19.	BULB	2.585
9.	NUT - Adjusting	2.729	20.	SCREW - Pan head	8.977
11.	BODY - Terminal connector	2.555	21.	SCREW - Lens to body	2.589
			22.	LENS	2.589



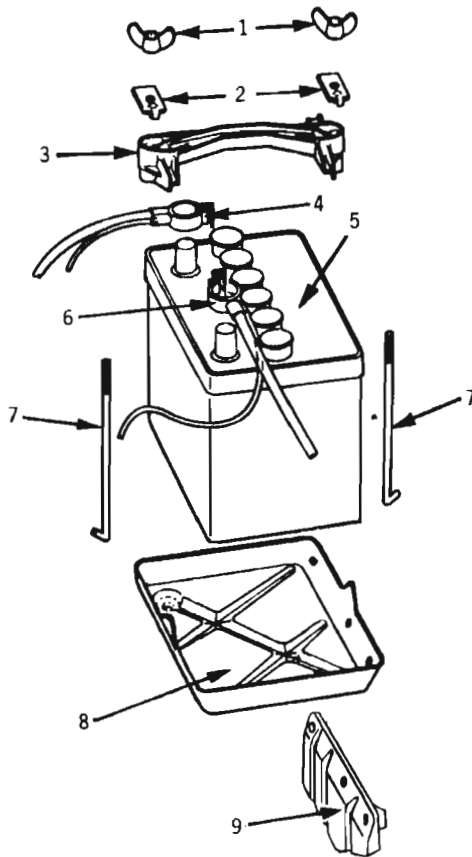
TAIL, STOP & TURN SIGNAL LAMP

ILLUS. REF. NO.	PART NAME	GROUP	ILLUS. REF. NO.	PART NAME	GROUP
1.	NUT - Lamp assy. to body	2.679	6.	SHIELD - Inner lens dividing	2.679
2.	BULB	2.679	7.	LENS - Turn signal & back-up lamp inner	2.698
3.	BASE	2.679	8.	LENS - Outer	2.682
4.	GASKET - Lens	2.684	9.	RIM ASSY.	2.681
5.	LENS - Tail & stop lamp inner	2.682			



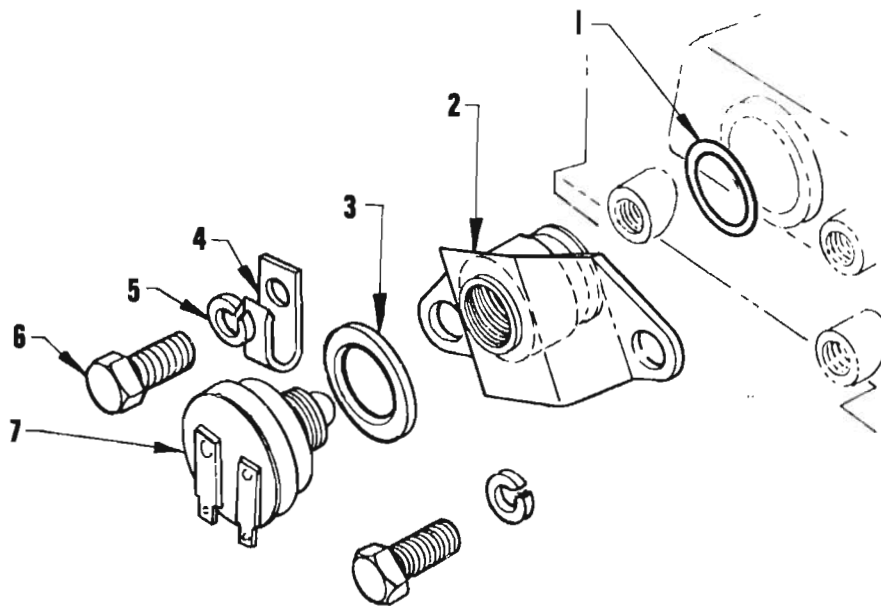
TURN SIGNAL SWITCH

ILLUS. REF. NO.	PART NAME	GROUP
1.	LEVER – Switch	2.897
2.	KNOB – Switch lever	2.897
3.	SCREW	8.910
4.	WASHER – Switch wave	2.895
5.	WASHER – Switch thrust	2.895
6.	RING – Switch retaining	2.895
7.	SWITCH ASSY.	2.895
8.	RING ASSY. – Support	2.895
9.	COVER – Gearshift column, upper	6.518
10.	CIRCLIP – Shaft, upper	6.524



BATTERY RETAINER and CABLES

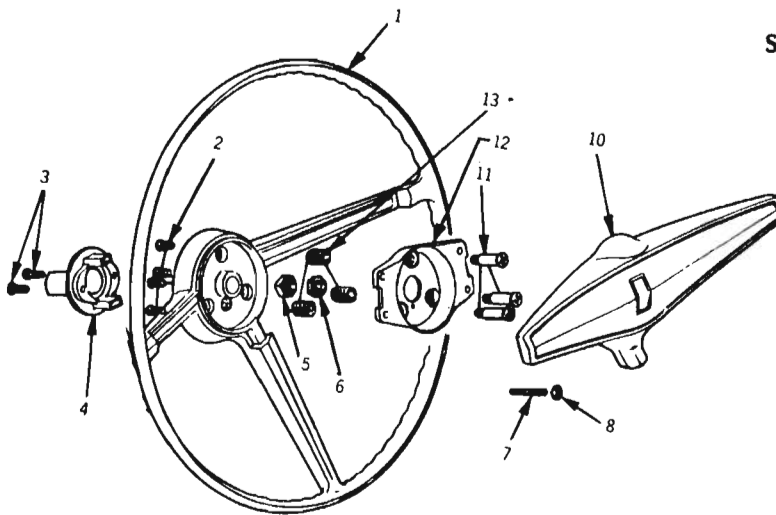
ILLUS. REF. NO.	PART NAME	GROUP
1.	NUT – Wing	2.333
2.	PLATE – Retainer lock	2.333
3.	RETAINER	2.333
4.	CABLE ASSY. – Starter	2.342
5.	BATTERY	2.332
6.	CABLE ASSY. – Ground	2.341
7.	BOLT – Mounting	2.333
8.	SUPPORT	2.333
9.	GUSSET – Mounting support	2.333



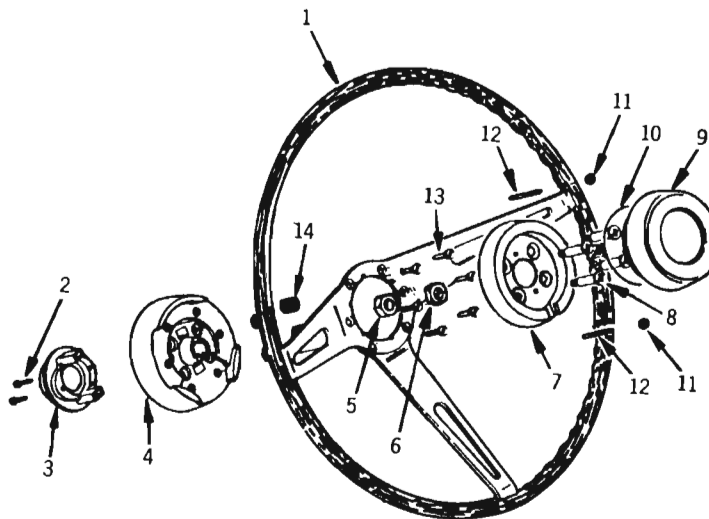
BACK-UP LAMP SWITCH — (1600 Engine)

ILLUS. REF. NO.	PART NAME	GROUP	ILLUS. REF. NO.	PART NAME	GROUP
1.	"O" RING — Back-up lamp sealing	2.697	5.	WASHER — Lock, 5/16" medium	8.931
2.	HOUSING — Back-up lamp switch	2.697	6.	BOLT — 5/16" — 18 x 1/2"	8.900
3.	WASHER — Back-up lamp sealing	2.697	7.	SWITCH ASSY. — Back-up lamp	2.697
4.	CLIP — Main wiring harness to trans.	2.555			

**STEERING WHEEL
and
HORN CONTROL**



ILLUS. REF. NO.	PART NAME	GROUP	ILLUS. REF. NO.	PART NAME	GROUP
1.	WHEEL ASSY. - Steering	6.513	7.	SCREW - Horn contact adjusting	2.819
2.	SCREW - Actuating bar to adaptor	2.830	8.	NUT	8.915
3.	SCREW	2.822	10.	BAR ASSY. - Horn actuating	2.830
4.	SUPPORT & RING ASSY. - Horn contact	2.822	11.	SCREW - Adaptor to steering wheel	2.824
5.	NUT - Stamped	8.921	12.	ADAPTOR - Horn actuating bar	2.824
6.	NUT - Hex. jam	8.916	13.	SPRING - Adaptor to steering wheel	2.824



ILLUS. REF. NO.	PART NAME	GROUP	ILLUS. REF. NO.	PART NAME	GROUP
1.	WHEEL ASSY. - Steering	6.513	8.	SCREW - Adaptor to steering wheel ...	2.824
2.	SCREW	2.822	9.	EMBLEM & BUTTON ASSY.	2.820
3.	SUPPORT & RING ASSY. - Horn contact	2.822	10.	SPRING - Horn button retaining	2.820
4.	HUB - Steering wheel	6.513	11.	NUT	8.915
5.	NUT - Stamped	8.921	12.	SCREW - Horn contact adjusting	2.819
6.	NUT - Hex. jam	8.916	13.	SCREW - Wheel to hub	8.908
7.	ADAPTOR	2.824	14.	SPRING - Adaptor to steering wheel ...	2.824

HOLDEN "LC" PARTS CATALOGUE

GROUP	DESCRIPTION	MODEL	SIDE	PART No.	QTY.
2.041 MOTOR ASSEMBLY — Starter					
	MOTOR ASSY. (Lucas No. 25238)	4 Cyl. exc. 1600 Eng.		2681631	1
	MOTOR ASSY.	1600 Eng.		7212261	1
	MOTOR ASSY. (Lucas No. 62925045)	2250 Eng.		2809186	1
	MOTOR ASSY. (Lucas No. 62925063)	2250 Eng.		2819019	1
	MOTOR ASSY. (Bosch)	2600 Eng.		2812679	1
	MOTOR ASSY. (Lucas No. 62925050)	2600 Eng.		2812680	1
	MOTOR ASSY. (Lucas No. 62925064)	2600 Eng.		2819020	1
	MOTOR ASSY. (Bosch)	2850 Eng.		2819376	1
	MOTOR ASSY. (Lucas)	2850 Eng.		2819377	1
	MOTOR ASSY. (Bosch)	186X Eng.		7431089	1
	BOLT — Starter motor	6 Cyl. Eng.		SP2079	2
2.043 ARMATURE ASSEMBLY — Starter motor					
	ARMATURE (Lucas s/motor 25105)	4 Cyl. exc. 1600 Eng.		6374674	1
	ARMATURE (Lucas s/motor 25238)	4 Cyl. exc. 1600 Eng.		2702180	1
	ARMATURE	1600 Eng.		VS11830	1
	ARMATURE (Lucas s/motors 62925045, 62925050)	2250, 2600 Eng.		VS11096	1
	ARMATURE (Lucas s/motors 62925063, 62925064)	2250, 2600 Eng.		VS11880	1
	ARMATURE (Lucas)	2850 Eng.		VS12079	1
	ARMATURE (Bosch)	6 Cyl. Eng.		7424652	1
2.049 COIL SET — Starter motor field					
	COIL SET (Lucas s/motor 25105)	4 Cyl. exc. 1600 Eng.		7077980	1
	COIL SET (Lucas s/motor 25238)	4 Cyl. exc. 1600 Eng.		VS11838	1
	COIL SET	1600 Eng.		2680584	1
	COIL SET (Lucas s/motor 62925045)	2250 Eng.		VS11097	1
	COIL SET (Lucas s/motor 62925063)	2250 Eng.		VS11884	1
	COIL SET (Lucas s/motor 62925050)	2600 Eng.		VS11339	1
	COIL SET (Lucas s/motor 62925064)	2600 Eng.		VS11966	1
	COIL SET (Lucas)	2850 Eng.		VS12080	1
	COIL SET (Bosch)	6 Cyl. Eng.		7424642	1
	INSULATOR — Field coil to housing (Bosch)	6 Cyl. Eng.		7424644	1
	INSULATOR — Field coil to pole shoe (Bosch)	6 Cyl. Eng.		7424645	1
2.051 BRUSH SET — Starter motor					
	BRUSH SET (Lucas s/motor 25105)	4 Cyl. exc. 1600 Eng.		7077978	1
	BRUSH SET (Lucas s/motor 25238)	4 Cyl. exc. 1600 Eng.		VS11819	1
	BRUSH SET	1600 Eng.		VS11819	1
	BRUSH SET (Lucas s/motors 62925045, 62925050)	2250, 2600 Eng.		VS10809	1
	BRUSH SET (Lucas s/motors 62925063, 62925064)	2250, 2600 Eng.		VS11875	1
	BRUSH SET (Lucas)	2850 Eng.		VS11875	1
	BRUSH SET (Bosch)	6 Cyl. Eng.		7424660	1
2.052 PLATE ASSEMBLY — Starter motor brush holder					
	PLATE ASSY. (Lucas s/motors 62925045, 62925050)	2250, 2600 Eng.		VS10810	1
	SCREW — Attaching (Lucas s/motors 62925045, 62925050)	2250, 2600 Eng.		VS10811	2
	HOLDER — Brush (Lucas s/motors 62925063, 62925064)	2250, 2600 Eng.		VS11876	1
	HOLDER — Brush (Lucas)	2850 Eng.		VS11876	1
	SCREW — Attaching (Lucas s/motors 62925063, 62925064)	2250, 2600 Eng.		VS11878	2
	SCREW — Attaching (Lucas)	2850 Eng.		VS11878	2

HOLDEN "LC" PARTS CATALOGUE

GROUP	DESCRIPTION	MODEL	SIDE	PART No.	QTY.
2.052 PLATE ASSEMBLY — Starter motor brush holder (contd.)					
	WASHER — Attaching screw (Lucas)	6 Cyl. Eng.		VS10812	2
	PLATE ASSY (Bosch)	2600, 186X Eng.		7424659	1
	SCREW — Attaching (Bosch)	2600, 186X Eng.		7405555	2
	WASHER — Attaching screw (Bosch)	2600, 186X Eng.		7406618	2
	PLATE ASSY (Bosch)	2850 Eng.		VS11970	1
2.053 SPRING SET — Starter motor brush					
	SPRING SET (Lucas s/motor 25105)	4 Cyl. exc. 1600 Eng.		6333896	1
	SPRING SET (Lucas s/motors 62925045, 62925050)	2250, 2600 Eng.		7425038	1
	SPRING and PLATE ASSY. (Lucas s/motors 62925063, 62925064)	2250, 2600 Eng.		VS11877	1
	SPRING and PLATE ASSY (Lucas)	2850 Eng.		VS11877	1
	SPRING (Bosch)	6 Cyl. Eng.		7424661	4
2.063 WASHER, PLATE, SHOE, SPRING, CAP — Starter motor armature					
	WASHER — Drive end bracket thrust (Lucas s/motor 25105)	4 Cyl. exc. 1600 Eng.		6374673	1
	PLATE — Thrust	1600 Eng.		VS11824	1
	SHOE — Armature brake (Lucas s/motors 62925045, 62925050)	2250, 2600 Eng.		VS10808	2
	SPRING — Brake shoe (Lucas s/motors 62925045, 62925050)	2250, 2600 Eng.		7406846	2
	CAP — Bearing (Bosch)	6 Cyl. Eng.		7424665	1
	SCREW — Bearing cap (Bosch)	6 Cyl. Eng.		VS11971	2
2.067 FRAME ASSEMBLY — Starter motor commutator end					
	FRAME ASSY. (Lucas s/motor 25105)	4 Cyl. exc. 1600 Eng.		6339604	1
	FRAME ASSY. (Lucas s/motor 25238)	4 Cyl. exc. 1600 Eng.		2702182	1
	FRAME ASSY.	1600 Eng.		8815201	1
	FRAME ASSY. (Lucas s/motors 62925045, 62925050)	2250, 2600 Eng.		VS10807	1
	FRAME ASSY. (Lucas s/motors 62925063, 62925064)	2250, 2600 Eng.		VS11871	1
	FRAME ASSY (Lucas)	2850 Eng.		VS11871	1
	FRAME ASSY (Bosch)	6 Cyl. Eng.		7424657	1
2.070 COVER — Starter motor commutator end					
	COVER (Lucas s/motor 25105)	4 Cyl. exc. 1600 Eng.		VS11227	1
	NUT — Cover fixing (Lucas s/motor 25105)	4 Cyl. exc. 1600 Eng.		VS11229	1
	SCREW — Cover fixing (Lucas s/motor 25105)	4 Cyl. exc. 1600 Eng.		7147567	1
2.077 BOLT, TERMINAL, POLE SHOE — Starter motor					
	BOLT — Through (Lucas s/motor 25105)	4 Cyl. exc. 1600 Eng.		VS10831	2
	WASHER — Through bolt (Lucas s/motor 25105)	4 Cyl. exc. 1600 Eng.		VS10832	2
	BOLT — Through (Lucas s/motors 62925045, 62925050)	2250, 2600 Eng.		VS11098	2
	BOLT — Through (Lucas s/motors 62925063, 62925064)	2250, 2600 Eng.		VS11886	2
	BOLT — Through (Lucas)	2850 Eng.		VS12081	2
	WASHER — Through bolt (Lucas)	6 Cyl. Eng.		VS10832	2
	TERMINAL — Field (Lucas s/motor 25105)	4 Cyl. exc. 1600 Eng.		VS11243	1
	TERMINAL — Field	1600 Eng.		VS11822	1
	BUSH — Terminal insulating	1600 Eng.		VS11823	1
	POLE SHOE — With short stud	1600 Eng.		8815219	1
	POLE SHOE — With long stud	1600 Eng.		8815218	1
	BOLT — Through (Bosch)	6 Cyl. Eng.		7424666	2
	WASHER — Through bolt (Bosch)	6 Cyl. Eng.		VS11092	2
	SCREW — Pole shoe (Bosch)	6 Cyl. Eng.		VS11091	4

HOLDEN "LC" PARTS CATALOGUE

GROUP	DESCRIPTION	MODEL	SIDE	PART No.	QTY.
2.080	SUNDRY PARTS KIT — Starter motor				
	KIT (Lucas s/motor 25105)	4 Cyl. exc. 1600 Eng.		7094634	1
	KIT (Bosch)	6 Cyl. Eng.		VS11089	1
2.083	BUSHING, BUSHING KIT — Starter motor				
	BUSHING — C.E. (Lucas s/motor 25105)	4 Cyl. exc. 1600 Eng.		6339605	1
	BUSHING — D.E. (Lucas s/motor 25105)	4 Cyl. exc. 1600 Eng.		6374672	1
	KIT (Lucas s/motor 25238)	4 Cyl. exc. 1600 Eng.		2702179	1
	BUSHING — C.E.	1600 Eng.		VS11821	1
	BUSHING — D.E.	1600 Eng.		7428703	1
	BUSHING — D.E. (Lucas s/motors 62925045, 62925050)	2250, 2600 Eng.		VS10828	1
	BUSHING — C.E. (Lucas s/motors 62925063, 62925064)	2250, 2600 Eng.		VS11874	1
	BUSHING — C.E. (Lucas)	2850 Eng.		VS11874	1
	BUSHING — D.E. (Lucas s/motors 62925063, 62925064)	2250, 2600 Eng.		7428703	1
	BUSHING — D.E. (Lucas)	2850 Eng.		7428703	1
	BUSHING — C.E. (Bosch)	6 Cyl. Eng.		7405590	1
	BUSHING — D.E. (Bosch)	6 Cyl. Eng.		7424647	1
2.085	HOUSING — Starter motor drive with bushing				
	HOUSING (Lucas s/motor 25105)	4 Cyl. exc. 1600 Eng.		6397938	1
	HOUSING (Lucas s/motor 25238)	4 Cyl. exc. 1600 Eng.		2702183	1
	HOUSING	1600 Eng.		8815210	1
	HOUSING (Lucas s/motors 62925045, 62925050)	2250, 2600 Eng.		VS10827	1
	HOUSING (Lucas s/motors 62925063, 62925064)	2250, 2600 Eng.		VS11883	1
	HOUSING (Lucas)	2850 Eng.		VS11883	1
	HOUSING (Bosch)	6 Cyl. Eng.		VS11146	1
2.086	DRIVE ASSEMBLY, SLEEVE — Starter motor				
	DRIVE ASSY	4 Cyl. exc. 1600 Eng.		6374149	1
	SLEEVE — Screwed	4 Cyl. exc. 1600 Eng.		6374670	1
	DRIVE ASSY	1600 Eng.		VS11827	1
	DRIVE ASSY. (Lucas)	6 Cyl. Eng.		VS10815	1
	DRIVE ASSY. (Bosch)	6 Cyl. Eng.		7424653	1
2.087	COMPONENTS — Starter motor pinion				
	SPRING	4 Cyl. exc. 1600 Eng.		7094635	1
	BUSHING	1600 Eng.		VS10821	1
	WASHER — Thrust	4 Cyl. exc. 1600 Eng.		7105350	1
	WASHER — Thrust, plain steel (Lucas s/motors 62925063, 62925064)	2250, 2600 Eng.		VS11872	1
	WASHER — Thrust, stepped steel (Lucas s/motors 62925063, 62925064)	2250, 2600 Eng.		VS11881	1
	WASHER — Thrust, nylon (Lucas s/motors 62925063, 62925064)	2250, 2600 Eng.		VS11882	1
	SHIM (Lucas s/motors 62925063, 62925064)	2250, 2600 Eng.		VS11873	1
	WASHER — Thrust, plain steel (Lucas)	2850 Eng.		VS11872	1
	WASHER — Thrust, stepped steel (Lucas)	2850 Eng.		VS11881	1
	WASHER — Thrust, nylon (Lucas)	2850 Eng.		VS11882	1
	SHIM (Lucas)	2850 Eng.		VS11873	1
	BUSHING (Lucas)	6 Cyl. Eng.		VS11224	1
	RING — Lock (Lucas)	6 Cyl. Eng.		VS10816	1
	SPRING — Engaging (Lucas)	6 Cyl. Eng.		VS10817	1
	PLATE — Thrust (Lucas)	6 Cyl. Eng.		VS10820	1
	PLATE — Operating (Lucas)	6 Cyl. Eng.		VS10818	1
	COLLAR — Bearing (Lucas)	6 Cyl. Eng.		VS10819	1
	BUSHING — Drive (Bosch)	6 Cyl. Eng.		7424631	1
	BUFFER — Drive (Bosch)	6 Cyl. Eng.		7420847	1

HOLDEN "LC" PARTS CATALOGUE

GROUP	DESCRIPTION	MODEL	SIDE	PART No.	QTY.
2.096 RING, COLLAR, WASHER, STOP — Starter motor					
	RING — Collar retaining	4 Cyl. exc. 1600 Eng.		6374669	1
	COLLAR — Drive end	1600 Eng.		7428706	1
	RING — Collar retaining	1600 Eng.		7428707	1
	COLLAR — Drive end (Lucas)	6 Cyl. Eng.		VS10826	1
	RING — Collar retaining (Lucas)	6 Cyl. Eng.		7428707	1
	WASHER — Drive end (Lucas)	6 Cyl. Eng.		7428705	1
	STOP — Pinion (Bosch)	6 Cyl. Eng.		7424633	1
2.100 SWITCH ASSEMBLY — Starter					
	SWITCH — Solenoid	(M) 4 Cyl. exc. 1600 Eng.		7212405	1
	SWITCH — Solenoid	(A) 4 Cyl. exc. 1600 Eng.		7212406	1
	SWITCH — Solenoid	1600 Eng.		VS11831	1
	SWITCH — Solenoid (Lucas)	6 Cyl. Eng.		VS10822	1
	NUT — Terminal (Lucas)	6 Cyl. Eng.		VS10823	2
	WASHER — Terminal nut (Lucas)	6 Cyl. Eng.		VS10824	2
	NUT — Attaching (Lucas)	6 Cyl. Eng.		7406859	2
	SWITCH — Solenoid (Bosch)	6 Cyl. Eng.		VS10215	1
	NUT — Terminal (Bosch)	6 Cyl. Eng.		7405645	A.R.
	WASHER — Terminal nut (Bosch)	6 Cyl. Eng.		VS11087	A.R.
	SCREW — Attaching (Bosch)	6 Cyl. Eng.		7424669	2
2.101 GROMMET — Starter motor cable outlet					
	GROMMET	1600 Eng.		8815212	1
	GROMMET (Lucas s/motors 62925045, 62925050)	2250, 2600 Eng.		VS10830	1
	GROMMET (Lucas s/motors 62925063, 62925064)	2250, 2600 Eng.		VS11885	1
	GROMMET (Lucas)	2850 Eng.		VS11885	1
2.102 COVER, GASKET, SCREW, WASHER — Starter motor solenoid switch					
	COVER (Bosch)	6 Cyl. Eng.		VS11090	1
	GASKET — 0.5 m.m. thick (Bosch)	6 Cyl. Eng.		7424678	A.R.
	GASKET — 1 m.m. thick (Bosch)	6 Cyl. Eng.		7424679	A.R.
	SCREW — Attaching (Bosch)	6 Cyl. Eng.		VS11973	2
	WASHER — Attaching screw (Bosch)	6 Cyl. Eng.		VS11086	2
2.108 LEVER ASSEMBLY — Starter motor shift					
	LEVER ASSY	1600 Eng.		VS11826	1
	RING — Pivot pin retaining	1600 Eng.		VS11825	1
	LEVER ASSY (Lucas)	6 Cyl. Eng.		VS10813	1
	PIN — Pivot (Lucas s/motors 62925045, 62925050)	2250, 2600 Eng.		VS10814	1
	PIN — Pivot (Lucas s/motors 62925063, 62925064)	2250, 2600 Eng.		VS11879	1
	PIN — Pivot (Lucas)	2850 Eng.		VS11879	1
	NUT — Pivot pin (Lucas)	6 Cyl. Eng.		7406835	1
	LEVER ASSY (Bosch)	6 Cyl. Eng.		7424648	1
	SCREW — Pivot (Bosch)	6 Cyl. Eng.		7424649	1
	NUT — Pivot screw (Bosch)	6 Cyl. Eng.		7405604	1
	WASHER — Lock (Bosch)	6 Cyl. Eng.		VS11969	1
2.170 COIL ASSEMBLY, BRACKET — Ignition					
	COIL ASSY (Lucas)	ALL		7431087	1
	BRACKET & SCREW ASSY (Lucas)	4 Cyl. Eng.		7441642	1
	BRACKET & SCREW ASSY (Lucas)	6 Cyl. Eng.		7422907	1
	COIL ASSY (Bosch)	ALL		7422779	1
	BRACKET & SCREW ASSY (Bosch)	4 Cyl. Eng.		7441596	1
	BRACKET & SCREW ASSY (Bosch)	6 Cyl. Eng.		7422780	1

HOLDEN "LC" PARTS CATALOGUE

GROUP	DESCRIPTION	MODEL	SIDE	PART No.	QTY.
2.188	SWITCH ASSEMBLY — Ignition and starting				
	SWITCH	ALL		7424302	1
	CYLINDER ASSY. — (Coded with keys)	ALL		3769726	1
	CYLINDER — (Uncoded)	ALL		601846	1
	TUMBLER — No. 1 (Package of 100)	ALL		3901061	A.R.
	TUMBLER — No. 2 (Package of 100)	ALL		3901062	A.R.
	TUMBLER — No. 3 (Package of 100)	ALL		3901063	A.R.
	TUMBLER — No. 4 (Package of 100)	ALL		3901064	A.R.
	SPRING — Tumbler	ALL		601260	6
	RETAINER — Tumbler	ALL		601261	A.R.
2.198	NUT — Ignition switch				
	NUT — Switch mounting	ALL		2805681	1
2.239	WIRE UNIT — Spark plug and distributor				
	WIRE UNIT — T.V.R.S.	4 Cyl. exc. 1600 Eng.		2808181	1
	WIRE UNIT — Copper wire	4 Cyl. exc. 1600 Eng.		2806289	1
	WIRE UNIT	1600 Eng.		2688449	1
	WIRE UNIT — T.V.R.S.	6 Cyl. Eng.		7423454	1
	WIRE UNIT — Copper wire	6 Cyl. Eng.		7436752	1
2.251	SHIELD — Spark plug wire heat				
	SHIELD	1600 Eng.		8831668	1
2.253	RING — Spark plug wire retainer				
	RING	4 Cyl. exc. 1600 Eng.		7401167	1
2.258	NIPPLE, BOOT — Spark plug wire insulating				
	NIPPLE — Distributor cap insulating	ALL		5289527	5-7
	NIPPLE — Coil insulating	ALL		5290441	1
	BOOT — Spark Plug	ALL		2962674	4-6
2.270	PLUG ASSEMBLY — Spark				
	PLUG — Spark	4 Cyl. exc. 1600 Eng.		44XLH	4
	PLUG — Spark (Optional)	4 Cyl. exc. 1600 Eng.		43XL	4
	PLUG — Spark	1600 Eng.		42TS	4
	PLUG — Spark	2250 Eng.		(⁸ C44NS)	6
	PLUG — Spark (Optional)	2250 Eng.		(⁸ C43N)	6
	PACKAGE — (Set of 6 No. C44NS)	2250 Eng.		(⁸ 7433327)	1
	PLUG — Spark	2250 Eng.		(⁹ 44T)	6
	PLUG — Spark (Optional)	2250 Eng.		(⁹ 43T)	6
	PACKAGE — (Set of 6 No. 44T)	2250 Eng.		(⁹ 2820504)	1
	PLUG — Spark	2600, 186X Eng.		C44NS	6
	PLUG — Spark (Optional)	2600, 186X Eng.		C43N	6
	PACKAGE — (Set of 6 No. C44NS)	2600, 186X Eng.		7433327	1
	PLUG — Spark	2850 Eng.		44T	6
	PLUG — Spark (Optional)	2850 Eng.		43T	6
	PACKAGE — (Set of 6 No. 44T)	2850 Eng.		2820504	1
	GASKET — Spark plug (14 m.m.)	exc. 'T' & 'TS' plugs		SP1105	4-6
2.274	PULLEY, FAN — Generator				
	PULLEY	exc. 186X Eng.		7430409	1
	PULLEY	186X Eng.		2806231	1
	FAN	ALL		7430410	1

Note: (⁸ Used on Engines with Engine Number Prefix 2250L or 2250H.

(⁹ Used on Engines with Engine Number Prefix CB or CC.

HOLDEN "LC" PARTS CATALOGUE

GROUP	DESCRIPTION	MODEL	SIDE	PART No.	QTY.
2.275 GENERATOR ASSEMBLY					
	GENERATOR ASSY. (Lucas P/N 62921216)	exc. 186X Eng.		2816410	1
	GENERATOR ASSY. (Lucas P/N 62921217)	exc. 186X Eng.		2819152	1
	GENERATOR ASSY. (Bosch P/N 9.120.060.661)	exc. 186X Eng.		2819151	1
	GENERATOR ASSY. (Bosch P/N 9.120.060.600)	186X Eng.		2806635	1
	GENERATOR ASSY. (Bosch P/N 9.120.060.679)	186X Eng.		2820452	1
	BOLT — Generator to brace	exc. 186X Eng.		SP2027	1
	BOLT — Generator to brace	186X Eng.		180081	1
2.277 BRACKET, SPACER, BOLT — Generator mounting					
	BRACKET ASSY.	4 Cyl. exc. 1600 Eng.		2809826	1
	BRACKET ASSY.	1600 Eng.		2820678	1
	SPACER	4 Cyl. Eng.		3880353	1
	BRACKET ASSY.	6 Cyl. Eng.		7429932	1
	BOLT — Bracket to cyl. block	1600 Eng.		SP2073	3
	BOLT — Bracket to cyl. block	6 Cyl. Eng.		SP2077	1
	BOLT — Bracket to cyl. block	6 Cyl. Eng.		SP2071	1
2.279 ROTOR — Generator					
	ROTOR (Lucas Generator 62921200)	exc. 186X Eng.		VS10406	1
	ROTOR (Lucas Generator 62921216)	exc. 186X Eng.		VS11772	1
	ROTOR (Lucas Generator 62921217)	exc. 186X Eng.		VS12033	1
	ROTOR (Bosch Generators 9.120.060.601 & 9.120.060.600)	ALL		7420852	1
	ROTOR (Bosch Generators 9.120.060.661 & 9.120.060.679)	ALL		VS12016	1
	SLIP RING (Bosch)	ALL		VS11094	1
	KEY — Woodruff	ALL		7405705	1
2.280 NUT, WASHER — Generator rotor					
	NUT	ALL		7405703	1
	WASHER — Lock (Lucas Generator 62921200)	exc. 186X Eng.		7405704	1
	WASHER — Lock (Lucas Generators 62921216 & 62921217)	exc. 186X Eng.		VS11765	1
	WASHER — Lock (Bosch)	ALL		7405704	1
2.285 BRUSH SET — Generator					
	BRUSH, SPRING & TERMINAL SET (Lucas Generator 62921200)	exc. 186X Eng.		7429016	1
	BRUSH, SPRING & TERMINAL SET (Lucas Generator 62921216)	exc. 186X Eng.		VS11779	1
	BRUSH & SPRING SET (Lucas Generator 62921217)	exc. 186X Eng.		VS12041	1
	BRUSH SET (Bosch Generators 9.120.060.601 & 9.120.060.600)	ALL		VS10542	1
	BRUSH SET (Bosch Generators 9.120.060.661 & 9.120.060.679)	ALL		VS12023	1
2.286 SPRING — Generator Brush					
	SPRING (Bosch Generators 9.120.060.601 & 9.120.060.600)	ALL		7420885	2
	SPRING (Bosch Generators 9.120.060.661 & 9.120.060.679)	ALL		VS12024	2

HOLDEN "LC" PARTS CATALOGUE

GROUP	DESCRIPTION	MODEL	SIDE	PART No.	QTY.
2.287	DIODE — Generator				
	DIODE — Positive (Lucas Generator 62921200)	exc. 186X Eng.		7429012	3
	DIODE — Negative (Lucas Generator 62921200)	exc. 186X Eng.		7429011	3
	DIODE — Exciter (Lucas Generator 62921200)	exc. 186X Eng.		7429013	3
	NUT — Exciter diode (Lucas Generator 62921200)	exc. 186X Eng.		7429014	3
	DIODE — Positive (Bosch Generators 9.120.060.601 & 9.120.060.600)	ALL		VS10546	3
	DIODE — Negative (Bosch Generators 9.120.060.601 & 9.120.060.600)	ALL		VS10543	3
2.289	RECTIFIER ASSY., DAMPER — Generator SINK — Heat and components				
	SINK — Heat, positive (Lucas Generator 62921200)	exc. 186X Eng.		7429009	1
	SINK — Heat, negative (Lucas Generator 62921200)	exc. 186X Eng.		7429008	1
	SINK — Heat, exciter (Lucas Generator 62921200)	exc. 186X Eng.		7429010	1
	RECTIFIER ASSY. (Lucas Generator 62921216)	exc. 186X Eng.		VS11777	1
	DAMPER — Rectifier, rubber (Lucas Generator 62921216)	exc. 186X Eng.		VS11778	1
	SINK — Heat, positive with diodes (Lucas Generator 62921217)	exc. 186X Eng.		VS12036	1
	SINK — Heat, negative with diodes (Lucas Generator 62921217)	exc. 186X Eng.		VS12035	1
	PLATE — Field terminal with diodes (Lucas Generator 62921217)	exc. 186X Eng.		VS12043	1
	SUNDRY PARTS SET — Heat sink mounting (Lucas Generator 62921217)	exc. 186X Eng.		VS12091	1
	SINK — Heat, positive with diodes (Bosch Generators 9.120.060.601 & 9.120.060.600)	ALL		VS10545	1
	SINK — Heat, exciter with diodes (Bosch Generators 9.120.060.601 & 9.120.060.600)	ALL		VS11179	1
	SUNDRY PARTS SET — Heat sink mounting (Bosch Generators 9.120.060.601 & 9.120.060.600)	ALL		VS10537	1
	RECTIFIER ASSY (Bosch Generators 9.120.060.661 & 9.120.060.679)	ALL		VS12025	1
	BOLT — Rectifier, long (Bosch Generators 9.120.060.661 & 9.120.060.679)	ALL		VS12019	1
	BOLT — Rectifier, short (Bosch Generators 9.120.060.661 & 9.120.060.679)	ALL		VS12020	2
2.291	HOLDER, MOULDING, BOX, PLATE — Generator Brush				
	BRUSH HOLDER & TERMINAL ASSY. (Lucas Generator 62921200)	exc. 186X Eng.		VS10409	1
	MOULDING — Brush box (Lucas Generator 62921216)	exc. 186X Eng.		VS11780	1
	BOX ASSY. — Brush, metal (Lucas Generator 62921217)	exc. 186X Eng.		VS12039	1
	MOULDING — Brush box, plastic (Lucas Generator 62921217)	exc. 186X Eng.		VS12040	1
	SCREW — Brush box (Lucas Generator 62921217)	exc. 186X Eng.		VS12038	1

HOLDEN "LC" PARTS CATALOGUE

GROUP	DESCRIPTION	MODEL	SIDE	PART No.	QTY.
2.291 HOLDER, MOULDING, BOX, PLATE — Generator Brush (contd.)					
	BRUSH PLATE ASSY. (Bosch Generators 9.120.060.601 & 9.120.060.600)	ALL		VS10541	1
	BRUSH PLATE ASSY (Bosch Generators 9.120.060.661 & 9.120.060.679)	ALL		VS12022	1
	BOLT — Brush plate (Bosch Generators 9.120.060.661 & 9.120.060.679)	ALL		7424757	1
	WASHER — Flat (Bosch Generators 9.120.060.661 & 9.120.060.679)	ALL		7406900	1
	WASHER — Lock (Bosch Generators 9.120.060.661 & 9.120.060.679)	ALL		7406323	1
2.297 PLATE, COVER, HOUSING — Generator slip ring end					
	PLATE (Lucas Generator 62921200)	exc. 186X Eng.		VS10407	1
	RETAINER — Bearing (Lucas Generator 62921200)	exc. 186X Eng.		VS10435	1
	COVER (Lucas Generator 62921200)	exc. 186X Eng.		7429004	1
	HOUSING (Lucas Generator 62921216)	exc. 186X Eng.		VS11775	1
	COVER (Lucas Generator 62921216)	exc. 186X Eng.		VS11774	1
	PLATE (Lucas Generator 62921217)	exc. 186X Eng.		VS12034	1
	WASHER — Wave (Lucas Generator 62921217)	exc. 186X Eng.		VS11776	1
	HOUSING (Bosch Generators 9.120.060.601 & 9.120.060.600)	ALL		VS10540	1
	COVER (Bosch Generators 9.120.060.601 & 9.120.060.600)	ALL		VS10544	1
	HOUSING (Bosch Generators 9.120.060.661 & 9.120.060.679)	ALL		VS12021	1
2.298 BEARING — Generator slip ring end					
	BEARING (Lucas Generator 62921200)	exc. 186X Eng.		VS10408	1
	BEARING (Lucas Generators 62921216 & 62921217)	exc. 186X Eng.		VS11773	1
	BEARING	(Bosch) ALL		7420853	1
2.305 PLATE — Generator drive end					
	PLATE (Lucas Generator 62921200)	exc. 186X Eng.		7428997	1
	PLATE (Lucas Generator 62921216)	exc. 186X Eng.		VS11769	1
	PLATE (Lucas Generator 62921217)	exc. 186X Eng.		VS12030	1
	PLATE (Bosch Generators 9.120.060.601 & 9.120.060.600)	ALL		VS10539	1
	PLATE (Bosch Generators 9.120.060.661 & 9.120.060.679)	ALL		VS12015	1
2.306 BEARING — Generator drive end					
	BEARING (Lucas Generator 62921200)	exc. 186X Eng.		7420850	1
	BEARING (Lucas Generators 62921216 & 62921217)	exc. 186X Eng.		VS11767	1
	BEARING	(Bosch) ALL		7420850	1
2.307 SUNDRY PARTS — Generator drive end					
	PLATE — Bearing retainer (Lucas Generator 62921200)	exc. 186X Eng.		7428998	1
	RING — Bearing Retainer (Lucas Generator 62921200)	exc. 186X Eng.		7429002	1
	COLLAR — Distance (Lucas Generator 62921200)	exc. 186X Eng.		7429001	1
	WASHER — Bearing felt (Lucas Generator 62921200)	exc. 186X Eng.		7428999	1

HOLDEN "LC" PARTS CATALOGUE

GROUP	DESCRIPTION	MODEL	SIDE	PART No.	QTY.
2.307 SUNDRY PARTS — Generator drive end (contd.)					
	RETAINER — Bearing felt retainer (Lucas Generator 62921200)	exc. 186X Eng.		7429000	1
	PLATE — Bearing retainer (Lucas Generator 62921216)	exc. 186X Eng.		VS11770	1
	WASHER — Wave (Lucas Generator 62921216)	exc. 186X Eng.		VS11776	1
	PLATE — Bearing retainer (Lucas Generator 62921217)	exc. 186X Eng.		VS12031	1
	RING — Bearing retainer (Lucas Generator 62921217)	exc. 186X Eng.		VS12032	1
	SCREW — Bearing retainer plate (Lucas Generators 62921216 & 62921217)	exc. 186X Eng.		VS11771	3
	COLLAR — Distance (Lucas Generators 62921216 & 62921217)	exc. 186X Eng.		VS11768	1
	SUNDRY PARTS SET (Bosch Generators 9.120.060.601 & 9.120.060.600)	ALL		VS10536	1
	SUNDRY PARTS SET (Bosch Generators 9.120.060.661 & 9.120.060.679)	ALL		VS12027	1
2.310 STATOR — Generator					
	STATOR (Lucas Generator 62921200)	exc. 186X Eng.		7429017	1
	STATOR (Lucas Generator 62921216)	exc. 186X Eng.		VS11871	1
	STATOR (Lucas Generator 62921217)	exc. 186X Eng.		VS12042	1
	STATOR (Bosch Generators 9.120.060.601 & 9.120.060.600)	ALL		VS10538	1
	STATOR (Bosch Generators 9.120.060.661 & 9.120.060.679)	ALL		VS12014	1
2.313 SHROUD, BOLT, NUT, LINK — Generator terminal					
	SHROUD (Lucas Generator 62921200)	exc. 186X Eng.		VS10410	1
	BOLT — Main (Lucas Generator 62921216)	exc. 186X Eng.		VS11782	1
	NUT — Main bolt (Lucas Generator 62921216)	exc. 186X Eng.		VS11783	A.R.
	LINK — Connector (Lucas Generator 62921216)	exc. 186X Eng.		VS11784	1
2.314 SUPPRESSOR — Generator interference					
	SUPPRESSOR (Bosch Generators 9.120.060.601 & 9.120.060.600)	ALL		7428360	1
	WASHER — Screw lock (Bosch Generators 9.120.060.601 & 9.120.060.600)	ALL		7406618	1
2.315 SUNDRY PARTS SET — Generator					
	SET (Lucas Generator 62921200)	exc. 186X Eng.		7429018	1
	SET (Lucas Generator 62921216)	exc. 186X Eng.		VS11785	1
	SET (Bosch Generators 9.120.060.661 & 9.120.060.679)	ALL		VS12028	1
2.316 BOLT — Generator through					
	BOLT (Lucas Generator 62921200)	exc. 186X Eng.		7428996	2
	BOLT (Lucas Generators 62921216 & 62921217)	exc. 186X Eng.		VS11763	3
	BOLT (Bosch Generators 9.120.060.601 & 9.120.060.600)	ALL		VS10548	3
	BOLT (Bosch Generators 9.120.060.661 & 9.120.060.679)	ALL		VS12026	4
	WASHER — Plain (Bosch)	ALL		7405633	A.R.
	WASHER — Lock (Bosch)	ALL		7424685	A.R.

HOLDEN "LC" PARTS CATALOGUE

GROUP	DESCRIPTION	MODEL	SIDE	PART No.	QTY.
2.317 BRACE — Generator					
BRACE	4 Cyl. exc. 1600 Eng.		2809830	1
BRACE	1600 Eng.		2820679	1
BRACE	6 Cyl. exc. 186X Eng.		7423817	1
BRACE	186X Eng.		7423817	2
SPACER	4 Cyl. exc. 1600 Eng.		2809829	1
BOLT — Generator to brace	exc. 186X Eng.		SP2027	1
BOLT — Brace to cyl. block	6 Cyl. exc. 186X Eng.		SP2067	1
BOLT — Generator to brace	186X Eng.		180081	1
BOLT — Brace to cyl. block	186X Eng.		180081	1
2.332 BATTERY					
BATTERY	4 Cyl. Eng.		12HD9SN	1
BATTERY — 44 amp. hour	2250, 2600 Eng.		12HD9M	1
BATTERY — 61 amp. hour	2250, 2600 Eng.		12HD90/P	1
BATTERY — 48 amp. hour	2850 Eng.		12HD48AHP	1
BATTERY — 61 amp. hour	2850 Eng.		12HD90/P	1
BATTERY — 61 amp. hour	186X Eng.		12HD61AHP	1
2.333 SUPPORT — Battery mounting					
SUPPORT	4 Cyl. Eng.		7441937	1
SUPPORT	2250, 2600, 2850 Eng.		7432961	B
GUSSET — Mounting support	2250, 2600, 2850 Eng.		2807122	1
BRACKET — Support	186X Eng.		2815996	1
RETAINER	4 Cyl., 186X Eng.		7441938	1
RETAINER	2250, 2600, 2850 Eng.		7434165	1
PLATE — Retainer lock	ALL		7420476	2
BOLT — Mounting	4 Cyl., 186X Eng.		7441935	D
BOLT — Mounting	2250, 2600, 2850 Eng.		7434719	2
NUT — Wing, 1/4" — 20	ALL		7077093	2
2.341 CABLE ASSEMBLY — Battery ground					
CABLE ASSY.	4 Cyl. exc. 1600 Eng.		7447570	1
CABLE ASSY	1600 Eng.		2820931	1
CABLE ASSY	6 Cyl. Eng.		2806978	1
2.342 CABLE ASSY. — Starter					
CABLE ASSY. — (Warning light equip.)	4 Cyl. exc. 1600 Eng.		2807823	1
CABLE ASSY. — (Inst. cluster equip.)	4 Cyl. exc. 1600 Eng.		7447569	1
CABLE ASSY. — Solenoid to starter motor	4 Cyl. exc. 1600 Eng.		7447574	1
CABLE ASSY.	1600 Eng.		2820865	1
CABLE ASSY. — (Warning light equip.)	6 Cyl. Eng.	RIGHT HAND DRIVE	2806977	1
			LEFT HAND DRIVE	2818027	1
CABLE ASSY. — (Inst. cluster equip.)	6 Cyl. Eng.	RIGHT HAND DRIVE	7416627	1
			LEFT HAND DRIVE	2818026	1
2.348 CABLE ASSEMBLY — Engine ground					
CABLE ASSY.	4 Cyl. exc. 1600 Eng.		7447573	1
CABLE ASSY	1600 Eng.		7194477	1
2.361 DISTRIBUTOR ASSEMBLY					
DISTRIBUTOR ASSY.	1160 Eng.		7953253	1
DISTRIBUTOR ASSY.	70 Eng. up to Eng. No. 1346092		7953253	1
DISTRIBUTOR ASSY	70 Eng. from Eng. No. 1346093		7953579	1
DISTRIBUTOR ASSY.	1600 Eng.		7953734	1
DISTRIBUTOR ASSY	2250, 2600 exc. S Eng.		2810081	1
DISTRIBUTOR ASSY	2600S Eng.		7448948	1
DISTRIBUTOR ASSY.	2850 Eng.		2820111	1
DISTRIBUTOR ASSY	186X Eng.		2817405	1

HOLDEN "LC" PARTS CATALOGUE

GROUP	DESCRIPTION	MODEL	SIDE	PART No.	QTY.
2.362	BUSHING, GASKET, SEAL — Distributor housing				
	SEAL	4 Cyl. exc. 1600 Eng.		7951994	1
	BASE	1600 Eng.		7953722	1
	WASHER — Felt	1600 Eng.		7953425	1
	BUSHING	6 Cyl. Eng.		VS10841	2
	FELT	6 Cyl. Eng.		VS10843	1
	GASKET	6 Cyl. Eng.		6256636	1
2.364	WICK — Distributor				
	WICK	4 Cyl. exc. 1600 Eng.		819639	1
	WICK	6 Cyl. Eng.		VS10210	1
2.367	CAP — Distributor				
	CAP	4 Cyl. exc. 1600 Eng.		811735	1
	CAP	1600 Eng.		7953430	1
	CAP	6 Cyl. Eng.		VS10866	1
2.368	SPRING, CLIP — Distributor cap retaining				
	SPRING	4 Cyl. exc. 1600 Eng.		7952826	2
	SCREW — Attaching	4 Cyl. exc. 1600 Eng.		7952825	2
	CLIP	1600 Eng.		1945756	2
	PIN — Clip	1600 Eng.		7953428	2
	SPRING	6 Cyl. Eng.		VS10868	2
2.370	BRUSH — Distributor cap				
	BRUSH	6 Cyl. Eng.		7405562	1
2.372	SHAFT — Distributor				
	SHAFT & CAM ASSY	4 Cyl. exc. 1600 Eng.		7953281	1
	WASHER — Upper	4 Cyl. exc. 1600 Eng.		44623	1
	WASHER — Lower	4 Cyl. exc. 1600 Eng.		7952833	1
	PIN — Lower washer retaining	4 Cyl. exc. 1600 Eng.		7953060	1
	SHAFT	1600 Eng.		7953784	1
	SHAFT	6 Cyl. Eng.		VS10202	1
	WASHER — Thrust fibre — upper & lower	6 Cyl. Eng.		7424746	2
	SHIM — Thrust 0.1 mm — upper & lower	6 Cyl. Eng.		7405613	A.R.
	SHIM — Thrust 0.2 mm — upper & lower	6 Cyl. Eng.		7405615	A.R.
	SHIM — Thrust 0.3 mm — upper & lower	6 Cyl. Eng.		7405614	A.R.
2.374	GEAR, GEAR PACKAGE — Distributor				
	GEAR	1600 Eng.		7201105	1
	GEAR PACKAGE	6 Cyl. Eng.		7423613	1
2.379	PIN — Distributor gear				
	PIN — Slotted spring	1600 Eng.		7953427	1
	PIN — Slotted spring	6 Cyl. Eng.		VS10855	1
2.381	CAM — Distributor				
	CAM ASSY	1600 Eng.		7953787	1
	RETAINER — Spring	1600 Eng.		7953438	1
	CAM	2250, 2600 exc. S Eng.		VS11435	1
	CAM	2600S, 186X Eng.		VS10270	1
	CAM	2850 Eng.		VS12012	1
	RING — Cam spacer	6 Cyl. Eng.		VS10211	1
	WASHER — Cam retainer	6 Cyl. Eng.		VS10203	1
	CIRCLIP — Cam retainer	6 Cyl. Eng.		VS10204	1
2.382	ROTOR — Distributor				
	ROTOR	4 Cyl. exc. 1600 Eng.		820445	1
	ROTOR	1600 Eng.		1945369	1
	ROTOR	6 Cyl. Eng.		7424753	1

HOLDEN "LC" PARTS CATALOGUE

GROUP	DESCRIPTION	MODEL	SIDE	PART No.	QTY.
2.384 CONTACT SET — Distributor					
	CONTACT SET	4 Cyl. exc. 1600 Eng.		7953383	1
	SCREW — Locking	4 Cyl. exc. 1600 Eng.		816784	1
	INSULATOR	4 Cyl. exc. 1600 Eng.		1954560	1
	CONTACT SET	1600 Eng.		7953448	1
	CONTACT SET	6 Cyl. exc. 186X Eng.		VS10858	1
	CONTACT SET	186X Eng.		VS12013	1
2.385 PLATE — Distributor breaker					
	PLATE ASSY	1160 Eng.		7952978	1
	PLATE ASSY	70 Eng. up to Eng. No. 1346092		7952978	1
	PLATE ASSY	70 Eng. from Eng. No. 1346093		7953730	1
	SCREW — Plate attaching	4 Cyl. exc. 1600 Eng.		131954	1
	PLATE — Contact breaker	1600 Eng.		7953432	1
	INSULATOR — Circuit breaker	1600 Eng.		1954560	1
	PLATE & SUPPORT ASSY	6 Cyl. Eng.		VS10856	1
	SCREW — Plate support	6 Cyl. Eng.		VS10861	2
	WASHER — Support screw lock	6 Cyl. Eng.		VS10992	2
	BALL — Plate retaining	6 Cyl. Eng.		7406742	1
	RETAINER — Plate ball	6 Cyl. Eng.		VS10863	1
2.387 SCREW — Distributor					
	SCREW — Contact point locking	1600 Eng.		816784	1
	SCREW — Contact breaker	6 Cyl. Eng.		7424749	1
	WASHER — Plain	6 Cyl. Eng.		7406900	1
	WASHER — Screw lock	6 Cyl. Eng.		7406323	1
2.388 WEIGHT — Distributor					
	WEIGHT	1600 Eng.		1965843	2
	WEIGHT	6 Cyl. Eng.		VS10205	2
	WASHER — Weight spacer	6 Cyl. Eng.		VS10206	2
2.389 SPRING — Distributor weight					
	SPRING SET	4 Cyl. exc. 1600 Eng.		7952980	1
	SPRING SET	1600 Eng.		7953848	1
	SPRING SET	2600S, 186X Eng.		VS10269	1
	SPRING — Light	2250, 2600, 186X Eng.		VS10851	1
	SPRING — Light	2850 Eng.		VS11737	1
	SPRING — Heavy	2250, 2600 exc. S Eng.		VS10852	1
	SPRING — Heavy	2600S, 186X Eng.		VS10850	1
	SPRING — Heavy	2850 Eng.		VS11738	1
2.393 CONDENSER — Distributor					
	CONDENSER	4 Cyl. Eng.		1928111	1
	SCREW — Condenser attaching	4 Cyl. Eng.		131954	1
	CONDENSER — With lead and clip	6 Cyl. Eng.		VS10845	1
	SCREW & WASHER — Attaching	6 Cyl. Eng.		VS10982	1
2.396 GASKET — Distributor to oil pump					
	GASKET	1600 Eng.		7206309	1
2.400 LEAD — Distributor					
	LEAD — Low tension, with grommet	1160 Eng.		7953010	1
	LEAD — Low tension, with grommet	70 Eng. up to Eng. No. 1346092		7953010	1
	LEAD — Low tension, with grommet	70 Eng. from Eng. No. 1346093		7952839	1
	LEAD — Low tension, with grommet	1600 Eng.		7953800	1
	LEAD — Earth	4 Cyl. Eng.		7952856	1

HOLDEN "LC" PARTS CATALOGUE

GROUP	DESCRIPTION	MODEL	SIDE	PART No.	QTY.
2.410 VACUUM CONTROL ASSEMBLY — Distributor					
	VACUUM CONTROL ASSY	1160 Eng.		7952830	1
	VACUUM CONTROL ASSY	70 Eng. up to Eng. No. 1346092		7952830	1
	VACUUM CONTROL ASSY	70 Eng. from Eng. No. 1346093		7953612	1
	SCREW — Attaching	4 Cyl. exc. 1600 Eng.		7952825	1
	VACUUM CONTROL ASSY	1600 Eng.		7953782	1
	SCREW — Attaching	1600 Eng.		7953416	3
	VACUUM CONTROL ASSY	2250, 2600 exc. S Eng.		VS11434	1
	VACUUM CONTROL ASSY	2600S, 2850, 186X Eng.		VS10869	1
	SCREW & WASHER — Attaching	6 Cyl. Eng.		VS10982	1
	CLIP — Rod attaching	6 Cyl. Eng.		7405638	1
2.414 CLAMP, RETAINER — Distributor					
	CLAMP	4 Cyl. exc. 1600 Eng.		7952137	1
	BOLT — Clamp	4 Cyl. exc. 1600 Eng.		7952136	1
	SCREW & WASHER ASSY — Distributor and oil pump to block	1600 Eng.		8825950	3
	CLAMP	6 Cyl. Eng.		7421939	1
	RETAINER — Clamp	6 Cyl. Eng.		3770598	1
2.424 PIPE ASSEMBLY, HOSE — Spark control					
	PIPE ASSY	1160 Eng.		6380887	1
	PIPE ASSY	70 Eng.		7173161	1
	CONNECTOR — Control pipe	1160 Eng.		6345662	2
	CONNECTOR — Control pipe	70 Eng.		7173160	1
	CLIP — Control pipe to fuel pipe	4 Cyl. exc. 1600 Eng.		6380678	2
	PIPE ASSY	1600 Eng.		7204236	1
	PIPE ASSY	2250, 2600 exc. S Eng.		7426212	1
	HOSE	2250, 2600 exc. S Eng.		7421070	1
	PIPE	2600 S Eng.		7433861	1
	HOSE	2600 S Eng.		7433897	1
	PIPE	2850 Eng.		7426212	1
	HOSE	2850 Eng.		7421070	1
	PIPE	186X Eng.		2816563	1
	HOSE	186X Eng.		2817469	1
	CLIP — Control pipe to fuel pipe	6 Cyl. Eng.		599119	2
2.447 SWITCH ASSEMBLY — Stop light					
	SWITCH ASSY	ALL		2813385	1
	NUT — Switch attaching	ALL		858388	2
2.459 SWITCH ASSEMBLY — Dimmer					
	SWITCH ASSY	ALL		1997037	1
2.481 PANEL ASSEMBLY — Fuse					
	PANEL ASSY	ALL		2809464	1
	BRACKET — Panel mounting	ALL		2810251	1
	CLIP & TERMINAL ASSY. — Fuse holder	ALL		7418077	2-1
	FUSE — 3 amp.	ALL		9426341	A.R.
	FUSE — 15 amp.	ALL		9426333	A.R.
2.485 SWITCH ASSEMBLY — Lighting					
	SWITCH ASSY	ALL		2812188	1
2.486 ROD ASSEMBLY — Lighting switch control					
	ROD ASSY.	ALL		2806430	1
2.487 BUSHING ASSEMBLY — Lighting switch					
	BUSHING ASSY	ALL		7432030	1

HOLDEN "LC" PARTS CATALOGUE

GROUP	DESCRIPTION	MODEL	SIDE	PART No.	QTY.
2.500 REGULATOR ASSEMBLY — Voltage and current					
	REGULATOR ASSY (Bosch)	ALL		7430879	1
	REGULATOR ASSY (Lucas)	ALL		2819155	1
2.515 INSTRUMENT ASSEMBLY — Combined					
	INSTRUMENT ASSY. — Warning lamps (British Units)	Torana, 'S', De Luxe		2808284	1
	INSTRUMENT ASSY — Warning lamps — (Rosewood) (British Units)	'SL'		2808288	1
	INSTRUMENT ASSY. — Warning lamps — (Burl Walnut) (British Units)	'SL'		2815927	1
	INSTRUMENT ASSY. — Gauges (British Units)	ALL		2808286	1
	INSTRUMENT ASSY — Warning lamps — (Metric Units)	Torana, 'S', De Luxe		2808285	1
	INSTRUMENT ASSY — Warning lamps — (Rosewood) (Metric Units)	'SL'		2808289	1
	INSTRUMENT ASSY. — Warning lamps — (Burl Walnut) (Metric Units)	'SL'		2815928	1
	INSTRUMENT ASSY. — Gauges (Metric Units)	ALL		2808287	1
	SOCKET ASSY — Inst. panel bulb (warning lamps)	ALL		2973932	9
	BULB — Panel lighting (warning lamps)	ALL		9421330	9
	BULB — Panel lighting (gauges)	ALL		9417863	9

HOLDEN "LC" PARTS CATALOGUE

2.515 SERVICE COMPONENTS OF COMBINED INSTRUMENT ASSEMBLIES

SERVICE COMPONENTS	CLUSTER ASSEMBLIES							
	2808284	2808285	2808286	2808287	2808288	2808289	2815927	2815928
AMMETER			VS11251	VS11251				
BRACKET — Gauge support			VS10930	VS10930				
BRACKET — Inst. back plate (one hole)	VS10734	VS10734	VS10734	VS10734	VS10734	VS10734	VS10734	VS10734
BRACKET — Inst. back plate (two hole)			VS10933	VS10933				
CLIP — Terminal block			VS10926	VS10926				
DIAL — Speedometer	VS10946	VS11262	VS11263	VS11264	VS10946	VS11262	VS10946	VS11262
DIAL — Temperature & generator	VS10935	VS10935			VS10935	VS10935	VS10935	VS10935
GAUGE — Fuel	VS11252	VS11252	VS11253	VS11253	VS11252	VS11252	VS11252	VS11252
GAUGE — Oil pressure			VS11265	VS11266				
GAUGE — Temperature			VS11254	VS11255				
GLASS — Instrument	VS11268	VS11268	VS11268	VS11268	VS11268	VS11268	VS11268	VS11268
HOUSING — High beam lamp	VS10943	VS10943			VS10943	VS10943	VS10943	VS10943
LENS — Generator warning lamp	VS10938	VS10938			VS10938	VS10938	VS10938	VS10938
LENS — High beam	VS10932	VS10932	VS10932	VS10932	VS10932	VS10932	VS10932	VS10932
LENS — Oil pressure warning lamp	VS10939	VS10939			VS10939	VS10939	VS10939	VS10939
LENS — Temperature warning lamp	VS10937	VS10937			VS10937	VS10937	VS10937	VS10937
NUT — Gauge retainer			VS10924	VS10924				
NUT — Temperature terminal			VS10925	VS10925				
ODOMETER & BRACKET ASSY	VS11260	VS11261	VS11260	VS11261	VS11260	VS11261	VS11260	VS11261
ODOMETER ASSY	VS10948		VS10948		VS10948		VS10948	
PANEL — Facia	VS11256	VS11256	VS11257	VS11257	VS11258	VS11258	VS11657	VS11657
PLATE — Instrument back	VS10928	VS10928	VS10940	VS10940	VS10928	VS10928	VS10928	VS10928
POINTER — Speedometer	VS11259	VS11259	VS11259	VS11259	VS11259	VS11259	VS11259	VS11259
PRINTED CIRCUIT	VS10715	VS10715			VS10715	VS10715	VS10715	VS10715
RESISTOR ASSY. — Fuel gauge	2822946	2822946	2822938	2822938	2822946	2822946	2822946	2822946
RETAINER — Gauge			VS10923	VS10923				
SCREW — Bracket to back plate	VS10747	VS10747	VS10747	VS10747	VS10747	VS10747	VS10747	VS10747
SCREW — Inst. assy. to panel	VS10931	VS10931	VS10931	VS10931	VS10931	VS10931	VS10931	VS10931
SCREW — Inst. back plate	VS10934	VS10934	VS10934	VS10934	VS10934	VS10934	VS10934	VS10934
SCREW — Tachometer retainer			VS10929	VS10929				
SEAL — High beam lamp housing	VS10942	VS10942			VS10942	VS10942	VS10942	VS10942
SPEEDOMETER ASSY.	VS11187	VS11189	VS11188	VS11190	VS11187	VS11189	VS11187	VS11189
TACHOMETER ASSY.			VS11191	VS11191				
TERMINAL ASSY			VS10927	VS10927				
WASHER — Printed circuit	VS10941	VS10941			VS10941	VS10941	VS10941	VS10941

HOLDEN "LC" PARTS CATALOGUE

GROUP	DESCRIPTION	MODEL	SIDE	PART No.	QTY.
2.555	HARNES ASSEMBLY — Main wiring				
	HARNES ASSEY. — (Warning lamps)	(M) 4 Cyl. exc. 1600 Eng.		(²² 2814934	1
		(M) 4 Cyl. exc. 1600 Eng.		(⁴⁹ 2818713	1
		(M) 4 Cyl. exc. 1600 Eng.		(⁵⁰ 2822145	1
		(M) 1600 Eng.		2820975	1
	HARNES ASSEY. — (Warning lamps)	(A) 4 Cyl. exc. 1600 Eng.		(²² 2814935	1
		(A) 4 Cyl. exc. 1600 Eng.		(⁴⁹ 2818714	1
		(A) 4 Cyl. exc. 1600 Eng.		(⁵⁰ 2822146	1
		(A) 1600 Eng.		2820976	1
	HARNES ASSEY. — (Gauges)	(M) 4 Cyl. exc. 1600 Eng.		(²² 2808409	1
		(M) 4 Cyl. exc. 1600 Eng.		(⁴⁹ 2818556	1
		(M) 4 Cyl. exc. 1600 Eng.		(⁵⁰ 2822147	1
		(M) 1600 Eng.		2820977	1
	HARNES ASSEY. — (Gauges)	(A) 4 Cyl. exc. 1600 Eng.		(²² 2808410	1
		(A) 4 Cyl. exc. 1600 Eng.		(⁴⁹ 2818557	1
		(A) 4 Cyl. exc. 1600 Eng.		(⁵⁰ 2822148	1
		(A) 1600 Eng.		2820978	1
	HARNES ASSEY. — (Warning lamps) (Bucket Seats)	(M) 2250, 2600 exc. S Eng.			
			RIGHT HAND DRIVE	(²² 2807433	1
		(M) 2250, 2600 exc. S Eng.			
			RIGHT HAND DRIVE	(²³ 2818710	1
		(M) 2850 exc. S Eng.	RIGHT HAND DRIVE	2818710	1
		(M)	LEFT HAND DRIVE	2811418	1
	HARNES ASSEY. — (Warning lamps) (Bucket Seats)	(A) 2250, 2600 exc. S Eng.			
			RIGHT HAND DRIVE	(²² 2807635	1
		(A) 2250, 2600 exc. S Eng.			
			RIGHT HAND DRIVE	(²³ 2818711	1
		(A) 2850 exc. S Eng.	RIGHT HAND DRIVE	2818711	1
		(A)	LEFT HAND DRIVE	2811419	1
	HARNES ASSEY. — (Gauges) (Bucket Seats)	(M) 6 Cyl. Eng.	RIGHT HAND DRIVE	(²² 2808250	1
		(M) 6 Cyl. Eng.	RIGHT HAND DRIVE	(²³ 2818553	1
		(M) 6 Cyl. Eng.	LEFT HAND DRIVE	2811420	1
	HARNES ASSEY. — (Gauges) (Bucket Seats)	(A) 2250, 2600 exc. S Eng.			
			RIGHT HAND DRIVE	(²² 2807488	1
		(A) 2250, 2600 exc. S Eng.			
			RIGHT HAND DRIVE	(²³ 2818554	1
		(A) 2850 exc. S Eng.	RIGHT HAND DRIVE	2818554	1
		(A)	LEFT HAND DRIVE	2811421	1
	HARNES ASSEY. — (Warning lamps) (Bench Seats)	2250, 2600 exc. S Eng.		(²² 2815066	1
		2250, 2600 exc. S Eng.		(²³ 2818712	1
		2850, exc. S Eng.		2818712	1
	HARNES ASSEY. — (Gauges) (Bench Seats)	2250, 2600 exc. S Eng.		(²² 2815067	1
		2250, 2600 exc. S Eng.		(²³ 2818555	1
		2850 exc. S Eng.		2818555	1
	WIRE — Thermostat switch to engine harness	1600 Eng.		8838985	1
	LEAD ASSEY. — Jumper (Bench Seats)	(M) 2250, 2600 exc. S Eng.		2814933	1
	LEAD ASSEY. — Jumper (Bench Seats)	(M) 2850 exc. S Eng.		2814933	1
	BODY — Single terminal	ALL		2962448	A.R.
	BODY — 2 way terminal	ALL		2962964	A.R.
	BODY — 3 way terminal	ALL		2962449	1
	BODY — 3 way terminal, headlamp connector	ALL		2977804	1
	BODY — 8 way terminal, twin lock	ALL		7433708	1
	BODY — Headlamp lead — 3 female terminal — Yellow bulb lamp — (optional Export only)		LEFT HAND DRIVE	2965810	2
	CLIP — Harness to dash panel	ALL		7413031	5

- Note:** (²² Prior to brake line pressure warning switch.
(²³ When brake line pressure warning switch fitted.
(⁴⁹ Brake line Pressure Warning Switch mounted LH Side.
(⁵⁰ Brake line Pressure Warning Switch mounted RH Side.

HOLDEN "LC" PARTS CATALOGUE

GROUP	DESCRIPTION	MODEL	SIDE	PART No.	QTY.
2.555	HARNES ASSEMBLY — Main wiring (contd.)				
	CLIP — Harness to dash panel	ALL		7413370	3
	CLIP — Harness to dash panel	6 Cyl. Eng.		SP2199	1
	CLIP — Harness to frame (Bench Seats)	6 Cyl. Eng.		SP2199	1
	CLIP — Harness to dash upper panel	ALL		7154559	A.R
	CLIP — Harness to front valance panel	4 Cyl. Eng.		SP1498	3
	CLIP — Harness to front side rail	4 Cyl. Eng.		SP1498	2
	CLIP — Harness to RH fender skirt	4 Cyl. Eng.		SP1498	1
	CLIP — Harness attaching	ALL		7413032	2
	CLIP — Harness to transmission	(M) 1600 Eng.		7401178	1
	CLIP — Harness to RH engine side rail	1600 Eng.		SP2199	1
2.585	LAMP ASSEMBLY — Parking and turn signal				
	LAMP ASSY	4 Cyl. Eng.	LH	7447217	1
			RH	7447218	1
	BULB — 12 — 16 volt 32 — 4 C.P.	ALL		9417867	2
2.586	BODY ASSEMBLY — Parking and turn signal lamp				
	BODY ASSY	4 Cyl. Eng.		7447213	2
	BODY ASSY	6 Cyl. Eng.		2805205	2
2.589	LENS — Parking and turn signal lamp				
	LENS	ALL	LH	7447147	1
			RH	7447148	1
	SCREW — Lens to body	ALL		SP1801	4
	SEAL — Lens to body screw	ALL		1516054	4
2.590	GASKET — Parking and turn signal lamp lens				
	GASKET	ALL		7441906	2
2.596	LEAD ASSEMBLY, CARRIER — Parking and turn signal lamp				
	LEAD ASSY.	ALL		7447220	2
	BODY — 2 way terminal	ALL		2962964	2
	GROMMET	6 Cyl. Eng.		SP1982	2
	CARRIER — Lead	ALL		7426881	2
	SPRING — Socket	ALL		7402293	2
	CLIP — Lead	4 Cyl. Eng.		7449524	2
2.670	BUMPER, WASHER — Rear licence plate mounting				
	BUMPER	ALL		7427353	2
	WASHER — Rubber	ALL		7424387	2
2.679	LAMP ASSEMBLY, BASE, BULB — Tail, stop and turn signal				
	LAMP ASSY. — (Chromed rim)	Torana, 'S', De Luxe	LH	2806985	1
			RH	2806986	1
	LAMP ASSY. — White back-up lens (optional Export only) — (Chromed rim)	Torana, 'S', De Luxe	LH	2807603	1
			RH	2807602	1
	LAMP ASSY. — (White Satin rim)	Torana, 'S', De Luxe	LH	2817209	1
			RH	2817210	1
	LAMP ASSY. — White back-up lens (optional Export only) — (White Satin rim)	Torana, 'S', De Luxe	LH	2817211	1
			RH	2817212	1
	LAMP ASSY.	'SL', 'GTR'	LH	2807793	1
			RH	2807794	1
	LAMP ASSY. — White back-up lens (optional Export only)	'SL', 'GTR'	LH	2807605	1
			RH	2807604	1
	LAMP ASSY. — Rear, side (amber lens)	ALL		2811656	2
	LAMP ASSY. — Rear, side (red lens) (optional Export only)	ALL		2811657	2
	BULB — 12 — 16 volt 32 — 4 C.P.	ALL		9417867	2

HOLDEN "LC" PARTS CATALOGUE

GROUP	DESCRIPTION	MODEL	SIDE	PART No.	QTY.
2.679 LAMP ASSEMBLY, BASE, BULB — Tail, stop and turn signal (contd.)					
	BULB — 12 — 16 volt 32 C.P.	ALL		9417866	2
	BULB — 12 — 16 volt 21 C.P. (optional Export only)	ALL		142456	2
	BASE	ALL		2806988	2
	BASE — Rear side lamp	ALL		2811658	2
	SHIELD — Inner lens dividing	ALL		2806996	2
	NUT — Lamp assembly to body	ALL		SP1900	8
2.681 RIM ASSEMBLY — Tail, stop and turn signal lamp					
	RIM ASSY. — (Chrome finish)	Torana, 'S', De Luxe	LH	2806991	1
			RH	2806990	1
	RIM ASSY — (White Satin finish)	Torana, 'S', De Luxe	LH	2817213	1
			RH	2817214	1
	RIM ASSY	'SL', 'GTR'	LH	2807807	1
			RH	2807808	1
2.682 LENS — Tail, stop and turn signal lamp					
	LENS — Outer	Torana, 'S', De Luxe	LH	2806995	1
			RH	2806994	1
	LENS — Outer, White back-up lens (optional Export only)	Torana, 'S', De Luxe	LH	2807577	1
			RH	2807578	1
	LENS — Outer	'SL', 'GTR'	LH	2807575	1
			RH	2807576	1
	LENS — Outer, White back-up lens (optional Export only)	'SL', 'GTR'	LH	2807579	1
			RH	2807580	1
	LENS — Tail and stop lamp inner	ALL		2806992	2
	LENS — Rear side lamp (amber)	ALL		2811661	2
	LENS — Rear side lamp (red) (optional Export only)	ALL		2811662	2
	NOTE Refer Group 2.698 for Turn Signal and Back-up lamp Inner Lens.				
2.684 GASKET — Tail, stop and turn signal lamp					
	GASKET — Lens	ALL		7449905	2
	GASKET — Rear side lamp lens to base	ALL		2811659	2
	GASKET — Rear side lamp to base	ALL		2811660	2
2.697 SWITCH, NUT, SLEEVE, GASKET, HARNESS — Back-up lamp (Refer Group 4.054 for Automatic Trans. Switch Assy.)					
	SWITCH ASSY	(M) 4 Cyl. exc. 1600 Eng.		7437067	1
	NUT — Switch attaching	(M) 4 Cyl. exc. 1600 Eng.		858388	1
	SLEEVE — Switch to underbody	(M) 4 Cyl. exc. 1600 Eng.		7447282	1
	GASKET — Switch to transmission	(M) 4 Cyl. exc. 1600 Eng.		513975	1
	SWITCH ASSEMBLY	(M) 1600 Eng.		8843616	1
	HOUSING — Switch	(M) 1600 Eng.		8838273	1
	"O" RING — Sealing	(M) 1600 Eng.		6350011	1
	WASHER — Sealing	(M) 1600 Eng.		8838339	1
	SWITCH ASSY	(M) 3 Speed Trans., 2250, 2600 exc. S Eng.			
			RIGHT HAND DRIVE	7434465	1
	SWITCH ASSY	(M) 3 Speed Trans., 2850 exc. S Eng.			
			RIGHT HAND DRIVE	7434465	1
	SWITCH ASSY. (Round terminals)	(M) 6 Cyl. Eng., 4 Speed Trans.		(⁴¹ 7430383)	1
	BOLT — Hex. hd. 8 mm x 1.25 mm x .47"	(M) 6 Cyl. Eng., 4 Speed Trans.		(⁴¹ SP1691)	2
	SWITCH ASSY. (Test terminals)	(M) 6 Cyl. Eng., 4 Speed Trans.			
			RIGHT HAND DRIVE	(⁴² 2817980)	1
	HARNESS ASSY	(M) 6 Cyl. Eng., 4 Speed Trans.			
			RIGHT HAND DRIVE	(⁴¹ 2809421)	1

Note: (⁴¹ 1st Type — Overseas manufactured Transmission.
(⁴² 2nd Type — Locally manufactured Transmission.

HOLDEN "LC" PARTS CATALOGUE

GROUP	DESCRIPTION	MODEL	SIDE	PART No.	QTY.
2.697	SWITCH, NUT, SLEEVE, GASKET, HARNESS — Back-up lamp (contd.) (Refer Group 4.054 for Automatic Trans. Switch Assy.) (contd.)				
	WIRE ASSY	(M) 6 Cyl. Eng., 4 Speed Trans.	RIGHT HAND DRIVE	(⁴² 2818289	1
	GROMMET — Connector to harness	(M) 6 Cyl. Eng., 4 Speed Trans.		7090220	1
	BODY — 2 way male connector	(M) 6 Cyl. Eng., 4 Speed Trans.		2973431	1
	TERMINAL — Scale ..	(M) 6 Cyl. Eng., 4 Speed Trans.		2965429	2
	TERMINAL — Female	(M) 6 Cyl. Eng., 4 Speed Trans.			
	SWITCH ASSY	(M) 3 Speed Trans	RIGHT HAND DRIVE	(⁴² 2965141	2
	HARNESS ASSY	(M) 4 Speed Trans	LEFT HAND DRIVE	2814394	1
	WIRE ASSY		LEFT HAND DRIVE	2815337	1
	GROMMET — Wire		LEFT HAND DRIVE	2814392	1
	BODY — 2 way male connector		LEFT HAND DRIVE	7090220	1
	TERMINAL — Male ..		LEFT HAND DRIVE	2973431	1
			LEFT HAND DRIVE	2965429	2
	NOTE Reference to the 4 Speed Transmission Illustrations is necessary for positive Type identification.				
2.698	LENS — Turn signal and back-up lamp inner				
	LENS	ALL		2806993	2
	LENS — White back-up lens (optional Export only)	ALL		2807235	2
2.705	GROMMET — Rear licence lamp				
	GROMMET — Bracket ..	ALL		7416288	2
2.714	HARNESS, BULB — Rear licence lamp				
	HARNESS ASSY ..	ALL		2809110	1
	SPRING — Lamp socket ..	ALL		2962243	A.R.
	BULB — 12 — 16 volt 2 C.P. S.C.	ALL		9417863	1
2.725	HEADLAMP ASSEMBLY				
	HEADLAMP ASSY. PACKAGE	6 Cyl. Eng.	RIGHT HAND DRIVE	2820429	2
	HEADLAMP ASSY. — Yellow bulb — (optional Export only) ..		LEFT HAND DRIVE	7435064	2
	BULB — 12 volt 45 — 50 watt. Yellow — (optional Export only) ..		LEFT HAND DRIVE	7427321	2
2.726	RING — Headlamp mounting				
	RING	4 Cyl. Eng.		7447862	2
	RING	6 Cyl. Eng.		7447111	2
2.727	SEALED BEAM UNIT, LENS and REFLECTOR — Headlamp				
	SEALED BEAM UNIT		RIGHT HAND DRIVE	7434806	2
			LEFT HAND DRIVE	5956007	2
	LENS & REFLECTOR — Yellow bulb lamp — (optional Export only) ..		LEFT HAND DRIVE	7427320	2
2.728	RIM — Headlamp				
	RIM	4 Cyl. exc. 1600 Eng. ..	LH	2805257	1
			RH	2805256	1
	RIM	1600 Eng. ..	LH	2822719	1
			RH	2822718	1
	RIM	2250, 2600 exc. S Eng	LH	2806655	1
			RH	2806656	1
	RIM	2850 exc. S Eng.	LH	2806655	1
			RH	2806656	1

Note: (⁴² 2nd Type — Locally manufactured Transmission

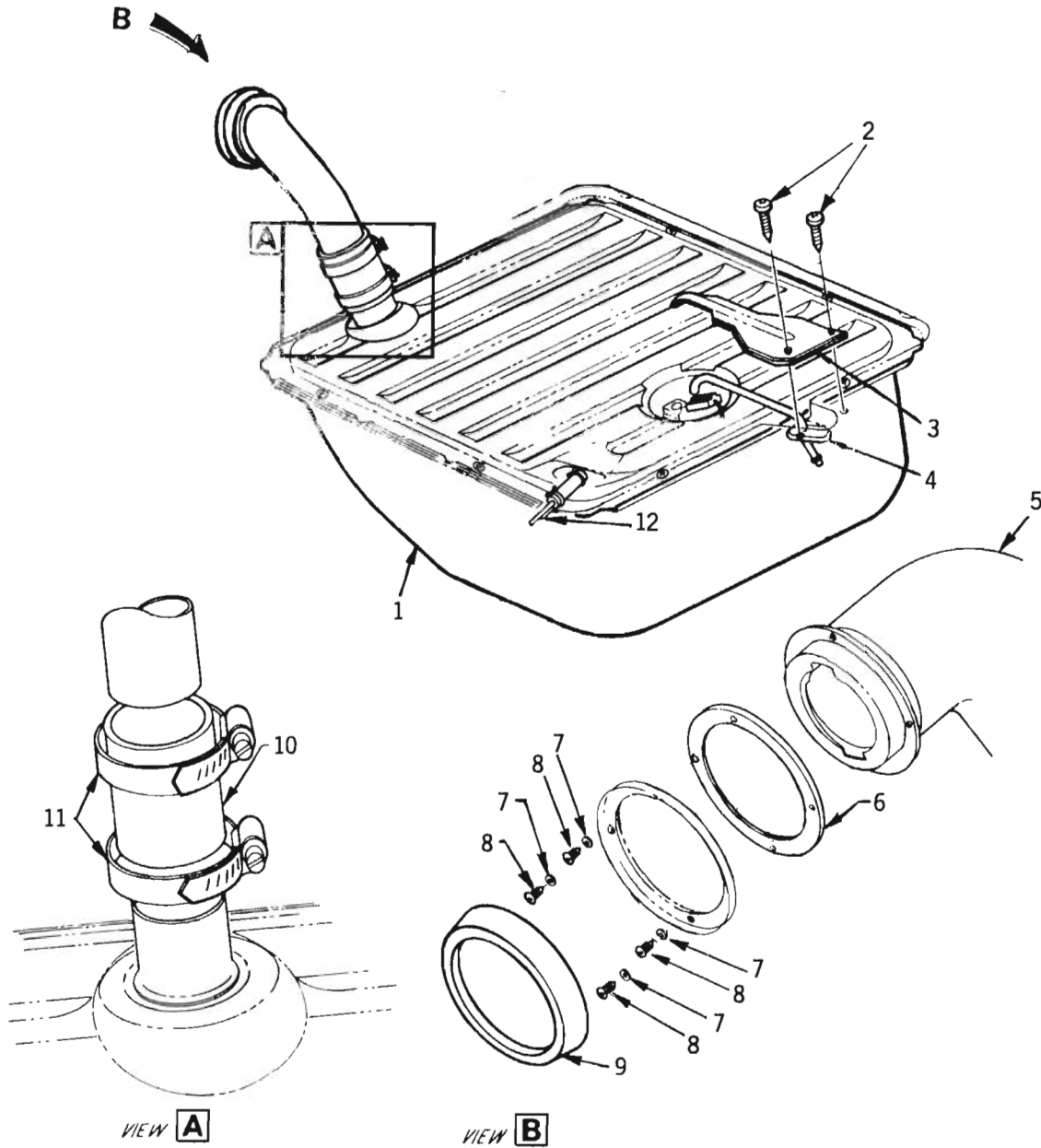
HOLDEN "LC" PARTS CATALOGUE

GROUP	DESCRIPTION	MODEL	SIDE	PART No.	QTY.
2.728	RIM — Headlamp (contd.)				
	RIM	2600S, 2850S, 186X Eng.	LH	2810865	1
			RH	2810864	1
	SCREW — Rim attaching	ALL		7448842	4-8
	NUT — U-Type spring	ALL		SP1733	4-8
2.729	NUT — Headlamp adjusting				
	NUT	ALL		7432889	4
2.731	RING — Headlamp retaining				
	RING ASSY	ALL		7436779	2
	SCREW — Pan head retaining	ALL		SP1867	6
2.737	SCREW — Headlamp beam adjusting				
	SCREW	ALL		7432888	4
	SPRING — Light unit retaining	ALL		7448437	2
2.810	HORN ASSEMBLY				
	HORN ASSY. — Low note	exc. 1600 Eng.		2811107	1
	HORN ASSY. — Low note	1600 Eng.		7438083	1
	HORN ASSY. — High note	exc. 1600 Eng.		2811108	1
	HORN ASSY. — High note	1600 Eng.		2817431	1
	LEAD ASSY. — High note horn	exc. 1600 Eng.		7431365	1
	LEAD ASSY. — High note horn	1600 Eng.		2808643	1
2.819	SCREW — Horn contact adjusting				
	SCREW	Exc. 'GTR'		7434166	1
	SCREW	'GTR'		2822614	2
2.820	BUTTON and EMBLEM, SPRING — Horn actuating				
	BUTTON & EMBLEM ASSY	'GTR'		7449081	1
	SPRING — Horn button retaining	'GTR'		7417612	1
2.822	SUPPORT and RING ASSEMBLY — Horn contact				
	SUPPORT & RING ASSY	ALL		7436460	1
	SCREW — Pan hd. cr. rec. tap. "TT" type No. 8 — 32 x 1/2"	ALL		9419633	2
2.824	ADAPTOR — Horn actuating bar				
	ADAPTOR	Exc. 'GTR'		7433127	1
	ADAPTOR — Horn button	'GTR'		7449078	1
	SPRING — Adaptor to steering wheel	Exc. 'GTR'		2812196	3
	SPRING — Adaptor to steering wheel hub	'GTR'		7449079	4
	SCREW — Adaptor to steering wheel	ALL		7424198	3-4
	SHIM — Adjustment	Exc. 'GTR'		2815062	A.R.
2.830	BAR ASSEMBLY — Horn actuating				
	BAR ASSY — Trim Nos. 40B	Torana		2807272BA	1
	BAR ASSY — Trim Nos. 41A, 41B	Torana		2807272BB	1
	BAR ASSY — Trim Nos. 42A	Torana		2807272BC	1
	BAR ASSY — Trim Nos. 42B	Torana		2807272BT	1
	BAR ASSY — Trim Nos. 44A	Torana		2807272CF	1
	BAR ASSY — Trim Nos. 46B	Torana		2807272BU	1
	BAR ASSY — Trim Nos. 40D, 40E, 40F 40P, 40Q, 40R, 40T	'S', 'SL', De Luxe.		2807270BA	1
	BAR ASSY — Trim Nos. 41D, 41E, 41F 41P, 41Q, 41R, 41T	'S', 'SL', De Luxe.		2807270BB	1
	BAR ASSY — Trim Nos. 42D, 42F, 42P	'S', 'SL', De Luxe.		2807270BT	1
	BAR ASSY — Trim Nos. 42E, 42R, 42T	'S', 'SL', De Luxe.		2807270BC	1
	BAR ASSY — Trim Nos. 43D, 43E, 43F, 43P, 43R, 43T	'S', 'SL', De Luxe.		2807270BD	1

HOLDEN "LC" PARTS CATALOGUE

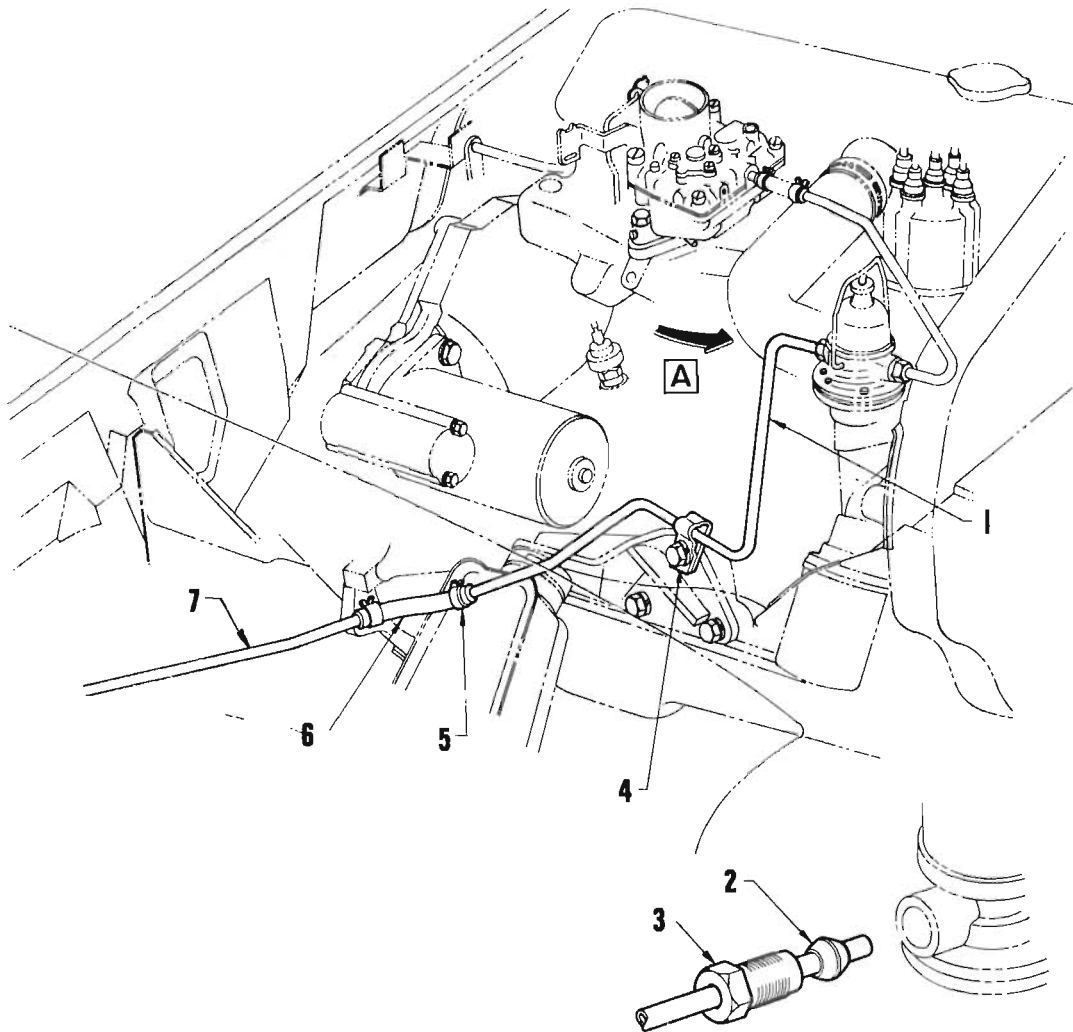
GROUP	DESCRIPTION	MODEL	SIDE	PART No.	QTY.
2.830	BAR ASSEMBLY — Horn actuating (contd.)				
	BAR ASSY. — Trim Nos. 44D, 44E, 44F, 44P, 44R, 44T	'S', 'SL', De Luxe		2807270CF	1
	BAR ASSY. — Trim Nos. 46D, 46F, 46P	'S', 'SL', De Luxe		2807270BU	1
	BAR ASSY. — Trim Nos. 48D, 48F, 48P, 48Q	'S', 'SL', De Luxe..		2807270BG	1
	SCREW — Bar to adaptor	Exc. 'GTR'		SP1948	4
2.892	FLASHER ASSEMBLY — Turn signal				
	FLASHER ASSY	ALL		7436254	1
	CLIP — Retaining		RIGHT HAND DRIVE	6348287	1
			LEFT HAND DRIVE	7417478	1
2.893	BULB — Turn signal indicator				
	BULB — 12 — 16 volt 2 C.P. — Wedge type	Warning Lamps		9421330	2
	BULB — 12 — 16 volt 2 C.P. S.C.	Gauges		9417863	2
2.895	SWITCH ASSEMBLY — Turn signal lamp				
	SWITCH ASSY.	ALL		7433317	1
	RING ASSY. — Support	ALL		7433242	1
	RING — Switch retaining	ALL		5699603	1
	WASHER — Switch thrust	ALL		7800580	1
	WASHER — Switch wave	ALL		7800581	1
	PLATE — Actuating	ALL		5957063	1
2.896	BEARING, PLUG — Turn signal lamp switch				
	BEARING ASSY.	ALL		7800269	1
	PLUG — Horn brush lead	ALL		7449369	1
2.897	LEVER, KNOB — Turn signal lamp switch				
	LEVER	ALL		7433369AG	1
	KNOB	ALL		7433370	1

NOTES



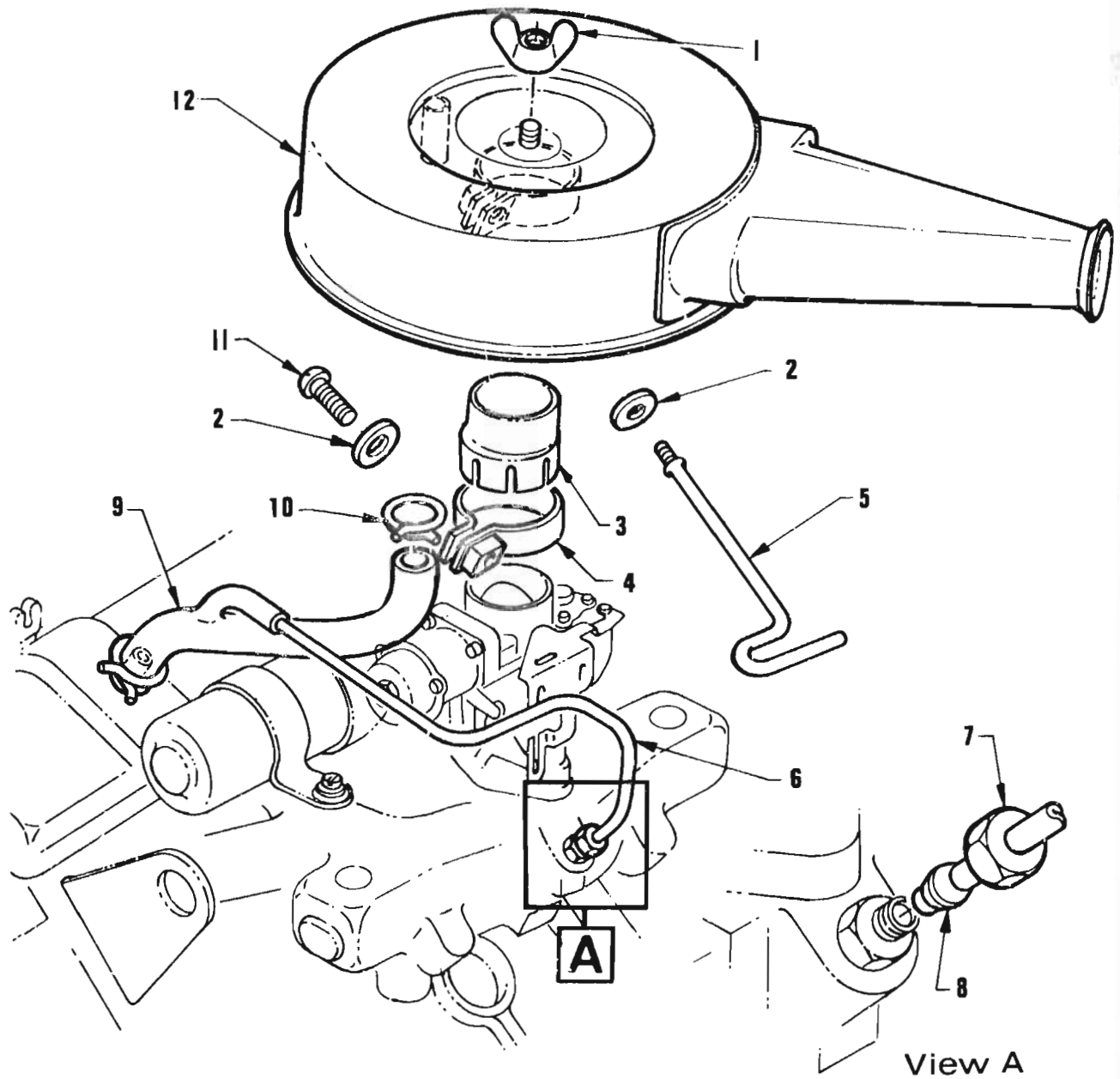
FUEL TANK and FILLER PIPE

ILLUS. REF. NO.	PART NAME	GROUP	ILLUS. REF. NO.	PART NAME	GROUP
1.	TANK ASSY. - Fuel	3.001	7.	WASHER - Plain	8.929
2.	SCREW	8.977	8.	SCREW	8.977
3.	GUARD ASSY. - Rear pipe	3.158	9.	CAP ASSY.	3.028
4.	GROMMET - Rear pipe	3.158	10.	HOSE - Filler neck	3.003
5.	PIPE ASSY. - Filler	3.003	11.	CLAMP	3.003
6.	GASKET	3.008	12.	PIPE - Fuel tank vent	3.003



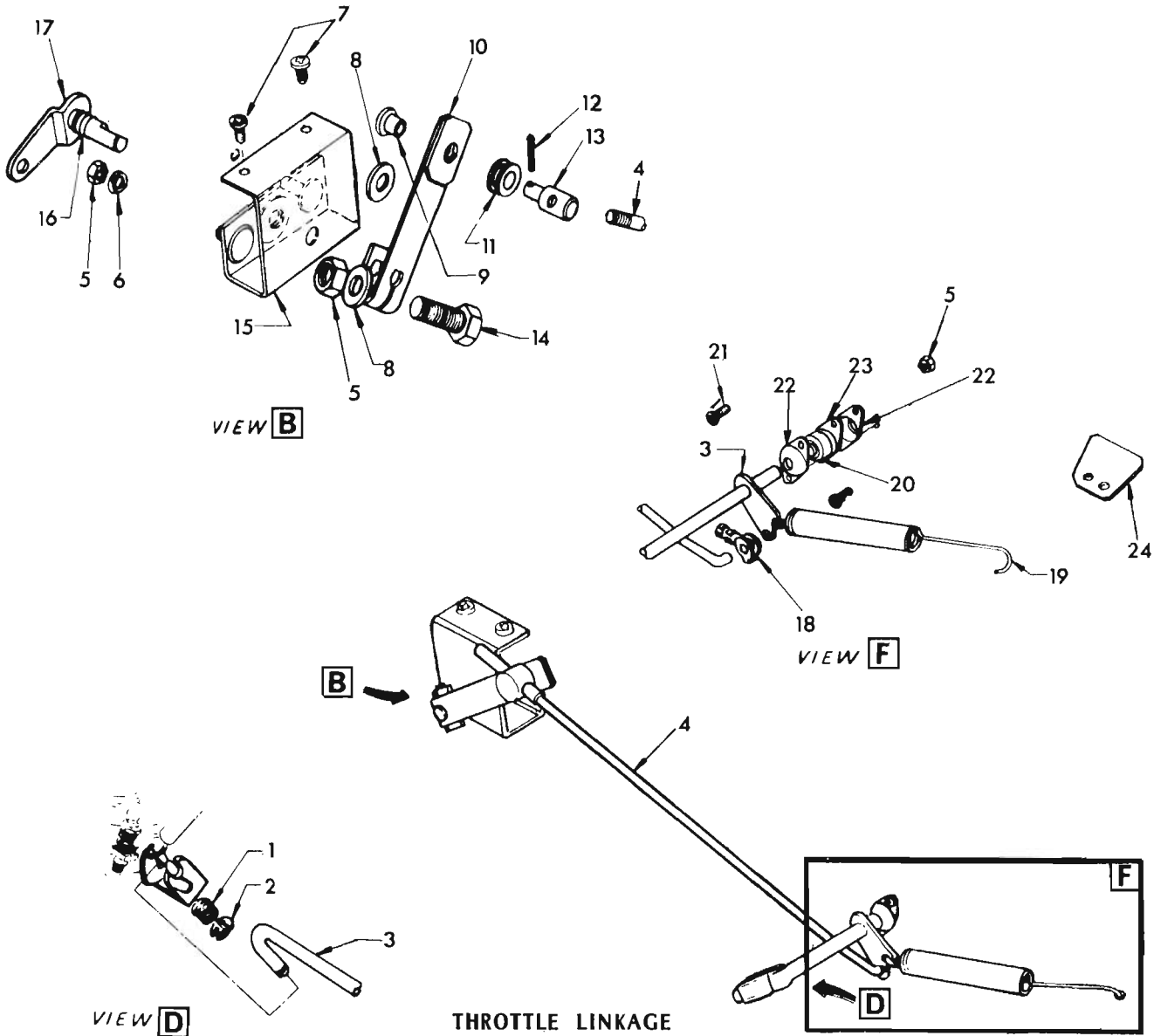
FUEL PIPES — (1600 Engine)

ILLUS. REF. NO.	PART NAME	GROUP	ILLUS. REF. NO.	PART NAME	GROUP
1.	PIPE — Fuel auxiliary to pump	3.158	5.	CLAMP — Hose	3.163
2.	SLEEVE — 1/4" ball	8.963	6.	HOSE — Fuel pipe to pump	3.163
3.	NUT — Fuel pipe to pump	3.202	7.	PIPE — Fuel tank to pump	3.158
4.	CLIP — Fuel pipe to front engine mounting bracket	3.202			



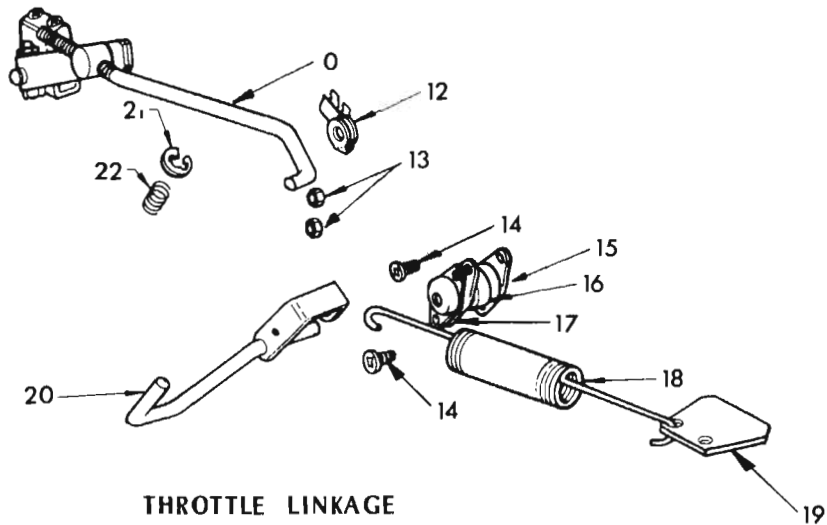
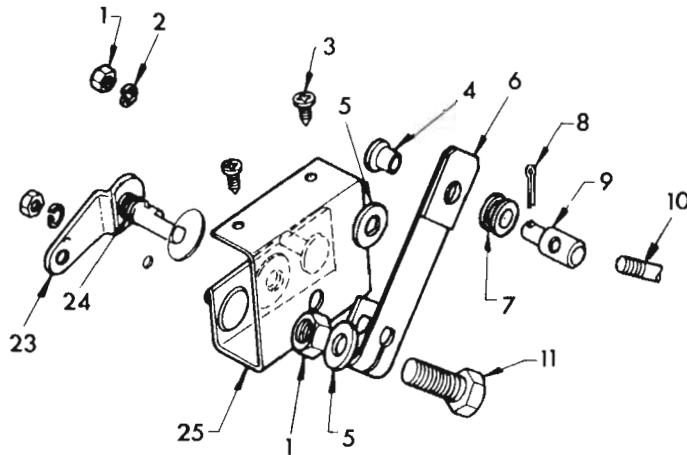
AIR CLEANER & MOUNTING – (1600 Engine)

ILLUS. REF. NO.	PART NAME	GROUP	ILLUS. REF. NO.	PART NAME	GROUP
1.	NUT – Wing 1/4" – 20	3.410	7.	NUT – Pipe to connector	1.762
2.	WASHER – 1/4" x 1/2" x .063" (narrow) (plain)	8.929	8.	SLEEVE – 3/16" ball	8.963
3.	ADAPTOR – Air cleaner to carburettor	3.403	9.	HOSE – Camshaft cover to air cleaner	1.762
4.	CLAMP – Adaptor to carburettor	3.403	10.	CLAMP – Hose	1.762
5.	ROD – Air cleaner	3.403	11.	BOLT – 1/4" – 20 x 7/8"	8.910
6.	PIPE – Hose to inlet manifold	1.762	12.	AIR CLEANER & SILENCER ASSY.	3.402



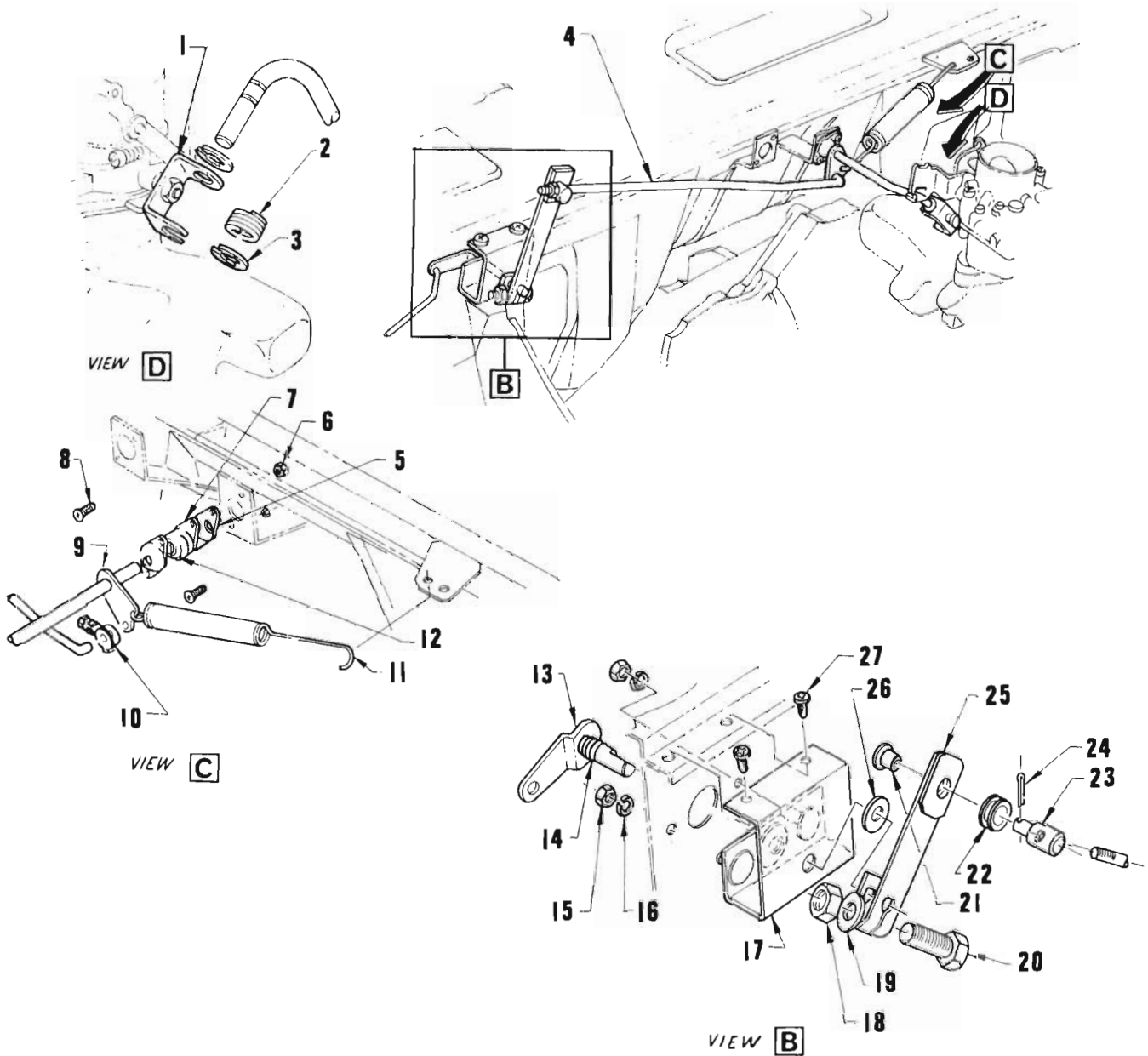
THROTTLE LINKAGE
(1160 Engine)

ILLUS. REF. NO.	PART NAME	GROUP	ILLUS. REF. NO.	PART NAME	GROUP
1.	SPRING - Torsion rod anti-rattle	3.430	13.	TRUNNION - Pull rod	3.430
2.	CLIP - Torsion rod to carburettor	3.430	14.	BOLT	8.900
3.	ROD & LEVER ASSY. - Torsion	3.430	15.	BRACKET - Relay shaft support	3.430
4.	ROD ASSY. - Control pull	3.430	16.	SPRING - Anti-rattle	3.430
5.	NUT,	8.915	17.	SHAFT & LEVER ASSY. - Relay	3.430
6.	WASHER - Lock	8.931	18.	CLIP - Pull rod	3.430
7.	SCREW	8.977	19.	SPRING - Accelerator return	3.459
8.	WASHER - Plain	8.929	20.	SLEEVE - Torsion rod bearing	3.430
9.	SLEEVE - Pull rod	3.430	21.	BOLT	8.910
10.	LEVER ASSY. - Relay extension	3.430	22.	RETAINER - Torsion rod bearing	3.430
11.	BUSHING - Pull rod	3.430	23.	SPACER - Torsion rod bearing retainer	3.430
12.	PIN - Cotter	8.938	24.	BRACKET - Accelerator spring support	3.459



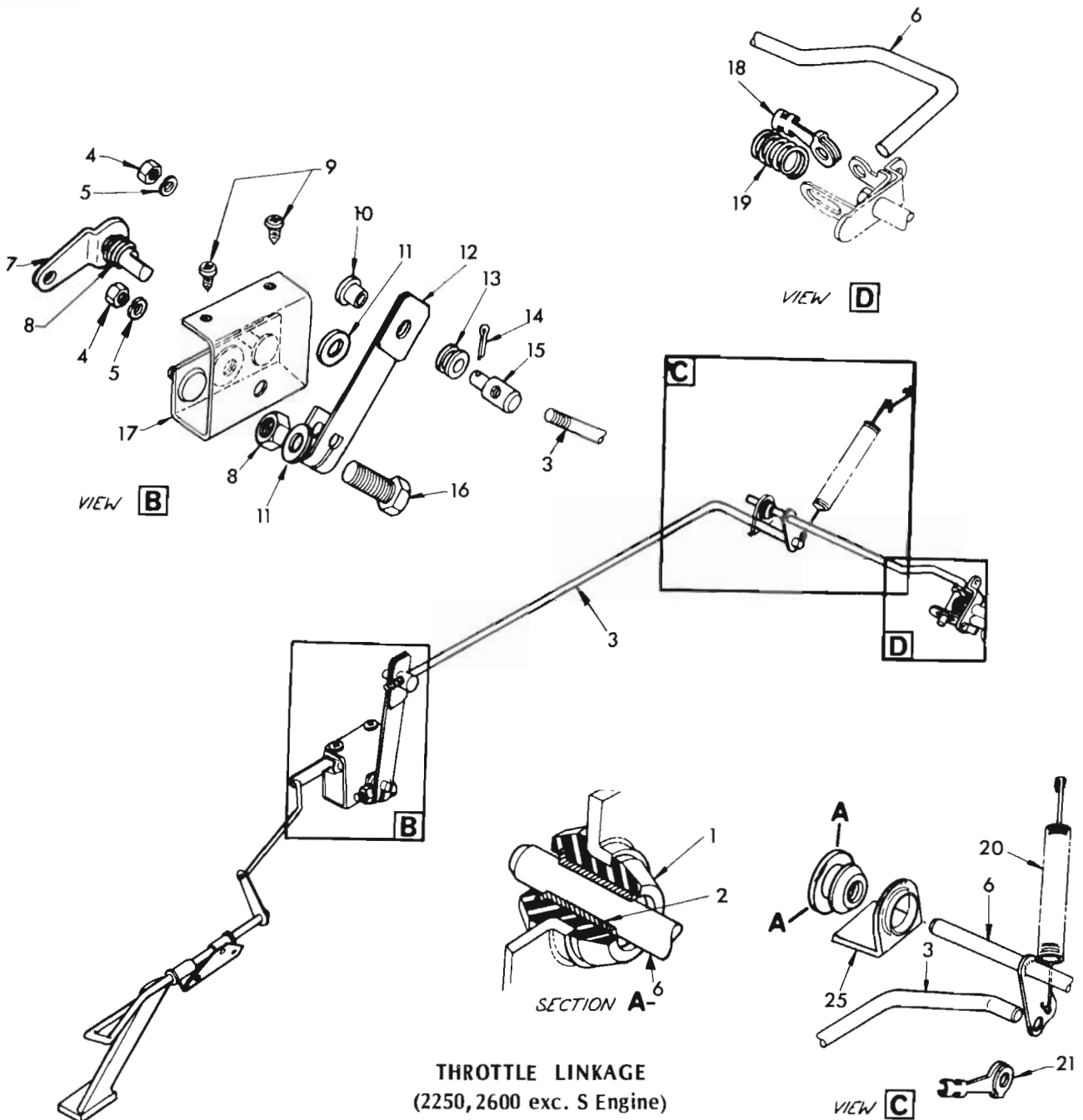
**THROTTLE LINKAGE
(70 Engine)**

ILLUS. REF. NO.	PART NAME	GROUP	ILLUS. REF. NO.	PART NAME	GROUP
1.	NUT	8.915	14.	BOLT	8.910
2.	WASHER - Lock	8.931	15.	RETAINER - Torsion rod bearing	3.420
3.	SCREW	8.977	16.	SLEEVE - Torsion rod bearing	3.430
4.	SLEEVE - Pull rod	3.430	17.	SPACER - Torsion rod bearing retainer ..	3.430
5.	WASHER - Plain	8.929	18.	SPRING - Accelerator return	3.459
6.	LEVER ASSY. - Relay extension	3.430	19.	BRACKET - Accelerator spring support ..	3.459
7.	BUSHING - Pull rod	3.430	20.	ROD & LEVER ASSY. - Torsion	3.430
8.	PIN - Cotter	8.938	21.	CLIP - Torsion rod to carburettor	3.430
9.	TRUNNION - Pull rod	3.430	22.	SPRING - Torsion rod anti-rattle	3.430
10.	ROD ASSY. - Control pull	3.430	23.	SHAFT & LEVER ASSY. - Relay	3.430
11.	BOLT	8.900	24.	SPRING - Anti-rattle	3.430
12.	CLIP - Pull rod	3.430	25.	BRACKET - Relay shaft support	3.430
13.	NUT	8.915			



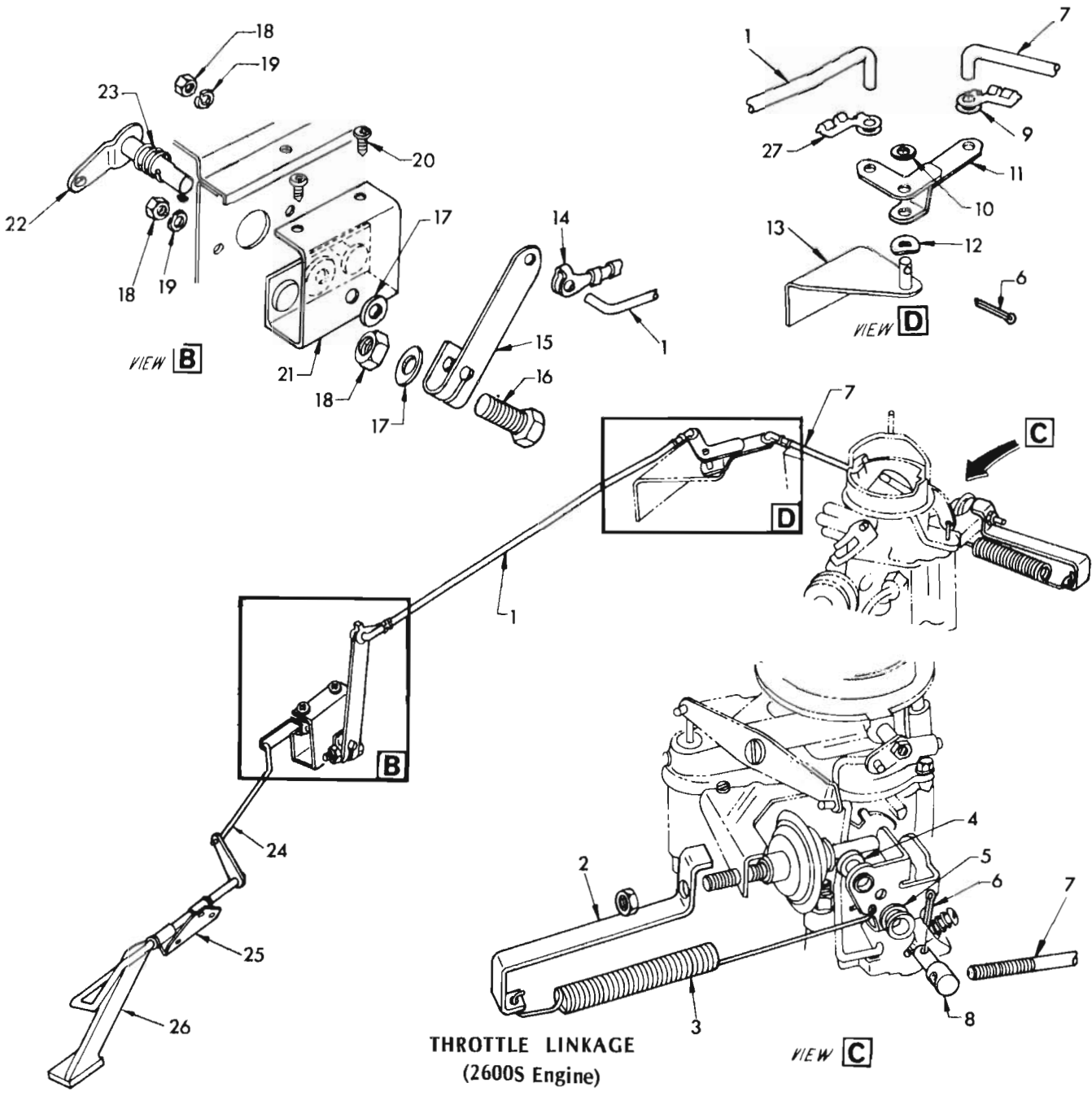
THROTTLE LINKAGE — (1600 Engine)

ILLUS. REF. NO.	PART NAME	GROUP	ILLUS. REF. NO.	PART NAME	GROUP
1.	LEVER — Throttle	3.731	16.	WASHER — Lock 1/4" light	8.931
2.	SPRING — Torsion rod to carb. anti-rattle ..	3.430	17.	BRACKET — Relay shaft support	3.430
3.	CLIP — Torsion rod to carburettor	3.430	18.	NUT — 5/16" — 24 light	8.915
4.	ROD — Accelerator control pull	3.403	19.	WASHER — Flat, 5/16" x 5/8" x .063"	8.929
5.	RETAINER — Torsion rod bearing	3.430	20.	BOLT — 5/16" — 24 x 1.1/4"	8.900
6.	NUT — No.10 — 32 machine screw	8.915	21.	SLEEVE — Pull rod to relay lever extension ..	3.430
7.	SPACER — Torsion rod bearing retainer	3.430	22.	BUSHING — Pull rod to relay lever ext.	3.430
8.	BOLT — No. 10 — 32 x 3/8"	8.910	23.	TRUNNION — Pull rod to relay lever ext. ...	8.430
9.	ROD — Throttle torsion	3.430	24.	PIN — Cotter, 3/32" x 5/8" (cad or zinc)..	8.938
10.	CLIP — Pull rod to torsion rod	3.430	25.	LEVER ASSY. — Relay extension	3.430
11.	SPRING — Return	3.459	26.	WASHER — Flat, .406" x .734" x .063"	8.929
12.	SLEEVE — Torsion rod bearing	3.430	27.	SCREW — Pan head, No. 10 — 16 x 1/2"	8.977
13.	SHAFT & LEVER ASSY. — Relay	3.430		cr. rec.	
14.	SPRING — Relay shaft anti-rattle	3.430			
15.	NUT — 1/4" — 28 light	8.915			



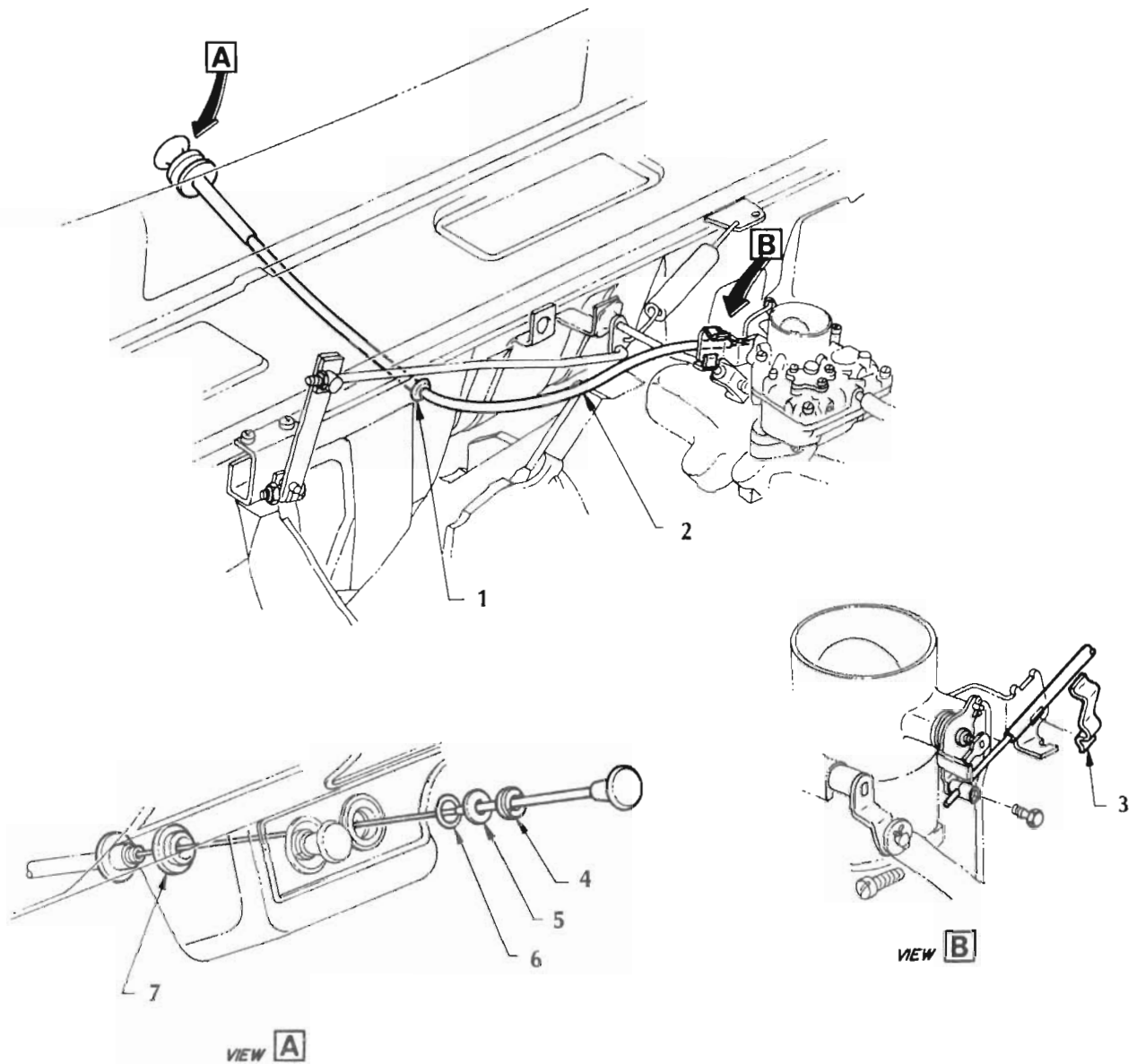
THROTTLE LINKAGE
(2250, 2600 exc. S Engine)

ILLUS. REF. NO.	PART NAME	GROUP	ILLUS. REF. NO.	PART NAME	GROUP
1.	SUPPORT - Torsion rod bearing	3.430	14.	PIN - Cotter	8.938
2.	BEARING - Torsion rod	3.430	15.	TRUNNION - Pull rod	3.430
3.	ROD ASSY. - Control pull	3.430	16.	BOLT	8.900
4.	NUT	8.915	17.	BRACKET - Relay shaft support	3.430
5.	WASHER - Lock	8.931	18.	CLIP - Torsion rod	3.430
6.	ROD ASSY. - Torsion	3.430	19.	SPRING - Torsion rod	3.430
7.	SHAFT & LEVER ASSY. - Relay	3.430	20.	SPRING - Accelerator return	3.459
8.	SPRING - Anti-rattle	3.430	21.	CLIP - Pull rod	3.430
9.	SCREW	8.977	22.	ROD - Accelerator control push	3.430
10.	SLEEVE - Pull rod	3.430	23.	SHAFT & BRACKET ASSY. Lower cross	3.430
11.	WASHER - Plain	8.929	24.	PEDAL - Accelerator	3.451
12.	LEVER ASSY. - Relay extension	3.430	25.	BRACKET - Torsion rod bearing support	3.430
13.	BUSHING - Pull rod	3.430			



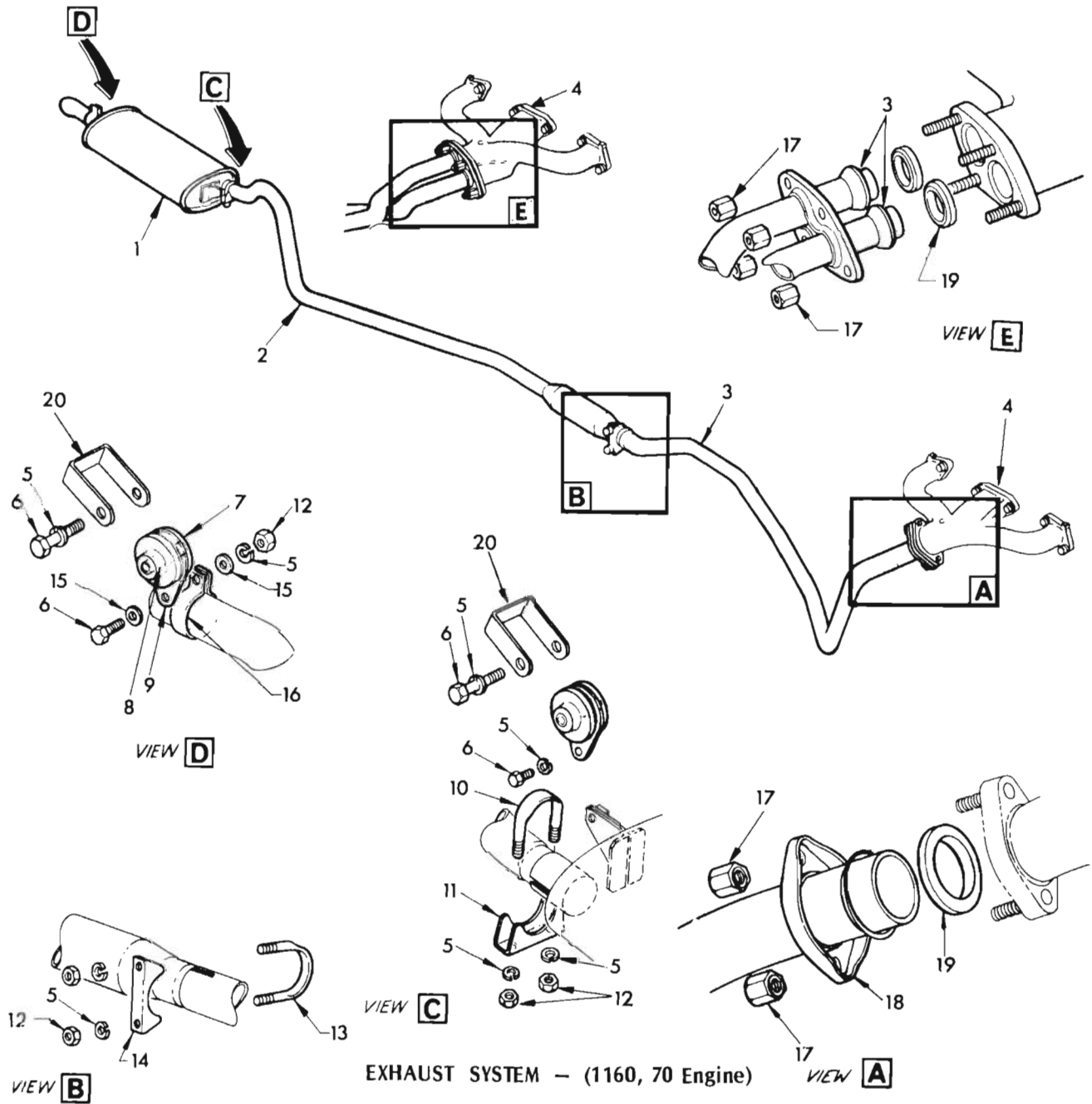
**THROTTLE LINKAGE
(2600S Engine)**

ILLUS. REF. NO.	PART NAME	GROUP	ILLUS. REF. NO.	PART NAME	GROUP
1.	ROD ASSY. — Control pull	3.430	15.	LEVER ASSY. — Relay extension	3.430
2.	BRACKET — Accelerator spring support..	3.459	16.	BOLT	8.900
3.	SPRING — Accelerator return	3.459	17.	WASHER — Plain	8.929
4.	SLEEVE — Relay lever rod	3.430	18.	NUT	8.915
5.	BUSHING — Relay lever rod	3.430	19.	WASHER — Lock	8.931
6.	PIN — Cotter	8.938	20.	SCREW	8.977
7.	ROD — Relay lever to carburettor	3.430	21.	BRACKET ASSY. — Relay lever support..	3.430
8.	TRUNNION — Relay lever rod	3.430	22.	SHAFT & LEVER ASSY. — Relay	3.430
9.	CLIP — Rod to relay lever	3.430	23.	SPRING — Anti-rattle	3.430
10.	WASHER — Plain	8.929	24.	ROD — Accelerator control push	3.430
11.	LEVER ASSY. — Throttle relay	3.430	25.	SHAFT & BRACKET ASSY. — Lower cross	3.430
12.	WASHER — Relay lever	3.430	26.	PEDAL — Accelerator	3.451
13.	BRACKET ASSY. — Relay lever	3.430	27.	CLIP — Pull rod to throttle relay lever..	3.430
14.	CLIP — Pull rod	3.430			



CHOKE CONTROL — (1600 Engine)

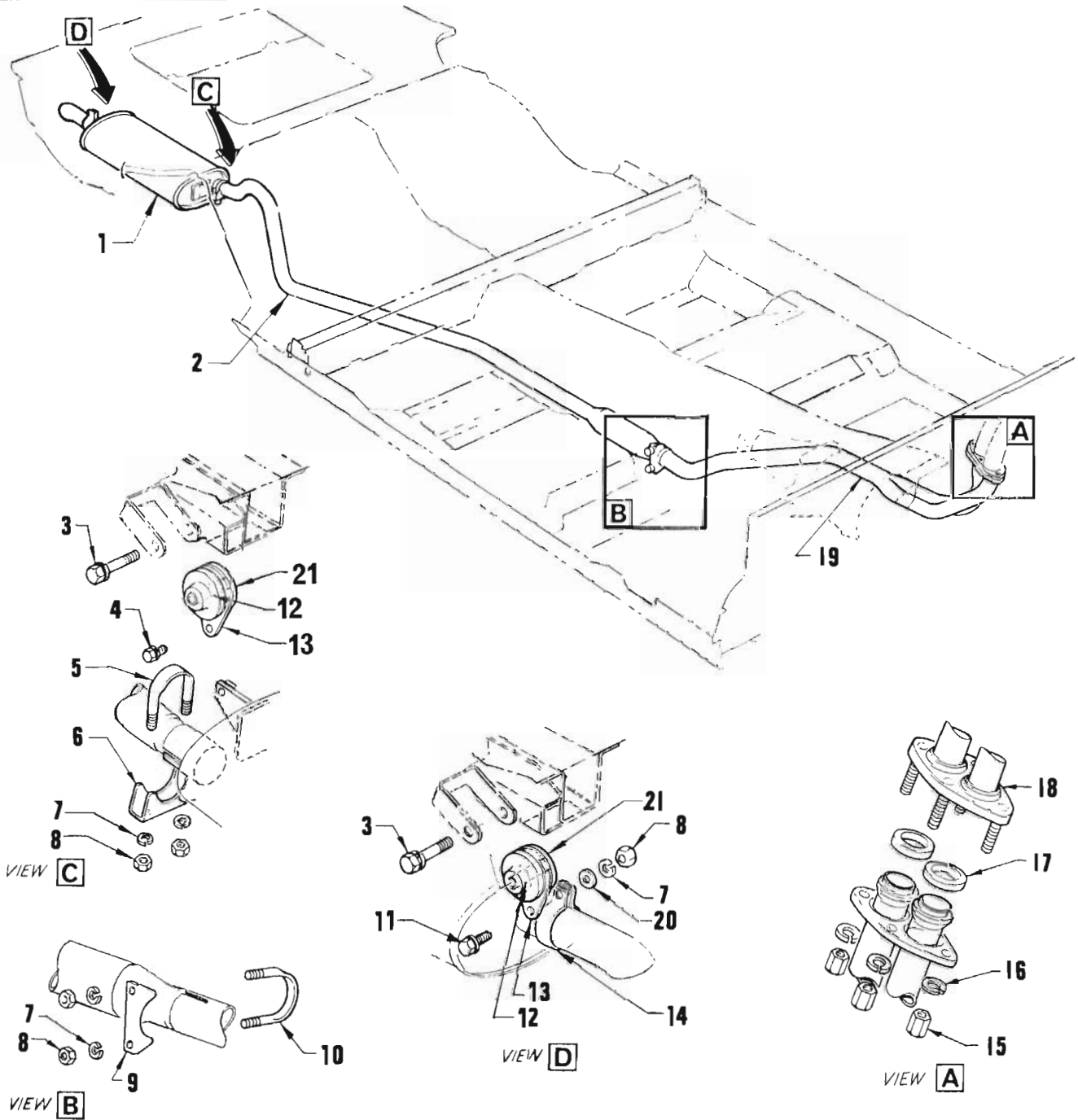
ILLUS. REF.NO.	PART NAME	GROUP	ILLUS. REF. NO.	PART NAME	GROUP
1.	GROMMET — Choke control to dash panel..	3.521	5.	WASHER — Choke control to inst. panel	3.521
2.	CONTROL ASSY. — Choke	3.521	6.	"O" RING — Choke control	3.521
3.	CLIP — Choke cable	3.795	7.	GROMMET — Choke control to inst. panel	3.521
4.	NUT — Control to instrument panel	3.521			



EXHAUST SYSTEM — (1160, 70 Engine)

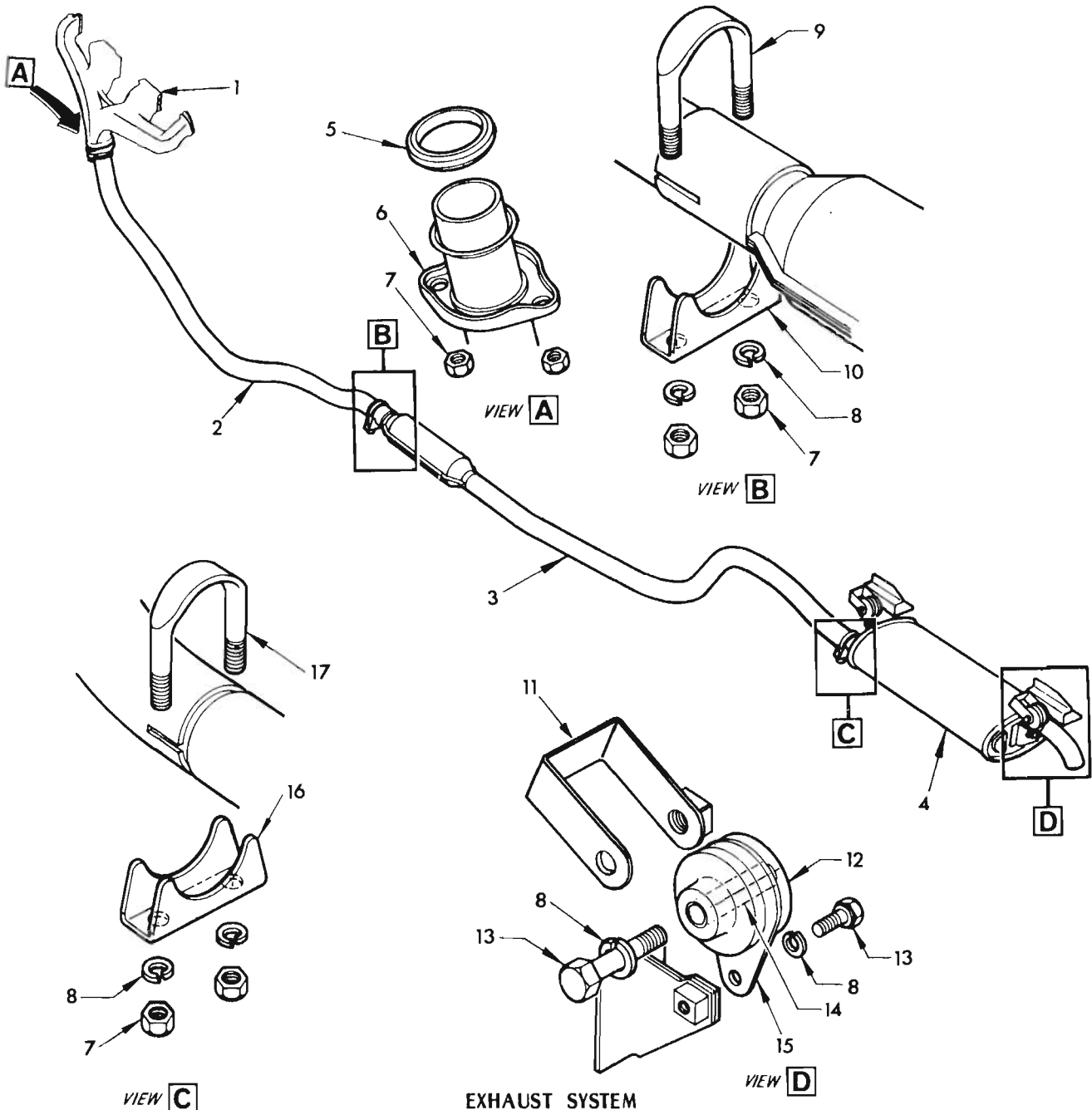
ILLUS. REF. NO.	PART NAME	GROUP	ILLUS. REF. NO.	PART NAME	GROUP
1.	MUFFLER ASSY.	3.701	11.	CLAMP — Pipe & resonator assy. to muffler	3.616
2.	PIPE & RESONATOR ASSY.....	3.609	12.	NUT	8.915
3.	PIPE ASSY.	3.609	13.	"U" BOLT — Exhaust pipe to resonator ..	3.616
4.	MANIFOLD ASSY.	3.601	14.	CLAMP — Exhaust pipe to resonator	3.616
5.	WASHER — Lock	8.931	15.	WASHER — Plain	8.929
6.	BOLT	8.900	16.	CLAMP — Muffler rear support	3.704
7.	INSULATOR — Muffler	3.704	17.	NUT — Exhaust pipe	3.275
8.	SPACER — Muffler	3.704	18.	FLANGE	3.610
9.	SUPPORT — Muffler	3.704	19.	PACKING	3.611
10.	"U" BOLT — Pipe & resonator assy. to muffler	3.616	20.	BRACKET — Muffler	3.704

HOLDEN "LC" PARTS CATALOGUE



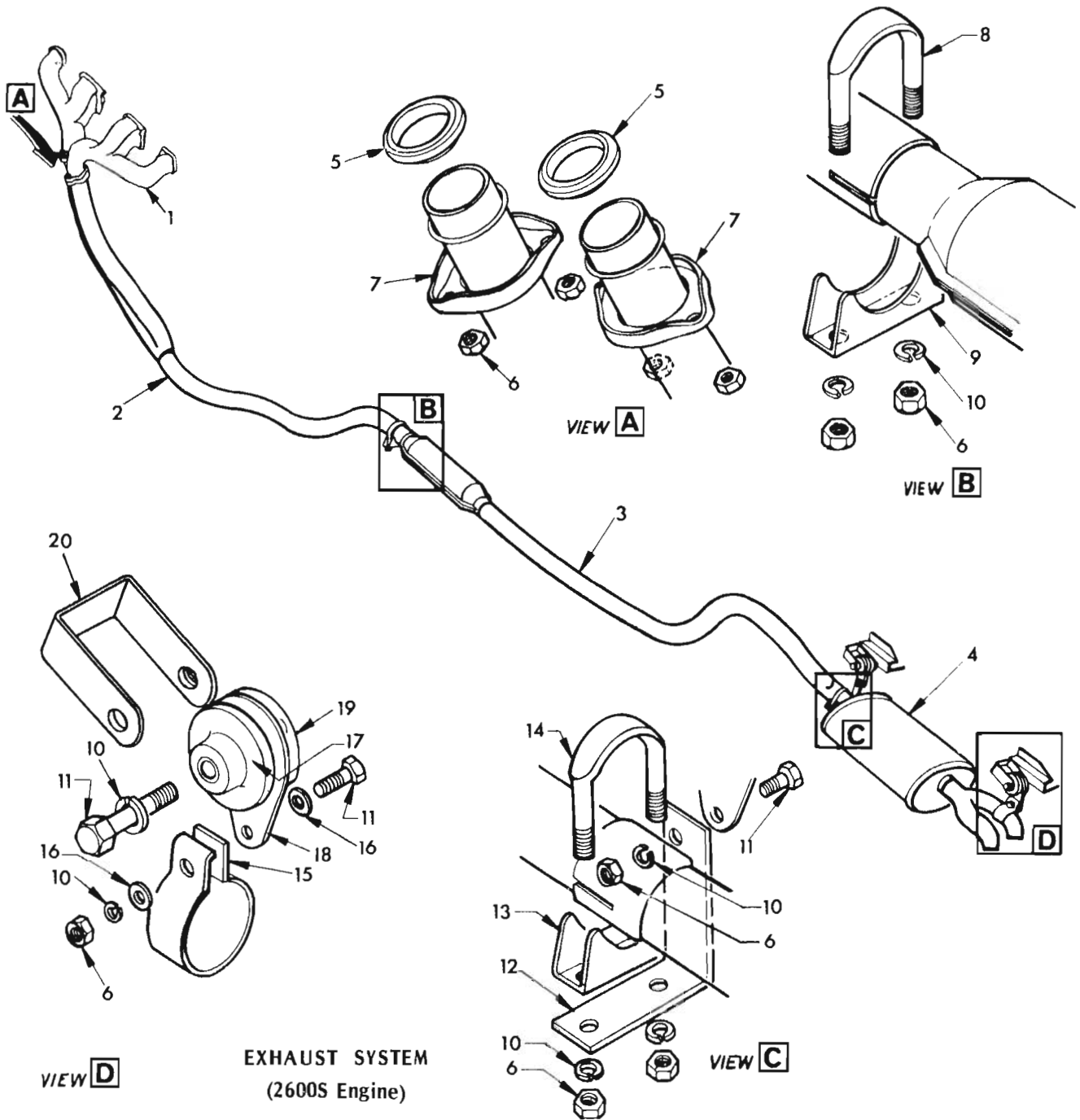
EXHAUST SYSTEM — (1600 Engine)

ILLUS. REF. NO.	PART NAME	GROUP	ILLUS. REF. NO.	PART NAME	GROUP
1.	MUFFLER ASSY.	3.701	11.	BOLT — 5/16" — 24 x 1.1/8" (cad or zinc)	8.900
2.	PIPE & RESONATOR ASSY.	3.609	12.	SPACER — Front & rear	3.704
3.	BOLT — 5/16" — 24 x 2.1/2" (zinc)	8.900	13.	SUPPORT — Front & rear	3.704
4.	BOLT — 5/16" — 24 x 3/4" (zinc)	8.900	14.	CLAMP — Rear support	3.704
5.	"U" BOLT — Pipe & resonator assy. to muffler assy.	3.616	15.	NUT — Exhaust pipe to manifold	3.275
6.	CLAMP — Pipe & resonator assy. to muffler assy.	3.616	16.	WASHER — 3/8" internal tooth	8.932
7.	WASHER — Lock 5/16" medium	8.931	17.	PACKING — Exhaust pipe	3.611
8.	NUT — 5/16" — 24 light	8.915	18.	MANIFOLD ASSY. — Exhaust	3.601
9.	CLAMP — Exhaust pipe to pipe & res. assy.	3.616	19.	PIPE ASSY. — Exhaust	3.609
10.	"U" BOLT — Exhaust pipe to pipe & res. assy.	3.616	20.	WASHER — .34" x .76" x .105"	8.929
			21.	INSULATOR — Front & rear	3.704



EXHAUST SYSTEM
(2250, 2600 exc. S Engine)

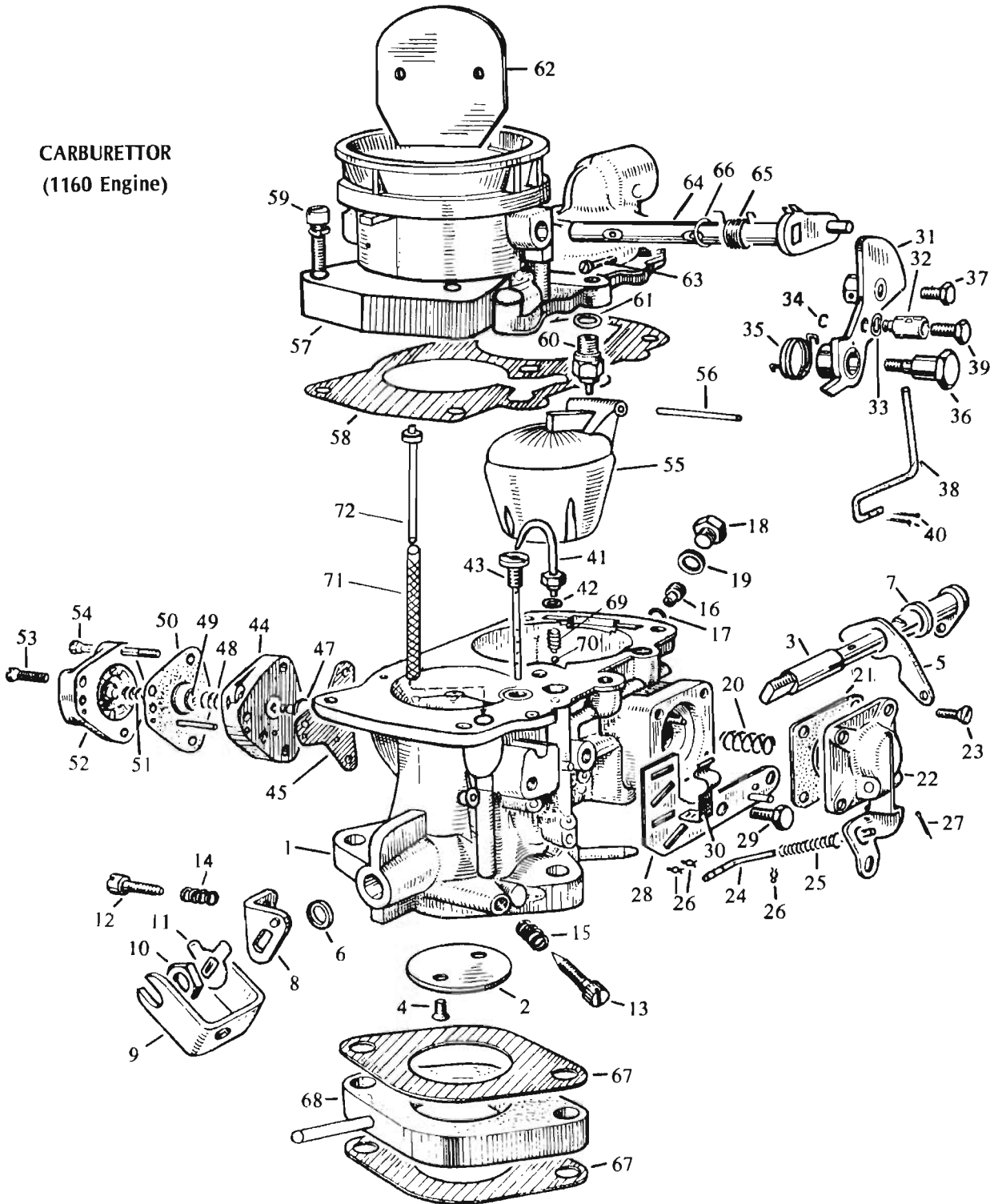
ILLUS. REF. NO.	PART NAME	GROUP	ILLUS. REF. NO.	PART NAME	GROUP
1.	MANIFOLD ASSY.	3.601	10.	CLAMP - Exhaust pipe to resonator.....	3.616
2.	PIPE ASSY. - Exhaust	3.609	11.	BRACKET - Muffler	3.704
3.	PIPE & RESONATOR ASSY.....	3.609	12.	INSULATOR - Muffler	3.704
4.	MUFFLER ASSY.	3.701	13.	BOLT	8.900
5.	PACKING	3.611	14.	SPACER - Muffler	3.704
6.	FLANGE	3.610	15.	SUPPORT - Muffler	3.704
7.	NUT	8.915	16.	CLAMP - Pipe & resonator assy. to muffler	3.616
8.	WASHER - Lock	8.931	17.	"U" BOLT - Pipe & resonator assy. to muffler	3.616
9.	"U" BOLT - Exhaust pipe to resonator	3.616			



**EXHAUST SYSTEM
(2600S Engine)**

ILLUS. REF. NO.	PART NAME	GROUP	ILLUS. REF. NO.	PART NAME	GROUP
1.	MANIFOLD ASSY.	3.601	12.	BRACKET - Muffler front support	3.704
2.	PIPE ASSY. - Exhaust	3.609	13.	CLAMP - Pipe & resonator assy. to muffler	3.616
3.	PIPE & RESONATOR ASSY.	3.609	14.	"U" BOLT - Pipe & resonator assy. to muffler	3.616
4.	MUFFLER ASSY.	3.701	15.	CLAMP - Muffler rear support	3.704
5.	PACKING	3.611	16.	WASHER - Plain	8.929
6.	NUT	8.915	17.	SPACER - Muffler	3.704
7.	FLANGE	3.610	18.	SUPPORT - Muffler	3.704
8.	"U" BOLT - Exhaust pipe to resonator..	3.616	19.	INSULATOR - Muffler	3.704
9.	CLAMP - Exhaust pipe to resonator ...	3.616	20.	BRACKET - Muffler	3.704
10.	WASHER - Lock	8.931			
11.	BOLT	8.900			

**CARBURETTOR
(1160 Engine)**

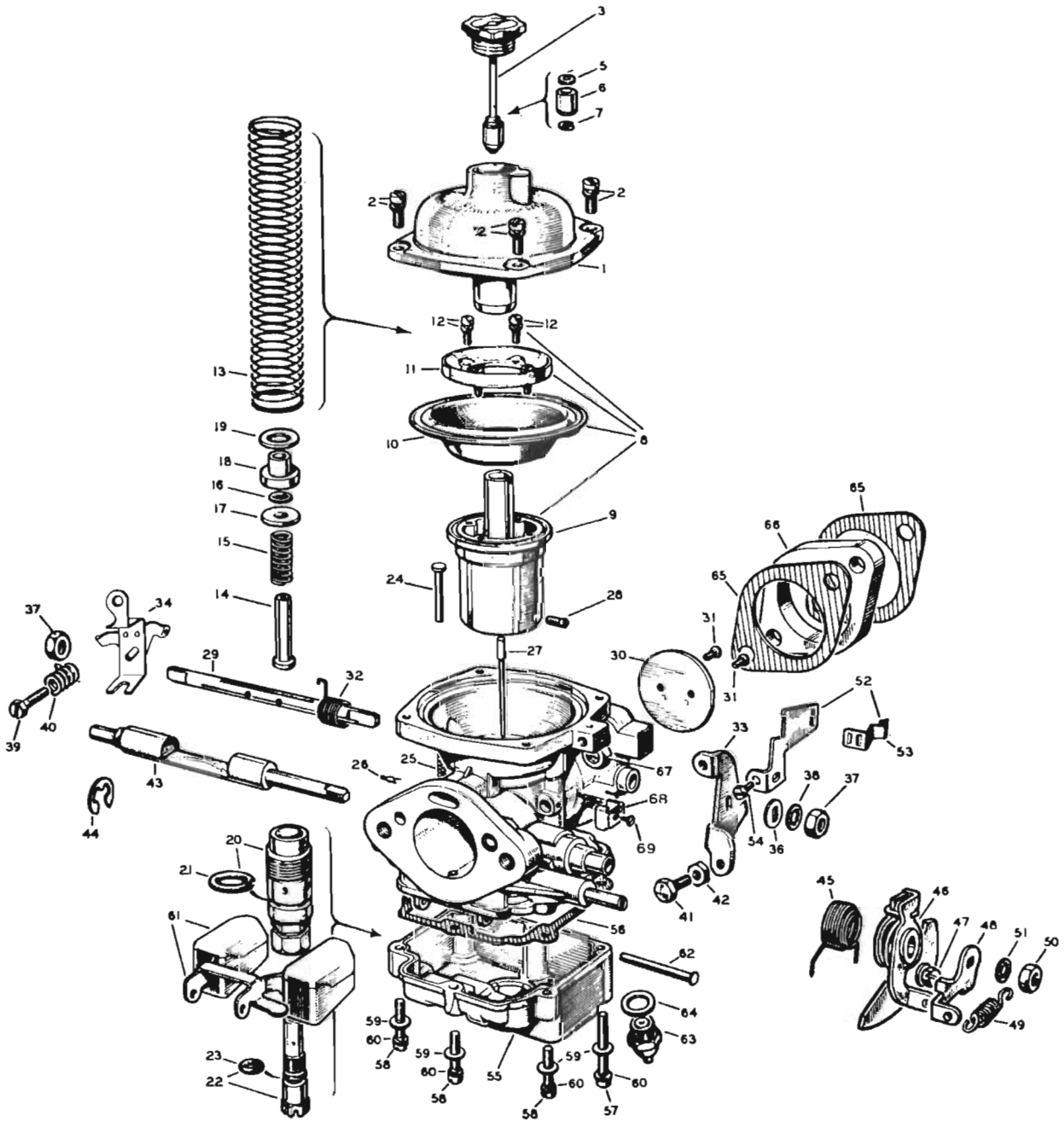


CARBURETTOR (1160 Engine)

ILLUSTRATION OPPOSITE

ILLUS. REF. NO.	PART NAME	GROUP	ILLUS. REF. NO.	PART NAME	GROUP
1.	BODY ASSY.	3.748	37.	SCREW - Cable locking	3.735
2.	VALVE - Throttle	3.729	38.	ROD - Idler connecting	3.793
3.	SHAFT	3.731	39.	SCREW - Rod to cam	3.793
4.	SCREW - Valve attaching	3.729	40.	PIN - Rod to lever	3.793
5.	LEVER - Floating	3.792	41.	INJECTOR ASSY.	3.757
6.	WASHER - Sealing	3.731	42.	RING - Injector assy., sealing	3.757
7.	WASHER - Distance	3.731	43.	TUBE - Emulsion	3.752
8.	PLATE - Abutment	3.731	44.	BODY - Economy unit	3.806
9.	LEVER - Torsion	3.732	45.	GASKET - Economy unit	3.806
10.	NUT	3.731	47.	VALVE - Economy unit	3.806
11.	WASHER - Lock	3.731	48.	SPRING - Valve	3.806
12.	SCREW - Slow idle	3.734	49.	WASHER - Valve	3.806
13.	VALVE - Idle needle	3.741	50.	DIAPHRAGM - Economy unit	3.806
14.	SPRING - Slow idle screw	3.734	51.	SPRING - Diaphragm	3.806
15.	SPRING - Idle needle valve	3.742	52.	COVER - Economy unit	3.806
16.	MAIN JET	3.754	53.	SCREW - Cover fixing	3.806
17.	WASHER - Main jet sealing	3.754	54.	SCREW - Economy unit fixing	3.806
18.	PLUG - Main jet	3.755	55.	FLOAT and LEVER ASSY.	3.773
19.	GASKET - Jet plug	3.756	56.	PIN - Float	3.775
20.	SPRING - Pump	3.779	57.	COVER ASSY. - Float chamber	3.763
21.	DIAPHRAGM - Pump	3.778	58.	GASKET - Cover	3.765
22.	COVER ASSY.	3.782	59.	SCREW - Cover attaching	3.763
23.	SCREW - Cover assy.	3.782	60.	VALVE - Float needle	3.771
24.	ROD - Pump control	3.783	61.	GASKET - Valve seat	3.772
25.	SPRING - Control rod	3.783	62.	VALVE - Choke	3.789
26.	CIRCLIP - Control rod	3.783	63.	SCREW - Valve attaching	3.789
27.	PIN - Control rod	3.783	64.	SHAFT ASSY. - Choke	3.791
28.	BRACKET - Choke cable	3.795	65.	SPRING - Shaft return	3.791
29.	SCREW - Bracket fixing	3.795	66.	WASHER - Choke shaft	3.791
30.	CLIP - Choke cable	3.795	67.	GASKET - Flange	3.726
31.	CAM ASSY. - Fast idle	3.735	68.	INSULATOR ASSY.	3.726
32.	SWIVEL - Idler rod	3.793	69.	SPRING - Check valve	3.760
33.	WASHER - Wave	3.793	70.	VALVE - Check ball	3.760
34.	CIRCLIP - Cam swivel	3.793	71.	FILTER - Pilot jet	3.752
35.	SPRING - Cam return	3.735	72.	JET - Pilot	3.752
36.	PIVOT - Cam	3.735			

CARBURETTOR
(70 Engine)
Zenith 150CD

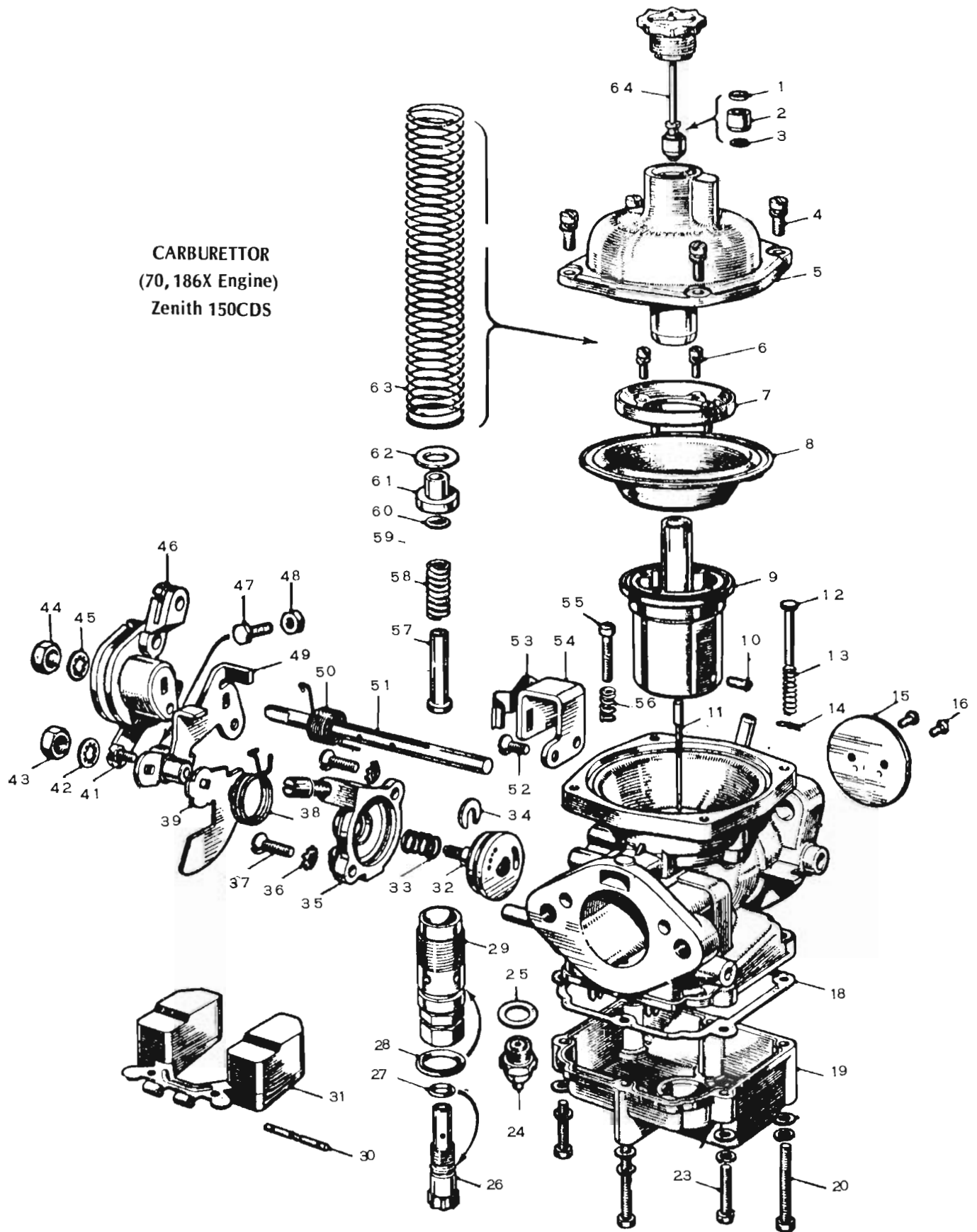


CARBURETTOR (70 Engine) Zenith 150CD

ILLUSTRATION OPPOSITE

ILLUS. REF. NO.	PART NAME	GROUP	ILLUS REF. NO.	PART NAME	GROUP
1.	COVER - Suction chamber	3.804	36.	WASHER - Throttle shaft spacing	3.731
2.	SCREW ASSY. - Cover fixing	3.804	37.	NUT - Throttle shaft	3.731
3.	DAMPER ASSY. - Hydraulic	3.803	38.	WASHER - Lock	3.731
5.	WASHER - Damper assy.	3.803	39.	SCREW - Slow idle adjusting	3.734
6.	BUSHING - Damper assy.	3.803	40.	SPRING - Slow idle adjusting screw	3.734
7.	RING - Damper bushing retaining	3.803	41.	SCREW - Fast idle	3.737
8.	VALVE ASSY. - Air	3.807	42.	NUT - Fast idle screw lock	3.737
9.	VALVE - Air	3.807	43.	STARTER BAR - Choke	3.791
10.	DIAPHRAGM - Air valve	3.807	44.	RETAINER - Starter bar	3.791
11.	RING - Diaphragm retaining	3.807	45.	SPRING - Starter bar	3.791
12.	SCREW ASSY. - Diaphragm ring	3.807	46.	LEVER ASSY. - Cam and choke	3.735
13.	SPRING - Air valve return	3.805	47.	SCREW - Cable locking	3.735
14.	JET - Orifice	3.754	48.	LEVER - Choke	3.791
15.	SPRING - Orifice jet	3.754	49.	SPRING - Throttle bar return	3.791
16.	"O" RING - Orifice jet	3.805	50.	NUT - Choke lever	3.791
17.	WASHER - Orifice jet "O" ring	3.805	51.	WASHER - Lock	3.791
18.	BUSHING - Orifice jet	3.805	52.	BRACKET & CLIP ASSY. - Choke cable ..	3.795
19.	WASHER - Orifice jet bushing	3.805	53.	CLIP - Choke cable	3.795
20.	RETAINER ASSY. - Orifice jet bushing ..	3.802	54.	SCREW - Bracket fixing	3.795
21.	"O" RING - Retainer assy.	3.802	55.	FLOAT CHAMBER	3.800
22.	ADJUSTER ASSY. - Orifice jet	3.802	56.	GASKET - Float chamber	3.749
23.	"O" RING - Adjuster assy.	3.802	57.	SCREW - Float chamber fixing	3.800
24.	PIN - Air valve lifting	3.808	58.	SCREW - Float chamber fixing	3.800
25.	SPRING - Lifting pin	3.808	59.	WASHER - Plain	3.800
26.	CLIP - Lifting pin spring	3.808	60.	WASHER - Spring lock	3.800
27.	NEEDLE - Metering	3.814	61.	FLOAT & ARM ASSY.	3.773
28.	SCREW - Needle lock	3.814	62.	PIN - Float fulcrum	3.775
29.	SHAFT - Throttle	3.731	63.	VALVE ASSY. - Float needle	3.771
30.	VALVE - Throttle	3.729	64.	GASKET - Float needle valve seat	3.772
31.	SCREW - Throttle valve attaching	3.729	65.	GASKET - Flange	3.726
32.	SPRING - Throttle return	3.731	66.	INSULATOR - Heat	3.726
33.	LEVER - Throttle stop	3.792	67.	NUT - Hexagon	8.915
34.	LEVER & STOP ASSY. - Throttle	3.731	68.	CAP - Ventilation	3.725
			69.	SCREW - Ventilation cap	3.725

**CARBURETTOR
(70, 186X Engine)
Zenith 150CDS**

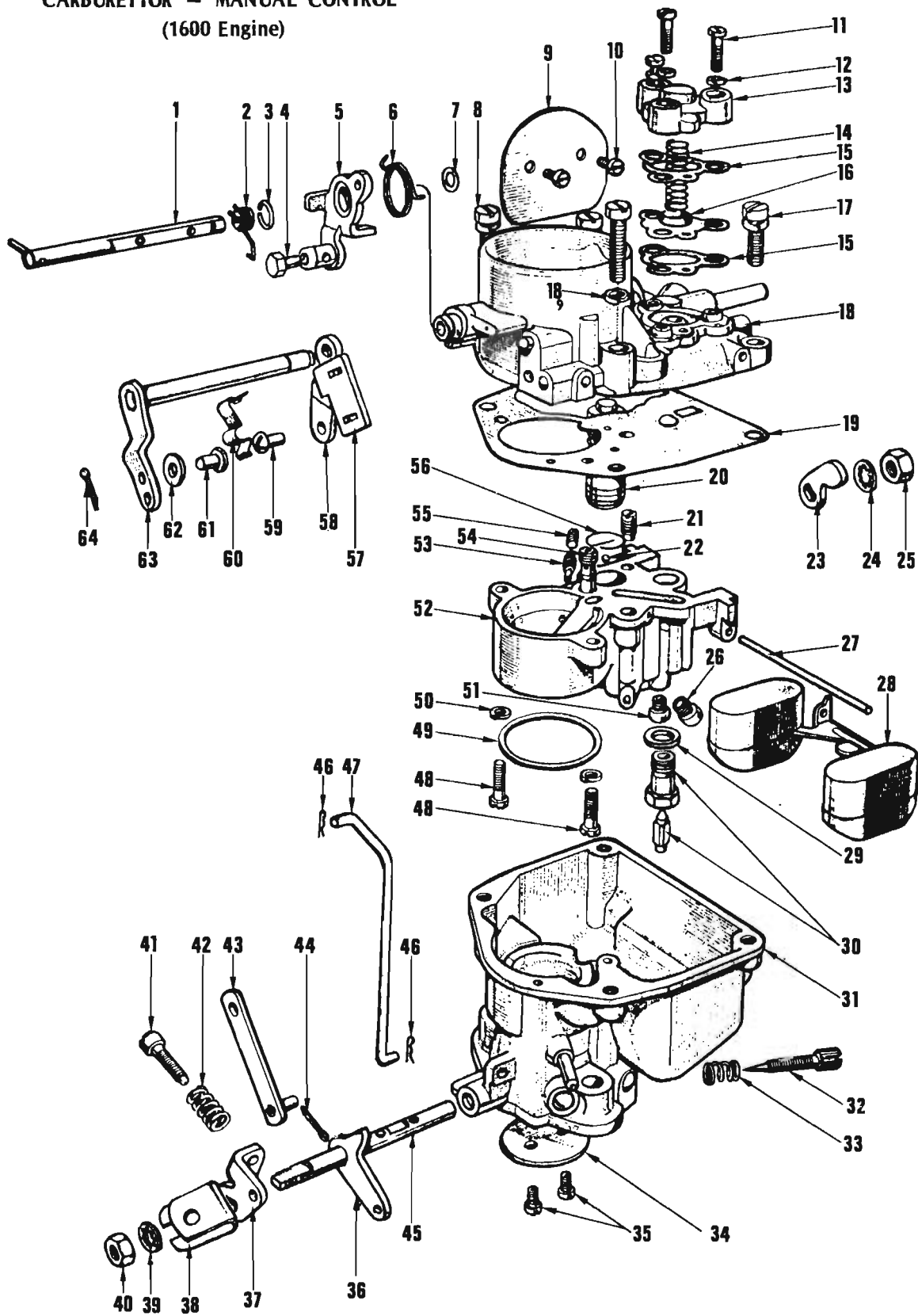


**CARBURETTOR
(70, 186X Engine)
Zenith 150CDS**

ILLUSTRATION OPPOSITE

ILLUS. REF. NO.	PART NAME	GROUP	ILLUS REF. NO.	PART NAME	GROUP
1.	WASHER – Damper assy.	3.803	32.		
2.	BUSHING – Damper assy.	3.803	33.		
3.	RING – Damper bushing retaining ...	3.803	34.		
4.	SCREW ASSY. – Cover fixing	3.804	35.	STARTER ASSY.	3.791
5.	COVER – Suction chamber	3.804	38.		
6.	SCREW ASSY. – Diaphragm ring	3.807	39.		
7.	RING – Diaphragm retaining	3.807	42.		
8.	DIAPHRAGM – Air valve	3.807	43.		
9.	VALVE – Air	3.807	36.	WASHER – Starter assy. lock	3.791
10.	SCREW – Needle lock	3.814	37.	SCREW – Starter assy. fixing	3.791
11.	NEEDLE – Metering	3.814	41.	SCREW – Cable locking	3.735
12.	PIN – Air valve lifting	3.808	44.	NUT – Throttle spindle	3.731
13.	SPRING – Lifting pin	3.808	45.	WASHER – Throttle spindle lock	3.731
14.	CLIP – Lifting pin spring	3.808	46.	LEVER – Throttle	3.731
15.	VALVE – Throttle	3.729	47.	SCREW – Fast idle	3.737
16.	SCREW – Throttle valve attaching ...	3.729	48.	NUT – Fast idle screw lock	3.737
18.	GASKET – Float chamber	3.749	49.	LEVER – Throttle stop	3.792
19.	FLOAT CHAMBER	3.800	50.	SPRING – Throttle return	3.731
20.	SCREW – Float chamber fixing	3.800	51.	SHAFT – Throttle	3.731
23.	SCREW – Float chamber fixing	3.800	52.	SCREW – Bracket fixing	3.795
24.	VALVE ASSY. – Float needle	3.771	53.	CLIP – Choke cable	3.795
25.	GASKET – Float needle valve seat ..	3.772	54.	BRACKET & CLIP ASSY. – Choke cable ..	3.795
26.	ADJUSTER ASSY. – Orifice jet	3.802	55.	SCREW – Slow idle adjusting	3.734
27.	“O” RING – Adjuster assy.	3.802	56.	SPRING – Slow idle adjusting screw ...	3.734
28.	“O” RING – Retainer assy.	3.802	57.	JET – Orifice	3.754
29.	RETAINER ASSY. – Orifice jet bushing	3.802	58.	SPRING – Orifice jet	3.754
30.	PIN – Float fulcrum	3.775	60.	“O” RING – Orifice jet	3.805
31.	FLOAT & ARM ASSY.	3.773	61.	BUSHING – Orifice jet	3.805
			62.	WASHER – Orifice jet bushing	3.805
			63.	SPRING – Air valve return	3.805
			64.	DAMPER ASSY. – Hydraulic	3.803

**CARBURETTOR - MANUAL CONTROL
(1600 Engine)**

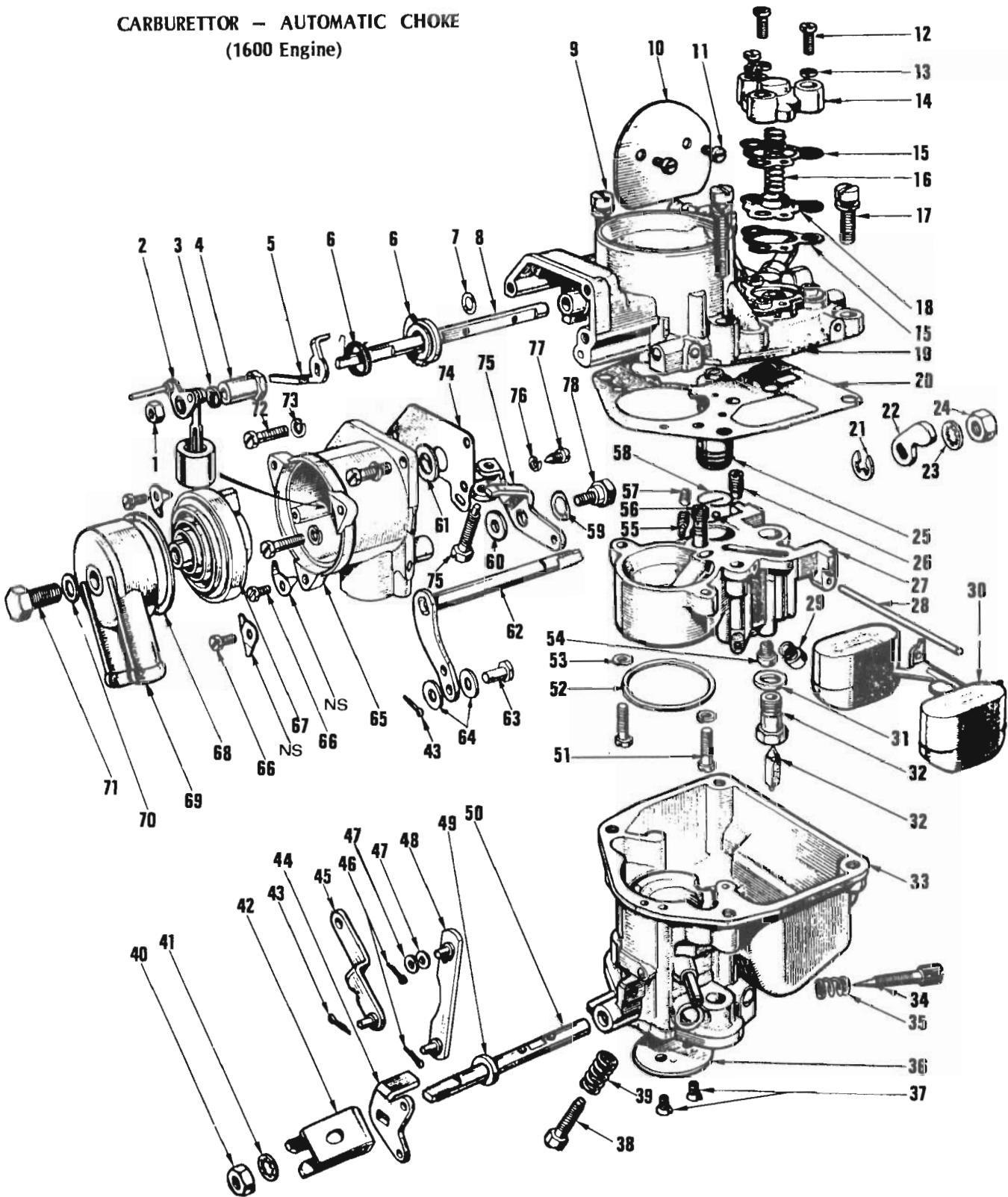


CARBURETTOR — MANUAL CONTROL (1600 Engine)

ILLUSTRATION OPPOSITE

ILLUS. REF. NO.	PART NAME	GROUP	ILLUS. REF. NO.	PART NAME	GROUP
1.	SHAFT ASSY. — Choke	3.791	33.	SPRING — Idle needle valve	3.742
2.	SPRING — Shaft return	3.791	34.	VALVE — Throttle	3.729
3.	CIRCLIP — Shaft	3.791	35.	SCREW — Throttle valve attaching	3.729
4.	SCREW — Cable locking	3.791	36.	LEVER — Floating	3.792
5.	LEVER — Choke control	3.791	37.	THROTTLE STOP	3.792
6.	SPRING — Control lever	3.791	38.	LEVER — Throttle	3.731
7.	WASHER — Choke shaft	3.791	39.	WASHER — Shakeproof, 5/16"	8.932
8.	SCREW & SPRING WASHER — Float chamber cover (long)	3.763	40.	NUT — Throttle shaft	3.731
9.	VALVE — Choke	3.789	41.	SCREW — Slow idle	3.734
10.	SCREW — Valve attaching	3.789	42.	SPRING — Slow idle screw	3.734
11.	SCREW — Economy cover	3.806	43.	LEVER — Pump link	3.783
12.	WASHER — Lock No. 8 medium	8.931	44.	PIN — Pump lever	3.783
13.	COVER — Economy diaphragm	3.806	45.	SHAFT — Throttle	3.731
14.	SPRING — Diaphragm	3.806	46.	PIN — Fast idle rod	3.793
15.	GASKET — Diaphragm	3.806	47.	ROD — Fast idle	3.793
16.	DIAPHRAGM — Economy device	3.806	48.	SCREW — Emulsion block	3.752
17.	SCREW & SPRING WASHER — Float chamber cover (short)	3.763	49.	RING — Emulsion block sealing	3.752
18.	COVER ASSY. — Float chamber	3.763	50.	WASHER — Lock No. 10	8.931
19.	GASKET — Float chamber	3.765	51.	JET — Compensating	3.754
20.	PISTON ASSY. — Pump	3.778	52.	EMULSION BLOCK	3.752
21.	JET — Slow running	3.752	53.	JET ASSY. — Pump	3.757
22.	BALL — Pump check	3.760	54.	VALVE — Pump discharge	3.757
23.	LEVER — Pump internal	3.782	55.	PLUG — Pump jet	3.757
24.	WASHER — Pump lever, shakeproof 5/16"	8.932	56.	CIRCLIP — Pump jet ball	3.760
25.	NUT — Pump lever	3.782	57.	BRACKET — Choke control	3.795
26.	JET — Main metering	3.754	58.	WASHER — Spacing	3.782
27.	PIVOT — Float arm	3.775	59.	SCREW — Bracket fixing	3.795
28.	FLOAT ASSY.	3.773	60.	CLIP — Choke cable	3.795
29.	GASKET — Float valve	3.772	61.	PIN — Pump link	3.783
30.	VALVE ASSY. — Float	3.771	62.	WASHER — Pump link pin	3.783
31.	BODY ASSY.	N.S.S.	63.	SHAFT & LEVER ASSY. — Pump	3.782
32.	VALVE — Idle needle	3.741	64.	PIN — Cotter	3.783

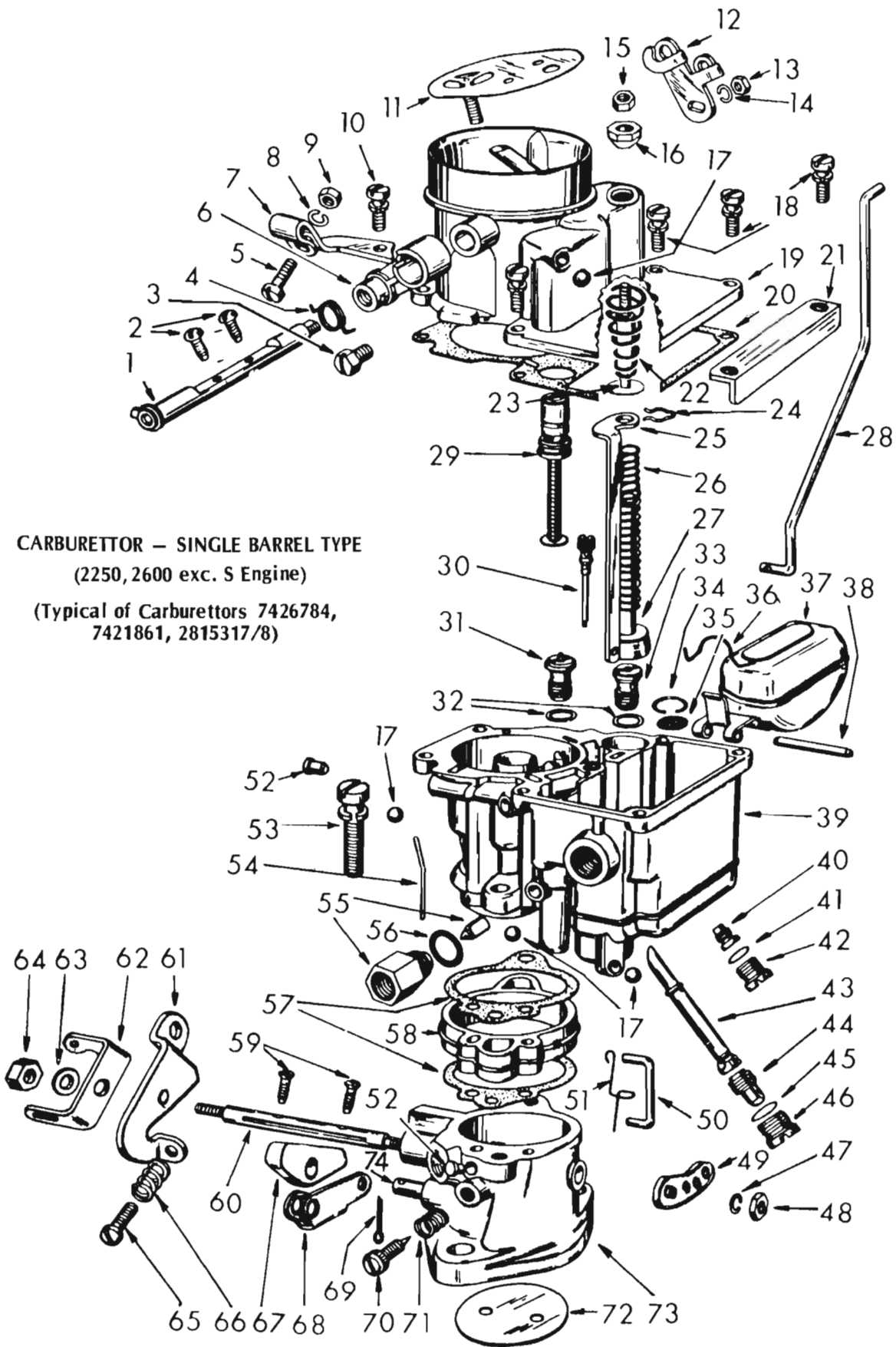
CARBURETTOR - AUTOMATIC CHOKE
(1600 Engine)



**CARBURETTOR – AUTOMATIC CHOKE
(1600 Engine)**

ILLUSTRATION OPPOSITE

ILLUS. REF. NO.	PART NAME	GROUP	ILLUS. REF. NO.	PART NAME	GROUP
1.	NUT – Choke shaft	3.791	41.	WASHER – Shakeproof 5/16''	8.932
2.	PISTON & LEVER – Choke kick	3.799	42.	LEVER – Throttle	3.731
3.	WASHER – Locating	3.791	43.	PIN – Pump lever	3.783
4.	NUT – Choke lever	3.791	44.	THROTTLE STOP	3.792
5.	LEVER – Choke	3.791	45.	LEVER – Pump link	3.783
6.	CAM SPRING & BUSH ASSY.	3.791	46.	PIN – Fast idle rod	3.793
7.	WASHER – Choke shaft	3.791	47.	WASHER – Fast idle rod	3.793
8.	SHAFT ASSY. – Choke	3.791	48.	ROD – Fast idle	3.793
9.	SCREW & SPRING WASHER ASSY. – Float chamber cover (long)	3.763	49.	WASHER – Spacing	3.731
10.	VALVE – Choke	3.789	50.	SHAFT – Throttle	3.731
11.	SCREW – Valve attaching	3.789	51.	SCREW – Emulsion block	3.752
12.	SCREW – Economy cover	3.806	52.	RING – Emulsion block sealing	3.752
13.	WASHER – Lock No. 8 medium	8.931	53.	WASHER – Lock No. 10	8.931
14.	COVER – Economy diaphragm	3.806	54.	JET – Compensating	3.754
15.	GASKET – Diaphragm	3.806	55.	JET ASSY. – Pump	3.757
16.	SPRING – Diaphragm	3.806	56.	VALVE – Pump discharge	3.757
17.	SCREW & SPRING WASHER ASSY. – Float chamber cover (short)	3.763	57.	PLUG – Pump jet	3.757
18.	DIAPHRAGM – Economy device	3.806	58.	CIRCLIP – Pump jet ball	3.760
19.	COVER ASSY. – Float chamber	3.763	59.		
20.	GASKET – Float chamber	3.765	60.		
21.	RING – Lever retaining	3.782	61.		
22.	LEVER – Pump internal	3.782	62.	SHAFT & LEVER ASSY. – Pump	3.782
23.	WASHER – Pump lever, shakeproof 5/16'' ..	8.932	63.	PIN – Pump link	3.783
24.	NUT – Pump lever	3.782	64.	WASHER – Pump link pin	3.783
25.	PISTON ASSY. – Pump	3.778	65.	HOUSING & LEVER ASSY.	3.750
26.	JET – Slow running	3.752	66.	SCREW – Heat mass fixing	3.750
27.	EMULSION BLOCK	3.752	67.	MASS ASSY. – Heat	3.750
28.	PIVOT – Float arm	3.775	68.	GASKET – Housing	3.750
29.	JET – Main metering	3.754	69.	COVER – Heat mass	3.750
30.	FLOAT ASSY.	3.771	70.	WASHER – Heat mass cover screw	3.750
31.	GASKET – Float valve	3.772	71.	SCREW – Cover fixing	3.750
32.	VALVE ASSY. – Float	3.771	72.	SCREW – Housing fixing	3.750
33.	BODY ASSY.	N.S.S.	73.	WASHER – Lock	8.931
34.	VALVE – Idle needle	3.741	74.		
35.	SPRING – Idle needle valve	3.742	75.		
36.	VALVE – Throttle	3.729	76.		
37.	SCREW – Throttle valve attaching	3.729	77.		
38.	SCREW – Slow idle	3.734	78.		
39.	SPRING – Slow idle screw	3.734	79.		
40.	NUT – Throttle shaft	3.731			



CARBURETTOR — SINGLE BARREL TYPE
 (2250, 2600 exc. S Engine)
 (Typical of Carburettors 7426784,
 7421861, 2815317/8)

HOLDEN "LC" PARTS CATALOGUE

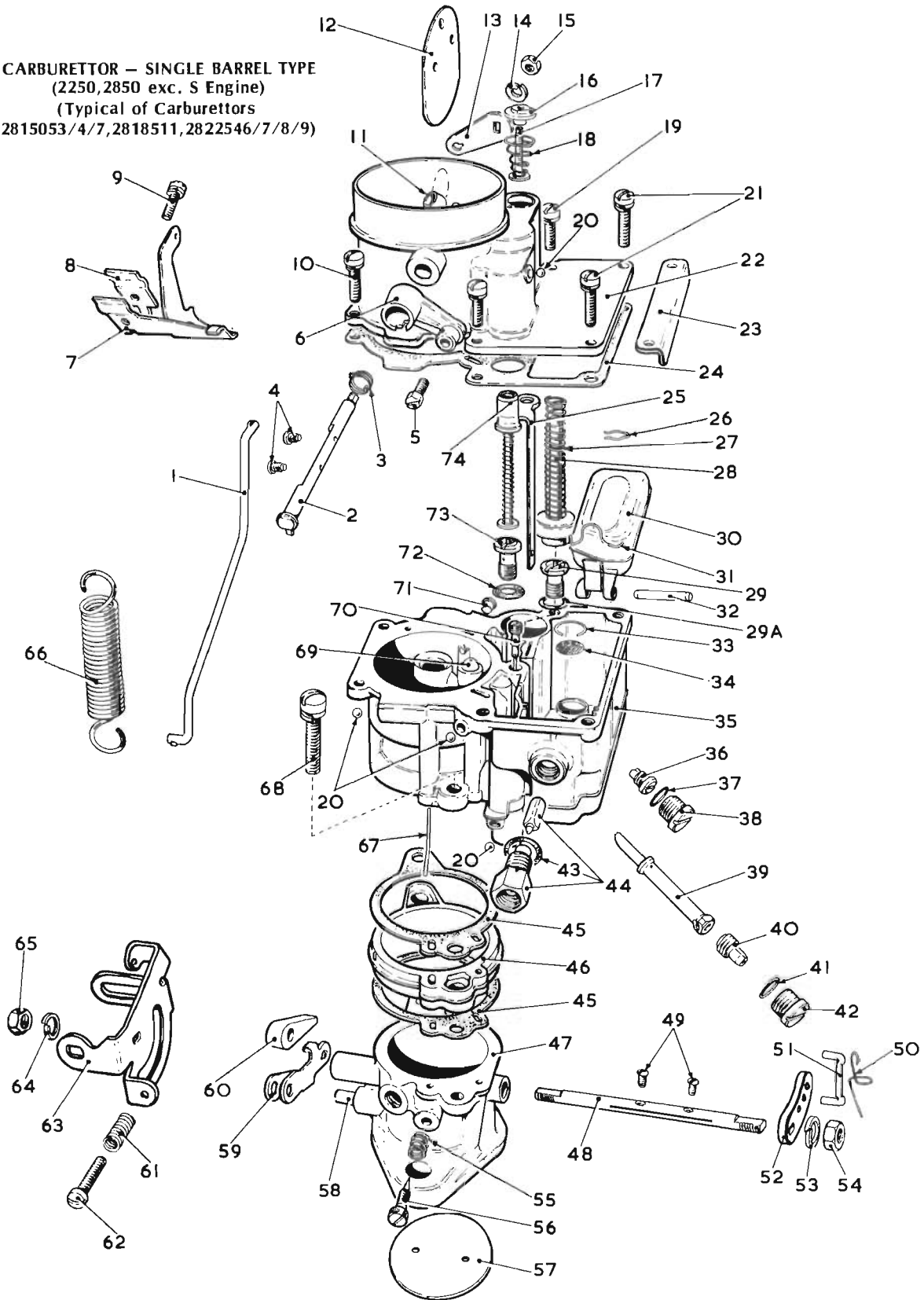
CARBURETTOR — SINGLE BARREL TYPE (2250,2600 exc. S Engine)

(Typical of Carburettors 7426784,7431861,2815317/8)

ILLUSTRATION OPPOSITE

ILLUS. REF. NO.	PART NAME	GROUP	ILLUS. REF. NO.	PART NAME	GROUP
1.	SHAFT & LEVER ASSY.	3.791	38.	PIN	3.775
2.	SCREW	3.789	39.	BODY ASSY.	3.748
3.	SCREW	3.791	40.	VALVE ASSY.	3.784
4.	SPRING	3.791	41.	GASKET	3.784
5.	SCREW	3.795	42.	PLUG	3.784
6.	LEVER ASSY.	3.791	43.	JET — Main discharge	3.754
7.	HOLDER ASSY.	3.795	44.	JET — Main metering	3.754
8.	WASHER	3.795	45.	GASKET	3.756
9.	NUT	3.795	46.	PLUG	3.755
10.	SCREW & LOCK WASHER	3.795	47.	WASHER	3.781
11.	VALVE ASSY.	3.789	48.	NUT	3.781
12.	LEVER	3.792	49.	LEVER	3.780
13.	NUT	3.792	50.	LINK	3.783
14.	WASHER	3.792	51.	CLIP	3.783
15.	NUT	3.764	52.	PLUG	3.767
16.	VALVE	3.764	53.	SCREW & LOCK WASHER	3.748
17.	PLUG	3.767	54.	ROD	3.753
18.	SCREW & LOCK WASHER	3.763	55.	VALVE & SEAT ASSY.	3.771
19.	AIR HORN ASSY.	3.763	56.	GASKET	3.772
20.	GASKET	3.765	57.	GASKET	3.749
21.	BAR — Reinforcing	3.763	58.	SPACER	3.748
22.	SPRING	3.764	59.	SCREW	3.729
23.	STEM	3.764	60.	SHAFT	3.731
24.	PIN	3.778	61.	LEVER	3.731
25.	ROD	3.782	62.	LEVER	3.732
26.	SPRING	3.779	63.	WASHER	3.731
27.	PISTON & STEM ASSY.	3.778	64.	NUT	3.731
28.	ROD	3.793	65.	SCREW	3.734
29.	PISTON ASSY.	3.788	66.	SPRING	3.734
30.	TUBE	3.752	67.	CAM	3.735
31.	JET — Power by-pass	3.757	68.	LEVER	3.735
32.	GASKET	3.757	69.	PIN	3.736
33.	JET — Pump by-pass	3.757	70.	VALVE	3.741
34.	CLIP	3.787	71.	SPRING	3.742
35.	SCREEN	3.787	72.	VALVE	3.729
36.	SPRING	3.775	73.	BODY ASSY.	3.727
37.	FLOAT & LEVER ASSY.	3.773	74.	PIN	3.736

CARBURETTOR – SINGLE BARREL TYPE
 (2250, 2850 exc. S Engine)
 (Typical of Carburetors
 2815053/4/7, 2818511, 2822546/7/8/9)

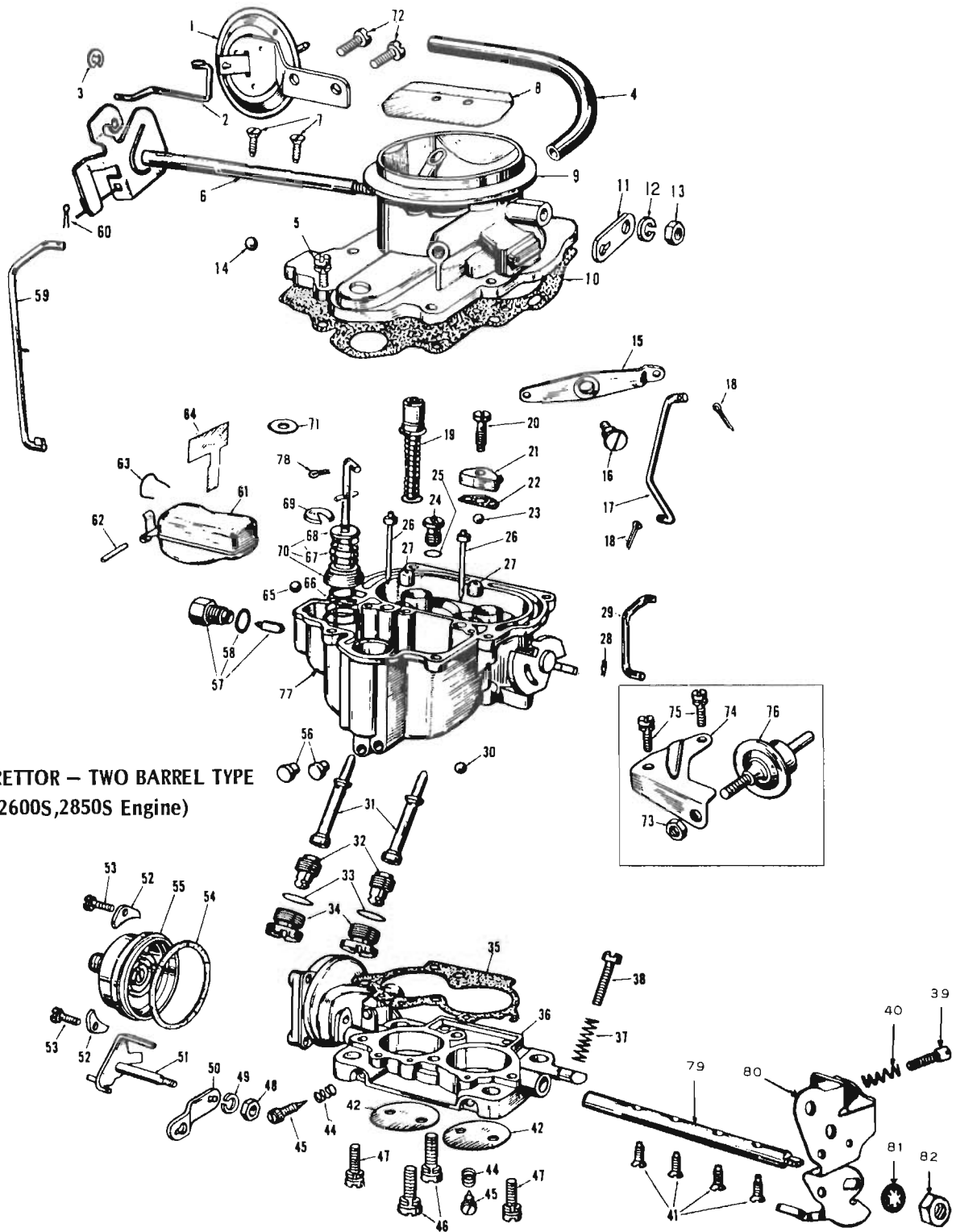


HOLDEN "LC" PARTS CATALOGUE

CARBURETTOR — SINGLE BARREL TYPE (2250,2850 exc. S Engine) (Typical of Carburetors 2815053/4/7,2818511,2822546/7/8/9)

ILLUSTRATION OPPOSITE

ILLUS. REF. NO.	PART NAME	GROUP	ILLUS. REF. NO.	PART NAME	GROUP
1.	ROD — Fast idle	3.793	37.	GASKET — Plug	3.784
2.	SHAFT & LEVER ASSY.	3.791	38.	PLUG — Check valve	3.784
3.	SPRING — Choke lever	3.791	39.	JET — Main discharge	3.754
4.	SCREW — Valve attaching	3.789	40.	JET — Main metering	3.754
5.	SCREW — Wire clamp	3.791	41.	GASKET — Metering jet plug	3.756
6.	LEVER ASSY. — Choke	3.791	42.	PLUG — Metering jet	3.756
8.	CLAMP — Choke cable	3.795	43.	GASKET — Needle valve seat	3.772
9.	SCREW & LOCK WASHER — Clamp	3.795	44.	VALVE & SEAT ASSY.	3.771
7.			45.	GASKET — Main body	3.749
8.	} BRACKET ASSY. — Choke cable	3.795	46.	SPACER — Insulating	3.748
9.				47.	BODY ASSY. — Throttle
10.	SCREW & LOCK WASHER — Bracket	3.795	48.	SHAFT — Throttle	3.731
11.	TUBE — Vent	3.763	49.	SCREW — Throttle valve	3.729
12.	VALVE ASSY. — Choke	3.789	50.	CLIP — Spring	3.783
13.	LEVER — Fast idle	3.792	51.	LINK — Pump	3.783
14.	WASHER — Lever attaching nut	3.792	52.	LEVER — Pump	3.780
15.	NUT — Lever attaching	3.792	53.	WASHER — Pump lever nut	3.781
16.	VALVE — Idle vent	3.764	54.	NUT — Pump lever	3.781
17.	STEM — Idle vent valve	3.764	55.	SPRING — Idle needle valve	3.742
18.	SPRING — Idle vent valve	3.764	56.	VALVE — Idle needle	3.741
19.	SCREW & LOCK WASHER — Air horn	3.763	57.	VALVE — Throttle	3.729
20.	PLUG — Lead ball	3.767	58.	PIN — Fast idle cam	3.736
21.	SCREW & LOCK WASHER — Air horn	3.763	59.	LEVER — Fast idle	3.735
22.	AIR HORN ASSY.	3.763	60.	CAM — Fast idle	3.735
23.	BAR — Reinforcing	3.763	61.	SPRING — Slow idle adjusting screw ...	3.734
24.	GASKET — Air horn	3.765	62.	SCREW — Slow idle adjusting	3.734
25.	ROD — Pump	3.782	63.	LEVER — Throttle	3.731
26.	PIN — Cotter	3.778	64.	WASHER — Throttle lever nut	3.731
27.	SPRING — Pump stem	3.779	65.	NUT — Throttle lever	3.731
28.	PISTON & STEM ASSY.	3.778	66.	SPRING — Throttle lever return	3.731
29.	JET ASSY. — Pump by-pass	3.757	67.	ROD — Volume restrictor	3.753
29A.	GASKET — Pump by-pass	3.757	68.	SCREW & LOCK WASHER — Main body ..	3.748
30.	FLOAT & LEVER ASSY.	3.773	69.	BLEEDER — High speed	3.751
31.	SPRING — Float fulcrum pin	3.775	70.	TUBE — Idle	3.752
32.	PIN — Float fulcrum	3.775	71.	PLUG — Drive	3.767
33.	CLIP — Strainer screen	3.787	72.	GASKET — Power by-pass	3.757
34.	SCREEN — Pump strainer	3.787	73.	JET — Power by-pass	3.757
35.	BODY ASSY. — Main	3.748	74.	PISTON — Vacuum power	3.788
36.	VALVE ASSY. — Pump check	3.784			



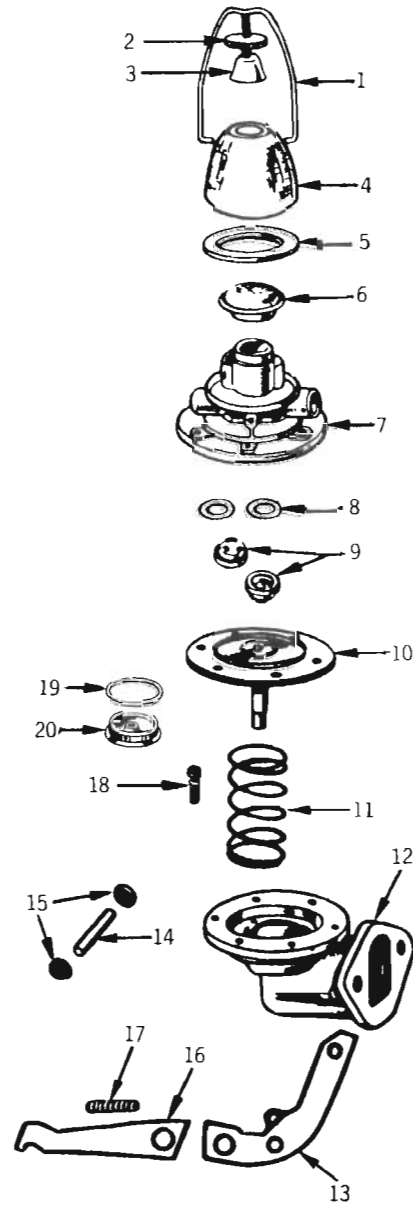
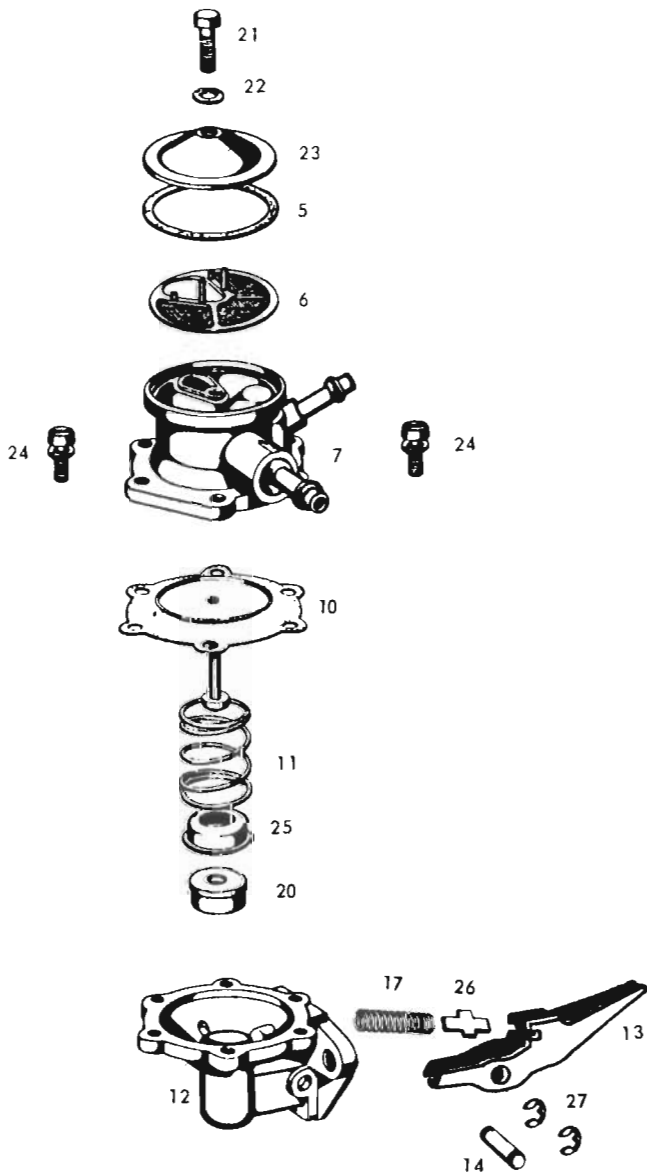
**CARBURETTOR — TWO BARREL TYPE
(2600S, 2850S Engine)**

CARBURETTOR – TWO BARREL TYPE (2600S,2850S Engine)

ILLUSTRATION OPPOSITE

ILLUS. REF. NO.	PART NAME	GROUP	ILLUS. REF. NO.	PART NAME	GROUP
1.	DIAPHRAGM ASSY. – Choke kick	3.799	42.	VALVE – Throttle	3.729
2.	ROD – Choke kick	3.799	43.	SHAFT – Throttle	3.731
3.	RETAINER – Choke kick rod	3.799	44.	SPRING – Idle needle valve	3.742
4.	HOSE – Vacuum	3.799	45.	VALVE – Idle needle	3.741
5.	SCREW & LOCK WASHER – Air horn	3.763	46.	SCREW & LOCK WASHER – Main body ..	3.748
6.	SHAFT & LEVER – Choke	3.791	47.	SCREW & LOCK WASHER – Main body ..	3.748
7.	SCREW – Choke valve	3.789	48.	NUT – Thermostat lever	3.797
8.	VALVE – Choke	3.789	49.	WASHER – Spring lock	3.797
9.	AIR HORN ASSY.	3.763	50.	LEVER – Thermostat	3.797
10.	GASKET – Air horn	3.765	51.	LEVER & SHAFT – Thermostat	3.797
11.	LEVER – Fast idle	3.792	52.	WASHER – Thermostat cover	3.796
12.	WASHER – Spring lock	3.792	53.	SCREW – Thermostat cover	3.796
13.	NUT – Lever	3.792	54.	GASKET – Thermostat cover	3.796
14.	PLUG – Lead ball	3.767	55.	COVER ASSY. – Thermostat	3.796
15.	LEVER – Pump	3.780	56.	PLUG – Main body channel	3.767
16.	SCREW – Pump lever	3.781	57.	VALVE & SEAT ASSY. – Float	3.771
17.	ROD – Pump	3.783	58.	GASKET – Float needle seat	3.772
18.	PIN – Cotter	3.783	59.	ROD – Choke	3.798
19.	PISTON – Vacuum power	3.788	60.	PIN – Cotter	3.798
20.	SCREW – Pump nozzle	3.759	61.	FLOAT & LEVER ASSY.	3.773
21.	NOZZLE – Pump	3.758	62.	PIN – Float fulcrum	3.775
22.	GASKET – Pump nozzle	3.758	63.	SPRING – Fulcrum pin	3.775
23.	BALL – Pump outlet check	3.760	64.	BAFFLE – Float chamber	3.776
24.	JET – Power by-pass	3.757	65.	BALL – Pump inlet check	3.760
25.	GASKET – Power by-pass jet	3.757	66.	SPRING – Pump bottom	3.779
26.	TUBE – Idle	3.752	67.	SPRING – Pump duration	3.779
27.	BLEEDER – High speed	3.751	68.	WASHER – Duration spring retainer	3.779
28.	RETAINER – Fast idle rod	3.793	69.	WASHER – Duration spring clip	3.779
29.	ROD – Fast idle	3.793	70.	PISTON ASSY. – Pump	3.778
30.	PLUG – Lead ball	3.767	71.	WASHER – Idle vent	3.764
31.	JET – Main discharge	3.754	72.	SCREW – Diaphragm attaching	3.799
32.	JET – Main metering	3.754	73.	NUT – Dashpot	3.733
33.	GASKET – Metering jet plug	3.756	74.	BRACKET – Dashpot	3.733
34.	PLUG – Main metering jet	3.755	75.	SCREW & LOCK WASHER – Dashpot	3.733
35.	GASKET – Main body	3.749	76.	DASHPOT	3.733
36.	BODY ASSY. – Throttle	3.727	77.	BODY ASSY. – Main	3.748
37.	SPRING – Slow idle screw	3.734	78.	PIN – Cotter	3.778
38.	SCREW – Slow idle	3.734	79.	SHAFT – Throttle	3.731
39.	SCREW – Fast idle	3.737	80.	LEVER – Throttle	3.731
40.	LEVER – Throttle	3.731	81.	WASHER – Throttle lever nut	3.731
41.	SCREW – Throttle valve	3.729	82.	NUT – Throttle lever	3.731

FUEL PUMPS



ILLUS. REF. NO.	PART NAME	GROUP	ILLUS. REF. NO.	PART NAME	GROUP
1.	BAIL and SCREW	3.906	15.	PLUG	3.921
2.	NUIT	3.907	16.	LINK	3.931
3.	SEAT	3.905	17.	SPRING	3.922
4.	BOWL	3.903	18.	SCREW and WASHER	3.910
5.	GASKET	3.904	19.	WASHER - Seal	3.902
6.	SCREEN ASSY.	3.929	20.	SEAL	3.902
7.	COVER	3.910	21.	SCREW - Filter cover	3.906
8.	GASKET	3.913	22.	WASHER - Cover screw	3.906
9.	VALVE ASSY.	3.909	23.	COVER - Filter	3.903
10.	DIAPHRAGM ASSY.	3.925	24.	SCREW - Cover	3.910
11.	SPRING	3.927	25.	SEAT - Diaphragm spring	3.927
12.	BODY	3.902	26.	RETAINER - Arm spring	3.922
13.	ARM	3.920	27.	CIRCLIP - Arm pin	3.921
14.	PIN	3.921			

HOLDEN "LC" PARTS CATALOGUE

GROUP	DESCRIPTION	MODEL	SIDE	PART No.	QTY.
3.001 TANK ASSEMBLY — Fuel					
	TANK ASSY.	4 Cyl. exc.1600 Eng.		2805477	1
	TANK ASSY.	1600, 2250, 2600, 2850 Eng.		2805492	1
	TANK ASSY.	186X Eng.		2820186	1
	COVER ASSY. — Fuel tank	186X Eng.		2816504	1
3.003 HOSE, PIPE ASSEMBLY — Fuel tank filler and vent					
	HOSE — Filler neck	Exc. 186X Eng.		2805952	1
	CLAMP — Hose, filler neck	Exc. 186X Eng.		SP1609	2
	HOSE — Fuel tank vent	Exc. 186X Eng.		2811449	1
	CLAMP — Hose, fuel tank vent pipe	Exc. 186X Eng.		SP1605	2
	PIPE ASSY. — Filler	Exc. 186X Eng.		2805949	1
	SCREW — Filler pipe to body	Exc. 186X Eng.		SP2172	4
	PIPE — Fuel tank vent	Exc. 186X Eng.		2811155	1
	PIPE — Vent connector	Exc. 186X Eng.		2810543	1
	GUARD — Fuel tank vent pipe	Exc. 186X Eng.		2811156	1
	GROMMET — Fuel tank vent pipe	Exc. 186X Eng.		2810518	1
	HOSE — Filler neck	186X Eng.		7423709	1
	CLAMP — Hose to filler pipe	186X Eng.		SP1609	2
	HOSE — Fuel tank vent	186X Eng.		7436532	1
	CLAMP — Hose, fuel tank vent pipe	186X Eng.		7441715	2
	PIPE ASSY. — Filler	186X Eng.		2816485	1
	SCREW — Filler pipe to body	186X Eng.		SP2172	4
	PIPE — Lower breather vent	186X Eng.		2816483	1
	PIPE — Fuel tank vent	186X Eng.		2816162	1
	CLIP — Vent pipe to panel	186X Eng.		SP1774	3
	GROMMET — Fuel tank vent pipe	186X Eng.		2810518	1
3.008 GASKET — Fuel tank filler pipe					
	GASKET	ALL		2805953	1
3.028 CAP ASSEMBLY — Fuel tank filler					
	CAP ASSY.	Exc. 186X Eng.		2805021	1
	CAP ASSY.	186X Eng.		2816161	1
	CAP ASSY. — Locking	ALL		2811517	1
	INSERT	1160 Eng.		2813992	1
	INSERT	70 Eng.		2813994	1
	INSERT	1600 Eng.		2822133	1
	INSERT	2250 Eng.		2813993	1
	INSERT	2600 exc. S Eng.		2813995	1
	INSERT	2850 exc. S Eng.		2813992	1
	INSERT	2600S, 2850S Eng.		2813992	1
3.107 GAUGE ASSEMBLY — Fuel tank unit					
	GAUGE ASSY.	4 Cyl. exc. 1600 Eng.		2805264	1
	GAUGE ASSY.	1600, 2250, 2600, 2850 Eng.		7449952	1
	GAUGE ASSY.	186X Eng.		2816238	1
	RING — Fuel gauge tank unit retainer	ALL		3774937	1
3.110 STRAINER — Fuel tank riser pipe					
	STRAINER	ALL		3717026	1
3.112 SEAL, GASKET — Fuel gauge tank unit					
	SEAL	ALL		7421765	1
	GASKET — Gauge insulator	186X Eng.		1516054	1

HOLDEN "LC" PARTS CATALOGUE

GROUP	DESCRIPTION	MODEL	SIDE	PART No.	QTY.
3.158 PIPE ASSEMBLY — Fuel					
	PIPE ASSY. — Fuel tank to pump	4 Cyl. exc. 1600 Eng.		2805853	1
	PIPE ASSY. — Fuel tank to pump	6 Cyl. Eng.		(²² 2805850	1
	PIPE — Fuel tank to pump	6 Cyl. Eng.		(²³ 2822059	1
	PIPE ASSY. — Fuel tank to pump	1600 Eng.		2820597	1
	PIPE ASSY. — Fuel auxiliary to pump	1600 Eng.		8838162	1
	PIPE ASSY. — Fuel rear	186X Eng.		2816486	1
	GROMMET — Rear pipe to underbody	ALL		2805852	1
	GUARD ASSY. — Riser pipe	Exc. 186X Eng.		2807322	1
	GUARD ASSY. — Riser pipe	186X Eng.		2816451	1
3.163 HOSE — Fuel line					
	HOSE — Fuel pipe to pump	4 Cyl. exc. 1600 Eng.		7441716	1
	HOSE — Fuel pump to carb. fuel pipe	4 Cyl. exc. 1600 Eng.		7441716	1
	HOSE — Fuel pipe to pump	1600 Eng.		2816565	1
	HOSE — Carb. fuel pipe to carb.	1600 Eng.		7203010	1
	CLIP — Carb. fuel pipe to carb. hose	1600 Eng.		8839538	2
	HOSE — Fuel pipe to pump	6 Cyl. Eng.		7419900	1
	HOSE — Fuel tank to pipe	ALL		2805851	1
	CLAMP — Hose	ALL		3786275	2-4
	CLAMP — Hose	4 Cyl. Eng.		7441715	2-4
	CONNECTOR — Fuel hose to fuel pump	6 Cyl. Eng.		3750685	1
	HOSE — Fuel pipe to carburettor	70 Eng.		7438532	1
	HOSE — Front carburettor to pipe	186X Eng.		2816568	1
	HOSE — Centre carburettor to pipe	186X Eng.		2816565	1
	HOSE — Rear carburettor to pipe	186X Eng.		2816764	1
	CLAMP — Hose to pipe and carburettor	186X Eng.		7441715	6
3.201 PIPE ASSEMBLY — Carburettor fuel					
	PIPE ASSY.	1160 Eng.		7441717	1
	PIPE ASSY.	70 Eng.		7438158	1
	PIPE	1600 Eng.		8813275	1
	PIPE ASSY.	2250, 2600 exc. S Eng.		7426211	1
	PIPE ASSY.	2850 exc. S Eng.		7426211	1
	PIPE ASSY.	2600S, 2850S Eng.		7433847	1
	PIPE ASSY.	186X Eng.		2816562	1
	BRACKET — Fuel pipe support	186X Eng.		2816564	1
3.202 PIPE FITTINGS					
	CLIP — Fuel pipe to rocker cover	4 Cyl. exc. 1600 Eng.		6377117	2
	CLIP — Fuel pipe to underbody	4 Cyl. Eng.		7415653	1
	CLIP — Fuel pipe to front engine mounting Bracket (closed No. 4 — ¼" dia. ¾" bolt)	1600 Eng.		140784	1
	CLIP — Fuel pipe to longitudinal member	1600 Eng.		SP1774	5
	NUT — Fuel pipe to pump	1600 Eng.		7090718	1
	NUT — Fuel pipe to carburettor	1160, 1600 Eng.		7090718	1
	CLIP — Fuel pipe to longitudinal member	4 Cyl. Eng.		SP1909	3-5
	CLIP — Fuel pipe to spark control pipe	6 Cyl. Eng.		599119	2
	CLIP — Fuel pipe to engine mounting side rail	6 Cyl. Eng.		7415653	1
	CLIP — Fuel pipe to underbody	6 Cyl. Eng.		7415653	1
	CLIP — Carburettor fuel pipe	6 Cyl. Eng.		7423305	1
	CLIP — Fuel pipe to longitudinal member	6 Cyl. Eng.		SP1574	3-4
3.260 HOSE, CLIP, CLAMP — Inlet manifold water					
	PIPE — Manifold to water pump	(M) 1600 Eng.		8851815	1
	PIPE — Manifold to water pump	(A) 1600 Eng.		8842013	1
	ADAPTOR — Pipe to manifold	(A) 1600 Eng.		8841990	1
	RING — Adaptor sealing	(A) 1600 Eng.		8822823	1
	NUT — Adaptor	(A) 1600 Eng.		8822824	1
	HOSE — Inlet	2250, 2600 exc. S Eng.		(⁸ 7429468	1

Note: (⁸ Used on Engines with Engine Number Prefix 2250L or 2250H.

(²² Prior to brake line pressure warning switch.

(²³ When brake line pressure warning switch fitted.

HOLDEN "LC" PARTS CATALOGUE

GROUP	DESCRIPTION	MODEL	SIDE	PART No.	QTY.
3.260 HOSE, CLIP, CLAMP — Inlet manifold water (contd.)					
	HOSE — Inlet	2250 Eng.		(⁹ 7433804	1
	HOSE — Inlet	2850 exc. S Eng.		7433804	1
	HOSE — Outlet	2250, 2600 exc. S Eng.		(⁸ 7429468	1
	HOSE — Outlet	2250 Eng.		(²⁴ 2820830	1
	HOSE — Outlet	2850 exc. S Eng.		(²⁵ 2820830	1
	HOSE — Inlet	2600S Eng.		7433805	1
	HOSE — Outlet	2600S, 2850S Eng.		7433804	1
	HOSE	186X Eng.		2816557	2
	NIPPLE — Hose	186X Eng.		SP2160	2
	CLIP — Hose	2600S, 186X Eng.		7433806	1
	CLAMP — Hose 1.03"	6 Cyl. Eng.		SP1610	4
3.265 MANIFOLD — Inlet					
	MANIFOLD	1160 Eng.		(²⁶ 8822961	1
	MANIFOLD	70 Eng.		7169539	1
	MANIFOLD	(M) 1600 Eng.		8851896	1
	MANIFOLD	(A) 1600 Eng.		8851897	1
	CORRECTOR — Manifold	1600 Eng.		8825688	1
	PLUG	4 Cyl. Eng.		1031498	1
	MANIFOLD	2250, 2600 exc. S Eng.			
			RIGHT HAND DRIVE	(⁸ 2811756	1
			LEFT HAND DRIVE	(⁸ 7432239	1
	MANIFOLD	2250 Eng.		2820818	1
	MANIFOLD	2850 exc. S Eng.		2820815	1
	MANIFOLD	2600S Eng.		7434447	1
	MANIFOLD	2850S Eng.		7433690	1
	MANIFOLD	186X Eng.		2815922	1
	PLUG — Expansion	2250, 2600, 2850 Eng.		9419378	2-1
	PLUG — Auto hex. hd. ¼"	(M) 2250, 2600 exc. S Eng.		444819	1
	PLUG — Auto hex. hd. ¼"	(M) 2850 exc. S Eng.		444819	1
	PLUG — Auto hex. hd. ¾"	2600S, 2850S Eng.		444625	1
	PLUG — Auto hex. hd. ¼"	186X Eng.		444819	4
3.270 GASKET SET, GASKET — Manifold					
	GASKET SET	1160 Eng.		M35687	1
	GASKET — Inlet	1160 Eng.		6384966	1
	GASKET — Inlet	70 Eng.		7180977	1
	GASKET — Inlet manifold — Front	1600 Eng.		7206398	1
	GASKET — Inlet manifold — Rear	1600 Eng.		8841598	1
	GASKET — Exhaust	4 Cyl. Eng.		6384888	1
	GASKET SET	2250, 2600 exc. S Eng.		7430496	1
	GASKET SET	2850 exc. S Eng.		7430496	1
	GASKET	6 Cyl. Eng.		7429521	1
	GASKET SET	2600S, 2850S, 186X Eng.		2819742	1
3.273 BRACE ASSEMBLY, CLAMP — Manifold					
	BRACE ASSY. — Inlet manifold	1160 Eng.		7157956	1
	BRACE ASSY. — Inlet manifold	70 Eng.		7195815	1
	CLAMP — Small	2250, 2600 exc. S Eng.		7420151	4
	CLAMP — Small	2850 exc. S Eng.		7420151	4
	CLAMP — Large	2250, 2600 exc. S Eng.		3789898	2
	CLAMP — Large	2850 exc. S Eng.		3789898	2
	CLAMP — Small	2600S, 2850S Eng.		7429277	4
	CLAMP — Large	2600S, 2850S Eng.		7429278	2
	CLAMP — Small	186X Eng.		2818411	4
	CLAMP — Large	186X Eng.		2818412	2

Note: (⁸ Used on Engines with Engine Number Prefix 2250L or 2250H.

(⁹ Used on Engines with Engine Number Prefix CB or CC.

(²⁴ When Heater not fitted on Engines with Engine Number Prefix CB or CC.

(²⁵ When Heater not fitted.

(²⁶ When replacing manifold up to Engine No. 1366696 use bolt 9905839.

HOLDEN "LC" PARTS CATALOGUE

GROUP	DESCRIPTION	MODEL	SIDE	PART No.	QTY.
3.275	STUD, BOLT — Inlet and exhaust manifold				
	BOLT ASSY. — Inlet manifold to cyl. head	1160 Eng.		6366865	3
	BOLT ASSY. — Inlet manifold to cyl. head	70 Eng.		6366865	1
	BOLT ASSY. — Inlet manifold to cyl. head	70 Eng.		7169711	2
	STUD — Inlet manifold to cylinder head $\frac{5}{16}$ " — 24 x $1\frac{1}{16}$ "	1600 Eng.		8813346	3
	STUD — Inlet manifold to cylinder head $\frac{5}{16}$ " — 24 x $1\frac{1}{16}$ "	1600 Eng.		8813347	1
	STUD — Inlet manifold to cylinder head $\frac{5}{16}$ " — 24 x $1\frac{1}{16}$ "	1600 Eng.		8816765	1
	STUD — Inlet manifold to cylinder head $\frac{5}{16}$ " — 24 x $2\frac{1}{4}$ "	1600 Eng.		8813348	1
	WASHER — Inlet manifold ($\frac{5}{16}$ " copper)	1600 Eng.		115308	1
	NUT — Exhaust pipe to manifold	4 Cyl. Eng.		355827	2-4
	STUD — Inlet and exhaust manifold	6 Cyl. Eng.		7429476	4
	STUD — Manifold locating	6 Cyl. Eng.		3835487	2
	STUD — Exhaust pipe to manifold	6 Cyl. Eng.		7414906	2-4
	NUT — Exhaust pipe to manifold	6 Cyl. Eng.		3829086	2-4
3.276	WASHER — Manifold				
	WASHER — Exhaust manifold to cyl. head	4 Cyl. Eng.		6360873	5-8
	WASHER — Brace to manifold	70 Eng.		6360873	1
	PLATE — Manifold locking	1600 Eng.		7204469	4
3.288	STUD — Carburettor to manifold				
	STUD	4 Cyl. exc. 1600 Eng.		6366860	2
	STUD	1600 Eng.		6399119	2
	STUD	2250, 2600 exc. S Eng.		7429464	2
	STUD	2850 exc. S Eng.		7429464	2
	STUD	2600S, 2850S, 186X Eng.		SP1763	4-6
3.402	AIR CLEANER and SILENCER ASSEMBLY				
	AIR CLEANER & SILENCER ASSY.	1160 Eng.		7436987	1
	AIR CLEANER & SILENCER ASSY.	70 Eng.		(²⁷ 7438372)	1
	AIR CLEANER & SILENCER ASSY.	70 Eng.		(²⁸ 7436987)	1
	AIR CLEANER & SILENCER ASSEMBLY	1600 Eng.		2822121	1
	AIR CLEANER & SILENCER ASSY. — Single element	2250, 2600 exc. S Eng.		2815942	1
	AIR CLEANER & SILENCER ASSY. — single element	2850 exc. S Eng.		2815942	1
	AIR CLEANER & SILENCER ASSY. — Dual element	2250, 2600 exc. S Eng.		7438769	1
	AIR CLEANER & SILENCER ASSY. — dual element	2850 exc. S Eng.		7438769	1
	AIR CLEANER & SILENCER ASSY.	2600S Eng.		2810338	1
	TRANSFER — Engine capacity identification	2600S Eng.		2809438	1
	AIR CLEANER & SILENCER ASSY.	2850S Eng.		2820464	1
	AIR CLEANER & SILENCER ASSY.	186X Eng.		2817137	3
3.403	BRIDGE, ROD, CLAMP, GASKET — Air cleaner				
	CLAMP	1160, 70 Eng.		7414605	1
	BRIDGE ASSY.	70 Eng.		7437958	1
	ADAPTOR — Air cleaner	70 Eng.		(²⁹ 2813468)	1
	ADAPTOR — Air cleaner	70 Eng.		(³⁰ 2820479)	1
	GASKET — Air cleaner adaptor to carb.	70 Eng.		7176842	1
	CLAMP — Air cleaner	1600 Eng.		7419667	1
	ROD — Air cleaner	1600 Eng.		7419668	1
	ADAPTOR — Air cleaner to carburettor	1600 Eng.		2822125	1
	CLAMP — Adaptor to carburettor	1600 Eng.		7419667	1
Note:	(²⁷ Connected to Carburettor by Hose and Air Chamber.				
	(²⁸ Connected to Carburettor by Adaptor.				
	(²⁹ Top of Air Cleaner opening to centre line of Carb. Flange 2"				
	(³⁰ Top of Air Cleaner opening to centre line of Carb. Flange 1½"				

HOLDEN "LC" PARTS CATALOGUE

GROUP	DESCRIPTION	MODEL	SIDE	PART No.	QTY.
3.403	BRIDGE, ROD, CLAMP, GASKET — Air cleaner (contd.)				
	ROD — Dual element cleaner	2250, 2600 exc. S Eng.		7419668	1
	ROD — Dual element cleaner	2850 exc. S Eng.		7419668	1
	CLAMP	2250, 2600 exc. S Eng.		7419667	1
	CLAMP	2850 exc. S Eng.		7419667	1
	BRIDGE ASSY. — Dual element cleaner	2250, 2600 exc. S Eng.		7426133	1
	BRIDGE ASSY. — Dual element cleaner	2850 exc. S Eng.		7426133	1
	BRIDGE ASSY.	2600S, 2850S Eng.		7433660	1
	GASKET — Air cleaner to carburettor	2600S, 2850S Eng.		3708408	1
	BRIDGE ASSY.	186X Eng.		2816560	3
	GASKET — Air cleaner to carburettor	186X Eng.		7176842	3
3.407	CHAMBER, HOSE — Air cleaner				
	CHAMBER ASSY. — Air	70 Eng.		7971892	1
	GASKET — Air chamber to carburettor	70 Eng.		7176842	1
	BOLT — Air chamber to carburettor	70 Eng.		7972019	2
	HOSE — Air inlet	70 Eng.		7199503	1
3.410	ELEMENT, NUT, CLIP, SCREW — Air cleaner				
	ELEMENT	4 Cyl. exc. 1600 Eng.		7441635	1
	ELEMENT	1600 Eng.		7422739	1
	SCREW — Cover to base	1160 Eng.		144531	1
	NUT — Wing, 1/4" — 20	70, 1600 Eng.		SP1352	1
	ELEMENT	2250, 2600 Eng.		7422739	1
	ELEMENT — Paper — Dual element cleaner	2250, 2600 exc. S Eng.		7414198	1
	ELEMENT — Paper — Dual element cleaner	2850 exc. S Eng.		7414198	1
	ELEMENT — Foam rubber — Dual element cleaner	2250, 2600 exc. S Eng.		7426139	1
	ELEMENT — Foam rubber — Dual element cleaner	2850 exc. S Eng.		7426139	1
	COVER — Dual element cleaner	2250, 2600 exc. S Eng.		7426135	1
	COVER — Dual element cleaner	2850 exc. S Eng.		7426135	1
	CLIP — Cover — Dual element cleaner	2250, 2600 exc. S Eng.		7426148	1
	CLIP — Cover — Dual element cleaner	2850 exc. S Eng.		7426148	1
	NUT — Wing, 1/4" — 20	2250, 2600 exc. S Eng.		SP1352	1
	NUT — Wing 1/4" — 20	2850 exc. S Eng.		SP1352	1
	NUT — Wing, 1/4" — 20 chrome plated	2600S, 2850S Eng.		SP1919	1
	ELEMENT	186X Eng.		2816174	3
	COVER — Upper	186X Eng.		2816172	3
	COVER — Lower	186X Eng.		2816173	3
	NUT — Wing, 1/4" — 20	186X Eng.		SP2162	6
3.430	COMPONENTS — Throttle control linkage				
	SHAFT & BRACKET ASSY. — Lower cross	1160 Eng.		7439325	1
	ROD — Accelerator control push	1160 Eng.		7439326	1
	CLIP — Control rod	1160 Eng.		7438095	2
	SHAFT & LEVER ASSY. — Relay	1160 Eng.		2809647	1
	SPRING — Relay shaft anti-rattle	1160 Eng.		2808560	1
	BRACKET — Relay shaft support	1160 Eng.		7439336	1
	LEVER ASSY. — Relay extension	1160 Eng.		2805970	1
	BUSHING — Pull rod to relay lever extension	1160 Eng.		3794377	1
	SLEEVE — Pull rod to relay lever extension	1160 Eng.		3707713	1
	TRUNNION — Pull rod to relay lever extension	1160 Eng.		7438157	1
	ROD ASSY. — Accelerator control pull	1160 Eng.		7439329	1
	CLIP — Pull rod to torsion rod assy.	1160 Eng.		7438095	1
	BRACKET — Torsion rod bearing support	1160 Eng.		7439335	1
	SLEEVE — Torsion rod bearing	1160 Eng.		7224484	1
	RETAINER — Torsion rod bearing	1160 Eng.		7439334	2
	SPACER — Torsion rod bearing	1160 Eng.		2808953	1
	ROD & LEVER ASSY. — Throttle torsion	1160 Eng.		7439330	1
	SPRING — Torsion rod to carb. anti-rattle	1160 Eng.		346331	1
	CLIP — Torsion rod to carb.	1160 Eng.		6317961	1
	SHAFT & BRACKET ASSY. — Lower cross	70 Eng.		7439325	1
	ROD — Accelerator control push	70 Eng.		7439326	1

HOLDEN "LC" PARTS CATALOGUE

GROUP	DESCRIPTION	MODEL	SIDE	PART No.	QTY.
3.430 COMPONENTS — Throttle control linkage (contd.)					
	CLIP — Control rod	70 Eng.		7438095	2
	SHAFT & LEVER ASSY. — Relay	70 Eng.		2810289	1
	SPRING — Relay shaft anti-rattle	70 Eng.		2808560	1
	BRACKET — Relay shaft support	70 Eng.		2805970	1
	BUSHING — Pull rod to relay lever extension	70 Eng.		3794377	1
	SLEEVE — Pull rod to relay lever extension	70 Eng.		3707713	1
	TRUNNION — Pull rod to relay lever extension	70 Eng.		7438157	1
	ROD ASSY. — Accelerator control pull	70 Eng.		2808559	1
	CLIP — Pull rod to torsion rod assy.	70 Eng.		7438095	1
	BRACKET — Torsion rod bearing support	70 Eng.		7439335	1
	SLEEVE — Torsion rod bearing	70 Eng.		7224484	1
	RETAINER — Torsion rod bearing	70 Eng.		7439334	2
	SPACER — Torsion rod bearing retainer	70 Eng.		2808953	1
	ROD & LEVER ASSY. — Throttle torsion	70 Eng.		(³¹ 2807311)	1
	ROD & LEVER ASSY. — Throttle torsion	70 Eng.		(³² 2813327)	1
	SPRING — Torsion rod to carb. anti-rattle	70 Eng.		346331	1
	CLIP — Torsion rod to carb.	70 Eng.		6317961	1
	SHAFT & BRACKET ASSY. — Lower cross	1600 Eng.		7439325	1
	ROD — Accelerator control push	1600 Eng.		7439326	1
	CLIP — Control rod	1600 Eng.		7438095	2
	SHAFT & LEVER ASSY. — Relay	1600 Eng.		2810289	1
	SPRING — Relay shaft anti-rattle	1600 Eng.		2808560	1
	BRACKET — Relay shaft support	1600 Eng.		7439336	1
	LEVER ASSY. — Relay extension	1600 Eng.		2805970	1
	BUSHING — Pull rod to relay lever extension	1600 Eng.		3794377	1
	SLEEVE — Pull rod to relay lever extension	1600 Eng.		3707713	1
	TRUNNION — Pull rod to relay lever extension	1600 Eng.		7438157	1
	ROD — Accelerator control pull	(M) 1600 Eng.		2820606	1
	CLIP — Pull rod to torsion rod	(M) 1600 Eng.		7403054	1
	ROD — Accelerator control pull	(A) 1600 Eng.		2823601	1
	CLIP — Pull rod to torsion rod	(A) 1600 Eng.		7403387	1
	BRACKET — Torsion rod bearing support	1600 Eng.		7439335	1
	SLEEVE — Torsion rod bearing	1600 Eng.		7224484	1
	RETAINER — Torsion rod bearing	1600 Eng.		7439334	2
	SPACER — Torsion rod bearing retainer	1600 Eng.		2808953	1
	ROD — Throttle torsion	1600 Eng.		2823385	1
	SPRING — Torsion rod to carb. anti-rattle	1600 Eng.		346331	1
	CLIP — Torsion rod to carb.	1600 Eng.		6317961	1
	SHAFT & BRACKET ASSY. — Lower cross	2250, 2600 exc. S Eng.	RIGHT HAND DRIVE	7439325	1
	SHAFT & BRACKET ASSY. — Lower cross	2850 exc. S Eng.	RIGHT HAND DRIVE	7439325	1
	ROD — Accelerator control push	2250, 2600 exc. S Eng.	RIGHT HAND DRIVE	7439326	1
	ROD — Accelerator control push	2850 exc. S Eng.	RIGHT HAND DRIVE	7439326	1
	CLIP — Control rod	2250, 2600 exc. S Eng.	RIGHT HAND DRIVE	7438095	2
	CLIP — Control rod	2850 exc. S Eng.	RIGHT HAND DRIVE	7438095	2
	SHAFT & LEVER ASSY. — Relay	2250, 2600 exc. S Eng.	RIGHT HAND DRIVE	2810289	1
	SHAFT & LEVER ASSY. — Relay	2850 exc. S Eng.	RIGHT HAND DRIVE	2810289	1
	SPRING — Relay shaft anti-rattle	2250, 2600 exc. S Eng.	RIGHT HAND DRIVE	2808560	1
	SPRING — Relay shaft anti-rattle	2850 exc. S Eng.	RIGHT HAND DRIVE	2808560	1
	BRACKET — Relay shaft support	2250, 2600 exc. S Eng.	RIGHT HAND DRIVE	7439336	1
	BRACKET — Relay shaft support	2850 exc. S Eng.	RIGHT HAND DRIVE	7439336	1

Note: (³¹ Use with Carb. Part No. 8816987 Type 150CD.

(³² Use with Carb. Part No. 8841762 Type 150CDS.

HOLDEN "LC" PARTS CATALOGUE

GROUP	DESCRIPTION	MODEL	SIDE	PART No.	QTY.
3.430 COMPONENTS — Throttle control linkage (contd.)					
	LEVER ASSY. — Relay extension	2250, 2600 exc. S Eng.	RIGHT HAND DRIVE	2805970	1
	LEVER ASSY — Relay extension	2850 exc. S Eng.	RIGHT HAND DRIVE	2805970	1
	BUSHING — Pull rod to relay lever extension	2250, 2600 exc. S Eng.	RIGHT HAND DRIVE	3794377	1
	BUSHING — Pull rod to relay lever extension	2850 exc. S Eng.	RIGHT HAND DRIVE	3794377	1
	SLEEVE — Pull rod to relay lever extension	2250, 2600 exc. S Eng.	RIGHT HAND DRIVE	3707713	1
	SLEEVE — Pull rod to relay lever extension	2850 exc. S Eng.	RIGHT HAND DRIVE	3707713	1
	TRUNNION — Pull rod to relay lever extension	2250, 2600 exc. S Eng.	RIGHT HAND DRIVE	7438157	1
	TRUNNION — Pull rod to relay lever extension	2850 exc. S Eng.	RIGHT HAND DRIVE	7438157	1
	ROD ASSY. — Accelerator control pull	2250, 2600 exc. S Eng.	RIGHT HAND DRIVE	(³³ 7449666)	1
	ROD ASSY. — Accelerator control pull	2250, 2600 exc. S Eng.	RIGHT HAND DRIVE	(³⁴ 2815670)	1
	ROD ASSY. — Accelerator control pull	2850 exc. S Eng.	RIGHT HAND DRIVE	2815670	1
	CLIP — Pull rod to torsion rod assy.	2250, 2600 exc. S Eng.	RIGHT HAND DRIVE	(³⁵ 7403387)	1
	CLIP — Pull rod to torsion rod assy.	2250, 2600 exc. S Eng.	RIGHT HAND DRIVE	(³⁶ 7403054)	1
	CLIP — Pull rod to torsion rod assy.	2850 exc. S Eng.	RIGHT HAND DRIVE	7403054	1
	BRACKET — Torsion rod bearing support	2250, 2600 exc. S Eng.	RIGHT HAND DRIVE	7449664	1
	BRACKET — Torsion rod bearing support	2850 exc. S Eng.	RIGHT HAND DRIVE	7449664	1
	BEARING — Torsion rod	2250, 2600 exc. S Eng.	RIGHT HAND DRIVE	7448698	1
	BEARING — Torsion rod	2850 exc. S Eng.	RIGHT HAND DRIVE	7448698	1
	SUPPORT — Torsion rod bearing	2250, 2600 exc. S Eng.	RIGHT HAND DRIVE	7448697	1
	SUPPORT — Torsion rod bearing	2850 exc. S Eng.	RIGHT HAND DRIVE	7448697	1
	ROD ASSY. — Carb. actuating torsion	2250, 2600 exc. S Eng.	RIGHT HAND DRIVE	(³⁵ 7449665)	1
	ROD ASSY. — Carb. actuating torsion	2250, 2600 exc. S Eng.	RIGHT HAND DRIVE	(³⁶ 2815671)	1
	ROD ASSY. — Carb. actuating torsion	2250 Eng.	RIGHT HAND DRIVE	(⁹ 2818510)	1
	ROD ASSEMBLY — Carb. actuating torsion	2850 exc. S Eng.	RIGHT HAND DRIVE	2818510	1
	CLIP — Torsion rod to carb.	2250, 2600 exc. S Eng.	RIGHT HAND DRIVE	7403054	1
	CLIP — Torsion rod to carb.	2250 Eng.	RIGHT HAND DRIVE	(⁹ 7403387)	1
	CLIP — Torsion rod to carb.	2850 exc. S Eng.	RIGHT HAND DRIVE	7403387	1
	LEVER, BEARING & ROD ASSY. — Throttle	2250, 2600, 2850 Eng.	LEFT HAND DRIVE	2810107	1
	ROD — Throttle control pull	2250, 2600, 2850 Eng.	LEFT HAND DRIVE	2810102	1

- Note:** (⁹ Used on Engines with Engine Number Prefix CB or CC.
(³³ Torsion Rod end of Pull Rod Assy. towards rear of car.
(³⁴ Torsion Rod end of Pull Rod Assy. towards front of car.
(³⁵ Use with Pull Rod Assy. 7449666.
(³⁶ Use with Pull Rod Assy. 2815670.

HOLDEN "LC" PARTS CATALOGUE

GROUP	DESCRIPTION	MODEL	SIDE	PART No.	QTY.
3.430 COMPONENTS — Throttle control linkage (contd.)					
	CLIP — Pull rod to lever, bearing & rod assy.	2250, 2600, 2850 Eng.	LEFT HAND DRIVE	7403387	1
	TRUNNION — Pull rod to bracket	2250, 2600, 2850 Eng.	LEFT HAND DRIVE	2815801	1
	LEVER ASSY. — Throttle relay	2250, 2600, 2850 Eng.	LEFT HAND DRIVE	2816221	1
	BRACKET ASSY. — Relay lever support	2250 Eng.	LEFT HAND DRIVE	(⁹ 2822567	1
	BRACKET ASSY. — Relay lever support	2850 Eng.	LEFT HAND DRIVE	2822568	1
	WASHER — Relay lever anti-rattle	2250, 2600, 2850 Eng.	LEFT HAND DRIVE	7400949	1
	ROD — Relay lever to carb.	2250, 2600, 2850 Eng.	LEFT HAND DRIVE	2811753	1
	SPRING — Rod anti-rattle	2250, 2600, 2850 Eng.	LEFT HAND DRIVE	7425596	2
	SHAFT & BRACKET ASSY. — Lower cross	2600S, 2850S Eng.		7439325	1
	ROD — Accelerator control push	2600S, 2850S Eng.		7439326	1
	CLIP — Control rod	2600S, 2850S Eng.		7438095	2
	SHAFT & LEVER ASSY. — Relay	2600S, 2850S Eng.		2810289	1
	SPRING — Relay shaft anti-rattle	2600S, 2850S Eng.		2808560	1
	BRACKET — Relay shaft support	2600S, 2850S Eng.		7439336	1
	LEVER ASSY. — Relay extension	2600S, 2850S Eng.		2809739	1
	ROD ASSY. — Accelerator control pull	2600S, 2850S Eng.		2809738	1
	CLIP — Pull rod to relay lever extension	2600S, 2850S Eng.		7403054	1
	CLIP — Pull rod to throttle relay lever	2600S, 2850S Eng.		7403387	1
	BRACKET ASSY. — Relay lever support	2600S, 2850S Eng.		2809740	1
	LEVER ASSY. — Throttle relay	2600S, 2850S Eng.		2809741	1
	WASHER — Relay lever to support bracket	2600S, 2850S Eng.		7400949	1
	ROD — Relay lever to carburettor	2600S, 2850S Eng.		2809742	1
	CLIP — Rod to relay lever	2600S, 2850S Eng.		7403054	1
	TRUNNION — Relay lever rod to carb.	2600S, 2850S Eng.		7438157	1
	BUSHING — Relay lever rod to carb.	2600S, 2850S Eng.		3794377	1
	SLEEVE — Relay lever rod to carb.	2600S, 2850S Eng.		3707713	1
	SHAFT & BRACKET ASSY. — Lower cross	186X Eng.		7439325	1
	ROD — Accelerator control push	186X Eng.		7439326	1
	CLIP — Control rod	186X Eng.		7438095	2
	SHAFT & LEVER ASSY. — Relay	186X Eng.		2810289	1
	SPRING — Relay shaft anti-rattle	186X Eng.		2808560	1
	BRACKET — Relay shaft support	186X Eng.		7439336	1
	LEVER ASSY. — Relay extension	186X Eng.		2805970	1
	BUSHING — Pull rod to relay lever extension	186X Eng.		3794377	1
	SLEEVE — Pull rod to relay lever extension	186X Eng.		3707713	1
	TRUNNION — Pull rod to relay lever extension	186X Eng.		7438157	1
	ROD ASSY. — Accelerator control pull	186X Eng.		2815670	1
	CLIP — Pull rod to torsion rod assy.	186X Eng.		7403054	1
	BRACKET — Torsion rod bearing support	186X Eng.		7449664	1
	BEARING — Torsion rod	186X Eng.		7448698	1
	SUPPORT — Torsion rod bearing	186X Eng.		7448697	1
	ROD ASSY. — Torsion	186X Eng.		2815950	1
	CLIP — Torsion rod to relay shaft	186X Eng.		7403054	1
	SHAFT ASSY. — Relay	186X Eng.		2815945	1
	BRACKET — Relay shaft support, front	186X Eng.		2815944	1
	BRACKET — Relay shaft support, rear	186X Eng.		2815943	1
	RETAINER — Relay shaft bearing	186X Eng.		7439334	4
	SLEEVE — Relay shaft bearing	186X Eng.		7224484	2
	ROD — Carburettor push	186X Eng.		2815946	1
	CLIP — Push rod to relay shaft	186X Eng.		7438096	1
	CLIP — Push rod to carb. lever	186X Eng.		7438095	1
	ROD — Carburettor adjusting	186X Eng.		2815947	2
	TRUNNION — Adjusting rod	186X Eng.		2816023	2
	NUT — Adjusting rod	186X Eng.		2815948	2
	CLIP — Push rod to carb. lever	186X Eng.		7438095	2

Note: (⁹ Used on Engines with Engine Number Prefix CB or CC.

HOLDEN "LC" PARTS CATALOGUE

GROUP	DESCRIPTION	MODEL	SIDE	PART No.	QTY.
3.451 PEDAL — Accelerator					
	PEDAL	RIGHT HAND DRIVE		7439333	1
	BRIDGE	RIGHT HAND DRIVE		7439337	1
	PAD — Accelerator pedal	LEFT HAND DRIVE		2810111	1
3.459 SPRING — Accelerator					
	SPRING — Return	1160 Eng.		7439332	1
	SPRING — Return	70 Eng.		7439732	1
	SPRING — Return	2250, 2600 exc. S Eng. RIGHT HAND DRIVE		(⁸ 7449667	1
		LEFT HAND DRIVE		2812896	1
	SPRING — Return (Coil length 2 ⁷ / ₁₆ ")	2600S Eng.		2805682	1
	SPRING — Return (Coil length 2 ⁵ / ₁₆ ")	2600S, 2850S Eng.		2814460	1
	SPRING — Return	186X Eng.		2816970	1
	BRACKET — Support	4 Cyl. Eng.		7439844	1
	BRACKET — Support	ALL	RIGHT HAND DRIVE	7439844	1
			LEFT HAND DRIVE	(⁸ 7430160	1
3.521 CONTROL ASSEMBLY — Choke					
	CONTROL ASSY	4 Cyl. exc. 1600 Eng.		(³⁷ 2806441	1
	CONTROL ASSY	70 Eng.		(³⁸ 2806442	1
	CONTROL ASSEMBLY	1600 Eng.		2822126	1
	CONTROL ASSY	2250, 2600 exc. S Eng. RIGHT HAND DRIVE		7449669	1
		LEFT HAND DRIVE		2815338	1
	NUT — Control to instrument panel	4 Cyl., 2250, 2600 exc. S Eng.		7416683	1
	GROMMET — Choke control to dash panel	4 Cyl., 2250, 2600 exc. S Eng.		1039278	1
	GROMMET — Choke control to inst. panel	4 Cyl., 2250, 2600 exc. S Eng.		7439966	1
	"O" RING — Choke control	4 Cyl., 2250, 2600 exc. S Eng.		7430136	1
	WASHER — Choke control to inst. panel	4 Cyl., 2250, 2600 exc. S Eng.		7426223	1
	CONTROL ASSY	2850 exc. S Eng. RIGHT HAND DRIVE		7449669	1
		LEFT HAND DRIVE		2815338	1
	NUT — Control to instrument panel	2850 exc. S Eng.		7416683	1
	GROMMET — Choke control to dash panel	2850 exc. S Eng.		1039278	1
	GROMMET — Choke control to inst. panel	2850 exc. S Eng.		7439966	1
	"O" RING — Choke control	2850 exc. S Eng.		7430136	1
	WASHER — Choke control to inst. panel	2850 exc. S Eng.		7426223	1
	CONTROL ASSY	186X Eng.		2816932	1
	CABLE ASSY. — Front	186X Eng.		2816995	1
	CABLE ASSY. — Rear	186X Eng.		2816996	1
	CLAMP — Choke cable, front	186X Eng.		2816997	1
	CLAMP — Choke cable, rear	186X Eng.		2817000	1
	CONDUIT — Choke cable, centre	186X Eng.		2817037	1
	CONNECTOR — Choke cable	186X Eng.		2816999	1
	PLATE — Choke cable junction	186X Eng.		2816998	1
	NUT — Control to instrument panel	186X Eng.		7416683	1
	GROMMET — Choke control to dash panel	186X Eng.		1039278	1
	GROMMET — Choke control to inst. panel	186X Eng.		7439966	1
	"O" RING — Choke control	186X Eng.		7430136	1
	WASHER — Choke control to inst. panel	186X Eng.		7426223	1
	STRAP — Choke cable to heater hose	186X Eng.		7436769	1

Note: (⁸) Used on Engines with Engine Number Prefix 2250L or 2250H.

(³⁷) Use with 70 Engines when Air Cleaner is attached to Carburettor by an Adaptor.

(³⁸) Use with 70 Engines when Air Cleaner is attached to Carburettor by Hose and Air Chamber.

HOLDEN "LC" PARTS CATALOGUE

GROUP	DESCRIPTION	MODEL	SIDE	PART No.	QTY.
3.601	MANIFOLD ASSEMBLY — Exhaust				
	MANIFOLD ASSY.	1160 Eng.		6366811	1
	MANIFOLD ASSY.	70 Eng.		7154311	1
	MANIFOLD ASSY.	1600 Eng.		(³⁹ 2703411	1
	MANIFOLD ASSY.	1600 Eng.		(⁴⁰ 8839078	1
	MANIFOLD ASSY.	2250, 2600 exc. S Eng.		7429514	1
	MANIFOLD ASSY.	2850 exc. S Eng.		7429514	1
	MANIFOLD ASSY. — Front	2600S, 2850S, 186X Eng.		7433655	1
	MANIFOLD ASSY. — Rear	2600S, 2850S, 186X Eng.		7430583	1
3.603	TUBE — Exhaust manifold choke heat				
	TUBE	2600S, 186X Eng.		7433657	1
3.609	PIPE ASSEMBLY — Exhaust				
	PIPE ASSY.	(M) 1160 Eng.		7439072	1
	PIPE & RESONATOR ASSY.	(M) 1160 Eng.		7439093	1
	PIPE ASSY.	(M) 70 Eng.		7439917	1
	PIPE ASSY.	(A) 70 Eng.		2806453	1
	PIPE & RESONATOR ASSY.	70 Eng.		7439920	1
	PIPE ASSEMBLY 2" Centres	1600 Eng.		2822794	1
	PIPE ASSY. 2 1/4" Centres	1600 Eng.		2820676	1
	PIPE & RESONATOR ASSEMBLY	1600 Eng.		7439920	1
	PIPE ASSY.	(M) 3 Sp. Trans. 2250, 2600 exc. S. Eng.			
		RIGHT HAND DRIVE		2806718	1
		LEFT HAND DRIVE		2809596	1
	PIPE ASSY.	(M) 3 Sp. Trans. 2850 exc. S Eng.			
		RIGHT HAND DRIVE		2806718	1
		LEFT HAND DRIVE		2809596	1
	PIPE ASSY.	(A) 2250, 2600 exc. S Eng.			
		RIGHT HAND DRIVE		2806718	1
		LEFT HAND DRIVE		2809596	1
	PIPE ASSY.	(A) 2850 exc. S Eng.			
		RIGHT HAND DRIVE		2806718	1
		LEFT HAND DRIVE		2809596	1
	PIPE ASSY.	(M) 4 Sp. Trans. 2250, 2600 exc. S Eng.			
		RIGHT HAND DRIVE		2806583	1
		LEFT HAND DRIVE		2809595	1
	PIPE ASSY.	(M) 4 Sp. Trans. 2850 exc. S Eng.			
		RIGHT HAND DRIVE		2806583	1
		LEFT HAND DRIVE		2809595	1
	PIPE & RESONATOR ASSY.	2250, 2600 exc. S Eng.		2806552	1
	PIPE & RESONATOR ASSY.	2850 exc. S Eng.		2806552	1
	PIPE ASSY. 1 3/4" O/D	2600S		(⁴¹ 2810316	1
	PIPE ASSY.	2850S, 186X Eng.		(⁴² 2820327	1
	PIPE & RESONATOR ASSY. 1 3/4" O/D	2600S, 2850S, 186X Eng.		2810318	1
	PIPE ASSY. — Front 2" O/D	186X Eng.		(⁴¹ 2816102	1
	PIPE ASSY. — Rear 2" O/D	186X Eng.		(⁴¹ 2816103	1
	NOTE: Reference to the 4 speed transmission illustrations is necessary for positive type identification.				
3.610	FLANGE — Exhaust pipe packing				
	FLANGE	1160 Eng.		6376634	1
	FLANGE	2250, 2600 exc. S Eng.		7429539	1
	FLANGE	2850 exc. S Eng.		7429539	1

Note: (³⁹ Exhaust Pipe with 2" Centres.
(⁴⁰ Exhaust Pipe with 2 1/4" Centres.
(⁴¹ 1st Type — Overseas manufactured Transmission.
(⁴² 2nd Type — Locally manufactured Transmission.

HOLDEN "LC" PARTS CATALOGUE

GROUP	DESCRIPTION	MODEL	SIDE	PART No.	QTY.
3.611	PACKING — Exhaust pipe				
	PACKING	4 Cyl. exc. 1600 Eng.		6376635	1-2
	PACKING	1600 Eng.		2692071	2
	PACKING	2250, 2600 exc. S Eng.		7429532	1
	PACKING	2850 exc. S Eng.		7429532	1
	PACKING	2600S, 2850S, 186X Eng.		7401483	2
3.616	CLAMP, "U" BOLT — Exhaust pipe				
	CLAMP — Suit 1 3/8" O/D pipe	1160 Eng.		6319890	A.R.
	"U" BOLT — Suit 1 3/8" O/D pipe	1160 Eng.		6319892	A.R.
	CLAMP — Suit 1 1/2" O/D pipe	70, 1600 Eng.		7421297	A.R.
	"U" BOLT — Suit 1 1/2" O/D pipe	70, 1600 Eng.		7421296	A.R.
	CLAMP — Suit 1 3/4" O/D pipe	6 Cyl. Eng.		7405970	A.R.
	"U" BOLT — Suit 1 3/4" O/D pipe	6 Cyl. Eng.		7429537	A.R.
	CLAMP — Suit 1 7/8" O/D pipe	2250, 2600 exc. S Eng.		7429798	A.R.
	"U" BOLT — Suit 1 7/8" O/D pipe	2250, 2600 exc. S Eng.		7429805	A.R.
	CLAMP — Suit 1 7/8" O/D pipe	2850 exc. S Eng.		7429798	A.R.
	"U" BOLT — Suit 1 7/8" O/D pipe	2850 exc. S Eng.		7429805	A.R.
	CLAMP — Suit 2" O/D pipe	186X Eng.		7433738	A.R.
	"U" BOLT — Suit 2" O/D pipe	186X Eng.		7433737	A.R.
3.701	MUFFLER ASSEMBLY				
	MUFFLER ASSY.	1160 Eng.		7439124	1
	MUFFLER ASSY.	70, 1600 Eng.		7439922	1
	MUFFLER ASSY.	2250, 2600 exc. S Eng.		2805677	1
	MUFFLER ASSY.	2850 exc. S Eng.		2805677	1
	MUFFLER ASSY. — Inlet 1 3/4" I/D	2600S, 2850S, 186X Eng.		(⁴² 2810323	1
	MUFFLER ASSY. — Inlet 2" I/D	186X Eng.		(⁴¹ 2816104	1
	NOTE: Reference to the 4 speed transmission illustrations is necessary for positive type identification.				
3.704	INSULATOR, SUPPORT, BRACKET, CLAMP — Muffler				
	INSULATOR — Front and rear	ALL		7431996	2
	SUPPORT — Front and rear	ALL		2811655	2
	SPACER — Front and rear	ALL		7433829	2
	BRACKET — Front and rear	ALL		7439105	2
	CLAMP — Rear support	4 Cyl. Eng.		7439121	1
	BRACKET — Front support (Suit 1 3/4" O/D pipe)	2600S, 2850S, 186X Eng.		2810319	1
	CLAMP — Rear support (Suit 1 3/4" O/D pipe)	2600S, 2850S, 186X Eng.		2810320	1
	BRACKET — Front support (Suit 2" O/D pipe)	186X Eng.		2816106	1
	BRACKET — Rear support (Suit 2" O/D pipe)	186X Eng.		2816107	1
3.705	PIPE — Muffler tail				
	PIPE	186X Eng.		(⁴³ 2816105	1
3.706	CLAMP "U" BOLT — Muffler to tail pipe				
	CLAMP	186X Eng.		(⁴³ 7433738	1
	"U" BOLT	186X Eng.		(⁴³ 7433737	1
3.720	HOSE, PIPE, BRACKET — Automatic choke heat				
	HOSE — Carburettor to inlet manifold — Inlet	(A) 1600 Eng.		8847888	1
	HOSE — Carburettor to inlet manifold — Outlet	(A) 1600 Eng.		8825574	1
	CONNECTOR — Inlet hose to manifold	(A) 1600 Eng.		8841736	1
	PIPE ASSY. — Upper	2600S, 2850S Eng.		7433858	1
	PIPE — Lower	2600S, 2850S Eng.		7433859	1
	HOSE — Lower	2600S, 2850S Eng.		7433860	1
	BRACKET — Lower heat pipe support	2600S, 2850S Eng.		2809648	1
	CLIP — Lower pipe to bracket	2600S, 2850S Eng.		SP1774	1

Note: (⁴¹ 1st Type — Overseas manufactured Transmission.

(⁴² 2nd Type — Locally manufactured Transmission.

(⁴³ Suit Muffler Assy. 2816104.

HOLDEN "LC" PARTS CATALOGUE

GROUP	DESCRIPTION	MODEL	SIDE	PART No.	QTY.
3.724	GASKET KIT — Carburettor				
	GASKET KIT	1160 Eng.		VS10476	1
	GASKET KIT — Suit 150CD Carb.	70 Eng.		VS10687	1
	GASKET KIT — Suit 150CDS Carb.	70 Eng.		VS11688	1
	GASKET KIT	2250, 2600 exc. S Eng.		7424290	1
	GASKET KIT	2850 exc. S Eng.		7424535	1
	GASKET KIT	2600S, 2850S Eng.		VS10882	1
	GASKET KIT	186X Eng.		VS11688	3
3.725	CARBURETTOR ASSEMBLY, REPAIR KIT, CAP				
	CARBURETTOR ASSY. — Zenith 30IZ	1160 Eng.		8816615	1
	CARBURETTOR ASSY. — Zenith 150CD	70 Eng.		(⁴⁴ 8816987)	1
	CARBURETTOR ASSY. — Zenith 150CDS	70 Eng.		(⁴⁴ 2812386)	1
	CARBURETTOR ASSY. — Zenith 36IV	(M) 1600 Eng.		2703337	1
	CARBURETTOR ASSY. — Zenith 36IVT	(A) 1600 Eng.		2703338	1
	BRACKET — Micro switch	(A) 1600 Eng.		8849834	1
	CARBURETTOR ASSY.	(M) 2250 Eng.		(⁸ 7431861)	1
	CARBURETTOR ASSY.	(M) 2250 Eng.			
			RIGHT HAND DRIVE	(⁹ 2815057)	1
	CARBURETTOR ASSY.	(M) 2250 Eng.			
			LEFT HAND DRIVE	(⁹ 2822549)	1
	CARBURETTOR ASSY.	(M) 2600 8.0:1 C.R. exc. S Eng.		2815317	1
	CARBURETTOR ASSY.	(M) 2600 9.2:1 C.R. exc. S Eng.		7431861	1
	CARBURETTOR ASSY.	(M) 2850 exc. S Eng.			
			RIGHT HAND DRIVE	2815053	1
	CARBURETTOR ASSY.	(M) 2850 Eng.			
			LEFT HAND DRIVE	2822547	1
	CARBURETTOR ASSY.	(A) 2250 Eng.		(⁸ 7426784)	1
	CARBURETTOR ASSY.	(A) 2250 Eng.			
			RIGHT HAND DRIVE	(⁹ 2818511)	1
	CARBURETTOR ASSY.	(A) 2250 Eng.			
			LEFT HAND DRIVE	(⁹ 2822548)	1
	CARBURETTOR ASSY.	(A) 2600 8.0:1 C.R. exc. S Eng.		2815318	1
	CARBURETTOR ASSY.	(A) 2600 9.2:1 C.R. exc. S Eng.		7426784	1
	CARBURETTOR ASSY.	(A) 2850 exc. S Eng.			
			RIGHT HAND DRIVE	2815054	1
	CARBURETTOR ASSY.	(A) 2850 Eng.			
			LEFT HAND DRIVE	2822546	1
	CARBURETTOR ASSY.	2600S Eng.		2814135	1
	CARBURETTOR ASSY.	2850S Eng.		2815553	1
	CARBURETTOR ASSY. — Front and rear	186X Eng.		2816006	2
	CARBURETTOR ASSY. — Centre	186X Eng.		2816005	1
	SHIELD ASSY. — Heat	186X Eng.		2814896	1
	REPAIR KIT	1160 Eng.		VS10475	1
	REPAIR KIT — Suit 150CD Carb.	70 Eng.		7214490	1
	REPAIR KIT — Suit 150CDS Carb.	70 Eng.		2823080	1
	REPAIR KIT — Major overhaul suit 150CDS Carb.	70 Eng.		2823079	1
	REPAIR KIT — Major overhaul	2250, 2600 exc. S Eng.		(⁸ 7430071)	1
	REPAIR KIT — Major overhaul	2250 Eng.		(⁹ VS12062)	1
	REPAIR KIT — Major overhaul	2850 exc. S Eng.			
	REPAIR KIT — Major overhaul	2600S, 2850S Eng.		VS11156	1
	REPAIR KIT — Minor overhaul	2250, 2600 exc. S Eng.		7424574	1
	REPAIR KIT — Minor overhaul	2850 exc. S Eng.		7424575	1
	REPAIR KIT — Minor overhaul	2600S, 2850S Eng.		VS11157	1
	REPAIR KIT	186X Eng.		VS11687	3
	CAP — Ventilation — Suit 150CD Carb.	70 Eng.		VS10665	1
	SCREW — Ventilation cap — Suit 150CD Carb.	70 Eng.		VS10666	1

Note: (⁸ Used on Engines with Engine Number Prefix 2250L or 2250H.
(⁹ Used on Engines with Engine Number Prefix CB or CC.
(⁴⁴ 150CD Carburettor equipped with Starter Bar Type cold Start;
150CDS Carburettor equipped with Disc type Cold Start mechanism.

HOLDEN "LC" PARTS CATALOGUE

GROUP	DESCRIPTION	MODEL	SIDE	PART No.	QTY.
3.726 INSULATOR, GASKET — Carburettor heat and flange					
	INSULATOR ASSY. — Heat	1160 Eng.		7189847	1
	INSULATOR — Heat	70 Eng.		7169543	1
	INSULATOR — Heat	1600 Eng.		8825682	1
	GASKET — Flange	1160 Eng.		6366862	2
	GASKET — Flange	70 Eng.		7169542	2
	GASKET — Flange	1600 Eng.		7130614	2
	GASKET — Flange	2250, 2600 exc. S Eng.		7424566	1
	GASKET — Flange	2850 exc. S Eng.		7424567	1
	GASKET — Flange	2600S, 2850 Eng.		7438265	1
	GASKET — Flange	186X Eng.		7169542	3
3.727 BODY ASSEMBLY — Carburettor throttle					
	BODY ASSY	(M) 2250, 2600 exc. S Eng.		(⁸ VS10309	1
	BODY ASSY	(A) 2250, 2600 exc. S Eng.		(⁸ 7428167	1
	BODY ASSY	(M) 2250 Eng.		(⁹ VS12076	1
	BODY ASSY	(A) 2250 Eng.		(⁹ VS12069	1
	BODY ASSY	(M) 2850 exc. S Eng.		VS12068	1
	BODY ASSY	(A) 2850 exc. S Eng.		VS12077	1
	BODY ASSY	2600S, 2850S Eng.		VS11155	1
3.729 VALVE — Carburettor throttle					
	VALVE	1160 Eng.		7152391	1
	SCREW — Valve attaching	1160 Eng.		7152393	2
	VALVE	70 Eng.		7194680	1
	SCREW — Valve attaching	70 Eng.		1039359	2
	VALVE	1600 Eng.		8815069	1
	SCREW — Valve attaching	1600 Eng.		1039359	2
	VALVE	2250, 2600 exc. S Eng.		7405173	1
	SCREW — Valve attaching	2250, 2600 exc. S Eng.		7405165	2
	VALVE	2850 exc. S Eng.		VS12122	1
	SCREW — Valve attaching	2850 exc. S Eng.		7405165	2
	VALVE	2600S, 2850S Eng.		VS10437	2
	SCREW — Valve attaching	2600S, 2850S Eng.		VS10522	4
	VALVE	186X Eng.		7194680	3
	SCREW — Valve attaching	186X Eng.		1039359	6
3.731 SHAFT, PLATE, LEVER ASSEMBLY — Carburettor throttle					
	SHAFT	1160 Eng.		7152392	1
	PLATE — Abutment	1160 Eng.		7152397	1
	WASHER — Sealing	1160 Eng.		7152394	1
	WASHER — Distance	1160 Eng.		7152395	1
	NUT	1160 Eng.		7152401	1
	WASHER — Lock	1160 Eng.		7156401	1
	SHAFT — Suit 150CD Carb.	70 Eng.		7194675	1
	LEVER & STOP — Throttle, Suit 150CD Carb.	70 Eng.		8819281	1
	SPRING — Throttle return, Suit 150CD Carb.	70 Eng.		7194682	1
	WASHER — Spacing, Suit 150CD Carb.	70 Eng.		7194679	1
	NUT — Suit 150CD Carb.	70 Eng.		7143956	2
	WASHER — Int. tooth $\frac{5}{16}$ " , Suit 150CD Carb.	70 Eng.		115548	2
	SHAFT — Suit 150CDS Carb.	70 Eng.		VS10877	1
	LEVER — Throttle, Suit 150CDS Carb.	70 Eng.		2680688	1
	SPRING — Throttle return, Suit 150CDS Carb.	70 Eng.		7194682	1
	NUT — Suit 150CDS Carb.	70 Eng.		7143956	1
	WASHER — Int. tooth $\frac{5}{16}$ " , Suit 150CDS Carb.	70 Eng.		115548	1
	SHAFT	1600 Eng.		8819298	1
	LEVER	1600 Eng.		2820608	1
	WASHER — Throttle lever	1600 Eng.		2808133	1
	SPRING — Throttle return	(M) 1600 Eng.		8815081	1
	SPRING — Throttle return	(A) 1600 Eng.		2680726	1
	WASHER — Spacing	1600 Eng.		7194679	1
	NUT — Throttle shaft	1600 Eng.		7143956	1

Note: (⁸ Used on Engines with Engine Number Prefix 2250L or 2250H.

(⁹ Used on Engines with Engine Number Prefix CB or CC.

HOLDEN "LC" PARTS CATALOGUE

GROUP	DESCRIPTION	MODEL	SIDE	PART No.	QTY.
3.731 SHAFT, PLATE, LEVER ASSEMBLY — Carburettor throttle (contd.)					
LEVER	2250, 2600 exc. S Eng.		(⁸ 7424559	1
LEVER	2250 Eng.		(⁹ VS11816	1
LEVER	2850 exc. S Eng.		VS11816	1
SHAFT	2250, 2600 exc. S Eng.		(⁸ 7428169	1
SHAFT — .005" O/S	2250, 2600 exc. S Eng.		(⁸ VS10251	1
SHAFT	2250 Eng.		(⁹ 7424619	1
SHAFT	2850 exc. S Eng.		7424619	1
NUT	2250, 2600 exc. S Eng.		7424617	1
WASHER	2250, 2600 exc. S Eng.		7424618	1
NUT	2850 exc. S Eng.		7424617	1
WASHER	2850 exc. S Eng.		7424618	1
SPRING — Lever return	2250 Eng.		(⁹ VS11817	1
SPRING — Lever return	2850 exc. S Eng.		VS11817	1
LEVER	2600S Eng.		VS10908	1
LEVER	2850S Eng.		VS11793	1
SHAFT	2600S, 2850S Eng.		VS10909	1
NUT	2600S, 2850S Eng.		VS10910	1
WASHER	2600S, 2850S Eng.		VS10911	1
SHAFT	186X Eng.		VS10877	3
LEVER — Throttle	186X Eng.		2816577	3
SPRING — Throttle return	186X Eng.		7194682	3
WASHER — Spacing	186X Eng.		7194679	3
NUT	186X Eng.		7143956	3
WASHER — Internal tooth lock $\frac{5}{16}$ "	186X Eng.		115548	3
3.732 LEVER — Carburettor actuating torsion					
LEVER	1160 Eng.		7152398	1
LEVER	2250, 2600 exc. S Eng.		(⁸ 7428170	1
3.733 DASH POT, BRACKET — Carburettor					
DASH POT ASSY.	2600S, 2850S Eng.		VS10920	1
NUT — Securing	2600S, 2850S Eng.		VS10918	1
BRACKET — Dash pot	2600S, 2850S Eng.		VS10919	1
SCREW & LOCK WASHER ASSY	2600S, 2850S Eng.		7405167	2
CAP — Dash pot stem	2600S, 2850S Eng.		VS10921	1
3.734 SCREW, SPRING — Carburettor slow idle adjusting					
SCREW	1160 Eng.		7152399	1
SPRING	1160 Eng.		7152400	1
SCREW — Suit 150CD Carb.	70 Eng.		7206717	1
SPRING — Suit 150CD Carb.	70 Eng.		7194692	1
SCREW — Suit 150CDS Carb.	70 Eng.		8815151	1
SPRING — Suit 150CDS Carb.	70 Eng.		7194692	1
SCREW	(M) 1600 Eng.		7156084	1
SCREW	(A) 1600 Eng.		1010078	1
SPRING	1600 Eng.		1019000	1
SCREW	2250, 2600 exc. S Eng.		7405164	1
SCREW	2850 exc. S Eng.		VS11327	1
SPRING	2250, 2600 exc. S Eng.		(⁸ 7405172	1
SPRING	2250 Eng.		(⁹ VS11815	1
SPRING	2850 exc. S Eng.		VS11815	1
SCREW	2600S, 2850S Eng.		VS10520	1
SPRING	2600S, 2850S Eng.		VS10474	1
SCREW	186X Eng.		8815151	3
SPRING	186X Eng.		7194692	3

Note: (⁸ Used on Engines with Engine Number Prefix 2250L or 2250H.

(⁹ Used on Engines with Engine Number Prefix CB or CC.

HOLDEN "LC" PARTS CATALOGUE

GROUP	DESCRIPTION	MODEL	SIDE	PART No.	QTY.
3.735	CAM, SPRING, PIVOT, LEVER — Carburettor fast idle				
	CAM ASSY.	1160 Eng.		7162483	1
	SPRING — Cam return	1160 Eng.		7152425	1
	PIVOT — Cam	1160 Eng.		7152424	1
	SCREW — Cable locking	1160 Eng.		7152426	1
	LEVER — Cam & choke, Suit 150CD Carb.	70 Eng.		7194685	1
	SCREW — Cable locking	70 Eng.		7194684	1
	CAM	2250, 2600 exc. S Eng.		⁽⁸⁾ VS10248	1
	CAM	2250 Eng.		⁽⁹⁾ VS11814	1
	CAM	2850 exc. S Eng.		VS11814	1
	LEVER	2250, 2600 exc. S Eng.		⁽⁸⁾ 7424560	1
	LEVER	2250 Eng.		⁽⁹⁾ VS11813	1
	LEVER	2850 exc. S Eng.		VS11813	1
	SCREW — Cable locking	186X Eng.		7194684	3
3.736	PIN — Carburettor fast idle cam				
	PIN	2250, 2600 exc. S Eng.		⁽⁸⁾ 7405111	1
	PIN	2250 Eng.		⁽⁹⁾ VS11812	1
	PIN	2850 exc. S Eng.		VS11812	1
	PIN — Cotter, 1/16" — 3/8"	2250, 2600 exc. S Eng.		7405140	1
	PIN — Cotter, 1/16" — 3/8"	2850 exc. S Eng.		7405140	1
3.737	SCREW, NUT, SPRING — Carburettor fast idle				
	SCREW — Suit 150CD Carb.	70 Eng.		7156107	1
	NUT — Lock, Suit 150CD Carb.	70 Eng.		7156108	1
	SCREW — Suit 150CDS Carb.	70 Eng.		8815152	1
	NUT — Lock, Suit 150CDS Carb.	70 Eng.		7156108	1
	SCREW	2600S, 2850S Eng.		VS10906	1
	SPRING	2600S, 2850S Eng.		VS10907	1
	SCREW	186X Eng.		8815152	3
	NUT — Lock	186X Eng.		7156108	3
3.741	VALVE — Carburettor needle				
	VALVE	1160 Eng.		7152402	1
	VALVE	1600 Eng.		7156085	1
	VALVE	2250, 2600, 2850 Eng.		7405174	1-2
3.742	SPRING — Carburettor idle needle valve				
	SPRING	1160 Eng.		7152400	1
	SPRING	1600 Eng.		7052415	1
	SPRING	2250, 2600, 2850 Eng.		7405171	1-2
3.744	BLEEDER, PLUG — Carburettor idle air				
	BLEEDER	2250, 2600 exc. S Eng.		⁽⁸⁾ VS10075	1
3.748	BODY ASSEMBLY — Carburettor main				
	BODY ASSY	1160 Eng.		7214411	1
	BODY ASSY	2250, 2600 exc. S Eng.		⁽⁸⁾ 7420245	1
	BODY ASSY	2250 Eng.		⁽⁹⁾ VS12066	1
	BODY ASSY.	2850 exc. S Eng.		VS12065	1
	SCREW & LOCK WASHER ASSY.	2250, 2600 exc. S Eng.		7405163	2
	SCREW & LOCK WASHER ASSY	2850 exc. S Eng.		7405163	2
	SPACER — Insulating	2250, 2600 exc. S Eng.		7405168	1
	SPACER — Insulating	2850 exc. S Eng.		7405168	1
	BODY ASSY.	2600S, 2850S Eng.		VS11152	1
	SCREW & LOCK WASHER ASSY. — 1 1/4" long	2600S, 2850S Eng.		VS10523	2
	SCREW & LOCK WASHER ASSY. — 3/4" long	2600S, 2850S Eng.		VS11038	2

Note: ⁽⁸⁾ Used on Engines with Engine Number Prefix 2250L or 2250H.
⁽⁹⁾ Used on Engines with Engine Number Prefix CB or CC.

HOLDEN "LC" PARTS CATALOGUE

GROUP	DESCRIPTION	MODEL	SIDE	PART No.	QTY.
3.749	GASKET — Carburettor float chamber				
	GASKET — Carburettor main body				
	GASKET — Fl. chamber, Suit 150CD Carb.	70 Eng.		7194706	1
	GASKET — Fl. chamber, Suit 150CDS Carb.	70 Eng.		8815158	1
	GASKET — Main body	2250, 2600 exc. S Eng.		7405143	2
	GASKET — Main body	2850 exc. S Eng.		7405143	2
	GASKET — Main body	2600S, 2850S Eng.		VS10433	1
	GASKET — Float chamber	186X Eng.		8815158	3
3.751	BLEEDER — Carburettor high speed				
	BLEEDER	2250, 2600, 2850 Eng.		7405109	1-2
3.752	TUBE — Carburettor emulsion and idle	JET — Pilot, slow running			
	EMULSION BLOCK — Carburettor				
	TUBE — Emulsion	1160 Eng.		7214424	1
	JET — Pilot	1160 Eng.		7214414	1
	FILTER — Pilot jet	1160 Eng.		7214415	1
	SEAL — Pilot jet	1160 Eng.		7152410	1
	BLOCK — Emulsion	1600 Eng.		2680674	1
	RING — Sealing	1600 Eng.		7156086	1
	SCREW — Fixing	1600 Eng.		7156113	2
	JET — Slow running	1600 Eng.		7143980	1
	TUBE — Idle	2250, 2600 exc. S Eng.		⁽⁸⁾ VS10074	1
	TUBE — Idle	2250 Eng.		⁽⁹⁾ VS12070	1
	TUBE — Idle	2850 exc. S Eng.			1
	TUBE — Idle	2600S, 2850S Eng.		VS11148	2
3.753	ROD — Carburettor volume restrictor				
	ROD	2250, 2600 exc. S Eng.		7420258	1
3.754	JET — Carburettor main metering, orifice, main discharge				
	JET ASSY. — Main metering (110)	1160 Eng.		6315183	1
	WASHER — Main jet	1160 Eng.		7162796	1
	NOZZLE — Main body spray	1160 Eng.		VS10887	1
	SCREW — Spray nozzle lock	1160 Eng.		VS10888	1
	JET — Orifice, Suit 150CD Carb.	70 Eng.		7194699	1
	SPRING — Orifice jet, Suit 150CD Carb.	70 Eng.		7194700	1
	JET — Orifice, Suit 150CDS Carb.	70 Eng.		7194699	1
	SPRING — Orifice jet, Suit 150CDS Carb.	70 Eng.		8815155	1
	JET — Main metering (.90)	1600 Eng.		7194947	1
	JET — Compensating (.115)	1600 Eng.		2702225	1
	JET — Main metering (.055)	2250, 2600 9.2:1 C.R. exc. S Eng.		⁽⁸⁾ 7420388	1
	JET — Main metering (.056)	2600 8.0:1 C.R. exc. S Eng.		VS11307	1
	JET — Main metering (.053)	2250, 2600 exc. S Eng.		⁽⁸⁾ ⁽⁴⁷⁾ 7420385	1
	JET — Main metering (.051)	2250, 2600 exc. S Eng.		⁽⁸⁾ ⁽⁴⁸⁾ 7405264	1
	JET — Main metering (.056)	2250 Eng.		⁽⁹⁾ VS11307	1
	JET — Main metering (.054)	2250 Eng.		⁽⁹⁾ ⁽⁴⁷⁾ VS11648	1
	JET — Main metering (.052)	2250 Eng.		⁽⁹⁾ ⁽⁴⁸⁾ VS11649	1
	JET — Main metering (.062)	2850 exc. S Eng.		VS12115	1
	JET — Main metering (.060)	2850 exc. S Eng.			1
	JET — Main metering (.058)	2850 exc. S Eng.		⁽⁴⁸⁾ VS10185	1
	JET — Main metering (.050)	2600S, 2850S Eng.		VS10901	2
	JET — Main metering (.048)	2600S, 2850S Eng.		⁽⁴⁷⁾ VS10902	2
	JET — Main metering (.046)	2600S, 2850S Eng.		⁽⁴⁸⁾ VS10903	2
	JET — Main discharge (28-30)	2250, 2600 exc. S Eng.		7400370	1
	JET — Main discharge (28-30)	2850 exc. S Eng.		7400370	1
	JET — Main discharge	2600S, 2850S Eng.		VS10900	2
	JET — Orifice	186X Eng.		7194699	3
	SPRING — Orifice jet	186X Eng.		8815155	3
Note:	⁽⁸⁾ Used on Engines with Engine Number Prefix 2250L or 2250H.				
	⁽⁹⁾ Used on Engines with Engine Number Prefix CB or CC.				
	⁽⁴⁷⁾ High Altitude 4000-8000 ft.				
	⁽⁴⁸⁾ High Altitude 8000-12000 ft.				

HOLDEN "LC" PARTS CATALOGUE

GROUP	DESCRIPTION	MODEL	SIDE	PART No.	QTY.
3.755	PLUG — Carburettor main metering jet				
	PLUG	1160 Eng.		7152415	1
	PLUG	2250, 2600, 2850 Eng.		VS10432	1-2
3.756	GASKET — Carburettor metering jet plug				
	GASKET	1160 Eng.		7206633	1
	GASKET	2250, 2600, 2850 Eng.		7405144	1-2
3.757	INJECTOR ASSEMBLY — Carburettor				
	JET ASSEMBLY — Carburettor pump by-pass, power by-pass				
	INJECTOR ASSY.	1160 Eng.		7152411	1
	RING — Injector assembly sealing	1160 Eng.		7152410	1
	JET ASSEMBLY	1600 Eng.		7190428	1
	PLUG — Jet	1600 Eng.		1023966	1
	VALVE — Discharge	1600 Eng.		7156089	1
	JET ASSY. — Pump by-pass	2250, 2600 exc. S Eng.		7405131	1
	JET ASSY. — Pump by-pass	2850 exc. S Eng.		7405131	1
	JET ASSY. — Power by-pass (No.56)	2250, 2600 exc. S Eng.		7420490	1
	JET — Power by-pass (No. 59)	2850 exc. S Eng.			1
	JET ASSY. — Power by-pass	2600S, 2850S Eng.		VS11297	1
	GASKET — Pump & power by-pass	2250, 2600, 2850 Eng.		7405146	2-1
3.758	NOZZLE, GASKET — Carburettor pump				
	NOZZLE	2600S, 2850S Eng.		VS10467	1
	GASKET	2600S, 2850S Eng.		VS10468	1
3.759	SCREW — Carburettor pump nozzle				
	SCREW	2600S, 2850S Eng.		VS10518	1
3.760	VALVE — Carburettor accelerator pump check ball				
	BALL — Carburettor pump check				
	VALVE — Check ball	1160 Eng.		1041602	1
	SPRING — Check valve	1160 Eng.		VS11182	1
	BALL — Inlet	1600 Eng.		8849828	1
	CIRCLIP — Inlet check ball	1600 Eng.		7156088	1
	BALL — Inlet check	2600S, 2850S Eng.		VS10527	1
	BALL — Outlet check	2600S, 2850S Eng.		VS10519	1
3.763	COVER ASSEMBLY — Carburettor float chamber				
	AIR HORN ASSEMBLY — Carburettor				
	COVER ASSY.	1160 Eng.		7214420	1
	SCREW — Cover attaching	1160 Eng.		7152433	5
	COVER ASSEMBLY	(M) 1600 Eng.		8830606	1
	COVER ASSEMBLY	(A) 1600 Eng.		2690298	1
	SCREW & SPRING WASHER — ¾" long	1600 Eng.		6339998	2
	SCREW & SPRING WASHER — 1¾" long	1600 Eng.		6371669	2
	AIR HORN ASSY.	2250, 2600 exc. S Eng.		⁽⁸⁾ 7424552	1
	AIR HORN ASSY.	2250 Eng.		⁽⁹⁾ VS11803	1
	AIR HORN ASSY	2850 exc. S Eng.		VS11803	1
	BAR — Air horn reinforcing	2250, 2600 exc. S Eng.		7420240	1
	BAR — Air horn reinforcing	2850 exc. S Eng.		7420240	1
	SCREW & LOCK WASHER — Air horn attaching — ¾" long	2250, 2600 exc. S Eng.		7405167	2
	SCREW & LOCK WASHER — Air horn attaching — ½" long	2250, 2600 exc. S Eng.		7405166	3
	SCREW & LOCK WASHER — Air horn attaching — ⅝" long	2850 exc. S Eng.		7405167	2

Note: ⁽⁸⁾ Used on Engines with Engine Number Prefix 2250L or 2250H.

⁽⁹⁾ Used on Engines with Engine Number Prefix CB or CC.

HOLDEN "LC" PARTS CATALOGUE

GROUP	DESCRIPTION	MODEL	SIDE	PART No.	QTY.
3.763 COVER ASSEMBLY — Carburettor float chamber (contd.)					
AIR HORN ASSEMBLY — Carburettor (contd.)					
	SCREW & LOCK WASHER — Air horn				
	attaching — ½" long	2850 exc. S Eng.		7405166	4
	TUBE — Vent	2250, 2600 exc. S Eng.		7424550	1
	TUBE Vent	2850 exc. S Eng.		7424550	1
	AIR HORN ASSY	2600S, 2850S Eng.		VS10461	1
	SCREW & LOCK WASHER — Air horn attaching	2600S, 2850S Eng.		7405166	4
3.764 VALVE ASSEMBLY — Carburettor idle vent					
	VALVE ASSY.	2250, 2600 exc. S Eng.		(⁸ 7420242)	1
	VALVE ASSY.	2250 Eng.		(⁹ VS11801)	1
	VALVE ASSY.	2850 exc. S Eng.		VS11801	1
	STEM	2250, 2600 exc. S Eng.		(⁸ 7420243)	1
	STEM	2250 Eng.		(⁹ VS11802)	1
	STEM	2850 exc. S Eng.		VS11802	1
	SPRING — Stem	2250, 2600 exc. S Eng.		7420244	1
	SPRING — Stem	2850 exc. S Eng.		7420244	1
	NUT — Stem lock	2250, 2600 exc. S Eng.		(⁸ 7420254)	1
	WASHER	2600S, 2850S Eng.		VS10530	1
3.765 GASKET — Carburettor float chamber cover, air horn					
	GASKET — Cover	1160 Eng.		7214422	1
	GASKET — Cover	1600 Eng.		7216562	1
	GASKET — Air horn	2250, 2600 exc. S Eng.		7405148	1
	GASKET — Air horn	2850 exc. S Eng.		7405148	1
	GASKET — Air horn	2600S, 2850S Eng.		VS11329	1
3.767 PLUG — Carburettor					
	PLUG — Main & throttle body channel	2250, 2600 exc. S Eng.		7405158	A.R.
	PLUG — Main body channel	2850 exc. S Eng.		7405158	1
	PLUG — Main body channel	2600S, 2850S Eng.		VS10526	2
	PLUG — Lead ball	2250, 2600, 2850 Eng.		7405107	A.R.
3.771 VALVE ASSEMBLY — Carburettor float needle					
	VALVE ASSY.	1160 Eng.		7214421	1
	VALVE ASSY. — Suit 150CD Carb.	70 Eng.		6361750	1
	VALVE ASSY. — Suit 150CDS Carb.	70 Eng.		8830621	1
	VALVE ASSY. — (1.75)	1600 Eng.		7156118	1
	VALVE & SEAT ASSY	2250, 2600 exc. S Eng.		7406701	1
	VALVE & SEAT ASSY.	2850 exc. S Eng.		7406701	1
	VALVE & SEAT ASSY. — Heavy duty	2250, 2600 exc. S Eng.		7420335	1
	VALVE & SEAT ASSY.	2600S, 2850S Eng.		VS10443	1
	VALVE ASSY	186X Eng.		8830621	3
3.772 GASKET — Carburettor float needle valve seat					
	GASKET	1160 Eng.		7206633	1
	GASKET	70 Eng.		7086864	1
	GASKET	1600 Eng.		6371652	1
	GASKET	2250, 2600, 2850 Eng.		7405147	1
	GASKET	186X Eng.		7086864	3

Note: (⁸ Used on Engines with Engine Number Prefix 2250L or 2250H.

(⁹ Used on Engines with Engine Number Prefix CB or CC.

HOLDEN "LC" PARTS CATALOGUE

GROUP	DESCRIPTION	MODEL	SIDE	PART No.	QTY.
3.773	FLOAT and ARM ASSEMBLY — Carburettor				
	FLOAT and LEVER ASSEMBLY — Carburettor				
	FLOAT & ARM ASSY.	1160 Eng.		7214413	1
	FLOAT & ARM ASSY. — Suit 150CD Carb.	70 Eng.		VS11665	1
	FLOAT & ARM ASSY. — Suit 150CDS Carb.	70 Eng.		8815156	1
	FLOAT ASSY.	1600 Eng.		8819300	1
	FLOAT & LEVER ASSY.	2250, 2600 exc. S Eng.		7405112	1
	FLOAT & LEVER ASSY.	2850 exc. S Eng.		7405112	1
	FLOAT & LEVER ASSY.	2600S, 2850S Eng.		VS10445	1
	FLOAT & ARM ASSY.	186X Eng.		8815156	3
3.775	PIN, SPRING — Carburettor float fulcrum				
	PIN	1160 Eng.		6391732	1
	PIN — Suit 150CD Carb.	70 Eng.		7194705	1
	PIN — Suit 150CDS Carb.	70 Eng.		8830637	1
	PIN	1600 Eng.		7156093	1
	PIN	2250, 2600, 2850 Eng.		7405156	1
	SPRING	2250, 2600, 2850 Eng.		7405170	1
	PIN	186X Eng.		8830637	3
3.776	BAFFLE — Carburettor float chamber				
	BAFFLE	2600S, 2850S Eng.		VS10446	1
3.778	DIAPHRAGM, PISTON and STEM — Carburettor pump				
	DIAPHRAGM	1160 Eng.		7214412	1
	PISTON ASSY.	1600 Eng.		8815072	1
	PISTON and STEM ASSY.	2250, 2600 exc. S Eng.		7405133	1
	PISTON and STEM ASSY.	2850 exc. S Eng.		7405133	1
	PIN — Cotter	2250, 2600 exc. S Eng.		7405141	1
	PIN — Cotter	2850 exc. S Eng.		7405141	1
	PISTON ASSY.	2600S, 2850S Eng.		VS11151	1
	PIN — Cotter	2600S, 2850S Eng.		7405140	1
3.779	SPRING — Carburettor pump and pump stem				
	SPRING — Pump	1160 Eng.		7152406	1
	SPRING — Pump stem	2250, 2600 exc. S Eng.		7424555	1
	SPRING — Pump stem	2850 exc. S Eng.		7424555	1
	SPRING — Duration	2600S, 2850S Eng.		VS10448	1
	WASHER — Duration spring retainer	2600S, 2850S Eng.		VS10528	1
	WASHER — Duration spring clip ..	2600S, 2850S Eng.		VS10529	1
	SPRING — Bottom	2600S, 2850S Eng.		VS10447	1
3.780	LEVER — Carburettor pump				
	LEVER	2250, 2600 exc. S Eng.		7424551	1
	LEVER	2850 exc. S Eng.		7424551	1
	LEVER	2600S, 2850S Eng.		VS10464	1
3.781	NUT, WASHER, SCREW — Carburettor pump lever attaching				
	NUT	2250, 2600 exc. S Eng.		7424617	1
	NUT	2850 exc. S Eng.		7424617	1
	WASHER	2250, 2600 exc. S Eng.		7424618	1
	WASHER	2850 exc. S Eng.		7424618	1
	SCREW	2600S, 2850S Eng.		VS10517	1
3.782	COVER and LEVER ASSEMBLY, ROD — Carburettor pump				
	COVER & LEVER ASSY.	1160 Eng.		7152407	1
	SCREW — Cover assy. to body	1160 Eng.		7152408	4
	SHAFT & LEVER ASSEMBLY	(M) 1600 Eng.		7170090	1
	SHAFT & LEVER ASSEMBLY	(A) 1600 Eng.		2680522	1
	LEVER — Pump internal	1600 Eng.		7156109	1

HOLDEN "LC" PARTS CATALOGUE

GROUP	DESCRIPTION	MODEL	SIDE	PART No.	QTY.
3.782 COVER and LEVER ASSEMBLY, ROD — Carburettor pump (contd.)					
	NUT — Pump lever	1600 Eng.		7143956	1
	RING — Lever retaining	(A) 1600 Eng.		7156110	1
	WASHER — Spacing	(M) 1600 Eng.		7156367	1
	ROD	2250, 2600 exc. S Eng.		7405160	1
	ROD	2850 exc. S Eng.		7405160	1
3.783 ROD, LINK — Carburettor pump					
	ROD — Pump control	1160 Eng.		7152403	1
	SPRING — Control rod	1160 Eng.		6391720	1
	CIRCLIP — Control rod	1160 Eng.		7152404	3
	PIN — Control rod	1160 Eng.		7152405	1
	LINK ASSEMBLY	(M) 1600 Eng.		7170074	1
	LINK ASSEMBLY	(A) 1600 Eng.		2680505	1
	PIN — Pump link	1600 Eng.		7156114	1
	WASHER — Pump link pin	1600 Eng.		7156115	2
	LINK	2250, 2600 exc. S Eng.		7405153	1
	LINK	2850 exc. S Eng.		7405153	1
	CLIP — Spring	2250, 2600 exc. S Eng.		7405138	1
	CLIP — Spring	285 exc. S Eng.		7405138	1
	REPAIR KIT	2250, 2600 exc. S Eng.		7427343	1
	ROD	2600S, 2850S Eng.		VS10896	1
	PIN — Cotter	2600S, 2850S Eng.		7405140	2
3.784 VALVE ASSEMBLY, PLUG — Carburettor pump check					
	VALVE ASSY	2250, 2600 exc. S Eng.		7405136	1
	VALVE ASSY	2850 exc. S Eng.		7405136	1
	PLUG	2250, 2600 exc. S Eng.		7405159	1
	PLUG	2850 exc. S Eng.		7405159	1
	GASKET — Plug	2250, 2600 exc. S Eng.		7405145	1
	GASKET — Plug	2850 exc. S Eng.		7405145	1
3.787 SCREEN, CLIP — Carburettor pump strainer					
	SCREEN	2250, 2600 exc. S Eng.		7405162	1
	SCREEN	2850 exc. S Eng.		7405162	1
	CLIP — Strainer screen	2250, 2600 exc. S Eng.		7405139	1
	CLIP — Strainer screen	2850 exc. S Eng.		7405139	1
3.788 PISTON ASSEMBLY — Carburettor vacuum power					
	PISTON ASSY	2250, 2600 exc. S Eng.		(⁸ 7420249	1
	PISTON ASSY	2250 Eng.		(⁹ VS11818	1
	PISTON ASSY	2850 exc. S Eng.		VS11818	1
	PISTON ASSY.	2600S, 2850S Eng.		VS10466	1
3.789 VALVE ASSEMBLY — Carburettor choke					
	VALVE	1160 Eng.		7152429	1
	SCREW — Valve attaching	1160 Eng.		7152430	2
	VALVE	1600 Eng.		7156100	1
	SCREW — Valve attaching	1600 Eng.		7156101	2
	VALVE ASSY	2250, 2600 exc. S Eng.		(⁸ 7405116	1
	VALVE ASSY	2250 Eng.		(⁹ VS11799	1
	VALVE ASSY.	2850 exc. S Eng.		VS11799	1
	SCREW — Valve attaching	2250, 2600 exc. S Eng.		7405118	2
	SCREW — Valve attaching	2850 exc. S Eng.		7405118	2
	VALVE ASSY	2600S, 2850S Eng.		VS10460	1
	SCREW — Valve attaching	2600S, 2850S Eng.		7405165	2

Note: (⁸ Used on Engines with Engine Number Prefix 2250L or 2250H.

(⁹ Used on Engines with Engine Number Prefix CB or CC.

HOLDEN "LC" PARTS CATALOGUE

GROUP	DESCRIPTION	MODEL	SIDE	PART No.	QTY.
3.791 SHAFT ASSEMBLY, STARTER BAR, LEVER — Carburettor choke					
	SHAFT ASSY	1160 Eng.		7152431	1
	SPRING — Shaft return	1160 Eng.		7152432	1
	WASHER — Choke shaft	1160 Eng.		6353414	1
	STARTER BAR — Choke, Suit 150CD Carb.	70 Eng.		7194683	1
	NUT — Choke lever, Suit 150CD Carb.	70 Eng.		7143956	1
	WASHER — Lock, Suit 150CD Carb.	70 Eng.		115548	1
	SPRING — Starter bar return, Suit 150CD Carb.	70 Eng.		7194687	1
	SPRING — Starter bar, Suit 150CD Carb.	70 Eng.		7194688	1
	RETAINER — Starter bar, Suit 150CD Carb.	70 Eng.		7194689	1
	LEVER — Choke, Suit 150CD Carb.	70 Eng.		7194686	1
	STARTER ASSY. — Suit 150CDS Carb.	70 Eng.		2680689	1
	NUT — Choke lever, Suit 150CDS Carb.	70 Eng.		7143956	1
	WASHER — Lock, Suit 150CDS Carb.	70 Eng.		115548	1
	WASHER — Starter lock, Suit 150CDS Carb.	70 Eng.		8815148	2
	SCREW — Starter fixing, Suit 150CDS Carb.	70 Eng.		8830628	2
	SHAFT ASSEMBLY	(M) 1600 Eng.		8815077	1
	SHAFT ASSEMBLY	(A) 1600 Eng.		2680510	1
	CAM — Spring & bush assembly	(A) 1600 Eng.		2680724	1
	SPRING — Shaft return	(M) 1600 Eng.		8830607	1
	CIRCLIP — Shaft	(M) 1600 Eng.		7156097	1
	LEVER — Choke control	(M) 1600 Eng.		8830608	1
	SCREW — Cable locking	(M) 1600 Eng.		6361033	1
	SPRING — Choke control lever	(M) 1600 Eng.		7156096	1
	WASHER — Choke shaft	1600 Eng.		6353414	1
	WASHER — Locating	(A) 1600 Eng.		6311325	1
	NUT — Choke shaft	(A) 1600 Eng.		1020499	1
	SHAFT ASSY	2250, 2600 exc. S Eng.		⁽⁸⁾ 7405117	1
	SHAFT ASSY	2250 Eng.		⁽⁹⁾ VS12061	1
	SHAFT ASSY	2850 exc. S Eng.		VS12061	1
	SPRING — Choke lever	2250, 2600 exc. S Eng.		7405125	1
	SPRING — Choke lever	2850 exc. S Eng.		7405125	1
	LEVER ASSY	2250, 2600 exc. S Eng.		7405122	1
	LEVER ASSY	2850 exc. S Eng.		7405122	1
	SCREW — Wire clamp	2250, 2600 exc. S Eng.		7405124	1
	SCREW — Wire clamp	2850 exc. S Eng.		7405124	1
	LEVER & SHAFT ASSY	2600S, 2850S Eng.		VS11114	1
	STARTER ASSY.	186X Eng.		2680689	3
	NUT — Choke lever	186X Eng.		7143956	3
	WASHER — Lock	186X Eng.		115548	3
	WASHER — Starter assy. lock	186X Eng.		8815148	6
	SCREW — Starter assy. fixing	186X Eng.		8830628	6
3.792 LEVER — Carburettor floating, throttle stop and fast idle					
	LEVER — Floating	1160 Eng.		7152396	1
	LEVER — Throttle stop, Suit 150CD Carb.	70 Eng.		7194678	1
	LEVER — Throttle stop, Suit 150CDS Carb.	70 Eng.		2680687	1
	LEVER — Floating	(M) 1600 Eng.		7156363	1
	LEVER — Throttle stop	(A) 1600 Eng.		2680504	1
	WASHER — Floating lever	(M) 1600 Eng.		7096326	1
	STOP — Throttle	(M) 1600 Eng.		7156078	1
	LEVER — Fast idle	2250, 2600 exc. S Eng.		⁽⁸⁾ 7424548	1
	LEVER — Fast idle	2250 Eng.		⁽⁹⁾ VS11800	1
	LEVER — Fast idle	2850 exc. S Eng.		VS11800	1
	NUT — Lever attaching	2250, 2600 exc. S Eng.		7405120	1
	NUT — Lever attaching	2850 exc. S Eng.		7405120	1
	WASHER — Lever attaching nut	2250, 2600 exc. S Eng.		7405121	1
	WASHER — Lever attaching nut	2850 exc. S Eng.		7405121	1
	LEVER — Fast idle	2600S, 2850S Eng.		VS10463	1
	NUT — Lever attaching	2600S, 2850S Eng.		7405120	1
	WASHER — Lever attaching nut	2600S, 2850S Eng.		VS10895	1
	LEVER — Throttle stop	186X Eng.		2680687	3

Note: ⁽⁸⁾ Used on Engines with Engine Number Prefix 2250L or 2250H.

⁽⁹⁾ Used on Engines with Engine Number Prefix CB or CC.

HOLDEN "LC" PARTS CATALOGUE

GROUP	DESCRIPTION	MODEL	SIDE	PART No.	QTY.
3.793	SWIVEL, ROD — Carburettor fast idle				
	SWIVEL — Idle rod	1160 Eng.		7162853	1
	WASHER — Wave	1160 Eng.		7162854	1
	CIRCLIP — Cam swivel	1160 Eng.		7152422	1
	ROD — Idler interconnecting	1160 Eng.		7152418	1
	SCREW — Rod to cam	1160 Eng.		7152420	1
	PIN — Cotter, rod to lever	1160 Eng.		7152405	2
	ROD	(M) 1600 Eng.		7174994	1
	PIN — Rod	1600 Eng.		1023160	2
	ROD	(A) 1600 Eng.		2680723	1
	WASHER — Rod	(A) 1600 Eng.		1023159	1
	ROD	2250, 2600 exc. S Eng.		(⁸ 7424553)	1
	ROD	2250 Eng.		(⁹ VS11795)	1
	ROD	2850 exc. S Eng.		VS11795	1
	PIN — Cotter	2250, 2600 exc. S Eng.		(⁸ 7405140)	2
	ROD	2600S, 2850S Eng.		VS10472	1
	RETAINER — Rod	2600S, 2850S Eng.		VS10899	1
3.795	BRACKET — Carburettor choke cable				
	HOLDER ASSEMBLY — Carburettor choke tube				
	BRACKET	1160 Eng.		7152419	1
	SCREW — Bracket fixing	1160 Eng.		7152420	1
	CLIP — Choke cable	1160 Eng.		7214419	1
	BRACKET & CLIP ASSY. — Suit 150CD Carb.	70 Eng.		7206716	1
	SCREW — Bracket fixing, Suit 150CD Carb.	70 Eng.		7194684	1
	CLIP — Choke cable, Suit 150CD Carb.	70 Eng.		7214419	1
	BRACKET & CLIP ASSY. — Suit 150CDS Carb.	70 Eng.		2680714	1
	SCREW — Bracket fixing, Suit 150CDS Carb.	70 Eng.		8815149	1
	CLIP — Choke cable, Suit 150CDS Carb.	70 Eng.		7214419	1
	BRACKET	(M) 1600 Eng.		2696256	1
	CLIP — Choke cable	(M) 1600 Eng.		7214419	1
	SCREW — Bracket	(M) 1600 Eng.		8815083	2
	HOLDER ASSY.	2250, 2600 exc. S Eng.		(⁸ 7405247)	1
	SCREW & LOCK WASHER — Holder attaching	2250, 2600 exc. S Eng.		(⁸ 7405167)	1
	SCREW — Clamp	2250, 2600 exc. S Eng.		(⁸ 7405127)	1
	NUT — Clamp screw	2250, 2600 exc. S Eng.		(⁸ 7405128)	1
	WASHER — Clamp screw	2250, 2600 exc. S Eng.		(⁸ 7405121)	1
	BRACKET ASSY.	2250 Eng.		(⁹ VS12121)	1
	BRACKET ASSY.	2850 exc. S Eng.		VS12121	1
	CLAMP	2250 Eng.		(⁹ VS11797)	1
	CLAMP	2850 exc. S Eng.		VS11797	1
	SCREW & WASHER ASSY. — Clamp	2250 Eng.		(⁹ 7405166)	1
	SCREW & WASHER ASSY. — Clamp	2850 exc. S Eng.		7405166	1
	SCREW & WASHER ASSY. — Bracket attaching	2250 Eng.		(⁹ 7405167)	1
	SCREW & WASHER ASSY. — Bracket attaching	2850 exc. S Eng.		7405167	1
	BRACKET & CLIP ASSY	186X Eng.		2680714	3
	SCREW — Bracket fixing	186X Eng.		8815149	3
	CLIP — Choke cable	186X Eng.		7214419	3
3.796	HOUSING & LEVER ASSEMBLY, HEAT MASS ASSEMBLY, COVER — Thermostat				
	HOUSING & LEVER ASSY. — Thermostat	(A) 1600 Eng.		2680512	1
	GASKET — Housing	(A) 1600 Eng.		2680513	1
	WASHER — Housing gasket sealing	(A) 1600 Eng.		2680514	1
	SCREW — Housing	(A) 1600 Eng.		7143946	3
	MASS ASSEMBLY — Heat	(A) 1600 Eng.		2680516	1
	SCREW — Heat mass	(A) 1600 Eng.		1039913	3
	COVER — Heat mass	(A) 1600 Eng.		2680517	1
	WASHER — Cover sealing	(A) 1600 Eng.		2680518	1
	SCREW — Cover fixing	(A) 1600 Eng.		2680519	1
	WASHER — Cover screw fixing	(A) 1600 Eng.		2680520	1

Note: (⁸ Used on Engines with Engine Number Prefix 2250L or 2250H.

(⁹ Used on Engines with Engine Number Prefix CB or CC.

HOLDEN "LC" PARTS CATALOGUE

GROUP	DESCRIPTION	MODEL	SIDE	PART No.	QTY.
3.796 HOUSING & LEVER ASSEMBLY, HEAT MASS ASSEMBLY, COVER — Thermostat (contd.)					
	RING — Clamping	(A) 1600 Eng.		2680521	1
	COVER ASSY	2600S, 2850S Eng.		VS10442	1
	SCREW — Cover	2600S, 2850S Eng.		2809937	3
	WASHER — Cover	2600S, 2850S Eng.		2809922	3
	GASKET — Cover	2600S, 2850S Eng.		2809921	1
3.797 LEVER — Carburettor thermostat					
	LEVER	2600S, 2850S Eng.		VS10439	1
	NUT — Lever attaching	2600S, 2850S Eng.		7420254	1
	WASHER — Lever nut lock	2600S, 2850S Eng.		VS10912	1
3.798 ROD — Carburettor choke					
	ROD	2600S, 2850S Eng.		VS10444	1
	PIN — Cotter	2600S, 2850S Eng.		VS10915	1
3.799 PISTON and LEVER ASSEMBLY, DIAPHRAGM, ROD, HOSE — Carburettor choke kick					
	PISTON & LEVER ASSEMBLY — Vacuum kick	(A) 1600 Eng.		2680725	1
	SCREW — Vacuum piston stop	(A) 1600 Eng.		1039913	1
	DIAPHRAGM ASSY	2600S, 2850S Eng.		VS10893	1
	SCREW — Diaphragm attaching	2600S, 2850S Eng.		VS10917	2
	ROD ASSY.	2600S, 2850S Eng.		VS10456	1
	RETAINER — Rod	2600S, 2850S Eng.		VS10457	1
	HOSE — Vacuum	2600S, 2850S Eng.		VS10458	1
3.800 CHAMBER — Carburettor float					
	CHAMBER — Suit 150CD Carb.	70 Eng.		7194707	1
	SCREW — 1 $\frac{7}{16}$ " long, Suit 150CD Carb.	70 Eng.		7194708	3
	SCREW — $\frac{3}{8}$ " long, Suit 150CD Carb.	70 Eng.		7194709	3
	WASHER — Plain, Suit 150CD Carb.	70 Eng.		7194721	6
	WASHER — Spring lock, Suit 150CD Carb.	70 Eng.		7194722	6
	CHAMBER — Suit 150CDS Carb.	70 Eng.		8815159	1
	SCREW & WASHER ASSY. — Chamber fixing long, Suit 150CDS Carb.	70 Eng.		8849624	4
	SCREW & WASHER ASSY. — Chamber fixing short, Suit 150CDS Carb.	70 Eng.		8849625	2
	CHAMBER	186X Eng.		8815159	3
	SCREW & WASHER ASSY. — Chamber fixing long	186X Eng.		8849624	12
	SCREW & WASHER ASSY. — Chamber fixing short	186X Eng.		8849625	6
3.802 RETAINER ASSEMBLY, ADJUSTER ASSEMBLY — Carburettor orifice jet					
	RETAINER — Jet bushing, Suit 150CD Carb.	70 Eng.		7206718	1
	"O" RING — Retainer, Suit 150CD Carb.	70 Eng.		7194701	1
	ADJUSTER ASSY. — Suit 150CD Carb.	70 Eng.		7194703	1
	"O" RING — Adjuster, Suit 150CD Carb.	70 Eng.		6371650	1
	RETAINER — Jet bushing, Suit 150CDS Carb.	70 Eng.		7206718	1
	"O" RING — Retainer, Suit 150CDS Carb.	70 Eng.		7194701	1
	ADJUSTER ASSY. — Suit 150CDS Carb.	70 Eng.		7194703	1
	"O" RING — Adjuster, Suit 150CDS Carb.	70 Eng.		6371650	1
	RETAINER ASSY. — Jet bushing	186X Eng.		7206718	3
	"O" RING — Retainer	186X Eng.		7194701	3
	ADJUSTER ASSY	186X Eng.		7194703	3
	"O" RING — Adjuster assy.	186X Eng.		6371650	3
3.803 DAMPER ASSEMBLY — Carburettor					
	DAMPER ASSY	70, 186X Eng.		8853694	1-3
	CAP — Damper	70, 186X Eng.		VS11186	1-3
	WASHER — Damper	70, 186X Eng.		7194717	1-3
	BUSHING — Damper	70, 186X Eng.		7194718	1-3
	RING — Bushing retainer	70, 186X Eng.		7194719	1-3

HOLDEN "LC" PARTS CATALOGUE

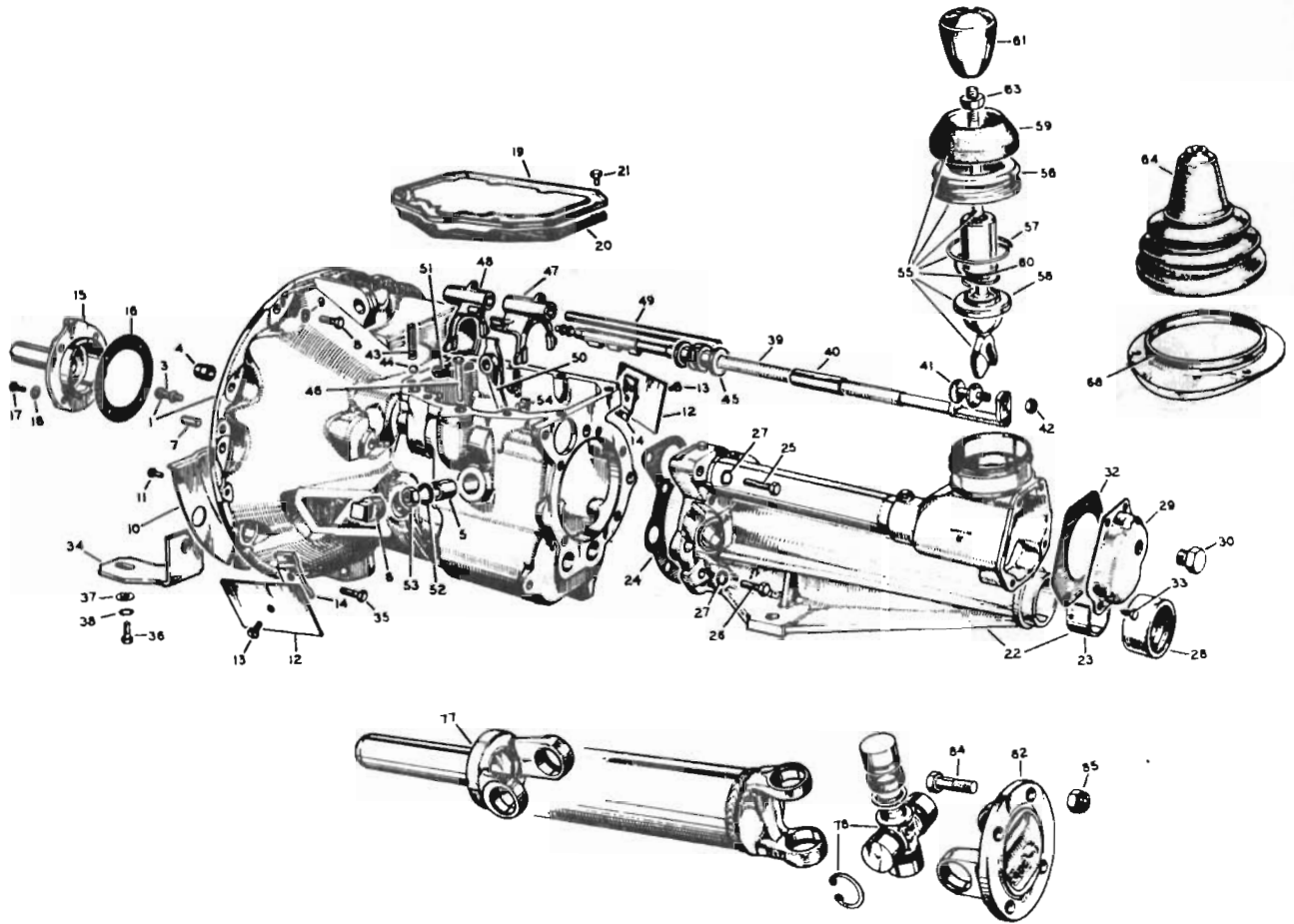
GROUP	DESCRIPTION	MODEL	SIDE	PART No.	QTY.
3.804	COVER — Carburettor suction chamber				
	COVER	70, 186X Eng.		8819110	1-3
	SCREW & LOCK WASHER ASSY. — Cover fixing	70, 186X Eng.		7194715	4-12
3.805	SPRING — Carburettor air valve WASHER, BUSHING, "O" RING — Carburettor orifice jet				
	SPRING — Air valve return — Suit 150CD Carb.	70 Eng.		7194724	1
	SPRING — Air valve return — Suit 150CDS Carb.	70 Eng.		8830605	1
	SPRING — Air valve return	186X Eng.		8830605	3
	WASHER — Orifice jet bushing	70, 186X Eng.		7194696	1-3
	BUSHING — Orifice jet	70, 186X Eng.		7194695	1-3
	"O" RING — Orifice jet	70, 186X Eng.		7194697	1-3
	WASHER — Orifice jet "O" ring — Suit 150CD Carb.	70 Eng.		7194698	1
	BUSHING — Guide — Suit 150CDS Carb.	70 Eng.		8815153	1
	BUSHING — Guide	186X Eng.		8815153	3
3.806	ECONOMY DEVICE ASSEMBLY and COMPONENTS — Carburettor				
	ECONOMY DEVICE ASSY	1160 Eng.		7214418	1
	BODY	1160 Eng.		7174595	1
	GASKET	1160 Eng.		7156434	1
	JET — (45)	1160 Eng.		8815240	1
	VALVE	1160 Eng.		7156428	1
	SPRING — Valve	1160 Eng.		7156429	1
	WASHER	1160 Eng.		7156430	1
	DIAPHRAGM	1160 Eng.		7216756	1
	SPRING — Diaphragm	1160 Eng.		VS10496	1
	COVER	1160 Eng.		7174597	1
	SCREW — Cover fixing, 7/16" long	1160 Eng.		7174598	2
	SCREW — Device fixing, 15/16" long	1160 Eng.		7156435	3
	DIAPHRAGM — Economy valve	1600 Eng.		7143976	1
	GASKET — Diaphragm	1600 Eng.		1039374	2
	SPRING — Diaphragm	1600 Eng.		7146583	1
	COVER	1600 Eng.		7143977	1
	SCREW — Cover fixing	1600 Eng.		1016860	3
3.807	VALVE ASSEMBLY and COMPONENTS — Carburettor air				
	VALVE ASSY. — Air	70, 186X Eng.		7194714	1-3
	VALVE — Air	70, 186X Eng.		7194710	1-3
	DIAPHRAGM — Air valve	70, 186X Eng.		7194711	1-3
	RING — Diaphragm retaining	70, 186X Eng.		7194712	1-3
	SCREW & LOCK WASHER ASSY. — Diaphragm ring	70, 186X Eng.		7194713	4-12
3.808	PIN — Carburettor valve lifting				
	PIN	70, 186X Eng.		7194693	1-3
	SPRING — Lifting pin	70, 186X Eng.		7194694	1-3
	CLIP — Lifting pin spring	70, 186X Eng.		7156083	1-3
3.814	NEEDLE — Carburettor metering				
	NEEDLE — "6N"	70 Eng.		7206719	1
	NEEDLE — "6E"	186X Eng.		VS11686	3
	SCREW — Needle lock	70, 186X Eng.		7170089	1-3

HOLDEN "LC" PARTS CATALOGUE

GROUP	DESCRIPTION	MODEL	SIDE	PART No.	QTY.
3.900	PUMP ASSEMBLY — Fuel				
	PUMP ASSY	4 Cyl. exc. 1600 Eng.		7441689	1
	PUMP ASSY	1600 Eng.		7971240	1
	BOLT — Pump to cylinder block	1600 Eng.		7213221	2
	PUMP ASSY	6 Cyl. Eng.		7415943	1
	SCREW & LOCK WASHER ASSY	6 Cyl. Eng.		3719206	2
3.901	REPAIR KIT — Fuel pump				
	REPAIR KIT	4 Cyl. exc. 1600 Eng.		VS10246	1
	REPAIR KIT	1600 Eng.		1524994	1
	REPAIR KIT	6 Cyl. Eng.		7420687	1
3.902	BODY, SEAL — Fuel pump				
	BODY	4 Cyl. exc. 1600 Eng.		VS10229	1
	SEAL — Oil	4 Cyl. exc. 1600 Eng.		VS10239	1
	SEAL	1600 Eng.		1524261	2
	RETAINER	1600 Eng.		1524593	1
	BODY	6 Cyl. Eng.		5592850	1
	SEAL — Oil	6 Cyl. Eng.		5593301	1
	WASHER — Oil seal	6 Cyl. Eng.		1521985	1
3.903	COVER, BOWL — Fuel pump				
	COVER — Filter	4 Cyl. exc. 1600 Eng.		VS10240	1
	BOWL	1600 Eng.		1523094	1
	BOWL	6 Cyl. Eng.		1523094	1
3.904	GASKET — Fuel pump cover and bowl				
	GASKET — Filter cover	4 Cyl. exc. 1600 Eng.		VS10242	1
	GASKET — Bowl	1600 Eng.		5593404	1
	GASKET — Bowl	6 Cyl. Eng.		5593404	1
3.905	SEAT — Fuel pump bowl				
	SEAT	6 Cyl. Eng.		854005	1
3.906	SCREW — Fuel pump filter cover				
	BAIL and SCREW — Fuel pump				
	SCREW	4 Cyl. exc. 1600 Eng.		VS10243	1
	WASHER — Cover screw	4 Cyl. exc. 1600 Eng.		VS10244	1
	BAIL and SCREW ASSY.	1600 Eng.		5592046	1
	BAIL and SCREW ASSY	6 Cyl. Eng.		5592046	1
3.909	VALVE and RETAINER PACKAGE — Fuel pump				
	VALVE and CAGE ASSEMBLY — Fuel pump				
	VALVE & RETAINER PACKAGE — Inlet	4 Cyl. exc. 1600 Eng.		VS10394	1
	VALVE & CAGE ASSY.	1600 Eng.		5593866	2
	VALVE & CAGE ASSY	6 Cyl. Eng.		5593866	2
3.910	COVER ASSEMBLY — Fuel pump				
	COVER ASSY	4 Cyl. Eng.		VS10228	1
	SCREW & LOCK WASHER ASSY.	4 Cyl. Eng.		VS10245	6
	COVER ASSY.	6 Cyl. Eng.		7950756	1
	SCREW & WASHER ASSY.	6 Cyl. Eng.		SP1724	6
3.913	SEAT, GASKET — Fuel pump valve				
	SEAT & SPRING PACKAGE — Outlet valve	4 Cyl. exc. 1600 Eng.		VS10398	1
	GASKET	1600 Eng.		1521953	2
	GASKET	6 Cyl. Eng.		1537404	1

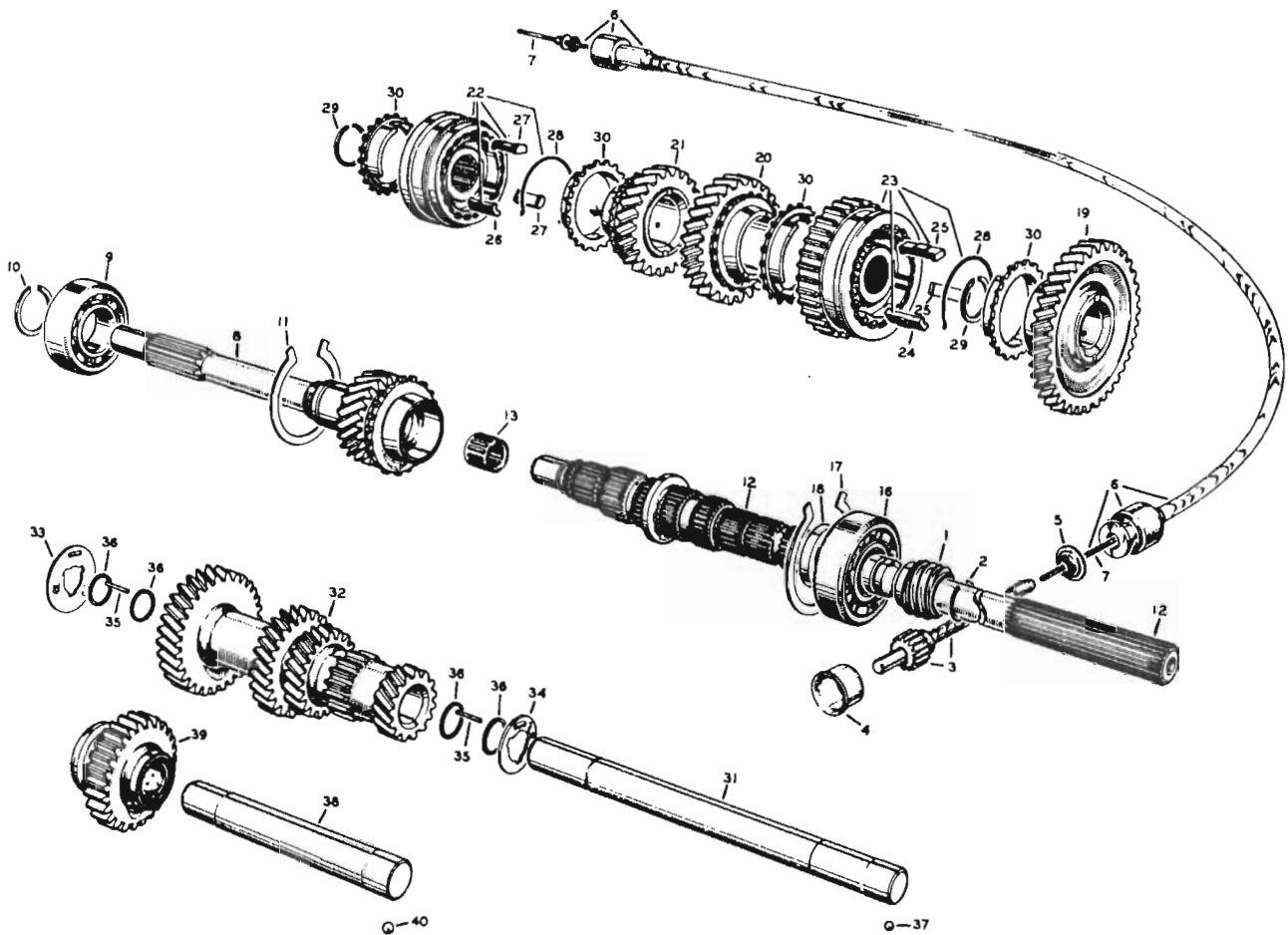
HOLDEN "LC" PARTS CATALOGUE

GROUP	DESCRIPTION	MODEL	SIDE	PART No.	QTY.
3.920	ARM — Fuel pump rocker				
	ARM	4 Cyl. Eng.		VS10230	1
	ARM	6 Cyl. Eng.		1523093	1
3.921	PIN, CIRCLIP, PLUG — Fuel pump rocker arm				
	PIN	4 Cyl. exc. 1600 Eng.		VS10233	1
	CIRCLIP — Rocker arm pin	4 Cyl. exc. 1600 Eng.		VS10234	2
	PIN	1600 Eng.		856035	1
	CLIP — Rocker arm pin	1600 Eng.		1524112	2
	WASHER — Spacer, rocker arm pin	1600 Eng.		856939	2
	PIN	6 Cyl. Eng.		5592851	1
	PLUG	6 Cyl. Eng.		5592852	2
3.922	SPRING — Fuel pump rocker arm				
	SPRING	4 Cyl. exc. 1600 Eng.		VS10231	1
	RETAINER — Rocker arm spring	4 Cyl. exc. 1600 Eng.		VS10232	1
	SPRING	1600 Eng.		856927	1
	SPRING	6 Cyl. Eng.		1522046	1
3.925	DIAPHRAGM, DIAPHRAGM KIT — Fuel pump				
	DIAPHRAGM ASSY	4 Cyl. exc. 1600 Eng.		VS10236	1
	DIAPHRAGM ASSY	1600 Eng.		7971211	1
	DIAPHRAGM KIT	1600 Eng.		1524507	1
	DIAPHRAGM KIT	6 Cyl. Eng.		7420688	1
	DIAPHRAGM & PULL ROD	6 Cyl. Eng.		1522199	1
3.927	SPRING, SEAT — Fuel pump diaphragm				
	SPRING	4 Cyl. exc. 1600 Eng.		VS10237	1
	SEAT — Diaphragm spring	4 Cyl. exc. 1600 Eng.		VS10238	1
	SPRING	1600 Eng.		1524088	1
	SPRING	6 Cyl. Eng.		7950671	1
3.929	SCREEN — Fuel pump				
	SCREEN	4 Cyl. exc. 1600 Eng.		VS10241	1
	SCREEN	1600 Eng.		7950526	1
	SCREEN	6 Cyl. Eng.		1523099	1
3.931	LINK — Fuel pump				
	LINK	1600 Eng.		856961	1
	LINK	6 Cyl. Eng.		1521708	1
3.932	INSULATOR — Fuel pump heat GASKET — Fuel pump flange				
	INSULATOR	4 Cyl. Eng.		6380703	1
	GASKET — Insulator to fuel pump	1600 Eng.		7950366	1
	GASKET — Insulator to crankcase	1600 Eng.		7950173	1
	GASKET	6 Cyl. Eng.		7426584	1



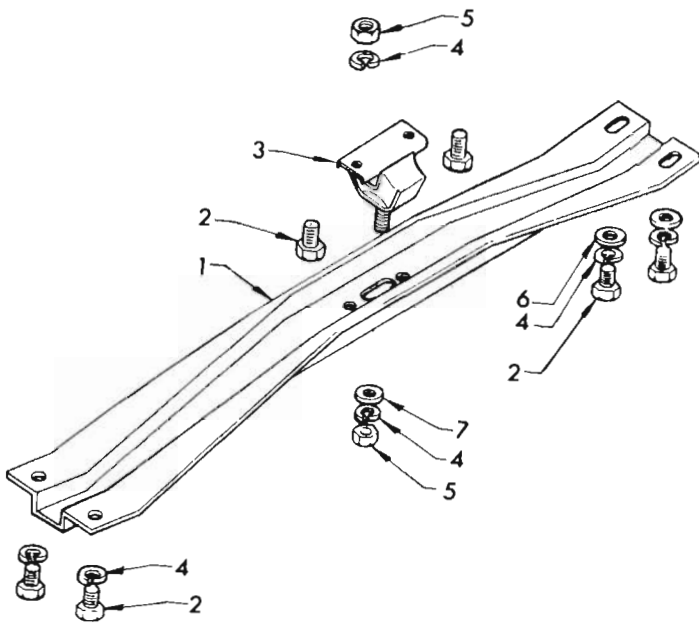
**TRANSMISSION CASE & PROPELLER SHAFT — 4 SPEED MANUAL
(1160,70 Engine)**

ILLUS. REF. NO.	PART NAME	GROUP	ILLUS. REF. NO.	PART NAME	GROUP	ILLUS. REF. NO.	PART NAME	GROUP
1.	CASE ASSY.	4.103	25.	BOLT	4.317	48.	FORK — 3rd & 4th.	4.300
3.	STUD	0.796	26.	BOLT	4.317	49.	RAIL	4.309
4.	COVER	4.313	27.	WASHER	4.317	50.	LEVER	4.306
5.	BUSHING	4.307	28.	SEAL ASSY.	4.317	51.	PIN	4.307
6.	PLUG — Filler	4.103	29.	COVER	4.022	52.	WASHER	4.307
7.	DOWEL	4.003	30.	PLUG	4.022	53.	NUT	4.307
8.	BOLT	4.003	32.	GASKET	4.023	54.	PAD	4.306
9.	WASHER	4.003	33.	SCREW	4.022	55.	LEVER ASSY.	4.006
10.	COVER — Clutch front	0.679	34.	BRACE	4.081	56.	CAP ASSY.	4.015
11.	BOLT	0.679	35.	BOLT	4.081	57.	SPRING	4.026
12.	COVER	0.686	36.	BOLT	4.081	58.	PLATE — Retaining	4.015
13.	SCREW	0.686	37.	WASHER	4.081	59.	GROMMET	4.015
14.	NUT	0.686	38.	WASHER	4.081	60.	COUPLING	4.018
15.	RETAINER	4.356	39.	SHAFT ASSY.	4.107	61.	GRIP	4.009
16.	GASKET	4.358	40.	SLEEVE	4.107	63.	RING	4.009
17.	BOLT	4.356	41.	PIN	4.108	64.	BOOT — Lever	4.015
18.	WASHER	4.356	42.	NUT	4.108	68.	RETAINER — Boot	4.015
19.	COVER	4.105	43.	SPRING	4.108	77.	YOKE — Sleeve	5.555
20.	GASKET	4.109	44.	BALL	4.108	78.	REPAIR KIT	5.548
21.	BOLT	4.105	45.	COLLAR	4.095	82.	FLANGE	5.555
22.	HOUSING	4.317	46.	PIN	4.095	84.	BOLT	5.546
23.	BUSHING	4.317	47.	FORK — 1st & 2nd.	4.300	85.	NUT	5.546
24.	GASKET	4.318						



**TRANSMISSION — 4 SPEED MANUAL
(1160,70 Engine)**

ILLUS. REF. NO.	PART NAME	GROUP	ILLUS. REF. NO.	PART NAME	GROUP
1.	GEAR — Driving	4.337	22.	GEAR & HUB — 3rd & 4th speed	4.380
2.	RING	4.412	23.	GEAR & HUB — 1st, 2nd & rev. speed	4.380
3.	GEAR & SHAFT — Driven	4.337	24.	KEY — 1st & 2nd speed slotted	4.384
4.	CAP	4.333	25.	KEY — 1st & 2nd speed plain	4.384
5.	SEAL	4.342	26.	KEY — 3rd & 4th speed slotted	4.384
6.	CABLE & CASING	4.342	27.	KEY — 3rd & 4th speed plain	4.384
7.	CABLE KIT	4.342	28.	SPRING	4.383
8.	GEAR	4.351	29.	RING	4.385
9.	BEARING	4.355	30.	CONE	4.383
10.	RING	4.376	31.	SHAFT — Counter gear	4.428
11.	RING	4.376	32.	GEAR	4.421
12.	SHAFT — Main	4.403	33.	WASHER — Front	4.423
13.	BEARING	4.352	34.	WASHER — Rear	4.423
16.	BEARING	4.408	35.	NEEDLE ROLLER	4.422
17.	RING — Bearing	4.412	36.	WASHER — Needle roller bearing	4.422
18.	WASHER	4.398	37.	BALL	4.428
19.	GEAR — 1st speed	4.417	38.	SHAFT	4.433
20.	GEAR — 2nd speed	4.395	39.	GEAR — Reverse idler	4.430
21.	GEAR — 3rd speed	4.415	40.	BALL	4.432



**TRANSMISSION MOUNTING – 4 SPEED MANUAL
(1160,700 Engine)**

ILLUS. REF. NO.	PART NAME	GROUP
1.	SUPPORT – Engine rear mounting	12.982
2.	BOLT	8.900
3.	MOUNTING ASSY.	4.081
4.	WASHER	8.931
5.	NUT	8.915
6.	WASHER	8.929
7.	WASHER – Special	4.081

HOLDEN "LC" PARTS CATALOGUE

GROUP	DESCRIPTION	MODEL	SIDE	PART No.	QTY.
TRANSMISSION ASSEMBLY, FOUR SPEED MANUAL CONTROL FITTED IN VEHICLES EQUIPPED WITH 1160, 70 4 CYLINDER ENGINES					
4.003	TRANSMISSION ASSEMBLY				
	TRANSMISSION ASSY	ALL		(70 7216528	1
	TRANSMISSION ASSY	ALL		(71 2698327	1
	OVERHAUL KIT	ALL		(70 M36970	1
	PIN — Trans. to block dowel	ALL		7150714	2
	BOLT	ALL		SP2140	5
4.005	GASKET KIT — Transmission				
	GASKET KIT	ALL		7441885	1
4.006	LEVER ASSEMBLY — Gearshift				
	LEVER ASSY	ALL		(70 7211386	1
	LEVER ASSY	ALL		(71 8853965	1
4.007	TUBE, RETAINER, BEARING — Gearshift control				
	TUBE ASSY. — Spacer — Steering column	ALL		2810130	1
	RETAINER — Spacer tube — Steering column	ALL		7434196	1
	BEARING — Tube lower plastic	ALL		7433257	1
4.009	KNOB — Gearshift control lever				
	KNOB	ALL		7441640	1
	RING — Locking	ALL		7176225	1
4.015	CAP, PLATE, GROMMET, BOOT, RETAINER, COVER — Gearshift lever				
	CAP ASSY	ALL		(70 6396795	1
	CAP ASSY	ALL		(71 2694409	1
	PLATE — Retaining	ALL		6388044	1
	GROMMET	ALL		7153711	1
	BOOT — Lever	ALL		2817735	1
	RETAINER — Boot	ALL		(70 2808116	1
	RETAINER — Boot	ALL		(71 2812312	1
	RING — Boot retainer	ALL		(70 2807303	1
	COVER ASSY. — Boot	SL		7437502BA	1
	RETAINER — Cover	SL		7437486	1
4.018	COUPLING — Gearshift lever				
	COUPLING	ALL		7176023	1
4.022	COVER, PLUG — Gearshift lever housing				
	COVER	ALL		(70 7202194	1
	COVER	ALL		(71 8827133	1
	PLUG — Cover (Rubber)	ALL		(70 7188542	1
4.023	GASKET — Gearshift lever housing cover				
	GASKET	ALL		6388083	1
4.026	SPRING — Gearshift lever				
	SPRING	ALL		7186122	1
4.081	BRACE, MOUNTING — Transmission				
	BRACE ASSY	ALL		7448620	2
	MOUNTING ASSY	ALL		7188948	1
	BOLT — Hex. hd. type 'A' 3/8" — 16 x .875"	ALL		SP2035	4
	WASHER — Mounting to support	ALL		1038079	1

Note: (70 1st Type — Transmission.

(71 2nd Type — Transmission identified by offset gearshift lever.

HOLDEN "LC" PARTS CATALOGUE

GROUP	DESCRIPTION	MODEL	SIDE	PART No.	QTY.
TRANSMISSION ASSEMBLY, FOUR SPEED MANUAL CONTROL FITTED IN VEHICLES EQUIPPED WITH 1160, 70 4 CYLINDER ENGINES					
4.095	COLLAR, PIN — Transmission selector shaft				
	COLLAR — Interlock	ALL		6388089	1
	PIN — Interlock collar stop	ALL		6373311	1
4.103	CASE ASSEMBLY — Transmission				
	CASE ASSY.	ALL		7216530	1
	PLUG — Filler	ALL		7177266	1
4.105	COVER — Transmission				
	COVER	ALL		6373327	1
4.107	SHAFT, SLEEVE — Transmission selector				
	SHAFT ASSY. — (First Type) (with sleeve)	ALL		7202465	1
	SHAFT ASSY. — (Second Type)	ALL		8810482	1
	SHAFT ASSY. — (Third Type)	ALL		8853964	1
	SLEEVE — (First Type)	ALL		7202464	1
	BUSH — (Second & Third Type)	ALL		8813785	1
4.108	PIN, SPRING — Transmission selector shaft				
	PIN — Selector shaft to shift lever	ALL		6388039	1
	SPRING — Detent	ALL		6393317	1
	BALL — Detent $\frac{5}{16}$ "	ALL		104919	1
4.109	GASKET — Transmission cover				
	GASKET	ALL		6373334	1
4.300	FORK — Transmission selector				
	FORK — First & Second speed	ALL		6376067	1
	FORK — Third & Fourth speed	ALL		6376068	1
4.306	LEVER, PAD — Transmission reverse speed				
	LEVER ASSY. — Striking	ALL		6376075	1
	PAD — Striking lever	ALL		6373287	1
4.307	PIN, BUSHING — Transmission reverse striking lever				
	PIN — Fulcrum	ALL		6376084	1
	BUSHING — Fulcrum pin	ALL		6376085	1
4.309	RAIL — Transmission selector fork				
	RAIL	ALL		6373226	1
4.313	COVER — Transmission selector shaft				
	COVER	ALL		6373377	1
4.317	HOUSING, BUSHING, SEAL — Transmission extension				
	HOUSING ASSY. — (First Type)	ALL		7186339	1
	HOUSING ASSY. — (Second Type)	ALL		8810486	1
	HOUSING ASSY. — (Third Type)	ALL		8853963	1
	TUBE — Selector shaft	ALL		6373719	1
	HOUSING — Selector shaft (First Type)	ALL		6388035	1
	HOUSING — Selector shaft (Second Type)	ALL		8810484	1
	BUSHING	ALL		6397716	1
	SEAL ASSY	ALL		8850998	1

HOLDEN "LC" PARTS CATALOGUE

GROUP	DESCRIPTION	MODEL	SIDE	PART No.	QTY.
TRANSMISSION ASSEMBLY, FOUR SPEED MANUAL CONTROL FITTED IN VEHICLES EQUIPPED WITH 1160, 70 4 CYLINDER ENGINES					
4.318	GASKET — Transmission rear housing				
	GASKET	ALL		6373380	1
4.333	CAP — Speedometer driven gear				
	CAP	ALL		6373525	1
4.337	GEAR, GEAR and SHAFT — Speedometer drive and driven				
	GEAR — Drive	ALL		6393125	1
	GEAR & SHAFT ASSY. — Driven	3.89:1 A.R.		6376105	1
	GEAR & SHAFT ASSY. — Driven	4.125:1 A.R.		6376106	1
	RING — Drive gear .059" — .061"	ALL		(⁶⁹ 6393126	1
	RING — Drive gear .062" — .064"	ALL		(⁶⁹ 6393127	1
	RING — Drive gear .065" — .067"	ALL		(⁶⁹ 6393128	1
	RING — Drive gear .068" — .070"	ALL		(⁶⁹ 6393129	1
	RING — Drive gear .071" — .073"	ALL		(⁶⁹ 6393130	1
	RING — Drive gear .074" — .076"	ALL		(⁶⁹ 6393131	1
4.342	CABLE and CASING — Speedometer				
	CABLE & CASING	ALL		7439082	1
	CABLE KIT	ALL		VS10864	1
	CASING	ALL		VS11790	1
	SEAL — Cable	ALL		7149485	1
	GROMMET — Casing	ALL		7438395	1
	CLIP — Casing	ALL		SP1885	1
4.351	GEAR — Clutch				
	GEAR	ALL		(⁷⁰ 6376016	1
	GEAR	ALL		(⁷¹ 8843679	1
4.352	BEARING — Mainshaft front				
	BEARING	ALL		7172560	1
4.355	BEARING — Clutch gear				
	BEARING	ALL		(⁷⁰ 6367863	1
	BEARING	ALL		(⁷¹ 2690774	1
4.356	RETAINER — Clutch gear bearing				
	RETAINER — (6373673 on casting)	ALL		(⁷⁰ 6373673	1
	RETAINER — (8843876 on casting)	ALL		(⁷¹ 8843876	1
	WASHER — Retainer bolt special	ALL		1048975	4
4.358	GASKET — Clutch gear bearing retainer				
	GASKET	ALL		6373774	1
4.376	RING — Clutch gear bearing				
	RING — Locating (Large)	ALL		6373225	1
	RING — Retaining (Small)	ALL		6373286	1
4.380	GEAR and HUB ASSEMBLY — Synchronizing				
	GEAR & HUB ASSY. — First & second speed clutch & reverse	ALL		6397553	1
	GEAR & HUB ASSY. — Third & fourth speed clutch	ALL		6397552	1
Note: (⁶⁹ Selective Fit. (⁷⁰ 1st Type — Transmission. (⁷¹ 2nd Type — Transmission identified by offset gearshift lever.					

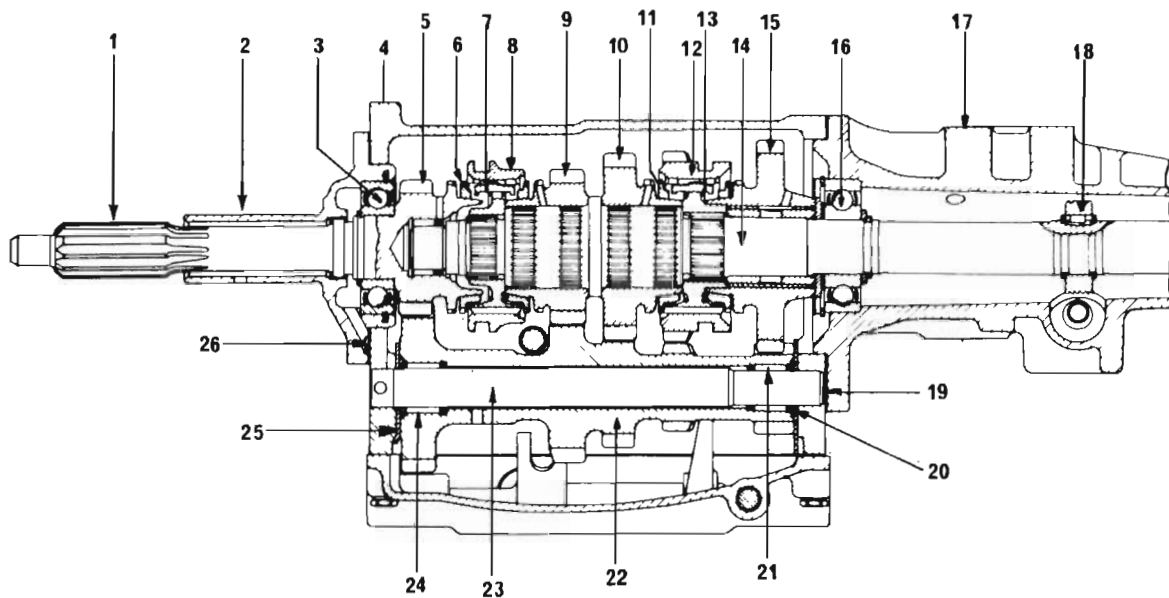
HOLDEN "LC" PARTS CATALOGUE

GROUP	DESCRIPTION	MODEL	SIDE	PART No.	QTY.
TRANSMISSION ASSEMBLY, FOUR SPEED MANUAL CONTROL					
FITTED IN VEHICLES EQUIPPED WITH 1160, 70 4 CYLINDER ENGINES					
4.383	CONE, SPRING — Synchronizing				
	CONE	ALL		7177927	4
	SPRING	ALL		7177367	4
4.384	KEY — Synchronizing clutch				
	KEY — 1st & 2nd slotted	ALL		6367974	1
	KEY — 1st & 2nd plain	ALL		6367973	2
	KEY — 3rd & 4th slotted	ALL		6367915	1
	KEY — 3rd & 4th plain	ALL		6367914	2
4.385	RING — Synchronizing clutch				
	RING — .061" — .063"	ALL		(⁶⁹ 6373192)	2
	RING — .064" — .066"	ALL		(⁶⁹ 6373193)	2
	RING — .067" — .069"	ALL		(⁶⁹ 6373194)	2
	RING — .070" — .072"	ALL		(⁶⁹ 6373195)	2
4.395	GEAR — Mainshaft second speed				
	GEAR	ALL		6373702	1
4.398	WASHER — Mainshaft thrust				
	WASHER	ALL		6373227	1
4.403	SHAFT — Transmission main				
	SHAFT	ALL		7186224	1
4.408	BEARING — Mainshaft rear				
	BEARING	ALL		6367862	1
4.412	RING — Mainshaft lock				
	RING — Rear bearing	ALL		6373225	1
4.415	GEAR — Third speed				
	GEAR	ALL		6367675	1
4.418	GEAR — First speed				
	GEAR	ALL		6367677	1
4.421	GEAR — Counter				
	GEAR	ALL		6376093	1
4.422	BEARING — Counter gear				
	NEEDLE ROLLER	ALL		6367859	50
4.423	WASHER — Countershaft				
	WASHER — Needle roller bearing	ALL		6373187	4
	WASHER — Thrust, front	ALL		6373284	1
	WASHER — Thrust, rear	ALL		6373188	1
4.428	SHAFT — Countergear				
	SHAFT	ALL		7192035	1
	BALL — 3/16"	ALL		104916	1

Note: (⁶⁹ Selective Fit.

HOLDEN "LC" PARTS CATALOGUE

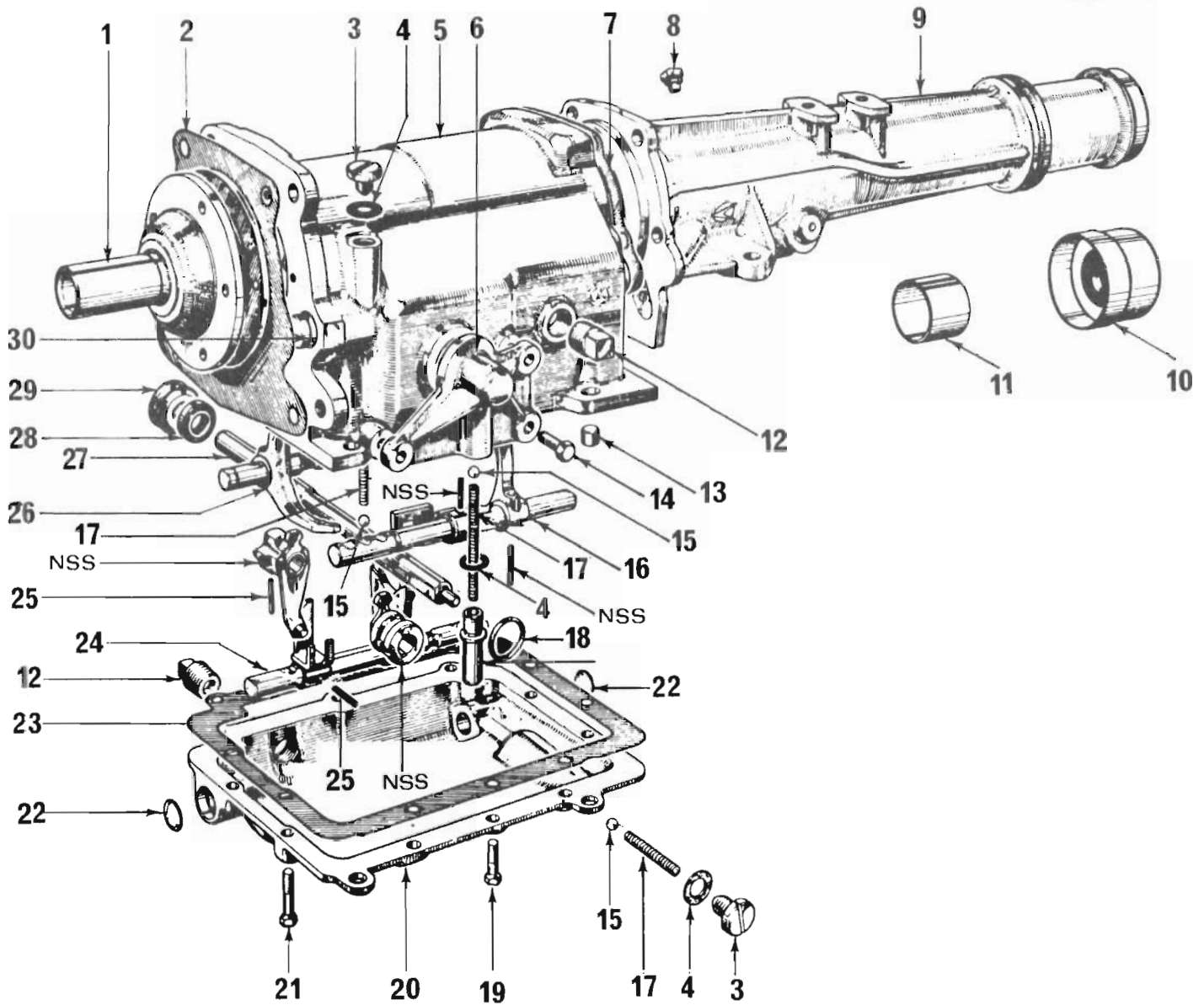
GROUP	DESCRIPTION	MODEL	SIDE	PART No.	QTY.
TRANSMISSION ASSEMBLY, FOUR SPEED MANUAL CONTROL					
FITTED IN VEHICLES EQUIPPED WITH 1160, 70 4 CYLINDER ENGINES					
4.430	GEAR — Reverse idler				
GEAR		ALL		6373189	1
4.433	SHAFT — Reverse idler gear				
SHAFT		ALL		6373219	1
BALL — 3/16"		ALL		104916	1



TRANSMISSION CASE & GEARS – 4 SPEED MANUAL (1600 Engine)

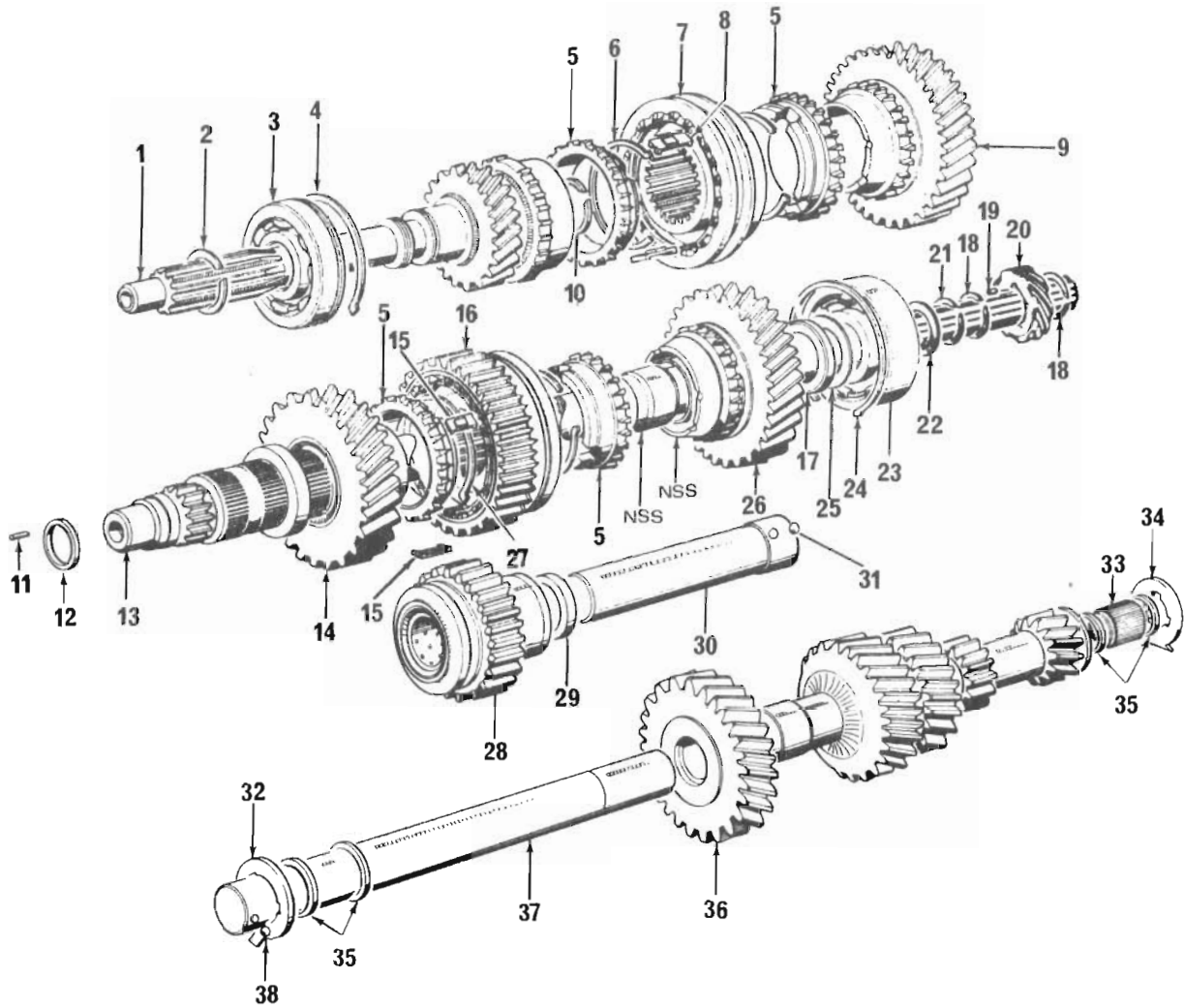
ILLUS. REF. NO.	PART NAME	GROUP	ILLUS. REF. NO.	PART NAME	GROUP
1.	GEAR – Clutch	4.351	14.	SHAFT – Transmission main	4.403
2.	RETAINER – Front bearing	4.356	15.	GEAR – First speed	4.418
3.	BEARING – Clutch gear	4.355	16.	BEARING – Mainshaft rear	4.408
4.	CASE – Transmission	4.103	17.	HOUSING – Extension	4.317
5.	BEARING – Needle roller	4.352	18.	GEAR – Speedometer driven	4.337
6.	CONE – Synchronizing	4.385	19.	GASKET – Extension housing	4.318
7.	KEY – Third & fourth speed sliding	4.384	20.	WASHER – Thrust, countershaft rear	4.423
8.	GEAR & HUB ASSY. – Third & fourth speed	4.380	21.	BEARING – Needle roller, countershaft rear	4.422
9.	GEAR – Third speed	4.415	22.	GEAR – Counter	4.421
10.	GEAR – Second speed	4.395	23.	SHAFT – Counter gear	4.428
11.	CONE – Synchronizing	4.383	24.	BEARING – Needle roller, countershaft front	4.422
12.	GEAR & HUB ASSY. – First & second speed	4.380	25.	WASHER – Thrust, countershaft front	4.423
13.	KEY – Second speed sliding	4.384	26.	GASKET – Front bearing retainer	4.358

HOLDEN "LC" PARTS CATALOGUE



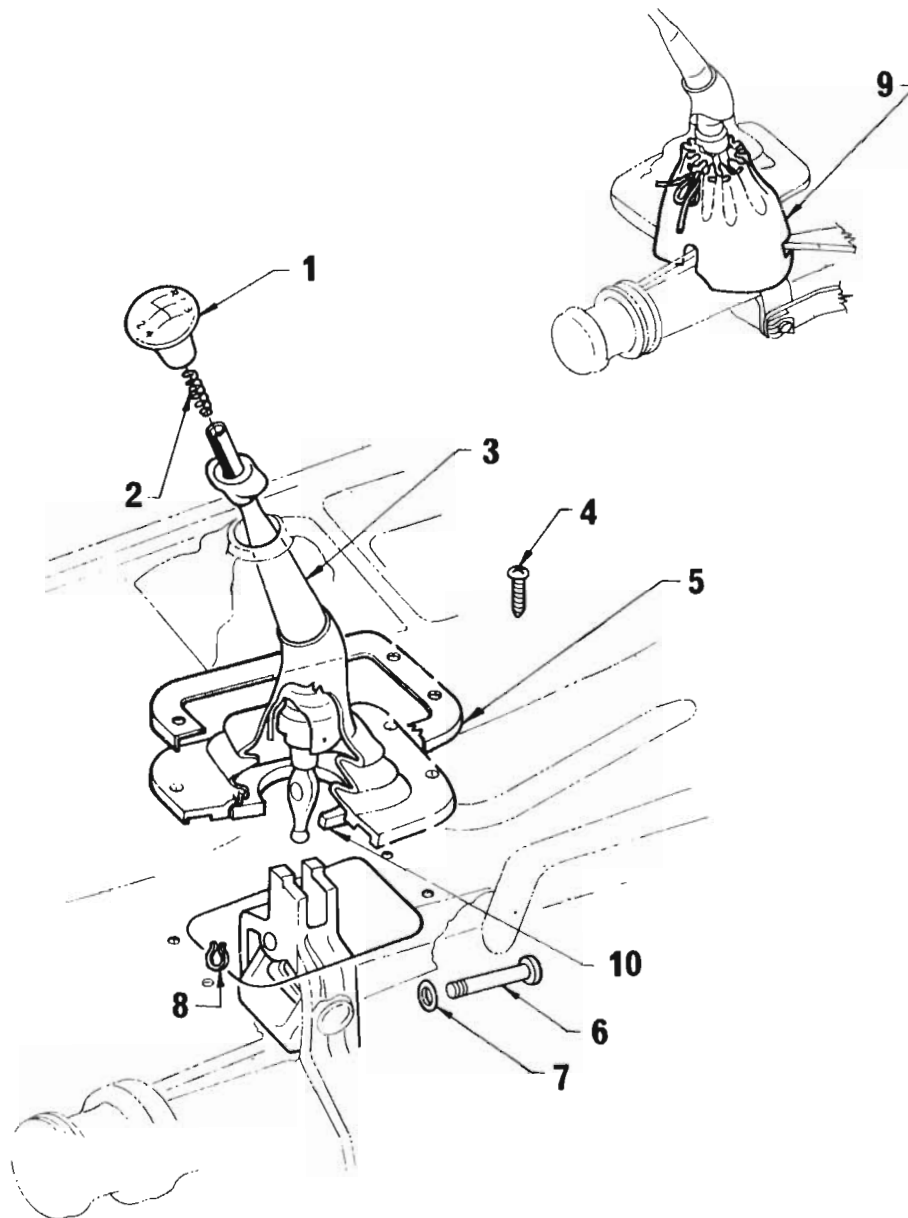
**TRANSMISSION ASSEMBLY - 4 SPEED MANUAL
(1600 Engine)**

ILLUS. REF. NO.	PART NAME	GROUP	ILLUS. REF. NO.	PART NAME	GROUP
1.	RETAINER - Front bearing	4.356	16.	FORK & ROD ASSY. - 1st & 2nd speed	4.309
2.	GASKET	4.358	17.	SPRING - Selector locking ball	4.311
3.	SCREW - Locking ball	4.311	18.	SEAL - Selector shaft outer	4.301
4.	WASHER - Screw (fibre)	4.311	19.	BOLT - Cover fixing 11/16"	4.105
5.	CASE - Transmission	4.103	20.	COVER - Transmission	4.105
6.	BRACKET - Mounting	4.081	21.	BOLT - Cover fixing 1.1/16"	4.105
7.	GASKET - Extension housing	4.318	22.	COVER - Fork & rod assy., reverse speed	4.313
8.	BREATHER - Extension housing	4.104	23.	GASKET - Transmission cover	4.109
9.	HOUSING - Extension	4.317	24.	FORK & ROD ASSY. - Reverse speed	4.300
10.	SEAL - Extension housing	4.317	25.	PIN - Selector lever to shaft	4.301
11.	BUSHING - Extension housing	4.317	26.	FORK & ROD ASSY. - 3rd & 4th speed	4.300
12.	PLUG - Filler and drain	4.103	27.	SHAFT & LEVER ASSY. - Selector	4.301
13.	DOWEL - Cover	4.105	28.	SEAL - Selector shaft inner	4.301
14.	BOLT - 5/16" - 24 x 1.1/4"	8.900	29.	COVER - Selector shaft	4.313
15.	BALL - Selector fork	4.311	30.	COVER - 1st & 2nd speed shaft (Cup type plug)	4.313



**TRANSMISSION GEARS – 4 SPEED MANUAL
(1600 Engine)**

ILLUS. REF. NO.	PART NAME	GROUP	ILLUS. REF. NO.	PART NAME	GROUP
1.	GEAR – Clutch	4.351	20.	GEAR – Speedometer driving	4.337
2.	RING – Clutch gear bearing (small)	4.376	21.	RING – Mainshaft rear bearing (small)	4.412
3.	BEARING – Clutch gear	4.355	22.	WASHER – Thrust, rear bearing	4.398
4.	RING – Clutch bearing retainer (large)	4.376	23.	BEARING – Mainshaft rear	4.408
5.	CONE – Synchronizing	4.383	24.	RING – Mainshaft rear bearing (large)	4.412
6.	SPRING – Sliding key	4.384	25.	SHIM – Mainshaft	4.409
7.	GEAR & HUB ASSY. – 3rd & 4th speed	4.380	26.	GEAR – 1st speed	4.418
8.	KEY – 3rd & 4th speed sliding	4.384	27.	RING – Sliding key	4.384
9.	GEAR – 3rd speed	4.415	28.	GEAR – Reverse idler	4.430
10.	RING – Synchronizing clutch	4.385	29.	SPACER – Reverse idler gear	4.431
11.	BEARING – Needle roller	4.352	30.	SHAFT – Reverse idler	4.433
12.	SPACER – Bearing	4.353	31.	BALL – Reverse idler shaft locking	4.433
13.	SHAFT – Transmission main	4.403	32.	WASHER – Thrust, countershaft front	4.423
14.	GEAR – 2nd speed	4.395	33.	BEARING – Countershaft (needle roller)	4.422
15.	KEY – 2nd speed sliding	4.384	34.	WASHER – Thrust, countershaft rear	4.423
16.	GEAR & HUB ASSY. – 1st & 2nd speed	4.380	35.	SPACER – Countershaft bearing	4.423
17.	WASHER – Thrust, mainshaft to 1st gear ...	4.398	36.	GEAR – Counter	4.421
18.	CIRCLIP – Speedometer driving gear	4.334	37.	SHAFT – Counter gear	4.428
19.	KEY – Speedometer driving gear	4.334	38.	BALL – Countershaft locking	4.428



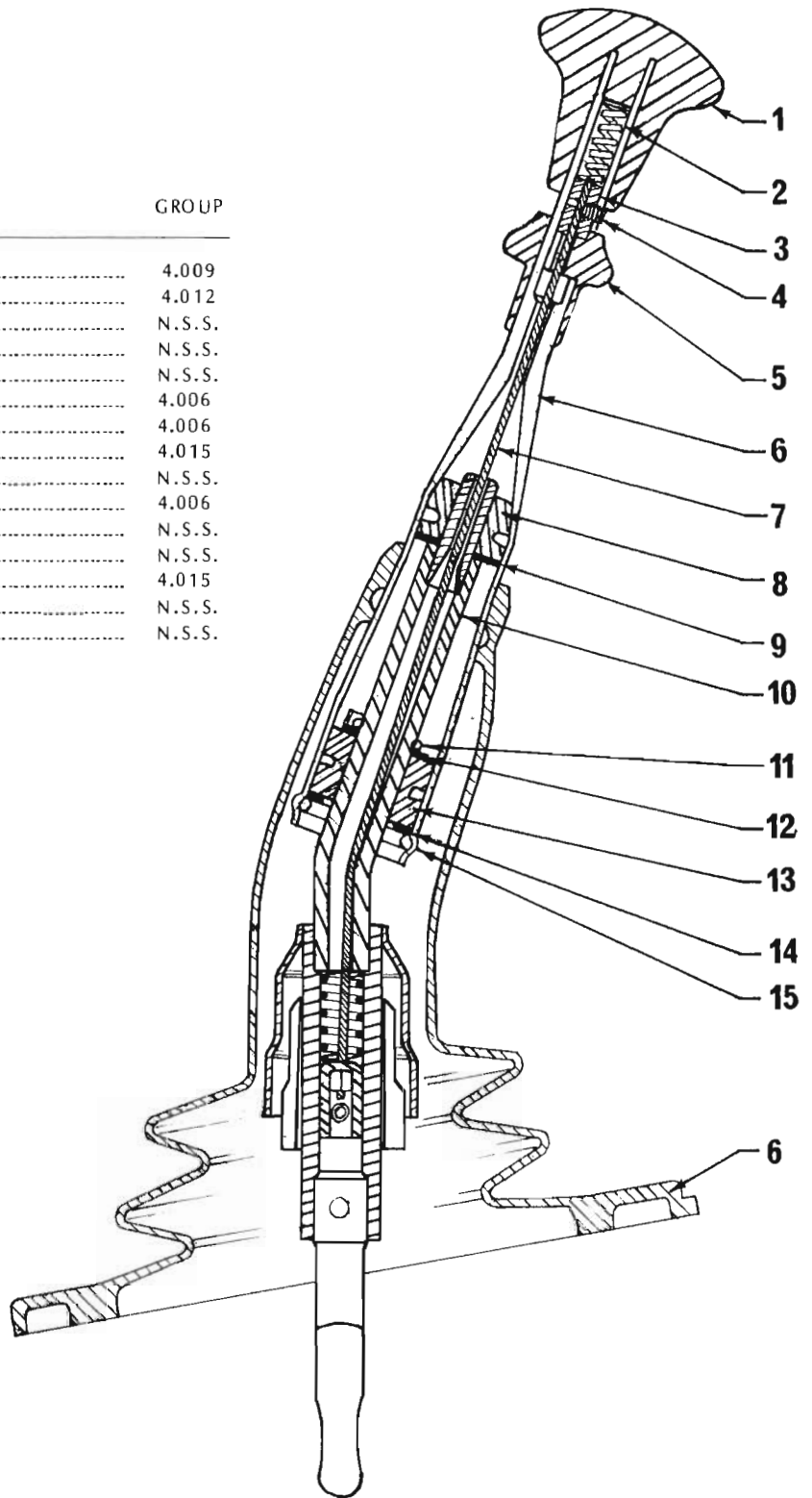
**GEARSHIFT LEVER ASSEMBLY – 4 SPEED MANUAL TRANSMISSION
(1600 Engine)**

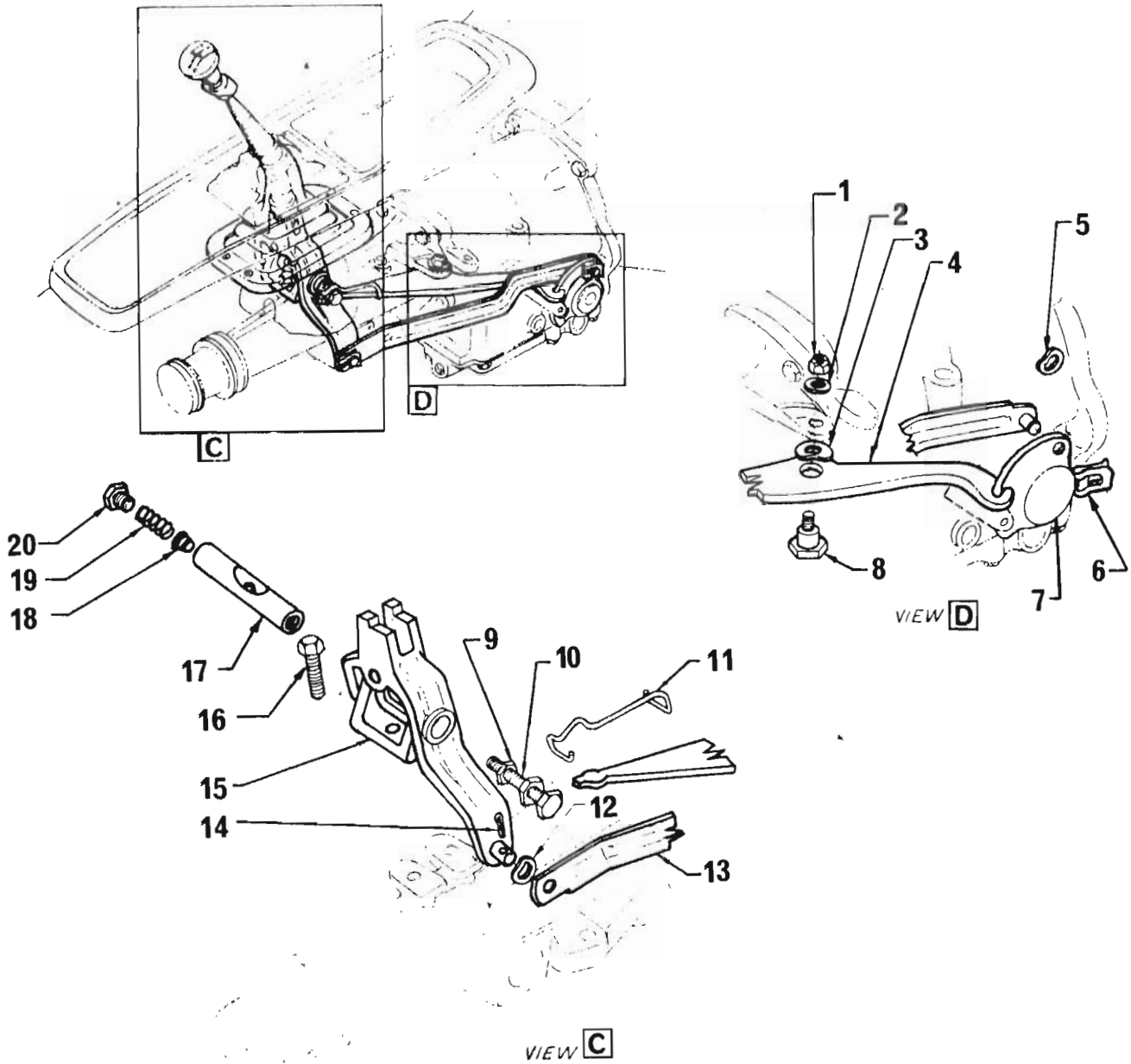
ILLUS. REF. NO.	PART NAME	GROUP	ILLUS. REF. NO.	PART NAME	GROUP
1.	KNOB – Gearshift lever	4.009	7.	WASHER – Anti-rattle, pin	4.019
2.	SPRING – Compression reverse control	4.012	8.	CIRCLIP – Pin retaining	4.019
3.	LEVER & BOOT ASSY.	4.006	9.	COVER ASSY. – Gearshift bush & carrier bracket	4.015
4.	SCREW – Pan hd, No.10 – 16 x 1.1/4" cr.rec.	8.977	10.	INSULATOR – Gearshift lever	4.015
5.	RETAINER – Lever & boot assy.	4.015			
6.	PIN – G/shift control lever to inter. lever..	4.019			

GEARSHIFT LEVER ASSEMBLY – 4 SPEED MANUAL TRANSMISSION

(1600 Engine)

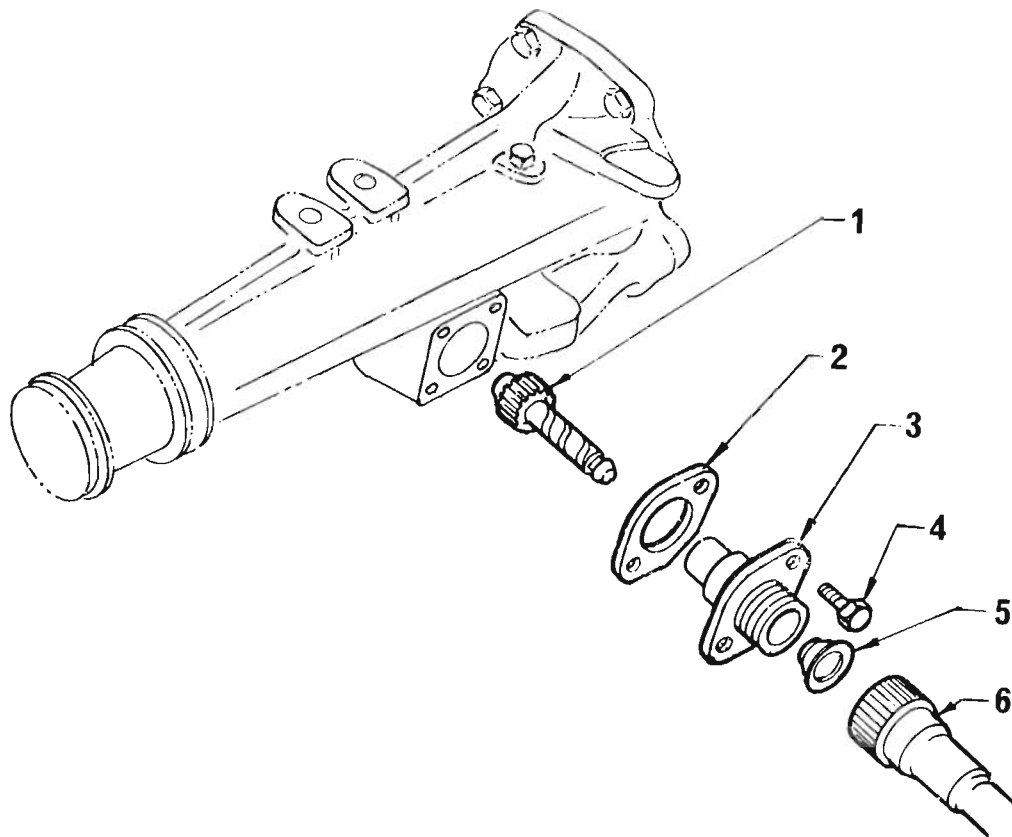
ILLUS. REF. NO.	PART NAME	GROUP
1.	KNOB – Gearshift lever	4.009
2.	SPRING – Reverse control	4.012
3.	CLAMPING PIECE	N.S.S.
4.	SCREW – Set, cable clamping	N.S.S.
5.	COLLAR – Reverse release	N.S.S.
6.	LEVER & BOOT ASSY.	4.006
7.	CABLE – Reverse release	4.006
8.	GROMMET – Cover upper	4.015
9.	WASHER	N.S.S.
10.	FINGER ASSY.	4.006
11.	CIRCLIP	N.S.S.
12.	WASHER – Lock	N.S.S.
13.	GROMMET – Cover lower	4.015
14.	WASHER	N.S.S.
15.	CIRCLIP	N.S.S.





**GEARSHIFT CONTROL – 4 SPEED MANUAL TRANSMISSION
(1600 Engine)**

ILLUS. REF. NO.	PART NAME	GROUP	ILLUS. REF. NO.	PART NAME	GROUP
1.	NUT – Selector lever to extension housing (Hex. 1/4" – 28 self locking)	4.020	11.	SPRING – Lever, anti-rattle	4.020
2.	WASHER – Flat, 9/32" x 5/8" x .065" ...	8.929	12.	WASHER – Anti-rattle, control lever to intermediate lever	4.019
3.	WASHER – Fulcrum to extension housing ..	4.020	13.	LEVER ASSY. – Gearshift control	4.019
4.	LEVER	4.020	14.	PIN – Control lever to intermediate lever ..	4.019
5.	WASHER – Control lever to external lever..	4.019	15.	LEVER – Shift intermediate	4.019
6.	CLIP – Retainer, control lever to ext. lever	4.019	16.	BOLT – Lever to extension housing	4.019
7.	COUPLING ASSY. – Selector	4.301	17.	SHAFT – Gearshift lever carrier	4.019
8.	FULCRUM – Selector lever	4.020	18.	PAD – Anti-rattle, carrier shaft	4.019
9.	NUT – 5/16" – 24	8.916	19.	SPRING – Anti-rattle, carrier shaft	4.019
10.	SCREW – Carrier shaft selector lever adj...	4.019	20.	SCREW – Carrier shaft anti-rattle spring ...	4.019



**SPEEDOMETER GEAR & CABLE – 4 SPEED MANUAL TRANSMISSION
(1600 Engine)**

ILLUS. REF. NO.	PART NAME	GROUP	ILLUS. REF. NO.	PART NAME	GROUP
1.	GEAR – Driven	4.337	4.	BOLT – 1/4" – 20 x 5/8"	8.900
2.	GASKET – Housing	4.337	5.	SEAL	4.342
3.	HOUSING – Driven gear	4.337	6.	CABLE & CASING	4.342

HOLDEN "LC" PARTS CATALOGUE

GROUP	DESCRIPTION	MODEL	SIDE	PART No.	QTY.
TRANSMISSION ASSEMBLY, FOUR SPEED MANUAL CONTROL FITTED IN VEHICLES EQUIPPED WITH 1600 4 CYLINDER ENGINES					
4.003	TRANSMISSION ASSEMBLY	ALL		8851183	1
4.004	GASKET — Transmission case to clutch housing	ALL		7140240	1
4.005	GASKET SET — Transmission	ALL			1
4.006	LEVER and BOOT ASSEMBLY — Gearshift control				
	LEVER & BOOT ASSEMBLY	ALL		8834398	1
	FINGER ASSEMBLY — Gearshift	ALL		8834389	1
	CABLE — Reverse baulk release	ALL		8838340	1
4.009	KNOB — Gearshift control lever	ALL		3431557	1
4.012	SPRING — Reverse control	ALL		8957856	1
4.015	COVER ASSEMBLY, RETAINER, INSULATOR — Gearshift lever				
	COVER ASSEMBLY — Gearshift lever	ALL		2820697	1
	RETAINER — Gearshift lever cover	ALL		2820698	1
	NUT — Cover to console flat type spring 1/8"	ALL		SP1534	4
	BOOT — Gearshift lever	ALL		8854274	1
	RETAINER — Gearshift lever boot	ALL		7211215	1
	INSULATOR — Gearshift lever	ALL		8852481	1
	COVER ASSY. — Gearshift bush & carrier bracket	ALL		8844947	1
	GROMMET — Gearshift cover upper	ALL		2865035	1
	GROMMET — Gearshift cover lower	ALL		2682224	1
4.019	LEVER, PAD, PIN, SCREW, SHAFT, SPRING — Gearshift control				
	LEVER ASSEMBLY — Shift intermediate	ALL		8843934	1
	LEVER & PIN — Shift intermediate	ALL		8953233	1
	PIN — Shift intermediate lever	ALL		2874879	1
	BOLT — Lever to extension housing	ALL		2693270	2
	PIN — Gearshift control lever to intermediate lever	ALL		2874894	1
	WASHER — Pin anti-rattle	ALL		7400949	1
	CIRCLIP — Pin retaining	ALL		8839466	1
	SHAFT — Gearshift lever carrier	ALL		8838194	1
	BUSH — Lever to shaft	ALL		2893967	1
	CIRCLIP — Bush to lever	ALL		8838467	1
	SCREW — Carrier shaft anti-rattle spring	ALL		6393142	1
	SPRING — Carrier shaft anti-rattle	ALL		6379977	1
	PAD — Carrier shaft anti-rattle	ALL		6379876	1
	SCREW — Carrier shaft selector lever adjusting	ALL		8834377	1
	LEVER ASSEMBLY — Gearshift control	ALL		8838349	1
	WASHER — Control lever to intermediate lever anti-rattle	ALL		7400949	1
	PIN — Control lever to intermediate lever	ALL		8838468	1
	WASHER — Control lever to external lever	ALL		8838200	1
	CLIP — Retainer, control lever to external lever	ALL		7205727	1

HOLDEN "LC" PARTS CATALOGUE

GROUP	DESCRIPTION	MODEL	SIDE	PART No.	QTY.
TRANSMISSION ASSEMBLY, FOUR SPEED MANUAL CONTROL FITTED IN VEHICLES EQUIPPED WITH 1600 4 CYLINDER ENGINES					
4.020	LEVER, SPRING, FULCRUM — Selector lever				
	LEVER	ALL		8855692	1
	SPRING — Lever anti-rattle	ALL		2687336	1
	FULCRUM — Selector lever	ALL		8834379	1
	WASHER — Fulcrum to extension housing	ALL		8838245	1
	NUT — Selector lever to extension housing (Hex. 1/4" — 28 self lock)	ALL		SP1229	1
4.081	BRACKET — Transmission mounting				
	BRACKET — Rear mounting	ALL		7205938	1
	SPACER — Rear mounting support to underbody	ALL		2820948	1
4.103	CASE — Transmission				
	CASE	ALL		7211158	1
	PLUG — Filler & drain	ALL		1014378	2
4.104	BREATHER — Transmission rear cover				
	BREATHER	ALL		7107293	1
4.105	COVER — Transmission				
	COVER	ALL		7198327	1
	DOWEL — Cover	ALL		6305908	2
	BOLT — Cover fixing 1/16" long special	ALL		7129795	5
	BOLT — Cover fixing 1/16" long special	ALL		7129794	5
4.109	GASKET — Transmission cover				
	GASKET	ALL		7161959	1
4.300	FORK and ROD ASSEMBLY — Transmission selector				
	FORK & ROD ASSEMBLY — 1st and 2nd speed	ALL		6358020	1
	FORK & ROD ASSEMBLY — 3rd and 4th speed	ALL		6358159	1
	FORK & ROD ASSEMBLY — Reverse speed	ALL		7181333	1
4.301	SHAFT, PIN, COUPLING, SEAL — Transmission selector				
	SHAFT ASSEMBLY — Selector with levers	ALL		8834390	1
	PIN — Selector levers to shaft	ALL		7202315	2
	COUPLING ASSEMBLY	ALL		8838109	1
	SCREW — Set, coupling to shaft	ALL		8818876	1
	SEAL — Shaft, inner	ALL		7142937	1
	SEAL — Shaft, outer	ALL		6309501	1
4.311	BALL, SPRING, SCREW — Transmission selector fork				
	BALL — Fork locking 3/16" (Steel)	ALL		104919	A.R.
	SPRING — Fork ball	ALL		6350351	2
	SPRING — Locking ball (Lower cover)	ALL		6375068	1
	SCREW — Locking ball spring	ALL		7140079	A.R.
	WASHER — Spring screw (Fibre)	ALL		7140080	A.R.
4.313	COVER — Transmission selector shaft and fork				
	COVER — Selector shaft	ALL		8838271	1
	COVER — Selector fork (Cup Plug)	ALL		7146717	2
4.317	HOUSING, BUSHING, SEAL — Transmission extension				
	HOUSING	ALL		7168407	1
	BOLT — Housing, special 7/8" long	ALL		6375777	5
	BUSHING	ALL		7078854	1
	SEAL ASSEMBLY	ALL		7153576	1

HOLDEN "LC" PARTS CATALOGUE

GROUP	DESCRIPTION	MODEL	SIDE	PART No.	QTY.
TRANSMISSION ASSEMBLY, FOUR SPEED MANUAL CONTROL FITTED IN VEHICLES EQUIPPED WITH 1600 4 CYLINDER ENGINES					
4.318	GASKET — Transmission rear housing				
	GASKET	ALL		7138859	1
4.334	PAD, KEY, CIRCLIP — Speedometer driving and driven gear				
	PAD — Driven gear thrust	ALL		6325326	1
	KEY — Driving gear	ALL		6311219	1
	CIRCLIP — Driving gear	ALL		7139079	2
4.337	GEAR — Speedometer drive and driven				
	HOUSING, GASKET — Speedometer driven gear				
	GEAR — Driven	ALL		6379784	1
	GEAR — Drive	ALL		7138685	1
	HOUSING — Driven gear	ALL		8827094	1
	GASKET — Housing	ALL		7202335	1
4.342	CABLE and CASING — Speedometer				
	CABLE & CASING	ALL		2822095	1
	CABLE KIT	ALL			1
	SEAL — Cable	ALL		7149485	1
4.351	GEAR — Clutch				
	GEAR	ALL		8851196	1
4.352	BEARING — Mainshaft front				
	BEARING — (Needle roller)	ALL		7138260	24
4.353	SPACER — Bearing, mainshaft front				
	SPACER	ALL		7139077	1
4.355	BEARING — Clutch gear				
	BEARING	ALL		8851189	1
4.356	RETAINER — Clutch gear bearing				
	RETAINER	ALL		8851200	1
	WASHER — Retainer bolt special	ALL		1048975	5
4.358	GASKET — Clutch gear bearing retainer				
	GASKET	ALL		7138930	1
4.376	RING — Clutch gear bearing				
	RING — (Circlip) locating (Large)	ALL		7138973	1
	RING — (Circlip) retaining (Small)	ALL		8847646	1
4.380	GEAR and HUB ASSEMBLY — Synchronizing				
	GEAR & HUB ASSY. — 1st. 2nd speed clutch & reverse	ALL		6397555	1
	GEAR & HUB ASSY. — 3rd & 4th speed clutch	ALL		6397554	1
4.383	CONE — Synchronizing				
	CONE	ALL		7139251	4

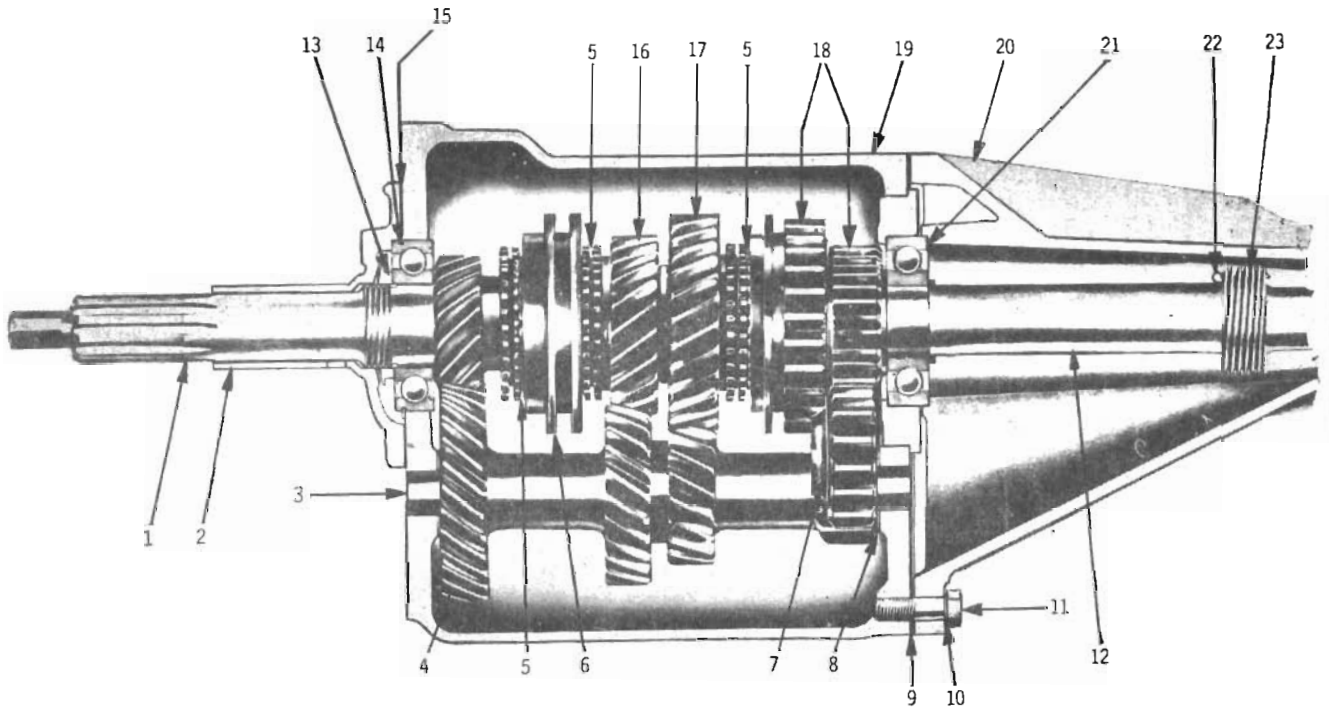
HOLDEN "LC" PARTS CATALOGUE

GROUP	DESCRIPTION	MODEL	SIDE	PART No.	QTY.
TRANSMISSION ASSEMBLY, FOUR SPEED MANUAL CONTROL FITTED IN VEHICLES EQUIPPED WITH 1600 4 CYLINDER ENGINES					
4.384	KEY, SPRING — Synchronizing clutch				
	KEY — 2nd speed sliding (Grooved)	ALL		6375054	1
	KEY — 2nd speed sliding	ALL		6375055	2
	KEY — 3rd and 4th speed sliding (Grooved)	ALL		7138861	1
	KEY — 3rd and 4th speed sliding	ALL		7147788	2
	SPRING — Sliding key	ALL		7138862	4
4.385	RING — Synchronizing clutch				
	RING — .059" — .061"	ALL		(⁶⁹ 7139078)	A.R.
	RING — .062" — .064"	ALL		(⁶⁹ 7139079)	A.R.
	RING — .065" — .067"	ALL		(⁶⁹ 7139080)	A.R.
	RING — .068" — .070"	ALL		(⁶⁹ 7139081)	A.R.
	RING — .071" — .073"	ALL		(⁶⁹ 7139082)	A.R.
	RING — .074" — .076"	ALL		(⁶⁹ 7139083)	A.R.
	RING — .077" — .079"	ALL		(⁶⁹ 7139084)	A.R.
4.395	GEAR — Mainshaft second speed				
	GEAR	ALL		8822278	1
4.398	WASHER — Mainshaft bearing thrust				
	WASHER — Mainshaft bearing thrust	ALL		7138684	1
	WASHER — Mainshaft bearing thrust to 1st speed gear	ALL		6305907	1
4.403	SHAFT — Transmission main				
	SHAFT	ALL		7216348	1
4.408	BEARING — Mainshaft rear				
	BEARING — (Ball)	ALL		7146839	1
4.409	SHIM — Mainshaft front				
	SHIM — .003"	ALL		7139099	A.R.
	SHIM — .005"	ALL		7139100	A.R.
	SHIM — .010"	ALL		7139101	A.R.
4.412	RING — Mainshaft lock				
	RING — Mainshaft rear bearing locating (Large)	ALL		7138973	1
	RING — Mainshaft rear bearing retaining (Small)				
	.059" — .061"	ALL		(⁶⁹ 7139078)	A.R.
	.062" — .064"	ALL		(⁶⁹ 7139079)	A.R.
	.065" — .067"	ALL		(⁶⁹ 7139080)	A.R.
	.068" — .070"	ALL		(⁶⁹ 7139081)	A.R.
	.071" — .073"	ALL		(⁶⁹ 7139082)	A.R.
	.074" — .076"	ALL		(⁶⁹ 7139083)	A.R.
	.077" — .079"	ALL		(⁶⁹ 7139084)	A.R.
4.415	GEAR — Third speed				
	GEAR	ALL		8822279	1
4.418	GEAR — First speed				
	GEAR	ALL		7181511	1
4.421	GEAR — Counter				
	GEAR	ALL		8822277	1

Note: (⁶⁹ Selective Fit.

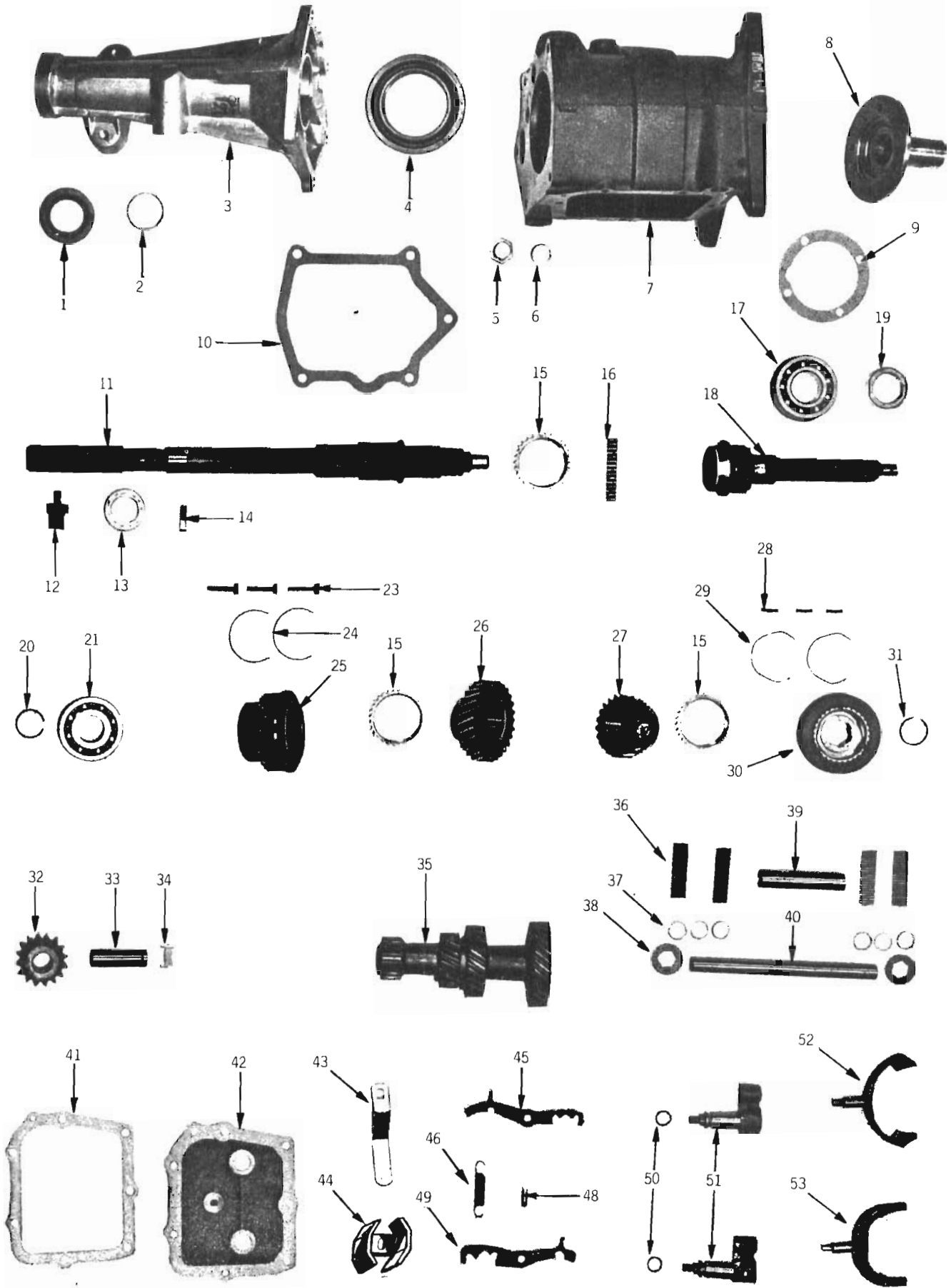
HOLDEN "LC" PARTS CATALOGUE

GROUP	DESCRIPTION	MODEL	SIDE	PART No.	QTY.
TRANSMISSION ASSEMBLY, FOUR SPEED MANUAL CONTROL FITTED IN VEHICLES EQUIPPED WITH 1600 4 CYLINDER ENGINES					
4.422	BEARING — Countergear				
	NEEDLE ROLLER	ALL		1037542	51
4.423	SPACER, WASHER — Countershaft				
	SPACER — Needle roller bearing	ALL		7138838	4
	WASHER — Thrust, front	ALL		6394636	1
	WASHER — Thrust, rear	ALL		7181442	1
4.428	SHAFT — Countergear				
	SHAFT	ALL		7147982	1
	BALL — ¼" (Steel)	ALL		104918	1
4.430	GEAR — Reverse idler				
	GEAR	ALL		7181507	1
4.431	SPACER — Reverse idler gear				
	SPACER	ALL		7181339	1
4.433	SHAFT — Reverse idler gear				
	SHAFT	ALL		7147961	1
	BALL — ¼" (Steel)	ALL		104918	1



TRANSMISSION CASE and GEARS
Three Speed Fully Synchronized

ILLUS. REF. NO.	PART NAME	GROUP	ILLUS. REF. NO.	PART NAME	GROUP
1.	GEAR - Clutch	4.351	12.	SHAFT - Main	4.403
2.	RETAINER - Clutch gear bearing	4.356	13.	NUT - Bearing retainer	4.357
3.	SHAFT - Counter gear	4.428	14.	BEARING - Clutch gear	4.355
4.	GEAR - Counter	4.421	15.	GASKET - Bearing retainer	4.358
5.	RING - Blocking	4.383	16.	GEAR - 2nd Speed	4.395
6.	SYNCHRONIZER ASSY. - 2nd. & 3rd. Speed	4.380	17.	GEAR - 1st Speed	4.418
7.	GEAR - Reverse idler	4.430	18.	SYNCHRONIZER ASSY. - 1st & Reverse	4.380
8.	WASHER - Counter gear thrust	4.423	19.	CASE	4.103
9.	GASKET	4.318	20.	HOUSING ASSY.	4.317
10.	WASHER	4.317	21.	BEARING ASSY. - Mainshaft rear	4.408
11.	BOLT	8.900	22.	CLIP - Speedo drive gear	4.338
			23.	GEAR - Speedo drive	4.337

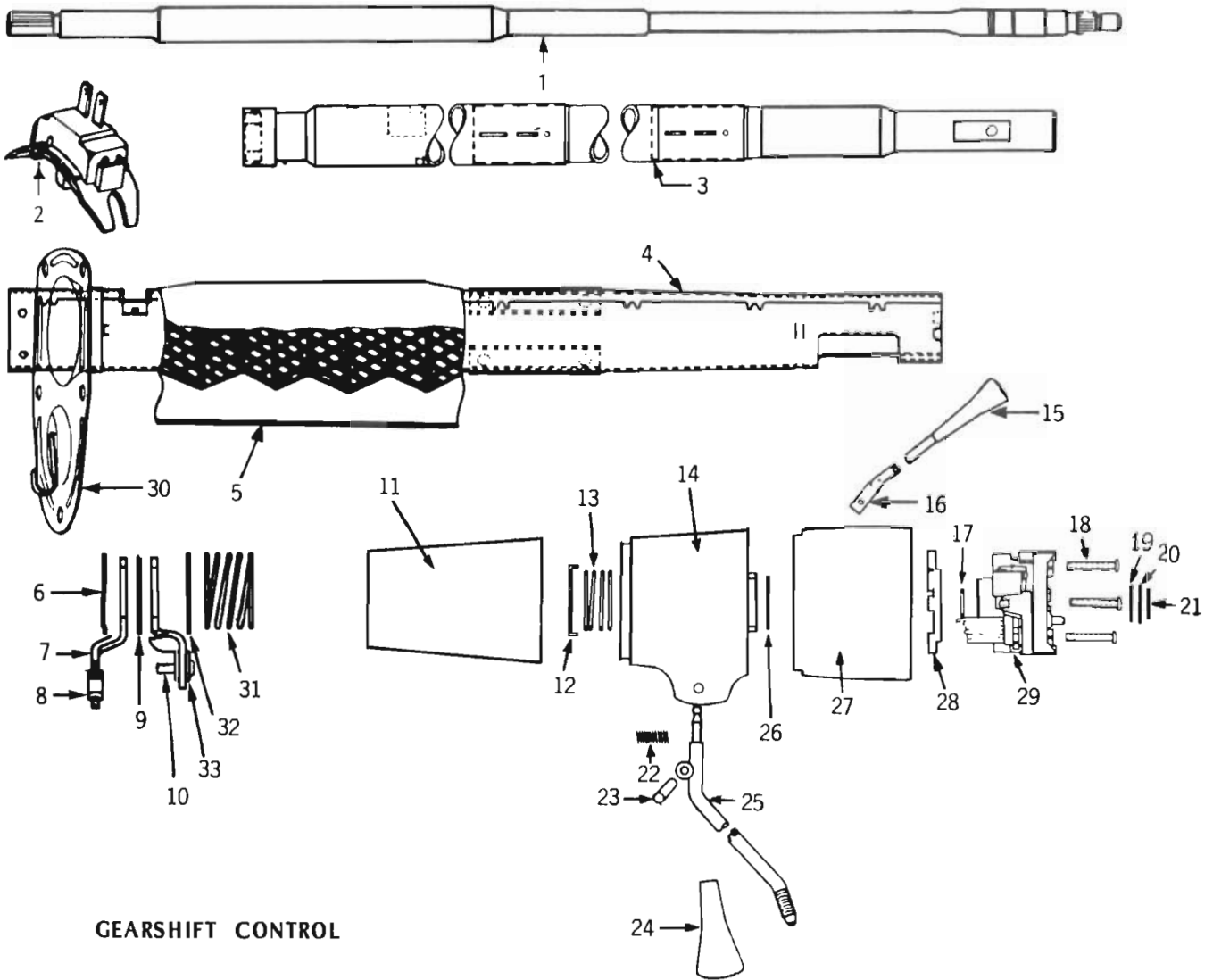


TRANSMISSION CASE and GEARS

3 Speed — Fully Synchronized Transmission

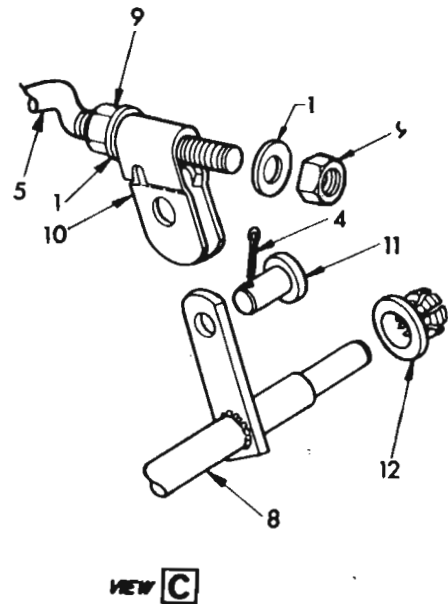
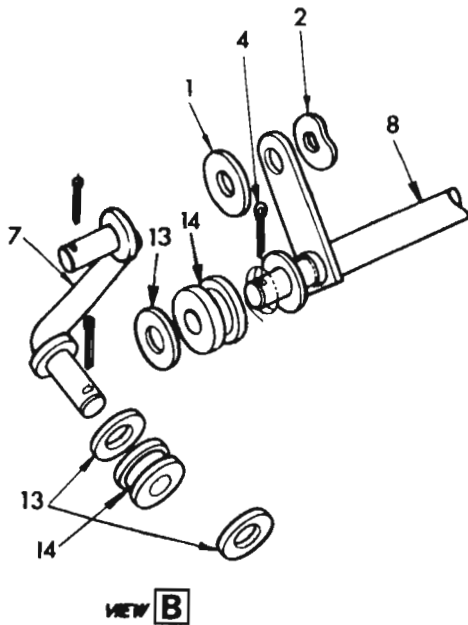
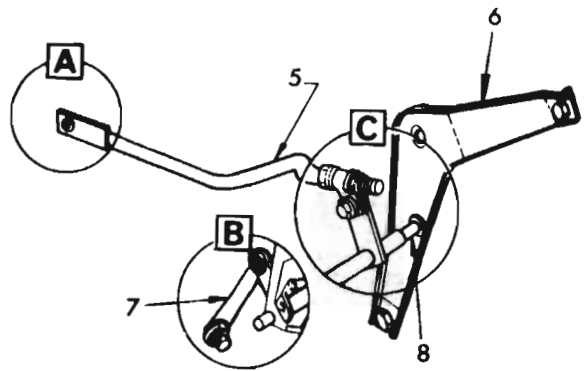
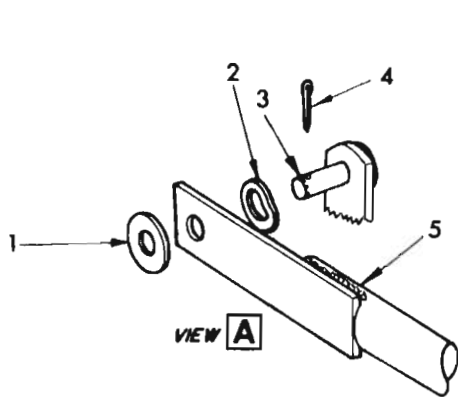
ILLUSTRATION OPPOSITE

ILLUS. REF. NO.	PART NAME	GROUP	ILLUS. REF. NO.	PART NAME	GROUP
1.	SEAL — Housing	4.317	28.	KEY — 2nd & 3rd synchronizer	4.384
2.	BUSHING — Housing	4.317	29.	SPRING — 2nd & 3rd synchronizer	4.383
3.	HOUSING ASSY.	4.317	30.	SYNCHRONIZER ASSY. — 2nd & 3rd.	4.380
4.	ADAPTOR — Rear bearing	4.317	31.	RING — 2nd & 3rd synchro to mainshaft..	4.382
5.	PLUG — Filler	4.103	32.	GEAR ASSY. — Reverse idler	4.430
6.	GASKET — Filler plug	4.103	33.	SHAFT — Reverse idler gear	4.433
7.	CASE	4.103	34.	KEY — Reverse idler gear shaft	4.433
8.	RETAINER	4.356	35.	REVERSE — Counter	4.421
9.	GASKET	4.358	36.	BEARING — Needle roller	4.422
10.	GASKET	4.318	37.	WASHER — Bearing	4.423
11.	SHAFT — Main	4.403	38.	WASHER — Gear thrust	4.423
12.	GEAR — Speedo driven	4.337	39.	SPACER — Bearing	4.423
13.	GEAR — Speedo drive	4.337	40.	SHAFT — Counter gear	4.428
14.	CLIP — Drive gear	4.338	41.	GASKET	4.109
15.	RING — Blocking	4.383	42.	COVER	4.105
16.	BEARING — Needle roller	4.352	43.	LEVER — 1st & rev. external	4.050
17.	BEARING — Clutch gear	4.355	44.	LEVER — 2nd & 3rd external	4.046
18.	GEAR — Clutch	4.351	45.	CAM — 1st & rev. detent	4.311
19.	NUT — Bearing retainer	4.357	46.	SPRING — Detent cam	4.311
20.	RING — Mainshaft lock	4.412	47.	RING — Detent cam	4.311
21.	BEARING ASSY. — Rear	4.408	48.	PIN — Detent cam	4.311
23.	KEY — 1st & rev. synchronizer	4.384	49.	CAM — 2nd & 3rd detent	4.311
24.	SPRING — 1st & rev. synchronizer	4.383	50.	SEAL — Shift shaft	4.309
25.	SYNCHRONIZER ASSY. 1st & rev.	4.380	51.	SHAFT ASSY. — Shift fork	4.309
26.	GEAR — First speed	4.418	52.	FORK — 1st & rev. shift	4.304
27.	GEAR — Second speed	4.395	53.	FORK — 2nd & 3rd Shift	4.303



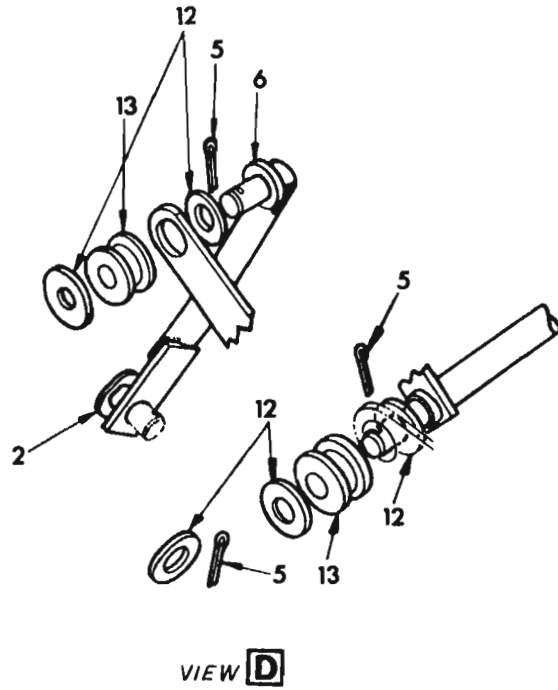
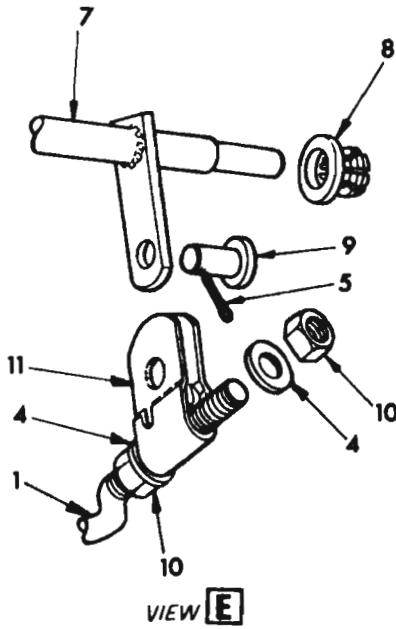
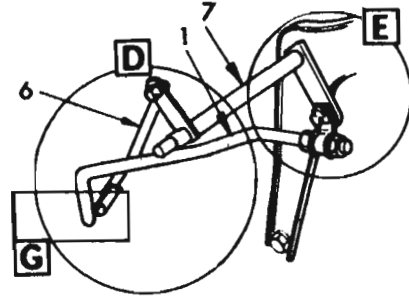
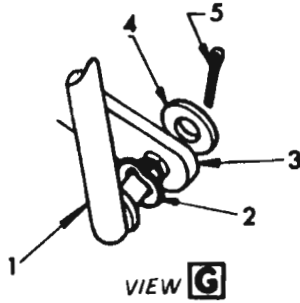
GEARSHIFT CONTROL

ILLUS. REF. NO.	PART NAME	GROUP	ILLUS. REF. NO.	PART NAME	GROUP
1.	SHAFT ASSY. - Steering	6.524	17.	CIRCLIP	6.524
2.	SWITCH ASSY. - Back-up lamp	2.697	18.	SCREW	8.910
3.	TUBE ASSY.	4.007	19.	WASHER - Switch wave	2.895
4.	JACKET ASSY. - Only serviced as component of Column Assy. - Steering	6.508	20.	WASHER - Switch thrust	2.895
5.	COVER - Steering column jacket	6.518	21.	RING - Switch retaining	2.895
6.	RETAINER - Lower lever	4.020	22.	SPRING - Selector return	4.017
7.	LEVER - Lower	4.020	23.	PIN	4.007
8.	INSULATOR	4.020	24.	KNOB	4.009
9.	SPACER - Lower control	4.019	25.	LEVER	4.006
10.	PIN - Shift rod	4.019	26.	WASHER	4.018
11.	COVER - Steering column, lower	6.518	27.	COVER - Gearshift column upper	6.518
12.	SEAT	4.018	28.	RING ASSY. - Support	2.895
13.	SPRING - Anti-rattle	4.017	29.	SWITCH - Turn signal lamp	2.895
14.	SUPPORT	4.018	30.	COVER - Steering column	6.758
15.	KNOB - Turn signal switch lever	2.897	31.	SPRING - Lower control	4.017
16.	LEVER - Turn signal switch	2.897	32.	RETAINER - Lower lever	4.019
			33.	LEVER ASSY. - Lower	4.019



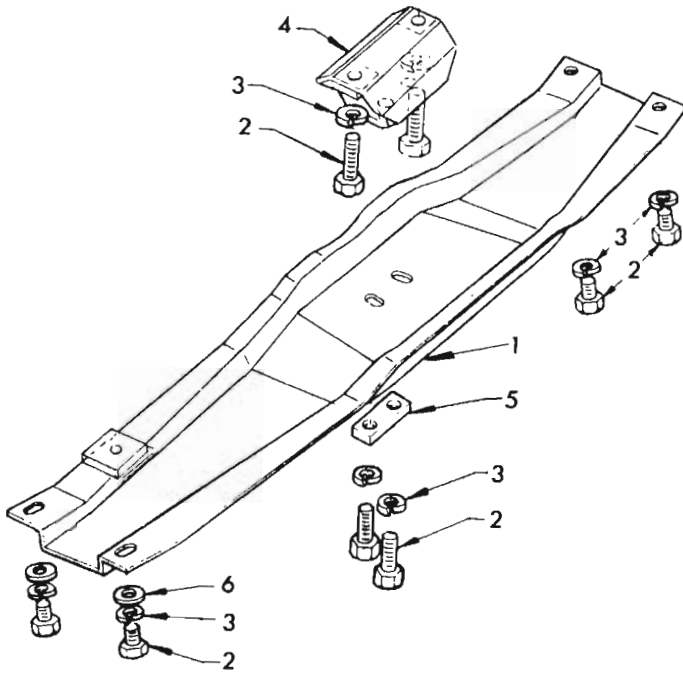
GEARSHIFT CONTROL
3 Speed Fully Synchronized Transmission

ILLUS. REF. NO.	PART NAME	GROUP	ILLUS. REF. NO.	PART NAME	GROUP
1.	WASHER	8.929	8.	CROSS SHAFT ASSY.	4.020
2.	WASHER - Anti rattle	4.020	9.	NUT	8.915
3.	LEVER - Selector external	4.050	10.	CLAMP - Shift rod	4.020
4.	PIN	8.938	11.	PIN - Shift rod	4.020
5.	ROD - Lower	4.020	12.	SLEEVE - Cross shaft	4.020
6.	BRACKET - Cross shaft to engine	4.019	13.	WASHER - Special	4.020
7.	ROD - Upper	4.020	14.	INSULATOR	4.020



**GEARSHIFT CONTROL
3 Speed Fully Synchronized Transmission**

ILLUS. REF. NO.	PART NAME	GROUP	ILLUS. REF. NO.	PART NAME	GROUP
1.	ROD - Lower	4.019	8.	SLEEVE - Cross shaft	4.019
2.	WASHER - Anti rattle	4.019	9.	PIN - Shift rod	4.019
3.	LEVER - Shift external	4.046	10.	NUT	8.915
4.	WASHER	8.929	11.	CLAMP - Shift rod	4.019
5.	PIN	8.938	12.	WASHER - Special	4.019
6.	ROD - Upper	4.019	13.	INSULATOR	4.019
7.	CROSS SHAFT ASSY.	4.019			



TRANSMISSION MOUNTING

ILLUS. REF. NO.	PART NAME	GROUP
1.	SUPPORT – Engine rear mounting	12.982
2.	BOLT	8.900
3.	WASHER	8.931
4.	MOUNTING ASSY.	4.081
5.	SPACER – Mounting bolt	4.081
6.	WASHER	8.929

HOLDEN "LC" PARTS CATALOGUE

GROUP	DESCRIPTION	MODEL	SIDE	PART No.	QTY.
TRANSMISSION ASSEMBLY, THREE SPEED MANUAL CONTROL FULLY SYNCHRONIZED FITTED IN VEHICLES EQUIPPED WITH 6 CYLINDER ENGINES					
4.003	TRANSMISSION ASSEMBLY				
	TRANSMISSION ASSY.		RIGHT HAND DRIVE	2809139	1
			LEFT HAND DRIVE	2815307	1
	OVERHAUL KIT	ALL		7449498	1
	REPAIR KIT	ALL		2810932	1
	BOLT & SPRING WASHER ASSY. — Trans. to clutch housing	ALL		SP2029	4
4.005	GASKET KIT — Transmission				
	GASKET KIT	ALL		7449499	1
4.006	LEVER ASSEMBLY — Gearshift control				
	LEVER ASSY.		RIGHT HAND DRIVE	2805690	1
	LEVER & MOUNTING BRACKET ASSY.		LEFT HAND DRIVE	2811591	1
	LEVER ASSY.		LEFT HAND DRIVE	2819373	1
4.007	TUBE ASSEMBLY — Gearshift control				
	TUBE ASSEMBLY, RETAINER — Steering column				
	TUBE ASSY.		RIGHT HAND DRIVE	2810131	1
	TUBE ASSY. — Spacer — Steering column		LEFT HAND DRIVE	2810130	1
	RETAINER — Spacer tube — Steering column		LEFT HAND DRIVE	7434196	1
	PIN		RIGHT HAND DRIVE	7429551	1
4.009	KNOB — Gearshift control lever				
	KNOB		RIGHT HAND DRIVE	7433272	1
			LEFT HAND DRIVE	7437692	1
	NUT — Lock		LEFT HAND DRIVE	2805499	1
4.010	BRACKET — Gearshift control lever				
	BRACKET — Mounting		LEFT HAND DRIVE	2811590	1
4.015	BOOT RETAINER — Gearshift control				
	BOOT		LEFT HAND DRIVE	2811977	1
	RETAINER — Boot		LEFT HAND DRIVE	2811968	1
4.017	SPRING — Gearshift				
	SPRING — Lower control	ALL		7433264	1
	SPRING — Selector return	ALL		2807897	1
	SPRING — Lever anti-rattle		RIGHT HAND DRIVE	2806114	1
	SPRING — Control lever		LEFT HAND DRIVE	2819001	1
4.018	SUPPORT — Gearshift control				
	SUPPORT	ALL		7433263	1
	SEAT — Control lever support		RIGHT HAND DRIVE	7437131	1
	WASHER — Support to turn signal switch		RIGHT HAND DRIVE	7433275	1
4.019	LEVER, RETAINER, ROD, CROSS SHAFT, SPACER, SLEEVE, SEAL — Gearshift 2nd & 3rd shift				
	LEVER ASSY. — Lower		RIGHT HAND DRIVE	7450000	1
	LEVER ASSY. — Shift		LEFT HAND DRIVE	2811596	1
	WASHER — Wave, lever pre-load		LEFT HAND DRIVE	2814887	1
	RETAINER — Lower lever		RIGHT HAND DRIVE	2812593	1
				2812592	1
	NUT — Lever to shaft	ALL		7417652	1
	ROD ASSY. — Upper		RIGHT HAND DRIVE	2814968	1
	ROD — Lower	Drum Brakes	RIGHT HAND DRIVE	2805006	1
	ROD ASSY. — Front		LEFT HAND DRIVE	2811589	1

HOLDEN "LC" PARTS CATALOGUE

GROUP	DESCRIPTION	MODEL	SIDE	PART No.	QTY.
-------	-------------	-------	------	----------	------

TRANSMISSION ASSEMBLY, THREE SPEED MANUAL CONTROL FULLY SYNCHRONIZED FITTED IN VEHICLES EQUIPPED WITH 6 CYLINDER ENGINES

4.019 LEVER, RETAINER, ROD, CROSS SHAFT, SPACER, SLEEVE, SEAL — Gearshift 2nd & 3rd shift (contd.)

ROD ASSY. — Rear			LEFT HAND DRIVE	2811593	1
RELAY ASSY.	Power & Disc Brakes		RIGHT HAND DRIVE	2814967	1
RETAINER — Rod			LEFT HAND DRIVE	3749084	2
INSULATOR — Transmission control	ALL			7418439	1
WASHER — Special	ALL			7400948	2
WASHER — Anti-rattle	ALL			7400949	3
CLAMP — Shift rod	ALL			2806032	1
CROSS SHAFT ASSY	ALL			2805002	1
SHAFT — Lever			LEFT HAND DRIVE	2811341	1
SLEEVE — Cross shaft	ALL			2805207	1
PIN — Shift rod	ALL			2806033	1
SPACER — Lower control			RIGHT HAND DRIVE	2807707	1
SPACER — Lever			LEFT HAND DRIVE	2811970	1
BRACKET — Cross shaft to engine			RIGHT HAND DRIVE	2805074	1

4.020 LEVER, RETAINER, ROD, CROSS SHAFT, SLEEVE — Gear shift 1st & Reverse shift

LEVER — Lower			RIGHT HAND DRIVE	7449999	1
LEVER ASSY. — Shift			LEFT HAND DRIVE	2811973	1
WASHER — Wave, lever pre-load			LEFT HAND DRIVE	2814887	1
RETAINER — Lower lever			RIGHT HAND DRIVE	2812591	1
NUT — Lever to shaft	ALL			7417652	1
ROD — Upper	ALL			2805003	1
ROD — Lower	ALL			2805005	1
ROD ASSY. — Front			LEFT HAND DRIVE	2811588	1
ROD ASSY. — Rear			LEFT HAND DRIVE	2811592	1
RETAINER — Rod			LEFT HAND DRIVE	3749084	2
INSULATOR — Transmission control	ALL			7418439	1
WASHER — Special	ALL			7400948	2
WASHER — Anti-rattle	ALL			7400949	3
CLAMP — Shift rod	ALL			2806032	1
PIN — Shift rod	ALL			2806033	1
CROSS SHAFT ASSY	ALL			2805001	1
SLEEVE — Cross shaft	ALL			2805207	1

4.046 LEVER — Shift external

LEVER ASSEMBLY	ALL			2811605	1
LEVER	ALL			2805203	1
LEVER ASSY. — 2nd & 3rd			LEFT HAND DRIVE	2811962	1
PIN — Lever			LEFT HAND DRIVE	2811594	1
NUT — Lever	ALL			7417652	2

4.050 LEVER — Selector external

LEVER	ALL			2808127	1
LEVER ASSY. — 1st & reverse			LEFT HAND DRIVE	2811597	1
PIN — Lever			LEFT HAND DRIVE	2811594	1

4.081 MOUNTING, ARRESTOR — Transmission support

MOUNTING ASSY.	ALL			7432235	1
ARRESTOR — Engine rear mounting	ALL			7432222	1
SPACER — Mounting bolt	ALL			7421049	1
REINFORCEMENT	ALL			2807445	1

HOLDEN "LC" PARTS CATALOGUE

GROUP	DESCRIPTION	MODEL	SIDE	PART No.	QTY.
TRANSMISSION ASSEMBLY, THREE SPEED MANUAL CONTROL FULLY SYNCHRONIZED FITTED IN VEHICLES EQUIPPED WITH 6 CYLINDER ENGINES					
4.103	CASE — Transmission				
	CASE	ALL		(⁷² 2815700	1
	PLUG — Transmission filler	ALL		7400181	1
	GASKET — Annular 3/4" filler plug	ALL		113897	1
	MAGNET — Chip collector	ALL		3787240	1
4.105	COVER — Transmission				
	COVER	ALL		7433771	1
	BOLT — Cover to case	ALL		SP2141	4
4.109	GASKET — Transmission cover				
	GASKET	ALL		7433769	1
4.303	FORK — Transmission shifter shaft 2nd & 3rd				
	FORK	ALL		7433775	1
4.304	FORK — Transmission shifter 1st & reverse				
	FORK	ALL		7433774	1
4.309	SHAFT, SEAL — Transmission shift fork				
	SHAFT ASSY	ALL		7433869	2
	SEAL — Transmission shifter shaft	ALL		7430136	2
4.311	CAM, SPRING — Transmission detent				
	CAM — 1st & reverse detent	ALL		7433772	1
	CAM — 2nd & reverse detent	ALL		7433773	1
	PIN — Detent cam	ALL		3831715	1
	SPRING — Detent cam	ALL		7433927	1
	RING — Detent cam	ALL		274574	1
4.317	HOUSING, ADAPTOR, BUSHING, SEAL — Transmission extension				
	HOUSING ASSY	ALL		7433768	1
	ADAPTOR — Transmission rear bearing	ALL		7433998	1
	BUSHING — Housing	ALL		7448517	1
	SEAL — Housing	ALL		3871649	1
	WASHER — Housing to case	ALL		7400256	4
4.318	GASKET — Transmission extension housing				
	GASKET	ALL		7433767	1
4.337	GEAR — Speedometer driven and drive				
	GEAR — Driven — 22 teeth	3.08:1 A.R.		7430970	1
	GEAR — Driven — 24 teeth	3.36:1 A.R.		7430972	1
	GEAR — Drive	ALL		7437317	1
	CLIP — Drive gear	ALL		1373122	1
4.338	"O" RING, CLIP — Speedometer driven and drive gear				
	"O" RING — 1 1/6" x 1/8"	ALL		7430921	1
4.342	CABLE and CASING — Speedometer				
	CABLE & CASING	RIGHT HAND DRIVE		2817827	1
		LEFT HAND DRIVE		2817828	1
	CASING	RIGHT HAND DRIVE		VS11035	1
		LEFT HAND DRIVE			
	CABLE KIT	RIGHT HAND DRIVE		VS11028	1
		LEFT HAND DRIVE			

Note: (⁷² Must be used with reverse idler shaft 2814481 and spacer 2814480.

HOLDEN "LC" PARTS CATALOGUE

GROUP	DESCRIPTION	MODEL	SIDE	PART No.	QTY.
TRANSMISSION ASSEMBLY, THREE SPEED MANUAL CONTROL FULLY SYNCHRONIZED FITTED IN VEHICLES EQUIPPED WITH 6 CYLINDER ENGINES					
4.342	CABLE and CASING — Speedometer (contd.)				
	GROMMET -- Speedo cable		RIGHT HAND DRIVE	7438395	1
	GROMMET — Speedo cable		LEFT HAND DRIVE	7433993	1
	CLIP — Pipe & cable to side rail	ALL		SP1885	1
	RETAINER — Casing drive end	ALL		7430917	1
	SEAL — Speedometer shaft	ALL		7434266	1
4.351	GEAR — Clutch				
	GEAR	ALL		7433832	1
4.352	BEARING — Mainshaft, front				
	BEARING — Needle roller	ALL		7400162	15
	BEARING PACKAGE	ALL		7449495	1
4.355	BEARING ASSEMBLY — Clutch gear				
	BEARING ASSY	ALL		7429999	1
4.356	RETAINER — Clutch gear bearing				
	RETAINER	ALL		7439685	1
4.357	NUT — Clutch gear bearing retainer				
	NUT	ALL		591150	1
4.358	GASKET — Clutch gear bearing retainer				
	GASKET	ALL		591022	1
4.380	SYNCHRONIZER ASSEMBLY — Transmission				
	SYNCHRONIZER ASSY — 1st & reverse	ALL		7435045	1
	SYNCHRONIZER ASSY -- 2nd & 3rd	ALL		7435044	1
4.382	RING — Transmission synchronizer				
	RING — 2nd & 3rd synchro to mainshaft	ALL		3775089	1
4.383	SPRING, RING — Transmission synchronizer				
	SPRING — 1st & reverse	ALL		7437055	2
	SPRING — 2nd & 3rd	ALL		7438527	2
	RING — Blocking	ALL		7434978	3
4.384	KEY — Transmission synchronizer				
	KEY — 1st & reverse	ALL		7435047	3
	KEY — 2nd & 3rd	ALL		7435043	3
4.395	GEAR — Mainshaft second speed				
	GEAR	ALL		7433830	1
4.403	SHAFT — Transmission main				
	SHAFT	ALL		7433871	1
4.408	BEARING ASSEMBLY — Mainshaft rear				
	BEARING ASSY	ALL		7433929	1
4.412	RING — Mainshaft lock				
	RING	ALL		3707189	1

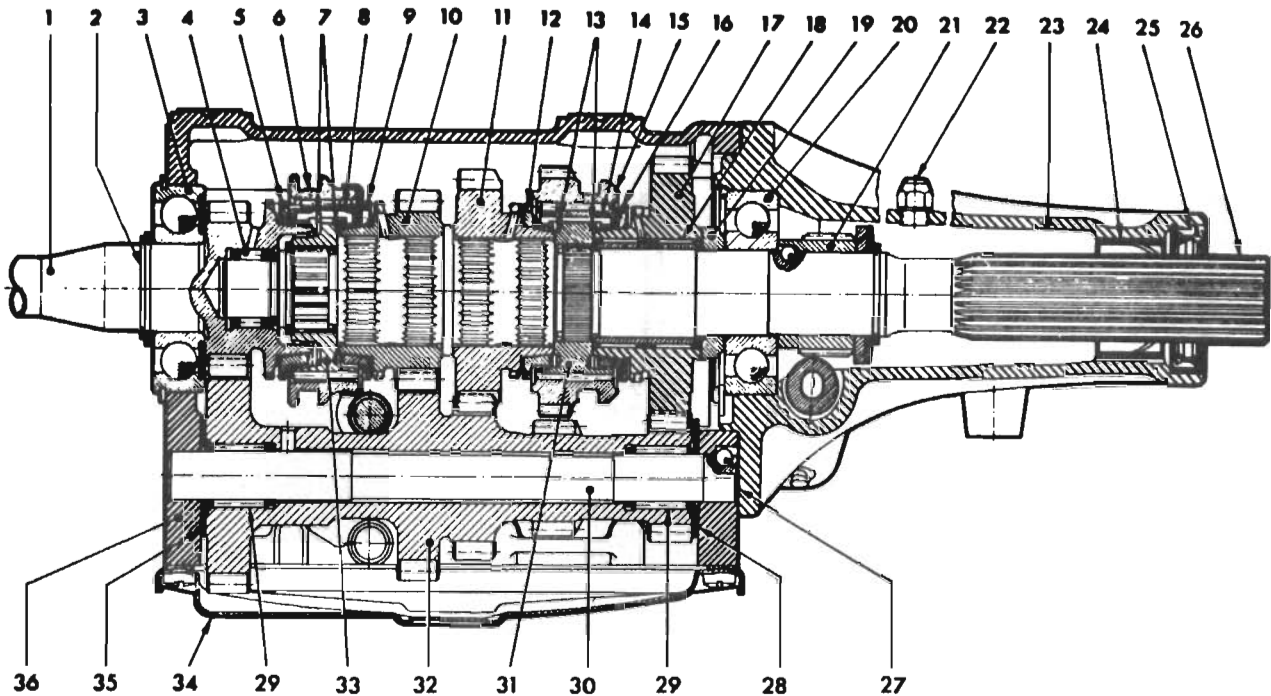
HOLDEN "LC" PARTS CATALOGUE

GROUP	DESCRIPTION	MODEL	SIDE	PART No.	QTY.
TRANSMISSION ASSEMBLY, THREE SPEED MANUAL CONTROL FULLY SYNCHRONIZED FITTED IN VEHICLES EQUIPPED WITH 6 CYLINDER ENGINES					
4.418	GEAR — Mainshaft 1st speed				
	GEAR	ALL		7434308	1
4.421	GEAR — Counter				
	GEAR	ALL		7434307	1
4.422	BEARING — Countergear				
	NEEDLE ROLLER	ALL		9414193	92
	BEARING PACKAGE	ALL		7449496	1
4.423	WASHER — Countershaft				
	WASHER — Bearing	ALL		3775063	6
	SPACER — Bearing	ALL		7433928	1
	WASHER — Gear thrust	ALL		7433776	2
4.428	SHAFT — Countergear				
	SHAFT	ALL		3775061	1
4.430	GEAR ASSEMBLY — Reverse idler				
	GEAR ASSY	ALL		7433868	1
4.431	SPACER — Reverse idler gear				
	SPACER	ALL		(⁷⁴ 2814480)	1
4.433	SHAFT, KEY — Reverse idler gear				
	SHAFT	ALL		7433779	1
	SHAFT	ALL		(⁷³ 2814481)	1
	KEY	ALL		7433986	1

Note: (⁷³ Must be used with transmission case 2815700.

(⁷⁴ Must be used with transmission case 2815700 and reverse Idler Shaft 2814481.

1st. Type: RIGHT HAND DRIVE
ALL: LEFT HAND DRIVE



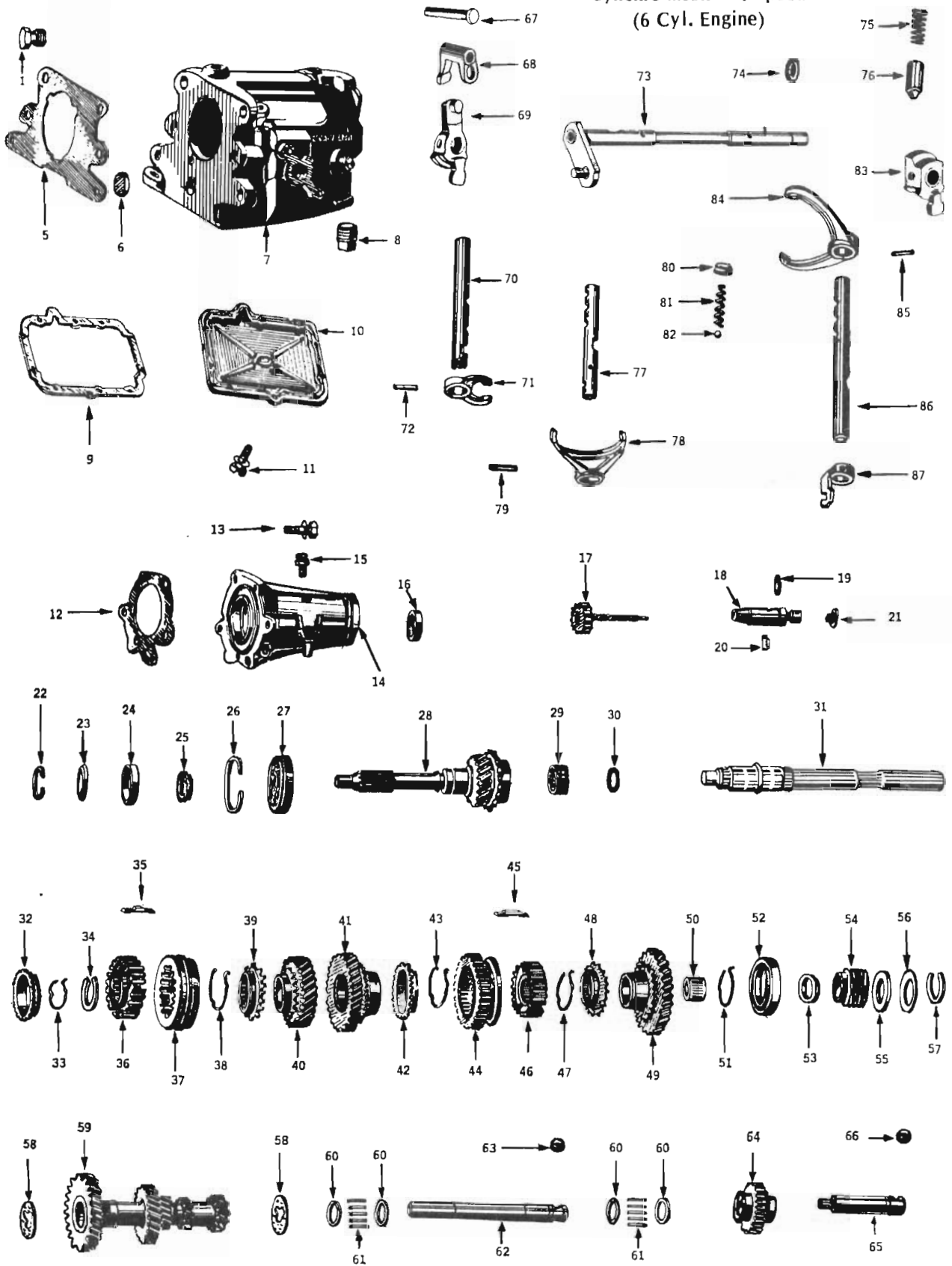
TRANSMISSION CASE and GEARS
Synchro mesh — 4 speed
(6 Cyl. Engine)

ILLUS. REF. NO.	PART NAME	GROUP	ILLUS. REF. NO.	PART NAME	GROUP
1.	GEAR — Clutch	4.351	19.	WASHER — Mainshaft spacer	4.419
2.	RING — Clutch gear seal	4.370	20.	BEARING — Mainshaft rear	4.408
3.	BEARING — Clutch gear	4.355	21.	GEAR — Speedo drive	4.337
4.	BEARING — mainshaft front	4.352	22.	BREATHER	4.104
5.	CONE — 4th speed synchronizing	4.383	23.	HOUSING	4.317
6.	SLEEVE — Synchronizing clutch	4.385	24.	SLEEVE	N.S.S.
7.	SPRING 3rd & 4th speed synchronizing	4.383	25.	SEAL — Housing oil	4.317
8.	KEY — 3rd & 4th speed synchro clutch.. ..	4.384	26.	SHAFT — Main	4.403
9.	CONE — 3rd speed synchronizing	4.383	27.	GASKET	4.318
10.	GEAR — 3rd speed	4.415	28.	WASHER — Countershaft thrust	4.423
11.	GEAR — 2nd speed	4.395	29.	NEEDLE ROLLER — Countershaft	4.422
12.	CONE — 2nd speed synchronizing	4.383	30.	SHAFT — Counter gear	4.428
13.	SPRING — 1st & 2nd speed synchronizing ..	4.383	31.	HUB — 1st & 2nd speed sliding gear	4.380
14.	KEY — 1st & 2nd speed synchro clutch.. ..	4.384	32.	GEAR — Counter	4.421
15.	GEAR — 1st & 2nd speed sliding	4.417	33.	HUB — 3rd & 4th speed synchro sleeve ..	4.380
16.	CONE — 1st speed synchronizing	4.383	34.	COVER	4.105
17.	GEAR — 1st speed	4.418	35.	WASHER — Countershaft thrust	4.423
18.	BEARING — 1st speed gear	4.419	36.	CASE	4.103

HOLDEN "LC" PARTS CATALOGUE

1st. Type: RIGHT HAND DRIVE
ALL: LEFT HAND DRIVE

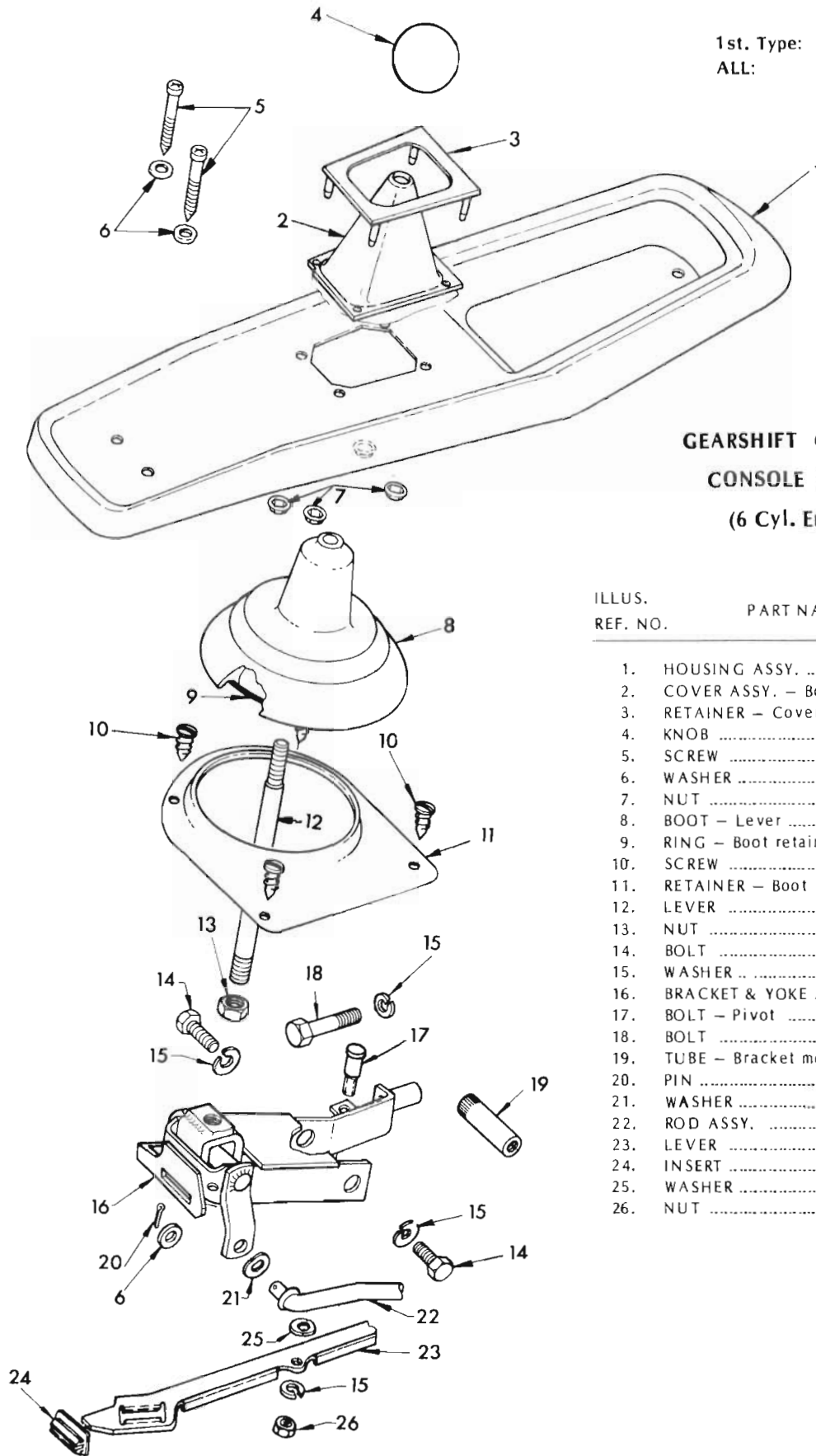
TRANSMISSION CASE and GEARS Synchro mesh - 4 speed (6 Cyl. Engine)



TRANSMISSION CASE and GEARS Synchro mesh – 4 speed (6 Cyl. Engine)

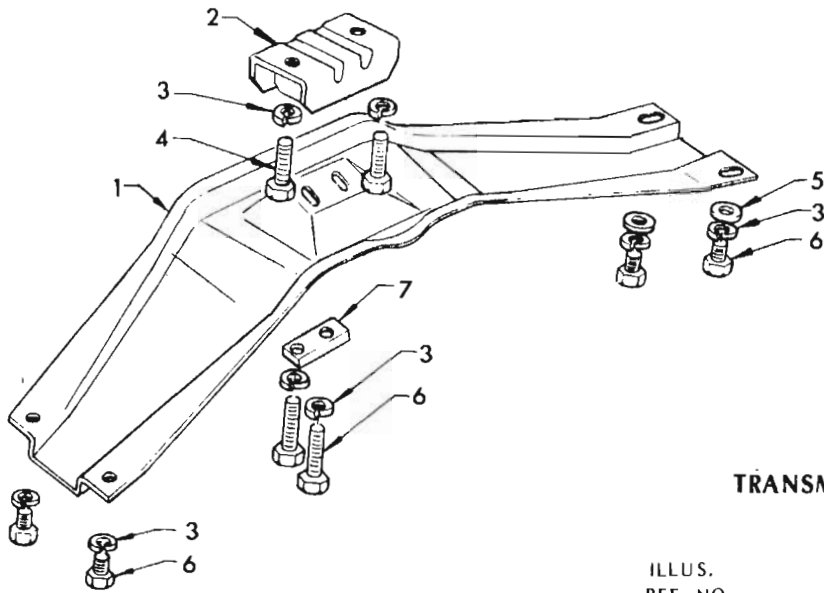
			ILLUSTRATION OPPOSITE		
ILLUS. REF. NO.	PART NAME	GROUP	ILLUS. REF. NO.	PART NAME	GROUP
1.	PLUG – Screw	4.103	46.	HUB – 1st & 2nd speed sliding gear	4.380
5.	GASKET	4.004	47.	SPRING – 1st speed synchronizing	4.383
6.	PLUG – Expansion	4.103	48.	CONE – 1st speed synchronizing	4.383
7.	CASE	4.103	49.	GEAR – 1st speed	4.418
8.	PLUG – Square head	4.103	50.	BEARING – 1st speed gear	4.419
9.	GASKET	4.109	51.	RING – Mainshaft lock	4.412
10.	COVER	4.105	52.	BEARING – Mainshaft rear	4.408
11.	SCREW	4.105	53.	WASHER – Mainshaft spacer	4.419
12.	GASKET	4.318	54.	GEAR – Speedo drive	4.337
13.	BOLT	4.317	55.	WASHER – Speedo drive gear	4.337
14.	HOUSING	4.317	56.	WASHER – Speedo drive gear spring	4.337
15.	BREATHER	4.104	57.	RING – Speedo drive gear snap	4.337
16.	SEAL – Housing oil	4.317	58.	WASHER – Countershaft thrust	4.423
17.	GEAR – Driven	4.337	59.	GEAR – Counter	4.421
18.	GUIDE – Driven gear	4.337	60.	WASHER – Needle roller bearing	4.423
19.	RING – Guide seal	4.338	61.	BEARING – Counter gear needle roller..	4.422
20.	PIN – Guide	4.337	62.	SHAFT – Counter gear	4.428
21.	SEAL – Guide	4.338	63.	BALL – Counter gear shaft	4.428
22.	RING – Bearing lock	4.376	64.	GEAR – Reverse idler	4.430
23.	WASHER – Bearing oil deflector	4.374	65.	SHAFT – Reverse idler gear	4.433
24.	RING – Bearing oil deflector	4.374	66.	BALL – Reverse idler gear shaft	4.433
25.	RING – Clutch gear seal	4.370	67.	PIN – Lever pivot	4.316
26.	RING – Bearing snap	4.355	68.	LEVER – Reverse intermediate shifter ..	4.316
27.	BEARING – Clutch gear	4.355	69.	LEVER – 3rd & 4th speed inter. shifter	4.315
28.	GEAR – Clutch	4.351	70.	SHAFT – Reverse selector	4.309
29.	BEARING – Mainshaft front	4.352	71.	YOKE – Reverse shifter	4.304
30.	RING – Mainshaft front	4.353	72.	PIN – Reverse shifter yoke	4.304
31.	SHAFT – Main	4.403	73.	SHAFT – Selector with lever	4.301
32.	CONE – 4th speed synchronizing	4.383	74.	SEAL – Selector shaft	4.313
33.	SPRING – 4th speed synchronizing	4.383	75.	SPRING – Reverse shifter plunger	4.316
34.	RING – Sleeve snap	4.385	76.	PLUNGER – Reverse shifter lever lock	4.316
35.	KEY – 3rd & 4th speed syn. clutch	4.384	77.	SHAFT – 3rd & 4th speed selector	4.309
36.	HUB – 3rd & 4th speed syn. sleeve	4.380	78.	YOKE – 3rd & 4th speed shifter	4.303
37.	SLEEVE – Synchronizing clutch	4.385	79.	PIN – 3rd & 4th speed shifter yoke	4.303
38.	SPRING – 3rd speed synchronizing	4.383	80.	PLUG – Selector lock spring	4.311
39.	CONE – 3rd speed synchronizing	4.383	81.	SPRING – Selector lock	4.311
40.	GEAR – 3rd speed	4.415	82.	BALL – Selector lock	4.311
41.	GEAR – 2nd speed	4.395	83.	LEVER – 1st & 2nd spd. inter. shifter ..	4.314
42.	CONE – 2nd speed synchronizing	4.383	84.	YOKE – 1st & 2nd speed shifter	4.303
43.	SPRING – 2nd speed synchronizing	4.383	85.	PIN – 1st & 2nd speed shifter yoke	4.303
44.	GEAR – 1st & 2nd speed sliding	4.417	86.	SHAFT – 1st & 2nd speed selector	4.309
45.	KEY – 1st & 2nd speed synchro clutch	4.384	87.	CAM – 1st & 2nd speed	4.308

1st. Type: RIGHT HAND DRIVE
 ALL: LEFT HAND DRIVE



**GEARSHIFT CONTROL
 CONSOLE SHIFT
 (6 Cyl. Engine)**

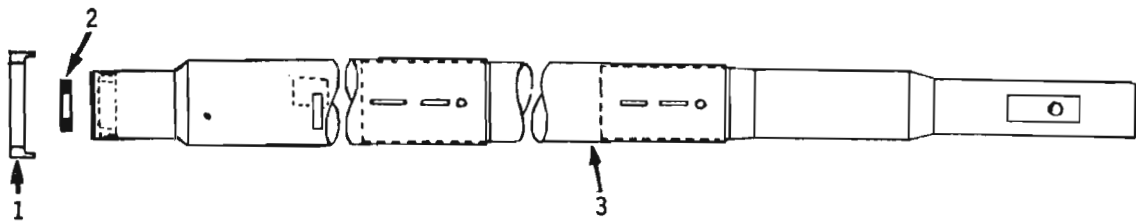
ILLUS. REF. NO.	PART NAME	GROUP
1.	HOUSING ASSY.	15.290
2.	COVER ASSY. - Boot	4.015
3.	RETAINER - Cover	4.015
4.	KNOB	4.009
5.	SCREW	8.977
6.	WASHER	8.929
7.	NUT	8.921
8.	BOOT - Lever	4.015
9.	RING - Boot retainer	4.015
10.	SCREW	8.977
11.	RETAINER - Boot	4.015
12.	LEVER	4.006
13.	NUT	8.916
14.	BOLT	8.900
15.	WASHER	8.931
16.	BRACKET & YOKE ASSY.	4.019
17.	BOLT - Pivot	4.022
18.	BOLT	4.019
19.	TUBE - Bracket mounting	4.019
20.	PIN	8.938
21.	WASHER	4.019
22.	ROD ASSY.	4.019
23.	LEVER	4.020
24.	INSERT	4.020
25.	WASHER	4.022
26.	NUT	8.915



1st. Type: RIGHT HAND DRIVE
ALL: LEFT HAND DRIVE

TRANSMISSION MOUNTING

ILLUS. REF. NO.	PART NAME	GROUP
1.	SUPPORT – Engine rear mounting	12.982
2.	MOUNTING	4.081
3.	WASHER	8.931
4.	SCREW	4.081
5.	WASHER	8.929
6.	BOLT	8.900
7.	SPACER – Mounting bolt	4.081



STEERING COLUMN SPACER TUBE

ILLUS. REF. NO.	PART NAME	GROUP
1.	BEARING – Tube, lower	4.007
2.	SEAL – Tube	4.007
3.	TUBE ASSY. – Spacer	4.007

HOLDEN "LC" PARTS CATALOGUE

GROUP	DESCRIPTION	MODEL	SIDE	PART No.	QTY.
TRANSMISSION ASSEMBLY, FOUR SPEED MANUAL CONTROL					
FITTED IN VEHICLES EQUIPPED WITH 6 CYLINDER ENGINES					
1st type RIGHT HAND DRIVE. All LEFT HAND DRIVE					
Identified by 1 Gearshift Control Rod on R.H. side, 1 Selector Lever on L.H. side.					
4.003	TRANSMISSION ASSEMBLY, REPAIR KIT				
	TRANSMISSION ASSY	ALL		2808553	1
	TRANSMISSION ASSY.	ALL		(75 287649	1
	REPAIR KIT	ALL		M36965	1
	OVERHAUL KIT	ALL		M36967	1
	BOLT & SPRING WASHER ASSY. — Trans. to engine	ALL		SP2029	3
4.004	GASKET — Transmission case to clutch housing				
	GASKET	ALL		702288	1
4.005	GASKET SET — Transmission				
	GASKET SET	ALL		M36496	1
4.006	LEVER — Gearshift control				
	LEVER	ALL		2816888	1
4.007	PIN, WASHER, TUBE, RETAINER, BEARING — Gearshift control				
	PIN — Gearshift lever pivot (Stepped end)	ALL		2810739	1
	PIN — Gearshift & lever pivot (Plain end)	ALL		2815123	1
	WASHER — Pivot pin, nylon	ALL		2810738	2
	TUBE ASSY. — Spacer — Steering column	ALL		2810130	1
	RETAINER — Spacer tube — Steering column	ALL		7434196	1
	BEARING — Tube lower — Steering column	ALL		7433257	1
4.009	KNOB — Gearshift control lever				
	KNOB	Exc. GTR		2811208	1
	KNOB	GTR		2808589	1
4.015	BOOT, RETAINER, RING, COVER — Gearshift lever				
	BOOT — Lever	ALL		2807302	1
	RETAINER — Boot	ALL		2808116	1
	RING — Boot retainer	ALL		2807303	1
	COVER ASSY. — Boot	ALL		7437502BA	1
	RETAINER — Cover	ALL		7437486	1
4.017	SPRING — Gearshift				
	SPRING — Lever pull	ALL		2819167	1
4.019	BRACKET, BOLT, TUBE, ROD — Gearshift control				
	BRACKET and YOKE ASSY		RIGHT HAND DRIVE	2808101	1
			LEFT HAND DRIVE	2812290	1
	BOLT — Bracket to transmission	ALL		SP1947	1
	TUBE — Bracket mounting	ALL		2808108	1
	BRACKET ASSY.		RIGHT HAND DRIVE	2808104	1
			LEFT HAND DRIVE	2810100	1
	YOKE ASSY.	ALL		2815124	1
	SHAFT and LEVER ASSY.		RIGHT HAND DRIVE	2808107	1
			LEFT HAND DRIVE	2813894	1
	NUT — Shaft to bracket	ALL		SP1891	1

Note: (75 Transmission Assembly Part No. 287649 with ratios 2.87:1, 1.75:1, 1.28:1 and 1.00:1 only fitted in production against special order. Component parts not serviced. Must be replaced as a complete assembly by Transmission Part No. 2808553.

HOLDEN "LC" PARTS CATALOGUE

GROUP	DESCRIPTION	MODEL	SIDE	PART No.	QTY.
TRANSMISSION ASSEMBLY, FOUR SPEED MANUAL CONTROL					
FITTED IN VEHICLES EQUIPPED WITH 6 CYLINDER ENGINES					
1st type RIGHT HAND DRIVE. All LEFT HAND DRIVE					
Identified by 1 Gearshift Control Rod on R.H. side, 1 Selector Lever on L.H. side.					
4.019	BRACKET, BOLT, TUBE, ROD — Gearshift control (contd.)				
	ROD ASSY. — Gearshift control		RIGHT HAND DRIVE	2808114	1
			LEFT HAND DRIVE	2810872	1
	RETAINER — Rod to external lever	ALL		3749084	1
	WASHER — Anti-rattle	ALL		7400949	1
	WASHER — Tension	ALL		2080802	1
	WASHER — Plain	ALL		2080228	1
4.020	LEVER, INSERT — Gearshift selector				
	LEVER		RIGHT HAND DRIVE	2808109	1
			LEFT HAND DRIVE	2810101	1
	INSERT — Lever to bracket	ALL		2808110	1
4.022	BOLT, WASHER — Selector lever				
	BOLT — Pivot	ALL		2818280	1
	WASHER — Pivot bolt	ALL		2818279	1
4.081	MOUNTING — Transmission support				
	MOUNTING	ALL		7437938	1
	SCREW — Hex. socket cap $\frac{3}{8}$ " — 16 x $\frac{7}{8}$ "	ALL		9425450	2
	BOLT & WASHER ASSY	ALL		SP2036	4
	SPACER — Mounting bolt	ALL		2813650	1
	REINFORCEMENT	ALL		2807445	1
4.103	CASE ASSEMBLY — Transmission				
	CASE ASSY.	ALL		702071	1
	PLUG — Expansion	ALL		606553	1
	PLUG — Sq. hd. 18 x 1.5 mm	ALL		2060726	1
4.104	BREATHER — Transmission				
	BREATHER	ALL		724752	1
4.105	COVER — Transmission				
	COVER	ALL		730115	1
	SCREW	ALL		2018053	10
4.109	GASKET — Transmission cover				
	GASKET	ALL		730890	1
4.301	SHAFT, RING, WASHER, CIRCLIP — Selector				
	SHAFT — Selector with lever	ALL		732375	1
	RING — Selector shaft	ALL		761175	1
	WASHER — Selector shaft	ALL		761325	1
	CIRCLIP — Selector shaft	ALL		2080733	2
4.303	YOKE — Shifter				
	YOKE — 1st & 2nd	ALL		734134	1
	PIN — Spiral 5.5 x 24 mm	ALL		2086000	1
	YOKE — 3rd & 4th	ALL		734183	1
	PIN — Spiral 5.5 x 24 mm	ALL		2086000	1
4.304	YOKE — Reverse shifter				
	YOKE	ALL		734032	1
	PIN — Spiral 5.5 x 24 mm	ALL		2086000	1

HOLDEN "LC" PARTS CATALOGUE

GROUP	DESCRIPTION	MODEL	SIDE	PART No.	QTY.
TRANSMISSION ASSEMBLY, FOUR SPEED MANUAL CONTROL					
FITTED IN VEHICLES EQUIPPED WITH 6 CYLINDER ENGINES					
1st type RIGHT HAND DRIVE All LEFT HAND DRIVE					
Identified by 1 Gearshift Control Rod on R.H. side, 1 Selector Lever on L.H. side.					
4.308	CAM — 1st and 2nd speed				
	CAM	ALL		732282	1
	PIN — Spiral 5.5 x 24 mm	ALL		2086000	1
4.309	SHAFT — Transmission selector				
	SHAFT — 1st & 2nd speed	ALL		732035	1
	SHAFT — 3rd & 4th speed	ALL		732082	1
	SHAFT — Reverse	ALL		732129	1
4.311	SPRING, BALL, PLUG, THRUST PIECE — Transmission selector lock				
	SPRING	ALL		734360	3
	BALL — 8 mm	ALL		2088004	3
	PLUG	ALL		734604	2
	THRUST PIECE — Reverse interlock spring	ALL		734576	1
4.313	SEAL — Selector shaft				
	SEAL	ALL		732230	2
4.314	LEVER — 1st & 2nd speed intermediate shifter				
	LEVER	ALL		732189	1
	PIN — Spiral 5.5 x 24 mm	ALL		2086000	1
4.315	LEVER — 3rd & 4th speed intermediate shifter				
	LEVER	ALL		732196	1
	PIN — Spiral 5.5 x 24 mm	ALL		2086000	1
4.316	LEVER, PLUNGER, SPRING, PIN — Reverse speed intermediate shifter				
	LEVER	ALL		732195	1
	PLUNGER — Lever lock	ALL		732252	1
	SPRING	ALL		734364	1
	PIN — Lever pivot	ALL		732311	1
4.317	HOUSING, SEAL — Transmission extension				
	HOUSING	ALL		724186	1
	BOLT — Hex. hd. 8 x 25 mm metric	ALL		2018107	5
	SEAL — Housing oil	ALL		724508	1
4.318	GASKET — Transmission extension				
	GASKET	ALL		724532	1
4.337	GEAR, GUIDE, PIN, WASHER, RING — Speedo driven and drive				
	GEAR — Speedo driven — 16 teeth	3.08:1 A.R.		7435647	1
	GEAR — Speedo driven — 18 teeth	3.36:1 A.R.		7430623	1
	GUIDE — Driven gear	ALL		7438563	1
	PIN — Speedo driven gear guide	ALL		724800	1
	GEAR — Speedo drive	ALL		722027	1
	BALL — 5 mm	ALL		2088009	1
	WASHER — Drive gear 30 x 48 x 4 mm	ALL		722276	1
	WASHER — Drive gear spring 30 x 48 x 0.8 mm	ALL		722151	1
	RING — Drive gear snap	ALL		714275	1
4.338	RING, SEAL — Speedometer driven gear				
	RING — Guide seal	ALL		724550	1
	SEAL — Guide	ALL		724551	1

HOLDEN "LC" PARTS CATALOGUE

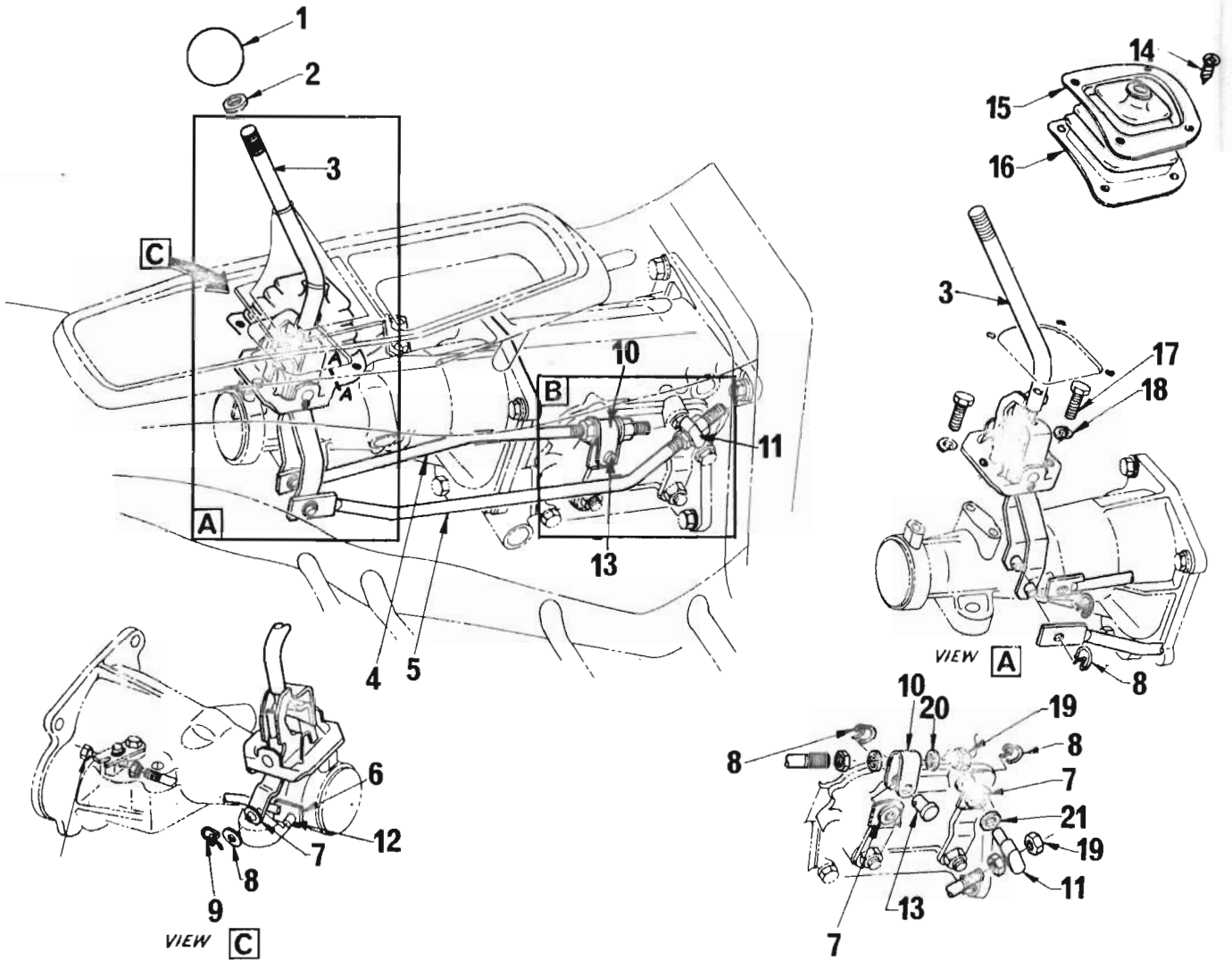
GROUP	DESCRIPTION	MODEL	SIDE	PART No.	QTY.
TRANSMISSION ASSEMBLY, FOUR SPEED MANUAL CONTROL					
FITTED IN VEHICLES EQUIPPED WITH 6 CYLINDER ENGINES					
1st type RIGHT HAND DRIVE. All LEFT HAND DRIVE					
Identified by 1 Gearshift Control Rod on R.H. side, 1 Selector Lever on L.H. side.					
4.342	CABLE and CASING — Speedometer				
	CABLE & CASING	RIGHT HAND DRIVE		2806786	1
		LEFT HAND DRIVE		2811748	1
	CASING	RIGHT HAND DRIVE		VS11036	1
		LEFT HAND DRIVE		VS11439	
	CABLE KIT	RIGHT HAND DRIVE		VS11029	1
		LEFT HAND DRIVE		VS11438	
	GROMMET — Speedometer cable	RIGHT HAND DRIVE		7438395	1
	CLIP — Speedometer cable	GTR		SP1885	1
4.351	GEAR — Clutch				
	GEAR	ALL		712074	1
4.352	BEARING — Mainshaft front				
	BEARING	ALL		720178	1
4.353	RING — Mainshaft front				
	RING	ALL		716251	1
4.355	BEARING — Clutch gear				
	BEARING	ALL		714011	1
4.370	RING — Clutch gear seal				
	RING	ALL		714302	1
4.376	RING — Clutch gear bearing				
	RING — Lock	ALL		714275	1
	RING — Bearing snap	ALL		2076510	1
4.380	HUB — Synchronizing				
	HUB & GEAR — 1st & 2nd sliding	ALL		718061	1
	HUB & SLEEVE — 3rd & 4th	ALL		718386	1
4.383	CONE, SPRING — Synchronizing				
	CONE 1st & 2nd speed	ALL		718909	2
	CONE — 3rd & 4th speed	ALL		718913	2
	SPRING — 1st & 2nd speed	ALL		718937	2
	SPRING — 3rd & 4th speed	ALL		718938	2
4.384	KEY — Synchronizing clutch				
	KEY — 1st & 2nd	ALL		734133	3
	KEY — 3rd & 4th	ALL		734184	3
4.385	HUB and SLEEVE, RING — Synchronizing clutch				
	HUB & SLEEVE	ALL		718386	1
	RING — Sleeve snap	ALL		718753	1
4.395	GEAR — Mainshaft second speed				
	GEAR	ALL		718627	1
4.403	SHAFT — Transmission main				
	SHAFT	ALL		716045	1
4.408	BEARING ASSEMBLY — Mainshaft rear				
	BEARING ASSY	ALL		N3306	1

HOLDEN "LC" PARTS CATALOGUE

GROUP	DESCRIPTION	MODEL	SIDE	PART No.	QTY.
TRANSMISSION ASSEMBLY, FOUR SPEED MANUAL CONTROL					
FITTED IN VEHICLES EQUIPPED WITH 6 CYLINDER ENGINES					
1st type RIGHT HAND DRIVE. All LEFT HAND DRIVE					
Identified by 1 Gearshift Control Rod on R.H. side, 1 Selector Lever on L.H. side.					
4.412	RING — Mainshaft lock				
	RING — Snap — 1.9 - 1.925 mm bright	ALL		(⁶⁹ 720091)	1
	RING — Snap — 1.926-1.950 mm blue	ALL		(⁶⁹ 720092)	1
	RING — Snap — 1.951-1.975 mm black	ALL		(⁶⁹ 720093)	1
	RING — Snap — 1.976-2.999 mm brown	ALL		(⁶⁹ 720094)	1
4.415	GEAR — 3rd speed				
	GEAR	ALL		718289	1
4.417	GEAR & HUB — 1st and 2nd speed sliding				
	GEAR & HUB	ALL		718061	1
4.418	GEAR — 1st speed				
	GEAR	ALL		718340	1
4.419	BEARING, WASHER — 1st speed gear				
	BEARING	ALL		716350	1
	WASHER — Mainshaft spacer 30 x 46 x 8.25 mm	ALL		716104	1
4.421	GEAR — Counter				
	GEAR	ALL		708080	1
4.422	BEARING — Countergear				
	NEEDLE ROLLER PACKAGE	ALL		M36966	1
4.423	WASHER — Countershaft				
	WASHER — Needle roller bearing	ALL		712201	6
	WASHER — Thrust	ALL		708286	2
4.428	SHAFT — Countergear				
	SHAFT	ALL		710021	1
	BALL — 6 mm	ALL		2088003	1
4.430	GEAR — Reverse idler				
	GEAR	ALL		704035	1
4.433	SHAFT — Reverse idler gear				
	SHAFT	ALL		706015	1
	BALL — 6 mm	ALL		2088003	1

Note: (⁶⁷ Selective Fit.

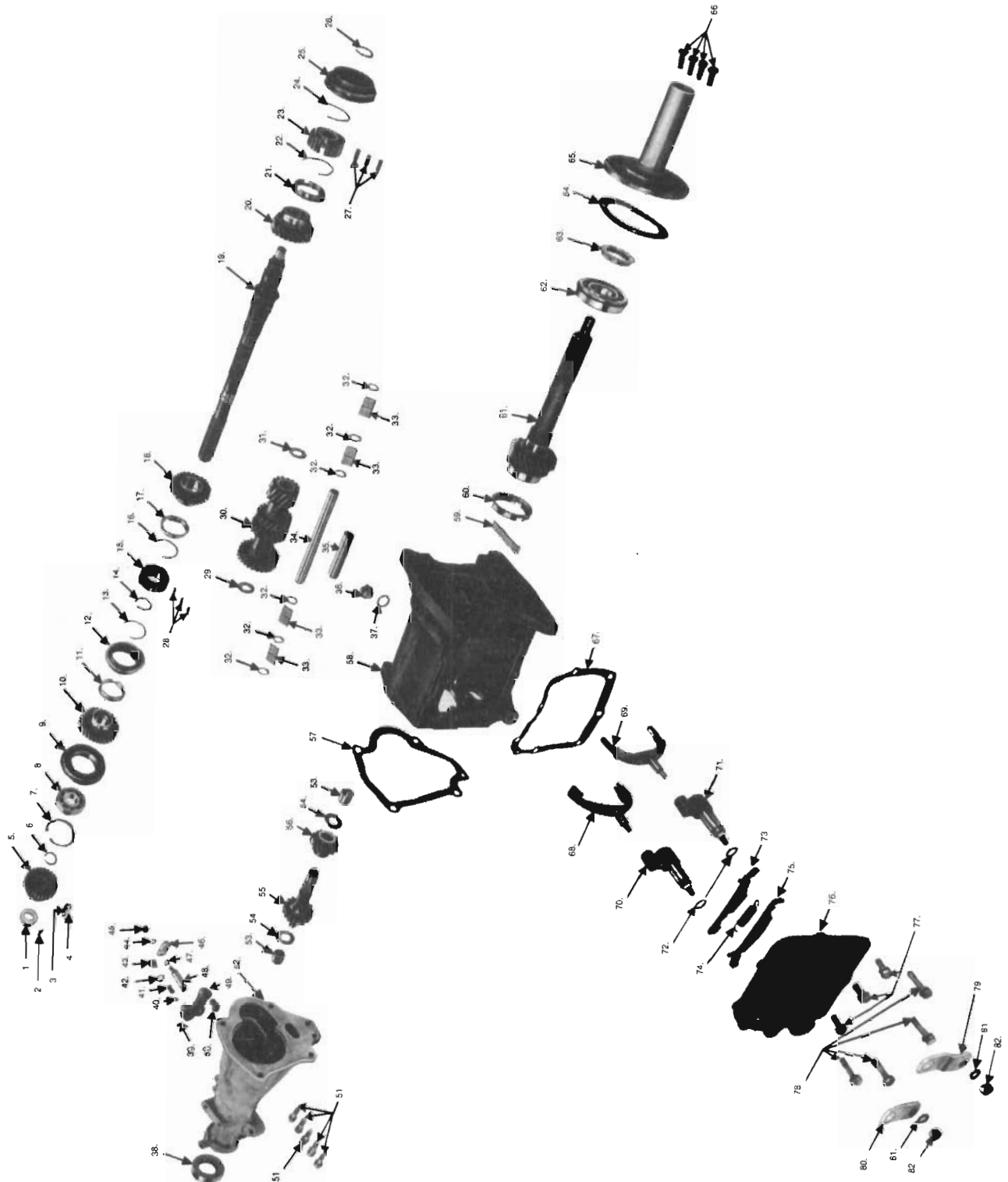
2nd. Type: RIGHT HAND DRIVE



**GEARSHIFT CONTROL — CONSOLE SHIFT
(6 Cylinder Engine) (Local Transmission)**

ILLUS. REF. NO.	PART NAME	GROUP	ILLUS. REF. NO.	PART NAME	GROUP
1.	KNOB	4.009	12.	PIN — Reverse rod	4.035
2.	NUT	4.009	13.	PIN — 1st & 2nd lever	4.030
3.	LEVER & YOKE ASSY.	4.006	14.	SCREW — Pan hd. tap. No.10 — 16 x 1/2"	8.977
4.	ROD — 1st & 2nd speed	4.035	15.	RETAINER — Boot	4.015
5.	ROD — 3rd & 4th speed	4.035	16.	BOOT	4.015
6.	ROD — Reverse speed	4.035	17.	BOLT — Hex.hd. 3/8" — 16 x 3/4"	8.900
7.	INSULATOR	4.035	18.	WASHER — Spring lock 3/8"	8.931
8.	RETAINER	4.035	19.	NUT — Hexagon 3/8" — 24	8.915
9.	WASHER	8.929	20.	WASHER — Flat 5/8"	8.929
10.	CLAMP — Rod	4.035	21.	WASHER — 3rd & 4th rod trunnion	4.030
11.	TRUNNION — 3rd & 4th rod	4.035			

2nd. Type: RIGHT HAND DRIVE



TRANSMISSION ASSEMBLY, FOUR SPEED MANUAL CONTROL (6 Cylinder Engines)

ILLUSTRATION OPPOSITE

ILLUS. REF. NO.	PART NAME	GROUP	ILLUS. REF. NO.	PART NAME	GROUP
1.	GEAR - Drive	4.337	41.	SPRING - Reverse detent	4.311
2.	CLIP - Drive gear	4.337	42.	WASHER - Reverse detent	4.311
3.	SPRING - Anti Lash plate	4.419	43.	BOLT	8.900
4.	PLATE - Anti Lash	4.419	44.	WASHER - Lock	8.931
5.	GEAR - Reverse	4.418	45.	NUT - Lever to shaft	4.045
6.	RING - Mainshaft lock	4.412	46.	LEVER - Reverse, external	4.045
7.	RING - Locating	4.412	47.	SEAL - "O" Ring reverse shift shaft	4.309
8.	BEARING - Rear	4.408	48.	SHAFT - Reverse shift	4.309
9.	ADAPTOR - Rear bearing	4.317	49.	LEVER - Reverse internal shift	4.316
10.	GEAR - First speed	4.418	50.	YOKE - Reverse shifter	4.304
11.	RING - Blocking	4.383	51.	BOLT	8.900
12/13/15/16	SYNCHRONIZER ASSY. - 1st & 2nd speed	4.380	52.	HOUSING - Rear extension	4.317
13.	SPRING - Synchronizer - 1st & 2nd speed	4.383	53.	BUSHING - Reverse idler	4.433
14.	RING - Synchronizer retainer. - 1st & 2nd speed	4.382	54.	WASHER - Idler gear thrust	4.432
16.	SPRING - Synchronizer 1st & 2nd speed	4.383	55.	GEAR - Reverse idler, rear	4.430
17.	RING - Blocking	4.383	56.	GEAR - Reverse idler, front	4.430
18.	GEAR - 2nd speed	4.395	57.	GASKET - Rear extension housing	4.318
19.	SHAFT - Main	4.403	58.	CASE - Transmission	4.103
20.	GEAR - 3rd speed	4.415	59.	BEARING - Needle roller	4.352
21.	RING - Blocking	4.383	60.	RING - Blocking	4.383
22.	SPRING - Synchronizer 3rd & 4th speed	4.383	61.	GEAR - Clutch	4.351
22/23/24/25	SYNCHRONIZER ASSY. - 3rd & 4th speed	4.380	62.	BEARING - Clutch gear	4.355
24.	SPRING - Synchronizer 3rd & 4th speed	4.383	63.	NUT - Bearing retainer	4.357
26.	RING - Synchronizer retainer 3rd & 4th speed	4.382	64.	GASKET - Bearing retainer	4.358
27.	KEY - Synchronizer 3rd & 4th speed	1.384	65.	RETAINER - Clutch gear bearing	4.356
28.	KEY - Synchronizer 1st & 2nd speed	4.384	66.	BOLT	8.900
29.	WASHER - Gear thrust	4.423	67.	GASKET - Cover	4.109
30.	GEAR - Counter	4.421	68.	FORK - 1st & 2nd speed shift	4.303
31.	WASHER - Gear thrust	4.423	69.	FORK - 3rd & 4th speed shift	4.303
32.	WASHER - Counter shaft bearing	4.423	70.	SHAFT ASSY. - Shifter fork	4.309
33.	BEARING - Needle roller	4.422	71.	SHAFT ASSY. - Shifter fork	4.309
34.	SHAFT - Counter gear	4.428	72.	SEAL - "O" Ring shift shaft	4.309
35.	SPACER - Counter gear bearing	4.423	73.	CAM - 1st & 2nd speed detent	4.311
36.	PLUG - Filler	4.103	74.	SPRING - Detent cam	4.311
37.	GASKET - Filler plug	4.103	75.	CAM - 3rd & 4th speed detent	4.311
38.	SEAL - Extension housing oil	4.317	76.	COVER	4.105
39.	PIN	8.941	77.	BOLT	8.900
40.	BALL - Reverse detent	4.311	78.	BOLT	8.900
			79.	LEVER - 3rd & 4th speed shift	4.045
			80.	LEVER - 1st & 2nd speed shift	4.045
			81.	WASHER - Lock	8.931
			82.	NUT - Lever to shaft	4.045

HOLDEN "LC" PARTS CATALOGUE

GROUP	DESCRIPTION	MODEL	SIDE	PART No.	QTY.
TRANSMISSION ASSEMBLY, FOUR SPEED MANUAL CONTROL					
2nd type fitted only in RIGHT HAND DRIVE vehicles equipped with 6 Cylinder Engines					
Identified by 2 forward shifter rods on R.H. side, 1 reverse shifter rod on L.H. side.					
4.003	TRANSMISSION ASSEMBLY, REPAIR KIT				
	TRANSMISSION ASSEMBLY	ALL		2813486	1
	REPAIR KIT	ALL			
	BOLT & SPRING WASHER ASSY. — Trans. to clutch housing	ALL		SP2029	4
4.006	LEVER — Gearshift control				
	LEVER & YOKE ASSEMBLY	ALL		2819374	1
4.009	KNOB — Gear shift control lever				
	KNOB	ALL		2817736	1
	NUT — Knob lock	ALL		2805499	1
4.010	MOUNTING ASSEMBLY — Gearshift control lever				
	MOUNTING ASSEMBLY	ALL		2814941	1
4.015	BOOT, SEAL, COVER RETAINER — Gearshift control				
	BOOT	ALL		2811977	1
	RETAINER — Boot	ALL		2812312	1
	COVER	ALL		2822888	1
	RETAINER	ALL		2820698	
4.017	SPRING — Gearshift				
	SPRING — Lever pull	ALL		2819001	1
4.030	LEVER, SHAFT, SLEEVE, PIN — Transmission control				
	LEVER — 1st & 2nd shift	ALL		2811327	1
	LEVER — 3rd & 4th shift	ALL		2811328	1
	LEVER — Reverse shift	ALL		2811329	1
	SHAFT — Control lever	ALL		2814806	1
	SLEEVE — Reverse lockout spring	ALL		2820682	1
	PIN — 1st & 2nd lever	ALL		SP1730	1
	WASHER — 3rd & 4th lever pre-load	ALL		2814887	1
	WASHER — 3rd & 4th trunnion to lever	ALL		7400948	2
4.035	ROD, CLAMP, PIN, TRUNNION, INSULATOR — Transmission shifter				
	ROD — 1st & 2nd speed	ALL		2811022	1
	ROD — 3rd & 4th speed	ALL		2811023	1
	ROD — Reverse speed	ALL		2811024	1
	CLAMP — Rod	ALL		7431816	1
	PIN — Reverse rod	ALL		2812200	1
	TRUNNION — 3rd & 4th rod	ALL		7410279	1
	TRUNNION — Reverse rod	ALL		2812082	1
	INSULATOR	ALL		7418439	3
	RETAINER	ALL		3749084	A.R.
4.045	LEVER — Transmission shifter shaft				
	LEVER — 1st & 2nd speed	ALL		2812220	1
	LEVER — 3rd & 4th speed	ALL		2812219	1
	LEVER — Reverse speed	ALL		2811032	1
	NUT — Levers to shaft	ALL		7417652	3
4.081	MOUNTING — Transmission support				
	MOUNTING ASSEMBLY	ALL		7432235	1
	ARRESTOR — Rear mounting	ALL		7432222	1
	REINFORCEMENT	ALL		2807445	1

HOLDEN "LC" PARTS CATALOGUE

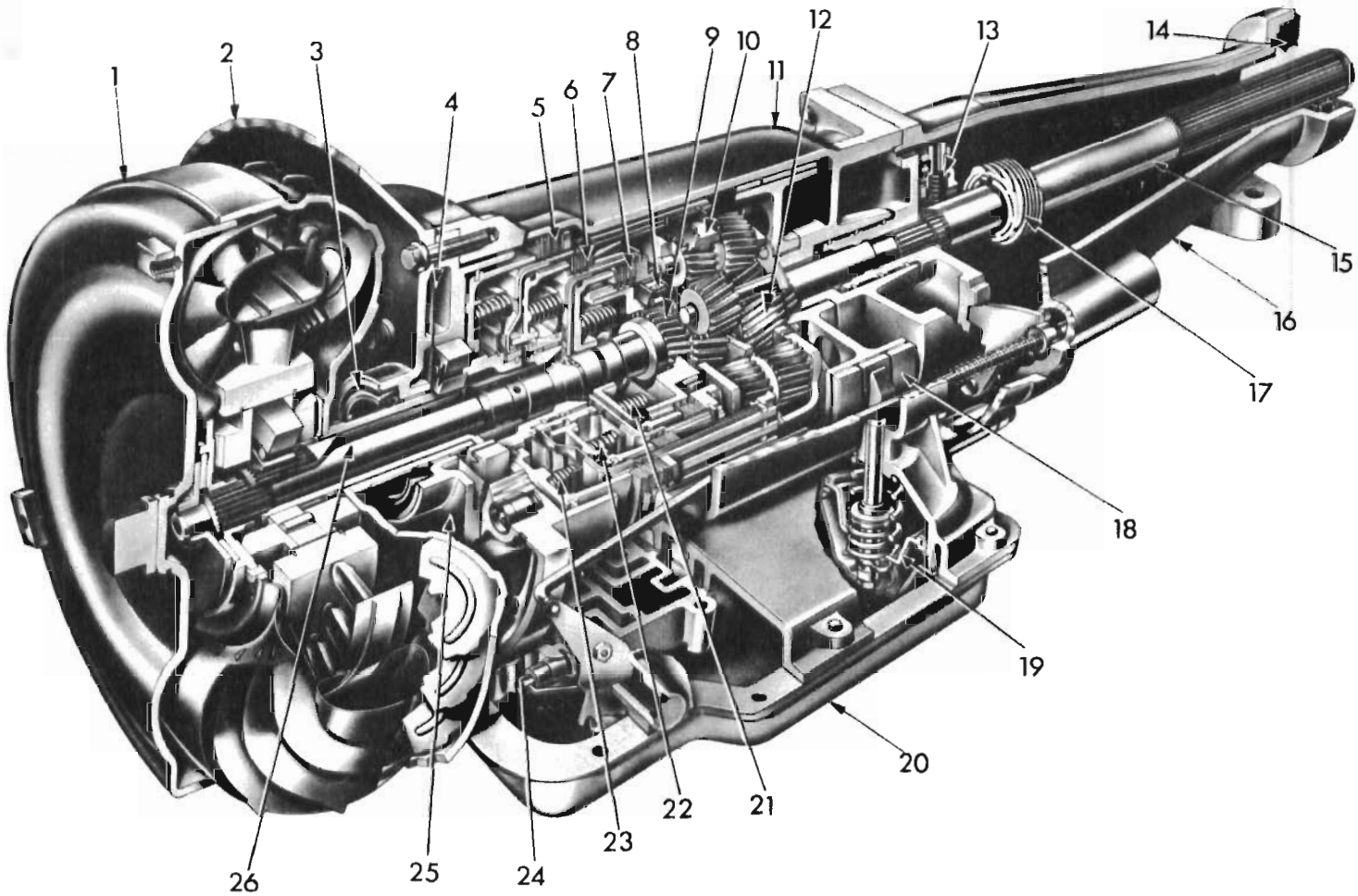
GROUP	DESCRIPTION	MODEL	SIDE	PART No.	QTY.
TRANSMISSION ASSEMBLY, FOUR SPEED MANUAL CONTROL					
2nd type fitted only in RIGHT HAND DRIVE vehicles equipped with 6 Cylinder Engines					
Identified by 2 forward shifter rods on R.H. side, 1 reverse shifter rod on L.H. side.					
4.103	CASE ASSEMBLY — Transmission				
	CASE ASSEMBLY	ALL		2813505	1
	PLUG — Transmission filler (3/4" — 16)	ALL		7400181	1
	GASKET — Filler plug (3/4" annular)	ALL		113897	1
4.105	COVER — Transmission				
	COVER	ALL		7433771	1
	BOLT — Cover to case	ALL		SP2141	4
4.109	GASKET — Transmission cover				
	GASKET	ALL		7433769	1
4.303	FORK — Transmission shifter				
	FORK — 1st & 2nd speed	ALL		2813506	1
	FORK — 3rd & 4th speed	ALL		7433775	1
4.304	YOKE — Reverse shifter				
	YOKE	ALL		2809727	1
4.309	SHAFT, SEAL — Transmission shifter				
	SHAFT — 1st & 2nd, 3rd & 4th	ALL		7433869	2
	SEAL — Shift shaft, "O" Ring 3/16" x 3/32"	ALL		7430136	1
	SHAFT — Reverse shift	ALL		2813514	1
	SLEEVE — Reverse shift shaft	ALL		2813520	1
	SEAL — Reverse shift shaft	ALL		2809290	1
4.311	CAM, PIN, SPRING, BALL — Transmission detent				
	CAM — 1st & 2nd speed	ALL		2813501	1
	CAM — 3rd & 4th speed	ALL		2813511	1
	PIN — Detent cam	ALL		SP2094	1
	SPRING — Detent cam	ALL		7433927	1
	BALL — Reverse shift lever detent (3/8" dia.)	ALL		147489	1
	SPRING — Reverse lever detent ball	ALL		2813527	2
	WASHER — Reverse detent	ALL		2813521	1
4.316	LEVER — Reverse internal shifter				
	LEVER	ALL		2809600	1
4.317	HOUSING, BUSHING, ADAPTOR, SEAL — Transmission extension				
	HOUSING ASSEMBLY	ALL		2813504	1
	ADAPTOR — Transmission rear bearing	ALL		2813513	1
	BUSHING — Housing	ALL		7448517	1
	SEAL — Housing	ALL		3871649	1
	WASHER — Housing to case	ALL		7400256	1
4.318	GASKET — Transmission extension housing				
	GASKET	ALL		2813507	1
4.337	GEAR — Speedometer driven and drive				
	GEAR — Driven — 22 teeth	3.08:1 A.R.		7430970	1
	GEAR — Driven — 24 teeth	3.36:1 A.R.		7430972	1
	GEAR — Drive	ALL		7437317	1
	CLIP — Drive gear	ALL		1373122	1

HOLDEN "LC" PARTS CATALOGUE

GROUP	DESCRIPTION	MODEL	SIDE	PART No.	QTY.
TRANSMISSION ASSEMBLY, FOUR SPEED MANUAL CONTROL					
2nd type fitted only in RIGHT HAND DRIVE vehicles equipped with 6 Cylinder Engines					
Identified by 2 forward shifter rods on R.H. side, 1 reverse shifter rod on L.H. side.					
4.338	SEAL— Speedometer driven gear				
	SEAL — "O" Ring (1 ³ / ₁₆ " 10 x 1/8")	ALL		7430921	1
4.342	CABLE and CASING — Speedometer				
	CABLE & CASING	ALL		2817827	1
	CASING				
	CABLE KIT				
	RETAINER — Drive end	ALL		7430917	1
	SEAL — Cable	ALL		7434266	1
4.351	GEAR — Clutch				
	GEAR	ALL		2813494	1
4.352	BEARING — Main shaft front				
	BEARING — Needle roller	ALL		7400162	15
	BEARING PACKAGE	ALL			
4.355	BEARING ASSEMBLY — Clutch gear				
	BEARING	ALL		7429999	1
4.356	RETAINER — Clutch gear bearing				
	RETAINER	ALL		7439685	1
4.357	NUT — Clutch gear bearing retainer				
	NUT	ALL		591150	1
4.358	GASKET — Clutch gear bearing retainer				
	GASKET	ALL		591022	1
4.380	SYNCHRONIZER ASSEMBLY — Transmission				
	SYNCHRONIZER ASSEMBLY — 1st & 2nd speed	ALL		2813515	1
	SYNCHRONIZER ASSEMBLY — 3rd & 4th speed	ALL		7435044	1
4.382	RING — Transmission synchronizer retainer				
	RING — 1st & 2nd speed	ALL		7429966	1
	RING — 3rd & 4th speed	ALL		3775089	1
4.383	SPRING, RING — Transmission synchronizer				
	SPRING — 1st & 2nd speed	ALL		7438527	2
	SPRING — 3rd & 4th speed	ALL		7437055	2
	RING — Blocking	ALL		7434978	A.R.
4.384	KEY — Transmission synchronizer				
	KEY	ALL		7435043	6
4.395	GEAR — Second speed				
	GEAR	ALL		2813490	1
4.403	SHAFT — Transmission main				
	SHAFT	ALL		2813493	1
4.408	BEARING ASSEMBLY — Mainshaft rear				
	BEARING ASSEMBLY	ALL		7433929	1

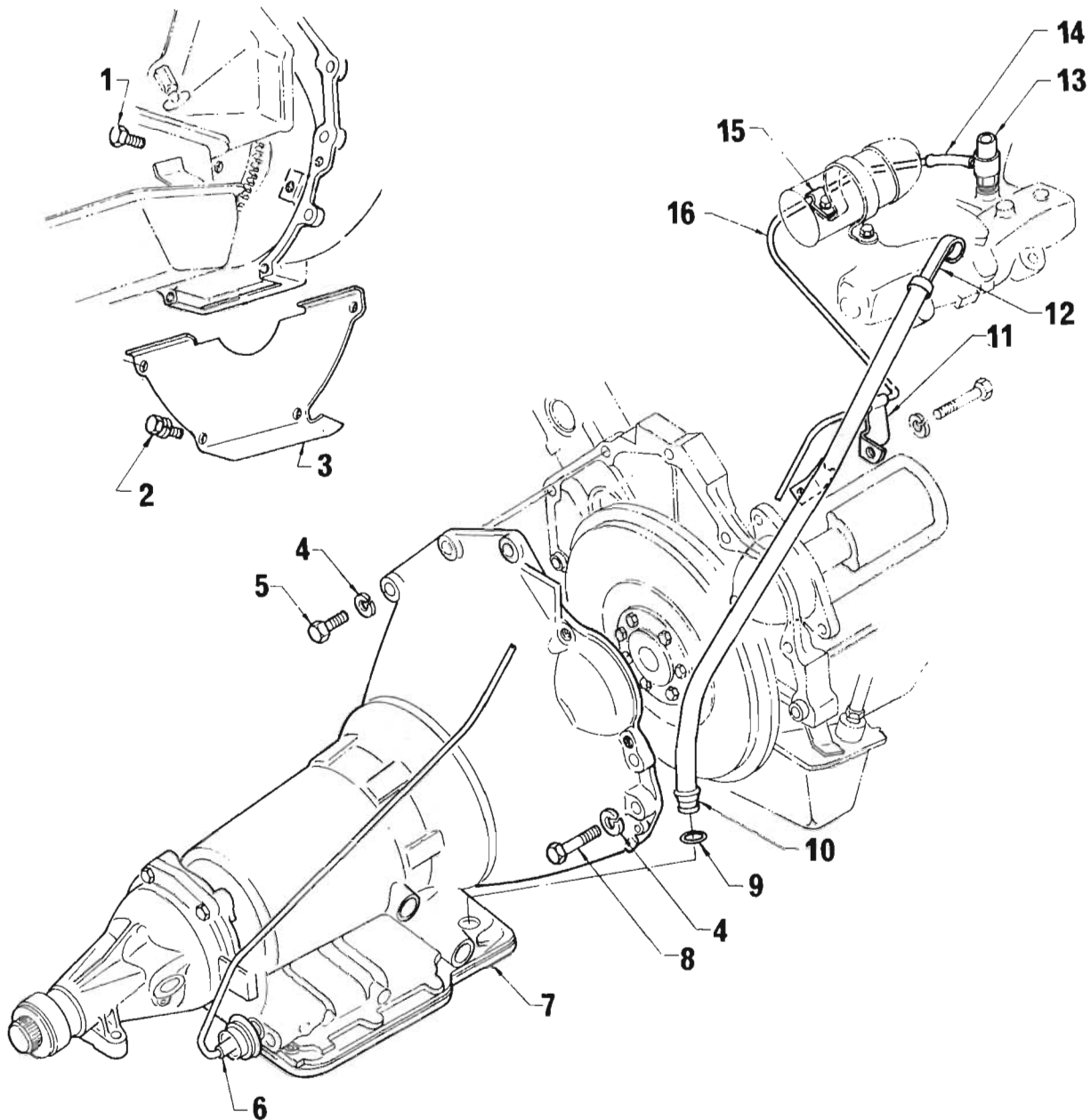
HOLDEN "LC" PARTS CATALOGUE

GROUP	DESCRIPTION	MODEL	SIDE	PART No.	QTY.
TRANSMISSION ASSEMBLY, FOUR SPEED MANUAL CONTROL					
2nd type fitted only in RIGHT HAND DRIVE vehicles equipped with 6 Cylinder Engines					
Identified by 2 forward shifter rods on R.H. side, 1 reverse shifter rod on L.H. side.					
4.412	RING — Transmission bearing				
	RING — Locating	ALL		2809457	1
	RING — Main shaft lock	ALL		3707189	1
4.415	GEAR — Third speed				
	GEAR	ALL		2813491	1
4.418	GEAR — Mainshaft, first speed, reverse				
	GEAR — 1st speed	ALL		2813489	1
	GEAR — Reverse	ALL		2813525	1
4.419	PLATE, SPRING — Reverse gear anti-lash				
	PLATE	ALL		2813522	1
	SPRING	ALL		2813517	1
4.421	GEAR — Counter				
	GEAR	ALL		2813496	1
4.422	BEARING — Countergear				
	BEARING — Needle roller	ALL		9414193	92
	BEARING PACKAGE	ALL			
4.423	WASHER, SPACER — Counter shaft				
	WASHER — Bearing	ALL		3775063	6
	SPACER — Bearing	ALL		7433928	1
	WASHER — Gear thrust	ALL		7433776	2
4.428	SHAFT — Countergear				
	SHAFT	ALL		3775061	1
4.430	GEAR — Reverse idler				
	GEAR — Front	ALL		2813498	1
	GEAR — Rear	ALL		2813499	1
4.432	WASHER — Reverse idler thrust				
	WASHER	ALL		2813519	2
4.433	BUSHING — Reverse idler gear				
	BUSHING — Reverse idler to transmission case and extension housing	ALL		2813526	2



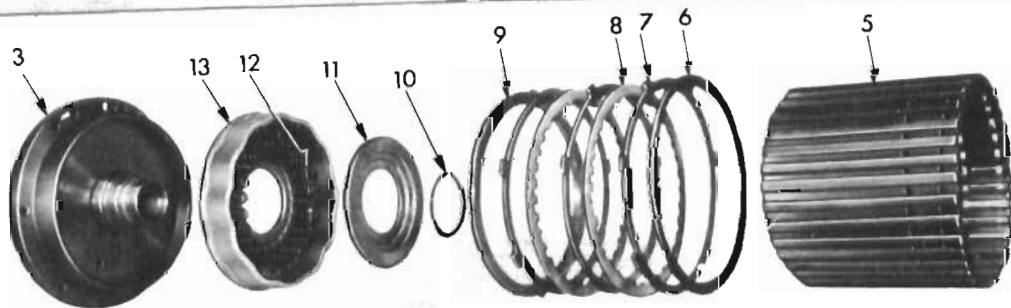
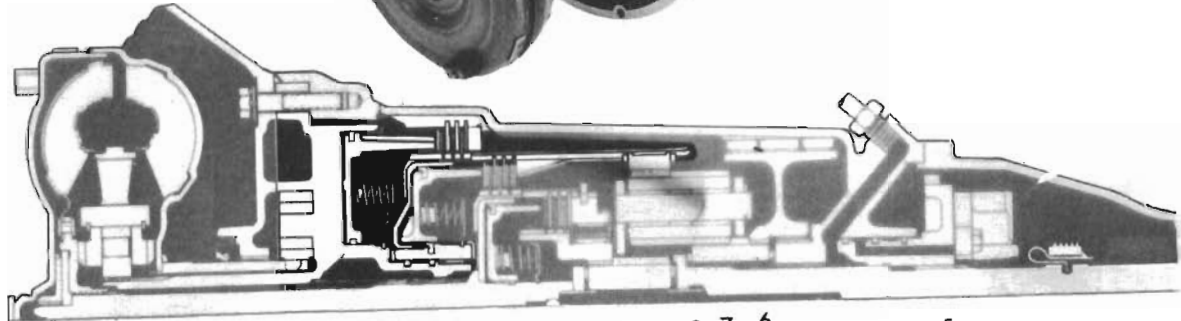
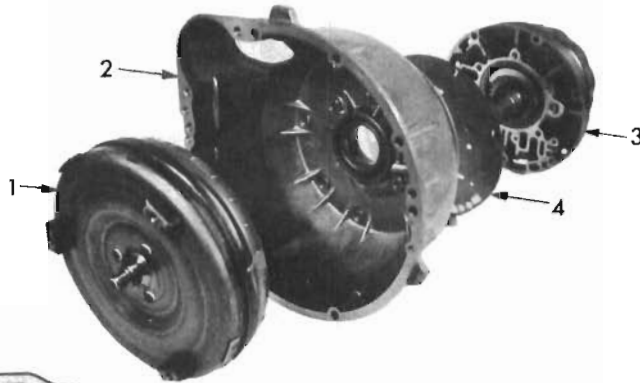
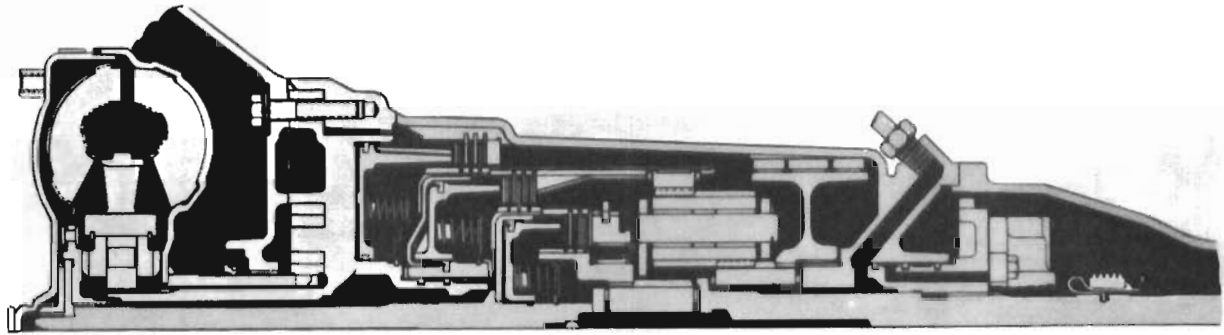
TRANSMISSION ASSEMBLY
(Automatic 3 speed)

ILLUS. REF. NO.	PART NAME	GROUP	ILLUS. REF. NO.	PART NAME	GROUP
1.	CONVERTER ASSY.	4.156	14.	SEAL - Rear bearing housing	4.317
2.	HOUSING - Converter	0.683	15.	CARRIER ASSY. - Planet	4.177
3.	SEAL - Converter housing	0.683	16.	HOUSING - Rear bearing	4.317
4.	PLATE - Wear	4.226	17.	GEAR - Speedo drive	4.337
5.	PLATE - Reverse clutch	4.163	18.	BAND ASSY. - Reaction	4.251
6.	PLATE - 2nd clutch	4.163	19.	PISTON - Servo	4.228
7.	PLATE - 3rd clutch	4.163	20.	PAN - Transmission oil	4.195
8.	SPRAG ASSY.	4.158	21.	SPRING - 3rd clutch piston	4.164
9.	GEAR ASSY. - Input sun	Refer 4.177	22.	SPRING - 2nd clutch piston	4.164
10.	GEAR - Ring	Refer 4.177	23.	SPRING - Reverse clutch piston	4.164
11.	CASE - Transmission	4.103	24.	VALVE - Manual	4.265
12.	GEAR & DRUM ASSY. - Reaction sun Refer	4.177	25.	PUMP ASSY. - Oil	4.266
13.	GOVERNOR	4.256	26.	DRUM & INPUT SHAFT - 3rd clutch	4.153



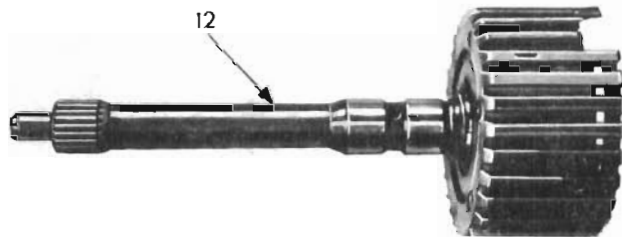
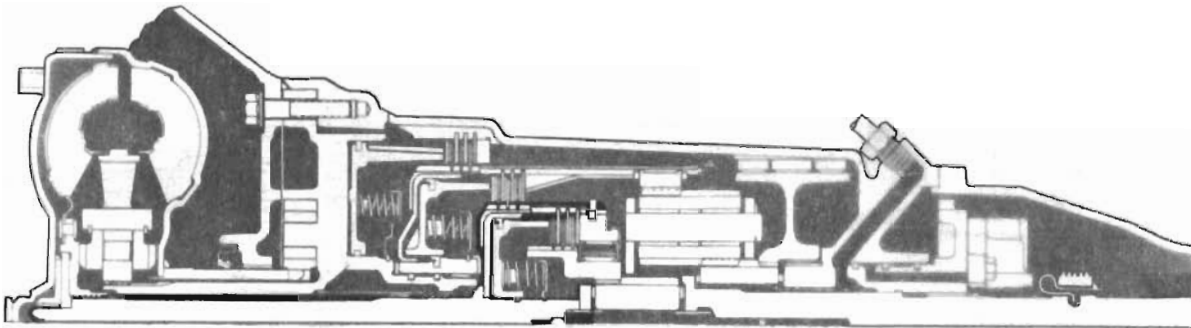
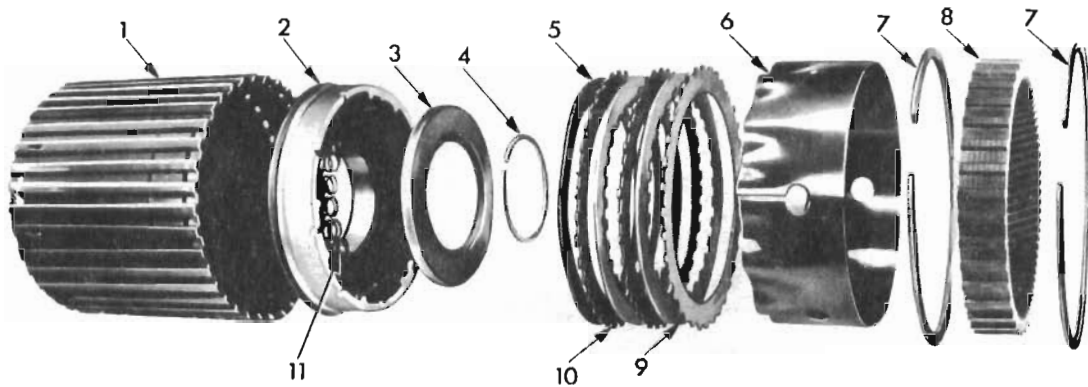
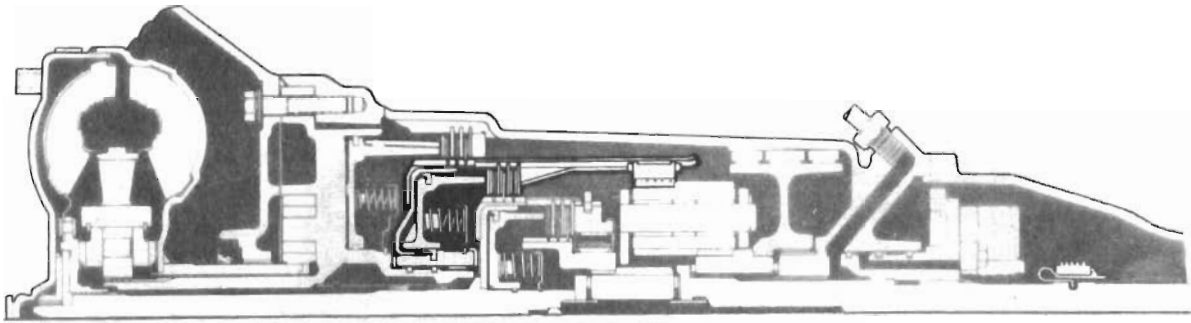
**TRANSMISSION ASSEMBLY – AUTOMATIC 3 SPEED
(1600 Engine)**

ILLUS. REF. NO.	PART NAME	GROUP	ILLUS. REF. NO.	PART NAME	GROUP
1.	BOLT – Converter to drive plate	4.156	9.	“O” RING – Tube to case	4.133
2.	BOLT – Cover to converter housing	0.679	10.	TUBE ASSY. – Oil filler	4.133
3.	COVER – Converter front	0.679	11.	CLIP – Vacuum modulator pipe to converter housing	4.205
4.	WASHER – Lock, 7/16” medium	8.931	12.	INDICATOR ASSY. – Oil level	4.133
5.	BOLT – 7/16” – 20 x 1.1/4”	8.900	13.	VALVE – Pipe to manifold	4.205
6.	SLEEVE – Modulator pipe	4.205	14.	SLEEVE – Pipe to adaptor	4.205
7.	TRANSMISSION ASSY.	4.003	15.	CLIP – Pipe to manifold	4.205
8.	BOLT – 7/16” – 20 x 1.3/4”	8.900	16.	PIPE – Vacuum modulator	4.205



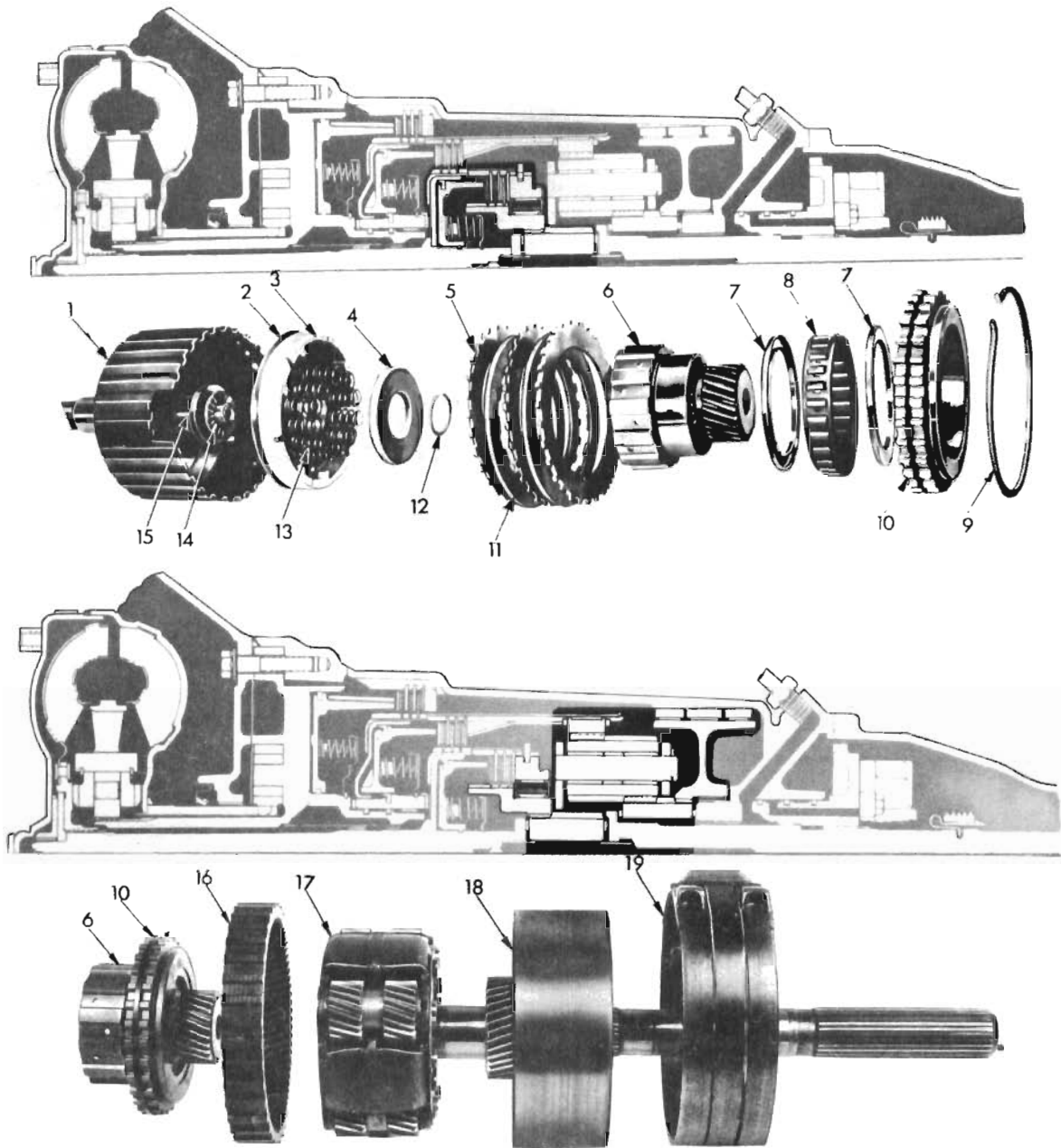
TRANSMISSION ASSEMBLY — AUTOMATIC 3 SPEED

ILLUS. REF. NO.	PART NAME	GROUP	ILLUS. REF. NO.	PART NAME	GROUP
1.	CONVERTER ASSY.	4.156	8.	PLATE — Reverse clutch drive	4.163
2.	HOUSING — Converter	0.683	9.	PLATE — Reverse clutch cushion	4.163
3.	PUMP ASSY. — Oil	4.226	10.	RING — Reverse clutch piston	4.128
4.	PLATE — Wear	4.226	11.	SEAT — Reverse clutch piston return spring	4.189
5.	DRUM ASSY. — 2nd clutch	4.158	12.	SPRING — Reverse clutch piston	4.164
6.	PLATE — Reverse clutch pressure	4.163	13.	PISTON — Reverse clutch	4.166
7.	PLATE — Reverse clutch reaction	4.163			



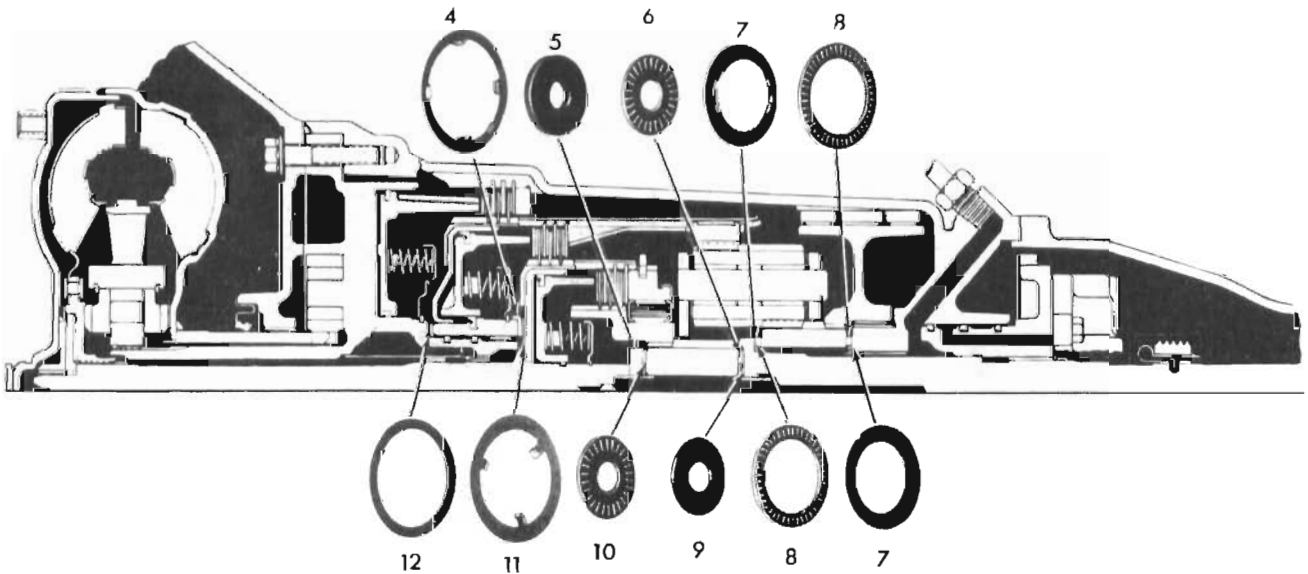
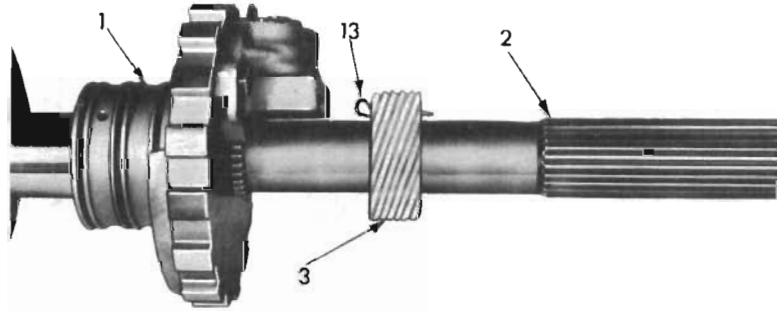
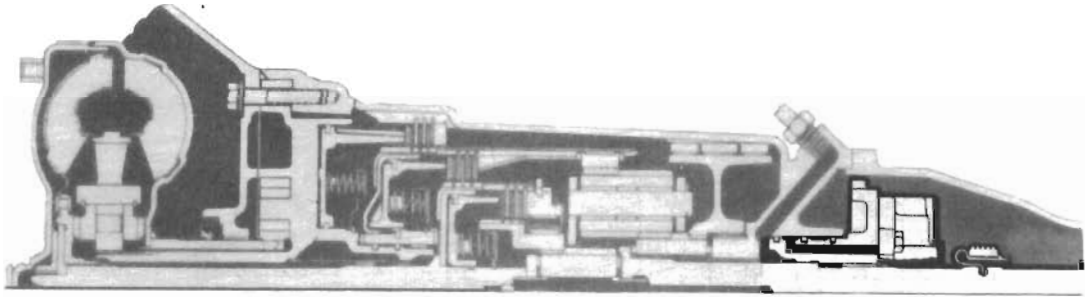
**TRANSMISSION ASSEMBLY
(Automatic 3 speed)**

ILLUS. REF. NO.	PART NAME	GROUP	ILLUS. REF. NO.	PART NAME	GROUP
1.	DRUM - 2nd clutch	4.158	8.	GEAR - RingRefer	4.177
2.	PISTON ASSY. - 2nd clutch	4.166	9.	PLATE - 2nd clutch drive	4.163
3.	SEAT - 2nd clutch piston	4.165	10.	PLATE - 2nd clutch driven	4.163
4.	RING - 2nd clutch piston seat retainer..	4.128	11.	SPRING - 2nd clutch piston	4.164
5.	PLATE - 2nd clutch cushion	4.163	12.	DRUM & INPUT SHAFT ASSY.- 3rd clutch	4.153
6.	SPACER - 2nd clutch plate	4.163			
7.	RING - Ring gear retaining	4.128			



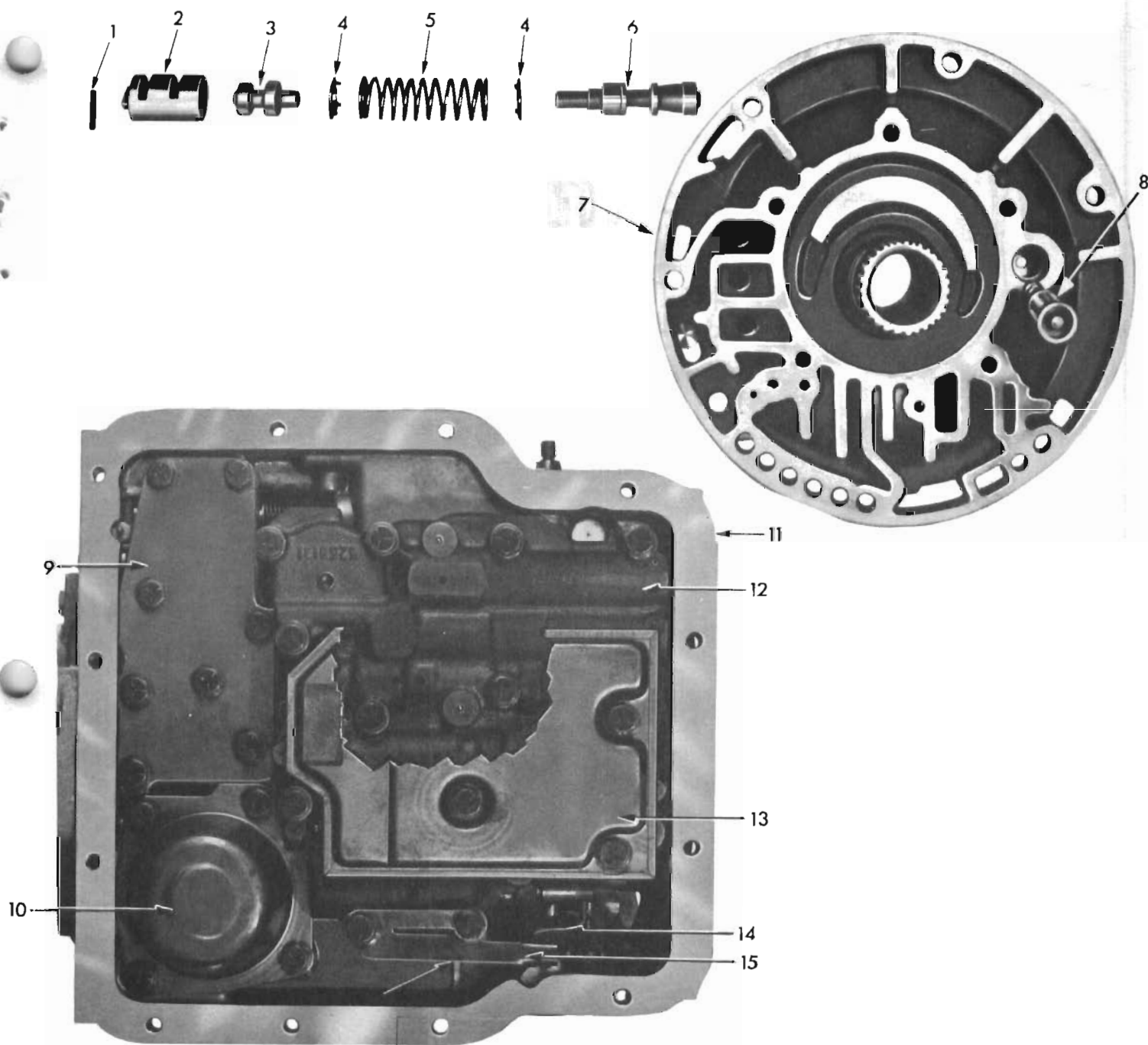
(Automatic 3 speed)

ILLUS. REF. NO.	PART NAME	GROUP	ILLUS. REF. NO.	PART NAME	GROUP
1.	DRUM & INPUT SHAFT ASSY. - 3rd clutch	4.153	11.	PLATE - 3rd clutch drive	4.163
2.	SEAL - 3rd clutch piston outer	4.166	12.	RING - 3rd clutch piston spring retainer	4.128
3.	PISTON ASSY. - 3rd clutch	4.166	13.	SPRING - 3rd clutch	4.164
4.	SEAT - 3rd clutch piston spring	4.165	14.	BEARING - Input shaft to sun gear thrust.	4.177
5.	PLATE - 3rd clutch driven	4.163	15.	WASHER - Input shaft to sun gear thrust.	4.177
6.	GEAR ASSY. - Input sun	Refer 4.177	16.	GEAR - Ring	Refer 4.177
7.	SPRAG ASSY. - Input	4.158	17.	CARRIER ASSY. - Planet	Refer 4.177
8.			18.	GEAR & DRUM ASSY. - Reaction	Refer 4.177
9.	RING - 3rd clutch retainer	4.128	19.	BAND ASSY. - Reaction	4.251
10.	RACE & RETAINER ASSY. - 3rd clutch.	4.158			



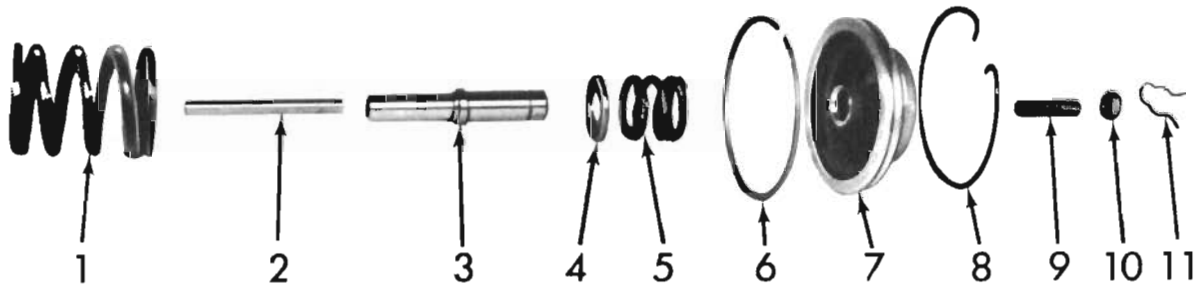
**TRANSMISSION ASSEMBLY
(Automatic 3 speed)**

ILLUS. REF. NO.	PART NAME	GROUP	ILLUS. REF. NO.	PART NAME	GROUP
1.	GOVERNOR ASSY.	4.256	9.	WASHER - Sun gear to carrier assy.	4.177
2.	CARRIER ASSY. - Planet	4.177	10.	BEARING - Input shaft to sun gear thrust	4.177
3.	GEAR - Speedometer drive	4.337	11.	WASHER - 2nd & 3rd clutch thrust (Steel)	4.129
4.	WASHER - 2nd & 3rd clutch thrust (Bronze)	4.129	12.	WASHER - Clutch thrust	4.129
5.	WASHER - Input shaft to sun gear thrust	4.177	13.	CLIP - Speedometer drive gear	4.338
6.	BEARING - Sun gear to carrier assy. ..	4.177			
7.	RACE - Reaction sun gear bearing	4.129			
8.	BEARING - Reaction sun gear	4.177			



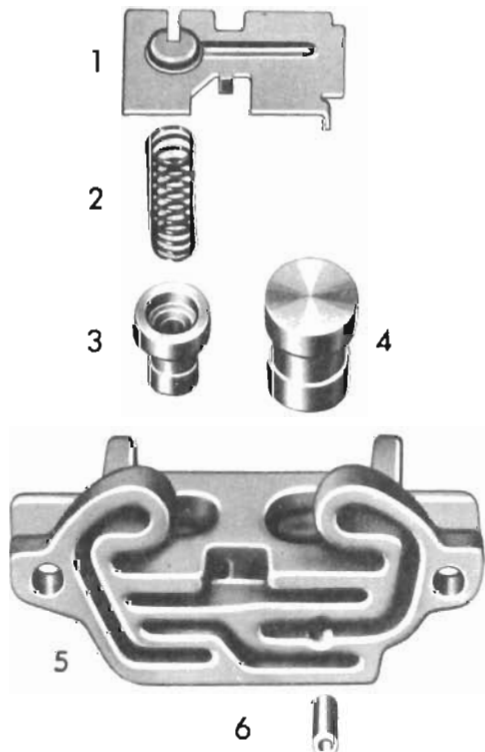
**TRANSMISSION ASSEMBLY
(Automatic 3 speed)**

ILLUS. REF. NO.	PART NAME	GROUP	ILLUS. REF. NO.	PART NAME	GROUP
1.	PIN - Dowel	4.226	8.	VALVE - Oil pump priming	4.226
2.	SLEEVE - Pressure regulator booster valve	4.226	9.	REINFORCEMENT - Transfer plate	4.265
3.	VALVE - Pressure regulator booster	4.226	10.	COVER - Servo	4.212
4.	SEAT - Pressure regulator valve	4.226	11.	CASE - Transmission	4.103
5.	SPRING - Pressure regulator valve	4.226	12.	BODY ASSY. - Valve	4.265
6.	VALVE - Pressure regulator	4.226	13.	SCREEN ASSY. - Oil pump suction	4.224
7.	PUMP ASSY. - Oil	4.226	14.	LINK - Manual valve lever	4.265
			15.	ROLLER & SPRING ASSY. - Detent	4.279



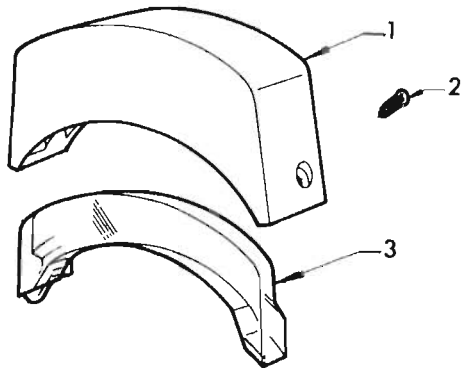
SERVO ASSEMBLY

ILLUS. REF. NO.	PART NAME	GROUP	ILLUS. REF. NO.	PART NAME	GROUP
1.	SPRING - Servo piston return	4.233	3.		
2.	ROD - Servo piston apply	4.230	4.		
5.	SPRING - Servo cushion piston	4.233	5.		
6.	RING - Servo piston	4.127	6.	PISTON ASSY. - Servo	4.228
8.	RING - Servo piston retainer	4.128	7.		
9.	BOLT - Servo piston adjusting	8.975	11.		
10.	NUT - Servo piston adjusting	8.916			
11.	RETAINER - Servo piston	4.233			

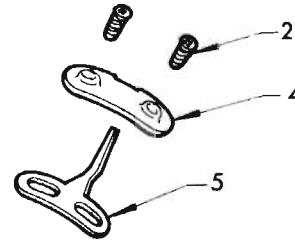


GOVERNOR ASSEMBLY

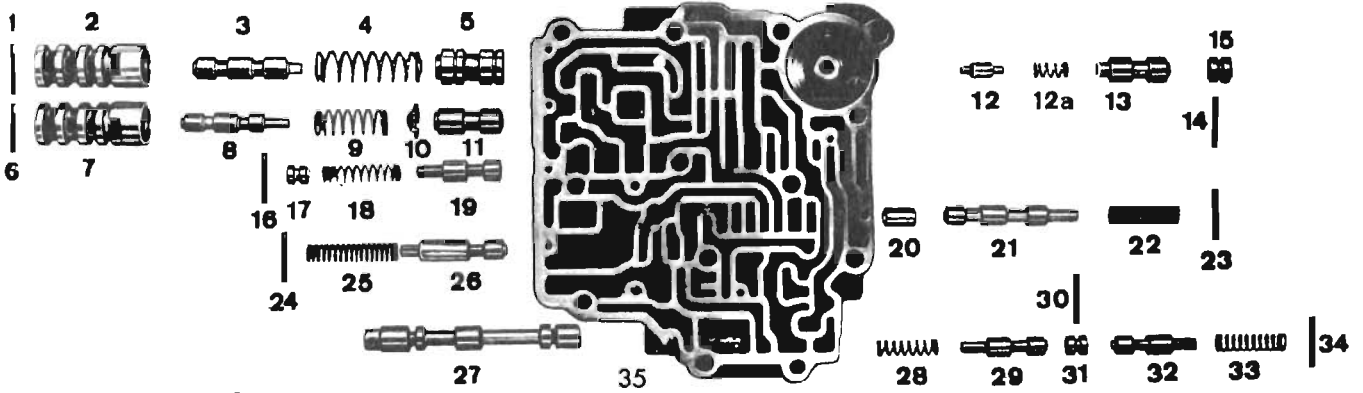
ILLUS. REF. NO.	PART NAME	GROUP
1	RETAINER - Secondary valve spring	4.256
2.	SPRING - Secondary valve	4.256
3.	VALVE - Secondary	4.256
4.	VALVE - Primary	4.256
5.	BODY - Valve	4.256
6.	PIN - Primary valve retainer	4.256



INDICATOR

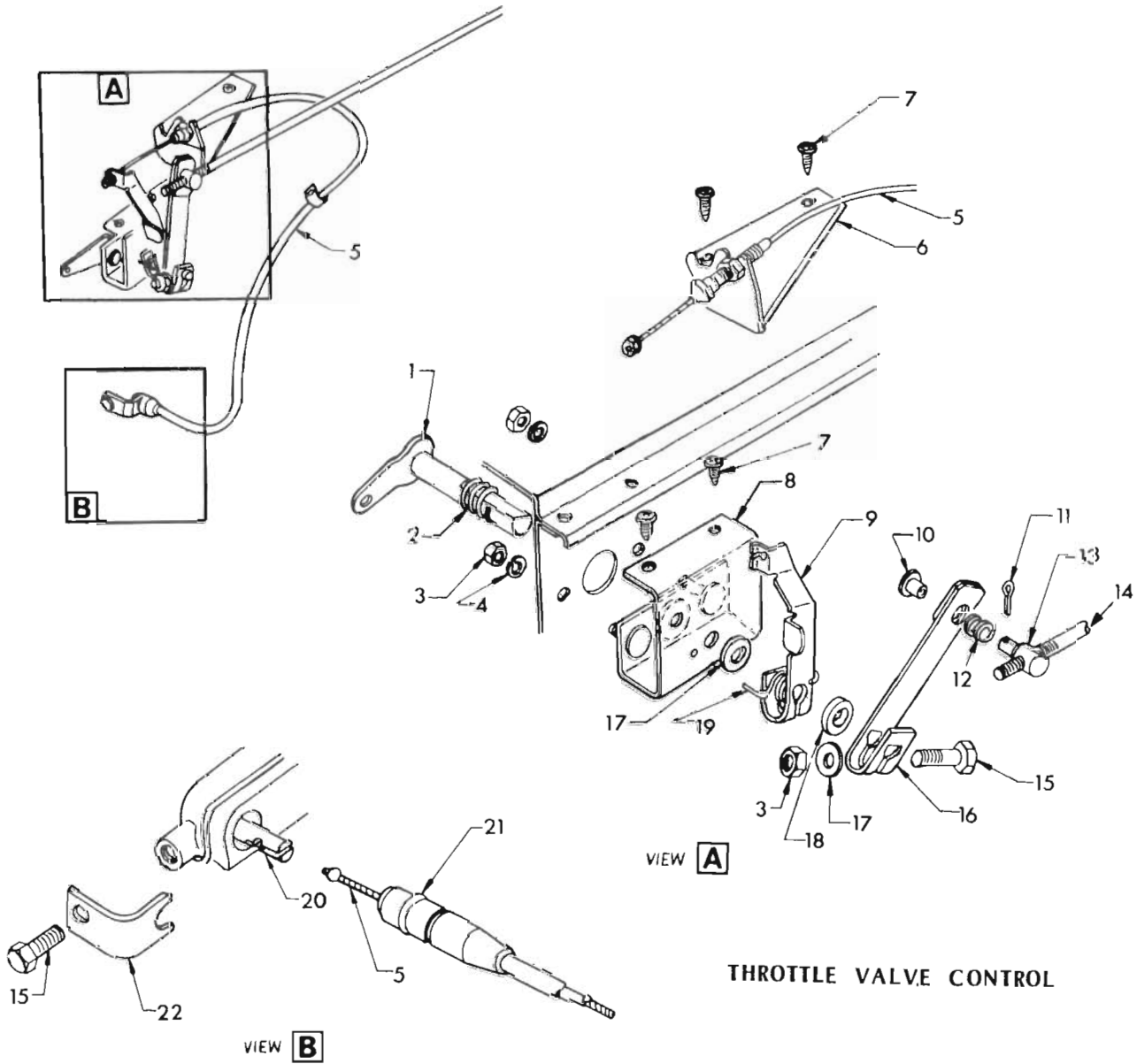


ILLUS. REF. NO.	PART NAME	GROUP
1.	HOUSING ASSY.	4.038
2.	SCREW	4.038
3.	DIAL - Indicator	4.038
4.	COVER - Pointer	4.038
5.	POINTER	4.038



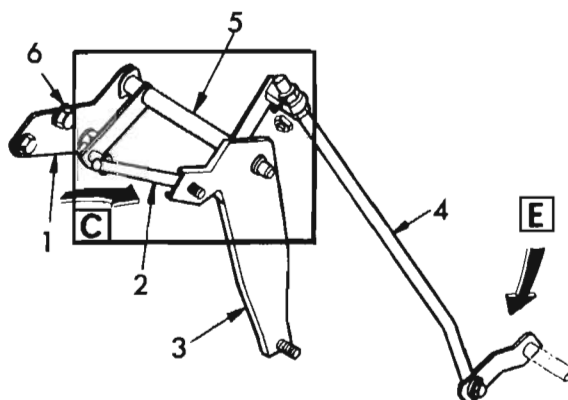
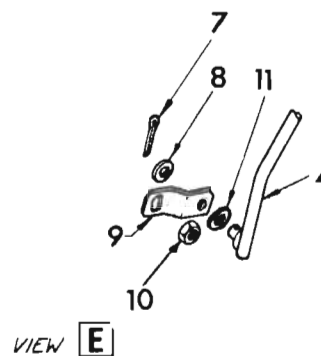
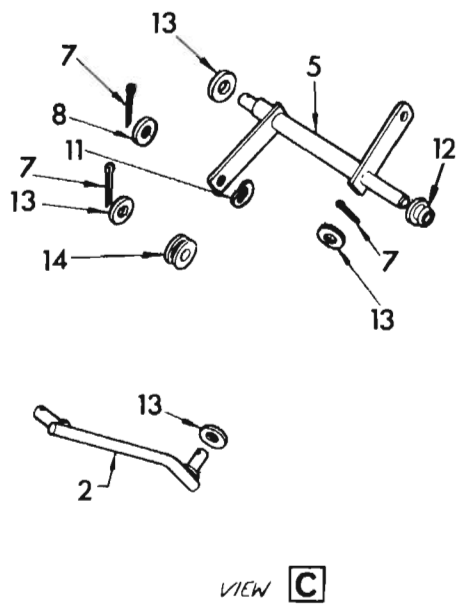
VALVE BODY

ILLUS. REF. NO.	PART NAME	GROUP	ILLUS. REF. NO.	PART NAME	GROUP
1.	PIN - Spring	4.265	20.	VALVE - Reverse control	4.265
2.	SLEEVE - 1st & 2nd shift control valve ..	4.265	21.	VALVE - Manual low control	4.265
3.	VALVE - 1st & 2nd shift control	4.265	22.	SPRING - Manual low & reverse control valve	4.265
4.	SPRING - 1st & 2nd shift control valve ..	4.265	23.	PIN - Spring	4.265
5.	VALVE - 1st & 2nd shift	4.265	24.	PIN - Spring	4.265
6.	PIN - Spring	4.265	25.	SPRING - Detent pressure regulator valve	4.265
7.	SLEEVE - 2nd & 3rd shift control valve ..	4.265	26.	VALVE - Detent pressure regulator	4.265
8.	VALVE - 2nd & 3rd shift control	4.265	27.	VALVE - Manual	4.265
9.	SPRING - 2nd & 3rd shift control valve ..	4.265	28.	SPRING - Low speed downshift timing valve	4.265
10.	SEAT - 2nd & 3rd shift control valve spring	4.265	29.	VALVE - Low speed downshift timing ...	4.265
11.	VALVE - 2nd & 3rd shift	4.265	30.	PIN - Spring	4.265
12.	VALVE - 1st & 2nd accumulator control ..	4.265	31.	PLUG - Low speed downshift timing valve	4.265
12A.	SPRING - 1st & 2nd accumulator valve ..	4.265	32.	VALVE - High speed downshift timing ..	4.265
13.	VALVE - 1st & 2nd accumulator	4.265	33.	SPRING - High speed downshift timing valve	4.265
14.	PIN - 1st & 2nd accumulator valve retaining	4.265	34.	PIN - Spring	4.265
15.	PLUG - 1st & 2nd accumulator valve	4.265	35.	BODY - Valve	4.265
16.	PIN - Spring	4.265			
17.	PLUG - 3rd to 2nd control valve	4.265			
18.	SPRING - 3rd to 2nd control valve	4.265			
19.	VALVE - 3rd to 2nd control	4.265			



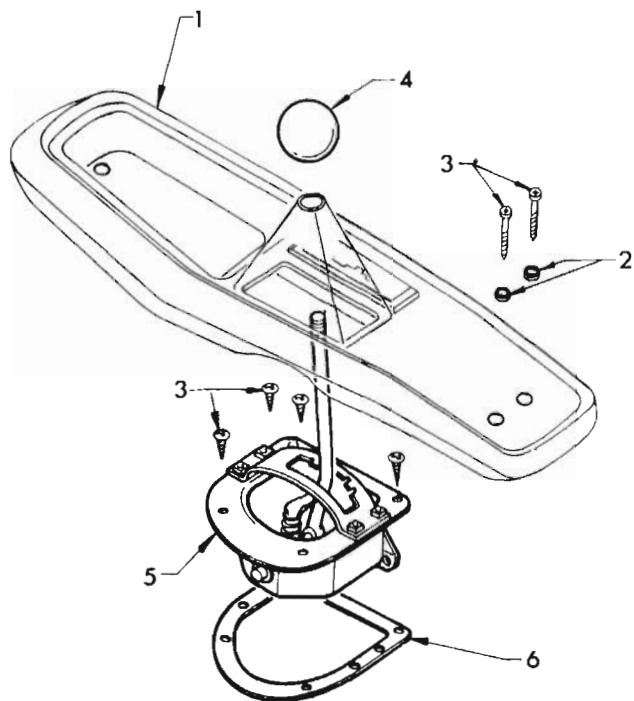
THROTTLE VALVE CONTROL

ILLUS. REF. NO.	PART NAME	GROUP	ILLUS. REF. NO.	PART NAME	GROUP
1.	SHAFT & LEVER ASSY. - Relay	3.430	12.	BUSHING - Pull rod	3.430
2.	SPRING - Antirattle	3.430	13.	TRUNNION - Pull rod	3.430
3.	NUT	8.915	14.	ROD ASSY. - Control pull	3.430
4.	WASHER	8.931	15.	BOLT	8.900
5.	CABLE ASSY. - Detent	4.040	16.	LEVER ASSY. - Relay extension	3.430
6.	BRACKET - Cable anchor	4.040	17.	WASHER	8.929
7.	SCREW	8.977	18.	SPACER - Cable lever	4.040
8.	BRACKET - Relay shaft support	3.430	19.	SPRING - Cable lever return	4.040
9.	LEVER - Cable pull	4.040	20.	VALVE - Detent	4.279
10.	SLEEVE - Pull rod	3.430	21.	RING - Cable seal	4.040
11.	PIN	8.938	22.	RETAINER - Control cable	4.040

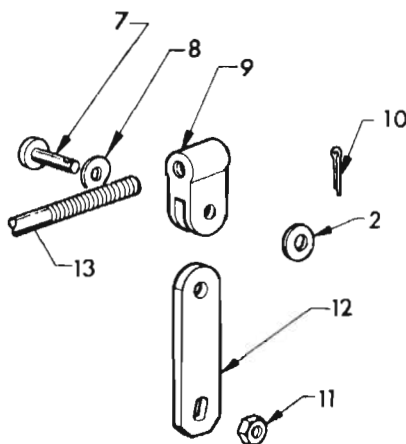
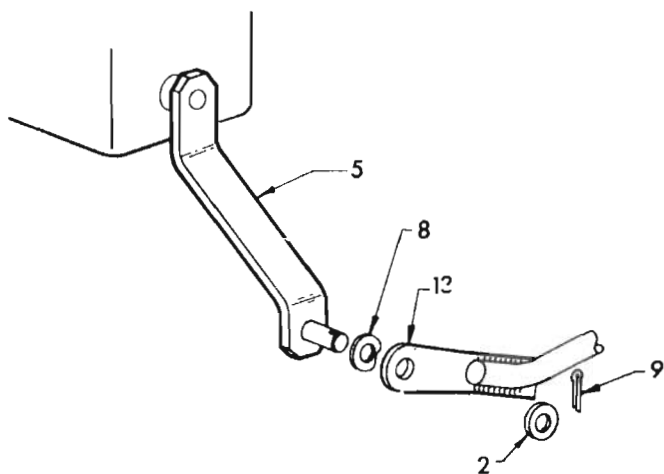


**TRANSMISSION CONTROL
(Steering Column Shift)**

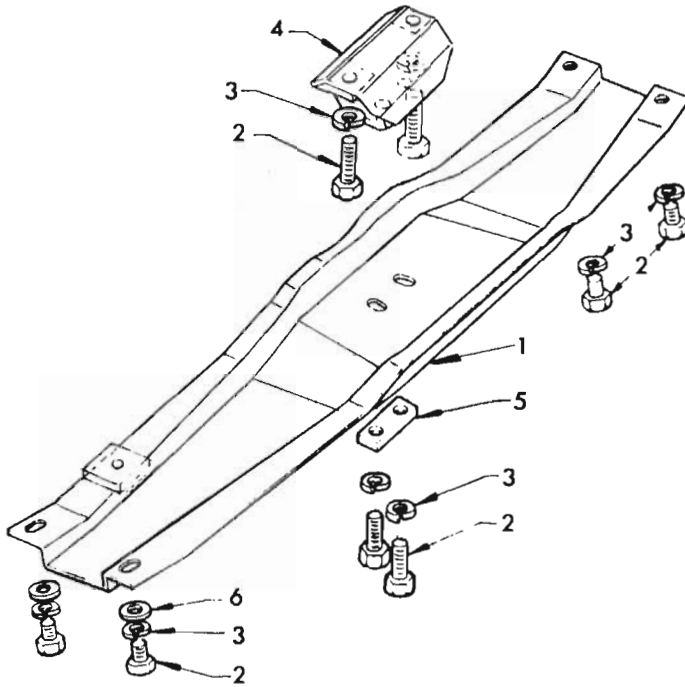
ILLUS. REF. NO.	PART NAME	GROUP	ILLUS. REF. NO.	PART NAME	GROUP
1.	SUPPORT ASSY. - Cross shaft to frame	4.040	8.	WASHER	8.929
2.	ROD ASSY. - Upper	4.040	9.	LEVER	4.041
3.	BRACKET - Cross shaft to engine	4.040	10.	NUT	8.918
4.	ROD ASSY. - Lower	4.040	11.	WASHER - Anti rattle	4.040
5.	CROSS SHAFT ASSY.	4.040	12.	SLEEVE - Cross shaft	4.040
6.	BOLT	8.900	13.	WASHER - Special	4.040
7.	PIN	8.938	14.	INSULATOR	4.040



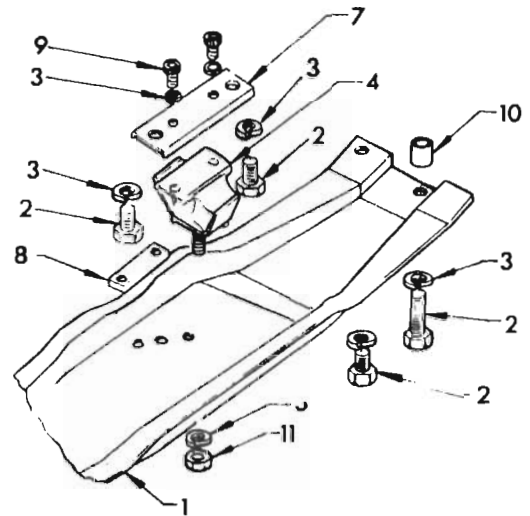
**GEARSHIFT CONTROL
(Console Shift)**



ILLUS. REF. NO.	PART NAME	GROUP	ILLUS. REF. NO.	PART NAME	GROUP
1.	HOUSING ASSY.	15.290	8.	WASHER - Anti rattle	4.040
2.	WASHER	8.929	9.	ADJUSTER - Control rod	4.019
3.	SCREW	8.977	10.	PIN	8.938
4.	KNOB	4.009	11.	NUT	8.918
5.	LEVER & SUPPORT ASSY.	4.006	12.	LEVER	4.041
6.	GASKET	4.006	13.	ROD ASSY.	4.040
7.	PIN - Adjuster to lever	4.019			



6 Cyl. Engine



4 Cyl. Engine

TRANSMISSION MOUNTING

ILLUS. REF. NO.	PART NAME	GROUP	ILLUS REF. NO.	PART NAME	GROUP
1.	SUPPORT — Engine rear mounting	12.982	7.	ADAPTOR	4.081
2.	BOLT	8.900	8.	PLATE — Nut	4.081
3.	WASHER	8.931	9.	SCREW	8.975
4.	MOUNTING ASSY.	4.081	10.	SPACER	4.081
5.	SPACER	4.081	11.	NUT	8.915
6.	WASHER	8.929			

HOLDEN "LC" PARTS CATALOGUE

GROUP	DESCRIPTION	MODEL	SIDE	PART No.	QTY.
TRANSMISSION ASSEMBLY, AUTOMATIC, STEERING COLUMN SHIFT CONSOLE SHIFT					
4.003 TRANSMISSION ASSEMBLY					
	TRANSMISSION ASSY.	4 Cyl. exc. 1600 Eng.		5258478	1
	TRANSMISSION ASSY.	1600 Eng.		2820981	1
	TRANSMISSION ASSY.	2250 Eng.	RIGHT HAND DRIVE	5258817	1
			LEFT HAND DRIVE	5258816	1
	TRANSMISSION ASSY.	2600 Eng.	RIGHT HAND DRIVE	5258311	1
			LEFT HAND DRIVE	5258479	1
4.005 GASKET SET — Transmission					
	GASKET & SEAL SET — Minor	ALL		2811195	1
	GASKET & SEAL SET — Major	ALL		2811194	1
	SEAL KIT	ALL		2811196	1
4.006 LEVER ASSEMBLY — Transmission control					
	LEVER & SUPPORT ASSY.	4 Cyl. exc. 1600 Eng.		(⁷⁶ 2810734	1
	LEVER & SUPPORT ASSY.	4 Cyl. exc. 1600 Eng.		(⁷⁷ 2818370	1
	LEVER & SUPPORT ASSY.	1600 Eng.		(⁷⁷ 2818371	1
	LEVER ASSY.	6 Cyl. Eng. Steering Column Shift		2814751	1
	LEVER & SUPPORT ASSY.	6 Cyl. Eng. Console Shift			
			RIGHT HAND DRIVE	(⁷⁶ 2806500	1
	LEVER & SUPPORT ASSY.	6 Cyl. Eng.	RIGHT HAND DRIVE	(⁷⁷ 2818371	1
	LEVER & SUPPORT ASSY.		LEFT HAND DRIVE	(⁷⁶ 2812446	1
	LEVER & SUPPORT ASSY.		LEFT HAND DRIVE	(⁷⁷ 2818452	1
	GASKET — Lever & support assy.	Console Shift		2808885	1
4.007 TUBE ASSEMBLY — Shift control					
	TUBE ASSY.	4 Cyl. Eng.		2810130	1
	TUBE ASSY.	6 Cyl. Eng. Steering Column Shift		2810132	1
	TUBE ASSY.	6 Cyl. Eng. Console Shift			
			RIGHT HAND DRIVE	2810130	1
	PIN — Lever to support	6 Cyl. Eng. Steering Column Shift		7429551	1
	RETAINER — Shift tube	Console Shift		7434196	1
	BEARING — Tube to steering jacket	4 Cyl. Eng.		7433257	1
4.009 KNOB — Shift control lever					
	KNOB	4 Cyl. Eng.		7435401	1
	KNOB	6 Cyl. Eng. Steering Column Shift		7433272	1
	KNOB	6 Cyl. Eng. Console Shift		7435401	1
4.015 COVER ASSEMBLY — Gearshift lever					
	COVER ASSY.	Console Shift		(⁷⁶ 2812546	1
	COVER ASSY.	Console Shift		(⁷⁷ 2818454	1
	RETAINER	Console Shift		(⁷⁶ 8834751	4
	RETAINER	Console Shift		(⁷⁷ 2818378	1
	NUT — Retainer	Console Shift		SP1534	5
4.016 GATE — Transmission control selector					
	GATE	Console Shift		2808881	1
	GATE	6 Cyl. Eng. Steering Column Shift		7448830	1
	BOLT — Hex. $\frac{5}{16}$ " — 10 Acme	6 Cyl. Eng. Steering Column Shift		SP2120	2
	NUT — "U" type spring $\frac{5}{16}$ " — 10 Acme	6 Cyl. Eng. Steering Column Shift		SP2121	2
4.017 SPRING — Shift control					
	SPRING — Lever support	6 Cyl. Eng.	RIGHT HAND DRIVE	2806114	1
	SPRING — Lever return	6 Cyl. Eng.	RIGHT HAND DRIVE	7439930	1

Note: (⁷⁶ Used on Trans. Control Lever without pointer.

(⁷⁷ Used on Trans. Control Lever with pointer.

HOLDEN "LC" PARTS CATALOGUE

GROUP	DESCRIPTION	MODEL	SIDE	PART No.	QTY.
TRANSMISSION ASSEMBLY, AUTOMATIC, STEERING COLUMN SHIFT CONSOLE SHIFT					
4.018 SUPPORT — Transmission control lever					
	SUPPORT	6 Cyl. Eng. Steering Column Shift		2807749	1
	WASHER — Support to turn signal switch	6 Cyl. Eng. Steering Column Shift		7433275	1
	SEAT — Control lever support	6 Cyl. Eng. Steering Column Shift		7437131	1
4.019 LEVER, BUSH, ADJUSTER — Transmission control					
	LEVER ASSY.	Console Shift		(76 2806508	1
	LEVER ASSY.	Console Shift		(77 2818372	1
	SHAFT	Console Shift	RIGHT HAND DRIVE	2806507	1
			LEFT HAND DRIVE	2817326	1
	BUSH — Lever & shaft to support	Console Shift		7438537	2
	SPRING — Lever	Console Shift		7438536	1
	LEVER ASSY. — Lower	4 Cyl. Eng.		2810735	1
	LEVER ASSY. — Lower	1600 Eng. 6 Cyl. Eng. Console Shift			
			RIGHT HAND DRIVE	2806505	1
			LEFT HAND DRIVE	2812449	1
	ADJUSTER — Control rod	Console Shift	RIGHT HAND DRIVE	2806521	1
	PIN — Adjuster to selector lever	Console Shift		SP1945	1
4.038 HOUSING, DIAL, PANEL, COVER, HOLDER — Transmission control					
	HOUSING ASSY. — Trim Nos. 40E, 40F, 40P, 40Q, 40R, 40T	6 Cyl. Eng. Steering Column Shift		2807748BA	1
	HOUSING ASSY. — Trim Nos. 41E, 41F, 41P, 41Q, 41R, 41T	6 Cyl. Eng. Steering Column Shift		2807748BB	1
	HOUSING ASSY. — Trim Nos. 42E, 42R, 42T	6 Cyl. Eng. Steering Column Shift		2807748BC	1
	HOUSING ASSY. — Trim Nos. 42F, 42P	6 Cyl. Eng. Steering Column Shift		2807748BT	1
	HOUSING ASSY. — Trim Nos. 43E, 43F, 43P, 43R, 43T	6 Cyl. Eng. Steering Column Shift		2807748BD	1
	HOUSING ASSY. — Trim Nos. 44E, 44F, 44P, 44R, 44T	6 Cyl. Eng. Steering Column Shift		2807748CF	1
	HOUSING ASSY. — Trim Nos. 46F, 46P	6 Cyl. Eng. Steering Column Shift		2807748BU	1
	HOUSING ASSY. — Trim Nos. 48F, 48P, 48Q	6 Cyl. Eng. Steering Column Shift		2807748BG	1
	SCREW — Oval hd. cr. rec. tap. No. 9 — 32 x 3/8"	6 Cyl. Eng. Steering Column Shift		SP1961	2
	HOUSING & LENS ASSY.	6 Cyl. Eng. Steering Column Shift		(78 6294530	1
	HOUSING	Console Shift		(76 2818374	1
	NUT — Housing to console	Console Shift		SP1765	2
	LENS	6 Cyl. Eng. Steering Column Shift		(79 2814023	1
	DIAL — Indicator	6 Cyl. Eng. Steering Column Shift		(79 2815336	1
	HOLDER ASSY. — Lamp	6 Cyl. Eng. Steering Column Shift		(78 6288601	1
	SOCKET & LEAD ASSY.	6 Cyl. Eng. Steering Column Shift		(79 2814062	1
	COVER — Pointer	6 Cyl. Eng. Steering Column Shift		7419642	1
	PANEL — Indicator	Console Shift		(76 2808126	1
	PANEL & FILTER ASSY.	Console Shift		(77 2819749	1
	SOCKET & LEAD ASSY.	6 Cyl. Eng. Steering Column Shift		(78 2810097	1
	BULB — Miniature, wedge base 12V, 1.2W	ALL		(79 SP2103	1
	MASK — Bulb	Console Shift		2818376	1
	POINTER	6 Cyl. Eng. Steering Column Shift		2807747	1
	POINTER	Console Shift		2818373	1
	SCREW — Oval hd. cr. rec. tap. No. 8 — 32 x 3/8"	6 Cyl. Eng. Steering Column Shift		SP1961	2
Note: (76 Used on Trans. Control Lever without pointer.					
(77 Used on Trans. Control Lever with pointer.					
(78 Used with "Fibre Optic" wire as illumination.					
(79 Used with Globe as illumination.					

HOLDEN "LC" PARTS CATALOGUE

GROUP	DESCRIPTION	MODEL	SIDE	PART No.	QTY.
TRANSMISSION ASSEMBLY, AUTOMATIC, STEERING COLUMN SHIFT CONSOLE SHIFT					
4.040 ROD, TRUNNION, INSULATOR, CROSS SHAFT — Transmission control					
CABLE, LEVER, SPRING, BRACKET — Throttle valve detent					
ROD ASSY.	4 Cyl. Eng.			2814002	1
ROD ASSY. — Upper	6 Cyl. Eng. Steering Column Shift			2806862	1
ROD ASSY. — Lower	6 Cyl. Eng. Steering Column Shift			2806863	1
ROD ASSY.	Console Shift				
		RIGHT HAND DRIVE		2806520	1
		LEFT HAND DRIVE		2812447	1
TRUNNION — Control rod	6 Cyl. Eng. Steering Column Shift			2809206	1
TRUNNION — Control rod		LEFT HAND DRIVE		7410279	1
INSULATOR — Control rod		LEFT HAND DRIVE		7418439	1
WASHER — Anti-rattle	ALL			7400949	A.R.
WASHER — Special	ALL			7400948	A.R.
INSULATOR — Control rod	6 Cyl. Eng. Steering Column Shift			7418439	1
CROSS SHAFT ASSY.	6 Cyl. Eng. Steering Column Shift			2806864	1
INSULATOR — Frame bracket	6 Cyl. Eng. Steering Column Shift			7418439	1
LEVER — Lower	6 Cyl. Eng. Steering Column Shift			2814869	1
SUPPORT ASSY. — Cross shaft to frame	6 Cyl. Eng. Steering Column Shift			2807117	1
BRACKET — Cross shaft to engine	6 Cyl. Eng. Steering Column Shift			2805074	1
SLEEVE — Cross shaft	6 Cyl. Eng. Steering Column Shift			2805207	1
CABLE ASSY. — Detent		RIGHT HAND DRIVE		2809222	1
		LEFT HAND DRIVE		2810108	1
CLIP — Detent cable		LEFT HAND DRIVE		2815725	1
LEVER — Cable pull		RIGHT HAND DRIVE		2809642	1
		LEFT HAND DRIVE		2810109	1
CLIP — Detent cable to pull lever	ALL			2815775	1
SPRING — Cable lever return	ALL	RIGHT HAND DRIVE		2809643	1
BRACKET — Cable anchor		RIGHT HAND DRIVE		2809645	1
		LEFT HAND DRIVE		2810110	1
SPACER — Cable lever	ALL			2809644	1
RETAINER — Control cable	ALL			5258378	1
RING — Cable seal	ALL			5258404	1
4.041 LEVER — Transmission external control					
LEVER	4 Cyl. exc. 1600 Eng.			2810736	1
LEVER	1600 Eng.			2806523	1
LEVER	6 Cyl. Eng. Steering Column Shift			2814386	1
LEVER	6 Cyl. Eng. Console Shift				
		RIGHT HAND DRIVE		2806523	1
		LEFT HAND DRIVE		2812448	1
4.054 SWITCH ASSEMBLY — Neutral starting and back-up					
SWITCH ASSY.	Console Shift			2806518	1
SWITCH ASSY.	6 Cyl. Eng. Steering Column Shift			7434269	1
4.055 LEAD ASSEMBLY — Neutral starting safety switch					
LEAD ASSY.	Console Shift				
		RIGHT HAND DRIVE		(⁷⁶ 2814105	1
LEAD ASSY.	Console Shift				
		RIGHT HAND DRIVE		(⁷⁷ 2818778	1
LEAD ASSY.	Console Shift				
		LEFT HAND DRIVE		(⁷⁶ 2808957	1
LEAD ASSY.	Console Shift				
		LEFT HAND DRIVE		(⁷⁷ 2819193	1
BODY — Panel connector	Console Shift				
		RIGHT HAND DRIVE		2962448	1
BODY — Terminal 2 way female	Console Shift			2962679	1

Note: (⁷⁶ Used on Trans. Control Lever without pointer.
(⁷⁷ Used on Trans. Control Lever with pointer.

HOLDEN "LC" PARTS CATALOGUE

GROUP	DESCRIPTION	MODEL	SIDE	PART No.	QTY.
TRANSMISSION ASSEMBLY, AUTOMATIC, STEERING COLUMN SHIFT CONSOLE SHIFT					
4.055 LEAD ASSEMBLY — Neutral starting safety switch (contd.)					
	BODY — Terminal 2 way male	Console Shift	RIGHT HAND DRIVE	2977763	1
	BODY — Terminal 2 way male	Console Shift		2973431	1
	BODY — Terminal 2 way panel	Console Shift	RIGHT HAND DRIVE	2962967	1
4.081 MOUNTING — Transmission support					
	MOUNTING ASSY	4 Cyl. Eng.		2806451	1
	MOUNTING ASSY	6 Cyl. Eng.		7432235	1
	BRACKET	ALL		2812818	2
	INSULATOR	ALL		2812819	2
	ADAPTOR	4 Cyl. Eng.		2806834	1
	PLATE — Nut	4 Cyl. Eng.		2806835	1
	SPACER	4 Cyl. Eng.		2810990	2
	ARRESTOR	6 Cyl. Eng.		7432222	1
	REINFORCEMENT	6 Cyl. Eng.		2807445	1
	BRACE	4 Cyl. Eng.		7448620	2
	BOLT & WASHER ASSY. — Hex. hd. type 'A' 3/8" — 16 UNC x .875"	ALL		SP2035	4
4.103 CASE ASSEMBLY — Transmission					
	CASE ASSY	ALL		5258317	1
	BUSHING — Case	ALL		5258191	1
4.104 VENT ASSEMBLY — Transmission					
	VENT ASSY.	ALL		3820840	1
4.127 RING — Transmission oil seal (Metal)					
	RING KIT	ALL		2811197	1
	RING — Servo piston	ALL		5258159	1
	RING — Accumulator piston	ALL		8623653	1
	RING — 2nd clutch oil seal	ALL		5258106	2
	RING — Governor hub oil seal	ALL		5258100	3
4.128 PIPE — Transmission oil cooler					
RING — Transmission retainer and snap					
	PIPE ASSY. — Inlet	4 Cyl. exc. 1600 Eng.		2806678	1
	PIPE ASSY. — Inlet	1600 Eng.		2820826	1
	PIPE ASSY. — Outlet	4 Cyl. exc. 1600 Eng.		2806679	1
	PIPE ASSY. — Outlet	1600 Eng.		2820827	1
	PIPE ASSY. — Inlet	6 Cyl. Eng.		2805136	1
	PIPE ASSY. — Outlet	6 Cyl. Eng.		2805135	1
	CLIP — Inlet to outlet pipe	ALL		3710497	2
	RING — Servo piston retainer	ALL		5258121	1
	RING — Retainer front accumulator piston	ALL		5258551	1
	RING — Reverse clutch piston return spring seat retainer	ALL		5258093	1
	RING — 2nd clutch piston return spring seat retainer	ALL		5258093	1
	RING — 3rd clutch piston return spring retainer	ALL		5258094	1
	RING — 3rd clutch retainer	ALL		5258132	1
	RING — Governor to output shaft	ALL		5258116	1
	RING — Ring gear retainer	ALL		5258134	2

HOLDEN "LC" PARTS CATALOGUE

GROUP	DESCRIPTION	MODEL	SIDE	PART No.	QTY.
TRANSMISSION ASSEMBLY, AUTOMATIC, STEERING COLUMN SHIFT CONSOLE SHIFT					
4.129	WASHER — Transmission thrust				
	WASHER — Clutch (Yellow) .070" — .074"	ALL		(⁶⁹ 5258202	1
	WASHER — Clutch (Blue) .076" — .080"	ALL		(⁶⁹ 5258203	1
	WASHER — Clutch (Red) .081" — .085"	ALL		(⁶⁹ 5258204	1
	WASHER — Clutch (Brown) .086" — .090"	ALL		(⁶⁹ 5258205	1
	WASHER — Clutch (Green) .091" — .095"	ALL		(⁶⁹ 5258206	1
	WASHER — Clutch (Black) .097" — .101"	ALL		(⁶⁹ 5258207	1
	WASHER — 2nd & 3rd clutch (Steel)	ALL		5258090	1
	WASHER — 2nd & 3rd clutch (Bronze)	ALL		5258091	1
	WASHER — Reaction sun gear & drum	ALL		5258046	2
4.133	TUBE, INDICATOR, "O" RING — Transmission oil				
	TUBE ASSY. — Oil filler	4 Cyl. exc. 1600		2817642	1
	TUBE ASSY. — Oil filler	1600 Eng.		2820388	1
	INDICATOR ASSY. — Oil level	4 Cyl. Eng.		7449562	1
	TUBE ASSY. — Oil filler	6 Cyl. Eng.		2805057	1
	INDICATOR ASSY. — Oil level	6 Cyl. Eng.		2805059	1
	"O" RING — Tube to case	ALL		6255641	1
4.153	DRUM and INPUT SHAFT ASSEMBLY — 3rd clutch				
	DRUM & INPUT SHAFT ASSY.	ALL		5258095	1
4.156	CONVERTER ASSEMBLY — Transmission				
	CONVERTER ASSY.	4 Cyl. Eng.		5258454	1
	BOLT — Converter to drive plate	4 Cyl. Eng.		9410884	3
	CONVERTER ASSY.	2250 Eng.		5258294	1
	CONVERTER ASSY.	2600 Eng.		5258293	1
	BOLT — Converter to drive plate	6 Cyl. Eng.		3799830	3
4.158	CLUTCH, DRUM, BUSHING, SPRAG — Transmission				
	CLUTCH ASSY. — 2nd	4 Cyl. exc. 1600 Eng.		(⁸⁰ 5258279	1
	CLUTCH ASSY. — 2nd	2250 Eng.		(⁸⁰ 5258080	1
	CLUTCH ASSY. — 2nd	2600 Eng.		(⁸⁰ 5258081	1
	CLUTCH ASSY. — 3rd	4 Cyl. exc. 1600 Eng.		(⁸⁰ 5258320	1
	CLUTCH ASSY. — 3rd	2250 Eng.		(⁸⁰ 5258078	1
	CLUTCH ASSY. — 3rd	2600 Eng.		(⁸⁰ 5258079	1
	DRUM ASSY. — 2nd clutch	ALL		5258129	1
	BUSHING — 2nd clutch hub	ALL		5258128	1
	BUSHING — Reaction sun gear drum	ALL		5258075	1
	SPRAG ASSY. — Input	ALL		5258137	1
	RACE & RETAINER ASSY. — 3rd clutch input sprag	ALL		5258351	1
4.163	PLATE, SPACER — Clutch				
	PLATE ASSY. — 2nd drive	4 Cyl. exc. 1600 Eng.		5258025	2
	PLATE ASSY. — 2nd drive	1600, 2250 Eng.		5258025	3
	PLATE ASSY. — 2nd drive	2600, 2850 Eng.		5258025	4
	PLATE — 2nd driven	4 Cyl. exc. 1600 Eng.		5258057	3
	PLATE — 2nd driven	1600, 2250 Eng.		5258057	4
	PLATE — 2nd driven	2600, 2850 Eng.		5258057	5
	PLATE — 2nd cushion	ALL		5258990	1
	PLATE — 3rd drive	4 Cyl. exc. 1600 Eng.		5258035	2
	PLATE — 3rd drive	1600, 2250 Eng.		5258035	3
	PLATE — 3rd drive	2600, 2850 Eng.		5258035	4
	PLATE — 3rd driven	4 Cyl. exc. 1600 Eng.		5258058	3
	PLATE — 3rd driven	1600, 2250 Eng.		5258058	4
	PLATE — 3rd driven	2600, 2850 Eng.		5258058	5
	PLATE — Reverse drive	4 Cyl. exc. 1600 Eng.		5258017	2

Note: (⁶⁹ Selective Fit.

(⁸⁰ Used only be used in Transmission fitted with 73 Tooth Ring Gear.

HOLDEN "LC" PARTS CATALOGUE

GROUP	DESCRIPTION	MODEL	SIDE	PART No.	QTY.
TRANSMISSION ASSEMBLY, AUTOMATIC, STEERING COLUMN SHIFT CONSOLE SHIFT					
4.163	PLATE, SPACER — Clutch (contd.)				
	PLATE — Reverse drive	1600, 2250 Eng.		5258017	3
	PLATE — Reverse drive	2600, 2850 Eng.		5258017	4
	PLATE — Reverse reaction	4 Cyl. exc. 1600 Eng.		5258019	3
	PLATE — Reverse reaction	1600, 2250 Eng.		5258019	4
	PLATE — Reverse reaction	2600, 2850 Eng.		5258019	5
	PLATE — Reverse pressure	ALL		5258528	1
	PLATE — Reverse cushion	ALL		5258989	1
	SPACER — 2nd clutch plate	4 Cyl. exc. 1600 Eng.		5258282	1
	SPACER — 2nd clutch plate	1600, 2250 Eng.		5258283	1
	SPACER — 2nd clutch plate	2600, 2850 Eng.		5258284	1
4.164	SPRING — Clutch piston return				
	SPRING — 2nd clutch	ALL		5258124	22
	SPRING — 3rd clutch	ALL		5258124	12
	SPRING — Reverse clutch	ALL		5258124	24
4.165	SEAT — Clutch piston return spring				
	SEAT — 2nd clutch	ALL		5258038	1
	SEAT — 3rd clutch	ALL		5258039	1
4.166	PISTON, SEAL — Clutch				
	PISTON ASSY. — 2nd clutch	ALL		5258109	1
	PISTON ASSY. — 3rd clutch	4 Cyl. exc. 1600 Eng.		5258322	1
	PISTON ASSY. — 3rd clutch	1600, 2250 Eng.		5258111	1
	PISTON ASSY. — 3rd clutch	2600, 2850 Eng.		5258112	1
	PISTON — Reverse clutch	4 Cyl. exc. 1600 Eng.		5258288	1
	PISTON — Reverse clutch	1600, 2250 Eng.		5258001	1
	PISTON — Reverse clutch	2600, 2850 Eng.		5258002	1
	SEAL — 2nd clutch piston inner	ALL		5258043	1
	SEAL — 2nd clutch piston outer	ALL		5258041	1
	SEAL — 3rd clutch piston inner	ALL		5258543	1
	SEAL — 3rd clutch piston outer	ALL		5258042	1
	SEAL — Reverse clutch piston inner	ALL		5258005	1
	SEAL — Reverse clutch piston outer	ALL		5258004	1
4.177	CARRIER ASSEMBLY and COMPONENTS — Planet				
	GEAR SET PACKAGE	ALL		(⁸¹ 2822065	1
	CARRIER ASSY.	ALL		(⁸⁰ 5258070	1
	CARRIER & SHAFT ASSY. — Output	ALL		(⁸⁰ 2815409	1
	GEAR ASSY. — Input sun	ALL		(⁸ 5258053	1
	WASHER — Short pinion (Bronze)	ALL		(⁸⁰ 5258068	8
	PINION — Short (Matched Set)	ALL		(⁸⁰ 2811802	1
	PINION — Long (Matched Set) 1st type	ALL		(⁸⁰ 2815097	1
	PINION — Long (Matched Set) 2nd type	ALL		(⁸⁰ 2815414	1
	WASHER — Input sun gear to carrier assy.	ALL		5258554	1
	WASHER — Input shaft to sun gear thrust	ALL		5258555	1
	BEARING — Sun gear to carrier assy.	ALL		5258553	1
	BEARING — Input shaft to sun gear thrust	ALL		5258553	1
	BEARING — Reaction sun gear	ALL		5685837	2
	GEAR & DRUM ASSY. — Reaction sun	ALL		(⁸⁰ 5258056	1
4.187	GEAR — Transmission ring				
	GEAR — (27 teeth)	ALL		(⁸⁰ 2815413	1

Note: (⁸⁰ Used only be used in Transmission fitted with 73 Tooth Ring Gear.

(⁸¹ Gear Set Package consists of Carrier Assy., Ring Gear, Reaction Sun Gear Assy., Input Sun Gear Assy.

HOLDEN "LC" PARTS CATALOGUE

GROUP	DESCRIPTION	MODEL	SIDE	PART No.	QTY.
TRANSMISSION ASSEMBLY, AUTOMATIC, STEERING COLUMN SHIFT CONSOLE SHIFT					
4.189	SEAT — Reverse clutch piston return spring				
	SEAT	ALL		5258021	1
4.195	PAN — Transmission oil				
	PAN ASSY.	ALL		5258141	1
	SCREW — Hex. hd. mach. $\frac{5}{16}$ " — 18 x $\frac{5}{8}$ "	ALL		3829139	12
	SCREW & GASKET ASSY. — Drain	ALL		7423483	1
	GASKET — Drain screw	ALL		513975	1
4.196	GASKET — Transmission oil pan				
	GASKET	ALL		2822944	1
4.205	PIPE, ADAPTOR, SLEEVE VALVE — Transmission vacuum modulator				
	PIPE	4 Cyl. exc. 1600 Eng.		2814706	1
	PIPE	1600 Eng.		2820828	1
	PIPE	6 Cyl. Eng.		2818516	1
	ADAPTOR	ALL		7448540	1
	SLEEVE — Mod. pipe to trans.	ALL		7420336	2-1
	SLEEVE — Mod. pipe to manifold	1600 Eng.		2686103	1
	CLIP — Mod. pipe to housing	1600 Eng.		2686706	1
	CLIP — Mod. pipe to manifold	1600 Eng.		354894	1
	VALVE — Pipe to manifold	1600 Eng.		8855906	1
4.212	COVER — Transmission servo				
	COVER	ALL		5258153	1
	GASKET — Cover	ALL		5258339	1
4.223	GASKET — Oil pump suction screen				
	GASKET	ALL		5258245	1
4.224	SCREEN ASSEMBLY — Transmission oil pump suction				
	SCREEN ASSY.	ALL		5258130	1
4.226	PUMP ASSEMBLY — Oil and components				
	PUMP ASSY.	ALL		5258072	1
	BUSHING — Body	ALL		5258529	1
	VALVE — Pressure regulator booster	ALL		5258143	1
	VALVE — Priming	ALL		5258344	1
	SPRING — Priming valve	ALL		5258345	1
	VALVE — Pressure regulator	ALL		5258140	1
	SPRING — Pressure regulator valve	ALL		5258166	1
	PIN — Pressure regulator valve (Chamfer $\frac{1}{8}$ " x $1\frac{1}{16}$ ")	ALL		114468	1
	PLATE — Wear	ALL		5258850	1
	SEAL — Converter housing to pump	ALL		3884683	5
	SEAL — Converter housing & pump to case	ALL		3884683	7
	SEAL — Oil pump outer	ALL		5258119	1
	SEAT — Pressure regulator valve spring	ALL		5258219	2
	BODY & GEAR PACKAGE (Matched Set)	ALL		2819891	1
	SLEEVE — Pressure regulator booster valve	ALL		5258161	1
	RETAINER — Priming valve	ALL		3784609	1
	GASKET — Oil pump assy.	ALL		5258208	1
	BOLT — Flanged, hex. hd. $\frac{5}{16}$ " — 18 x $1\frac{1}{2}$ "	ALL		9420831	5
	PLUG — Oil pump	ALL		8611710	3

HOLDEN "LC" PARTS CATALOGUE

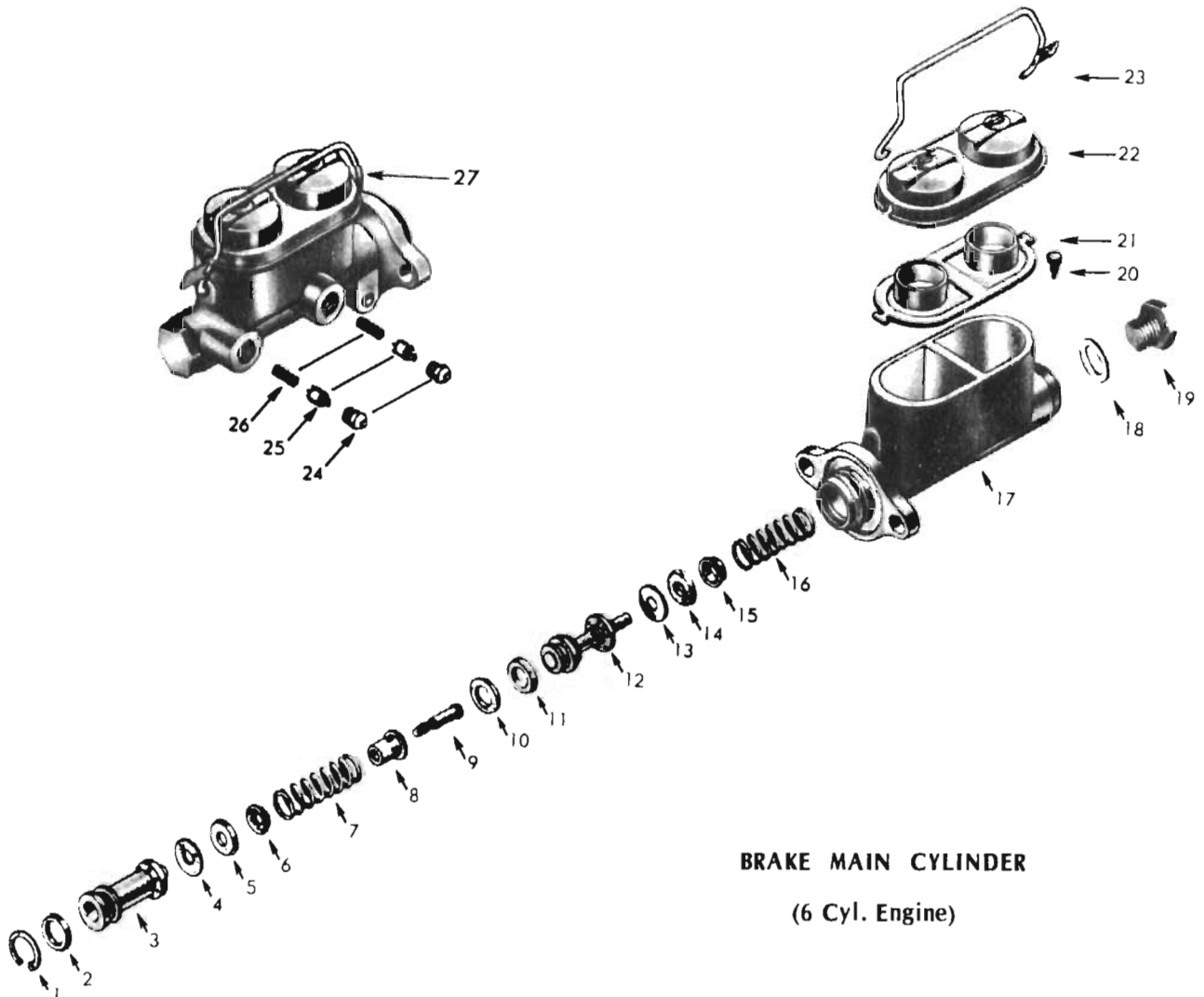
GROUP	DESCRIPTION	MODEL	SIDE	PART No.	QTY.
TRANSMISSION ASSEMBLY, AUTOMATIC, STEERING COLUMN SHIFT CONSOLE SHIFT					
4.228	PISTON — Servo and accumulator				
	PISTON ASSY. — Servo	4 Cyl. Eng.		5258570	1
	PISTON ASSY. — Servo	1600 Eng.		5258183	1
	PISTON ASSY. — Servo	6 Cyl. Eng.		5258569	1
	PISTON — Accumulator	ALL		5258186	1
4.230	ROD — Servo piston apply				
	ROD	ALL		5258182	1
4.233	SPRING, RETAINER, PIN — Piston				
	SPRING — Servo piston return	4 Cyl. exc. 1600 Eng.		5258165	1
	SPRING — Servo piston return	1600 Eng.		5258572	1
	SPRING — Servo piston return	6 Cyl. Eng.		5258572	1
	SPRING — Servo piston cushion	4 Cyl. exc. 1600 Eng.		5258567	1
	SPRING — Servo piston cushion	1600 Eng.		5258164	1
	SPRING — Servo piston cushion	6 Cyl. Eng.		5258565	1
	RETAINER — Servo piston	ALL		5258185	1
	PIN — Accumulator piston	ALL		5258550	1
	SPRING — Accumulator piston	ALL		5258162	1
4.251	BAND ASSEMBLY — Transmission reaction				
	BAND ASSY	ALL		5463805	1
	PIN — Band	ALL		5258190	2
4.256	GOVERNOR ASSEMBLY and COMPONENTS				
	GOVERNOR ASSY	4 Cyl. Eng.		2820229	1
	GOVERNOR ASSY.	6 Cyl. Eng.		2820230	1
	BODY — Governor valve	ALL		2820857	1
	SCREW & LOCK WASHER ASSY. — Hex. hd. mach. 1/4" — 20 x 3/4"	ALL		3805921	2
	GASKET — Governor	ALL		2818038	1
	VALVE — Primary	4 Cyl. Eng.		2820231	1
	VALVE — Primary	6 Cyl. Eng.		2820232	1
	VALVE — Secondary	4 Cyl. Eng.		5258809	1
	VALVE — Secondary	6 Cyl. Eng.		5258329	1
	SPRING — Secondary valve	ALL		5258163	1
	RETAINER — Secondary valve spring	ALL		5258342	1
	SCREEN ASSY. — Governor valve	ALL		5258383	1
4.265	BODY ASSEMBLY — Valve and components				
	BODY ASSY.	4 Cyl. exc. 1600 Eng.		2811798	1
	BODY ASSY.	1600 Eng.		2822173	1
	BODY ASSY.	6 Cyl. Eng.		2811799	1
	BODY	ALL		2811797	1
	PLATE — Transfer	ALL		5258146	1
	BALL — 2nd clutch quick dump	ALL		453571	1
	BALL — Pressure regulator booster valve	ALL		453571	1
	GASKET — Transfer plate to valve body	ALL		5258443	1
	GASKET — Transfer plate to case	ALL		5258155	1
	REINFORCEMENT — Transfer plate	ALL		5258318	1
	MODULATOR ASSY. — Vacuum	exc. 1600 Eng.		5638324	1
	MODULATOR ASSY. — Vacuum	1600 Eng.		5258922	1
	PLUNGER — Vacuum modulator	ALL		5258244	1
	GASKET — Vacuum modulator	ALL		5258240	1
	VALVE — Vacuum modulator	exc. 1600 Eng.		5258179	1
	VALVE — Vacuum modulator	1600 Eng.		5258920	1
	SLEEVE — Vacuum modulator valve	exc. 1600 Eng.		5258180	1
	SLEEVE — Vacuum modulator valve	1600 Eng.		5258921	1
	VALVE — Manual	ALL		5258145	1
	VALVE — 1st and 2nd shift	ALL		5258160	1

HOLDEN "LC" PARTS CATALOGUE

GROUP	DESCRIPTION	MODEL	SIDE	PART No.	QTY.
TRANSMISSION ASSEMBLY, AUTOMATIC, STEERING COLUMN SHIFT CONSOLE SHIFT					
4.265	BODY ASSEMBLY — Valve and components (contd.)				
	VALVE — 2nd and 3rd shift	ALL		5258193	1
	VALVE — 1st and 2nd shift control	ALL		5258192	1
	VALVE — 2nd and 3rd shift control	ALL		5258215	1
	VALVE — Low speed down shift timing	ALL		5258340	1
	VALVE — High speed down shift timing	ALL		5258340	1
	VALVE — 3rd to 2nd control	ALL		5258340	1
	VALVE — Manual low control	ALL		5258213	1
	VALVE — 1st & 2nd accumulator	ALL		2814288	1
	VALVE — 1st & 2nd accumulator control	ALL		5258807	1
	VALVE — Detent pressure regulator	ALL		5258600	1
	VALVE — Reverse control	ALL		5258212	1
	PIN — Valve retaining	ALL		2820110	A.R.
	SPRING — 1st & 2nd shift control valve	4 Cyl. Eng.		2811014	1
	SPRING — 1st & 2nd shift control valve	6 Cyl. Eng.		5258167	1
	SPRING — 2nd & 3rd shift control valve	4 Cyl. exc. 1600 Eng.		2811014	1
	SPRING — 1st & 2nd shift control valve	1600 Eng.		5258168	1
	SPRING — 2nd & 3rd shift control valve	6 Cyl. Eng.		5258168	1
	SPRING — Low speed down shift timing valve	ALL		5258170	1
	SPRING — High speed down shift timing valve	4 Cyl. Eng.		5258377	1
	SPRING — High speed down shift timing valve	6 Cyl. Eng.		2816882	1
	SPRING — 3rd to 2nd control valve	exc. 1600 Eng.		5258562	1
	SPRING — 3rd to 2nd control valve	1600 Eng.		2811471	1
	SPRING — Manual low & reverse control valve	ALL		5258552	1
	SPRING — 1st & 2nd accumulator valve	1600, 6 Cyl. Eng.		2810537	1
	SPRING — Detent pressure regulator valve	4 Cyl. Eng.		2811015	1
	SPRING — Detent pressure regulator valve	6 Cyl. Eng.		5258171	1
	SPRING — Manual detent	ALL		2809934	1
	SLEEVE — 1st & 2nd shift control valve	ALL		5258184	1
	SLEEVE — 2nd & 3rd shift control valve	ALL		5258195	1
	SEAT — 2nd & 3rd shift control valve spring	ALL		5258509	1
	SEAT — Detent pressure regulator valve spring	ALL		5258805	1
	LINK — Manual valve lever	ALL		5258243	1
	PLUG — Low speed down shift timing valve	ALL		5258216	1
	PLUG — 3rd to 2nd control valve	ALL		5258216	1
	PLUG — 1st & 2nd accumulator valve	ALL		5258333	1
4.279	VALVE, SPRING, SLEEVE, ROLLER — Detent				
	VALVE	ALL		5258214	1
	SPRING — Valve	ALL		5258588	1
	SEAT — Valve spring	ALL		5258231	1
	SLEEVE — Valve	ALL		5258337	1
	SEAL — Valve sleeve oil	ALL		5258338	1
	ROLLER & SPRING ASSY.	ALL		5258253	1
	LEVER — Park lock & range selector, inner	ALL		5258149	1
4.282	SEAL — Park lock and range selector shaft oil				
	SEAL	ALL		8623056	1

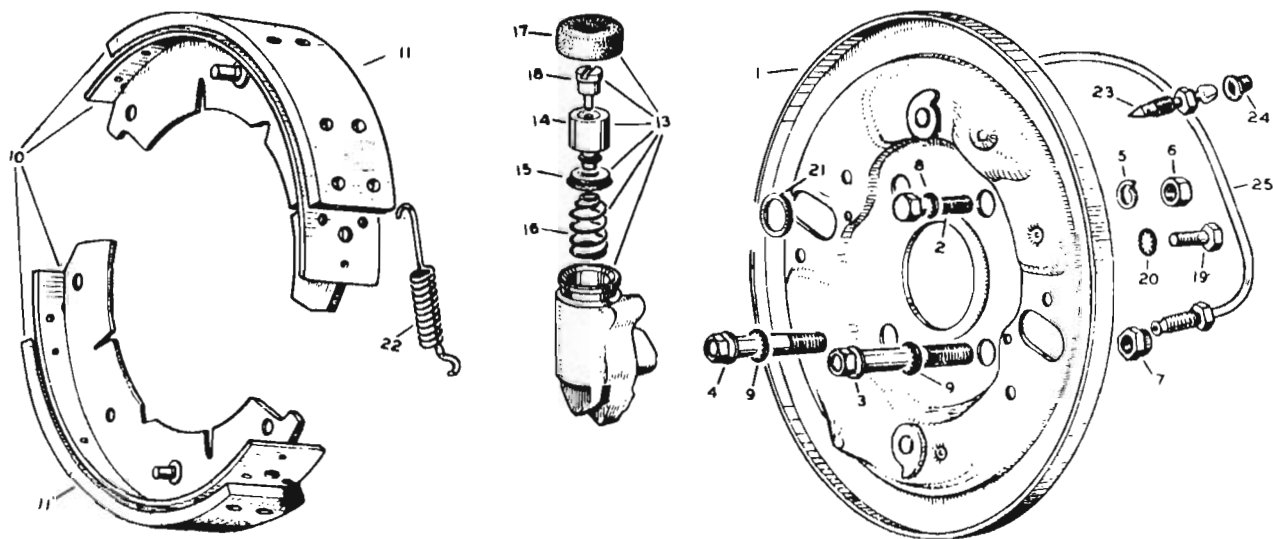
HOLDEN "LC" PARTS CATALOGUE

GROUP	DESCRIPTION	MODEL	SIDE	PART No.	QTY.
TRANSMISSION ASSEMBLY, AUTOMATIC, STEERING COLUMN SHIFT CONSOLE SHIFT					
4.294	ACTUATOR ASSEMBLY, RING, SLEEVE, SHAFT — Parking brake lock				
	ACTUATOR ASSY	ALL		2817360	1
	RING — Actuator to inner lever	ALL		6257880	1
	SLEEVE — Actuator	ALL		5258082	1
	PAWL	ALL		5258062	1
	SHAFT — Pawl	ALL		5258366	1
	SHAFT — Park lock and range selector	ALL		5258286	1
4.295	SPRING — Parking brake lock pawl disengaging				
	SPRING	ALL		5258076	1
4.317	HOUSING — Transmission rear bearing				
	HOUSING — Rear bearing	ALL		5258484	1
	BUSHING — Housing	ALL		7448517	1
	SEAL — Housing	ALL		3932255	1
4.318	GASKET — Transmission rear bearing housing				
	GASKET	ALL		5258199	1
4.337	GEAR — Speedometer driven and drive				
	GEAR — Driven — 24 teeth	4 Cyl. Eng.		7430972	1
	GEAR — Driven — 22 teeth	6 Cyl. Eng. 3.08:1 A.R.		7430970	1
	GEAR — Driven — 20 teeth	6 Cyl. Eng. 2.78:1 A.R.		7430968	1
	GEAR — Driven — 24 teeth	6 Cyl. Eng. 3.36:1 A.R.		7430972	1
	GEAR — Drive	4 Cyl. Eng.		5258754	1
	GEAR — Drive	6 Cyl. Eng.		5258493	1
	CLIP — Drive gear	ALL		1373122	1
4.338	"O" RING — Speedometer driven gear				
	"O" RING	ALL		7430921	1
4.342	CABLE and CASING, GROMMET, RETAINER — Speedometer				
	CABLE & CASING	4 Cyl. Eng.		2817825	1
	CABLE & CASING	6 Cyl. Eng.			
			RIGHT HAND DRIVE	2817827	1
			LEFT HAND DRIVE	2817828	1
	CASING	4 Cyl. Eng.		VS11037	1
	CASING	6 Cyl. Eng.			
			RIGHT HAND DRIVE	VS11035	1
			LEFT HAND DRIVE		1
	CABLE KIT	4 Cyl. Eng.		VS11030	1
	CABLE KIT	6 Cyl. Eng.			
			RIGHT HAND DRIVE	VS11028	1
			LEFT HAND DRIVE		1
	GROMMET — Speedo cable		RIGHT HAND DRIVE	7438395	1
	CLIP — Fastener	ALL		SP1885	1
	RETAINER — Speedo drive end	ALL		7430917	1
	SEAL — Cable	ALL		7434266	1



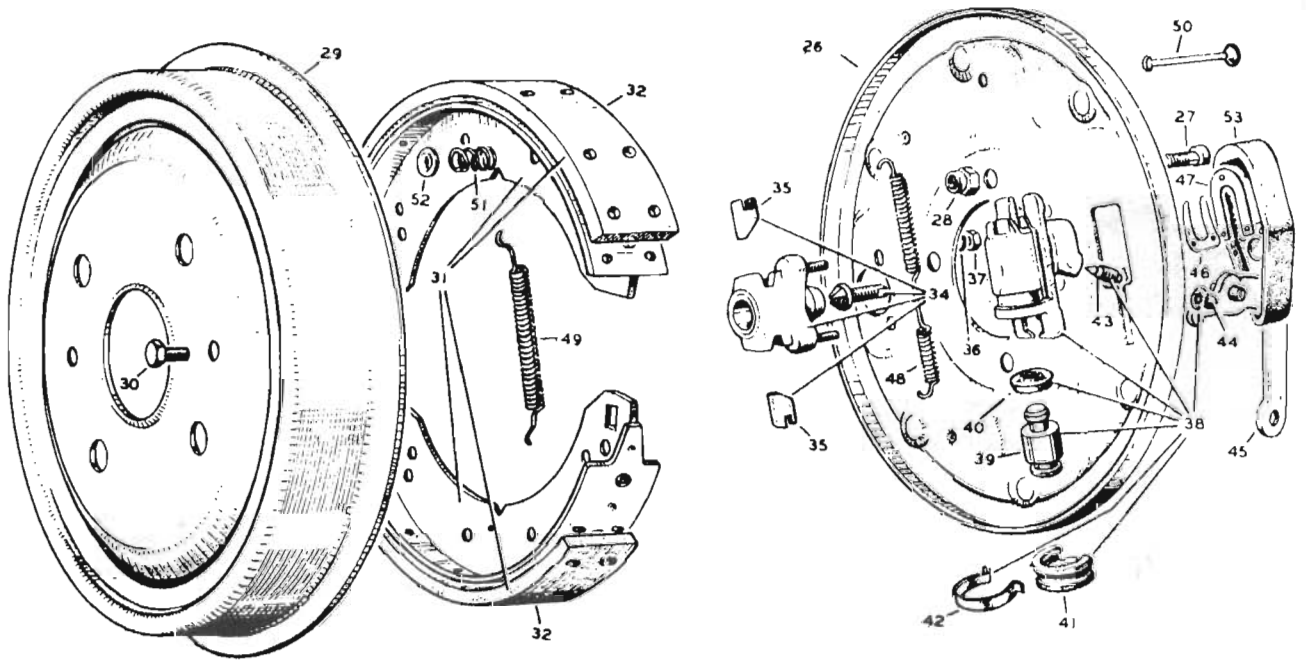
BRAKE MAIN CYLINDER
(6 Cyl. Engine)

ILLUS. REF. NO.	PART NAME	GROUP	ILLUS. REF. NO.	PART NAME	GROUP
1.	RING - Lock	4.656	15 }	SPRING & RETAINER - Secondary	4.655
2.	SEAL	4.654	16 }		
3.	PISTON - Primary	4.653	17.	BODY	4.650
4.	PROTECTOR	4.654	18.	WASHER - Plug	4.652
5.	SEAL	4.654	19.	PLUG	4.652
6.	RETAINER - Primary spring	4.655	20.	SCREW - Primary piston stop	4.653
7.	SPRING - Primary	4.655	21.	DIAPHRAGM - Cover	4.651
8.	STOP - Primary piston	4.653	22.	COVER	4.651
9.	SCREW - Primary piston extension	4.656	23.	BAIL - Cover	4.651
10.	SEAL	4.654	24.	INSERT - Tube fitting	4.652
11.	SEAL	4.654	25.	VALVE ASSY.	4.657
12.	PISTON - Secondary	4.653	26.	SPRING - Valve	4.657
13.	PROTECTOR	4.654	27.	CYLINDER ASSY.	4.650
14.	SEAL	4.654			



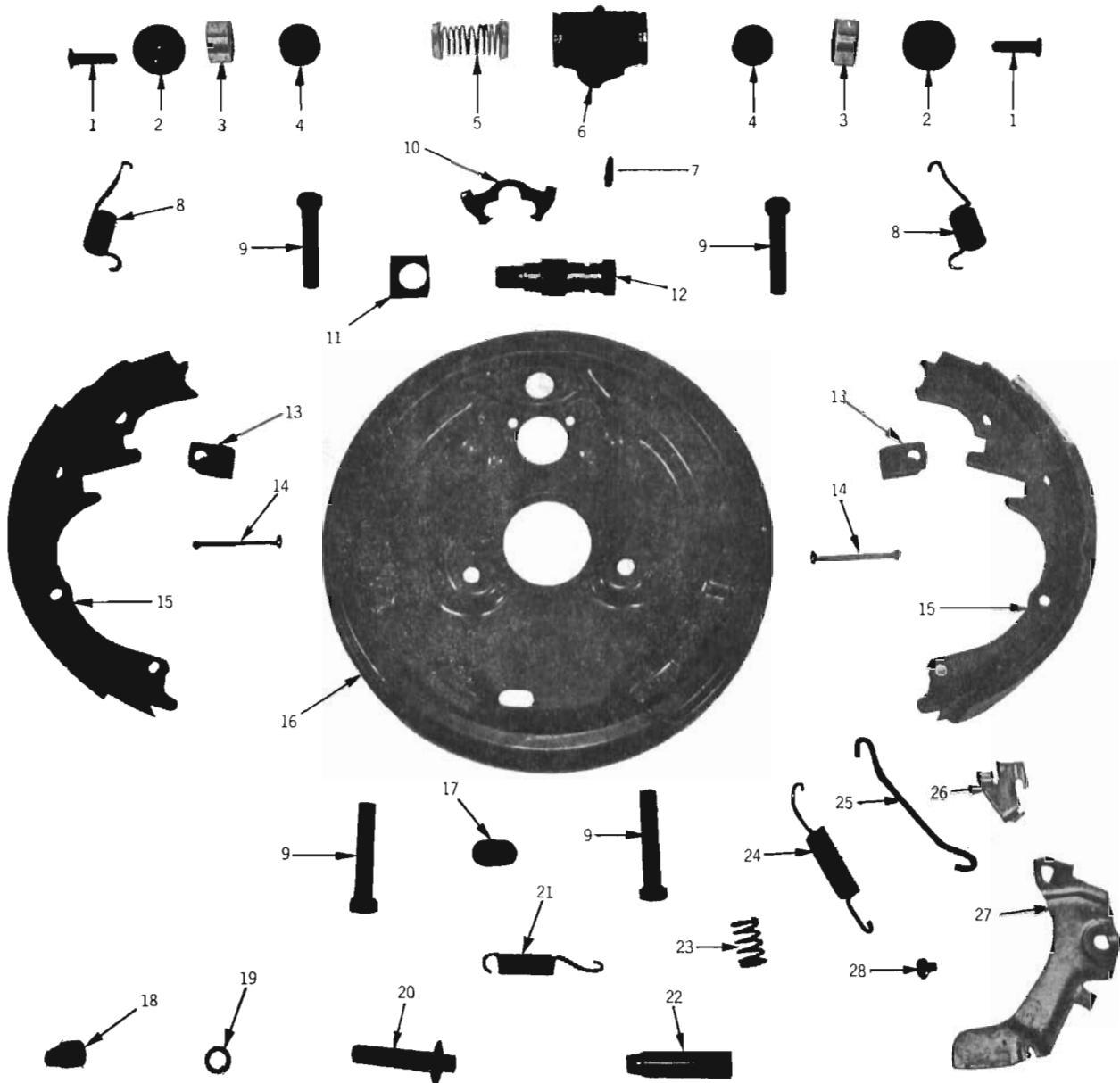
**FRONT BRAKES
(4 Cyl. Engine)**

ILLUS. REF. NO.	PART NAME	GROUP	ILLUS. REF. NO.	PART NAME	GROUP	ILLUS. REF. NO.	PART NAME	GROUP
1.	PLATE	5.001	9.	WASHER	8.932	18.	INSERT - Piston ..	4.670
2.	BOLT - Plate	5.002	10.	SHOE & LINING	5.017	19.	SCREW	4.665
3.	BOLT - Plate	5.002	11.	LINING SET	5.018	20.	WASHER	4.665
4.	BOLT - Plate	5.002	13.	CYLINDER ASSY.	4.665	21.	RING - Sealing	4.665
5.	WASHER	8.931	14.	PISTON	4.668	22.	SPRING	5.026
6.	NUT	8.915	15.	CUP	4.667	23.	VALVE - Bleeder..	4.666
7.	NUT	5.002	16.	SPRING	4.669	24.	EXCLUDER	4.666
8.	WASHER	8.932	17.	BOOT - Dust	4.670	25.	PIPE ASSY.	4.685



REAR BRAKES
(4 Cyl. Engine)

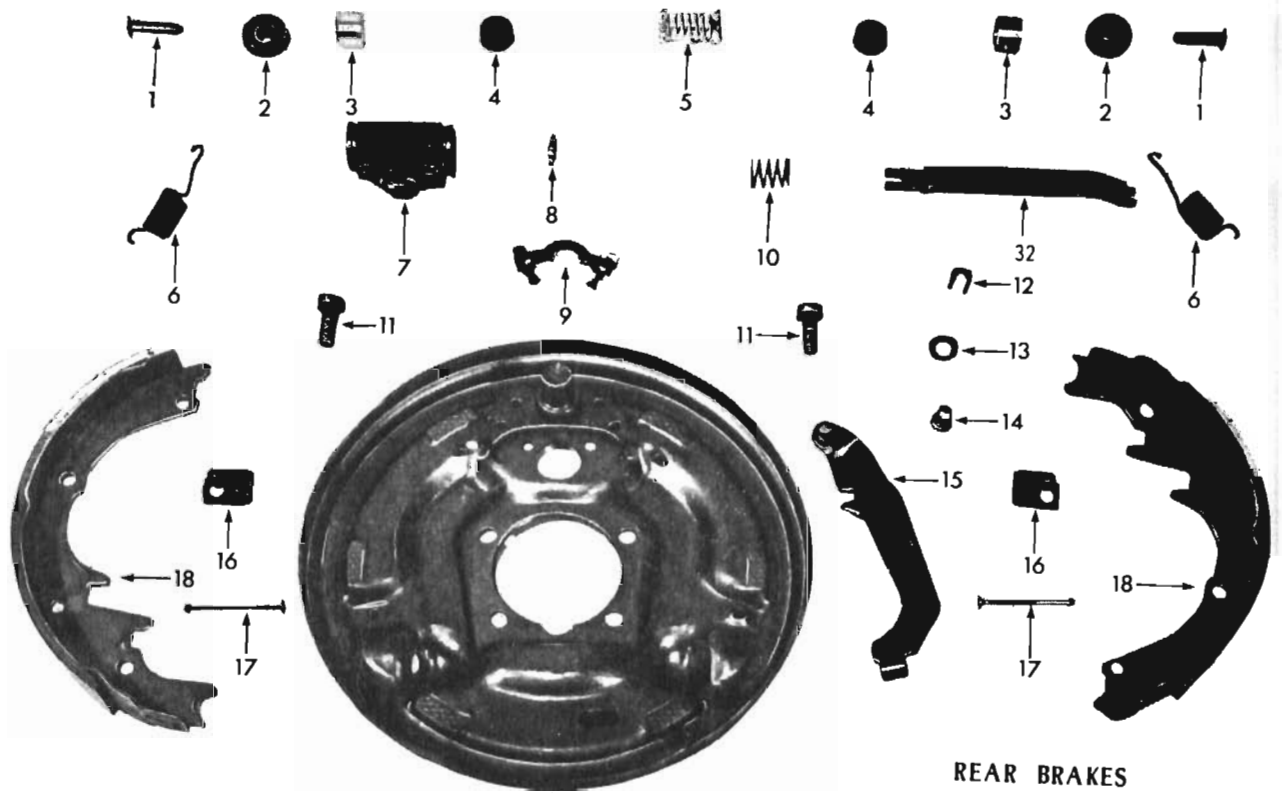
REF. NO.	PART NAME	GROUP	REF. NO.	PART NAME	GROUP	REF. NO.	PART NAME	GROUP
26.	PLATE	5.001	36.	WASHER	5.110	45.	LEVER	5.149
27.	BOLT - Plate	5.002	37.	NUT	5.111	46.	PLATE	5.045
28.	NUT	5.002	38.	CYLINDER ASSY.	4.665	47.	PLATE	5.075
29.	DRUM	5.309	39.	PISTON	4.668	48.	SPRING	5.026
30.	BOLT	5.420	40.	CUP	4.667	49.	SPRING	5.107
31.	SHOE & Lining	5.017	41.	BOOT - Dust	4.670	50.	PIN	5.041
32.	LINING SET	5.018	42.	CLIP	4.670	51.	SPRING	5.043
34.	ADJUSTER ASSY.	5.103	43.	VALVE - Bleeder ...	4.666	52.	WASHER	5.043
35.	TAPPET	5.111	44.	EXCLUDER	4.666	53.	COVER	4.674



**FRONT BRAKES
(Duo-Servo Self Adjusting)
(6 Cyl. Engine)**

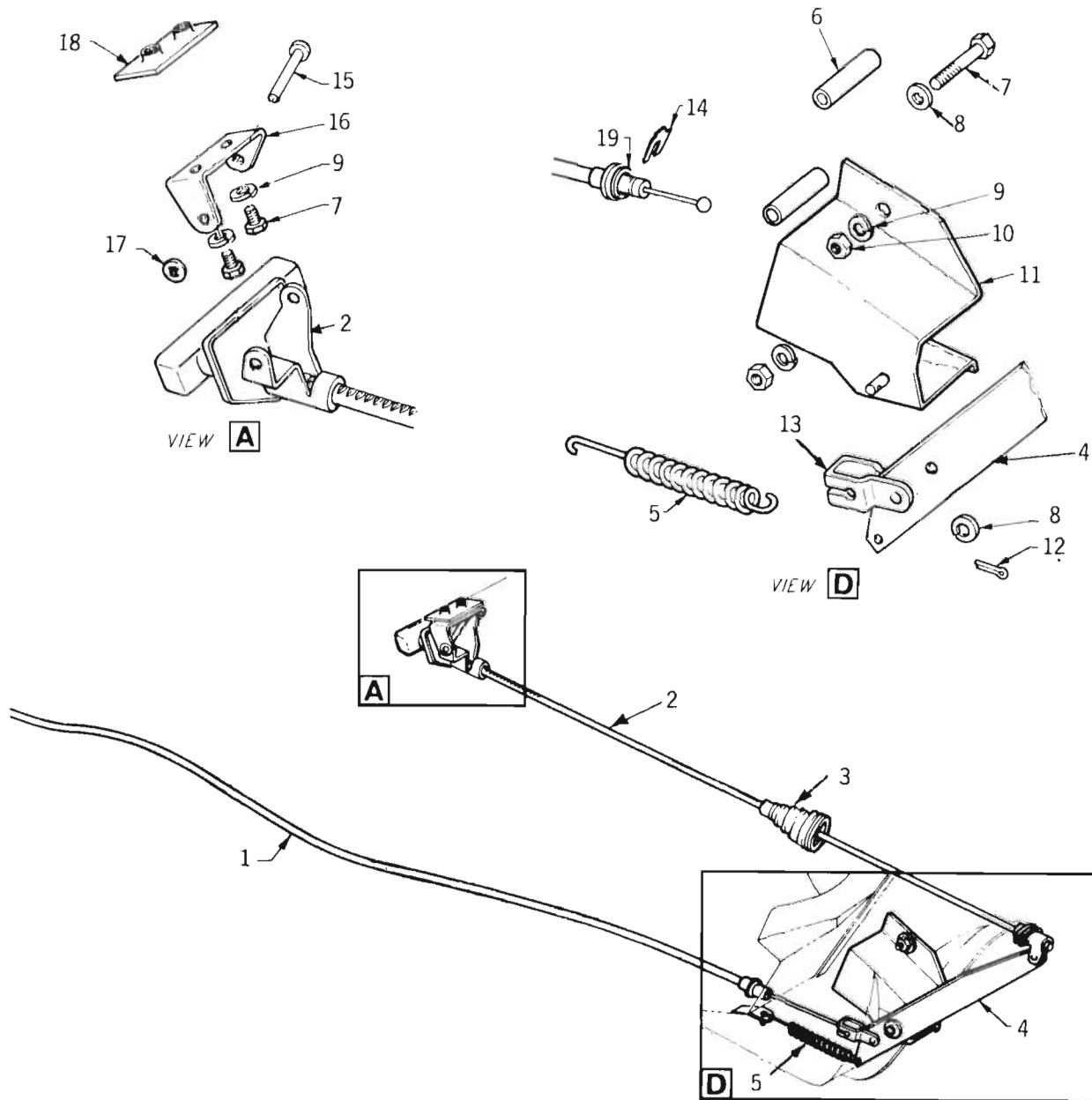
ILLUS. REF. NO.	PART NAME	GROUP	ILLUS. REF. NO.	PART NAME	GROUP
1.	LINK - Connecting	4.675	15.	SHOE and LINING	5.017
2.	BOOT	4.670	16.	PLATE - Backing	5.001
3.	PISTON	4.668	17.	COVER - Adjusting hole	5.188
4.	CUP	4.667	18.	PLUG - Adjusting	5.111
5.	SPRING	4.669	19.	WASHER - Adjusting screw	5.110
6.	BODY	4.665	20.	SCREW - Adjusting	5.110
7.	VALVE - Bleeder	4.666	21.	SPRING - Adjusting nut	5.026
8.	SPRING - Retractor	5.026	22.	NUT - Adjusting	5.111
9.	BOLT - Backing plate	8.900	23.	SPRING - Adjuster return	5.107
10.	PLATE - Guide	5.045	24.	SPRING - Adjuster overload	5.107
11.	PLATE - backing plate bolt lock	5.002	25.	LINK	5.105
12.	PIN - Anchor	5.055	26.	PLATE - Lever pivot	5.103
13.	SPRING - Hold down pin	5.043	27.	LEVER	5.103
14.	PIN - Shoe hold down	5.041	28.	BUSHING	5.103

HOLDEN "LC" PARTS CATALOGUE



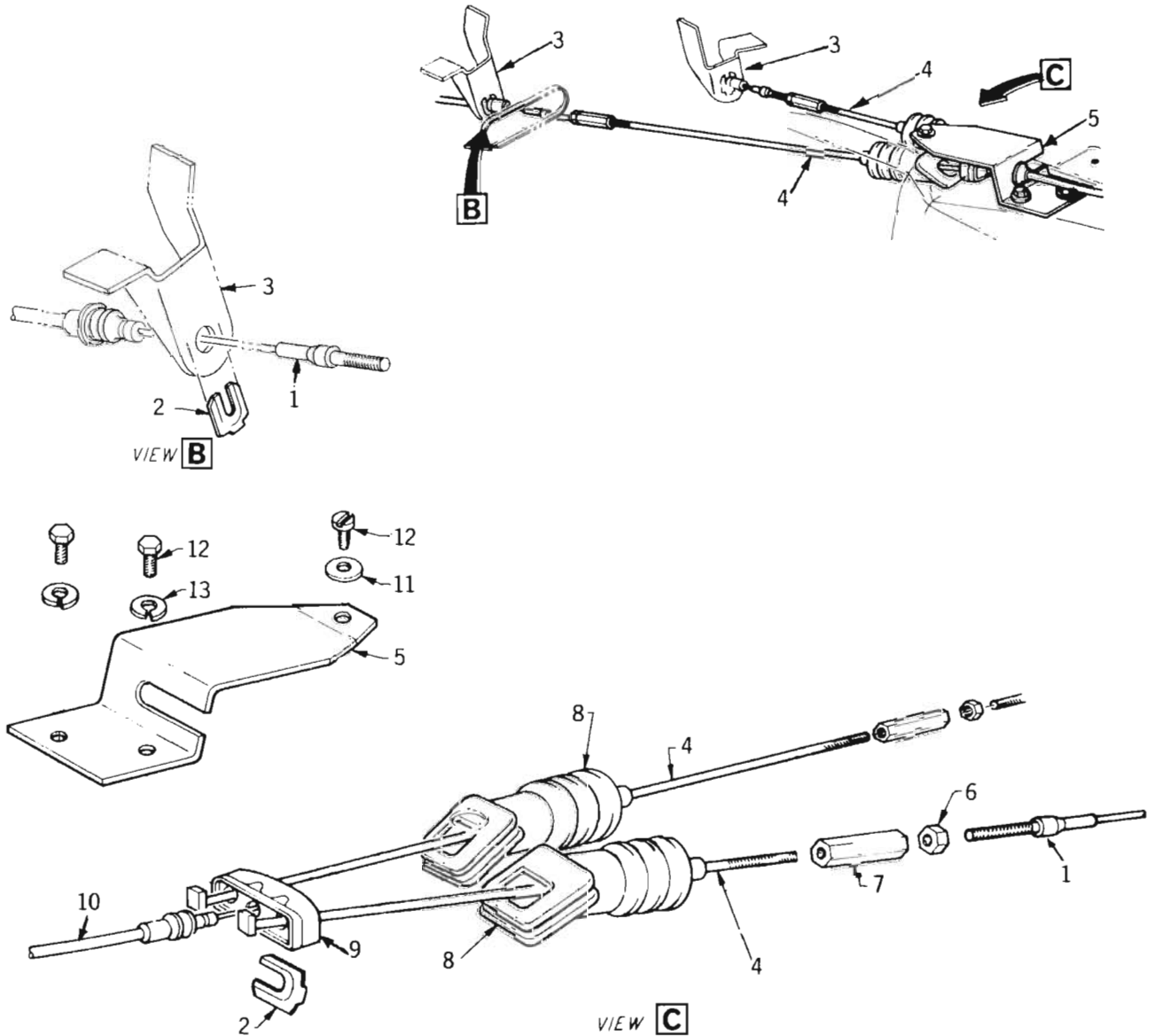
**REAR BRAKES
(6 Cyl. Engine)**

ILLUS. REF. NO.	PART NAME	GROUP	ILLUS. REF. NO.	PART NAME	GROUP
1.	LINK - Connecting	4.675	17.	PIN - Shoe hold down	5.041
2.	BOOT	4.670	18.	SHOE and LINING	5.017
3.	PISTON	4.668	19.	COVER - Adjusting hole	5.188
4.	CUP	4.667	20.	PLUG - Adjusting	5.111
5.	SPRING	4.669	21.	WASHER - Adjusting screw	5.110
6.	SPRING - Retractor	5.026	22.	SCREW - Adjusting	5.110
7.	BODY	4.665	23.	SPRING - Adjusting nut	5.026
8.	VALVE - Bleeder	4.666	24.	NUT - Adjusting	5.111
9.	PLATE - Guide	5.045	25.	SPRING - Adjuster return	5.107
10.	SPRING - Strut	5.151	26.	SPRING - Adjuster overload	5.107
11.	BOLT - Backing plate	5.002	27.	LINK	5.105
12.	CLIP - Lever retainer	5.158	28.	PLATE - Lever pivot	5.103
13.	WASHER - Lever to shoe	5.158	29.	BUSHING	5.103
14.	PIN - Lever	5.158	30.	LEVER	5.103
15.	LEVER	5.149	31.	PLATE - Backing	5.001
16.	SPRING - Hold down pin	5.043	32.	STRUT	5.150



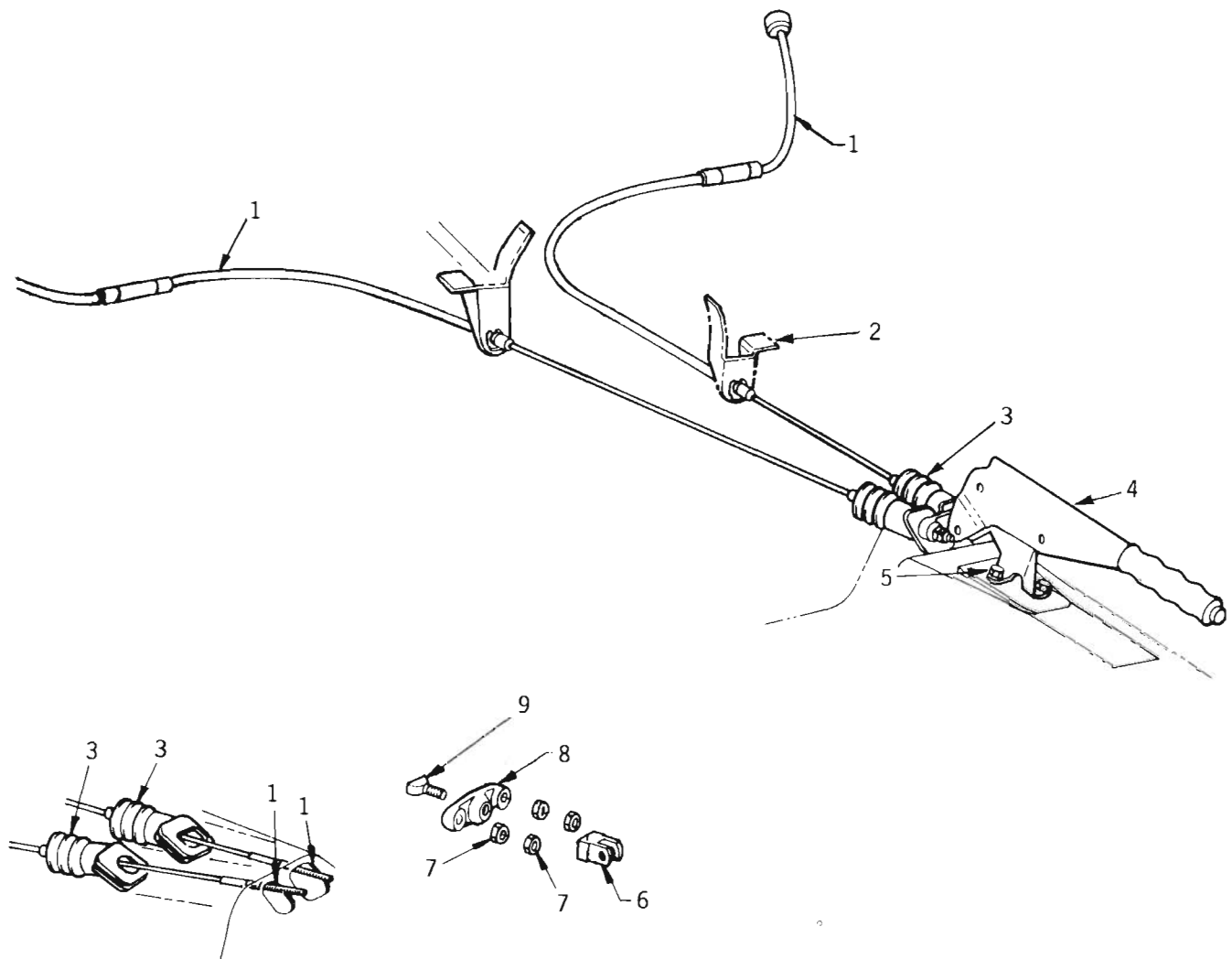
HAND BRAKE LAYOUT – DASH MOUNTED

ILLUS. REF. NO.	PART NAME	GROUP	ILLUS. REF. NO.	PART NAME	GROUP
1.	CABLE ASSY. – Front	4.826	11.	BRACKET ASSY. – Lever mounting, lower	4.591
2.	LEVER ASSY.	4.591	12.	PIN	8.938
3.	BOOT	4.834	13.	CLEVIS	4.826
4.	LEVER	4.596	14.	SPRING – Yoke	4.826
5.	SPRING – Lever return	4.596	15.	STUD – Mounting bracket	4.591
6.	SPACER	4.591	16.	BRACKET ASSY. – Lever mounting, upper	4.591
7.	BOLT	8.900	17.	NUT – Mounting bracket stud	4.591
8.	WASHER	8.929	18.	PLATE – Upper mounting bracket	4.591
9.	WASHER	8.931	19.	WASHER – Cable	4.826
10.	NUT	8.915			



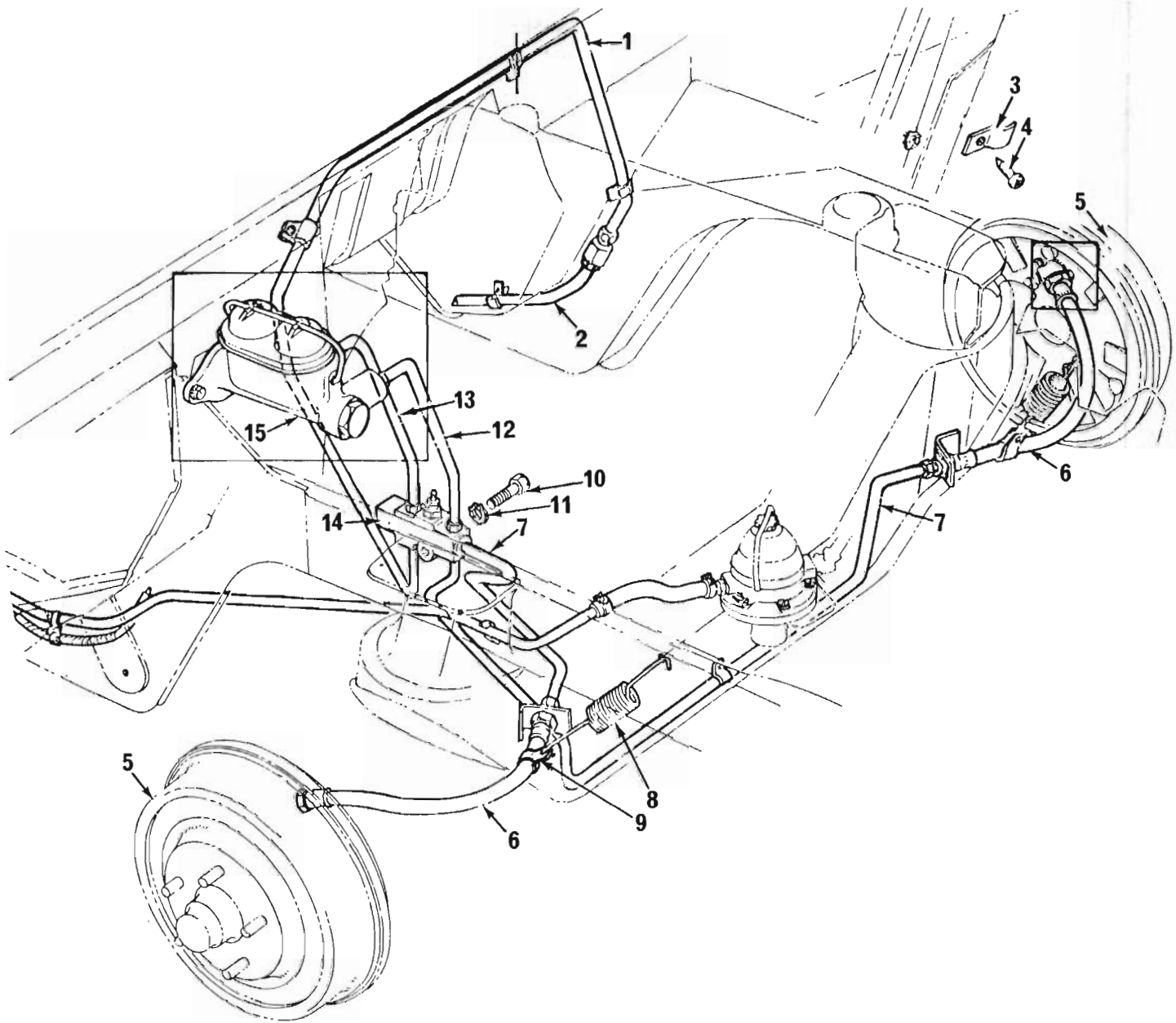
HAND BRAKE LAYOUT – DASH MOUNTED

ILLUS. REF. NO.	PART NAME	GROUP	ILLUS. REF. NO.	PART NAME	GROUP
1.	CABLE ASSY. – Rear	4.826	8.	BOOT	4.828
2.	SPRING – Yoke	4.826	9.	PLATE – Lock, portion of cable assy., front	N.S.S.
3.	BRACKET – Cable	4.829	10.	CABLE ASSY. – Front	4.826
4.	ROD – Cable adjusting	4.825	11.	WASHER	8.929
5.	BRACKET	4.764	12.	SCREW	8.977
6.	NUT	8.915	13.	WASHER	8.931..
7.	BAR – Rear cable adjusting	4.825			



HAND BRAKE LAYOUT – FLOOR MOUNTED

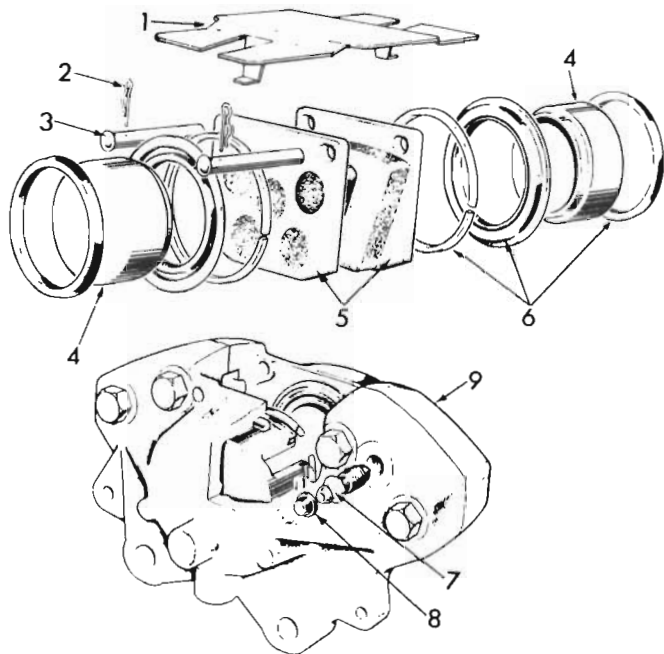
ILLUS. REF. NO.	PART NAME	GROUP	ILLUS. REF. NO.	PART NAME	GROUP
1	CABLE ASSY – Rear	4.826	6	CLEVIS	4.826
2	BRACKET – Cable	4.829	7	NUT	8.915
3	BOOT – Cable	4.828	8	EQUALISER	4.764
4	LEVER ASSY.	4.591	9	STUD	4.765
5	SCREW	8.977			



**BRAKE DRUMS, HOSES and PIPES
(6 Cylinder Engine)**

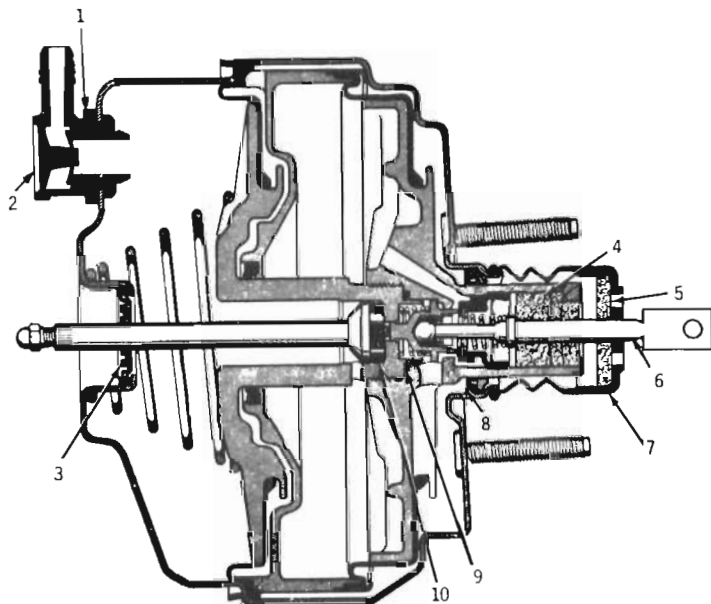
ILLUS. REF. NO.	PART NAME	GROUP	ILLUS. REF. NO.	PART NAME	GROUP
1.	PIPE Connector to rear brake connector	4.685	9.	CLIP - Brake hose	4.681
2.	PIPE - Connector to rear brake hose	4.685	10.	SCREW	8.977
3.	CLIP - Pipe to dash panel	4.685	11.	WASHER	8.932
4.	SCREW	8.977	12.	PIPE - Main cyl. to front brake connector	4.685
5.	DRUM	5.809	13.	PIPE - Main cyl. to rear brake connector	4.685
6.	HOSE - Front	4.680	14.	CONNECTOR & SWITCH	4.686
7.	PIPE - Connector to front brake	4.685	15.	CYLINDER	4.650
8.	SPRING - Hose retainer	4.681			

BRAKE CALIPER ASSEMBLY



ILLUS. REF. NO.	PART NAME	GROUP
1.	SHIELD - Splash	5.011
2.	CLIP - Pin	5.020
3.	PIN - Pad retaining	5.020
4.	PISTON - Front caliper	4.668
5.	PAD SET - Front brake	5.018
6.	SEAL KIT - Front caliper	4.667
7.	VALVE - Front caliper	4.666
8.	CAP - Valve	4.666
9.	CALIPER ASSY.	5.010

BRAKE BOOSTER UNIT



ILLUS. REF. NO.	PART NAME	GROUP
1.	GROMMET - Check valve	4.904
2.	VALVE ASSY. - Check	4.904
3.	SEAL - Push rod	4.907
4.	FILTER	4.903
5.	WASHER - Plunger, felt	4.907
6.	PLUNGER & PAD - Valve	4.907
7.	BOOT - Plunger	4.907
8.	SEAL ASSY. - Rear shell	4.908
9.	PAD ASSY. - Centre shell	4.908
10.	DISC - Reaction	4.907

HOLDEN "LC" PARTS CATALOGUE

GROUP	DESCRIPTION	MODEL	SIDE	PART No.	QTY.
4.591 LEVER ASSEMBLY — Hand brake					
	LEVER ASSY	Bucket Seat		2812019	1
	LEVER ASSY	Bench Seat	RIGHT HAND DRIVE	2812866	1
	BRACKET — Lever mounting, upper	Bench Seat	RIGHT HAND DRIVE	2812870	1
	PLATE — Lever mounting upper bracket	Bench Seat	RIGHT HAND DRIVE	7423657	1
	STUD — Upper mounting bracket	Bench Seat	RIGHT HAND DRIVE	SP2017	1
	NUT — Upper mounting bracket	Bench Seat	RIGHT HAND DRIVE	SP2019	1
	BRACKET ASSY. — Lever mounting	Bench Seat	RIGHT HAND DRIVE	2812854	1
	PIN — Lever	Bench Seat	RIGHT HAND DRIVE	SP2053	1
4.595 PAWL, SPRING — Hand brake ratchet					
	PAWL	Bench Seat	RIGHT HAND DRIVE	7415746	2
	SPRING — Pawl	Bench Seat	RIGHT HAND DRIVE	516228	2
4.596 LEVER, SPRING, BRACKET — Hand brake					
	LEVER	Bench Seat	RIGHT HAND DRIVE	2812858	1
	SPRING — Lever return	Bench Seat	RIGHT HAND DRIVE	2812861	1
	BRACKET — Spring anchor	Bench Seat	RIGHT HAND DRIVE	2812862	1
	BRACKET — Pull rod pivot	Bench Seat	RIGHT HAND DRIVE	2812859	1
	PIN — Spring $\frac{3}{32}$ " x 1. $\frac{1}{8}$ "	Bench Seat	RIGHT HAND DRIVE	9422863	1
4.597 SPRING — Hand brake pull rod					
	SPRING	Bench Seat	RIGHT HAND DRIVE	2812860	1
4.608 GAITER ASSEMBLY — Hand brake lever					
	GAITER ASSY — Trim Nos. 40E, 40F, 40L, 40P, 40Q, 40R, 40T, 40V, 40W, 40X, 40Y, 40Z, 45L, 45V, 48V, 48W, 48X, 48Y	Bucket Seat		2810933BA	1
	GAITER ASSY — Trim Nos. 41A, 41B	Bucket Seat		2810933BM	1
	GAITER ASSY — Trim Nos. 41E, 41F, 41P, 41R, 41T, 41V, 41W, 41X, 41Y	Bucket Seat		2810933BB	1
	GAITER ASSY — Trim Nos. 42A, 42E, 42R, 42T, 42X, 42Y	Bucket Seat		2810933BC	1
	GAITER ASSY. — Trim Nos. 42B	Bucket Seat		2810933BW	1
	GAITER ASSY — Trim Nos. 42F, 42P, 42V, 42W	Bucket Seat		2810933BT	1
	GAITER ASSY — Trim Nos. 43E, 43F, 43P, 43R, 43T, 43X, 43Y	Bucket Seat		2810933BD	1
	GAITER ASSY. — Trim Nos. 44A	Bucket Seat		2810933BP	1
	GAITER ASSY. — Trim Nos. 44E, 44F, 44P, 44R, 44T, 44X, 44Y	Bucket Seat		2810933BE	1
	GAITER ASSY — Trim Nos. 46B	Bucket Seat		2810933BX	1
	GAITER ASSY — Trim Nos. 46F, 46P, 46V, 46W	Bucket Seat		2810933BU	1
	GAITER ASSY — Trim Nos. 48F, 48P, 48Q	Bucket Seat		2810933BG	1
	SLEEVE — Gaiter to lever	Bucket Seat		7152862	1
4.610 BRACKET, BODY, SPRING, PLUNGER — Hand brake warning lamp					
	BRACKET	4 Cyl. Eng. Bucket Seat		7449064	1
	BRACKET	6 Cyl. Eng. Bucket Seat		2812327	1
	BODY — Switch	4 Cyl. Eng.		7418802	1
	BODY — Switch	6 Cyl. Eng.		2807323	1
	SPRING — Switch	4 Cyl. Eng.		7418544	1
	SPRING — Switch	6 Cyl. Eng.		2807324	1
	PLUNGER — Switch	4 Cyl. Eng.		7418929	1
	PLUNGER — Switch	6 Cyl. Eng.		2807325	1
	SOCKET ASSY. — Bulb	ALL		2973932	1
	WIRE ASSY	Bucket Seat		2805889	1
	WIRE ASSY	Bench Seat		7436253	1

HOLDEN "LC" PARTS CATALOGUE

GROUP	DESCRIPTION	MODEL	SIDE	PART No.	QTY.
4.610	BRACKET, BODY, SPRING, PLUNGER — Hand brake warning lamp (contd.)				
	HAND BRAKE WARNING LAMP PKG.	4 Cyl. Eng.		2806631	1
	HAND BRAKE WARNING LAMP PKG.	6 Cyl. Eng. Warning Lamps			
		Bucket Seat		2811629	1
	HAND BRAKE WARNING LAMP PKG.	6 Cyl. Eng. Warning Lamps			
		Bench Seat		2812481	1
4.625	PEDAL, PAD, BUMPER — Brake				
	PEDAL	(M) 4 Cyl. Eng.		7186388	1
	PAD — Pedal	(M) 4 Cyl. Eng.		7202191	1
	PEDAL ASSY	(A) 4 Cyl. Eng.		2811019	1
	PAD — Pedal	(A) 4 Cyl. Eng.		7433702	1
	PEDAL ASSY	(M) 6 Cyl. Eng.			
			RIGHT HAND DRIVE	2806051	1
	PAD — Pedal	(M) 6 Cyl. Eng.			
			RIGHT HAND DRIVE	7202191	1
	PEDAL ASSY	(A) 6 Cyl. Eng.			
			RIGHT HAND DRIVE	2810312	1
	PAD — Pedal	(A) 6 Cyl. Eng.			
			RIGHT HAND DRIVE	2810309	1
	PEDAL ASSY	(M)	LEFT HAND DRIVE	2810752	1
	PAD — Pedal	(M)	LEFT HAND DRIVE	2811586	1
	PEDAL ASSY	(A)	LEFT HAND DRIVE	2812699	1
	PAD — Pedal	(A)	LEFT HAND DRIVE	7433702	1
	BUMPER — Pedal	6 Cyl. Eng.		7431380	1
4.626	BUSHING — Brake pedal				
	BUSHING	4 Cyl. Eng.		6368033	2
	BUSHING	6 Cyl. Eng.		3798256	2
4.627	BRACKET and SHAFT ASSEMBLY — Brake pedal				
	BRACKET and SHAFT ASSY	4 Cyl. Eng.		7448468	1
	GASKET — Support to dash panel	4 Cyl. Eng.		7192224	1
	BRACKET ASSY	6 Cyl. Eng.			
			RIGHT HAND DRIVE	2806053	1
			LEFT HAND DRIVE	2810114	1
4.628	SHAFT, PLATE, LEVER — Brake booster relay				
	SHAFT	Disc, Power Brakes		2806063	1
	PLATE — Shaft lock	Disc, Power Brakes		2806068	1
	LEVER	Disc, Power Brakes		2819903	2
	WASHER — Relay lever	Disc, Power Brakes		7411849	3
	WASHER — Relay lever	Disc, Power Brakes		7409936	1
	BUSHING — Relay shaft	Disc, Power Brakes		6368033	2
	RETAINER — Levers to booster	6 Cyl. Eng. Disc, Power Brakes		3749084	1
4.634	SHAFT — Brake pedal				
	SHAFT ASSY	ALL		2810119	1
4.636	SPACER, PIN — Brake pedal shaft				
	SPACER	4 Cyl. Eng.		7216192	1
	PIN — Retaining	4 Cyl. Eng.		7186506	1
	RETAINER	6 Cyl. Eng.		7411804	1
	WASHER — Retainer	(A) 6 Cyl. Eng.			
			RIGHT HAND DRIVE	7409936	1
4.639	SPRING — Brake pedal return				
	SPRING	4 Cyl. Eng.		7186454	1
	SPRING	6 Cyl. Eng.		2811439	1

HOLDEN "LC" PARTS CATALOGUE

GROUP	DESCRIPTION	MODEL	SIDE	PART No.	QTY.
4.649	REPAIR KIT — Brake main cylinder				
	REPAIR KIT	4 Cyl. Eng. Drum Brakes		VS10960	1
	REPAIR KIT	4 Cyl. Eng. Disc Brakes		VS10953	1
	REPAIR KIT	6 Cyl. Eng.		(68) 7436168	1
4.650	CYLINDER ASSEMBLY — Brake main				
	CYLINDER ASSY.	4 Cyl. Eng. Drum Brakes		8810174	1
	CYLINDER ASSY	4 Cyl. Eng. Disc Brakes		7449856	1
	RESERVOIR	4 Cyl. Eng. Disc Brakes		M36900	1
	CAP — Filler	4 Cyl. Eng.		M37000	1
	CYLINDER ASSY	6 Cyl. Eng. Drum Brakes			
			RIGHT HAND DRIVE	2819956	1
	CYLINDER ASSY	Drum Brakes	LEFT HAND DRIVE	2812979	1
	CYLINDER ASSY	6 Cyl. Eng. Disc Brakes		2819957	1
	BODY ASSY.	6 Cyl. Eng. Drum Brakes			
			RIGHT HAND DRIVE	7433214	1
			LEFT HAND DRIVE	2812981	1
	BODY ASSY.	6 Cyl. Eng. Disc Brakes		7434967	1
4.651	COVER, DIAPHRAGM, BAIL — Brake main cylinder				
	GASKET — Filler cap	4 Cyl. Eng.		6361339	1
	COVER	6 Cyl. Eng.		5452320	1
	DIAPHRAGM — Cover	6 Cyl. Eng.		5452319	1
	BAIL — Cover	6 Cyl. Eng.		5468053	1
	SEAL — Reservoir to body	4 Cyl. Eng.		VS10955	1
	SCREW — Reservoir to body	4 Cyl. Eng.		VS10956	1
	WASHER — Reservoir to body	4 Cyl. Eng.		VS10957	1
4.652	INSERT, PLUG, WASHER — Brake main cylinder				
	INSERT — Tube fitting	6 Cyl. Eng.		5452322	2
	PLUG	6 Cyl. Eng.		7433139	1
	WASHER — Plug	6 Cyl. Eng.		7433162	1
4.653	PISTON — Brake main cylinder				
	PISTON — Primary	6 Cyl. Eng.		7433212	1
	PISTON — Secondary	6 Cyl. Eng.		7434961	1
	STOP — Primary	6 Cyl. Eng.		5452315	1
	SCREW — Primary piston stop	6 Cyl. Eng.		5464418	1
4.654	SEAL, PROTECTOR — Brake main cylinder piston				
	SEAL — Gland	4 Cyl. Eng. Drum Brakes		8856567	1
	SEAL — Gland	4 Cyl. Eng. Disc Brakes		7206609	1
	SEAL — Two way ring	4 Cyl. Eng. Drum Brakes		VS10962	1
	SEAL — Two way ring	4 Cyl. Eng. Disc Brakes		VS10950	1
	SEAL — Valve	4 Cyl. Eng.		6361331	1
	SEAL	6 Cyl. Eng.		5453620	2
	SEAL	6 Cyl. Eng.		5460195	3
	PROTECTOR	6 Cyl. Eng.		5462635	2
4.655	SPRING, RETAINER — Brake main cylinder piston				
	SPRING & RETAINER ASSY. — Secondary	6 Cyl. Eng.		2819950	1
	SPRING — Primary	6 Cyl. Eng.		5452520	1
	RETAINER — Primary spring	6 Cyl. Eng.		5464424	1
4.656	CIRCLIP, RING, SCREW — Brake main cylinder				
	CIRCLIP	4 Cyl. Eng. Drum Brakes		6361334	1
	RING — Lock	6 Cyl. Eng.		5467356	1
	SCREW — Primary piston extension	6 Cyl. Eng.		5452519	1

Note: (68) Discard One Valve when using on vehicles equipped with Disc Brakes.

HOLDEN "LC" PARTS CATALOGUE

GROUP	DESCRIPTION	MODEL	SIDE	PART No.	QTY.
4.657	VALVE ASSEMBLY, SPRING — Brake main cylinder check				
	VALVE ASSY. — Tipping	4 Cyl. Eng.		VS10954	1
	VALVE ASSY	6 Cyl. Eng.		5462642	2-1
	SPRING — Valve	6 Cyl. Eng.		5462637	2-1
4.658	ROD — Brake main cylinder push				
	ROD	4 Cyl. Eng.		VS11355	1
	ROD	6 Cyl. Eng.			
		Drum exc. Power Brakes			
			RIGHT HAND DRIVE	7415760	1
			LEFT HAND DRIVE	2810761	1
	ROD	6 Cyl. Eng. Disc, Power Brakes		2806059	1
	TRUNNION	6 Cyl. Eng. Disc, Power Brakes		2806067	1
	RETAINER — Trunnion to lever	6 Cyl. Eng. Disc, Power Brakes		2818206	2
	RETAINER — Rod to pedal	6 Cyl. Eng. Disc, Power Brakes		3749084	1
4.659	BOOT — Brake main cylinder push rod				
	BOOT	4 Cyl. Eng. Drum Brakes		6397833	1
	BOOT	6 Cyl. Eng.			
		Drum exc. Power Brakes		7433213	1
	BOOT	6 Cyl. Eng. Disc, Power Brakes		2806064	1
4.661	UNION, BOLT, GASKET, — Brake main cylinder				
	UNION — Banjo — Front brakes	Drum Brakes			
			LEFT HAND DRIVE	2812983	1
	UNION — Banjo — Rear brakes	Drum Brakes			
			LEFT HAND DRIVE	2812985	1
	BOLT — Banjo	Drum Brakes			
			LEFT HAND DRIVE	7435803	2
	GASKET — Banjo bolt	Drum Brakes			
			LEFT HAND DRIVE	7435802	4
4.662	BEARING, CLEVIS — Brake main cylinder rod end				
	BEARING	4 Cyl. Eng.		6375767	2
	PIN — Clevis, 5/16"	4 Cyl. Eng.		6375766	1
	CLEVIS	6 Cyl. Eng.			
		Drum exc. Power Brakes			
			RIGHT HAND DRIVE	2806973	1
	WASHER — Rod to brake pedal	6 Cyl. Eng.		7411849	1
	CLEVIS	Drum exc. Power Brakes			
			LEFT HAND DRIVE	7415761	1
	PIN — Clevis .375" x .92"	Drum exc. Power Brakes			
			LEFT HAND DRIVE	SP1825	1
4.665	CYLINDER, BODY ASSEMBLY, REPAIR KIT — Wheel brake				
	CYLINDER ASSY. — Front	4 Cyl. Eng. Drum Brakes	LH	6397841	1
			RH	6397840	1
	CYLINDER ASSY. — Front	6 Cyl. Eng. Drum Brakes	LH	7438309	1
			RH	7438308	1
	CYLINDER ASSY. — Rear	4 Cyl. Eng.		6397977	2
	CYLINDER ASSY. — Rear 3/4" dia.(Lockheed)	4 Cyl. Eng.	LH	8830755	1
			RH	8830754	1
	CYLINDER ASSY. — Rear — 1 1/16" dia.(Lockheed)	4 Cyl. Eng.	LH	2680851	1
			RH	2680850	1
	GASKET — Cylinder to plate — 1 1/16" dia. Cyl.(Lockheed)	4 Cyl. Eng.		2680852	2
	CYLINDER ASSY — Rear	6 Cyl. Eng. Drum Brakes		7420771	2
	CYLINDER ASSY. — Rear	6 Cyl. Eng. Disc Brakes		7412419	2
	BODY — Front	6 Cyl. Eng. Drum Brakes	LH	7438089	1
			RH	7438090	1
	BODY — Rear	6 Cyl. Eng. Drum Brakes		7420714	2
	BODY — Rear	6 Cyl. Eng. Disc Brakes		7412418	2
	SCREW — Front cylinder fixing	4 Cyl. Eng. Drum Brakes		6397843	8

HOLDEN "LC" PARTS CATALOGUE

GROUP	DESCRIPTION	MODEL	SIDE	PART No.	QTY.
4.665 CYLINDER, BODY ASSEMBLY, REPAIR KIT — Wheel brake (contd.)					
	WASHER — Front cylinder lock	4 Cyl. Eng. Drum Brakes		6361229	8
	RING — Front cylinder sealing	4 Cyl. Eng. Drum Brakes		6361210	4
	REPAIR KIT — Front	4 Cyl. Eng. Drum Brakes		6397846	1
	REPAIR KIT — Rear (Girling)	4 Cyl. Eng.		8856568	1
	REPAIR KIT — Rear 3/4" dia. (Lockheed)	4 Cyl. Eng.		8830758	2
	REPAIR KIT — Rear — 1/16" dia. (Lockheed)	4 Cyl. Eng.		2680855	2
	REPAIR KIT — Front	6 Cyl. Eng. Drum Brakes		7439076	2
	REPAIR KIT — Rear	6 Cyl. Eng. Drum Brakes		7419526	2
	REPAIR KIT — Rear	6 Cyl. Eng. Disc Brakes		7427929	2
4.666 VALVE — Wheel brake bleeder					
	VALVE — Front	4 Cyl. Eng. Drum Brakes		VS10760	2
	VALVE — Front (Girling)	4 Cyl. Eng. Disc Brakes		7190439	2
	VALVE — Front (Lockheed)	4 Cyl. Eng. Disc Brakes		6305065	2
	VALVE — Rear (Girling)	4 Cyl. Eng.		6397839	2
	VALVE — Rear (RH Cyl. only) (Lockheed)	4 Cyl. Eng.		6353493	1
	PLUG — Bleed (Lockheed)	4 Cyl. Eng.		6371381	2
	EXCLUDER — Bleeder valve dust	4 Cyl. Eng.		6397844	4
	VALVE — Front & rear cylinder	6 Cyl. Eng. Drum Brakes		7420715	4
	VALVE — Front caliper	6 Cyl. Eng. Disc Brakes		VS10760	2
	VALVE — Rear	6 Cyl. Eng. Disc Brakes		7420715	2
4.667 CUP, RING — Wheel brake cylinder SEAL KIT — Front caliper					
	CUP — Front	4 Cyl. Eng. Drum Brakes		6397853	4
	CUP — Front	6 Cyl. Eng. Drum Brakes		5455298	4
	RING — Front sealing (Girling)	4 Cyl. Eng. Disc Brakes		7162671	4
	SEAL — Inner (Lockheed)	Disc Brakes		6371371	4
	SEAL — Fluid channel (Lockheed)	Disc Brakes		6391572	2
	SEAL KIT — Front caliper (Girling)	4 Cyl. Eng. Disc Brakes		7162760	1
	SEAL KIT — Front caliper (Lockheed)	4 Cyl. Eng. Disc Brakes		6371374	1
	SEAL KIT — Front caliper	6 Cyl. Eng. Disc Brakes		7449526	1
	CUP — Rear (Girling)	4 Cyl. Eng.		8856567	2
	CUP — Rear — 3/4" dia. (Lockheed)	4 Cyl. Eng.		6361097	4
	CUP — Rear — 1/16" dia. (Lockheed)	4 Cyl. Eng.		2680854	4
	CUP — Rear	6 Cyl. Eng. Drum Brakes		7420760	4
	CUP — Rear	6 Cyl. Eng. Disc Brakes		7412147	4
4.668 PISTON — Wheel brake cylinder, caliper					
	PISTON — Front	4 Cyl. Eng. Drum Brakes		7190173	4
	PISTON — Front caliper (Girling)	4 Cyl. Eng. Disc Brakes		7162747	4
	PISTON — Front	6 Cyl. Eng. Drum Brakes		7438390	4
	PISTON — Front caliper	6 Cyl. Eng. Disc Brakes		VS10713	4
	PISTON — Rear (Girling)	4 Cyl. Eng.		6397992	2
	PISTON — Rear — 3/4" dia. (Lockheed)	4 Cyl. Eng.		8830756	4
	PISTON — Rear — 1/16" dia. (Lockheed)	4 Cyl. Eng.		2680853	4
	PISTON — Rear	6 Cyl. Eng. Drum Brakes		7420776	4
	PISTON — Rear	6 Cyl. Eng. Disc Brakes		7412148	4
4.669 SPRING — Wheel brake cylinder					
	SPRING — Front	4 Cyl. Eng. Drum Brakes		6397854	4
	SPRING — Front	6 Cyl. Eng. Drum Brakes		5455487	2
	SPRING — Rear (Lockheed)	4 Cyl. Eng.		8830833	2
	SPRING — Rear	6 Cyl. Eng.		7420775	2
4.670 BOOT — Wheel brake cylinder					
	BOOT — Front	4 Cyl. Eng. Drum Brakes		6397855	4
	INSERT — Piston front	4 Cyl. Eng. Drum Brakes		7190174	4
	BOOT — Front caliper	4 Cyl. Eng. Disc Brakes		7162756	4
	RING — Boot retaining	4 Cyl. Eng. Disc Brakes		7162757	4
	BOOT — Front	6 Cyl. Eng. Drum Brakes		7438159	4

HOLDEN "LC" PARTS CATALOGUE

GROUP	DESCRIPTION	MODEL	SIDE	PART No.	QTY.
4.670	BOOT — Wheel brake cylinder (contd.)				
	BOOT — Rear(Girling)	4 Cyl. Eng.		6397991	2
	CLIP — Spring, rear(Girling)	4 Cyl. Eng.		6397994	2
	BOOT — Rear(Lockheed)	4 Cyl. Eng.		8830757	4
	CLIP — Spring(Lockheed)	4 Cyl. Eng.		6361096	2
	BOOT — Rear	6 Cyl. Eng. Drum Brakes		7420773	4
	BOOT — Rear	6 Cyl. Eng. Disc Brakes		7412404	4
4.671	SPACER — Rear wheel brake cylinder cup				
	SPACER	6 Cyl. Eng. Disc Brakes		7412378	2
4.674	COVER — Wheel brake cylinder dust				
	COVER — Rear(Girling)	4 Cyl. Eng.		6397985	2
4.675	LINK — Wheel brake cylinder connecting				
	FRONT & REAR	6 Cyl. Eng. Drum Brakes		7420743	4
4.680	HOSE — Brake				
	HOSE — Front	4 Cyl. Eng.		8827184	2
	HOSE — Front	6 Cyl. Eng. Drum Brakes		2812607	2
	HOSE — Front (13 $\frac{3}{4}$ " long)	6 Cyl. Eng. Disc Brakes		2815274	2
	WASHER — Front hose to wheel cyl.	6 Cyl. Eng. Drum Brakes		7410046	2
	HOSE — Rear	4 Cyl. Eng.		7171368	1
	HOSE — Rear	6 Cyl. Eng.		7427510	1
4.681	BRACKET — Brake hose				
	BRACKET — Front	4 Cyl. Eng. Drum Brakes	LH	7198159	1
	BRACKET — Front	4 Cyl. Eng. Disc Brakes	LH	7198161	1
			RH	7198160	1
	BRACKET — Front hose conn. mounting (3 $\frac{3}{4}$ " long)	6 Cyl. Eng.		2808767	1
	BRACKET — Front (2" long)	6 Cyl. Eng.		2808415	1-2
	BRACKET — Front hose mounting (use with hose 12 $\frac{3}{4}$ " long)	6 Cyl. Eng. Disc Brakes	LH	2808563	1
			RH	2808564	1
	BRACKET — Front hose mounting (use with hose 13 $\frac{3}{4}$ " long)	6 Cyl. Eng. Disc Brakes	LH	2815154	1
			RH	2815155	1
	SPRING — Front brake hose retainer	6 Cyl. Eng. Drum Brakes B70 x 13 tyres		7428873	2
	CLIP — Front brake hose	6 Cyl. Eng. Drum Brakes B70 x 13 tyres		7428872	2
	BRACKET — Rear hose	4 Cyl. Eng.		7449693	1
	BRACKET — Rear hose conn. mounting	6 Cyl. Eng.		2808757	1
	BRACKET — Rear hose mounting	6 Cyl. Eng.		2808766	1
	SPRING — Yoke	6 Cyl. Eng.		476737	A.R.
4.685	PIPE ASSEMBLY, CLIP — Brake				
	PIPE ASSY. — Main cylinder to front brake connector	4 Cyl. Eng. Drum exc. Power Brakes		(²² 7449919)	1
				(⁴⁹ 2818567)	1
				(⁵⁰ 2820591)	1
	PIPE ASSY. — Main cylinder to front brake connector	4 Cyl. Eng. Power Brakes		(²² 2806805)	1
				(⁴⁹ 2818566)	1
				(⁵⁰ 2822565)	1

Note: (²² Prior to brake line pressure warning switch.
(⁴⁹ Brake line Pressure Warning Switch mounted LH Side.
(⁵⁰ Brake line Pressure Warning Switch mounted RH Side.

HOLDEN "LC" PARTS CATALOGUE

GROUP	DESCRIPTION	MODEL	SIDE	PART No.	QTY.
4.685	PIPE ASSEMBLY, CLIP— Brake (contd.)				
	PIPE ASSY. — Main cylinder to front brake connector	4 Cyl. Eng. Disc Brakes		(²² 7449914 (⁴⁹ 2818568 (⁵⁰ 2822970	1 1 1
	PIPE ASSY. — Main cylinder to front brake connector	6 Cyl. Eng. Drum exc. Power Brakes RIGHT HAND DRIVE		(²² 2808743 (²³ 2818295	1 1
	PIPE ASSY. — Main cylinder to front brake connector	2250, 2600, 2850 Eng. Disc, Power Brakes RIGHT HAND DRIVE		(²² 2808745 (²³ 2818300	1 1
	PIPE ASSY. — Main cylinder to front brake connector	186X Eng.		(²² 2817278 (²³ 2818387	1 1
	PIPE ASSY. — Main cylinder to rear brake connector	4 Cyl. Eng. Drum exc. Power Brakes		(²² 7449920 (⁴⁹ 2818569 (⁵⁰ 2820590	1 1 1
	PIPE ASSY. — Main cylinder to rear brake connector	4 Cyl. Eng. Power Brakes		(²² 2806806 (⁴⁹ 2818570 (⁵⁰ 2822566	1 1 1
	PIPE ASSY. — Main cylinder to rear brake connector	4 Cyl. Eng. Disc Brakes		(²² 7449915 (⁴⁹ 2818571 (⁵⁰ 2822971	1 1 1
	PIPE ASSY. — Main cylinder to rear brake connector	6 Cyl. Eng. Drum exc. Power Brakes RIGHT HAND DRIVE		(²² 2808744 (²³ 2818296	1 1
	PIPE ASSY. — Main cylinder to rear brake connector	2250, 2600, 2850 Eng. Disc, Power Brakes RIGHT HAND DRIVE		(²² 2808746 (²³ 2818301	1 1
	PIPE ASSY. — Main cylinder to rear brake connector	186X Eng.		(²² 2817279 (²³ 2818440	1 1
	PIPE ASSY. — Connector to front brake	4 Cyl. Eng.	LH RH LH RH LH RH	(²² 7449917 (²² 7449916 (⁴⁹ 2818565 (⁴⁹ 2818572 (⁵⁰ 2820541 (⁵⁰ 2820540	1 1 1 1 1 1
	PIPE ASSY. — Connector to front brake	6 Cyl. Eng. RIGHT HAND DRIVE	LH RH LH RH	(²² 2808749 (²² 2808747 (²³ 2818298 (²³ 2818299	1 1 1 1

Note: (²² Prior to brake line pressure warning switch.
(²³ When brake line pressure warning switch fitted.
(⁴⁹ Brake line Pressure Warning Switch mounted LH Side.
(⁵⁰ Brake line Pressure Warning Switch mounted RH Side.

HOLDEN "LC" PARTS CATALOGUE

GROUP	DESCRIPTION	MODEL	SIDE	PART No.	QTY.
4.885	PIPE ASSEMBLY, CLIP — Brake (contd.)				
	PIPE ASSY. — Hose to front brake cyl.	4 Cyl. Eng. Drum Brakes	LH	7198261	1
			RH	7198260	1
	PIPE ASSY. — Hose to caliper	4 Cyl. Eng. Disc Brakes	LH	8822351	1
			RH	8822350	1
	PIPE ASSY. — Hose to caliper (use with hose 13 $\frac{3}{4}$ " long)	6 Cyl. Eng. Disc Brakes	LH	2815157	1
			RH	2815156	1
	PIPE ASSY. — Connector to rear brake connector	4 Cyl. Eng.		(²² 7449918	1
				(⁴⁹ 2818573	1
				(⁵⁰ 2820542	1
	PIPE ASSY. — Rear brake connector to rear hose	4 Cyl. Eng.		(⁵⁰ 2820543	1
	PIPE ASSY. — Connector to rear brake hose	6 Cyl. Eng.		2808750	1
	PIPE ASSY. — Connector to rear brake connector	6 Cyl. Eng.			
		RIGHT HAND DRIVE		(²² 2818297	1
				(²³ 2822215	1
	PIPE ASSY. — Rear hose to LH brake cylinder(Girling)	4 Cyl. Eng.		8822053	1
	PIPE ASSY. — Rear hose to LH brake cylinder(Lockheed)	4 Cyl. Eng.		8822358	1
	PIPE ASSY. — LH to RH brake cylinder(Girling)	4 Cyl. Eng.		8813888	1
	PIPE ASSY. — LH to RH brake cylinder(Lockheed)	4 Cyl. Eng.		8822359	1
	PIPE ASSY. — Connector to rear brake.....	6 Cyl. Eng.	LH	2808753	1
			RH	2808754	1
	PIPE ASSY. — Main cylinder to front brake connector	6 Cyl. Eng. Drum exc. Power Brakes			
		LEFT HAND DRIVE		2817489	1
	PIPE ASSY. — Main cylinder to front brake connector	2250, 2600, 2850 Eng. Disc, Power Brakes			
		LEFT HAND DRIVE		2812941	1
	PIPE ASSY. — Main cylinder to rear brake connector	6 Cyl. Eng. Drum exc. Power Brakes			
		LEFT HAND DRIVE		2817488	1
	PIPE ASSY. — Main cylinder to rear brake connector	6 Cyl. Eng. Disc, Power Brakes			
		LEFT HAND DRIVE		2812940	1
	PIPE ASSY. — Connector to front brake	6 Cyl. Eng.			
		LEFT HAND DRIVE	LH	2815090	1
			RH	2812942	1
	CLIP — Pipe to longitudinal member	4 Cyl. Eng. exc. 1600 Eng.		SP1909	A.R.
	CLIP — Pipe to longitudinal member	1600 Eng.		SP1836	3
	CLIP — Pipe to front cross member	4 Cyl. Eng.		7196455	1
	CLIP — Rear LH to RH brake pipe	4 Cyl. Eng.		599119	1
	CLIP — Pipe to front cross member	6 Cyl. Eng.		2808752	A.R.
	CLIP — Pipe to axle housing	6 Cyl. Eng.		7415654	2
	CLIP — Pipe to longitudinal member	6 Cyl. Eng.		SP1836	3
	CLIP — Pipe to dash panel	ALL		2805732	A.R.
	SHIELD — Brake pipe	4 Cyl. Eng.	LH	7437667	1
			RH	7437668	1

Note: (²² Prior to brake line pressure warning switch.
(²³ When brake line pressure warning switch fitted.
(⁴⁹ Brake line Pressure Warning Switch mounted LH Side.
(⁵⁰ Brake line Pressure Warning Switch mounted RH Side.

HOLDEN "LC" PARTS CATALOGUE

GROUP	DESCRIPTION	MODEL	SIDE	PART No.	QTY.
4.686	CONNECTOR — Brake pipe				
	CONNECTOR and SWITCH ASSEMBLY — Brake pressure warning				
	CONNECTOR — 4 way	4 Cyl. Eng.		(²² 7448891	1
	CONNECTOR & SWITCH ASSEMBLY — Pressure warning	4 Cyl. Eng.		(²³ 2817426	1
	SWITCH ASSEMBLY — Pressure warning	4 Cyl. Eng.		(²³ VS11789	1
	CONNECTOR — Main cylinder to front brake pipe	6 Cyl. Eng.	RIGHT HAND DRIVE	(²² 2815321	1
	CONNECTOR & SWITCH ASSEMBLY — Pressure warning	6 Cyl. Eng.	RIGHT HAND DRIVE	(²³ 2817426	1
	SWITCH ASSEMBLY — Pressure warning	6 Cyl. Eng.	RIGHT HAND DRIVE	(²³ VS11789	1
	CONNECTOR — Main cylinder to front brake pipe	6 Cyl. Eng.	LEFT HAND DRIVE	2815321	1
	CONNECTOR — Rear hose to rear brake pipe	6 Cyl. Eng.		7423276	1
	CONNECTOR — Front to rear brake pipe union	ALL		SP2235	1
4.764	EQUALISER ASSEMBLY — Hand brake cable				
	EQUALISER ASSY.	4 Cyl. Eng.		7186471	1
	EQUALISER	6 Cyl. Eng. Bucket Seat		2806975	1
	BRACKET — Equaliser cover	Bench Seat			
			RIGHT HAND DRIVE	2812872	1
4.765	STUD — Hand brake equaliser				
	STUD	6 Cyl. Eng. Bucket Seat		2806974	1
	CLEVIS	6 Cyl. Eng. Bucket Seat		2806973	1
4.823	PIN — Hand brake cable clevis				
	PIN — Cable to rear brakes	4 Cyl. Eng.		7141838	2
4.825	ROD, BAR — Hand brake cable adjusting				
	ROD	Bench Seat			
			RIGHT HAND DRIVE	LH 2812851	1
				RH 2812850	1
	BAR	Bench Seat			
			RIGHT HAND DRIVE	2816146	2
4.826	CABLE ASSEMBLY — Hand brake				
	CABLE ASSY. — Front	4 Cyl. Eng.		2806428	1
	CLEVIS — Front	4 Cyl. Eng.		7186474	1
	CABLE ASSY. — Rear	4 Cyl. Eng.		2806429	1
	CLEVIS — Rear	4 Cyl. Eng.		7438378	2
	CABLE ASSY. — Grey P.V.C. Sleeve	6 Cyl. Eng. Bucket Seat		2806984	A.R.
	CABLE ASSY. — Black P.V.C. Sleeve	6 Cyl. Eng. Bucket Seat		2806983	1
	CABLE ASSY. — Front	Bench Seat		2812931	1
	CABLE ASSY. — Rear yellow P.V.C. Sleeve	Bench Seat		2810274	A.R.
	CABLE ASSY. — Rear orange P.V.C. Sleeve	Bench Seat			
			RIGHT HAND DRIVE	2810273	1
	CLEVIS — Front	Bench Seat			
			RIGHT HAND DRIVE	2812857	1
	PIN — Clevis $\frac{5}{16}$ " x $\frac{43}{64}$ "	Bench Seat			
			RIGHT HAND DRIVE	9416017	1
	WASHER — Front cable	Bench Seat			
			RIGHT HAND DRIVE	2812863	1
	CLIP — Hand brake cable	Bench Seat			
			RIGHT HAND DRIVE	SP1735	2
	SPRING — Yoke	6 Cyl. Eng.		476737	A.R.

Note: (²² Prior to brake line pressure warning switch.
(²³ When brake line pressure warning switch fitted.

HOLDEN "LC" PARTS CATALOGUE

GROUP	DESCRIPTION	MODEL	SIDE	PART No.	QTY.
4.828	BOOT — Hand brake front cable				
	BOOT	4 Cyl. Eng.		2806980	1
	BOOT	6 Cyl. Eng. Bucket Seat	LH	2806980	1
			RH	2806979	1
	BOOT	Bench Seat			
		RIGHT HAND DRIVE	LH	2810270	1
			RH	2810269	1
4.829	BRACKET — Hand brake cable				
	BRACKET — Rear cable anchor	6 Cyl. Eng.	LH	2816941	1
			RH	2806982	1
4.834	BOOT — Hand brake pull rod				
	BOOT	Bench Seat			
		RIGHT HAND DRIVE		2812864	1
4.901	BRACKET ASSEMBLY, SPACER, SUPPORT — Brake booster mounting				
	BRACKET — Support	4 Cyl. Eng. Disc, Power Brakes	LH	2806839	1
			RH	2806840	1
	BRACKET ASSY.	6 Cyl. Eng. Disc, Power Brakes			
		RIGHT HAND DRIVE		2806065	1
		LEFT HAND DRIVE		2815095	1
	SPACER	6 Cyl. Eng. Disc, Power Brakes		2806069	1
	SUPPORT	6 Cyl. Eng. Disc, Power Brakes			
		RIGHT HAND DRIVE		2806061	1
		LEFT HAND DRIVE		2810753	1
4.902	BOOSTER, REPAIR KIT — Brake vacuum servo				
	BOOSTER — (Suit valve with 5/8" dia. neck)	4 Cyl. Eng. Disc Brakes		2813779	1
	BOOSTER — (Suit valve with 5/8" dia. neck)	4 Cyl. Eng. Power Brakes		2813778	1
	BOOSTER — (Suit valve with 5/8" dia. neck)	2250, 2600, 2850 Eng. Disc Brakes		2813791	1
	BOOSTER — (Suit valve with 5/8" dia. neck)	2250, 2600, 2850 Eng. Power Brakes		2813792	1
	BOOSTER	186X Eng.		2817138	1
	BOLT & WASHER ASSY.	2250, 2600, 2850 Eng. Disc, Power Brakes		SP1994	1
	REPAIR KIT — (Suit valve with 7/8" dia. neck)	4 Cyl. Eng. Disc, Power Brakes		VS11267	1
	REPAIR KIT — (Suit valve with 5/8" dia. neck)	4 Cyl. Eng. Disc, Power Brakes		2814482	1
	REPAIR KIT — (Suit valve with 7/8" dia. neck)	2250, 2600 Eng. Disc Brakes		7438399	1
	REPAIR KIT — (Suit valve with 5/8" dia. neck)	2250, 2600, 2850 Eng. Disc Brakes		2814483	1
	REPAIR KIT — (Suit valve with 7/8" dia. neck)	2250, 2600 Eng. Power Brakes		VS11166	1
	REPAIR KIT — (Suit valve with 5/8" dia. neck)	2250, 2600, 2850 Eng. Power Brakes		2814090	1
	BOOSTER PACKAGE — (Accessory)	2250, 2600, 2850 Eng. Power Brakes		2811307	1
	REPAIR KIT	186X Eng.		VS11685	1
4.903	FILTER — Brake vacuum servo air cleaner				
	FILTER	Disc, Power Brakes		VS10577	1
4.904	VALVE ASSEMBLY — Brake vacuum servo				
	VALVE ASSY. — Non-return (7/8" dia. neck)	4 Cyl. Eng. Disc Brakes		7206606	1
	"O" RING — Non-return valve (7/8" dia. neck)	4 Cyl. Eng. Disc Brakes		7162840	1

HOLDEN "LC" PARTS CATALOGUE

GROUP	DESCRIPTION	MODEL	SIDE	PART No.	QTY.
4.904 VALVE ASSEMBLY — Brake vacuum servo (contd.)					
	VALVE ASSY. — Check (3/8" dia. neck)	2250, 2600 Eng. Disc, Power Brakes		VS10573	1
	GROMMET — (3/8" dia. neck)	2250, 2600 Eng. Disc, Power Brakes		VS10416	1
	VALVE ASSY. — Check (3/8" dia. neck)	Disc, Power Brakes		VS11184	1
	GROMMET — (3/8" dia. neck)	Disc, Power Brakes		VS11185	1
4.907 SEAL, DISC, KEY, BODY, PLUNGER, WASHER, BOOT, PLATE — Brake vacuum servo booster					
	SEAL — Push rod	Disc, Power Brakes		VS10576	1
	SEAL — Support plate	6 Cyl. Eng. Disc, Power Brakes		VS11178	1
	DISC — Reaction	Disc, Power Brakes		VS10575	1
	KEY — Valve plunger stop	6 Cyl. Eng. Disc, Power Brakes		VS11177	1
	BODY — Valve	2250, 2600 Eng. Power Brakes		VS11173	1
	PLUNGER & ROD ASSY. — Valve	4 Cyl. Eng. Disc, Power Brakes		VS11160	1
	PLUNGER & ROD ASSY. — Valve	6 Cyl. Eng. Disc Brakes		VS10580	1
	PLUNGER & ROD ASSY. — Valve	2250, 2600 Eng. Power Brakes		VS11175	1
	WASHER — Valve rod	Disc, Power Brakes		VS10578	1
	BOOT	4 Cyl. Eng. Disc, Power Brakes		VS11161	1
	BOOT	6 Cyl. Eng. Disc, Power Brakes		VS10574	1
	PLATE — Boot retainer	6 Cyl. Eng. Disc, Power Brakes		VS11176	1
4.908 SEAL and PLATE, COVER, GROMMET — Brake vacuum servo					
	SEAL & PLATE ASSY.	4 Cyl. Eng. Disc, Power Brakes		7162843	1
	COVER — Dust	4 Cyl. Eng. Disc, Power Brakes		7162837	1
	GROMMET — Push rod	4 Cyl. Eng. Disc, Power Brakes		7186393	1
	ROD & SCREW ASSY.	2250, 2600, 2850 Eng. Disc, Power Brakes		VS11169	1
	SHELL ASSY. — Front (Suit valve with 3/8" dia. neck)	Disc, Power Brakes		VS11168	1
	SPRING — Diaphragm return	6 Cyl. Eng. Disc, Power Brakes		VS11171	1
	DIAPHRAGM	4 Cyl. Eng. Disc, Power Brakes		VS11358	1
	DIAPHRAGM	2250, 2600, 2850 Eng. Disc, Power Brakes		VS11170	1
	PLATE — Diaphragm pressure	6 Cyl. Eng. Disc, Power Brakes		VS11172	1
	SEAL ASSY. — Centre shell	6 Cyl. Eng. Disc, Power Brakes		VS10664	1
	SEAL ASSY. — Rear shell	Disc, Power Brakes		VS10579	1
	SHELL & SEAL ASSY. — Rear	6 Cyl. Eng. Power Brakes		VS11174	1
	DIAPHRAGM — Front	186X Eng.		VS11170	1
	DIAPHRAGM — Rear	186X Eng.		VS11406	1
	"O" RING — Front diaphragm to push rod housing	186X Eng.		VS10975	1
4.931 HOSE, ELBOW, CONNECTOR — Brake vacuum servo					
	HOSE — Servo to manifold	4 Cyl. Eng. Power Brakes		7437814	1
	HOSE — Servo to manifold (22" long)	1160 Eng. Disc Brakes		7434510	1
	HOSE — Servo to manifold (16" long)	1160 Eng. Disc Brakes		7438528	1
	HOSE — Servo to manifold (34" long)	70 Eng. Disc Brakes		7434736	1
	HOSE — Servo to manifold (28" long)	70 Eng. Disc Brakes		2814414	1
	HOSE — Servo to manifold	1600 Eng.		2816860	1
	HOSE — Servo to manifold	6 Cyl. Eng. Disc, Power Brakes		7434510	1
	ELBOW — Manifold	6 Cyl. Eng. Disc, Power Brakes		7406788	1
	CONNECTOR — Hose to manifold	4 Cyl. Eng. Disc, Power Brakes		7428280	1
	VALVE — Hose to manifold	1600 Eng.		8810180	1
	CLAMP — Hose	Disc, Power Brakes		272846	2
	CLIP — Hose to fuel pipe	70 Eng. Disc Brakes		7406790	1
5.001 PLATE, SHIELD — Brake backing					
	PLATE — Front	4 Cyl. Eng. Drum Brakes	LH	6397837	1
			RH	6397836	1
	PLATE — Front	6 Cyl. Eng. Drum Brakes	LH	2805399	1
			RH	2805400	1

HOLDEN "LC" PARTS CATALOGUE

GROUP	DESCRIPTION	MODEL	SIDE	PART No.	QTY.
5.001 PLATE, SHIELD — Brake backing (contd.)					
	SHIELD — Front brake	4 Cyl. Eng. Disc Brakes	LH	7188711	1
			RH	7188710	1
	SHIELD — Front brake	2250, 2600, 2850 Eng. Disc Brakes	LH	2805523	1
			RH	2805524	1
	PLATE ASSY. — Rear (Girling)	4 Cyl. Eng.	LH	7202849	1
			RH	7202850	1
	PLATE ASSY. — Rear (Lockheed)	4 Cyl. Eng. (Stamped 3362-431)	LH	8830745	1
		(Stamped 3362-430)	RH	8830744	1
	PLATE ASSY. — Rear (Lockheed)	4 Cyl. Eng. (Stamped 3362-441)	LH	8843973	1
		(Stamped 3362-440)	RH	8843972	1
	PLATE ASSY. — Rear	6 Cyl. Eng.	LH	2805545	1
			RH	2805546	1
5.002 BOLT, NUT, LOCK PLATE — Brake backing plate mounting					
	BOLT — Front plate 1 5/16" long	4 Cyl. Eng. Drum Brakes		6375090	4
	BOLT — Front plate 7/16" — 20 x 2 1/64"	4 Cyl. Eng. Drum Brakes		6396326	2
	BOLT — Front plate 7/16" — 20 x 1.9"	4 Cyl. Eng. Drum Brakes		6393411	2
	NUT — 7/16" — 20	4 Cyl. Eng. Drum Brakes		6393499	4
	LOCK PLATE — Front	6 Cyl. Eng. Drum Brakes		7423746	2
	BOLT — Front shield, 1 3/4"	4 Cyl. Eng. Disc Brakes		6393408	2
	BOLT — Front shield, 1 3/4"	4 Cyl. Eng. Disc Brakes		6396325	2
	NUT — Lock	4 Cyl. Eng. Disc Brakes		6393499	4
	BOLT — Rear plate to axle	4 Cyl. Eng.		7177209	8
	NUT — Hexagon	4 Cyl. Eng.		7168136	8
	BOLT — Rear plate to axle	6 Cyl. Eng.		7420788	8
5.010 CALIPER ASSEMBLY — Brake					
	CALIPER ASSY. (Girling)	4 Cyl. Eng. Disc Brakes	LH	7188715	1
			RH	7188714	1
	CALIPER ASSY. (Lockheed)	4 Cyl. Eng. Disc Brakes	LH	8830737	1
			RH	8830736	1
	BOLT — Nyloc caliper (Lockheed)	4 Cyl. Eng. Disc Brakes		7162468	1
	BOLT — Caliper to knuckle	4 Cyl. Eng. Disc Brakes		6396150	4
	CALIPER ASSY.	2250, 2600, 2850 Eng. Disc Brakes	LH	2820317	1
			RH	2820318	1
	CALIPER ASSY.	186X Eng. Disc Brakes	LH	2820321	1
			RH	2820322	1
5.011 SHIELD — Brake caliper splash					
	SHIELD	2250, 2600, 2850 Eng. Disc Brakes		7438754	2
5.017 SHOE and LINING ASSEMBLY — Brake					
	SHOE & LINING SET — Front	4 Cyl. Eng. Drum Brakes		6397838	2
	SHOE & LINING SET — Front	6 Cyl. Eng. Drum Brakes		7427887	1
	SHOE & LINING SET — Front, .030" O/S (Bonded)	6 Cyl. Eng. Drum Brakes		7427925	1
	FRONT — Primary	6 Cyl. Eng. Drum Brakes		2815497	2
	FRONT — Secondary	6 Cyl. Eng. Drum Brakes		2815499	2
	SHOE & LINING SET — Rear (Girling)	4 Cyl. Eng.		6397976	2
	SHOE & LINING SET — Rear (Lockheed)	4 Cyl. Eng.		8830772	2
	SHOE & LINING SET — Rear	6 Cyl. Eng. Drum Brakes		7427887	1
	SHOE & LINING SET — Rear .030" O/S (Bonded)	6 Cyl. Eng. Drum Brakes		7427925	1
	SHOE & LINING SET — Rear (Bonded)	6 Cyl. Eng. Disc Brakes		7430194	1
	REAR — Primary	6 Cyl. Eng. Drum Brakes		2815497	2
	REAR — Primary	6 Cyl. Eng. Disc Brakes		2815501	2
	REAR — Secondary	6 Cyl. Eng. Drum Brakes		2815499	2
	REAR — Secondary	6 Cyl. Eng. Disc Brakes		2815502	2

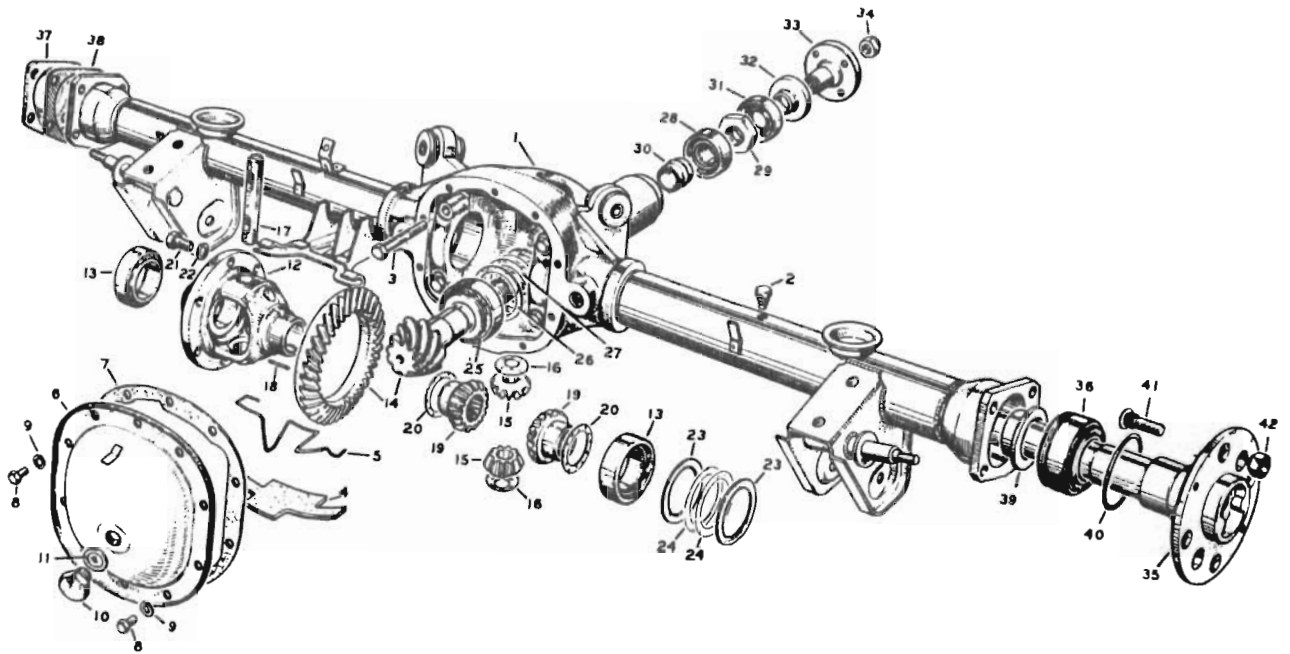
HOLDEN "LC" PARTS CATALOGUE

GROUP	DESCRIPTION	MODEL	SIDE	PART No.	QTY.
5.018	LINING SET — Brake				
	LINING SET — Front	4 Cyl. Eng. Drum Brakes		6397849	1
	PAD SET — Front (Girling)	4 Cyl. Eng. Disc Brakes		8849670	1
	PAD SET — Front (Lockheed)	4 Cyl. Eng. Disc Brakes		8830741	1
	LINING SET — Rear (Girling)	4 Cyl. Eng.		6397849	1
	LINING SET — Rear (Lockheed)	4 Cyl. Eng.		8830771	1
	LINING SET — Front	6 Cyl. Eng. Drum Brakes		7427905	1
	LINING SET — Front oversize	6 Cyl. Eng. Drum Brakes		7427909	1
	PAD SET — Front	6 Cyl. Eng. Disc Brakes		VS11304	1
	PAD SET — Front — Special service	6 Cyl. Eng. Disc Brakes		VS11167	1
	LINING SET — Rear	6 Cyl. Eng.		7427905	1
	LINING SET — Rear oversize	6 Cyl. Eng.		7427909	1
5.019	RIVET — Brake lining				
	RIVET (Girling)	4 Cyl. Eng.		6397848	A.R.
	RIVET (Lockheed)	4 Cyl. Eng.		8830773	A.R.
	RIVET	6 Cyl. Eng.		7405754	A.R.
5.020	PIN, CLIP SPRING — Brake pad retaining and damping				
	PIN — Pad retaining (Girling)	4 Cyl. Eng. Disc Brakes		6397867	4
	CLIP — Retaining pin (Girling)	4 Cyl. Eng. Disc Brakes		6397868	4
	SPRING — Pad damping (Girling)	4 Cyl. Eng. Disc Brakes		7162758	2
	SPRING — Pad damping (Girling)	4 Cyl. Eng. Disc Brakes		7162759	2
	SHIM — Friction pad (Lockheed)	4 Cyl. Eng. Disc Brakes		8845444	4
	PIN — Pad retaining (Lockheed)	4 Cyl. Eng. Disc Brakes		6374770	4
	PIN — Pad retaining	4 Cyl. Eng. Disc Brakes		VS10758	4
	CLIP — Pin	6 Cyl. Eng. Disc Brakes		VS10759	4
	SPRING — Anti-rattle	Disc Brakes		VS11008	4
5.026	SPRING — Brake shoe retractor				
	SPRING — Front shoe	4 Cyl. Eng. Drum Brakes		6397842	4
	SPRING — Rear shoe (Girling)	4 Cyl. Eng.		6397979	2
	SPRING — Rear shoe upper (Lockheed)	4 Cyl. Eng.	LH	8830751	1
			RH	8830750	1
	SPRING — Tension, brake shoe, lower (Lockheed)	4 Cyl. Eng.		8830752	1
	SPRING	6 Cyl. Eng.		7426770	8-4
	SPRING — Brake adjusting nut	6 Cyl. Eng.		7426769	4-2
5.041	PIN — Brake shoe hold down				
	PIN (Girling)	4 Cyl. Eng.		6397986	4
	PIN (Lockheed)	4 Cyl. Eng.		8830749	4
	RETAINER (Lockheed)	4 Cyl. Eng.		6311076	4
	PIN	6 Cyl. Eng.		7423578	8-4
5.043	SPRING, WASHER — Brake shoe hold down pin				
	SPRING (Girling)	4 Cyl. Eng.		7162882	4
	SPRING (Lockheed)	4 Cyl. Eng.		6311075	4
	SPRING	6 Cyl. Eng.		7410794	8-4
	WASHER — Cup (Girling)	4 Cyl. Eng.		6397988	8
5.045	PLATE — Brake shoe guide				
	PLATE (Girling)	4 Cyl. Eng.		6397983	2
	PLATE — Front	6 Cyl. Eng. Drum Brakes		7426808	2
	PLATE — Rear	6 Cyl. Eng.		7426783	2
5.055	PIN — Front brake anchor				
	PIN	6 Cyl. Eng. Drum Brakes		7423242	2

HOLDEN "LC" PARTS CATALOGUE

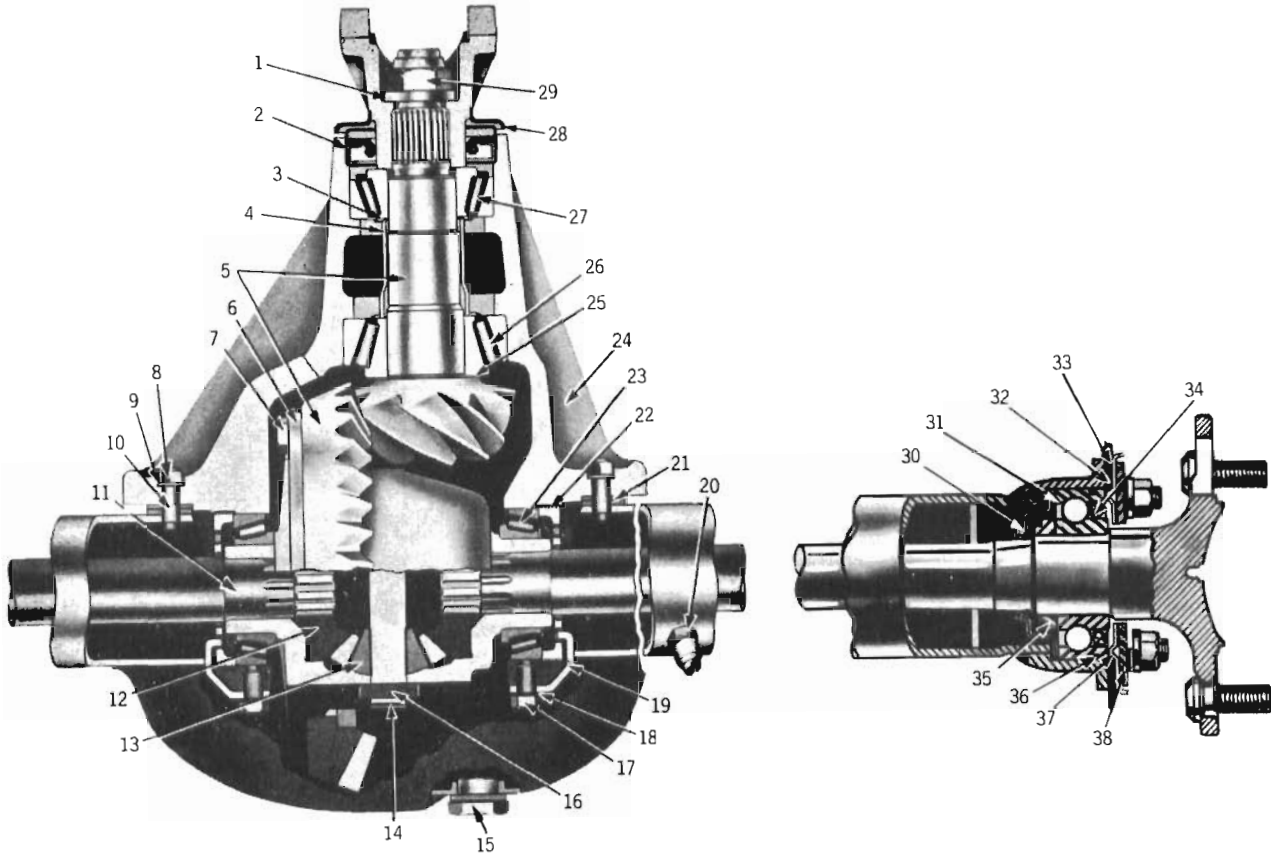
GROUP	DESCRIPTION	MODEL	SIDE	PART No.	QTY.
5.075	PLATE — Brake anchor				
	PLATE (Girling)	4 Cyl. Eng.		6397984	2
5.103	ADJUSTER ASSEMBLY, LEVER, PLATE, BUSH — Brake				
	ADJUSTER ASSY (Girling)	4 Cyl. Eng.		6361222	2
	KIT — Adjuster (Girling)	4 Cyl. Eng.		6361223	1
	ADJUSTER ASSY. (Lockheed)	4 Cyl. Eng.		6327899	2
	LEVER — Adjuster	6 Cyl. Eng.	LH	7426775	2-1
			RH	7426776	2-1
	PLATE — Adjuster lever	6 Cyl. Eng.	LH	7426777	2-1
			RH	7426778	2-1
	BUSHING — Adjuster	6 Cyl. Eng.		7426774	4-2
5.105	LINK — Brake adjuster				
	LINK	6 Cyl. Eng.		⁶⁹ 7426780	A.R.
	LINK	6 Cyl. Eng.		⁶⁹ 7426781	A.R.
	LINK	6 Cyl. Eng.		⁶⁹ 7426782	A.R.
	LINK	6 Cyl. Eng.		⁶⁹ 7430233	A.R.
5.107	SPRING — Brake adjuster				
	SPRING (Girling)	4 Cyl. Eng.		6397980	2
	SPRING — Overload	6 Cyl. Eng.		7426772	4-2
	SPRING — Return	6 Cyl. Eng.		7426773	4-2
5.110	WASHER, SCREW — Brake adjusting				
	WASHER (Girling)	4 Cyl. Eng.		6361229	4
	WASHER — Lock (Lockheed)	4 Cyl. Eng.		7088385	4
	WASHER	6 Cyl. Eng.		7424836	4-2
	SCREW	6 Cyl. Eng.	LH	2820533	2-1
			RH	2820532	2-1
5.111	TAPPET, NUT, SOCKET — Brake adjusting				
	TAPPET (Girling)	4 Cyl. Eng.		6397982	4
	NUT (Girling)	4 Cyl. Eng.		6397981	4
	TAPPET (Lockheed)	4 Cyl. Eng.		7206866	4
	SCREW (Lockheed)	4 Cyl. Eng.		7156356	4
	NUT	6 Cyl. Eng.	LH	7424835	2-1
			RH	7426790	2-1
	PLUG — Adjusting screw	6 Cyl. Eng.		7438646	4-2
5.149	LEVER ASSEMBLY — Hand brake actuating				
	LEVER ASSY (Girling)	4 Cyl. Eng.		6397978	2
	LEVER ASSY (Lockheed)	4 Cyl. Eng.	LH	8830747	1
			RH	8830746	1
	BOOT — Handbrake lever (Lockheed)	4 Cyl. Eng.		8830753	2
	LEVER ASSY.	6 Cyl. Eng.	LH	7420807	1
			RH	7420808	1
5.150	STRUT — Hand brake actuating lever				
	STRUT	6 Cyl. Eng.		7420795	2
5.151	SPRING — Hand brake lever strut				
	SPRING	6 Cyl. Eng.		7420762	2
5.158	PIN, CLIP, WASHER — Hand brake lever				
	PIN	6 Cyl. Eng.		7420779	2
	CLIP — Lever retainer	6 Cyl. Eng.		5454798	2
	WASHER — Lever to secondary shoe	6 Cyl. Eng.		5454797	2
5.188	COVER — Brake adjusting hole				
	COVER	6 Cyl. Eng.		7423304	4-2

Note: ⁶⁹ Selective Fit.



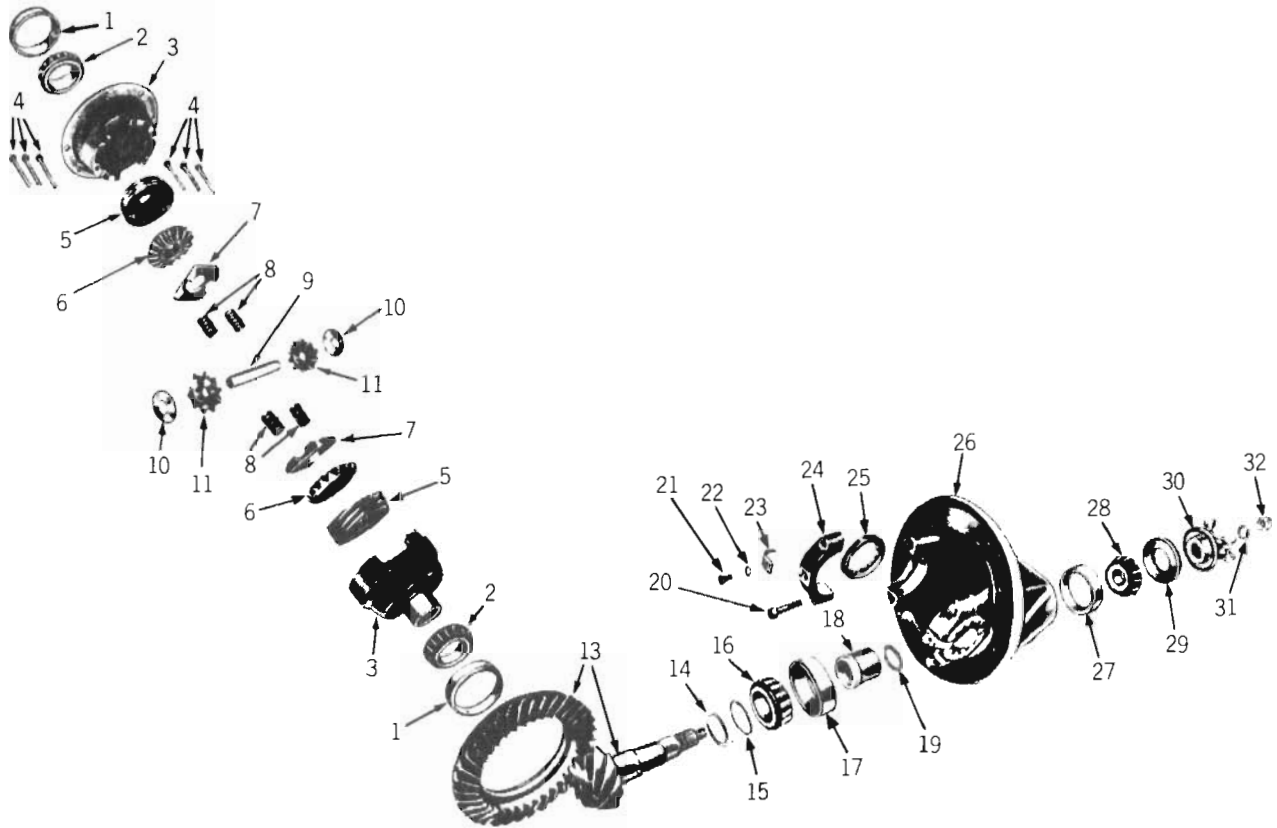
**REAR AXLE
(4 Cyl. Engine)**

ILLUS. REF. NO.	PART NAME	GROUP	ILLUS. REF. NO.	PART NAME	GROUP
1.	HOUSING ASSY.	5.387	22.	WASHER	8.931
2.	VENT ASSY.	5.387	23.	SPACER	5.537
3.	BOLT	5.506	24.	SHIM	5.537
4.	PAD	5.387	25.	BEARING	5.484
5.	RETAINER	5.387	26.	SPACER	5.453
6.	COVER	5.398	27.	SHIM	5.460
7.	GASKET	5.399	28.	BEARING	5.447
8.	BOLT	8.900	29.	NUT	5.448
9.	WASHER	8.931	30.	SPACER - Collapsible	5.453
10.	PLUG	5.400	31.	SEAL	5.469
11.	GASKET	5.400	32.	SLINGER	5.545
12.	CASE	5.510	33.	FLANGE	5.545
13.	BEARING	5.536	34.	NUT	5.545
14.	RING GEAR & PINION	5.529	35.	SHAFT	5.420
15.	PINION	5.526	36.	BEARING	5.855
16.	WASHER	5.542	37.	PLATE	5.816
17.	SHAFT	5.517	38.	GASKET	5.816
18.	PIN	5.518	39.	RING	5.816
19.	GEAR	5.528	40.	SEAL	5.822
20.	SPACER	5.543	41.	BOLT	5.812
21.	BOLT	5.531	42.	NUT	5.813



**REAR AXLE ASSEMBLY
(6 Cyl. Engine)**

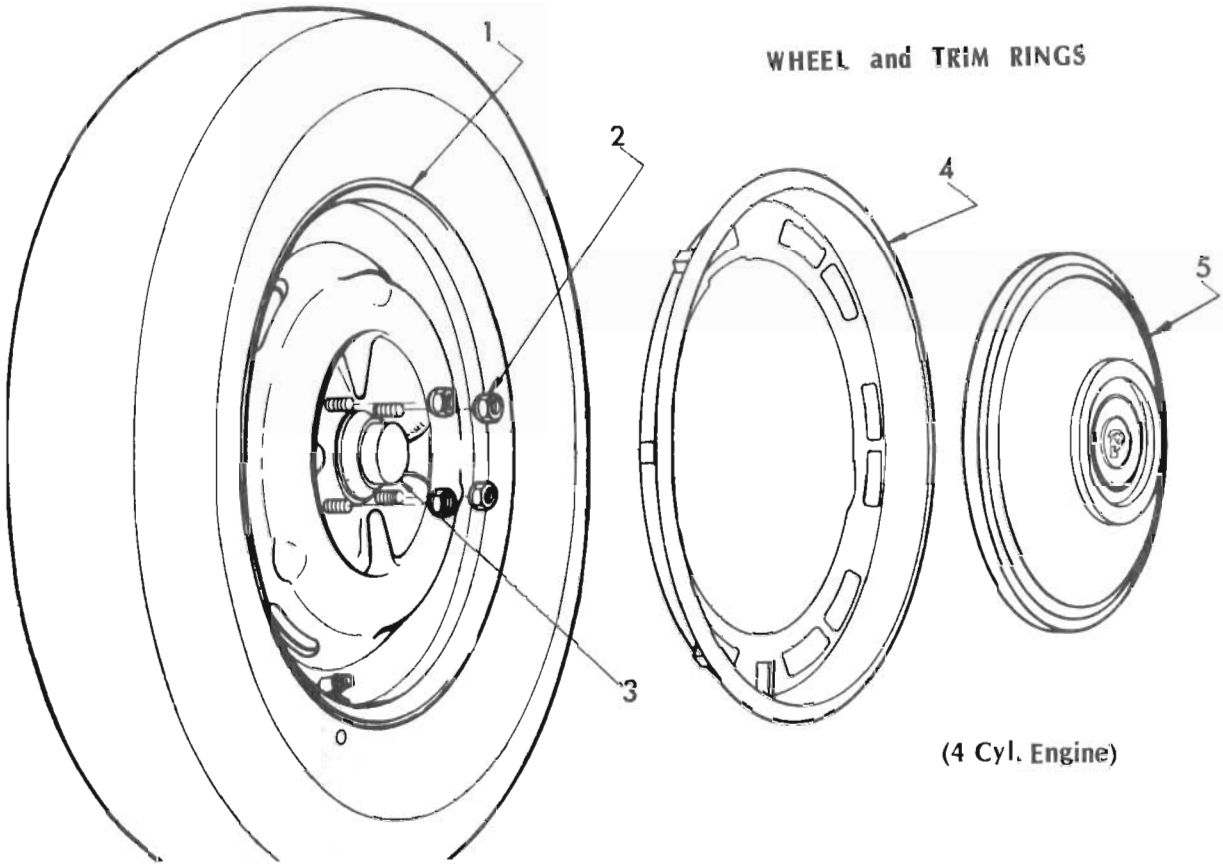
ILLUS. REF. NO.	PART NAME	GROUP	ILLUS. REF. NO.	PART NAME	GROUP
1.	WASHER - Flange nut	5.545	21.	GASKET	5.508
2.	SEAL - Pinion oil	5.469	22.	NUT - Adjusting	5.537
3.	SHIM - Preload	5.460	23.	CONE - Differential side bearing	5.536
4.	SPACER - Pinion bearing	5.453	24.	CARRIER & CAP ASSY.	5.505
5.	RING GEAR & PINION ASSY.	5.529	25.	SHIM - Locating	5.460
6.	CASE - Differential	5.510	26.	CONE - Rear pinion bearing	5.484
7.	BOLT - Ring gear	5.531	27.	CONE - Front pinion bearing	5.447
8.	NUT	8.915	28.	FLANGE ASSY.	5.545
9.	WASHER - Spring lock	8.931	29.	NUT - Flange retaining	5.545
10.	BOLT - Axle housing	5.387	30.	SEAL	5.822
11.	SHAFT - Axle	5.420	31.	BEARING - Axle shaft	5.855
12-13	GEAR SET - Differential	5.527	32.	PLATE - Brake backing	5.001
14.	SHAFT - Differential pinion	5.517	33.	GASKET - Oil deflector	5.819
15.	PLUG - Filler	5.400	34.	SEAL - Outer	5.822
16.	PIN - Spring	5.518	35.	RING	5.816
17.	BOLT	8.900	36.	"O" RING	5.822
18.	WASHER	8.931	37.	RETAINER	5.816
19.	LOCK	5.539	38.	REINFORCEMENT	5.816
20.	BREATHER ASSY.	5.387			



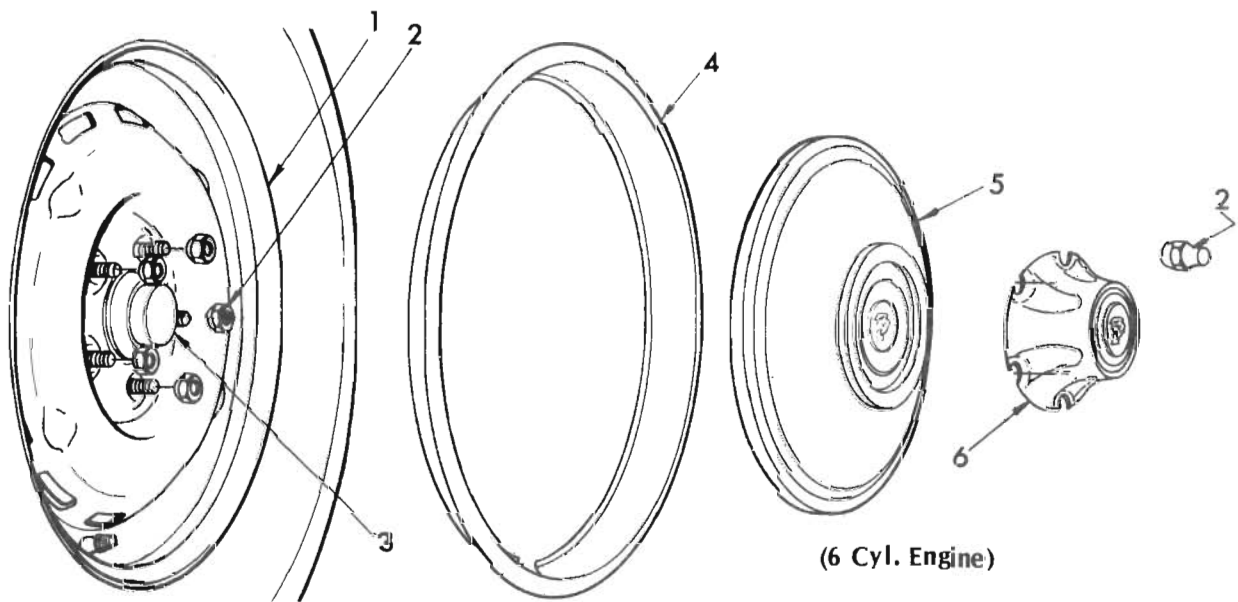
**DIFFERENTIAL ASSEMBLY
(6 Cyl. Engine – Limited Slip)**

ILLUS. REF. NO.	PART NAME	GROUP	ILLUS. REF. NO.	PART NAME	GROUP
1.	CUP – Differential side bearing	5.536	18.	SPACER – Pinion bearing	5.453
2.	CONE – Differential side bearing	5.536	19.	SHIM – Bearing preload	5.460
3/5.	CASE – Differential	5.510	20.	BOLT – Cap to carrier	5.506
4.	BOLT	8.900	21.	BOLT – Adjusting nut	8.900
5/3.	CASE – Differential	5.510	22.	WASHER – Lock	8.932
6.	GEAR – Differential side	5.528	23.	LOCK – Adjusting nut	5.539
7.	PLATE – Preload spring	5.511	24/26	CARRIER & CAP ASSY.	5.505
8.	SPRING – Preload	5.511	25.	NUT – Bearing adjusting	5.537
9.	SHAFT – Pinion	5.517	26/24	CARRIER & CAP ASSY.	5.505
10.	WASHER – Thrust	5.542	27.	CUP – Pinion front bearing	5.447
11.	PINION – Differential	5.526	28.	CONE – Pinion front bearing	5.447
13.	RING GEAR & PINION	5.529	29.	SEAL – Pinion oil	5.469
14.	SHIM – Pinion locating	5.460	30.	FLANGE ASSY.	5.545
15.	SHIM – Pinion locating	5.460	31.	WASHER – Flange nut	5.545
16.	CONE – Pinion rear bearing	5.484	32.	NUT – Flange retaining	5.545
17.	CUP – Pinion rear bearing	5.484			

WHEEL and TRIM RINGS



(4 Cyl. Engine)



(6 Cyl. Engine)

ILLUS. REF. NO.	PART NAME	GROUP	ILLUS. REF. NO.	PART NAME	GROUP
1.	WHEEL ASSY. — Road	5.803	4.	RING — Wheel trim	5.871
2.	NUT — Wheel hub	5.813	5.	CAP — Wheel hub	5.858
3.	COVER — Wheel bearing	5.858	6.	TRIM — Wheel centre	5.871

HOLDEN "LC" PARTS CATALOGUE

GROUP	DESCRIPTION	MODEL	SIDE	PART No.	QTY.
5.382 ARM and COMPONENTS — Rear axle suspension					
	ARM & BUSH ASSY. — Rear	4 Cyl. Eng.		2810778	2
	BUSHING — Upper arm, front	4 Cyl. Eng.		7181535	2
	BUSHING ASSY. — Upper arm, rear	4 Cyl. Eng.		7181537	2
	BOLT — Upper arm, rear axle to bracket	4 Cyl. Eng.		7181539	4
	NUT — Hex. self locking 7/16" — 20	4 Cyl. Eng.		SP1917	4
	ARM & BUSH ASSY. — Lower	4 Cyl. Eng.		2810800	2
	BUSHING — Lower arm, front	4 Cyl. Eng.		7186111	2
	BUSHING — Lower arm, rear	4 Cyl. Eng.		7181536	2
	BOLT — Lower arm, rear axle to hanger	4 Cyl. Eng.		7181539	4
	NUT — Hex. self locking 7/16" — 20	4 Cyl. Eng.		SP1917	4
	BRACKET — Upper arm mounting	4 Cyl. Eng.	LH	7449547	1
			RH	7449548	1
	ARM ASSY. — Upper	6 Cyl. Eng.		7449283	2
	BUSHING ASSY. — Upper arm	6 Cyl. Eng.		2807098	4
	BRACKET — Upper arm, front	6 Cyl. Eng.	LH	7449549	1
			RH	7449550	1
	BRACKET ASSY. — Upper arm, rear	6 Cyl. Eng.	LH	2806019	1
			RH	2806018	1
	ARM ASSY. — Lower	6 Cyl. Eng.		7449280	2
	BUSHING ASSY. — Lower arm	6 Cyl. Eng.		2807098	4
	BRACKET ASSY. — Lower arm, rear	6 Cyl. Eng.	LH	2806047	1
			RH	2806046	1
	BOLT — 1/2" — 13 UNC x 3.65"	6 Cyl. Eng.		SP2102	8
5.386 REAR AXLE ASSEMBLY					
CURRENT PRODUCTION REAR AXLE ASSEMBLIES WILL BE SUPPLIED ON A FIRM ORDER BASIS.					
5.387 HOUSING ASSEMBLY — Rear axle					
	HOUSING ASSY	4 Cyl. Eng.		(51) 7192213	1
	HOUSING ASSY.	4 Cyl. Eng.		(52) 2682103	1
	VENT ASSY.	4 Cyl. Eng.		7107293	1
	PAD — Filter	4 Cyl. Eng.		7198306	1
	RETAINER — Filter pad	4 Cyl. Eng.		7198307	1
	HOUSING ASSY. — 2.78:1, 3.08:1 A.R.	6 Cyl. Eng.		2809465	1
	HOUSING ASSY. — 3.36:1, 3.55:1 A.R.	6 Cyl. Eng.		7449435	1
	BREATHER ASSY.	6 Cyl. Eng.		7415204	1
	BOLT	6 Cyl. Eng.		348402	6-7
	WASHER — Special	6 Cyl. Eng.		7418548	6-7
	NUT — Hex. 3/4" — 24, 3.36:1, 3.55:1 A.R.	6 Cyl. Eng.		SP1708	1
5.395 STOP — Rear axle					
	STOP — Bump	4 Cyl. Eng.		6382646	2
5.398 COVER ASSEMBLY — Rear axle housing					
	COVER ASSY	4 Cyl. Eng.		7441167	1
5.399 GASKET — Rear axle housing cover					
	GASKET — Paper	4 Cyl. Eng.		7171695	1
	GASKET — Asbestos rubber	4 Cyl. Eng.		8851088	1
5.400 PLUG — Axle housing					
	PLUG — Filler	4 Cyl. Eng.		7127250	1
	GASKET — Filler plug	4 Cyl. Eng.		6348488	1
	PLUG — Filler	6 Cyl. Eng.		7400181	1
	GASKET — Filler plug	6 Cyl. Eng.		113897	1

Note: (51) 1st Type — Casting No. 7181444.
(52) 2nd Type — Casting No. 8854098.

HOLDEN "LC" PARTS CATALOGUE

GROUP	DESCRIPTION	MODEL	SIDE	PART No.	QTY.
5.400 PLUG — Axle housing (contd.)					
	PLUG — Drain — Bolt hex. hd. 3/8" — 24 x 3" 2.78:1, 3.08:1 A.R.	6 Cyl. Eng.		181385	1
	PLUG — Drain — Bolt hex. hd. 3/8" — 24 x 3/4" 3.36:1, 3.55:1 A.R.	6 Cyl. Eng.		106285	1
	GASKET — Drain plug	6 Cyl. Eng.		7400256	1
5.420 SHAFT — Rear axle					
	SHAFT	4 Cyl. Eng.		(⁵³ 8822027	2
	SHAFT	4 Cyl. Eng.		(⁵⁴ 8838345	2
	BOLT — Brake drum to shaft	4 Cyl. Eng.		6382868	4
	SHAFT ASSY.	6 Cyl. Eng.		2811922	2
5.441 SHAFT ASSEMBLY — Propeller					
	SHAFT — With joints — Deep Blue	(M) 4 Cyl. exc. 1600 Eng.		(⁵³ 7439310	1
	SHAFT — With joints — Black	(M) 4 Cyl. exc. 1600 Eng.		(⁵⁴ 2817158	1
	SHAFT — With joints — Gold	(A) 4 Cyl. exc. 1600 Eng.		(⁵³ 7448791	1
	SHAFT — With joints — Dark green	(A) 4 Cyl. exc. 1600 Eng.		(⁵⁴ 2817159	1
	SHAFT — With joints	(M) 1600 Eng.		2820824	1
	SHAFT — With joints — Yellow	(A) 1600 Eng.		2820825	1
	SHAFT — With joints — Red	(M) 6 Cyl. Eng. 3 Speed Trans. (A) 6 Cyl. Eng.		7448793	1
	SHAFT — With joints — Grey	(M) 6 Cyl. Eng. 4 Speed Trans.		(⁵⁵ 7448794	1
	SHAFT — With joints — Red	(M) 6 Cyl. Eng. 4 speed Trans.		(⁵⁶ 7448793	1
5.447 BEARING — Pinion front					
	BEARING ASSY.	4 Cyl. Eng.		6375234	1
	CUP	6 Cyl. Eng.		7421671	1
	CONE	6 Cyl. Eng.		7421672	1
5.448 NUT — Pinion front bearing					
	NUT — Lock	4 Cyl. Eng.		6379505	1
5.453 SPACER — Pinion bearing					
	SPACER — .059"	4 Cyl. Eng.		6396874	A.R.
	SPACER — .060"	4 Cyl. Eng.		6396875	A.R.
	SPACER — Collapsible	4 Cyl. Eng.		(⁵³ 8810123	1
	SPACER — Collapsible	4 Cyl. Eng.		(⁵⁴ 2682427	1
	WASHER — Spacer	4 Cyl. Eng.		(⁵⁴ 6396715	1
	SPACER	6 Cyl. Eng.		7421664	1
5.460 SHIM — Pinion bearing					
	SPACER	4 Cyl. Eng.		6396703	A.R.
	PRE-LOAD	6 Cyl. Eng.		7425653	A.R.
	LOCATING — .005"	6 Cyl. Eng.		7408094	A.R.
	LOCATING — .006"	6 Cyl. Eng.		7408095	A.R.
	LOCATING — .007"	6 Cyl. Eng.		7408096	A.R.
	LOCATING — .008"	6 Cyl. Eng.		7408097	A.R.
	LOCATING — .009"	6 Cyl. Eng.		7408098	A.R.
	LOCATING — .010"	6 Cyl. Eng.		7408099	A.R.
	LOCATING — .015"	6 Cyl. Eng.		7408100	A.R.
5.469 SEAL — Rear axle pinion oil					
	SEAL	4 Cyl. Eng.		(⁵³ 7171194	1
	SEAL	4 Cyl. Eng.		(⁵⁴ 2687326	1
	SEAL	6 Cyl. Eng.		7421648	1

Note: (⁵³ 1st Type — used when rear axle housing with Casting No. 7181444 is fitted.
(⁵⁴ 2nd Type — used when rear axle housing with Casting No. 8854098 is fitted.
(⁵⁵ 1st Type — used when overseas manufactured transmission is fitted.
(⁵⁶ 2nd Type — used when locally manufactured transmission is fitted.

HOLDEN "LC" PARTS CATALOGUE

GROUP	DESCRIPTION	MODEL	SIDE	PART No.	QTY.
5.484	BEARING — Pinion rear				
	BEARING	4 Cyl. Eng.		6375235	1
	CUP	6 Cyl. Eng.		7421645	1
	CONE	6 Cyl. Eng.		7421646	1
5.504	DIFFERENTIAL and CARRIER ASSEMBLY				
	DIFFERENTIAL & CARRIER ASSY. —				
	3.89:1 A.R.	1160 Eng.		(⁵³ 7194814	1
	DIFFERENTIAL & CARRIER ASSY. —				
	3.89:1 A.R.	1160 Eng.		(⁵⁴ 2696501	1
	DIFFERENTIAL & CARRIER ASSY. —				
	4.125:1 A.R.	70 exc. 1600 Eng.		(⁵³ 7202515	1
	DIFFERENTIAL & CARRIER ASSY. —				
	4.125:1 A.R.	70, 1600 Eng.		(⁵⁴ 2696500	1
	DIFFERENTIAL & CARRIER ASSY. —				
	2.78:1 A.R.	Reg. Diff. 2250, 2600 exc. S Eng.		2810715	1
	DIFFERENTIAL & CARRIER ASSY. —				
	2.78:1 A.R.	Limited Slip Diff.			
		2250, 2600 exc. S Eng.		2810716	1
	DIFFERENTIAL & CARRIER ASSY. —				
	3.08:1 A.R.	Reg. Diff. 6 Cyl. exc. 186X Eng.		2809015	1
	DIFFERENTIAL & CARRIER ASSY. —				
	3.08:1 A.R.	Limited Slip Diff. 6 Cyl. Eng.		2809014	1
	DIFFERENTIAL & CARRIER ASSY. —				
	3.36:1 A.R.	Reg. Diff. 6 Cyl. exc. 186X Eng.		7421719	1
	DIFFERENTIAL & CARRIER ASSY. —				
	3.36:1 A.R.	Limited Slip Diff. 6 Cyl. Eng.		7430869	1
	DIFFERENTIAL & CARRIER ASSY. —				
	3.55:1 A.R.	Reg. Diff. 2250, 2600 exc. S Eng.		7421475	1
	DIFFERENTIAL & CARRIER ASSY. —				
	3.55:1 A.R.	Limited Slip Diff.			
		2250, 2600 exc. S Eng.		7430870	1
5.505	CARRIER and CAP ASSEMBLY — Differential				
	CARRIER & CAP ASSY. — 2.78:1,				
	3.08:1 A.R.	6 Cyl. Eng.		7435382	1
	CARRIER & CAP ASSY. — 3.36:1,				
	3.55:1 A.R.	6 Cyl. Eng.		7421813	1
5.506	BOLT — Differential carrier				
	BOLT — Bearing cap	4 Cyl. Eng.		6375383	4
	BOLT — Cap to carrier — 3½"	6 Cyl. Eng.		7421647	2
	BOLT — Cap to carrier — 1¾"	6 Cyl. Eng.		7421673	2
5.508	GASKET — Axle housing to differential carrier				
	GASKET	6 Cyl. Eng.		7435153	1
5.510	CASE — Differential				
	CASE	4 Cyl. Eng.		6375379	1
	CASE — 2.78:1, 3.08:1 A.R.	Reg. Diff. 6 Cyl. exc. 186X Eng.		7435546	1
	CASE — Complete with internal				
	components 2.78:1, 3.08:1 A.R.	Limited Slip Diff. 6 Cyl. Eng.		2808124	1
	CASE — 2.78:1, 3.08:1 A.R.	Limited Slip Diff. 6 Cyl. Eng.		VS10886	1
	CASE — 3.36:1, 3.55:1 A.R.	Reg. Diff. 6 Cyl. exc. 186X Eng.		7438144	1
	CASE — Complete with side bearings &				
	internal components 3.36:1, 3.55:1 A.R.	Limited Slip Diff. 6 Cyl. Eng.		7432638	1
	CASE — 3.36:1, 3.55:1 A.R.	Limited Slip Diff. 6 Cyl. Eng.		VS10392	1
	BOLT — Hex. hd. 5/16" — 18 x 2"	Limited Slip Diff. 6 Cyl. Eng.		454864	6

Note: (⁵³ 1st Type — used when rear axle housing with Casting No. 7181444 is fitted.

(⁵⁴ 2nd Type — used when rear axle housing with Casting No. 8854098 is fitted.

HOLDEN "LC" PARTS CATALOGUE

GROUP	DESCRIPTION	MODEL	SIDE	PART No.	QTY.
5.511	SPRING, PLATE — Differential				
	SPRING — Pre-load	Limited Slip Diff. 6 Cyl. Eng.		VS10371	4
	PLATE — Pre-load spring	Limited Slip Diff. 6 Cyl. Eng.		VS10373	2
5.517	SHAFT — Differential pinion				
	SHAFT	4 Cyl. Eng.		6375707	1
	SHAFT	Reg. Diff. 6 Cyl. exc. 186X Eng.		7411921	1
	SHAFT	Limited Slip Diff. 6 Cyl. Eng.		VS10369	1
5.518	PIN — Differential pinion shaft lock				
	PIN	4 Cyl. Eng.		6379793	1
	PIN — Spring ¼" x 1½"	Reg. Diff. 6 Cyl. exc. 186X Eng.		453670	1
	PIN	Limited Slip Diff. 6 Cyl. Eng.		VS10372	1
5.526	PINION — Differential				
	PINION	4 Cyl. Eng.		7164368	2
5.527	GEAR SET — Differential				
	GEAR SET — 2 side gears, 2 pinions	Reg. Diff. 6 Cyl. exc. 186X Eng.		7438035	1
	GEAR SET — 2 side gears, 2 pinions	Limited Slip Diff. 6 Cyl. Eng.		VS10393	1
5.528	GEAR — Differential side				
	GEAR	4 Cyl. Eng.		7164367	2
5.529	RING GEAR and PINION ASSEMBLY				
	RING GEAR & PINION ASSY. — 3.89:1 A.R.	1160 Eng.		(⁵³ 7192214	1
	RING GEAR & PINION ASSY. — 3.89:1 A.R.	1160 Eng.		(⁵⁴ 2682101	1
	RING GEAR & PINION ASSY. — 4.125:1 A.R.	70 Eng.		(⁵³ 7177365	1
	RING GEAR & PINION ASSY. — 4.125:1	70, 1600 Eng.		(⁵⁴ 2682100	1
	RING GEAR & PINION ASSY. — 2.78:1 A.R.	6 Cyl. Eng.		7435270	1
	RING GEAR & PINION ASSY. — 3.08:1 A.R.	6 Cyl. Eng.		7437392	1
	RING GEAR & PINION ASSY. — 3.36:1 A.R.	6 Cyl. Eng.		7438806	1
	RING GEAR & PINION ASSY. — 3.55:1 A.R.	6 Cyl. Eng.		7423279	1
5.531	BOLT — Ring gear				
	BOLT	4 Cyl. Eng.		6375384	6
	BOLT	6 Cyl. Eng.		7421634	8
5.536	BEARING — Differential side				
	BEARING	4 Cyl. Eng.		7137636	2
	CUP	6 Cyl. Eng.		7421642	2
	CONE	6 Cyl. Eng.		7421643	2
5.537	SPACER, SHIM, NUT — Differential side bearing				
	SPACER — .122"	4 Cyl. Eng.		7205710	A.R.
	SPACER — .123"	4 Cyl. Eng.		7205711	A.R.
	SHIM — Side bearing spacer	4 Cyl. Eng.		6396702	A.R.
	NUT — Adjusting	6 Cyl. Eng.		7421650	2
5.539	LOCK — Differential side bearing adjusting nut				
	LOCK	6 Cyl. Eng.		7407400	2
5.542	WASHER — Differential pinion thrust				
	WASHER	4 Cyl. Eng.		6375475	2
	WASHER	Reg. Diff. 6 Cyl. exc. 186X Eng.		7400280	2
	WASHER	Limited Slip Diff. 6 Cyl. Eng.		VS10370	2

Note: (⁵³ 1st Type — used when rear axle housing with Casting No. 7181444 is fitted.

(⁵⁴ 2nd Type — used when rear axle housing with Casting No. 8854098 is fitted.

HOLDEN "LC" PARTS CATALOGUE

GROUP	DESCRIPTION	MODEL	SIDE	PART No.	QTY.
5.543	SPACER, WASHER, SHIM — Differential side gear thrust				
	SPACER — .019" — .021"	4 Cyl. Eng.		6375485	A.R.
	SPACER — .021" — .023"	4 Cyl. Eng.		7158165	A.R.
	SPACER — .023" — .025"	4 Cyl. Eng.		6375486	A.R.
	SPACER — .025" — .027"	4 Cyl. Eng.		7158166	A.R.
	SPACER — .027" — .029"	4 Cyl. Eng.		6375487	A.R.
	SPACER — .029" — .031"	4 Cyl. Eng.		7158167	A.R.
	SPACER — .031" — .033"	4 Cyl. Eng.		6375488	A.R.
	WASHER	Reg. Diff. 6 Cyl. exc. 186X Eng.		7400279	2
	SHIM — .005"	Limited Slip Diff. 6 Cyl. Eng.		VS10374	A.R.
	SHIM — .010"	Limited Slip Diff. 6 Cyl. Eng.		VS10375	A.R.
5.545	SLINGER, FLANGE, NUT — Differential pinion				
	SLINGER	4 Cyl. Eng.		⁽⁵³⁾ 7181377	1
	SLINGER	4 Cyl. Eng.		⁽⁵⁴⁾ 8854088	1
	FLANGE	4 Cyl. Eng.		⁽⁵³⁾ 8822305	1
	FLANGE and SLINGER ASSY.	4 Cyl. Eng.		⁽⁵⁴⁾ 8855860	1
	NUT	4 Cyl. Eng.		⁽⁵³⁾ 6379504	1
	NUT	4 Cyl. Eng.		⁽⁵⁴⁾ 7085400	1
	ADAPTOR — Flange	4 Cyl. Eng.		⁽⁵⁴⁾ 2682098	1
	SLINGER	6 Cyl. Eng.		7421668	1
	FLANGE	6 Cyl. Eng.		7422731	1
	NUT	6 Cyl. Eng.		7421651	1
	WASHER — Flange nut	6 Cyl. Eng.		7421649	1
5.546	BOLT, NUT, PLATE — Differential pinion flange				
	BOLT	4 Cyl. exc. 1600 Eng.		⁽⁵³⁾ 6327253	4
	BOLT	4 Cyl. Eng.		⁽⁵⁴⁾ 2682170	4
	NUT — Self locking	4 Cyl. Eng.		7168136	4
	PLATE — Lock	6 Cyl. Eng.		7422733	2
5.548	REPAIR KIT — Universal joint				
	REPAIR KIT — Front	ALL		VS10604	1
	REPAIR KIT — Rear	4 Cyl. Eng.		VS10604	1
	REPAIR KIT — Rear	6 Cyl. Eng.		VS10605	1
5.555	YOKE, FLANGE — Universal joint				
	YOKE ASSY. — Front sleeve	(M) 4 Cyl. exc. 1600 Eng.		VS11021	1
	YOKE ASSY. — Front sleeve	(A) 4 Cyl. Eng.		7427962	1
	YOKE ASSY. — Front sleeve	(M) 1600 Eng.		VS11985	1
	YOKE — Rear flange	4 Cyl. Eng.		VS11018	1
	YOKE ASSY. — Front sleeve	6 Cyl. Eng.		7427962	1
5.586	"U" BOLT — Universal joint				
	"U" BOLT — Rear	6 Cyl. Eng.		7422734	2
5.803	WHEELASSEMBLY — Road				
	WHEEL ASSY. — 4.00 x 12	4 Cyl. Eng.		7437062	5
	WHEEL ASSY. — 4.50 x 13	2250, 2600 exc. S Eng.		2813814	5
	WHEEL ASSY. — 5.50 x 13	6 Cyl. Eng.		2813815	5
5.804	SPACER — Wheel				
	SPACER	186X Eng.		2807154	A.R.

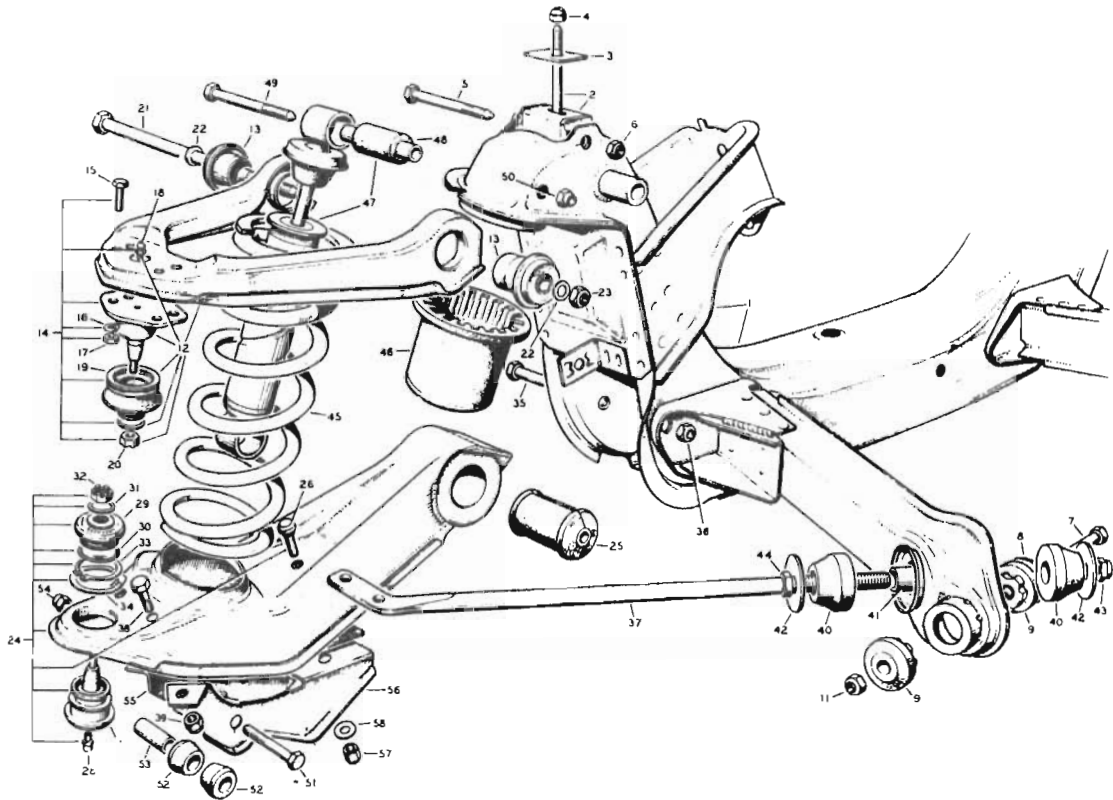
Note: ⁽⁵³⁾ 1st Type — used when rear axle housing with Casting No. 7181444 is fitted.
⁽⁵⁴⁾ 2nd Type — used when rear axle housing with Casting No. 8854098 is fitted.

HOLDEN "LC" PARTS CATALOGUE

GROUP	DESCRIPTION	MODEL	SIDE	PART No.	QTY.
5.809	DRUM ASSEMBLY, DISC — Brake				
	DISC — Front	4 Cyl. Eng. Disc Brakes		7206003	2
	DRUM ASSY. — Rear	4 Cyl. Eng.		7186170	2
	DISC — Front	2250, 2600 Eng. Disc Brakes		2812237	2
	DISC — Front	186X Eng.		2817116	2
	DRUM ASSY. — Front	2250, 2600 exc S Eng. Drum Brakes		2809350	2
	DRUM ASSY. — Rear	6 Cyl. Eng.		7424784	2
5.812	BOLT — Wheel hub				
	FRONT & REAR	4 Cyl. Eng.		(⁵⁷ 7126976	16
	FRONT & REAR	4 Cyl. Eng.		(⁵⁸ 7176365	16
	FRONT & REAR	6 Cyl. Eng.		2808655	20
5.813	NUT — Wheel hub bolt				
	NUT	4 Cyl. Eng.		2808656	16
	NUT	2250, 2600 exc. S Eng.		2808656	20
	NUT — Chrome	6 Cyl. Eng.		2809345	20
5.816	RETAINER, RING, GASKET, REINFORCEMENT — Rear axle bearing				
	PLATE — Retainer	4 Cyl. Eng.		7192331	2
	GASKET — Retainer plate	4 Cyl. Eng.		7192332	2
	RING	4 Cyl. Eng.		6375115	2
	RETAINER	6 Cyl. Eng.		7420712	2
	RING	6 Cyl. Eng.		7424793	2
	REINFORCEMENT	6 Cyl. Eng.		7438607	2
5.819	GASKET — Rear brake oil deflector				
	GASKET	6 Cyl. Eng.		7420713	2
5.822	SEAL, "O" RING — Rear axle bearing oil				
	SEAL	4 Cyl. Eng.		6375116	2
	SEAL	6 Cyl. Eng.		7419736	2
	SEAL — Outer	6 Cyl. Eng.		7412963	2
	"O" RING	6 Cyl. Eng.		7415353	2
5.855	BEARING ASSEMBLY — Rear axle				
	BEARING ASSY.	4 Cyl. Eng.		8844005	2
	BEARING PACKAGE	6 Cyl. Eng.		2810498	2
5.858	CAP, COVER — Wheel hub				
	CAP	4 Cyl. Eng.		7437363	4
	CAP	2250, 2600 exc. S Eng.		2807590	4
	COVER — Front wheel bearing	4 Cyl. Eng.		6379778	2
	COVER — Front wheel bearing	6 Cyl. Eng.		7413400	2
5.871	RING — Wheel trim				
	RING ASSY	4 Cyl. Eng.		7438568	4
	WHEEL TRIM — Set	4 Cyl. Eng.		7438567	1
	RING ASSY	6 Cyl. Eng.		2810975	4
	TRIM — Wheel centre	6 Cyl. Eng.		2809241	4

Note: (⁵⁷ Stud with 42 Splines must be fitted to axle shaft 8822027.

(⁵⁸ Stud with 28 Splines must be fitted to axle shaft 8838345.

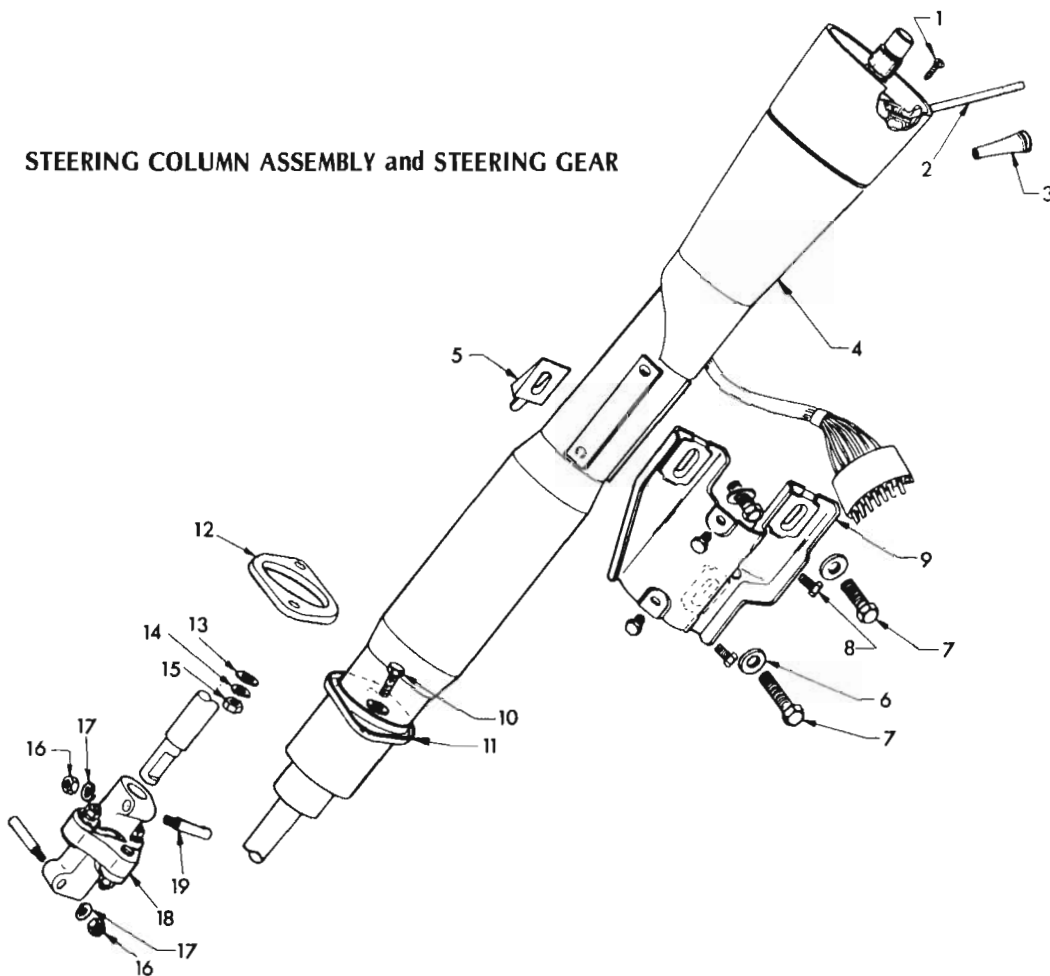


FRONT SUSPENSION

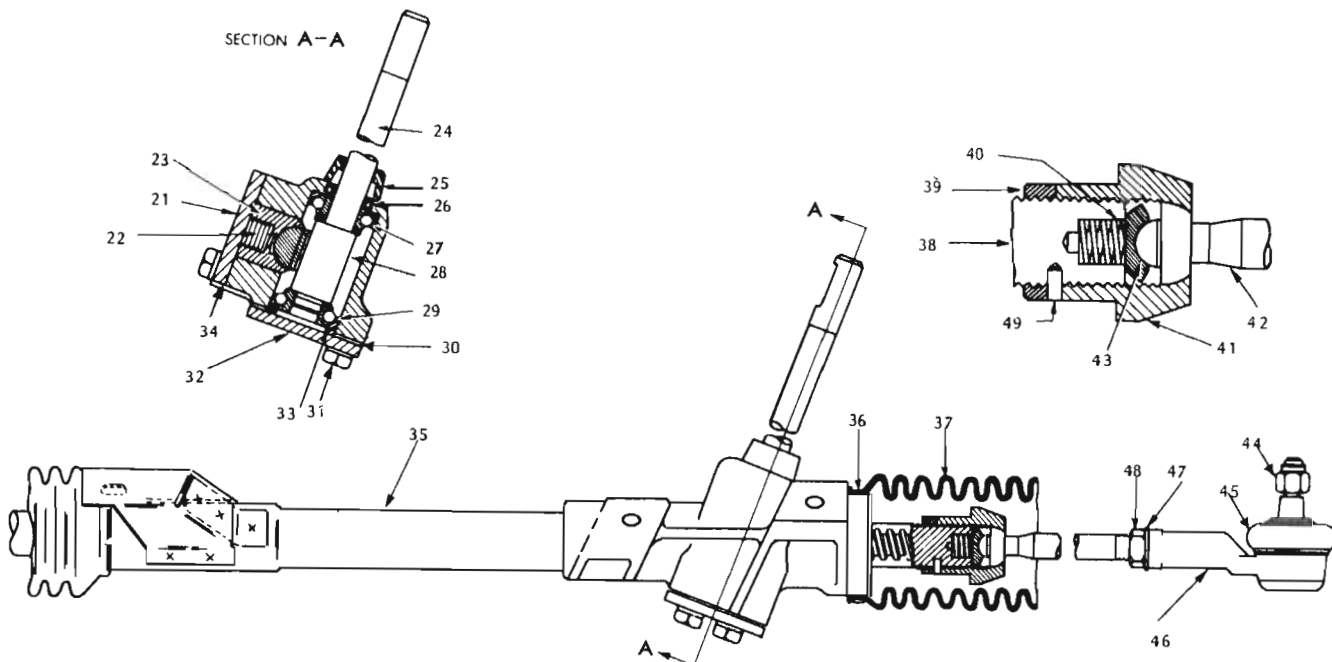
(4 Cylinder Engine)

ILLUS. REF. NO.	PART NAME	GROUP	ILLUS. REF. NO.	PART NAME	GROUP
1.	MEMBER ASSY.	6.008	30.	SPRING - Boot	6.168
2.	MOUNTING ASSY.	6.008	31.	RING - Boot	6.168
3.	WASHER	6.008	32.	NUT - Lower joint	8.917
4.	NUT	6.008	33.	CIRCLIP	6.168
5.	BOLT - Mounting to cross member	6.008	34.	WASHER - Lower joint	6.168
6.	NUT	6.008	35.	BOLT - Lower arm to cross member	6.008
7.	BOLT - Cross member brace to side member	6.008	36.	NUT	6.008
8.	WASHER - Cross member brace	6.008	37.	ROD	6.169
9.	BUSHING - Cross member brace	6.008	38.	BOLT	6.169
11.	NUT	6.008	39.	NUT	6.169
12.	ARM ASSY. - Upper	6.168	40.	INSULATOR - Rod to cross member brace	6.169
13.	BUSHING	6.164	41.	SPACER - Insulator	6.169
14.	KIT - Upper	6.168	42.	WASHER - Insulator	6.169
15.	BOLT	8.900	43.	NUT	8.918
16.	WASHER	8.931	44.	NUT	8.915
17.	NUT	8.915	45.	SPRING	6.361
18.	FITTING - Lubrication	6.168	46.	INSULATOR	6.364
19.	BOOT - Upper joint	6.168	47.	SHOCK ABSORBER	7.345
20.	NUT	8.917	48.	BUSHING - Eye	N.S.S.
21.	BOLT	6.164	49.	BOLT - Shock absorber to cross member	7.370
22.	WASHER	6.164	50.	NUT	7.370
23.	NUT	6.164	51.	BOLT	8.900
24.	ARM ASSY. - Lower	6.168	52.	BUSHING - Shock abs. to bracket	7.370
25.	BUSHING	6.170	53.	SPACER - Shock abs. to bracket	7.370
26.	BOLT - Anchor bracket	7.370	54.	NUT	7.370
27.	BALL JOINT ASSY. - Lower	6.168	55.	BRACKET - Inner	7.370
28.	FITTING - Lubrication	6.168	56.	BRACKET - Outer	7.370
29.	BOOT - Lower joint	6.168	57.	NUT - Bracket to arm	7.370
			58.	WASHER	8.931

STEERING COLUMN ASSEMBLY and STEERING GEAR

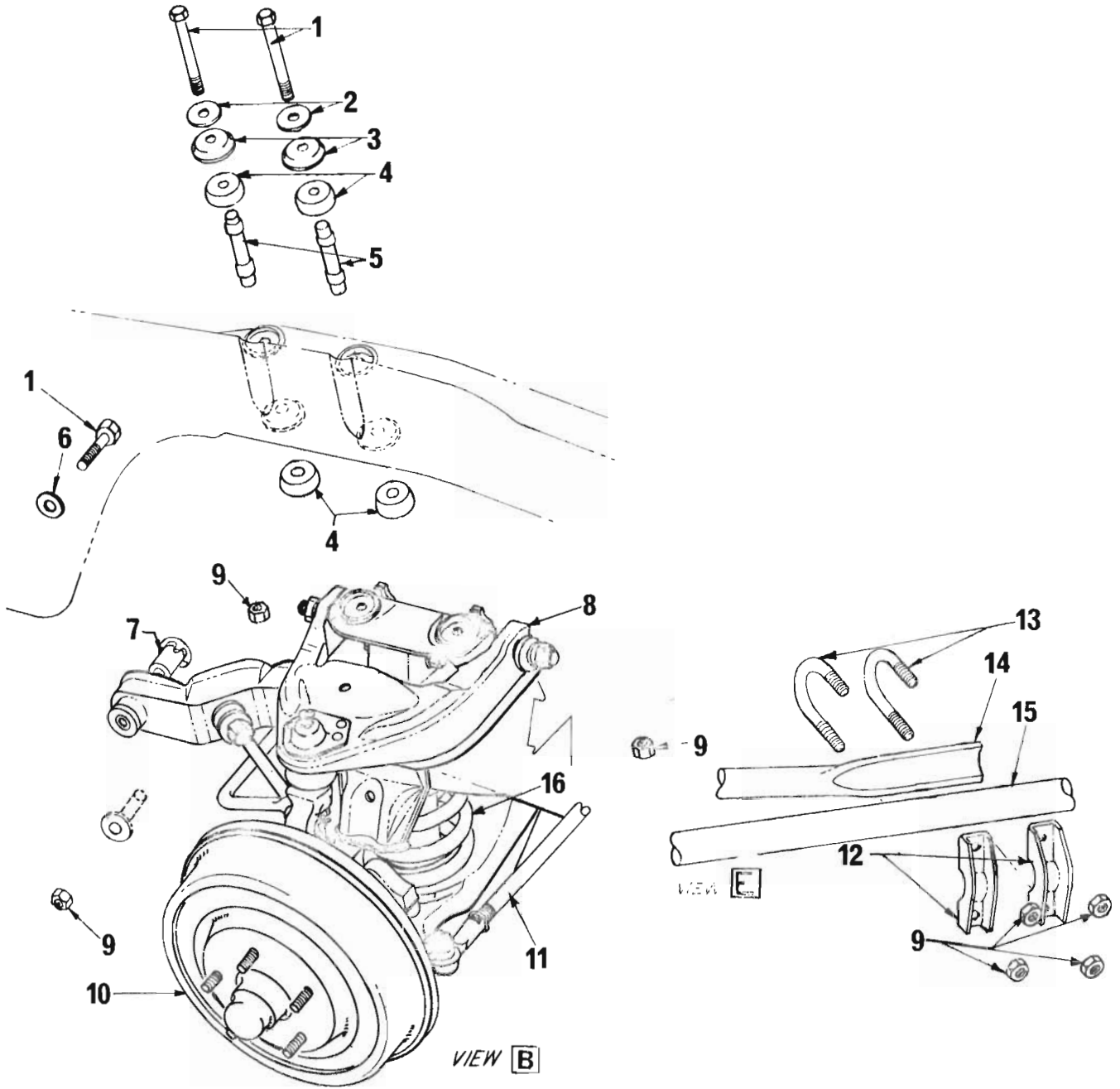


SECTION A-A



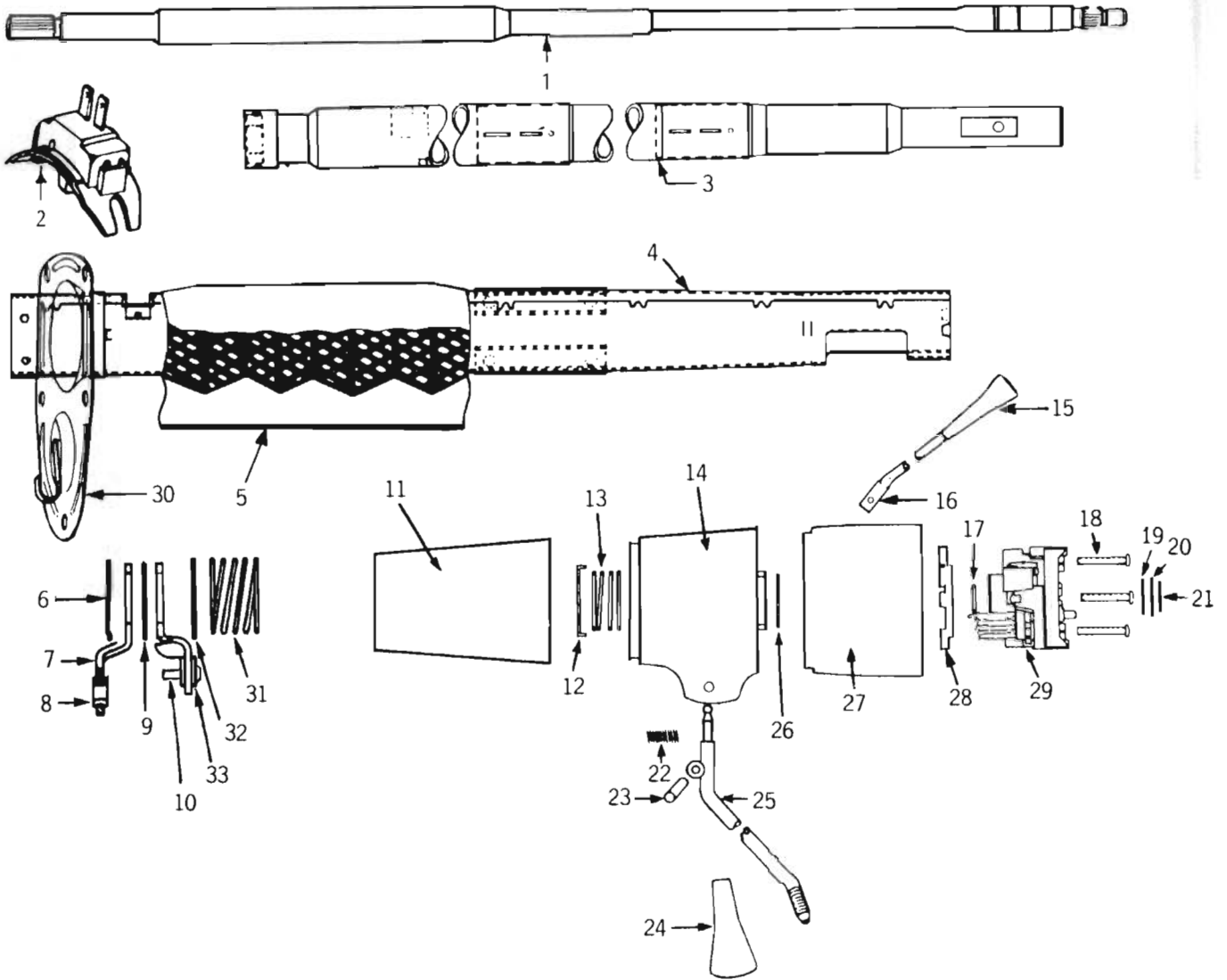
STEERING COLUMN ASSEMBLY and STEERING GEAR

			ILLUSTRATION OPPOSITE		
ILLUS. REF. NO.	PART NAME	GROUP	ILLUS. REF. NO.	PART NAME	GROUP
1.	SCREW	8.977	25.	SEAL - Pinion oil, outer	6.809
2.	LEVER - Turn signal switch	2.897	26.	SEAL - Pinion oil, inner	6.809
3.	KNOB - Turn signal switch lever	2.897	27.	BEARING ASSY.	6.530
4.	JACKET ASSY.	6.518	28.	SPACER - Pinion, upper	6.524
5.	WEDGE - Adjusting	6.760	29.	BEARING ASSY.	6.530
6.	WASHER - Plain	6.760	30.	SHIM - End cover	6.809
7.	BOLT	8.900	31.	BOLT - End cover	6.807
8.	BOLT	6.760	32.	COVER - End	6.807
9.	BRACKET ASSY.	6.760	33.	SPACER - Pinion, lower	6.524
10.	BOLT	8.900	34.	SHIM - Cover plate	6.809
11.	COVER - Steering column	6.758	35.	HOUSING ASSY. - Rack and pinion	6.803
12.	SEAL	6.758	36.	CLIP - Boot	6.255
13.	WASHER - Plain	6.758	37.	BOOT	6.255
14.	WASHER - Spring lock	8.931	38.	RACK	6.525
15.	NUT	8.915	39.	NUT - Lock	6.235
16.	NUT - Self locking	8.918	40.	SPRING	6.235
17.	WASHER - Plain	8.929	41.	HOUSING - Tie rod ball	6.235
18.	COUPLING ASSY.	6.524	42.	ROD ASSY. - Tie	6.230
19.	PIN - Cotter	6.524	43.	SEAT	6.235
20.	BOLT - Cover plate	6.807	44.	NUT	6.233
21.	PLATE - Cover	6.807	45.	BOOT	6.233
22.	SPRING - Cover plate	6.807	46.	SOCKET ASSY.	6.233
23.	YOKE - Rack support	6.525	47.	WASHER - Lock	8.932
24.	PINION	6.524	48.	NUT - Lock	6.234
			49.	PIN - Lock	6.235



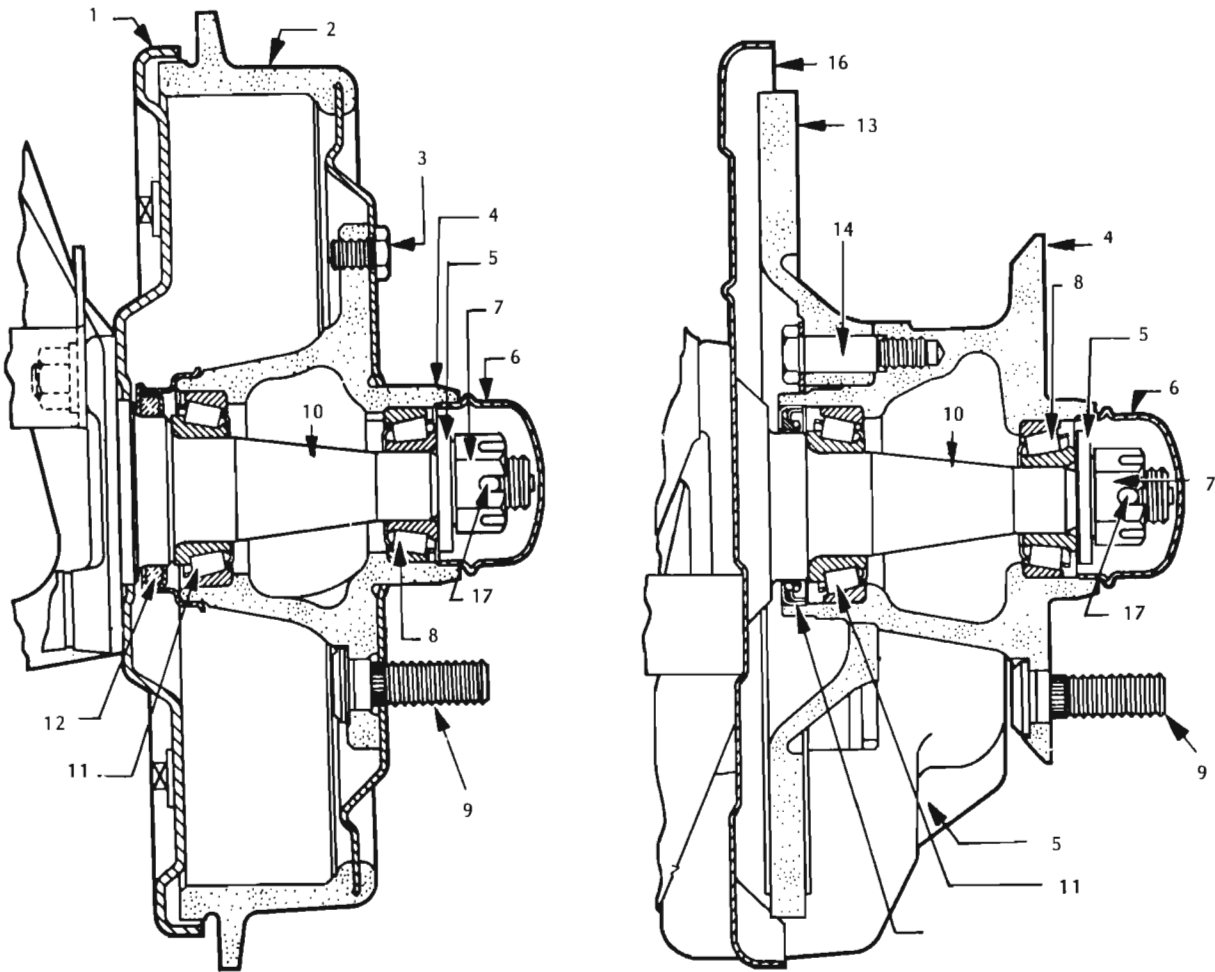
**FRONT SUSPENSION
(6 Cylinder Engine)**

ILLUS. REF. NO.	PART NAME	GROUP	ILLUS. REF. NO.	PART NAME	GROUP
1.	BOLT	8.900	9.	NUT	8.918
2.	WASHER	8.929	10.	DRUM	5.809
3.	INSULATOR	6.008	11.	ROD	6.230
4.	RETAINER	6.008	12.	SEAT	7.242
5.	SPACER	6.008	13.	"U" BOLT	7.242
6.	WASHER	6.008	14.	SHAFT	7.241
7.	BUSHING	6.008	15.	ROD	6.169
8.	ARM - Upper	6.168	16.	SPRING	6.361



STEERING COLUMN ASSEMBLY

ILLUS. REF. NO.	PART NAME	GROUP	ILLUS. REF. NO.	PART NAME	GROUP
1.	SHAFT ASSY. - Steering	6.524	17.	CIRCLIP	6.524
2.	SWITCH ASSY. - Back up lamp	2.697	18.	SCREW	8.910
3.	TUBE ASSY.	4.007	19.	WASHER - Switch wave.....	2.895
4.	JACKET ASSY.	6.518	20.	WASHER - Switch thrust	2.895
5.	COVER - Steering column jacket	6.518	21.	RING - Switch retaining	2.895
6.	RETAINER - Lower lever	4.020	22.	SPRING - Selector return	4.017
7.	LEVER - Lower	4.020	23.	PIN	4.007
8.	INSULATOR	4.020	24.	KNOB	4.009
9.	SPACER - Lower control	4.019	25.	LEVER	4.006
10.	PIN - Shift rod	4.019	26.	WASHER	4.018
11.	COVER - Steering column, lower	6.518	27.	COVER - Gearshift column upper	6.518
12.	SEAT	4.018	28.	RING ASSY. - Support	2.895
13.	SPRING - Anti rattle	4.017	29.	SWITCH - Turn signal lamp	2.895
14.	SUPPORT	4.018	30.	COVER - Steering column	6.758
15.	KNOB - Turn signal switch lever	2.897	31.	SPRING - Lower control	4.017
16.	LEVER - Turn signal switch	2.897	32.	RETAINER - Lower lever	4.019
			33.	LEVER ASSY. - Lower	4.019



FRONT WHEEL HUB

ILLUS. REF. NO.	PART NAME	GROUP	ILLUS. REF. NO.	PART NAME	GROUP
1.	PLATE - Backing	5.001	10.	KNUCKLE - Steering	6.020
2.	DRUM ASSY. - Brake	5.809	11.	BEARING ASSY. - Front wheel, inner	6.311
3.	BOLT - Drum to hub	6.307	12.	SEAL - Front wheel bearing	6.326
4.	HUB	6.307	13.	DISC - Front brake	5.809
5.	WASHER - Spindle nut	6.321	14.	BOLT - Disc to hub	6.307
6.	COVER - Front wheel bearing	5.858	15.	CALIPER ASSY.	5.010
7.	NUT - Steering knuckle	6.020	16.	SHIELD - Front brake	5.001
8.	BEARING ASSY. - Front wheel, outer ..	6.313	17.	PIN - Cotter	8.938
9.	BOLT - wheel hub	5.812			

HOLDEN "LC" PARTS CATALOGUE

GROUP	DESCRIPTION	MODEL	SIDE	PART No.	QTY.
6.007 FRONT SUSPENSION ASSEMBLY					
CURRENT PRODUCTION FRONT SUSPENSION ASSEMBLIES WILL BE SUPPLIED ON A FIRM ORDER BASIS.					
6.008 MEMBER, MOUNTING, BUSHING, INSULATOR, RETAINER, BRACKET — Front suspension					
	MEMBER ASSY	4 Cyl. exc. 1600 Eng.		2816343	1
	MEMBER ASSY	1600 Eng.		8843828	1
	MOUNTING ASSY	4 Cyl. Eng.		7186342	2
	NUT — Mounting	4 Cyl. Eng.		SP1912	2
	WASHER — Mounting	4 Cyl. Eng.		6366867	2
	BOLT — Mounting to cross member $\frac{7}{16}$ " — 20 x 3.60"	4 Cyl. Eng.		9813063	2
	BOLT — Mounting to cross member $\frac{7}{16}$ " — 20 x 3.76"	4 Cyl. Eng.		8832434	2
	BOLT — Brace to side member	4 Cyl. Eng.		7186411	2
	WASHER — Brace .46" x 1.90" x .12"	4 Cyl. Eng.		7205937	2
	WASHER — Brace .45" x 1.12" x .12"	4 Cyl. Eng.		7171665	2
	NUT — Hex. $\frac{7}{16}$ " — 20 twin lock	4 Cyl. Eng.		SP1917	2
	BUSHING — Brace	4 Cyl. Eng.		7211458	2
	BOLT — Lower arm to cross member	4 Cyl. Eng.		7186350	2
	MEMBER ASSY.	6 Cyl. Eng. RIGHT HAND DRIVE		(²² 2814740	1
	MEMBER ASSY.	6 Cyl. exc. 186X Eng. RIGHT HAND DRIVE		(²³ 2822119	1
	MEMBER ASSY.	186X Eng.		(²³ 2822120	1
	MEMBER ASSY.	6 Cyl. Eng. LEFT HAND DRIVE		2814741	1
	INSULATOR — To side member	6 Cyl. Eng.		7449703	8
	RETAINER — To side member (1/D $\frac{3}{8}$ ")	6 Cyl. Eng.		7449704	8
	RETAINER — To side member (1/D $\frac{3}{4}$ ")	6 Cyl. Eng.		2806319	8
	SPACER ASSEMBLY	6 Cyl. Eng.		2814691	4
	SPACER — To side member	6 Cyl. Eng.		2805381	4
	BUSHING — To side member	6 Cyl. Eng.		7211458	2
	WASHER — To side member	6 Cyl. Eng.		7205937	2
	BRACKET ASSY. — Power plant mounting	6 Cyl. Eng. RIGHT HAND DRIVE	LH	2805839	1
			RH	2805840	1
			LEFT HAND DRIVE	2810007	1
			RH	2810006	1
	BRACKET — Steering gear mounting	6 Cyl. Eng. RIGHT HAND DRIVE		2805844	1
	BRACKET — Steering gear support	6 Cyl. Eng. RIGHT HAND DRIVE		2805845	1
6.020 KNUCKLE — Steering					
	KNUCKLE	4 Cyl. Eng. Drum Brakes		6382726	2
	KNUCKLE	4 Cyl. Eng. Disc Brakes	LH	6378069	1
			RH	6378068	1
	NUT — Hub to knuckle	4 Cyl. Eng.		8813592	2
	NUT — Hub to knuckle	4 Cyl. Eng.		SP2275	2
	KNUCKLE	6 Cyl. Eng. Drum Brakes		7448795	2
	KNUCKLE	6 Cyl. Eng. Disc Brakes	LH	7449811	1
			RH	7449812	1
6.103 ARM — Steering					
	ARM	4 Cyl. Eng.	LH	7188651	1
			RH	7188650	1
	ARM	6 Cyl. Eng. RIGHT HAND DRIVE	LH	2805053	1
			RH	2805054	1
6.163 SHIM — Upper control shaft					
	SHIM — .030"	6 Cyl. Eng.		2812095	A.R.
	SHIM — .059"	6 Cyl. Eng.		2812096	A.R.
	SHIM — .120"	6 Cyl. Eng.		2812097	A.R.

Note: (²² Prior to brake line pressure warning switch.

(²³ When brake line pressure warning switch fitted.

HOLDEN "LC" PARTS CATALOGUE

GROUP	DESCRIPTION	MODEL	SIDE	PART No.	QTY.
6.164	BUSHING, BOLT, SHAFT, RETAINER — Upper control arm				
	BUSHING	4 Cyl. Eng.		7186348	4
	BOLT — Upper arm to cross member	4 Cyl. Eng.		7186349	2
	SHAFT — Inner	6 Cyl. Eng.		7449705	2
	BUSHING — Inner shaft	6 Cyl. Eng.		2805510	4
	RETAINER — Inner shaft bushing	6 Cyl. Eng.		2805728	4
6.168	ARM ASSEMBLY, BALL JOINT — Control				
	ARM & BALL JOINT ASSY. — Upper control	4 Cyl. Eng.		8827306	2
	BALL JOINT KIT — Upper	4 Cyl. Eng.		2690013	2
	BOOT ASSY. — Upper ball joint	4 Cyl. Eng.		7164244	2
	ARM & BALL JOINT ASSY. — Lower control	4 Cyl. Eng.		7437243	2
	BALL JOINT ASSY. — Lower	4 Cyl. Eng.		7216507	2
	BOOT — Lower ball joint	4 Cyl. Eng.		6397970	2
	SPRING — Boot retaining garter	4 Cyl. Eng.		6368111	2
	RING — Boot	4 Cyl. Eng.		6374432	2
	CIRCLIP — Ball joint to lower arm	4 Cyl. Eng.		7164199	2
	WASHER — Lower ball joint	4 Cyl. Eng.		7164198	2
	FITTING — Ball joint lubrication	4 Cyl. Eng.		7096304	4
	ARM & BALL JOINT ASSY. — Upper control	6 Cyl. Eng.		⁽⁵⁹⁾ 2814713	2
	ARM & BALL JOINT ASSY. — Upper control	6 Cyl. Eng.		⁽⁶⁰⁾ 2816418	2
	BALL JOINT KIT — Upper	6 Cyl. Eng.		7436218	2
	SEAL & CLAMP KIT — Upper ball joint	6 Cyl. Eng.		5679626	2
	CLAMP — Upper ball joint seal	6 Cyl. Eng.		5679627	2
	ARM & BALL JOINT ASSY. — Lower control	6 Cyl. Eng.		2814712	2
	BALL JOINT ASSY. — Lower control	6 Cyl. Eng.		5693552	2
	SEAL & CLAMP KIT — Lower ball joint	6 Cyl. Eng.		5679629	2
	CLAMP — Lower ball joint seal	6 Cyl. Eng.		5679630	2
6.169	ROD, INSULATOR, WASHER, SPACER — Front suspension control				
	ROD	4 Cyl. Eng.		7186322	2
	BOLT — Rod to lower arm	4 Cyl. Eng.		7188629	4
	ROD	6 Cyl. Eng.		7449712	2
	INSULATOR — Rod to side member	ALL		7186324	4
	WASHER — Rod to side member	ALL		7186326	4
	SPACER — Insulator	ALL		7186325	2
6.170	BUSHING — Lower control arm				
	BUSHING	4 Cyl. Eng.		8851168	2
	BUSHING	6 Cyl. Eng.		2807098	2
6.176	BUMPER — Control arm				
	BUMPER	4 Cyl. Eng.		7216271	2
	BUMPER	6 Cyl. Eng.		7423550	4-2
	BUMPER — Bolts to lower control arm	6 Cyl. Eng.		⁽⁶⁰⁾ 2814575	2
6.177	BRACKET ASSEMBLY — Control arm bumper				
	BRACKET ASSY.	6 Cyl. Eng.		⁽⁵⁹⁾ 2812681	2
6.230	ROD — Steering tie				
	ROD	4 Cyl. Eng.		7216570	2
	ROD	6 Cyl. Eng.		VS11198	2

Note: ⁽⁵⁹⁾ Applicable to vehicles without bumper on lower control arm.

⁽⁶⁰⁾ Applicable to vehicles with bumper on lower control arm.

HOLDEN "LC" PARTS CATALOGUE

GROUP	DESCRIPTION	MODEL	SIDE	PART No.	QTY.
6.233	SOCKET ASSEMBLY — Steering tie rod ball				
	SOCKET ASSY	4 Cyl. Eng.		7178656	2
	BOOT	4 Cyl. Eng.		6397970	2
	RETAINER — Boot	4 Cyl. Eng.		6353736	2
	CIRCLIP — Boot	4 Cyl. Eng.		7124870	2
	NUT	4 Cyl. Eng.		7178657	2
	SPRING — Boot retaining	4 Cyl. Eng.		VS11660	2
	SOCKET ASSY	6 Cyl. Eng.		2814260	2
	BOOT	6 Cyl. Eng.		2809115	2
	SPRING — Boot retaining	6 Cyl. Eng.		VS11661	2
6.234	NUT — Steering gear tie rod				
	NUT — Ball socket lock	4 Cyl. Eng.		VS11217	2
	NUT — Ball socket lock	6 Cyl. Eng.		VS11218	2
6.235	HOUSING, SEAT, SPRING, NUT, PIN — Steering tie rod ball				
	HOUSING	4 Cyl. Eng.		7216825	2
	SEAT	4 Cyl. Eng.		7216803	2
	SPRING	4 Cyl. Eng.		7190262	2
	NUT	4 Cyl. Eng.		7190261	2
	PIN	4 Cyl. Eng.		VS11216	2
	HOUSING	6 Cyl. Eng.		VS11199	2
	SEAT	6 Cyl. Eng.		7216803	2
	SPRING	6 Cyl. Eng.		7190262	2
	NUT	6 Cyl. Eng.		VS11197	2
6.255	BOOT, CLIP — Tie rod				
	BOOT — Rack, pinion end	4 Cyl. Eng.		7206873	1
	BOOT — Rack, support end	4 Cyl. Eng.		7206874	1
	CLIP — Boot to tie rod	4 Cyl. Eng.		6397771	2
	CLIP — Boot to housing, pinion end	4 Cyl. Eng.		7206875	1
	CLIP — Boot to housing, support end	4 Cyl. Eng.		6397772	1
	BOOT — Rack, pinion end	6 Cyl. Eng.		VS11204	1
	BOOT — Rack, support end	6 Cyl. Eng.		VS11200	1
	CLIP — Boot to tie rod	6 Cyl. Eng.		VS11205	2
	CLIP — Boot to housing, pinion end	6 Cyl. Eng.		7206875	1
	CLIP — Boot to housing, support end	6 Cyl. Eng.		6397772	1
6.307	HUB ASSEMBLY — Front wheel				
	HUB & DRUM ASSY. — Front	4 Cyl. Eng. Drum Brakes		6397662	2
	BOLT — Drum to hub	4 Cyl. Eng. Drum Brakes		6382868	4
	HUB — Front	4 Cyl. Eng. Disc Brakes		8853733	2
	BOLT — Disc to hub	4 Cyl. Eng. Disc Brakes		6389225	8
	BOLT — Disc to hub, self locking	4 Cyl. Eng. Disc Brakes		8827058	8
	WASHER — Disc to hub tab	4 Cyl. Eng. Disc Brakes		6389226	4
	HUB — Front	6 Cyl. Eng. Drum Brakes		2808761	2
	HUB — Front	6 Cyl. Eng. Disc Brakes		2808760	2
6.311	BEARING ASSEMBLY — Front wheel inner				
	BEARING ASSY	4 Cyl. Eng.		6368762	2
	BEARING ASSY	6 Cyl. Eng.		7413406	2
6.313	BEARING ASSEMBLY — Front wheel outer				
	BEARING ASSY	4 Cyl. Eng.		6368763	2
	BEARING ASSY	6 Cyl. Eng.		7413409	2
6.321	WASHER — Steering knuckle spindle nut				
	WASHER	4 Cyl. Eng.		6368888	2
	WASHER	6 Cyl. Eng.		7435914	2

HOLDEN "LC" PARTS CATALOGUE

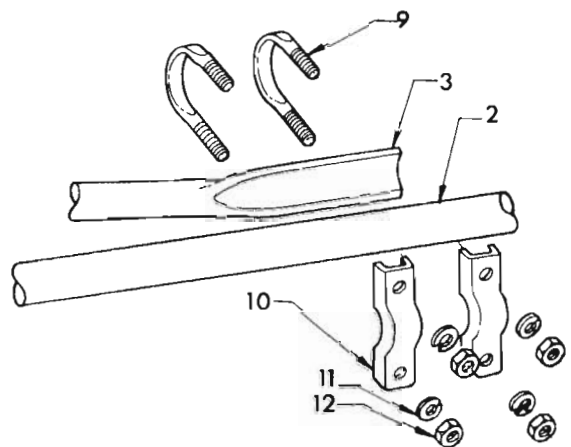
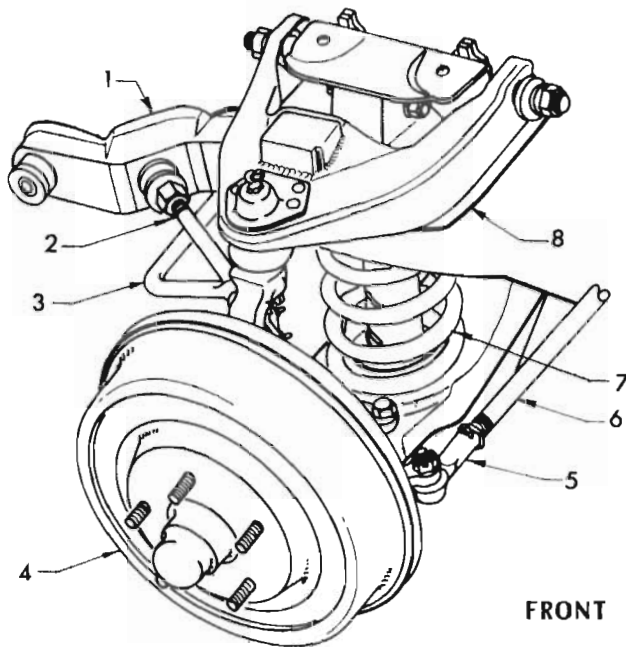
GROUP	DESCRIPTION	MODEL	SIDE	PART No.	QTY.
6.326	SEAL ASSEMBLY — Front wheel bearing				
	SEAL ASSY.	4 Cyl. Eng. Drum Brakes		6368773	2
	SEAL ASSY.	4 Cyl. Eng. Disc Brakes		6389292	2
	SEAL ASSY.	6 Cyl. Eng.		7448953	2
6.361	SPRING — Front				
	SPRING	4 Cyl. exc. 1600 Eng.	LH	7198455	1
			RH	7198454	1
	SPRING	1600 Eng.		8818632	2
	SPRING — Regular	2250, 2600 exc. S Eng.		2810428	2
	SPRING — Heavy Duty	2250, 2600 exc. S Eng.		2813561	2
	SPRING — (Lt. Green) Free length 10.95"	2600S, 186X Eng.		2810938	2
	SPRING — (Pink) Free length 10.53"	2600S, 186X Eng.		2816335	1
6.364	INSULATOR — Front spring				
	INSULATOR	4 Cyl. Eng.		7216275	2
	INSULATOR	6 Cyl. Eng.		2805717	2
6.508	COLUMN ASSEMBLY, GEAR ASSEMBLY — Steering				
	COLUMN ASSY.	4 Cyl. Eng.		7448389	1
	GEAR ASSY.	4 Cyl. Eng.		7447875	1
	COLUMN ASSY.	2250, 2600 exc. S Eng. Column Shift			
			RIGHT HAND DRIVE	2806026	1
	COLUMN ASSY.	(M) 6 Cyl. Eng. Floor Shift, Console Shift			
			RIGHT HAND DRIVE	2805654	1
	COLUMN ASSY. — (Fibre optic conductor)	(A) 6 Cyl. Eng. Column Shift			
			RIGHT HAND DRIVE	2806859	1
	COLUMN ASSY. — (Illumination bulb)	(A) 2250, 2600 exc. S Eng. Column Shift			
			RIGHT HAND DRIVE	2816147	1
	GEAR ASSY.	6 Cyl. Eng.	RIGHT HAND DRIVE	7449333	1
	COLUMN ASSY.	6 Cyl. Eng.	LEFT HAND DRIVE	2810601	1
	GEAR ASSY.	6 Cyl. Eng.	LEFT HAND DRIVE	2810750	1
	NUT — Hex. 3/4" — 24 twinlock	ALL		SP1912	A.R.
	BOLT — Steering column to dash panel	6 Cyl. Eng.	RIGHT HAND DRIVE	SP2157	4
6.509	BOLT, PLATE — Steering gear to cross member				
	BOLT — 3.66" long	4 Cyl. Eng.		7192014	1
	BOLT — 4.00" long	4 Cyl. Eng.		7192009	2
	PLATE — Locking	4 Cyl. Eng.		6396581	1
6.513	WHEEL ASSEMBLY — Steering				
	WHEEL ASSY — Trim Nos. 40B, 40D, 40E, 40F, 40P, 40Q, 40R, 40T	Exc. GTR		7433126BA	1
	WHEEL ASSY — Trim Nos. 41A, 41B, 41D, 41E, 41F, 41P, 41Q H1R, 41T	Exc. GTR		7433126BB	1
	WHEEL ASSY. — Trim Nos. 42A, 42E, 42R, 42T	Exc. GTR		7433126BC	1
	WHEEL ASSY — Trim Nos. 42B, 42D, 42F, 42P	Exc. GTR		7433126BT	1
	WHEEL ASSY. — Trim Nos. 43D, 43E, 43F, 43P, 43R, 43T	Exc. GTR		7433126BD	1
	WHEEL ASSY — Trim Nos. 44A, 44D, 44E, 44F, 44P, 44R, 44T	Exc. GTR		7433126CF	1
	WHEEL ASSY. — Trim Nos. 46B, 46D, 46F, 46P	Exc. GTR		7433126BU	1
	WHEEL ASSY — Trim Nos. 48D, 48F, 48P, 48Q	Exc. GTR		7433126BG	1
	WHEEL ASSY.	GTR		2805096	1
	HUB — Steering wheel	GTR		7449076	1
	NUT — Hex. stamped 1/2" — 20	ALL		147514	1

HOLDEN "LC" PARTS CATALOGUE

GROUP	DESCRIPTION	MODEL	SIDE	PART No.	QTY.
6.518	JACKET ASSY, COVER — Steering column				
	JACKET ASSY.	4 Cyl. Eng.		7448390	1
	JACKET ASSY.	(M) 3 Speed trans. 6 Cyl. Eng. RIGHT HAND DRIVE		2806027	1
	JACKET ASSY.	(M) 4 Speed trans. 6 Cyl. Eng. RIGHT HAND DRIVE		2815004	1
	JACKET ASSY.	(A) 6 Cyl. Eng. RIGHT HAND DRIVE		2815004	1
	JACKET ASSY.	6 Cyl. Eng. LEFT HAND DRIVE		2810602	1
	COVER — Gearshift column, upper	(M)		7433265	1
	COVER — Gearshift column, upper	(A) Console Shift		7433265	1
	COVER — Gearshift column, upper — (Fibre optic conductor)	(A) Column Shift		2807750	1
	COVER — Gearshift column, upper — (illumination bulb)	(A) Column shift		2814065	1
	COVER — Steering column, lower	Column Shift		2805691	1
	COVER — Steering column, lower	Floor Shift, Console Shift		7448474	1
	COVER — Steering column jacket	ALL		7433352	1
6.524	SHAFT, COUPLING, UNIVERSAL JOINT, PINION — Steering				
	SHAFT	4 Cyl. Eng.		2814111	1
	SHAFT	6 Cyl. Eng. RIGHT HAND DRIVE		2814112	1
		LEFT HAND DRIVE		2813441	1
	COUPLING ASSY. — Flexible	RIGHT HAND DRIVE		2814245	1
	PIN — Coupling cotter	RIGHT HAND DRIVE		7211419	2
	UNIVERSAL JOINT	LEFT HAND DRIVE		2813724	1
	PINION	4 Cyl. Eng.		VS11195	1
	PINION	6 Cyl. Eng. RIGHT HAND DRIVE		VS11196	1
		LEFT HAND DRIVE		VS11221	1
	SPACER — Pinion upper — small	ALL		VS11214	1
	SPACER — Pinion upper — large	ALL		VS11215	1
	CIRCLIP — Shaft upper	ALL		5694191	1
	BEARING — Shaft lower	ALL		2806420	1
6.525	RACK, YOKE — Steering gear				
	RACK	4 Cyl. Eng.		VS11736	1
	YOKE — Rack support	4 Cyl. Eng.		VS11202	1
	RACK	6 Cyl. Eng. RIGHT HAND DRIVE		VS11194	1
		LEFT HAND DRIVE		VS11220	1
	YOKE — Rack support	6 Cyl. Eng.		VS11202	1
	SHIM — Yoke	6 Cyl. Eng.		2818801	1
6.530	BEARING — Steering gear				
	BEARING	ALL		7156338	2
6.758	COVER, SEAL, INSULATOR — Steering column				
	COVER — Column to dash	4 Cyl. Eng.		7448395	1
	SEAL — Column to dash	4 Cyl. Eng.		7448396	1
	COVER — Column to dash	6 Cyl. Eng. RIGHT HAND DRIVE		2805655	1
		LEFT HAND DRIVE		7448395	1
	SEAL — Column to dash	LEFT HAND DRIVE		7448396	1
	INSULATOR — Column outer	(M) Column Shift		2811743	1
	INSULATOR — Column outer	Floor Shift, Console Shift		2811742	1
	INSULATOR — Column inner	ALL		2811744	1
6.760	BRACKET ASSEMBLY — Steering column support				
	BRACKET ASSY.	ALL		7448372	1
	WEDGE — Adjusting	ALL		1374446	1

HOLDEN "LC" PARTS CATALOGUE

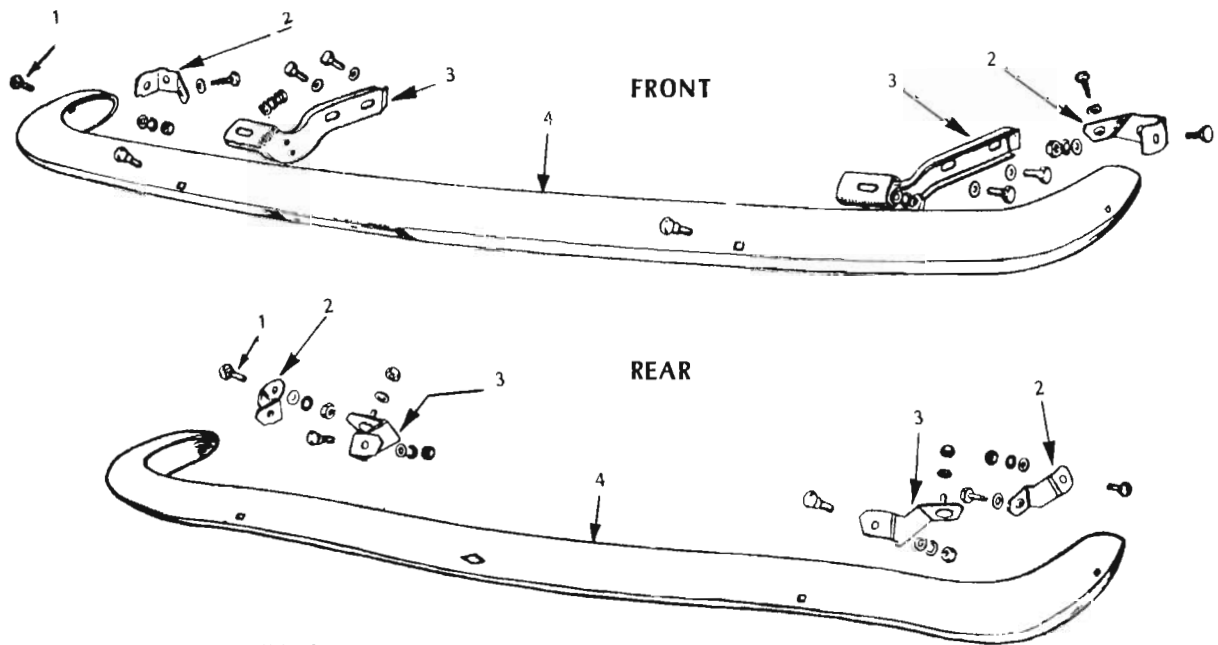
GROUP	DESCRIPTION	MODEL	SIDE	PART No.	QTY.
6.761	BRACE — Instrument panel to dash				
	BRACE	4 Cyl. Eng.		7448382	1
	BRACE	6 Cyl. Eng.	RIGHT HAND DRIVE	2805801	1
			LEFT HAND DRIVE	2810532	1
6.803	HOUSING ASSEMBLY — Steering gear				
	HOUSING ASSY. — Rack	4 Cyl. Eng.		VS11192	1
	HOUSING ASSY. — Rack	6 Cyl. Eng.	RIGHT HAND DRIVE	VS11193	1
			LEFT HAND DRIVE	VS11219	1
6.807	PLATE, SPRING — Steering gear housing				
	PLATE — Pinion cover	ALL		7216575	1
	PLATE — Yoke support cover	ALL		6397765	1
	SPRING — Yoke support cover plate	ALL		VS11203	1
	BOLT — Cover plate	ALL		VS11213	4
6.809	SEAL, SHIM, GASKET — Steering gear housing cover and plate				
	SEAL — Pinion oil	ALL		6397763	1
	SHIM — Pinion cover plate .0024"	ALL		6397760	A.R.
	SHIM — Pinion cover plate .005"	ALL		6397761	A.R.
	SHIM — Pinion cover plate .010"	ALL		VS11210	A.R.
	SHIM — Pinion cover plate .015"	ALL		VS11211	A.R.
	SHIM — Pinion cover plate .020"	ALL		VS11212	A.R.
	GASKET — Pinion cover plate	ALL		7216579	1
	SEAL — Pinion dust	ALL		7171275	1
	SHIM — Yoke support plate .0024"	ALL		6397767	A.R.
	SHIM — Yoke support plate .005"	ALL		6397768	A.R.
	SHIM — Yoke support plate .010"	ALL		VS11206	A.R.
	SHIM — Yoke support plate .015"	ALL		VS11207	A.R.
	SHIM — Yoke support plate .020"	ALL		VS11208	A.R.
	GASKET — Yoke support plate	ALL		VS11209	1



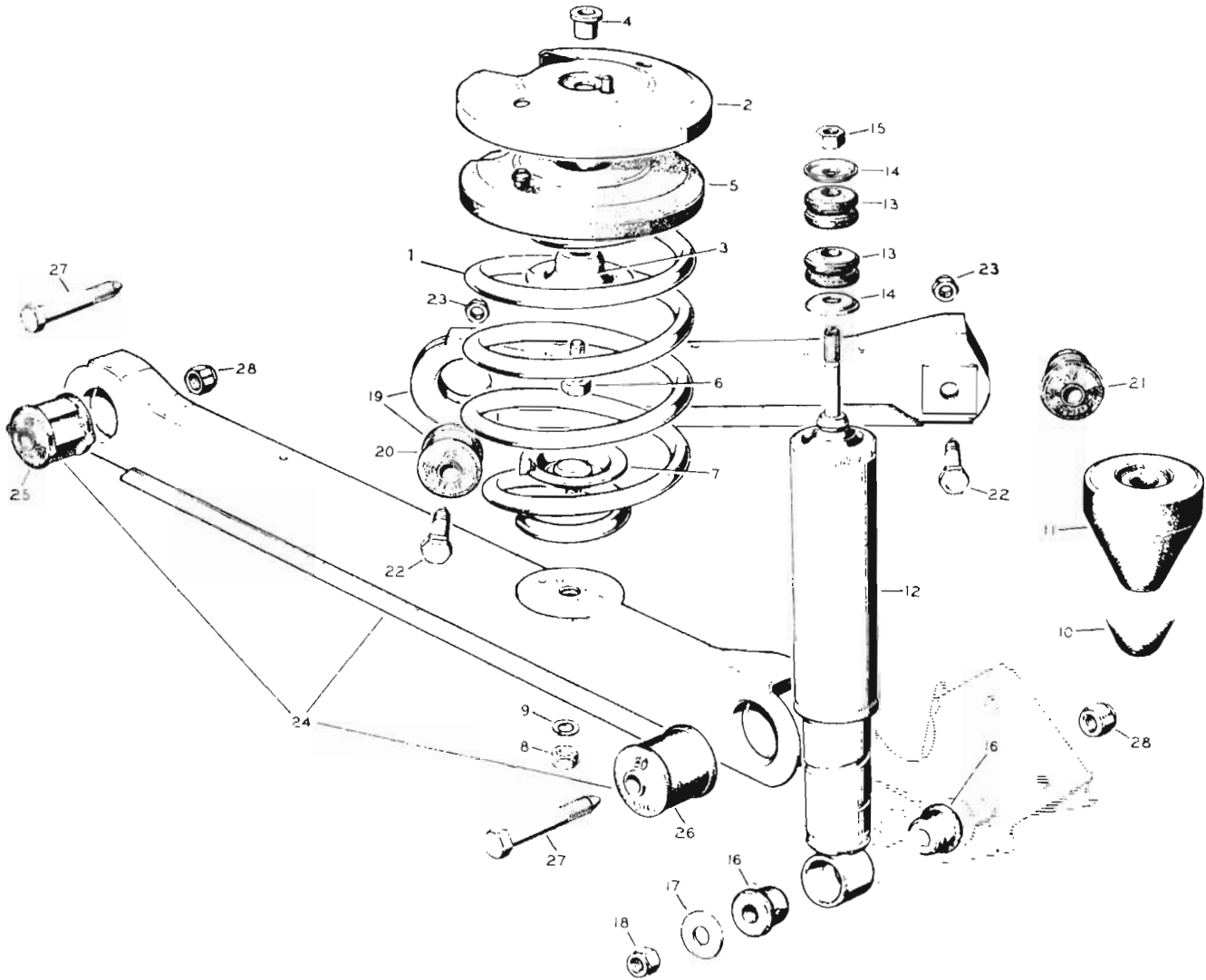
FRONT STABILISER

ILLUS. REF. NO.	PART NAME	GROUP	ILLUS. REF. NO.	PART NAME	GROUP
1.	MEMBER ASSY.	6.008	7.	SPRING - Front	6.361
2.	ROD - Control	6.169	8.	ARM ASSY. - Upper	6.168
3.	SHAFT - Stabiliser	7.241	9.	"U" BOLT	7.242
4.	DRUM ASSY. - Brake	5.809	10.	SEAT	7.242
5.	SOCKET ASSY.	6.233	11.	WASHER	8.931
6.	TIE ROD	6.230	12.	NUT	8.915

BUMPER BARS



ILLUS. REF. NO.	PART NAME	GROUP
1.	BOLT	7.852
2.	BRACKET - Outer	7.836
3.	BRACKET - Inner	7.836
4.	BAR - Bumper face	7.831



REAR SUSPENSION

ILLUS. REF. NO.	PART NAME	GROUP	ILLUS. REF. NO.	PART NAME	GROUP
1.	SPRING	7.503	16.	BUSHING - Lower	7.370
2.	SEAT	7.545	17.	WASHER - Shock absorber	7.370
3.	RETAINER - Upper	7.552	18.	NUT	7.370
4.	BUSHING	7.524	19.	ARM ASSY. - Upper	5.382
5.	INSULATOR	7.545	20.	BUSHING - Upper front	5.382
6.	BOLT	7.552	21.	BUSHING - Upper rear	5.382
7.	RETAINER - Lower	7.552	22.	BOLT - Upper arm	5.382
8.	NUT	8.915	23.	NUT	5.382
9.	WASHER	8.931	24.	ARM ASSY. - Lower	5.382
11.	STOP	5.395	25.	BUSHING - Lower front	5.382
12.	SHOCK ABSORBER	7.345	26.	BUSHING - Lower rear	5.382
13.	BUSHING - Upper	7.370	27.	BOLT - Lower arm	5.382
14.	PLATE	7.370	28.	NUT	5.382
15.	NUT - Shock absorber	7.370			

HOLDEN "LC" PARTS CATALOGUE

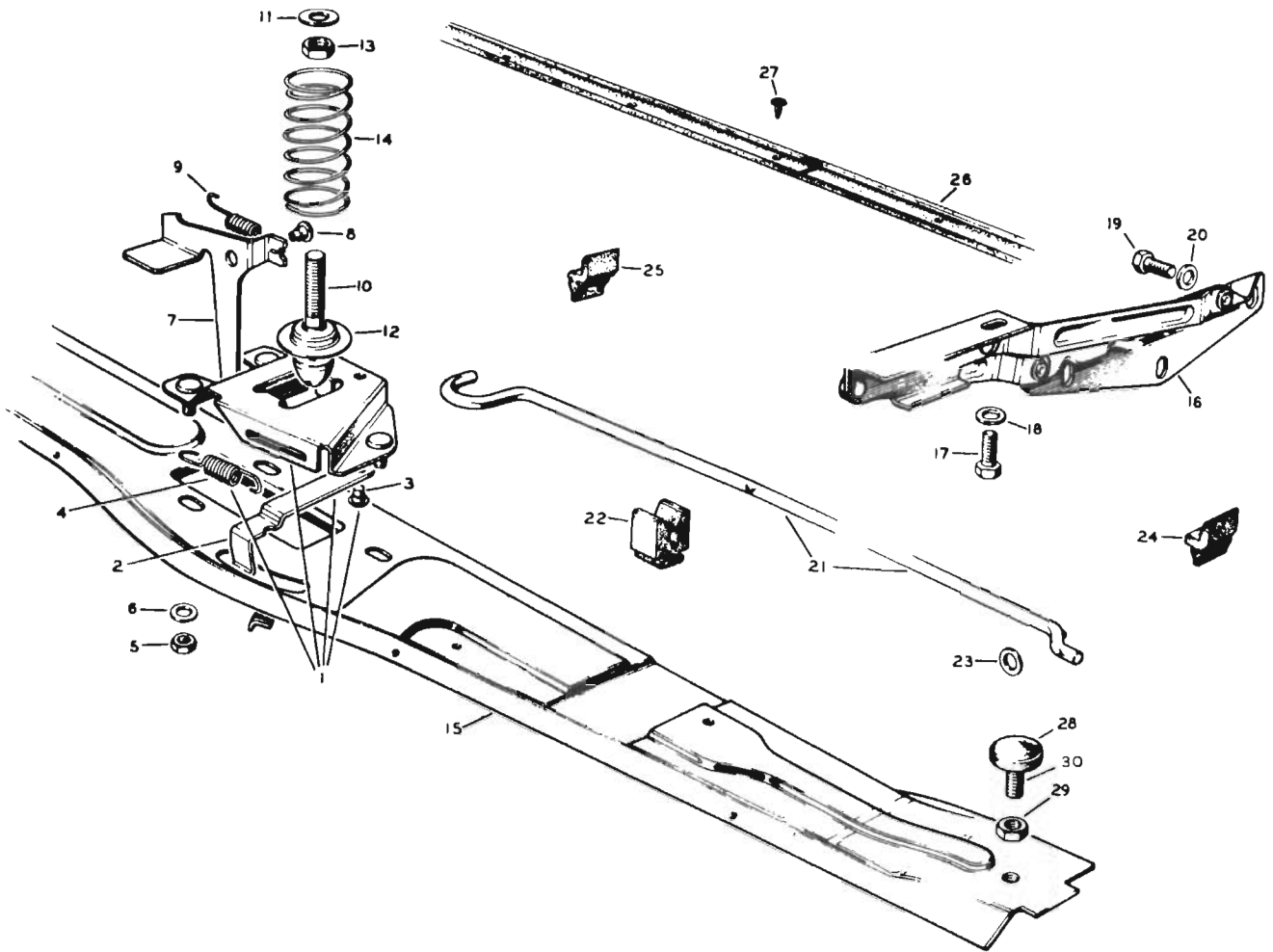
GROUP	DESCRIPTION	MODEL	SIDE	PART No.	QTY.
7.241	SHAFT — Front stabiliser				
	SHAFT	2600S, 2850S, 186X Eng.		2805062	1
7.242	SEAT, "U" BOLT — Front stabiliser shaft				
	SEAT	2600S, 2850S, 186X Eng.		2814009	4
	"U" BOLT	2600S, 2850S, 186X Eng.		2815378	4
7.345	SHOCK ABSORBER ASSEMBLY				
	SHOCK ABSORBER PACKAGE — Front —				
	Grey(Armstrong)	4 Cyl. Eng.		(⁶¹ 2811568)	2
	SHOCK ABSORBER PACKAGE — Front —				
	Green(Armstrong)	4 Cyl. Eng.		(⁶¹ 2820017)	2
	SHOCK ABSORBER PACKAGE — Front —				
	Black(Monroe Wylie)	4 Cyl. Eng.		(⁶¹ 2811569)	2
	SHOCK ABSORBER PACKAGE — Front —				
	Blue(Monroe Wylie)	4 Cyl. Eng.		(⁶¹ 2812457)	2
	SHOCK ABSORBER PACKAGE — Front —				
	Regular	2250, 2600 exc. S Eng.		2811575	2
	SHOCK ABSORBER PACKAGE — Front —				
	Regular	2850 exc. S Eng.		2811575	2
	SHOCK ABSORBER PACKAGE — Front —				
	Heavy Duty	2250, 2600 exc. S Eng.		2811570	2
	SHOCK ABSORBER PACKAGE — Front —				
	Heavy Duty	2850 exc. S Eng.		2811570	2
	SHOCK ABSORBER PACKAGE — Front —				
	Green	2600S, 2850S, 186X Eng.		2811570	2
	SHOCK ABSORBER PACKAGE — Front —				
	Blue	2600S, 2850S, 186X Eng.		2816340	2
	SHOCK ABSORBER PACKAGE — Rear —				
	Grey(Armstrong)	4 Cyl. Eng.		(⁶¹ 2811573)	2
	SHOCK ABSORBER PACKAGE — Rear —				
	Green(Armstrong)	4 Cyl. Eng.		(⁶¹ 2820018)	2
	SHOCK ABSORBER PACKAGE — Rear —				
(Monroe Wylie)	4 Cyl. Eng.		2811574	2
	SHOCK ABSORBER PACKAGE — Rear —				
	Regular	2250, 2600 exc. S Eng.		2811572	2
	SHOCK ABSORBER PACKAGE — Rear —				
	Regular	2850 exc. S Eng.		2811572	2
	SHOCK ABSORBER PACKAGE — Rear —				
	Heavy Duty	2250, 2600 exc. S Eng.		2811571	2
	SHOCK ABSORBER PACKAGE — Rear —				
	Heavy Duty	2850 exc. S Eng.		2811571	2
	SHOCK ABSORBER PACKAGE — Rear —				
	Branded "RH"	2600S, 2850S, 186X Eng.		2811571	2
	SHOCK ABSORBER PACKAGE — Rear —				
	Branded "RG"	2600S, 2850S, 186X Eng.		2816341	2
7.370	BRACKET, BUSH, SPACER, PLATE — Shock absorber				
	BRACKET — Front shock absorber anchor,				
	inner	4 Cyl. Eng.		7216476	2
	BRACKET — Front shock absorber anchor,				
	outer	4 Cyl. Eng.		7216477	2
	BUSH — Front, lower	4 Cyl. Eng.		3735334	4
	SPACER — Front anchor bracket	4 Cyl. Eng.		7186276	2
	BOLT — Anchor bracket to control arm	4 Cyl. Eng.		7186381	2
	BOLT — Front shock absorber to cross				
	member 7/16" — 20 x 3.60"	4 Cyl. Eng.		8813063	2
	BOLT — Front shock absorber to cross				
	member 7/16" — 20 x 3.76"	4 Cyl. Eng.		8832434	2
	BOLT — Front shock absorber to cross				
	member	6 Cyl. Eng.		SP2129	2
	NUT — Front shock absorber to cross				
	member	ALL		SP1912	2
	Note: (⁶¹) Replacement of single Shock Absorbers must be effected by the fitment of similar paint colour Assy's.				

HOLDEN "LC" PARTS CATALOGUE

GROUP	DESCRIPTION	MODEL	SIDE	PART No.	QTY.
7.370	BRACKET, BUSH, SPACER, PLATE — Shock absorber (contd.)				
	PLATE ASSY. — Front shock absorber	6 Cyl. Eng.		2810353	2
	PLATE — Rear shock absorber	ALL		7437268	4
	BUSH — Rear, lower	4 Cyl. Eng.		6375128	4
	BUSH — Rear, lower	6 Cyl. Eng.		3735334	4
	BUSH — Rear, upper	ALL		7437267	4
	NUT — Rear shock absorber to axle	4 Cyl. Eng.		SP1912	2
	NUT — Rear shock absorber to axle	6 Cyl. Eng.		7410738	2
	NUT — Rear shock absorber to upper mounting	ALL		SP1989	2
7.503	SPRING — Rear				
	SPRING	4 Cyl. Eng.		8818815	2
	SPRING — Regular	2250, 2600 exc. S Eng.		2810429	2
	SPRING — Regular	2850 exc. S Eng.		2810429	2
	SPRING — Heavy Duty	2250, 2600 exc. S Eng.		2813562	2
	SPRING — Heavy Duty	2850 exc. S Eng.		2813562	2
	SPRING — Ochre, Free length 7.39"	2600S, 2850S, 186X Eng.		2810939	2
	SPRING — Yellow, Free length 7.83"	2600S, 2850S, 186X Eng.		2816336	1
7.524	BUSH — Rear spring				
	BUSH — Upper	ALL		7188529	2
7.535	BUMPER — Rear axle				
	BUMPER — 3 $\frac{3}{8}$ " long	6 Cyl. Eng.		7449956	2
	BUMPER — 2 $\frac{1}{2}$ " long	6 Cyl. Eng.		2819315	2
7.545	SEAT ASSEMBLY, INSULATOR — Rear spring				
	SEAT ASSY. — Upper, 5.72" diameter	4 Cyl. Eng.		7198170	2
	SEAT ASSY. — Upper, 5.72" diameter	6 Cyl. Eng.		2807100	2
	SEAT ASSY. — Upper, 2.80" diameter	ALL		8827497	2
	INSULATOR — 5.72" diameter	ALL		7198172	2
	INSULATOR — 3.24" diameter	ALL		8827498	2
7.552	RETAINER — Rear spring				
	RETAINER — Upper	ALL		7188537	2
	RETAINER ASSY. — Lower	ALL		7198174	2
	BOLT — Spring to side member	ALL		7211237	2
7.629	CLAMP, BRACKET — Spare wheel				
	CLAMP	211, 411, 469, 611, 811, 869		7432393	1
	BRACKET — Support	311, 369, 569		2809373	1
	BRACKET — Clamp	311, 369, 569, 911		2809372	1
7.632	BOLT — Spare wheel				
	BOLT	211, 411, 469, 611, 811, 869		7425726	1
	BOLT	311, 369, 569 exc. Rally wheel		7448656	1
	BOLT	311, 369, 569, 911 Rally wheel		2809617	1
7.633	NUT — Spare wheel				
	NUT — Mounting wing	311, 369, 569 exc. Rally wheel		2815244	1
	NUT — Mounting	311, 369, 569, 911 Rally wheel		7430789	1
7.796	BUMPER — Front licence plate mounting				
	BUMPER	ALL		7427353	2
7.831	BAR — Bumper face				
	BAR — Front	211, 411, 469, 611, 811, 869		7440000	1
	BAR — Front	311, 369, 569, 911		7449979	1
	BAR — Rear	ALL		7449691	1

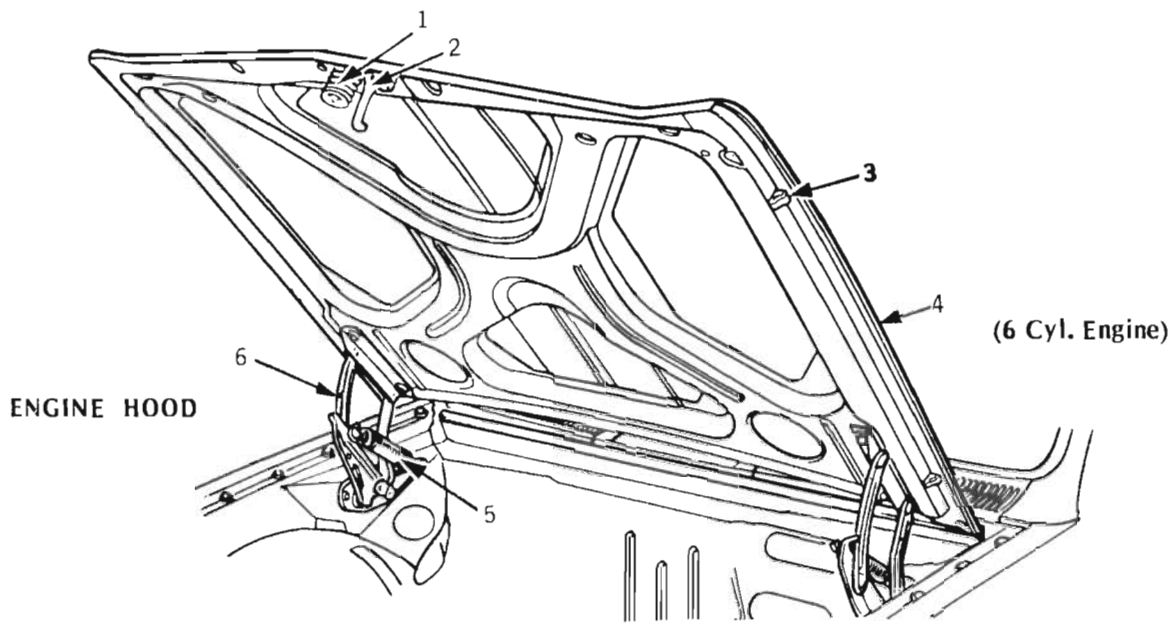
HOLDEN "LC" PARTS CATALOGUE

GROUP	DESCRIPTION	MODEL	SIDE	PART No.	QTY.
7.836	BRACKET — Bumper bar				
	BRACKET — Front, inner	211, 411, 469, 611, 811, 869	LH	7187307	1
			RH	7187306	1
	BRACKET — Front, inner	311, 369, 569, 911	LH	2806465	1
			RH	2806466	1
	BRACKET — Front, outer	211, 411, 469, 611, 811, 869	LH	7187457	1
			RH	7187456	1
	BRACKET — Front, outer	311, 369, 569, 911	LH	2806467	1
			RH	2806468	1
	BRACKET ASSY. — Rear, inner	ALL	LH	2816223	1
			RH	2816222	1
	BRACKET — Rear, outer	ALL	LH	2806297	1
			RH	2806296	1
	BOLT — Bumper bar attaching	ALL		7432904	10-6
	WASHER — Bumper bar bolt	ALL		3713379	10-6
7.852	BOLT — Bumper bar face				
	BOLT	ALL		7423203	12-10
7.870	SHIELD — Front bumper stone				
	SHIELD	311, 369, 569, 911		2806954	1

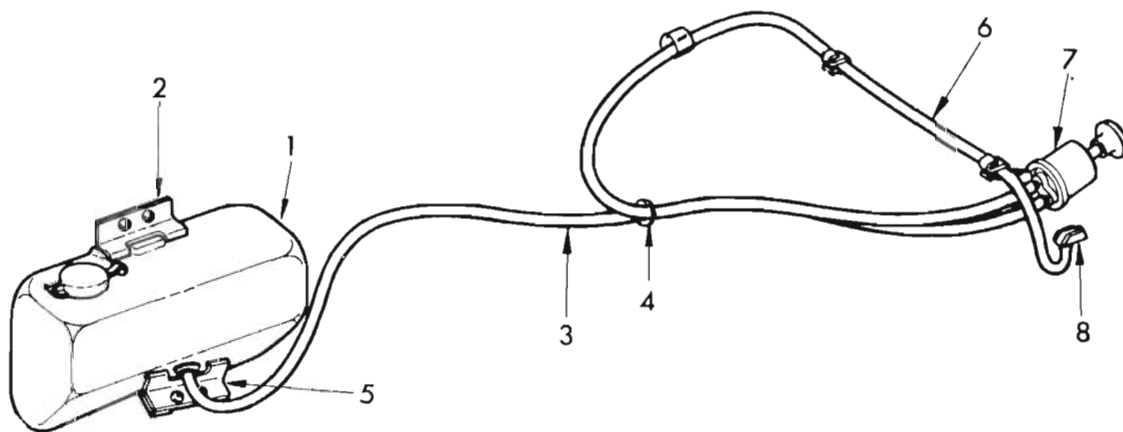


**HOOD FITTINGS
(4 Cyl. Engine)**

ILLUS. REF. NO.	PART NAME	GROUP	ILLUS. REF. NO.	PART NAME	GROUP
1.	LOCK ASSY.	8.079	16.	HINGE ASSY.	8.015
2.	LEVER	8.079	17.	BOLT	8.900
3.	RIVET - Lever fixing	8.079	18.	WASHER - Hinge to hood panel	8.015
4.	SPRING	8.081	19.	BOLT	8.900
5.	NUT	8.079	20.	WASHER - Hinge mounting	8.015
6.	WASHER	8.929	21.	STAY	8.012
7.	CATCH	8.036	22.	RETAINER - Hood stay	8.012
8.	RIVET - Catch fixing	8.036	23.	WASHER - Flat	8.929
9.	SPRING - Safety catch	8.036	24.	BUMPER - Front	8.024
10.	PLUNGER	8.085	25.	BUMPER - Rear	8.024
11.	WASHER - Flat	8.929	26.	STRIP	9.127
12.	RETAINER - Hood catch spring	8.085	27.	FASTENER - Drive	9.127
13.	NUT	8.916	28.	BUMPER	8.024
14.	SPRING	8.085	29.	NUT	8.916
15.	PANEL - Radiator grille upper	1.270	30.	BOLT - Bumper to radiator panel	8.024



ILLUS. REF. NO.	PART NAME	GROUP	ILLUS. REF. NO.	PART NAME	GROUP
1.	PLUNGER - Hood lock	8.085	4.	PANEL ASSY. - Hood	8.000
2.	CATCH - Hood safety	8.036	5.	SPRING - Hood hinge	8.013
3.	BUMPER - Hood	8.024	6.	HINGE ASSY. - Hood	8.015



WINDSHIELD WASHER

ILLUS. REF. NO.	PART NAME	GROUP
1.	RESERVOIR ASSY.	8.798
2.	CLIP - Reservoir mounting upper	8.798
3.	HOSE - Reservoir to pump	8.798
4.	GROMMET - Dash panel	8.798
5.	CLIP - Reservoir mounting lower	8.798
6.	HOSE - Pump to nozzle	8.798
7.	SWITCH & PUMP ASSY.	8.798
8.	NOZZLE ASSY.	8.798

HOLDEN "LC" PARTS CATALOGUE

GROUP	DESCRIPTION	MODEL	SIDE	PART No.	QTY.
8.000	PANEL ASSEMBLY — Hood				
	PANEL ASSY.	211, 411, 469, 611, 811, 869		2814540	1
	PANEL ASSY.	311, 369, 569, 911		2814539	1
8.012	STAY — Hood				
	STAY	211, 411, 469, 611, 811, 869		7191440	1
	RETAINER — Hood stay	211, 411, 469, 611, 811, 869		6356131	1
8.013	SPRING — Hood hinge				
	SPRING	311, 369, 569, 911		2811667	1
8.015	HINGE ASSEMBLY — Hood PANEL ASSEMBLY — Hood hinge mounting				
	HINGE ASSY.	211, 411, 469, 611, 811, 869	LH	2805777	1
			RH	2805778	1
	HINGE ASSY	311, 369, 569, 911	LH	2811663	1
			RH	2811664	1
	PANEL ASSY.	311, 369, 569, 911	LH	2811669	1
			RH	2811668	1
	WASHER — Hinge to hood panel	211, 411, 469, 611, 811, 869		SP1390	4
	WASHER — Hinge mounting	211, 411, 469, 611, 811, 869		SP1390	6
	WASHER — Hinge to hood panel	311, 369, 569, 911		SP1455	4
	WASHER — Hinge mounting	311, 369, 569, 911		SP1455	4
8.024	BUMPER — Hood				
	BUMPER — Front	211, 411, 469, 611, 811, 869		7198947	2
	BUMPER — Rear	211, 411, 469, 611, 811, 869		7198944	2
	BUMPER	311, 369, 569, 911		7424840	4
	BUMPER — Hood to radiator panel	ALL		7424249	2
	BOLT — Bumper to radiator panel	211, 411, 469, 611, 811, 869		7441985	2
	BOLT — Bumper to radiator panel	311, 369, 569, 911		7424068	2
8.036	CATCH, SPRING — Hood safety				
	CATCH	211, 411, 469, 611, 811, 869		7189509	1
	SPRING	211, 411, 469, 611, 811, 869		7189507	1
	CATCH	311, 369, 569, 911		2805897	1
	PIN — Hood safety catch	311, 369, 569, 911		7421659	1
	SPRING	311, 369, 569, 911		7404006	1
8.075	CABLE CONTROL PACKAGE and COMPONENTS — Hood lock				
	CABLE CONTROL PACKAGE	311, 369, 569, 911		2818704	1
	CABLE ASSEMBLY	311, 369, 569, 911		2806438	1
	BOLT — Cover to lock	311, 369, 569, 911		SP2145	3
	BOLT — Lever to lock base	311, 369, 569, 911		2818703	1
	BRACKET — Lock cover	311, 369, 569, 911		2818701	1
	COVER	311, 369, 569, 911		2818700	1
	LEVER — Lock release	311, 369, 569, 911		2818702	1
	NUT — Cover to lock	311, 369, 569, 911		SP2050	3
8.079	LOCK ASSEMBLY — Hood				
	LOCK PACKAGE — Hood opening (Access)	4 Cyl. Eng.		7192533	1
	LOCK ASSY.	211, 411, 469, 611, 811, 869		7449652	1
	LEVER — Lock	211, 411, 469, 611, 811, 869		7447472	1
	LOCK ASSY.	311, 369, 569, 911		7449883	1
	LEVER — Lock	311, 369, 569, 911		2810691	1
	NUT — Stamped $\frac{3}{16}$ " — 18	311, 369, 569, 911		SP1548	1
	RIVET — Lever to plate	211, 411, 469, 611, 811, 869		7960088	1
	RIVET — Lever to plate	311, 369, 569, 911		7409261	1
8.081	SPRING — Hood catch lock plate				
	SPRING	211, 411, 469, 611, 811, 869		7960804	1
	SPRING	311, 369, 569, 911		7432435	1

HOLDEN "LC" PARTS CATALOGUE

GROUP	DESCRIPTION	MODEL	SIDE	PART No.	QTY.	
8.085 SPRING, RETAINER, PLUNGER — Hood catch						
	SPRING — Hood lock bolt	211, 411, 469, 611, 811, 869		7189226	1	
	PLUNGER — Hood lock	211, 411, 469, 611, 811, 869		7189233	1	
	RETAINER — Hood catch spring	211, 411, 469, 611, 811, 869		7187471	1	
	SPRING — Hood catch	311, 369, 569, 911		7424228	1	
	RETAINER — Hood catch spring	311, 369, 569, 911		7432749	1	
	PLUNGER — Hood lock	311, 369, 569, 911		7415559	1	
	PLATE — Plunger anchor	311, 369, 569, 911		2812239	1	
8.112 SPLASH GUARD — Engine compartment						
	SPLASH GUARD	4 Cyl. Eng.		2808121	1	
	SPLASH GUARD	2250, 2600, 2850 Eng.		2806548	1	
	SPLASH GUARD	186X Eng.		2817788	1	
	NUT — 20 — 1/4" "J" type spring	ALL		SP1937	A.R.	
8.126 SPOILER — Front air						
	SPOILER	186X Eng.		2817740	1	
8.130 FENDER ASSEMBLY — Front						
	FENDER ASSY	4 Cyl. Eng.	LH	2805827	1	
			RH	2805828	1	
	FENDER ASSY	2250, 2600 exc. S Eng.	LH	2807017	1	
			RH	2807016	1	
	FENDER ASSY	2850 exc. S Eng.	LH	2807017	1	
			RH	2807016	1	
	FENDER ASSY	2600S, 2850S, 186X Eng.	LH	2811161	1	
			RH	2811162	1	
	PANEL — Fender to dash, upper	ALL	LH	7189179	1	
			RH	7189178	1	
	PANEL — Fender to dash, lower	4 Cyl. Eng.	LH	7189177	1	
			RH	7189176	1	
	PANEL — Fender to dash, lower	6 Cyl. Eng.	LH	2805779	1	
			RH	2805780	1	
	EXTENSION ASSY. — Fender	4 Cyl. Eng.	LH	7192675	1	
			RH	7192674	1	
8.132 PLATE, TRANSFER — Front fender name						
	PLATE — "Torana" name	Exc. GTR		7447831	2	
	PLATE — "1600 Overhead Cam"	1600 Eng.		8840277	2	
	PLATE — Engine size	2250 Eng.		2811118	2	
	PLATE — Engine size	2600 exc. S Eng.		2811117	2	
	PLATE — Engine size	2850 exc. S Eng.		2816569	2	
	TRANSFER — "GTRXUI"	186X Eng.		2816455	2	
	NUT and SEAL ASSEMBLY	Exc. S Eng.		SP2176	6.4	
8.153 PANEL ASSEMBLY — Front wheelhouse						
	PANEL ASSY	4 Cyl. Eng.	LH	2805973	1	
			RH	2805974	1	
	PANEL ASSY	2250, 2600, 2850 Eng.	RIGHT HAND DRIVE	LH	2811837	1
				RH	2806652	1
	PANEL ASSY	186X Eng.	LH	2815995	1	
			RH	2806652	1	
	PANEL ASSY		LEFT HAND DRIVE	LH	2811219	1
				RH	2806652	1
	BRACKET — Clutch master cylinder		LEFT HAND DRIVE		2810112	1
	COVER — Clutch push rod		LEFT HAND DRIVE		2811220	1
	FILLER ASSY. — Wheelhouse to fender	6 Cyl. Eng.	LH	2807265	1	
			RH	2807266	1	
8.154 SEAL — Front fender						
	SEAL — Fender to dash filler	ALL		7447638	2	
	SEAL — Wheelhouse to front fender filler	6 Cyl. Eng.		2807264	2	
	FASTENER — Drive	ALL		SP1710	10	

HOLDEN "LC" PARTS CATALOGUE

GROUP	DESCRIPTION	MODEL	SIDE	PART No.	QTY.
8.304 MOULDING — Rocker outer panel					
MOULDING	411, 469, 611, 811, 869	LH	2807253	1
			RH	2807254	1
MOULDING	2250, 2600 exc. S Eng.	LH	2807251	1
			RH	2807252	1
MOULDING	2850 exc. S Eng.	LH	2807251	1
			RH	2807252	1
RETAINER ASSY. — Moulding	311, 369, 411, 469, 569, 611, 811, 869		2807280	2
WASHER	311, 369, 411, 469, 569, 611, 811, 869		7414611	2
BOLT	311, 369, 411, 469, 569, 611, 811, 869		7430802	2
NUT	311, 369, 411, 469, 569, 611, 811, 869		272733	2
CLIP — Moulding (Stud type)	311, 369, 411, 469, 569, 611, 811, 869		7438659	24-22
CLIP — Moulding (Screw type)	311, 369, 411, 469, 569, 611, 811, 869		7433488	24-22
8.798 WINDSHIELD WASHER COMPONENTS					
RESERVOIR & FILTER ASSY.	4 Cyl. Eng.		2814412	1
RESERVOIR & FILTER ASSY	6 Cyl. Eng.		2814411	1
FILTER ASSEMBLY	ALL		2814075	1
SWITCH & PUMP ASSY	ALL		2806440	1
GROMMET — Dash panel	ALL		7147509	1
GROMMET — Reservoir	4 Cyl. Eng.		SP1602	1
CLIP — Hose to engine hood	6 Cyl. Eng.		SP1905	2
CLIP — Hose to RH hood hinge bracket	6 Cyl. Eng.		7413370	1
CLIP — Hose to dash panel		LEFT HAND DRIVE	7413370	3
NOZZLE ASSY	ALL		2819227	1
HOSE — Reservoir to pump	ALL		7419195	1
HOSE — Pump to nozzle	4 Cyl. Eng.		7418985	1
HOSE — Pump to nozzle	6 Cyl. Eng.		7385829	1
CLIP — Reservoir mounting upper	4 Cyl. Eng.		7448369	1
CLIP — Reservoir mounting lower	4 Cyl. Eng.		7448370	1
8.800 SERVICE ACCESSORIES — Maintenance					
ANTI-FREEZE — 2 pint can	ALL		7425039	A.R.
ANTI-FREEZE — 4 gallon can	ALL		7425040	A.R.
FLUID — Heavy duty brake — 10 oz.	ALL		7448554	A.R.
FLUID — Heavy duty brake — 1 pint	ALL		7448553	A.R.
FLUID — Heavy duty brake — 4 gallon female thread outlet	ALL		7448551	A.R.
FLUID — Heavy duty brake — 4 gallon male thread outlet	ALL		7448550	A.R.
FLUID — Windshield washer — 6 oz. bottle	ALL		7425362	A.R.
OIL — Radiator — 8 oz. bottle	ALL		7406714	A.R.
OIL — Radiator — 4 oz. bottle	ALL		7406133	A.R.
OIL — Silicone (Diode Rect. Generator)	6 Cyl. Eng.		7429241	A.R.
INHIBITOR — Radiator — 8 oz. can	ALL		7426874	A.R.
PASTE — Cylinder head	6 Cyl. Eng.		3836540	A.R.
SEALING COMPOUND — Oil	6 Cyl. Eng.		3835215	A.R.
SEALING COMPOUND — Oil resisting	(A) 70 Eng.		9905506	A.R.
TUBE ASSY. — Main cylinder grease	ALL		VS10959	A.R.
LACQUER — Regulator sealing — 2 oz. pack	ALL		VS10076	A.R.
TAPE — Regulator sealing — 50 ft. roll	ALL		7429243	A.R.
8.820 JACK and HANDLE ASSEMBLY					
JACK and HANDLE PACKAGE	ALL		2817842	1
JACK & HANDLE ASSY	ALL		2817841	1
HANDLE	ALL		2817262	1
8.821 WRENCH — Wheel nut					
WRENCH	ALL		2822927	1

HOLDEN "LC" PARTS CATALOGUE

GROUP	DESCRIPTION	MODEL	SIDE	PART No.	QTY.
8.823	MANUAL — Owner, workshop				
	MANUAL — Owner	ALL		2811429	1
	MANUAL — Owner	ALL		⁽⁶²⁾ 2823047	1
	MANUAL — Workshop	ALL		M36764	1
	MANUAL — Workshop ("1600 Overhead Cam Engine Supplement")	1600 Eng.		M37067	1
	MANUAL — Workshop (Automatic Transmission Supplement)	(A)		M36751	
	TRANSFER — Automatic transmission	(A)		2810746	1

Note: ⁽⁶²⁾ Includes "1600 Overhead Cam Engine" details.

HOLDEN "LC" PARTS CATALOGUE

8.899 BALL — Steel

$\frac{3}{16}$ " Chrome steel	104916
$\frac{1}{4}$ " Chrome steel	104918
$\frac{5}{32}$ " Carbon steel	453571
$\frac{5}{16}$ " Chrome steel	104919

8.900 BOLT — Hexagon head

$\frac{1}{4}$ " — 20 x $\frac{3}{8}$ "	106962
$\frac{1}{4}$ " — 20 x $\frac{3}{8}$ "	121797
$\frac{1}{4}$ " — 20 x $\frac{7}{16}$ "	180015
$\frac{1}{4}$ " — 20 x $\frac{1}{2}$ " (plain)	106972
$\frac{1}{4}$ " — 20 x $\frac{1}{2}$ " (cad or zinc)	121887
$\frac{1}{4}$ " — 20 x $\frac{1}{2}$ " (cad or zinc)	9411372
$\frac{1}{4}$ " — 20 x $\frac{1}{2}$ " (zinc)	120706
$\frac{1}{4}$ " — 20 x $\frac{1}{2}$ " (chrome — bright)	121812
$\frac{1}{4}$ " — 20 x $\frac{1}{2}$ " (cad or zinc)	180016
$\frac{1}{4}$ " — 20 x $\frac{1}{2}$ " (zinc)	SP2047
$\frac{1}{4}$ " — 20 x $\frac{1}{2}$ " with external tooth lock washer (cad or zinc)	186491
$\frac{1}{4}$ " — 20 x $\frac{1}{2}$ " with lock washer	423335
$\frac{1}{4}$ " — 20 x $\frac{1}{2}$ " (plain)	9414811
$\frac{1}{4}$ " — 20 x $\frac{1}{2}$ " (cad or zinc)	9415794
$\frac{1}{4}$ " — 20 x $\frac{1}{2}$ " with lock washer	9905894
$\frac{1}{4}$ " — 20 x $\frac{9}{16}$ " (plain)	117461
$\frac{1}{4}$ " — 20 x $\frac{9}{16}$ " (cad or zinc)	121867
$\frac{1}{4}$ " — 20 x $\frac{5}{8}$ " (zinc)	120854
$\frac{1}{4}$ " — 20 x $\frac{5}{8}$ " (plain)	106319
$\frac{1}{4}$ " — 20 x $\frac{5}{8}$ " (zinc)	180018
$\frac{1}{4}$ " — 20 x $1\frac{1}{16}$ " with lock washer	SP1566
$\frac{1}{4}$ " — 20 x $\frac{3}{4}$ " with external tooth lock washer	187979
$\frac{1}{4}$ " — 20 x $\frac{3}{4}$ " (zinc)	121887
$\frac{1}{4}$ " — 20 x $1\frac{1}{8}$ "	9905695
$\frac{1}{4}$ " — 28 x $\frac{3}{8}$ " (cad or zinc)	123300
$\frac{1}{4}$ " — 28 x $\frac{5}{8}$ " (cad or zinc)	123435
$\frac{1}{4}$ " — 28 x $\frac{3}{4}$ " (cad or zinc)	123450
$\frac{1}{4}$ " — 28 x $\frac{7}{8}$ " (cad or zinc)	454848
$\frac{5}{16}$ " — 18 x $\frac{1}{2}$ "	9416897
$\frac{5}{16}$ " — 18 x $\frac{1}{2}$ " (plain)	106973
$\frac{5}{16}$ " — 18 x $\frac{1}{2}$ " (cad or zinc)	120834
$\frac{5}{16}$ " — 18 x .50" (black zinc)	SP1771
$\frac{5}{16}$ " — 18 x $\frac{3}{8}$ " (cad or zinc)	120228
$\frac{5}{16}$ " — 18 x $1\frac{1}{16}$ " (cad or zinc)	180076
$\frac{5}{16}$ " — 18 x $\frac{3}{4}$ "	179816
$\frac{5}{16}$ " — 18 x $\frac{3}{4}$ " (cad or zinc)	100121
$\frac{5}{16}$ " — 18 x $\frac{3}{4}$ " (cad or zinc)	SP2080
$\frac{5}{16}$ " — 18 x $\frac{3}{4}$ " (cad or zinc)	122007
$\frac{5}{16}$ " — 18 x $\frac{3}{4}$ " with washer	SP2093
$\frac{5}{16}$ " — 18 x $\frac{7}{8}$ " (cad or zinc)	120229
$\frac{5}{16}$ " — 18 x $\frac{7}{8}$ " with internal tooth lock washer	425110
$\frac{5}{16}$ " — 18 x $\frac{7}{8}$ "	179817
$\frac{5}{16}$ " — 18 x $\frac{7}{8}$ " (cad or zinc)	9413576
$\frac{5}{16}$ " — 18 x 1" (plain)	100122
$\frac{5}{16}$ " — 18 x 1"	122017
$\frac{5}{16}$ " — 18 x 1"	SP2140
$\frac{5}{16}$ " — 18 x 1" (cad or zinc)	SP2014
$\frac{5}{16}$ " — 18 x 1" (cad or zinc)	180079
$\frac{5}{16}$ " — 18 x 1" with washer	SP2013
$\frac{5}{16}$ " — 18 x 1" with washer	SP2014
$\frac{5}{16}$ " — 18 x $1\frac{1}{8}$ "	179819
$\frac{5}{16}$ " — 18 x $1\frac{1}{8}$ "	SP2067
$\frac{5}{16}$ " — 18 x $1\frac{1}{8}$ " (cad or zinc)	122022
$\frac{5}{16}$ " — 18 x $1\frac{1}{8}$ " (zinc)	SP2040
$\frac{5}{16}$ " — 18 x $1\frac{1}{4}$ " (cad or zinc)	180081
$\frac{5}{16}$ " — 18 x $1\frac{1}{4}$ " (zinc)	9432575
$\frac{5}{16}$ " — 18 x $1\frac{1}{4}$ "	122027
$\frac{5}{16}$ " — 18 x $1\frac{3}{8}$ "	179821

8.900 BOLT — Hexagon head (contd.)

$\frac{5}{16}$ " — 18 x $1\frac{3}{8}$ "	9423842
$\frac{5}{16}$ " — 18 x $1\frac{3}{8}$ " (cad or zinc)	9415818
$\frac{5}{16}$ " — 18 x $1\frac{1}{2}$ "	100124
$\frac{5}{16}$ " — 18 x $1\frac{1}{2}$ " (cad or zinc)	180083
$\frac{5}{16}$ " — 18 x $1\frac{3}{4}$ "	100125
$\frac{5}{16}$ " — 18 x $1\frac{3}{4}$ " (zinc)	SP2073
$\frac{5}{16}$ " — 18 x $1\frac{3}{4}$ "	122052
$\frac{5}{16}$ " — 18 x 2"	122065
$\frac{5}{16}$ " — 18 x 2"	179826
$\frac{5}{16}$ " — 18 x 2"	122065
$\frac{5}{16}$ " — 18 x 2"	454864
$\frac{5}{16}$ " — 18 x $2\frac{1}{4}$ "	SP2028
$\frac{5}{16}$ " — 18 x $2\frac{3}{32}$ "	SP1944
$\frac{5}{16}$ " — 24 x .62"	9906077
$\frac{5}{16}$ " — 24 x $\frac{3}{4}$ " (zinc)	SP2083
$\frac{5}{16}$ " — 24 x $\frac{3}{4}$ " (cad or zinc)	120741
$\frac{5}{16}$ " — 24 x $\frac{7}{8}$ "	120213
$\frac{5}{16}$ " — 24 x $\frac{7}{8}$ " (cad or zinc)	181596
$\frac{5}{16}$ " — 24 x 1" (cad or zinc)	121661
$\frac{5}{16}$ " — 24 x 1" (cad or zinc)	181608
$\frac{5}{16}$ " — 24 x $1\frac{1}{8}$ " (cad or zinc)	123499
$\frac{5}{16}$ " — 24 x $1\frac{1}{4}$ " (cad or zinc)	123774
$\frac{5}{16}$ " — 24 x $1\frac{3}{8}$ "	106282
$\frac{5}{16}$ " — 24 x $1\frac{3}{8}$ " (zinc)	SP2170
$\frac{5}{16}$ " — 24 x $1\frac{1}{2}$ " (cad or zinc)	SP2118
$\frac{5}{16}$ " — 24 x $2\frac{1}{8}$ " (cad or zinc)	180697
$\frac{5}{16}$ " — 24 x $2\frac{1}{2}$ " (zinc)	SP2084
$\frac{5}{16}$ " — 24 x $2\frac{1}{2}$ " (cad or zinc)	124094
$\frac{3}{8}$ " — 16 x $\frac{1}{2}$ " (cad or zinc)	121852
$\frac{3}{8}$ " — 16 x $\frac{5}{8}$ " (cad or zinc)	122104
$\frac{3}{8}$ " — 16 x $1\frac{1}{16}$ " (cad or zinc)	180119
$\frac{3}{8}$ " — 16 x $\frac{3}{4}$ " (cad or zinc)	122119
$\frac{3}{8}$ " — 16 x $\frac{7}{8}$ "	SP2077
$\frac{3}{8}$ " — 16 x $\frac{7}{8}$ " (cad or zinc)	122126
$\frac{3}{8}$ " — 16 x 1" (cad or zinc)	120233
$\frac{3}{8}$ " — 16 x $1\frac{1}{16}$ " (zinc)	9428629
$\frac{3}{8}$ " — 16 x $1\frac{1}{8}$ " (cad or zinc)	122138
$\frac{3}{8}$ " — 16 x $1\frac{1}{8}$ "	179840
$\frac{3}{8}$ " — 16 x $1\frac{1}{8}$ "	SP2017
$\frac{3}{8}$ " — 16 x $1\frac{1}{8}$ "	SP2174
$\frac{3}{8}$ " — 16 x $1\frac{1}{4}$ " with lock washer (cad or zinc)	425348
$\frac{3}{8}$ " — 16 x $1\frac{1}{4}$ "	106331
$\frac{3}{8}$ " — 16 x $1\frac{1}{4}$ "	186619
$\frac{3}{8}$ " — 16 x $1\frac{1}{4}$ " (zinc)	SP2036
$\frac{3}{8}$ " — 16 x $1\frac{1}{4}$ "	SP2068
$\frac{3}{8}$ " — 16 x $1\frac{1}{4}$ " (cad or zinc)	122145
$\frac{3}{8}$ " — 16 x $1\frac{3}{8}$ "	179842
$\frac{3}{8}$ " — 16 x $1\frac{3}{8}$ " (cad or zinc)	122150
$\frac{3}{8}$ " — 16 x $1\frac{1}{2}$ "	100136
$\frac{3}{8}$ " — 16 x $1\frac{1}{2}$ "	179843
$\frac{3}{8}$ " — 16 x $1\frac{1}{2}$ " (cad or zinc)	120918
$\frac{3}{8}$ " — 16 x $1\frac{3}{4}$ "	SP2070
$\frac{3}{8}$ " — 16 x $1\frac{3}{4}$ " (cad or zinc)	122168
$\frac{3}{8}$ " — 16 x 2"	100138
$\frac{3}{8}$ " — 16 x 2" (cad or zinc)	122181
$\frac{3}{8}$ " — 16 x $5\frac{3}{4}$ " (zinc)	215511
$\frac{3}{8}$ " — 24 x $\frac{3}{4}$ " (cad or zinc)	123520
$\frac{3}{8}$ " — 24 x $\frac{7}{8}$ " (cad or zinc)	120758
$\frac{3}{8}$ " — 24 x $\frac{7}{8}$ "	106285
$\frac{3}{8}$ " — 24 x 1" (cad or zinc)	120647
$\frac{3}{8}$ " — 24 x $1\frac{1}{4}$ " (cad or zinc)	181639
$\frac{3}{8}$ " — 24 x $1\frac{3}{8}$ " (cad or zinc)	181641
$\frac{3}{8}$ " — 24 x $1\frac{3}{8}$ "	109847
$\frac{3}{8}$ " — 24 x $1\frac{3}{4}$ "	120668
$\frac{3}{8}$ " — 24 x 3" (plain)	181385

HOLDEN "LC" PARTS CATALOGUE

8.900 BOLT — Hexagon head (contd.)

3/8" — 24 x 3" (cad or zinc)	SP1981
3/8" — 24 x 3" (cad or zinc)	SP2129
3/8" — 24 x 3 1/2" (zinc)	127968
3/8" — 24 x 3 3/4" (zinc)	125926
3/8" — 24 x 4 1/2" (cad or zinc)	189334
3/8" — 24 x 5 3/4" (cad or zinc)	193486
7/16" — 14 x 7/8" (cad or zinc)	122246
7/16" — 14 x 7/8" (cad or zinc)	180144
7/16" — 14 x 1 1/8" (cad or zinc)	122260
7/16" — 14 x 1 3/8" (cad or zinc)	122273
7/16" — 14 x 2"	179866
7/16" — 14 x 2" (cad or zinc)	180153
7/16" — 14 x 2 1/2" (cad or zinc)	180157
7/16" — 14 x 3 1/4" (cad or zinc)	122340
7/16" — 14 x 4 1/2" (zinc)	187543
7/16" — 20 x 3/8" (zinc)	123540
7/16" — 20 x 1 1/4" (cad or zinc)	123841
7/16" — 20 x 1 3/8" (cad or zinc)	181669
7/16" — 20 x 1 3/4" (cad or zinc)	120919
7/16" — 20 x 2" (cad or zinc)	181674
7/16" — 20 x 2 1/8" (cad or zinc)	127813
7/16" — 20 x 2 1/4"	181407
7/16" — 20 x 2 1/2"	181408
7/16" — 20 x 4 1/2" (cad or zinc)	187612
1/2" — 13 x 3 1/2" (cad or zinc)	180192
1/2" — 13 x 3.65" (cad or zinc)	SP2102
1/2" — 13 x 5 1/4" (zinc)	445536
1/2" — 20 x 1 1/4"	120424
1/2" — 20 x 2 1/2"	455017
1/2" — 20 x 5 1/4" (cad or zinc)	189349

8.906 BOLT — Round head

No. 8 — 32 x 1/2" slotted (cad or zinc)	132760
No. 10 — 24 x 1/2" (cad or zinc)	120221
No. 10 — 24 x 1" (cad or zinc)	132848

8.907 BOLT — Fillister head

No. 8 — 32 x 1/4" (cad or zinc)	131954
No. 8 — 32 x 1/4" slotted (phos)	121716
No. 10 — 32 x 1/2" slotted (cad or zinc)	120216

8.908 BOLT — Flat head

No. 10 — 24 x 3/8" (cad or zinc)	133556
No. 10 — 24 x 1/2" (cr. recess. header point) ..	9418712
7/16" — 14 x 7/8" (cad or zinc)	440013
5/16" — 24 x 7/8" (cr. recess. cad or zinc)	SP1984
1/4" — 28 x 1 1/8" (cr. recess. cad or zinc)	9432454

8.909 BOLT — Oval head

1/4" — 28 x 5/8" cr. recess.	9418028
1/4" — 28 x 1" (cad or zinc)	9429634

8.910 BOLT — Pan head

No. 4 — 40 x 3/16" (cad or zinc)	159016
1/4" — 20 x 5/8" (cad or zinc)	160536
1/4" — 20 x 7/8" (cad or zinc)	160548
No. 10 — 24 x 1/4"	436567
No. 10 — 24 x 5/16" (cad or zinc)	159858
No. 10 — 24 x 3/8" (cad or zinc)	159929
No. 10 — 24 x 1 1/2" (cad or zinc)	159967
No. 10 — 32 x 3/8" (cad or zinc)	160035
No. 10 — 32 x 1/2" (cad or zinc)	160046
No. 10 — 32 x 1" (cad or zinc)	160069
1/4" — 20 x 7/16" with external tooth lock washer (cad or zinc)	SP1672
1/4" — 20 x 1/2" (cad or zinc)	443507

8.910 BOLT — Pan head (contd.)

1/4" — 20 x 1/2" with lock washer	188712
1/4" — 28 x 1/2" (cad or zinc)	191879

8.913 BOLT — Truss head

No. 8 — 32 x 3/4" (cad or zinc)	451580
1/4" — 20 x 1/2" cr. rec. (cad or zinc)	157716
1/4" — 20 x 3/8" (cad or zinc)	157728

8.915 NUT — Hexagon

No. 10 — 24 Machine screw	120361
No. 10 — 32 Machine screw	120614
No. 10 — 32 Machine screw	SP2091
No. 10 — 32 Machine screw	103088
1/4" — 20 Light (cad or zinc)	120375
1/4" — 20 Machine screw (cad or zinc)	134551
1/4" — 28 Light (plain)	103024
1/4" — 28 Light (cad or zinc)	120367
5/16" — 18 Light (cad or zinc)	120376
5/16" — 22	SP1906
5/16" — 24 Light (cad or zinc)	120368
5/16" — 24 Light (plain)	103025
3/8" — 16 Light (cad or zinc)	120377
3/8" — 16	102635
3/8" — 24 Light (cad or zinc)	120369
3/8" — 24 Thick (cad or zinc)	125913
3/8" — 24	103026
3/8" — 24	SP1708
3/8" — 24	225854
3/8" — 24 (phos. coated)	114942
7/16" — 14	271501
7/16" — 20 (cad or zinc)	271506
1/2" — 13 (cad or zinc)	120378
1/2" — 20 (cad or zinc)	120371
1/2" — 20	VS11217
5/16" — 18	VS11218
3/8" — 11 (cad or zinc)	124589
3/8" — 18 (cad or zinc)	121358

8.916 NUT — Hexagon jam

1/4" — 28 (cad or zinc)	120613
5/16" — 18	123437
5/16" — 24 Light (cad or zinc)	124920
3/8" — 24 Light (plain)	114494
3/8" — 24 Light (cad or zinc)	124925
7/16" — 14 (cad or zinc)	272122
1/2" — 20 (phos. coated)	9418302
1/2" — 20 Light	114496

8.917 NUT — Hexagon slotted

7/16" — 20	272071
7/16" — 20 Thick	272312
1/2" — 20	102647
5/16" — 18	102648
3/4" — 20	SP1816

8.918 NUT — Hexagon self locking

No. 10 — 24 washer face (cad or zinc)	SP1900
1/4" — 28 (cad or zinc)	SP1229
1/4" — 28	9413965
1/4" — 28 type "EA"	9413976
5/16" — 24 (cad)	9416531
5/16" — 24 (zinc)	9905264
3/8" — 16 (cad or zinc)	145027
3/8" — 16 type "EA" (cadmium)	9413243
3/8" — 16 (cad)	9422277
3/8" — 24 (cad)	9422278

HOLDEN "LC" PARTS CATALOGUE

8.918 NUT — Hexagon self locking (contd.)			
$\frac{3}{8}$ " — 24 (cad)	9422280	$\frac{3}{8}$ " x $\frac{3}{4}$ " x .065"	446548
$\frac{3}{8}$ " — 24	9422298	$\frac{3}{8}$ " x $\frac{7}{8}$ " x .083"	446363
$\frac{3}{8}$ " — 24	SP1912	.385" x 1" x .105"	SP1612
$\frac{3}{8}$ " — 24 Conelock	SP1989	$\frac{1}{32}$ " x $\frac{1}{16}$ " x .065"	120394
$\frac{7}{16}$ " — 14 (cad)	9422299	.406" x .734" x .063"	9414322
$\frac{7}{16}$ " — 20	SP1917	.406" x 1.7" x .105"	SP1920
$\frac{1}{2}$ " — 13 (cad)	9422281	$\frac{7}{16}$ " x $\frac{7}{8}$ " x .083"	446211
$\frac{1}{2}$ " — 20 type "N" (zinc)	SP1891	.4375" x 1" x .083"	120388
$\frac{5}{8}$ " — 11 type "EA" (cadmium)	9413969	.4375" x 1.25" x .120"	SP1757
$\frac{5}{8}$ " — 18 (cad)	9422286	.469" x .922" x .065"	120395
		.531" x 1.06" x .085"	SP1528
		.531" x 1.25" x .109"	SP1899
		.535" x 1.75" x .101"	SP1940
		$\frac{3}{4}$ " x .38" x .059"	SP1507
		$\frac{2}{32}$ " x $\frac{1}{16}$ " x .095"	131016
8.920 NUT — Wing			
$\frac{1}{4}$ " — 20 (steel)	SP1352		
$\frac{1}{4}$ " — 20 (brass)	SP1769		
$\frac{1}{4}$ " — 20 (chrome plated)	SP1919		
8.921 NUT — Stamped			
No. 6 — 32 "G" type	272733	8.930 WASHER — Finish	
No. 8A "U" type	SP1734	No. 6 (cad or zinc)	140239
No. 8AB "U" type, .64" long	SP1870	No. 6 (bright nickel)	SP1050
No. 8AB "U" type, .97" long	SP1854		
No. 10A "J" type	SP1738		
No. 10A "U" type (phos. coated)	SP1750		
No. 10A "U" type	SP1235	8.931 WASHER — Lock	
No. 10 — 24 x .750" "G" type	446063	No. 8 Medium	121841
$\frac{1}{8}$ " "A" type	SP1534	No. 8	106496
$\frac{1}{8}$ " "M" type (phos.)	9415250	No. 10	106497
$\frac{1}{4}$ " — 20 "J" type	SP1937	No. 10 Light	131183
$\frac{3}{16}$ " — 18 "J" type (phos. coated)	SP1548	No. 10 Medium (Black Enamel)	114648
$\frac{1}{2}$ " — 20	147514	No. 10 Medium (cad)	453288
		No. 10 Medium	120217
		$\frac{1}{4}$ " double coil	9906074
		$\frac{1}{4}$ " Light	121637
		$\frac{1}{4}$ " Medium (plain)	103319
		$\frac{1}{4}$ " Medium (cad or zinc)	120380
		$\frac{5}{16}$ " Light (cad or zinc)	120379
		$\frac{5}{16}$ " Medium (plain)	103320
		$\frac{5}{16}$ " Medium (cad or zinc)	120214
		$\frac{5}{16}$ " (cad or zinc)	187119
		$\frac{1}{32}$ " Medium	SP1486
		$\frac{3}{8}$ " Light (cad or zinc)	120381
		$\frac{3}{8}$ " Medium (plain)	103321
		$\frac{3}{8}$ " Medium (cad or zinc)	120382
		$\frac{3}{8}$ " Heavy (cad or zinc)	131099
		$\frac{7}{16}$ " Medium (plain)	103322
		$\frac{7}{16}$ " Medium (cad or zinc)	120383
		$\frac{1}{2}$ " Regular (zinc)	102384
		$\frac{1}{2}$ " Heavy	103329
		$\frac{5}{8}$ " Medium (cad or zinc)	121574
8.923 NUT — Square			
$\frac{1}{4}$ " — 20 Machine screw	114380		
8.928 WASHER — Spring			
$\frac{1}{4}$ "	SP1003		
.594" x .812" x .010"	SP1956		
8.929 WASHER — Flat			
$\frac{5}{32}$ " x $\frac{3}{8}$ " x .049" (cad or zinc)	131014	8.932 WASHER — Shakeproof	
.880" x .531" x .120" (zinc)	SP2312	No. 8 External tooth	121752
$\frac{1}{16}$ " x $\frac{1}{32}$ " x .049"	446130	No. 10 External tooth (cad or zinc)	138479
$\frac{1}{16}$ " x $\frac{1}{16}$ " x .040" (cad or zinc)	9416128	No. 10 Internal tooth	178378
$\frac{1}{16}$ " x $\frac{1}{32}$ " x .049"	446152	$\frac{1}{4}$ " External tooth	121753
$\frac{1}{16}$ " x $\frac{1}{16}$ " x .040"	9417373	$\frac{1}{4}$ " Internal tooth	115547
$\frac{7}{32}$ " x $\frac{7}{16}$ " x .049"	446161	$\frac{5}{16}$ " Internal tooth	138538
$\frac{7}{32}$ " x $\frac{1}{2}$ " x .049"	120391	$\frac{5}{16}$ " External-internal tooth	SP1908
.219" x .438" x .049"	9428813	$\frac{5}{16}$ " External tooth (cad or zinc)	138485
.219" x .500" x .049" (phos. coated)	9421089	$\frac{5}{16}$ " External tooth (medium)	114605
$\frac{1}{4}$ " x $\frac{1}{2}$ " x .063" (plain)	9414320	$\frac{5}{16}$ " Internal tooth	115548
$\frac{1}{4}$ " x $\frac{1}{2}$ " x .063" (cad or zinc)	9414920	$\frac{3}{8}$ " Internal tooth (cad or zinc)	138542
$\frac{1}{4}$ " x $\frac{9}{16}$ " x .049"	120385	$\frac{3}{8}$ " Internal tooth (plain)	115549
$\frac{1}{4}$ " x $\frac{5}{8}$ " x .065"	147577	$\frac{3}{8}$ " External tooth (cad or zinc)	138489
$\frac{1}{4}$ " x $\frac{7}{8}$ " x .065"	446188	$\frac{7}{8}$ " Internal tooth	115550
$\frac{1}{4}$ " x $\frac{1}{2}$ " x .049"	SP1107	$\frac{1}{2}$ " Internal tooth	138549
.265" x .75" x .075"	120392		
$\frac{3}{32}$ " x $\frac{5}{8}$ " x .065" (cad or zinc)	103339		
$\frac{3}{32}$ " x $\frac{5}{8}$ " x .065" (plain)	9416160		
$\frac{5}{16}$ " x $\frac{5}{8}$ " x .063"	120386		
$\frac{5}{16}$ " x $\frac{3}{4}$ " x .065" (cad or zinc)	274865		
$\frac{5}{16}$ " x $\frac{3}{4}$ " x .063"	120393		
$\frac{1}{16}$ " x $\frac{1}{16}$ " x .065" (cad or zinc)	103340		
$\frac{1}{16}$ " x $\frac{1}{16}$ " x .065" (plain)	115308		
$\frac{1}{16}$ " x $\frac{1}{16}$ " x .065" (copper)	SP1390		
$\frac{1}{16}$ " x $\frac{3}{4}$ " x .075"	SP1470		
.34" x .76" x .105"	SP1470		
.344" x 1" x .059" (cad or zinc)	SP1500		

HOLDEN "LC" PARTS CATALOGUE

8.938 PIN — Cotter			8.950 CLIP — Pipe or cable (contd.)	
1/8" x 7/16" (plated)	137133		3/8"	SP1779
1/8" x 3/4" (cad or zinc)	121223		3/8"	SP1905
3/32" x 1/2" (plain)	103372			
3/32" x 1/2" (plated)	119117			
3/32" x 5/8" (cad or zinc)	137159	8.956 GROMMET	3/16"	SP1109
3/32" x 5/8" (plain)	107762			
3/32" x 3/4" (cad or zinc)	121222	8.960 KEY — Woodruff		
3/32" x 3/4" (plain)	103373	3/16" x 5/8"	431787	
3/32" x 1" (cad or zinc)	121224	3/16" x 3/8"	218217	
3/32" x 1" (plain)	103374	3/16" x 3/4"	106751	
7/64" x 1/2"	192422	1/4" x 1 1/8"	103909	
1/8" x 5/8" (cad or zinc)	426663			
1/8" x 1" (plain)	103385	8.963 FITTINGS — Tube and pipe		
1/8" x 1" (cad or zinc)	137185	CONNECTOR — 3/16" inv. flared	137404	
1/8" x 1 1/4" (plain)	103386	CONNECTOR — 3/16" inv. flared	137406	
		CONNECTOR — 5/16" inv. flared (steel)	145475	
8.939 PIN — Dowel		CONNECTOR — 1/2" inv. flared	425224	
1/8" x 1 1/8"	141118	ELBOW — 5/16" — 45° inv. flared	116341	
3/16" x 3/8"	141149	ELBOW — 3/8" — 90° Street (zinc)	111316	
1/4" x 3/8"	141195	NUT — 3/16" inv. flared	137396	
5/16" x 9/16"	141216	NUT — 3/16" Ball sleeve	190868	
5/16" x 3/4"	443770	NUT — 3/16" Ball sleeve	120487	
		NUT — 1/4" ball sleeve tube	114627	
8.940 PIN — Groove		NUT — 5/16" inv. flared	137398	
3/32" x 5/8"	142953	SLEEVE — 1/4" ball	120488	
		SLEEVE — 1/4" ball	114628	
8.941 PIN — Spring		SLEEVE — 9/16" threaded	191397	
3/32" x 9.16"	9414521	UNION — 3/16" inv. flared (1/2" hex)	SP2235	
1/8" x 3/8" (cad or zinc)	9422950	UNION — 3/16" inv. flared (7/16" hex)	137412	
1/8" x 3/8" (plain)	455919	UNION — 3/16" inv. flared	137414	
1/8" x 7/8"	455862			
1/8" x 1"	453676	8.965 FUSE		
1/8" x 1 1/8"	455277	3 Amp	9426341	
3/32" x 1/2" (cad or zinc)	9413436	15 Amp	9426333	
3/32" x 3/4"	9420737			
5/32" x 1 1/8"	9422863	8.967 RIVET		
3/16" x 3/4"	454512	Button hd. solid 3/16" x 3/8"	104066	
3/16" x 1"	455481	Button hd. solid .3125" x .6562"	SP1387	
1/4" x 1/2"	274495	Domed hd. .125" x .230"	SP1751	
1/4" x 1/2"	456876	Fiat hd. solid .106" x .19"	SP1943	
1/4" x 1 1/8"	453670	Fiat hd. solid 1/4" x 3/4"	104251	
		Oval hd. tubular .125" x .2187" (cad or zinc)	191522	
8.942 PIN — Clevis		Oval hd. bif. .15" x .31"	SP1800	
.312" x .672"	9416017	Oval hd. split 9/64" x 3/4"	136669	
.312" x .875"	SP1945			
.375" x .92"	SP1825	8.970 PLUG — Expansion		
3/8" x 1 1/16"	114785	1 3/4"	9902807	
.373" x 1.5"	SP1931	2"	9902809	
8.948 CLAMP — Hose		8.971 PLUG — Pipe		
1 1/16"	272846	1/8" — 27 sl. hd.	103883	
.92"	SP1657	1/8" — 27 sl. hd.	444688	
.97"	SP1865	1/8" hex. hd.	444613	
.97" (cad or zinc)	SP1701	1/4" hex. hd.	444819	
1.03"	SP1610	1/4" — 18 hex. hd.	444619	
1 1/8" (cad or zinc)	SP1004	1/4" — 18 hex. socket	444692	
1 3/4"	SP1802	3/8" — 18 hex. hd.	444625	
2" — 2 3/4"	SP1543	3/8" — 18 hex. hd.	444698	
		3/8" — 18 hex. socket	444697	
8.950 CLIP — Pipe or cable		3/8" sq. socket	444782	
3/16" x 5/16"	SP1410	1/2" sq. hd.	103868	
3/16" closed No. 3	120520	1/2" sq. hd.	103880	
3/16"	SP1836	3/4" sq. hd.	219301	
1/4"	SP1774			
3/32" x 3/8"	SP1778			
5/16"	SP1574			
.34"	SP1788			

HOLDEN "LC" PARTS CATALOGUE

8.975 SCREW — Set

No. 10 — 32 x $\frac{3}{16}$ " cone point headless	217502
$\frac{1}{4}$ " — 20 x $\frac{3}{16}$ " cup point hex. socket	432750
$\frac{1}{4}$ " — 20 x $\frac{3}{4}$ " cap hex. socket	426816
$\frac{3}{8}$ " — 24 x $1\frac{1}{2}$ " oval point hex. socket	138740

8.977 SCREW — Sheet metal

(Flat Head)

No. 4 — 24 x $\frac{1}{4}$ " cr. rec.	161340
No. 6 — 18 x $\frac{1}{2}$ " cr. rec.	161373

(Oval Head)

No. 6 — 18 x $\frac{5}{8}$ " cr. rec.	162292
No. 6 — 18 x $\frac{1}{2}$ " cr. rec.	162294
No. 6 — 18 x $\frac{7}{8}$ " cr. rec.	162296
No. 8 — 18 x $\frac{3}{4}$ " (cad or zinc)	163450
No. 10 — 12 x $\frac{3}{4}$ " cr. rec.	162474
No. 10 — 18 x $\frac{1}{2}$ " cr. rec.	163467
No. 10 — 16 x $\frac{1}{2}$ " cr. rec.	9425507
$\frac{1}{4}$ " — 14 x $\frac{3}{4}$ " cr. rec.	9426422

(Oval Trim Head)

No. 8 — 18 x $\frac{3}{4}$ " cr. rec.	9417974
--------------------------------------------	---------

(Hexagon Head)

No. 10 — 16 x $\frac{1}{4}$ " (cad or zinc)	455404
No. 10 — 16 x $\frac{1}{4}$ " (cad or zinc)	455492
No. 10 — 24 x $\frac{1}{2}$ " (cad or zinc)	9428168
No. 14 — 10 x $\frac{5}{8}$ " (cad or zinc)	149501
No. 14 — 10 x $\frac{5}{8}$ " (cad or zinc)	9411563
No. 14 — 10 x $\frac{3}{4}$ "	179377
$\frac{1}{4}$ " — 20 x $\frac{3}{4}$ " (cad or zinc)	9413531
$\frac{1}{4}$ " — 28 x $1\frac{1}{4}$ " (cad or zinc)	175986
$\frac{5}{16}$ " — 18 x $1\frac{1}{2}$ " (cad or zinc)	9405000
$\frac{5}{16}$ " — 24 x $\frac{7}{8}$ " (plain)	172472

(Pan Head)

No. 4 — 24 x $\frac{3}{8}$ " cr. rec.	161755
No. 6 — 18 x $\frac{3}{8}$ " cr. rec.	161790
No. 6 — 20 x $\frac{1}{4}$ " slotted	144791
No. 6 — 20 x .25" cr. rec.	9411529
No. 6 — 20 x $\frac{5}{16}$ " cr. rec. (cad or zinc)	190075
No. 6 — 32 x $\frac{1}{2}$ " cr. rec.	9419292
No. 8 — 15 x $\frac{1}{2}$ " cr. rec.	161860
No. 8 — 18 x $\frac{5}{16}$ " cr. rec.	9411530
No. 8 — 18 x $\frac{5}{16}$ " cr. rec.	9418719
No. 8 — 18 x $\frac{3}{8}$ " cr. rec. (cad or zinc)	163158
No. 8 — 18 x $\frac{3}{8}$ " cr. rec. (chrome bright)	163160
No. 8 — 18 x $\frac{3}{8}$ " cr. rec.	9411532
No. 8 — 18 x $\frac{3}{8}$ " cr. rec.	9414711

8.977 SCREW — Sheet metal (contd.)

(Pan Head) (contd.)

No. 8 — 18 x $\frac{1}{4}$ " cr. rec.	163162
No. 8 — 18 x $\frac{1}{2}$ " cr. rec.	9414712
No. 8 — 18 x $\frac{1}{2}$ " cr. rec.	273708
No. 8 — 18 x $\frac{1}{2}$ " (cad or zinc)	9426089
No. 8 — 18 x $\frac{3}{8}$ " cr. rec.	9416043
No. 8 — 18 x $\frac{3}{4}$ " cr. rec.	9414714
No. 8 — 18 x 1" cr. rec. (cad or zinc)	163200
No. 8 — 32 x .35" cr. rec.	SP1867
No. 8 — 32 x $\frac{1}{2}$ " cr. rec. (phos. coated)	SP1948
No. 8 — 32 x $\frac{1}{2}$ " (cad or zinc)	9419633
No. 10 — 12 x $\frac{1}{2}$ " slotted	144811
No. 10 — 12 x $\frac{1}{2}$ " cr. rec.	161895
No. 10 — 12 x $\frac{5}{8}$ " cr. rec.	161901
No. 10 — 12 x $\frac{3}{4}$ " cr. rec.	161903
No. 10 — 16 x $\frac{3}{8}$ " cr. rec.	163210
No. 10 — 16 x $\frac{3}{8}$ " cr. rec.	9414721
No. 10 — 16 x $\frac{1}{2}$ "	163216
No. 10 — 16 x $\frac{1}{2}$ " slotted	145193
No. 10 — 16 x $\frac{1}{2}$ " cr. rec.	9414722
No. 10 — 16 x $\frac{5}{8}$ " (cad or zinc)	9414723
No. 10 — 16 x $1\frac{1}{4}$ " (phos. coated)	9426380
No. 10 — 16 x $1\frac{1}{4}$ " cr. rec. (cad or zinc)	9414724
No. 10 — 16 x 1.12" cr. rec.	SP1801
No. 10 — 16 x 2" cr. rec.	9426382
No. 14 — 10 x $\frac{1}{2}$ " slotted	221154
$\frac{1}{4}$ " — 14 x $\frac{5}{8}$ " slotted	441205
$\frac{1}{4}$ " — 14 x $\frac{5}{8}$ " cr. rec.	9416642
$\frac{1}{4}$ " — 14 x 1" cr. rec.	9416846

(Round Head)

No. 6 — 18 x .50" cr. rec. washer face	SP1815
No. 6 — 18 x $\frac{5}{8}$ " cr. rec. washer face	SP1833

(Washer Head)

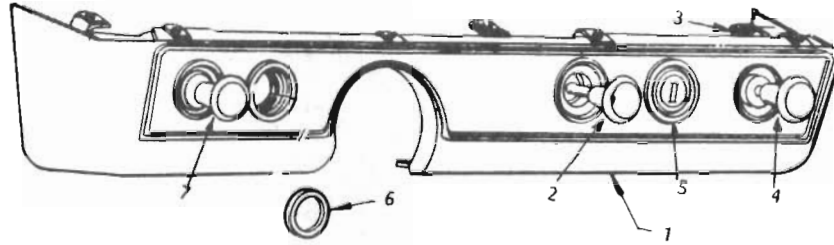
No. 8 — 18 x $\frac{1}{2}$ " (cad or zinc)	SP1490
--------------------------------------------------	--------

8.984 FITTING — Lubrication

$\frac{1}{4}$ " — 28 Elbow 45°	9417891
$\frac{1}{4}$ " — 28 Elbow 90°	9417892

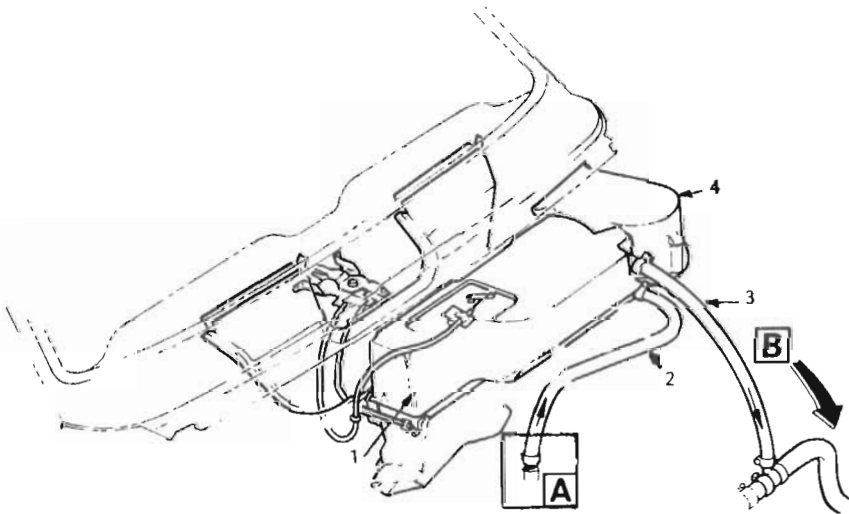
8.991 BULB

12 — 16V., 2 c.p. — s.c. bayonet type	9417863
12 — 16V., 2 c.p. — s.c. wedge type	9421330
12 — 16V., 15 c.p. — s.c.	455490
12 — 16V., 21 c.p. — s.c.	142456
12 — 16V., 32 c.p. — s.c.	9417866
12 — 16V., 32 — 3 c.p. — d.c.	9428902
12 — 16V., 32 — 4 c.p. — d.c.	9417867

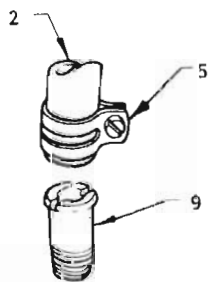


INSTRUMENT PANEL

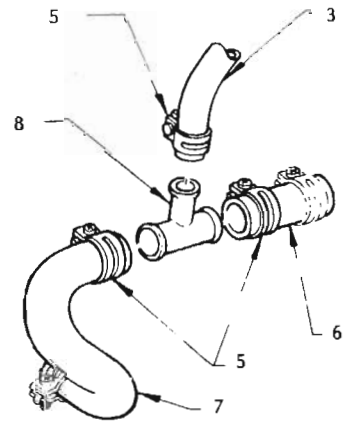
ILLUS. REF. NO.	PART NAME	GROUP	ILLUS. REF. NO.	PART NAME	GROUP
1.	PANEL - Instrument	9.743	4.	ROD ASSY. - Lighting switch control	2.486
2.	SWITCH & PUMP ASSY. - Windshield wiper	10.163	5.	SWITCH ASSY. - Ignition & starting	2.188
3.	SWITCH ASSY. - Lighting	2.485	6.	PLUG - Choke control hole	9.743
			7.	LIGHTER ASSY. - Cigarette	9.709



HEATER and FITTINGS

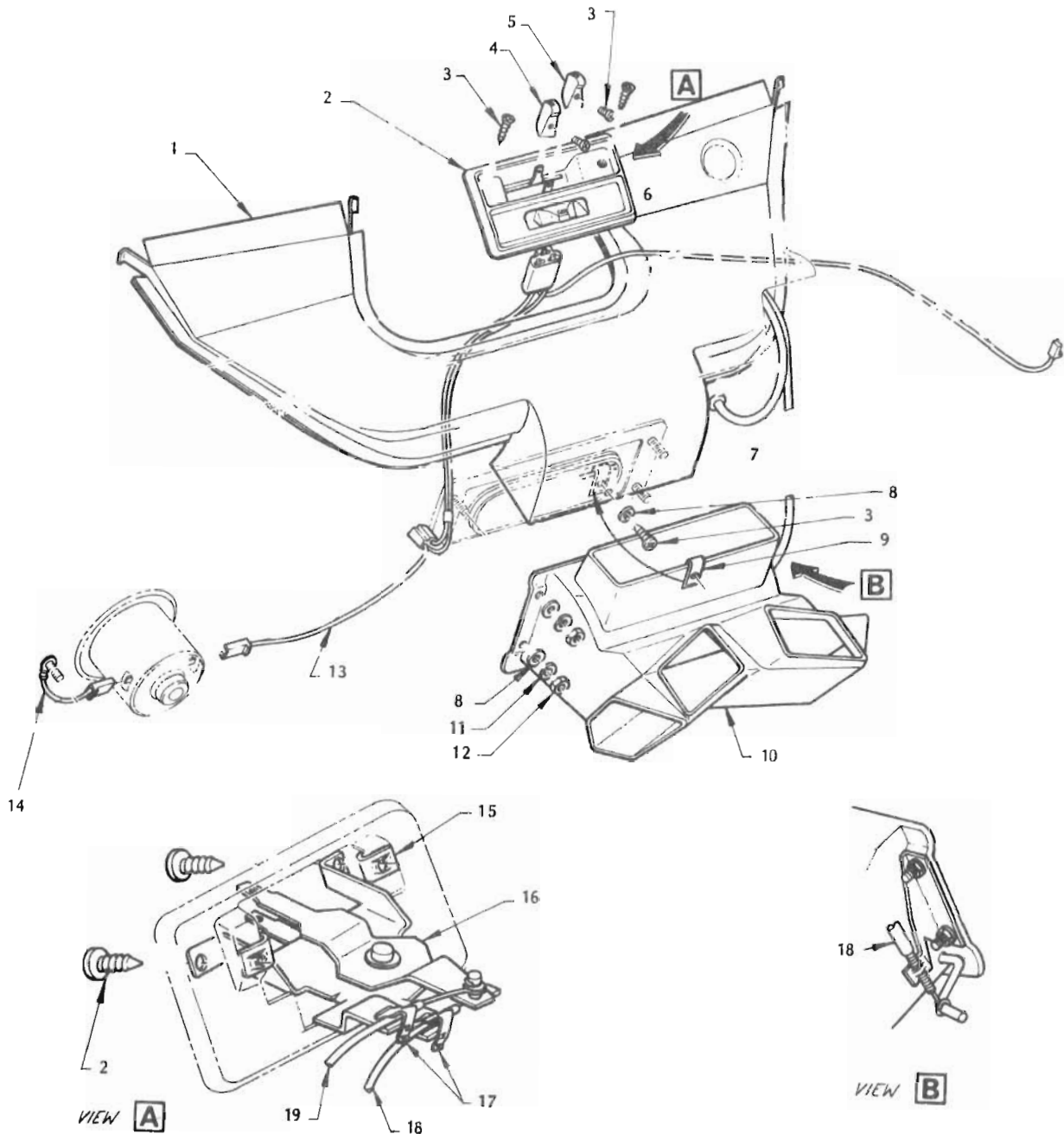


VIEW **A**



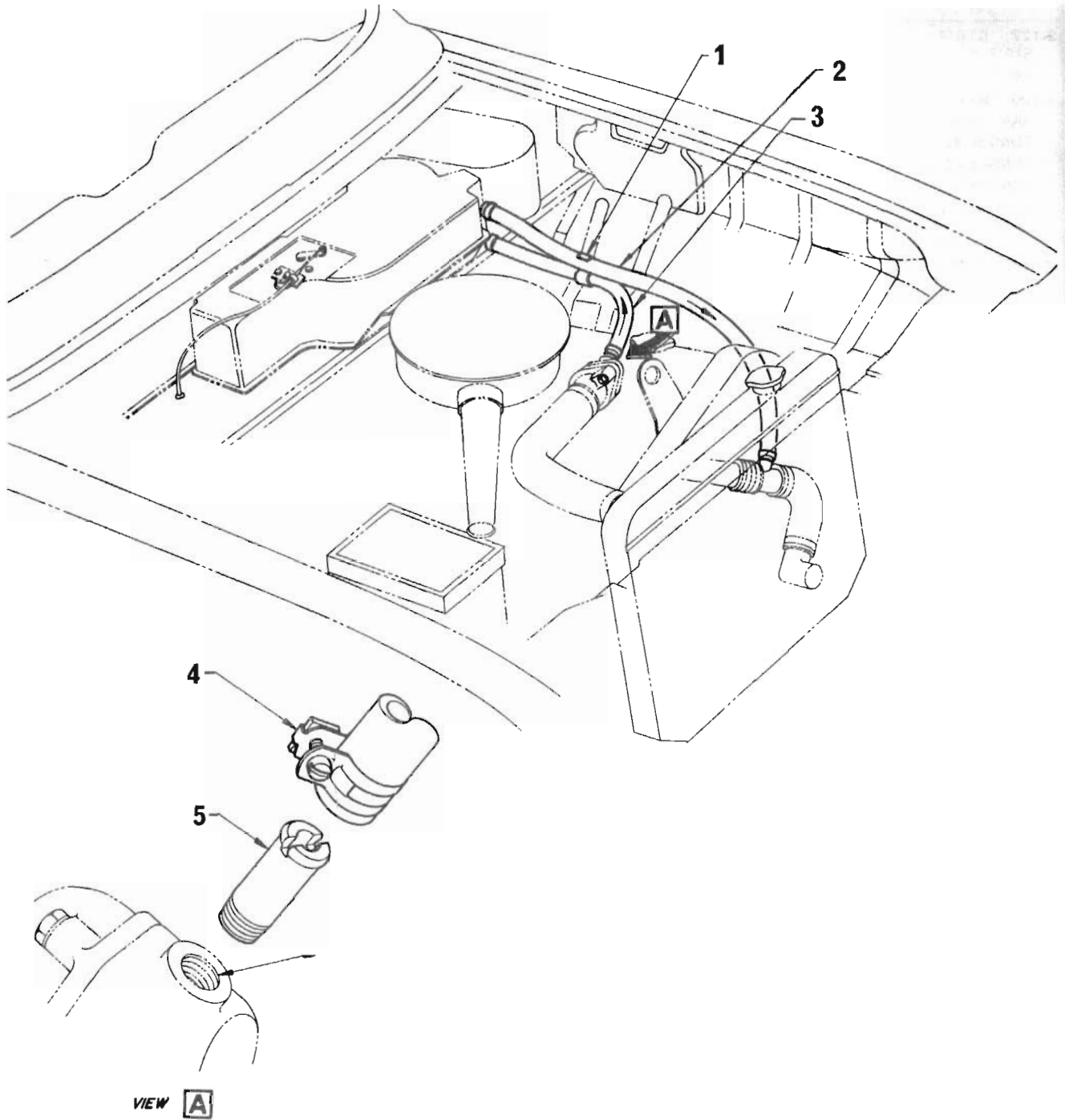
VIEW **B**

ILLUS. REF. NO.	PART NAME	GROUP	ILLUS. REF. NO.	PART NAME	GROUP
1.	HOUSING, RADIATOR & FAN ASSY.	9.779	6.	HOSE - Outlet extension	1.159
2.	HOSE - Inlet	9.779	7.	HOSE - Outlet	1.159
3.	HOSE - Outlet	9.779	8.	TEE - Radiator hose	9.779
4.	DUCT - Heater air inlet	9.779	9.	NIPPLE - Heater hose to engine	9.779
5.	CLAMP - Hose	9.779			



HEATER and FITTINGS

ILLUS. REF. NO.	PART NAME	GROUP	ILLUS. REF. NO.	PART NAME	GROUP
1.	DUCT ASSY. - Demist	9.779	11.	WASHER	8.931
2.	ESCUTCHEON - Heater & vent	9.787	12.	NUT	8.915
3.	SCREW	8.977	13.	HARNESS ASSY.	9.779
4.	KNOB - Heater control	9.779	14.	WIRE ASSY. - Heater fan earth	9.779
5.	KNOB - Air control	9.787	15.	NUT	9.787
6.	SWITCH ASSY. - Heater fan	9.779	16.	CONTROL ASSY. - Vent & heater	9.779
7.	CABLE - Heat control	9.779	17.	CLIP - Cable	9.779
8.	WASHER	8.929	18.	CABLE - Demist control	9.779
9.	NUT	9.779	19.	CABLE - Heat control	9.779
10.	DUCT ASSY. - Distributor	9.779			



HEATER HOSES — (1600 Engine)

ILLUS. REF. NO.	PART NAME	GROUP	ILLUS. REF. NO.	PART NAME	GROUP
1.	CLIP — Inlet hose to outlet hose	9.779	4.	CLAMP — Hose 1.03" dia.	9.779
2.	HOSE — Outlet	9.779	5.	NIPPLE — Heater hose to engine	9.779
3.	HOSE — Inlet	9.779			

HOLDEN "LC" PARTS CATALOGUE

GROUP	DESCRIPTION	MODEL	SIDE	PART No.	QTY.
9.127 STRIP — Hood landing					
STRIP	ALL			7191312	1
FASTENER — Drive	ALL			SP1710	9
9.600 BAR — Tow					
BAR — Less tongue	ALL			(⁶³ 2814995	1
TONGUE ASSY. — Painted, rams horns down	ALL			2812302	1
TONGUE ASSY. — Chrome plated, rams horns down	ALL			2817241	1
TONGUE ASSY. — Chrome plated, rams horns up	ALL			2817242	1
ILLUMINATION PACKAGE	ALL			(⁶³ 2817243	1
BULB — 12 volt 6W	ALL			SP1467	1
SOCKET and LEAD ASSEMBLY	ALL			2814167	1
9.620 DEFLECTOR — Fender mud					
PACKAGE — Front	ALL			2808604	1
PACKAGE — Rear	ALL			2811714	1
9.624 GUARD PACKAGE — Bumper bar					
GUARD PACKAGE — Front	4 Cyl. Eng.			2820927	1
GUARD PACKAGE — Front	6 Cyl. Eng.			2820926	1
GUARD PACKAGE — Rear	ALL			2820928	1
9.632 GUARD PACKAGE — Headlamp stone					
GUARD PACKAGE (Pair)	6 Cyl. Eng.			2817129	1
9.640 HANDLE PACKAGE — Door pull-to					
HANDLE PACKAGE — Set of 2	ALL			2808258	2-1
HANDLE	ALL			7435413	4-2
9.644 HARNESS PACKAGE — Trailer wiring					
HARNESS PACKAGE	ALL			7433653	1
9.648 LAMP PACKAGE and COMPONENTS — Auxiliary driving					
PACKAGE	6 Cyl. Eng.			2817423	1
LAMP	6 Cyl. Eng.			2807310	2
LENS	6 Cyl. Eng.			VS10965	2
GASKET	6 Cyl. Eng.			VS10966	2
RIM	6 Cyl. Eng.			VS10967	2
REFLECTOR ASSEMBLY	6 Cyl. Eng.			VS10968	2
SPRING — Bulb holder	6 Cyl. Eng.			VS10969	2
BULB	6 Cyl. Eng.			VS10970	2
BOLT — Mounting	6 Cyl. Eng.			7435937	2
BRACKET — Mounting	6 Cyl. Eng.		LH	2817425	1
			RH	2817424	1
ESCUTCHEON — Switch control	6 Cyl. Eng.			7433510	1
KNOB — Push pull switch	6 Cyl. Eng.			2807189	1
LEAD ASSEMBLY — Connector to lamp	6 Cyl. Eng.			2807185	1
LEAD ASSEMBLY — Dimmer switch to lamp	6 Cyl. Eng.			2807183	1
LEAD ASSEMBLY — Lamp to connector	6 Cyl. Eng.			2807184	1
NUT — Switch retaining	6 Cyl. Eng.			2807186	1
SPACER — Push pull switch	6 Cyl. Eng.			2807188	1
SWITCH — Push pull	6 Cyl. Eng.			2809482	1
9.652 LOCK PACKAGE — Gearshift lever					
LOCK PACKAGE	4 Cyl. Eng.			2816936	1
LOCK PACKAGE	6 Cyl. Eng. Steering Column Shift			7438508	1
BOLT — Shear	4 Cyl. Eng.			2817253	2
NUT — Shear	6 Cyl. Eng. Steering Column Shift			7438510	1
9.660 PROTECTOR — Windshield stone					
PROTECTOR	ALL			2812878	1
9.662 RADIO PACKAGE — Airchief					
MANUAL CONTROL — 8 Transistor	ALL			2815508	1
MANUAL CONTROL — 11 Transistor	ALL			2815507	1
PUSH BUTTON — 11 Transistor	ALL			2815505	1
PUSH BUTTON — 13 Transistor	ALL			2815191	1
SPEAKER PACKAGE			RIGHT HAND DRIVE	2820559	1
			LEFT HAND DRIVE	2820560	1
SPEAKER PACKAGE — Rear seat	ALL			2813820	1
ANTENNA & LEAD-IN PACKAGE	ALL			7436108	1
ANTENNA — Retractable	ALL			M35877	1
CONVERSION PACKAGE — Installation	Bench Seat			2812932	1

Note: (⁶³ Must be used in conjunction.

HOLDEN "LC" PARTS CATALOGUE

GROUP	DESCRIPTION	MODEL	SIDE	PART No.	QTY.
9.665 SCREEN PACKAGE — Radiator insect					
	INTERNAL	6 Cyl. Eng.		2817496	1
9.668 SHADE PACKAGE — Venetian					
	SHADE PACKAGE	ALL		2810989	1
9.672 SHELF PACKAGE — Parcel					
	SHELF PACKAGE	ALL		2811624	1
9.680 SUNSHADE PACKAGE — Windshield					
	SUNSHADE PACKAGE — Bracketless	ALL		7447944	1
	SUNSHADE PACKAGE — Bracketless, Black Vinyl	Exc. 211		7437589	1
	SUNSHADE PACKAGE — Bracketless, Light Saddle Vinyl	Exc. 211		2811413	1
	SUNSHADE PACKAGE — Bracketless Antique Brown Vinyl	Exc. 211		2822724	1
	SUNSHADE PACKAGE — Bracketless Antique Saddle Vinyl	Exc. 211		2822725	1
9.684 WEATHERSHIELD PACKAGE — Door mounting					
	WEATHERSHIELD PACKAGE	2 Door Sedan		7448453 Clr.	1
	WEATHERSHIELD PACKAGE	2 Door Sedan		7448453 Tin.	1
	WEATHERSHIELD PACKAGE	4 Door Sedan		2806935 Clr.	1
	WEATHERSHIELD PACKAGE	4 Door Sedan		2806935 Tin.	1
9.709 LIGHTER ASSEMBLY — Cigarette					
	LIGHTER PACKAGE — Accessory	ALL		2810386	1
	LIGHTER ASSY. — (Cuno)	ALL		2806433	1
	LIGHTER ASSY. — (Casco)	ALL		2806436	1
	PLUNGER KNOB ASSY — (Cuno)	ALL		2806434	1
	PLUNGER & KNOB ASSY. — (Casco)	ALL		2806435	1
	LEAD ASSY.	ALL		7438862	1
9.743 PANEL — Instrument					
	PANEL — Trim Nos. 40B, 40E, 40F	Torana, 'S', De Luxe exc. 1600 Eng. RIGHT HAND DRIVE		2805679BA	1
		LEFT HAND DRIVE		2810768BA	1
	PANEL — Trim Nos. 41A, 41B, 41E, 41F	Torana, 'S', De Luxe exc. 1600 Eng. RIGHT HAND DRIVE		2805679BB	1
		LEFT HAND DRIVE		2810768BB	1
	PANEL — Trim Nos. 42A, 42E	Torana, 'S', De Luxe exc. 1600 Eng. RIGHT HAND DRIVE		2805679BC	1
		LEFT HAND DRIVE		2810768BC	1
	PANEL — Trim Nos. 42B, 42F	Torana, 'S', De Luxe exc. 1600 Eng. RIGHT HAND DRIVE		2805679BT	1
		LEFT HAND DRIVE		2810768BT	1
	PANEL — Trim Nos. 43E, 43F	Torana, 'S', De Luxe exc. 1600 Eng. RIGHT HAND DRIVE		2805679BD	1
		LEFT HAND DRIVE		2810768BD	1
	PANEL — Trim Nos. 44A, 44E, 44F	Torana, 'S', De Luxe exc. 1600 Eng. RIGHT HAND DRIVE		2805679CF	1
		LEFT HAND DRIVE		2810768CF	1
	PANEL — Trim Nos. 46B, 46F	Torana, 'S', De Luxe exc. 1600 Eng. RIGHT HAND DRIVE		2805679BU	1
		LEFT HAND DRIVE		2810768BU	1
	PANEL — Trim Nos. 48F	Torana, 'S', De Luxe exc. 1600 Eng. RIGHT HAND DRIVE		2805679BG	1
		LEFT HAND DRIVE		2810768BG	1

HOLDEN "LC" PARTS CATALOGUE

GROUP	DESCRIPTION	MODEL	SIDE	PART No.	QTY.
9.743 PANEL — Instrument (contd.)					
	PANEL — Trim Nos. 40D	(M) 1600 Eng.		2805679BA	1
	PANEL — Trim Nos. 41D	(M) 1600 Eng.		2805679BB	1
	PANEL — Trim Nos. 42D	(M) 1600 Eng.		2805679BT	1
	PANEL — Trim Nos. 43D	(M) 1600 Eng.		2805679BD	1
	PANEL — Trim Nos. 44D	(M) 1600 Eng.		2805679CF	1
	PANEL — Trim Nos. 46D	(M) 1600 Eng.		2805679BU	1
	PANEL — Trim Nos. 48D	(M) 1600 Eng.		2805679BG	1
	PANEL — Trim Nos. 40D	(A) 1600 Eng.		2807491BA	1
	PANEL — Trim Nos. 41D	(A) 1600 Eng.		2807491BB	1
	PANEL — Trim Nos. 42D	(A) 1600 Eng.		2807491BT	1
	PANEL — Trim Nos. 43D	(A) 1600 Eng.		2807491BD	1
	PANEL — Trim Nos. 44D	(A) 1600 Eng.		2807491CF	1
	PANEL — Trim Nos. 46D	(A) 1600 Eng.		2807491BU	1
	PANEL — Trim Nos. 48D	(A) 1600 Eng.		2807491BG	1
	PANEL — Trim Nos. 40R, 40T	'SL'	RIGHT HAND DRIVE	(⁴⁵ 2806770BA)	1
	PANEL — Trim Nos. 41R, 41T	'SL'	RIGHT HAND DRIVE	(⁴⁵ 2806770BB)	1
	PANEL — Trim Nos. 42R, 42T	'SL'	RIGHT HAND DRIVE	(⁴⁵ 2806770BC)	1
	PANEL — Trim Nos. 43R, 43T	'SL'	RIGHT HAND DRIVE	(⁴⁵ 2806770BD)	1
	PANEL — Trim Nos. 44R, 44T	'SL'	RIGHT HAND DRIVE	(⁴⁵ 2806770CF)	1
	PANEL — Trim Nos. 40P, 40Q, 40R, 40T	'SL'	RIGHT HAND DRIVE	(⁴⁶ 2815926BA)	1
			LEFT HAND DRIVE	2815926BA	1
	PANEL — Trim Nos. 41P, 41Q, 41R, 41T	'SL'	RIGHT HAND DRIVE	(⁴⁶ 2815926BB)	1
			LEFT HAND DRIVE	2815926BB	1
	PANEL — Trim Nos. 42P, 42R, 42T	'SL'	RIGHT HAND DRIVE	(⁴⁶ 2815926BT)	1
			LEFT HAND DRIVE	2815926BT	1
	PANEL — Trim Nos. 43P, 43R, 43T	'SL'	RIGHT HAND DRIVE	(⁴⁶ 2815926BD)	1
			LEFT HAND DRIVE	2815926BD	1
	PANEL — Trim Nos. 44P, 44R, 44T	'SL'	RIGHT HAND DRIVE	(⁴⁶ 2815926CF)	1
			LEFT HAND DRIVE	2815926CF	1
	PANEL — Trim Nos. 46P	'SL'	RIGHT HAND DRIVE	(⁴⁶ 2815926BU)	1
			LEFT HAND DRIVE	2815926BU	1
	PANEL — Trim Nos. 48P, 48Q	'SL'	RIGHT HAND DRIVE	(⁴⁶ 2815926BG)	1
			LEFT HAND DRIVE	2815926BG	1
	PANEL — Trim Nos. 40L, 40V, 40W, 40X, 40Y, 40Z, 45L, 45V, 48V, 48W, 48X, 48Y	'GTR' exc. 186X Eng.		2807491BA	1
	PANEL — Trim Nos. 41V, 41W, 41X, 41Y	'GTR' exc. 186X Eng.		2807491BB	1
	PANEL — Trim Nos. 42V, 42W	'GTR' exc. 186X Eng.		2807491BT	1
	PANEL — Trim Nos. 42X, 42Y	'GTR' exc. 186X Eng.		2807491BC	1
	PANEL — Trim Nos. 43X, 43Y	'GTR' exc. 186X Eng.		2807491BD	1
	PANEL — Trim Nos. 44X, 44Y	'GTR' exc. 186X Eng.		2807491CF	1
	PANEL — Trim Nos. 46V, 46W	'GTR' exc. 186X Eng.		2807491BU	1
	PANEL	186X Eng.		2805679BA	1
	BRACKET — Switch, earth & panel support		RIGHT HAND DRIVE	2805680	1
	BRACKET — Support		RIGHT HAND DRIVE	7439103	1
			RH	7439102	1
	WASHER — Instrument panel	Exc. 211, 1600 Eng.		7175679	3
	PLUG — Cigar lighter hole	Torana, 'S', De Luxe		7426303	1
	PLUG — Choke control hole	'GTR' exc. 186X Eng.		2807005	1
	PLUG — Choke control hole	(A) 1600 Eng.		2807005	1

9.750 HEATER and DEMISTER ASSEMBLY

HEATER & DEMISTER PACKAGE — With fan	211, 411, 469, 811, 869	2809495	1	
HEATER & DEMISTER PACKAGE — With fan	311, 369	RIGHT HAND DRIVE	2809496	1
HEATER & DEMISTER PACKAGE — Without fan	4 Cyl. exc. 1600 Eng.	2814724	1	
HEATER & DEMISTER PACKAGE — Without fan	311, 369	RIGHT HAND DRIVE	2814726	1

Note: (⁴⁵ Rosewood insert.
(⁴⁶ Burl Walnut insert.

HOLDEN "LC" PARTS CATALOGUE

GROUP	DESCRIPTION	MODEL	SIDE	PART No.	QTY.
9.779	HEATER and DEMISTER COMPONENTS (Heater with Fan)				
	BAFFLE — Heater duct	ALL		2816782	1
	BAFFLE — Water deflector		RIGHT HAND DRIVE	2811835	1
	BODY — 3 way female connector	ALL		2962449	1
	BODY — 2 way female connector	ALL		2962910	1
	BODY — Single female connector	ALL		2962448	1
	BRACKET — Cam		RIGHT HAND DRIVE	VS11332	1
	BRACKET — Control cable mounting		RIGHT HAND DRIVE	VS11241	1
	BOLT — Duct to heater		RIGHT HAND DRIVE	VS11352	3
	CABLE ASSY. — Air control	ALL		2807955	1
	CABLE — Demister control	ALL		2807954	1
	CABLE — Heat control		RIGHT HAND DRIVE	2819216	1
			LEFT HAND DRIVE	2816880	1
	CAM		RIGHT HAND DRIVE	VS11333	1
	CLAMP — Hose 1.03" dia.	ALL		SP1610	4
	CLAMP — Hose 1½" dia.	4 Cyl. Eng.		SP1004	2
	CLAMP — Inlet hose to valve		LEFT HAND DRIVE	SP1865	1
	CLIP — Back plate to case		RIGHT HAND DRIVE	VS11350	19
	CLIP — Cable	ALL		7187392	2
	CLIP — Control cable		RIGHT HAND DRIVE	VS11240	1
	CLIP — Inlet hose to outlet hose	6 Cyl. Eng.	RIGHT HAND DRIVE	7433806	1
	CLIP & TERMINAL ASSY. — Fuse holder	ALL		7418077	1
	CONTROL ASSY. — Vent & heater	ALL		7447681	1
	CRANK		RIGHT HAND DRIVE	VS11335	1
	DOOR ASSY. — Air vent		RIGHT HAND DRIVE	VS11234	1
	DUCT ASSY. — Distribution	ALL		2808418	1
	DUCT ASSY. — Demist	ALL		2808417	1
	DUCT — Heater air inlet		RIGHT HAND DRIVE	2810804	1
	DUCT — Heater inlet		RIGHT HAND DRIVE	VS11344	1
	DUCT — Air inlet		RIGHT HAND DRIVE	VS11330	1
	FAN — Impeller		RIGHT HAND DRIVE	VS11300	1
	GROMMET — Heater control cable		RIGHT HAND DRIVE	SP2283	1
			LEFT HAND DRIVE	SP1109	1
	GROMMET — Motor mounting		RIGHT HAND DRIVE	VS11347	2
	GROMMET — Harness		LEFT HAND DRIVE	7090220	1
	HARNASS ASSY.		RIGHT HAND DRIVE	2809143	1
			LEFT HAND DRIVE	2811894	1
	HEATER CASE — Moulded		RIGHT HAND DRIVE	VS11331	1
	HOSE — Inlet	4 Cyl. exc. 1600 Eng.		2809307	1
	HOSE — Inlet	1600 Eng.		2820893	1
	HOSE — Inlet, 36" Developed Length	2250, 2600, 186X Eng.			
			RIGHT HAND DRIVE	2809308	1
			LEFT HAND DRIVE	2816881	1
	HOSE — Inlet, 14.5" long	2250 Eng.	RIGHT HAND DRIVE	2822318	1
	HOSE — Inlet, 14.5" long	2850 exc. S Eng.			
			RIGHT HAND DRIVE	2822318	1
	HOSE — Inlet	2850S Eng.		2822690	1
	HOSE — Outlet	4 Cyl. exc. 1600 Eng.		2807959	1
	HOSE — Outlet	1600 Eng.		2820894	1
	HOSE — Outlet, 39.5" long	2250, 2600, 186X Eng.	RIGHT HAND DRIVE	2807960	1
	HOSE — Outlet, 41" long	2250, 2600 Eng.	LEFT HAND DRIVE	2816883	1
	HOSE — Outlet, 32.5" long	2250, 2850 Eng.	RIGHT HAND DRIVE	2822319	1
	HOSE — Outlet, 36" long	2250, 2850 Eng.			
			LEFT HAND DRIVE	7440283	1
	HOSE — Engine to control valve	2250 Eng.	LEFT HAND DRIVE	(⁸) 7437880	1
	HOSE — Engine to control valve	2600 Eng.	LEFT HAND DRIVE	7437880	1
	HOSE — Engine to control valve	2250 Eng.	LEFT HAND DRIVE	(⁹) 7440283	1
	HOSE — Engine to control valve	2850 Eng.	LEFT HAND DRIVE	7440283	1
	HOSE — Engine outlet	2250 Eng.	LEFT HAND DRIVE	(⁸) 7437880	1
	HOSE — Engine outlet	2600 Eng.	LEFT HAND DRIVE	7437880	1

Note: (⁸) Used on Engines with Engine Number Prefix 2250L or 2250H.

(⁹) Used on Engines with Engine Number Prefix CB or CC.

HOLDEN "LC" PARTS CATALOGUE

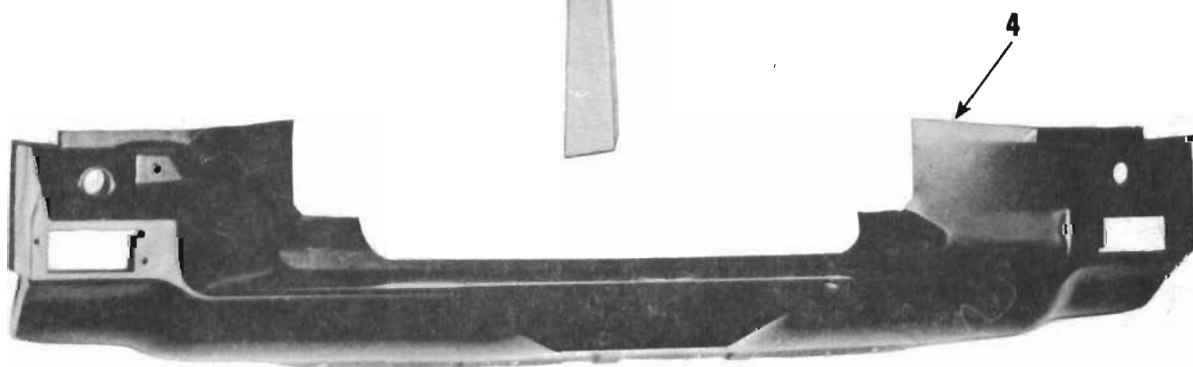
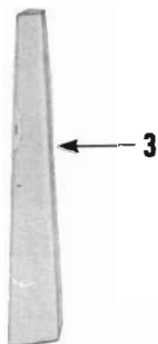
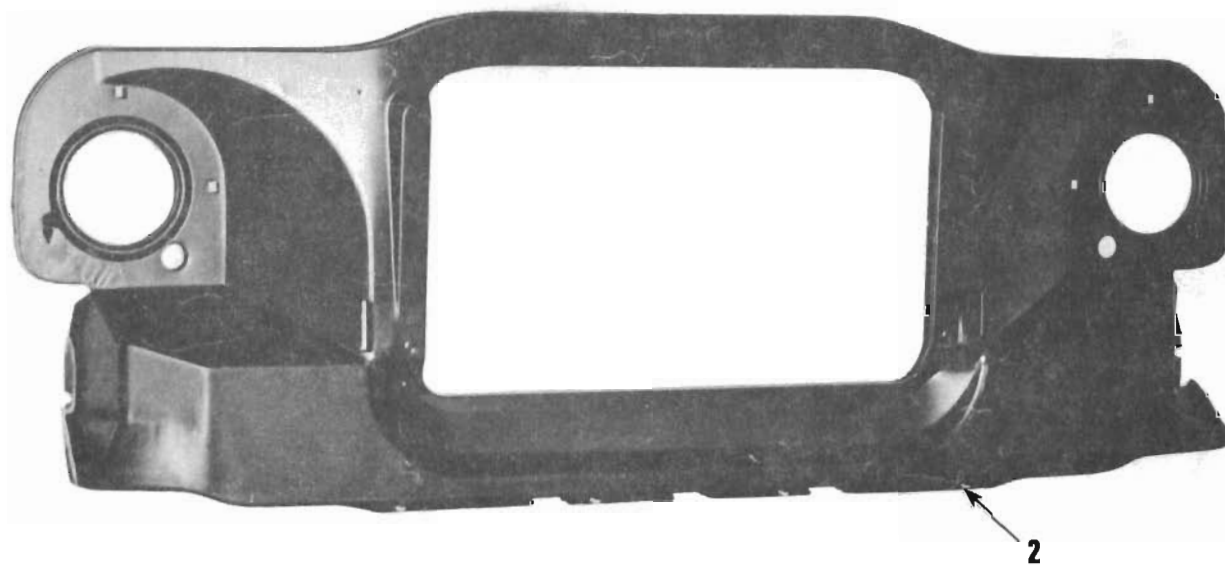
GROUP	DESCRIPTION	MODEL	SIDE	PART No.	QTY.
9.779 HEATER and DEMISTER COMPONENTS (Heater with Fan) (contd.)					
	HOSE — Engine outlet	2250 Eng.	LEFT HAND DRIVE	(⁹ 7440283	1
	HOSE — Engine outlet	2850 Eng.	LEFT HAND DRIVE	7440283	1
	HOUSING, RADIATOR & FAN ASSY		RIGHT HAND DRIVE	2808419	1
	HOUSING		LEFT HAND DRIVE	2810758	1
	KNOB — Heat control	ALL		7197495	1
	KNOB — Heater fan switch	ALL		2807964	1
	MOTOR ASSY.		RIGHT HAND DRIVE	VS11299	1
	NIPPLE — Heater hose to engine, 3/4" long	4 Cyl. Eng.		2816244	1
	NIPPLE — Heater hose to engine, 1 1/2" long	1600 Eng.		2807958	1
	NIPPLE — Heater hose	6 Cyl. exc. 2850 Eng.		7415042	1
	NUT — Demister duct to air dist. duct	ALL		SP1854	1
	NUT — Flanged No. 10 — 32	ALL		SP2091	A.R.
	"O" RING — Motor mounting		RIGHT HAND DRIVE	VS11346	1
	PLATE — Air mix division		RIGHT HAND DRIVE	VS11342	1
	PLATE — Back		RIGHT HAND DRIVE	VS11349	1
	RADIATOR		RIGHT HAND DRIVE	VS11343	1
			LEFT HAND DRIVE	2810757	1
	RESISTOR ASSY.		RIGHT HAND DRIVE	VS11351	1
	RIVET — Resistor to base		RIGHT HAND DRIVE	VS11238	2
	ROLLER		RIGHT HAND DRIVE	VS11334	2
	SCREW — Crank		RIGHT HAND DRIVE	VS11336	1
	SCREW — Air distribution duct	ALL		SP1724	4
	SCREW & SEALER — Housing		LEFT HAND DRIVE	7543241	2
	SEAL — Air mix flap		RIGHT HAND DRIVE	VS11340	1
	SEAL — Primary rad. pipe to housing		RIGHT HAND DRIVE	VS11236	1
	SEAL — Secondary rad. pipe to housing		RIGHT HAND DRIVE	VS11235	1
	SEAL — Heater casing to closing panel		LEFT HAND DRIVE	2819459	1
	STRAP — Hose retainer	186X Eng.		2818458	1
	SWITCH ASSY. — Heater fan	ALL		2807962	1
	TEE — Radiator hose	4 Cyl. Eng.		2809479	1
	VALVE ASSY. — Control		LEFT HAND DRIVE	2816806	1
	VALVE — Demist flap		RIGHT HAND DRIVE	VS11341	1
	WASHER — Air inlet duct		RIGHT HAND DRIVE	VS11353	3
	WASHER — Motor mounting		RIGHT HAND DRIVE	VS11345	8
	WASHER — Motor mounting retainer		RIGHT HAND DRIVE	VS11348	2
	WASHER — Resistor to base		RIGHT HAND DRIVE	VS11239	1
	WIRE ASSY. — Heater fan earth		RIGHT HAND DRIVE	2810925	1
	WIRE LINK — Short		RIGHT HAND DRIVE	VS11337	1
	WIRE LINK — Long		RIGHT HAND DRIVE	VS11338	1
HEATER and DEMISTER COMPONENTS (Heater without Fan)					
	ADAPTOR — Heater valve	1160 Eng.		7440963	1
	ADAPTOR — Heater valve	70 Eng.		2807289	1
	BRACKET — Heater control	ALL		2811963	1
	CLAMP — Inlet hose to valve	4 Cyl. Eng.		SP1611	1
	CLAMP — Inlet hose to valve	6 Cyl. Eng.		SP1865	1
	CLAMP — Inlet hose to radiator	ALL		SP1701	1
	CLAMP — Outlet hose	ALL		SP1701	2
	ELBOW	70 Eng.		2807290	1
	GROMMET — Vent duct	ALL		SP2059	2
	HOSE — Valve to inlet	4 Cyl. Eng.		7447519	1
	HOSE — Valve to inlet	6 Cyl. Eng.		2814696	1
	HOSE — Heater valve to engine	6 Cyl. Eng.		7437880	1
	HOSE — Outlet	4 Cyl. Eng.		7448438	1
	HOSE — Outlet	6 Cyl. Eng.		7441388	1
	RADIATOR	ALL		2812317	1
	ROD ASSY. — Heater control	4 Cyl. Eng.		2814685	1
	ROD ASSY. — Heater control	6 Cyl. Eng.		2811967	1
	TEE — Radiator hose	4 Cyl. Eng.		7447177	1
	VALVE ASSY. — Control	4 Cyl. Eng.		7389977	1
	VALVE ASSY. — Control	6 Cyl. Eng.		7437777	1

Note: (⁹ Used on Engines with Engine Number Prefix CB or CC.

HOLDEN "LC" PARTS CATALOGUE

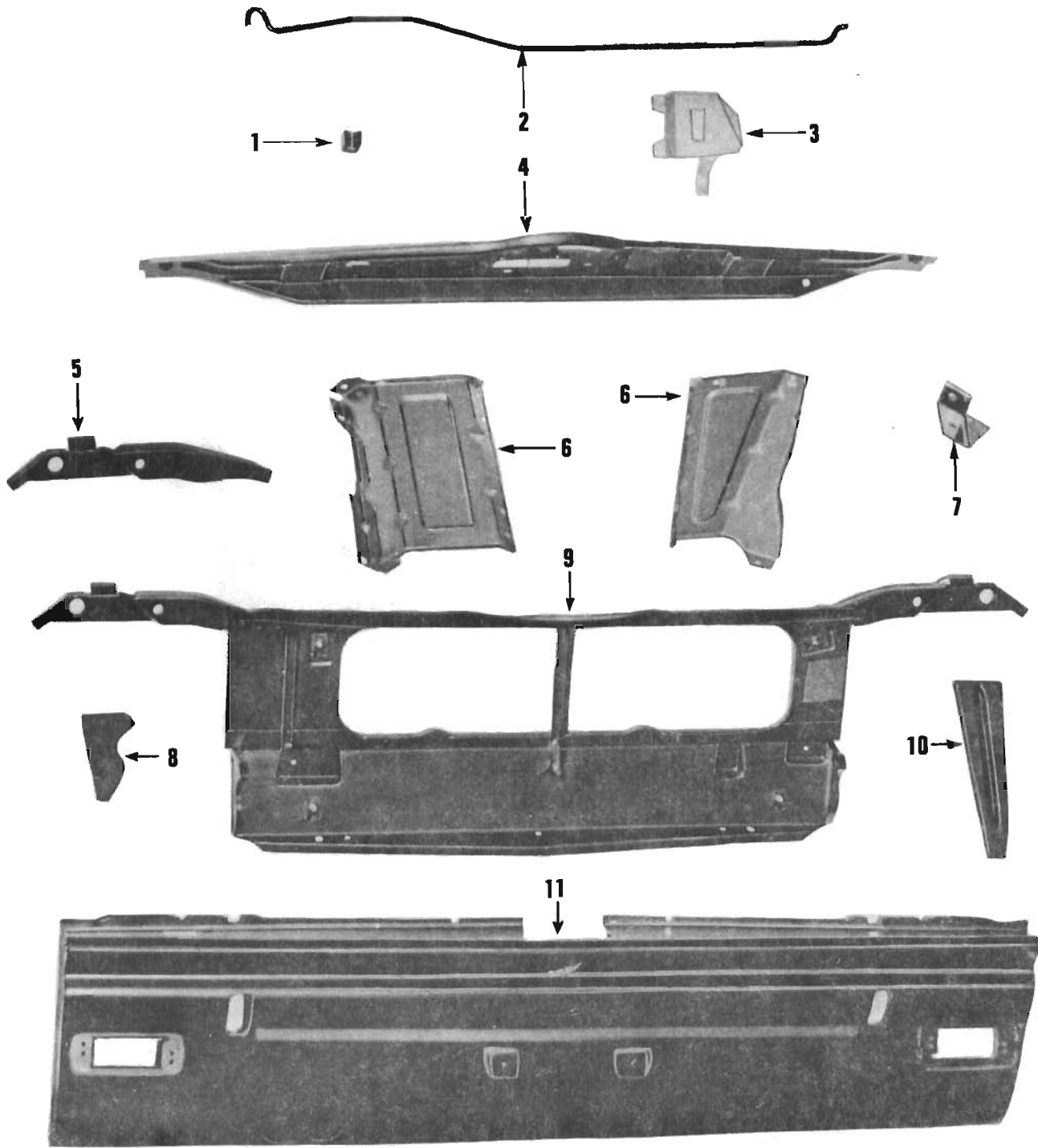
GROUP	DESCRIPTION	MODEL	SIDE	PART No.	QTY.
9.786	FLAP, PANEL ASSEMBLY — Ventilator				
	FLAP ASSY. — Vent control	ALL		(⁶⁴ 7192578	1
	PANEL ASSY. — Shroud vent closing		RIGHT HAND DRIVE	(⁶⁴ 2806525	1
	PANEL ASSEMBLY — Shroud vent closing		RIGHT HAND DRIVE	(⁶⁵ 2806807	1
	PANEL ASSEMBLY — Shroud vent closing		RIGHT HAND DRIVE	(⁶⁶ 2810889	1
	PANEL ASSEMBLY — Shroud vent closing		LEFT HAND DRIVE	2810889	1
	PANEL — Vent air duct	ALL		(⁶⁴ 7447150	1
	SEAL — Vent panel aperture	ALL		2806528	1
9.787	CONTROL ASSEMBLY — Ventilator				
	CONTROL ASSY.	ALL		(⁶⁴ 7447580	1
	SPRING — Vent control	ALL		2806448	1
	KNOB — Air control	ALL		7197494	1
	WIRE & CABLE ASSY. — Control	ALL		(⁶⁴ 7201682	1
	CLIP — Cable vent control	ALL		(⁶⁴ 7187392	2
	END — Control wire	ALL		(⁶⁴ 7116131	1
	ESCUTCHEON — Heater and vent		RIGHT HAND DRIVE	(⁶⁷ 2807293	1
			LEFT HAND DRIVE	(⁶⁷ 2816155	1
	ESCUTCHEON — Vent control	ALL		(⁶⁴ 2807294	1
	NUT — Escutcheon to instrument panel	ALL		SP1734	2
	CLIP — Control lever	ALL		SP1762	1

Note: (⁶⁴ Not with Heater.
 (⁶⁵ Heater with Fan.
 (⁶⁶ Heater without Fan.
 (⁶⁷ With Heater.



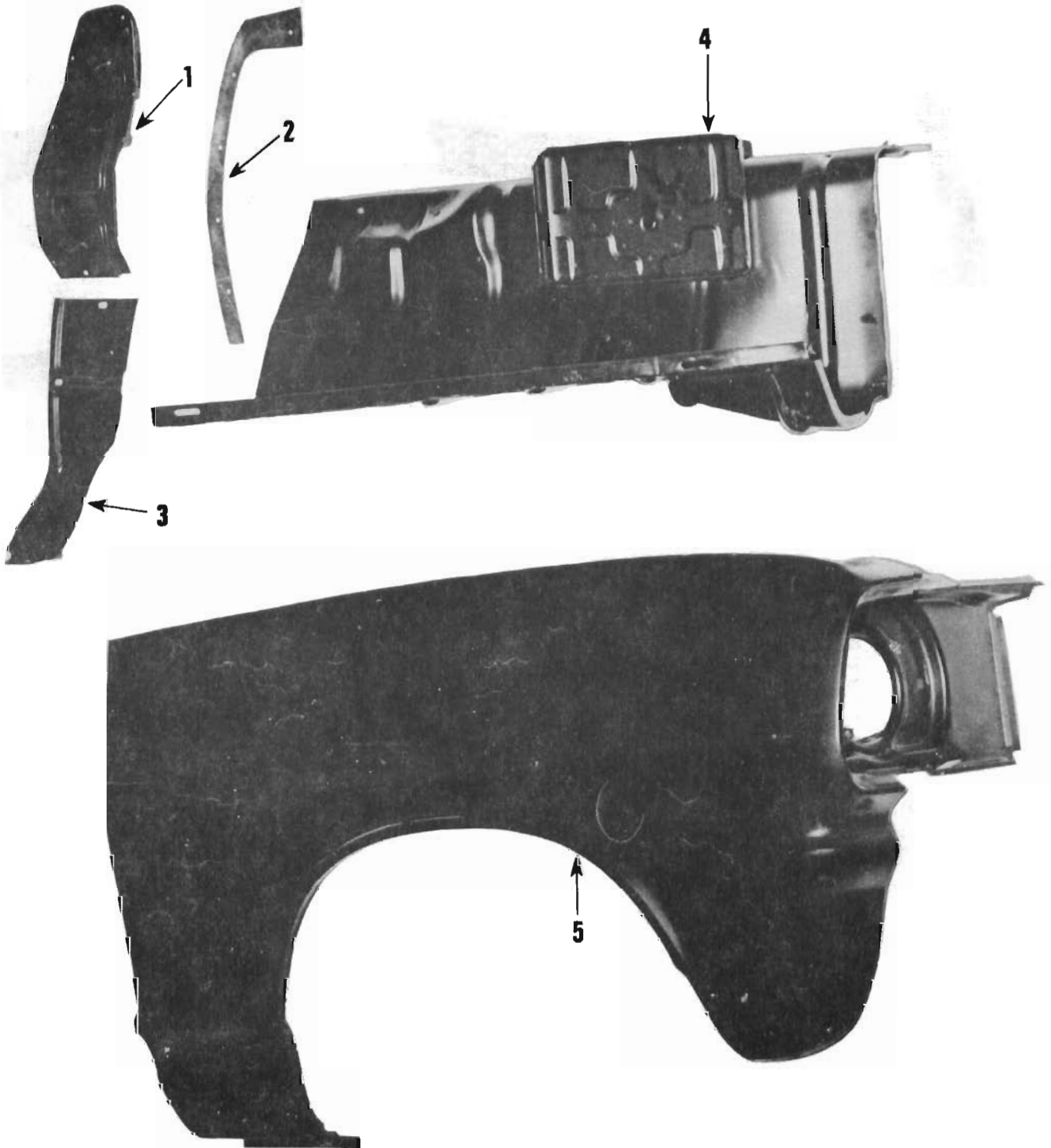
RADIATOR PANELS

Illus. Ref. No.	PART NAME	GROUP	Illus Ref. No.	PART NAME	GROUP
1.	PANEL – Radiator upper	1.270	3.	SUPPORT – Hood lock base plate	1.270
2.	PANEL ASSY. – Radiator	1.270	4.	PANEL ASSY. – Front end valance	1.263



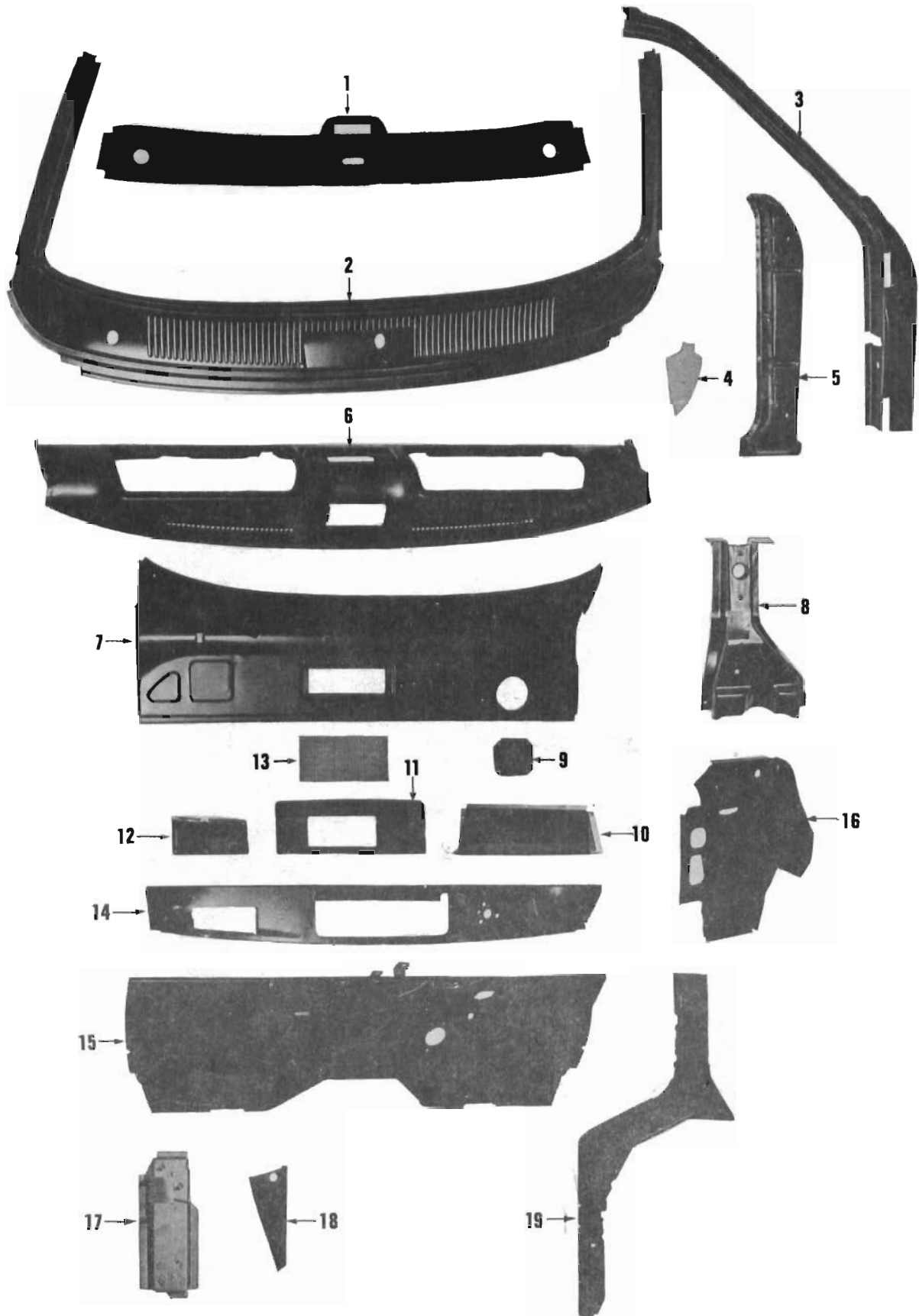
RADIATOR PANELS

ILLUS. REF. NO.	PART NAME	GROUP	ILLUS. REF. NO.	PART NAME	GROUP
1.	RETAINER - Hood stay	8.012	7.	STAY - Radiator mounting	1.270
2.	STAY - Hood	8.012	8.	EXTENSION - Radiator panel	1.270
3.	LOCK ASSY. - Hood	8.079	9.	PANEL ASSY. - Radiator	1.270
4.	PANEL ASSY. - Radiator upper, centre	1.270	10.	BRACKET - Hood lock support rail	1.270
5.	PANEL - Radiator upper, side	1.270	11.	PANEL - Front end valance	1.263
6.	BRACKET - Radiator mounting	1.270			



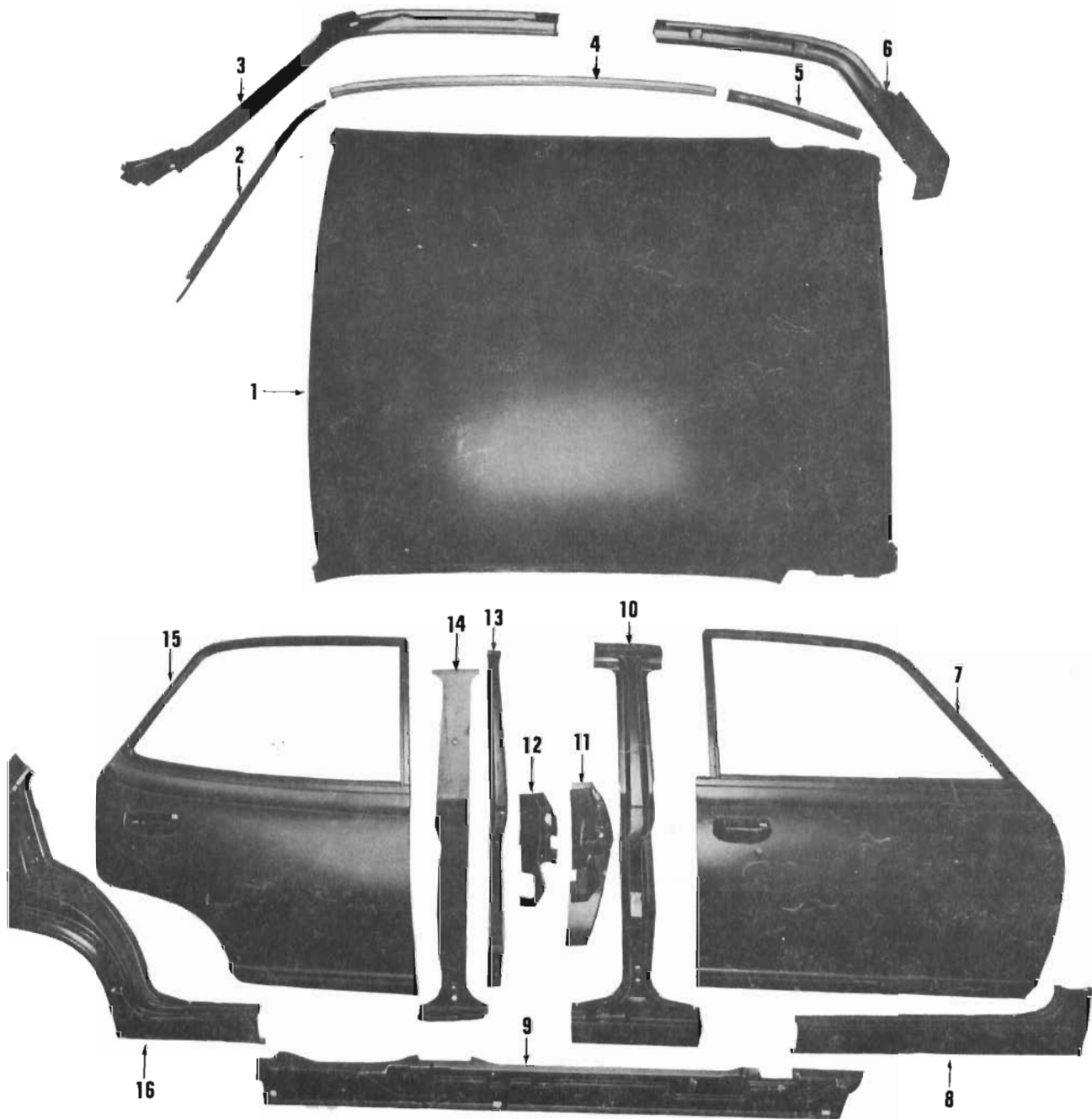
FRONT FENDER

Illus. Ref. No.	PART NAME	GROUP	Illus. Ref. No.	PART NAME	GROUP
1.	PANEL – Fender to dash, upper	8.130	4.	PANEL ASSY. – Front wheelhouse	8.153
2.	SEAL – Fender to dash filler	8.154	5.	FENDER ASSY. – Front	8.130
3.	PANEL – Fender to dash, lower	8.130			



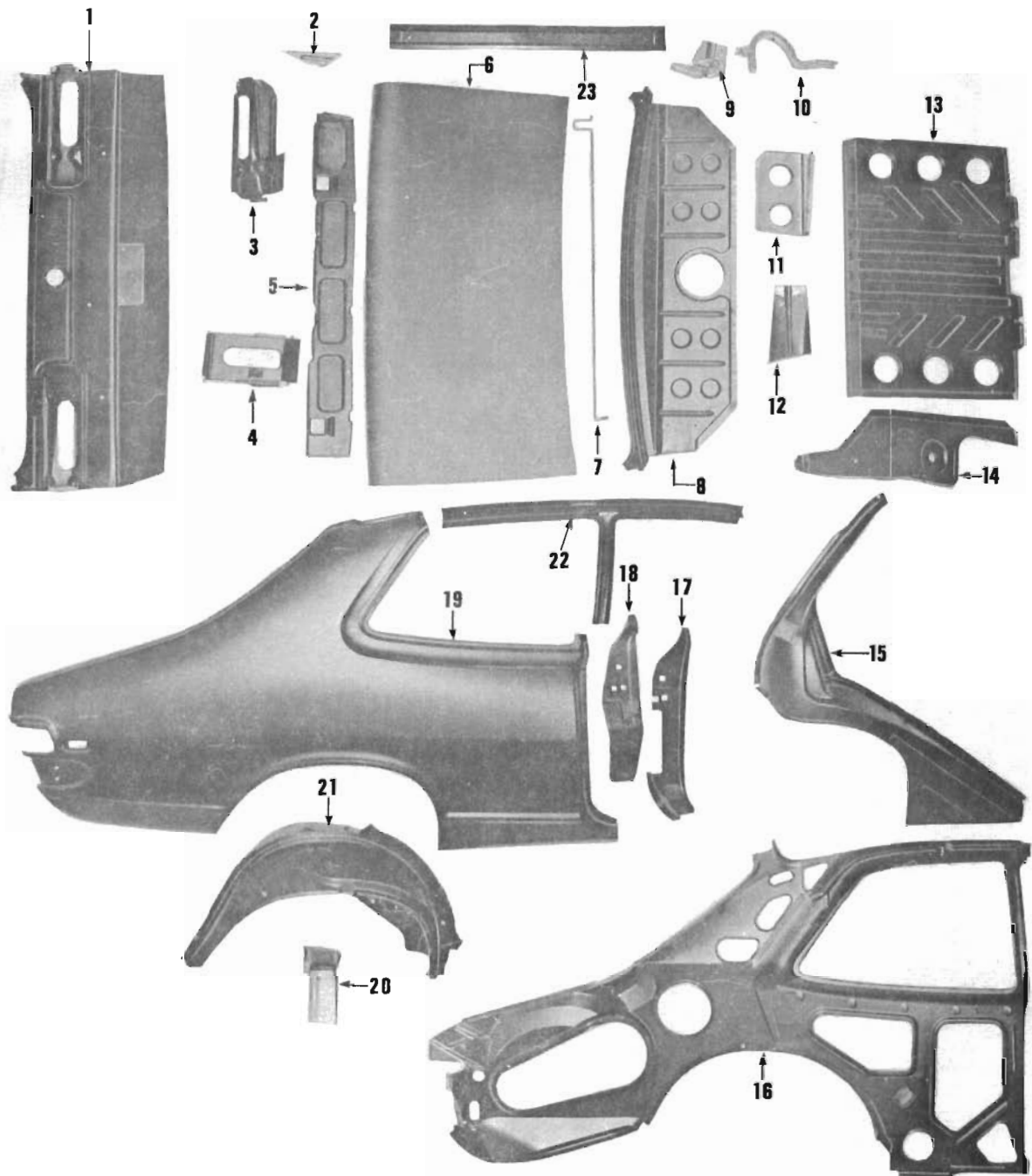
BODY PANELS — FRONT END

Illus. Ref. No.	PART NAME	ILLUSTRATION OPPOSITE
		GROUP
1.	RAIL ASSEMBLY — Windshield upper	12.807
2.	PANEL — Dash vent upper	12.805
3.	PILLAR ASSEMBLY — Front body outer panel	12.805
4.	PANEL — Windshield pillar closing	12.805
5.	REINFORCEMENT — Front body hinge pillar	12.805
6.	PANEL ASSEMBLY — Instrument	10.230
7.	PANEL — Dash upper	12.804
8.	BRACE ASSEMBLY — Instrument panel to dash	6.761
9.	COVER — Dash upper panel opening	12.803
10.	PANEL — Vent air duct	9.786
11.	PANEL ASSEMBLY — Shroud vent closing	9.786
12.	COVER — Front opening	12.803
13.	SCREEN — Panel closing	12.803
14.	PANEL ASSEMBLY — Shroud vent front	12.803
15.	PANEL ASSEMBLY — Dash	12.804
16.	PANEL ASSEMBLY — Shroud vent side	12.803
17.	PANEL ASSEMBLY — Hood hinge mounting	8.015
18.	DEFLECTOR ASSEMBLY — Water	12.803
19.	RAIL ASSEMBLY — Engine mounting side	12.980



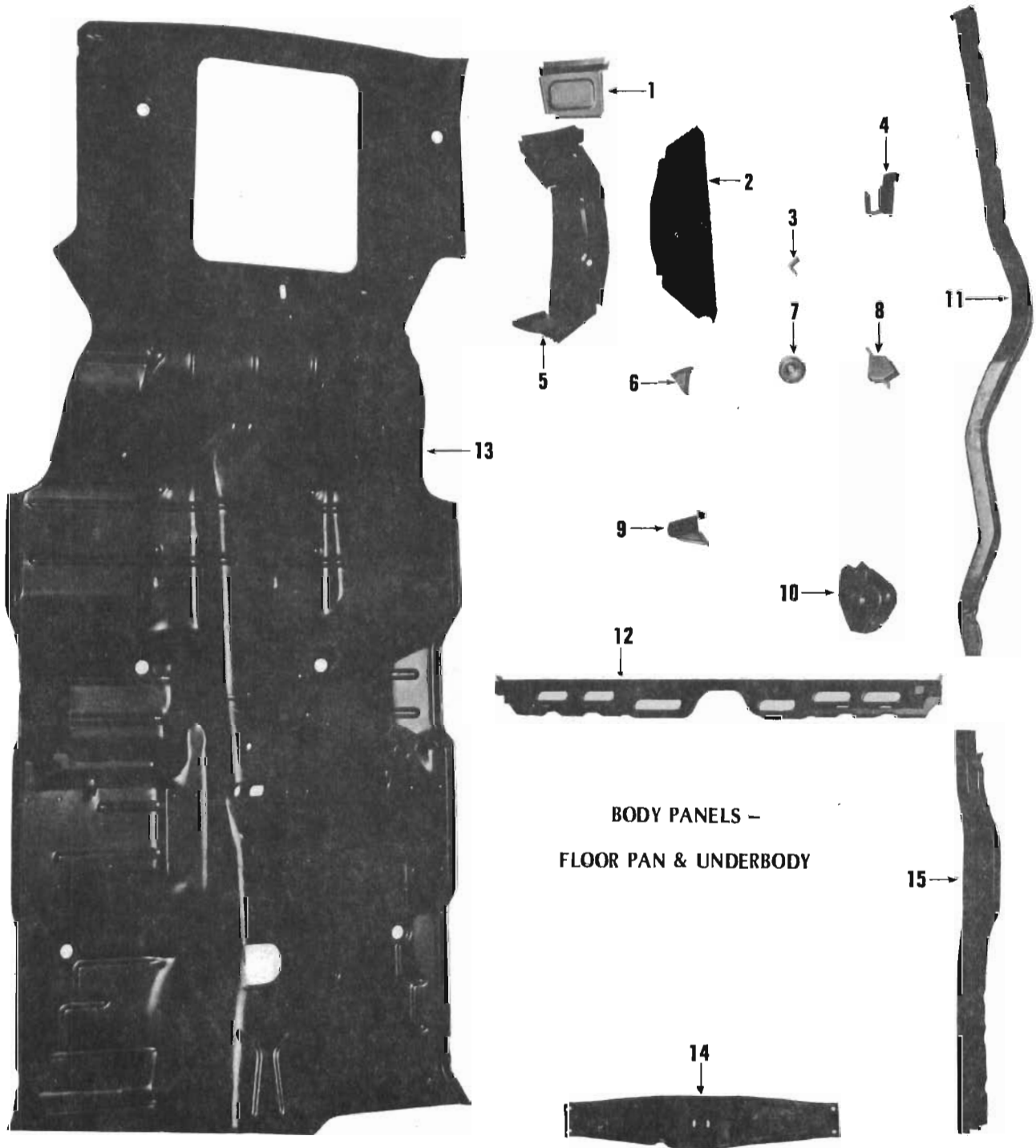
BODY PANELS – ROOF & DOORS

Illus. Ref. No.	PART NAME	GROUP	Illus. Ref. No.	PART NAME	GROUP
1.	PANEL – Roof	12.810	9.	PANEL ASSY. – Inner sill	12.934
2.	GUTTER – Windshield pillar drip	12.811	10.	PANEL ASSY. – Centre pillar outer	12.491
3.	RAIL – Roof side inner front	12.956	11.	PANEL ASSY. – Centre pillar extension	12.491
4.	GUTTER – Centre drip	12.811	12.	PANEL ASSY. – Centre pillar upper hinge	12.491
5.	GUTTER – Rear drip	12.811	13.	REINFORCEMENT – Centre pillar	12.491
6.	RAIL – Roof side inner rear	12.956	14.	PANEL ASSY. – Centre pillar inner	12.491
7.	PANEL ASSY. – Front door	12.895	15.	PANEL ASSY. – Rear door	12.913
8.	PANEL – Outer front sill	12.934	16.	PANEL ASSY. – Rear body lock pillar lwr.	12.942



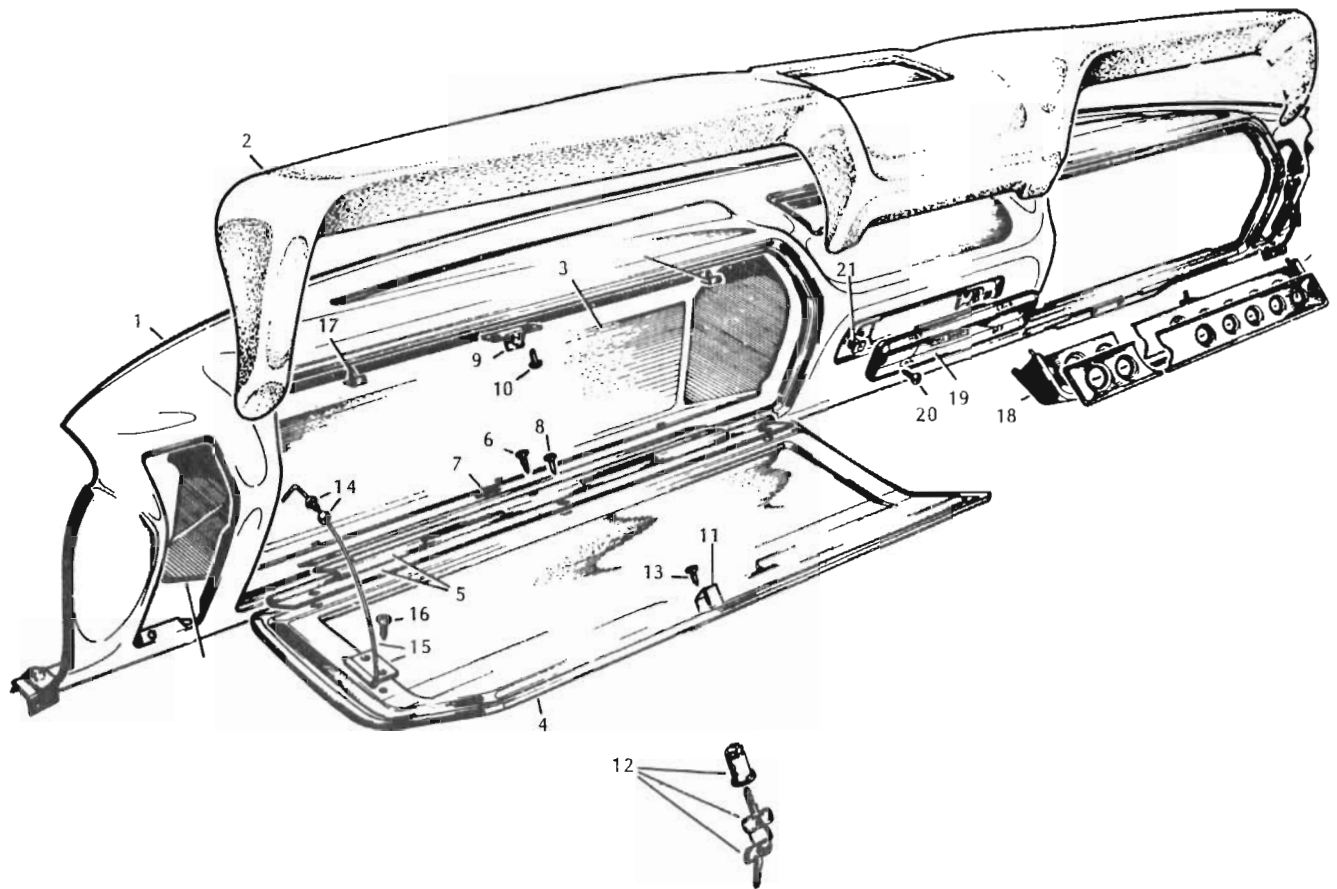
BODY PANELS — REAR END & REAR QUARTER

ILLUS. REF. N ^o .	PART NAME	GROUP	ILLUS. REF. NO.	PART NAME	GROUP
1.	PANEL ASSY. — Rear end outer	12.966	12.	BRACE — Wheelhouse to hinge bracket	12.971
2.	REINFORCEMENT — Rear end outer panel	12.966	13.	PANEL ASSY. — Luggage comp. front	15.224
3.	SUPPORT — Tail lamp	12.940	14.	BRACE ASSY. — Pkg. tray to wheelhouse	12.971
4.	SUPPORT ASSY. — Deck lid lock striker..	12.237	15.	PILLAR — Rear body	12.942
5.	CROSSMEMBER — Rear end	12.982	16.	PANEL ASSY. — Rear quarter inner	12.941
6.	LID ASSY. — Deck	12.181	17.	PANEL ASSY. — Door lock striker	12.491
7.	ROD — Deck lid torque	12.187	18.	REINFORCEMENT — Striker panel	12.491
8.	PANEL ASSY. — Rear compartment front..	12.971	19.	PANEL ASSY. — Rear quarter outer	12.940
9.	BRACKET ASSY. — Deck lid hinge mtg. ..	12.184	20.	MOUNTING ASSY. — Rear shock abs.....	12.984
10.	HINGE ASSY. — Deck lid	12.184	21.	PANEL ASSY. — Rear wheelhouse	12.944
11.	BRACE — Rear shock absorber	12.984			



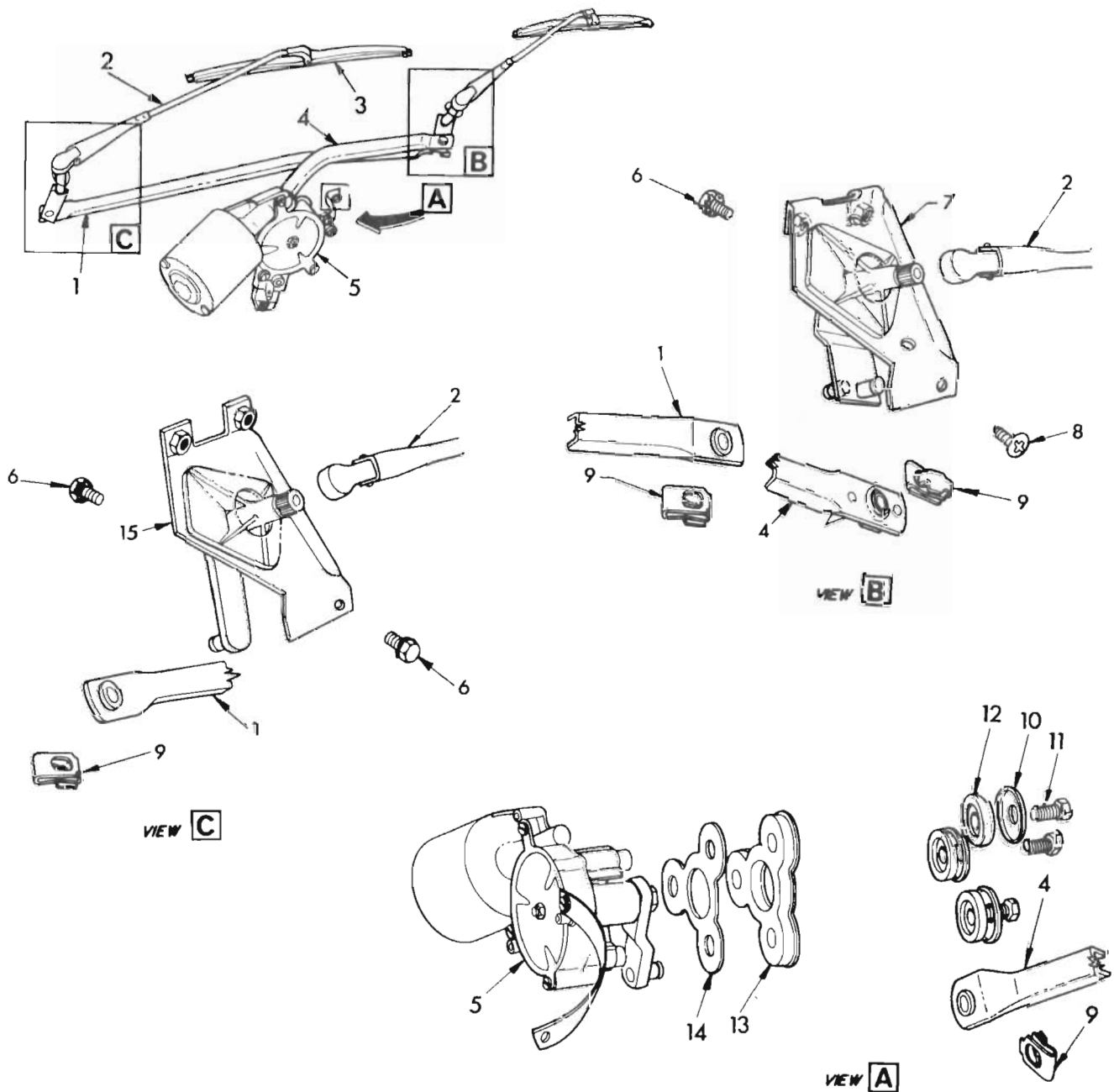
**BODY PANELS -
FLOOR PAN & UNDERBODY**

ILLUS. REF. NO.	PART NAME	GROUP	ILLUS. REF. NO.	PART NAME	GROUP
1.	EXTENSION - Crossmember	12.982	9.	BRACKET - Spare wheel support	7.629
2.	PANEL - Spare wheel housing inner	12.982	10.	HANGER - Rear suspension lower arm ..	12.982
3.	BRACKET - Rear brake hose	4.681	11.	MEMBER ASSY. - Longitudinal rear	12.982
4.	BRACKET - Muffler	3.704	12.	CROSSMEMBER - Rear seat	12.982
5.	PANEL ASSY. - Rear end crossmember ext.	12.982	13.	PAN - Floor	12.972
6.	BRACKET - Spare wheel clamp	7.629	14.	SUPPORT - Engine rear mounting	12.982
7.	SEAT ASSY. - Bumper stop	12.982	15.	MEMBER ASSY. - Longitudinal front	12.982
8.	BRACKET ASSY. - Rear spring mounting..	12.982			



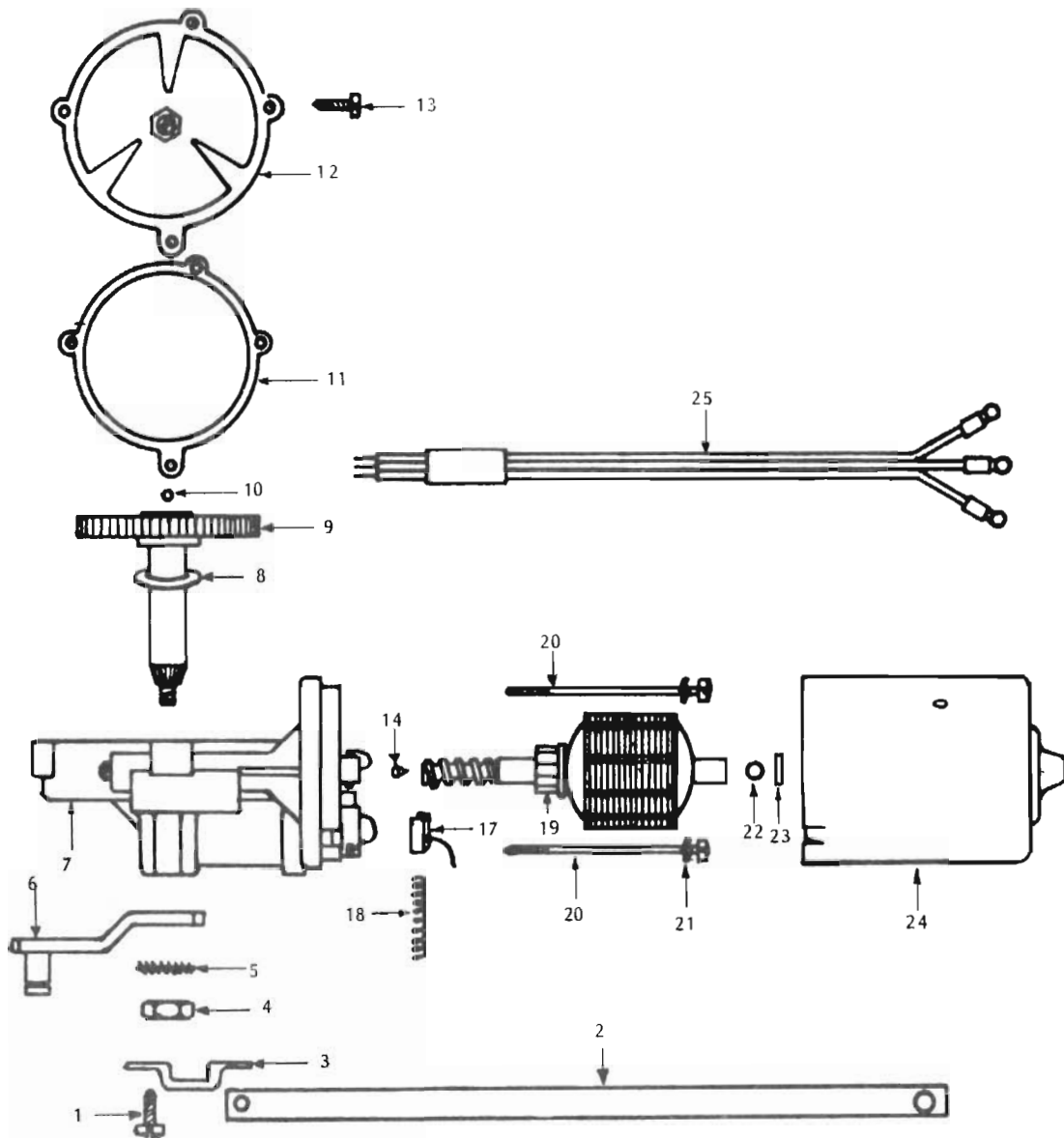
INSTRUMENT PANEL

ILLUS. REF. NO.	PART NAME	GROUP	ILLUS. REF. NO.	PART NAME	GROUP
1.	PANEL ASSY.	10.230	12.	LOCK ASSY.	10.266
2.	PAD ASSY.	14.655	13.	SCREW	10.267
3.	COMPARTMENT ASSY.	10.260	14.	BUSH ASSY.	10.264
4.	LID ASSY.	10.261	15.	STOP ASSY.	10.264
5.	HINGE ASSY.	10.262	16.	SCREW	8.977
6.	SCREW	8.977	17.	BUMPER	10.263
7.	NUT	8.921	18.	PANEL - Instrument	9.743
8.	SCREW	8.977	19.	ESCUTCHEON	9.787
9.	STRIKER	10.268	20.	SCREW	8.977
10.	SCREW	8.977	21.	NUT	9.787
11.	RETAINER	10.267			



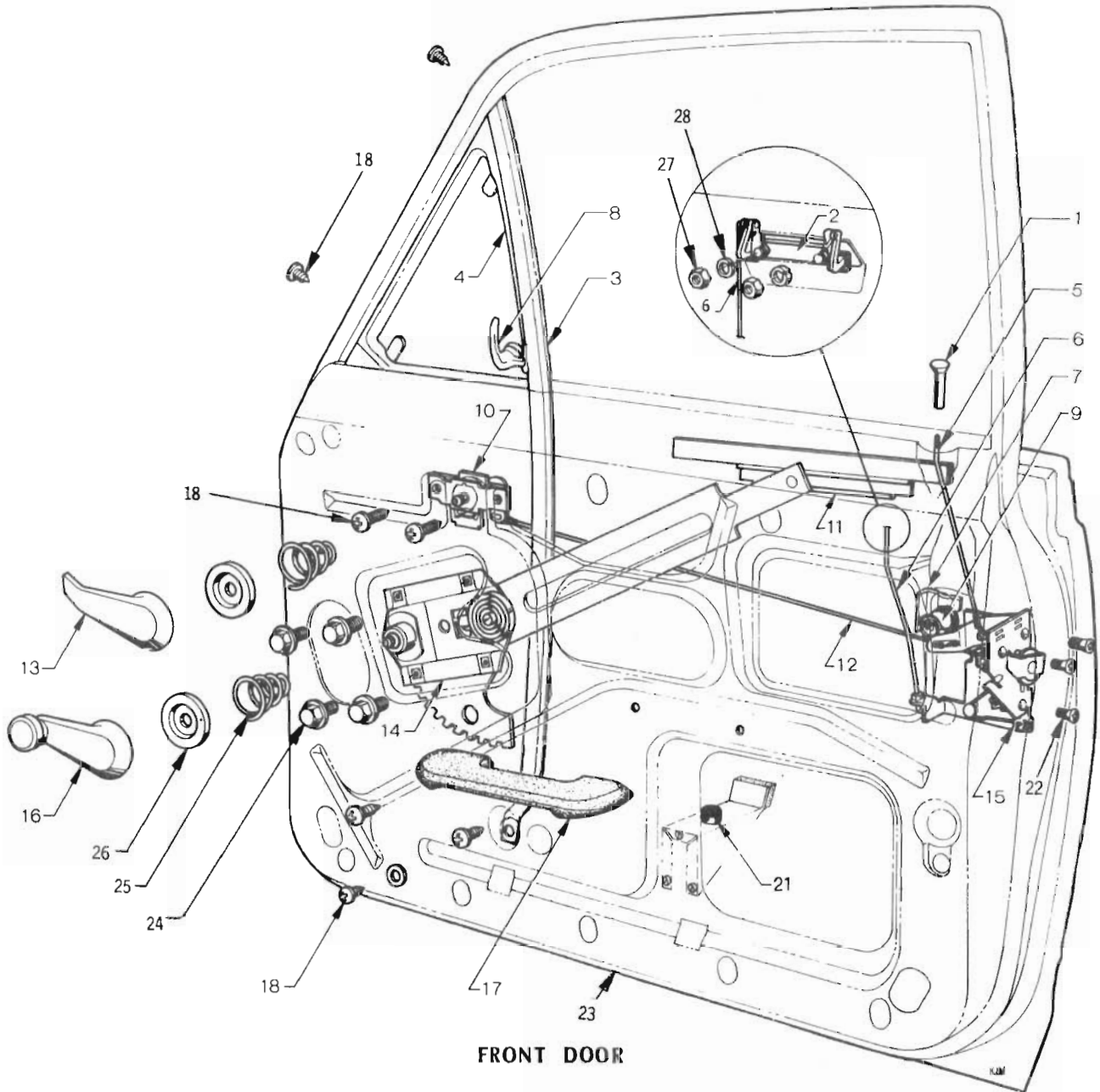
WINDSHIELD WIPER

ILLUS. REF. NO.	PART NAME	GROUP	ILLUS. REF. NO.	PART NAME	GROUP
1.	LINK ASSY. - Driven	10.159	9.	CLIP	10.160
2.	ARM ASSY.	10.147	10.	RETAINER - Insulator	10.152
3.	BLADE ASSY.	10.146	11.	SCREW	8.977
4.	LINK ASSY. - Drive	10.159	12.	INSULATOR	10.152
5.	MOTOR ASSY.	10.150	13.	SEAL	10.152
6.	BOLT	8.900	14.	PLATE - Seal retainer	10.152
7.	PIVOT & BRACKET ASSY. - Drive	10.159	15.	PIVOT & BRACKET ASSY. - Driven	10.159
8.	BOLT	8.913			



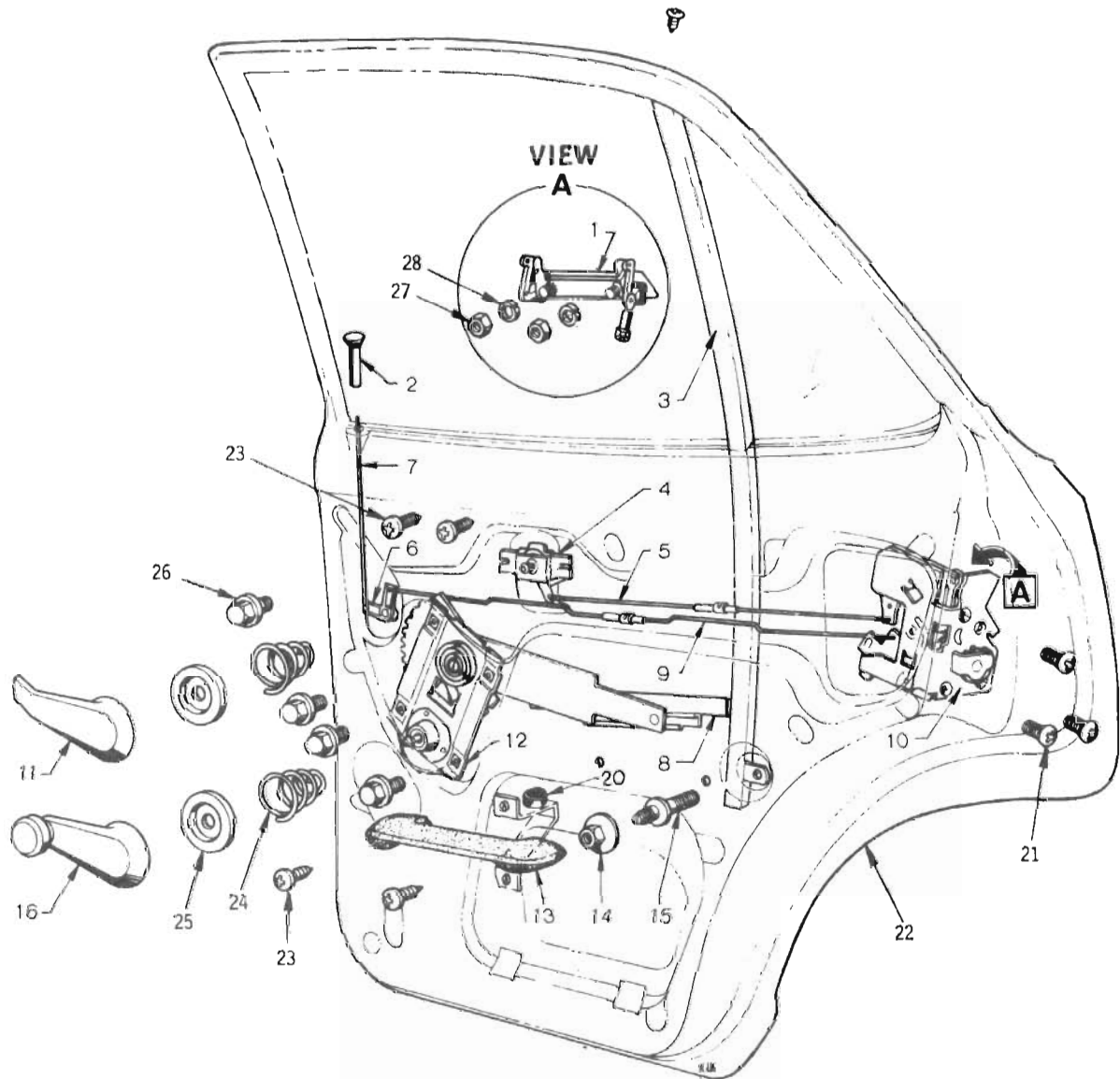
WINDSHIELD WIPER MOTOR

ILLUS. REF. NO.	PART NAME	GROUP	ILLUS. REF. NO.	PART NAME	GROUP
1.	SCREW - Cable clamp	10.150	13.	SCREW - Gear & cross shaft cover	10.150
2.	LEAD - Earth	10.150	14.	CONE - Armature thrust, worm end ...	10.150
3.	CLAMP - Cable	10.150	17.	BRUSH	10.150
4.	NUT - Cross shaft crank	10.150	18.	SPRING - Brush	10.150
5.	WASHER - Cross shaft crank lock	10.150	19.	ARMATURE	10.150
6.	ARM - Crank	10.150	20.	BOLT - Through	10.150
7.	HOUSING ASSY. - Gear & cross shaft	10.150	21.	WASHER - Through bolt lock	8.931
8.	WASHER - Gear & cross shaft spacer..	10.150	22.	BALL - Armature thrust	10.150
9.	SHAFT ASSY. - Gear & cross	10.150	23.	PAD ASSY. - Thrust	10.150
10.	BALL - Gear & cross shaft thrust	10.150	24.	FIELD & HOUSING ASSY.	10.150
11.	GASKET - Gear & cross shaft cover ...	10.150	25.	LEAD ASSY.	10.150
12.	COVER - Gear & cross shaft	10.150			



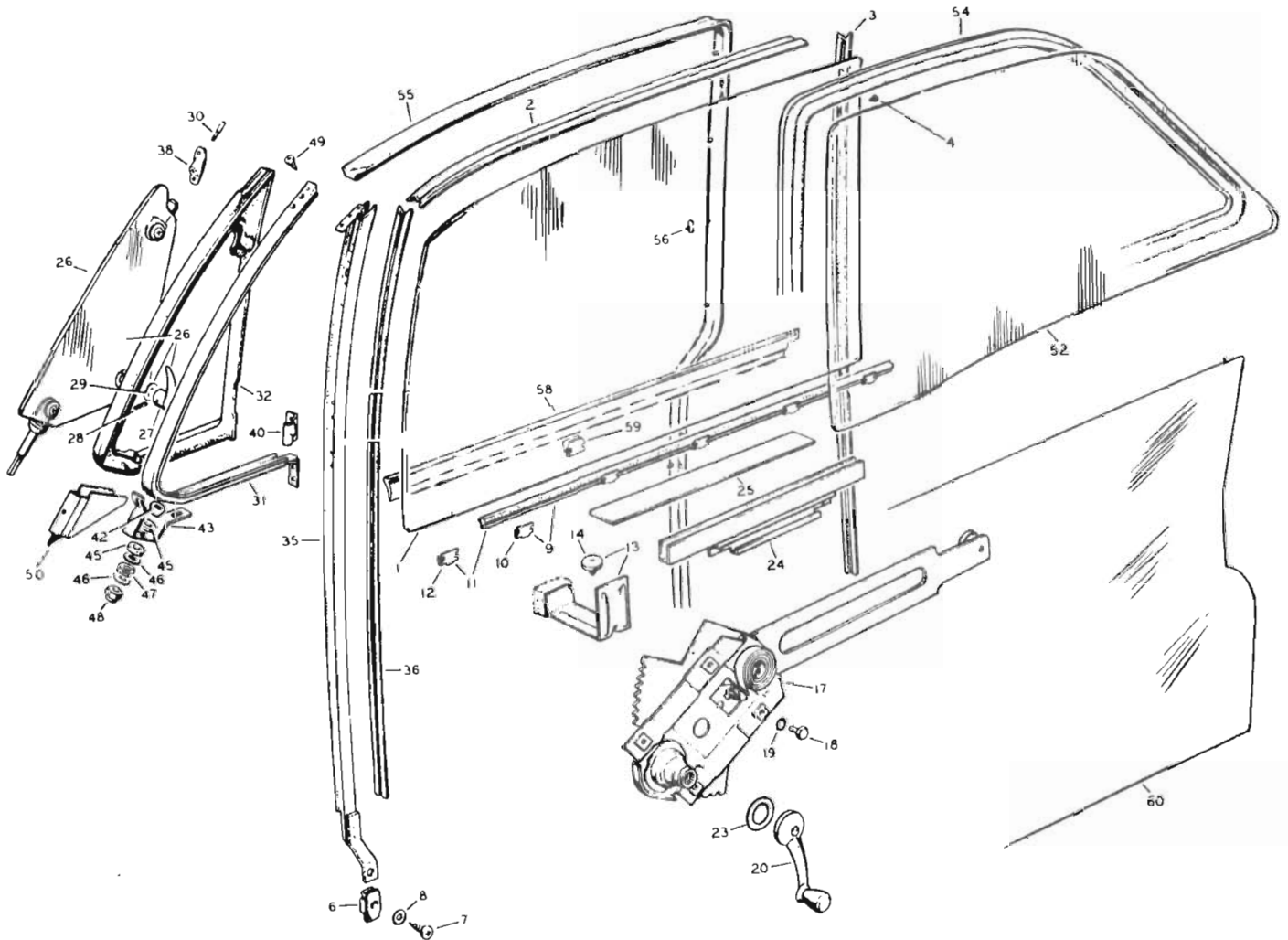
FRONT DOOR

ILLUS. REF. NO.	PART NAME	GROUP	ILLUS. REF. NO.	PART NAME	GROUP
1.	KNOB - Inside locking rod	10.559	16.	HANDLE ASSY. - Window regulator	10.747
2.	HANDLE ASSY. - Outside	10.527	17.	ARM REST ASSY. - Door	14.686
3.	CHANNEL ASSY. - Division	10.686	18.	SCREW	8.977
4.	VENTILATOR ASSY.	10.650	19.	GLASS ASSY. - Ventilator	10.658
5.	ROD - Door inside locking	10.563	20.	CHANNEL - Glass run upper	10.701
6.	ROD - Handle to lock connector	10.529	21.	BUMPER - Window glass	10.716
7.	RETAINER - Locking barrel	10.553	22.	BOLT	8.909
8.	HANDLE - Ventilator locking	10.664	23.	DOOR ASSY. - Less trim	10.351
9.	BARREL ASSY.	10.550		PANEL ASSY.	12.895
10.	CONTROL ASSY. - Lock remote	10.500		PANEL - Outer	12.895
11.	CHANNEL ASSY. - Glass support	10.685	24.	BOLT	8.900
12.	ROD - Remote control connecting	10.506	25.	SPRING - Window regulator handle	10.806
13.	HANDLE ASSY. - Remote	10.512	26.	PLATE - Inside door handle bearing	10.515
14.	REGULATOR ASSY. - Window	10.783	27.	NUT	8.915
15.	LOCK ASSY. - Door	10.470	28.	WASHER	8.931



REAR DOOR

ILLUS. REF. NO.	PART NAME	GROUP	ILLUS. REF. NO.	PART NAME	GROUP
1.	HANDLE ASSY. - Outside	10.527	16.	HANDLE ASSY. - Window regulator	10.797
2.	KNOB - Door inside locking rod	10.559	17.	CHANNEL - Glass run upper	10.759
3.	CHANNEL ASSY. - Division	10.829	20.	BUMPER - Window glass	10.743
4.	CONTROL ASSY. - Door lock remote	10.500	21.	BOLT	8.909
5.	ROD - Remote control connecting	10.506	22.	DOOR ASSY. - Less trim	10.373
6.	LEVER ASSY. - Inside locking	10.556		PANEL ASSY.	12.913
7.	ROD - Door inside locking	10.563		PANEL - Outer	12.913
8.	CHANNEL ASSY. - Glass support	10.747	23.	SCREW	8.977
9.	ROD - Lock to lever	10.556	24.	SPRING - Window regulator handle	10.806
10.	LOCK ASSY. - Door	10.473	25.	PLATE - Inside door handle bearing	10.515
11.	HANDLE ASSY. - Door remote	10.512	26.	BOLT	8.900
12.	REGULATOR ASSY. - Window	10.791	27.	NUT	8.915
13.	ARM REST ASSY. - Door	14.762	28.	WASHER	8.931
14.	NUT - Channel retainer to inner panel ..	10.829			
15.	STUD - Channel retainer to inner panel ..	10.829			



DOOR and QUARTER GLASS and FITTINGS

ILLUS. REF. NO.	PART NAME	GROUP	ILLUS. REF. NO.	PART NAME	GROUP
1.	GLASS	10.681	30.	PIN	10.669
2.	CHANNEL - Upper	10.701	31.	CHANNEL ASSY.	10.655
3.	CHANNEL - Rear	10.701	32.	WEATHERSTRIP	10.652
4.	RIVET	8.967	35.	CHANNEL - Glass division	10.686
6.	NUT	10.686	36.	CHANNEL - Glass run	10.686
7.	SCREW	8.977	38.	PIVOT	10.669
8.	WASHER	8.929	40.	PLATE	10.686
9.	STRIP ASSY. - Inner	10.710	42.	STOP	10.669
10.	CLIP - Inner strip	10.712	43.	SUPPORT	10.669
13.	BRACKET ASSY.	10.716	45.	WASHER - Nylon	10.669
14.	BUMPER	10.716	46.	WASHER - Steel	10.669
17.	REGULATOR ASSY.	10.783	47.	WASHER - Spring	10.669
18.	BOLT	8.900	48.	NUT	8.918
19.	WASHER	8.931	49.	SCREW	8.977
20.	HANDLE ASSY.	10.797	50.	PLATE	10.655
23.	PLATE	10.515	52.	GLASS	11.011
24.	CHANNEL ASSY.	10.685	54.	WEATHERSTRIP	11.007
25.	FILLER	10.696	55.	WEATHERSTRIP	10.694
26.	GLASS ASSY.	10.658	56.	FASTENER	10.695
27.	HANDLE ASSY.	10.664	58.	STRIP - Outer	10.710
28.	PIN	10.664	59.	CLIP - Outer strip	10.712
29.	SPRING	10.664	60.	SEAL	14.694

HOLDEN "LC" PARTS CATALOGUE

GROUP	DESCRIPTION	SIDE	PART No.	QTY.	822	823		824 / 828		825	826	829
					11	11	69	11	69	69	11	11
10.001	BODY ASSEMBLY — Complete CURRENT PRODUCTION BODY ASSEMBLIES COMPLETE WITH TRIM WILL BE SUPPLIED ON A FIRM ORDER BASIS.											
10.002	BODY SHELL — Less doors & deck lid (in Prime)											
	BODY SHELL		2808213	1	X			X			X	
	BODY SHELL RIGHT HAND DRIVE		2808214	1		X						
	BODY SHELL LEFT HAND DRIVE		2812532	1		X						
	BODY SHELL		2808216	1				X				
	BODY SHELL RIGHT HAND DRIVE		2808215	1			X		X			
	BODY SHELL LEFT HAND DRIVE		2812533	1			X		X			
	BODY SHELL		2810096	1								X
10.027	GLASS — Windshield											
	GLASS — Armour plate RIGHT HAND DRIVE		7185476	1	X	X	X	X	X	X	X	X
	GLASS — Armour plate LEFT HAND DRIVE		2810375	1		X	X		X			
	GLASS — Laminated safety		2810535	1	X	X	X	X	X	X	X	X
10.092	CHANNEL — Windshield glass											
	CHANNEL		7196636	1	X	X	X	X	X	X	X	X
10.093	INSERT, ESCUTCHEON — Windshield channel											
	INSERT		7439773	1		X	X	X	X	X	X	X
	ESCUTCHEON		7196633	1		X	X	X	X	X	X	X
10.146	BLADE ASSEMBLY — Windshield wiper											
	BLADE ASSEMBLY — exc. 186X Eng.		7437072	2	X	X	X	X	X	X	X	X
	VERTEBRA & RUBBER INSERT		7202602	2	X	X	X	X	X	X	X	X
	BLADE ASSEMBLY — 186X Eng.		VS11788	2								X
10.147	ARM ASSEMBLY — Windshield wiper											
	ARM ASSEMBLY RIGHT HAND DRIVE		2809614	2	X	X	X	X	X	X	X	X
	ARM ASSEMBLY LEFT HAND DRIVE		2812678	2		X	X		X			
10.150	MOTOR ASSEMBLY — Windshield wiper											
	MOTOR ASSEMBLY (PRESLITE) RIGHT HAND DRIVE		2815137	1	X	X	X	X	X	X	X	X
	MOTOR ASSEMBLY (LUCAS) RIGHT HAND DRIVE		2809612	1	X	X	X	X	X	X	X	X
	MOTOR ASSEMBLY LEFT HAND DRIVE		2815136	1		X	X		X			
	FRAME ASSEMBLY — Wiper mounting		7968390	1	X	X	X	X	X	X	X	X
	RETAINER — Wiper frame		6389164	1	X	X	X	X	X	X	X	X
	BRACKET — Frame support		7188590	1	X	X	X	X	X	X	X	X
	ARM — Crank RIGHT HAND DRIVE		VS11654	1	X	X	X	X	X	X	X	X
	ARM — Crank LEFT HAND DRIVE		VS11653	1		X	X		X			
	ARMATURE		(¹ VS10298)	1	X	X	X	X	X	X	X	X
	ARMATURE		(² VS11305)	1	X	X	X	X	X	X	X	X
	BALL — Armature thrust, commutator end		VS10285	1	X	X	X	X	X	X	X	X
	BALL — Gear and cross shaft		VS11247	1	X	X	X	X	X	X	X	X
	BOLT — Through		(¹ VS10284)	2	X	X	X	X	X	X	X	X
	BOLT — Through		(² VS11650)	2	X	X	X	X	X	X	X	X
	BRUSH		VS10297	3	X	X	X	X	X	X	X	X
	COVER ASSEMBLY — Gear and cross shaft		VS10292	1	X	X	X	X	X	X	X	X
	FIELD & HOUSING ASSEMBLY		(¹ VS10710)	1	X	X	X	X	X	X	X	X
	FIELD & HOUSING ASSEMBLY		(² VS11651)	1	X	X	X	X	X	X	X	X
	GASKET — Gear and cross shaft cover		VS10278	1	X	X	X	X	X	X	X	X
	HOUSING ASSEMBLY — Gear and cross shaft		VS10707	1	X	X	X	X	X	X	X	X
	NUT — Crank arm		7429033	1	X	X	X	X	X	X	X	X

Note: (¹ Suit wiper motor 2809611.
(² Suit wiper motor 2815136, 2815137.

HOLDEN "LC" PARTS CATALOGUE

GROUP	DESCRIPTION	SIDE	PART No.	QTY.	822	823		824/828		825	826	829
					11	11	69	11	69	69	11	11
10.150	MOTOR ASSEMBLY — Windshield wiper (cont.)											
	PAD ASSEMBLY — Thrust		VS10286	1	X	X	X	X	X	X	X	X
	SCREW — Cable clamp		VS10280	2	X	X	X	X	X	X	X	X
	SCREW — Gear and cross shaft cover		VS10280	4	X	X	X	X	X	X	X	X
	SHAFT ASSEMBLY — Gear and cross		(¹ VS11792	1	X	X	X	X	X	X	X	X
	SHAFT ASSEMBLY — Gear and cross		(² VS11655	1	X	X	X	X	X	X	X	X
	SPRING — Brush		VS10281	3	X	X	X	X	X	X	X	X
	STRAP — Earth		VS11656	1	X	X	X	X	X	X	X	X
	TERMINAL & BLOCK ASSY.		VS10276	1	X	X	X	X	X	X	X	X
	WASHER — Gear and cross shaft spacer		7425272	1	X	X	X	X	X	X	X	X
10.152	PLATE, SEAL, INSULATOR — W/shield wiper motor mounting											
	PLATE — Seal retainer		7432281	1	X	X	X	X	X	X	X	X
	INSULATOR		7432748	3	X	X	X	X	X	X	X	X
	RETAINER — Insulator		7432326	3	X	X	X	X	X	X	X	X
	SEAL		7432324	1	X	X	X	X	X	X	X	
10.159	LINK ASSEMBLY — Windshield wiper											
	LINK ASSY. — Drive	RIGHT HAND DRIVE	2810923	1	X	X	X	X	X	X	X	X
	LINK ASSY. — Drive	LEFT HAND DRIVE	2812770	1		X	X			X		
	LINK ASSY. — Driven	RIGHT HAND DRIVE	2810924	1	X	X	X	X	X	X	X	X
	LINK ASSY. — Driven	LEFT HAND DRIVE	2812769	1		X	X			X		
	PIVOT & BRACKET ASSY. — Drive	RIGHT HAND DRIVE	2809613	1	X	X	X	X	X	X	X	X
	PIVOT & BRACKET ASSY. — Drive	LEFT HAND DRIVE	2812767	1		X	X					
	PIVOT & BRACKET ASSY. — Driven	RIGHT HAND DRIVE	2810922	1	X	X	X	X	X	X	X	X
	PIVOT & BRACKET ASSY. — Driven	LEFT HAND DRIVE	2812768	1		X	X			X		
	10.160	CLIP — Windshield wiper link retainer										
CLIP — Drive & driven		SP1986	4	X	X	X	X	X	X	X	X	
10.163	SWITCH & PUMP ASSY. — W/shield wiper & washer											
	SWITCH & PUMP ASSEMBLY		2806440	1	X	X	X	X	X	X	X	X
	NUT — Pump attaching		7416683	1	X	X	X	X	X	X	X	
10.185	MIRROR ASSEMBLY — Rear vision											
	MIRROR ASSEMBLY — Interior, plain		7417096	1	X	X	X	X	X	X	X	X
	MIRROR ASSEMBLY — Interior, anti-glare		7430042	1	X	X	X	X	X	X	X	X
	SCREW — Mirror support		7432145	1	X	X	X	X	X	X	X	X
	MIRROR ASSEMBLY — Exterior		7414744	1	X	X	X	X	X	X	X	X
	MIRROR — Fender mounting	L.H.	7427161	1	X	X	X	X	X	X	X	X
	MIRROR — Remote control	R.H.	2814803	1	X	X	X	X	X	X	X	
10.187	SUPPORT — Rear vision mirror											
	SUPPORT ASSEMBLY — Interior		7434996	1	X	X	X	X	X	X	X	X
	PLATE — Support mounting		7434998	1	X	X	X	X	X	X	X	X
	SUPPORT — Exterior	L.H.	7426917	1	X	X	X	X	X	X	X	X
			R.H.	7426916	1	X	X	X	X	X	X	X
	GASKET — Support		7414256	1	X	X	X	X	X	X	X	

Note: (¹ Suit wiper motor 2809611
(² Suit wiper motor 2815136, 2815137.

HOLDEN "LC" PARTS CATALOGUE

GROUP	DESCRIPTION	SIDE	PART No.	QTY.	822	823		824/828		825	826	829
					11	11	69	11	69	69	11	11
10.203	SUN VISOR ASSEMBLY											
	TRIM Nos. 40R, 40T, 40X, 40Y, 40Z	L.H.	7438697BA	1	X	X	X	X	X	X	X	X
		R.H.	7438696BA	1	X	X	X	X	X	X	X	X
	TRIM Nos. 40E, 41A, 42A, 42E, 44A, 48X, 48Y	L.H.	7438697BG	1	X	X	X	X	X	X	X	X
		R.H.	7438696BG	1	X	X	X	X	X	X	X	X
	TRIM Nos. 41E, 41R, 41T, 41X, 41Y	L.H.	7438697BB	1	X	X	X	X	X	X	X	X
		R.H.	7438696BB	1	X	X	X	X	X	X	X	X
	TRIM Nos. 42R, 42T, 42X, 42Y	L.H.	7438697BC	1	X	X	X	X	X	X	X	X
		R.H.	7438696BC	1	X	X	X	X	X	X	X	X
	TRIM Nos. 43E, 43R, 43T, 43X, 43Y	L.H.	7438697BD	1	X	X	X	X	X	X	X	X
		R.H.	7438696BD	1	X	X	X	X	X	X	X	X
	TRIM Nos. 44E, 44R, 44T, 44X, 44Y	L.H.	7438697BE	1	X	X	X	X	X	X	X	X
		R.H.	7438696BE	1	X	X	X	X	X	X	X	X
	TRIM Nos. 40B, 40D, 40F, 40L, 40P, 40Q, 40V, 40W, 45L, 45V	L.H.	2815715BA	1	X	X	X	X	X	X	X	X
		R.H.	2815714BA	1	X	X	X	X	X	X	X	X
	TRIM Nos. 41B, 41D, 41F, 41P, 41Q, 41V, 41W	L.H.	2815715BB	1	X	X	X	X	X	X	X	X
		R.H.	2815714BB	1	X	X	X	X	X	X	X	X
	TRIM Nos. 42B, 42D, 42F, 42P, 42V, 42W	L.H.	2815715BT	1	X	X	X	X	X	X	X	X
		R.H.	2815714BT	1	X	X	X	X	X	X	X	X
	TRIM Nos. 43D, 43F, 43P	L.H.	2815715BD	1	X	X	X	X	X	X	X	X
		R.H.	2815714BD	1	X	X	X	X	X	X	X	X
	TRIM Nos. 44D, 44F, 44P	L.H.	2815715BE	1	X	X	X	X	X	X	X	X
		R.H.	2815714BE	1	X	X	X	X	X	X	X	X
	TRIM Nos. 46B, 46D, 46F, 46P, 46V, 46W	L.H.	2815715BU	1	X	X	X	X	X	X	X	X
		R.H.	2815714BU	1	X	X	X	X	X	X	X	X
	TRIM Nos. 48D, 48F, 48P, 48Q, 48V, 48W	L.H.	2815715BG	1	X	X	X	X	X	X	X	X
		R.H.	2815714BG	1	X	X	X	X	X	X	X	X
	TRIM Nos. 40B, 40D, 40F, 40P, 40Q, 41B, 41D, 41F, 41P, 41Q, 42B, 42D, 42F, 42P, 43D, 43F, 43P, 44D, 44F, 44P, 46B, 46D, 46F, 46P	L.H.	(³ 2815715BG	1	X	X	X	X	X	X	X	X
		R.H.	(³ 2815714BG	1	X	X	X	X	X	X	X	X
	10.219	SUPPORT — Sun visor										
	SUPPORT & PIVOT ASSEMBLY	L.H.	2811375	1	X	X	X	X	X	X	X	X
		R.H.	2811376	1	X	X	X	X	X	X	X	X
	SLEEVE — Visor support		4424600	2	X	X	X	X	X	X	X	X
10.220	MIRROR PACKAGE — Sun visor vanity											
	MIRROR PACKAGE		2806512	1	X	X	X	X	X	X	X	X
10.230	PANEL ASSEMBLY — Instrument											
	PANEL ASSEMBLY RIGHT HAND DRIVE		2806817	1	X	X	X	X	X	X	X	X
10.260	COMPARTMENT ASSEMBLY — Instrument panel											
	COMPARTMENT ASSEMBLY		2806847	1	X	X	X	X	X	X	X	X
	NUT — Instrument panel compartment box		4558184	4	X	X	X	X	X	X	X	X
10.261	LID ASSEMBLY — Instrument panel compartment											
	LID ASSEMBLY		7449084	1	X							
	LID ASSEMBLY — (Black)		2807364	1		X	X	X	X	X	X	
	LID ASSEMBLY — (Rose Wood)		2807365	1						X	X	
	LID ASSEMBLY		2810051	1								X
	MOULDING — Lid		7203641	1		X	X	X	X	X	X	X
10.262	HINGE ASSEMBLY — Instrument panel comp. lid											
	HINGE ASSEMBLY		7441890	1	X	X	X	X	X	X	X	X
	Note: (³ Use with Sandalwood Headlining.											

HOLDEN "LC" PARTS CATALOGUE

GROUP	DESCRIPTION	SIDE	PART No.	QTY.	822	823		824/828		825	826	829
					11	11	69	11	69	69	11	11
10.263	BUMPER — Instrument panel compartment lid BUMPER		2806613	2	X	X	X	X	X	X	X	X
10.264	STOP ASSEMBLY — Instrument panel comp. lid STOP ASSEMBLY		7198842	1	X	X	X	X	X	X	X	X
	BUSH ASSEMBLY		7447311	1	X	X	X	X	X	X	X	X
10.266	LOCK ASSEMBLY — Instrument panel comp. lid LOCK ASSEMBLY — Coded with case		85172	1	X	X	X	X	X	X	X	X
	LOCK ASSEMBLY — Coded		85053	1	X	X	X	X	X	X	X	X
	LOCK ASSEMBLY — Uncoded		85173	1	X	X	X	X	X	X	X	X
	CASE & PLUNGER ASSEMBLY		4099315	1	X	X	X	X	X	X	X	X
10.267	RETAINER — Instrument panel comp. lid lock RETAINER		7449114	1	X	X	X	X	X	X	X	X
	SCREW — Pan Hd. cr. rec. mach. with lockwasher		4598910	1	X	X	X	X	X	X	X	X
10.268	STRIKER — Instrument panel comp. lid lock STRIKER		7431829	1	X	X	X	X	X	X	X	X
10.307	PANEL ASSEMBLY — Shroud ventilator front PANEL ASSEMBLY RIGHT HAND DRIVE		2806464	1	X	X	X	X	X	X	X	X
	PANEL ASSEMBLY LEFT HAND DRIVE		2810862	1		X	X			X		
10.351	DOOR ASSEMBLY — Front, less trim DOOR ASSEMBLY	L.H.	2816027	1	X	X		X			X	X
		R.H.	2816028	1	X	X		X			X	X
	DOOR ASSEMBLY	L.H.	2816025	1			X		X	X		
		R.H.	2816026	1			X		X	X		
10.373	DOOR ASSEMBLY — Rear, less trim DOOR ASSEMBLY	L.H.	2816029	1			X		X	X		
		R.H.	2816030	1			X		X	X		
10.450	HINGE ASSEMBLY — Front door HINGE ASSY. — Upper & lower (door section)		7187454	4	X	X	X	X	X	X	X	X
	HINGE ASSY. — Upper & lower (Body section)		7189391	4	X	X	X	X	X	X	X	X
10.456	HINGE ASSEMBLY — Rear door upper HINGE ASSEMBLY	L.H.	8814075	1			X		X	X		
		R.H.	8814074	1			X		X	X		
	PACKING — Door hinge		8814150	A.R.			X		X	X		
10.460	HINGE ASSEMBLY — Rear door lower HINGE ASSEMBLY	L.H.	8814115	1			X		X	X		
		R.H.	8814114	1			X		X	X		
	PACKING — Door hinge		8814150	A.R.			X		X	X		
10.466	PIN — Door hinge PIN — Front door		7191398	4	X	X	X	X	X	X	X	X
	PIN — Rear door		7191398	4			X		X	X		
10.470	LOCK ASSEMBLY — Front door LOCK ASSEMBLY	L.H.	2806539	1	X	X	X	X	X	X	X	X
		R.H.	2806538	1	X	X	X	X	X	X	X	X

HOLDEN "LC" PARTS CATALOGUE

GROUP	DESCRIPTION	SIDE	PART No.	QTY.	822	823		824/828		825	826	829	
					11	11	69	11	69	69	11	11	
10.473	LOCK ASSEMBLY — Rear door LOCK ASSEMBLY	L.H.	2806711	1			X		X	X			
		R.H.	2806710	1			X		X	X			
10.475	SPRING — Door lock SPRING — Front door lever control	L.H.	7960945	1	X	X	X	X	X	X	X	X	
		R.H.	7960944	1	X	X	X	X	X	X	X	X	
		L.H.	7977531	1	X	X	X	X	X	X	X	X	X
			7977530	1	X	X	X	X	X	X	X	X	X
		L.H.	7960945	1			X		X	X			
			7960944	1			X		X	X			
		L.H.	7977531	1			X		X	X			
R.H.	7977530	1			X		X	X					
10.500	CONTROL ASSEMBLY — Door lock remote CONTROL ASSEMBLY — Front door	L.H.	2806549	1	X	X	X	X	X	X	X	X	
		R.H.	2806550	1	X	X	X	X	X	X	X	X	
			NUT — Speed	7193404	4	X	X	X	X	X	X	X	X
		L.H.	7438993	1			X		X	X			
			7438994	1			X		X	X			
10.506	ROD — Door lock remote control ROD — Front door connecting	L.H.	2810875	1	X	X		X			X	X	
		R.H.	2810874	1	X	X		X			X	X	
		L.H.	2810877	1			X		X	X			
			2810876	1			X		X	X			
			7438707	2			X		X	X			
			2810873	2	X	X	X	X	X	X	X	X	X
			4110664	2			X		X	X			
			4576655	A.R.	X	X	X	X	X	X	X	X	X
10.511	STRAP ASSEMBLY — Door pull-to STRAP ASSY. — Trim Nos. 40B		7441283BA	2	X								
			7441283BM	2	X								
			7441283BC	2	X								
			7441283BW	2	X								
			7441283BP	2	X								
			7441283BX	2	X								
			7447343BA	4	X								
			7447343BB	4	X								
			7447343BC	4	X								
			7447343BT	4	X								
			7447343BE	4	X								
			7447343BU	4	X								
10.512	HANDLE ASSEMBLY — Door remote HANDLE ASSEMBLY		7435242	2-4	X	X	X	X	X	X	X	X	
10.513	SPRING — Door handle SPRING — Door handle retainer		4168122	4-8	X	X	X	X	X	X	X	X	
10.515	PLATE — Inside door handle bearing PLATE		7731353	4-8	X	X	X	X	X	X	X	X	
10.527	HANDLE ASSEMBLY — Door outside HANDLE ASSEMBLY — Front		2807232	2	X	X	X	X	X	X	X	X	
		L.H.	2807233	1			X		X	X			
		R.H.	2807234	1			X		X	X			

HOLDEN "LC" PARTS CATALOGUE

GROUP	DESCRIPTION	SIDE	PART No.	QTY.	822	823	824/828	825	826	829
					11	11	69	11	69	69
10.529	SPRING, ROD, CLIP, SUPPORT — Door outside handle									
	SPRING — Return	L.H.	2806917	2-4	X	X	X	X	X	X
		R.H.	2806916	2-4	X	X	X	X	X	X
	ROD — Front handle to lock connector		2806410	2	X	X	X	X	X	X
	ROD — Rear handle to lock connector		2806456	2			X	X	X	
	NUT — Rod adjusting		2806603	2-4	X	X	X	X	X	X
	CLIP — Handle to lock connector rod	L.H.	2806911	1	X	X	X	X	X	X
		R.H.	2806912	1	X	X	X	X	X	X
	SUPPORT ASSEMBLY		2807051	2-4	X	X	X	X	X	X
	10.538	GASKET — Door outside handle								
GASKET		2807141	4-8	X	X	X	X	X	X	X
10.550	BARREL ASSEMBLY — Door locking									
	BARREL ASSEMBLY — With keys	L.H.	7449551	1	X	X	X	X	X	X
		R.H.	7449552	1	X	X	X	X	X	X
	SERVICE PACKAGE — Uncoded		601063	1	X	X	X	X	X	X
	GASKET — Door lock cylinder		4587931	2	X	X	X	X	X	X
	TUMBLER — No. 1 (Package of 100)		3901061	1	X	X	X	X	X	X
	TUMBLER — No. 2 (Package of 100)		3901062	1	X	X	X	X	X	X
	TUMBLER — No. 3 (Package of 100)		3901063	1	X	X	X	X	X	X
	TUMBLER — No. 4 (Package of 100)		3901064	1	X	X	X	X	X	X
	SPRING — Tumbler		601260	A.R.	X	X	X	X	X	X
	RETAINER — Tumbler spring		601261	2	X	X	X	X	X	X
	CLIP — Spring (3 arm)		32596	A.R.	X	X	X	X	X	X
	CASE — Lock		81221	A.R.	X	X	X	X	X	X
	CAP — Case		32353	A.R.	X	X	X	X	X	X
	PAWL		32652	A.R.	X	X	X	X	X	X
	10.553	RETAINER — Door locking barrel								
RETAINER		4884405	2	X	X	X	X	X	X	X
10.556	LEVER ASSEMBLY, ROD, CLIP — Rear door inside locking									
	LEVER ASSEMBLY		7199697	2			X	X	X	
	ROD — Lock to lever		7438719	2			X	X	X	
	CLIP — Locking rod to inner panel		4110664	2			X	X	X	
	CLIP — Rod end		4576655	2			X	X	X	
10.559	KNOB — Door inside locking rod									
	KNOB		7434562	2-4	X	X	X	X	X	
	KNOB		7434563	2-4					X	X
	FERRULE ASSEMBLY		4839529	2						X
10.563	ROD — Door inside locking									
	ROD — Front		2806554	2	X	X	X	X	X	X
	ROD — Rear		7439078	2			X	X	X	
	CLIP — Locking rod		4637217	2	X	X	X	X	X	X
10.569	STRIKER ASSEMBLY — Doorlock									
	STRIKER ASSEMBLY	L.H.	7977599	1	X	X	X	X	X	X
		R.H.	7977598	1	X	X	X	X	X	X

HOLDEN "LC" PARTS CATALOGUE

GROUP	DESCRIPTION	SIDE	PART No.	QTY.	822	823		824/828		825	826	829
					11	11	69	11	69	69	11	11
10.571	PLATE, RETAINER — Door lock striker											
	PLATE — Tooth	L.H.	7977601	1-2	X	X	X	X	X	X	X	X
		R.H.	7977600	1-2	X	X	X	X	X	X	X	X
	PLATE — Adjusting upper		6369136	2-4	X	X	X	X	X	X	X	X
	PLATE — Adjusting lower		6369137	2-4	X	X	X	X	X	X	X	X
	PLATE — Anchor		6386546	2	X	X		X			X	X
	PLATE — Front door anchor		7439689	2			X		X	X		
	PLATE — Rear door anchor		7448941	2			X		X	X		
	RETAINER — Anchor plate	L.H.	6395753	1	X	X		X			X	X
		R.H.	6395752	1	X	X		X			X	X
PLATE — Packing		2812042	A.R.	X	X	X	X	X	X	X	X	
10.587	BUMPER — Body pillar											
	BUMPER		6303904	2			X		X	X		
10.806	LINK ASSEMBLY — Door check											
	LINK ASSEMBLY — Front door		8813026	2	X	X	X	X	X	X	X	X
	LINK ASSEMBLY — Rear door check	L.H.	8818273	1			X		X	X		
		R.H.	8818272	1			X		X	X		
	SPRING — Check link		7196754	2-4	X	X	X	X	X	X	X	X
	RIVET — Link to stop bracket		SP1963	A.R.	X	X	X	X	X	X	X	X
10.808	BRACKET ASSY. — Front door check link pivot											
	BRACKET ASSEMBLY		7199530	2	X	X	X	X	X	X	X	X
10.650	VENTILATOR ASSEMBLY — Front door											
	VENTILATOR ASSEMBLY	L.H.	7193029	1	X	X	X	X	X	X	X	X
		R.H.	7193028	1	X	X	X	X	X	X	X	X
10.852	WEATHERSTRIP — Front door ventilator											
	WEATHERSTRIP	L.H.	7437135	1	X	X	X	X	X	X	X	X
		R.H.	7437136	1	X	X	X	X	X	X	X	X
10.655	CHANNEL ASSY. —											
	Front door ventilator w/strip retainer											
	CHANNEL ASSEMBLY	L.H.	7192851	1	X	X	X	X	X	X	X	X
		R.H.	7192850	1	X	X	X	X	X	X	X	X
	PLATE — Ventilator filler	L.H.	7193033	1	X	X	X	X	X	X	X	X
		R.H.	7193032	1	X	X	X	X	X	X	X	X
10.858	GLASS ASSY. — Front door ventilator											
	GLASS ASSEMBLY	L.H.	7192873	1	X	X	X	X	X	X	X	X
		R.H.	7192872	1	X	X	X	X	X	X	X	X
	GLASS	L.H.	7192535	1	X	X	X	X	X	X	X	X
		R.H.	7192534	1	X	X	X	X	X	X	X	X
10.864	HANDLE — Front door ventilator locking											
	HANDLE	L.H.	7447501	1	X	X	X	X	X	X	X	X
		R.H.	7447502	1	X	X	X	X	X	X	X	X
	PIN		6387058	2	X	X	X	X	X	X	X	X
	SPRING		7410133	2	X	X	X	X	X	X	X	X
	WASHER		7082016	2	X	X	X	X	X	X	X	X

HOLDEN "LC" PARTS CATALOGUE

GROUP	DESCRIPTION	SIDE	PART No.	QTY.	822	823		824/828		825	826	829	
					11	11	69	11	69	69	11	11	
10.669	PIVOT — Front door ventilator												
		PIVOT — Upper	L.H.	7199827	1	X	X	X	X	X	X	X	X
			R.H.	7199826	1	X	X	X	X	X	X	X	X
		PIVOT — Upper support		7165633	2	X	X	X	X	X	X	X	X
		PIN — Upper pivot		7165742	2	X	X	X	X	X	X	X	X
		PIVOT — Lower		7192633	2	X	X	X	X	X	X	X	X
		STOP — Friction		7192788	2	X	X	X	X	X	X	X	X
		SUPPORT — Friction unit		7199910	2	X	X	X	X	X	X	X	X
		WASHER — Friction unit nylon		7199825	4	X	X	X	X	X	X	X	X
		WASHER — Friction unit steel		7199824	4	X	X	X	X	X	X	X	X
		WASHER — Spring		9906074	2	X	X	X	X	X	X	X	X
		SCREW — Pivot to glass		7199844	4	X	X	X	X	X	X	X	X
		WASHER — Pivot to glass		SP1827	4	X	X	X	X	X	X	X	X
10.670	DEFLECTOR — Front door ventilator water												
		DEFLECTOR	L.H.	2812835	1	X	X		X			X	X
			R.H.	2812834	1	X	X		X			X	X
		DEFLECTOR	L.H.	2812837	1			X		X	X		
		R.H.	2812836	1			X		X	X			
10.681	GLASS — Front door rear												
		GLASS	L.H.	7448261	1	X	X		X			X	X
			R.H.	7448260	1	X	X		X			X	X
		GLASS	L.H.	7437621	1			X		X	X		
		R.H.	7437622	1			X		X	X			
10.685	CHANNEL ASSEMBLY — Front door glass support												
		CHANNEL ASSEMBLY		7158729	2	X	X	X	X	X	X	X	X
10.686	CHANNEL ASSEMBLY — Front door glass division												
		CHANNEL ASSEMBLY — Division	L.H.	7199847	1	X	X	X	X	X	X	X	X
			R.H.	7199846	1	X	X	X	X	X	X	X	X
		NUT — Division channel door ..		SP1235	2	X	X	X	X	X	X	X	X
		CHANNEL — Glass run		7192641	2	X	X	X	X	X	X	X	X
		PLATE — Ventilator locking handle striker ..	L.H.	7192659	1	X	X	X	X	X	X	X	X
		R.H.	7192658	1	X	X	X	X	X	X	X	X	
10.694	WEATHERSTRIP ASSEMBLY — Door dust												
		WEATHERSTRIP ASSEMBLY — Front	L.H.	7192521	1	X	X		X			X	X
			R.H.	7192520	1	X	X		X			X	X
		WEATHERSTRIP ASSEMBLY — Front	L.H.	2805687	1			X		X	X		
			R.H.	2805688	1			X		X	X		
		WEATHERSTRIP ASSEMBLY — Rear	L.H.	2813467	1			X		X	X		
			R.H.	2813466	1			X		X	X		
		SEAL — Rr. door weatherstrip frt. lower corner	L.H.	7438665	1			X		X	X		
		R.H.	7438664	1			X		X	X			
10.695	FASTENER, RETAINER — Door weatherstrip												
		FASTENER — Front		7199559	42	X	X	X	X	X	X	X	X
		FASTENER — Rear		7199559	34			X		X	X		
		RETAINER — Rear door, front	L.H.	2811011	1			X		X	X		
			R.H.	7438204	1			X		X	X		
		RETAINER — Rear door, rear	L.H.	2806105	1			X		X	X		
			R.H.	2806104	1			X		X	X		
	RETAINER — Rear door, upper		2806103	2			X		X	X			
10.696	FILLER — Door window channel												
		FILLER		7125717	2	X	X		X			X	X
	FILLER		6392496	2-4			X		X	X			

HOLDEN "LC" PARTS CATALOGUE

GROUP	DESCRIPTION	SIDE	PART No.	QTY.	822	823		824/828		825	826	829
					11	11	69	11	69	69	11	11
10.701	CHANNEL — Door glass run											
	CHANNEL — Front door, rear		7192641	2	X	X	X	X	X	X	X	X
	CHANNEL — Front door, upper		7192640	2	X	X		X			X	X
	CHANNEL — Front door, upper		8814310	2			X		X	X		
	CHANNEL — Rear door, upper		7192640	2			X		X	X		
10.710	STRIP ASSEMBLY — Door glass run channel											
	STRIP ASSEMBLY — Front door, inner		7191139	2	X	X		X			X	X
	STRIP ASSEMBLY — Front door, inner		8815818	2			X		X	X		
	STRIP — Front door, outer seal	L.H.	7191451	1	X	X		X			X	X
		R.H.	7191450	1	X	X		X			X	X
	STRIP — Front door, outer seal	L.H.	7437637	1			X		X	X		
		R.H.	7437638	1			X		X	X		
	STRIP ASSEMBLY — Rear door, inner seal		8815816	2			X		X	X		
	STRIP ASSEMBLY — Rear door, outer seal	L.H.	2805451	1			X		X	X		
	R.H.	2805450	1			X		X	X			
10.712	CLIP — Door belt sealing strip											
	CLIP — Front door		7447833	8	X	X		X			X	X
	CLIP — Front door		7437728	10			X		X	X		
	CLIP — Rear door		7437728	10			X		X	X		
	CLIP — Rear door		8815997	10			X		X	X		
10.716	BUMPER, BRACKET — Front door glass											
	BUMPER		6303904	2	X	X	X	X	X	X	X	X
	BRACKET ASSY. — Bumper & anti-drum		7448564	2	X	X	X	X	X	X	X	X
10.741	GLASS — Rear door, sliding											
	GLASS	L.H.	2805457	1			X		X	X		
		R.H.	2805456	1			X		X	X		
10.743	BUMPER, BRACKET — Rear door glass											
	BUMPER		6303904	A.R.			X		X	X		
	BRACKET ASSEMBLY — Bumper		8814087	2			X		X	X		
10.747	CHANNEL ASSEMBLY — Rear door glass support											
	CHANNEL ASSEMBLY		7158729	2			X		X	X		
10.759	CHANNEL — Rear door glass run											
	CHANNEL		2806097	2			X		X	X		
	CHANNEL — Upper		2806098	2			X		X	X		
10.783	REGULATOR ASSEMBLY — Front door window											
	REGULATOR ASSEMBLY	L.H.	7437561	1	X	X	X	X	X	X	X	X
		R.H.	7437562	1	X	X	X	X	X	X	X	X
	SPRING — Clutch		4157887	2	X	X	X	X	X	X	X	X
	WASHER — Regulator assembly		7413223	2	X	X	X	X	X	X	X	X
10.791	REGULATOR ASSEMBLY — Rear door window											
	REGULATOR ASSEMBLY	L.H.	2813565	1			X		X	X		
		R.H.	2813564	1			X		X	X		
	SPRING — Clutch		4157887	2			X		X	X		
	WASHER — Regulator assembly		7413223	2			X		X	X		
10.797	HANDLE ASSEMBLY — Door window regulator											
	HANDLE ASSEMBLY		7435027	2-4	X	X	X	X	X	X	X	X

HOLDEN "LC" PARTS CATALOGUE

GROUP	DESCRIPTION	SIDE	PART No.	QTY.	822	823		824/828		825	826	829	
					11	11	69	11	69	69	11	11	
10.806	SPRING — Window regulator handle escutcheon SPRING		4566746	2-4	X	X	X	X	X	X	X	X	
10.822	WEATHERSTRIP — Rear door fixed glass WEATHERSTRIP	L.H.	2806241	1			X		X	X			
		R.H.	2806242	1			X		X	X			
10.827	GLASS — Rear door fixed GLASS	L.H.	2805543	1			X		X	X			
		R.H.	2805544	1			X		X	X			
10.829	CHANNEL ASSEMBLY — Rear door division CHANNEL ASSEMBLY	L.H.	2805393	1			X		X	X			
		R.H.	2805394	1			X		X	X			
			SCREW — Channel to inner panel	7431217	2			X		X	X		
			NUT — Channel retainer to inner panel	4405524	2			X		X	X		
			STUD — Channel retainer to inner panel	7421168	2			X		X	X		
10.998	BRACKET, PLATE, FASTENER — Quarter window BRACKET — Upper		2806078	2	X	X		X			X	X	
			BRACKET — Lower	2806079	2	X	X		X			X	X
			BRACKET — Window attaching	L.H. 2806077	1	X							
				R.H. 2806076	1	X							
			BRACKET — Hinge	7449749	4	X	X		X			X	X
			PLATE ASSEMBLY — Fastener attaching	7447027	2	X	X		X			X	X
			BRACKET — Ventilator link	2806080	2		X		X			X	X
			FASTENER — Ventilator	L.H. 7162127	1		X		X			X	X
				R.H. 7162126	1		X		X			X	X
			PIN — Fastener to glass	6392432	2		X		X			X	X

HOLDEN "LC" PARTS CATALOGUE

GROUP	DESCRIPTION	SIDE	PART No.	QTY.	822		823		824 / 828		825	826	829
					11	11	69	11	69	69	11	11	
11.006	FRAME ASSEMBLY — Rear quarter window												
	FRAME ASSEMBLY — Front	L.H.	2807067	1	X	X		X				X	X
		R.H.	2807068	1	X	X		X				X	X
	FRAME ASSEMBLY — Rear	L.H.	2806071	1	X								
		R.H.	2806070	1	X								
	FRAME ASSEMBLY — Rear	L.H.	2806035	1		X		X				X	X
	R.H.	2806036	1		X		X				X	X	
11.007	FILLER — Rear quarter window frame												
	FILLER — Front		2805955	2	X	X		X				X	X
	FILLER — Rear		2805956	2	X	X		X				X	X
11.011	GLASS — Rear quarter window												
	GLASS	L.H.	2805919	1	X	X		X				X	X
		R.H.	2805918	1	X	X		X				X	X
11.015	WEATHERSTRIP — Rear quarter window frame												
	WEATHERSTRIP		2820577	2	X	X		X				X	X
11.119	TRIM — Rear quarter garnish												
	TRIM Nos. 40E, 40F, 40P, 40Q, 40R, 40T	L.H.	C785BA	1		X		X				X	
		R.H.	C784BA	1		X		X				X	
	TRIM Nos. 41E, 41F, 41P, 41Q, 41R, 41T	L.H.	C785BB	1		X		X				X	
		R.H.	C784BB	1		X		X				X	
	TRIM Nos. 42E, 42R, 42T	L.H.	C785BC	1		X		X				X	
		R.H.	C784BC	1		X		X				X	
	TRIM Nos. 42F, 42P	L.H.	C785BT	1		X		X				X	
		R.H.	C784BT	1		X		X				X	
	TRIM Nos. 43E, 43F, 43P, 43R, 43T	L.H.	C785BD	1		X		X				X	
		R.H.	C784BD	1		X		X				X	
	TRIM Nos. 44E, 44F, 44P, 44R, 44T	L.H.	C785BE	1		X		X				X	
		R.H.	C784BE	1		X		X				X	
	TRIM Nos. 46F, 46P	L.H.	C785BU	1		X		X				X	
	R.H.	C784BU	1		X		X				X		
TRIM Nos. 48F, 48P, 48Q	L.H.	C785BG	1		X		X				X		
	R.H.	C784BG	1		X		X				X		
11.175	PLATE — Front door scuff												
	PLATE		7439798	2	X	X		X				X	X
	PLATE		7438596	2			X		X	X			
	CLIP — Mat & carpet retaining		SP2169	A.R.	X	X	X	X	X	X	X	X	X
11.179	PLATE — Rear door scuff												
	PLATE	L.H.	7439885	1			X		X	X			
		R.H.	7439886	1			X		X	X			
	SUPPORT	L.H.	7439883	1			X		X	X			
		R.H.	7439884	1			X		X	X			
	CLIP — Mat & carpet retaining		SP2169	A.R.			X		X	X			
11.200	FRAME — Rear window												
	FRAME		7449761	1	X	X	X	X	X	X	X	X	X
11.204	GLASS — Rear window												
	GLASS		7448909	1	X	X	X	X	X	X	X	X	X

HOLDEN "LC" PARTS CATALOGUE

GROUP	DESCRIPTION	SIDE	PART No.	QTY.	822	823		824/828		825	826	829
					11	11	69	11	69	69	11	11
11.207	CHANNEL — Rear window glass											
	CHANNEL		7449100	1	X	X	X	X	X	X	X	X
11.208	ESCUTCHEON, INSERT — Rear window glass											
	ESCUTCHEON		2814720	2		X	X	X	X	X	X	X
	INSERT — Upper		7439774	1		X	X	X	X	X	X	X
	INSERT — Lower		7448998	1		X	X	X	X	X	X	X
11.373	SPRING & FRAME ASSEMBLY — Front seat											
	SPRING & FRAME — Cushion (Bucket Seat)	L.H.	2805579	1	X	X		X			X	X
		R.H.	2805578	1	X	X		X			X	X
	SPRING & FRAME — Back (Bucket Seat)	L.H.	2805577	1	X	X		X			X	X
		R.H.	2805576	1	X	X		X			X	X
	SPRING & FRAME — Cushion (Bucket Seat)		2805525	2			X		X	X		
	SPRING & FRAME — Back (Bucket Seat)		2805580	2			X		X	X		
	SPRING & FRAME — Cushion (Bench Seat)		7420979	1			X			X		
	SPRING & FRAME — Back (Bench Seat)		7420993	1			X			X		
	SPRING & FRAME ASSY. (Bench Seat)		2819562	1			X			X		
11.374	SPRING ASSEMBLY, CLIP — Front seat back											
	SPRING ASSY. — Lower (Bucket Seat)		2805610	2	X	X	X	X	X	X	X	X
	SPRING ASSY. — Main (Bucket Seat)		2816149	6	X	X	X	X	X	X	X	X
	SPRING ASSY. — Upper (Bucket Seat)		2805613	2	X	X	X	X	X	X	X	X
	SPRING — Main (Bench Seat)		2808949	13			X			X		
	SPRING ASSY. — Upper		2805613	2	X	X	X	X	X	X	X	X
	CLIP — Springs to supports		7401768	76	X	X	X	X	X	X	X	X
	CLIP — Seat cover to frame		7100321	4-16	X	X	X	X	X	X	X	X
11.376	PANEL ASSEMBLY, ROD, GUIDE, SPRING — Front seat head restraint											
	PANEL ASSY.		2816976	2	X	X	X	X	X	X	X	X
	ROD — Adjuster	L.H.	2816977	2	X	X	X	X	X	X	X	X
		R.H.	2816978	2	X	X	X	X	X	X	X	X
	GUIDE		2816979	4	X	X	X	X	X	X	X	X
	SPRING — Retainer		2807062	4	X	X	X	X	X	X	X	X
11.377	PARTS — Front seat back lock											
	KNOB & HANDLE ASSY. — Release		7434920	2	X	X		X			X	X
	SPACER — Handle		7435305	2	X	X		X			X	X
	SHAFT — Safety lock	L.H.	2810943	1	X	X		X			X	X
		R.H.	2810942	1	X	X		X			X	X
	BRACKET — Shaft mounting	L.H.	7434913	2	X	X		X			X	X
		R.H.	7434914	2	X	X		X			X	X
	STOP — Arm		2805678	4	X	X		X			X	X
	LOCK — Arm safety		7434911	4	X	X		X			X	X
	SPACER — Safety lock		7434921	2	X	X		X			X	X
	SPRING — Lock return	L.H.	7434917	1	X	X		X			X	X
		R.H.	7434916	1	X	X		X			X	X
	BOLT — Side arm to cushion		2805633	4	X	X		X			X	X
	RETAINER — Side arm inner & outer		2805586	4	X	X		X			X	X
11.420	SPRING, WIRE, CLIP — Front seat cushion											
	SPRING — Main (Bucket Seat)		2805621	8	X	X	X	X	X	X	X	X
	SPRING — End (Bucket Seat)		2805622	4	X	X	X	X	X	X	X	X
	WIRE — Front border (Bucket Seat)		2805624	2	X	X	X	X	X	X	X	X
	WIRE — Rear border (Bucket Seat)		2805920	2	X	X	X	X	X	X	X	X
	SPRING — End (Bench Seat)		7420984	2			X			X		
	SPRING — Centre (Bench Seat)		7420985	4			X			X		
	CLIP — Springs to border wires		7401768	52	X	X	X	X	X	X	X	X
	CLIP — Cover to frame		7100321	8			X			X		

HOLDEN "LC" PARTS CATALOGUE

GROUP	DESCRIPTION	SIDE	PART No.	QTY.	822	823		824/828		825	826	829
					11	11	69	11	69	69	11	11
11.420	SPRING, WIRE, CLIP — Front seat cushion (cont.) SPRING — Main (Bench Seat)		7420983	10			X			X		
11.561	ADJUSTER ASSEMBLY — Front seat ADJUSTER ASSY. — Outer (Bucket Seat)	L.H.	2805421	1	X	X	X	X	X	X	X	X
		R.H.	2805420	1	X	X	X	X	X	X	X	X
	ADJUSTER ASSY. — Inner (Bucket Seat)	L.H.	2805415	1	X	X	X	X	X	X	X	X
		R.H.	2805414	1	X	X	X	X	X	X	X	X
	ADJUSTER ASSY. — (Bench Seat)											
	RIGHT HAND DRIVE	L.H.	2806043	1			X			X		
		R.H.	2805420	1			X			X		
	BOLT — Front seat to underbody		SP2093	8-16	X	X	X	X	X	X	X	X
	BOLT — Seat adjuster to spring & frame		SP2089	4-8	X	X	X	X	X	X	X	X
11.581	SPRING — Front seat adjuster SPRING — Assist		4304426	2-4	X	X	X	X	X	X	X	X
	SPRING — Lock bar — coil — 3/8"		7410377	1-2	X	X	X	X	X	X	X	X
	SPRING — Lock bar — coil — 1/2"		4301314	1-2	X	X	X	X	X	X	X	X
11.582	RETAINER — Front seat adjusting spring RETAINER		4301315	1-2	X	X	X	X	X	X	X	X
11.588	KNOB ASSEMBLY — Front seat adjuster KNOB ASSEMBLY		7430531	1-2	X	X	X	X	X	X	X	X
11.589	WIRE, BRACKET — Front seat adjuster WIRE — Auxiliary locking (Bucket Seat)		2806810	2	X	X	X	X	X	X	X	X
	WIRE — Auxiliary locking (Bench Seat)		2806811	1			X			X		
	BRACKET — Wire support (Bench Seat)		7416930	1			X			X		
11.595	REINFORCEMENT ASSEMBLY — Seat adjuster REINFORCEMENT ASSY. — Inner (Bucket Seat)		2805551	2	X	X	X	X	X	X	X	X
11.610	SPRING & FRAME ASSY. — Rear seat cushion SPRING & FRAME ASSEMBLY		7447250	1	X	X		X			X	X
	SPRING & FRAME ASSEMBLY		7437763	1			X		X	X		
11.611	SPRING, CLIP, RING — Rear seat cushion SPRING — Main		7447246	6-8	X	X	X	X	X	X	X	X
	SPRING — Intermediate		7447247	2	X	X		X			X	X
	SPRING — Intermediate		7437765	2			X		X	X		
	SPRING — Centre		7447248	3	X	X	X	X	X	X	X	X
	SPRING — Outer		7447249	2	X	X		X			X	X
	CLIP — Wire		7401768	A.R.	X	X	X	X	X	X	X	X
	RING — Hog		4556605	8	X	X		X			X	X
11.628	SPRING & FRAME ASSY. — Rear seat back SPRING & FRAME ASSEMBLY		2805769	1	X	X	X	X	X	X	X	X
11.629	SPRING, CLIP — Rear seat back SPRING — Main		2805771	9	X	X	X	X	X	X	X	X
	SPRING — Intermediate		2805772	2	X	X	X	X	X	X	X	X
	SPRING — Outer		2805773	2	X	X	X	X	X	X	X	X
	CLIP — Wire		7401768	40	X	X	X	X	X	X	X	X

HOLDEN "LC" PARTS CATALOGUE

GROUP	DESCRIPTION	SIDE	PART No.	QTY.	822		823		824/828		825	826	829
					11	11	69	11	69	69	11	11	
11.634	RETAINER — Rear seat back												
	RETAINER — Upper		7416348	2	X	X	X	X	X	X	X	X	X
	RETAINER — Lower		6303008	4	X	X	X	X	X	X	X	X	X
11.925	BASE ASSEMBLY — Dome lamp												
	BASE ASSEMBLY		7447836	1	X	X	X	X	X	X	X	X	X
	BULB — Festoon, 12 volt 6 watt		1023366	1	X	X	X	X	X	X	X	X	X
11.928	LENS — Dome lamp												
	LENS		7447834	1	X	X	X	X	X	X	X	X	X
11.950	SWITCH ASSEMBLY — Courtesy light												
	BODY — Switch		2807323	2	X	X	X	X	X	X	X	X	X
	SPRING — Switch		2807324	2	X	X	X	X	X	X	X	X	X
	PLUNGER — Switch		2807325	2	X	X	X	X	X	X	X	X	X
	LEAD ASSEMBLY		2815203	1	X	X	X	X	X	X	X	X	X
11.960	LAMP ASSEMBLY — Rear compartment												
	BODY — Switch		2807323	2	X	X	X	X	X	X	X	X	X
	SPRING — Switch		2807324	2	X	X	X	X	X	X	X	X	X
	PLUNGER — Switch		2807325	2	X	X	X	X	X	X	X	X	X
	SOCKET & LEAD ASSEMBLY — Lamp		7438410	1						X	X	X	
	SOCKET & LEAD ASSEMBLY — Lamp		7447637	1	X	X	X	X	X				
	BRACKET — Switch		2806610	1	X	X	X	X	X	X	X	X	X
	LAMP — Package (Accessory)		2809494	A.R.	X	X	X	X	X				

HOLDEN "LC" PARTS CATALOGUE

GROUP	DESCRIPTION	SIDE	PART No.	QTY.	822	823		824/828		825	826	829
					11	11	69	11	69	69	11	11
12.009	ASH TRAY ASSEMBLY — Instrument panel											
	ASH TRAY ASSEMBLY		7195103	1	X	X	X	X	X	X	X	X
12.030	ASHTRAY ASSEMBLY											
	ASH TRAY ASSY. — Rear quarter		2815611	1-2	X	X		X			X	X
	ASHTRAY ASSY. — Rear door		2815611	2			X		X	X		
	CLIP — Ash tray retaining		7436712	1-2	X	X	X	X	X	X	X	X
	SEAL — Rear door ash tray (4¼ x 3¼)		2814996	2			X		X	X		
	SEAL — Rear door ash tray (4¼ x 3¼)		2820411	2			X		X	X		
12.075	MOULDING — Roof drip											
	MOULDING — Front (exc. vinyl roof)	L.H.	7192611	1		X	X	X	X	X	X	X
	MOULDING — Front (exc. vinyl roof)	R.H.	7192610	1		X	X	X	X	X	X	X
	MOULDING — Front (vinyl roof)	L.H.	7437107	1		X	X	X	X	X	X	X
	MOULDING — Front (vinyl roof)	R.H.	7437106	1		X	X	X	X	X	X	X
	MOULDING — Rear (exc. vinyl roof)	L.H.	2806355	1		X		X			X	X
	MOULDING — Rear (exc. vinyl roof)	R.H.	2806356	1		X		X			X	X
	MOULDING — Rear (vinyl roof)	L.H.	2806359	1		X		X			X	X
	MOULDING — Rear (vinyl roof)	R.H.	2806360	1		X		X			X	X
	MOULDING — Rear (exc. vinyl roof)	L.H.	2806353	1			X		X	X		
	MOULDING — Rear (exc. vinyl roof)	R.H.	2806354	1			X		X	X		
	MOULDING — Rear (vinyl roof)	L.H.	2806357	1			X		X	X		
	MOULDING — Rear (vinyl roof)	R.H.	2806358	1			X		X	X		
	MOULDING — Front pillar	L.H.	2815415	1				X	X		X	
	MOULDING — Front pillar	R.H.	2815416	1				X	X		X	
12.112	MOULDING — Front door belt											
	MOULDING	L.H.	2807277	1		X		X			X	X
	MOULDING	R.H.	2807276	1		X		X			X	X
	MOULDING	L.H.	2807279	1			X		X	X		
	MOULDING	R.H.	2807278	1			X		X	X		
	CLIP — Moulding (stud type)		7438659	14		X	X	X	X	X	X	X
	CLIP — Moulding (screw type)		7433488	14		X	X	X	X	X	X	X
12.114	MOULDING — Rear door belt											
	MOULDING	L.H.	2807439	1			X		X	X		
	MOULDING	R.H.	2807438	1			X		X	X		
	PLATE — Moulding anchor		7435598	2			X		X	X		
	WASHER — Moulding		7438107	2			X		X	X		
	CLIP — Moulding (stud type)		7438659	2			X		X	X		
	CLIP — Moulding (screw type)		7433488	2			X		X	X		
12.116	MOULDING — Rear quarter											
	MOULDING — Belt	L.H.	2807349	1		X		X			X	X
	MOULDING — Belt	R.H.	2807350	1		X		X			X	X
	CLIP — Moulding (stud type)		7438659	10		X		X			X	X
	CLIP — Moulding (screw type)		7433488	10		X		X			X	X
	MOULDING — Rear lower	L.H.	2807229	1		X	X	X	X	X	X	X
	MOULDING — Rear lower	R.H.	2807230	1		X	X	X	X	X	X	X
	RETAINER ASSEMBLY — Moulding		2807280	4		X	X	X	X	X	X	X
	BOLT — Lower moulding retainer		7430602	2		X	X	X	X	X	X	X
	WASHER — Sealing		7414611	4		X	X	X	X	X	X	X
	NUT — Stamped No. 6 — 32		272733	4		X	X	X	X	X	X	X
	CLIP — Moulding (stud type)		7438659	4		X	X	X	X	X	X	X
	CLIP — Moulding (screw type)		7433488	4		X	X	X	X	X	X	X
	MOULDING — Quarter upper (two tone paint & vinyl roof)	L.H.	2805289	1		X		X			X	X
	MOULDING — Quarter upper (two tone paint & vinyl roof)	R.H.	2805290	1		X		X			X	X
	MOULDING — Quarter upper (two tone paint & vinyl roof)	L.H.	2805291	1			X		X	X		
	MOULDING — Quarter upper (two tone paint & vinyl roof)	R.H.	2805292	1			X		X	X		

HOLDEN "LC" PARTS CATALOGUE

GROUP	DESCRIPTION	SIDE	PART No.	QTY.	822		823		824/828		825	826	829
					11	11	69	11	69	69	11	11	
12.116	MOULDING — Rear quarter (cont.)												
		CLIP — Moulding (stud type) (two tone paint)		7438659	6		X	X	X	X	X	X	
		CLIP — Moulding (stud type) (vinyl roof)		2810747	6		X	X	X	X	X	X	X
		CLIP — Moulding (screw type) (two tone paint & vinyl roof)		7433488	6		X	X	X	X	X	X	X
		RETAINER ASSY. — Moulding (two tone paint & vinyl roof)		2807280	2		X	X	X	X	X	X	X
		BOLT — Retainer (two tone paint & vinyl roof)		7430802	2		X	X	X	X	X	X	X
		WASHER — Sealing (two tone paint & vinyl roof)		7414611	2		X	X	X	X	X	X	X
		NUT — Stamped No. 6 — 32 (two tone paint & vinyl roof)		272733	2		X	X	X	X	X	X	X
		PLATE — "S" name		2806958	2		X	X	X	X			
		PLATE — "SL" name		7447842	2						X	X	
		PLATE — "GTR" name 2600S, 2850S Eng.		2810503	2								X
		NUT & SEAL ASSY		SP2176	4		X	X	X	X	X	X	X
12.181	LID ASSEMBLY — Deck												
	LID ASSEMBLY		2806446	1	X	X	X	X	X	X	X	X	
12.182	NAME PLATE — Deck lid												
		PLATE — "S" name		2806958	1		X	X	X	X			
		PLATE — "Deluxe" name		7197018	1				X	X			
		PLATE — "SL" name		7447842	1						X	X	
		PLATE — "Torana" name		7447831	1	X	X	X	X	X	X	X	
		PLATE — "Torana" name 2600S, 2850S Eng.		7447831	1								X
		PLATE — "GTR" name 2600S, 2850S Eng.		2810503	1								X
		TRANSFER — "GTRXUI" 186X Eng.		2816455	1								X
		PLATE — "Trimatic" name		2817175	1	X	X	X	X	X	X	X	X
	NUT & SEAL ASSY		SP2176	A.R.	X	X	X	X	X	X	X	X	
12.184	HINGE, BRACKET ASSEMBLY — Deck lid												
		HINGE ASSEMBLY		7449753	2	X	X	X	X	X	X	X	X
		BRACKET ASSY. — Hinge mounting	L.H.	2806107	1	X	X	X	X	X	X	X	X
		R.H.	2806106	1	X	X	X	X	X	X	X	X	
12.186	PIN — Deck lid hinge												
	PIN		7408627	2	X	X	X	X	X	X	X	X	
12.187	ROD — Deck lid torque												
		ROD	L.H.	2806117	1	X	X	X	X	X	X	X	X
		R.H.	2806116	1	X	X	X	X	X	X	X	X	
12.212	BUMPER — Deck lid												
	BUMPER		2811834	2	X	X	X	X	X	X	X	X	
12.237	STRIKER, SUPPORT — Deck lid lock												
		STRIKER		2805979	1	X	X	X	X	X	X	X	X
	SUPPORT ASSEMBLY — Striker		2805710	1	X	X	X	X	X	X	X	X	
12.242	LOCK ASSEMBLY — Deck lid												
		LOCK ASSEMBLY		7421890	1	X	X	X	X	X	X	X	X
		GASKET — Lock cylinder retainer		7432672	1	X	X	X	X	X	X	X	X
	BOLT — Lock to deck lid		SP2064	3	X	X	X	X	X	X	X	X	

HOLDEN "LC" PARTS CATALOGUE

GROUP	DESCRIPTION	SIDE	PART No.	QTY.	822	823		824/828		825	826	829	
					11	11	69	11	69	69	11	11	
12.248	BARREL & KEY ASSEMBLY — Deck lid												
		BARREL & KEY ASSEMBLY — (Coded)		4840319	1	X	X	X	X	X	X	X	
		LOCK SERVICE PACKAGE — (Uncoded)		7435889	1	X	X	X	X	X	X	X	
		GASKET — Lock cylinder		4780518	1	X	X	X	X	X	X	X	
		RETAINER — Lock cylinder		2805286	1	X	X	X	X	X	X	X	
		SCREW — Retainer to inner panel		7426400	2	X	X	X	X	X	X	X	
		TUMBLER — No. 1 (Package of 100)		3901061	1	X	X	X	X	X	X	X	
		TUMBLER — No. 2 (Package of 100)		3901062	1	X	X	X	X	X	X	X	
		TUMBLER — No. 3 (Package of 100)		3901063	1	X	X	X	X	X	X	X	
		TUMBLER — No. 4 (Package of 100)		3901064	1	X	X	X	X	X	X	X	
		SPRING — Tumbler		601260	A.R.	X	X	X	X	X	X	X	
	RETAINER — Tumbler		601261	A.R.	X	X	X	X	X	X	X		
12.269	WEATHERSTRIP — Deck lid												
	WEATHERSTRIP		2807045	1	X	X	X	X	X	X	X		
12.491	PANEL — Door lock striker												
	PANEL ASSEMBLY — Centre pillar												
		PANEL — Door lock striker	L.H.	2805223	1	X	X		X			X	X
			R.H.	2805224	1	X	X		X			X	X
		REINFORCEMENT ASSY. — Striker panel	L.H.	7192567	1	X	X		X			X	X
			R.H.	7192566	1	X	X		X			X	X
		PANEL ASSY. — Centre pillar	L.H.	2819439	1			X		X	X		
			R.H.	2819440	1			X		X	X		
		PANEL ASSY. — Centre pillar inner	L.H.	7438673	1			X		X	X		
			R.H.	7438674	1			X		X	X		
		PANEL ASSY. — Centre pillar outer	L.H.	7438965	1			X		X	X		
			R.H.	7438966	1			X		X	X		
		PLATE ASSY. — Centre pillar extension	L.H.	2805301	1			X		X	X		
			R.H.	2805300	1			X		X	X		
		PANEL ASSY. — Centre pillar upper hinge	L.H.	7438615	1			X		X	X		
			R.H.	7438614	1			X		X	X		
		REINFORCEMENT — Centre pillar	L.H.	2809347	1			X		X	X		
			R.H.	2809346	1			X		X	X		
	12.803	PANEL ASSEMBLY — Shroud ventilator											
		PANEL ASSY. — Front		RIGHT HAND DRIVE	2806464	1	X	X	X	X	X	X	X
		PANEL ASSY. — Front		LEFT HAND DRIVE	2810862	1		X	X		X		
		PANEL ASSEMBLY — Side	L.H.	7192891	1	X	X	X	X	X	X	X	X
			R.H.	7192890	1	X	X	X	X	X	X	X	X
		PANEL ASSY. — Closing		RIGHT HAND DRIVE	(5) 2806525	1	X	X	X	X	X	X	X
		PANEL ASSY. — Closing		LEFT HAND DRIVE	(6) 2810889	1		X	X		X		
		PANEL ASSY. — Closing		RIGHT HAND DRIVE	(4) 2806807	1	X	X	X	X	X	X	X
		PANEL ASSY. — Closing		RIGHT HAND DRIVE	(6) 2810889	1	X	X	X				
		COVER — Dash upper panel opening		RIGHT HAND DRIVE	(5) 2806530	1	X	X	X	X	X	X	X
		COVER — Front opening		RIGHT HAND DRIVE	(5) 2806529	1	X	X	X	X	X	X	X
		SCREEN — Panel closing		RIGHT HAND DRIVE	(4) 2806816	1	X	X	X	X	X	X	X
		SCREEN — Panel closing		LEFT HAND DRIVE	(5) 2810921	1		X	X		X		
		DEFLECTOR ASSEMBLY — Water	L.H.	7219567	1	X			X	X		X	
			R.H.	7219566	1	X			X	X		X	
		DEFLECTOR ASSEMBLY — Water	L.H.	2811673	1		X	X			X		X
			R.H.	2811672	1		X	X			X		X
		GROMMET — Choke control to dash panel		1039278	1	X	X	X	X	X	X	X	

Note: (4) Use when heater with fan fitted.
 (5) Use when heater not fitted.
 (6) Use when heater without fan fitted.

HOLDEN "LC" PARTS CATALOGUE

GROUP	DESCRIPTION	SIDE	PART No.	QTY.	822	823		824/828		825	826	829
					11	11	69	11	69	69	11	11
12.803	PANEL ASSEMBLY — Shroud ventilator (cont.)											
	GROMMET — Choke control to dash panel 186X Eng.		1039278	1								X
	PLUG — Choke control hole 2600S Eng.		SP1495	1								X
	PLUG — (A) Dash panel clutch cable hole		SP1495	1	X			X	X		X	
	PLUG — (A) Dash panel clutch cable hole		2812732	1		X	X			X		
	BUMPER — Heater cable hole		(⁵ 7412432)	1	X	X	X	X	X			
	PLUG — Dash panel sealing (1600 Eng.)		4124441	1				X	X			
	COVER — Clutch push rod hole											
	LEFT HAND DRIVE		2818999	1		X	X			X		
12.804	PANEL ASSEMBLY — Dash											
	PANEL ASSEMBLY		2805803	1	X			X	X		X	
	PANEL ASSEMBLY — (Bucket Seat)											
		RIGHT HAND DRIVE		2805877	1		X	X			X	X
		LEFT HAND DRIVE		2811114	1		X	X			X	
	PANEL — Dash upper (Bucket Seat)											
	RIGHT HAND DRIVE		2806463	1	X	X	X	X	X	X	X	X
	PANEL ASSY. — (Bench Seat)		2813039	1			X			X		
12.805	PANEL — Dash ventilator upper											
	PILLAR ASSEMBLY — Front body outer											
	PANEL — Upper		RIGHT HAND DRIVE	2809610	1	X	X	X	X	X	X	X
	PANEL — Upper		LEFT HAND DRIVE	2809609	1		X	X			X	
	PILLAR ASSEMBLY		L.H.	7201951	1	X	X		X		X	X
			R.H.	7201950	1	X	X		X		X	X
	PILLAR ASSEMBLY		L.H.	7438961	1			X		X	X	
			R.H.	7438962	1			X		X	X	
	REINFORCEMENT ASSY — Front body											
	hinge pillar		L.H.	7191417	1	X	X	X	X	X	X	X
			R.H.	7191416	1	X	X	X	X	X	X	X
	PANEL — Windshield pillar closing		L.H.	7191051	1	X	X	X	X	X	X	X
			R.H.	7191050	1	X	X	X	X	X	X	X
12.807	RAIL ASSEMBLY — Windshield upper											
	RAIL ASSEMBLY		7438999	1	X	X	X	X	X	X	X	X
12.810	PANEL — Roof											
	COVER ASSEMBLY — Roof panel											
	PANEL		7448956	1	X	X	X	X	X	X	X	X
	COVER ASSEMBLY — Black vinyl		2810217	1		X	X	X	X	X	X	X
	COVER ASSEMBLY — Light saddle vinyl		2810218	1		X	X	X	X	X	X	X
COVER ASSEMBLY — Antique saddle vinyl		2822723	1		X	X	X	X	X		X	
12.811	GUTTER — Roof drip											
	GUTTER — Windshield pillar		L.H.	7192657	1	X	X	X	X	X	X	X
			R.H.	7192656	1	X	X	X	X	X	X	X
	GUTTER — Centre		L.H.	2805911	1	X	X	X	X	X	X	X
			R.H.	2805910	1	X	X	X	X	X	X	X
	GUTTER — Rear		L.H.	2805909	1	X	X		X		X	X
			R.H.	2805908	1	X	X		X		X	X
	GUTTER — Rear		L.H.	2805907	1			X		X	X	
		R.H.	2805906	1			X		X	X		

Note: (⁵ Use when heater not fitted.

HOLDEN "LC" PARTS CATALOGUE

GROUP	DESCRIPTION	SIDE	PART No.	QTY.	822	823		824/828		825	826	829
					11	11	69	11	69	69	11	11
12.895	PANEL ASSEMBLY — Front door											
	PANEL ASSEMBLY	L.H.	2806601	1	X	X		X			X	X
		R.H.	2806602	1	X	X		X			X	X
	PANEL ASSEMBLY	L.H.	2807071	1			X		X	X		
		R.H.	2807070	1			X		X	X		
	PANEL — Outer	L.H.	2806947	1	X	X		X			X	X
		R.H.	2806946	1	X	X		X			X	X
	PANEL — Outer	L.H.	2806925	1			X		X	X		
	R.H.	2806926	1			X		X	X			
12.913	PANEL ASSEMBLY — Rear door											
	PANEL ASSEMBLY	L.H.	2806239	1			X		X	X		
		R.H.	2806240	1			X		X	X		
	PANEL — Outer	L.H.	7449457	1			X		X	X		
	R.H.	7449458	1			X		X	X			
12.934	PANEL ASSEMBLY — Sill											
	PANEL ASSEMBLY — Inner	L.H.	2805733	1	X	X		X			X	X
		R.H.	2805734	1	X	X		X			X	X
	PANEL ASSEMBLY — Inner	L.H.	2805739	1			X		X	X		
		R.H.	2805736	1			X		X	X		
	PANEL — Outer front	L.H.	7438963	1			X		X	X		
		R.H.	7438964	1			X		X	X		
	PANEL — Outer	L.H.	2808231	1	X	X		X			X	X
	R.H.	2808232	1	X	X		X			X	X	
PLATE — Panel sealing	L.H.	7192679	1	X	X		X			X	X	
	R.H.	7192678	1	X	X		X			X	X	
12.940	PANEL ASSEMBLY — Quarter outer											
	PANEL ASSEMBLY	L.H.	2808229	1	X	X		X			X	X
		R.H.	2808230	1	X	X		X			X	X
	PANEL ASSEMBLY	L.H.	7449405	1			X		X	X		
		R.H.	7449406	1			X		X	X		
	SUPPORT — Tail lamp	L.H.	2805789	1	X	X	X	X	X	X	X	X
	R.H.	2805788	1	X	X	X	X	X	X	X	X	
12.941	PANEL ASSEMBLY — Quarter inner											
	PANEL ASSEMBLY	L.H.	2806277	1	X	X		X			X	X
		R.H.	2806276	1	X	X		X			X	X
	PANEL ASSEMBLY	L.H.	2806627	1			X		X	X		
	R.H.	2806626	1			X		X	X			
12.942	PILLAR — Rear body											
	PANEL ASSY. — Rear body lock pillar lower											
	PILLAR	L.H.	2806751	1	X	X		X			X	X
		R.H.	2805204	1	X	X		X			X	X
PANEL ASSEMBLY	L.H.	7438971	1			X		X	X			
	R.H.	7438972	1			X		X	X			
12.944	PANEL ASSEMBLY — Rear wheelhouse											
	PANEL ASSEMBLY	L.H.	7449823	1	X	X		X			X	X
		R.H.	7449822	1	X	X		X			X	X
	PANEL ASSEMBLY	L.H.	2806849	1			X		X	X		
		R.H.	2806848	1			X		X	X		
PLUG — Inner panel sealing		7139959	2	X	X	X	X	X	X	X	X	
12.948	PLUG — Body side panel											
	PLUG		7388255	2	X	X	X	X	X	X	X	X

HOLDEN "LC" PARTS CATALOGUE

GROUP	DESCRIPTION	SIDE	PART No.	QTY.	822	823	824/828	825	826	829
					11	11	69	11	69	69
12.952	BOW — Roof									
	BOW		7189037	1	X	X	X	X	X	X
12.955	WIRE — Headlining listing									
	WIRE — No. 1		2809368	1	X	X	X	X	X	X
	WIRE — No. 2		2809369	1	X	X	X	X	X	X
	WIRE — Nos. 2 & 3		2809369	2			X	X	X	
	WIRE — No. 3		2811860	1	X	X	X	X	X	X
	WIRE — No. 4		2809371	1	X	X	X	X	X	X
12.956	RAIL — Roofside									
	RAIL — Inner	L.H.	7189309	1	X	X	X		X	X
		R.H.	7189308	1	X	X	X		X	X
	RAIL — Inner front	L.H.	7189309	1			X	X	X	
		R.H.	7189308	1			X	X	X	
	RAIL — Inner rear	L.H.	2805541	1			X	X	X	
		R.H.	2805542	1			X	X	X	
	RAIL — Outer	L.H.	2808235	1	X	X	X		X	X
		R.H.	2808236	1	X	X	X		X	X
	RAIL — Outer front	L.H.	7438967	1			X	X	X	
		R.H.	7438968	1			X	X	X	
	RAIL — Outer rear	L.H.	2808893	1			X	X	X	
		R.H.	2808894	1			X	X	X	
12.966	PANEL ASSEMBLY — Rear end outer									
	PANEL ASSEMBLY		2808670	1	X	X	X	X	X	X
	REINFORCEMENT — Panel		2805714	2	X	X	X	X	X	X
12.967	SPOILER ASSY. — Rear compartment lid air									
	SPOILER ASSEMBLY — 186X Eng.		2816152	1						X
	SCREW — Spoiler assy. to rear compartment lid 186X Eng.		SP2155	4						X
	CAP — Spoiler assy. to rear compartment lid screw 186X Eng.		7448475	2						X
12.971	PANEL, BRACE ASSY. — Rear compartment front									
	PANEL ASSEMBLY		2806644	1	X	X	X	X	X	X
	BRACE ASSY. — Package tray to wheelhouse	L.H.	2805913	1	X	X	X	X	X	X
		R.H.	2805912	1	X	X	X	X	X	X
	BRACE — Wheelhouse to hinge bracket	L.H.	2805941	1	X	X	X	X	X	X
		R.H.	2805942	1	X	X	X	X	X	X
12.972	PAN — Floor									
	PAN — Console shift (Bucket Seat) exc. 1600 Eng. RIGHT HAND DRIVE		2805392	1	X	X	X	X	X	X
	PAN — Steering column shift (Bucket Seat) RIGHT HAND DRIVE		2812018	1		X	X		X	
	PAN — (Bench Seat)	RIGHT HAND DRIVE	2810048	1			X		X	
	PAN — (M) 3 speed transmission LEFT HAND DRIVE		2812018	1		X	X		X	
	PAN — (M) 4 speed transmission LEFT HAND DRIVE		2805392	1		X	X		X	
	PAN — (A)	LEFT HAND DRIVE	2805392	1		X	X		X	
	PAN — (M) 1600 Eng.		2805392	1			X	X		
	PAN — (A) 1600 Eng.		2812018	1			X	X		

HOLDEN "LC" PARTS CATALOGUE

GROUP	DESCRIPTION	SIDE	PART No.	QTY.	822	823		824/828		825	826	829
					11	11	69	11	69	69	11	11
12.980	RAIL ASSEMBLY — FLOOR PLUG											
	RAIL ASSY. — Engine mounting side exc. 1600 Eng.	L.H.	(¹⁸ 2806007	1	X			X	X		X	
		R.H.	(¹⁸ 2806006	1	X			X	X		X	
	RAIL ASSY. — Engine mounting side exc. 1600 Eng.	L.H.	(¹⁹ 2820875	1	X			X	X		X	
		R.H.	(¹⁹ 2820876	1	X			X	X		X	
	RAIL ASSY. — Engine mounting side 1600 Eng.	L.H.	2820873	1				X	X			
		R.H.	2820874	1				X	X			
	RAIL ASSY. — Engine mounting side											
	RIGHT HAND DRIVE	L.H.	2805743	1		X	X			X		X
		R.H.	2805744	1		X	X			X		X
	LEFT HAND DRIVE	L.H.	2810993	1		X	X			X		
		R.H.	2805744	1		X	X			X		
	PLUG — Rear seat belt sealing		7419554	A.R.	X	X	X	X	X	X	X	X
	PLUG — Underbody sealing		4124441	3	X	X	X	X	X	X	X	X
	PLUG — Underbody sealing		2810818	6	X	X	X	X	X	X	X	X
	PLATE — Underbody cover		2816112	6	X	X	X	X	X	X	X	X
	PLUG — Park brake front cable hole		2806976	1	X			X	X	X	X	
	PLUG — Back-up lamp switch hole		SP1748	1	X			X	X		X	
12.982	SUPPORT, HANGER, CROSSMEMBER — Underbody											
	SUPPORT — (M) Engine rear mounting		2805980	1	X			X	X		X	
	SUPPORT — (A) Engine rear mounting		(⁷ 2810545	1	X			X	X		X	
	SUPPORT — (A) Engine rear mounting		(⁸ 2822024	1	X			X	X		X	
	INSULATOR — (A) Engine rear mounting support		(⁸ 2812819	1	X			X	X		X	
	BRACKET — (A) Engine rear mounting support		(⁸ 2812818	1	X			X	X		X	
	SUPPORT — (M) Engine rear mounting 4 speed											
	trans. 4 3/4" wide at end	RIGHT HAND DRIVE	2806452	1		X	X			X		X
	SUPPORT — Engine rear mounting 3 3/4"											
	wide at end	RIGHT HAND DRIVE	2813566	1		X	X			X		X
	SUPPORT — Engine rear mounting											
	LEFT HAND DRIVE		2813580	1		X	X			X		
	SPACER — (M) Engine rear mounting support (Side)		2813651	2		X	X			X		X
	INSULATOR — (A) Engine rear mounting support		(⁹ 2812819	1		X	X			X		
	BRACKET — (A) Engine rear mounting support		(⁹ 2812818	1		X	X			X		
	HANGER — Rear suspension arm lower		7191297	2	X			X	X		X	
	HANGER — Rear suspension arm lower	L.H.	2805507	1		X	X			X		X
		R.H.	2805508	1		X	X			X		X
	BRACKET ASSY. — Rear spring mounting	L.H.	7191151	1	X	X	X	X	X	X	X	X
		R.H.	7191150	1	X	X	X	X	X	X	X	X
	SEAT ASSEMBLY — Bump stop		7186074	2	X			X	X		X	
	CROSSMEMBER — Rear seat		7189400	1	X	X		X			X	X
	CROSSMEMBER — Rear seat		7437482	1			X		X	X		
	CROSSMEMBER — Rear end		2806009	1	X	X	X	X	X	X	X	X
	EXTENSION — Crossmember		2806246	1	X	X	X	X	X	X	X	X
	SPACER — (M) Engine rear mounting											
	(Centre) 4 Speed trans.		(¹⁰ 2813650	1		X	X			X		X
	PANEL ASSY. — Crossmember extension		2805302	1	X	X	X	X	X	X	X	X
	MEMBER ASSY. — Longitudinal front		2805340	2	X	X	X	X	X	X	X	X
	MEMBER — Longitudinal rear	L.H.	2805574	1	X	X	X	X	X	X	X	X
		R.H.	7448628	1	X	X	X	X	X	X	X	X
	PANEL — Rear longitudinal closing	L.H.	7189147	1	X	X	X	X	X	X	X	X
		R.H.	7189146	1	X	X	X	X	X	X	X	X
	PANEL — Spare wheel housing inner		7183201	1	X	X	X	X	X	X	X	X
NOTE—REFERENCE TO THE 4 SPEED TRANSMISSION ILLUSTRATION IS NECESSARY FOR POSITIVE TYPE IDENTIFICATION												
<p>Note: (⁷ 1st Type Bolts to Engine Side Rail. (⁸ 2nd Type Rubber Mounted to Side Rail. (⁹ Use with Support 2813566. (¹⁰ 1st Type — Overseas Manufactured Transmission. (¹⁸ Prior to brake line pressure warning switch. (¹⁹ When brake line pressure warning switch fitted.</p>												

HOLDEN "LC" PARTS CATALOGUE

GROUP	DESCRIPTION	SIDE	PART No.	QTY.	822		823		824/828		825	826	829
					11	11	69	11	69	69	11	11	
12.984	MOUNTING, BRACE — Rear shock absorber												
	MOUNTING ASSEMBLY	L.H.	2806725	1	X	X	X	X	X	X	X	X	X
		R.H.	2806726	1	X	X	X	X	X	X	X	X	X
	BRACE	L.H.	2805791	1	X	X	X	X	X	X	X	X	X
			2805790	1	X	X	X	X	X	X	X	X	X

HOLDEN "LC" PARTS CATALOGUE

GROUP	DESCRIPTION	SIDE	PART No.	QTY.	822		823		824 / 828		825	826	829	
					11	11	69	11	69	69	11	11		
13.090	HARNESS ASSEMBLY — Body wiring													
		HARNESS ASSEMBLY		2807432	1	X	X		X					
		HARNESS ASSEMBLY		2808129	1			X		X				
		HARNESS ASSEMBLY		(¹¹ 2808130	1							X		
		HARNESS ASSEMBLY		(¹² 2820468	1							X		
		HARNESS ASSEMBLY	RIGHT HAND DRIVE	(¹¹ 2807431	1								X	X
		HARNESS ASSEMBLY		(¹² 2820372	1								X	X
		HARNESS ASSEMBLY — (Optional export only)		2811017	1	X	X	X	X	X	X	X	X	X
		HARNESS ASSEMBLY — Rear		2809109	1	X	X	X	X	X	X	X	X	X
		BODY — 4 way male connector		2973603	1	X	X	X	X	X	X	X	X	X
		BODY — 4 way terminal connector		2962969	1	X	X	X	X	X	X	X	X	X
		BODY — Socket		2962066	1	X	X	X	X	X	X	X	X	X
		BODY — 8 way terminal connector		2977510	1	X	X	X	X	X	X	X	X	X
		SOCKET ASSY. — Rear harness, single contact		7429955	2	X	X	X	X	X	X	X	X	X
		SOCKET ASSY. — Rear harness, double contact		7429820	2	X	X	X	X	X	X	X	X	X
		SPRING — Lamp socket		2962243	A.R.	X	X	X	X	X	X	X	X	X
		TERMINAL — Segment shaped		2973195	4	X	X	X	X	X	X	X	X	X
13.092	CLIP, GROMMET — Body wiring													
		CLIP — Body wiring harness		7432906	2	X	X	X	X	X	X	X	X	X
		CLIP — To floor pan		7417298	1	X	X	X	X	X	X	X	X	X
		CLIP — To floor pan		7413032	3			X		X	X			
		CLIP — To quarter inner panel		7410360	1	X	X	X	X	X	X	X	X	X
		CLIP — To rear compartment		7417298	4	X	X	X	X	X	X	X	X	X
		CLIP — To cyl inner panel		7413031	3	X	X	X	X	X	X	X	X	X
		CLIP — Tank unit lead to wheelhouse inner panel		7410389	1	X	X	X	X	X	X	X	X	X
		CLIP — Tank unit lead to quarter side panel		7175429	1	X	X	X	X	X	X	X	X	X
		CLIP — To rear wheelhouse panel		7413032	1			X		X	X			
		CLIP — To rear body pillar		7413032	1	X	X		X			X	X	
		GROMMET — Wiring through sill panel		1032829	1	X	X		X			X	X	
		CLIP — To rear end		7175429	A.R.	X	X	X	X	X	X	X	X	X
		CLIP — To rear end		7401651	A.R.	X	X	X	X	X	X	X	X	X

Note: (¹¹ 1st Type — Without rear compartment lamp lead as part of harness.
(¹² 2nd Type — With rear compartment lamp lead as part of harness.

HOLDEN "LC" PARTS CATALOGUE

GROUP	DESCRIPTION	SIDE	PART No.	QTY.	822	823		824/828		825	826	829	
					11	11	69	11	69	69	11	11	
14.630	PANEL — Cowl side trim												
	TRIM Nos. 40D, 40E, 40F, 40L, 40P, 40Q, 40R, 40T, 40V, 40W, 40X, 40Y, 40Z, 45L, 45V, 48V, 48W, 48X, 48Y	L.H.	7447931BA	1	X	X	X	X	X	X	X	X	X
		R.H.	7447932BA	1	X	X	X	X	X	X	X	X	
	TRIM Nos. 41A, 41B, 41D, 41E, 41F, 41P, 41Q, 41R, 41T, 41V, 41W, 41X, 41Y	L.H.	7447931BB	1	X	X	X	X	X	X	X	X	X
		R.H.	7447932BB	1	X	X	X	X	X	X	X	X	
	TRIM Nos. 42A, 42E, 42R, 42T, 42X, 42Y	L.H.	7447931BC	1	X	X	X	X	X	X	X	X	X
		R.H.	7447932BC	1	X	X	X	X	X	X	X	X	
	TRIM Nos. 42B, 42D, 42F, 42P, 42V, 42W	L.H.	7447931BT	1	X	X	X	X	X	X	X	X	X
		R.H.	7447932BT	1	X	X	X	X	X	X	X	X	
	TRIM Nos. 43D, 43E, 43F, 43P, 43R, 43T, 43X, 43Y	L.H.	7447931BD	1	X	X	X	X	X	X	X	X	X
		R.H.	7447932BD	1	X	X	X	X	X	X	X	X	
	TRIM Nos. 44A, 44D, 44E, 44F, 44P, 44R, 44T, 44X, 44Y	L.H.	7447931BE	1	X	X	X	X	X	X	X	X	X
		R.H.	7447932BE	1	X	X	X	X	X	X	X	X	
	TRIM Nos. 46B, 46D, 46F, 46P, 46V, 46W	L.H.	7447931BU	1	X	X	X	X	X	X	X	X	X
		R.H.	7447932BU	1	X	X	X	X	X	X	X	X	
	TRIM Nos. 48D, 48F, 48P, 48Q	L.H.	7447931BH	1	X	X	X	X	X	X	X	X	X
		R.H.	7447932BH	1	X	X	X	X	X	X	X	X	
	SCREW & SEAL ASSY. — Trim to body		SP2112	2	X	X	X	X	X	X	X	X	X
	14.640	HEADLINING ASSEMBLY											
		TRIM Nos. 40R, 40T, 40X, 40Y, 40Z		2810500BA	1	X	X		X			X	X
TRIM Nos. 41E, 41R, 41T, 41X, 41Y			2810500BB	1	X	X		X			X	X	
TRIM Nos. 42R, 42T, 42X, 42Y			2810500BC	1	X	X		X			X	X	
TRIM Nos. 43E, 43R, 43T, 43X, 43Y			2810500BD	1	X	X		X			X	X	
TRIM Nos. 44E, 44R, 44T, 44X, 44Y			2810500BE	1	X	X		X			X	X	
TRIM Nos. 40E, 41A, 42A, 42E, 44A, 48X, 48Y			2810500BG	1	X	X		X			X	X	
TRIM Nos. 40D, 40F, 40L, 40P, 40Q, 40V, 40W, 45L, 45V			2815718BA	1	X	X		X			X	X	
TRIM Nos. 41B, 41D, 41F, 41P, 41Q, 41V, 41W			2815718BB	1	X	X		X			X	X	
TRIM Nos. 42B, 42D, 42F, 42P, 42V, 42W			2815718BT	1	X	X		X			X	X	
TRIM Nos. 43D, 43F, 43P			2815718BD	1	X	X		X			X	X	
TRIM Nos. 44D, 44F, 44P			2815718BE	1	X	X		X			X	X	
TRIM Nos. 46B, 46D, 46F, 46P, 46V, 46W			2815718BU	1	X	X		X			X	X	
TRIM Nos. 48D, 48F, 48P, 48Q, 48V, 48W			2815718BG	1	X	X		X			X	X	
TRIM Nos. 40D, 40F, 40P, 40Q, 41B, 41D, 41F, 41P, 41Q, 42B, 42D, 42F, 42P, 43D, 43F, 43P, 44D, 44F, 44P, 46B, 46D, 46F, 46P			(³ 2815718BG	1	X	X		X			X		
TRIM Nos. 40R, 40T			2810501BA	1				X		X	X		
TRIM Nos. 41E, 41R, 41T			2810501BB	1				X		X	X		
TRIM Nos. 42R, 42T			2810501BC	1				X		X	X		
TRIM Nos. 43E, 43R, 43T			2810501BD	1				X		X	X		
TRIM Nos. 44E, 44R, 44T			2810501BE	1				X		X	X		
TRIM Nos. 40E, 42E			2810501BG	1				X		X	X		
TRIM Nos. 40D, 40F, 40P, 40Q			2815719BA	1				X		X	X		
TRIM Nos. 41D, 41F, 41P, 41Q			2815719BB	1				X		X	X		
TRIM Nos. 42D, 42F, 42P			2815719BT	1				X		X	X		
TRIM Nos. 43D, 43F, 43P			2815719BD	1				X		X	X		
TRIM Nos. 44D, 44F, 44P			2815719BE	1				X		X	X		
TRIM Nos. 46D, 46F, 46P			2815719BU	1				X		X	X		
TRIM Nos. 48D, 48F, 48P, 48Q			2815719BG	1				X		X	X		
TRIM Nos. 40D, 40F, 40P, 40Q, 41D, 41F, 41P, 41Q, 42D, 42F, 42P, 43D, 43F, 43P, 44D, 44F, 44P, 46D, 46F, 46P			(³ 2815719BG	1				X		X	X		
Note: (³ Use with Sandalwood Headlining.													

HOLDEN "LC" PARTS CATALOGUE

GROUP	DESCRIPTION	SIDE	PART No.	QTY.	822	823		824/828		825	826	829	
					11	11	69	11	69	69	11	11	
14.651	HOOK — Coat												
	TRIM Nos. 40D, 40F, 40P, 40Q, 40R, 40T, 40X, 40Y, 40Z		7439232BA	1		X	X	X	X	X	X	X	
	TRIM Nos. 41D, 41E, 41P, 41Q, 41R, 41T, 41X, 41Y		7439232BB	1		X	X	X	X	X	X	X	
	TRIM Nos. 42D, 42F, 42P		7439232BT	1		X	X	X	X	X	X	X	
	TRIM Nos. 42R, 42T, 42X, 42Y		7439232BC	1		X	X	X	X	X	X	X	
	TRIM Nos. 43D, 43E, 43F, 43P, 43R, 43T, 43X, 43Y		7439232BD	1		X	X	X	X	X	X	X	
	TRIM Nos. 44D, 44E, 44F, 44P, 44R, 44T, 44X, 44Y		7439232BE	1		X	X	X	X	X	X	X	
	TRIM Nos. 46D, 46F, 46P		7439232BU	1		X	X	X	X	X	X	X	
	TRIM Nos. 40E, 42E, 48D, 48F, 48P, 48Q, 48X, 48Y		7439232BG	1		X	X	X	X	X	X	X	
	TRIM Nos. 40D, 40F, 40P, 40Q, 41D, 41F, 41P, 41Q, 42D, 42F, 42P, 43D, 43F, 43P, 44D, 44F, 44P, 46D, 46F, 46P		(3) 7439232BG	1		X	X	X	X	X	X	X	
14.655	PAD ASSEMBLY — Instrument panel												
	INSULATOR ASSEMBLY — Instrument panel												
	PAD — Trim Nos. 40B, 40D, 40E, 40F, 40L, 40P, 40Q, 40R, 40T, 40V, 40W, 40X, 40Y, 40Z, 45L, 45V, 48V, 48W, 48X, 48Y		7437711BA	1	X	X	X	X	X	X	X	X	
	PAD — Trim Nos. 41A, 41B, 41D, 41E, 41F, 41P, 41Q, 41R, 41T, 41V, 41W, 41X, 41Y		7437711BB	1	X	X	X	X	X	X	X	X	
	PAD — Trim Nos. 42A, 42E, 42R, 42T, 42X, 42Y		7437711BC	1	X	X	X	X	X	X	X	X	
	PAD — Trim Nos. 42B, 42D, 42F, 42P, 42V, 42W		7437711BT	1	X	X	X	X	X	X	X	X	
	PAD — Trim Nos. 43D, 43E, 43F, 43P, 43R, 43T, 43X, 43Y		7437711BD	1	X	X	X	X	X	X	X	X	
	PAD — Trim Nos. 44A, 44D, 44E, 44F, 44P, 44R, 44T, 44X, 44Y		7437711BE	1	X	X	X	X	X	X	X	X	
	PAD — Trim Nos. 46B, 46D, 46F, 46P, 46V, 46W		7437711BU	1	X	X	X	X	X	X	X	X	
	PAD — Trim Nos. 48D, 48F, 48P, 48Q		7437711BH	1	X	X	X	X	X	X	X	X	
	INSULATOR ASSY. — RIGHT HAND DRIVE		2810788	1		X	X	X	X	X	X	X	
	INSULATOR ASSY. — LEFT HAND DRIVE		2810785	1		X	X			X			
	14.685	TRIM ASSEMBLY — Front door											
TRIM Nos. 40B		L.H.	2809989BA	1	X								
		R.H.	2809990BA	1	X								
TRIM Nos. 41A, 41B		L.H.	2809989BM	1	X								
		R.H.	2809990BM	1	X								
TRIM Nos. 42A		L.H.	2809989BC	1	X								
		R.H.	2809990BC	1	X								
TRIM Nos. 42B		L.H.	2809989BW	1	X								
		R.H.	2809990BW	1	X								
TRIM Nos. 44A		L.H.	2809989BP	1	X								
		R.H.	2809990BP	1	X								
TRIM Nos. 46B		L.H.	2809989BX	1	X								
		R.H.	2809990BX	1	X								
TRIM Nos. 40D, 40E, 40F		L.H.	2809947BA	1		X		X					
		R.H.	2809948BA	1		X		X					
TRIM Nos. 41D, 41E, 41F		L.H.	2809947BB	1		X		X					
		R.H.	2809948BB	1		X		X					
TRIM Nos. 42E		L.H.	2809947BC	1		X		X					
		R.H.	2809948BC	1		X		X					
TRIM Nos. 42D, 42F		L.H.	2809947BT	1		X		X					
		R.H.	2809948BT	1		X		X					
TRIM Nos. 43D, 43E, 43F		L.H.	2809947BD	1		X		X					
		R.H.	2809948BD	1		X		X					
TRIM Nos. 44D, 44E, 44F		L.H.	2809947BE	1		X		X					
		R.H.	2809948BE	1		X		X					
Note: (3) Use with Sandalwood Headlining.													

HOLDEN "LC" PARTS CATALOGUE

GROUP	DESCRIPTION	SIDE	PART No.	QTY.	822		823		824/828		825	826	829
					11	11	69	11	69	69	11	11	
14.685	TRIM ASSEMBLY — Front door (cont.)												
	TRIM Nos. 46D, 46F	L.H.	2809947BU	1		X		X					
		R.H.	2809948BU	1		X		X					
	TRIM Nos. 48D, 48F	L.H.	2809947BG	1		X		X					
		R.H.	2809948BG	1		X		X					
	TRIM Nos. 40D, 40E, 40F	L.H.	2809117BA	1			X		X				
		R.H.	2809116BA	1			X		X				
	TRIM Nos. 41D, 41E, 41F	L.H.	2809117BB	1			X		X				
		R.H.	2809116BB	1			X		X				
	TRIM Nos. 42E	L.H.	2809117BC	1			X		X				
		R.H.	2809116BC	1			X		X				
	TRIM Nos. 42D, 42F	L.H.	2809117BT	1			X		X				
		R.H.	2809116BT	1			X		X				
	TRIM Nos. 43D, 43E, 43F	L.H.	2809117BD	1			X		X				
		R.H.	2809116BD	1			X		X				
	TRIM Nos. 44D, 44E, 44F	L.H.	2809117BE	1			X		X				
		R.H.	2809116BE	1			X		X				
	TRIM Nos. 46D, 46F	L.H.	2809117BU	1			X		X				
		R.H.	2809116BU	1			X		X				
	TRIM Nos. 48D, 48F	L.H.	2809117BG	1			X		X				
		R.H.	2809116BG	1			X		X				
	TRIM Nos. 40P, 40Q	L.H.	2816615BA	1							X		
		R.H.	2816616BA	1							X		
	TRIM Nos. 41P, 41Q	L.H.	2816615BB	1							X		
		R.H.	2816616BB	1							X		
	TRIM Nos. 42P	L.H.	2816615BT	1							X		
		R.H.	2816616BT	1							X		
	TRIM Nos. 43P	L.H.	2816615BD	1							X		
		R.H.	2816616BD	1							X		
	TRIM Nos. 44P	L.H.	2816615BE	1							X		
		R.H.	2816616BE	1							X		
	TRIM Nos. 46P	L.H.	2816615BU	1							X		
		R.H.	2816616BU	1							X		
	TRIM Nos. 48P, 48Q	L.H.	2816615BG	1							X		
		R.H.	2816616BG	1							X		
	TRIM Nos. 40R, 40T	L.H.	2809127BA	1							X		
		R.H.	2809126BA	1							X		
	TRIM Nos. 41R, 41T	L.H.	2809127BB	1							X		
		R.H.	2809126BB	1							X		
	TRIM Nos. 42R, 42T	L.H.	2809127BC	1							X		
		R.H.	2809126BC	1							X		
	TRIM Nos. 43R, 43T	L.H.	2809127BD	1							X		
		R.H.	2809126BD	1							X		
	TRIM Nos. 44R, 44T	L.H.	2809127BE	1							X		
		R.H.	2809126BE	1							X		
	TRIM Nos. 40P, 40Q	L.H.	2816617BA	1								X	
		R.H.	2816618BA	1								X	
	TRIM Nos. 41P, 41Q	L.H.	2816617BB	1								X	
		R.H.	2816618BB	1								X	
	TRIM Nos. 42P	L.H.	2816617BT	1								X	
	R.H.	2816618BT	1								X		
TRIM Nos. 43P	L.H.	2816617BD	1								X		
	R.H.	2816618BD	1								X		
TRIM Nos. 44P	L.H.	2816617BE	1								X		
	R.H.	2816618BE	1								X		
TRIM Nos. 46P	L.H.	2816617BU	1								X		
	R.H.	2816618BU	1								X		
TRIM Nos. 48P, 48Q	L.H.	2816617BG	1								X		
	R.H.	2816618BG	1								X		
TRIM Nos. 40R, 40T	L.H.	2809753BA	1								X		
	R.H.	2809752BA	1								X		
TRIM Nos. 41R, 41T	L.H.	2809753BB	1								X		
	R.H.	2809752BB	1								X		
TRIM Nos. 42R, 42T	L.H.	2809753BC	1								X		
	R.H.	2809752BC	1								X		

HOLDEN "LC" PARTS CATALOGUE

GROUP	DESCRIPTION	SIDE	PART No.	QTY.	822		823		824 / 828		825	826	829
					11	11	69	11	69	69	11	11	
14.685	TRIM ASSEMBLY — Front door (cont.)												
	TRIM Nos. 43R, 43T	L.H.	2809753BD	1								X	
		R.H.	2809752BD	1								X	
	TRIM Nos. 44R, 44T	L.H.	2809753BE	1								X	
		R.H.	2809752BE	1								X	
	TRIM Nos. 40L, 40V, 40W, 40X, 40Y, 40Z, exc. 196X Eng.	L.H.	2810459BA	1									X
		R.H.	2810458BA	1									X
	TRIM Nos. 41V, 41W, 41X, 41Y exc. 186X Eng.	L.H.	2810459BB	1									X
		R.H.	2810458BB	1									X
	TRIM Nos. 42V, 42W exc. 186X Eng.	L.H.	2810459BT	1									X
		R.H.	2810458BT	1									X
	TRIM Nos. 42X, 42Y exc. 186X Eng.	L.H.	2810459BC	1									X
		R.H.	2810458BC	1									X
	TRIM Nos. 43X, 43Y exc. 186X Eng.	L.H.	2810459BD	1									X
		R.H.	2810458BD	1									X
	TRIM Nos. 44X, 44Y exc. 186X Eng.	L.H.	2810459BE	1									X
		R.H.	2810458BE	1									X
	TRIM Nos. 45L, 45V exc. 186X Eng.	L.H.	2810459BV	1									X
		R.H.	2810458BV	1									X
	TRIM Nos. 46V, 46W exc. 186X Eng.	L.H.	2810459BU	1									X
		R.H.	2810458BU	1									X
	TRIM Nos. 48V, 48W, 48X, 48Y exc. 186X Eng.	L.H.	2810459BG	1									X
		R.H.	2810458BG	1									X
	TRIM Nos. 40L, 40V, 40W, 40X, 40Y, 40Z, 186X Eng.	L.H.	2817913BA	1									X
	R.H.	2817914BA	1									X	
RETAINER — Door trim	L.H.	2807331	1									X	
	R.H.	2807330	1									X	
CLIP — Trim to door		7377884	A.R.	X	X	X	X	X	X	X	X	X	X
CAP — Clip		7410830	A.R.	X	X	X	X	X	X	X	X	X	X
14.686	ARM REST ASSEMBLY — Front door												
	TRIM Nos. 40D, 40E, 40F, 40L, 40P, 40Q, 40R, 40T, 40V, 40W, 40X, 40Y, 40Z, 45L, 45V		7437712BA	2-4		X	X	X	X	X	X	X	X
	TRIM Nos. 41D, 41E, 41F, 41P, 41Q, 41R, 41T, 41V, 41W, 41X		7437712BB	2-4		X	X	X	X	X	X	X	X
	TRIM Nos. 42D, 42F, 42P, 42V, 42W		7437712BT	2-4		X	X	X	X	X	X	X	X
	TRIM Nos. 42E, 42R, 42T, 42X, 42Y		7437712BC	2-4		X	X	X	X	X	X	X	X
	TRIM Nos. 43D, 43E, 43F, 43P, 43R, 43T, 43X, 43Y		7437712BD	2-4		X	X	X	X	X	X	X	X
	TRIM Nos. 44D, 44E, 44F, 44P, 44R, 44T, 44X, 44Y		7437712BE	2-4		X	X	X	X	X	X	X	X
	TRIM Nos. 46D, 46F, 46P, 46V, 46W		7437712BU	2-4		X	X	X	X	X	X	X	X
	TRIM Nos. 48D, 48F, 48P, 48Q, 48V, 48W, 48X, 48Y		7437712BG	2-4		X	X	X	X	X	X	X	X
	14.691	TRIM ASSEMBLY — Front door garnish											
PLATE — Front door name													
TRIM — Garnish upper — Trim Nos. 40E, 40F, 40P, 40Q, 40R, 40T		L.H.	C787BA	1			X		X			X	
		R.H.	C786BA	1			X		X			X	
TRIM — Garnish upper — Trim Nos. 41E, 41F, 41P, 41Q, 41R, 41T		L.H.	C787BB	1			X		X			X	
		R.H.	C786BB	1			X		X			X	
TRIM — Garnish upper — Trim Nos. 42E, 42R, 42T		L.H.	C787BC	1			X		X			X	
		R.H.	C786BC	1			X		X			X	
TRIM — Garnish upper — Trim Nos. 42F, 42P		L.H.	C787BT	1			X		X			X	
		R.H.	C786BT	1			X		X			X	

HOLDEN "LC" PARTS CATALOGUE

GROUP	DESCRIPTION	SIDE	PART No.	QTY.	822		823		824/828		825		826		829	
					11	11	69	11	69	69	11	11				
14.691	TRIM ASSEMBLY — Front door garnish (cont.)															
	PLATE — Front door name (cont.)															
	TRIM — Garnish upper — Trim Nos. 43E, 43F, 43P, 43R, 43T	L.H.	C787BD	1			X		X						X	
		R.H.	C786BD	1			X		X						X	
	TRIM — Garnish upper — Trim Nos. 44E, 44F, 44P, 44R, 44T	L.H.	C787BE	1			X		X						X	
		R.H.	C786BE	1			X		X						X	
	TRIM — Garnish upper — Trim Nos. 46F, 46P	L.H.	C787BU	1			X		X						X	
		R.H.	C786BU	1			X		X						X	
	TRIM — Garnish upper — Trim Nos. 48F, 48P, 48Q	L.H.	C787BG	1			X		X						X	
		R.H.	C786BG	1			X		X						X	
	TRIM — Garnish upper — Trim Nos. 40E, 40F, 40P, 40Q, 40R, 40T	L.H.	C789BA	1					X		X	X				
		R.H.	C788BA	1					X		X	X				
	TRIM — Garnish upper — Trim Nos. 41E, 41F, 41P, 41Q, 41R, 41T	L.H.	C789BB	1					X		X	X				
		R.H.	C788BB	1					X		X	X				
	TRIM — Garnish upper — Trim Nos. 42E, 42R, 42T	L.H.	C789BC	1					X		X	X				
		R.H.	C788BC	1					X		X	X				
	TRIM — Garnish upper — Trim Nos. 42F, 42P	L.H.	C789BT	1					X		X	X				
		R.H.	C788BT	1					X		X	X				
	TRIM — Garnish upper — Trim Nos. 43E, 43F, 43P, 43R, 43T	L.H.	C789BD	1					X		X	X				
		R.H.	C788BD	1					X		X	X				
	TRIM — Garnish upper — Trim Nos. 44E, 44F, 44P, 44R, 44T	L.H.	C789BE	1					X		X	X				
		R.H.	C788BE	1					X		X	X				
	TRIM — Garnish upper — Trim Nos. 46F, 46P	L.H.	C789BU	1					X		X	X				
		R.H.	C788BU	1					X		X	X				
	TRIM — Garnish upper — Trim Nos. 48F, 48P, 48Q	L.H.	C789BG	1					X		X	X				
		R.H.	C788BG	1					X		X	X				
	PLATE "GTR" NAME — exc. 186X Eng.		2810504	2												X
14.694	SEAL — Front door inner panel															
	SEAL	L.H.	2812837	1					X		X	X				
		R.H.	2812836	1					X		X	X				
	SEAL	L.H.	2812835	1	X	X			X				X	X		
		R.H.	2812834	1	X	X			X				X	X		
14.730	TRIM — Centre pillar															
	TRIM Nos. 40E, 40F, 40P, 40Q, 40R, 40T	L.H.	B539BA	1					X		X	X				
		R.H.	B538BA	1					X		X	X				
	TRIM Nos. 41E, 41F, 41P, 41Q, 41R, 41T	L.H.	B539BB	1					X		X	X				
		R.H.	B538BB	1					X		X	X				
	TRIM Nos. 42E, 42R, 42T	L.H.	B539BC	1					X		X	X				
		R.H.	B538BC	1					X		X	X				
	TRIM Nos. 42F, 42P	L.H.	B539BT	1					X		X	X				
		R.H.	B538BT	1					X		X	X				
	TRIM Nos. 43E, 43F, 43P, 43R, 43T	L.H.	B539BD	1					X		X	X				
		R.H.	B538BD	1					X		X	X				
	TRIM Nos. 44E, 44F, 44P, 44R, 44T	L.H.	B539BE	1					X		X	X				
		R.H.	B538BE	1					X		X	X				
	TRIM Nos. 46F, 46P	L.H.	B539BU	1					X		X	X				
		R.H.	B538BU	1					X		X	X				
	TRIM Nos. 48F, 48P, 48Q	L.H.	B539BG	1					X		X	X				
		R.H.	B538BG	1					X		X	X				

HOLDEN "LC" PARTS CATALOGUE

GROUP	DESCRIPTION	SIDE	PART No.	QTY.	822	823		824/828		825	826	829
					11	11	69	11	69	69	11	11
14.760	TRIM ASSEMBLY — Rear door											
	TRIM Nos. 40D, 40E, 40F, 40P, 40Q, 40R, 40T	L.H.	2809123BA	1			X		X	X		
		R.H.	2809122BA	1			X		X	X		
	TRIM Nos. 41D, 41E, 41F, 41P, 41Q, 41R, 41T	L.H.	2809123BB	1			X		X	X		
		R.H.	2809122BB	1			X		X	X		
	TRIM Nos. 42E, 42R, 42T	L.H.	2809123BC	1			X		X	X		
		R.H.	2809122BC	1			X		X	X		
	TRIM Nos. 42D, 42F, 42P	L.H.	2809123BT	1			X		X	X		
		R.H.	2809122BT	1			X		X	X		
	TRIM Nos. 43D, 43E, 43F, 43P, 43R, 43T	L.H.	2809123BD	1			X		X	X		
		R.H.	2809122BD	1			X		X	X		
	TRIM Nos. 44D, 44E, 44F, 44P, 44R, 44T	L.H.	2809123BE	1			X		X	X		
		R.H.	2809122BE	1			X		X	X		
	TRIM Nos. 46D, 46F, 46P	L.H.	2809123BU	1			X		X	X		
		R.H.	2809122BU	1			X		X	X		
	TRIM Nos. 48D, 48F, 48P, 48Q	L.H.	2809123BG	1			X		X	X		
		R.H.	2809122BG	1			X		X	X		
	CAP — Clip		7410830	26			X		X	X		
	CLIP — Trim to door		7377884	26			X		X	X		
	14.762	ARM REST ASSY. — Rear door, rear quarter										
TRIM Nos. 40D, 40E, 40F, 40L, 40P, 40Q, 40R, 40T, 40V, 40W, 40X, 40Y, 40Z, 45L, 45V			7437712BA	2		X	X	X	X	X	X	X
TRIM Nos. 41D, 41E, 41F, 41P, 41Q, 41R, 41T, 41V, 41W, 41X, 41Y			7437712BB	2		X	X	X	X	X	X	X
TRIM Nos. 42E, 42R, 42T, 42X, 42Y			7437712BC	2		X	X	X	X	X	X	X
TRIM Nos. 42D, 42F, 42P, 42V, 42W			7437712BT	2		X	X	X	X	X	X	X
TRIM Nos. 43D, 43E, 43F, 43P, 43R, 43T, 43X, 43Y			7437712BD	2		X	X	X	X	X	X	X
TRIM Nos. 44D, 44E, 44F, 44P, 44R, 44T, 44X, 44Y			7437712BE	2		X	X	X	X	X	X	X
TRIM Nos. 46D, 46F, 46P, 46V, 46W			7437712BU	2		X	X	X	X	X	X	X
TRIM Nos. 48D, 48F, 48P, 48Q, 48V, 48W, 48X, 48Y			7437712BG	2		X	X	X	X	X	X	X
14.764		TRIM — Rear door garnish										
	TRIM Nos. 40E, 40F, 40P, 40Q, 40R, 40T	L.H.	C791BA	1			X		X	X		
		R.H.	C790BA	1			X		X	X		
	TRIM Nos. 41E, 41F, 41P, 41Q, 41R, 41T	L.H.	C791BB	1			X		X	X		
		R.H.	C790BB	1			X		X	X		
	TRIM Nos. 42E, 42R, 42T	L.H.	C791BC	1			X		X	X		
		R.H.	C790BC	1			X		X	X		
	TRIM Nos. 42F, 42P	L.H.	C791BT	1			X		X	X		
		R.H.	C790BT	1			X		X	X		
	TRIM Nos. 43E, 43F, 43P, 43R, 43T	L.H.	C791BD	1			X		X	X		
		R.H.	C790BD	1			X		X	X		
	TRIM Nos. 44E, 44F, 44P, 44R, 44T	L.H.	C791BE	1			X		X	X		
		R.H.	C790BE	1			X		X	X		
	TRIM Nos. 46F, 46P	L.H.	C791BU	1			X		X	X		
		R.H.	C790BU	1			X		X	X		
	TRIM Nos. 48F, 48P, 48Q	L.H.	C791BG	1			X		X	X		
	R.H.	C790BG	1			X		X	X			
14.768	SEAL — Rear door inner panel											
	SEAL	L.H.	2812839	1			X		X	X		
	R.H.	2812838	1			X		X	X			
14.796	SEAT ASSEMBLY — Head Restraint											
CURRENT PRODUCTION FRONT SEAT ASSEMBLIES AND HEAD RESTRAINT ASSEMBLIES WILL BE SUPPLIED IN CURRENT PRODUCTION TRIM ON A FIRM ORDER BASIS.												

HOLDEN "LC" PARTS CATALOGUE

GROUP	DESCRIPTION	SIDE	PART No.	QTY.	822	823	824 / 828	825	826	829	
					11	11	69	11	69	69	11
14.798	BELT ASSEMBLY — Front seat (Bench Seat)										
	TRIM Nos. 40E, 40F, 40P, 40Q, 40R, 40T		2811728BA	2			X		X		
	TRIM Nos. 41E, 41F, 41P, 41Q, 41R, 41T		2811728BB	2			X		X		
	TRIM Nos. 42E, 42R, 42T		2811728BC	2			X		X		
	TRIM Nos. 42F, 42P		2811728BT	2			X		X		
	TRIM Nos. 43E, 43F, 43P, 43R, 43T		2811728BD	2			X		X		
	TRIM Nos. 44E, 44F, 44P, 44R, 44T		2811728BE	2			X		X		
	TRIM Nos. 46F, 46P		2811728BU	2			X		X		
	TRIM Nos. 48F, 48P, 48Q		2811728BG	2			X		X		
	BELT ASSEMBLY — Front seat centre lap (Bench seat)										
	TRIM Nos. 40B, 40D, 40E, 40F, 40P, 40Q, 40R, 40T		2811732BA	1			X		X	X	
	TRIM Nos. 41D, 41E, 41F, 41P, 41Q, 41R, 41T		2811732BB	1			X		X	X	
	TRIM Nos. 42E, 42R, 42T		2811732BC	1			X		X	X	
	TRIM Nos. 42D, 42F, 42P		2811732BT	1			X		X	X	
	TRIM Nos. 43D, 43E, 43F, 43P, 43R, 43T		2811732BD	1			X		X	X	
	TRIM Nos. 44D, 44E, 44F, 44P, 44R, 44T		2811732BE	1			X		X	X	
	TRIM Nos. 46D, 46F, 46P		2811732BU	1			X		X	X	
	TRIM Nos. 48D, 48F, 48P, 48Q		2811732BG	1			X		X	X	
	BELT ASSEMBLY — Front seat (Bucket Seat)										
	TRIM Nos. 40E, 40F, 40P, 40Q, 40R, 40T		2811619BA	2			X		X	X	
	TRIM Nos. 41E, 41F, 41P, 41Q, 41R, 41T		2811619BB	2			X		X	X	
	TRIM Nos. 42E, 42R, 42T		2811619BC	2			X		X	X	
	TRIM Nos. 42F, 42P		2811619BT	2			X		X	X	
	TRIM Nos. 43E, 43F, 43P, 43R, 43T		2811619BD	2			X		X	X	
	TRIM Nos. 44E, 44F, 44P, 44R, 44T		2811619BE	2			X		X	X	
	TRIM Nos. 46F, 46P		2811619BU	2			X		X	X	
	TRIM Nos. 48F, 48P, 48Q		2811619BG	2			X		X	X	
	TRIM Nos. 40D, 40E, 40F, 40L, 40P, 40Q, 40R, 40T, 40V, 40W, 40X, 40Y, 40Z, 45L, 45V, 48V, 48W, 48X, 48Y		2811621BA	2	X	X		X		X	X
	TRIM Nos. 41A, 41B, 41D, 41E, 41F, 41P, 41Q, 41R, 41T, 41V, 41W, 41X, 41Y		2811621BB	2	X	X		X		X	X
	TRIM Nos. 42A, 42E, 42R, 42T, 42X, 42Y		2811621BC	2	X	X		X		X	X
	TRIM Nos. 42B, 42D, 42F, 42P, 42V, 42W		2811621BT	2	X	X		X		X	X
	TRIM Nos. 43D, 43E, 43F, 43P, 43R, 43T, 43X, 43Y		2811621BD	2	X	X		X		X	X
	TRIM Nos. 44A, 44D, 44E, 44F, 44P, 44R, 44T, 44X, 44Y		2811621BE	2	X	X		X		X	X
	TRIM Nos. 46B, 46D, 46F, 46P, 46V, 46W		2811621BU	2	X	X		X		X	X
	TRIM Nos. 48D, 48F, 48P, 48Q		2811621BG	2	X	X		X		X	X
14.799	HOOK — Seat belt stowage										
	TRIM Nos. 40D, 40E, 40F, 40P, 40Q, 40R, 40T		7438599BA	2			X		X	X	
	TRIM Nos. 41D, 41E, 41F, 41P, 41Q, 41R, 41T		7438599BB	2			X		X	X	
	TRIM Nos. 42E, 42R, 42T		7438599BC	2			X		X	X	
	TRIM Nos. 42D, 42F, 42P		7438599BT	2			X		X	X	
	TRIM Nos. 43D, 43E, 43F, 43P, 43R, 43T		7438599BD	2			X		X	X	
	TRIM Nos. 44D, 44E, 44F, 44P, 44R, 44T		7438599BE	2			X		X	X	
	TRIM Nos. 46D, 46F, 46P		7438599BU	2			X		X	X	
	TRIM Nos. 48D, 48F, 48P, 48Q		7438599BG	2			X		X	X	
	SCREW — Hook to centre pillar		7428243	2			X		X	X	
	14.800	COVER ASSY. — Front seat back (Bench Seat)									
TRIM Nos. 40E, 40F			2810569BA	1			X				
TRIM Nos. 41E, 41F			2810569BB	1			X				
TRIM Nos. 42E			2810569BC	1			X				
TRIM Nos. 42F			2810569BT	1			X				
TRIM Nos. 43E, 43F			2810569BD	1			X				
TRIM Nos. 44E, 44F			2810569BE	1			X				
TRIM Nos. 46F		2810569BU	1			X					

HOLDEN "LC" PARTS CATALOGUE

GROUP	DESCRIPTION	SIDE	PART No.	QTY.	822		823		824/828		825	826	829		
					11	11	69	11	69	69	11	11			
14.800	COVER ASSY. — Front seat back (Bench Seat) (cont.)														
	TRIM Nos. 48F		2810569BG	1			X								
	TRIM Nos. 40P, 40R		2810570BA	1							X				
	TRIM Nos. 41P, 41R		2810570BB	1							X				
	TRIM Nos. 42R		2810570BC	1							X				
	TRIM Nos. 42P		2810570BT	1							X				
	TRIM Nos. 43P, 43R		2810570BD	1							X				
	TRIM Nos. 44P, 44R		2810570BE	1							X				
	TRIM Nos. 46P		2810570BU	1							X				
	TRIM Nos. 48P		2810570BG	1							X				
	TRIM Nos. 40T		2810571BA	1							X				
	TRIM Nos. 41T		2810571BB	1							X				
	TRIM Nos. 42T		2810571BC	1							X				
	TRIM Nos. 43T		2810571BD	1							X				
	TRIM Nos. 44T		2810571BE	1							X				
	TRIM Nos. 40Q		2816608BA	1							X				
	TRIM Nos. 41Q		2816608BB	1							X				
	TRIM Nos. 48Q		2816608BG	1							X				
	COVER ASSY. — Front seat back (Bucket seat)														
	TRIM Nos. 40B		2810410BA	2	X										
	TRIM Nos. 41A, 41B		2810410BM	2	X										
	TRIM Nos. 42A		2810410BC	2	X										
	TRIM Nos. 42B		2810410BW	2	X										
	TRIM Nos. 44A		2810410BP	2	X										
	TRIM Nos. 46B		2810410BX	2	X										
	TRIM Nos. 40E, 40F		2810410BA	2		X	X	X	X	X					
	TRIM Nos. 41E, 41F		2810410BB	2		X	X	X	X	X					
	TRIM Nos. 42E		2810410BC	2		X	X	X	X	X					
	TRIM Nos. 42F		2810410BT	2		X	X	X	X	X					
	TRIM Nos. 43E, 43F		2810410BD	2		X	X	X	X	X					
	TRIM Nos. 44E, 44F		2810410BE	2		X	X	X	X	X					
	TRIM Nos. 46F		2810410BU	2		X	X	X	X	X					
	TRIM Nos. 48F		2810410BG	2		X	X	X	X	X					
	TRIM Nos. 40D		2820940BA	2				X	X	X					
	TRIM Nos. 41D		2820940BB	2				X	X	X					
	TRIM Nos. 42D		2820940BT	2				X	X	X					
	TRIM Nos. 43D		2820940BD	2				X	X	X					
	TRIM Nos. 44D		2820940BE	2				X	X	X					
	TRIM Nos. 46D		2820940BU	2				X	X	X					
	TRIM Nos. 48D		2820940BG	2				X	X	X					
	TRIM Nos. 40P, 40R		2810411BA	2							X	X			
	TRIM Nos. 41P, 41R		2810411BB	2							X	X			
	TRIM Nos. 42R		2810411BC	2							X	X			
	TRIM Nos. 42P		2810411BT	2							X	X			
	TRIM Nos. 43P, 43R		2810411BD	2							X	X			
	TRIM Nos. 44P, 44R		2810411BE	2							X	X			
	TRIM Nos. 46P		2810411BU	2							X	X			
	TRIM Nos. 48P		2810411BG	2							X	X			
TRIM Nos. 40T		2810412BA	2							X	X				
TRIM Nos. 41T		2810412BB	2							X	X				
TRIM Nos. 42T		2810412BC	2							X	X				
TRIM Nos. 43T		2810412BD	2							X	X				
TRIM Nos. 44T		2810412BE	2							X	X				
TRIM Nos. 40Q		2816607BA	2							X	X				
TRIM Nos. 41Q		2816607BB	2							X	X				
TRIM Nos. 48Q		2816607BG	2							X	X				
TRIM Nos. 40V, 40X		2810452BA	2											X	
TRIM Nos. 41V, 41X		2810452BB	2											X	
TRIM Nos. 42X		2810452BC	2											X	
TRIM Nos. 42V		2810452BT	2											X	
TRIM Nos. 43X		2810452BD	2											X	
TRIM Nos. 44X		2810452BE	2											X	
TRIM Nos. 45V		2810452BV	2											X	
TRIM Nos. 46V		2810452BU	2											X	
TRIM Nos. 48V, 48X		2810452BG	2											X	

HOLDEN "LC" PARTS CATALOGUE

GROUP	DESCRIPTION	SIDE	PART No.	QTY.	822		823		824/828		825	826	829	
					11	11	69	11	69	69	11	11		
14.800	COVER ASSY. — Front seat back (Bench Seat) (cont.)													
	COVER ASSY. — Front seat back (Bucket seat)(cont.)													
		TRIM Nos. 40W, 40Y		2810453BA	2									X
		TRIM Nos. 40L		2810453BY	2									X
		TRIM Nos. 40Z		2810453BS	2									X
		TRIM Nos. 41W, 41Y		2810453BB	2									X
		TRIM Nos. 42Y		2810453BC	2									X
		TRIM Nos. 42W		2810453BT	2									X
		TRIM Nos. 43Y		2810453BD	2									X
		TRIM Nos. 44Y		2810453BE	2									X
		TRIM Nos. 45L		2810453BV	2									X
		TRIM Nos. 46W		2810453BU	2									X
		TRIM Nos. 48W, 48Y		2810453BG	2									X
		FASTENER — Trim Nos. 40B, 40D, 40E, 40F, 40L, 40P, 40Q, 40R, 40T, 40V, 40W, 40X, 40Y, 40Z, 45L, 45V		SP1838BA	6	X	X	X	X	X	X	X	X	X
		FASTENER — Trim Nos. 41A, 41B, 41D, 41E, 41F, 41P, 41Q, 41R, 41T, 41V, 41W, 41X, 41Y		SP1838BB	6	X	X	X	X	X	X	X	X	X
		FASTENER — Trim Nos. 42A, 42E, 42R, 42T, 42X, 42Y		SP1838BC	6	X	X	X	X	X	X	X	X	X
		FASTENER — Trim Nos. 42B, 42D, 42F, 42P, 42V, 42W		SP1838BT	6	X	X	X	X	X	X	X	X	X
		FASTENER — Trim Nos. 43D, 43E, 43F, 43P, 43R, 43T, 43X, 43Y		SP1838BD	6	X	X	X	X	X	X	X	X	X
		FASTENER — Trim Nos. 44A, 44D, 44E, 44F, 44P, 44R, 44T, 44X, 44Y		SP1838BE	6	X	X	X	X	X	X	X	X	X
		FASTENER — Trim Nos. 46B, 46D, 46F, 46P, 46V, 46W,		SP1838BU	6	X	X	X	X	X	X	X	X	X
		FASTENER — Trim Nos. 48D, 48F, 48P, 48Q, 48V, 48W, 48X, 48Y		SP1838BG	6	X	X	X	X	X	X	X	X	X
14.802	PAD ASSEMBLY — Front seat back													
		PAD ASSEMBLY — (Bench Seat)		2810536	1			X			X			
	PAD ASSEMBLY — (Bucket Seat)		2809882	2	X	X	X	X	X	X	X	X	X	
14.803	TRIM ASSY. — Front seat back rear (Bucket Seat)													
		TRIM Nos. 40L, 40P, 40Q, 40R, 40T, 40V, 40W, 40X, 40Y, 40Z		2810427BA	2						X	X	X	
		TRIM Nos. 41P, 41Q, 41R, 41T, 41V, 41W, 41X, 41Y		2810427BB	2						X	X	X	
		TRIM Nos. 42R, 42T, 42X, 42Y		2810427BC	2						X	X	X	
		TRIM Nos. 42P, 42V, 42W		2810427BT	2						X	X	X	
		TRIM Nos. 43P, 43R, 43T, 43X, 43Y		2810427BD	2						X	X	X	
		TRIM Nos. 44P, 44R, 44T, 44X, 44Y		2810427BE	2						X	X	X	
		TRIM Nos. 45L, 45V		2810427BV	2						X	X	X	
		TRIM Nos. 46P, 46V, 46W		2810427BU	2						X	X	X	
		TRIM Nos. 48P, 48Q, 48V, 48W, 48X, 48Y		2810427BG	2						X	X	X	
		CLIP — Trim retainer		7377884	22						X	X	X	
	14.860	GUARD — Front seat adjuster												
			GUARD — (Bench Seat)	L.H.	2809199	1			X			X		
			R.H.	7434922	1			X			X			
		GUARD — (Bucket Seat)	L.H.	7434923	1	X	X	X	X	X	X	X	X	
		R.H.	7434922	1	X	X	X	X	X	X	X	X		
14.880	COVER ASSY. — Front seat cushion (Bench Seat)													
		TRIM Nos. 40E, 40F		2810566BA	1			X						
		TRIM Nos. 41E, 41F		2810566BB	1			X						
		TRIM Nos. 42E		2810566BC	1			X						
		TRIM Nos. 42F		2810566BT	1			X						
		TRIM Nos. 43E, 43F		2810566BD	1			X						
	TRIM Nos. 44E, 44F		2180566BE	1			X							

HOLDEN "LC" PARTS CATALOGUE

GROUP	DESCRIPTION	SIDE	PART No.	QTY.	822		823		824/828		825	826	829		
					11	11	69	11	69	69	11	11			
14.880	COVER ASSY. — Front seat cushion (Bench Seat)(cont.)														
	TRIM Nos. 46F		2810566BU	1			X								
	TRIM Nos. 48F		2810566BG	1			X								
	TRIM Nos. 40P, 40R		2810567BA	1							X				
	TRIM Nos. 41P, 41R		2810567BB	1							X				
	TRIM Nos. 42R		2810567BC	1							X				
	TRIM Nos. 42P		2810567BT	1							X				
	TRIM Nos. 43P, 43R		2810567BD	1							X				
	TRIM Nos. 44P, 44R		2810567BE	1							X				
	TRIM Nos. 46P		2810567BU	1							X				
	TRIM Nos. 48P		2810567BG	1							X				
	TRIM Nos. 40T		2810568BA	1							X				
	TRIM Nos. 41T		2810568BB	1							X				
	TRIM Nos. 42T		2810568BC	1							X				
	TRIM Nos. 43T		2810568BD	1							X				
	TRIM Nos. 44T		2810568BE	1							X				
	TRIM Nos. 40Q		2816606BA	1							X				
	TRIM Nos. 41Q		2816606BB	1							X				
	TRIM Nos. 48Q		2816606BG	1							X				
	COVER ASSY. — Front seat cushion (Bucket Seat)														
	TRIM Nos. 40B		2810407BA	2	X										
	TRIM Nos. 41A, 41B		2810407BM	2	X										
	TRIM Nos. 42A		2810407BC	2	X										
	TRIM Nos. 42B		2810407BW	2	X										
	TRIM Nos. 44A		2810407BP	2	X										
	TRIM Nos. 46B		2810407BX	2	X										
	TRIM Nos. 40E, 40F		2810407BA	2		X	X	X	X						
	TRIM Nos. 41E, 41F		2810407BB	2		X	X	X	X	X					
	TRIM Nos. 42E		2810407BC	2		X	X	X	X	X					
	TRIM Nos. 42F		2810407BT	2		X	X	X	X	X					
	TRIM Nos. 43E, 43F		2810407BD	2		X	X	X	X	X					
	TRIM Nos. 44E, 44F		2810407BE	2		X	X	X	X	X					
	TRIM Nos. 46F		2810407BU	2		X	X	X	X	X					
	TRIM Nos. 48F		2810407BG	2		X	X	X	X	X					
	TRIM Nos. 40D		2820939BA	2					X	X					
	TRIM Nos. 41D		2820939BB	2					X	X					
	TRIM Nos. 42D		2820939BT	2					X	X					
	TRIM Nos. 43D		2820939BD	2					X	X					
	TRIM Nos. 44D		2820939BE	2					X	X					
	TRIM Nos. 46D		2820939BU	2					X	X					
	TRIM Nos. 48D		2820939BG	2					X	X					
	TRIM Nos. 40P, 40R		2810408BA	2							X	X			
	TRIM Nos. 41P, 41R		2810408BB	2							X	X			
	TRIM Nos. 42R		2810408BC	2							X	X			
	TRIM Nos. 42P		2810408BT	2							X	X			
	TRIM Nos. 43P, 43R		2810408BD	2							X	X			
TRIM Nos. 44P, 44R		2810408BE	2							X	X				
TRIM Nos. 46P		2810408BU	2							X	X				
TRIM Nos. 48P		2810408BG	2							X	X				
TRIM Nos. 40T		2810409BA	2							X	X				
TRIM Nos. 41T		2810409BB	2							X	X				
TRIM Nos. 42T		2810409BC	2							X	X				
TRIM Nos. 43T		2810409BD	2							X	X				
TRIM Nos. 44T		2810409BE	2							X	X				
TRIM Nos. 40Q		2816605BA	2							X	X				
TRIM Nos. 41Q		2816605BB	2							X	X				
TRIM Nos. 48Q		2816605BG	2							X	X				
TRIM Nos. 40V, 40X		2810450BA	2										X		
TRIM Nos. 41V, 41X		2810450BB	2										X		
TRIM Nos. 42X		2810450BC	2										X		
TRIM Nos. 42V		2810450BT	2										X		
TRIM Nos. 43X		2810450BD	2										X		
TRIM Nos. 44X		2810450BE	2										X		
TRIM Nos. 45V		2810450BV	2										X		
TRIM Nos. 46V		2810450BU	2										X		

HOLDEN "LC" PARTS CATALOGUE

GROUP	DESCRIPTION	SIDE	PART No.	QTY.	822	823		824/828		825	826	829	
					11	11	69	11	69	69	11	11	
14.880	COVER ASSY. — Front seat cushion (Bench Seat) (cont.)												
	COVER ASSY. — Front seat cushion (Bucket Seat) (cont.)												
	TRIM Nos. 48V, 48X		2810450BG	2								X	
	TRIM Nos. 40L		2810451BY	2								X	
	TRIM Nos. 40W, 40Y		2810451BA	2								X	
	TRIM Nos. 40Z		2810451BS	2								X	
	TRIM Nos. 41W, 41Y		2810451BB	2								X	
	TRIM Nos. 42Y		2810451BC	2								X	
	TRIM Nos. 42W		2810451BT	2								X	
	TRIM Nos. 43Y		2810451BD	2								X	
	TRIM Nos. 44Y		2810451BE	2								X	
	TRIM Nos. 45L		2810451BV	2								X	
	TRIM Nos. 46W		2810451BU	2								X	
	TRIM Nos. 48W, 48Y		2810451BG	2								X	
14.890	PAD ASSEMBLY — Front seat cushion												
	PAD ASSEMBLY — (Bench Seat)		2810530	1			X						
	PAD ASSEMBLY — (Bench Seat)		2811312	1						X			
	PAD ASSEMBLY — (Bucket Seat)		2808607	2	X	X	X	X	X	X	X	X	
14.924	COVER ASSY. RETAINER — Front seat back head restraint												
	TRIM Nos. 40B, 40D, 40E, 40L, 40P, 40Q, 40V, 40W		2822570BA	2	X	X	X	X	X	X	X	X	
	TRIM Nos. 41B		2822570BM	2	X	X	X	X	X	X	X	X	
	TRIM Nos. 41D, 41F, 41P, 41Q, 41V, 41W		2822570BB	2	X	X	X	X	X	X	X	X	
	TRIM Nos. 42B		2822570BW	2	X	X	X	X	X	X	X	X	
	TRIM Nos. 42D, 42F, 42P, 42V, 42W		2822570BT	2	X	X	X	X	X	X	X	X	
	TRIM Nos. 43D, 43F, 43P		2822570BD	2	X	X	X	X	X	X	X	X	
	TRIM Nos. 44D, 44F, 44P		2822570BE	2	X	X	X	X	X	X	X	X	
	TRIM Nos. 45L, 45V		2822570BV	2	X	X	X	X	X	X	X	X	
	TRIM Nos. 46B		2822570BX	2	X	X	X	X	X	X	X	X	
	TRIM Nos. 46D, 46F, 46P, 46V, 46W		2822570BU	2	X	X	X	X	X	X	X	X	
	TRIM Nos. 48D, 48F, 48P, 48Q, 48V, 48W		2822570BG	2	X	X	X	X	X	X	X	X	
	FASTENER — Cover												
	TRIM Nos. 40B, 40D, 40F, 40L, 40P, 40Q, 40V, 40W		SP1838BA	8	X	X	X	X	X	X	X	X	X
	TRIM Nos. 41B, 41D, 41F, 41P, 41Q, 41V, 41W		SP1838BB	8	X	X	X	X	X	X	X	X	X
	TRIM Nos. 42B, 42D, 42F, 42P, 42V, 42W		SP1838BT	8	X	X	X	X	X	X	X	X	X
	TRIM Nos. 43D, 43F, 43P		SP1838BD	8	X	X	X	X	X	X	X	X	X
	TRIM Nos. 44D, 44F, 44P		SP1838BE	8	X	X	X	X	X	X	X	X	X
	TRIM Nos. 46B, 46D, 46F, 46P, 46V, 46W		SP1838BU	8	X	X	X	X	X	X	X	X	X
	TRIM Nos. 48D, 48F, 48P, 48Q, 48V, 48W		SP1838BG	8	X	X	X	X	X	X	X	X	X
	RETAINER — Cover		2822795	2	X	X	X	X	X	X	X	X	X
	14.925	PAD ASSY. — Front seat head restraint											
		PAD ASSY		2816980	2	X	X	X	X	X	X	X	X
	14.998	BACK ASSEMBLY — Rear seat											
	CURRENT PRODUCTION REAR SEAT BACK ASSEMBLIES WILL BE SUPPLIED IN CURRENT PRODUCTION TRIM ON A FIRM ORDER BASIS.												

HOLDEN "LC" PARTS CATALOGUE

GROUP	DESCRIPTION	SIDE	PART No.	QTY.	822	823		824/828		825	826	829
					11	11	69	11	69	69	11	11
15.000	COVER ASSEMBLY — Rear seat back											
	TRIM Nos. 40B		2810174BA	1	X							
	TRIM Nos. 41A, 41B		2810174BM	1	X							
	TRIM Nos. 42A		2810174BC	1	X							
	TRIM Nos. 42B		2810174BW	1	X							
	TRIM Nos. 44A		2810174BP	1	X							
	TRIM Nos. 46B		2810174BX	1	X							
	TRIM Nos. 40E, 40F		2810174BA	1		X	X	X	X			
	TRIM Nos. 41E, 41F		2810174BB	1		X	X	X	X			
	TRIM Nos. 42E		2810174BC	1		X	X	X	X			
	TRIM Nos. 42F		2810174BT	1		X	X	X	X			
	TRIM Nos. 43E, 43F		2810174BD	1		X	X	X	X			
	TRIM Nos. 44E, 44F		2810174BE	1		X	X	X	X			
	TRIM Nos. 46F		2810174BU	1		X	X	X	X			
	TRIM Nos. 48F		2810174BG	1		X	X	X	X			
	TRIM Nos. 40D		2820946BA	1				X	X			
	TRIM Nos. 41D		2820946BB	1				X	X			
	TRIM Nos. 42D		2820946BT	1				X	X			
	TRIM Nos. 43D		2820946BD	1				X	X			
	TRIM Nos. 44D		2820946BE	1				X	X			
	TRIM Nos. 46D		2820946BU	1				X	X			
	TRIM Nos. 48D		2820946BG	1				X	X			
	TRIM Nos. 40P, 40R		2810175BA	1						X	X	
	TRIM Nos. 41P, 41R		2810175BB	1						X	X	
	TRIM Nos. 42R		2810175BC	1						X	X	
	TRIM Nos. 42P		2810175BT	1						X	X	
	TRIM Nos. 43P, 43R		2810175BD	1						X	X	
	TRIM Nos. 44P, 44R		2810175BE	1						X	X	
	TRIM Nos. 46P		2810175BU	1						X	X	
	TRIM Nos. 48P		2810175BG	1						X	X	
	TRIM Nos. 40T		2810176BA	1						X	X	
	TRIM Nos. 41T		2810176BB	1						X	X	
	TRIM Nos. 42T		2810176BC	1						X	X	
	TRIM Nos. 43T		2810176BD	1						X	X	
	TRIM Nos. 44T		2810176BE	1						X	X	
	TRIM Nos. 40Q		2816614BA	1						X	X	
	TRIM Nos. 41Q		2816614BB	1						X	X	
	TRIM Nos. 48Q		2816614BG	1						X	X	
	TRIM Nos. 40V, 40X		2810177BA	1								X
	TRIM Nos. 41V, 41X		2810177BB	1								X
	TRIM Nos. 42X		2810177BC	1								X
	TRIM Nos. 42V		2810177BT	1								X
	TRIM Nos. 43X		2810177BD	1								X
	TRIM Nos. 44X		2810177BE	1								X
	TRIM Nos. 45V		2810177BV	1								X
	TRIM Nos. 46V		2810177BU	1								X
	TRIM Nos. 48V, 48X		2810177BG	1								X
	TRIM Nos. 40L		2810178BY	1								X
	TRIM Nos. 40W, 40Y		2810178BA	1								X
	TRIM Nos. 40Z		2810178BS	1								X
	TRIM Nos. 41W, 41Y		2810178BB	1								X
	TRIM Nos. 42Y		2810178BC	1								X
	TRIM Nos. 42W		2810178BT	1								X
	TRIM Nos. 43Y		2810178BD	1								X
	TRIM Nos. 44Y		2810178BE	1								X
	TRIM Nos. 45L		2810178BV	1								X
	TRIM Nos. 46W		2810178BU	1								X
	TRIM Nos. 48W, 48Y		2810178BG	1								X
15.002	PAD ASSEMBLY — Rear seat back											
	PAD ASSEMBLY		2809646	1	X	X	X	X	X			
	PAD ASSEMBLY		2809883	1						X	X	X

HOLDEN "LC" PARTS CATALOGUE

GROUP	DESCRIPTION	SIDE	PART No.	QTY.	822		823		824/828		825	826	829	
					11	11	69	11	69	69	11	11		
15.024	PANEL ASSEMBLY — Package tray													
	PANEL													
	TRIM Nos. 40B, 40D, 40E, 40F, 40L, 40P, 40Q, 40R, 40T, 40V, 40W, 40X, 40Y, 40Z, 45L, 45V, 48V, 48W, 48X, 48Y			2806244BA	1	X	X	X	X	X	X	X	X	X
	TRIM Nos. 41A, 41B, 41D, 41E, 41F, 41P, 41Q, 41R, 41T, 41V, 41W, 41X, 41Y			2806244BB	1	X	X	X	X	X	X	X	X	X
	TRIM Nos. 42A, 42E, 42R, 42T, 42X, 42Y			2806244BC	1	X	X	X	X	X	X	X	X	X
	TRIM Nos. 42B, 42D, 42F, 42P, 42V, 42W			2806244BT	1	X	X	X	X	X	X	X	X	X
	TRIM Nos. 43D, 43E, 43F, 43P, 43R, 43T, 43X, 43Y			2806244BD	1	X	X	X	X	X	X	X	X	X
	TRIM Nos. 44A, 44D, 44E, 44F, 44P, 44R, 44T, 44X, 44Y			2806244BE	1	X	X	X	X	X	X	X	X	X
	TRIM Nos. 46B, 46D, 46F, 46P, 46V, 46W			2806244BU	1	X	X	X	X	X	X	X	X	X
	TRIM Nos. 48D, 48F, 48P, 48Q			2806244BH	1	X	X	X	X	X	X	X	X	X
	FASTENER													
	TRIM Nos. 40B, 40D, 40E, 40F, 40L, 40P, 40Q, 40R, 40T, 40V, 40W, 40X, 40Y, 40Z, 45L, 45V, 48V, 48W, 48X, 48Y			SP1838BA	4	X	X	X	X	X	X	X	X	X
	TRIM Nos. 41A, 41B, 41D, 41E, 41F, 41P, 41Q, 41R, 41T, 41V, 41W, 41X, 41Y			SP1838BB	4	X	X	X	X	X	X	X	X	X
	TRIM Nos. 42A, 42E, 42R, 42T, 42X, 42Y			SP1838BC	4	X	X	X	X	X	X	X	X	X
	TRIM Nos. 42B, 42D, 42F, 42P, 42V, 42W			SP1838BT	4	X	X	X	X	X	X	X	X	X
	TRIM Nos. 43D, 43E, 43F, 43P, 43R, 43T, 43X, 43Y			SP1838BD	4	X	X	X	X	X	X	X	X	X
	TRIM Nos. 44A, 44D, 44E, 44F, 44P, 44R, 44T, 44X, 44Y			SP1838BE	4	X	X	X	X	X	X	X	X	X
	TRIM Nos. 46B, 46D, 46F, 46P, 46V, 46W			SP1838BU	4	X	X	X	X	X	X	X	X	X
	TRIM Nos. 48D, 48F, 48P, 48Q			SP1838BH	4	X	X	X	X	X	X	X	X	X
	15.033	CUSHION ASSEMBLY — Rear seat												
CURRENT PRODUCTION REAR SEAT CUSHION ASSEMBLIES WILL BE SUPPLIED IN CURRENT PRODUCTION TRIM ON A FIRM ORDER BASIS.														
15.035	COVER ASSEMBLY — Rear seat cushion													
	TRIM Nos. 40B		2809774BA	1	X									
	TRIM Nos. 41A, 41B		2809774BM	1	X									
	TRIM Nos. 42A		2809774BC	1	X									
	TRIM Nos. 42B		2809774BW	1	X									
	TRIM Nos. 44A		2809774BP	1	X									
	TRIM Nos. 46B		2809774BX	1	X									
	TRIM Nos. 40E, 40F		2809774BA	1		X		X						
	TRIM Nos. 41E, 41F		2809774BB	1		X		X						
	TRIM Nos. 42E		2809774BC	1		X		X						
	TRIM Nos. 42F		2809774BT	1		X		X						
	TRIM Nos. 43E, 43F		2809774BD	1		X		X						
	TRIM Nos. 44E, 44F		2809774BE	1		X		X						
	TRIM Nos. 46F		2809774BU	1		X		X						
	TRIM Nos. 48F		2809774BG	1		X		X						
	TRIM Nos. 40D		2820943BA	1		X		X						
	TRIM Nos. 41D		2820943BB	1		X		X						
	TRIM Nos. 42D		2820943BT	1		X		X						
	TRIM Nos. 43D		2820943BD	1		X		X						
	TRIM Nos. 44D		2820943BE	1		X		X						
	TRIM Nos. 46D		2820943BU	1		X		X						
	TRIM Nos. 48D		2820943BG	1		X		X						
	TRIM Nos. 40E, 40F		2809776BA	1			X		X					
	TRIM Nos. 41E, 41F		2809776BB	1			X		X					
	TRIM Nos. 42E		2809776BC	1			X		X					
	TRIM Nos. 42F		2809776BT	1			X		X					
	TRIM Nos. 43E, 43F		2809776BD	1			X		X					
	TRIM Nos. 44E, 44F		2809776BE	1			X		X					
	TRIM Nos. 46F		2809776BU	1			X		X					
	TRIM Nos. 48F		2809776BG	1			X		X					
	TRIM Nos. 40D		2820944BA	1			X		X					
	TRIM Nos. 41D		2820944BB	1			X		X					

HOLDEN "LC" PARTS CATALOGUE

GROUP	DESCRIPTION	SIDE	PART No.	QTY.	822	823		824/828		825	826	829
					11	11	69	11	69	69	11	11
15.035	COVER ASSEMBLY — Rear seat cushion											
	TRIM Nos. 42D		2820944BT	1			X		X			
	TRIM Nos. 43D		2820944BD	1			X		X			
	TRIM Nos. 44D		2820944BE	1			X		X			
	TRIM Nos. 46D		2820944BU	1			X		X			
	TRIM Nos. 48D		2820944BG	1			X		X			
	TRIM Nos. 40P, 40R		2809777BA	1						X		
	TRIM Nos. 41P, 41R		2809777BB	1						X		
	TRIM Nos. 42R		2809777BC	1						X		
	TRIM Nos. 42P		2809777BT	1						X		
	TRIM Nos. 43P, 43R		2809777BD	1						X		
	TRIM Nos. 44P, 44R		2809777BE	1						X		
	TRIM Nos. 46P		2809777BU	1						X		
	TRIM Nos. 48P		2809777BG	1						X		
	TRIM Nos. 40T		2810090BA	1						X		
	TRIM Nos. 41T		2810090BB	1						X		
	TRIM Nos. 42T		2810090BC	1						X		
	TRIM Nos. 43T		2810090BD	1						X		
	TRIM Nos. 44T		2810090BE	1						X		
	TRIM Nos. 40Q		2816611BA	1						X		
	TRIM Nos. 41Q		2816611BB	1						X		
	TRIM Nos. 48Q		2816611BG	1						X		
	TRIM Nos. 40P, 40R		2809775BA	1							X	
	TRIM Nos. 41P, 41R		2809775BB	1							X	
	TRIM Nos. 42R		2809775BC	1							X	
	TRIM Nos. 42P		2809775BT	1							X	
	TRIM Nos. 43P, 43R		2809775BD	1							X	
	TRIM Nos. 44P, 44R		2809775BE	1							X	
	TRIM Nos. 46P		2809775BU	1							X	
	TRIM Nos. 48P		2809775BG	1							X	
	TRIM Nos. 40T		2810089BA	1							X	
	TRIM Nos. 41T		2810089BB	1							X	
	TRIM Nos. 42T		2810089BC	1							X	
	TRIM Nos. 43T		2810089BD	1							X	
	TRIM Nos. 44T		2810089BE	1							X	
	TRIM Nos. 40Q		2816612BA	1							X	
	TRIM Nos. 41Q		2816612BB	1							X	
	TRIM Nos. 48Q		2816612BG	1							X	
	TRIM Nos. 40V, 40X		2809778BA	1								X
	TRIM Nos. 41V, 41X		2809778BB	1								X
	TRIM Nos. 42X		2809778BC	1								X
	TRIM Nos. 42V		2809778BT	1								X
	TRIM Nos. 43X		2809778BD	1								X
	TRIM Nos. 44X		2809778BE	1								X
	TRIM Nos. 45V		2809778BV	1								X
	TRIM Nos. 46V		2809778BU	1								X
	TRIM Nos. 48V, 48X		2809778BG	1								X
	TRIM Nos. 40L		2810091BY	1								X
	TRIM Nos. 40W, 40Y		2810091BA	1								X
	TRIM Nos. 40Z		2810091BS	1								X
	TRIM Nos. 41W, 41Y		2810091BB	1								X
	TRIM Nos. 42Y		2810091BC	1								X
	TRIM Nos. 42W		2810091BT	1								X
	TRIM Nos. 43Y		2810091BD	1								X
	TRIM Nos. 44Y		2810091BE	1								X
	TRIM Nos. 45L		2810091BV	1								X
	TRIM Nos. 46W		2810091BU	1								X
	TRIM Nos. 48W, 48Y		2810091BG	1								X

HOLDEN "LC" PARTS CATALOGUE

GROUP	DESCRIPTION	SIDE	PART No.	QTY.	822	823		824/828		825	826	829	
					11	11	69	11	69	69	11	11	
15.036	PADASSEMBLY — Rear seat cushion												
	PAD ASSEMBLY		2809866	1	X	X		X					
	PAD ASSEMBLY		2809865	1			X		X				
	PAD ASSEMBLY		2809844	1						X			
	PAD ASSEMBLY		2809843	1							X	X	
	PAD — Cushion spring		7414105	1	X	X	X	X	X	X	X	X	
15.040	BELT — Rear seat												
	BELT — Lap												
	TRIM Nos. 40B, 40D, 40E, 40F, 40L, 40P, 40Q, 40R, 40T, 40V, 40W, 40X, 40Y, 40Z, 45L, 45V, 48V, 48W, 48X, 48Y		7448003BA	1	X	X	X	X	X	X	X	X	X
	TRIM Nos. 41A, 41B, 41D, 41E, 41F, 41P, 41Q, 41R, 41T, 41V, 41W, 41X, 41Y		7448003BB	1	X	X	X	X	X	X	X	X	X
	TRIM Nos. 42A, 42E, 42R, 42T, 42X, 42Y		7448003BC	1	X	X	X	X	X	X	X	X	X
	TRIM Nos. 42B, 42D, 42F, 42P, 42V, 42W		7448003BT	1	X	X	X	X	X	X	X	X	X
	TRIM Nos. 43D, 43E, 43F, 43P, 43R, 43T, 43X, 43Y		7448003BD	1	X	X	X	X	X	X	X	X	X
	TRIM Nos. 44A, 44D, 44E, 44F, 44P, 44R, 44T, 44X, 44Y		7448003BE	1	X	X	X	X	X	X	X	X	X
	TRIM Nos. 46B, 46D, 46F, 46P, 46V, 46W		7448003BU	1	X	X	X	X	X	X	X	X	X
	TRIM Nos. 48D, 48F, 48P, 48Q		7448003BG	1	X	X	X	X	X	X	X	X	X
	BELT — Lap & Sash												
	TRIM Nos. 40B, 40D, 40E, 40F, 40L, 40P, 40Q, 40R, 40T, 40V, 40W, 40X, 40Y, 40Z, 45L, 45V, 48V, 48W, 48X, 48Y		2811950BA	1	X	X	X	X	X	X	X	X	X
	TRIM Nos. 41A, 41B, 41D, 41E, 41F, 41P, 41Q, 41R, 41T, 41V, 41W, 41X, 41Y		2811950BB	1	X	X	X	X	X	X	X	X	X
	TRIM Nos. 42A, 42E, 42R, 42T, 42X, 42Y		2811950BC	1	X	X	X	X	X	X	X	X	X
	TRIM Nos. 42B, 42D, 42F, 42P, 42V, 42W		2811950BT	1	X	X	X	X	X	X	X	X	X
	TRIM Nos. 43D, 43E, 43F, 43P, 43R, 43T, 43X, 43Y		2811950BD	1	X	X	X	X	X	X	X	X	X
	TRIM Nos. 44A, 44D, 44E, 44F, 44P, 44R, 44T, 44X, 44Y		2811950BE	1	X	X	X	X	X	X	X	X	X
	TRIM Nos. 46B, 46D, 46F, 46P, 46V, 46W		2811950BU	1	X	X	X	X	X	X	X	X	X
	TRIM Nos. 48D, 48F, 48P, 48Q		2811950BG	1	X	X	X	X	X	X	X	X	X
	15.100	TRIMASSEMBLY — Rear quarter											
		TRIM Nos. 40B	L.H.	2809991BA	1	X							
			R.H.	2809992BA	1	X							
		TRIM Nos. 41A, 41B	L.H.	2809991BM	1	X							
			R.H.	2809992BM	1	X							
		TRIM Nos. 42A	L.H.	2809991BC	1	X							
			R.H.	2809992BC	1	X							
		TRIM Nos. 42B	L.H.	2809991BW	1	X							
		R.H.	2809992BW	1	X								
TRIM Nos. 44A		L.H.	2809991BP	1	X								
		R.H.	2809992BP	1	X								
TRIM Nos. 46B		L.H.	2809991BX	1	X								
		R.H.	2809992BX	1	X								

HOLDEN "LC" PARTS CATALOGUE

GROUP	DESCRIPTION	SIDE	PART No.	QTY.	822	823	824/828	825	826	829	
					11	11	69	11	69	69	11
15.100	TRIM ASSEMBLY — Rear quarter (cont.)										
	TRIM Nos. 40D, 40E, 40F, 40P, 40Q, 40R, 40T	L.H.	2809945BA	1		X		X		X	
		R.H.	2809946BA	1		X		X		X	
	TRIM Nos. 41D, 41E, 41F, 41P, 41Q, 41R, 41T	L.H.	2809945BB	1		X		X		X	
		R.H.	2809946BB	1		X		X		X	
	TRIM Nos. 42E, 42R, 42T	L.H.	2809945BC	1		X		X		X	
		R.H.	2809946BC	1		X		X		X	
	TRIM Nos. 42D, 42F, 42P	L.H.	2809945BT	1		X		X		X	
		R.H.	2809946BT	1		X		X		X	
	TRIM Nos. 43D, 43E, 43F, 43P, 43R, 43T	L.H.	2809945BD	1		X		X		X	
		R.H.	2809946BD	1		X		X		X	
	TRIM Nos. 44D, 44E, 44F, 44P, 44R, 44T	L.H.	2809945BE	1		X		X		X	
		R.H.	2809946BE	1		X		X		X	
	TRIM Nos. 46D, 46F, 46P	L.H.	2809945BU	1		X		X		X	
		R.H.	2809946BU	1		X		X		X	
	TRIM Nos. 48D, 48F, 48P, 48Q	L.H.	2809945BG	1		X		X		X	
		R.H.	2809946BG	1		X		X		X	
	TRIM Nos. 40L, 40V, 40W, 40X, 40Y, 40Z, exc. 186X Eng.	L.H.	2810399BA	1							X
		R.H.	2810400BA	1							X
	TRIM Nos. 41V, 41W, 41X, 41Y exc. 186X Eng.	L.H.	2810399BB	1							X
		R.H.	2810400BB	1							X
	TRIM Nos. 42V, 42W exc. 186X Eng.	L.H.	2810399BT	1							X
		R.H.	2810400BT	1							X
	TRIM Nos. 42X, 42Y exc. 186X Eng.	L.H.	2810399BC	1							X
		R.H.	2810400BC	1							X
	TRIM Nos. 43X, 43Y exc. 186X Eng.	L.H.	2810399BD	1							X
		R.H.	2810400BD	1							X
	TRIM Nos. 44X, 44Y exc. 186X Eng.	L.H.	2810399BE	1							X
		R.H.	2810400BE	1							X
	TRIM Nos. 45L, 45V exc. 186X Eng.	L.H.	2810399BV	1							X
		R.H.	2810400BV	1							X
	TRIM Nos. 46V, 46W exc. 186X Eng.	L.H.	2810399BU	1							X
		R.H.	2810400BU	1							X
	TRIM Nos. 48V, 48W, 48X, 48Y exc. 186X Eng.	L.H.	2810399BG	1							X
		R.H.	2810400BG	1							X
	TRIM ASSY. — 186X Eng.	L.H.	2817997BA	1							X
		R.H.	2817998BA	1							X
	TRIM — Upper										
	TRIM Nos. 40E, 40F, 40L, 40P, 40Q, 40R, 40T, 40V, 40W, 40X, 40Y, 40Z	L.H.	B537BA	1		X		X		X	X
		R.H.	B536BA	1		X		X		X	X
	TRIM Nos. 41E, 41F, 41P, 41Q, 41R, 41T, 41V, 41W, 41X, 41Y	L.H.	B537BB	1		X		X		X	X
		R.H.	B536BB	1		X		X		X	X
	TRIM Nos. 42E, 42R, 42T, 42X, 42Y	L.H.	B537BC	1		X		X		X	X
		R.H.	B536BC	1		X		X		X	X
	TRIM Nos. 42F, 42P, 42V, 42W	L.H.	B537BT	1		X		X		X	X
		R.H.	B536BT	1		X		X		X	X
	TRIM Nos. 43E, 43F, 43P, 43R, 43T, 43X, 43Y	L.H.	B537BD	1		X		X		X	X
		R.H.	B536BD	1		X		X		X	X
	TRIM Nos. 44E, 44F, 44P, 44R, 44T, 44X, 44Y	L.H.	B537BE	1		X		X		X	X
		R.H.	B536BE	1		X		X		X	X
TRIM Nos. 45L, 45V	L.H.	B537BV	1		X		X		X	X	
	R.H.	B536BV	1		X		X		X	X	
TRIM Nos. 46F, 46P, 46V, 46W	L.H.	B537BU	1		X		X		X	X	
	R.H.	B536BU	1		X		X		X	X	
TRIM Nos. 48F, 48P, 48Q, 48V, 48W, 48X, 48Y	L.H.	B537BG	1		X		X		X	X	
	R.H.	B536BG	1		X		X		X	X	
TRIM — Lower											
TRIM Nos. 40E, 40F, 40P, 40Q, 40R, 40T	L.H.	B541BA	1			X		X	X		
	R.H.	B540BA	1			X		X	X		
TRIM Nos. 41E, 41F, 41P, 41Q, 41R, 41T	L.H.	B541BB	1			X		X	X		
	R.H.	B540BB	1			X		X	X		

HOLDEN "LC" PARTS CATALOGUE

GROUP	DESCRIPTION	SIDE	PART No.	QTY.	822		823		824/828		825	826	829	
					11	11	69	11	69	69	11	11		
15.100	TRIM ASSEMBLY — Rear quarter (cont.)													
	TRIM — Lower (cont.)													
		TRIM Nos. 42E, 42R, 42T	L.H.	B541BC	1			X		X	X			
			R.H.	B540BC	1			X		X	X			
		TRIM Nos. 42F, 42P	L.H.	B541BT	1			X		X	X			
			R.H.	B540BT	1			X		X	X			
		TRIM Nos. 43E, 43F, 43P, 43R, 43T	L.H.	B541BD	1			X		X	X			
			R.H.	B540BD	1			X		X	X			
		TRIM Nos. 44E, 44F, 44P, 44R, 44T	L.H.	B541BA	1			X		X	X			
			R.H.	B540BA	1			X		X	X			
		TRIM Nos. 46F, 46P	L.H.	B541BU	1			X		X	X			
			R.H.	B540BU	1			X		X	X			
		TRIM Nos. 48F, 48P, 48Q	L.H.	B541BG	1			X		X	X			
			R.H.	B540BG	1			X		X	X			
	CLIP — Trim to rear quarter		7377884	10	X	X			X			X	X	
15.101	RETAINER — Quartertrim													
		RETAINER	L.H.	2809249	1									X
		R.H.	2809250	1										X
15.224	PANEL ASSEMBLY — Luggage compartment, front													
		PANEL ASSEMBLY		2805821	1	X	X	X	X	X	X	X	X	X
15.286	MAT, CARPET — Front floor													
	MAT — (Bucket Seat)													
		TRIM Nos. 40E, 40F, 41A, 41B, 42A, 42B, 44A, 46B												
			RIGHT HAND DRIVE	2808013BA	1	X			X	X				
		TRIM Nos. 41E, 41F	RIGHT HAND DRIVE	2808013BB	1				X	X				
		TRIM Nos. 42E	RIGHT HAND DRIVE	2808013BC	1				X	X				
		TRIM Nos. 42F	RIGHT HAND DRIVE	2808013BT	1				X	X				
		TRIM Nos. 43E, 43F	RIGHT HAND DRIVE	2808013BD	1				X	X				
		TRIM Nos. 44E, 44F	RIGHT HAND DRIVE	2808013BE	1				X	X				
		TRIM Nos. 46F	RIGHT HAND DRIVE	2808013BU	1				X	X				
		TRIM Nos. 48F	RIGHT HAND DRIVE	2808013BH	1				X	X				
		TRIM Nos. 40E, 40F	RIGHT HAND DRIVE	2808012BA	1		X	X						
		TRIM Nos. 41E, 41F	RIGHT HAND DRIVE	2808012BB	1		X	X						
		TRIM Nos. 42E	RIGHT HAND DRIVE	2808012BC	1		X	X						
		TRIM Nos. 42F	RIGHT HAND DRIVE	2808012BT	1		X	X						
		TRIM Nos. 43E, 43F	RIGHT HAND DRIVE	2808012BD	1		X	X						
		TRIM Nos. 44E, 44F	RIGHT HAND DRIVE	2808012BE	1		X	X						
		TRIM Nos. 46F	RIGHT HAND DRIVE	2808012BU	1		X	X						
		TRIM Nos. 48F	RIGHT HAND DRIVE	2808012BH	1		X	X						
		TRIM Nos. 40E, 40F	LEFT HAND DRIVE	2812807BA	1		X	X						
		TRIM Nos. 41E, 41F	LEFT HAND DRIVE	2812807BB	1		X	X						
		TRIM Nos. 42E	LEFT HAND DRIVE	2812807BC	1		X	X						
		TRIM Nos. 42F	LEFT HAND DRIVE	2812807BT	1		X	X						
		TRIM Nos. 43E, 43F	LEFT HAND DRIVE	2812807BD	1		X	X						
		TRIM Nos. 44E, 44F	LEFT HAND DRIVE	2812807BE	1		X	X						
		TRIM Nos. 46F	LEFT HAND DRIVE	2812807BU	1		X	X						
		TRIM Nos. 48F	LEFT HAND DRIVE	2812807BH	1		X	X						
		MAT — (Bench Seat)												
		TRIM Nos. 40E, 40F		2812202BA	1			X						
		TRIM Nos. 41E, 41F		2812202BB	1			X						
		TRIM Nos. 42E		2812202BC	1			X						
		TRIM Nos. 42F		2812202BT	1			X						
		TRIM Nos. 43E, 43F		2812202BD	1			X						
		TRIM Nos. 44E, 44F		2812202BE	1			X						
	TRIM Nos. 46F		2812202BU	1			X							
	TRIM Nos. 48F		2812202BH	1			X							

HOLDEN "LC" PARTS CATALOGUE

GROUP	DESCRIPTION	SIDE	PART No.	QTY.	822	823	824/828	825	826	829
					11	11	69	11	69	69
15.286	MAT, CARPET — Front floor (cont.)									
	CARPET									
	TRIM Nos. 40E, 40F, 40P, 40Q, 40R, 40T		2809758BA	1			X	X		X
	TRIM Nos. 41E, 41F, 41P, 41Q, 41R, 41T		2809758BB	1			X	X		X
	TRIM Nos. 42E, 42R, 42T		2809758BC	1			X	X		X
	TRIM Nos. 41F, 42P		2809758BT	1			X	X		X
	TRIM Nos. 43E, 43F, 43P, 43R, 43T		2809758BD	1			X	X		X
	TRIM Nos. 44E, 44F, 44P, 44R, 44T		2809758BE	1			X	X		X
	TRIM Nos. 46P		2809758BU	1			X	X		X
	TRIM Nos. 48F, 48P, 48Q		2809758BG	1			X	X		X
	TRIM Nos. 40D		2820906BA	1			X	X		
	TRIM Nos. 41D		2820906BB	1			X	X		
	TRIM Nos. 42D		2820906BT	1			X	X		
	TRIM Nos. 43D		2820906BD	1			X	X		
	TRIM Nos. 44D		2820906BE	1			X	X		
	TRIM Nos. 46D		2820906BU	1			X	X		
	TRIM Nos. 48D		2820906BH	1			X	X		
	TRIM Nos. 40L, 40P, 40Q, 40R, 40T, 40V, 40W, 40X, 40Y, 40Z, 45L, 45V, 48V, 48W, 48X, 48Y	RIGHT HAND DRIVE	2809757BA	1					X	X
	TRIM Nos. 41P, 41Q, 41R, 41T, 41V, 41W, 41X, 41Y	RIGHT HAND DRIVE	2809757BB	1					X	X
	TRIM Nos. 42R, 42T, 42X, 42Y	RIGHT HAND DRIVE	2809757BC	1					X	X
	TRIM Nos. 42P, 42V, 42W	RIGHT HAND DRIVE	2809757BT	1					X	X
	TRIM Nos. 43P, 43R, 43T, 43X, 43Y	RIGHT HAND DRIVE	2809757BD	1					X	X
	TRIM Nos. 44P, 44R, 44T, 44X, 44Y	RIGHT HAND DRIVE	2809757BE	1					X	X
	TRIM Nos. 46P, 46V, 46W	RIGHT HAND DRIVE	2809757BU	1					X	X
	TRIM Nos. 48P, 48Q	RIGHT HAND DRIVE	2809757BH	1					X	X
	TRIM Nos. 40E, 40F, 40P, 40Q, 40R, 40T	LEFT HAND DRIVE	2813233BA	1		X	X		X	
	TRIM Nos. 41E, 41F, 41P, 41Q, 41R, 41T	LEFT HAND DRIVE	2813233BB	1		X	X		X	
	TRIM Nos. 42E, 42R, 42T	LEFT HAND DRIVE	2813233BC	1		X	X		X	
	TRIM Nos. 42F, 42P	LEFT HAND DRIVE	2813233BT	1		X	X		X	
	TRIM Nos. 43E, 43F, 43P, 43R, 43T	LEFT HAND DRIVE	2813233BD	1		X	X		X	
	TRIM Nos. 44E, 44F, 44P, 44R, 44T	LEFT HAND DRIVE	2813233BE	1		X	X		X	
	TRIM Nos. 46F, 46P	LEFT HAND DRIVE	2813233BU	1		X	X		X	
	TRIM Nos. 48F, 48P, 48Q	LEFT HAND DRIVE	2813233BH	1		X	X		X	
15.290	HOUSING ASSEMBLY — Transmission control									
	HOUSING ASSY. — (M) 4 speed trans. 4 cyl, 2250, 2600 exc. S Eng.		(¹³ 7437727	1		X	X		X	X
	HOUSING ASSY. — (M) 4 speed trans. 2600S, 186X Eng.		(¹³ 2815058	1						X
	HOUSING ASSY. — (M) 4 speed trans. 1600, 6 Cyl. Eng.		(¹⁴ 2822033	1		X	X	X	X	X

Note: (¹³ Diagonal distance between boot retainer hole centres 4 7/8"
(¹⁴ Diagonal distance between boot retainer hole centres 6".

HOLDEN "LC" PARTS CATALOGUE

GROUP	DESCRIPTION	SIDE	PART No.	QTY.	822		823		824/828		825	826	829
					11	11	69	11	69	69	11	11	
15.290	HOUSING ASSEMBLY — Transmission control (cont.)												
	PLATE — Gear shift pattern (M) 4 speed trans. 2600S, 186X Eng.			(¹⁵ 2815059	1								X
	HOUSING ASSY. — (A) floor & console shift			(¹⁶ 2811040	1	X	X	X	X	X	X	X	
	HOUSING ASSY. — (A) floor & console shift			(¹⁷ 2820389	1	X	X	X	X	X	X	X	
	MOULDING — Housing			7205089	1	X	X	X	X	X	X	X	X
CLIP — Moulding to housing			8820226	23	X	X	X	X	X	X	X	X	
15.294	MAT — Luggage compartment floor												
	MAT			2809787	1	X	X	X	X	X	X	X	X
15.306	MAT, CARPET — Rear floor												
	MAT — (Bucket Seat)												
	TRIM Nos. 40B, 40E, 40F, 41A, 41B, 42A, 42B, 44A, 46B			2808011BA	1	X	X		X				
	TRIM Nos. 41E, 41F			2808011BB	1	X	X		X				
	TRIM Nos. 42E			2808011BC	1	X	X		X				
	TRIM Nos. 42F			2808011BT	1	X	X		X				
	TRIM Nos. 43E, 43F			2808011BD	1	X	X		X				
	TRIM Nos. 44E, 44F			2808011BE	1	X	X		X				
	TRIM Nos. 46F			2808011BU	1	X	X		X				
	TRIM Nos. 48F			2808011BH	1	X	X		X				
	MAT — (Bucket Seat)												
	TRIM Nos. 40E, 40F			2808010BA	1			X		X			
	TRIM Nos. 41E, 41F			2808010BB	1			X		X			
	TRIM Nos. 42E			2808010BC	1			X		X			
	TRIM Nos. 42F			2808010BT	1			X		X			
	TRIM Nos. 43E, 43F			2808010BD	1			X		X			
	TRIM Nos. 44E, 44F			2808010BE	1			X		X			
	TRIM Nos. 46F			2808010BU	1			X		X			
	TRIM Nos. 48F			2808010BH	1			X		X			
	MAT — (Bench Seat)												
	TRIM Nos. 40E, 40F,			2810325BA	1			X					
	TRIM Nos. 41E, 41F			2810325BB	1			X					
	TRIM Nos. 42E			2810325BC	1			X					
	TRIM Nos. 42F			2810325BT	1			X					
	TRIM Nos. 43E, 43F			2810325BD	1			X					
	TRIM Nos. 44E, 44F			2810325BE	1			X					
	TRIM Nos. 46F			2810325BU	1			X					
	TRIM Nos. 48F			2810325BH	1			X					
	CARPET — (Bucket Seat)												
	TRIM Nos. 40E, 40F, 40P, 40Q, 40R, 40T			2810230BA	1			X		X	X		
	TRIM Nos. 41E, 41F, 41P, 41Q, 41R, 41T			2810230BB	1			X		X	X		
	TRIM Nos. 42E, 42R, 42T			2810230BC	1			X		X	X		
	TRIM Nos. 42F, 42P			2810230BT	1			X		X	X		
	TRIM Nos. 43E, 43F, 43P, 43R, 43T			2810230BD	1			X		X	X		
	TRIM Nos. 44E, 44F, 44P, 44R, 44T			2810230BE	1			X		X	X		
	TRIM Nos. 46F, 46P			2810230BU	1			X		X	X		
	TRIM Nos. 48F, 48P, 48Q			2810230BH	1			X		X	X		
	TRIM Nos. 40D			2820908BA	1					X			
	TRIM Nos. 41D			2820908BB	1					X			
	TRIM Nos. 42D			2820908BT	1					X			
	TRIM Nos. 43D			2820908BD	1					X			
	TRIM Nos. 44D			2820908BE	1					X			
	TRIM Nos. 46D			2820908BU	1					X			
	TRIM Nos. 48D			2820908BH	1					X			
	Note: (¹⁵ Use with housing assy. 2822033. (¹⁶ Without pointer on Gearshift Control Lever. (¹⁷ With pointer on Gearshift Control Lever.												

HOLDEN "LC" PARTS CATALOGUE

GROUP	DESCRIPTION	SIDE	PART No.	QTY.	822	823	824/828	825	826	829		
					11	11	69	11	69	69	11	11
15.306	MAT, CARPET — Rear floor (cont.)											
	CARPET — (Bench Seat)											
	TRIM Nos. 40E, 40F, 40P, 40Q, 40R, 40T		2810231BA	1			X		X			
	TRIM Nos. 41E, 41F, 41P, 41Q, 41R, 41T		2810231BB	1			X		X			
	TRIM Nos. 42E, 42R, 42T		2810231BC	1			X		X			
	TRIM Nos. 42F, 42P		2810231BT	1			X		X			
	TRIM Nos. 43E, 43F		2810231BD	1			X		X			
	TRIM Nos. 44E, 44F		2810231BE	1			X		X			
	TRIM Nos. 46F, 46P		2810231BU	1			X		X			
	TRIM Nos. 48F, 48P, 48Q		2810231BH	1			X		X			
	CARPET — (Bucket Seat)											
	TRIM Nos. 40E, 40F, 40L, 40P, 40Q, 40R, 40T, 40V, 40W, 40X, 40Y, 40Z, 45L, 45V, 48V, 48W, 48X, 48Y		2810225BA	1		X		X		X	X	
	TRIM Nos. 41E, 41F, 41P, 41Q, 41R, 41T, 41V, 41W, 41X, 41Y		2810225BB	1		X		X		X	X	
	TRIM Nos. 42E, 42R, 42T, 42X, 42Y		2810225BC	1		X		X		X	X	
	TRIM Nos. 42F, 42P, 42V, 42W		2810225BT	1		X		X		X	X	
	TRIM Nos. 43E, 43F, 43P, 43R, 43T, 43X, 43Y		2810225BD	1		X		X		X	X	
	TRIM Nos. 44E, 44F, 44P, 44R, 44T, 44X, 44Y		2810225BE	1		X		X		X	X	
	TRIM Nos. 46F, 46P, 46V, 46W		2810225BU	1		X		X		X	X	
	TRIM Nos. 48F, 48P, 48Q		2810225BH	1		X		X		X	X	
	TRIM Nos. 40D		2820907BA	1				X				
	TRIM Nos. 41D		2820907BB	1				X				
	TRIM Nos. 42D		2820907BT	1				X				
	TRIM Nos. 43D		2820907BD	1				X				
	TRIM Nos. 44D		2820907BE	1				X				
	TRIM Nos. 46D		2820907BU	1				X				
	TRIM Nos. 48D		2820907BH	1				X				
	15.390	STRAP ASSEMBLY — Assist grip										
		TRIM Nos. 40D, 40E, 40F, 40L, 40P, 40Q, 40R, 40T, 40V, 40W, 40X, 40Y, 40Z		7439827BA	2		X		X		X	X
		TRIM Nos. 41D, 41E, 41F, 41P, 41Q, 41R, 41T, 41V, 41W, 41X, 41Y		7439827BB	2		X		X		X	X
		TRIM Nos. 42E, 42R, 42T, 42X, 42Y		7439827BC	2		X		X		X	X
		TRIM Nos. 42D, 42F, 42P, 42V, 42W		7439827BT	2		X		X		X	X
		TRIM Nos. 43D, 43E, 43F, 43P, 43R, 43T, 43X, 43Y		7439827BD	2		X		X		X	X
		TRIM Nos. 44D, 44E, 44F, 44P, 44R, 44T, 44X, 44Y		7439827BE	2		X		X		X	X
TRIM Nos. 45L, 45V			7439827BV	2		X		X		X	X	
TRIM Nos. 46D, 46F, 46P, 46V, 46W			7439827BU	2		X		X		X	X	
TRIM Nos. 48D, 48F, 48P, 48Q, 48V, 48W, 48X, 48Y			7439827BG	2		X		X		X	X	
TRIM Nos. 40D, 40E, 40F, 40P, 40Q, 40R, 40T			4739928BA	2			X		X	X		
TRIM Nos. 41D, 41E, 41F, 41P, 41Q, 41R, 41T			7439928BB	2			X		X	X		
TRIM Nos. 42E, 42R, 42T			7439928BC	2			X		X	X		
TRIM Nos. 42D, 42F, 42P			7439928BT	2			X		X	X		
TRIM Nos. 43D, 43E, 43F, 43P, 43R, 43T			7439928BD	2			X		X	X		
TRIM Nos. 44D, 44E, 44F, 44P, 44R, 44T			7439928BE	2			X		X	X		
TRIM Nos. 46D, 46F, 46P			7439928BU	2			X		X	X		
TRIM Nos. 48D, 48F, 48P, 48Q			7439928BG	2			X		X	X		
STUD — Fastener type 'A' No. 8 — 3/8"			SP1017	2		X	X	X	X	X	X	
SOCKET — Assist grip strap to body			SP1018	2		X	X	X	X	X	X	
EYELET — 5/16" barrel			SP1443	2		X	X	X	X	X	X	
15.492		DEADENER — Sound										
DEADENER — 15" x 20"			M36770	A.R.	X	X	X	X	X	X	X	

HOLDEN "LC" PARTS CATALOGUE

GROUP	DESCRIPTION	SIDE	PART No.	QTY.	822	823		824/828		825	826	829	
					11	11	69	11	69	69	11	11	
15.520	WINDLACE — Door opening												
	WINDLACE — Front door												
	TRIM Nos. 40B, 40D, 40E, 40F, 40L, 40P, 40Q, 40R, 40T, 40V, 40W, 40X, 40Y, 40Z, 45L, 45V		2808875BA	1	X	X		X				X	X
	TRIM Nos. 41A, 41B, 41D, 41E, 41F, 41P, 41Q, 41R, 41T, 41V, 41W, 41X, 41Y		2808875BB	1	X	X		X				X	X
	TRIM Nos. 42A, 42E, 42R, 42T, 42X, 42Y		2808875BC	1	X	X		X				X	X
	TRIM Nos. 42B, 42D, 42F, 42P, 42V, 42W		2808875BT	1	X	X		X				X	X
	TRIM Nos. 43D, 43E, 43F, 43P, 43R, 43T, 43X, 43Y		2808875BD	1	X	X		X				X	X
	TRIM Nos. 44A, 44D, 44E, 44F, 44P, 44R, 44T, 44X, 44Y		2808875BE	1	X	X		X				X	X
	TRIM Nos. 46B, 46D, 46F, 46P, 46V, 46W		2808875BU	1	X	X		X				X	X
	TRIM Nos. 48D, 48F, 48P, 48Q, 48V, 48W, 48X, 48Y		2808875BG	1	X	X		X				X	X
	TRIM Nos. 40D, 40E, 40F, 40P, 40Q, 40R, 40T		2808877BA	1				X		X	X		
	TRIM Nos. 41D, 41E, 41F, 41P, 41Q, 41R, 41T		2808877BB	1				X		X	X		
	TRIM Nos. 42E, 42R, 42T		2808877BC	1				X		X	X		
	TRIM Nos. 42D, 42F, 42P		2808877BT	1				X		X	X		
	TRIM Nos. 43D, 43E, 43F, 43P, 43R, 43T		2808877BD	1				X		X	X		
	TRIM Nos. 44D, 44E, 44F, 44P, 44R, 44T		2808877BE	1				X		X	X		
	TRIM Nos. 46D, 46F, 46P		2808877BU	1				X		X	X		
	TRIM Nos. 48D, 48F, 48P, 48Q		2808877BG	1				X		X	X		
	WINDLACE — Rear door												
	TRIM Nos. 40D, 40E, 40F, 40P, 40Q, 40R, 40T		2808874BA	1				X		X	X		
	TRIM Nos. 41D, 41E, 41F, 41P, 41Q, 41R, 41T		2808874BB	1				X		X	X		
	TRIM Nos. 42E, 42R, 42T		2808874BC	1				X		X	X		
	TRIM Nos. 42D, 42F, 42P		2808874BT	1				X		X	X		
	TRIM Nos. 43D, 43E, 43F, 43P, 43R, 43T		2808874BD	1				X		X	X		
	TRIM Nos. 44D, 44E, 44F, 44P, 44R, 44T		2808874BE	1				X		X	X		
	TRIM Nos. 46D, 46F, 46P		2808874BU	1				X		X	X		
	TRIM Nos. 48D, 48F, 48P, 48Q		2808874BG	1				X		X	X		

HOLDEN "LC" PARTS CATALOGUE

PART NO.	GROUP	PART NO.	GROUP	PART NO.	GROUP	PART NO.	GROUP	PART NO.	GROUP
AC22	1.835	SP1443	15.390	SP1774	3.720	SP1982	2.596	SP2162	3.410
A221	1.835	SP1455	8.015	SP1774	8.950	SP1984	8.908	SP2169	11.175
B536	15.100	SP1467	9.600	SP1778	8.950	SP1986	10.160	SP2169	11.179
B537	15.100	SP1470	8.929	SP1779	8.950	SP1989	7.370	SP2170	8.900
B538	14.730	SP1486	8.931	SP1788	8.950	SP1989	8.918	SP2172	3.003
B539	14.730	SP1490	8.977	SP1795	0.929	SP1994	4.902	SP2174	8.900
B540	15.100	SP1495	12.803	SP1800	8.967	SP2013	8.900	SP2176	8.132
B541	15.100	SP1498	2.555	SP1801	2.589	SP2014	8.900	SP2176	12.116
CT22	0.799	SP1500	8.929	SP1801	8.977	SP2017	4.591	SP2176	12.182
C43N	2.270	SP1507	8.929	SP1802	8.948	SP2017	8.900	SP2199	2.555
C44NS	2.270	SP1528	8.929	SP1815	8.977	SP2019	4.591	SP2235	4.686
C784	11.119	SP1533	1.426	SP1816	8.917	SP2027	2.275	SP2235	8.963
C785	11.119	SP1534	4.015	SP1825	0.921	SP2027	2.317	SP2275	6.020
C786	14.691	SP1534	8.921	SP1825	4.662	SP2028	1.652	SP2283	9.779
C787	14.691	SP1543	8.948	SP1825	8.942	SP2028	8.900	SP2312	8.929
C788	14.691	SP1548	8.079	SP1827	10.669	SP2029	4.003	VS10074	3.752
C789	14.691	SP1548	8.921	SP1833	8.977	SP2035	4.081	VS10075	3.744
C790	14.764	SP1566	8.900	SP1836	4.685	SP2036	4.081	VS10076	8.800
C791	14.764	SP1572	1.166	SP1836	8.950	SP2036	8.900	VS10185	3.754
M35458	0.885	SP1574	3.202	SP1838	14.800	SP2040	8.900	VS10202	2.372
M35687	3.270	SP1574	8.950	SP1838	14.924	SP2047	8.900	VS10203	2.381
M35804	0.616	SP1602	8.798	SP1838	15.024	SP2050	8.075	VS10204	2.381
M35805	0.616	SP1605	3.003	SP1854	8.921	SP2053	4.591	VS10205	2.388
M35806	0.616	SP1609	3.003	SP1854	9.779	SP2059	9.779	VS10206	2.388
M35807	0.616	SP1610	3.260	SP1865	8.948	SP2064	12.242	VS10210	2.364
M35821	0.449	SP1610	8.948	SP1865	9.779	SP2067	1.069	VS10211	2.381
M35877	9.662	SP1610	9.779	SP1867	2.731	SP2067	2.317	VS10215	2.100
M36484	1.762	SP1611	9.779	SP1867	8.977	SP2067	8.900	VS10228	3.910
M36496	4.005	SP1612	8.929	SP1870	8.921	SP2068	1.251	VS10229	3.902
M36669	1.219	SP1648	0.033	SP1885	4.342	SP2068	8.900	VS10230	3.920
M36670	1.219	SP1649	0.033	SP1891	4.019	SP2069	1.251	VS10231	3.922
M36751	8.823	SP1649	0.553	SP1891	8.918	SP2070	1.153	VS10232	3.922
M36764	8.823	SP1650	0.269	SP1899	8.929	SP2070	8.900	VS10233	3.921
M36770	15.492	SP1652	0.033	SP1900	2.679	SP2071	1.153	VS10234	3.921
M36816	0.629	SP1657	1.762	SP1900	8.918	SP2071	2.277	VS10236	3.925
M36900	4.650	SP1657	8.948	SP1905	8.798	SP2073	0.027	VS10237	3.927
M36965	4.003	SP1672	0.679	SP1905	8.950	SP2073	2.277	VS10238	3.927
M36966	4.422	SP1672	8.910	SP1906	8.915	SP2073	8.900	VS10239	3.902
M36967	4.003	SP1691	2.697	SP1908	8.932	SP2077	2.277	VS10240	3.903
M36970	4.003	SP1701	8.948	SP1909	3.202	SP2077	8.900	VS10241	3.929
M37000	4.650	SP1701	9.779	SP1909	4.685	SP2079	2.041	VS10242	3.904
M37067	8.823	SP1708	5.387	SP1912	6.008	SP2080	8.900	VS10243	3.906
N3306	4.408	SP1708	8.915	SP1912	6.508	SP2083	8.900	VS10244	3.906
PF10	1.835	SP1710	8.154	SP1912	7.370	SP2084	8.900	VS10245	3.910
SD	1.835	SP1710	9.127	SP1912	8.918	SP2089	11.561	VS10246	3.901
SP1003	8.928	SP1724	3.910	SP1917	5.382	SP2091	8.915	VS10248	3.735
SP1004	1.166	SP1724	9.779	SP1917	6.008	SP2091	9.779	VS10251	3.731
SP1004	8.948	SP1730	4.030	SP1917	8.918	SP2093	8.900	VS10269	2.389
SP1004	9.779	SP1733	1.266	SP1919	3.410	SP2093	11.561	VS10270	2.381
SP1017	15.390	SP1733	2.728	SP1919	8.920	SP2094	4.311	VS10276	10.150
SP1018	15.390	SP1734	8.921	SP1920	8.929	SP2102	5.382	VS10278	10.150
SP1050	8.930	SP1734	9.787	SP1931	8.942	SP2102	8.900	VS10280	10.150
SP1105	2.270	SP1735	4.826	SP1937	8.112	SP2103	4.038	VS10281	10.150
SP1107	8.929	SP1738	8.921	SP1937	8.921	SP2112	14.630	VS10284	10.150
SP1109	8.956	SP1748	12.980	SP1940	8.929	SP2118	8.900	VS10285	10.150
SP1109	9.779	SP1750	8.921	SP1943	8.967	SP2120	4.016	VS10286	10.150
SP1229	4.020	SP1751	8.967	SP1944	8.900	SP2121	4.016	VS10292	10.150
SP1229	8.918	SP1757	8.929	SP1945	4.019	SP2129	7.370	VS10297	10.150
SP1235	8.921	SP1762	9.787	SP1945	8.942	SP2129	8.900	VS10298	10.150
SP1235	10.686	SP1763	3.288	SP1947	4.019	SP2140	4.003	VS10309	3.727
SP1352	3.410	SP1765	4.038	SP1948	2.830	SP2140	8.900	VS10369	5.517
SP1352	8.920	SP1766	0.852	SP1948	8.977	SP2141	4.105	VS10370	5.542
SP1387	8.967	SP1769	8.920	SP1956	8.928	SP2145	8.075	VS10371	5.511
SP1390	8.015	SP1771	8.900	SP1961	4.038	SP2155	12.967	VS10372	5.518
SP1390	8.929	SP1774	3.003	SP1963	10.606	SP2157	6.508	VS10373	5.511
SP1410	8.950	SP1774	3.202	SP1981	8.900	SP2160	3.260	VS10374	5.543

HOLDEN "LC" PARTS CATALOGUE

PART NO.	GROUP	PART NO.	GROUP	PART NO.	GROUP	PART NO.	GROUP	PART NO.	GROUP
VS10375	5.543	VS10578	4.907	VS10900	3.754	VS11037	4.342	VS11214	6.524
VS10392	5.510	VS10579	4.908	VS10901	3.754	VS11038	3.748	VS11215	6.524
VS10393	5.527	VS10580	4.907	VS10902	3.754	VS11086	2.102	VS11216	6.235
VS10394	3.909	VS10604	5.548	VS10903	3.754	VS11087	2.100	VS11217	6.234
VS10398	3.913	VS10605	5.548	VS10906	3.737	VS11089	2.080	VS11217	8.915
VS10406	2.279	VS10664	4.908	VS10907	3.737	VS11090	2.102	VS11218	6.234
VS10407	2.297	VS10665	3.725	VS10908	3.731	VS11091	2.077	VS11218	8.915
VS10408	2.298	VS10666	3.725	VS10909	3.731	VS11092	2.077	VS11219	6.803
VS10409	2.291	VS10687	3.724	VS10910	3.731	VS11094	2.279	VS11220	6.525
VS10410	2.313	VS10707	10.150	VS10911	3.731	VS11096	2.043	VS11221	6.524
VS10416	4.904	VS10710	10.150	VS10912	3.797	VS11097	2.049	VS11224	2.087
VS10432	3.755	VS10713	4.668	VS10915	3.798	VS11098	2.077	VS11227	2.070
VS10433	3.749	VS10715	2.515	VS10917	3.799	VS11114	3.791	VS11229	2.070
VS10435	2.297	VS10734	2.515	VS10918	3.733	VS11146	2.085	VS11234	9.779
VS10437	3.729	VS10747	2.515	VS10919	3.733	VS11148	3.752	VS11235	9.779
VS10439	3.797	VS10758	5.020	VS10920	3.733	VS11151	3.778	VS11236	9.779
VS10442	3.796	VS10759	5.020	VS10921	3.733	VS11152	3.748	VS11238	9.779
VS10443	3.771	VS10760	4.666	VS10923	2.515	VS11155	3.727	VS11239	9.779
VS10444	3.798	VS10807	2.067	VS10924	2.515	VS11156	3.725	VS11240	9.779
VS10445	3.773	VS10808	2.063	VS10925	2.515	VS11157	3.725	VS11241	9.779
VS10446	3.776	VS10809	2.051	VS10926	2.515	VS11160	4.907	VS11243	2.077
VS10447	3.779	VS10810	2.052	VS10927	2.515	VS11161	4.907	VS11247	10.150
VS10448	3.779	VS10811	2.052	VS10928	2.515	VS11166	4.902	VS11251	2.515
VS10456	3.799	VS10812	2.052	VS10929	2.515	VS11167	5.018	VS11252	2.515
VS10457	3.799	VS10813	2.108	VS10930	2.515	VS11168	4.908	VS11253	2.515
VS10458	3.799	VS10814	2.108	VS10931	2.515	VS11169	4.908	VS11254	2.515
VS10460	3.789	VS10815	2.086	VS10932	2.515	VS11170	4.908	VS11255	2.515
VS10461	3.763	VS10816	2.087	VS10933	2.515	VS11171	4.908	VS11256	2.515
VS10463	3.792	VS10817	2.087	VS10934	2.515	VS11172	4.908	VS11257	2.515
VS10464	3.780	VS10818	2.087	VS10935	2.515	VS11173	4.907	VS11258	2.515
VS10466	3.788	VS10819	2.087	VS10937	2.515	VS11174	4.908	VS11259	2.515
VS10467	3.758	VS10820	2.087	VS10938	2.515	VS11175	4.907	VS11260	2.515
VS10468	3.758	VS10821	2.087	VS10939	2.515	VS11176	4.907	VS11261	2.515
VS10472	3.793	VS10822	2.100	VS10940	2.515	VS11177	4.907	VS11262	2.515
VS10474	3.734	VS10823	2.100	VS10941	2.515	VS11178	4.907	VS11263	2.515
VS10475	3.725	VS10824	2.100	VS10942	2.515	VS11179	2.289	VS11264	2.515
VS10476	3.724	VS10826	2.096	VS10943	2.515	VS11182	3.760	VS11265	2.515
VS10496	3.806	VS10827	2.085	VS10946	2.515	VS11184	4.904	VS11266	2.515
VS10517	3.781	VS10828	2.083	VS10948	2.515	VS11185	4.904	VS11267	4.902
VS10518	3.759	VS10830	2.101	VS10950	4.654	VS11186	3.803	VS11268	2.515
VS10519	3.760	VS10831	2.077	VS10953	4.649	VS11187	2.515	VS11297	3.757
VS10520	3.734	VS10832	2.077	VS10954	4.657	VS11188	2.515	VS11299	9.779
VS10522	3.729	VS10841	2.362	VS10955	4.651	VS11189	2.515	VS11300	9.779
VS10523	3.748	VS10843	2.362	VS10956	4.651	VS11190	2.515	VS11304	5.018
VS10526	3.767	VS10845	2.393	VS10957	4.651	VS11191	2.515	VS11305	10.150
VS10527	3.760	VS10850	2.389	VS10959	8.800	VS11192	6.803	VS11307	3.754
VS10528	3.779	VS10851	2.389	VS10960	4.649	VS11193	6.803	VS11327	3.734
VS10529	3.779	VS10852	2.389	VS10962	4.654	VS11194	6.525	VS11329	3.765
VS10530	3.764	VS10855	2.379	VS10965	9.648	VS11195	6.524	VS11330	9.779
VS10536	2.307	VS10856	2.385	VS10966	9.648	VS11196	6.524	VS11331	9.779
VS10537	2.289	VS10858	2.384	VS10967	9.648	VS11197	6.235	VS11332	9.779
VS10538	2.310	VS10861	2.385	VS10968	9.648	VS11198	6.230	VS11333	9.779
VS10539	2.305	VS10863	2.385	VS10969	9.648	VS11199	6.235	VS11334	9.779
VS10540	2.297	VS10864	4.342	VS10970	9.648	VS11200	6.255	VS11335	9.779
VS10541	2.291	VS10866	2.367	VS10975	4.908	VS11202	6.525	VS11336	9.779
VS10542	2.285	VS10868	2.368	VS10982	2.393	VS11203	6.807	VS11337	9.779
VS10543	2.287	VS10869	2.410	VS10982	2.410	VS11204	6.255	VS11338	9.779
VS10544	2.297	VS10877	3.731	VS10992	2.385	VS11205	6.255	VS11339	2.049
VS10545	2.289	VS10882	3.724	VS11008	5.020	VS11206	6.809	VS11340	9.779
VS10546	2.287	VS10886	5.510	VS11018	5.555	VS11207	6.809	VS11341	9.779
VS10548	2.316	VS10887	3.754	VS11021	5.555	VS11208	6.809	VS11342	9.779
VS10573	4.904	VS10888	3.754	VS11028	4.342	VS11209	6.809	VS11343	9.779
VS10574	4.907	VS10893	3.799	VS11029	4.342	VS11210	6.809	VS11344	9.779
VS10575	4.907	VS10895	3.792	VS11030	4.342	VS11211	6.809	VS11345	9.779
VS10576	4.907	VS10896	3.783	VS11035	4.342	VS11212	6.809	VS11346	9.779
VS10577	4.903	VS10899	3.793	VS11036	4.342	VS11213	6.807	VS11347	9.779

HOLDEN "LC" PARTS CATALOGUE

PART NO.	GROUP	PART NO.	GROUP	PART NO.	GROUP	PART NO.	GROUP	PART NO.	GROUP
VS11348	9.779	VS11813	3.735	VS12042	2.310	104916'	4.433	120383	8.931
VS11349	9.779	VS11814	3.735	VS12043	2.289	104916	8.899	120385	8.929
VS11350	9.779	VS11815	3.734	VS12061	3.791	104918	4.428	120386	8.929
VS11351	9.779	VS11816	3.731	VS12062	3.725	104918	4.433	120388	8.929
VS11352	9.779	VS11817	3.731	VS12065	3.748	104918	8.899	120391	8.929
VS11353	9.779	VS11818	3.788	VS12066	3.748	104919	4.108	120392	8.929
VS11355	4.658	VS11819	2.051	VS12068	3.727	104919	4.311	120393	8.929
VS11358	4.908	VS11821	2.083	VS12069	3.727	104919	8.899	120394	8.929
VS11406	4.908	VS11822	2.077	VS12070	3.752	106282	8.900	120395	8.929
VS11434	2.410	VS11823	2.077	VS12076	3.727	106285	5.400	120424	8.900
VS11435	2.381	VS11824	2.063	VS12077	3.727	106285	8.900	120487	1.762
VS11438	4.342	VS11825	2.108	VS12079	2.043	106319	8.900	120487	8.963
VS11439	4.342	VS11826	2.108	VS12080	2.049	106331	8.900	120488	1.762
VS11648	3.754	VS11827	2.086	VS12081	2.077	106496	8.931	120488	8.963
VS11649	3.754	VS11830	2.043	VS12091	2.289	106497	8.931	120520	8.950
VS11650	10.150	VS11831	2.100	12HD48AHP	2.332	106751	8.960	120613	8.916
VS11651	10.150	VS11838	2.049	12HD61AHP	2.332	106962	8.900	120614	8.915
VS11653	10.150	VS11871	2.067	12HD9M	2.332	106972	8.900	120647	8.900
VS11654	10.150	VS11871	2.310	12HD9SN	2.332	106973	8.900	120668	8.900
VS11655	10.150	VS11872	2.087	12HD90/P	2.332	107762	8.938	120706	8.900
VS11656	10.150	VS11873	2.087	42TS	2.270	109847	8.900	120741	8.900
VS11657	2.515	VS11874	2.083	43T	2.270	111316	8.963	120758	8.900
VS11660	6.233	VS11875	2.051	43XL	2.270	113897	4.103	120834	8.900
VS11661	6.233	VS11876	2.052	44T	2.270	113897	5.400	120854	8.900
VS11665	3.773	VS11877	2.053	44XLH	2.270	114380	8.923	120918	8.900
VS11685	4.902	VS11878	2.052	32353	10.550	114468	4.226	120919	8.900
VS11686	3.814	VS11879	2.108	32596	10.550	114494	8.916	121222	8.938
VS11687	3.725	VS11880	2.043	32652	10.550	114496	8.916	121223	8.938
VS11688	3.724	VS11881	2.087	44623	2.372	114605	8.932	121224	8.938
VS11736	6.525	VS11882	2.087	81221	10.550	114627	8.963	121358	8.915
VS11737	2.389	VS11883	2.085	85053	10.266	114628	8.963	121574	8.931
VS11738	2.389	VS11884	2.049	85172	10.266	114648	8.931	121637	8.931
VS11763	2.316	VS11885	2.101	85173	10.266	114785	8.942	121661	8.900
VS11765	2.280	VS11886	2.077	100121	8.900	114942	8.915	121716	8.907
VS11767	2.306	VS11966	2.049	100122	8.900	115308	3.275	121752	8.932
VS11768	2.307	VS11969	2.108	100124	8.900	115308	8.929	121753	8.932
VS11769	2.305	VS11970	2.052	100125	8.900	115547	8.932	121797	8.900
VS11770	2.307	VS11971	2.063	100136	8.900	115548	3.731	121812	0.413
VS11771	2.307	VS11973	2.102	100138	8.900	115548	3.791	121812'	8.900
VS11772	2.279	VS11985	5.555	102384	8.931	115548	8.932	121841	8.931
VS11773	2.298	VS12012	2.381	102635	8.915	115549	8.932	121852	8.900
VS11774	2.297	VS12013	2.384	102647	8.917	115550	8.932	121867	8.900
VS11775	2.297	VS12014	2.310	102648	8.917	116341	8.963	121887	8.900
VS11776	2.297	VS12015	2.305	103024	8.915	117461	8.900	122007	8.900
VS11776	2.307	VS12016	2.279	103025	8.915	119117	8.938	122017	8.900
VS11777	2.289	VS12019	2.289	103026	8.915	120213	8.900	122022	8.900
VS11778	2.289	VS12020	2.289	103088	8.915	120214	8.931	122027	8.900
VS11779	2.285	VS12021	2.297	103319	8.931	120216	8.907	122052	8.900
VS11780	2.291	VS12022	2.291	103320	8.931	120217	8.931	122065	8.900
VS11782	2.313	VS12023	2.285	103321	8.931	120221	8.906	122104	8.900
VS11783	2.313	VS12024	2.286	103322	8.931	120228	8.900	122119	8.900
VS11784	2.313	VS12025	2.289	103329	8.931	120229	8.900	122126	8.900
VS11785	2.315	VS12026	2.316	103339	8.929	120233	8.900	122138	8.900
VS11788	10.146	VS12027	2.307	103340	8.929	120361	8.915	122145	8.900
VS11789	4.686	VS12028	2.315	103372	8.938	120367	8.915	122150	8.900
VS11790	4.342	VS12030	2.305	103373	8.938	120368	8.915	122168	8.900
VS11792	10.150	VS12031	2.307	103374	8.938	120369	8.915	122181	8.900
VS11793	3.731	VS12032	2.307	103385	8.938	120371	8.915	122246	8.900
VS11795	3.793	VS12033	2.279	103386	8.938	120375	8.915	122260	8.900
VS11797	3.795	VS12034	2.297	103868	8.971	120376	8.915	122273	8.900
VS11799	3.789	VS12035	2.289	103880	8.971	120377	8.915	122340	8.900
VS11800	3.792	VS12036	2.289	103883	8.971	120378	8.915	122300	8.900
VS11801	3.764	VS12038	2.291	103909	8.960	120379	8.931	123435	8.900
VS11802	3.764	VS12039	2.291	104066	8.967	120380	8.931	123437	8.916
VS11803	3.763	VS12040	2.291	104251	8.967	120381	8.931	123450	8.900
VS11812	3.736	VS12041	2.285	104916	4.428	120382	8.931	123499	8.900

HOLDEN "LC" PARTS CATALOGUE

PART NO.	GROUP	PART NO.	GROUP	PART NO.	GROUP	PART NO.	GROUP	PART NO.	GROUP
123520	8.900	159967	8.910	187119	8.931	444819	0.033	714275	4.376
123540	8.900	160035	8.910	187543	8.900	444819	3.265	714302	4.370
123774	8.900	160046	8.910	187612	8.900	444819	8.971	716045	4.403
123841	8.900	160069	8.910	187979	8.900	445536	8.900	716104	4.419
124094	8.900	160536	8.910	188712	8.910	446063	8.921	716251	4.353
124589	8.915	160548	8.910	189334	8.900	446130	8.929	716350	4.419
124920	8.916	161340	8.977	189349	8.900	446152	8.929	718061	4.380
125913	8.915	161373	8.977	190075	8.977	446161	8.929	718061	4.417
125926	8.900	161755	8.977	190868	8.963	446188	8.929	718289	4.415
127813	8.900	161790	8.977	191397	8.963	446211	8.929	718340	4.418
127968	8.900	161860	8.977	191522	8.967	446363	8.929	718386	4.380
131014	8.929	161895	8.977	191879	8.910	446548	8.929	718386	4.385
131016	8.929	161901	8.977	192422	8.938	451580	8.913	718627	4.395
131099	8.931	161903	8.977	193486	8.900	453288	8.931	718753	4.385
131183	8.931	162292	8.977	215511	8.900	453571	4.265	718909	4.383
131954	2.385	162294	8.977	217502	8.975	453571	8.899	718913	4.383
131954	2.393	162296	8.977	218217	8.960	453670	5.518	718937	4.383
131954	8.907	162474	8.977	219301	8.971	453670	8.941	718938	4.383
132760	8.906	163158	8.977	221154	8.977	453676	8.941	720091	4.412
132848	8.906	163160	8.977	225854	8.915	454512	8.941	720092	4.412
133556	8.908	163162	8.977	271501	8.915	454848	8.900	720093	4.412
134551	8.915	163200	8.977	271506	8.915	454864	5.510	720094	4.412
136669	8.967	163210	8.977	272071	8.917	454864	8.900	720178	4.352
137133	8.938	163216	8.977	272122	8.916	455017	8.900	722027	4.337
137159	8.938	163450	8.977	272312	8.917	455277	8.941	722151	4.337
137185	8.938	163467	8.977	272733	8.304	455404	8.977	722276	4.337
137396	8.963	172472	8.977	272733	8.921	455481	8.941	724186	4.317
137398	8.963	175986	8.977	272733	12.116	455490	8.991	724508	4.317
137404	8.963	178378	8.932	272846	1.762	455492	8.977	724532	4.318
137406	8.963	179377	8.977	272846	4.931	455862	8.941	724550	4.338
137412	8.963	179816	8.900	272846	8.948	455919	0.736	724551	4.338
137414	8.963	179817	8.900	273708	8.977	455919	8.941	724752	4.104
138479	8.932	179819	8.900	273709	0.033	456876	8.941	724800	4.337
138485	8.932	179821	8.900	274495	8.941	476737	4.681	730115	4.105
138489	8.932	179826	8.900	274574	4.311	476737	4.826	730890	4.109
138538	8.932	179840	8.900	274865	8.929	513975	1.453	732035	4.309
138542	8.932	179842	8.900	287649	4.003	513975	2.697	732082	4.309
138549	8.932	179843	8.900	345423	0.669	513975	4.195	732129	4.309
138740	8.975	179866	8.900	346331	3.430	516228	4.595	732189	4.314
140239	8.930	180015	8.900	348402	5.387	591022	4.358	732195	4.316
140784	3.202	180016	8.900	354894	4.205	591150	4.357	732196	4.315
141118	8.939	180018	8.900	355827	3.275	599119	2.424	732230	4.313
141149	8.939	180076	8.900	412562	0.649	599119	3.202	732252	4.316
141195	8.939	180079	8.900	423335	8.900	599119	4.685	732282	4.308
141216	0.033	180081	2.275	425110	8.900	601063	10.550	732311	4.316
141216	8.939	180081	2.317	425224	8.963	601260	2.188	732375	4.301
142456	2.679	180081	8.900	425348	8.900	601260	10.550	734032	4.304
142456	8.991	180083	8.900	426663	8.938	601260	12.248	734133	4.384
142953	8.940	180119	8.900	426816	8.975	601261	2.188	734134	4.303
144531	3.410	180144	8.900	431787	8.960	601261	10.550	734183	4.303
144791	8.977	180153	8.900	432750	8.975	601261	12.248	734184	4.384
144811	8.977	180157	8.900	436567	8.910	601846	2.188	734360	4.311
145027	8.918	180192	8.900	440013	8.908	606553	4.103	734364	4.316
145193	8.977	180697	8.900	441205	8.977	668534	0.804	734576	4.311
145475	8.963	181385	5.400	443507	8.910	668601	0.805	734604	4.311
147489	4.311	181385	8.900	443770	8.939	702071	4.103	761175	4.301
147514	6.513	181407	8.900	444613	8.971	702288	4.004	761325	4.301
147514	8.921	181408	8.900	444619	8.971	704035	4.430	811735	2.367
147577	8.929	181596	8.900	444625	3.265	706015	4.433	816784	2.384
149501	8.977	181608	8.900	444625	8.971	708080	4.421	816784	2.387
157716	8.913	181639	8.900	444688	8.971	708286	4.423	819639	2.364
157728	8.913	181641	8.900	444692	8.971	710021	4.428	820445	2.382
159016	8.910	181669	8.900	444697	8.971	712074	4.351	838029	0.310
159858	8.910	181674	8.900	444698	8.971	712201	4.423	838538	0.033
159929	8.910	186491	8.900	444782	1.928	714011	4.355	850559	1.203
		186619	8.900	444782	8.971	714275	4.337	854005	3.905

HOLDEN "LC" PARTS CATALOGUE

PART NO.	GROUP	PART NO.	GROUP	PART NO.	GROUP	PART NO.	GROUP	PART NO.	GROUP
856035	3.921	2080228	4.019	2686706	4.205	2805207	4.020	2805633	11.377
856927	3.922	2080733	4.301	2687326	5.469	2805208	4.040	2805654	6.508
856939	3.921	2080802	4.019	2687336	4.020	2805208	1.219	2805655	6.758
856961	3.931	2086000	4.303	2688449	2.239	2805209	1.219	2805677	3.701
858388	2.447	2086000	4.304	2688702	0.885	2805211	1.159	2805678	11.377
858388	2.697	2086000	4.308	2688790	0.885	2805223	12.491	2805679	9.743
1010078	3.734	2086000	4.314	2688865	0.269	2805224	12.491	2805680	9.743
1014378	4.103	2086000	4.315	2688888	0.033	2805256	2.728	2805681	2.198
1016860	3.806	2088003	4.428	2690013	6.168	2805257	2.728	2805682	3.459
1019000	3.734	2088003	4.433	2690247	0.885	2805264	3.107	2805687	10.694
1020499	3.791	2088004	4.311	2690248	0.863	2805286	12.248	2805688	10.694
1023159	3.793	2088009	4.337	2690249	0.866	2805289	12.116	2805690	4.006
1023160	3.793	2180566	14.880	2690250	0.865	2805290	12.116	2805691	6.518
1023366	11.925	2680491	0.094	2690298	3.763	2805291	12.116	2805710	12.237
1023966	3.757	2680492	0.094	2690418	0.289	2805292	12.116	2805714	12.966
1025707	0.787	2680493	0.094	2690419	0.289	2805300	12.491	2805717	6.364
1031498	3.265	2680494	0.094	2690420	0.289	2805301	12.491	2805728	6.164
1032829	13.092	2680504	3.792	2690421	0.001	2805302	12.982	2805732	4.685
1033197	0.310	2680505	3.783	2690455	0.726	2805308	1.266	2805733	12.934
1036274	0.206	2680510	3.791	2690774	4.355	2805340	12.982	2805734	12.934
1037381	0.056	2680512	3.796	2692071	3.611	2805381	6.008	2805736	12.934
1037542	4.422	2680513	3.796	2693270	4.019	2805392	12.972	2805739	12.934
1038079	4.081	2680514	3.796	2693409	0.683	2805393	10.829	2805743	12.980
1039278	3.521	2680516	3.796	2693447	1.516	2805394	10.829	2805744	12.980
1039278	12.803	2680517	3.796	2693455	0.033	2805399	5.001	2805769	11.628
1039359	3.729	2680518	3.796	2693456	0.033	2805400	5.001	2805771	11.629
1039374	3.806	2680519	3.796	2694409	4.015	2805406	1.265	2805772	11.629
1039913	3.796	2680520	3.796	2696256	3.795	2805407	1.265	2805773	11.629
1039913	3.799	2680521	3.796	2696500	5.504	2805410	1.265	2805777	8.015
1041602	3.760	2680522	3.782	2696501	5.504	2805414	11.561	2805778	8.015
1048975	4.356	2680582	1.071	2697856	0.033	2805415	11.561	2805779	8.130
1373122	4.337	2680584	2.049	2697857	0.033	2805420	11.561	2805780	8.130
1374446	6.760	2680591	0.629	2698229	0.289	2805421	11.561	2805788	12.940
1516054	2.589	2680592	0.629	2698233	0.001	2805450	10.710	2805789	12.940
1516054	3.112	2680593	0.629	2698327	4.003	2805451	10.710	2805790	12.984
1521708	3.931	2680674	3.752	2700055	0.033	2805456	10.741	2805791	12.984
1521953	3.913	2680687	3.792	2700060	0.033	2805457	10.741	2805794	0.423
1521985	3.902	2680688	3.731	2702179	2.083	2805476	1.266	2805795	0.443
1522046	3.922	2680689	3.791	2702180	2.043	2805477	3.001	2805801	6.761
1522199	3.925	2680714	3.795	2702182	2.067	2805492	3.001	2805803	12.804
1523093	3.920	2680723	3.793	2702183	2.085	2805499	4.009	2805821	15.224
1523094	3.903	2680724	3.791	2702225	3.754	2805507	12.982	2805827	8.130
1523099	3.929	2680725	3.799	2703076	0.787	2805508	12.982	2805828	8.130
1524088	3.927	2680726	3.731	2703337	3.725	2805510	6.164	2805839	6.008
1524112	3.921	2680767	0.885	2703338	3.725	2805523	5.001	2805840	6.008
1524261	3.902	2680769	0.865	2703411	3.601	2805524	5.001	2805844	6.008
1524507	3.925	2680770	0.863	2805001	4.020	2805525	11.373	2805845	6.008
1524593	3.902	2680771	0.866	2805002	4.019	2805541	12.956	2805850	3.158
1524994	3.901	2680850	4.665	2805003	4.020	2805542	12.956	2805851	3.163
1533539	1.762	2680851	4.665	2805005	4.020	2805543	10.827	2805852	3.158
1533669	1.762	2680852	4.665	2805006	4.019	2805544	10.827	2805853	3.158
1537404	3.913	2680853	4.668	2805021	3.028	2805545	5.001	2805877	12.804
1571891	1.516	2680854	4.667	2805053	6.103	2805546	5.001	2805889	4.610
1572364	1.246	2680855	4.665	2805054	6.103	2805551	11.595	2805897	8.036
1572389	1.246	2681631	2.041	2805057	4.133	2805574	12.982	2805906	12.811
1928111	2.393	2681677	1.064	2805059	4.133	2805576	11.373	2805907	12.811
1945369	2.382	2682088	5.545	2805062	7.241	2805577	11.373	2805908	12.811
1945756	2.368	2682100	5.529	2805074	4.019	2805578	11.373	2805909	12.811
1954560	2.384	2682101	5.529	2805074	4.040	2805579	11.373	2805910	12.811
1954560	2.385	2682103	5.387	2805096	6.513	2805580	11.373	2805911	12.811
1965843	2.388	2682170	5.546	2805135	4.128	2805586	11.377	2805912	12.971
1997037	2.459	2682224	4.015	2805136	4.128	2805581	11.374	2805913	12.971
2018053	4.105	2682427	5.453	2805203	4.046	2805613	11.374	2805916	11.011
2018107	4.317	2684678	1.064	2805204	12.942	2805621	11.420	2805919	11.011
2060726	4.103	2684725	1.928	2805205	2.586	2805622	11.420	2805920	11.420
2076510	4.376	2686103	4.205	2805207	4.019	2805624	11.420	2805941	12.971

HOLDEN "LC" PARTS CATALOGUE

PART NO.	GROUP	PART NO.	GROUP	PART NO.	GROUP	PART NO.	GROUP	PART NO.	GROUP
2805942	12.971	2806257	0.001	2806583	3.609	2806979	4.828	2807280	12.116
2805945	0.787	2806276	12.941	2806601	12.895	2806980	4.828	2807289	9.779
2805949	3.003	2806277	12.941	2806602	12.895	2806982	4.829	2807290	9.779
2805952	3.003	2806289	2.239	2806603	10.529	2806983	4.826	2807293	9.787
2805953	3.008	2806296	7.836	2806610	11.960	2806984	4.826	2807294	9.787
2805955	11.007	2806297	7.836	2806613	10.263	2806985	2.679	2807302	4.015
2805956	11.007	2806298	1.429	2806626	12.941	2806986	2.679	2807303	4.015
2805970	3.430	2806317	1.270	2806627	12.941	2806988	2.679	2807310	9.648
2805973	8.153	2806319	6.008	2806631	4.610	2806989	1.203	2807311	3.430
2805974	8.153	2806353	12.075	2806635	2.275	2806990	2.681	2807322	3.158
2805979	12.237	2806354	12.075	2806644	12.971	2806991	2.681	2807323	4.610
2805980	12.982	2806355	12.075	2806652	8.153	2806992	2.682	2807323	11.950
2806006	12.980	2806356	12.075	2806655	2.728	2806993	2.698	2807323	11.960
2806007	12.980	2806357	12.075	2806656	2.728	2806994	2.682	2807324	4.610
2806009	12.982	2806358	12.075	2806678	4.128	2806995	2.682	2807324	11.950
2806018	5.382	2806359	12.075	2806679	4.128	2806996	2.679	2807324	11.960
2806019	5.382	2806360	12.075	2806685	1.263	2807005	9.743	2807325	4.610
2806026	6.508	2806410	10.529	2806690	1.266	2807016	8.130	2807325	11.950
2806027	6.518	2806420	6.524	2806691	0.413	2807017	8.130	2807325	11.960
2806032	4.019	2806428	4.826	2806710	10.473	2807045	12.269	2807330	14.685
2806032	4.020	2806429	4.826	2806711	10.473	2807051	10.529	2807331	14.685
2806033	4.019	2806430	2.486	2806718	3.609	2807062	11.376	2807349	12.116
2806033	4.020	2806433	9.709	2806725	12.984	2807067	11.006	2807350	12.116
2806035	11.006	2806434	9.709	2806726	12.984	2807068	11.006	2807364	10.261
2806036	11.006	2806435	9.709	2806751	12.942	2807070	12.895	2807365	10.261
2806043	11.561	2806436	9.709	2806770	9.743	2807071	12.895	2807431	13.090
2806046	5.382	2806438	8.075	2806786	4.342	2807098	5.382	2807432	13.090
2806047	5.382	2806440	8.798	2806805	4.685	2807098	6.170	2807433	2.555
2806050	1.270	2806440	10.163	2806806	4.685	2807100	7.545	2807438	12.114
2806051	4.625	2806441	3.521	2806807	9.786	2807102	0.830	2807439	12.114
2806053	0.833	2806442	3.521	2806807	12.803	2807106	0.848	2807445	4.081
2806053	4.627	2806446	12.181	2806810	11.589	2807108	0.852	2807488	2.555
2806059	4.658	2806448	9.787	2806811	11.589	2807113	0.852	2807491	9.743
2806061	4.901	2806451	4.081	2806816	12.803	2807114	0.839	2807575	2.682
2806063	4.628	2806452	12.982	2806817	10.230	2807116	0.844	2807576	2.682
2806064	4.659	2806453	3.609	2806834	4.081	2807117	4.040	2807577	2.682
2806065	4.901	2806456	10.529	2806835	4.081	2807122	2.333	2807578	2.682
2806067	4.658	2806463	12.804	2806839	4.901	2807141	10.538	2807579	2.682
2806068	4.628	2806464	10.307	2806840	4.901	2807144	0.269	2807580	2.682
2806069	4.901	2806464	12.803	2806845	0.852	2807154	5.804	2807590	5.858
2806070	11.006	2806465	7.836	2806847	10.260	2807183	9.648	2807602	2.679
2806071	11.006	2806466	7.836	2806848	12.944	2807184	9.648	2807603	2.679
2806076	10.998	2806467	7.836	2806849	12.944	2807185	9.648	2807604	2.679
2806077	10.998	2806468	7.836	2806859	6.508	2807186	9.648	2807605	2.679
2806078	10.998	2806500	4.006	2806862	4.040	2807188	9.648	2807635	2.555
2806079	10.998	2806505	4.019	2806863	4.040	2807189	9.648	2807707	4.019
2806080	10.998	2806507	4.019	2806864	4.040	2807229	12.116	2807747	4.038
2806097	10.759	2806508	4.019	2806911	10.529	2807230	12.116	2807748	4.038
2806098	10.759	2806512	10.220	2806912	10.529	2807232	10.527	2807749	4.018
2806103	10.695	2806518	4.054	2806916	10.529	2807233	10.527	2807750	6.518
2806104	10.695	2806520	4.040	2806917	10.529	2807234	10.527	2807793	2.679
2806105	10.695	2806521	4.019	2806925	12.895	2807235	2.698	2807794	2.679
2806106	12.184	2806523	4.041	2806926	12.895	2807251	8.304	2807807	2.681
2806107	12.184	2806525	9.786	2806935	9.684	2807252	8.304	2807808	2.681
2806114	4.017	2806525	12.803	2806946	12.895	2807253	8.304	2807823	2.342
2806116	12.187	2806528	9.786	2806947	12.895	2807254	8.304	2807847	0.388
2806117	12.187	2806529	12.803	2806954	7.870	2807264	8.154	2807897	4.017
2806195	1.270	2806530	12.803	2806958	12.116	2807265	8.153	2807954	9.779
2806228	1.270	2806538	10.470	2806958	12.182	2807266	8.153	2807955	9.779
2806231	2.274	2806539	10.470	2806973	4.662	2807270	2.830	2807958	9.779
2806239	12.913	2806548	8.112	2806973	4.765	2807272	2.830	2807959	9.779
2806240	12.913	2806549	10.500	2806974	4.765	2807276	12.112	2807960	9.779
2806241	10.822	2806550	10.500	2806975	4.764	2807277	12.112	2807962	9.779
2806242	10.822	2806552	3.609	2806976	12.980	2807278	12.112	2807964	9.779
2806244	15.024	2806554	10.563	2806977	2.342	2807279	12.112	2808010	15.306
2806246	12.982	2806582	0.137	2806978	2.341	2807280	8.304	2808011	15.306

HOLDEN "LC" PARTS CATALOGUE

PART NO.	GROUP	PART NO.	GROUP	PART NO.	GROUP	PART NO.	GROUP	PART NO.	GROUP
2808012	15.286	2808757	4.681	2809613	10.159	2810112	8.153	2810535	10.027
2808013	15.286	2808760	6.307	2809614	10.147	2810114	0.833	2810536	14.802
2808101	4.019	2808761	6.307	2809617	7.632	2810114	4.627	2810537	4.265
2808104	4.019	2808766	4.681	2809642	4.040	2810115	0.918	2810543	3.003
2808107	4.019	2808767	4.681	2809643	4.040	2810116	0.830	2810545	12.982
2808108	4.019	2808874	15.520	2809644	4.040	2810118	0.847	2810566	14.880
2808109	4.020	2808875	15.520	2809645	4.040	2810119	4.634	2810567	14.880
2808110	4.020	2808877	15.520	2809646	15.002	2810130	4.007	2810568	14.880
2808114	4.019	2808881	4.016	2809647	3.430	2810131	4.007	2810569	14.800
2808116	4.015	2808885	4.006	2809648	3.720	2810132	4.007	2810570	14.800
2808121	8.112	2808893	12.956	2809727	4.304	2810174	15.000	2810571	14.800
2808124	5.510	2808894	12.956	2809738	3.430	2810175	15.000	2810601	6.508
2808126	4.038	2808949	11.374	2809739	3.430	2810176	15.000	2810602	6.518
2808127	4.050	2808953	3.430	2809740	3.430	2810177	15.000	2810691	8.079
2808129	13.090	2808957	4.055	2809741	3.430	2810178	15.000	2810692	0.289
2808130	13.090	2809014	5.504	2809742	3.430	2810217	12.810	2810715	5.504
2808133	3.731	2809015	5.504	2809752	14.685	2810218	12.810	2810716	5.504
2808181	2.239	2809109	13.090	2809753	14.685	2810225	15.306	2810734	4.006
2808186	1.064	2809110	2.714	2809757	15.286	2810230	15.306	2810735	4.019
2808189	1.062	2809115	6.233	2809758	15.286	2810231	15.306	2810736	4.041
2808213	10.002	2809116	14.685	2809774	15.035	2810251	2.481	2810738	4.007
2808214	10.002	2809117	14.685	2809775	15.035	2810269	4.828	2810739	4.007
2808215	10.002	2809122	14.760	2809776	15.035	2810270	4.828	2810746	8.823
2808216	10.002	2809123	14.760	2809777	15.035	2810273	4.826	2810747	12.116
2808229	12.940	2809126	14.685	2809778	15.035	2810274	4.826	2810750	6.508
2808230	12.940	2809127	14.685	2809787	15.294	2810289	3.430	2810752	4.625
2808231	12.934	2809139	4.003	2809826	2.277	2810309	4.625	2810753	4.901
2808232	12.934	2809143	9.779	2809829	2.317	2810312	4.625	2810757	9.779
2808235	12.956	2809186	2.041	2809830	2.317	2810316	3.609	2810758	9.779
2808236	12.956	2809199	14.860	2809843	15.036	2810318	3.609	2810761	4.658
2808250	2.555	2809206	4.040	2809844	15.036	2810319	3.704	2810763	0.924
2808258	9.640	2809222	4.040	2809857	1.219	2810320	3.704	2810768	9.743
2808284	2.515	2809236	1.265	2809865	15.036	2810323	3.701	2810772	0.388
2808285	2.515	2809241	5.871	2809866	15.036	2810325	15.306	2810778	5.382
2808286	2.515	2809249	15.101	2809882	14.802	2810338	3.402	2810785	14.655
2808287	2.515	2809250	15.101	2809883	15.002	2810353	7.370	2810788	14.655
2808288	2.515	2809290	4.309	2809921	3.796	2810375	10.027	2810800	5.382
2808289	2.515	2809297	1.516	2809922	3.796	2810386	9.709	2810804	9.779
2808409	2.555	2809307	9.779	2809934	4.265	2810399	15.100	2810818	12.980
2808410	2.555	2809308	9.779	2809937	3.796	2810400	15.100	2810862	10.307
2808415	4.681	2809345	5.813	2809945	15.100	2810407	14.880	2810862	12.803
2808417	9.779	2809346	12.491	2809946	15.100	2810408	14.880	2810864	2.728
2808418	9.779	2809347	12.491	2809947	14.685	2810409	14.880	2810865	2.728
2808419	9.779	2809350	5.809	2809948	14.685	2810410	14.800	2810872	4.019
2808553	4.003	2809364	0.413	2809989	14.685	2810411	14.800	2810873	10.506
2808559	3.430	2809368	12.955	2809990	14.685	2810412	14.800	2810874	10.506
2808560	3.430	2809369	12.955	2809991	15.100	2810427	14.803	2810875	10.506
2808563	4.681	2809371	12.955	2809992	15.100	2810428	6.361	2810876	10.506
2808564	4.681	2809372	7.629	2810006	6.008	2810429	7.503	2810877	10.506
2808589	4.009	2809373	7.629	2810007	6.008	2810450	14.880	2810889	9.786
2808604	9.620	2809421	2.697	2810048	12.972	2810451	14.880	2810889	12.803
2808607	14.890	2809438	3.402	2810051	10.261	2810452	14.800	2810921	12.803
2808643	2.810	2809457	4.412	2810081	2.361	2810453	14.800	2810922	10.159
2808655	5.812	2809464	2.481	2810089	15.035	2810458	14.685	2810923	10.159
2808656	5.813	2809465	5.387	2810090	15.035	2810459	14.685	2810924	10.159
2808670	12.966	2809479	9.779	2810091	15.035	2810488	1.064	2810925	9.779
2808743	4.685	2809482	9.648	2810096	10.002	2810498	5.855	2810932	4.003
2808744	4.685	2809494	11.960	2810097	4.038	2810500	14.640	2810933	4.608
2808745	4.685	2809495	9.750	2810100	4.019	2810501	14.640	2810938	6.361
2808746	4.685	2809496	9.750	2810101	4.020	2810503	1.265	2810939	7.503
2808747	4.685	2809595	3.609	2810102	3.430	2810503	12.116	2810942	11.377
2808749	4.685	2809596	3.609	2810107	3.430	2810503	12.182	2810943	11.377
2808750	4.685	2809600	4.316	2810108	4.040	2810504	14.691	2810975	5.871
2808752	4.685	2809609	12.805	2810109	4.040	2810518	3.003	2810989	9.668
2808753	4.685	2809610	12.805	2810110	4.040	2810530	14.890	2810990	4.081
2808754	4.685	2809612	10.150	2810111	3.451	2810532	6.761	2810993	12.980

HOLDEN "LC" PARTS CATALOGUE

PART NO.	GROUP	PART NO.	GROUP	PART NO.	GROUP	PART NO.	GROUP	PART NO.	GROUP
2811011	10.695	2811593	4.019	2812200	4.035	2812866	4.591	2813522	4.419
2811014	4.265	2811594	4.046	2812202	15.286	2812870	4.591	2813525	4.418
2811015	4.265	2811594	4.050	2812219	4.045	2812872	4.764	2813526	4.433
2811017	13.090	2811596	4.019	2812220	4.045	2812878	9.660	2813527	4.311
2811019	4.625	2811597	4.050	2812237	5.809	2812896	3.459	2813561	6.361
2811022	4.035	2811605	4.046	2812239	8.085	2812931	4.826	2813562	7.503
2811023	4.035	2811624	9.672	2812290	4.019	2812932	9.662	2813564	10.791
2811024	4.035	2811629	4.610	2812302	9.600	2812940	4.685	2813565	10.791
2811032	4.045	2811655	3.704	2812312	4.015	2812941	4.685	2813566	12.982
2811040	15.290	2811656	2.679	2812317	9.779	2812942	4.685	2813580	12.982
2811107	2.810	2811657	2.679	2812319	0.787	2812979	4.650	2813650	4.081
2811108	2.810	2811658	2.679	2812320	0.787	2812981	4.650	2813650	12.982
2811114	12.804	2811659	2.684	2812327	4.610	2812983	4.661	2813651	12.982
2811117	8.132	2811660	2.684	2812386	3.725	2812985	4.661	2813724	6.524
2811118	8.132	2811661	2.682	2812446	4.006	2813039	12.804	2813778	4.902
2811155	3.003	2811662	2.682	2812447	4.040	2813188	1.219	2813779	4.902
2811156	3.003	2811663	8.015	2812448	4.041	2813233	15.286	2813791	4.902
2811161	8.130	2811664	8.015	2812449	4.019	2813327	3.430	2813792	4.902
2811162	8.130	2811667	8.013	2812450	1.219	2813385	2.447	2813814	5.803
2811193	1.066	2811668	8.015	2812457	7.345	2813401	0.629	2813815	5.803
2811194	4.005	2811669	8.015	2812481	4.610	2813402	0.629	2813820	9.662
2811195	4.005	2811672	12.803	2812532	10.002	2813403	0.629	2813894	4.019
2811196	4.005	2811673	12.803	2812533	10.002	2813404	0.629	2813916	0.852
2811197	4.127	2811693	1.159	2812546	4.015	2813405	0.629	2813992	3.028
2811208	4.009	2811694	1.159	2812591	4.020	2813406	0.629	2813993	3.028
2811214	0.861	2811714	9.620	2812592	4.019	2813407	0.629	2813994	3.028
2811217	0.886	2811728	14.798	2812593	4.019	2813408	0.643	2813995	3.028
2811218	0.886	2811742	6.758	2812607	4.680	2813409	0.643	2814002	4.040
2811219	8.153	2811743	6.758	2812678	10.147	2813410	0.643	2814009	7.242
2811220	8.153	2811744	6.758	2812679	2.041	2813411	0.643	2814023	4.038
2811299	1.159	2811748	4.342	2812680	2.041	2813441	6.524	2814062	4.038
2811302	0.924	2811753	3.430	2812681	6.177	2813453	0.033	2814065	6.518
2811307	4.902	2811756	3.265	2812699	4.625	2813454	0.033	2814075	8.798
2811312	14.890	2811797	4.265	2812732	12.803	2813455	0.033	2814090	4.902
2811327	4.030	2811798	4.265	2812760	0.289	2813456	0.033	2814105	4.055
2811328	4.030	2811799	4.265	2812767	10.159	2813466	10.694	2814111	6.524
2811329	4.030	2811802	4.177	2812768	10.159	2813467	10.694	2814112	6.524
2811341	4.019	2811834	12.212	2812769	10.159	2813468	3.403	2814135	3.725
2811372	0.679	2811835	9.779	2812770	10.159	2813473	1.219	2814167	9.600
2811375	10.219	2811837	8.153	2812807	15.286	2813474	1.219	2814245	6.524
2811376	10.219	2811860	12.955	2812818	4.081	2813475	1.219	2814260	6.233
2811413	9.680	2811894	9.779	2812818	12.982	2813476	1.219	2814267	1.266
2811418	2.555	2811922	5.420	2812819	4.081	2813477	1.219	2814268	1.266
2811419	2.555	2811929	0.269	2812819	12.982	2813478	1.219	2814288	4.265
2811420	2.555	2811930	0.269	2812828	0.289	2813486	4.003	2814298	0.388
2811421	2.555	2811931	0.333	2812834	10.670	2813489	4.418	2814366	0.852
2811429	8.823	2811932	0.426	2812834	14.694	2813490	4.395	2814386	4.041
2811439	4.639	2811933	0.429	2812835	10.670	2813491	4.415	2814392	2.697
2811449	3.003	2811938	0.308	2812835	14.694	2813493	4.403	2814394	2.697
2811471	4.265	2811950	15.040	2812836	10.670	2813494	4.351	2814411	8.798
2811517	3.028	2811962	4.046	2812836	14.694	2813496	4.421	2814412	8.798
2811568	7.345	2811963	9.779	2812837	10.670	2813498	4.430	2814414	4.931
2811569	7.345	2811967	9.779	2812837	14.694	2813499	4.430	2814460	3.459
2811570	7.345	2811968	4.015	2812838	14.768	2813501	4.311	2814480	4.431
2811571	7.345	2811970	4.019	2812839	14.768	2813504	4.317	2814481	4.433
2811572	7.345	2811973	4.020	2812850	4.825	2813505	4.103	2814482	4.902
2811573	7.345	2811977	4.015	2812851	4.825	2813506	4.303	2814483	4.902
2811574	7.345	2812018	12.972	2812854	4.591	2813507	4.318	2814539	8.000
2811575	7.345	2812019	4.591	2812857	4.826	2813511	4.311	2814540	8.000
2811586	0.830	2812042	10.571	2812858	4.596	2813513	4.317	2814572	0.666
2811586	4.625	2812082	4.035	2812859	4.596	2813514	4.309	2814575	6.176
2811588	4.020	2812095	6.163	2812860	4.597	2813515	4.380	2814685	9.779
2811589	4.019	2812096	6.163	2812861	4.596	2813517	4.419	2814687	1.219
2811590	4.010	2812097	6.163	2812862	4.596	2813519	4.432	2814688	1.219
2811591	4.006	2812188	2.485	2812863	4.826	2813520	4.309	2814691	6.008
2811592	4.020	2812196	2.824	2812864	4.834	2813521	4.311	2814696	9.779

HOLDEN "LC" PARTS CATALOGUE

PART NO.	GROUP	PART NO.	GROUP	PART NO.	GROUP	PART NO.	GROUP	PART NO.	GROUP
2814706	4.205	2815413	4.187	2816157	1.064	2816880	9.779	2817788	8.112
2814712	6.168	2815414	4.177	2816161	3.028	2816881	9.779	2817825	4.342
2814713	6.168	2815415	12.075	2816162	3.003	2816882	4.265	2817827	4.342
2814720	11.208	2815416	12.075	2816172	3.410	2816883	9.779	2817828	4.342
2814724	9.750	2815455	0.033	2816173	3.410	2816888	4.006	2817841	8.820
2814726	9.750	2815456	0.033	2816174	3.410	2816914	0.308	2817842	8.820
2814738	0.683	2815457	0.033	2816221	3.430	2816932	3.521	2817913	14.685
2814740	6.008	2815458	0.033	2816222	7.836	2816936	9.652	2817914	14.685
2814741	6.008	2815462	0.033	2816223	7.836	2816941	4.829	2817980	2.697
2814751	4.006	2815463	0.033	2816238	3.107	2816970	3.459	2817997	15.100
2814753	0.206	2815497	5.017	2816244	9.779	2816976	11.376	2817998	15.100
2814803	10.185	2815499	5.017	2816335	6.361	2816977	11.376	2818026	2.342
2814806	4.030	2815501	5.017	2816336	7.503	2816978	11.376	2818027	2.342
2814869	4.040	2815502	5.017	2816340	7.345	2816979	11.376	2818038	4.256
2814887	4.019	2815505	9.662	2816341	7.345	2816980	14.925	2818078	0.033
2814887	4.020	2815507	9.662	2816343	6.008	2816995	3.521	2818206	4.658
2814887	4.030	2815508	9.662	2816408	1.064	2816996	3.521	2818279	4.022
2814895	0.736	2815553	3.725	2816409	1.064	2816997	3.521	2818280	4.022
2814896	3.725	2815611	12.030	2816410	2.275	2816998	3.521	2818289	2.697
2814933	2.555	2815670	3.430	2816418	6.168	2816999	3.521	2818295	4.685
2814934	2.555	2815671	3.430	2816450	0.333	2817000	3.521	2818296	4.685
2814935	2.555	2815700	4.103	2816451	3.158	2817009	1.762	2818297	4.685
2814941	4.010	2815714	10.203	2816453	1.219	2817037	3.521	2818298	4.685
2814967	4.019	2815715	10.203	2816455	8.132	2817042	0.033	2818299	4.685
2814968	4.019	2815718	14.640	2816455	12.182	2817079	0.027	2818300	4.685
2814995	9.600	2815719	14.640	2816483	3.003	2817096	0.269	2818301	4.685
2814996	12.030	2815725	4.040	2816485	3.003	2817116	5.809	2818370	4.006
2815004	6.518	2815739	0.519	2816486	3.158	2817129	9.632	2818371	4.006
2815053	3.725	2815775	4.040	2816504	3.001	2817134	0.269	2818372	4.019
2815054	3.725	2815801	3.430	2816511	0.297	2817135	0.289	2818373	4.038
2815057	3.725	2815922	3.265	2816512	0.297	2817136	1.219	2818374	4.038
2815058	15.290	2815926	9.743	2816513	0.297	2817137	3.402	2818376	4.038
2815059	15.290	2815927	2.515	2816514	0.297	2817138	4.902	2818378	4.015
2815062	2.824	2815928	2.515	2816515	0.297	2817158	5.441	2818387	4.685
2815066	2.555	2815942	3.402	2816516	0.296	2817159	5.441	2818411	3.273
2815067	2.555	2815943	3.430	2816517	0.296	2817175	12.182	2818412	3.273
2815090	4.685	2815944	3.430	2816518	0.296	2817209	2.679	2818440	4.685
2815095	4.901	2815945	3.430	2816519	0.296	2817210	2.679	2818452	4.006
2815097	4.177	2815946	3.430	2816520	0.296	2817211	2.679	2818454	4.015
2815102	1.659	2815947	3.430	2816554	1.762	2817212	2.679	2818458	9.779
2815123	4.007	2815948	3.430	2816555	1.762	2817213	2.681	2818505	0.388
2815124	4.019	2815950	3.430	2816556	1.762	2817214	2.681	2818510	3.430
2815136	10.150	2815962	9.743	2816557	3.260	2817241	9.600	2818511	3.725
2815137	10.150	2815995	8.153	2816560	3.403	2817242	9.600	2818516	4.205
2815154	4.681	2815996	2.333	2816562	3.201	2817243	9.600	2818553	2.555
2815155	4.681	2816005	3.725	2816563	2.424	2817253	9.652	2818554	2.555
2815156	4.685	2816006	3.725	2816564	3.201	2817262	8.820	2818555	2.555
2815157	4.685	2816023	3.430	2816565	3.163	2817278	4.685	2818556	2.555
2815178	1.219	2816025	10.351	2816568	3.163	2817279	4.685	2818557	2.555
2815179	1.219	2816026	10.351	2816569	8.132	2817282	1.252	2818565	4.685
2815180	1.219	2816027	10.351	2816577	3.731	2817326	4.019	2818566	4.685
2815181	1.219	2816028	10.351	2816605	14.880	2817360	4.294	2818567	4.685
2815191	9.662	2816029	10.373	2816606	14.880	2817405	2.361	2818568	4.685
2815203	11.950	2816030	10.373	2816607	14.800	2817423	9.648	2818569	4.685
2815244	7.633	2816102	3.609	2816608	14.800	2817424	9.648	2818570	4.685
2815269	1.429	2816103	3.609	2816611	15.035	2817425	9.648	2818571	4.685
2815274	4.680	2816104	3.701	2816612	15.035	2817426	4.686	2818572	4.685
2815307	4.003	2816105	3.705	2816614	15.000	2817431	2.810	2818573	4.685
2815317	3.725	2816106	3.704	2816615	14.685	2817469	2.424	2818700	8.075
2815318	3.725	2816107	3.704	2816616	14.685	2817488	4.685	2818701	8.075
2815321	4.686	2816112	12.980	2816617	14.685	2817489	4.685	2818702	8.075
2815336	4.038	2816146	4.825	2816618	14.685	2817496	9.665	2818703	8.075
2815337	2.697	2816147	6.508	2816764	3.163	2817642	4.133	2818704	8.075
2815338	3.521	2816149	11.374	2816782	9.779	2817735	4.015	2818710	2.555
2815378	7.242	2816152	12.967	2816806	9.779	2817736	4.009	2818711	2.555
2815409	4.177	2816155	9.787	2816860	4.931	2817740	8.126	2818712	2.555

HOLDEN "LC" PARTS CATALOGUE

PART NO.	GROUP	PART NO.	GROUP	PART NO.	GROUP	PART NO.	GROUP	PART NO.	GROUP
2818713	2.555	2819957	4.650	2820874	12.980	2822568	3.430	3431557	4.009
2818714	2.555	2820017	7.345	2820875	12.980	2822570	14.924	3702366	1.609
2818778	4.055	2820018	7.345	2820876	12.980	2822614	2.819	3707189	4.412
2818801	6.525	2820105	0.269	2820893	9.779	2822690	9.779	3707713	3.430
2818860	0.386	2820110	4.265	2820894	9.779	2822718	2.728	3708408	3.403
2818999	12.803	2820111	2.361	2820906	15.286	2822719	2.728	3710497	4.128
2819001	4.017	2820186	3.001	2820907	15.306	2822720	1.266	3711176	0.309
2819002	1.219	2820229	4.256	2820908	15.306	2822723	12.810	3713379	0.027
2819012	1.219	2820230	4.256	2820926	9.624	2822724	9.680	3713379	7.836
2819019	2.041	2820231	4.256	2820927	9.624	2822725	9.680	3717026	3.110
2819020	2.041	2820232	4.256	2820928	9.624	2822794	3.609	3719206	3.900
2819098	0.643	2820317	5.010	2820931	2.341	2822795	14.924	3735334	7.370
2819099	0.643	2820318	5.010	2820934	1.219	2822875	0.296	3744341	0.429
2819100	0.643	2820321	5.010	2820939	14.880	2822876	0.296	3749084	0.852
2819101	0.643	2820322	5.010	2820940	14.800	2822877	0.296	3749084	4.019
2819151	2.275	2820327	3.609	2820943	15.035	2822878	0.296	3749084	4.020
2819152	2.275	2820372	13.090	2820944	15.035	2822879	0.297	3749084	4.035
2819155	2.500	2820388	4.133	2820946	15.000	2822880	0.297	3749084	4.628
2819167	4.017	2820389	15.290	2820948	4.081	2822881	0.297	3749084	4.658
2819193	4.055	2820411	12.030	2820975	2.555	2822882	0.297	3749086	1.246
2819216	9.779	2820429	2.725	2820976	2.555	2822888	4.015	3750685	3.163
2819227	8.798	2820452	2.275	2820977	2.555	2822927	8.821	3769726	2.188
2819315	7.535	2820464	3.402	2820978	2.555	2822938	2.515	3770598	2.414
2819373	4.006	2820466	0.388	2820981	4.003	2822944	4.196	3774937	3.107
2819374	4.006	2820468	13.090	2822024	12.982	2822946	2.515	3775061	4.428
2819376	2.041	2820479	3.403	2822025	0.643	2822968	1.219	3775063	4.423
2819377	2.041	2820504	2.270	2822026	0.643	2822969	1.219	3775089	4.382
2819439	12.491	2820514	0.269	2822027	0.643	2822970	4.685	3783741	0.309
2819440	12.491	2820532	5.110	2822028	0.643	2822971	4.685	3784609	4.226
2819453	0.001	2820533	5.110	2822033	15.290	2823047	8.823	3786275	1.762
2819454	0.269	2820540	4.685	2822057	1.219	2823079	3.725	3786275	3.163
2819457	0.269	2820541	4.685	2822059	3.158	2823080	3.725	3787240	4.103
2819458	0.289	2820542	4.685	2822065	4.177	2823385	3.430	3788429	0.137
2819459	9.779	2820543	4.685	2822073	0.296	2823594	1.159	3788430	0.137
2819464	0.153	2820559	9.662	2822074	0.297	2823601	3.430	3789860	0.033
2819465	0.095	2820560	9.662	2822075	0.519	2865035	4.015	3789860	0.553
2819465	0.098	2820577	11.015	2822081	0.388	2874879	4.019	3789898	3.273
2819465	0.100	2820590	4.685	2822082	0.388	2874894	4.019	3794377	3.430
2819465	0.102	2820591	4.685	2822083	0.388	2893967	4.019	3798256	0.831
2819470	0.153	2820597	3.158	2822095	4.342	2962066	13.090	3798256	4.626
2819471	0.105	2820598	1.219	2822101	1.516	2962243	2.714	3799830	4.156
2819519	0.629	2820599	1.270	2822111	0.388	2962243	13.090	3805921	4.256
2819520	0.629	2820601	1.159	2822119	6.008	2962448	2.555	3820840	4.104
2819521	0.629	2820606	3.430	2822120	6.008	2962448	4.055	3821812	0.310
2819522	0.629	2820608	3.731	2822121	3.402	2962448	9.779	3829058	1.762
2819523	0.629	2820676	3.609	2822125	3.403	2962449	2.555	3829086	3.275
2819524	0.629	2820678	2.277	2822126	3.521	2962449	9.779	3829139	4.195
2819525	0.629	2820679	2.317	2822133	3.028	2962674	2.258	3831715	4.311
2819526	0.629	2820682	4.030	2822145	2.555	2962679	4.055	3835215	8.800
2819527	0.629	2820697	4.015	2822146	2.555	2962910	9.779	3835333	0.308
2819528	0.629	2820698	4.015	2822147	2.555	2962964	2.555	3835487	3.275
2819529	0.629	2820739	1.263	2822148	2.555	2962964	2.596	3835946	0.209
2819530	0.629	2820740	1.069	2822173	4.265	2962967	4.055	3836540	8.800
2819531	0.629	2820742	1.270	2822174	0.643	2962969	13.090	3836755	0.308
2819532	0.629	2820815	3.265	2822175	0.643	2965141	2.697	3837115	1.610
2819562	11.373	2820818	3.265	2822176	0.643	2965429	2.697	3855180	1.429
2819696	0.643	2820824	5.441	2822215	4.685	2965810	2.555	3871649	4.317
2819697	0.643	2820825	5.441	2822318	9.779	2973195	13.090	3880353	2.277
2819698	0.643	2820826	4.128	2822319	9.779	2973431	2.697	3884683	4.226
2819699	0.643	2820827	4.128	2822546	3.725	2973431	4.055	3896934	0.309
2819742	3.270	2820828	4.205	2822547	3.725	2973603	13.090	3901061	2.188
2819749	4.038	2820830	3.260	2822548	3.725	2973932	2.515	3901061	10.550
2819891	4.226	2820857	4.256	2822549	3.725	2973932	4.610	3901061	12.248
2819903	4.628	2820864	0.787	2822565	4.685	2977510	13.090	3901062	2.188
2819950	4.655	2820865	2.342	2822566	4.685	2977763	4.055	3901062	10.550
2819956	4.650	2820873	12.980	2822567	3.430	2977804	2.555	3901062	12.248

HOLDEN "LC" PARTS CATALOGUE

PART NO.	GROUP	PART NO.	GROUP	PART NO.	GROUP	PART NO.	GROUP	PART NO.	GROUP
3901063	2.188	5258082	4.294	5258216	4.265	5258809	4.256	6309501	4.301
3901063	10.550	5258090	4.129	5258219	4.226	5258816	4.003	6311075	5.043
3901063	12.248	5258091	4.129	5258231	4.279	5258817	4.003	6311076	5.041
3901064	2.188	5258093	4.128	5258240	4.265	5258850	4.226	6311219	4.334
3901064	10.550	5258094	4.128	5258243	4.265	5258920	4.265	6311325	3.791
3901064	12.248	5258095	4.153	5258244	4.265	5258921	4.265	6315183	3.754
3911068	0.303	5258100	4.127	5258245	4.223	5258922	4.265	6317961	3.430
3927156	1.123	5258106	4.127	5258253	4.279	5258953	0.683	6319890	3.616
3932255	4.317	5258109	4.166	5258272	0.683	5258989	4.163	6319892	3.616
3958001	0.137	5258111	4.166	5258273	0.683	5258990	4.163	6325326	4.334
4099315	10.266	5258112	4.166	5258275	0.683	5289527	2.258	6327253	5.546
4110664	10.506	5258116	4.128	5258279	4.158	5290441	2.258	6327899	5.103
4110664	10.556	5258119	4.226	5258282	4.163	5452315	4.653	6331096	0.726
4124441	12.803	5258121	4.128	5258283	4.163	5452319	4.651	6333896	2.053
4124441	12.980	5258124	4.164	5258284	4.163	5452320	4.651	6339604	2.067
4157887	10.783	5258125	0.683	5258286	4.294	5452322	4.652	6339605	2.083
4157887	10.791	5258128	4.158	5258288	4.166	5452519	4.656	6339998	3.763
4168122	10.513	5258129	4.158	5258293	4.156	5452520	4.655	6345662	2.424
4301314	11.581	5258130	4.224	5258294	4.156	5453620	4.654	6346057	0.726
4301315	11.582	5258132	4.128	5258311	4.003	5454797	5.158	6346058	0.726
4304426	11.581	5258134	4.128	5258317	4.103	5454798	5.158	6348287	2.892
4405524	10.829	5258137	4.158	5258318	4.265	5455298	4.667	6348488	0.726
4424600	10.219	5258140	4.226	5258320	4.158	5455487	4.669	6348488	1.453
4556605	11.611	5258141	4.195	5258322	4.166	5460195	4.654	6348488	5.400
4558184	10.260	5258143	4.226	5258329	4.256	5462635	4.654	6350011	2.697
4566746	10.806	5258145	4.265	5258333	4.265	5462637	4.657	6350225	0.726
4576655	10.506	5258146	4.265	5258337	4.279	5462642	4.657	6350226	0.726
4576655	10.556	5258149	4.279	5258338	4.279	5463805	4.251	6350351	4.311
4587931	10.550	5258153	4.212	5258339	4.212	5464418	4.653	6353414	3.791
4598910	10.267	5258155	4.265	5258340	4.265	5464424	4.655	6353493	4.666
4637217	10.563	5258159	4.127	5258342	4.256	5467356	4.656	6353786	6.233
4739928	15.390	5258160	4.265	5258344	4.226	5468053	4.651	6356131	8.012
4780518	12.248	5258161	4.226	5258345	4.226	5574397	1.837	6358020	4.300
4839529	10.559	5258162	4.233	5258351	4.158	5575416	1.837	6358159	4.300
4840319	12.248	5258163	4.256	5258366	4.294	5592046	3.906	6360873	3.276
4884405	10.553	5258164	4.233	5258377	4.265	5592850	3.902	6361033	3.791
5231369	0.459	5258165	4.233	5258378	4.040	5592851	3.921	6361096	4.670
5258001	4.166	5258166	4.226	5258383	4.256	5592852	3.921	6361097	4.667
5258002	4.166	5258167	4.265	5258404	4.040	5593301	3.902	6361210	4.665
5258004	4.166	5258168	4.265	5258443	4.265	5593404	3.904	6361222	5.103
5258005	4.166	5258170	4.265	5258454	4.156	5593866	3.909	6361223	5.103
5258017	4.163	5258171	4.265	5258478	4.003	5638324	4.265	6361229	4.665
5258019	4.163	5258179	4.265	5258479	4.003	5679626	6.168	6361229	5.110
5258021	4.189	5258180	4.265	5258484	4.317	5679627	6.168	6361331	4.654
5258025	4.163	5258182	4.230	5258493	4.337	5679629	6.168	6361334	4.656
5258035	4.163	5258183	4.228	5258509	4.265	5679630	6.168	6361339	4.651
5258038	4.165	5258184	4.265	5258528	4.163	5685837	4.177	6361750	3.771
5258039	4.165	5258185	4.233	5258529	4.226	5693552	6.168	6366097	1.112
5258041	4.166	5258186	4.228	5258543	4.166	5694191	6.524	6366482	0.333
5258042	4.166	5258190	4.251	5258550	4.233	5699603	2.895	6366673	0.426
5258043	4.166	5258191	4.103	5258551	4.128	5956007	2.727	6366690	0.519
5258046	4.129	5258192	4.265	5258552	4.265	5957063	2.895	6366717	0.728
5258053	4.177	5258193	4.265	5258553	4.177	6255523	0.626	6366736	0.623
5258056	4.177	5258195	4.265	5258554	4.177	6255641	4.133	6366738	0.603
5258057	4.163	5258199	4.318	5258555	4.177	6256636	2.362	6366743	0.727
5258058	4.163	5258202	4.129	5258562	4.265	6257880	4.294	6366744	0.033
5258062	4.294	5258203	4.129	5258565	4.233	6288601	4.038	6366745	1.928
5258068	4.177	5258204	4.129	5258567	4.233	6294530	4.038	6366746	1.928
5258070	4.177	5258205	4.129	5258569	4.228	6303008	11.634	6366774	1.609
5258072	4.226	5258206	4.129	5258570	4.228	6303254	1.154	6366775	1.654
5258075	4.158	5258207	4.129	5258572	4.233	6303904	10.587	6366776	1.611
5258076	4.295	5258208	4.226	5258588	4.279	6303904	10.716	6366808	1.610
5258078	4.158	5258212	4.265	5258600	4.265	6303904	10.743	6366811	3.601
5258079	4.158	5258213	4.265	5258754	4.337	6305065	4.666	6366816	1.062
5258080	4.158	5258214	4.279	5258805	4.265	6305907	4.398	6366826	0.207
5258081	4.158	5258215	4.265	5258807	4.265	6305907	4.105	6366857	0.293

HOLDEN "LC" PARTS CATALOGUE

PART NO.	GROUP	PART NO.	GROUP	PART NO.	GROUP	PART NO.	GROUP	PART NO.	GROUP
6366858	0.293	6374670	2.086	6382726	6.020	6397765	6.807	7105350	2.087
6366860	3.288	6374672	2.083	6382868	5.420	6397767	6.809	7107293	4.104
6366862	3.726	6374673	2.063	6382868	6.307	6397768	6.809	7107293	5.387
6366865	3.275	6374674	2.043	6384620	1.723	6397771	6.255	7116131	9.787
6366866	0.726	6374770	5.020	6384624	1.656	6397772	6.255	7121060	1.516
6366867	0.659	6375054	4.384	6384625	1.652	6397833	4.659	7124870	6.233
6366867	0.736	6375055	4.384	6384628	1.739	6397836	5.001	7125717	10.696
6366867	6.008	6375068	4.311	6384656	0.797	6397837	5.001	7126018	0.033
6366873	0.673	6375090	5.002	6384726	1.659	6397838	5.017	7126018	0.269
6366886	0.666	6375115	5.816	6384848	0.269	6397839	4.666	7126976	5.812
6366991	1.079	6375116	5.822	6384888	3.270	6397840	4.665	7127250	1.453
6366997	1.153	6375128	7.370	6384933	1.063	6397841	4.665	7127250	5.400
6366998	0.429	6375234	5.447	6384966	3.270	6397842	5.026	7129794	4.105
6367675	4.415	6375235	5.484	6385756	0.787	6397843	4.665	7129795	4.105
6367677	4.418	6375327	0.787	6386546	10.571	6397844	4.666	7130614	3.726
6367859	4.422	6375361	0.787	6387058	10.664	6397846	4.665	7137636	5.536
6367862	4.408	6375379	5.510	6388035	4.317	6397848	5.019	7138260	4.352
6367863	4.355	6375383	5.506	6388039	4.108	6397849	5.018	7138684	4.398
6367914	4.384	6375384	5.531	6388044	4.015	6397853	4.667	7138685	4.337
6367915	4.384	6375475	5.542	6388083	4.023	6397854	4.669	7138838	4.423
6367973	4.384	6375485	5.543	6388089	4.095	6397855	4.670	7138859	4.318
6367974	4.384	6375486	5.543	6389164	10.150	6397867	5.020	7138861	4.384
6368033	0.831	6375487	5.543	6389225	6.307	6397868	5.020	7138862	4.384
6368033	4.626	6375488	5.543	6389226	6.307	6397938	2.085	7138930	4.358
6368033	4.628	6375707	5.517	6389292	6.326	6397970	6.168	7138973	4.376
6368111	6.168	6375766	4.662	6390312	0.137	6397970	6.233	7138973	4.412
6368762	6.311	6375767	4.662	6391572	4.667	6397976	5.017	7139077	4.353
6368763	6.313	6375777	4.317	6391720	3.783	6397977	4.665	7139078	4.385
6368773	6.326	6376016	4.351	6391732	3.775	6397978	5.149	7139078	4.412
6368888	6.321	6376067	4.300	6392432	10.998	6397979	5.026	7139079	4.334
6369136	10.571	6376068	4.300	6392496	10.696	6397980	5.107	7139079	4.385
6369137	10.571	6376075	4.306	6393125	4.337	6397981	5.111	7139079	4.412
6371371	4.667	6376084	4.307	6393126	4.337	6397982	5.111	7139080	4.385
6371374	4.667	6376085	4.307	6393127	4.337	6397983	5.045	7139080	4.412
6371381	4.666	6376093	4.421	6393128	4.337	6397984	5.075	7139081	4.385
6371650	3.802	6376105	4.337	6393129	4.337	6397985	4.674	7139081	4.412
6371652	3.772	6376106	4.337	6393130	4.337	6397986	5.041	7139082	4.385
6371669	3.763	6376130	0.799	6393131	4.337	6397988	5.043	7139082	4.412
6373187	4.423	6376131	0.669	6393142	4.019	6397991	4.670	7139083	4.385
6373188	4.423	6376212	0.795	6393317	4.108	6397992	4.668	7139083	4.412
6373189	4.430	6376214	0.844	6393408	5.002	6397994	4.670	7139084	4.385
6373192	4.385	6376215	0.870	6393411	5.002	6399066	0.096	7139084	4.412
6373193	4.385	6376216	0.796	6393499	5.002	6399066	0.106	7139099	4.409
6373194	4.385	6376461	0.378	6394636	4.423	6399119	3.288	7139100	4.409
6373195	4.385	6376599	0.309	6395752	10.571	6399122	0.429	7139101	4.409
6373219	4.433	6376634	3.610	6395753	10.571	7052415	3.742	7139224	0.846
6373225	4.376	6376635	3.611	6396150	5.010	7057770	0.033	7139251	4.383
6373225	4.412	6377117	3.202	6396325	5.002	7074488	0.884	7139959	12.944
6373226	4.309	6377118	0.310	6396326	5.002	7077093	2.333	7140021	0.683
6373227	4.398	6378051	0.787	6396404	0.686	7077978	2.051	7140079	4.311
6373284	4.423	6378068	6.020	6396581	6.509	7077980	2.049	7140080	4.311
6373286	4.376	6378069	6.020	6396702	5.537	7078854	4.317	7140240	4.004
6373287	4.306	6379504	5.545	6396703	5.460	7082016	10.664	7141838	4.823
6373311	4.095	6379505	5.448	6396715	5.453	7085400	5.545	7142937	4.301
6373327	4.105	6379778	5.858	6396795	4.015	7086864	3.772	7143946	3.796
6373334	4.109	6379784	4.337	6396874	5.453	7088385	5.110	7143956	3.731
6373377	4.313	6379793	5.518	6396875	5.453	7090220	2.697	7143956	3.782
6373380	4.318	6379876	4.019	6397552	4.380	7090220	9.779	7143956	3.791
6373525	4.333	6379877	4.019	6397553	4.380	7090718	3.202	7143976	3.806
6373673	4.356	6380561	1.108	6397554	4.380	7094634	2.080	7143977	3.806
6373702	4.395	6380664	0.686	6397555	4.380	7094635	2.087	7143980	3.752
6373719	4.317	6380665	0.686	6397662	6.307	7096304	6.168	7146583	3.806
6373774	4.358	6380678	2.424	6397716	4.317	7096326	3.792	7146717	0.209
6374149	2.086	6380703	3.932	6397760	6.809	7099125	0.669	7146717	4.313
6374432	6.168	6380887	2.424	6397761	6.809	7100321	11.374	7146839	4.408
6374669	2.096	6382646	5.395	6397763	6.809	7100321	11.420	7147509	8.798

HOLDEN "LC" PARTS CATALOGUE

PART NO.	GROUP	PART NO.	GROUP	PART NO.	GROUP	PART NO.	GROUP	PART NO.	GROUP
7147567	2.070	7154475	0.386	7162796	3.754	7181511	4.418	7189147	12.982
7147788	4.384	7154559	2.555	7162837	4.908	7181535	5.382	7189176	8.130
7147961	4.433	7156078	3.792	7162840	4.904	7181536	5.382	7189177	8.130
7147982	4.428	7156083	3.808	7162843	4.908	7181537	5.382	7189178	8.130
7149485	4.342	7156084	3.734	7162853	3.793	7181539	5.382	7189179	8.130
7150358	1.709	7156085	3.741	7162854	3.793	7182718	1.426	7189226	8.085
7150714	4.003	7156086	3.752	7162882	5.043	7182860	1.109	7189233	8.085
7152391	3.729	7156088	3.760	7164198	6.168	7183201	12.982	7189308	12.956
7152392	3.731	7156089	3.757	7164199	6.168	7184239	0.748	7189309	12.956
7152393	3.729	7156093	3.775	7164244	6.168	7184241	0.748	7189379	0.386
7152394	3.731	7156096	3.791	7164367	5.528	7184487	1.159	7189391	10.450
7152395	3.731	7156097	3.791	7164368	5.526	7185112	1.263	7189400	12.982
7152396	3.792	7156100	3.789	7165633	10.669	7185476	10.027	7189507	8.036
7152397	3.731	7156101	3.789	7165742	10.669	7186074	12.982	7189509	8.036
7152398	3.732	7156107	3.737	7168136	5.002	7186111	5.382	7189522	1.742
7152399	3.734	7156108	3.737	7168136	5.546	7186122	4.026	7189675	0.297
7152400	3.734	7156109	3.782	7168407	4.317	7186170	5.809	7189819	0.643
7152400	3.742	7156110	3.782	7169539	3.265	7186224	4.403	7189845	1.762
7152401	3.731	7156113	3.752	7169542	3.726	7186276	7.370	7189846	1.762
7152402	3.741	7156114	3.783	7169543	3.726	7186322	6.169	7189847	3.726
7152403	3.783	7156115	3.783	7169639	0.101	7186324	6.169	7190173	4.668
7152404	3.783	7156118	3.771	7169640	0.101	7186325	6.169	7190174	4.670
7152405	3.783	7156338	6.530	7169641	0.101	7186326	6.169	7190261	6.235
7152405	3.793	7156356	5.111	7169711	3.275	7186339	4.317	7190262	6.235
7152406	3.779	7156363	3.792	7169858	1.652	7186342	6.008	7190428	3.757
7152407	3.782	7156367	3.782	7170074	3.783	7186348	6.164	7190439	4.666
7152408	3.782	7156401	3.731	7170089	3.814	7186349	6.164	7191050	12.805
7152410	3.752	7156428	3.806	7170090	3.782	7186350	6.008	7191051	12.805
7152410	3.757	7156429	3.806	7171194	5.469	7186381	7.370	7191139	10.710
7152411	3.757	7156430	3.806	7171275	6.809	7186388	4.625	7191150	12.982
7152415	3.755	7156434	3.806	7171368	4.680	7186393	4.908	7191151	12.982
7152418	3.793	7156435	3.806	7171665	6.008	7186411	6.008	7191297	12.982
7152419	3.795	7157744	0.423	7171695	5.399	7186454	4.639	7191312	9.127
7152420	3.793	7157882	1.429	7172560	4.352	7186471	4.764	7191337	1.270
7152420	3.795	7157925	0.033	7173160	2.424	7186474	4.826	7191338	1.270
7152422	3.793	7157956	3.273	7173161	2.424	7186506	0.837	7191398	10.466
7152424	3.735	7158165	5.543	7173274	0.289	7186506	4.636	7191416	12.805
7152425	3.735	7158166	5.543	7174595	3.806	7187306	7.836	7191417	12.805
7152426	3.735	7158167	5.543	7174597	3.806	7187307	7.836	7191440	8.012
7152429	3.789	7158729	10.685	7174598	3.806	7187392	9.779	7191450	10.710
7152430	3.789	7158729	10.747	7174994	3.793	7187392	9.787	7191451	10.710
7152431	3.791	7159554	0.096	7175429	13.092	7187454	10.450	7191605	1.109
7152432	3.791	7159554	0.106	7175679	9.743	7187456	7.836	7191841	1.123
7152433	3.763	7159565	0.096	7176023	4.018	7187457	7.836	7191939	0.683
7152490	0.616	7159565	0.106	7176225	4.009	7187471	8.085	7192009	6.509
7152491	0.616	7159626	0.429	7176365	5.812	7187587	1.429	7192014	6.509
7152492	0.616	7159630	0.096	7176693	1.516	7187697	0.094	7192035	4.428
7152494	0.616	7159630	0.101	7176842	3.403	7187698	0.094	7192108	0.796
7152862	4.608	7159630	0.106	7176842	3.407	7187699	0.094	7192209	0.787
7153562	0.796	7159632	0.096	7176861	0.636	7187700	0.094	7192213	5.387
7153576	4.317	7159632	0.101	7177209	5.002	7187936	0.533	7192214	5.529
7153711	4.015	7159632	0.106	7177266	4.103	7187940	0.533	7192216	0.787
7153847	0.429	7159673	0.730	7177365	5.529	7188529	7.524	7192223	0.829
7153865	0.539	7159971	0.669	7177367	4.383	7188537	7.552	7192224	0.833
7153866	0.544	7161959	4.109	7177927	4.383	7188542	4.022	7192224	4.627
7153867	0.549	7162126	10.998	7178656	6.233	7188590	10.150	7192331	5.816
7153900	0.616	7162127	10.998	7178657	6.233	7188629	6.169	7192332	5.816
7153903	0.616	7162468	5.010	7180432	1.270	7188650	6.103	7192409	0.833
7153905	0.616	7162483	3.735	7180433	1.270	7188651	6.103	7192520	10.694
7153906	0.616	7162671	4.667	7180743	0.646	7188710	5.001	7192521	10.694
7154027	0.643	7162747	4.668	7180977	3.270	7188711	5.001	7192533	8.079
7154029	0.643	7162756	4.670	7181333	4.300	7188714	5.010	7192534	10.658
7154030	0.643	7162757	4.670	7181339	4.431	7188715	5.010	7192535	10.658
7154031	0.643	7162758	5.020	7181377	5.545	7188948	4.081	7192566	12.491
7154311	3.601	7162759	5.020	7181442	4.423	7189037	12.952	7192567	12.491
7154454	0.659	7162760	4.667	7181507	4.430	7189146	12.982	7192578	9.786

HOLDEN "LC" PARTS CATALOGUE

PART NO.	GROUP	PART NO.	GROUP	PART NO.	GROUP	PART NO.	GROUP	PART NO.	GROUP
7192610	12.075	7194722	3.800	7199826	10.669	7206003	5.809	7214413	3.773
7192611	12.075	7194724	3.805	7199827	10.669	7206120	0.386	7214414	3.752
7192633	10.669	7194814	5.504	7199844	10.669	7206309	1.654	7214415	3.752
7192640	10.701	7194947	3.754	7199846	10.686	7206309	2.396	7214418	3.806
7192641	10.686	7195103	12.009	7199847	10.686	7206398	3.270	7214419	3.795
7192641	10.701	7195558	0.296	7199910	10.669	7206452	0.736	7214420	3.763
7192656	12.811	7195559	0.296	7201027	0.533	7206606	4.904	7214421	3.771
7192657	12.811	7195560	0.296	7201028	0.533	7206609	4.654	7214422	3.765
7192658	10.686	7195561	0.296	7201032	1.063	7206633	3.756	7214424	3.752
7192659	10.686	7195562	0.296	7201033	1.069	7206633	3.772	7214476	0.643
7192674	8.130	7195625	0.629	7201046	1.153	7206716	3.795	7214490	3.725
7192675	8.130	7195626	0.629	7201064	0.603	7206717	3.734	7216014	0.679
7192678	12.934	7195627	0.629	7201067	0.623	7206718	3.802	7216192	4.636
7192679	12.934	7195628	0.629	7201069	0.736	7206719	3.814	7216271	6.176
7192788	10.669	7195815	3.273	7201105	2.374	7206866	5.111	7216275	6.364
7192850	10.655	7195904	1.762	7201108	0.659	7206873	6.255	7216348	4.403
7192851	10.655	7195980	0.386	7201110	0.659	7206874	6.255	7216476	7.370
7192872	10.658	7196455	4.685	7201112	1.079	7206875	6.255	7216477	7.370
7192873	10.658	7196633	10.093	7201130	1.154	7209071	1.108	7216507	6.168
7192890	12.803	7196636	10.092	7201148	1.062	7209073	1.109	7216528	4.003
7192891	12.803	7196754	10.606	7201221	0.386	7209074	1.063	7216530	4.103
7193028	10.650	7197018	12.182	7201328	1.065	7209185	1.742	7216562	3.765
7193029	10.650	7197402	1.270	7201416	0.137	7209189	1.429	7216570	6.230
7193032	10.655	7197403	1.270	7201682	9.787	7209221	1.742	7216575	6.807
7193033	10.655	7197494	9.787	7201950	12.805	7209388	1.065	7216579	6.809
7193404	10.500	7197495	9.779	7201951	12.805	7209450	0.033	7216756	3.806
7194477	2.348	7198120	0.795	7202134	0.787	7209483	1.123	7216803	6.235
7194675	3.731	7198159	4.681	7202135	0.844	7209495	0.309	7216825	6.235
7194678	3.792	7198160	4.681	7202136	0.846	7211158	4.103	7217033	1.654
7194679	3.731	7198161	4.681	7202138	0.787	7211215	4.015	7217163	0.094
7194680	3.729	7198170	7.545	7202139	0.797	7211237	7.552	7217164	0.094
7194682	3.731	7198172	7.545	7202191	0.830	7211304	0.861	7217165	0.094
7194683	3.791	7198174	7.552	7202191	4.625	7211304	0.886	7217166	0.094
7194684	3.735	7198260	4.685	7202194	4.022	7211386	4.006	7217172	0.034
7194684	3.795	7198261	4.685	7202279	0.686	7211419	6.524	7217186	0.616
7194685	3.735	7198306	5.387	7202315	4.301	7211458	6.008	7217187	0.616
7194686	3.791	7198307	5.387	7202335	4.337	7212261	2.041	7217188	0.616
7194687	3.791	7198327	4.105	7202351	0.861	7212405	2.100	7217189	0.616
7194688	3.791	7198454	6.361	7202464	4.107	7212406	2.100	7217225	1.108
7194689	3.791	7198455	6.361	7202465	4.107	7213112	1.742	7217465	0.669
7194692	3.734	7198842	10.264	7202515	5.504	7213126	0.296	7219127	0.206
7194693	3.808	7198944	8.024	7202602	10.146	7213127	0.296	7219186	1.762
7194694	3.808	7198947	8.024	7202769	1.653	7213128	0.296	7219217	0.269
7194695	3.805	7199003	0.297	7202843	0.001	7213129	0.296	7219344	0.206
7194696	3.805	7199091	0.539	7202849	5.001	7213130	0.296	7219566	12.803
7194697	3.805	7199093	0.549	7202850	5.001	7213137	0.429	7219567	12.803
7194698	3.805	7199108	0.679	7203010	3.163	7213195	1.656	7224484	3.430
7194699	3.754	7199170	0.636	7203641	10.261	7213221	3.900	7377884	14.685
7194700	3.754	7199203	0.519	7204026	0.659	7213251	0.643	7377884	14.760
7194701	3.802	7199276	0.056	7204074	1.065	7213253	0.429	7377884	14.803
7194703	3.802	7199277	0.269	7204076	0.659	7213254	0.429	7377884	15.100
7194705	3.775	7199278	0.269	7204100	0.297	7213392	0.643	7385829	8.798
7194706	3.749	7199290	0.539	7204101	0.297	7213393	0.643	7388255	12.948
7194707	3.800	7199388	0.293	7204102	0.297	7213394	0.643	7389977	9.779
7194708	3.800	7199389	0.293	7204205	1.426	7213398	0.643	7400162	4.352
7194709	3.800	7199398	0.673	7204236	2.424	7213399	0.643	7400169	0.940
7194710	3.807	7199399	0.666	7204255	0.289	7213400	0.643	7400181	4.103
7194711	3.807	7199446	1.073	7204357	0.423	7213403	0.629	7400181	5.400
7194712	3.807	7199458	0.736	7204469	3.276	7213404	0.629	7400256	4.317
7194713	3.807	7199503	3.407	7204470	0.386	7213405	0.629	7400256	5.400
7194714	3.807	7199505	0.649	7205089	15.290	7213406	0.629	7400279	5.543
7194715	3.804	7199530	10.608	7205710	5.537	7213418	0.386	7400280	5.542
7194717	3.803	7199559	10.695	7205711	5.537	7213450	1.837	7400370	3.754
7194718	3.803	7199697	10.556	7205727	4.019	7214395	1.071	7400663	0.913
7194719	3.803	7199824	10.669	7205937	6.008	7214411	3.748	7400673	0.914
7194721	3.800	7199825	10.669	7205938	4.081	7214412	3.778	7400948	4.019

HOLDEN "LC" PARTS CATALOGUE

PART NO.	GROUP	PART NO.	GROUP	PART NO.	GROUP	PART NO.	GROUP	PART NO.	GROUP
7400948	4.020	7405165	3.789	7410279	4.040	7417652	4.045	7420335	3.771
7400948	4.030	7405166	3.763	7410360	13.092	7417652	4.046	7420336	4.205
7400948	4.040	7405166	3.795	7410377	11.581	7418077	2.481	7420345	0.033
7400949	3.430	7405167	3.733	7410389	13.092	7418077	9.779	7420385	3.754
7400949	4.019	7405167	3.763	7410738	7.370	7418131	1.219	7420388	3.754
7400949	4.020	7405167	3.795	7410766	0.929	7418439	4.019	7420476	2.333
7400949	4.040	7405168	3.748	7410794	5.043	7418439	4.020	7420490	3.757
7401111	1.154	7405170	3.775	7410830	14.685	7418439	4.035	7420687	3.901
7401167	2.253	7405171	3.742	7410830	14.760	7418439	4.040	7420688	3.925
7401178	2.555	7405172	3.734	7411804	0.837	7418544	4.610	7420712	5.816
7401296	0.033	7405173	3.729	7411804	4.636	7418548	5.387	7420713	5.819
7401304	0.683	7405174	3.741	7411849	0.921	7418802	4.610	7420714	4.665
7401483	3.611	7405247	3.795	7411849	4.628	7418929	4.610	7420715	4.666
7401651	13.092	7405264	3.754	7411849	4.662	7418985	8.798	7420743	4.675
7401727	0.929	7405555	2.052	7411921	5.517	7419064	1.928	7420760	4.667
7401768	11.374	7405562	2.370	7412147	4.667	7419195	8.798	7420762	5.151
7401768	11.420	7405590	2.083	7412148	4.668	7419526	4.665	7420771	4.665
7401768	11.611	7405604	2.108	7412378	4.671	7419554	12.980	7420773	4.670
7401768	11.629	7405613	2.372	7412404	4.670	7419642	4.038	7420775	4.669
7402029	0.870	7405614	2.372	7412418	4.665	7419667	3.403	7420776	4.668
7402293	2.596	7405615	2.372	7412419	4.665	7419668	3.403	7420779	5.158
7403054	3.430	7405633	2.316	7412432	12.803	7419736	5.822	7420788	5.002
7403387	3.430	7405638	2.410	7412963	5.822	7419900	3.163	7420795	5.150
7404006	8.036	7405645	2.100	7413031	2.555	7420001	1.429	7420798	0.649
7404734	0.911	7405703	2.280	7413031	13.092	7420004	0.207	7420807	5.149
7404736	0.912	7405704	2.280	7413032	2.555	7420011	1.658	7420808	5.149
7405107	3.767	7405705	2.279	7413032	13.092	7420016	1.724	7420847	2.087
7405109	3.751	7405754	5.019	7413223	10.783	7420017	1.654	7420850	2.306
7405111	3.736	7405970	3.616	7413223	10.791	7420025	0.728	7420852	2.279
7405112	3.773	7406133	8.800	7413370	2.555	7420026	0.738	7420853	2.298
7405116	3.789	7406323	2.291	7413370	8.798	7420034	0.519	7420885	2.286
7405117	3.791	7406323	2.387	7413400	5.858	7420056	0.333	7420979	11.373
7405118	3.789	7406618	2.052	7413406	6.311	7420057	0.429	7420983	11.420
7405120	3.792	7406618	2.314	7413409	6.313	7420067	1.108	7420984	11.420
7405121	3.792	7406701	3.771	7414105	15.036	7420068	1.109	7420985	11.420
7405121	3.795	7406714	8.800	7414198	3.410	7420069	1.079	7420993	11.373
7405122	3.791	7406742	2.385	7414256	10.187	7420070	1.069	7421049	4.081
7405124	3.791	7406788	1.762	7414605	3.403	7420071	0.296	7421070	2.424
7405125	3.791	7406788	4.931	7414611	8.304	7420072	0.297	7421168	10.829
7405127	3.795	7406790	4.931	7414611	12.116	7420073	0.303	7421214	0.636
7405128	3.795	7406835	2.108	7414744	10.185	7420086	0.623	7421296	3.616
7405131	3.757	7406846	2.063	7414906	3.275	7420106	0.056	7421297	3.616
7405133	3.778	7406859	2.100	7415042	9.779	7420114	0.666	7421475	5.504
7405136	3.784	7406900	2.291	7415204	5.387	7420118	0.669	7421634	5.531
7405138	3.783	7406900	2.387	7415353	5.822	7420124	0.439	7421642	5.536
7405139	3.787	7407400	5.539	7415559	8.085	7420128	0.679	7421643	5.536
7405140	3.736	7408094	5.460	7415653	3.202	7420137	0.293	7421645	5.484
7405140	3.778	7408095	5.460	7415654	4.685	7420138	0.269	7421646	5.484
7405140	3.783	7408096	5.460	7415746	4.595	7420151	3.273	7421647	5.506
7405140	3.793	7408097	5.460	7415760	4.658	7420172	0.296	7421648	5.469
7405141	3.778	7408098	5.460	7415761	0.920	7420173	0.296	7421649	5.545
7405143	3.749	7408099	5.460	7415761	4.662	7420174	0.296	7421650	5.537
7405144	3.756	7408100	5.460	7415943	3.900	7420175	0.297	7421651	5.545
7405145	3.784	7408627	12.186	7416288	2.705	7420176	0.297	7421659	8.036
7405146	3.757	7409261	8.079	7416348	11.634	7420177	0.297	7421664	5.453
7405147	3.772	7409929	0.910	7416627	2.342	7420240	3.763	7421668	5.545
7405148	3.765	7409936	4.628	7416683	3.521	7420242	3.764	7421671	5.447
7405153	3.783	7409936	4.636	7416683	10.163	7420243	3.764	7421672	5.447
7405156	3.775	7409949	0.839	7416930	11.589	7420244	3.764	7421673	5.506
7405158	3.767	7409950	0.839	7417096	10.185	7420245	3.748	7421719	5.504
7405159	3.784	7409965	0.935	7417298	13.092	7420249	3.788	7421765	3.112
7405160	3.782	7409966	0.936	7417478	2.892	7420254	3.764	7421813	5.505
7405162	3.787	7409968	0.937	7417490	1.611	7420254	3.797	7421853	1.835
7405163	3.748	7410046	4.680	7417612	2.820	7420258	3.753	7421877	0.449
7405164	3.734	7410133	10.664	7417652	4.019	7420311	0.666	7421890	12.242
7405165	3.729	7410279	4.035	7417652	4.020	7420312	0.669	7421939	2.414

HOLDEN "LC" PARTS CATALOGUE

PART NO.	GROUP	PART NO.	GROUP	PART NO.	GROUP	PART NO.	GROUP	PART NO.	GROUP
7422035	1.516	7424660	2.051	7426916	10.187	7429108	0.101	7429805	3.616
7422731	5.545	7424661	2.053	7426917	10.187	7429108	0.103	7429820	13.090
7422733	5.546	7424665	2.063	7426927	0.388	7429109	0.096	7429828	0.904
7422734	5.586	7424666	2.077	7426937	1.723	7429109	0.099	7429932	2.277
7422739	3.410	7424669	2.100	7427161	10.185	7429109	0.101	7429955	13.090
7422779	2.170	7424678	2.102	7427227	1.745	7429109	0.103	7429966	4.382
7422780	2.170	7424679	2.102	7427320	2.727	7429110	0.096	7429999	4.355
7422907	2.170	7424685	2.316	7427321	2.725	7429110	0.099	7430022	0.886
7423203	7.852	7424746	2.372	7427335	0.386	7429110	0.101	7430042	10.185
7423242	5.055	7424749	2.387	7427341	0.206	7429110	0.103	7430071	3.725
7423276	4.686	7424753	2.382	7427343	3.783	7429111	0.106	7430096	0.679
7423279	5.529	7424757	2.291	7427353	2.670	7429112	0.106	7430099	0.796
7423284	1.153	7424784	5.809	7427353	7.796	7429113	0.106	7430136	3.521
7423304	5.188	7424793	5.816	7427365	0.027	7429114	0.094	7430136	4.309
7423305	3.202	7424835	5.111	7427366	0.027	7429115	0.094	7430160	3.459
7423454	2.239	7424836	5.110	7427418	0.748	7429116	0.094	7430177	0.297
7423483	1.453	7424840	8.024	7427510	4.680	7429117	0.616	7430178	0.297
7423483	4.195	7425038	2.053	7427625	1.516	7429118	0.616	7430179	0.297
7423550	6.176	7425039	8.800	7427731	0.296	7429119	0.616	7430180	0.297
7423578	5.041	7425040	8.800	7427732	0.297	7429120	0.616	7430181	0.297
7423613	1.643	7425272	10.150	7427738	0.206	7429181	1.803	7430194	5.017
7423613	2.374	7425362	8.800	7427774	1.219	7429228	0.787	7430230	0.033
7423616	0.536	7425596	3.430	7427822	1.066	7429228	0.847	7430232	0.033
7423657	4.591	7425615	1.517	7427887	5.017	7429228	0.852	7430233	5.105
7423694	1.071	7425653	5.460	7427905	5.018	7429241	8.800	7430263	0.643
7423709	3.003	7425726	7.632	7427909	5.018	7429243	8.800	7430265	0.643
7423746	5.002	7425780	0.153	7427925	5.017	7429277	3.273	7430269	0.289
7423817	2.317	7425781	0.153	7427929	4.665	7429278	3.273	7430296	0.643
7423902	1.762	7425919	0.095	7427962	5.555	7429350	0.094	7430297	0.643
7424068	8.024	7425919	0.098	7428031	0.277	7429351	0.096	7430298	0.643
7424198	2.824	7425919	0.100	7428167	3.727	7429351	0.099	7430307	0.033
7424228	8.085	7425919	0.102	7428169	3.731	7429351	0.101	7430308	0.033
7424249	8.024	7425926	0.105	7428170	3.732	7429351	0.103	7430316	0.643
7424290	3.724	7425993	0.289	7428243	14.799	7429352	0.106	7430317	0.643
7424302	2.188	7426133	3.403	7428280	4.931	7429376	0.616	7430318	0.643
7424387	2.670	7426135	3.410	7428360	2.314	7429377	0.616	7430383	2.697
7424535	3.724	7426139	3.410	7428531	0.519	7429378	0.096	7430402	0.094
7424548	3.792	7426148	3.410	7428552	0.844	7429378	0.099	7430403	0.094
7424550	3.763	7426211	3.201	7428703	2.083	7429378	0.101	7430404	0.094
7424551	3.780	7426212	2.424	7428705	2.096	7429378	0.103	7430406	0.094
7424552	3.763	7426223	3.521	7428706	2.096	7429379	0.106	7430407	0.094
7424553	3.793	7426226	0.429	7428707	2.096	7429380	0.094	7430408	0.094
7424555	3.779	7426227	0.429	7428737	1.073	7429381	0.861	7430409	2.274
7424559	3.731	7426303	9.743	7428872	4.681	7429390	0.839	7430410	2.274
7424560	3.735	7426400	12.248	7428873	4.681	7429459	1.252	7430430	0.096
7424566	3.726	7426554	0.907	7428996	2.316	7429460	1.251	7430430	0.099
7424567	3.726	7426584	3.932	7428997	2.305	7429464	3.288	7430430	0.101
7424574	3.725	7426769	5.026	7428998	2.307	7429468	3.260	7430430	0.103
7424575	3.725	7426770	5.026	7428999	2.307	7429472	0.289	7430431	0.096
7424617	3.731	7426772	5.107	7429000	2.307	7429473	0.289	7430431	0.099
7424617	3.781	7426773	5.107	7429001	2.307	7429476	3.275	7430431	0.101
7424618	3.731	7426774	5.103	7429002	2.307	7429514	3.601	7430431	0.103
7424618	3.781	7426775	5.103	7429004	2.297	7429519	0.603	7430432	0.096
7424619	3.731	7426776	5.103	7429008	2.289	7429521	3.270	7430432	0.099
7424631	2.087	7426777	5.103	7429009	2.289	7429532	3.611	7430432	0.101
7424633	2.096	7426778	5.103	7429010	2.289	7429537	3.616	7430432	0.103
7424642	2.049	7426780	5.105	7429011	2.287	7429539	3.610	7430434	0.096
7424644	2.049	7426781	5.105	7429012	2.287	7429551	4.007	7430434	0.099
7424645	2.049	7426782	5.105	7429013	2.287	7429562	0.426	7430434	0.101
7424647	2.083	7426783	5.045	7429014	2.287	7429637	0.934	7430434	0.103
7424648	2.108	7426784	3.725	7429016	2.285	7429728	0.616	7430435	0.096
7424649	2.108	7426790	5.111	7429017	2.310	7429729	0.616	7430435	0.099
7424652	2.043	7426808	5.045	7429018	2.315	7429741	0.934	7430435	0.101
7424653	2.086	7426874	8.800	7429033	10.150	7429766	0.844	7430435	0.103
7424657	2.067	7426881	2.596	7429108	0.096	7429774	0.533	7430436	0.096
7424659	2.052	7426909	1.611	7429108	0.099	7429798	3.616	7430436	0.099

HOLDEN "LC" PARTS CATALOGUE

PART NO.	GROUP	PART NO.	GROUP	PART NO.	GROUP	PART NO.	GROUP	PART NO.	GROUP
7430436	0.101	7432239	3.265	7433772	4.311	7434921	11.377	7437486	4.015
7430436	0.103	7432281	10.152	7433773	4.311	7434922	14.860	7437502	4.015
7430437	0.106	7432324	10.152	7433774	4.304	7434923	14.860	7437561	10.783
7430438	0.106	7432326	10.152	7433775	4.303	7434961	4.653	7437562	10.783
7430439	0.106	7432360	0.027	7433776	4.423	7434967	4.650	7437589	9.680
7430441	0.106	7432393	7.629	7433779	4.433	7434978	4.383	7437621	10.681
7430442	0.106	7432435	8.081	7433793	0.797	7434996	10.187	7437622	10.681
7430443	0.106	7432452	0.308	7433794	0.797	7434998	10.187	7437637	10.710
7430444	0.616	7432453	0.303	7433804	3.260	7435027	10.797	7437638	10.710
7430445	0.616	7432638	5.510	7433805	3.260	7435043	4.384	7437667	4.685
7430446	0.616	7432672	12.242	7433806	3.260	7435044	4.380	7437668	4.685
7430448	0.616	7432748	10.152	7433806	9.779	7435045	4.380	7437692	4.009
7430449	0.616	7432749	8.085	7433829	3.704	7435047	4.384	7437711	14.655
7430450	0.616	7432888	2.737	7433830	4.395	7435064	2.725	7437712	14.686
7430451	0.616	7432889	2.729	7433832	4.351	7435153	5.508	7437712	14.762
7430452	0.616	7432904	7.836	7433835	0.852	7435242	10.512	7437727	15.290
7430453	0.616	7432906	13.092	7433839	0.787	7435270	5.529	7437728	10.712
7430454	0.616	7432961	2.333	7433839	0.852	7435305	11.377	7437763	11.610
7430496	3.270	7433126	6.513	7433847	3.201	7435374	1.516	7437765	11.611
7430506	0.629	7433127	2.824	7433858	3.720	7435382	5.505	7437777	9.779
7430507	0.629	7433139	4.652	7433859	3.720	7435393	0.683	7437814	4.931
7430508	0.629	7433162	4.652	7433860	3.720	7435394	0.683	7437880	9.779
7430509	0.629	7433212	4.653	7433861	2.424	7435401	4.009	7437938	4.081
7430510	0.629	7433213	4.659	7433868	4.430	7435413	9.640	7437958	3.403
7430511	0.629	7433214	4.650	7433869	4.309	7435546	5.510	7438028	0.277
7430512	0.629	7433242	2.895	7433871	4.403	7435598	12.114	7438035	5.527
7430513	0.629	7433250	1.762	7433895	0.796	7435647	4.337	7438083	2.810
7430514	0.629	7433257	4.007	7433896	0.798	7435802	4.661	7438087	0.277
7430515	0.629	7433263	4.018	7433897	2.424	7435803	4.661	7438089	4.665
7430516	0.629	7433264	4.017	7433927	4.311	7435889	12.248	7438090	4.665
7430517	0.629	7433265	6.518	7433928	4.423	7435914	6.321	7438095	3.430
7430518	0.629	7433272	4.009	7433929	4.408	7435937	9.648	7438096	3.430
7430519	0.629	7433275	4.018	7433986	4.433	7436108	9.662	7438107	12.114
7430531	11.588	7433317	2.895	7433993	4.342	7436154	0.906	7438144	5.510
7430583	3.601	7433327	2.270	7433998	4.317	7436155	0.929	7438157	3.430
7430623	4.337	7433352	6.518	7434091	0.844	7436168	4.649	7438158	3.201
7430789	7.633	7433369	2.897	7434092	0.848	7436183	0.902	7438159	4.670
7430802	8.304	7433370	2.897	7434120	1.762	7436184	0.902	7438204	10.695
7430802	12.116	7433488	8.304	7434127	0.848	7436218	6.168	7438265	3.726
7430865	1.069	7433488	12.112	7434148	0.886	7436253	4.610	7438293	0.269
7430869	5.504	7433488	12.114	7434165	2.333	7436254	2.892	7438299	0.269
7430870	5.504	7433488	12.116	7434166	2.819	7436448	0.683	7438300	0.269
7430879	2.500	7433510	9.648	7434178	0.646	7436460	2.822	7438308	4.665
7430917	4.342	7433520	0.902	7434196	4.007	7436712	12.030	7438309	4.665
7430921	4.338	7433521	0.902	7434224	0.659	7436741	0.459	7438372	3.402
7430922	0.736	7433522	0.924	7434266	4.342	7436752	2.239	7438378	4.826
7430968	4.337	7433631	1.453	7434269	4.054	7436769	3.521	7438390	4.668
7430970	4.337	7433633	1.453	7434301	0.646	7436779	2.731	7438395	4.342
7430972	4.337	7433653	9.644	7434307	4.421	7436987	3.402	7438399	4.902
7431087	2.170	7433655	3.601	7434308	4.418	7437043	0.844	7438404	1.762
7431089	2.041	7433657	3.603	7434447	3.265	7437055	4.383	7438405	1.762
7431217	10.829	7433660	3.403	7434465	2.697	7437062	5.803	7438410	11.960
7431327	0.646	7433686	0.847	7434506	0.797	7437067	2.697	7438477	0.277
7431365	2.810	7433690	3.265	7434507	0.797	7437072	10.146	7438478	0.277
7431380	0.830	7433702	4.625	7434510	4.931	7437106	12.075	7438508	9.652
7431380	4.625	7433708	2.555	7434562	10.559	7437107	12.075	7438510	9.652
7431533	0.673	7433737	3.616	7434563	10.559	7437131	4.018	7438527	4.383
7431746	0.736	7433737	3.706	7434719	2.333	7437135	10.652	7438528	4.931
7431816	4.035	7433738	3.616	7434736	4.931	7437136	10.652	7438532	3.003
7431829	10.268	7433738	3.706	7434806	2.727	7437243	6.168	7438532	3.163
7431861	3.725	7433742	0.852	7434911	11.377	7437267	7.370	7438536	4.019
7431996	3.704	7433743	0.852	7434913	11.377	7437268	7.370	7438537	4.019
7432030	2.487	7433767	4.318	7434914	11.377	7437317	4.337	7438562	1.762
7432145	10.185	7433768	4.317	7434916	11.377	7437363	5.858	7438563	4.337
7432222	4.081	7433769	4.109	7434917	11.377	7437392	5.529	7438567	5.871
7432235	4.081	7433771	4.105	7434920	11.377	7437482	12.982	7438568	5.871

HOLDEN "LC" PARTS CATALOGUE

PART NO.	GROUP	PART NO.	GROUP	PART NO.	GROUP	PART NO.	GROUP	PART NO.	GROUP
7438596	11.175	7439693	0.679	7447502	10.664	7448826	0.388	7449905	2.684
7438599	14.799	7439715	0.429	7447519	9.779	7448830	4.016	7449914	4.685
7438607	5.816	7439732	3.459	7447569	2.342	7448842	1.269	7449915	4.685
7438614	12.491	7439773	10.093	7447570	2.341	7448842	2.728	7449916	4.685
7438615	12.491	7439774	11.208	7447573	2.348	7448891	4.686	7449917	4.685
7438646	5.111	7439798	11.175	7447574	2.342	7448909	11.204	7449918	4.685
7438659	8.304	7439827	15.390	7447580	9.787	7448918	1.426	7449919	4.685
7438659	12.112	7439844	3.459	7447637	11.960	7448941	10.571	7449920	4.685
7438659	12.114	7439883	11.179	7447638	8.154	7448948	2.361	7449952	3.107
7438659	12.116	7439884	11.179	7447681	9.779	7448953	6.326	7449956	7.535
7438664	10.694	7439885	11.179	7447831	8.132	7448956	12.810	7449979	7.831
7438665	10.694	7439886	11.179	7447831	12.182	7448998	11.208	7449999	4.020
7438673	12.491	7439917	3.609	7447833	10.712	7449064	4.610	7450000	4.019
7438674	12.491	7439920	3.609	7447834	11.928	7449076	6.513	7543241	9.779
7438696	10.203	7439922	3.701	7447836	11.925	7449078	2.824	7731353	10.515
7438697	10.203	7439928	15.390	7447842	1.265	7449079	2.824	7800269	2.896
7438707	10.506	7439930	4.017	7447842	12.116	7449081	2.820	7800580	2.895
7438719	10.556	7439966	3.521	7447842	12.182	7449084	10.261	7800581	2.895
7438720	0.027	7440000	7.831	7447862	2.726	7449100	11.207	7950173	3.932
7438754	5.011	7440283	9.779	7447875	6.508	7449114	10.267	7950366	3.932
7438769	3.402	7440963	9.779	7447905	1.159	7449209	1.063	7950526	3.929
7438806	5.529	7441167	5.398	7447906	1.159	7449280	5.382	7950671	3.927
7438815	0.027	7441283	10.511	7447907	1.159	7449283	5.382	7950756	3.910
7438816	0.027	7441302	1.803	7447931	14.630	7449333	6.508	7951994	2.362
7438862	9.709	7441388	9.779	7447932	14.630	7449369	2.896	7952136	2.414
7438961	12.805	7441596	2.170	7447944	9.680	7449396	1.652	7952137	2.414
7438962	12.805	7441635	3.410	7448003	15.040	7449397	1.653	7952825	2.368
7438963	12.934	7441640	4.009	7448021	1.270	7449405	12.940	7952825	2.410
7438964	12.934	7441642	2.170	7448250	1.219	7449406	12.940	7952826	2.368
7438965	12.491	7441689	3.900	7448260	10.681	7449435	5.387	7952830	2.410
7438966	12.491	7441715	3.003	7448261	10.681	7449457	12.913	7952833	2.372
7438967	12.956	7441715	3.163	7448369	8.798	7449458	12.913	7952839	2.400
7438968	12.956	7441716	3.163	7448370	8.798	7449495	4.352	7952856	2.400
7438971	12.942	7441717	3.201	7448372	6.760	7449496	4.422	7952978	2.385
7438972	12.942	7441885	4.005	7448382	6.761	7449498	4.003	7952980	2.389
7438993	10.500	7441890	10.262	7448389	6.508	7449499	4.005	7953010	2.400
7438994	10.500	7441906	2.590	7448390	6.518	7449524	2.596	7953060	2.372
7438999	12.807	7441935	2.333	7448395	6.758	7449526	4.667	7953253	2.361
7439072	3.609	7441937	2.333	7448396	6.758	7449547	5.382	7953281	2.372
7439076	4.665	7441938	2.333	7448437	2.737	7449548	5.382	7953383	2.384
7439078	10.563	7441985	8.024	7448438	9.779	7449549	5.382	7953416	2.410
7439082	4.342	7447027	10.998	7448453	9.684	7449550	5.382	7953425	2.362
7439085	0.852	7447111	2.726	7448463	0.830	7449551	10.550	7953427	2.379
7439093	3.609	7447132	1.270	7448468	0.833	7449552	10.550	7953428	2.368
7439102	9.743	7447133	1.270	7448468	4.827	7449562	4.133	7953430	2.367
7439103	9.743	7447147	2.589	7448474	6.518	7449652	8.079	7953432	2.385
7439105	3.704	7447148	2.589	7448475	12.967	7449664	3.430	7953438	2.381
7439121	3.704	7447150	9.786	7448490	0.388	7449665	3.430	7953448	2.384
7439124	3.701	7447151	1.270	7448517	4.317	7449666	3.430	7953579	2.361
7439187	0.027	7447152	1.270	7448540	4.205	7449667	3.459	7953612	2.410
7439232	14.651	7447167	0.787	7448550	8.800	7449669	3.521	7953722	2.361
7439310	5.441	7447177	9.779	7448551	8.800	7449691	7.831	7953730	2.385
7439325	3.430	7447213	2.586	7448553	8.800	7449693	4.681	7953734	2.361
7439326	3.430	7447217	2.585	7448554	8.800	7449703	6.008	7953782	2.410
7439329	3.430	7447218	2.585	7448564	10.716	7449704	6.008	7953784	2.372
7439330	3.430	7447220	2.596	7448620	4.081	7449705	6.164	7953787	2.381
7439332	3.459	7447246	11.611	7448624	0.795	7449712	6.189	7953800	2.400
7439333	3.451	7447247	11.611	7448628	12.982	7449749	10.998	7953848	2.389
7439334	3.430	7447248	11.611	7448656	7.632	7449753	12.184	7954374	1.803
7439335	3.430	7447249	11.611	7448697	3.430	7449761	11.208	7960088	8.079
7439336	3.430	7447250	11.610	7448698	3.430	7449811	6.020	7960804	8.081
7439337	3.451	7447282	2.697	7448753	1.656	7449812	6.020	7960944	10.475
7439620	0.277	7447311	10.264	7448791	5.441	7449822	12.944	7960945	10.475
7439685	0.804	7447343	10.511	7448793	5.441	7449823	12.944	7965138	1.337
7439685	4.356	7447472	8.079	7448794	5.441	7449856	4.650	7966380	0.277
7439689	10.571	7447501	10.664	7448795	6.020	7449883	8.079	7966887	1.516

HOLDEN "LC" PARTS CATALOGUE

PART NO.	GROUP	PART NO.	GROUP	PART NO.	GROUP	PART NO.	GROUP	PART NO.	GROUP
7968390	10.150	8815240	3.806	8825747	0.033	8834379	4.020	8849834	3.725
7971211	3.925	8815400	1.723	8825950	2.414	8834389	4.006	8849870	0.289
7971240	3.900	8815405	1.723	8827050	0.799	8834390	4.301	8849877	0.293
7971892	3.407	8815417	0.884	8827058	6.307	8834398	4.006	8849879	0.293
7972019	3.407	8815816	10.710	8827094	4.337	8834751	4.015	8849881	0.269
7972117	0.386	8815818	10.710	8827133	4.022	8835211	0.669	8849882	0.269
7973235	1.835	8815997	10.712	8827184	4.680	8835236	0.308	8849920	0.423
7977530	10.475	8816552	0.137	8827188	0.027	8835291	0.269	8849939	0.649
7977531	10.475	8816615	3.725	8827306	6.168	8835379	1.429	8850004	0.459
7977598	10.569	8816765	3.275	8827497	7.545	8838109	4.301	8850015	1.069
7977599	10.569	8816987	3.725	8827498	7.545	8838162	3.158	8850096	0.033
7977600	10.571	8816990	0.386	8829012	0.519	8838194	4.019	8850097	0.033
7977601	10.571	8816991	0.386	8829013	0.736	8838200	4.019	8850099	0.033
8611710	4.226	8818272	10.606	8829216	1.073	8838238	0.683	8850998	4.317
8623056	4.282	8818273	10.606	8829293	0.033	8838245	4.020	8851026	0.886
8623653	4.127	8818632	6.361	8829294	0.033	8838271	4.313	8851088	5.399
8625571	0.683	8818815	7.503	8829296	0.033	8838273	2.697	8851168	6.170
8810123	5.453	8818876	4.301	8829337	0.679	8838339	2.697	8851183	4.003
8810174	4.650	8819110	3.804	8829351	1.073	8838340	4.006	8851189	4.355
8810180	4.931	8819184	0.884	8829393	1.069	8838345	5.420	8851196	4.351
8810482	4.107	8819187	1.071	8829404	0.209	8838349	4.019	8851200	4.356
8810484	4.317	8819281	3.731	8829428	0.297	8838408	0.027	8851721	0.269
8810486	4.317	8819298	3.731	8829429	0.297	8838409	0.027	8851815	3.260
8813026	10.606	8819300	3.773	8829430	0.297	8838466	4.019	8851830	0.423
8813063	6.008	8819555	1.656	8829431	0.297	8838467	4.019	8851896	3.265
8813063	7.370	8819559	1.426	8830547	1.709	8838468	4.019	8851897	3.265
8813140	0.386	8819564	0.303	8830605	3.805	8838985	2.555	8852016	0.519
8813253	1.073	8819566	1.516	8830606	3.763	8839078	3.601	8852043	1.109
8813275	3.201	8819892	1.928	8830607	3.791	8839096	0.649	8852481	4.015
8813277	0.727	8820226	15.290	8830608	3.791	8839303	0.269	8853694	3.803
8813341	0.308	8822027	5.420	8830621	3.771	8839416	0.027	8853733	6.307
8813346	3.275	8822053	4.685	8830628	3.791	8839538	3.163	8853963	4.317
8813347	3.275	8822277	4.421	8830637	3.775	8839542	0.206	8853964	4.107
8813348	3.275	8822278	4.395	8830734	1.071	8840277	8.132	8853965	4.006
8813496	0.297	8822279	4.415	8830736	5.010	8841598	3.270	8854088	5.545
8813592	6.020	8822305	5.545	8830737	5.010	8841736	3.720	8854274	4.015
8813785	4.107	8822350	4.685	8830741	5.018	8841885	0.459	8854697	0.386
8813888	4.685	8822351	4.685	8830744	5.001	8841990	3.260	8855692	4.020
8813961	0.686	8822358	4.685	8830745	5.001	8842013	3.260	8855860	5.545
8814074	10.456	8822359	4.685	8830746	5.149	8843616	2.697	8855906	4.205
8814075	10.456	8822472	0.886	8830747	5.149	8843679	4.351	8856567	4.654
8814087	10.743	8822565	1.762	8830749	5.041	8843748	0.861	8856567	4.667
8814114	10.460	8822593	1.762	8830750	5.026	8843793	0.861	8856568	4.665
8814115	10.460	8822632	0.629	8830751	5.026	8843795	0.886	8953233	4.019
8814150	10.456	8822633	0.629	8830752	5.026	8843797	0.886	8957856	4.012
8814150	10.460	8822634	0.629	8830753	5.149	8843828	6.008	9405000	8.977
8814310	10.701	8822823	3.260	8830754	4.665	8843876	4.356	9410884	4.156
8815069	3.729	8822824	3.260	8830755	4.665	8843934	4.019	9411372	1.221
8815072	3.778	8822866	0.303	8830756	4.668	8843972	5.001	9411372	8.900
8815077	3.791	8822867	0.303	8830757	4.670	8843973	5.001	9411529	8.977
8815081	3.731	8822961	3.265	8830758	4.665	8844005	5.855	9411530	8.977
8815083	3.795	8822990	1.652	8830771	5.018	8844947	4.015	9411532	8.977
8815148	3.791	8825574	3.720	8830772	5.017	8845444	5.020	9411563	8.977
8815149	3.795	8825645	1.453	8830773	5.019	8845622	0.001	9413243	8.918
8815151	3.734	8825682	3.726	8830833	4.669	8845626	0.001	9413436	8.941
8815152	3.737	8825688	3.265	8831518	0.206	8847646	4.376	9413531	8.977
8815153	3.805	8825729	0.095	8831668	2.251	8847859	0.726	9413576	8.900
8815155	3.754	8825730	0.100	8831975	0.666	8847861	0.726	9413965	8.918
8815156	3.773	8825731	0.105	8831977	0.646	8847862	0.206	9413969	8.918
8815158	3.749	8825732	0.153	8832382	0.787	8847863	0.533	9413976	8.918
8815159	3.800	8825733	0.153	8832383	0.787	8847864	0.726	9414193	4.422
8815201	2.067	8825734	0.153	8832434	6.008	8847888	3.720	9414320	8.929
8815210	2.085	8825735	0.153	8832434	7.370	8849624	3.800	9414322	8.929
8815212	2.101	8825736	0.153	8834034	0.679	8849625	3.800	9414521	8.941
8815218	2.077	8825737	0.153	8834103	0.027	8849670	5.018	9414711	8.977
8815219	2.077	8825739	0.033	8834377	4.019	8849828	3.760	9414712	8.977

HOLDEN "LC" PARTS CATALOGUE

PART NO.	GROUP	PART NO.	GROUP	PART NO.	GROUP	PART NO.	GROUP	PART NO.	GROUP
9414714	8.977	9417350	1.221	9419378	3.265	9423842	0.429	9432454	8.908
9414721	8.977	9417373	8.929	9419633	2.822	9423842	8.900	9432575	8.900
9414722	8.977	9417863	2.515	9419633	8.977	9425450	4.081	9902807	0.553
9414723	8.977	9417863	2.714	9420737	8.941	9425507	8.977	9902807	8.970
9414724	8.977	9417863	2.893	9420831	4.226	9426089	8.977	9902809	0.553
9414811	8.900	9417863	8.991	9421089	8.929	9426333	2.481	9902809	8.970
9414920	8.929	9417866	2.679	9421330	2.515	9426333	8.965	9905264	8.918
9415250	8.921	9417866	8.991	9421330	2.893	9426341	2.481	9905506	8.800
9415794	8.900	9417867	2.585	9421330	8.991	9426341	8.965	9905678	0.679
9415818	8.900	9417867	2.679	9422277	8.918	9426380	8.977	9905680	0.027
9416017	4.826	9417867	8.991	9422278	8.918	9426382	8.977	9905695	8.900
9416017	8.942	9417891	8.984	9422280	8.918	9426422	8.977	9905894	8.900
9416043	8.977	9417892	8.984	9422281	8.918	9427658	0.683	9906034	1.762
9416128	8.929	9417974	8.977	9422286	8.918	9428168	8.977	9906074	8.931
9416160	8.929	9418302	8.916	9422298	8.918	9428629	8.900	9906074	10.669
9416531	8.918	9418712	8.908	9422299	8.918	9428813	8.929	9906077	8.900
9416642	8.977	9418719	8.977	9422863	4.596	9428902	8.991	9906122	0.533
9416846	8.977	9418908	8.909	9422863	8.941	9429634	8.909	9906635	0.386
9416897	8.900	9419292	8.977	9422950	8.941				

HOLDEN "LC" PARTS CATALOGUE

GENUINE GMH PARTS and ACCESSORIES are available through the GMH Dealer Organisation
or
from the Authorised Distributors listed below:—

NEW SOUTH WALES

ANDCO AUTOMOTIVE PARTS DISTRIBUTORS PTY. LTD.
* BEARING SERVICE PTY. LTD.
* BASIL GODFREY & SONS PTY. LTD.
BEAZLEY & BRUCE PTY. LTD.
BENNETT & BARKELL LTD.
BENNETT & WOOD LTD.
BOYDED PTY. LTD.
BROOKLANDS ACCESSORIES (N.S.W.) PTY. LTD.
DWYER'S PTY. LTD.
JOHN A. GILBERT PTY. LTD.
GILBERT & ROACH PARTS PTY. LTD.
W. H. LOBER & CO. PTY. LTD.
MCLEOD, KELSO & LEE PTY. LTD.
PRESTON MOTORS PTY. LTD. (ALBURY)
STACK PARTS
YOUNG & GREEN PTY. LTD.

VICTORIA

* AUSTRAL MOTOR WHEEL WORKS PTY. LTD.
* BEARING SERVICE PTY. LTD.
BILL PATTERSON MOTORS PTY. LTD.
BROOKLANDS ACCESSORIES PTY. LTD.
S. A. CHENEY PTY. LTD.
G. V. CLARKE MOTORS PTY. LTD.
KEVIN DENNIS MOTORS (NEW) PTY. LTD.
E. A. MACHIN & CO. LTD.
MARKET MOTORS (DANDENONG) PTY. LTD.
PRESTON MOTORS PTY. LTD.
RHODES MOTOR CO. PTY. LTD.
SOUTHERN MOTORS PTY. LTD.
* SPEEDOMETER SCREENWIPER SERVICE PTY. LTD.
STUART & HARRISON PTY. LTD.
WINTER & TAYLOR PTY. LTD.

WESTERN AUSTRALIA

ATKINS (W.A.) LTD.
ATTWOOD MOTORS PTY. LTD.
* BEARING SERVICE PTY. LTD.
CITY MOTORS PTY. LTD.
COVENTRY MOTOR REPLACEMENTS LTD.
SYDNEY ATKINSON MOTORS LTD.

SOUTH AUSTRALIA

* BEARING SERVICE PTY. LTD.
CITY STATE MOTORS PTY. LTD.
DUNCAN & CO. LTD.
FREEMAN MOTORS LTD.
* MOTOR RADIATORS PTY. LTD.
MOTOR TRADERS (S.A.) LTD.
UNITED MOTORS LTD.

TASMANIA

MOTORS PTY. LTD.

NORTHERN TERRITORY

SUTTONS MOTORS (DARWIN) PTY. LTD.
* IRSCO PTY. LTD

NEW GUINEA

TUTT BRYANT (New Guinea) LTD.

QUEENSLAND

* BEARING SERVICE PTY. LTD.
EAGERS PARTS & EQUIPMENT PTY. LTD.
ELPHINSTONES LTD.
MARTIN WILSON BROS. PTY. LTD.

* Distributors of certain NASCO Products only.

Warranty

REPLACEMENT PARTS & ACCESSORIES

Should any defect in material or workmanship develop within the period of this Warranty, in any Part or Accessory purchased from National Automotive Service Company, such Part or Accessory will be repaired or replaced without cost through the source from which the Part or Accessory was purchased.

This Warranty is valid for ninety days from the date of fitment of the Part or Accessory to the vehicle or for the first 4,000 miles after installation of such Part or Accessory, whichever termination is first reached.

When a Replacement Part or Accessory is found to be defective within ninety days or 4,000 miles after fitment, and is replaced outside the new Car Warranty period NASCO will accept labour charges involved in replacing the Part or Accessory at the current Warranty labour rate. Removal and replacement times set out in the Service Department Standard Time Manual are to be used in calculating the labour charges.

Labour will not be allowed for replacing a faulty Part or Accessory which is sold over the counter and fitted by other than a GMH Dealer or Distributor.

IMPORTANT: The Warranty which accompanies General Motors-Holden's Cars and Trucks becomes null and void when Parts not made or sold by National Automotive Service Company are used for replacement of original equipment.

