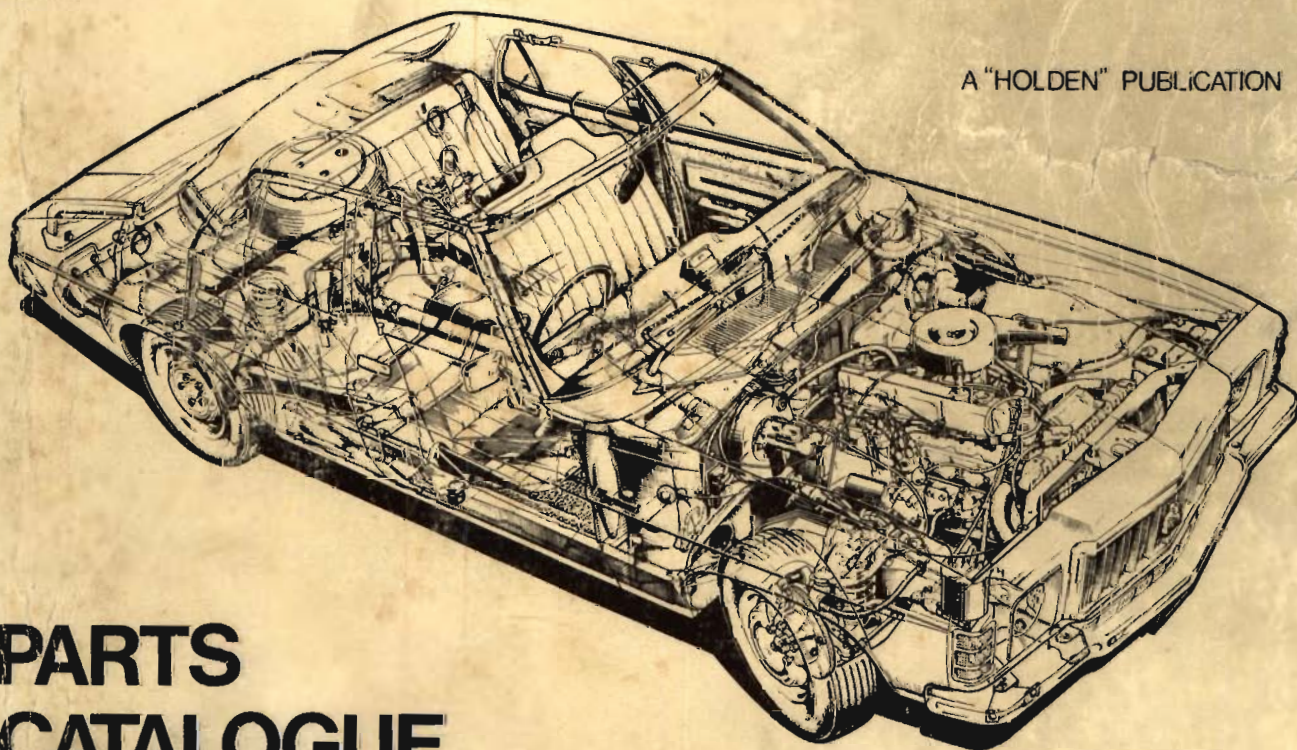




6-471
'HX'

**STATESMAN
& HOLDEN**

A "HOLDEN" PUBLICATION



**PARTS
CATALOGUE**

GM PARTS & ACCESSORIES DIVISION OF GENERAL MOTORS-HOLDEN'S LIMITED



STATESMAN/HOLDEN

Parts Catalogue

EFFECTIVE: AUGUST, 1976.
CATALOGUE NO. M37865

I.S.B.N. 0 909989 64 8
Printed in Australia

CONTENT

INTRODUCTION - MODEL IDENTIFICATION

INDEX - ALPHABETICAL

INDEX - ILLUSTRATIONS

CHASSIS

ENGINE - CLUTCH 0.000

COOLING - GRILLE - OILING 1.000

ELECTRICAL - INSTRUMENTS 2.000

FUEL - EXHAUST - CARBURETTOR 3.000

TRANSMISSION.
BRAKE CONTROL. 4.000

BRAKE OPERATING.
REAR AXLE & DRIVE 5.000

FRONT SUSPENSION.
STEERING. 6.000

FRAME - SPRINGS - BUMPERS 7.000

SHEET METAL 8.000

ACCESSORIES.
AIR CONDITIONER - HEATER 9.000

BODY

WINDSHIELD.
DOOR HARDWARE - GLASS 10.000

REAR GLASS.
SEAT & ADJUSTER 11.000

MOULDINGS & CLIPS.
SHEET METAL 12.000

BODY WIRING HARNESS 13.000

INTERIOR TRIM 14.000

REAR TRIM - MATS - CARPETS 15.000

INDEX - NUMERICAL

COPYRIGHT - GENERAL MOTORS-HOLDEN'S LIMITED.
Reproduction in whole or in part prohibited without written approval.

introduction

This Statesman/Holden Parts Catalogue has been compiled to cover Replacement Parts, Kits and Accessories applicable to the 'HX' Series.

CONTENTS:

Parts and Accessories Catalogued, are arranged as follows:--

Introduction	
Model/Series Identification	
Alphabetical Index	
Illustration Index	
Chassis Parts Listing Groups	0.000 -- 9.787
Body Parts Listing Groups	10.001 -- 15.520
Numerical Index	

GROUP SYSTEM AND HOW TO LOCATE PARTS:

The Group System used is identical with that operating throughout the General Motors Organisation and briefly is as follows:--

Main units of the car are identified by the Numeral preceding the Decimal, i.e.

Engine	0
Cooling and Oiling	1.
Electrical	2.
Fuel System	3.

Individual Parts are assigned a Group Number, the first Numeral identifying the Main Unit with which it is affiliated. Following the Decimal is the Sub-Group Number, under which all parts of the same name and function are listed; for instance: Group 0.096: "0" indicates that it is an Engine part. "096" is the location where all Part Numbers of Crankshaft Front Bearing Units now being serviced may be found.

To locate the listing of a Part, determine the model vehicle and refer to the Catalogue under the Group Number identifying it, which may be determined by using any of the following three methods:

1. Consult Alphabetical Index, at front of Catalogue, which lists Parts by noun and descriptive names and refers to the exact Group Number where all Parts of similar kind may be found. If Name of desired Part is not readily found in the Index, a co-related Part Name will suggest approximate location.
2. Consult Illustrations in this publication, on which Group Numbers, Part Numbers and Noun Names are shown, which will refer to the Part or Assembly required.
3. Consult Numerical Index if a Part Number is known, and use its Group Number to locate a similar part, or be directed to the approximate location of co-related Parts.

OPTION EQUIPMENT and HOW TO INTERPRET:

As optional equipment which includes items such as Engines, Transmissions, Brakes, Seats together with alternate types and colours of interior trim is available to the customer's choice the cataloging of replacement parts, where differences exist, has been achieved by stipulating the type of equipment against the specific part. (Refer Production Option Codes – Page 21).

The method used to indicate major units or equipment is as follows:—

ENGINE:— 6 Cylinder. Further qualified if necessary.
8 Cylinder. Further qualified if necessary.

Additional identification, if required, is provided by reference to the Engine No. Prefix – Refer Engine Identification and Specifications.

TRANSMISSION:

(M) – Manual Transmission. Further qualified if necessary.
(A) – Automatic Transmission. Further qualified if necessary.

BRAKES:

Disc Brakes – Disc brakes on front wheels, drum brakes on rear wheels.

BODY:

Body Style Numbers are:— 35 Station Wagon
37 Coupe – LE
60 Chassis & Cab.
69 Sedan
70 Panel Van
80 Coupe Utility.

SEATS:

Bench Seats – Single full width front seat.
Bucket Seats – Twin front seats, Reclining.

DIMENSIONS:

When using the dimensions and other data shown in the Description Column the following should be noted:

1. "O.L." (Overall Length) refers to the total length of a part measured over the longest dimension. An irregular shaped piece is measured over the longest dimension regardless of contours and bends.
2. "Dev. length" (Developed length) refers to the total length of a part such as a tail pipe or fuel pipe measured as though the pipe were straightened out. This measurement can be taken on formed pipes by using a string to follow the contours of the pipe and then measuring the length of string used.
3. "I.D." refers to inside diameter; "O.D." refers to outside diameter; "O.S." refers to oversize "U.S." refers to undersize.

ILLUSTRATIONS:

Illustrations are included to assist in the identification of Parts, but as some parts which perform a similar function vary in detail of design etc., all illustrations should be regarded as typical. Views of Assemblies/Sections are exploded, all visible Parts are referenced by number to show the Part Name and Group. Therefore, once a Part is located in an illustration, it may be positively identified by referring to the Group in which it is listed.

In some instances, certain Parts appear on an illustration as "N.S.S." (Not Serviced Separately) or "N.L.S." (No Longer Serviced), unless these items are in current production, as a rule they cannot be obtained.

GROUP SYSTEM AND HOW TO LOCATE PARTS (Cont'd)

SPECIAL NOTE – SIDE:

Provision is made between the "Description/Model and Part No." columns to indicate when the item is for fitment to the LH (Left Hand) or RH (Right Hand) side of the vehicle. These letters are NOT a prefix to the Part Number and MUST NOT be quoted as such.

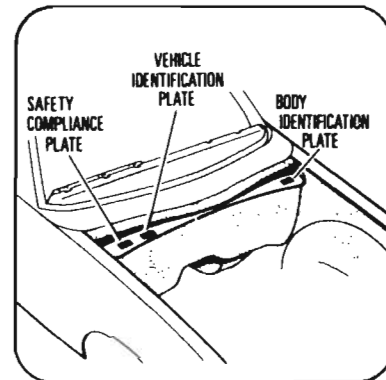
REPLACEMENT PARTS INTERPRETATION:

Plates attached to Passenger Vehicles carry coded information which could be significant in part interpretation.

LOCATION OF IDENTIFICATION PLATES

Plates are attached to the top ledge of the Dash Panel under the Engine Hood, Refer Illustration opposite.

- Safety Compliance Plate
- Vehicle Identification Plate
- Body Identification Plate

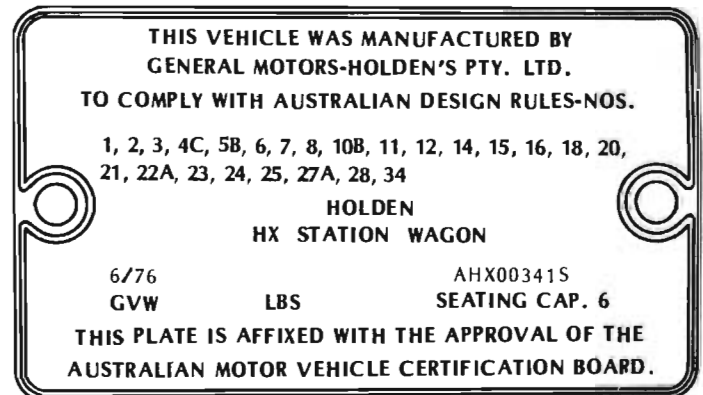


SAFTY COMPLIANCE PLATE

(Not Applicable to Export)

Plate stamped with the following information:—

- Australian Design Rule Numbers. (A.D.R.)
- Vehicle Make – Holden
- Vehicle Model Name and Style
- Month and Year of Manufacture
- Vehicle Serial Number
- Seating Capacity of Vehicle

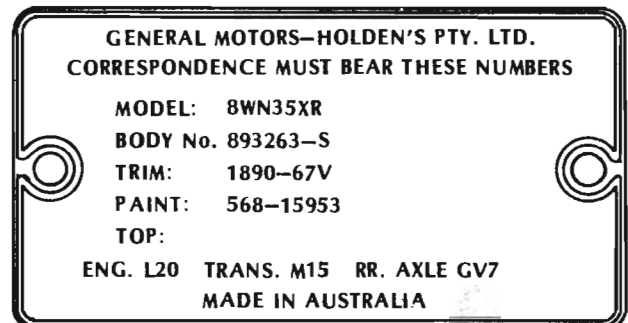


BODY IDENTIFICATION PLATE

Plate stamped with the following information:—

- Model, Body Serial Number
- Trim, (Catalogue purposes e.g. 67V), Paint
- Production option numbers for Engine
- Transmission and Rear Axle Numbers
- M – Assembly Plant Codes:—

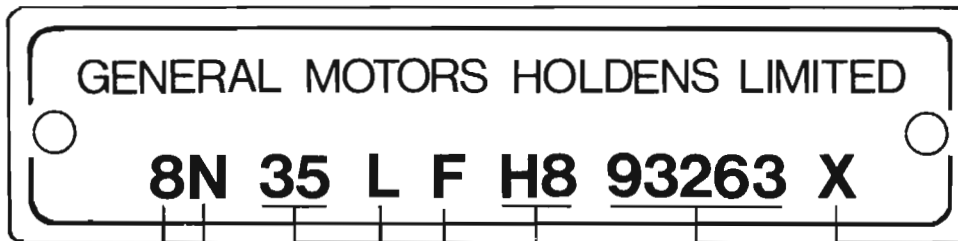
- A – Adelaide B – Brisbane
- S – Sydney M – Melbourne



REPLACEMENT PARTS INTERPRETATION (Cont'd)

MODEL IDENTIFICATION BY V.I.N. PLATE:

The Vehicle Identification Numbering System (V.I.N.) is based on the uniform Car Model Designation System. The reason for this is to identify the vehicle entirely in one coded series of fourteen characters.



DIVISION

SERIES CODE (Degree of Luxury)

BODY STYLE CODE

ENGINE CODE

MODEL YEAR CODE

ASSEMBLY PLANT CODE

SERIAL (SEQUENCE) NUMBER

MODEL CODE

"HX" STATESMAN/HOLDEN PARTS CATALOGUE

EXPLANATION OF VEHICLE NUMBERING SYSTEM

The significance of these characters or blocks of characters is explained below, using as an Example Identification Number 8N35 L F H8 93263 X

1st. Character	8	Standard Numeral Allocation to GMH Limited
2nd. Character	N	Degree of Luxury:— M — HOLDEN, BELMONT N — KINGSWOOD P — PREMIER Q — GTS, LE S — DE VILLE T — CAPRICE
3rd. & 4th Character	35	Standard Body Style Identification 35 STATION WAGON 37 COUPE 60 CHASSIS & CAB 69 SEDAN 70 PANEL VAN 80 COUPE UTILITY
5th. Character	L	Engine Identification Code (Refer Engine Identification)
6th. Character	F	Identifies Model Year. This Letter changes September 1st. each year and relates to GM Internal Operations only:— F — 1976. G — 1977
7th. & 8th. Character	H8	Australian Assembly Plant Identification Code:— H1 thru H4 — Brisbane H5 thru H9 — Sydney J1 thru J9 — Dandenong L1 thru L5 — Adelaide
9th. thru 13th. Character	93263	Sequential Production Serial. This Designates the Serial Unit Number at each Vehicle Assembly Plant, starting at (0001); and to continue in Numerical Sequence regardless of Vehicle Type.
14th Character	X	GMH LIMITED Model Code Designation for each Model Programme.

ENGINE SERIAL NUMBER STAMPING LOCATION

L6 — On Pad above Engine Mounting Bosses RH side of Engine

V8 — On Pad at top front LH side of Cylinder Case.

ENGINE IDENTIFICATION and SPECIFICATIONS

ENGINE	TYPE	BORE	STROKE	COMP. RATIO	ENGINE NO. PREFIX	IDENT. CODE
2850	L6	3.50"	3.00"	9.4:1	QD	D
Low Compression 2850	L6	3.50"	3.00"	8.3:1	QE	E
3300	L6	3.62"	3.25"	9.4:1	QL	L
Low Compression 3300	L6	3.62"	3.25"	7.8:1	QM	M
4.2 Litre	V8	3.62"	3.06"	9.4:1	QR	R
5 Litre	V8	4.00"	3.06"	9.7:1	QT	T

NOTE: Statesman engines carry an additional prefix of "11" preceeding the alphabetical prefix e.g. 11QT12350

REPLACEMENT PARTS INTERPRETATION (Cont'd)

TRANSMISSION SERIAL NUMBER PLATES

Plates attached to Automatic Transmission carry coded information which could be significant in parts interpretation.

"TRIMATIC"

LOCATION:

Plate attached to LH side of the transmission case. The serial number plate has a red background.

Plate stamped with the following information

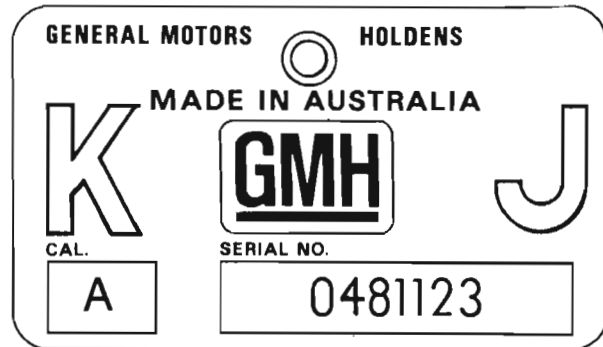
Transmission Code:—

SERIES 2
(Export)

SERIES 3
(Domestic)

- "HN" — 2850 Eng.
- "HT" — 3300 Eng.
- "HO" — 4.2 Litre Eng.
- "KJ" — 3300 Eng.
- "KK" — 4.2 Litre Eng. exc. 2.6:1 AR.
- "KX" — 4.2 Litre Eng. with 2.6:1 AR.

Valve body Calibration Code: "A"
Serial number.



TURBO HYDRAMATIC 400

LOCATION:

Plate attached to RH side of the transmission case forward of the governor.

Plate stamped with the following information

Transmission Code:— "EK" — 5 Litre Eng.

Year of manufacture '76

Serial number: 1128



INTERIOR TRIM

All items of trim are identified by a part number consisting of a basic number which identifies the item and a suffix consisting of alphabetical symbols which denotes the colour, e.g.,

BASIC NO.	SUFFIX	COMPLETE NO.
9933311	EE	9933311EE

To interpret trim requirements it is necessary to determine the model and trim number from the Body Identification Plate attached to the top ledge of the dash panel under the engine hood, also the type of seats etc., fitted with the exception of door trims, seat cushions and back covers. Refer Model and Trim Combination Number to the 'Trim Colour Chart' on Page **10** to establish the specific colour name.

Trim Numbers will be allocated to identify trim colour only and will not indicate trim design requirements. The colour will be predicted by the colour of the vinyl used in seat construction.

Separate numbers will be allocated for vinyl and vinyl/cloth combinations.

The codes will consist of 2 numeric characters and one alphabetical character established as follows:

Characters 1 & 2

Will identify colour family and shade.

The first digit will identify the colour family and the second digit the shade.

Shade numbers will be allocated from light to dark in ascending number order.

00-09 Open	50-59 Yellow - Gold
10-19 Neutral	60-69 Brown - Beige - Orange
20-29 Blue	70-79 Pink - Red - Plum
30-39 Aqua - Turquoise	80-89 Miscellaneous
40-49 Green	90-99 Firemist Metallic.

Character 3

Will identify as a vinyl and vinyl/cloth combinations

'A', 'V', 'W' will indicate Vinyl

'B', 'X', 'Y', 'Z' will indicate Vinyl and Cloth

Shown below as examples are the combination numbers allocated to cover Tan Trim:-

- 67V Tan Vinyl Trim
- 67X Tan Vinyl and Cloth Trim

"HX" STATESMAN/HOLDEN PARTS CATALOGUE

TRIM COLOUR CHARTS

MODEL: 8WM exc. Sandman, New Zealand

	19V,19W	45W	60A	67V,67W			
BAR – Horn actuating	Black	Black	Black	Black			
CARPET – Floor	Black	Black	Black	Black			
COVER – Handbrake lever	Black	Black	Black	Black			
FACIA – Lower & compartment door	Black	Black	Black	Tan			
HEADLINING	Chamois	Chamois	Chamois	Tan			
KNOB – Gearshift lever	Black	Black	Black	Black			
MAT – Floor	Black	Black	Black	Black			
PAD – Instrument panel	Black	Black	Black	Tan			
SWITCH – Dimmer & turn signal	Black	Black	Black	Black			
SUN VISOR	Chamois	Chamois	Chamois	Tan			
TRIM – Cowl side	Black	Jade	Chamois	Tan			
TRIM – Package tray	Black	Black	Black	Tan			
TRIM – Rear quarter (Bench Seat)	Black	Jade	Chamois	Brown			
TRIM – Rear quarter (Bucket Seat)	Slate Black	–	Chamois	Tan			
TRIM – Wheelhouse (Bench Seat)	Black	Jade	Beige	Brown			
TRIM – Wheelhouse (Bucket Seat)	Slate Black	–	Chamois	Tan			
TRIM – Rear window to seat	Black	Jade	Beige	Tan			
WHEEL – Steering	Black	Black	Black	Black			
WINDLACE – Door opening	Black	Jade	Chamois	Tan			

**MODELS: 8WM Sandman
8WM New Zealand
8WN**

	18V,18Y	60A,60B	65A,65B	67V,67X			
ARM REST – Door	Black	Chamois	Sienna	Tan			
ARM REST – Seat separator & console ..	Slate Black	Chamois	Sienna	Tan			
BAR – Horn actuating	Black	Black	Dark Sienna	Tan			
CARPET – Floor	Black	Black	Dark Sienna	Tan			
COVER – Handbrake lever	Black	Black	Black	Black			
FACIA – Lower & compartment door	Black	Black	Dark Sienna	Tan			
HANDLE – Assist grip	Black	Chamois	Sienna	Tan			
HEADLINING	Black	Chamois	Sienna	Tan			
HEADLINING (N)	Chamois	N.A.	N.A.	N.A.			
HOOK – Coat	Black	Chamois	Sienna	Tan			
HOOK – Coat (N)	Chamois	N.A.	N.A.	N.A.			
KNOB – Gearshift lever	Black	Black	Dark Sienna	Tan			
PAD – Instrument Panel	Black	Black	Dark Sienna	Tan			
SUN VISOR	Black	Chamois	Sienna	Tan			
SUN VISOR (N)	Chamois	N.A.	N.A.	N.A.			
SWITCH – Dimmer, turn signal & wiper..	Black	Black	Dark Sienna	Tan			
TRIM – Centre pillar	Slate Black	Chamois	Sienna	Tan			
TRIM – Cowl side	Black	Chamois	Sienna	Tan			
TRIM – Package tray	Black	Black	Dark Sienna	Tan			
TRIM – Rear quarter	Black	Chamois	Sienna	Tan			
TRIM – Tonneau floor & end gate	Slate Black	Chamois	Sienna	Tan			
TRIM – Rear window to seat	Slate Black	Chamois	Sienna	Tan			
TRIM – Wheelhouse	Slate Black	Chamois	Sienna	Tan			
WHEEL – Steering	Black	Black	Dark Sienna	Tan			
WINDLACE – Door opening	Black	Chamois	Sienna	Tan			

NOTE: (N) Neutral Colour Headlining.

"HX" STATESMAN/HOLDEN PARTS CATALOGUE

TRIM COLOUR CHARTS (Continued)

MODEL: 8WP

	18V,18X	60A,60X	65A,65X	67V,67X			
ARM REST – Door	Black	Chamois	Sienna	Tan			
ARM REST – Seat separator & console ..	Slate Black	Chamois	Sienna	Tan			
CARPET – Floor	Black	Black	Dark Sienna	Tan			
COVER – Handbrake lever	Black	Black	Dark Sienna	Tan			
FACIA – Lower & compartment door	Black	Black	Dark Sienna	Tan			
HANDLE – Assist grip	Black	Chamois	Sienna	Tan			
HEADLINING	Black	Chamois	Sienna	Tan			
HEADLINING (N)	Chamois	N.A.	N.A.	N.A.			
HOOK – Coat	Black	Chamois	Sienna	Tan			
HOOK – Coat (N)	Chamois	N.A.	N.A.	N.A.			
KNOB – Gearshift lever	Black	Black	Dark Sienna	Tan			
PAD – Instrument panel	Black	Black	Dark Sienna	Tan			
SUN VISOR	Black	Chamois	Dark Sienna	Tan			
SUN VISOR (N)	Chamois	N.A.	N.A.	N.A.			
SWITCH – Dimmer, turn signal & wiper..	Black	Black	Dark Sienna	Tan			
TRIM – Centre pillar	Slate Black	Chamois	Sienna	Tan			
TRIM – Cowl side	Black	Chamois	Sienna	Tan			
TRIM – Package tray	Black	Black	Dark Sienna	Tan			
TRIM – Rear quarter	Slate Black	Chamois	Sienna	Tan			
TRIM – Tonneau floor & end gate	Slate Black	Chamois	Sienna	Tan			
TRIM – Wheelhouse	Slate Black	Chamois	Sienna	Tan			
WHEEL – Steering	Black	Black	Dark Sienna	Tan			
WINDLACE – Door opening	Black	Chamois	Sienna	Tan			
NOTE: (N) Neutral Colour Headlining							

MODEL: 8WQ

	18V,18X	60A,60B	65A,65B	67V,67X	76X		
ARM REST – Console	Black	Chamois	Sienna	Tan	Cinnabar		
ARM REST – Door & rear quarter	Black	Chamois	Sienna	Tan	Cinnabar		
CARPET – Floor	Black	Black	Dark Sienna	Tan	Black		
COVER – Handbrake lever	Black	Black	Dark Sienna	Black	Black		
FACIA – Lower & compartment door	Black	Black	Dark Sienna	Tan	Black		
HEADLINING	Black	Chamois	Sienna	Tan	Cinnabar		
HEADLINING (N)	Chamois	N.A.	N.A.	N.A.	N.A.		
HOOK – Coat	Black	Chamois	Sienna	Tan	Black		
HOOK – Coat (N)	Chamois	N.A.	N.A.	N.A.	N.A.		
PAD – Instrument panel	Black	Black	Dark Sienna	Tan	Black		
SUN VISOR	Black	Chamois	Sienna	Tan	Cinnabar		
SUN VISOR (N)	Chamois	N.A.	N.A.	N.A.	N.A.		
TRIM – Centre pillar	Slate Black	Chamois	Sienna	Tan	–		
TRIM – Cowl side	Black	Chamois	Sienna	Tan	Black		
TRIM – Package tray	Black	Black	Dark Sienna	Tan	Black		
WINDLACE – Door & quarter opening	Black	Chamois	Sienna	Tan	Black		
NOTE: (N) Neutral Colour Headlining							

"HX" STATESMAN/HOLDEN PARTS CATALOGUE

TRIM COLOUR CHARTS (Continued)

MODEL: 8WS

	18A,18X	60A,60X	65A,65X	67V,67X			
ARM REST – Door	Black	Chamois	Sienna	Tan			
ARM REST – Seat separator & console ..	Slate Black	Chamois	Sienna	Tan			
CARPET – Floor	Black	Black	Dark Sienna	Tan			
COVER – Handbrake lever	Black	Black	Dark Sienna	Tan			
FACIA – Lower & compartment door	Black	Black	Dark Sienna	Tan			
HANDLE – Assist grip	Black	Chamois	Sienna	Tan			
HEADLINING	Black	Chamois	Sienna	Tan			
HEADLINING (N)	Chamois	N.A.	N.A.	N.A.			
HOOK – Coat	Black	Chamois	Sienna	Tan			
HOOK – Coat (N)	Chamois	N.A.	N.A.	N.A.			
KNOB – Gearshift lever	Black	Black	Dark Sienna	Tan			
PAD – Instrument panel	Black	Black	Dark Sienna	Tan			
SUN VISOR	Black	Chamois	Dark Sienna	Tan			
SUN VISOR (N)	Chamois	N.A.	N.A.	N.A.			
SWITCH – Dimmer, turn signal & wiper..	Black	Black	Dark Sienna	Tan			
TRIM – Centre pillar	Slate Black	Chamois	Sienna	Tan			
TRIM – Cowl side	Black	Chamois	Sienna	Tan			
TRIM – Package tray	Black	Black	Dark Sienna	Tan			
TRIM – Rear quarter	Slate Black	Chamois	Sienna	Tan			
WHEEL – Steering	Black	Black	Dark Sienna	Tan			
WINDLACE – Door opening	Black	Chamois	Sienna	Tan			
NOTE: (N) Neutral Colour Headlining							

MODEL: 8WT

	19V,19X,19Y	60A	63V,63Y	65A,65B	67V,67Y		
ARM REST – Console	Black	Chamois	Buckskin	Sienna	Tan		
ARM REST – Door	Black	Chamois	Buckskin	Sienna	Tan		
BAR – Horn actuating	Black	Black	Tan	Dark Sienna	Tan		
CARPET – Floor	Black	Black	Tan	Dark Sienna	Tan		
COVER – Handbrake lever	Black	Black	Tan	Dark Sienna	Tan		
FACIA – Lower & compartment door	Black	Black	Tan	Dark Sienna	Tan		
HANDLE – Assist grip	Black	Chamois	Buckskin	Sienna	Tan		
HEADLINING	Black	Chamois	Buckskin	Sienna	Tan		
HEADLINING (N)	Chamois	N.A.	N.A.	N.A.	N.A.		
PAD – Instrument panel	Black	Black	Tan	Dark Sienna	Tan		
SUN VISOR	Black	Chamois	Buckskin	Sienna	Tan		
SUN VISOR (N)	Chamois	N.A.	N.A.	N.A.	N.A.		
SWITCH – Dimmer, turn signal & wiper..	Black	Black	Tan	Dark Sienna	Tan		
TRIM – Centre Pillar	Black	Chamois	Buckskin	Sienna	Tan		
TRIM – Cowl side	Black	Black	Tan	Dark Sienna	Tan		
TRIM – Package tray	Black	Black	Tan	Dark Sienna	Tan		
TRIM – Rear quarter	Black	Chamois	Buckskin	Sienna	Tan		
WHEEL – Steering	Black	Black	Tan	Dark Sienna	Tan		
WINDLACE – Door opening	Black	Chamois	Buckskin	Sienna	Tan		
NOTE: (N) Neutral Colour Headlining							

MODEL IDENTIFICATION



CODE
8WS69 Statesman De Ville 4 Door Sedan 6 & 8 Cyl.

INTRODUCED
August, 1976

FIG. 1



CODE
8WT69 Statesman Caprice 4 Door Sedan 8 Cyl.

INTRODUCED
August, 1976

FIG. 2

CODE

INTRODUCED

FIG. 3

MODEL IDENTIFICATION



8WM35

CODE
8WM35 Belmont 4 Door Station Wagon 6 & 8 Cyl.

INTRODUCED
July, 1976

FIG. 4



8WN35

CODE
8WN35 Kingswood 4 Door Station Wagon 6 & 8 Cyl.

INTRODUCED
July, 1976

FIG. 5

CODE

INTRODUCED

FIG. 6

MODEL IDENTIFICATION



8WP35

CODE
8WP35 Premier 4 Door Station Wagon 6 & 8 Cyl.

INTRODUCED
July, 1976

FIG. 7



8WQ37

CODE
8WQ37 LE (Limited Edition) 2 Door Coupe 8 Cyl.

INTRODUCED
August, 1976

FIG. 8

CODE

INTRODUCED

FIG. 9

MODEL IDENTIFICATION



CODE
8WM69 Belmont 4 Door Sedan 6 & 8 Cyl.

INTRODUCED
July, 1976

FIG. 10



CODE
8WN69 Kingswood 4 Door Sedan 6 & 8 Cyl.

INTRODUCED
July, 1976

FIG. 11

CODE

INTRODUCED

FIG. 12

MODEL IDENTIFICATION



CODE
8WP69 Premier 4 Door Sedan 6 & 8 Cyl.

INTRODUCED
July, 1976

FIG. 13



CODE
8WQ69 Monaro GTS 4 Door Sedan 8 Cyl.

INTRODUCED
July, 1976

FIG. 14

CODE

INTRODUCED

FIG. 15

MODEL IDENTIFICATION



CODE
8WM60 Holden Chassis & Cab 6 & 8 Cyl.

INTRODUCED
July, 1976

FIG. 16

CODE

INTRODUCED

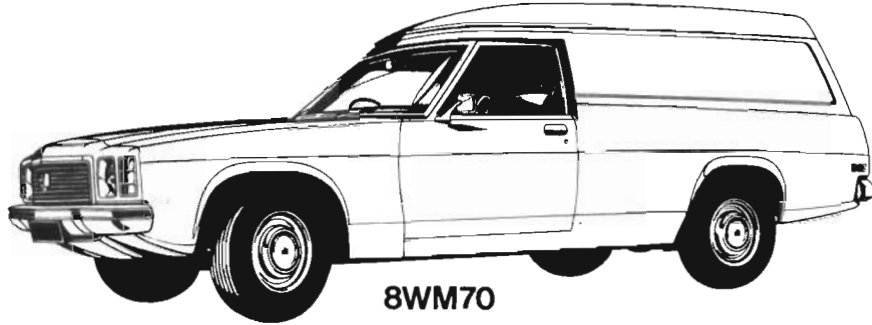
FIG. 17

CODE

INTRODUCED

FIG. 18

MODEL IDENTIFICATION



- | | |
|--|--|
| <p>CODE</p> <ul style="list-style-type: none">● 8WM70 Holden Panel Van 6 & 8 Cyl.● Included in the Options available with this model, Production Options XU3,XX7 – Sandman. Refer Fig.20 | <p>INTRODUCED</p> <p>July, 1976</p> |
|--|--|

FIG. 19



- | | |
|--|--|
| <p>CODE</p> <p>8WM70 Sandman Panel Van 6 & 8 Cyl.</p> | <p>INTRODUCED</p> <p>July, 1976</p> |
|--|--|

FIG. 20



- | | |
|--|--|
| <p>CODE</p> <p>8WN70 Kingswood Panel Van 6 & 8 Cyl.</p> | <p>INTRODUCED</p> <p>July, 1976</p> |
|--|--|

FIG. 21

MODEL IDENTIFICATION



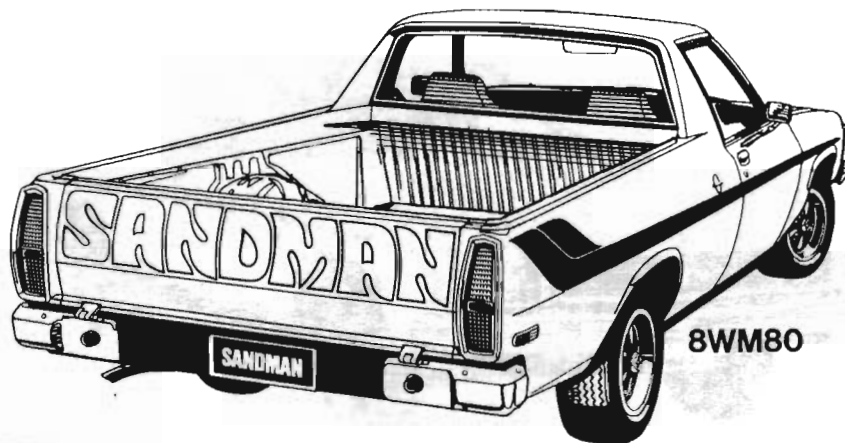
CODE

- 8WM80 Holden Utility 6 & 8 Cyl.
Included in the Options available with this model, Production Options XU3,XX7 – Sandman. Refer Fig. 23.

INTRODUCED

July, 1976

FIG. 22



CODE

- 8WM80 Sandman Utility 6 & 8 Cyl.

INTRODUCED

July, 1976

FIG. 23



CODE

- 8WN80 Kingswood Utility 6 & 8 Cyl.

INTRODUCED

July, 1976

FIG. 24

“HX” STATESMAN/HOLDEN PARTS CATALOGUE

ALPHABETICAL PRODUCTION OPTION CHART

The following Production Option Listing is included to facilitate the interpretation of Option Codes referred to by Production and Vehicle Sales.

CODE	OPTION	CODE	OPTION
A01	TINTED ALL WINDOWS (Laminated Shaded W/shield Glass)	GM9	AXLE RATIO — Rear 4.44:1
A02	TINTED WINDSHIELD GLASS (Laminated Shaded Upper)	GU4	AXLE RATIO — Rear 3.08:1
A09	FIXED SIDE WINDOWS.	GU8	AXLE RATIO — Rear 3.90:1
A22	LAMINATED WINDSHIELD GLASS	GV4	AXLE RATIO — Rear 3.36:1
A31	POWER OPERATED SIDE WINDOWS	GV7	AXLE RATIO — Rear 3.55:1
A33	POWER OPERATED END GATE WINDOW	G66	SUPERLIFT REAR SHOCK ABSORBERS
A47	REAR SEAT LAP & SHOULDER BELTS (With Retractor)	G70	AXLE RATIO — Rear 2.60:1
A48	DELETE FRONT & REAR SEAT BELTS	G80	LIMITED SLIP DIFFERENTIAL
A52	FRONT BENCH SEAT		
A75	HEAVY DUTY FRONT SEAT	JL9	REAR WHEEL LOCK CONTROL
A76	HEAVY DUTY REAR SEAT — Taxi Equip.		
A8R	FRONT BENCH SEAT WITH CENTRE ARM REST	K45	HEAVY DUTY AIR CLEANER
A8K	EXTERIOR SOFT TRIM ROOF COVERING — Sienna	K69	IGNITION KEY — 3 Key Set
AU3	ELECTRIC LOCKING SIDE DOORS	K96	ALTERNATOR WITH BUILT-IN VOLTAGE REGULATOR (55 amp)
			G/E
BB7	FULL LENGTH HEADLINING	L20	ENGINE — L6 High Compression 3300
BC9	RUBBER FLOOR MATS	L21	ENGINE — L6 Low Compression 2850
BO2	TAXI EQUIPMENT	L23	ENGINE — L6 Low Compression 3300
BO4	TAXI INSTRUMENT PANEL MODIFICATION	L31	ENGINE — V8 5 Litre
BO6	AMBULANCE PACKAGE	L32	ENGINE — V8 High Compression 4.2 Litre
B26	DOOR PULL-TO HANDLE (Front Door)	LD1	ENGINE — L6 High Compression 2850
B29	DOOR PULL-TO HANDLE (Rear Door)		
B30	CARPET FLOOR COVERING	M01	HEAVY DUTY CLUTCH
B47	COMFORT PACKAGE	M11	CONSOLE FLOORSHIFT
B84	EXTERIOR ORNAMENTATION — Body Side Mouldings	M15	MANUAL TRANSMISSION — 3 speed 3.07:1 1st Gear
		M20	MANUAL TRANSMISSION — 4 speed F/shift 3.05:1 1st Gear
CA2	DELETE VINYL ROOF	M21	MANUAL TRANSMISSION — 4 speed F/shift 2.54:1 1st Gear
CB1	EXTERIOR SOFT TRIM ROOF COVERING — Buckskin	M22	MANUAL TRANSMISSION — 4 speed F/shift 3.74:1 1st Gear
CB3	EXTERIOR SOFT TRIM ROOF COVERING — Chamois	M40	AUTOMATIC TRANSMISSION — Trimatic
CD4	INTERMITTANT WIPER CONTROL	M41	AUTOMATIC TRANSMISSION — Turbo-Hydrumatic
C27	EXTERIOR SOFT TRIM ROOF COVERING — Black		
C32	DELETE UPPER & LOWER END GATES	N10	DUAL EXHAUST SYSTEM
C49	HEATED REAR WINDOW — Electric	N40	POWER STEERING
C48	DELETE HEATER	N42	FAST RATIO STEERING 20.7:1 Manual
C57	VENTILATOR — Forced Air	N66	WHEEL — Rally Type (6.0JJ x 14)
C59	DELETE FORCED AIR VENTILATOR		
C60	AIR CONDITIONER — Manual Control	PC1	WHEEL — 6.0JJ x 14
C66	AIR CONDITIONER PREPARATORY EQUIP. — High Ambient	PE1	WHEEL — 7.0JJ x 14 Polycast (Honeycomb)
		P06	WHEEL TRIM RING
DX5	SANDMAN DECAL PACKAGE (Plum/Purple/Dark Blue)	QCB	TYRE — C78L14 4 P/R Bias Ply B/wall T/less
DX8	DELETE HOOD PAINT-OUT	QCM	TYRE — C78S14 4 P/R Bias Ply B/wall T/less
DY1	SANDMAN DECAL PACKAGE (Orange/Brown/Dark Brown)	QCQ	TYRE — ER78S14 4P/R Steel Belted Radial T/less
DY2	SANDMAN DECAL PACKAGE (Orange/Bright Blue/Blue)	QEF	TYRE — E78S14 4 P/R Bias Ply B/wall T/less
DY3	SANDMAN DECAL PACKAGE (Yellow/Orange/Red)	QEP	TYRE — ER70H14 Radial Ply Redband T/less
DY4	SANDMAN DECAL PACKAGE (Bright Yellow/Light Orange/ Dark Orange)	QEQ	TYRE — E78L14 4 P/R Bias Ply B/wall T/less
D33	REMOTE CONTROL OUTSIDE REAR VIEW MIRROR — Drivers Side	QER	TYRE — E78S14 4P/R Bias Ply B/wall T/less
D55	SEAT SEPARATOR	QEV	TYRE — ER70H14 Radial Ply B/wall T/less
D71	REAR FENDER MUD DEFLECTOR	QEF	TYRE — F78L14 4 P/R Bias Ply B/wall T/less
D99	TWO TONE PAINT	QFP	TYRE & TUBE — F78—14 10 P/R Bias Ply B/wall
		QFS	TYRE & TUBE — F78—14 10 P/R Bias Ply B/wall
E93	LASH ON TONNEAU COVER (PVC covered)	QFV	TYRE & TUBE — F78L14 6 P/R Bias Ply B/wall
		QFZ	TYRE — F78S14 4 P/R Bias Ply B/wall T/less
FE7	FRONT & REAR HEAVY DUTY SUSPENSION EQUIPMENT	QGA	TYRE — FR78S14 4 P/R Radial W/wall T/less
F72	GROSS LOAD PACKAGE	QKF	TYRE — 6.95S14 4 P/R Bias Ply B/wall T/less
		QMV	TYRE — 6.95L14 4 P/R Bias Ply B/wall T/less

E — EXPORT
 G/E — GOVERNMENT and/or EXPORT
 NZ — NEW ZEALAND

"HX" STATESMAN/HOLDEN PARTS CATALOGUE

ALPHABETICAL PRODUCTION OPTION CHART

The following Production Option Listing is included to facilitate the interpretation of Option Codes referred to by Production and Vehicle Sales.

CODE	OPTION	CODE	OPTION
QRA	TYRE & TUBE - 185SR14 Radial B/wall Load Range HL	XX7	SPECIAL VEHICLE PACKAGE - Sandman 10 cwt.
QRD	TYRE - 175SR14 4 P/R Radial Ply B/wall T/less NZ	XY7	SPECIAL APPEARANCE FEATURE ITEMS
QRQ	TYRE - 185SR14 Radial Ply B/wall T/less L/R NL	XY9	NEUTRAL HEADLINING TRIM - Chamois
QRR	TYRE & TUBE - 185SR14 Radial Ply B/wall Load Range ML	XU4	PASSENGER DERIVATIVE PACKAGE - 10 cwt.
QRS	TYRE - 185SR14 Radial Ply (Pirelli) B/wall T/less L/R NL		
QRU	TYRE - 195SR14 Radial Ply B/wall T/less L/R NL	YFX	TYRE - F78W14 4 P/R Winter Tread Bias Ply B/wall T/Less Rear wheels
QRY	TYRE - 185SR14 6 P/R Radial Ply B/wall T/less		
QRZ	TYRE - 185SR14 8P/T Radial Ply B/wall T/less	ZFF	TYRE - F78L14 4 P/R Bias Ply B/wall T/Less Spare wheel
QSD	TYRE - 195R14LT 8 P/R Radial Steel Belted B.S.W. T/less	ZFX	TYRE - F78W14 4 P/R Winter Tread Bias Ply B/wall T/Less Spare wheel
QTM	TYRE - 195R14 Radial Ply B/wall T/less	ZFZ	TYRE - F78S14 4 P/R Bias Ply B/wall T/Less Spare wheel
QTX	TYRE - 185SR14 Radial Ply B/wall T/less L/R ML		
QXZ	TYRE - 7.75-14 6 P/R Bias Ply B/wall T/less NZ		
T57	FRONT FENDER MUD DEFLECTOR		
T60	BATTERY - 60 AH (Deep Cycling) Dry Charge E		
T62	BATTERY - 48 AH Dry Charge E		
T64	DELETE BATTERY E		
T89	TAIL & STOP LAMP ASSEMBLY E		
U05	HIGH NOTE HORN G/E		
U11	SPEEDOMETER - Police		
U19	SPEEDOMETER - km/mi with kilometer odometer E		
U37	CIGAR LIGHTER E		
UA1	BATTERY 60 AH (Deep Cycling) Wet Charge		
UA5	CLAMP TYPE BATTERY TERMINALS G/E		
UD1	CLUSTER ASSEMBLY - Instrument (Oil and Water)		
UL5	DELETE RADIO		
UN6	RADIO - AM Push Button		
UR3	FUEL ECONOMY WARNING LIGHT		
U17	CLUSTER ASSEMBLY - Instrument (Oil, Water, Voltmeter, Tachometer & Clock)		
U35	ELECTRIC CLOCK		
U57	CARTRIDGE TAPE PLAYER - 4 Speaker Quadraphonic		
U75	ANTENNA - Power Rear (Separate Control)		
U80	REAR SEAT SPEAKER		
U91	ROOF SIGN LEAD (Taxi)		
VE5	FRONT & REAR BUMPER BAR RUB STRIP		
VFB	FRONT BUMPER BAR RUB STRIP		
V01	HEAVY DUTY RADIATOR		
XFF	TYRE - F78L14 4 P/R Bias Ply B/wall T/less F/wheels		
XFZ	TYRE - F78S14 4 P/B Bias Ply B/wall T/Less F/wheels		
XS4	FRONT END AIR DAM & DECK LID SPOILER		
XS6	FRONT BUCKET SEAT RECLINING		
XS9	VINYL AND NYLON CLOTH TRIM		
XU3	SPECIAL VEHICLE PACKAGE - Sandman 14.5 cwt.		
XU8	EXTERIOR SOFT TRIM ROOF COVERING - Red		
XU9	EXTERIOR SOFT TRIM ROOF COVERING - Blue		
XW3	EXTERIOR SOFT TRIM ROOF COVERING - Tan		
XW5	OUTBACK EQUIPMENT PACKAGE		
XW6	PAINT SPECIAL FINISH - Metallic - Group 1		
XX1	PAINT SPECIAL FINISH - Metallic - Group 2		
XX3	NEW ZEALAND VEHICLE PACKAGE		
XX6	PAINT SPECIAL FINISH - Metallic - Group 3		

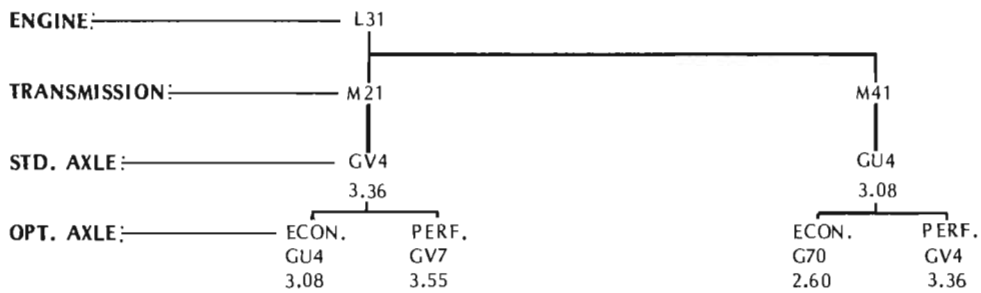
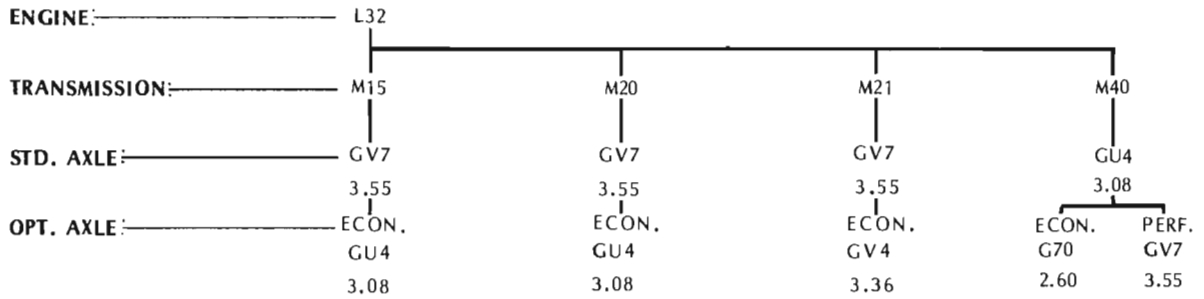
E - EXPORT
 G/E - GOVERNMENT and/or EXPORT
 NZ - NEW ZEALAND

**POWER TRAIN CHART
(Not Applicable to Export)**

STD. — CITY/SUBURBAN/STANDARD
ECON. — COUNTRY/HIGHWAY/ECONOMY
PERF. — TOWING/PERFORMANCE

JULY, 76.

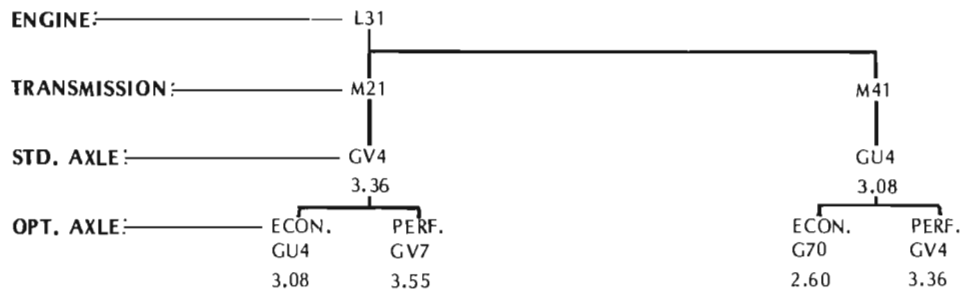
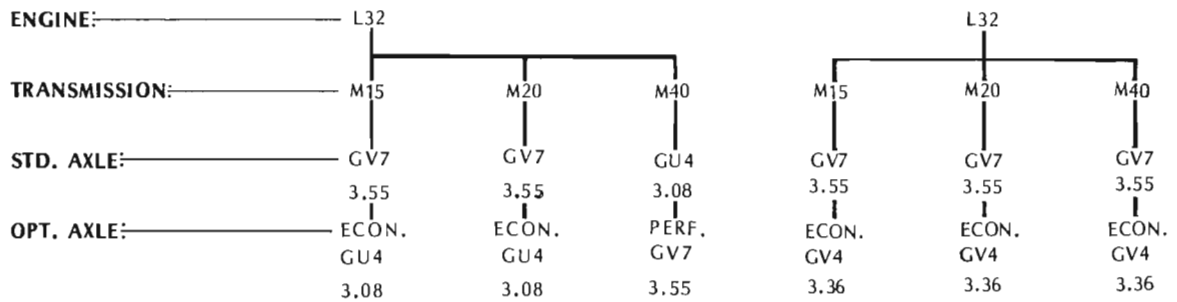
PASSENGER — 8 CYLINDER



COMMERCIAL — 8 CYLINDER

**8WM70 8WM80
8WN70 8WN80**

8WM60

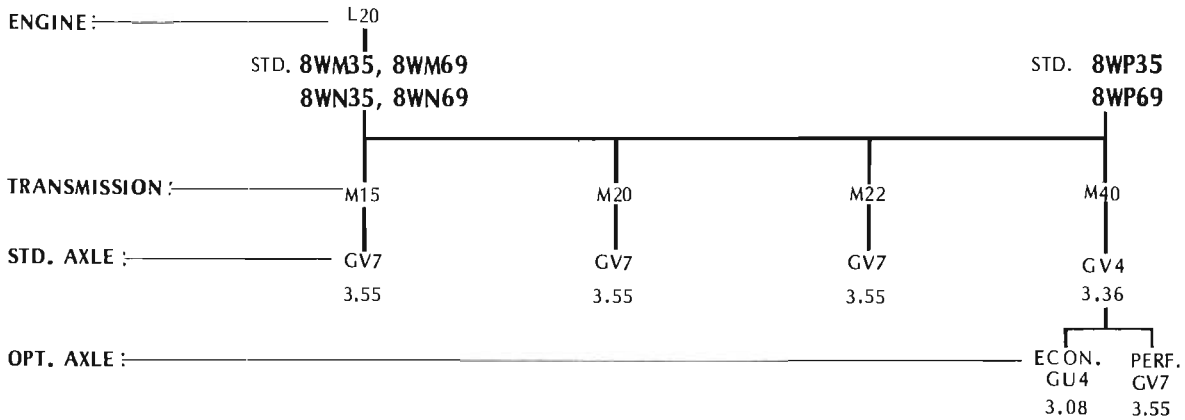


POWER TRAIN CHART
(Not Applicable to Export)

STD. - CITY/SUBURBAN/STANDARD
ECON. - COUNTRY/HIGHWAY/ECONOMY
PERF. - TOWING/PERFORMANCE

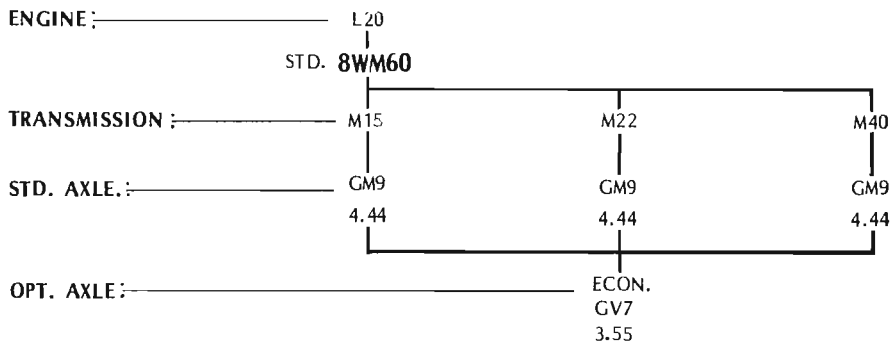
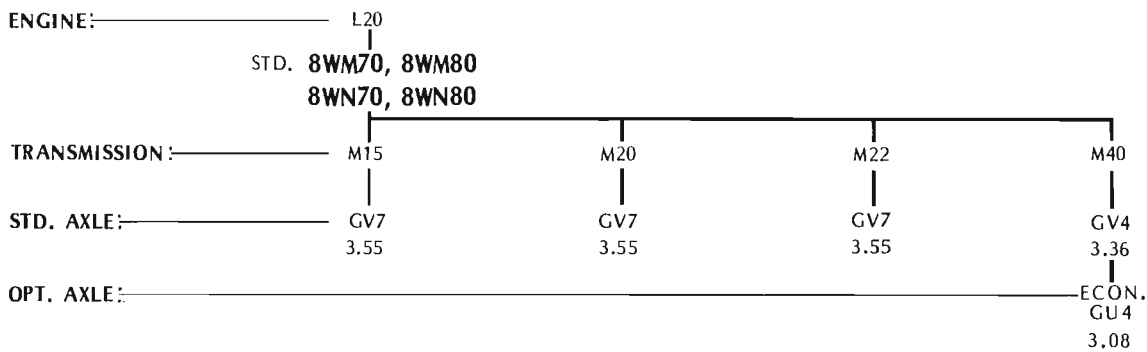
JULY, 76.

PASSENGER - 6 CYLINDER



NOTE: L23 SAME AS L20 BUT OPTIONAL ON 8WM35, 69, 8WN35, 69 ONLY

COMMERCIAL - 6 CYLINDER



NOTE: L23 SAME AS L20 EXCEPT ON 8WM60. NO OPTIONAL AXLE AVAILABLE WITH L23/M22.

A

ACTUATOR - Air conditioner vacuum	9.280
ACTUATOR - Electric door lock	10.485
ACTUATOR - Transmission parking brake .	4.294
ADAPTOR - Air conditioner control	9.278
ADAPTOR - Engine unit temp. gauge	0.277
ADAPTOR - Heater & demister components	9.779
ADAPTOR - Horn actuating bar	2.824
ADAPTOR - Inlet manifold vacuum	3.265
ADAPTOR - Oil filter	1.835
ADAPTOR - Steering shaft bearing	6.524
ADAPTOR - Temp. gauge sender unit	1.150
ADAPTOR - Trans. oil cooler pipe	4.128
ADAPTOR - Trans. rear bearing	4.317
ADJUSTER - Front seat	11.561
ADJUSTER - Front seat recliner	11.388
ADJUSTER - Steering gear lash	6.822
ADJUSTER - Steering gear worm bearing ..	6.830
ADJUSTER - Transmission shifter	4.035
AIR CLEANER	3.402
AIR HORN - Carburettor	3.763
ALTERNATOR	2.275
ANCHOR - Hood catch control rod	8.077
ANTENNA - Radio	9.662
ANTISQUEAK - Fuel tank	3.024
ARM - Control	6.168
ARM - End gate limit	12.203
ARM - Front seat recliner	11.392
ARM - Fuel pump rocker	3.920
ARM - Pitman	6.859
ARM - Rear axle control	5.382
ARM - Steering	6.103
ARM - Valve rocker	0.333
ARM - Windshield wiper	10.147
ARM REST - Front door	14.686
ARM REST - Front seat separator	15.288
ARM REST - Quarter	14.762
ARM REST - Rear door	14.762
ARM REST - Rear seat back	14.998
ARMATURE - Starter motor	2.043
ARMATURE - Wiper motor	10.150
ARRESTOR - Fuel tank	3.001
ARRESTOR - Rear engine mounting	4.081
ARRESTOR - Transmission mtg. support ...	4.081
ASH TRAY - Instrument panel	12.009
ASH TRAY - Rear door arm rest	12.045
ASH TRAY - Seat back & console	12.030
AXLE - Rear	5.386
AXLE SHAFT - Rear	5.420

B

BACK - Rear seat	14.998
BACK - Trans. control illumination housing	4.038
BAFFLE - Carburettor float chamber	3.776
BAIL - Brake main cylinder cover	4.651
BAIL - Fuel pump bowl	3.906
BALL - Carburettor discharge	3.760
BALL - Carburettor pump check	3.760
BALL - Distributor breaker plate	2.385
BALL - Imput shaft	4.153
BALL - Steering gear	6.844

BALL - Transmission oil pump	4.226
BALL - Valve body press seal	4.265
BALL - Wiper motor armature	10.150
BALL JOINT - Control arm	6.168
BAND - Transmission brake	4.251
BAND - Transmission reaction	4.251
BAR - Underbody	12.982
BAR - Air horn reinforcing	3.763
BAR - Bumper face	7.831
BAR - Frame side	7.003
BAR - Front seat recliner	11.390
BAR - Horn actuating	2.830
BAR - Rear axle control	5.382
BAR - Tow	9.600
BARREL - Instrument panel comp. door ..	10.266
BARREL & KEY - Deck lid	12.248
BARREL & KEY - Door locking	10.550
BARREL & KEY - End gate	12.248
BASE - Air condition control	9.278
BASE - Dome lamp	11.925
BASE - Heater control	9.779
BASE - Parking & turn signal lamp	2.586
BASE - Tail stop & turn signal lamp	2.679
BASE - Transmission control indicator ...	4.038
BATTERY	2.332
BEARING - Air conditioner compressor ...	9.181
BEARING - Alternator drive end	2.306
BEARING - Alternator slip ring end	2.298
BEARING - Axle shaft	5.855
BEARING - Camshaft thrust	0.533
BEARING - Clutch gear	4.355
BEARING - Clutch throwout	0.799
BEARING - Counter shaft	4.422
BEARING - Crankshaft clutch pilot	0.649
BEARING - Differential side	5.536
BEARING - Front wheel inner	6.311
BEARING - Front wheel outer	6.313
BEARING - Low sun gear thrust	4.177
BEARING - Main shaft front	4.352
BEARING - Main shaft rear	4.408
BEARING - Pinion front	5.447
BEARING - Pinion rear	5.484
BEARING - Steering gear pitman shaft ...	6.786
BEARING - Steering hyd. coupling sleeve.	6.552
BEARING - Steering shaft	6.521
BEARING - Steering shaft coupling	6.524
BEARING - Transmission planet	4.177
BEARING - Trans. planet pinion needle ..	4.177
BEARING - Transmission sun gear	4.159
BEARING - Water pump	1.108
BEARING - Wiper motor	10.150
BEARING - Worm thrust	6.530
BEARING KIT - Camshaft	0.536
BEARING SET - Crankshaft	0.094
BEARING SET - Connecting rod	0.616
BEARING UNIT - Connecting rod	0.616
BEARING UNIT - Crankshaft centre	0.101
BEARING UNIT - Crankshaft front	0.096
BEARING UNIT - Crankshaft front inter. ..	0.099
BEARING UNIT - Crankshaft rear	0.106
BEARING UNIT - Crankshaft rear inter. ..	0.103
BELT - Fan & alternator	1.066
BELT - Front seat	14.798

"HX" STATESMAN/HOLDEN PARTS CATALOGUE

BELT - Power	1,066	BOLT - Cylinder head	0,293
BELT - Rear seat	15,040	BOLT - Differential carrier	5,506
BLADE - Fan	1,064	BOLT - Distributor	2,363
BLADE - Windshield wiper	10,146	BOLT - Door inside locking lever	10,556
BLEEDER - Carburettor high speed	3,751	BOLT - End gate cable	12,203
BLOCK - Cylinder	0,033	BOLT - Eng gate window motor	12,280
BLOCK - Differential preload spring	5,511	BOLT - Fan clutch & pulley to hub	1,050
BODY	10,001	BOLT - Fan spacer & pulley to hub	1,064
BODY - Air conditioner wiring terminal ..	9,276	BOLT - Flywheel	0,669
BODY - Back up lamp harness	2,697	BOLT - Front seat adjuster handle	11,588
BODY - Brake main cylinder	4,650	BOLT - Front seat belt	14,798
BODY - Brake wheel cylinder	4,665	BOLT - Front fender attaching	8,143
BODY - Cable parking & turn signal lamp ..	2,596	BOLT - Hand brake to floor	4,591
BODY - Carburettor main	3,748	BOLT - Hinge to upper end gate	12,184
BODY - Carburettor throttle	3,727	BOLT - Hood bumper	8,024
BODY - Courtesy light switch	11,950	BOLT - Housing to cylinder block	0,683
BODY - Door window	10,777	BOLT - Manifold	3,275
BODY - Electric door lock	10,485	BOLT - Oil pan	1,426
BODY - End gate window reg. harness ...	12,277	BOLT - Oil pump	1,652
BODY - Fuel pump	3,902	BOLT - Panel to radiator support	1,270
BODY - Hand brake warning lamp	4,610	BOLT - Rear seat back, stop bracket	11,634
BODY - Harness engine	2,555	BOLT - Rear seat belt	15,040
BODY - Harness instrument	2,555	BOLT - Rear spring centre	7,505
BODY - Heated rear window	9,778	BOLT - Rear spring mounting	7,529
BODY - Horn earth lead	2,830	BOLT - Ring gear	5,531
BODY - Horn lead	2,810	BOLT - Shock absorber mounting	7,370
BODY - Inst. panel comp. lamp switch ..	10,270	BOLT - Shroud to radiator	1,270
BODY - Lead connector trans. control ...	2,408	BOLT - Starter motor	2,041
BODY - Neutral starting & back up lead ..	4,055	BOLT - Starter motor through	2,077
BODY - Oil pump	1,653	BOLT - Steering gear hyd. pump	6,606
BODY - Rear comp. lamp switch	11,960	BOLT - Steering shaft coupling	6,524
BODY - Rear lamp harness connector	2,694	BOLT - Transmission centre support	4,162
BODY - Shell	10,002	BOLT - Transmission control relay rod ...	4,008
BODY - Trailer wiring	9,644	BOLT - Transmission converter	4,156
BODY - Transmission governor valve	4,256	BOLT - Transmission detent switch	4,054
BODY - Transmission oil control valve ..	4,265	BOLT - Transmission oil pump	4,226
BODY - Transmission oil pump	4,226	BOLT - Transmission servo	4,212
BODY - Turn signal switch connection ...	2,895	BOLT - Transmission shifter control	4,030
BODY - Water pump	1,073	BOLT - Transmission to engine	4,003
BODY - Windshield wiper	10,163	BOLT - Valve push rod cover	0,449
BODY & GEAR PACKAGE - Trans. oil pump	4,226	BOLT - Valve rocker arm	0,429
BODY & SHAFT - Carb. thermostat	3,796	BOLT - Water outlet cylinder head	1,153
BOLT - Air cleaner	3,403	BOLT - Water pump	1,069
BOLT - Air conditioner condenser	9,190	BOLT - Wheel hub	5,812
BOLT - Air conditioner compressor	9,171	BOLT - Wiper motor	10,150
BOLT - Alternator through	2,316	BOLT & WASHER - Front fender	8,143
BOLT - Battery mounting	2,333	BOOSTER - Brake vacuum servo	4,902
BOLT - Brake backing plate	5,002	BOOT - Brake vacuum servo booster	4,907
BOLT - Brake pedal retaining	4,636	BOOT - Brake wheel cylinder	4,670
BOLT - Bumper bar mounting	7,836	BOOT - Spark plug insulating	2,258
BOLT - Bumper face bar	7,852	BOOT - Transmission shift lever	4,015
BOLT - Cam bearing to cylinder block ...	0,533	BOW - Roof	12,952
BOLT - Camshaft sprocket	0,736	BOWL - Fuel pump	3,903
BOLT - Camshaft thrust	0,533	BOX - Alternator brush	2,291
BOLT - Carburettor to manifold	3,288	BRACE - Air conditioner compressor	9,171
BOLT - Clutch relay lever	0,852	BRACE - Alternator	2,317
BOLT - Clutch to flywheel	0,870	BRACE - Deck lid hinge bracket	12,184
BOLT - Clutch eccentric to bracket	0,830	BRACE - Floor pan	12,972
BOLT - Clutch pedal retaining	0,837	BRACE - Quarter inner panel	12,941
BOLT - Connecting rod	0,623	BRACE - Steering column	6,761
BOLT - Converter housing	4,103	BRACE - Steering gear pump support	6,606
BOLT - Crankcase front cover	0,206	BRACE - Underbody cross bar	12,982
BOLT - Crankshaft bearing cap	0,056	BRACKET - Accelerator pedal	3,451

"HX" STATESMAN/HOLDEN PARTS CATALOGUE

BRACKET - Accelerator spring	3.459	BRUSH - Wiper motor	10.150
BRACKET - Air conditioner compartment ..	9.171	BRUSH SET - Alternator	2.285
BRACKET - Air Cond. P O. A. S. T. valve ..	9.199	BRUSH SET - Starter motor	2.051
BRACKET - Air Cond. vacuum actuator ..	9.280	BUCKLE - Front seat	14.798
BRACKET - Alternator mounting	2.277	BUCKLE - Rear seat lap & shoulder	15.040
BRACKET - Brake cable	4.829	BUFFER - Starter motor drive pinion	2.087
BRACKET - Brake cable pulley	4.700	BULB - Ash tray illumination	12.012
BRACKET - Brake hose	4.681	BULB - Auxiliary driving lamp	9.648
BRACKET - Brake pedal bumper	4.625	BULB - Courtesy light	11.950
BRACKET - Brake pipe connector mounting ..	4.686	BULB - Dome lamp	11.925
BRACKET - Bumper mounting	7.836	BULB - Fuel economy indicator	2.515
BRACKET - Carb. choke cable support ..	3.795	BULB - Heater control illumination	9.779
BRACKET - Clutch relay lever mounting ..	0.852	BULB - Inst. panel compartment	10.270
BRACKET - Clutch relay lever support ..	0.852	BULB - Parking & turn signal lamp	2.585
BRACKET - Clutch pedal bumper	0.830	BULB - Quarter corner lamp	11.940
BRACKET - Corner lamp support	12.941	BULB - Rear compartment lamp	11.960
BRACKET - Deck lid hinge	12.184	BULB - Rear licence lamp	2.714
BRACKET - Diff. pinion bumper	5.395	BULB - Tail & stop lamp	2.679
BRACKET - Engine mounting	0.027	BULB - Transmission control dial	4.038
BRACKET - Front air dam	8.126	BUMPER - Bumper bar	7.865
BRACKET - Front stabiliser shaft	7.242	BUMPER - Clutch pedal	0.830
BRACKET - Fuel tank	3.001	BUMPER - Control arm	6.176
BRACKET - Fuel tank filler door	12.966	BUMPER - Deck lid	12.212
BRACKET - Heater/demister supt. to engine ..	9.779	BUMPER - Diff. pinion nose	5.395
BRACKET - Hood lock	8.085	BUMPER - Door pillar	10.587
BRACKET - Ignition coil	2.170	BUMPER - End gate	12.212
BRACKET - Instrument closing panel	2.515	BUMPER - End gate anti-rattle	12.240
BRACKET - Muffler support	3.704	BUMPER - End gate limit arm	12.212
BRACKET - Platform mounting	7.016	BUMPER - End gate glass channel cam ..	12.212
BRACKET - Park brake lever spring	4.596	BUMPER - Front door window	10.716
BRACKET - Power plant mounting	6.008	BUMPER - Fuel tank filler door	12.966
BRACKET - Quarter reading lamp	11.940	BUMPER - Hood	8.024
BRACKET - Radiator support to fender ..	1.270	BUMPER - Instrument panel compt. door ..	10.263
BRACKET - Rear axle control arm	5.382	BUMPER - Licence plate mounting front ..	7.796
BRACKET - Rear compt. lamp switch protn. ..	11.960	BUMPER - Rear axle	7.535
BRACKET - Rear licence lamp	2.705	BUMPER - Rear seat back	11.634
BRACKET - Rear seat back stop	11.634	BUSH - Air cond. vac. valve rotor pin ..	9.262
BRACKET - Rear shock abs. mounting	12.984	BUSH - Air cond. air inlet door	9.262
BRACKET - Rear spring front hanger	7.112	BUSH - Brake adjuster	5.103
BRACKET - Rear spring rear hanger	7.118	BUSH - Brake pedal	4.626
BRACKET - Rear vision mirror	10.187	BUSH - Clutch pedal	0.831
BRACKET - Spark plug wire retainer	2.251	BUSH - Clutch relay lever	0.852
BRACKET - Starter motor steady	2.041	BUSH - Converter housing	4.103
BRACKET - Steering column support	6.760	BUSH - Distributor shaft	2.362
BRACKET - Steering gear hyd. pump mtg. ..	6.606	BUSH - Door hinge	10.466
BRACKET - Stop light switch	4.625	BUSH - Front door sash plate	10.685
BRACKET - Tail stop & turn signal lamp ..	2.665	BUSH - Front stabiliser	7.243
BRACKET - Tail pipe	3.710	BUSH - Heat distribution duct door	9.779
BRACKET - Taxi equipment mount	10.230	BUSH - Lighting switch	2.487
BRACKET - Throttle cable retaining	3.430	BUSH - Lower control arm	6.170
BRACKET - Throttle cable support	3.731	BUSH - Oil pump drive shaft	1.653
BRACKET - Transmission console	15.290	BUSH - Rear axle control arm	5.382
BRACKET - Trans. control cable lower ..	4.047	BUSH - Rear quarter window roller	11.007
BRACKET - Trans. control cross shaft	4.040	BUSH - Rear spring	7.524
BRACKET - Trans. control housing	15.293	BUSH - Reverse idler gear	4.433
BRACKET - Trans. detent switch	4.054	BUSH - Shock absorber mounting	7.370
BRACKET - Trans. parking brake actuator ..	4.294	BUSH - Starter drive pinion	2.087
BREAKER - Door window reg. circuit	10.777	BUSH - Starter motor	2.083
BREAKER - End gate window reg. circuit ..	12.276	BUSH - Steering conn. rod idler lever ..	6.897
BREATH - Axle housing	5.387	BUSH - Transmission case	4.103
BRIDGE - Air cleaner	3.403	BUSH - Trans. centre support	4.162
BRUSH - Alternator	2.291	BUSH - Trans. clutch drum	4.158
BRUSH - Distributor cap	2.370	BUSH - Trans. control relay rod	4.008

BUSH - Trans. inter. clutch sprag	4,168	CARPET - Front floor	15,286
BUSH - Trans. oil pump body	4,226	CARPET - Luggage comp. floor	15,294
BUSH - Trans. output shaft	4,176	CARPET - Rear floor	15,306
BUSH - Trans. rear extension housing	4,317	CARRIER - Infant safety	9,675
BUSH - Trans. sun gear	4,161	CARRIER - Transmission output	4,175
BUSH - Upper control arm	6,164	CARRIER - Transmission planet	4,177
BUSH - Wiper motor	10,150	CARRIER - Transmission reaction	4,175
BUTTON - Gearshift lever handle	4,009	CARRIER - Water bag	9,608
BUTTON - Horn actuating bar	2,820	CARRIER & CAP - Differential	5,505
BUTTON - Rod release	4,594	CASE - Differential	5,510
BUTTON - Spare wheel	15,222	CASE - Inst. panel door lock	10,266
C			
CABLE - Air conditioner heat control	9,278	CASE - Transmission	4,103
CABLE - Battery ground	2,341	CATCH - Hood safety	8,036
CABLE - Clutch control	0,787	CATCH - Spare wheel comp. cover	12,238
CABLE - End gate limit	12,203	CAULKING COMPOUND	8,820
CABLE - Hand brake	4,826	CHAIN - Camshaft timing	0,724
CABLE - Heater control	9,779	CHANNEL - End gate glass	11,207
CABLE - Mode control	9,779	CHANNEL - Front door glass	10,701
CABLE - Parking & turn signal lamp	2,596	CHANNEL - Front door glass lifter	10,685
CABLE - Spare wheel hoist	7,640	CHANNEL - Rear door glass	10,750
CABLE - Speedometer	4,342	CHANNEL - Rear door glass division	10,829
CABLE - Starter	2,342	CHANNEL - Rear door glass lifter	10,747
CABLE - Throttle control	3,430	CHANNEL - Rear quarter side glass	11,015
CABLE - Transmission control	4,047	CHANNEL - Rear quarter window	11,007
CABLE - Transmission control indicator ..	4,038	CHANNEL - Rear window glass	11,207
CABLE & CASING - Speedometer	4,342	CIRCLIP - Alternator drive end shaft	2,307
CALIPER - Brake disc	5,010	CIRCLIP - Distributor cam	2,381
CALIPER & BRACKET - Front wheel brake	4,665	CIRCUIT BREAKER - Air conditioner	9,275
CAM - Carburettor fast idle	3,735	CIRCUIT BREAKER - Door window reg.	10,777
CAM - Distributor	2,381	CIRCUIT BREAKER - End gate window reg.	12,276
CAM - Door window guide	10,702	CLAMP - Air cleaner	3,403
CAM - End gate glass lifter channel	11,207	CLAMP - Air cond. modulex valve	9,213
CAM - Front door window	10,783	CLAMP - Air cond. hose	9,220
CAM - Rear door window	10,791	CLAMP - Breather hose to manifold	1,762
CAM - Transmission detent	4,311	CLAMP - Carb. choke cable support	3,795
CAM FOLLOWER - Windshield washer	10,153	CLAMP - Distributor	2,363
CAMSHAFT	0,519	CLAMP - Exhaust pipe	3,616
CANISTER - Emission control vapour	3,130	CLAMP - Engine breather hose	1,762
CAP - Crankshaft centre bearing	0,100	CLAMP - Fuel hose emission control	3,120
CAP - Crankshaft front bearing	0,095	CLAMP - Fuel tank filler and vent	3,003
CAP - Crankshaft front int. bearing	0,098	CLAMP - Heater hose	9,779
CAP - Crankshaft rear bearing	0,105	CLAMP - Heater hose connection	1,069
CAP - Crankshaft rear int. bearing	0,102	CLAMP - Hose	1,166
CAP - Distributor	2,367	CLAMP - Inlet manifold hose	3,260
CAP - Door glass bearing	10,685	CLAMP - Manifold	3,273
CAP - Emission control vapour canister ..	3,130	CLAMP - Muffler rear	3,706
CAP - Front door trim clip	14,685	CLAMP - Radiator hose	1,166
CAP - Fuel tank	3,028	CLAMP - Shield to rear shock absorber ...	7,371
CAP - Oil pressure regulator spring	1,611	CLAMP - Steering gear ball guide	6,843
CAP - Radiator	1,203	CLAMP - Steering gear hyd. pump hose ..	6,672
CAP - Rear door trim clip	14,760	CLAMP - Steering shaft seal	6,524
CAP - Shock absorber air valve	7,347	CLAMP - Tail pipe	3,710
CAP - Starter motor armature	2,063	CLAMP - Vapour hose return	3,159
CAP - Steering gear hyd. pump reservoir ..	6,635	CLEANER - Air	3,402
CAP - Switch water pump	1,150	CLEAT - Tonneau cover lashing	12,196
CAP - Underbody sealing	12,972	CLIP - Air cleaner filter	3,410
CAP - Valve spring	0,309	CLIP - Air cond. mode duct	9,262
CAP - Wheel hub	5,858	CLIP - Air cond. temp. door pin	9,262
CARBURETTOR	3,725	CLIP - Air cond. vacuum actuator link ..	9,280
CARPET - Transmission control housing ..	15,291	CLIP - Air cond. wiring harness	9,276
		CLIP - Battery ground	2,341
		CLIP - Body wiring	13,092
		CLIP - Brake pipe	4,685

"HX" STATESMAN/HOLDEN PARTS CATALOGUE

CLIP - Breather hose to air cleaner	1,762	CLIP & TERMINAL - Fuse panel	2,481
CLIP - Carburettor choke rod	3,798	CLIP & TERMINAL - Heated rear window ..	9,778
CLIP - Carburettor choke kick rod	3,799	CLUTCH - Deck lid lock	12,243
CLIP - Carburettor fuel pipe	3,202	CLUTCH - End gate handle	12,247
CLIP - Carburettor pump rod	3,783	CLUTCH - Fan	1,050
CLIP - Carburettor strainer screen	3,787	CLUTCH - Trans. 2nd and 3rd	4,158
CLIP - Deck lid emblem	12,182	COCK - Cylinder block drain	0,033
CLIP - Deck lid moulding	12,182	COIL - Ignition	2,170
CLIP - Deck lid name plate	12,182	COIL - Starter motor field	2,049
CLIP - Distributor spark control	2,424	COIL & HOUSING - Air cond. compressor	9,175
CLIP - Door control con. rod anti-rattle ..	10,556	COLLAR - Alternator drive end distance ..	2,307
CLIP - Door control link anti-rattle	10,506	COLLAR - Starter motor pinion	2,087
CLIP - Door inside locking rod	10,563	COLLAR - Starter retaining ring	2,096
CLIP - Door locking barrel	10,550	COLUMN - Steering	6,508
CLIP - Door outside handle rod	10,529	COMPARTMENT - Inst. panel	10,260
CLIP - End gate anti-rattle control rod ...	12,241	COMPRESSOR - Air cond.	9,170
CLIP - End gate centre moulding	12,182	CONDENSER - Air cond.	9,190
CLIP - End gate control rod	12,241	CONDENSER - Distributor	2,393
CLIP - End gate name plate	12,182	CONDUIT - Harness engine	2,555
CLIP - End gate outer moulding	12,182	CONE - Wiper motor armature	10,150
CLIP - End gate reg. escutcheon	12,249	CONNECTOR - Brake pipe	4,686
CLIP - End gate reveal moulding	12,174	CONNECTOR - Breather outlet	1,762
CLIP - End gate window handle	12,247	CONNECTOR - Hand brake cable	4,830
CLIP - End gate window reg. harness	12,277	CONNECTOR - Hose to fuel pump	3,163
CLIP - Front door ext. moulding	12,112	CONNECTOR - Inlet manifold vacuum ..	3,265
CLIP - Front door trim	14,685	CONNECTOR - Pipe	8,963
CLIP - Front seat back spring	11,374	CONNECTOR - Suction pipe oil pump ...	1,656
CLIP - Front seat cushion spring	11,420	CONNECTOR - Trans. oil cooler pipe	4,128
CLIP - Fuel pipe emission control	3,120	CONNECTOR - Trans. solenoid valve	4,265
CLIP - Hand brake lever retainer	5,158	CONNECTOR - Trans. vacuum modulator	4,205
CLIP - Hand brake warning switch	4,610	CONNECTOR - Vacuum pipe deck lk. rel.	12,243
CLIP - Harness engine	2,555	CONNECTOR BODY & COVER - Harness ..	10,777
CLIP - Harness instrument	2,555	CONSOLE - Front seat complete	15,290
CLIP - Heat distributor duct closing panel	9,779	CONTACT - Starter solenoid switch	2,102
CLIP - Heater control lever pin	9,779	CONTACT - Wiper motor earth	10,150
CLIP - Horn lead to front panel	2,810	CONTACT SET - Distributor	2,384
CLIP - Lead trans. controlled spark switch	2,408	CONTROL - Air conditioner	9,278
CLIP - Moulding to front fender	8,132	CONTROL - Choke	3,521
CLIP - Plenum chamber control cable ...	9,787	CONTROL - Door remote	10,500
CLIP - Rear door ext. moulding	12,114	CONTROL - End gate lock	12,242
CLIP - Rear door trim	14,760	CONTROL - Heater	9,779
CLIP - Rear quarter moulding	12,116	CONTROL - Plenum chamber outlet	9,787
CLIP - Rear seat back lock bar	11,634	CONTROL UNIT - Windshield wiper	10,163
CLIP - Rear seat back spring	11,629	CONVERSION KIT - Trailer wiring harness	9,644
CLIP - Rear seat cushion spring	11,611	CONVERTER - Transmission	4,156
CLIP - Rear window reveal moulding	11,208	CORD - Tonneau cover lashing	12,196
CLIP - Rocker panel moulding	8,304	CORE - Air cond. evaporator	9,210
CLIP - Shock absorber tube	7,347	CORE - Air cond. heater	9,217
CLIP - Solenoid switch wire to trans.	4,055	CORE - Shock absorber air valve	7,347
CLIP - Speedometer cable	4,342	CORE & FITTING - Heater/demister comp.	9,779
CLIP - Speedometer drive gear	4,337	COUNTER SHAFT - Transmission	4,428
CLIP - Starter cable to fender skirt	2,342	COUPLING - Steering shaft	6,524
CLIP - Steering gear lash adj. screw	6,822	COVER - Air cond. plenum chamber	9,263
CLIP - Steering pitman shaft seal	6,856	COVER - Bench seat	9,614
CLIP - Steering shaft bearing adaptor	6,524	COVER - Brake adjusting hole	5,188
CLIP - Tail lamp reveal moulding	12,116	COVER - Brake main cylinder	4,651
CLIP - Transmission control lever	4,010	COVER - Body side panel	12,948
CLIP - Transmission oil cooler pipe	4,128	COVER - Bucket seat	9,614
CLIP - Turn signal harness to column	2,895	COVER - Carb. thermostat	3,796
CLIP - Vacuum control distributor	2,410	COVER - Carb. automatic choke thermo..	3,750
CLIP - Windshield reveal moulding	10,093	COVER - Choke control opening	2,515
CLIP - Windshield washer hose	10,155	COVER - Clutch housing	0,679
CLIP - Windshield wiper link	10,160	COVER - Clutch & transmission case	0,679

"HX" STATESMAN/HOLDEN PARTS CATALOGUE

ESCUTCHEON - End gate window reg.	12.249
ESCUTCHEON - Heater control	9.779
ESCUTCHEON - Inst. panel door lock	10.266
ESCUTCHEON - Radio stereo cassette player	9.662
EXCLUDER - Steering pitman shaft dust ...	6.856
EXTENSION - Body side panel	12.948
EXTENSION - Brake pedal return	4.639
EXTENSION - Bumper bar mounting	7.865
EXTENSION - Exhaust pipe	3.705
EXTENSION - Rear compt. front panel	12.971
EXTENSION - Rear window reveal moulding	11.208
EXTENSION - Tonneau rear floor	12.986
EXTENSION - Under body cross bar	12.982
EXTENSION - Valve stem	5.875
EYELET - Spare wheel	15.222
EYELET - Tonneau cover	12.196

F

FACIA - Air cond. control opening	10.252
FACIA - Instrument	2.515
FAN - Alternator	2.274
FASTENER - Air pre-heat valve	3.415
FASTENER - Cowl side trim	14.630
FASTENER - Dash panel insulator	15.282
FASTENER - Front door glass bearing	10.685
FASTENER - Front fender dust shield	8.154
FASTENER - Front seat back cover	14.800
FASTENER - Rear quarter trim	15.100
FASTENER - Rear seat back shelf trim	15.024
FASTENER - Splash pan	8.112
FELT - Distributor shaft	2.362
FENDER - Front	8.130
FERRULE - End gate handle	12.247
FERRULE - Gearshift lever boot	4.015
FERRULE - Locking knob	10.559
FILLER - Gutter roof drip	12.811
FILLER - Quarter panel	12.940
FILLER - Rear quarter window	11.015
FILLER - Rear quarter window sash	11.007
FILLER - Tonneau floor front	12.582
FILTER - Air cleaner	3.410
FILTER - Brake vacuum servo booster	4.903
FILTER - Carburettor fuel	3.787
FILTER - Fuel pipe	3.890
FILTER - Oil	1.835
FILTER - Steering gear hyd. pump	6.630
FILTER - Transmission control lamp	4.038
FILTER - Windshield washer	10.154
FILTER - Windshield washer reservoir	10.154
FINGER GUARD - Fan radiator	1.270
FINGER - Wiper motor earth	10.150
FITTING - Air conditioner	9.170
FITTING - Lubrication ball joint	6.168
FITTING - Lubrication strg. gear conn. rod	6.895
FITTING - Lubrication steering tie	6.230
FITTING - Stg. gear hyd. valve hose	6.673
FLANGE - Differential pinion	5.545
FLANGE - Exhaust pipe packing	3.610
FLASHER - Trailer harness	9.644
FLASHER - Turn signal	2.892
FLOAT & LEVER - Carburettor	3.773
FLOOR - Tonneau	12.580

FLUID - Brake	8.800
FLYWHEEL - Crankshaft	0.666
FORK - Clutch	0.795
FORK - Trans. shift shaft 1st & reverse	4.304
FORK - Trans. shift shaft 2nd & 3rd	4.303
FRAME	7.003
FRAME - Front end	12.980
FRAME - Front seat	11.373
FRAME - Rear seat back	11.628
FRAME - Rear seat cushion	11.610
FRAME - Rear window	11.200
FRAME - Starter motor com. end	2.067
FRAME - Windshield	12.807
FRONT SUSPENSION	6.007
FUSE	2.481
FUSE - Heated rear window	9.778

G

GASKET - Air cleaner	3.410
GASKET - Air cleaner to carburettor	3.403
GASKET - Air conditioner duct	9.262
GASKET - Air conditioner evaporator	9.169
GASKET - Air conditioner heater pipes ...	9.217
GASKET - Air conditioner resistor	9.275
GASKET - Automatic choke heat tube	3.603
GASKET - Axle housing	5.508
GASKET - Axle housing plug	5.400
GASKET - Carburettor air horn	3.765
GASKET - Carburettor by-pass jet	3.757
GASKET - Carburettor check valve plug ..	3.784
GASKET - Carburettor flange to manifold .	3.726
GASKET - Carburettor fuel filter	3.787
GASKET - Carburettor main body	3.749
GASKET - Carb. main metering jet plug ..	3.756
GASKET - Carb. needle valve seat	3.772
GASKET - Carburettor power jet	3.757
GASKET - Carburettor pump jet	3.757
GASKET - Carburettor pump	3.758
GASKET - Carburettor thermo. cover	3.796
GASKET - Clutch gear bearing retainer ...	4.358
GASKET - Crankcase front end cover	0.207
GASKET - Cylinder head	0.289
GASKET - Cylinder head water outlet	1.154
GASKET - Deck lid lock cylinder	12.248
GASKET - Distributor	2.362
GASKET - Door locking barrel	10.550
GASKET - Door remote control	10.516
GASKET - End gate lock cylinder	12.248
GASKET - End gate lock escutcheon	12.249
GASKET - End gate regulator handle	12.249
GASKET - Exhaust gas recirculation valve .	3.670
GASKET - Fuel pump bowl	3.904
GASKET - Fuel pump flange	3.932
GASKET - Fuel pump mounting plate	3.932
GASKET - Fuel pump valve	3.913
GASKET - Fuel tank filler pipe	3.008
GASKET - Inlet manifold water inlet	3.261
GASKET - Manifold	3.270
GASKET - Oil filter	1.837
GASKET - Oil pan drain plug	1.453
GASKET - Oil pressure reg. spring	1.611
GASKET - Oil pump cover	1.724

GASKET - Oil pump suction pipe	1.656	GEAR KIT - Camshaft	0.736
GASKET - Oil pump to block	1.654	GEAR KIT - Oil pump drive	1.643
GASKET - Parking & turn signal lamp lens	2.590	GEAR PACKAGE - Distributor	2.374
GASKET - Rear axle housing cover	5.399	GEAR SET - Differential	5.527
GASKET - Rear side lamp lens	2.684	GEAR SET - Oil pump	1.659
GASKET - Starter solenoid switch	2.102	GEAR SET PACKAGE - Planet carrier	4.177
GASKET - Steering gear housing cover ...	6.809	GEAR UNIT - Speedometer drive	4.337
GASKET - Tail & stop lamp	2.684	GLASS - End gate	11.204
GASKET - Thermostat housing	1.252	GLASS - Front door	10.681
GASKET - Timing gear cover	0.207	GLASS - Rear door	10.741
GASKET - Trans. controlled spark switch ..	2.408	GLASS - Rear door rear	10.827
GASKET - Transmission cover	4.109	GLASS - Rear quarter side	11.011
GASKET - Transmission drain plug	4.103	GLASS - Rear window	11.204
GASKET - Transmission extension housing ..	4.318	GLASS - Windshield	10.027
GASKET - Transmission filler plug	4.103	GOVERNOR - Transmission	4.256
GASKET - Transmission modulator	4.265	GRILLE - Cowl ventilator	10.307
GASKET - Transmission oil cooler pipe ..	4.128	GRILLE - Radiator	1.266
GASKET - Transmission oil pan	4.196	GRILLE - Rear body pillar pressure valve ..	12.942
GASKET - Transmission oil pan screw ...	4.195	GRIP - Handbrake lever	4.592
GASKET - Transmission oil pump	4.226	GROMMET - Air condition pipe	9.220
GASKET - Transmission oil suction screen ..	4.223	GROMMET - Body wiring harness	13.092
GASKET - Trans. rear extension housing ..	4.318	GROMMET - Brake cable	4.826
GASKET - Trans. rear servo cover	4.241	GROMMET - Brake vacuum servo booster ..	4.904
GASKET - Trans. servo cover	4.212	GROMMET - Choke control	3.521
GASKET - Trans. solenoid	4.265	GROMMET - Fuel vent pipe	3.003
GASKET - Trans. valve plate	4.265	GROMMET - Hand brake cable	4.834
GASKET - Valve push rod cover	0.443	GROMMET - Heater core	9.779
GASKET - Valve rocker cover	0.423	GROMMET - Hood catch control rod	8.076
GASKET - Water pump to block	1.079	GROMMET - Rear licence lamp	2.705
GASKET KIT - Carburettor	3.724	GROMMET - Rear licence lamp harness ...	2.714
GASKET KIT - Transmission	4.005	GROMMET - Shock absorber tube	7.347
GASKET SET - Cylinder head	0.289	GROMMET - Spare wheel hoist handle	12.966
GASKET SET - Engine overhaul	0.001	GROMMET - Starter switch to solenoid ...	2.101
GASKET UNIT - Oil pan	1.429	GROMMET - Throttle control cable	3.430
GATE - Lower end	12.179	GROMMET - Trans. control cross shaft ...	4.040
GATE - Trans. control selector	4.016	GROMMET - Valve cover vent valve	1.745
GATE - Upper end	12.178	GROMMET - Windshield washer nozzle ...	10.156
GAUGE - Fuel tank unit	3.107	GUARD - Air conditioner condenser	9.190
GAUGE - Oil engine unit	1.803	GUARD - Bumper	7.828
GEAR - Camshaft	0.736	GUARD - Door edge	9.628
GEAR - Crankshaft	0.728	GUARD - Fan finger	1.270
GEAR - Clutch	4.351	GUARD - Fuel tank stone	3.001
GEAR - Counter	4.421	GUARD - Head lamp stone	9.632
GEAR - Differential side	5.528	GUARD - Inlet manifold	3.265
GEAR - Distributor	2.374	GUIDE - Brake cable	4.829
GEAR - Flywheel ring	0.673	GUIDE - End gate plunger	12.241
GEAR - Mainshaft first speed	4.418	GUIDE - Front door glass	10.702
GEAR - Mainshaft reverse	4.418	GUIDE - Hand brake button release	4.594
GEAR - Mainshaft second speed	4.395	GUIDE - Rear quarter window	11.040
GEAR - Oil pump drive	1.643	GUIDE - Steering gear ball return	6.842
GEAR - Pitman	6.850	GUIDE - Trans. inter. clutch spring	4.164
GEAR - Reverse idler	4.430	GUTTER - Roof drip	12.811
GEAR - Speedometer drive	4.337		
GEAR - Speedometer driven	4.337		
GEAR - Steering	6.508		
GEAR - Third speed	4.415		
GEAR - Transmission front sun	4.159		
GEAR - Transmission governor	4.256		
GEAR - Transmission input sun	4.177		
GEAR - Transmission ring	4.187		
GEAR & DRUM - Reaction sun	4.177		
GEAR & PINION - Differential	5.529		
GEAR & SHAFT - Wiper motor	10.150		

H

HANDBOOK - Owner	8.823
HANDLE - Assist grip	15.390
HANDLE - Deck lid lift	12.182
HANDLE - Door outside	10.527
HANDLE - Door pull-to	9.640
HANDLE - Door remote control	10.512
HANDLE - Door window regulator	10.797
HANDLE - End gate	12.247

"HX" STATESMAN/HOLDEN PARTS CATALOGUE

HANDLE - Front seat adjuster	11.588	HOSE - Inlet manifold water	3.260
HANDLE - Fuel tank cap	3.028	HOSE - Manifold to switch deck release ...	12.243
HANDLE - Gearshift control lever	4.009	HOSE - Radiator	1.159
HANDLE - Lifting jack	8.820	HOSE - Solenoid to switch deck release ...	12.243
HANDLE - Rear seat back lock	11.634	HOSE - Steering pump to valve	6.670
HANDLE - Spare wheel comp. cover	12.238	HOSE - Spark control distributor	2.424
HARNESS - Air conditioner wiring	9.276	HOSE - Thermal vacuum water pump	1.150
HARNESS - Body wiring	13.090	HOSE - Tonneau floor drain	10.997
HARNESS - Courtesy lamp	11.950	HOSE - Windshield washer	10.155
HARNESS - Door window console wiring ..	10.777	HOSE - Vapour return	3.159
HARNESS - Electric door lock	10.485	HOUSING - Air conditioner evaporator ...	9.169
HARNESS - End gate window regulator ...	12.277	HOUSING - Alternator slip ring end plate .	2.297
HARNESS - Engine	2.555	HOUSING - Clutch	0.683
HARNESS - Front & rear door window	10.777	HOUSING - Converter	4.103
HARNESS - Instrument	2.555	HOUSING - Dome & reading lamp	11.925
HARNESS - Lighting	2.555	HOUSING - Heater	9.779
HARNESS - Main wiring	2.555	HOUSING - Rear axle	5.387
HARNESS - Rear lamp	2.694	HOUSING - Starter motor drive	2.085
HARNESS - Rear licence lamp	2.714	HOUSING - Steering column	6.518
HARNESS - Trailer wiring	9.644	HOUSING - Steering gear	6.803
HEAD - Cylinder	0.269	HOUSING - Steering gear hyd. pump	6.608
HEADLAMP	2.725	HOUSING - Tail, stop & turn signal lamp .	2.680
HEADLINING	14.640	HOUSING - Trans. control illumination ...	4.038
HINGE - Console & seat separator arm rest	15.292	HOUSING - Trans. extension	4.317
HINGE - Deck lid	12.184	HOUSING - Trans. clutch drum	4.169
HINGE - End gate	12.184	HOUSING - Trans. console	15.290
HINGE - Front door lower	10.454	HOUSING - Trans. control indicator	4.038
HINGE - Front door upper	10.450	HOUSING - Thermostat	1.251
HINGE - Hood	8.015	HOUSING - Windshield washer	10.153
HINGE - Instrument panel comp. door ...	10.262	HOUSING - Wiper motor	10.150
HINGE - Rear door lower	10.460	HUB - Transmission clutch	4.164
HINGE - Rear door upper	10.456	HUB - Water pump & fan pulley	1.063
HINGE - Rear seat back	11.630	HUB & DISC - Front wheel	6.307
HINGE - Tonneau floor front	12.581		
HOG RING - Front seat cushion spring	11.420		
HOIST - Spare wheel	7.640		
HOLDER - Bulb	2.555	IMPELLER - Air conditioner blower	9.215
HOLDER - Starter motor brush	2.052	IMPELLER - Heater motor	9.779
HOLDER KIT - Carburettor metering	3.806	INDICATOR - Oil level	1.516
HOOD - Ornament package	8.055	INDICATOR - Transmission control	4.038
HOOK - Coat	14.651	INDICATOR - Transmission oil level	4.133
HOOK - Tonneau cover lashing	12.196	INFANT CARRIER - Safety seat	9.675
HORN	2.810	INLET - Air conditioner air	9.211
HORN - Carburettor air	3.763	INLET - Inlet manifold water	3.261
HOSE - Air conditioner	9.220	INSERT - Brake main cylinder tube	4.652
HOSE - Air conditioner blower motor	9.215	INSERT - Bumper bar guard	7.828
HOSE - Air conditioner vacuum	9.281	INSERT - Carburettor main body	3.762
HOSE - Air pre-heat stone to exh. manifold	3.417	INSERT - Deck lid emblem	12.182
HOSE - Air pre-heat valve	3.415	INSERT - Instrument panel pad	14.655
HOSE - Automatic choke heat pipe	3.603	INSERT - Radiator grille emblem	1.265
HOSE - Brake	4.680	INSERT - Radiator grille ornament	1.265
HOSE - Brake vacuum servo	4.931	INSERT - Rear door trim	14.764
HOSE - Canister emission control	3.120	INSERT - Rear window reveal	11.208
HOSE - Carburettor choke heat	3.799	INSULATOR - Air cond. evap. & blower ..	9.169
HOSE - E.G.R. valve	3.670	INSULATOR - Air cond. modulex valve ..	9.213
HOSE - Engine breather to manifold	1.762	INSULATOR - Carburettor to manifold	3.726
HOSE - Fuel economy indicator	2.515	INSULATOR - Cab mounting plate to supt..	7.016
HOSE - Fuel line	3.163	INSULATOR - Clutch mounting bracket ...	0.852
HOSE - Fuel separator emission control ..	3.120	INSULATOR - Dash panel	15.280
HOSE - Fuel tank emission control	3.120	INSULATOR - Front stabiliser shaft	7.242
HOSE - Fuel tank filler	3.003	INSULATOR - Front seat back	14.802
HOSE - Fuel tank vent	3.003	INSULATOR - G/shift control trunnion to rod	4.019
HOSE - Heater	9.779	INSULATOR - Gearshift 1st & rev. shift ...	4.020

"HX" STATESMAN/HOLDEN PARTS CATALOGUE

INSULATOR - Gearshift 2nd & 3rd shift	4,019
INSULATOR - Lever & support to floor	4,015
INSULATOR - Muffler	3,704
INSULATOR - Rear spring	7,545
INSULATOR - Roof	12,810
INSULATOR - Starter field coil	2,049
INSULATOR - Steering column	6,785
INSULATOR - Tail pipe	3,710
INSULATOR - Transmission control rod	4,040
INSULATOR - Windshield wiper motor mtg.	10,152
INSTALLATION KIT - Radio	9,662

J

JACK - Lifting	8,820
JACKET - Steering column	6,518
JET - Carburettor main discharge	3,754
JET - Carburettor main metering	3,754
JET - Carburettor power by-pass	3,757
JET - Carburettor pump by-pass	3,757
JOURNAL - Universal joint	5,548

K

KEY - Air cond. compressor clutch hub	9,188
KEY - Reverse idler	4,433
KEY - Steering gear hydraulic pump	6,614
KEY - Transmission synchroniser	4,384
KEY - Valve stem	0,310
KEY - Woodruff camshaft	0,736
KEY - Woodruff crankshaft	0,728
KIT - Alternator drive end brg. cover plate	2,307
KIT - Alternator sundry parts	2,315
KIT - Ball joint seal & clamp	6,168
KIT - Brake caliper seal	4,667
KIT - Brake lining	5,018
KIT - Brake main cylinder repair	4,665
KIT - Camshaft bearing	0,536
KIT - Camshaft gear	0,736
KIT - Carburettor gasket	3,724
KIT - Carburettor idle vent valve	3,764
KIT - Carburettor repair	3,725
KIT - Clutch main cylinder repair	0,902
KIT - Connecting rod bearing	0,616
KIT - Crankshaft bearing	0,094
KIT - Cylinder head gasket	0,289
KIT - Deflector	9,616
KIT - Differential gear	5,527
KIT - Distributor contact	2,384
KIT - Distributor gear	2,374
KIT - Engine overhaul gasket	0,001
KIT - Front stabiliser stud	7,240
KIT - Fuel pump diaphragm	3,925
KIT - Fuel pump repair	3,901
KIT - Oil pan gasket	1,429
KIT - Oil pump cover	1,723
KIT - Oil pump drive gear	1,643
KIT - Piston ring	0,643
KIT - Rear spring mounting stud	7,529
KIT - Rear spring shackle	7,523
KIT - Shade package	9,668
KIT - Spark plug	2,270
KIT - Spark plug wire	2,239

KIT - Speedometer cable	4,342
KIT - Spoiler small parts	12,967
KIT - Stabiliser spacer stud	7,240
KIT - Steering conn. rod idler lever	6,895
KIT - Steering gear hydraulic pump rotor	6,610
KIT - Steering gear hydraulic pump seal	6,609
KIT - Steering gear hydraulic pump vane	6,610
KIT - Steering link	6,103
KIT - Transmission gasket	4,005
KIT - Transmission overhaul	4,003
KIT - Transmission repair	4,003
KIT - Transmission snap ring	4,005
KIT - Universal joint repair	5,548
KIT - Water jacket core plug	0,033
KIT - Water pump gasket	1,071
KIT - Water pump repair	1,071
KIT - Weathershield door mounting	9,684
KNOB - Auxiliary driving lamp switch	9,648
KNOB - Door locking rod	10,559
KNOB - Gearshift lever	4,009
KNOB - Heater control	9,779
KNOB - Instrument panel door lock	10,266
KNUCKLE - Steering	6,020

L

LABEL - Fan warning	8,823
LACE - End gate belt finishing	11,207
LACE - Headlining	14,650
LACE - Tonneau floor	12,580
LACING - Hood ledge	8,010
LAMP - Auxiliary driving	9,648
LAMP - Dome	11,925
LAMP - Instrument panel compartment	10,270
LAMP - Parking & turn signal	2,585
LAMP - Rear compartment	11,960
LAMP - Rear licence plate	2,700
LAMP - Rear side	2,679
LAMP - Tail & stop	2,679
LAMP - Turn signal	2,679
LEAD - Air conditioner blower earth	9,215
LEAD - Air conditioner wiring	9,276
LEAD - Auxiliary driving lamp	9,648
LEAD - Body wiring	13,090
LEAD - Courtesy light switch	11,950
LEAD - Dome lamp	11,925
LEAD - End gate window regulator	12,277
LEAD - Fuel economy indicator light	2,515
LEAD - Heater rear window	9,778
LEAD - Horn	2,810
LEAD - Instrument panel compt. lamp	10,270
LEAD - Power window circuit breaker	10,777
LEAD - Quarter corner lamp	11,940
LEAD - Rear compartment lamp	11,960
LEAD - Solenoid switch	4,055
LEAD - Tachometer	2,520
LEAD - Trans. control lamp	4,038
LEAD - Trans. controlled spark switch	2,408
LEAD IN - Antenna	9,662
LEAF - Rear spring	7,505
LENS - Ashtray illumination	12,012
LENS - Courtesy light warning	11,950
LENS - Dome lamp	11,928

"HX" STATESMAN/HOLDEN PARTS CATALOGUE

LENS - Instrument panel compartment ...	10.270	LOCK - Deck lid	12.242
LENS - Parking & turn signal lamp	2.589	LOCK - Differential brg. adjuster nut ...	5.539
LENS - Quarter corner lamp	11.940	LOCK - End gate	12.242
LENS - Rear side lamp	2.682	LOCK - Front door	10.470
LENS - Tail & stop lamp	2.682	LOCK - Hood	8.079
LENS - Transmission control indicator ...	4.038	LOCK - Ignition	2.188
LETTERS - Front end panel	1.265	LOCK - Instrument panel door	10.266
LETTERS - Radiator grille	1.265	LOCK - Rear door	10.473
LEVER - Air conditioner mode control ...	9.278	LUGGAGE RACK PACKAGE	9.661
LEVER - Brake adjuster	5.103		
LEVER - Carburettor choke	3.791	M	
LEVER - Carburettor fast idle	3.792	MAGNET - Chip collector	4.103
LEVER - Carburettor fast idle cam	3.735	MAIN SHAFT - Transmission	4.403
LEVER - Carburettor pump	3.780	MANIFOLD - Exhaust	3.601
LEVER - Carburettor thermostat	3.797	MANIFOLD - Inlet	3.265
LEVER - Carburettor throttle	3.731	MANUAL - Owner	8.823
LEVER - Clutch pedal rod	0.830	MANUAL - Workshop	8.823
LEVER - Clutch	0.795	MAT - Cargo compartment	9.656
LEVER - Clutch push rod	0.852	MAT - Front floor	15.286
LEVER - Clutch relay	0.852	MAT - Luggage compartment floor	15.294
LEVER - Door inside locking	10.556	MAT - Rear floor	15.306
LEVER - Gearshift	4.006	MEMBER - Frame front	7.012
LEVER - Gearshift 1st & rev. shift	4.020	MEMBER - Frame side	12.980
LEVER - Gearshift 2nd & 3rd shift	4.019	MEMBER - Frame rear	7.014
LEVER - Hand brake	4.591	MEMBER - Frame intermediate	7.013
LEVER - Hand brake actuating	5.149	MEMBER - Hoist support	7.013
LEVER - Heater control	9.779	MEMBER - Underbody	12.982
LEVER - Mode control	9.779	MIRROR - Rear vision	10.185
LEVER - Parking brake ratchet	4.595	MIRROR - Sun visor vanity	10.222
LEVER - Rear door inside locking	10.556	MODULATOR - Transmission vacuum ...	4.265
LEVER - Reverse shifter	4.316	MOTOR - Air conditioner blower	9.215
LEVER - Starter motor shift	2.108	MOTOR - End gate window regulator ...	12.280
LEVER - Steering connecting rod idler ...	6.895	MOTOR - Front door window	10.784
LEVER - Transmission control	4.006	MOTOR - Heater	9.779
LEVER - Transmission control	4.030	MOTOR - Rear door window	10.792
LEVER - Transmission control	4.040	MOTOR - Rear quarter window	11.043
LEVER - Transmission external control ...	4.041	MOTOR - Starter	2.041
LEVER - Trans. parking lock & range sel..	4.279	MOTOR - Windshield wiper	10.150
LEVER - Transmission control relay	4.008	MOULDING - Alternator brush	2.291
LEVER - Transmission 1st & rev. shift ...	4.050	MOULDING - Deck lid	12.182
LEVER - Transmission 2nd & 3rd. shift ...	4.046	MOULDING - End gate	12.182
LEVER - Transmission shifter shaft	4.045	MOULDING - End gate opening garnish ..	12.176
LEVER - Windshield washer	10.153	MOULDING - End gate opening reveal ...	12.174
LEVER & PIVOT - Accelerator pedal	3.430	MOULDING - Front door exterior	12.112
LID - Deck	12.181	MOULDING - Front fender	8.132
LIFTER - Hydraulic valve	0.459	MOULDING - Radiator grille	1.268
LIGHT PACKAGE - Fuel economy indicator	2.515	MOULDING - Rear door exterior	12.114
LIGHTER - Cigarette	9.709	MOULDING - Rear quarter	12.116
LIGHTER - Cigarette - Console	12.007	MOULDING - Rear window reveal	11.208
LINING - Brake	5.018	MOULDING - Rocker panel	8.304
LINK - Air cond. vacuum actuator	9.280	MOULDING - Roof side	12.075
LINK - Brake adjuster	5.105	MOULDING - Tail lamp reveal	12.116
LINK - Brake wheel cylinder	4.675	MOULDING - Windshield reveal	10.093
LINK - Carburettor pump	3.783	MOULDING PACKAGE - Body side	8.132
LINK - Door hinge	10.466	MOUNT - Body	7.020
LINK - Fuel pump	3.931	MOUNTING - Engine	0.027
LINK - Fusible	2.555	MOUNTING - Rear axle bumper	7.536
LINK - Transmission control	4.040	MOUNTING - Trans. control lever	4.010
LINK - Transmission control cable	4.038	MOUNTING - Transmission support	4.081
LINK - Trans. manual valve lever	4.265	MOUNTING KIT - Child safety seat	9.675
LINK - Windshield wiper motor	10.159	MUFFLER	3.701
LOAD LEVELLER PACKAGE - Tow bar ...	9.600		
LOCATOR - Camshaft thrust	0.533		

N

NAME PLATE - Deck lid	12.182
NAME PLATE - End gate	12.182
NAME PLATE - Radiator grille	1.265
NEEDLE ROLLER - Counter gear	4.422
NIPPLE - Coil insulating	2.258
NIPPLE - Lubrication	8.984
NIPPLE - Spark plug wire	2.258
NOZZLE - Carburettor pump	3.758
NOZZLE - Timing gear oil	0.748
NOZZLE - Windshield washer	10.156
NUT - Air cleaner	3.410
NUT - Air conditioner	9.169
NUT - Air conditioner condenser	9.190
NUT - Air conditioner impeller	9.215
NUT - Alternator	2.280
NUT - Brake adjusting	5.111
NUT - Brake pedal retaining	4.636
NUT - Carb. fast idle lever attaching	3.792
NUT - Carburettor fuel filter	3.787
NUT - Carburettor idle vent valve	3.764
NUT - Carburettor pump lever	3.781
NUT - Carburettor to manifold	3.288
NUT - Clutch eccentric to bracket	0.830
NUT - Clutch pedal retaining	0.837
NUT - Clutch push rod	0.839
NUT - Clutch relay lever	0.852
NUT - Connecting rod bolt	0.626
NUT - Deck lid emblem	12.182
NUT - Differential bearing adjusting	5.537
NUT - Differential pinion flange	5.545
NUT - Door outside handle rod	10.529
NUT - Fan clutch	1.050
NUT - Heater impeller	9.779
NUT - Headlamp adjusting	2.729
NUT - Headlamp rim	2.728
NUT - Horn contact adjusting	2.819
NUT - Manifold	3.275
NUT - Panel to radiator support	1.270
NUT - Pitman arm shaft	6.861
NUT - Radiator grille mould retainer	1.268
NUT - Rear quarter window guide	11.040
NUT - Rear quarter window sash	11.007
NUT - Shock absorber mounting	7.370
NUT - Spare wheel	7.633
NUT - Starter shift lever screw	2.108
NUT - Steering gear worm adjuster	6.830
NUT - Steering hyd. rack adjuster screw ..	6.585
NUT - Steering tie rod	6.232
NUT - Steering wheel to column	6.515
NUT - Stop light switch	2.447
NUT - Wheel hub bolt	5.813
NUT - Transmission knob lock	4.009
NUT - Transmission servo piston adjusting .	4.228
NUT - Transmission shifter rods	4.035
NUT - Wiper motor	10.150

O

"O" RING - Air conditioner	9.220
"O" RING - Gearshift lever boot	4.015
"O" RING - Steering shaft	6.524

"O" RING - Transmission oil pump	4.226
"O" RING - Trans. solenoid & connector ..	4.265
OUTLET - Air conditioner vent	9.262
OUTLET - Cylinder head water	1.153
OUTLET - Heater	9.779
OUTLET - Plenum chamber	12.803
ORNAMENT - Hood	8.055
ORNAMENT & BASE	1.265
OVERHAUL KIT - Transmission	4.003

P

PACKAGE - Front air dam	8.126
PACKAGE - Lock release deck lid	12.243
PACKING - Exhaust pipe	3.611
PACKING - Oil pan seal	1.429
PAD - Brake pedal	4.625
PAD - Centre pillar trim	14.731
PAD - Clutch pedal	0.830
PAD - Console & seat separator arm rest ..	15.290
PAD - Front seat back	14.802
PAD - Front seat cushion	14.890
PAD - Front seat head restraint	14.925
PAD - Headlining trim	14.641
PAD - Instrument panel	14.655
PAD - Rear quarter panel	14.641
PAD - Rear seat arm rest	15.002
PAD - Rear seat back	15.002
PAD - Rear seat cushion	15.036
PAD - Rear vision ext. mirror door mtd. .	10.187
PAD - Spare wheel hoist compression	7.640
PAD - Steering hydraulic rack adjusting ...	6.585
PAD - Wiper motor	10.150
PAD SET - Brake	5.018
PAN - Engine oil	1.426
PAN - Engine splash	8.112
PAN - Front & centre floor	12.972
PAN - Rear floor	12.981
PAN - Transmission oil	4.195
PANEL - Air conditioner duct closing	9.262
PANEL - Body side	12.948
PANEL - Cab rear	12.958
PANEL - Centre pillar	12.491
PANEL - Cowl side trim	14.630
PANEL - Cowl top	12.805
PANEL - Dash	12.804
PANEL - End gate body pillar	12.951
PANEL - End gate trim	15.311
PANEL - Front body pillar garnish	10.051
PANEL - Front door outer	12.895
PANEL - Front end	12.804
PANEL - Front seat	11.373
PANEL - Fuse	2.481
PANEL - Heat distribution duct closing ...	9.779
PANEL - Hood	8.000
PANEL - Instrument	10.230
PANEL - Instrument ash tray	12.010
PANEL - Lower end gate outer	12.179
PANEL - Plenum chamber	12.803
PANEL - Quarter reading lamp	11.940
PANEL - Radiator front end	1.266
PANEL - Radiator support	1.270
PANEL - Rear body lock pillar	12.942

"HX" STATESMAN/HOLDEN PARTS CATALOGUE

PANEL - Rear compartment front	12.971	PIN - Steering connecting	6.870
PANEL - Rear door outer	12.913	PIN - Steering gear hydraulic pump	6.608
PANEL - Rear end	12.966	PIN - Steering knuckle to upper control arm	6.168
PANEL - Rear quarter inner	12.941	PIN - Steering shaft coupling	6.524
PANEL - Rear quarter outer	12.940	PIN - Steering tie rod socket	6.233
PANEL - Rocker	12.934	PIN - Tonneau cover lashing hook	12.196
PANEL - Roof	12.810	PIN - Transmission accumulator piston	4.233
PANEL - Taxi equipment mounting	10.230	PIN - Transmission brake band anchor	4.251
PANEL - Upper end gate	12.178	PIN - Transmission control	4.007
PANEL - Wheelhouse	12.944	PIN - Transmission control pivot	4.006
PASTE - Gasket & thermo switch	8.800	PIN - Transmission control retainer	4.040
PAWL - Door locking barrel	10.550	PIN - Transmission detent cam	4.311
PAWL - End gate lock cylinder	12.248	PIN - Transmission detent roller	4.279
PAWL - Hand brake ratchet	4.595	PIN - Transmission oil pump	4.226
PAWL - Transmission parking brake	4.294	PIN - Transmission parking brake nut	4.275
PEDAL - Accelerator	3.451	PIN - Transmission rear servo	4.241
PEDAL - Brake	4.625	PIN - Transmission reverse shift shaft	4.309
PEDAL - Clutch	0.830	PIN - Transmission servo piston	4.228
PILLAR - Body side	12.950	PIN - Transmission valve body	4.265
PILLAR - Door lock striker	12.491	PIN - Wiper motor	10.150
PILLAR - End gate body	12.951	PIN KIT - Brake caliper	4.665
PILLAR - Front body	12.805	PINION - Differential	5.526
PIN - Accelerator pedal	3.451	PINION PACKAGE - Rear door window	10.792
PIN - Air conditioner hinge	9.262	PINION PACKAGE - Rear quarter window	11.043
PIN - Air conditioner vacuum	9.280	PINION PACKAGE - Transmission output	4.175
PIN - Brake main cylinder rod clevis	4.662	PINION SET - Planet carrier	4.177
PIN - Brake shoe hold down	5.041	PIPE - Automatic choke heat	3.603
PIN - Camshaft sprocket	0.736	PIPE - Brake	4.685
PIN - Carburettor fast idle cam	3.736	PIPE - Carburettor fuel	3.201
PIN - Carburettor fast idle rod	3.793	PIPE - Crankcase vent	1.762
PIN - Carburettor float fulcrum	3.775	PIPE - Exhaust	3.609
PIN - Carburettor pump	3.783	PIPE - Fuel	3.158
PIN - Carburettor pump piston	3.778	PIPE - Fuel separator emission control	3.120
PIN - Clutch housing locating	0.683	PIPE - Fuel tank emission control	3.120
PIN - Converter housing dowel	4.103	PIPE - Fuel tank filler	3.003
PIN - Converter housing locating	0.683	PIPE - Fuel tank vent	3.003
PIN - Cotter - Carburettor pump	3.778	PIPE - Muffler tail	3.705
PIN - Crankcase front cover	0.206	PIPE - Oil cooler	4.128
PIN - Deck lid hinge	12.186	PIPE - Radiator overflow	1.219
PIN - Diaphragm assy. to air cleaner inlet	3.415	PIPE - Spark control distributor	2.424
PIN - Differential pinion shaft	5.518	PIPE - Transmission governor oil	4.248
PIN - Distributor gear	2.379	PIPE - Transmission oil cooler	4.128
PIN - Door hinge	10.466	PIPE - Transmission oil strainer	4.224
PIN - Dowel - Cylinder block	0.033	PIPE - Transmission vacuum modulator	4.205
PIN - End gate handle	12.247	PIPE - Vapour return	3.159
PIN - End gate hinge	12.186	PISTON - Brake main cylinder	4.653
PIN - End gate regulator	12.272	PISTON - Brake rear wheel cylinder	4.668
PIN - Front window regulator	10.783	PISTON - Carburettor pump	3.778
PIN - Fuel pump rocker arm	3.921	PISTON - Carburettor vacuum power	3.788
PIN - Fuel tank filler door	12.966	PISTON - Engine	0.629
PIN - Heater & mode lever	9.779	PISTON - Transmission accumulator	4.228
PIN - Hood safety catch	8.036	PISTON - Transmission clutch	4.166
PIN - Housing to cylinder block	0.683	PISTON - Transmission rear servo	4.241
PIN - Hub & disc to steering knuckle	6.020	PISTON - Transmission servo	4.228
PIN - Oil pressure regulator valve stop	1.609	PIVOT - Valve rocker arm	0.429
PIN - Oil pump gear	1.643	PLATE - Air conditioner nut	9.169
PIN - Piston	0.636	PLATE - Air cond. temperature door	9.262
PIN - Pulley hand brake cable	4.700	PLATE - Air cond. compressor clutch	9.188
PIN - Rear quarter window roller	11.007	PLATE - Air conditioner evaporator	9.169
PIN - Rear window regulator	10.791	PLATE - Air conditioner name	9.169
PIN - Rear quarter window regulator	11.042	PLATE - Alternator drive end	2.305
PIN - Shock absorber mounting	7.370	PLATE - Alternator slip ring end	2.297
PIN - Starter shift lever	2.108	PLATE - Alternator drive end bearing ret.	2.307

PLATE - Alternator heat	2,289	PLATE & ARM - Upper end gate lock base .	12,242
PLATE - Battery retainer lock	2,333	PLATE & CAM - Rear quarter window	11,007
PLATE - Brake backing	5,001	PLUG - Axle housing	5,400
PLATE - Brake adjuster lever pivot	5,103	PLUG - Brake adjusting	5,111
PLATE - Brake shoe guide	5,045	PLUG - Brake main cylinder	4,652
PLATE - Cab mounting	7,016	PLUG - Bumper bar guard	7,828
PLATE - Closing seat separator	15,290	PLUG - Camshaft rear bearing	0,553
PLATE - Clutch driven	0,886	PLUG - Carburettor body	3,767
PLATE - Clutch fork	0,797	PLUG - Carburettor metering jet	3,755
PLATE - Deck lid & end gate mould, anchor	12,182	PLUG - Carburettor pump check valve	3,784
PLATE - Deck lid lock anchor	12,242	PLUG - Choke control hole in dash	12,803
PLATE - Deck lid lock solenoid	12,243	PLUG - Choke cable hole in fascia	12,803
PLATE - Door lock striker	10,571	PLUG - Cigarette lighter aperture	9,743
PLATE - Door paint protection	9,658	PLUG - Cylinder block	0,033
PLATE - Diff. pinion flange screw	5,546	PLUG - Cylinder block oil gallery	1,928
PLATE - Distributor breaker	2,385	PLUG - Cylinder head	0,269
PLATE - End gate lock	12,242	PLUG - Dash panel seal	12,803
PLATE - End gate lock striker	12,237	PLUG - Door weatherstrip	10,695
PLATE - End gate moulding outer	12,182	PLUG - E.G.R. thermal vacuum switch ...	3,670
PLATE - End gate regulation section	12,272	PLUG - Exhaust manifold valve	3,641
PLATE - End gate striker adjusting lower .	12,237	PLUG - Fuel pump rocker arm pin	3,921
PLATE - End gate striker adjusting upper .	12,237	PLUG - Instrument choke cable hole	2,515
PLATE - End gate striker tooth	12,237	PLUG - Oil pan drain	1,453
PLATE - Engine size	12,182	PLUG - Oil pressure regulator spring	1,611
PLATE - Exhaust gas recirculation	3,670	PLUG - Oil pump cover	1,723
PLATE - Floor pan cover	12,972	PLUG - Spark	2,270
PLATE - Front door exterior moulding ...	12,112	PLUG - Steering gear housing cover	6,807
PLATE - Front door glass guide	10,716	PLUG - Trailer wiring	9,644
PLATE - Front door lower hinge anchor ..	10,454	PLUG - Transmission case	4,103
PLATE - Front door sash	10,685	PLUG - Transmission control switch	4,075
PLATE - Front door scuff	11,175	PLUG - Transmission drain	4,103
PLATE - Front door upper hinge anchor ..	10,450	PLUG - Transmission oil pump	4,226
PLATE - Front fender name	8,132	PLUG - Transmission valve body	4,265
PLATE - Inside door handle	10,515	PLUG - Water jacket cylinder block	0,033
PLATE - Hoist support spare wheel	7,640	PLUG - Water jacket cylinder head	0,269
PLATE - Manifold bolt lock	3,275	PLUG KIT - Water jacket core	0,033
PLATE - Pulsator fuel pump diaphragm...	3,926	PLUNGER - Cigarette lighter	9,709
PLATE - Quarter panel	12,940	PLUNGER - Courtesy light switch	11,950
PLATE - Radio opening cover	10,252	PLUNGER - End gate	12,241
PLATE - Radiator grille name	1,265	PLUNGER - Gearshift lever	4,006
PLATE - Rear door lower hinge anchor ...	10,460	PLUNGER - Hand brake warning lamp switch	4,610
PLATE - Rear door regulator handle	10,797	PLUNGER - Hood catch	8,085
PLATE - Rear door exterior moulding	12,114	PLUNGER - Rear compartment lamp switch	11,960
PLATE - Rear door scuff	11,179	PLUNGER - Rear seat back lock	11,634
PLATE - Rear door upper hinge anchor ...	10,456	PLUNGER - Transmission modulator	4,265
PLATE - Rear seat back lock	11,634	PLUNGER - Windshield washer	10,153
PLATE - Rear spring & shock absorber mtg.	7,518	POCKET - Front seat back rear	14,803
PLATE - Reverse gear anti-lash	4,419	POINTER - Trans. control indicator	4,038
PLATE - Shock absorber mounting	7,370	PRESSURE PLATE - Brake vac. servo booster	4,906
PLATE - Starter brush holder	2,052	PROPELLER SHAFT	5,441
PLATE - Starter motor pinion	2,087	PROTECTIVE SCREEN PACKAGE	9,666
PLATE - Steering gear hydraulic pump ...	6,612	PROTECTOR - Brake main cylinder piston .	4,654
PLATE - Support mounting	10,187	PROTECTOR - Fuel filler pipe	3,003
PLATE - Taxi equipment mounting	10,230	PROTECTOR - Rear door moulding	12,114
PLATE - Transmission clutch	4,163	PULLEY - Alternator	2,274
PLATE - Transmission control cover	4,038	PULLEY - Crankshaft	0,659
PLATE - Transmission control housing ...	15,293	PULLEY - Hand brake cable	4,700
PLATE - Trans. control indicator lamp ..	4,038	PULLEY - Steering gear hydraulic pump ...	6,655
PLATE - Trans. oil pump wear	4,226	PULLEY - Water pump and fan	1,062
PLATE - Trans. pinion shaft lock	4,177	PULLEY & BEARING - Air conditioner comp.	9,180
PLATE - Trans. valve transfer	4,265	PULSATOR - Fuel pump diaphragm	3,926
PLATE - Windshield washer	10,153	PUMP - Engine oil	1,652
PLATE - Windshield wiper mount, support	10,152	PUMP - Fuel	3,900

PUMP - Steering gear hydraulic	6.605
PUMP - Water	1.069
PUMP - Windshield washer	10.153
PUSH ROD - Brake vacuum servo booster ..	4.907

Q

QUADRAPHONIC CARTRIDGE PLAYER PKG.	9.662
------------------------------------	-------

R

RACE - Transmission clutch sprag	4.158
RACE - Transmission rear internal gear....	4.187
RACE - Worm thrust bearing	6.527
RACE & RETAINER - Trans. clutch sprag ..	4.158
RACK - Ignition switch	2.195
RACK - Steering hydraulic piston	6.586
RADIATOR	1.219
RADIO - Air chief	9.662
RAIL - Body side	12.428
RAIL - Roof	12.956
REAR AXLE	5.386
REAR COMP. LID LOCK RELEASE PACKAGE	12.243
RECEIVER & DEHYDRATOR - Air cond.....	9.195
RECTIFIER - Alternator	2.289
REFLECTOR - Courtesy light warning	11.950
REFLECTOR - Dome & reading lamp	11.925
REFLECTOR - Quarter corner lamp	11.940
REGULATOR - End gate window	12.272
REGULATOR - Front door window	10.783
REGULATOR - Rear door window	10.791
REGULATOR - Rear quarter window	11.041
REGULATOR - Voltage & current	2.500
REINFORCEMENT - Body mounting	7.020
REINFORCEMENT - Deck lid striker	12.237
REINFORCEMENT - Electric door lock	10.485
REINFORCEMENT - Fuel tank strap	3.001
REINFORCEMENT - Lower control arm brkt.	5.382
REINFORCEMENT - Quarter panel	12.940
REINFORCEMENT - Rear comp. front panel	12.971
REINFORCEMENT - Rear spring front hanger	7.112
REINFORCEMENT - Rear qtr. window harn.	10.777
REINFORCEMENT - Rear window	12.958
REINFORCEMENT - Supt. rear vision mirror	10.187
REINFORCEMENT - Tail pipe insulator	3.710
REINFORCEMENT - Tonneau floor	12.580
REINFORCEMENT - Transmission support ..	4.081
REINFORCEMENT - Trans. vlv. transfer plt.	4.265
REINFORCEMENT - Valve rocker cover	0.413
RELAY - Air conditioner	9.275
RELAY - End gate window	12.277
RELAY - Horn	2.815
RELAY - Power window	10.777
REPAIR KIT - Brake main cylinder	4.649
REPAIR KIT - Brake wheel cylinder	4.665
REPAIR KIT - Brake vacuum servo	4.902
REPAIR KIT - Carburettor	3.725
REPAIR KIT - Emission control vapour can.	3.130
REPAIR KIT - End gate window regulator ..	12.272
REPAIR KIT - Fuel pump	3.901
REPAIR KIT - Transmission	4.003
REPAIR KIT - Universal joint	5.548
REPAIR KIT - Water pump	1.071

RESERVOIR - Steering gear hyd. pump	6.635
RESERVOIR - Windshield washer	10.154
RESERVOIR & FILTER - Windshield washer .	10.154
RESISTOR - Air conditioner switch	9.275
RESTRICTOR - Fuel economy indicator hose	2.515
RETAINER - Air pre-heat diaphragm	3.415
RETAINER - Battery	2.333
RETAINER - Brake main cylinder piston ...	4.655
RETAINER - Cab mount. plate to supt. insul.	7.016
RETAINER - Carburettor choke kick rod ...	3.799
RETAINER - Carburettor fast idle rod	3.793
RETAINER - Clutch gear bearing	4.356
RETAINER - Deck lid lock	12.248
RETAINER - Deck lid moulding	12.182
RETAINER - Distributor breaker plate ball .	2.385
RETAINER - Distributor clamp	2.363
RETAINER - Distributor wick	2.364
RETAINER - Door locking barrel	10.553
RETAINER - End gate glass channel	11.207
RETAINER - End gate lock cylinder	12.248
RETAINER - End gate moulding	12.182
RETAINER - End gate striker plate	12.237
RETAINER - End gate weatherstrip	12.270
RETAINER - Front door glass run channel ..	10.701
RETAINER - Front door trim	14.685
RETAINER - Front seat cushion cover	14.860
RETAINER - Front stabiliser bush	7.243
RETAINER - Gearshift 2st & rev. shift	4.020
RETAINER - Gearshift 2nd & 3rd shift	4.019
RETAINER - Gearshift lever boot	4.015
RETAINER - Headlining	14.651
RETAINER - Hood catch spring	8.085
RETAINER - Hood lacing	8.010
RETAINER - Hood ledge lacing	9.127
RETAINER - Hood lock control rod	8.077
RETAINER - Hood silencer	8.009
RETAINER - Inlet manifold gasket	3.270
RETAINER - Moulding to front fender	8.132
RETAINER - Plenum chamber control cable	9.787
RETAINER - Radiator grille moulding	1.268
RETAINER - Radiator grille ornament spring	1.265
RETAINER - Rear axle bearing	5.816
RETAINER - Rear quarter moulding	12.116
RETAINER - Rear quarter trim	15.101
RETAINER - Rear quarter window w/strip ..	11.015
RETAINER - Rear seat back	11.630
RETAINER - Rear seat back lock plunger ..	11.634
RETAINER - Rear window reveal moulding .	11.208
RETAINER - Roof panel cover	12.810
RETAINER - Shock absorber tube	7.347
RETAINER - Spare wheel	7.632
RETAINER - Spare wheel comp. cover	12.238
RETAINER - Spark plug wire	2.251
RETAINER - Speedo driven gear	4.338
RETAINER - Steering shaft bearing	6.521
RETAINER - Steering shaft "O" ring seal ..	6.524
RETAINER - Throttle control cable	3.430
RETAINER - Torque rod to body	12.187
RETAINER - Torque rod to end gate	12.187
RETAINER - Transmission clutch spring ...	4.164
RETAINER - Transmission control relay rod	4.008
RETAINER - Transmission control rod	4.040
RETAINER - Trans. governor sec. valve spring	4.256

"HX" STATESMAN/HOLDEN PARTS CATALOGUE

RETAINER - Trans. oil pump priming valve	4.226	ROD - Air cleaner	3.403
RETAINER - Trans. driven gear sleeve	4.338	ROD - Carburettor choke	3.798
RETAINER - Trans. inter. clutch piston	4.167	ROD - Carburettor choke kick	3.799
RETAINER - Transmission servo spring	4.233	ROD - Carburettor fast idle	3.793
RETAINER - Trans. rear servo piston spring	4.247	ROD - Carburettor pump	3.782
RETAINER - Trans. shifter pin to adjuster	4.035	ROD - Carburettor pump	3.783
RETAINER - Transmission valve body	4.265	ROD - Carburettor volume restrictor	3.753
RETAINER - Upper control arm bush	6.164	ROD - Clutch lever push	0.839
RETAINER - Wheelhouse & rear quarter trim	15.101	ROD - Clutch pedal push	0.918
RETAINER - Windshield wiper motor insul.	10.152	ROD - Connecting	0.603
RETAINER - Window glass upper front	11.015	ROD - Deck lid torque	12.187
RIM - Headlamp	2.728	ROD - Door control connecting	10.556
RIM - Tail stop & turn signal lamp	2.681	ROD - Door inside locking	10.563
RING - 2nd clutch oil seal	4.166	ROD - Door lock cylinder connecting	10.507
RING - Air conditioner compressor coil	9.175	ROD - Door outside handle	10.529
RING - Air conditioner compressor bearing	9.181	ROD - Door remote control	10.506
RING - Alternator rotor slip	2.279	ROD - Electric door lock	10.485
RING - Brake main cylinder lock	4.656	ROD - End gate control	12.241
RING - Camshaft gear spacing	0.738	ROD - End gate torque	12.187
RING - Clutch gear bearing	4.376	ROD - Gearshift 1st & rev. shift	4.020
RING - Distributor cam	2.381	ROD - Gearshift 2nd & 3rd shift	4.019
RING - End gate handle	12.247	ROD - Heater mode door	9.779
RING - Fuel gauge tank unit	3.107	ROD - Heater temperature door	9.779
RING - Headlamp mounting	2.726	ROD - Hood catch control	8.075
RING - Headlamp retaining	2.731	ROD - Lighting switch	2.486
RING - Hog rear seat back	11.629	ROD - Parking brake release	4.594
RING - Hog rear seat cushion	11.611	ROD - Steering connecting	6.870
RING - Horn contact	2.822	ROD - Steering tie	6.230
RING - Main shaft lock	4.412	ROD - Transmission control	4.040
RING - Rear axle bearing retainer	5.816	ROD - Transmission control relay	4.008
RING - Starter motor pinion lock	2.087	ROD - Transmission servo piston	4.230
RING - Starter pinion stop retaining	2.096	ROD - Transmission shifter	4.035
RING - Steering gear hydraulic pump	6.609	ROD - Valve push	0.426
RING - Steering gear hydraulic pump	6.611	ROD - Volume restrictor	3.753
RING - Steering gear hydraulic pump drive	6.614	ROLLER - Air conditioner temperature door	9.262
RING - Steering pitman shaft seal	6.855	ROLLER - Door hinge	10.466
RING - Steering shaft bearing	6.521	ROLLER - End gate regulator	12.272
RING - Steering shaft seal retainer	6.524	ROLLER - Front window regulator	10.783
RING - Transmission accumulator piston	4.128	ROLLER - Rear quarter window guide	11.007
RING - Transmission accumulator piston	4.229	ROLLER - Rear quarter window regulator	11.042
RING - Transmission centre support	4.162	ROLLER - Rear window regulator	10.791
RING - Transmission clutch housing snap	4.167	ROLLER - Transmission detent	4.279
RING - Transmission clutch hub snap	4.164	ROLLER - Transmission intermediate clutch	4.167
RING - Transmission clutch spring snap	4.128	ROLLER - Transmission low clutch	4.180
RING - Transmission front internal gear	4.176	ROLLER & SPRING - Transmission detent	4.279
RING - Trans. governor to output shaft	4.128	ROLLER & SPRING - Trans. parking brake	4.294
RING - Transmission mainshaft snap	4.172	ROOF	12.810
RING - Transmission oil pump seal	4.226	ROPE RAIL	9.664
RING - Transmission oil seal ring	4.127	ROTOR - Alternator	2.279
RING - Transmission output shaft snap	4.176	ROTOR - Distributor	2.382
RING - Trans. rear accumulator piston	4.242	ROTOR - Steering gear hydraulic pump	6.610
RING - Transmission rear strut piston snap	4.241	ROTOR - Water pump	1.109
RING - Transmission reverse clutch	4.128	ROTOR KIT - Steering gear hydraulic pump	6.610
RING - Transmission ring gear retainer	4.128		
RING - Transmission servo piston	4.229		
RING - Transmission servo piston retainer	4.228		
RING - Transmission synchroniser	4.383		
RING - Transmission synchroniser snap	4.382		
RING - Wheel trim	5.871		
RING - Wiper motor pin	10.150		
RING GEAR & PINION	5.529		
RING SET - Piston	0.643		
RIVET - Brake lining	5.019		

S

SCREEN - Carburettor pump strainer	3.787
SCREEN - Fuel pump	3.929
SCREEN - Insect	9.665
SCREEN - Oil pump suction pipe	1.656
SCREEN - Transmission governor oil	4.248
SCREEN - Transmission governor valve	4.256
SCREEN - Transmission oil	4.224

"HX" STATESMAN/HOLDEN PARTS CATALOGUE

SCREW - Arm to end gate	12,203	SCREW & WASHER - Fuel pump cover	3,910
SCREW - Arm to pillar	12,203	SCREW & WASHER - Lock to end gate	12,242
SCREW - Body side panel	12,948	SEAL - Air conditioner air inlet	9,211
SCREW - Brake main cylinder piston	4,656	SEAL - Air conditioner evaporator	9,169
SCREW - Brake main cylinder stop	4,653	SEAL - Air conditioner plenum chamber cvr.	9,263
SCREW - Brake shoe adjusting	5,110	SEAL - Air conditioner resistor	9,275
SCREW - Carburettor air horn	3,763	SEAL - Body wiring	13,092
SCREW - Carburettor choke tube holder ...	3,795	SEAL - Brake main cylinder piston	4,654
SCREW - Carburettor choke valve	3,789	SEAL - Brake vacuum servo booster	4,908
SCREW - Carburettor choke wire clamp ...	3,791	SEAL - Clutch gear bearing	4,354
SCREW - Carburettor fast idle	3,737	SEAL - Converter housing	4,103
SCREW - Carburettor fast idle cam	3,735	SEAL - Crankcase front end cover oil	0,209
SCREW - Carburettor main body	3,748	SEAL - Crankshaft rear bearing oil	0,137
SCREW - Carburettor pump lever attaching	3,781	SEAL - Dash panel	12,803
SCREW - Carburettor pump nozzle	3,759	SEAL - Duct closing panel	9,779
SCREW - Carburettor slow idle adjusting ..	3,734	SEAL - End gate trim	15,313
SCREW - Carburettor thermostat cover ...	3,796	SEAL - Front door dust	10,470
SCREW - Carburettor throttle valve	3,729	SEAL - Front door switch dust	10,777
SCREW - Deck lid to hinge	12,184	SEAL - Front door trim	14,694
SCREW - Distributor breaker plate	2,385	SEAL - Front wheel bearing	6,326
SCREW - Distributor condenser	2,393	SEAL - Fuel pump	3,902
SCREW - Distributor contact	2,387	SEAL - Fuel tank gauge unit	3,112
SCREW - Distributor vacuum control	2,410	SEAL - Gearshift lever boot retainer	4,015
SCREW - End gate bumper	12,212	SEAL - Heater core shroud	9,779
SCREW - End gate hinge	12,184	SEAL - Inlet manifold	3,270
SCREW - End gate limit arm bumper	12,212	SEAL - Oil indicator tube	1,516
SCREW - Fuse panel	2,481	SEAL - Oil pan end	1,429
SCREW - Gear lever to handle	4,009	SEAL - Plenum chamber outlet	12,803
SCREW - Gearshift control rod	4,019	SEAL - Rear axle oil	5,822
SCREW - Gearshift 1st & rev. shift	4,020	SEAL - Rear axle pinion oil	5,469
SCREW - Gearshift 2nd & 3rd shift	4,019	SEAL - Rear body pillar pressure valve ...	12,942
SCREW - Headlamp beam adjusting	2,737	SEAL - Rear door dust	10,473
SCREW - Headlamp retaining ring	2,731	SEAL - Rear door inner panel	14,768
SCREW - Headlamp rim	2,728	SEAL - Rear quarter window	11,015
SCREW - Horn actuating bar adaptor	2,824	SEAL - Speedometer cable	4,342
SCREW - Horn bar	2,830	SEAL - Speedometer driven gear	4,338
SCREW - Horn contact adjusting	2,819	SEAL - Starter motor to clutch	2,085
SCREW - Lock to deck lid	12,242	SEAL - Steering column	6,758
SCREW - Plate to deck lid lock release ...	12,243	SEAL - Steering connecting rod	6,870
SCREW - Panel to radiator support	1,270	SEAL - Steering connecting rod idler lever	6,898
SCREW - Quarter panel weatherstrip	11,015	SEAL - Steering gear housing cover	6,809
SCREW - Rear body lock pillar	12,942	SEAL - Steering gear hydraulic pump	6,612
SCREW - Rear door moulding retaining	12,114	SEAL - Steering gear hydraulic pump outlet	6,674
SCREW - Regulator voltage & current	2,500	SEAL - Steering gear hyd. pump drive shaft	6,617
SCREW - Rocker panel moulding	8,304	SEAL - Steering gear hyd. pump reservoir .	6,635
SCREW - Roof drip gutter to body	12,811	SEAL - Steering gear worm bearing adjuster	6,840
SCREW - Solenoid switch attaching	2,100	SEAL - Steering hydraulic coupling	6,551
SCREW - Solenoid to plate deck release ...	12,243	SEAL - Steering hydraulic piston rack	6,579
SCREW - Starter brush holder	2,052	SEAL - Steering hydraulic piston rack cover	6,586
SCREW - Starter motor armature	2,063	SEAL - Steering hyd. rack adjusting screw .	6,585
SCREW - Starter motor pole shoe	2,077	SEAL - Steering hydraulic valve	6,550
SCREW - Starter shift lever	2,108	SEAL - Steering pitman shaft	6,855
SCREW - Starter solenoid switch cover	2,102	SEAL - Steering shaft coupling	6,524
SCREW - Steering gear ball guide return ..	6,843	SEAL - Steering tie rod socket	6,111
SCREW - Steering gear housing cover	6,807	SEAL - Trailer wiring harness	9,644
SCREW - Steering gear lash adjuster	6,822	SEAL - Transmission clutch piston	4,166
SCREW - Steering hydraulic rack adjusting .	6,585	SEAL - Transmission detent valve sleeve oil	4,279
SCREW - Tail lamp reveal moulding	12,116	SEAL - Transmission extension housing	4,318
SCREW - Transmission governor	4,256	SEAL - Trans. manual range selector shaft	4,275
SCREW - Transmission oil pan drain	4,195	SEAL - Transmission oil filler tube	4,133
SCREW - Transmission planet shaft	4,177	SEAL - Transmission rear servo piston	4,242
SCREW - Wiper motor	10,150	SEAL - Transmission oil pump	4,226
SCREW & WASHER - Control to end gate ..	12,242	SEAL - Trans. park, lock & range sel. shaft	4,282

"HX" STATESMAN/HOLDEN PARTS CATALOGUE

SEAL - Transmission rear bearing	4,317	SHAFT - Upper control arm	6,164
SEAL - Transmission shifter shaft	4,309	SHAFT & BEARING - Water pump	1,108
SEAL - Transmission strainer pipe	4,223	SHAFT & DRIVE PLATE - Distributor	2,372
SEAL - Transmission valve body	4,265	SHAFT & LEVER - Carburettor choke	3,791
SEAL - Valve push rod cover bolt	0,449	SHAFT & VALVE KIT - Carburettor choke .	3,789
SEAL - Valve stem	0,308	SHELF - Parcel	9,672
SEAL - Water pump	1,123	SHIELD - Carburettor to manifold	3,726
SEAL - Windshield washer	10,153	SHIELD - Exhaust manifold valve	3,641
SEAL - Windshield wiper motor	10,152	SHIELD - Front bumper stone	7,870
SEAL - Windshield wiper pivot	10,161	SHIELD - Front fender skirt dust	8,154
SEAL KIT - Ball joint	6,168	SHIELD - Rear shock absorber	7,371
SEAL KIT - Heater hose connection	1,069	SHIELD - Rear wheel brake caliper	4,670
SEAL KIT - Steering gear hydraulic pump .	6,609	SHIELD - Steering column coupling	6,524
SEAL KIT - Transmission	4,005	SHIELD - Valve stem seal	0,308
SEALED BEAM UNIT - Headlamp	2,727	SHIM - Air cond. compressor bracket	9,171
SEALING COMPOUND	8,800	SHIM - Body mounting	7,020
SEAT - Child safety	9,667	SHIM - Control arm shaft	6,163
SEAT - Front	14,796	SHIM - Differential side bearing	5,537
SEAT - Pitman gear control spring	6,852	SHIM - Differential side gear thrust	5,543
SEAT - Steering gear hose	6,803	SHIM - Distributor shaft	2,372
SEAT - Trans. clutch piston return spring ..	4,165	SHIM - Pinion bearing	5,460
SEAT - Trans. oil pump valve spring	4,226	SHIM - Pinion locating	5,460
SEAT - Trans. reverse clutch spring	4,189	SHIM - Starter motor pinion	2,087
SEAT - Trans. valve body spring	4,265	SHIM - Steering worm adjusting	6,526
SEAT - Water pump seal	1,123	SHOCK ABSORBER	7,345
SEAT - Windshield washer valve	10,153	SHOE & LINING - Brake	5,017
SECTOR - Ignition switch	2,195	SHORT MOTOR	0,033
SENDER UNIT - Engine gauges	1,150	SHROUD - Heater core	9,779
SENDER UNIT - Oil pressure gauge	1,803	SHROUD - Radiator	1,270
SENDER UNIT - Temperature gauge	1,150	SILENCER - Deck lid torque rod	12,187
SEPARATOR - Front seat	15,290	SILENCER - Door remote control rod	10,506
SEPARATOR - Vapour return	3,159	SILENCER - End gate control rod	12,241
SERVICE ACCESSORIES - Maintenance	8,800	SILENCER - End gate torque rod	12,187
SERVICE PACKAGE - Ignition lock	2,188	SILENCER - Hood panel	8,009
SHACKLE SET - Rear spring	7,523	SILENCER - Plenum chamber & front pillar	15,280
SHADE - Venetian	9,668	SILL - Tonneau floor side	12,986
SHAFT - Carburettor choke	3,791	SINK - Alternator heat	2,289
SHAFT - Carburettor throttle	3,731	SKIRT - Front fender	8,153
SHAFT - Counter gear	4,428	SLEEVE - Air cond. circuit breaker stud ...	9,275
SHAFT - Differential pinion	5,517	SLEEVE - Air conditioner heater outlet hose	9,220
SHAFT - Distributor	2,372	SLEEVE - Cable starter	2,342
SHAFT - Front stabiliser	7,241	SLEEVE - Converter pilot	0,649
SHAFT - Gearshift control lever	4,030	SLEEVE - Fuel pipe emission control	3,120
SHAFT - Ignition switch actuator	2,195	SLEEVE - End gate window harness	12,277
SHAFT - Oil pump driven gear	1,658	SLEEVE - Gearshift cross shaft	4,019
SHAFT - Propeller	5,441	SLEEVE - Gearshift 1st & rev. shift	4,020
SHAFT - Rear axle	5,420	SLEEVE - Gearshift 2nd & 3rd shift	4,019
SHAFT - Reverse idler gear	4,433	SLEEVE - Harness engine	2,555
SHAFT - Steering	6,524	SLEEVE - Rear quarter window harness ...	10,777
SHAFT - Steering gear hyd. pump drive ..	6,614	SLEEVE - Rear seat belt retention	15,040
SHAFT - Transmission control cross	4,040	SLEEVE - Reverse lockout spring	4,030
SHAFT - Transmission control lever	4,010	SLEEVE - Seat belt retention	15,040
SHAFT - Transmission control relay	4,008	SLEEVE - Speedometer cable	4,342
SHAFT - Transmission main - Automatic ..	4,172	SLEEVE - Steering shaft	6,524
SHAFT - Transmission main - Manual	4,403	SLEEVE - Transmission case	4,103
SHAFT - Trans. manual range selector ...	4,275	SLEEVE - Transmission control relay rod ..	4,008
SHAFT - Transmission output	4,175	SLEEVE - Transmission control trunnion ...	4,040
SHAFT - Transmission park lock & selector	4,294	SLEEVE - Transmission detent valve	4,279
SHAFT - Transmission parking brake pawl .	4,294	SLEEVE - Transmission modulator pipe	4,205
SHAFT - Transmission planet pinion	4,177	SLEEVE - Trans. oil pump regulator valve .	4,226
SHAFT - Transmission shifter yoke	4,309	SLEEVE - Trans. parking brake actuator ...	4,294
SHAFT - Transmission sun gear	4,161	SLEEVE - Transmission shifter shaft	4,309
SHAFT - Transmission turbine	4,123	SLEEVE - Trans. vacuum modulator valve .	4,265

"HX" STATESMAN/HOLDEN PARTS CATALOGUE

SLEEVE - Transmission valve body	4,265	SPRING - Brake adjuster	5,107
SLEEVE & SEAL - Driven gear	4,338	SPRING - Brake adjuster nut	5,026
SLIDE - Transmission control indicator	4,038	SPRING - Brake cable	4,826
SLIP RING - Alternator	2,279	SPRING - Brake caliper	5,020
SNAP RING KIT - Transmission	4,005	SPRING - Brake caliper pad	4,665
SOCKET - Body wiring lamp	13,090	SPRING - Brake hose	4,681
SOCKET - Courtesy light	11,950	SPRING - Brake hose yoke	4,681
SOCKET - Harness instrument	2,555	SPRING - Brake main cylinder check	4,657
SOCKET - Harness main wiring	2,555	SPRING - Brake main cylinder piston	4,655
SOCKET - Parking & turn signal lamp lead .	2,585	SPRING - Brake pedal return	4,639
SOCKET - Rear compartment lamp	11,960	SPRING - Brake shoe hold down pin	5,043
SOCKET - Rear licence lamp	2,714	SPRING - Brake shoe retractor	5,026
SOCKET - Spare wheel	15,222	SPRING - Brake wheel cylinder cup	4,669
SOCKET - Steering tie rod	6,233	SPRING - Carburettor choke lever	3,791
SOCKET - Transmission control bulb	4,038	SPRING - Carburettor fast idle cam	3,735
SOLENOID - Anti dieseling	3,440	SPRING - Carburettor float fulcrum	3,775
SOLENOID - Starter switch	2,100	SPRING - Carburettor fuel filter	3,787
SOLENOID - Transmission	4,265	SPRING - Carburettor idle needle valve ...	3,742
SOLENOID - Trans. controlled spark switch	2,408	SPRING - Carburettor idle vent valve	3,764
SOLENOID - Windshield washer	10,153	SPRING - Carburettor metering rod	3,810
SPACER - Air cond. comp. clutch hub	9,181	SPRING - Carburettor pump stem	3,779
SPACER - Air cond. comp. suppressor	9,171	SPRING - Carburettor slow idle adjuster ...	3,734
SPACER - Air cond. vacuum valve	9,280	SPRING - Carburettor throttle	3,731
SPACER - Air pre-heat stove	3,417	SPRING - Clutch cross shaft lever push rod .	0,852
SPACER - Alternator brace	2,317	SPRING - Clutch fork plate	0,798
SPACER - Brake pedal	4,626	SPRING - Clutch fork retaining	0,844
SPACER - Brake pedal pivot	4,626	SPRING - Clutch fork return	0,844
SPACER - Bumper bar	7,865	SPRING - Clutch pedal return	0,844
SPACER - Cab mounting plate to support ..	7,016	SPRING - Courtesy light switch	11,950
SPACER - Carburettor main body	3,748	SPRING - Differential pre-load	5,511
SPACER - Carburettor thermostat	3,796	SPRING - Distributor cap	2,368
SPACER - Countershaft bearing	4,423	SPRING - Distributor weight	2,389
SPACER - Clutch pedal	0,831	SPRING - Door handle retaining	10,513
SPACER - Clutch relay lever	0,852	SPRING - Door hinge	10,466
SPACER - Distributor shaft	2,372	SPRING - Door lock	10,475
SPACER - Door lock striker	10,571	SPRING - Door remote control handle escut.	10,516
SPACER - End gate arm	12,203	SPRING - End gate arm	12,207
SPACER - End gate lock striker	12,237	SPRING - End gate lock	12,242
SPACER - Fan blade	1,064	SPRING - End gate lock bar	12,241
SPACER - Front seat belt	14,798	SPRING - End gate lock cylinder	12,248
SPACER - Gearshift control	4,018	SPRING - End gate window regulator	12,272
SPACER - Muffler support	3,704	SPRING - End gate window switch	12,275
SPACER - Parking & turn signal lamp	2,585	SPRING - Exhaust manifold valve anti rattle	3,641
SPACER - Pinion bearings	5,453	SPRING - Front	6,361
SPACER - Rear seat back	15,002	SPRING - Front door window regulator	10,783
SPACER - Rear seat belt	15,040	SPRING - Front seat adjuster	11,581
SPACER - Reverse idler gear	4,437	SPRING - Front seat back	11,374
SPACER - Spare wheel	7,632	SPRING - Front seat cushion	11,420
SPACER - Steering gear hydraulic pump ...	6,606	SPRING - Front seat head restraint	11,376
SPACER - Steering hyd. coupling sleeve brg.	6,552	SPRING - Fuel pump diaphragm	3,927
SPACER - Transmission centre support	4,162	SPRING - Fuel pump rocker arm	3,922
SPACER - Transmission clutch plate	4,163	SPRING - Fuel tank filler door	12,966
SPACER - Transmission oil pump	4,226	SPRING - Gearshift anti-rattle	4,017
SPACER - Trans. planet pinion bearing ...	4,177	SPRING - Gearshift control reverse lock out	4,030
SPACER - Trans. support mounting	4,081	SPRING - Gearshift lever handle button ...	4,009
SPACER - Turn signal lamp	2,679	SPRING - Gearshift lever plunger	4,006
SPARK PLUG	2,270	SPRING - Gearshift lever & yoke preload ..	4,006
SPEAKER - Rear seat	9,662	SPRING - Gearshift lower control	4,017
SPLASH PAN PACKAGE	8,112	SPRING - Hand brake lever strut	5,151
SPOILER - Rear compartment lid air	12,967	SPRING - Hand brake release rod	4,594
SPRAG - Transmission input	4,158	SPRING - Headlamp light unit rim	2,737
SPRING - Accelerator	3,459	SPRING - Heater control detent	9,779
SPRING - Alternator brush	2,286	SPRING - Hood catch	8,085

"HX" STATESMAN/HOLDEN PARTS CATALOGUE

SPRING - Hood catch lock plate	8.081	STRAP - Fuel tank	3.001
SPRING - Hood hinge	8.013	STRAP - Heat distribution duct	9.779
SPRING - Hood safety catch	8.036	STRAP - Hose securing emission control ...	3.120
SPRING - Horn actuating bar adaptor	2.824	STRAP - Shield steering column coupling ..	6.524
SPRING - Ignition switch actuator	2.195	STRAP - Steering column jacket lower	6.518
SPRING - Oil pressure regulator	1.610	STRAP - Throttle control cable	3.430
SPRING - Park brake lever retaining	4.596	STRAP - Wiper motor	10.150
SPRING - Pitman gear control	6.852	STRAINER - Fuel tank riser pipe	3.110
SPRING - Radiator grille ornament base ...	1.265	STRIKER - Deck lid lock	12.237
SPRING - Rear	7.503	STRIKER - Door lock	10.569
SPRING - Rear compartment lamp switch ..	11.960	STRIKER - End gate lock	12.237
SPRING - Rear door regulator handle	10.797	STRIKER - Instrument panel door lock	10.268
SPRING - Rear door window regulator	10.791	STRIP - Bumper bar face	7.831
SPRING - Rear quarter window handle escut.	11.045	STRIP - Bumper bar guard	7.828
SPRING - Rear quarter window reg. balance	11.041	STRIP - Door glass anti-rattle	10.710
SPRING - Rear quarter window roller	11.007	STRIP - End gate wear	12.195
SPRING - Rear seat back	11.629	STRIP - Rear seat back wear	14.818
SPRING - Rear seat back lock	11.634	STRIP - Rear seat cushion wear	14.818
SPRING - Rear seat cushion	11.611	STRIP - Tonneau floor board wear	12.195
SPRING - Reverse gear anti-lash	4.419	STRUT - Hand brake actuating lever	5.150
SPRING - Selector return	4.017	STUD - Air cleaner	3.410
SPRING - Starter motor brush	2.053	STUD - Carburettor	3.288
SPRING - Starter motor pinion engaging ...	2.087	STUD - Clutch bracket to engine	0.852
SPRING - Steering gear hydraulic pump ...	6.612	STUD - Clutch fork ball	0.796
SPRING - Steering shaft bearing	6.521	STUD - Clutch lever	0.796
SPRING - Steering shaft coupling	6.524	STUD - Fan clutch & pulley to hub	1.050
SPRING - Synchronising cone	4.383	STUD - Front stabiliser	7.240
SPRING - Trans. accumulator piston	4.233	STUD - Heat distribution duct	9.779
SPRING - Trans. accumulator valve	4.265	STUD - Housing to cylinder block	0.683
SPRING - Trans. clutch release	4.164	STUD - Manifold	3.275
SPRING - Trans. control cross shaft	4.040	STUD - Rear quarter window guide	11.040
SPRING - Trans. control indicator	4.038	STUD - Steering gear hyd. pump mounting	6.606
SPRING - Trans. control lever	4.017	STUD - Throttle control cable lever	3.430
SPRING - Trans. detent cam	4.311	STUD - Valve to manifold	3.670
SPRING - Trans. detent roller	4.279	STUD KIT - Front stabiliser	7.240
SPRING - Trans. governor secondary valve .	4.256	SUNDRY PARTS SET - Alternator	2.315
SPRING - Trans. oil pump valve	4.226	SUNDRY PARTS SET - Alt. drive end brg.plt.	2.307
SPRING - Trans. parking brake pawl	4.295	SUNDRY PARTS SET - Heat sink mounting .	2.289
SPRING - Trans. pressure regulator	4.265	SUNDRY PARTS SET - Starter motor	2.080
SPRING - Trans. rear accumulator	4.246	SUNSHADE - Windshield	9.680
SPRING - Trans. rear servo	4.246	SUN VISOR	10.203
SPRING - Trans. servo piston	4.233	SUPPORT - Air cond. condenser mounting .	9.190
SPRING - Trans. shift valve	4.265	SUPPORT - Air cond. heater core	9.217
SPRING - Turn signal switch	2.895	SUPPORT - Battery mounting	2.333
SPRING - Valve	0.303	SUPPORT - Body mounting	7.020
SPRING - Window regulator handle escut. .	10.806	SUPPORT - Clutch relay lever	0.852
SPRING - Wiper motor	10.150	SUPPORT - Emission control vapour canister	3.130
SPRING & CAM KIT - Air valve carb. pump	3.780	SUPPORT - End gate window regulator	12.273
SPRING & FRAME - Front seat	11.373	SUPPORT - Engine	0.027
SPRING & FRAME - Rear seat back	11.628	SUPPORT - Front seat adjuster lever	11.573
SPRING & FRAME - Rear seat cushion	11.610	SUPPORT - Gearshift control	4.018
SPRING PACKAGE - Auxilary rear	7.503	SUPPORT - Gearshift control shifter	4.010
SPROCKET - Camshaft	0.736	SUPPORT - Hoist	7.013
SPROCKET - Crankshaft	0.728	SUPPORT - Hood lock	8.079
STATOR - Alternator	2.310	SUPPORT - Horn contact	2.822
STEM - Carburettor idle vent valve	3.764	SUPPORT - Muffler	3.704
STEM - Shock absorber air valve	7.347	SUPPORT - Rear quarter window guide	11.040
STOP - Brake primary piston	4.653	SUPPORT - Rear vision mirror	10.187
STOP - Front door glass	10.716	SUPPORT - Steering conn. rod idler lever .	6.896
STOP - Rear quarter window	11.012	SUPPORT - Sun visor	10.219
STOP - Starter motor pinion	2.096	SUPPORT - Tail lamp	12.940
STOVE - Air pre-heat	3.417	SUPPORT - Taxi equipment mount. panel .	10.230
STRAP - Assist grip	15.390	SUPPORT - Tonneau cover	12.196

"HX" STATESMAN/HOLDEN PARTS CATALOGUE

SUPPORT - Transmission centre	4.162
SWITCH - Air conditioner control	9.275
SWITCH - Aux. driving lamp	9.648
SWITCH - Back up lamp	2.697
SWITCH - Brake pressure warning	4.686
SWITCH - Courtesy light	11.950
SWITCH - Deck lid lock release	12.243
SWITCH - Dimmer & windshield wiper ...	2.459
SWITCH - Door power opposite windows ..	10.777
SWITCH - Electric antenna	9.662
SWITCH - Electric door lock	10.485
SWITCH - End gate window regulator	12.275
SWITCH - E.G.R. thermal vacuum	3.670
SWITCH - Fuel economy indicator light ...	2.515
SWITCH - Heated rear window	9.778
SWITCH - Heater	9.779
SWITCH - Ignition & starting	2.188
SWITCH - Instrument panel compartment .	10.270
SWITCH - Lighting	2.485
SWITCH - Neutral start safety	4.054
SWITCH - Oil pressure warning lamp	1.803
SWITCH - Solenoid detent actuating	4.054
SWITCH - Starter solenoid	2.100
SWITCH - Stop light	2.447
SWITCH - Temp. warning lamp	1.150
SWITCH - Thermostat tell tale	1.150
SWITCH - Transmission control spark	2.408
SWITCH - Turn signal lamp	2.895
SWITCH - Windshield wiper	10.163
SYNCHRONISER - Transmission	4.380

T

TAG - Shock absorber caution	7.345
TAG - Shock absorber caution	8.823
TANK - Fuel	3.001
TAPE - Cover to console	15.293
TAPE PLAYER	9.662
TEE - Air conditioner vacuum hose	9.281
TENSIONER - Seat adjuster wire	11.589
TERMINAL - Body wiring	13.090
TERMINAL - Instrument harness bulb holder	2.555
TERMINAL - Wiper motor	10.150
THERMOSTAT - Exhaust manifold valve ..	3.640
THERMOSTAT - Radiator	1.246
TONGUE - Toe bar	9.600
TOOLS	8.821
TRANSFER - Air cleaner	3.402
TRANSFER - Deck lid striping	12.182
TRANSFER - End gate - Sandman	12.182
TRANSMISSION	4.003
TRIM - Accelerator pedal	3.451
TRIM - Centre pillar	14.730
TRIM - Cow side	14.630
TRIM - End gate	15.311
TRIM - Front door	14.685
TRIM - Front seat back rear	14.803
TRIM - Package tray	15.024
TRIM - Rear door	14.760
TRIM - Rear seat back arm rest	15.001
TRIM - Rear seat back rear	15.310
TRIM - Rear seat back shelf	15.024
TRIM - Seat back panel	15.025

TRIM - Side quarter	15.100
TRIM - Tonneau floor	15.308
TRIM - Wheel centre	5.871
TRIM - Wheelhouse	15.100
TRUNNION - Gearshift 1st & rev. shift ...	4.020
TRUNNION - Gearshift 2nd & 3rd shift ...	4.019
TRUNNION - Transmission shifter rod ...	4.035
TRUNNION - Transmission control relay rod	4.008
TRUNNION - Transmission control rod ...	4.040
TUBE - Air cleaner vacuum	3.417
TUBE - Air conditioner case drain	9.211
TUBE - Air cond. dehydr. module valve ..	9.220
TUBE - Air cond. P.O.A.S.T. valve	9.199
TUBE - Carburettor air horn vent	3.763
TUBE - Carburettor idle	3.752
TUBE - Gearshift control	4.007
TUBE - Oil level indicator	1.516
TUBE - Plenum chamber drain	9.785
TUBE - Shock absorber inflation	7.347
TUBE - Starter cable guide	2.342
TUBE - Steering gear	6.803
TUBE - Transmission oil filler	4.133
TUBE & PLATE - Automatic choke heat ...	3.603
TUMBLER - Deck lid lock cylinder	12.248
TUMBLER - End gate lock cylinder	12.248

U

"U" BOLT - Exhaust pipe	3.616
"U" BOLT - Muffler to tail pipe	3.706
"U" BOLT - Rear spring	7.516
"U" BOLT - Universal joint	5.586
UNION - Brake front pipe to rear	4.686

V

VACUUM CONTROL - Distributor	2.410
VALVE - Air conditioner fitting	9.170
VALVE - Air conditioner heater water ...	9.275
VALVE - Air conditioner module	9.213
VALVE - Air conditioner P.O.A.S.T.	9.198
VALVE - Air conditioner vacuum	9.280
VALVE - Air conditioner vacuum check ...	9.281
VALVE - Body lock pillar drain	12.942
VALVE - Brake main cylinder	4.657
VALVE - Brake proportioning	4.686
VALVE - Brake wheel cylinder bleeder ...	4.666
VALVE - Carburettor choke	3.789
VALVE - Carburettor float needle	3.771
VALVE - Carburettor idle needle	3.741
VALVE - Carburettor pump check	3.784
VALVE - Carburettor throttle	3.729
VALVE - Crankcase ventilator	1.762
VALVE - Distributor vacuum spark delay ..	2.408
VALVE - Exhaust	0.297
VALVE - Exhaust gas recirculation	3.670
VALVE - Exhaust manifold	3.647
VALVE - Fuel pump	3.909
VALVE - Heater & demister components ..	9.779
VALVE - Inlet	0.296
VALVE - Oil filter	1.837
VALVE - Oil pressure regulator	1.609
VALVE - Rear body lock pillar pres. relief	12.942

"HX" STATESMAN/HOLDEN PARTS CATALOGUE

VALVE - Steering gear hyd. pump control .	6.624
VALVE - Transmission detent	4.279
VALVE - Transmission governor	4.256
VALVE - Transmission manual control	4.265
VALVE - Transmission oil pump	4.226
VALVE - Transmission vacuum modulator .	4.265
VALVE BODY - Transmission oil connector	4.265
VALVE KIT - Carburettor idle vent	3.764
VALVE & SHIELD - Air pre-heat	3.415
VANE - Steering gear hydraulic pump	6.610
VENT - Transmission	4.104
VERTEBRA - Wiper blade	10.146

W

WASHER - Air conditioner comp. bracket .	9.171
WASHER - Air conditioner impeller	9.215
WASHER - Alternator brace	2.317
WASHER - Alternator rotor	2.280
WASHER - Alternator through bolt	2.316
WASHER - Brake adjusting screw	5.110
WASHER - Brake hose	4.680
WASHER - Brake main cylinder rod clevis .	4.662
WASHER - Brake vac. servo booster push rod	4.907
WASHER - Carburettor choke tube holder ..	3.795
WASHER - Carburettor fast idle lever	3.792
WASHER - Carburettor pump lever	3.781
WASHER - Carburettor thermostat cover ...	3.796
WASHER - Clutch eccentric to bracket	0.830
WASHER - Clutch pedal retaining	0.837
WASHER - Clutch relay lever	0.852
WASHER - Clutch to flywheel	0.870
WASHER - Counter shaft	4.423
WASHER - Deck lid name plate	12.182
WASHER - Deck lid moulding sealing	12.182
WASHER - Differential pinion flange	5.545
WASHER - Differential pinion thrust	5.542
WASHER - Differential side gear thrust ...	5.543
WASHER - Distributor breaker plate	2.385
WASHER - Distributor cam	2.381
WASHER - Distributor contact	2.387
WASHER - Distributor shaft	2.372
WASHER - Distributor weight	2.388
WASHER - End gate arm	12.203
WASHER - End gate handle	12.247
WASHER - End gate name plate	12.182
WASHER - End gate window motor	12.280
WASHER - Engine support to bracket	0.027
WASHER - Fan clutch	1.050
WASHER - Front window regulator	10.783
WASHER - Fuel pump seal	3.902
WASHER - Gearshift 1st & rev. shift	4.020
WASHER - Gearshift 2nd & 3rd shift	4.019
WASHER - Gearshift 3rd & 4th shift	4.030
WASHER - Gearshift control	4.018
WASHER - Hand brake lever	5.158
WASHER - Heater impellor	9.779
WASHER - Housing to cylinder block lock .	0.683
WASHER - Manifold	3.275
WASHER - Pinion flange nut	5.545
WASHER - Pitman arm shaft	6.861
WASHER - Rear door moulding	12.114
WASHER - Rear door window regulator	10.791

WASHER - Rear quarter guide roller	11.007
WASHER - Rear quarter window regulator ..	11.041
WASHER - Regulator voltage & current	2.500
WASHER - Reverse idler gear thrust	4.432
WASHER - Shock absorber mounting	7.370
WASHER - Shroud to radiator	1.270
WASHER - Starter brush holder	2.052
WASHER - Starter housing bolt	2.077
WASHER - Starter shift lever	2.108
WASHER - Starter solenoid switch	2.102
WASHER - Steering knuckle spindle nut....	6.321
WASHER - Steering shaft bearing	6.521
WASHER - Transmission centre support	4.162
WASHER - Transmission clutch	4.164
WASHER - Trans. clutch housing thrust....	4.169
WASHER - Trans. control relay rod	4.008
WASHER - Trans. control rod	4.040
WASHER - Trans. detent cam	4.311
WASHER - Trans. front int. gear thrust....	4.176
WASHER - Trans. to engine	4.003
WASHER - Trans. oil pump	4.226
WASHER - Trans. output shaft thrust	4.176
WASHER - Trans. planet pinion	4.177
WASHER - Trans. planet input sun gear thrust	4.177
WASHER - Trans. rear servo piston	4.241
WASHER - Trans. thrust	4.129
WASHER - Water outlet cylinder head	1.153
WASHER - Wiper motor	10.150
WEATHERSEAL - Rear quarter window	11.015
WEATHERSHIELD - Door mounting	9.684
WEATHERSTRIP - Deck lid	12.269
WEATHERSTRIP - Door belt	10.710
WEATHERSTRIP - Door glass	10.696
WEATHERSTRIP - Door opening	10.694
WEATHERSTRIP - End gate	12.269
WEATHERSTRIP - End gate glass	11.207
WEATHERSTRIP - End gate glass channel ..	11.207
WEATHERSTRIP - Quarter window	11.015
WEATHERSTRIP - Rear door rear glass	10.822
WEIGHT - Distributor	2.388
WHEEL - Road	5.803
WHEEL - Steering	6.513
WHEEL HOUSE	12.944
WICK - Distributor	2.364
WINCH - Spare wheel	7.640
WINDLACE	15.520
WIRE - Front seat adjuster	11.589
WIRE - Headlining listing	12.955
WIRE - Helical tie	11.629
WIRE - Neutral starting safety switch	4.055
WIRE - Side border - bench seat	11.420
WIRE - Solenoid actuating switch	4.055
WIRE PACKAGE - Spark plug & distributor .	2.239
WORM & BALL NUT	6.524
WORM, VALVE & SLEEVE - Steering	6.524
WRENCH - Tools	8.821

Y

YOKE - First & reverse shifter	4.304
YOKE - Transmission control cable assy. ..	4.047
YOKE - Transmission reverse shifter	4.304
YOKE - Universal joint	5.555

CHASSIS

GROUP 0

ENGINE - CLUTCH

CYLINDER BLOCK - 6 Cyl. Eng.	54-55
CYLINDER HEAD - 6 Cyl. Eng.	56-57
ENGINE ASSEMBLY - 8 Cyl. Eng.	58
ENGINE ASSEMBLY - 8 Cyl. Eng. (End View)	59
POWER PLANT MOUNTINGS	60
CLUTCH PEDAL	61
CLUTCH CONTROL - 6 Cyl. Eng.	62
CLUTCH CONTROL - 6 Cyl. Eng. (Views)	63
CLUTCH CONTROL - 8 Cyl. Eng.	64
CLUTCH CONTROL - 8 Cyl. Eng. (Views)	65
HOUSING, COVER, BEARING - Clutch	66
FLYWHEEL & CLUTCH - 6 & 8 Cyl. Eng.	67

GROUP 1

COOLING - GRILLE - OILING

FAN & PULLEY - 6 Cyl. Eng.	82
FAN & PULLEY - 8 Cyl. Eng. exc. Air Cond.	83
FAN & PULLEY - 8 Cyl. Eng. with Air Cond.	84
WATER PUMP - 6 Cyl. Eng.	85
WATER PUMP - 8 Cyl. Eng.	86
RADIATOR - 6 Cyl. Eng.	87
RADIATOR - 8 Cyl. Eng.	88
RADIATOR SUPPORT PANEL	89
RADIATOR GRILLE - Chassis & Cab	90
RADIATOR GRILLE - Belmont	91
RADIATOR GRILLE - Kingswood, Premier, Statesman..	92
OIL LEVEL INDICATOR - 8 Cyl. Eng.	93
OIL PUMP & FILTER - 6 Cyl. Eng.	94
OIL PUMP - 8 Cyl. Eng.	95
ENGINE VENTILATION - 6 Cyl. Eng.	96
ENGINE VENTILATION - 4.2 Litre Eng.	97
ENGINE VENTILATION - 5.0 Litre Eng.	98

GROUP 2

ELECTRICAL - INSTRUMENTS

ENGINE ELECTRICAL UNITS - 6 Cyl. Eng.	110-111
ENGINE ELECTRICAL UNITS - 8 Cyl. Eng.	112
IGNITION & STARTER SWITCH	113
STARTER MOTOR - Bosch	114
STARTER MOTOR - Lucas	115
ALTERNATOR - Bosch - 6 & 8 Cyl. Eng.	116
ALTERNATOR - Lucas	117
DISTRIBUTOR - Bosch - 6 Cyl. Eng.	118-119
DISTRIBUTOR - Lucas - 6 Cyl. Eng.	120
DISTRIBUTOR - Bosch - 8 Cyl. Eng.	121
BATTERY MOUNTING	122
BATTERY CABLES - 6 Cyl. Eng.	123
BATTERY CABLES - 8 Cyl. Eng.	124
TRANS. CONTROL SPARK LEAD - 6 Cyl. Eng.	125

ELECTRICAL - INSTRUMENTS (CONT'D.)

TRANS. CONTROL SPARK LEAD - 8 Cyl. Eng.	126
INSTRUMENTS - Facia	127
INSTRUMENT TYPES 1, 2, 3, 4	128
INSTRUMENT TYPES 5, 6, 7	129
FUEL ECONOMY INDICATOR LIGHT	130
HARNESS - Lighting	131
HARNESS - Engine - 6 Cyl. Eng.	132
HARNESS - Engine - 8 Cyl. Eng.	133
HARNESS - Main wiring	134
HARNESS - Instrument	135
TAIL, STOP & TURN SIGNAL LAMP - Chassis & Cab	136
TAIL, STOP & TURN SIGNAL LAMP - 35,70,80	137
TAIL, STOP & TURN SIGNAL LAMP - LE	138
REAR SIDE LAMP	139
TAIL, STOP & TURN SIGNAL LAMP - Sedan exc.	
Statesman	140
TAIL, STOP & TURN SIGNAL LAMP - Statesman	141
LICENCE LAMP & BRACKET - Chassis & Cab	142
HEADLAMP & TURN SIGNAL LAMP - Chassis & Cab	143
HEADLAMP & TURN SIGNAL LAMP - Single	144
HEADLAMP & TURN SIGNAL LAMP - Dual	145
HORN	146
HORN SWITCH & BAR	147
TERMINAL CONNECTOR BODIES	148-149

GROUP 3

FUEL - EXHAUST - CARBURETTOR

FUEL TANK - Sedans, Station Wagons	174-175
FUEL TANK & FILLER PIPE - Chassis & Cab	176-177
FUEL TANK & FILLER PIPE - Panel Van & Utility ...	178-179
FUEL FILLER PIPE	180
FUEL TANK GAUGE	181
FUEL TANK STONE GUARD - 35, 37, 69	182
VAPOUR PIPE - 35, 69	183
VAPOUR PIPE - 60, 70, 80	184
CANISTER - Exc. rear wheel lock control	185
CANISTER - With rear wheel lock control	186
HOSES EMISSION CONT. - ADR27A - 6 Cyl. Eng. ..	187
HOSES W/OUT EXH.EMISSION CONT. - 6 Cyl. Eng.	188
HOSES EMISSION CONT. - ADR27A - 4.2 Litre Eng.	189
HOSES W/OUT EXH.EMISSION CONT. - 4.2 Litre Eng.	190
HOSES EMISSION CONT. - ADR27A - 5.0 Litre Eng.	191
HOSES W/OUT EXH.EMISSION CONT. - 5.0 Litre Eng.	192
FUEL PIPES - 35, 37, 69	193
FUEL LINES - 60, 70, 80	194
FUEL PIPE - 4.2 Litre Eng.	195
FUEL PIPE - 5.0 Litre Eng.	196
AIR CLEANER & SILENCER ASSY. - Air pre-heat ...	197
AIR PRE-HEAT SYSTEM - 6 Cyl. Eng.	198
AIR PRE-HEAT SYSTEM - 8 Cyl. Eng.	199
AIR CLEANER & CARBY - ADR27A - 6 Cyl. Eng.	200
AIR CLEANER & FUEL PIPE W/OUT EXH. EMISSION ..	201
AIR CLEANER & CARBY - ADR27A - 4.2 Litre Eng. ..	202
AIR CLEANER & CARBY - W/OUT EXH. EMISSION ...	203
AIR CLEANER & CARBY - ADR27A - 5.0 Litre Eng. ...	204
AIR CLEANER & CARBY - W/OUT EXH. EMISSION ...	205
THROTTLE CONTROL - 6 Cyl. Eng.	206
THROTTLE CONT. - ADR27A - 8 Cyl. Eng.	207
ACCELERATOR PEDAL	208
CHOKE CONT. - ADR27A - 6 Cyl. Eng.	209

"HX" STATESMAN/HOLDEN PARTS CATALOGUE

FUEL – EXHAUST – CARBURETTOR (CONT'D.)

CHOKE CONT. W/OUT EXH. EMISSION CONTROL	210
AUTOMATIC CHOKE – ADR27A – 8 Cyl. Eng.	211
AUTO. CHOKE W/OUT EXH. EMISSION – 4.2 Litre Eng.	212
AUTO. CHOKE W/OUT EXH. EMISSION – 5.0 Litre Eng.	213
VACUUM ADAPTORS – 6 Cyl. Eng.	214
VACUUM ADAPTORS – ADR27A – 8Cyl. Eng.	215
VACUUM ADAPTORS W/OUT EXH. EMISSION CONT.	216
EXH. GAS RECIRCULATION VALVE – 6 Cyl. Eng.	217
EXHAUST SYSTEM – 6 Cyl. Eng.	218
MUFFLER & TAIL PIPE – 6 Cyl. Eng.	219
EXHAUST SYSTEM – 8 Cyl. Eng. – Single Exh.	220
MUFFLER & TAIL PIPE – 8 Cyl. Eng. – Single Exh. ..	221
EXHAUST SYSTEM – Dual Exhaust	222–223
MUFFLER & TAIL PIPE – 60, 70, 80	224
TAIL PIPE ATTACHING PARTS – 60, 70, 80	225
CARB. – ADR27A – 6 Cyl. Eng.	226–227
CARB. – WITHOUT EXH. EMISSION CONTROL	228–229
CARB. – ADR27A – 4.2 Litre Eng.	230–231
CARB. – WITHOUT EXH. EMISSION CONTROL	232–233
CARB. – ADR27A – 5.0 Litre Eng.	234–235
CARB. – WITHOUT EXH. EMISSION CONTROL	236–237
FUEL PUMP – 6 Cyl. Eng.	238
FUEL PUMP – 8 Cyl. Eng.	239

GROUP 4

TRANSMISSION SECTION

TRANSMISSION INDEX	270
--------------------------	-----

CODE 'A'

3 SPD. – TRANSMISSION ASSEMBLY	271
3 SPD. – TRANSMISSION CASE & GEARS	272–273
3 SPD. – TRANSMISSION CONTROL	274
3 SPD. – TRANSMISSION MOUNTING	275
3 SPD. – SPEEDOMETER CABLE & GEAR	276

CODE 'F'

4 SPD. – TRANSMISSION ASSEMBLY	283
4 SPD. – TRANSMISSION CASE & GEARS	284–285
4 SPD. – TRANSMISSION CONTROL	286
4 SPD. – TRANSMISSION CONTROL	287
4 SPD. – SWITCH – BACK-UP LAMP	288
4 SPD. – TRANSMISSION MOUNTING	289
4 SPD. – SPEEDOMETER CABLE GEAR	290

CODE 'U'

TRIMATIC – OIL PAN & INDICATOR	297
TRIMATIC – CONVERTER & OIL PUMP	298–299
TRIMATIC – REVERSE, SECOND & THIRD CLUTCH ..	300–301
TRIMATIC – PARK BRAKE, MODULATOR & SERVO	302–303
TRIMATIC – VALVE BODY – Series 3	304–305
TRIMATIC – VALVE BODY – Series 2	306
TRIMATIC – CONTROL – COLUMN SHIFT	307
TRIMATIC – CONT. INDICATOR – COLUMN SHIFT ..	308
TRIMATIC – CONTROL CONSOLE SHIFT	309
TRIMATIC – CONVERTER – 6 Cyl. Eng.	310
TRIMATIC – CONVERTER – 4.2 Litre Eng.	311
TRIMATIC – MODULATOR & OIL FILLER – 6 Cyl. Eng.	312
TRIMATIC – MODULATOR & OIL FILLER – 8 Cyl. Eng.	313
TRIMATIC – TRANSMISSION MOUNTING	314
TRIMATIC – SPEEDOMETER CABLE & GEAR	315

TRANSMISSION SECTION (CONT'D.)

CODE 'V'

TURBO – SERVO ACCUMULATOR GOVERNOR & VALVE BODY	330–331
TURBO – PUMP, FORWARD, DIRECT & INT. CLUTCH & CENTRE SUPPORT	332–333
TURBO – CASE, EXTENSION & PLANET CARRIER	334–335
TURBO – PARKING BRAKE & INTERNAL DETENT	336
TURBO – CONTROL INDICATOR – COLUMN SHIFT ..	337
TURBO – CONTROL – COLUMN SHIFT	338–339
TURBO – CONTROL – CONSOLE SHIFT – ROD TYPE ..	340
TURBO – CONTROL – CONSOLE SHIFT – CABLE TYPE	341
TURBO – OIL FILLER & MODULATOR PIPE	342
TURBO – TRANSMISSION MOUNTING	343
TURBO – SPEEDOMETER CABLE & GEAR	344

GROUP 4

BRAKE CONTROL – BRAKE OPERATING

BRAKE MAIN CYLINDER	356
BRAKE PEDAL	357
BRAKE PIPES & HOSES – FRONT	358
BRAKE PIPES – REAR – 35, 37, 69	359
BRAKE PIPES – REAR – 60, 70, 80	360
PARKING BRAKE – 35, 37, 69	361
PARKING BRAKE – 60, 70, 80	362
PARKING BRAKE – LEVER	363
SENSOR – REAR WHEEL LOCK CONTROL	364
CONTROL UNIT – REAR WHEEL LOCK CONTROL	365
MODULATOR – REAR WHEEL LOCK CONTROL	366
BRAKE BOOSTER & PRESSURE SWITCH	367
BRAKE BOOSTER – P.B.R.	368–369
BRAKE CALIPER – P.B.R. – CAST IRON TYPE	370
BRAKE CALIPER – P.B.R. – CAST IRON/ALUM. TYPE	371
BRAKE CALIPER – GIRLOCK – CAST IRON TYPE	372
BRAKE CALIPER – GIRLOCK – CAST IRON/ALUM. TYPE	373
REAR BRAKES	374–375

GROUP 5

REAR AXLE & DRIVE

REAR AXLE – BANJO TYPE	386
DIFFERENTIAL – LIMITED SLIP – 6 Cyl. Eng.	387
REAR AXLE – SALISBURY TYPE	388
ROAD WHEEL & TRIM RING	389
ROAD WHEEL & TRIM RING	390

"HX" STATESMAN/HOLDEN PARTS CATALOGUE

GROUP 6

FRONT SUSPENSION & STEERING

STEERING LINKAGE	400
FRONT SUSPENSION	401
FRONT SUSPENSION & LINKAGE	402-403
STEERING WHEEL	404
STEERING COLUMN	405
STEERING INTERMEDIATE SHAFT & COUPLING	406
COVER - STEERING GEAR COUPLING	407
STEERING GEAR - Exc. Power Steering	408
POWER STEERING PUMP	409
STEERING GEAR - POWER STEERING	410-411
POWER STEERING - 6 Cyl. Eng.	412-413
POWER STEERING - 8 Cyl. Eng.	414

GROUP 7

FRAME - SPRINGS - BUMPERS

FRAME - Station Wagon, Coupe, Sedan	426
FRAME - Chassis & Cab	427
FRAME - Panel Van & Utility	428
BODY MOUNTINGS - 35, 37, 69	429
BODY MOUNTINGS - 60	430
BODY MOUNTINGS - 70, 80	431
SUPERLIFT SHOCK ABSORBERS - 35	432
SUPERLIFT SHOCK ABSORBERS - 69	433
SUPERLIFT SHOCK ABSORBERS - 35, 69	434
SUPERLIFT SHOCK ABSORBERS - 70, 80	435
SUPERLIFT SHOCK ABSORBERS - 70, 80	436
SHOCK ABSORBER STONE SHIELD & LOWER CONTROL ARM REINFORCEMENT O/BACK EQUIPMENT	437
REAR SUSPENSION & PROP. SHAFT - 35, 69	438-439
REAR SUSPENSION & PROP. SHAFT - 60, 70, 80	440-441
REAR SUSPENSION & HELPER SPRING - 35, 69	442
SPARE WHEEL MOUNTING - 60, 70, 80	443
BUMPER GUARDS	444
FRONT BUMPER BAR exc. Chassis & Cab	445
FRONT BUMPER BAR - Chassis & Cab exc. Amb.	446
REAR BUMPER BAR - Station Wagon	447
REAR BUMPER BAR - 'LE'	448
REAR BUMPER BAR - 69 exc. Statesman	449
REAR BUMPER BAR - Statesman	450
REAR BUMPER BAR - 70, 80	451

GROUP 8

SHEET METAL

ENGINE HOOD SILENCER	462
HINGE & HOOD LOCK	463
HOOD ORNAMENT	464
HOOD LOCK RELEASE	465
ENGINE SPLASH PAN & SEALS PACKAGE	466
FRONT AIR DAM	467
FRONT END PANELS	468
FRONT FENDER	469
FRONT FENDER & SKIRT	470
FENDER SKIRT DUST SHIELD	471
JACK & SPARE WHEEL	472

GROUP 9

ACCESSORIES - AIR CONDITIONER - HEATER

AIR COND. COMPRESSOR - 6 Cyl. Eng.	482-483
AIR COND. COMPRESSOR - 8 Cyl. Eng.	484-485
AIR COND. REFRIGERANT SYSTEM	486
AIR COND. REFRIGERANT HOSES - 6 Cyl. Eng.	487
AIR COND. REFRIGERANT HOSES - 8 Cyl. Eng.	488
AIR COND. HEATER HOSES - ADR27A - 6 Cyl. Eng.	489
AIR COND. HEATER HOSES - W/OUT EXH. EMISSION - 6 Cyl. Eng.	490
AIR COND. HEATER HOSES - ADR27A - 8 Cyl. Eng.	491
AIR COND. HEATER HOSES - W/OUT EXH. EMISSION - 6 Cyl. Eng.	492
AIR CONDITIONER OUTLETS	493
AIR CONDITIONER HOUSING & DUCT	494
AIR CONDITIONER CONTROLS - Electrical	495
AIR CONDITIONER CONTROLS	496-497
WATER BAG CARRIER	498
INTERNAL INSECT SCREEN	498
DUST DEFLECTOR - DELUXE	499
DUST DEFLECTOR - PRIME	499
MUD DEFLECTOR PACKAGE	500
HEADLAMP GUARD	501
DOOR PLATE PROTECTION PLATE	502
DOOR PULL-TO HANDLE	502
DOOR EDGE GUARDS	502
TRAILER WIRING HARNESS	503
RADIO PACKAGE	504
TONNEAU FLOOR MAT	505
PARCEL SHELF PACKAGE	505
LOAD LASHING RAIL PACKAGE	506
LUGGAGE RACK	506
REAR WINDOW VENETIAN SHADE - 69	507
SIDE WINDOW VENETIAN SHADE - 35	507
DOOR WEATHER SHIELD	508
SUNSHADE PACKAGE	508
PROTECTIVE SCREEN - 70	509
CAMPING PACKAGE	509
CIGARETTE LIGHTER - Instrument Panel	510
HEATED REAR WINDOW	511-512
HEATER HOSES EXC. FORCED AIR - ADR27A - 6 Cyl. Eng.	513
HEATER HOSES EXC. FORCED AIR - W/OUT EXH. EMISSION - 6 Cyl. Eng.	514
HEATER HOSES EXC. FORCED AIR - ADR27A - 8 Cyl. Eng.	515
HEATER HOSES EXC. FORCED AIR - W/OUT EXH. EMISSION - 8 Cyl. Eng.	516
HEATER CONTROLS EXC. FORCED AIR	517
HEATER & DEMISTER EXC. FORCED AIR	518
HEATER HOSES - FORCED AIR - ADR27A - 6 Cyl. Eng.	519
HEATER HOSES - FORCED AIR - W/OUT EXH. EMISSION - 6 Cyl. Eng.	520
HEATER HOSES - FORCED AIR - ADR27A - 8 Cyl. Eng.	521
HEATER HOSES - FORCED AIR - W/OUT EXH. EMISSION - 8 Cyl. Eng.	522
FORCED AIR VENTILATION	523
FORCED AIR VENTILATION CONTROLS	524

BODY

GROUP 12

MOULDINGS & CLIPS – SHEET METAL

GROUP 10

WINDSHIELD–DOOR HARDWARE–GLASS

WINDSHIELD WIPER	542
WINDSHIELD WIPER – Views	543
WINDSHIELD WIPER – Preslite	544–545
WINDSHIELD WASHER – Preslite	544–545
WINDSHIELD WIPER – Lucas	546
WINDSHIELD WASHER – Lucas	547
WINDSHIELD WASHER	548
WINDSHIELD WIPER DWELL CONTROL	549
FRONT DOOR MIRROR – 35,69,70,80 exc. GTS	550
FRONT DOOR MIRROR – 60	551
EXTERNAL MIRROR – REMOTE CONTROL	552
FRONT DOOR MIRROR – AERODYNAMIC TYPE	553
INTERIOR MIRROR	554
VANITY MIRROR	555
CARRIER & PANEL INSTRUMENT MOUNTING	556
INSTRUMENT PANEL LOWER RIGHT SIDE FACIA	557
INSTRUMENT PANEL COMPARTMENT DOOR	558
INSTRUMENT PANEL COMPARTMENT LAMP	559
FRONT DOOR WEATHERSTRIP & SEALS	560
REAR DOOR WEATHERSTRIP & SEALS	561
FRONT DOOR HARDWARE EXC 'LE'	562–563
FRONT DOOR HARDWARE – 'LE'	564–565
REAR DOOR HARDWARE	566–567
FRONT DOOR HARDWARE – POWER OPR.WINDOWS ..	568–569
FRONT DOOR HARDWARE – ELECTRIC LOCKING	568–569
REAR DOOR HARDWARE – POWER OPR.WINDOWS	570–571
REAR DOOR HARDWARE – ELECTRIC LOCKING	570–571
HARNES POWER OPERATED WINDOWS	572
HARNES – CONSOLE WIRING PWR.OPR.WINDOWS ..	573

GROUP 11

REAR GLASS – SEAT & ADJUSTER

REAR QUARTER HARDWARE – 'LE'	596–597
REAR QUARTER WINDOW – 'LE'	598
DOOR SCUFF PLATE	599
END GATE GLASS & CHANNELS	600
FRONT SEAT ASSEMBLY	601
FRONT SEAT MECHANISM	602
DOME LAMP	603
REAR QUARTER LAMP	603
FOOT WELL ILLUINATION	604
COURTESY LIGHT	605
REAR COMPARTMENT LAMP – SWITCH	606
REAR DOOR SWITCH	606
LICENCE LAMP	606
REAR SEAT TRIM & HARDWARE – 35	607
REAR SEAT HARDWARE	608

BODY MOULDINGS – 8WM35, 69	620–621
BODY MOULDINGS – 8WN35, 69	622–623
BODY MOULDINGS – 8WP35, 69	624–625
BODY MOULDINGS – 8WQ69, 'LE'	626–627
BODY MOULDINGS – 8WS69, 8WT69	628–629
BODY MOULDINGS – 8WM60, AMBULANCE	630–631
BODY MOULDINGS – 8WM70, 8WN70	632–633
BODY MOULDINGS – 8WM80, 8WN80	634–635
CLIPS & SCREWS – BODY MOULDING	636–653
MOULDINGS, CLIPS & SCREWS – WHEEL OPENING ..	654
EXTERNAL ORNAMENTATION – STATESMAN	655
EXTERNAL ORNAMENTATION	656–657
DECK LID HANDLE PACKAGE	658
END GATE – STRIP, PANEL & SEAL – 35	659
END GATE HARDWARE – MANUAL – 35	660–661
END GATE HARDWARE – ELECTRIC – 35	662–663
HARNES – END GATE WINDOW – ELECTRIC	664
END GATE STRIKER – 35	665
END GATE SWITCH & HANDLE	666
DECK LID LOCK	667
DECK LID REMOTE CONT. LOCK RELEASE	668–669
UPPER END GATE HARDWARE – 70	670–671
LOWER END GATE HARDWARE – 70, 80	672–673
INNER PANEL COVERS – 70, 80	674
TONNEAU COVER – 80	675
ROOF COVER – Sedans	676
INSULATORS & PADS – Caprice	677
REAR QUARTER RELIEF VALVE – 35, 69	678
BODY LOCK PILLAR RELIEF VALVE – 37, 60, 70, 80	679
HEADLINING – 35	680
HEADLINING – 37	681
HEADLINING – 69 exc. Statesman	682
HEADLINING – Statesman	683
HEADLINING – 60, 80	684
HEADLINING – 70 exc. Extended	685
HEADLINING – 70 Extended	686
SEAT BACK PANEL TRIM – 60, 70, 80	687
REAR AIR SPOILER	688
FRONT END BODY PANELS	689
REAR END BODY PANELS	690
UNDERBODY MEMBERS	691
BODY PANELS – 35	692–693
BODY PANELS – 'LE'	694–695
BODY PANELS – 69	696–697
BODY PANELS – 60	698–699
BODY PANELS – 70	700–701
BODY PANELS – 80	702–703

GROUP 13

BODY WIRING HARNESS

BODY WIRING – 35	728
BODY WIRING – Sedan exc. Caprice	729
BODY WIRING – Caprice	730
BODY WIRING – 60	731
BODY WIRING – 70,80	732

GROUP 14

INTERIOR TRIM

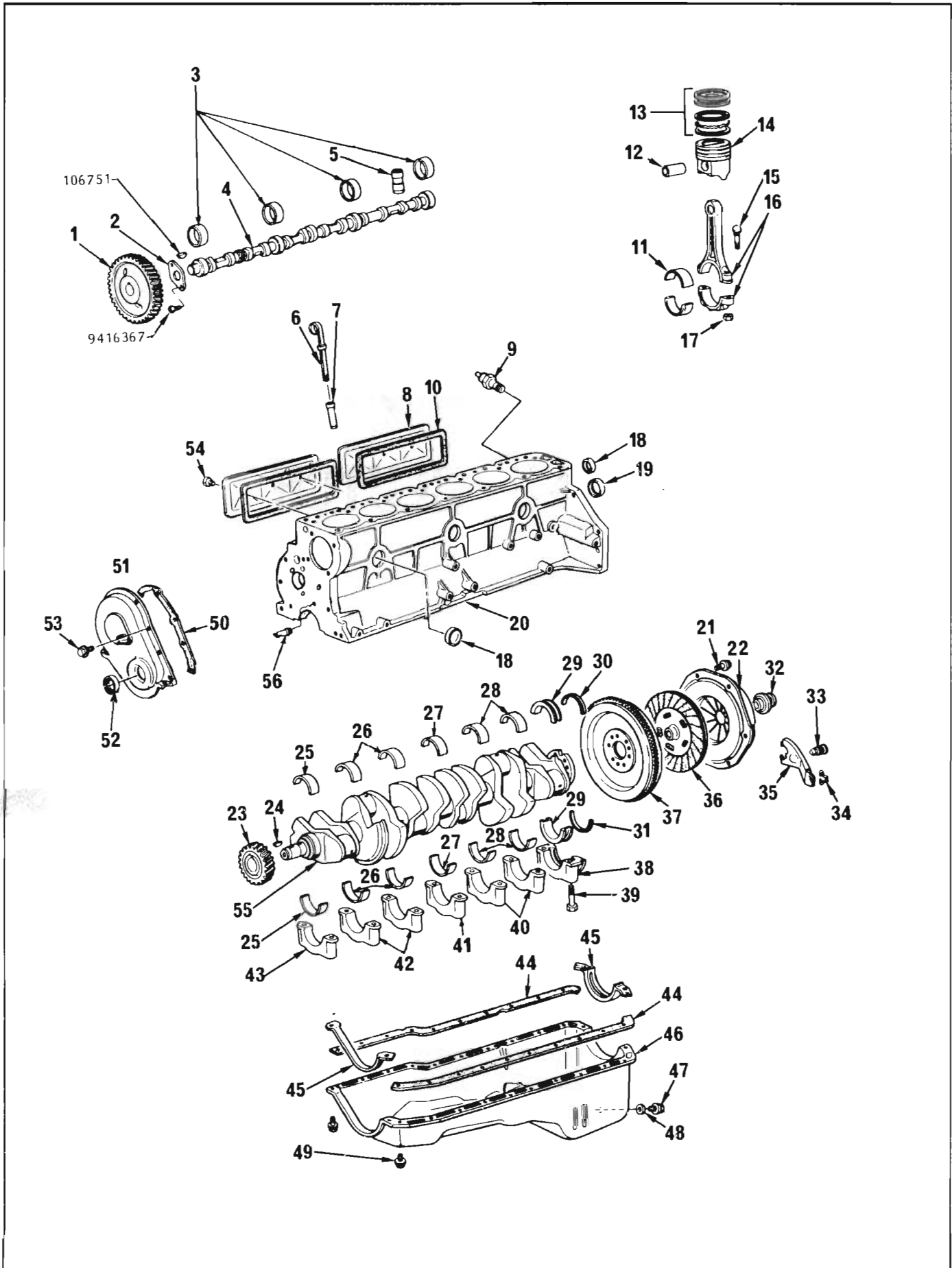
INTERIOR TRIM – Model Code 8WM35	736–737
INTERIOR TRIM – Model Code 8WN35	738–739
INTERIOR TRIM – Model Code 8WP35	740–741
INTERIOR TRIM – Model Code 8WQ37	742–743
INTERIOR TRIM – Model Code 8WM69	744
INTERIOR TRIM – Model Code 8WN69	745
INTERIOR TRIM – Model Code 8WP69	746–747
INTERIOR TRIM – Model Code 8WQ69	748–749
INTERIOR TRIM – Model Code 8WS69	750–751
INTERIOR TRIM – Model Code 8WT69	752–753
INTERIOR TRIM – Model Code 8WM70	754
INTERIOR TRIM – Model Code 8WN70	755
INTERIOR TRIM – Model Code 8WM60 & 80	756
INTERIOR TRIM – Model Code 8WN80	757
INTERIOR TRIM – Model Code 8WN35,69,80	758
REAR DOOR TRIM & ARM RESTS – 35,69	759
SEAT BELT ASSEMBLY – Front Bench	760
SEAT BELT ASSEMBLY – Front Bucket Seat	761

GROUP 15

REAR TRIM – MAT – CARPET

SEAT BELT ASSEMBLY – Rear seat	778
REAR COMPARTMENT TRIM – 35	779
REAR QUARTER TRIM – 35	780
FLOOR MATS & CARPETS	781
FRONT SEAT SEPARATOR	782–783
TRANSMISSION CONSOLE – Exc. LE & Caprice	784–785
LEAD ASSEMBLY – Cigarette Lighter – 'LE'	786
TRANSMISSION CONSOLE – Caprice	787
LUGGAGE COMPARTMENT TRIM – 'LE', Statesman	788
ASSIST GRIP HANDLE	789

GROUP 0.000
ENGINE-CLUTCH



**CYLINDER BLOCK
6 Cylinder Engine**

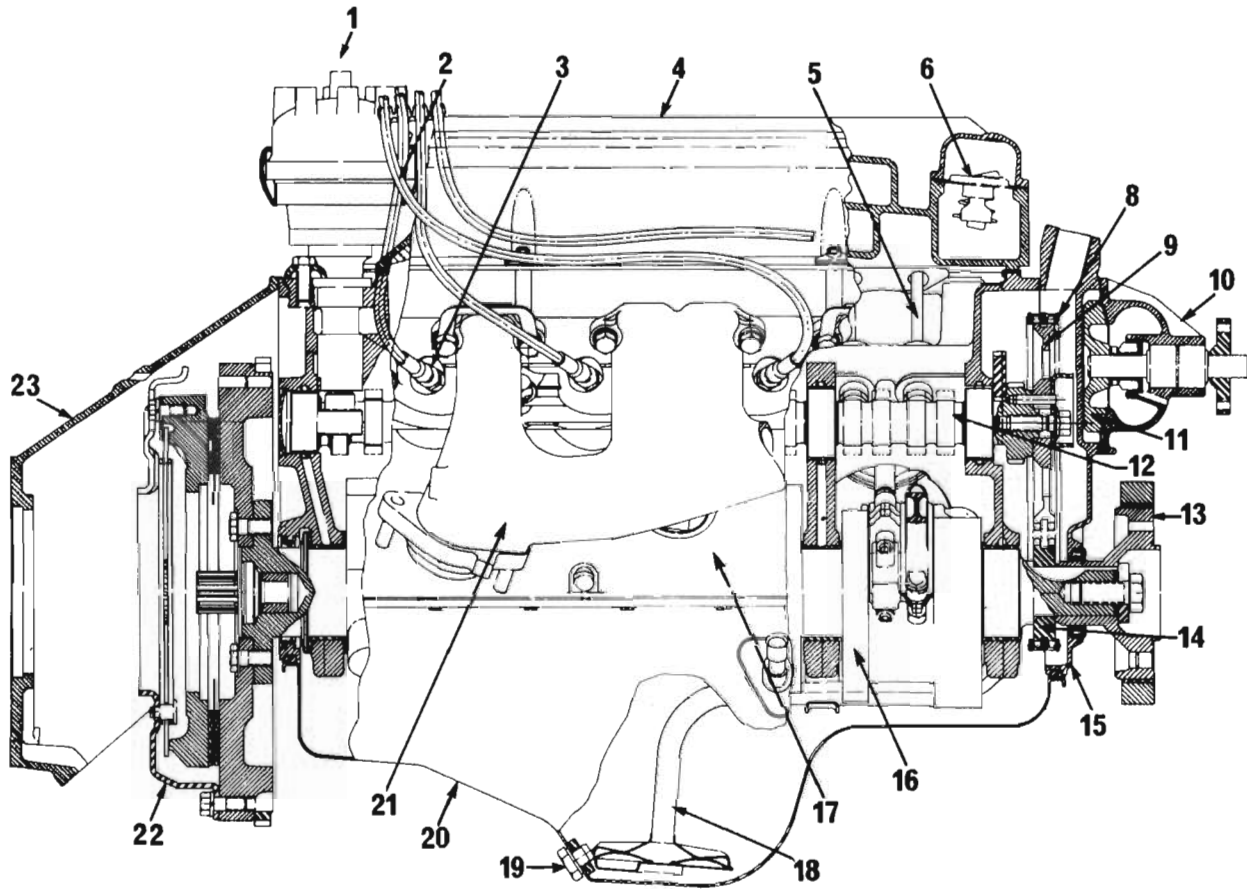
ILLUSTRATION OPPOSITE

ILLUS. REF. NO.	PART NAME	GROUP
1.	GEAR – Camshaft	0.736
2.	BEARING – Camshaft thrust	0.533
3.	BEARING SET – Camshaft	0.536
4.	CAMSHAFT	0.519
5.	LIFTER ASSEMBLY – Hydraulic valve	0.459
6.	INDICATOR ASSEMBLY – Oil level	1.516
7.	TUBE – Oil level indicator	1.516
8.	COVER ASSEMBLY – Valve push rod	0.439
9.	SWITCH ASSEMBLY – Oil pressure	1.803
10.	GASKET – Valve push rod cover	0.443
11.	BEARING – Connecting rod	0.616
12.	PIN – Piston	0.636
13.	RING SET – Piston	0.643
14.	PISTON & PIN ASSEMBLY	0.629
15.	BOLT – Connecting rod	0.623
16.	ROD ASSEMBLY – Connecting	0.603
17.	NUT – Connecting rod bolt	0.626
18.	PLUG – Water jacket	0.033
19.	PLUG – Camshaft rear bearing	0.553
20.	BLOCK ASSEMBLY	0.033
21.	BOLT – Clutch to flywheel	0.870
22.	COVER & PRESSURE PLATE ASSEMBLY – Clutch	0.861
23.	GEAR – Crankshaft	0.728
24.	KEY – Woodruff	0.728
25.	BEARING – Front	0.096
26.	BEARING – Front intermediate	0.096
27.	BEARING – Centre	0.101
28.	BEARING – Rear intermediate	0.103
29.	BEARING – Rear	0.106
30.	SEAL – Upper	0.137
31.	SEAL – Lower	0.137
32.	BEARING ASSEMBLY	0.799
33.	STUD – Clutch lever ball	0.796
34.	SPRING – Ball stud	0.796
35.	LEVER – Clutch	0.795
36.	PLATE ASSEMBLY – Clutch driven	0.886
37.	FLYWHEEL & RING GEAR ASSEMBLY	0.666
38.	CAP – Rear bearing	0.105
39.	BOLT – Bearing cap	0.056
40.	CAP – Rear intermediate bearing	0.102
41.	CAP – Centre bearing	0.100
42.	CAP – Front intermediate bearing	0.098
43.	CAP – Front bearing	0.095
44.	GASKET SET	1.429
45.	SEAL – Oil pan	1.429
46.	PAN ASSEMBLY – Oil	1.426
47.	PLUG – Oil pan	1.426
48.	WASHER – Oil pan plug	1.426
49.	BOLT & WASHER	1.426
50.	GASKET – Front end cover	0.207
51.	COVER – Front end	0.206
52.	SEAL – Front end cover	0.209
53.	BOLT – Front end cover	0.206
54.	BOLT & SEAL ASSEMBLY – Valve push rod cover	0.449
55.	CRANKSHAFT	0.646
56.	NOZZLE – Timing gear oil	0.748

CYLINDER HEAD
6 Cylinder Engine

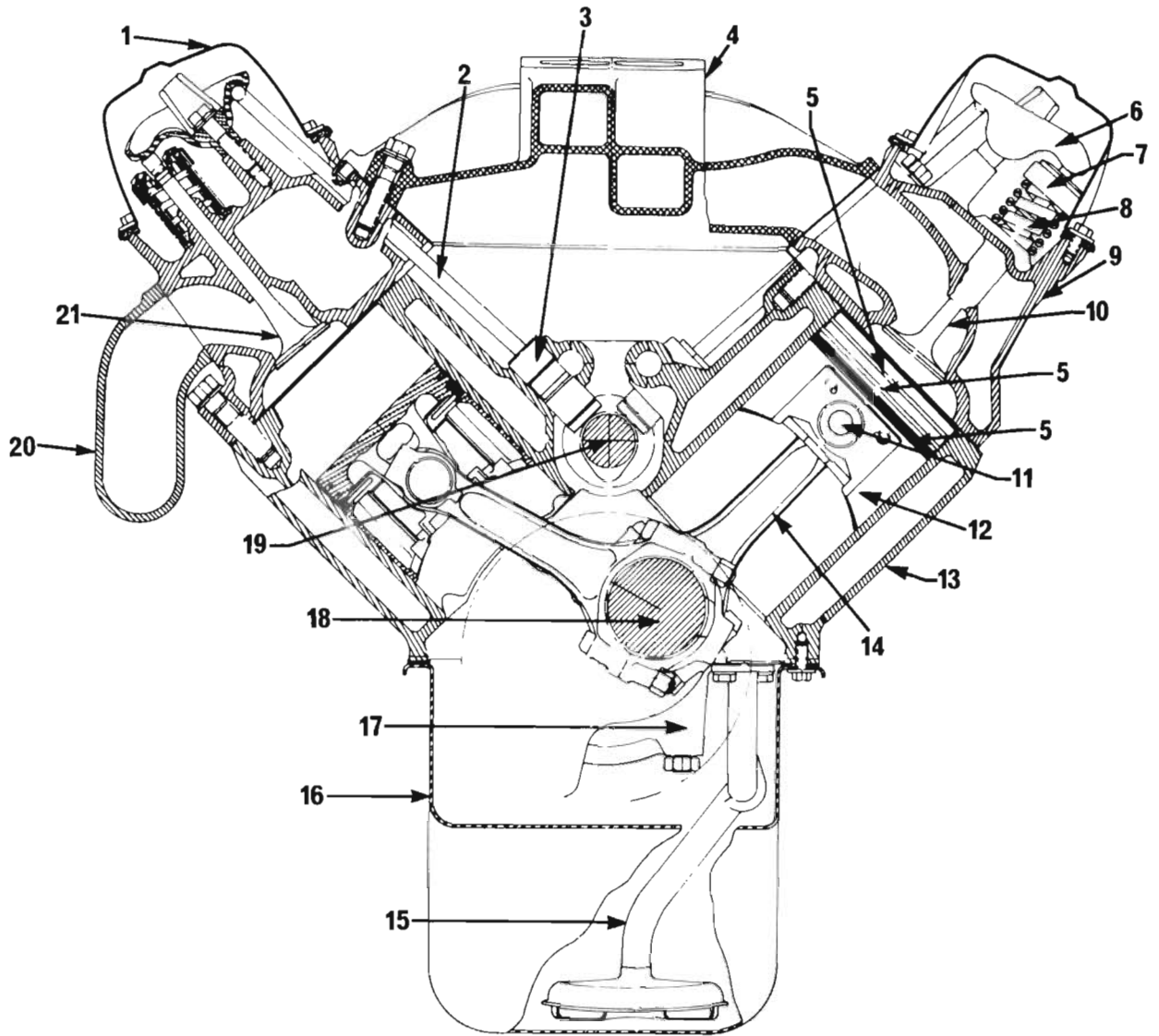
ILLUSTRATION OPPOSITE

ILLUS. REF. NO.	PART NAME	GROUP
1.	CAP ASSEMBLY – Oil filler	1.758
2.	BOLT – Cover	0.386
3.	REINFORCEMENT – Valve rocker cover bolt	0.413
4.	COVER – Valve rocker	0.386
5.	GASKET – Valve rocker cover	0.423
6.	BOLT – Pivot	0.429
7.	PIVOT – Valve rocker arm	0.429
8.	ARM – Valve rocker	0.333
9.	KEY – Valve stem	0.310
10.	CAP – Valve spring	0.309
11.	SHIELD – Valve stem	0.308
12.	SPRING – Valve	0.303
13.	HEAD – Cylinder	0.269
14.	GASKET – Manifold	3.270
15.	CLAMP – Manifold	3.273
16.	BOLT – Manifold to head	3.275
17.	STUD – Carburettor to manifold	3.288
18.	MANIFOLD – Inlet	3.265
19.	MANIFOLD – Exhaust	3.601
20.	STUD – Exhaust pipe to manifold	3.275
21.	PACKING – Exhaust pipe	3.611
22.	VALVE – Exhaust	0.297
23.	VALVE – Inlet	0.296
24.	GASKET – Cylinder head	0.289
25.	PLUG – Water jacket core	0.033
26.	GASKET – Thermostat housing	1.252
27.	HOUSING – Thermostat	1.252
28.	BOLT – Thermostat housing	1.251
29.	THERMOSTAT	1.246
30.	GASKET – Cylinder head water outlet	1.154
31.	OUTLET – Cylinder head water	1.153
32.	BOLT – Cylinder head water outlet	1.154
33.	BOLT – Cylinder head	0.293
34.	SWITCH – Thermo tell tale	0.277
35.	PLUG – Spark	2.270
36.	ROD – Valve push	0.426



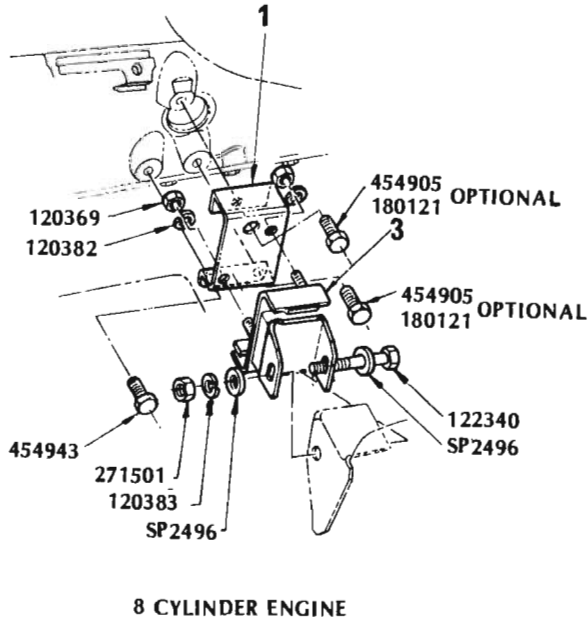
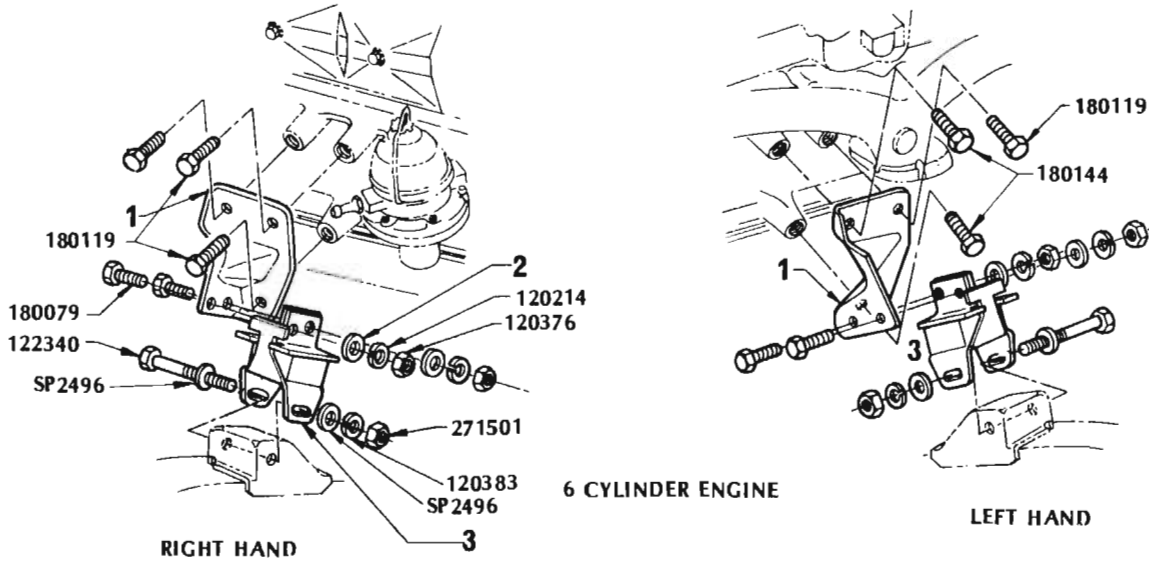
ENGINE ASSEMBLY
8 Cylinder

ILLUS. REF. NO.	PART NAME	GROUP	ILLUS. REF. NO.	PART NAME	GROUP
1.	DISTRIBUTOR ASSEMBLY	2.361	13.	DAMPER ASSEMBLY - Crankshaft	0.659
2.	WIRE UNIT - Spark plug	2.239	14.	SPROCKET - Crankshaft	0.728
3.	PLUG ASSEMBLY - Spark	2.270	15.	COVER - Front end	0.206
4.	COVER - Valve rocker	0.386	16.	CRANKSHAFT	0.646
5.	ROD - Valve push	0.426	17.	BLOCK ASSEMBLY	0.033
6.	THERMOSTAT ASSEMBLY	1.246	18.	SCREEN ASSEMBLY - With pipe	1.656
8.	CHAIN - Timing	0.724	19.	PLUG - Drain	1.453
9.	SPROCKET - Camshaft	0.736	20.	PAN ASSEMBLY - Oil	1.426
10.	PUMP ASSEMBLY - Water	1.069	21.	MANIFOLD ASSEMBLY - Exhaust	3.601
11.	ROTOR - Water pump	1.109	22.	COVER ASSEMBLY - Clutch	0.861
12.	CAMSHAFT	0.519	23.	HOUSING - Clutch	0.683



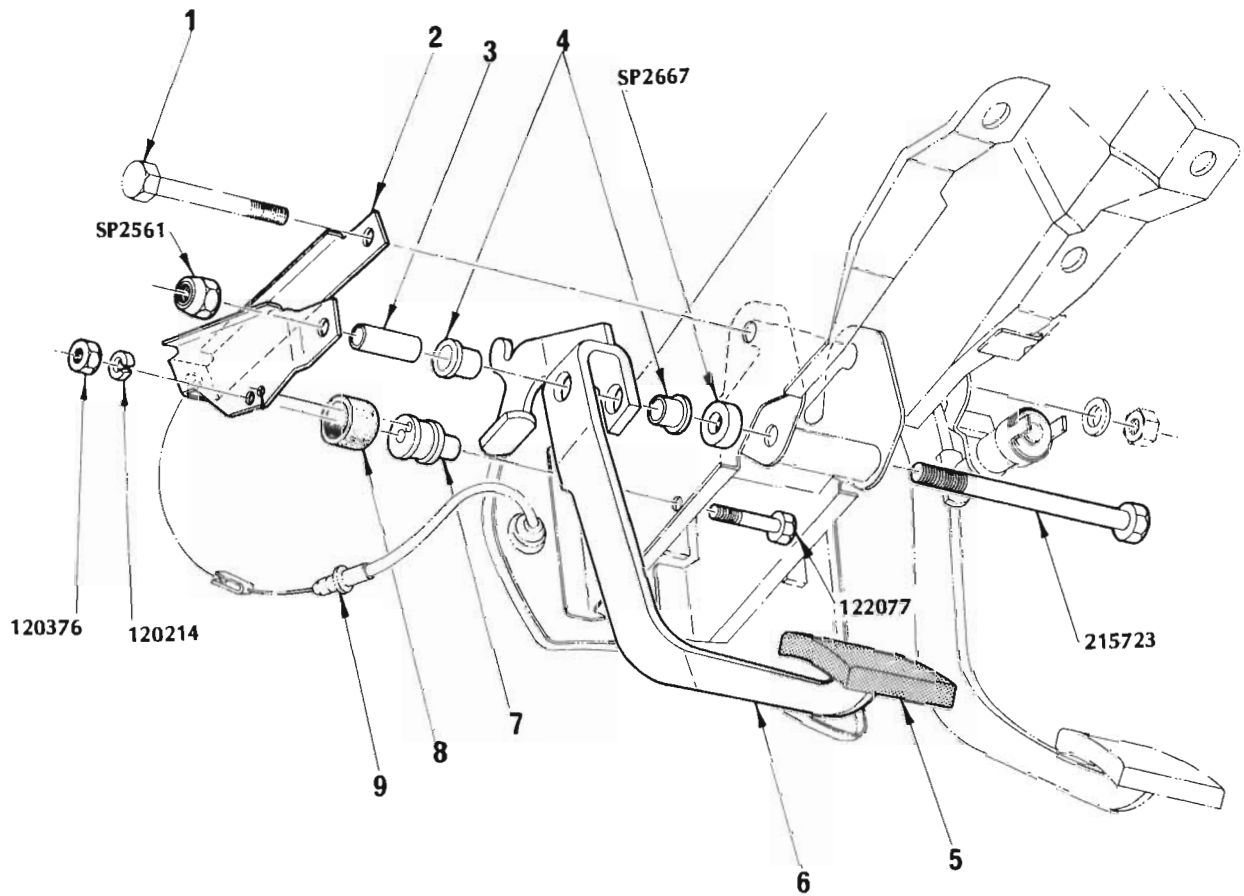
ENGINE ASSEMBLY
8 Cylinder Engine (End View)

ILLUS. REF. NO.	PART NAME	GROUP	ILLUS. REF. NO.	PART NAME	GROUP
1.	COVER – Valve rocker	0.386	12.	PISTON ASSEMBLY	0.629
2.	ROD – Valve push	0.426	13.	BLOCK ASSEMBLY	0.033
3.	LIFTER ASSEMBLY – Valve	0.459	14.	ROD ASSEMBLY – Connecting.....	0.603
4.	MANIFOLD – Inlet	3.265	15.	SCREEN ASSEMBLY – With pipe	1.656
5.	RING SET – Piston	0.643	16.	PAN ASSEMBLY – Oil	1.426
6.	ARM – Valve rocker	0.333	17.	CAP – Crankshaft bearing	0.095
7.	SHIELD – Valve stem	0.308	18.	CRANKSHAFT	0.646
8.	SPRING – Valve	0.303	19.	CAMSHAFT	0.519
9.	HEAD ASSEMBLY – Cylinder	0.269	20.	MANIFOLD ASSEMBLY – Exhaust	3.601
10.	VALVE – Inlet	0.296	21.	VALVE – Exhaust	0.297
11.	PIN – Piston	0.636			



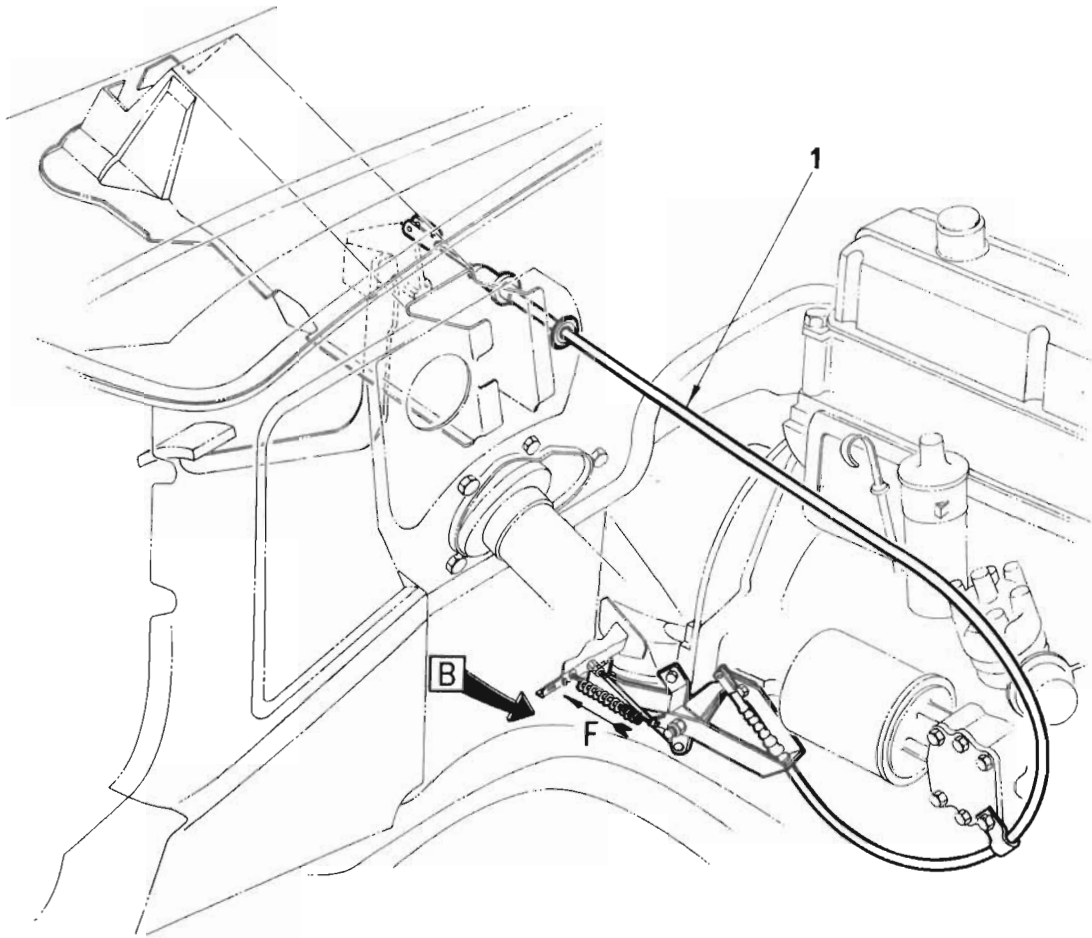
POWER PLANT MOUNTINGS

ILLUS. REF. NO.	PART NAME	GROUP
1.	BRACKET ASSEMBLY – Front mounting	0,027
2.	WASHER – Mounting to bracket	0,027
3.	MOUNTING ASSEMBLY – Front	0,027



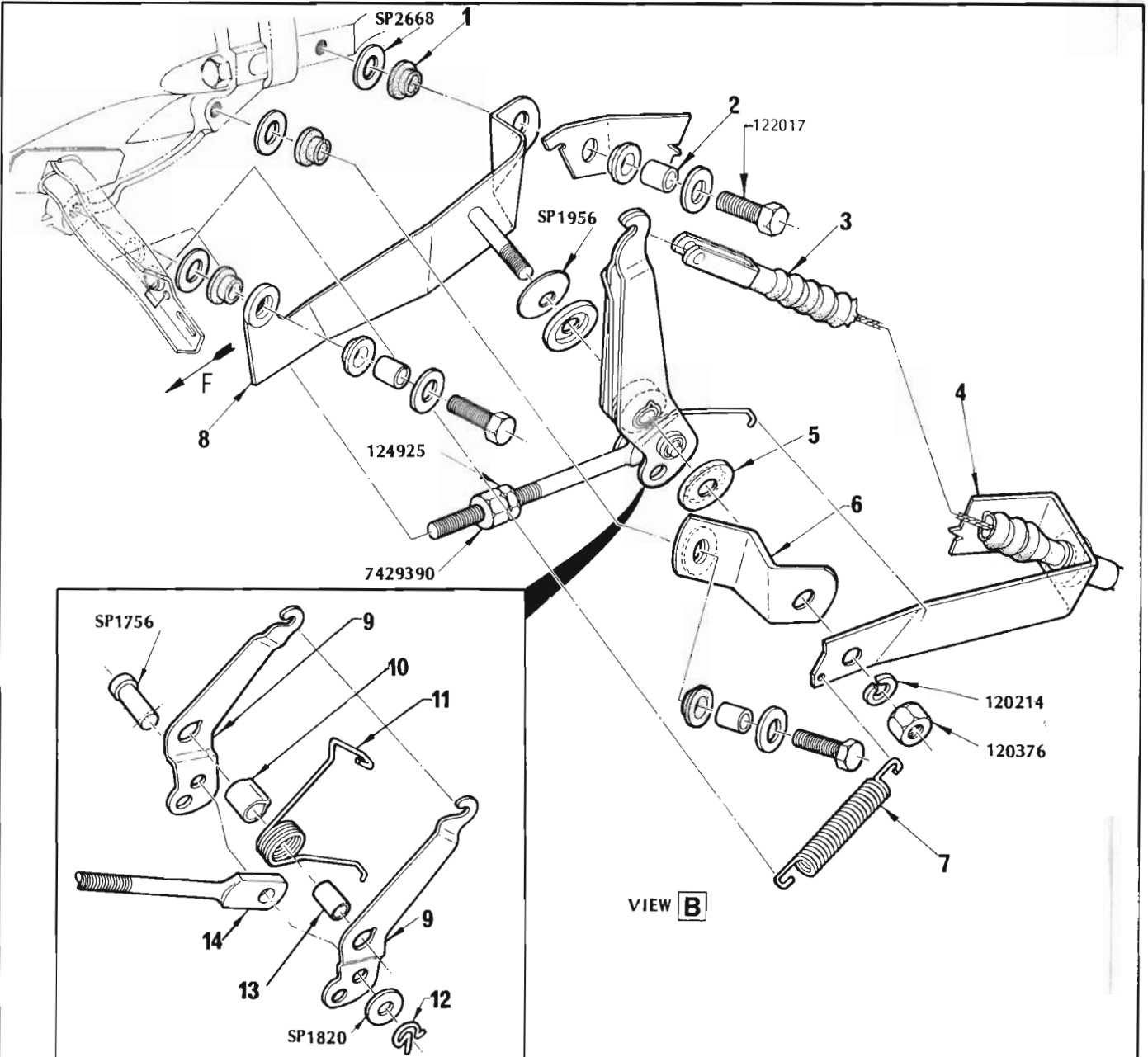
CLUTCH PEDAL

ILLUS. REF. NO.	PART NAME	GROUP
1.	BOLT - Clutch pedal retaining	0.837
2.	BRACKET - Clutch pedal bumper	0.830
3.	SPACER - Pivot	0.831
4.	BUSH - Clutch pedal	0.831
5.	PAD - Clutch pedal	0.830
6.	PEDAL ASSEMBLY - Clutch	0.830
7.	ECCENTRIC ASSEMBLY - Clutch pedal bumper	0.830
8.	BUMPER - Clutch pedal	0.830
9.	CABLE ASSEMBLY - Clutch control	0.787



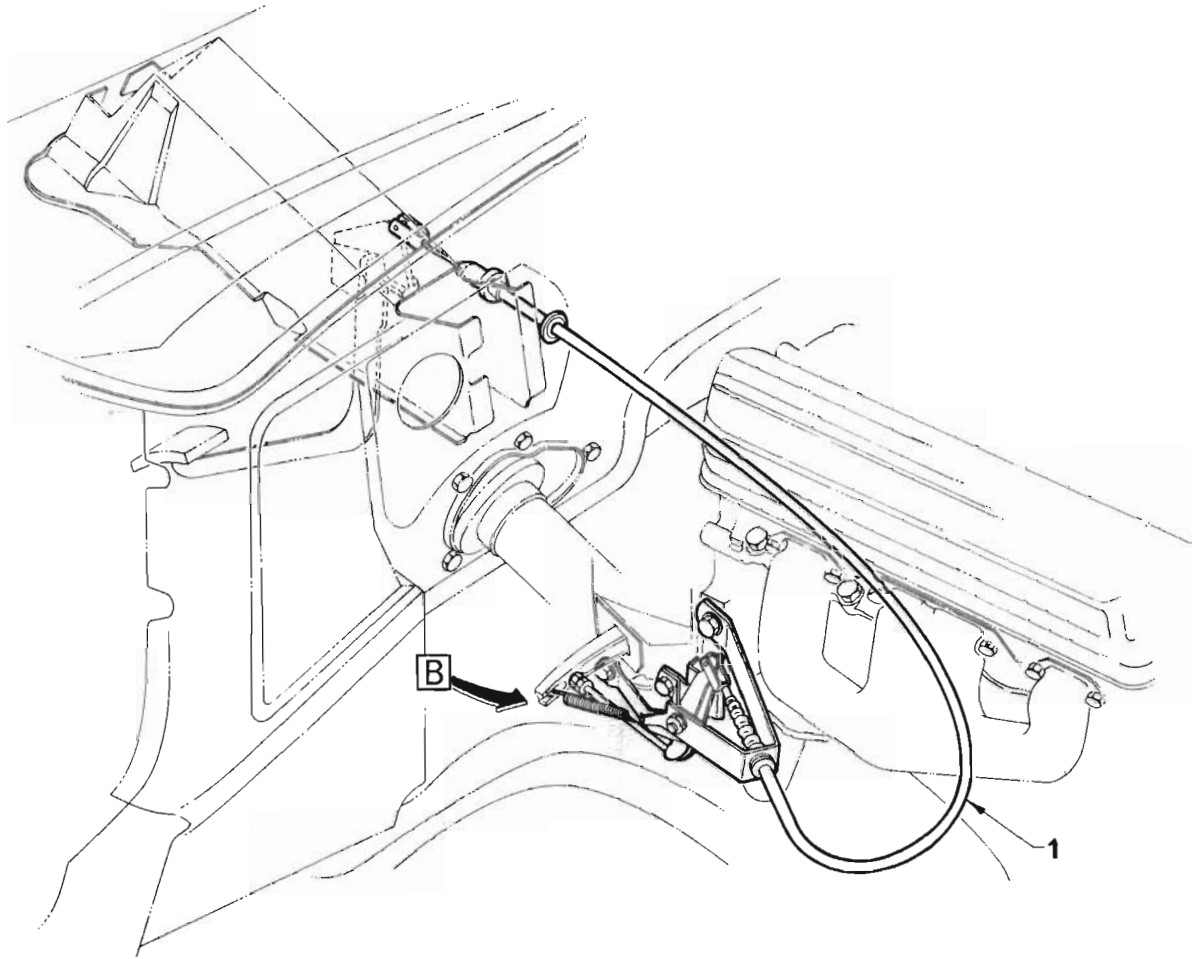
CLUTCH CONTROL
6 Cylinder Engine

ILLUS. REF. NO.	PART NAME	GROUP
1.	CABLE ASSEMBLY – Clutch control	0.787



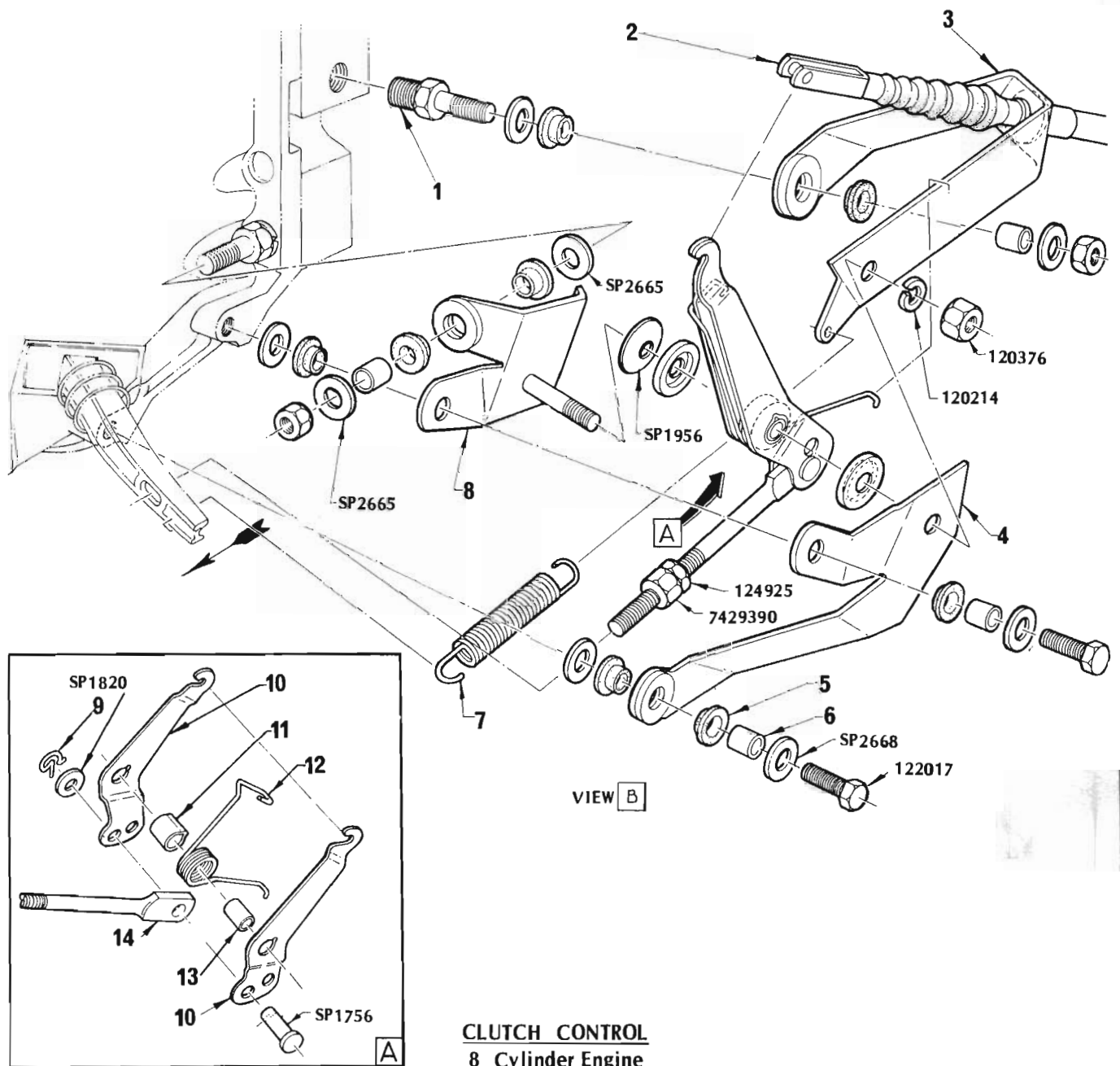
**CLUTCH CONTROL
6 Cylinder Engine**

ILLUS. REF. NO.	PART NAME	GROUP
1.	INSULATOR – Relay lever and mounting bracket	0.852
2.	SPACER – Relay lever insulator	0.852
3.	CABLE ASSEMBLY – Clutch control	0.787
4.	BRACKET – Cable mounting	0.852
5.	WASHER – Bracket to relay lever & support thrust	0.852
6.	SUPPORT ASSEMBLY – Relay lever mounting	0.852
7.	SPRING – Clutch lever return	0.844
8.	BRACKET ASSEMBLY – Relay lever mounting	0.852
9.	LEVER – Clutch relay	0.852
10.	BUSH – Relay lever pivot	0.852
11.	SPRING – Clutch relay lever return	0.844
12.	CLIP – Relay lever	0.852
13.	SPACER – Relay lever	0.852
14.	ROD – Clutch lever push	0.839



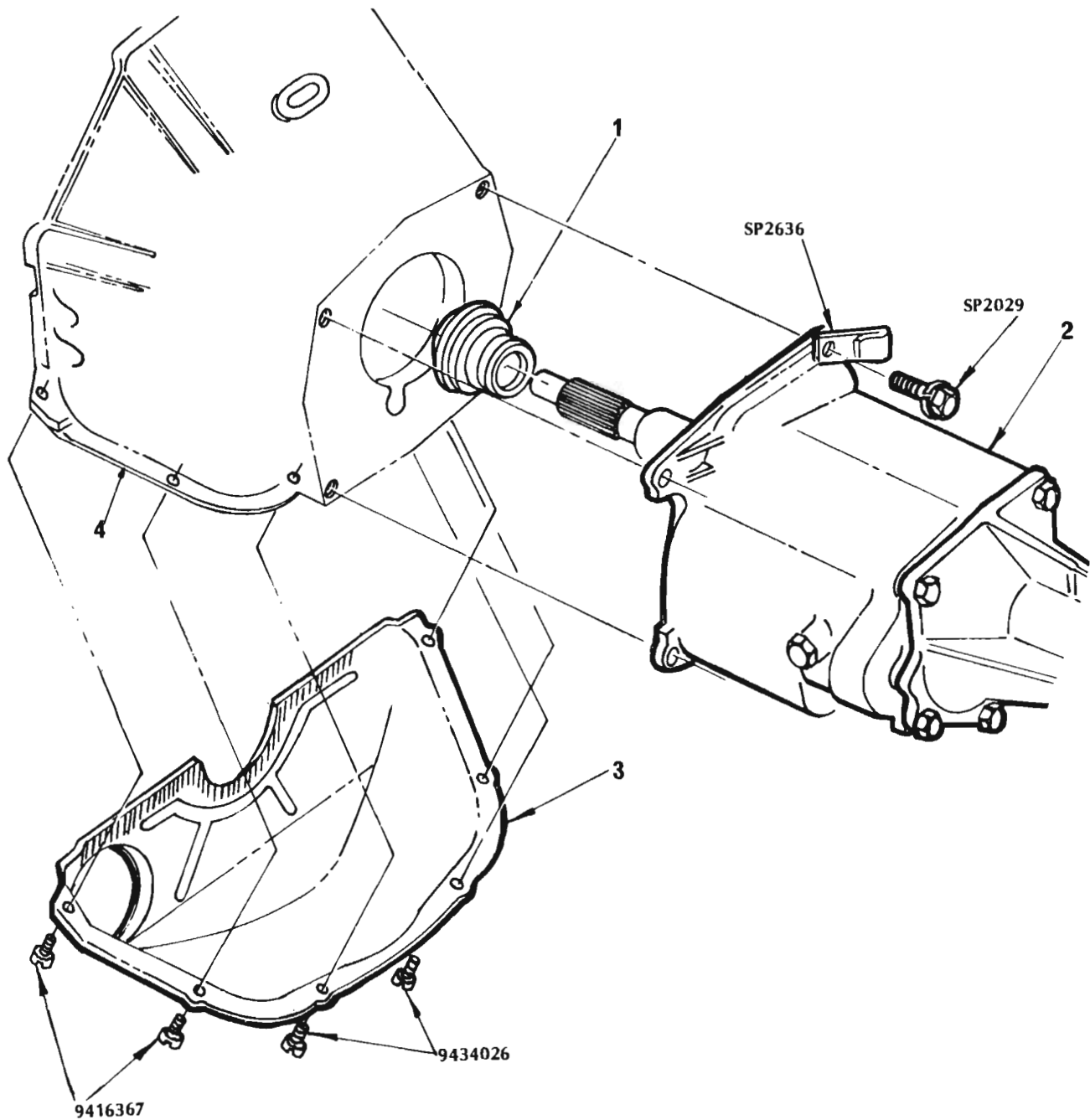
CLUTCH CONTROL
8 Cylinder Engine

ILLUS. REF. NO.	PART NAME	GROUP
1.	CABLE ASSEMBLY - Clutch control	0.787



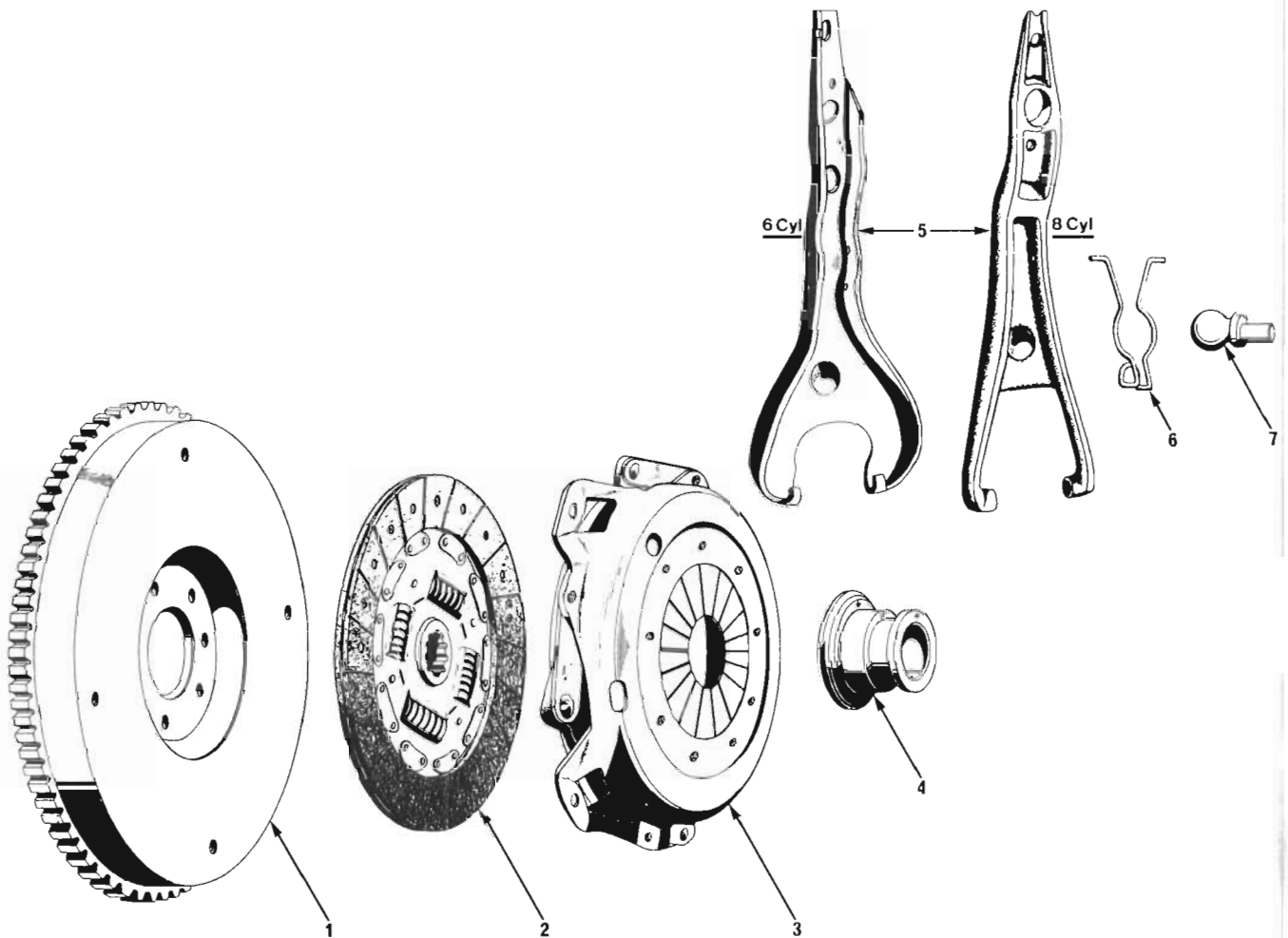
CLUTCH CONTROL
8 Cylinder Engine

ILLUS. REF. NO.	PART NAME	GROUP
1.	STUD - Bracket to engine	0.852
2.	CABLE ASSEMBLY - Clutch control	0.787
3.	BRACKET - Cable mounting	0.852
4.	BRACKET - Relay lever support	0.852
5.	INSULATOR - Bracket to transmission	0.852
6.	SPACER - Bracket to transmission	0.852
7.	SPRING - Clutch lever return	0.844
8.	BRACKET - Relay lever mounting	0.852
9.	CLIP - Relay lever	0.852
10.	LEVER - Clutch relay	0.852
11.	BUSH - Relay lever pivot	0.852
12.	SPRING - Clutch relay lever return	0.844
13.	SPACER - Relay lever	0.852
14.	ROD - Clutch lever push	0.839



HOUSING. COVER, BEARING – CLUTCH

ILLUS. REF. NO.	PART NAME	GROUP
1.	BEARING – Clutch throwout	0.799
2.	TRANSMISSION ASSEMBLY	4.003
3.	COVER – Clutch housing	0.679
4.	HOUSING – Clutch	0.683



**FLYWHEEL and CLUTCH
6 & 8 Cylinder Engine**

ILLUS. REF. NO.	PART NAME	GROUP
1.	FLYWHEEL & RING GEAR ASSEMBLY	0.666
2.	PLATE ASSEMBLY - Clutch driven	0.886
3.	COVER & PRESSURE PLATE ASSEMBLY - Clutch	0.861
4.	BEARING ASSEMBLY	0.799
5.	LEVER - Clutch	0.795
6.	SPRING - Ball stud	0.796
7.	STUD - Clutch lever ball	0.796

"HX" STATESMAN/HOLDEN PARTS CATALOGUE

GROUP	DESCRIPTION	MODEL	SIDE	PART No.	QTY.
0.000	ENGINE ASSEMBLY – Complete (Service)				
	Current Production Engine Assemblies (Complete) are marketed through GM Allied Products Division Distributors				
0.001	GASKET SET – Engine overhaul				
	SUPPLEMENTARY (less crankshaft rear bearing oil seal)	6 Cyl. Eng.		9930831	1
	SUPPLEMENTARY (less crankshaft rear bearing oil seal)	8 Cyl. Eng.		9930830	1
	NOTE – The above Gasket Set contains, in conjunction with the appropriate Cylinder Head Gasket Set (Group 0.289) and rear bearing oil seals, all gaskets necessary for a complete engine overhaul.				
0.027	MOUNTING, BRACKET – Power plant mounting				
	MOUNTING ASSEMBLY – Front	6 Cyl. Eng. exc. Air Cond.		2823491	2
	MOUNTING ASSEMBLY – Front	6 Cyl. Eng. Air Cond.		2815138	2
	BOLT – Mounting to crossmember bracket	6 Cyl. Eng.		122340	2
	WASHER – Mounting to crossmember bracket – Flat	6 Cyl. Eng.		SP2496	4
	WASHER – Mounting to crossmember bracket – Lock	6 Cyl. Eng.		120383	2
	NUT – Mounting to crossmember bracket	6 Cyl. Eng.		271501	2
	BOLT – Mounting to engine bracket	6 Cyl. Eng.		180079	4
	WASHER – Mounting to engine bracket – Flat	6 Cyl. Eng.		3713379	4
	WASHER – Mounting to engine bracket – Lock	6 Cyl. Eng.		120214	4
	NUT – Mounting to engine bracket	6 Cyl. Eng.		120376	4
	BRACKET ASSEMBLY – Front mounting	6 Cyl. Eng. exc. Air Cond.	LH	9929041	1
	BOLT – Bracket to engine – Hex. hd. $\frac{7}{16}$ " – 14 x $\frac{7}{8}$ "	6 Cyl. Eng. exc. Air Cond.		180144	2
	BOLT – Bracket to engine – Hex. hd. $\frac{3}{8}$ " – 16 x $\frac{1}{16}$ "	6 Cyl. Eng. exc. Air Cond.		180119	1
	BRACKET ASSEMBLY – Front mounting	6 Cyl. Eng.	RH	9929042	1
	BOLT – Bracket to engine – Hex. hd. $\frac{3}{8}$ " – 16 x $\frac{1}{16}$ "	6 Cyl. Eng. exc. P/Stg.		180119	1
	BOLT & WASHER – Bracket to engine – Hex. hd. $\frac{3}{8}$ " – 16 x 1.125"	6 Cyl. Eng. P/Stg.		SP2079	1
	BOLT – Bracket to engine, hex. hd. $\frac{3}{8}$ " – 16 x $\frac{1}{16}$ "	6 Cyl. Eng.		180119	2
	BRACKET ASSEMBLY – Front mounting	6 Cyl. Eng. Air Cond.	LH	2814771	1
	BOLT – Bracket to engine	6 Cyl. Eng. Air Cond.		180119	1
	BOLT – Bracket to engine	6 Cyl. Eng. Air Cond.		7421673	2
	WASHER – Bracket to engine	6 Cyl. Eng. Air Cond.		120383	2
	SUPPORT ASSEMBLY – Front	8 Cyl. Eng.		9930472	2
	BOLT – Mounting to crossmember bracket	8 Cyl. Eng.		122340	2
	WASHER – Mounting to crossmember bracket – Flat	8 Cyl. Eng.		SP2496	4
	WASHER – Mounting to crossmember bracket – Lock	8 Cyl. Eng.		120383	2
	NUT – Mounting to crossmember bracket	8 Cyl. Eng.		271501	2
	WASHER – Support to bracket – Lock	8 Cyl. Eng.		120382	4
	NUT – Support to bracket	8 Cyl. Eng.		120369	4
	BRACKET – Front mounting	8 Cyl. Eng. exc. Air Cond.	LH	2813743	1
	BRACKET – Front mounting	8 Cyl. Eng.	RH	2813743	1
	BRACKET ASSEMBLY – Front mounting	8 Cyl. Eng. Air Cond.	LH	2812402	1
	BOLT – Bracket to engine – Hex. hd. $\frac{3}{8}$ " – 16 x $\frac{7}{8}$ "	8 Cyl. Eng.		180121	4
	BOLT – Bracket to engine – Hex. hd. $\frac{7}{16}$ " – 14 x $\frac{7}{8}$ "	8 Cyl. Eng.		454943	2
0.033	CYLINDER BLOCK				
	BLOCK COMPLETE – (Short Motor)	(M) 2850 Eng. 8.3:1 C.R.		9937605	1
	BLOCK COMPLETE – (Short Motor)	(A) 2850 Eng. 8.3:1 C.R.		9937604	1
	BLOCK COMPLETE – (Short Motor)	(M) 2850 Eng. 9.4:1 C.R.		9937603	1
	BLOCK COMPLETE – (Short Motor)	(A) 2850 Eng. 9.4:1 C.R.		9937602	1
	BLOCK COMPLETE – (Short Motor)	(M) 3300 Eng. 7.8:1 C.R.		9936869	1
	BLOCK COMPLETE – (Short Motor)	(A) 3300 Eng. 7.8:1 C.R.		9936870	1
	BLOCK COMPLETE – (Short Motor)	(M) 3300 Eng. 9.4:1 C.R.		9936865	1
	BLOCK COMPLETE – (Short Motor)	(A) 3300 Eng. 9.4:1 C.R.		9936866	1
	BLOCK COMPLETE – (Short Motor)	4.2 Litre Eng. 9.0:1 C.R.		9939101	1
	BLOCK COMPLETE – (Short Motor)	(M) 5 Litre Eng.		9937871	1
	BLOCK COMPLETE – (Short Motor)	(A) 5 Litre Eng.		9938007	1
	BLOCK – Fitted with pistons	2850 Eng. 8.3:1 C.R.		9937609	1
	BLOCK – Fitted with pistons	2850 Eng. 9.4:1 C.R.		9937608	1
	BLOCK – Fitted with pistons	3300 Eng. 7.8:1 C.R.		9936876	1

"HX" STATESMAN/HOLDEN PARTS CATALOGUE

GROUP	DESCRIPTION	MODEL	SIDE	PART No.	QTY.
0.033	CYLINDER BLOCK (contd.)				
	BLOCK - Fitted with pistons	3300 Eng. 9.4:1 C.R.		9936874	1
	BLOCK - Fitted with pistons	4.2 Litre Eng. 9.0:1 C.R.		9941365	1
	BLOCK - Fitted with pistons	(M) 5 Litre Eng.		9937874	1
	BLOCK - Fitted with pistons	(A) 5 Litre Eng.		9938008	1
	PLUG - Water jacket core cup 1 1/2"	6 Cyl. Eng.		SP1652	2
	PLUG - Water jacket core, rear 2 1/4"	6 Cyl. Eng.		3789860	1
	PLUG - Water jacket core cup 2 1/8"	6 Cyl. Eng.		SP1649	1
	PLUG - Water jacket core 1 5/8"	ALL		838538	3-8
	PLUG - Water jacket core cup 1 1/16"	6 Cyl. Eng.		SP1648	3
	PLUG - Water jacket core 1 5/8"	8 Cyl. Eng.		SP1812	2
	PLUG - Rear locating hole - 5/8" cup	8 Cyl. Eng.		9427961	1
	COCK - Drain	ALL		444819	1-2
	PLUG KIT - Expansion	6 Cyl. Eng.		7420345	1
	PLUG - Water jacket core 1 1/4"	6 Cyl. Eng.		7401296	2
	PIN - Dowel, cyl. head and crankcase cover	ALL		141216	A.R.
	NOTE - Block complete (Short Motor) includes Crankshaft, Camshaft, Timing Gears, Pistons, Piston Rings, Piston Pins, Connecting Rods, Front Cover Plate.				
0.056	BOLT - Crankshaft bearing cap				
	BOLT - Bearing cap	6 Cyl. Eng.		7420106	14
	BOLT - Bearing cap	8 Cyl. Eng.		7448829	10
0.094	BEARING SET - Crankshaft				
	STANDARD	6 Cyl. Eng.		2817581	1
	.001" U/S	6 Cyl. Eng.		2817582	1
	.002" U/S	6 Cyl. Eng.		2817583	1
	.010" U/S	6 Cyl. Eng.		2817585	1
	.020" U/S	6 Cyl. Eng.		2817586	1
	.030" U/S	6 Cyl. Eng.		2817587	1
	STANDARD	8 Cyl. Eng.		2806384	1
	.001" U/S	8 Cyl. Eng.		2806385	1
	.002" U/S	8 Cyl. Eng.		2806386	1
	.010" U/S	8 Cyl. Eng.		2806388	1
	.020" U/S	8 Cyl. Eng.		2806389	1
	.030" U/S	8 Cyl. Eng.		2806390	1
0.095	CAP - Crankshaft front bearing				
	CAP	6 Cyl. Eng.		2819462	1
	CAP	8 Cyl. Eng.		2811792	1
0.096	BEARING UNIT - Crankshaft front				
	STANDARD	6 Cyl. Eng.		2817588	1
	.001" U/S	6 Cyl. Eng.		2817589	1
	.002" U/S	6 Cyl. Eng.		2817590	1
	.010" U/S	6 Cyl. Eng.		2817592	1
	.020" U/S	6 Cyl. Eng.		2817593	1
	.030" U/S	6 Cyl. Eng.		2817594	1
	STANDARD	8 Cyl. Eng.		2806368	1
	.001" U/S	8 Cyl. Eng.		2806369	1
	.002" U/S	8 Cyl. Eng.		2806370	1
	.010" U/S	8 Cyl. Eng.		2806372	1
	.020" U/S	8 Cyl. Eng.		2806373	1
	.030" U/S	8 Cyl. Eng.		2806374	1
0.098	CAP - Crankshaft front intermediate bearing				
	CAP	6 Cyl. Eng.		2819462	2
	CAP	8 Cyl. Eng.		2811792	1

"HX" STATESMAN/HOLDEN PARTS CATALOGUE

GROUP	DESCRIPTION	MODEL	SIDE	PART No.	QTY.
0.099	BEARING UNIT – Crankshaft front intermediate				
	STANDARD	6 Cyl. Eng.		2817588	2
	.001" U/S	6 Cyl. Eng.		2817589	2
	.002" U/S	6 Cyl. Eng.		2817590	2
	.010" U/S	6 Cyl. Eng.		2817592	2
	.020" U/S	6 Cyl. Eng.		2817593	2
	.030" U/S	6 Cyl. Eng.		2817594	2
	STANDARD	8 Cyl. Eng.		2806368	1
	.001" U/S	8 Cyl. Eng.		2806369	1
	.002" U/S	8 Cyl. Eng.		2806370	1
	.010" U/S	8 Cyl. Eng.		2806372	1
	.020" U/S	8 Cyl. Eng.		2806373	1
	.030" U/S	8 Cyl. Eng.		2806374	1
0.100	CAP – Crankshaft centre bearing				
	CAP	6 Cyl. Eng.		2819462	1
	CAP	8 Cyl. Eng.		2811792	1
0.101	BEARING UNIT – Crankshaft centre				
	STANDARD	6 Cyl. Eng.		2817588	1
	.001" U/S	6 Cyl. Eng.		2817589	1
	.002" U/S	6 Cyl. Eng.		2817590	1
	.010" U/S	6 Cyl. Eng.		2817592	1
	.020" U/S	6 Cyl. Eng.		2817593	1
	.030" U/S	6 Cyl. Eng.		2817594	1
	STANDARD	8 Cyl. Eng.		2806368	1
	.001" U/S	8 Cyl. Eng.		2806369	1
	.002" U/S	8 Cyl. Eng.		2806370	1
	.010" U/S	8 Cyl. Eng.		2806372	1
	.020" U/S	8 Cyl. Eng.		2806373	1
	.030" U/S	8 Cyl. Eng.		2806374	1
0.102	CAP – Crankshaft rear intermediate bearing				
	CAP	6 Cyl. Eng.		2819462	2
	CAP	8 Cyl. Eng.		2811792	1
0.103	BEARING UNIT – Crankshaft rear intermediate				
	STANDARD	6 Cyl. Eng.		2817588	2
	.001" U/S	6 Cyl. Eng.		2817589	2
	.002" U/S	6 Cyl. Eng.		2817590	2
	.010" U/S	6 Cyl. Eng.		2817592	2
	.020" U/S	6 Cyl. Eng.		2817593	2
	.030" U/S	3300 Eng.		2817594	2
	STANDARD	8 Cyl. Eng.		2806368	1
	.001" U/S	8 Cyl. Eng.		2806369	1
	.002" U/S	8 Cyl. Eng.		2806370	1
	.010" U/S	8 Cyl. Eng.		2806372	1
	.020" U/S	8 Cyl. Eng.		2806373	1
	.030" U/S	8 Cyl. Eng.		2806374	1
0.105	CAP – Crankshaft rear bearing				
	CAP	6 Cyl. Eng.		9937267	1
	CAP	8 Cyl. Eng.		9937924	1
0.106	BEARING UNIT – Crankshaft rear				
	STANDARD	6 Cyl. Eng.		2817595	1
	.001" U/S	6 Cyl. Eng.		2817596	1
	.002" U/S	6 Cyl. Eng.		2817597	1
	.010" U/S	6 Cyl. Eng.		2817599	1
	.020" U/S	6 Cyl. Eng.		2817600	1
	.030" U/S	6 Cyl. Eng.		2817601	1
	STANDARD	8 Cyl. Eng.		2806375	1

"HX" STATESMAN/HOLDEN PARTS CATALOGUE

GROUP	DESCRIPTION	MODEL	SIDE	PART No.	QTY.
0.106	BEARING UNIT – Crankshaft rear (contd.)				
	.001" U/S	8 Cyl. Eng.		2806376	1
	.002" U/S	8 Cyl. Eng.		2806377	1
	.010" U/S	8 Cyl. Eng.		2806379	1
	.020" U/S	8 Cyl. Eng.		2806380	1
	.030" U/S	8 Cyl. Eng.		2806381	1
0.137	SEAL – Crankshaft rear bearing oil				
	SEAL	ALL		9929162	2
0.206	COVER – Crankcase front end				
	COVER ASSEMBLY	6 Cyl. Eng.		2814753	1
	BOLT – Crankcase front cover	6 Cyl. Eng.		7427738	6
	PIN – Crankcase front cover	6 Cyl. Eng.		141216	2
	COVER ASSEMBLY	8 Cyl. Eng.		9938739	1
	BOLT – Crankcase front cover, hex. hd. $\frac{5}{16}$ " – 18 x 1"	8 Cyl. Eng.		9427636	1
	BOLT – Crankcase front cover, hex. hd. $\frac{5}{16}$ " – 18 x 1 $\frac{3}{8}$ "	8 Cyl. Eng.		9428163	1
	BOLT – Crankcase front cover, hex. hd. $\frac{5}{16}$ " – 18 x 1 $\frac{3}{4}$ "	8 Cyl. Eng.		9427637	3
	BOLT – Crankcase front cover, hex. hd. $\frac{5}{16}$ " – 18 x 2 $\frac{1}{4}$ "	8 Cyl. Eng.		9427638	1
	BOLT – Crankcase front cover, hex. hd. $\frac{5}{16}$ " – 18 x 2 $\frac{1}{8}$ "	8 Cyl. Eng.		9427813	5
	PIN – Crankcase front cover	8 Cyl. Eng.		141192	2
0.207	GASKET – Crankcase front end cover				
	GASKET	6 Cyl. Eng.		7420004	1
	GASKET	8 Cyl. Eng.		7434717	1
0.209	SEAL – Crankcase front end cover oil				
	SEAL	6 Cyl. Eng.		3835946	1
	SEAL	8 Cyl. Eng.		3980267	1
0.269	HEAD – Cylinder				
	HEAD COMPLETE	2850 Eng. 8.3:1 C.R.		9940059	1
	HEAD COMPLETE	2850 Eng. 9.4:1 C.R.		9940058	1
	HEAD COMPLETE	3300 Eng.	92609829	9940059	1
	HEAD COMPLETE	8 Cyl. Eng.		⁹⁸ 2812173	2
	HEAD COMPLETE	8 Cyl. Eng.		⁹³ 9936121	2
	HEAD	2850 Eng. 8.3:1 C.R.		9940061	1
	HEAD	2850 Eng. 9.4:1 C.R.		9940060	1
	HEAD	3300 Eng.		9940061	1
	HEAD	8 Cyl. Eng.		⁹⁸ 2812174	2
	HEAD	8 Cyl. Eng.		⁹³ 9936122	2
	PLUG – Water jacket core $\frac{3}{4}$ "	6 Cyl. Eng.		7420138	3
	NOTE – Head complete includes Valves, Valve Springs, Caps and Keys.				
0.277	SWITCH – Thermo sender unit				
	Refer Group 1.150				
0.289	GASKET SET, GASKET – Cylinder head				
	GASKET SET	2850 Eng.		2819458	1
	GASKET	2850 Eng.		2810692	1
	GASKET SET	3300 Eng.		7430270	1
	GASKET	3300 Eng.		7429473	1
	GASKET SET	4.2 Litre Eng.		2811056	1
	GASKET	4.2 Litre Eng.		7434812	2
	GASKET SET	5 Litre Eng.		2811057	1
	GASKET	5 Litre Eng.		7438960	2
Note:	⁹³ With Evaporative and Exhaust Emission Control – A.D.R. 27A (Refer Safety Compliance Plate).				
	⁹⁸ Without Exhaust Emission Control.				

"HX" STATESMAN/HOLDEN PARTS CATALOGUE

GROUP	DESCRIPTION	MODEL	SIDE	PART No.	QTY.
0.293	BOLT – Cylinder head				
	BOLT	6 Cyl. Eng.		7420137	14
	BOLT - 1 ¹ / ₆ " long	8 Cyl. Eng.		7434808	10
	BOLT - 3 ¹ / ₆ " long	8 Cyl. Eng.		7434809	4
	BOLT - 4 ¹ / ₄ " long	8 Cyl. Eng.		7434810	10
0.296	VALVE – Inlet				
	STANDARD	6 Cyl. Eng.		7420071	6
	.0015" O/S	6 Cyl. Eng.		7427731	6
	.003" O/S	6 Cyl. Eng.		7420172	6
	.015" O/S	6 Cyl. Eng.		7420173	6
	.030" O/S	6 Cyl. Eng.		7420174	6
	STANDARD	8 Cyl. Eng.		7434767	8
	.0015" O/S	8 Cyl. Eng.		7434814	8
	.003" O/S	8 Cyl. Eng.		7434815	8
	.015" O/S	8 Cyl. Eng.		7434816	8
	.030" O/S	8 Cyl. Eng.		7434817	8
0.297	VALVE – Exhaust				
	STANDARD	6 Cyl. Eng.		7420072	6
	.0015" O/S	6 Cyl. Eng.		7427732	6
	.003" O/S	6 Cyl. Eng.		7420175	6
	.015" O/S	6 Cyl. Eng.		7420176	6
	.030" O/S	6 Cyl. Eng.		7420177	6
	STANDARD	8 Cyl. Eng.		7434768	8
	.0015" O/S	8 Cyl. Eng.		7434818	8
	.003" O/S	8 Cyl. Eng.		7434819	8
	.015" O/S	8 Cyl. Eng.		7434820	8
	.030" O/S	8 Cyl. Eng.		7434821	8
0.303	SPRING – Valve				
	SPRING	6 Cyl. Eng.		9939570	12
	SPRING	8 Cyl. Eng.		3911068	16
0.308	SEAL, SHIELD – Valve stem				
	SEAL	ALL		7434738	12-16
	SHIELD	6 Cyl. Eng.		3836755	12
	SHIELD	8 Cyl. Eng.		7436029	16
0.309	CAP – Valve spring				
	CAP	6 Cyl. Eng.		3711176	12
	CAP	8 Cyl. Eng.		3896934	16
0.310	KEY – Valve stem				
	KEY	ALL		838029	24-32
0.333	ARM – Valve rocker				
	ARM	6 Cyl. Eng.		2811931	12
	ARM	8 Cyl. Eng.		7434870	16
0.386	COVER – Valve rocker				
	COVER	6 Cyl. Eng.		9932266	1
	COVER ASSEMBLY	8 Cyl. Eng.	LH	9943537	1
	COVER ASSEMBLY	8 Cyl. Eng.	RH	9932874	1
	BOLT - Cover to cylinder head	ALL		9414811	8-12
0.413	REINFORCEMENT – Valve rocker cover				
	REINFORCEMENT	ALL		2806691	8-12

"HX" STATESMAN/HOLDEN PARTS CATALOGUE

GROUP	DESCRIPTION	MODEL	SIDE	PART No.	QTY.
0.423	GASKET – Valve rocker cover				
	GASKET	6 Cyl. Eng.		2805794	1
	GASKET	8 Cyl. Eng.		2820930	2
0.426	ROD – Valve push				
	ROD	6 Cyl. Eng.		2811932	12
	ROD ASSEMBLY	8 Cyl. Eng.		7436758	16
0.429	PIVOT, BOLT – Valve rocker arm				
	PIVOT	6 Cyl. Eng.		2811933	6
	PIVOT	8 Cyl. Eng.		7434861	8
	BOLT – Pivot	ALL		9423842	12-16
0.439	COVER – Valve push rod				
	COVER	6 Cyl. Eng.		7420124	2
0.443	GASKET – Valve push rod cover				
	GASKET	6 Cyl. Eng.		2805795	2
0.449	BOLT – Valve push rod cover				
	BOLT and SEAL ASSEMBLY	6 Cyl. Eng.		7421877	6
	SEAL	6 Cyl. Eng.		M35821	6
0.459	LIFTER – Hydraulic Valve				
	LIFTER ASSEMBLY	ALL		5232765	12-16
0.519	CAMSHAFT				
	CAMSHAFT	2850 Eng.		⁽⁹⁶⁾ 7420034	1
	CAMSHAFT	(M) 3300 Eng.		2818929	1
	CAMSHAFT	(A) 3300 Eng.		⁽⁹³⁾ 9930127	1
	CAMSHAFT	(A) 3300 Eng.		⁽⁹⁶⁾ 2818929	1
	CAMSHAFT	4.2 Litre Eng.		⁽⁹⁶⁾ 7434871	1
	CAMSHAFT	4.2 Litre Eng.		⁽⁹³⁾ 9936253	1
	CAMSHAFT	5 Litre Eng.		2825882	1
0.533	BEARING – Camshaft thrust				
	BEARING	6 Cyl. Eng.		7429774	1
	BOLT – Bearing to cylinder block	6 Cyl. Eng.		9416367	2
0.533	LOCATOR, BOLT – Camshaft				
	LOCATOR	8 Cyl. Eng.		7435250	1
	BOLT	8 Cyl. Eng.		7435107	1
0.536	BEARING SET – Camshaft				
	BEARING SET	6 Cyl. Eng.		7423616	1
	BEARING SET	8 Cyl. Eng.		2811061	1
0.553	PLUG – Camshaft rear bearing				
	PLUG	6 Cyl. Eng.		3789860	1
	PLUG – Cup 2 ¹ / ₁₆ "	6 Cyl. Eng.		SP1649	1
	PLUG	8 Cyl. Eng.		SP1975	1
0.603	ROD – Connecting				
	ROD ASSEMBLY	6 Cyl. Eng.		7429519	6
	ROD ASSEMBLY	8 Cyl. Eng.		7435450	8
Note:	⁽⁹³⁾ With Evaporative and Exhaust Emission Control – A.D.R. 27A (Refer Safety Compliance Plate).				
	⁽⁹⁶⁾ Without Exhaust Emission Control.				

"HX" STATESMAN/HOLDEN PARTS CATALOGUE

GROUP	DESCRIPTION	MODEL	SIDE	PART No.	QTY.
0.616	BEARING SET, BEARING UNIT – Connecting rod				
	BEARING SET – Standard	6 Cyl. Eng.		7430450	1
	BEARING SET – .001" U/S	6 Cyl. Eng.		7430451	1
	BEARING SET – .002" U/S	6 Cyl. Eng.		7430452	1
	BEARING SET – .010" U/S	6 Cyl. Eng.		7430453	1
	BEARING SET – .020" U/S	6 Cyl. Eng.		7430454	1
	BEARING SET – Standard	8 Cyl. Eng.		2806399	1
	BEARING SET – .001" U/S	8 Cyl. Eng.		2806400	1
	BEARING SET – .002" U/S	8 Cyl. Eng.		2813373	1
	BEARING SET – .010" U/S	8 Cyl. Eng.		2813379	1
	BEARING SET – .020" U/S	8 Cyl. Eng.		9937902	1
	BEARING UNIT – Standard	6 Cyl. Eng.		7430444	6
	BEARING UNIT – .001" U/S	6 Cyl. Eng.		7430445	6
	BEARING UNIT – .002" U/S	6 Cyl. Eng.		7430446	6
	BEARING UNIT – .010" U/S	6 Cyl. Eng.		7430448	6
	BEARING UNIT – .020" U/S	6 Cyl. Eng.		7430449	6
	BEARING UNIT – Standard	8 Cyl. Eng.		2806382	8
	BEARING UNIT – .001" U/S	8 Cyl. Eng.		2806383	8
	BEARING UNIT – .002" U/S	8 Cyl. Eng.		2813372	8
	BEARING UNIT – .010" U/S	8 Cyl. Eng.		2813378	8
	BEARING UNIT – .020" U/S	8 Cyl. Eng.		9937903	8
0.623	BOLT – Connecting rod				
	BOLT	6 Cyl. Eng.		7420086	12
	BOLT	8 Cyl. Eng.		7434726	16
0.626	NUT – Connecting rod bolt				
	NUT	6 Cyl. Eng.		6255523	12
	NUT	8 Cyl. Eng.		3784834	16
0.629	PISTON and PIN				
	STANDARD	2850 Eng. 8.3: 1 C.R.		2819526	6
	STANDARD – High limit	2850 Eng. 8.3: 1 C.R.		2819527	6
	.001" O/S	2850 Eng. 8.3: 1 C.R.		2819528	6
	.002" O/S	2850 Eng. 8.3: 1 C.R.		2819529	6
	.020" O/S	2850 Eng. 8.3: 1 C.R.		2819530	6
	.030" O/S	2850 Eng. 8.3: 1 C.R.		2819531	6
	.040" O/S	2850 Eng. 8.3: 1 C.R.		2819532	6
	STANDARD	2850 Eng. 9.4: 1 C.R.		2819519	6
	STANDARD – High limit	2850 Eng. 9.4: 1 C.R.		2819520	6
	.001" O/S	2850 Eng. 9.4: 1 C.R.		2819521	6
	.002" O/S	2850 Eng. 9.4: 1 C.R.		2819522	6
	.020" O/S	2850 Eng. 9.4: 1 C.R.		2819523	6
	.030" O/S	2850 Eng. 9.4: 1 C.R.		2819524	6
	.040" O/S	2850 Eng. 9.4: 1 C.R.		2819525	6
	STANDARD	3300 Eng. 7.8: 1 C.R.		2819512	6
	STANDARD – High limit	3300 Eng. 7.8: 1 C.R.		2819513	6
	.001" O/S	3300 Eng. 7.8: 1 C.R.		2819514	6
	.002" O/S	3300 Eng. 7.8: 1 C.R.		2819515	6
	.020" O/S	3300 Eng. 7.8: 1 C.R.		2819516	6
	.030" O/S	3300 Eng. 7.8: 1 C.R.		2819517	6
	.040" O/S	3300 Eng. 7.8: 1 C.R.		2819518	6
	STANDARD	3300 Eng. 9.4: 1 C.R.		2819505	6
	STANDARD – High limit	3300 Eng. 9.4: 1 C.R.		2819506	6
	.001" O/S	3300 Eng. 9.4: 1 C.R.		2819507	6
	.002" O/S	3300 Eng. 9.4: 1 C.R.		2819508	6
	.020" O/S	3300 Eng. 9.4: 1 C.R.		2819509	6
	.030" O/S	3300 Eng. 9.4: 1 C.R.		2819510	6
	.040" O/S	3300 Eng. 9.4: 1 C.R.		2819511	6
	STANDARD	4.2 Litre Eng. 9.0: 1 C.R.		(⁹³ 9941368	8
	STANDARD – High limit	4.2 Litre Eng. 9.0: 1 C.R.		(⁹³ 9941369	8
	.001" O/S	4.2 Litre Eng. 9.0: 1 C.R.		(⁹³ 9941370	8
	.002" O/S	4.2 Litre Eng. 9.0: 1 C.R.		(⁹³ 9941371	8

Note: (⁹³ With Evaporative and Exhaust Emission Control – A.D.R. 27A (Refer Safety Compliance Plate).

"HX" STATESMAN/HOLDEN PARTS CATALOGUE

GROUP	DESCRIPTION	MODEL	SIDE	PART No.	QTY.
0.629	PISTON and PIN (contd.)				
	.020" O/S	4.2 Litre Eng. 9.0:1 C.R.		(⁹³ 9941372	8
	.030" O/S	4.2 Litre Eng. 9.0:1 C.R.		(⁹³ 9941373	8
	STANDARD	4.2 Litre Eng. 9.0:1 C.R.		(⁹⁸ 2811402	8
	STANDARD - High limit	4.2 Litre Eng. 9.0:1 C.R.		(⁹⁸ 2811403	8
	.001" O/S	4.2 Litre Eng. 9.0:1 C.R.		(⁹⁸ 2812347	8
	.002" O/S	4.2 Litre Eng. 9.0:1 C.R.		(⁹⁸ 2812348	8
	.020" O/S	4.2 Litre Eng. 9.0:1 C.R.		(⁹⁸ 2811404	8
	.030" O/S	4.2 Litre Eng. 9.0:1 C.R.		(⁹⁸ 2811405	8
	STANDARD	5 Litre Eng.		9937221	8
	STANDARD - High limit	5 Litre Eng.		9937223	8
	.001" O/S	5 Litre Eng.		9937225	8
	.002" O/S	5 Litre Eng.		9937227	8
	.020" O/S	5 Litre Eng.		9937229	8
	.030" O/S	5 Litre Eng.		9937231	8
0.636	PIN - Piston				
	PIN	6 Cyl. Eng.		7421214	6
	PIN	4.2 Litre Eng.		7434728	8
	PIN	5 Litre Eng.		7435617	8
0.643	RING SET - Piston				
	STANDARD	2850 Eng.		2819098	1
	.020" O/S	2850 Eng.		2819099	1
	.030" O/S	2850 Eng.		2819100	1
	.040" O/S	2850 Eng.		2819101	1
	STANDARD	3300 Eng.		2819696	1
	.020" O/S	3300 Eng.		2819697	1
	.030" O/S	3300 Eng.		2819698	1
	.040" O/S	3300 Eng.		2819699	1
	STANDARD	4.2 Litre Eng.		2811532	1
	.020" O/S	4.2 Litre Eng.		2811536	1
	.030" O/S	4.2 Litre Eng.		2811537	1
	STANDARD	5 Litre Eng.		2811531	1
	.020" O/S	5 Litre Eng.		2811533	1
	.030" O/S	5 Litre Eng.		2811534	1
0.646	CRANKSHAFT				
	CRANKSHAFT ASSEMBLY	(M) 2850 Eng.		9935269	1
	CRANKSHAFT ASSEMBLY	(M) 3300 Eng.		9932837	1
	CRANKSHAFT ASSEMBLY	(A) 2850 Eng.		9935272	1
	CRANKSHAFT ASSEMBLY	(A) 3300 Eng.		9932833	1
	CRANKSHAFT ASSEMBLY	4.2 Litre Eng.		(⁹³ 9932845	1
	CRANKSHAFT ASSEMBLY	(M) 5 Litre Eng.		9932843	1
	CRANKSHAFT	(A) 5 Litre Eng.		9937168	1
0.649	BEARING - Crankshaft clutch pilot				
	BEARING	(M)		412562	1
0.649	SLEEVE - Converter pilot				
	SLEEVE	(A) 6 Cyl. Eng.		7420798	1
0.659	DAMPER, PULLEY - Crankshaft				
	DAMPER ASSEMBLY	6 Cyl. Eng.		7434224	1
	KEY - Damper to crankshaft	6 Cyl. Eng.		106751	1
	BOLT - Damper to crankshaft	8 Cyl. Eng.		224255	1
	WASHER - Damper to crankshaft	8 Cyl. Eng.		7435295	1
	PULLEY	6 Cyl. Eng. P/Stg. exc. Air Cond.		2815586	1
	PULLEY	3300 Eng. Air Cond. exc. P/Stg.		2815587	1
	PULLEY ASSEMBLY	3300 Eng. P/Stg., Air Cond.		2815585	1
	Note: (⁹³ Remove clutch pilot bearing on vehicles fitted with automatic transmission. (⁹³ With Evaporative and Exhaust Emission Control - A.D.R. 27A (Refer Safety Compliance Plate). (⁹⁸ Without Exhaust Emission Control.				

"HX" STATESMAN/HOLDEN PARTS CATALOGUE

GROUP	DESCRIPTION	MODEL	SIDE	PART No.	QTY.
0.659	DAMPER, PULLEY – Crankshaft (contd.)				
	BOLT - Pulley to damper	6 Cyl. Eng.		454293	3
	WASHER - Pulley to damper	6 Cyl. Eng.		131099	3
	DAMPER ASSEMBLY	8 Cyl. Eng.		7435458	1
	BOLT - Damper to crankshaft	8 Cyl. Eng.		224255	1
	WASHER - Damper to crankshaft	8 Cyl. Eng.		7435295	1
	PULLEY ASSEMBLY	8 Cyl. Eng. exc. P/Stg., Air Cond.		2813531	1
	PULLEY ASSEMBLY	8 Cyl. Eng. P/Stg., exc. Air Cond.		2813532	1
	PULLEY ASSEMBLY	8 Cyl. Eng. Air Cond. exc. P/Stg.		2813535	1
	PULLEY ASSEMBLY	8 Cyl. Eng. Air Cond., P/Stg.		2813536	1
	BOLT - Pulley to damper	8 Cyl. Eng.		454869	4
	WASHER - Pulley to damper	8 Cyl. Eng.		120214	4
0.666	FLYWHEEL and RING GEAR				
	FLYWHEEL & RING GEAR ASSEMBLY	(M) 6 Cyl. Eng.		7420114	1
	FLYWHEEL & RING GEAR ASSEMBLY	(A) 6 Cyl. Eng.		7420311	1
	FLYWHEEL & RING GEAR ASSEMBLY	(M) 8 Cyl. Eng.		7434800	1
	FLYWHEEL & RING GEAR ASSEMBLY	(A) 4.2 Litre Eng.		7437372	1
	FLYWHEEL & RING GEAR ASSEMBLY	(A) 5 Litre Eng.		9936811	1
0.669	BOLT – Flywheel to crankshaft				
	BOLT	(M) 6 Cyl. Eng.		7420118	6
	BOLT	(A) 6 Cyl. Eng.		7420312	6
	BOLT	(M) 8 Cyl. Eng.		7434739	6
	BOLT	(A) 8 Cyl. Eng.		7434778	6
0.673	GEAR – Flywheel ring				
	GEAR	(M) 6 Cyl. Eng.		7431533	1
	GEAR	(M) 8 Cyl. Eng.		2812461	1
0.679	COVER – Clutch and transmission case				
	COVER - Upper	(M) 6 Cyl. Eng.		7420128	1
	COVER - Lower	(M) 6 Cyl. Eng.		7430096	1
	BOLT - Lower cover to clutch housing, Pan hd. 1/4" - 20 x 1/2"	(M) 6 Cyl. Eng.		9416367	4
	BOLT - Lower cover to clutch housing, Pan hd. 5/16" - 18 x 1/2"	(M) 6 Cyl. Eng.		9434026	2
	COVER - Lower	(M) 8 Cyl. Eng.		7437069	1
	BOLT - Lower cover to clutch housing, Pan hd. 1/4" - 20 x 1/2"	(M) 8 Cyl. Eng.		9416367	4
	BOLT - Lower cover to clutch housing, Pan hd. 5/16" - 18 x 1/2"	(M) 8 Cyl. Eng.		9434026	2
0.679	COVER – Converter housing				
	COVER - Upper	(A) 6 Cyl. Eng.		7420128	1
	COVER - Lower	(A) 6 Cyl. Eng.		7439693	1
	BOLT - Lower cover to converter housing, Pan hd. 1/4" - 20 x 1/2"	(A) 6 Cyl. Eng.		9416367	4
	COVER - Lower	(A) 4.2 Litre Eng.		7437069	1
	BOLT - Lower cover to converter housing, Pan hd. 1/4" - 20 x 1/2"	(A) 4.2 Litre Eng.		9416367	4
	BOLT - Lower cover to converter housing, Pan hd. 5/16" - 18 x 1/2"	(A) 4.2 Litre Eng.		9434026	2
	COVER - Lower	(A) 5 Litre Eng.		9931274	1
	SCREW - Cover to converter housing	(A) 5 Litre Eng.		9413531	4
0.683	HOUSING – Clutch				
	HOUSING - Clutch	(M) 6 Cyl. Eng.		9942772	1
	BOLT - Housing to cylinder block	(M) 6 Cyl. Eng.		179866	4
	WASHER - Housing to cylinder block, lock	(M) 6 Cyl. Eng.		120383	4
	PIN - Dowel	(M) 6 Cyl. Eng.		7401304	2
	PIN - Dowel - Oversize	(M) 6 Cyl. Eng.		7406004	2

"HX" STATESMAN/HOLDEN PARTS CATALOGUE

GROUP	DESCRIPTION	MODEL	SIDE	PART No.	QTY.
0.683	HOUSING – Clutch (contd.)				
	HOUSING – Clutch	(M) 8 Cyl. Eng.		2817149	1
	STUD – Housing to cylinder block	(M) 8 Cyl. Eng.		9943559	1
	BOLT – Housing to cylinder block	(M) 8 Cyl. Eng.		SP2139	6
	WASHER – Housing to cylinder block	(M) 8 Cyl. Eng.		120382	6
	PIN – Housing to cylinder block	(M) 8 Cyl. Eng.		7435646	2
0.724	CHAIN – Camshaft timing				
	CHAIN	8 Cyl. Eng.		9933435	1
0.728	GEAR, SPROCKET – Crankshaft				
	GEAR	6 Cyl. Eng.		7420025	1
	SPROCKET	8 Cyl. Eng.		7434759	1
	KEY – Woodruff $\frac{3}{16}$ " x $\frac{3}{4}$ "	6 Cyl. Eng.		106751	1
	KEY – Woodruff $\frac{3}{16}$ " x $2\frac{1}{8}$ "	8 Cyl. Eng.		144542	1
0.736	GEAR KIT, GEAR, SPROCKET – Camshaft				
	GEAR KIT	6 Cyl. Eng.		7431746	1
	GEAR – Camshaft	6 Cyl. Eng.		7430922	1
	KEY – Woodruff $\frac{3}{16}$ " x $\frac{3}{4}$ "	6 Cyl. Eng.		106751	1
	SPROCKET	4.2 Litre Eng.		⁽⁹³⁾ 9936255	1
	SPROCKET	4.2 Litre Eng.		⁽⁹⁶⁾ 7434699	1
	SPROCKET	5 Litre Eng.		7434699	1
	PIN – Sprocket	8 Cyl. Eng.		141202	1
	BOLT – Eccentric & sprocket to camshaft	8 Cyl. Eng.		7434757	1
0.738	RING – Camshaft gear spacing				
	RING	6 Cyl. Eng.		7420026	1
0.748	NOZZLE – Timing gear oil				
	NOZZLE	6 Cyl. Eng.		7427418	1
	NOZZLE	8 Cyl. Eng.		7437269	1
0.787	CABLE – Clutch control				
	CABLE ASSEMBLY	(M) 6 Cyl. Eng.		9942905	1
	CABLE ASSEMBLY	(M) 8 Cyl. Eng.		9940956	1
0.795	FORK, LEVER – Clutch				
	FORK	(M) 6 Cyl. Eng.		7448624	1
	LEVER	(M) 8 Cyl. Eng.		7436174	1
0.796	STUD – Clutch lever ball				
	STUD	(M) 6 Cyl. Eng.		7433895	1
	STUD	(M) 8 Cyl. Eng.		7430099	1
0.797	PLATE – Clutch fork				
	PLATE – Guide	(M) 6 Cyl. Eng.		7433793	1
	PLATE – Sliding	(M) 6 Cyl. Eng.		9942770	1
	PLATE – Guide	(M) 8 Cyl. Eng.		7437138	1
	PLATE – Sliding	(M) 8 Cyl. Eng.		7437137	1
0.798	SPRING – Clutch fork sliding plate retaining				
	SPRING	(M) 6 Cyl. Eng.		7433896	1
	SPRING	(M) 8 Cyl. Eng.		7409160	1
0.799	BEARING – Clutch throwout				
	BEARING ASSEMBLY	(M)		CT22	1

Note: ⁽⁹³⁾ With Evaporative and Exhaust Emission Control – A.D.R. 27A (Refer Safety Compliance Plate).
⁽⁹⁶⁾ Without Exhaust Emission Control.

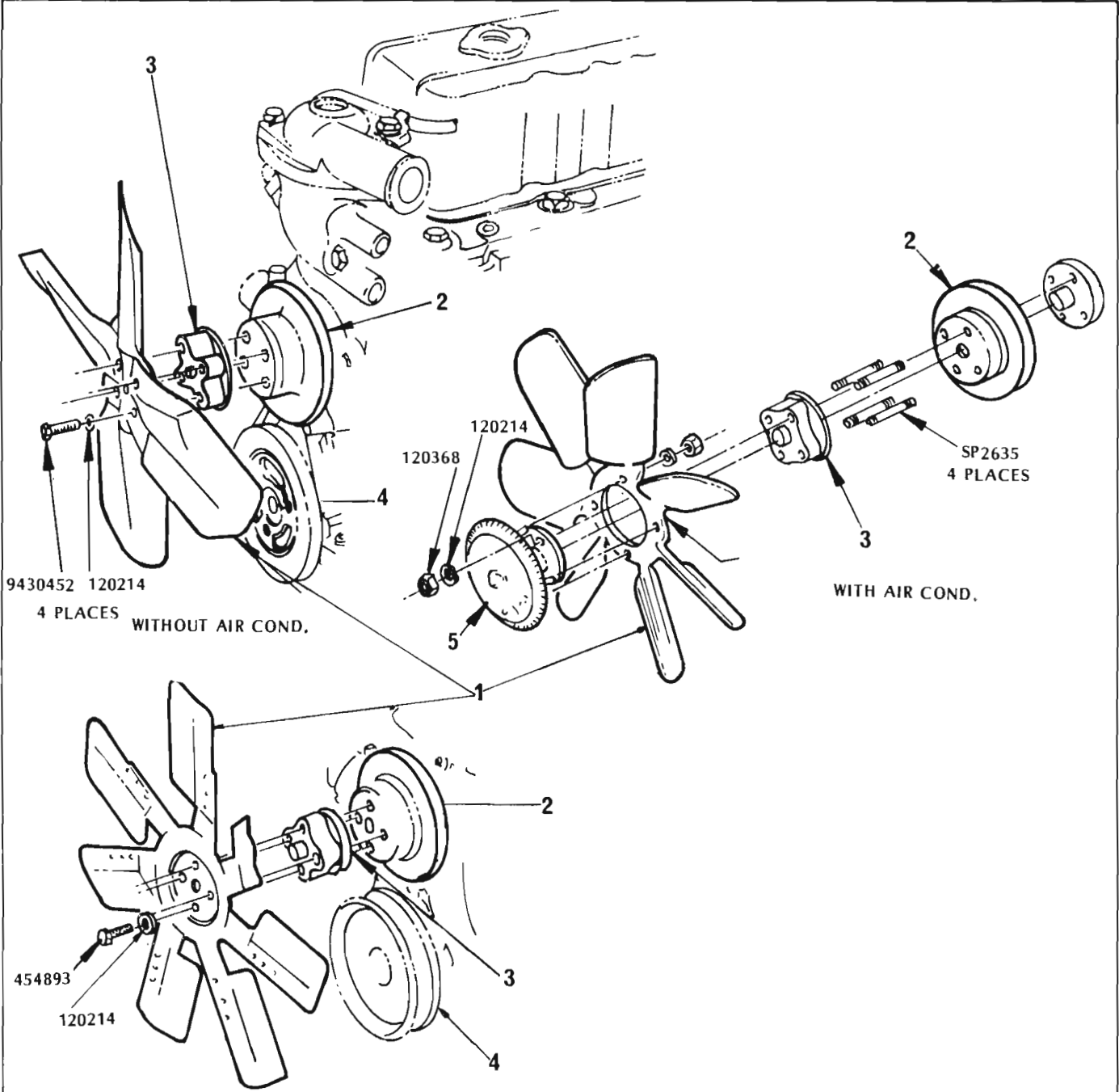
"HX" STATESMAN/HOLDEN PARTS CATALOGUE

GROUP	DESCRIPTION	MODEL	SIDE	PART No.	QTY.
0.830	PEDAL, PAD, BUMPER – Clutch				
	PEDAL ASSEMBLY	(M)		9942005	1
	PAD - Clutch pedal	(M)		7433701	1
	BUMPER - Clutch pedal	(M)		2816796	1
	BRACKET - Clutch pedal bumper	(M)		9942810	1
	ECCENTRIC ASSEMBLY - Clutch pedal bumper	(M) 6 Cyl. Eng.		9942568	1
	ECCENTRIC ASSEMBLY - Clutch pedal bumper	(M) 8 Cyl. Eng.		2816766	1
	BOLT - Eccentric to bracket	(M)		122077	1
	WASHER - Eccentric to bracket	(M)		120214	1
	NUT - Eccentric to bracket	(M)		120376	1
0.831	BUSH, SPACER – Clutch pedal				
	BUSH - Special, 3/8"	(M)		3798256	2
	SPACER - Pivot	(M)		2814737	1
0.837	BOLT, NUT – Clutch pedal retaining				
	BOLT - Hex. hd. 1/2" - 13 x 5 3/4"	(M)		215723	1
	WASHER	(M)		SP2667	1
	NUT	(M)		SP2561	1
0.839	ROD – Clutch lever push				
	ROD	(M) 6 Cyl. Eng.		9942780	1
	ROD	(M) 8 Cyl. Eng.		9940957	1
	NUT - Adjusting	(M)		7429390	1
	NUT - Adjusting, hex-jam 3/8" - 24	(M)		124925	1
	PIN - Rod to relay lever	(M)		SP1756	1
	WASHER - Rod to relay lever	(M)		SP1820	1
	CLIP - Rod to relay lever	(M)		3749084	1
0.844	SPRING – Clutch return				
	SPRING - Clutch fork retaining	(M)		7428552	1
	SPRING - Clutch relay lever return	(M) 6 Cyl. Eng.		9940327	1
	SPRING - Clutch fork lever return	(M)		7437128	1
0.852	LEVER, BRACKET, SUPPORT – Clutch relay				
	LEVER	(M) 6 Cyl. Eng.	LH	9942779	1
			RH	9942778	1
	BUSH - Relay lever pivot	(M) 6 Cyl. Eng.		2815381	1
	SPACER - Relay lever	(M) 6 Cyl. Eng.		9932918	1
	BRACKET ASSEMBLY - Relay lever mounting	(M) 6 Cyl. Eng.		9941926	1
	WASHER - Bracket to relay lever, spring	(M) 6 Cyl. Eng.		SP1956	1
	WASHER - Bracket to relay lever and support, thrust	(M) 6 Cyl. Eng.		2816690	2
	WASHER - Bracket to cable mounting bracket	(M) 6 Cyl. Eng.		120214	1
	NUT - Bracket to cable mounting bracket	(M) 6 Cyl. Eng.		120376	1
	BOLT - Relay lever mounting bracket	(M) 6 Cyl. Eng.		122017	3
	INSULATOR - Relay lever and mounting bracket	(M) 6 Cyl. Eng.		9942906	6
	WASHER - Relay lever and mounting bracket	(M) 6 Cyl. Eng.		SP2668	6
	SPACER - Relay lever insulator	(M) 6 Cyl. Eng.		9942907	3
	SUPPORT ASSEMBLY - Relay lever mounting	(M) 6 Cyl. Eng.		9943064	1
	WASHER - Relay lever mounting support	(M) 6 Cyl. Eng.		SP2666	1
	BRACKET - Cable mounting	(M) 6 Cyl. Eng.		9943063	1
	LEVER	(M) 8 Cyl. Eng.	LH	9942779	1
			RH	9942778	1
	BUSH - Relay lever pivot	(M) 8 Cyl. Eng.		2815381	1
	SPACER - Relay lever	(M) 8 Cyl. Eng.		9932918	1
	BRACKET ASSEMBLY - Relay lever mounting	(M) 8 Cyl. Eng.		9943556	1
	INSULATOR - Mounting bracket to transmission	(M) 8 Cyl. Eng.		9942906	2
	SPACER - Mounting bracket to transmission	(M) 8 Cyl. Eng.		9942907	1
	WASHER - Mounting bracket, flat	(M) 8 Cyl. Eng.		SP2665	2
	NUT - Mounting bracket to transmission	(M) 8 Cyl. Eng.		120376	1
	WASHER - Mounting bracket to relay lever, lock	(M) 8 Cyl. Eng.		SP1956	1

"HX" STATESMAN/HOLDEN PARTS CATALOGUE

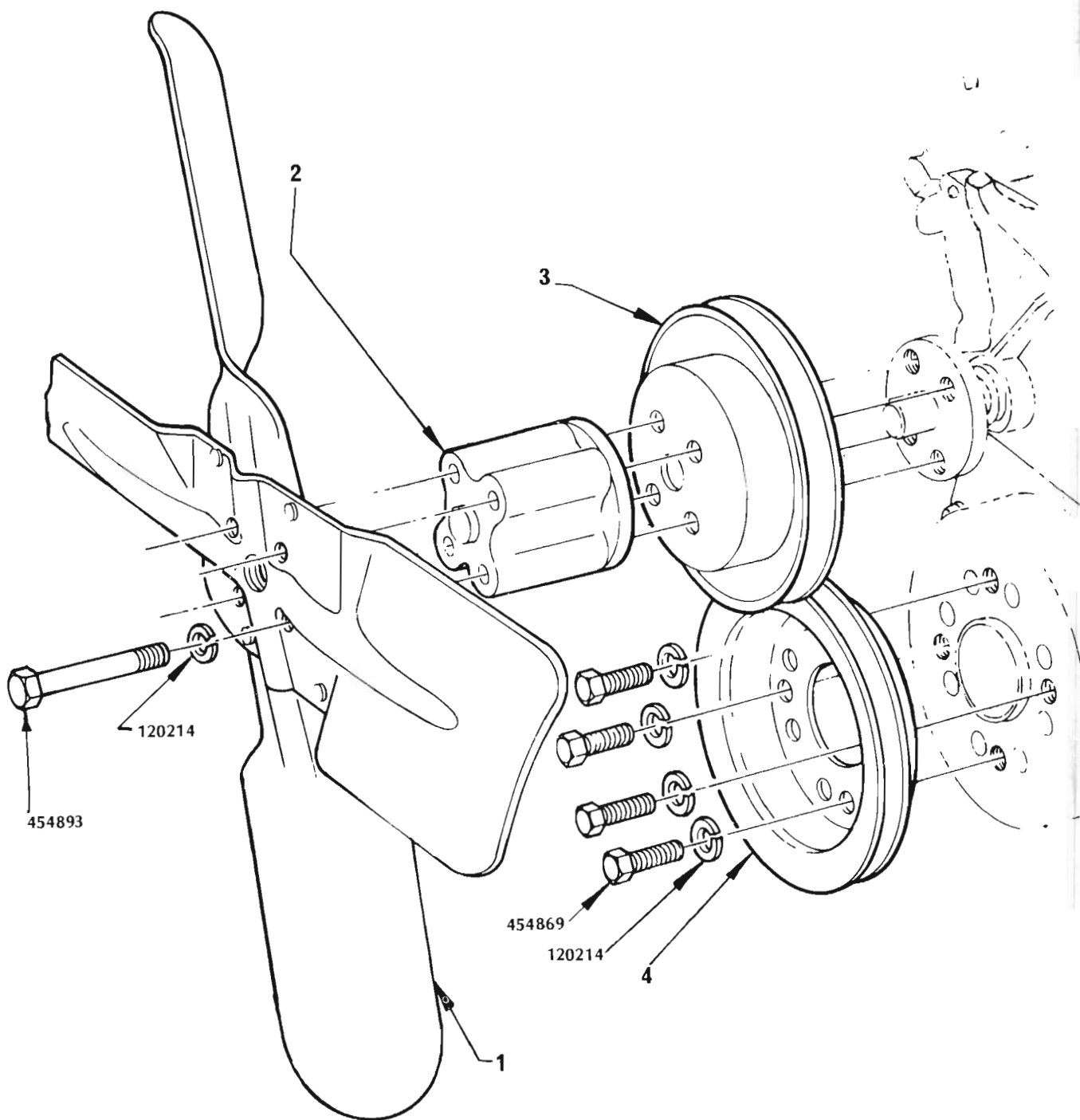
GROUP	DESCRIPTION	MODEL	SIDE	PART No.	QTY.
0.852 LEVER, BRACKET, SUPPORT – Clutch relay (contd.)					
	WASHER – Mounting bracket to relay lever and support bracket, thrust	(M) 8 Cyl. Eng.		2816690	2
	WASHER – Mounting bracket to cable bracket and support bracket	(M) 8 Cyl. Eng.		120214	1
	NUT – Mounting bracket to cable bracket and support bracket	(M) 8 Cyl. Eng.		120376	1
	BRACKET ASSEMBLY – Relay lever support	(M) 8 Cyl. Eng.		9943558	1
	BOLT – Bracket to transmission	(M) 8 Cyl. Eng.		122017	2
	WASHER – Bracket to transmission	(M) 8 Cyl. Eng.		SP2668	4
	SPACER – Bracket to transmission	(M) 8 Cyl. Eng.		9942907	2
	INSULATOR – Bracket to transmission	(M) 8 Cyl. Eng.		9942906	4
	BRACKET ASSEMBLY – Cable mounting	(M) 8 Cyl. Eng.		9943557	1
	STUD – Bracket to engine	(M) 8 Cyl. Eng.		9943560	1
	WASHER – Bracket to engine	(M) 8 Cyl. Eng.		SP2668	2
	INSULATOR – Bracket to engine	(M) 8 Cyl. Eng.		9942906	2
	INSULATOR – Bracket to engine	(M) 8 Cyl. Eng.		9942907	1
	NUT – Bracket to engine	(M) 8 Cyl. Eng.		120376	1
0.861 COVER and PRESSURE PLATE – Clutch					
	COVER and PRESSURE PLATE ASSEMBLY – Regular	(M) 6 Cyl. Eng. exc. Chassis & Cab		7429381	1
	COVER and PRESSURE PLATE ASSEMBLY – Heavy Duty	(M) 6 Cyl. Eng. exc. Chassis & Cab		9939329	1
	COVER and PRESSURE PLATE ASSEMBLY	(M) 6 Cyl. Eng. Chassis & Cab		9939329	1
	COVER and PRESSURE PLATE ASSEMBLY	(M) 4.2 Litre Eng.		7436634	1
	COVER and PRESSURE PLATE ASSEMBLY	(M) 5 Litre Eng.		7436633	1
0.870 BOLT – Clutch to flywheel					
	BOLT	(M)		7402029	4-6
	WASHER	(M)		103321	4-6
0.886 PLATE – Clutch driven					
	PLATE ASSEMBLY – Regular	(M) 6 Cyl. Eng. exc. Chassis & Cab		9939750	1
	PLATE ASSEMBLY – Heavy duty – 4 spring	(M) 6 Cyl. Eng. exc. Chassis & Cab		7439027	1
	PLATE ASSEMBLY – Heavy Duty – 6 spring	(M) 6 Cyl. Eng. exc. Chassis & Cab		9936437	1
	PLATE ASSEMBLY	(M) 6 Cyl. Eng. Chassis & Cab		9936437	1
	PLATE ASSEMBLY	(M) 4.2 Litre Eng.		7436630	1
	PLATE ASSEMBLY	(M) 5 Litre Eng.		7436629	1

GROUP 1.000
COOLING-GRILLE
OILING



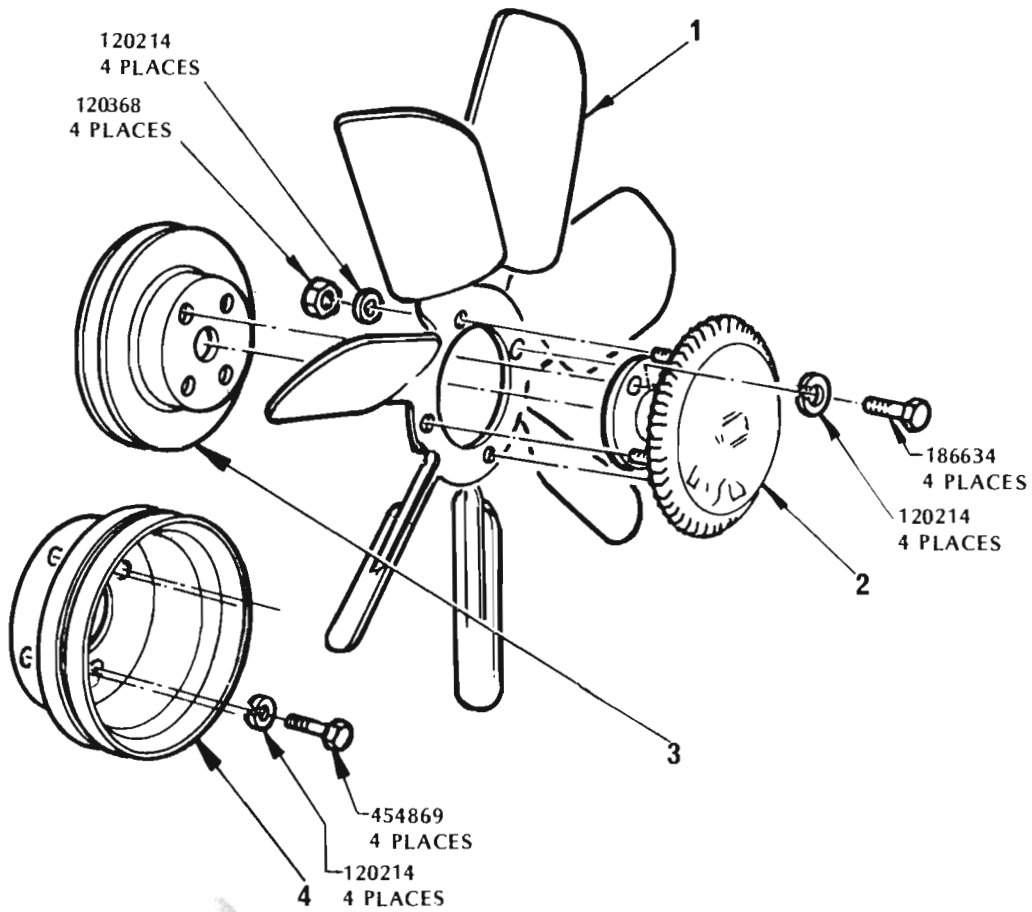
FAN & PULLEY
6 Cylinder Engine

ILLUS. REF. NO.	PART NAME	GROUP
1.	BLADE ASSEMBLY - Fan	1.064
2.	PULLEY ASSEMBLY - Water pump & fan	1.062
3.	SPACER ASSEMBLY - Fan	1.064
4.	PULLEY ASSEMBLY - Crankshaft	0.659
5.	CLUTCH ASSEMBLY - Fan	1.050



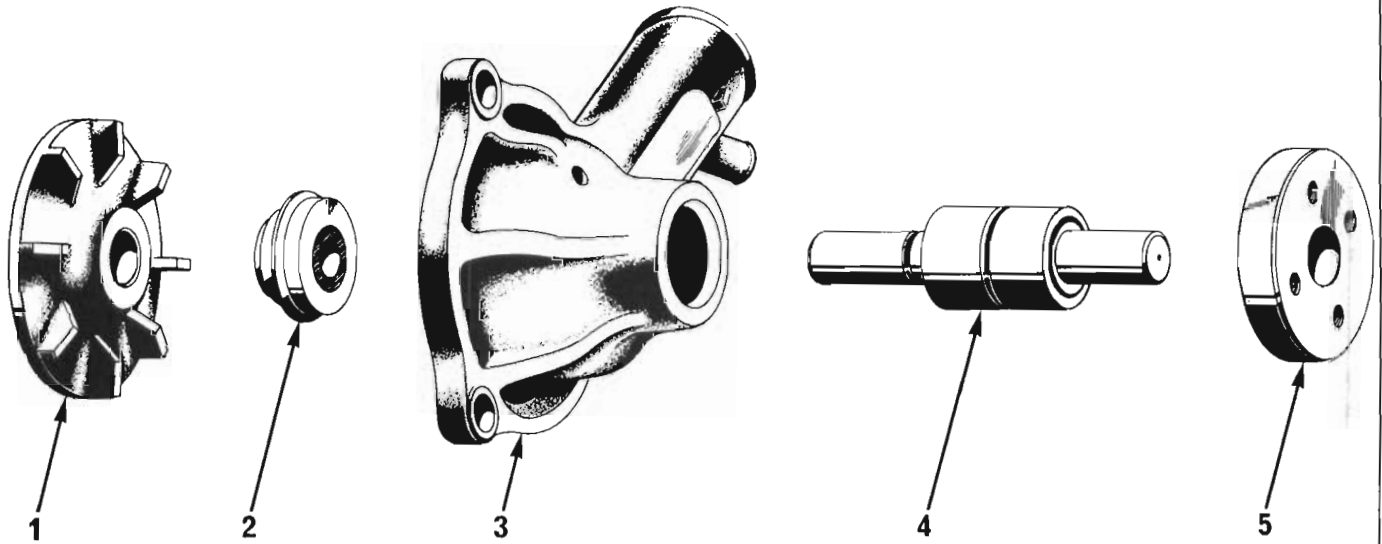
FAN & PULLEYS
8 Cylinder Engine exc. Air Cond.

ILLUS. REF. NO.	PART NAME	GROUP
1.	BLADE ASSEMBLY - Fan	1.064
2.	SPACER - Fan blade	1.064
3.	PULLEY ASSEMBLY - Water pump & fan	1.062
4.	PULLEY ASSEMBLY - Crankshaft	0.659
5.	BOLT - Fan spacer & pul key to hub	1.064



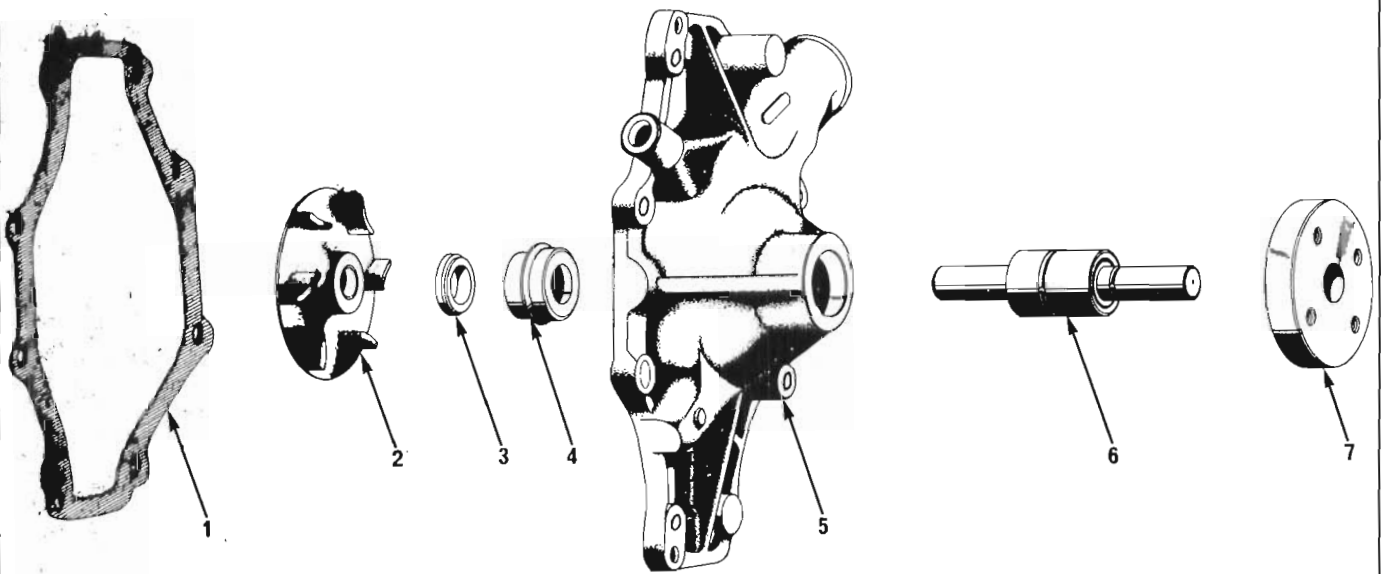
FAN & PULLEYS
8 Cylinder Engine with Air Cond.

ILLUS. REF. NO.	PART NAME	GROUP
1.	BLADE ASSEMBLY - Fan	1.064
2.	CLUTCH ASSEMBLY - Fan	1.050
3.	PULLEY ASSEMBLY - Water pump & fan	1.062
4.	PULLEY ASSEMBLY - Crankshaft	0.659



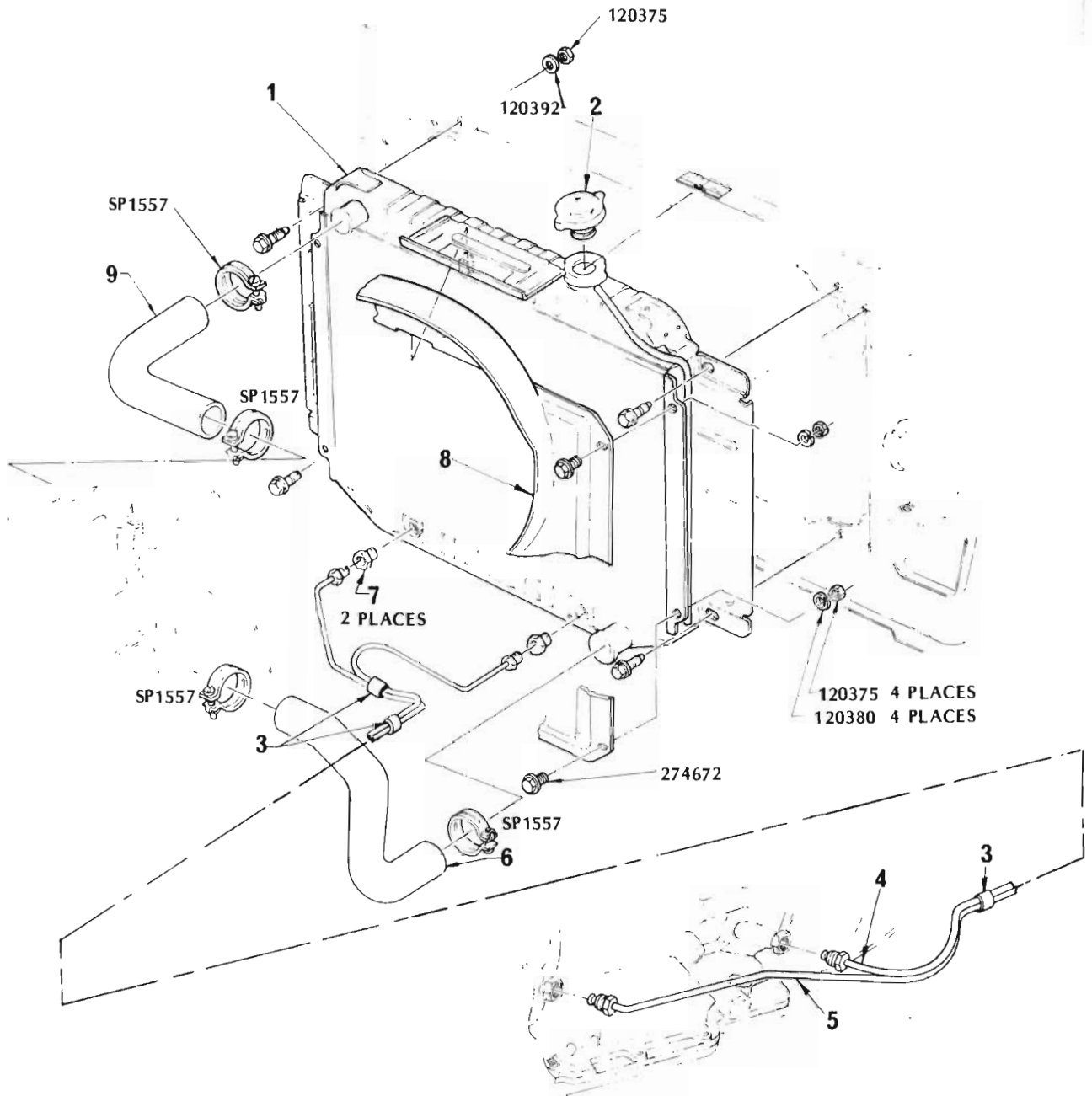
WATER PUMP
6 Cylinder Engine

ILLUS. REF. NO.	PART NAME	GROUP
1.	ROTOR – Water pump	1.109
2.	SEAL ASSEMBLY – Water pump	1.123
3.	BODY – Water pump	1.073
4.	SHAFT & BEARING ASSEMBLY	1.108
5.	HUB – Water pump and fan pulley	1.063



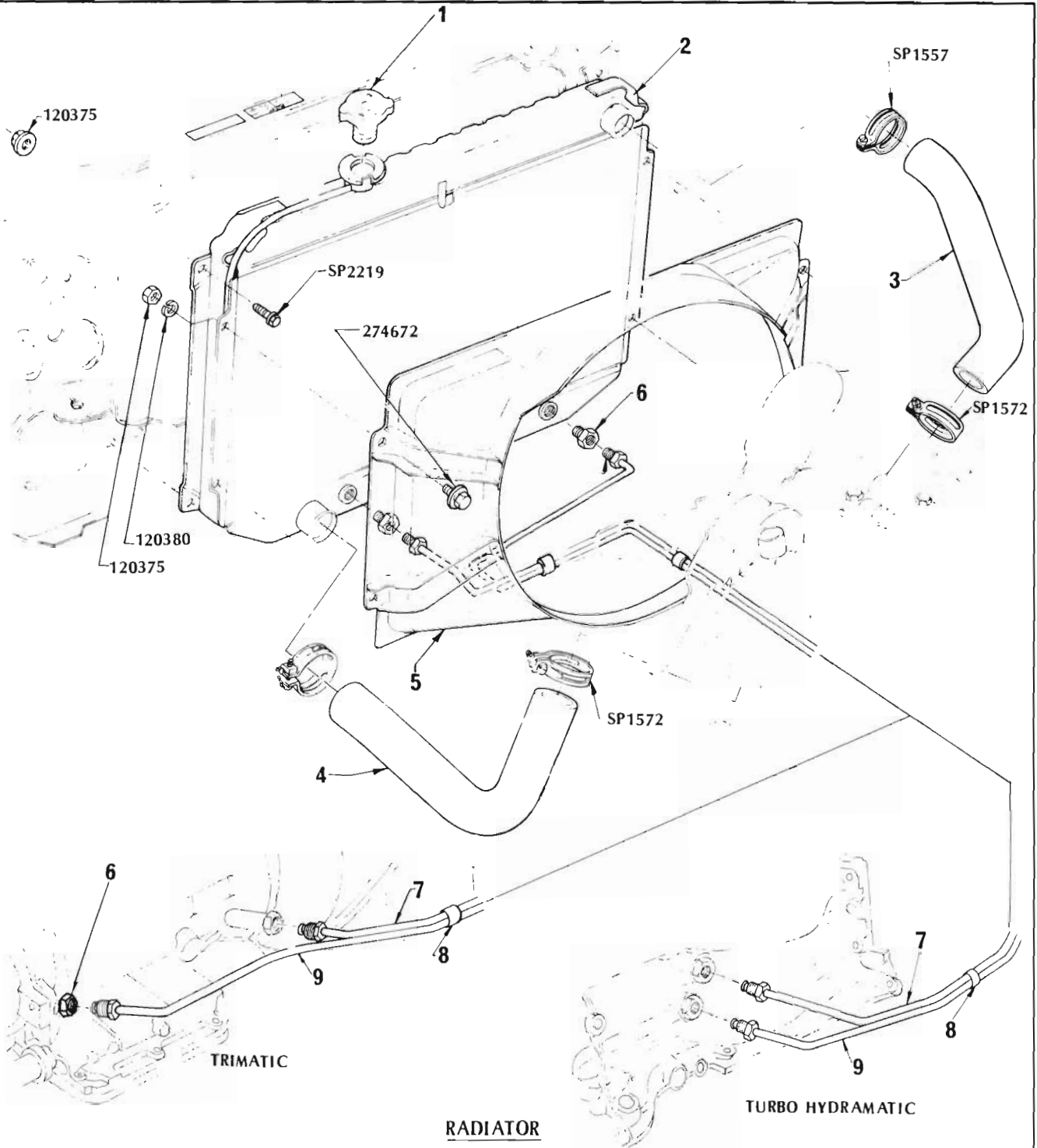
WATER PUMP
8 Cylinder Engine

ILLUS. REF. NO.	PART NAME	GROUP
1.	GASKET - Water pump plate	N. S. S.
2.	ROTOR - Water pump	1.109
3.	SEAT ASSEMBLY - Seal	1.123
4.	SEAL ASSEMBLY - Water pump	1.123
5.	BODY - Water pump	1.073
6.	SHAFT & BEARING ASSEMBLY	1.108
7.	HUB - Water pump and fan pulley	1.063



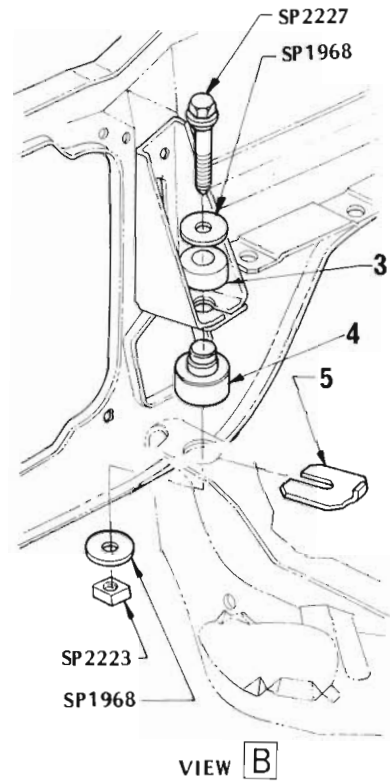
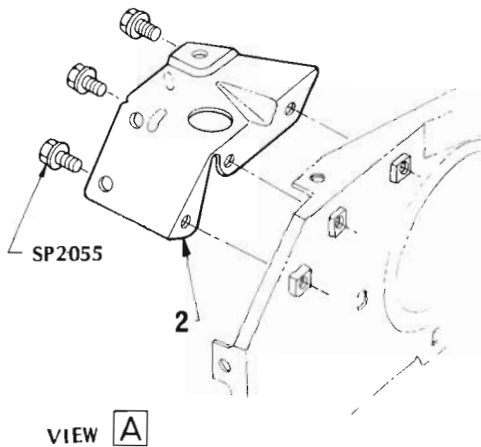
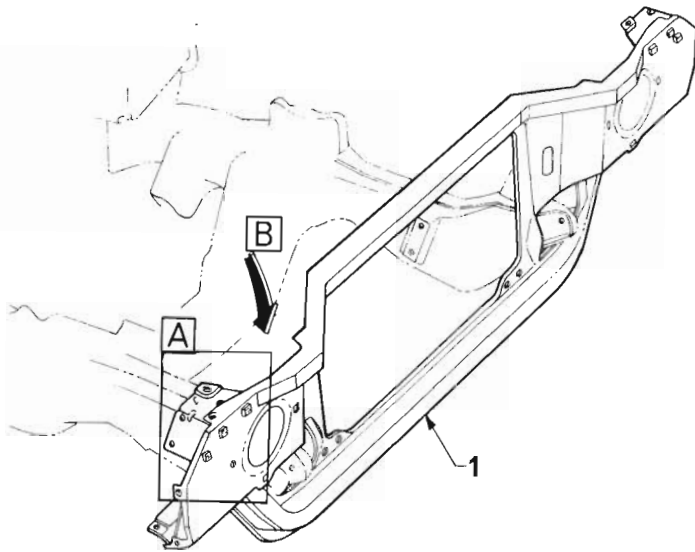
RADIATOR
6 Cylinder Engine

ILLUS. REF. NO.	PART NAME	GROUP
1.	RADIATOR ASSEMBLY	1.219
2.	CAP ASSEMBLY	1.203
3.	CLIP - Inlet to outlet pipe	4.128
4.	PIPE ASSEMBLY - Inlet	4.128
5.	PIPE ASSEMBLY - Outlet	4.128
6.	HOSE and SPRING - Outlet	1.159
7.	CONNECTOR - Pipes to radiator & transmission	4.128
8.	SHROUD - Radiator fan	1.270
9.	HOSE - Inlet	1.159



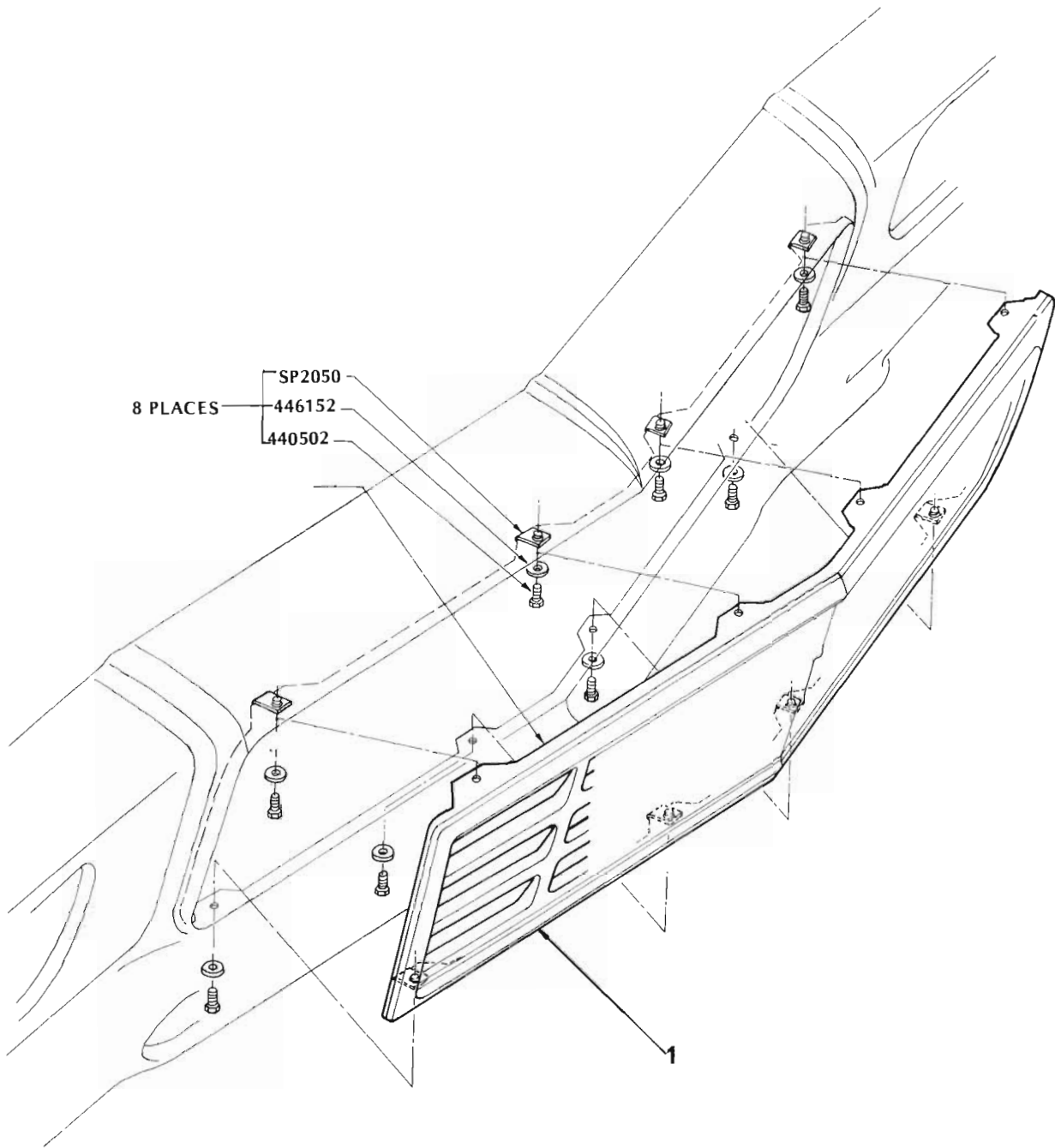
RADIATOR
8 Cylinder Engine

ILLUS. REF. NO.	PART NAME	GROUP
1.	CAP ASSEMBLY	1.203
2.	RADIATOR ASSEMBLY	1.219
3.	HOSE - Inlet	1.159
4.	HOSE & SPRING PACKAGE - Outlet	1.159
5.	SHROUD - Radiator fan	1.270
6.	CONNECTOR - Pipes to radiator & transmission	4.128
7.	PIPE ASSEMBLY - Inlet	4.128
8.	CLIP - Inlet to outlet pipe	4.128
9.	PIPE ASSEMBLY - Outlet	4.128



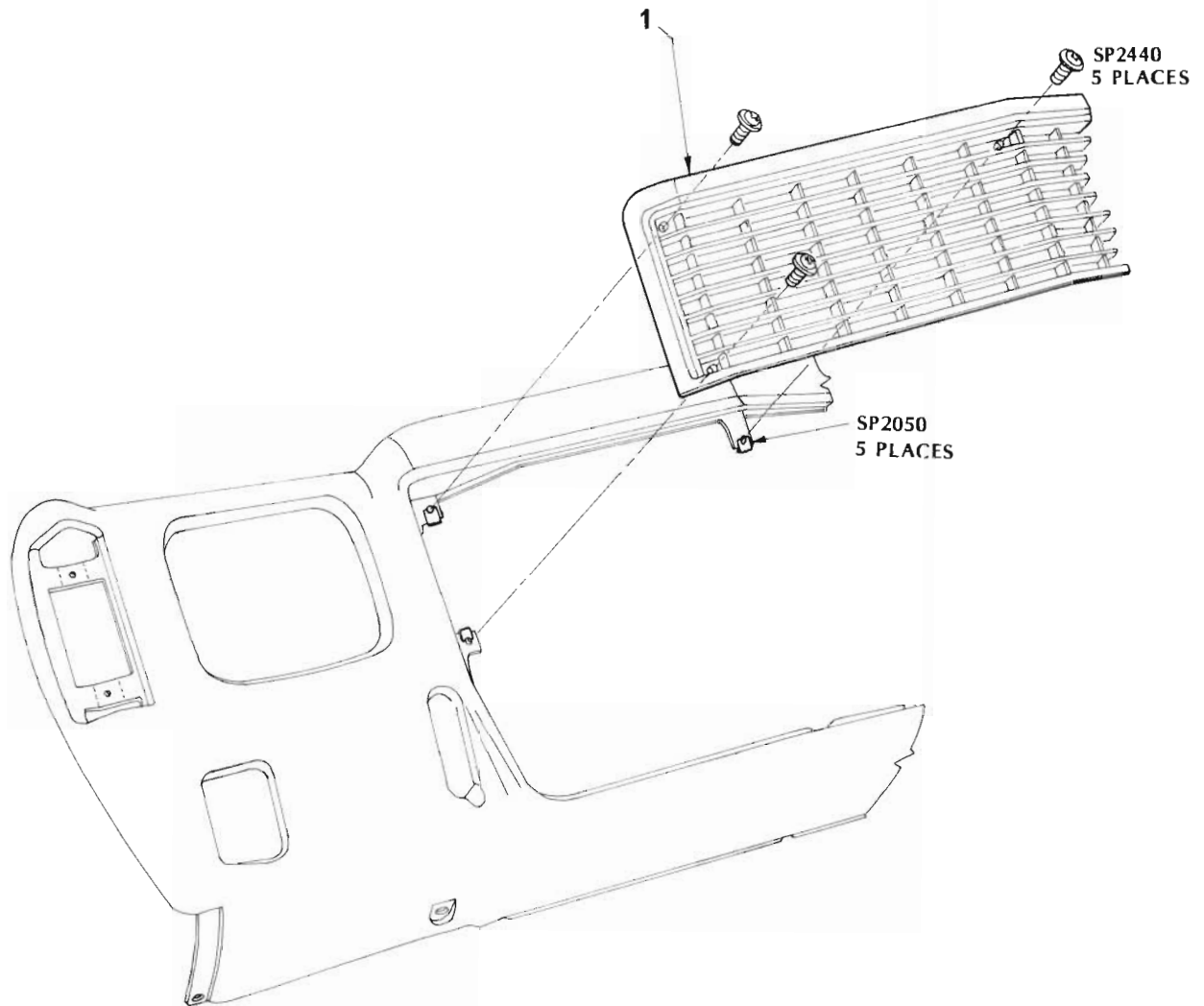
RADIATOR SUPPORT PANEL

ILLUS. REF. NO.	PART NAME	GROUP
1.	PANEL ASSEMBLY – Radiator support	1.270
2.	BRACKET ASSEMBLY – Radiator support to fender	1.270
3.	MOUNT – Body upper front end	7.020
4.	MOUNT – Front end	7.020
5.	SHIM – Mounting	7.020



RADIATOR GRILLE
Chassis & Cab

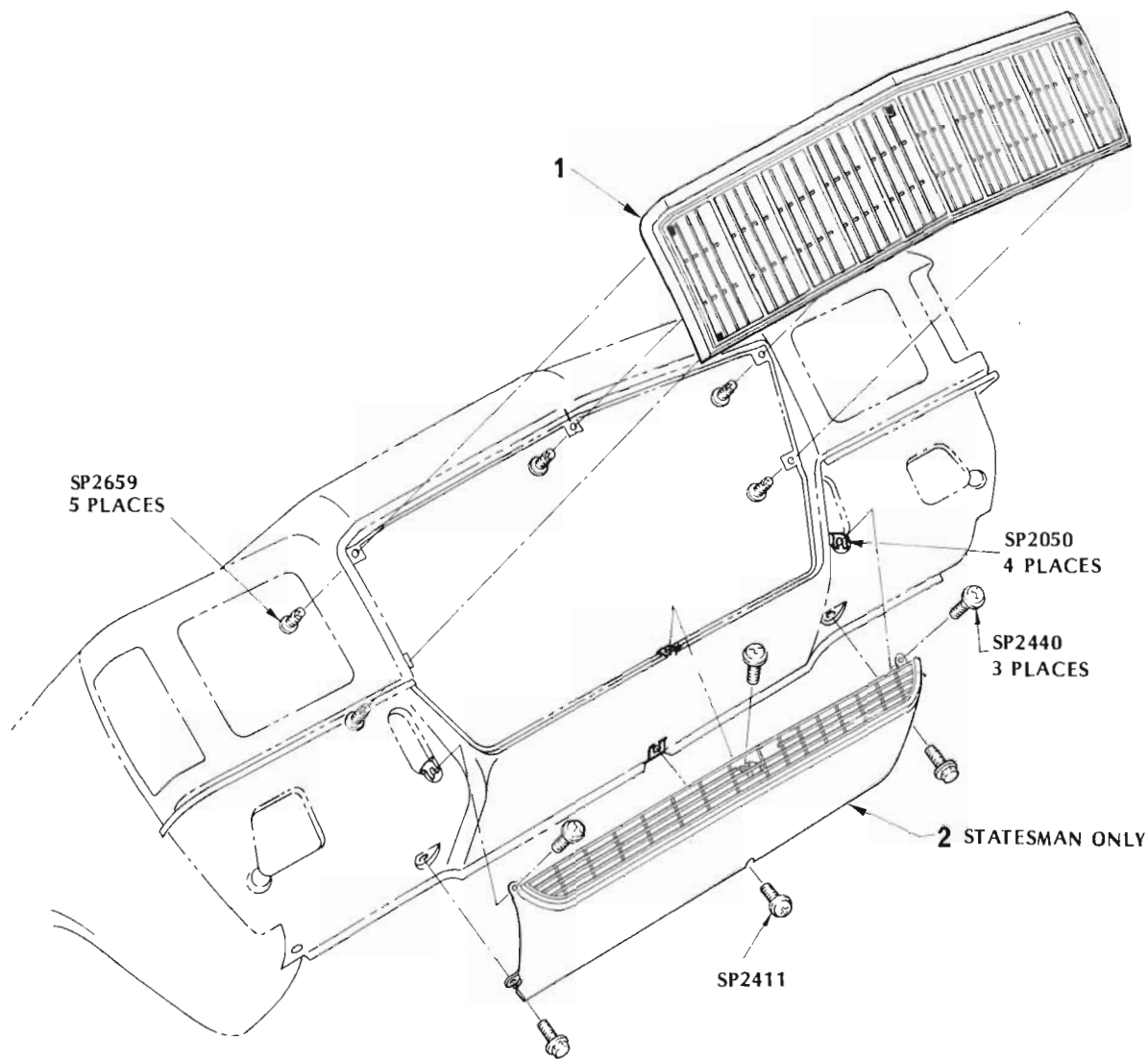
ILLUS. REF. NO.	PART NAME	GROUP
1.	GRILLE ASSEMBLY - Radiator	1.266



RADIATOR GRILLE

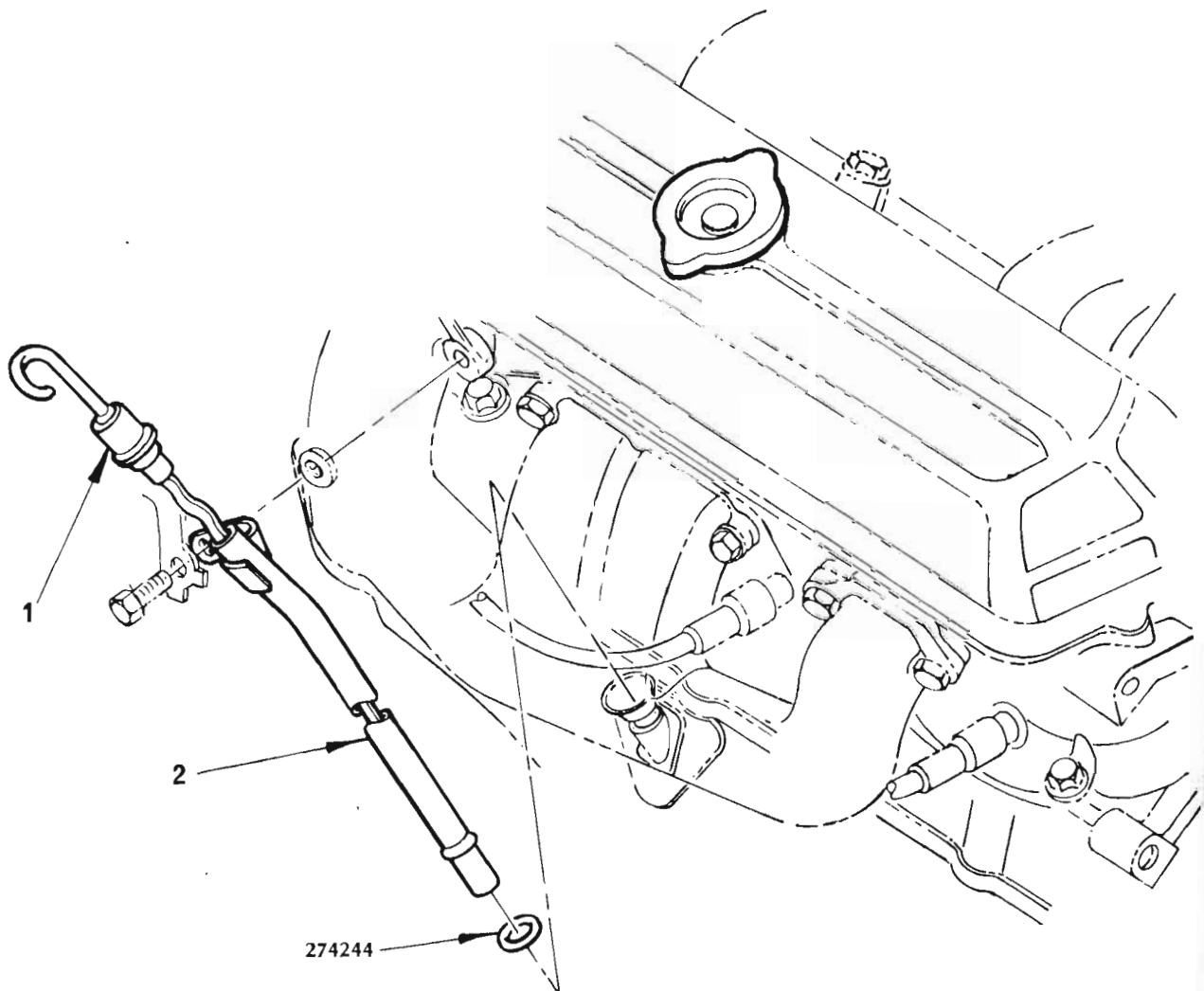
Belmont

ILLUS. REF. NO.	PART NAME	GROUP
1.	GRILLE ASSEMBLY – Radiator	1.266



RADIATOR GRILLE
Kingswood, Premier, Statesman

ILLUS. REF. NO.	PART NAME	GROUP
1.	GRILLE ASSEMBLY - Radiator	1.266
2.	GRILLE ASSEMBLY - Radiator lower	1.266

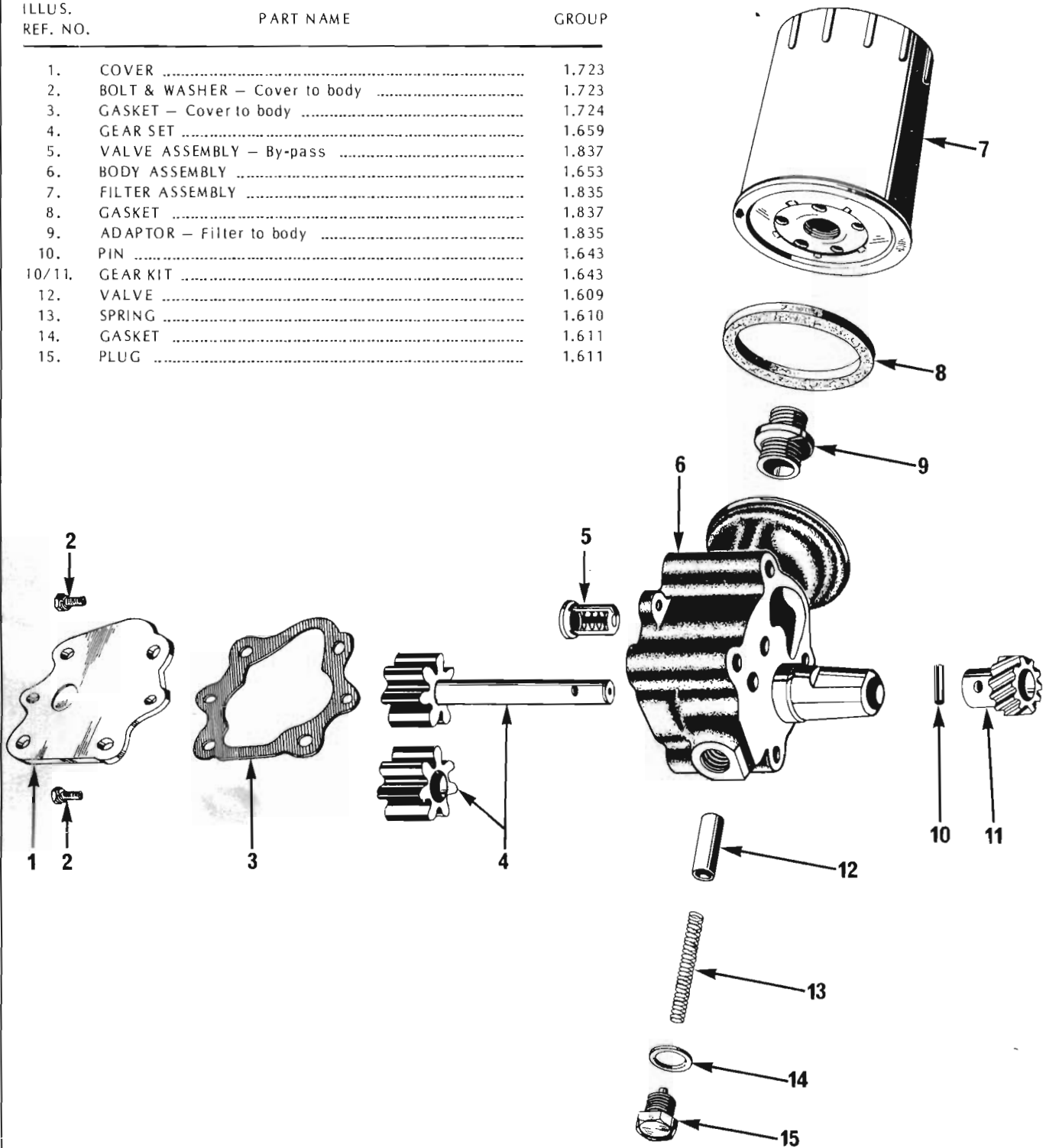


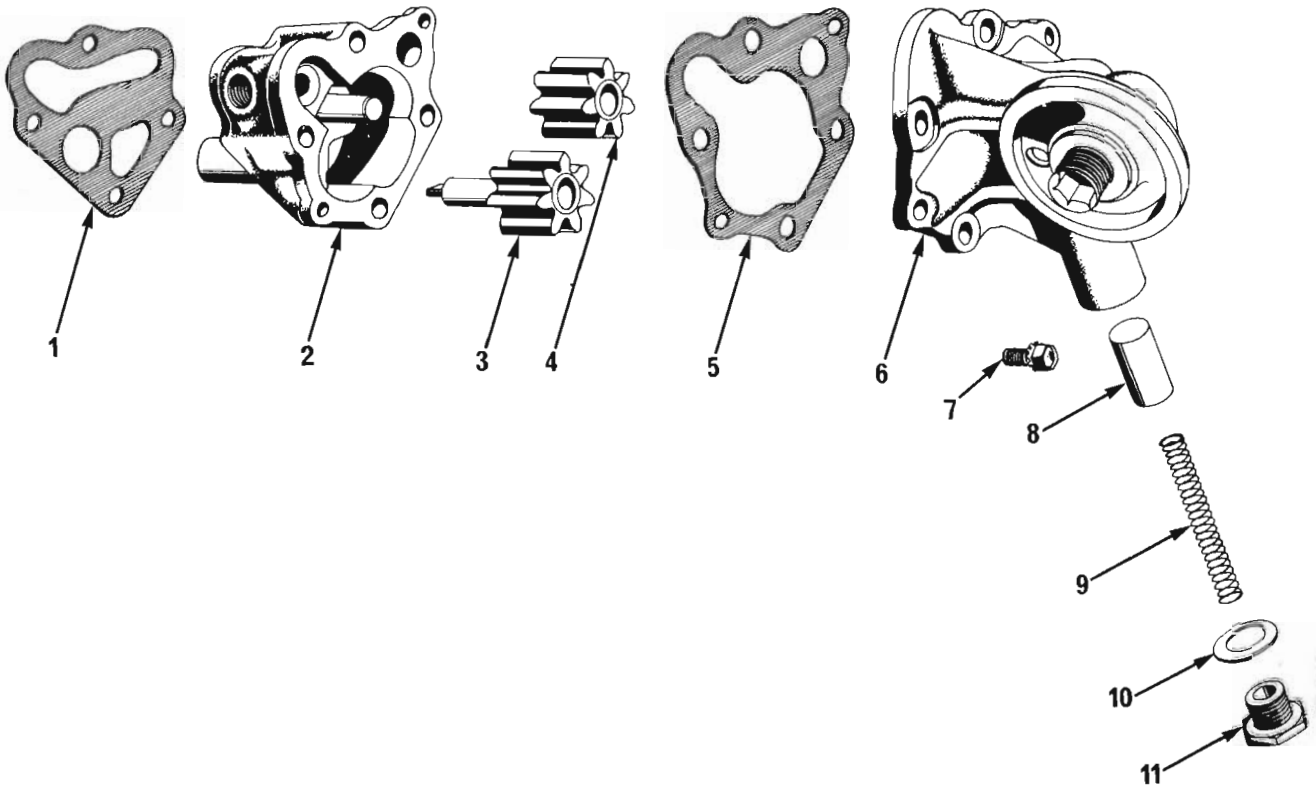
OIL LEVEL INDICATOR
8 Cylinder Engine

ILLUS. REF. NO.	PART NAME	GROUP
1.	INDICATOR ASSEMBLY – Oil level	1.516
2.	TUBE ASSEMBLY – Oil level indicator	1.516

OIL PUMP and FILTER
6 Cylinder Engine

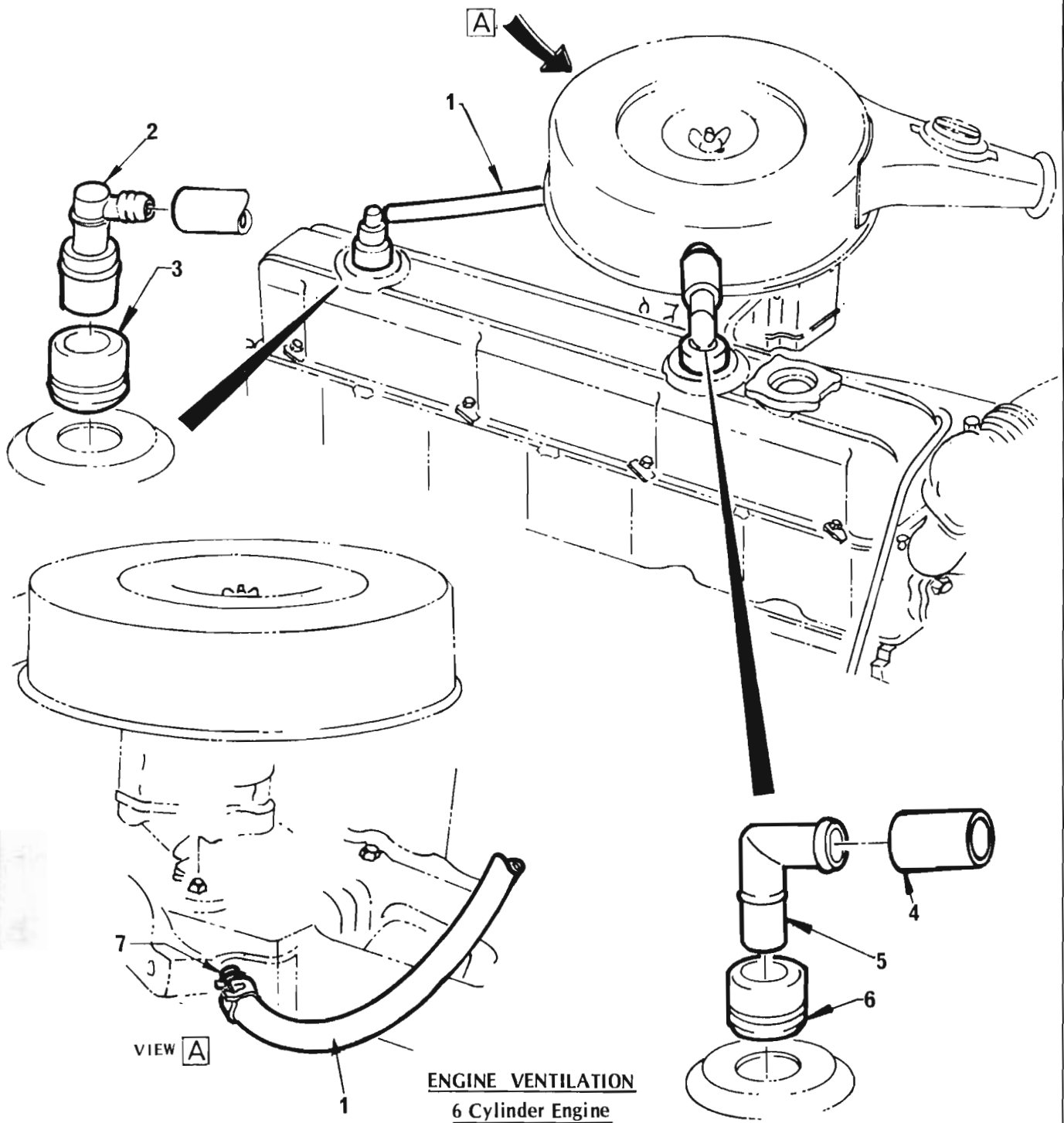
ILLUS. REF. NO.	PART NAME	GROUP
1.	COVER	1.723
2.	BOLT & WASHER - Cover to body	1.723
3.	GASKET - Cover to body	1.724
4.	GEAR SET	1.659
5.	VALVE ASSEMBLY - By-pass	1.837
6.	BODY ASSEMBLY	1.653
7.	FILTER ASSEMBLY	1.835
8.	GASKET	1.837
9.	ADAPTOR - Filter to body	1.835
10.	PIN	1.643
10/11.	GEAR KIT	1.643
12.	VALVE	1.609
13.	SPRING	1.610
14.	GASKET	1.611
15.	PLUG	1.611





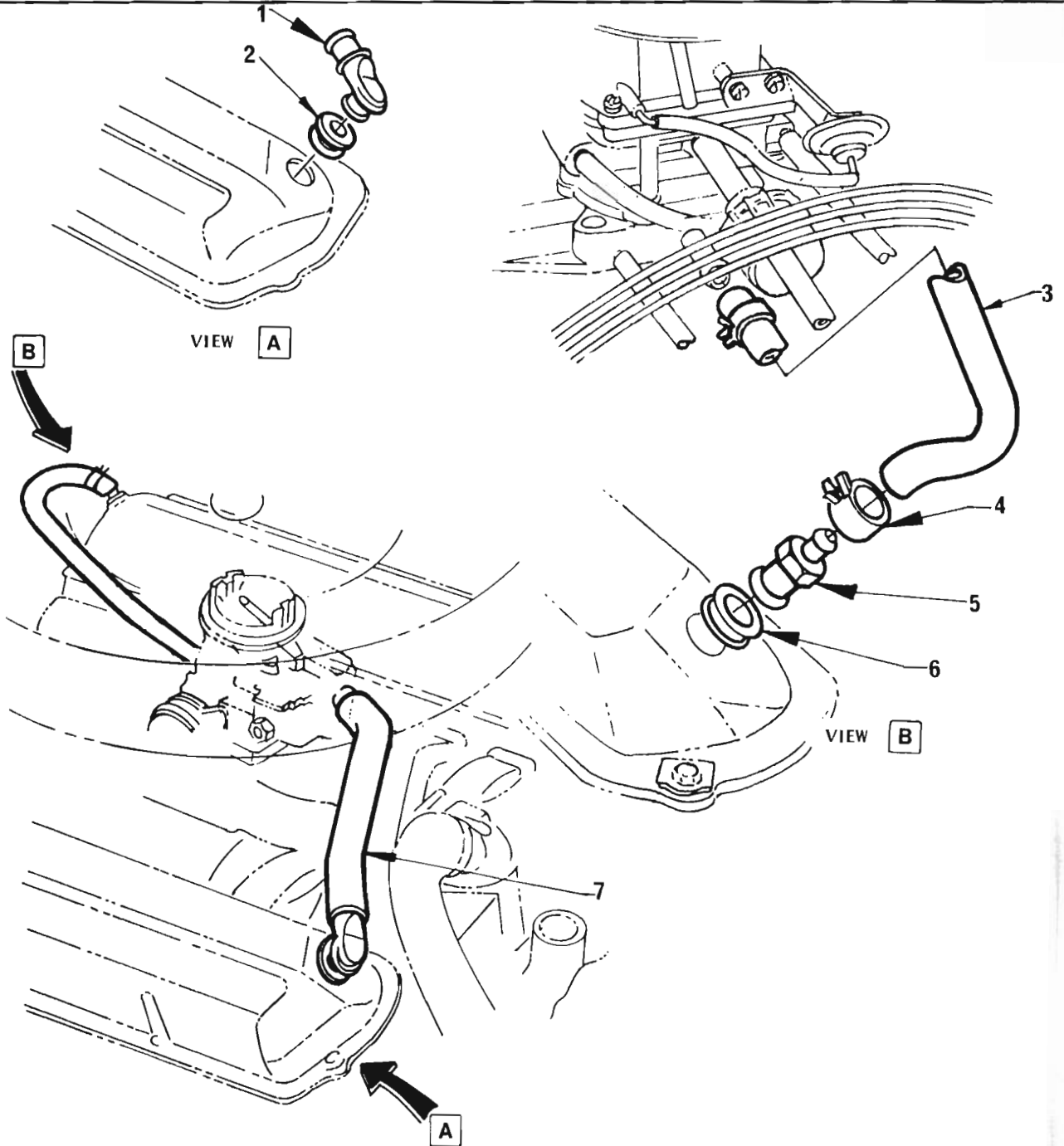
OIL PUMP
8 Cylinder Engine

ILLUS. REF. NO.	PART NAME	GROUP
1.	GASKET - Oil pump to block	1.654
1,3,4,5	REPAIR KIT	1.652
2.	BODY - Oil pump	1.653
3.	GEAR & SHAFT ASSEMBLY	1.659
4.	GEAR - Secondary	1.659
3,4	GEAR SET	1.659
5.	GASKET - Oil pump cover	1.724
6.	COVER	1.723
7.	BOLT & WASHER - Cover to oil pump body.....	1.723
8.	VALVE - Oil pressure regulator	1.609
9.	SPRING - Oil pressure regulator valve	1.610
10.	GASKET - Cap	1.611
11.	CAP - Spring	1.611



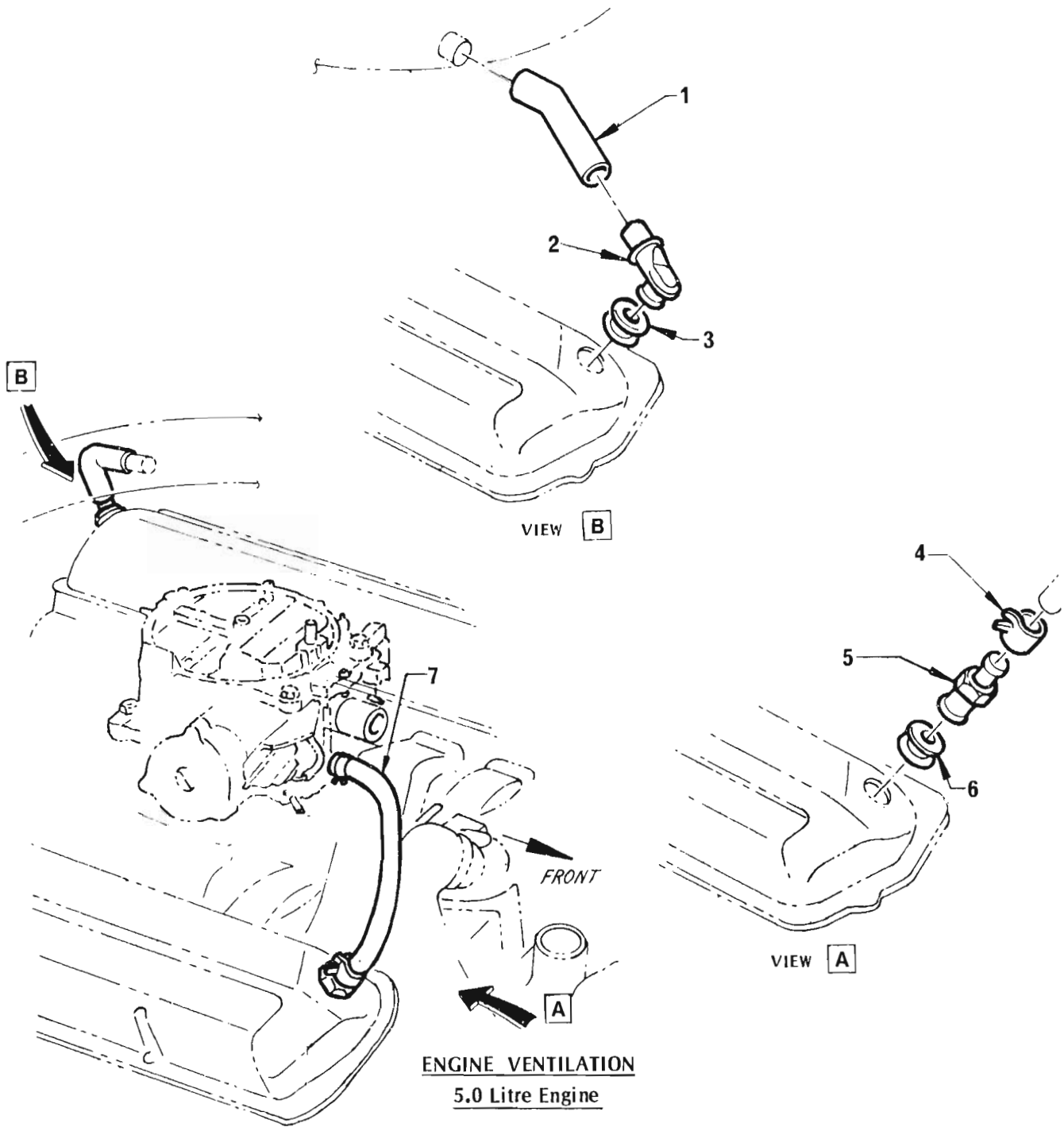
ENGINE VENTILATION
6 Cylinder Engine

ILLUS. REF. NO.	PART NAME	GROUP
1.	HOSE – Breather to manifold	1.762
2.	VALVE ASSEMBLY	1.762
3.	GROMMET – Valve to rocker cover	1.745
4.	HOSE – Breather outlet to air cleaner	1.762
5.	CONNECTOR – Breather outlet hose	1.762
6.	GROMMET – Connector to rocker cover	1.745
7.	CLAMP – Breather hose to manifold	1.762



ENGINE VENTILATION
4.2 Litre Engine

ILLUS. REF. NO.	PART NAME	GROUP
1.	CONNECTOR – Breather outlet hose	1.762
2.	GROMMET – Connector to rocker cover	1.745
3.	HOSE – Breather to manifold	1.762
4.	CLAMP – Breather hose	1.762
5.	VALVE ASSEMBLY	1.762
6.	GROMMET – Valve to rocker cover	1.745
7.	HOSE – Breather outlet to carburettor	1.762



ILLUS. REF. NO.	PART NAME	GROUP
1.	HOSE — Breather to air cleaner	1.762
2.	CONNECTOR — Breather outlet hose	1.762
3.	GROMMET — Connector to rocker cover	1.745
4.	CLAMP — Breather hose	1.762
5.	VALVE ASSEMBLY	1.762
6.	GROMMET — Valve to rocker cover	1.745
7.	HOSE — Breather outlet to carburettor	1.762

"HX" STATESMAN/HOLDEN PARTS CATALOGUE

GROUP	DESCRIPTION	MODEL	SIDE	PART No.	QTY.
1.050	CLUTCH – Fan				
	CLUTCH ASSEMBLY	Air Cond.		3937781	1
	STUD – Clutch & pulley to hub – 5/16" – 24 x 2.375" ...	6 Cyl. Eng. Air Cond.		SP2635	4
	WASHER – Flat	6 Cyl. Eng. Air Cond.		120214	4
	NUT – Hex.	6 Cyl. Eng. Air Cond.		120368	4
	BOLT – Fan, clutch & pulley to hub – 5/16" – 24 x 1" ..	8 Cyl. Eng. Air Cond.		186634	4
	WASHER – Lock	8 Cyl. Eng. Air Cond.		120214	4
	NUT – Hex.	8 Cyl. Eng. Air Cond.		120368	4
1.062	PULLEY – Water pump & fan				
	PULLEY ASSEMBLY	6 Cyl. Eng.		2808189	1
	PULLEY ASSEMBLY	8 Cyl. Eng. exc. Air Cond.		7435189	1
	PULLEY ASSEMBLY	(M) 8 Cyl. Air Cond.		(⁹³) 2812459	1
	PULLEY ASSEMBLY	(M) 5 Litre Eng. Air Cond. exc. Chassis & Cab		(⁹⁶) 9942908	1
	PULLEY ASSEMBLY	(A) 8 Cyl. Eng. Air Cond. exc. Chassis & Cab		(⁹³) 9942908	1
	PULLEY ASSEMBLY	(A) 8 Cyl. Eng. Air Cond.		(⁹⁶) 2812459	1
	PULLEY ASSEMBLY	(A) 8 Cyl. Eng. Air Cond. Chassis & Cab		(⁹³) 2812459	1
1.063	HUB – Water pump and fan pulley				
	HUB	ALL		7449209	1
1.064	BLADE, SPACER – Fan				
	BLADE ASSEMBLY – 4 Blade	(M) 6 Cyl. Eng. exc. Air Cond., Chassis & Cab		2820480	1
	BLADE ASSEMBLY – 4 Blade	(A) 6 Cyl. Eng. exc. Chassis & Cab, Air Cond.		9942276	1
	BLADE ASSEMBLY – 4 Blade	6 Cyl. Eng. Chassis & Cab exc.			
		Air Cond., H/Duty Rad.		(⁹³) 9942276	1
	BLADE ASSEMBLY – 4 Blade	6 Cyl. Eng. Chassis & Cab exc.			
		Air Cond., H/Duty Rad.		(⁹⁶) 2824280	1
	BLADE ASSEMBLY – 4 Blade	6 Cyl. Eng., Chassis & Cab exc. Air Cond.,			
		H/Duty Rad.		2820480	1
	BLADE ASSEMBLY – 7 Blade	6 Cyl. Eng. Chassis & Cab w/H/Duty Rad.,			
		Air Cond.		9788982	1
	BLADE ASSEMBLY – 7 Blade – Straight	(A) 8 Cyl. Eng. Chassis & Cab exc. Air Cond.		9788982	1
	BLADE ASSEMBLY – 4 Blade	(M) 8 Cyl. Eng. exc. Air Cond.		3927791	1
	BLADE ASSEMBLY – 4 Blade.	(A) 8 Cyl. Eng. exc. Air Cond.		9942275	1
	BLADE ASSEMBLY – 7 Blade Curved	Air Cond.		3947772	1
	SPACER	6 Cyl. Eng.		(⁹⁶) 2823840	1
	SPACER	6 Cyl. Eng. exc. Air Cond.		(⁹³) 2823840	1
	SPACER – 2.42" Long.	6 Cyl. Eng. Air Cond.		(⁹⁷) 9936252	1
	SPACER – 1.02" Long.	6 Cyl. Eng. Air Cond.		(⁹⁶) 9942390	1
	SPACER	(M) 8 Cyl. Eng. exc. Air Cond., Chassis & Cab		(⁹³) 2823841	1
	SPACER	8 Cyl. Eng. Chassis & Cab			
		exc. Air Cond.		(⁹⁶) 2823839	1
	SPACER	8 Cyl. Eng. Chassis & Cab exc.			
		Air Cond. H/Duty Rad.		(⁹³) 2823841	1
	SPACER	(A) 4.2 Litre Eng. exc. Chassis &			
		Cab, Air Cond.		(⁹³) 2823841	1
	SPACER	(A) 5 Litre Eng. H/Duty Rad. exc.			
		Chassis & Cab		(⁹⁶) 2823839	1
	SPACER	(A) 5 Litre Eng. H/Duty Rad. exc. Chassis &			
		Cab		(⁹³) 2823841	1
	SPACER	(A) 5 Litre Eng. exc. Chassis & Cab.			
		H/Duty Rad. Air Cond.		9936252	1
	SPACER	(A) 4.2 Litre Eng. exc. Air Cond.			
		Chassis & Cab.		2823841	1
	BOLT – Fan spacer & pulley to hub	6 Cyl. Eng. exc. Air Cond.		(⁹³) 9430452	4
	BOLT – Fan spacer & pulley to hub	6 Cyl. Eng. Air Cond.		(⁹³) 454893	4
	BOLT – Fan spacer & pulley to hub	6 Cyl. Eng.		(⁹⁶) 9430452	4
	BOLT – Fan spacer & pulley to hub	8 Cyl. Eng. Chassis & Cab, H/Duty Radiator		454893	4
	BOLT – Fan spacer & pulley to hub	(M) 8 Cyl. Eng. exc. Air Cond., Chassis & Cab		9430454	4
Note:	⁽⁹³⁾ With Evaporative and Exhaust Emission Control – A.D.R. 27A (Refer Safety Compliance Plate). ⁽⁹⁶⁾ Without Exhaust Emission Control. ⁽⁹⁷⁾ Use with flex blade fan. ⁽⁹⁸⁾ Use with clutch type fan.				

"HX" STATESMAN/HOLDEN PARTS CATALOGUE

GROUP	DESCRIPTION	MODEL	SIDE	PART No.	QTY.
1.064	BLADE, SPACER – Fan (contd.)				
	BOLT - Fan spacer & pulley to hub	8 Cyl. Eng. Chassis & Cab exc. Air Cond. ...		9930454	4
	BOLT - Fan spacer & pulley to hub	(A) 5 Litre Eng. H/Duty Rad. exc. Chassis & Cab, Air Cond.		9430454	4
	BOLT - Fan spacer & pulley to hub	(A) 5 Litre Eng. exc. Chassis & Cab, H/Duty Rad., Air Cond.		454893	4
	BOLT - Fan spacer & pulley to hub	(A) 4.2 Litre Eng. exc. Chassis & Cab, Air Cond.		9430454	4
	WASHER - Lock	ALL		120214	4
1.066	BELT – Air conditioner compressor				
	BELT - Nominal length - 36 1/2"	6 Cyl. Eng.		3888457	1
	BELT - Nominal length - 55"	8 Cyl. Eng.		3911670	1
1.066	BELT - Fan and alternator				
	BELT	6 Cyl. Eng. exc. Air Cond.		9934941	1
	BELT	6 Cyl. Eng. Air Cond.		2814845	1
	BELT	8 Cyl. Eng. exc. Air Cond.		7436379	1
	BELT	8 Cyl. Eng. Air Cond.		2812427	1
1.066	BELT – Power steering pump				
	BELT	6 Cyl. Eng.		3848255	1
	BELT	8 Cyl. Eng.		3845648	1
1.069	PUMP – Water				
	PUMP ASSEMBLY	6 Cyl. Eng.		⁽⁹³⁾ 9943171	1
	PUMP ASSEMBLY	6 Cyl. Eng.		⁽⁹⁶⁾ 2823988	1
	SEAL KIT - Heater hose connection			7430865	1
	CLAMP - Seal	6 Cyl. Eng.		SP 1610	1
	BOLT & WASHER	6 Cyl. Eng.		7420070	2
	PUMP ASSEMBLY	8 Cyl. Eng.		⁽⁹⁶⁾ 2824553	1
	PUMP ASSEMBLY	8 Cyl. Eng.		⁽⁹³⁾ 9936233	1
	BOLT	8 Cyl. Eng.		9427637	3
1.071	REPAIR KIT – Water pump				
	REPAIR KIT	6 Cyl. Eng.		M37645	1
	REPAIR KIT	8 Cyl. Eng.		2811054	1
1.073	BODY – Water pump				
	BODY	6 Cyl. Eng.		⁽⁹³⁾ 9943172	1
	BODY	6 Cyl. Eng.		⁽⁹⁶⁾ 7420066	1
	BODY	8 Cyl. Eng.		⁽⁹³⁾ 9936232	1
	BODY	8 Cyl. Eng.		⁽⁹⁶⁾ 2824541	1
1.079	GASKET – Water pump to block				
	GASKET	6 Cyl. Eng.		7420069	1
	GASKET	8 Cyl. Eng.		7434749	1
1.108	SHAFT and BEARING – Water pump				
	SHAFT and BEARING	6 Cyl. Eng.		2823981	1
	SHAFT and BEARING ASSEMBLY	8 Cyl. Eng.		9942956	1
1.109	ROTOR – Water pump				
	ROTOR	6 Cyl. Eng.		7420068	1
	ROTOR	8 Cyl. Eng.		7438128	1
1.123	SEAL – Water pump				
	SEAL ASSEMBLY	6 Cyl. Eng.		6270078	1
	SEAL ASSEMBLY	8 Cyl. Eng.		1239465	1
	SEAT ASSEMBLY - Seal	8 Cyl. Eng.		1239469	1
	Note: ⁽⁹³⁾ With Evaporative and Exhaust Emission Control - A.D.R. 27A (Refer Safety Compliance Plate).				
	⁽⁹⁶⁾ Without Exhaust Emission Control.				

“HX” STATESMAN/HOLDEN PARTS CATALOGUE

GROUP	DESCRIPTION	MODEL	SIDE	PART No.	QTY.
1.150	SWITCH, SENDER UNIT – Temperature warning lamp and gauge				
	SWITCH – Temperature tell-tale warning lamp	Exc. GTS, Statesman		7438087	1
	SENDER UNIT – Temperature gauge	ALL		9943947	1
	ADAPTOR – Temperature gauge sender unit	ALL		7438477	1
1.150	SWITCH, HOSE – Thermal vacuum				
	SWITCH	ALL		3024924	1
	HOSE – Manifold to thermal vacuum switch	ALL		9937388	1
	HOSE – Thermal vacuum switch to T.C.S. solenoid ..	6 Cyl. Eng.		9937679	1
	HOSE – Thermal vacuum switch to T.C.S. solenoid ..	8 Cyl. Eng.		9939222	1
	CAP – Switch	ALL		3023863	1
1.153	COVER – Thermostat housing inlet				
	COVER	6 Cyl. Eng.		⁽⁹³⁾ 9939227	1
	COVER	6 Cyl. Eng.		⁽⁹⁶⁾ 7423284	1
	BOLT ASSEMBLY – Cover & clip to housing	6 Cyl. Eng.		SP2070	1
	BOLT ASSEMBLY – Cover to thermostat housing	6 Cyl. Eng. exc. Power Steering		SP2071	1
	BOLT – Cover & power steering bracket to housing ..	6 Cyl. Eng. Power Steering		9427729	1
	WASHER – Cover & power steering bracket to housing	6 Cyl. Eng. Power Steering		120382	1
	COVER	8 Cyl. Eng.		⁽⁹³⁾ 9938761	1
	COVER	8 Cyl. Eng.		⁽⁹⁶⁾ 2805347	1
	PIN – Dowel	8 Cyl. Eng.		⁽⁹⁶⁾ 2812045	1
	BOLT ASSEMBLY – Cover to inlet manifold	8 Cyl. Eng.		SP2030	2
1.154	GASKET – Thermostat housing inlet cover				
	GASKET	6 Cyl. Eng.		7401111	1
	GASKET	8 Cyl. Eng.		7434795	1
1.159	HOSE – Radiator				
	HOSE – Inlet	6 Cyl. Eng. exc. Air Cond. H/Duty Rad.		2812209	1
	HOSE – Inlet	6 Cyl. Eng. Air Cond., H/Duty Rad.		9934125	1
	HOSE – Inlet	8 Cyl. Eng.		2812270	1
	HOSE & SPRING PACKAGE – Outlet	6 Cyl. Eng.		2819473	1
	HOSE & SPRING PACKAGE – Outlet	8 Cyl. Eng.		2819474	1
1.166	CLAMP – Radiator hose				
	CLAMP – 1.38" diameter	ALL		SP1557	4
1.203	CAP – Radiator pressure				
	CAP ASSEMBLY	ALL		9928800	1
1.219	RADIATOR				
	RADIATOR ASSEMBLY	(M) 6 Cyl. Eng. Air Cond.		9935916	1
	RADIATOR ASSEMBLY – Heavy Duty	(M) 6 Cyl. Eng.		9935916	1
	RADIATOR ASSEMBLY – Regular	(M) 2850 Eng. Chassis & Cab exc. Air Cond.		⁽⁹⁶⁾ 9938533	1
	RADIATOR ASSEMBLY – Regular	(M) 3300 Eng. Chassis & Cab exc. Air Cond.		⁽⁹⁶⁾ 2812180	1
	RADIATOR ASSEMBLY – Regular	(M) 6 Cyl. Eng. Chassis & Cab exc. Air Cond.		⁽⁹³⁾ 2812180	1
	RADIATOR ASSEMBLY – Regular	(M) 6 Cyl. Eng. exc. Chassis & Cab, Air Cond.		⁽⁹⁶⁾ 9938533	1
	RADIATOR ASSEMBLY – Regular	(M) 6 Cyl. Eng. exc. Chassis & Cab, Air Cond.		⁽⁹³⁾ 9941922	1
	RADIATOR ASSEMBLY – Regular	(A) 6 Cyl. Eng. Chassis & Cab, exc. Air Cond.		9931570	1
	RADIATOR ASSEMBLY	(A) 6 Cyl. Eng. Chassis & Cab Air Cond.		9943603	1
	RADIATOR ASSEMBLY – Heavy Duty	(A) 6 Cyl. Eng. Chassis & Cab		9943603	1
	RADIATOR ASSEMBLY – Regular	(A) 6 Cyl. Eng. exc. Chassis & Cab, Air Cond.		⁽⁹⁶⁾ 9938534	1
	RADIATOR ASSEMBLY – Regular	(A) 6 Cyl. Eng. exc. Chassis & Cab, Air Cond.		⁽⁹³⁾ 2812177	1
	RADIATOR ASSEMBLY – Heavy Duty	(A) 6 Cyl. Eng. exc. Chassis & Cab		9935585	1
	RADIATOR ASSEMBLY	(A) 6 Cyl. Eng. Air Cond. exc. Chassis & Cab		9935585	1
	RADIATOR ASSEMBLY – Heavy Duty	(M) 4.2 Litre Eng.		9941859	1
	RADIATOR ASSEMBLY – Regular	(M) 4.2 Litre Eng. exc. Air Cond.		⁽⁹⁶⁾ 9938535	1
	RADIATOR ASSEMBLY – Regular	(M) 4.2 Litre Eng. exc. Air Cond.		⁽⁹³⁾ 9941537	1
	RADIATOR ASSEMBLY	(M) 4.2 Litre Eng. Air Cond.		9941859	1
Note:	⁽⁹³⁾ With Evaporative and Exhaust Emission Control – A.D.R. 27A (Refer Safety Compliance Plate).				
	⁽⁹⁶⁾ Without Exhaust Emission Control.				

"HX" STATESMAN/HOLDEN PARTS CATALOGUE

GROUP	DESCRIPTION	MODEL	SIDE	PART No.	QTY.
1.219	RADIATOR (contd.)				
	RADIATOR ASSEMBLY - Regular	(A) 4.2 Litre Eng. Chassis & Cab exc. Air Cond.		(⁹⁶ 9931639	1
	RADIATOR ASSEMBLY	(A) 4.2 Litre Eng. Chassis & Cab		(⁹³ 9943604	1
	RADIATOR ASSEMBLY - Heavy Duty	(A) 4.2 Litre Eng. Chassis & Cab		9943606	1
	RADIATOR ASSEMBLY	(A) 4.2 Litre Eng. Chassis & Cab, Air Cond.		9943606	1
	RADIATOR ASSEMBLY - Regular	(A) 4.2 Litre Eng. exc. Chassis & Cab, Air Cond.		(⁹⁶ 9938536	1
	RADIATOR ASSEMBLY - Regular	(A) 4.2 Litre Eng. exc. Chassis & Cab, Air Cond.		(⁹³ 9936206	1.
	RADIATOR ASSEMBLY - Heavy Duty	(A) 4.2 Litre Eng. exc. Chassis & Cab		9941860	1
	RADIATOR ASSEMBLY	(A) 4.2 Litre Eng. Air Cond. exc. Chassis & Cab, Caprice		9941860	1
	RADIATOR ASSEMBLY	4.2 Litre Eng. Caprice		(⁹⁶ 2812161	1
	RADIATOR ASSEMBLY	4.2 Litre Eng. Caprice		(⁹³ 9941860	1
	RADIATOR ASSEMBLY - Regular	(M) 5 Litre Eng. exc. Air Cond.		(⁹⁶ 9938535	1
	RADIATOR ASSEMBLY - Regular	(M) 5 Litre Eng. exc. Air Cond.		(⁹³ 9941537	1
	RADIATOR ASSEMBLY - Heavy Duty	(M) 5 Litre Eng. exc. Air Cond.		9941835	1
	RADIATOR ASSEMBLY	(M) 5 Litre Eng. Air Cond.		9941835	1
	RADIATOR ASSEMBLY - Regular	(A) 5 Litre Eng. Chassis & Cab exc. Air Cond.		(⁹⁶ 9931639	1
	RADIATOR ASSEMBLY	(A) 5 Litre Eng. Chassis & Cab		(⁹³ 9943604	1
	RADIATOR ASSEMBLY - Heavy Duty	(A) 5 Litre Eng. Chassis & Cab exc. Air Cond.		9943605	1
	RADIATOR ASSEMBLY	(A) 5 Litre Eng. Chassis & Cab, Air Cond. ...		9943605	1
	RADIATOR ASSEMBLY - Regular	(A) 5 Litre Eng. exc. Chassis & Cab, Air Cond.		(⁹⁶ 9938536	1
	RADIATOR ASSEMBLY - Regular	(A) 5 Litre Eng. exc. Chassis & Cab, Air Cond.		(⁹³ 9936206	1
	RADIATOR ASSEMBLY - Heavy Duty	(A) 5 Litre Eng. Exc. Chassis & Cab, Air Cond.		9941834	1
	RADIATOR ASSEMBLY	(A) 5 Litre Eng. Air Cond. exc. Chassis & Cab, Caprice		9941834	1
	RADIATOR ASSEMBLY	5 Litre Eng. Caprice		(⁹⁶ 2812161	1
	RADIATOR ASSEMBLY	5 Litre Eng. Caprice		(⁹³ 9941834	1
	SCREW - Radiator to front end panel	ALL		SP2219	4
	GROMMET - Radiator to front end panel	ALL		120392	4
	NUT - Radiator to front end panel	ALL		120377	4
1.246	THERMOSTAT				
	THERMOSTAT ASSEMBLY	ALL		(⁹³ 9944283	1
	THERMOSTAT ASSEMBLY	ALL		(⁹⁶ 3749086	1
1.251	HOUSING - Thermostat				
	HOUSING	6 Cyl. Eng.		(⁹³ 9943173	1
	HOUSING	6 Cyl. Eng.		(⁹⁶ 2820816	1
	BOLT ASSEMBLY - $\frac{3}{8}$ " - 16 x 1.25"	6 Cyl. Eng.		SP2068	1
	BOLT ASSEMBLY - $\frac{3}{8}$ " - 16 x 2.00"	6 Cyl. Eng.		SP2069	1
1.252	GASKET - Thermostat housing				
	GASKET	6 Cyl. Eng.		7429459	1
1.265	EMBLEM, NAME PLATE - Radiator grille				
	EMBLEM	Belmont, Panel Van, Utility exc. Ambulance, Sandman		9929988	1
	EMBLEM	Kingswood, Sandman		9942709	1
	INSERT - Grille emblem	Belmont, Panel Van, Utility exc. Ambulance		9932010	1
	EMBLEM	Premier, Ambulance		9941911	1
	EMBLEM	GTS		9941983	1
	EMBLEM - LE	LE		9943854	1
	INSERT - Grille emblem - LE	LE		9943903	1
	NUT - Emblem insert	Chassis & Cab, Utility, Panel Van, Belmont, Kingswood, Premier, GTS		9418693	1
	WASHER - Emblem insert	Belmont, Kingswood, Premier GTS, LE Panel Van, Utility, Ambulance		120385	1
	PLATE - Name "Statesman De Ville"	De Ville		9941808	1
	NUT - Name plate	De Ville		9415250	2
	WASHER - Name plate	De Ville		SP1860	2
	PLATE - Name "Statesman Caprice"	Caprice		9934162	1
	NUT - Name plate	Caprice		9415250	2
	WASHER - Name plate	Caprice		SP1860	2
	Note: (⁹³ With Evaporative and Exhaust Emission Control - A.D.R. 27A (Refer Safety Compliance Plate). (⁹⁶ Without Exhaust Emission Control.				

"HX" STATESMAN/HOLDEN PARTS CATALOGUE

GROUP	DESCRIPTION	MODEL	SIDE	PART No.	QTY.
1.266	LETTER, EMBLEM – Front end panel				
	LETTER 'H' – Silver	Chassis & Cab exc. Ambulance		9942803	1
	LETTER 'O' – Silver	Chassis & Cab exc. Ambulance		9942804	1
	LETTER 'L' – Silver	Chassis & Cab exc. Ambulance		9942805	1
	LETTER 'D' – Silver	Chassis & Cab exc. Ambulance		9942806	1
	LETTER 'E' – Silver	Chassis & Cab exc. Ambulance		9942807	1
	LETTER 'N' – Silver	Chassis & Cab exc. Ambulance		9942808	1
	LETTER 'H' – Chrome	Chassis & Cab exc. Ambulance		9934610	1
	LETTER 'O' – Chrome	Chassis & Cab exc. Ambulance		9934611	1
	LETTER 'L' – Chrome	Chassis & Cab exc. Ambulance		9934612	1
	LETTER 'D' – Chrome	Chassis & Cab exc. Ambulance		9934613	1
	LETTER 'E' – Chrome	Chassis & Cab exc. Ambulance		9934614	1
	LETTER 'N' – Chrome	Chassis & Cab exc. Ambulance		9934615	1
	NUT – Letter to front end panel	Chassis & Cab exc. Ambulance		9418693	12
	EMBLEM – Wreath	De Ville		9932377	1
	EMBLEM – Shield	De Ville		9932614	1
	NUT – Wreath & Shield emblem to front end panel ...	De Ville		9415250	4
1.266	GRILLE – Radiator				
	GRILLE ASSEMBLY	Belmont		9935967	1
	GRILLE ASSEMBLY	Kingswood		9941784	1
	GRILLE ASSEMBLY	Utility, Panel Van exc. Sandman, Ambulance		9935967	1
	GRILLE ASSEMBLY	Sandman		9941785	1
	GRILLE ASSEMBLY – Chrome	Chassis & Cab exc. Ambulance		9934609	1
	GRILLE ASSEMBLY – Painted	Chassis & Cab exc. Ambulance		2823509	1
	GRILLE ASSEMBLY	GTS, LE		9941785	1
	GRILLE ASSEMBLY	Premier, Ambulance		9941783	1
	GRILLE ASSEMBLY – Upper	De Ville		9941964 (9941963)	1
	GRILLE ASSEMBLY – Upper	Caprice		9941964	1
	GRILLE ASSEMBLY – Lower	De Ville		9941958 (9941958)	1
	GRILLE ASSEMBLY – Lower	Caprice		9941957	1
1.266	PANEL - Front end				
	PANEL – Front end	Utility, Panel Van, Belmont, Kingswood, GTS, exc. Ambulance		9938129	1
	PANEL – Front end	Ambulance, LE, Premier, Statesman		9938130	1
	PANEL – Front end	Chassis & Cab exc. Ambulance		2823559	1
	BOLT – Grille to front end panel	Utility, Panel Van, Belmont exc. Sandman Ambulance		SP2440	5
	NUT – Grille to front end panel	Utility, Panel Van, Belmont exc. Sandman, Ambulance		SP2050	5
	BOLT – Lower grille to front end panel	Statesman		SP2440	3
	BOLT – Lower grille to front end panel	Statesman		SP2411	1
	NUT – Lower grille to front end panel	Statesman		SP2050	4
	BOLT – Grille to front end panel	Chassis & Cab exc. Ambulance		440502	8
	NUT – Grille to front end panel	Chassis & Cab exc. Ambulance		SP2050	8
	WASHER – Grille to front end panel	Chassis & Cab exc. Ambulance		446152	8
	BOLT – Grille to front end panel	Kingswood, GTS, LE, Premier Statesman, Chassis & Cab Ambulance, Sandman ...		SP2659	5
1.268	MOULDING – Radiator grille				
	MOULDING – Upper	Kingswood, Premier, GTS, LE, Ambulance		9931789	1
	MOULDING – Lower	Kingswood, Premier, GTS, LE, Ambulance		9931788	1
	MOULDING – Side	Kingswood, Premier, GTS, LE, Ambulance	LH	9932003	1
			RH	9932004	1
	MOULDING – Upper grille	Statesman		9931976	1
	MOULDING – Upper grille side	Statesman	LH	9932007	1
			RH	9932008	1
	MOULDING – Lower grille	Statesman		9932997	1
	RETAINER ASSY – Lower grille moulding	Statesman		7421827	AR
	NUT – Moulding retainer	Statesman		441240	AR

"HX" STATESMAN/HOLDEN PARTS CATALOGUE

GROUP	DESCRIPTION	MODEL	SIDE	PART No.	QTY.
1.270	PANEL – Radiator support				
	PANEL ASSEMBLY	Belmont, Kingswood, GTS, Utility, Panel Van exc. Ambulance		9932052	1
	PANEL ASSEMBLY	Premier, LE, Statesman, Ambulance		9932053	1
	PANEL ASSEMBLY	Chassis & Cab exc. Ambulance		9937291	1
	SCREW – Panel to radiator support	Chassis & Cab, Utility, Panel Van, Belmont, Kingswood, GTS, LE		SP2055	4-8
	NUT – Panel to radiator support	Chassis & Cab, Utility, Panel Van, Belmont, Kingswood, GTS, LE		SP1548	4-8
	SCREW – Panel to radiator support	Statesman		SP2055	4
	NUT – Panel to radiator support	Statesman		SP1548	2
	SCREW – Panel & grille to radiator support	Statesman		SP2511	2
	NUT – Panel & grille to radiator support	Statesman		SP1548	2
	BRACKET ASSY – Radiator support to fender	Belmont, Kingswood, Premier, GTS, LE, Statesman, Utility, Panel Van, Ambulance	LH	9932055	1
			RH	9932056	1
	BOLT – Radiator support bracket to fender	Belmont, Kingswood, Premier, GTS, LE, Statesman, Utility, Panel Van, Ambulance		SP2055	6
	BOLT – Radiator support	Ambulance		SP2511	2
	BOLT – Radiator support	Belmont, Kingswood, Premier, GTS, LE		SP2511	2
1.270	SHROUD – Radiator fan				
	SHROUD	6 Cyl. Eng. Air Cond.		9942170	1
	SHROUD	(A) 5 Litre Eng. exc. Chassis & Cab		9942168	1
	SHROUD	8 Cyl. Eng. Chassis & Cab w/H/Duty Rad..		9942168	1
	SHROUD	4.2 Litre Eng. Air Cond.		9942168	1
	SHROUD	(M) 5 Litre Eng. Air Cond. exc. Chassis & Cab		9942168	1
	SHROUD	(A) 5 Litre Eng. Chassis & Cab, Air Cond. ...		9942168	1
	SHROUD	8 Cyl. Eng. Chassis & Cab		(⁹⁶ 2812268	1
	SHROUD	Caprice		(⁹⁶ 2812268	1
	BOLT – Shroud to radiator	ALL		274672	4
	WASHER – Shroud to radiator – Lock	ALL		120380	4
	NUT – Shroud to radiator	6 Cyl. Eng. Air Cond.		120375	4
	NUT – Shroud to radiator	4.2 Litre Eng. Air Cond.		120375	4
	NUT – Shroud to radiator	(M) 5 Litre Eng. Air Cond. exc. Chassis & Cab, LE		120375	4
	FINGER GUARD – Fan – Bolt on type	8 Cyl. Eng. exc. when shroud fitted		9945721 (2823991)	1
1.426	PAN – Oil				
	PAN ASSEMBLY	6 Cyl. Eng.		2809284	1
	BOLT & LOCK WASHER ASSEMBLY	6 Cyl. Eng.		423335	18
	BOLT & LOCK WASHER ASSEMBLY	6 Cyl. Eng.		3719206	4
	PAN ASSEMBLY	8 Cyl. Eng.		2809789	1
	BOLT & LOCK WASHER ASSEMBLY – 3/8" hex. hd. – .62" long	8 Cyl. Eng.		7436618	16
	BOLT & LOCK WASHER ASSEMBLY – 1/2" hex. hd. – .96" long	8 Cyl. Eng.		7436617	4
1.429	GASKET UNIT – Oil pan				
	GASKET UNIT	6 Cyl. Eng.		2819472	1
	SEAL – Front	6 Cyl. Eng.		7420001	1
	SEAL – Rear	6 Cyl. Eng.		3788444	1
	PACKING – Seal	6 Cyl. Eng.		2815269	2
	GASKET SET	8 Cyl. Eng.		2811059	1
	SEAL – Front	8 Cyl. Eng.		7434735	1
	SEAL – Rear	8 Cyl. Eng.		7434734	1
1.453	PLUG – Oil pan drain				
	PLUG & GASKET ASSEMBLY	ALL		7423483	1
	GASKET	ALL		513975	1
	PLUG & GASKET ASSEMBLY – Oversize 3/16" – 18 ...	ALL		7433631	1
	GASKET – 3/16"	ALL		7433633	1

Note: (⁹⁶) Without Exhaust Emission Control.

"HX" STATESMAN/HOLDEN PARTS CATALOGUE

GROUP	DESCRIPTION	MODEL	SIDE	PART No.	QTY.
1.516 INDICATOR – Oil					
	INDICATOR ASSEMBLY – Oil level	6 Cyl. Eng.		2809297	1
	TUBE – Oil level indicator	6 Cyl. Eng.		7427625	1
	INDICATOR ASSEMBLY – Oil level	8 Cyl. Eng.		2809794	1
	TUBE ASSEMBLY – Oil level indicator	8 Cyl. Eng.		2811644	1
	SEAL – Oil level indicator tube	8 Cyl. Eng.		274244	1
1.609 VALVE – Oil pressure regulator					
	VALVE	6 Cyl. Eng.		3702366	1
	VALVE	8 Cyl. Eng.		1199080	1
	PIN – Valve stop	6 Cyl. Eng.		142953	1
1.610 SPRING – Oil pressure regulator					
	SPRING	6 Cyl. Eng.		3837115	1
	SPRING	8 Cyl. Eng.		7439491	1
1.611 PLUG, CAP – Oil pressure regulator spring					
	PLUG	6 Cyl. Eng.		7426909	1
	GASKET	6 Cyl. Eng.		7417490	1
	CAP – Valve	8 Cyl. Eng.		1194360	1
	GASKET – Valve cap	8 Cyl. Eng.		7435833	1
1.643 GEAR – Oil pump drive					
	GEAR KIT	6 Cyl. Eng.		7423613	1
	GEAR	8 Cyl. Eng.		7434732	1
	PIN – Slotted spring $\frac{3}{8}$ " x $\frac{3}{4}$ "	ALL		454512	1
1.652 PUMP – Oil					
	PUMP ASSEMBLY	6 Cyl. Eng.		7449396	1
	PUMP ASSEMBLY	8 Cyl. Eng.		2815887	1
	BOLT ASSEMBLY – Oil pump	6 Cyl. Eng.		SP2028	4
	BOLT ASSEMBLY – Oil pump	8 Cyl. Eng.		9427813	4
1.653 BODY – Oil pump					
	BODY ASSEMBLY	6 Cyl. Eng.		7449397	1
	BODY ASSEMBLY	8 Cyl. Eng.		2815888	1
	BUSH – Drive shaft	8 Cyl. Eng.		9942699	1
1.654 GASKET – Oil pump to block					
	GASKET	6 Cyl. Eng.		7420017	1
	GASKET	8 Cyl. Eng.		7434848	1
1.656 SCREEN & PIPE – Oil pump suction					
	SCREEN & PIPE ASSEMBLY	6 Cyl. Eng.		2809294	1
	SCREEN & PIPE ASSEMBLY	8 Cyl. Eng.		2809791	1
	GASKET – Suction pipe flange	8 Cyl. Eng.		7434859	1
	CONNECTOR – Suction pipe to cylinder block	6 Cyl. Eng.		425224	1
	BOLT & LOCK WASHER ASSEMBLY	ALL		SP2065	2
1.658 SHAFT – Oil pump driven gear					
	SHAFT	6 Cyl. Eng.		7420011	1
	SHAFT – Driven gear	8 Cyl. Eng.		9939322	1
	SHAFT – Drive	8 Cyl. Eng.		7434740	1
1.659 GEAR SET – Oil pump					
	GEAR SET	6 Cyl. Eng.		2815102	1
	GEAR SET	8 Cyl. Eng.		2811680	1
	GEAR and SHAFT ASSEMBLY	8 Cyl. Eng.		7434755	1
	GEAR – Primary	8 Cyl. Eng.		7435396	1
	GEAR – Secondary	8 Cyl. Eng.		7435396	1

"HX" STATESMAN/HOLDEN PARTS CATALOGUE

GROUP	DESCRIPTION	MODEL	SIDE	PART No.	QTY.
1.723 COVER – Oil pump					
	COVER	6 Cyl. Eng.		7426937	1
	BOLT & LOCK WASHER ASSEMBLY	6 Cyl. Eng.		SP1566	2
	COVER ASSEMBLY	8 Cyl. Eng.		7434932	1
	PLUG – Oil pump cover	8 Cyl. Eng.		9421744	1
	BOLT & LOCK WASHER ASSEMBLY	8 Cyl. Eng.		186493	2
1.724 GASKET – Oil pump cover					
	GASKET	6 Cyl. Eng.		7420016	1
	GASKET	8 Cyl. Eng.	9947100	(7434849)	1
1.745 GROMMET – Valve cover vent valve					
	GROMMET	6 Cyl. Eng.		9928699	1
	GROMMET	8 Cyl. Eng.		7439585	1
1.745 GROMMET – Air Cleaner hose connection					
	GROMMET	6 Cyl. Eng.		9928699	1
	GROMMET	8 Cyl. Eng.		7439585	1
1.758 CAP – Oil filler					
	CAP ASSEMBLY	ALL		3835665	1
1.762 VALVE, HOSE – Crankcase ventilator					
	VALVE ASSEMBLY	6 Cyl. Eng.		(⁹⁶ 1533669)	1
	VALVE ASSEMBLY	6 Cyl. Eng.		(⁹³ 6487779)	1
	VALVE ASSEMBLY	8 Cyl. Eng.		6421976	1
	HOSE – Breather to manifold	6 Cyl. Eng.		(⁹⁶ 7438562)	1
	HOSE – Breather to manifold	6 Cyl. Eng.		(⁹³ 9939205)	1
	HOSE – Breather outlet to air cleaner	6 Cyl. Eng.		(⁹⁶ 9935027)	1
	HOSE – Breather outlet to air cleaner	6 Cyl. Eng.		(⁹³ 9939164)	1
	CLAMP – Breather hose to manifold	6 Cyl. Eng.		(⁹³ 3829058)	1
	CONNECTOR – Breather outlet	6 Cyl. Eng.		(⁹⁶ 9932232)	1
	CONNECTOR – Breather outlet	6 Cyl. Eng.		(⁹³ 9939187)	1
	CLIP – Breather hose to air cleaner	6 Cyl. Eng.		(⁹⁶ SP1868)	1
	VALVE ASSEMBLY	8 Cyl. Eng.		6421976	1
	CONNECTOR – Breather outlet	8 Cyl. Eng.		9932185	1
	CLAMP – Engine breather hose	8 Cyl. Eng.		(⁹³ 3829058)	2
	HOSE – Breather outlet to air cleaner	4.2 Litre Eng.		9938262	1
	CLAMP – Breather hose to carburettor	4.2 Litre Eng.		(⁹³ 7439584)	1
	HOSE – Breather outlet to air cleaner	5 Litre Eng.		9937515	1
	HOSE – Breather to carburettor	5 Litre Eng.		(⁹³ 9928962)	1
1.803 SWITCH – Oil pressure warning lamp					
	SWITCH ASSEMBLY – Warning lamp equipment	Belmont, Kingswood, Premier, Chassis & Cab, Panel Van, Utility		7441302	1
1.803 SENDER UNIT – Oil pressure gauge					
	SENDER UNIT – Gauge equipment	ALL		9932442	1
1.835 FILTER – Oil					
	FILTER ASSEMBLY	ALL		PF10	1
	FILTER PACKAGE – Contains 6 – PF10	ALL		9943150	A.R.
	ADAPTOR	ALL		7434874	1
1.837 VALVE, GASKET – Oil filter					
	VALVE ASSEMBLY – By-pass	ALL		5575416	1
	GASKET	ALL		5574397	1

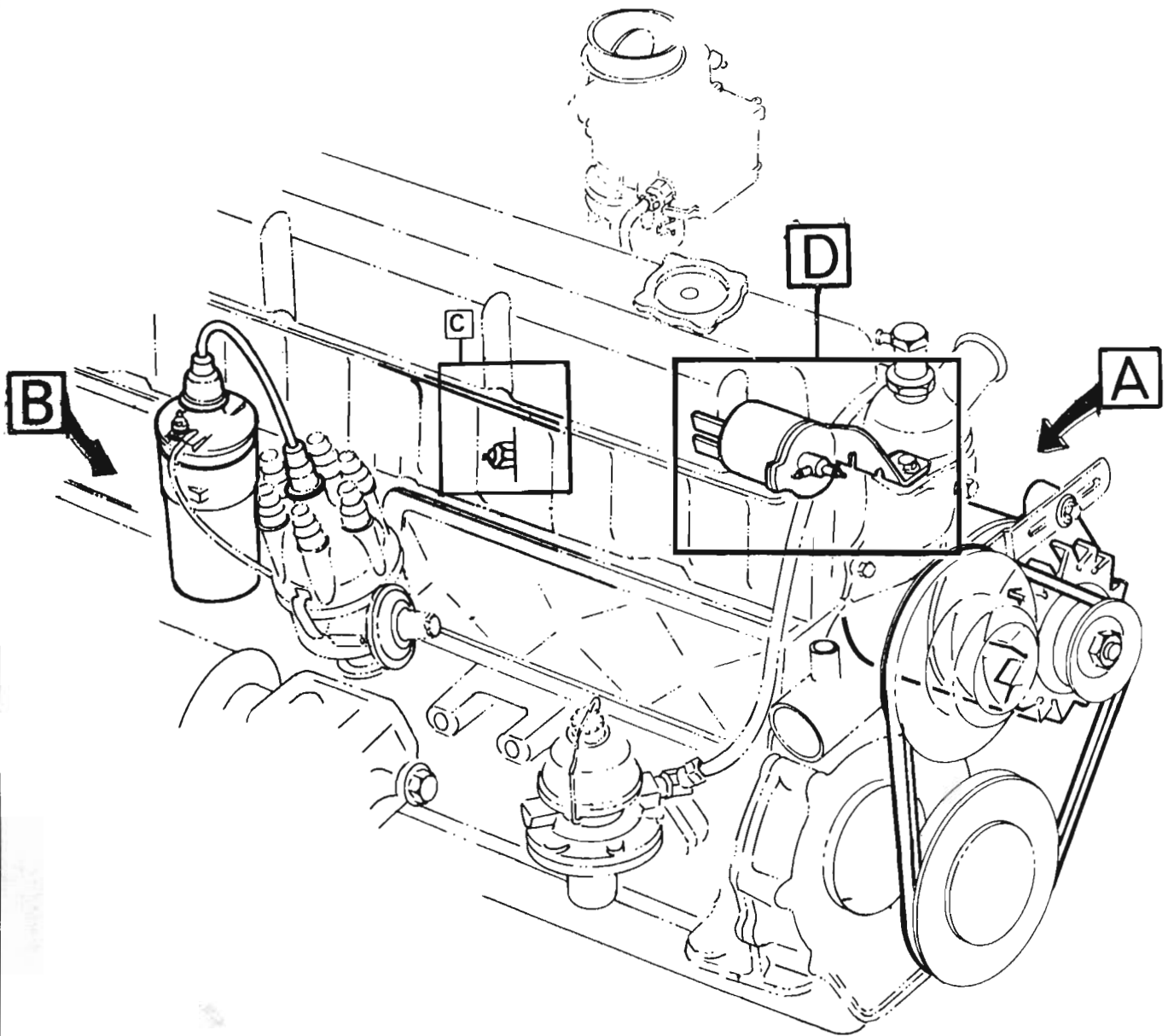
Note: (⁹³ With Evaporative and Exhaust Emission Control – A.D.R. 27A (Refer Safety Compliance Plate).
(⁹⁶ Without Exhaust Emission Control.

"HX" STATESMAN/HOLDEN PARTS CATALOGUE

GROUP	DESCRIPTION	MODEL	SIDE	PART No.	QTY.
1.928	PLUG – Cylinder block oil gallery				
	PLUG - Cylinder block oil gallery, front	ALL		7419064	3
	PLUG - Main gallery rear oil hole	ALL		444782	1

NOTES

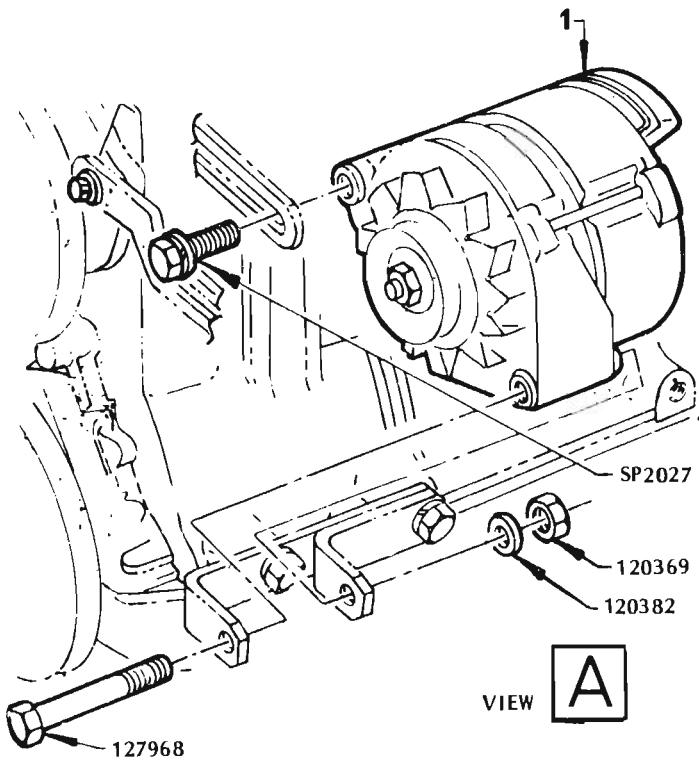
GROUP 2.000
ELECTRICAL – INSTRUMENTS



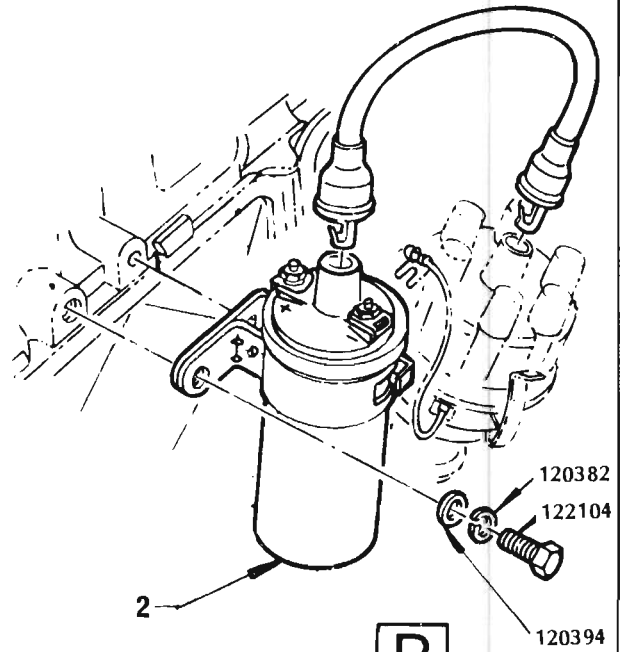
ENGINE ELECTRICAL UNITS
6 Cylinder Engine

ILLUSTRATION ABOVE & OPPOSITE

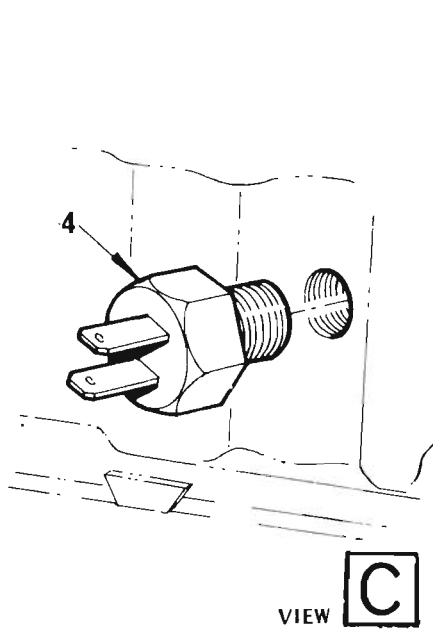
ILLUS. REF. NO.	PART NAME	GROUP
1.	ALTERNATOR ASSEMBLY	2.275
2.	COIL ASSEMBLY - Ignition	2.170
3.	VALVE ASSEMBLY - Spark control solenoid	2.408
4.	SWITCH ASSEMBLY - Cold feed	2.408
5.	SWITCH - Thermal vacuum	3.670



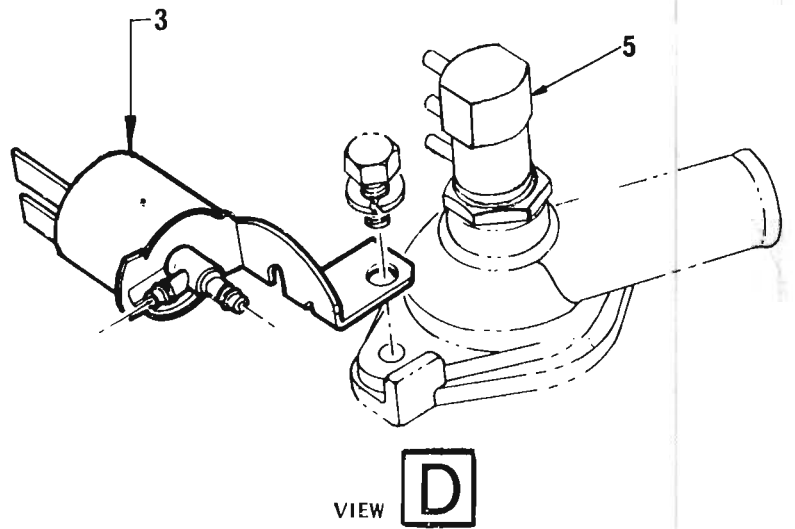
VIEW **A**



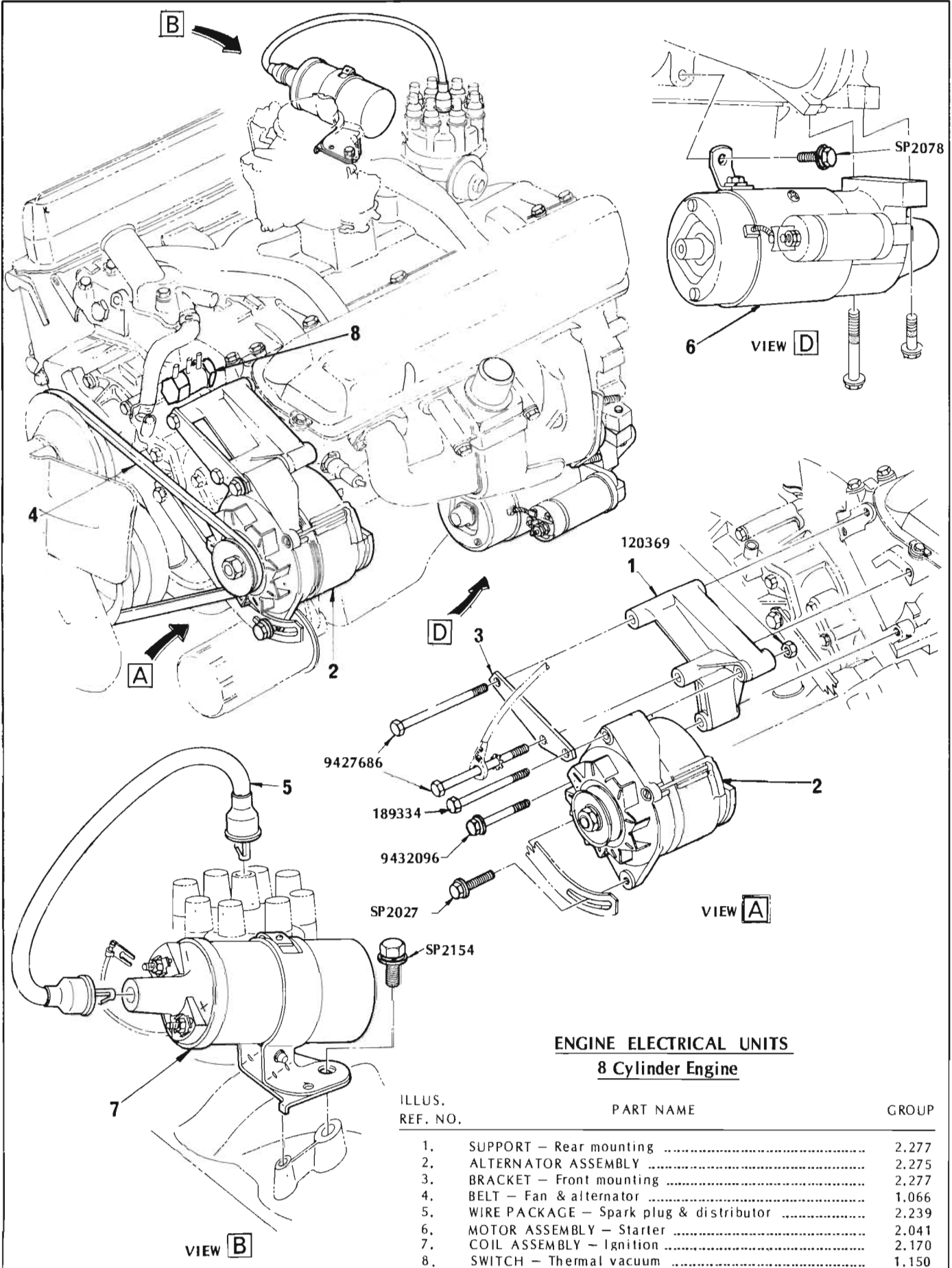
VIEW **B**



VIEW **C**

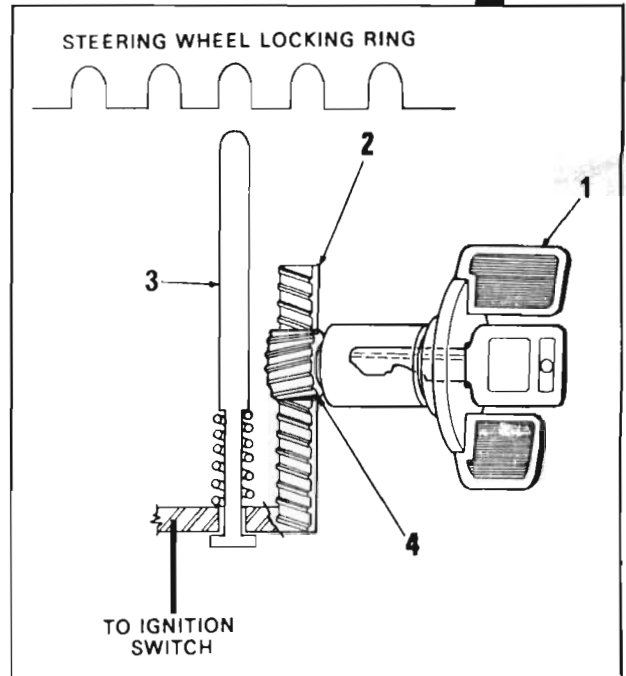
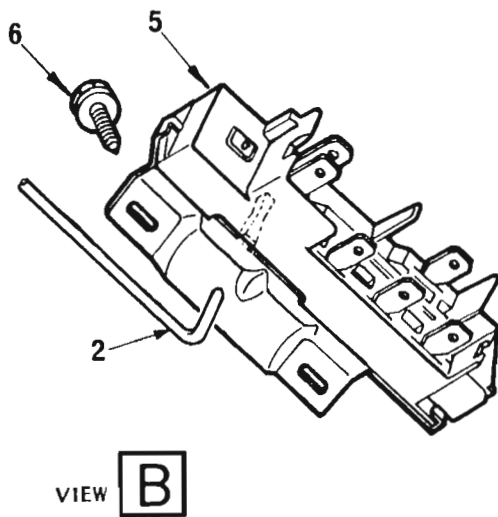
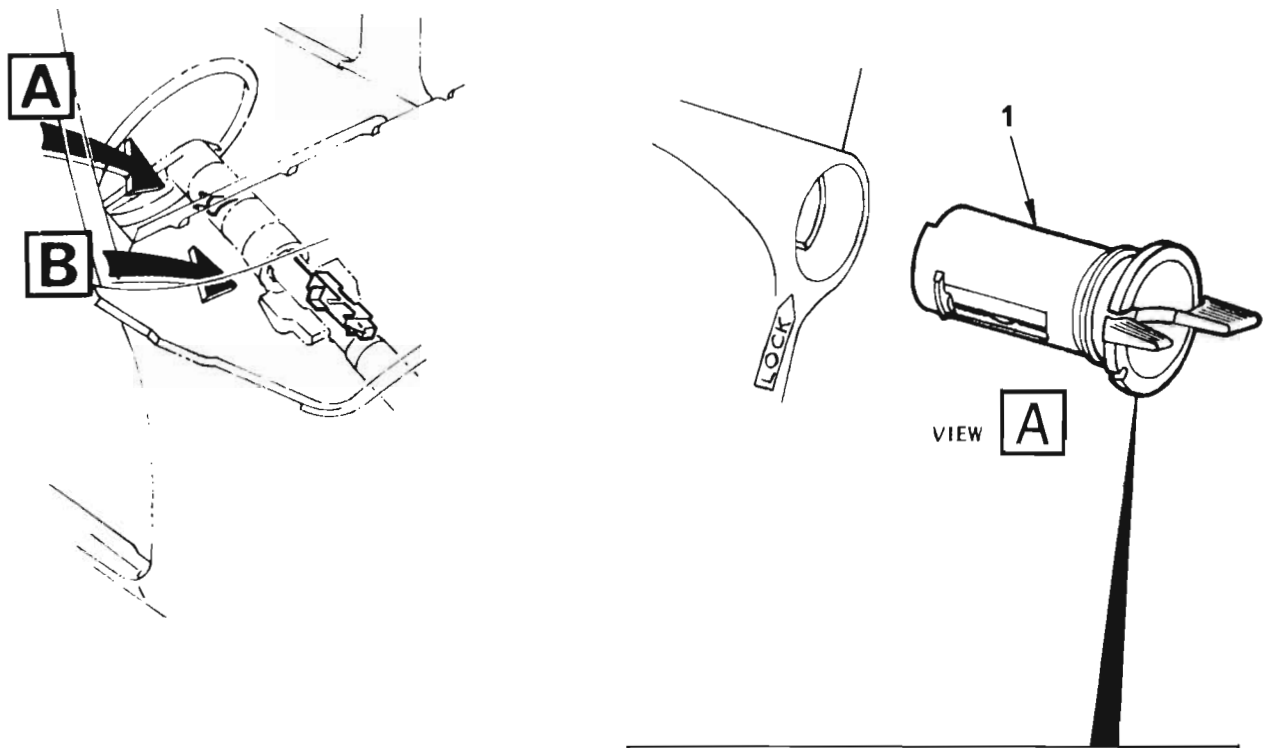


VIEW **D**



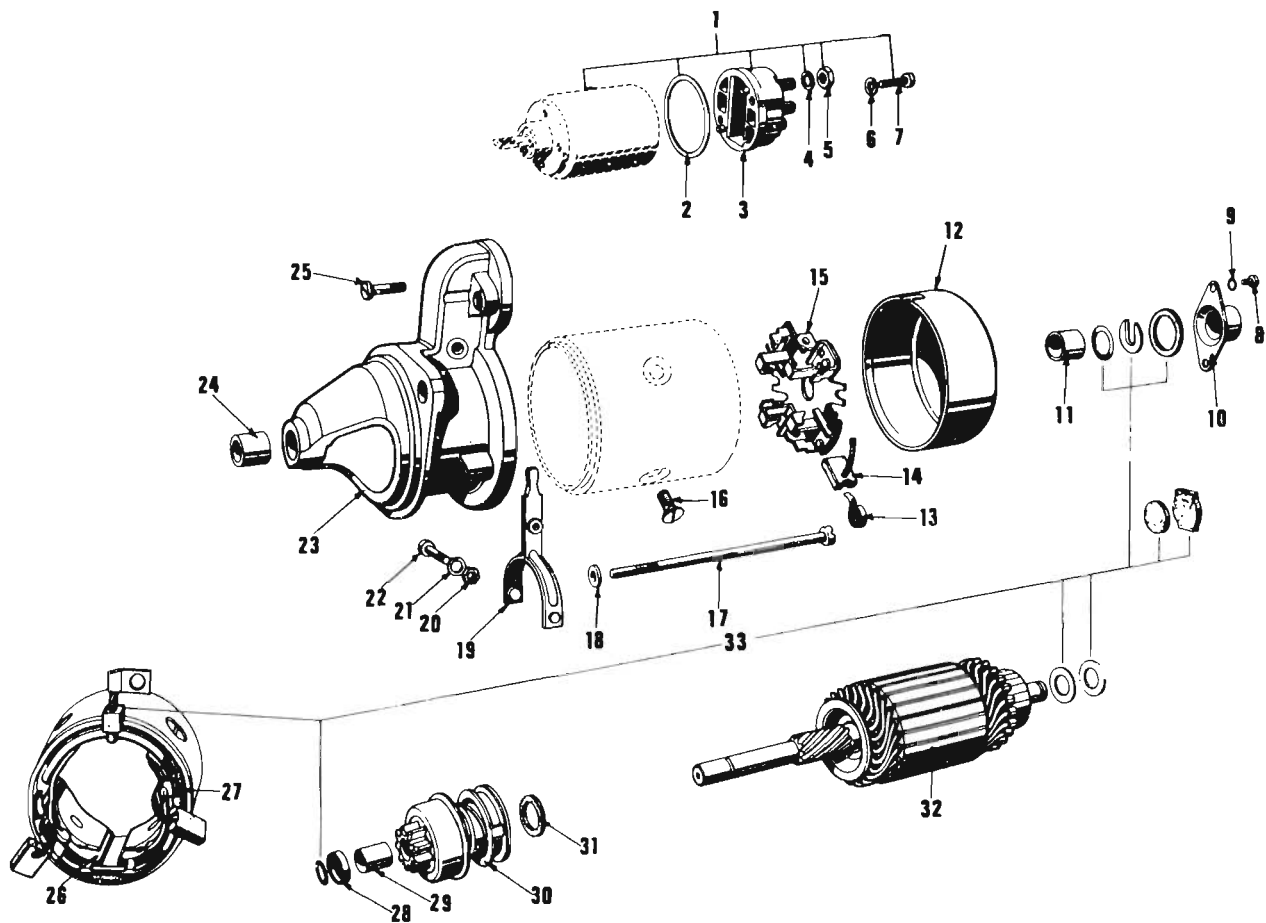
ENGINE ELECTRICAL UNITS
8 Cylinder Engine

ILLUS. REF. NO.	PART NAME	GROUP
1.	SUPPORT - Rear mounting	2.277
2.	ALTERNATOR ASSEMBLY	2.275
3.	BRACKET - Front mounting	2.277
4.	BELT - Fan & alternator	1.066
5.	WIRE PACKAGE - Spark plug & distributor	2.239
6.	MOTOR ASSEMBLY - Starter	2.041
7.	COIL ASSEMBLY - Ignition	2.170
8.	SWITCH - Thermal vacuum	1.150



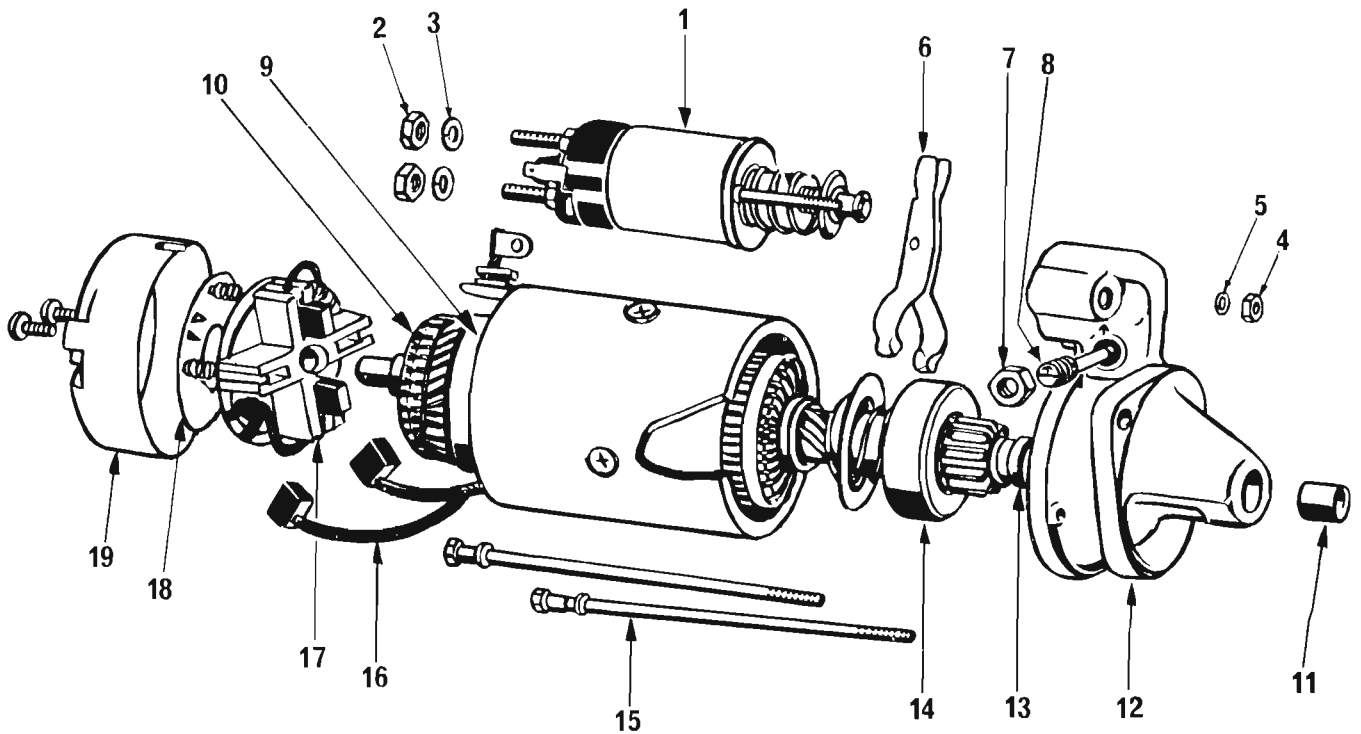
IGNITION and STARTER SWITCH

ILLUS. REF. NO.	PART NAME	GROUP
1.	LOCK ASSEMBLY - Ignition	2.188
2.	RACK & ROD - Ignition switch	2.195
3.	BOLT & SPRING ASSEMBLY	2.188
4.	SECTOR	2.195
5.	SWITCH ASSEMBLY - Ignition & starter	2.188
6.	BOLT - Switch to column	2.188



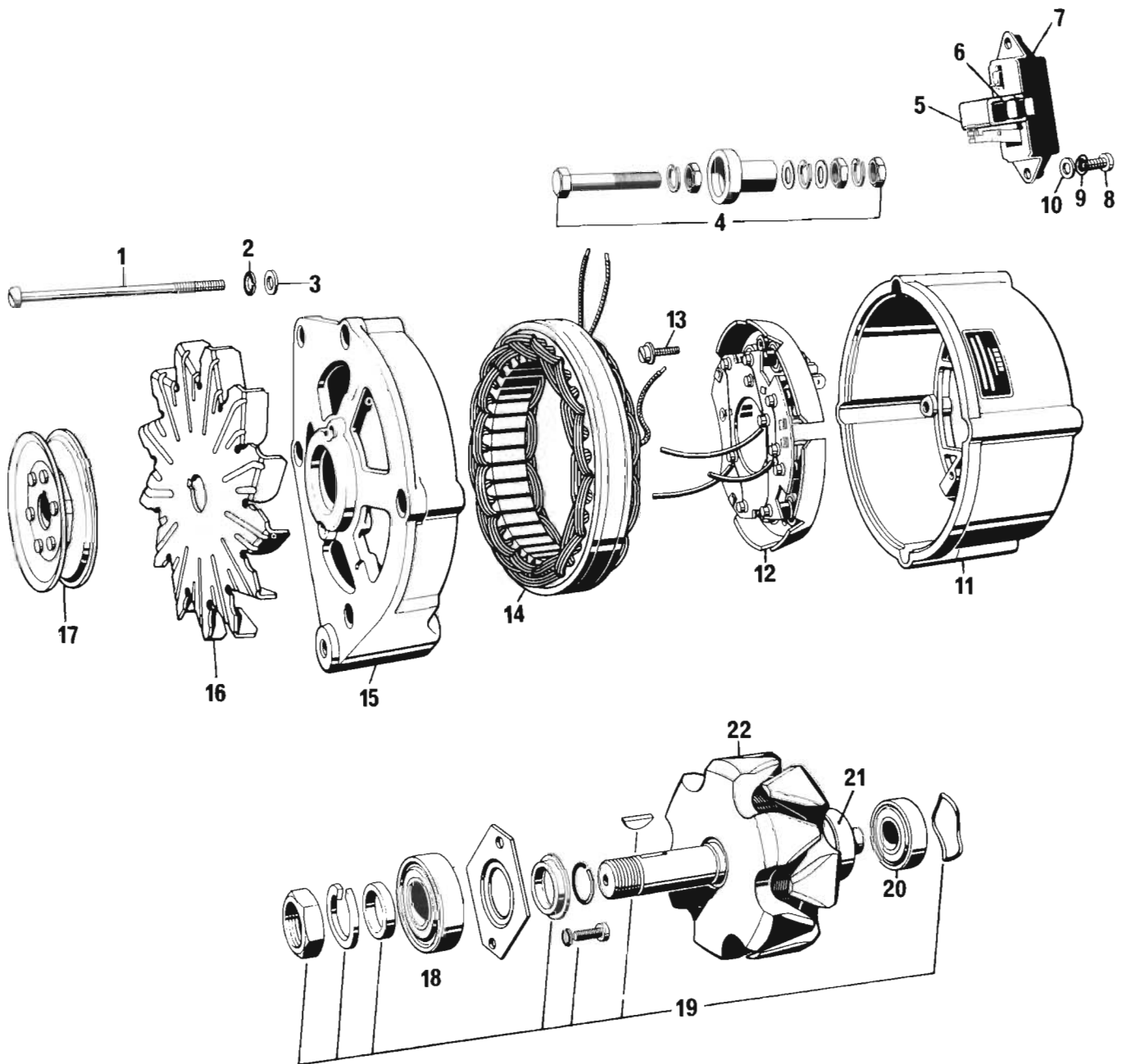
STARTER MOTOR – Bosch

ILLUS. REF. NO.	PART NAME	GROUP	ILLUS. REF. NO.	PART NAME	GROUP
1-33	STARTER MOTOR ASSY.	2.041	17.	BOLT – Through	2.077
1.	SWITCH – Solenoid	2.100	18.	WASHER – Through bolt	2.077
2.	GASKET – Solenoid	2.102	19.	LEVER	2.108
3.	COVER – Solenoid switch	2.102	20.	NUT	2.108
4.	WASHER – Main terminal	2.102	21.	WASHER	2.108
5.	NUT – Contact bolt	2.102	22.	SCREW	2.108
6.	WASHER – Cover attaching screw....	2.102	23.	HOUSING	2.085
7.	SCREW – Cover attaching	2.102	24.	BUSHING – Drive end	2.083
8.	SCREW – Bearing cap	2.063	25.	SCREW – Solenoid switch attaching	2.100
9.	WASHER – Bearing cap screw	2.063	26.	COIL ASSEMBLY	2.049
10.	CAP – Bearing	2.063	27.	INSULATOR	2.049
11.	BUSHING – Commutator end	2.083	28.	RING – Stop	2.096
12.	FRAME – Commutator end	2.067	29.	BUSHING – Drive	2.087
13.	SPRING – Brush	2.053	30.	DRIVE ASSEMBLY	2.086
14.	BRUSH SET	2.051	31.	BUFFER – Drive	2.087
15.	PLATE – Brush holder	2.052	32.	ARMATURE	2.043
16.	SCREW – Poje shoe	2.077	33.	SUNDRY PARTS SET	2.080



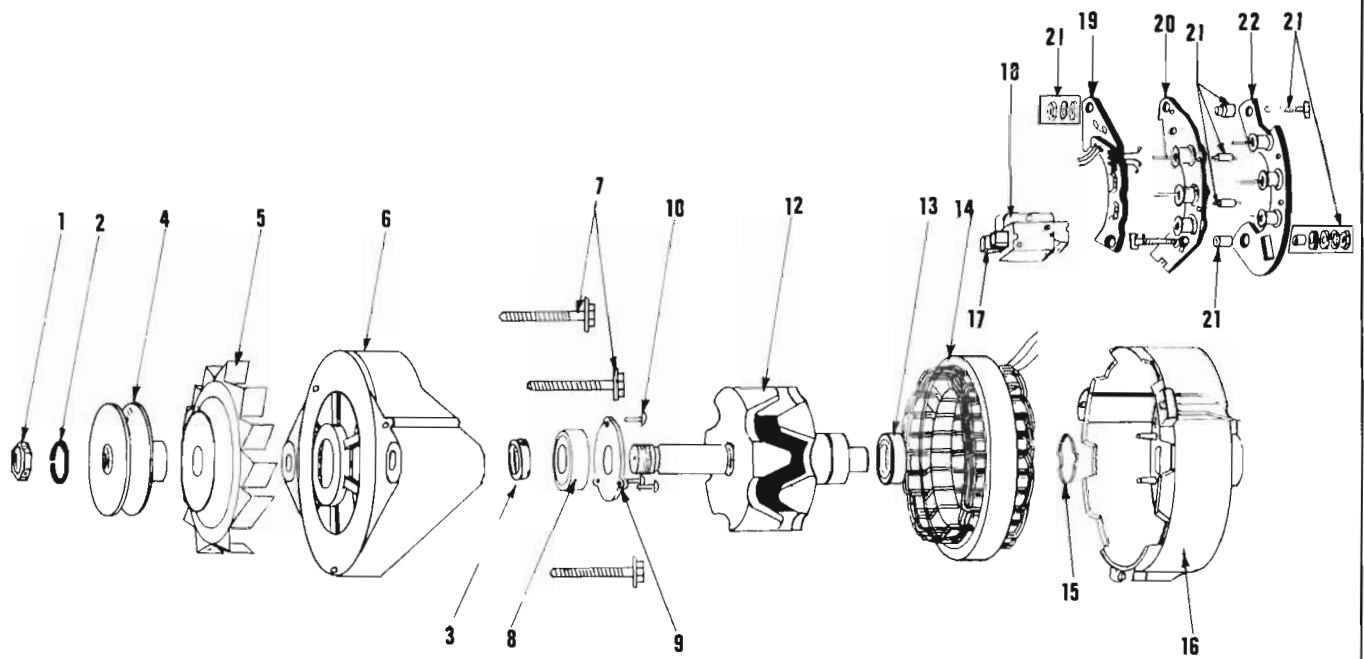
STARTER MOTOR — Lucas
6 CYLINDER ENGINE

ILLUS. REF. NO.	PART NAME	GROUP	ILLUS. REF. NO.	PART NAME	GROUP
1 — 20.	STARTER MOTOR ASSY.	2.041	11.	BUSHING — Drive end	2.083
1.	SWITCH ASSY. — Solenoid	2.100	12.	HOUSING — Starter motor drive	2.085
2.	NUT — Terminal	2.100	13.	COLLAR — Drive end	2.096
3.	WASHER — Terminal nut	2.100	14.	DRIVE ASSY.	2.086
4.	NUT — Switch attaching	2.100	15.	BOLT — Starter motor through	2.077
5.	WASHER — Switch attaching nut	2.100	16.	BRUSH SET — Starter motor	2.051
6.	LEVER — Starter motor shift	2.108	17.	HOLDER — Starter motor brush	2.052
7.	NUT — Pivot pin	2.108	18.	SPRING & PLATE ASSY. — Starter motor brush	2.053
8.	PIN — Shaft lever pivot	2.108	19.	FRAME ASSY. — Commutator end	2.067
9.	COIL SET	2.049	20.	SCREW — Attaching	2.052
10.	ARMATURE	2.043			



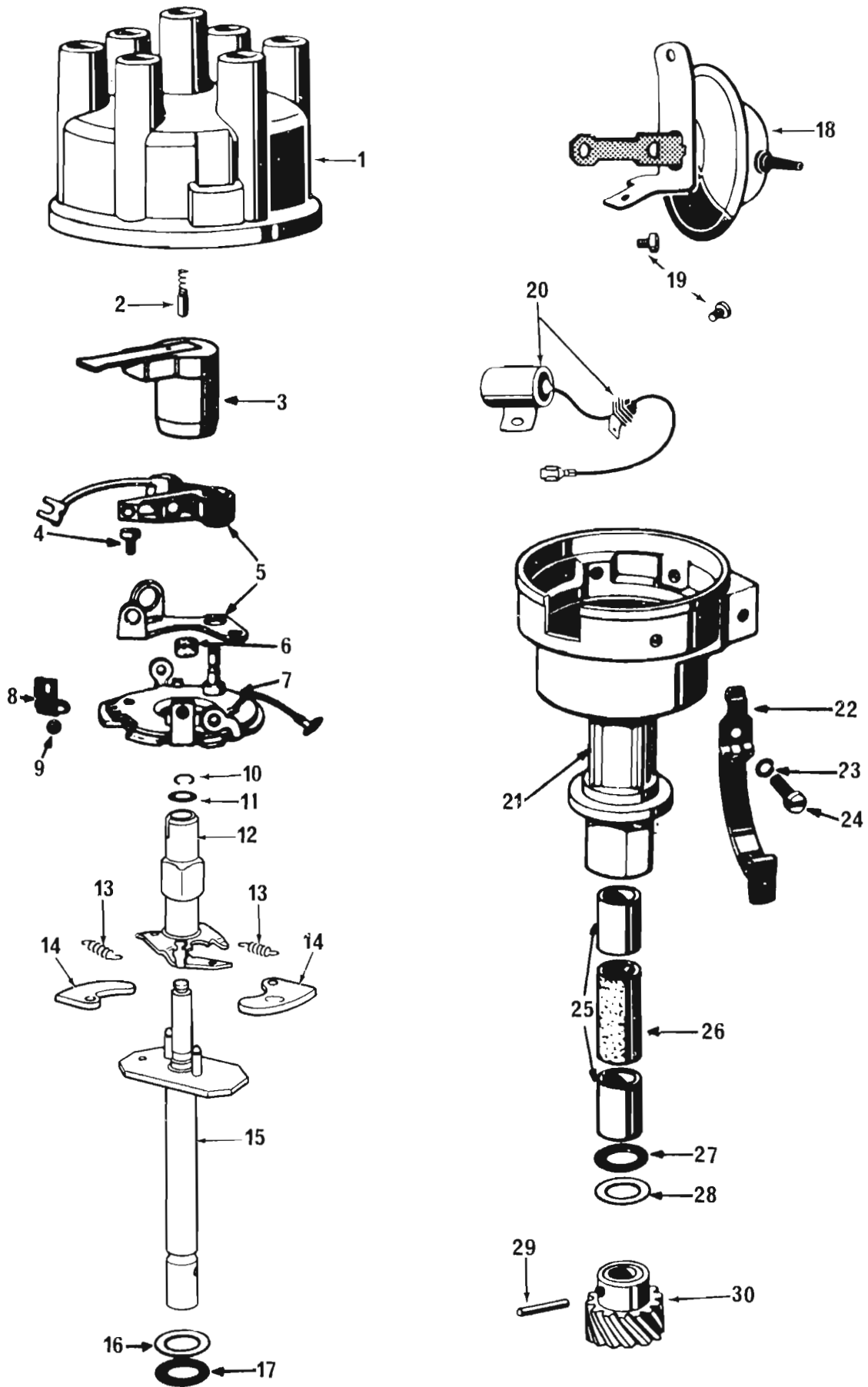
ALTERNATOR - Bosch
6 and 8 Cylinder Engine

ILLUS. REF. NO.	PART NAME	GROUP	ILLUS. REF. NO.	PART NAME	GROUP
1-22	ALTERNATOR ASSEMBLY.....	2.275	12.	RECTIFIER ASSEMBLY	2.289
1.	BOLT - Through	2.316	13.	BOLT - Rectifier	2.289
2.	WASHER - Lock	2.316	14.	STATOR	2.310
3.	WASHER - Plain	2.316	15.	PLATE - Drive end	2.305
4.	SUNDRY PARTS SET	2.315	16.	FAN	2.274
5.	SPRING - Brush	2.286	17.	PULLEY	2.274
6.	BRUSH SET	2.285	18.	BEARING - Drive end	2.306
7.	REGULATOR ASSEMBLY	2.500	19.	SUNDRY PARTS SET - Drive end	2.307
8.	SCREW	2.500	20.	BEARING - Slip ring end	2.298
9.	WASHER - Lock	2.500	21.	SLIP RING	2.279
10.	WASHER - Flat	2.500	22.	ROTOR	2.279
11.	PLATE - Slip ring end	2.297			



ALTERNATOR – Lucas

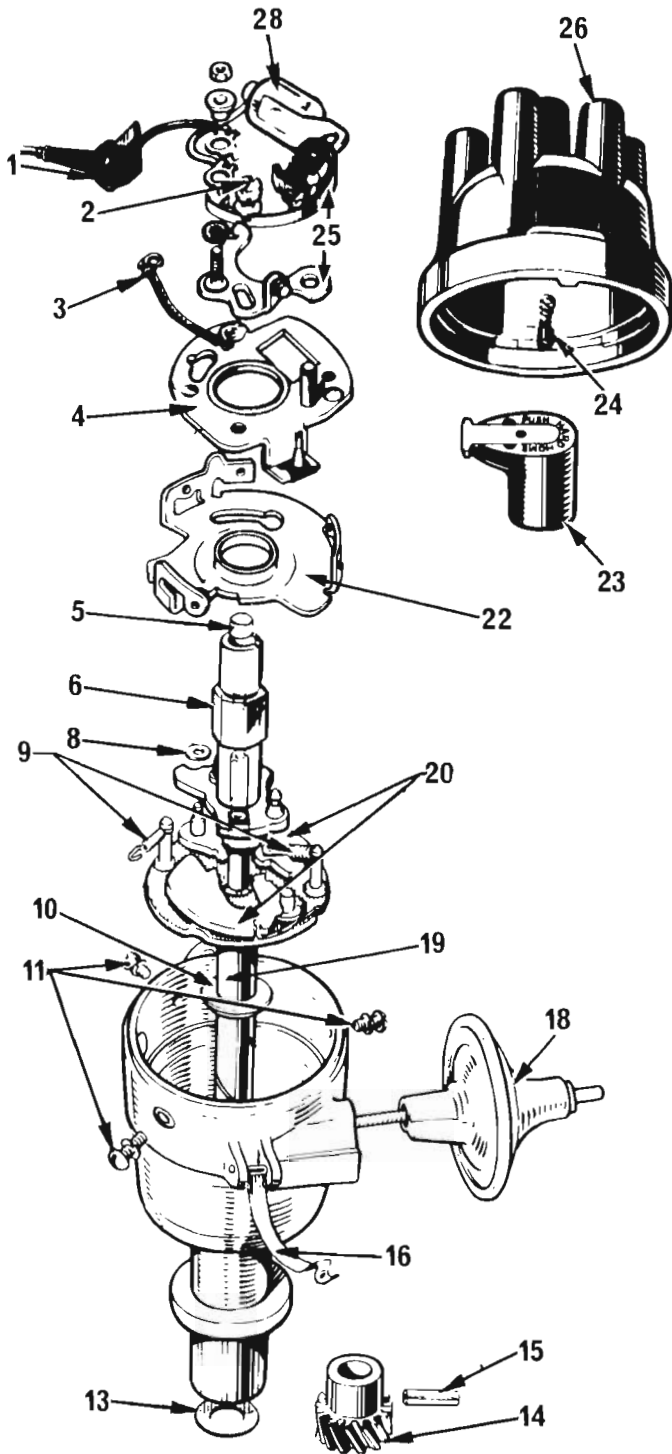
ILLUS. REF. NO.	PART NAME	GROUP	ILLUS. REF. NO.	PART NAME	GROUP
1-22	ALTERNATOR ASSEMBLY	2.275	12.	ROTOR	2.279
1.	NUT – Rotor shaft	2.280	13.	BEARING – Slip ring end	2.298
2.	WASHER – Lock	2.280	14.	STATOR	2.310
3.	COLLAR – Distance	2.307	15.	WASHER – Wave	2.297
4.	PULLEY ASSEMBLY	2.274	16.	PLATE – Slip ring end	2.297
5.	FAN	2.274	17.	BRUSH SET	2.285
6.	PLATE – Drive end	2.305	18.	BRUSH BOX MOULDING	2.291
7.	BOLT – Through	2.316	19.	PLATE – Field terminal with diodes ..	2.289
8.	BEARING – Drive end	2.306	20.	SINK – Positive heat with diodes ..	2.289
9.	PLATE – Bearing retainer	2.307	21.	SUNDRY PARTS SET – Heat sink mtg.	2.289
10.	SCREW – Bearing retainer plate	2.307	22.	SINK – Negative heat with diodes ..	2.289



DISTRIBUTOR – Bosch
6 CYLINDER ENGINE

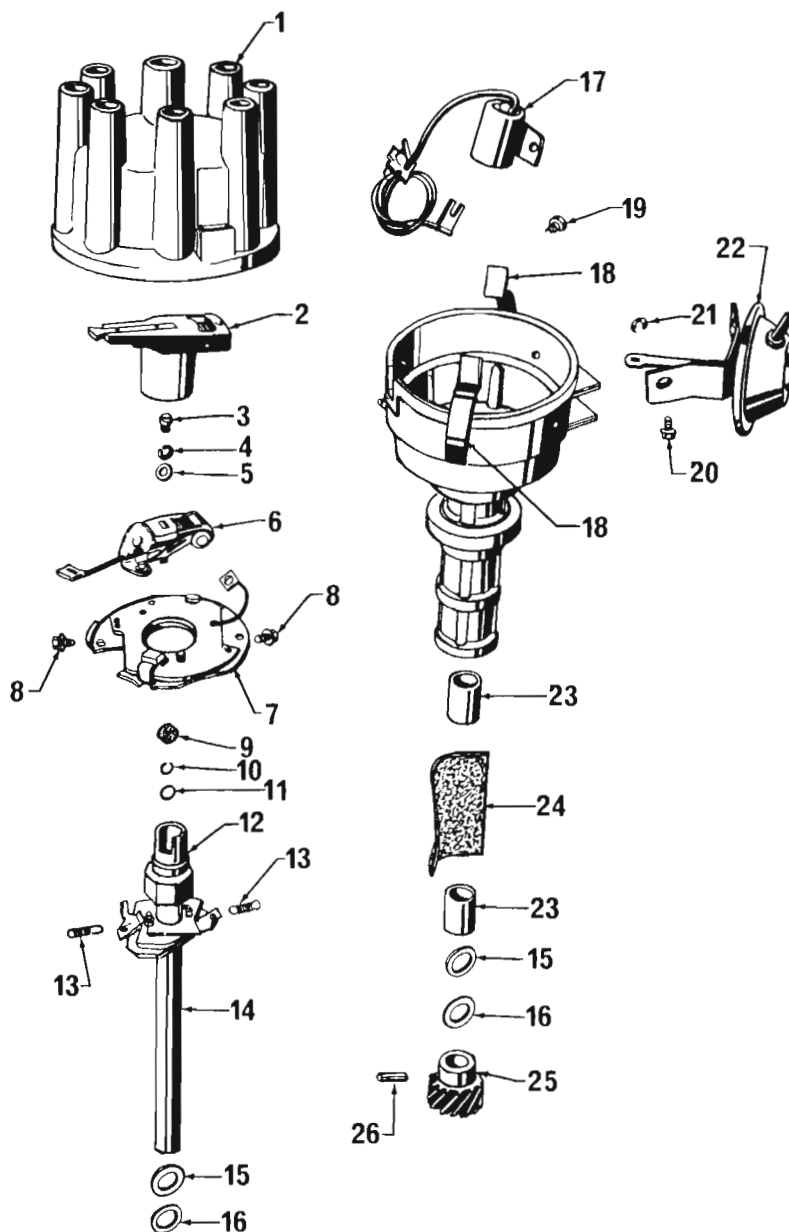
ILLUSTRATION OPPOSITE

ILLUS. REF. NO.	PART NAME	GROUP
1 – 30.	DISTRIBUTOR ASSY.	2.361
1.	CAP – Distributor	2.367
2.	BRUSH – Cap	2.370
3.	ROTOR	2.382
4.	SCREW – Contact breaker	2.387
5.	CONTACT SET	2.384
6.	WICK	2.364
7.	PLATE and SUPPORT ASSY.	2.385
8.	RETAINER – Plate ball	2.385
9.	BALL – Plate retainer	2.385
10.	CIRCLIP – Cam retainer	2.381
11.	WASHER – Cam retainer	2.381
12.	CAM	2.381
13.	SPRING	2.389
14.	WEIGHT	2.388
15.	SHAFT	2.372
16.	SHIM – Thrust, upper and lower	2.372
17.	WASHER – Thrust, fibre, upper and lower	2.372
18.	VACUUM CONTROL	2.410
19.	SCREW – Attaching	2.393/2.410
20.	CONDENSER	2.393
21.	HOUSING	N.S.S
22.	SPRING	2.368
23.	WASHER – Support screw lock	2.385
24.	SCREW – Support	2.385
25.	BUSHING – Upper and lower	2.362
26.	FELT – Lubrication	2.362
27.	WASHER – Thrust, fibre, upper and lower	2.372
28.	SHIM – Thrust, upper and lower	2.372
29.	PIN – Slotted spring	2.379
30.	GEAR PACKAGE	2.374



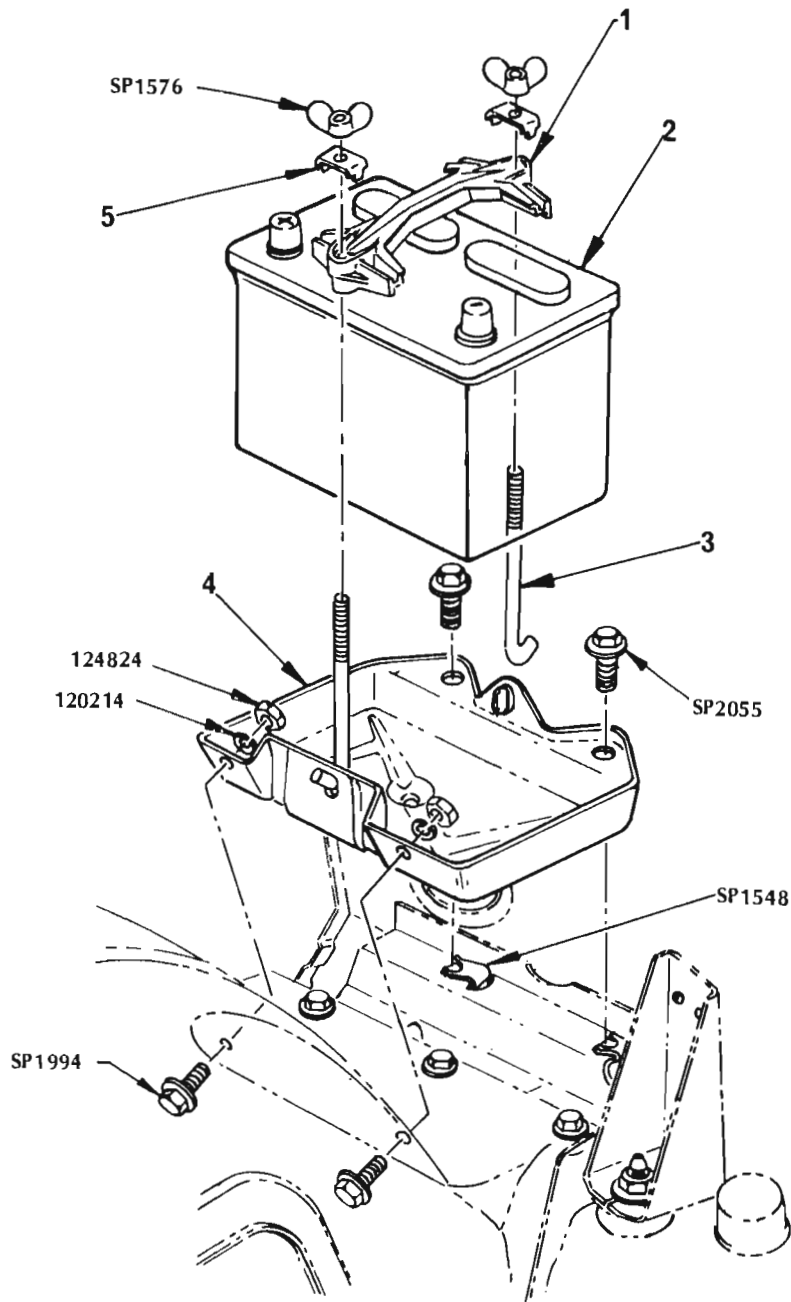
DISTRIBUTOR – Lucas
6 Cylinder Engine

ILLUS. REF. NO.	PART NAME	GROUP
1-28.	DISTRIBUTOR ASSY.	2.361
1.	LEAD – To coil	2.400
2.	SCREW – Contact breaker.....	N.S.S.
3.	LEAD – Ground	2.400
4.	PLATE – Breaker base	2.385
5.	WICK	N.S.S.
6.	CAM	2.381
8.	WASHER – Cam retaining nut	N.S.S.
9.	SPRING SET – Weight	2.389
11.	SCREW – Breaker plate fixing	N.S.S.
13.	WASHER – Thrust	N.S.S.
14.	GEAR PACKAGE	2.374
15.	PIN – Gear	2.379
16.	SPRING – Cap	2.368
18.	VACUUM CONTROL ASSEMBLY	2.410
19.	SHAFT	2.372
20.	WEIGHT	2.388
22.	PLATE – Breaker bearing	2.385
23.	ROTOR	2.382
24.	BRUSH – Cap	2.370
25.	CONTACT SET	2.384
26.	CAP	2.367
28.	CONDENSER	2.393



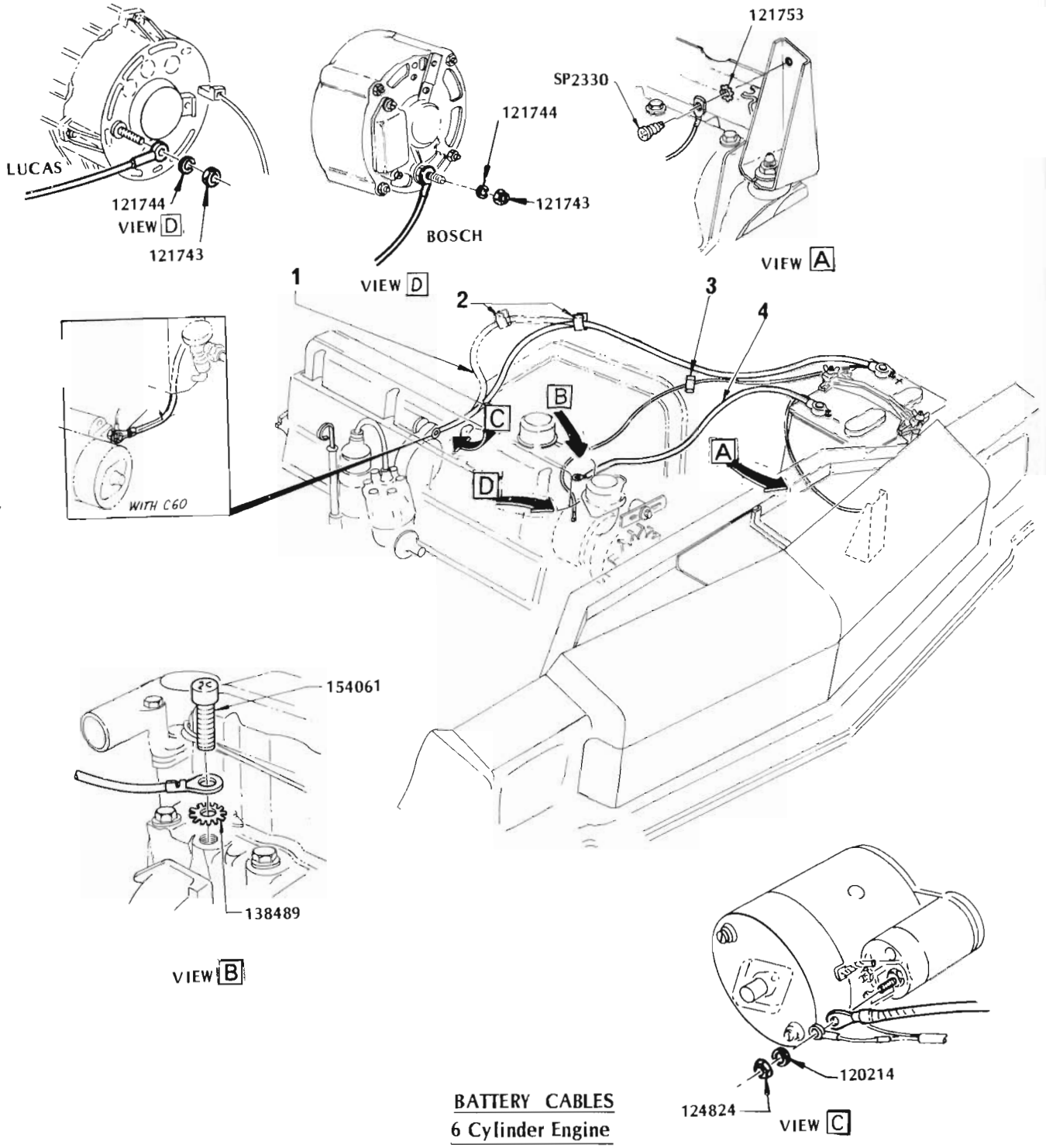
DISTRIBUTOR – Bosch
8 CYLINDER ENGINE

ILLUS. REF. NO.	PART NAME	GROUP	ILLUS. REF. NO.	PART NAME	GROUP
1 – 26	DISTRIBUTOR ASSY.	2.361	14.	SHAFT	2.372
1.	CAP	2.367	15.	WASHER – Thrust, fibre	2.372
2.	ROTOR	2.382	16.	SHIM	2.372
3.	SCREW – Contact breaker	2.387	17.	CONDENSER	2.393
4.	WASHER + Screw lock	2.387	18.	SPRING – Cap	2.368
5.	WASHER – Plain	2.387	19.	SCREW	2.393
6.	CONTACT SET	2.384	20.	SCREW	2.410
7.	PLATE & CONTACT BREAKER ASSY.	2.385	21.	CLIP – Rod attaching	2.410
8.	SCREW – Plate support	N. S. S.	22.	VACUUM CONTROL	2.410
9.	WICK	2.364	23.	BUSHING	2.362
10.	CIRCLIP – Cam retainer	2.381	24.	FELT	2.362
11.	WASHER – Cam retainer	2.381	25.	GEAR PACKAGE	2.374
12.	CAM	2.381	26.	PIN – Gear	2.379
13.	SPRING – Weight	2.389			



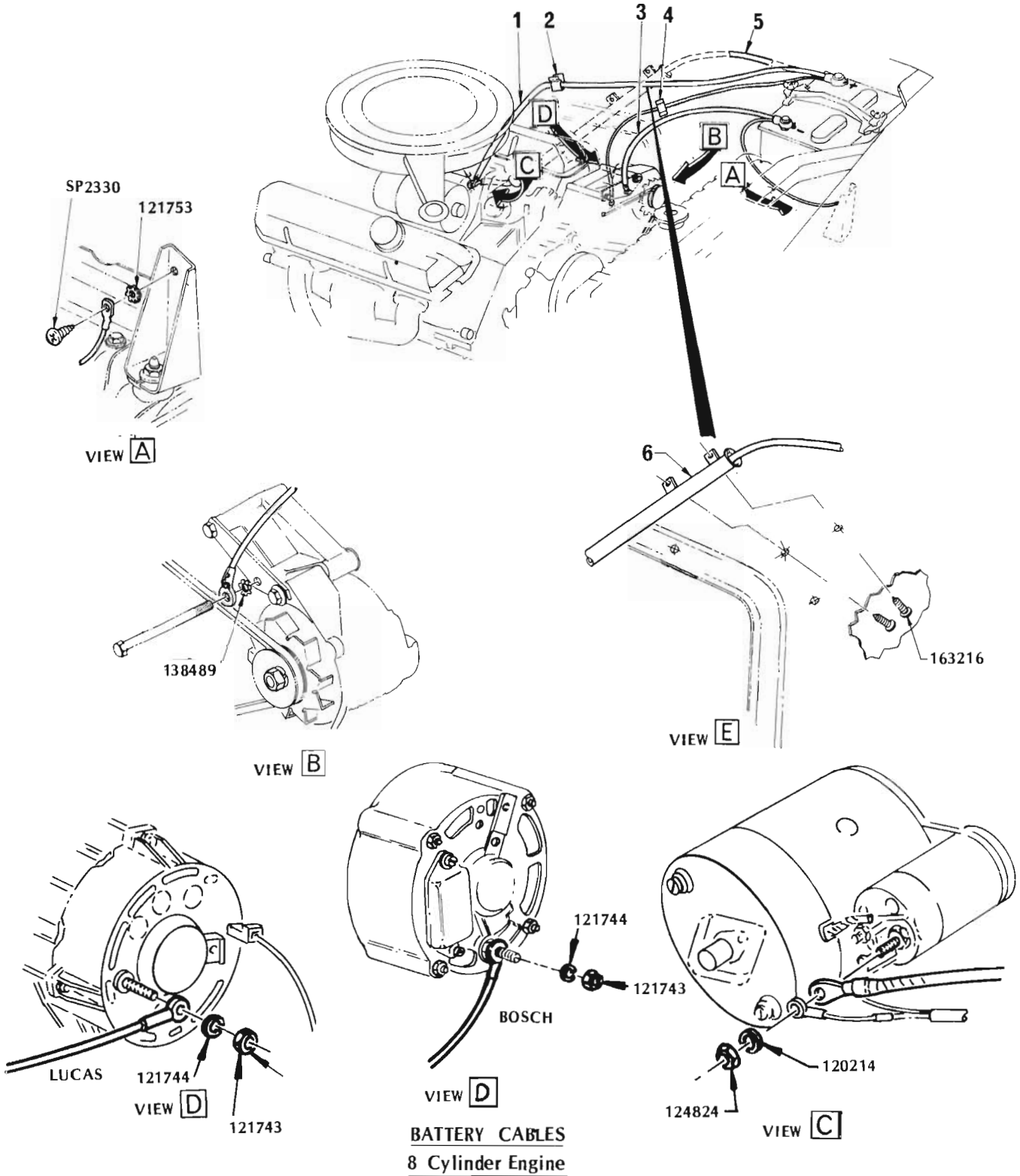
BATTERY MOUNTING

ILLUS. REF. NO.	PART NAME	GROUP
1.	RETAINER	2.333
2.	BATTERY	2.332
3.	BOLT - Mounting	2.333
4.	SUPPORT	2.333
5.	PLATE - Retainer lock	2.333



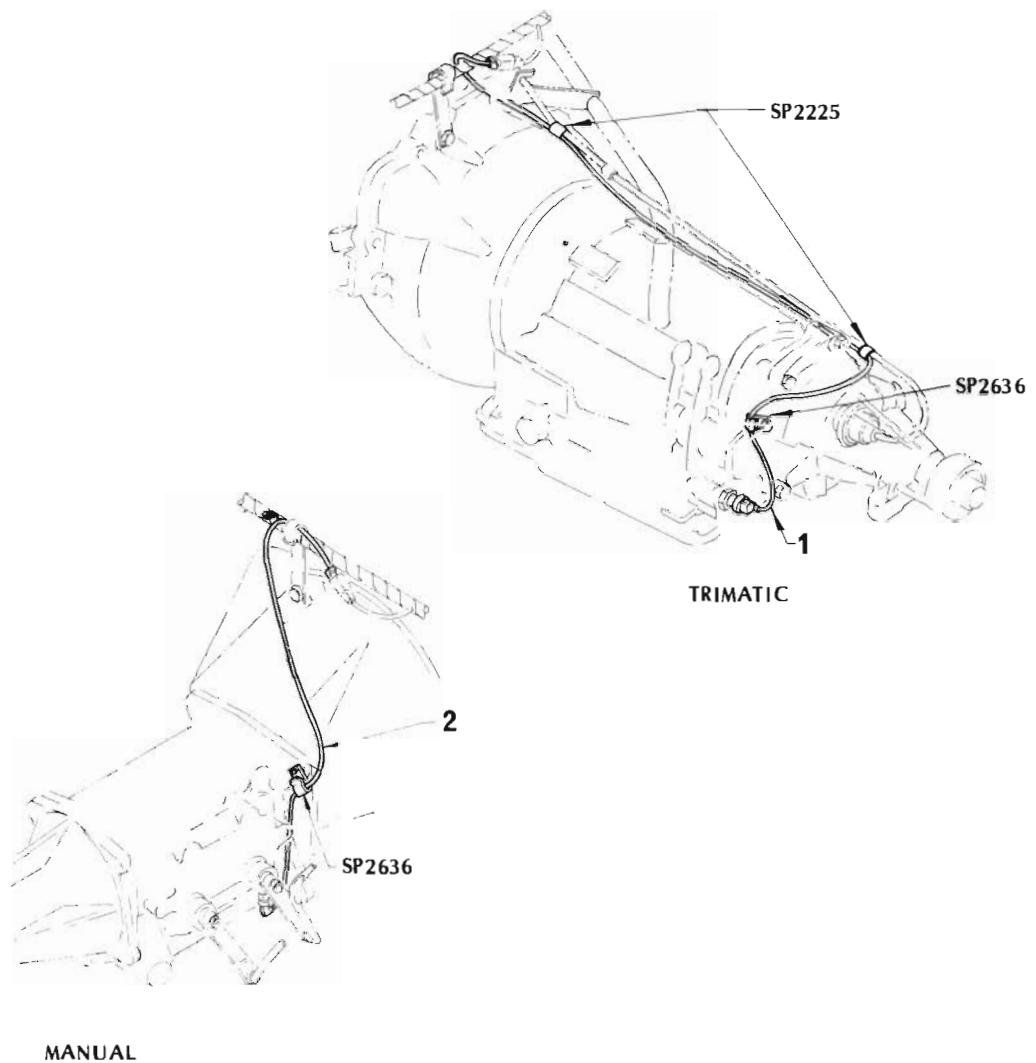
BATTERY CABLES
6 Cylinder Engine

ILLUS. REF. NO.	PART NAME	GROUP
1.	CABLE ASSEMBLY - Starter	2.342
2.	CLIP - Cable to fender skirt	2.342
3.	CLIP - Lead to fender skirt	2.342
4.	CABLE ASSEMBLY - Battery ground	2.341



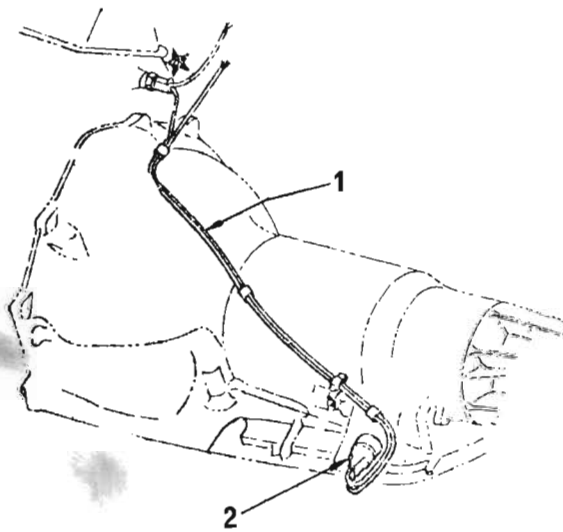
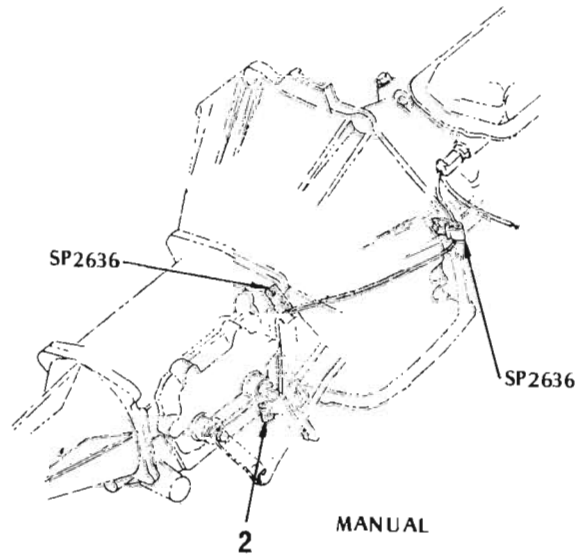
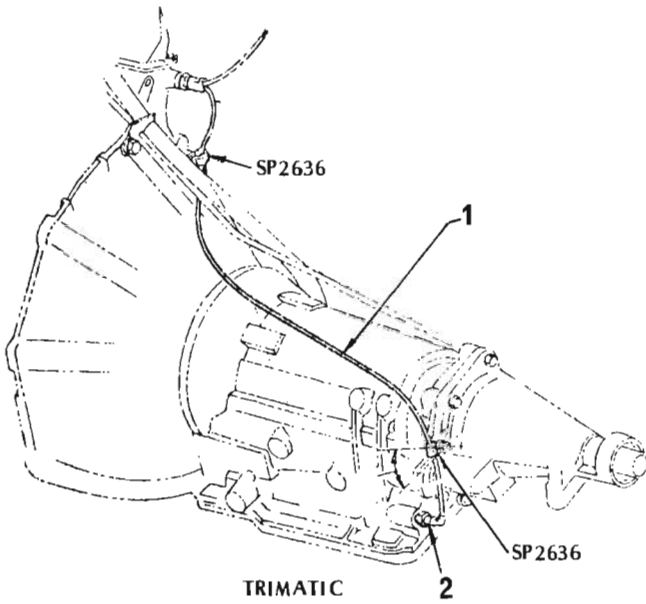
BATTERY CABLES
8 Cylinder Engine

ILLUS. REF. NO.	PART NAME	GROUP
1.	CABLE ASSEMBLY - Starter	2.342
2.	CLIP - Cable to fender skirt	2.342
3.	CABLE ASSEMBLY - Battery ground	2.341
4.	CLIP - Lead to fender skirt	2.342
5.	CABLE ASSEMBLY - Starter	2.342
6.	TUBE - Cable guide	2.342



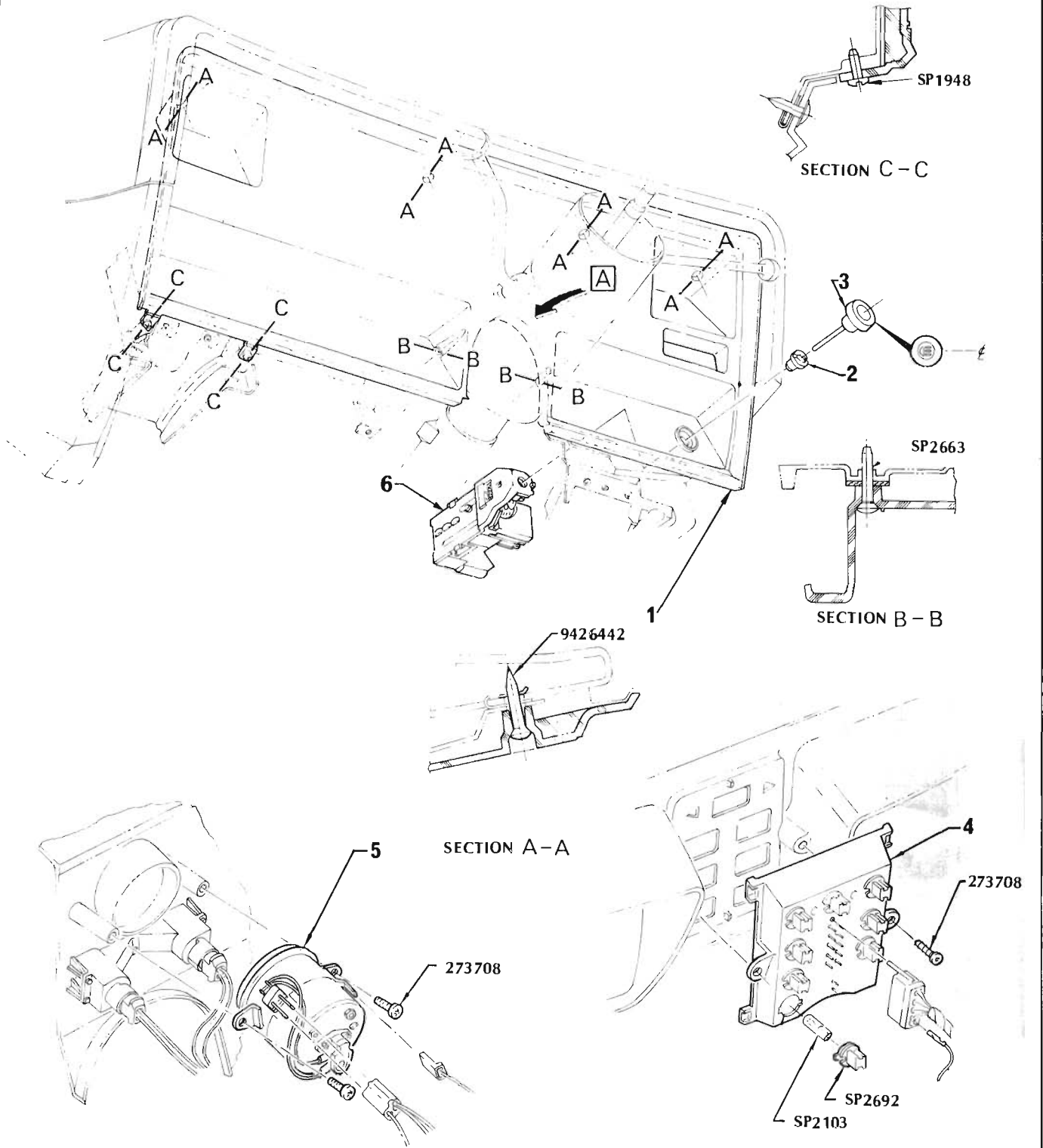
TRANSMISSION CONTROL SPARK LEAD
EMISSION CONTROL - ADR27A
6 Cylinder Engine

ILLUS. REF. NO.	PART NAME	GROUP
1.	LEAD ASSEMBLY - T.C.S. switch	2.408
2.	LEAD ASSEMBLY - T.C.S. switch	2.408



TRANSMISSION CONTROL SPARK LEAD
EMISSION CONTROL — ADR27A
8 Cylinder Engine

ILLUS. REF. NO.	PART NAME	GROUP
1.	LEAD ASSEMBLY — T.C.S. switch	2.408
2.	SWITCH — Transmission control	2.408

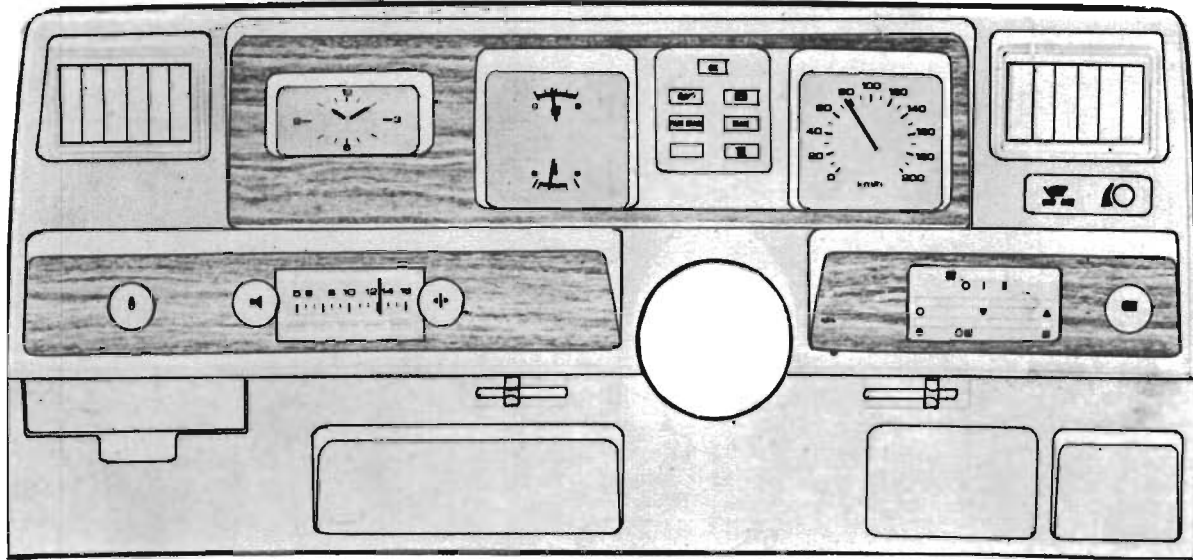


VIEW **A**

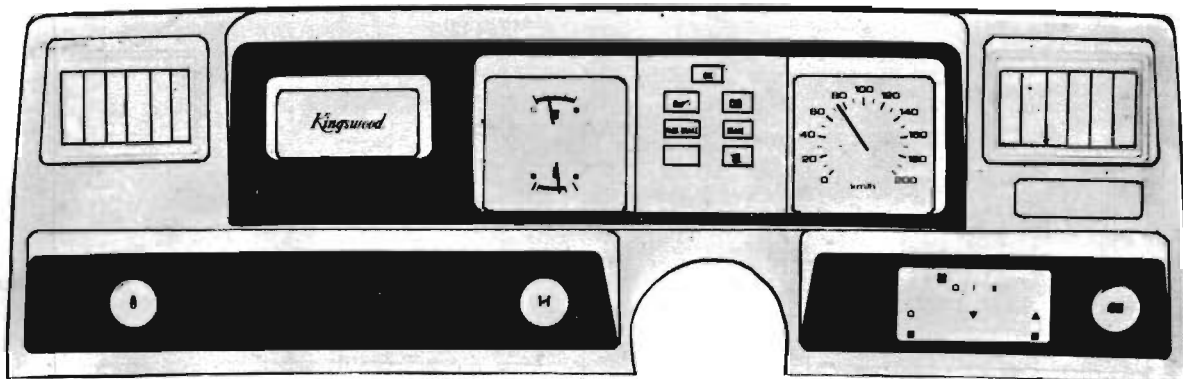
VIEW **A**

INSTRUMENTS - FACIA

ILLUS. REF. NO.	PART NAME	GROUP	ILLUS. REF. NO.	PART NAME	GROUP
1.	FACIA - Instrument	2.515	4.	WARNING LAMP ASSEMBLY	2.515
2.	BUSH ASSEMBLY - Lighting switch	2.487	5.	CLOCK ASSEMBLY	2.515
3.	ROD ASSEMBLY - Lighting switch control	2.486	6.	SWITCH ASSEMBLY - Lighting	2.485

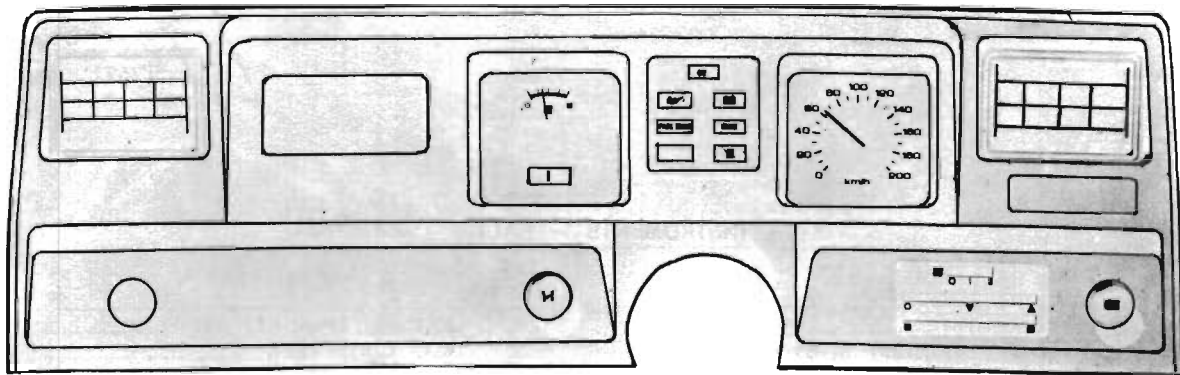


TYPE 3

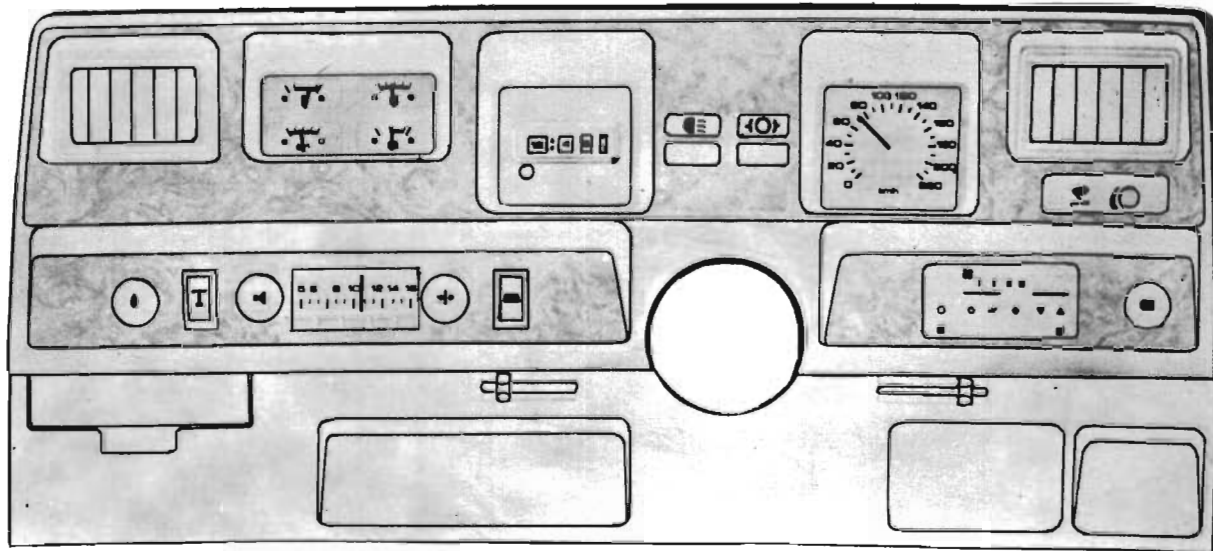


TYPE 2

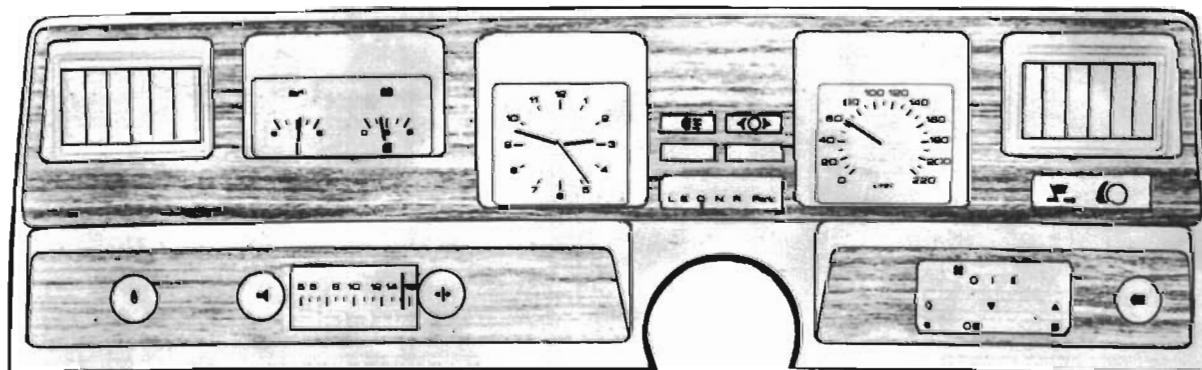
TYPE 4 { NOT ILLUSTRATED
INCLUDES OIL GAUGE



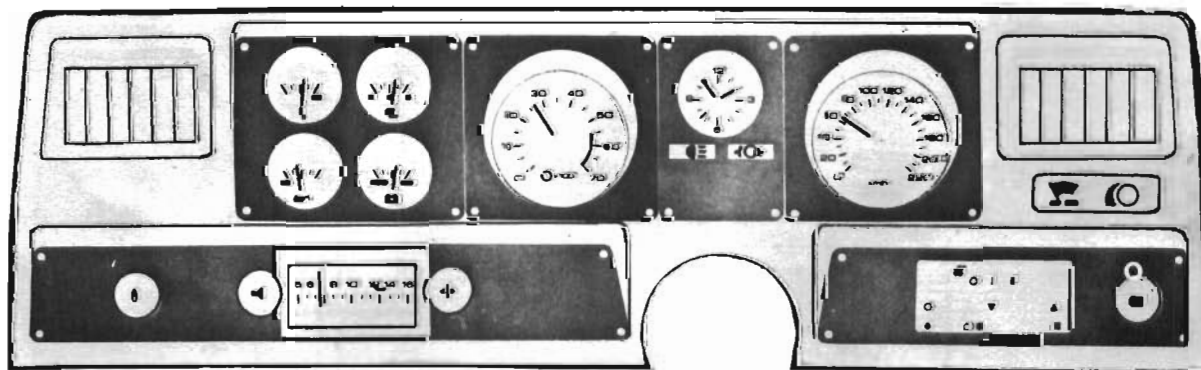
TYPE 1



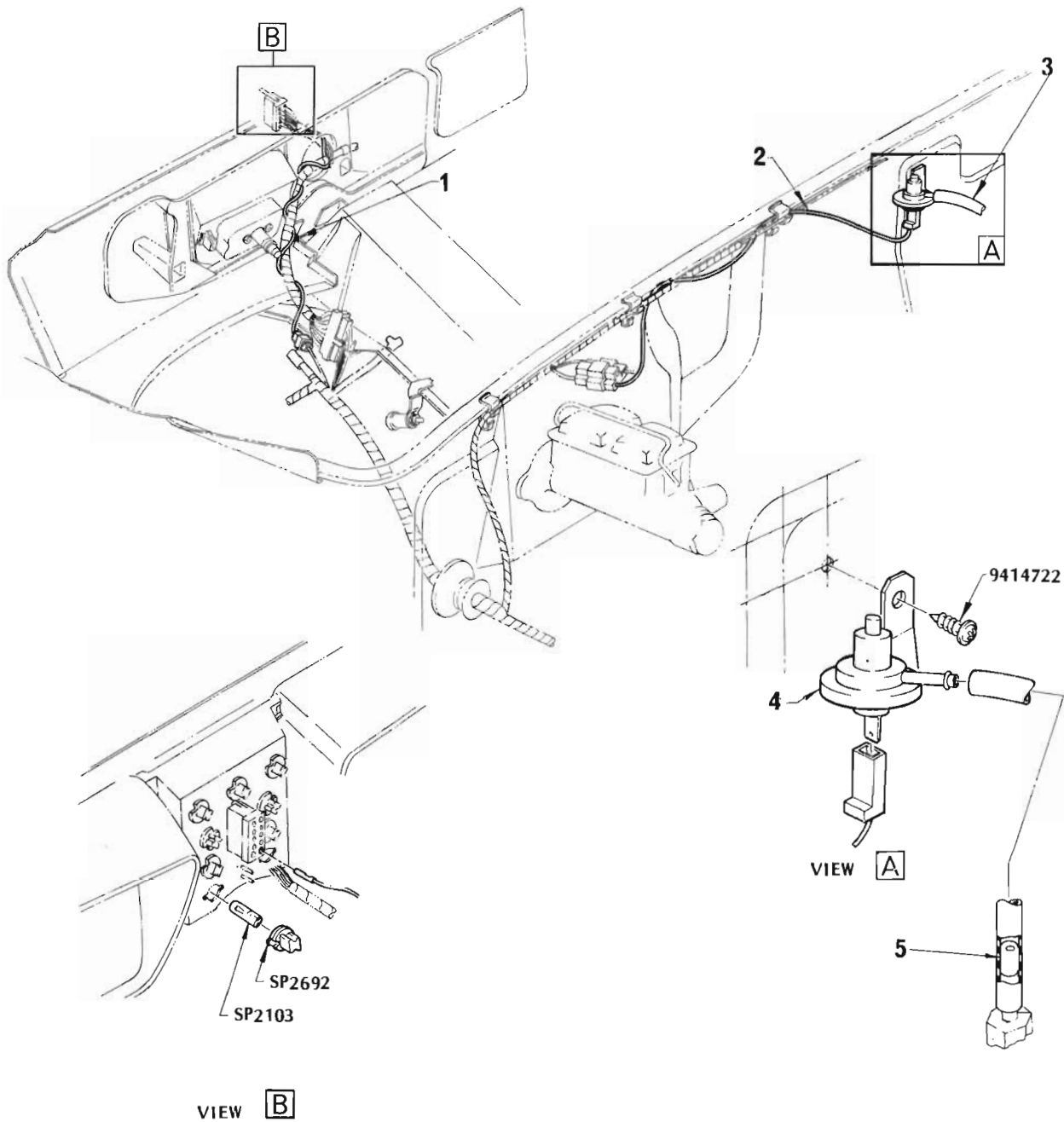
TYPE 7



TYPE 6

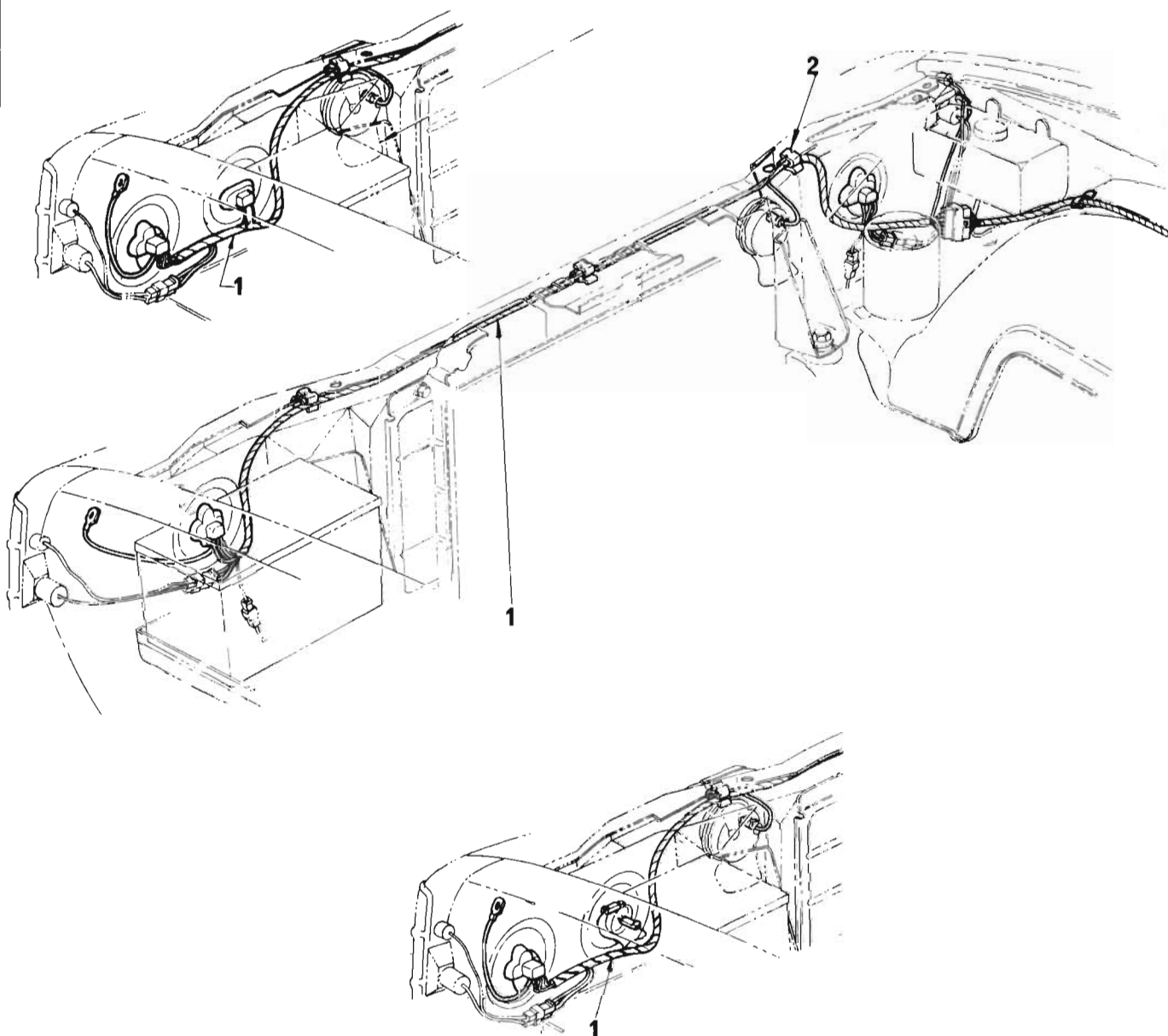


TYPE 5



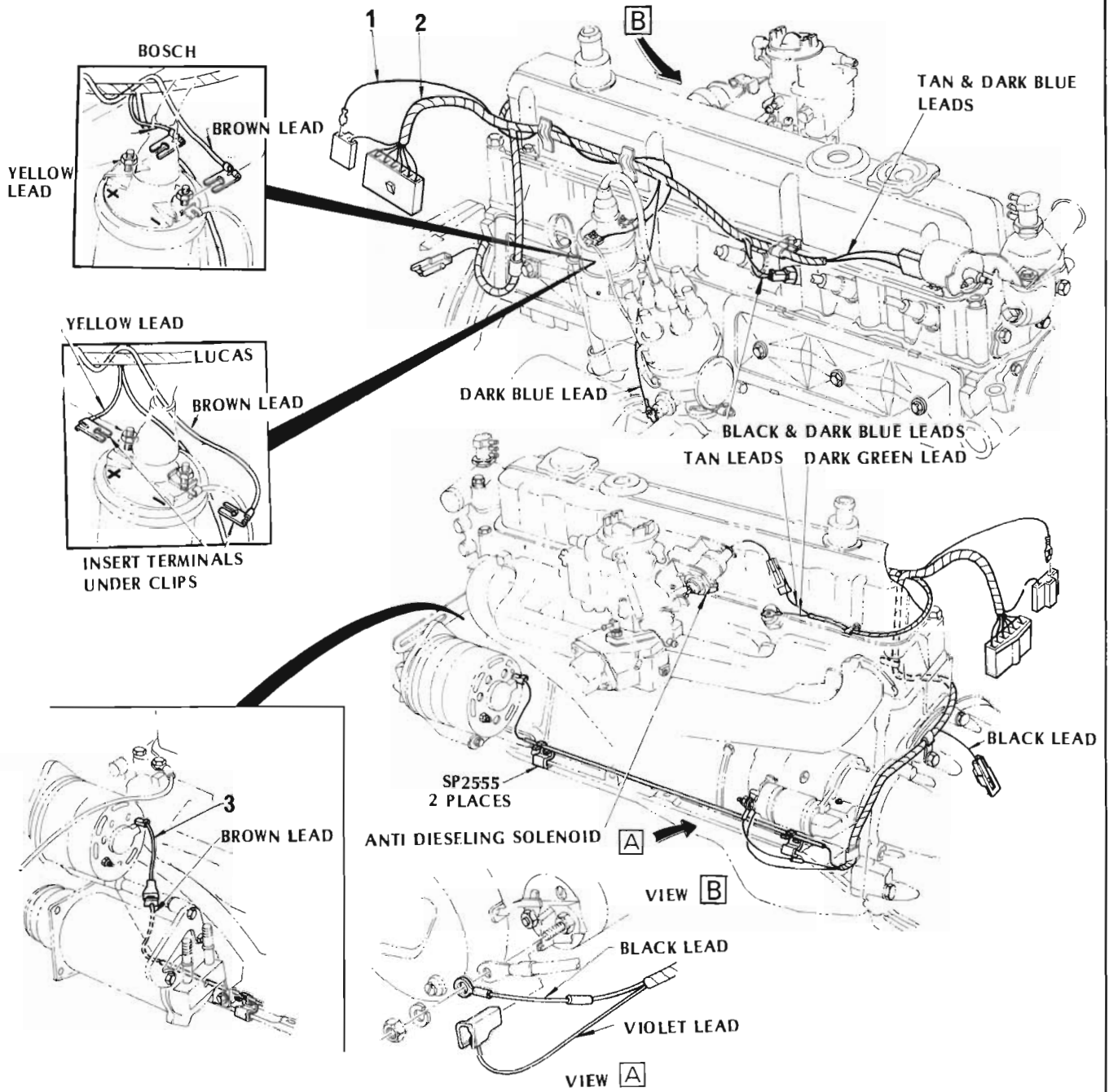
FUEL ECONOMY INDICATOR LIGHT

ILLUS. REF. NO.	PART NAME	GROUP
1.	LEAD ASSEMBLY	2.515
2.	LEAD ASSEMBLY - Indicator lamp to vacuum switch	2.515
3.	HOSE - Manifold to vacuum switch	2.515
4.	SWITCH ASSEMBLY	2.515
5.	RESTRICTOR - Hose	2.515



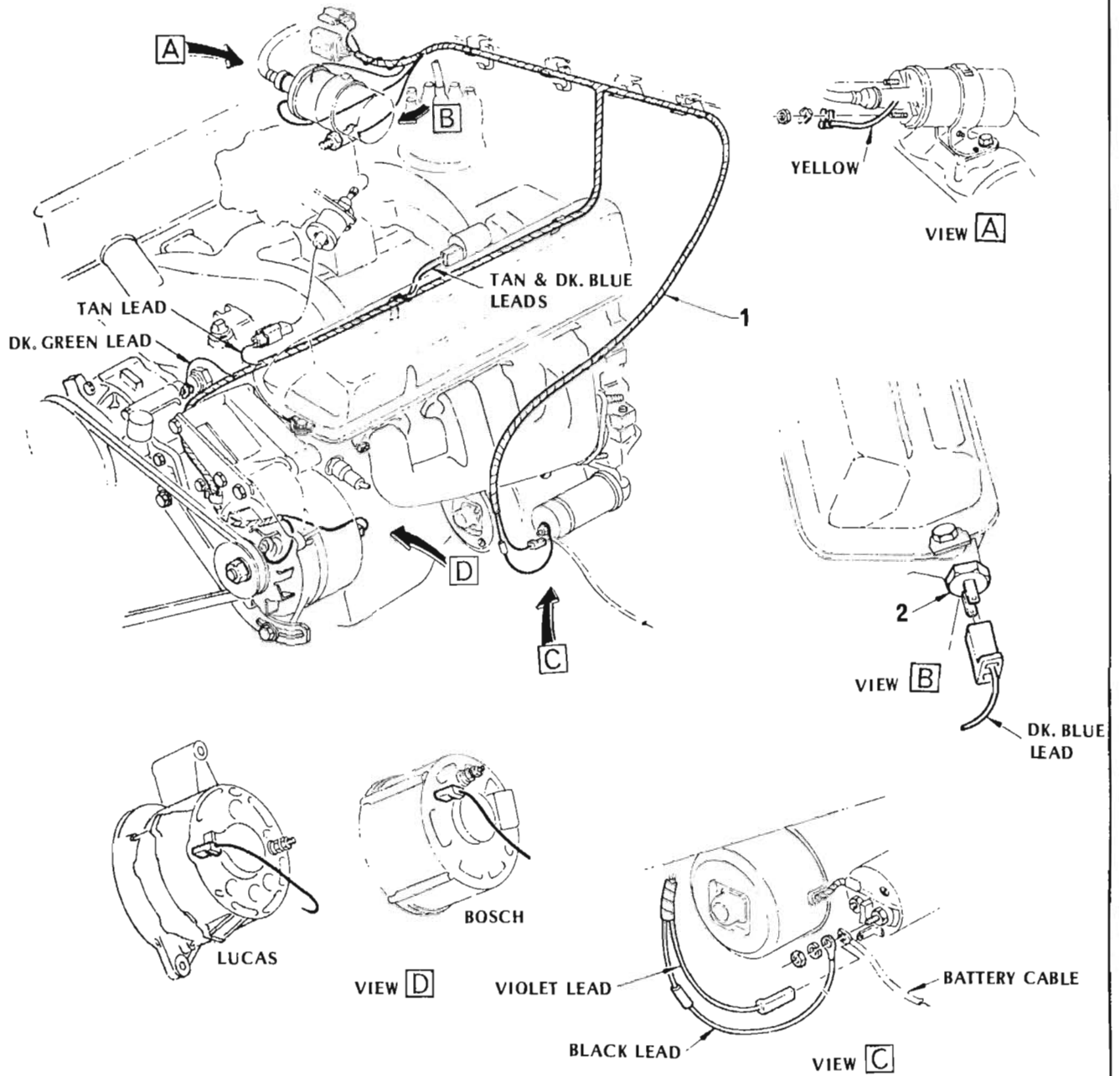
HARNESS - LIGHTING

ILLUS. REF. NO.	PART NAME	GROUP
1.	HARNESS ASSEMBLY	2.555
2.	CLIP - Harness to radiator support	2.555



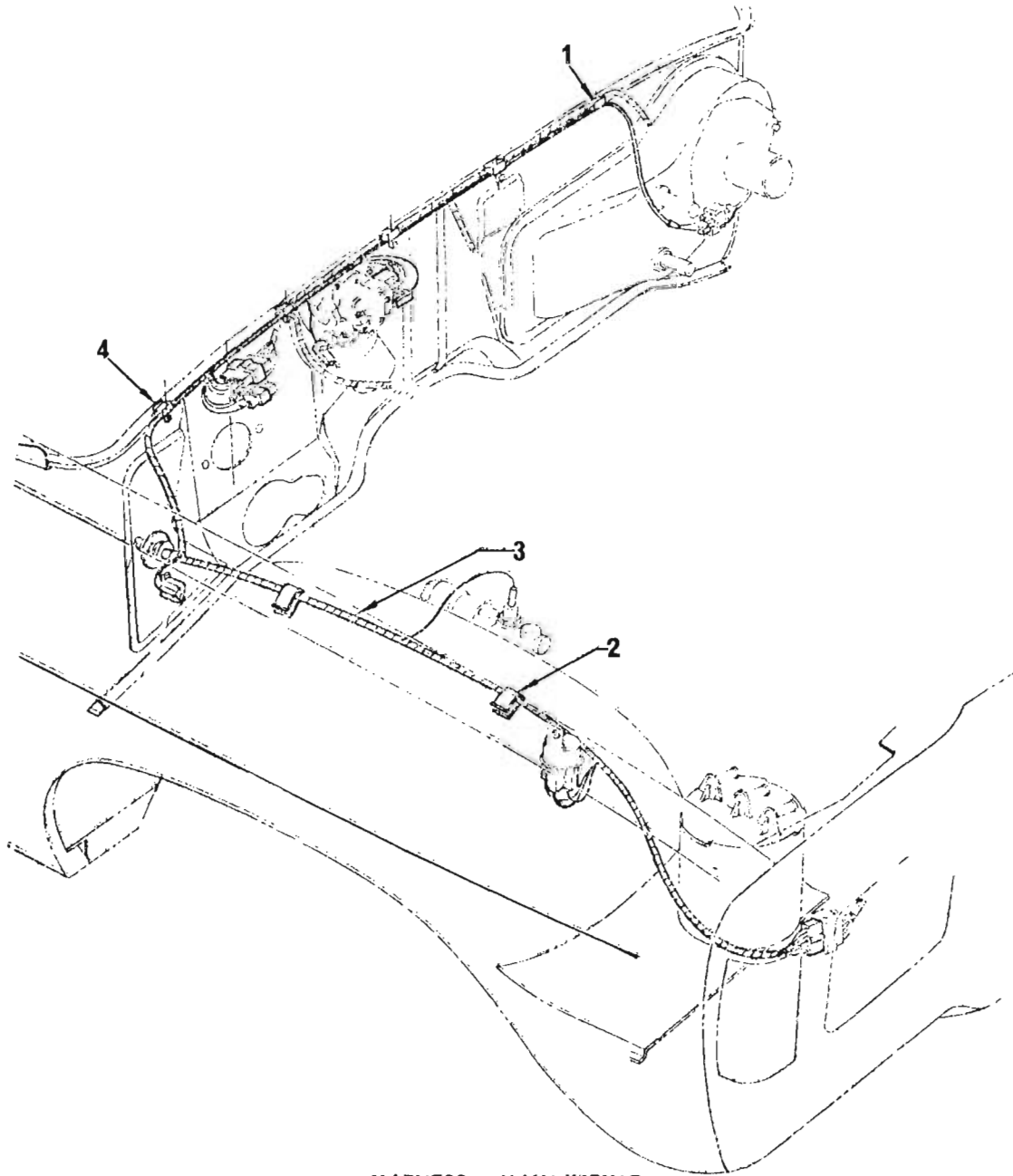
HARNES — ENGINE
6 Cylinder Engine

ILLUS. REF. NO.	PART NAME	GROUP
1.	LEAD ASSEMBLY — Tachometer	2.520
2.	HARNES ASSEMBLY	2.555
3.	LEAD ASSEMBLY — Alternator to engine harness	9.276



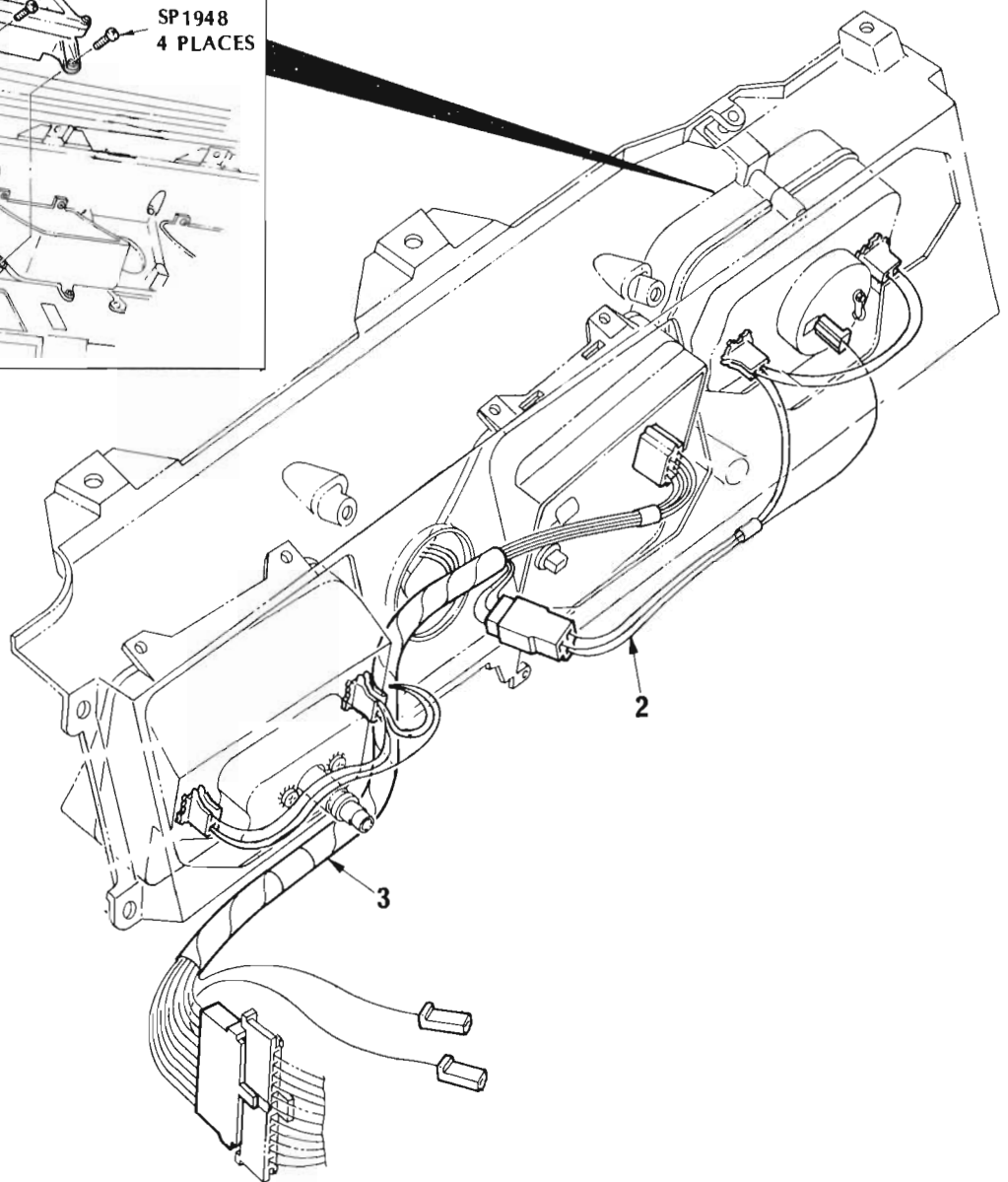
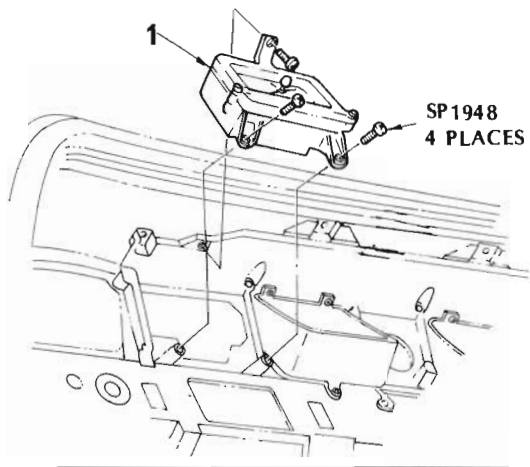
ENGINE HARNESS
8 Cylinder Engine

ILLUS. REF. NO.	PART NAME	GROUP
1.	HARNESS ASSEMBLY	2.555
2.	SWITCH ASSEMBLY - Cold feed.....	2.408



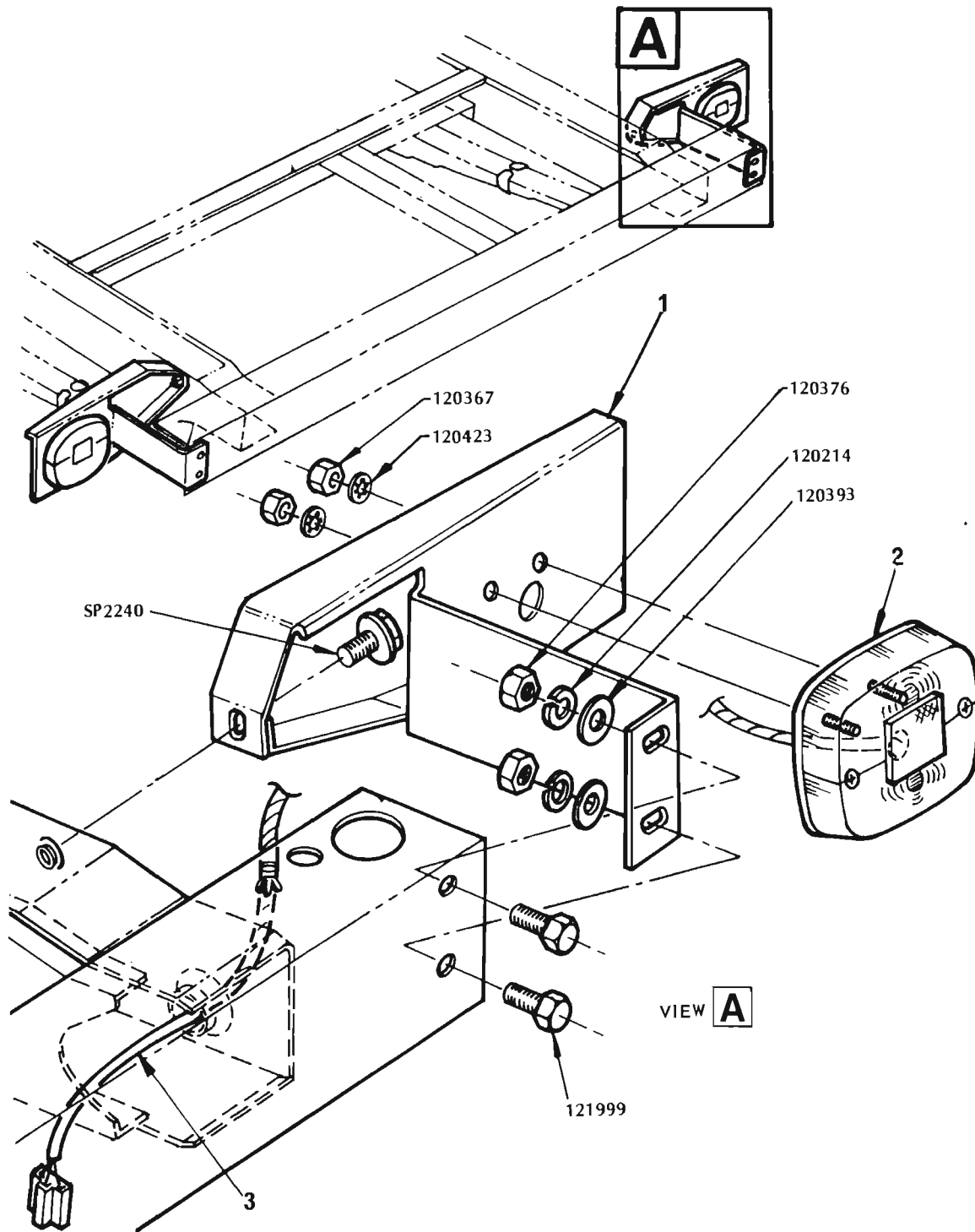
HARNESS — MAIN WIRING

ILLUS. REF. NO.	PART NAME	GROUP
1.	CLIP — Harness to dash panel	2.555
2.	CLIP — Harness to fender skirt	2.555
3.	HARNESS ASSEMBLY — Main wiring	2.555
4.	CLIP — Harness to dash panel	2.555



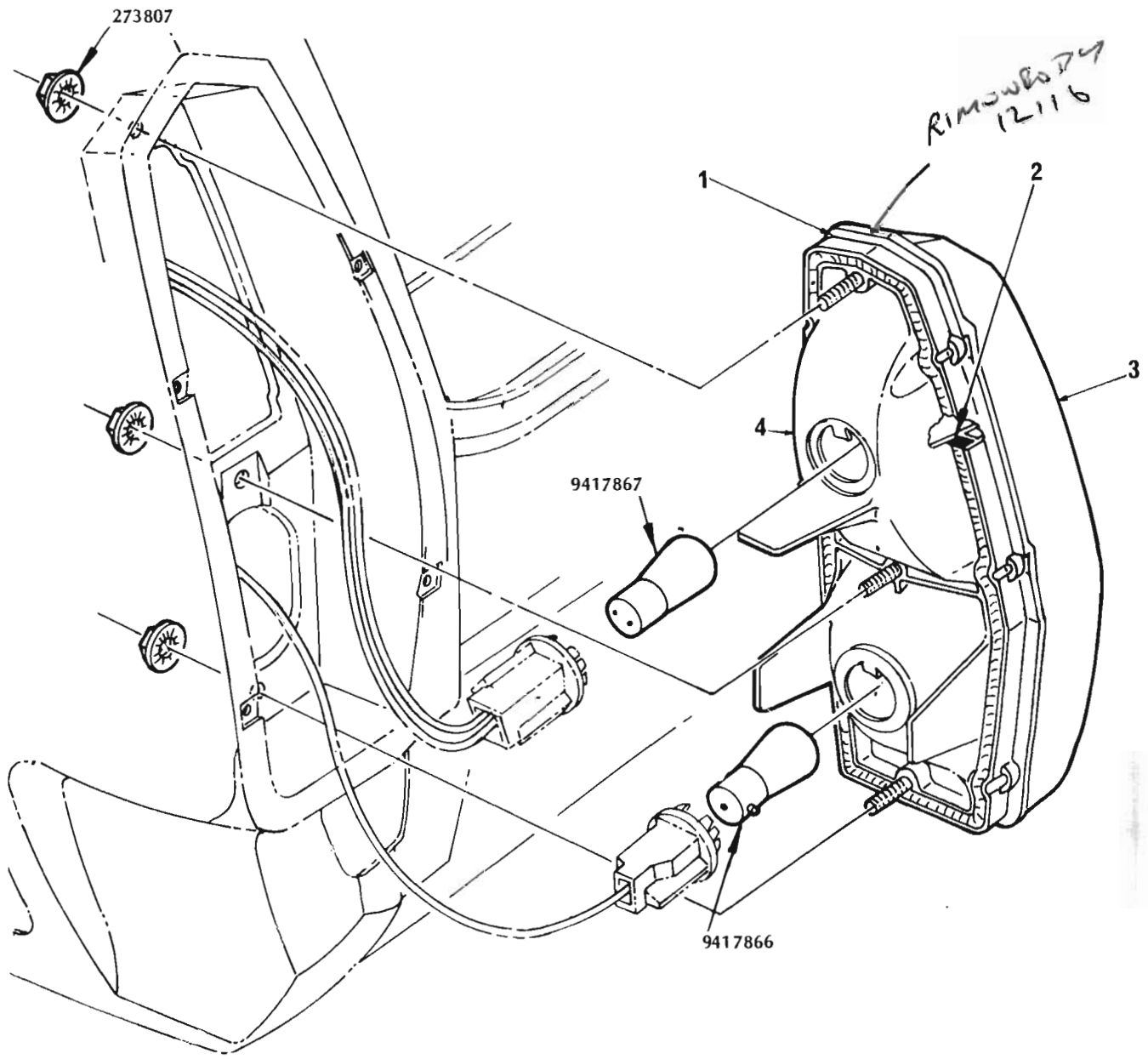
HARNESS - INSTRUMENT

ILLUS. REF. NO.	PART NAME	GROUP
1.	CLOCK ASSEMBLY	2.515
2.	LEAD ASSEMBLY	2.515
3.	HARNESS ASSEMBLY	2.555



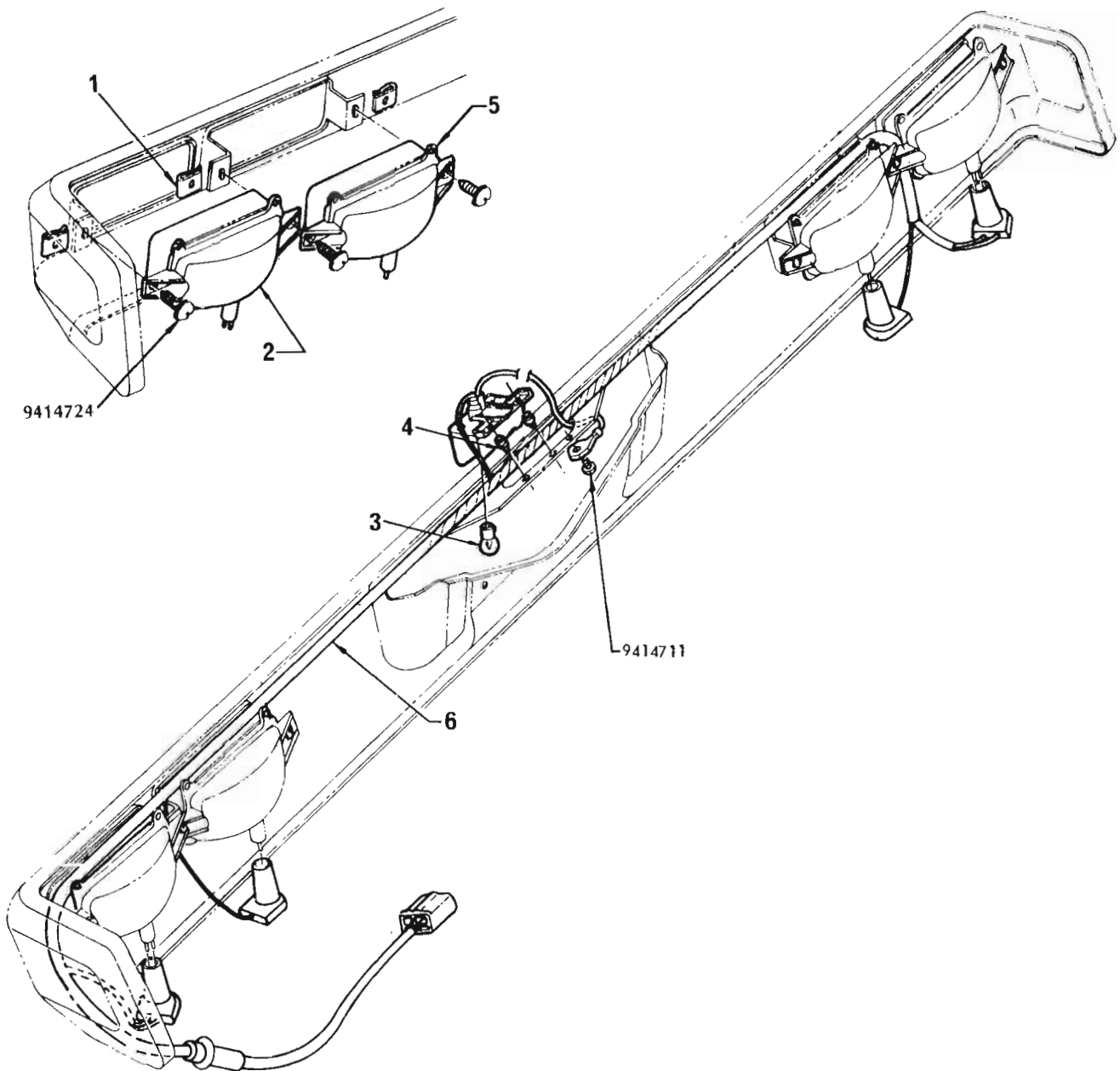
TAIL, STOP and TURN SIGNAL LAMP
Chassis & Cab

ILLUS. REF. NO.	PART NAME	GROUP
1.	BRACKET - Tail, stop & turn signal lamp mounting	2.665
2.	LAMP ASSEMBLY - Tail, stop & turn signal	2.679
3.	HARNES ASSEMBLY - Rear lamp	2.694



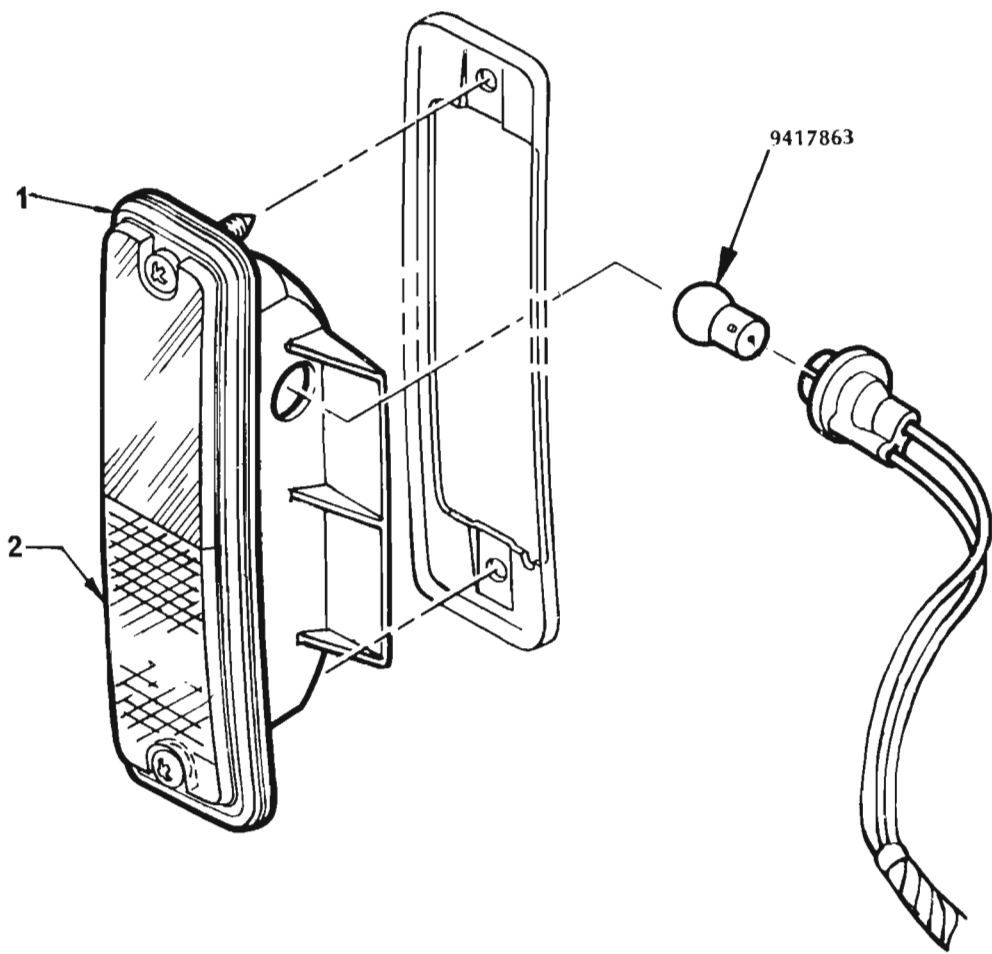
TAIL, STOP and TURN SIGNAL REAR LAMP
Body Styles 35, 70, 80

ILLUS. REF. NO.	PART NAME	GROUP
1.	LAMP ASSEMBLY	2.679
2.	GASKET - Lamp	2.684
3.	LENS ASSEMBLY	2.682
4.	HOUSING ASSEMBLY	2.680



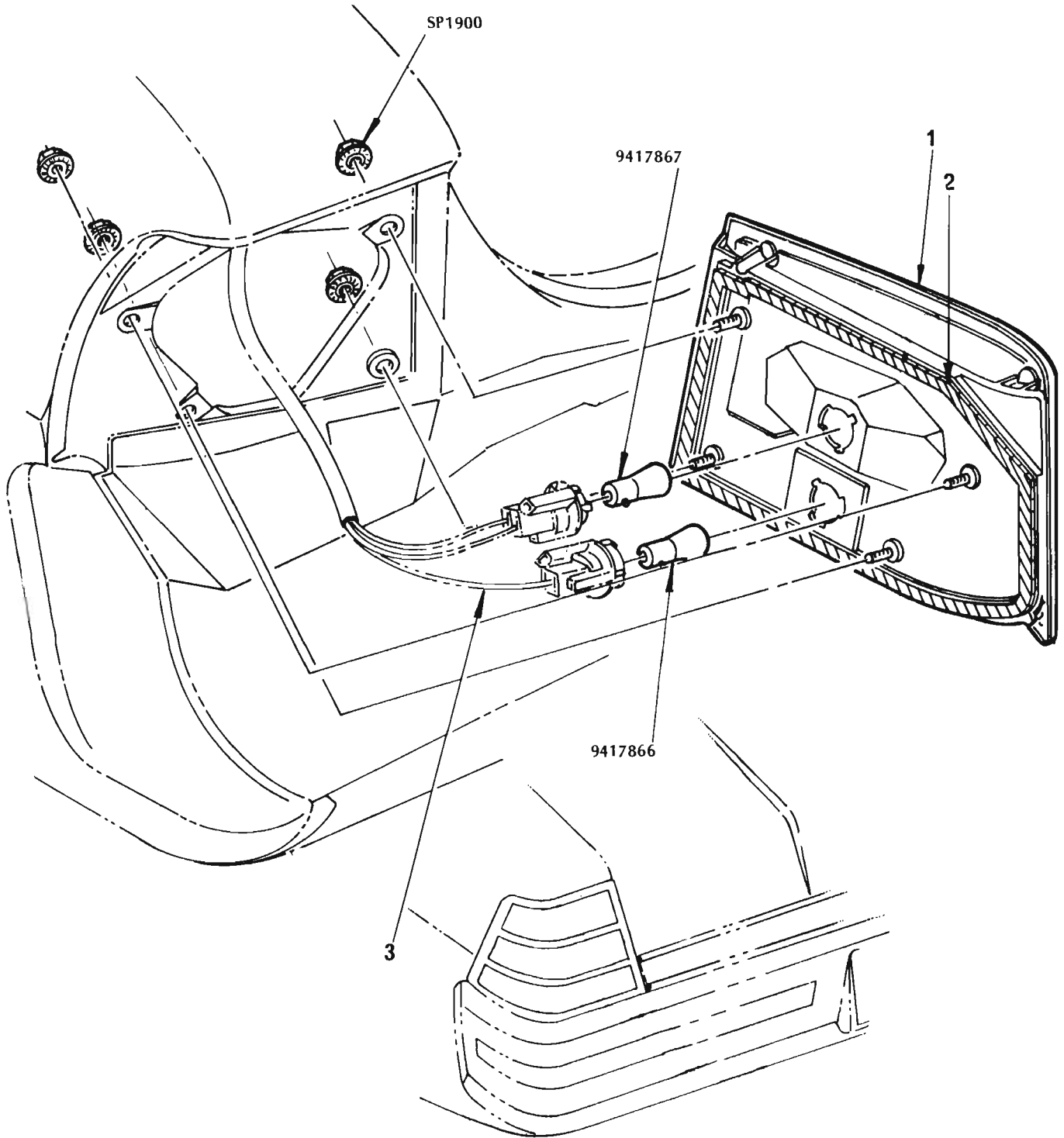
TAIL, STOP and TURN SIGNAL LAMP
"LE"

ILLUS. REF. NO.	PART NAME	GROUP
1.	NUT - 'U' type spring No.10 - 12 type 'A'	2.679
2.	LAMP ASSEMBLY - Tail and stop	2.679
3.	BULB - 12 - 16V 2 c.p. s.c	2.714
4.	GROMMET - Rear licence lamp	2.705
5.	LAMP ASSEMBLY - Turn signal	2.679
6.	HARNES ASSEMBLY - Rear	13.090



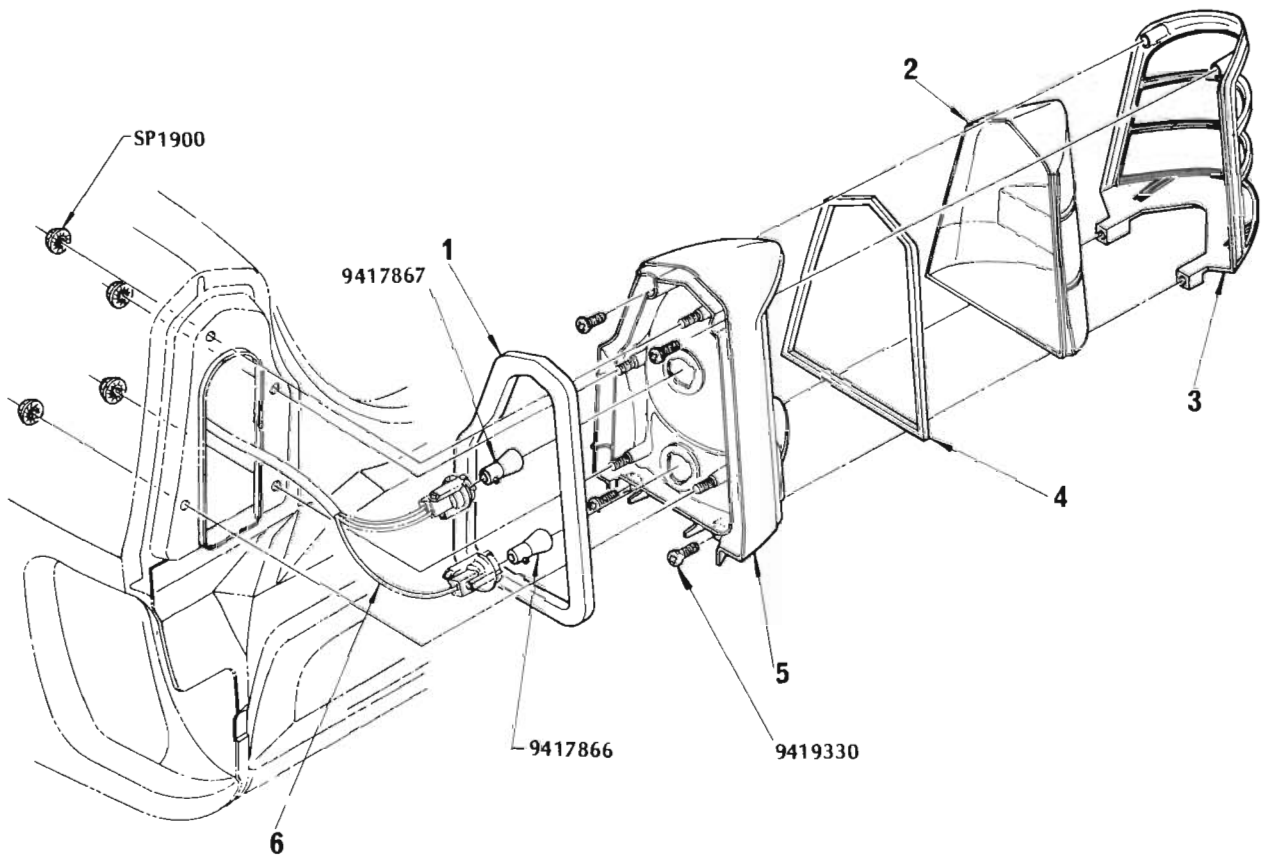
REAR SIDE LAMP
Body Styles 35, 37, 70, 80

ILLUS. REF. NO.	PART NAME	GROUP
1.	LAMP ASSEMBLY	2.679
2.	LENS ASSEMBLY	2.682



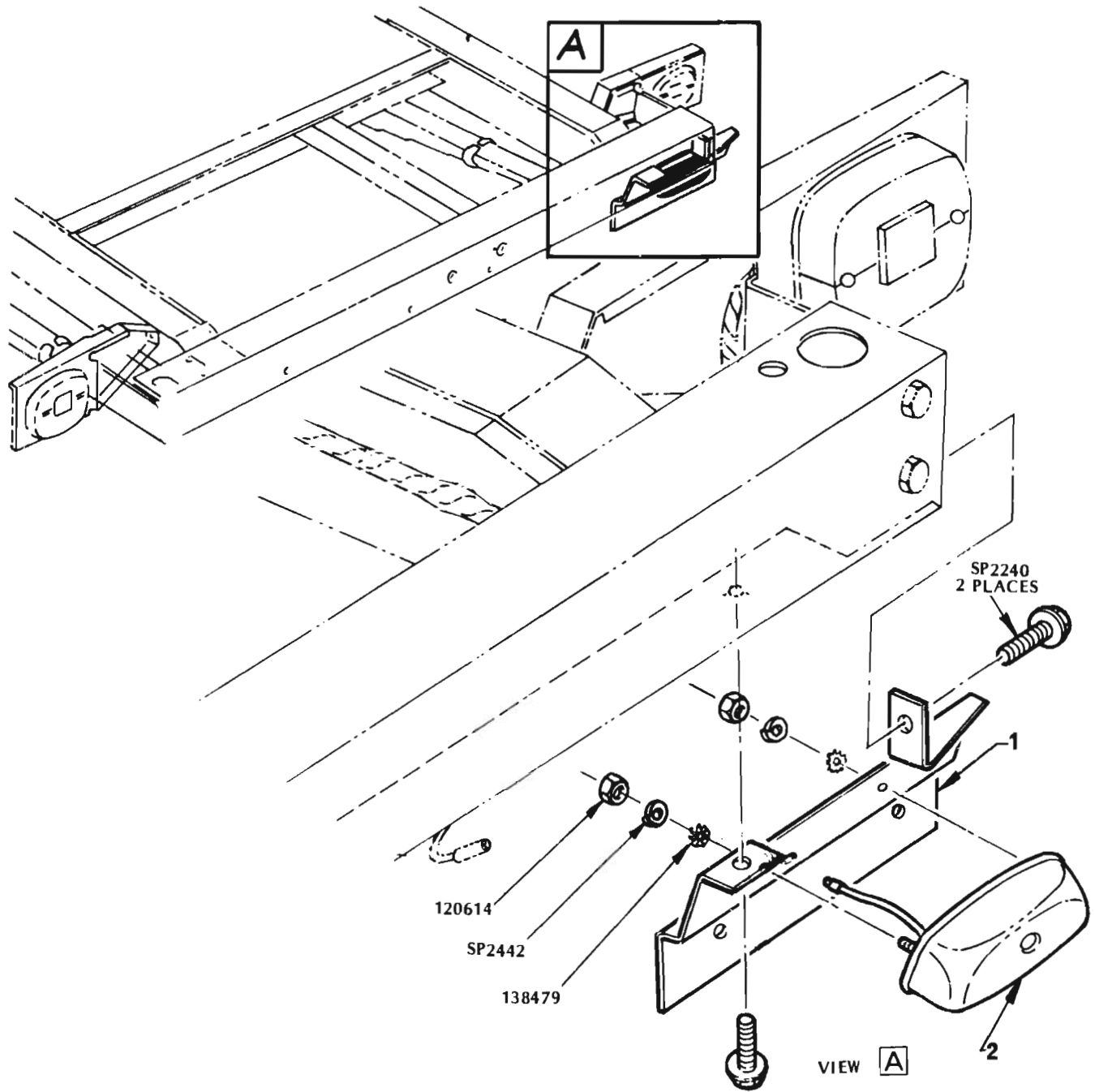
TAIL, STOP and TURN SIGNAL LAMP
Sedan exc. Statesman

ILLUS. REF. NO.	PART NAME	GROUP
1.	LAMP ASSEMBLY	2.679
2.	GASKET - Lamp to body	2.684
3.	HARNESS ASSEMBLY - Rear	13.090



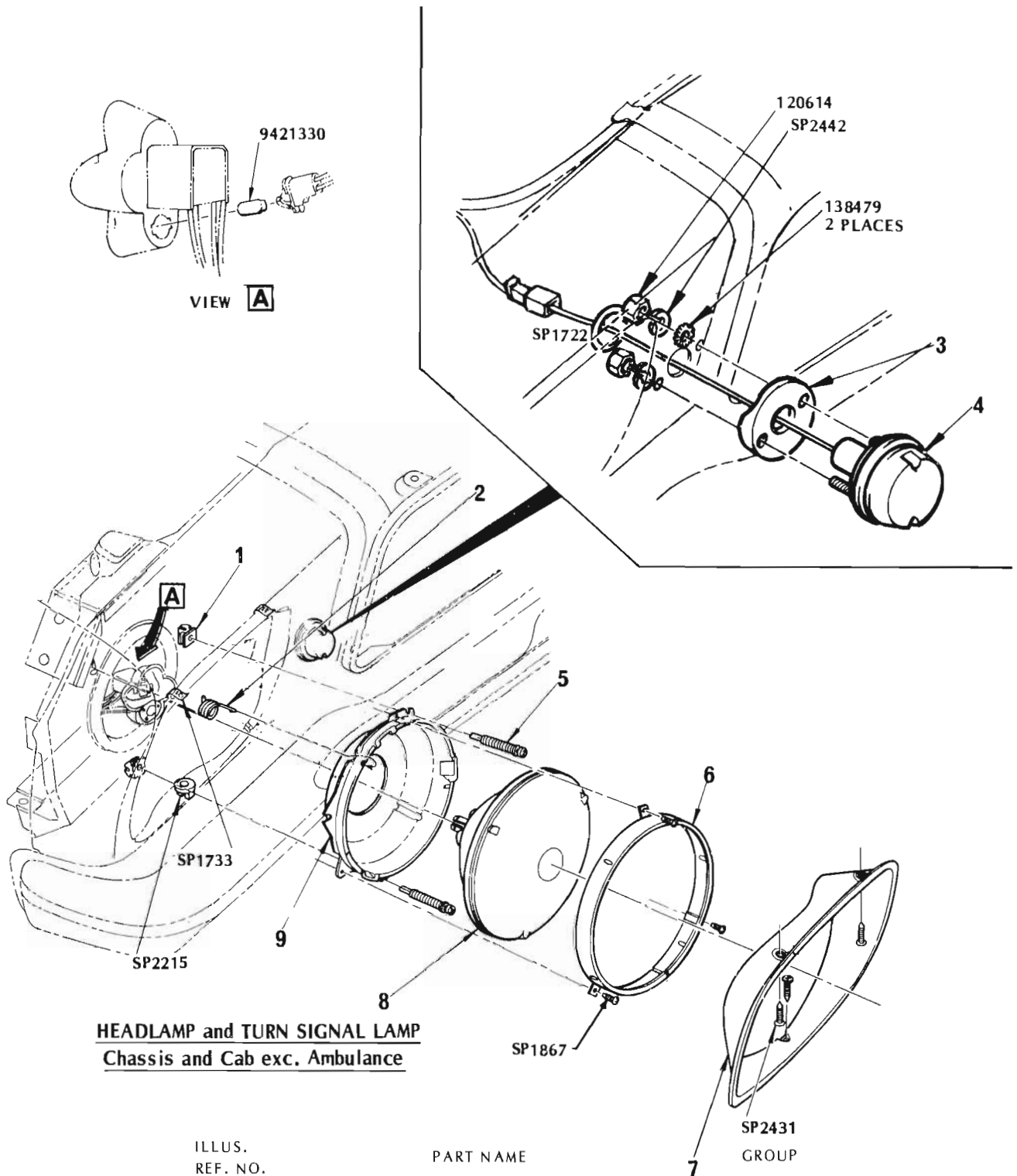
TAIL, STOP and TURN SIGNAL LAMP
Statesman

ILLUS. REF. NO.	PART NAME	GROUP
1.	GASKET – Lamp to body	2.684
2.	LENS ASSEMBLY	2.682
3.	RIM ASSEMBLY	2.681
4.	GASKET – Lens to base	2.684
5.	BASE ASSEMBLY	2.679
6.	HARNES ASSEMBLY – Rear	13.090



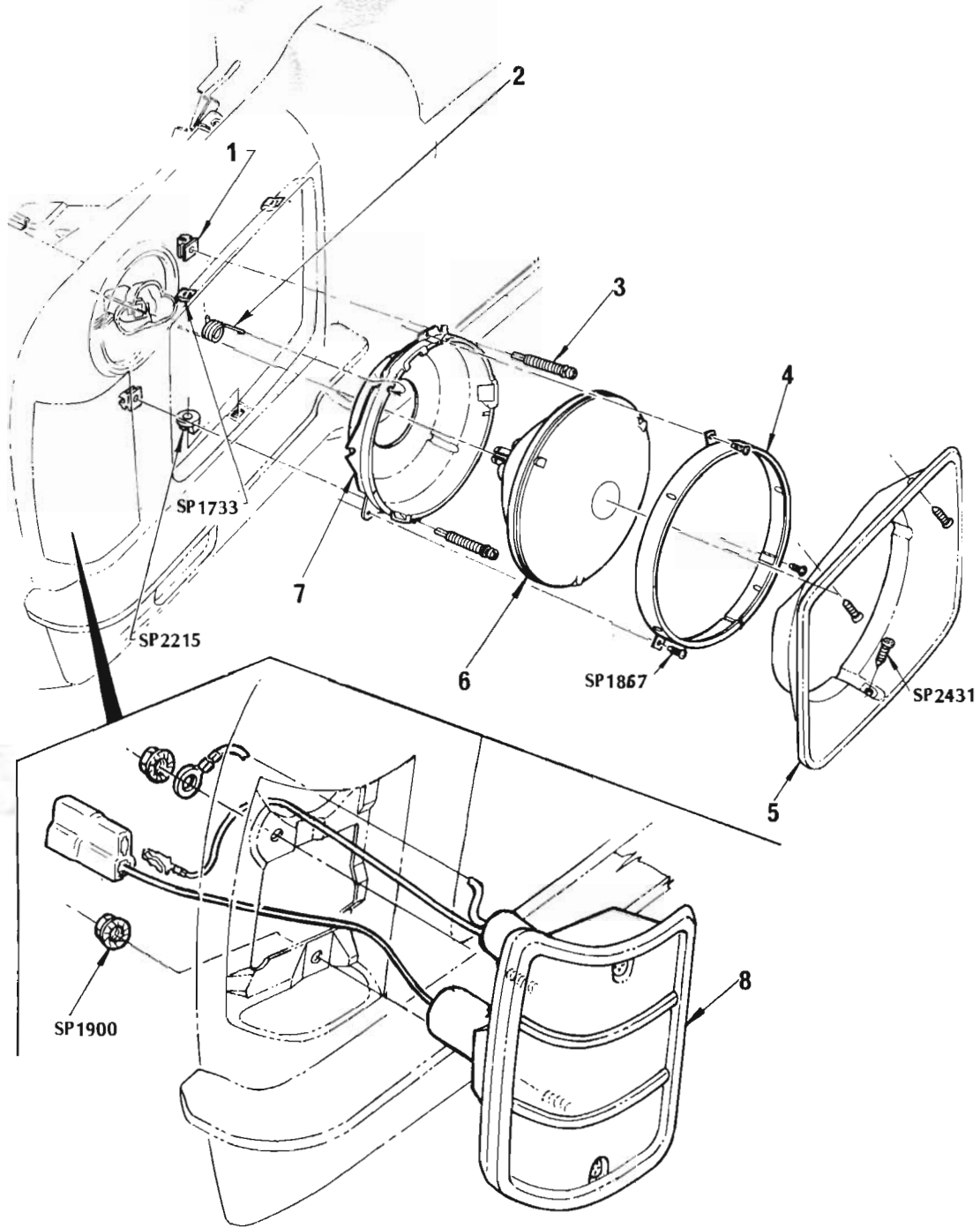
REAR LICENCE LAMP and BRACKET
Chassis & Cab

ILLUS. REF. NO.	PART NAME	GROUP
1.	BRACKET – Rear licence lamp	2.705
2.	LAMP ASSEMBLY	2.700



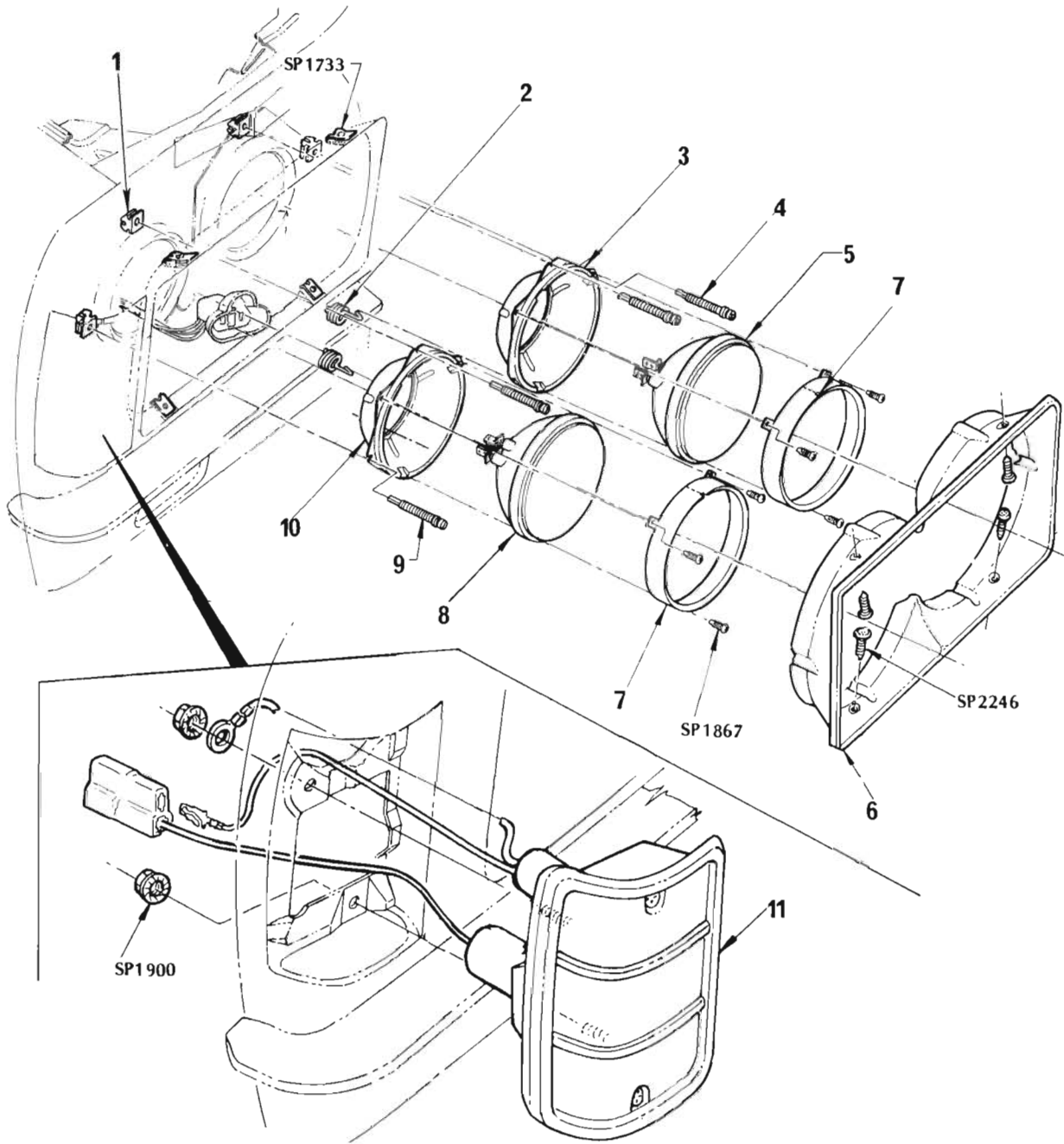
HEADLAMP and TURN SIGNAL LAMP
Chassis and Cab exc. Ambulance

ILLUS. REF. NO.	PART NAME	GROUP
1.	NUT - Adjusting	2.729
2.	SPRING - Retaining	2.737
3.	SPACER	2.585
4.	LAMP ASSEMBLY	2.585
5.	SCREW - Beam adjusting	2.737
6.	RING ASSEMBLY - Retaining	2.731
7.	RIM	2.728
8.	SEALED BEAM UNIT	2.727
9.	RING - Mounting	2.726



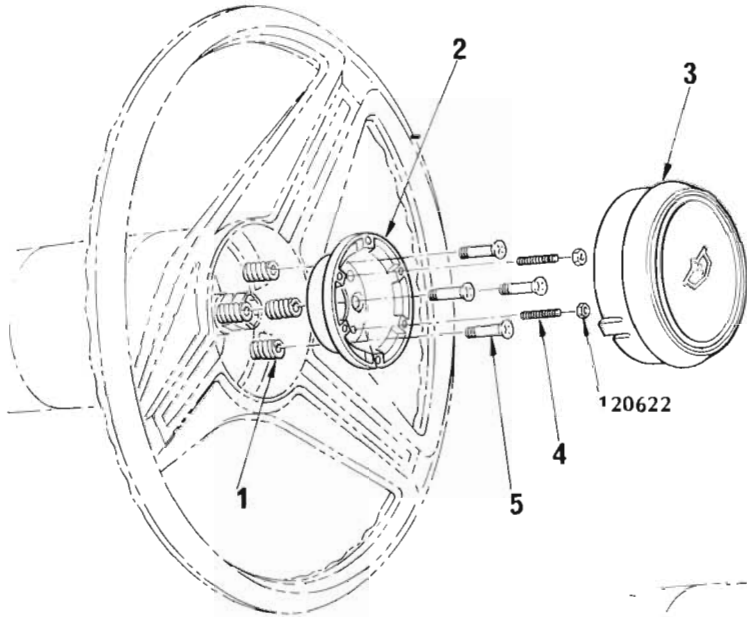
HEADLAMP, PARKING and TURN SIGNAL LAMP
Belmont, Kingswood, GTS, Panel Van, Utility exc. Ambulance

ILLUS. REF. NO.	PART NAME	GROUP
1.	NUT - Adjusting	2.729
2.	SPRING - Retaining	2.737
3.	SCREW - Beam adjusting	2.737
4.	RING ASSEMBLY - Retaining	2.731
5.	RIM	2.728
6.	SEALED BEAM	2.727
7.	RING - Mounting	2.726
8.	LAMP ASSEMBLY	2.585

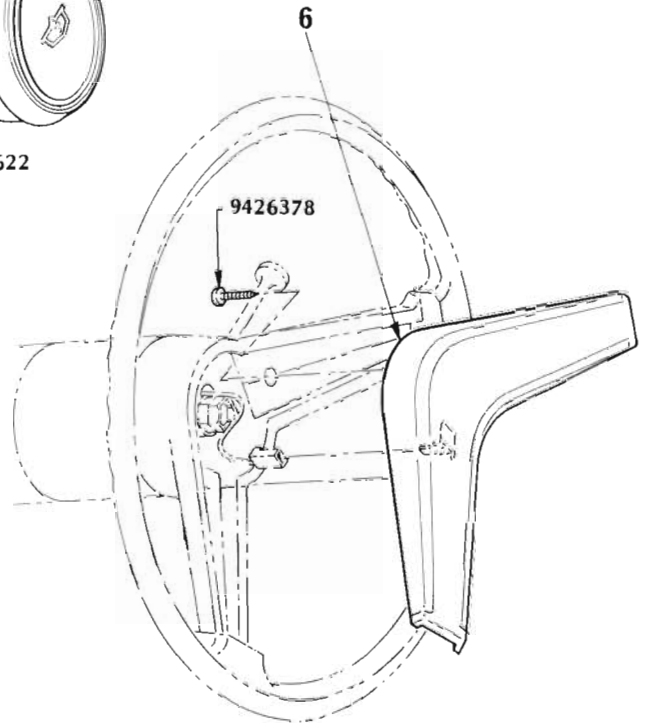


HEADLAMP, PARKING and TURN SIGNAL LAMP
Ambulance, Premier, LE, Statesman

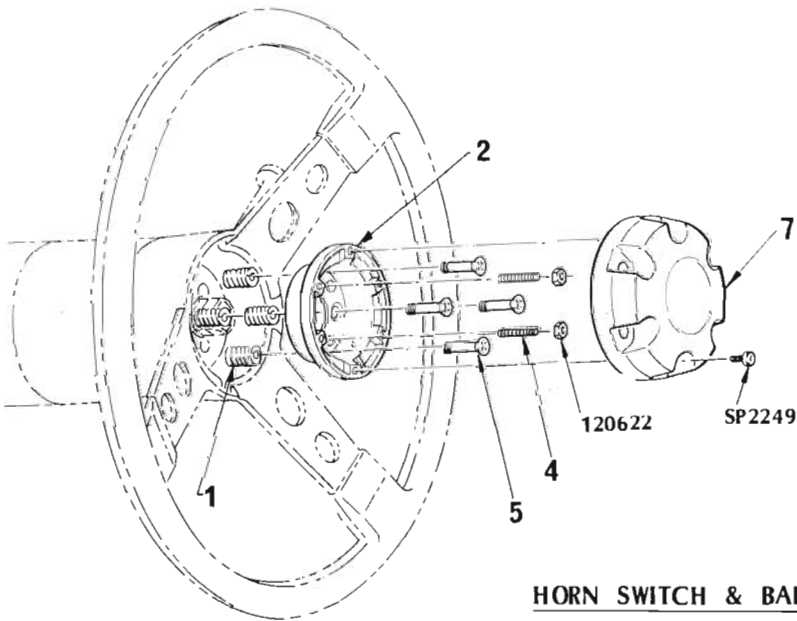
ILLUS. REF. NO.	PART NAME	GROUP
1.	NUT - Adjusting	2.729
2.	SPRING - Retaining	2.737
3.	RING - Mounting inner	2.726
4.	SCREW - 2½ long	2.737
5.	SEALED BEAM UNIT - Inner	2.727
6.	RIM	2.728
7.	RING ASSEMBLY - Retaining	2.731
8.	SEALED BEAM UNIT - Outer	2.727
9.	SCREW - 2" long	2.737
10.	RING - Mounting outer	2.726
11.	LAMP ASSEMBLY	2.585



CAPRICE



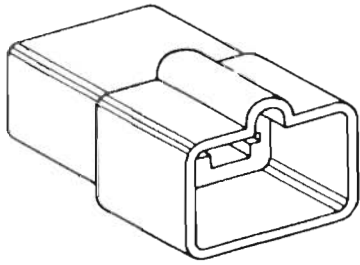
STANDARD TYPE



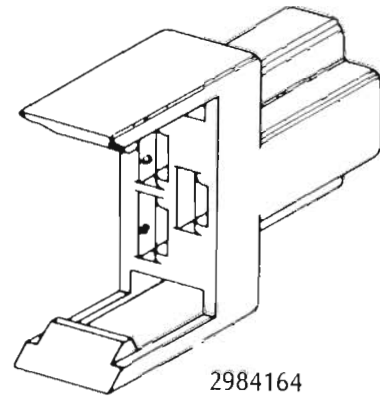
SPORTS TYPE

HORN SWITCH & BAR

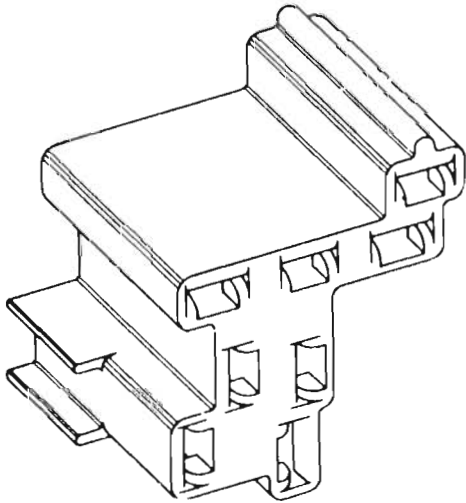
ILLUS. REF. NO.	PART NAME	GROUP
1.	SPRING - Adaptor to steering wheel	2.824
2.	ADAPTOR - Horn emblem & button	2.824
3.	EMBLEM & BUTTON ASSEMBLY - Horn	2.820
4.	SCREW - Horn contact adjusting	2.819
5.	SCREW - Adaptor to steering wheel	2.824
6.	BAR ASSEMBLY - Horn actuating	2.830
7.	BUTTON ASSEMBLY - Horn	2.820



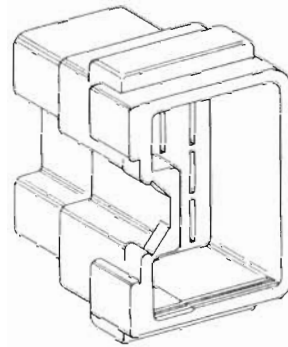
2973603



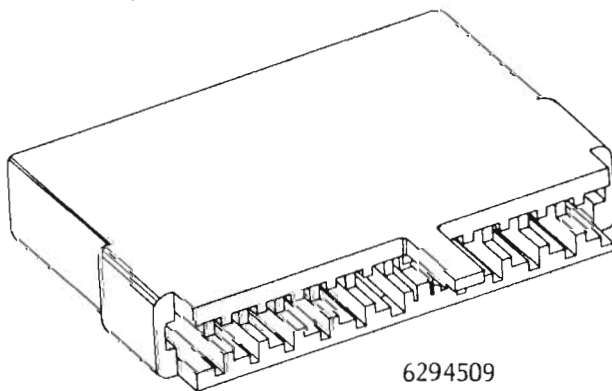
2984164



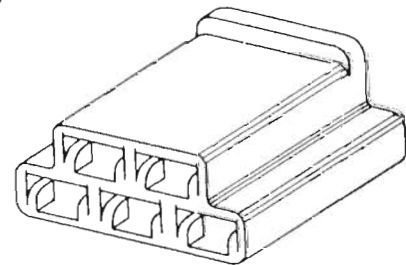
2984169



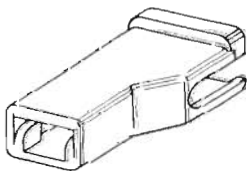
6288890



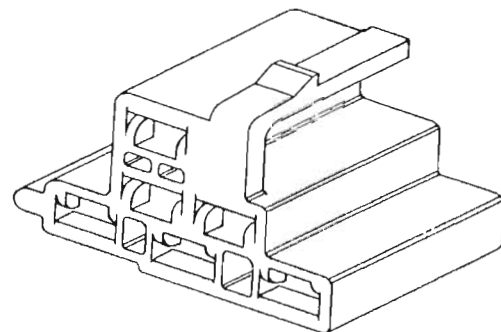
6294509



6294016

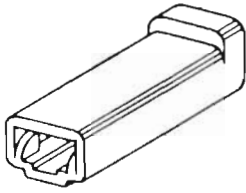


6294142

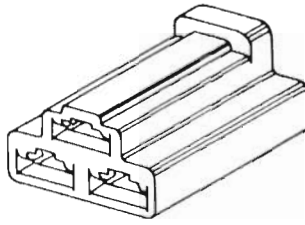


6294643

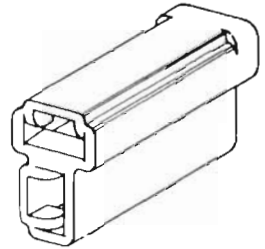
TERMINAL CONNECTOR BODIES



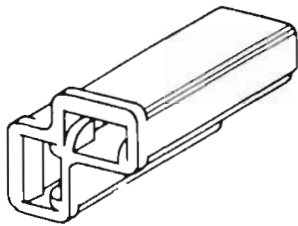
2962448



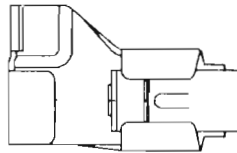
2962449



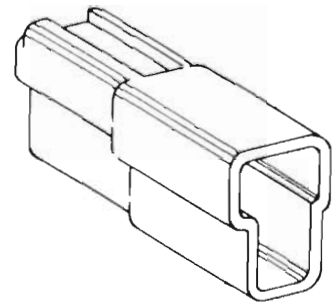
2962551



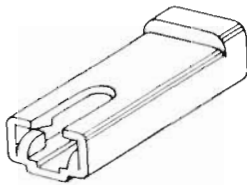
2962910



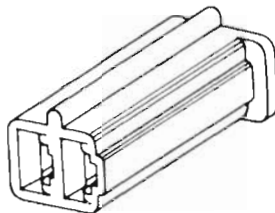
2962915



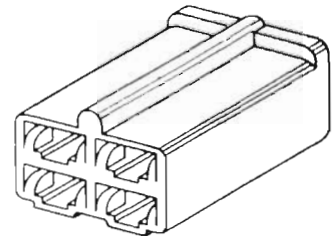
2962964



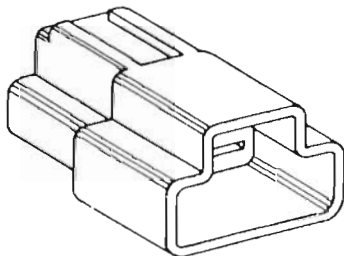
2962965



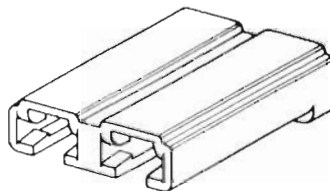
2962967



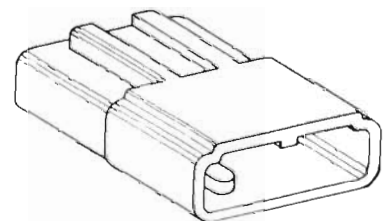
2962969



2973172



2973407



2973431

TERMINAL CONNECTOR BODIES

"HX" STATESMAN/HOLDEN PARTS CATALOGUE

GROUP	DESCRIPTION	MODEL	SIDE	PART No.	QTY.
2.041	MOTOR – Starter				
	MOTOR ASSEMBLY(Bosch)	6 Cyl. Eng.		2815873	1
	BOLT	6 Cyl. Eng.		SP2079	2
	MOTOR ASSEMBLY(Bosch)	8 Cyl. Eng.		7438110	1
	BOLT	8 Cyl. Eng.		7435397	1
	BOLT	8 Cyl. Eng.		2810367	1
	BRACKET – Steady(Lucas)	4.2 Litre Eng.		VS11887	1
	BOLT – Steady bracket(Lucas)	4.2 Litre Eng.		VS11888	1
	BOLT ASSEMBLY – Steady bracket to engine	8 Cyl. Eng.		SP2078	1
2.043	ARMATURE – Starter motor				
	ARMATURE(Bosch)	ALL		7424652	1
	ARMATURE(Lucas)	2850, 4.2 Litre Eng.		VS11964	1
2.049	COIL, INSULATOR – Starter motor field				
	COIL ASSEMBLY(Lucas)	2850 Eng.		VS12080	1
	COIL ASSEMBLY(Lucas)	4.2 Litre Eng.		VS11965	1
	COIL ASSEMBLY(Bosch)	ALL		VS10971	1
	INSULATOR – Field coil to housing(Bosch)	ALL		7424644	1
	INSULATOR – Field coil to pole shoe(Bosch)	ALL		7424645	1
2.051	BRUSH – Starter motor				
	BRUSH SET(Bosch)	ALL		7424660	1
	BRUSH SET(Lucas)	2850, 4.2 Litre Eng.		VS11875	1
2.052	PLATE – Starter motor brush holder				
	PLATE ASSEMBLY – Brush holder(Bosch)	ALL		VS11970	1
	HOLDER – Brush(Lucas)	2850, 4.2 Litre Eng.		VS11876	1
	SCREW – Brush holder attaching(Lucas)	2850, 4.2 Litre Eng.		VS11878	2
	WASHER – Brush holder screw(Lucas)	2850, 4.2 Litre Eng.		VS10812	2
2.053	SPRING – Starter motor brush				
	SPRING(Bosch)	ALL		7424661	4
	SPRING & PLATE ASSY.(Lucas)	2850, 4.2 Litre Eng.		VS11877	1
2.063	CAP, SCREW – Starter motor armature				
	CAP – Bearing(Bosch)	ALL		7424665	1
	SCREW – Bearing cap(Bosch)	ALL		VS11971	2
	WASHER – Bearing cap screw(Bosch)	ALL		7406618	2
2.067	FRAME – Starter motor commutator end				
	FRAME ASSEMBLY(Bosch)	ALL		7424657	1
	FRAME ASSEMBLY(Lucas)	2850, 4.2 Litre Eng.		VS11871	1
2.077	SCREW, BOLT – Starter motor				
	SCREW – Pole shoe(Bosch)	ALL		VS11091	4
	BOLT – Through(Bosch)	ALL		7424666	2
	WASHER – Through bolt(Bosch)	ALL		VS11092	2
	BOLT – Through(Lucas)	2850 Eng.		VS12081	2
	BOLT – Through(Lucas)	4.2 Litre Eng.		VS10831	2
	WASHER – Through bolt(Lucas)	2850, 4.2 Litre Eng.		VS10832	2
2.080	SUNDRY PARTS SET – Starter motor				
	SUNDRY PARTS SET(Bosch)	ALL		VS11089	1
2.083	BUSH – Starter motor				
	BUSH – Drive end(Bosch)	ALL		7424647	1
	BUSH – Drive end(Lucas)	2850, 4.2 Litre Eng.		VS10828	1
	BUSH – Comm. end frame(Bosch)	ALL		7405590	1
	BUSH – Comm. end(Lucas)	2850, 4.2 Litre Eng.		VS11874	1

"HX" STATESMAN/HOLDEN PARTS CATALOGUE

GROUP	DESCRIPTION	MODEL	SIDE	PART No.	QTY.
2.085	HOUSING – Starter motor drive with bush				
	HOUSING(Bosch)	6 Cyl. Eng.		VS11146	1
	HOUSING(Bosch)	8 Cyl. Eng.		VS10972	1
	HOUSING(Lucas)	2850 Eng.		VS11883	1
	HOUSING(Lucas)	4.2 Litre Eng.		VS11354	1
	SEAL - To clutch, converter housing	8 Cyl. Eng.		VS10973	1
2.086	DRIVE – Starter motor				
	DRIVE ASSEMBLY(Bosch)	ALL		7424653	1
	DRIVE ASSEMBLY(Lucas)	2850, 4.2 Litre Eng.		VS10815	1
2.087	BUSH, BUFFER – Starter motor pinion				
	BUSH - Drive(Bosch)	ALL		7424631	1
	BUFFER - Drive(Bosch)	ALL		7420847	1
	WASHER - Thrust, plain steel(Lucas)	2850, 4.2 Litre Eng.		VS11872	1
	WASHER - Thrust, stepped steel(Lucas)	2850, 4.2 Litre Eng.		VS11881	1
	WASHER - Thrust, nylon(Lucas)	2850, 4.2 Litre Eng.		VS11882	1
	SHIM(Lucas)	2850, 4.2 Litre Eng.		VS11873	1
	BUSH - Pinion bearing(Lucas)	2850, 4.2 Litre Eng.		VS10821	1
	RING - Lock(Lucas)	2850, 4.2 Litre Eng.		VS10816	1
	SPRING - Engaging(Lucas)	2850, 4.2 Litre Eng.		VS10817	1
	PLATE - Thrust(Lucas)	2850, 4.2 Litre Eng.		VS10820	1
	PLATE - Operating(Lucas)	2850, 4.2 Litre Eng.		VS10818	1
	COLLAR - Bearing(Lucas)	2850, 4.2 Litre Eng.		VS10819	1
2.096	STOP, COLLAR, RING – Starter motor				
	STOP - Pinion assembly(Bosch)	ALL		7424633	1
	COLLAR - Drive end(Lucas)	2850, 4.2 Litre Eng.		VS10826	1
	RING - Collar retaining(Lucas)	2850, 4.2 Litre Eng.		7428707	1
	WASHER - Drive end(Lucas)	2850 Eng.		7428705	1
2.100	SWITCH – Starter				
	SWITCH - Solenoid(Bosch)	ALL		VS10215	1
	SCREW - Switch attaching(Bosch)	ALL		7424669	2
	SWITCH - Solenoid(Lucas)	2850, 4.2 Litre Eng.		VS10822	1
	NUT - Terminal(Lucas)	2850, 4.2 Litre Eng.		VS10823	2
	WASHER - Terminal nut(Lucas)	2850, 4.2 Litre Eng.		VS10824	2
	NUT - Switch attaching(Lucas)	2850, 4.2 Litre Eng.		7406859	2
2.101	GROMMET – Starter switch to solenoid				
	GROMMET(Lucas)	2850 Eng.		VS11885	1
2.102	STARTER MOTOR SOLENOID COMPONENTS				
	COVER - Switch(Bosch)	ALL		VS11090	1
	GASKET - Solenoid 0.5 m.m.(Bosch)	ALL		7424678	A.R.
	GASKET - Solenoid 1 m.m.(Bosch)	ALL		7424679	A.R.
	NUT - Contact bolt(Bosch)	ALL		7405645	A.R.
	SCREW - Cover attaching(Bosch)	6 Cyl. Eng.		VS11973	2
	SCREW - Cover attaching(Bosch)	8 Cyl. Eng.		VS12500	2
	WASHER - Main terminal(Bosch)	ALL		VS11087	1
	WASHER - Switch cover screw(Bosch)	ALL		VS11086	2
2.108	LEVER – Starter motor shift				
	LEVER ASSY.(Bosch)	ALL		7424648	1
	SCREW(Bosch)	ALL		7424649	1
	NUT(Bosch)	ALL		7405604	1
	WASHER - Lock(Bosch)	ALL		VS11969	1
	LEVER ASSEMBLY(Lucas)	2850, 4.2 Litre Eng.		VS10813	1
	PIN - Pivot(Lucas)	2850 Eng.		VS11879	1
	PIN - Pivot(Lucas)	4.2 Litre Eng.		VS10814	1
	NUT - Pivot pin(Lucas)	2850, 4.2 Litre Eng.		7406835	1

"HX" STATESMAN/HOLDEN PARTS CATALOGUE

GROUP	DESCRIPTION	MODEL	SIDE	PART No.	QTY.
2.170	COIL, BRACKET – Ignition				
	COIL ASSEMBLY(Bosch)	ALL		(⁹³ 7435105)	1
	COIL ASSEMBLY(Bosch)	6 Cyl. Eng.		(⁹⁶ 7422779)	1
	COIL ASSEMBLY(Bosch)	8 Cyl. Eng.		(⁹⁶ 7435105)	1
	COIL ASSEMBLY(Lucas)	6 Cyl. Eng.		7431087	1
	BRACKET - Ignition coil	6 Cyl. Eng.		7422780	1
	BOLT - Bracket to cylinder head	6 Cyl. Eng.		122104	1
	WASHER - Bracket to cylinder head, flat	6 Cyl. Eng.		120394	1
	WASHER - Bracket to cylinder head, lock	6 Cyl. Eng.		120382	1
	COIL ASSEMBLY(Bosch)	8 Cyl. Eng.		7435105	1
	COIL ASSEMBLY(Lucas)	8 Cyl. Eng.		7440470	1
	BRACKET & SCREW ASSEMBLY – Coil	8 Cyl. Eng.		9933693	1
	BOLT ASSEMBLY – Bracket to manifold	8 Cyl. Eng.		SP2154	1
2.187	KEY – Lock				
	KEY - Blank	ALL		M37042	A.R.
2.188	SWITCH – Ignition and starting				
	LOCK ASSEMBLY - Ignition (coded)	ALL		9934521	1
	SERVICE PACKAGE - Ignition lock (uncoded)	ALL		9934587	1
	SWITCH ASSEMBLY - Ignition & starter	ALL		2811924	1
	BOLT - Switch to column	ALL		SP2319	2
	BOLT & SPRING ASSY – Steering lock	ALL		9942395	1
	WASHER - Steering lock thrust	ALL		7805950	1
2.195	RACK and ROD, SECTOR, SHAFT – Ignition switch actuator				
	RACK & ROD	ALL		2813550	1
	SPRING - Rack preload	ALL		7804410	1
	SHAFT	ALL		7804412	1
	SECTOR	ALL		7806046	1
2.239	WIRE PACKAGE – Spark plug and distributor				
	WIRE PACKAGE - T.V.R.S.	6 Cyl. Eng.		7423454	1
	WIRE PACKAGE - Copper Wire	6 Cyl. Eng.		7436752	1
	WIRE PACKAGE - T.V.R.S.	8 Cyl. Eng.		9938279	1
	WIRE PACKAGE - Copper Wire	8 Cyl. Eng.		9936674	1
2.251	RETAINER, BRACKET, SPACER – Spark plug wire				
	RETAINER - Spark plug wire	8 Cyl. Eng.		2965736	2
	RETAINER - Spark plug wire	8 Cyl. Eng.		9932449	4
	BRACKET - Retainer to rocker cover	8 Cyl. Eng.		9932450	4
2.258	NIPPLE, BOOT – Spark plug wire insulating				
	NIPPLE - Distributor cap insulating	ALL		5289527	6-8
	NIPPLE - Coil lead insulating (Cap end)	ALL		5289527	1
	NIPPLE - Coil lead insulating (Coil end)	ALL		5290441	1
	BOOT - Spark plug	6 Cyl. Eng.		9938467	6
	BOOT - Spark plug	8 Cyl. Eng.		2965987	8
2.270	PLUG – Spark				
	PLUG - Spark	2850 Eng.		R43T	6
	PLUG - Spark	3300 Eng.		45T	6
	PACKAGE - (Set of 6 No. 45T)	3300 Eng.		2820505	1
	PLUG - Spark	8 Cyl. Eng.		44T	8
	PACKAGE - (Set of 8 No. 44T)	8 Cyl. Eng.		2819771	1
	PACKAGE - (Set of 8 No. 43T) (Optional)	8 Cyl. Eng.		2822798	1
Note:	(⁹³ With Evaporative and Exhaust Emission Control - A.D.R. 27A (Refer Safety Compliance Plate).				
	(⁹⁶ Without Exhaust Emission Control.				

"HX" STATESMAN/HOLDEN PARTS CATALOGUE

GROUP	DESCRIPTION	MODEL	SIDE	PART No.	QTY.
2.274	PULLEY, FAN – Alternator				
	PULLEY ASSEMBLY	ALL		2825019	1
	FAN - Alternator	ALL		7430410	1
2.275	ALTERNATOR				
	ALTERNATOR ASSEMBLY(Bosch)	Exc. Air Cond.		9930535	1
	ALTERNATOR ASSEMBLY(Lucas)	Exc. Air Cond.		2825480	1
	ALTERNATOR ASSEMBLY(Bosch)	Air Cond.		9930537	1
2.277	BRACKET, SUPPORT – Alternator mounting				
	BRACKET ASSEMBLY	6 Cyl. Eng. exc. Air Cond.		9931665	1
	BOLT - Alternator to bracket	6 Cyl. Eng. exc. Air Cond.		127968	1
	WASHER	6 Cyl. Eng. exc. Air Cond.		120382	1
	NUT	6 Cyl. Eng. exc. Air Cond.		120369	1
	BOLT & LOCK WASHER - Bracket to engine, 3/8" - 16 x .875"	6 Cyl. Eng. exc. Air Cond.		SP2077	1
	BOLT & LOCK WASHER - Bracket to engine, 3/8" - 16 x 1.125"	6 Cyl. Eng. exc. Air Cond.		SP2071	1
	BRACKET - Front	8 Cyl. Eng.		2811892	1
	SUPPORT - Rear	8 Cyl. Eng. exc. Air Cond.		2811891	1
	BOLT - Alternator to rear support	8 Cyl. Eng.		189334	1
	NUT - Alternator to rear support bolt	8 Cyl. Eng.		120369	1
	BOLT - Rear support to cylinder head, 3/8" - 16 x 4 7/8"	8 Cyl. Eng.		9427686	2
	BOLT - Rear support to cylinder head, 3/8" - 16 x 2 7/16"	8 Cyl. Eng. exc. Air Cond.		9432096	1
2.279	ROTOR – Alternator				
	ROTOR(Bosch)	Exc. Air Cond.		VS12376	1
	SLIP RING(Bosch)	Exc. Air Cond.		VS11094	1
	ROTOR(Bosch)	Air Cond.		VS12560	1
	SLIP RING(Bosch)	Air Cond.		VS12558	1
	ROTOR(Lucas)	Exc. Air Cond.		VS12321	1
	SLIP RING(Lucas)	Exc. Air Cond.		VS12330	1
2.280	NUT, WASHER – Alternator rotor				
	NUT(Lucas)	ALL		7405703	1
	WASHER(Lucas)	ALL		VS11765	1
2.285	BRUSH SET – Alternator				
	BRUSH SET(Bosch)	ALL		VS12023	1
	BRUSH SET(Lucas)	ALL		VS12327	1
2.286	SPRING – Alternator brush				
	SPRING(Bosch)	ALL		VS12024	2
2.289	RECTIFIER – Alternator				
	RECTIFIER ASSEMBLY(Bosch)	Exc. Air Cond.		VS12380	1
	RECTIFIER ASSEMBLY(Bosch)	Air Cond.		VS12561	1
	BOLT - Rectifier, long(Bosch)	ALL		VS12019	1
	BOLT - Rectifier, short(Bosch)	ALL		VS12020	2
2.289	SINK – Heat and components				
	SINK - Heat, negative with diodes(Lucas)	Exc. Air Cond.		VS12323	1
	SINK - Heat, positive with diodes(Lucas)	Exc. Air Cond.		VS12324	1
	SINK - Heat, negative with diodes(Lucas)	Air Cond.		VS12088	1
	SINK - Heat, positive with diodes(Lucas)	Air Cond.		VS12089	1
	PLATE - Field terminal with diodes(Lucas)	Exc. Air Cond.		VS12325	1
	PLATE - Field terminal with diodes(Lucas)	Air Cond.		VS12533	1
	SUNDRY PARTS SET - Heat sink mounting (Lucas)	ALL		VS12091	1

"HX" STATESMAN/HOLDEN PARTS CATALOGUE

GROUP	DESCRIPTION	MODEL	SIDE	PART No.	QTY.
2.291	BOX, MOULDING – Alternator brush				
	BOX ASSEMBLY - Brush (Metal)(Lucas)	Exc. Air Cond.		VS12326	1
	BOX ASSEMBLY - Brush (Metal)(Lucas)	Air Cond.		VS12535	1
	MOULDING - Brush box (Plastic)(Lucas)	ALL		VS12040	1
	SCREW - Brush box(Lucas)	ALL		VS12038	1
2.297	HOUSING, PLATE – Alternator slip ring end				
	HOUSING(Bosch)	ALL		VS12378	1
	PLATE(Lucas)	Exc. Air Cond.		VS12322	1
	PLATE(Lucas)	Air Cond.		VS12532	1
	WASHER - Wave(Lucas)	ALL		VS11776	1
2.298	BEARING – Alternator slip ring end				
	BEARING(Bosch)	ALL		7420853	1
	BEARING(Lucas)	ALL		VS11773	1
2.305	PLATE – Alternator drive end				
	PLATE(Bosch)	Exc. Air Cond.		VS12338	1
	PLATE(Lucas)	Exc. Air Cond.		VS12700	1
	PLATE(Lucas)	Air Cond.		VS12529	1
2.306	BEARING – Alternator drive end				
	BEARING(Bosch)	ALL		7420850	1
	BEARING(Lucas)	ALL		VS11767	1
2.307	SUNDRY PARTS – Alternator drive end				
	SUNDRY PARTS SET - Bearing cover plate (Bosch)	ALL		VS12027	1
	PLATE - Bearing retainer(Lucas)	ALL		VS12084	1
	SCREW - Bearing retainer plate(Lucas)	ALL		VS11771	3
	COLLAR - Distance(Lucas)	Exc. Air Cond.		VS12320	1
	COLLAR - Distance(Lucas)	Air Cond.		VS12530	1
	WASHER - Support(Lucas)	ALL		VS12085	1
	CIRCLIP - Shaft(Lucas)	ALL		VS12092	1
2.310	STATOR – Alternator				
	STATOR(Bosch)	Exc. Air Cond.		VS12374	1
	STATOR(Bosch)	Air Cond.		VS12559	1
	STATOR(Lucas)	Exc. Air Cond.		VS12328	1
	STATOR(Lucas)	Air Cond.		VS12090	1
2.315	SUNDRY PARTS SET – Alternator				
	SUNDRY PARTS SET(Bosch)	ALL		VS12028	1
2.316	BOLT – Alternator through				
	BOLT(Bosch)	Exc. Air Cond.		VS12026	4
	BOLT(Bosch)	Air Cond.		VS12562	4
	WASHER - Lock(Bosch)	ALL		7424685	4
	WASHER - Flat(Bosch)	ALL		7405633	4
	BOLT(Lucas)	Exc. Air Cond.		VS11763	3
	BOLT(Lucas)	Air Cond.		VS12083	3
2.317	BRACE – Alternator				
	BRACE	6 Cyl. Eng. exc. Air Cond.		9931664	1
	BOLT & LOCK WASHER - Brace & water pump to engine	6 Cyl. Eng. exc. Air Cond.		SP2040	1
	BRACE	6 Cyl. Eng. Air Cond.		2814840	1
	SPACER - Brace to thermostat housing	6 Cyl. Eng. Air Cond.		2814128	1
	BOLT - Brace & thermostat housing to cyl. head.	6 Cyl. Eng. Air Cond. exc. Power Steering		180137	1

"HX" STATESMAN/HOLDEN PARTS CATALOGUE

GROUP	DESCRIPTION	MODEL	SIDE	PART No.	QTY.
2.317 BRACE – Alternator (contd.)					
	BOLT – Brace & thermostat housing to cyl. head	6 Cyl. Eng. Air Cond. Power Steering		180138	1
	WASHER – Lock	6 Cyl. Eng. Air Cond.		120382	1
	BRACE	8 Cyl. Eng.		2811893	1
	BOLT – Brace & water pump to engine	8 Cyl. Eng.		9432483	1
2.332 BATTERY					
	BATTERY – 50 amp. hour	ALL		430G	1
	BATTERY – 61 amp. hour	ALL		456H	1
2.333 SUPPORT – Battery					
	SUPPORT	ALL		2814059	1
	BOLT & WASHER ASSY. – Support to radiator side support	ALL		SP2055	2
	NUT – 5/16" – 18 'J' type	ALL		SP1548	2
	BOLT & WASHER ASSY. – Support to fender skirt ...	ALL		SP1994	2
	NUT – Support to fender skirt	ALL		124824	2
	WASHER – Support to fender skirt, lock	ALL		120214	2
	RETAINER	ALL		7434165	1
	PLATE – Retainer lock	ALL		7420476	2
	BOLT – Mounting	ALL		M37728	2
	NUT – Wing 1/4" – 20	ALL		7077093	2
2.341 CABLE – Battery ground					
	CABLE ASSEMBLY	6 Cyl. Eng.		2814150	1
	BOLT – Cable to cylinder head	6 Cyl. Eng.		154061	1
	WASHER – Cable to cylinder head	6 Cyl. Eng.		138489	1
	SCREW – Lead to radiator support	6 Cyl. Eng.		SP2330	1
	WASHER – Lead to radiator support	6 Cyl. Eng.		121753	1
	CABLE ASSEMBLY	8 Cyl. Eng. exc. Air Cond.		2824955	1
	CABLE ASSEMBLY	8 Cyl. Eng. Air Cond.		9937275	1
	WASHER – Cable to alternator mounting bolt	8 Cyl. Eng.		138489	1
	SCREW – Lead to radiator support panel	8 Cyl. Eng.		SP2330	1
	WASHER – Lead to radiator support panel	8 Cyl. Eng.		121753	1
	CLIP – Cable to compressor mounting	8 Cyl. Eng. Air Cond.		SP1795	1
2.342 CABLE – Starter					
	CABLE ASSEMBLY	6 Cyl. Eng. exc. Air Cond.		9944719	1
	CABLE ASSEMBLY	6 Cyl. Eng. Air Cond.		9944718	1
	CLIP – Cable to fender skirt	6 Cyl. Eng.		SP1778	1
	NUT – Cable to starter motor	6 Cyl. Eng.		124824	1
	SLEEVE – Cable	6 Cyl. Eng.		7414969	1
	NUT – Lead to alternator	6 Cyl. Eng.		121743	1
	WASHER – Lead to alternator, lock	6 Cyl. Eng.		121744	1
	CLIP – Lead to fender skirt	6 Cyl. Eng.		SP1498	1
	CABLE ASSEMBLY	8 Cyl. Eng. exc. Air Cond.		2824954	1
	CABLE ASSEMBLY	8 Cyl. Eng. Air Cond.		9933703	1
	CLIP – Cable to fender skirt	8 Cyl. Eng.		SP1778	1-2
	SLEEVE – Cable	8 Cyl. Eng.		7414969	1
	NUT – Cable to starter motor	8 Cyl. Eng.		124824	1
	NUT – Lead to alternator	8 Cyl. Eng.		121743	1
	WASHER – Lead to alternator	8 Cyl. Eng.		121744	1
	CLIP – Lead to fender skirt	8 Cyl. Eng. exc. Air Cond.		2815231	1
	TUBE – Cable guide	8 Cyl. Eng. Air Cond.		9938293	1
	SCREW – Tube attaching	8 Cyl. Eng. Air Cond.		163216	1
	CLIP – Cable to compressor bracket	Caprice		SP2295	1

"HX" STATESMAN/HOLDEN PARTS CATALOGUE

GROUP	DESCRIPTION	MODEL	SIDE	PART No.	QTY.
2.361	DISTRIBUTOR				
	DISTRIBUTOR ASSEMBLY(Bosch)	6 Cyl. Eng.		(⁹⁶ 2820111)	1
	DISTRIBUTOR ASSEMBLY(Bosch)	6 Cyl. Eng. exc. Chassis & Cab		(⁹³ 9938992)	1
	DISTRIBUTOR ASSEMBLY(Bosch)	6 Cyl. Eng. Chassis & Cab		(⁹³ 9940233)	1
	DISTRIBUTOR ASSEMBLY(Lucas)	6 Cyl. Eng.		(⁹⁶ 2817884)	1
	DISTRIBUTOR ASSEMBLY(Bosch)	4.2 Litre Eng.		(⁹⁶ 7434981)	1
	DISTRIBUTOR ASSEMBLY(Bosch)	4.2 Litre Eng.		(⁹³ 9938993)	1
	DISTRIBUTOR ASSEMBLY(Bosch)	5 Litre Eng.		(⁹⁶ 2807236)	1
	DISTRIBUTOR ASSEMBLY(Bosch)	5 Litre Eng.		(⁹³ 9938994)	1
2.362	BUSH, GASKET, FELT – Distributor				
	BUSH(Bosch)	6 Cyl. Eng.		VS10841	2
	FELT(Bosch)	6 Cyl. Eng.		VS10843	1
	BUSH - Housing(Lucas)	6 Cyl. Eng.		VS12347	2
	FELT(Lucas)	6 Cyl. Eng.		VS12348	1
	BUSH - Housing	8 Cyl. Eng.		VS10842	2
	FELT	8 Cyl. Eng.		VS10844	1
	GASKET	6 Cyl. Eng.		6256636	1
	GASKET	8 Cyl. Eng.		7434855	1
2.363	RETAINER, CLAMP – Distributor				
	RETAINER	ALL		3770598	1
	CLAMP	ALL		7421939	1
	BOLT	ALL		106331	1
2.364	WICK – Distributor				
	WICK(Bosch)	ALL		VS10210	1
2.367	CAP – Distributor				
	CAP(Bosch)	6 Cyl. Eng.		VS10866	1
	CAP(Lucas)	6 Cyl. Eng.		7428968	1
	CAP(Bosch)	8 Cyl. Eng.		VS10867	1
2.368	SPRING – Distributor cap				
	SPRING(Bosch)	ALL		VS10868	2
	CLIP - Retaining(Lucas)	6 Cyl. Eng.		7428982	2
2.370	BRUSH – Distributor cap				
	BRUSH(Bosch)	ALL		7405562	1
	BRUSH ASSEMBLY(Lucas)	6 Cyl. Eng.		1018694	1
2.372	SHAFT – Distributor				
	SHAFT(Bosch)	6 Cyl. Eng.		VS10202	1
	SHAFT - With weight plate(Lucas)	6 Cyl. Eng.		VS12345	1
	SHAFT(Bosch)	8 Cyl. Eng.		VS10849	1
	SHAFT & DRIVE PLATE(Bosch)	4.2 Litre Eng.		VS13614	1
	WASHER - Thrust fibre - upper and lower(Bosch)	ALL		7424746	2
	SHIM - Thrust 0.1 mm - upper and lower(Bosch)	ALL		7405613	A.R.
	SHIM - Thrust 0.2 mm - upper and lower(Bosch)	ALL		7405615	A.R.
	SHIM - Thrust 0.3 mm - upper and lower(Bosch)	ALL		7405614	A.R.
2.374	GEAR PACKAGE – Distributor				
	GEAR PACKAGE	6 Cyl. Eng.		7423613	1
	GEAR PACKAGE	8 Cyl. Eng.		M37137	1
2.379	PIN – Distributor gear				
	PIN - Slotted spring(Bosch)	ALL		VS10855	1

Note: (⁹³ With Evaporative and Exhaust Emission Control - A.D.R. 27A (Refer Safety Compliance Plate).
(⁹⁶ Without Exhaust Emission Control.

"HX" STATESMAN/HOLDEN PARTS CATALOGUE

GROUP	DESCRIPTION	MODEL	SIDE	PART No.	QTY.
2.381 CAM – Distributor					
CAM(Bosch)	6 Cyl. Eng.		⁽⁹⁶⁾ VS12012	1
CAM(Bosch)	6 Cyl. Eng.		⁽⁹³⁾ VS13593	1
CAM(Bosch)	4.2 Litre Eng.		⁽⁹⁶⁾ VS10854	1
CAM(Bosch)	4.2 Litre Eng.		⁽⁹³⁾ VS13597	1
CAM(Bosch)	5 Litre Eng.		⁽¹¹⁾ VS10988	1
CAM(Bosch)	5 Litre Eng.		⁽⁹³⁾ VS13600	1
RING - Cam spacer(Bosch)	ALL		VS10211	1
WASHER - Cam retainer(Bosch)	ALL		VS12193	1
CIRCLIP - Cam retainer(Bosch)	ALL		VS10204	1
CAM ASSEMBLY(Lucas)	6 Cyl. Eng.		VS10306	1
CIRCLIP - Cam retaining(Lucas)	6 Cyl. Eng.		VS12724	1
2.382 ROTOR – Distributor					
ROTOR(Bosch)	6 Cyl. Eng.		7424753	1
ROTOR(Lucas)	6 Cyl. Eng.		7428969	1
ROTOR(Bosch)	8 Cyl. Eng.		VS10865	1
2.384 CONTACT SET – Distributor					
CONTACT SET(Bosch)	ALL		VS10858	1
CONTACT SET(Lucas)	6 Cyl. Eng.		7139364	1
2.385 PLATE – Distributor breaker					
PLATE & SUPPORT ASSY(Bosch)	6 Cyl. Eng.		VS10856	1
PLATE & CONTACT BREAKER ASSY(Bosch)	8 Cyl. Eng.		VS10857	1
SCREW - Plate support(Bosch)	6 Cyl. Eng.		VS10861	2
WASHER - Support screw lock(Bosch)	6 Cyl. Eng.		VS10992	2
BALL - Plate retaining(Bosch)	ALL		7406742	1
RETAINER - Plate ball(Bosch)	ALL		VS10863	1
PLATE - Breaker base(Lucas)	6 Cyl. Eng.		VS12352	1
PLATE - Breaker bearing(Lucas)	6 Cyl. Eng.		7428972	1
2.387 SCREW – Distributor					
SCREW - Contact breaker(Bosch)	ALL		7424749	1
WASHER - Plain(Bosch)	ALL		7406900	1
WASHER - Screw lock(Bosch)	ALL		7406323	1
2.388 WEIGHT – Distributor					
WEIGHT(Bosch)	ALL		VS10205	2
WASHER - Weight spacer(Bosch)	ALL		VS10206	2
WEIGHT(Lucas)	6 Cyl. Eng.		7428980	2
2.389 SPRING – Distributor weight					
SPRING - Light(Bosch)	6 Cyl. Eng.		⁽⁹⁶⁾ VS11737	1
SPRING - Heavy(Bosch)	6 Cyl. Eng.		⁽⁹⁶⁾ VS11738	1
SPRING - Light(Bosch)	6 Cyl. Eng. exc. Chassis & Cab		⁽⁹³⁾ VS13592	1
SPRING - Heavy(Bosch)	6 Cyl. Eng. exc. Chassis & Cab		⁽⁹³⁾ VS13591	1
SPRING - Light(Bosch)	6 Cyl. Eng. Chassis & Cab		⁽⁹³⁾ VS13616	1
SPRING - Heavy(Bosch)	6 Cyl. Eng. Chassis & Cab		⁽⁹³⁾ VS13617	1
SPRING SET(Lucas)	6 Cyl. Eng.		⁽⁹⁶⁾ VS12351	1
SPRING - Light(Bosch)	4.2 Litre Eng.		⁽⁹⁶⁾ VS10853	1
SPRING - Heavy(Bosch)	4.2 Litre Eng.		⁽⁹⁶⁾ VS10986	1
SPRING - Light(Bosch)	4.2 Litre Eng.		⁽⁹³⁾ VS13596	1
SPRING - Heavy(Bosch)	4.2 Litre Eng.		⁽⁹³⁾ VS13595	1
SPRING - Light(Bosch)	5 Litre Eng.		⁽⁹⁶⁾ VS10269	1
SPRING - Heavy(Bosch)	5 Litre Eng.		⁽⁹⁶⁾ VS10986	1
SPRING - Light(Bosch)	5 Litre Eng.		⁽⁹³⁾ VS13599	1
SPRING - Heavy(Bosch)	5 Litre Eng.		⁽⁹³⁾ VS13595	1

Note: ⁽⁹³⁾ With Evaporative and Exhaust Emission Control – A.D.R. 27A (Refer Safety Compliance Plate).
⁽⁹⁶⁾ Without Exhaust Emission Control.

"HX" STATESMAN/HOLDEN PARTS CATALOGUE

GROUP	DESCRIPTION	MODEL	SIDE	PART No.	QTY.
2.393	CONDENSER				
	CONDENSER(Bosch)	6 Cyl. Eng.		VS10845	1
	CONDENSER(Lucas)	6 Cyl. Eng.		7428970	1
	CONDENSER(Bosch)	8 Cyl. Eng.		VS10846	1
	SCREW & WASHER - Attaching(Bosch)	ALL		VS10982	1
2.400	LEAD - Distributor terminal				
	LEAD ASSEMBLY - Low tension(Lucas)	6 Cyl. Eng.		VS10305	1
	LEAD ASSEMBLY - Earth(Lucas)	6 Cyl. Eng.		VS12346	1
2.408	SOLENOID - Transmission controlled spark switch - Exhaust Emission Control				
	SOLENOID	ALL		1997425	1
2.408	VALVE - Distributor vacuum spark delay - Exhaust Emission Control				
	VALVE	8 Cyl. Eng.		495279	1
2.408	SWITCH, LEAD - Transmission control spark - Exhaust Emission Control				
	SWITCH ASSY - Trans. control spark advance (M)			3996286	1
	GASKET - T.C.S. switch (M)			3929530	1
	LEAD ASSY - T.C.S. switch (M) 6 Cyl. Eng.			9940584	1
	LEAD ASSY - T.C.S. switch (M) 8 Cyl. Eng.			9935683	1
	SWITCH ASSY - Trans. control spark advance (A) 6 Cyl., 4.2 Litre Eng.			3996287	1
	LEAD ASSY - T.C.S. switch (A) 6 Cyl. Eng.			9935682	1
	LEAD ASSY - T.C.S. switch (A) 4.2 Litre Eng.			9935684	1
	SWITCH ASSY - Trans. control spark advance (A) 5 Litre Eng.			8627332	1
	LEAD ASSY. - T.C.S. switch (A) 5 Litre Eng.			9935685	1
	BODY - Lead connector Exc. (A) 5 Litre Eng.			2977253	1
	CLIP - Lead to modulator pipe (A) 6 Cyl. Eng.			SP2225	2
	CLIP - Lead to transmission (M)			SP2636	1
	CLIP - Lead to transmission Exc. (A) 5 Litre Eng.			SP2636	1-2
	CLIP - Lead to converter housing (M) 8 Cyl. Eng.			SP2636	1
	CLIP - Lead to converter housing (A) 4.2 Litre Eng.			SP2636	1
	CLIP - Lead to clutch/converter housing Exc. (A) 5 Litre Eng.			SP2636	1
2.408	SWITCH - Cold feed - Exhaust Emission Control				
	SWITCH ASSEMBLY	ALL		6490887	1
2.410	VACUUM CONTROL - Distributor				
	VACUUM CONTROL ASSY(Bosch)	6 Cyl. Eng.		⁽⁹⁶⁾ VS10869	1
	VACUUM CONTROL ASSY(Bosch)	6 Cyl. Eng. exc. Chassis & Cab		⁽⁹³⁾ VS13594	1
	VACUUM CONTROL ASSEMBLY	6 Cyl. Eng. Chassis & Cab		⁽⁹³⁾ VS13615	1
	VACUUM CONTROL ASSY(Lucas)	6 Cyl. Eng.		⁽⁹⁶⁾ VS12340	1
	VACUUM CONTROL ASSY(Bosch)	4.2 Litre Eng.		⁽⁹⁶⁾ VS10870	1
	VACUUM CONTROL ASSY(Bosch)	4.2 Litre Eng.		⁽⁹³⁾ VS13598	1
	VACUUM CONTROL ASSY(Bosch)	5 Litre Eng.		⁽⁹⁶⁾ VS11002	1
	VACUUM CONTROL ASSY(Bosch)	5 Litre Eng.		⁽⁹³⁾ VS13601	1
	SCREW & WASHER - Attaching(Bosch)	ALL		VS10982	1
	CLIP - Rod attaching(Bosch)	ALL		7405638	1
2.414	CLAMP, RETAINER - Distributor				
	Refer Group 2.363				
2.424	PIPE, HOSE - Spark control				
	PIPE ASSEMBLY	6 Cyl. Eng.		⁽⁹⁶⁾ 9930308	1
	PIPE - Flexible	6 Cyl. Eng.		2820844	2
	HOSE - Pipe to distributor	6 Cyl. Eng.		⁽⁹⁶⁾ 9936654	1
	HOSE - Pipe to carburettor	(A) 6 Cyl. Eng.		⁽⁹⁶⁾ 7437623	1
	HOSE	(A) 8 Cyl. Eng.		⁽⁹⁶⁾ 9937659	1
	CLIP	6 Cyl. Eng.		⁽⁹⁶⁾ 599119	1
Note:	⁽⁹³⁾ With Evaporative and Exhaust Emission Control - A.D.R. 27A (Refer Safety Compliance Plate).				
	⁽⁹⁶⁾ Without Exhaust Emission Control.				

"HX" STATESMAN/HOLDEN PARTS CATALOGUE

GROUP	DESCRIPTION	MODEL	SIDE	PART No.	QTY.
2.424	PIPE, HOSE – Spark control (contd.)				
	HOSE – Distributor to T.C.S. solenoid	6 Cyl. Eng.		(⁹³ 9937389	1
	HOSE – Vac. spark delay valve to T.C.S. solenoid	4.2 Litre Eng.		(⁹³ 9937679	1
	HOSE – Vac. spark delay valve to T.C.S. solenoid	5 Litre Eng.		(⁹³ 9937387	1
	HOSE – Carburettor to vac. spark delay valve	8 Cyl. Eng.		(⁹³ 9936655	1
	HOSE – Carburettor to T.C.S. solenoid	6 Cyl. Eng.		(⁹³ 9937387	1
	HOSE – Distributor to T.C.S. solenoid	8 Cyl. Eng.		(⁹³ 9937388	1
2.447	SWITCH – Stoplight				
	SWITCH ASSEMBLY	ALL		2813385	1
	NUT – Switch attaching	ALL		858388	2
2.459	SWITCH – Dimmer, turn signal and windshield wiper				
	SWITCH ASSEMBLY – Black	ALL		9942076BA	1
	SWITCH ASSEMBLY – Dark sienna	ALL		9942076EK	1
	SWITCH ASSEMBLY – Tan	ALL		9942076DX	1
2.481	PANEL, COVER, FUSE – Fuse panel				
	PANEL – Instrument harness fuse	ALL		2814924	1
	COVER – Fuse panel	ALL		9941147	1
	SCREW – Fuse panel	ALL		9426442	2
	NUT	ALL		SP2101	2
	CLIP & TERMINAL ASSY – Fuse	ALL		2814603	A.R.
	FUSE – 3 amp	ALL		9426341	A.R.
	FUSE – 15 amp	ALL		9426333	A.R.
	FUSE – 25 amp	ALL		9426332	A.R.
2.485	SWITCH – Lighting				
	SWITCH ASSEMBLY	ALL		2820209	1
2.486	ROD – Lighting switch control				
	ROD ASSEMBLY	ALL		9933775	1
2.487	BUSH – Lighting switch				
	BUSH ASSEMBLY	ALL		7432030	1
2.500	REGULATOR – Voltage and current				
	REGULATOR ASSEMBLY(Bosch)	ALL		VS12381	1
	REGULATOR ASSEMBLY(Lucas)	Exc. Air Cond.		VS12329	1
	REGULATOR ASSEMBLY(Lucas)	Air Cond.		VS12536	1
	SCREW – Regulator & brush set(Bosch)	ALL		VS12377	2
	SCREW – Regulator & brush set(Bosch)	Air Cond.		7424757	2
	WASHER – Flat(Bosch)	ALL		7406900	2
	WASHER – Lock(Bosch)	ALL		7406323	2
2.515	COMPONENTS – Instrument				
	Refer Charts				

Note: (⁹³ With Evaporative and Exhaust Emission Control – A.D.R. 27A (Refer Safety Compliance Plate).

"HX" STATESMAN/HOLDEN PARTS CATALOGUE

2.515 INSTRUMENT COMPONENTS						
COMPONENT	MODEL	TYPE 1	TYPE 2	TYPE 3	TYPE 4	
BULB-12-16V 2 C.P.	8WM, 8WN, 8WP	9421330	9421330	9421330	9421330	
CARRIER-Upper	8WM, 8WN, 8WP	9932431	9932431	9932431	9932431	
SCREW-Carrier to instrument panel, hex. wa. hd. tap						
No. 10-16 x 1¼"	8WM, 8WN, 8WP	9415491	9415491	9415491	9415491	
CLOCK PACKAGE	8WM, 8WN	9943865	9943865			
CLOCK ASSEMBLY	8WM, 8WN, 8WP	9941281	9941281	9941281		
DIAL-Clock-Flexdrive	8WM, 8WN, 8WP	VS13631	VS13631	VS13631		
FRAME-Clock-Flexdrive	8WM, 8WN, 8WP	VS13636	VS13636	VS13636		
HAND-Clock, hour-Flexdrive	8WM, 8WN, 8WP	VS13632	VS13632	VS13632		
HAND-Clock, minute-Flexdrive	8WM, 8WN, 8WP	VS13633	VS13633	VS13633		
HAND-Second-Flexdrive	8WM, 8WN, 8WP	VS13634	VS13634	VS13634		
LEAD & FILTER-Clock back-Flexdrive	8WM, 8WN, 8WP	VS13635	VS13635	VS13635		
LENS-Clock-Flexdrive	8WM, 8WN, 8WP	VS13637	VS13637	VS13637		
COVER-Clock opening	8WM	9941851			9941851	
COVER-Clock opening	8WN		9941850		9941850	
COVER-Radio opening	8WM	9941772			9941772	
COVER-Radio opening	8WN		9941770		9941770	
COVER-Windscreen wiper dwell control	8WM, 8WN	9941986	9941986		9941986	
GAUGE ASSEMBLY-Fuel	8WM	9941277				
GAUGE ASSEMBLY-Fuel & temp.	8WN, 8WM		9941278	9941278		
GAUGE ASSEMBLY-Fuel, temp, oil	8WM, 8WN, 8WP				9941279	
CASE-Gauge back	8WM, 8WN, 8WP	VS13640	VS13640	VS13640	VS13640	
LENS-Gauge	8WM, 8WN, 8WP	VS13642	VS13642	VS13642	VS13642	
MASK-Gauge	8WM, 8WN, 8WP	VS13641	VS13641	VS13641	VS13641	
LEAD-Clock	8WM, 8WN, 8WP	9942090	9942090	9942090		
BODY-Clock lead	8WM, 8WN, 8WP	8905117	8905117	8905117		
SPEEDOMETER ASSY	8WM, 8WN, 8WP	9941276	9941276			
SPEEDOMETER ASSY.-Police	8WM, 8WN	9941885	9941885			
SPEEDOMETER ASSY.-Kilo/Miles-Export	8WM, 8WN, 8WP	9941886	9941886	9941886	9941886	
CASE-Speedometer back-Flexdrive	8WM, 8WN, 8WP	VS13621	VS13621	VS13621	VS13621	
DIAL & POINTER ASSY.-Flexdrive-Exc. Police, Export ...	8WM, 8WN, 8WP	VS13618	VS13618	VS13618	VS13618	
DIAL & POINTER ASSY.-Export-Flexdrive	8WM, 8WN, 8WP	VS13625	VS13625	VS13625	VS13625	
DIAL-Speedometer-Flexdrive-Exc. Police, Export	8WM, 8WN, 8WP	VS13619	VS13619	VS13619	VS13619	
DIAL-Speedometer-Export-Flexdrive	8WM, 8WN, 8WP	VS13626	VS13626	VS13626	VS13626	
LENS-Speedometer-Flexdrive	8WM, 8WN, 8WP	VS13623	VS13623	VS13623	VS13623	
MASK-Speedometer-Flexdrive	8WM, 8WN, 8WP	VS13622	VS13622	VS13622	VS13622	
POINTER-Speedometer-Flexdrive	8WM, 8WN, 8WP	VS13620	VS13620	VS13620	VS13620	
WARNING LAMP ASSY.	8WM, 8WN, 8WP	9941280	9941280	9941280	9941280	
SCREW-Warning lamp to facia	8WM, 8WN, 8WP	273708	273708	273708	273708	

"HX" STATESMAN/HOLDEN PARTS CATALOGUE

2.515 INSTRUMENT COMPONENTS (Continued)				
COMPONENT	MODEL	TYPE 5	TYPE 6	TYPE 7
BULB-Wedge base miniature 12V-1.2W	ALL	SP2103	SP2103	SP2103
CARRIER-Upper	ALL	9932431	9932431	9932431
SCREW-Carrier to instrument panel, hex. wa. hd. tap No. 10-16 x 1/4"	ALL	9415491	9415491	9415491
SCREW-Carrier to instrument panel hex. hd. tap No. 10-24 x 1/2"	ALL	9428168	9428168	9428168
WASHER-Carrier to instrument panel	ALL	9416128	9416128	9416128
NUT-Carrier to instrument panel	ALL	9422836	9422836	9422836
CLOCK ASSY	8WM, 8WN, 8WP, 8WQ	9932444		
SCREW-Clock to fascia	8WM, 8WN, 8WP, 8WQ	273708		
CLOCK ASSY	8WS		9932425	
CLOCK ASSY	8WT			9932426
COVER-Radio opening	8WS New Zealand		9941771	
GAUGE ASSY.-Fuel & temp	8WS		9932428	
GAUGE ASSY.-Fuel, temp, oil, battery	8WM, 8WN, 8WP, 8WQ	9932423		
GAUGE ASSY.-Fuel, temp, oil, battery	8WT			9941282
SCREW-Gauge to upper carrier	ALL	SP1948	SP1948	SP1948
FRAME-Gauge	8WT			VS13643
LENS-Brake warning lamp	8WM, 8WN, 8WP, 8WQ, 8WT ...	9942794		9942794
LENS-Brake warning lamp	8WS Steering column shift		9942794	
LENS-Brake warning lamp	8WS Console shift		9934117	
LENS-Hand brake warning lamp	8WM, 8WN, 8WP, 8WQ	9932421		
LENS-Hand brake warning lamp	8WS, 8WT		9942443	9942443
LENS-High beam warning lamp	8WM, 8WN, 8WP, 8WQ	9933872		
LENS-High beam warning lamp	8WS, 8WT		9934116	9934116
LENS-Warning lamp-Plain	8WS, 8WT		9934064	9934064
SPEEDOMETER ASSY	8WM, 8WN, 8WP, 8WQ	9942809		
SPEEDOMETER ASSY.-Kilo/Miles	8WM, 8WN, 8WP, 8WQ Export	9942352		
SPEEDOMETER ASSY	8WS, 8WT		9940348	9940348
SPEEDOMETER ASSY.-Kilo/Miles	8WS, 8WT Export		9942442	9942442
DIAL-Speedometer	8WM, 8WN, 8WP, 8WQ	VS13630		
DIAL-Speedometer-Kilo/Miles	8WM, 8WN, 8WP, 8WQ Export	VS13629		
MECHANISM, DIAL & POINTER ASSY.	8WM, 8WN, 8WP, 8WQ	VS13628		
MECHANISM, DIAL & POINTER ASSY.-Kilo/Miles	8WM, 8WN, 8WP, 8WQ Export	VS13627		
TACHOMETER ASSY.	8WM, 8WN, 8WP, 8WQ	9932421		

"HX" STATESMAN/HOLDEN PARTS CATALOGUE

GROUP	DESCRIPTION	MODEL	SIDE	PART No.	QTY.
2.515 FACIA – Instrument					
	FACIA - (M)	8WM Types 1, 4 exc. Taxi		9940908	1
	FACIA - (A) Steering column shift	8WM Types 1, 4 exc. Taxi		9940909	1
	FACIA - (A) Console shift	8WM Types 1, 4 exc. Taxi		9940908	1
	FACIA - (M)	8WM Taxi Type 1		9941876	1
	FACIA - (A)	8WM Taxi Type 1		9941878	1
	FACIA - (M)	8WN Types 2, 4 exc. Taxi		9940904	1
	FACIA - (A) Steering column shift	8WN Types 2, 4 exc. Taxi		9940905	1
	FACIA - (A) Console shift	8WN Types 2, 4 exc. Taxi		9940904	1
	FACIA - (M)	8WN Taxi Type 2		9943476	1
	FACIA - (A)	8WN Taxi Type 2		9943477	1
	FACIA - (M)	8WP Type 3		9940906	1
	FACIA - (A) Steering column shift	8WP Type 3		9940907	1
	FACIA - (A) Console shift	8WP Type 3		9940906	1
	FACIA - (M)	8WM, 8WN Type 5 exc. Taxi, Sandman		9941879	1
	FACIA - (A) Steering column shift	8WM, 8WN Type 5 exc. Taxi		9941880	1
	FACIA - (A) Console shift	8WM, 8WN Type 5 exc. Taxi, Sandman		9941879	1
	FACIA	Sandman		9941871	1
	FACIA - (M)	8 WM Taxi, 8 WN Taxi Type 5		9941881	1
	FACIA - (A) Steering column shift	8 WM Taxi, 8 WN Taxi Type 5		9941882	1
	FACIA - (M)	8WP Type 5		9941883	1
	FACIA - (A) Steering column shift	8WP Type 5		9941884	1
	FACIA - (A) Console shift	8WP Type 5		9941883	1
	FACIA	8WQ exc. LE		9941871	1
	FACIA	LE		9943352	1
	FACIA - (M)	Type 6		9941873	1
	FACIA - (A) Steering column shift	Type 6		9941874	1
	FACIA - (A) Console shift	Type 6		9941873	1
	FACIA	Type 7		9941872	1
	COVER - Choke cable hole	6 Cyl. Eng.		9944122	1
	PLUG - Choke cable hole	8 Cyl. Eng.		SP1838BA	1
2.515 FUEL ECONOMY INDICATOR LIGHT					
	LIGHT PACKAGE	Types 1, 2, 3, 4		9944154	1
	SWITCH ASSEMBLY	Types 1, 2, 3, 4		344856	1
	LEAD ASSEMBLY	Types 1, 2, 3, 4		9942093	1
	ADAPTOR - Fuse panel terminal	Types 1, 2, 3, 4		SP2643	1
	BODY - Connector	Types 1, 2, 3, 4		2962448	2
	GROMMET	Types 1, 2, 3, 4		7418703	1
	SCREW - Vacuum switch	Types 1, 2, 3, 4		9414722	1
	SOCKET	Types 1, 2, 3, 4		SP2692	1
	BULB	Types 1, 2, 3, 4		SP2103	1
	HOSE - Manifold to vacuum switch	Types 1, 2, 3, 4		9937678	1
	RESTRICTOR - Hose	Types 1, 2, 3, 4		7405109	1
	NOTE: For Instrument Type No. and lay-out Refer Group 2 illustration section				
2.520 LEAD – Tachometer					
	LEAD ASSEMBLY	6 Cyl. Eng.		9942104	1
	LEAD ASSEMBLY	8 Cyl. Eng.		9942105	1
2.555 HARNESS – Lighting					
	HARNESS ASSEMBLY	Belmont, Kingswood, GTS, Utility, Panel Van exc. Ambulance		9942497	1
	HARNESS ASSEMBLY	Chassis & Cab exc. Ambulance		9942495	1
	HARNESS ASSEMBLY	Premier, Statesman		9942496	1
	HARNESS ASSEMBLY	LE		9943880	1
	BODY - Single female connector	LE		SP2648	4
	BODY - Single panel connector (Short)	ALL		2962448	A.R.
	BODY - 2 way female connector ('T' section)	Belmont, Kingswood, Premier, GTS, LE, Statesman, Panel Van, Utility, Ambulance		2962551	2
	BODY - 3 way female connector	ALL		2692449	1

"HX" STATESMAN/HOLDEN PARTS CATALOGUE

GROUP	DESCRIPTION	MODEL	SIDE	PART No.	QTY.
2.555 HARNESS – Lighting (contd.)					
	BODY – 4 way female connector	ALL		2962969	1
	BODY – 14 mixed male terminal connector	ALL		6288539	1
	BODY – Headlamp connector	ALL		2824074	2
	BODY ASSY – Headlamp connector	Chassis & cab exc. Ambulance		2824076	2
	BODY – Headlamp connector	Premier, LE, Statesman, Ambulance		2814064	2
	SOCKET – Bulb	Chassis & cab exc. Ambulance		2815952	2
	CLIP – Harness & windshield washer hose to fender skirt	ALL		SP1779	2
	CLIP – Harness to brake pipe	ALL		SP2225	2
	CLIP – Harness to radiator support assy.	ALL		7175429	1
2.555 HARNESS – Engine					
	HARNESS ASSEMBLY	6 Cyl. Eng.		9939024	1
	HARNESS ASSEMBLY	8 Cyl. Eng.		9942498	1
	BODY – Alternator to engine harness	6 Cyl. Eng.		2962984	1
	BODY – Single panel connector (Short)	ALL		2962448	2-3
	BODY – Single female connector	ALL		2984163	1
	BODY – 2 way female connector	ALL		2973407	1
	BODY – 2 way female connector	ALL		2962679	1
	BODY – 2 way female	ALL		2962967	1
	BODY – 6 way female connector	ALL		6288538	1
	CONDUIT – Harness assy.	ALL		2829932	1
	SLEEVE – Harness assy.	ALL		7414969	1
	CLIP – Harness to oil pan	6 Cyl. Eng.		SP2555	2
	CLIP – Harness to rocker cover	6 Cyl. Eng.		7414620	1
	CLIP – Harness to rocker cover	8 Cyl. Eng.		SP2445	1
	CLIP – Harness to clutch housing	(M) 6 Cyl. Eng.		SP2424	1
	CLIP – Harness to convertor housing	(A) 6 Cyl. Eng.		SP2424	1
	CLIP – Harness to starter motor	6 Cyl. Eng.		SP2423	1
	CLIP – Harness to push rod cover	6 Cyl. Eng.		SP2422	1
	CLIP – Harness to engine front cover	8 Cyl. Eng.		SP2422	1
	CLIP – Harness to bulkhead connector	ALL		SP2337	1
	CLIP – Harness to control arm bracket	Caprice		SP1498	1
	CLIP – Trans. solenoid lead & harness to dash	Statesman		7426387	1
	TERMINAL – Female "56 series"	ALL		2989877	1
2.555 HARNESS – Main wiring					
	HARNESS ASSEMBLY	(M)		9940760	1
	HARNESS ASSEMBLY	(A)		9940768	1
	BODY – Single panel connector (Short)	ALL		2962448	7-11
	BODY – Single female connector	ALL		2977253	1
	BODY – Single female connector	ALL		6294142	2
	BODY – Single male connector	ALL		2984528	1
	BODY – 2 way female	ALL		2962967	2-3
	BODY – 2 way female	ALL		2962679	1
	BODY – 3 way male connector	ALL		8905117	2
	BODY – 3 way female connector	ALL		2962449	3
	BODY – 6 way female connector	ALL		6288538	1
	BODY – 6 way female connector	ALL		6294643	1
	BODY – 6 way male connector	ALL		6288539	1
	BODY – 8 way female connector	ALL		2984169	1
	BODY – 11 way female connector	ALL		9928644	3
	BODY – 11 way male connector	ALL		9928643	1
	BODY – Flasher connector	ALL		2962910	1
	CLIP – Harness to instrument panel	ALL		7426417	1
	CLIP – Harness to fender skirt	ALL		SP1779	2
	CLIP – Harness to dash panel	ALL		2818034	4

"HX" STATESMAN/HOLDEN PARTS CATALOGUE

GROUP	DESCRIPTION	MODEL	SIDE	PART No.	QTY.
2.555	HARNESS – Main wiring (contd.)				
	CLIP - Harness to dash panel	ALL		7413370	1
	TERMINAL - Harness earth	ALL		SP2674	1
	SOCKET ASSEMBLY	ALL		7401662	1
	SOCKET ASSEMBLY	ALL		SP2532	1
	SCREW - Earth to floor panel	ALL		SP2144	1
	WASHER - Earth to floor panel	ALL		138474	1
	CLIP & TERMINAL ASSEMBLY - Main wiring harness	ALL		9940250	1
	TERMINAL - Female "56 series"	ALL		2989877	2
2.555	HARNESS – Instrument				
	HARNESS ASSEMBLY	Type 1 instruments		(⁶ 9942089	1
	HARNESS ASSEMBLY	Types 2, 3, 4 instruments		(⁶ 9942091	1
	HARNESS ASSEMBLY	Type 5 instruments		(⁶ 9942997	1
	HARNESS ASSEMBLY	Type 6 instruments		(⁶ 9942998	1
	HARNESS ASSEMBLY	Type 7 instruments		(⁶ 9942999	1
	BODY - Single panel connector (Short)	ALL		2962448	A.R.
	BODY - Single male connector	Type 5 instruments		(⁶ 2962984	1
	BODY - Single female connector	Types 5, 6 instruments		(⁶ 2962965	1
	BODY - 2 way female connector	Types 5, 6, 7 instruments		(⁶ 2962551	1-2
	BODY - 2 way female connector	Type 5 instruments		(⁶ 2962967	1
	BODY - 3 way female connector	Types 1, 2, 3, 4 instruments		(⁶ 8905116	1
	BODY - 6 way pin grip connector	Types 1, 2, 3, 4 instruments		(⁶ 9942914	1
	BODY - 6 way pin grip connector, locking type	Types 1, 2, 3, 4 instruments		(⁶ 9935735	1
	BODY - 10 way pin grip connector	Types 1, 2, 3, 4 instruments		(⁶ 9942915	1
	BODY - 10 way pin grip connector, locking type	Types 1, 2, 3, 4 instruments		(⁶ 9940258	1
	BODY - 11 way female connector	ALL		9928644	1
	SOCKET - Harness	ALL		2815952	2-6
	SOCKET - Harness	Types 5, 6, 7 instruments		(⁶ SP2532	3-4
	SOCKET - Harness	Types 5, 6, 7 instruments		(⁶ SP2531	3
	CLIP	ALL		7432906	1
2.585	LAMP, SPACER – Parking and turn signal				
	LAMP ASSEMBLY	Sedan, LE, Station Wagon, Panel Van, Utility, Ambulance	LH RH	9936753 9936754	1 1
	NUT - Lamp	Sedan, LE, Station Wagon, Panel Van, Utility, Ambulance		SP1900	4
	SOCKET - Turn signal lamp	Sedan, LE, Station Wagon, Utility, Panel Van, Ambulance		7426880	2
	LAMP ASSEMBLY	Chassis & cab exc. Ambulance		2824255	2
	WASHER - Sealing	Chassis & cab exc. Ambulance		VS12333	2
	WASHER - Retaining	Chassis & cab exc. Ambulance		VS12334	2
	NUT	Chassis & cab exc. Ambulance		VS12335	2
	SPACER	Chassis & cab exc. Ambulance	LH RH	2823557 2823558	1 1
	NUT - Lamp to front end panel	Chassis & Cab exc. Ambulance		120614	4
	WASHER - Lamp to front end panel, lock	Chassis & Cab exc. Ambulance		SP2442	4
	WASHER - Lamp to front end panel	Chassis & Cab exc. Ambulance		138479	2
	BULB - 12 - 16 V. 32 C.P.	ALL		9417866	2
	BULB - 12 - 16 V. 2 C.P.	Exc. Chassis & Cab		9421330	2
2.586	BASE – Parking and turn signal lamp				
	BASE ASSEMBLY	Sedan, LE, Station Wagon, Panel Van, Utility, Ambulance	LH RH	9936755 9936756	1 1
	BASE ASSEMBLY	Chassis & cab exc. Ambulance		VS12313	2
	NUT	Chassis & cab exc. Ambulance		VS12263	4
	WASHER - Nut	Chassis & cab exc. Ambulance		VS12264	4

Note: (⁶ Refer Group 2.515 for Type No. Identification.

"HX" STATESMAN/HOLDEN PARTS CATALOGUE

GROUP	DESCRIPTION	MODEL	SIDE	PART No.	QTY.
2.589	LENS – Parking and turn signal lamp				
	LENS - Inner	Sedan, LE, Station Wagon, Panel Van, Utility, Ambulance	LH RH	9936763 9936762	1 1
	LENS - Outer	Sedan, LE, Station Wagon, Panel Van, Utility, Ambulance	LH RH	9936765 9936764	1 1
	SCREW - Lens to base	Sedan, LE, Station Wagon, Panel Van, Utility, Ambulance		SP2552	4
	LENS	Chassis & cab exc. Ambulance		VS12312	2
	SCREW - Lens to base	Chassis & Cab exc. Ambulance		VS12265	4
2.590	GASKET – Parking and turn signal lamp				
	GASKET	Sedan, LE, Station Wagon, Panel Van, Utility, Ambulance		9936512	2
	GASKET - Base	Chassis & cab exc. Ambulance		VS12266	2
	GASKET - Lens	Chassis & cab exc. Ambulance		VS12262	2
2.596	CABLE – Parking & turn signal lamp				
	CABLE ASSEMBLY - Parking lamp	Sedan, LE, Station Wagon, Utility, Panel Van, Ambulance		9939576	1
	CABLE ASSEMBLY - Turn signal lamp	Sedan, LE, Station Wagon, Panel Van, Utility, Ambulance		9936761	2
	SOCKET	Chassis & Cab exc. Ambulance		2815952	2
	BODY - Terminal 2 way	Sedan, LE, Station Wagon, Panel Van, Utility, Ambulance		2962964	2
	BODY - Male connector	Sedan, LE, Station Wagon, Panel Van, Utility, Ambulance		2962984	2
2.665	BRACKET – Tail, stop and turn signal lamp mounting				
	BRACKET	Chassis & cab	LH RH	2817811 2817812	1 1
	BOLT - Bracket to rear crossmember	Chassis & cab		121999	4
	WASHER - Bracket to rear crossmember, flat	Chassis & cab		120393	4
	WASHER - Bracket to rear crossmember, lock	Chassis & cab		120214	4
	NUT - Bracket to rear crossmember	Chassis & cab		120376	4
2.679	LAMP – Tail, stop and turn signal				
	LAMP	Belmont Station Wagon, Kingswood Station Wagon, Utility, Panel Van		2813066	2
	LAMP ASSEMBLY - White back-up lens (Optional Export Only)	Belmont Station Wagon, Kingswood Station Wagon, Utility, Panel Van		2813920	2
	LAMP ASSEMBLY	Premier Station Wagon		2813065	2
	LAMP ASSEMBLY - White back-up lens (Optional Export Only)	Premier Station Wagon		2813919	2
	NUT - Lamp mounting stud	Station Wagon, Utility, Panel Van		273807	6
	LAMP ASSEMBLY	Belmont Sedan, Kingswood Sedan, Premier Sedan	LH RH	9932093 9932092	1 1
	LAMP ASSEMBLY - White back-up lens (Optional Export Only)	Belmont Sedan, Kingswood Sedan Premier Sedan	LH RH	9932109 9932108	1 1
	LAMP ASSEMBLY	GTS	LH RH	9942081 9942080	1 1
	LAMP ASSEMBLY - White back-up lens (Optional Export Only)	GTS	LH RH	9942621 9942622	1 1
	NUT - Lamp to support	Sedan		SP1900	8
	LAMP ASSEMBLY	Chassis & cab		2818894	2
	NUT - Lamp to bracket	Chassis & Cab		120367	4
	WASHER - Lamp to bracket	Chassis & Cab		120423	4

"HX" STATESMAN/HOLDEN PARTS CATALOGUE

GROUP	DESCRIPTION	MODEL	SIDE	PART No.	QTY.
2.679 LAMP – Tail and stop					
LAMP ASSEMBLY	LE			2811771	2
SCREW – Lamp mounting	LE			9423551	4
2.679 LAMP – Turn signal					
LAMP ASSEMBLY	LE		LH	2811779	1
			RH	2811780	1
SCREW Lamp mounting	LE			9423551	4
2.679 LAMP – Rear, side					
LAMP ASSEMBLY - (Amber lens)	Station Wagon, LE		LH	2816393	1
			RH	2816392	1
SCREW – Lamp mounting	LE			9429003	4
LAMP ASSEMBLY - (Red lens) (Optional Export Only)	Station Wagon		LH	2816395	1
			RH	2816394	1
LAMP ASSEMBLY - (Amber lens)	Utility, Panel Van		LH	2816392	1
			RH	2816393	1
LAMP ASSEMBLY - (Red lens) (Optional Export Only)	Utility, Panel Van		LH	2816394	1
			RH	2816395	1
2.679 BULB, SPACER – Tail, stop and turn signal					
BULB – 12 – 16 V. 32 – 4 C.P.	Exc. Chassis & Cab			9417867	2
BULB – 12 – 16 V. 32 C.P.	Exc. Chassis & Cab			9417866	2
BULB – 12 – 16 V. 2 C.P.	Exc. Sedan, Chassis & Cab			9417863	2
SPACER – Turn signal lamp (Left Hand Lamp, Right Side only)	LE			2815245	1
NUT – "U" Type spring No. 10 – 12 Type "3/8"	LE			SP1995	6
SCREW – Pan hd. tap No. 10 – 16 x .75"	LE			SP2456	6
2.679 BASE – Tail, stop and turn signal lamp					
BASE ASSEMBLY	Sedan exc. Statesman		LH	9932101	1
			RH	9932100	1
BASE ASSEMBLY	Statesman		LH	9932107	1
			RH	9932106	1
2.679 DIVIDER – Tail, stop and turn signal lamp					
DIVIDER – Lens	Sedan exc. Statesman			9938031	2
2.680 HOUSING – Tail, stop and turn signal lamp					
HOUSING ASSEMBLY – Tail, stop & turn signal	Station Wagon, Utility, Panel Van			2813067	2
HOUSING ASSEMBLY – Tail, stop	LE			2811772	2
HOUSING ASSEMBLY – Turn signal	LE			2813746	2
2.681 RIM – Tail, stop and turn signal lamp					
RIM	Belmont Sedan, Kingswood Sedan, Premier Sedan		LH	9932095	1
			RH	9932094	1
RIM	G.T.S.		LH	9942083	1
			RH	9942082	1
SCREW – Base to rim	Sedan exc. Statesman			SP2514	10
RIM	Statesman			9932218	2
SCREW – Base to rim	Statesman			9419330	8
2.682 LENS – Tail, stop & turn signal lamp					
LENS	Chassis & cab			VS12194	2
LENS ASSEMBLY	Belmont Station Wagon, Kingswood Station Wagon, Utility, Panel Van			2813898	2
LENS ASSEMBLY – White back-up lens (Optional Export Only)	Belmont Station Wagon, Kingswood Station Wagon, Utility, Panel Van			2813899	2

"HX" STATESMAN/HOLDEN PARTS CATALOGUE

GROUP	DESCRIPTION	MODEL	SIDE	PART No.	QTY.
2.682	LENS – Tail, stop & turn signal lamp (contd.)				
	LENS ASSEMBLY	Premier Station Wagon		2813068	2
	LENS ASSEMBLY - White back-up lens (Optional Export Only)	Premier Station Wagon		2813069	2
	SCREW - Lens mounting, Tap. No. 6 - 20 x .50"	Station Wagon, Utility, Panel Van		SP2039	12
	SCREW - Lens & housing to body	Station Wagon, Utility, Panel Van		9429003	4
	LENS ASSEMBLY - Outer	Sedan exc. Statesman	LH	9932097	1
			RH	9932096	1
	LENS ASSEMBLY - Outer, white back-up lens (Optional Export Only)	Sedan exc. Statesman	LH	9932111	1
			RH	9932110	1
	LENS - Inner	Sedan exc. Statesman	LH	9932099	1
			RH	9932098	1
	LENS - Inner, white back-up lens (Optional Export Only)	Sedan exc. Statesman	LH	9932993	1
			RH	9932994	1
	LENS ASSEMBLY	Statesman		9932216	2
	LENS ASSEMBLY - White back-up lens (Optional Export Only)	Statesman		9932217	2
2.682	LENS – Stop, tail lamp				
	LENS ASSEMBLY	LE		2811775	2
2.682	LENS – Turn signal lamp				
	LENS ASSEMBLY	LE		2811776	2
2.682	LENS – Rear side lamp				
	LENS ASSEMBLY	Station Wagon, LE, Utility, Panel Van		2813684	2
	LENS ASSEMBLY - White back-up lens (Optional Export Only)	Station Wagon, Utility, Panel Van		2813685	2
2.684	GASKET – Tail, stop and turn signal lamp				
	GASKET - Lamp	Chassis & cab		VS12195	2
	GASKET - Lamp	Station Wagon, Utility, Panel Van		9928908	2
	GASKET - Lens	Station Wagon, Utility, Panel Van		2813070	2
	GASKET - Lens	LE		2811774	4
	GASKET - Rear side lamp lens to housing	Station Wagon, LE, Utility, Panel Van		2813686	2
	GASKET - Rear side lamp to body	Station Wagon, LE, Utility, Panel Van		2813687	2
	GASKET - Lens to base	Belmont Sedan, Kingswood Sedan, Premier Sedan, GTS		9932102	2
	GASKET - Lamp to body	Belmont Sedan, Kingswood Sedan, Premier Sedan, GTS		9932103	2
	GASKET - Lens to base	Statesman		9931658	2
	GASKET - Lamp to body	Statesman		9932090	2
2.694	HARNESST – Rear lamp				
	HARNESST ASSEMBLY	Chassis & cab		2818405	2
	BODY - 3 way female connector	Chassis & Cab		2962449	2
2.697	SWITCH – Back-up lamp				
	SWITCH ASSEMBLY	(M) 3 Speed Trans.		7434465	1
	SCREW - Switch to steering column	(M) 3 Speed Trans.		455404	1
	SWITCH ASSEMBLY	(M) 4 Speed Trans.		2815271	1
	BODY - 2 way male connector	(M) 4 Speed Trans.		2973431	1
2.700	LAMP – Rear licence plate				
	LAMP ASSEMBLY	Chassis & Cab		2820281	1
	NUT - Lamp to bracket	Chassis & Cab		120614	2
	WASHER - Lamp to bracket	Chassis & Cab		SP2442	2
	WASHER - Lamp to bracket, ext. tooth lock	Chassis & Cab		138479	2

"HX" STATESMAN/HOLDEN PARTS CATALOGUE

GROUP	DESCRIPTION	MODEL	SIDE	PART No.	QTY.
2.705	BRACKET - Rear licence lamp				
	BRACKET	Chassis & cab		2817813	1
	SCREW - Bracket mounting	Chassis & Cab		SP2240	2
	BRACKET	Utility, Panel Van		2817266	1
	SCREW - Bracket mounting	Utility, Panel Van		9414711	2
	GROMMET	Station Wagon, LE, Sedan		7416288	2
2.714	HARNES, BULB, GROMMET - Rear licence lamp				
	HARNES	Station Wagon, Sedan		2817531	1
	HARNES - White back-up lens (Optional Export Only)	Station Wagon, Sedan		2817532	1
	SOCKET	Station Wagon, LE, Sedan		9936420	1
	SOCKET & LEAD ASSEMBLY	Utility, Panel Van		2817155	1
	SOCKET	Utility, Panel Van		7401662	1
	BULB - 12 - 16 V. 2 C.P. S.C.	Belmont, Kingswood, GTS, LE, Utility, Panel Van		9417863	1
	GROMMET - Harness	Sedan, Station Wagon, Utility, Panel Van		7418703	1
2.725	HEADLAMP				
	HEADLAMP ASSEMBLY PACKAGE	Chassis & Cab exc. Ambulance		2820429	2
	HEADLAMP ASSEMBLY PACKAGE	Belmont, Kingswood, Utility, Panel Van, GTS exc. Ambulance		9938679	2
2.726	RING - Headlamp mounting				
	RING	Belmont, Kingswood, GTS, Utility, Panel Van exc. Ambulance		7447111	2
	RING	Chassis & Cab exc. Ambulance		7447111	2
	RING - Inner	LE, Premier, Statesman, Ambulance	LH	2814211	1
			RH	2814212	1
	RING - Outer	LE, Premier, Statesman, Ambulance	LH	9933777	1
			RH	9933776	1
2.727	SEALED BEAM UNIT - Headlamp				
	SEALED BEAM UNIT	Belmont, Kingswood, Utility, Panel Van exc. Ambulance		7434806	2
	SEALED BEAM UNIT	Chassis & Cab exc. Ambulance		2823661	2
	SEALED BEAM UNIT - High intensity	GTS		9936510	2
	SEALED BEAM UNIT - Inner	Premier, Statesman, Ambulance		7439863	2
	SEALED BEAM UNIT - Outer	LE, Premier, Statesman, Ambulance		7433120	2
2.727	SEMI-SEALED BEAM UNIT				
	SEMI-SEALED BEAM UNIT - Inner	LE		9939496	2
2.728	RIM - Headlamp				
	RIM	Chassis & Cab exc. Ambulance		2814728	2
	RIM	Belmont, Kingswood, Panel Van, Utility exc. Ambulance, Sandman		9942088	2
	RIM	GTS, Sandman		9932275	2
	RIM	Ambulance, Premier, De Ville		9942079	2
	RIM	LE		9943111	2
	RIM	Caprice		9932011	2
	NUT - Upper, 'U' Type spring No. 8A	ALL		SP1733	4
	NUT - Lower	Chassis & Cab, Utility, Panel Van, Belmont, Kingswood, GTS exc. Ambulance		SP2215	2
	NUT - Lower	Ambulance, LE, Premier, Statesman		SP2034	2
	SCREW - Tap. No. 8 - 18 x .62"	Chassis & Cab, Utility, Panel Van, Belmont, Kingswood exc. Ambulance, Sandman		SP2431	6
	SCREW	GTS, Sandman		SP2370	6
	SCREW - Rim to front end panel	LE		SP2370	8
	SCREW - Tap. No. 8 - 18 x .625"	Ambulance, Premier, Statesman		SP2246	6

2825061P

"HX" STATESMAN/HOLDEN PARTS CATALOGUE

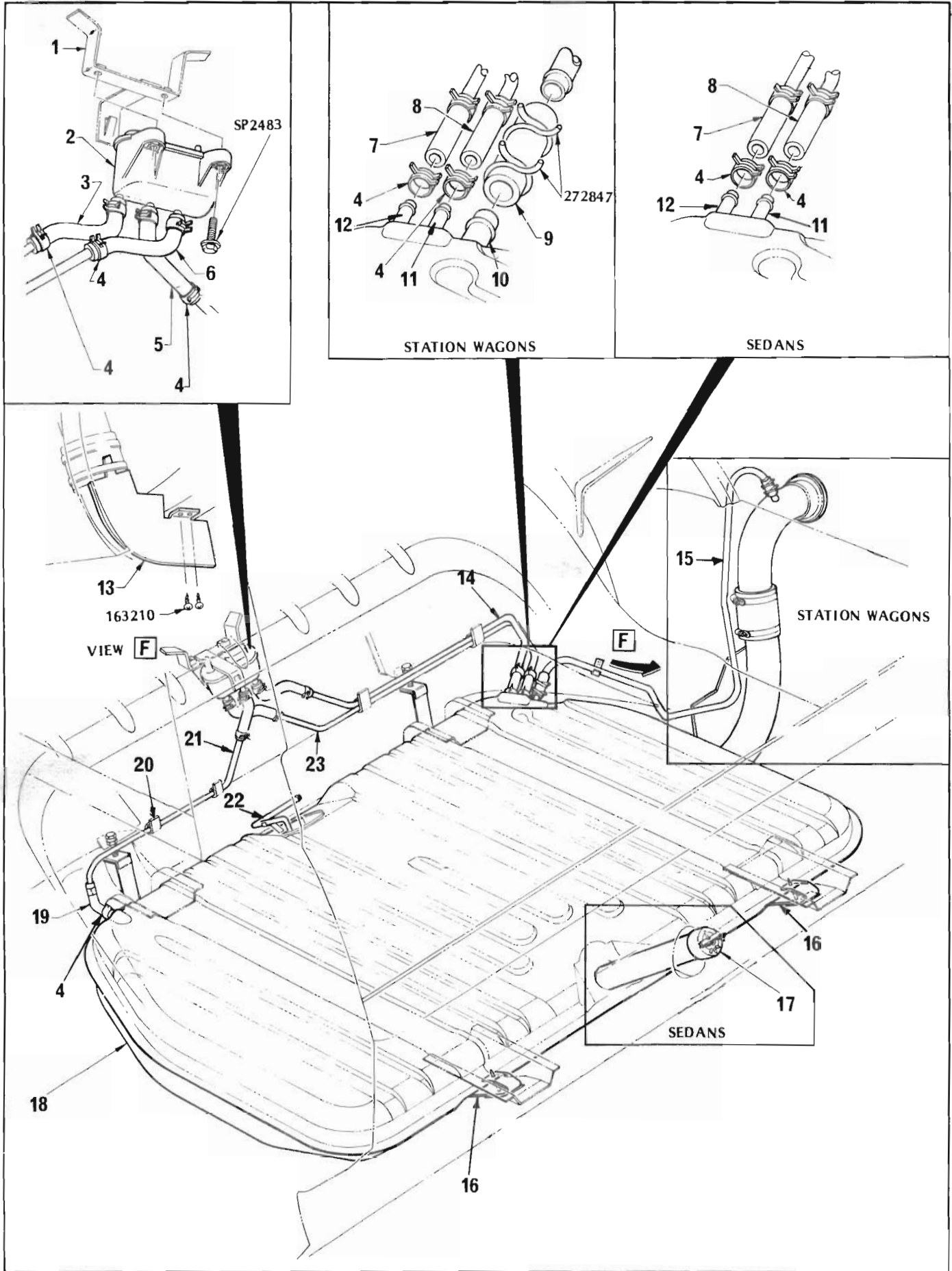
GROUP	DESCRIPTION	MODEL	SIDE	PART No.	QTY.
2.729 NUT – Headlamp adjusting	NUT - Rectangular, plastic	ALL		7432889	4-8
2.731 RING – Headlamp retaining	RING ASSEMBLY	Belmont, Kingswood, GTS, Utility, Panel Van, Chassis & Cab exc. Ambulance		9937561	2
	RING ASSEMBLY	Ambulance, LE, Premier, Statesman		7433005	4
	SCREW - Retaining ring to mounting ring	ALL		SP1867	6-12
2.737 SCREW – Headlamp beam adjusting	SCREW	Belmont, Kingswood, GTS, Utility, Panel Van, Chassis & Cab exc. Ambulance		7432888	4
	SCREW - 2½" long	Ambulance, LE, Premier, Statesman		7432933	4
	SCREW - 2" long	Ambulance, LE, Premier, Statesman		7437776	4
2.737 SPRING – Light unit retaining	SPRING - Retaining	ALL		7448437	2-4
2.810 HORN	HORN ASSEMBLY - Low note	ALL		9941892	1
	HORN ASSEMBLY - High note	ALL		9941891	1
	HORN ASSEMBLY - High note package	Belmont, Kingswood, Utility, Panel Van, Chassis & Cab		9934190	
	HORN ASSEMBLY - Extra high note	Triple Horn Equip.		2815290	1
	LEAD ASSEMBLY - Low note to high note horn	Belmont, Kingswood, Utility, Panel Van, Chassis & Cab		9933635	1
	SCREW - Horn & bracket to radiator support	ALL		SP2638	1-2
	WASHER - Horn & bracket to radiator support	ALL		138485	1-2
	NUT - Horn & bracket to radiator support	ALL		120376	1-2
	CLIP - Lead to front panel	Chassis & Cab		7426417	1
	BODY - Lead	ALL		2962448	2
2.815 RELAY – Horn	RELAY	ALL		9928351	1
	SCREW - Relay mounting	ALL		SP2144	1
	WASHER - Relay mounting	ALL		121753	1
2.819 SCREW, NUT – Horn contact adjusting	SCREW	Sandman, GTS, LE, Caprice		2822614	2
	NUT	Sandman, GTS, LE, Caprice		120622	2
2.820 EMBLEM AND BUTTON - Horn	BUTTON ASSEMBLY	Sandman, GTS, LE		9931400	1
	SCREW - Emblem & button to adaptor	Sandman, GTS, LE		SP2249	6
	BUTTON ASSEMBLY - Black	Caprice		9941000CY	1
	BUTTON ASSEMBLY - Tan	Caprice		9941000DX	1
	BUTTON ASSEMBLY - Dark Sienna	Caprice		9941000EK	1
2.822 SUPPORT and RING – Horn contact	SUPPORT & RING ASSEMBLY - 25:1 ratio steering gear	Sedan, Station Wagon exc. GTS. Power Steering		9933892	1
	SUPPORT & RING ASSEMBLY - 25:1 ratio steering gear	Chassis & Cab, Panel Van, Utility exc. Sandman, Power Steering		9933892	1
	SUPPORT & RING ASSEMBLY - 20.7:1 ratio steering gear	Sedan, Station Wagon exc. GTS, Power Steering		2825388	1
	SUPPORT & RING ASSEMBLY - 20.7:1 ratio steering gear	Chassis & Cab, Utility, Panel Van exc. Sandman, Power Steering		2825388	1
	SUPPORT & RING ASSEMBLY	GTS, Sandman exc. Power Steering		2816311	1

"HX" STATESMAN/HOLDEN PARTS CATALOGUE

GROUP	DESCRIPTION	MODEL	SIDE	PART No.	QTY.
2.822	SUPPORT and RING – Horn contact (contd.)				
	SUPPORT & RING ASSEMBLY	GTS, Sandman, w/Power Steering		2816312	1
	SUPPORT & RING ASSEMBLY	Power Steering exc. GTS, Sandman, LE, Caprice		2825388	1
	SUPPORT & RING ASSEMBLY	LE, Caprice		2816312	1
	SCREW – Support & ring assy. to steering wheel	ALL		SP1768	2
2.824	ADAPTOR - Horn emblem & button				
	ADAPTOR	Sandman, GTS, LE, Caprice		9941001	1
	SCREW – Adaptor to steering wheel	Sandman, GTS, LE, Caprice		7424198	4
	SPRING – Adaptor to steering wheel	Sandman, GTS, LE, Caprice		7449079	4
2.830	BAR – Horn actuating				
	BAR ASSY. – Black	Belmont, Utility, Panel Van, Chassis & Cab exc. Sandman		9938406CY	1
	BAR ASSEMBLY – Black	Kingswood		2825323CY	1
	BAR ASSEMBLY – Dark Sienna	Kingswood		2825323EK	1
	BAR ASSEMBLY – Tan	Kingswood		2825323DX	1
	BAR ASSEMBLY – Black	Premier		9941401CY	1
	BAR ASSEMBLY – Dark Sienna	Premier		9941401EK	1
	BAR ASSEMBLY – Tan	Premier		9941401DX	1
	BAR ASSEMBLY – Black	De Ville		9942086CY	1
	BAR ASSEMBLY – Dark Sienna	De Ville		9942086EK	1
	BAR ASSEMBLY – Tan	De Ville		9942086DX	1
	SCREW – Pan hd. tap No. 10 – 16 x 1½"	Exc. Sandman, GTS, LE, Caprice		9426378	2
	NUT – "U" shape spring tap No. 10	Exc. Sandman, GTS, LE, Caprice		9422836	2
	LEAD ASSY – Horn actuating bar earth	Exc. Sandman, GTS, LE, Caprice		2825523	1
	BODY – Earth lead	Exc. Sandman, GTS, LE, Caprice		2962448	1
2.892	FLASHER – Turn signal				
	FLASHER ASSEMBLY	ALL		7436254	1
	CLIP – Retaining	ALL		7417478	1
2.895	SWITCH – Turn signal lamp				
	SWITCH ASSEMBLY	ALL		9942073	1
	SCREW – Switch to housing	ALL		SP1768	3
	SPRING – Turn signal switch cancel	ALL	LH	1964785	1
			RH	1964784	1
	SPRING – Turn signal switch detent	ALL		1846722	1
	SPRING – Turn signal switch	ALL		1967685	1
	BODY – Turn signal switch connection	ALL		9928643	1
	CLIP – Harness to column	ALL		9942782	1
	CLIP – Harness to column, closed type	ALL		120524	1
2.897	LEVER – Turn signal lamp switch				
	LEVER – Refer Group 2.459				

NOTES

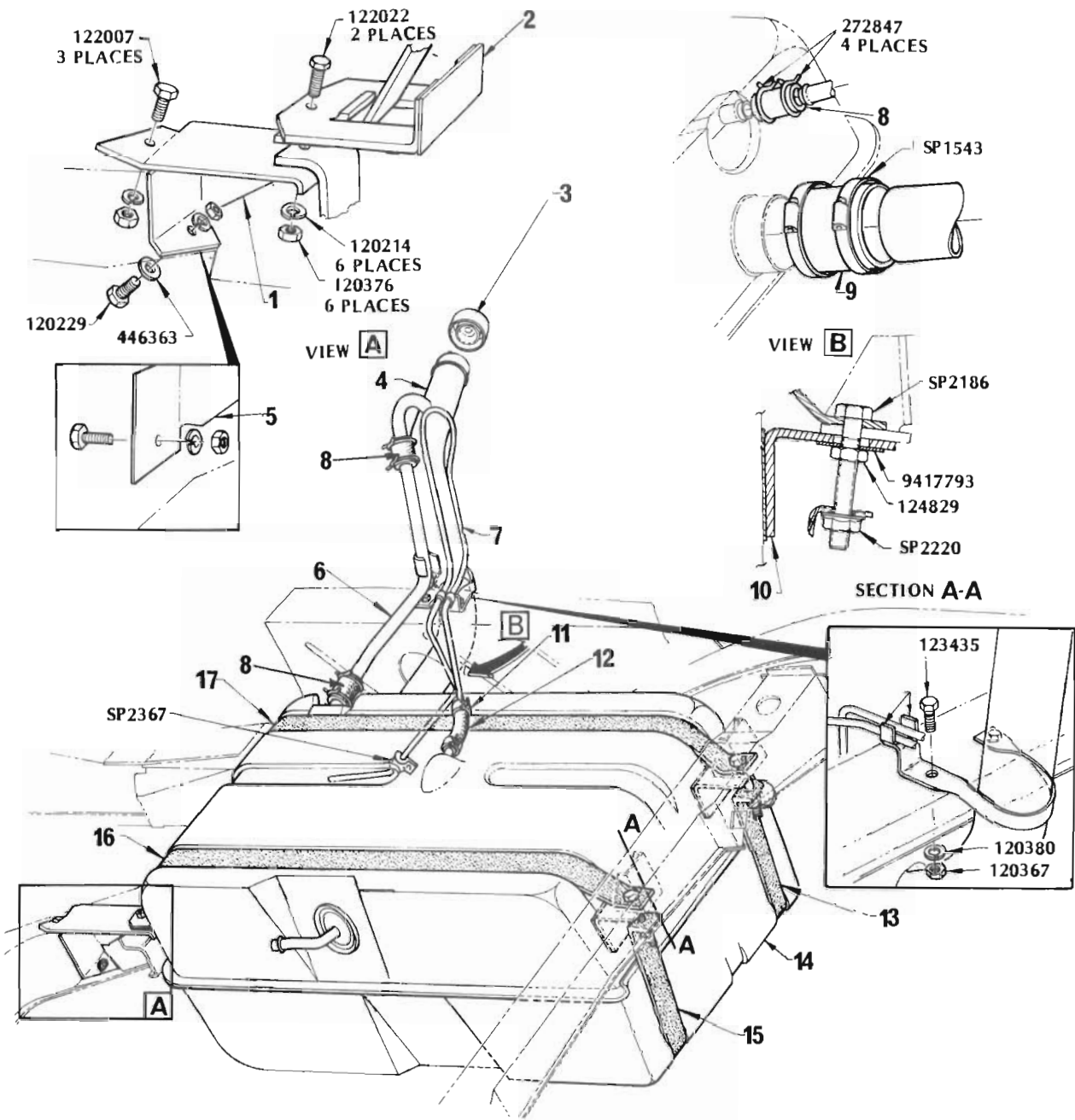
GROUP 3.000
FUEL – EXHAUST
CARBURETTOR



FUEL TANK
Sedans, Station Wagons

ILLUSTRATION OPPOSITE

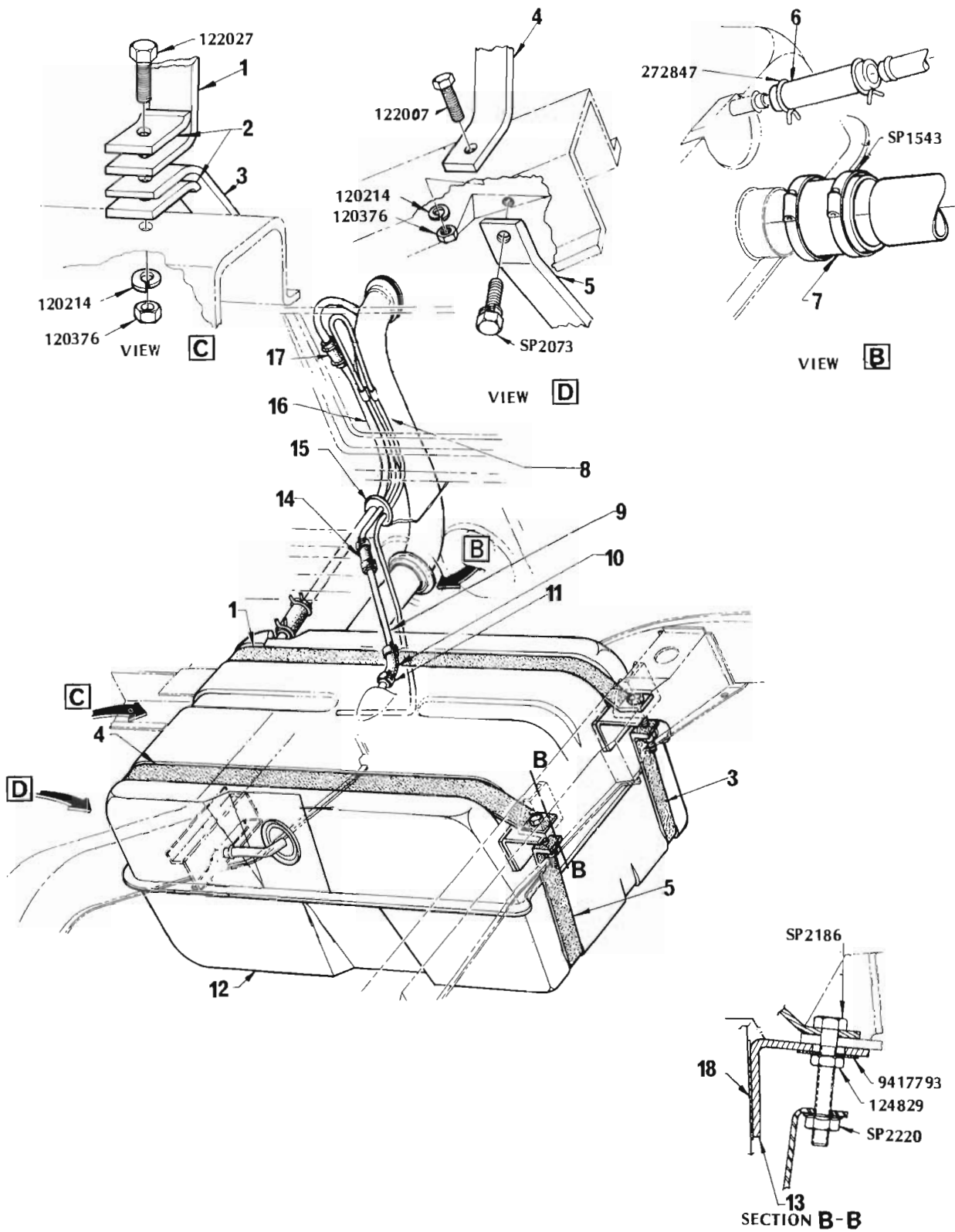
ILLUS. REF. NO.	PART NAME	GROUP
1.	BRACKLI - Separator mounting	3.120
2.	SEPARATOR - Fuel	3.120
3.	HOSE - Separator to RH front pipe	3.120
4.	CLAMP - Hose to pipe	3.120
5.	HOSE - Separator to LH pipe	3.120
6.	HOSE - Separator to RH rear pipe	3.120
7.	HOSE - Front RH pipe to fuel tank	3.120
8.	HOSE - Rear RH pipe to fuel tank	3.120
9.	HOSE - Vent pipe	3.120
10.	PIPE - Vent - lower	3.003
11.	PIPE - Fuel tank vent - rear RH	3.120
12.	PIPE - Fuel tank vent - front RH	3.120
13.	PROTECTOR - Filler pipe	3.003
14.	PIPE - Fuel tank to separator - front RH	3.120
15.	PIPE - Vent	3.003
16.	STRAP - Support	3.001
17.	CAP ASSEMBLY	3.028
18.	TANK ASSEMBLY - Fuel	3.001
19.	HOSE - Separator to LH pipe	3.120
20.	CLIP - Pipe	3.120
21.	PIPE - Fuel tank to separator LH	3.120
22.	GAUGE - Fuel - tank unit	3.107
23.	PIPE - Fuel tank to separator - rear RH	3.120



FUEL TANK and FILLER PIPE
Chassis and Cab

ILLUSTRATION OPPOSITE

ILLUS. REF. NO.	PART NAME	GROUP
1.	BRACKET – Inner support	3.001
2.	ARRESTOR – Front	3.001
3.	CAP – Fuel tank filler	3.003
4.	PIPE ASSEMBLY – Filler – upper	3.001
5.	BRACKET – Outer support	3.003
6.	PIPE – Filler vent – upper	3.003
7.	PIPE – Fuel tank to canister rear vent	3.120
8.	HOSE – Vent pipe	3.003
9.	HOSE – Filler pipe to tank	3.003
10.	ARRESTOR – Rear	3.003
11.	CLAMP – Hose to fuel tank and rear pipe	3.120
12.	HOSE – Fuel tank to canister rear pipe	3.120
13.	STRAP – Lower outer	3.001
14.	TANK ASSEMBLY	3.001
15.	STRAP – Lower inner	3.001
16.	STRAP – Upper inner	3.001
17.	STRAP – Upper outer	3.001

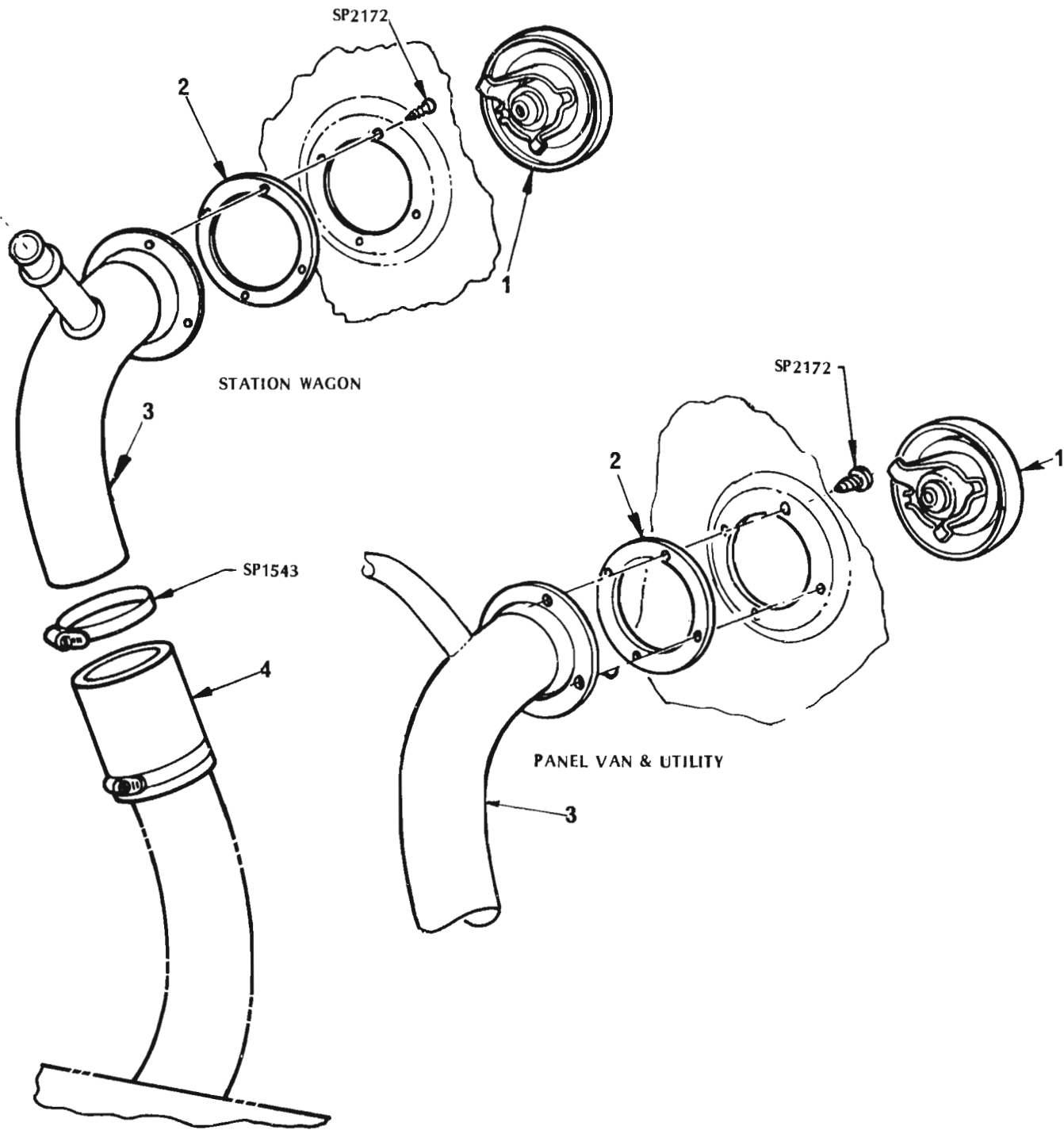


FUEL TANK and FILLER PIPE

Panel Van and Utility

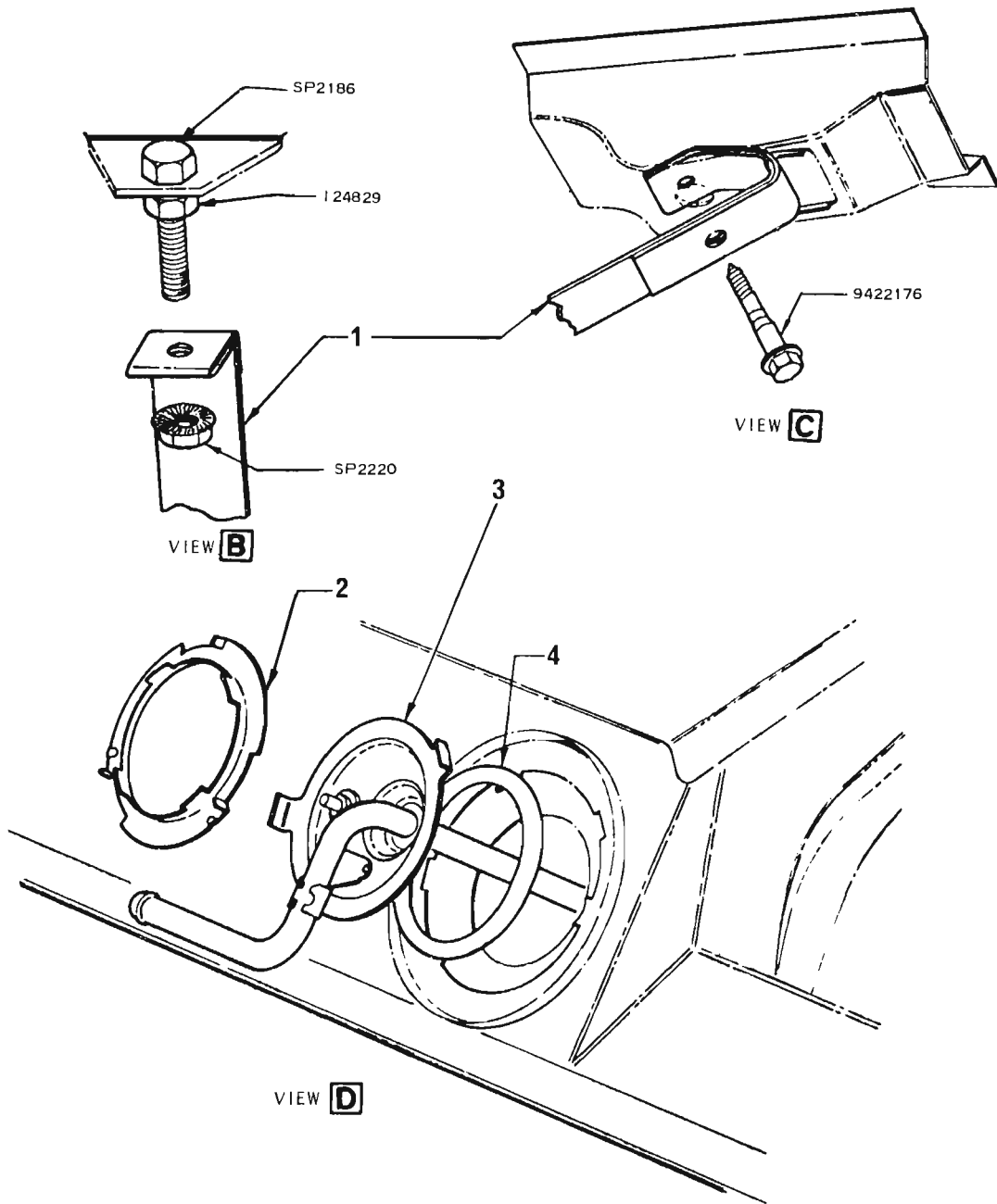
ILLUSTRATION OPPOSITE

ILLUS. REF. NO.	PART NAME	GROUP
1.	STRAP – Upper outer	3.001
2.	REINFORCEMENT – Strap	3.001
3.	STRAP – Lower outer	3.001
4.	STRAP – Upper inner	3.001
5.	STRAP – Lower inner	3.001
6.	HOSE – Vent pipe	3.001
7.	HOSE – Filler pipe to tank	3.001
8.	PIPE – Fuel tank to canister centre vent	3.120
9.	PIPE – Fuel tank to canister rear	3.120
10.	HOSE – Fuel tank to canister rear pipe	3.120
11.	CLAMP – Hose to fuel tank and rear pipe	3.120
12.	TANK ASSEMBLY	3.001
13.	ARRESTOR – Rear	3.001
14.	HOSE – Centre to rear pipe	3.120
15.	GROMMET – Vent pipe to panel	3.003
16.	PIPE – Filler vent – upper	3.003
17.	HOSE – Vent pipe	3.003
18.	ANTISQUEAK – Rear	3.024



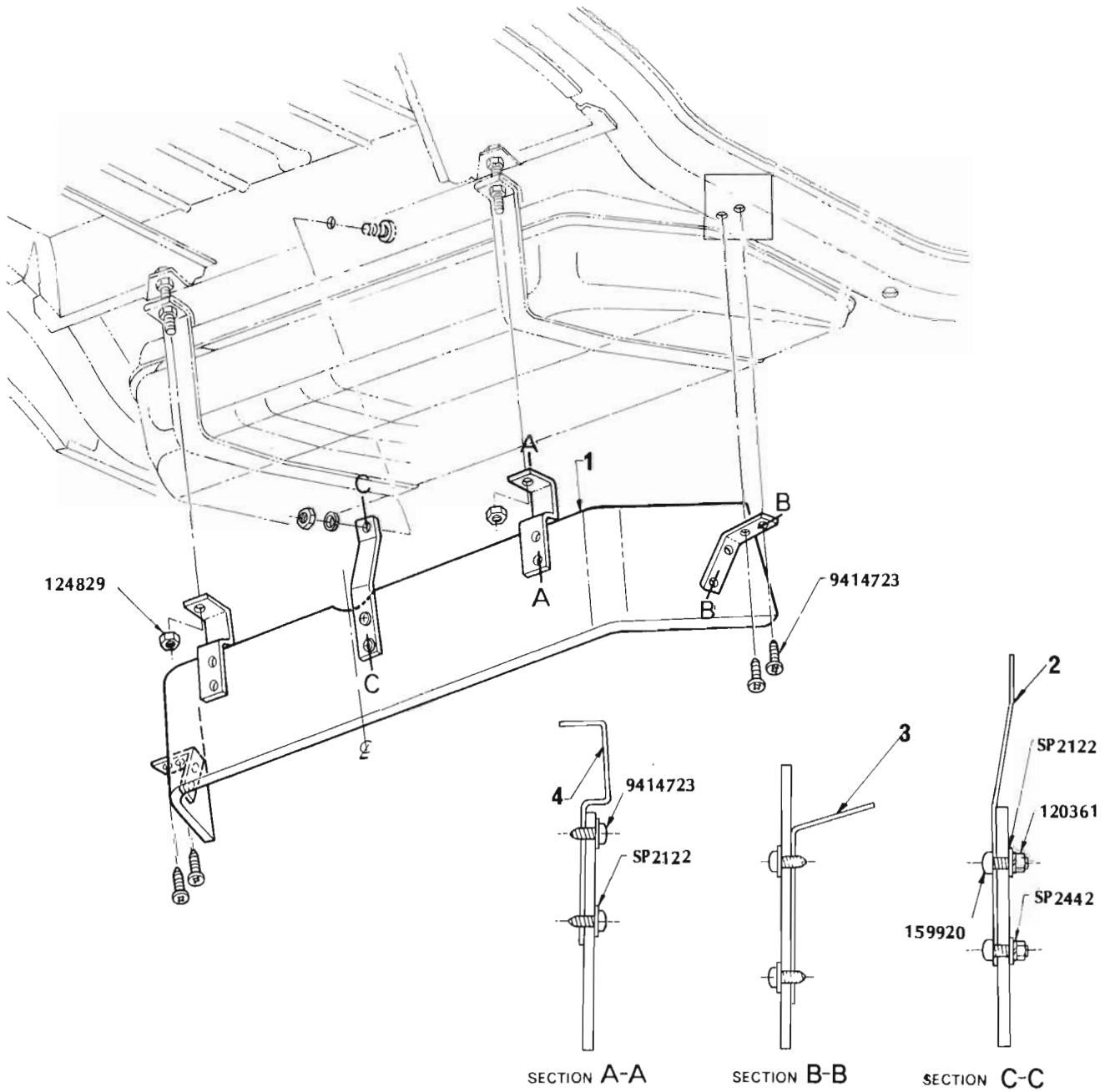
FUEL FILLER PIPE

ILLUS. REF. NO.	PART NAME	GROUP
1.	CAP - Fuel tank filler	3.028
2.	GASKET - Fuel tank filler pipe	3.008
3.	PIPE ASSEMBLY - Filler	3.003
4.	HOSE - Filler neck	3.003



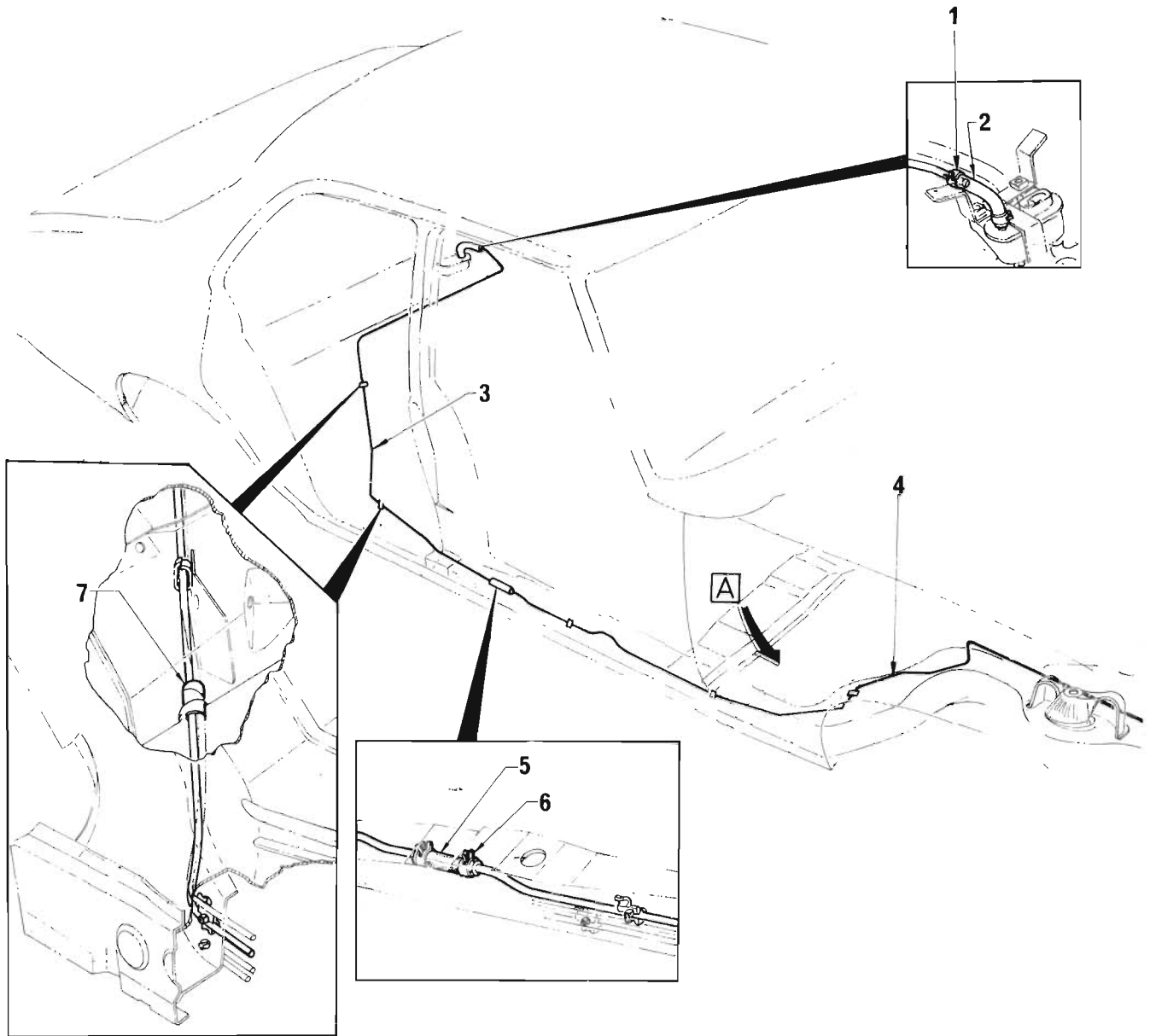
FUEL TANK GAUGE

ILLUS. REF. NO.	PART NAME	GROUP
1.	STRAP - Support	3.001
2.	RING - Fuel gauge tank unit retainer	3.107
3.	GAUGE ASSEMBLY	3.107
4.	SEAL	3.112



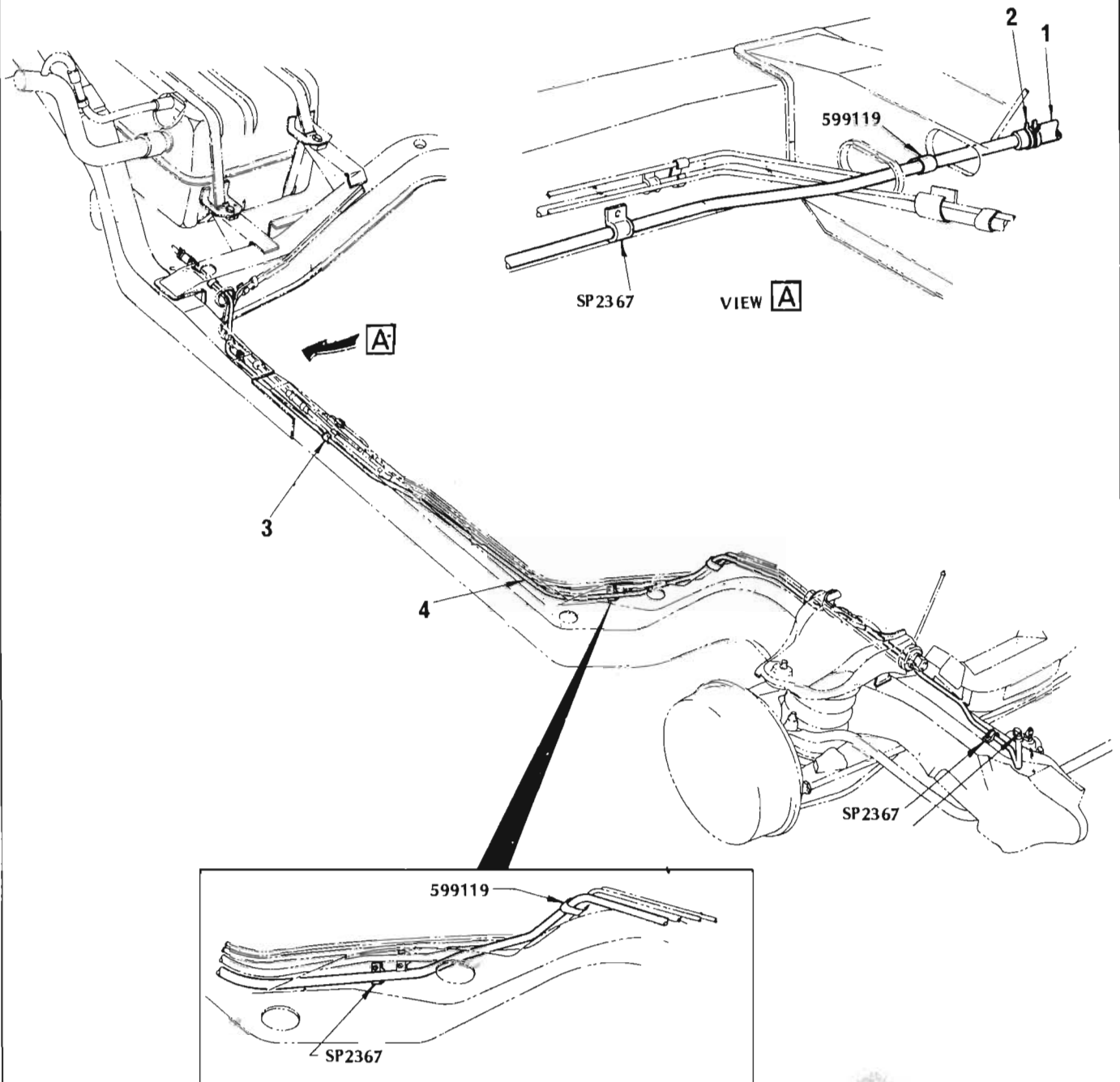
FUEL TANK STONE GUARD
35, 37, 69 Body Styles

ILLUS. REF. NO.	PART NAME	GROUP
1 - 4.	GUARD PACKAGE	3.001
1.	GUARD ASSEMBLY	3.001
2.	BRACKET - Guard support centre	3.001
3.	BRACKET - Guard support	3.001
4.	BRACKET - Guard support frame	3.001



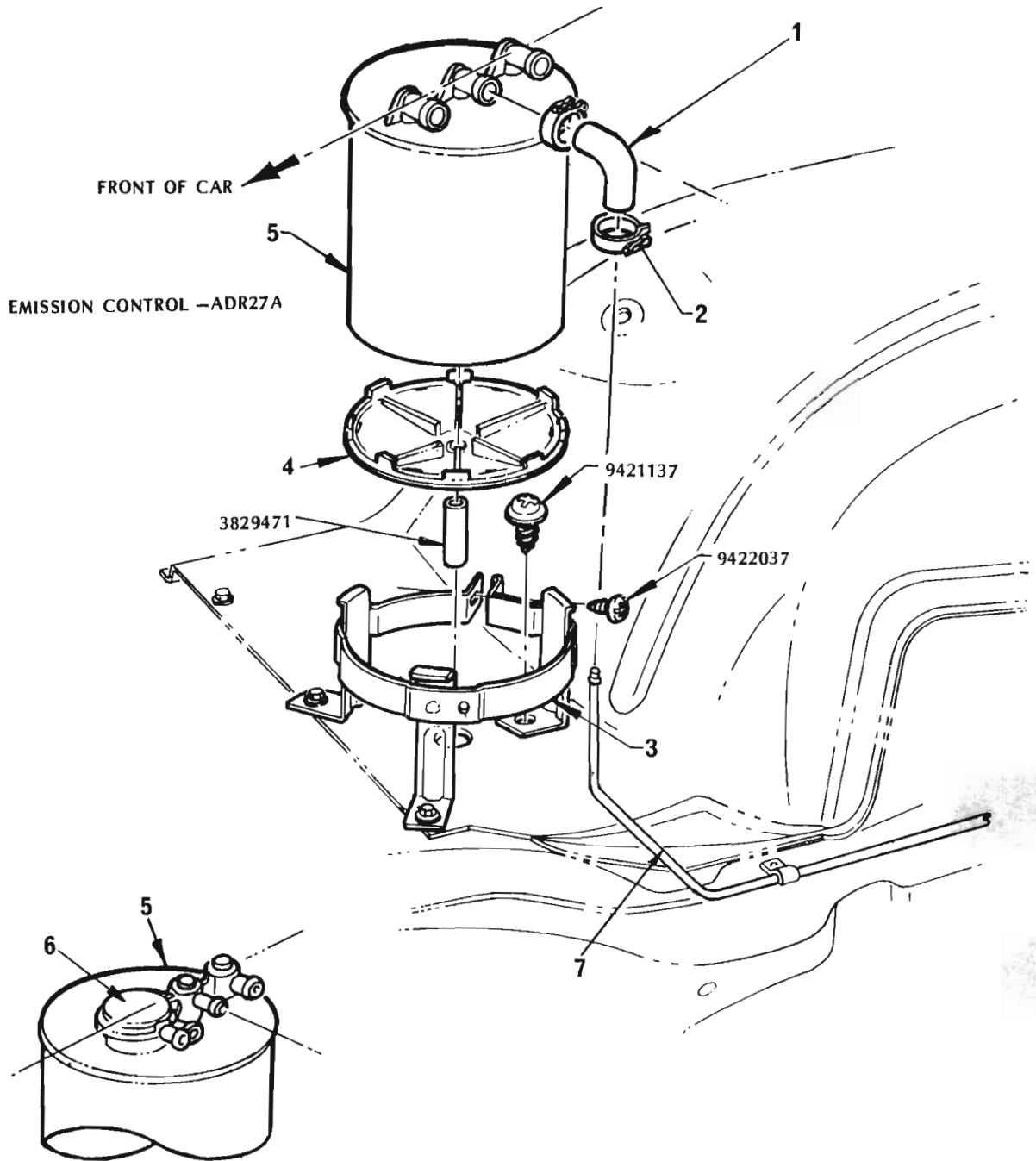
VAPOUR PIPE
35,69 Body Styles

ILLUS. REF. NO.	PART NAME	GROUP
1.	CLAMP - Hose to pipe	3.120
2.	HOSE - Separator to rear pipe	3.120
3.	PIPE - Separator to canister, rear	3.120
4.	PIPE - Separator to canister, front	3.120
5.	HOSE - Rear pipe to front pipe	3.120
6.	CLAMP - Hose to pipe	3.120
7.	SLEEVE - Vapour pipe to fuel pipe	3.120



VAPOUR PIPE
60,70 & 80 Body Styles

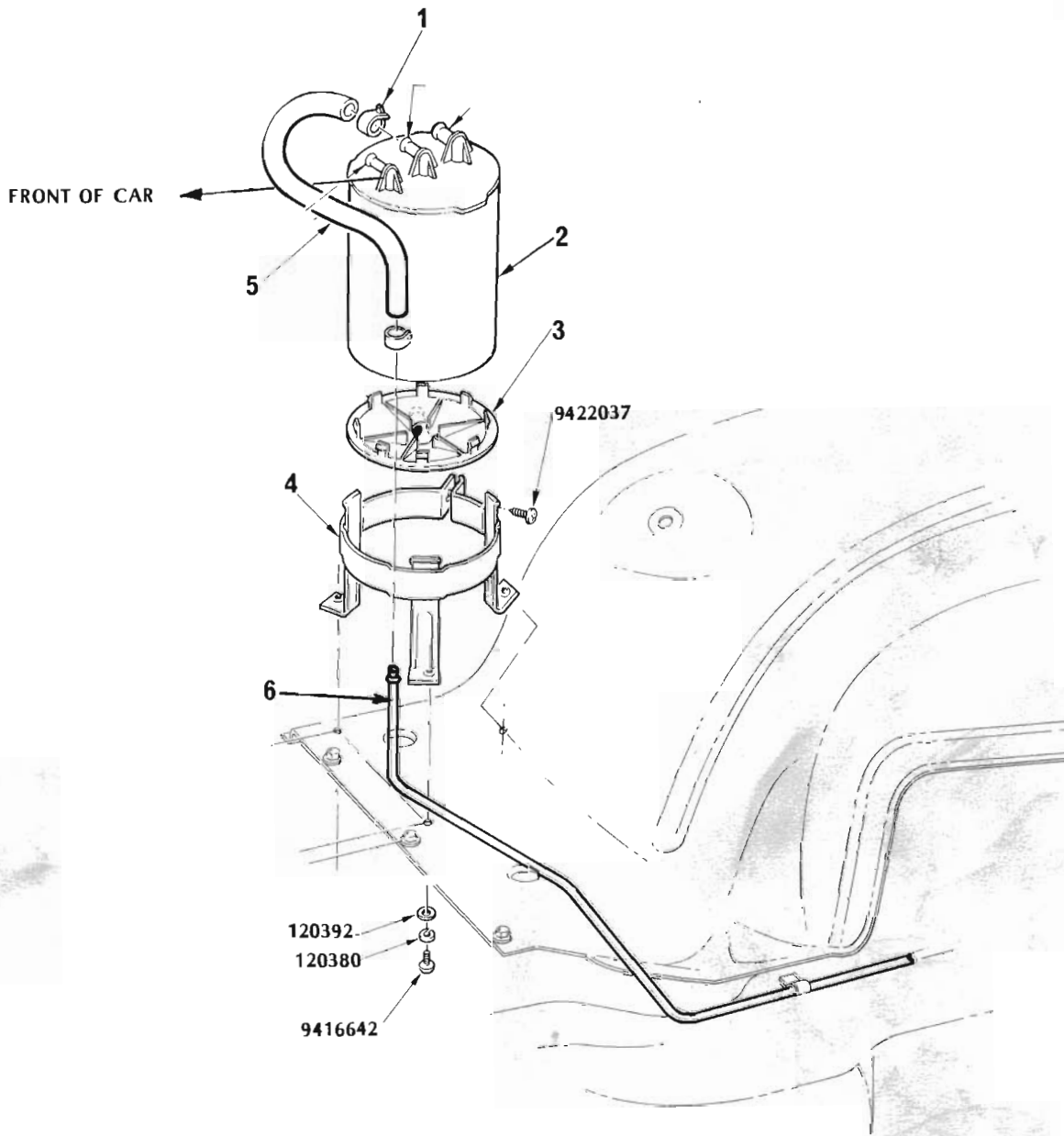
ILLUS. REF. NO.	PART NAME	GROUP
1.	HOSE - Front RH pipe to fuel tank	3.120
2.	CLAMP - Hose to pipe	3.120
3.	CLIP - Pipe to fuel pipe	3.120
4.	PIPE - Fuel tank to canister	3.120



WITHOUT EXHAUST EMISSION CONTROL

CANISTER
Exc. Rear Wheel Lock Control

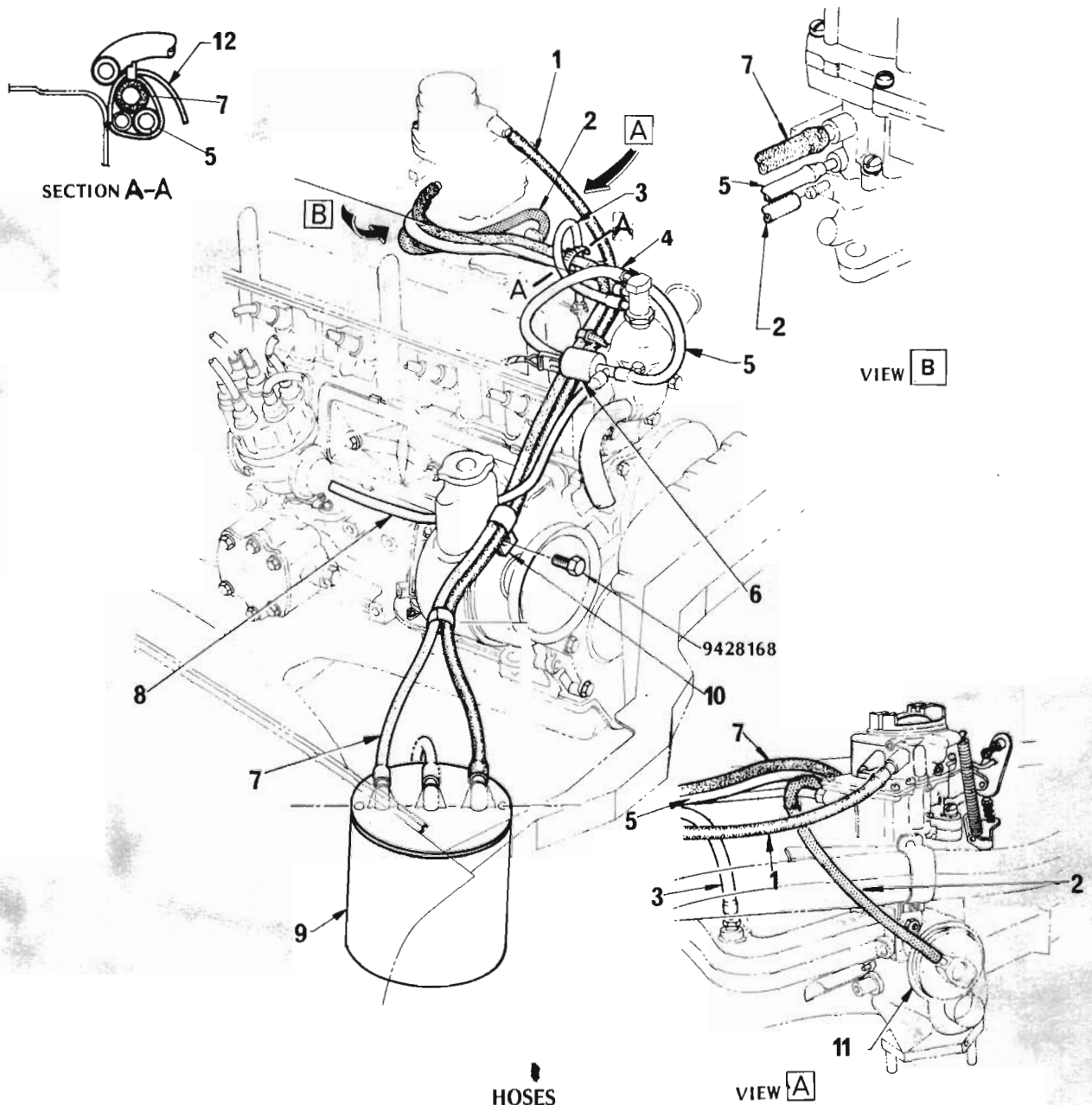
ILLUS. REF NO.	PART NAME	GROUP
1.	HOSE - Pipe to canister	3.120
2.	CLAMP - Hose to pipe & canister	3.120
3.	SUPPORT ASSEMBLY	3.130
4.	CAP - Drain	3.130
5.	CANISTER	3.130
6.	REPAIR KIT - Purge valve	3.130
7.	PIPE - Separator to canister - front	3.120



CANISTER

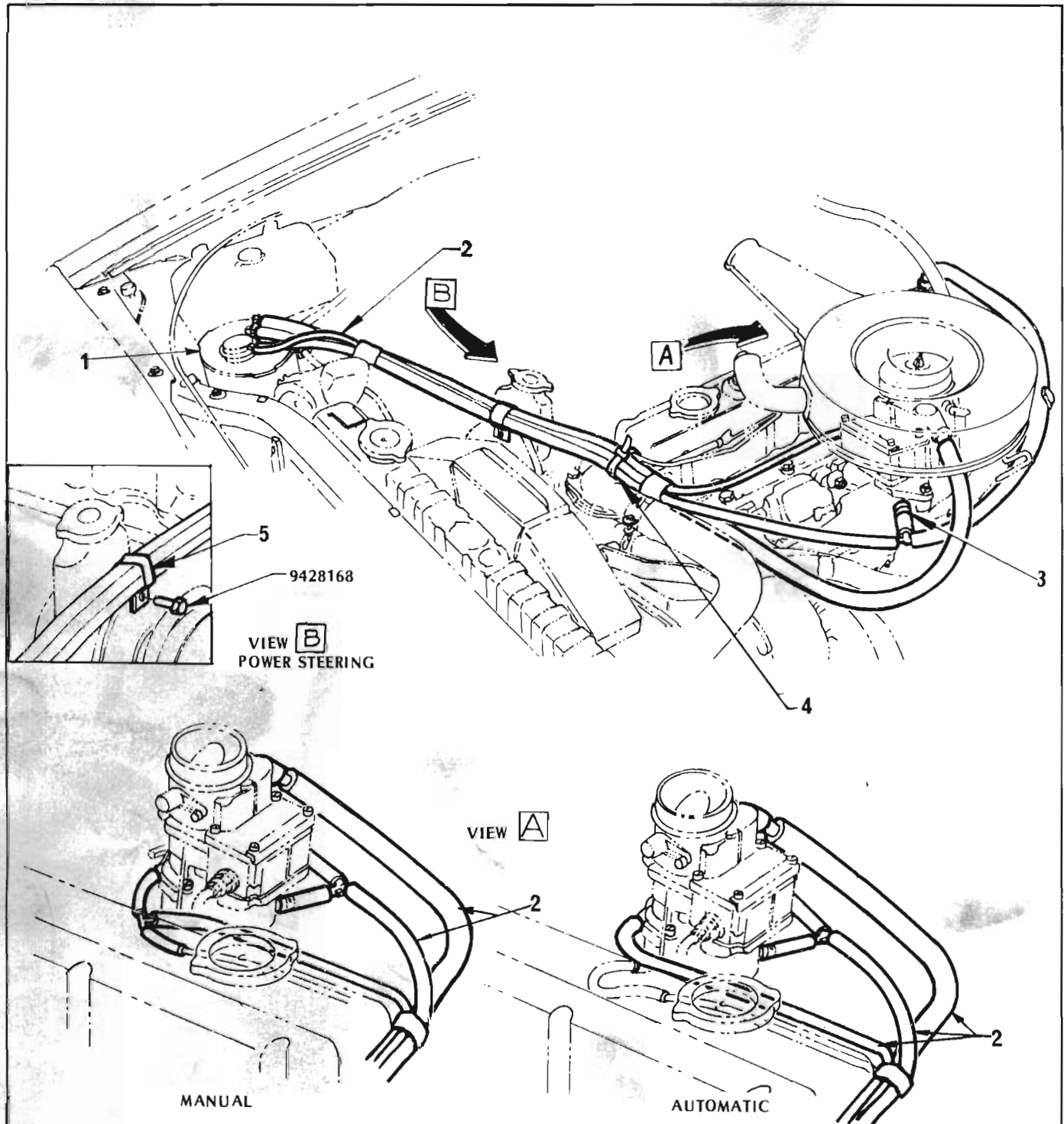
**Emission Control – ADR27A
With Rear Wheel Lock Control**

ILLUS. REF. NO.	PART NAME	GROUP
1.	CLAMP – Hose to pipe and canister	3.120
2.	CANISTER	3.130
3.	CAP – Drain	3.130
4.	SUPPORT ASSEMBLY	3.130
5.	HOSE – Pipe to canister	3.120
6.	PIPE – Separator to canister – front	3.120



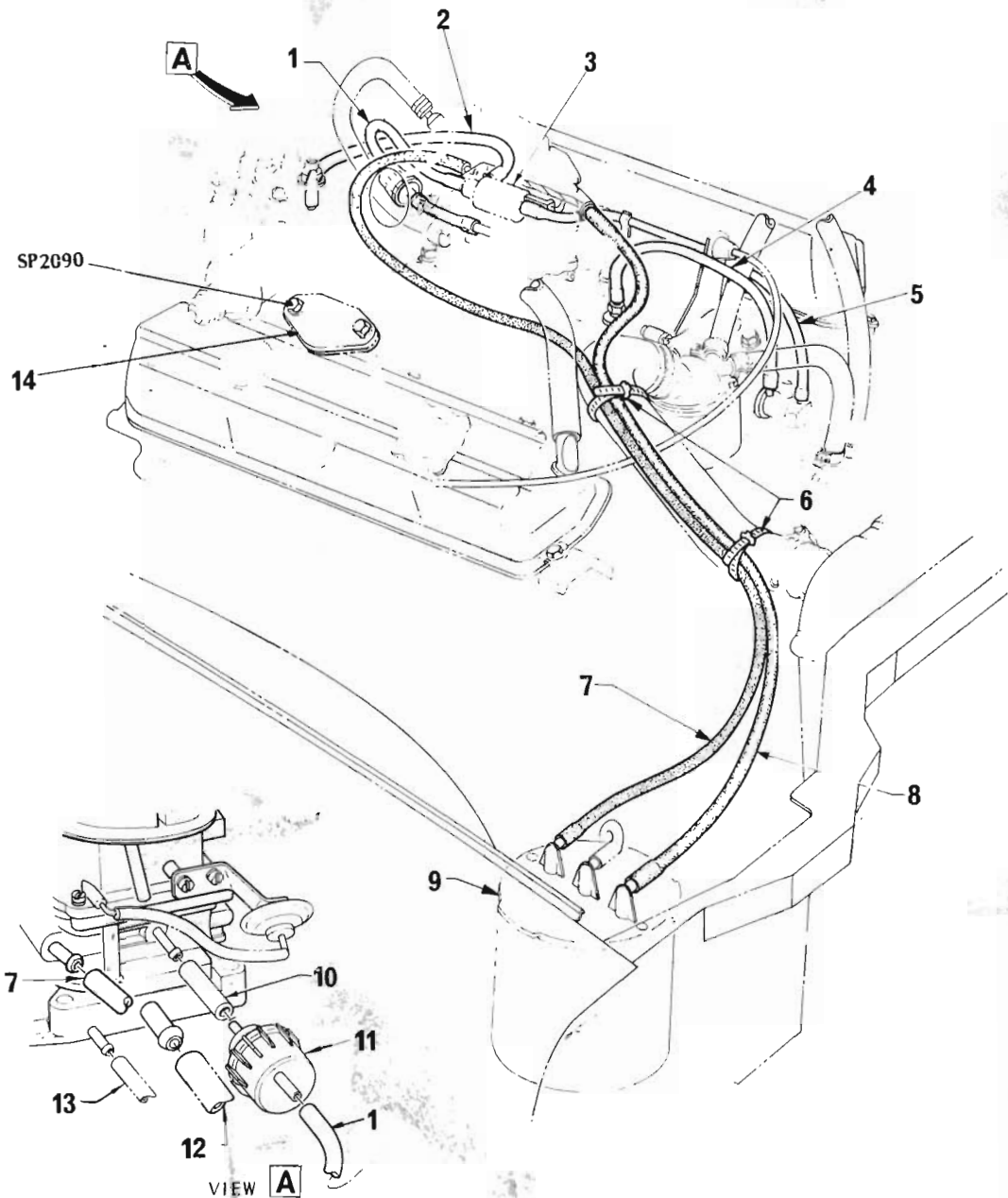
HOSES
EMISSION CONTROL ADR27A
6 Cylinder Engine

ILLUS. REF. NO.	PART NAME	GROUP
1.	HOSE - Canister to fuel bowl vent	3.120
2.	HOSE - Carburettor to exhaust gas recirculation valve	3.670
3.	HOSE - Manifold to thermal vacuum switch	1.150
4.	HOSE - Thermal vacuum switch to transmission control switch solenoid valve	1.150
5.	HOSE - Carburettor to transmission controlled switch.. ..	2.424
6.	SOLENOID - Transmission controlled spark switch	2.408
7.	HOSE - Canister to carburettor purge port	3.120
8.	HOSE - Distributor to T.C.S. solenoid	2.424
9.	CANISTER - Vapour	3.130
10.	CLAMP - Power steering hose retaining	3.120
11.	VALVE - Exhaust gas recirculation	3.670
12.	STRAP - Hose securing	3.120



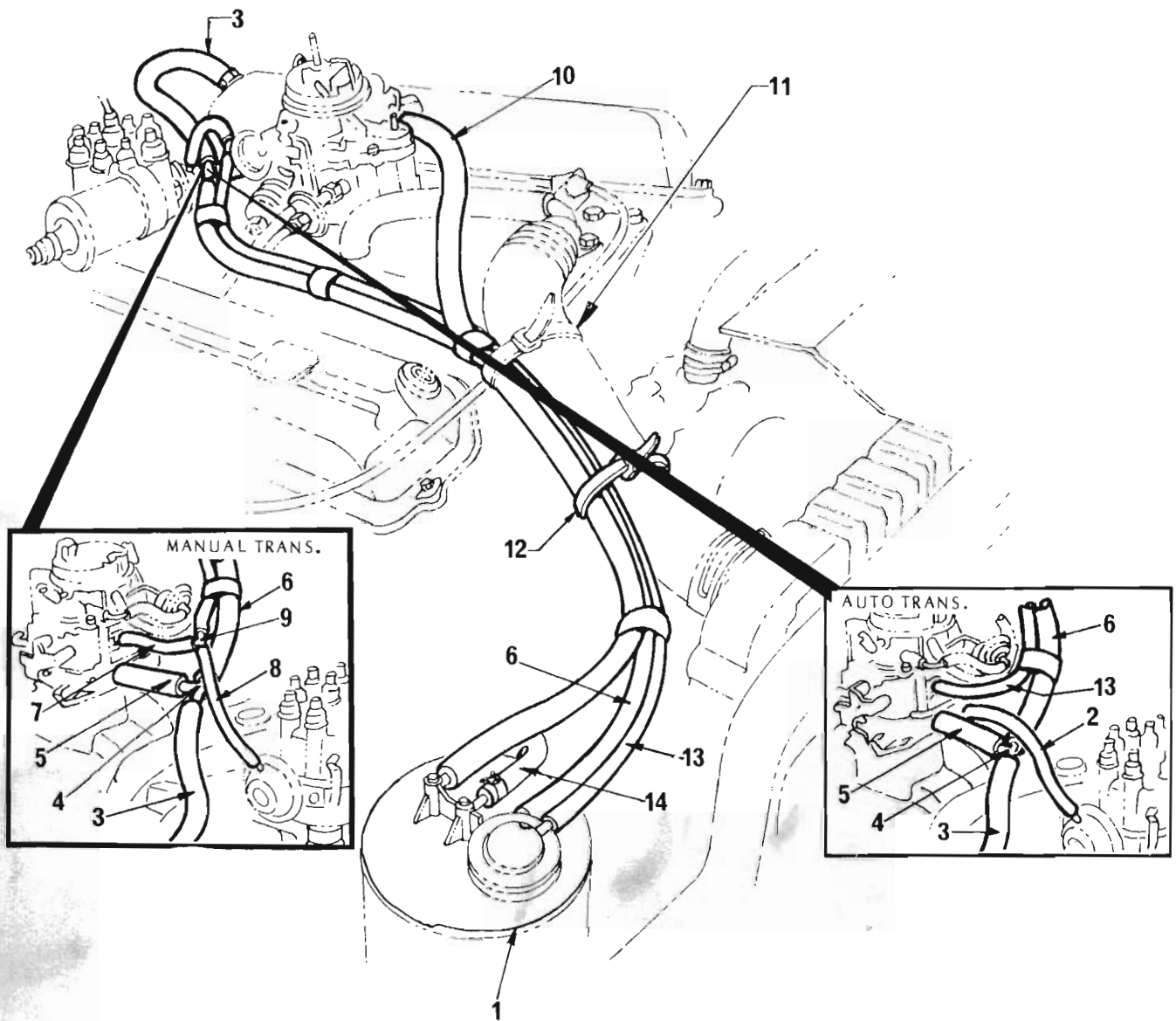
HOSES
WITHOUT EMISSION CONTROL
6 Cylinder Engine

ILLUS. REF. NO.	PART NAME	GROUP
1.	CANISTER – Emission control vapour	3.130
2.	HARNESS – Emission control hose	3.120
3.	CLAMP – Hose – carburettor to tee	3.120
4.	STRAP – Hose securing	3.120
5.	CLAMP – Hose securing	3.120



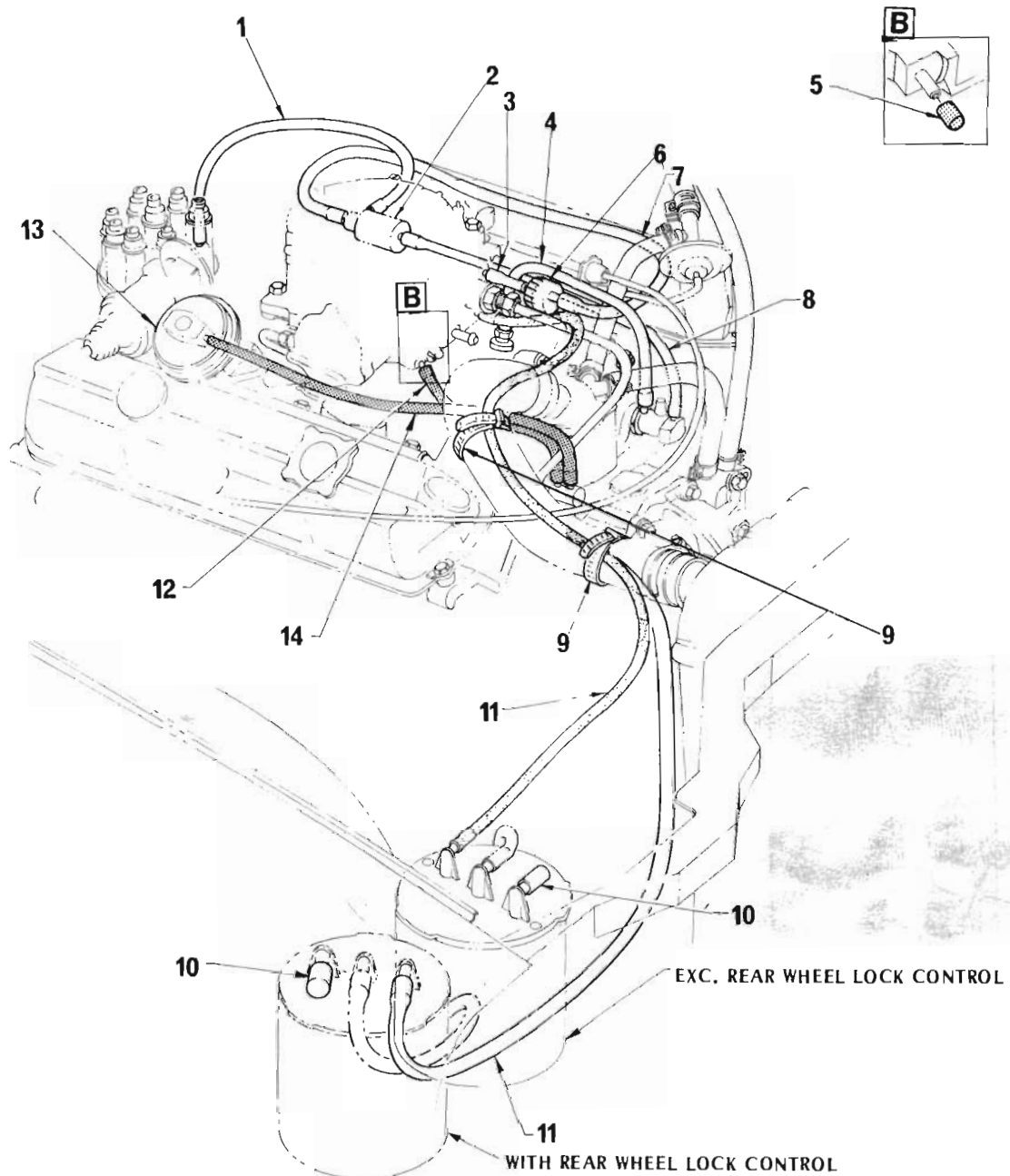
HOSES
EMISSION CONTROL ADR27A
4.2 LITRE ENGINE – BENDIX CARBURETTOR

ILLUS. REF. NO.	PART NAME	GROUP
1.	HOSE – Solenoid to vacuum spark delay valve	2.424
2.	HOSE – Distributor to T.C.S. solenoid	2.424
3.	VALVE – T.C.S. switch solenoid	2.408
4.	HOSE – Manifold to thermal vacuum switch	1.150
5.	HOSE – Thermal vacuum switch to solenoid	1.150
6.	STRAP – Hose retaining	3.120
7.	HOSE – Canister to carburettor purge port	3.120
8.	HOSE – Canister to fuel bowl vent	3.120
9.	CANISTER – Vapour	3.130
10.	HOSE – Vacuum spark delay valve to carburettor	2.424
11.	VALVE – Distributor vacuum spark delay	2.408
12.	HOSE – P.C.V. valve to carburettor	1.762
13.	HOSE – Carburettor to air cleaner	3.415
14.	PLATE – E.G.R. valve hole closing	3.670



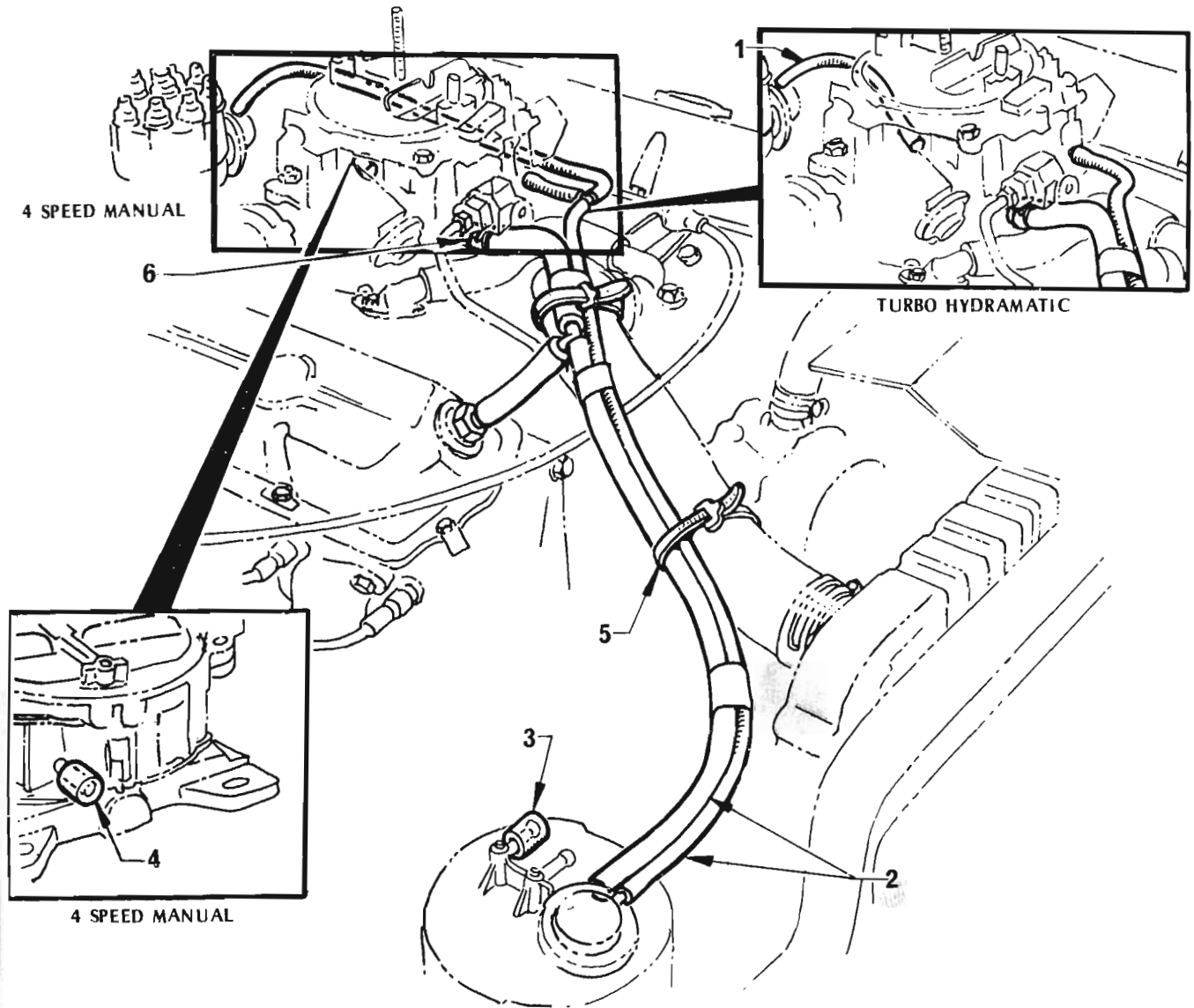
HOSES
WITHOUT EXHAUST EMISSION CONTROL
4.2 Litre Engine

ILLUS. REF. NO.	PART NAME	GROUP	ILLUS. REF. NO.	PART NAME	GROUP
1.	CANISTER	3.130	8.	HOSE - Vacuum tee to distributor	3.120
2.	HOSE - Spark control	2.424	9.	TEE - Ported vacuum	3.120
3.	HOSE - Tee to P.C.V.	3.120	10.	HOSE - Canister to carb. bowl vent	3.120
4.	TEE - P.C.V.	3.120	11.	STRAP - Hoses to radiator hose-12.018''	3.120
5.	HOSE - P.C.V. tee to carburettor	3.120	12.	STRAP - Hoses to radiator hose-8.50''	3.120
6.	HOSE - Canister to P.C.V. tee	3.120	13.	HOSE - Canister to carb./ported vac tee	3.120
7.	HOSE - Vac. tee to carburettor	3.120	14.	HOSE - Canister to pipe	3.120



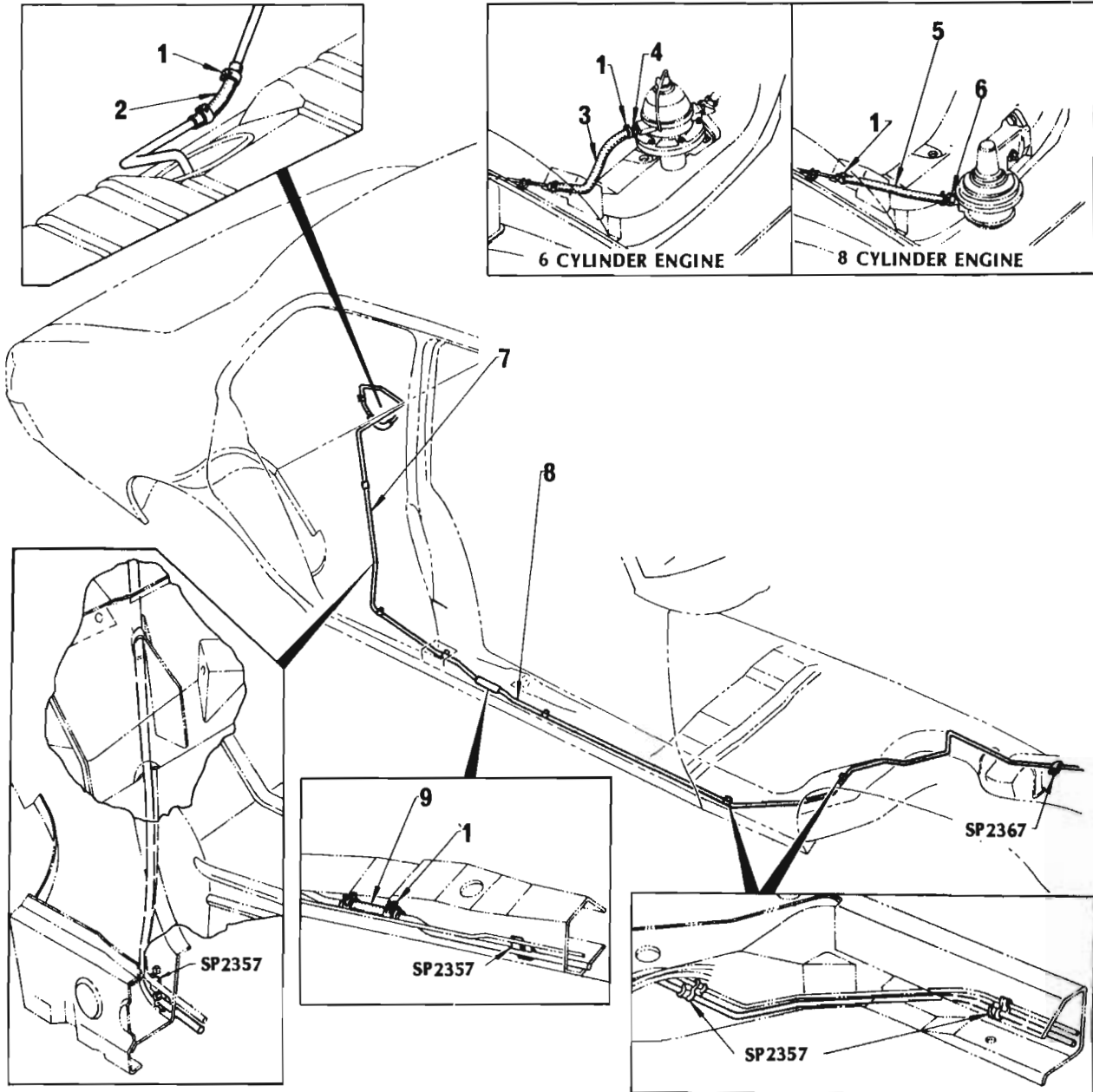
HOSES
EMISSION CONTROL ADR27A
5.0 LITRE ENGINE - ROCHESTER CARBURETTOR

ILLUS. REF. NO.	PART NAME	GROUP
1.	HOSE - Solenoid to distributor	2.424
2.	VALVE - T.C.S. switch solenoid	2.408
3.	HOSE - Vacuum spark delay valve to carburettor	2.424
4.	HOSE - Manifold to thermal vacuum switch	1.150
5.	CAP - Carburettor vacuum port closing	3.748
6.	VALVE - Distributor vacuum spark delay	2.408
7.	HOSE - T.C.S. solenoid to vacuum spark delay valve ..	2.424
8.	HOSE - T.V.S. to T.C.S. solenoid	1.150
9.	STRAP - Hose retaining	3.120
10.	CAP - Canister sealing	3.130
11.	HOSE - Canister to carburettor purge port	3.120
12.	HOSE - Carburettor to thermal vacuum switch	3.670
13.	VALVE - Exhaust gas recirculation	3.670
14.	HOSE - Thermal vacuum switch to E.G.R. valve	3.670



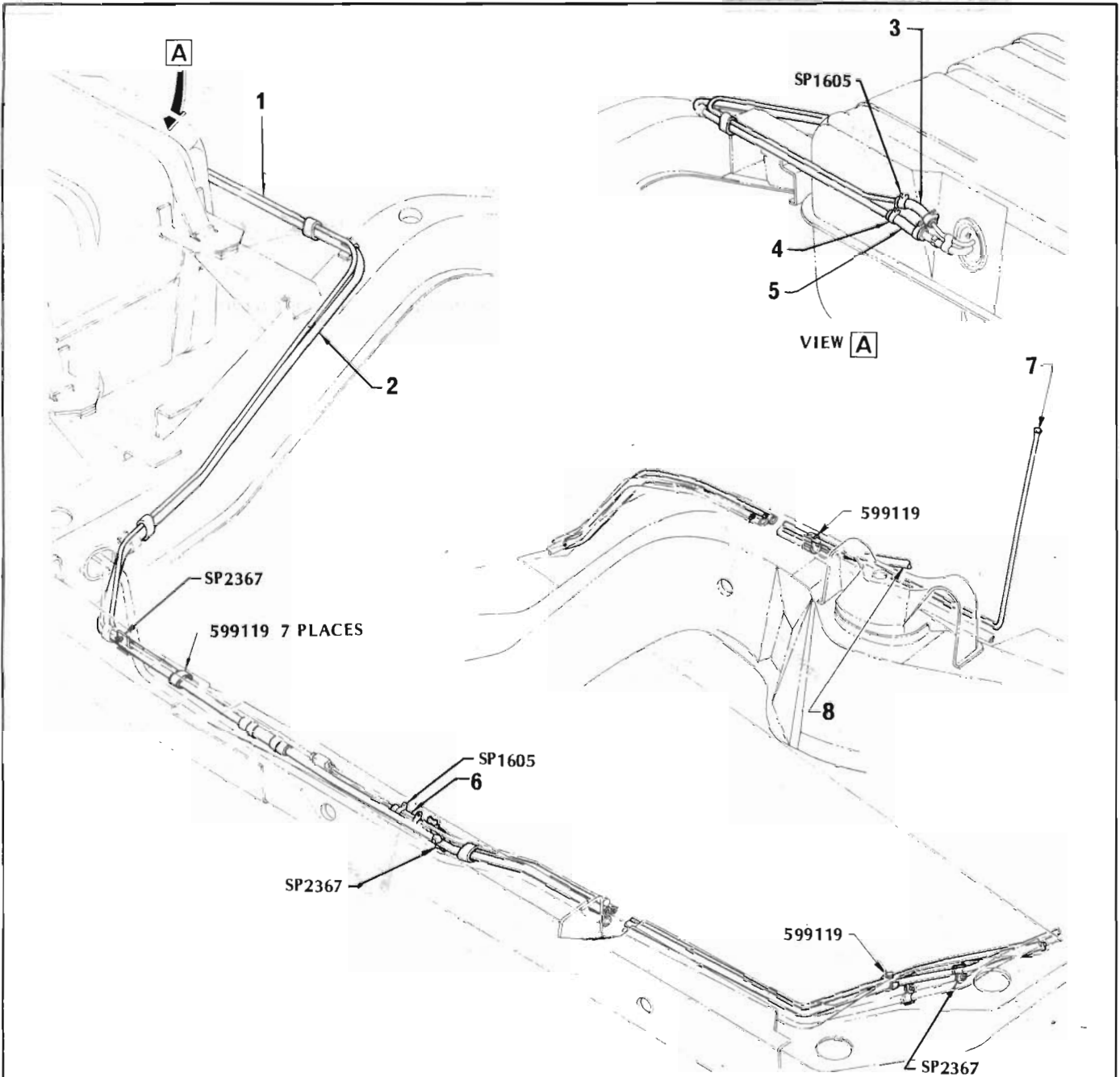
HOSES
WITHOUT EXHAUST EMISSION CONTROL
5 Litre Engine

ILLUS. REF. NO.	PART NAME	GROUP
1.	HOSE - Spark control	2.424
2.	HOSE HARNESS	3.120
3.	CAP - Sealing	3.130
4.	CAP - Carburettor vacuum port	3.748
5.	STRAP - Hose securing	3.120
6.	CLAMP - P.C.V. valve to carburettor	3.120



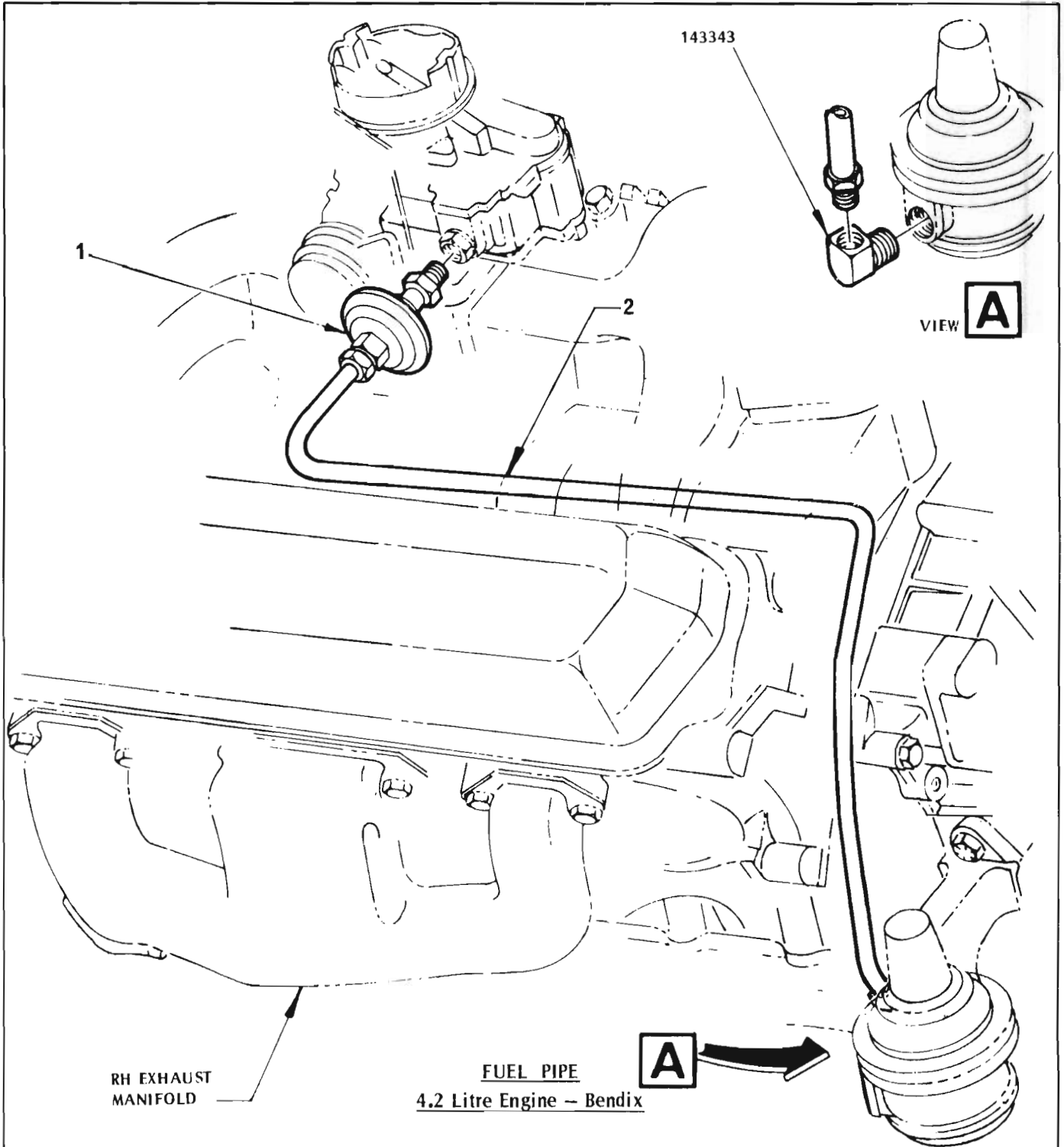
FUEL PIPES
Station Wagons, Coupes and Sedans

ILLUS. REF. NO.	PART NAME	GROUP
1.	CLAMP - Hose	3.163
2.	HOSE - Fuel pipe to tank	3.163
3.	HOSE - Fuel - front	3.163
4.	CONNECTOR - Hose to fuel pump	3.163
5.	HOSE - Fuel - front	3.163
6.	CONNECTOR - Hose to fuel pump	3.163
7.	PIPE ASSEMBLY - Fuel tank to pump - rear	3.158
8.	PIPE ASSEMBLY - Fuel tank to pump - front	3.158
9.	HOSE - Fuel - front to rear pipe	3.163



FUEL LINES
Chassis and Cab, Panel Van and Utility

ILLUS. REF. NO.	PART NAME	GROUP
1.	PIPE - Rear	3.159
2.	PIPE - Fuel tank to pump, rear	3.158
3.	HOSE - Rear vapour return pipe to tank	3.159
4.	CLAMP - Hose	3.163
5.	HOSE - Fuel pipe to tank	3.163
6.	HOSE - Rear vapour pipe to front pipe	3.159
7.	PIPE - Vapour return - front	3.159
8.	PIPE - Fuel tank to pump - front	3.158



RH EXHAUST
MANIFOLD

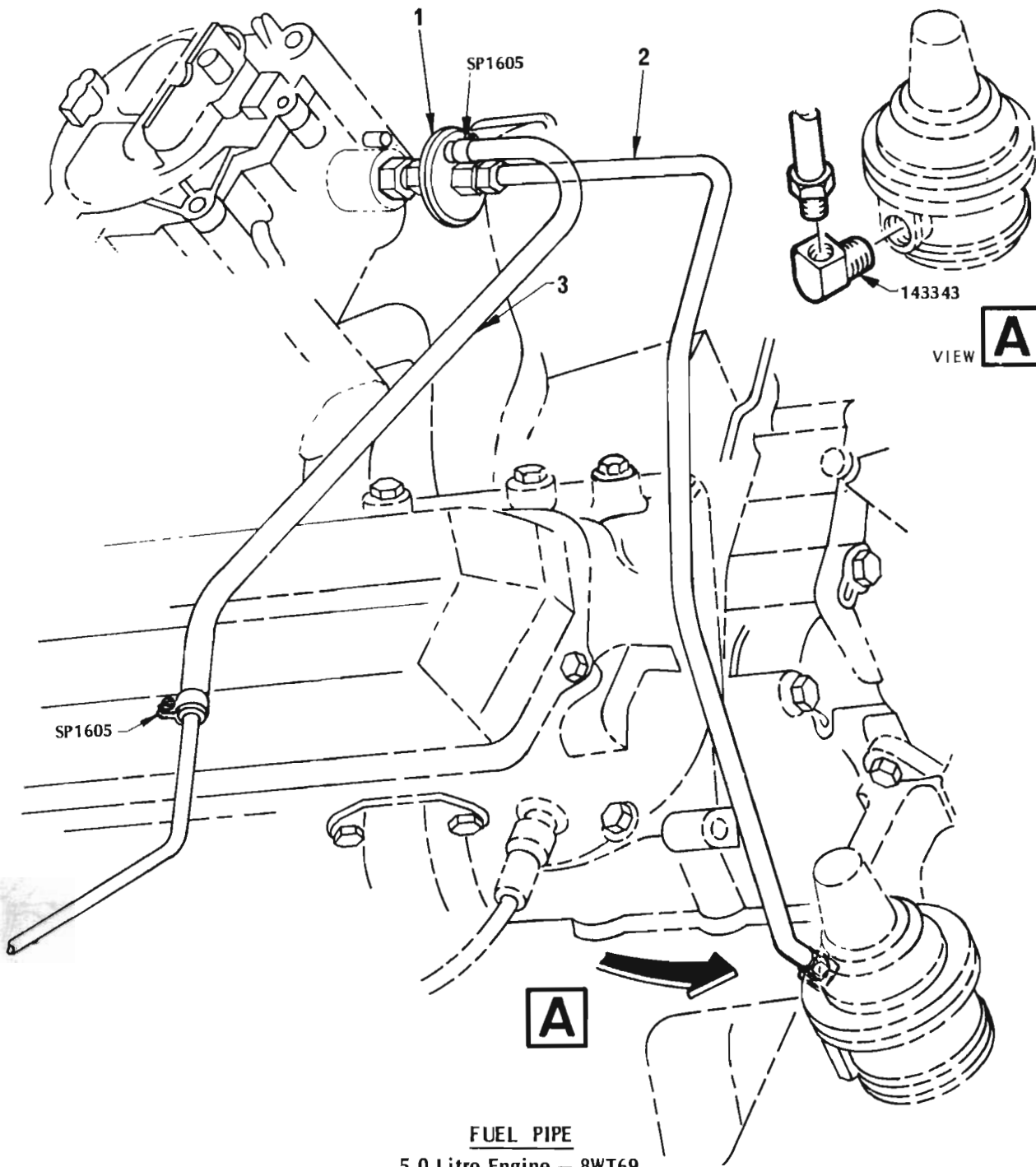
FUEL PIPE
4.2 Litre Engine - Bendix

ILLUS.
REF. NO.

PART NAME

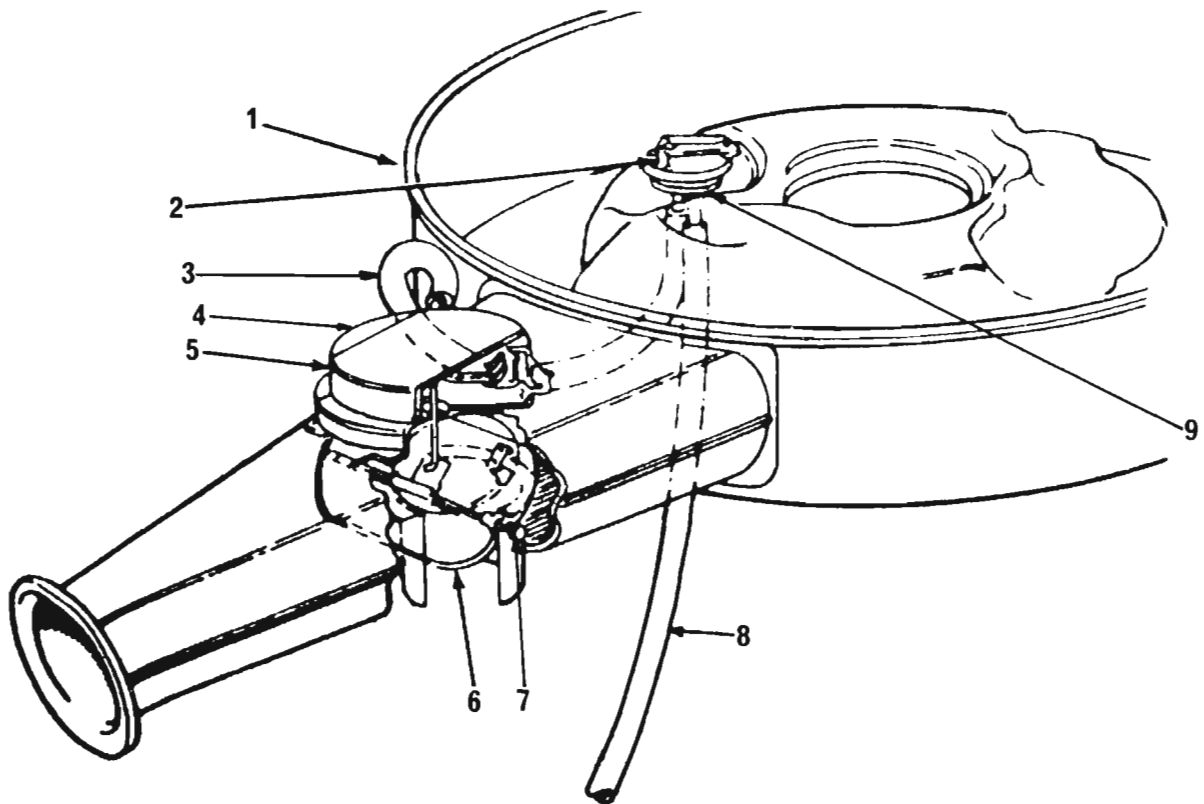
GROUP

1.	FILTER ASSEMBLY	3.787
2.	PIPE ASSEMBLY - Fuel	3.201



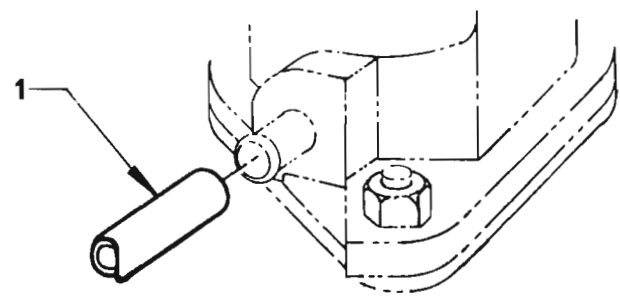
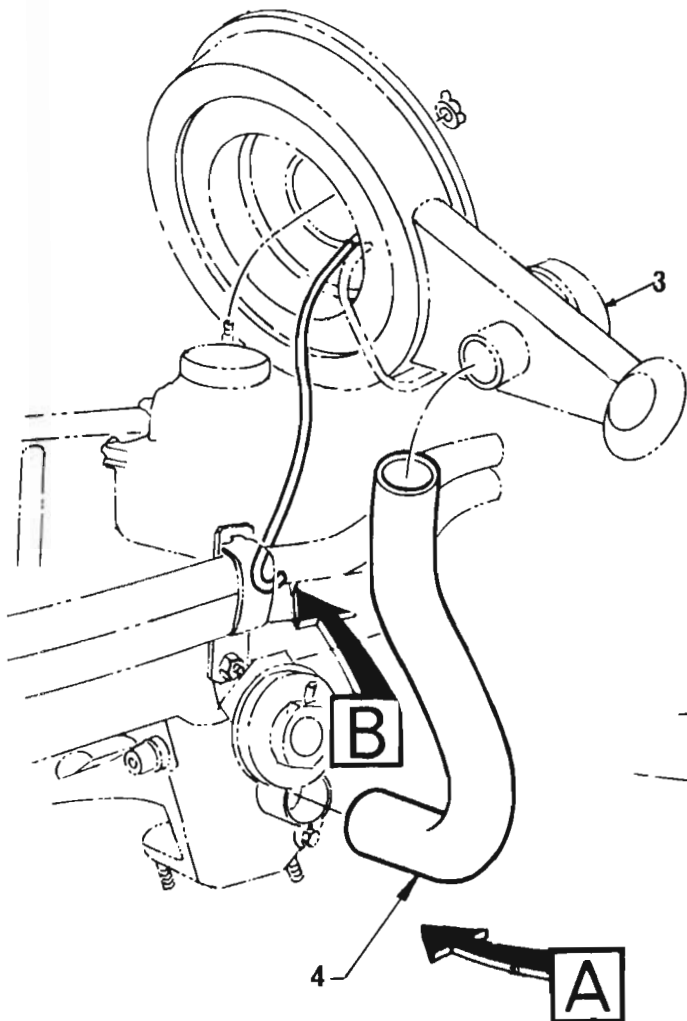
FUEL PIPE
5.0 Litre Engine - 8WT69

ILLUS. REF. NO.	PART NAME	GROUP
1.	SEPARATOR ASSEMBLY - Vapour	3.159
2.	PIPE - Fuel pump to carburettor	3.201
3.	HOSE - Front pipe to vapour separator	3.120

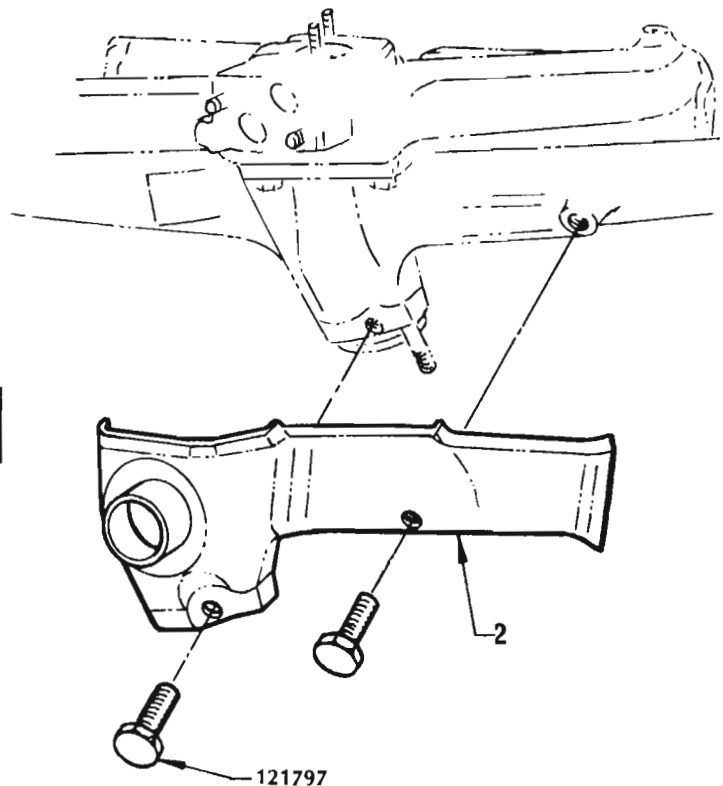


AIR CLEANER & SILENCER ASSEMBLY
AIR PRE-HEAT

ILLUS. REF. NO.	PART NAME	GROUP
1.	AIR CLEANER & SILENCER ASSEMBLY	3.402
2.	VALVE & SHIELD ASSEMBLY	3.415
3.	HOSE - Thermal valve vacuum	3.415
4.	DIAPHRAGM ASSEMBLY	3.415
5.	RETAINER - Diaphragm	3.415
6.	DAMPER & VALVE ASSEMBLY	3.415
7.	PIN - Diaphragm assembly to air cleaner inlet	3.415
8.	HOSE - Thermal valve to vacuum source	3.415
9.	FASTENER - Valve to air cleaner	3.415



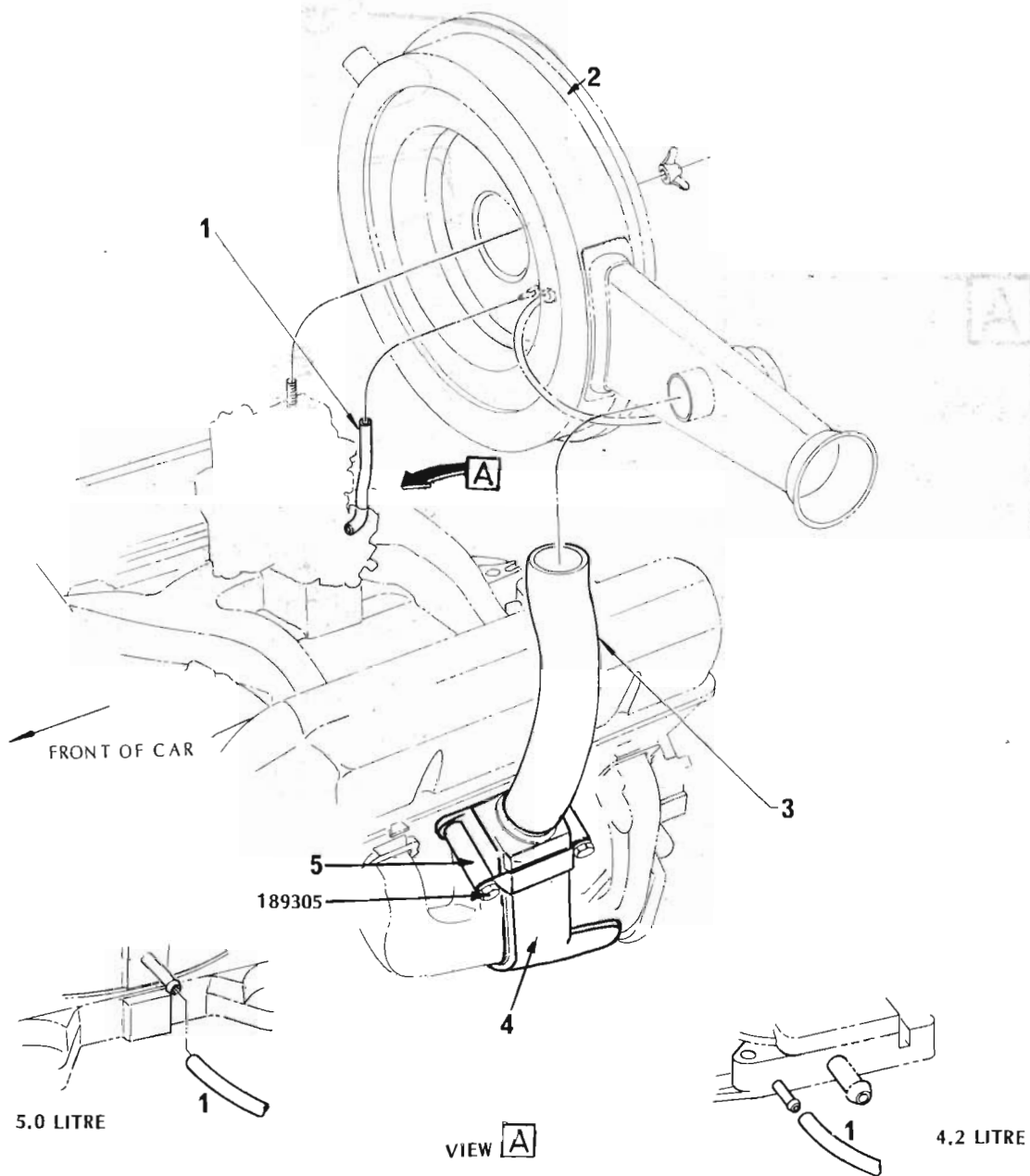
VIEW **B**



AIR PRE-HEAT SYSTEM
6 Cylinder Engine

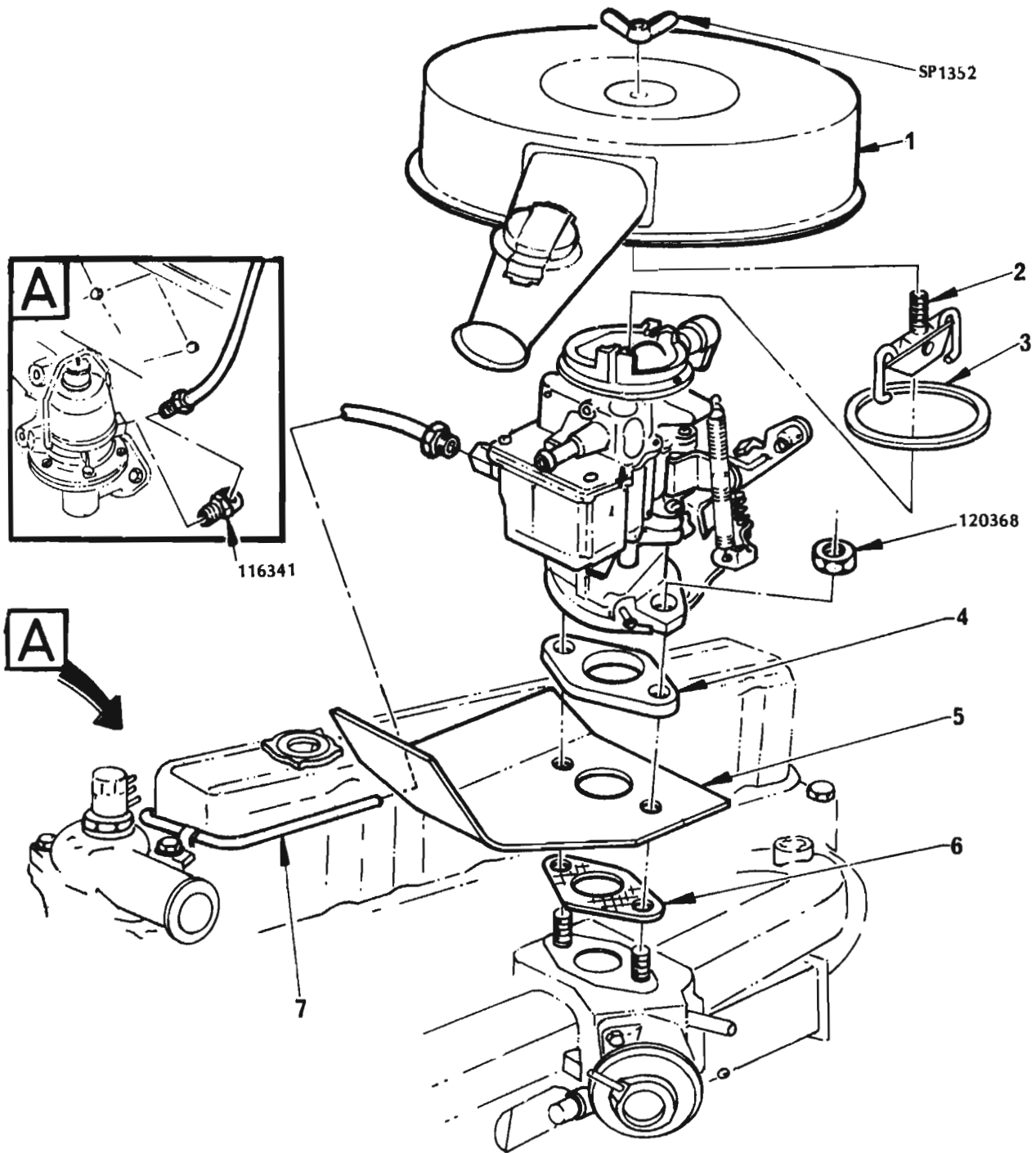
VIEW **A**

ILLUS. REF. NO.	PART NAME	GROUP
1.	HOSE - Carburettor to thermal valve	3.415
2.	STOVE ASSEMBLY	3.417
3.	AIR CLEANER & SILENCER ASSEMBLY	3.402
4.	HOSE - Stove to air cleaner	3.417



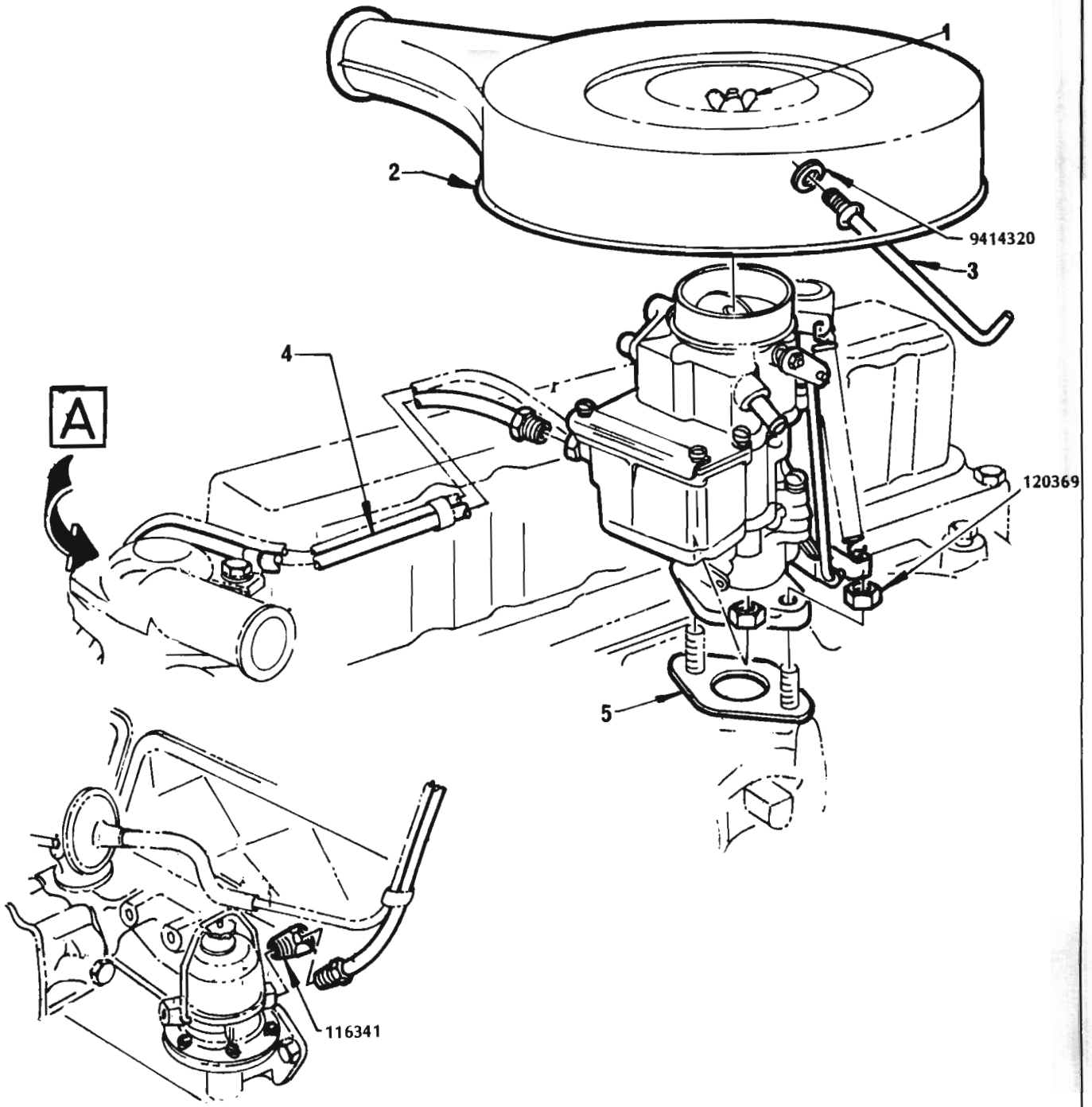
AIR PRE-HEAT SYSTEM
8 Cylinder Engine

ILLUS. REF. NO.	PART NAME	GROUP
1.	HOSE - Carburettor to thermal valve	3.415
2.	AIR CLEANER & SILENCER ASSEMBLY	3.402
3.	HOSE - Stove to air cleaner	3.417
4.	STOVE ASSEMBLY	3.415
5.	SPACER - Stove to exhaust manifold	3.415



AIR CLEANER and CARBURETTOR
EMISSION CONTROL ADR27A
6 Cylinder Engine

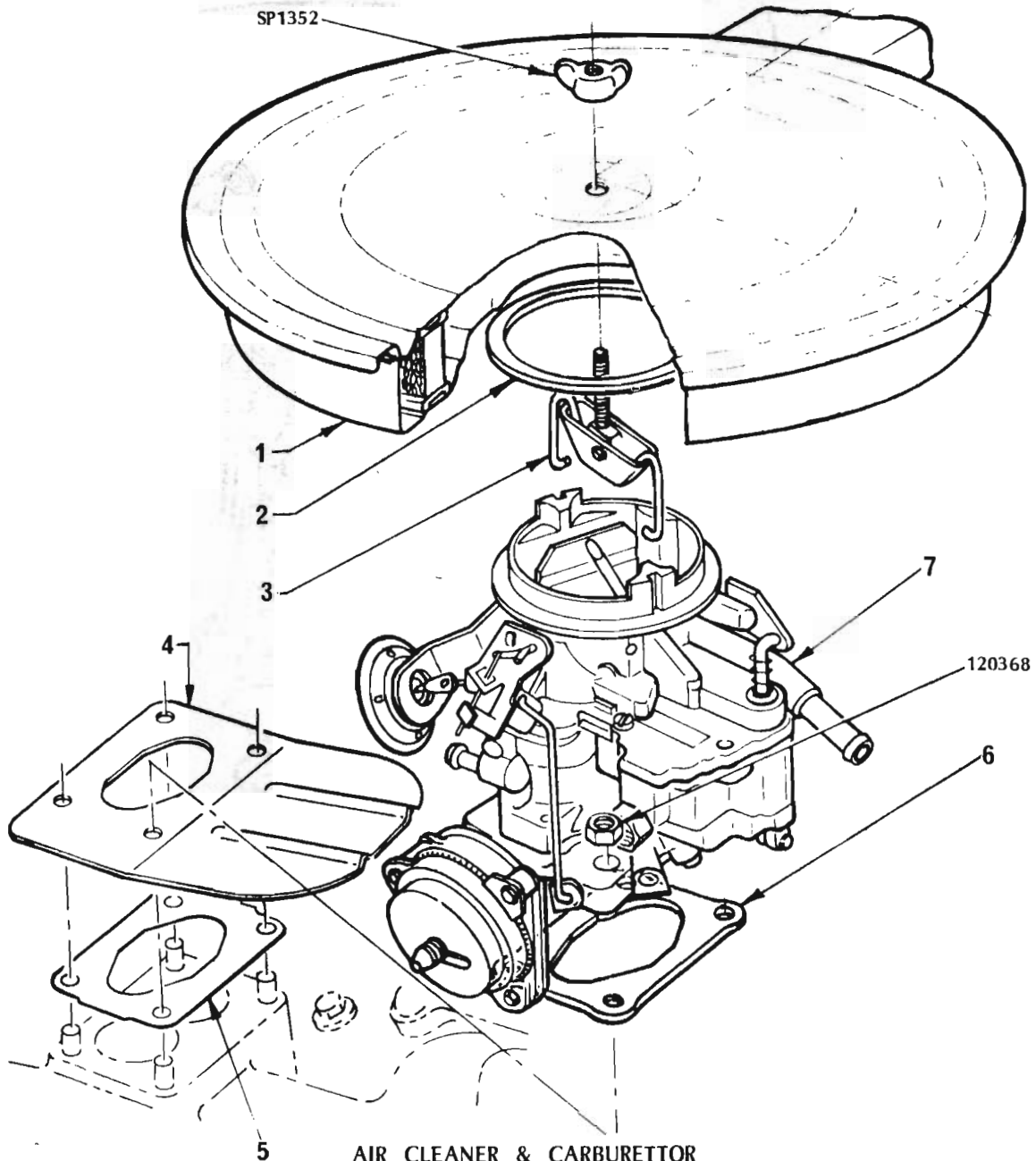
ILLUS. REF. NO.	PART NAME	GROUP
1.	AIR CLEANER & SILENCER ASSEMBLY	3.402
2.	BRIDGE ASSEMBLY	3.403
3.	GASKET - Air cleaner to carburettor	3.402
4.	INSULATOR - Carburettor	3.726
5.	SHIELD - Carburettor	3.726
6.	GASKET - Heat shield to manifold	3.726
7.	PIPE ASSEMBLY - Fuel	3.201



**AIR CLEANER and FUEL PIPE
WITHOUT EXHAUST EMISSION CONTROL
6 Cylinder Engine**

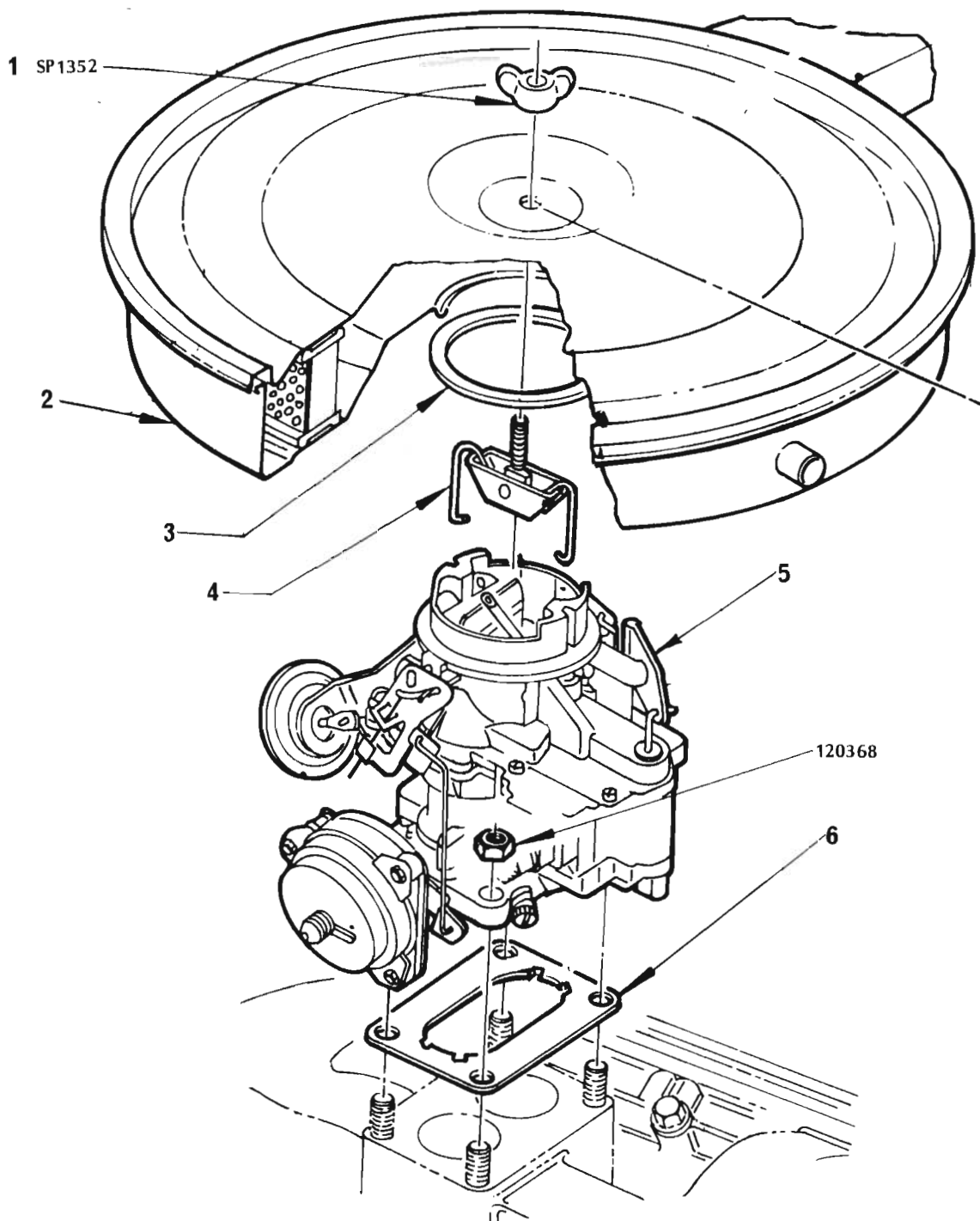
VIEW **A**

ILLUS. REF. NO.	PART NAME	GROUP
1.	NUT – Wing	3.410
2.	AIR CLEANER & SILENCER ASSEMBLY	3.402
3.	ROD	3.403
4.	PIPE ASSEMBLY	3.201
5.	GASKET – Flange	3.726



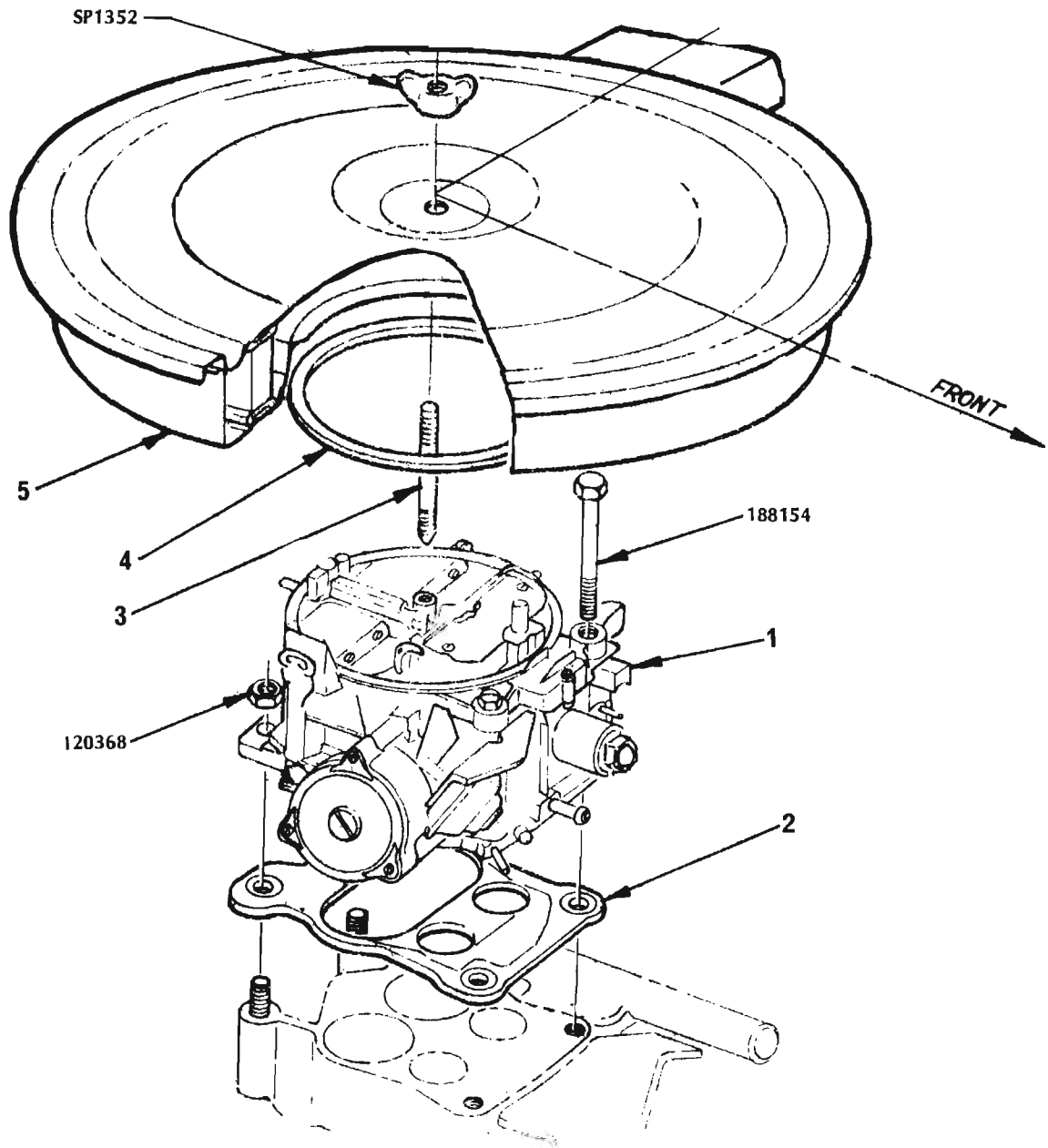
AIR CLEANER & CARBURETTOR
EMISSION CONTROL - ADR27A
4.2 Litre Engine - Bendix

ILLUS. REF. NO.	PART NAME	GROUP
1.	AIR CLEANER & SILENCER ASSEMBLY	3.402
2.	GASKET - Air cleaner to carburettor	3.403
3.	BRIDGE ASSEMBLY	3.403
4.	SHIELD - Carburettor heat	3.726
5.	GASKET - Heat shield to manifold	3.726
6.	INSULATOR - Carburettor	3.726
7.	CARBURETTOR ASSEMBLY	3.725



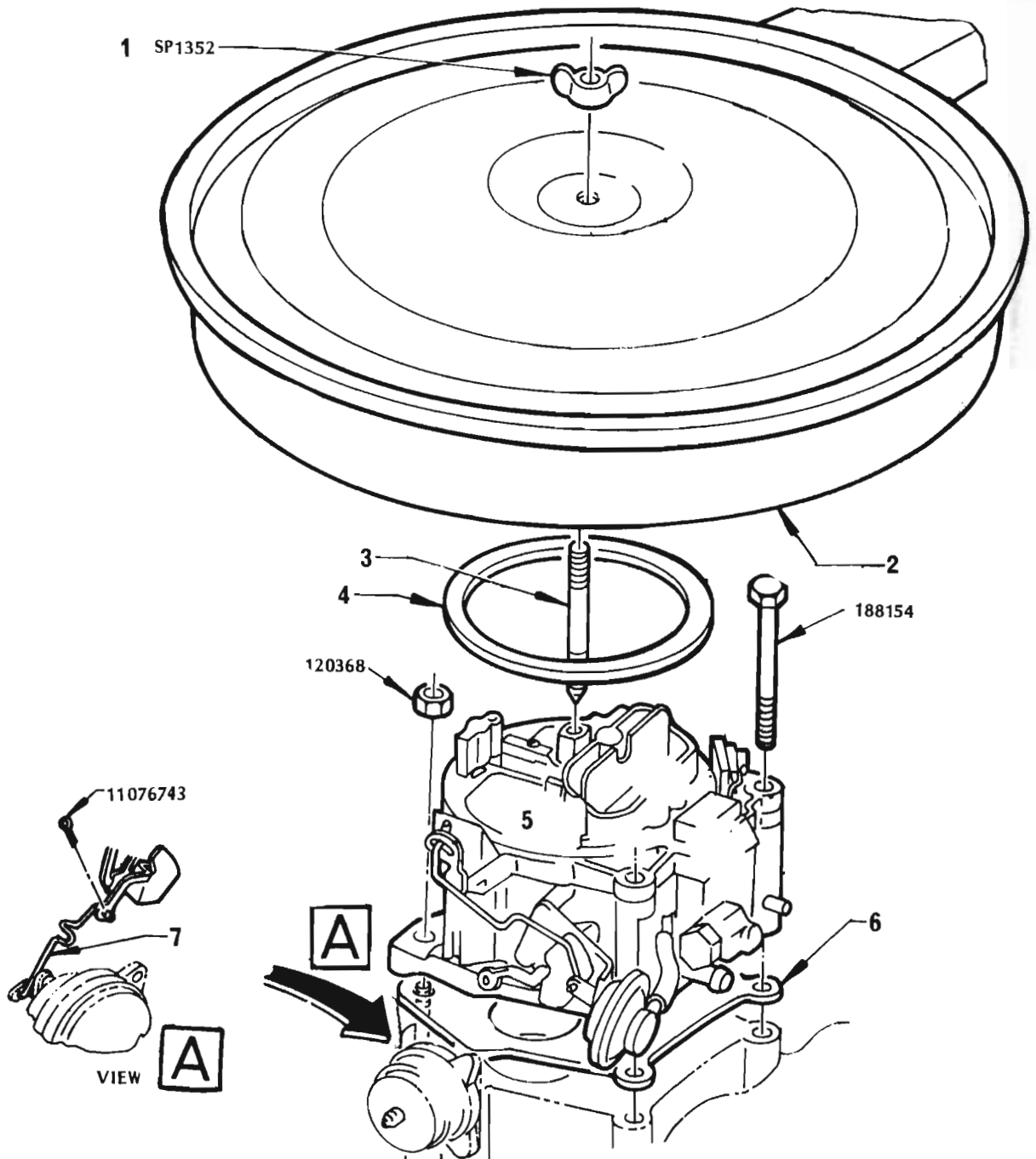
**AIR CLEANER and CARBURETTOR
WITHOUT EXHAUST EMISSION CONTROL
4.2 Litre Engine**

ILLUS. REF. NO.	PART NAME	GROUP
1.	NUT - Wing	3.410
2.	AIR CLEANER & SILENCER ASSEMBLY	3.402
3.	GASKET - Air cleaner to carburettor	3.403
4.	BRIDGE	3.403
5.	CARBURETTOR ASSEMBLY	3.725
6.	INSULATOR - Carburettor	3.726



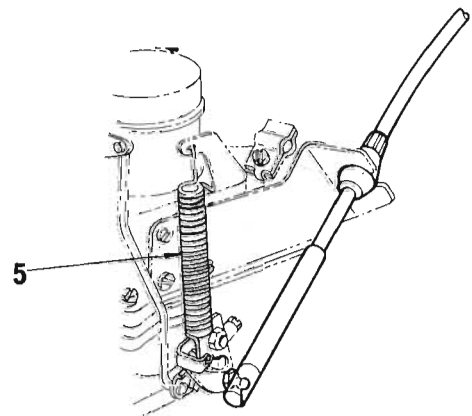
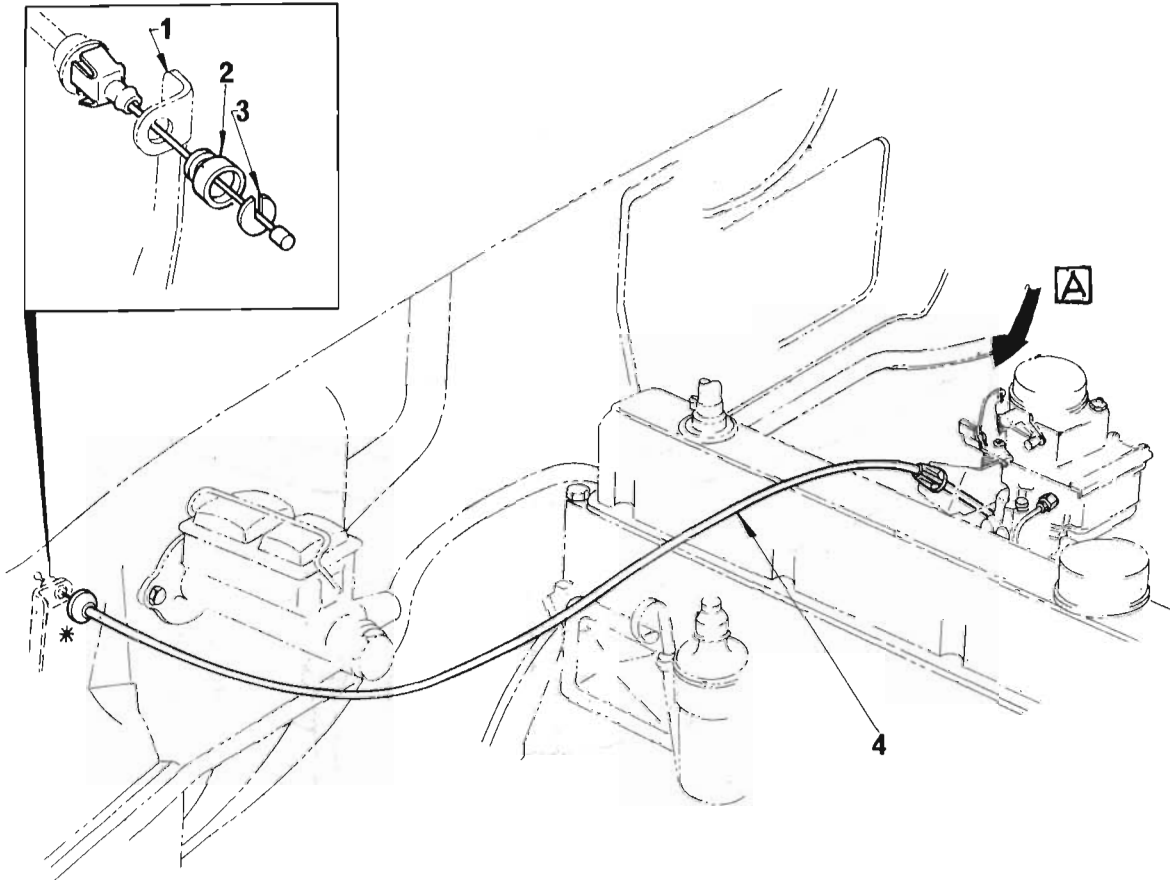
AIR CLEANER & CARBURETTOR
EMISSION CONTROL - ADR27A
5.0 Litre Engine - Rochester

ILLUS. REF. NO.	PART NAME	GROUP
1.	CARBURETTOR ASSEMBLY	3.725
2.	INSULATOR - Carburettor.....	3.726
3.	STUD - Air cleaner retaining	3.410
4.	GASKET - Air cleaner to carburettor	3.403
5.	AIR CLEANER & SILENCER ASSEMBLY	3.402



**AIR CLEANER and CARBURETTOR
WITHOUT EXHAUST EMISSION CONTROL
5.0 Litre Engine**

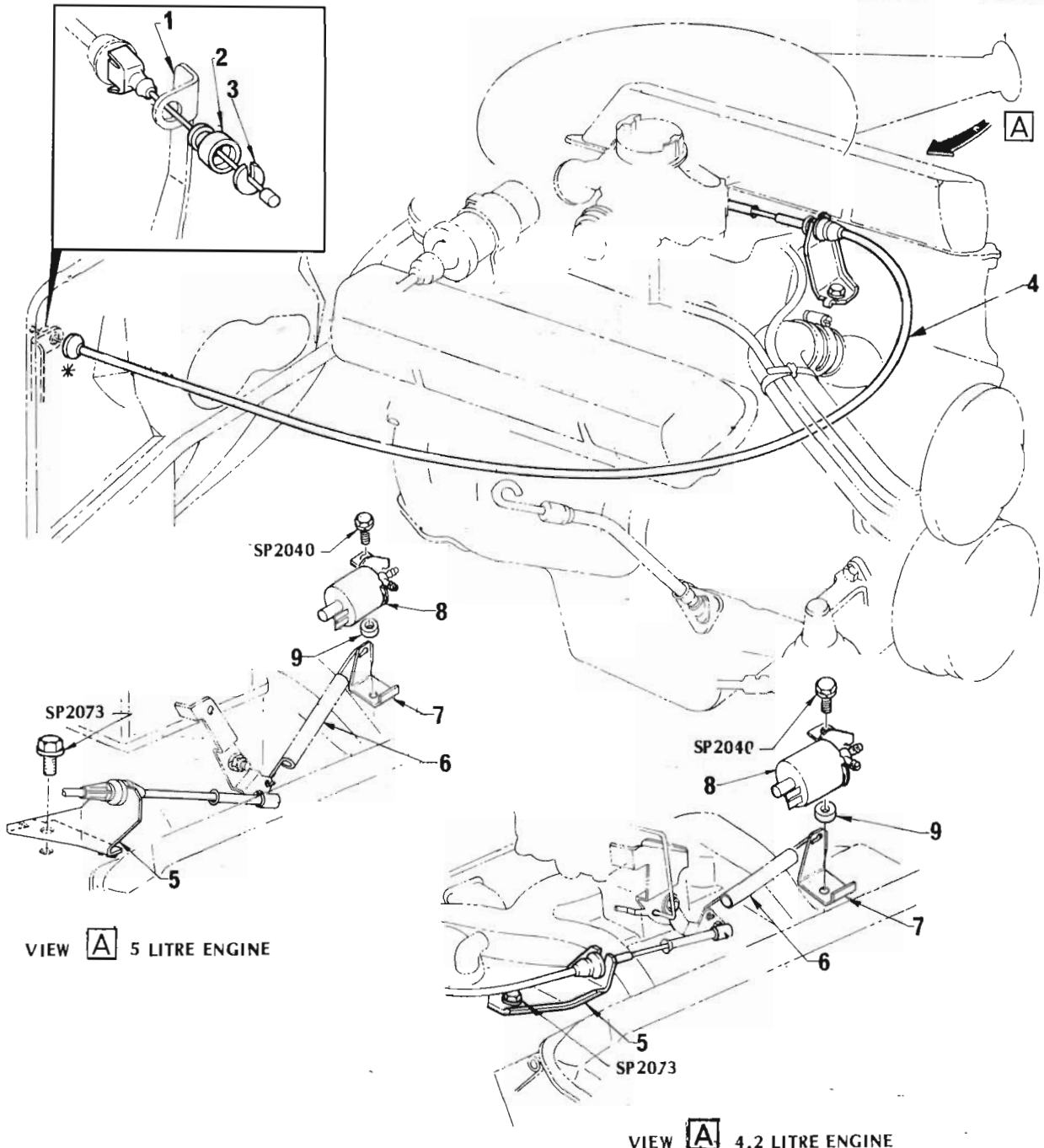
ILLUS. REF. NO.	PART NAME	GROUP
1.	NUT - Wing	3.410
2.	AIR CLEANER & SILENCER ASSEMBLY	3.402
3.	STUD	3.410
4.	GASKET - Air cleaner to carburettor	3.403
5.	CARBURETTOR ASSEMBLY	3.725
6.	INSULATOR - Carburettor	3.726
7.	ROD - Automatic choke	3.798



VIEW **A**

THROTTLE CONTROL
6 Cylinder Engines

ILLUS. REF. NO.	PART NAME	GROUP
1.	LEVER & PIVOT ASSEMBLY - Accelerator pedal	3.430
2.	GROMMET - Cable insulator	3.430
3.	RETAINER - Cable assembly	3.430
4.	CABLE ASSEMBLY - Throttle	3.430
5.	SPRING - Lever return	3.371

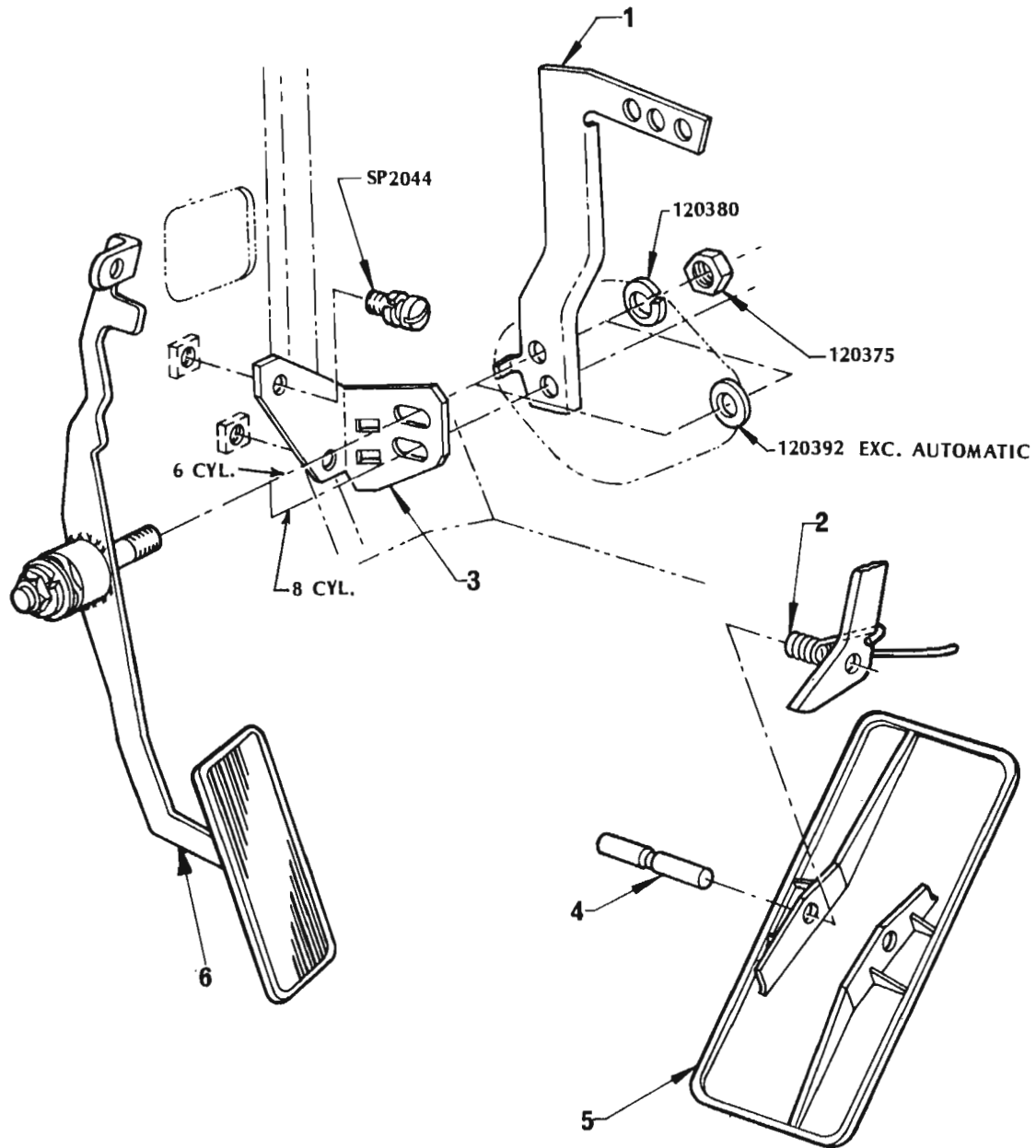


VIEW **A** 5 LITRE ENGINE

VIEW **A** 4.2 LITRE ENGINE

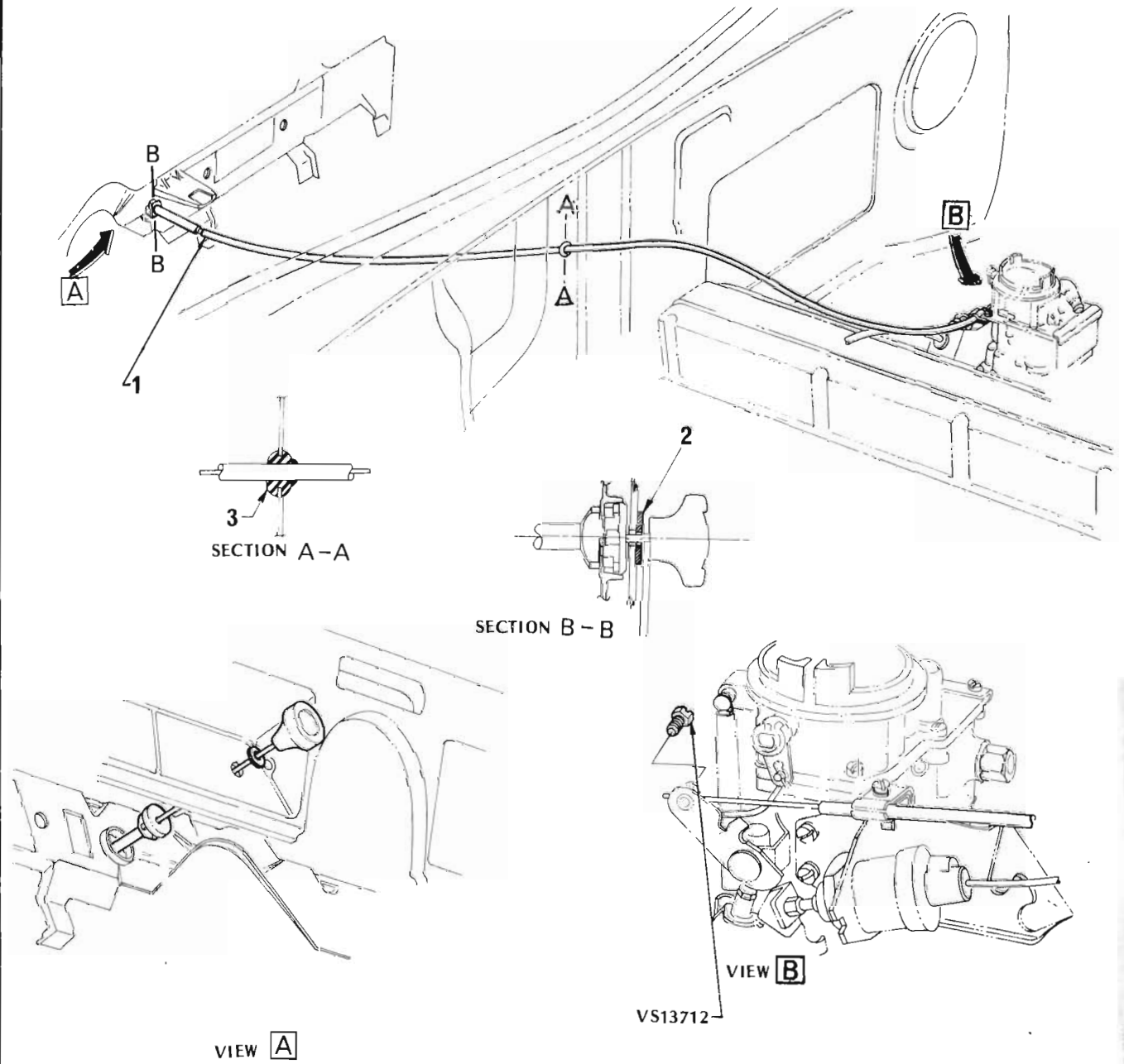
THROTTLE CONTROL
EMISSION CONTROL – ADR27A
8 Cylinder Engine

ILLUS. REF. NO.	PART NAME	GROUP
1.	LEVER & PIVOT ASSEMBLY – Accelerator pedal	3.430
2.	GROMMET – Cable insulator	3.430
3.	RETAINER – Cable assembly	3.430
4.	CABLE ASSEMBLY – Throttle	3.430
5.	BRACKET – Cable retaining	3.430
6.	SPRING – Return	3.459
7.	BRACKET – Return spring	3.459
8.	VALVE – T.C.S: switch solenoid	2.408
9.	SPACER – Valve	3.459



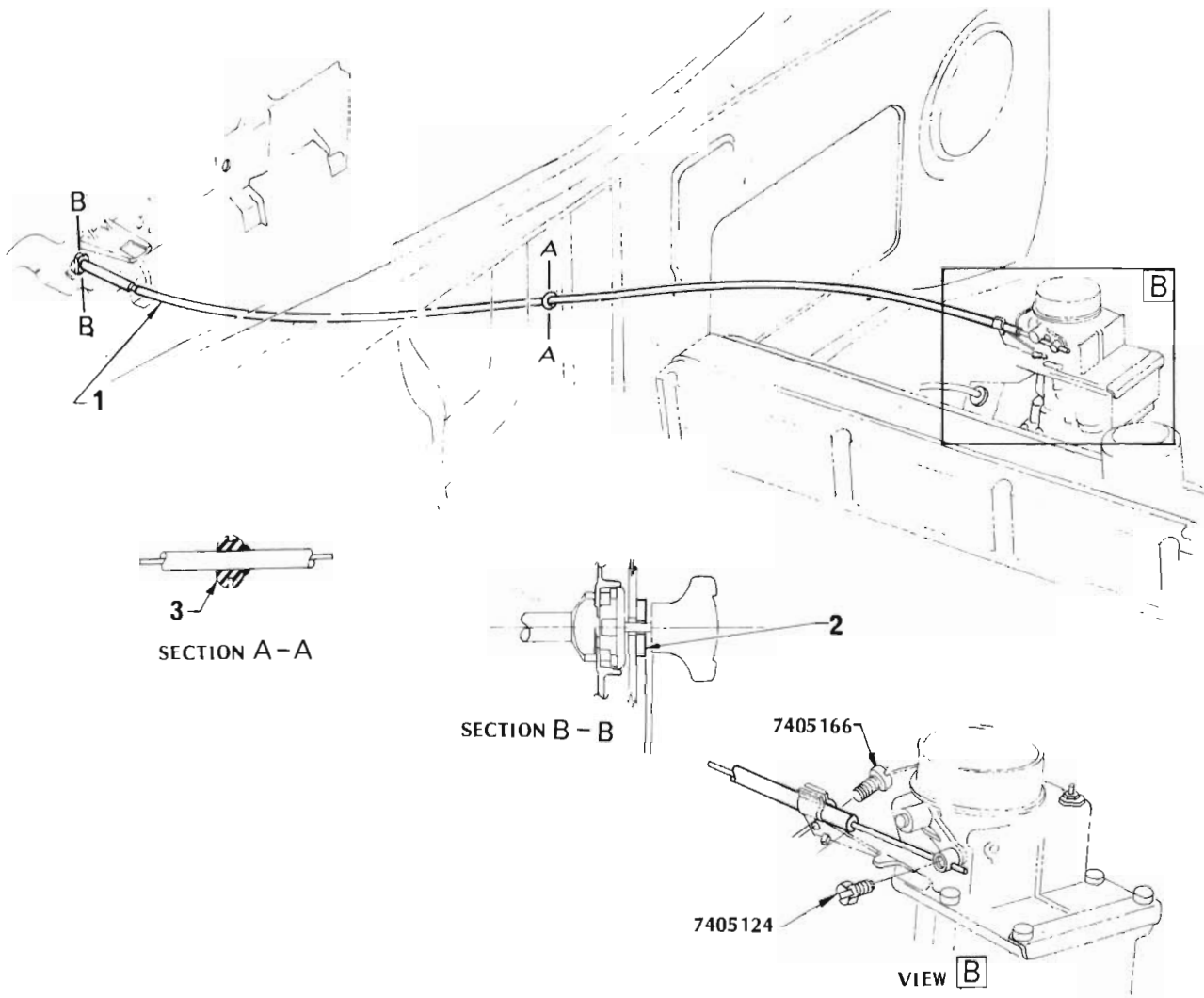
ACCELERATOR PEDAL

ILLUS. REF. NO.	PART NAME	GROUP
1.	BRACKET - Solenoid detent actuating switch	4.054
2.	SPRING - Pedal tension	3.459
3.	BRACKET - Accelerator pedal	3.451
4.	PIN - Pedal to lever	3.451
5.	PEDAL ASSEMBLY	3.451
6.	LEVER & PIVOT ASSEMBLY - Accelerator pedal	3.430



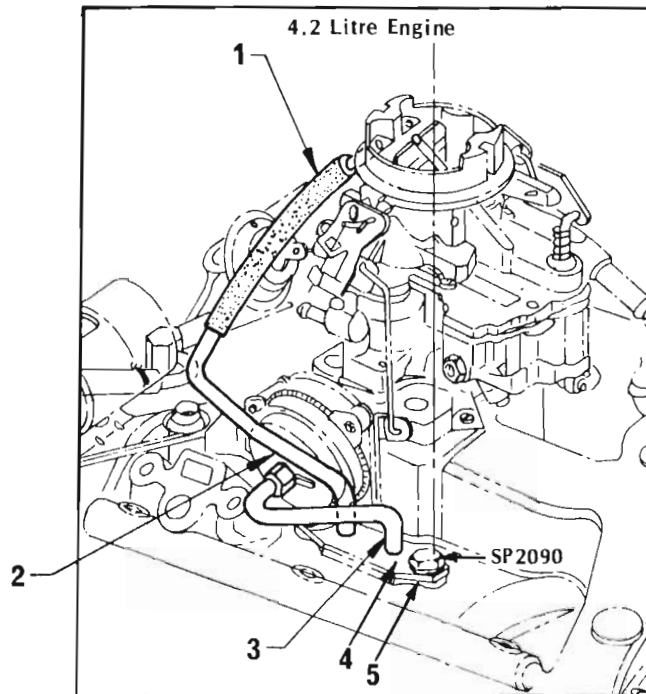
CHOKE CONTROL
EMISSION CONTROL – ADR27A
6 Cylinder Engine

ILLUS. REF. NO.	PART NAME	GROUP
1.	CONTROL ASSEMBLY – Choke	3.521
2.	COVER – Choke cable hole	2.515
3.	GROMMET – Choke control to dash panel	3.521

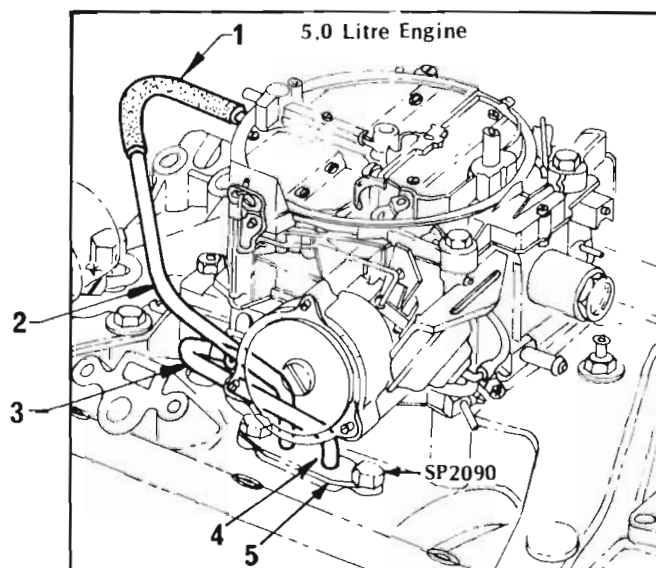


CHOKE CONTROL
WITHOUT EXHAUST EMISSION CONTROL
6 Cylinder Engine

ILLUS. REF. NO.	PART NAME	GROUP
1.	CONTROL ASSEMBLY	3.521
2.	COVER - Choke cable hole	2.515
3.	GROMMET - Choke control to dash panel	3.521



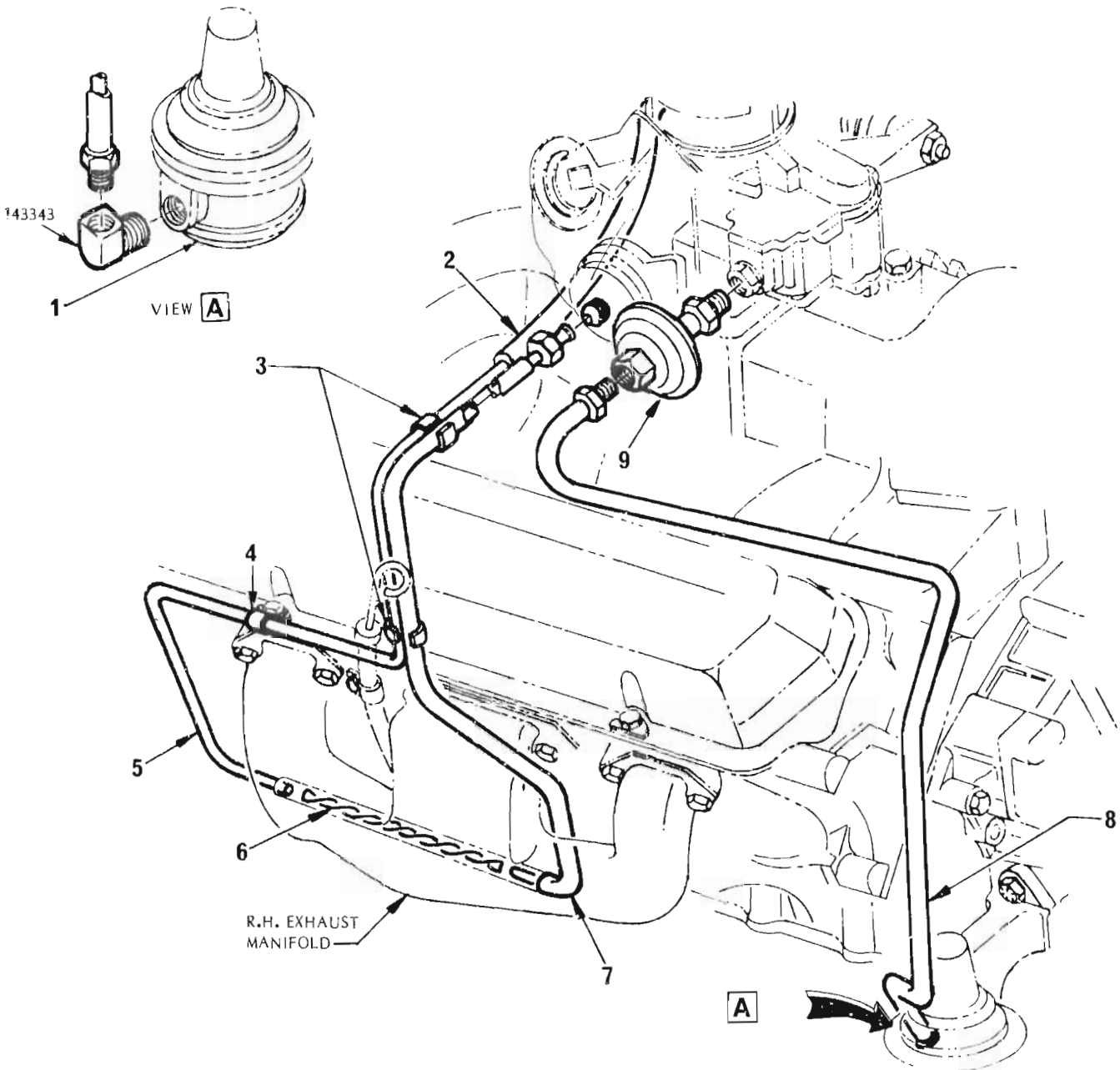
**BENDIX
CARBURETTOR**



**ROCHESTER
CARBURETTOR**

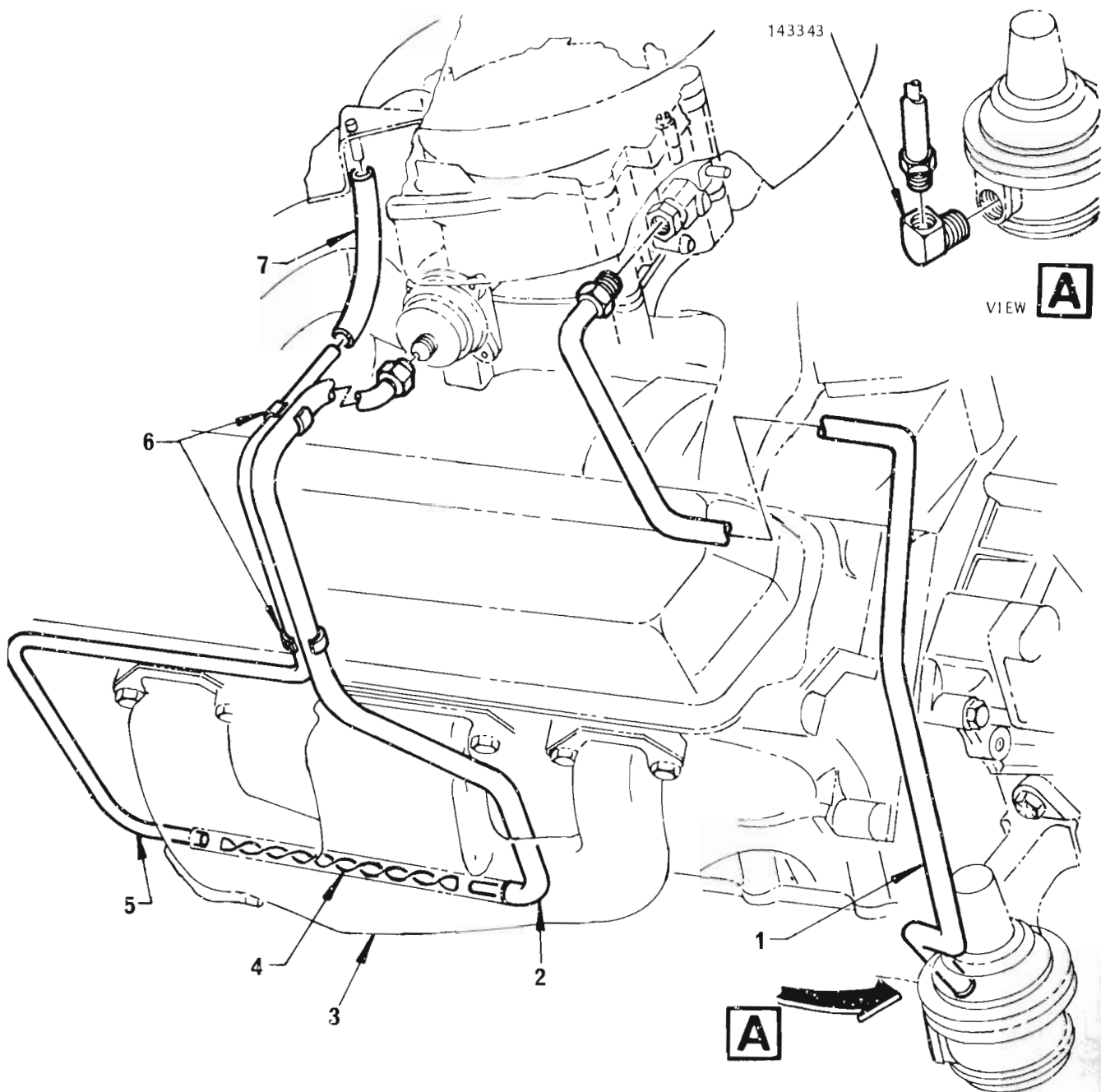
AUTOMATIC CHOKE
EMISSION CONTROL - ADR27A
8 Cylinder Engine

ILLUS. REF. NO.	PART NAME	GROUP
1.	HOSE - Choke pipe to carburettor	3.603
2.	PIPE - Choke heat inlet	3.603
3.	PIPE - Choke hot air	3.603
4.	TUBE & PLATE ASSEMBLY	3.603
5.	GASKET - Tube & plate assembly to manifold	3.603



**AUTOMATIC CHOKE
WITHOUT EXHAUST EMISSION CONTROL
4.2 Litre Engine -- Bendix Carburettor**

ILLUS. REF. NO.	PART NAME	GROUP
1.	PUMP ASSEMBLY -- Fuel	3.900
2.	HOSE -- Inlet	3.603
3.	CLIP -- Pipe	3.603
4.	CLIP -- Pipe to rocker cover	3.603
5.	PIPE -- Air inlet	3.603
6.	BAFFLE -- Choke heat tube	3.603
7.	PIPE -- Air heat	3.603
8.	PIPE ASSEMBLY -- Carburettor fuel	3.201
9.	FILTER ASSEMBLY -- Fuel	3.890



AUTOMATIC CHOKE
WITHOUT EXHAUST EMISSION CONTROL
5.0 Litre Engine – Rochester Carburettor

ILLUS. REF. NO.	PART NAME	GROUP
1.	PIPE – Fuel pump to carburettor	3.201
2.	PIPE – Air heat	3.603
3.	MANIFOLD ASSEMBLY – Exhaust	3.601
4.	BAFFLE – Choke heat tube	3.603
5.	PIPE – Air inlet	3.603
6.	CLIP – Pipe	3.603
7.	HOSE – Air inlet pipe	3.603

FUEL ECONOMY WARNING LIGHT
 AUTO TRANSMISSION
 AIR CONDITIONING

DISC BRAKES



2820727

FUEL ECONOMY WARNING LIGHT
 AUTO TRANSMISSION

DISC BRAKES

FUEL ECONOMY WARNING LIGHT
 AIR CONDITIONING



9942268

9942269

DISC BRAKES
 FUEL ECONOMY WARNING LIGHT
 AIR CONDITIONING

AUTO TRANSMISSION



9942273

AUTO TRANSMISSION

DISC BRAKES

FUEL ECONOMY WARNING LIGHT



9942272

DISC BRAKES
 FUEL ECONOMY WARNING LIGHT
 AUTO TRANSMISSION

REAR COMP. LID LOCK



9942271

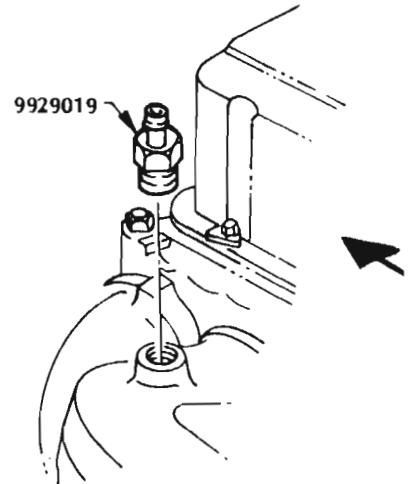
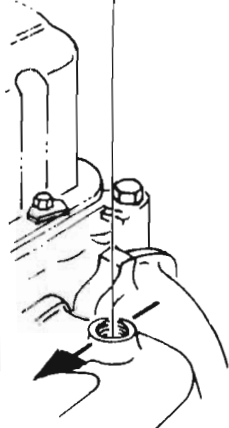
REAR COMP. LID LOCK

DISC BRAKES

REAR COMP. LID LOCK



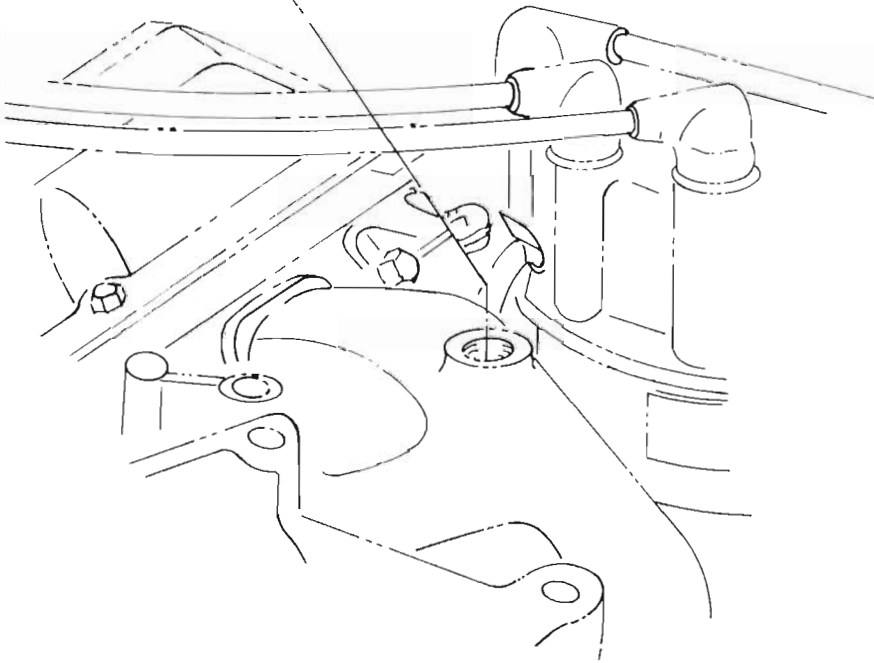
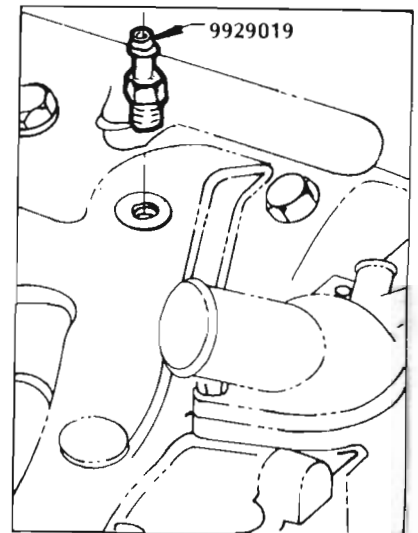
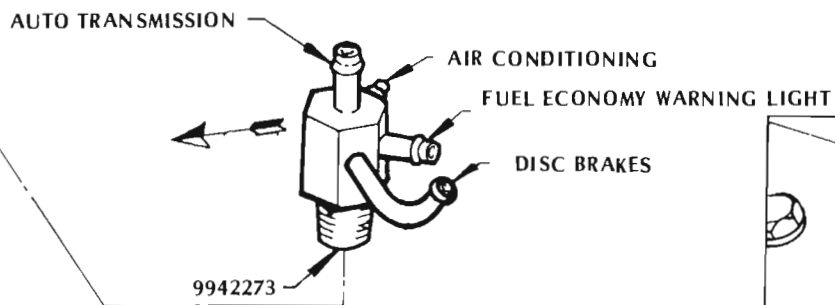
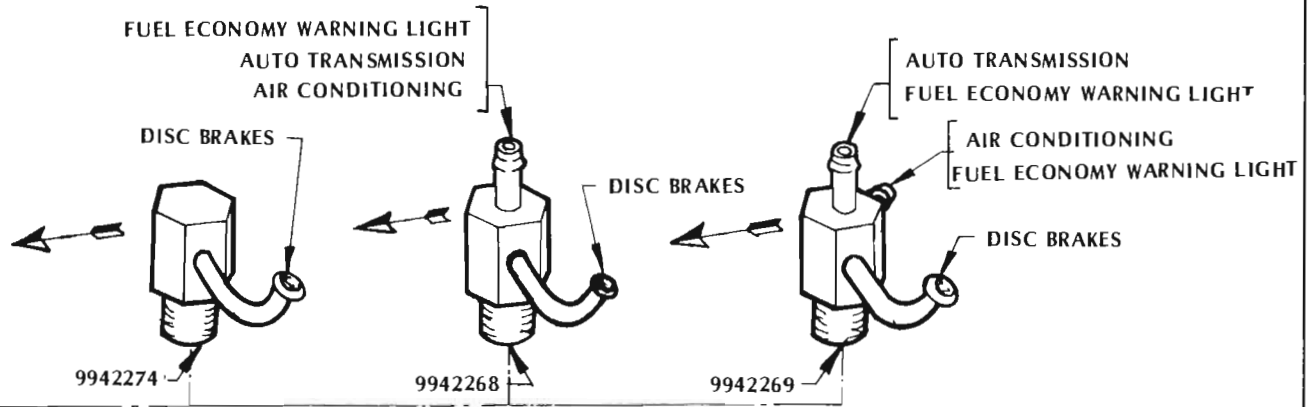
9942270



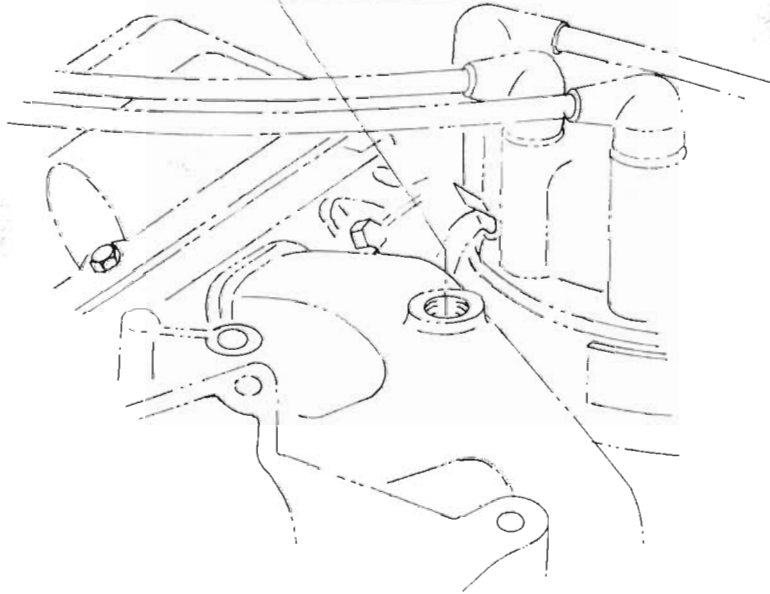
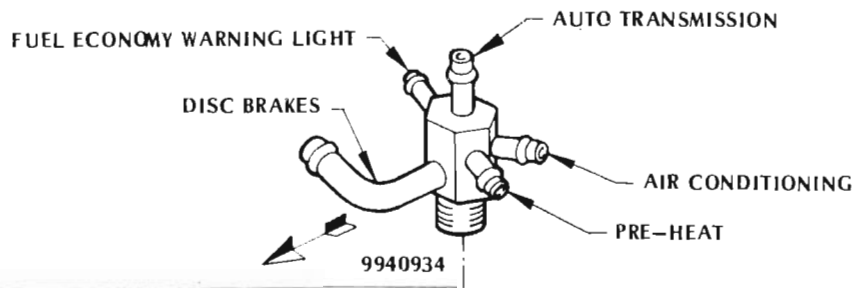
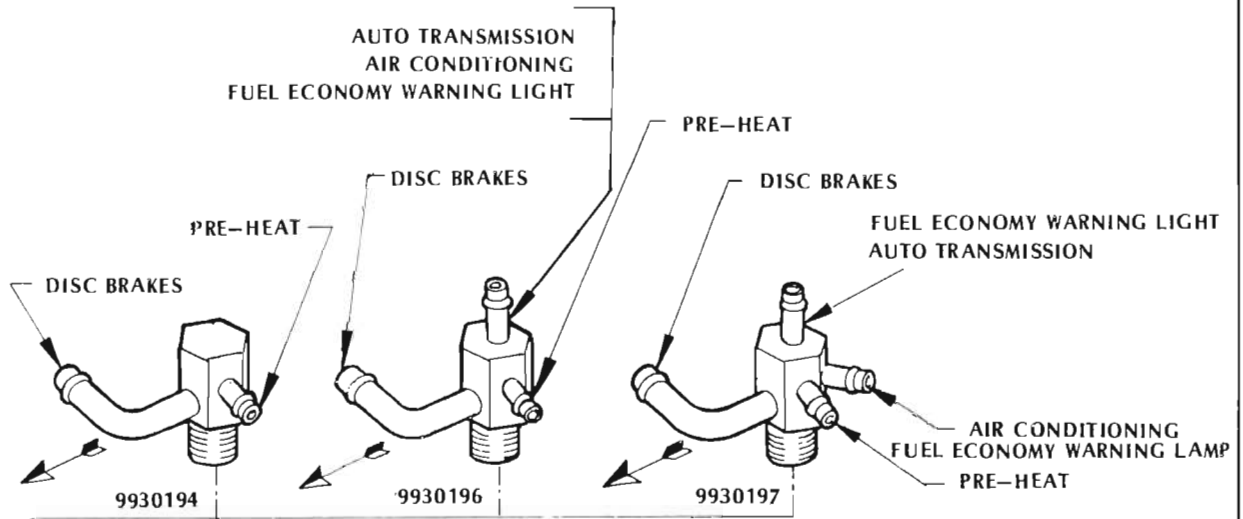
VACUUM ADAPTORS

6 Cylinder Engine

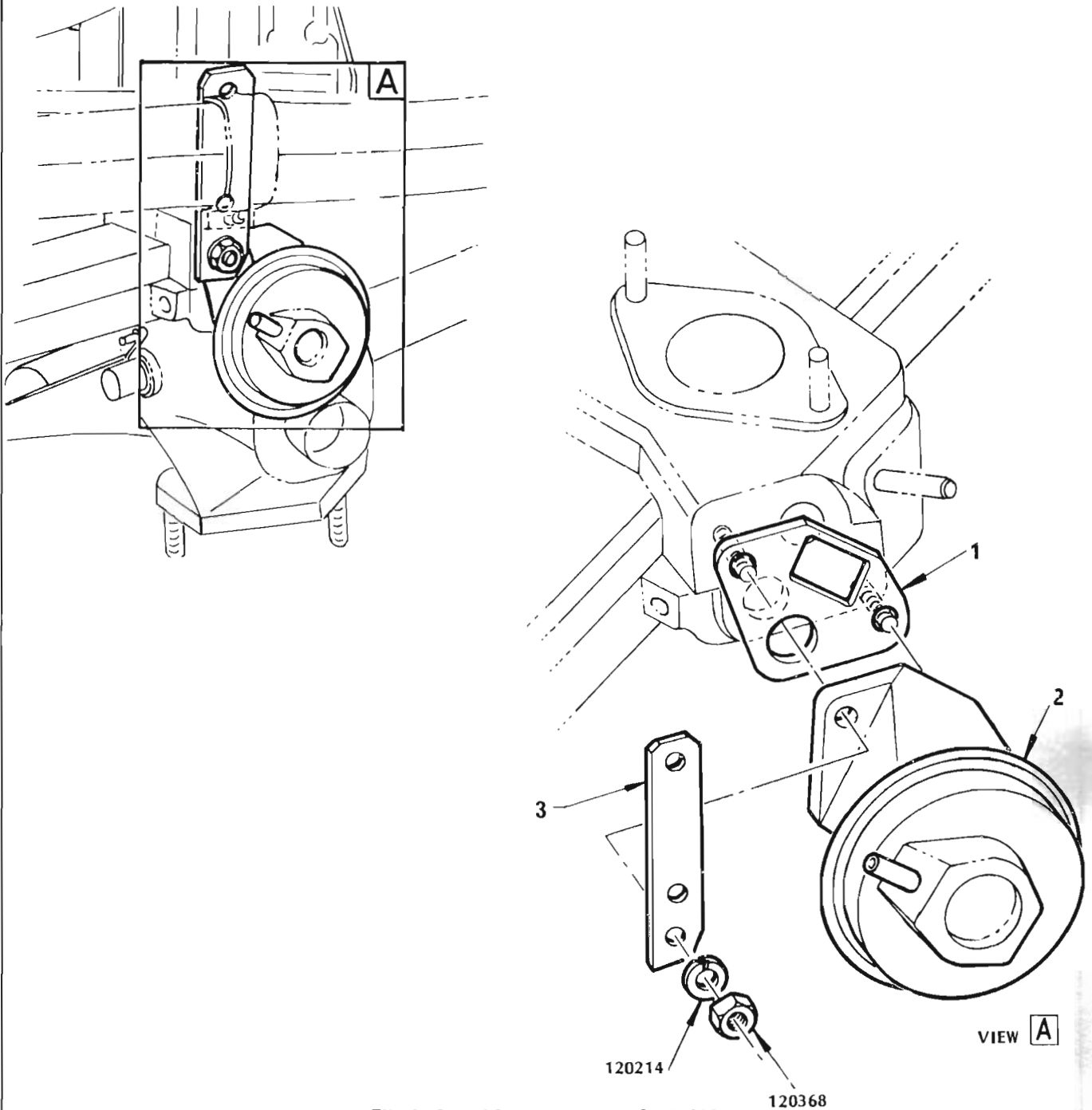
Refer Group 3.265



VACUUM ADAPTORS
EMISSION CONTROL — ADR27A
 8 Cylinder Engine
 Refer Group 3.265

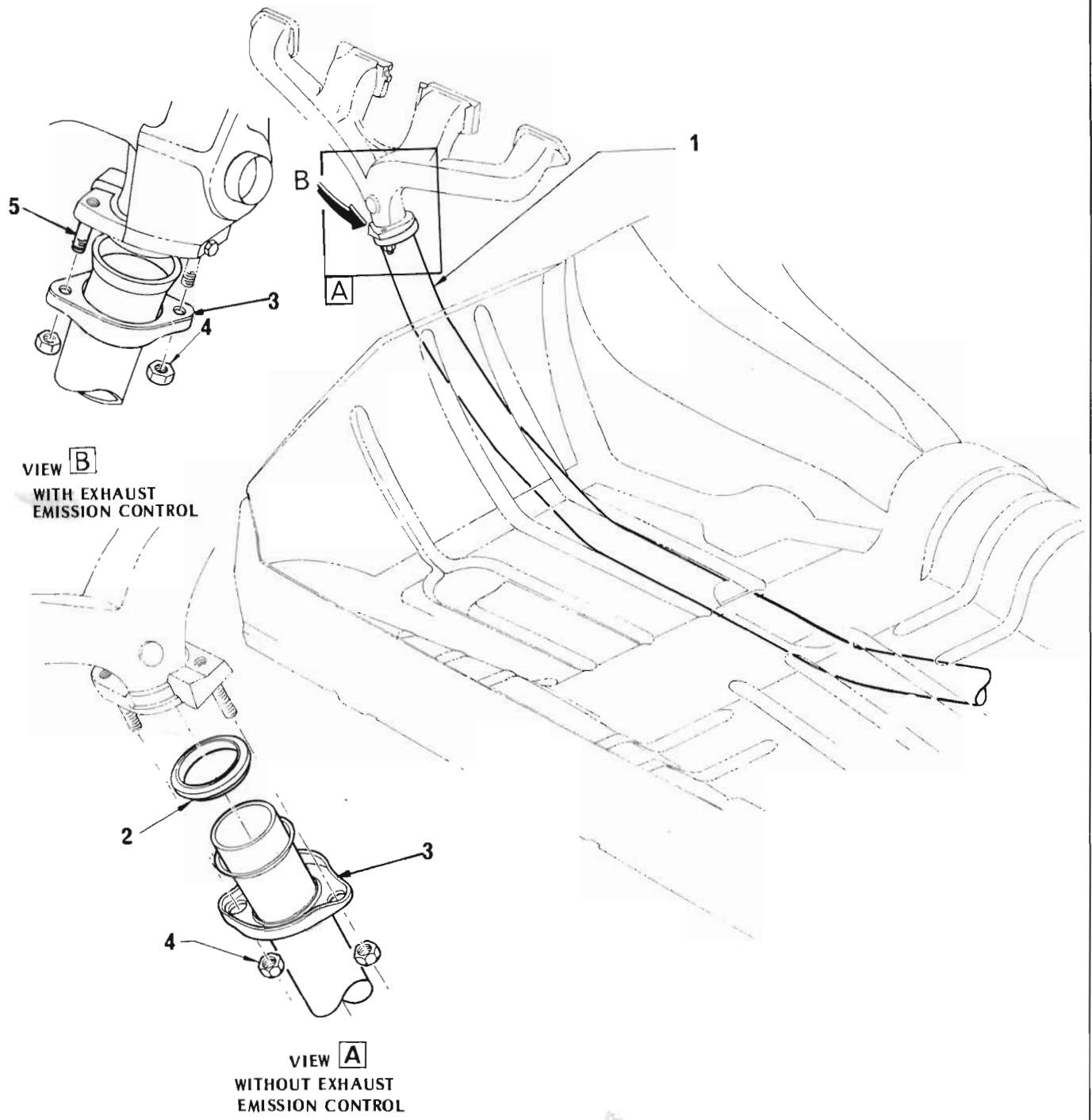


VACUUM ADAPTORS
WITHOUT EXHAUST EMISSION CONTROL
8 Cylinder Engine
Refer Group 3.265



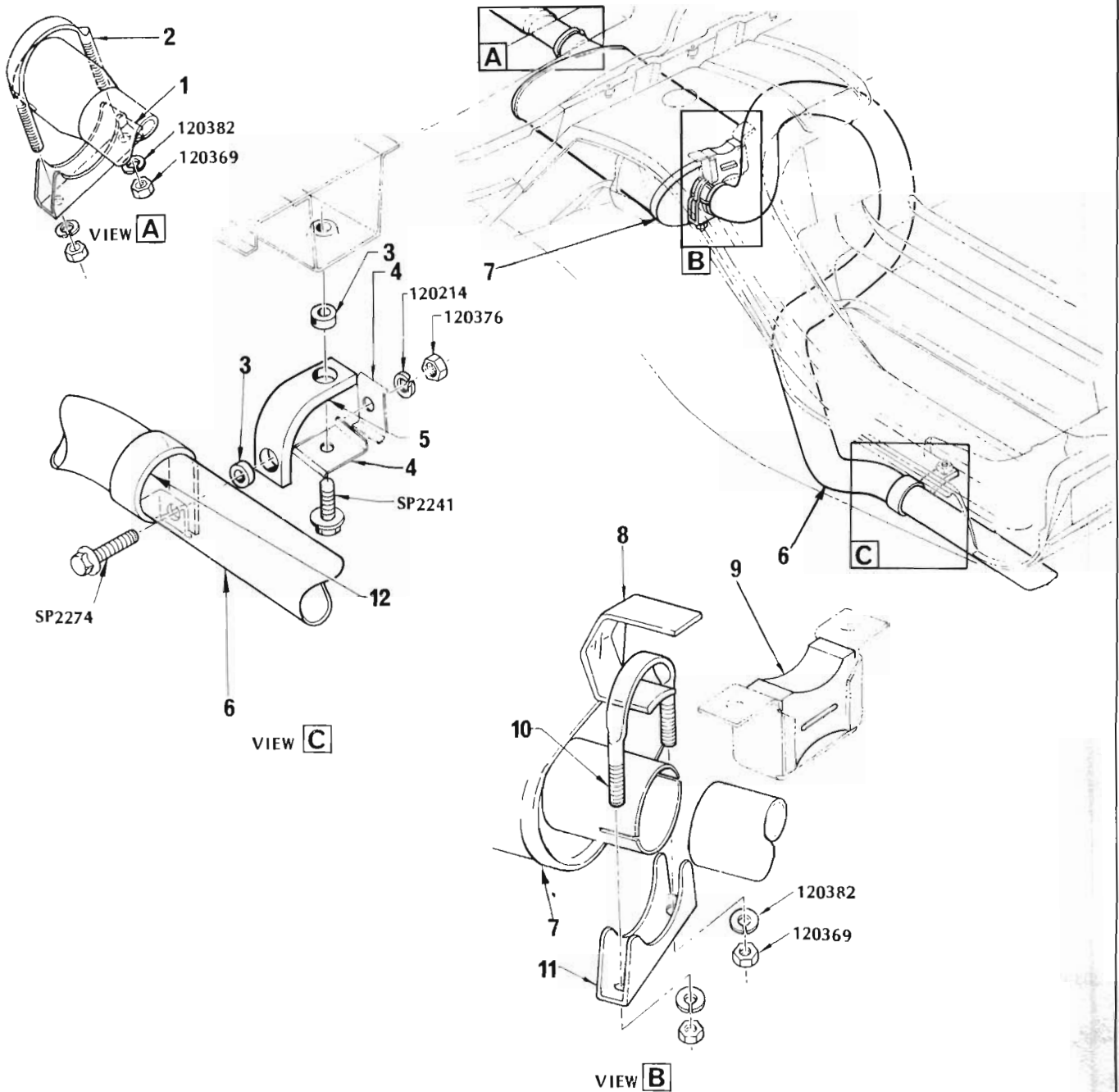
EXHAUST GAS RECIRCULATION VALVE
6 Cylinder Engine

ILLUS. REF. NO.	PART NAME	GROUP
1.	GASKET - Valve	3.670
2.	VALVE - Exhaust gas recirculation	3.670
3.	BRACKET - Heater hose support to engine	3.670



EXHAUST SYSTEM
6 Cylinder Engine

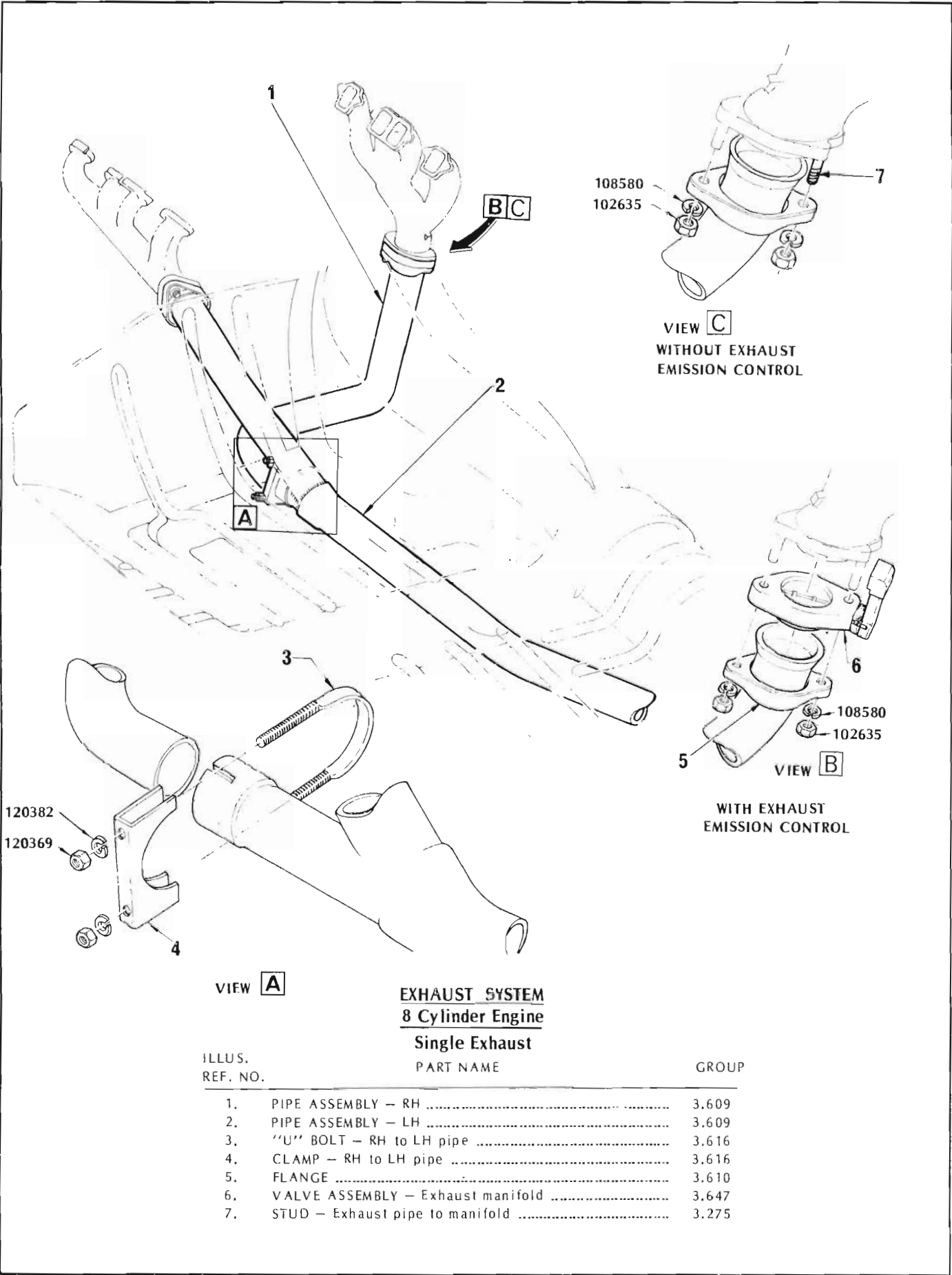
ILLUS. REF. NO.	PART NAME	GROUP
1.	PIPE ASSEMBLY	3.609
2.	PACKING - Exhaust pipe to manifold.....	3.611
3.	FLANGE - Exhaust pipe.....	3.610
4.	NUT - Flange to manifold	3.275
5.	STUD - Exhaust pipe to manifold	3.275



MUFFLER and TAIL PIPE

6 Cylinder Engine

ILLUS. REF. NO.	PART NAME	GROUP
1.	CLAMP — Pipe to muffler	3.616
2.	"U" BOLT — Pipe to muffler	3.616
3.	SPACER	3.710
4.	REINFORCEMENT	3.710
5.	INSULATOR	3.710
6.	PIPE — Muffler tail	3.705
7.	MUFFLER ASSEMBLY	3.701
8.	SUPPORT — Muffler.....	3.704
9.	INSULATOR — Support	3.704
10.	"U" BOLT — Muffler to tail pipe	3.706
11.	CLAMP — Muffler to tail pipe	3.706
12.	CLAMP	3.710



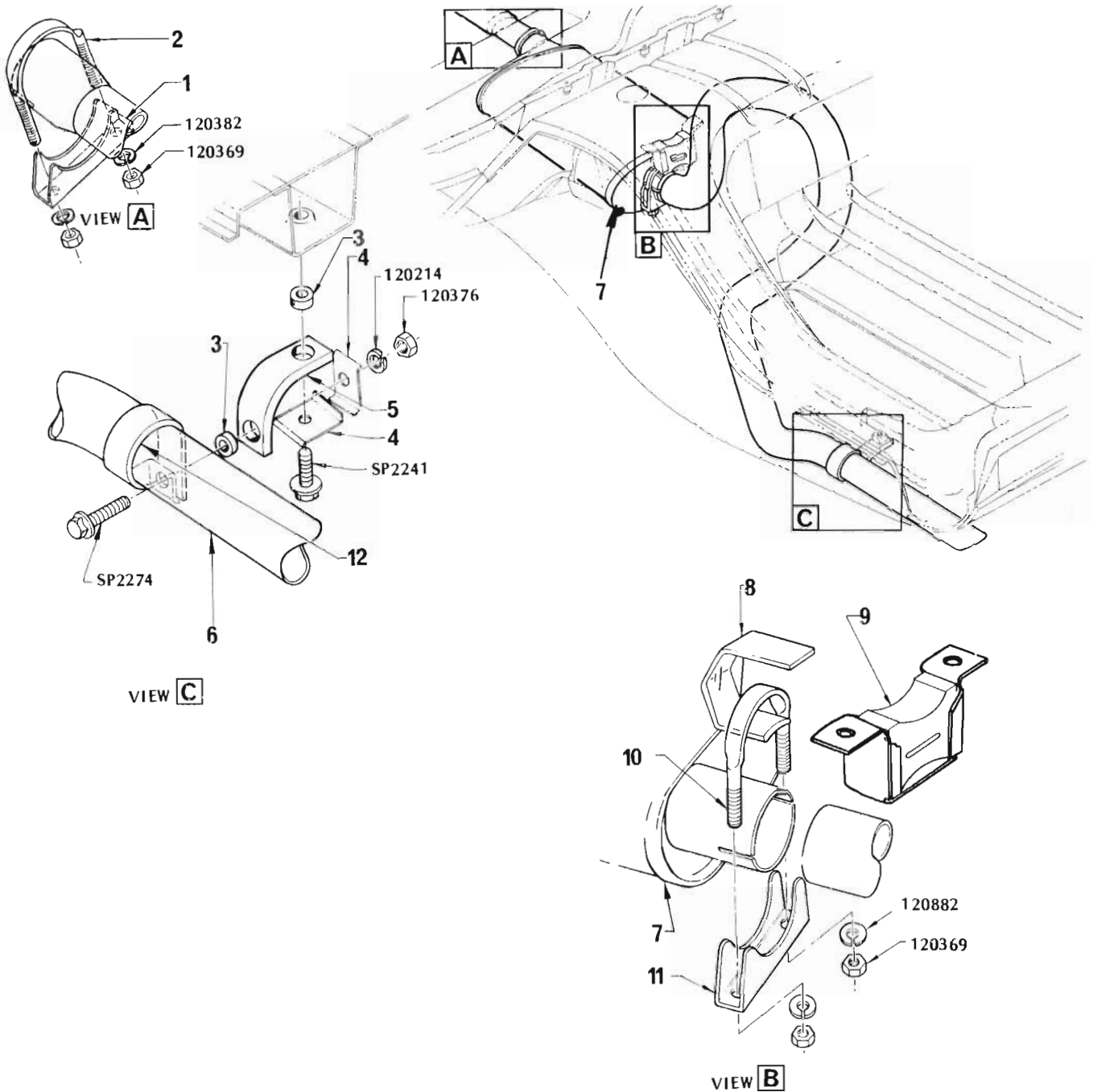
VIEW **A**

VIEW **C**
WITHOUT EXHAUST
EMISSION CONTROL

VIEW **B**
WITH EXHAUST
EMISSION CONTROL

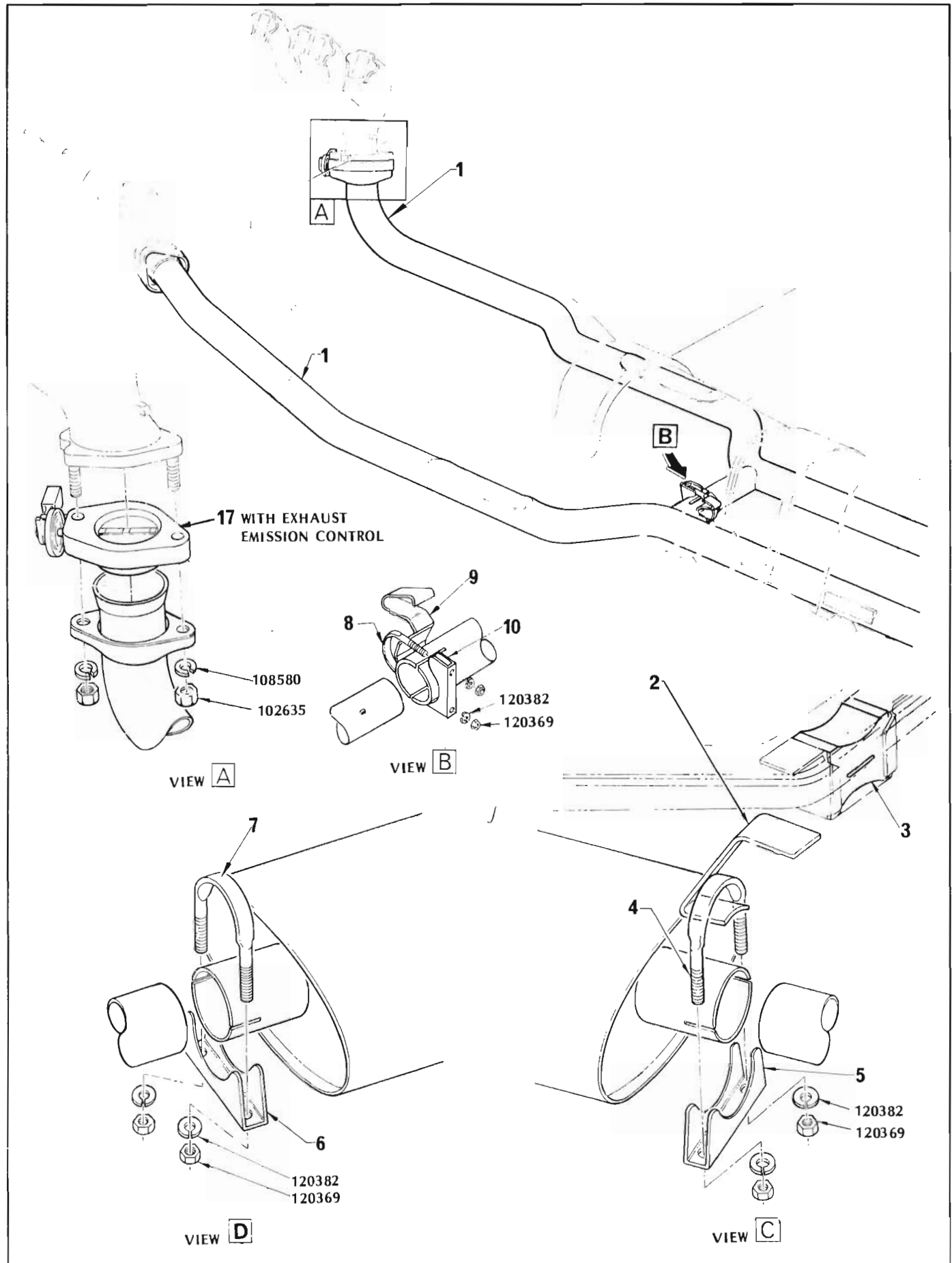
EXHAUST SYSTEM
8 Cylinder Engine
Single Exhaust

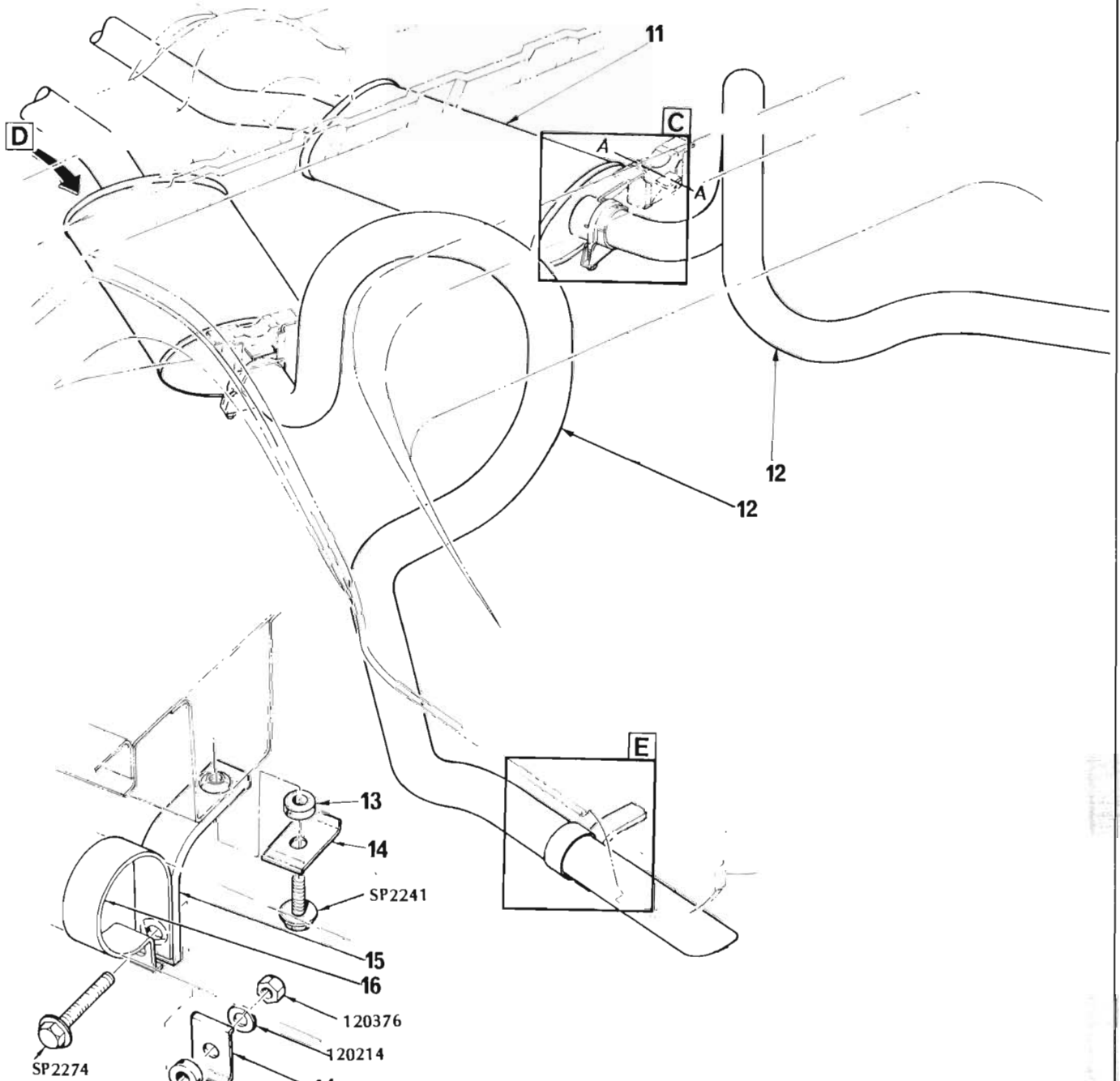
ILLUS. REF. NO.	PART NAME	GROUP
1.	PIPE ASSEMBLY - RH	3.609
2.	PIPE ASSEMBLY - LH	3.609
3.	"U" BOLT - RH to LH pipe	3.616
4.	CLAMP - RH to LH pipe	3.616
5.	FLANGE	3.610
6.	VALVE ASSEMBLY - Exhaust manifold	3.647
7.	STUD - Exhaust pipe to manifold	3.275



MUFFLER and TAIL PIPE
8 Cylinder Engine
Single Exhaust

ILLUS. REF. NO.	PART NAME	GROUP
1.	CLAMP - Pipe to muffler	3.616
2.	'U' BOLT - Pipe to muffler	3.616
3.	SPACER	3.710
4.	REINFORCEMENT	3.710
5.	INSULATOR	3.710
6.	PIPE - Muffler tail	3.705
7.	MUFFLER ASSEMBLY	3.701
8.	SUPPORT - Muffler	3.704
9.	INSULATOR - Support	3.704
10.	'U' BOLT - Muffler to tail pipe	3.706
11.	CLAMP - Muffler to tail pipe	3.706
12.	CLAMP	3.710

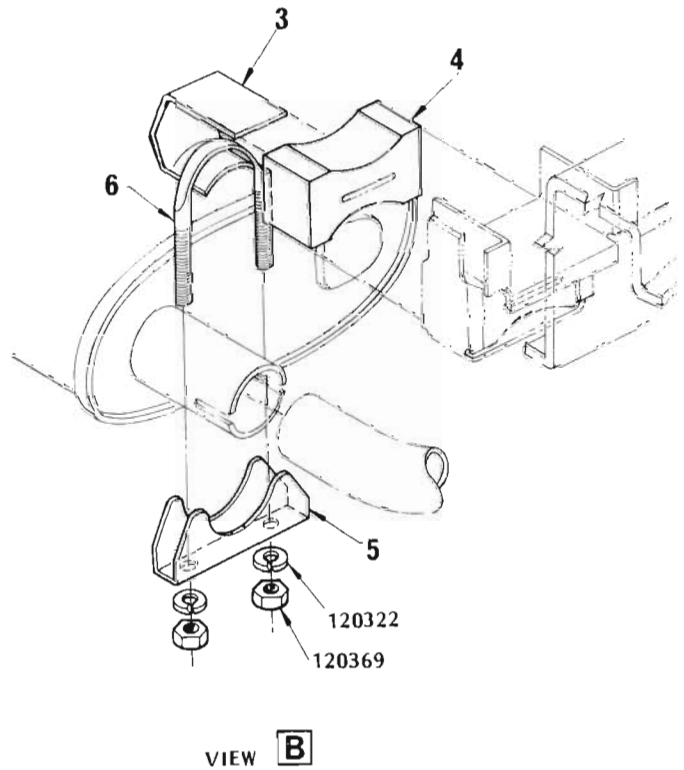
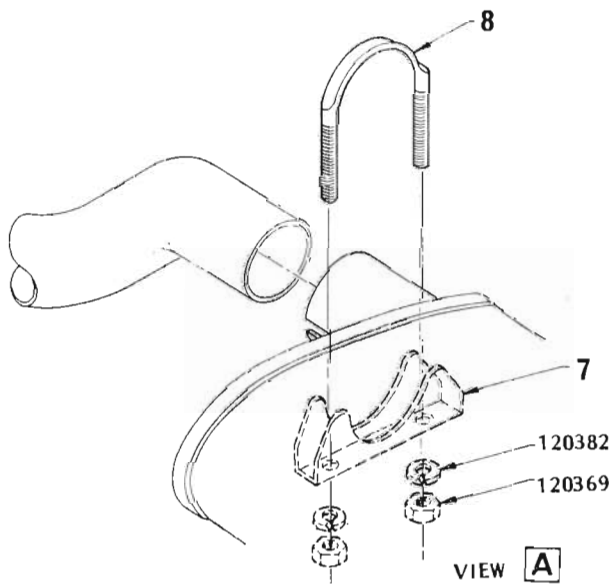
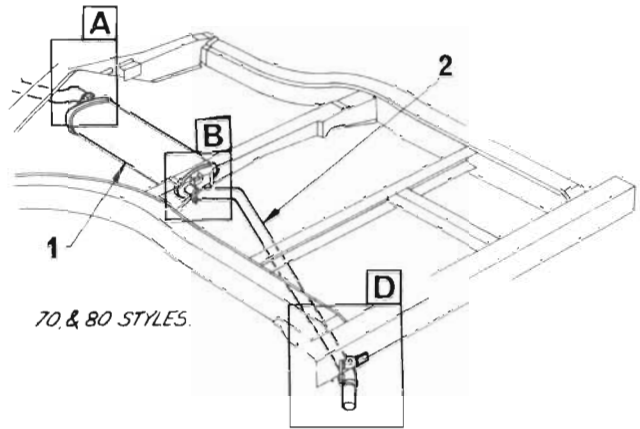
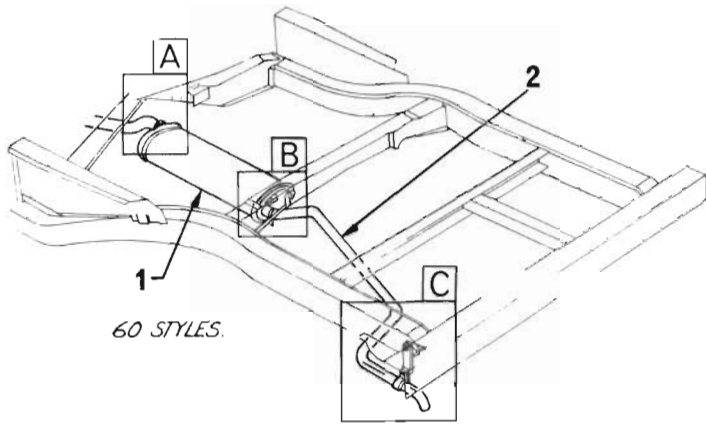




EXHAUST SYSTEM
Dual Exhaust

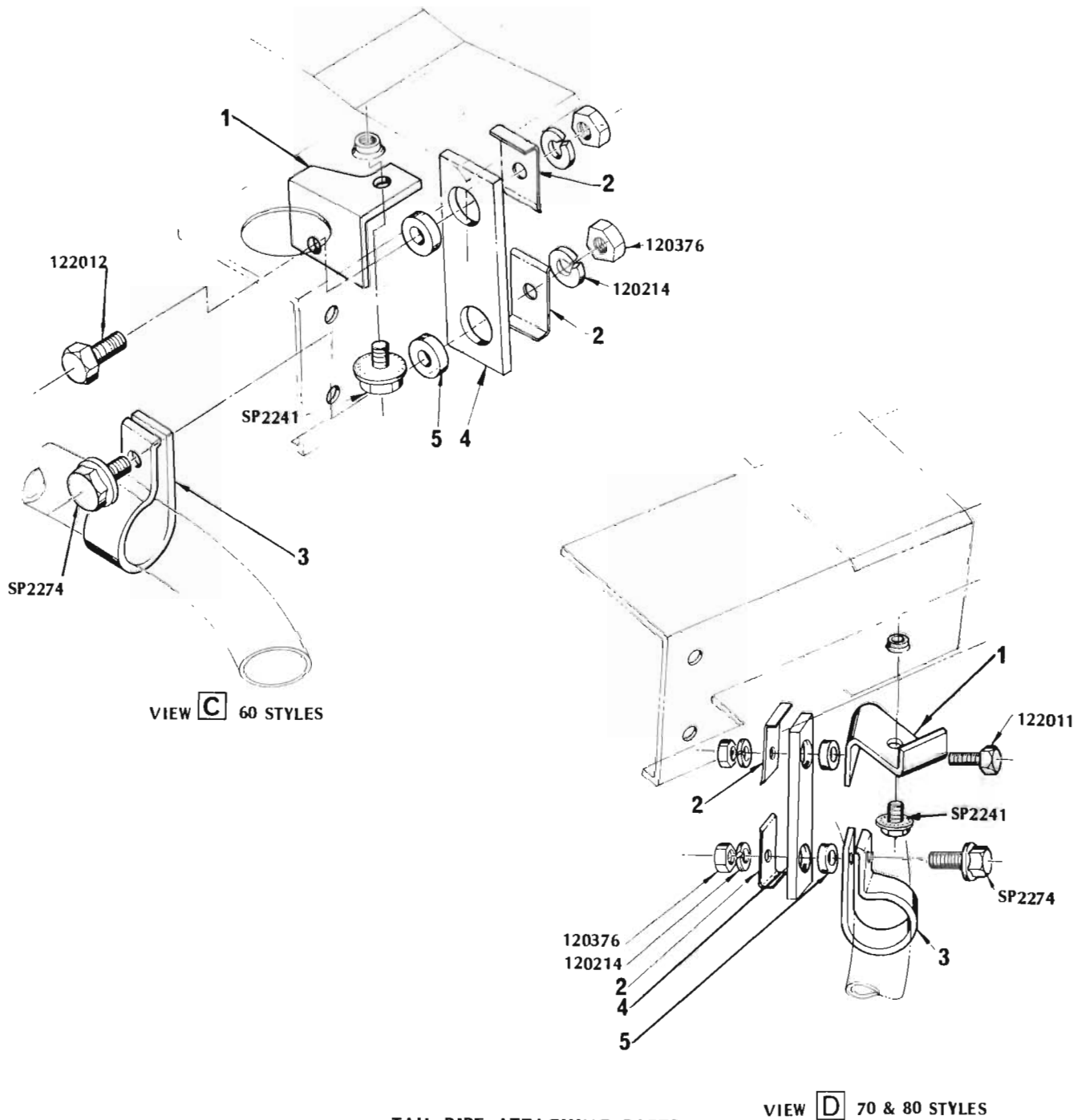
ILLUSTRATION ABOVE and OPPOSITE

ILLUS. REF. NO.	PART NAME	GROUP
1.	PIPE ASSEMBLY	3.609
2.	SUPPORT - Lower	3.704
3.	INSULATOR - Support	3.704
4.	'U' BOLT - Muffler to tail pipe	3.706
5.	CLAMP - Muffler to tail pipe	3.706
6.	CLAMP - Pipe to muffler	3.616
7.	'U' BOLT - Pipe to muffler	3.616
8.	'U' BOLT - RH to LH balance pipe	3.616
9.	GUIDE - Exhaust balance pipe	4.829
10.	CLAMP - RH to LH balance pipe	3.616
11.	MUFFLER ASSEMBLY	3.701
12.	PIPE - Muffler tail	3.705
13.	SPACER-Tail pipe	3.710
14.	REINFORCEMENT	3.710
15.	INSULATOR	3.710
16.	CLAMP - Tail pipe	3.710
17.	VALVE ASSEMBLY	3.647



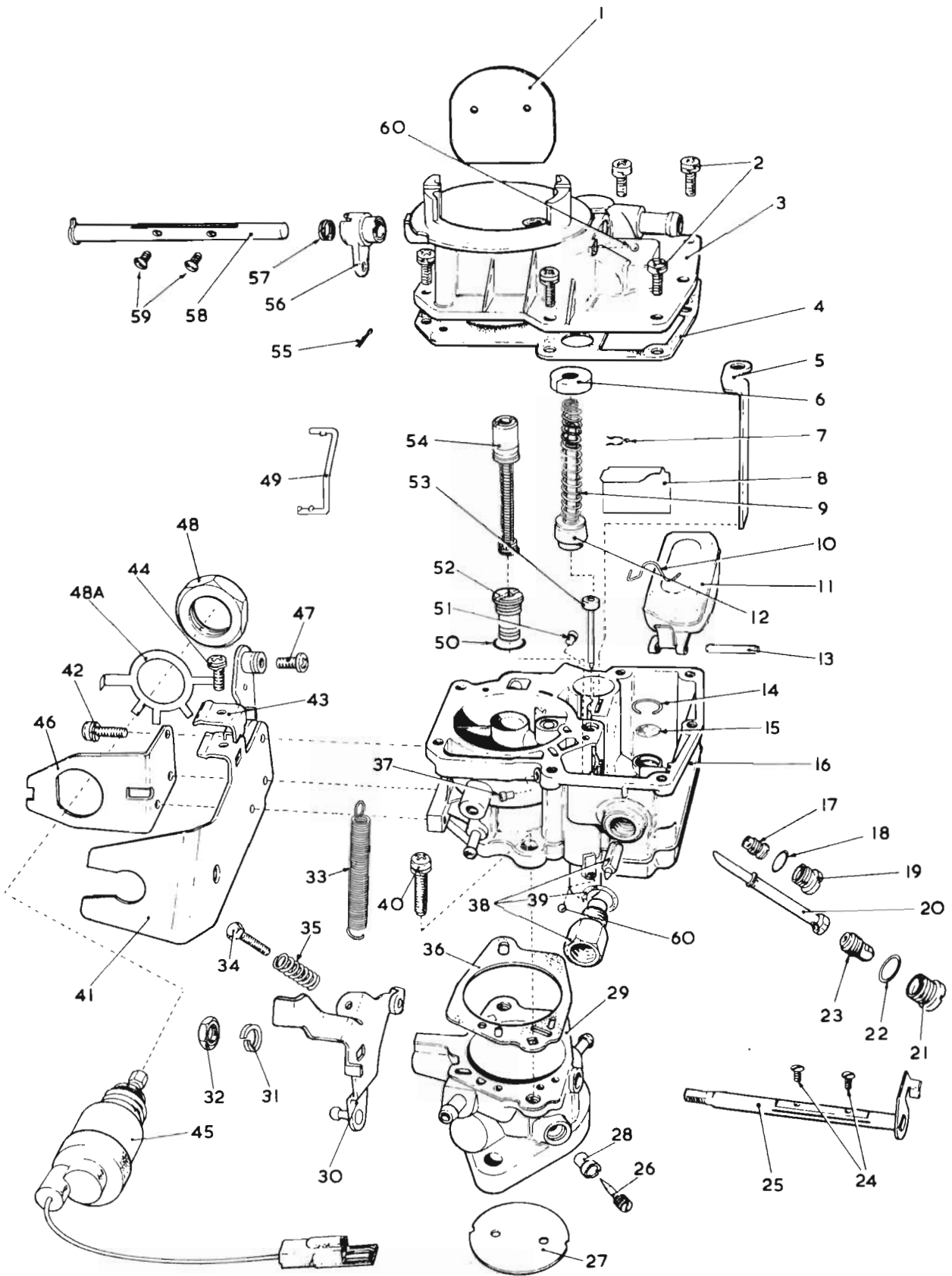
MUFFLER and TAIL PIPE
60, 70 & 80 Body Styles

ILLUS. REF. NO.	PART NAME	GROUP
1.	MUFFLER ASSEMBLY	3.701
2.	PIPE - Muffler tail	3.705
3.	SUPPORT - Muffler	3.704
4.	INSULATOR - Support	3.704
5.	CLAMP - Muffler to tail pipe	3.706
6.	"U" BOLT - Muffler to tail pipe	3.706
7.	CLAMP - Pipe to muffler	3.616
8.	"U" BOLT - Pipe to muffler	3.616



TAIL PIPE ATTACHING PARTS
60, 70 & 80 Body Styles

ILLUS. REF. NO.	PART NAME	GROUP
1.	BRACKET – Tail pipe	3.710
2.	REINFORCEMENT – Tail pipe	3.710
3.	CLAMP – Tail pipe	3.710
4.	INSULATOR – Tail pipe	3.710
5.	SPACER – Tail pipe	3.710



CARBURETTOR

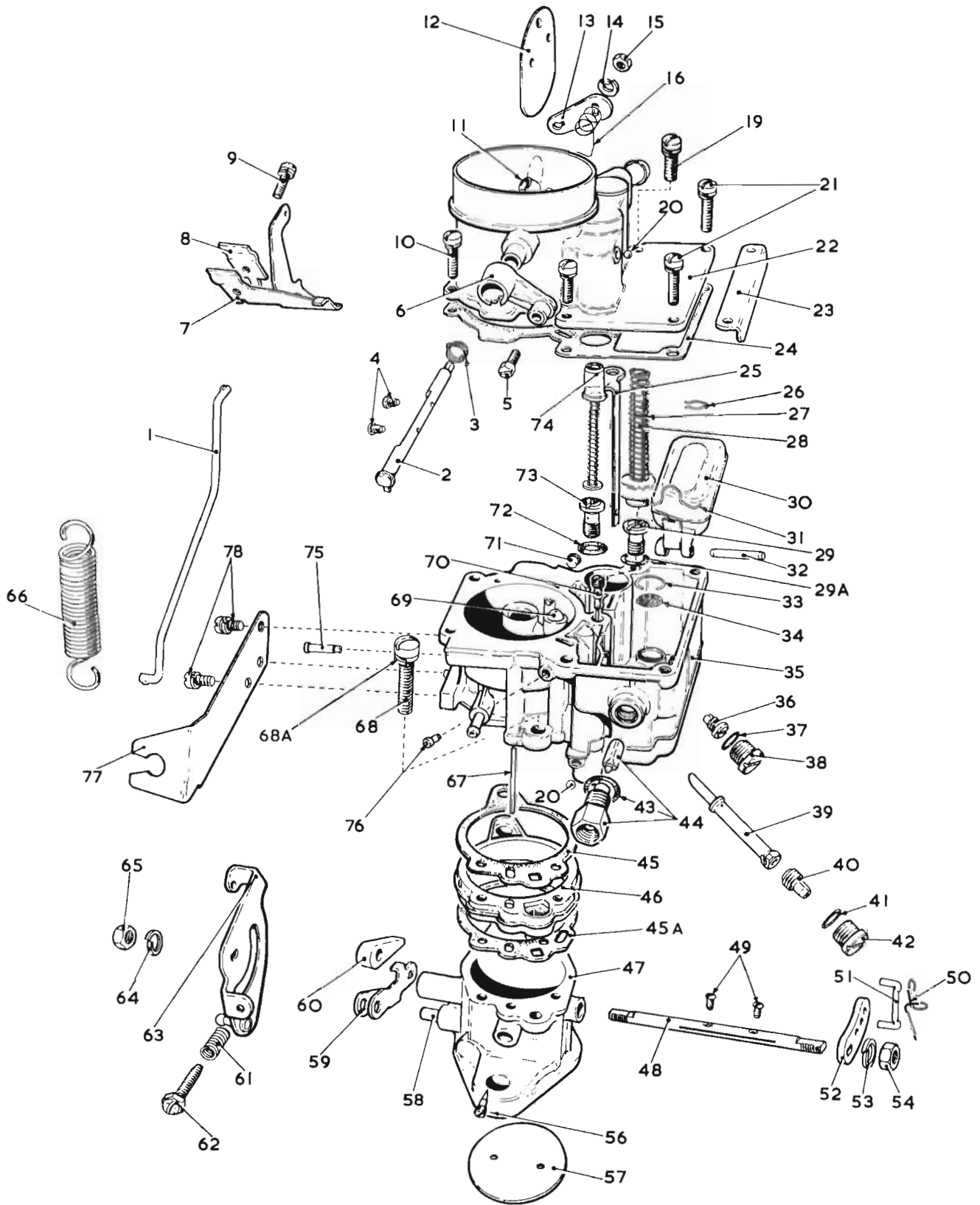
BENDIX

6 Cylinder Engine – Emission Control – ADR27A

ILLUSTRATION OPPOSITE

ILLUS. REF. NO.	PART NAME	GROUP	ILLUS. REF. NO.	PART NAME	GROUP
1-60	CARBURETTOR ASSEMBLY	3.725	31.	WASHER – Throttle lever	3.731
1.	VALVE – Choke	3.789	32.	NUT – Throttle shaft	3.731
2.	SCREW & LOCK WASHER – Air horn	3.763	33.	SPRING – Lever return	3.731
3.	AIR HORN ASSEMBLY	3.763	34.	SCREW – Slow idle adjusting	3.734
4.B,C,D.	GASKET – Air horn	3.767	35.	SPRING – Slow idle adjusting screw	3.734
5.	ROD – Pump	3.782	36.B,C,D	GASKET – Throttle body	3.749
6.	BUSH – Spring retaining	3.779	37.	PLUG – Main body idle channel	3.767
7.B,C	PIN – Cotter	3.778	38.B,C	VALVE & SEAT ASSEMBLY – Float needle ..	3.771
8.	BAFFLE – Float	3.776	39.B,C,D	GASKET – Float needle valve seat	3.772
9.	SPRING – Pump stem	3.779	40.	SCREW & WASHER – Main body	3.748
10.B	SPRING – Float fulcrum pin	3.775	41.	BRACKET – Throttle cable support	3.731
11.	FLOAT & LEVER ASSEMBLY	3.773	42.	SCREW – Bracket attaching	3.731
12.B,C	PISTON & STEM ASSEMBLY – Pump	3.778	43.	CLAMP – Choke outer cable	3.795
13.	PIN – Float fulcrum	3.775	44.	SCREW – Cable clamp	3.795
14.B	CLIP – Pump screen	3.787	45.	SOLENOID – Anti dieseling	3.440
15.B	SCREEN – Pump strainer	3.787	46.	BRACKET – Solenoid to carburettor	3.444
16.	BODY ASSEMBLY – Main	3.748	47.	SCREW – Wire clamp	3.795
17.B	VALVE – Pump check	3.784	48.	NUT – Solenoid to bracket	3.444
18.B,C,D	GASKET – Pump check plug	3.784	48A.	WASHER – Solenoid to bracket	3.444
19.	PLUG – Pump check valve	3.784	49.	LINK – Choke	3.798
20.	JET – Main discharge	3.754	50.B,C,D	GASKET – Power by-pass	3.757
21.B	PLUG – Main metering jet	3.755	51.B	PLUG – Drive	3.767
22.B,C,D	GASKET – Main metering jet plug	3.756	52.B	JET – Power by-pass	3.757
23.B	JET – Main metering	3.754	53.B	TUBE – Idle	3.752
24.	SCREW – Valve attaching	3.729	54.	PISTON ASSEMBLY – Vacuum power	3.788
25.	SHAFT – Throttle	3.731	55.	CLIP – Choke link	3.791
26.B,C	VALVE – Idle needle	3.741	56.	LEVER ASSEMBLY – Choke	3.791
27.	VALVE – Carburettor throttle	3.729	57.	SPRING – Choke lever	3.791
28.	BUSH – Idle needle valve	3.741	58.	SHAFT ASSEMBLY – Choke	3.791
29.	BODY ASSEMBLY – Carburettor throttle	3.727	59.	SCREW – Valve attaching	3.789
30.	LEVER – Throttle	3.731	60.	PLUG – Air horn – lead ball	3.767

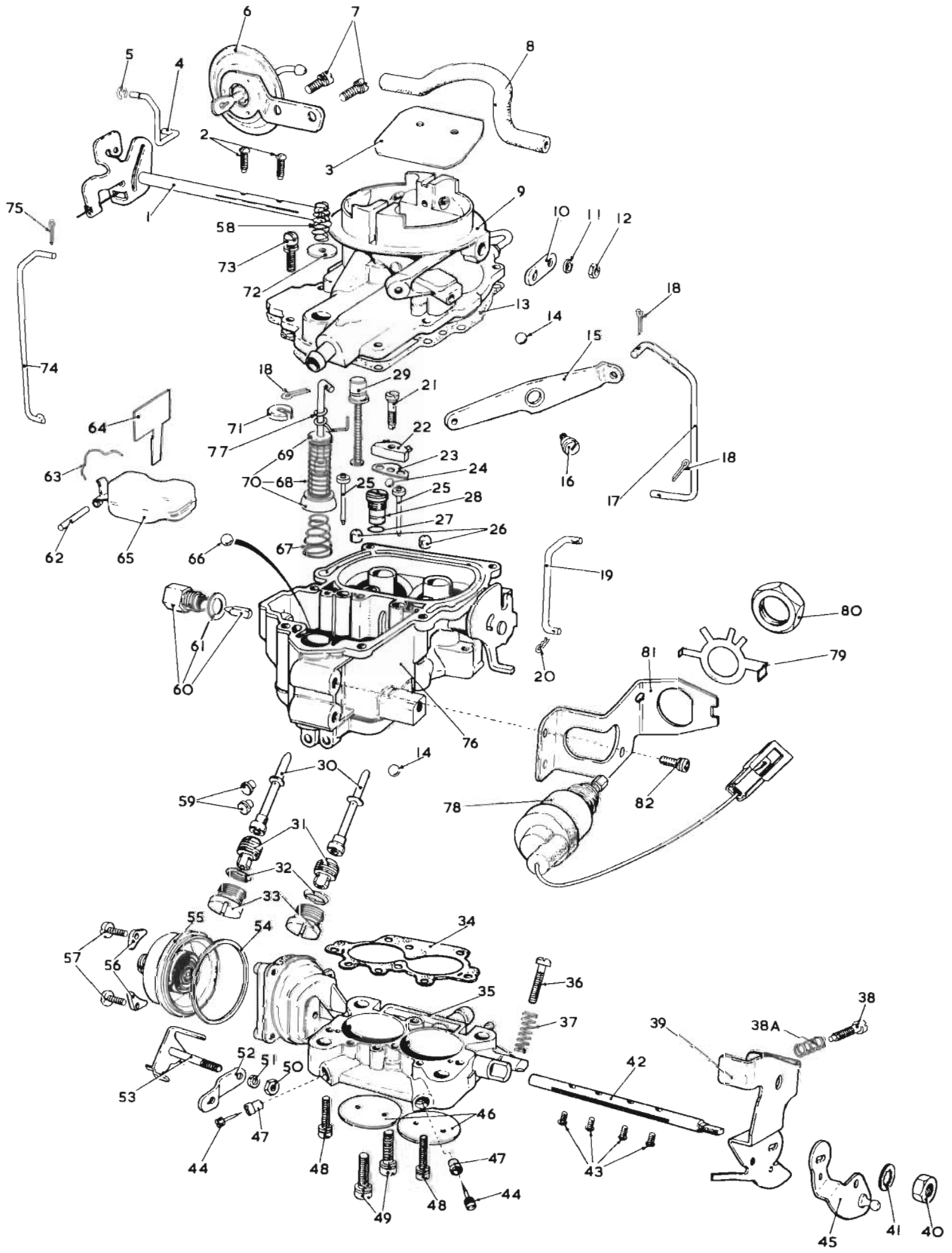
NOTE: B Included in Major Repair Kit – Group 3.725
 C Included in Minor Repair Kit – Group 3.725
 D Included in Gasket Kit – Group 3.724



CARBURETTOR
SINGLE BARREL TYPE — BENDIX
WITHOUT EXHAUST EMISSION CONTROL
6 Cylinder Engine

ILLUSTRATION OPPOSITE

ILLUS. REF. NO.	PART NAME	GROUP	ILLUS. REF. NO.	PART NAME	GROUP
1.	ROD — Fast idle	3.793	40.	JET — Main metering	3.754
2.	SHAFT & LEVER ASSY. — Choke	3.791	41.	GASKET — Metering jet plug	3.756
3.	SPRING — Choke lever	3.791	42.	PLUG — Metering jet	3.756
4.	SCREW — Choke valve attaching	3.789	43.	GASKET — Needle valve seat	3.772
5.	SCREW — Wire clip	3.791	44.	VALVE & SEAT ASSY.	3.771
6.	LEVER ASSY. — Choke	3.791	45.	GASKET — Main body	3.749
8.	CLAMP — Choke cable	3.795	45A.	GASKET — Throttle body	3.749
9.	SCREW & LOCK WASHER — Clamp	3.795	46.	SPACER — Insulating	3.748
7.)			47.	BODY ASSY. — Throttle	3.727
8.)	BRACKET ASSY. — Choke cable	3.795	48.	SHAFT — Throttle	3.731
9.)			49.	SCREW — Throttle valve	3.729
10.	SCREW & LOCK WASHER — Bracket	3.795	50.	CLIP — Spring	3.783
11.	TUBE — Vent	3.763	51.	LINK — Pump	3.783
12.	VALVE ASSY. — Choke	3.789	52.	LEVER — Pump	3.780
13.	LEVER — Fast idle	3.792	53.	WASHER — Pump lever nut	3.781
14.	WASHER — Lever attaching nut	3.792	54.	NUT — Pump lever	3.781
15.	NUT — Lever attaching	3.792	56.	VALVE — Idle needle	3.741
16.	SPRING — Choke shaft anti-buzz	3.791	57.	VALVE — Throttle	3.729
19.	SCREW & LOCK WASHER — Air horn	3.763	58.	PIN — Fast idle cam	3.736
20.	PLUG — Lead ball	3.767	59.	LEVER — Fast idle	3.735
21.	SCREW & LOCK WASHER — Air horn	3.763	60.	CAM — Fast idle	3.735
22.	AIR HORN ASSY.	3.763	61.	SPRING — Slow idle adjusting screw	3.734
23.	BAR — Reinforcing	3.763	62.	SCREW — Slow idle adjusting	3.734
24.	GASKET — Air horn	3.765	63.	LEVER — Throttle	3.731
25.	ROD — Pump	3.782	64.	WASHER — Throttle lever nut	3.731
26.	PIN — Cotter	3.778	65.	NUT — Throttle lever	3.731
27.	SPRING — Pump stem	3.779	66.	SPRING — Throttle lever return	3.731
28.	PISTON & STEM ASSY.	3.778	67.	ROD — Volume restrictor	3.753
29.	JET ASSY. — Pump by-pass	3.757	68.	SCREW — Main body	3.748
29A.	GASKET — Pump by-pass jet	3.757	68A.	WASHER — Main body lock	3.748
30.	FLOAT & LEVER ASSY.	3.773	69.	BLEEDER — High speed	3.751
31.	SPRING — Float fulcrum pin	3.775	70.	TUBE — Idle	3.752
32.	PIN — Float fulcrum	3.775	71.	PLUG — Main body	3.767
33.	CLIP — Strainer screen	3.787	72.	GASKET — Power by-pass jet	3.757
34.	SCREEN — Pump strainer	3.787	73.	JET — Power by-pass	3.757
35.	BODY ASSY. — Main	3.748	74.	PISTON — Vacuum power	3.788
36.	VALVE ASSY. — Pump check	3.784	75.	PLUG — Main body (long)	3.767
37.	GASKET — Plug	3.784	76.	PLUG — Main body (short)	3.767
38.	PLUG — Check valve	3.784	77.	BRACKET — Throttle cable support	3.731
39.	JET — Main discharge	3.754	78.	SCREW — Bracket attaching	3.731



CARBURETTOR

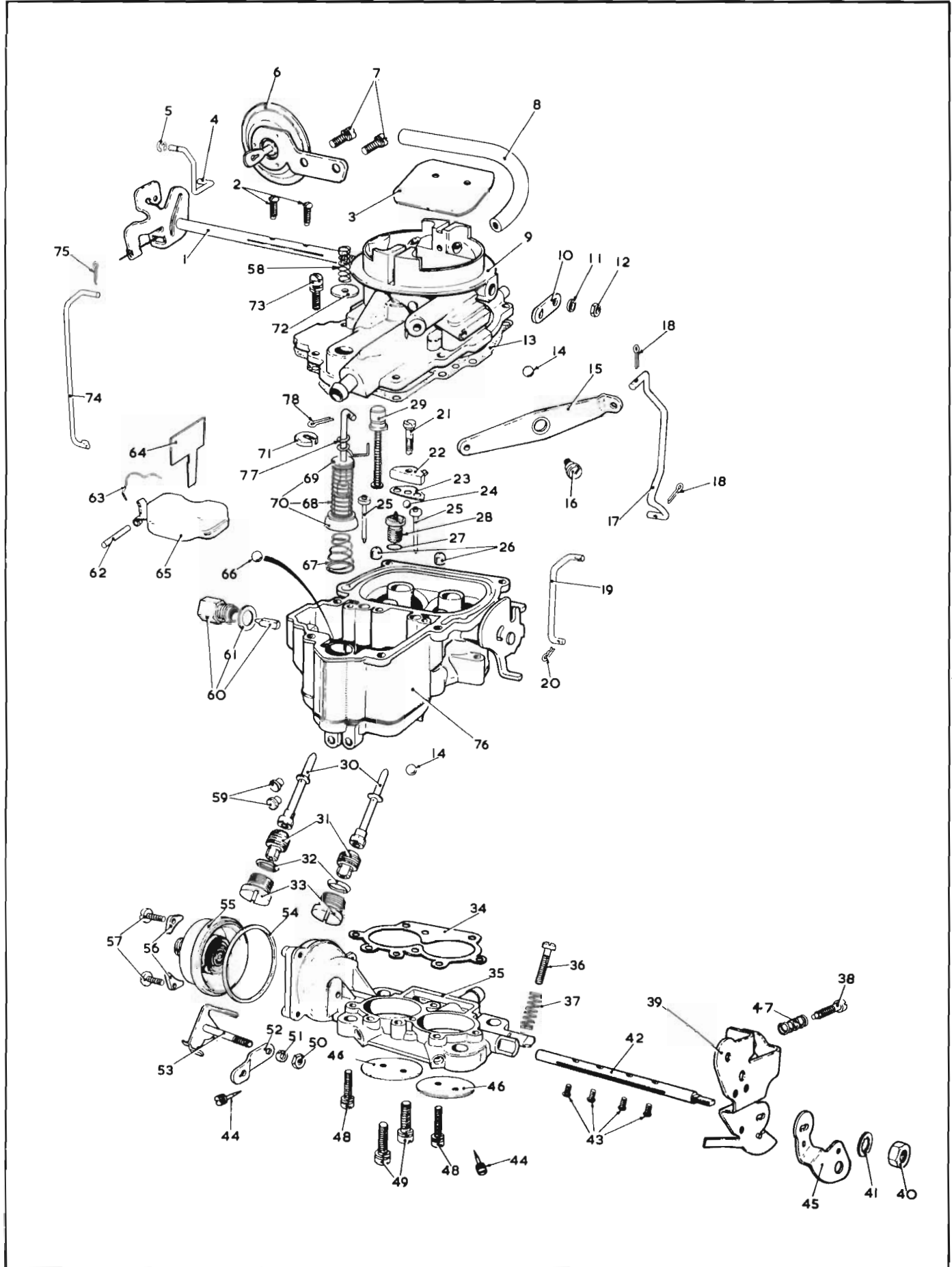
BENDIX

4.2 Litre Engine – Emission Control – ADR27A

ILLUSTRATION OPPOSITE

ILLUS. REF NO.	PART NAME	GROUP	ILLUS. REF. NO.	PART NAME	GROUP
1-82	CARBURETTOR ASSEMBLY	3.725	41.	WASHER – Throttle lever nut	3.731
1.	SHAFT & LEVER ASSEMBLY – Choke	3.791	42.	SHAFT – Throttle	3.731
2.	SCREW – Valve attaching	3.789	43.	SCREW – Throttle valve	3.729
3.	VALVE – Choke	3.789	44.B,C	VALVE – Idle needle	3.741
4.	ROD – Choke kick	3.799	45.	LEVER – Throttle cable	3.731
5.B	RETAINER – Choke kick rod	3.799	46.	VALVE – Throttle	3.729
6.	DIAPHRAGM ASSEMBLY – Choke kick	3.799	47.	BUSH – Idle needle valve	3.741
7.	SCREW – Diaphragm attaching	3.799	48.	SCREW & LOCK WASHER – Throttle body	3.748
8.	HOSE – Vacuum	3.799	49.	SCREW & LOCK WASHER – Throttle body	3.748
9.	AIR HORN ASSEMBLY	3.763	50.	NUT – Lever attaching	3.797
10.	LEVER – Fast idle	3.792	51.	WASHER – Thermostat lever	3.797
11.	WASHER – Lever attaching nut	3.792	52.	LEVER – Thermostat	3.797
12.	NUT – Lever attaching	3.792	53.	LEVER & SHAFT ASSEMBLY – Thermostat	3.797
13.B,C,D	GASKET – Air horn	3.765	54.B,C,D	GASKET – Thermostat cover	3.796
14.	PLUG – Lead ball	3.767	55.	COVER ASSEMBLY – Thermostat	3.796
15.	LEVER – Pump	3.780	56.	WASHER – Thermostat cover	3.796
16.	SCREW – Pump lever	3.781	57.	SCREW – Thermostat	3.796
17.	ROD – Pump	3.783	58.	SPRING – Vent valve external	3.764
18.B,C,D	PIN – Cotter	3.783	59.B	PLUG – Drive	3.767
19.	ROD – Fast idle	3.793	60.B,C	VALVE & SEAT ASSEMBLY – Float needle ..	3.771
20.B	CLIP – Fast idle rod	3.793	61.B,C,D	GASKET – Float needle valve seat	3.772
21.	SCREW – Pump nozzle	3.759	62.	PIN – Float fulcrum	3.775
22.	NOZZLE – Pump	3.758	63.B	SPRING – Float fulcrum	3.775
23.B,C,D	GASKET – Pump nozzle	3.758	64.	BAFFLE – Float chamber	3.776
24.B	BALL – Outlet check	3.760	65.	FLOAT & LEVER ASSEMBLY	3.773
25.B	TUBE – Idle	3.752	66.B	BALL – Inlet check	3.760
26.	BLEEDER – High speed	3.751	67.	SPRING – Pump bottom	3.779
27.B,C,D	GASKET – Power by-pass jet	3.757	68.	SPRING – Pump duration	3.779
28.B	JET – Power by-pass	3.757	69.	WASHER – Duration spring retainer	3.779
29.	PISTON ASSEMBLY – Vacuum power	3.788	70.B,C	PISTON ASSEMBLY – Pump	3.778
30.	JET – Main discharge	3.754	71.	WASHER – Duration spring clip	3.779
31.B	JET – Main metering	3.754	72.	WASHER – Idle vent seal	3.764
32.B,C,D	GASKET – Main metering jet plug	3.756	73.	SCREW & LOCK WASHER – Air horn	3.763
33.	PLUG – Main metering jet	3.755	74.	ROD – Choke	3.798
34.B,C,D	GASKET – Main body to throttle body	3.749	75.B,C	PIN – Cotter – choke rod.....	3.798
35.	BODY ASSEMBLY – Throttle	3.727	76.	BODY ASSEMBLY – Main	3.748
36.	SCREW – Slow idle adjusting	3.734	77.	LIFTER – Idle vent valve	3.764
37.	SPRING – Slow idle screw	3.734	78.	SOLENOID – Anti dieseling	3.440
38.	SCREW – Fast idle	3.737	79.	WASHER – Solenoid to bracket	3.444
38.A,	SPRING – Fast idle screw	3.737	80.	NUT – Solenoid to bracket	3.444
39.	LEVER – Throttle	3.731	81.	BRACKET – Solenoid to carburettor	3.444
40.	NUT – Throttle lever	3.731	82.	BOLT – Bracket to carburettor	3.444

NOTE: B Included in Major Repair Kit – Group 3.725
 C Included in Minor Repair Kit – Group 3.725
 D Included in Gasket Kit – Group 3.724

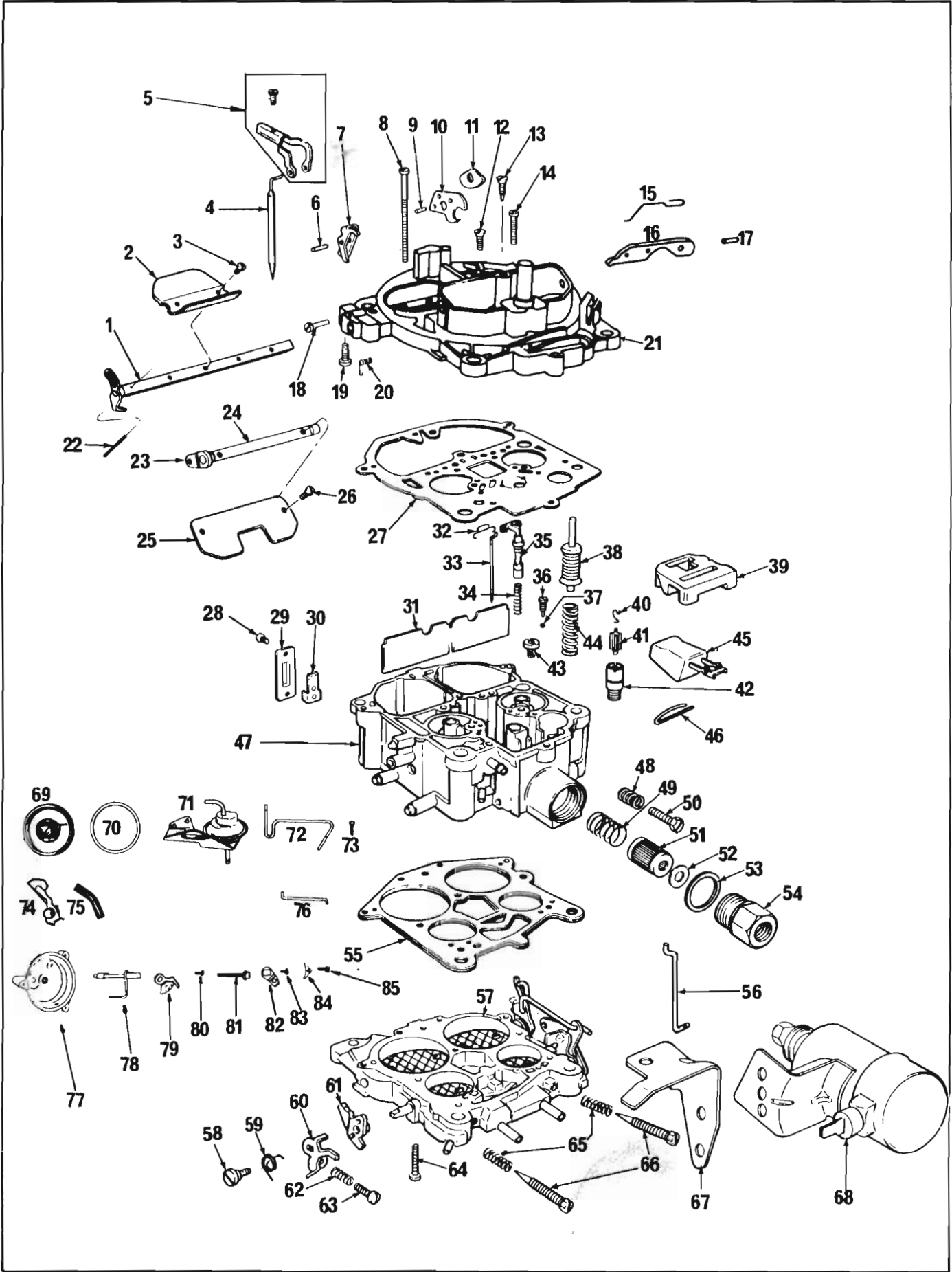


CARBURETTOR
TWO BARREL TYPE — BENDIX
WITHOUT EXHAUST EMISSION CONTROL
4.2 Litre Engine

ILLUSTRATION OPPOSITE

ILLUS. REF. NO.	PART NAME	GROUP	ILLUS. REF. NO.	PART NAME	GROUP
1 — 78.	CARBURETTOR ASSY.	3.725	40.	NUT — Throttle lever	3.731
1.	SHAFT & LEVER ASSY. — Choke	3.791	41.	WASHER — Throttle lever nut	3.731
2.	SCREW — Choke valve	3.789	42.	SHAFT — Throttle	3.731
3.	VALVE — Choke	3.789	43.	SCREW — Throttle valve	3.729
4.	ROD — Choke kick	3.799	44.(B)	VALVE — Idle needle	3.741
5.	RETAINER — Choke kick rod	3.799	45.	LEVER — Throttle cable	3.731
6.	DIAPHRAGM ASSY. — Choke kick	3.799	46.	VALVE — Throttle	3.729
7.	SCREW — Diaphragm attaching	3.799	47.	SPRING — Fast idle screw	3.737
8.	HOSE — Vacuum	3.799	48.	SCREW & LOCK WASHER — Throttle body	3.748
9.	AIR HORN ASSY.	3.763	49.	SCREW & LOCK WASHER — Throttle body	3.748
10.	LEVER — Fast idle	3.792	50.	NUT — Thermostat lever	3.797
11.	WASHER — Lever attaching nut	3.792	51.	WASHER — Thermostat lever	3.797
12.	NUT — Lever attaching	3.792	52.	LEVER — Thermostat	3.797
13.(B,C)	GASKET — Air horn	3.765	53.	LEVER & SHAFT ASSY. — Thermostat ...	3.797
14.	PLUG — Lead ball	3.767	54.	GASKET — Thermostat cover	3.796
15.	LEVER — Pump	3.780	55.	COVER ASSY. — Thermostat	3.796
16.	SCREW — Pump lever	3.781	56.	WASHER — Thermostat cover	3.796
17.	ROD — Pump	3.783	57.	SCREW — Thermostat cover	3.796
18.(B)	PIN — Cotter	3.783	58.	SPRING — Vent valve external	3.764
19.	ROD — Fast idle	3.793	59.	PLUG — Drive	3.767
20.(B)	CLIP — Fast idle rod	3.793	60.(B)	VALVE & SEAT ASSY. — Float	3.771
21.	SCREW — Pump nozzle	3.759	61.(B,C)	GASKET — Float needle seat	3.772
22.	NOZZLE — Pump	3.758	62.	PIN — Float fulcrum	3.775
23.	GASKET — Pump nozzle	3.758	63.	SPRING — Float fulcrum pin	3.775
24.	BALL — Pump outlet check	3.760	64.	BAFFLE — Float chamber	3.776
25.(B)	TUBE — Idle	3.752	65.	FLOAT & LEVER ASSY.	3.773
26.	BLEEDER — High speed	3.751	66.(B)	BALL — Pump inlet check	3.760
27.(B,C)	GASKET — Power by-pass jet	3.757	67.(B)	SPRING — Pump bottom	3.779
28.(B)	JET — Power by-pass	3.757	68.(B)	SPRING — Pump duration	3.779
29.(B)	PISTON — Vacuum power	3.788	69.	WASHER — Duration spring retainer	3.779
30.	JET — Main discharge	3.754	70.(B)	PISTON ASSY. — Pump	3.778
31.(B)	JET — Main metering	3.754	71.	WASHER — Duration spring clip	3.779
32.(B,C)	GASKET — Metering jet plug	3.756	72.	WASHER — Idle vent seal	3.764
33.(B)	PLUG — Main metering jet	3.755	73.	SCREW & LOCK WASHER — Air horn	3.763
34.(B,C)	GASKET — Main body	3.749	74.	ROD — Choke	3.798
35.	BODY ASSY. — Throttle	3.727	75.	PIN — Cotter	3.798
36.	SCREW — Slow idle	3.734	76.	BODY ASSY. — Main	3.748
37.	SPRING — Slow idle screw	3.734	77.	LIFTER — Idle vent valve	3.764
38.	SCREW — Fast idle	3.737	78.(B)	PIN — Cotter	3.778
39.	LEVER — Throttle	3.731			

NOTE: (B) Included in Repair Kit — Group 3.725
 (C) Included in Gasket Kit — Group 3.724

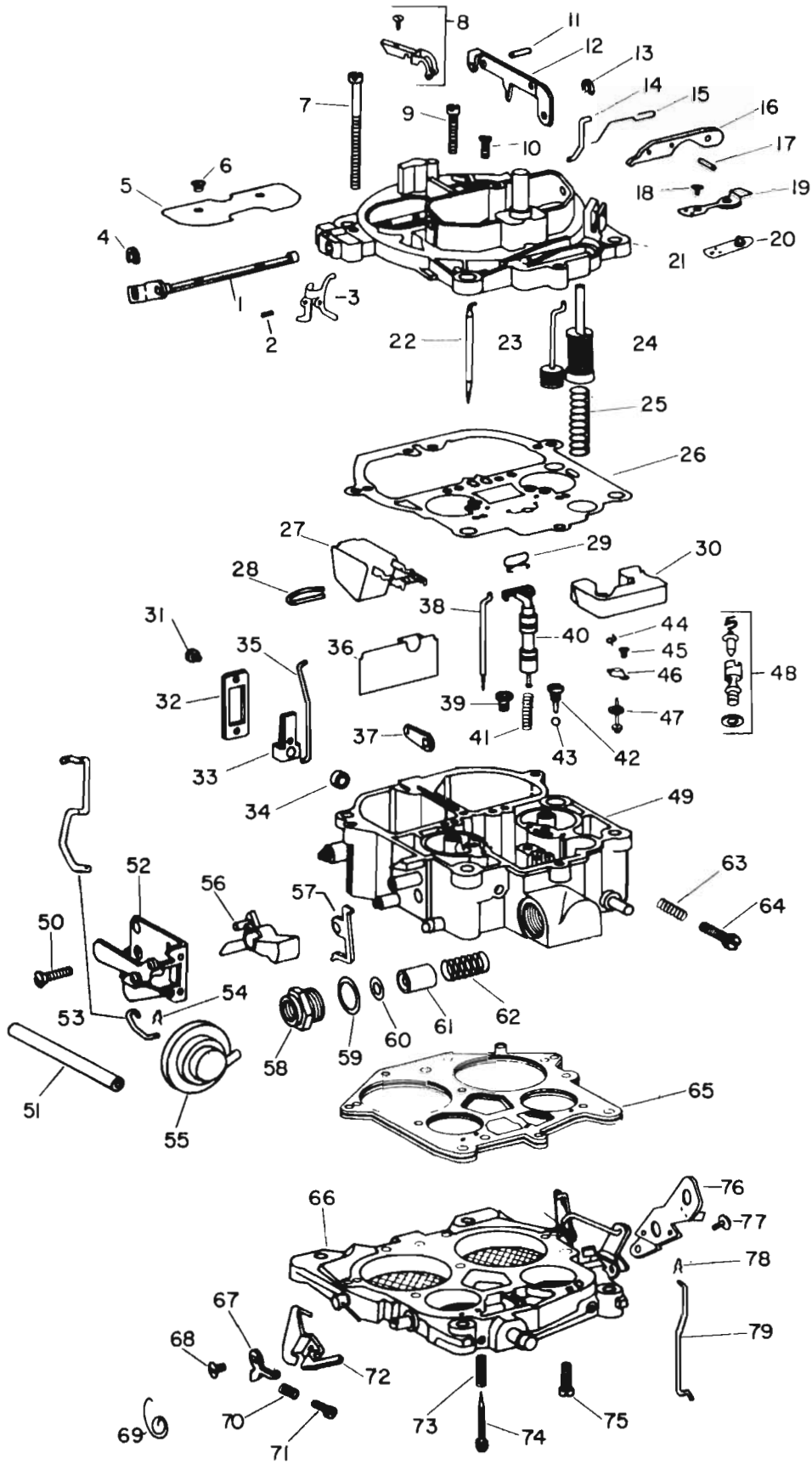


**CARBURETTOR — FOUR BARREL TYPE
EMISSION CONTROL — ADR27A
5.0 Litre Engine — Rochester**

ILLUSTRATION OPPOSITE

ILLUS. REF. NO.	PART NAME	GROUP	ILLUS. REF. NO.	PART NAME	GROUP
1-85.	CARBURETTOR ASSEMBLY	3.725	44. A	SPRING — Pump return	3.779
1.	SHAFT ASSEMBLY — Secondary air valve	N.S.S.	45.	FLOAT & LEVER ASSEMBLY	3.773
2.	VALVE — Secondary air	N.S.S.	46.	PIN — Float fulcrum	3.775
3.	SCREW — Secondary air valve	N.S.S.	47.	BODY — Main	3.748
4. B	ROD — Secondary metering	3.806	48.	SPRING — Slow idle adjusting	3.734
5.	HOLDER KIT — Secondary metering rod	3.806	49.	SPRING — Fuel filter	3.787
6.	PIN — Air valve lockout lever	3.780	50.	SCREW — Slow idle adjusting	3.734
7.	LEVER — Air valve lockout	3.780	51.	FILTER — Fuel inlet	3.787
8.	SCREW — Air horn	3.763	52. C	GASKET — Fuel filter	3.787
9.	PIN — Secondary metering rod lever	N.S.S.	53. A	GASKET — Fuel filter nut	3.787
10.	LEVER — Secondary metering rod	N.S.S.	54.	NUT — Fuel filter	3.787
11.	CAM — Secondary metering rod	N.S.S.	55. A, B, C	GASKET — Main body	N.S.S.
12.	SCREW — Air horn	3.763	56.	ROD — Pump	3.783
13.	SCREW — Air adjustment	N.S.S.	57.	BODY ASSEMBLY — Throttle	3.727
14.	SCREW — Air horn	3.763	58.	SCREW — Fast idle lever attaching	3.735
15.	SPRING — Pump actuating lever	N.S.S.	59.	SPRING — Cam lever	3.735
16.	LEVER — Pump	3.780	60.	LEVER — Fast idle	3.735
17. A, B	PIN — Spring	3.780	61.	LEVER — Cam follower	3.735
18.	SCREW — Air valve return spring	N.S.S.	62.	SPRING — Fast Idle screw	3.737
19.	SCREW — Secondary valve set	N.S.S.	63.	SCREW — Fast idle	3.737
20.	SPRING — Secondary air valve return	N.S.S.	64.	SCREW — Throttle body	3.748
21.	AIR HORN ASSEMBLY	3.763	65.	SPRING — Idle needle valve	3.742
22.	PIN — Secondary spring fulcrum	N.S.S.	66. A	VALVE — Idle needle	3.741
23.	LEVER — Choke	3.791	67.	BRACKET — Solenoid to carburettor	3.444
24.	SHAFT — Choke	3.791	68.	SOLENOID — Anti-dieseling	3.440
25.	VALVE — Choke	3.789	69.	THERMOSTAT ASSEMBLY	3.796
26.	SCREW — Valve attaching	3.789	70.	GASKET — Thermostat cover	3.796
27. A, B, C	GASKET — Air horn	3.765	71.	DIAPHRAGM & BRACKET ASSY. — Choke kick	3.799
28.	SCREW — Idle compensator cover	N.S.S.	72.	ROD — Choke kick	3.799
29.	COVER — Idle compensator	N.S.S.	73.	SCREW — Diaphragm attaching	3.799
30.	COMPENSATOR ASSEMBLY — Idle	N.S.S.	74.	CAM — Fast idle	3.735
31.	BAFFLE — Float chamber	3.776	75.	HOSE — Vacuum	3.799
32.	SPRING — Metering rod	3.810	76.	ROD — Choke	3.798
33.	ROD — Primary metering	3.806	77.	HOUSING KIT — Choke	3.796
34.	SPRING — Power piston	3.788	78.	SHAFT & LEVER ASSY. — Intermediate choke	3.791
35.	PISTON — Vacuum power	3.788	79.	LEVER — Thermostat	3.797
36.	RETAINER — Discharge ball	3.760	80.	SCREW — Choke lever	3.791
37. A, B	BALL — Discharge	3.760	81.	SCREW — Housing to chamber	3.796
38. A, B	PISTON ASSEMBLY — Pump	3.778	82.	LEVER — Intermediate	3.791
39.	INSERT — Main body	3.762	83.	SCREW — Thermostat lever	3.797
40.	CLIP — Pull	3.771	84.	RETAINER — Thermostat cover	3.796
40-42. A, B	VALVE & SEAT ASSEMBLY — Float needle ..	3.771	85.	SCREW — Thermostat cover	3.796
43. A	JET — Main	3.754			

NOTE: A) Parts are included in Major Overhaul Kit — Refer Group 3.725
 B) Parts are included in Minor Overhaul Kit — Refer Group 3.725
 C) Parts are included in Gasket Kit — Refer Group 3.724



"HX" STATESMAN/HOLDEN PARTS CATALOGUE

**CARBURETTOR
FOUR BARREL TYPE — ROCHESTER
WITHOUT EXHAUST EMISSION CONTROL
5 Litre Engine**

ILLUSTRATION OPPOSITE

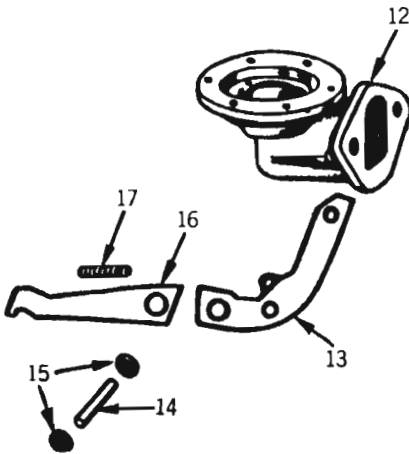
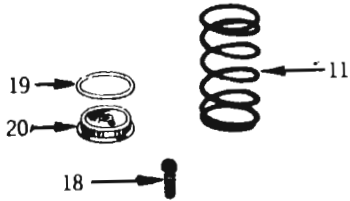
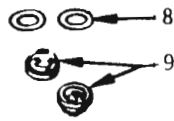
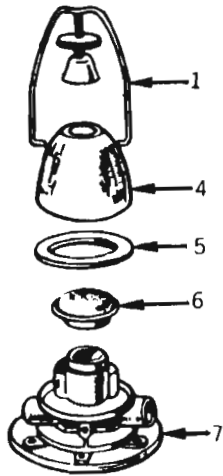
ILLUS. REF. NO.	PART NAME	GROUP	ILLUS. REF. NO.	PART NAME	GROUP
1-79	CARBURETTOR ASSY.	3.725	40.	PISTON ASSY. — Power	3.788
1.	SHAFT and LEVER ASSY. — Choke	3.791	41.	SPRING — Power piston	3.788
2. (B, C)	PIN — Spring 3/32" x 7/16"	3.780	42.	RETAINER — Discharge ball	3.760
3.	LOCK OUT LEVER — Air valve	N.S.S.	43. (B, C)	BALL — Pump discharge	3.760
4. (B, C)	CLIP — Choke rod	3.798	44.	PART OF FLOAT BOWL ASSY.	N.S.S.
5.	CHOKE VALVE KIT	3.764	45.	PART OF FLOAT BOWL ASSY.	N.S.S.
6.	SCREW — Valve attaching	3.789	46.	PART OF FLOAT BOWL ASSY.	N.S.S.
7.	SCREW — Air horn	3.763	47.	PART OF FLOAT BOWL ASSY.	N.S.S.
8.	SECONDARY METERING ROD HOLDER KIT	N.S.S.	48. (B, C)	NEEDLE VALVE & SEAT ASSY.	3.771
9.	SCREW — Air horn	3.763	49.	BODY ASSY. — Main	3.748
10.	SCREW — Air horn	3.763	50.	SCREW — Diaphragm attaching	3.799
11. (B, C)	PIN — Spring, 3/32" x 7/16"	3.780	51.	HOSE — Vacuum	3.799
12.	PART OF AIR HORN	N.S.S.	52.	BRACKET ASSY. — Diaphragm	N.S.S.
13. (B, C)	CLIP — Vacuum brake rod	N.S.S.	53.	ROD — Diaphragm control	3.799
14.	PART OF AIR HORN	N.S.S.	54.	CLIP — Control rod	3.799
15. (A)	PART OF CHOKE VALVE KIT	N.S.S.	55.	DIAPHRAGM ASSY.	3.799
16. (A)	LEVER — Pump actuating	N.S.S.	56.	CAM — Fast idle	3.735
17.	PIN — Spring, 3/32" x 7/16"	8.941	57.	LEVER — Secondary lockout	3.798
18. (A)	SCREW — Idle vent valve	N.S.S.	58.	NUT — Fuel filter	3.890
19. (A)	VALVE — Idle vent	N.S.S.	59. (C, D)	GASKET — Inlet nut	3.890
20.	PART OF AIR HORN	N.S.S.	60. (D)	GASKET — Fuel filter	N.S.S.
21.	AIR HORN ASSEMBLY	3.763	61.	FILTER — Inlet fuel	3.890
22. (C)	ROD — Secondary metering	3.806	62.	SPRING — Fuel filter	3.890
23.	PART OF FLOAT BOWL ASSY.	N.S.S.	63.	SPRING — Idle needle valve	3.742
24. (B, C)	PISTON ASSEMBLY — Pump	3.778	64.	VALVE — Idle needle	3.741
25. (C)	SPRING — Pump return	3.779	65. (B, C, D)	GASKET — Main body	N.S.S.
26. (B, C, D)	GASKET — Air horn	3.765	66.	BODY ASSY. — Throttle	3.727
27.	FLOAT and LEVER ASSY.	3.773	67.	LEVER — Fast idle	3.735
28.	PIN — Float fulcrum	3.775	68.	SCREW — Fast idle & cam levers ...	3.735
29.	SPRING — Metering rod	3.810	69.	SPRING — Cam follower lever	N.S.S.
30.	INSERT — Main body	3.762	70.	SPRING — Fast idle screw	3.737
31.	SCREW — Cover attaching	N.S.S.	71.	SCREW — Fast idle adjusting	3.737
32.	COVER — Idle compensator	N.S.S.	72.	LEVER — Cam follower	3.735
33.	IDLE COMPENSATOR ASSY.	N.S.S.	73.	SPRING — Idle needle valve	3.742
34. (B, C, D)	GASKET — Idle compensator	N.S.S.	74. (C)	VALVE — Idle needle	3.741
35.	ROD — Choke	3.798	75.	SCREW — Throttle body	3.748
36.	BAFFLE — Float chamber	3.776	76.	PART OF THROTTLE BODY ASSY.	N.S.S.
37.	LEVER — Choke intermediate	3.791	77.	PART OF THROTTLE BODY ASSY.	N.S.S.
38. (C)	ROD — Primary metering	3.806	78.	CLIP — Pump rod	3.783
39. (C)	JET — Primary metering	3.754	79.	ROD — Pump	3.783

NOTE: (A) Parts are included in Choke Valve Kit refer Illustration Reference No. 5

NOTE: (B) Parts are included in Minor Overhaul Kit refer Group 3.725

NOTE: (C) Parts are included in Major Overhaul Kit refer Group 3.725

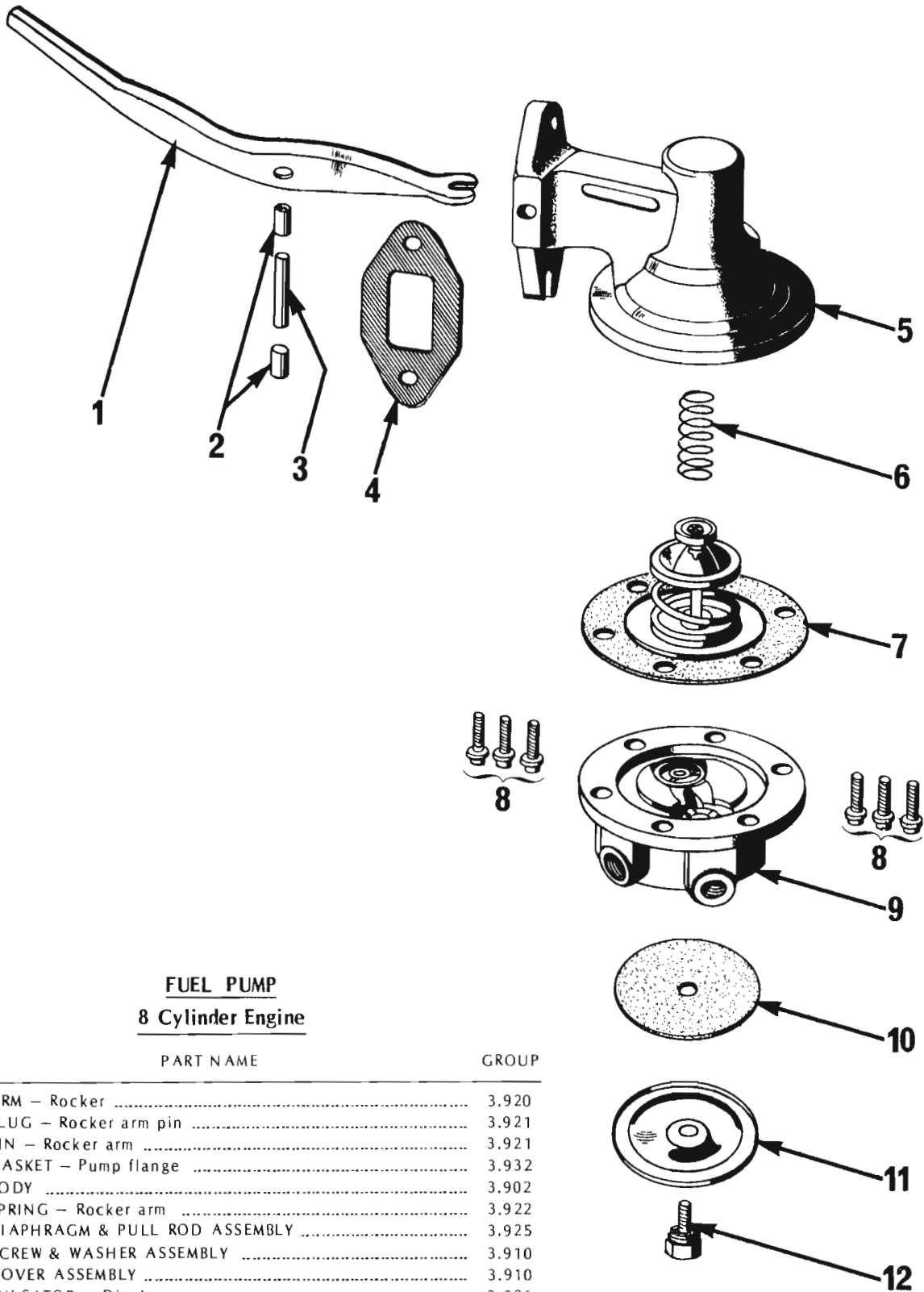
NOTE: (D) Parts are included in Gasket Kit refer Group 3.724.



FUEL PUMP

6 Cylinder Engine

ILLUS. REF. NO.	PART NAME	GROUP
1.	BAIL AND SCREW	3.906
4.	BOWL	3.903
5.	GASKET	3.904
6.	SCREEN ASSEMBLY	3.929
7.	COVER	3.910
8.	GASKET	3.913
9.	VALVE AND CAGE ASSEMBLY	3.909
10.	DIAPHRAGM AND PULL ROD ASSEMBLY...	3.925
11.	SPRING	3.927
12.	BODY	3.902
13.	ARM	3.920
14.	PIN	3.921
15.	PLUG	3.921
16.	LINK	3.931
17.	SPRING	3.922
18.	SCREW AND WASHER	3.910
19.	WASHER - Seal	3.902
20.	SEAL	3.902



FUEL PUMP
8 Cylinder Engine

ILLUS. REF. NO.	PART NAME	GROUP
1.	ARM - Rocker	3.920
2.	PLUG - Rocker arm pin	3.921
3.	PIN - Rocker arm	3.921
4.	GASKET - Pump flange	3.932
5.	BODY	3.902
6.	SPRING - Rocker arm	3.922
7.	DIAPHRAGM & PULL ROD ASSEMBLY	3.925
8.	SCREW & WASHER ASSEMBLY	3.910
9.	COVER ASSEMBLY	3.910
10.	PULSATOR - Diaphragm	3.926
11.	PLATE - Pulsator cover	3.926
12.	BOLT & WASHER	N.S.S.

NOTES

"HX" STATESMAN/HOLDEN PARTS CATALOGUE

GROUP	DESCRIPTION	MODEL	SIDE	PART No.	QTY.
3.001 TANK – Fuel					
TANK ASSY.	Station Wagon			9934141	1
TANK ASSY.	LE			9934140	1
TANK ASSY.	Sedan exc. Statesman			9934140	1
TANK ASSY.	Statesman			9934143	1
TANK ASSY.	Chassis & Cab, Panel Van, Utility			9937455	1
STRAP – Support	35, 37, 69			2813652	2
BOLT – Support strap, front	35, 37, 69			SP2186	2
WASHER – Support strap, front	35, 37, 69			120394	2
NUT – Support strap, front, hex. jam 3/8" – 16	35, 37, 69			124829	2
NUT – Support strap, front, serrated face lock	35, 37, 69			SP2220	2
SCREW – Support strap to rear bracket	35, 37, 69			9422176	2
BRACKET – Retaining – Front	35, 37, 69			2809593	2
BRACKET – Mounting, rear	35, 37, 69			2809594	2
BRACKET – Mounting, rear	60, 70, 80			2815292	2
STRAP – Lower outer	60, 70, 80			2822348	1
STRAP – Upper outer	60, 70, 80			2817929	1
BOLT – Strap to front bracket	60			122022	1
WASHER – Strap to front bracket	60			120214	1
NUT – Strap to front bracket	60			120376	1
BOLT – Strap to rear bracket	60			SP2186	1
WASHER – Strap to rear bracket	60			9417793	1
NUT – Strap to rear bracket, hex. jam 3/8" – 16	60			124829	1
NUT – Strap to rear bracket, serrated face lock	60			SP2220	1
BOLT – Strap to front bracket	70, 80			122027	1
WASHER – Strap to front bracket	70, 80			120214	1
NUT – Strap to front bracket	70, 80			120376	1
BOLT – Strap to rear bracket	70, 80			SP2186	1
WASHER – Strap to rear bracket	70, 80			9417793	1
NUT – Strap to rear bracket, hex. jam 3/8" – 16	70, 80			124829	1
NUT – Strap to rear bracket, serrated face lock	70, 80			SP2220	1
ARRESTOR – Rear	60, 70, 80			2817932	2
BRACKET – Inner support	60			2817934	1
BRACKET – Outer support	60			2817933	1
STRAP – Lower inner	60			2822349	1
STRAP – Upper inner	60			2817935	1
BOLT – Strap to front bracket	60			122022	1
WASHER – Strap to front bracket	60			120214	1
NUT – Strap to front bracket	60			120376	1
BOLT – Strap to rear bracket	60			SP2186	1
WASHER – Strap to rear bracket	60			9417793	1
NUT – Strap to rear bracket, hex. jam 3/8" – 16	60			124829	1
NUT – Strap to rear bracket, serrated face lock	60			SP2220	1
ARRESTOR – Front	60			2820060	2
REINFORCEMENT – Strap	60			2817926	1
STRAP – Lower inner	70, 80			2822350	1
STRAP – Upper inner	70, 80			2817928	1
BOLT – Strap to front bracket	70, 80			122027	1
WASHER – Strap to front bracket	70, 80			120214	1
NUT – Strap to front bracket	70, 80			120376	1
BOLT – Strap to rear bracket	70, 80			SP2186	1
WASHER – Strap to rear bracket	70, 80			9417793	1
NUT – Strap to rear bracket, hex. jam 3/8" – 16	70, 80			124829	1
NUT – Strap to rear bracket, serrated face lock	70, 80			SP2220	1
ARRESTOR – Front	70, 80			2817925	1
REINFORCEMENT – Outer strap	70, 80			2817926	2
GUARD PACKAGE – Stone	35, 37, 69			2819820	1
GUARD ASSEMBLY	35, 37, 69			9930092	1
BRACKET – Guard support, front	35, 37, 69			9930083	2
BRACKET – Guard support centre	35, 37, 69			9930469	1
BRACKET – Guard support	35, 37, 69		LH	9930085	1
			RH	9930084	1
NUT – Front bracket to tank mounting bolt	35, 37, 69			124829	2

"HX" STATESMAN/HOLDEN PARTS CATALOGUE

GROUP	DESCRIPTION	MODEL	SIDE	PART No.	QTY.
3.001	TANK – Fuel (contd.)				
	SCREW – Bracket to stone guard	35, 37, 69		9414723	8
	WASHER – Bracket to stone guard	35, 37, 69		SP2122	10
	SCREW – Bracket to side frame	35, 37, 69		9414723	4
	SCREW – Centre bracket to stone guard	35, 37, 69		159920	3
	WASHER – Centre bracket to stone guard	35, 37, 69		SP2442	3
	NUT – Centre bracket to stone guard	35, 37, 69		120361	3
3.003	HOSE, PIPE – Fuel tank filler and vent				
	HOSE – Filler neck	35		7423709	1
	HOSE – Filler pipe to tank	60, 70, 80		2820037	1
	CLAMP – Hose, filler neck	35, 60, 70, 80		SP1543	2
	HOSE – Vent pipe, 1 ³ / ₁₆ " long	35, 60, 70, 80		7419016	2-1
	HOSE – Vent pipe 3/4" O.D.	70, 80		2824999	1
	CLAMP – Hose to vent pipe	35, 60, 70, 80		272847	4
	PIPE ASSEMBLY – Filler	37, 69 exc. Statesman		9934152	1
	PIPE ASSEMBLY – Filler	Statesman		9934154	1
	PIPE ASSEMBLY – Filler, lower	35		2813664	1
	PIPE ASSEMBLY – Filler, upper	35		9938048	1
	SCREW – Pipe to rear quarter panel	35		SP2172	4
	PIPE ASSEMBLY – Filler, upper	60		9937790	1
	BOLT – Pipe to body	60		123435	2
	WASHER – Pipe to body	60		120380	2
	NUT – Pipe to body	60		120367	2
	PIPE ASSEMBLY – Filler, upper	70, 80		9942484	1
	SCREW – Pipe to panel	70, 80		SP2172	4
	PROTECTOR – Filler pipe	35		2823058	1
	SCREW – Protector to side member	35		163210	2
	PROTECTOR – Filler pipe	37, 69 exc. Statesman		2810394	1
	PROTECTOR – Filler pipe	Statesman		2810395	1
	PIPE – Vent, lower (left hand)	35, 37, 69		9931891	1
	PIPE – Vent	35		9931252	1
	PIPE – Vent, upper	35		7424765	1
	PIPE – Vent, lower	35		9931889	1
	CLIP – Vent, pipe to side frame	35		2822269	1
	PIPE – Filler vent – Upper	60		2820055	1
	PIPE – Filler vent – Upper	70, 80		2822488	1
	GROMMET – Fuel pipe to inner panel	70, 80		2820035	1
	GROMMET – Vent pipe to panel	70, 80		2822489	1
	CLIP – Vent pipe	Exc. 60		2823630	3-2
3.008	GASKET – Fuel tank filler pipe				
	GASKET	35, 70, 80		9939751	1
3.024	ANTISQUEAK – Fuel tank				
	ANTISQUEAK – Front	60		2820053	2
	ANTISQUEAK – Front	70, 80		2820057	1
	ANTISQUEAK – Rear	60, 70, 80		2820056	2
3.028	CAP – Fuel tank filler				
	CAP ASSEMBLY	LE, Sedan	417715	(410431)	1
	CAP ASSEMBLY	Chassis & Cab		417715	1
	CAP & HANDLE ASSEMBLY	Belmont Station Wagon, Kingswood Station Wagon, Utility, Panel Van		9938047	1
	SCREW – Handle to cap	Station Wagon, Utility, Panel Van		163210	1
	CAP ASSEMBLY – Prime finish	Belmont Station Wagon, Kingswood Station Wagon, Utility, Panel Van		9938047	1
	HANDLE – Fuel tank cap – Prime finish	Belmont Station Wagon, Kingswood Station Wagon, Utility, Panel Van		9938044	1
	SCREW – Handle to cap	Belmont Station Wagon, Kingswood Station Wagon, Utility, Panel Van		274762	2
	CAP ASSEMBLY	Premier Station Wagon		9938045	1

CHASSIS

"HX" STATESMAN/HOLDEN PARTS CATALOGUE

GROUP	DESCRIPTION	MODEL	SIDE	PART No.	QTY.
3.028	CAP – Fuel tank filler (contd.)				
	HANDLE - Fuel tank cap - Plated finish	Premier Station Wagon		9938046	1
	SCREW - Handle to cap	Premier Station Wagon		274762	2
	CAP ASSEMBLY - Locking	Station Wagon, Utility, Panel Van		9936088	1
	CAP ASSEMBLY - Locking	LE, Sedan		9936087	1
	CAP ASSEMBLY - Locking	Chassis & Cab		9936087	1
3.107	GAUGE – Fuel – Tank unit				
	GAUGE ASSY	35, 37, 69 6 Cyl., 4.2 Litre Eng.		9929721	1
	GAUGE ASSY.	(A) 35, 37, 69 5 Litre Eng. exc. Air Cond. ..		9929721	1
	GAUGE ASSY.	(A) 35, 37, 69 5 Litre Eng. Air Cond.		9929722	1
	GAUGE ASSY	60, 70, 80 6 Cyl., 4.2 Litre Eng.		9929199	1
	GAUGE ASSY.	70, 80 5 Litre Eng. exc. Air Cond.		9929199	1
	GAUGE ASSY.	70, 80 5 Litre Eng. Air Cond.		9929200	1
	RING - Fuel gauge tank unit retainer	ALL		3774937	1
3.110	STRAINER – Fuel tank riser pipe				
	STRAINER	ALL		2824038	1
3.112	SEAL – Fuel gauge tank unit				
	SEAL	ALL		7421765	1
3.120	SEPARATOR – Fuel – Emission Control				
	SEPARATOR	35, 37, 69		9936791	1
	BRACKET - Separator mounting	35, 37, 69		9936621	1
	SCREW & WASHER - Separator attaching	35, 37, 69		SP2279	2
3.120	PIPE, HOSE – Fuel tank to separator – Emission Control				
	PIPE - Fuel tank vent LH	35, 37, 69		9934151	1
	HOSE - LH pipe to tank	35, 37, 69		7415658	1
	CLAMP - Hose to pipe	35, 37, 69		3786275	2
	PIPE - Tank to separator LH	35, 37, 69		9936787	1
	CLIP - Pipe to floor pan	35, 37, 69		9937636	2
	HOSE - Separator to LH pipe	35, 37, 69		7415658	1
	CLAMP - Hose to pipe and separator	35, 37, 69		3786275	2
	HOSE - Separator to RH front pipe	35, 37, 69		7415658	1
	CLAMP - Hose to pipe and separator	35, 37, 69		3786275	2
	HOSE - Separator to RH rear pipe	35, 37, 69		3828882	1
	CLAMP - Hose to pipe and separator	35, 37, 69		3786276	2
	PIPE - Fuel tank to separator front RH	35, 37, 69		9936786	1
	PIPE - Fuel tank to separator rear RH	35, 37, 69		9936788	1
	CLIP - Pipe to floor pan	35, 37, 69		9937636	2
	HOSE - Front RH pipe to fuel tank	35, 37, 69		9930040	1
	CLAMP - Hose to pipe	35, 37, 69		3786275	2
	HOSE - Rear RH pipe to fuel tank	35, 37, 69		3869858	1
	CLAMP - Hose to pipe	35, 37, 69		3786276	2
	PIPE - Fuel tank vent front RH	35, 37, 69		9934149	1
	PIPE - Fuel tank vent rear RH	35, 37, 69		9934150	1
3.120	PIPE, HOSE – Fuel separator to canister – Emission Control				
	HOSE - Separator to rear pipe	35, 37, 69		9937185	1
	PIPE - Separator to canister, rear	35		9936789	1
	SLEEVE - Vapour pipe to fuel pipe	35		9933585	1
	HOSE - Rear pipe to front pipe	35		9930040	1
	CLAMP - Hose to pipe	35		3786275	2
	PIPE - Separator to canister front	35		9935275	1
	HOSE - Pipe to canister	35		9937771	1
	CLAMP - Hose to pipe and canister	35		3786275	2
	HOSE - Canister drain	35		3829471	1
	PIPE - Separator to canister, rear	37, 69		9936790	1
	SLEEVE - Vapour pipe to fuel pipe	37, 69		9933585	1
	HOSE - Rear pipe to front pipe	37, 69		9930040	1
	CLAMP - Hose to pipe	37, 69		3786275	2

"HX" STATESMAN/HOLDEN PARTS CATALOGUE

GROUP	DESCRIPTION	MODEL	SIDE	PART No.	QTY.
3.120 PIPE, HOSE – Fuel separator to canister – Emission Control (contd.)					
	PIPE – Separator to canister front	37, 69 Exc. Rear Wheel Lock Control		9935275	1
	PIPE – Separator to canister front	37, 69 W/Rear Wheel Lock Control		9935781	1
	HOSE – Pipe to canister	37, 69 Exc. Rear Wheel Lock Control		9937771	1
	HOSE – Pipe to canister	37, 69 W/Rear Wheel Lock Control		9938208	1
	CLAMP – Hose to pipe and canister	37, 69		3786275	2
	HOSE – Canister drain	37, 69 Exc. Rear Wheel Lock Control		3829471	1
	HOSE – Fuel tank to canister rear pipe	60		9928895	1
	CLAMP – Hose to fuel tank and rear pipe	60		7441715	2
	PIPE – Fuel tank to canister rear vent	60		9938452	1
	PIPE – Fuel tank to canister	60		9929260	1
	HOSE – Pipe to canister	60		9937771	1
	CLAMP – Hose to pipe and canister	60		3786275	2
	HOSE – Canister drain	60		3829471	1
	HOSE – Fuel tank to canister rear pipe	70, 80		9928895	1
	CLAMP – Hose to fuel tank and rear pipe	70, 80		7441715	2
	PIPE – Fuel tank to canister, rear	70, 80		9942527	1
	HOSE – Centre to rear pipe	70, 80		7438532	1
	CLAMP – Hose to pipe	70, 80		7441715	2
	PIPE – Fuel tank to canister centre vent	70, 80		9942528	1
	PIPE – Fuel tank to canister	70, 80		9929260	1
	HOSE – Pipe to canister	70, 80		9937771	1
	CLAMP – Hose to pipe and canister	70, 80		3786275	2
	HOSE – Canister drain	70, 80		3829471	1
	CLIP – $\frac{5}{16}$ " Saddle type	All		SP2367	A.R.
	CLIP – Pipe to brake pipe	60, 70, 80		599119	1
	CLIP – Pipe to fuel pipe	60, 80		3710497	1
3.120 HOSE, STRAP, TEE – Canister to engine – Emission Control					
	HOSE HARNESS	(M) 6 Cyl. Eng.		(⁹⁶ 9937684	1
	TEE – P.C.V. valve	(M) 6 Cyl. Eng.		(⁹⁶ 3970076	1
	TEE – Ported vacuum	(M) 6 Cyl. Eng.		(⁹⁶ 3028858	1
	HOSE HARNESS	(A) 6 Cyl. Eng.		(⁹⁶ 9937683	1
	TEE – P.C.V. valve	(A) 6 Cyl. Eng.		(⁹⁶ 3970076	1
	HOSE – Canister to fuel bowl	6 Cyl. Eng.		(⁹³ 9940402	1
	HOSE – Canister to carburettor purge port	6 Cyl. Eng.		(⁹³ 9937663	1
	HOSE HARNESS	(M) 4.2 Litre Eng.		(⁹⁶ 9937688	1
	TEE – P.C.V. valve	(M) 4.2 Litre Eng.		(⁹⁶ 3970076	1
	TEE – Ported vacuum	(M) 4.2 Litre Eng.		(⁹⁶ 3028858	1
	HOSE HARNESS	(A) 4.2 Litre Eng.		(⁹⁶ 9937782	1
	TEE – P.C.V. valve	(A) 4.2 Litre Eng.		(⁹⁶ 3970076	1
	HOSE – Canister to fuel bowl	4.2 Litre Eng.		(⁹³ 9942289	1
	HOSE – Canister to carburettor purge port	4.2 Litre Eng.		(⁹³ 9943956	1
	HOSE HARNESS	(M) 5 Litre Eng.		(⁹⁶ 9937692	1
	TEE – P.C.V. valve	(M) 5 Litre Eng.		(⁹⁶ 3970076	1
	TEE – Ported vacuum	(M) 5 Litre Eng.		(⁹⁶ 3028858	1
	HOSE HARNESS	(A) 5 Litre Eng.		(⁹⁶ 9937693	1
	TEE – P.C.V. valve	(A) 5 Litre Eng.		(⁹⁶ 3970076	1
	HOSE – Canister to carburettor purge port	5 Litre Eng. exc. Rear Wheel Lock Control .		(⁹³ 9935795	1
	HOSE – Canister to carburettor purge port	5 Litre Eng. W/Rear Wheel Lock Control ...		(⁹³ 9939810	1
	STRAP – Harness securing	6 Cyl. Eng.		(⁹⁶ SP1887	1
	STRAP – Harness securing	8 Cyl. Eng.		(⁹⁶ 7436769	1
	STRAP – Hose securing	All		(⁹³ 7436769	2
	CLAMP – Hose retaining	6 Cyl. Eng. W/Power Steering		(⁹³ 2819316	1
3.130 CANISTER, CAP, ELEMENT, SUPPORT – Vapour – Emission Control					
	CANISTER	All		(⁹³ 7043715	1
	CANISTER	ALL		(⁹⁶ 7030758	1
	CAP – Sealing	5 Litre Eng.		9937549	1
	CAP – Drain	Exc. Rear Wheel Lock Control		7021697	1
	CAP – Drain	W/Rear Wheel Lock Control		7028046	1
	ELEMENT – Vapour filter	All		7026014	1
Note: (⁹³ With Evaporative and Exhaust Emission Control – A.D.R. 27A (Refer Safety Compliance Plate). (⁹⁶ Without Exhaust Emission Control.					

"HX" STATESMAN/HOLDEN PARTS CATALOGUE

GROUP	DESCRIPTION	MODEL	SIDE	PART No.	QTY.
3.130	CANISTER, CAP, ELEMENT, SUPPORT – Vapour – Emission Control (contd.)				
	SUPPORT ASSEMBLY	Exc. Rear Wheel Lock Control		9933964	1
	SCREW – Support attaching	Exc. Rear Wheel Lock Control		9421137	1
	SCREW – Canister securing	Exc. Rear Wheel Lock Control		9422037	1
	SUPPORT ASSEMBLY	W/Rear Wheel Lock Control		9935578	1
	SCREW – Support to fender skirt	W/Rear Wheel Lock Control		9416642	3
	WASHER – Support to fender skirt, lock	W/Rear Wheel Lock Control		120380	3
	WASHER – Support to fender skirt, flat	W/Rear Wheel Lock Control		120392	3
	REPAIR KIT – Purge valve	All		(⁹⁶ 7041344	1
	NOTE: Kit contains: Cover, diaphragm, spring & spring retainer				
3.158	PIPE – Fuel				
	PIPE ASSEMBLY – Fuel tank to pump, front	35, 37, 69		9935205	1
	PIPE ASSEMBLY – Fuel tank to pump, rear	35		9936924	1
	PIPE ASSEMBLY – Fuel tank to pump, rear	37, 69 exc. Statesman		9936923	1
	PIPE ASSEMBLY – Fuel tank to pump, rear	Statesman		9936924	1
	PIPE – Fuel tank to pump, front	60, 70, 80		9937023	1
	PIPE – Fuel tank to pump, rear	60		2822149	1
	PIPE – Fuel tank to pump, rear	70, 80		2822032	1
3.159	PIPE, HOSE, SEPARATOR – Vapour return				
	PIPE – Front	(A) 5 Litre Eng. Air Cond. Sedan, Station Wagon, LE		9936346	1
	CLIP – Pipe to brake connector	(A) 5 Litre Eng. Air Cond. Sedan, Station Wagon, LE		SP2650	1
	PIPE – Front	(A) 5 Litre Eng. Air Cond. Panel Van, Utility		9936927	1
	PIPE – Rear	(A) 5 Litre Eng. Air Cond. LE, Sedan exc. Statesman		9936925	1
	PIPE – Rear	(A) 5 Litre Eng. Air Cond. Station Wagon, Statesman		9936926	1
	PIPE – Rear	(A) 5 Litre Eng. Air Cond. Panel Van, Utility		2822329	1
	HOSE – Separator to front pipe	(A) 5 Litre Eng. Air Cond.		(⁹³ 9942047	1
	HOSE – Separator to front pipe	Caprice		(⁹⁶ 2809933	1
	HOSE – Rear vapour pipe to tank	(A) 5 Litre Eng. 35, 37, 69 Air Cond.		9930738	1
	HOSE – Rear vapour return pipe to tank	(A) 5 Litre Eng. 60 Air Cond.		9944182	1
	HOSE – Rear vapour return pipe to tank	(A) 5 Litre Eng. 70, 80 Air Cond.		2809932	1
	HOSE – Rear vapour pipe to front pipe	(A) 5 Litre Eng. Air Cond.		2810519	1
	CLAMP – Vapour hose	(A) 5 Litre Eng. Air Cond.		SP1605	6
	CLIP – Fuel pipe to vapour return pipe	(A) 5 Litre Eng. 70, 80 Air Cond.		599119	9-7
	CLIP – Vapour return pipe	(A) 5 Litre Eng. Air Cond.		2809928	1
	CLIP – Vapour return pipe to brake connector	(A) 5 Litre Eng. 35, 37, 69 Air Cond.		SP2650	1
	CLIP – Vapour return pipe to side rail & underbody	(A) 5 Litre Eng. 35, 37, 69 Air Cond.		SP2357	4
	SEPARATOR ASSEMBLY	(A) 5 Litre Eng. Air Cond.		(⁹³ 9934943	1
3.163	HOSE – Fuel line				
	HOSE – Fuel, front	6 Cyl. Eng.		9939400	1
	HOSE – Fuel, front	8 Cyl. Eng.		2815522	1
	HOSE – Fuel pipe to tank	Sedan, Station Wagon, LE		9930737	1
	HOSE – Fuel pipe to tank	Panel Van, Utility, Chassis & Cab		7434210	1
	HOSE – Fuel, front to rear pipe	ALL		7434210	1
	CLAMP – Hose	ALL		3786275	A.R.
	CONNECTOR – Hose to fuel pump	6 Cyl. Eng.		3750685	1
	CONNECTOR – Hose to fuel pump	8 Cyl. Eng.		7435003	1
3.201	PIPE – Carburettor fuel				
	PIPE ASSEMBLY	6 Cyl. Eng.		7426211	1
	PIPE ASSEMBLY	4.2 Litre Eng.		9934458	1
	PIPE ASSEMBLY	(M) 5 Litre Eng.		(⁹⁶ 9930599	1
	PIPE ASSEMBLY	(M) 5 Litre Eng.		(⁹³ 9941142	1

Note: (⁹³ With Evaporative and Exhaust Emission Control – A.D.R. 27A (Refer Safety Compliance Plate).
(⁹⁶ Without Exhaust Emission Control.

"HX" STATESMAN/HOLDEN PARTS CATALOGUE

GROUP	DESCRIPTION	MODEL	SIDE	PART No.	QTY.
3.201	PIPE – Carburettor fuel (contd.)				
	PIPE ASSEMBLY	(A) 5 Litre Eng. exc. Air Cond.		(⁹⁶ 9930599	1
	PIPE ASSEMBLY	(A) 5 Litre Eng. exc. Air Cond.		(⁹³ 9941142	1
	PIPE ASSEMBLY	(A) 5 Litre Eng. Air Cond.		(⁹⁶ 9930600	1
	PIPE ASSEMBLY	(A) 5 Litre Eng. Air Cond.		(⁹³ 9941066	1
3.202	PIPE FITTINGS				
	CLIP – Fuel pipe to rear brake pipe	ALL		599119	A.R.
	CLIP – Fuel pipe to crossmember	60, 70, 80		2823630	2
	CLIP – Fuel & brake pipe to frame	ALL		SP2357	AR
	CLIP – Fuel pipe to frame & cross member	ALL		SP2367	A.R.
	CLIP – Carburettor fuel pipe	6 Cyl. Eng.		7423305	1
	CLIP – Rear fuel pipe to rear crossmember	35, 37, 69		9936423	1
	CLIP – Rear fuel pipe to rear floor pan	35, 37, 69		9937636	1
	ELBOW – Carburettor fuel pipe to fuel pump	6 Cyl. Eng.		116341	1
	ELBOW – Carburettor fuel pipe to fuel pump	8 Cyl. Eng.		143343	1
	NUT – Carburettor fuel pipe	All		137398	2
3.260	HOSE, INLET, CLAMP – Inlet manifold water				
	HOSE – Inlet	6 Cyl. Eng.		(⁹⁶ 9928722	1
	HOSE – Outlet	6 Cyl. Eng. exc. heater		(⁹⁶ 2820830	1
	CLIP – Inlet hose to outlet hose	6 Cyl. Eng. exc. heater		(⁹⁶ 7433806	1
	HOSE – Inlet	4.2 Litre Eng. with heater		(⁹⁶ 2820471	1
	HOSE – Outlet	4.2 Litre Eng. exc. heater		(⁹⁶ 2822947	1
	HOSE – Inlet	5 Litre Eng. with heater		(⁹⁶ 2820472	1
	HOSE – Outlet	5 Litre Eng. exc. heater		(⁹⁶ 2822948	1
	CLAMP – Hose 1.03"	ALL		(⁹⁶ SP1610	AR
3.261	INLET, GASKET, BOLT – Inlet manifold water				
	INLET	5 Litre Eng.		(⁹⁶ 2820473	1
	GASKET – Inlet to manifold	5 Litre Eng.		(⁹⁶ 2808164	1
	BOLT – Inlet to manifold ¼" – 20 x ½"	5 Litre Eng.		(⁹⁶ 121926	1
	BOLT – Inlet to manifold ¼" – 20 x 7/8"	5 Litre Eng.		(⁹⁶ 456632	1
3.265	MANIFOLD – Inlet				
	MANIFOLD	6 Cyl. Eng.		(⁹⁶ 2825869	1
	MANIFOLD	(M) 6 Cyl. Eng.		(⁹³ 9941539	1
	MANIFOLD	(A) 6 Cyl. Eng.		(⁹³ 9936018	1
	MANIFOLD	4.2 Litre Eng.		(⁹⁶ 9932889	1
	MANIFOLD	4.2 Litre Eng.		(⁹³ 9928684	1
	MANIFOLD	(M) 5 Litre Eng.		⁹³ (⁹⁶ 9932891	1
	MANIFOLD	(A) 5 Litre Eng.		⁹³ (⁹⁶ 9942656	1
	MANIFOLD	5 Litre Eng.		⁹⁶ (⁹⁶ 9929854	1
3.265	GUARD – Inlet manifold				
	GUARD – Oil splash	8 Cyl. Eng.		(⁹³ 9933295	1
	SCREW – Guard to manifold	8 Cyl. Eng.		(⁹³ 192281	1
3.265	ADAPTOR – Inlet manifold vacuum – (M) 6 Cylinder Engine				
	ADAPTOR – 2 way	Air Cond. exc. Fuel Econ. Lamp, Remote Control Deck Lid Lock		9942268	1
	ADAPTOR – 2 way	Fuel Econ. Lamp exc. Air Cond., Remote Control Deck Lid Lock		9942268	1
	ADAPTOR – 2 way	Remote Control Deck Lid Lock exc. Air Cond., Fuel Econ. Lamp		9942270	1
	ADAPTOR – 3 way	Air Cond., Fuel Econ. Lamp exc. Remote Control Deck Lid Lock		9942269	1
	ADAPTOR – 3 way	Fuel Econ. Lamp, Remote Control Deck Lid Lock exc. Air Cond.		9942271	1
Note:	(⁹³ With Evaporative and Exhaust Emission Control – A.D.R. 27A (Refer Safety Compliance Plate).				
	(⁹⁶ Without Exhaust Emission Control.				

"HX" STATESMAN/HOLDEN PARTS CATALOGUE

GROUP	DESCRIPTION	MODEL	SIDE	PART No.	QTY.
3.265 ADAPTOR – Inlet manifold vacuum – (A) 6 Cylinder Engine					
ADAPTOR – 2 way	Exc. Air Cond., Fuel Econ. Lamp, Remote Control Deck Lid Lock			9942268	1
ADAPTOR – 3 way	Air Cond. exc. Fuel Econ. Lamp, Remote Control Deck Lid Lock			9942269	1
ADAPTOR – 3 way	Fuel Econ. Lamp exc. Air Cond., Remote Control Deck Lid Lock			9942269	1
ADAPTOR – 3 way	Remote Control Deck Lid Lock exc. Air Cond., Fuel Econ. Lamp			9942271	1
ADAPTOR – 4 way	Fuel Econ. Lamp, Remote Control Deck Lid Lock exc. Air Cond.			9942272	1
ADAPTOR – 4 way	Air Cond., Fuel Econ. Lamp exc. Remote Control Deck Lid Lock			9942273	1
3.265 ADAPTOR – Inlet manifold vacuum – (M) 8 Cylinder Engine					
ADAPTOR – Single	Exc. Air Cond., Fuel Econ. Lamp			(⁹³ 9942274	1
ADAPTOR – 2 way	Air Cond. exc. Fuel Econ. Lamp			(⁹³ 9942268	1
ADAPTOR – 2 way	Fuel Econ. Lamp exc. Air Cond.			(⁹³ 9942268	1
ADAPTOR – 3 way	Air Cond., Fuel Econ. Lamp			(⁹³ 9942269	1
ADAPTOR – 2 way	Exc. Air Cond., Fuel Econ. Lamp			(⁹⁸ 9930194	1
ADAPTOR – 3 way	Air Cond. exc. Fuel Econ. Lamp			(⁹⁶ 9930196	1
ADAPTOR – 3 way	Fuel Econ. Lamp exc. Air Cond.			(⁹⁶ 9930196	1
ADAPTOR – 4 way	Air Cond., Fuel Econ. Lamp			(⁹⁶ 9930197	1
3.265 ADAPTOR – Inlet manifold vacuum – (A) 8 Cylinder Engine					
ADAPTOR – 2 way	Exc. Air Cond., Fuel Econ. Lamp			(⁹³ 9942268	1
ADAPTOR – 3 way	Air Cond. exc. Fuel Econ. Lamp			(⁹² 9942269	1
ADAPTOR – 3 way	Fuel Econ. Lamp exc. Air Cond.			(⁹³ 9942269	1
ADAPTOR – 4 way	Air Cond., Fuel Econ. Lamp			(⁹³ 9942273	1
ADAPTOR – 3 way	Exc. Air Cond., Fuel Econ. Lamp			(⁹⁶ 9930196	1
ADAPTOR – 4 way	Air Cond. exc. Fuel Econ. Lamp			(⁹⁸ 9930197	1
ADAPTOR – 4 way	Fuel Econ. Lamp exc. Air Cond.			(⁹⁶ 9930197	1
ADAPTOR – 5 way	Air Cond., Fuel Econ. Lamp			(⁹⁶ 9940934	1
3.265 CONNECTOR – Inlet manifold vacuum					
CONNECTOR – TVS hose to manifold	ALL			(⁹³ 9929019	1
3.270 GASKET – Manifold					
GASKET SET	6 Cyl. Eng.			7430496	1
GASKET	6 Cyl. Eng.			7429521	1
GASKET SET – Inlet manifold	8 Cyl. Eng.			2811259	1
GASKET – Inlet	8 Cyl. Eng.		LH	(⁹³ 9939017	1
			RH	(⁹³ 9940556	1
GASKET – Inlet	8 Cyl. Eng.			(⁹⁸ 7435140	2
RETAINER – Inlet manifold gasket	8 Cyl. Eng.			7435071	4
SEAL – Inlet manifold front	8 Cyl. Eng.			7434979	1
SEAL – Inlet manifold rear	8 Cyl. Eng.			7434980	1
3.273 CLAMP – Manifold					
CLAMP – Small	6 Cyl. Eng.			(⁹³ 9943789	4
CLAMP – Large	6 Cyl. Eng.			(⁹³ 9943790	2
CLAMP – Small	6 Cyl. Eng.			(⁹⁶ 7420151	4
CLAMP – Large	6 Cyl. Eng.			(⁹⁶ 3789898	2
3.275 STUD, BOLT – Inlet and exhaust manifold					
STUD – Inlet and exhaust manifold	6 Cyl. Eng.			7429476	4
NUT – Inlet & exhaust manifold to cyl. head	6 Cyl. Eng.			103026	4
BOLT – Inlet & exhaust manifold to cyl. head	6 Cyl. Eng.			179843	2
STUD – Manifold locating	6 Cyl. Eng.			3835487	2
STUD – Inlet & exhaust manifold attaching	6 Cyl. Eng.			SP2699	1
BOLT – Inlet to exhaust manifold	6 Cyl. Eng.			(⁹³ SP2695	2
Note: (⁹³ With Evaporative and Exhaust Emission Control – A.D.R. 27A (Refer Safety Compliance Plate). (⁹⁶ Without Exhaust Emission Control.					

"HX" STATESMAN/HOLDEN PARTS CATALOGUE

GROUP	DESCRIPTION	MODEL	SIDE	PART No.	QTY.
3.275 STUD, BOLT – Inlet and exhaust manifold (contd.)					
	STUD – Exhaust pipe to manifold	6 Cyl. Eng.		(⁹³ 7437291	2
	STUD – Exhaust pipe to manifold	6 Cyl. Eng.		(⁹⁶ 7414906	2
	NUT – Exhaust pipe to manifold	6 Cyl. Eng.		3829086	2
	BOLT – Inlet manifold to cyl. head	8 Cyl. Eng.		9427729	8
	BOLT – Inlet manifold to cyl. head	8 Cyl. Eng.		9436896	6
	BOLT – Exhaust manifold to cyl. head	8 Cyl. Eng.		189305	2
	BOLT – Exhaust manifold to cyl. head	8 Cyl. Eng.		106331	10
	PLATE – Bolt lock	8 Cyl. Eng.		7437450	4
	WASHER – Exhaust manifold to cyl. head	8 Cyl. Eng.		3836710	10
	STUD – Exhaust pipe to L.H. manifold	8 Cyl. Eng.		7437291	2
	STUD – Exhaust pipe to R.H. manifold	8 Cyl. Eng.		SP2528	2
	STUD – Exhaust pipe to R.H. manifold	8 Cyl. Eng.		(⁹⁶ 7437291	2
	WASHER – Exhaust pipe to manifold	8 Cyl. Eng.		108580	4
	NUT – Exhaust pipe to manifold	8 Cyl. Eng.		102635	4
3.288 STUD, BOLT, NUT – Carburettor to manifold					
	STUD	6 Cyl. Eng.		(⁹³ SP2662	2
	STUD	6 Cyl. Eng.		(⁹⁶ 7429464	2
	NUT	6 Cyl. Eng.		120368	2
	STUD	4.2 Litre Eng.		SP2570	4
	STUD – 5/16" x 1.54"	5 Litre Eng.		SP1763	2
	BOLT	5 Litre Eng.		188154	2
	NUT	8 Cyl. Eng.		120368	2-4
3.402 AIR CLEANER and SILENCER					
	AIR CLEANER & SILENCER ASSEMBLY – Single element	6 Cyl. Eng.		(⁹⁶ 9935024	1
	AIR CLEANER and SILENCER ASSEMBLY – Single element	6 Cyl. Eng.		(⁹³ 9933302	1
	AIR CLEANER and SILENCER ASSEMBLY – Dual element	6 Cyl. Eng.		(⁹⁶ 9934675	1
	AIR CLEANER ASSEMBLY – Dual element	6 Cyl. Eng.		(⁹³ 9941367	1
	AIR CLEANER and SILENCER ASSEMBLY	4.2 Litre Eng.		9941329	1
	AIR CLEANER and SILENCER ASSEMBLY	5 Litre Eng.		(⁹⁶ 9931795	1
	AIR CLEANER and SILENCER ASSEMBLY	5 Litre Eng.		(⁹³ 9937409	1
	TRANSFER – Dual element	6 Cyl. Eng.		(⁹³ 9940891	1
	TRANSFER – Low Compression	6 Cyl., 4.2 Litre Eng.		9931262	1
3.403 ROD, CLAMP, BOLT, BRIDGE, GASKET – Air cleaner					
	ROD	6 Cyl. Eng.		(⁹⁶ 7419668	1
	CLAMP	6 Cyl. Eng.		(⁹⁶ 7419667	1
	BOLT – Dual element cleaner	6 Cyl. Eng.		(⁹⁶ 7426138	1
	BRIDGE	6 Cyl. Eng.		(⁹³ 9942793	1
	GASKET – Air cleaner to carburettor	6 Cyl. Eng.		(⁹³ 9939154	1
	BRIDGE	4.2 Litre Eng.		9940548	1
	GASKET – Air cleaner to carburettor	4.2 Litre Eng.		3708408	1
	GASKET – Air cleaner to carburettor	5 Litre Eng.		3919812	1
3.410 ELEMENT, NUT, CLIP – Air cleaner					
	ELEMENT	6 Cyl. Eng.		7422739	1
	ELEMENT – Foam – Dual element cleaner	6 Cyl. Eng.		9934169	1
	GASKET – Air cleaner	8 Cyl. Eng.		7437296	1
	ELEMENT	8 Cyl. Eng.		7437298	1
	FILTER – Positive crankcase ventilator	ALL		9940554	1
	CLIP – Filter retaining	ALL		6420265	1
	NUT – Wing, 1/4" – 20	ALL		SP1352	1
	WASHER – Air cleaner to carburettor	6 Cyl. Eng.		(⁹⁶ 9414320	1
	STUD	5 Litre Eng.		2809100	1
Note: (⁹³ With Evaporative and Exhaust Emission Control – A.D.R. 27A (Refer Safety Compliance Plate). (⁹⁶ Without Exhaust Emission Control.					

"HX" STATESMAN/HOLDEN PARTS CATALOGUE

GROUP	DESCRIPTION	MODEL	SIDE	PART No.	QTY.
3.415	VALVE, DIAPHRAGM DAMPER & VALVE – Air cleaner pre-heat				
	VALVE & SHIELD ASSY. – Thermal	6 Cyl. Eng.		(⁹³ 6424750	1
	FASTENER – Valve to air cleaner	6 Cyl. Eng.		(⁹³ 6484435	1
	HOSE – Thermal valve vacuum	6 Cyl. Eng.		(⁹³ 9938991	1
	HOSE – Carburettor to thermal valve	6 Cyl. Eng.		(⁹³ 9937388	1
	CLIP – Hose to air cleaner	6 Cyl. Eng.		(⁹³ SP1843	1
	DIAPHRAGM ASSY.	6 Cyl. Eng.		(⁹³ 6484245	1
	RETAINER – Diaphragm	6 Cyl. Eng.		(⁹³ 9942585	1
	PIN – Diaphragm assy. to air cleaner inlet	6 Cyl. Eng.		(⁹³ 6424450	1
	DAMPER & VALVE ASSY.	6 Cyl. Eng.		(⁹³ 6486638	1
	VALVE & SHIELD ASSY. – Thermal	8 Cyl. Eng.		6424750	1
	FASTENER – Valve to air cleaner	8 Cyl. Eng.		6484435	1
	HOSE – Thermal valve vacuum	8 Cyl. Eng.		(⁹⁶ 7437547	1
	HOSE – Thermal valve to vacuum source	8 Cyl. Eng.		(⁹⁶ 7437623	1
	HOSE – Carburettor to thermal valve	8 Cyl. Eng.		(⁹³ 9936299	1
	CLIP – Hose to air cleaner	8 Cyl. Eng.		SP1843	1
	DIAPHRAGM ASSY.	8 Cyl. Eng.		6484245	1
	RETAINER – Diaphragm	8 Cyl. Eng.		6424498	1
	PIN – Diaphragm assy. to air cleaner inlet	8 Cyl. Eng.		6424450	1
	DAMPER & VALVE ASSY.	8 Cyl. Eng.		6486638	1
3.417	STOVE, HOSE, TUBE – Air pre-heat				
	STOVE ASSY.	6 Cyl. Eng.		(⁹³ 9933114	1
	HOSE – Stove to air cleaner	6 Cyl. Eng.		(⁹³ 9942736	1
	STOVE ASSY.	8 Cyl. Eng.		9928338	1
	SPACER – Stove to exhaust manifold	8 Cyl. Eng.		9928342	2
	HOSE – Stove to air cleaner	4.2 Litre Eng.		9942737	1
	HOSE – Stove to air cleaner	5 Litre Eng.		(⁹³ 9942737	1
	HOSE – Stove to air cleaner	5 Litre Eng.		(⁹⁶ 9928341	1
	TUBE – Air cleaner vacuum	5 Litre Eng.		2808035	1
3.430	COMPONENTS – Throttle control linkage				
	LEVER & PIVOT ASSY. – Accelerator pedal	6 Cyl. Eng.		9933550	1
	WASHER – Lever & pivot assy., flat	(M) 6 Cyl. Eng.		120392	1
	WASHER – Lever & pivot assy., lock	6 Cyl. Eng.		120380	1
	NUT – Lever & pivot assy.	6 Cyl. Eng.		120375	1
	CABLE ASSY. – Throttle	6 Cyl. Eng.		9929776	1
	RETAINER – Cable assy.	6 Cyl. Eng.		9928398	1
	GROMMET – Cable insulator	6 Cyl. Eng.		9928399	1
	WASHER – Lever anti-rattle	6 Cyl. Eng.		SP1328	1
	LEVER & PIVOT ASSY. – Accelerator pedal	8 Cyl. Eng.		9933549	1
	WASHER – Lever & pivot assy., flat	(M) 8 Cyl. Eng.		120392	1
	WASHER – Lever & pivot assy., lock	8 Cyl. Eng.		120382	1
	NUT – Lever & pivot assy.	8 Cyl. Eng.		120375	1
	CABLE ASSY. – Throttle	8 Cyl. Eng.		9929775	1
	RETAINER – Cable assy.	8 Cyl. Eng.		9928398	1
	GROMMET – Cable insulator	8 Cyl. Eng.		9928399	1
	STRAP – Cable to radiator hose	8 Cyl. Eng.		7436769	1
	BRACKET – Cable retaining	4.2 Litre Eng.		9938671	1
	BRACKET – Cable retaining	5 Litre Eng.		9938672	1
	BOLT – Bracket to manifold	8 Cyl. Eng.		SP2073	1
	LEVER – Carburettor	5 Litre Eng.		9929281	1
	WASHER – Lever anti-rattle	8 Cyl. Eng.		SP1328	1
	STUD – Cable to lever	8 Cyl. Eng.		3924414	1
	WASHER – Stud to lever	8 Cyl. Eng.		121637	1
	NUT – Stud to lever	8 Cyl. Eng.		120375	1
3.440	SOLENOID – Anti-dieseling				
	SOLENOID	All		7030735	1

Note: (⁹³ With Evaporative and Exhaust Emission Control – A.D.R. 27A (Refer Safety Compliance Plate).
(⁹⁶ Without Exhaust Emission Control.

"HX" STATESMAN/HOLDEN PARTS CATALOGUE

GROUP	DESCRIPTION	MODEL	SIDE	PART No.	QTY.
3.444 BRACKET, NUT, WASHER – Anti dieseling solenoid					
	BRACKET – Solenoid to carburettor	6 Cyl. Eng.		VS13711	1
	NUT – Solenoid to bracket	6 Cyl. Eng.		7042654	1
	WASHER – Solenoid to bracket	6 Cyl. Eng.		7042653	1
	BOLT – Bracket to carburettor	6 Cyl. Eng.		VS13688	3
	BRACKET – Solenoid to carburettor	4.2 Litre Eng.		VS13682	1
	NUT – Solenoid to bracket	4.2 Litre Eng.		7042654	1
	WASHER – Solenoid to bracket	4.2 Litre Eng.		7042653	1
	BOLT – Bracket to carburettor	4.2 Litre Eng.		VS13683	3
	BRACKET – Solenoid to carburettor	5 Litre Eng.		7030602	1
	NUT – Solenoid to bracket	5 Litre Eng.		7042654	1
	WASHER – Solenoid to bracket	5 Litre Eng.		7042653	1
	BOLT – Bracket to carburettor	5 Litre Eng.		7030567	1
3.451 PEDAL – Accelerator					
	PEDAL ASSEMBLY	ALL		2815916	1
	PIN – Pedal to lever	ALL		2814047	1
	TRIM – Pedal	Statesman		2815915	1
	BRACKET – Accelerator pedal	ALL		9930269	1
	BOLT – Pedal bracket to dash	ALL		SP2044	2
3.459 SPRING – Accelerator					
	SPRING – Pedal tension	ALL		3909982	1
	SPRING – Return	4.2 Litre Eng.		9933951	1
	SPRING – Return	5 Litre Eng.		9935619	1
	BRACKET – Return Spring	8 Cyl. Eng.		9935618	1
	SCREW – Bracket to manifold	8 Cyl. Eng.		SP2040	1
	SPACER – Bracket to solenoid	8 Cyl. Eng.		2814844	1
3.521 CONTROL – Choke					
	CONTROL ASSEMBLY – Choke	6 Cyl. Eng.		(⁹³ 9942931)	1
	CONTROL ASSEMBLY – Choke	6 Cyl. Eng.		(⁹⁶ 9933993)	1
	GROMMET – Choke control to dash panel	6 Cyl. Eng.		7409643	1
3.601 MANIFOLD – Exhaust					
	MANIFOLD ASSEMBLY	6 Cyl. Eng.		(⁹⁶ 7429514)	1
	MANIFOLD ASSEMBLY	6 Cyl. Eng.		(⁹³ 9933061)	1
	MANIFOLD ASSEMBLY	8 Cyl. Eng.	LH	(⁹⁶ 7435825)	1
	MANIFOLD ASSEMBLY	8 Cyl. Eng.	RH	(⁹⁶ 7436026)	1
	MANIFOLD ASSEMBLY	8 Cyl. Eng.	LH	(⁹³ 7435825)	1
	MANIFOLD ASSEMBLY	8 Cyl. Eng.	RH	(⁹³ 9934332)	1
3.603 PIPE, HOSE, TUBE – Automatic choke heat					
	TUBE	8 Cyl. Eng.		(⁹⁶ 3814026)	1
	TUBE & PLATE ASSY.	8 Cyl. Eng.		(⁹³ 9933717)	1
	BOLT – Tube and plate to manifold	8 Cyl. Eng.		(⁹³ SP2090)	2
	GASKET – Tube	8 Cyl. Eng.		(⁹³ 9933715)	1
	PIPE – Heat inlet	4.2 Litre Eng.		(⁹³ 9934213)	1
	PIPE ASSY. – Choke hot air	4.2 Litre Eng.		(⁹³ 9934210)	1
	HOSE – Pipe to carburettor	4.2 Litre Eng.		(⁹³ 9934270)	1
	PIPE – Heat inlet	5 Litre Eng.		(⁹³ 9934212)	1
	PIPE ASSY. – Choke hot air	5 Litre Eng.		(⁹³ 9934209)	1
	PIPE – Air inlet	8 Cyl. Eng.		(⁹⁶ 2808136)	1
	CLIP – Air inlet pipe to rocker cover	8 Cyl. Eng.		(⁹⁶ 2825954)	1
	PIPE – Air heat	4.2 Litre Eng.		(⁹⁶ 2811625)	1
	PIPE – Air heat	5 Litre Eng.		(⁹⁶ 2811626)	1
	NUT – Air heat pipe	8 Cyl. Eng.		(⁹⁶ 190863)	1
Note: (⁹³ With Evaporative and Exhaust Emission Control – A.D.R. 27A (Refer Safety Compliance Plate). (⁹⁶ Without Exhaust Emission Control.					

"HX" STATESMAN/HOLDEN PARTS CATALOGUE

GROUP	DESCRIPTION	MODEL	SIDE	PART No.	QTY.
3.603 PIPE, HOSE, TUBE – Automatic choke heat (contd.)					
	CLIP – Pipe	8 Cyl. Eng.		(⁹⁶ 2805402)	1
	HOSE – Inlet	8 Cyl. Eng.		(⁹⁶ 2813033)	1
	BAFFLE – Choke heat tube	8 Cyl. Eng.		(⁹⁶ 2805461)	1
	INSULATOR – Choke pipe	8 Cyl. Eng.		(⁹⁶ 2811627)	1
	TUBE	8 Cyl. Eng.		(⁹⁶ 3814026)	1
3.609 PIPE – Exhaust					
	PIPE ASSEMBLY	6 Cyl. Eng. Station Wagon		(⁹⁶ 2814270)	1
	PIPE ASSEMBLY	6 Cyl. Eng. Station Wagon		(⁹³ 9937369)	1
	PIPE ASSEMBLY	6 Cyl. Eng. Chassis & Cab		(⁹⁶ 2820482)	1
	PIPE ASSEMBLY	6 Cyl. Eng. Chassis & Cab		(⁹³ 9937368)	1
	PIPE ASSEMBLY	6 Cyl. Eng. Sedan		(⁹⁶ 2811882)	1
	PIPE ASSEMBLY	6 Cyl. Eng. Sedan		(⁹³ 9937366)	1
	PIPE ASSEMBLY	6 Cyl. Eng. Panel Van, Utility		(⁹⁶ 2820210)	1
	PIPE ASSEMBLY	6 Cyl. Eng. Panel Van, Utility		(⁹³ 9937367)	1
	PIPE ASSEMBLY	Single exhaust 4.2 Litre Eng. Sedan exc. Statesman	LH RH	(⁹⁶ 2811853) (⁹⁶ M37649)	1 1
	PIPE ASSEMBLY	Single exhaust 4.2 Litre Eng. Sedan exc. Statesman	LH RH	(⁹³ 2811853) (⁹³ 9938432)	1 1
	PIPE ASSEMBLY	Dual exhaust 4.2 Litre Eng. Sedan exc. Statesman	LH RH	(⁹⁶ 2818189) (⁹⁶ 2818188)	1 1
	PIPE ASSEMBLY	Dual exhaust 4.2 Litre Eng. Sedan exc. Statesman	LH RH	(⁹³ 2818189) (⁹³ 9938478)	1 1
	PIPE ASSEMBLY	Single exhaust (M) 5 Litre Eng. Sedan exc. Statesman	LH RH	(⁹⁶ 2811853) (⁹⁶ M37649)	1 1
	PIPE ASSEMBLY	Single exhaust (M) 5 Litre Eng. Sedan exc. Statesman	LH RH	(⁹³ 2811853) (⁹³ 9938432)	1 1
	PIPE ASSEMBLY	Dual exhaust (M) 5 Litre Eng. Sedan exc. Statesman	LH RH	(⁹⁶ 2818189) (⁹⁶ 2818188)	1 1
	PIPE ASSEMBLY	Dual exhaust (M) 5 Litre Eng. Sedan exc. Statesman	LH RH	(⁹³ 2818189) (⁹³ 9938478)	1 1
	PIPE ASSEMBLY	Single exhaust (A) 5 Litre Eng. Sedan exc. Statesman	LH RH	(⁹⁶ 9934425) (⁹⁶ 9934424)	1 1
	PIPE ASSEMBLY	Single exhaust (A) 5 Litre Eng. Sedan exc. Statesman	LH RH	(⁹³ 9934425) (⁹³ 9934324)	1 1
	PIPE ASSEMBLY	Dual exhaust (A) 5 Litre Eng. Sedan exc. Statesman	LH RH	(⁹⁶ 9934423) (⁹⁶ 9934422)	1 1
	PIPE ASSEMBLY	Dual exhaust (A) 5 Litre Eng. LE, Sedan exc. Statesman	LH RH	(⁹³ 9934423) (⁹³ 9934326)	1 1
	PIPE ASSEMBLY	4.2 Litre Eng. Station Wagon, Statesman	LH RH	(⁹⁶ 2815285) (⁹⁶ 2811852)	1 1
	PIPE ASSEMBLY	4.2 Litre Eng. Station Wagon, Statesman	LH RH	(⁹³ 2815285) (⁹³ 9938432)	1 1
	PIPE ASSEMBLY	(M) 5 Litre Eng. Station Wagon	LH RH	(⁹⁶ 2815285) (⁹⁶ M37649)	1 1
	PIPE ASSEMBLY	(M) 5 Litre Eng. Station Wagon	LH RH	(⁹³ 2815285) (⁹³ 9938432)	1 1
	PIPE ASSEMBLY	(A) 5 Litre Eng. Station Wagon, Statesman	LH RH	(⁹⁶ 9934177) (⁹⁶ 9934424)	1 1
Note: (⁹³ With Evaporative and Exhaust Emission Control – A.D.R. 27A (Refer Safety Compliance Plate). (⁹⁶ Without Exhaust Emission Control.					

"HX" STATESMAN/HOLDEN PARTS CATALOGUE

GROUP	DESCRIPTION	MODEL	SIDE	PART No.	QTY.
3.609	PIPE – Exhaust (contd.)				
	PIPE ASSEMBLY	(A) 5 Litre Eng. Station Wagon, Statesman	LH	(⁹³ 9934177	1
			RH	(⁹³ 9934324	1
	PIPE ASSEMBLY	4.2 Litre Eng. Panel Van, Utility	LH	(⁹⁵ 2820478	1
			RH	(⁹⁶ M37649	1
	PIPE ASSEMBLY	4.2 Litre Eng. Panel Van, Utility	LH	(⁹³ 2820478	1
			RH	(⁹³ 9938432	1
	PIPE ASSEMBLY	(M) 5 Litre Eng. Panel Van, Utility	LH	(⁹⁶ 2820478	1
			RH	(⁹⁶ M37649	1
	PIPE ASSEMBLY	(M) 5 Litre Eng. Panel Van, Utility	LH	(⁹³ 2820478	1
			RH	(⁹³ 9938432	1
	PIPE ASSEMBLY	(A) 5 Litre Eng. Panel Van, Utility	LH	(⁹⁶ 9934501	1
			RH	(⁹⁵ 9934424	1
	PIPE ASSEMBLY	(A) 5 Litre Eng. Panel Van, Utility	LH	(⁹³ 9934501	1
			RH	(⁹³ 9934324	1
	PIPE ASSEMBLY	4.2 Litre Eng. Chassis & Cab	LH	(⁹⁶ 9929261	1
			RH	(⁹⁶ M37649	1
	PIPE ASSEMBLY	4.2 Litre Eng. Chassis & Cab	LH	(⁹³ 9929261	1
			RH	(⁹³ 9938432	1
	PIPE ASSEMBLY	(A) 5 Litre Eng. Chassis & Cab	LH	9935923	1
			RH	9934324	1
3.610	FLANGE – Exhaust pipe packing				
	FLANGE	6 Cyl. Eng.		(⁹⁵ 7429539	1
	FLANGE	6 Cyl. Eng.		(⁹³ 9932578	1
	FLANGE	8 Cyl. Eng.		7437199	1-2
3.611	PACKING – Exhaust pipe				
	PACKING	6 Cyl. Eng.		(⁹⁶ 7429532	1
3.616	CLAMP, "U" BOLT – Exhaust pipe				
	CLAMP – Pipe to muffler	Exc. Dual Exhaust		7431756	1
	"U" BOLT – Pipe to muffler	Exc. Dual Exhaust		7431757	1
	CLAMP & "U" BOLT PACKAGE	Exc. Dual Exhaust		7436221	1
	CLAMP – RH to LH pipe	8 Cyl. Eng., exc. Dual Exhaust		7433738	1
	"U" BOLT – RH to LH pipe	8 Cyl. Eng., exc. Dual Exhaust		7433737	1
	CLAMP & "U" BOLT PACKAGE	8 Cyl. Eng., exc. Dual Exhaust		7436220	1
	CLAMP – Pipe to muffler	Dual Exhaust		7433738	2
	"U" BOLT – Pipe to muffler	Dual Exhaust		7433737	2
	CLAMP & "U" BOLT PACKAGE	Dual Exhaust		7436220	2
	CLAMP – RH to LH balance pipe	Dual Exhaust		7431992	1
	"U" BOLT – RH to LH balance pipe	Dual Exhaust		7431993	1
	CLAMP & "U" BOLT PACKAGE	Dual Exhaust		7436222	1
	NUT – "U" Bolt	ALL		120369	AR
	WASHER – "U" Bolt	ALL		120382	AR
3.640	THERMOSTAT – Exhaust manifold valve – Exhaust Emission Control				
	THERMOSTAT	6 Cyl. Eng.		9936149	1
3.641	PLUG – Exhaust manifold valve – Exhaust Emission Control				
	PLUG	6 Cyl. Eng.		SP2649	1
	PLUG	8 Cyl. Eng.		103889	1
3.647	VALVE – Exhaust manifold – Exhaust Emission Control				
	VALVE ASSEMBLY	8 Cyl. Eng.		9933276	1

Note: (⁹³ With Evaporative and Exhaust Emission Control – A.D.R. 27A (Refer Safety Compliance Plate).
(⁹⁶ Without Exhaust Emission Control.

"HX" STATESMAN/HOLDEN PARTS CATALOGUE

GROUP	DESCRIPTION	MODEL	SIDE	PART No.	QTY.
3.670	VALVE, PLATE, GASKET – Exhaust gas recirculation – Exhaust Emission Control				
	VALVE ASSEMBLY	6 Cyl. Eng.		7043051	1
	GASKET	6 Cyl. Eng.		9933112	1
	STUD - Valve to manifold	6 Cyl. Eng.		SP1763	2
	WASHER - Valve to manifold	6 Cyl. Eng.		120214	2
	NUT - Valve to manifold	6 Cyl. Eng.		120368	2
	PLATE - Valve closing	4.2, (M) 5 Litre Eng.		9938953	1
	GASKET - Closing plate	4.2, (M) 5 Litre Eng.		9933112	1
	BOLT & LOCK WASHER ASSY. - Plate to manifold	4.2, (M) 5 Litre Eng.		SP2090	1
	VALVE ASSEMBLY	(A) 5 Litre Eng.		7044041	1
	GASKET	(A) 5 Litre Eng.		9933112	1
	BOLT & LOCK WASHER ASSY. - Valve to manifold	(A) 5 Litre Eng.		SP2040	2
3.670	SWITCH – Exhaust gas recirculation thermal vacuum – Exhaust Emission Control				
	SWITCH	(A) 5 Litre Eng.		3030951	1
	PLUG - E.G.R. thermal vacuum switch hole	4.2 Litre Eng.		444631	1
	PLUG - E.G.R. thermal vacuum switch hole	(M) 5 Litre Eng.		444631	1
3.670	HOSE – Exhaust gas recirculation – Exhaust Emission Control				
	HOSE - E.G.R. valve to carburettor	6 Cyl. Eng.		9937665	1
	HOSE - Carburettor to thermal vacuum switch	(A) 5 Litre Eng.		9936127	1
	HOSE - E.G.R. valve to thermal vacuum switch	(A) 5 Litre Eng.		9937665	1
3.701	MUFFLER				
	MUFFLER ASSEMBLY	Exc. Dual Exhaust		2820890	1
	MUFFLER ASSEMBLY	Dual Exhaust		2825325	2
3.704	BRACKET, SUPPORT, INSULATOR – Muffler				
	BRACKET - Support	Exc. 60, 70, 80		2819589	1-2
	BRACKET - Support	60, 70, 80		2820354	1
	SUPPORT	Exc. Dual Exhaust		2819590	1
	SUPPORT - Lower	Dual Exhaust	LH	9931823	1
			RH	9931824	1
	INSULATOR - Support	ALL		2819591	1-2
3.705	PIPE – Muffler tail				
	PIPE	6 Cyl. Eng. Station Wagon		9936583	1
	PIPE	8 Cyl. Eng. Station Wagon		2825622	1
	PIPE	6 Cyl. Eng. Sedan, exc. Statesman		2811883	1
	PIPE	8 Cyl. Eng. Sedan, exc. Statesman, Dual Exhaust		2824463	1
	PIPE	6 Cyl. Eng. Statesman		2814271	1
	PIPE	8 Cyl. Eng. Statesman		2824464	1
	PIPE	Dual Exhaust	LH	2818191	1
			RH	2818190	1
	PIPE	6 Cyl. Eng. Chassis & Cab		2820527	1
	PIPE	4.2 Litre Eng. Chassis & Cab		9929262	1
	PIPE	5 Litre Eng. Chassis & Cab		9935043	1
	PIPE	6 Cyl. Eng. Panel Van, Utility		2820212	1
	PIPE	4.2 Litre Eng. Panel Van, Utility		2820455	1
	PIPE	5 Litre Eng. Panel Van & Utility		9935043	1
	EXTENSION - Exhaust, Chrome 1 5/8" I.D. 13 1/2" long	6 Cyl. Eng.		M37108	1
	EXTENSION - Exhaust, Chrome 1 3/4" I.D. 13 1/2" long	8 Cyl. Eng.		M37107	1
	EXTENSION - Exhaust, Chrome 2" I.D. 13 1/2" long	8 Cyl. Eng.		M37109	1-2

"HX" STATESMAN/HOLDEN PARTS CATALOGUE

GROUP	DESCRIPTION	MODEL	SIDE	PART No.	QTY.
3.706	CLAMP, "U" BOLT – Muffler to tail pipe				
	CLAMP	Exc. Dual Exhaust		2811858	1
	"U" BOLT	Exc. Dual Exhaust		2811859	1
	CLAMP & "U" BOLT PACKAGE	Exc. Dual Exhaust		2818406	1
	CLAMP	Dual Exhaust		7433738	2
	"U" BOLT	Dual Exhaust		7433737	2
	CLAMP & "U" BOLT PACKAGE	Dual Exhaust		7436220	2
	NUT - "U" Bolt	ALL		120369	A.P.
	WASHER - "U" Bolt	ALL		120382	A.R.
3.710	INSULATOR, CLAMP, BRACKET – Tail pipe				
	INSULATOR	ALL		2823586	1-2
	REINFORCEMENT	ALL		2823393	1-2
	SPACER	ALL		2822013	2-4
	BOLT - Insulator to frame	ALL		SP2241	1-2
	CLAMP	6 Cyl. Eng.		2815574	1
	CLAMP	8 Cyl. Eng. 35, 37, 69 exc. Dual Exhaust ...		2818198	1
	CLAMP	8 Cyl. Eng. 60, 70, 80		2815575	1
	CLAMP	Dual Exhaust		2818198	2
	BOLT - Clamp to insulator	ALL		SP2274	1-2
	WASHER - Clamp to insulator	ALL		120214	1-2
	NUT - Clamp to insulator	ALL		120376	1-2
	BRACKET	60		2823587	1
	BRACKET	70, 80		2823588	1
	BOLT - Bracket to insulator	60, 70, 80		122017	1
	WASHER - Bracket to insulator	60, 70, 80		120214	1
	NUT - Bracket to insulator	60, 70, 80		120376	1
3.720	PIPE, HOSE, BRACKET – Automatic choke heat				
	Refer Group 3.603				
3.724	GASKET KIT – Carburettor				
	Refer Charts				
3.725	CARBURETTOR				
	CARBURETTOR ASSEMBLY	(M) 3300 Eng. Chassis & Cab		⁽⁹³⁾ 9940851	1
	CARBURETTOR ASSEMBLY	(A) 3300 Eng. Chassis & Cab		⁽⁹³⁾ 9940852	1
	CARBURETTOR ASSEMBLY	(M) 3300 Eng. exc. Chassis & Cab		⁽⁹³⁾ 9937431	1
	CARBURETTOR ASSEMBLY	(A) 3300 Eng. exc. Chassis & Cab		⁽⁹³⁾ 9937430	1
	CARBURETTOR ASSEMBLY	(M) 4.2 Litre Eng.		⁽⁹³⁾ 9937433	1
	CARBURETTOR ASSEMBLY	(A) 4.2 Litre Eng.		⁽⁹³⁾ 9937432	1
	CARBURETTOR ASSEMBLY	5 Litre Eng.		⁽⁹³⁾ 17054956	1
	CARBURETTOR ASSEMBLY	(M) 2850 Eng.		⁽⁹⁶⁾ 9936831	1
	CARBURETTOR ASSEMBLY	(A) 2850 Eng.		⁽⁹⁶⁾ 9936832	1
	CARBURETTOR ASSEMBLY	(M) 3300 Eng.		⁽⁹⁶⁾ 9936833	1
	CARBURETTOR ASSEMBLY	(A) 3300 Eng.		⁽⁹⁶⁾ 9936834	1
	CARBURETTOR ASSEMBLY	(M) 4.2 Litre Eng.		⁽⁹⁶⁾ 9936835	1
	CARBURETTOR ASSEMBLY	(A) 4.2 Litre Eng.		⁽⁹⁶⁾ 9936836	1
	CARBURETTOR ASSEMBLY	5 Litre Eng.		⁽⁹⁶⁾ 17052795	1
	NOTE: Carburettor components are listed in the following charts				
3.726	GASKET, INSULATOR, SHIELD – Carburettor to manifold				
	GASKET - Flange	6 Cyl. Eng.		VS13721	1
	INSULATOR	6 Cyl. Eng.		9941888	1
	SHIELD - Heat	6 Cyl. Eng.		9939863	1
	GASKET - Shield to manifold	6 Cyl. Eng.		9942710	1
	INSULATOR	4.2 Litre Eng.		9941817	1
	SHIELD - Heat	4.2 Litre Eng.		9942615	1
	GASKET - Shield to manifold	4.2 Litre Eng.		9942616	1
	INSULATOR	5 Litre Eng.		419047	1
	Note: ⁽⁹³⁾ With Evaporative and Exhaust Emission Control – A.D.R. 27A (Refer Safety Compliance Plate).				
	⁽⁹⁶⁾ Without Exhaust Emission Control.				

"HX" STATESMAN/HOLDEN PARTS CATALOGUE

6 CYLINDER CARBURETTOR COMPONENTS (BENDIX)

GROUP	DESCRIPTION CARBURETTOR ASSEMBLY	QTY.	PART NUMBERS			
			9936831	9936832	9936833	9936834
3.724	GASKET KIT	1	VS12468	VS12468	VS12468	VS12468
3.725	REPAIR KIT-Major overhaul	1	VS12982	VS12982	VS12982	VS12982
3.725	REPAIR KIT-Minor overhaul	1	VS12983	VS12983	VS12983	VS12983
3.726	GASKET-Flange	1	9930562	9930562	9930562	9930562
3.727	BODY ASSY.-Carburettor throttle	1	VS12994	VS12995	VS12994	VS12995
3.729	VALVE-Carburettor throttle	1	VS12490	VS12490	VS12490	VS12490
3.729	SCREW-Valve attaching	2	7405165	7405165	7405165	7405165
3.731	LEVER-Throttle	1	VS12539	VS12539	VS12539	VS12539
3.731	SHAFT-Throttle	1	VS12488	VS12488	VS12488	VS12488
3.731	NUT-Throttle shaft	1	7424617	7424617	7424617	7424617
3.731	WASHER-Throttle lever	1	7424618	7424618	7424618	7424618
3.731	SPRING-Lever return	1	2825271	2825271	2825271	2825271
3.731	BRACKET-Throttle cable support	1	VS12541	VS12541	VS12541	VS12541
3.731	SCREW-Bracket attaching	2	VS12542	VS12542	VS12542	VS12542
3.734	SCREW-Slow idle adjusting	1	VS12491	VS12491	VS12491	VS12491
3.734	SPRING-Slow idle adjusting screw	1	VS11815	VS11815	VS11815	VS11815
3.735	CAM-Fast idle	1	VS11814	VS11814	VS11814	VS11814
3.735	LEVER-Fast idle cam	1	VS11813	VS11813	VS11813	VS11813
3.736	PIN-Fast idle cam	1	VS11812	VS11812	VS11812	VS11812
3.736	PIN-Cotter, 1/16" - 3/8"	1	7405140	7405140	7405140	7405140
3.741	VALVE-Idle needle	1	VS12489	VS12489	VS12489	VS12489
3.748	BODY ASSY.-Main	1	VS12537	VS12537	VS12537	VS12537
3.748	SPACER-Insulating	1	VS12477	VS12477	VS12477	VS12477
3.748	SCREW	2	VS11321	VS11321	VS11321	VS11321
3.748	WASHER-Lock	2	VS11322	VS11322	VS11322	VS11322
3.749	GASKET-Main body	1	VS12475	VS12475	VS12475	VS12475
3.749	GASKET-Throttle body	1	VS12476	VS12476	VS12476	VS12476
3.751	BLEEDER-High speed	1	7405109	7405109	7405109	7405109
3.752	TUBE-Idle	1	VS12642	VS12642	VS12642	VS12642
3.753	ROD-Volume restrictor	1	VS12540	VS12540	VS12540	VS12540
3.754	JET-Main metering	1	VS12473	VS12473	VS12473	VS12473
3.754	JET-Main discharge	1	VS12472	VS12472	VS12472	VS12472
3.755	PLUG-Main metering jet	1	VS10432	VS10432	VS10432	VS10432
3.756	GASKET-Main metering jet plug	1	7405144	7405144	7405144	7405144
3.757	JET-Pump by-pass	1	7405131	7405131	7405131	7405131
3.757	JET-Power by-pass	1	VS12641	VS12641	VS12641	VS12641
3.757	GASKET-Pump by-pass	1	7405146	7405146	7405146	7405146
3.757	GASKET-Power by-pass	1	7405146	7405146	7405146	7405146
3.763	AIR HORN ASSY.	1	VS12984	VS12984	VS12984	VS12984
3.763	BAR-Air horn reinforcing	1	7420240	7420240	7420240	7420240

"HX" STATESMAN/HOLDEN PARTS CATALOGUE

6 CYLINDER CARBURETTOR COMPONENTS (BENDIX) (Continued)

GROUP	DESCRIPTION CARBURETTOR ASSEMBLY	QTY.	PART NUMBERS			
			9936831	9936832	9936833	9936834
3.763	SCREW & LOCK WASHER-Air horn attaching, 1/2"					
	long	2	7405167	7405167	7405167	7405167
3.763	SCREW & LOCK WASHER-Air horn attaching, 5/8"					
	long	3	7405166	7405166	7405166	7405166
3.763	TUBE-Vent	1	7424550	7424550	7424550	7424550
3.765	GASKET-Air horn	1	VS12470	VS12470	VS12470	VS12470
3.767	PLUG-Main & throttle body	1	7405158	7405158	7405158	7405158
3.767	PLUG-Lead ball	4	7405107	7405107	7405107	7405107
3.767	PLUG-Main body (long)	1	VS12505	VS12505	VS12505	VS12505
3.767	PLUG-Main body (short)	1	VS12506	VS12506	VS12506	VS12506
3.771	VALVE & SEAT ASSY.-Float needle	1	7406701	7406701	7406701	7406701
3.771	VALVE & SEAT ASSY.-Float needle (Heavy duty)	1	7420335	7420335	7420335	7420335
3.772	GASKET-Float needle valve seat	1	7405147	7405147	7405147	7405147
3.773	FLOAT & LEVER ASSY.	1	7405112	7405112	7405112	7405112
3.775	PIN-Float fulcrum	1	7405156	7405156	7405156	7405156
3.775	SPRING-Float fulcrum pin	1	7405170	7405170	7405170	7405170
3.778	PISTON & STEM ASSY.-Pump	1	VS12985	VS12985	VS12985	VS12985
3.778	PIN-Cotter	1	7405141	7405141	7405141	7405141
3.779	SPRING-Pump stem	1	7424555	7424555	7424555	7424555
3.780	LEVER-Pump	1	7424551	7424551	7424551	7424551
3.781	NUT-Pump lever attaching	1	7424617	7424617	7424617	7424617
3.781	WASHER-Pump lever	1	7424618	7424618	7424618	7424618
3.782	ROD-Pump	1	7405160	7405160	7405160	7405160
3.783	LINK-Pump	1	7405153	7405153	7405153	7405153
3.783	CLIP-Pump link	1	7405138	7405138	7405138	7405138
3.783	REPAIR KIT	1	7427343	7427343	7427343	7427343
3.784	VALVE-Pump check	1	7405136	7405136	7405136	7405136
3.784	PLUG-Pump check valve	1	7405159	7405159	7405159	7405159
3.784	GASKET-Pump check plug	1	7405145	7405145	7405145	7405145
3.787	SCREEN-Pump strainer	1	7405162	7405162	7405162	7405162
3.787	CLIP-Pump screen	1	7405139	7405139	7405139	7405139
3.788	PISTON ASSY.-Vacuum power	1	VS11818	VS11818	VS11818	VS11818
3.789	VALVE-Choke	1	VS11799	VS11799	VS11799	VS11799
3.789	SCREW-Valve attaching	2	7405118	7405118	7405118	7405118
3.791	SHAFT ASSY.-Choke	1	VS12061	VS12061	VS12061	VS12061
3.791	SPRING-Choke lever	1	7405125	7405125	7405125	7405125
3.791	LEVER ASSY.-Choke	1	7405122	7405122	7405122	7405122
3.791	SCREW-Wire clamp	1	7405124	7405124	7405124	7405124
3.791	SPRING-Choke shaft anti-buzz	1	9937383	9937383	9937383	9937383

"HX" STATESMAN/HOLDEN PARTS CATALOGUE

6 CYLINDER CARBURETTOR COMPONENTS (BENDIX) (Continued)

GROUP	DESCRIPTION CARBURETTOR ASSEMBLY	QTY.	PART NUMBERS			
			9936831	9936832	9936833	9936834
3.792	LEVER-Fast idle	1	VS11800	VS11800	VS11800	VS11800
3.792	NUT-Lever attaching	1	7405120	7405120	7405120	7405120
3.792	WASHER-Lever attaching nut	1	7405121	7405121	7405121	7405121
3.793	ROD-Fast idle	1	VS11795	VS11795	VS11795	VS11795
3.795	BRACKET-Choke cable	1	VS12121	VS12121	VS12121	VS12121
3.795	CLAMP-Choke cable	1	VS11797	VS11797	VS11797	VS11797
3.795	SCREW & WASHER ASSY.-Clamp	1	7405166	7405166	7405166	7405166
3.795	SCREW & WASHER ASSY.-Bracket attaching	1	7405167	7405167	7405167	7405167

"HX" STATESMAN/HOLDEN PARTS CATALOGUE

6 CYLINDER CARBURETTOR COMPONENTS (BENDIX)

GROUP	DESCRIPTION CARBURETTOR ASSEMBLY	QTY.	PART NUMBERS			
			9937430	9937431	9940851	9940852
3.724	GASKET KIT	1	VS13686	VS13686	VS13686	VS13686
3.725	REPAIR KIT-Major overhaul	1	VS13684	VS13729	VS13730	VS13727
3.725	REPAIR KIT-Minor overhaul	1	VS13685	VS13728	VS13728	VS13685
3.727	BODY ASSY.-Carburettor throttle	1	VS13700	VS13725	VS13725	VS13700
3.729	VALVE-Carburettor throttle	1	VS13699	VS13699	VS13699	VS13699
3.729	SCREW-Valve attaching	2	VS13659	VS13659	VS13659	VS13659
3.731	LEVER-Throttle	1	VS13701	VS13701	VS13701	VS13701
3.731	SHAFT-Throttle	1	VS13698	VS13698	VS13698	VS13698
3.731	NUT-Throttle shaft	1	VS13671	VS13671	VS13671	VS13671
3.731	WASHER-Throttle lever	1	VS13673	VS13673	VS13673	VS13673
3.731	SPRING-Lever return	1	VS13702	VS13702	VS13702	VS13702
3.731	BRACKET-Throttle cable support	1	VS13707	VS13707	VS13707	VS13707
3.731	SCREW-Bracket attaching	1	VS13688	VS13688	VS13688	VS13688
3.734	SCREW-Slow idle adjusting	1	VS13703	VS13703	VS13703	VS13703
3.734	SPRING-Slow idle adjusting screw	1	VS11815	VS11815	VS11815	VS11815
3.741	VALVE-Idle needle	1	VS12556	VS12556	VS12556	VS12556
3.741	BUSH-Idle needle valve	1	VS13677	VS13677	VS13677	VS13677
3.748	BODY ASSY.-Main	1	VS13696	VS13696	VS13696	VS13696
3.748	SCREW & WASHER-Main body	2	VS13706	VS13706	VS13706	VS13706
3.749	GASKET-Throttle body	1	VS13704	VS13704	VS13704	VS13704
3.752	TUBE-Idle	1	VS13715	VS13715	VS13715	VS13715
3.754	JET-Main metering	1	VS13708	VS13708	VS13726	VS13726
3.754	JET-Main discharge	1	VS13697	VS13697	VS13697	VS13697
3.755	PLUG-Main metering jet	1	VS10432	VS10432	VS10432	VS10432
3.756	GASKET-Main metering jet plug	1	7405144	7405144	7405144	7405144
3.757	JET-Power by-pass	1	VS13714	VS13714	VS13714	VS13714
3.757	GASKET-Power by-pass	1	VS10883	VS10883	VS10883	VS10883
3.763	AIR HORN ASSY.	1	VS13689	VS13689	VS13689	VS13689
3.763	SCREW & LOCK WASHER-Air horn attaching	7	VS13688	VS13688	VS13688	VS13688
3.767	GASKET-Air horn	1	VS13690	VS13690	VS13690	VS13690
3.767	PLUG-Main body idle channel	1	VS13705	VS13705	VS13705	VS13705
3.767	PLUG-Main body-Lead ball	1	7405107	7405107	7405107	7405107
3.767	PLUG-Drive	1	7405158	7405158	7405158	7405158
3.767	PLUG-Air horn-Lead ball	1	7405107	7405107	7405107	7405107
3.771	VALVE & SEAT ASSY.-Float needle	1	7406701	7406701	7406701	7406701
3.771	VALVE & SEAT ASSY.-Float needle (Heavy duty)	1	7420335	7420335	7420335	7420335
3.772	GASKET-Float needle valve seat	1	7405147	7405147	7405147	7405147
3.773	FLOAT & LEVER ASSY.	1	7405112	7405112	7405112	7405112
3.775	PIN-Float fulcrum	1	7405156	7405156	7405156	7405156
3.775	SPRING-Float fulcrum pin	1	7405170	7405170	7405170	7405170

"HX" STATESMAN/HOLDEN PARTS CATALOGUE

6 CYLINDER CARBURETTOR COMPONENTS (BENDIX) (Continued)						
GROUP	DESCRIPTION CARBURETTOR ASSEMBLY	QTY.	PART NUMBERS			
			9937430	9937431	9940851	9940852
3.776	BAFFLE-Float	1	VS13693	VS13693	VS13693	VS13693
3.778	PISTON & STEM ASSY.-Pump	1	VS13695	VS13722	VS13722	VS13695
3.778	PIN-Cotter	1	7405141	7405141	7405141	7405141
3.779	SPRING-Pump stem	1	VS13694	VS13694	VS13694	VS13694
3.779	BUSH-Spring retaining	1	VS13692	VS13692	VS13692	VS13692
3.782	ROD-Pump	1	VS13691	VS13691	VS13691	VS13691
3.784	VALVE-Pump check	1	7405136	7405136	7405136	7405136
3.784	PLUG-Pump check valve	1	7405159	7405159	7405159	7405159
3.784	GASKET-Pump check plug	1	7405145	7405145	7405145	7405145
3.787	SCREEN-Pump strainer	1	7405162	7405162	7405162	7405162
3.787	CLIP-Pump screen	1	7405139	7405139	7405139	7405139
3.788	PISTON ASSY.-Vacuum power	1	VS13716	VS13716	VS13716	VS13716
3.789	VALVE-Choke	1	VS13687	VS13687	VS13687	VS13687
3.789	SCREW-Valve attaching	2	VS13659	VS13659	VS13659	VS13659
3.791	SHAFT ASSY.-Choke	1	VS13719	VS13719	VS13719	VS13719
3.791	SPRING-Choke lever	1	VS13718	VS13718	VS13718	VS13718
3.791	LEVER ASSY.-Choke	1	VS13717	VS13717	VS13717	VS13717
3.791	LINK-Choke	1	VS13713	VS13713	VS13713	VS13713
3.791	CLIP-Choke link	1	VS10899	VS10899	VS10899	VS10899
3.795	CLAMP-Choke outer cable	1	VS13709	VS13709	VS13709	VS13709
3.795	SCREW-Cable clamp	1	VS13710	VS13710	VS13710	VS13710
3.795	SCREW-Inner cable clamp	1	VS13712	VS13712	VS13712	VS13712

"HX" STATESMAN/HOLDEN PARTS CATALOGUE

4.2 LITRE ENGINE CARBURETTOR COMPONENTS

GROUP	DESCRIPTION CARBURETTOR ASSEMBLY	QTY.	PART NUMBERS			
			9936835	9936836	9937432	9937433
3.724	GASKET KIT	1	VS12988	VS12988	VS13657	VS13657
3.725	REPAIR KIT-Major overhaul	1	VS12986	VS12986	VS13731	VS13731
3.725	REPAIR KIT-Minor overhaul	1	VS12987	VS12987	VS13656	VS13656
3.727	BODY ASSY.-Throttle	1	VS12996	VS13003	VS13669	VS13669
3.729	VALVE-Throttle	2	VS10437	VS10437	VS10437	VS10437
3.729	SCREW-Throttle valve	4	VS10522	VS10522	VS13675	VS13675
3.731	LEVER-Throttle	1	VS12554	VS12554	VS13672	VS13672
3.731	LEVER-Throttle cable	1	VS12557	VS12557	VS13676	VS13676
3.731	SHAFT-Throttle	1	VS12555	VS12555	VS13674	VS13674
3.731	NUT-Throttle lever	1	VS10910	VS10910	VS13671	VS13671
3.731	WASHER-Throttle lever nut	1	VS10911	VS10911	VS13673	VS13673
3.734	SCREW-Slow idle adjusting	1	VS10520	VS10520	VS10520	VS10520
3.734	SPRING-Slow idle screw	1	VS12553	VS12553	VS12553	VS12553
3.737	SCREW-Fast idle	1	VS10906	VS10906	VS13670	VS13670
3.737	SPRING-Fast idle screw	1	VS10907	VS10907	VS10907	VS10907
3.741	VALVE-Idle needle	2	VS12556	VS12556	VS12556	VS12556
3.741	BUSH-Idle needle valve	2			VS13677	VS13677
3.748	BODY ASSY.-Main	1	VS10922	VS10922	VS13681	VS13681
3.748	SCREW & LOCK WASHER-Throttle body	2	VS11038	VS11038	VS13678	VS13678
3.748	SCREW & LOCK WASHER-Throttle body	2	VS10523	VS10523	VS13679	VS13679
3.749	GASKET-Main body to throttle body	1	VS10433	VS10433	VS13668	VS13668
3.751	BLEEDER-High speed	2	7405109	7405109	7405109	7405109
3.752	TUBE-Idle	2	VS12718	VS12550	VS12718	VS12718
3.754	JET-Main metering	2	VS12395	VS12395	VS12395	VS12395
3.754	JET-Main discharge	2	VS12394	VS12394	VS12394	VS12394
3.755	PLUG-Main metering jet	2	VS10432	VS10432	VS10432	VS10432
3.756	GASKET-Main metering jet plug	2	7405144	7405144	7405144	7405144
3.757	JET-Power by-pass	1	VS12393	VS12393	VS13666	VS13666
3.757	GASKET-Power by-pass jet	1	VS10883	VS10883	VS10883	VS10883
3.758	NOZZLE-Pump	1	VS11911	VS10467	VS11911	VS11911
3.758	GASKET-Pump nozzle	1	VS10468	VS10468	VS10468	VS10468
3.759	SCREW-Pump nozzle	1	VS10518	VS10518	VS10518	VS10518
3.760	BALL-Inlet check	1	VS10527	VS10527	VS10527	VS10527
3.760	BALL-Outlet check	1	VS10519	VS10519	VS10519	VS10519
3.763	AIR HORN ASSY.	1	VS12989	VS12989	VS13661	VS13661
3.763	SCREW & LOCKWASHER-Air horn	6	7405166	7405166	7405166	7405166
3.764	WASHER-Idle vent seal	1	VS10530	VS10530	VS10530	VS10530
3.764	SPRING-Vent valve external	1	VS12997	VS12997	VS12997	VS12997
3.764	LIFTER-Idle vent valve	1	VS13001	VS13001	VS13001	VS13001
3.765	GASKET-Air horn	1	VS12990	VS12990	VS12990	VS12990

"HX" STATESMAN/HOLDEN PARTS CATALOGUE

4.2 LITRE ENGINE CARBURETTOR COMPONENTS (Continued)						
GROUP	DESCRIPTION CARBURETTOR ASSEMBLY	QTY.	PART NUMBERS			
			9936835	9936836	9937432	9937433
3.767	PLUG-Drive	2	VS10526	VS10526	VS10526	VS10526
3.767	PLUG-Lead ball	4	7405107	7405107	7405107	7405107
3.771	VALVE & SEAT ASSY.-Float needle	1	VS10443	VS10443	VS10443	VS10443
3.772	GASKET-Float needle valve seat	1	7405147	7405147	7405147	7405147
3.773	FLOAT & LEVER ASSY.	1	VS10445	VS10445	VS10445	VS10445
3.775	PIN-Float fulcrum	1	7405156	7405156	7405156	7405156
3.775	SPRING-Float fulcrum	1	7405170	7405170	7405170	7405170
3.776	BAFFLE-Float chamber	1	VS12998	VS12998	VS12998	VS12998
3.778	PISTON ASSY.-Pump	1	VS12999	VS13002	VS13680	VS13680
3.778	PIN-Cotter	1	7405140	7405140	7405140	7405140
3.779	SPRING-Pump duration	1	VS10448	VS10974	VS10448	VS10448
3.779	WASHER-Duration spring retainer	1	VS10528	VS10528	VS10528	VS10528
3.779	WASHER-Duration spring clip	1	VS10529	VS10529	VS10529	VS10529
3.779	SPRING-Pump bottom	1	VS10447	VS10447	VS10447	VS10447
3.780	LEVER-Pump	1	VS10464	VS12991	VS12991	VS12991
3.781	SCREW-Pump lever	1	VS10517	VS10517	VS10517	VS10517
3.783	ROD-Pump	1	VS12549	VS12549	VS13665	VS13665
3.783	PIN-Cotter	2	7405140	7405140	7405140	7405140
3.788	PISTON ASSY.-Vacuum power	1	VS10897	VS10897	VS13667	VS13667
3.789	VALVE-Choke	1	VS10460	VS10460	VS13660	VS13660
3.789	SCREW-Valve attaching	2	7405165	7405165	VS13659	VS13659
3.791	SHAFT & LEVER ASSY.-Choke	1	VS10894	VS10894	VS13658	VS13658
3.792	LEVER-Fast idle	1	VS10463	VS10463	VS13662	VS13662
3.792	NUT-Lever attaching	1	7405120	7405120	VS13664	VS13664
3.792	WASHER-Lever attaching nut	1	VS10895	VS10895	VS13663	VS13663
3.793	ROD-Fast idle	1	VS10472	VS10472	VS10472	VS10472
3.793	CLIP-Fast idle rod	1	VS10899	VS10899	VS10899	VS10899
3.796	COVER ASSY.-Thermostat	1	VS10914	VS10442	VS10914	VS10914
3.796	GASKET-Thermostat cover	1	2809921	2809921	2809921	2809921
3.796	SCREW-Thermostat	3	2809937	2809937	2809937	2809937
3.796	WASHER-Thermostat cover	3	2809922	2809922	2809922	2809922
3.797	LEVER & SHAFT ASSY.-Thermostat	1	VS10440	VS10440	VS10440	VS10440
3.797	LEVER-Thermostat	1	VS10439	VS10439	VS10439	VS10439
3.797	NUT-Lever attaching	1	7420254	7420254	7420254	7420254
3.797	WASHER-Thermostat lever	1	VS10912	VS10912	VS10912	VS10912
3.798	ROD-Choke	1	VS10444	VS10444	VS10444	VS10444
3.798	PIN-Choke rod, cotter	1	VS10915	VS10915	VS10915	VS10915
3.799	DIAPHRAGM ASSY.-Choke kick	1	VS10893	VS10893	VS10893	VS10893
3.799	SCREW-Diaphragm attaching	2	VS10917	VS10917	VS10917	VS10917

"HX" STATESMAN/HOLDEN PARTS CATALOGUE**4.2 LITRE ENGINE CARBURETTOR COMPONENTS (Continued)**

GROUP	DESCRIPTION	QTY.	PART NUMBERS			
			9936835	9936836	9937432	9937433
	CARBURETTOR ASSEMBLY					
3.799	ROD-Choke kick	1	VS10456	VS10456	VS10456	VS10456
3.799	RETAINER-Choke kick rod	1	VS10457	VS10457	VS10457	VS10457
3.799	HOSE-Vacuum	1	VS10458	VS10458	VS10458	VS10458

"HX" STATESMAN/HOLDEN PARTS CATALOGUE

5 LITRE ENGINE CARBURETTOR COMPONENTS				
GROUP	DESCRIPTION CARBURETTOR ASSEMBLY	QTY.	PART NUMBERS	
			17052795	17054956
3.724	GASKET KIT	1	7036565	7046766
3.725	REPAIR KIT-Major overhaul	1	17052796	17054605
3.725	REPAIR KIT-Minor overhaul	1	7039188	7039314
3.726	GASKET-Flange	1	2807914	412501
3.727	BODY ASSY.-Throttle	1	17050639,	17054957
3.734	SCREW-Slow idle adjusting	1	7002121	7002121
3.734	SPRING-Slow idle adjusting	1	7003176	7003176
3.735	CAM-Fast idle	1	7045823	7035199
3.735	LEVER-Cam follower	1	7043634	7038298
3.735	SPRING-Cam lever	1	7035772	7035772
3.735	LEVER-Fast idle	1	7030677	7035998
3.735	SCREW-Fast idle lever attaching	1	7035523	7035523
3.737	SCREW-Fast idle	1	7029899	7044794
3.737	SPRING-Fast idle screw	1	7029900	7029900
3.741	VALVE-Idle needle	2	7042457	7048532
3.742	SPRING-Idle needle valve	2	7011479	7011479
3.748	BODY-Main	1	17052789	17054811
3.748	SCREW	3-2	7035790	7035790
3.748	CAP-Vacuum port	1	9937792	9942590
3.754	JET-Main	2	7031977	7031968
3.760	BALL-Discharge	1	7002117	7002117
3.760	RETAINER-Discharge ball	1	7029849	7029849
3.762	INSERT-Main body	1	7037319	7034361
3.763	AIR HORN ASSY.	1	17051599	17053155
3.763	SCREW	2	7029912	7029912
3.763	SCREW	5	7014699	7014699
3.763	SCREW	2	7031105	7031105
3.764	VALVE KIT-Idle vent	1	7036425	
3.765	GASKET-Air horn	1	7029087	7029087
3.771	VALVE & SEAT ASSY.-Float needle	1	7035130	7035142
3.771	CLIP-Pull	1	7033751	7033751
3.772	GASKET-Float needle valve seat	1	7033747	
3.773	FLOAT & LEVER ASSY.	1	7037705 (7037316)	7033752
3.775	PIN-Float fulcrum	1	7037317	7029856
3.776	BAFFLE-Float chamber	1	7032324	7031365
3.778	PISTON ASSY.-Pump	1	7040691	17054274
3.779	SPRING-Pump return	1	7037314	7041169
3.780	LEVER-Pump	1	7048169	7048169
3.780	PIN-Spring $\frac{1}{32}$ " x $\frac{1}{16}$ "	1	9428787	9428787
3.780	SPRING & CAM KIT-Air valve	1	7035344	7035344

"HX" STATESMAN/HOLDEN PARTS CATALOGUE

5 LITRE ENGINE CARBURETTOR COMPONENTS (Continued)				
GROUP	DESCRIPTION	QTY.	PART NUMBERS	
			17052795	17054956
	CARBURETTOR ASSEMBLY			
3.780	LEVER-Air valve lockout	1		7037968
3.780	PIN-Air valve lockout lever	1		9428787
3.783	ROD-Pump	1	7026138	7026138
3.787	FILTER-Fuel inlet	1	5651393	7029038
3.787	SPRING-Fuel filter	1	7034356	7032732
3.787	GASKET-Fuel filter	1		7029249
3.787	NUT-Fuel filter	1	7034975	7049826
3.787	GASKET-Fuel filter nut	1	7032508	7024281
3.788	PISTON-Vacuum power	1	7034903	7040163
3.788	SPRING-Power piston	1	7036019	7040498
3.789	VALVE-Choke	1	7036021	7045665
3.789	SCREW-Valve attaching	2	7029866	7029866
3.791	SHAFT-Choke	1	7036430	7038259
3.791	SHAFT & LEVER ASSY.-Intermediate choke	1		7038282
3.791	SEAL-Intermediate shaft	2		7037569
3.791	LEVER-Intermediate	1	7031231	7031231
3.791	LEVER-Choke	1		7038301
3.791	SCREW-Choke lever	1		7029866
3.796	THERMOSTAT ASSY.	1	2809917	7036948
3.796	GASKET-Thermostat cover	1	2809921	7002760
3.796	SCREW-Thermostat cover	3	2809937	7011270
3.796	RETAINER-Thermostat cover	3	2809922	7000614
3.796	SPACER-Thermostat cover	1	2812046	
3.796	BODY & SHAFT ASSY.-Housing	1	2809918	
3.796	SCREW-Housing to inlet manifold	1	154005	
3.796	WASHER-Housing to inlet manifold	1	2808133	
3.796	DOWEL-Housing locating	1	2812045	
3.796	HOUSING KIT-Choke	1		7046819
3.796	SEAL-Housing to bowl	1		7043367
3.796	SCREW-Housing to bowl	1		7038808
3.797	LEVER-Thermostat	1		7038285
3.797	SCREW-Thermostat lever	1		7019709
3.798	ROD-Choke	1	7036067	7038269
3.798	CLIP-Choke rod	1	7005109	
3.798	LEVER-Secondary lock out	1	7027270	
3.798	ROD-Automatic choke	1	2818897	
3.799	DIAPHRAGM & BRACKET ASSY.-Choke kick	1	7038987	7047493
3.799	DIAPHRAGM ASSY.	1	7038239	7040100
3.799	SCREW-Diaphragm attaching	2	7031925	7038581

"HX" STATESMAN/HOLDEN PARTS CATALOGUE

5 LITRE ENGINE CARBURETTOR COMPONENTS (Continued)

GROUP	DESCRIPTION CARBURETTOR ASSEMBLY	QTY.	PART NUMBERS	
			17052795	17054956
3.799	ROD.....	1	7038167	7038305
3.799	RETAINER	1	7005109	
3.799	HOSE-Vacuum	1	7026339	7026339
3.806	ROD-Metering, primary	2	7034850	7040699
3.806	ROD-Metering, secondary	2	7034320	7045983
3.806	HOLDER KIT-Secondary metering rod	1	7034522	7034522
3.810	SPRING-Metering rod	1	7029862	7029862

"HX" STATESMAN/HOLDEN PARTS CATALOGUE

GROUP	DESCRIPTION	MODEL	SIDE	PART No.	QTY.
3.890	FILTER – Fuel pipe				
	FILTER	4.2 Litre Eng.		2815246	1
3.900	PUMP – Fuel				
	PUMP ASSEMBLY	6 Cyl. Eng.		7415943	1
	SCREW and LOCK WASHER ASSEMBLY	6 Cyl. Eng.		3719206	2
	PUMP ASSEMBLY	8 Cyl. Eng.		2814798	1
	ECCENTRIC	8 Cyl. Eng.		7434758	1
	STUD – 3/16" x 1.54"	8 Cyl. Eng.		SP1763	1
	NUT	8 Cyl. Eng.		120368	1
	BOLT	8 Cyl. Eng.		9427636	1
	WASHER	8 Cyl. Eng.		120393	2
3.901	REPAIR KIT – Fuel pump				
	REPAIR KIT	6 Cyl. Eng.		7420687	1
	REPAIR KIT	8 Cyl. Eng.		2808183	1
3.902	BODY, OIL SEAL – Fuel pump				
	BODY	6 Cyl. Eng.		5592850	1
	SEAL	6 Cyl. Eng.		5593301	1
	WASHER – Seal	6 Cyl. Eng.		1521985	1
	BODY	8 Cyl. Eng.		6415453	1
	SCREW	8 Cyl. Eng.		SP1976	1
3.903	BOWL – Fuel pump				
	GLASS	6 Cyl. Eng.		1523094	1
3.904	GASKET – Fuel pump bowl				
	GASKET	6 Cyl. Eng.		5593404	1
3.906	BAIL and SCREW – Fuel pump				
	BAIL & SCREW ASSY. – Includes nut & seat	6 Cyl. Eng.		5592046	1
3.909	VALVE and CAGE – Fuel pump				
	VALVE and CAGE ASSEMBLY	6 Cyl. Eng.		5593866	2
	VALVE ASSEMBLY	8 Cyl. Eng.		5623374	2
3.910	COVER – Fuel pump				
	COVER	6 Cyl. Eng.		7950756	1
	COVER ASSEMBLY	8 Cyl. Eng.		6416345	1
	SCREW and WASHER	ALL		SP1724	6
3.913	GASKET – Fuel pump valve and cage				
	GASKET	6 Cyl. Eng.		1521953	2
	GASKET	8 Cyl. Eng.		VS10806	2
3.920	ARM – Fuel pump rocker				
	ARM	6 Cyl. Eng.		1523093	1
	ARM	8 Cyl. Eng.		6416623	1
3.921	PIN, PLUG – Fuel pump rocker arm				
	PIN	6 Cyl. Eng.		5592851	1
	PLUG	6 Cyl. Eng.		5592852	2
	PIN	8 Cyl. Eng.		6414278	1
	PLUG	8 Cyl. Eng.		6414391	2
3.922	SPRING – Fuel pump rocker arm				
	SPRING	6 Cyl. Eng.		1522046	1
	SPRING	8 Cyl. Eng.		6413712	1

CHASSIS

"HX" STATESMAN/HOLDEN PARTS CATALOGUE

GROUP	DESCRIPTION	MODEL	SIDE	PART No.	QTY.
3.925	DIAPHRAGM KIT, DIAPHRAGM – Fuel pump				
	DIAPHRAGM KIT	6 Cyl. Eng.		7420688	1
	DIAPHRAGM and PULL ROD	6 Cyl. Eng.		1522199	1
	DIAPHRAGM KIT	8 Cyl. Eng.		2808182	1
	DIAPHRAGM and PULL ROD ASSEMBLY	8 Cyl. Eng. ..		6413700	1
3.926	PULSATOR – Fuel pump diaphragm				
	PULSATOR	8 Cyl. Eng.		6413726	1
	PLATE - Pulsator cover	8 Cyl. Eng.		6413724	1
3.927	SPRING – Fuel pump diaphragm				
	SPRING	6 Cyl. Eng.		7950671	1
3.929	SCREEN – Fuel pump				
	SCREEN	6 Cyl. Eng.		1523099	1
3.931	LINK – Fuel pump				
	LINK	6 Cyl. Eng.		1521708	1
3.932	GASKET – Fuel pump flange and mounting plate				
	GASKET	6 Cyl. Eng.		7426584	1
	GASKET	8 Cyl. Eng.		7434741	1

39

GROUP 4.000
TRANSMISSION SECTION

TRANSMISSION INDEX

TRANSMISSION ASSEMBLIES AND PARTS ARE LISTED AS FOLLOWS

SECTION 1:

TRANSMISSION ASSEMBLY
THREE SPEED FULLY SYNCHRONIZED

PAGES **271-281**

TRANSMISSION CODE **A**

PAGE EDGE CODE



SECTION 2:

TRANSMISSION ASSEMBLY
FOUR SPEED MANUAL CONTROL
FITTED IN ALL VEHICLES
(SHIFT MECHANISM ON TRANSMISSION SIDE PLATE)
PAGES **283-296**

TRANSMISSION CODE **F**

PAGE EDGE CODE



SECTION 3:

TRANSMISSION ASSEMBLY
TRIMATIC
PAGES **297-328**

TRANSMISSION CODE **U**

PAGE EDGE CODE

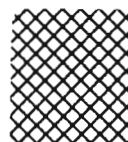


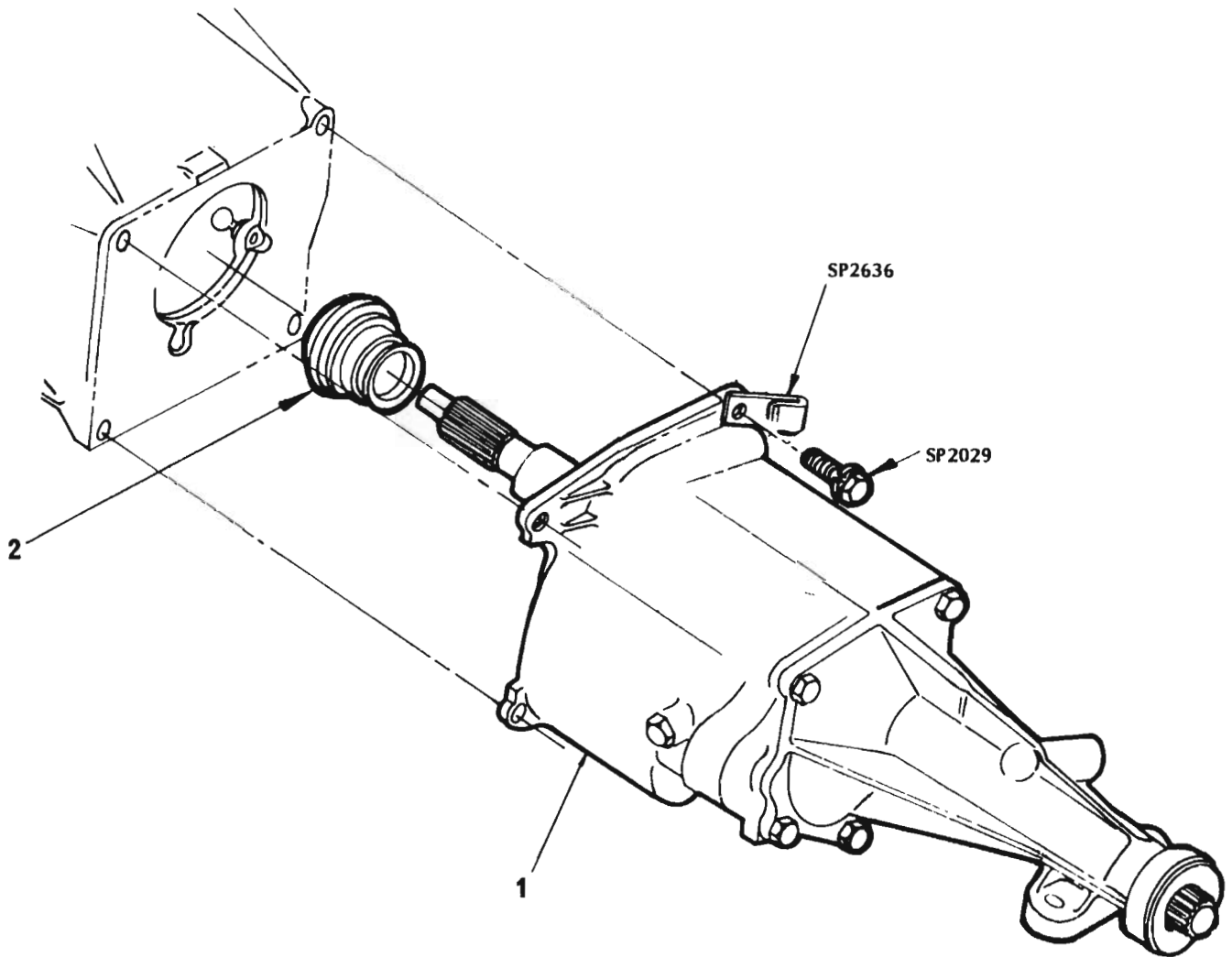
SECTION 4:

TRANSMISSION ASSEMBLY
TURBO HYDRA-MATIC
400 SERIES
PAGES **330-354**

TRANSMISSION CODE **V**

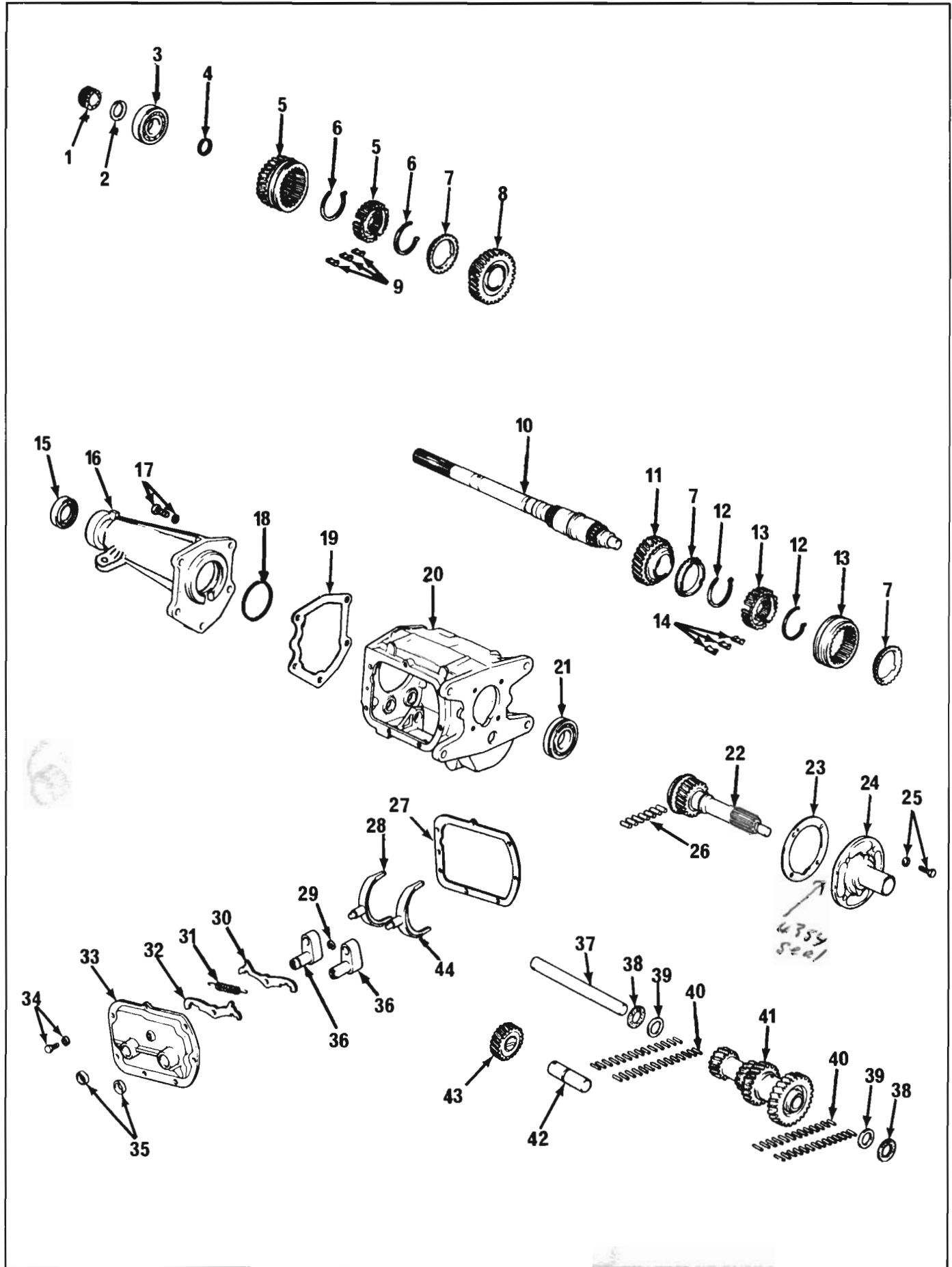
PAGE EDGE CODE





TRANSMISSION ASSEMBLY
3 SPEED – FULLY SYNCHRONISED
6 Cylinder Engine

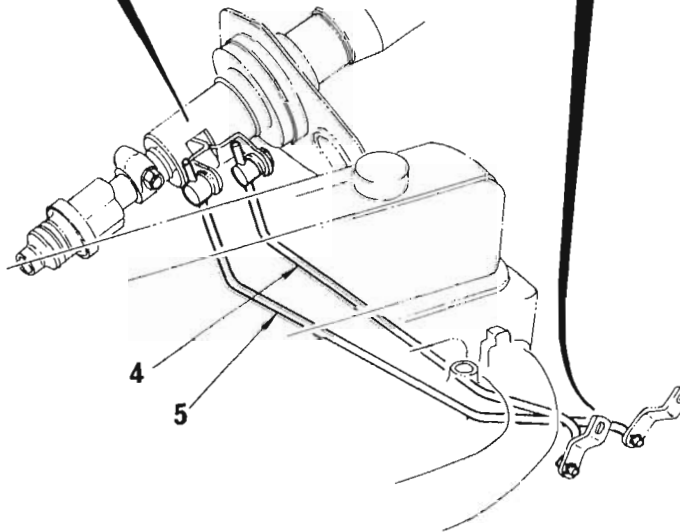
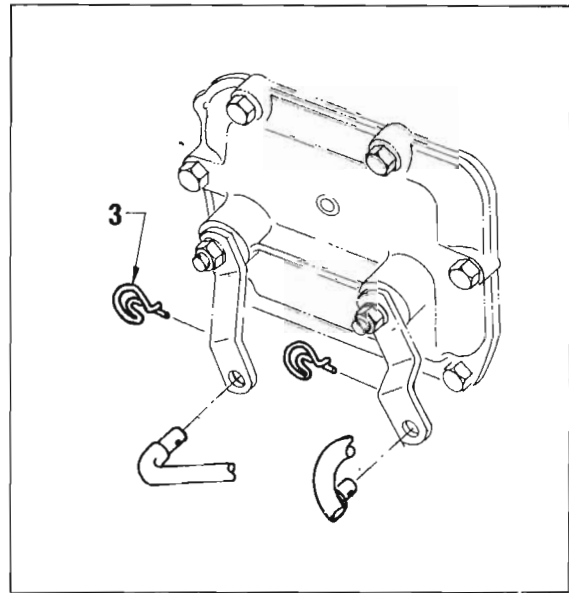
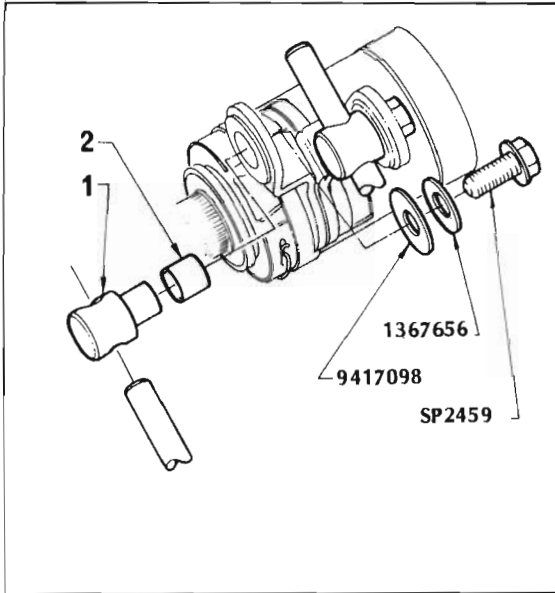
ILLUS. REF. NO.	PART NAME	GROUP
1.	TRANSMISSION ASSEMBLY	4.003
2.	BEARING – Clutch throwout	0.799



**TRANSMISSION
3 SPEED — FULLY SYNCHRONISED TRANSMISSION**

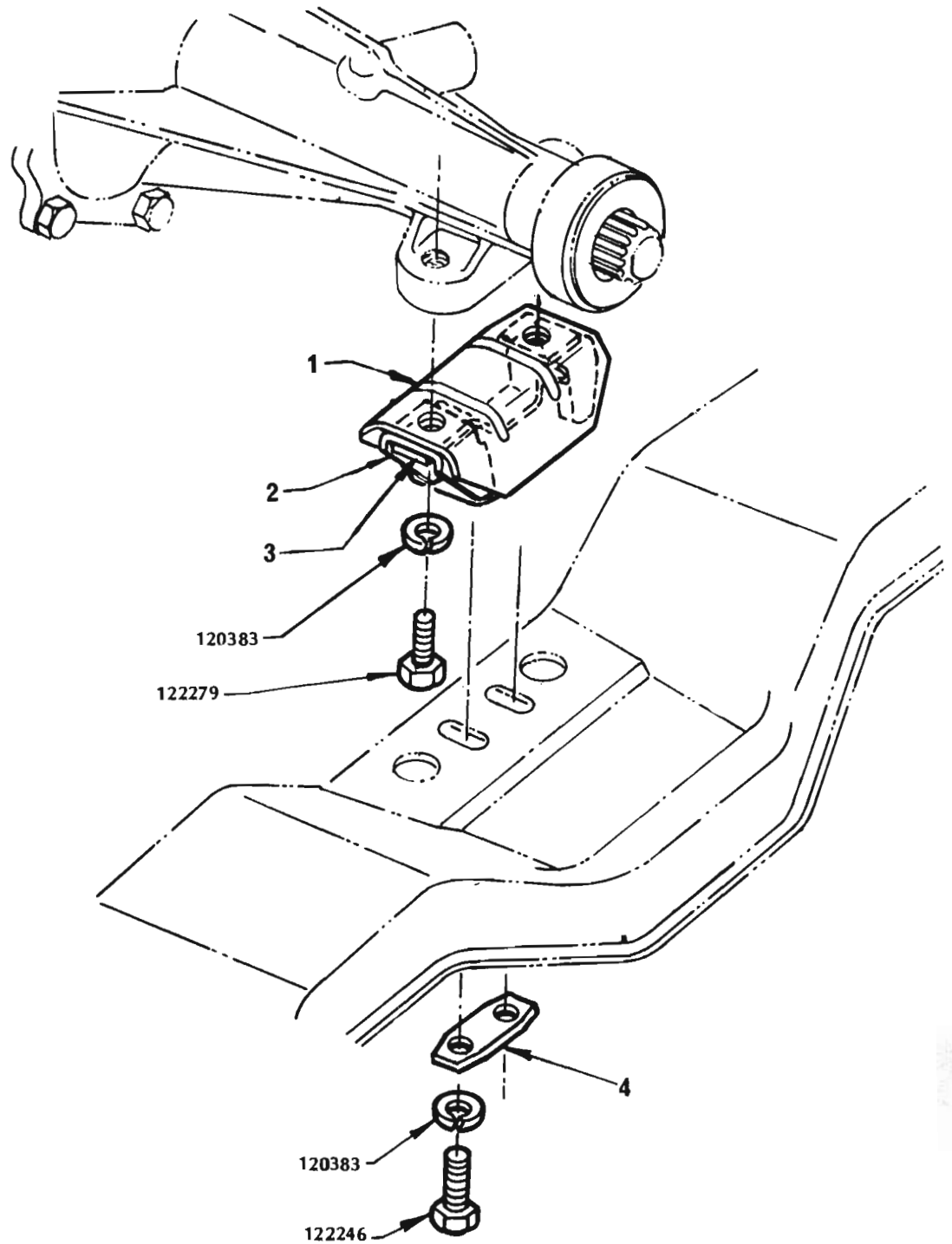
ILLUSTRATION OPPOSITE

ILLUS. REF. NO.	PART NAME	GROUP
1 — 44	TRANSMISSION ASSEMBLY	4.003
1.	GEAR — Speedometer drive	4.337
2.	RING — Mainshaft lock	4.412
3.	BEARING ASSEMBLY — Mainshaft rear	4.408
4.	RING — First and reverse synchroniser	4.382
5.	SYNCHRONISER — First and reverse	4.380
6.	SPRING — First and reverse synchroniser	4.383
7.	RING — Blocking	4.383
8.	GEAR — First speed	4.418
9.	KEY — First and reverse synchroniser	4.384
10.	SHAFT — Main	4.403
11.	GEAR — Second speed	4.395
12.	SPRING — Second and third synchroniser	4.383
13.	SYNCHRONISER — Second and third	4.380
14.	KEY — Second and third synchroniser	4.383
15.	SEAL — Housing	4.317
16.	HOUSING ASSEMBLY — Extension	4.317
17.	BOLT & WASHER — Housing to case	4.317
18.	ADAPTOR — Rear bearing	4.317
19.	GASKET — Extension housing	4.318
20.	CASE	4.103
21.	BEARING — Clutch gear	4.355
22.	GEAR — Clutch	4.351
23.	GASKET — Clutch gear bearing retainer	4.358
24.	RETAINER — Bearing	4.356
25.	BOLT & WASHER — Bearing retainer to case	4.356
26.	BEARING — Mainshaft front roller	4.352
27.	GASKET — Transmission cover	4.109
28.	FORK — First and reverse shift	4.304
29.	SEAL — Shifter shaft	4.309
30.	CAM — First and reverse detent	4.311
31.	SPRING — Detent cam	4.311
32.	CAM — Second and third detent	4.311
33.	COVER — Transmission	4.105
34.	BOLT & WASHER — Cover to case	4.105
35.	SEAL — Shifter shaft	4.309
36.	SHAFT ASSEMBLY — Shifter fork	4.309
37.	SHAFT — Counter gear	4.428
38.	WASHER — Gear thrust	4.423
39.	WASHER — Bearing	4.423
40.	BEARING — Counter gear needle roller	4.422
41.	GEAR — Counter	4.421
42.	SHAFT — Reverse idler gear	4.433
43.	GEAR ASSEMBLY — Reverse idler	4.430
44.	FORK — Second and third shift	4.403



TRANSMISSION CONTROLS

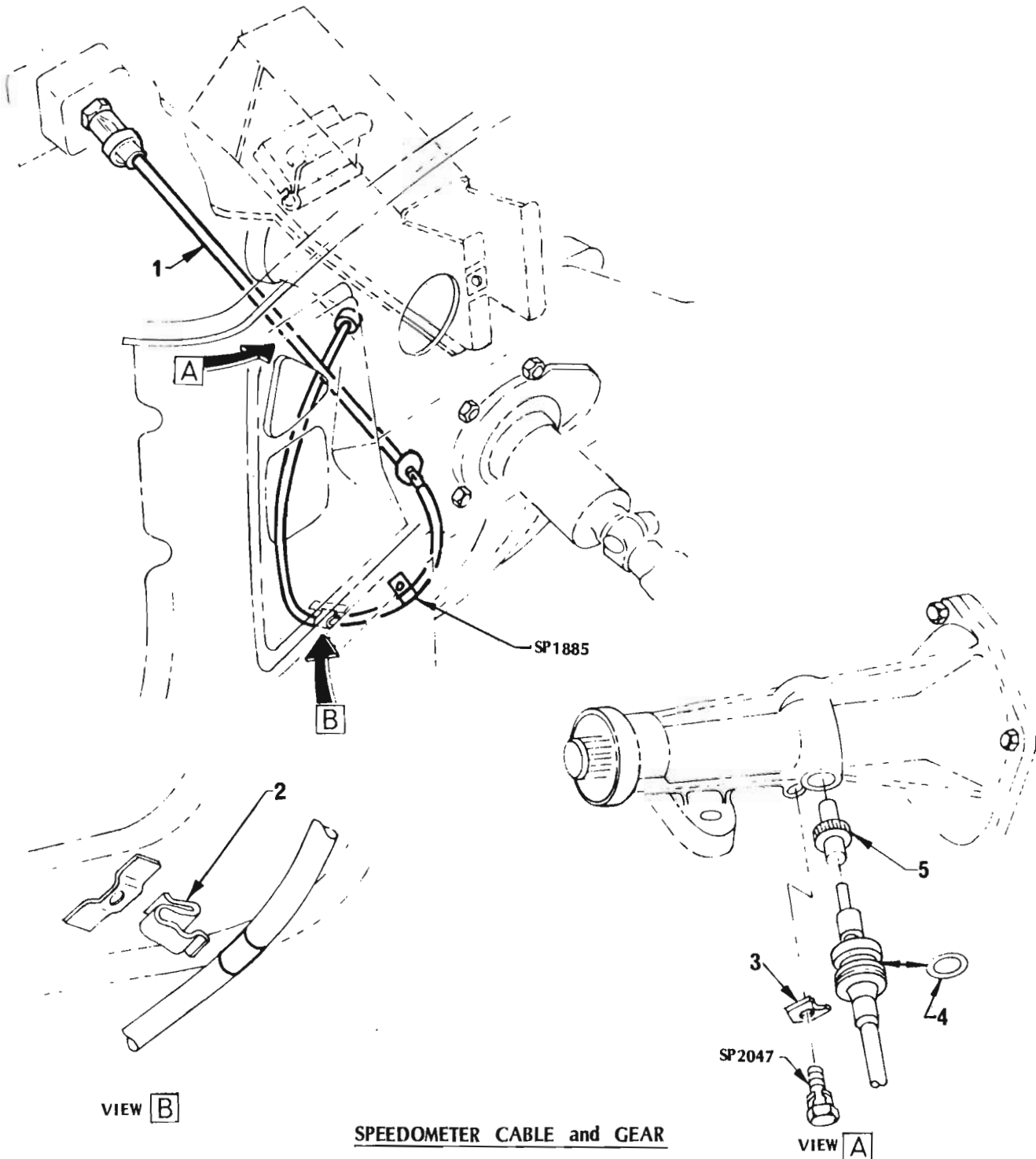
ILLUS. REF. NO.	PART NAME	GROUP
1.	TRUNNION — Shift rod	4.020
2.	SLEEVE — Shift rod	4.020
3.	RETAINER — Rod to external lever	4.020
4.	ROD — 2nd & 3rd shift	4.019
5.	ROD — 1st & reverse shift	4.020



TRANSMISSION MOUNTING

Three Speed

ILLUS. REF. NO.	PART NAME	GROUP
1.	MOUNTING ASSEMBLY	4.081
2.	ARRESTOR - Rear side mounting	4.081
3.	ARRESTOR - Rear mounting	4.081
4.	SPACER - Mounting to crossmember	4.081



SPEEDOMETER CABLE and GEAR

ILLUS. REF. NO.	PART NAME	GROUP
1.	CABLE & CASING ASSEMBLY	4.342
2.	CLIP - Cable to floor pan	4.342
3.	RETAINER - Casing drive end	4.342
4.	SEAL - 'O' Ring	4.338
5.	GEAR - Driven	4.337

"HX" STATESMAN/HOLDEN PARTS CATALOGUE

GROUP	DESCRIPTION	MODEL	SIDE	PART No.	QTY.
TRANSMISSION ASSEMBLY, 3-SPEED MANUAL CONTROL, FULLY SYNCHRONIZED					
4.003A TRANSMISSION					
	TRANSMISSION ASSEMBLY	6 Cyl. Eng. exc. Chassis & Cab		9939001	1
	TRANSMISSION ASSEMBLY	6 Cyl. Eng. Chassis & Cab		9939002	1
	TRANSMISSION ASSEMBLY	4.2 Litre Eng.		9939005	1
	BOLT & LOCK WASHER - Transmission to clutch housing	ALL		SP2029	4
	OVERHAUL KIT	ALL		7449498	1
	REPAIR KIT	ALL		2810932	1
4.005A GASKET SET - Transmission					
	GASKET SET	ALL		M37425	1
4.006A LEVER - Gearshift control					
	LEVER	ALL		9928844	1
4.007A TUBE - Gearshift control					
	TUBE ASSEMBLY	ALL		9929051	1
	PIN	ALL		7429551	1
4.009A KNOB - Gearshift control lever					
	KNOB - Black	ALL		2813559BA	1
	KNOB - Dark Sienna	ALL		2813559EK	1
	KNOB - Tan	ALL		2813559DX	1
4.017A SPRING - Gearshift					
	SPRING - Lower control	ALL		7433264	1
	SPRING - Selector return	ALL		2807897	1
4.018A SUPPORT - Gearshift control					
	SUPPORT	ALL		9933745	1
	SPACER	ALL		9933746	1
	WASHER	ALL		9933747	1
4.019A LEVER, RETAINER, ROD, TRUNNION, INSULATOR - Gearshift 2nd and 3rd shift					
	LEVER - 2nd and 3rd shift	ALL		2813961	1
	RETAINER - 2nd and 3rd shift lever	ALL		9933749	1
	ROD - 2nd and 3rd shift	ALL		9929516	1
	TRUNNION - Shift rod	ALL		2814030	1
	WASHER - Flat	ALL		9417098	1
	WASHER - Spring	ALL		1367656	1
	SLEEVE - Shift rod	ALL		2814031	1
	INSULATOR - Shift rod	ALL		2814033	1
	SCREW - Shift rod	ALL		SP2459	1
	RETAINER - Rod to external lever	ALL		3749084	1
4.020A LEVER, RETAINER, ROD, INSULATOR - Gearshift 1st and reverse shift					
	LEVER - 1st and reverse shift	ALL		2813961	1
	ROD - 1st and reverse shift	ALL		9929517	1
	TRUNNION - Shift rod	ALL		2814030	1
	WASHER - Flat	ALL		9417098	1
	WASHER - Spring	ALL		1367656	1
	SLEEVE - Shift rod	ALL		2814031	1
	INSULATOR - Shift rod	ALL		2814033	1
	SCREW - Shift rod	ALL		SP2459	1
	RETAINER - Rod to external lever	ALL		3749084	1
4.046A LEVER - 2nd and 3rd shifter					
	LEVER - 2nd and 3rd external	ALL		9929518	1
	NUT - Special	ALL		7417652	1
	WASHER - 2nd and 3rd external lever	ALL		SP1486	1

"HX" STATESMAN/HOLDEN PARTS CATALOGUE

GROUP	DESCRIPTION	MODEL	SIDE	PART No.	QTY.
TRANSMISSION ASSEMBLY, 3-SPEED MANUAL CONTROL, FULLY SYNCHRONIZED					
4.050A	LEVER – 1st and Reverse				
	LEVER – 1st and reverse external	ALL		9929519	1
	NUT – Special	ALL		7417652	1
	WASHER – 2nd and 3rd external lever	ALL		SP1486	1
4.081A	MOUNTING, ARRESTOR – Transmission support				
	MOUNTING ASSEMBLY	6 Cyl. Eng. Air Cond.		7432236	1
	MOUNTING ASSEMBLY	6 Cyl. Eng. exc. Air Cond.		7432235	1
	MOUNTING, ASSEMBLY	8 Cyl. Eng.		7432236	1
	ARRESTOR – Rear mounting	ALL		2819856	1
	ARRESTOR – Rear side mounting	ALL		2819855	2
	SPACER – Mounting to crossmember	ALL		7421049	1
	BOLT – Mounting to crossmember	ALL		122246	2
	BOLT – Mounting to transmission	ALL		122279	2
	WASHER	ALL		120383	4
4.103A	CASE – Transmission				
	CASE	ALL		2822933	1
	MAGNET – Chip collector	ALL		3787240	1
	PLUG – Transmission filler (3/4" – 16)	ALL		7400181	1
	GASKET – Filler plug (3/4" annular)	ALL		113897	1
4.105A	COVER – Transmission				
	COVER	ALL		9938391	1
	BOLT & LOCK WASHER ASSY. – Cover to case – Hex. hd. 5/16" – 18 x 1.38"	ALL		SP2141	4
	PIN – Cover to trans. case	ALL		141149	1
4.109A	GASKET – Transmission cover				
	GASKET	ALL		7433769	1
4.303A	FORK – Transmission shifter shaft 2nd and 3rd				
	FORK – 2nd and 3rd	ALL		7433775	1
4.304A	FORK – Transmission shifter shaft 1st and reverse				
	FORK – 1st and reverse	ALL		7433774	1
4.309A	SHAFT, SEAL – Transmission shift fork				
	SHAFT ASSEMBLY – First and reverse	ALL		7433869	1
	SHAFT ASSEMBLY – 2nd and 3rd Shift fork	ALL		9938392	1
	SEAL – Shift shaft – 2nd and third shift fork	ALL		3831716	1
	SEAL – Shift shaft – 'O' Ring 5/16" x 3/32"	ALL		7430136	1
4.311A	CAM, SPRING – Transmission detent				
	CAM – 1st and reverse detent	ALL		7433772	1
	CAM – 2nd and 3rd detent	ALL		7433773	1
	PIN – Detent cam	ALL		SP2094	1
	SPRING – Detent cam	ALL		7433927	1
4.317A	HOUSING, ADAPTOR, BUSHING, SEAL – Transmission extension				
	HOUSING ASSEMBLY	ALL		7433768	1
	ADAPTOR – Transmission rear bearing	ALL		7433998	1
	WASHER	ALL		7400256	1
	BUSH – Housing	ALL		3717682	1
	SEAL – Housing	ALL		3932255	1
	BOLT – Extension to Trans. case	ALL		180124	1
	BOLT – Extension to Trans. case	ALL		SP2599	4

"HX" STATESMAN/HOLDEN PARTS CATALOGUE

GROUP	DESCRIPTION	MODEL	SIDE	PART No.	QTY.
TRANSMISSION ASSEMBLY, 3-SPEED MANUAL CONTROL, FULLY SYNCHRONIZED					
4.318A	GASKET – Transmission extension housing				
	GASKET	ALL		7433767	1
4.337A	GEAR, CLIP – Speedometer driven and drive				
	GEAR - Driven - 19 teeth - Pink	3.08:1 AR with QDW, QEF, QER QFV, QFZ, QGA, QRU, YFX tyre options		7430967	1
	GEAR - Driven - 20 teeth - White	3.08:1 AR with QCB, QCM, QCQ QEP, QEQ, QEV, QKF, QMV, QRA, QRQ, QRR, QRS, QTX tyre options		7430968	1
	GEAR - Driven - 20 teeth - White	3.36:1 AR with QFS, YFX TYRE OPTIONS		7430968	1
	GEAR - Driven - 21 teeth - Green	3.36:1 AR with QCQ, QDW, QEF, QEP, QEQ, QER, QEV, QFF, QFP, QFV, QFZ, QGA, QRQ, QRS, QRU, QSD, QTM tyre options		7430969	1
	GEAR - Driven - 22 teeth - Dark Blue	3.36:1 AR with QCB, QCM, QEV, QKF, QMV, QRA, QRR, QTX tyre options		7430970	1
	GEAR - Driven - 22 teeth - Dark Blue	3.55:1 AR with QDW, QEF, QEQ, QER, QFF, QFP, QFS, QFV, QFZ, QGA, QKM, QRU, QTM, QXZ tyre options		7430970	1
	GEAR - Driven - 23 teeth - Red	3.55:1 AR with QCB, QCM, QCQ, QEP, QEV, QKF, QMV, QRA, QRQ, QRR, QRS, QTX tyre options		7430971	1
	GEAR - Driven - 24 teeth - Yellow	3.90:1 AR with QDW, QEQ, QER, QFF, QFV, QGA, QRU, YFX tyre options		7430972	1
	GEAR - Driven - 25 teeth - Light blue	3.90:1 AR with QCB, QEP, QEV, QMV, QRA, QRQ, QRR, QRS, QTX tyre options		7448810	1
	GEAR - Driven - 21 teeth - Green	4.4:1 AR with QFP, QFS, QSD, QTM tyre options		7430969	1
	NOTE: Refer introduction - Production Option Chart - for tyre option code				
	GEAR - Drive	Exc. 4.44:1 AR		7437317	1
	GEAR - Drive	Chassis & Cab 4.44:1 AR		9928961	1
	CLIP - Drive gear	ALL		1373122	1
4.338A	SEAL – Speedometer driven gear				
	SEAL - 'O' Ring ($\frac{3}{16}$ " I.D. x $\frac{1}{8}$ ")	ALL		7430921	1
4.342A	CABLE and CASING – Speedometer				
	CABLE & CASING	ALL		9943805	1
	CABLE KIT	ALL		VS13541	1
	CLIP - Cable to floor pan	ALL		7434452	1
	CLIP - Cable to floor brace	ALL		SP1885	1
	RETAINER - Casing drive end	ALL		7430917	1
	SEAL - Cable	ALL		7434266	1
	RETAINER - Seal	ALL		2817874	1
	BOLT & WASHER ASSEMBLY - Retainer	ALL		SP2047	1
4.351A	GEAR – Clutch				
	GEAR	6 Cyl. Eng.		9930921	1
	GEAR	4.2 Litre Eng.		9930922	1
4.352A	BEARING – Mainshaft front				
	BEARING - Mainshaft front needle roller	ALL		7400162	15
	BEARING PACKAGE	ALL		7449495	1

"HX" STATESMAN/HOLDEN PARTS CATALOGUE

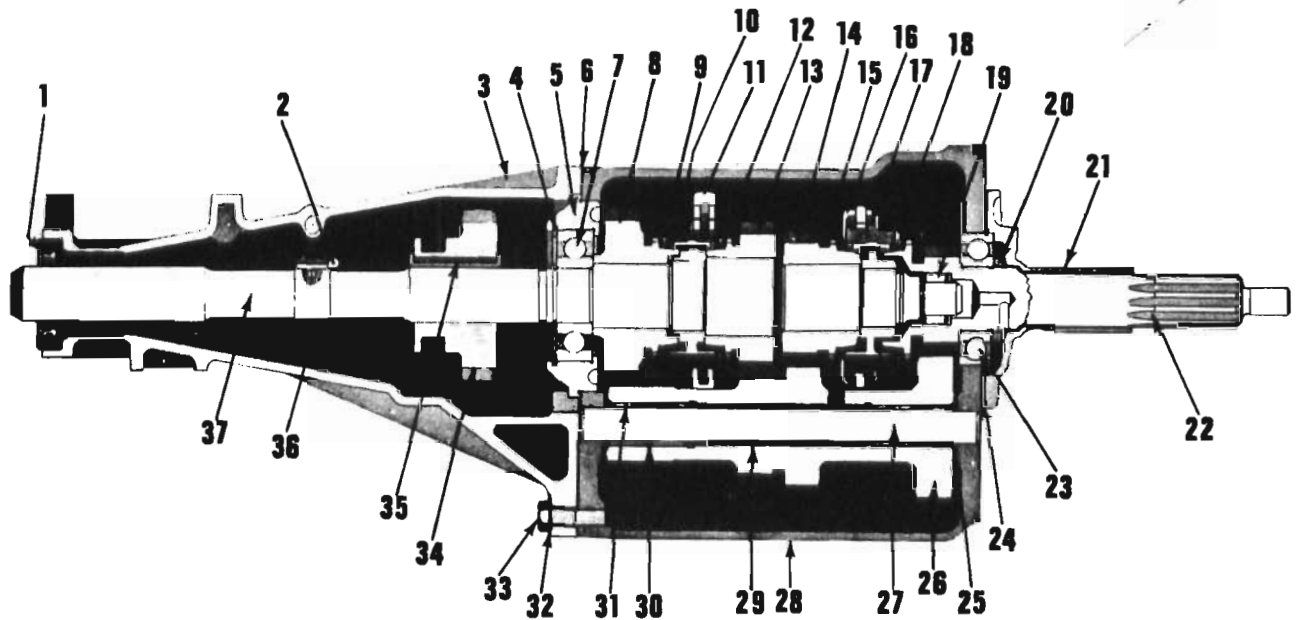
GROUP	DESCRIPTION	MODEL	SIDE	PART No.	QTY.
TRANSMISSION ASSEMBLY, 3-SPEED MANUAL CONTROL, FULLY SYNCHRONIZED					
4.354A	SEAL – Clutch gear bearing oil				
	SEAL	ALL		3987936	1
4.355A	BEARING – Clutch gear				
	BEARING	ALL		7429999	1
4.356A	RETAINER – Clutch gear bearing				
	RETAINER	6 Cyl. Eng.		9930909	1
	RETAINER	8 Cyl. Eng.		9930910	1
	BOLT – Retainer to case	ALL		179816	4
4.358A	GASKET – Clutch gear bearing retainer				
	GASKET	ALL		591022	1
4.376A	RING – Clutch gear bearing retainer				
	RING – .088" thick	ALL		(¹) 3775052	1
	RING – .094" thick	ALL		(¹) 3775050	1
4.380A	SYNCHRONIZER – Transmission				
	SYNCHRONIZER ASSEMBLY – 1st and reverse	ALL		7435045	1
	SYNCHRONIZER ASSEMBLY – 2nd and 3rd	ALL		7435044	1
4.382A	RING – Transmission synchronizer				
	RING – 2nd and 3rd synchro to mainshaft	ALL		3775089	1
4.383A	SPRING, RING – Transmission synchronizer				
	SPRING – 1st and reverse	ALL		7437055	2
	SPRING – 2nd and 3rd	ALL		7438527	2
	RING – Blocking	ALL		7434978	3
4.384A	KEY – Transmission synchronizer				
	KEY – 1st and reverse	ALL		7435047	3
	KEY – 2nd and 3rd	ALL		7435043	3
4.395A	GEAR – Mainshaft second speed				
	GEAR	ALL		7433830	1
4.403A	SHAFT – Transmission main				
	SHAFT	ALL		7433871	1
4.408A	BEARING – Mainshaft rear				
	BEARING ASSEMBLY	ALL		7433929	1
4.412A	RING – Mainshaft lock				
	RING	ALL		3707189	1
4.418A	GEAR – Mainshaft first speed				
	GEAR	ALL		7434308	1
4.421A	GEAR – Counter				
	GEAR	ALL		7434307	1
4.422A	BEARING – Counter gear				
	NEEDLE ROLLER	ALL		9414193	92
	BEARING PACKAGE	ALL		7449496	1
Note: (¹) Selective fit.					

"HX" STATESMAN/HOLDEN PARTS CATALOGUE

GROUP	DESCRIPTION	MODEL	SIDE	PART No.	QTY.
TRANSMISSION ASSEMBLY, 3-SPEED MANUAL CONTROL, FULLY SYNCHRONIZED					
4.423A	WASHER – Counter shaft				
	WASHER – Bearing	ALL		3775063	6
	SPACER – Bearing	ALL		7433928	1
	WASHER – Gear thrust	ALL		7433776	2
4.428A	SHAFT – Counter gear				
	SHAFT	ALL		3775061	1
4.430A	GEAR – Reverse idler				
	GEAR ASSEMBLY	ALL		7433868	1
4.433A	SHAFT, KEY – Reverse idler gear				
	SHAFT	ALL		2814481	1
	KEY	ALL		7433986	1
4.437A	SPACER – Reverse idler				
	SPACER	ALL		2814480	1

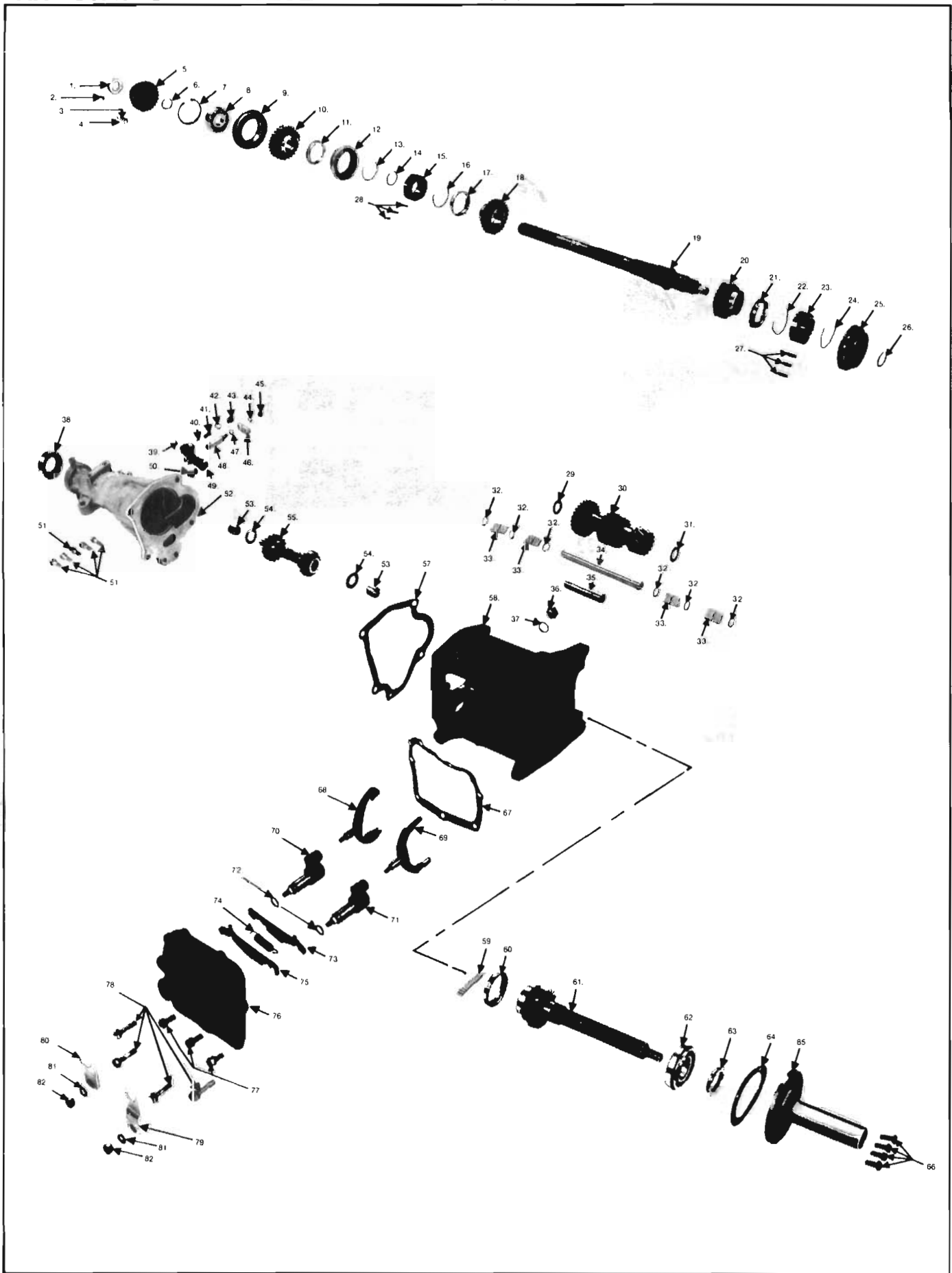
NOTES

Lined area for notes, consisting of multiple horizontal lines.



TRANSMISSION ASSEMBLY – FOUR SPEED MANUAL CONTROL

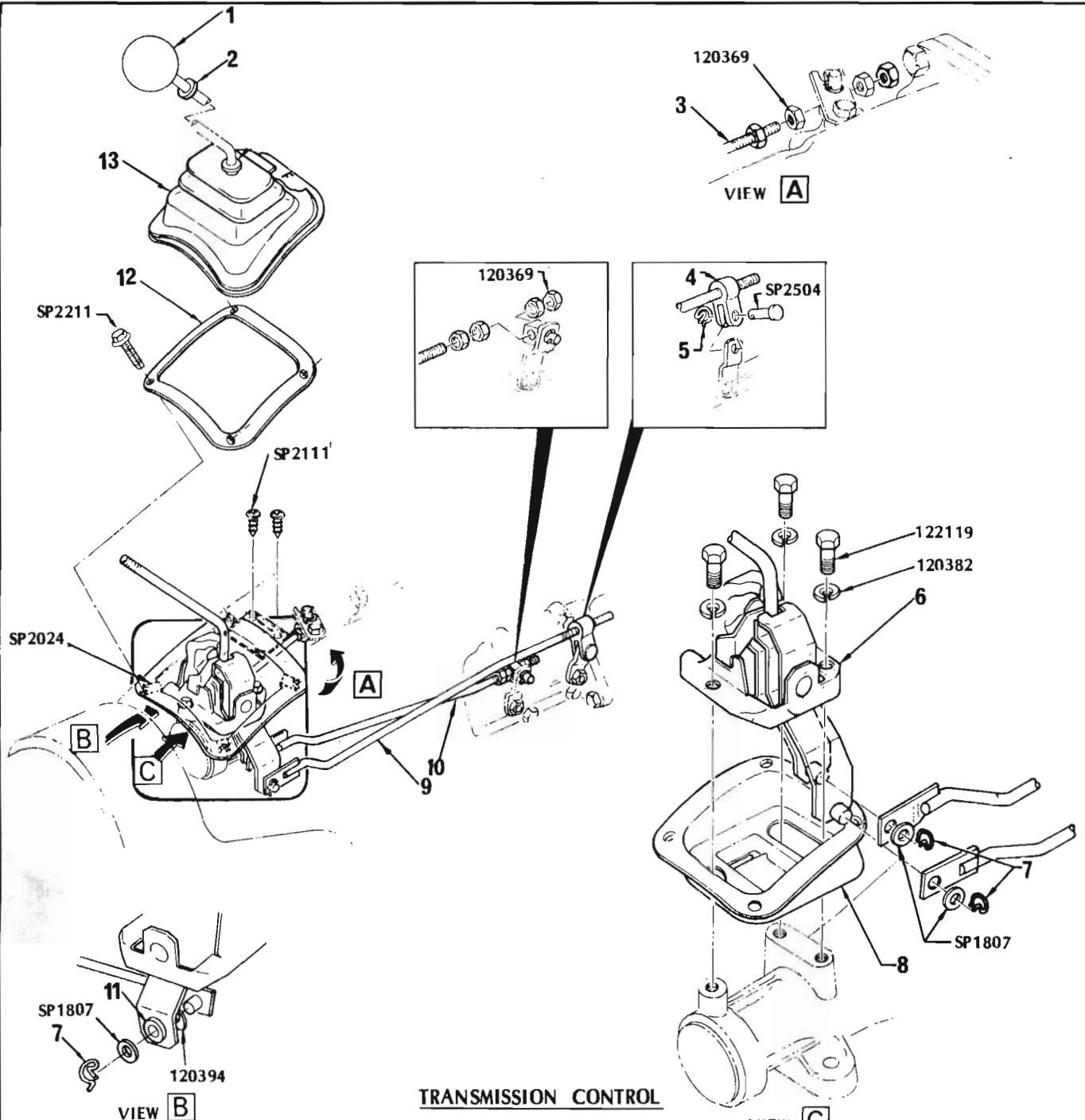
ILLUS. REF. NO.	PART NAME	GROUP	ILLUS. REF. NO.	PART NAME	GROUP
1.	SEAL – Extension housing oil	4.317	20.	NUT – Bearing retainer	4.357
2.	CLIP – Speedometer drive gear	4.337	21.	RETAINER – Clutch gear bearing	4.356
3.	HOUSING – Rear extension	4.317	22.	GEAR – Clutch	4.351
4.	RING – Rear bearing locating	4.412	23.	BEARING – Clutch gear	4.355
5.	ADAPTOR – Rear bearing	4.317	24.	GASKET – Bearing retainer	4.358
6.	GASKET – Extension housing	4.318	25.	WASHER – Counter gear thrust	4.423
7.	BEARING – Mainshaft rear	4.408	26.	GEAR – Counter	4.421
8.	GEAR – First speed	4.418	27.	SHAFT – Counter gear	4.428
9.	RING – Blocking	4.383	28.	CASE – Transmission	4.103
10.	SYNCHRONIZER ASSY. – 1st & 2nd speed..	4.380	29.	SPACER – Counter gear bearing	4.423
11.	FORK – 1st & 2nd speed shift	4.303	30.	WASHER – Counter shaft bearing	4.423
12.	RING – Blocking	4.383	31.	BEARING – Needle roller	4.422
13.	GEAR – 2nd speed	4.395	32.	WASHER	4.317
14.	GEAR – 3rd speed	4.415	33.	BOLT – Hex.hd. 3/8" – 16 x 1.1/8" w/washer	8.900
15.	RING – Blocking	4.383	34.	GEAR – Reverse	4.418
16.	FORK – 3rd & 4th speed shift	4.303	35.	PLATE – Reverse gear anti-lash	4.419
17.	SYNCHRONIZER ASSY. – 3rd & 4th speed..	4.380	36.	GEAR – Speedometer drive	4.337
18.	RING – Blocking	4.383	37.	SHAFT – Main	4.403
19.	BEARING – Needle roller	4.352			



**TRANSMISSION CASE AND GEARS
4 SPEED MANUAL CONTROL**

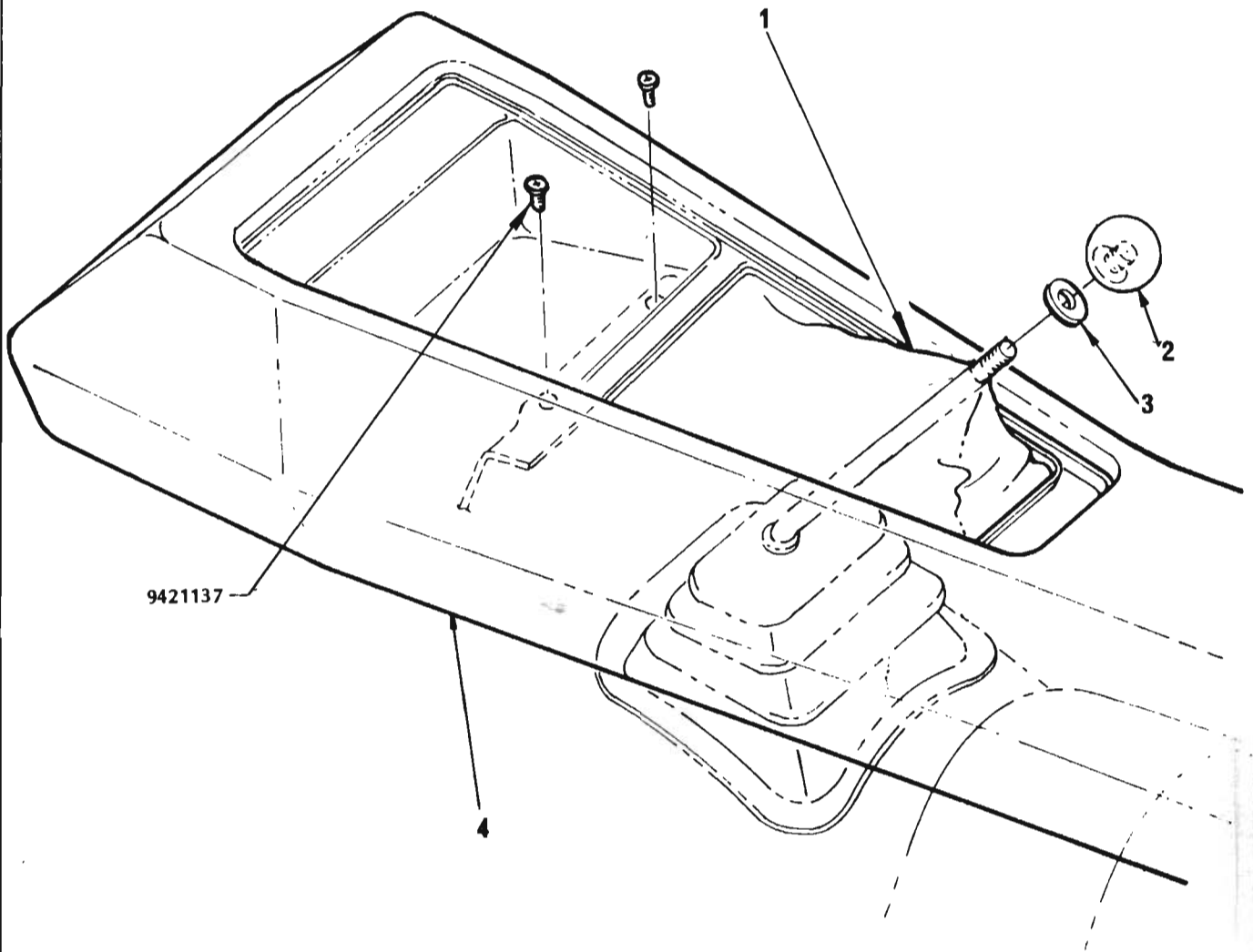
ILLUSTRATION OPPOSITE

ILLUS. REF. NO.	PART NAME	GROUP	ILLUS. REF. NO.	PART NAME	GROUP
1.	GEAR – Drive	4.337	41.	SPRING – Reverse detent	4.311
2.	CLIP – Drive gear	4.337	42.	WASHER – Reverse detent	4.311
3.	SPRING – Anti lash plate	4.419	43.	BOLT	8.900
4.	PLATE – Anti lash	4.419	44.	WASHER – Lock	8.931
5.	GEAR – Reverse	4.418	45.	NUT – Lever to shaft	4.045
6.	RING – Mainshaft lock	4.412	46.	LEVER – Reverse, external	4.045
7.	RING – Locating	4.412	47.	SEAL – "O" Ring reverse shift shaft	4.309
8.	BEARING – Rear	4.408	48.	SHAFT – Reverse shift	4.309
9.	ADAPTOR – Rear bearing	4.317	49.	LEVER – Reverse internal shift	4.316
10.	GEAR – First speed	4.418	50.	YOKE – Reverse shifter	4.304
11.	RING – Blocking	4.383	51.	BOLT	8.900
12/13/15/16	SYNCHRONIZER ASSY. – 1st & 2nd speed	4.380	52.	HOUSING – Rear extension	4.317
13.	SPRING – Synchronizer – 1st & 2nd speed	4.383	53.	BUSHING – Reverse idler	4.433
14.	RING – Synchronizer retainer – 1st & 2nd speed	4.382	54.	WASHER – Idler gear thrust	4.432
16.	SPRING – Synchronizer 1st & 2nd speed	4.383	55.	GEAR – Reverse idler	4.430
17.	RING – Blocking	4.383	56.	GEAR – Reverse idler	4.430
18.	GEAR – 2nd speed	4.395	57.	GASKET – Rear extension housing	4.318
19.	SHAFT – Main	4.403	58.	CASE – Transmission	4.103
20.	GEAR – 3rd speed	4.415	59.	BEARING – Needle roller	4.352
21.	RING – Blocking	4.383	60.	RING – Blocking	4.383
22.	SPRING – Synchronizer 3rd & 4th speed	4.383	61.	GEAR – Clutch	4.351
22/23/24/25	SYNCHRONIZER ASSY. – 3rd & 4th speed	4.380	62.	BEARING – Clutch gear	4.355
24.	SPRING – Synchronizer 3rd & 4th speed	4.383	63.	RING – Clutch gear bearing retainer	4.357
26.	RING – Synchronizer retainer 3rd & 4th speed	4.382	64.	GASKET – Bearing retainer	4.358
27.	KEY – Synchronizer 3rd & 4th speed	4.384	65.	RETAINER – Clutch gear bearing	4.356
28.	KEY – Synchronizer 1st & 2nd speed	4.384	66.	BOLT	8.900
29.	WASHER – Gear thrust	4.423	67.	GASKET – Cover	4.109
30.	GEAR – Counter	4.421	68.	FORK – 1st & 2nd speed shift	4.303
31.	WASHER – Gear thrust	4.423	69.	FORK – 3rd & 4th speed shift	4.303
32.	WASHER – Counter shaft bearing	4.423	70.	SHAFT ASSY. – Shifter fork	4.309
33.	BEARING – Needle roller	4.422	71.	SHAFT ASSY. – Shifter fork	4.309
34.	SHAFT – Counter gear	4.428	72.	SEAL – "O" Ring shift shaft	4.309
35.	SPACER – Counter gear bearing	4.423	73.	CAM – 1st & 2nd speed detent	4.311
36.	PLUG – Filler	4.103	74.	SPRING – Detent cam	4.311
37.	GASKET – Filler plug	4.103	75.	CAM – 3rd & 4th speed detent	4.311
38.	SEAL – Extension housing oil	4.317	76.	COVER	4.105
39.	PIN	8.941	77.	BOLT	8.900
40.	BALL – Reverse detent	4.311	78.	BOLT	8.900
			79.	LEVER – 3rd & 4th speed shift	4.045
			80.	LEVER – 1st & 2nd speed shift	4.045
			81.	WASHER – Lock	8.931
			82.	NUT – Lever to shaft	4.045



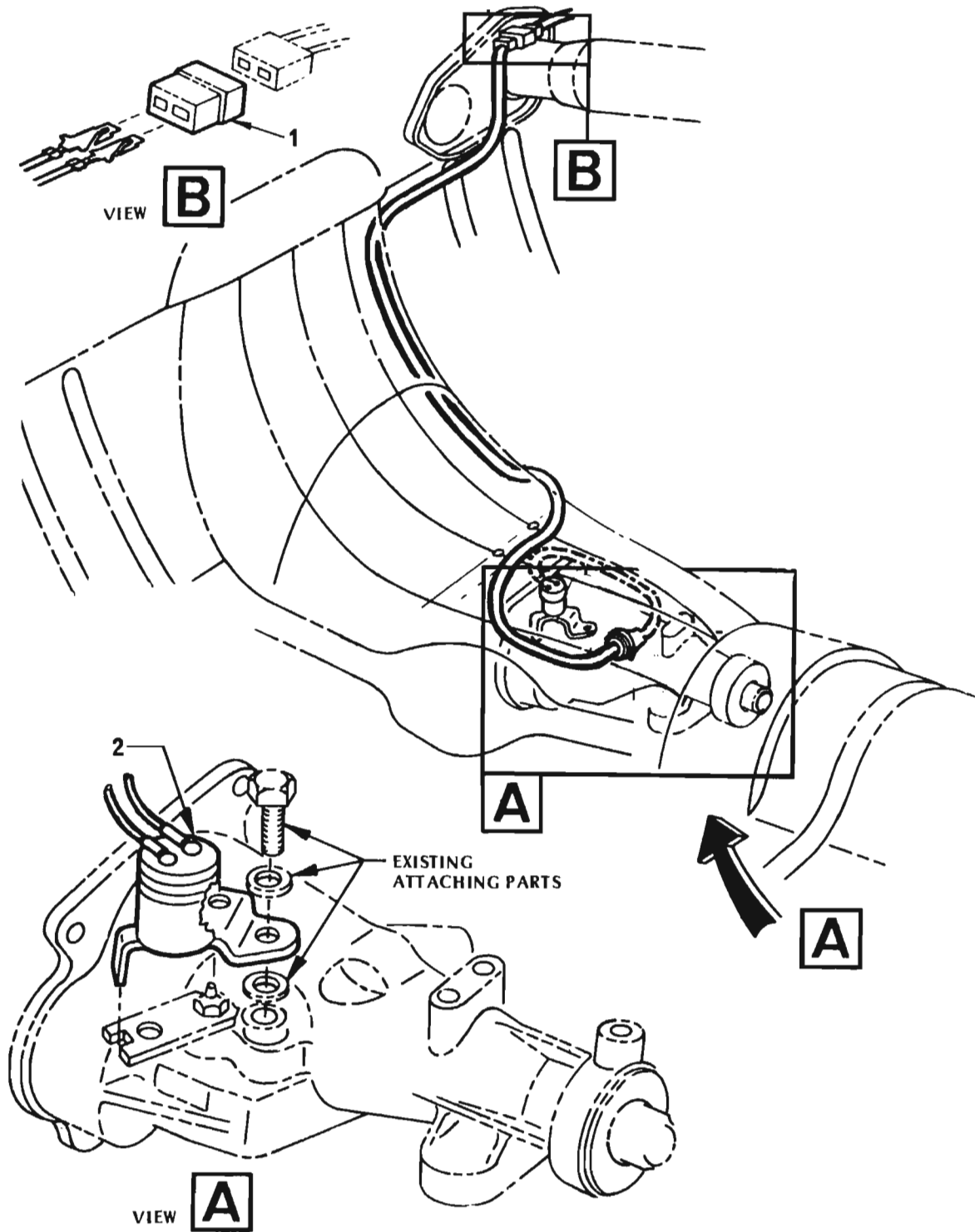
TRANSMISSION CONTROL

ILLUS. REF. NO.	PART NAME	VIEW C GROUP
1.	KNOB - Gearshift lever control	4.009
2.	NUT - Knob lock	4.009
3.	ROD - Reverse	4.035
4.	ADJUSTER - Rod	4.035
5.	RETAINER - Shift rods to control levers	4.035
6.	MOUNTING & LEVER ASSEMBLY	4.006
7.	RETAINER - Shift rods to control levers	4.035
8.	SEAL	4.015
9.	ROD - 3rd & 4th shift	4.035
10.	ROD - 1st & 2nd shift	4.035
11.	INSULATOR - Reverse rod	4.035
12.	RETAINER - Floor pan boot	4.015
13.	BOOT - Floor pan	4.015



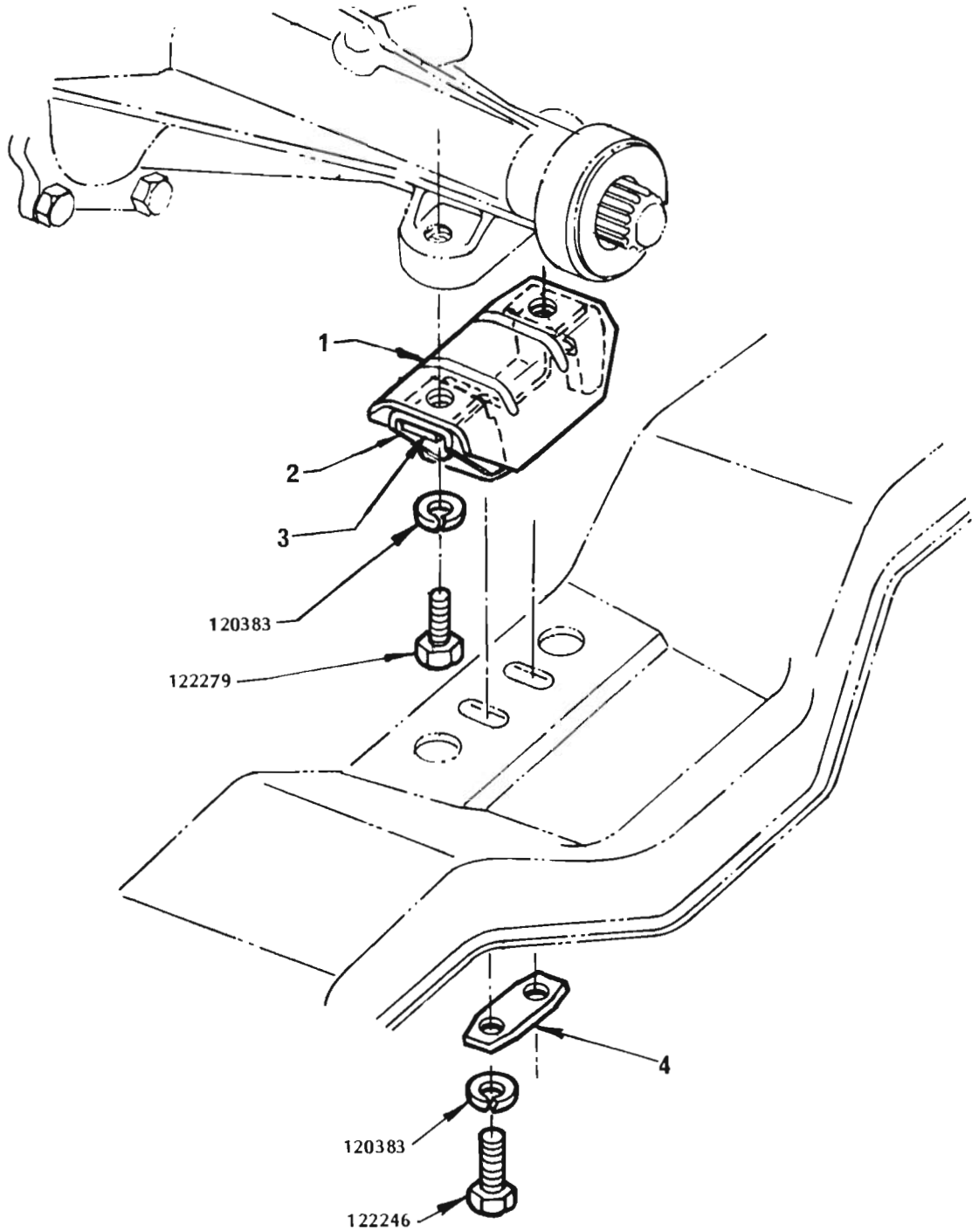
TRANSMISSION CONTROL
Console Shift

ILLUS. REF. NO.	PART NAME	GROUP
1.	BOOT - Cover	4.015
2.	KNOB - Gearshift lever control	4.009
3.	NUT - Knob locking	4.009
4.	HOUSING - Transmission console	15.290



SWITCH – BACK-UP LAMP
4 Speed Manual Transmission

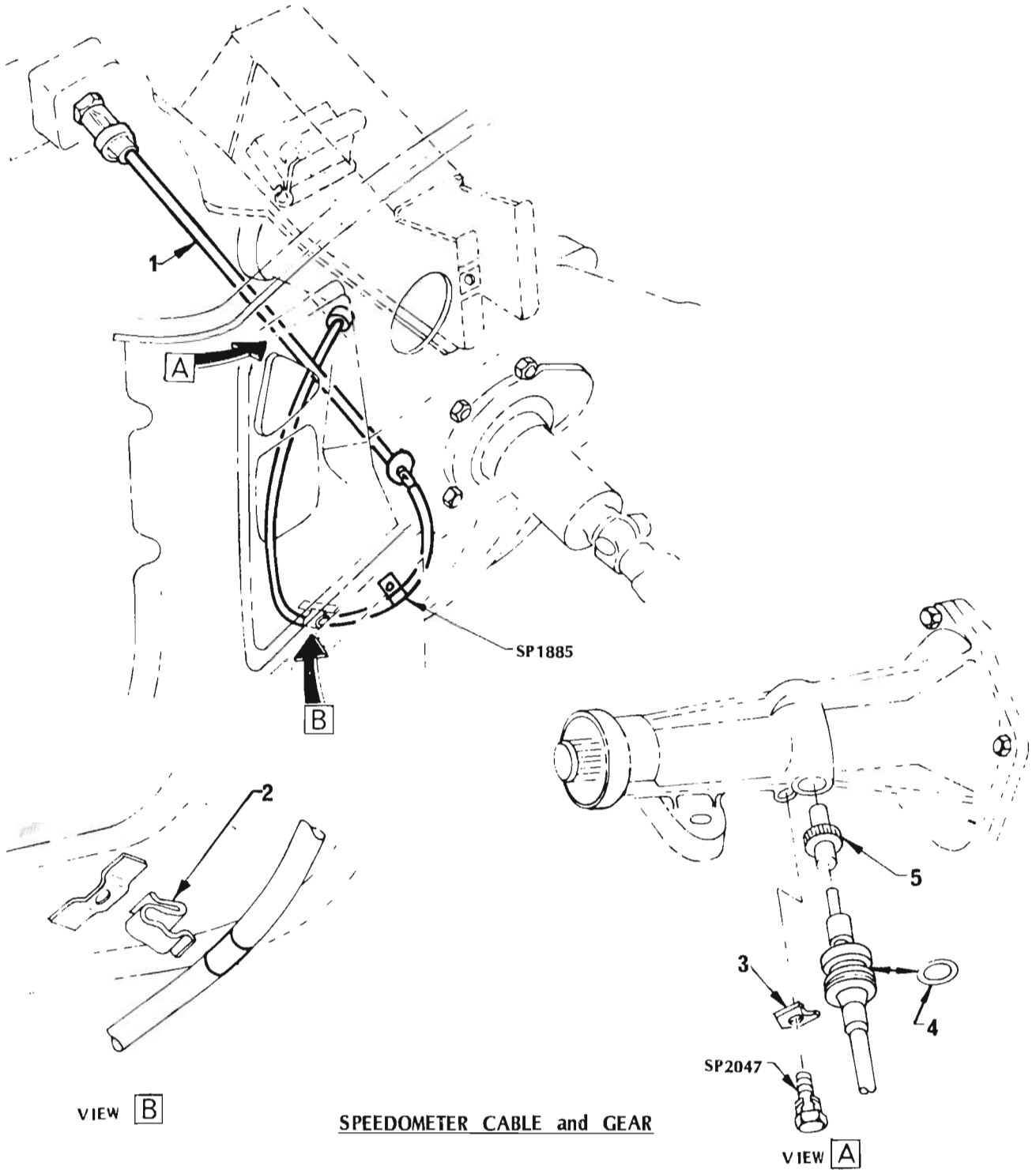
ILLUS. REF. NO.	PART NAME	GROUP
1.	BODY – 2 way male connector	2.697
2.	SWITCH ASSEMBLY – Back-up lamp	2.697



TRANSMISSION MOUNTING

Four Speed

ILLUS. REF. NO.	PART NAME	GROUP
1.	MOUNTING ASSEMBLY	4.081
2.	ARRESTOR - Rear side mounting	4.081
3.	ARRESTOR - Rear mounting	4.081
4.	SPACER - Mounting to crossmember	4.081



SPEEDOMETER CABLE and GEAR

ILLUS. REF. NO.	PART NAME	GROUP
1.	CABLE & CASING ASSEMBLY	4.342
2.	CLIP - Cable to floor pan	4.342
3.	RETAINER - Casing drive end	4.342
4.	SEAL - 'O' ring	4.338
5.	GEAR - Driven	4.337

"HX" STATESMAN/HOLDEN PARTS CATALOGUE

GROUP	DESCRIPTION	MODEL	SIDE	PART No.	QTY.
TRANSMISSION ASSEMBLY, FOUR SPEED MANUAL CONTROL					
4.003F TRANSMISSION					
	TRANSMISSION ASSEMBLY - 3.05 Low Gear Ratio	6 Cyl. Eng.		9939007	1
	TRANSMISSION ASSEMBLY - 3.74 Low Gear Ratio	6 Cyl. Eng. 3.36:1, 3.55:1, 3.90:1 AR		9939008	1
	TRANSMISSION ASSEMBLY - 3.74 Low Gear Ratio	6 Cyl. Eng. Chassis & Cab 4.44:1 AR		9939009	1
	TRANSMISSION ASSEMBLY - 3.05 Low Gear Ratio	4.2 Litre Eng.		9939011	1
	TRANSMISSION ASSEMBLY - 2.54 Low Gear Ratio	8 Cyl. Eng.		9939012	1
	BOLT & LOCK WASHER - Transmission to clutch housing	ALL		SP2029	4
	OVERHAUL KIT	ALL		M37557	1
4.006F LEVER - Gearshift control					
	MOUNTING & LEVER ASSY.	Bench Seat		9943515	1
	MOUNTING & LEVER ASSY	Bucket Seat		9943516	1
	BUSH - Lever	ALL		9937336	1
	LEVER & YOKE ASSEMBLY	Bench Seat		9943517	1
	LEVER & YOKE ASSEMBLY	Bucket Seat		9943518	1
	SPRING - Lever & yoke preload	ALL		2822917	1
	BOLT - Mounting & lever assembly	ALL		122119	3
	WASHER - Mounting & lever assembly	ALL		120382	3
4.009F KNOB - Gearshift lever control					
	KNOB	ALL		2817736	1
	NUT - Knob lock	ALL		2805499	1
4.010F MOUNTING - Gearshift control lever					
	MOUNTING ASSEMBLY	ALL		9943511	1
4.015F BOOT, SEAL, RETAINER - Gearshift control					
	BOOT - Floor pan	ALL		2811342	1
	RETAINER - Floor pan boot	ALL		2811344	1
	SEAL	ALL		9930616	1
	SCREW & WASHER ASSEMBLY - Retainer to floor pan	ALL		SP2211	4
	NUT - Retainer to floor pan screw	ALL		SP2024	4
	BOOT - Cover	Bucket Seat		9942603	1
	RETAINER - Cover boot	Bucket Seat		9942605	1
	NUT - Boot to cover	Bucket Seat		SP1534	7
	FERRULE - Boot	Bucket Seat		2818652	1
	'O' RING - Boot to ferrule	Bucket Seat		SP2216	1
4.030F LEVER, SPRING, SHAFT, WASHER - Transmission control					
	LEVER - 1st and 2nd shift	ALL		9943505	1
	LEVER - 3rd and 4th shift	ALL		9943504	1
	LEVER - Reverse shift	ALL		9943506	1
	SPRING - Reverse lockout	ALL		2819001	1
	SHAFT - Control lever	ALL		9943510	1
	BOLT - Transmission control lever to shaft	ALL		436567	1
	WASHER - Transmission control shaft ret.	ALL		9421089	1
	WASHER - 3rd and 4th shift lever preload	ALL		9939209	1
	SLEEVE - Reverse lockout spring	ALL		9943514	1
4.035F ROD, ADJUSTER, PIN, WASHER, TRUNNION, RETAINER - Transmission shifter					
	ROD - 1st and 2nd speed	ALL		9932306	1
	TRUNNION - 1st & 2nd speed rod	ALL		2812082	1
	WASHER - Rod to lever flat, .39" x .875" x .083"	ALL		SP1807	1
	RETAINER - Pin to adjuster	ALL		3749084	1
	ROD - 3rd and 4th speed	ALL		9943161	1
	ADJUSTER - 3rd & 4th speed rod	ALL		2806521	1
	PIN - Adjuster to lever - Clevis .320" x .68"	ALL		SP2504	1
	WASHER - Rod to lever flat, .39" x .875" x .083"	ALL		SP1807	1
	RETAINER - Adjuster	ALL		3749084	1

"HX" STATESMAN/HOLDEN PARTS CATALOGUE

GROUP	DESCRIPTION	MODEL	SIDE	PART No.	QTY.
TRANSMISSION ASSEMBLY, FOUR SPEED MANUAL CONTROL					
4.035F ROD, ADJUSTER, PIN, WASHER, TRUNNION, RETAINER – Transmission shifter (contd.)					
	ROD – Reverse	ALL		2811024	1
	TRUNNION – Reverse rod	ALL		2812082	1
	RETAINER – Trunnion	ALL		3749084	1
	INSULATOR – Reverse rod to trans. control lever	ALL		7418439	1
	RETAINER – Shifter rod to control levers	ALL		3749084	3
	NUT – Shifter rod	ALL		120369	8
	WASHER – Reverse rod to control lever	ALL		120394	1
4.045F LEVER – Transmission shifter shaft					
	LEVER – 1st and 2nd speed	ALL		9932304	1
	LEVER – 3rd and 4th speed	ALL		9932305	1
	LEVER – Reverse, external	ALL		2811032	1
	NUT – Lever to shaft	ALL		7417652	3
	WASHER – Lever to shaft	ALL		SP1486	3
4.081F MOUNTING – Transmission support					
	MOUNTING ASSEMBLY	6 Cyl. Eng. exc. Air Cond.		7432235	1
	MOUNTING ASSEMBLY	6 Cyl. Eng. Air Cond.		7432236	1
	MOUNTING ASSEMBLY	8 Cyl. Eng.		7432236	1
	ARRESTOR – Rear mounting	ALL		2819856	1
	ARRESTOR – Rear side mounting	ALL		2819855	2
	SPACER – Mounting to crossmember	ALL		7421049	1
	BOLT – Mounting to transmission	ALL		122279	2
	WASHER – Mounting to transmission	ALL		120383	2
	BOLT – Mounting to crossmember	ALL		122246	2
	WASHER – Mounting to crossmember	ALL		120382	2
4.103F CASE – Transmission					
	CASE ASSEMBLY	ALL		M37828	1
	PLUG – Transmission filler (3/4" – 16)	ALL		7400181	1
	GASKET – Filler plug (3/4" annular)	ALL		113897	1
	PIN – Trans. case to extension housing	ALL		443770	1
4.105F COVER – Transmission					
	COVER	ALL		9938391	1
	BOLT & LOCK WASHER ASSY. – Cover to case – Hex. hd. 3/16" – 18 x 1.38"	ALL		SP2141	4
	PIN – Cover to case	ALL		141149	1
4.109F GASKET – Transmission cover					
	GASKET	ALL		7433769	1
4.303F FORK – Transmission shifter					
	FORK – 1st and 2nd speed	ALL		2813506	1
	FORK – 3rd and 4th speed	ALL		7433775	1
4.304F YOKE – Reverse shifter					
	YOKE	ALL		2809727	1
4.309F SHAFT, SEAL – Transmission shifter					
	SHAFT ASSEMBLY – 1st and 2nd	ALL		7433869	1
	SEAL – 1st and 2nd shift shaft – "O" Ring 9/16" x 3/32"	ALL		7430136	2
	SHAFT ASSEMBLY – 3rd and 4th	ALL		9938392	1
	SEAL – Shift shaft 3rd and 4th	ALL		3831716	1
	SHAFT – Reverse shift	ALL		2813514	1
	SLEEVE – Reverse shift shaft	ALL		2813520	1
	SEAL – Reverse shift shaft – 'O' Ring 3/8" x 3/32"	ALL		2809290	1
	PIN – Reverse shift shaft	ALL		455481	1

"HX" STATESMAN/HOLDEN PARTS CATALOGUE

GROUP	DESCRIPTION	MODEL	SIDE	PART No.	QTY.
TRANSMISSION ASSEMBLY, FOUR SPEED MANUAL CONTROL					
4.311F	CAM, PIN, SPRING, BALL – Transmission detent				
	CAM – 1st and 2nd speed	ALL		2813501	1
	CAM – 3rd and 4th speed	ALL		2813511	1
	PIN – Detent cam	ALL		SP2094	1
	SPRING – Detent cam	ALL		7433927	1
	BALL – Reverse shift lever detent (3/8" dia.)	ALL		147489	1
	SPRING – Reverse lever detent ball	ALL		2813527	1
	WASHER – Reverse detent	ALL		2813521	2
	BOLT – Reverse detent	ALL		123540	1
4.316F	LEVER – Reverse internal shifter				
	LEVER	ALL		2809600	1
4.317F	HOUSING, ADAPTOR, SEAL – Transmission extension				
	HOUSING ASSEMBLY	ALL		2813504	1
	ADAPTOR – Transmission rear bearing	ALL		2813513	1
	BUSHING – Housing	ALL		3717682	1
	SEAL – Housing	ALL		3932255	1
	WASHER – Housing to case	ALL		7400256	1
	BOLT ASSEMBLY – Housing to case – 3/8" – 16 x 1 1/8"	ALL		SP2599	4
	BOLT ASSEMBLY – Housing to case – 3/8" – 16 x 1 1/4"	ALL		180124	1
4.318F	GASKET – Transmission extension housing				
	GASKET	ALL		2813507	1
4.337F	GEAR – Speedometer driven and drive				
	GEAR – Driven – 19 teeth – Pink	3.08: 1 AR with QDW, QEF, QER, QFV, QFZ, QGA, QRU, YFX tyre options		7430967	1
	GEAR – Driven – 20 teeth – White	3.08: 1 AR with QCB, QCM, QCQ, QEP, QEQ, QEV, QKF, QMV, QRA, QRQ, QRR, QRS, QTX tyre options		7430968	1
	GEAR – Driven – 20 teeth – White	3.36: 1 AR with QFS, YFX tyre options		7430968	1
	GEAR – Driven – 21 teeth – Green	3.36: 1 AR with QCQ, QDW, QEF, QEP, QEQ, QER, QEV, QFF, QFP, QFV, QFZ, QGA, QRQ, QRS, QRU, QSD, QTM, tyre options		7430969	1
	GEAR – Driven – 22 teeth – Dark blue	3.36: 1 AR with QCB, QCM, QEV, QKF, QMV, QRA, QRR, QTX tyre options		7430970	1
	GEAR – Driven – 22 teeth – Dark blue	3.55: 1 AR with QDW, QEF, QEQ, QER, QFF, QFP, QFS, QFV, QFZ, QGA, QKM, QRU, QTM, QXZ tyre options		7430970	1
	GEAR – Driven – 23 teeth – Red	3.55: 1 AR with QCB, QCM, QCQ, QEP, QEV, QKF, QMV, QRA, QRQ, QRR, QRS, QTX tyre options		7430971	1
	GEAR – Driven – 24 teeth – Yellow	3.90: 1 AR with QDW, QEQ, QER, QFF, QFV, QGA, QRU, YFX tyre options		7430972	1
	GEAR – Driven – 25 teeth – Light blue	3.90: 1 AR with QCB, QEP, QEV, QMV, QRA, QRQ, QRR, QRS, QTX tyre options		7448810	1
	GEAR – Driven – 21 teeth – Green	4.44: 1 AR with QFP, QFS, QSD, QTM tyre options		7430969	1
	NOTE – Refer introduction – Production Option Chart – for tyre option codes				
	GEAR – Drive	Exc. Chassis & Cab 4.44: 1 AR		5258493	1
	GEAR – Drive	6 Cyl. Eng. Chassis & Cab 4.44: 1 AR		5258574	1
	CLIP – Drive gear	ALL		1373122	1

"HX" STATESMAN/HOLDEN PARTS CATALOGUE

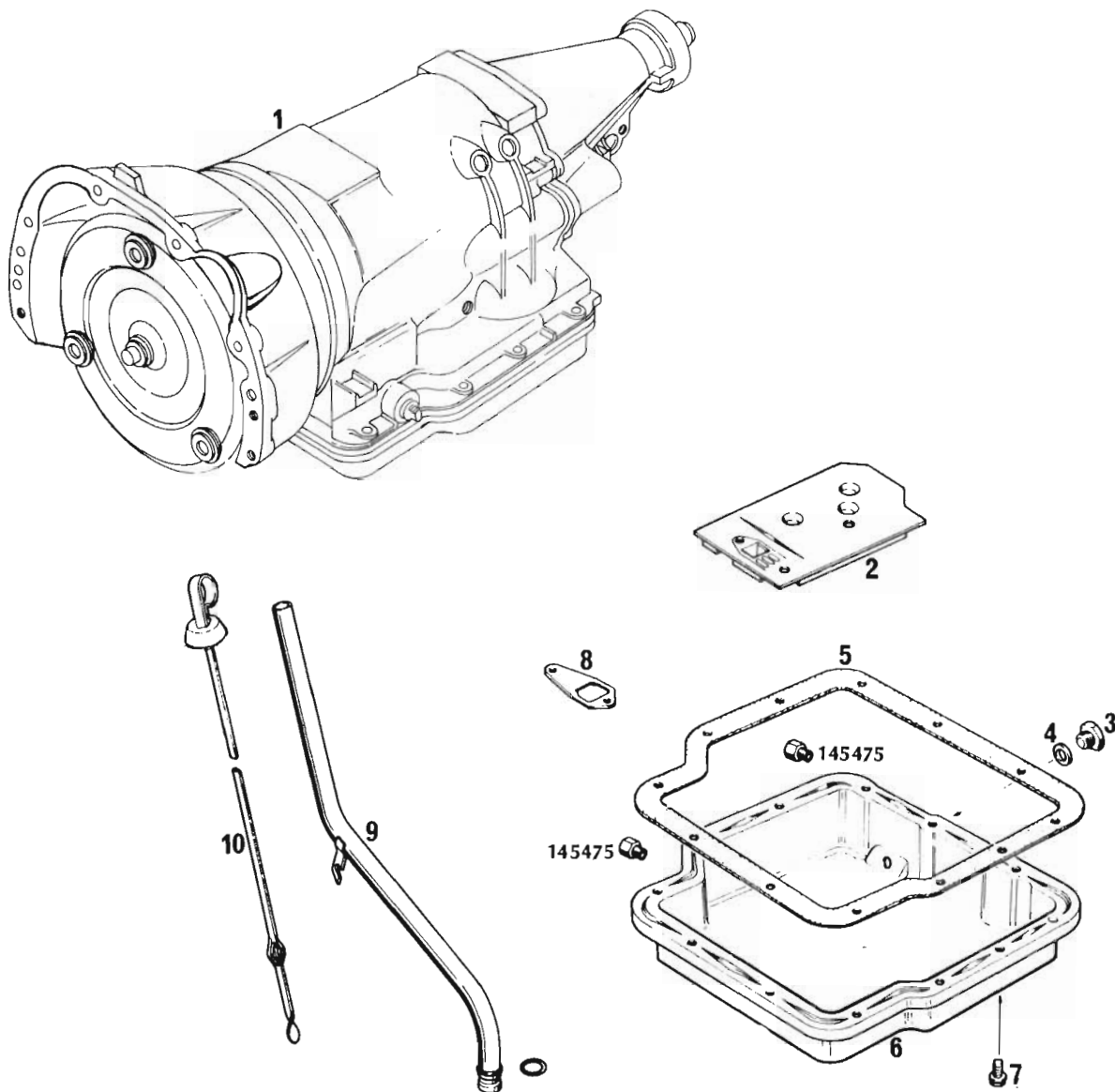
GROUP	DESCRIPTION	MODEL	SIDE	PART No.	QTY.
TRANSMISSION ASSEMBLY, FOUR SPEED MANUAL CONTROL					
4.338F	SEAL – Speedometer driven gear				
	SEAL - 'O' Ring ($1\frac{3}{16}$ " I.D. x $\frac{1}{8}$ ")	ALL		7430921	1
4.342F	CABLE and CASING – Speedometer				
	CABLE & CASING	ALL		9943805	1
	CABLE KIT	ALL		VS13541	1
	CLIP - Cable to floor pan	ALL		7434452	1
	CLIP - Cable to floor brace	ALL		SP1885	1
	RETAINER – Drive end	ALL		7430917	1
	BOLT – Retainer to case	ALL		179816	1
	SEAL – Cable	ALL		7434266	1
	RETAINER – Seal	ALL		2817874	1
4.351F	GEAR – Clutch				
	GEAR – 3.05 : 1 Low Gear Ratio	6 Cyl. Eng.		9930923	1
	GEAR – 3.74 : 1 Low Gear Ratio	6 Cyl. Eng.		9930921	1
	GEAR – 3.05 : 1 Low Gear Ratio	4.2 Litre Eng.		9930925	1
	GEAR – 2.54 : 1 Low Gear Ratio	8 Cyl. Eng.		9930924	1
4.352F	BEARING – Main shaft front				
	BEARING – Needle roller	ALL		7400162	15
	BEARING PACKAGE	ALL		7449495	1
4.354F	SEAL – Clutch gear bearing oil				
	SEAL	ALL		3987936	1
4.355F	BEARING – Clutch gear				
	BEARING	ALL		7429999	1
4.356F	RETAINER – Clutch gear bearing				
	RETAINER	6 Cyl. Eng.		9930909	1
	RETAINER	8 Cyl. Eng.		9930910	1
	BOLT – Retainer to case	ALL		179816	4
4.358F	GASKET – Clutch gear bearing retainer				
	GASKET	ALL		591022	1
4.376F	RING – Clutch gear bearing retainer				
	RING – .088" thick	ALL		(¹ 3775052	1
	RING – .094" thick	ALL		(¹ 3775050	1
4.380F	SYNCHRONIZER – Transmission				
	SYNCHRONIZER ASSEMBLY – 1st and 2nd speed	ALL		2813515	1
	SYNCHRONIZER ASSEMBLY – 3rd and 4th speed	ALL		7435044	1
4.382F	RING – Transmission synchronizer retainer				
	RING – 1st and 2nd	ALL		7429966	1
	RING – 3rd and 4th	ALL		3775089	1
4.383F	SPRING, RING – Transmission synchronizer				
	SPRING – 1st and 2nd	ALL		7437055	2
	SPRING – 3rd and 4th	ALL		7438527	2
	RING – Blocking	ALL		7434978	4
Note: (¹ Selective fit.					

"HX" STATESMAN/HOLDEN PARTS CATALOGUE

GROUP	DESCRIPTION	MODEL	SIDE	PART No.	QTY.
TRANSMISSION ASSEMBLY, FOUR SPEED MANUAL CONTROL					
4.384F	KEY – Transmission synchronizer				
	KEY	ALL		7435043	6
4.395F	GEAR – Second speed				
	GEAR	ALL		2813490	1
4.403F	SHAFT – Transmission main				
	SHAFT	ALL		2813493	1
4.408F	BEARING – Mainshaft rear				
	BEARING ASSEMBLY	ALL		7433929	1
4.412F	RING – Transmission bearing				
	RING – Locating	ALL		2809457	1
	RING – Mainshaft lock	ALL		3707189	1
4.415F	GEAR – Third speed				
	GEAR – 3.05 : 1 Low Gear Ratio	6 Cyl. Eng.		2813491	1
	GEAR – 3.74 : 1 Low Gear Ratio	6 Cyl. Eng.		2820696	1
	GEAR – 3.05 : 1 Low Gear Ratio	4.2 Litre Eng.		2813491	1
	GEAR – 2.54 : 1 Low Gear Ratio	8 Cyl. Eng.		2813492	1
4.418F	GEAR – Mainshaft first speed, reverse				
	GEAR – 1st speed	ALL		2813489	1
	GEAR – Reverse	6 Cyl. Eng.		2813525	1
	GEAR – Reverse	8 Cyl. Eng.		2813500	1
4.419F	PLATE, SPRING – Reverse gear anti-lash				
	PLATE	6 Cyl. Eng.		2813517	1
	SPRING	6 Cyl. Eng.		2813522	1
4.421F	GEAR – Counter				
	GEAR – 3.05 : 1 Low Gear Ratio	6 Cyl. Eng.		2813496	1
	GEAR – 3.74 : 1 Low Gear Ratio	6 Cyl. Eng.		2820694	1
	GEAR – 3.05 : 1 Low Gear Ratio	4.2 Litre Eng.		2813496	1
	GEAR – 2.54 : 1 Low Gear Ratio	8 Cyl. Eng.		2813497	1
4.422F	BEARING – Counter gear				
	BEARING – Needle roller	ALL		9414193	92
	BEARING PACKAGE	ALL		7449496	1
4.423F	WASHER – Counter shaft				
	WASHER – Bearing	ALL		3775063	6
	SPACER – Bearing	ALL		7433928	1
	WASHER – Gear thrust	ALL		7433776	2
4.428F	SHAFT – Counter gear				
	SHAFT	ALL		3775061	1
4.430F	GEAR – Reverse idler				
	GEAR	ALL		2825988	1
4.432F	WASHER – Reverse idler gear thrust				
	WASHER	ALL		2813519	2

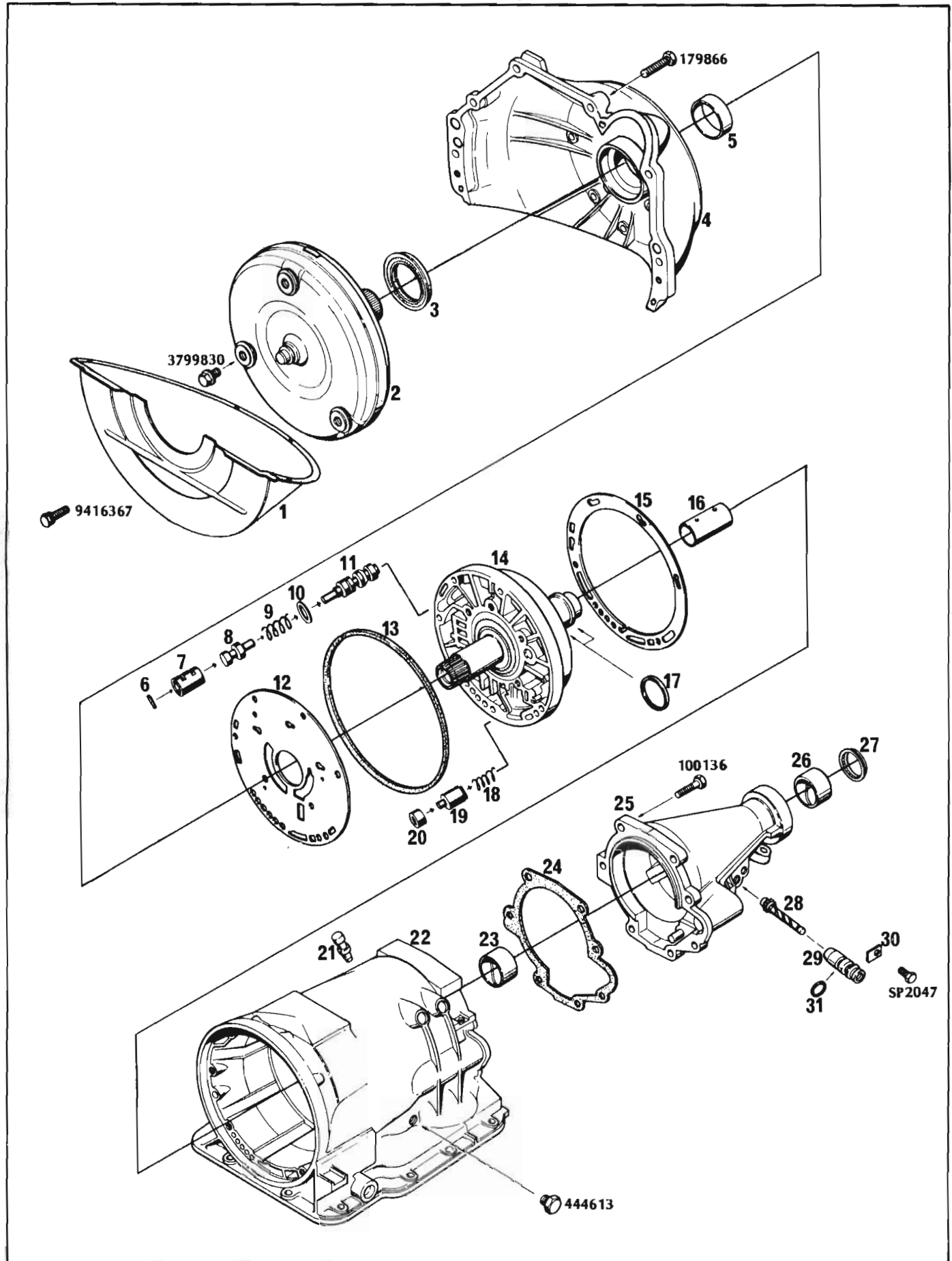
"HX" STATESMAN/HOLDEN PARTS CATALOGUE

GROUP	DESCRIPTION	MODEL	SIDE	PART No.	QTY.
TRANSMISSION ASSEMBLY, FOUR SPEED MANUAL CONTROL					
4.433F	BUSH – Reverse idler gear				
	BUSH – Reverse idler to transmission case and extension housing	ALL		2820528	2



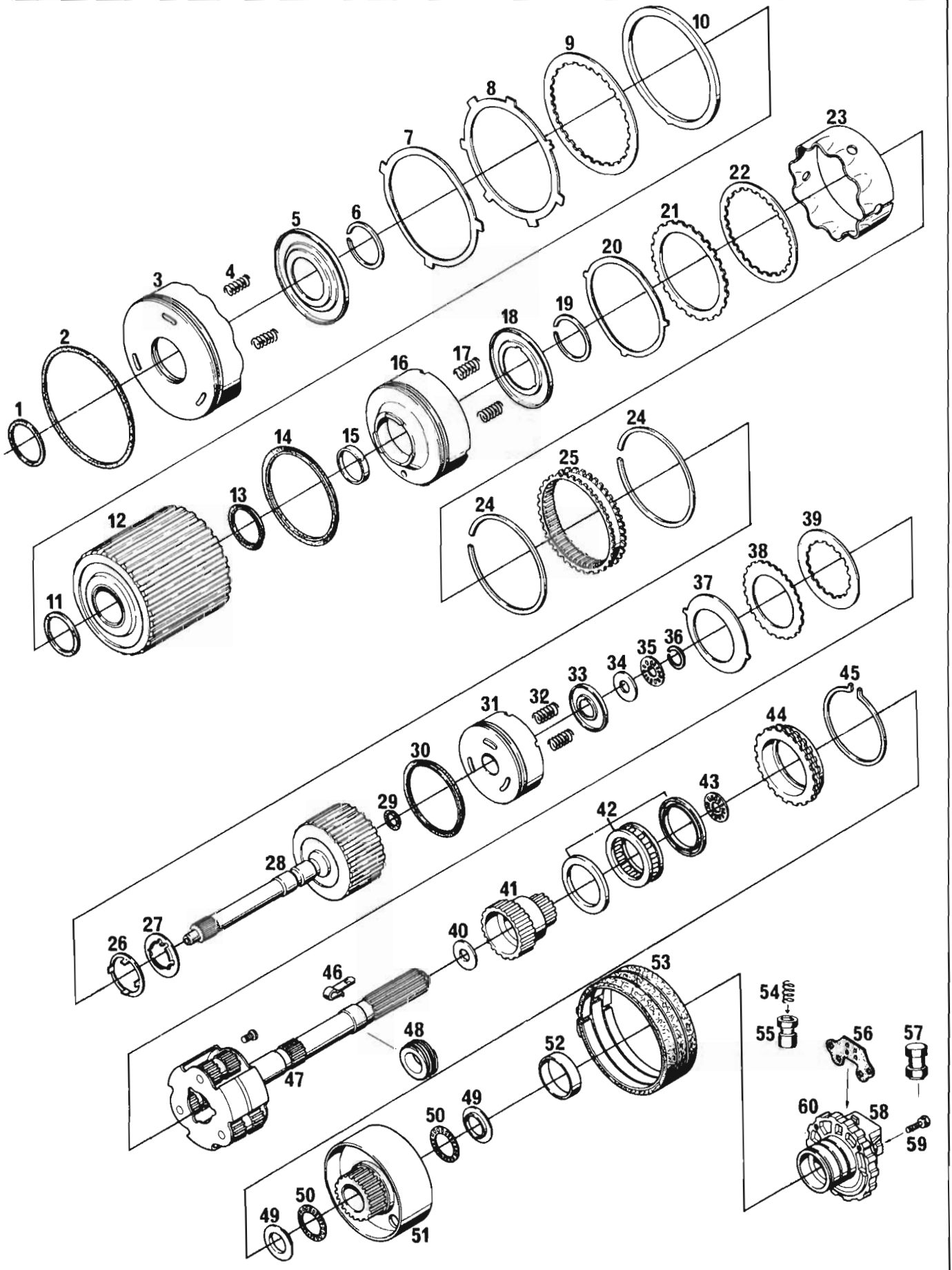
OIL PAN and INDICATOR

ILLUS. REF. NO.	PART NAME	GROUP
1.	TRANSMISSION ASSEMBLY	4.003
2.	SCREEN ASSEMBLY - Oil pump suction	4.224
3.	PLUG - Oil pan drain	4.195
4.	GASKET - Oil pan drain plug	4.195
5.	GASKET - Oil pan	4.196
6.	PAN - Oil	4.195
7.	SCREW - Oil pan	4.195
8.	GASKET - Oil pump suction screen	4.223
9.	TUBE - Oil filler	4.133
10.	INDICATOR - Oil level	4.133



CONVERTER and OIL PUMP
Trimatic Transmission

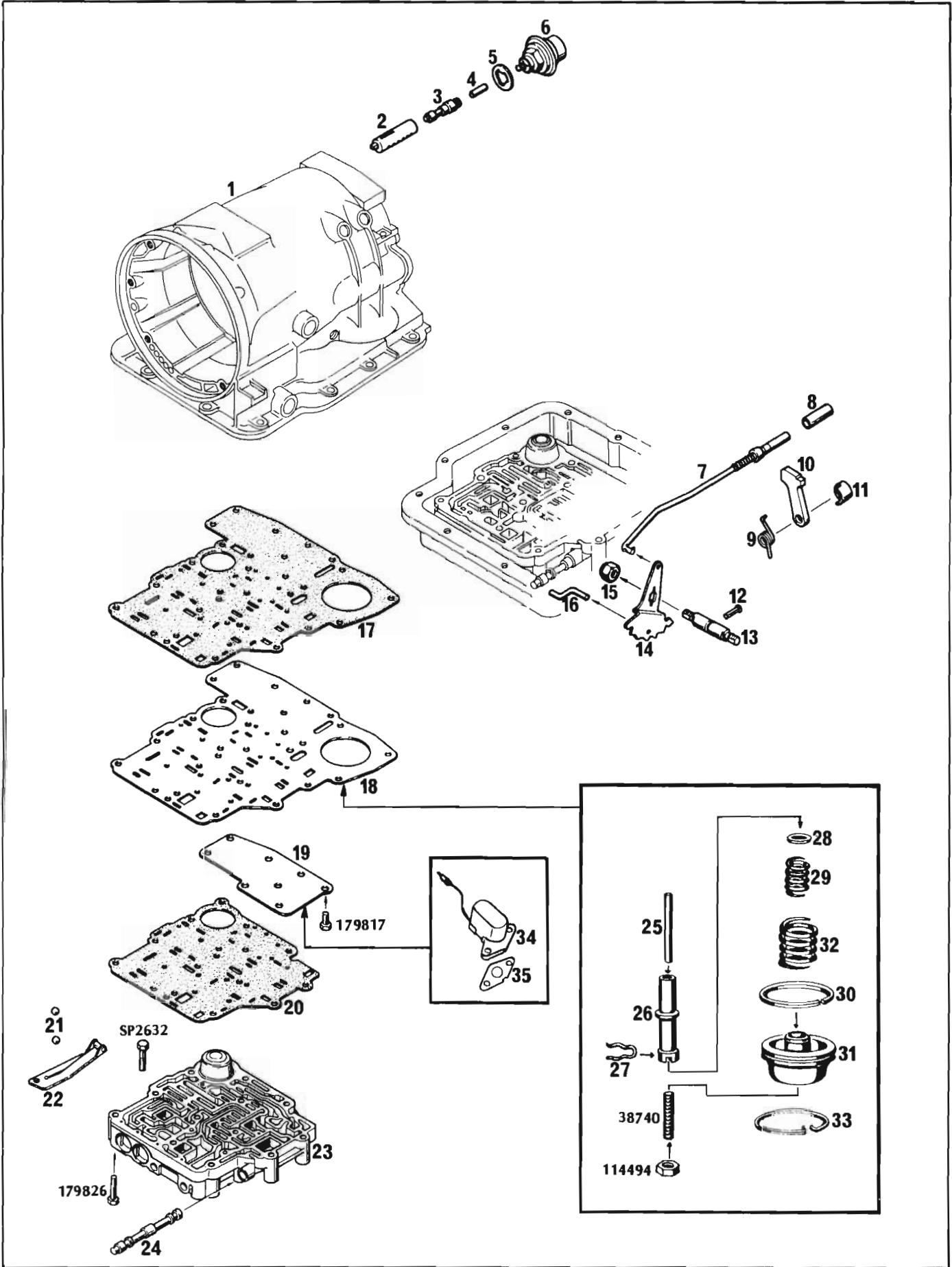
ILLUS. REF. NO.	PART NAME	GROUP
1.	COVER - Transmission converter	0.679
2.	CONVERTER ASSEMBLY	4.156
3.	SEAL - Converter housing	0.683
4.	HOUSING - Converter	0.683
5.	BUSH - Converter housing	0.683
6.	PIN - Pressure regulator valve - Chamfer 1/8" x 1.1/4"	4.226
7.	SLEEVE - Pressure regulator booster valve	4.226
8.	VALVE - Pressure regulator booster	4.226
9.	SPRING - Pressure regulator valve	4.226
10.	SEAT - Pressure regulator valve spring	4.226
11.	VALVE - Pressure regulator	4.226
12.	PLATE - Wear	4.226
13.	SEAL - Oil pump outer	4.226
14.	BODY & GEAR PACKAGE	4.226
15.	GASKET - Oil pump to case	4.226
16.	BUSH - Oil pump body	4.226
17.	SEAL - 2nd clutch piston	4.166
18.	SPRING - Priming valve	4.226
19.	VALVE - Priming	4.226
20.	RETAINER - Priming valve	4.226
21.	VENT ASSEMBLY - Transmission	4.104
22.	CASE ASSEMBLY - Transmission	4.103
23.	BUSH - Transmission case	4.103
24.	GASKET - Transmission rear bearing housing	4.318
25.	HOUSING - Rear bearing	4.317
26.	BUSH - Rear bearing housing	4.317
27.	SEAL - Rear bearing housing	4.317
28.	GEAR - Speedometer driven	4.337
29.	CABLE & CASING	4.342
30.	RETAINER - Casing drive end	4.342
31.	SEAL - "O" Ring	4.338



TRANSMISSION ASSEMBLY

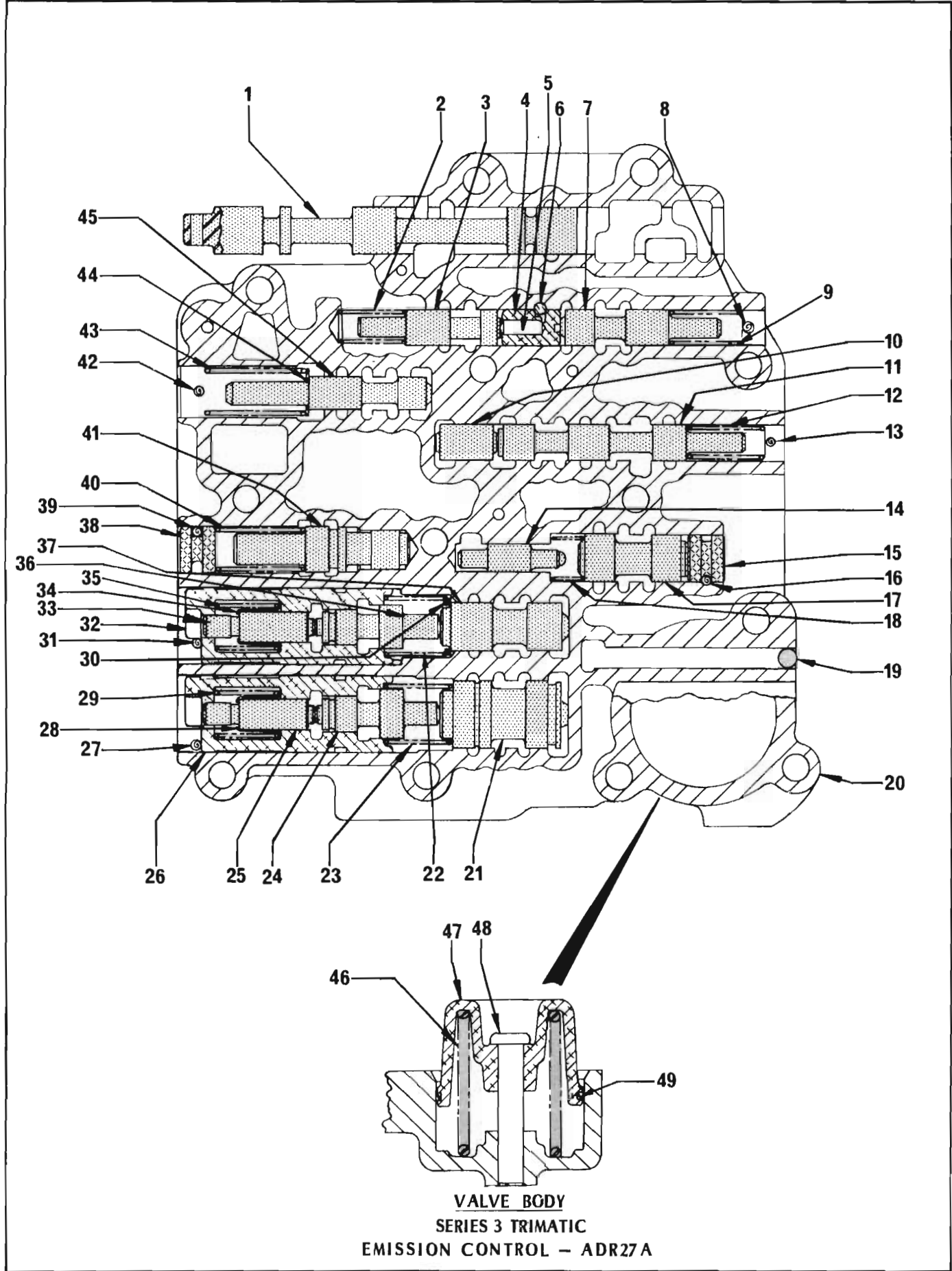
Trimatic

ILLUS. REF. NO.	PART NAME	GROUP
1.	SEAL - Reverse clutch inner	4.166
2.	SEAL - Reverse clutch outer	4.166
3.	PISTON - Reverse clutch	4.166
4.	SPRING - Reverse clutch piston	4.164
5.	SEAT - Reverse clutch piston return spring	4.189
6.	RING - Reverse clutch piston	4.128
7.	PLATE - Reverse clutch cushion	4.163
8.	PLATE - Reverse clutch reaction	4.163
9.	PLATE - Reverse clutch drive	4.163
10.	PLATE - Reverse clutch pressure	4.163
11.	WASHER - Thrust	4.129
12.	DRUM ASSEMBLY - Second clutch	4.158
13.	SEAL - Second clutch piston inner	4.166
14.	SEAL - Second clutch piston outer	4.166
15.	BUSH - Second clutch	4.158
16.	PISTON - Second clutch	4.166
17.	SPRING - Second clutch piston	4.164
18.	SEAT - Second clutch piston	4.165
19.	RING - Second clutch seat retainer	4.128
20.	PLATE - Second clutch cushion	4.163
21.	PLATE - Second clutch driven	4.163
22.	PLATE - Second clutch drive	4.163
23.	SPACER - Second clutch plate	4.163
24.	RING - Ring gear retaining	4.128
25.	GEAR - Ring	4.187
26.	WASHER - Second and third clutch - Bronze	4.129
27.	WASHER - Clutch	4.129
28.	DRUM & INPUT SHAFT ASSEMBLY - Third clutch ...	4.153
29.	SEAL - Third clutch piston inner	4.166
30.	SEAL - Third clutch piston outer	4.166
31.	PISTON - Third clutch	4.166
32.	SPRING - Third clutch	4.164
33.	SEAT - Third clutch piston spring	4.165
34.	WASHER - Input sun gear to carrier	4.177
35.	BEARING - Sun gear to carrier	4.177
36.	RING - Third clutch piston spring retainer	4.128
37.	CUSHION - Third clutch	4.163
38.	PLATE - Third clutch driven	4.163
39.	PLATE - Third clutch drive	4.163
40.	WASHER - Input sun gear to carrier	4.177
41.	GEAR - Input sun	4.177
42.	SPRAG ASSEMBLY - Input	4.158
43.	BEARING - Input sun gear	4.177
44.	RACE & RETAINER - Third clutch input sprag	4.158
45.	RING - Third clutch retainer	4.128
46.	CLIP - Speedometer drive gear	4.337
47.	CARRIER ASSEMBLY - Planet	4.177
48.	GEAR - Speedometer drive	4.337
49.	WASHER - Reaction sun gear and drum	4.129
50.	BEARING - Reaction sun gear	4.177
51.	GEAR & DRUM ASSEMBLY - Reaction	4.251
52.	SLEEVE - Reaction sun gear bearing	4.177
53.	BAND ASSEMBLY - Reaction	4.251
54.	SPRING - Secondary valve	4.256
55.	VALVE - Secondary	4.256
56.	GASKET - Valve body	4.256
57.	VALVE - Primary	4.256
58.	BODY - Valve	4.256
59.	SCREW & LOCK WASHER	4.256
60.	GOVERNOR ASSEMBLY	4.256



PARK BRAKE, MODULATOR and SERVO
Trimatic TRANSMISSION

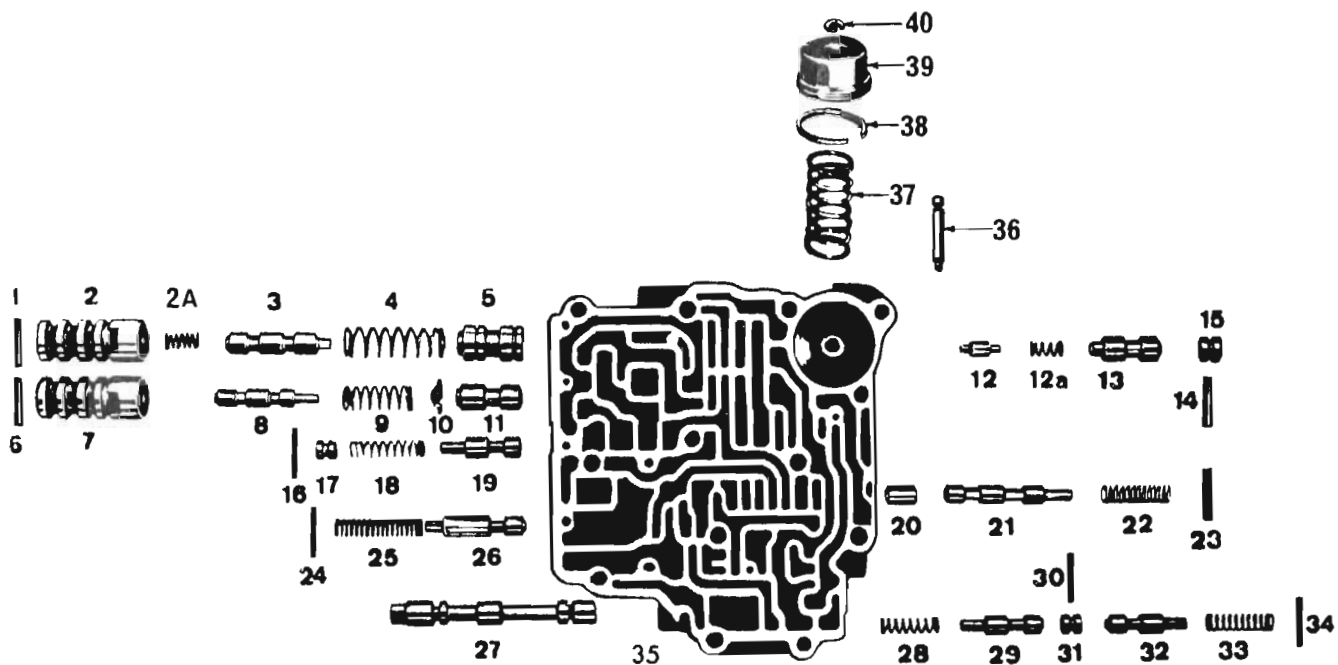
ILLUS. REF. NO.	PART NAME	GROUP
1.	CASE ASSEMBLY – Transmission	4.103
2.	SLEEVE – Vacuum modulator valve	4.265
3.	VALVE – Vacuum modulator	4.265
4.	PLUNGER – Vacuum modulator	4.265
5.	GASKET – Vacuum modulator valve	4.265
6.	MODULATOR ASSEMBLY – Vacuum	4.265
7.	ACTUATOR ASSEMBLY – Parking brake lock	4.294
8.	SHAFT – Pawl	4.294
9.	SPRING – Pawl disengaging	4.295
10.	PAWL – Parking brake lock	4.294
11.	SLEEVE – Actuator	4.294
12.	PIN – Park lock and range selector retaining	4.279
13.	SHAFT – Park lock and range selector	4.294
14.	LEVER – Park lock and range selector	4.279
15.	NUT – Lever attaching	4.279
16.	LEVER – Park lock and range selector inner	4.279
17.	GASKET – Transfer plate to case	4.265
18.	PLATE – Transfer	4.265
19.	REINFORCEMENT – Transfer plate	4.265
20.	GASKET – Transfer plate to valve body	4.265
21.	BALL – Valve body	4.265
22.	ROLLER & SPRING ASSEMBLY	4.279
23.	BODY – Valve	4.265
24.	VALVE – Manual	4.265
25.	ROD – Servo piston apply	4.230
26.	} PISTON ASSEMBLY – Servo	4.228
27.		
28.		
29.		
30.		
31.		
32.	SPRING – Servo piston return	4.233
33.	RING – Servo piston retainer	4.128
34.	SOLENOID & CONNECTOR ASSEMBLY – Detent	4.265
35.	GASKET – Solenoid	4.265



VALVE BODY
Series 3 Trimatic

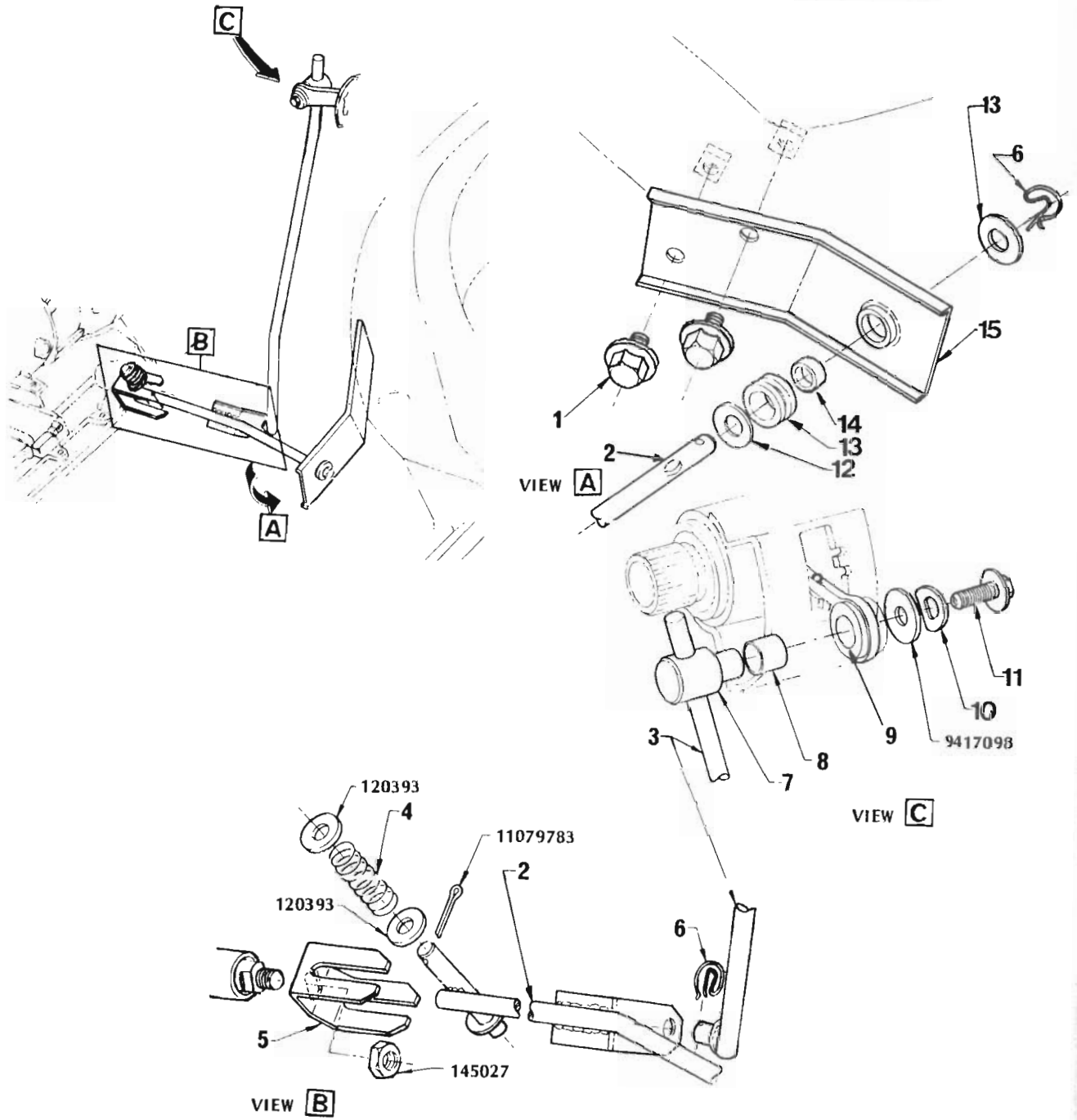
ILLUSTRATION OPPOSITE

ILLUS. REF. NO.	PART NAME	GROUP
1.	VALVE - Manual control	4.265
2.	SPRING - Low speed timing valve	4.265
3.	VALVE - Low speed timing	4.265
4.	SLEEVE - Low speed timing valve	4.265
5.	VALVE - Control	4.265
6.	PIN - Low speed downshift timing	4.265
7.	VALVE - High speed timing	4.265
8.	PIN - Coiled spring	4.265
9.	SPRING - High speed timing valve	4.265
10.	VALVE - Reverse control	4.265
11.	VALVE - Manual low control	4.265
12.	SPRING - Manual low & reverse control valve	4.265
13.	PIN - Coiled spring	4.265
14.	VALVE - 1st & 2nd accumulator control	4.265
15.	PLUG - 1st & 2nd accumulator control valve	4.265
16.	PIN - Coiled spring	4.265
17.	VALVE - 1st & 2nd accumulator	4.265
18.	SPRING - 1st & 2nd accumulator valve	4.265
19.	BALL	4.265
20.	BODY - Valve	4.265
21.	VALVE - 1st & 2nd shift	4.265
22.	SPRING - 2nd & 3rd shift control valve	4.265
23.	SPRING - 1st to 2nd shift control valve	4.265
24.	VALVE - 1st & 2nd shift control	4.265
25.	VALVE - 1st & 2nd downshift control	4.265
26.	SLEEVE - 1st & 2nd shift control valve	4.265
27.	PIN - Coiled spring	4.265
28.	SEAT - 1st & 2nd shift control valve spring	4.265
29.	SPRING - 1st & 2nd shift control valve	4.265
30.	SEAT - 2nd to 3rd shift control valve spring	4.265
31.	PIN - Coiled spring	4.265
32.	SLEEVE - 2nd to 3rd shift control valve	4.265
33.	VALVE - 2nd to 3rd upshift control	4.265
34.	SEAT - 2nd & 3rd shift control valve spring	4.265
35.	SPRING 2nd & 3rd shift control valve	4.265
36.	VALVE - 2nd & 3rd shift control	4.265
37.	VALVE - 2nd & 3rd shift	4.265
38.	PLUG - 3rd to 2nd control valve	4.265
39.	PIN - Coiled spring	4.265
40.	SPRING - 3rd to 2nd control valve	4.265
41.	VALVE - 3rd to 2nd control	4.265
42.	PIN - Coiled spring	4.265
43.	SPRING - Detent pressure regulator valve	4.265
44.	SEAT - Detent pressure regulator valve spring	4.265
45.	VALVE - Detent pressure regulator	4.265
46.	SPRING - Accumulator piston	4.233
47.	PISTON - Accumulator	4.228
48.	PIN - Accumulator	4.233
49.	RING - Accumulator piston	4.127



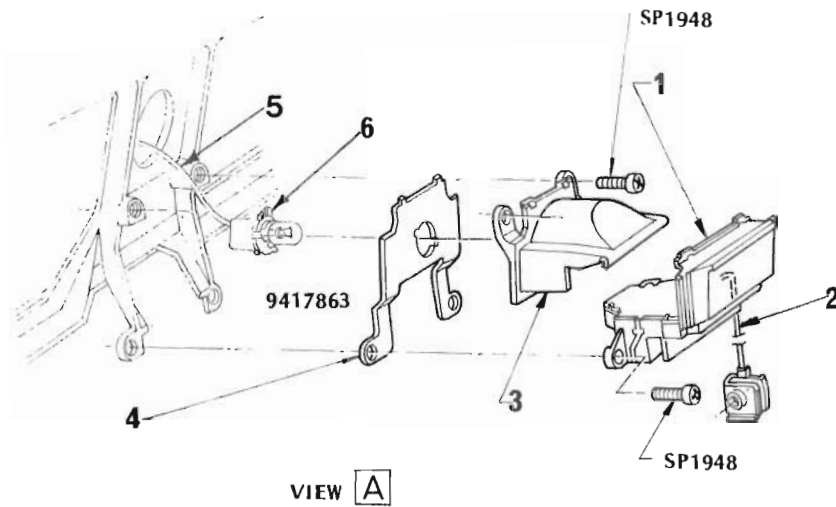
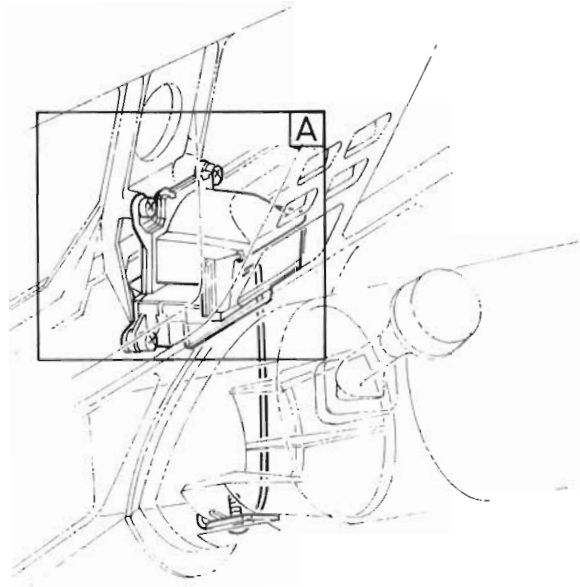
VALVE BODY
Series 2 Trimatic
WITHOUT EXHAUST EMISSION CONTROL

ILLUS. REF. NO.	PART NAME	GROUP	ILLUS. REF. NO.	PART NAME	GROUP
1.	PIN - Spring	4.265	20.	VALVE - Reverse control	4.265
2.	SLEEVE - 1st & 2nd shift control valve	4.265	21.	VALVE - Manual low control	4.265
2A.	SPRING - 1st & 2nd shift control valve - return	4.265	22.	SPRING - Manual low & reverse control valve	4.265
3.	VALVE - 1st & 2nd shift control	4.265	23.	PIN - Spring	4.265
4.	SPRING - 1st & 2nd shift control valve	4.265	24.	PIN - Spring	4.265
5.	VALVE - 1st & 2nd shift	4.265	25.	SPRING - Detent pressure regulator valve	4.265
6.	PIN - Spring	4.265	26.	VALVE - Detent pressure regulator	4.265
7.	SLEEVE - 2nd & 3rd shift control valve	4.265	27.	VALVE - Manual	4.265
8.	VALVE - 2nd & 3rd shift control	4.265	28.	SPRING - Low speed downshift timing valve	4.265
9.	SPRING - 2nd & 3rd shift control valve	4.265	29.	VALVE - Low speed downshift timing	4.265
10.	SEAT - 2nd & 3rd shift control valve spring	4.265	30.	PIN - Spring	4.265
11.	VALVE - 2nd & 3rd shift	4.365	31.	PLUG - Low speed downshift timing valve	4.265
12.	VALVE - 1st & 2nd accumulator control	4.265	32.	VALVE - High speed downshift timing	4.265
12A.	SPRING - 1st & 2nd accumulator valve	4.265	33.	SPRING - High speed downshift timing valve	4.265
13.	VALVE - 1st & 2nd accumulator	4.265	34.	PIN - Spring	4.265
14.	PIN - 1st & 2nd accumulator valve retaining	4.265	35.	BODY - Spring	4.265
15.	PLUG - 1st & 2nd accumulator valve	4.265	36.	PIN - Accumulator piston	4.233
16.	PIN - Spring	4.265	37.	SPRING - Accumulator piston	4.233
17.	PLUG - 3rd to 2nd control valve	4.265	38.	RING - Accumulator piston	4.127
18.	SPRING - 3rd to 2nd control valve	4.265	39.	PISTON - Accumulator	4.228
19.	VALVE - 3rd to 2nd control	4.265	40.	RING - Accumulator piston retaining	4.128



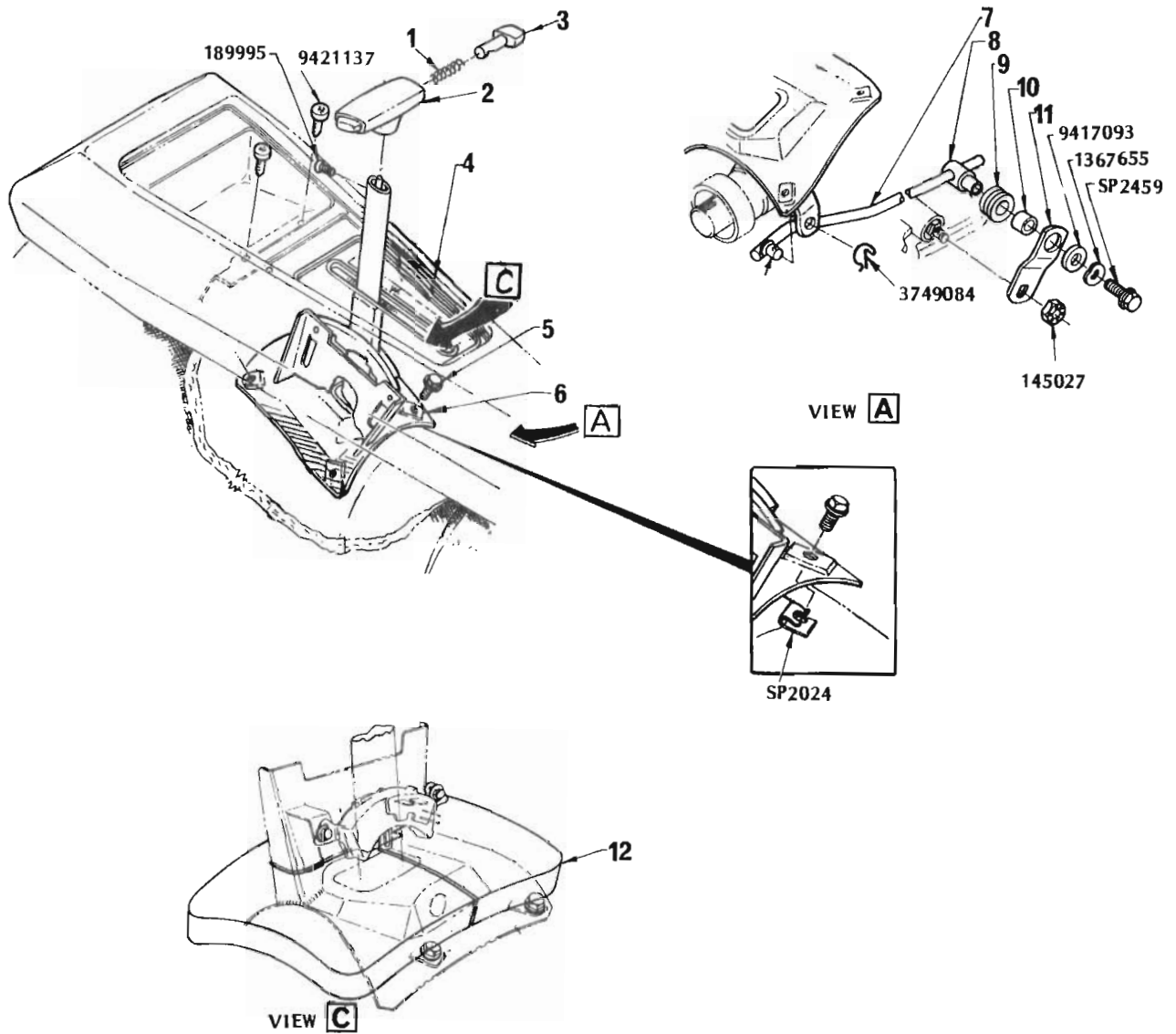
**GEARSHIFT CONTROL
STEERING COLUMN SHIFT**

ILLUS. REF. NO.	PART NAME	GROUP	ILLUS. REF. NO.	PART NAME	GROUP
1.	BOLT - Cross shaft support bracket to frame	4.040	8.	SLEEVE - Trunnion	4.040
2.	SHAFT ASSEMBLY - Cross	4.040	9.	INSULATOR	4.040
3.	ROD ASSEMBLY	4.040	10.	WASHER - Spring	4.040
4.	SPRING - Cross shaft to lever	4.040	11.	SCREW - Rod clamp	4.040
5.	LEVER - External	4.041	12.	WASHER - Cross shaft to bracket	4.040
6.	RETAINER - Cross shaft	4.040	13.	GROMMET - Cross shaft to bracket	4.040
7.	TRUNNION - Rod to lever	4.040	14.	SLEEVE - Cross shaft	4.040
			15.	BRACKET - Cross shaft support	4.040



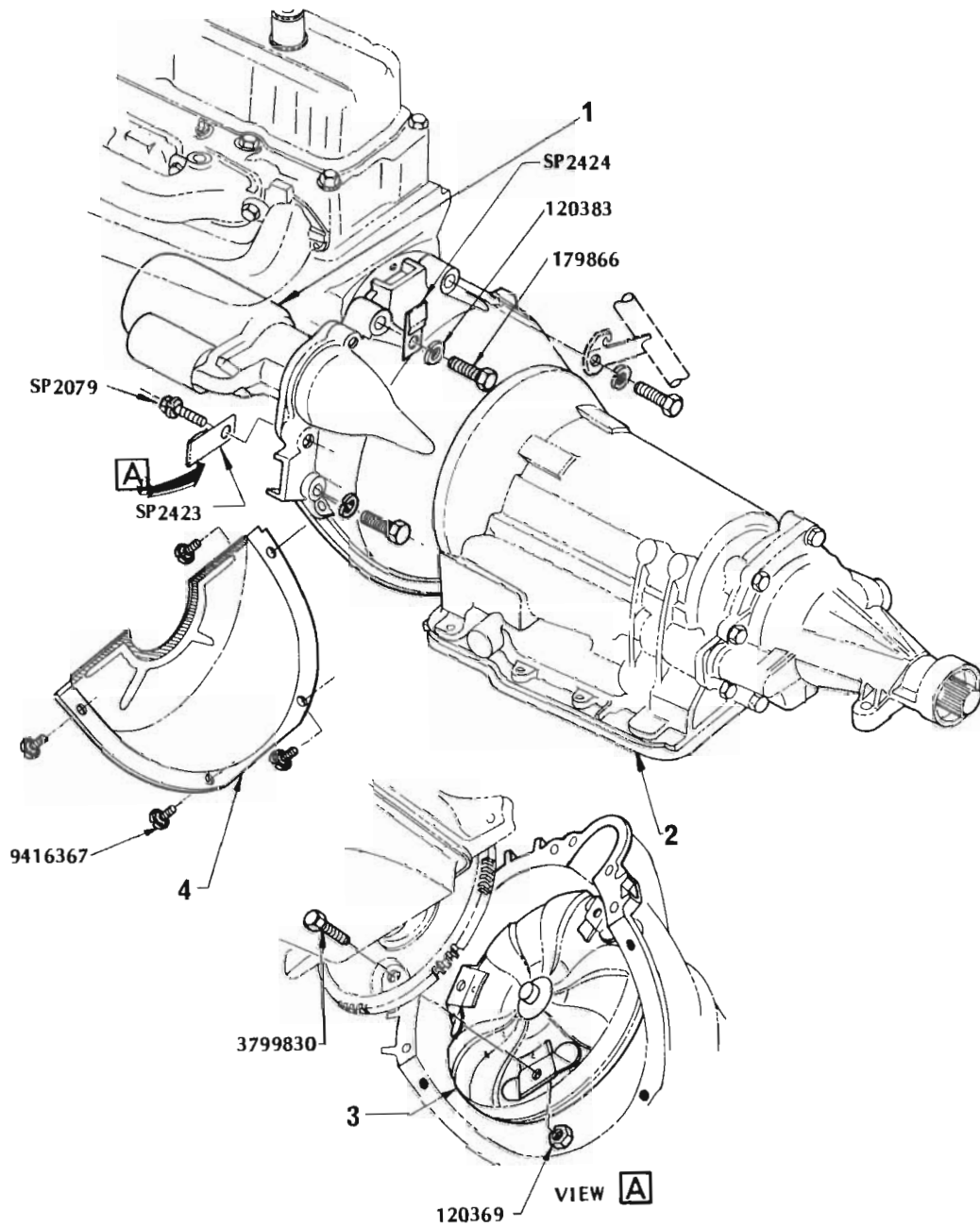
TRANSMISSION CONTROL INDICATOR
Steering Column Shift

ILLUS. REF. NO.	PART NAME	GROUP
1.	INDICATOR ASSEMBLY	4.038
2.	CABLE ASSEMBLY - Indicator	4.038
3.	HOUSING - Illumination	4.038
4.	BACKING PLATE - Illumination housing	4.038
5.	LEAD - Lamp	4.038
6.	SOCKET - Bulb	4.038



GEARSHIFT CONTROL
Console Shift

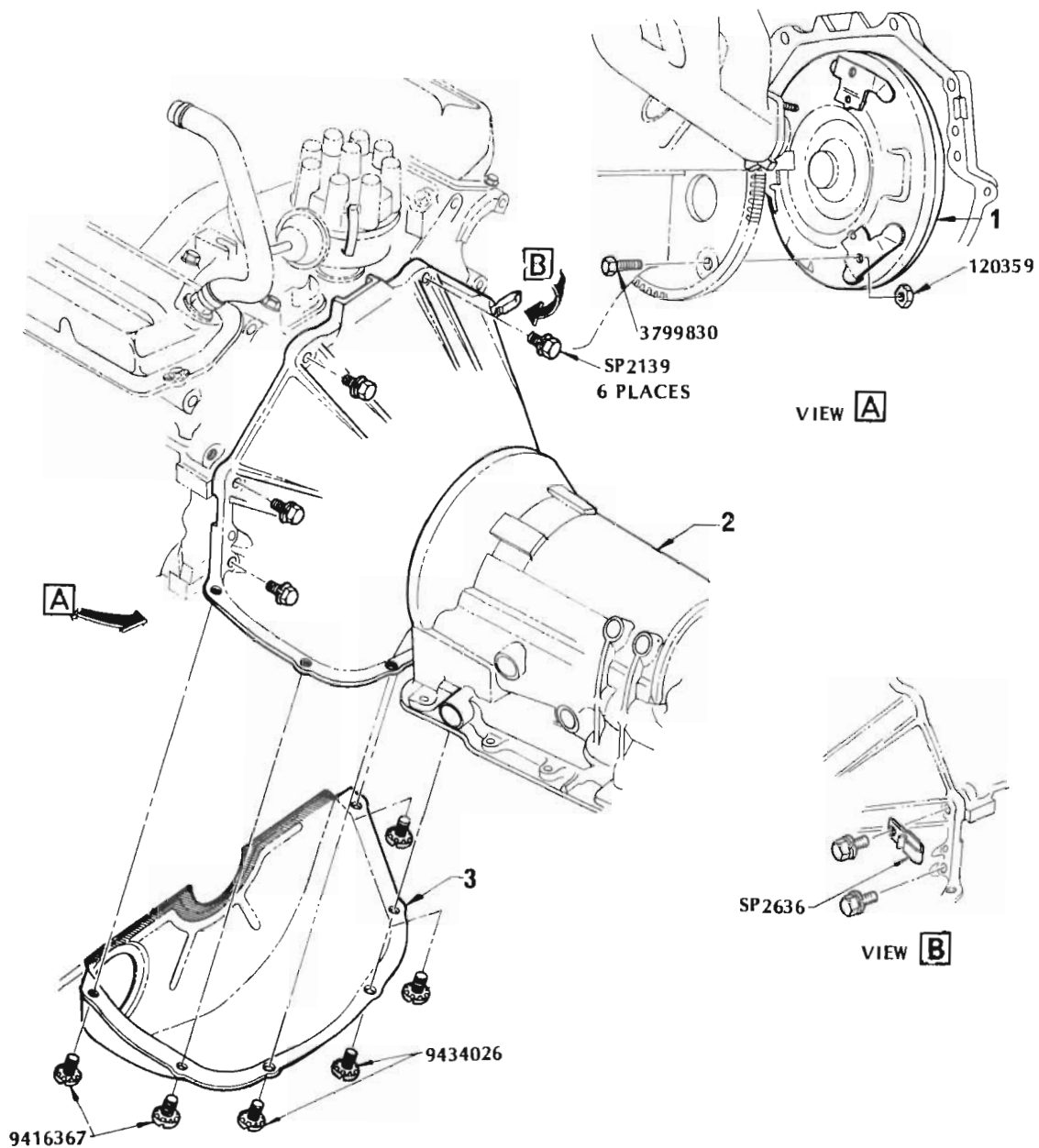
ILLUS. REF. NO.	PART NAME	GROUP
1.	SPRING - Control lever	4.009
2.	HANDLE - Control lever	4.009
3.	BUTTON - Control lever	4.009
4.	COVER - Transmission housing	15.293
5.	BOLT - Support to floor	4.010
6.	LEVER and SUPPORT ASSEMBLY	4.006
7.	ROD ASSEMBLY	4.040
8.	TRUNNION - Transmission control	4.040
9.	INSULATOR - Transmission control	4.040
10.	SLEEVE - Transmission control	4.040
11.	LEVER - External control	4.041
12.	INSULATOR - Lever & support to floor	4.015



TRANSMISSION CONVERTER

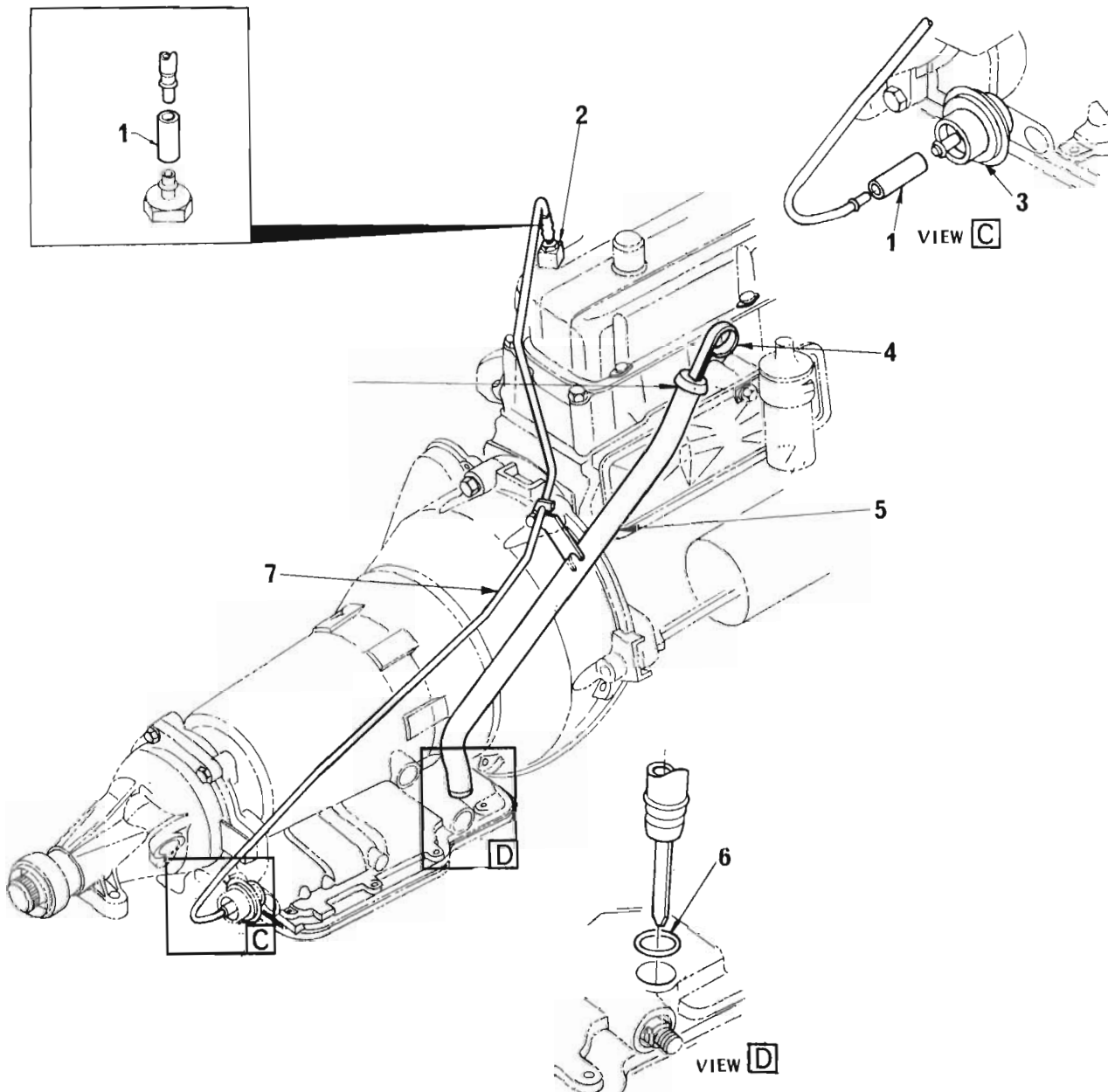
6 Cylinder Engine

ILLUS. REF. NO.	PART NAME	GROUP
1.	MOTOR ASSEMBLY - Starter	2.041
2.	TRANSMISSION ASSEMBLY	4.003
3.	CONVERTER ASSEMBLY	4.156
4.	COVER - Lower	0.679



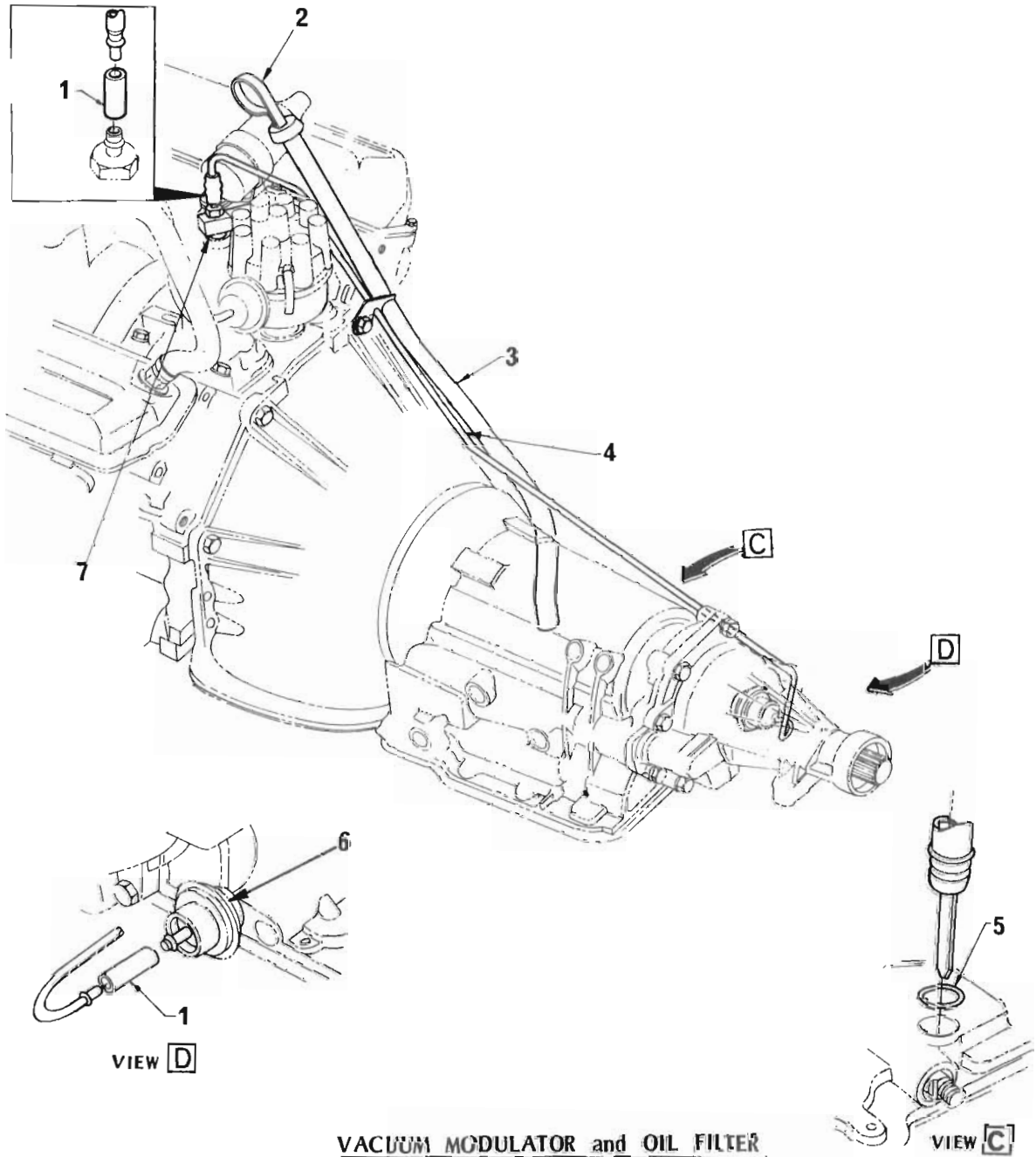
TRANSMISSION CONVERTER
4.2 Litre Engine

ILLUS. REF. NO.	PART NAME	GROUP
1.	CONVERTER ASSEMBLY	4.156
2.	TRANSMISSION ASSEMBLY	4.003
3.	COVER - Lower	0.679



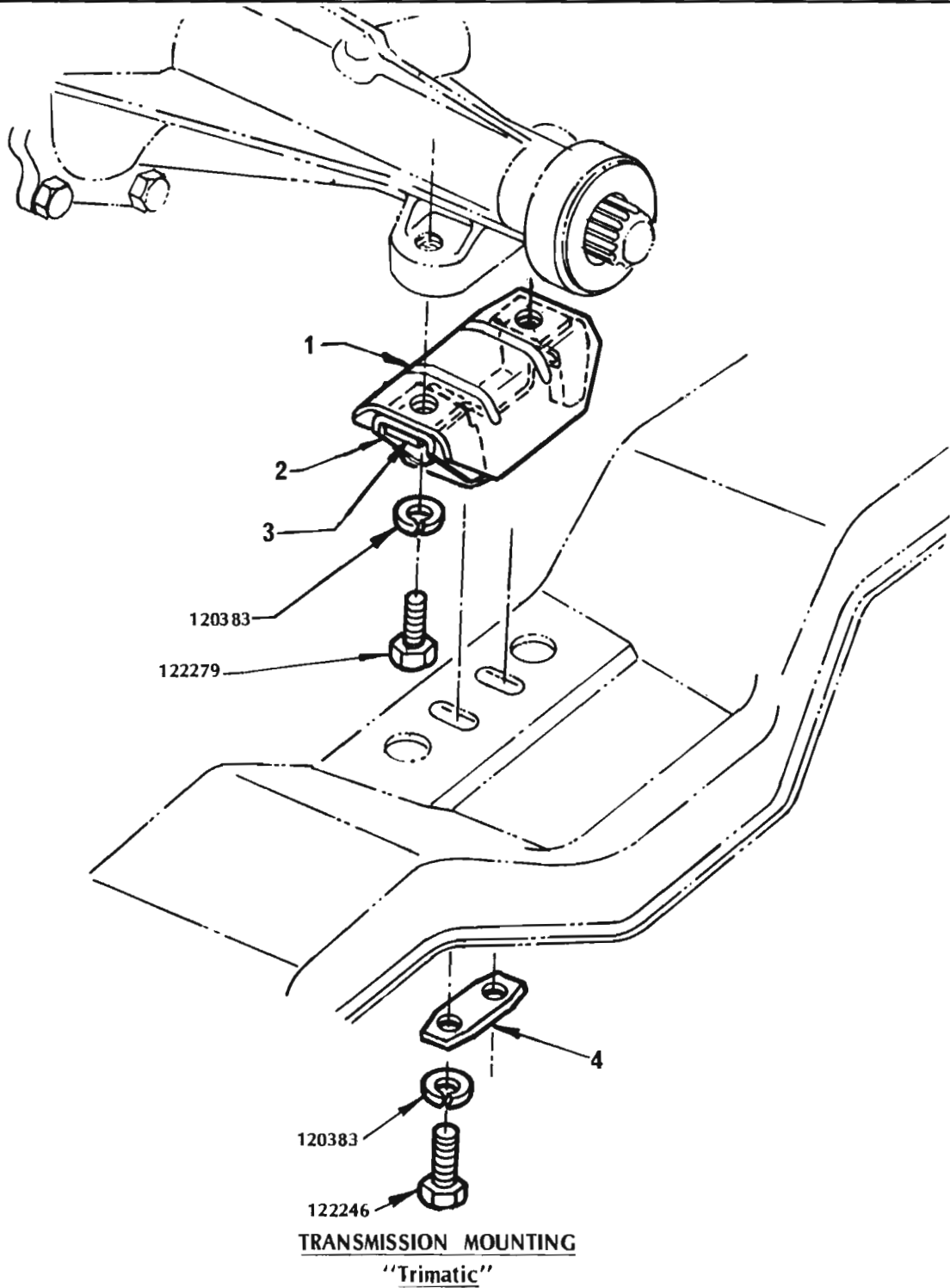
VACUUM MODULATOR and OIL FILLER
6 Cylinder Engine – Trimatic

ILLUS. REF. NO.	PART NAME	GROUP
1.	SLEEVE – Modulator pipe	4.205
2.	ADAPTOR – Pipe to modulator.....	3.265
3.	MODULATOR ASSEMBLY – Vacuum	4.265
4.	INDICATOR ASSEMBLY – Oil level	4.133
5.	TUBE ASSEMBLY – Oil filler	4.133
6.	SEAL –‘O’ ring tube to case	4.133
7.	PIPE – Adaptor to modulator	4.205



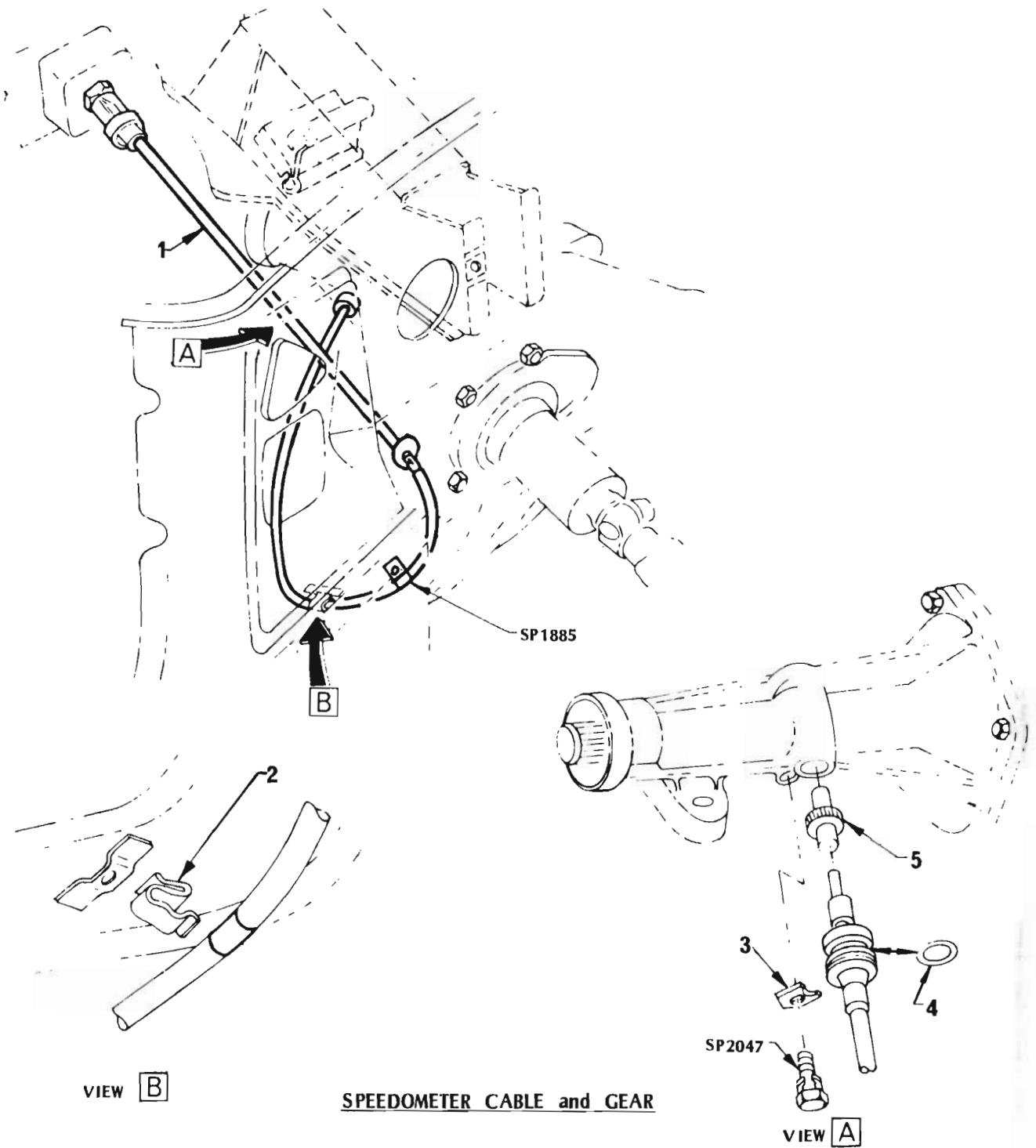
VACUUM MODULATOR and OIL FILTER
8 Cylinder Engine - Trimatic

ILLUS. REF. NO.	PART NAME	GROUP
1.	SLEEVE - Modulator pipe	4.205
2.	INDICATOR ASSEMBLY - Oil level	4.133
3.	TUBE ASSEMBLY - Oil filler	4.133
4.	PIPE - Adaptor to modulator	4.205
5.	SEAL - 'O' ring to tube case	4.133
6.	MODULATOR ASSEMBLY - Vacuum	4.265
7.	ADAPTOR - Vacuum source	3.265



TRANSMISSION MOUNTING
"Trimatic"

ILLUS. REF. NO.	PART NAME	GROUP
1.	MOUNTING ASSEMBLY	4.081
2.	ARRESTOR - Rear side mounting	4.081
3.	ARRESTOR - Rear mounting	4.081
4.	SPACER - Mounting to crossmember	4.081



VIEW **B**

SPEEDOMETER CABLE and GEAR

VIEW **A**

ILLUS. REF. NO.	PART NAME	GROUP
1.	CABLE & CASING ASSEMBLY	4.342
2.	CLIP - Cable to floor pan	4.342
3.	RETAINER - Casing drive end	4.342
4.	SEAL - 'O' ring	4.338
5.	GEAR - Driven	4.337

NOTES

Lined area for notes, containing approximately 28 horizontal lines.

"HX" STATESMAN/HOLDEN PARTS CATALOGUE

GROUP	DESCRIPTION	MODEL	SIDE	PART No.	QTY.
TRANSMISSION ASSEMBLY "TRI-MATIC" AUTOMATIC					
4.003U TRANSMISSION					
	TRANSMISSION ASSEMBLY	2850 Eng.		2817774	1
	TRANSMISSION ASSEMBLY	3300 Eng.		⁽⁹⁶⁾ 2817779	1
	TRANSMISSION ASSEMBLY	3300 Eng.		⁽⁹³⁾ 9938912	1
	TRANSMISSION ASSEMBLY	4.2 Litre Eng. 2.60:1 AR		⁽⁹³⁾ 9942721	1
	TRANSMISSION ASSEMBLY	4.2 Litre Eng. 3.08:1, 3.36:1, 3.55:1 AR ...		⁽⁹³⁾ 9938913	1
	BOLT & WASHER ASSEMBLY - Transmission to Eng. - 3/8" - 16 x 1.50"	4.2 Litre Eng.		SP2139	5
4.005U GASKET SET - Transmission					
	GASKET & SEAL SET - Minor	ALL		⁽⁹⁶⁾ 2820213	1
	GASKET & SEAL SET - Major	ALL		⁽⁹⁶⁾ 2820214	1
	GASKET & SEAL SET - Major	ALL		⁽⁹³⁾ 9942016	1
	GASKET & SEAL SET - Minor	ALL		⁽⁹³⁾ 9942019	1
	SEAL KIT	ALL		2811196	1
4.006U LEVER - Transmission control					
	LEVER ASSEMBLY	Steering Column Shift		9928845	1
	LEVER & SUPPORT ASSEMBLY	Console Shift		2817162	1
	LEVER ASSEMBLY	Console Shift		9939936	1
	PLUNGER	Console Shift		2817028	1
	SPRING	Console Shift		2817074	1
	DAMPER - Plunger	Console Shift		2822163	1
4.007U TUBE - Transmission control					
	TUBE ASSEMBLY	Steering Column Shift		9929053	1
	PIN	Steering Column Shift		7429551	1
4.008U SHAFT, BUSH - Transmission control lever					
	SHAFT - Lower control	Console Shift		9939935	1
	PIN	Console Shift		455481	1
	BUSH	Console Shift		9939941	2
	RETAINER	Console Shift		SP2203	1
4.009U KNOB, HANDLE, BUTTON, SPRING - Transmission control lever					
	KNOB - Black	Steering Column Shift		2813559BA	1
	KNOB - Dark Sienna	Steering Column Shift		2813559EK	1
	KNOB - Tan	Steering Column Shift		2813559DX	1
	HANDLE	Console Shift		9930061	1
	BUTTON	Console Shift		9930164	1
	SPRING	Console Shift		2825528	1
	SCREW - No. 6 - 20 x 3/8"	Console Shift		189995	1
4.010U SUPPORT, SHAFT - Transmission control lever					
	SUPPORT ASSEMBLY	Console Shift		2817163	1
	SHAFT - Control lever	Console Shift		9939935	1
	BOLT - Support to floor	Console Shift		7436618	4
	NUT - Support to floor	Console Shift		SP2024	4
4.015U BOOT - Transmission control					
	BOOT - Lower lever	Console Shift		2816985	1
	INSULATOR - Lever & support to floor	Console Shift		2824609	1
	NUT - Lever boot retaining	Console Shift		SP2024	4
Note: ⁽⁹³⁾ With Evaporative and Exhaust Emission Control - A.D.R. 27A (Refer Safety Compliance Plate).					
⁽⁹⁶⁾ Without Exhaust Emission Control.					

"HX" STATESMAN/HOLDEN PARTS CATALOGUE

GROUP	DESCRIPTION	MODEL	SIDE	PART No.	QTY.
TRANSMISSION ASSEMBLY "TRI-MATIC" AUTOMATIC					
4.016U GATE – Transmission control selector					
	GATE	Steering Column Shift		2812256	1
	SCREW – Gate to jacket	Steering Column Shift		163158	4
	WASHER – Gate to jacket	Steering Column Shift		SP2442	4
	GATE	Console Shift		9944498	1
	STOP – Gate (Pin Spring $\frac{3}{16}$ " x 1")	Console Shift		455481	1
4.017U SPRING – Transmission control					
	SPRING – Lever return	Steering Column Shift		7439930	1
4.018U SUPPORT – Transmission control					
	SUPPORT – Control lever	Steering Column Shift		9934179	1
	SPACER – Support	Steering Column Shift		9933746	1
	WASHER – Support	Steering Column Shift		9933747	1
4.030U LEVER – Transmission control lower					
	LEVER	Console Shift		9939938	1
4.038U INDICATOR, HOUSING, DIAL, POINTER – Transmission control					
	INDICATOR ASSEMBLY	Steering Column Shift		9942819	1
	BASE – Indicator	Steering Column Shift		9933648	1
	LENS – Indicator	Steering Column Shift		9933653	1
	BULB – 12-16V. 2 cp	Steering Column Shift		9421330	1
	CABLE ASSEMBLY – Indicator	Steering Column Shift		9933651	1
	SCREW – Indicator to lever	Steering Column Shift		SP1961	1
	LINK – Cable	Steering Column Shift		9933654	1
	DIAL – Indicator	Steering Column Shift		9942820	1
	POINTER – Indicator	Steering Column Shift		9933649	1
	SPRING – Indicator	Steering Column Shift		9933650	1
	HOUSING – Illumination – (° Instrument types 5, 6 ...	Steering Column Shift		9934187	1
	PLATE – Housing backing – (° Instrument types 5, 6 .	Steering Column Shift		9934188	1
	LEAD – Lamp – (° Instrument types 5, 6	Steering Column Shift		9933636	1
	SOCKET – Bulb – (° Instrument types 5, 6	Steering Column Shift		2815952	1
	POINTER	Console Shift		2820283	1
	SLIDE	Console Shift		2820284	1
	DIAL	Console Shift		9936935	1
	PLATE – Control cover	Console Shift		2820286	1
	SCREW – Control cover	Console Shift		274762	3
	PLATE – Lamp mounting	Console Shift		2820285	1
	BULB – 12 – 16 V. 2 C.P. S.C.	Console Shift		9417863	1
	FILTER – Lamp mounting plate – Blue	Console Shift		VS13170	1
4.040U LEVER, ROD, SHAFT, TRUNNION, INSULATOR – Transmission control					
	TRUNNION – Rod to lever	Steering Column Shift		2814030	1
	SLEEVE – Trunnion	Steering Column Shift		2814031	1
	INSULATOR	Steering Column Shift		2814033	1
	WASHER – Spring	Steering Column Shift		1367656	1
	SCREW – Rod clamp	Steering Column Shift		SP2459	1
	WASHER – Rod clamp	Steering Column Shift		9417098	1
	ROD ASSEMBLY	Steering Column Shift		2812252	1
	RETAINER – Cross shaft	Steering Column Shift		3749084	2
	SHAFT ASSEMBLY – Cross	Steering Column Shift		2812254	1
	PIN – Cross shaft to lever	Steering Column Shift		11079783	1
	SPRING – Cross shaft to lever	Steering Column Shift		7448884	1
	BRACKET – Cross shaft support	Steering Column Shift		9937167	1
	SLEEVE – Cross shaft	Steering Column Shift		7427808	1
	GROMMET – Cross shaft to bracket	Steering Column Shift		7427807	1
	WASHER – Cross shaft to bracket	Steering Column Shift		SP1445	2
	BOLT – Cross shaft support bracket to frame	Steering Column Shift		SP2240	2
	ROD ASSEMBLY – Transmission control – 18.25" long	Console Shift		2817346	1
Note: (° Refer Group 2.515 for Type No. Identification.					

"HX" STATESMAN/HOLDEN PARTS CATALOGUE

GROUP	DESCRIPTION	MODEL	SIDE	PART No.	QTY.
TRANSMISSION ASSEMBLY "TRI-MATIC" AUTOMATIC					
4.040U LEVER, ROD, SHAFT, TRUNNION, INSULATOR – Transmission control (contd.)					
	RETAINER – Rod to lower lever	Console Shift		3749084	1
	TRUNNION	Console Shift		2814030	1
	SLEEVE	Console Shift		2814031	1
	INSULATOR	Console Shift		2814033	1
	WASHER – Spring	Console Shift		1367656	1
	SCREW – Rod clamp	Console Shift		SP2459	1
	WASHER – Rod to external lever	Console Shift		9417098	1
4.041U LEVER – Transmission external control					
	LEVER	Steering Column Shift		2812255	1
	LEVER	Console Shift		2818195	1
	NUT – External lever to transmission	ALL		145027	1
4.054U SWITCH – Neutral starting and back-up					
	SWITCH ASSEMBLY – Neutral starting	Steering Column Shift		2815222	1
	SWITCH ASSEMBLY – Neutral starting	Console Shift		2819807	1
4.054U SWITCH – Solenoid detent actuating					
	SWITCH ASSEMBLY – Solenoid detent actuating	ALL		1242101	1
	BRACKET – Detent switch	ALL		9942282	1
	BOLT – Detent switch to bracket Support	ALL		11027991	1
	WASHER – Switch to bracket Support, lock	ALL		2074100	1
	WASHER – Switch to bracket Support, flat	ALL		2080129	1
	NUT – Hex.	ALL		2064155	1
	NUT – Solenoid switch to accelerator bracket	ALL		858388	1
4.055U WIRE – Neutral starting and back-up switch					
	WIRE ASSEMBLY – Neutral starting & back-up	Console Shift		2820311	1
	BODY – Panel connector – Short	Console Shift		2962448	1
	BODY – Terminal 2 way female	Console Shift		2962679	1
	BODY – Terminal 2 way panel	Console Shift		2962967	1
	BODY – Terminal 2 way male	Console Shift		2977763	1
	BODY – Terminal 2 way male	Console Shift		2973431	1
	BODY – Terminal lamp socket	Console Shift		5297797	1
	SPRING – Lamp socket	Console Shift		2962243	1
4.055U LEAD – Solenoid actuating switch					
	LEAD ASSEMBLY – Solenoid switch to main harness	Exc. Caprice		9941636	1
	LEAD ASSEMBLY – Solenoid switch to dash	Caprice		2819075	1
	CLIP – Solenoid switch wire to modulator pipe	ALL		SP2225	1
	CLIP – Solenoid lead to dash panel	Caprice		7413370	1
	CLIP – Solenoid switch wire to dash panel flange	ALL		SP2236	1
4.075U PLUG – Transmission control switch hole closing					
	PLUG	ALL		(⁹⁶ 444613)	1
4.081U MOUNTING – Transmission support					
	MOUNTING ASSEMBLY	6 Cyl. Eng. exc. Air Cond.		7432235	1
	MOUNTING ASSEMBLY	6 Cyl. Eng. Air. Cond.		7432236	1
	BOLT – Mounting	ALL		122279	2
	WASHER – Mounting	ALL		120383	2
	ARRESTOR – Rear mounting	ALL		2819856	1
	ARRESTOR – Rear side mounting	ALL		2819855	2
	SPACER – Mounting to crossmember	6 Cyl. Eng.		7421049	1
	BOLT – Spacer	ALL		122246	2
	WASHER – Spacer	ALL		120383	2
	MOUNTING ASSEMBLY	4.2 Litre Eng.		7432236	1
	REINFORCEMENT – Mounting to crossmember	4.2 Litre Eng.		2811364	1

Note: (⁹⁶ Without Exhaust Emission Control.

"HX" STATESMAN/HOLDEN PARTS CATALOGUE

GROUP	DESCRIPTION	MODEL	SIDE	PART No.	QTY.
TRANSMISSION ASSEMBLY "TRI-MATIC" AUTOMATIC					
4.103U HOUSING – Converter					
	HOUSING	6 Cyl. Eng.		5258275	1
	SEAL – Housing	6 Cyl. Eng.		8625571	1
	BUSH – Housing	6 Cyl. Eng.		2814738	1
	BOLT – Housing to cylinder block	6 Cyl. Eng.		179866	3
	WASHER – Housing to cylinder block	6 Cyl. Eng.		120383	3
	BOLT – Housing and oil pump to transmission case – Hex. hd., flanged 5/16" – 18 x 1 3/8"	6 Cyl. Eng.		9427182	7
	BOLT – Housing to oil pump – Hex hd., flanged 5/16" – 18 x 1 3/8"	6 Cyl. Eng.		9423842	5
	PIN – Dowel	6 Cyl. Eng.		7401304	2
	PIN – Dowel (Oversize)	6 Cyl. Eng.		7406004	2
	HOUSING	4.2 Litre Eng.		5258276	1
	SEAL – Housing	4.2 Litre Eng.		8625571	1
	BUSH – Housing	4.2 Litre Eng.		2814738	1
	BOLT – Housing to cylinder block	4.2 Litre Eng.		179866	3
	WASHER – Housing to cylinder block	4.2 Litre Eng.		120383	3
	BOLT – Housing and oil pump to transmission case – Hex. hd., flanged 5/16" – 18 x 1 3/8"	4.2 Litre Eng.		9427182	7
	BOLT – Housing to oil pump – Hex. hd., flanged 5/16" – 18 x 1 3/8"	4.2 Litre Eng.		9423842	5
	PIN – Dowel	4.2 Litre Eng.		7435646	2
4.103U CASE – Transmission					
	CASE ASSEMBLY	ALL		9938938	1
	BUSH – Case	ALL		5258191	1
	SLEEVE – Reaction sun gear & drum bearing	ALL		5258158	1
	PLUG – Line pressure	ALL		444613	1
	BALL – Cooler line access hole	ALL		453570	1
4.104U VENT – Transmission					
	VENT ASSEMBLY	ALL		3820840	1
4.127U RING – Transmission oil seal (Metal)					
	RING KIT	ALL		2811197	1
	RING – Servo piston	ALL		5258159	1
	RING – Accumulator piston (1.7855" O.D. x .093") ..	ALL		8623653	1
	RING – Oil pump to 2nd clutch oil seal	ALL		5258106	2
	RING – Governor hub oil seal	ALL		5258100	3
4.128U PIPE – Transmission oil cooler					
	PIPE ASSEMBLY – Inlet	6 Cyl. Eng.		9931892	1
	PIPE ASSEMBLY – Outlet	6 Cyl. Eng. exc. Air Cond., H/Duty Rad.		9931893	1
	PIPE ASSEMBLY – Outlet	6 Cyl. Eng. Air Cond., H/Duty Rad.		9931896	1
	PIPE ASSEMBLY – Inlet	4.2 Litre Eng.		2815220	1
	PIPE ASSEMBLY – Outlet	4.2 Litre Eng.		2815221	1
	CONNECTOR – Pipes to radiator and transmission ...	ALL		145475	4
	NUT – Pipes to radiator and transmission	ALL		137398	4
	CLIP – Inlet to outlet pipe	ALL		3710497	3
4.128U RING – Transmission retainer and snap					
	RING – Servo piston retainer	ALL		⁽⁹⁶⁾ 5258121	1
	RING – Retainer front accumulator piston	ALL		5259667	1
	RING – Reverse clutch piston return spring seat retainer	ALL		5258093	1
	RING – 2nd clutch piston return spring seat retainer .	ALL		5258093	1
	RING – 3rd clutch piston return spring retainer	ALL		5258094	1
	RING – 3rd clutch retainer	ALL		5258132	1
	RING – Governor to output shaft retainer	ALL		5258116	1
	RING – Ring gear retainer	ALL		8958619	2

Note: ⁽⁹⁶⁾ Without Exhaust Emission Control.

"HX" STATESMAN/HOLDEN PARTS CATALOGUE

GROUP	DESCRIPTION	MODEL	SIDE	PART No.	QTY.
TRANSMISSION ASSEMBLY "TRI-MATIC" AUTOMATIC					
4.129U WASHER – Transmission thrust					
	WASHER - Clutch (Yellow) .070" - .074"	ALL		(¹¹ 5258202	1
	WASHER - Clutch (Blue) .076" - .080"	ALL		(¹¹ 5258203	1
	WASHER - Clutch (Red) .081" - .085"	ALL		(¹¹ 5258204	1
	WASHER - Clutch (Brown) .086" - .090"	ALL		(¹¹ 5258205	1
	WASHER - Clutch (Green) .091" - .095"	ALL		(¹¹ 5258206	1
	WASHER - Clutch (Black) .096" - 100"	ALL		(¹¹ 5258207	1
	WASHER - 2nd & 3rd clutch (Steel)	ALL		5258090	1
	WASHER - Clutch (White) 101" - 105"	ALL		(¹¹ 9936268	1
	WASHER - Clutch (Purple) 106" - 110"	ALL		(¹¹ 9936269	1
	WASHER - Clutch (Orange) 111" - 115"	ALL		(¹¹ 9936270	1
	WASHER - 2nd & 3rd clutch (Bronze)	ALL		5258091	1
	WASHER - Reaction sun gear & drum bearing	ALL		9938756	2
4.133U TUBE, INDICATOR, SEAL – Transmission oil					
	TUBE ASSEMBLY - Oil filler	6 Cyl. Eng.		2805057	1
	TUBE - Oil filler	4.2 Litre Eng.		7449561	1
	INDICATOR ASSEMBLY - Oil level	6 Cyl. Eng.		2805059	1
	INDICATOR ASSEMBLY - Oil level	4.2 Litre Eng.		7449562	1
	SEAL - 'O' Ring, tube to case	ALL		6255641	1
	BOLT - Tube to engine	6 Cyl. Eng.		179866	1
	WASHER - Tube to engine	6 Cyl. Eng.		120383	1
	BOLT & WASHER ASSEMBLY - Tube to engine (³ / ₈ " - 16 x 1 1/2")	4.2 Litre Eng.		SP2139	1
4.153U CLUTCH – Third					
	CLUTCH ASSEMBLY	6 Cyl. Eng.		9940799	1
	CLUTCH ASSEMBLY	4.2 Litre Eng.		(⁹⁶ 2816434	1
	CLUTCH ASSEMBLY	4.2 Litre Eng.		(⁹³ 9942025	1
4.153U DRUM and INPUT SHAFT – 3rd clutch					
	DRUM & INPUT SHAFT ASSEMBLY	6 Cyl. Eng.		5258095	1
	DRUM & INPUT SHAFT ASSEMBLY	4.2 Litre Eng.		5258350	1
	BALL - Input shaft	ALL		453570	1
4.156U CONVERTER – Transmission					
	CONVERTER ASSEMBLY	6 Cyl. Eng.		5258293	1
	CONVERTER ASSEMBLY	4.2 Litre Eng.		2820507	1
	BOLT - Converter to drive plate (Special ³ / ₈ " - 24 x ⁹ / ₁₆ ")	ALL		3799830	3
4.158U CLUTCH – Second					
	CLUTCH ASSEMBLY	2850 Eng.		2816427	1
	CLUTCH ASSEMBLY	3300 Eng.		2816428	1
	CLUTCH ASSEMBLY	4.2 Litre Eng.		2820994	1
4.158U DRUM, BUSH, SPRAG – Transmission clutch					
	CLUTCH ASSEMBLY - 2nd	4.2 Litre Eng.		2816428	1
	DRUM ASSEMBLY - 2nd clutch	ALL		5258129	1
	BUSH - 2nd clutch hub	ALL		5258128	1
	BUSH - Reaction sun gear drum	ALL		2816491	1
	SPRAG ASSEMBLY - Input	ALL		5258137	1
	RACE & RETAINER ASSEMBLY - 3rd clutch input sprag	ALL		5258351	1
Note: (¹¹ Selective fit. (⁹³ With Evaporative and Exhaust Emission Control - A.D.R. 27A (Refer Safety Compliance Plate). (⁹⁶ Without Exhaust Emission Control.					

"HX" STATESMAN/HOLDEN PARTS CATALOGUE

GROUP	DESCRIPTION	MODEL	SIDE	PART No.	QTY.
TRANSMISSION ASSEMBLY "TRI-MATIC" AUTOMATIC					
4.163U	PLATE, SPACER – Clutch				
	PLATE ASSEMBLY – 2nd drive	6 Cyl. Eng.		5258025	4-5
	PLATE ASSEMBLY – 2nd Drive	4.2 Litre Eng.		5258025	6
	PLATE ASSEMBLY – 2nd Driven	3300 Eng.		5258057	6
	PLATE – 2nd driven	4.2 Litre Eng.		5258057	7
	PLATE – 2nd cushion	ALL		5258990	1
	PLATE ASSEMBLY – 3rd drive	6 Cyl. Eng.		5258035	4-5
	PLATE ASSEMBLY – 3rd Drive	4.2 Litre Eng.		⁽⁹³⁾ 5258035	4
	PLATE ASSEMBLY – 3rd Drive	4.2 Litre Eng.		⁽⁹⁶⁾ 5258035	5
	PLATE – 3rd driven	3300 Eng.		5258058	5
	PLATE – 3rd driven	4.2 Litre Eng.		⁽⁹³⁾ 5258058	5
	PLATE – 3rd driven	4.2 Litre Eng.		⁽⁹⁶⁾ 5258058	6
	PLATE – Reverse drive	6 Cyl. Eng.		5258017	4
	PLATE – Reverse drive	4.2 Litre Eng.		5258017	5
	PLATE – Reverse reaction	3300 Eng.		5258019	5
	PLATE – Reverse reaction	4.2 Litre Eng.		5258019	6
	PLATE – Reverse pressure	ALL		5258528	1
	PLATE – Reverse cushion	ALL		5258989	1
	SPACER – 2nd clutch plate	6 Cyl. Eng.		5258285	1
	SPACER – 2nd clutch plate	4.2 Litre Eng.		2820681	1
4.164U	SPRING – Clutch piston return				
	SPRING – 2nd clutch	ALL		5258124	22
	SPRING – 3rd clutch	ALL		5258124	12
	SPRING – Reverse clutch	ALL		5258124	24
	SPRING – 3rd Cushion	3300 Eng.		8958678	1
	SPRING – 3rd Cushion	4.2 Litre Eng.		8958678	1
4.165U	SEAT – Clutch piston return spring				
	SEAT – 2nd clutch	ALL		5258038	1
	SEAT – 3rd clutch	ALL		5258039	1
4.166U	PISTON, SEAL – Clutch				
	PISTON ASSEMBLY – 2nd clutch	ALL		5258109	1
	PISTON ASSEMBLY – 3rd clutch	6 Cyl. Eng.		9935541	1
	PISTON ASSEMBLY – 3rd clutch	4.2 Litre Eng.		9935541	1
	PISTON – Reverse clutch	6 Cyl. Eng.		5258002	1
	PISTON – Reverse clutch	4.2 Litre Eng.		5258289	1
	SEAL – 2nd clutch piston inner	ALL		5258043	1
	SEAL – 2nd clutch piston outer	ALL		5258041	1
	SEAL – 3rd clutch piston inner	ALL		5258543	1
	SEAL – 3rd clutch piston outer	ALL		5258042	1
	SEAL – Reverse clutch piston inner	ALL		5258005	1
	SEAL – Reverse clutch piston outer	ALL		5258004	1
	RING – 2nd Clutch oil seal	ALL		9938079	2
4.177U	CARRIER – Planet				
	GEAR SET PACKAGE	ALL		2822065	1
	CARRIER ASSEMBLY – Planet	ALL		2816419	1
	CARRIER & SHAFT ASSY – Output	ALL		2816507	1
	GEAR ASSEMBLY – Input sun	ALL		2816435	1
	PINION SET – Short	ALL		2816442	1
	PINION SET – Long	ALL		2816441	1
	WASHER – Short pinion (Bronze)	ALL		2816423	8
	WASHER – Short pinion (Steel)	ALL		2816422	8
	WASHER – Long pinion (Bronze)	ALL		5258066	8
	WASHER – Long pinion (Steel)	ALL		5258065	8
	SHAFT – Short pinion	ALL		5258055	4
	SHAFT – Long pinion	ALL		5258054	4
Note: ⁽⁹³⁾ With Evaporative and Exhaust Emission Control – A.D.R. 27A (Refer Safety Compliance Plate).					
⁽⁹⁶⁾ Without Exhaust Emission Control.					

"HX" STATESMAN/HOLDEN PARTS CATALOGUE

GROUP	DESCRIPTION	MODEL	SIDE	PART No.	QTY.
TRANSMISSION ASSEMBLY "TRI-MATIC" AUTOMATIC					
4.177U CARRIER – Planet (contd.)					
	PLATE – Pinion shaft locking	ALL		5258545	1
	SCREW – Pinion shaft locking	ALL		5259609	4
	BEARING – Pinion needle	ALL		8625657	260
	PINION NEEDLE ROLLER BEARING PACKAGE (Package of 260)	ALL		M36815	1
	SPACER – Pinion needle bearing	ALL		5258087	4
	WASHER – Input sun gear to carrier assembly	ALL		5258554	1
	WASHER – Input shaft to sun gear thrust	ALL		5258555	1
	BEARING – Sun gear to carrier	ALL		5258553	1
	BEARING – Input shaft to sun gear thrust	ALL		5258553	1
	BEARING – Reaction sun gear	ALL		1194560	2
	GEAR & DRUM ASSEMBLY – Reaction sun	ALL		2816438	1
	NOTE: Gear set Package consists of Carrier Assy., Reaction Gear & Drum Assy., Input Sun Gear Assy., Ring Gear.				
4.187U GEAR – Transmission ring					
	GEAR	ALL		2816429	1
4.189U SEAT – Reverse clutch piston return spring					
	SEAT	ALL		5258021	1
4.195U PAN – Transmission oil					
	PAN ASSEMBLY	ALL		9939353	1
	SCREW – Hex. hd. mach. $\frac{3}{16}$ " – 18 x $\frac{5}{16}$ "	ALL		3829139	12
	SCREW & GASKET ASSEMBLY – Drain	ALL		7423483	1
	GASKET – Drain screw	ALL		513975	1
	SCREW & GASKET ASSEMBLY – Drain – $\frac{9}{16}$ " – 18 ..	ALL		7433631	1
	GASKET – Drain screw – $\frac{9}{16}$ "	ALL		7433633	1
4.196U GASKET – Transmission oil pan					
	GASKET	ALL		2822944	1
4.205U PIPE, ADAPTOR, SLEEVE – Transmission vacuum modulator					
	PIPE	6 Cyl. Eng.		9931778	1
	PIPE	4.2 Litre Eng.		9944094	1
	SLEEVE – Modulator pipe	ALL		9938523	2
4.212U COVER – Transmission servo					
	COVER	ALL		2814877	1
	GASKET – Cover	ALL		5258339	1
	BOLT	ALL		179817	4
4.223U GASKET – Oil pump suction screen					
	GASKET	ALL		2823667	1
4.224U SCREEN – Transmission oil pump suction					
	SCREEN ASSEMBLY	ALL		5258130	1
4.226U OIL PUMP COMPONENTS					
	BUSHING – Body	ALL		9930035	1
	VALVE – Pressure regulator booster	ALL		5258143	1
	VALVE – Priming	ALL		5258344	1
	SPRING – Priming valve	ALL		9940552	1
	VALVE – Pressure regulator	ALL		5258140	1
	SPRING – Pressure regulator valve	2850 Eng.		⁽⁹⁶⁾ 5258166	1
	SPRING – Pressure regulator valve	3300 Eng.		⁽⁹⁶⁾ 2810499	1
	SPRING – Pressure regulator valve	3300, 4.2 Litre Eng.		2810499	1
	PIN – Chamfer $\frac{1}{8}$ " x $1\frac{1}{16}$ "	ALL		114468	1
	Note: ⁽⁹⁶⁾ Without Exhaust Emission Control.				

"HX" STATESMAN/HOLDEN PARTS CATALOGUE

GROUP	DESCRIPTION	MODEL	SIDE	PART No.	QTY.
TRANSMISSION ASSEMBLY "TRI-MATIC" AUTOMATIC					
4.226U OIL PUMP COMPONENTS (contd.)					
	PLATE - Wear	ALL		5258850	1
	SEAL - Oil pump outer	ALL		5258119	1
	SEAT - Pressure regulator valve spring	ALL		5258219	2
	BODY & GEAR PACKAGE - (Matched set)	ALL		9929279	1
	SLEEVE - Pressure regulator booster valve	ALL		5258161	1
	RETAINER - Priming valve	ALL		3784609	1
	GASKET - Oil pump to case	ALL		5258939	1
	BOLT - Flanged hex. hd. $\frac{3}{16}$ " - 18 x 1 $\frac{3}{8}$ "	ALL		9423842	5
	BALL - Oil pump	ALL		453570	3
4.228U PISTON - Servo and accumulator					
	PISTON ASSEMBLY - Servo	6 Cyl. Eng.		5258569	1
	PISTON ASSEMBLY - Servo	4.2 Litre Eng.		5258183	1
	PISTON - Accumulator	ALL		9938699	1
	NUT - Transmission servo piston adjusting	ALL		114494	1
4.230U ROD - Servo piston apply					
	ROD	ALL		9928795	1
4.233U SPRING, RETAINER - Piston					
	SPRING - Servo piston return	3300 Eng.		5258572	1
	SPRING - Servo piston return	4.2 Litre Eng.		⁽⁹⁶⁾ 9938966	1
	SPRING - Servo piston return	4.2 Litre Eng.		⁽⁹³⁾ 2820888	1
	SPRING - Servo piston cushion	3300 Eng.		5258566	1
	SPRING - Servo piston cushion	4.2 Litre Eng.		5258564	1
	RETAINER - Servo piston	ALL		5258185	1
	SCREW - Oval point hex. socket $\frac{3}{8}$ " - 24 x 1 $\frac{1}{2}$ "	ALL		SP2388	1
	SPRING - Accumulator piston	ALL		5258563	1
	PIN - Accumulator piston	ALL		9942008	1
4.251U BAND - Transmission reaction					
	BAND ASSEMBLY	ALL		5463805	1
	PIN - Band anchor	ALL		5258190	2
4.256U GOVERNOR & COMPONENTS					
	GOVERNOR ASSEMBLY	ALL		⁽⁹⁶⁾ 2820230	1
	GOVERNOR ASSEMBLY	ALL		⁽⁹³⁾ 9942039	1
	BODY - Governor valve	ALL		2820857	1
	SCREW & LOCK WASHER ASSEMBLY - Hex. hd. mach. $\frac{1}{4}$ " - 20 x $\frac{3}{4}$ "	ALL		3805921	2
	GASKET - Governor	ALL		2818038	1
	VALVE - Primary	ALL		2820231	1
	VALVE - Secondary	ALL		5258329	1
	SPRING - Secondary valve	ALL		5258547	1
	RETAINER - Secondary valve spring	ALL		5258342	1
	SCREEN ASSEMBLY - Governor valve	ALL		5258383	1
4.265U BODY - Valve and components					
	BODY ASSEMBLY	2850 Eng.		2824451	1
	BODY ASSEMBLY	3300 Eng.		⁽⁹⁶⁾ 9941058	1
	BODY ASSEMBLY	3300 Eng.		⁽⁹³⁾ 9941998	1
	BODY ASSEMBLY	4.2 Litre Eng.		⁽⁹⁶⁾ 9937778	1
	BODY ASSEMBLY	4.2 Litre Eng.		⁽⁹³⁾ 9941999	1
	BODY	2850 Eng.		2811797	1
	BODY	3300, 4.2 Litre Eng.		9929709	1
	BOLT - Valve body to transmission case	ALL		179826	13
	PLATE - Transfer	2850 Eng.		2817631	1
Note: ⁽⁹³⁾ With Evaporative and Exhaust Emission Control - A.D.R. 27A (Refer Safety Compliance Plate). ⁽⁹⁶⁾ Without Exhaust Emission Control.					

"HX" STATESMAN/HOLDEN PARTS CATALOGUE

GROUP	DESCRIPTION	MODEL	SIDE	PART No.	QTY.
TRANSMISSION ASSEMBLY "TRI-MATIC" AUTOMATIC					
4.265U BODY - Valve and components (contd.)					
	PLATE - Transfer	3300 Eng.		(⁹⁶ 9940418	1
	PLATE - Transfer	3300 Eng.		(⁹³ 9941993	1
	PLATE - Transfer	4.2 Litre Eng.		(⁹⁶ 9937531	1
	PLATE - Transfer	4.2 Litre Eng.		(⁹³ 9941994	1
	BALL - Pressure regulator booster valve	ALL		453571	1
	GASKET - Transfer plate to valve body	ALL		9941990	1
	GASKET - Transfer plate to case	ALL		9941991	1
	REINFORCEMENT - Transfer plate	ALL		2817632	1
	BOLT - Reinforcement to transmission case	ALL		179817	6
	SOLENOID & CONNECTOR ASSEMBLY	ALL		2817633	1
	BOLT - Solenoid assembly to transmission case	ALL		179819	2
	'O' RING - Solenoid & connector	ALL		VS12096	1
	GASKET - Solenoid	ALL		2817634	1
	MODULATOR ASSEMBLY - Vacuum	ALL		5258181	1
	PLUNGER - Vacuum modulator	ALL		5258244	1
	GASKET - Vacuum modulator	ALL		5258240	1
	VALVE - Vacuum modulator	2850 Eng.		5258179	1
	VALVE - Vacuum modulator	3300, 4.2 Litre Eng.		2820777	1
	SLEEVE - Vacuum modulator valve	2850 Eng.		5258180	1
	SLEEVE - Vacuum modulator valve	3300, 4.2 Litre Eng.		2820778	1
	SEAL - Vacuum modulator valve sleeve	ALL		5258338	1
	VALVE - Manual	ALL		5258145	1
	VALVE - 1st & 2nd shift	ALL		5258160	1
	VALVE - 2nd & 3rd shift	ALL		5258193	1
	VALVE - 1st & 2nd shift control	ALL		(⁹⁶ 2814293	1
	VALVE - 1st to 2nd control	ALL		(⁹³ 9942014	1
	VALVE - 2nd & 3rd shift control	ALL		(⁹⁶ 9932546	1
	VALVE - 2nd & 3rd shift control	ALL		(⁹⁶ 9942015	1
	VALVE - Low speed downshift timing	ALL		(⁹⁶ 5258340	1
	VALVE - Low speed downshift timing	ALL		(⁹³ 9942026	1
	VALVE - Low speed timing control	ALL		(⁹³ 7400162	1
	VALVE - High speed downshift timing	ALL		5258340	1
	VALVE - 3rd to 2nd control	ALL		(⁹⁶ 5258340	1
	VALVE - 3rd to 2nd control	ALL		(⁹³ 9942029	1
	VALVE - 1st to 2nd control	ALL		(⁹³ 9942018	1
	VALVE - 2nd & 3rd control	ALL		(⁹³ 9942018	1
	VALVE - Manual low control	ALL		5258213	1
	VALVE - 1st & 2nd accumulator	ALL		2814288	1
	VALVE - 1st & 2nd accumulator control	ALL		5258807	1
	VALVE - Detent pressure regulator	ALL		5258600	1
	VALVE - Reverse control	ALL		5258212	1
	SPRING - 1st & 2nd shift control valve return	ALL		(⁹⁶ 2814295	1
	SPRING - 1st & 2nd shift control valve - Violet	ALL		(⁹⁶ 2814312	1
	SPRING - 1st & 2nd shift control valve	ALL		(⁹³ 9942010	1
	SPRING - 2nd & 3rd shift control valve - White	ALL		(⁹⁶ 5258578	1
	SPRING - 2nd & 3rd shift control valve	ALL		(⁹³ 9942010	1
	SPRING - Low speed downshift timing valve - Orange	ALL		(⁹⁶ 2817224	1
	SPRING - Low speed downshift timing valve - Red	ALL		(⁹³ 5258584	1
	SPRING - High speed downshift timing valve - Purple	3300 Eng.		2816882	1
	SPRING - High speed downshift timing valve - Purple	4.2 Litre Eng.		(⁹⁶ 2816882	1
	SPRING - High speed downshift timing valve - White	4.2 Litre Eng.		(⁹³ 5258580	1
	SPRING - 3rd to 2nd control valve - Red	2850 Eng.		5258584	1
	SPRING - 3rd to 2nd control valve - Purple	3300 Eng.		(⁹⁶ 2816882	1
	SPRING - 3rd to 2nd control valve	3300 Eng.		(⁹³ 9942033	1
	SPRING - 3rd to 2nd control valve - Violet	4.2 Litre Eng.		(⁹⁶ 2817225	1
	SPRING - 3rd to 2nd control valve	4.2 Litre Eng.		(⁹³ 9942031	1
	SPRING - Manual low & reverse control valve - Brown	ALL		5258547	1
	SPRING - 1st & 2nd accumulator valve - Yellow	2850 Eng.		2810537	1
	SPRING - 1st & 2nd accumulator valve - Yellow	3300 Eng.		(⁹⁶ 2810537	1
	SPRING - 1st and 2nd accumulator valve	4.2 Litre Eng.		9942275	1

Note: (⁹³ With Evaporative and Exhaust Emission Control - A.D.R. 27A (Refer Safety Compliance Plate).

(⁹⁶ Without Exhaust Emission Control.

"HX" STATESMAN/HOLDEN PARTS CATALOGUE

GROUP	DESCRIPTION	MODEL	SIDE	PART No.	QTY.
TRANSMISSION ASSEMBLY "TRI-MATIC" AUTOMATIC					
4.265U BODY – Valve and components (contd.)					
	SPRING – Detent pressure regulator valve – Pink	ALL		5258582	1
	SLEEVE – 1st & 2nd shift control valve	ALL		(⁹⁶ 2814294	1
	SLEEVE – 1st & 2nd shift control valve	ALL		(⁹³ 9942021	1
	SLEEVE – 2nd & 3rd shift control valve	ALL		(⁹⁶ 9932545	1
	SLEEVE – 2nd & 3rd shift control valve	ALL		(⁹³ 9942022	1
	SLEEVE – Low speed timing control valve	ALL		(⁹³ 9942027	1
	SEAT – 2nd & 3rd shift control valve spring	ALL		(⁹⁶ 5258509	1
	SEAT – 1st to 2nd shift control valve spring	ALL		(⁹³ 9942024	1
	SEAT – 2nd to 3rd shift control valve spring	ALL		(⁹³ 9942024	1
	SEAT – Detent pressure regulator valve spring	ALL		5258805	1
	PIN – Coiled spring	ALL		2820110	7
	PIN – Low speed downshift timing valve retainer	ALL		(⁹⁶ 2820110	1
	PIN – Low speed downshift timing valve retainer	ALL		(⁹³ 9942028	1
	LINK – Manual valve lever	ALL		5258243	1
	PLUG – Low speed downshift timing valve	ALL		(⁹⁶ 5258216	1
	PLUG – 3rd to 2nd control valve	ALL		(⁹⁶ 5258216	1
	PLUG – 3rd to 2nd control valve	ALL		(⁹³ 9942038	1
	PLUG – 1st & 2nd accumulator valve	ALL		(⁹⁶ 5258333	1
	PLUG – 1st & 2nd accumulator valve	ALL		(⁹³ 9942038	1
	PLUG – Accumulator piston access hole	ALL		453570	1
	BALL – Valve body pressure seal	ALL		147481	7
4.279U VALVE, SPRING, SLEEVE, ROLLER – Detent					
	VALVE	ALL		2824303	1
	SPRING – Valve	ALL		9929681	1
	SLEEVE – Valve	ALL		2817627	1
	SEAL – Valve sleeve oil	ALL		5258338	1
	ROLLER & SPRING ASSEMBLY	ALL		5258253	1
	SPRING – Roller	ALL		2809934	1
	PIN – Roller to spring	ALL		9414521	1
	PIN – Detent valve retainer	ALL		2825091	1
	LEVER – Park lock & range selector, inner	ALL		9941442	1
4.282U SEAL – Park lock and range selector shaft oil					
	SEAL	ALL		8623056	1
4.294U ACTUATOR, RING, SLEEVE, SHAFT – Parking brake lock					
	ACTUATOR ASSEMBLY	ALL		9941443	1
	SLEEVE – Actuator	ALL		5258082	1
	PAWL	ALL		5258062	1
	SHAFT – Pawl	ALL		9942172	1
	SHAFT – Park lock & range selector	ALL		5258286	1
	PIN – Park lock & range selector retainer	ALL		2825091	1
	NUT – Park lock & range selector, inner lever attaching	ALL		145027	1
4.295U SPRING – Parking brake lock pawl disengaging					
	SPRING	ALL		5258076	1
4.317U HOUSING – Transmission extension					
	HOUSING ASSEMBLY	ALL		5258484	1
	BOLT – Housing to case	ALL		100136	7
	BUSHING – Housing	ALL		3717682	1
	SEAL – Housing	ALL		3932255	1
4.318U GASKET – Transmission extension housing					
	GASKET	ALL		5258199	1
Note: (⁹³ With Evaporative and Exhaust Emission Control – A.D.R. 27A (Refer Safety Compliance Plate). (⁹⁶ Without Exhaust Emission Control.					

"HX" STATESMAN/HOLDEN PARTS CATALOGUE

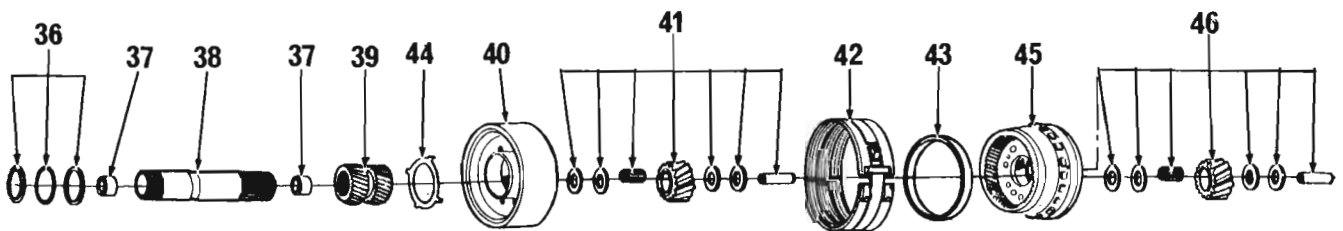
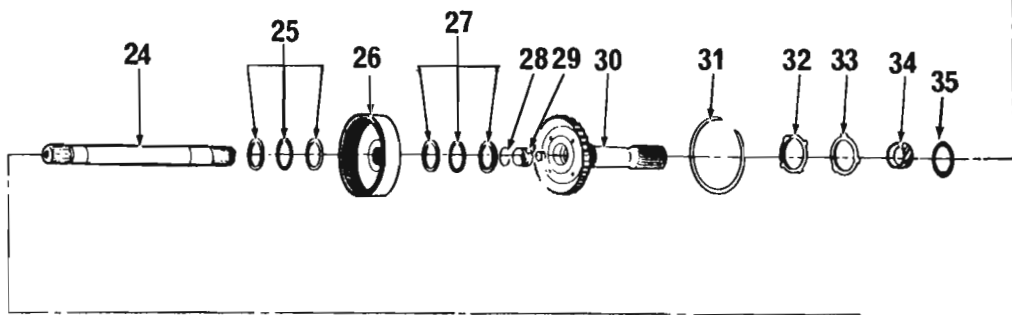
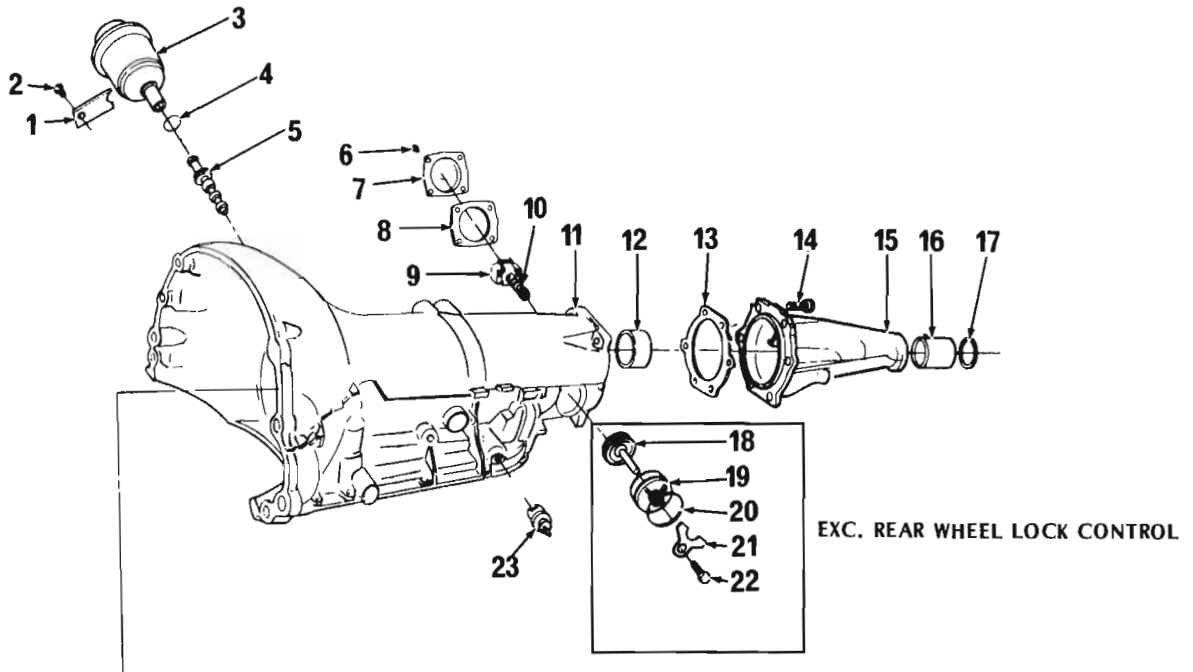
GROUP	DESCRIPTION	MODEL	SIDE	PART No.	QTY.
TRANSMISSION ASSEMBLY "TRI-MATIC" AUTOMATIC					
4.337U	GEAR, CLIP – Speedometer driven and drive				
	GEAR – Driven – 20 teeth – White	2.60:1 AR with QDW, QEF, QER, QGA, QRU, YFX tyre options		7430968	1
	GEAR – Driven – 21 teeth – Green	2.60:1 AR with QCM, QEP, QEV, QKF, QRA, QRQ, QRR, QRS, QTX tyre options		7430969	1
	GEAR – Driven – 19 teeth – Pink	3.08:1 AR with QDW, QEF, QER, QFV, QFZ, QGA, QRU, YFX tyre options		7430967	1
	GEAR – Driven – 20 teeth – White	3.08:1 AR with QCB, QCM, QCQ, QEP, QEQ, QER, QEV, QKN, QMV, QRA, QRQ, QRR, QRS, QTX tyre options		7430968	1
	GEAR – Driven – 21 teeth – Green	3.08:1 AR with QFZ, YFX tyre options		7430969	1
	GEAR – Driven – 22 teeth – Dark blue	3.08:1 AR with QCM, QDW, QEF, QEP, QER, QEV, QGA, QKF, QRA, QRQ, QRR, QRS, QRU, QTX tyre options		7430970	1
	GEAR – Driven – 20 teeth – White	3.36:1 AR with QFS, YFX tyre options		7430968	1
	GEAR – Driven – 21 teeth – Green	3.36:1 AR with QCQ, QDW, QEF, QEP, QEQ, QER, QEV, QFF, QFP, QFV, QFZ, QGA, QRQ, QRS, QRU, QTM tyre options		7430969	1
	GEAR – Driven – 22 teeth – Dark blue	3.36:1 AR with QCB, QCM, QKF, QMV, QRA, QRR, QTX tyre options		7430970	1
	GEAR – Driven – 23 teeth – Red	3.36:1 AR with QDW, QFP, QFS, QFZ, QGA, YFX tyre options		7430971	1
	GEAR – Driven – 24 teeth – Yellow	3.36:1 AR with QCM, QEF, QEP, QER, QEV, QKF, QRA, QRQ, QRR, QRS, QRU, QSD, QTM, QTX tyre options		7430972	1
	GEAR – Driven – 21 teeth – Green	3.55:1 AR with YFX tyre options		7430969	1
	GEAR – Driven – 22 teeth – Dark blue	3.55:1 AR with QDW, QEF, QEQ, QER, QFF, QFP, QFS, QFV, QFZ, QGA, QKM, QRU, QTM, QXZ tyre options		7430970	1
	GEAR – Driven – 23 teeth – Red	3.55:1 AR with QCB, QCM, QCQ, QEP, QEV, QKF, QMV, QRA, QRQ, QRR, QRS, QTX, tyre options		7430971	1
	GEAR – Driven – 25 teeth – Light blue	3.55:1 AR with QFP, QFS, QTM tyre options		7448810	1
	GEAR – Driven – 24 teeth – Yellow	3.90:1 AR with QDW, QEQ, QER, QFF, QFV, QGA, QRU, YFX tyre options		7430972	1
	GEAR – Driven – 25 teeth – Light blue	3.90:1 AR with QCB, QEP, QEV, QMV, QRA, QRQ, QRR, QRS, QTX tyre options		7448810	1
	NOTE: Refer introduction for tyre option codes				
	GEAR – Drive	6 Cyl. Eng.		5258493	1
	GEAR – Speedo drive	4.2 Litre Eng. 2.60:1 AR		9942796	1
	GEAR – Drive	4.2 Litre Eng. 3.08:1, 3.36:1, 3.55:1 AR ...		5258494	1
	CLIP – Drive gear	ALL		1373122	1
4.338U	SEAL – Speedometer driven gear				
	SEAL – 'O' Ring – 3/16" I.D. x 1/8"	ALL		7430921	1

"HX" STATESMAN/HOLDEN PARTS CATALOGUE

GROUP	DESCRIPTION	MODEL	SIDE	PART No.	QTY.
TRANSMISSION ASSEMBLY "TRI-MATIC" AUTOMATIC					
4.342U	CABLE and CASING, RETAINER – Speedometer				
	CABLE & CASING	ALL		9943805	1
	CABLE KIT	ALL		VS13541	1
	CLIP – Cable to floor brace	ALL		SP1885	1
	CLIP – Speedo cable to floor pan	ALL		7434452	1
	RETAINER – Cable & casing assy.	ALL		2817874	1
	RETAINER – Casing drive end	ALL		7430917	1
	BOLT & WASHER ASSEMBLY – Speedo cable retainer to transmission extension housing	ALL		SP2047	1
	SEAL – Cable	ALL		7434266	1

NOTES

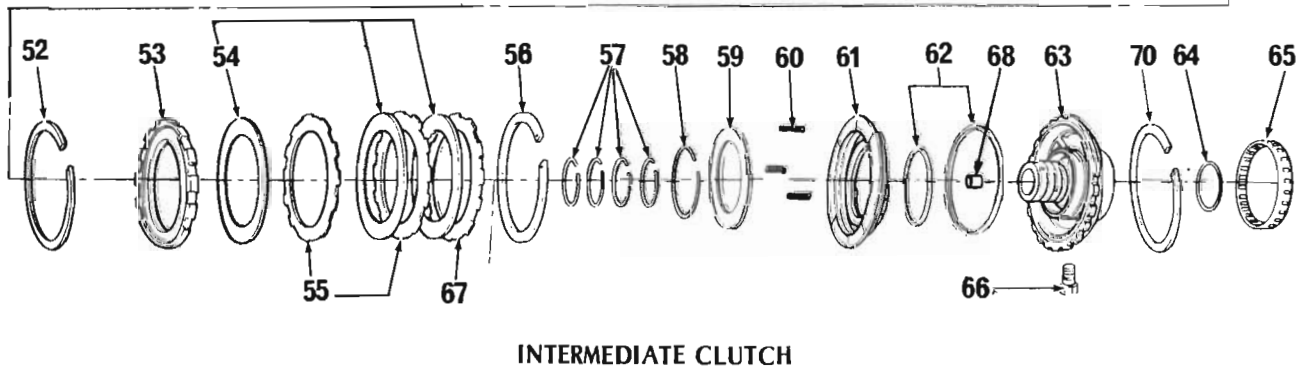
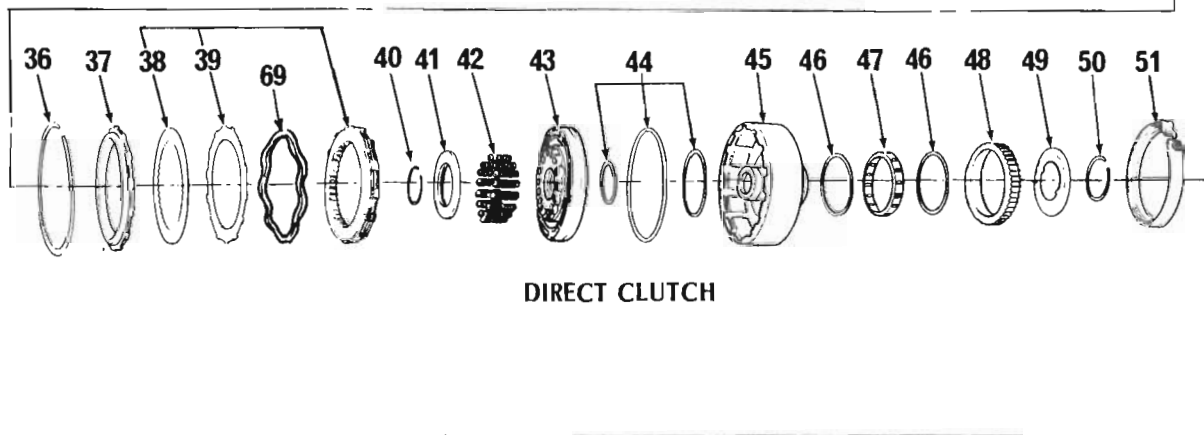
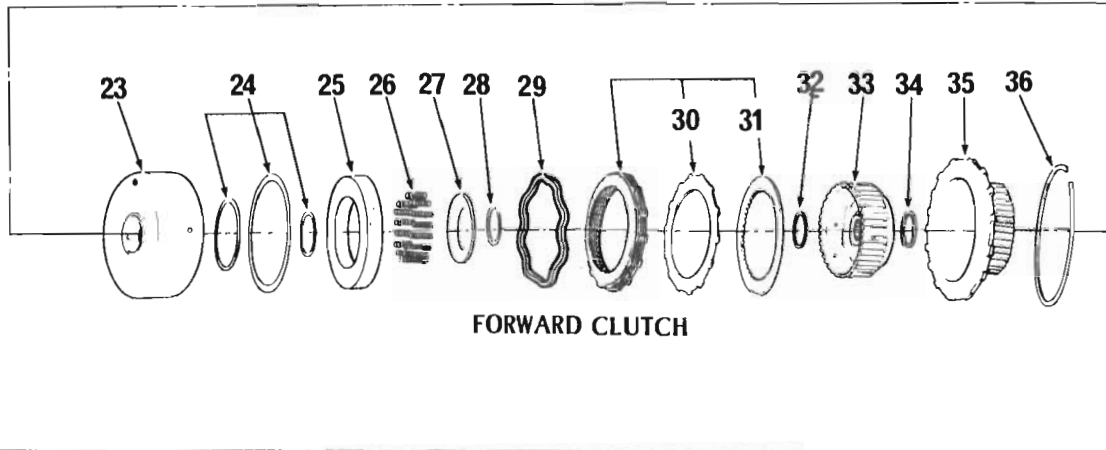
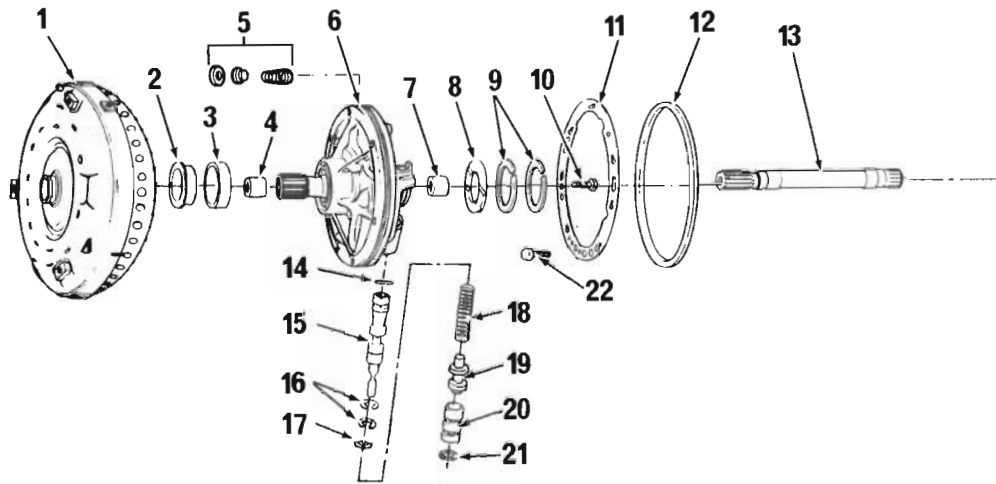
Blank lined area for notes.



SERVO ACCUMULATOR, GOVERNOR AND VALVE BODY

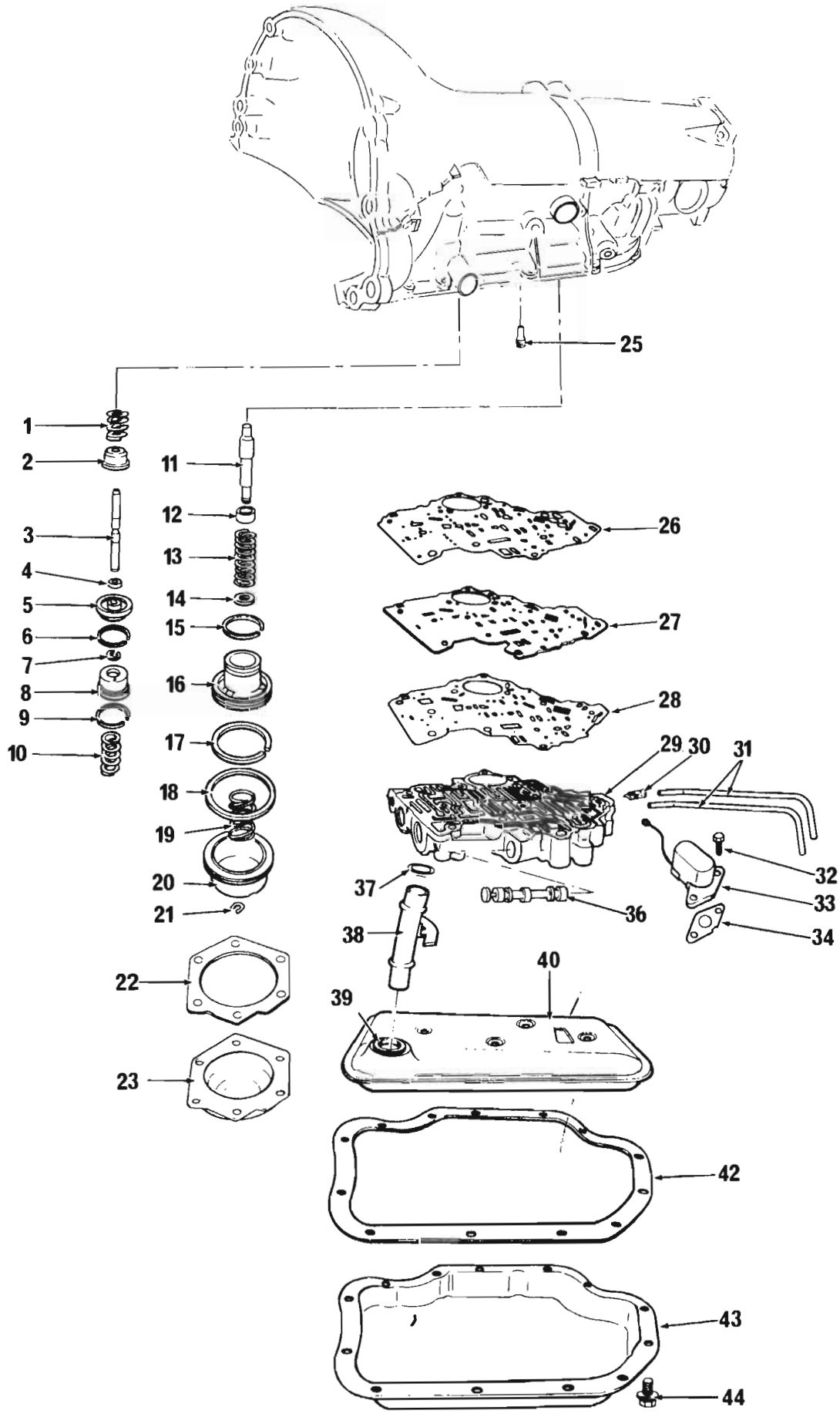
ILLUSTRATION OPPOSITE

ILLUS. REF. NO.	PART NAME	GROUP
1.	SPRING – Front servo piston	4.233
2.	RETAINER – Front servo spring	4.233
3.	PIN – Front servo piston	4.228
4.	RING – Front servo spring retainer	4.228
5.	PISTON – Front servo	4.228
6.	RING – Front servo piston oil seal	4.229
7.	RING – Front accumulator piston retaining	4.233
8.	PISTON – Front accumulator	4.228
9.	RING – Front accumulator piston oil seal	4.229
10.	SPRING – Front accumulator piston	4.233
11.	PIN – Rear band apply	4.241
12.	RETAINER – Rear servo piston spring	4.247
13.	SPRING – Rear servo	4.246
14.	WASHER – Rear servo piston	4.241
15.	RING – Accumulator piston oil seal inner	4.242
16.	PISTON – Rear servo accumulator	4.241
17.	RING – Accumulator piston oil seal outer	4.242
18.	SEAL – Rear servo piston	4.242
19.	SPRING – Rear accumulator	4.246
20.	PISTON – Rear servo	4.241
21.	RING – Rear servo piston retaining	4.241
22.	GASKET – Rear servo cover	4.241
23.	COVER – Rear servo	4.241
24.	BOLT – Rear servo cover	4.241
25.	BOLT – Case to support	4.162
26.	GASKET – Spacer to case	4.265
27.	PLATE – Valve body spacer	4.265
28.	GASKET – Spacer to valve body	4.265
29.	VALVE BODY ASSEMBLY – Oil control	4.265
30.	SCREW ASSEMBLY – Governor oil	4.248
31.	PIPE – Governor oil	4.248
32.	BOLT – Solenoid to case	4.265
33.	SOLENOID ASSEMBLY	4.265
34.	GASKET – Solenoid valve	4.265
35.	BOLT – Valve body to case	4.265
36.	VALVE – Manual control	4.265
37.	SEAL – 'O' Ring	4.223
38.	PIPE ASSEMBLY – Filter intake	4.224
39.	GROMMET – Oil filter	4.223
40.	FILTER ASSEMBLY	4.224
41.	BOLT – Filter to case	4.224
42.	GASKET – Oil pan	4.196
43.	PAN – Transmission oil	4.195
44.	SCREW & WASHER ASSEMBLY – Oil pan to case	4.195



PUMP, FORWARD, DIRECT AND INTERMEDIATE CLUTCH AND CENTRE SUPPORT

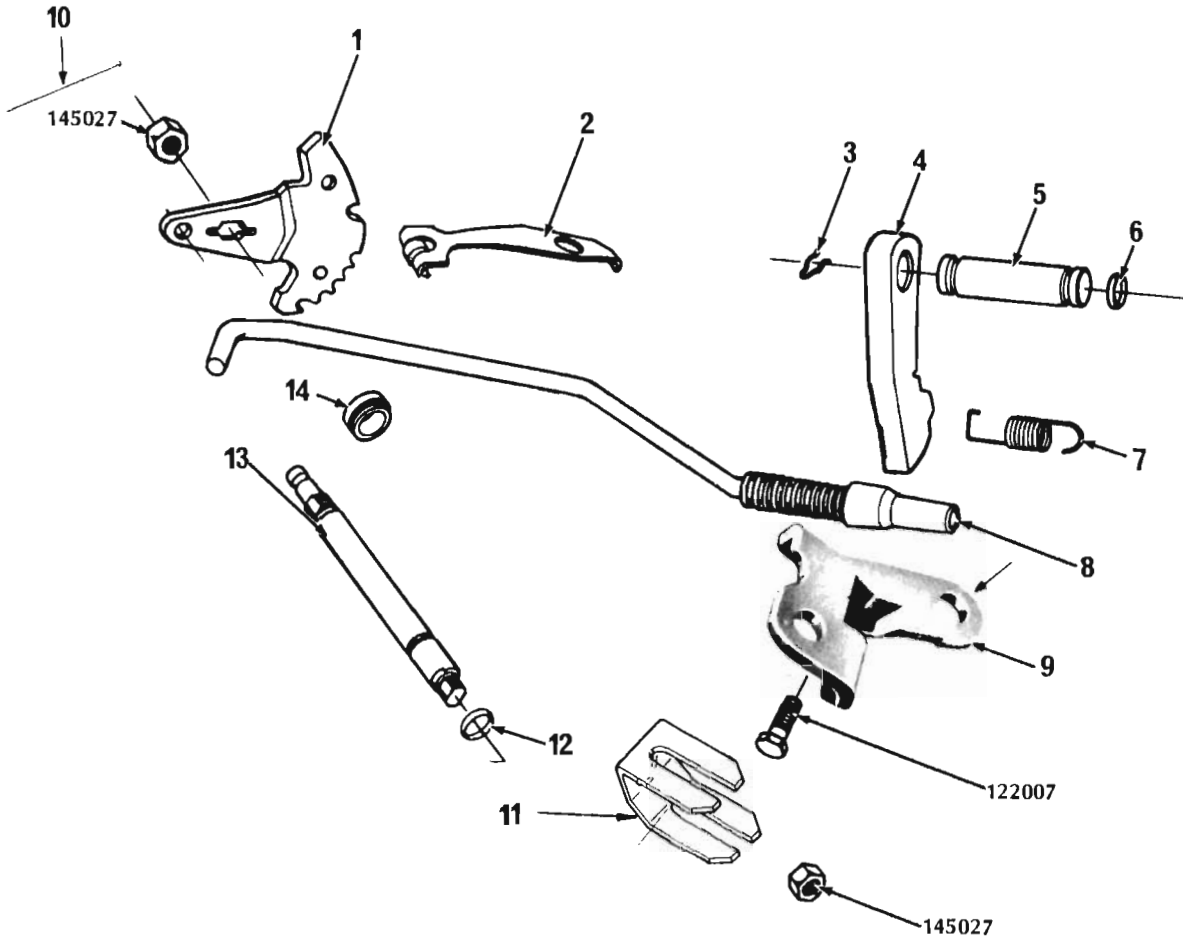
ILLUS. REF. NO.	PART NAME	GROUP	ILLUS. REF. NO.	PART NAME	GROUP
1.	CONVERTER ASSEMBLY	4.156	36.	RING - Forward & direct clutch	4.164
2.	SEAL ASSEMBLY - Pump body	4.226	37.	PLATE - Backing - direct clutch	4.163
3.	BUSH - Pump body	4.226	38.	PLATE - Direct clutch drive - composition	4.163
4.	BUSH - Stator shaft - front	4.226	39.	PLATE - Direct clutch driven - steel	4.163
5.	VALVE UNIT - Oil cooler by-pass	N.S.S.	40.	RING - Direct clutch to housing spring retainer	4.164
6.	PUMP ASSEMBLY - Use components	N.S.S.	41.	RETAINER - Direct clutch spring	4.164
7.	BUSH - Stator shaft - rear	4.226	42.	SPRING - Direct clutch piston release	4.164
8.	WASHER - Oil pump cover to forward clutch housing thrust - fibre	4.169	43.	PISTON ASSEMBLY - Direct clutch	4.166
9.	RING - Pump to fwd. clutch housing oil seal	4.226	44.	SEAL PACKAGE - Fwd. & direct clutch piston ...	4.166
10.	BOLT - Pump to case	4.226	45.	HOUSING & RACE - Direct clutch	4.169
11.	GASKET - Pump to case	4.226	46.	BUSH	4.168
12.	'O'RING - Pump to case	4.226	47.	ROLLER ASSEMBLY	4.167
13.	SHAFT - Turbine	4.123	48.	RACE - Clutch outer	4.168
14.	PIN - Plug retaining	4.226	49.	RETAINER - Intermediate clutch piston	4.167
15.	VALVE & PLUG ASSEMBLY - Pressure regulator..	4.226	50.	RING - Sprag retainer to direct clutch housing ..	4.167
16.	SPACER - Regulator spring	4.226	51.	BAND ASSEMBLY - Front	4.251
17.	WASHER - Regulator spring retainer	4.226	52.	RING - Intermediate clutch spring retainer	4.164
18.	SPRING - Regulator	4.226	53.	PLATE - Backing - intermediate clutch	4.163
19-20.	BUSH & VALVE UNIT - Modulator booster	4.226	54.	PLATE - Intermediate clutch drive - composition	4.163
21.	RING - Regulator bush retainer	4.226	55.	PLATE - Reaction - intermediate clutch	4.163
22.	BOLT & SEAL UNIT - Oil pump to case	N.S.S.	56.	RING - Support to case	4.162
23.	HOUSING ASSEMBLY - Forward clutch.....	4.169	57.	RING - Support oil seal	4.162
24.	SEAL PACKAGE - Fwd. & direct clutch piston ...	4.166	58.	RING - Inter. clutch spring retainer to support ..	4.164
25.	PISTON - Forward clutch	4.164	59.	RETAINER - Intermediate clutch spring	4.164
26.	SPRING - Forward clutch piston release	4.164	60.	SPRING - Intermediate clutch piston release ...	4.164
27.	RETAINER - Forward clutch spring	4.164	61.	PISTON - Intermediate clutch	4.166
28.	RING - Fwd. clutch to housing spring retainer ...	4.164	62.	SEAL PACKAGE - Intermediate clutch piston ...	4.166
29.	PLATE - Fwd. clutch driven - wave	4.163	63.	SUPPORT ASSEMBLY - Centre with race & plug ..	4.162
30.	PLATE - Fwd. clutch driven - steel	4.163	64.	WASHER - Support to reaction drum thrust	4.162
31.	PLATE - Fwd. clutch driven - composition	4.163	65.	ROLLER ASSEMBLY - Low clutch	4.180
32.	WASHER - Fwd. clutch housing to hub - thrust ...	4.164	66.	BOLT - Case to support	4.162
33.	HUB - Forward clutch	4.164	67.	PLATE - Wave - intermediate clutch reaction ...	4.163
34.	WASHER - Fwd. clutch hub to direct clutch hub - thrust	4.164	68.	BUSH - Centre support	4.162
35.	HUB - Direct clutch drive	4.164	69.	PLATE - Wave - Direct clutch drive	4.163
			70.	SPACER - Support to case	4.162



CASE, EXTENSION AND PLANET CARRIER

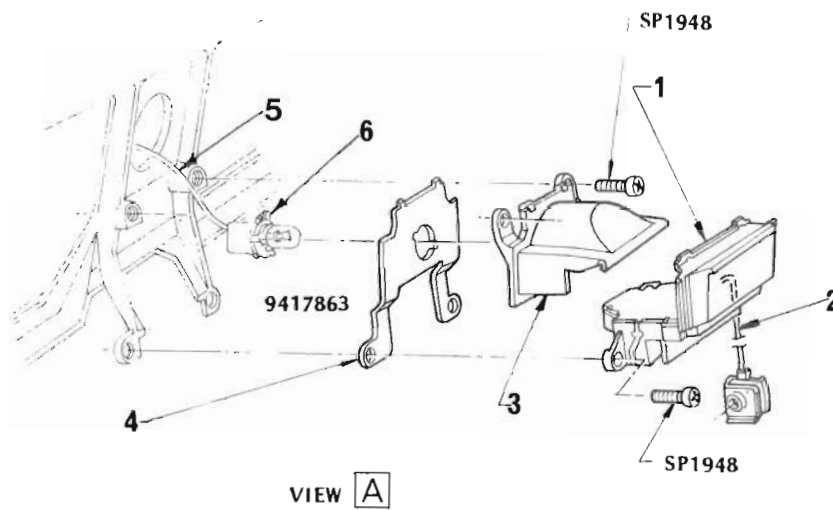
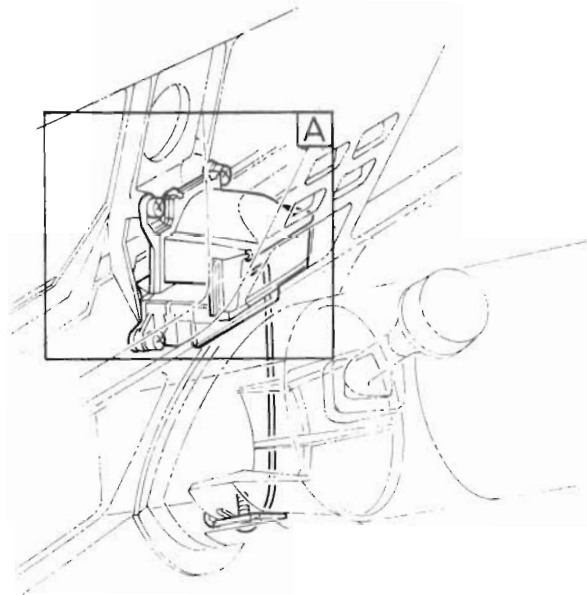
ILLUSTRATION OPPOSITE

ILLUS. REF. NO.	PART NAME	GROUP
1.	RETAINER - Modulator to case	4.265
2.	BOLT - Modulator retainer	4.265
3.	MODULATOR ASSEMBLY - Vacuum	4.265
4.	SEAL - Modulator to case	4.265
5.	VALVE - Vacuum modulator	4.265
6.	BOLT - Governor cover	4.256
7.	COVER - Governor	4.256
8.	GASKET - Governor cover	4.256
9.	GOVERNOR ASSEMBLY - Complete	4.256
10.	GEAR & PIN PACKAGE - Driven	4.256
11.	CASE ASSEMBLY	4.103
12.	BUSH - Case	4.103
13.	GASKET - Case to extension	4.318
14.	BOLT - Housing	4.317
15.	HOUSING ASSEMBLY	4.317
16.	BUSH - Housing	4.317
17.	SEAL - Housing	4.317
18.	GEAR - Speedometer driven	4.337
19.	SLEEVE & SEAL ASSEMBLY	4.338
20.	SEAL - Driven gear sleeve - 'O' ring	4.338
21.	RETAINER - Sleeve	4.338
22.	BOLT - Sleeve retainer	4.338
23.	CONNECTOR - Downshift solenoid valve	4.265
24.	SHAFT - Main	4.172
25.	BEARING PACKAGE - Sun gear to internal gear thrust ..	4.159
26.	GEAR - Rear internal mainshaft	4.187
27.	THRUST RACE PACKAGE - Rear internal gear to output shaft	4.187
28.	RING - Mainshaft to internal gear	4.172
29.	BUSH - Output shaft	4.176
30.	SHAFT & BUSH ASSEMBLY - Output	4.175
31.	RING - Output shaft	4.176
32.	WASHER - Output shaft to case front	4.176
33.	WASHER - Output shaft to case rear	4.176
34.	GEAR - Drive	4.337
35.	SEAL - Output shaft - 'O' ring	4.318
36.	BEARING PACKAGE - Centre support to sun gear thrust	4.159
37.	BUSH - Sun gear shaft	4.161
38.	SHAFT ASSEMBLY	4.161
39.	GEAR - Sun	4.159
40.	CARRIER ASSEMBLY - Reaction	4.175
41.	PINION PACKAGE	4.175
42.	BAND ASSEMBLY - Rear	4.251
43.	RING - Front internal gear	4.176
44.	WASHER - Internal gear to reaction carrier	4.176
45.	CARRIER ASSEMBLY - Output with pinions	4.175
46.	PINION PACKAGE	4.175



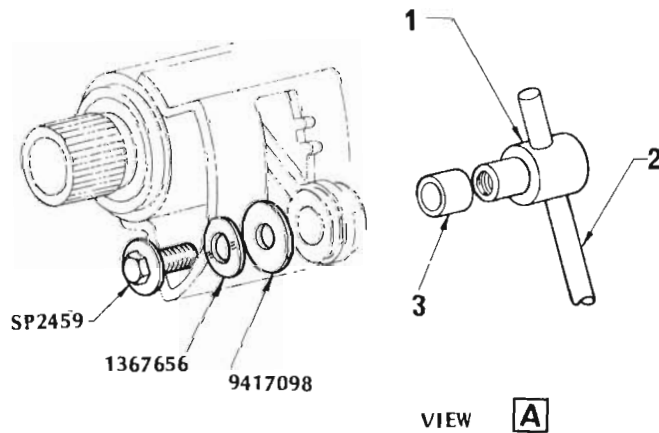
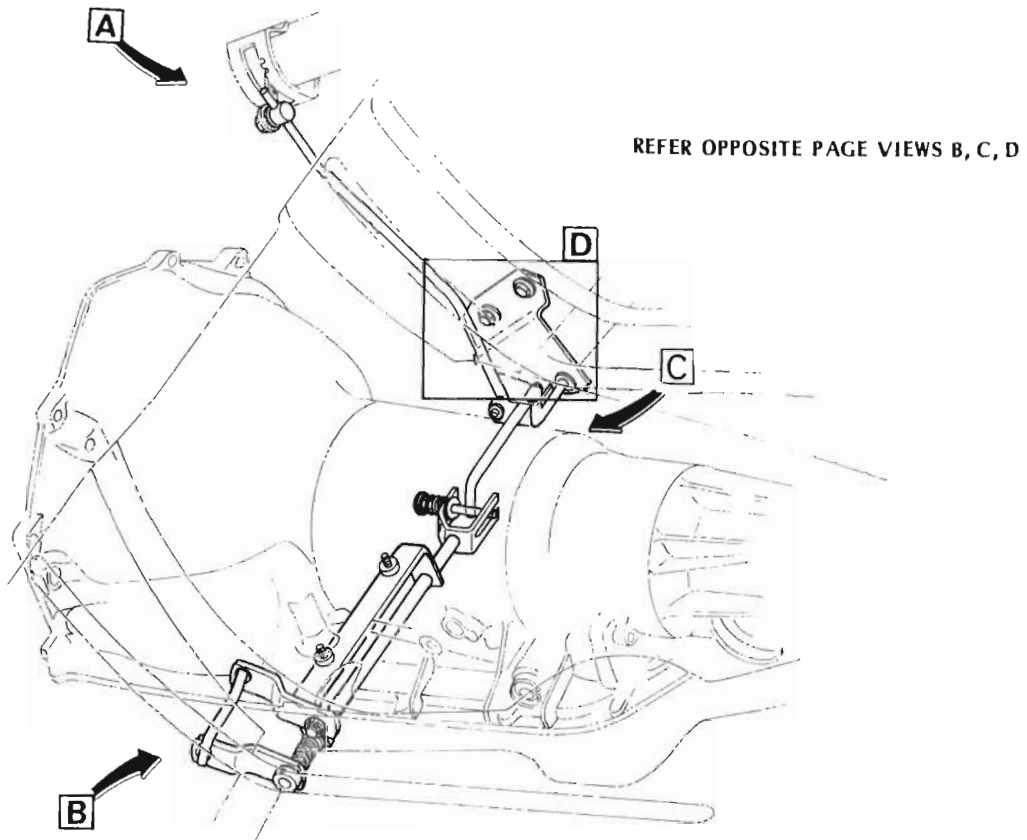
PARKING BRAKE and INSIDE DETENT

ILLUS. REF. NO.	PART NAME	GROUP
1.	LEVER & PIN ASSEMBLY	4.279
2.	ROLLER & SPRING	4.294
3.	RETAINER - Pawl to shaft	4.294
4.	PAWL	4.294
5.	SHAFT & PLUG PACKAGE - Pawl	4.294
6.	PLUG - Pawl shaft bore hole	4.294
7.	SPRING - Return	4.295
8.	ACTUATOR ASSEMBLY	4.294
9.	BRACKET	4.275
10.	PIN - Parking brake nut	4.294
11.	LEVER	4.041
12.	SEAL - Manual shaft	4.275
13.	SHAFT	4.275
14.	SEAL - Shaft	4.275



TRANSMISSION CONTROL INDICATOR
Steering Column Shift

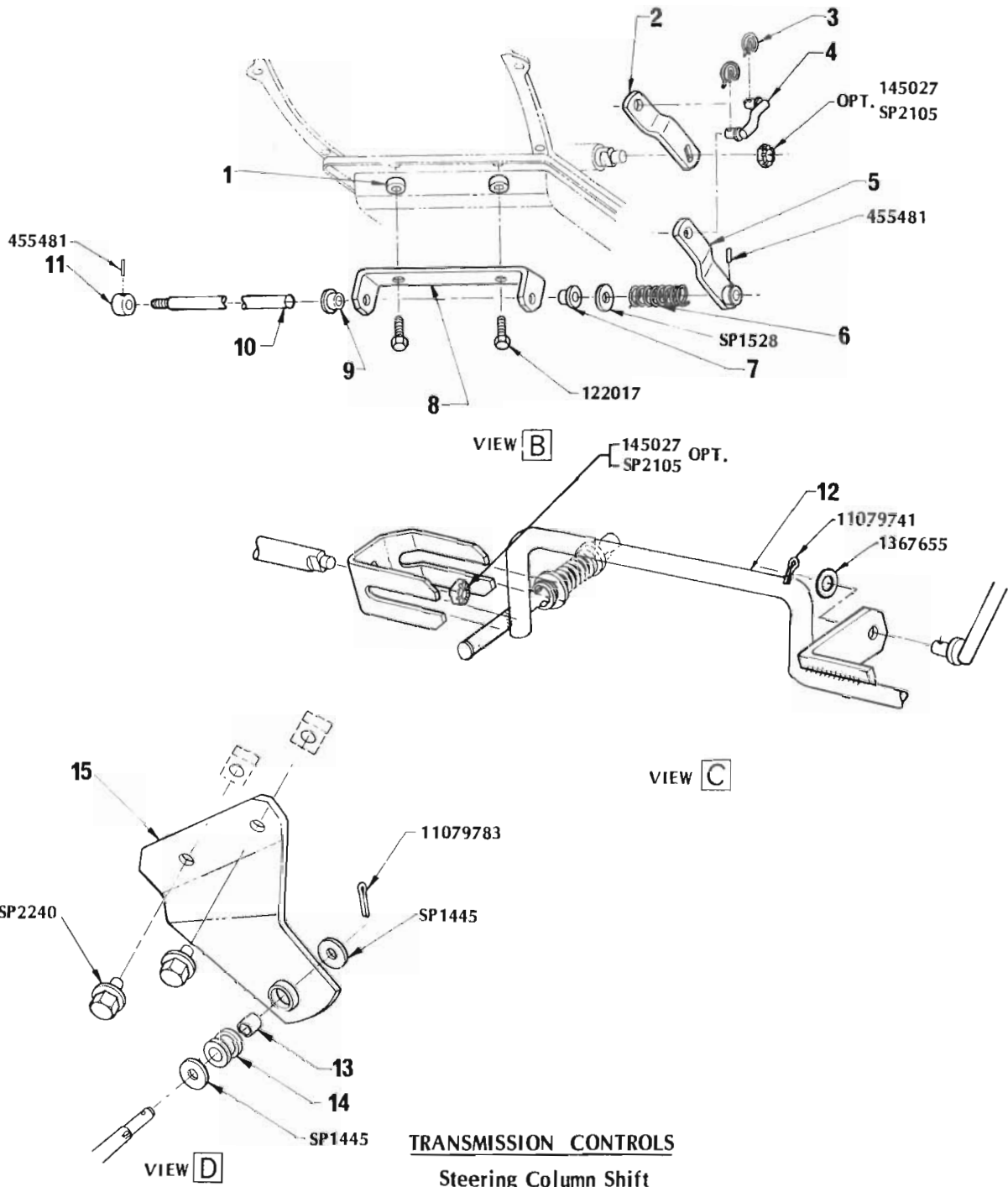
ILLUS. REF. NO.	PART NAME	GROUP
1.	INDICATOR ASSEMBLY	4.038
2.	CABLE ASSEMBLY - Indicator	4.038
3.	HOUSING - Illumination	4.038
4.	BACKING PLATE - Illumination housing	4.038
5.	LEAD - Lamp	4.038
6.	SOCKET - Bulb	4.038



TRANSMISSION CONTROLS

Steering Column Shift

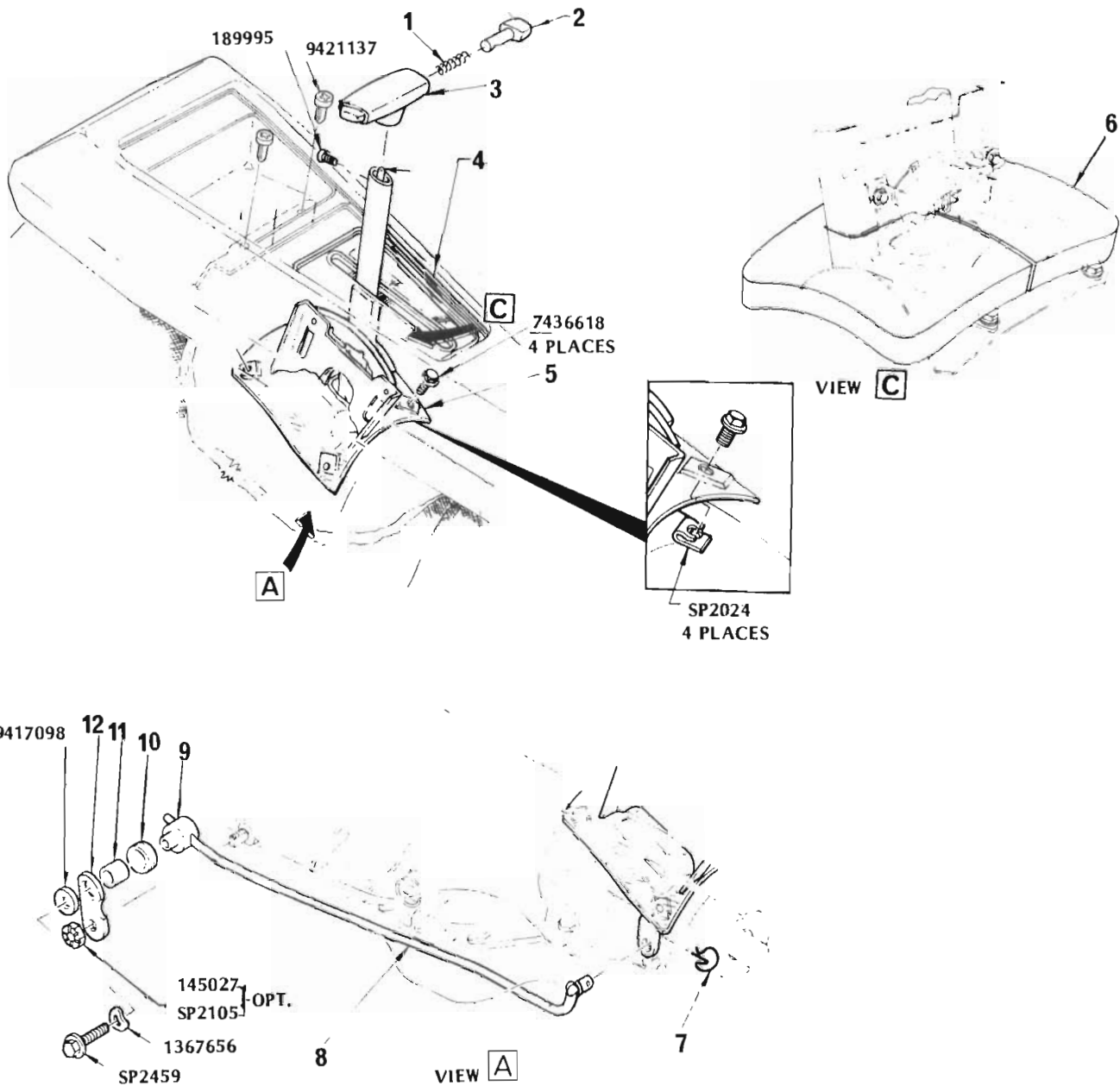
ILLUS. REF. NO.	PART NAME	GROUP
1.	TRUNNION - Rod to lever	4.040
2.	ROD ASSEMBLY	4.040
3.	SLEEVE - Trunnion	4.040



TRANSMISSION CONTROLS

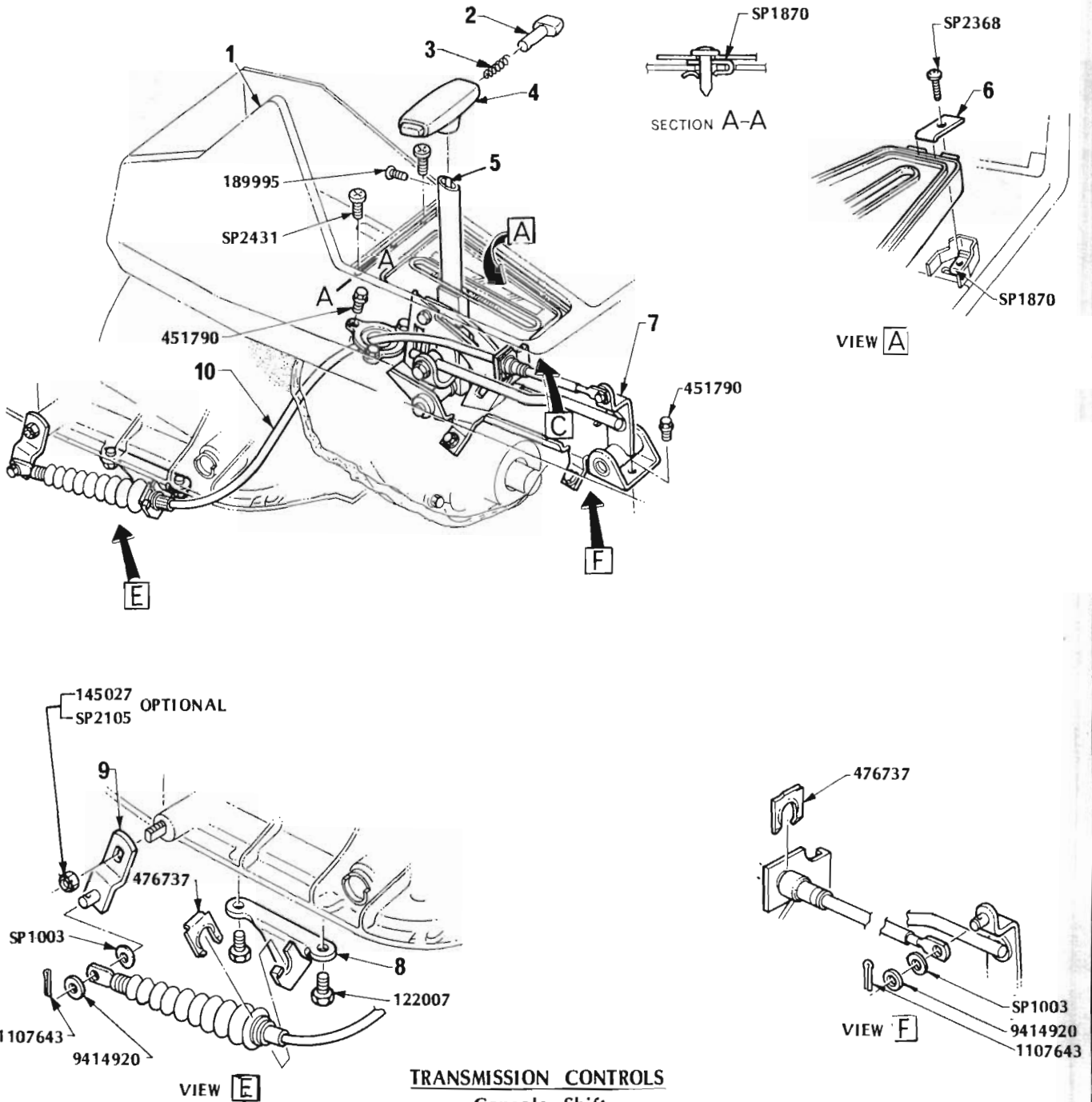
Steering Column Shift

ILLUS. REF. NO.	PART NAME	GROUP
1.	SPACER - Cross shaft mounting bracket	4.040
2.	LEVER	4.041
3.	RETAINER - Link assembly	4.040
4.	LINK ASSEMBLY	4.040
5.	LEVER ASSEMBLY - Cross shaft	4.040
6.	SPRING - Cross shaft to bracket	4.040
7.	BUSH - Cross shaft to bracket	4.040
8.	BRACKET - Cross shaft mounting	4.040
9.	BUSH - Cross shaft to bracket	4.040
10.	SHAFT - Control cross	4.040
11.	RETAINER - Cross shaft	4.040
12.	SHAFT & LEVER ASSEMBLY	4.040
13.	SLEEVE - Shaft & lever to bracket	4.040
14.	GROMMET - Shaft & lever to bracket	4.040
15.	BRACKET - Shaft & lever support	4.040



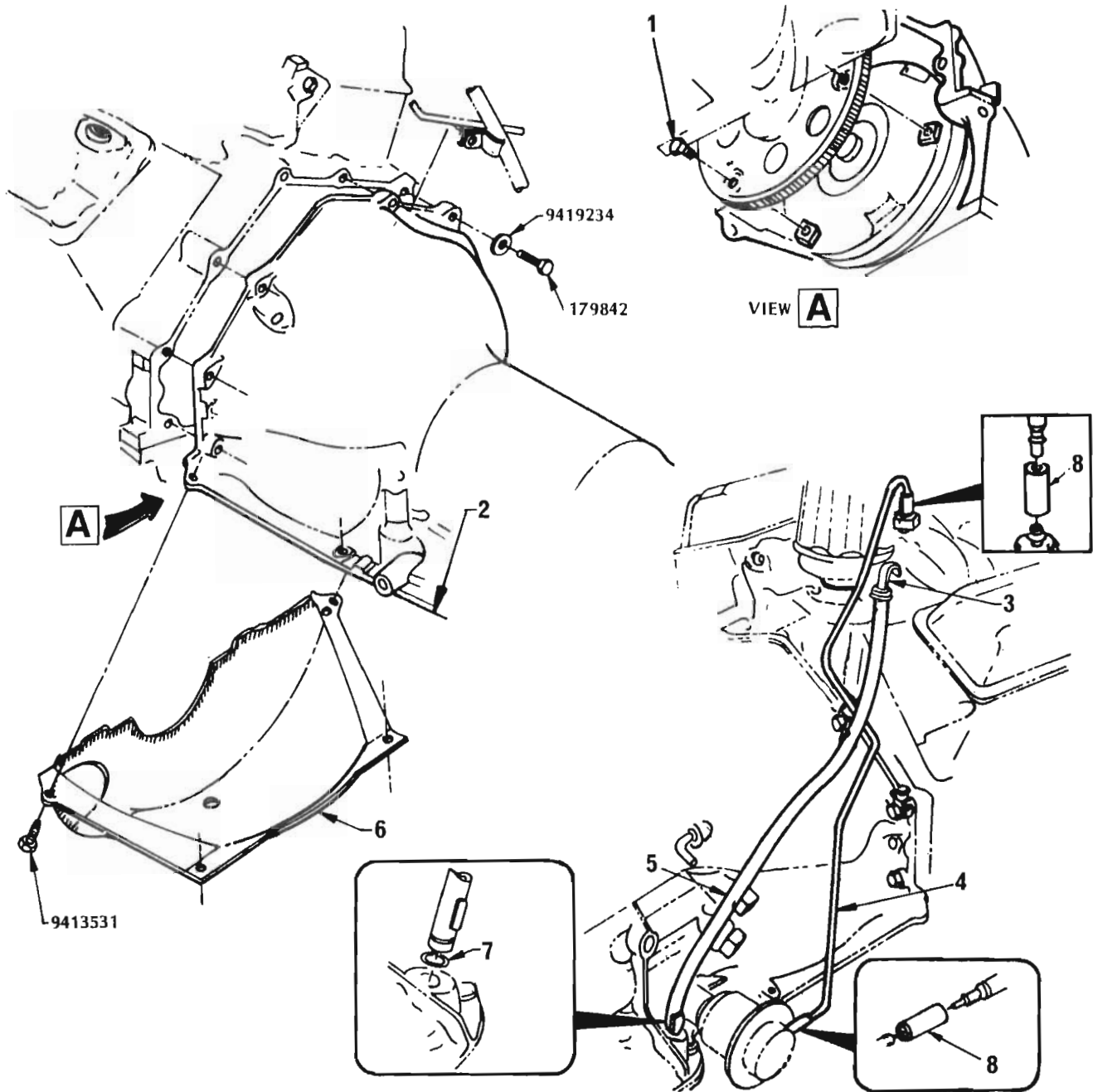
TRANSMISSION CONTROL
Console Shift
Rod Controlled

ILLUS. REF. NO.	PART NAME	GROUP
1.	SPRING	4.009
2.	BUTTON	4.009
3.	HANDLE	4.009
4.	COVER - Selector dial	15.293
5.	LEVER & SUPPORT	4.006
6.	INSULATOR - Lever & support	4.006
7.	RETAINER	4.040
8.	ROD ASSEMBLY	4.040
9.	TRUNNION - Rod to lever	4.040
10.	INSULATOR - Rod to lever	4.040
11.	SPACER - Rod to lever	4.040
12.	LEVER	4.041



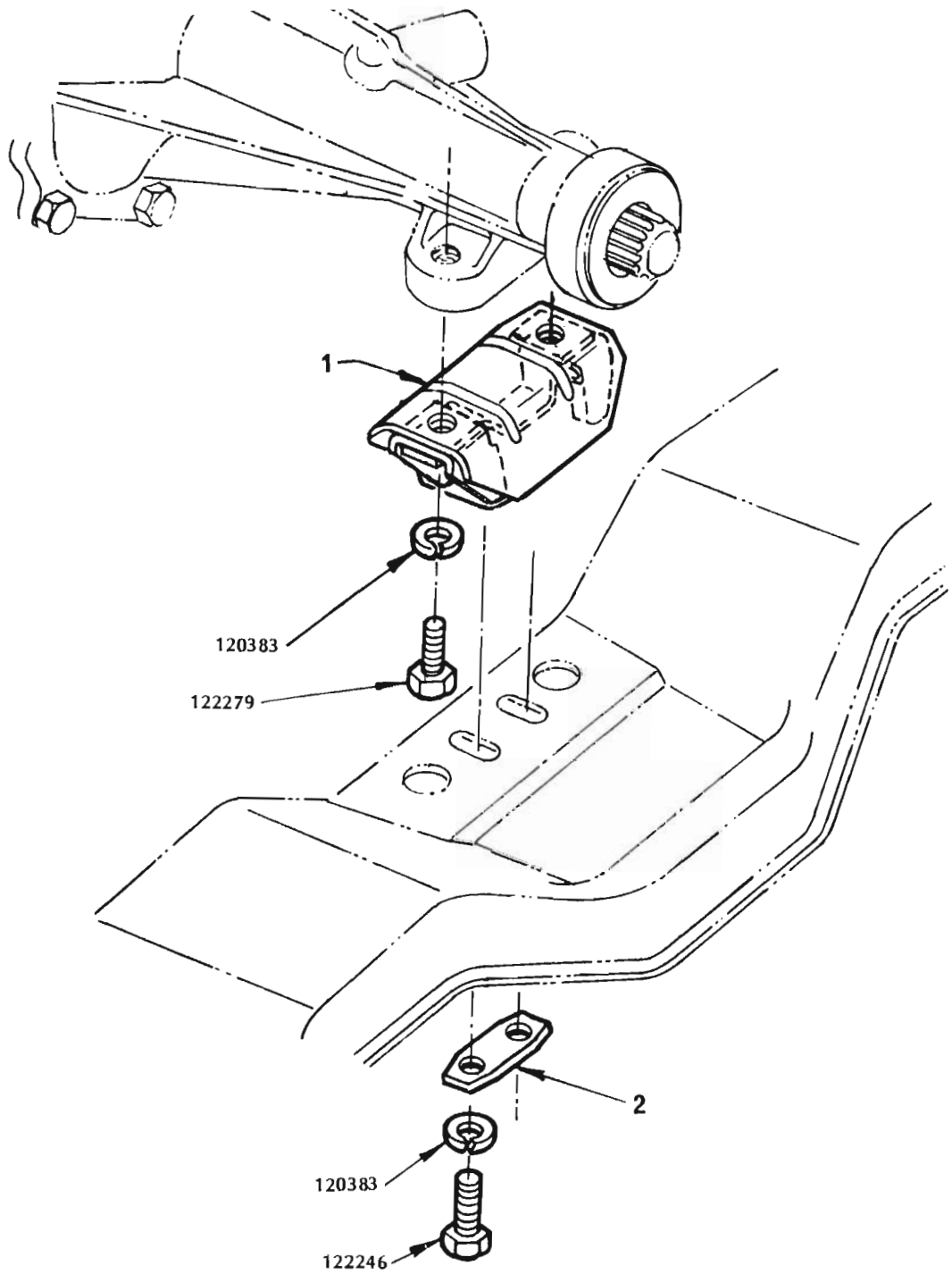
TRANSMISSION CONTROLS
Console Shift
Cable Controlled

ILLUS. REF. NO.	PART NAME	GROUP
1.	HOUSING — Transmission control	15.290
2.	BUTTON	4.009
3.	SPRING	4.009
4.	HANDLE	4.009
5.	LEVER & SUPPORT	4.006
6.	RETAINER — Cover	15.293
7.	LEVER & SUPPORT ASSEMBLY	4.006
8.	BRACKET — Cable lower	4.047
9.	LEVER ASSEMBLY	4.041
10.	CABLE ASSEMBLY — Transmission control	4.047



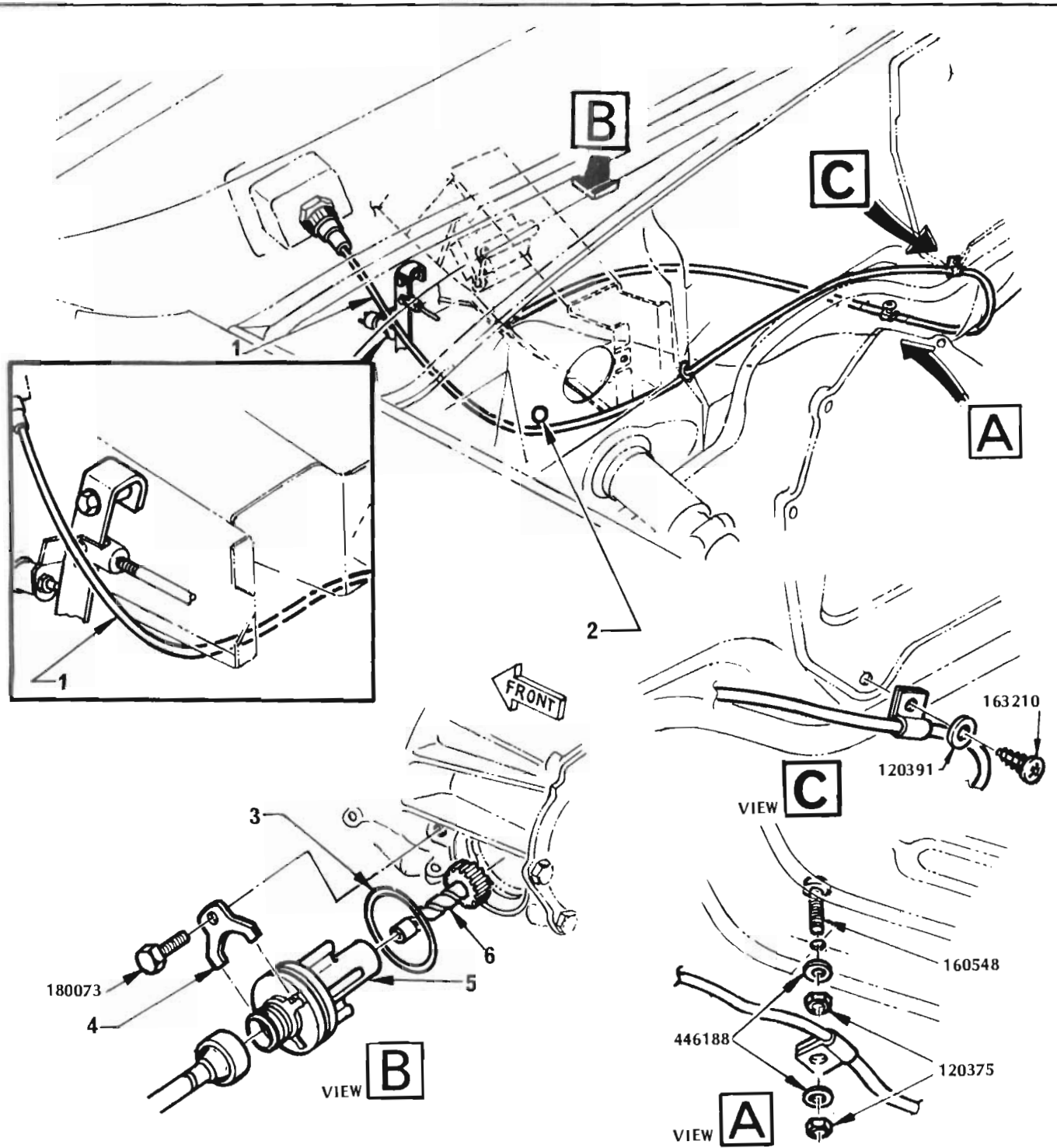
TRANSMISSION TO ENGINE OIL FILLER and MODULATOR PIPE
Turbo Hydramatic

ILLUS. REF. NO.	PART NAME	GROUP
1.	BOLT - Converter to drive plate	4.156
2.	TRANSMISSION ASSEMBLY	4.003
3.	INDICATOR ASSEMBLY - Oil level	4.133
4.	PIPE - Carburettor to transmission vacuum modulator	4.205
5.	TUBE ASSEMBLY - Oil filler	4.133
6.	COVER - Lower.....	0.679
7.	SEAL - Tube to case	4.133
8.	SLEEVE - Pipe to connector and modulator	4.205



TRANSMISSION MOUNTING

ILLUS. REF. NO.	PART NAME	GROUP
1.	MOUNTING ASSEMBLY	4.081
2.	SPACER - Mounting to crossmember	4.081



SPEEDOMETER CABLE and GEAR
Exc. Rear Wheel Lock Control

ILLUS. REF. NO.	PART NAME	GROUP
1.	CABLE & CASING	4.342
2.	SEAL - Dash panel (rubber)	12.803
3.	SEAL - Driven gear	4.338
4.	RETAINER - Sleeve	4.338
5.	SLEEVE & SEAL ASSEMBLY	4.338
6.	GEAR - Driven	4.337

"HX" STATESMAN/HOLDEN PARTS CATALOGUE

GROUP	DESCRIPTION	MODEL	SIDE	PART No.	QTY.
TRANSMISSION ASSEMBLY, "TURBO HYDRA-MATIC" AUTOMATIC					
4.003V TRANSMISSION					
	TRANSMISSION ASSEMBLY	ALL		8629286	1
	BOLT - Transmission to engine	ALL		179842	6
	WASHER - Transmission to engine	ALL		9419234	1
	REPAIR KIT	ALL		8625967	1
	NOTE: Consists of 1 front servo piston oil seal ring, 2 pump oil seal rings, 4 center support oil seal rings, 3 intermediate clutch drive plate assemblies, 5 forward clutch drive plate asm., 1 front pump seal, 1 extension housing seal, 2 forward and direct clutch piston seal kits, 1 intermediate clutch piston seal kit, 1 overhaul gasket and seal kit.				
4.005V GASKET SET, SNAP RING KIT - Transmission					
	GASKET & SEAL SET	ALL		8625905	1
	NOTE: Consists of 1 ring pump to case seal, 8 "O" ring pump body bolt seals, 8 pump body bolt washers, 1 pump cover to case gasket, 1 "O" ring output shaft seal, 1 reverse servo piston seal, 1 rear servo cover gasket, 1 governor cover gasket, 1 "O" ring parking pawl shaft seal, 2 manual shaft "O" rings, 1 manual shaft seal asm., 2 vacuum Modulator and connector seals, 1 valve body to spacer gasket, 1 case to spacer gasket, 1 solenoid valve gasket, 1 "O" ring filter seal, 1 trans. oil pan gasket, 1 case extension to case gasket, 1 2 ³ / ₆₄ " dia. parking shaft plug, 1 filler tube "O" ring seal.				
	SNAP RING KIT	ALL		8623979	1
	NOTE: Contains 2 clutch rings snap, 2 clutch internal rings, 1 mainshaft ring, 2 parking brake and servo rings, 1 servo piston snap ring.				
4.006V LEVER & SUPPORT - Transmission control					
	LEVER ASSEMBLY	Steering Column Shift		9928845	1
	LEVER & SUPPORT ASSEMBLY	Console Shift-rod controlled		9937834	1
	LEVER ASSEMBLY	Console Shift-rod controlled		9939936	1
	LEVER & SUPPORT ASSEMBLY	Console Shift-cable controlled		9943350	1
	LEVER ASSEMBLY	Console Shift-cable controlled		9943346	1
	BOLT - Lever & support to floor	Console Shift-cable controlled		163210	6
	PLUNGER	Console Shift		2817028	1
	SPRING	Console Shift		2817074	1
	DAMPER - Plunger	Console Shift		9941633	1
	PIN - Pivot	Console Shift		455481	2
4.007V TUBE - Transmission control					
	TUBE ASSY.	Steering Column Shift		9929053	1
	PIN	Steering Column Shift		7429551	1
4.008V ROD, LEVER, BUSH, SHAFT - Transmission control relay					
	ROD	Console Shift-cable controlled		9943344	1
	TRUNNION - Rod to control lever	Console Shift-cable controlled		2814030	1
	BUSH - Rod to control lever	Console Shift-cable controlled		2814033	1
	SLEEVE - Rod to control lever	Console Shift-cable controlled		2814031	1
	BOLT - Rod to control lever	Console Shift-cable controlled		SP2459	1
	WASHER - Rod to control lever - Flat	Console shift-cable controlled		9417098	2
	WASHER - Rod to control lever - Lock	Console Shift-cable controlled		1367656	1
	RETAINER - Rod to rear lever	Console Shift-cable controlled		3749084	1
	LEVER - Rear	Console Shift-cable controlled		9943343	1
	WASHER - Lever to support - Lock	Console Shift-cable controlled		SP1956	1
	SHAFT - Rear lever to support	Console Shift-cable controlled		9943349	1
	BUSH - Rear lever to support	Console Shift-cable controlled		9943347	1

"HX" STATESMAN/HOLDEN PARTS CATALOGUE

GROUP	DESCRIPTION	MODEL	SIDE	PART No.	QTY.
TRANSMISSION ASSEMBLY, "TURBO HYDRA-MATIC" AUTOMATIC					
4.009V KNOB, HANDLE, BUTTON, SPRING – Transmission control lever					
	KNOB - Black	Steering Column Shift		2813559BA	1
	KNOB - Dark Sienna	Steering Column Shift		2813559EK	1
	KNOB - Tan	Steering Column Shift		2813559DX	1
	HANDLE	Console Shift		9930061	1
	SCREW - Handle to lever	Console Shift		18995	1
	BUTTON	Console Shift		9930164	1
	SPRING	Console Shift		2825528	1
4.010V SUPPORT, SHAFT – Transmission control lever					
	SUPPORT ASSEMBLY	Console Shift-rod controlled		2817163	1
	BOLT - Support to floor	Console Shift-rod controlled		7436618	4
	NUT - Support to floor	Console Shift-rod controlled		SP2024	4
	SHAFT - Control lever	Console Shift-rod controlled		9939935	1
	CIRCLIP - Control lever	Console Shift-rod controlled		SP2203	3
	SUPPORT ASSEMBLY	Console Shift-cable controlled		9943345	1
	SCREW - Support to floor pan	Console Shift-cable controlled		451790	6
	SHAFT	Console Shift-cable controlled		9943348	1
	CIRCLIP	Console Shift-cable controlled		SP2203	1
4.015V BOOT, INSULATOR – Transmission control					
	BOOT - Lower lever	Console Shift		2816985	1
	INSULATOR - Lever & support to floor	Console Shift		2824609	1
4.016V GATE – Transmission control selector					
	GATE	Steering Column Shift		2812256	1
	SCREW - Gate to steering jacket	Steering Column Shift		163158	4
	WASHER - Gate to steering jacket	Steering Column Shift		SP2442	4
	GATE	Console Shift		9944498	1
	BOLT - Gate to Support	Console Shift		9411397	2
	STOP - Gate	Console Shift		455481	1
4.017V SPRING – Lever return					
	SPRING	Steering Column Shift		7439930	1
4.018V SUPPORT – Transmission control					
	SUPPORT - Control lever	Steering Column Shift		9934179	1
	SPACER - Support	Steering Column Shift		9933746	1
	WASHER - Support	Steering Column Shift		9933747	1
4.030V LEVER – Transmission control lower					
	LEVER - Control lower	Console Shift-rod controlled		9939940	1
4.038V INDICATOR, HOUSING, DIAL, POINTER – Transmission control					
	INDICATOR ASSEMBLY	Steering Column Shift		9942819	1
	BASE - Indicator	Steering Column Shift		9933648	1
	LENS - Indicator	Steering Column Shift		9942821	1
	BULB - 12-16V. 2 CP	Steering Column Shift		9421330	1
	CABLE ASSEMBLY - Indicator	Steering Column Shift		9933651	1
	SCREW - Cable to gear lever	Steering Column Shift		SP1961	1
	LINK - Cable	Steering Column Shift		9933654	1
	DIAL - Indicator	Steering Column Shift		9942820	1
	POINTER - Indicator	Steering Column Shift		9933649	1
	SPRING - Indicator	Steering Column Shift		9933650	1
	HOUSING - Illumination - (6 Instrument types 5, 6	Steering Column Shift		9934187	1
	BACK - Housing - (6 Instrument types 5, 6	Steering Column Shift		9934188	1
	LEAD - Lamp - (6 Instrument types 5, 6	Steering Column Shift		9933636	1
	SOCKET - Bulb - (6 Instrument types 5, 6	Steering Column Shift		2815952	1
	POINTER	Console Shift		2820283	1
Note: (6 Refer Group 2.515 for Type No. Identification.					

"HX" STATESMAN/HOLDEN PARTS CATALOGUE

GROUP	DESCRIPTION	MODEL	SIDE	PART No.	QTY.
TRANSMISSION ASSEMBLY, "TURBO HYDRA-MATIC" AUTOMATIC					
4.038V INDICATOR, HOUSING, DIAL, POINTER – Transmission control (contd.)					
	SLIDE	Console Shift		2820284	1
	DIAL	Console Shift		9936935	1
	PLATE - Control cover	Console Shift		2820286	1
	SCREW - Lamp plate to cover	Console Shift		274762	3
	PLATE - Lamp mounting	Console Shift		2820285	1
	BULB - 12 - 16 V. 2 C.P. S.C.	Console Shift		9417863	1
4.040V SHAFT, LEVER, ROD, INSULATOR – Transmission control – Steering column shift					
	TRUNNION - Rod to lever	Exc. GTS, LE, Caprice		2814030	1
	SLEEVE - Trunnion	Exc. GTS, LE, Caprice		2814031	1
	INSULATOR	Exc. GTS, LE, Caprice		2814033	1
	WASHER - Spring	Exc. GTS, LE, Caprice		1367656	2
	SCREW - Rod clamp	Exc. GTS, LE, Caprice		SP2459	1
	ROD ASSEMBLY	Exc. GTS, LE, Caprice		9934951	1
	WASHER - Control rod	Steering Column Shift		9417098	1
	WASHER - Rod to cross shaft	Exc. GTS, LE, Caprice		1367656	1
	PIN - Rod to cross shaft	Steering Column Shift		11079741	1
	SHAFT & LEVER ASSEMBLY	Exc. GTS, LE, Caprice		9934389	1
	SPRING - Shaft & lever assy.	Exc. GTS, LE, Caprice		7448884	1
	BRACKET - Shaft lever support	Exc. GTS, LE, Caprice		9934321	1
	SLEEVE - Shaft & lever to bracket	Exc. GTS, LE, Caprice		7427808	1
	GROMMET - Shaft & lever to bracket	Exc. GTS, LE, Caprice		7427807	1
	WASHER - Shaft & lever to bracket	Exc. GTS, LE, Caprice		SP1445	2
	PIN - Shaft & lever to bracket	Steering Column Shift		11079783	1
	SCREW - Cross shaft support bracket to frame	Exc. GTS, LE, Caprice		SP2240	2
	LEVER - Cross shaft to cross shaft	Exc. GTS, LE, Caprice		2812255	1
	NUT - Lever to cross shaft	Exc. GTS, LE, Caprice		145027	1
	RETAINER - Cross shaft	Exc. GTS, LE, Caprice		2822091	1
	PIN - Retainer to cross shaft	Exc. GTS, LE, Caprice		455481	1
	SHAFT - Control cross	Exc. GTS, LE, Caprice		2822870	1
	BRACKET - Cross shaft mounting	Exc. GTS, LE, Caprice		2822871	1
	BOLT - Cross shaft bracket	Exc. GTS, LE, Caprice		122017	2
	SPACER - Cross shaft mounting bracket	Exc. GTS, LE, Caprice		2822872	2
	BUSH - Cross shaft to bracket	Exc. GTS, LE, Caprice		7438537	2
	WASHER - Cross shaft to bracket	Exc. GTS, LE, Caprice		SP1528	1
	SPRING - Cross shaft to bracket	Exc. GTS, LE, Caprice		5258166	1
	LEVER ASSEMBLY - Cross shaft	Exc. GTS, LE, Caprice		2822873	1
	PIN - Lever to cross shaft	Exc. GTS, LE, Caprice		455481	1
	LINK ASSEMBLY	Exc. GTS, LE, Caprice		2822874	1
	RETAINER - Link assy.	Exc. GTS, LE, Caprice		3749084	2
4.040V ROD, TRUNNION, SLEEVE – Transmission control – Rod Controlled Console Shift					
	ROD ASSEMBLY	Exc. Statesman		9937836	1
	TRUNNION - Rod to lever	Exc. Statesman		2814030	1
	SLEEVE - Trunnion	Exc. Statesman		2814031	1
	INSULATOR	Exc. Statesman		2814033	1
	WASHER - Spring	Exc. Statesman		1367656	1
	WASHER - Flat	Exc. Statesman		9417098	1
	BOLT - Trunnion to lever	Exc. Statesman		SP2459	1
	RETAINER - Rod to lower lever	Exc. Statesman		3749084	1
4.041V LEVER – Transmission external control					
	LEVER	Steering Column Shift		2822093	1
	LEVER	Console Shift - rod controlled		2818540	1
	LEVER	Console Shift - cable controlled		9943342	1
	NUT - Hex. lock $\frac{3}{8}$ " - 16	ALL		145027	1

"HX" STATESMAN/HOLDEN PARTS CATALOGUE

GROUP	DESCRIPTION	MODEL	SIDE	PART No.	QTY.
TRANSMISSION ASSEMBLY, "TURBO HYDRA-MATIC" AUTOMATIC					
4.047V	CABLE, BRACKET, YOKE – Transmission control – Cable controlled console shift				
	CABLE ASSEMBLY	ALL		1239445	1
	BRACKET - Cable lower	ALL		9793193	1
	BOLT - Bracket	ALL		122007	2
	YOKE - Cable assembly	ALL		476737	2
	PIN - Cable assembly	ALL		11076743	2
	WASHER - Cable to support lever (1/4" Flat)	ALL		9414920	2
	WASHER - Cable to support lever (1/4" Lock)	ALL		SP1003	2
	SCREW - Cable to front floor pan	ALL		163210	3
4.054V	SWITCH – Neutral starting and back-up				
	SWITCH ASSEMBLY - Neutral starting	Steering Column Shift		2815222	1
	SWITCH ASSEMBLY - Neutral starting	Console Shift		2819807	1
	SCREW - Neutral start & back-up switch	ALL		455404	2
4.054V	SWITCH – Solenoid detent actuating				
	SWITCH ASSEMBLY - Solenoid detent actuating	ALL		1242101	1
	NUT - Solenoid switch to accelerator bracket	ALL		858388	1
	BRACKET - Detent switch	ALL		9942282	1
	BOLT - Detent switch to bracket	ALL		11027991	1
	WASHER - Switch to bracket - lock	ALL		2074100	1
	WASHER - Switch to bracket - flat	ALL		2080129	1
	NUT - Switch to bracket	ALL		2064155	1
4.055V	WIRE – Neutral Starting and back-up				
	WIRE ASSEMBLY - Neutral starting & back-up	Console Shift		2820311	1
	BODY - Panel connector (Short)	Console Shift		2962448	1
	BODY - Terminal 2 way female	Console Shift		2962679	1
	BODY - Terminal 2 way panel	Console Shift		2962967	1
	BODY - Terminal 2 way male	Console Shift		2977763	1
	BODY - Terminal 2 way male	Console Shift		2973431	1
	BODY - Terminal lamp socket	Console Shift		5297797	1
	SPRING - Lamp socket	Console Shift		2962243	1
4.055V	WIRE – Solenoid to dash panel connector				
	WIRE ASSEMBLY	Console Shift exc. Caprice		9935685	1
	WIRE ASSEMBLY	Caprice		8909393	1
	CLIP - Solenoid switch wire to trans.	Console Shift		1368774	1
	CLIP - Solenoid lead to trans.	Console Shift - Statesman		SP2422	1
	SCREW - Solenoid lead clip to trans.	Console Shift		9420453	1
	CLIP - Solenoid lead to dash panel	Caprice		7413370	1
	CLIP - Solenoid switch wire to dash flange	Console Shift		SP2236	1
4.081V	MOUNTING – Transmission support				
	MOUNTING ASSEMBLY	ALL		2816574	1
	BOLT - Mounting	ALL		122279	2
	WASHER - Mounting	ALL		120383	2
	SPACER - Mounting to crossmember	ALL		7421049	1
	BOLT - Spacer	ALL		122246	2
	WASHER - Spacer	ALL		120383	2
4.103V	CASE – Transmission				
	CASE ASSEMBLY	ALL		8626953	1
	BUSH - Case	ALL		8623941	1
	PLUG - .25" dia.	ALL		8611710	1
4.104V	VENT – Transmission				
	SLEEVE & PIPE ASSEMBLY - Vent	ALL		8627566	1

"HX" STATESMAN/HOLDEN PARTS CATALOGUE

GROUP	DESCRIPTION	MODEL	SIDE	PART No.	QTY.
TRANSMISSION ASSEMBLY, "TURBO HYDRA-MATIC" AUTOMATIC					
4.123V	SHAFT – Transmission turbine				
	SHAFT	ALL		8624772	1
4.128V	PIPE – Transmission oil cooler				
	PIPE ASSEMBLY – Inlet	ALL		9934244	1
	PIPE ASSEMBLY – Outlet	ALL		9934245	1
	CONNECTOR – Pipes to radiator	ALL		145475	2
	CONNECTOR – Pipes to transmission	ALL		8626632	2
	GASKET – Connector to transmission	ALL		8625422	2
	CLIP – Inlet to outlet pipe	ALL		3710497	3
	ADAPTOR – Oil cooler pipes to radiator & transmission	ALL		137398	4
4.133V	TUBE, INDICATOR, SEAL – Transmission oil				
	TUBE ASSEMBLY – Oil filler	ALL		3974420	1
	INDICATOR ASSEMBLY – Oil level	ALL		3905449	1
	SEAL – Tube to case	ALL		6255641	1
4.156V	CONVERTER – Transmission				
	CONVERTER ASSEMBLY	ALL		3948963	1
	BOLT – Converter to drive plate	ALL		3987930	3
4.159V	GEAR, BEARING PACKAGE – Transmission front sun				
	GEAR – Sun	ALL		8626807	1
	BEARING PACKAGE – Centre support to sun gear thrust	ALL		8623920	1
	BEARING PACKAGE – Sun gear to internal gear thrust	ALL		8623921	1
4.161V	SHAFT – Sun gear				
	SHAFT ASSEMBLY	ALL		8623177	1
	BUSH – 1.12" O.D. x .50"	ALL		8623944	2
4.162V	SUPPORT, SPACER, WASHER, RING, BUSH – Transmission centre support				
	SUPPORT ASSEMBLY – Centre with race and plug	ALL		8625990	1
	BOLT – Case to support	ALL		8624009	1
	SPACER – Support to case	ALL		8626816	1
	WASHER – Support to reaction drum thrust	ALL		8624783	1
	RING – Support to case – snap, beveled	ALL		8623437	1
	RING – Support oil seal	ALL		8623148	4
	BUSH – Centre support	ALL		8623942	1
4.163V	PLATE – Transmission clutch				
	PLATE – Forward clutch drive (Composition)	ALL		8623483	5
	PLATE – Forward clutch driven (Steel) (14 teeth)	ALL		8623849	4
	PLATE – Forward clutch driven (Wave) (14 teeth)	ALL		8623851	1
	PLATE – Direct clutch backing	ALL		8623122	1
	PLATE – Direct clutch drive (Composition)	ALL		8623483	5
	PLATE – Direct clutch driven (Steel) (14 teeth)	ALL		8625197	4
	PLATE – Direct clutch driven (Wave) (14 teeth)	ALL		8623851	1
	PLATE – Intermediate clutch backing	ALL		8623152	1
	PLATE – Intermediate clutch drive (Composition) (47 teeth)	ALL		8623151	3
	PLATE – Intermediate clutch reaction	ALL		8623150	2
	PLATE – Intermediate clutch reaction (Wave)	ALL		8624199	1

"HX" STATESMAN/HOLDEN PARTS CATALOGUE

GROUP	DESCRIPTION	MODEL	SIDE	PART No.	QTY.
TRANSMISSION ASSEMBLY, "TURBO HYDRA-MATIC" AUTOMATIC					
4.164V HUB, RETAINER, RING, SPRING, WASHER – Transmission clutch					
	HUB – Forward clutch	ALL		8625717	1
	RETAINER – Forward clutch spring	ALL		8623104	1
	RING – Forward clutch to housing spring retainer (Snap)	ALL		8623105	1
	SPRING – Forward clutch piston release (Green)	ALL		8624101	16
	WASHER – Forward clutch housing to hub (Thrust) ..	ALL		8624196	1
	WASHER – Forward clutch hub to direct clutch hub (Thrust)	ALL		8624781	1
	RING – Forward clutch to forward clutch housing (Snap)	ALL		8623112	1
	HUB – Direct clutch driving	ALL		8625718	1
	RETAINER – Direct clutch spring	ALL		8623104	1
	RING – Direct clutch to housing spring retainer (Snap)	ALL		8623105	1
	SPRING – Direct clutch piston release (Red)	ALL		8624073	14
	RING – Direct clutch to direct clutch housing (Snap)	ALL		8623112	1
	RETAINER – Intermediate clutch spring	ALL		8623146	1
	RING – Intermediate clutch spring retainer to support (Snap) (3" I.D.)	ALL		8623153	1
	RING – Intermediate clutch spring retainer (Snap) (Flat) (7.10" I.D.)	ALL		8623149	1
	SPRING – Intermediate clutch piston release (Plain)	ALL		8623145	3
	GUIDE – Intermediate clutch spring	ALL		8627385	1
4.166V PISTON, SEAL PACKAGE – Transmission clutch					
	PISTON ASSEMBLY – Direct clutch	ALL		8625514	1
	PISTON – Intermediate clutch	ALL		8626938	1
	PISTON – Forward clutch	ALL		8624016	1
	SEAL – Intermediate clutch piston outer	ALL		8623918	1
	SEAL – Intermediate clutch piston inner	ALL		8625967	1
	SEAL PACKAGE – Forward & direct clutch piston	ALL		8623917	2
4.167V ROLLER, RETAINER, RING – Transmission intermediate clutch					
	ROLLER ASSEMBLY	ALL		8625814	1
	RETAINER – Intermediate clutch piston	ALL		8627334	1
	RING – Sprag retainer to direct clutch housing (Snap)	ALL		8623120	1
4.168V BUSH, RACE – Transmission intermediate clutch					
	BUSH	ALL		8623945	2
	RACE – Clutch outer	ALL		8623117	1
4.169V HOUSING, WASHER – Transmission clutch drum					
	HOUSING ASSEMBLY – Forward clutch	ALL		8624908	1
	HOUSING & RACE – Direct clutch	ALL		8627387	1
	WASHER – Oil pump cover to forward clutch housing thrust (Fibre)				
	Yellow .060" – .064" thick	ALL		(¹) 8623300	A.R.
	Blue .071" – .075" thick	ALL		(¹) 8623301	A.R.
	Red .082" – .086" thick	ALL		(¹) 8623302	A.R.
	Brown .093" – .097" thick	ALL		(¹) 8623303	A.R.
	Green 104" – 108" thick	ALL		(¹) 8623304	A.R.
	Black .115" – .119" thick	ALL		(¹) 8623305	A.R.
	Purple 126" – 130" thick	ALL		(¹) 8623306	A.R.
4.172V SHAFT, RING – Transmission mainshaft					
	SHAFT	ALL		8625736	1
	RING – Mainshaft to internal gear (Snap)	ALL		8625221	1
Note: (¹) Selective fit.					

"HX" STATESMAN/HOLDEN PARTS CATALOGUE

GROUP	DESCRIPTION	MODEL	SIDE	PART No.	QTY.
TRANSMISSION ASSEMBLY, "TURBO HYDRA-MATIC" AUTOMATIC					
4.175V CARRIER, PINION PACKAGE, SHAFT & BUSH – Transmission output & reaction					
	CARRIER ASSEMBLY – Output with pinions	ALL		8625957	1
	CARRIER ASSEMBLY – Reaction	ALL		8625859	1
	PINION PACKAGE	ALL		8625913	2
	SHAFT & BUSH ASSEMBLY – Output	ALL		8627453	1
4.176V BUSH, RING, WASHER – Transmission output shaft					
	BUSH – Output shaft	ALL		8623943	1
	RING – Output shaft (Snap)	ALL		8626173	1
	WASHER – Output shaft to case front (Thrust) (Bronze)	ALL		8626372	1
	WASHER – Output shaft to case rear (Thrust) (Steel) .074" – .078" thick (Flat Tabs)	ALL		8625401	1
	.082" – .0867" thick (Flat Tabs)	ALL		8625402	1
	.090" – .094" thick (Flat Tabs)	ALL		8625403	1
	.098" – .102" thick (Stamped 4) (Flat Tabs)	ALL		8625404	1
	.106" – .110" thick (Stamped 5)	ALL		8625405	1
	.114" – .118" thick (Stamped 6) (3 Notches – Tabs)	ALL		8625406	1
4.176V RING, WASHER – Transmission front internal gear					
	RING – Front internal gear	ALL		8626112	1
	WASHER – Internal gear to reaction carrier (Thrust) (Bronze)	ALL		8626372	1
4.180V ROLLER – Transmission low clutch					
	ROLLER ASSEMBLY	ALL		8623842	1
4.187V GEAR, THRUST RACE – Internal					
	GEAR – Rear internal mainshaft	ALL		8623202	1
	THRUST RACE PACKAGE – Rear internal gear to output shaft	ALL		8623922	1
4.195V PAN – Transmission oil					
	PAN	ALL		8625766	1
	SCREW & WASHER ASSEMBLY – To case ($\frac{5}{16}$ " – 18 x $\frac{5}{16}$ ")	ALL		3829139	13
4.196V GASKET – Transmission oil pan					
	GASKET	ALL		8626931	1
4.205V PIPE, SLEEVE, CONNECTOR, ADAPTOR – Transmission vacuum modulator					
	PIPE – Carb. to trans. vacuum modulator	ALL		9934347	1
	SLEEVE – Pipe to connector & modulator	ALL		9938523	2
	CONNECTOR	Air Cond.		2819593	1
4.223V GROMMET, SEAL – Transmission filter pipe					
	GROMMET	ALL		6437746	1
	SEAL – 'O' Ring	ALL		1363951	1
4.224V FILTER – Transmission oil					
	FILTER ASSEMBLY	ALL		6438851	1
	PIPE ASSEMBLY – Filter intake	ALL		8626886	1
	BOLT – Filter to case	ALL		8625769	1

"HX" STATESMAN/HOLDEN PARTS CATALOGUE

GROUP	DESCRIPTION	MODEL	SIDE	PART No.	QTY.
TRANSMISSION ASSEMBLY, "TURBO HYDRA-MATIC" AUTOMATIC					
4.226V PUMP COMPONENTS – Transmission oil					
	BODY ASSEMBLY	ALL		8625954	1
	COVER ASSEMBLY	ALL		8625955	1
	BUSH – Pump body	ALL		8623940	1
	BUSH – Stator shaft, front & rear (1.12" O.D. x .50")	ALL		8623944	2
	SEAL ASSEMBLY – Body	ALL		8625571	1
	RING – Pump to forward clutch housing oil seal	ALL		8623148	2
	GASKET – Pump to case	ALL		8623978	1
	'O' RING – Pump to case	ALL		8626309	1
	BOLT – Pump to case – Hex. hd. $\frac{5}{16}$ " – 18 x 1.406" ..	ALL		8627677	6
	GASKET – Pump to case bolts	ALL		8626281	6
	VALVE & PLUG ASSEMBLY – Pressure regulator	ALL		8623422	1
	PIN – Plug retaining – Straight 12" dia. x 132"	ALL		8623078	1
	SPACER – Regulator spring	ALL		8623368	A.R.
	WASHER – Regulator spring retainer	ALL		8623039	1
	SPRING – Regulator	ALL		8625648	1
	BUSH & VALVE UNIT – Modulator booster	ALL		8625902	1
	RING – Regulator bush retainer – $\frac{7}{8}$ "	ALL		274613	1
	PLUG – Regulator valve – .69" O.D.	ALL		8623292	1
4.228V PISTON, PIN, WASHER – Transmission servo piston					
	PISTON – Front servo	ALL		8626878	1
	PISTON – Front accumulator	ALL		8626883	1
	PIN – Front servo piston	ALL		8626879	1
	RING – Front servo spring retainer	ALL		8626884	1
4.229V RING – Transmission piston oil seal					
	RING – Front servo piston oil seal	ALL		8623131	1
	RING – Front accumulator piston oil seal	ALL		8623653	1
4.233V RETAINER, RING, SPRING – Servo and accumulator piston					
	RETAINER – Front servo spring	ALL		8626881	1
	SPRING – Front servo piston	ALL		8623489	1
	RING – Front accumulator piston retaining	ALL		9412978	1
	SPRING – Front accumulator piston	ALL		8623654	1
4.241V COVER, GASKET, PIN, PISTON, WASHER – Transmission rear servo					
	COVER – Rear servo	ALL		8624136	1
	GASKET – Rear servo cover	ALL		8623174	1
	PIN – Rear band apply (1 Ring) (4.253" O.L.)	ALL		8624139	A.R.
	PIN – Rear band apply (2 Rings) (4.309" O.L.)	ALL		8624140	A.R.
	PIN – Rear band apply (3 Rings) (4.365" O.L.)	ALL		8624141	A.R.
	PISTON – Rear servo (6 Ribs)	ALL		8624138	1
	RING – Rear servo piston retaining (Snap)	ALL		9413523	1
	WASHER – Rear servo piston	ALL		8623744	1
	PISTON – Rear servo accumulator	ALL		8626902	1
4.242V RING, SEAL – Transmission rear servo and accumulator piston					
	RING – Accumulator piston oil seal inner (1.649" O.D.)	ALL		8627152	1
	RING – Accumulator piston oil seal outer	ALL		8627153	1
	SEAL – Rear servo piston	ALL		8623430	1
4.246V SPRING – Transmission rear servo and accumulator					
	SPRING – Rear servo	ALL		8623666	1
	SPRING – Rear accumulator	ALL		8624256	1

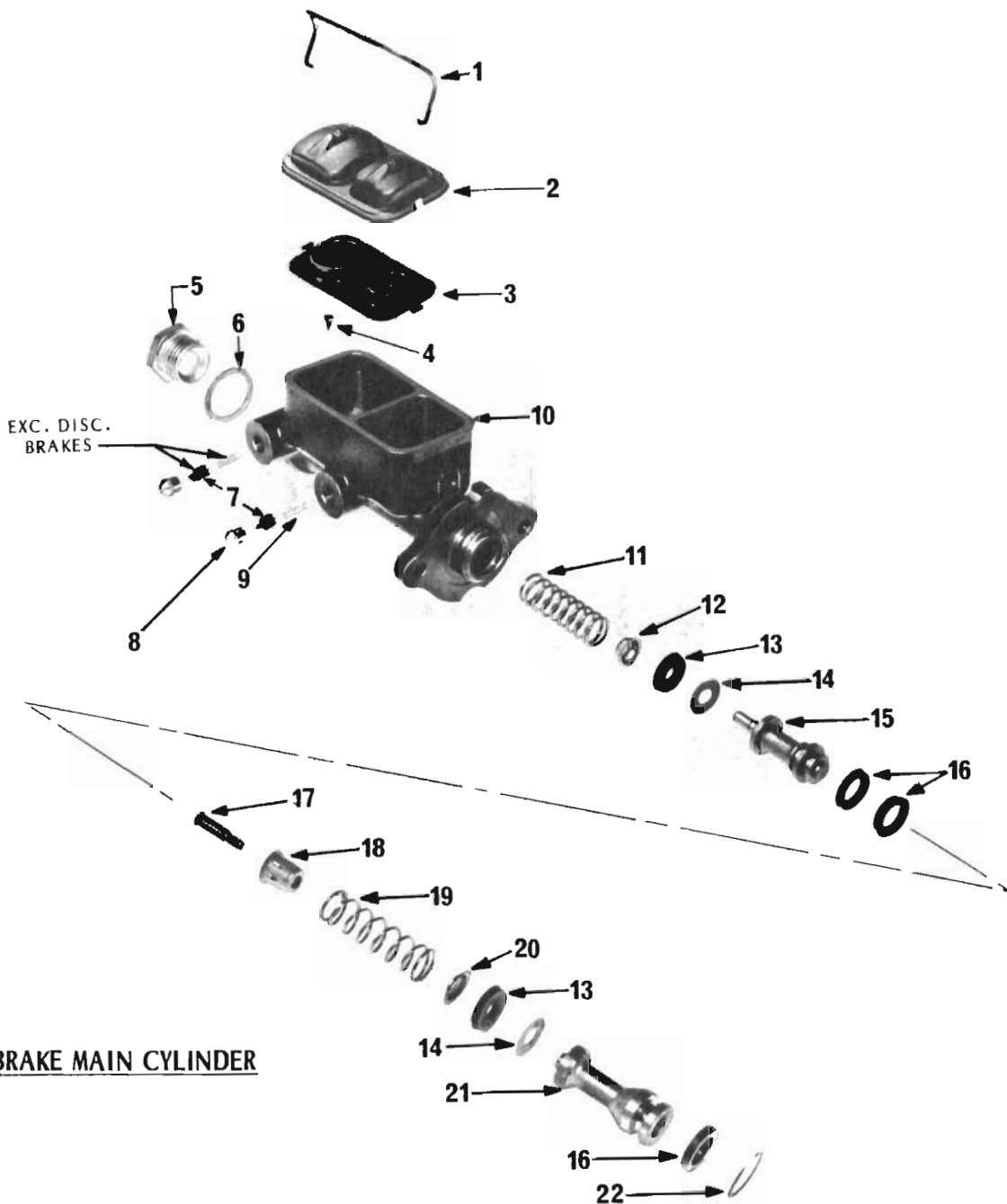
"HX" STATESMAN/HOLDEN PARTS CATALOGUE

GROUP	DESCRIPTION	MODEL	SIDE	PART No.	QTY.
TRANSMISSION ASSEMBLY, "TURBO HYDRA-MATIC" AUTOMATIC					
4.247V	RETAINER – Transmission rear servo piston spring				
	RETAINER	ALL		8623664	1
4.248V	PIPE, SCREEN – Transmission governor oil				
	PIPE	ALL		8623157	2
	SCREEN ASSEMBLY	ALL		8627509	1
4.251V	BAND – Transmission brake				
	BAND ASSEMBLY - Front	ALL		8623123	1
	BAND ASSEMBLY - Rear (complete)	ALL		8623155	1
4.256V	GOVERNOR, COVER, GASKET, GEAR, PIN – Transmission governor				
	GOVERNOR ASSEMBLY - Complete	ALL		8627442	1
	COVER - Governor	ALL		8623262	1
	GASKET - Cover	ALL		8623263	1
	BOLT - Cover attaching	ALL		8627831	4
	GEAR & PIN PACKAGE - Driven (less Stop Pin)	ALL		8623924	1
4.265V	BODY – Valve and components				
	VALVE BODY ASSEMBLY - Oil control	ALL		8627883	1
	VALVE - Manual control	ALL		8623592	1
	GASKET - Spacer to case	ALL		8623563	1
	PLATE - Valve body spacer	ALL		8629082	1
	GASKET - Spacer to valve body	ALL		8623561	1
	SOLENOID ASSEMBLY	ALL		1993620	1
	GASKET - Solenoid valve	ALL		8623741	1
	CONNECTOR - Downshift solenoid valve	ALL		8626252	1
	MODULATOR ASSEMBLY - Vacuum	ALL		3027222	1
	VALVE - Vacuum modulator	ALL		8623983	1
	SEAL - Modulator to case	ALL		7417686	1
	RETAINER - Modulator to case	ALL		8627650	1
	PIN - Body 125" dia. x .82" (Straight)	ALL		8622045	1
	PIN - Body .125" dia. x 132" (Straight)	ALL		8623078	1
	PIN - Body 125" O.D. x 1.03" (Coiled Spring)	ALL		8624482	2
	PIN - Bore plug retaining .125" O.D. x .82" (Grooved)	ALL		8625544	1
	PIN - Third to second valve	ALL		8625324	1
	PIN - Detent regulator valve	ALL		8623507	1
	PLUG - Detent valve .50" O.D.	ALL		8623295	1
	PLUG - One two accumulator .56" O.D.	ALL		8625546	1
	PLUG - Three two valve .437" O.D.	ALL		8623298	1
4.275V	SHAFT, SEAL, PIN – Transmission manual range selector				
	SHAFT	ALL		8627206	1
	SEAL - Shaft	ALL		8623056	1
	PIN - Parking brake nut .090" dia. x 1.88"	ALL		8623232	1
4.279V	LEVER and PIN – Transmission parking lock inside detent				
	LEVER & PIN ASSEMBLY	ALL		8624336	1
4.294V	ACTUATOR, BRACKET, ROLLER & SPRING, PAWL, SHAFT – Transmission parking lock				
	ACTUATOR ASSEMBLY	ALL		8624091	1
	BRACKET	ALL		8623042	1
	ROLLER & SPRING	ALL		8625773	1
	PAWL	ALL		8623037	1
	SHAFT & PLUG PACKAGE - Pawl	ALL		8624976	1
	PLUG - Pawl shaft bore hole - 3/8"	ALL		8620318	1
	RETAINER - Pawl to shaft - Spring type "A"	ALL		148148	1

"HX" STATESMAN/HOLDEN PARTS CATALOGUE

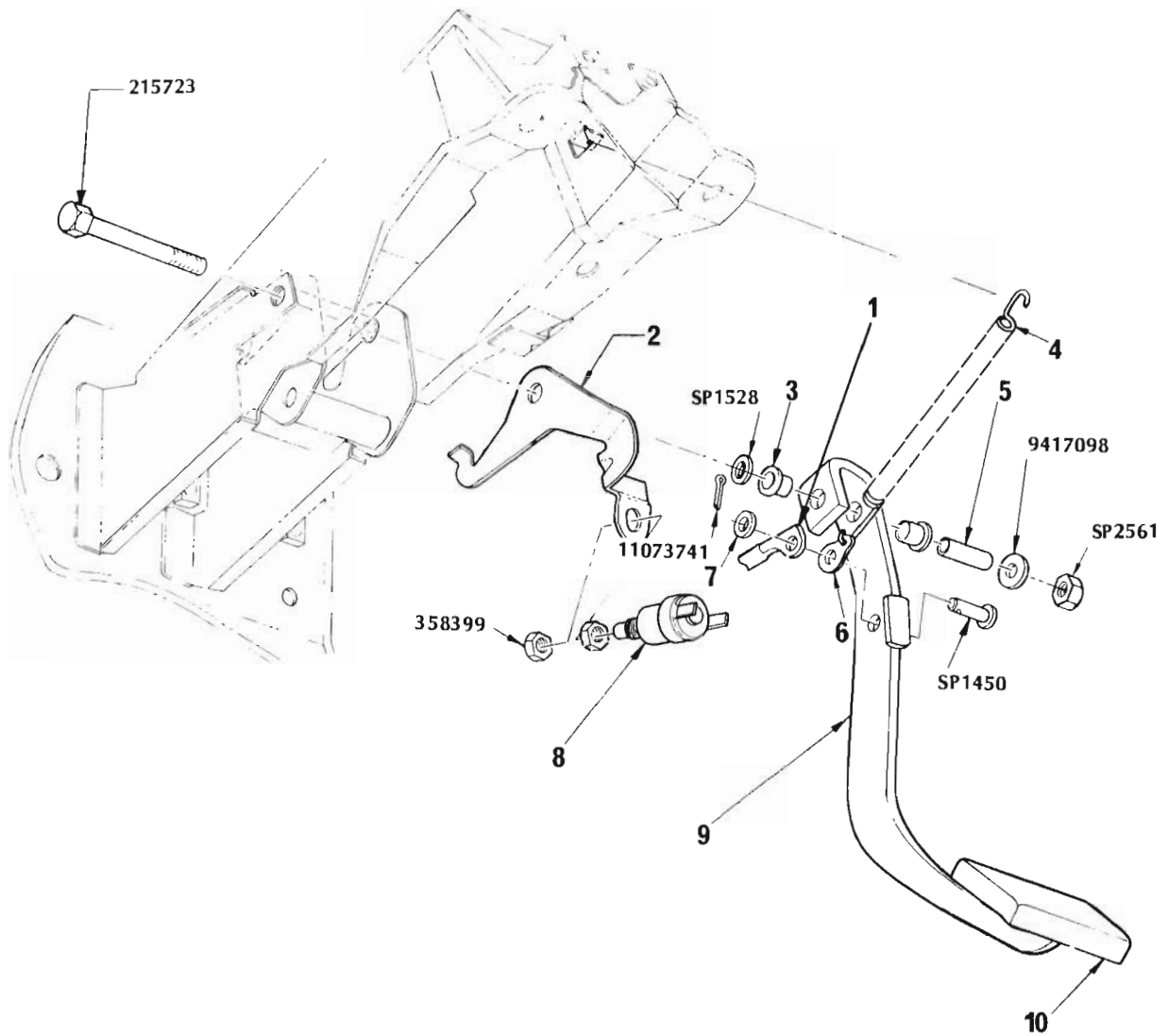
GROUP	DESCRIPTION	MODEL	SIDE	PART No.	QTY.
TRANSMISSION ASSEMBLY, "TURBO HYDRA-MATIC" AUTOMATIC					
4.295V	SPRING – Transmission parking lock pawl return				
	SPRING	ALL		8623041	1
4.317V	HOUSING, BUSH, SEAL – Transmission extension				
	HOUSING ASSEMBLY	ALL		8626785	1
	BUSH – Housing	ALL		8626901	1
	SEAL – Housing	ALL		8625893	1
4.318V	SEAL, GASKET – Transmission extension				
	SEAL – Output shaft 'O' Ring	ALL		8616504	1
	GASKET – Case to extension	ALL		8624709	1
4.337V	GEAR – Speedometer driven and drive				
	GEAR – Driven – 34 teeth – Light green	2.60:1 AR with QFZ, YFX tyre options exc. Rear Wheel Lock Control		9774413	1
	GEAR – Driven – 34 teeth – Light green	2.60:1 AR with QFZ, YFX tyre			
	GEAR – Driven – 35 teeth – Pink	2.60:1 AR with QCM, QDW, QEF, QEP, QER, QEV, QGA, QKF, QRA, QRQ, QRR, QRS, QRU, QTX tyre options exc. Rear Wheel Lock Control		9780628	1
	GEAR – Driven – 35 teeth – Pink	2.60:1 AR with QDW, QEP, QEV, QGA, QRA, QRQ, QRR tyre option With Rear Wheel Lock Control		1237980	1
	GEAR – Driver – 40 teeth – Black	3.08:1 AR with YFX tyre option		1362048	1
	GEAR – Driven – 41 teeth – Yellow	3.08:1 AR with QDW, QEF, QER, QFP, QFZ, QGA, QRU tyre options exc. Rear Wheel Lock Control		1362195	1
	GEAR – Driven – 42 teeth – Green	3.08:1 AR with QCM, QCQ, QEP, QEV, QKF, QRA, QRP, QRQ, QRR, QRS, QTX tyre options exc. Rear Wheel Lock Control		1362049	1
	GEAR – Driven – 44 teeth – Dark grey	3.36:1 AR Panel Van with QFP, QFS, QFZ, YFX tyre options		9780470	1
	GEAR – Driven – 45 teeth – Light Blue	3.36:1 AR Panel Van, Chassis & Cab with QCQ, QEF, QRQ, QRS, QRU, QTX, QTM, QRA, QDW, QGA tyre options		1372313	1
	GEAR – Driven	3.08:1 AR Caprice		1237644	1
	NOTE: Refer introduction – Production Option Chart – For tyre option codes				
	GEAR – Drive – 16 teeth – Orange	ALL		8623311	1
4.338V	SLEEVE, RETAINER, SEAL – Speedometer driven gear				
	SLEEVE & SEAL ASSEMBLY	ALL		1362294	1
	RETAINER – Sleeve	ALL		1362215	1
	BOLT – Sleeve retainer	ALL		180073	1
	SEAL – Driven gear – "O" Ring	ALL		1240561	1
4.342V	CABLE – Speedometer				
	CABLE & CASING	ALL		9943806	1
	CABLE KIT	ALL		VS13542	1
	SLEEVE – Cable	ALL		VS13339	1
	SEAL – Cable	ALL		7434266	1
	SCREW – Cable to dash panel	ALL		163210	1
	SCREW – Cable to floor pan	ALL		160548	1
	NUT	ALL		120375	2
	WASHER	ALL		446188	2

GROUP 4.000
BRAKE CONTROL
BRAKE OPERATING



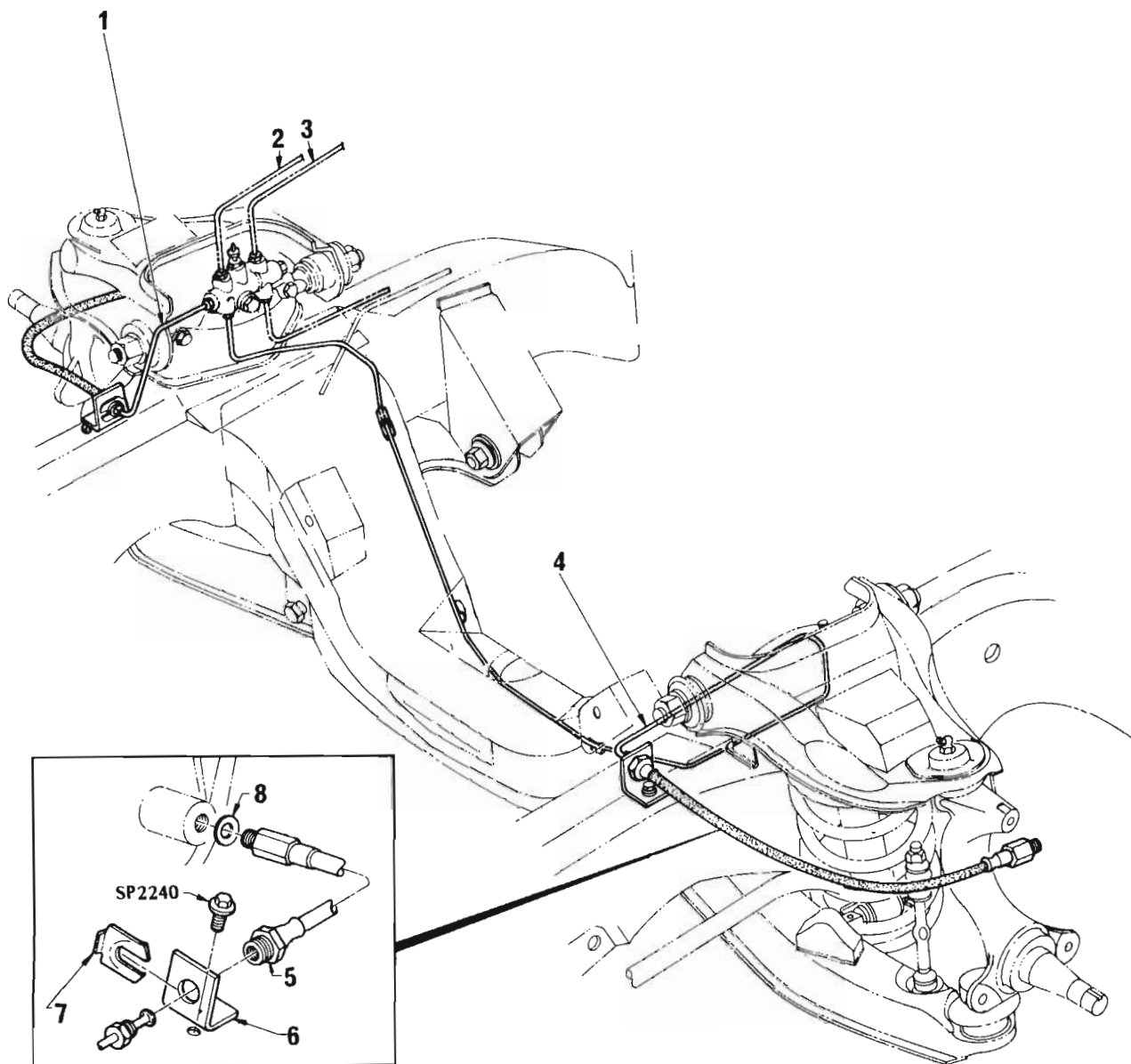
BRAKE MAIN CYLINDER

ILLUS. REF. NO.	PART NAME	GROUP	ILLUS. REF. NO.	PART NAME	GROUP
1.	BAIL - Cover retaining	4.651	13.	SEAL	4.654
2.	COVER - Reservoir	4.651	14.	PROTECTOR	4.654
3.	DIAPHRAGM - Cover	4.651	15.	PISTON - Secondary	4.653
4.	SCREW - Secondary piston stop	4.653	16.	SEAL	4.654
5.	PLUG	4.652	17.	SCREW - Primary piston extension	4.656
6.	WASHER - Plug	4.652	18.	STOP - Primary piston	4.653
7.	VALVE - Check	4.657	19.	SPRING - Primary piston	4.655
8.	INSERT - Tube fitting	4.652	20.	RETAINER - Primary piston spring	4.655
9.	SPRING - Valve	4.657	21.	PISTON - Primary	4.653
10.	BODY	4.650	22.	RING - Lock	4.656
11. } 12. }	SPRING & RETAINER - Secondary	4.655			



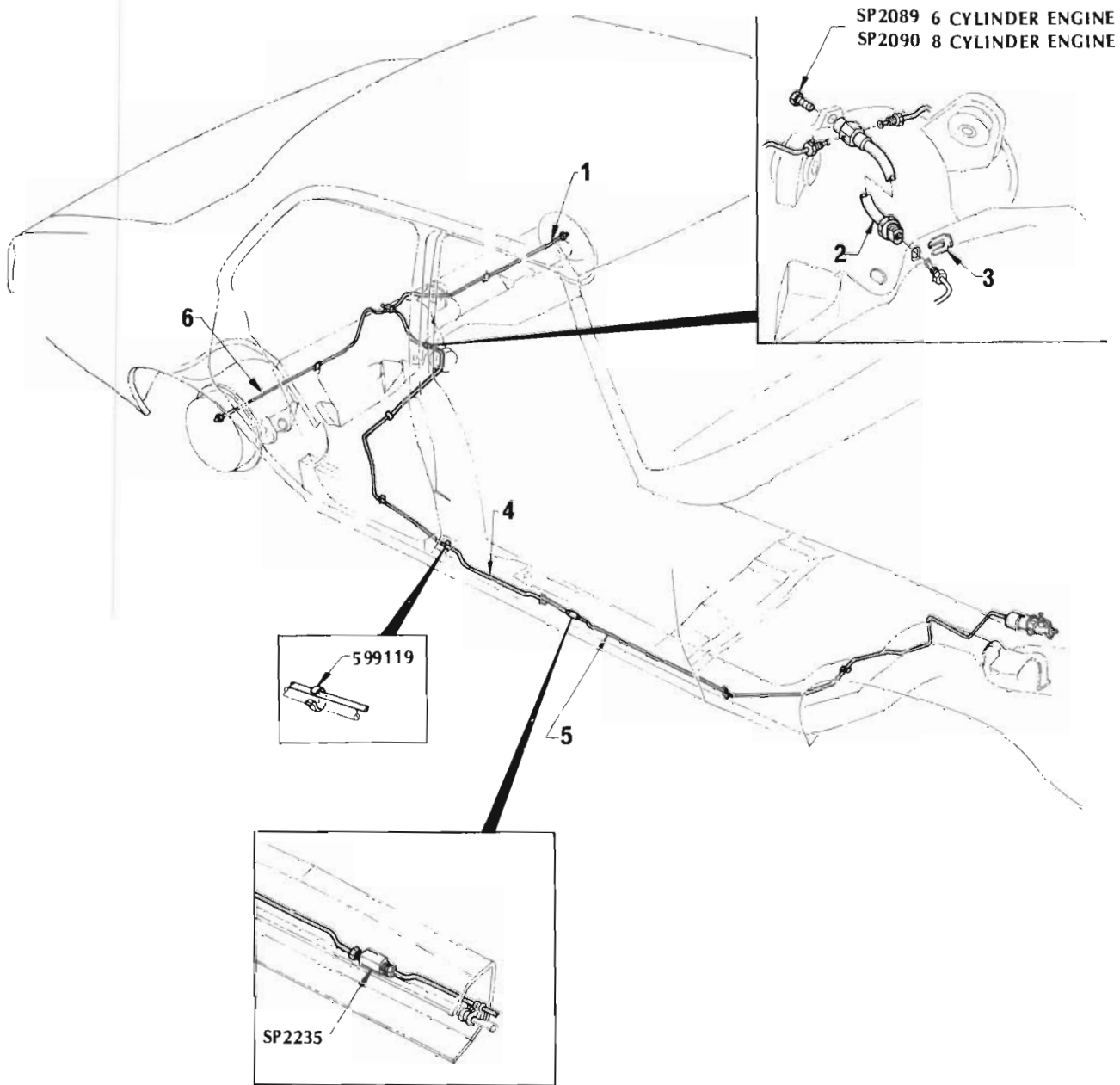
BRAKE PEDAL

ILLUS. REF. NO.	PART NAME	GROUP
1.	PLUNGER ASSEMBLY - Valve rod	N. S. S.
2.	BRACKET - Bumper & stop lamp switch mounting	4.625
3.	BUSH	4.626
4.	SPRING - Pedal return	4.639
5.	SPACER - Brake pedal	4.626
6.	RETAINER - Return spring	4.639
7.	WASHER - Push rod to pedal	4.662
8.	SWITCH ASSEMBLY - Stop lamp	2.447
9.	PEDAL ASSEMBLY	4.625
10.	PAD - Brake pedal	4.625



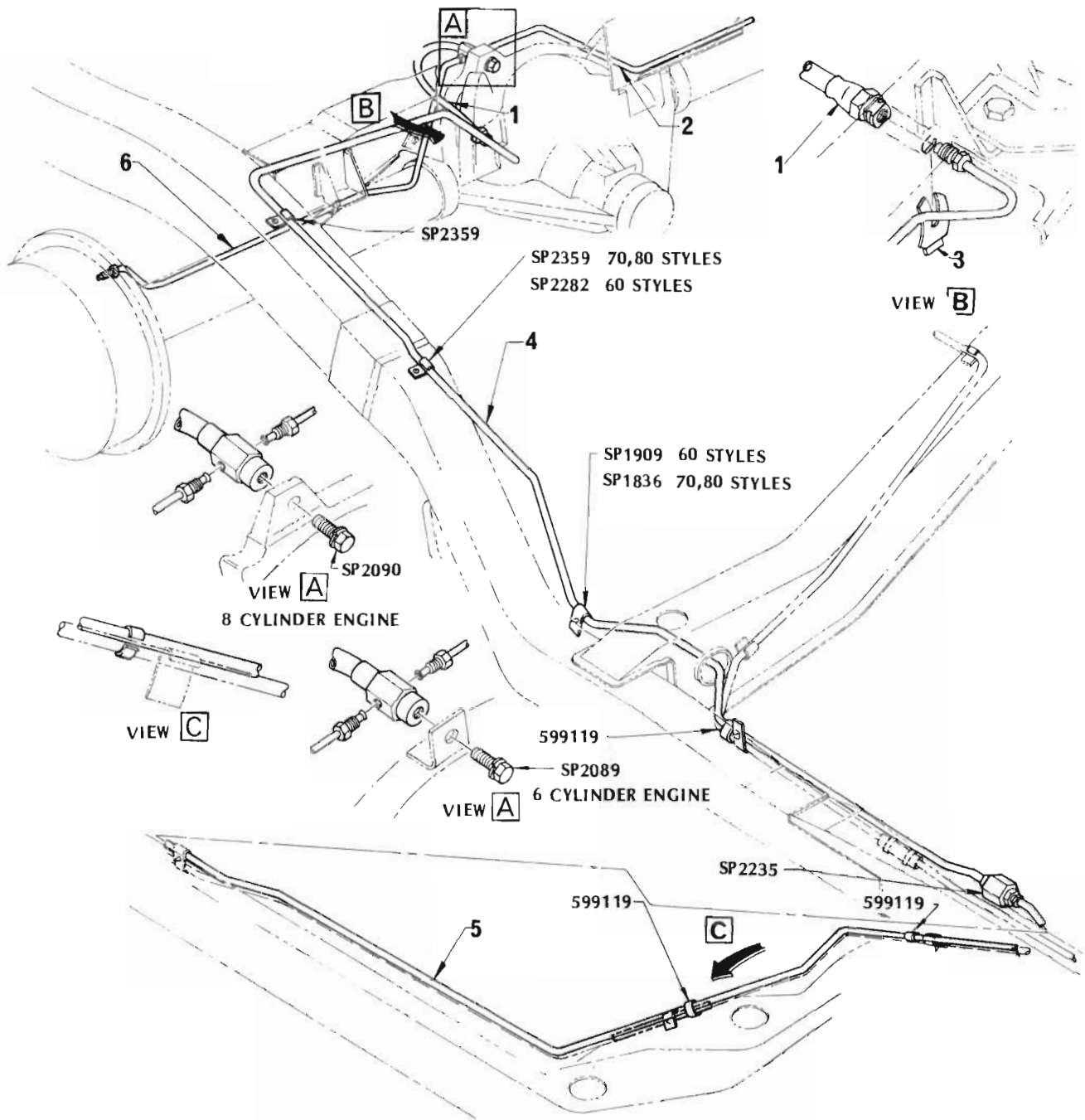
FRONT BRAKE PIPES and HOSES

ILLUS. REF. NO.	PART NAME	GROUP
1.	PIPE ASSEMBLY - Switch to RH front brake	4.685
2.	PIPE ASSEMBLY - Main cylinder to switch - front	4.685
3.	PIPE ASSEMBLY - Main cylinder to switch - rear	4.685
4.	PIPE ASSEMBLY - Switch to LH front brake	4.685
5.	HOSE - Front	4.680
6.	BRACKET - Front brake hose mounting	4.681
7.	SPRING - Yoke	4.681
8.	WASHER - Hose to caliper	4.680



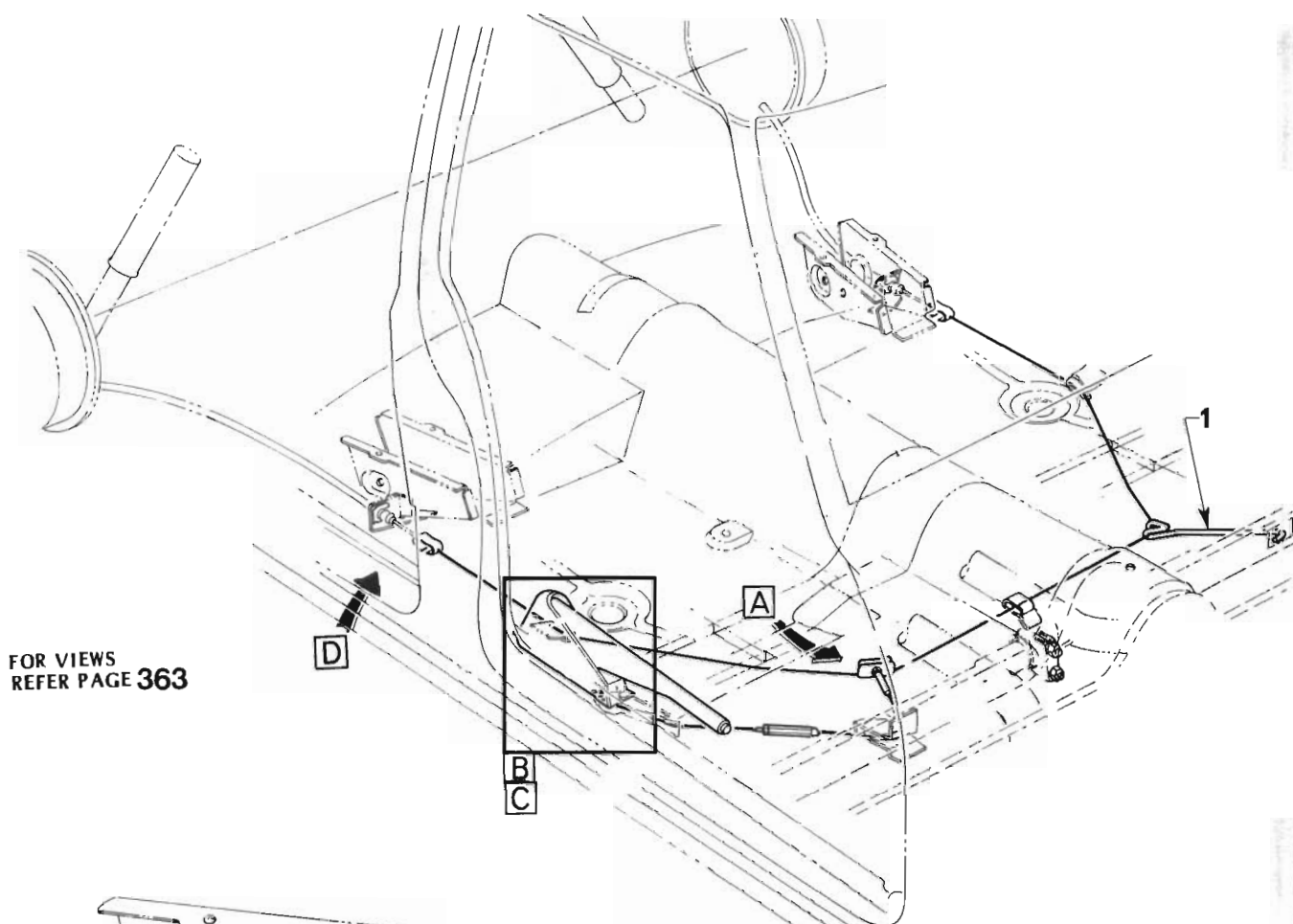
REAR BRAKE PIPES
35, 37, 69 Body Styles

ILLUS. REF.. NO.	PART NAME	GROUP
1.	PIPE ASSEMBLY - Hose to LH rear brake	4.685
2.	HOSE - Rear	4.680
3.	SPRING - Yoke	4.681
4.	PIPE ASSEMBLY - Union to rear hose	4.685
5.	PIPE ASSEMBLY - Switch to union	4.685
6.	PIPE ASSEMBLY - Hose to RH rear brake	4.685

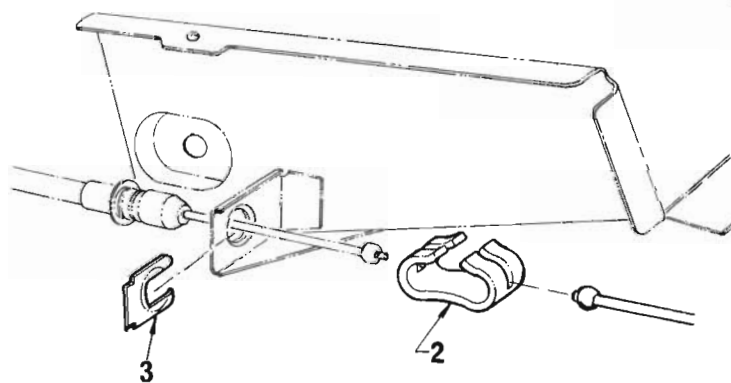


REAR BRAKE PIPES
60, 70, 80 Body Styles

ILLUS. REF. NO.	PART NAME	GROUP
1.	HOSE - Rear	4.680
2.	PIPE ASSEMBLY - Hose to LH rear brake	4.685
3.	SPRING - Yoke	4.681
4.	PIPE ASSEMBLY - Union to rear hose	4.685
5.	PIPE ASSEMBLY - Switch to union	4.685
6.	PIPE ASSEMBLY - Hose to RH rear brake	4.685



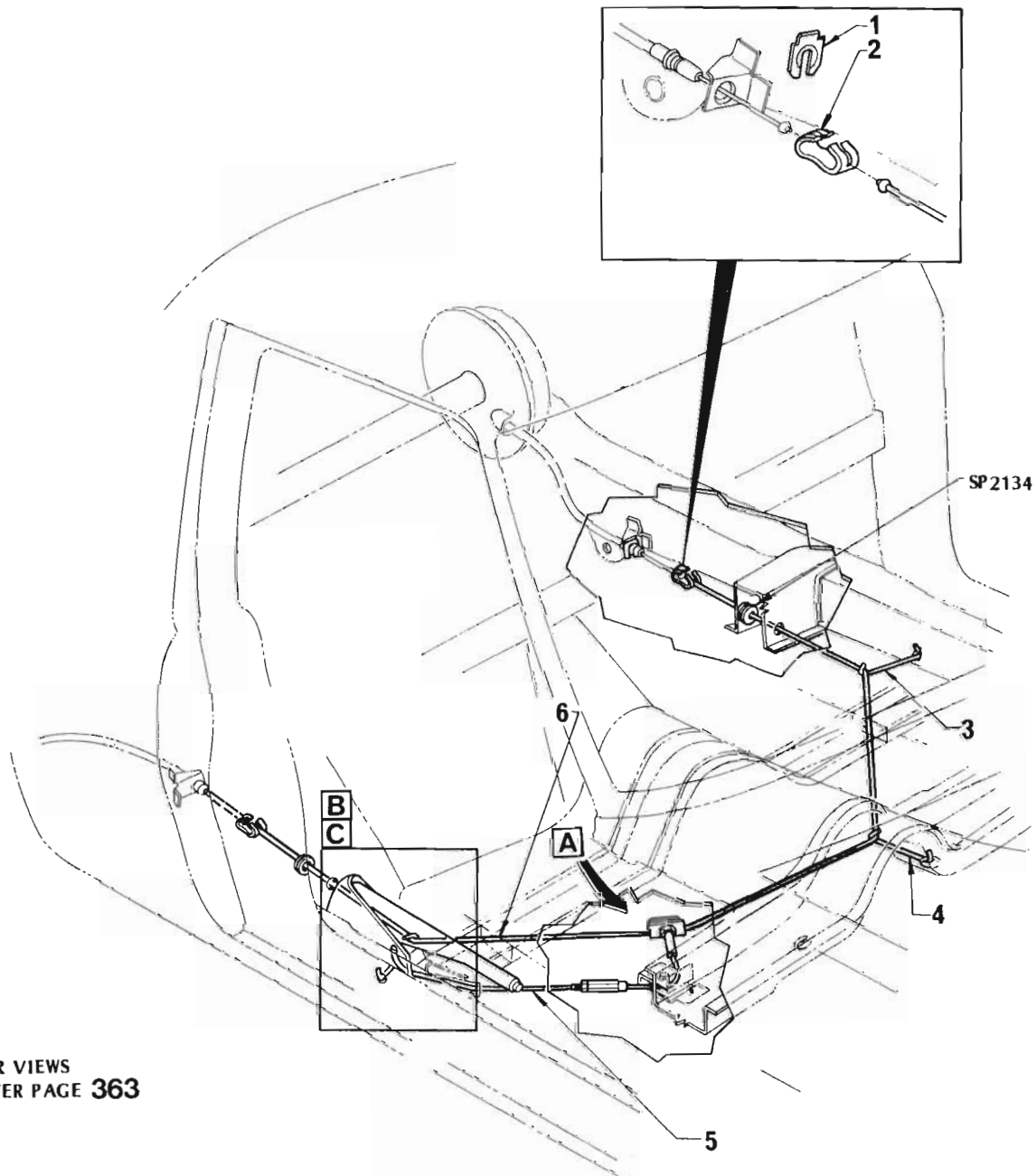
FOR VIEWS
REFER PAGE 363



VIEW **D**

PARKING BRAKE
35, 37, 69' Body Styles

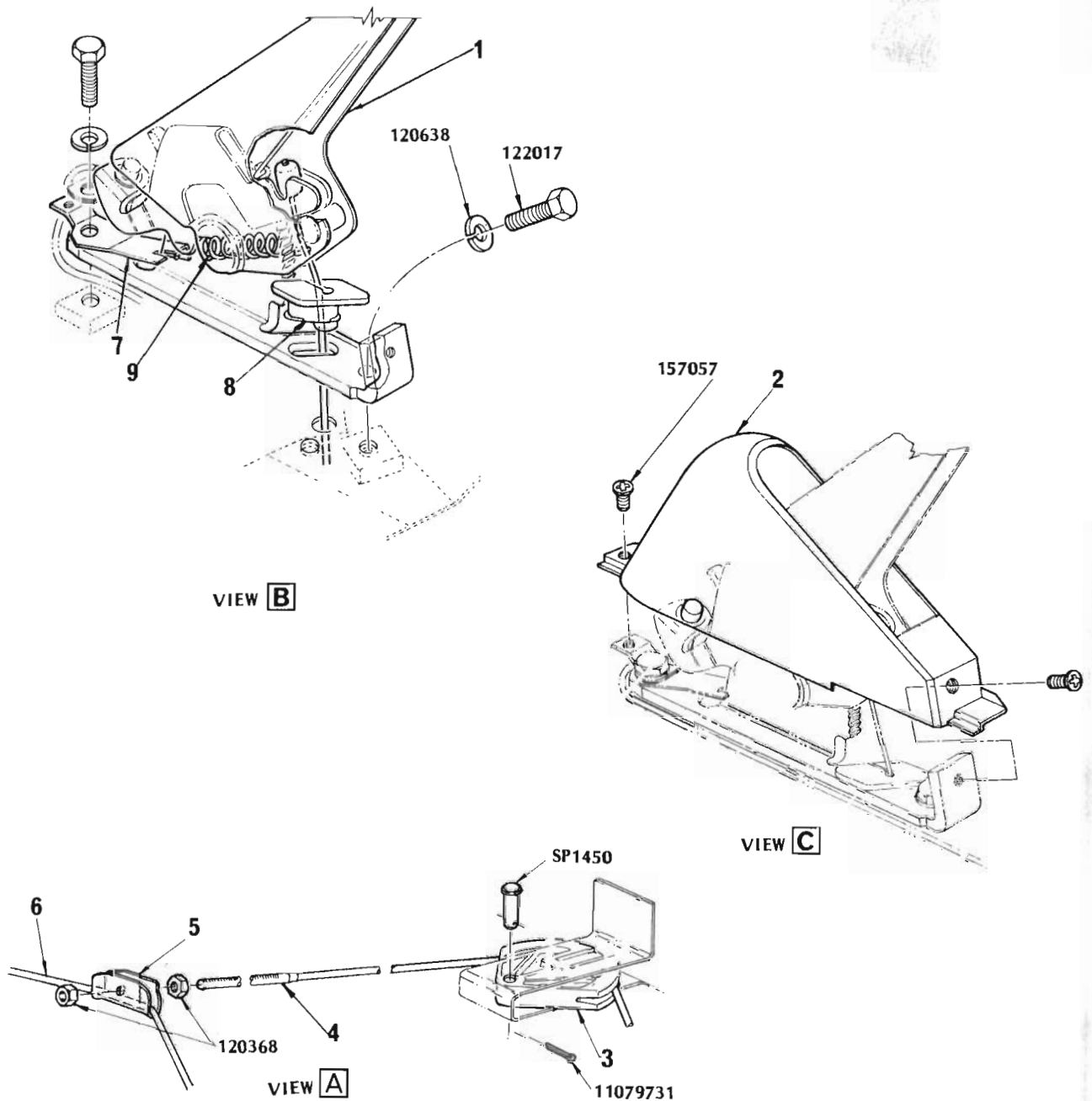
ILLUS. REF. NO.	PART NAME	GROUP
1.	GUIDE - Intermediate cable - front	4.829
2.	CONNECTOR - Hand brake intermediate cable	4.830
3.	SPRING - Yoke	4.826



FOR VIEWS
REFER PAGE 363

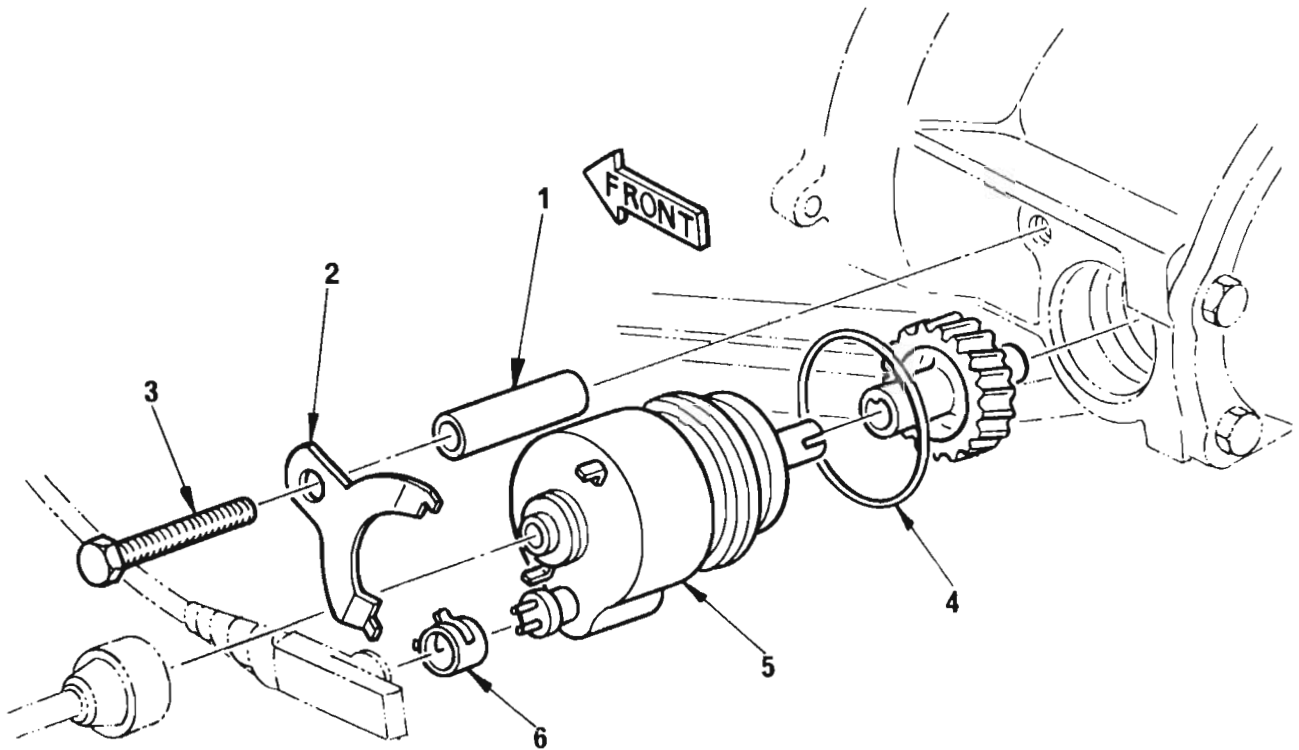
PARKING BRAKE
60, 70, 80 Body Styles

ILLUS. REF. NO	PART NAME	GROUP
1.	SPRING - Yoke	4.826
2.	CONNECTOR - Hand brake intermediate cable	4.830
3.	GUIDE - Intermediate cable to frame	4.829
4.	GUIDE - Intermediate cable to crossbar	4.829
5.	CABLE ASSEMBLY - Front	4.826
6.	CABLE ASSEMBLY - Intermediate	4.826



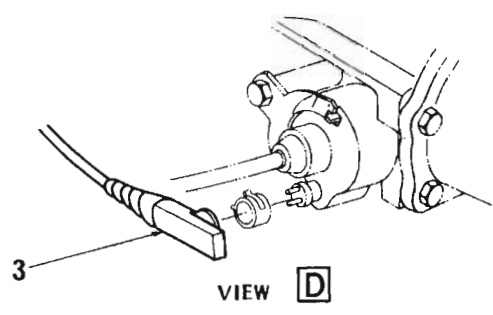
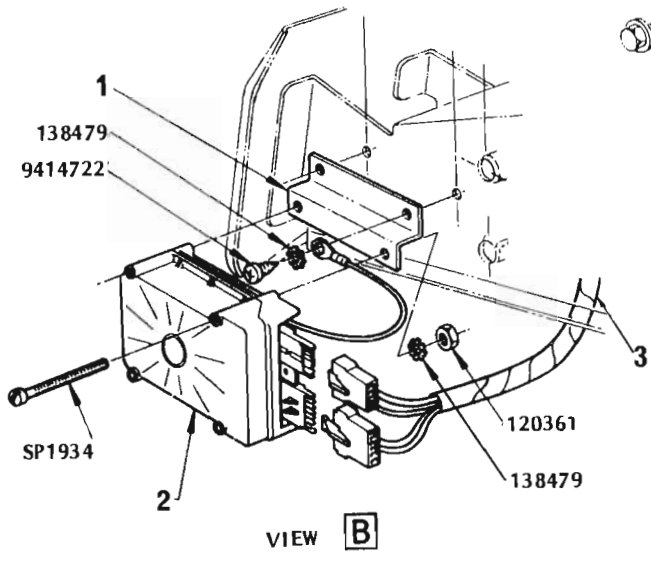
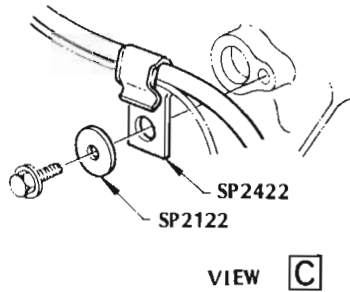
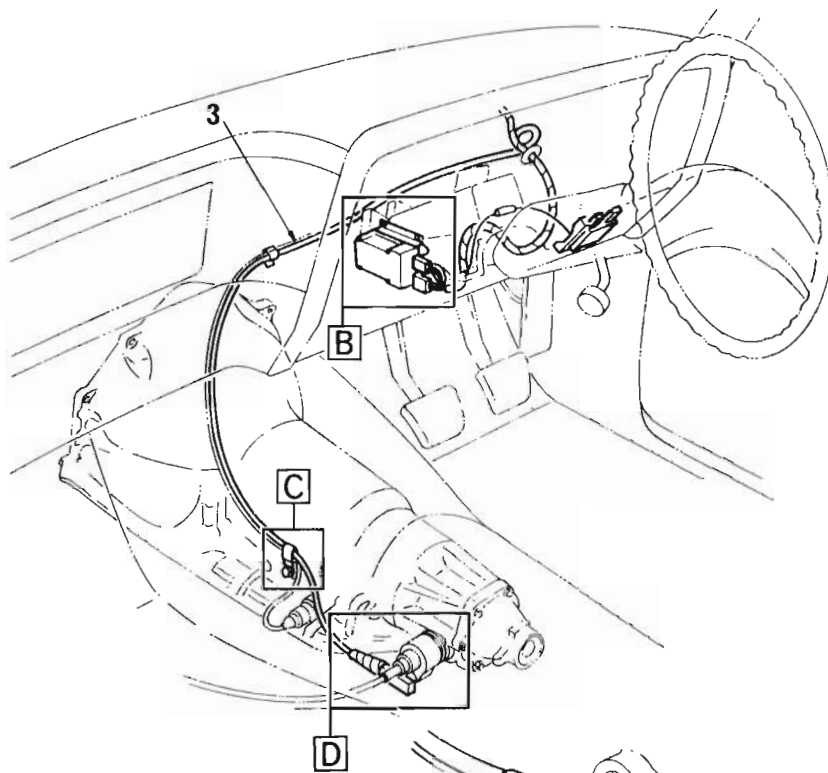
PARKING BRAKE

ILLUS. REF. NO.	PART NAME	GROUP
1.	LEVER ASSEMBLY - Hand brake	4.591
2.	COVER - Hand brake lever	4.608
3.	PULLEY - Front cable	4.700
4.	CABLE ASSEMBLY - Front	4.826
5.	EQUALISER - Front cable	4.764
6.	CABLE ASSEMBLY - Intermediate	4.826
7.	BRACKET - Return spring	4.596
8.	GROMMET - Hand brake cable floor pan	4.834
9.	SPRING - Hand brake lever return	4.596



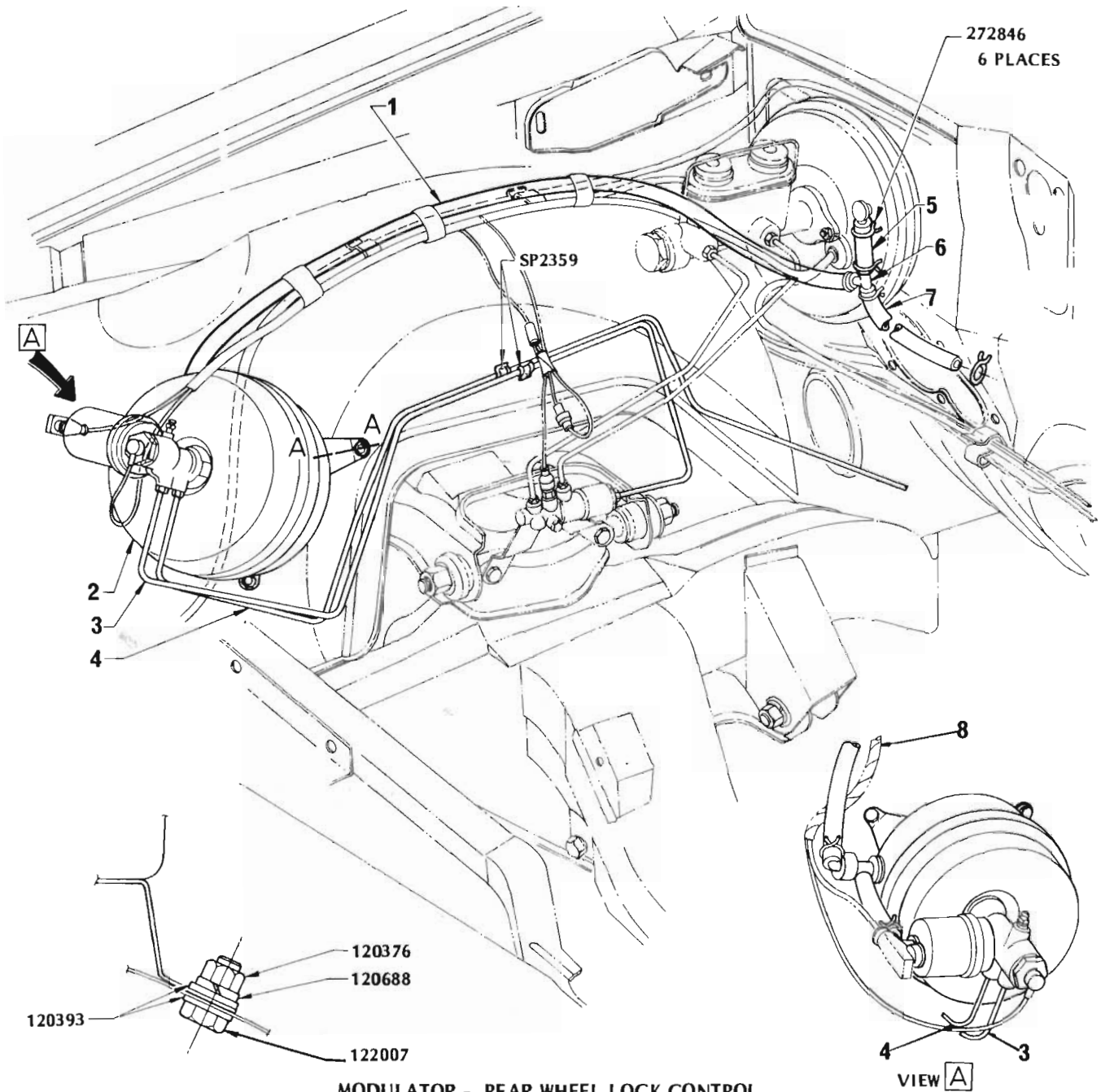
SENSOR – REAR WHEEL LOCK CONTROL

ILLUS. REF. NO.	PART NAME	GROUP
1.	SPACER – Sensor assembly	4.710
2.	RETAINER – Sensor assembly	4.710
3.	BOLT – Sensor assembly to transmission case	4.710
4.	'O' RING – Sensor assembly	4.710
5.	SENSOR ASSEMBLY – Speed	4.710
6.	CLAMP – Harness connector to sensor assembly	4.720



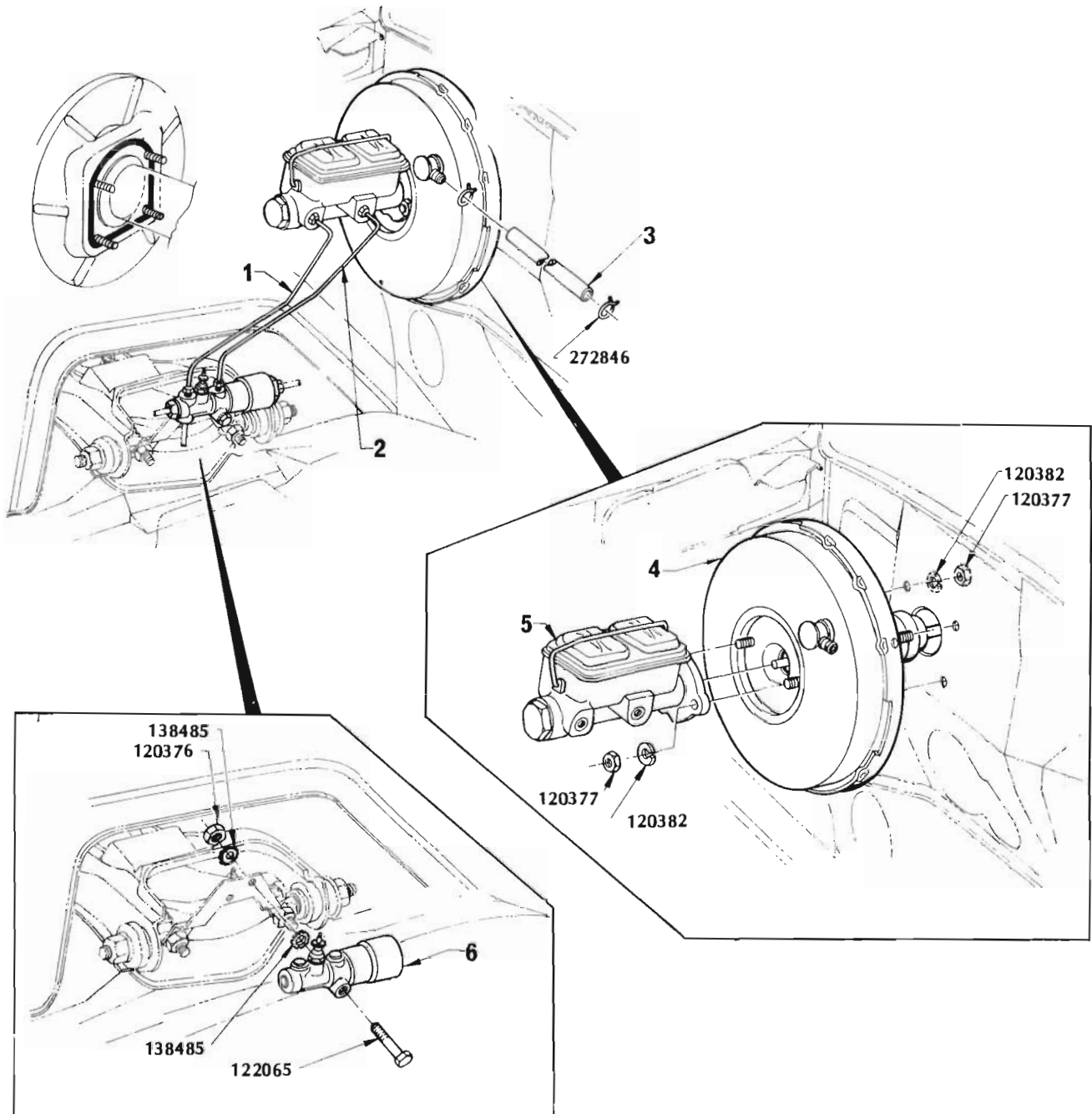
CONTROL UNIT – REAR WHEEL LOCK CONTROL

ILLUS. REF. NO.	PART NAME	GROUP
1.	BRACKET – Control unit to steering column brace	4.720
2.	CONTROL UNIT ASSEMBLY	4.720
3.	HARNESS ASSEMBLY	4.720



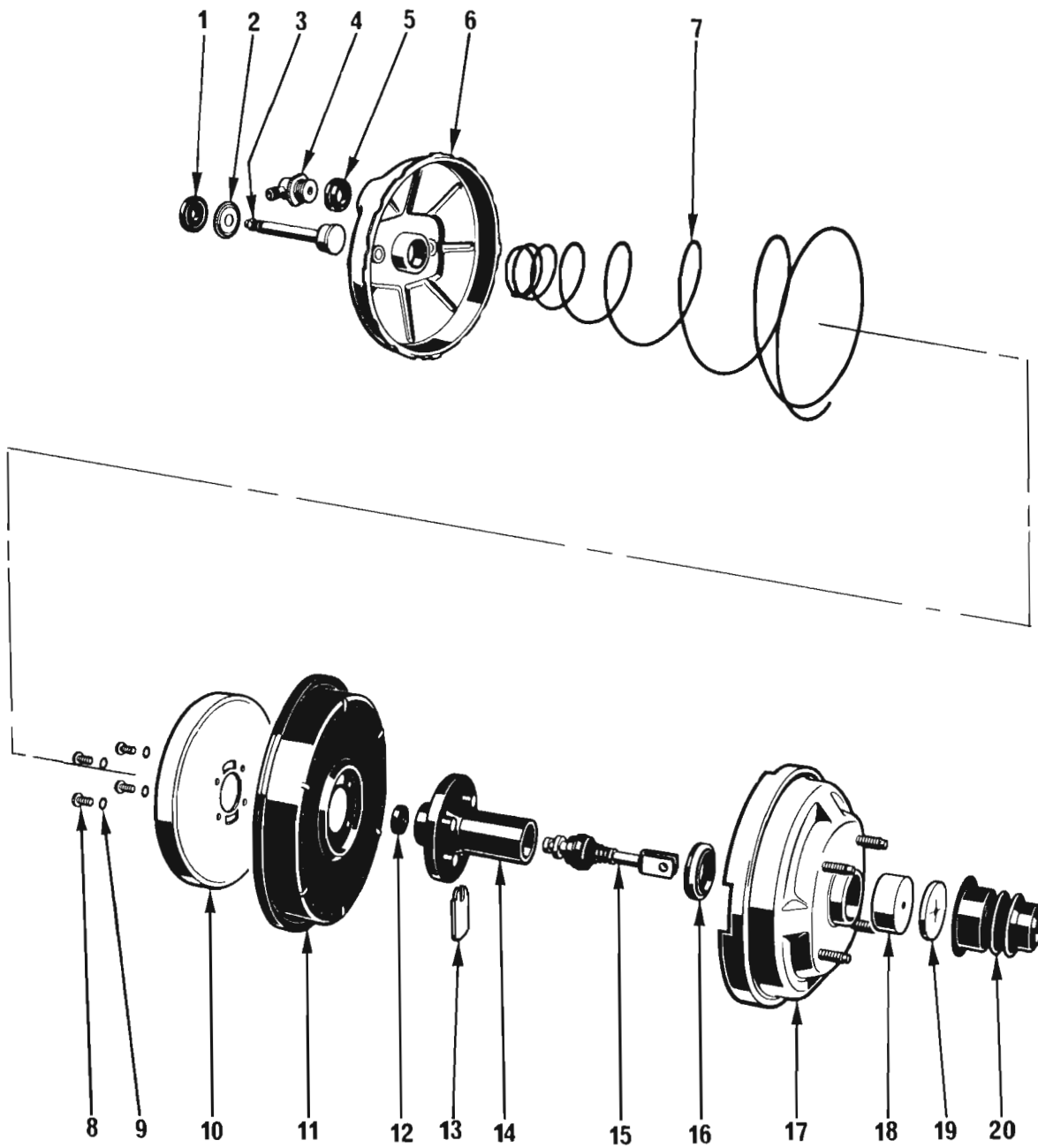
SECTION A-A MODULATOR - REAR WHEEL LOCK CONTROL

ILLUS. REF. NO.	PART NAME	GROUP
1.	HOSE - Modulator vacuum	4.931
2.	MODULATOR ASSEMBLY	4.730
3.	PIPE ASSEMBLY - Switch to modulator	4.685
4.	PIPE ASSEMBLY - Modulator to union rear	4.685
5.	HOSE - Brake vacuum servo to tee connector	4.931
6.	CONNECTOR - Vacuum hose tee	4.931
7.	HOSE - Tee connector to vacuum source	4.931
8.	HARNES ASSEMBLY	4.720



BRAKE BOOSTER and PRESSURE SWITCH

ILLUS. REF. NO.	PART NAME	GROUP
1.	PIPE ASSEMBLY - Main cylinder to switch - front	4.685
2.	PIPE ASSEMBLY - Main cylinder to switch - rear	4.685
3.	HOSE - Brake vacuum servo	4.931
4.	BOOSTER - Servo	4.902
5.	CYLINDER ASSEMBLY	4.650
6.	CONNECTOR, SWITCH & PROPORTIONING VALVE	4.686

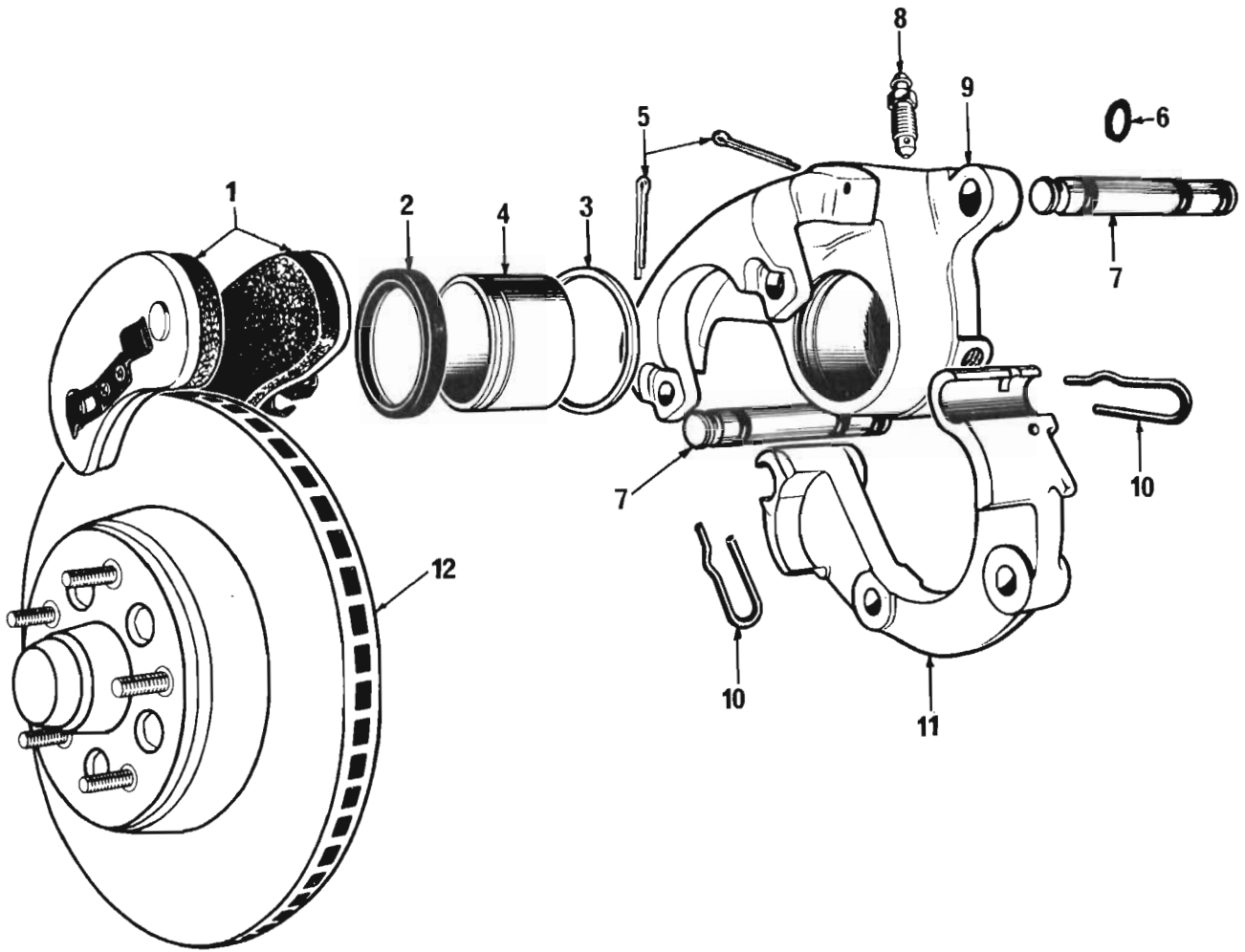


BRAKE BOOSTER – P.B.R.

ILLUSTRATION OPPOSITE

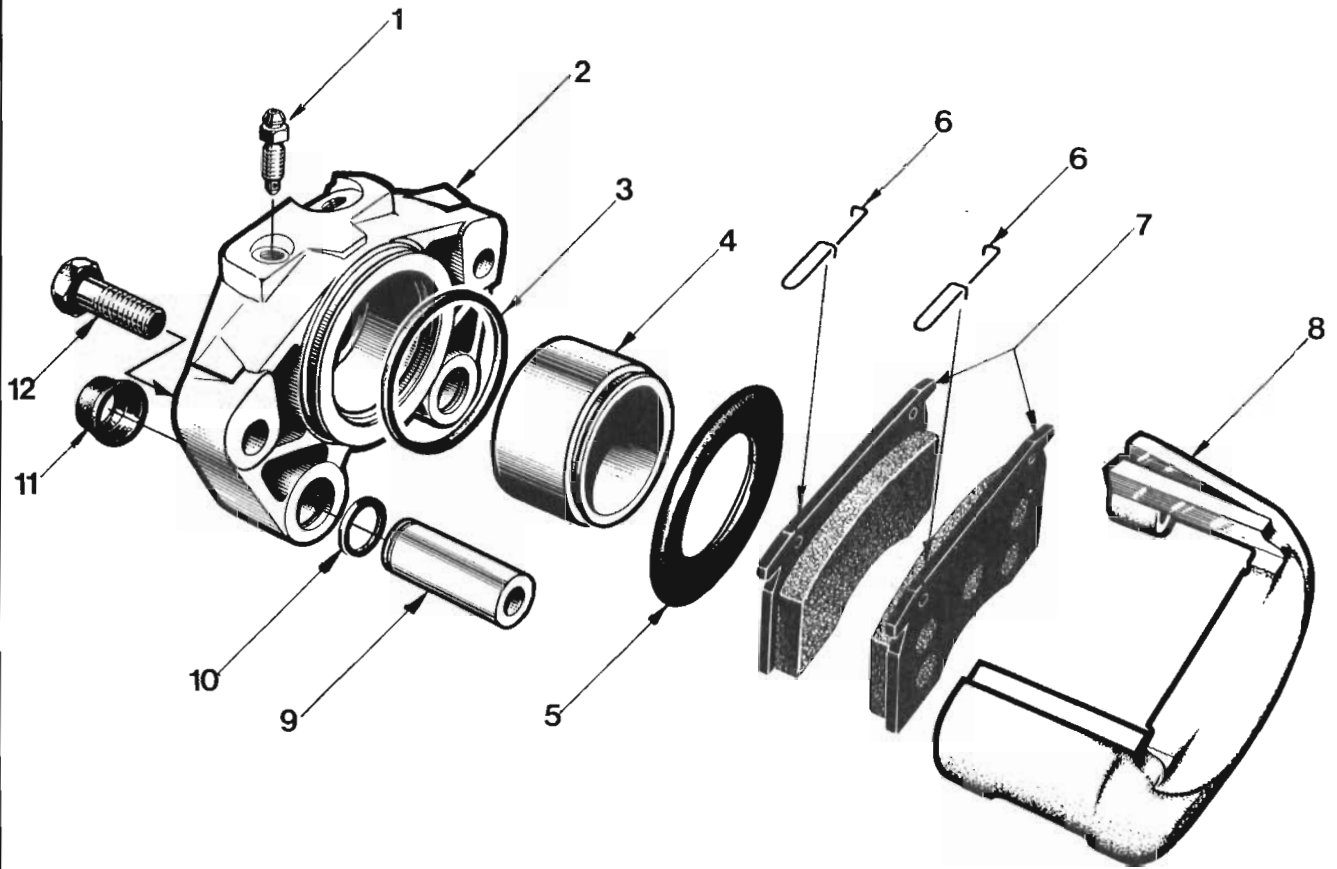
ILLUS. REF. NO.	PART NAME	GROUP
1 – 20.	BOOSTER – Brake vacuum servo	4.902
1.(A)	SEAL – Push rod	4.907
2.	PLATE – Push rod seal support	N. S. S.
3.	PUSH ROD ASSEMBLY	4.907
4.(A)	VALVE ASSEMBLY – Check	4.904
5.(A)	GROMMET – Check valve	4.904
6.	SHELL & STUDS – Front	N. S. S.
7.	SPRING – Return	N. S. S.
8.	SCREW	N. S. S.
9.	WASHER	N. S. S.
10.	PLATE – Pressure	N. S. S.
11.	DIAPHRAGM	N. S. S.
12.(A)	DISC – Reaction	N. S. S.
13.	KEY – Locking	N. S. S.
14.	VALVE BODY	N. S. S.
15.(A)	PLUNGER ASSEMBLY – Valve rod	N. S. S.
16.(A)	SEAL ASSEMBLY – Rear shell	4.908
17.	SHELL & STUDS – Rear	N. S. S.
18.(A)	FILTER	4.903
19.(A)	WASHER – Plunger felt	4.907
20.(A)	BOOT –Plunger	4.907

NOTE: (A) PARTS ARE INCLUDED IN REPAIR KIT – REFER GROUP 4.902



BRAKE CALIPER – P.B.R.
Cast Iron Type

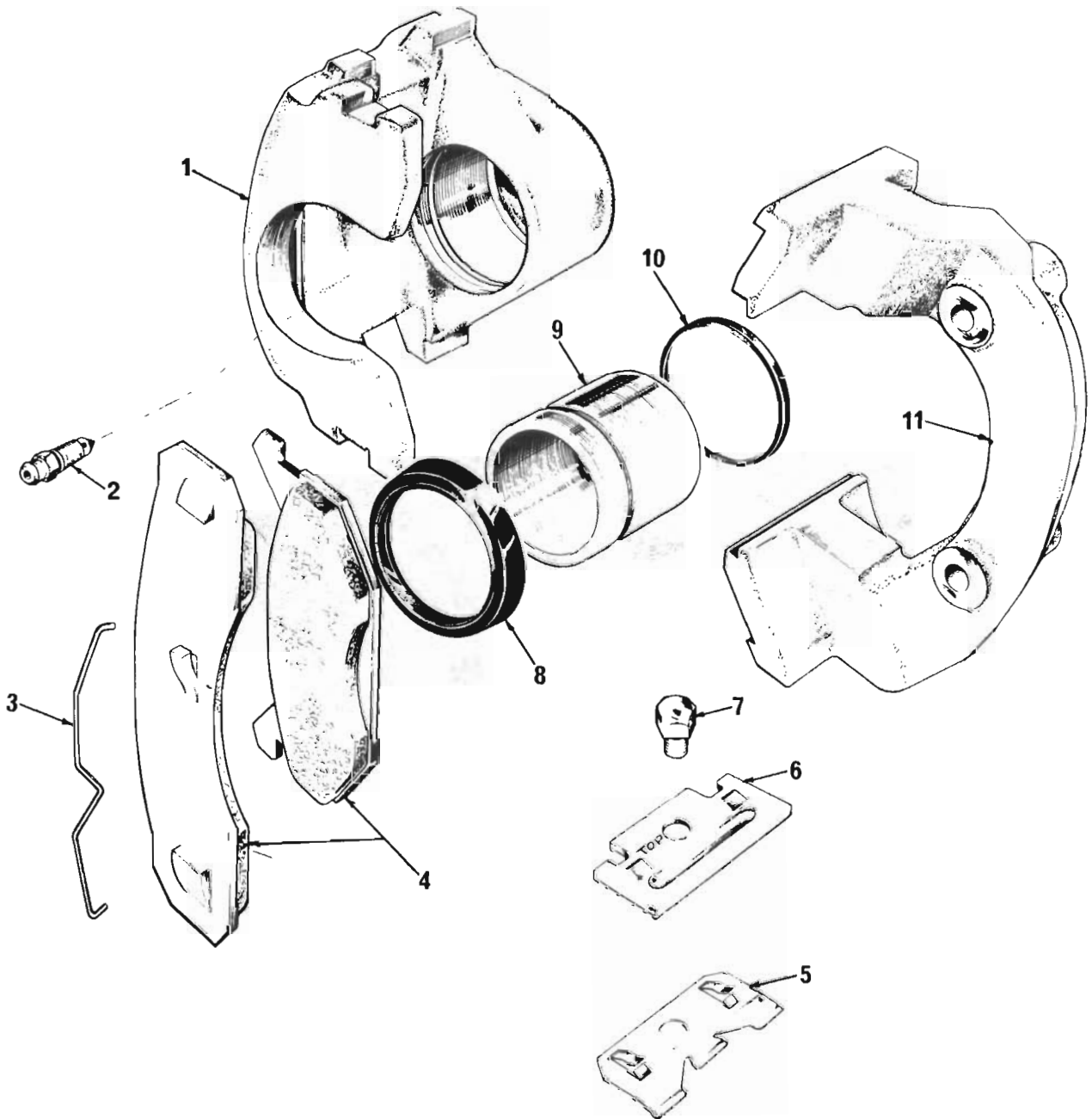
ILLUS. REF. NO.	PART NAME	GROUP
1 – 11.	CALIPER ASSEMBLY	5.010
1.	PAD SET	5.018
2 – 3.	SEAL KIT	4.667
4.	PISTON	4.668
5.		
6. }	PIN KIT	4.665
7. }		
8.	VALVE – Bleeder	4.666
9.	HOUSING	N.S.S.
10.	SPRING – Anti-rattle	5.020
11.	BRACKET	N.S.S.
12.	HUB & DISC – Front wheel	6.307



BRAKE CALIPER – P.B.R.
CAST IRON/ALUMINIUM TYPE

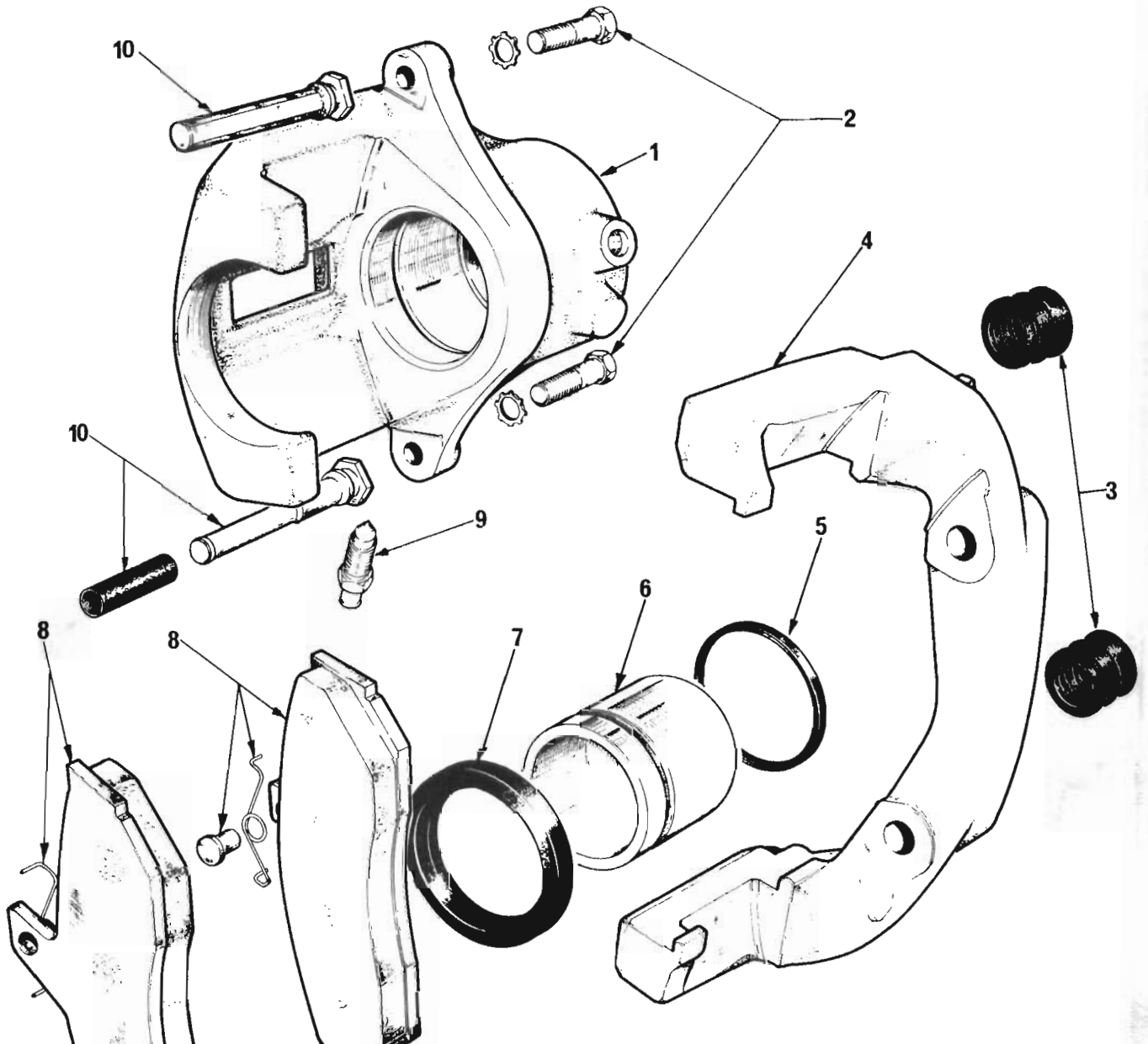
ILLUS. REF. NO.	PART NAME	GROUP
1-11	CALIPER ASSEMBLY	4.665
1	VALVE – Bleeder.....	4.666
2	HOUSING – Caliper	N.S.S.
3 (A	RING – Sealing	N.S.S.
4	PISTON	4.668
5 (A	BOOT – Piston	N.S.S.
6	SPRING – Anti-rattle	4.665
6-7	PAD SET	5.018
8	BRACKET	N.S.S.
9 (B	SLEEVE	N.S.S.
10 (B	RING – Sealing	N.S.S.
11 (B	BOOT	N.S.S.
12	BOLT – Caliper to knuckle	4.665

NOTE: (A PARTS ARE INCLUDED IN SEAL KIT – REFER GROUP 4.667
 (B PARTS ARE INCLUDED IN SLEEVE KIT – REFER GROUP 4.665



BRAKE CALIPER – GIRLOCK
Cast Iron Type

ILLUS. REF. NO.	PART NAME	GROUP
1 – 11.	CALIPER & BRACKET ASSEMBLY	5.010
1.	HOUSING	N.S.S.
2.	VALVE – Bleeder	4.666
3.	PAD SET	5.018
4.		
5.		
6.		
7.	SEAL KIT	4.665
8.		
9.	PISTON	4.668
11.	BRACKET	N.S.S.

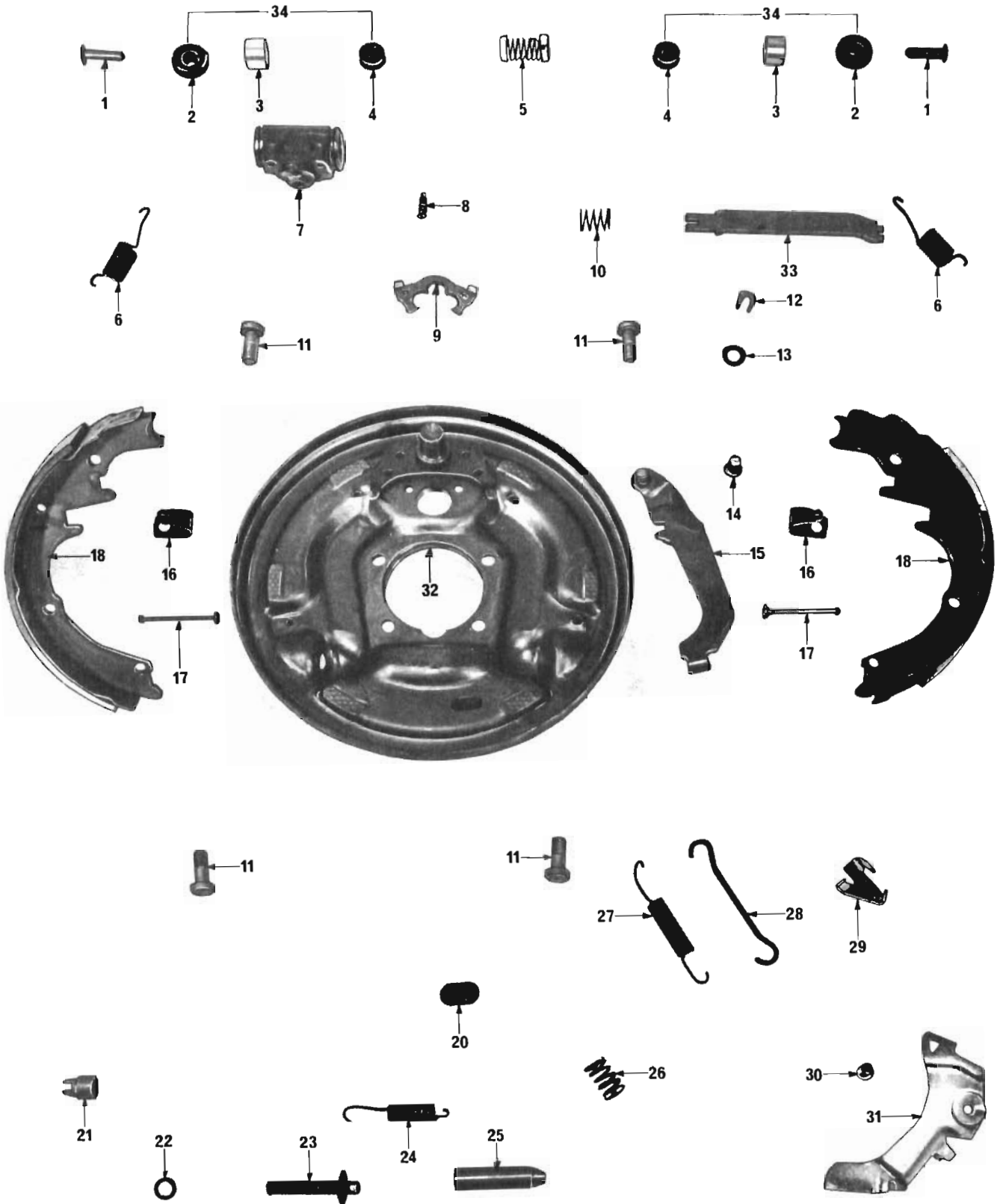


BRAKE CALIPER - GIRLOCK
Cast Iron/Aluminium Type

ILLUS. REF. NO.	PART NAME	GROUP
1 - 10.	CALIPER ASSEMBLY	5.010
1.	HOUSING	N. S. S.
2.(A)	BOLT ASSEMBLY	N. S. S.
3.(A)	BOOT - Guide pin	N. S. S.
4.	PLATE - Anchor	N. S. S.
5.(A)	RING - Sealing	N. S. S.
6.	PISTON - Front caliper	5.018
7.(A)	BOOT - Piston	N. S. S.
8.	PAD SET - Front calipers	5.018
9.	VALVE - Front caliper	5.018
10.(A)	PIN ASSEMBLY	5.018

NOTE: (A) PARTS ARE INCLUDED IN REPAIR KIT - REFER GROUP 4.665

"HX" STATESMAN/HOLDEN PARTS CATALOGUE



REAR BRAKES

ILLUSTRATION OPPOSITE

ILLUS. REF. NO.	PART NAME	GROUP
1.	LINK - Wheel cylinder connecting	4.675
2.(A)	BOOT - Wheel cylinder	4.670
3.	PISTON - Wheel cylinder	4.668
4.(A)	CUP - Wheel cylinder	4.667
5.	SPRING - Wheel cylinder	4.669
6.	SPRING - Brake shoe retractor	5.026
7.	BODY - Wheel cylinder	4.665
8.	VALVE - Bleeder	4.666
9.	PLATE - Shoe guide	5.045
10.	SPRING - Parking lever strut	5.151
11.	BOLT - Plate to axle	5.002
12.	CLIP - Parking lever retainer	5.158
13.	WASHER - Parking lever to secondary shoe	5.158
14.	PIN - Parking lever	5.158
15.	LEVER - Parking brake actuating	5.149
16.	SPRING - Shoe hold down pin	5.043
17.	PIN - Shoe hold down	5.041
18.	SHOE & LINING - Primary, secondary	5.017
19.	LINING SET	5.018
20.	COVER - Adjusting hole	5.188
21.	PLUG - Adjusting screw	5.111
22.	WASHER - Adjusting screw	5.110
23.	SCREW - Adjusting	5.110
24.	SPRING - Adjusting nut	5.026
25.	NUT - Adjusting	5.111
26.	SPRING - Adjuster - return	5.107
27.	SPRING - Adjuster - overload	5.107
28.	LINK - Adjuster	5.105
29.	PLATE - Adjuster lever	5.103
30.	BUSHING - Adjuster	5.103
31.	LEVER - Adjuster	5.103
32.	PLATE ASSY. - Backing	5.001
33.	STRUT - Adjusting lever	5.150
34.	REPAIR KIT	4.665

NOTE. (A) Parts included in Repair Kit. Illus. Ref. No. 34

"HX" STATESMAN/HOLDEN PARTS CATALOGUE

GROUP	DESCRIPTION	MODEL	SIDE	PART No.	QTY.
4.591	LEVER – Hand brake				
	LEVER ASSEMBLY	ALL		2822924	1
	BOLT - Brake ratchet to floor	ALL		122017	2
4.592	GRIP – Hand brake lever				
	GRIP - Black	Kingswood, Premier, GTS, LE, Statesman ..		2820259BA	1
	GRIP - Tan	Premier, GTS, Statesman		2820259DX	1
	GRIP - Sienna	Premier GTS, Statesman		2820259EC	1
4.594	ROD – Hand brake release				
	ROD	ALL		2813876	1
	SPRING - Rod release	ALL		2813877	1
	BUTTON - Rod release	ALL		2813878	1
	GUIDE - Button release	ALL		2813927	1
4.595	LEVER, PAWL – Hand brake ratchet				
	LEVER - Pawl	ALL		2813871	1
	PAWL	ALL		2813875	1
	BOLT - Ratchet to floor	ALL		122017	2
	WASHER - Ratchet to floor	ALL		120638	2
4.596	SPRING, BRACKET – Hand brake lever return				
	SPRING	ALL		2813883	1
	BRACKET - Return spring	ALL		2813884	1
4.608	COVER – Hand brake lever				
	COVER - Black	ALL		2815209BA	1
	COVER - Tan	Premier, GTS, Statesman		2815209DX	1
	COVER - Sienna	Premier, GTS, Statesman		2815209EC	1
	SCREW - Cover	ALL		157057	2
4.610	LAMP – Hand brake warning				
	BODY - Switch	ALL		7418802	1
	SPRING - Switch	ALL		7418544	1
	PLUNGER - Switch	ALL		7418929	1
4.625	PEDAL, PAD, BRACKET – Brake				
	PEDAL ASSEMBLY	(M)		9940770	1
	PEDAL ASSEMBLY	(A)		9940771	1
	PAD - Pedal	(M)		9938601	1
	PAD - Pedal	(A)		9938602	1
	BRACKET - Bumper & stop lamp switch mounting ..	ALL		9941038	1
4.626	BUSH, SPACER – Brake pedal				
	BUSH	ALL		3798256	2
	SPACER	ALL		2814737	1
4.636	BOLT, NUT – Brake pedal retaining				
	BOLT - Pivot	ALL		215723	1
	WASHER - Brake pedal pivot bolt - 1/2" Narrow	ALL		9417098	1
	WASHER - Brake pedal pivot bolt - .53" x 1.06" x .085"	ALL		SP1528	1
	NUT	ALL		SP2561	1
4.639	SPRING, EXTENSION – Brake pedal return				
	SPRING	ALL		9940773	1
	EXTENSION - Return spring	ALL		9928919	1
4.649	REPAIR KIT – Brake main cylinder				
	REPAIR KIT - Less pistons	ALL		2824362	1
	NOTE: Discard one valve.				

"HX" STATESMAN/HOLDEN PARTS CATALOGUE

GROUP	DESCRIPTION	MODEL	SIDE	PART No.	QTY.
4.650	CYLINDER, BODY – Brake main				
	CYLINDER ASSEMBLY	ALL		9930515	1
	BODY	ALL		2811649	1
4.651	COVER, DIAPHRAGM, BAIL – Brake main cylinder				
	COVER	ALL		2811650	1
	DIAPHRAGM - Cover	ALL		2811651	1
	BAIL - Cover	ALL		2823803	1
4.652	INSERT, PLUG, WASHER – Brake main cylinder				
	INSERT - Tube fitting	ALL		5452322	2
	PLUG	ALL		7433139	1
	WASHER - Plug	ALL		7433162	1
4.653	PISTON – Brake main cylinder				
	PISTON - Primary	ALL		9930519	1
	PISTON - Secondary	ALL		7434961	1
	STOP - Primary piston	ALL		5452315	1
	SCREW - Primary piston stop	ALL		5464418	1
4.654	PROTECTOR, SEAL – Brake main cylinder piston				
	PROTECTOR	ALL		5462635	2
	SEAL - $\frac{5}{16}$ " I.D.	ALL		5453620	2
	SEAL - $\frac{5}{8}$ " I.D.	ALL		5460195	3
4.655	SPRING, RETAINER – Brake main cylinder piston				
	SPRING & RETAINER ASSEMBLY - Secondary	ALL		2819950	1
	SPRING - Primary	ALL		5452520	1
	RETAINER - Primary spring	ALL		5464424	1
4.656	RING, SCREW – Brake main cylinder				
	RING - Lock	ALL		5467356	1
	SCREW - Primary piston extension	ALL		5452519	1
4.657	VALVE, SPRING – Brake main cylinder check				
	VALVE ASSEMBLY	ALL		5462642	2
	SPRING - Valve	ALL		5462637	2
4.662	PIN, WASHER – Brake main cylinder rod end				
	PIN - Clevis, .375" x 1.06"	ALL		9928956	1
	WASHER	ALL		7411849	1
	PIN - Cotter	ALL		11079741	1
4.665	CALIPER – Front wheel brake				
	CALIPER & BRACKET ASSY - Cast iron type .(PBR)	ALL	LH	9933233	1
			RH	9933234	1
	CALIPER & BRACKET ASSY. - Cast iron type(Girlock)	ALL	LH	9929899	1
			RH	9929900	1
	CALIPER ASSY. - Cast iron & aluminium type.(PBR)	ALL	LH	9942679	1
			RH	9942680	1
	CALIPER ASSY. - Cast iron & aluminium type..(Girlock)	ALL	LH	9943099	1
			RH	9943098	1
	BOLT - Caliper to knuckle	ALL		181677	4
	BOLT - Caliper to knuckle	ALL		181671	4
	WASHER - Caliper to knuckle	ALL		103322	4
	REPAIR KIT - Caliper	ALL		(¹⁰⁰ VS13647	2
NOTE: Girlock Repair Kit contains - 1 Sealing Ring, 1 Boot, 1 Bush & 1 Guide Pin Boot					
Note: (¹⁰⁰ Use with cast/aluminium type caliper.					

"HX" STATESMAN/HOLDEN PARTS CATALOGUE

GROUP	DESCRIPTION	MODEL	SIDE	PART No.	QTY.
4.665	CYLINDER, BODY, REPAIR KIT – Rear wheel brake				
	CYLINDER ASSEMBLY - 7/8" Dia.	ALL		7438310	2
	BODY - 7/8" Dia.	ALL		7438311	2
	BOLT - Cylinder to backing plate	ALL		180015	4
	WASHER - Cylinder to backing plate	ALL		120380	4
	REPAIR KIT - 7/8" Dia. cyl.	ALL		7439077	2
4.665	SPRING – Brake caliper pad				
	SPRING - Anti-rattle(P.B.R.)	ALL		(⁹⁹ VS11928)	4
	SPRING - Anti-rattle(P.B.R.)	ALL		(¹⁰⁰ VS13741)	2
4.665	PIN – Brake caliper				
	PIN KIT - Caliper(P.B.R.)	ALL		(⁹⁹ VS12600)	2
	PIN ASSEMBLY - Guide(Girlock)	ALL		(¹⁰⁰ VS13645)	2
4.666	VALVE – Wheel brake bleeder				
	VALVE - Rear cylinder	ALL		7420715	2
	VALVE - Front caliper(P.B.R.)	ALL		(⁹⁹ VS11926)	2
	VALVE - Front caliper(Girlock)	ALL		(⁹⁹ VS12635)	2
	VALVE - Front caliper(Girlock)	ALL		(¹⁰⁰ VS13646)	2
4.667	CUP – Rear wheel brake cylinder				
	CUP - 7/8" Dia.	ALL		5455481	4
4.667	SEAL KIT – Front caliper				
	SEAL KIT - Front caliper(P.B.R.)	ALL		(⁹⁹ VS11918)	1
	SEAL KIT - Front caliper(Girlock)	ALL		(⁹⁹ VS12636)	2
4.668	PISTON – Wheel brake cylinder, caliper				
	PISTON - Front caliper(P.B.R.)	ALL		(⁹⁹ VS11927)	2
	PISTON - Front caliper(Girlock)	ALL		(⁹⁹ VS12628)	2
	PISTON - Front caliper(P.B.R.)	ALL		(¹⁰⁰ VS13740)	2
	PISTON - Front caliper(Girlock)	ALL		(¹⁰⁰ VS13644)	2
	PISTON - Rear - 7/8" Dia.	ALL		7438367	4
4.669	SPRING – Rear wheel brake cylinder cup				
	SPRING - 7/8" Dia. cyl.	ALL		5455421	2
4.670	BOOT – Rear wheel brake cylinder				
	BOOT - 7/8" Dia. cyl.	ALL		7438425	4
4.670	SHIELD – Disc brake caliper – Out Back Equipment				
	SHIELD	ALL	LH	9937271	1
			RH	9937270	1
4.675	LINK – Rear wheel brake cylinder connecting				
	LINK	ALL		7433172	4
4.680	HOSE, WASHER – Brake				
	HOSE - Front	ALL		(⁹⁹ 2816279)	2
	HOSE - Front	ALL		(¹⁰⁰ 9928589)	2
	WASHER - Hose to caliper	ALL		7410046	2
	HOSE - Rear	35, 37, 69		2822916	1
	HOSE - Rear	60, 70, 80		2822480	1
	BOLT - Hose to rear axle	Banjo type rear axle		SP2089	1
	BOLT - Hose to rear axle	Salisbury type rear axle		SP2090	1

Note: (⁹⁹ Use with cast iron type caliper including mounting bracket.
(¹⁰⁰ Use with cast/aluminium type caliper.

"HX" STATESMAN/HOLDEN PARTS CATALOGUE

GROUP	DESCRIPTION	MODEL	SIDE	PART No.	QTY.
4.681	BRACKET, SPRING – Brake hose				
	BRACKET – Front brake hose mounting	ALL		2816280	2
	BOLT – Bracket to frame	ALL		SP2240	2
	SPRING – Yoke	ALL		476737	3
4.685	PIPE, CLIP – Brake				
	PIPE ASSY. – Main cylinder to switch (Front)	ALL		9935214	1
	PIPE ASSY. – Main cylinder to switch (Rear)	ALL		9935215	1
	PIPE ASSY. – Switch to modulator	Rear Wheel Lock Control		9935575	1
	PIPE ASSY. – Modulator to union rear	Rear Wheel Lock Control		9935576	1
	PIPE ASSY. – Switch to LH front brake	ALL		9935217	1
	PIPE ASSY. – Switch to RH front brake	ALL		9935216	1
	PIPE ASSY. – Switch to union	35, 37, 69		9935218	1
	PIPE ASSY. – Switch to union	60, 70, 80		9936912	1
	PIPE ASSY. – Union to rear hose	35		9936915	1
	PIPE ASSY. – Union to rear hose	37, 69 exc. Statesman		9936914	1
	PIPE ASSY. – Union to rear hose	Statesman		9936915	1
	PIPE ASSY. – Union to rear hose	60		9937147	1
	PIPE ASSY. – Union to rear hose	70, 80		9937148	1
	PIPE ASSY. – Hose to LH rear brake	35, 37, 69		2824711	1
	PIPE ASSY. – Hose to RH rear brake	35, 37, 69		2824700	1
	PIPE ASSY. – Hose to LH rear brake	60, 70, 80		2817154	1
	PIPE ASSY. – Hose to RH rear brake	60, 70, 80		2816679	1
	NUT – Pipe $\frac{3}{16}$ " inv. fld. tube $\frac{1}{16}$ " – 24	ALL		7434312	2
	CLIP – Brake pipe to crossmember	ALL		2808752	3
	CLIP – Brake pipe and fuel pipe	60, 70, 80		599119	3
	CLIP – Brake pipe to frame	60		SP2359	1
	CLIP – Brake pipe to frame	70, 80		SP2359	2
	CLIP – Brake pipe to fender skirt	Rear Wheel Lock Control		SP2359	1
	CLIP – Brake pipe to rear axle housing	ALL		7415654	2
	CLIP – Brake pipe to frame	70, 80, Caprice		SP1836	1
	CLIP – Brake pipe to frame	60		SP1909	1
	CLIP – Brake pipe and wiring harness	60		SP2282	1
	CLIP – Brake pipe to underbody	ALL		9937636	1
4.686	CONNECTOR and SWITCH – Brake pressure warning				
	CONNECTOR, SWITCH & PROPORTIONING VALVE	ALL		9929907	1
	SWITCH ASSEMBLY – Pressure warning	ALL		VS11789	1
	BRACKET ASSEMBLY – Warning switch	ALL		9931673	1
	BOLT – Warning switch to bracket	ALL		122065	1
	WASHER – Warning switch to bracket	ALL		138485	2
	NUT – Warning switch to bracket	ALL		120376	1
	NUT – $\frac{3}{16}$ " inv. fld. tube	ALL		137396	AR
4.686	UNION – Front pipe to rear pipe				
	UNION – Front pipe to rear pipe	ALL		SP2235	1
4.700	PULLEY, BRACKET – Hand brake cable				
	PULLEY – Front cable	ALL		2818506	1
	PIN – Pulley clevis .375" x 1.06"	ALL		SP1450	1
	BRACKET – Pulley	35, 37, 69		2810379	1
	BRACKET – Pulley	60, 70, 80		2815357	1
4.710	SENSOR – Rear Wheel Lock Control				
	SENSOR ASSEMBLY	ALL		6494725	1
	SPACER – Sensor to transmission	ALL		1235439	1
	RETAINER – Sensor to transmission	ALL		1235440	1
	'O' RING – Sensor to transmission	ALL		1240561	1
	BOLT – Sensor retainer to transmission	ALL		3826039	1
	CLAMP – Sensor connector	ALL		3786276	1

"HX" STATESMAN/HOLDEN PARTS CATALOGUE

GROUP	DESCRIPTION	MODEL	SIDE	PART No.	QTY.
4.720 CONTROL UNIT – Rear Wheel Lock Control					
	CONTROL UNIT ASSEMBLY	ALL		6495870	1
	BRACKET - Control unit	ALL		9941718	1
	SCREW - Control unit to bracket	ALL		SP1934	2
	WASHER - Control unit to bracket	ALL		138479	2
	NUT - Control unit to bracket	ALL		120361	2
	SCREW - Control earth wire to bracket	ALL		SP2165	2
	WASHER - Control earth wire to bracket	ALL		138479	1
4.720 HARNESS – Rear Wheel Lock Control					
	HARNESS ASSEMBLY	ALL		9941695	1
4.730 MODULATOR – Rear Wheel Lock Control					
	MODULATOR ASSEMBLY	ALL		9935978	1
	BOLT - Modulator to fender skirt	ALL		122007	1
	WASHER - Modulator to fender skirt	ALL		120393	1
	WASHER - Modulator to fender skirt	ALL		120638	1
	NUT - Modulator to fender skirt	ALL		120376	1
4.740 HOSE, TEE – Rear Wheel Lock Control					
	HOSE - Modulator vacuum	ALL		7430183	1
	HOSE - Booster to tee	ALL		9944173	1
	HOSE - Tee to vacuum	ALL		7439856	1
	TEE - Vacuum hose	ALL		343353	1
	CLAMP - Hose to modulator	ALL		272846	1
	CLAMP - Hose to tee	ALL		272846	3
4.764 EQUALISER – Hand brake cable					
	EQUALISER - Front cable	ALL		6256437	1
4.826 CABLE – Hand brake					
	CABLE ASSEMBLY - Front	ALL		2810381	1
	CABLE ASSEMBLY - Intermediate	Station wagon, Statesman		2812072	1
	CABLE ASSEMBLY - Intermediate	Belmont Sedan, Kingswood Sedan, Premier Sedan, GTS, LE		2810388	1
	CABLE ASSEMBLY - Intermediate	Chassis & Cab		2815185	1
	CABLE ASSEMBLY - Intermediate	Panel Van, Utility		2815109	1
	CABLE & CONDUIT ASSEMBLY - Rear	Station Wagon, Sedan, Le		2810513	2
	CABLE & CONDUIT ASSEMBLY - Rear	Chassis & cab, Panel van, Utility		2815186	2
	GROMMET - Intermediate cable	Chassis & Cab, Panel van, Utility		SP2134	2
	SPRING - Yoke	ALL		476737	2
	NUT - Front cable	ALL		120368	2
4.829 BRACKET, GUIDE – Hand brake cable					
	BRACKET - Rear cable	35, 37, 69	LH	2810385	1
			RH	2810384	1
	BRACKET - Rear cable	60, 70, 80	LH	2815187	1
			RH	2815188	1
	GUIDE - Front cable	ALL		2824144	1
	GUIDE - Intermediate cable (front)	35, 37, 69		2810496	1
	GUIDE - Intermediate cable (rear)	35, 37, 69	LH	2810383	1
			RH	2810382	1
	GUIDE - Exhaust balance pipe	Dual Exhaust		2820271	1
	GUIDE - Intermediate cable to crossbar	60, 70, 80		2815190	1
	GUIDE - Intermediate cable to frame	60, 70, 80		2815189	2
4.830 CONNECTOR – Hand brake intermediate cable					
	CONNECTOR	ALL		3770112	2

"HX" STATESMAN/HOLDEN PARTS CATALOGUE

GROUP	DESCRIPTION	MODEL	SIDE	PART No.	QTY.
4.834	GROMMET – Hand brake cable floor pan				
	GROMMET	ALL		2810696	1
4.902	BOOSTER, REPAIR KIT – Brake vacuum servo				
	BOOSTER - (Branded VH277)	ALL		9940772	1
	REPAIR KIT - (Booster VH277)	ALL		VS13688	1
	WASHER - Booster to main cylinder	ALL		120382	2
	NUT - Booster to main cylinder	ALL		120377	2
4.903	FILTER – Brake vacuum servo booster				
	FILTER	ALL		VS10577	1
4.904	VALVE, GROMMET – Brake vacuum servo booster				
	VALVE ASSEMBLY - Check	ALL		9938160	1
	GROMMET - Check valve	ALL		9929528	1
4.906	PRESSURE PLATE – Brake vacuum servo booster				
	PRESSURE PLATE & VALVE BODY - Diaphragm ...	ALL		VS12149	1
4.907	SEAL, DISC, PUSH ROD, BOOT – Brake vacuum servo booster				
	SEAL - Push rod	ALL		VS10576	1
	PUSH ROD ASSEMBLY	ALL		VS13110	1
	PIN - Push rod	ALL		11079741	1
	WASHER - Push rod felt	ALL		VS10578	1
	BOOT	ALL		VS13022	1
4.908	SEAL, DIAPHRAGM – Brake vacuum servo booster				
	SEAL ASSEMBLY - Rear shell	ALL		VS10579	1
	DIAPHRAGM - Rear	ALL		VS11933	1
4.931	HOSE, CLAMP – Brake vacuum servo				
	HOSE	(M) 6 Cyl. Eng.		9944327	1
	HOSE	(A) 6 Cyl. Eng.		7434510	1
	HOSE	8 Cyl. Eng. exc. Statesman		7449240	1
	HOSE	Statesman		2812928	1
	CLAMP - Hose	ALL		272846	2
5.001	PLATE – Brake backing				
	PLATE ASSEMBLY - Rear	ALL	LH	2814721	1
			RH	2814722	1
5.002	BOLT – Brake backing plate mounting				
	BOLT - Rear plate to axle	ALL		2817738	8
	WASHER - Rear plate to axle	ALL		103321	8
	NUT - Rear plate to axle	ALL		103026	8
5.010	CALIPER – Disc brake				
	Refer Group 4.665				
5.017	SHOE and LINING – Brake				
	SHOE & LINING SET - Rear (Rivetted)	ALL		2819720	1
	SHOE & LINING SET - Rear (Rivetted) .030" O/S ...	ALL		2819724	1
5.018	PAD SET, LINING SET – Brake				
	PAD SET - Front brake(P.B.R.)	ALL		⁽⁹⁹⁾ VS12599	1
	PAD SET - Front brake - inner(P.B.R.)	ALL		⁽⁹⁹⁾ VS13602	1
	PAD SET - Front brake(P.B.R.)	ALL		⁽¹⁰⁰⁾ VS13738	1
	PAD SET - Front brake (Without hardware) (Girlock)	ALL		⁽⁹⁹⁾ VS12651	1

Note: ⁽⁹⁹⁾ Use with cast iron type caliper including mounting bracket.
⁽¹⁰⁰⁾ Use with cast/aluminium type caliper.

"HX" STATESMAN/HOLDEN PARTS CATALOGUE

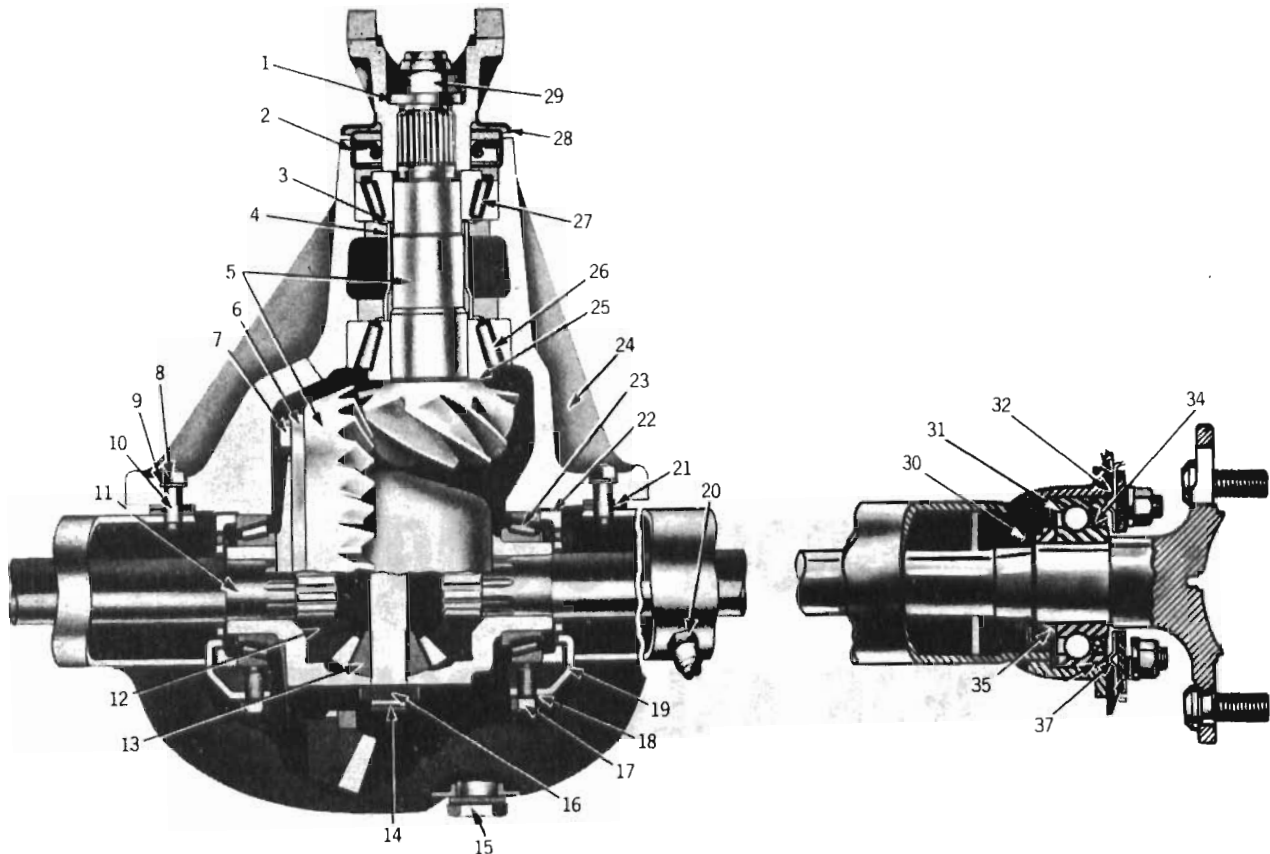
GROUP	DESCRIPTION	MODEL	SIDE	PART No.	QTY.
5.018	PAD SET, LINING SET – Brake (contd.)				
	PAD SET - Front brake (with hardware)(Girlock)	ALL		(⁹⁸ VS12640	1
	PAD SET - Front brake - Inner(Girlock)	ALL		(⁹⁹ VS13603	1
	PAD SET - Front brake - Heavy duty	ALL		(⁹⁸ VS13018	1
	LINING SET - Rear (2 Wheels)	ALL		2819726	1
	LINING SET - Rear, .030" O/S (2 wheels)	ALL		2819728	1
5.019	RIVET – Brake lining				
	RIVET	ALL		7405754	AR
5.020	SPRING, PIN KIT – Brake caliper				
	Refer Group 4.665				
5.026	SPRING – Brake shoe retractor				
	SPRING - Brake shoe retractor	ALL		7433016	4
	SPRING - Brake adjusting nut	ALL		7432147	2
5.041	PIN – Brake shoe hold down				
	PIN	ALL		7433915	4
5.043	SPRING – Brake shoe hold down pin				
	SPRING	ALL		7410794	4
5.045	PLATE – Brake shoe guide				
	PLATE	ALL		7437019	2
5.103	LEVER, PLATE, BUSH – Brake adjuster				
	LEVER	ALL	LH	7426775	1
			RH	7426776	1
	PLATE - Lever pivot	ALL	LH	7426777	1
			RH	7426778	1
	BUSHING	ALL		7426774	2
5.105	LINK – Brake adjuster				
	LINK - Black - Effective length 3.90"	ALL		(¹¹ 7433017	A.R.
	LINK - Red - Effective length 3.96"	ALL		(¹¹ 7433018	A.R.
	LINK - Yellow - Effective length 4.02"	ALL		(¹¹ 7433019	A.R.
5.107	SPRING – Brake adjuster				
	OVERLOAD	ALL		7426772	2
	RETURN	ALL		7426773	2
5.110	SCREW, WASHER – Brake adjusting				
	SCREW	ALL	LH	2820531	1
			RH	2820530	1
	WASHER - Adjusting screw	ALL		7424836	2
5.111	NUT, PLUG – Brake adjusting				
	NUT	ALL	LH	7433131	1
			RH	7433130	1
	PLUG	ALL		7438646	2
5.149	LEVER – Hand brake actuating				
	LEVER	ALL	LH	7433121	1
			RH	7433122	1

Note: (¹¹ Selective fit.
(⁹⁸ Use with cast iron type caliper including mounting bracket.

"HX" STATESMAN/HOLDEN PARTS CATALOGUE

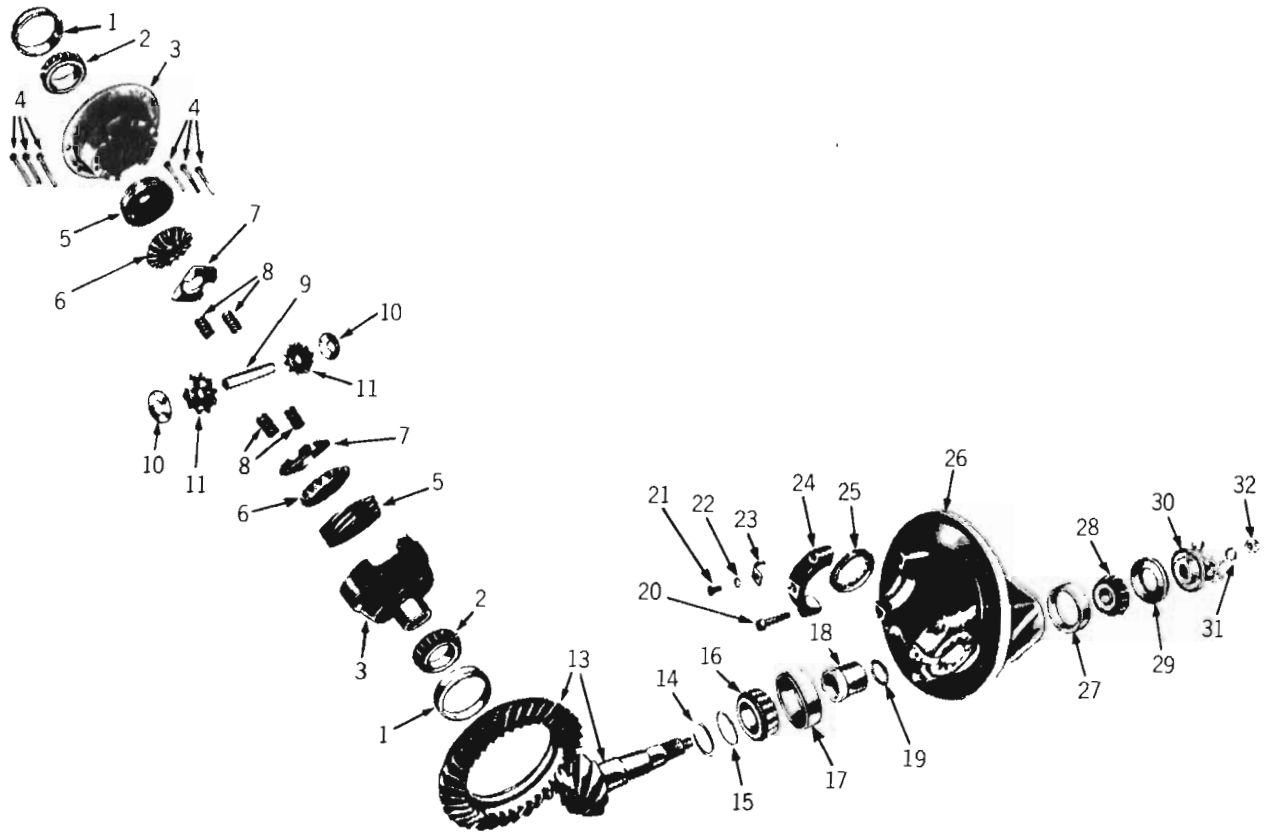
GROUP	DESCRIPTION	MODEL	SIDE	PART No.	QTY.
5.150	STRUT – Hand brake actuating lever				
	STRUT	ALL		2814723	2
5.151	SPRING – Hand brake lever strut				
	SPRING	ALL		7420762	2
5.158	CLIP, WASHER – Hand brake actuating lever				
	CLIP – Lever retainer	ALL		5454798	2
	WASHER – Lever to secondary shoe	ALL		5454797	2
5.188	COVER – Brake adjusting hole				
	COVER	ALL		7423304	2

GROUP 5.000
REAR AXLE & DRIVE



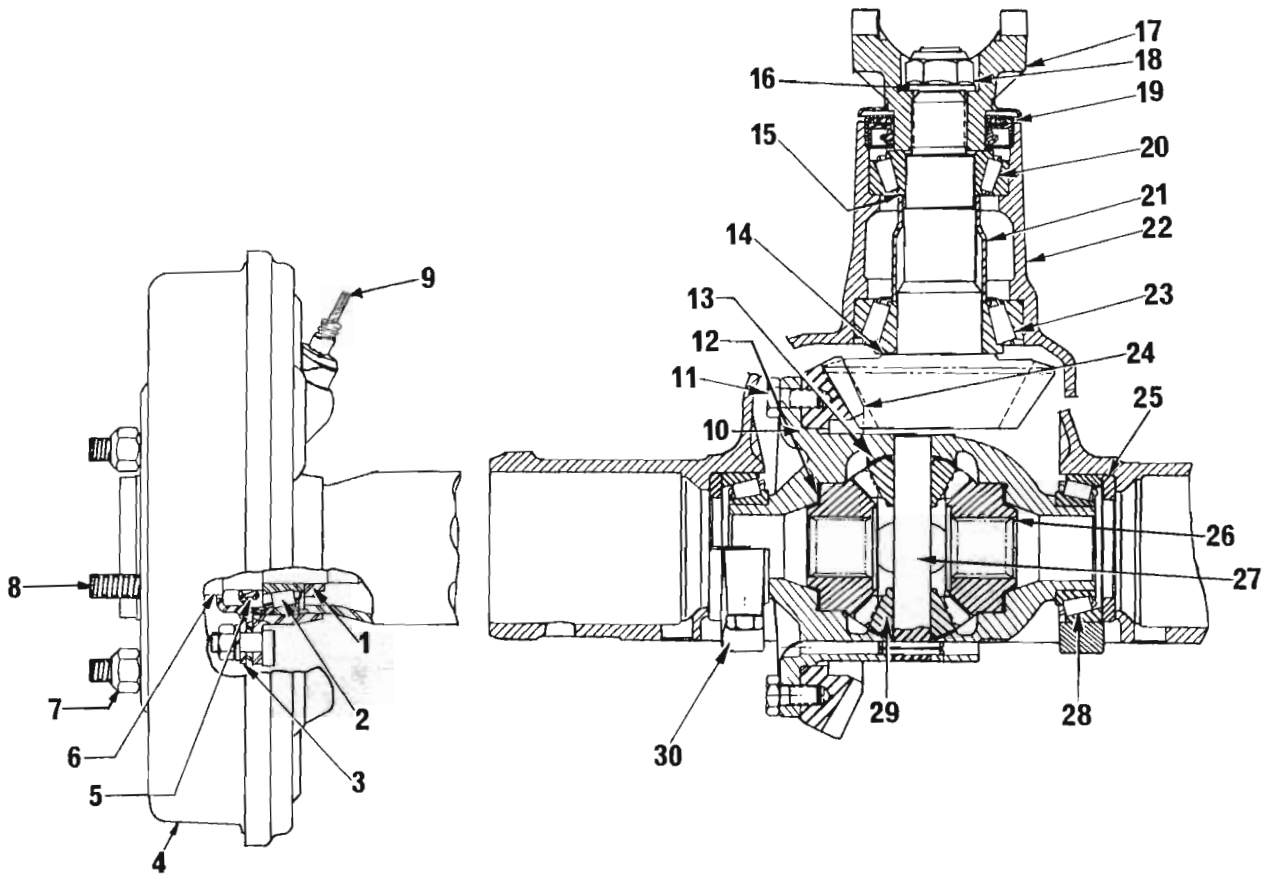
REAR AXLE — BANJO TYPE

ILLUS. REF. NO.	PART NAME	GROUP
1.	WASHER — Pinion flange nut	5.545
2.	SEAL — Pinion oil	5.469
3.	SHIM — Pinion bearing preload	5.460
4.	SPACER — Pinion bearing	5.453
5.	RING GEAR & PINION	5.529
6.	CASE — Differential	5.510
7.	BOLT — Ring gear	5.531
8.	NUT — Carrier to axle housing	5.504
9.	WASHER — Carrier to axle housing	5.504
10.	BOLT — Carrier to axle housing	5.504
11.	SHAFT — Axle	5.420
12 — 13.	GEAR SET — Differential	5.527
14.	SHAFT — Differential pinion	5.517
15.	PLUG — Axle housing filler	5.400
16.	PIN — Spring — shaft lock	5.518
17.	BOLT — Bearing adjusting nut	5.539
18.	WASHER — Bearing adjusting nut	5.539
19.	LOCK — Bearing adjusting nut	5.539
20.	BREATHER ASSEMBLY — Housing	5.387
21.	GASKET — Axle housing to carrier	5.508
22.	NUT — Bearing adjusting	5.537
23.	BEARING ASSEMBLY — Side	5.536
24.	CARRIER & CAP ASSEMBLY	5.505
25.	SHIM — Pinion bearing locating	5.460
26.	BEARING ASSEMBLY — Pinion rear	5.484
27.	BEARING ASSEMBLY — Pinion front	5.447
28.	FLANGE ASSEMBLY — Pinion	5.545
29.	NUT — Pinion flange retaining	5.545
30.	SEAL — Bearing oil	5.822
31.	BEARING — Axle shaft	5.855
32.	PLATE ASSEMBLY — Brake backing	5.001
34.	SEAL — Bearing oil	5.822
35.	RING — Bearing retaining	5.816
37.	RETAINER — Bearing	5.816



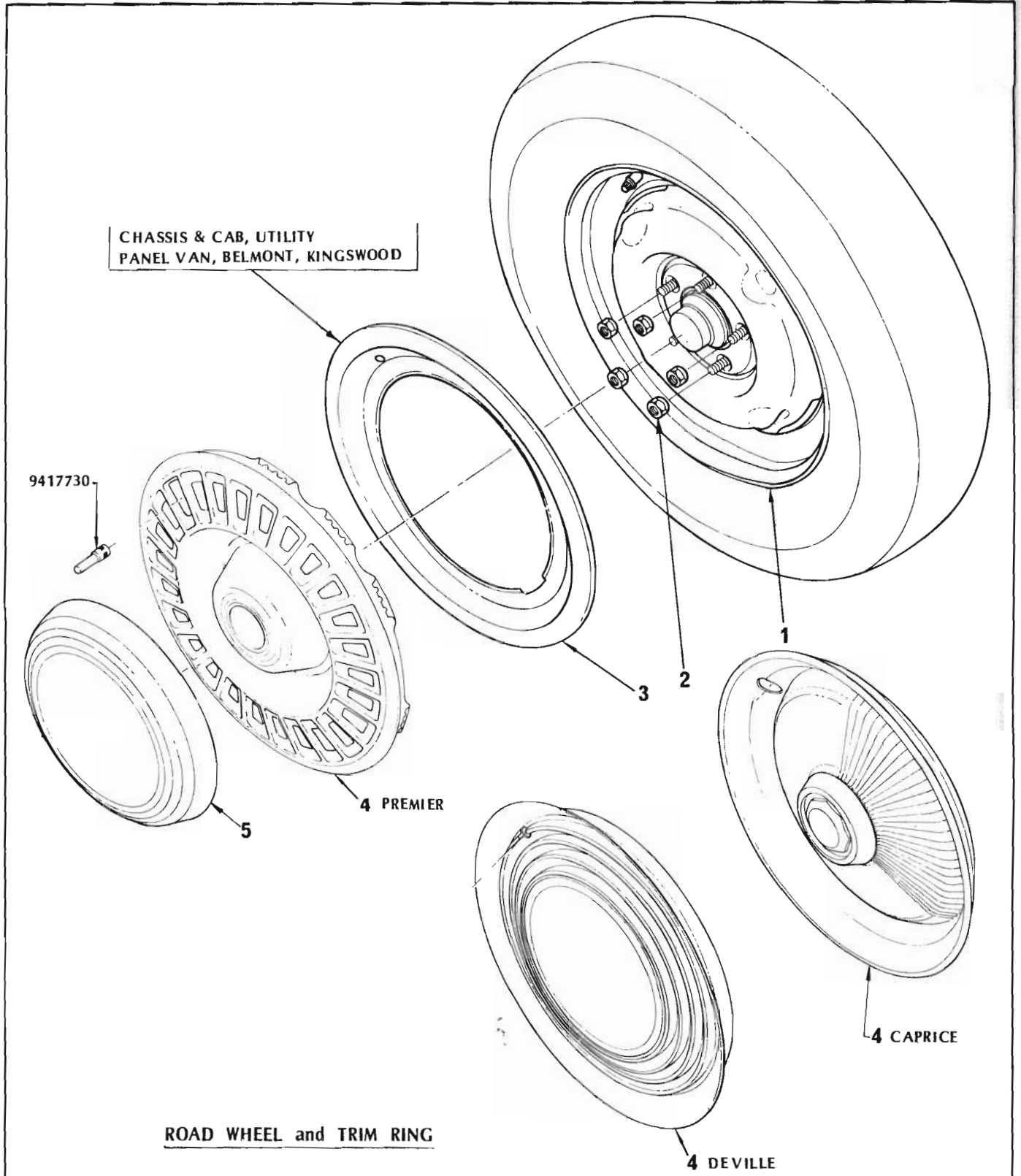
DIFFERENTIAL
6 Cylinder Engine - Limited Slip

ILLUS. REF. NO.	PART NAME	GROUP
1 - 2	BEARING ASSEMBLY - Side	5.536
3 - 5.	CASE - Differential	5.510
4.	BOLT - Case	5.510
6 - 11.	GEAR SET - Side	5.527
7.	BLOCK - Preload spring	5.511
8.	SPRING - Preload	5.511
9.	SHAFT - Pinion	5.517
10.	WASHER - Thrust	5.542
13.	RING GEAR & PINION	5.529
14.	SHIM - Pinion bearing locating	5.460
15.	SHIM - Pinion bearing locating	5.460
16 - 17	BEARING ASSEMBLY - Pinion rear	5.484
18.	SPACER - Pinion bearing	5.453
19.	SHIM - Pinion bearing preload	5.460
20.	BOLT - Cap to carrier	5.506
21.	BOLT - Side bearing adjusting nut	5.539
22.	WASHER - Side bearing adjusting nut	5.539
23.	LOCK - Side bearing adjusting nut	5.539
24 - 26.	CARRIER & CAP ASSEMBLY	5.505
25.	NUT - Side bearing adjusting	5.537
27 - 28.	BEARING ASSEMBLY - Pinion front	5.447
29.	SEAL - Pinion oil	5.469
30.	FLANGE ASSEMBLY - Pinion	5.545
31.	WASHER - Pinion flange nut	5.545
32.	NUT - Pinion flange retaining	5.545



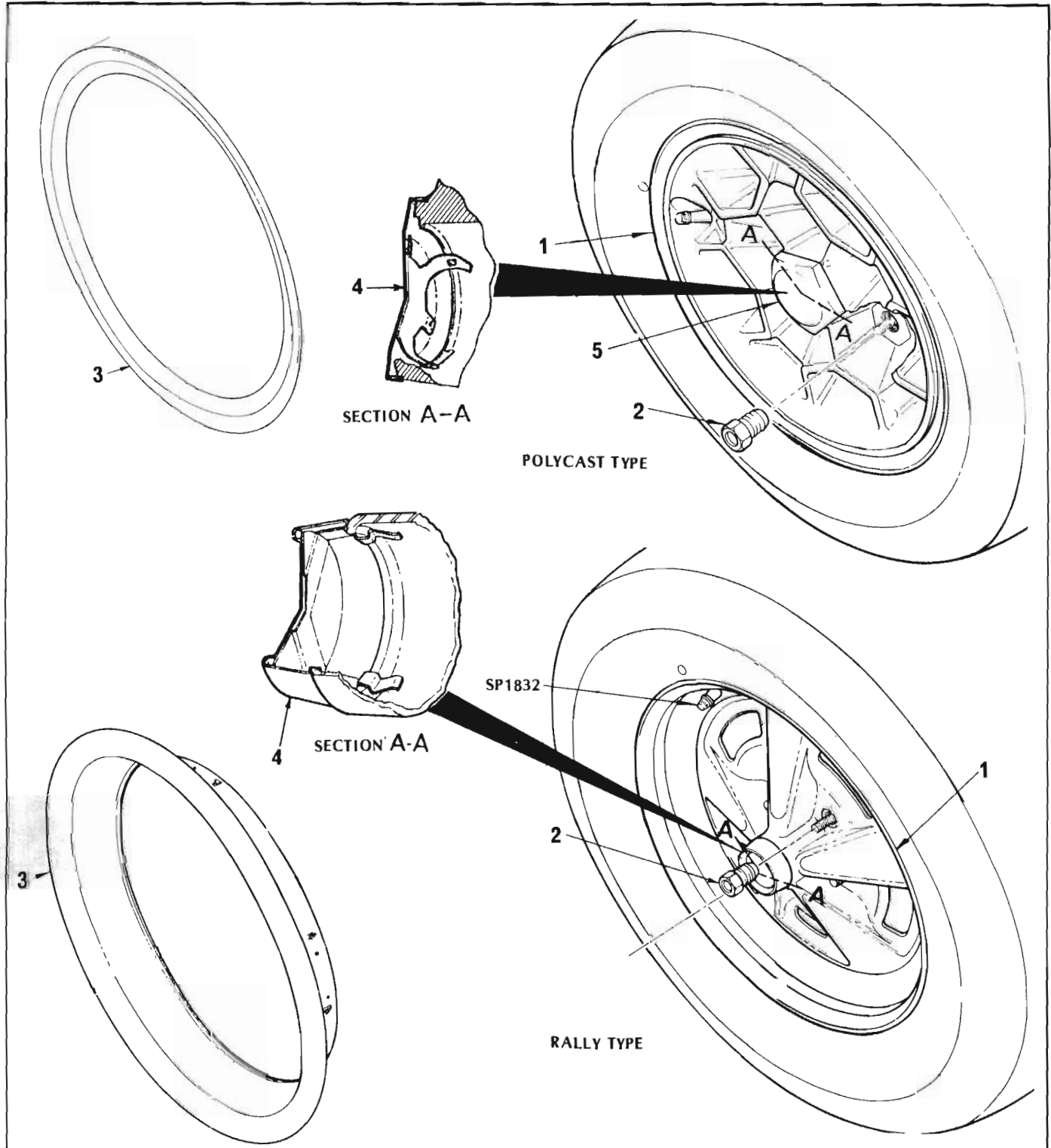
REAR AXLE — SALISBURY TYPE

ILLUS. REF. NO.	PART NAME	GROUP
1.	RING — Bearing retaining	5.816
2.	BEARING — Axle shaft	5.855
3.	RETAINER — Bearing	5.816
4.	DRUM ASSEMBLY — Brake	5.809
5.	SEAL — Bearing oil	5.822
6.	SHAFT — Axle	5.420
7.	NUT — Wheel hub	5.813
8.	BOLT — Wheel hub	5.812
9.	CABLE & CONDUIT ASSEMBLY	4.826
10.	CASE — Differential	5.510
11.	BOLT — Ring gear	5.531
12.	WASHER — Side gear thrust	5.543
13.	WASHER — Pinion thrust	5.542
14.	SHIM — Pinion bearing locating	5.460
15.	SHIM — Pinion bearing preload	5.460
16.	WASHER — Pinion flange nut	5.545
17.	FLANGE ASSEMBLY — Pinion	5.545
18.	NUT — Pinion flange retaining	5.545
19.	SEAL — Pinion oil	5.469
20.	BEARING ASSEMBLY — Pinion front	5.447
21.	SPACER — Pinion bearing	5.453
22.	HOUSING ASSEMBLY	5.387
23.	BEARING ASSEMBLY — Pinion rear	5.484
24.	RING GEAR & PINION	5.529
25.	SHIM — Side bearing	5.537
26.	GEAR — Side	5.528
27.	SHAFT — Pinion	5.517
28.	BEARING — Side	5.536
29.	PINION	5.526
30.	BOLT — Carrier cap to housing	5.506



ROAD WHEEL and TRIM RING

ILLUS. REF. NO.	PART NAME	GROUP
1.	WHEEL ASSEMBLY - Road	5.803
2.	NUT - Wheel hub bolt	5.813
3.	RING - Wheel trim	5.871
4.	COVER ASSEMBLY - Wheel	5.858
5.	CAP - Wheel hub	5.858



ROAD WHEEL and TRIM RING

ILLUS. REF. NO.	PART NAME	GROUP
1.	WHEEL ASSEMBLY - Road	5.803
2.	NUT - Wheel hub bolt	5.813
3.	RING - Wheel trim	5.871
4.	TRIM & INSERT ASSEMBLY	5.871
5.	TRIM ASSEMBLY	5.871

"HX" STATESMAN/HOLDEN PARTS CATALOGUE

GROUP	DESCRIPTION	MODEL	SIDE	PART No.	QTY.
5.382	ARM – Rear axle control				
	ARM ASSEMBLY - Upper	35, 37, 69		9942630	2
	BUSH ASSEMBLY - Upper	35, 37, 69		9942588	2
	BUSH ASSEMBLY - Rear axle housing to control arm	35, 37, 69		9942588	2
	BAR ASSEMBLY - Upper arm Mounting	35, 37, 69		9932690	1
	ARM ASSEMBLY - Lower	35, 37, 69		9942629	2
	BUSH ASSEMBLY	35, 37, 69		9942588	4
	BRACKET ASSEMBLY - Front mounting	35, 37, 69	LH	2811261	1
			RH	2811262	1
	NUT - Hex. 1/2" - 13 Lock	35, 37, 69		9422301	8
	BOLT - Arm mounting	35, 37, 69		SP2452	8
5.382	REINFORCEMENT – Lower control arm mounting bracket – Outback Equipment				
	REINFORCEMENT	35, 69		9933334	2
	BOLT - 5/16" - 18 x 5/8"	35, 69		120228	4
	WASHER - Lock - 5/16" medium	35, 69		120214	4
5.386	AXLE – Rear				
	Production Rear Axle Assemblies will be supplied on a firm order basis.				
5.387	HOUSING – Rear axle – Banjo type				
	HOUSING ASSEMBLY - 3.08 1 A.R.	35, 37, 69		2812101	1
	HOUSING ASSEMBLY - 3.36 1, 3.55: 1, 3.90 1 A.R.	35, 37, 69		2811819	1
	HOUSING ASSEMBLY - 3.36: 1, 3.55: 1, 3.90: 1 A.R.	70, 80		2812605	1
	BREATHER ASSEMBLY	ALL		7415204	1
5.387	HOUSING – Rear axle – Salisbury type				
	HOUSING ASSEMBLY	35, 37, 69		2820516	1
	HOUSING ASSEMBLY	60, 70, 80		2824813	1
	BREATHER ASSEMBLY	ALL		7415204	1
5.395	BUMPER, BRACKET – Pinion nose				
	BUMPER ASSEMBLY	6 Cyl. Eng. 35, 37, 69		2825635	1
	BUMPER ASSEMBLY	8 Cyl. Eng. 35, 37, 69		2825652	1
	BUMPER ASSEMBLY	60, 70, 80		2809235	1
	NUT - Bumper	ALL		120377	1
	WASHER - Bumper	ALL		120382	1
	BRACKET - Bumper	60, 70, 80		2812442	1
	BOLT - Bumper bracket to frame	60, 70, 80		122126	3
	WASHER - Bumper bracket to frame	60, 70, 80		120382	3
	NUT - Bumper bracket to frame	60, 70, 80		120377	3
5.398	COVER – Rear axle housing				
	COVER	Salisbury Type Rear Axle		7449737	1
	SCREW - Cover	Salisbury Type Rear Axle		9416897	10
5.399	GASKET – Rear axle housing cover				
	GASKET	Salisbury Type Rear Axle		7449801	1
5.400	PLUG – Axle housing				
	PLUG - Filler	ALL		7400181	1
	GASKET - Plug	ALL		113897	1
5.420	SHAFT – Rear axle				
	SHAFT - Banjo type rear axle	35, 69, 70, 80	23 SPLINE	9942624	2
	SHAFT	60		2825542	2
	SHAFT - Salisbury type rear axle	35, 37, 69, 70, 80		2820206	2
	SHAFT - BANJO TYPE REAR AXLE	35, 69, 70, 80	10 SPLINE	2820205	2

"HX" STATESMAN/HOLDEN PARTS CATALOGUE

GROUP	DESCRIPTION	MODEL	SIDE	PART No.	QTY.
5.441	SHAFT – Propeller – Banjo type rear axle				
	SHAFT - With joints - Black	Belmont Sedan, Kingswood Sedan, Premier Sedan, with 6 Cyl. Eng.		2814337	1
	SHAFT - With joints - Light bronze green	(M) Utility, Panel Van, Station Wagon, Statesman with 6 Cyl. Eng.		2814287	1
	SHAFT - With joints - Light blue	(A) Utility, Panel Van, Station Wagon, Statesman with 6 Cyl. Eng.		2814338	1
5.441	SHAFT – Propeller – Salisbury type rear axle				
	SHAFT - With joints - White	Belmont Sedan, Kingswood Sedan, Premier Sedan with 6 Cyl. Eng.		2814339	1
	SHAFT - With joints - Dark blue	Utility, Panel Van, Station Wagon, Statesman with 6 Cyl. Eng.		2814340	1
	SHAFT - With joints - Orange	Chassis & Cab with 6 Cyl. Eng.		9929974	1
	SHAFT - With joints - Dark grey	Chassis & Cab with 4.2 Litre Eng.		9929265	1
	SHAFT - With joints - Red	(A) Chassis and Cab with 5 Litre Eng.		9935855	1
	SHAFT - With joints - White	(M) Belmont Sedan, Kingswood Sedan, Premier Sedan, GTS with 8 Cyl. Eng.		2814339	1
	SHAFT - With joints - White	(A) Belmont Sedan, Kingswood Sedan, Premier Sedan, GTS with 4.2 Litre Eng. .		2814339	1
	SHAFT - With joints - Red	(A) Belmont Sedan, Kingswood Sedan, Premier Sedan, GTS, LE with 5 Litre Eng.		9933672	1
	SHAFT - With joints - Dark blue	(M) P/Van, Utility, Station Wagon with 8 Cyl. Eng.		2814340	1
	SHAFT - With joints - Dark blue	(A) P/Van, Utility, Station Wagon with 4.2 Litre Eng.		2814340	1
	SHAFT - With joints - Dark green	(A) P/Van, Utility, Station Wagon with 5 Litre Eng.		9933673	1
	SHAFT - With joints - Pink	(A) Statesman with 4.2 Litre Eng.		9930700	1
	SHAFT - With joints - Dark green	(A) Statesman with 5 Litre Eng.		9933673	1
5.447	BEARING – Pinion front				
	BEARING ASSEMBLY	Banjo Type Rear Axle		7421670	1
	BEARING ASSEMBLY	Salisbury Type Rear Axle		7449531	1
5.453	SPACER – Pinion bearing				
	SPACER	Banjo Type Rear Axle		7421664	1
	SPACER	Salisbury Type Rear Axle		7449858	1
5.460	SHIM – Pinion bearing				
	PRELOAD	Banjo Type Rear Axle		7425653	AR
	LOCATING - .005"	Banjo Type Rear Axle		7408094	AR
	LOCATING - .006"	Banjo Type Rear Axle		7408095	AR
	LOCATING - .007"	Banjo Type Rear Axle		7408096	AR
	LOCATING - .008"	Banjo Type Rear Axle		7408097	AR
	LOCATING - .009"	Banjo Type Rear Axle		7408098	AR
	LOCATING - .010"	Banjo Type Rear Axle		7408099	AR
	LOCATING - .015"	Banjo Type Rear Axle		7408100	AR
	PRELOAD	Salisbury Type Rear Axle		7449861	AR
	LOCATING - .005"	Salisbury Type Rear Axle		2814958	AR
	LOCATING - .006"	Salisbury Type Rear Axle		2814959	AR
	LOCATING - .007"	Salisbury Type Rear Axle		2814960	AR
	LOCATING - .008"	Salisbury Type Rear Axle		2814961	AR
	LOCATING - .009"	Salisbury Type Rear Axle		2814962	AR
	LOCATING - .010"	Salisbury Type Rear Axle		2814963	AR
	LOCATING - .015"	Salisbury Type Rear Axle		2814964	AR
5.469	SEAL – Rear axle pinion oil				
	SEAL	Banjo Type Rear Axle		9938898	1
	SEAL	Salisbury Type Rear Axle		7449859	1

"HX" STATESMAN/HOLDEN PARTS CATALOGUE

GROUP	DESCRIPTION	MODEL	SIDE	PART No.	QTY.
5.484 BEARING – Pinion rear					
	BEARING ASSEMBLY	Banjo Type Rear Axle		7421644	1
	BEARING ASSEMBLY	Salisbury Type Rear Axle		7449534	1
5.504 DIFFERENTIAL and CARRIER – Banjo type rear axle					
	DIFFERENTIAL & CARRIER ASSY. – 3.08:1 A.R. ...	Regular Type, 6 Cyl. Eng. <i>23 SPLINE</i>		9942467	1
	DIFFERENTIAL & CARRIER ASSY. – 3.08:1 A.R. ...	Limited Slip Diff., 6 Cyl. Eng. " "		9942472	1
	DIFFERENTIAL & CARRIER ASSY. – 3.36:1 A.R. ...	Regular Type	" "	9942466	1
	DIFFERENTIAL & CARRIER ASSY. – 3.36:1 A.R. ...	Limited Slip Diff. " "		9942471	1
	DIFFERENTIAL & CARRIER ASSY. – 3.55:1 A.R. ...	Regular Type	" "	9942465	1
	DIFFERENTIAL & CARRIER ASSY. – 3.55:1 A.R. ...	Limited Slip Diff. " "		9942470	1
	DIFFERENTIAL & CARRIER ASSY. – 3.90:1 A.R. ...	Regular Type	" "	9942464	1
	DIFFERENTIAL & CARRIER ASSY. – 3.90:1 A.R. ...	Limited Slip Diff. " "		9942469	1
	BOLT - Differential and carrier to axle housing	3.08:1 AR		2812109	6
	WASHER - Differential and carrier to axle housing ...	3.08:1 AR		7418548	6
	BOLT - Differential and carrier to axle housing	3.08:1 AR		181385	1
	WASHER - Differential and carrier to axle housing ...	3.08:1 AR		7400256	1
	BOLT - Drain	3.08:1 AR		181385	1
	WASHER - Drain bolt	3.08:1 AR		7400256	1
	BOLT - Differential and carrier to axle housing	3.36:1, 3.55:1, 3.90:1 AR		2812109	7
	WASHER - Differential and carrier to axle housing ...	3.36:1, 3.55:1, 3.90:1 AR		7418548	7
	BOLT - Drain	3.36:1, 3.55:1, 3.90:1 AR		106285	1
	WASHER - Drain bolt	3.36:1, 3.55:1, 3.90:1 AR		7400256	1
	NUT - Differential and carrier to axle housing	3.36:1, 3.55:1, 3.90:1 AR		SP1708	1
5.505 CARRIER and CAP – Differential – Banjo Type Rear Axle					
	CARRIER & CAP ASSY. – 3.08:1 A.R.	ALL		7435382	1
	CARRIER & CAP ASSY. – 3.36:1, 3.55:1, 3.90:1 AR	ALL		7421813	1
5.506 BOLT – Differential carrier cap					
	BOLT - Cap to carrier 3 1/2"	Banjo Type Rear Axle		7421647	2
	BOLT - Cap to carrier 1 7/8"	Banjo Type Rear Axle		7421673	2
	NUT - Cap to carrier	Banjo Type Rear Axle		103026	6
	BOLT - Cap to housing	Salisbury Type Rear Axle		7449627	4
5.508 GASKET – Axle housing to differential carrier					
	GASKET	Banjo Type Rear Axle		7435153	1
5.510 CASE – Differential – Banjo type rear axle					
	CASE – 3.08:1 A.R.	Exc. Limited Slip Diff		7435546	1
	CASE – Complete with internal components, 3.08:1 A.R.	Limited Slip Diff		2808124	1
	CASE – 3.08:1 A.R.	Limited Slip Diff		VS10886	1
	CASE – 3.36:1, 3.55:1, 3.90:1 A.R.	Exc. Limited Slip Diff		7438144	1
	CASE – Complete with internal components, 3.36:1, 3.55:1, 3.90:1 A.R.	Limited Slip Diff		7432638	1
	CASE – 3.36:1, 3.55:1, 3.90:1 A.R.	Limited Slip Diff		VS10392	1
5.510 CASE – Differential – Salisbury type rear axle					
	CASE – 2.60:1 A.R.	Exc. Limited Slip Diff		7449489	1
	CASE – Complete with internal components, 2.60:1 A.R.	Limited Slip Diff.		2812617	1
	CASE – 3.08:1, 3.36:1, 3.55:1, 4.44:1 A.R.	Exc. Limited Slip Diff.		7449490	1
	CASE – Complete with internal components – 3.08:1, 3.36:1, 3.55:1, 4.44:1 A.R.	Limited Slip Diff.		2812618	1
5.511 SPRING, BLOCK – Differential					
	SPRING - Preload banjo type rear axle	Limited Slip Diff.		VS10371	4
	SPRING - Preload salisbury type rear axle	Limited Slip Diff.		VS12179	4
	BLOCK - Preload spring banjo type rear axle	Limited Slip Diff.		VS10373	2
	BLOCK - Preload spring salisbury type rear axle	Limited Slip Diff.		VS12181	2

"HX" STATESMAN/HOLDEN PARTS CATALOGUE

GROUP	DESCRIPTION	MODEL	SIDE	PART No.	QTY.
5.484 BEARING – Pinion rear					
	BEARING ASSEMBLY	Banjo Type Rear Axle		7421644	1
	BEARING ASSEMBLY	Salisbury Type Rear Axle		7449534	1
5.504 DIFFERENTIAL and CARRIER – Banjo type					
	DIFFERENTIAL & CARRIER ASSY. – 3.08:1 A.R.	3.08:1 A.R. Regular Type 6 Cyl.Eng.		2809015	10 SPARE
	DIFFERENTIAL & CARRIER ASSY. – 3.08:1 A.R.	3.08:1 A.R. Limited Slip Diff. "		2809014	"
	DIFFERENTIAL & CARRIER ASSY. – 3.36:1 A.R.	3.36:1 A.R. Regular Type		7421719	"
	DIFFERENTIAL & CARRIER ASSY. – 3.36:1 A.R.	3.36:1 A.R. Limited Slip Diff.		7430869	"
	DIFFERENTIAL & CARRIER ASSY. – 3.55:1 A.R.	3.55:1 A.R. Regular Type		7421475	"
	DIFFERENTIAL & CARRIER ASSY. – 3.55:1 A.R.	3.55:1 A.R. Limited Slip Diff.		7430870	"
	DIFFERENTIAL & CARRIER ASSY. – 3.90:1 A.R.	3.90:1 A.R. Regular Type		7425931	"
	DIFFERENTIAL & CARRIER ASSY. – 3.90:1 A.R.	3.90:1 A.R. Limited Slip Diff.		7430871	"
	BOLT – Differential and carrier to axle housing	3.08:1 AR		181385	1
	WASHER – Differential and carrier to axle housing	3.08:1 AR		7400256	1
	BOLT – Drain	3.08:1 AR		181385	1
	WASHER – Drain bolt	3.08:1 AR		7400256	1
	BOLT – Differential and carrier to axle housing	3.36:1, 3.55:1, 3.90:1 AR		2812109	7
	WASHER – Differential and carrier to axle housing	3.36:1, 3.55:1, 3.90:1 AR		7418548	7
	BOLT – Drain	3.36:1, 3.55:1, 3.90:1 AR		106285	1
	WASHER – Drain bolt	3.36:1, 3.55:1, 3.90:1 AR		7400256	1
	NUT – Differential and carrier to axle housing	3.36:1, 3.55:1, 3.90:1 AR		SP1708	1
5.505 CARRIER and CAP – Differential – Banjo Type Rear Axle					
	CARRIER & CAP ASSY. – 3.08:1 A.R.	ALL		7435382	1
	CARRIER & CAP ASSY. – 3.36:1, 3.55:1, 3.90:1 AR	ALL		7421813	1
5.506 BOLT – Differential carrier cap					
	BOLT – Cap to carrier 3½"	Banjo Type Rear Axle		7421647	2
	BOLT – Cap to carrier 1⅞"	Banjo Type Rear Axle		7421673	2
	NUT – Cap to carrier	Banjo Type Rear Axle		103026	6
	BOLT – Cap to housing	Salisbury Type Rear Axle		7449627	4
5.508 GASKET – Axle housing to differential carrier					
	GASKET	Banjo Type Rear Axle		7435153	1
5.510 CASE – Differential – Banjo type rear axle					
	CASE – 3.08:1 A.R.	Exc. Limited Slip Diff		7435546	1
	CASE – Complete with internal components, 3.08:1 A.R.	Limited Slip Diff		2808124	1
	CASE – 3.08:1 A.R.	Limited Slip Diff		VS10886	1
	CASE – 3.36:1, 3.55:1, 3.90:1 A.R.	Exc. Limited Slip Diff		7438144	1
	CASE – Complete with internal components, 3.36:1, 3.55:1, 3.90:1 A.R.	Limited Slip Diff		7432638	1
	CASE – 3.36:1, 3.55:1, 3.90:1 A.R.	Limited Slip Diff		VS10392	1
5.510 CASE – Differential – Salisbury type rear axle					
	CASE – 2.60:1 A.R.	Exc. Limited Slip Diff		7449489	1
	CASE – Complete with internal components, 2.60:1 A.R.	Limited Slip Diff.		2812617	1
	CASE – 3.08:1, 3.36:1, 3.55:1, 4.44:1 A.R.	Exc. Limited Slip Diff.		7449490	1
	CASE – Complete with internal components – 3.08:1, 3.36:1, 3.55:1, 4.44:1 A.R.	Limited Slip Diff.		2812618	1
5.511 SPRING, BLOCK – Differential					
	SPRING – Preload banjo type rear axle	Limited Slip Diff.		VS10371	4
	SPRING – Preload salisbury type rear axle	Limited Slip Diff.		VS12179	4
	BLOCK – Preload spring banjo type rear axle	Limited Slip Diff.		VS10373	2
	BLOCK – Preload spring salisbury type rear axle	Limited Slip Diff.		VS12181	2

"HX" STATESMAN/HOLDEN PARTS CATALOGUE

GROUP	DESCRIPTION	MODEL	SIDE	PART No.	QTY.
5.517	SHAFT – Differential pinion				
	SHAFT - Banjo type rear axle	Exc. Limited Slip Diff.		7411921	1
	SHAFT - Banjo type rear axle	Limited Slip Diff.		VS10369	1
	SHAFT - Salisbury type rear axle	Exc. Limited Slip Diff.		2820345	1
	SHAFT - Pinion shaft - Salisbury type rear axle	Limited Slip Diff.		VS12177	1
5.518	PIN – Differential shaft lock				
	PIN - Spring, 1/4" x 1 1/8" - Banjo Type Rear Axle	Exc. Limited Slip Diff.		453670	1
	PIN - Banjo type rear axle	Limited Slip Diff.		VS10372	1
	PIN - Salisbury type rear axle	Limited Slip Diff.		VS12180	1
5.526	PINION – Differential				
	PINION - Salisbury type rear axle	Exc. Limited Slip Diff., 4.44:1 AR		7449383	2
	PINION - Salisbury type rear axle	4.44:1 A.R. exc. Limited Slip Diff.		9936634	1
5.527	GEAR SET – Differential (2 side gears, 2 pinions)				
	GEAR SET - Banjo type rear axle	Exc. Limited Slip Diff.		7438035	1
	GEAR SET - Banjo type rear axle	Limited Slip Diff.		VS10393	1
	GEAR SET - Salisbury type rear axle	Limited Slip Diff.		VS12184	1
	GEAR SET - Salisbury type rear axle	Exc. Limited Slip Diff., 4.44:1 AR		9938273	1
	GEAR SET - Salisbury type rear axle	4.44:1 AR exc. Limited Slip Diff.		VS12610	1
5.528	GEAR – Differential side				
	GEAR - Salisbury type rear axle	Exc. Limited Slip Diff., 4.44:1 AR		7449382	2
	GEAR - Salisbury type rear axle	4.44:1 A.R. exc. Limited Slip Diff.		9936633	1
5.529	RING GEAR and PINION				
	RING GEAR & PINION - 3.08:1 A.R.	Banjo Type Rear Axle		7437392	1
	RING GEAR & PINION - 3.36:1 A.R.	Banjo Type Rear Axle		7438806	1
	RING GEAR & PINION - 3.55:1 A.R.	Banjo Type Rear Axle		7423279	1
	RING GEAR & PINION - 3.90:1 A.R.	Banjo Type Rear Axle		7436736	1
	RING GEAR & PINION - 2.60:1 A.R.	Salisbury Type Rear Axle		9941644	1
	RING GEAR & PINION - 2.78:1 A.R.	Salisbury Type Rear Axle		2813155	1
	RING GEAR & PINION - 3.08:1 A.R.	Salisbury Type Rear Axle		7449218	1
	RING GEAR & PINION - 3.36:1 A.R.	Salisbury Type Rear Axle		2813156	1
	RING GEAR & PINION - 3.55:1 A.R.	Salisbury Type Rear Axle		7449215	1
	RING GEAR & PINION - 4.44:1 A.R.	Salisbury Type Rear Axle		9936630	1
5.531	BOLT – Ring gear				
	BOLT	Banjo Type Rear Axle		7421634	8
	BOLT	Salisbury Type Rear Axle		5257956	10
5.536	BEARING – Differential side				
	BEARING ASSEMBLY	Banjo Type Rear Axle		7421641	2
	BEARING ASSEMBLY	Salisbury Type Rear Axle		7449505	2
5.537	NUT, SHIM – Differential side bearing				
	NUT - Adjusting	Banjo Type Rear Axle		7421650	2
	SHIM - .222"	Salisbury Type Rear Axle		3894701	A.R.
	SHIM - .224"	Salisbury Type Rear Axle		3894702	A.R.
	SHIM - .226"	Salisbury Type Rear Axle		3894703	A.R.
	SHIM - .228"	Salisbury Type Rear Axle		3894704	A.R.
	SHIM - .230"	Salisbury Type Rear Axle		3894705	A.R.
	SHIM - .232"	Salisbury Type Rear Axle		3894706	A.R.
	SHIM - .234"	Salisbury Type Rear Axle		3894707	A.R.
	SHIM - .236"	Salisbury Type Rear Axle		3894708	A.R.
	SHIM - .238"	Salisbury Type Rear Axle		3894709	A.R.
	SHIM - .240"	Salisbury Type Rear Axle		3894710	A.R.
	SHIM - .242"	Salisbury Type Rear Axle		3894711	A.R.
	SHIM - .244"	Salisbury Type Rear Axle		3894712	A.R.
	SHIM - .246"	Salisbury Type Rear Axle		3894713	A.R.
	SHIM - .248"	Salisbury Type Rear Axle		3894714	A.R.

"HX" STATESMAN/HOLDEN PARTS CATALOGUE

GROUP	DESCRIPTION	MODEL	SIDE	PART No.	QTY.
5.537	NUT, SHIM -- Differential side bearing (contd.)				
	SHIM - .250"	Salisbury Type Rear Axle		3894715	A.R.
	SHIM - .252"	Salisbury Type Rear Axle		3894716	A.R.
	SHIM - .254"	Salisbury Type Rear Axle		3894717	A.R.
	SHIM - .256"	Salisbury Type Rear Axle		3894718	A.R.
	SHIM - .258"	Salisbury Type Rear Axle		3894719	A.R.
5.539	LOCK -- Differential side bearing adjusting nut				
	LOCK	Banjo Type Rear Axle		7407400	2
	SCREW - Bearing adjusting nut	Banjo Type Rear Axle		106973	2
	WASHER - Bearing adjusting nut	Banjo Type Rear Axle		114605	2
5.542	WASHER -- Differential pinion thrust				
	WASHER - Banjo type rear axle	Exc. Limited Slip Diff.		7400280	2
	WASHER - Banjo type rear axle	Limited Slip Diff.		VS10370	2
	WASHER - Salisbury type rear axle	Exc. Limited Slip Diff.		7449389	2
	WASHER - Salisbury type rear axle	Limited Slip Diff.		VS12178	2
5.543	WASHER, SHIM -- Differential side gear thrust				
	WASHER - Banjo type rear axle	Exc. Limited Slip Diff.		7400279	2
	SHIM - .005" - Banjo type rear axle	Limited Slip Diff.		VS10374	A.R.
	SHIM - .010" - Banjo type rear axle	Limited Slip Diff.		VS10375	A.R.
	WASHER - Salisbury type rear axle	Exc. Limited Slip Diff.		7449355	2
	SHIM - .005" - Salisbury type rear axle	Limited Slip Diff.		VS12182	A.R.
	SHIM - .010" - Salisbury type rear axle	Limited Slip Diff.		VS12183	A.R.
5.545	FLANGE, DEFLECTOR, NUT -- Differential pinion				
	FLANGE ASSEMBLY	Banjo Type Rear Axle		7422731	1
	FLANGE ASSEMBLY	6 Cyl. Eng. Salisbury Type Rear Axle exc. 60		7449470	1
	FLANGE ASSEMBLY - (Suit $\frac{3}{16}$ " dia. "U" bolts)	60		2818092	1
	FLANGE ASSEMBLY	8 Cyl. Eng.		7449470	1
	DEFLECTOR	Banjo Type Rear Axle		7421668	1
	DEFLECTOR	Salisbury Type Rear Axle		7449472	1
	NUT - Flange retaining	Banjo Type Rear Axle		SP1665	1
	NUT - Flange retaining	Salisbury Type Rear Axle		3752901	1
	WASHER - Flange nut	Banjo Type Rear Axle		7421649	1
	WASHER - Flange nut	Salisbury Type Rear Axle		3714792	1
5.546	PLATE -- Differential pinion flange				
	PLATE - Lock	173, 202, 253, 308 Eng. exc. 60		7422733	2
	PLATE - Lock (Suit $\frac{3}{16}$ " dia. "U" bolts)	60		2818093	2
5.548	REPAIR KIT -- Universal joint				
	REPAIR KIT - Banjo type rear axle	6 Cyl. Eng.		VS10604	2
	REPAIR KIT - Salisbury rear axle	6 Cyl. Eng. exc. 60		VS10606	2
	REPAIR KIT	60		VS11361	2
	REPAIR KIT	8 Cyl. Eng. exc. 60		VS10606	2
5.555	YOKE -- Universal joint				
	YOKE ASSEMBLY - Front sleeve - Banjo type rear axle	6 Cyl. Eng.		7427962	1
	YOKE ASSEMBLY - Front sleeve - Salisbury type rear axle	6 Cyl. Eng. Exc. 60		VS10608	1
	YOKE ASSEMBLY - Front sleeve	60		VS11360	1
	YOKE ASSEMBLY - Front sleeve	4.2 Litre Eng. Exc. 60		VS10608	1
	YOKE ASSEMBLY - Front sleeve	(M) 5 Litre Eng.		VS10608	1
	YOKE ASSEMBLY - Front sleeve	(A) 5 Litre Eng.		VS12142	1

"HX" STATESMAN/HOLDEN PARTS CATALOGUE

GROUP	DESCRIPTION	MODEL	SIDE	PART No.	QTY.
5.586	"U" BOLT – Universal joint				
	"U" BOLT – Rear Banjo type rear axle	6 Cyl. Eng. Exc. 60		7422734	2
	"U" BOLT – Rear Salisbury type rear axle	6 Cyl. Eng. Exc. 60		7435386	2
	"U" BOLT – Rear	60		2818151	2
	"U" BOLT – Rear	8 Cyl. Eng. Exc. 60		7435386	2
	NUT – "U" Bolt – Hex 1/4" – 28	Exc. 60		137508	4
	NUT – "U" Bolt – Hex 5/16" – 24	60		137509	4
5.803	WHEEL – Road				
	WHEEL ASSEMBLY – 5.00 x 14	Utility, Panel Van, Belmont, Kingswood, Premier		2815162	5
	WHEEL ASSEMBLY – 6.00 x 14	Chassis & Cab		2824784	5
	WHEEL ASSEMBLY – 6.00 x 14	Utility, Panel Van, Belmont, Kingswood, Premier, Statesman		2823652	5
	WHEEL ASSEMBLY – Rally type	ALL		9942307	5
	WHEEL ASSEMBLY – Polycast type	With 20:1 Steering Ratio		483084	5
5.809	DISC, DRUM – Brake				
	DISC ASSEMBLY – With hub	ALL		2824526	2
	DRUM ASSEMBLY – Rear	ALL		2813229	2
5.812	BOLT – Wheel hub				
	FRONT & REAR	ALL		9934167	20
5.813	NUT – Wheel hub bolt				
	NUT	Exc. Rally, Polycast Type Wheel		2808656	20
	NUT	Rally, Polycast Type Wheel		9939942	20
5.816	RETAINER, RING – Rear axle bearing				
	RETAINER	Exc. Chassis & Cab		2812102	2
	RETAINER	Chassis & Cab		2823849	2
	RING	Exc. Chassis & Cab		9940845	2
	RING	Chassis & Cab		9928577	2
5.822	SEAL – Rear axle bearing oil				
	SEAL	ALL		2812103	2
5.855	BEARING – Axle shaft				
	BEARING PACKAGE	Exc. Chassis & Cab		9942775	2
	BEARING PACKAGE	Chassis & Cab		2825541	2
5.858	COVER – Front wheel bearing				
	COVER	ALL		7413400	2
5.858	CAP – Wheel hub				
	CAP – Painted	Chassis & Cab		9933107	4
	CAP – Chrome plated	Chassis & Cab		2816230	4
	CAP – Chrome plated centre	Belmont, Kingswood, Utility, Panel Van exc. Sandman		9933106	4
	CAP – Chrome plated centre	Ambulance		9933106	4
5.858	COVER, INSERT – Wheel				
	COVER ASSEMBLY	Premier exc. Rally, Polycast Type Wheel		9940103	4
	COVER ASSEMBLY	De Ville		9942121	4
	COVER ASSEMBLY	Caprice		9943327	4
	INSERT – Wheel cover emblem	De Ville		9942121	4
	NUT – Insert to wheel cover	De Ville		SP2416	16

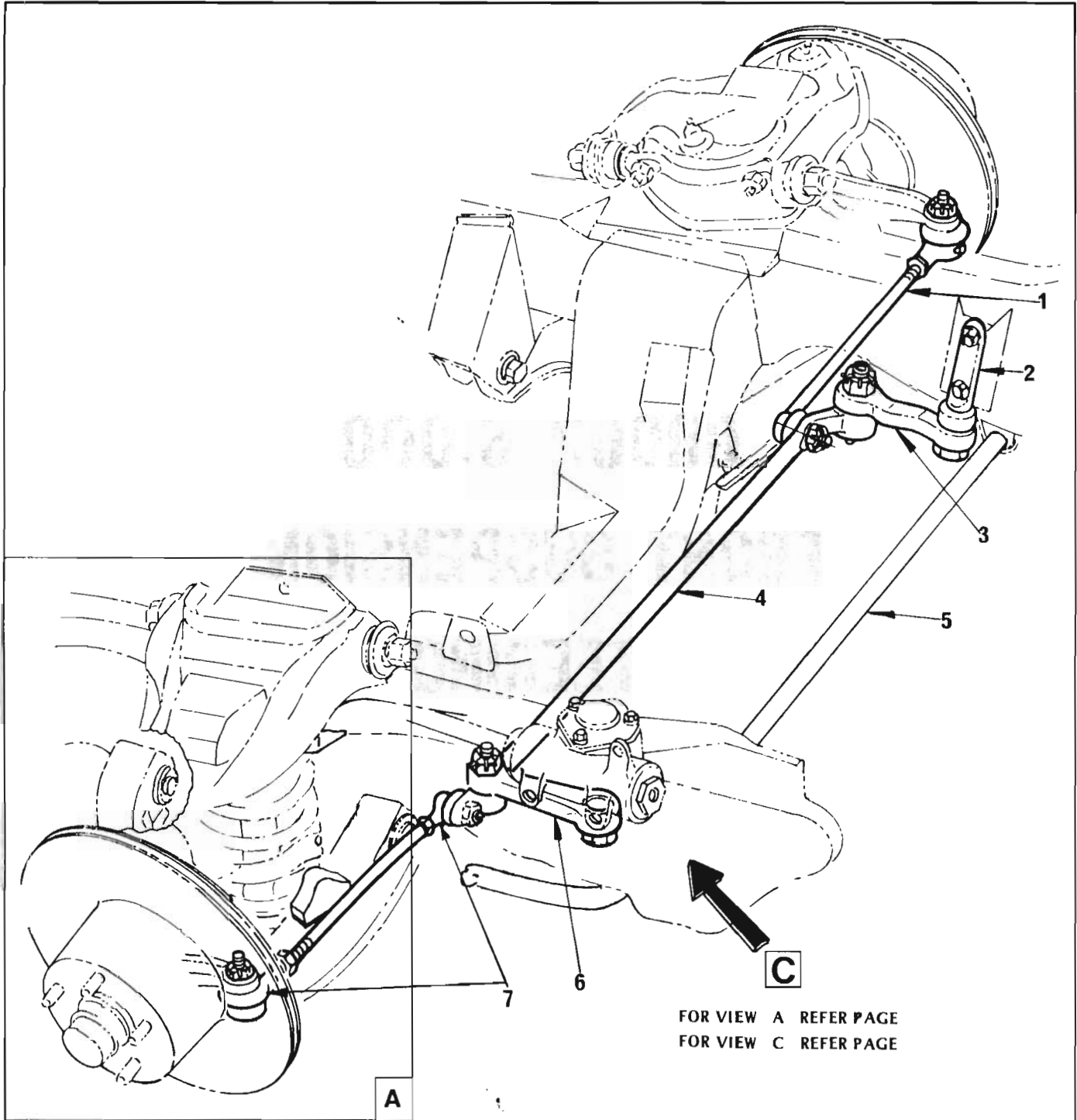
1-9710783
1-9942968

(9940103)

"HX" STATESMAN/HOLDEN PARTS CATALOGUE

GROUP	DESCRIPTION	MODEL	SIDE	PART No.	QTY.
5.871	RING – Wheel trim				
	RING	5.00 x 14 Wheel		2817332	4
	RING ASSY. – Trim	6.00 x 14 Wheel		2823098	4
	RING ASSY. – Trim	Rally Type Wheel		2823098	4
	RING ASSEMBLY – Trim	Polycast Type Wheel		483250	4
5.871	TRIM – Wheel centre				
	TRIM & INSERT ASSEMBLY	Rally Type Wheel		9934625	5
	TRIM	Polycast Type Wheel		9937559	5
5.875	EXTENSION – Valve stem				
	EXTENSION	Premier, Statesman		9417730	4

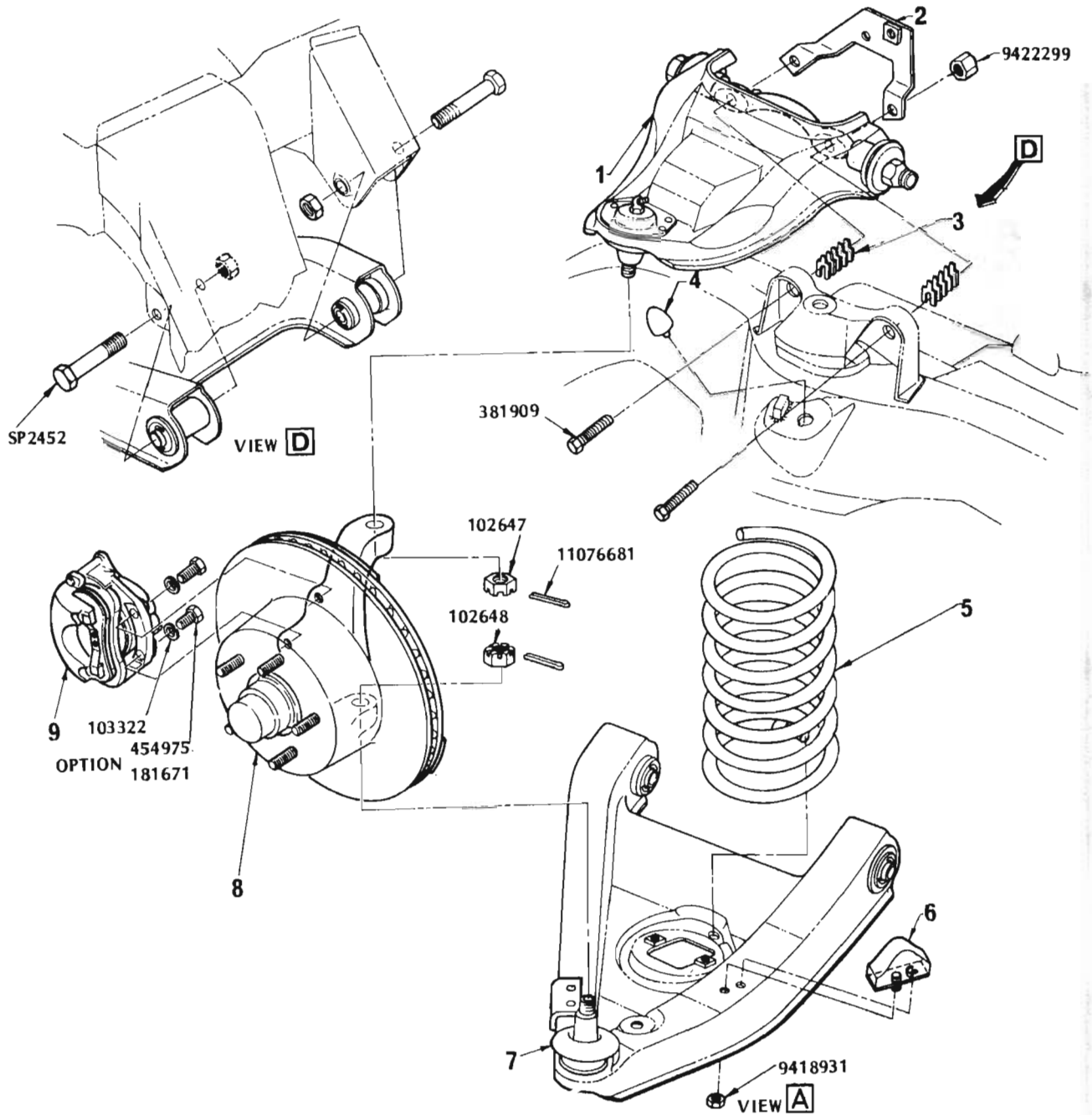
GROUP 6.000
FRONT SUSPENSION
STEERING



FOR VIEW A REFER PAGE
FOR VIEW C REFER PAGE

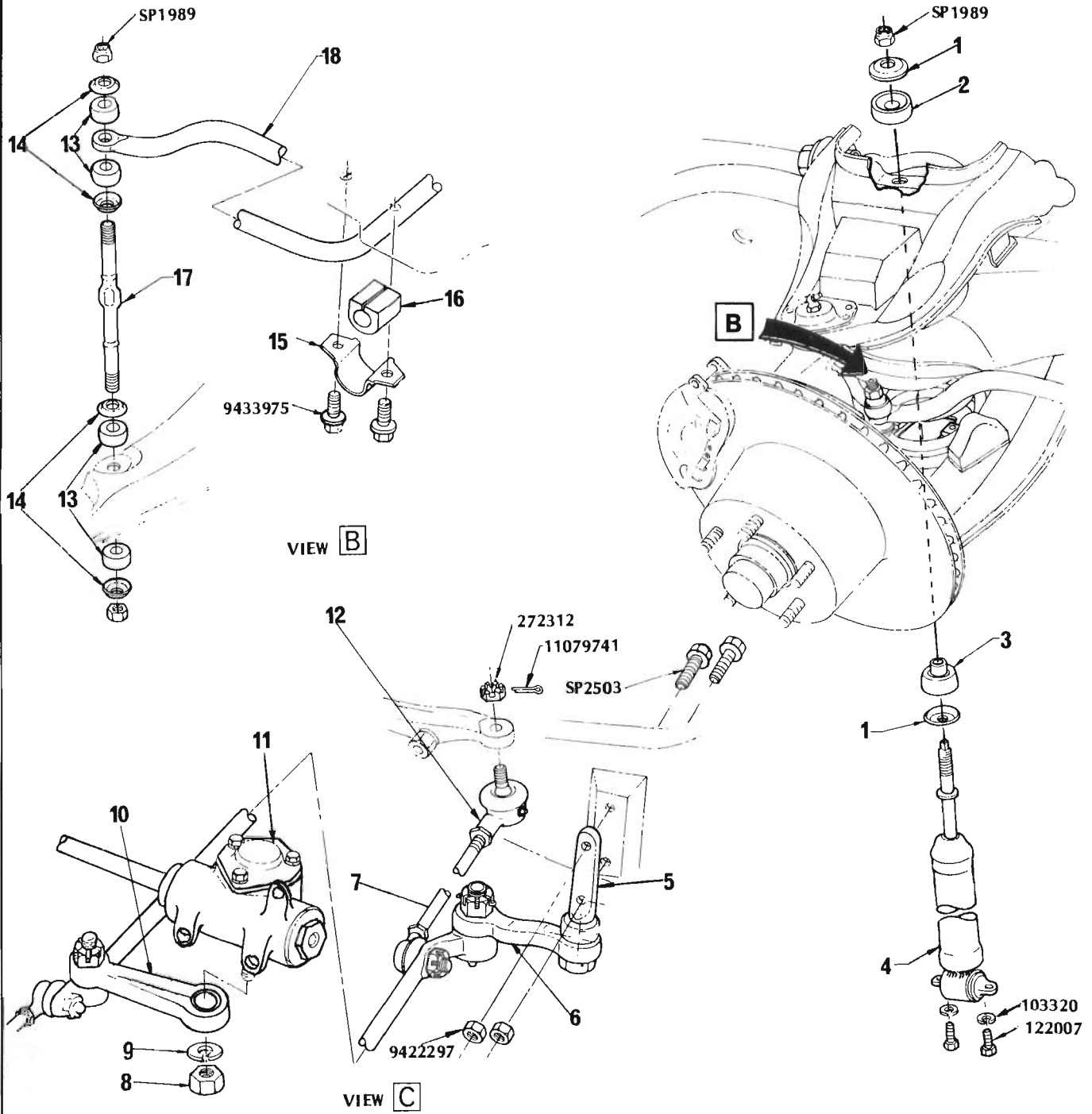
STEERING LINKAGE

ILLUS. REF. NO.	PART NAME	GROUP
1.	ROD - Steering tie	6.230
2.	SUPPORT ASSEMBLY - Idler lever	6.896
3.	LEVER - idler	6.895
4.	ROD ASSEMBLY - Connecting	6.870
5.	SHAFT - Front stabiliser	7.241
6.	ARM - Pitman	6.859
7.	SOCKET ASSEMBLY - Tie rod ball	6.233



FRONT SUSPENSION

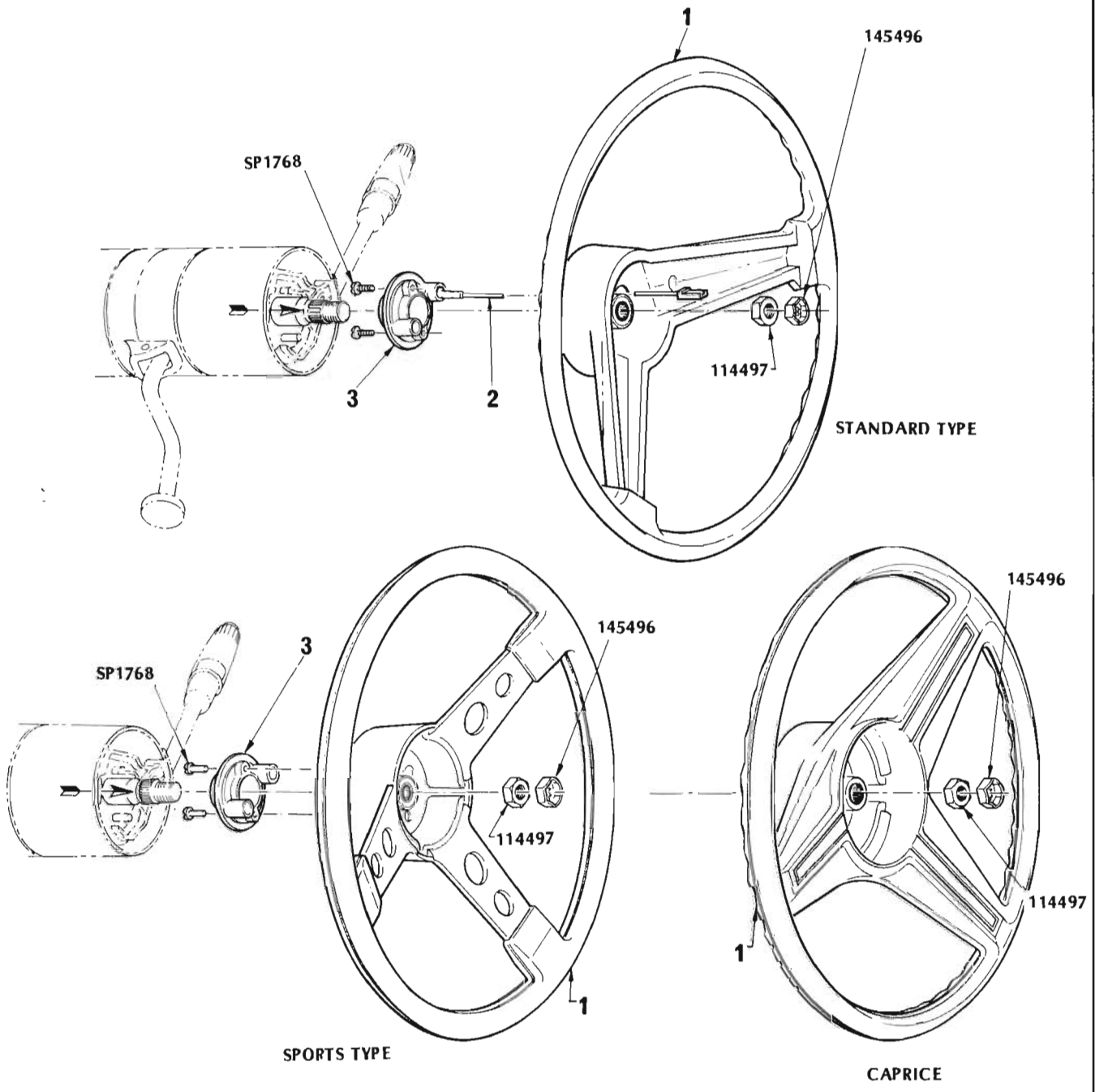
ILLUS. REF. NO.	PART NAME	GROUP
1.	ARM & BALL JOINT ASSEMBLY – Upper control	6.168
2.	BRACKET ASSEMBLY – Warning switch	4.686
3.	SHIM – Upper control arm shaft	6.163
4.	BUMPER – Upper arm	6.176
5.	SPRING – Front	6.361
6.	BUMPER – Lower arm	6.176
7.	ARM & BALL JOINT ASSEMBLY – Lower control	6.168
8.	HUB & DISC – Front wheel	6.307
9.	CALIPER & BRACKET ASSEMBLY	4.665



FRONT SUSPENSION and LINKAGE

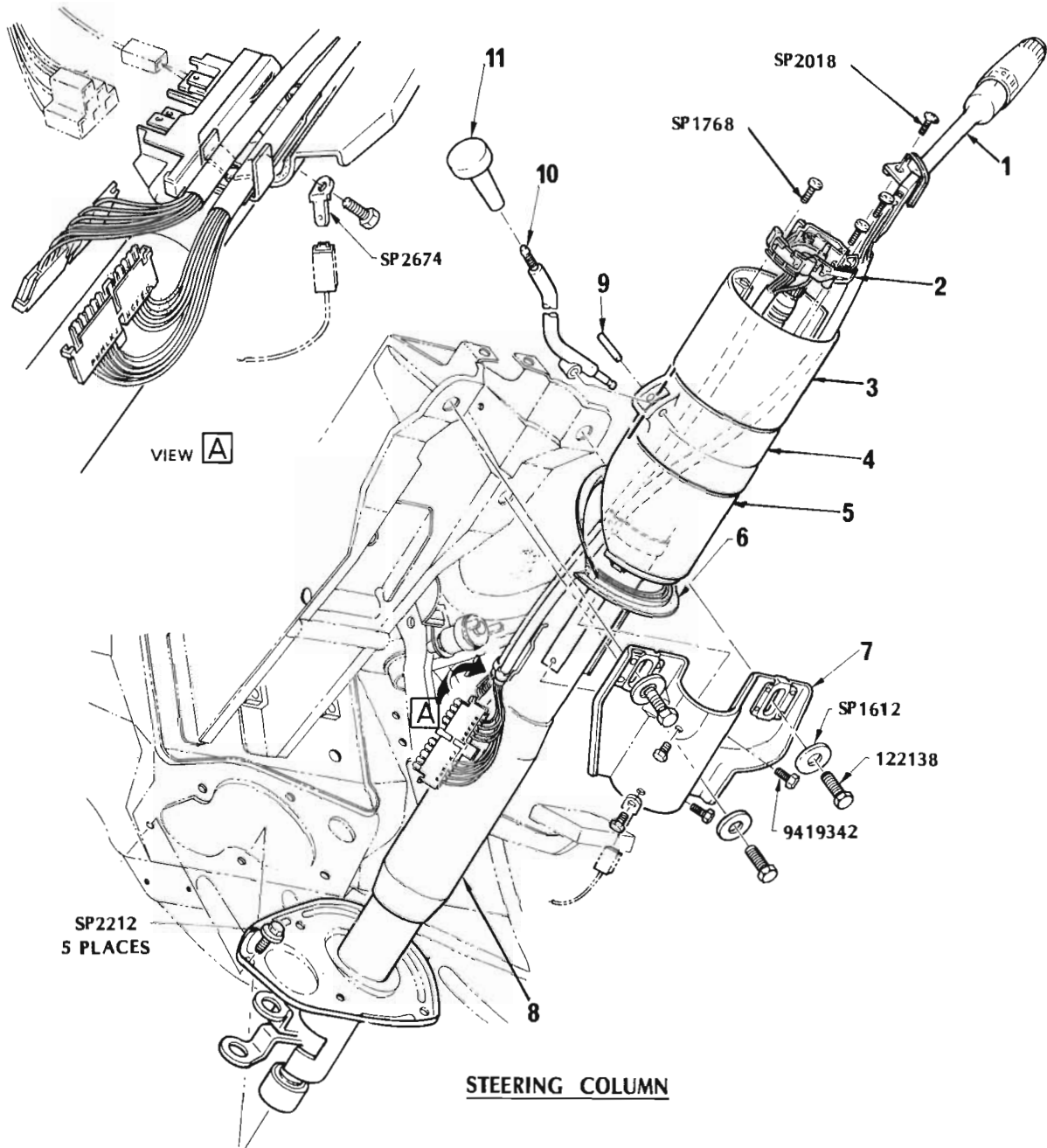
ILLUSTRATION OPPOSITE

ILLUS. REF. NO.	PART NAME	GROUP
1.	PLATE – Front shock absorber to member	7.370
2.	BUSH – Front shock absorber to member, upper	7.370
3.	BUSH – Front shock absorber to member, lower	7.370
4.	SHOCK ABSORBER ASSEMBLY – Front	7.345
5.	SUPPORT ASSEMBLY – Idler lever	6.896
6.	LEVER – Idler	6.895
7.	ROD – Steering tie	6.230
8.	NUT – Pitman arm	6.861
9.	WASHER – Pitman arm	6.861
10.	ARM – Pitman	6.859
11.	GEAR ASSEMBLY – Steering	6.508
12.	SOCKET ASSEMBLY – Tie rod ball	6.233
13.	BUSH – Front stabiliser	7.243
14.	RETAINER – Front stabiliser	7.243
15.	BRACKET – Front stabiliser shaft	7.242
16.	INSULATOR – Front stabiliser shaft	7.242
17.	STUD – Front stabiliser spacer	7.240
18.	SHAFT – Front stabiliser	7.241



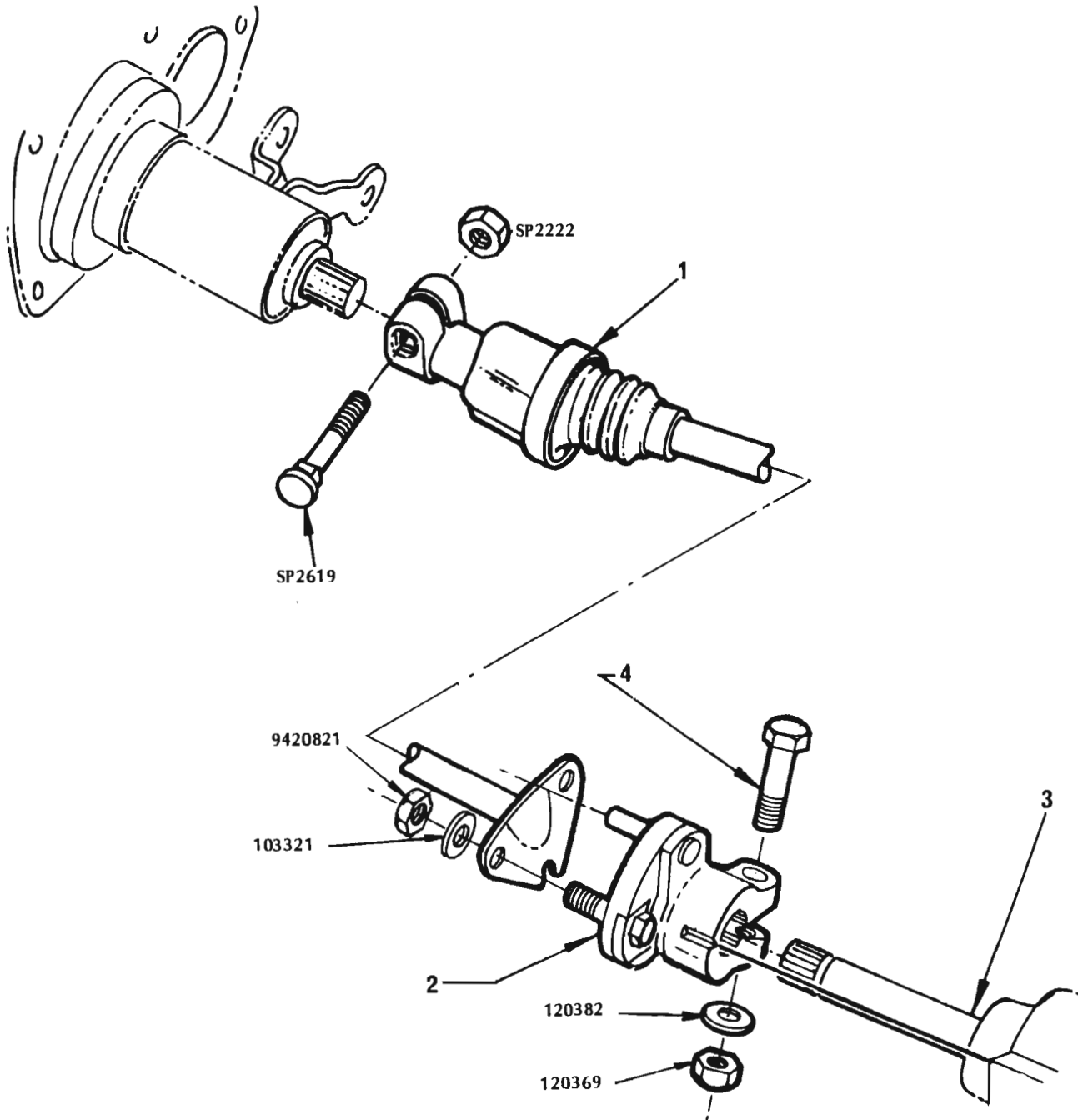
STEERING WHEEL

ILLUS. REF. NO.	PART NAME	GROUP
1.	WHEEL ASSEMBLY – Steering	6.513
2.	LEAD ASSEMBLY – Horn actuating bar earth	2.830
3.	SUPPORT & RING ASSEMBLY – Horn contact	2.822



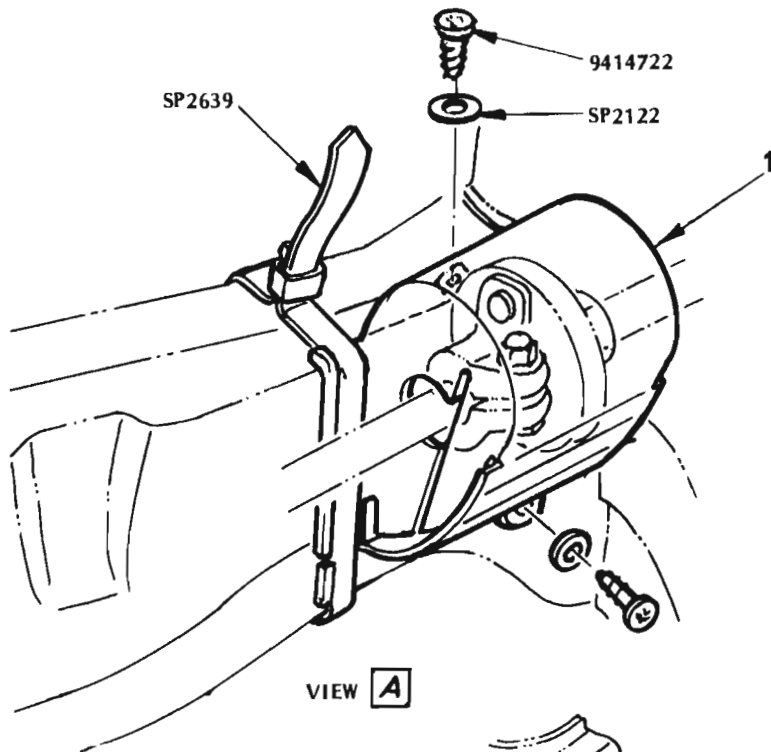
STEERING COLUMN

ILLUS. REF. NO.	PART NAME	GROUP
1.	SWITCH ASSEMBLY - Dimmer & windshield wiper	2.459/10.163
2-	SWITCH ASSEMBLY - Turn signal lamp	2.895
3.	HOUSING ASSEMBLY - Steering column	6.518
4.	SUPPORT - Gearshift control	4.018
5.	COVER - Steering column	6.518
6.	SEAL - Instrument panel	6.758
7.	BRACKET & CAPSULE ASSEMBLY	6.760
8.	COLUMN ASSEMBLY - Steering	6.508
9.	PIN - Gearshift control	4.007
10.	LEVER - Gearshift control	4.006
11.	KNOB - Gearshift control lever	4.009

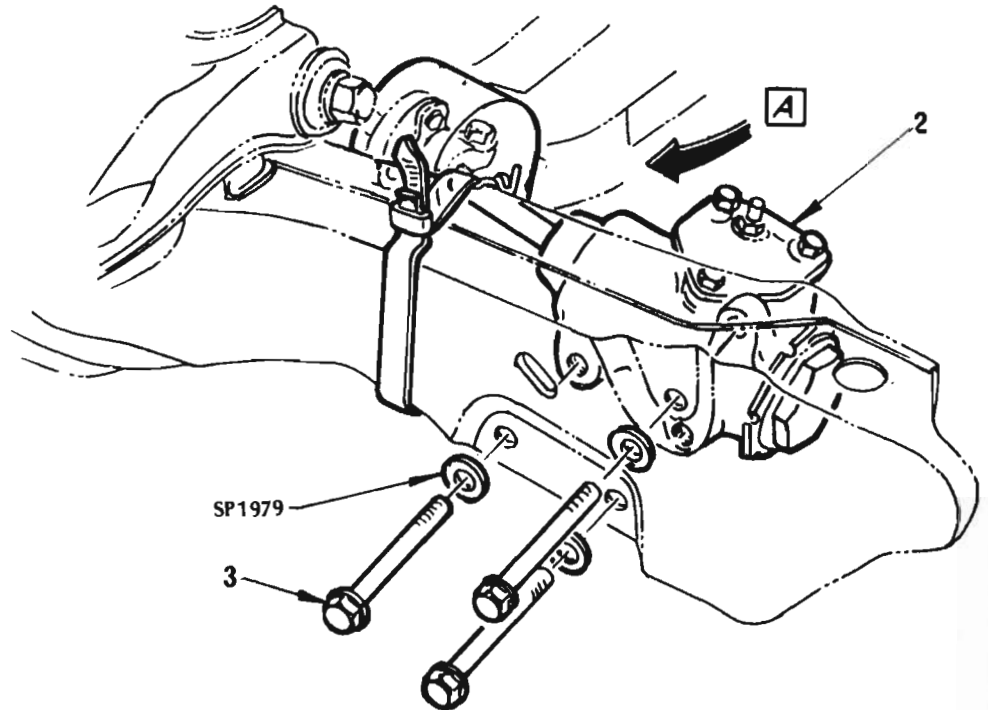


STEERING INTERMEDIATE SHAFT & COUPLINGS

ILLUS. REF. NO.	PART NAME	GROUP
1.	COUPLING ASSEMBLY – Intermediate shaft	6.524
2.	COUPLING ASSEMBLY – Intermediate shaft, flanged	6.524
3.	GEAR ASSEMBLY – Steering	6.508
4.	BOLT – Coupling to steering gear	6.524

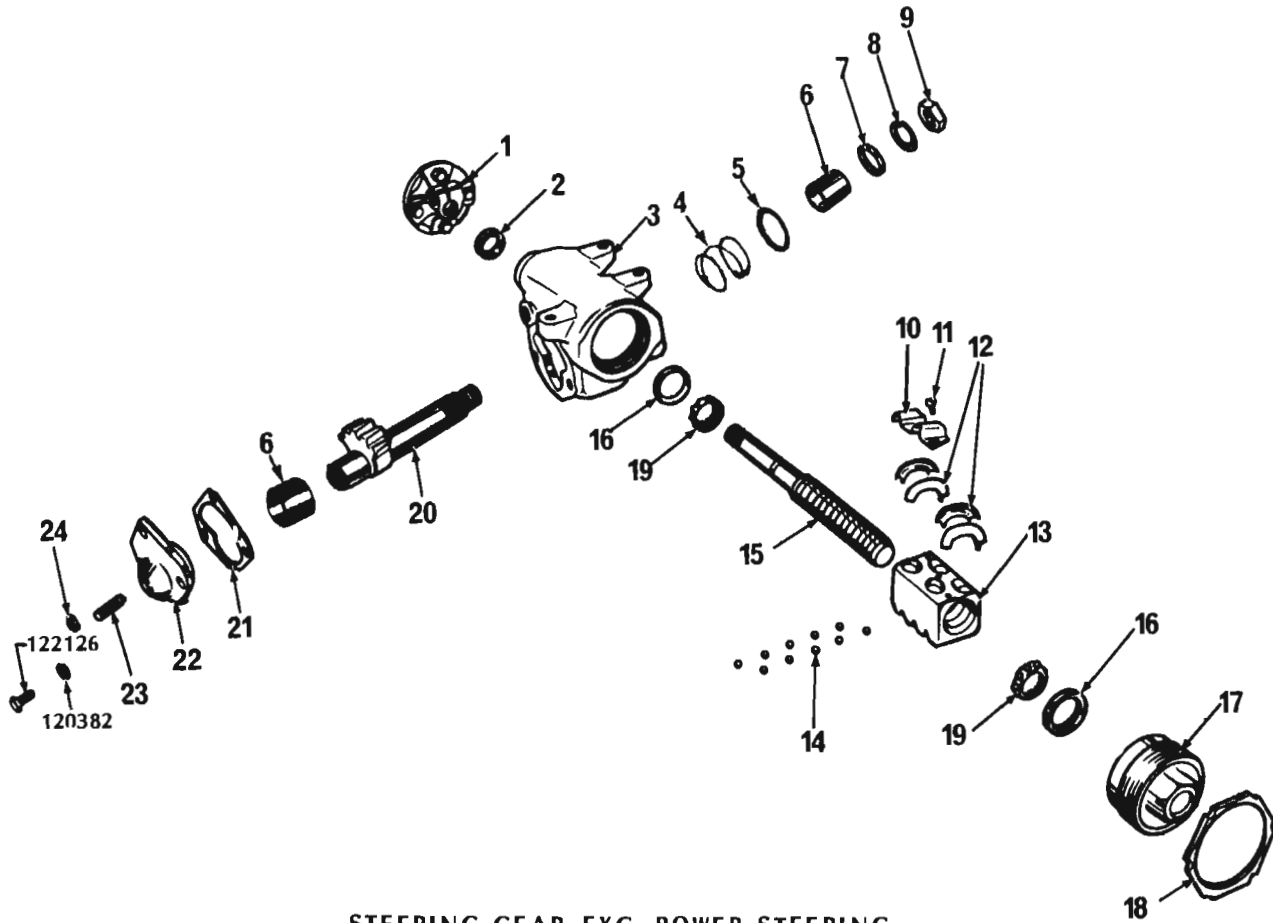


VIEW **A**



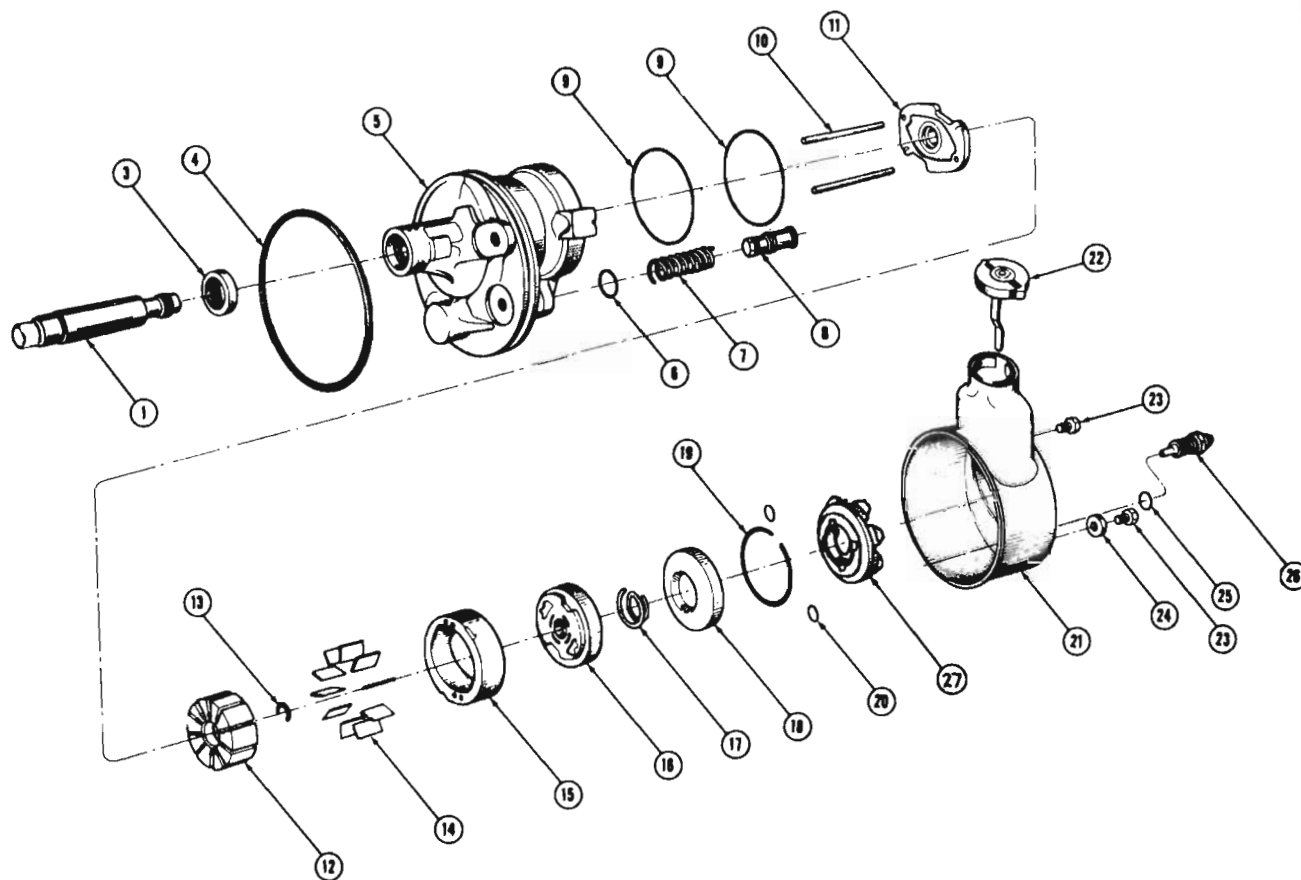
COVER — STEERING GEAR COUPLING

ILLUS. REF. NO.	PART NAME	GROUP
1.	SHIELD ASSEMBLY — Steering column coupling	6.524
2.	GEAR ASSEMBLY — Steering	6.508
3.	BOLT — Gear assembly to engine	6.508



STEERING GEAR EXC. POWER STEERING

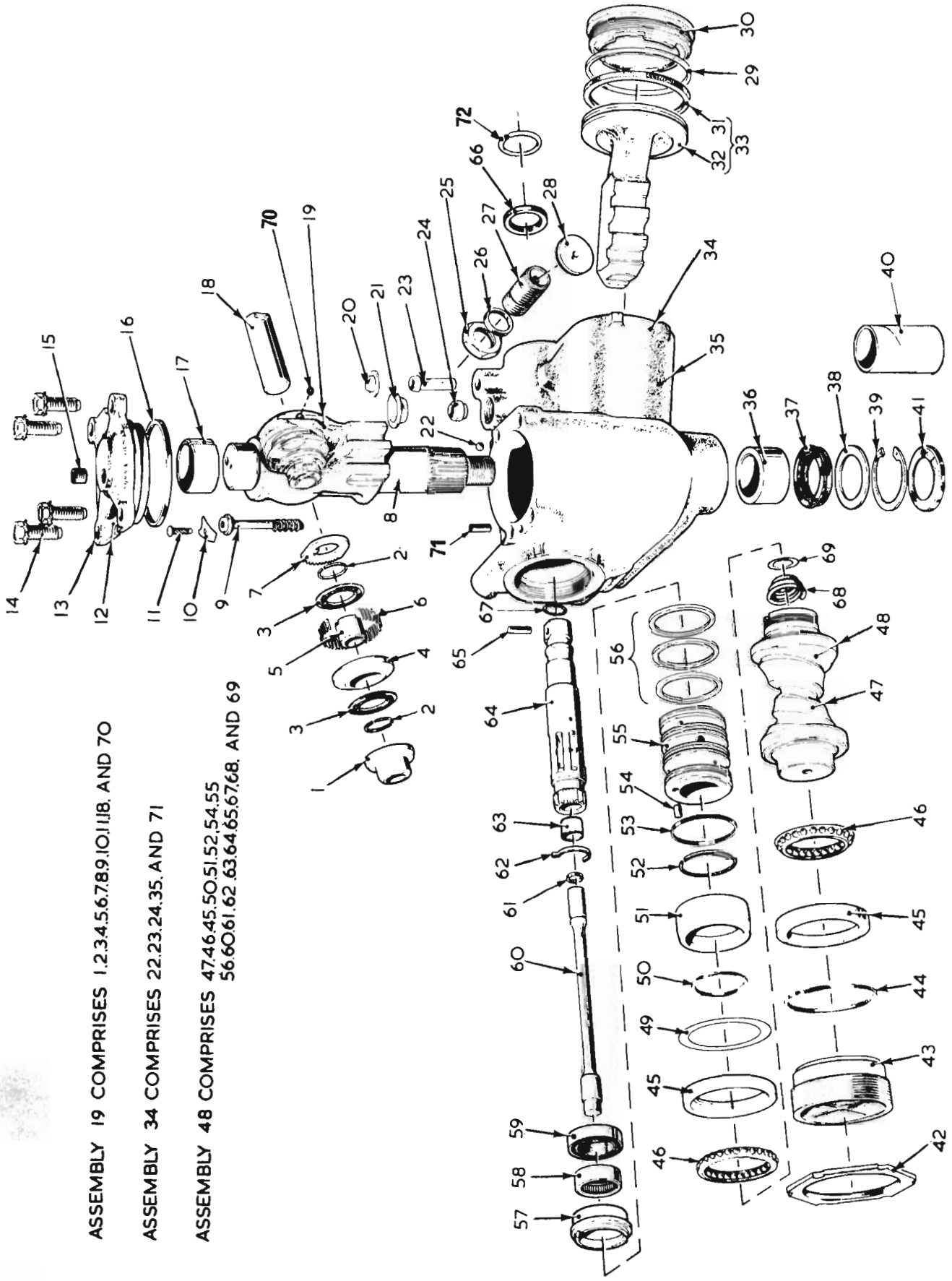
ILLUS. REF. NO.	PART NAME	GROUP
1 - 3.	STEERING GEAR ASSEMBLY	6.508
1.	COUPLING ASSEMBLY - Intermediate shaft	6.524
2.	'O' RING - Worm & ball nut	6.524
3.	HOUSING ASSEMBLY - Steering gear	6.803
4.	SPRING - Pitman gear control	6.852
5.	SEAT - Pitman gear control spring	6.852
6.	BEARING - Steering gear housing pitman shaft	6.786
7.	SEAL - Pitman shaft	6.855
8.	WASHER - Pitman arm to shaft	6.861
9.	NUT - Pitman arm to shaft	6.861
10 - 15.	WORM & BALL NUT ASSEMBLY	6.524
10.	CLAMP - Steering gear ball return guide	6.843
11.	SCREW - Clamp guide	6.843
12.	GUIDE - Steering gear ball return	6.842
13.	BALL NUT	N.S.S.
14.	BALL - Steering gear	6.844
15.	SHAFT - Steering gear	N.S.S.
16.	RACE - Worm thrust bearing	6.527
17.	ADJUSTER - Steering gear worm bearing	6.803
18.	NUT - Adjuster lock	6.803
19.	BEARING - Worm thrust	6.530
20.	GEAR & SHAFT - Pitman	6.850
21.	GASKET - Steering gear housing cover	6.809
22.	COVER - Steering gear housing	6.809
23.	ADJUSTER - Steering gear lash	6.822
24.	NUT - Adjuster	6.822



POWER STEERING PUMP

ILLUS. REF. NO.	PART NAME	GROUP	ILLUS. REF. NO.	PART NAME	GROUP
1-26	PUMP ASSEMBLY	6.605	14. (c)	VANE KIT - Pump (10 vanes)	6.610
1. (A)	SHAFT KIT - Pump drive	6.614	15. (c)	RING	6.611
3.	SEAL - Pump drive shaft	6.617	16.	PLATE - Pressure	6.612
4. (B)	SEAL - Reservoir - 'O' ring	6.635	17.	SPRING - Pressure plate	6.612
5.	HOUSING ASSY.	6.608	18.	PLATE - Pump end	6.612
6. (B)	SEAL - Valve - 'O' ring	6.674	19.	RING - End plate retaining	6.609
7.	SPRING - Flow control	6.612	20. (B)	SEAL - Reservoir bolt	6.635
8.	VALVE ASSY. - Flow control	6.624	21.	RESERVOIR ASSY.	6.635
9. (B)	SEAL - End & pressure plate - 'O' ring	6.612	22.	CAP ASSY. - Reservoir	6.635
10.	PIN - Pump ring - Dowel	6.608	23.	BOLT - Reservoir	6.606
11.	PLATE - Thrust	6.612	24.	SPACER - Pump cover bolt	N.S.
12. (c)	ROTOR	N.S.S.	25. (B)	SEAL - Pump outlet fitting	6.674
13.	RING - Shaft retaining	6.614	26.	FITTING ASSEMBLY - Hose	6.673
			27.	FILTER ASSY.	6.630

NOTE: (A) Shaft includes Illus. Ref. No. 13
 (B) Parts included in Seal Kit, Refer Group 6.609
 (c) Parts included in Rotor Kit, Refer Group 6.610



ASSEMBLY 19 COMPRISES 1,2,3,4,5,6,7,8,9,10,11,12, AND 13

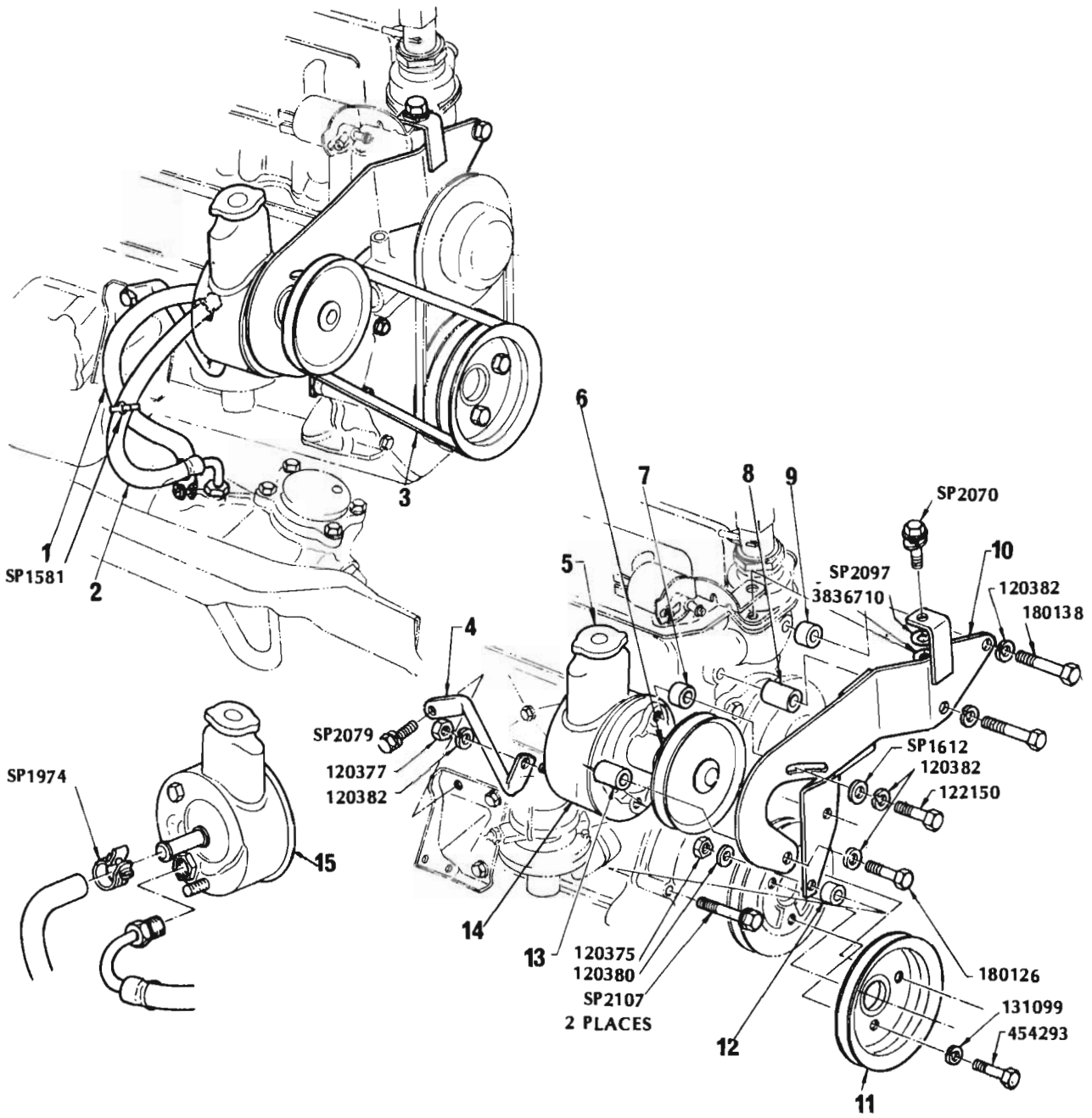
ASSEMBLY 34 COMPRISES 22,23,24,35, AND 71

ASSEMBLY 48 COMPRISES 47,46,45,50,51,52,54,55,
56,60,61,62,63,64,65,67,68, AND 69

STEERING GEAR - POWER STEERING

ILLUSTRATION OPPOSITE

ILLUS. REF. NO.	PART NAME	GROUP	ILLUS. REF. NO.	PART NAME	GROUP
1.	COLLAR - Thrust	N.S.S.	37.	SEAL - Pitman shaft	6.855
2.	RING - Spacer	N.S.S.	38.	RING - Seal Back-up	6.855
3.	RACE - Thrust	N.S.S.	39.	CLIP - Retainer	6.856
4.	FOLLOWER - Worm	N.S.S.	40.	SHIPPING - Protector	N.S.S.
5.	SLEEVE - Eccentric	N.S.S.	41.	EXCLUDER - Dust	6.856
6.	NEEDLE ROLLER	N.S.S.	42.	NUT - Bearing adjuster lock	6.830
7.	ADJUSTER - Eccentric sleeve	N.S.S.	43.	ADJUSTER - Bearing	6.830
8.	SECTOR SHAFT	N.S.S.	44.	SEAL - Bearing adjuster	6.840
9.	SCREW - Adjusting	6.822	45.	RACE - Worm thrust	6.527
10.	CLIP - Adjusting screw locking	6.822	46.	BEARING - Worm thrust	6.530
11.	SCREW - Drive	N.S.S.	47.	WORM	N.S.S.
12.	COVER ASSEMBLY	6.807	48.	WORM, VALVE and SLEEVE ASSY.	6.524
13.	COVER	N.S.S.	49.	SHIM - Worm adjusting	6.526
14.	SCREW and LOCK WASHER - Cover	6.807	50.	SEAL - Coupling sleeve	N.S.S.
15.	PLUG - Cover	6.807	51.	SLEEVE - Coupling	N.S.S.
16.	SEAL - Cover	6.809	52.	RING - Sleeve retaining	N.S.S.
17.	BUSH - Bearing	N.S.S.	53.	SEAL - Sleeve	N.S.S.
18.	PIN	N.S.S.	54.	PIN - Sleeve drive	N.S.S.
19.	GEAR and SHAFT - Pitman	6.850	55.	SLEEVE	N.S.S.
20.	SHIPPING PLUG	N.S.S.	56.	SEAL - Sleeve (Teflon)	6.551
21.	SHIPPING PLUG	N.S.S.	57.	SPACER - Bearing	6.552
22.	BALL - Sealing	N.S.S.	58.	BEARING - Roller	6.552
23.	TUBE - Return hose connection	6.803	59.	SEAL - Valve	6.550
24.	SEAT - Pressure hose connection	6.803	60.	BAR - Torsion	N.S.S.
25.	LOCKNUT - Rack adjusting screw	6.585	61.	SEAL - Torsion bar	N.S.S.
26.	SEAL - Rack adjusting screw	6.585	62.	SPRING - Coupling & fail safe	N.S.S.
27.	SCREW - Rack adjusting	6.585	63.	BUSH - Split delrin	N.S.S.
28.	PAD - Rack adjusting	6.585	64.	VALVE	N.S.S.
29.	SEAL - Cover	6.586	65.	DOWEL	N.S.S.
30.	COVER - Piston	6.586	66.	EXCLUDER - Dust & mud	6.586
31.	SEAL - Piston rack	6.579	67.	WASHER - Fixing	N.S.S.
32.	PISTON RACK	N.S.S.	68.	SPRING - Conical	N.S.S.
33.	RACK and SEAL ASSEMBLY	6.586	69.	WASHER	N.S.S.
34.	HOUSING ASSEMBLY - Steering gear	6.803	70.	BALL - Locking	N.S.S.
35.	HOUSING	N.S.S.	71.	PIN - Cover locating, roll	6.807
36.	BEARING - Pitman shaft	6.786	72.	RING - Dust/mud excluder retaining	6.524

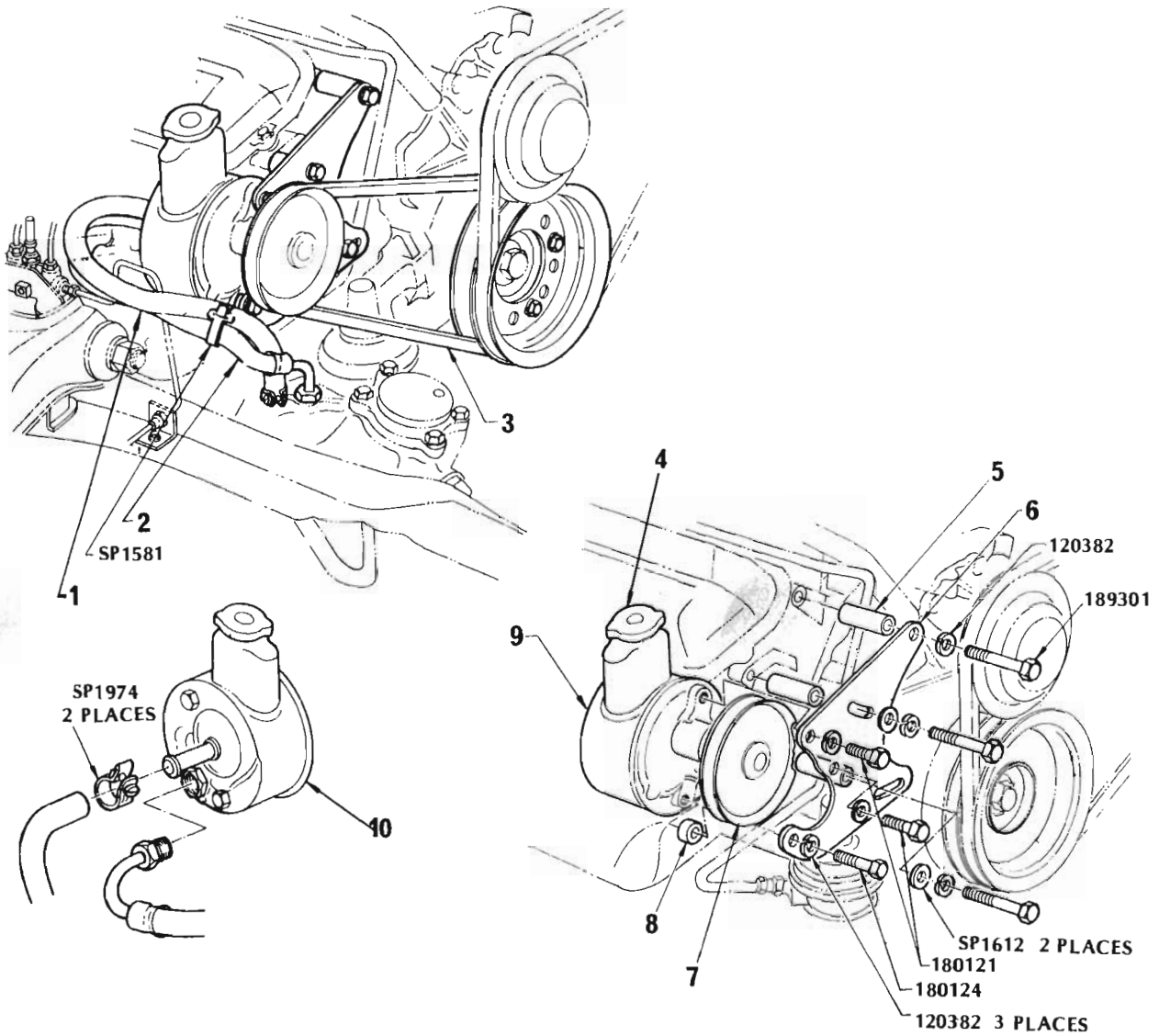


POWER STEERING

6 Cylinder Engine

ILLUSTRATION OPPOSITE

ILLUS. REF. NO.	PART NAME	GROUP
1.	HOSE ASSEMBLY – Return	6.670
2.	HOSE ASSEMBLY – Pressure	6.670
3.	BELT – Power steering pump	1.066
4.	BRACE – Pump support	6.606
5.	CAP & INDICATOR ASSEMBLY	6.635
6.	PULLEY ASSEMBLY	6.655
7.	SPACER – Mounting bracket to pump	6.606
8.	SPACER – Mounting bracket to thermostat housing	6.606
9.	SPACER – Mounting bracket to thermostat housing	6.606
10.	BRACKET – Pump mounting	6.606
11.	PULLEY ASSEMBLY – Crankshaft	0.659
12.	SPACER – Mounting bracket to cylinder block	6.606
13.	SPACER – Mounting bracket to pump	6.606
14.	PUMP ASSEMBLY	6.605
15.	RESERVOIR ASSEMBLY	6.635



POWER STEERING
8 Cylinder Engine

ILLUS. REF. NO.	PART NAME	GROUP
1.	HOSE ASSEMBLY – Return	6.670
2.	HOSE ASSEMBLY – Pressure	6.670
3.	BELT – Power steering pump	1.066
4.	CAP & INDICATOR ASSEMBLY	6.635
5.	SPACER – Mounting bracket to cylinder head	6.606
6.	BRACKET – Pump mounting	6.606
7.	PULLEY ASSEMBLY	6.655
8.	SPACER – Pump to front bracket	6.606
9.	PUMP ASSEMBLY	6.605
10.	RESERVOIR ASSEMBLY	6.635

"HX" STATESMAN/HOLDEN PARTS CATALOGUE

GROUP	DESCRIPTION	MODEL	SIDE	PART No.	QTY.
6.007 FRONT SUSPENSION	CURRENT PRODUCTION FRONT AXLE ASSEMBLIES WILL BE SUPPLIED ON A FIRM ORDER BASIS.				
6.008 BRACKET – Front suspension cross	BRACKET ASSEMBLY – Power plant to crossmember				
	ALL	LH	2810775	1	
		RH	2810776	1	
6.020 KNUCKLE – Steering	KNUCKLE				
	Exc. Chassis & Cab	LH	⁽⁹⁹⁾ 2820997	1	
		RH	⁽⁹⁹⁾ 2820996	1	
	Exc. Chassis & Cab	LH	⁽¹⁰⁰⁾ 9943693	1	
		RH	⁽¹⁰⁰⁾ 9943694	1	
	Chassis & Cab	LH	⁽⁹⁹⁾ 9932965	1	
		RH	⁽⁹⁹⁾ 9932964	1	
	Chassis & Cab	LH	⁽¹⁰⁰⁾ 9943695	1	
		RH	⁽¹⁰⁰⁾ 9943696	1	
	NUT – Hub and disc to steering knuckle	ALL	SP1816	2	
	PIN – Hub and disc to steering knuckle	ALL	11079751	2	
6.103 ARM – Steering	ARM – 25:1 Steering gear ratio				
	Exc. Power Steering	LH	9935665	1	
		RH	9935666	1	
	ARM – 20:1 Steering gear ratio	ALL	2809481	1	
		LH	2809480	1	
		RH	2809480	1	
	BOLT – Steering arm and bracket to steering knuckle	ALL	186669	8	
	WASHER – Steering arm and bracket to steering knuckle	ALL	103322	8	
	NUT – Steering arm and bracket to steering knuckle	ALL	9417028	8	
6.103 KIT – Steering link	KIT – 25:1 Steering gear ratio				
	Exc. Power Steering, Polycast Wheels		⁽⁶⁴⁾ 9940401	1	
6.111 SEAL – Steering tie rod socket dust	SEAL				
	ALL		2809115	4	
6.163 SHIM – Upper control arm shaft	SHIM – .030"				
	ALL		2812095	AR	
	SHIM – .059"	ALL	2812096	AR	
	SHIM – 120"	ALL	2812097	AR	
6.164 SHAFT, BUSH – Upper control arm	SHAFT				
	ALL		2809219	2	
	BUSH	ALL	2805510	4	
	RETAINER – Bush	ALL	2805728	4	
	NUT – Shaft, Hex. lock $\frac{5}{16}$ " – 18	ALL	9422286	4	
6.168 ARM – Control	ARM & BALL JOINT ASSEMBLY - Upper control				
	Exc. Chassis & Cab	LH	9931879	1	
		RH	9931878	1	
	Chassis & Cab	LH	9931747	1	
		RH	9931748	1	
	NUT – Steering knuckle to upper control arm and ball joint	ALL	102647	2	
	PIN – Steering Knuckle to upper control arm and ball joint	ALL	11076681	2	
	BOLT – Upper control arm to frame	ALL	381909	4	
	NUT – Hex. lock $\frac{3}{16}$ " – 14	ALL	9422299	4	
Note:	⁽⁶⁴⁾ Includes Arm Steering Part Nos. 9935665, 9935666 Group 6.103. Arm – Pitman Part No. 9935626 Group 6.859. Rod – Steering connecting Part No. 9935629 Group 6.870. Lever – Steering gear conn. rod idler Part No. 9935625 Group 6.895.				
	⁽⁹⁹⁾ Use with cast iron type caliper including mounting bracket.				
	⁽¹⁰⁰⁾ Use with cast/aluminium type caliper.				

"HX" STATESMAN/HOLDEN PARTS CATALOGUE

GROUP	DESCRIPTION	MODEL	SIDE	PART No.	QTY.
6.168	ARM – Control (contd.)				
	BALL JOINT KIT - Upper control	Exc. Chassis & Cab		9932810	2
	BALL JOINT ASSEMBLY - Upper control	Chassis & Cab		9934027	2
	SEAL & CLAMP KIT - Upper ball joint	ALL		5679626	2
	RIVET - Ball joint assembly to upper control arm	ALL		104251	8
	BOLT - Ball joint assembly to upper control arm	ALL		454848	8
	NUT - Ball joint assembly to upper control arm	ALL		9413976	8
	FITTING - Lubrication, upper ball joint	ALL		9417892	2
	ARM & BALL JOINT ASSEMBLY - Lower control	ALL	LH	2809325	1
			RH	2809324	1
	NUT - Steering knuckle to lower control arm and ball joint	ALL		102648	2
	PIN - Steering knuckle to lower control arm and ball joint	ALL		11076681	2
	NUT - Hex. lock ½" - 13	ALL		9422301	4
	BOLT - Lower control arm to frame	ALL		SP2452	4
	BALL JOINT ASSEMBLY - Lower control	ALL		9943967	2
	SEAL & CLAMP KIT - Lower ball joint	ALL		5679629	2
	FITTING - Lubrication, lower ball joint	ALL		9417891	2
6.170	BUSH ASSEMBLY – Lower control arm				
	BUSH ASSEMBLY	ALL		2807098	4
6.176	BUMPER – Control arm				
	BUMPER - Upper arm	ALL		384220	2
	BUMPER - Lower Arm	Exc. Outback Equipment, Heavy Duty Suspension		402410	2
		Outback Equipment		9933355	2
	BUMPER - Lower arm	70, 80 Heavy Duty Suspension		9933355	2
	NUT - Bumper to lower arm	ALL		9418931	2
6.230	ROD – Steering tie				
	ROD	ALL		2809107	2
	FITTING - Lubrication	ALL		M33106	2
6.232	NUT – Steering tie rod				
	NUT - LH thread	ALL		2810539	2
	NUT - RH thread	ALL		124939	2
6.233	SOCKET – Steering tie rod ball				
	SOCKET ASSEMBLY - RH thread	ALL		9931634	2
	SOCKET ASSEMBLY - LH thread	ALL		9931667	2
	NUT - Steering tie rod and socket assembly to connecting rod	ALL		272312	2
	NUT - Steering tie rod and socket assembly to steering arm	ALL		272312	2
	PIN - Steering tie rod socket	ALL		11079741	4
6.307	HUB and DISC – Front wheel				
	HUB & DISC ASSEMBLY	ALL		2824526	2
6.311	BEARING – Front wheel, inner				
	BEARING ASSEMBLY	ALL		7413406	2
6.313	BEARING – Front wheel, outer				
	BEARING ASSEMBLY	ALL		7413409	2
6.321	WASHER – Steering knuckle spindle nut				
	WASHER	ALL		7435914	2
6.326	SEAL – Front wheel bearing				
	SEAL ASSEMBLY	ALL		9937294	2

"HX" STATESMAN/HOLDEN PARTS CATALOGUE

GROUP	DESCRIPTION	MODEL	SIDE	PART No.	QTY.
6.361	SPRING – Front				
	SPRING – Regular (ident. code "F.A.") exc. Air Cond.	35, 69 w/6 Cyl. Eng.		2818476	2
	SPRING – Regular (ident. code "F.C.") Air Cond.	35, 69 w/6 Cyl. Eng.		2818478	2
	SPRING – Heavy duty (ident. code "F.T.") ..exc. Air Cond.				
	SPRING – Regular (ident. code "F.U.") exc. Air Cond.	35, 69 w/6 Cyl. Eng.		2825748	2
	SPRING – Regular (ident. code "F.V.") Air Cond.	60 w/6 Cyl. Eng.		2825749	2
	SPRING – Regular (ident. code "F.T.") exc. Air Cond.	60 w/6 Cyl. Eng.		2825750	2
	SPRING – Regular (ident. code "F.U.") Air Cond.	70, 80 w/6 Cyl. Eng.		2825748	2
	SPRING – Regular (ident. code "F.V.") Air Cond.	70, 80 w/6 Cyl. Eng.		2825749	2
	SPRING – Heavy duty (ident. code "F.U.") ..exc. Air Cond.				
	SPRING – Heavy duty (ident. code "F.V.") exc. Air Cond.	70, 80 w/6 Cyl. Eng.		2825749	2
	SPRING – Heavy duty (ident. code "F.V.") Air Cond.	70, 80 w/6 Cyl. Eng.		2825750	2
	SPRING – Regular (ident. code "F.C.") exc. Air Cond.	35, 69 w/4.2 Litre Eng. exc. Statesman		2818478	2
	SPRING – Regular (ident. code "F.F.") exc. Air Cond.	4.2 Litre Eng. De Ville		2818482	2
	SPRING – Regular (ident. code "F.C.") exc. Air Cond.	(M) 35, 69 w/5 Litre Eng.		2818478	2
	SPRING – Regular (ident. code "F.D.") exc. Air Cond.	5 Litre Eng. De Ville		2818480	2
	SPRING – Regular (ident. code "F.F.") exc. Air Cond.	(A) 35, 69 w/5 Litre Eng. exc. Statesman ..		2818482	2
	SPRING – Heavy duty (ident. code "F.U.") ..exc. Air Cond.				
	SPRING – Regular (ident. code "F.D.") Air Cond.	35, 37, 69 w/8 Cyl. Eng. exc. Caprice		2825749	2
	SPRING – Regular (ident. code "F.V.")	35, 69 w/8 Cyl. Eng. exc. Statesman		2818480	2
	SPRING – Regular (ident. code "F.V.")	60, 70, 80 w/8 Cyl. Eng.		2825750	2
	SPRING – Regular (ident. code "F.E.") Air Cond.	De Ville w/8 Cyl. Eng.		2818481	2
	SPRING – Regular (ident. code "F.H.")	Caprice		2818484	2
	SPRING – Heavy duty (ident. code "F.V.")	Caprice		2825750	2
6.508	COLUMN, GEAR – Steering				
	COLUMN ASSEMBLY	(M) 3 Speed		9942716	1
	COLUMN ASSEMBLY	(M) 4 Speed		9942717	1
	COLUMN ASSEMBLY – Steering column shift	(A)		9942714	1
	COLUMN ASSEMBLY – Console shift	(A)		9942717	1
	SCREW AND WASHER ASSEMBLY – Steering column to dash	ALL		SP2212	5
	GEAR ASSEMBLY – 25:1 Ratio	Exc. Power Steering		2815354	1
	GEAR ASSEMBLY – 20.7:1 Ratio	Exc. Power Steering		2816415	1
	GEAR ASSEMBLY	Power Steering		9940527	1
	BOLT – Gear assembly to frame	ALL		7434809	3
	WASHER – Gear assembly to frame	ALL		SP1979	3
6.513	WHEEL – Steering				
	WHEEL ASSEMBLY – Black	Exc. Sandman, GTS, LE, Caprice		9935964BA	1
	WHEEL ASSEMBLY – Tan	Exc. Sandman, GTS, LE, Caprice		9935964DX	1
	WHEEL ASSEMBLY – Dark Sienna	Exc. Sandman, GTS, LE, Caprice		9935964EK	1
	WHEEL ASSEMBLY	Sandman, GTS, LE		2817164	1
	WHEEL ASSEMBLY – Black	Caprice		9940999BA	1
	WHEEL ASSEMBLY – Tan	Caprice		9940999DX	1
	WHEEL ASSEMBLY – Dark Sienna	Caprice		9940999EK	1
6.515	NUT – Steering wheel to column				
	NUT – Hex. hd. $\frac{3}{16}$ " – 18	ALL		114497	1
	NUT – Lock	ALL		145496	1
6.518	HOUSING, JACKET, COVER – Steering column				
	HOUSING	ALL		9942260	1
	CUP – Housing thrust	Column Shift		7804413	1
	JACKET ASSEMBLY	Column Shift		2825773	1
	JACKET ASSEMBLY	Console Shift		2825774	1
	SCREW – Housing to jacket	ALL		SP2323	4
	COVER	Column Shift		9935566	1
	COVER	Console Shift		9935568	1
	COVER – Column jacket	ALL		7433352	1
	STRAP – Jacket lower	ALL		9933751	1
	SCREW – Cover to steering jacket	ALL		163158	2
	SCREW – Strap to steering jacket	ALL		274762	2

"HX" STATESMAN/HOLDEN PARTS CATALOGUE

GROUP	DESCRIPTION	MODEL	SIDE	PART No.	QTY.
6.521	BEARING – Steering shaft upper				
	BEARING ASSEMBLY	ALL		7800269	1
	RETAINER	ALL		5694191	1
	RING	ALL		5699603	1
	SPRING	ALL		7804771	1
	WASHER - Spring	ALL		7800580	1
	WASHER - .75" x 1.00" x .0478" spring	ALL		SP2113	1
6.524	SHAFT, COUPLING, WORM and BALL NUT – Steering				
	SHAFT ASSEMBLY - Upper	ALL		2813164	1
	SHAFT & COUPLING ASSEMBLY - Intermediate	ALL		2814808	1
	SHAFT ASSEMBLY - Intermediate with seal	ALL		2814810	1
	SLEEVE - Intermediate shaft	ALL		5690732	1
	CLAMP - Intermediate shaft seal	ALL		7802916	1
	RING - Intermediate shaft seal retaining	ALL		7803432	1
	COUPLING ASSEMBLY - Intermediate shaft	ALL		2824718	1
	COUPLING ASSEMBLY - Intermediate shaft, flanged	Exc. Power Steering		2815080	1
	COUPLING ASSEMBLY - Intermediate shaft, flanged	Power Steering		2815081	1
	BOLT - Coupling to steering gear assy.	Exc. Power Steering		181645	1
	BOLT - Coupling to steering gear assy.	Power Steering		7807271	1
	NUT - Coupling to steering gear assy.	Exc. Power Steering		120369	1
	WASHER - Coupling to steering gear assy.	Exc. Power Steering		120382	1
	BEARING - Coupling	ALL		5671921	2
	PIN - Coupling bearing retaining	ALL		5690977	1
	BOLT - Flange mounting	ALL		5699251	2
	NUT - Push on - 3/8" stud	ALL		SP2117	2
	SEAL - Coupling	ALL		7808099	1
	SPRING - Coupling	ALL		5675186	1
	BOLT - Coupling clamp to steering column	ALL		SP2619	1
	NUT - Coupling clamp to steering column bolt	ALL		SP2222	1
	WORM & BALL NUT ASSEMBLY -				
	20:1 Steering gear ratio	Exc. Power Steering		2815355	1
	WORM & BALL NUT ASSEMBLY -				
	16.7:1 Steering gear ratio	Exc. Power Steering		2816417	1
	WORM, VALVE & SLEEVE ASSEMBLY	Power Steering		VS12583	1
	'O' RING - 3/4" x 1/8"	Exc. Power Steering		7430621	1
	RETAINER - 'O' Ring seal	Exc. Power Steering		7431248	1
6.524	BEARING, ADAPTOR – Steering shaft lower				
	BEARING ASSEMBLY - Steering shaft lower	ALL		7805700	1
	ADAPTOR and BEARING ASSEMBLY - Steering shaft lower	ALL		9935030	1
	ADAPTOR - Steering shaft lower bearing	ALL		9933750	1
	CLIP - Adaptor (Offset type)	ALL		9930461	1
6.524	SHIELD – Steering column coupling				
	SHIELD ASSEMBLY	Exc. Power Steering		9936011	1
	SHIELD ASSEMBLY	Power Steering		9936012	1
	STRAP - Shield to crossmember	ALL		SP2639	1
	SCREW - Shield to crossmember	ALL		9414722	2
	WASHER - Shield to crossmember	ALL		SP2122	2
6.526	SHIM – Steering worm adjusting (Power Steering)				
	SHIM - .004"	ALL		VS12332	A.R.
6.527	RACE – Worm thrust bearing				
	RACE	Exc. Power Steering		5666683	2
	RACE	Power Steering		VS11424	2
6.530	BEARING – Worm thrust				
	BEARING	Exc. Power Steering		5666693	2
	BEARING	Power Steering		VS11368	2

"HX" STATESMAN/HOLDEN PARTS CATALOGUE

GROUP	DESCRIPTION	MODEL	SIDE	PART No.	QTY.
6.550	SEAL – Steering gear valve (Power Steering)				
	SEAL	ALL		VS12455	1
6.551	SEAL - Steering gear coupling sleeve (Power Steering)				
	SEAL	ALL		VS11378	3
6.552	BEARING, SPACER – Steering gear sleeve (Power Steering)				
	BEARING - Roller	ALL		VS11421	1
	SPACER - Bearing	ALL		VS11422	1
6.579	SEAL – Steering gear piston rack (Power Steering)				
	SEAL	ALL		VS13565	1
6.585	PAD, SCREW, SEAL, LOCKNUT – Steering gear rack adjusting (Power Steering)				
	PAD	ALL		VS11401	1
	SCREW	ALL		VS11426	1
	SEAL - Screw	ALL		VS11292	1
	LOCKNUT - Screw	ALL		VS11427	1
6.586	RACK and SEAL, COVER – Steering gear piston (Power Steering)				
	RACK & SEAL ASSEMBLY	ALL		VS13516	1
	SEAL - Piston rack	ALL		VS13566	1
	COVER	ALL		VS11430	1
	SEAL - Cover	ALL		VS11395	1
6.605	PUMP – Steering gear hydraulic (Power Steering)				
	PUMP ASSEMBLY	ALL		7818018	1
6.606	BRACKET, BRACE, SPACER, STUD – Steering gear hydraulic pump mounting (Power Steering)				
	BRACKET	6 Cyl. Eng.		9939971	1
	BOLT - Bracket and thermostat housing to cylinder head Hex. hd. 3/8" - 16 x 3"	6 Cyl. Eng.		180138	2
	WASHER - Bracket and thermostat housing to cylinder head - Lock	6 Cyl. Eng.		120382	2
	BOLT - Bracket and water outlet to thermostat housing Hex. hd. 3/8" - 16 x 1 3/4"	6 Cyl. Eng.		SP2070	1
	WASHER - Bracket to water outlet .020" thick	6 Cyl. Eng.		SP2097	1
	WASHER - Bracket to water outlet	6 Cyl. Eng.		3836710	1
	BOLT - Bracket and timing gear cover to cylinder block Hex. hd. 1/4" - 20 x 2.62"	6 Cyl. Eng.		SP2107	2
	BOLT - Bracket to power steering pump - Hex. hd. 3/8" - 16 x 1 1/2"	6 Cyl. Eng.		180126	1
	BOLT - Bracket to power steering pump - Hex. hd. 3/8" - 16 x 1 3/8"	6 Cyl. Eng.		122150	2
	WASHER - Bracket to power steering pump - Lock	6 Cyl. Eng.		120382	2
	WASHER - Bracket to power steering pump - Flat ...	6 Cyl. Eng.		SP1612	2
	BOLT - Pump bracket to cyl. case	ALL		SP2107	2
	NUT - Pump bracket to cyl. case	ALL		120375	2
	WASHER - Pump bracket to cyl. case	ALL		120380	2
	BRACE - Pump support	6 Cyl. Eng.		2815126	1
	NUT - Brace to power steering pump	6 Cyl. Eng.		120377	1
	WASHER - Brace to power steering pump - Lock	6 Cyl. Eng.		120382	1
	BOLT - Brace and engine mounting bracket to cylinder block	6 Cyl. Eng.		SP2079	1
	SPACER - Mounting bracket to pump .31"	6 Cyl. Eng.		7436461	1
	SPACER - Mounting bracket to pump .67"	6 Cyl. Eng.		2815127	1
	SPACER - Mounting bracket to cylinder block .40" ..	6 Cyl. Eng.		2815130	2
	SPACER - Mounting bracket to thermostat housing, 73"	6 Cyl. Eng. exc. Air Cond.		2815128	1
	SPACER - Mounting bracket to thermostat housing, 1.53"	6 Cyl. Eng.		2815131	1

“HX” STATESMAN/HOLDEN PARTS CATALOGUE

GROUP	DESCRIPTION	MODEL	SIDE	PART No.	QTY.
6.606	BRACKET, BRACE, SPACER, STUD – Steering gear hydraulic pump mounting (Power Steering) (contd.)				
	STUD - Pump mounting	6 Cyl. Eng.		5689546	1
	BRACKET	8 Cyl. Eng.		2814440	1
	BOLT - Bracket to cylinder head - Hex. hd. 3/4" 16 x 2 3/8"	8 Cyl. Eng.		189301	3
	WASHER - Bracket to cylinder head - Lock	8 Cyl. Eng.		120382	3
	BOLT - Bracket to power steering pump - Hex. hd. 3/4" - 16 x 7/8"	8 Cyl. Eng.		454905	2
	BOLT - Bracket to power steering pump - Hex. hd. 3/8" - 15 x 1 1/4"	8 Cyl. Eng.		180124	1
	WASHER - Bracket to power steering pump - 3/8" Lock	8 Cyl. Eng.		120382	3
	WASHER - Bracket to power steering pump - 3/8" Flat	8 Cyl. Eng.		SP1612	3
	SPACER - Pump to front bracket .36"	8 Cyl. Eng.		2806877	1
	SPACER - Mounting bracket to cylinder head 1.305"	8 Cyl. Eng.		2814442	3
6.608	HOUSING, PIN – Steering gear hydraulic pump (Power Steering)				
	HOUSING ASSEMBLY	ALL		7807934	1
	PIN - Ring dowel 3/16" x 1 3/16"	ALL		5689357	2
6.609	SEAL KIT, RING – Steering gear hydraulic pump (Power Steering)				
	SEAL KIT	ALL		5688044	1
	RING - End plate retaining, 3" O.D.	ALL		5688014	1
6.610	ROTOR KIT, VANE KIT, ROTOR – Steering gear hydraulic pump (Power Steering)				
	ROTOR KIT - (1 rotor, 10 vanes, 1 ring)	ALL		5690858	1
	VANE KIT - (10 vanes)	ALL		5688047	1
	ROTOR	ALL		5688011	1
6.611	RING – Steering gear hydraulic pump (Power Steering)				
	RING	ALL		5690857	1
6.612	PLATE, SPRING, SEAL – Steering gear hydraulic pump (Power Steering)				
	PLATE - Thrust	ALL		7813462	1
	PLATE - Pressure	ALL		5688043	1
	PLATE - Pump end	ALL		5689358	1
	SPRING - Flow control	ALL		5688037	1
	SPRING - Pressure plate	ALL		5689359	1
	SEAL - 'O' Ring end and pressure plate	ALL		5688034	2
6.614	SHAFT – Steering gear hydraulic pump drive (Power Steering)				
	SHAFT - Service kit	ALL		7818175	1
	RING - Shaft retaining	ALL		5689388	1
6.617	SEAL – Steering gear hydraulic pump drive shaft (Power Steering)				
	SEAL	ALL		7808195	1
6.624	VALVE – Steering gear hydraulic pump control (Power Steering)				
	VALVE ASSEMBLY	ALL		7809226	1
6.630	FILTER, ELEMENT – Hydraulic steering pump (Power Steering)				
	FILTER ASSEMBLY	ALL		5689351	1
	ELEMENT - Filter	ALL		5689352	1
6.635	RESERVOIR, SEAL – Steering gear hydraulic pump (Power Steering)				
	RESERVOIR ASSEMBLY	ALL		5693014	1
	BOLT - Reservoir	ALL		5696245	2
	CAP & INDICATOR ASSY	ALL		7803820	1
	SEAL - 'O' Ring 4 1/2" I.D.	ALL		5688015	1
	SEAL - Reservoir bolt 29/64" I.D.	ALL		5688109	2

"HX" STATESMAN/HOLDEN PARTS CATALOGUE

GROUP	DESCRIPTION	MODEL	SIDE	PART No.	QTY.
6.655	PULLEY – Steering gear hydraulic pump (Power Steering)				
	PULLEY ASSEMBLY	ALL		9935645	1
6.660	BELT – Steering gear hydraulic pump drive (Power Steering)				
	Refer group 1.066				
6.670	HOSE – Steering pump to valve (Power Steering)				
	HOSE ASSEMBLY - Pressure	ALL		2825687	1
	HOSE ASSEMBLY - Return	ALL		2817879	1
	CLIP - Pressure hose to return hose	ALL		SP1581	1
	NUT - Pressure hose to power steering pump	ALL		137399	1
6.672	CLAMP – Hydraulic steering pump hose (Power Steering)				
	CLAMP - Return hose .68" Dia.	ALL		SP1974	2
6.673	FITTING – Steering gear hydraulic valve hose (Power Steering)				
	FITTING ASSEMBLY	ALL		7811617	1
6.674	SEAL – Steering gear hydraulic valve hose and fitting (Power Steering)				
	SEAL - Pump outlet fitting - Rectangular section	ALL		5688049	1
	SEAL - Pump outlet fitting - 'O' Ring	ALL		5688035	1
6.758	COVER, INSULATOR – Steering column				
	COVER - To dash	ALL		2818095	1
	INSULATOR	Steering Column Shift		2811742	1
	INSULATOR - To dash	ALL		2818096	1
	SEAL - Lower	Console Shift		2824649	1
	SEAL - To instrument panel	ALL		9940592	1
6.760	BRACKET – Steering column support				
	BRACKET & CAPSULE ASSEMBLY	ALL		2822994	1
	BOLT - Bracket to column	ALL		9419342	4
	BOLT - Steering column support to brace	ALL		122138	3
6.761	BRACE – Instrument panel to dash				
	BRACE ASSEMBLY	ALL		9942895	1
6.786	BEARING – Steering gear housing pitman shaft				
	BEARING	Exc. Power Steering		2810043	2
	BEARING	Power Steering		VS11419	1
6.803	HOUSING – Steering gear				
	HOUSING ASSEMBLY	Exc. Power Steering		2810034	1
	HOUSING ASSEMBLY	Power Steering		VS11414	1
	TUBE - Return hose connection	Power Steering		VS11279	1
	SEAT - Pressure hose connection	Power Steering		VS11417	1
6.807	COVER – Steering gear housing				
	COVER ASSEMBLY	Exc. Power Steering		2810254	1
	COVER ASSEMBLY	Power Steering		VS11393	1
	PLUG - Cover	Power Steering		VS11396	1
	SCREW & LOCK WASHER - Cover	Power Steering		VS11397	4
	BOLT - Cover assembly to steering gear housing	Exc. Power Steering		122126	3
6.809	GASKET, SEAL – Steering gear housing cover				
	GASKET	Exc. Power Steering		2810255	1
	SEAL	Power Steering		VS11395	1

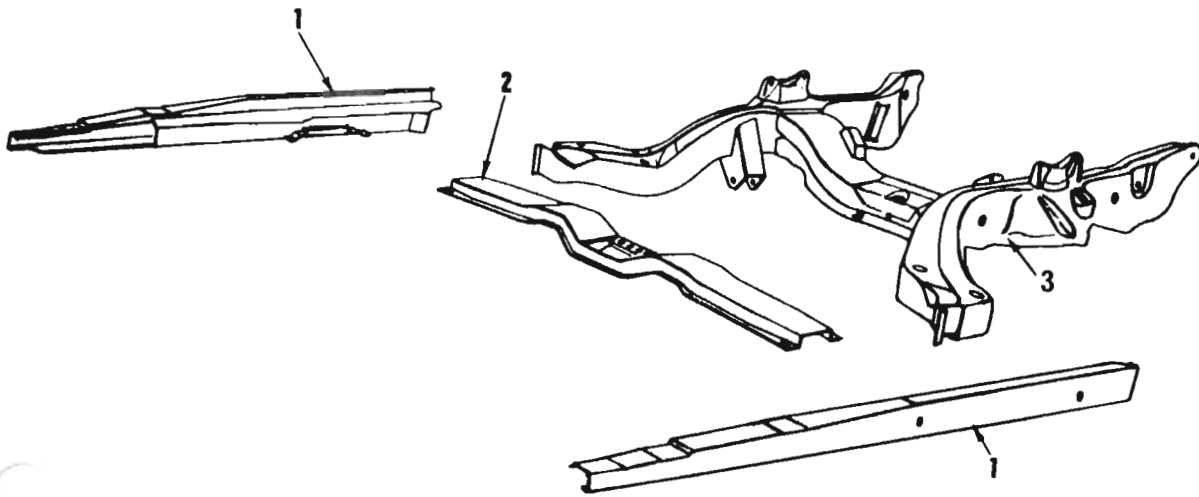
"HX" STATESMAN/HOLDEN PARTS CATALOGUE

GROUP	DESCRIPTION	MODEL	SIDE	PART No.	QTY.
6.822	ADJUSTER – Steering gear lash				
	ADJUSTER	Exc. Power Steering		7437825	1
	NUT - Adjuster	Exc. Power Steering		124829	1
	SCREW - Adjusting	Power Steering		VS11390	1
	CLIP - Adjusting screw locking	Power Steering		VS11391	1
6.830	ADJUSTER, NUT – Steering gear worm bearing				
	ADJUSTER	Exc. Power Steering		2810257	1
	NUT - Adjuster lock	Exc. Power Steering		7409058	1
	ADJUSTER	Power Steering		VS11429	1
	NUT - Adjuster lock	Power Steering		VS11413	1
6.840	SEAL – Steering gear worm bearing adjuster				
	SEAL	Power Steering		VS11428	1
6.842	GUIDE – Steering gear ball return				
	GUIDE	Exc. Power Steering		5666887	4
6.843	CLAMP – Steering gear ball return guide				
	CLAMP	Exc. Power Steering		5666888	1
	SCREW - Clamp guide	Exc. Power Steering		187375	1
6.844	BALL – Steering gear				
	BALL	Exc. Power Steering		266800	54
6.850	GEAR & SHAFT – Pitman				
	GEAR	Exc. Power Steering		2810036	1
	GEAR	Power Steering		VS11380	1
6.852	SPRING, SEAT – Pitman gear control				
	SPRING	Exc. Power Steering		2810258	1
	SEAT - Spring	Exc. Power Steering		2810259	1
6.855	SEAL – Steering gear pitman shaft				
	SEAL	Exc. Power Steering		2810038	1
	SEAL	Power Steering		VS11290	1
	RING - Seal back-up	Power Steering		VS11289	1
6.856	CLIP, EXCLUDER – Steering gear pitman shaft seal				
	CLIP - Retainer	Power Steering		VS11288	1
	EXCLUDER - Dust	Power Steering		VS11425	1
6.859	ARM – Pitman				
	ARM	Exc. Power Steering		9935626	1
	ARM	Power Steering		9935627	1
6.861	NUT – Pitman arm to shaft				
	NUT	ALL		5667628	1
	WASHER	ALL		5697702	1
6.870	ROD – Steering connecting				
	ROD ASSEMBLY	ALL <i>92000187</i>		9935629	1
	SEAL ASSEMBLY - Ball joint	ALL		5693027	2
	NUT - Rod assembly to pitman arm	ALL		125250	1
	NUT - Rod assembly to idler lever	ALL		125250	1
	PIN - Cotter	ALL		11076681	2

"HX" STATESMAN/HOLDEN PARTS CATALOGUE

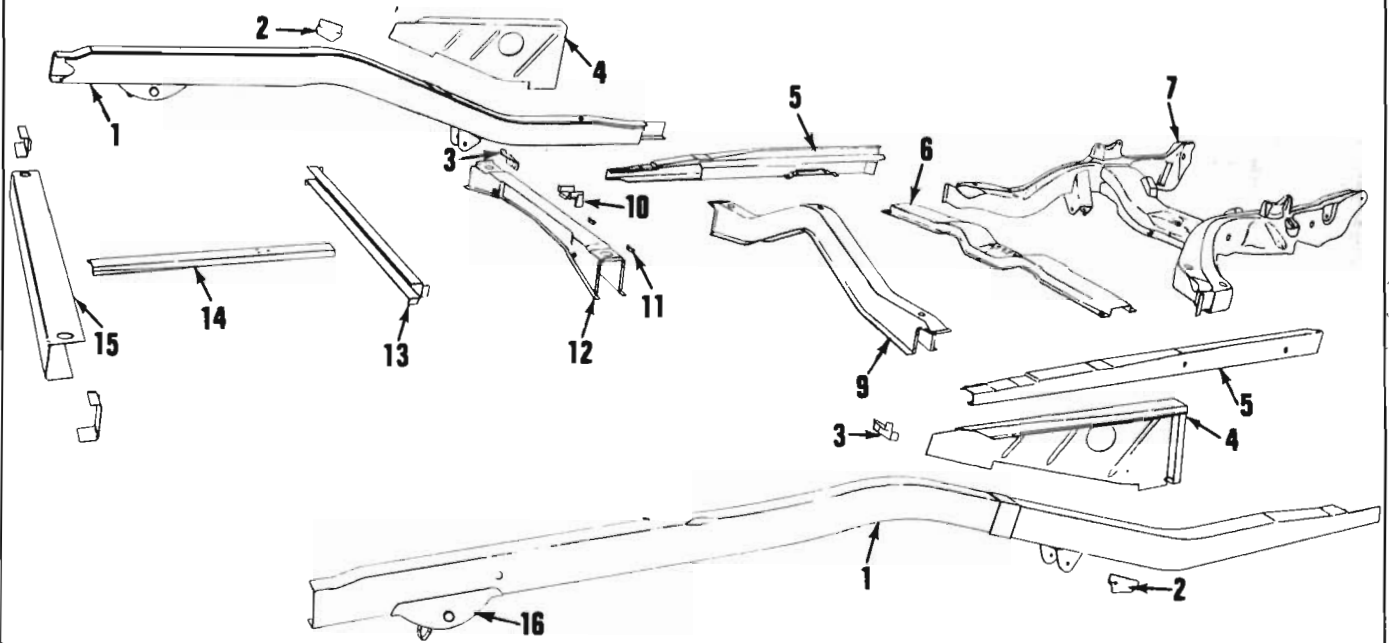
GROUP	DESCRIPTION	MODEL	SIDE	PART No.	QTY.
6.895	LEVER – Steering gear connecting rod idler				
	LEVER	ALL		9935625	1
	FITTING - Lubrication	ALL		M33106	1
6.896	SUPPORT – Steering gear connecting rod idler lever				
	SUPPORT ASSEMBLY	ALL		2822078	1
	BOLT - Flange hd 3/8" - 16 x 1.25"	ALL		SP2508	2
	NUT - Hex. 3/8" - 16	ALL		9422297	2
6.897	BUSH – Steering connecting rod idler lever				
	BUSH ASSEMBLY	ALL		2818853	1
6.898	SEAL – Steering connecting rod idler lever				
	SEAL	ALL		7437355	1

GROUP 7.000
FRAME – SPRINGS – BUMPERS



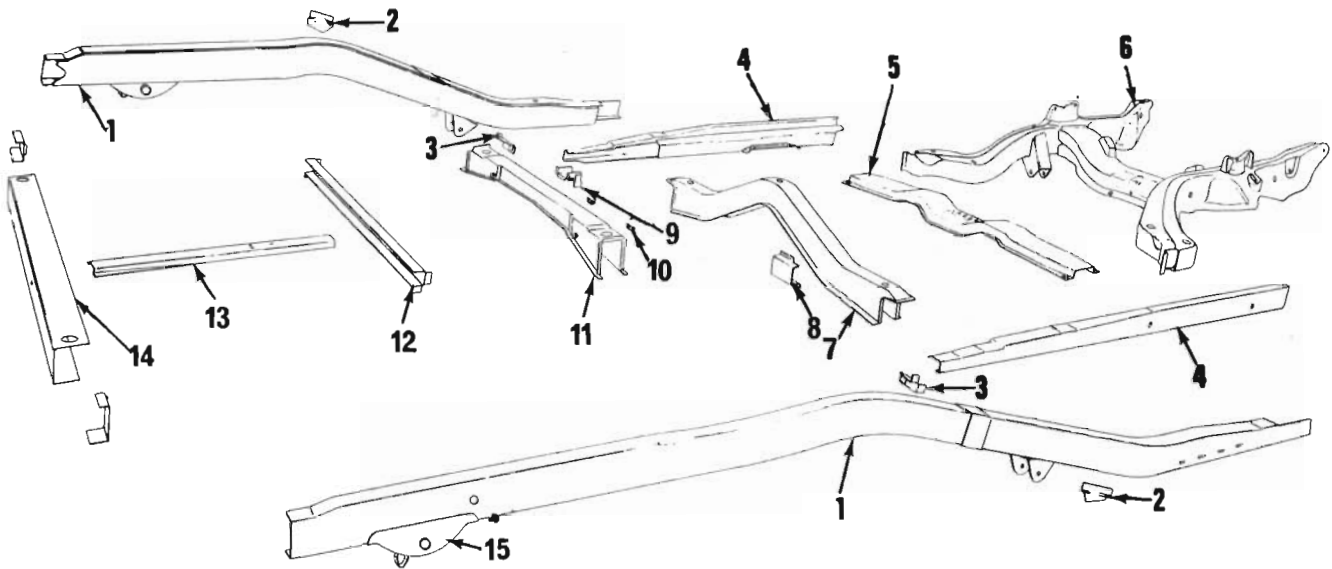
FRAME
Station Wagon, Coupe, Sedan

ILLUS. REF. NO.	PART NAME	GROUP
1 - 4.	FRAME ASSEMBLY - Body	7.003
1.	BAR ASSEMBLY - Centre side outer	7.003
2.	MEMBER ASSEMBLY - Transmission mounting cross	12.982
3.	FRAME ASSEMBLY - Front end	12.980



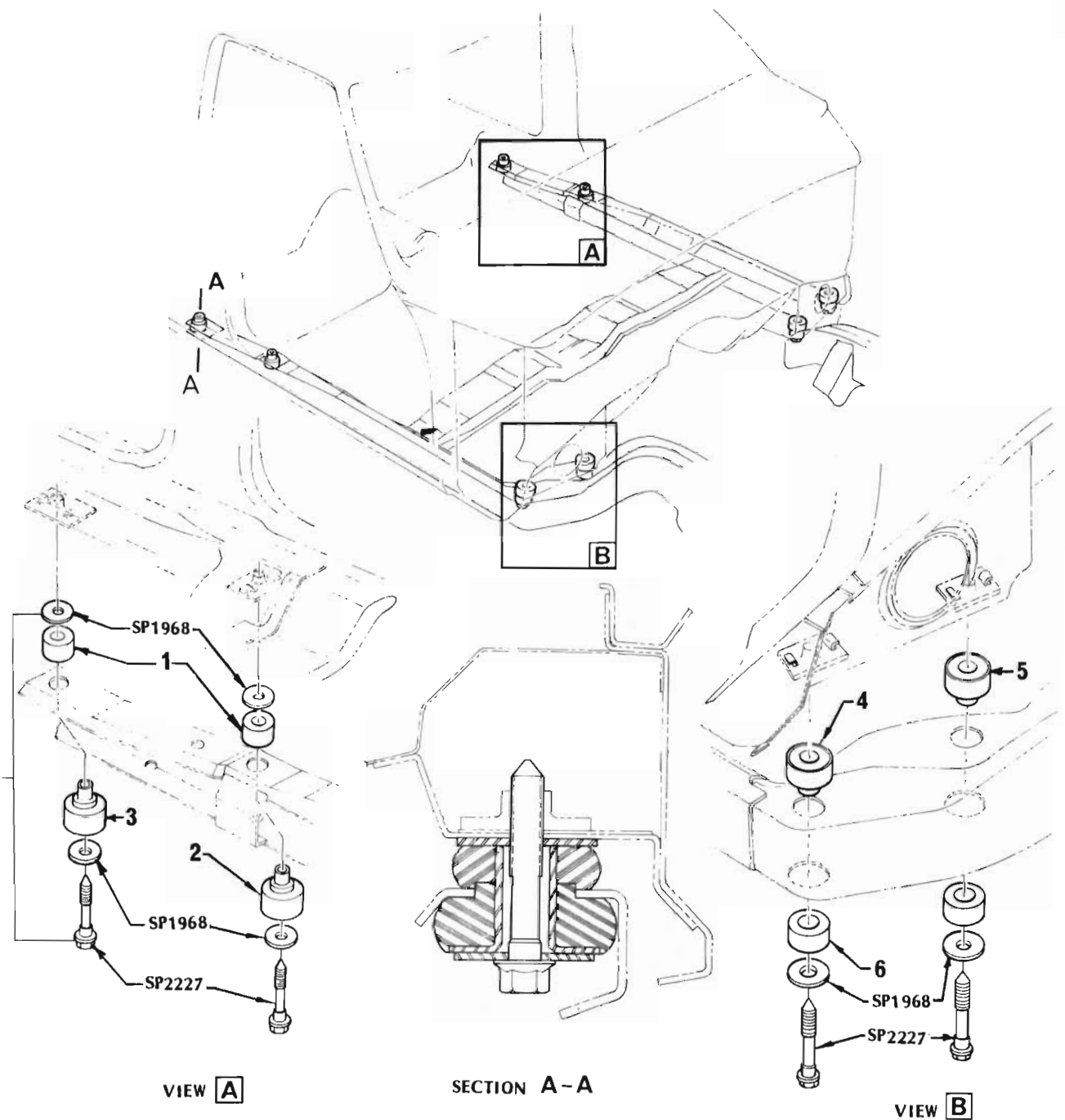
FRAME
Chassis and Cab

ILLUS. REF. NO.	PART NAME	GROUP
1 - 16.	FRAME ASSEMBLY - Body	7.003
1.	BAR ASSEMBLY - Rear side	7.003
2.	REINFORCEMENT - Rear spring front hanger	7.112
3.	BRACKET - Rear cable	4.829
4.	PLATE ASSEMBLY - Cab mounting	7.016
5.	BAR ASSEMBLY - Centre side	7.003
6.	MEMBER ASSEMBLY - Transmission mounting cross	12.982
7.	FRAME ASSEMBLY - Front end	12.980
9.	MEMBER ASSEMBLY - Front frame	7.012
10.	BRACKET ASSEMBLY - Muffler upper support	3.704
11.	BRACKET - Fuel tank mounting	3.001
12.	MEMBER ASSEMBLY - Frame intermediate	7.013
13.	MEMBER - Hoist support	7.013
14.	SUPPORT - Hoist	7.013
15.	MEMBER - Frame rear	7.014
16.	BRACKET ASSEMBLY - Rear spring rear hanger	7.118



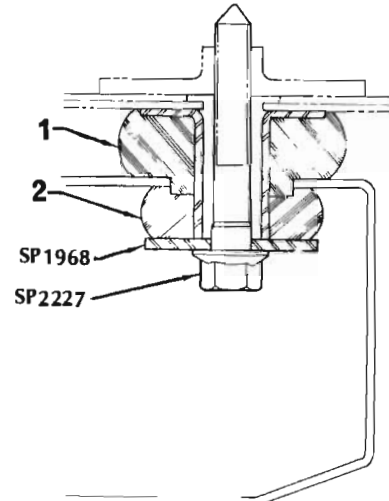
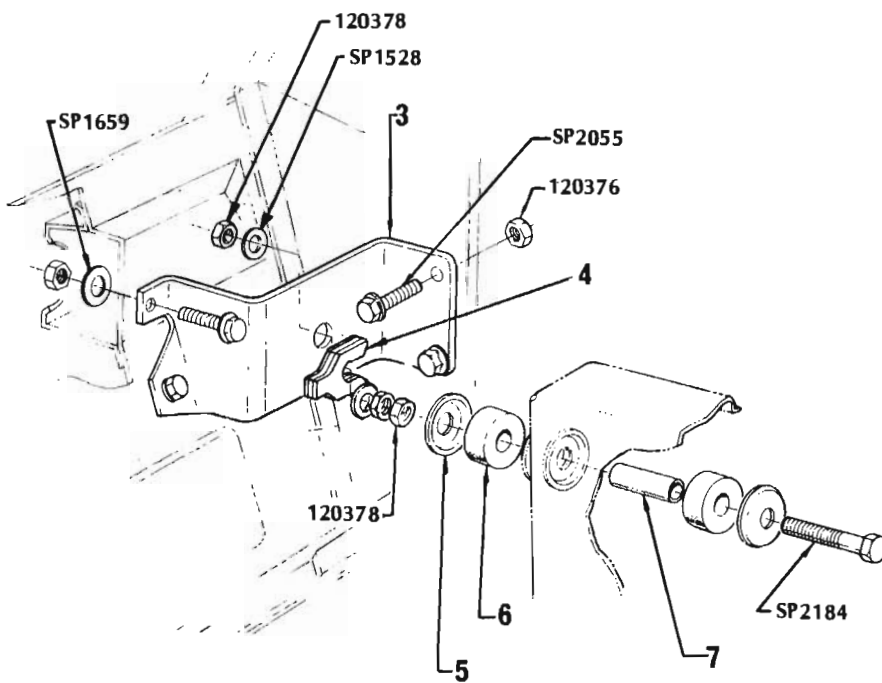
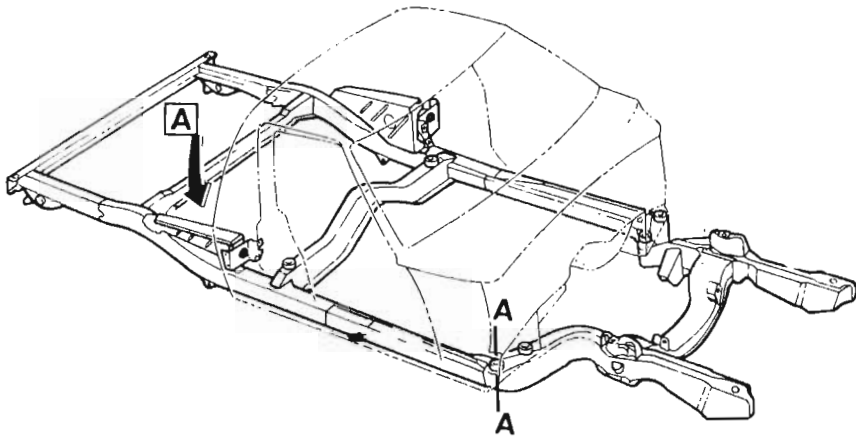
FRAME
Panel Van and Utility

ILLUS. REF. NO.	PART NAME	GROUP
1 - 15.	FRAME ASSEMBLY	7.003
1.	BAR ASSEMBLY - Rear side	7.003
2.	REINFORCEMENT - Rear spring front hanger	7.112
3.	BRACKET - Rear cable	4.829
4.	BAR ASSEMBLY - Centre side	7.003
5.	MEMBER ASSEMBLY - Transmission mounting cross	12.982
6.	FRAME ASSEMBLY - Front end	12.982
7.	MEMBER ASSEMBLY - Front frame	7.012
8.	ARRESTOR - Front	3.001
9.	BRACKET ASSEMBLY - Muffler upper support	3.704
10.	BRACKET - Fuel tank mounting	3.001
11.	MEMBER ASSEMBLY - Frame intermediate	7.013
12.	MEMBER - Hoist support	7.013
13.	SUPPORT - Hoist	7.013
14.	MEMBER - Frame rear	7.014
15.	BRACKET ASSEMBLY - Rear spring rear hanger	7.118



BODY MOUNTINGS
35,37,69 Body Styles

ILLUS. REF. NO.	PART NAME	GROUP
1.	MOUNTING - Body upper	7.020
2.	MOUNTING ASSEMBLY - No. 3	7.020
3.	MOUNTING ASSEMBLY - No. 4	7.020
4.	MOUNTING ASSEMBLY - No. 2	7.020
5.	MOUNTING ASSEMBLY - No. 1	7.020
6.	MOUNTING - Body lower	7.020

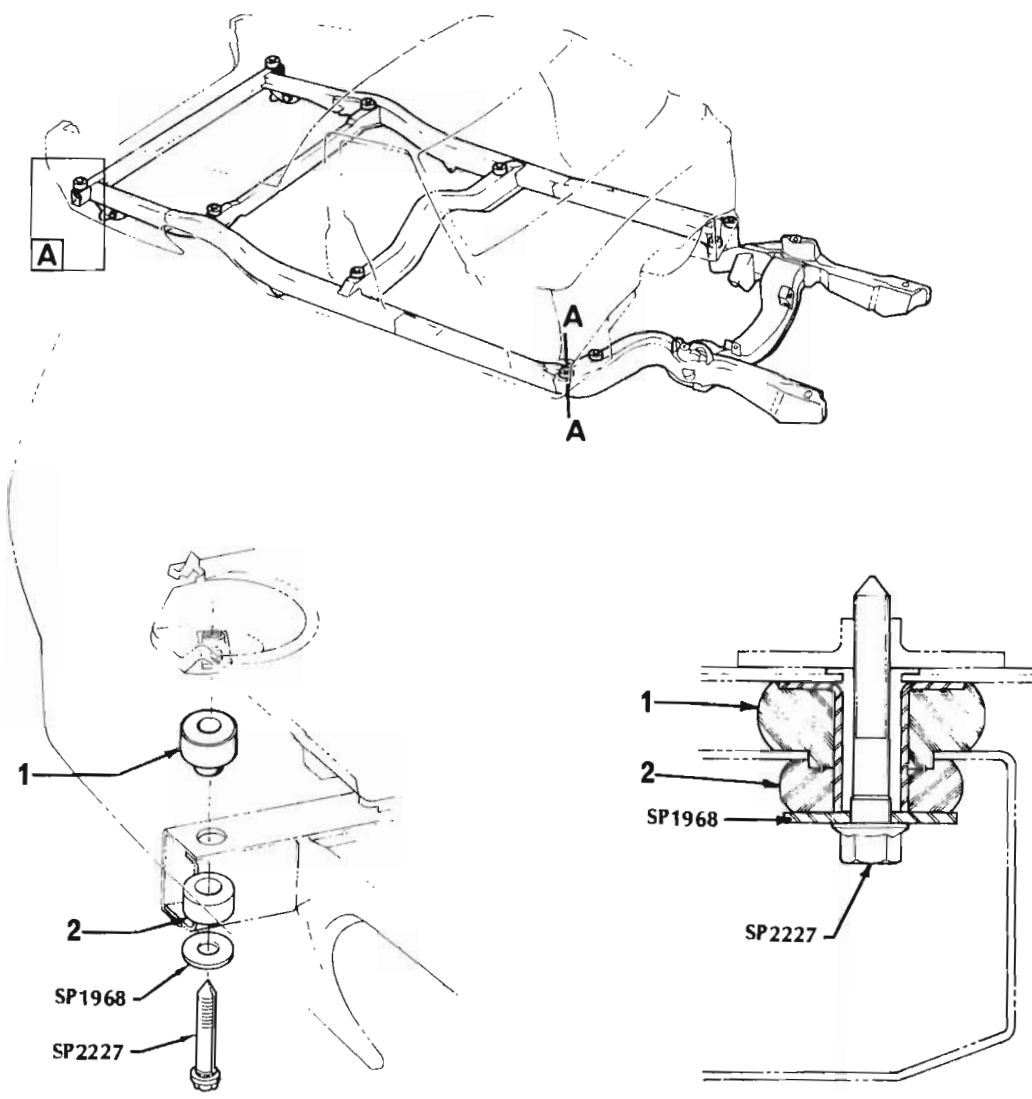


SECTION A - A
TYPICAL ALL 6 MOUNTS

VIEW **A**

BODY MOUNTINGS
60 Body Style

ILLUS. REF. NO.	PART NAME	GROUP
1.	MOUNTING - Body lower	7.020
2.	MOUNTING ASSEMBLY - Nos. 1,2 & 3	7.020
3.	SUPPORT - No. 4 mounting	7.020
4.	SHIM - Mounting plate	7.016
5.	RETAINER - Insulator	7.020
6.	INSULATOR - Cab mounting	7.020
7.	SPACER - Insulator	7.020

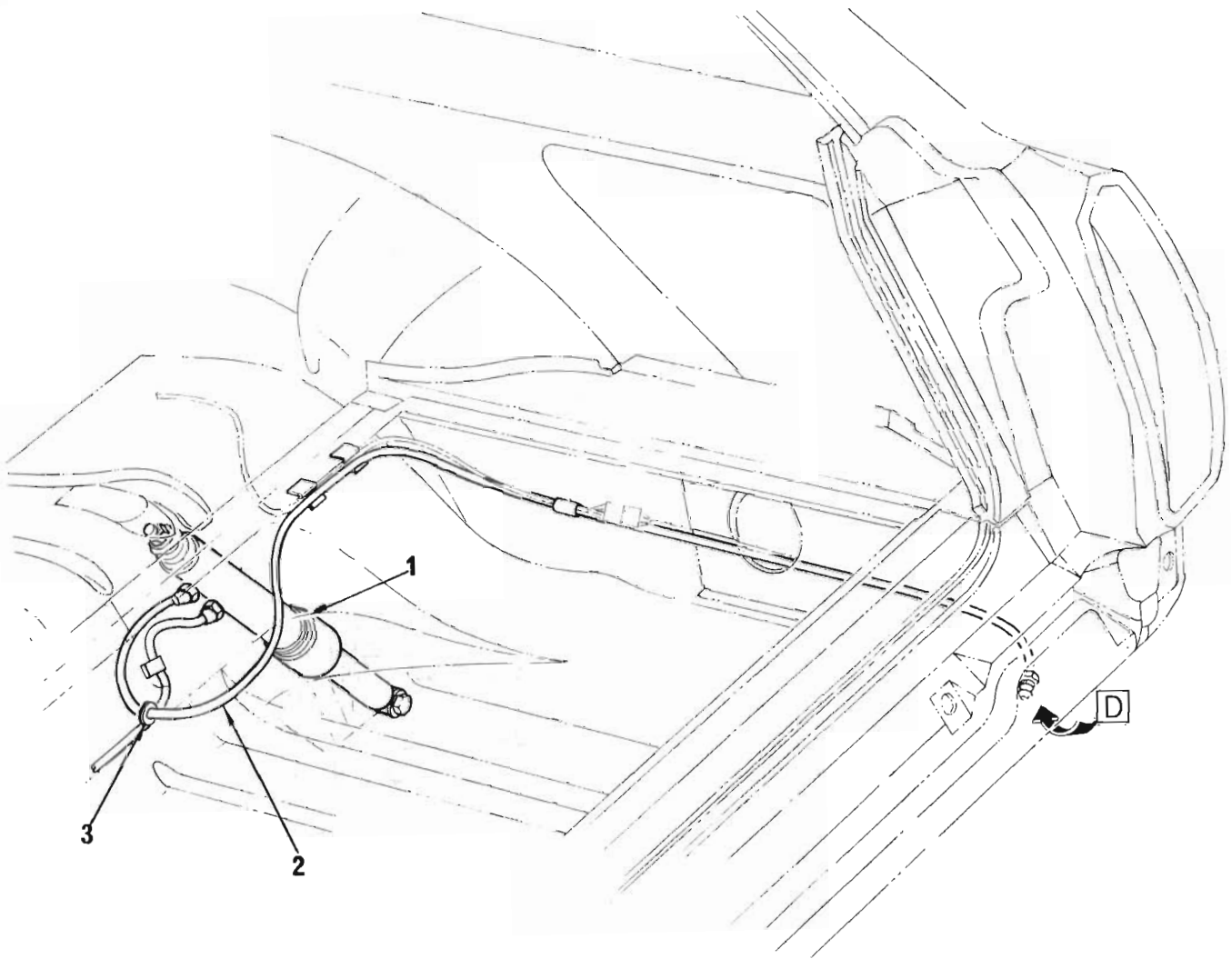


VIEW **A**
TYPICAL ALL
10 MOUNTS

SECTION **A-A**
TYPICAL ALL 10 MOUNTS

BODY MOUNTINGS
70,80 Body Styles

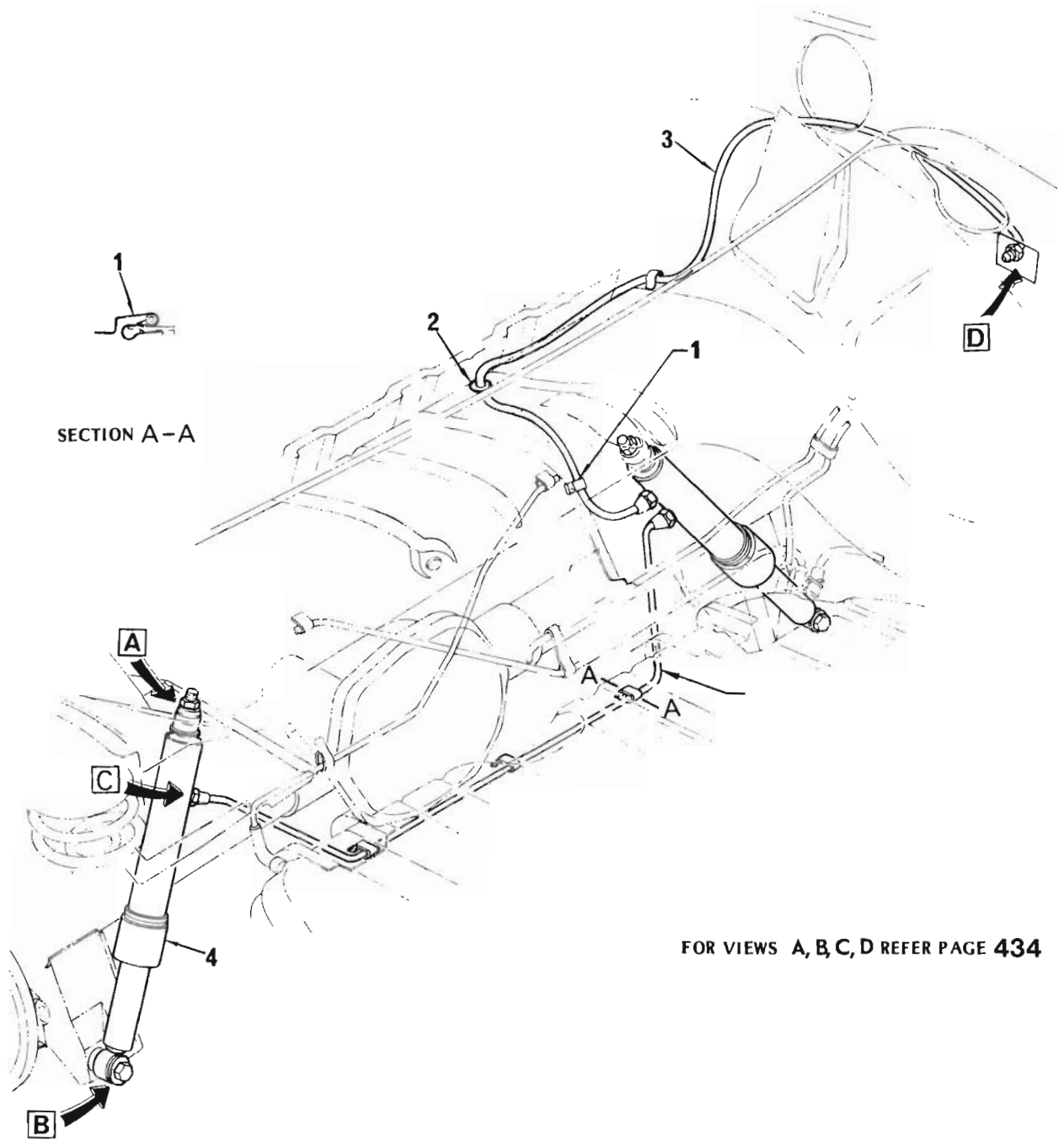
ILLUS. REF. NO.	PART NAME	GROUP
1.	MOUNTING ASSEMBLY	7.020
2.	MOUNTING - Body lower	7.020



FOR VIEW **D** REFER PAGE 434

SUPERLIFT SHOCK ABSORBERS
35 Body Style

ILLUS. REF. NO.	PART NAME	GROUP
1.	SHOCK ABSORBER ASSEMBLY	7.345
2.	TUBE - Inflation	7.347
3.	GROMMET	7.347

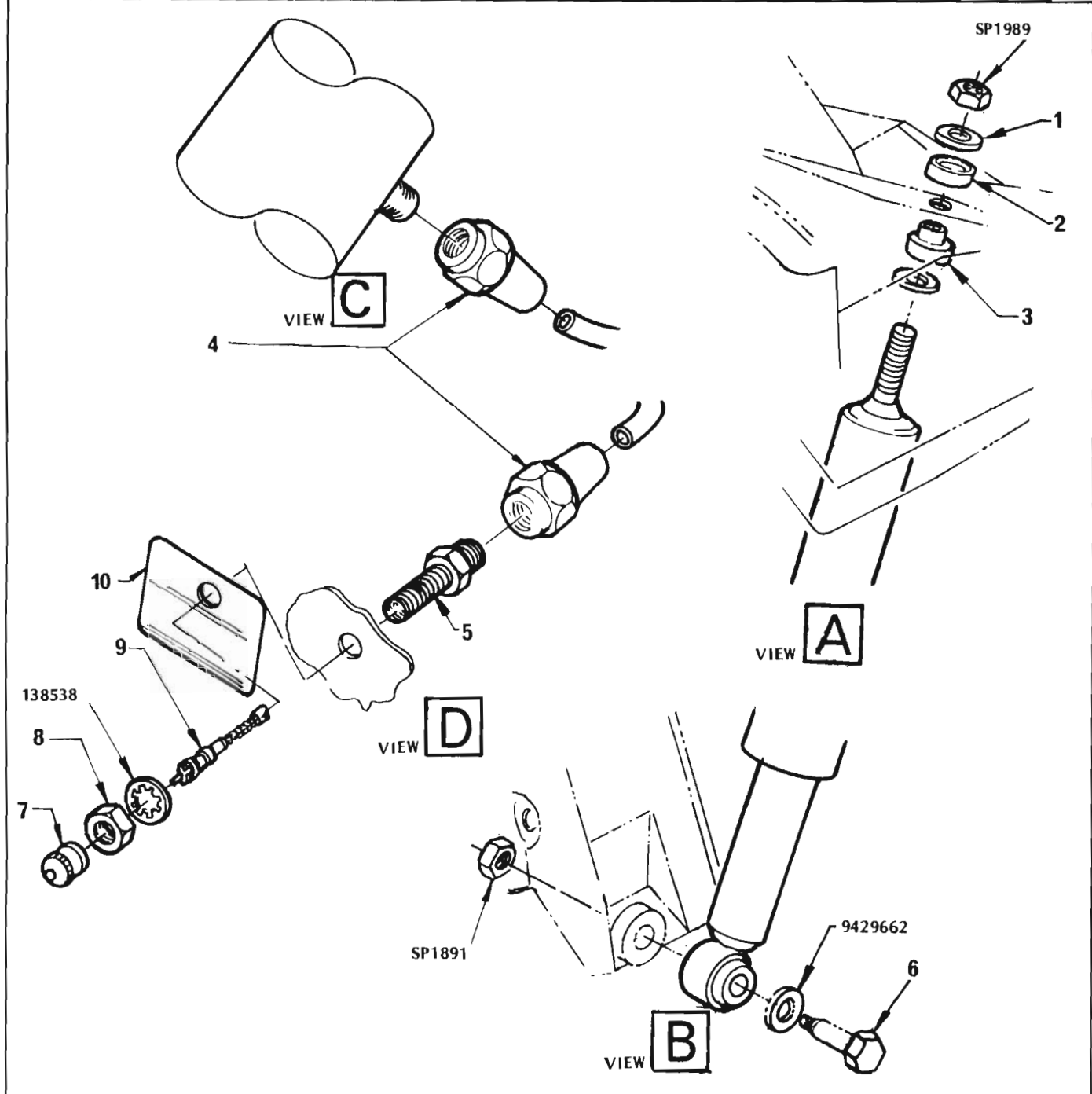


SECTION A-A

FOR VIEWS A, B, C, D REFER PAGE 434

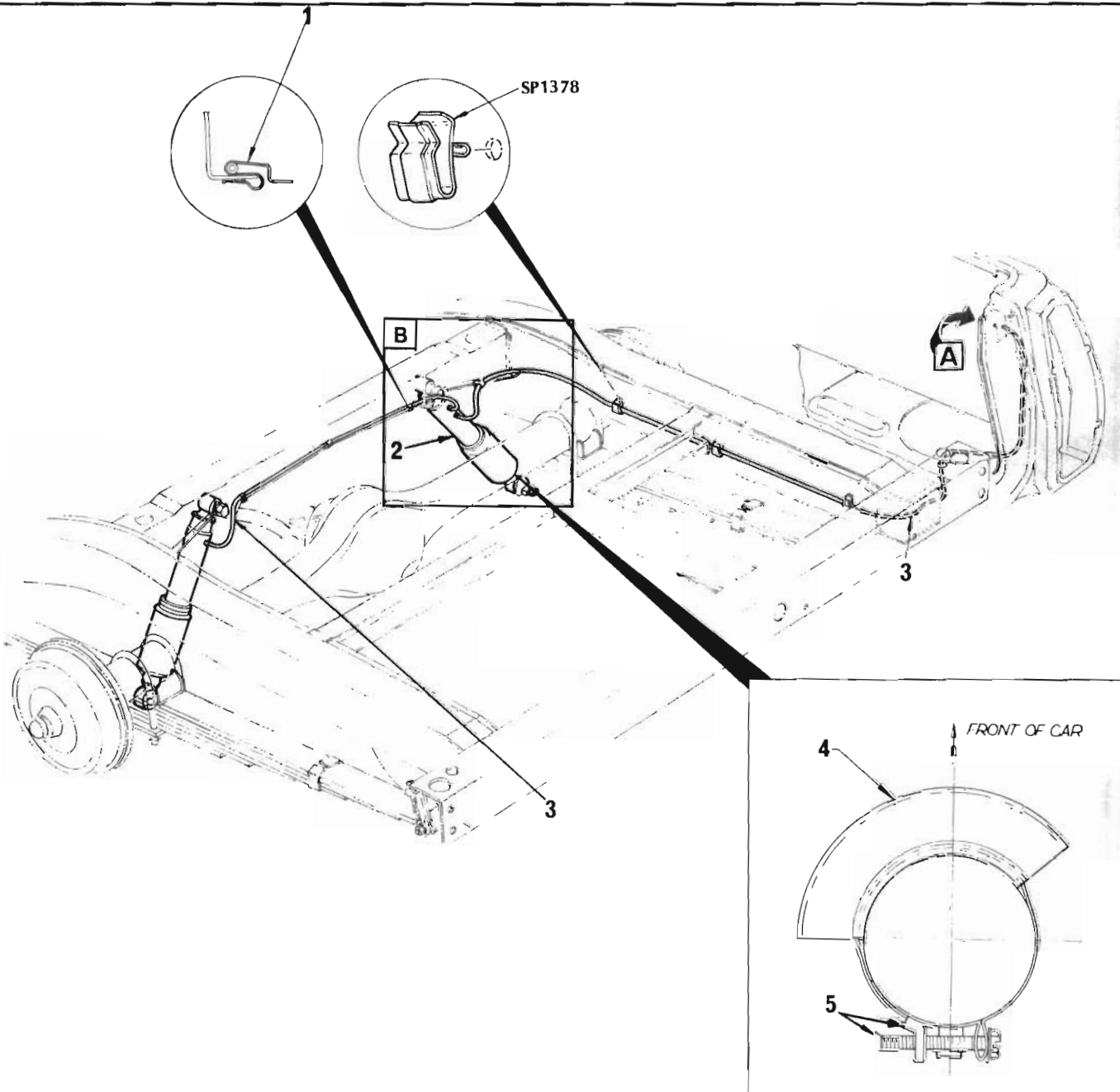
SUPERLIFT SHOCK ABSORBERS
69 Body Styles

ILLUS. REF. NO.	PART NAME	GROUP
1.	CLIP - Tube to underbody	7.347
2.	GROMMET	7.347
3.	TUBE - Inflation	7.347
4.	SHOCK ABSORBER ASSEMBLY	7.345



SUPERLIFT SHOCK ABSORBERS
35, 69 Body Styles

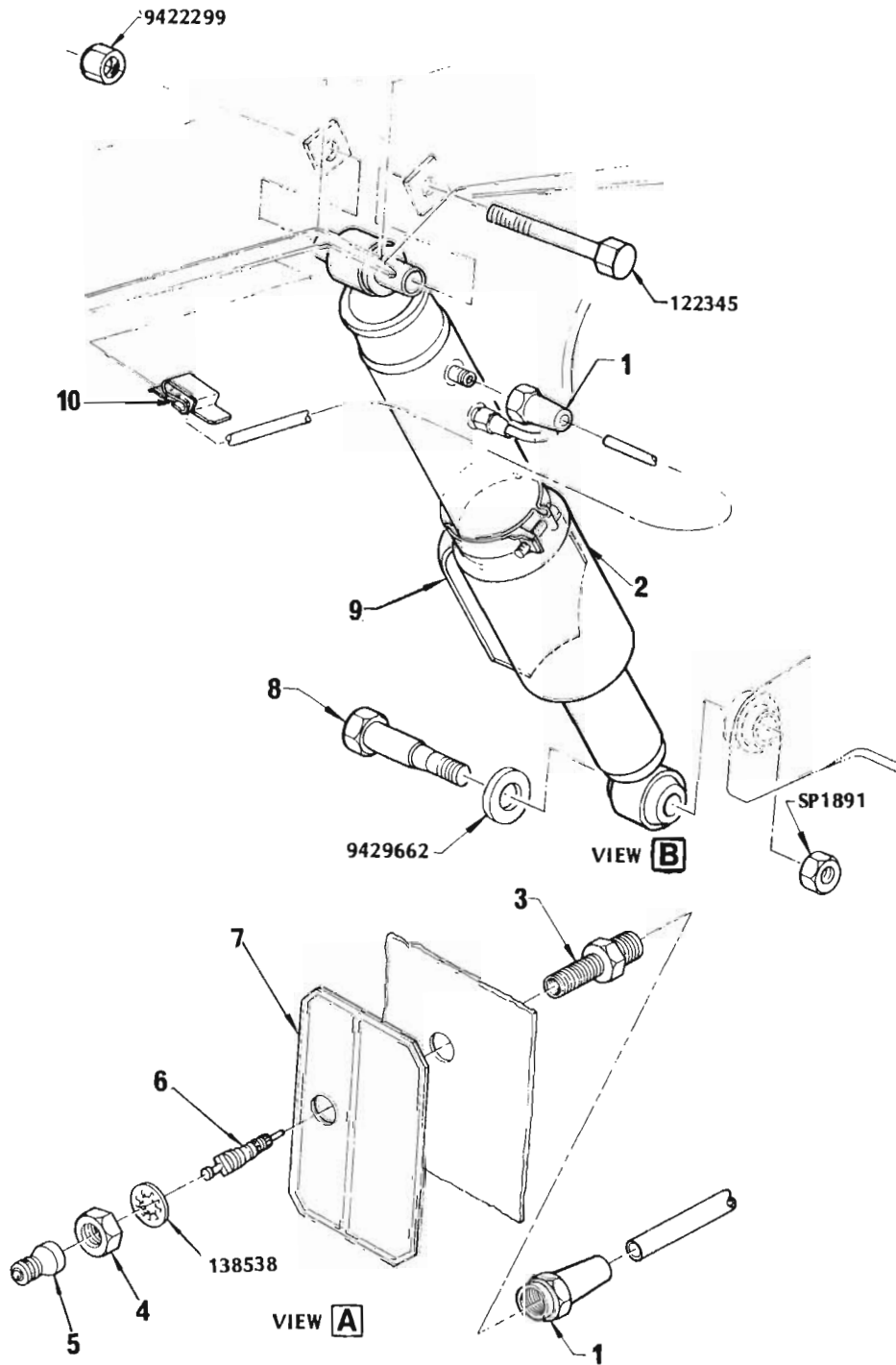
ILLUS. REF. NO.	PART NAME	GROUP
1.	PLATE - Rear shock absorber to underbody	7.370
2.	BUSH - Rear shock absorber to underbody	7.370
3.	BUSH - Mounting	7.370
4.	NUT - Flared	7.347
5.	STEM - Air valve	7.347
6.	BOLT - Shock absorber to bracket	7.370
7.	CAP - Air valve	7.347
8.	NUT - Air valve stem	7.347
9.	CORE ASSEMBLY - Air valve	7.347
10.	TAG - Caution	7.345



SUPERLIFT SHOCK ABSORBERS
70, 80 Body Styles

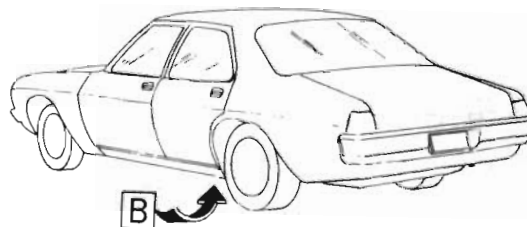
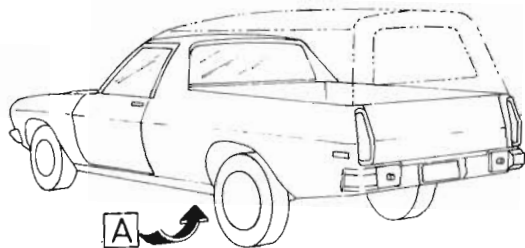
FOR VIEWS A,B
REFER PAGE 436

ILLUS. REF. NO.	PART NAME	GROUP
1.	CLIP - Tube to underbody	7.347
2.	SHOCK ABSORBER ASSEMBLY	7.345
3.	TUBES - Inflation	7.347
4.	SHIELD - Shock absorber	7.371
5.	CLAMP - Shield	7.371

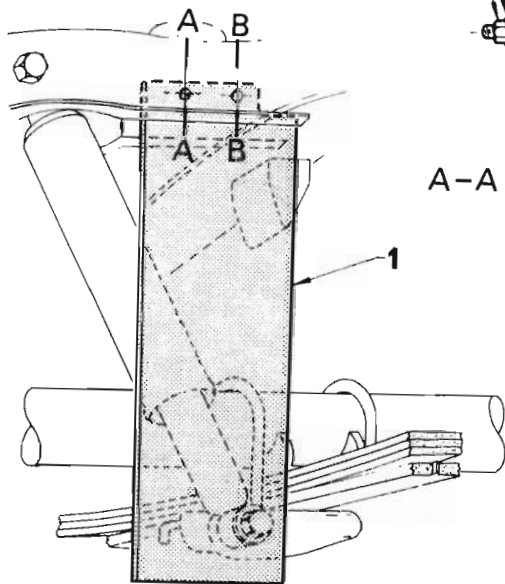


SUPERLIFT SHOCK ABSORBERS
70, 80 Body Styles

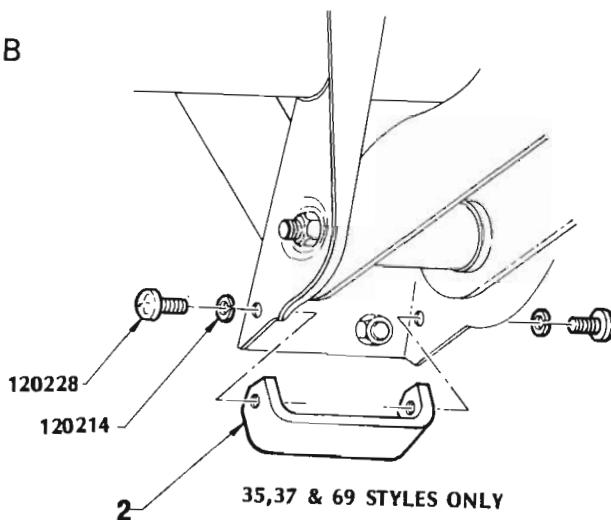
ILLUS. REF. NO.	PART NAME	GROUP
1.	NUT - Flared	7.347
2.	SHOCK ABSORBER ASSEMBLY	7.345
3.	STEM - Air valve	7.347
4.	NUT - Air valve stem	7.347
5.	CAP - Air valve	7.347
6.	CORE ASSEMBLY - Air valve	7.347
7.	TAG - Caution	7.345
8.	BOLT - Shock absorber to bracket	7.370
9.	SHIELD - Shock absorber	7.371
10.	CLIP - Tube to underbody	7.347



120392
120380
120375
160548



A-A & B-B



60,70 & 80 STYLES ONLY

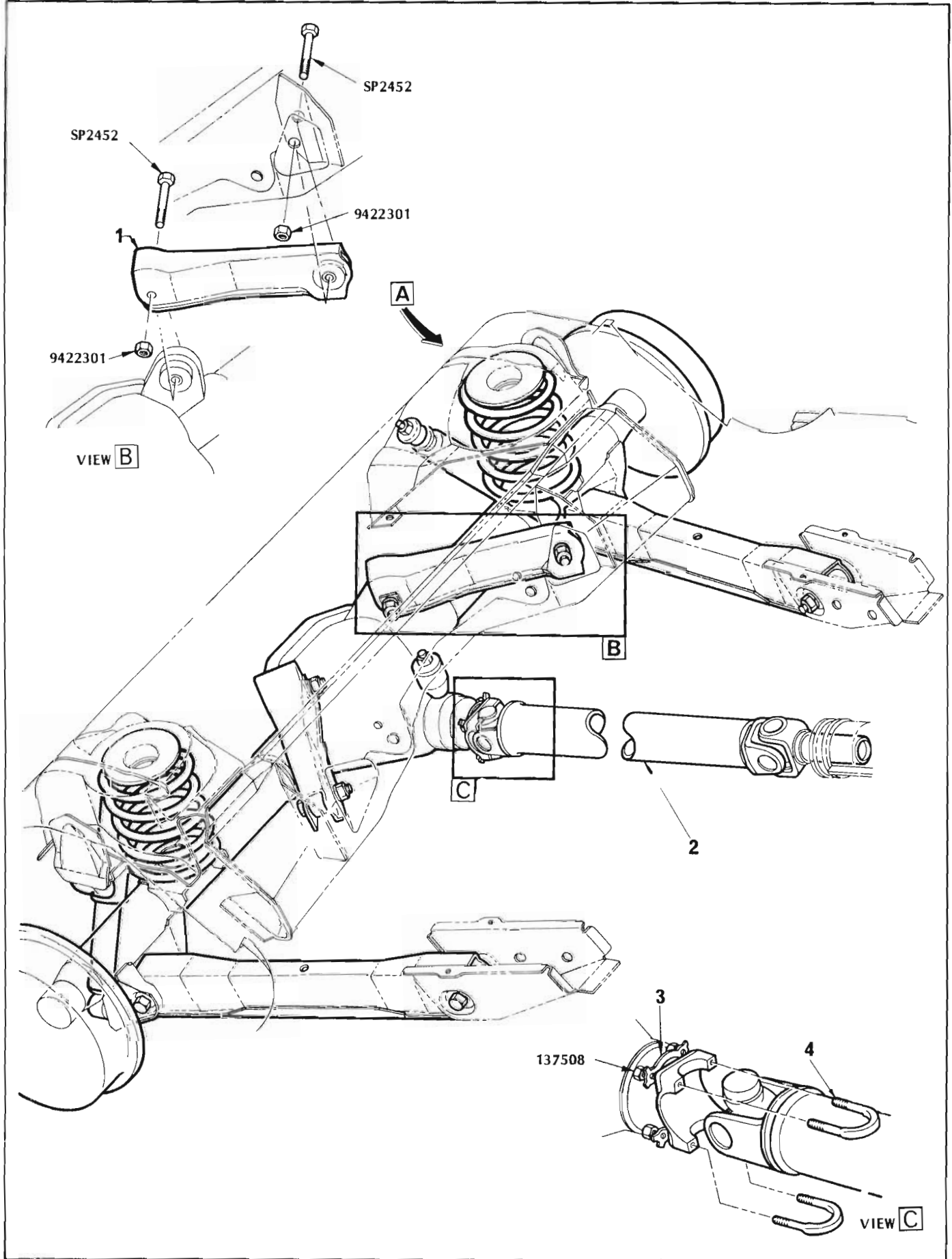
35,37 & 69 STYLES ONLY

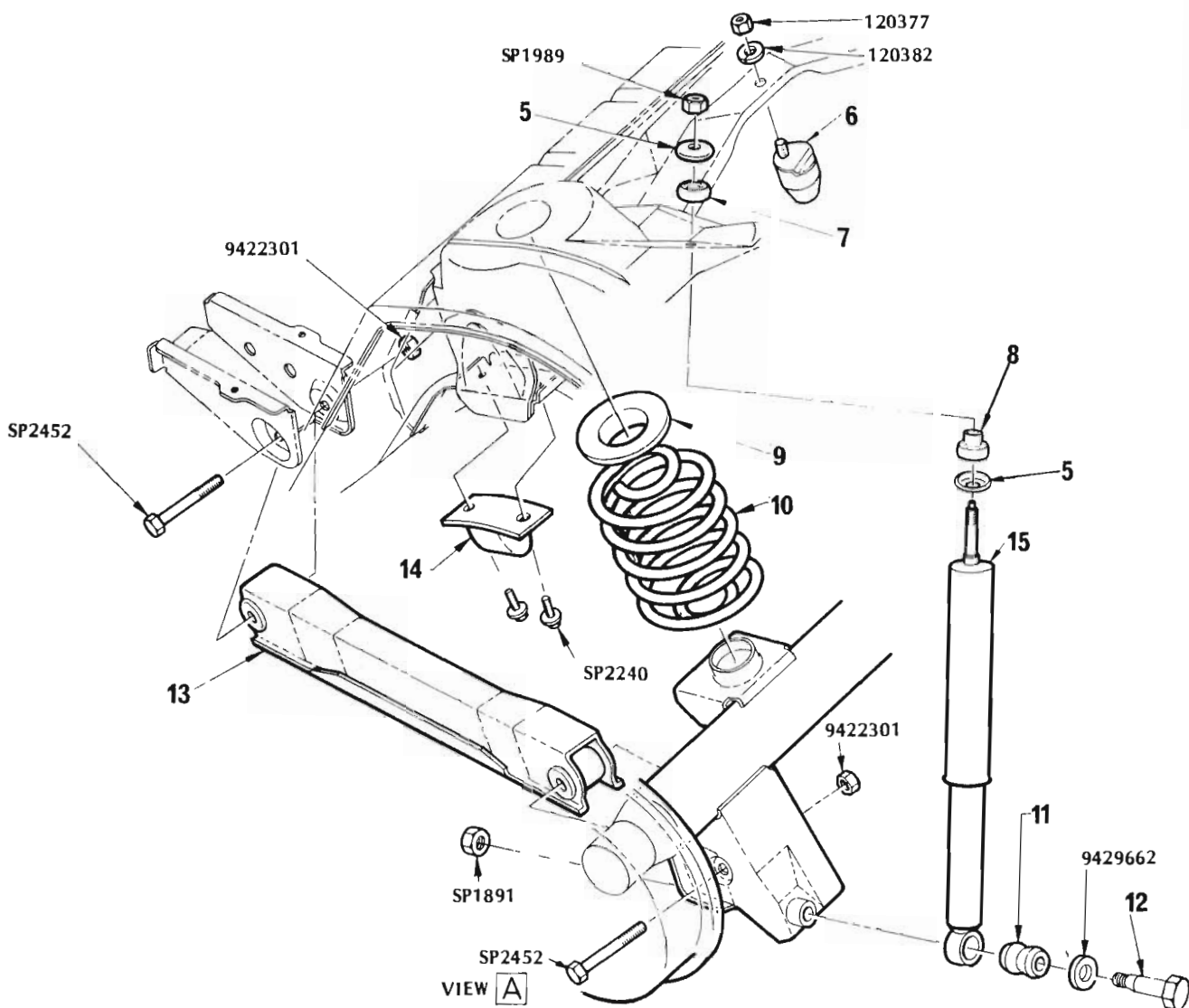
VIEW **A**

VIEW **B**

SHOCK ABSORBER STONE SHIELD
and
LOWER CONTROL ARM REINFORCEMENT
OUTBACK EQUIPMENT

ILLUS. REF. NO.	PART NAME	GROUP
1.	SHIELD - Rear shock absorber	7.371
2.	REINFORCEMENT - Lower control arm mounting bracket	5.382

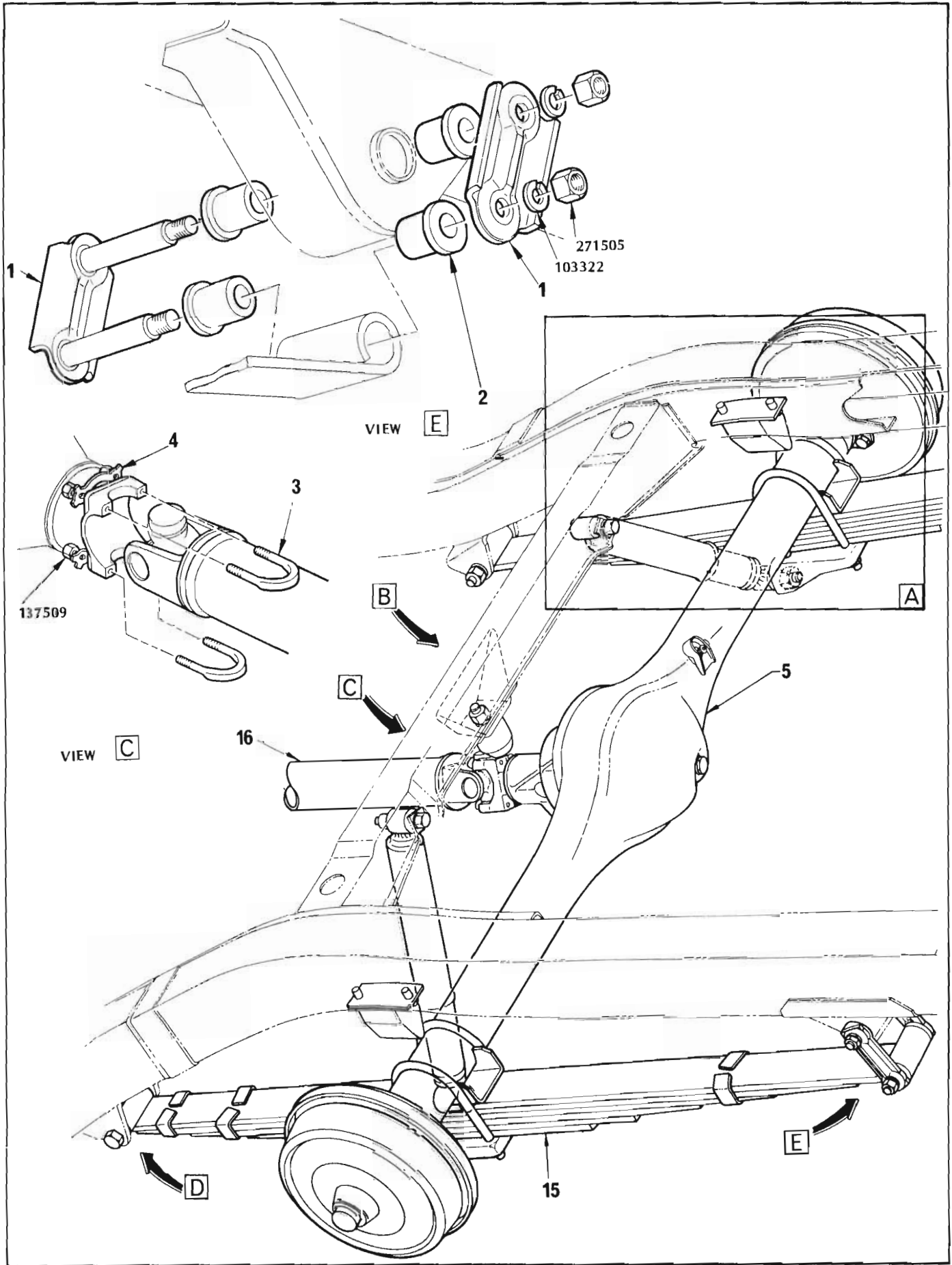


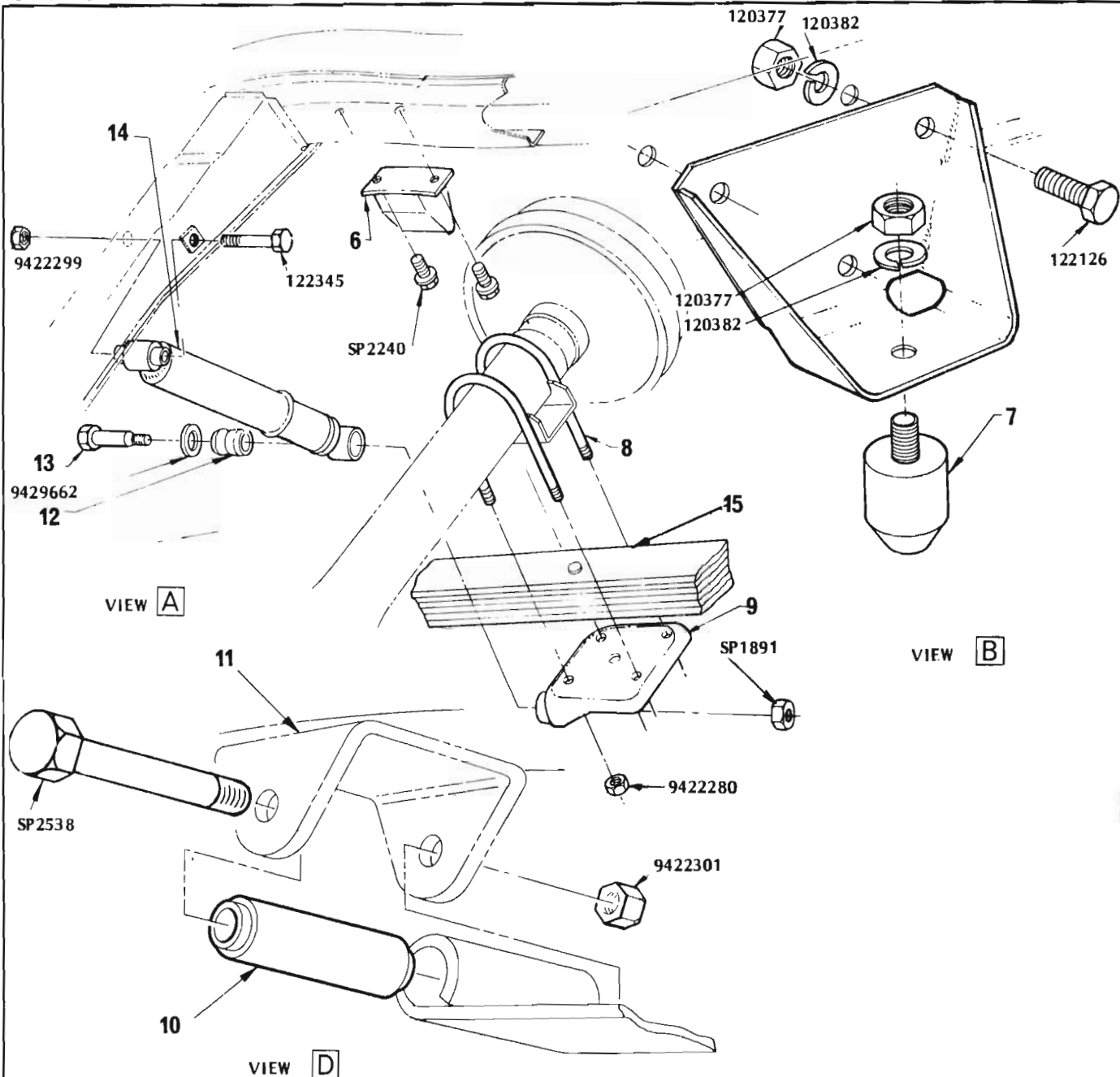


REAR SUSPENSION and PROPELLER SHAFT
35, 69 Body Styles

ILLUSTRATION ABOVE & OPPOSITE

ILLUS. REF. NO.	PART NAME	GROUP
1.	ARM ASSEMBLY - Upper	5.382
2.	SHAFT ASSEMBLY - Propeller	5.441
3.	PLATE - Lock	5.546
4.	'U' BOLT - Rear universal joint	5.586
5.	PLATE - Rear shock absorber to underbody	7.370
6.	BUMPER ASSEMBLY - Pinion nose	5.395
7.	BUSH - Rear shock absorber to underbody	7.370
8.	BUSH - Special	7.370
9.	INSULATOR - Rear spring	7.545
10.	SPRING ASSEMBLY	7.503
11.	BUSH - Shock absorber to bracket	7.370
12.	BOLT - Shock absorber to bracket	7.370
13.	ARM ASSEMBLY - Lower	5.382
14.	BUMPER	7.535
15.	SHOCK ABSORBER ASSEMBLY - Front	7.345

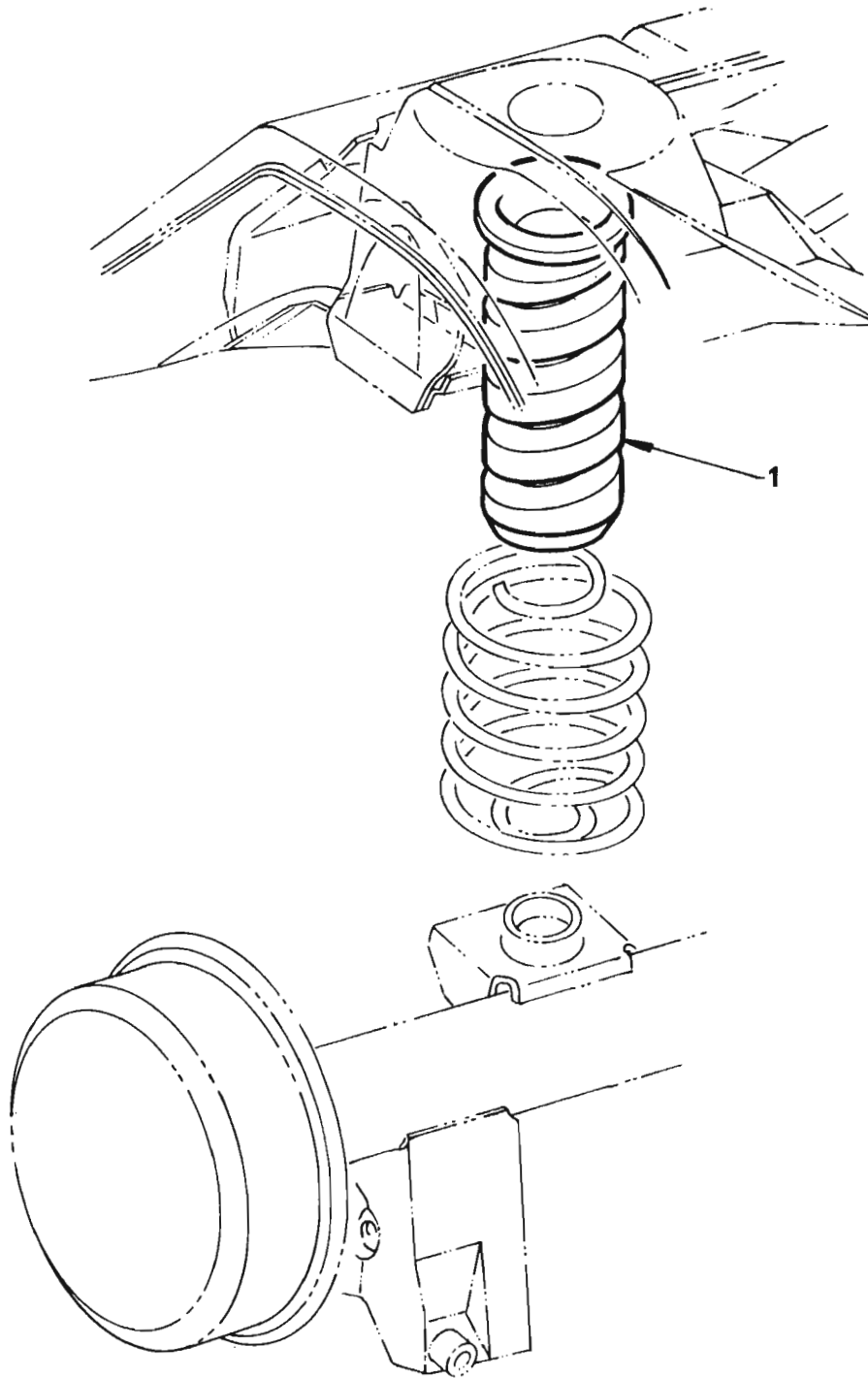




**REAR SUSPENSION and PROPELLER SHAFT
60, 70, 80, Body Styles**

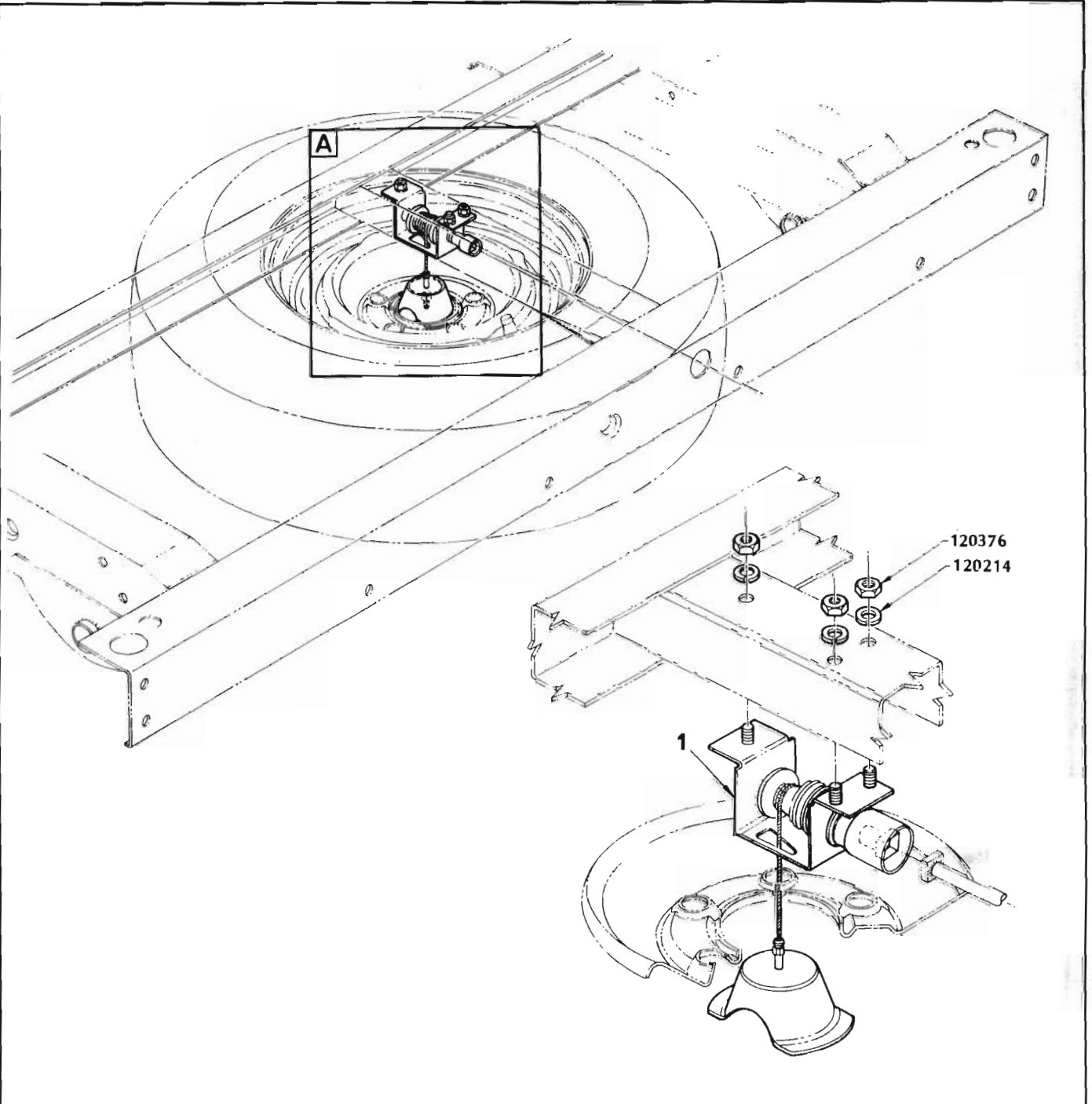
ILLUSTRATION ABOVE & OPPOSITE

ILLUS. REF. NO.	PART NAME	GROUP
1.	SHACKLE SET - Rear spring.....	7.523
2.	BUSH - Rear spring shackle	7.524
3.	'U' BOLT - Rear universal joint	5.586
4.	PLATE - Lock.....	5.546
5.	AXLE ASSEMBLY - Rear.....	5.386
6.	BUMPER.....	7.535
7.	BUMPER ASSEMBLY - Pinion nose	5.395
8.	'U' BOLT - Rear spring.....	7.516
9.	PLATE ASSEMBLY	7.518
10.	BUSH - Front.....	7.524
11.	BRACKET ASSEMBLY	7.112
12.	BUSH - Shock absorber to bracket	7.370
13.	BOLT - Shock absorber to bracket	7.370
14.	SHOCK ABSORBER ASSEMBLY - Rear.....	7.345
15.	SPRING ASSEMBLY	7.503
16.	SHAFT ASSEMBLY - Propeller	5.441



REAR SUSPENSION HELPER SPRING
35 & 69 Body Styles

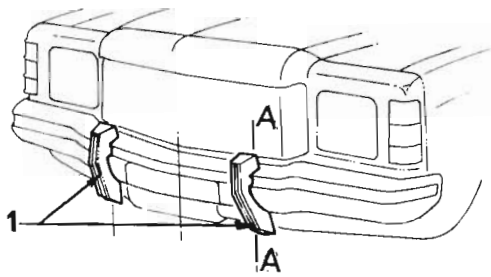
ILLUS. REF. NO.	PART NAME	GROUP
1.	SPRING — Auxiliary rear	7.503



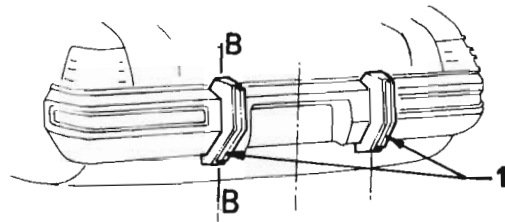
VIEW **A**

SPARE WHEEL MOUNTING
60, 70 and 80 Body Styles

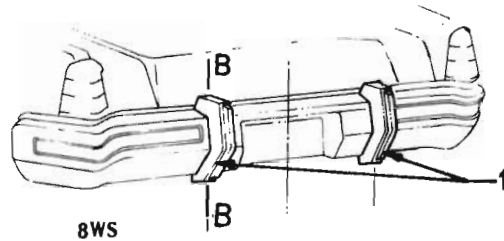
ILLUS. REF. NO.	PART NAME	GROUP
1.	HOIST ASSEMBLY — Spare wheel	7.640



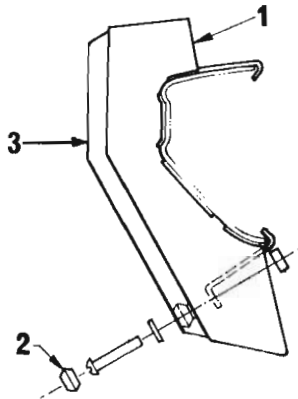
FRONT



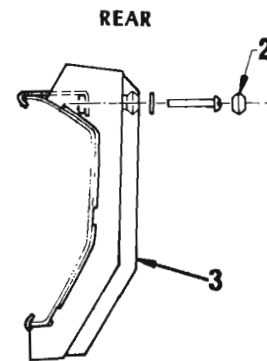
69 STYLES EXC. 8WS,T



8WS



SECTION A - A



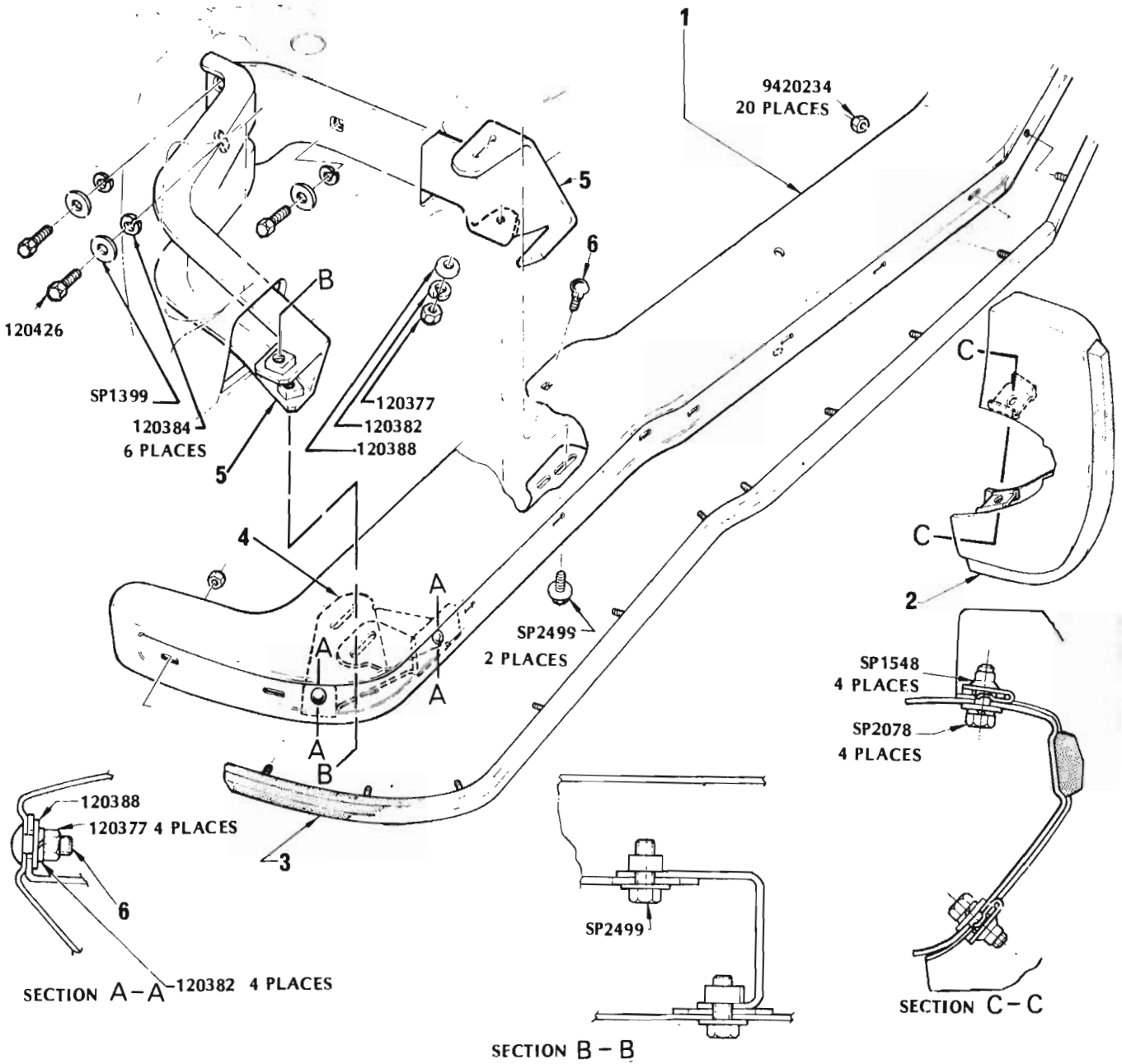
REAR

SECTION B - B

FOR BUMPER BARS
WITHOUT RUBBING STRIPS.

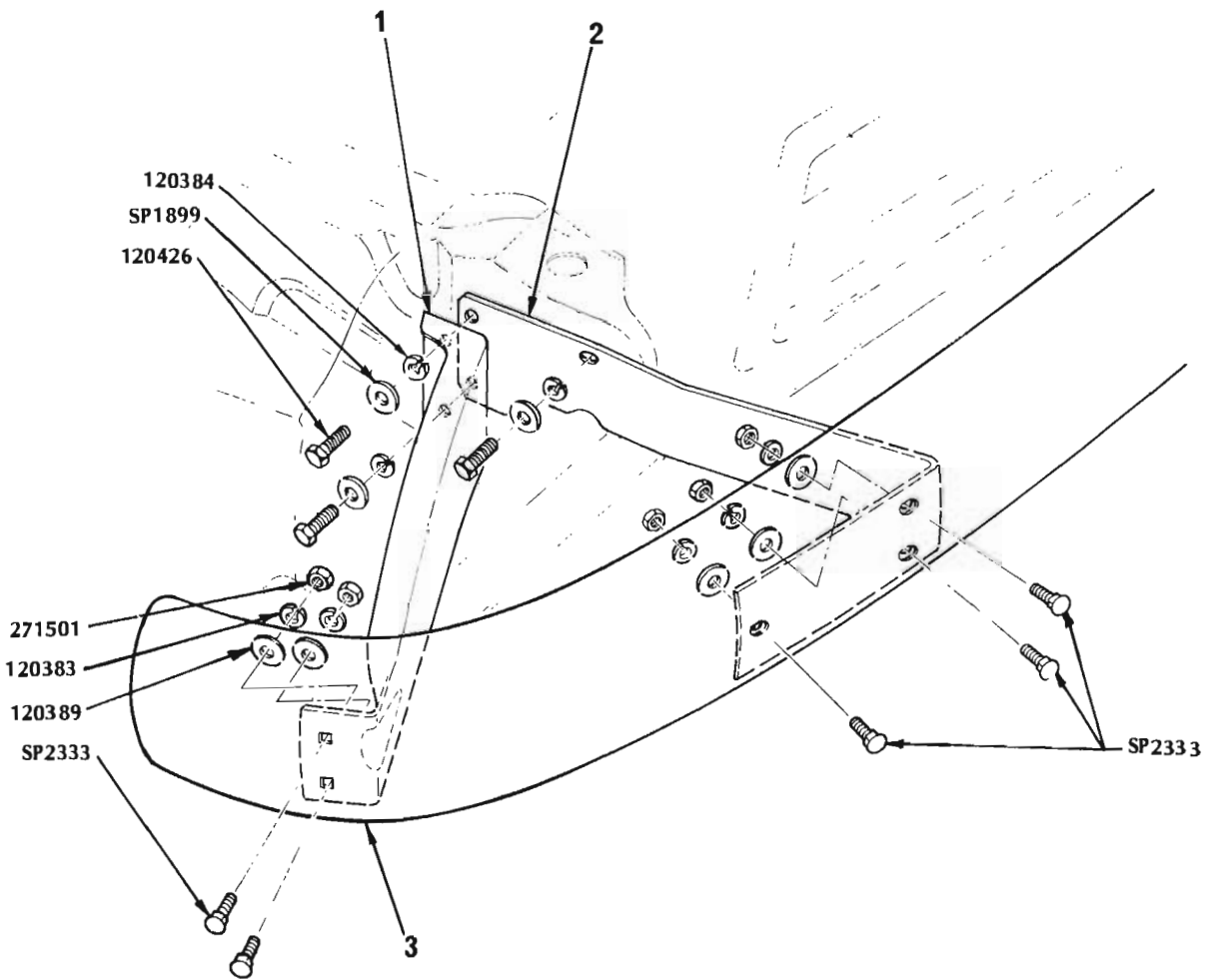
BUMPER GUARDS

ILLUS. REF. NO.	PART NAME	GROUP
1.	GUARD PACKAGE	7.828
2.	PLUG - Guard	7.828
3.	INSERT - Guard	7.828



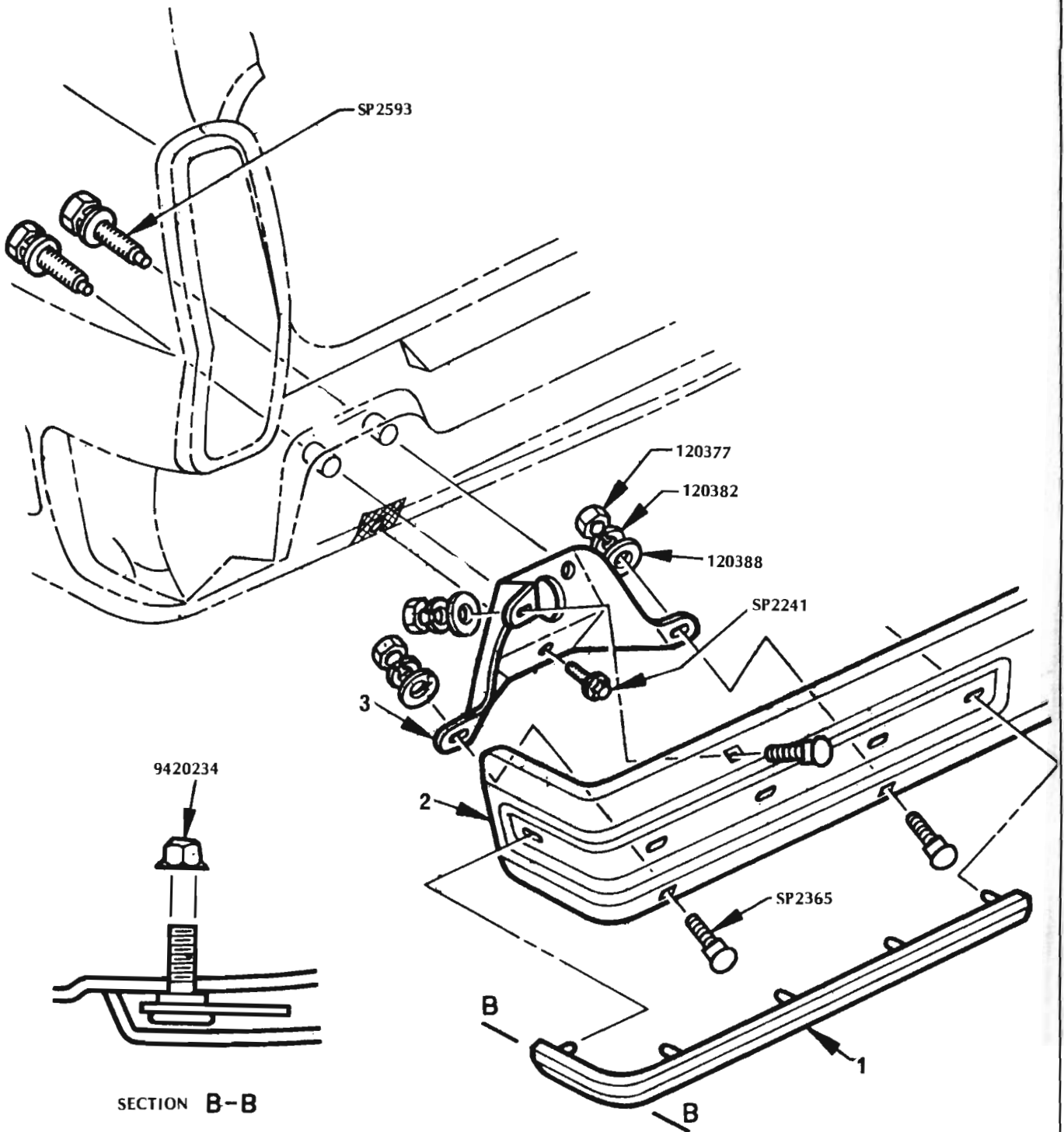
FRONT BUMPER BAR
Exc. Chassis & Cab

ILLUS. REF. NO.	PART NAME	GROUP
1.	BAR - Bumper face	7.831
2.	GUARD ASSEMBLY - Front	7.828
3.	STRIP ASSEMBLY - Front bumper bar rubbing	7.831
4.	EXTENSION - Front bar outer bracket	7.865
5.	BRACKET ASSEMBLY - Front outer	7.836
6.	BOLT - Bumper bar face	7.852



FRONT BUMPER BAR
Chassis & Cab exc. Ambulance

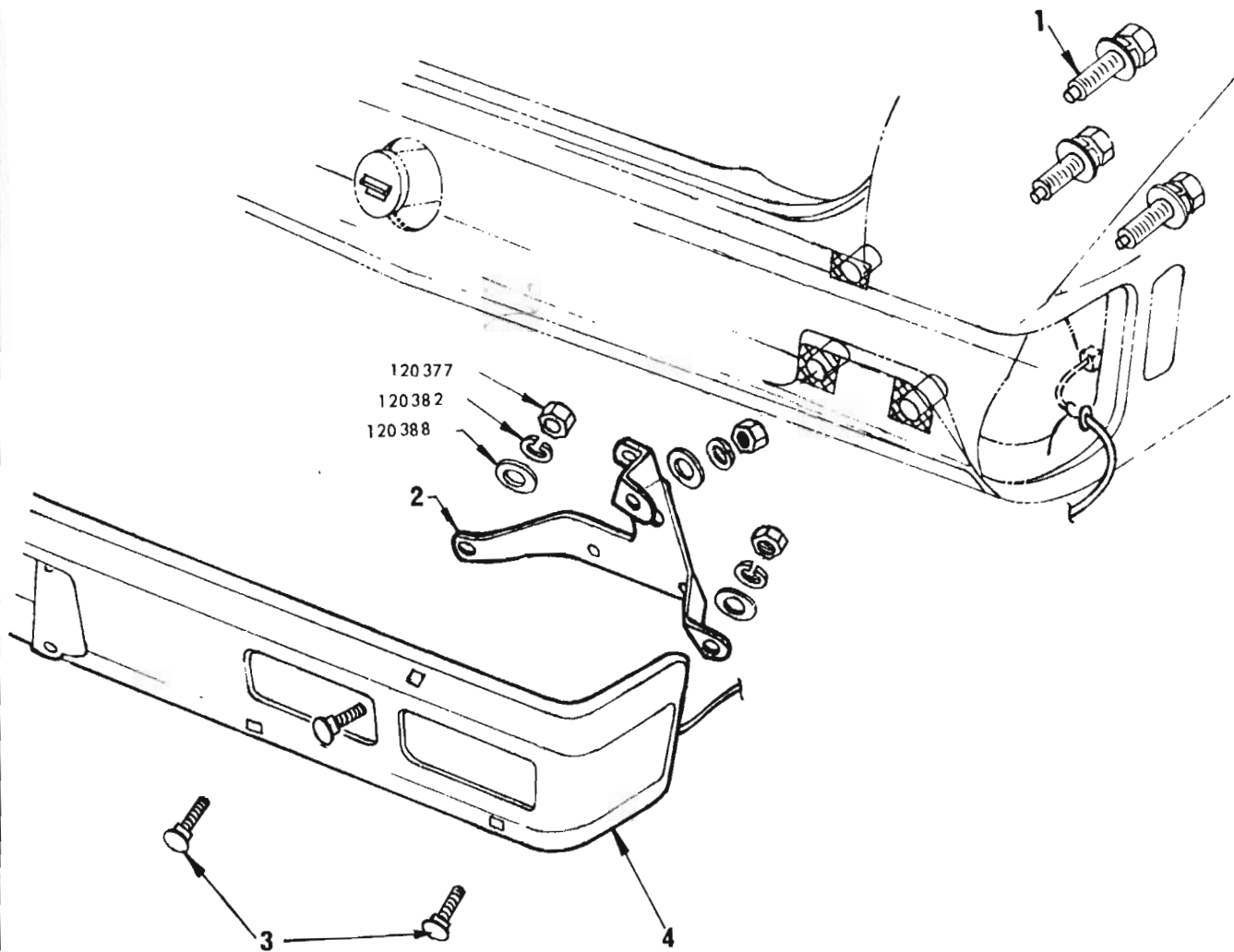
ILLUS. REF. NO.	PART NAME	GROUP
1.	BRACKET - Front outer	7.836
2.	BRACKET - Front inner	7.836
3.	BAR - Bumper face	7.831



SECTION B-B

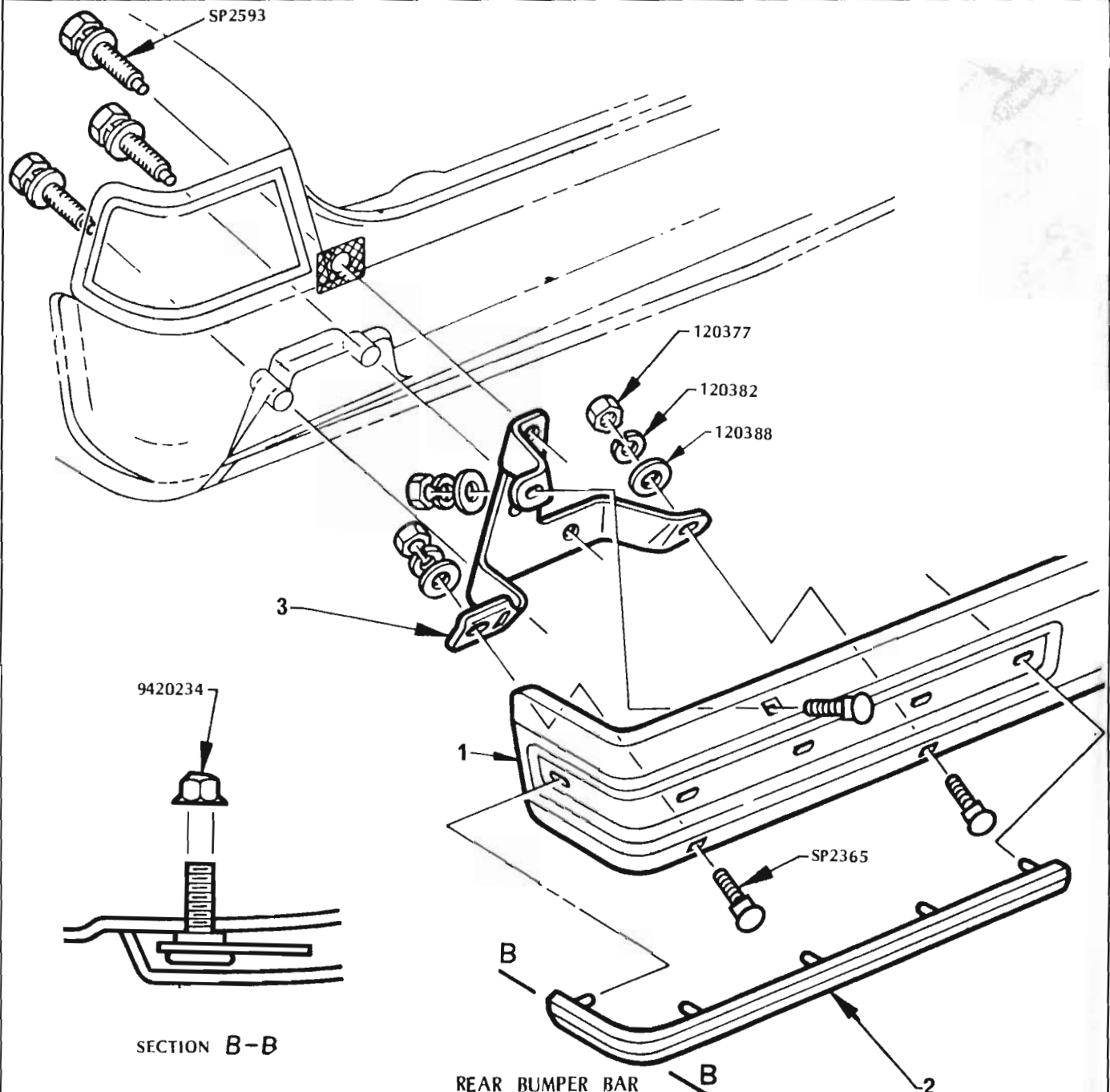
REAR BUMPER BAR
Station Wagon

ILLUS. REF. NO.	PART NAME	GROUP
1.	STRIP ASSEMBLY - Rear bumper bar rubbing	7.831
2.	BAR - Bumper face	7.831
3.	BRACKET - Rear	7.836



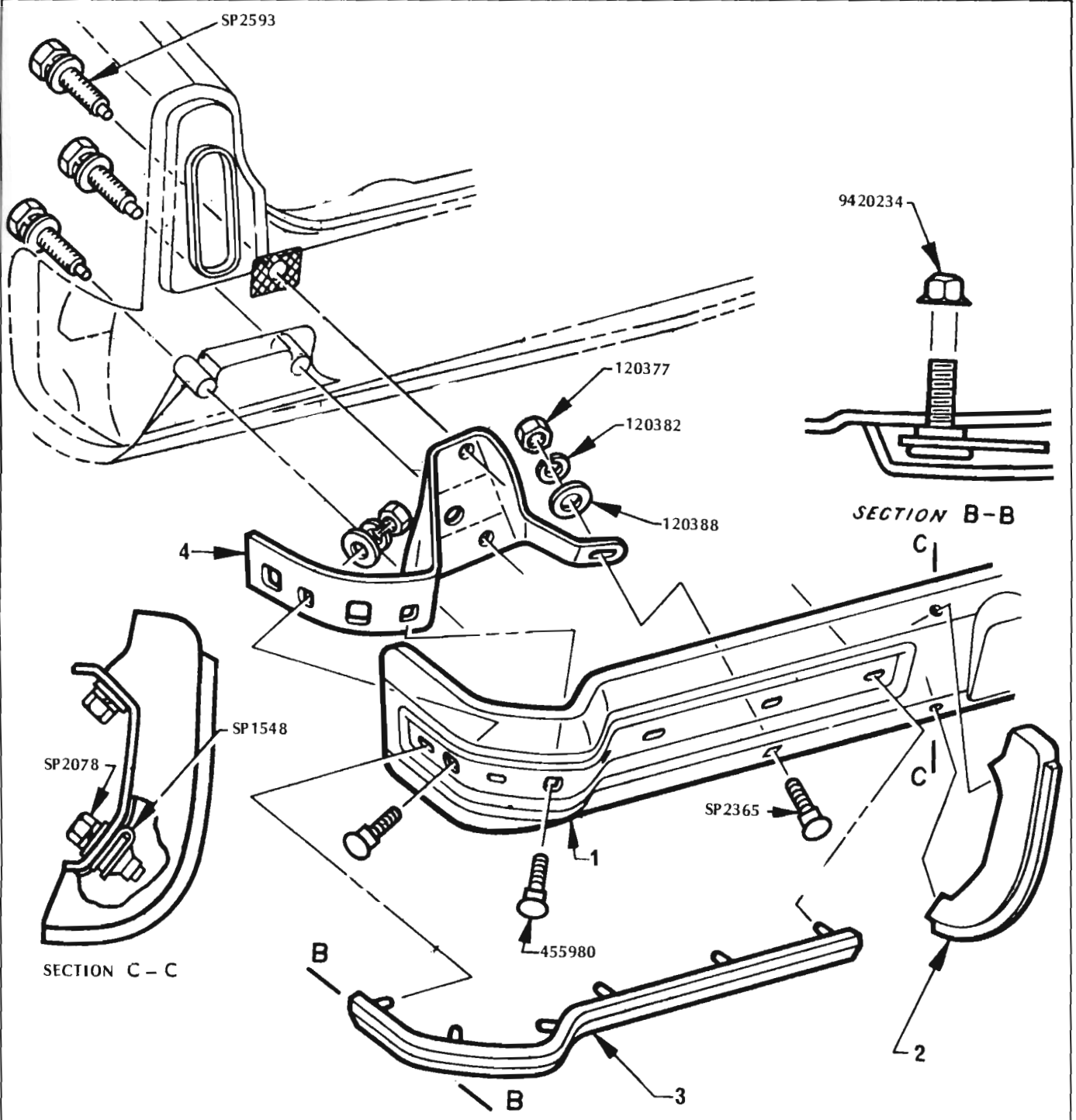
REAR BUMPER BAR
"LE"

ILLUS REF.NO.	PART NAME	GROUP
1.	BOLT - Bumper bar to outer panel	7.836
2.	BRACKET ASSEMBLY - Rear	7.836
3.	BOLT - Bumper face	7.852
4.	BAR - Bumper face rear	7.831



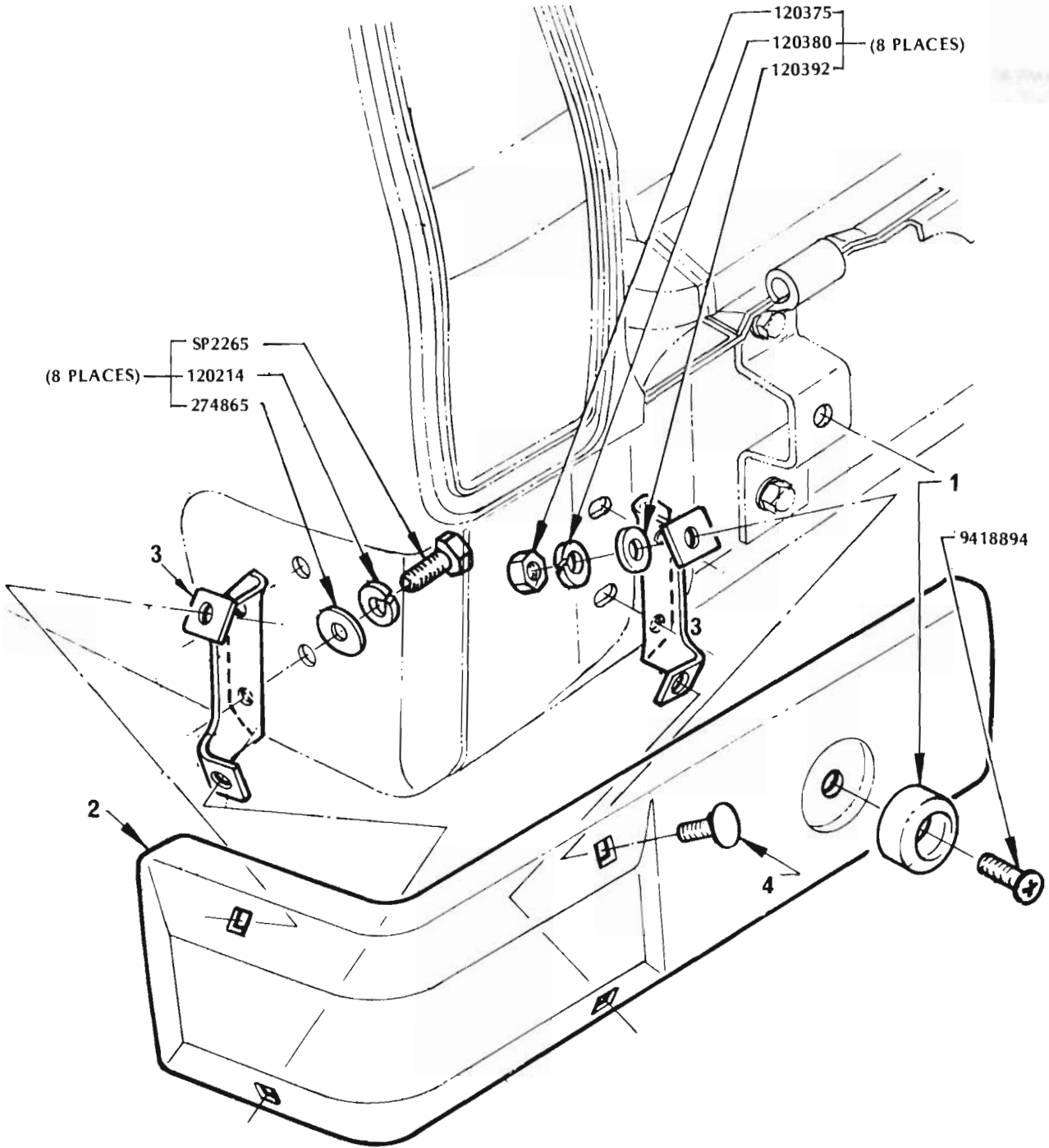
REAR BUMPER BAR
69 Body Style exc. Statesman

ILLUS. REF. NO.	PART NAME	GROUP
1.	BAR - Bumper face	7.831
2.	STRIP ASSEMBLY - Rear bumper bar rubbing	7.831
3.	BRACKET - Rear	7.836



REAR BUMPER BAR
Statesman

ILLUS. REF. NO.	PART NAME	GROUP
1.	BAR - Bumper face	7.831
2.	GUARD ASSEMBLY - Rear	7.828
3.	STRIP ASSEMBLY - Rear bumper bar rubbing	7.831
4.	BRACKET - Rear	7.836



REAR BUMPER BAR
Panel Van & Utility

ILLUS. REF. NO.	PART NAME	GROUP
1.	BUMPER ASSEMBLY - End gate	12.212
2.	BAR - Bumper face rear	7.831
3.	SPACER - Rear bumper bar	7.865
4.	BOLT - Bumper face bar	7.852

"HX" STATESMAN/HOLDEN PARTS CATALOGUE

GROUP	DESCRIPTION	MODEL	SIDE	PART No.	QTY.
7.003 FRAME					
FRAME ASSEMBLY	35, 69 exc. (A) 5 Litre Eng.			9937189 9946821	1
FRAME ASSEMBLY	35, 37, 69 w/(A) 5 Litre Eng.			9937191	1
FRAME ASSEMBLY	60 exc. (A) 5 Litre Eng.			9937193	1
FRAME ASSEMBLY	60w/(A) 5 Litre Eng.			9939612	1
FRAME ASSEMBLY	70, 80 exc. (A) 5 Litre Eng.			9937189	1
FRAME ASSEMBLY	70, 80 w/(A) 5 Litre Eng.			9937192	1
FRAME ASSEMBLY - Rear - New Zealand	70, 80			9938455	1
NUT - 5/16" insert. Use when attaching holes stripped	ALL			SP2343	A.R.
7.003 BAR - Frame side					
BAR ASSEMBLY - Centre side outer	35, 37, 69		LH	2819259	1
			RH	9937212	1
BAR ASSEMBLY - Centre side	60, 70, 80		LH	2819263	1
			RH	9938380	1
BAR ASSEMBLY - Rear side	60		LH	2825173	1
			RH	2825172	1
BAR ASSEMBLY - Rear side	70, 80		LH	2825167	1
			RH	2825168	1
7.012 MEMBER - Frame front					
MEMBER ASSY	60			2816083	1
MEMBER ASSY	70, 80			2825171	1
7.013 MEMBER - Frame intermediate					
MEMBER ASSY - Intermediate	60, 70, 80			2825170	1
7.013 MEMBER, SUPPORT - Hoist					
MEMBER - Hoist support	60, 70, 80			2816639	1
SUPPORT - Hoist	60, 70, 80			2814689	1
7.014 MEMBER - Frame rear					
MEMBER	60, 70, 80			2812233	1
MEMBER ASSEMBLY	70, 80			2825169	1
7.014 TRANSFER - Frame rear					
TRANSFER - Holden name	Chassis & Cab			2823499	1
7.016 PLATE, SPACER, INSULATOR - Cab mounting					
PLATE ASSY	60		LH	2825175	1
			RH	2825174	1
BOLT - Plate to support	60			SP2184	2
WASHER - Plate to support	60			SP1528	4
NUT - Plate to support	60			120378	6
SPACER - Plate to support	60			2819631	2
INSULATOR - Plate to support	60			2819184	4
RETAINER - Plate to support insulator - 1" dia. hole	60			7437068	4
RETAINER - Plate to support insulator - 1/2" dia. hole	60			7435667	4
SHIM - Mounting plate .03"	60			2823666	A.R.
SHIM - Mounting plate .06"	60			2823665	A.R.
SHIM - Mounting plate 12"	60			2823664	A.R.
7.016 BRACKET - Platform mounting					
BRACKET ASSY	60			2823470	2
BOLT - Bracket to mounting plate	60			180079	12
WASHER - Bracket to mounting plate	60			120214	12
NUT - Bracket to mounting plate	60			120376	12

"HX" STATESMAN/HOLDEN PARTS CATALOGUE

GROUP	DESCRIPTION	MODEL	SIDE	PART No.	QTY.
7.020	MOUNT, SHIM, SUPPORT – Body mount				
	MOUNT – Body upper	35, 37, 69		2808857	4
	MOUNT – Body lower	35, 37, 69, 70, 80		2808857	10-4
	MOUNT – Body lower front end	ALL		2808857	2
	MOUNT – Body lower	60		2819595	6
	MOUNT ASSY. – No. 1, No. 2, No. 3	35, 37, 69, 70, 80		2808856	6
	MOUNT ASSY. – No. 1, No. 2, No. 3	60		2819332	6
	MOUNT ASSY. – No. 4	35, 37, 69, 70, 80		2808856	2
	MOUNT ASSY. – No. 5	70, 80		2808856	2
	MOUNT ASSY. – Front end	ALL		2808856	2
	SHIM – Mounting – $\frac{3}{32}$ " thick	60		2819576	A.R.
	SHIM – Mounting – $\frac{3}{16}$ " thick	60		2819577	A.R.
	SUPPORT – No. 4 Mounting	60	LH	2818029	1
			RH	2818028	1
	BOLT ASSY – No. 4 body mounting support	60		SP2055	8
	WASHER – No. 4 body mounting support	60		SP1659	2
	REINFORCEMENT – No. 4 Mount	35, 37, 69		2809607	2
	BODY MOUNTING PACKAGE	60		(²³ 2825077	1
	BOLT – Body mounting	ALL		SP2227	A.R.
	WASHER – Body mounting	ALL		SP1968	A.R.
	NUT – Front end panel to frame	ALL		SP2223	2
7.112	BRACKET, REINFORCEMENT – Rear Spring Front Hanger				
	BRACKET	60, 70, 80		2812234	2
	REINFORCEMENT	60, 70, 80	LH	2820295	1
			RH	2820294	1
7.118	BRACKET – Rear spring rear hanger				
	BRACKET ASSY	60, 70, 80	LH	2820087	1
			RH	2812325	1
7.240	STUD KIT, STUD – Front stabiliser spacer				
	STUD KIT	ALL		2818345	1
	STUD	ALL		2810771	2
7.241	SHAFT – Front stabiliser				
	SHAFT	6 Cyl. Eng.		2810848	1
	SHAFT	8 Cyl. Eng. exc. GTS		2815723	1
	SHAFT	GTS		2810440	1
7.242	BRACKET, INSULATOR – Front stabiliser shaft				
	BRACKET	Exc. GTS		2808988	2
	BRACKET	GTS		9942690	2
	BOLT – Bracket to frame	ALL		9433975	4
	INSULATOR	6 Cyl. Eng.		9932800	2
	INSULATOR	8 Cyl. Eng. exc. GTS		9932801	2
	INSULATOR	GTS		9942693	2
7.243	BUSH RETAINER – Front stabiliser				
	BUSH	ALL		7084112	8
	RETAINER	ALL		43468	8
	NUT – Hex. $\frac{3}{8}$ " – 24 cone lock	ALL		SP1989	4
7.345	SHOCK ABSORBER – Front				
	SHOCK ABSORBER – Regular (Branded 9937829)	6 Cyl. Sedan exc. Statesman			2
	SHOCK ABSORBER – Regular (Branded 9937830)	8 Cyl. Sedan exc. GTS, Statesman			2
	SHOCK ABSORBER – Regular (Branded 2819938)	GTS, LE			2
	SHOCK ABSORBER – Regular (Branded 9937830)	6 Cyl. Statesman			2
	SHOCK ABSORBER – Regular (Branded 9937277)	8 Cyl. Statesman			2
	SHOCK ABSORBER – Regular (Branded 2817851)	6 Cyl. Station Wagon			2
	SHOCK ABSORBER – Regular (Branded 2819938)	8 Cyl. Station Wagon			2
Note:	(²³ Set of mounts to enable body builder to mount body.				

"HX" STATESMAN/HOLDEN PARTS CATALOGUE

GROUP	DESCRIPTION	MODEL	SIDE	PART No.	QTY.
7.345	SHOCK ABSORBER – Front (contd.)				
	SHOCK ABSORBER - Regular (Branded 2817851)	Panel Van, Utility, Chassis & Cab			2
	SHOCK ABSORBER - Heavy duty (Branded 2817851)	6 Cyl. Sedan exc. Statesman			2
	SHOCK ABSORBER - Heavy duty (Branded 2819938)	6 Cyl. Statesman			2
	SHOCK ABSORBER - Heavy duty (Branded 2819938)	8 Cyl. Sedan exc. GTS			2
	SHOCK ABSORBER - Heavy duty (Branded 2819938)	8 Cyl. exc. GTS			2
7.345	SHOCK ABSORBER – Rear				
	SHOCK ABSORBER - Regular (Branded 9933527)	Sedan exc. GTS			2
	SHOCK ABSORBER - Regular (Branded 2818310)	GTS, LE			2
	SHOCK ABSORBER - Regular (Branded 2818310)	Station Wagon		2818500	2
	SHOCK ABSORBER - Regular (Branded 2813924)	Panel Van, Utility, Chassis & Cab		2818329	2
	SHOCK ABSORBER - Heavy duty (Branded 2819940)	Sedan exc. GTS		2819937	2
7.345	SHOCK ABSORBER – "Superlift" – Rear				
	SHOCK ABSORBER PACKAGE	35, 37, 69		2824742	1
	SHOCK ABSORBER PACKAGE	70, 80		2824743	1
	SHOCK ABSORBER ASSEMBLY	35, 37, 69	LH	2820687	1
			RH	2820688	1
	SHOCK ABSORBER ASSEMBLY	70, 80	LH	2820671	1
			RH	2820670	1
	TAG - Caution (Use with Superlift shock absorbers)	ALL		2825280	1
7.347	TUBE and COMPONENTS – Superlift shock absorber air				
	TUBE - Inflation	35		9938110	1
	TUBE - Inflation	37, 69		9938107	1
	TUBE - Inflation	70, 80		9938108	1
	TUBE - Interconnection	35, 37, 69		9938111	1
	TUBE - Interconnection	70, 80		9938109	1
	FITTING - Air tube	ALL		3176207	4
	CLIP - Tube to underbody	35, 37, 69, 70, 80		7401651	4-5
	CLIP - Tube to underbody	70, 80		SP1378	3
	GROMMET	35, 37, 69		7418703	1
	STEM - Air valve	35, 37, 69, 70, 80		9941541	1
	WASHER - Air valve stem	ALL		138538	1
	NUT - Air valve stem	35, 37, 69, 70, 80		7437584	1
	CORE ASSEMBLY - Air valve	35, 37, 69, 70, 80		7437586	1
	CAP - Air valve	35, 37, 69, 70, 80		7437585	1
7.370	BUSH, PLATE – Shock absorber mounting				
	PIN ASSEMBLY - Front shock absorber mounting ..	ALL		2811316	2
	BUSH - Front shock absorber to member - upper ...	35, 37, 69		9939978	2
	BUSH - Front shock absorber to member, lower	35, 37, 69		9939980	2
	BUSH - Front shock absorber to member, upper	60, 70, 80		9939979	2
	BUSH - Front shock absorber to member, lower	60, 70, 80		9939981	2
	PLATE - Front shock absorber to member	ALL		9937268	4
	NUT - Front shock absorber to member (3/8" - 24 hex. cone lock)	ALL		SP1989	2
	BOLT - Shock absorber to lower control arm assembly	ALL		122007	4
	WASHER - Shock absorber to lower control arm as- sembly	ALL		103320	4
	BUSH - Rear shock absorber to bracket	ALL		2815193	2
	BOLT - Shock absorber to bracket	ALL		2816034	2
	WASHER - Shock absorber to bracket	ALL		9429662	2
	NUT - Rear shock absorber to bracket	ALL		SP1891	2
	BUSH - Rear shock absorber to underbody, upper ..	35, 37, 69 exc. Heavy Duty Suspension		9939978	1
	BUSH - Rear shock absorber to underbody, lower ...	35, 37, 69 exc. Heavy Duty Suspension		9939980	2
	BUSH - Rear shock absorber to underbody, upper ...	35, 37, 69 Heavy Duty Suspension		9939979	2
	BUSH - Rear shock absorber to underbody, lower ...	35, 37, 69 Heavy Duty Suspension		9939981	2
	PLATE - Rear shock absorber to underbody	35, 37, 69 exc. Heavy Duty Suspension		9939976	1

"HX" STATESMAN/HOLDEN PARTS CATALOGUE

GROUP	DESCRIPTION	MODEL	SIDE	PART No.	QTY.
7.370 BUSH, PLATE – Shock absorber mounting (contd.)					
	PLATE – Rear shock absorber to underbody	35, 37, 69 Heavy Duty Suspension		9937268	4
	NUT – Rear shock absorber to underbody	35, 37, 69		SP1989	2
	BOLT – Shock absorber to frame	60, 70, 80		122354	2
	NUT – Rear shock absorber to frame	60, 70, 80		9422299	2
	NUT – Rear Superlift shock absorber	35, 37, 69		SP1330	2
7.371 SHIELD, CLAMP – Rear shock absorber – Superlift					
	SHIELD	70, 80		3861040	2
	CLAMP – Shield to shock absorber	70, 80		SP1879	2
7.371 SHIELD – Rear shock absorber – Outback Equipment					
	SHIELD	60, 70, 80		9933335	2
	BOLT	60, 70, 80		160548	4
	WASHER	60, 70, 80		120392	4
	WASHER	60, 70, 80		120380	4
	NUT	60, 70, 80		120375	4
7.503 SPRING – Rear					
	SPRING – Regular (ident. code "RE")	35		2822647	2
	SPRING – Heavy duty (ident. code "RK")	35		2825753	2
	SPRING – Regular (ident. code "RA")	37, 69, exc. Statesman		2818485	2
	SPRING – Heavy duty (ident. code "RH")	37, 69 exc. Statesman		2825751	2
	SPRING – Regular (ident. code "RC")	De Ville		2818487	2
	SPRING – Regular (ident. code "RD")	Caprice		2818488	2
	SPRING – Heavy duty (ident. code "RJ")	Statesman		2825752	2
	SPRING ASSEMBLY – 6 Leaf	60	LH	9935932	1
			RH	9935934	1
	SPRING ASSEMBLY – Regular	70, 80	LH	9935933	1
			RH	9935935	1
	SPRING ASSEMBLY – Heavy Duty	70, 80	LH	9935932	1
			RH	9935934	1
	BRACKET & BOLT ASSEMBLY – Rear spring	60, 70, 80		M37195	2
7.503 SPRING – Auxiliary rear					
	SPRING PACKAGE	35, 37, 69		9941171	1
	SPRING	35, 37, 69		9941170	2
7.505 LEAF – Rear spring					
	LEAF – No. 1	60	LH	9935932-1	1
			RH	9935934-1	1
	LEAF – No. 2	60	LH	9935932-2	1
			RH	9935934-2	1
	LEAF – No. 3	60	LH	9935932-3	1
			RH	9935934-3	1
	LEAF – No. 4	60	LH	9935932-4	1
			RH	9935934-4	1
	LEAF – No. 5	60	LH	9935932-5	1
			RH	9935934-5	1
	LEAF – No. 6	60	LH	9935932-6	1
			RH	9935934-6	1
	LEAF – No. 1	70, 80	LH	9935933-1	1
			RH	9935935-1	1
	LEAF – No. 2	70, 80	LH	9935933-2	1
			RH	9935935-2	1
	LEAF – No. 3	70, 80	LH	9935933-3	1
			RH	9935935-3	1
	LEAF – No. 4	70, 80	LH	9935933-4	1
			RH	9935935-4	1

"HX" STATESMAN/HOLDEN PARTS CATALOGUE

GROUP	DESCRIPTION	MODEL	SIDE	PART No.	QTY.
7.506	BOLT – Rear spring				
	BOLT	60		9930368	2
	BOLT	70, 80		9930366	2
7.516	'U' BOLT – Rear Spring				
	'U' BOLT	60		9941732	4
	'U' BOLT	70, 80		9941731	4
	NUT	60, 70, 80		9422280	8
7.518	PLATE – Rear spring and shock absorber mounting				
	PLATE	60, 70, 80	LH	2824769	1
			RH	2824768	1
7.523	SHACKLE SET – Rear spring				
	SHACKLE SET	60, 70, 80		2820903	2
	NUT – Shackle	60, 70, 80		271505	4
	WASHER – Shackle	60, 70, 80		103322	4
7.524	BUSH – Rear spring				
	BUSH – Front	60, 70, 80		9932059	2
	BUSH – Rear	60, 70, 80		2823360	8
7.529	BOLT – Rear spring mounting				
	BOLT – Front eye	60, 70, 80		SP2538	2
7.535	BUMPER – Rear Axle				
	BUMPER	35, 37, 69		2825634	2
	BUMPER	60, 70, 80		2820426	2
	BOLT – Hex. hd. $\frac{3}{16}$ " – 18 x $\frac{5}{8}$ " tap	ALL		SP2240	4
7.536	MOUNTING – Rear axle bumper				
	MOUNTING ASSEMBLY	35, 37, 69		2810214	2
7.545	INSULATOR – Rear spring				
	INSULATOR	35, 37, 69		9942909	2
7.632	BOLT, SPACER – Spare wheel				
	BOLT – Rd. hd. sq. neck $\frac{5}{16}$ " – 18 x 6.00" (Cad or Zinc)	Station Wagon		SP2005	1
	BOLT – Rd. hd. sq. neck $\frac{5}{16}$ " – 18 x 7.00"	Belmont Sedan, Kingswood Sedan, Premier Sedan exc. Rally Wheels, Polycast Wheels		SP2600	1
	BOLT – Rd. hd. sq. neck $\frac{5}{16}$ " – 18 x 9.50"	Belmont Sedan, Kingswood Sedan, Premier Sedan, LE with Rally Wheels, Polycast Wheels		SP2530	1
	BOLT – Rd. hd. sq. neck $\frac{5}{16}$ " – 18 x 9.50"	GTS, Caprice		SP2530	1
	BOLT – Rd. hd. sq. neck $\frac{5}{16}$ " – 18 x 8.50" (Cad or Zinc)	De Ville with 5.00" Wheels		SP2291	1
	BOLT – Rd. hd. sq. neck $\frac{5}{16}$ " – 18 x 9.50"	De Ville with 6.00" Wheels		SP2530	1
	BOLT – Rd. hd. sq. neck $\frac{5}{16}$ " – 18 x 11.00" (Cad or Zinc)	De Ville with Rally, Polycast Wheels		SP2327	1
	SPACER – Spare wheel	37, 69 Rally, Polycast Wheels		2823374	1
	RETAINER – Mounting bolt	35, 69 exc. Statesman		7430790	1
	RETAINER – Mounting bolt	Statesman		2822340	1
7.633	NUT – Spare wheel				
	NUT – Clamp	35 Rally Wheel		7430789	1
	NUT – Wing	35 exc. Rally Wheel		SP2338	1
	NUT – Wing	Belmont Sedan, Kingswood Sedan, Premier Sedan exc. Rally, Polycast Wheels		2815244	1

"HX" STATESMAN/HOLDEN PARTS CATALOGUE

GROUP	DESCRIPTION	MODEL	SIDE	PART No.	QTY.
7.633	NUT – Spare wheel (contd.)				
	NUT - Wing	Belmont Sedan, Kingswood Sedan, Premier Sedan with Rally Wheels		9939401	1
	NUT - Wing	Belmont Sedan, Kingswood Sedan Premier Sedan with Polycast Wheels		SP2338	1
	NUT - Wing	GTS exc. Polycast Wheels		9939401	1
	NUT - Wing	GTS with Polycast Wheels		SP2338	1
	NUT - Wing	Statesman exc. Rally Wheels		SP2338	1
	NUT - Wing	De Ville with Rally Wheels		9939401	1
7.640	HOIST – Spare wheel				
	HOIST ASSEMBLY	60, 70, 80 exc. Rally Wheel		2819802	1
	NUT - Hoist to support	60		120376	3
	WASHER - Hoist to support	60		120214	3
	CABLE ASSEMBLY - Hoist	60, 70, 80 exc. Rally Wheel		VS12217	1
	PLATE - Hoist support	60, 70, 80 exc. Rally Wheel		VS12458	1
	PAD - Hoist compression	60, 70, 80 exc. Rally Wheel		VS12457	1
	WASHER - Hoist cup	60, 70, 80 exc. Rally Wheel		VS12456	1
	WINCH	70, 80 Rally Wheel		9928754	1
7.800	COMPONENTS – Front licence plate mounting				
	BOLT - Front	ALL		132908	2
	BUMPER - Front	35, 69, 70, 80		7409209	1
	WASHER - Front, lock	ALL		SP2442	2
	WASHER - Front, rubber	60		7424387	2
	WASHER - Front, flat	ALL		120391	2
	NUT - Front	ALL		120614	2
	BOLT - Rear	35, 60		132908	2
	WASHER - Rear, lock	35		SP2442	2
	NUT - Rear	35		120614	2
	BUMPER - Rear	35		7409209	2
	WASHER - Rear, rubber	70, 80		7424387	2
	WASHER - Rear, flat	35		120391	2
	SCREW - Rear	69		145193	2
	SCREW - Rear	70, 80		144811	2
	BUMPER - Rear	70, 80		7409209	2
7.800	FRAME – Licence plate				
	FRAME SET	ALL		M37843	1
7.828	GUARD – Bumper bar				
	GUARD PACKAGE - Front	Utility, Panel Van, Sedan, Station Wagon without Rubbing Strip		9934686	1
	GUARD PACKAGE - Front	Utility, Panel Van, Belmont, Kingswood, Premier, LE, De Ville with Rubbing Strip		9934685	1
	GUARD ASSEMBLY - Front	Caprice	LH	9933241	1
	GUARD PACKAGE - Rear	37, 69 exc. Statesman	RH	9933242	1
	GUARD PACKAGE - Rear	De Ville		9936775	1
	GUARD ASSEMBLY - Rear	Caprice		9936879	1
	INSERT - Rubber, front & rear bumper guard	Exc. Chassis & Cab, Caprice		9933305	2
	PLUG - Plastic, front & rear bumper guard	Exc. Chassis & Cab, Caprice		M37080	4
	STRIP - Rubbing, front & rear bumper guard	Exc. Chassis & Cab, Caprice		M37081	4
	BOLT ASSY - Guard to bumper bar	Caprice		9933243	4
	NUT - Guard to bumper bar	Caprice		SP2078	8
		Caprice		SP1548	8

"HX" STATESMAN/HOLDEN PARTS CATALOGUE

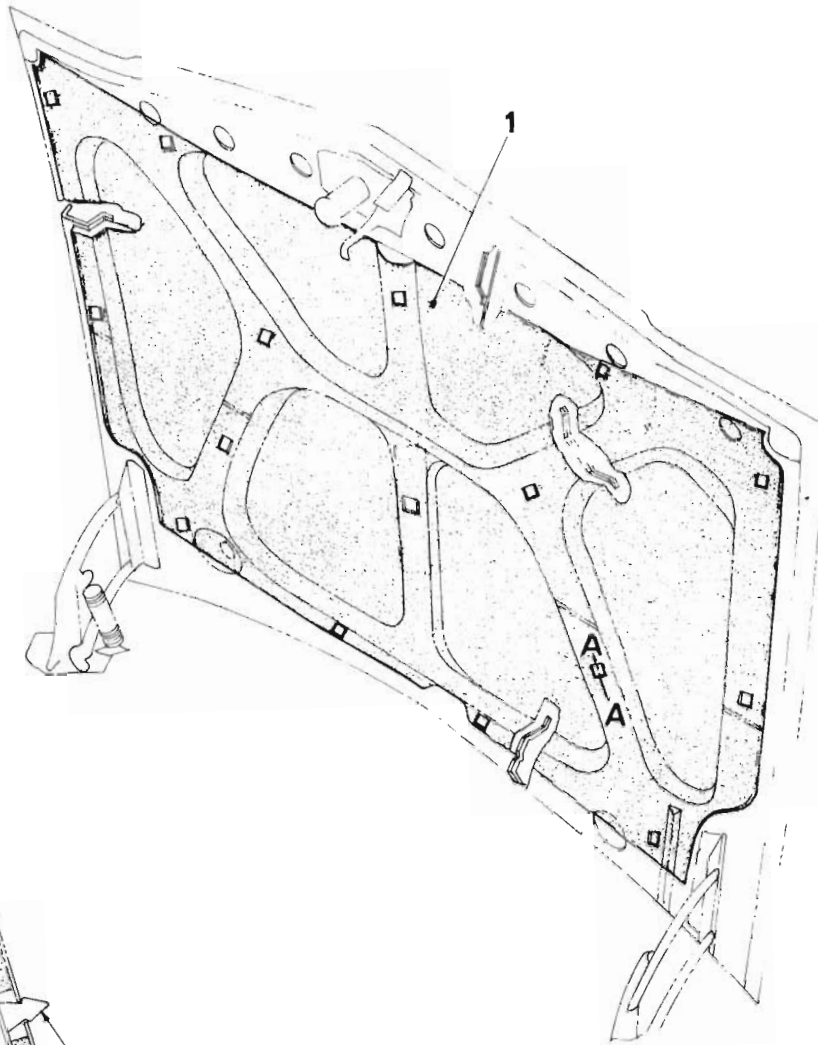
GROUP	DESCRIPTION	MODEL	SIDE	PART No.	QTY.
7.831	BAR, STRIP – Bumper face				
	Bar – Front	Utility, Panel Van, Sedan, Station Wagon without Rubbing Strip		9930146	1
	BAR – Front	Chassis & Cab exc. Ambulance		2823473	1
	BAR – Front, chromed	Chassis & Cab exc. Ambulance		9934607	1
	BAR – Front	Utility, Panel Van, Belmont, Kingswood, Ambulance, Premier, LE, De Ville with Rubbing Strip		9930777	1
	BAR – Front	GTS		9942366	1
	BAR – Front	Caprice		9934218	1
	BAR – Rear	S/Wagon, Sedan without Rubbing Strip		9930222	1
	BAR – Rear	S/Wagon, Sedan with Rubbing Strip exc. Statesman		9930147	1
	BAR – Rear	GTS		9942385	1
	BAR – Rear	LE		9930685	1
	BAR – Rear	De Ville		9930439	1
	BAR – Rear	Caprice		9934219	1
	BAR – Rear, end	Panel Van, Utility, Ambulance		2816983	2
	STRIP ASSY – Front bumper bar rubbing	Utility, Panel Van, Ambulance, Belmont, Kingswood, Premier, GTS, LE, Statesman		9931194	1
	STRIP ASSY – Rear bumper bar rubbing	S/Wagon, Sedan exc. Statesman		9930604	1
	STRIP ASSY – Rear bumper bar rubbing	Statesman	LH	9931040	1
	NUT – Rubbing strip to bumper bar	Utility, Panel Van, Ambulance, Belmont, Kingswood, Premier, GTS, LE, Statesman		9420234	A.R.
7.836	BRACKET – Bumper mounting				
	BRACKET ASSEMBLY – Front inner	Utility, Panel Van, Ambulance, Sedan, Station Wagon, LE	LH	9931341	1
			RH	9931340	1
	BRACKET ASSEMBLY – Front outer	Utility, Panel Van, Ambulance, Sedan, Station Wagon, LE	LH	9932151	1
			RH	9932152	1
	BRACKET – Front inner	Chassis & Cab exc. Ambulance	LH	2823549	1
			RH	2823548	1
	BRACKET – Front outer	Chassis & Cab exc. Ambulance	LH	2823547	1
			RH	2823546	1
	BOLT – Inner & outer bracket to frame	ALL		120426	4
	WASHER – Inner & outer bracket to frame, flat	ALL		SP1899	4
	WASHER – Inner & outer bracket to frame, lock	ALL		120384	4
	BOLT – Inner & outer bracket to frame	ALL		120426	2
	WASHER – Inner bracket to frame, flat	ALL		SP1899	2
	WASHER – Inner bracket to frame, lock	ALL		120384	2
	BRACKET – Rear	Station Wagon	LH	9931399	1
			RH	9931398	1
	BOLT & WASHER ASSY – Bracket to rear panel	Station Wagon		SP2593	4
	BOLT & WASHER ASSY – Bracket to rear panel	Station Wagon		SP2241	2
	BRACKET – Rear	LE, Sedan exc. Statesman	LH	9930541	1
			RH	9930542	1
	BOLT & WASHER ASSY – Bracket to rear panel	LE, Sedan exc. Statesman		SP2593	6
	BRACKET – Rear	Statesman	LH	9931895	1
			RH	9931894	1
	BOLT & WASHER ASSY – Bracket to rear panel	Statesman		SP2593	6
7.852	BOLT – Bumper bar face				
	BOLT – Rnd. hd. short sq. neck, 3/8" – 16 x 1" (Cad or zinc)	With Rubbing Strip		455980	A.R.
	BOLT – Rnd. hd. short sq. neck, 3/8" – 16 x 1" (Chrome cap)	Utility, Panel Van, Sedan, Station Wagon without Rubbing Strip		SP2365	A.R.
	BOLT – Painted	GTS		SP2625	8
	BOLT – Rear bar to spacer	Panel Van, Utility, Ambulance		7423203	8
	BOLT – Front bumper bar – painted	Chassis & Cab exc. Ambulance		SP2333	10

"HX" STATESMAN/HOLDEN PARTS CATALOGUE

GROUP	DESCRIPTION	MODEL	SIDE	PART No.	QTY.
7.852	BOLT – Bumper bar face (contd.)				
	BOLT & WASHER ASSY. – Front bumper bar to inner bracket, hex. hd. 3/8" – 16 x 1" (phos. & oil)	Exc. Chassis & Cab		SP2499	2
	BOLT & WASHER ASSY. – Front bumper bar to inner bracket, hex. hd. 3/8" – 16 x 1" (Phos. & Oil)	Chassis & Cab Ambulance		SP2499	2
	BOLT – Front bumper bar – Chrome	Chassis & Cab exc. Ambulance		SP1279	10
	WASHER – Flat type "A" 7/16" x 1" x .083"	Exc. Chassis & Cab		120388	A.R.
	WASHER – Flat type "A" 1/2" x 1 1/4" x .083"	Chassis & Cab exc. Ambulance		120389	A.R.
	WASHER – Flat type "A" 7/16" x 1" x .083"	Chassis & Cab Ambulance		120388	A.R.
	WASHER – Lock 7/16"	Exc. Chassis & Cab		120383	A.R.
	WASHER – Lock 1/2"	Chassis & Cab exc. Ambulance		120384	A.R.
	WASHER – Lock 7/16"	Chassis & Cab Ambulance		120383	A.R.
	WASHER – Lock 3/8"	Exc. Chassis & Cab		120382	A.R.
	WASHER – Lock 3/8"	Chassis & Cab Ambulance		120382	A.R.
	NUT – 3/8" – 16	Exc. Chassis & Cab		120377	A.R.
	NUT – 3/8" – 16	Chassis & Cab Ambulance		120377	A.R.
	WASHER – Front bar, flat	Chassis & Cab exc. Ambulance		120389	10
	WASHER – Front bar, lock	Chassis & Cab exc. Ambulance		120383	10
	NUT – Front bar	Chassis & Cab exc. Ambulance		271501	10
7.865	SPACER, EXTENSION – Bumper bar				
	SPACER – Rear	Station Wagon, LE, Sedan		2810329	2
	SPACER – Rear	Utility, Panel Van, Ambulance		2816919	4
	BOLT – Spacer to body	Panel Van, Utility, Ambulance		SP2265	8
	WASHER – Spacer to body, flat	Panel Van, Utility, Ambulance		274865	8
	WASHER – Spacer to body, lock	Panel Van, Utility, Ambulance		120214	8
	EXTENSION – Front bar outer bracket	Exc. Chassis & Cab	LH	9932157	1
			RH	9932158	1
	BOLT & LOCK WASHER ASSY. – Extension to bracket	Exc. Chassis & Cab		SP2499	4
	EXTENSION – Front bar outer bracket	Ambulance	LH	9932157	1
			RH	9932158	1
	BOLT & LOCK WASHER ASSY. – Extension to bracket	Ambulance		SP2499	4
7.865	BUMPER – Bumper bar				
	BUMPER ASSY	Chassis & Cab Ambulance		9937637	2
	BOLT – Bumper	Chassis & Cab Ambulance		9418894	2
7.870	SHIELD – Front bumper stone				
	SHIELD	Exc. Chassis & Cab	LH	9938127	1
			RH	9938128	1
	SHIELD	Ambulance	LH	9938127	1
			RH	9938128	1

GROUP 8.000

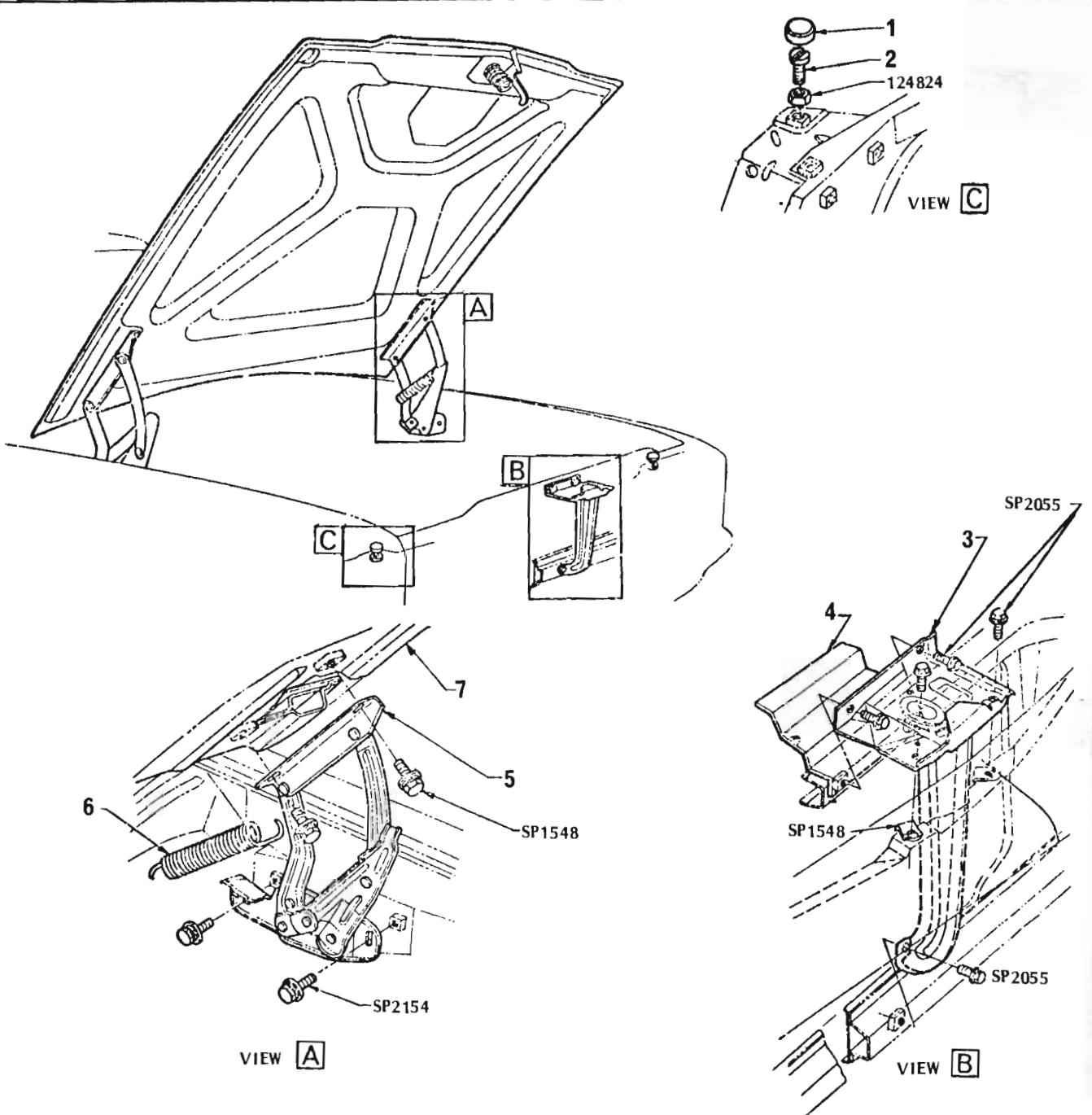
SHEET METAL



SECTION A-A

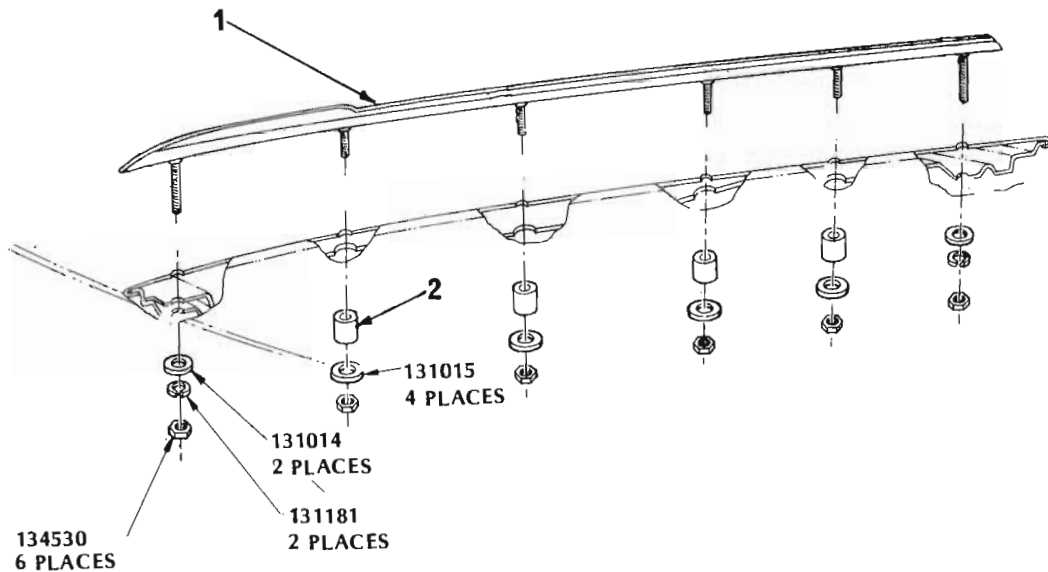
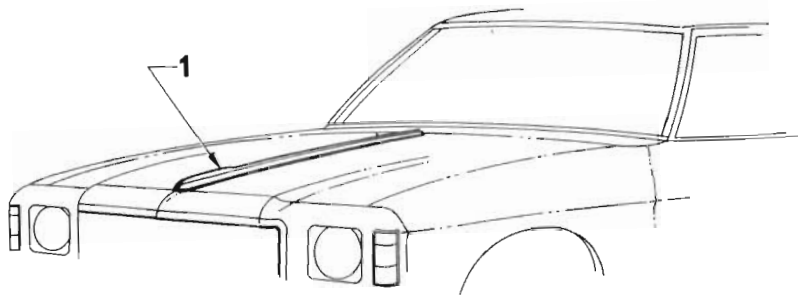
ENGINE HOOD SILENCER

ILLUS. REF. NO.	PART NAME	GROUP
1.	SILENCER - Hood panel	8.009



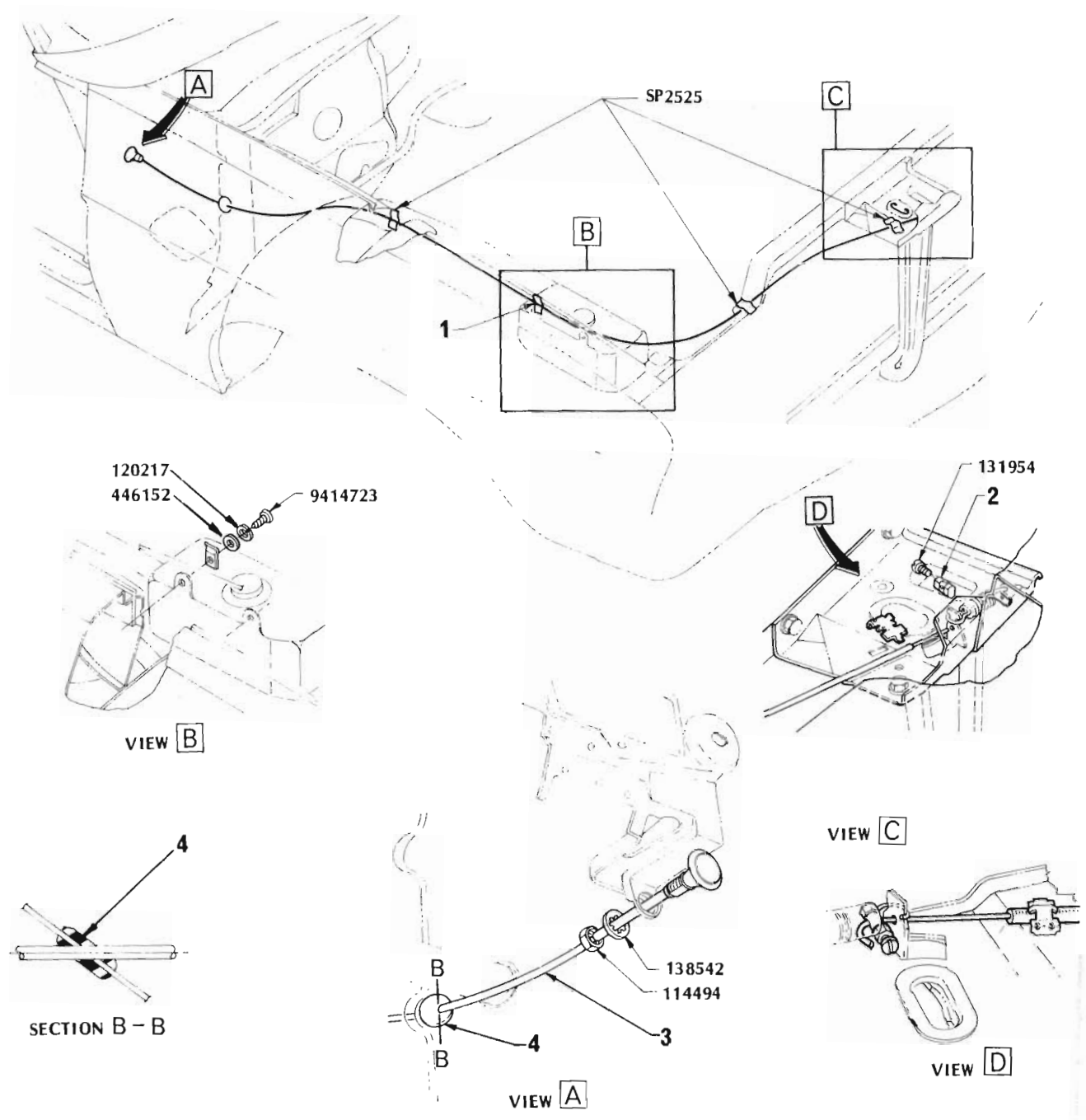
HINGE and HOOD LOCK

ILLUS. REF. NO.	PART NAME	GROUP
1.	BUMPER - Hood to radiator support panel	8.024
2.	BOLT - Bumper to radiator support panel	8.024
3.	LOCK ASSEMBLY	8.079
4.	FINGER GUARD - Fan - bolt on type	1.270
5.	HINGE ASSEMBLY	8.015
6.	SPRING	8.013
7.	PANEL ASSEMBLY	8.000



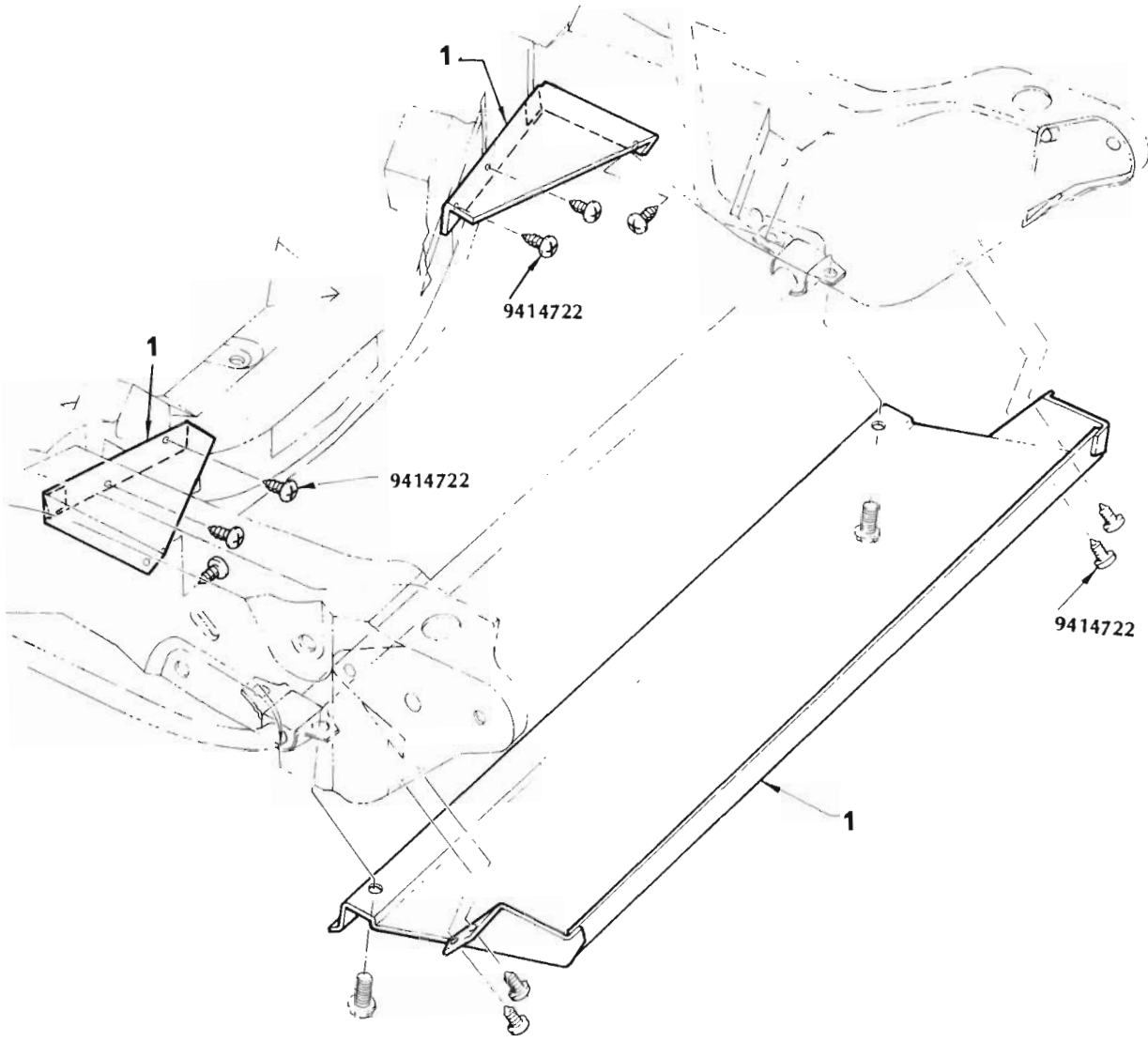
HOOD ORNAMENT

ILLUS. REF. NO.	PART NAME	GROUP
1.	ORNAMENT PACKAGE	8.055
2.	INSULATOR - Ornament to hood	8.055



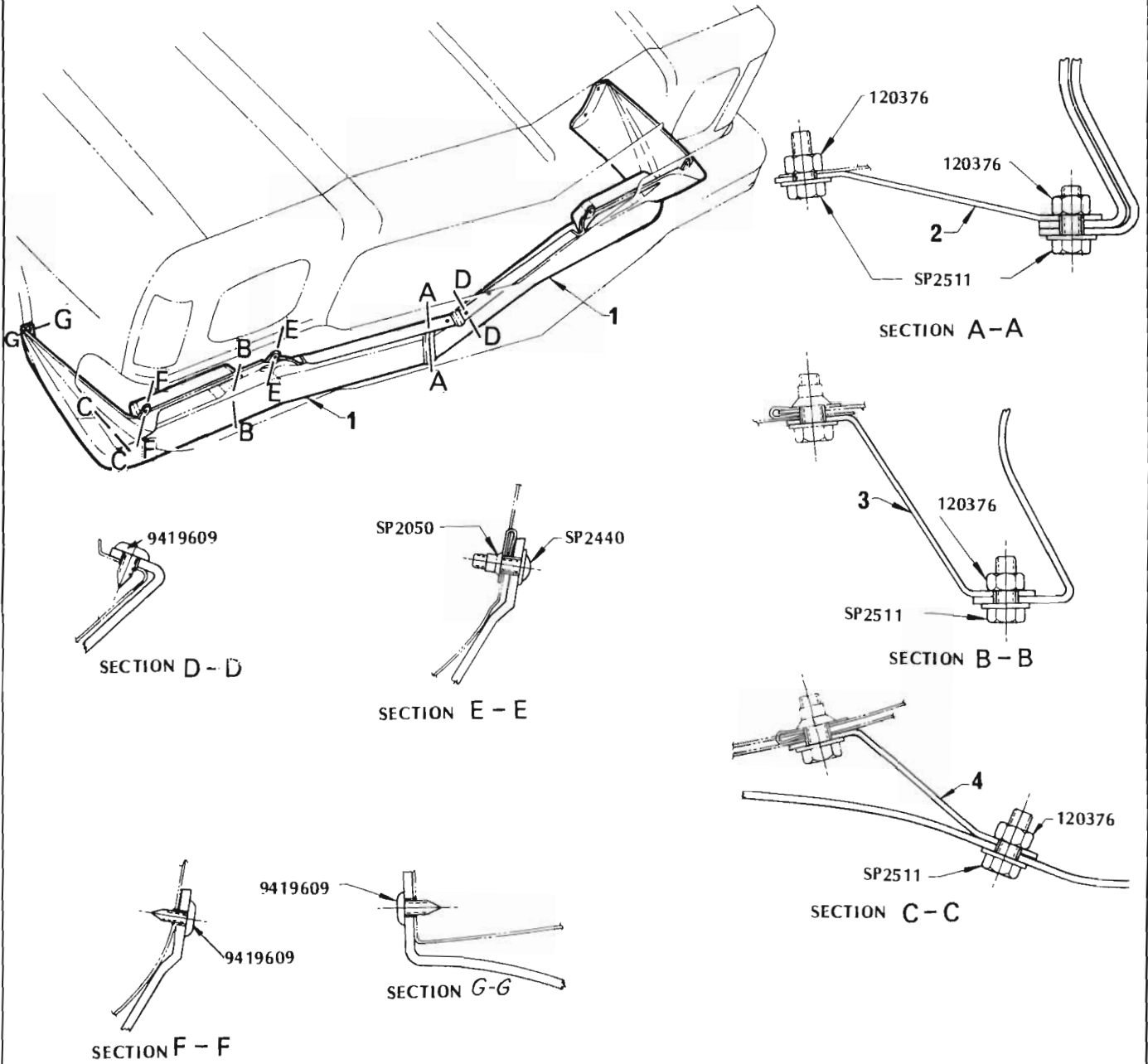
HOOD LOCK RELEASE

ILLUS. REF. NO.	PART NAME	GROUP
1	RETAINER	8.077
2.	ANCHOR	8.077
3.	ROD ASSEMBLY	8.075
4.	GROMMET	8.076



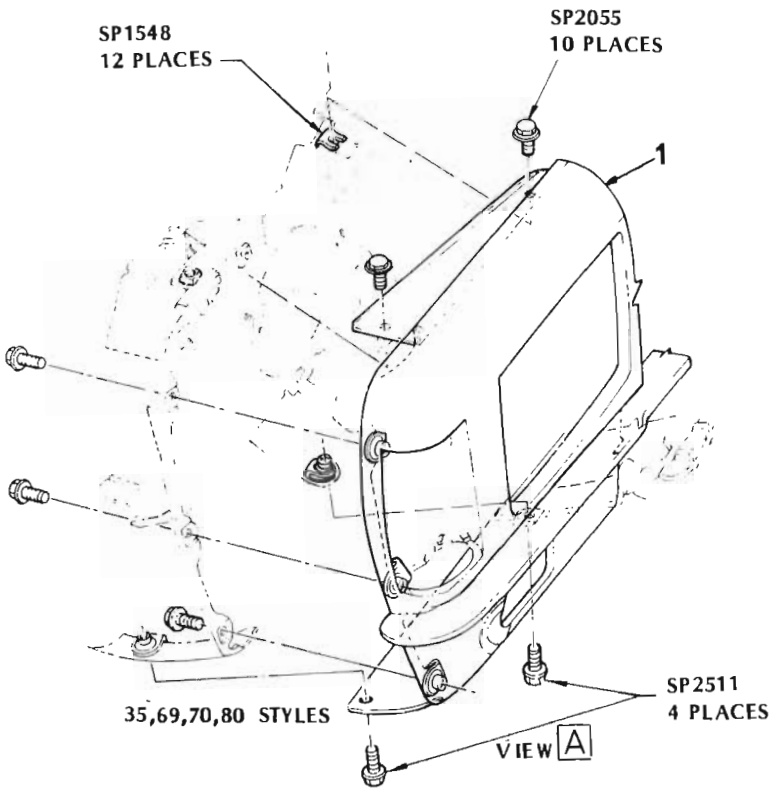
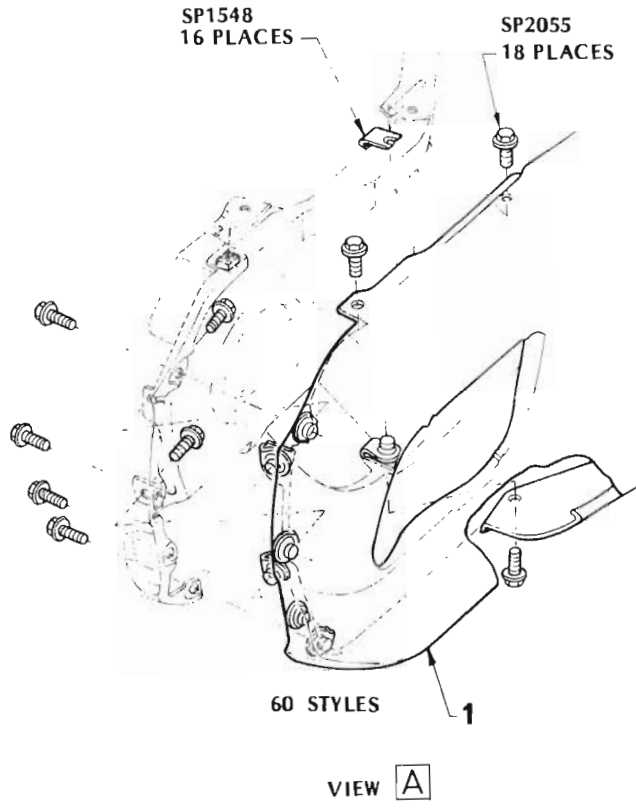
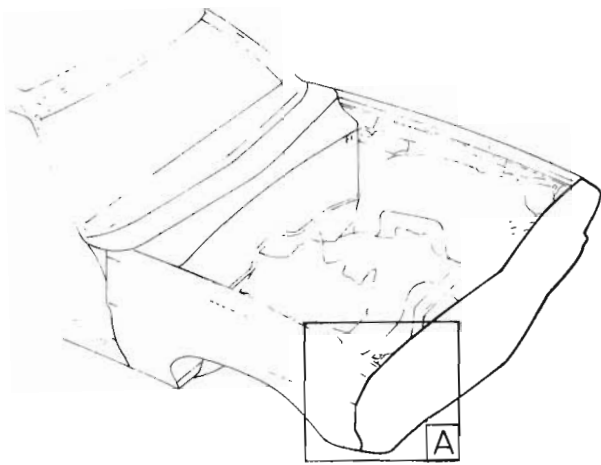
**ENGINE SPLASH PAN & SEALS PACKAGE
OUTBACK EQUIPMENT**

ILLUS. REF. NO.	PART NAME	GROUP
1.	SPLASH PAN PACKAGE	8.112



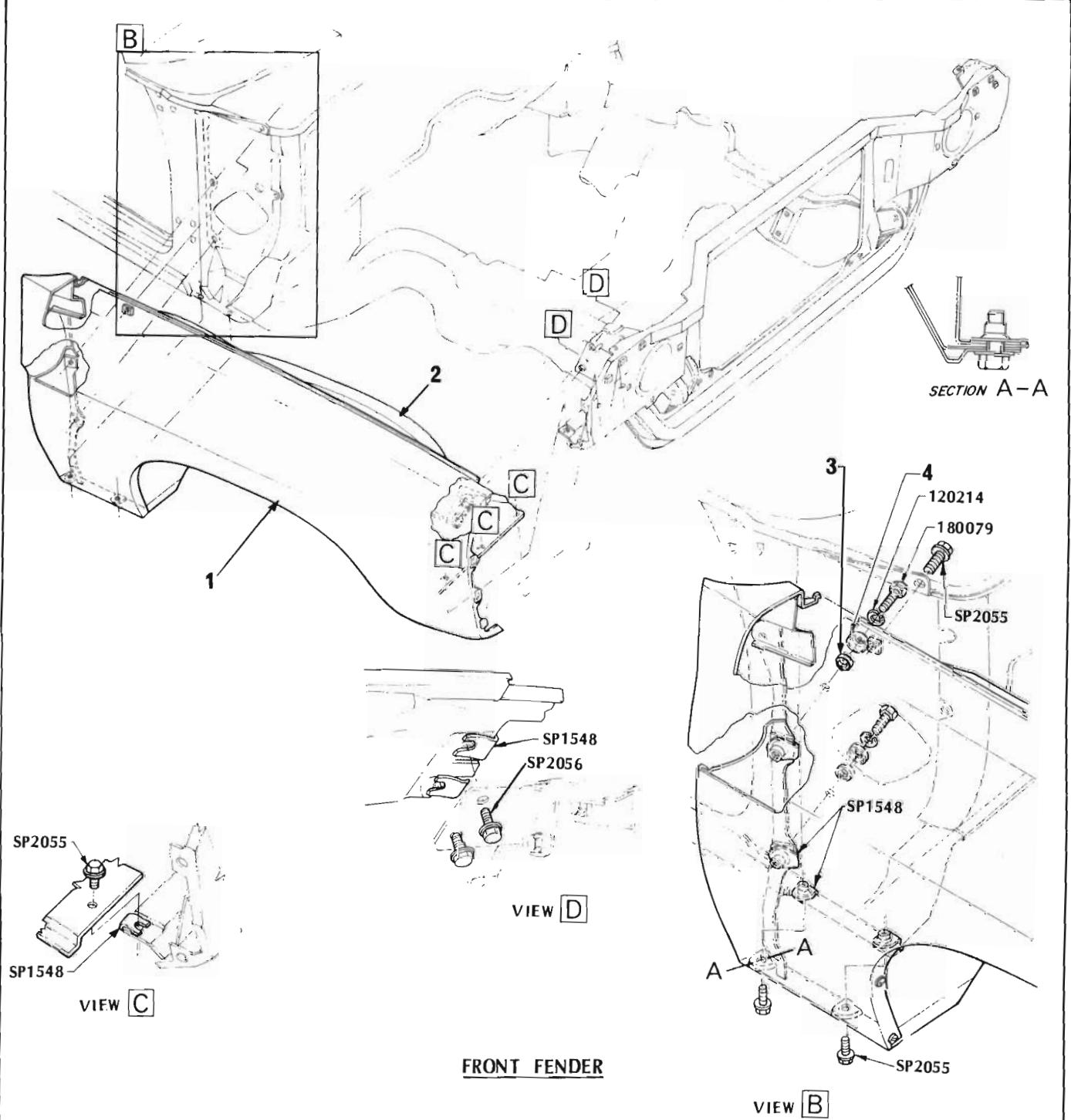
FRONT AIR DAM

ILLUS. REF. NO.	PART NAME	GROUP
1.	DAM ASSEMBLY	8.126
2.	BRACKET - Centre	8.126
3.	BRACKET - Inner	8.126
4.	BRACKET - Outer	8.126

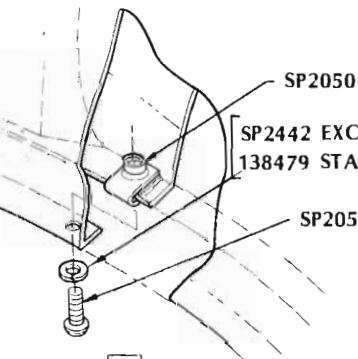
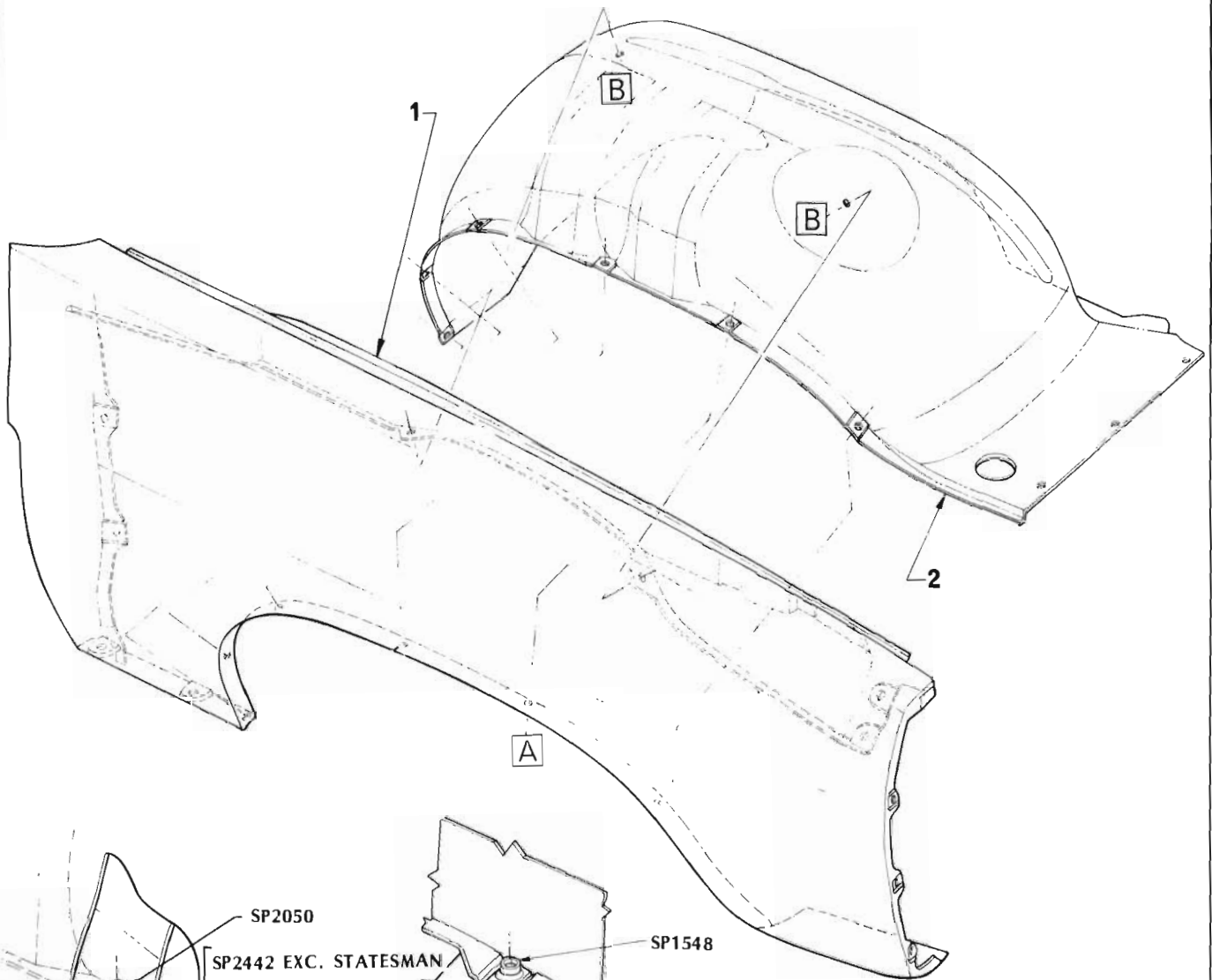


FRONT END PANELS

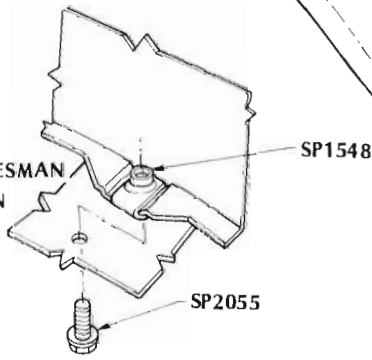
ILLUS. REF. NO.	PART NAME	GROUP
1.	PANEL - Front end	8.130



ILLUS. REF. NO.	PART NAME	GROUP
1.	FENDER - Front	8.130
2.	SKIRT - Front fender	8.153
3.	WASHER - Rubber	8.143
4.	WASHER - Cup	8.143



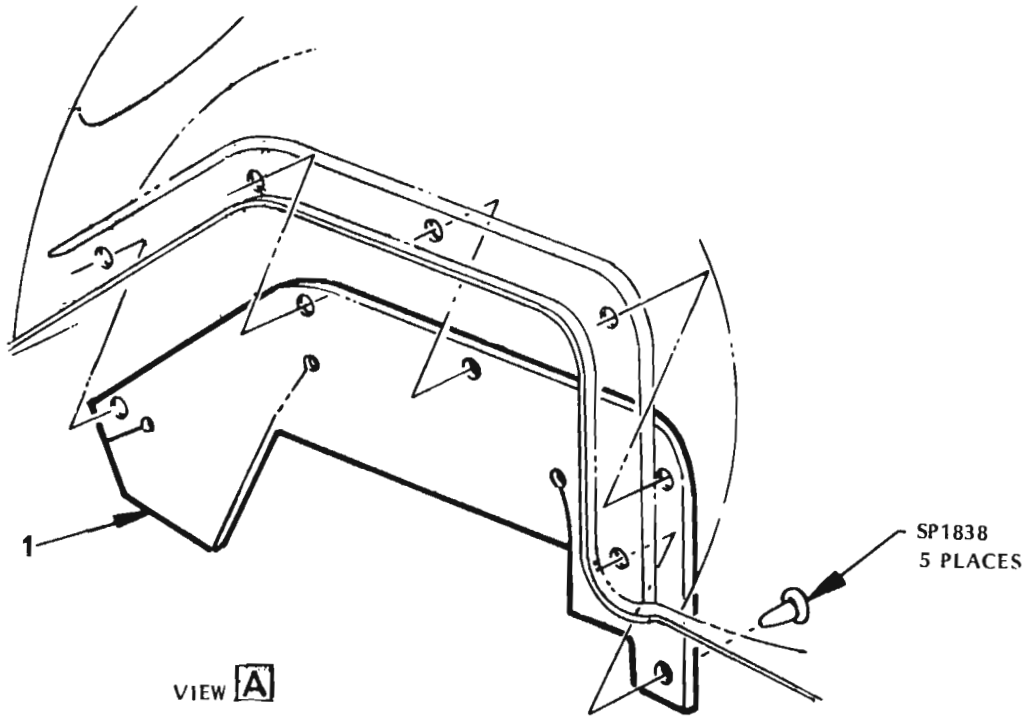
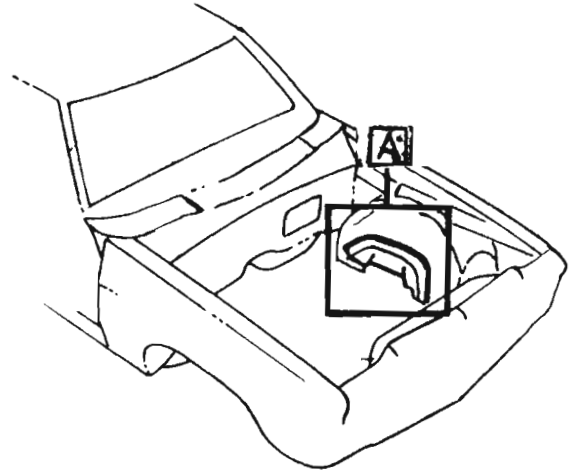
VIEW **A**
TYPICAL 6 PLACES



VIEW **B**
TYPICAL 2 PLACES

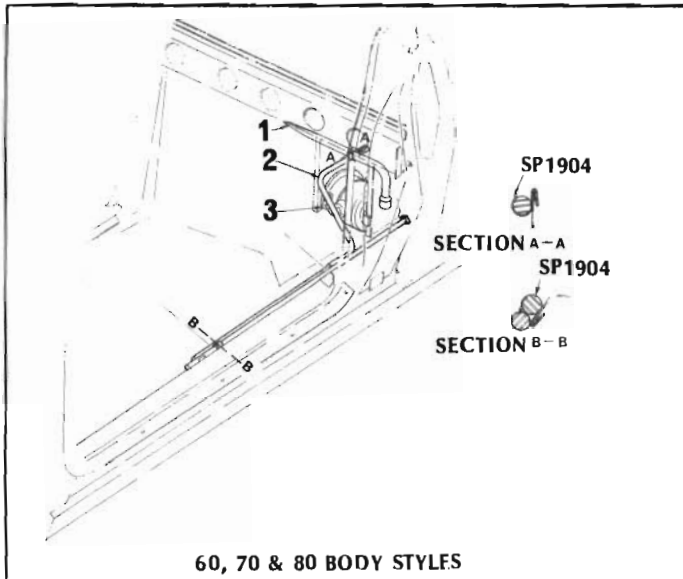
FRONT FENDER and SKIRT

ILLUS. REF. NO.	PART NAME	GROUP
1.	FENDER - Front	8.130
2.	SKIRT - Front fender	8.153

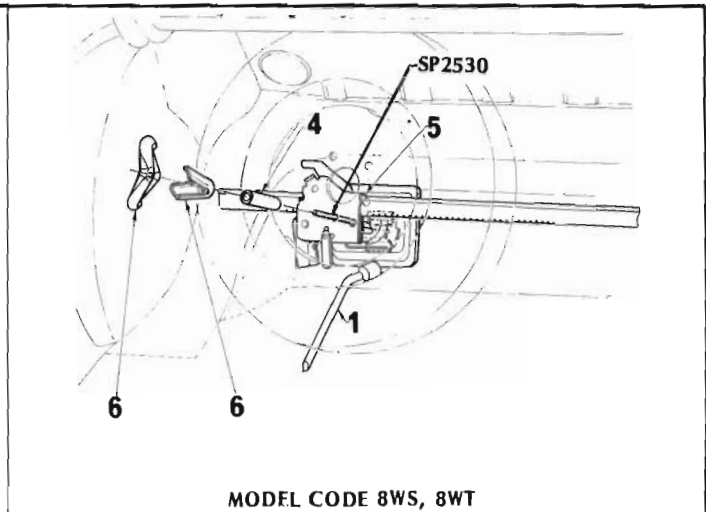


FENDER SKIRT DUST SHIELD

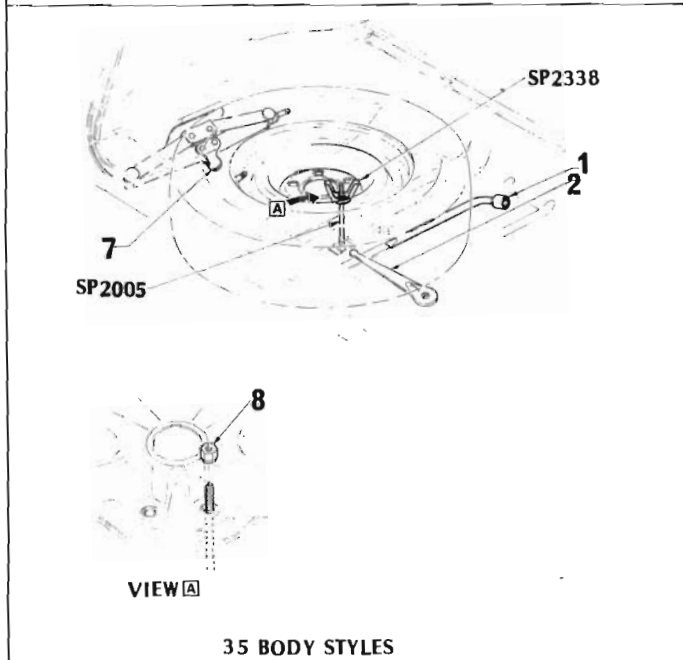
ILLUS. REF. NO.	PART NAME	GROUP
1.	SHIELD – Front fender skirt dust	8.154



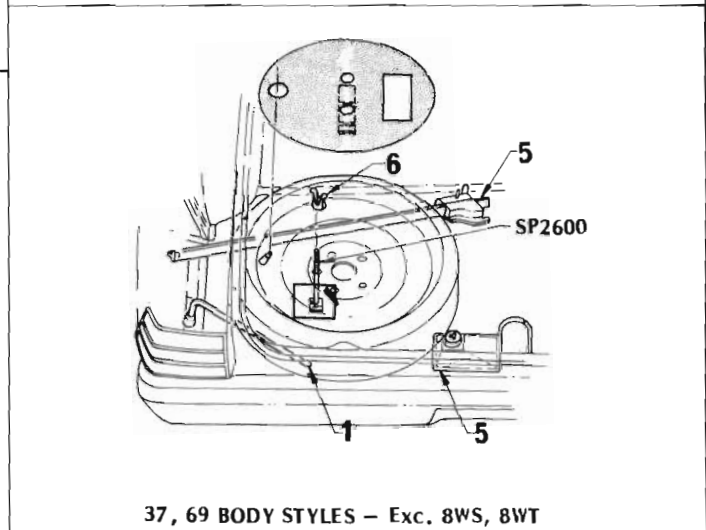
60, 70 & 80 BODY STYLES



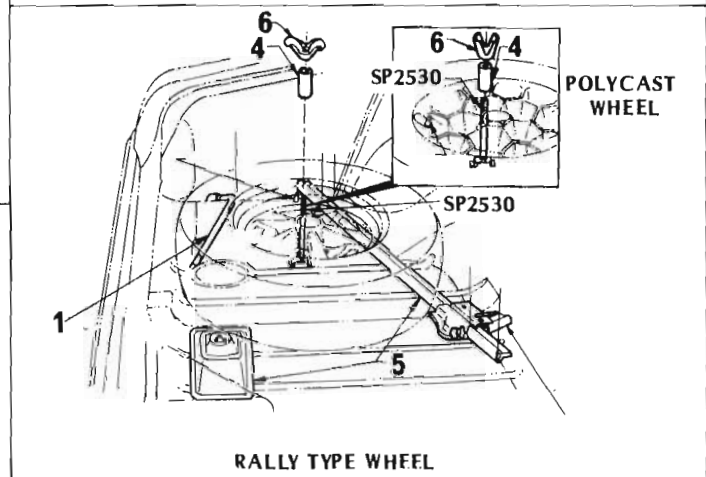
MODEL CODE 8WS, 8WT



35 BODY STYLES



37, 69 BODY STYLES - Exc. 8WS, 8WT



RALLY TYPE WHEEL

JACK & SPARE WHEEL

ILLUS. REF. NO.	PART NAME	GROUP
1.	WRENCH - Wheel nut	8.821
2.	HANDLE - Jack	8.820
3.	JACK & HANDLE PACKAGE - Under axle type	8.820
4.	SPACER - Spare wheel	7.632
5.	JACK ASSEMBLY - Bumper lifting	8.820
6.	NUT - Wing	7.633
7.	JACK & HANDLE PACKAGE - Side lifting	8.820
8.	NUT - Clamp	7.633

"HX" STATESMAN/HOLDEN PARTS CATALOGUE

GROUP	DESCRIPTION	MODEL	SIDE	PART No.	QTY.
8.000	PANEL – Hood				
	PANEL ASSEMBLY	Exc. Chassis & Cab, Ambulance		9937161	1
	PANEL ASSEMBLY	Chassis & Cab exc. Ambulance		9932692	1
	PANEL ASSEMBLY	Ambulance		9937161	1
8.009	SILENCER – Hood Panel				
	SILENCER	ALL		2812211	1
	RETAINER – Silencer to panel	ALL		3934260	16
8.010	LACING – Hood ledge				
	LACING	ALL		9939793	1
	RETAINER – Lacing	ALL	LH	9939765	1
			RH	9939764	1
	SCREW – Retainer	ALL		SP1855	2
8.013	SPRING – Hood hinge				
	SPRING	ALL		2822668	2
8.015	HINGE – Hood				
	HINGE ASSEMBLY	ALL	LH	2811919	1
			RH	2811918	1
	BOLT – Hinge	ALL		SP2154	8
8.024	BUMPER – Hood				
	BUMPER – Hood	ALL		7424840	4
	BUMPER – Hood to radiator support panel	ALL		7424249	2
	BOLT – Bumper to radiator support panel	ALL		7424068	2
	NUT – Bumper to radiator support panel	ALL		124824	2
8.036	CATCH, SPRING – Hood safety				
	CATCH	ALL		2811857	1
	PIN – Hood safety catch	ALL		2811603	1
	SPRING – Safety catch	ALL		2811604	1
	WASHER – Safety catch to bracket	ALL		446152	1
8.055	ORNAMENT – Hood				
	ORNAMENT PACKAGE	Exc. Caprice		9940593	1
	SMALL PARTS KIT	Exc. Caprice		M37703	1
	INSULATOR – Ornament to hood	Exc. Caprice		9940594	4
	WASHER – Flat	Exc. Caprice		131015	4
	WASHER	Exc. Caprice		131014	6
	WASHER – Lock	Exc. Caprice		131181	6
	NUT – Ornament to hood	Exc. Caprice		134530	6
	ORNAMENT & BASE ASSY	Caprice		9934387	1
	NUT – Ornament to hood	Caprice		9418693	1
	BUSH – Ornament to hood	Caprice		SP2603	1
	INSERT – Ornament	Caprice	LH	9934677	1
			RH	9934678	1
	SPRING – Ornament to base	Caprice		1497889	1
	RETAINER – Ornament spring	Caprice		1497894	1
	SEAT – Ornament spring	Caprice		1497970	1
8.075	ROD – Hood lock control				
	ROD ASSEMBLY	ALL		9932986 9200943	1
	CLIP – Speed	ALL		SP2525	3
	WASHER – Rod to instrument panel	ALL		138542	1
	NUT – Rod to instrument panel	ALL		114494	1
8.076	GROMMET – Hood lock control				
	GROMMET	ALL		7433020	1

"HX" STATESMAN/HOLDEN PARTS CATALOGUE

GROUP	DESCRIPTION	MODEL	SIDE	PART No.	QTY.
8.077	ANCHOR, RETAINER – Hood lock control rod				
	ANCHOR - Rod wire	ALL		7400144	1
	SCREW - Anchor	ALL		131954	1
	RETAINER	ALL		7437569	1
8.079	LOCK – Hood				
	LOCK ASSEMBLY	ALL		2812671	1
	SUPPORT - Lock	ALL		2813838	1
	BOLT - Hex. hd. $\frac{5}{16}$ " - 18 x .812" with lock washer ...	ALL		SP2055	4
	NUT - $\frac{5}{16}$ " - 18 'J' type	ALL		SP1548	2
8.081	SPRING – Hood catch lock plate				
	SPRING	ALL		2811920	1
8.085	SPRING, RETAINER – Hood catch				
	SPRING - Hood catch - 7 Coils	ALL		7424228	1
	RETAINER - Hood catch spring	ALL		9934374	1
8.085	BRACKET, PLUNGER – Hood lock				
	BRACKET - Hood lock	ALL		9934372	1
	BOLT - Hex. hd. $\frac{5}{16}$ " - 18 x .812" with lock washer ...	ALL		SP2055	3
	PLUNGER - Hood lock	ALL		7415559	1
	NUT - Plunger	ALL		9418302	1
8.112	SPLASH PAN – Engine				
	SPLASH PAN PACKAGE	ALL		9928311	1
	FASTENER	ALL		SP1838BA	8
8.126	AIR DAM – Front				
	DAM PACKAGE	Exc. Chassis & Cab, Statesman		9935200	1
	DAM	Exc. Chassis & Cab, Statesman	LH	9933847	1
			RH	9933846	1
	SMALL PARTS KIT - Contains brackets, bolts & nuts	Exc. Chassis & Cab, Statesman		M37542	1
	BRACKET - Inner	Exc. Chassis & Cab, Statesman		9934009	2
	BRACKET - Centre	Exc. Chassis & Cab, Statesman		9934008	1
	BRACKET - Outer	Exc. Chassis & Cab, Statesman		9934010	2
	BOLT - Hex. hd. $\frac{5}{16}$ " - 18 x .812" with lock washer ...	Exc. Chassis & Cab, Statesman		SP2511	5
	BOLT - Round hd. cr. rec. No. 10 - 24 x .62"	Exc. Chassis & Cab, Statesman		SP2440	2
	BOLT - Truss hd. cr. recess No. 10 - 16 x $\frac{1}{2}$ "	Exc. Chassis & Cab, Statesman		9419609	8
	NUT - Hex. $\frac{5}{16}$ " - 18	Exc. Chassis & Cab, Statesman		120376	6
	NUT - No. 10 - 24 'J' type	Exc. Chassis & Cab, Statesman		SP2050	2
8.130	FENDER – Front				
	FENDER ASSEMBLY	Exc. Chassis & Cab, GTS, LE	LH	9930879	1
			RH	9930878	1
	FENDER ASSEMBLY	GTS, LE	LH	9930881	1
			RH	9930880	1
	FENDER ASSEMBLY	Ambulance	LH	9930879	1
			RH	9930878	1
	FENDER ASSEMBLY	Chassis & Cab exc. Ambulance	LH	2822913	1
			RH	2822914	1
8.132	MOULDING, NAME PLATE – Front fender				
	MOULDING - Wheel opening	ALL	LH	9930949	1
			RH	9930950	1
	SCREW - Moulding to fender tap. No. 8 - 18 x .437" (Sealed)	ALL		SP2127	2
	MOULDING ASSEMBLY - Side	Exc. Chassis & Cab, Sandman, LE,	LH	9942637	1
			RH	9942636	1
	RETAINER - Moulding to fender	Exc. Chassis & Cab, Sandman, LE		7434212	2
	SCREW - Flat hd. cr. rec. tap No. 4 - 24 x .375"	Exc. Chassis & Cab, Sandman, LE, Caprice		SP2495	14

"HX" STATESMAN/HOLDEN PARTS CATALOGUE

GROUP	DESCRIPTION	MODEL	SIDE	PART No.	QTY.
8.132 MOULDING, NAME PLATE – Front fender (contd.)					
	NUT – Moulding to fender	Exc. Chassis & Cab, Sandman, LE, Caprice		SP2443	2
	CLIP – Moulding to front fender	Utility, Belmont, GTS		7438659	14
	PLATE – Name "Kingswood"	Kingswood		9941887	2
	PLATE – Name "Monaro"	GTS		9930243	2
	PLATE – Name "Premier"	Premier		9942350	2
	CLIP – Name plate – Tubular 1/8"	Kingswood, Premier		SP1606	6
	CLIP – Name plate	GTS		SP1606	4
	TRANSFER – "Sandman" – Yellow, Orange, Red ...	Sandman		9943985	2
	TRANSFER – "Sandman" – Bright Yellow, Light Orange, Dark Orange	Sandman		9943986	2
	TRANSFER – "Sandman" – Orange, Bright Blue, Blue	Sandman		9943984	2
	TRANSFER – "Sandman" – Orange, Brown, Dark Brown	Sandman		9943983	2
	TRANSFER – "Sandman" – Plum, Purple, Dark Blue	Sandman		9943982	2
	TRANSFER SET – Side – Yellow, Orange, Red	Sandman	LH	9944053	1
			RH	9944052	1
	TRANSFER SET – Side – Bright Yellow, Light Orange, Dark Orange	Sandman	LH	9944055	1
			RH	9944054	1
	TRANSFER SET – Side – Orange, Bright Blue, Blue	Sandman	LH	9944051	1
			RH	9944050	1
	TRANSFER SET – Side – Orange, Brown, Dark Brown	Sandman	LH	9944049	1
			RH	9944048	1
	TRANSFER SET – Side – Plum, Purple, Dark Blue ...	Sandman	LH	9944047	1
			RH	9944046	1
8.143 FRONT FENDER ATTACHING PARTS					
	BOLT & WASHER ASSY. – Hex. hd. 5/16" – 18 x 1 3/16"	ALL		SP2055	A.R.
	NUT – 5/16" – 18 'J' type	ALL		SP1548	A.R.
	BOLT – Fender to skirt – Round hd. No. 10 – 24 x .62"	ALL		SP2056	12
	NUT – Fender to skirt – No. 10 – 24 'J' type	ALL		SP2050	12
	WASHER – Fender to skirt	ALL		138479	12
	BOLT – Fender to front body pillar	ALL		180079	4
	WASHER – Fender to front body pillar (Cup)	ALL		7424850	4
	WASHER – Fender to front body pillar (Rubber)	ALL		7424849	4
	BOLT – Fender to front end panel	Exc. Chassis & Cab		SP2511	2
8.153 SKIRT – Front fender					
	SKIRT ASSEMBLY	ALL	LH	9943711 2815495	1
			RH	2815494	1
8.154 SHIELD, FASTENER – Front fender					
	SHIELD – Front fender skirt dust	ALL		2814014	2
	FASTENER – Dust shield to fender skirt	ALL		SP1838BA	10
	DEFLECTOR PACKAGE – Opening upper mud	ALL		2825700	1
	DEFLECTOR – Opening upper mud	ALL		2825536	2
8.304 MOULDING, CLIP – Rocker panel					
	MOULDING	Premier Sedan	LH	2815665	1
			RH	2815664	1
	MOULDING	Premier Station Wagon, Statesman	LH	2815667	1
			RH	2815666	1
	MOULDING CLIP PACKAGE	Premier, Statesman		2815665CLP	2
	CLIP – Moulding (Stud type)	Premier, Statesman		2815972	24
	CLIP – Moulding (Screw type)	Premier, Statesman		2816014	A.R.
	SCREW – Rd. hd. washer face c/rec. tap. No. 8 – 18 x 7/16"	Premier, Statesman		SP2256	A.R.
	SCREW – Hex. washer hd. No. 10 – 16 x 1/2"	Premier, Statesman		9425111	14

"HX" STATESMAN/HOLDEN PARTS CATALOGUE

GROUP	DESCRIPTION	MODEL	SIDE	PART No.	QTY.
8.798	WINDSHIELD WASHER COMPONENTS				
	Refer Groups 10.153, 10.154, 10.155, 10.156				
8.800	SERVICE ACCESSORIES – Maintenance				
	ADHESIVE – Plastic – 1 pint (568 ml) can	ALL		7425228	A.R.
	ADHESIVE – P.V.C. – 1 pint (568 ml) can	ALL		7425230	A.R.
	ANTI-FREEZE – 1 Litre can	ALL		7425039	A.R.
	CAULKING COMPOUND – In can	ALL		7425360	A.R.
	CAULKING COMPOUND – Silicone – Windshield	ALL		2823265	A.R.
	CAULKING COMPOUND – Silicone – Rear window	37, 69		2823266	A.R.
	CAULKING PACKAGE – Thermo electric Windshield & rear window	ALL		2825784	A.R.
	CEMENT – Neoprene – 6 oz. tube	ALL		7425229	A.R.
	FLUID – Heavy duty brake – 10 oz. (284 ml)	ALL		7448554	A.R.
	FLUID – Heavy duty brake – 500 ml	ALL		7448553	A.R.
	FLUID – Heavy duty brake – 4 gallon	ALL		7448551	A.R.
	FLUID – Heavy duty brake – 4 gallon – External cap	ALL		7448550	A.R.
	INHIBITOR – Radiator – 227.2 ml (8 oz.) – use when new radiator fitted	ALL		7426874	A.R.
	INHIBITOR – Radiator – 200 ml. – use after radiator has been in service for 6000 miles	ALL		2822485	A.R.
	OIL – Compressor – 1 quart	ALL		VS10686	A.R.
	OIL – Silicone (Diode Rect. Generator)	ALL		7429241	A.R.
	PASTE – Gasket and thermo switch	ALL		3836540	A.R.
	PUTTY – Flexomastic	ALL		2806776	A.R.
	SEALER – Prestik No. 14, non-hardening, black	ALL		7425330	A.R.
	SEALER – Prestik No. 14, non-hardening, grey	ALL		7422512	A.R.
	SEALER – Prestik No. 14 non-hardening, grey 1 strip	ALL		7417028	A.R.
	SEALER – Non-hardening, 1½ lb. (N202)	ALL		7438910	A.R.
	SEALER – Non-hardening, 2½ lb. (N202)	ALL		7425360	A.R.
	SEALER – Plastic 1 quart (1.136 litres)	ALL		7425234	A.R.
	SEALING COMPOUND – Crankshaft rear bearing cap 10 fl.oz. (284 ml)	ALL		3835215	A.R.
8.820	JACK and HANDLE				
	JACK & HANDLE PACKAGE – Side lifting	35		9938284	1
	HANDLE – Jack side lifting	35		9936899	1
	JACK ASSEMBLY – Bumper lifting	37, 69		9940477	1
	JACK & HANDLE PACKAGE – Under axle type	60		2825180	1
	JACK & HANDLE PACKAGE – Under axle type	70, 80		2825179	1
	HANDLE – Jack	60, 70, 80		2817261	1
	CLIP – Jack handle to body	60, 70, 80		SP1904	1
8.821	TOOLS				
	WRENCH – Wheel nut	ALL		9942928	1
	CLIP – Wheel nut wrench to body	60, 70, 80		SP1904	1
	TUBE SPANNER – Spark plug	ALL		2805180	1
8.823	MANUAL, HANDBOOK – Owner				
	MANUAL	Exc. Statesman		9943251	1
	MANUAL	Statesman		9943253	1
	HANDBOOK	Belmont, Kingswood, Premier, GTS		9944937	1
	HANDBOOK	Statesman		9944938	1

"HX" STATESMAN/HOLDEN PARTS CATALOGUE

GROUP	DESCRIPTION	MODEL	SIDE	PART No.	QTY.
8.823	MANUAL – Workshop				
	MANUAL – Vol. 1 – Body and air conditioning	ALL		M37015	1
	MANUAL – Vol. 2 – Front and rear suspension, Brakes, Steering	ALL		M37016	1
	MANUAL – Vol. 3 – Rear axle and transmission	ALL		M37017	1
	MANUAL Vol. 4 – Engine and general specifications	ALL		M37018	1
	MANUAL – Vol. 5 – Electrical	ALL		M37019	1
	MANUAL – Vol. 6 Commercial vehicle supplement	60, 70, 80		M37118	1
	MANUAL – Vol. 1 – 6 Supplement	ALL		M37545	1
	MANUAL – Emission control supplement	ALL		M37826	1
	MANUAL – Series two Trimatic – Export	Exc. 5 Litre Eng.		M37209	1
	MANUAL – Series two Trimatic diagnosis guide – Export	Exc. 5 Litre Eng.		M37194	1
	MANUAL – Series three Trimatic – Volume 1 – Principles of operations	Exc. 5 Litre Eng.		M37823	1
	MANUAL – Series three Trimatic – Volume 2 – Service operations	Exc. 5 Litre Eng.		M37824	1
	MANUAL – Series three Trimatic – Volume 3 – Diagnosis guide	Exc. 5 Litre Eng.		M37825	1
8.823	DECAL, LABEL, TAG – Miscellaneous				
	DECAL – Air conditioned	Air Cond.		9933719	1
	LABEL – Fan warning	ALL		2822755	1
	TAG – Caution	Superlift Shock Absorber		2825280	1
8.823	MASK – Paint spray				
	MASK – Front end air dam	LE		9943363	1
	MASK – Door	LE	LH	9943859	1
			RH	9943858	1
	MASK – Front fender	LE	LH	9943765	1
			RH	9943764	1
	NOTE – Obtain direct from; Cutler Brands (Aust) Pty Ltd 45-49 Cavendish Avenue, Devon Park, S.A.				
8.823	PLACARD – Tyre – Passenger				
	PLACARD	6 Cyl. Eng. Station Wagon		9942987	1
	PLACARD	6 Cyl. Eng. Belmont Sedan Kingswood Sedan		9942959	1
	PLACARD	6 Cyl. Eng. Premier Sedan		9942987	1
	PLACARD	4.2 Litre Eng. Station Wagon		9942988	1
	PLACARD	4.2 Litre Eng. Belmont Sedan Kingswood Sedan exc. Air Cond.		9942960	1
	PLACARD	4.2 Litre Eng. Belmont Sedan Kingswood Sedan Air Cond.		9942988	1
	PLACARD	4.2 Litre Eng. Premier Sedan		9942988	1
	PLACARD	5 Litre Eng. Station Wagon		9942988	1
	PLACARD	5 Litre Eng. Belmont Sedan, Kingswood Sedan exc. Air Cond., Dual Exhaust		9942960	1
	PLACARD	5 Litre Eng. Belmont Sedan, Kingswood Sedan Air Cond. exc. Dual Exhaust		9942988	1
	PLACARD	5 Litre Eng. Premier Sedan exc. Dual Exhaust		9942988	1
	PLACARD	5 Litre Eng. Belmont Sedan, Kingswood Sedan, Premier Sedan Dual Exhaust		9942989	1
	PLACARD	GTS		9942989	1
	PLACARD	Statesman		9942988	1

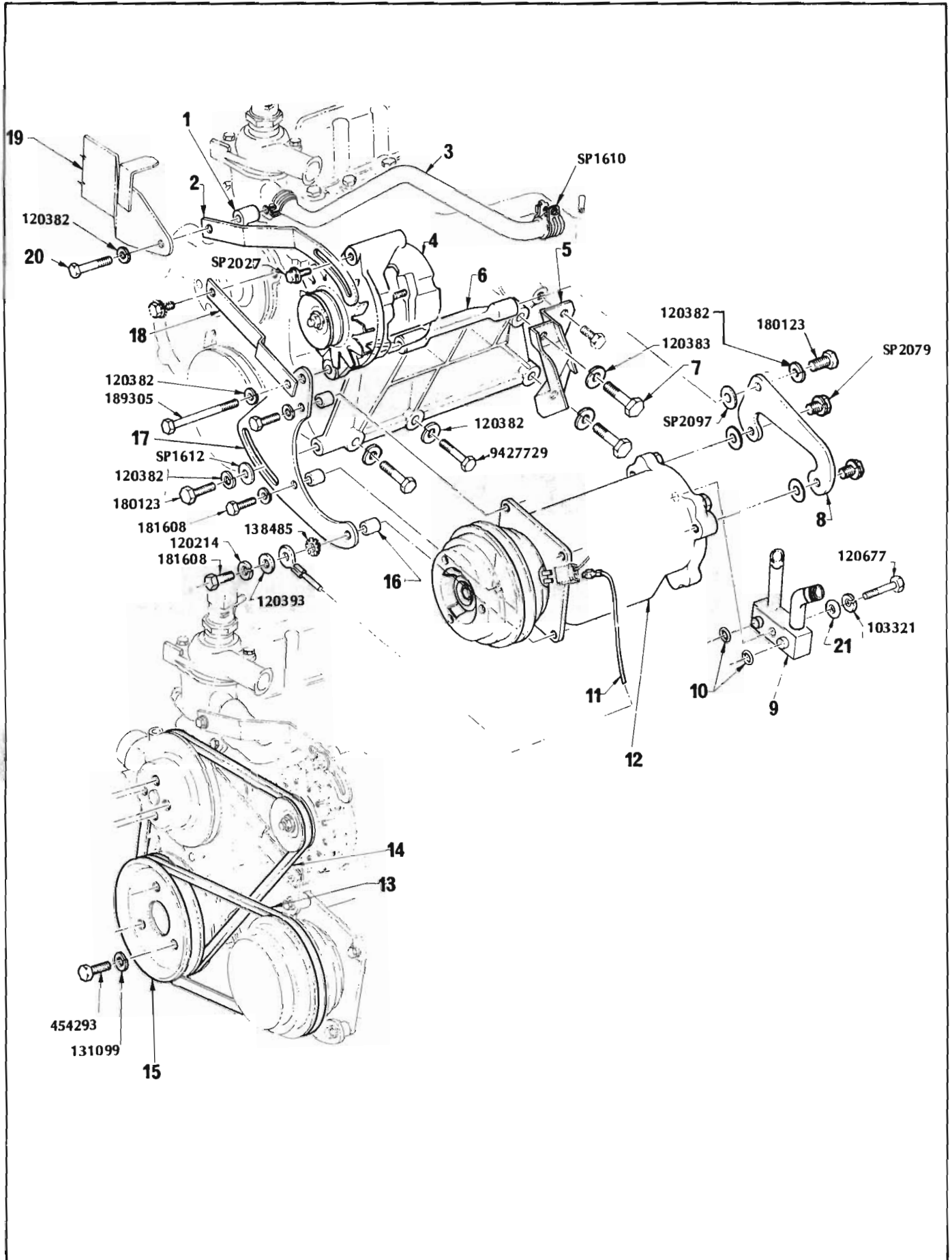
"HX" STATESMAN/HOLDEN PARTS CATALOGUE

GROUP	DESCRIPTION	MODEL	SIDE	PART No.	QTY.
8.823	PLACARD - Tyre - Commercial				
PLACARD	Chassis & Cab			9939945	1
PLACARD	6 Cyl. Eng. 10 cwt. Panel Van, Utility			9942990	1
PLACARD	6 Cyl. Eng. 14.5 cwt. Panel Van, Utility			9942826	1
PLACARD	4.2 Litre Eng. 10 cwt. Panel Van			9942992	1
PLACARD	8 Cyl. Eng. 10cwt. Utility exc. Air Cond.			9942991	1
PLACARD	8 Cyl. Eng. 10 cwt. Utility w/ Air Cond.			9942992	1
PLACARD	8 Cyl. Eng. 14.5 cwt. Panel Van, Utility			9942827	1

**8.899 THRU 8.995
REFER STANDARD PARTS CATALOGUE
PART No. M37600**

GROUP 9.000
ACCESSORIES
AIR CONDITIONER — HEATER

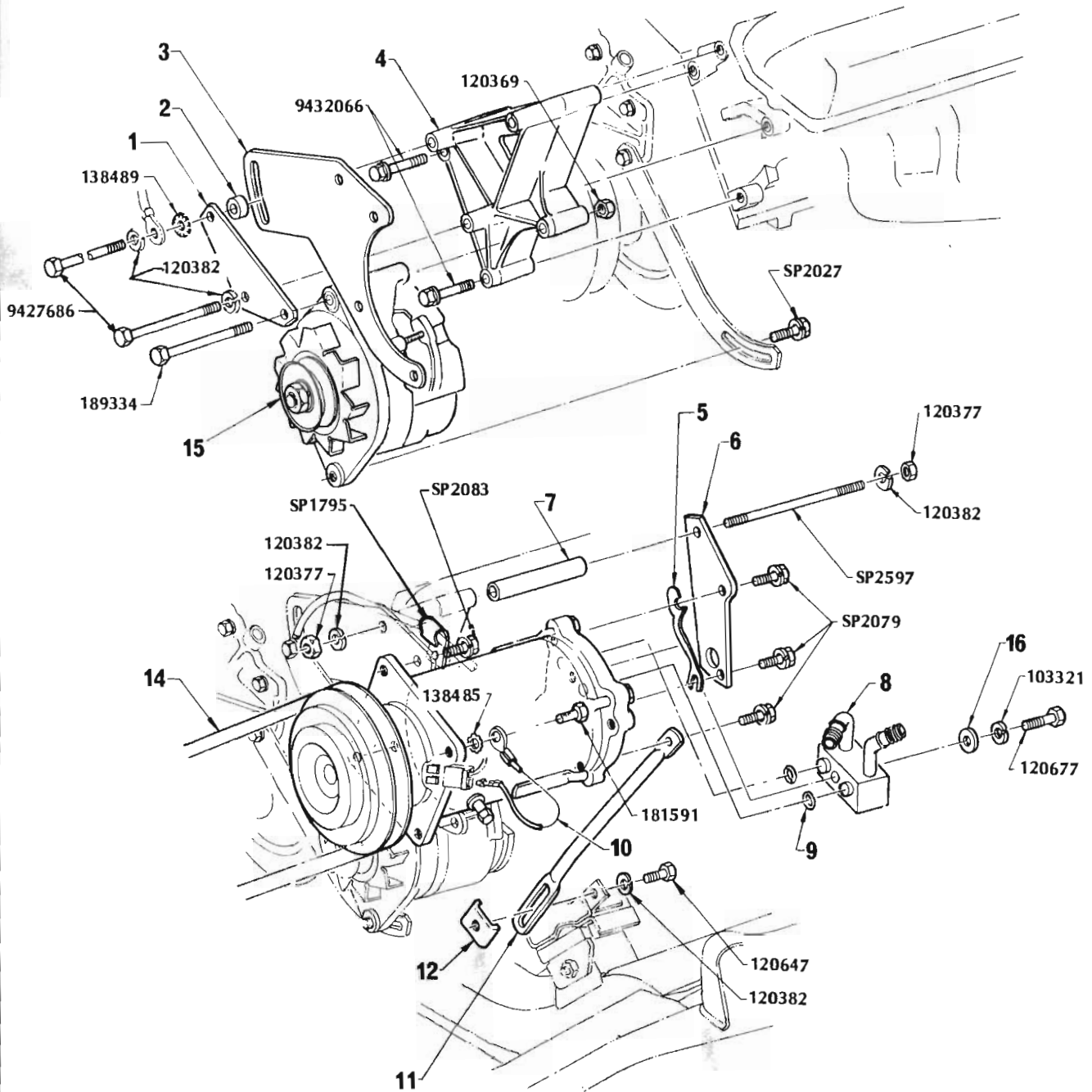
"HX" STATESMAN/HOLDEN PARTS CATALOGUE



AIR CONDITIONER COMPRESSOR
6 Cylinder Engine

ILLUSTRATION OPPOSITE

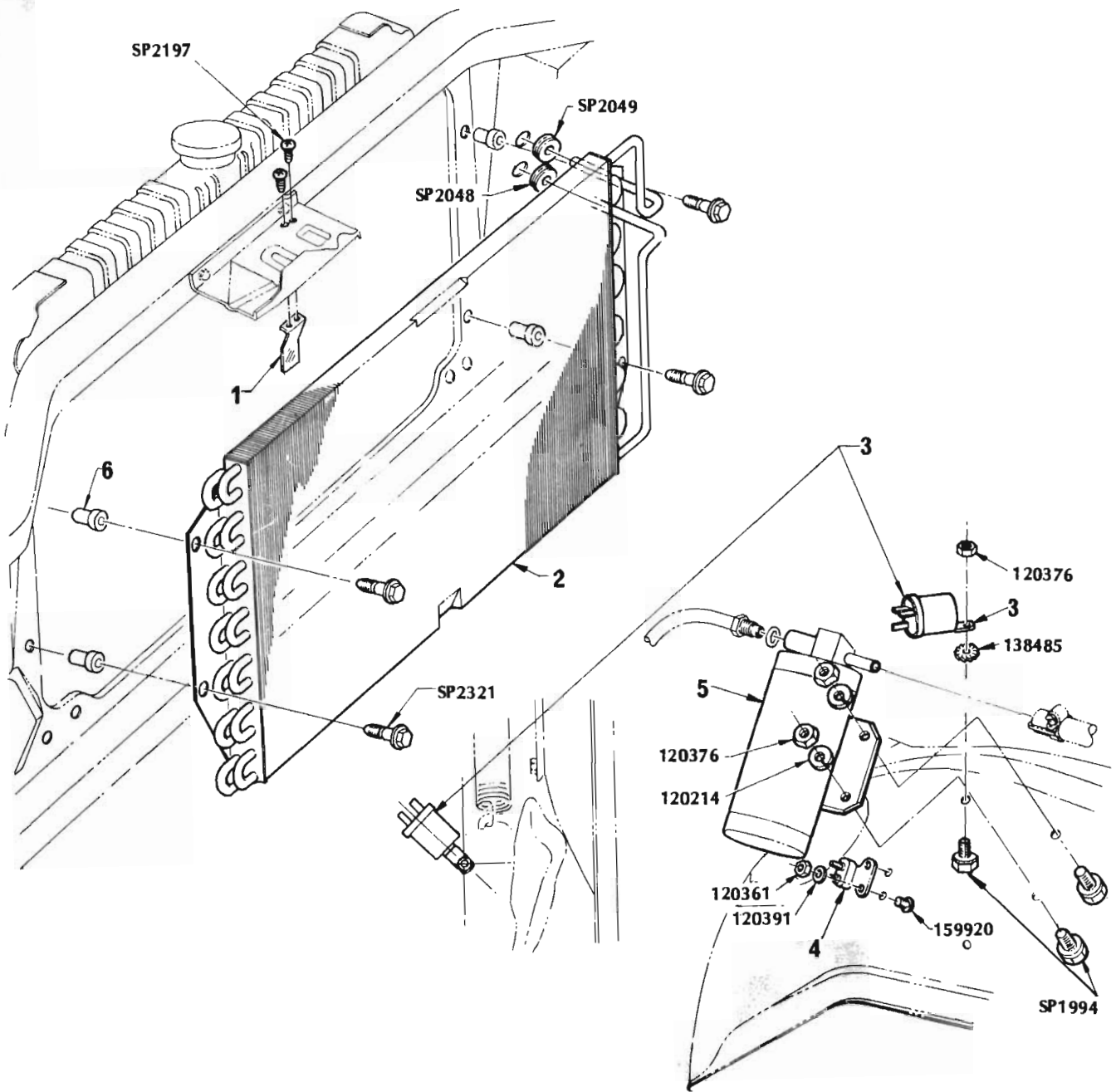
ILLUS. REF. NO.	PART NAME	GROUP
1.	SPACER – Brace to thermostat housing	2.317
2.	BRACE – Alternator	2.317
3.	HOSE – Inlet manifold water	3.260
4.	ALTERNATOR ASSEMBLY	2.275
5.	BRACKET ASSEMBLY – Front engine mounting	0.027
6.	SUPPORT	9.171
7.	BOLT – Compressor bracket to engine.....	0.027/9.171
8.	BRACKET – Rear	9.171
9.	FITTING ASSEMBLY	9.170
10.	'O' RING – Compressor to fitting	9.170
11.	WIRE ASSEMBLY – Compressor ground	9.170
12.	COMPRESSOR ASSEMBLY	9.170
13.	BELT – Compressor	1.066
14.	BELT – Fan & alternator	1.066
15.	PULLEY – Crankshaft	0.659
16.	SPACER – Front bracket	9.171
17.	BRACKET – Front	9.171
18.	BRACE – Front	9.171
19.	BRACKET – Power steering pump	6.606
20.	BOLT – Alternator brace	2.317
21.	WASHER – Fitting to compressor	9.170



AIR CONDITIONER COMPRESSOR
8 Cylinder Engine

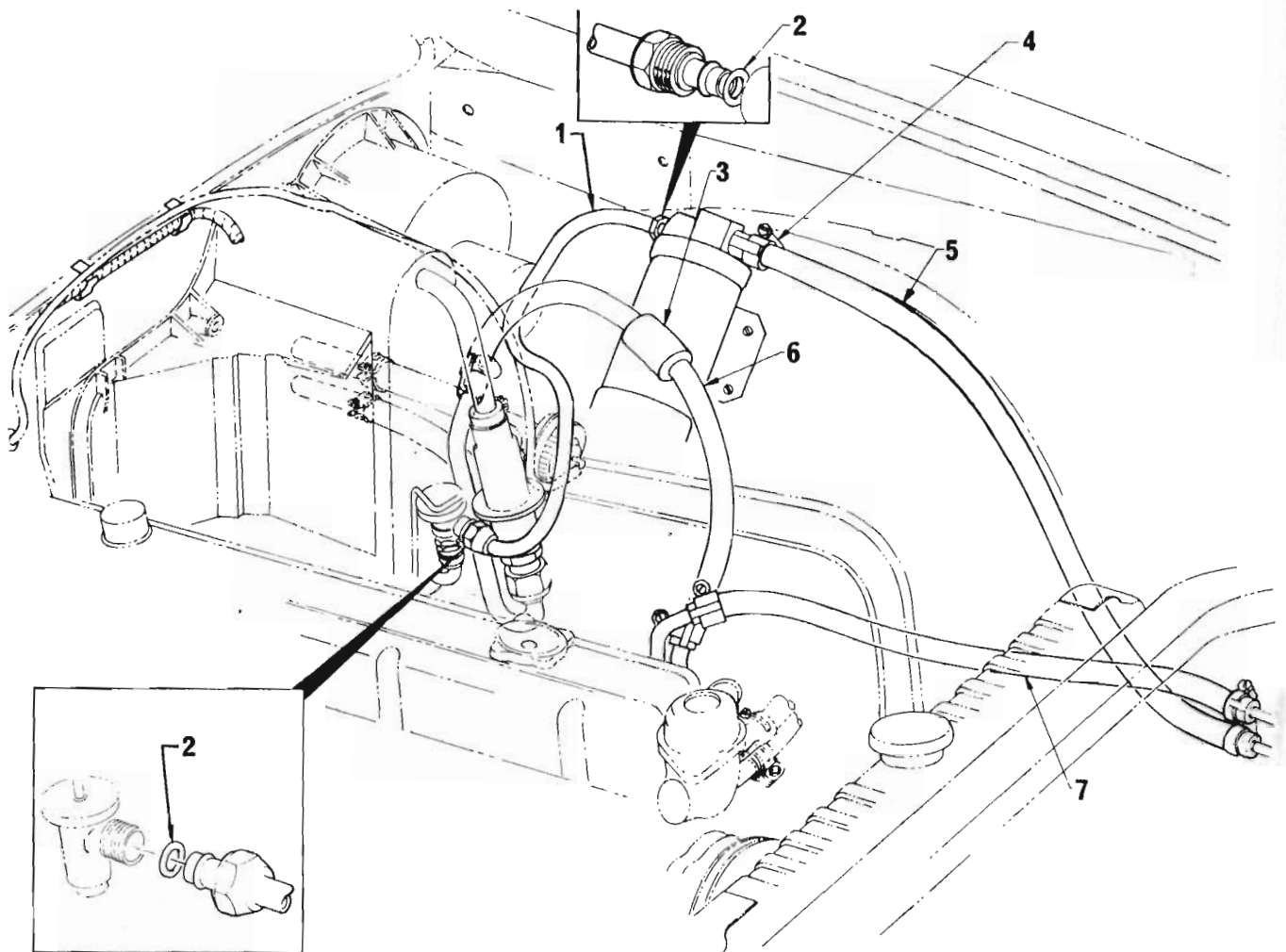
ILLUSTRATION OPPOSITE

ILLUS. REF. NO.	PART NAME	GROUP
1.	BRACKET - Alternator mounting front.....	2.277
2.	SPACER - Support	9.171
3.	BRACKET - Front	9.171
4.	SUPPORT	9.171
5.	SHIM - Rear bracket	9.171
6.	BRACKET - Rear	9.171
7.	SPACER - Bracket to support	9.171
8.	FITTING ASSEMBLY	9.170
9.	'O' RING - Compressor to fitting	9.170
10.	WIRE ASSEMBLY - Compressor ground	9.170
11.	BRACE - Rear	9.171
12.	NUT - Brace	9.171
13.	COMPRESSOR ASSEMBLY	9.170
14.	BELT - Compressor	9.180
15.	ALTERNATOR ASSEMBLY	2.275
16.	WASHER - Fitting to compressor	9.170



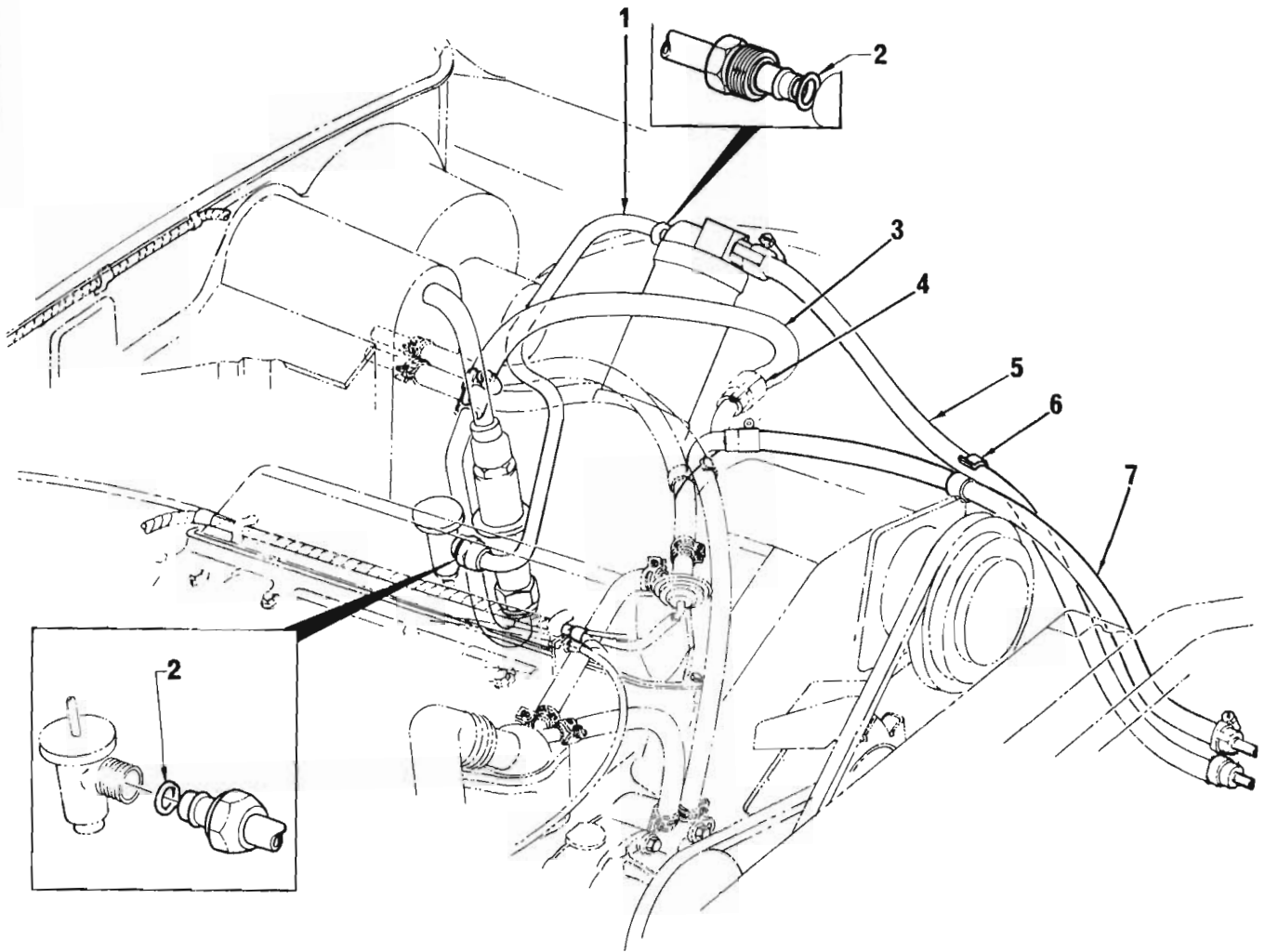
AIR CONDITIONING REFRIGERANT SYSTEM

ILLUS. REF. NO.	PART NAME	GROUP
1.	GUARD — Condenser	9.190
2.	CONDENSER ASSEMBLY	9.190
3.	RELAY ASSEMBLY	9.275
4.	CIRCUIT BREAKER	9.275
5.	RECEIVER & DEHYDRATOR	9.195
6.	NUT — Condenser to support panel	9.190



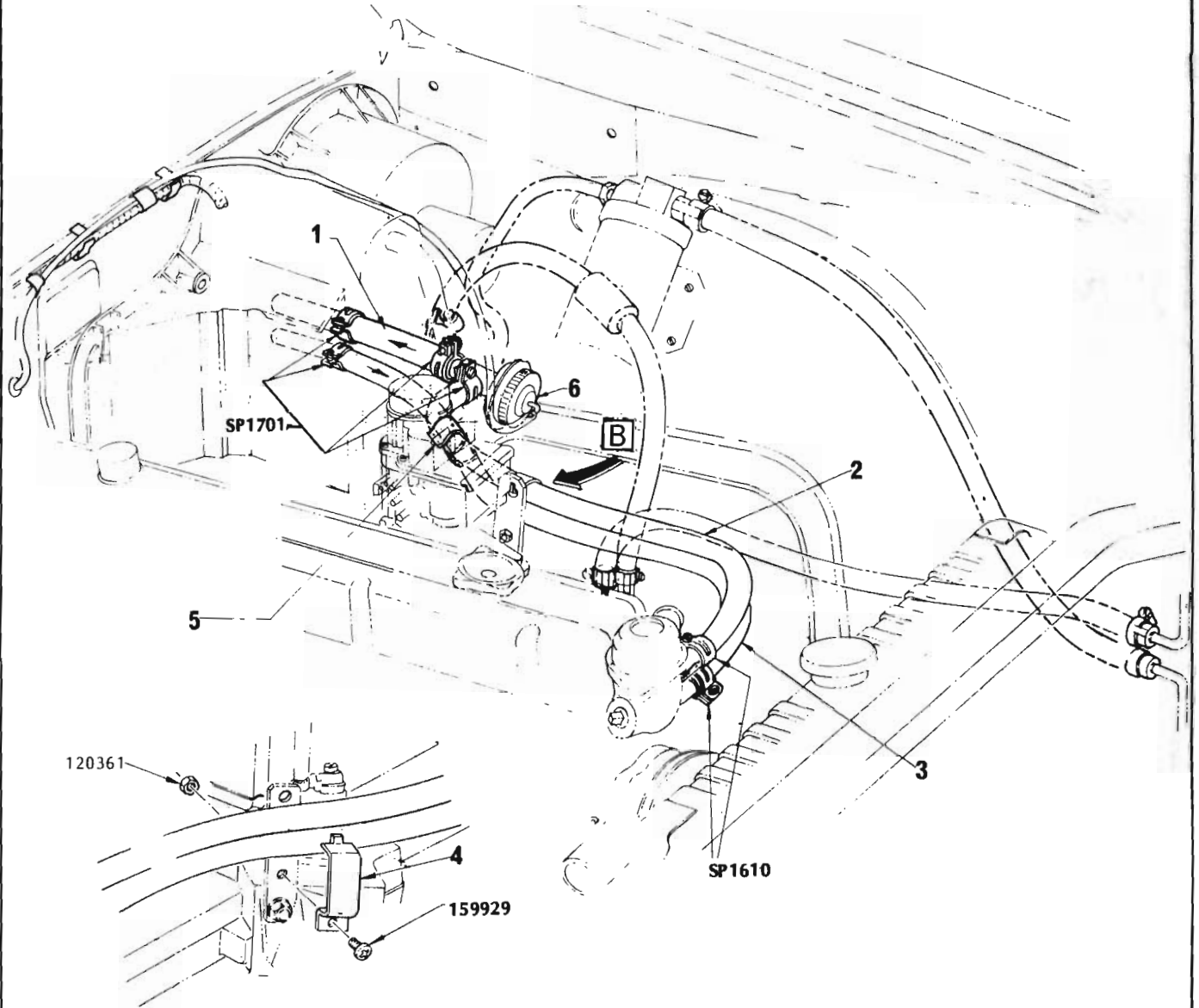
AIR CONDITIONING REFRIGERANT HOSES
6 Cylinder Engine

ILLUS. REF. NO.	PART NAME	GROUP
1.	TUBE ASSEMBLY – Dehydrator to module valve	9.220
2.	'O' RING GASKET	9.220
3.	SLEEVE – P.O.A.S.T. valve to compressor hose	9.220
4.	CLAMP – Hose	9.220
5.	HOSE – Condenser to receiver dehydrator	9.220
6.	HOSE – P.O.A.S.T. valve to compressor	9.220
7.	HOSE – Compressor to condenser	9.220



AIR CONDITIONING REFRIGERANT HOSES
8 Cylinder Engine

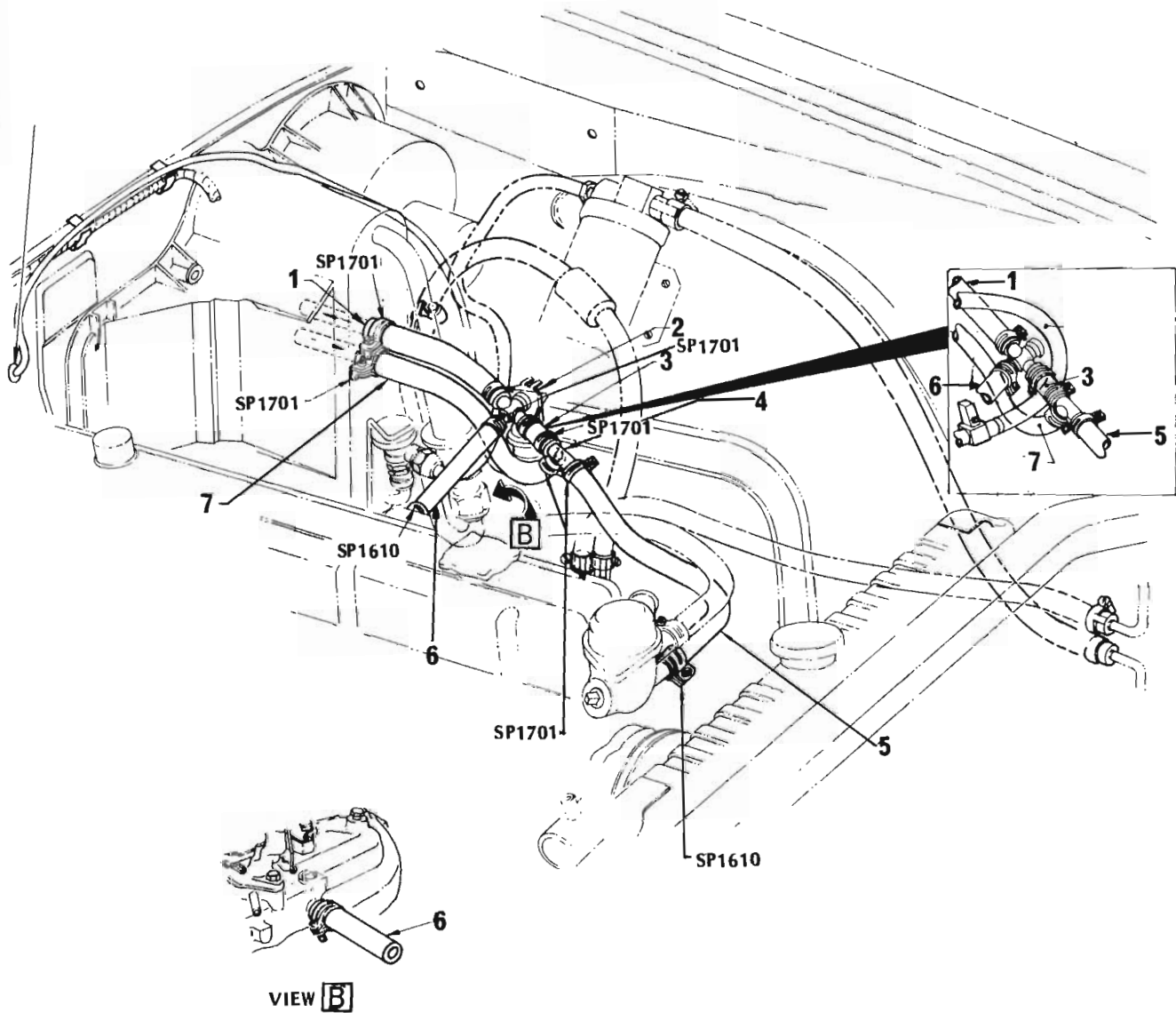
ILLUS. REF. NO.	PART NAME	GROUP
1.	TUBE ASSEMBLY - Dehydrator to modulex valve	9.220
2.	'O' RING GASKET	9.220
3.	HOSE - P.O.A.S.T. valve to compressor	9.220
4.	CLAMP - Hose	9.220
5.	HOSE - Condenser to receiver dehydrator	9.220
6.	CLIP - Hose	9.220
7.	HOSE - Compressor to condenser	9.220



VIEW B

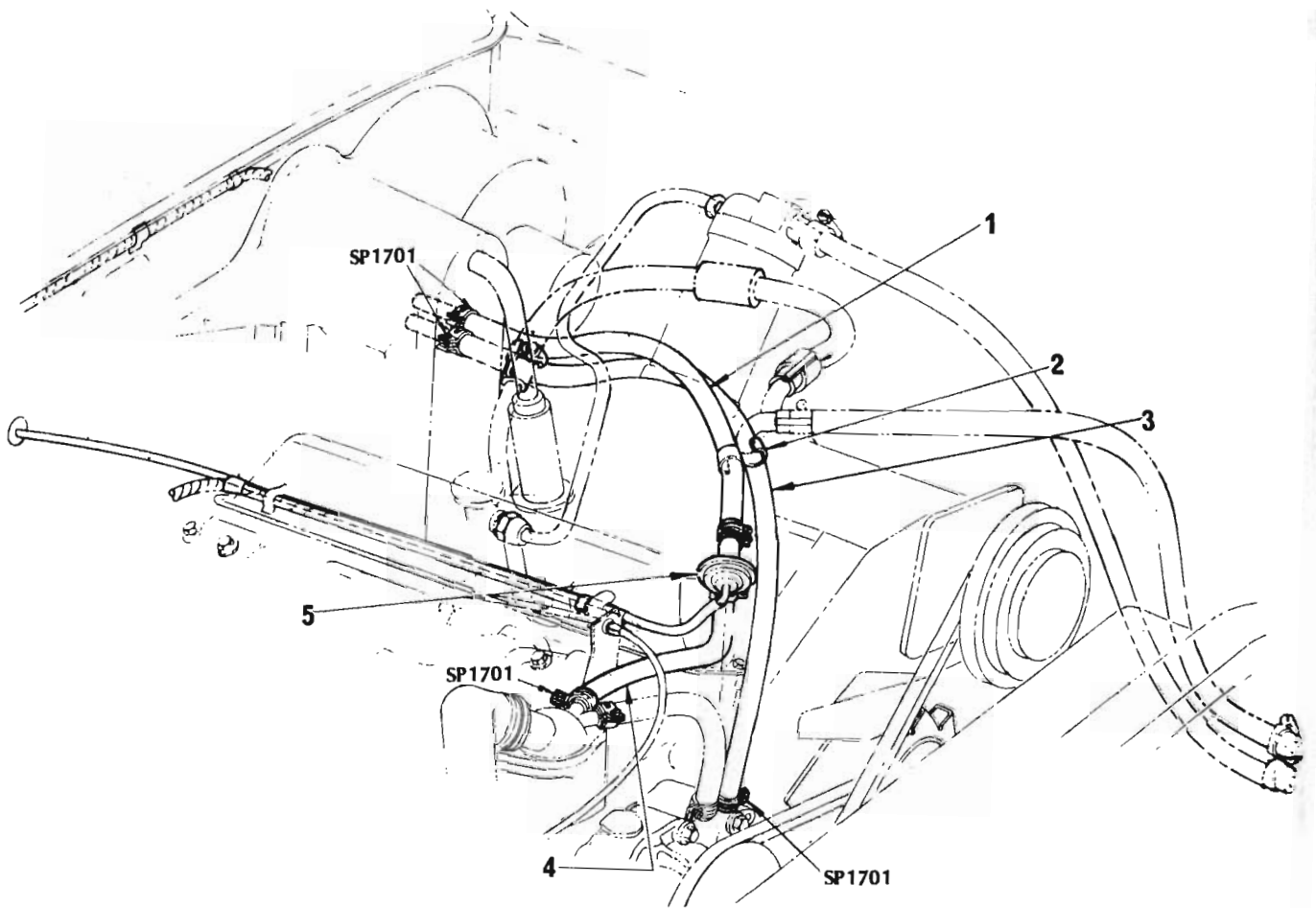
**AIR CONDITIONING HEATER HOSES
EMISSION CONTROL – ADR27A
6 Cylinder Engine**

ILLUS. REF. NO.	PART NAME	GROUP
1.	HOSE – Heater inlet to water valve	9.220
2.	HOSE – Heater outlet to thermostat housing	9.220
3.	HOSE – Water valve to thermostat housing	9.220
4.	CLAMP – Hose to manifold	9.220
5.	CLIP – Hose	9.220
6.	VALVE – Heater water diverter	9.220



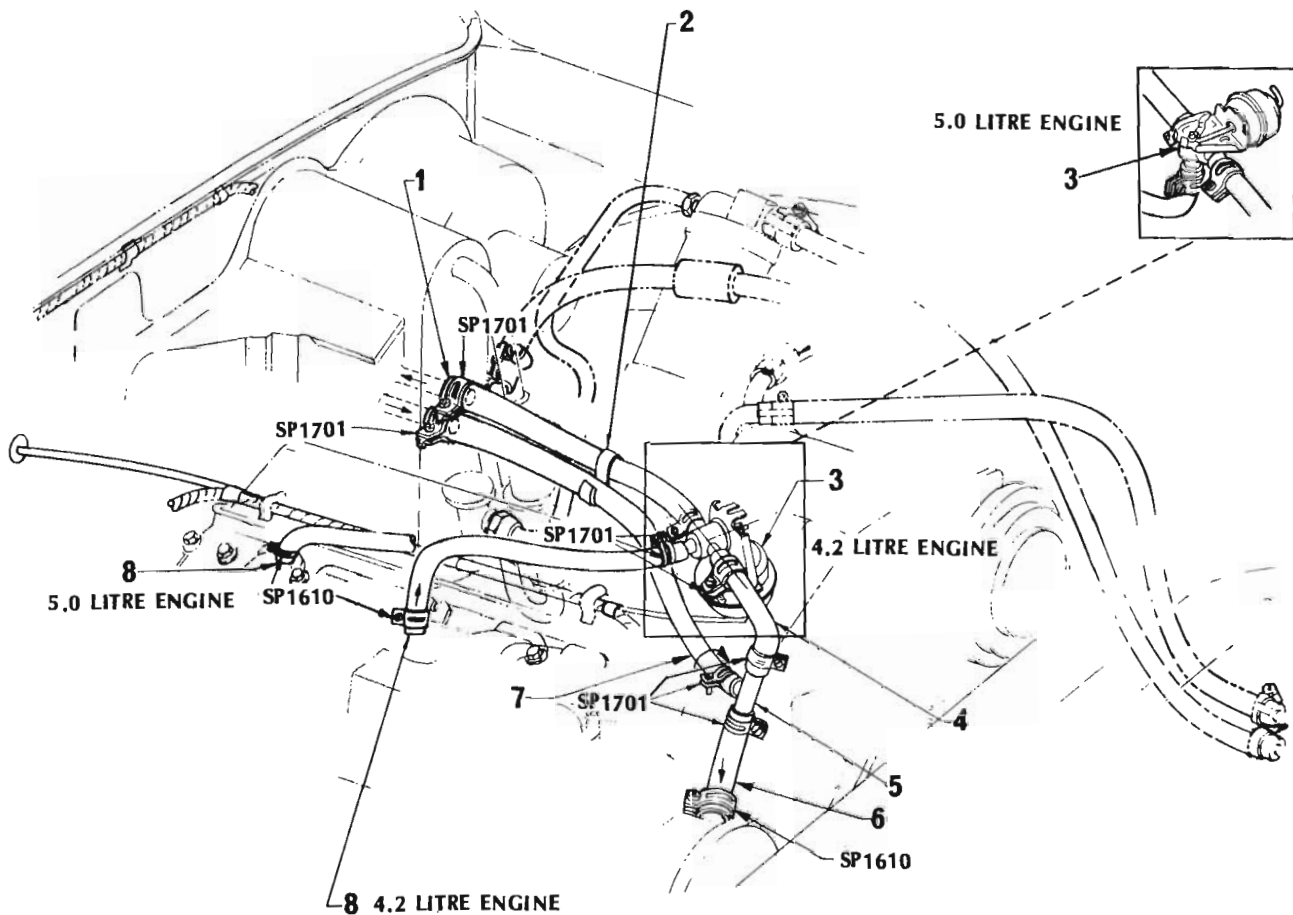
HEATER HOSES – AIR CONDITIONING
WITHOUT EXHAUST EMISSION CONTROL
6 Cylinder Engine

ILLUS. REF. NO.	PART NAME	GROUP
1.	HOSE – Water valve to heater inlet	9.220
2.	VALVE ASSEMBLY – Water	9.275
3.	HOSE – Water valve to tee	9.220
4.	TEE – Heater hose connector	9.275
5.	HOSE – Thermo.housing to tee	9.220
6.	HOSE – Manifold outlet to water valve	9.220
7.	HOSE – Heater outlet to tee	9.220



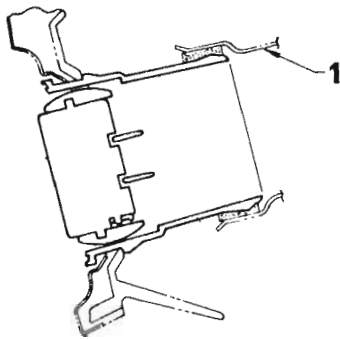
AIR CONDITIONING HEATER HOSES
EMISSION CONTROL - ADR27A
8 Cylinder Engine

ILLUS. REF. NO.	PART NAME	GROUP
1.	HOSE - Water valve to heater inlet	9.220
2.	CLIP - Hose	9.220
3.	HOSE - Heater outlet to water pump	9.220
4.	HOSE - Thermostat housing to water valve	9.220
5.	VALVE - Heater water diverter	9.220

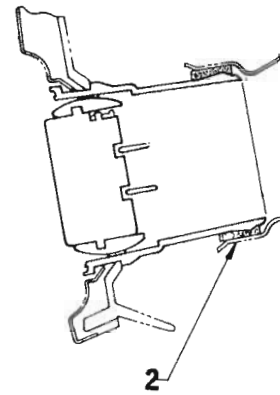


**HEATER HOSES – AIR CONDITIONING
WITHOUT EXHAUST EMISSION CONTROL
8 Cylinder Engine**

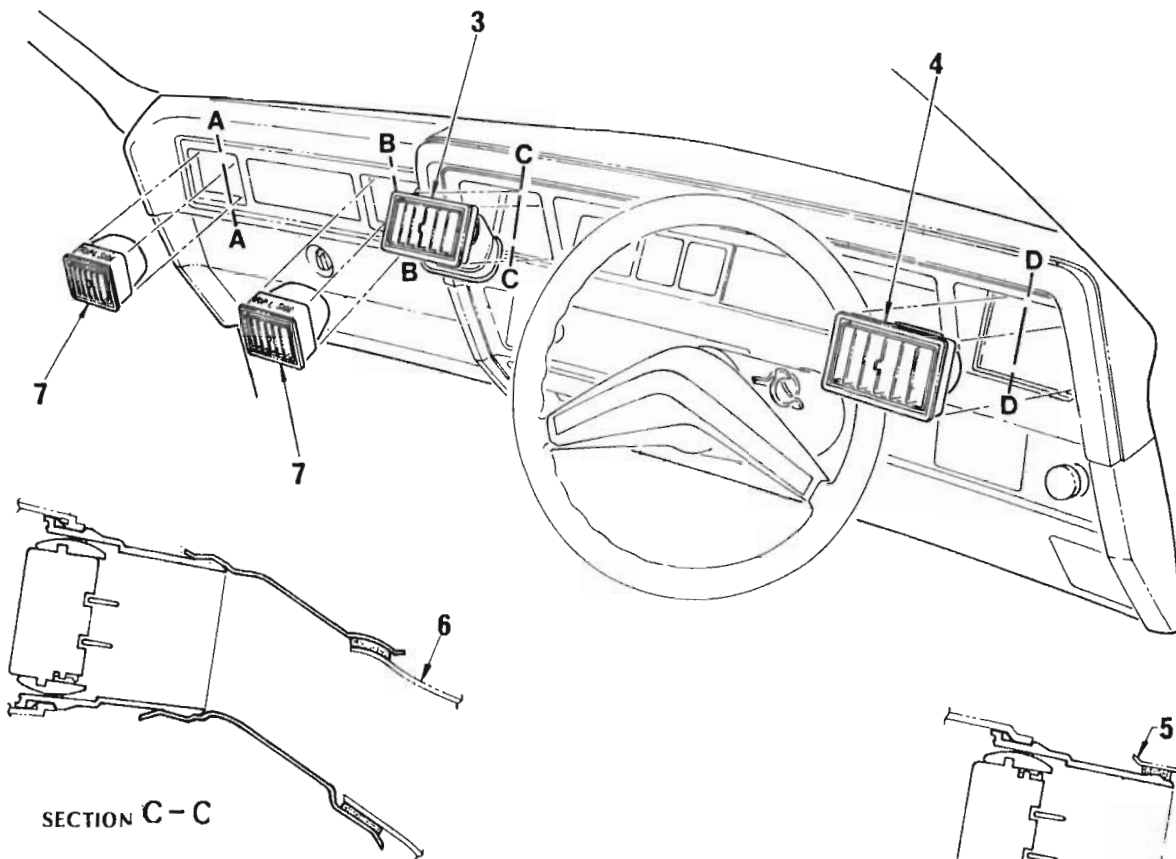
ILLUS. REF. NO.	PART NAME	GROUP
1.	HOSE – Water valve to heater inlet	9.220
2.	CLIP – Heater hoses	9.220
3.	VALVE ASSEMBLY – Water	9.275
4.	HOSE – Water valve to tee	9.220
5.	TEE – Heater hose connector	9.275
6.	HOSE – Tee to water pump	9.220
7.	HOSE – Heater outlet to tee	9.220
8.	HOSE – Manifold to water valve	9.220



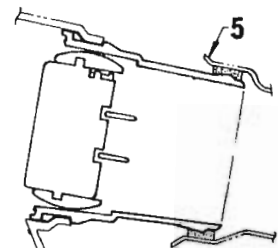
SECTION A-A



SECTION B-B



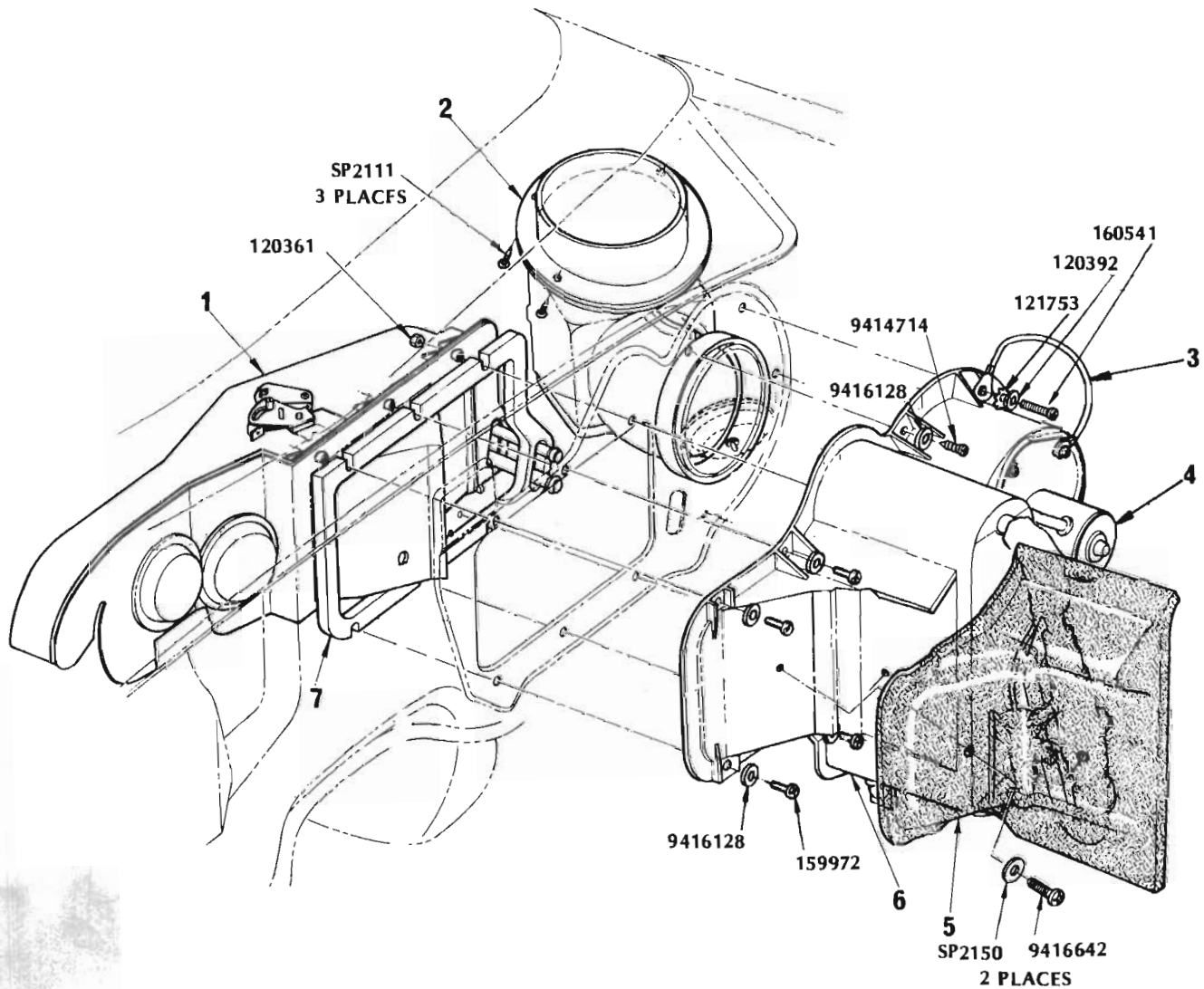
SECTION C-C



SECTION D-D

AIR CONDITIONING OUTLETS

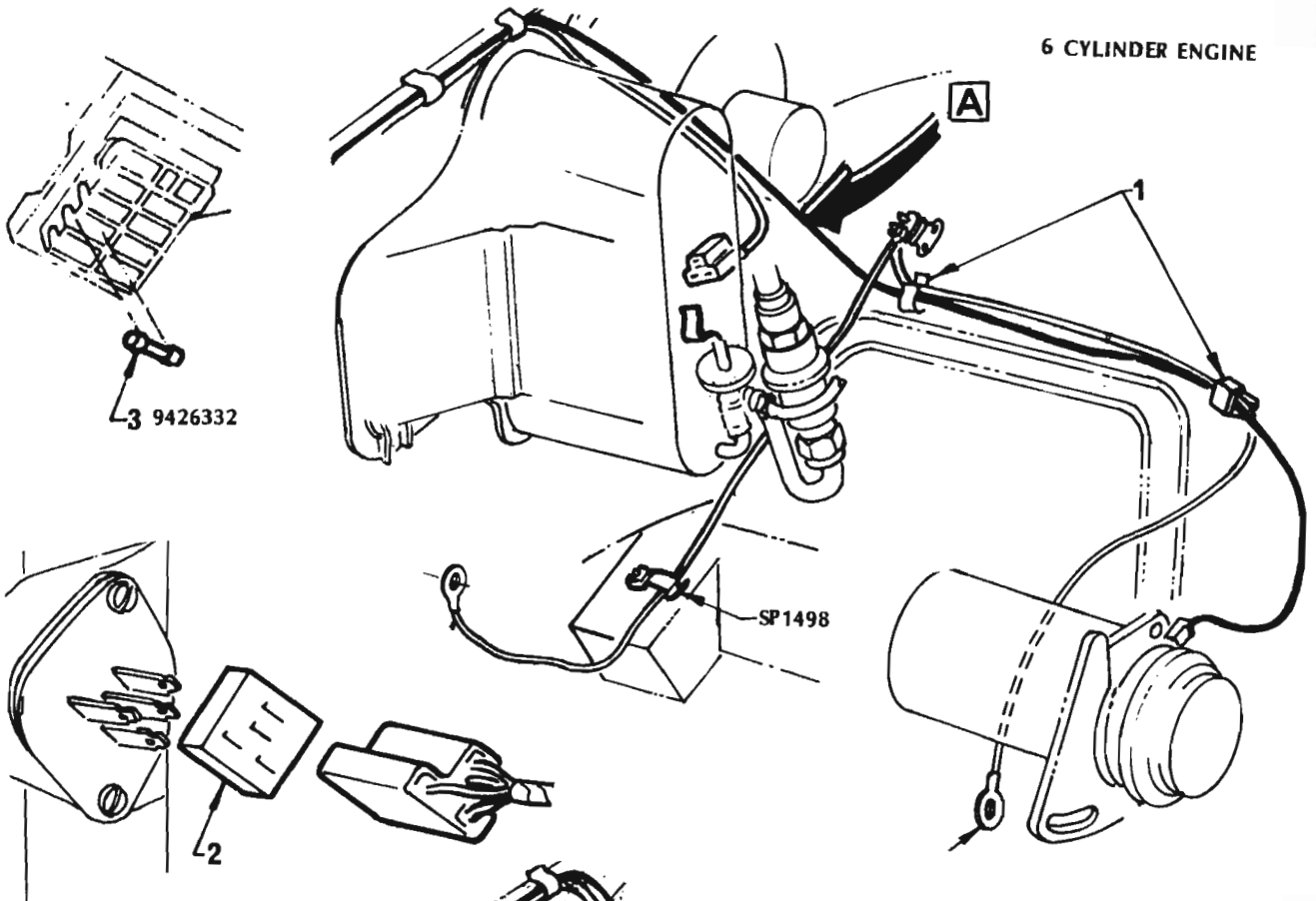
ILLUS. REF. NO.	PART NAME	GROUP
1.	DUCT ASSEMBLY - Outlet, outer left side	9.262
2.	DUCT ASSEMBLY - Outlet, inner left side	9.262
3.	OUTLET ASSEMBLY - Upper level vent, right side inner	9.262
4.	OUTLET ASSEMBLY - Upper level vent, right side outer	9.262
5.	DUCT ASSEMBLY - Outlet, outer right side	9.262
6.	DUCT ASSEMBLY - Air distribution	9.262
7.	OUTLET ASSEMBLY UPPER LEVEL VENTS, Left side	9.262



AIR CONDITIONING HOUSING and DUCT

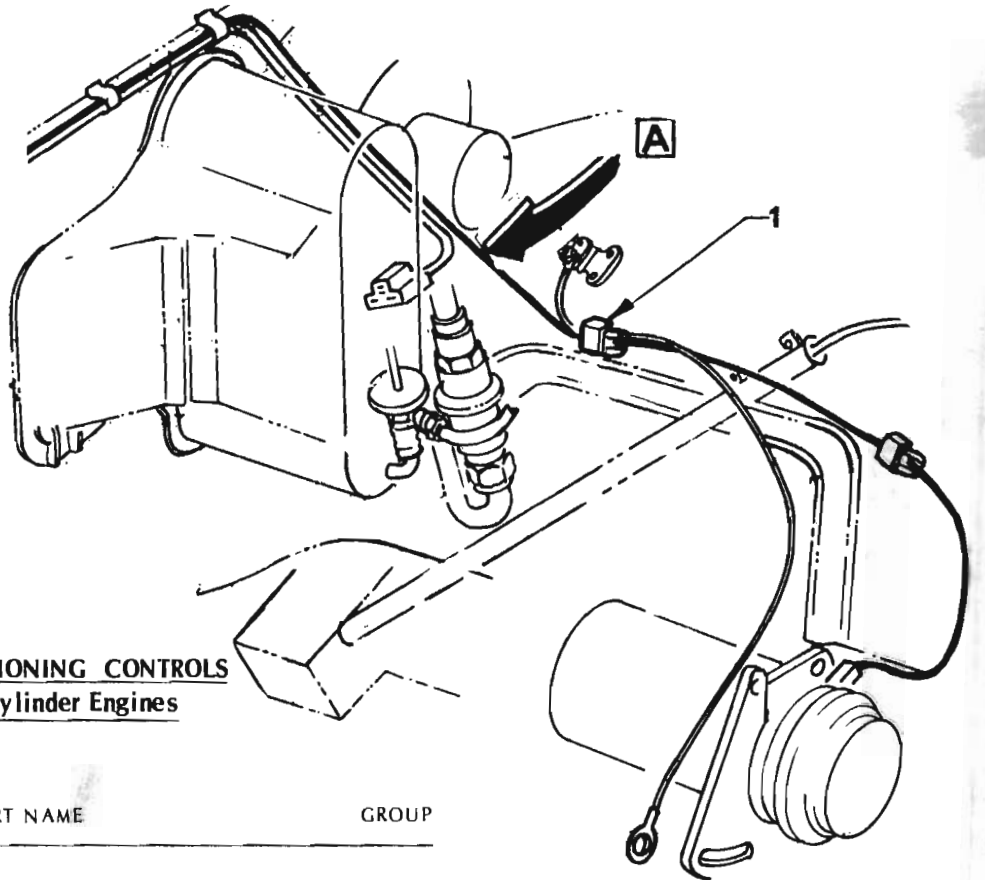
ILLUS. REF. NO.	PART NAME	GROUP
1.	DUCT - Heat distribution	9.262
2.	INLET ASSEMBLY - Air	9.211
3.	LEAD ASSEMBLY - Earth	9.215
4.	MOTOR - Evaporator & blower	9.215
5.	INSULATOR - Evaporator & blower	9.169
6.	HOUSING - Evaporator & blower	9.169
7.	GASKET - Distribution duct	9.262

6 CYLINDER ENGINE



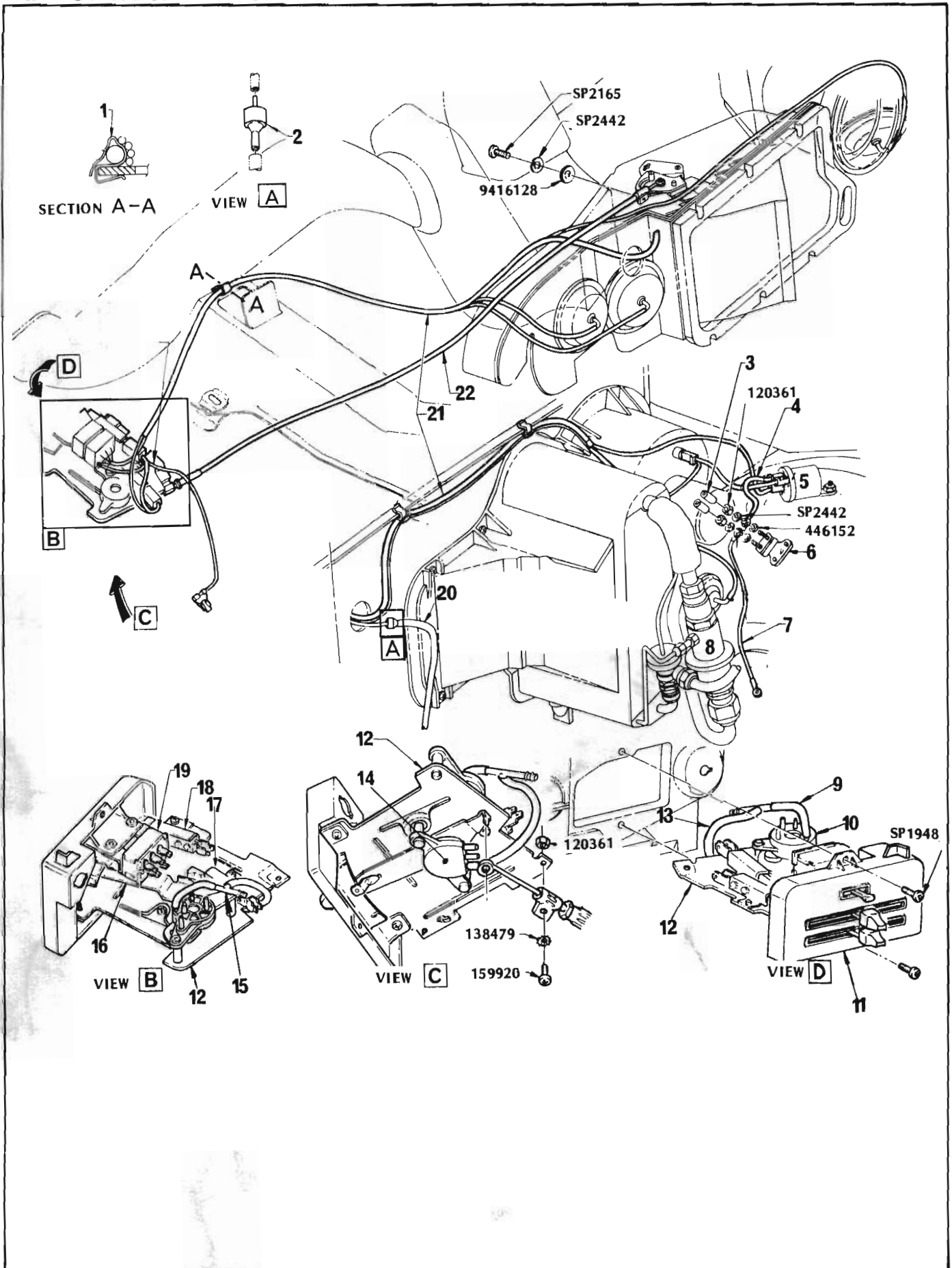
VIEW **A**

8 CYLINDER ENGINE



AIR CONDITIONING CONTROLS
6 and 8 Cylinder Engines

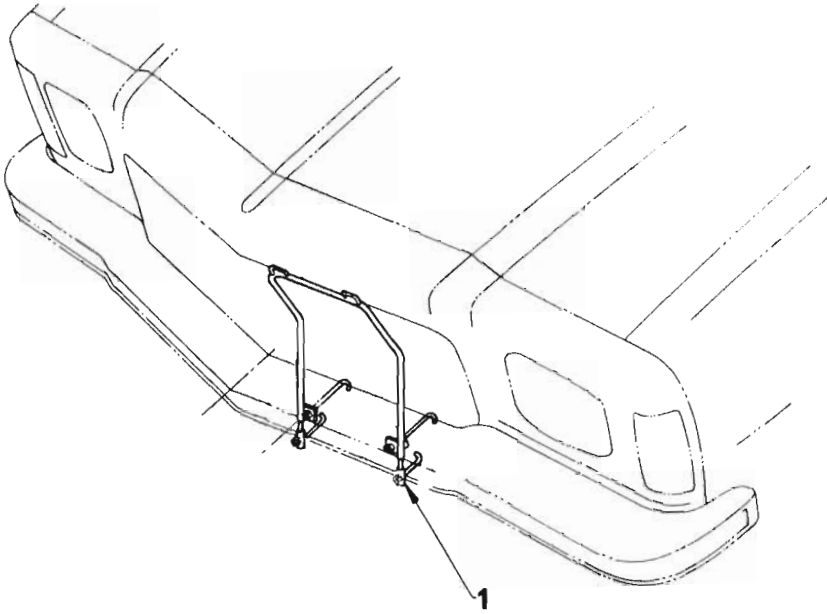
ILLUS. REF. NO.	PART NAME	GROUP
1.	CLIP - Circuit breaker & compressor lead to fender ..	9.276
2.	SEAL - Resistor	9.275
3.	FUSE - 25 amp	9.276



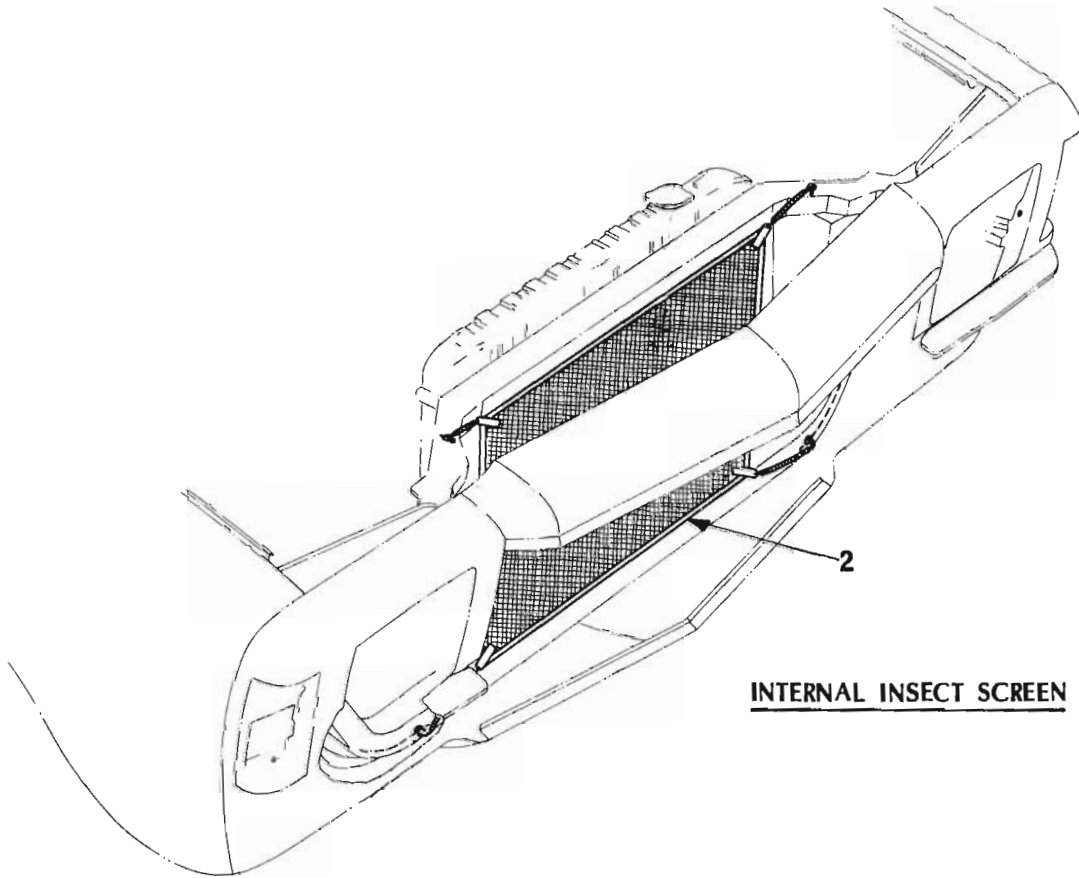
AIR CONDITIONING CONTROLS

ILLUSTRATION OPPOSITE

ILLUS. REF. NO.	PART NAME	GROUP
1.	CLIP - Harness to dash panel & steering column base	9.276
2.	VALVE ASSEMBLY - Check	9.281
3.	SLEEVE - Circuit breaker stud	9.275
4.	LEAD ASSEMBLY - Circuit breaker to relay	9.276
5.	RELAY ASSEMBLY	9.275
6.	CIRCUIT BREAKER ASSEMBLY	9.275
7.	LEAD ASSEMBLY - Starter motor to circuit breaker	9.276
8.	VALVE - P.O.A.S.T.	9.198
9.	HOSE - Mode valve to connector tee	9.281
10.	VALVE ASSEMBLY - Mode vacuum	9.280
11.	ESCUTCHEON - Control	9.278
12.	BASE - Control	9.278
13.	HOSE - Vacuum heat valve to connector tee	9.281
14.	VALVE ASSEMBLY - Heat vacuum	9.280
15.	TEE - Hose - mode valve & vacuum valve	9.281
16.	LEVER ASSEMBLY - Mode control	9.278
17.	SWITCH ASSEMBLY - Compressor micro	9.275
18.	SWITCH ASSEMBLY - Master micro	9.275
19.	SWITCH ASSEMBLY - Fan	9.275
20.	HOSE - Engine to check valve	9.281
21.	HARNESS ASSEMBLY - Wiring and vacuum hose	9.276
22.	CABLE - Heat control	9.278

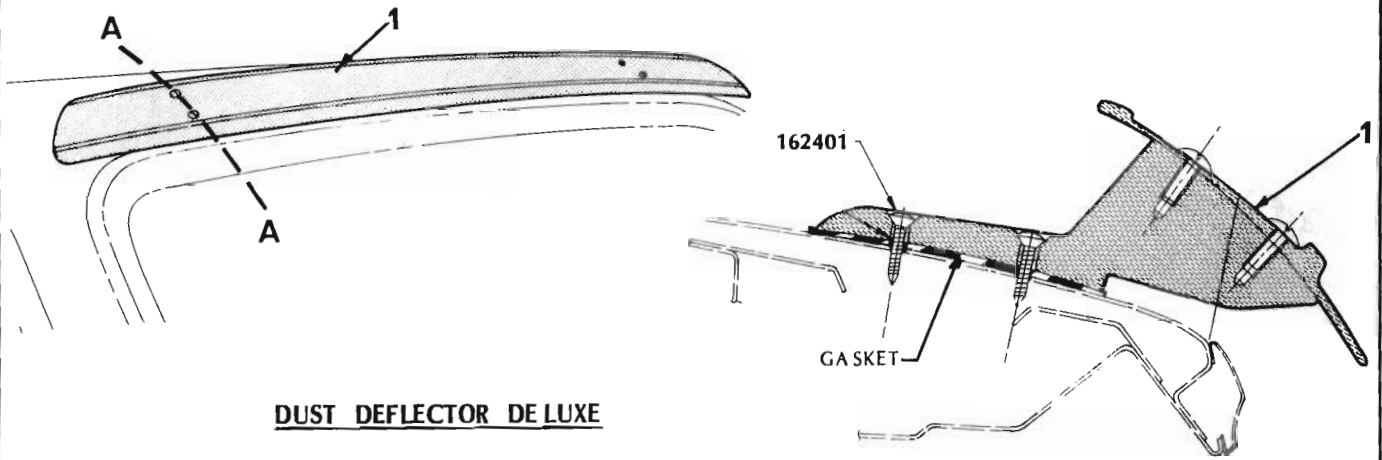


WATER BAG CARRIER



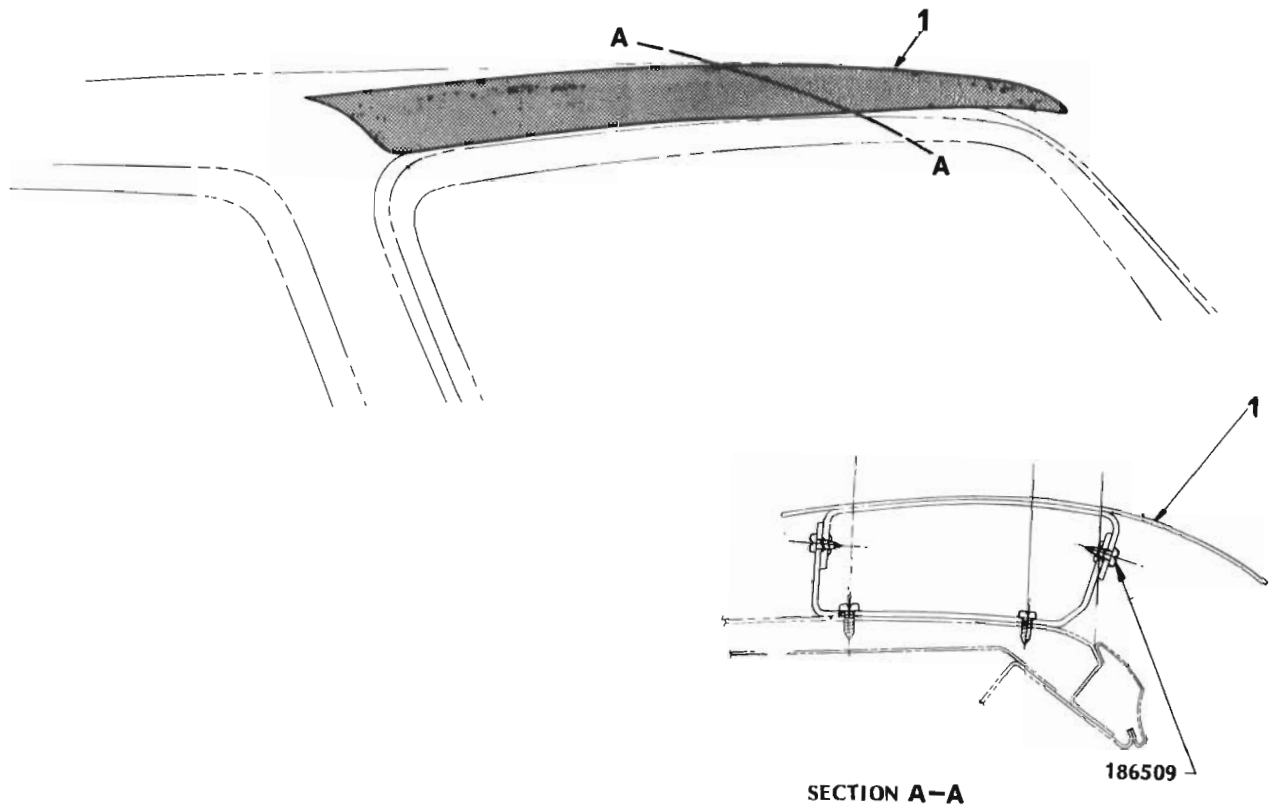
INTERNAL INSECT SCREEN

ILLUS. REF. NO.	PART NAME	GROUP
1.	WATER BAG CARRIER PACKAGE	9.608
2.	SCREEN PACKAGE - Radiator insect	9.665



DUST DEFLECTOR DELUXE

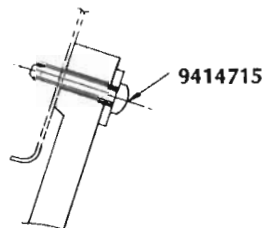
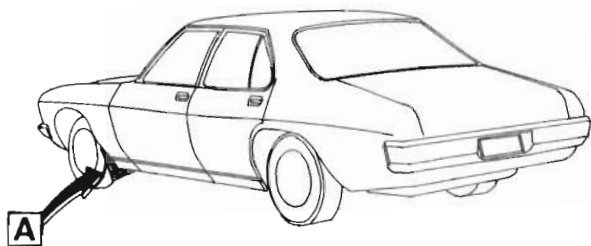
ILLUS. REF. NO.	PART NAME	GROUP	SECTION A-A
1.	DEFLECTOR PACKAGE - End gate dust	9.616	



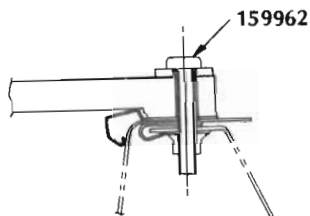
DUST DEFLECTOR IN PRIME

ILLUS. REF. NO.	PART NAME	GROUP
1.	DEFLECTOR PACKAGE - End gate dust	9.616

"HX" STATESMAN/HOLDEN PARTS CATALOGUE

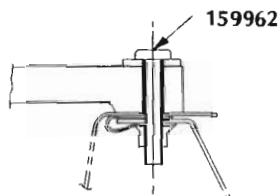


SECTION B - B



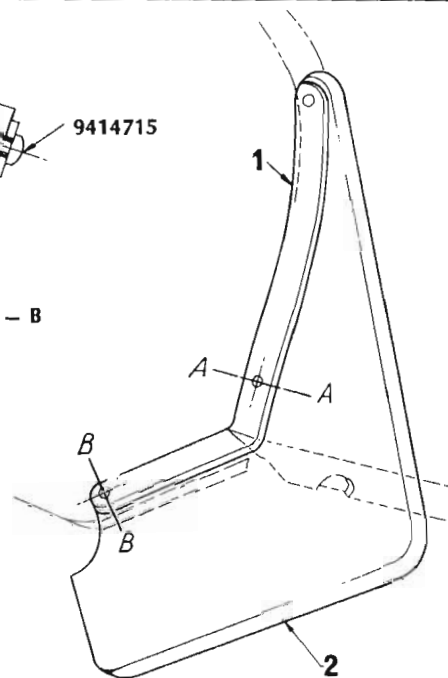
SECTION A - A

STATESMAN

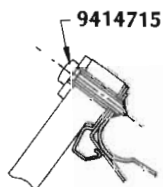
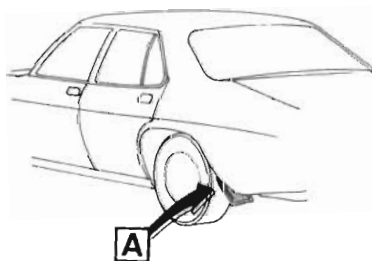


SECTION A - A

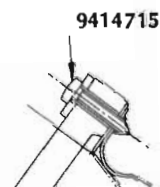
EXC. STATESMAN
FRONT



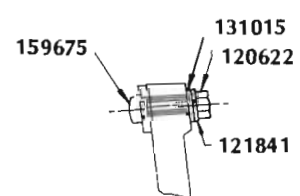
VIEW A



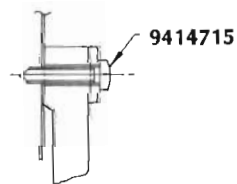
SECTION A - A
STATESMAN



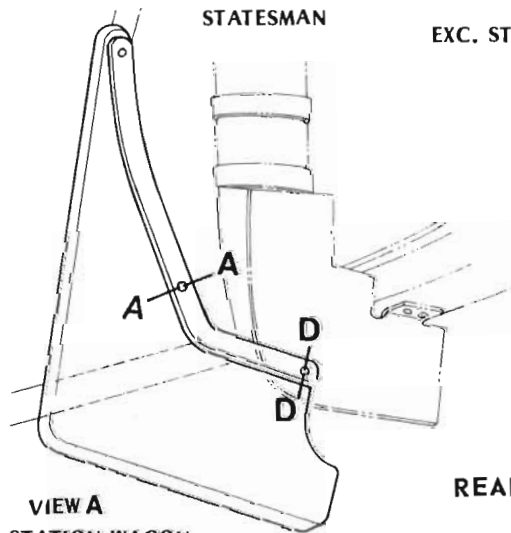
SECTION A - A
EXC. STATESMAN



SECTION B - B

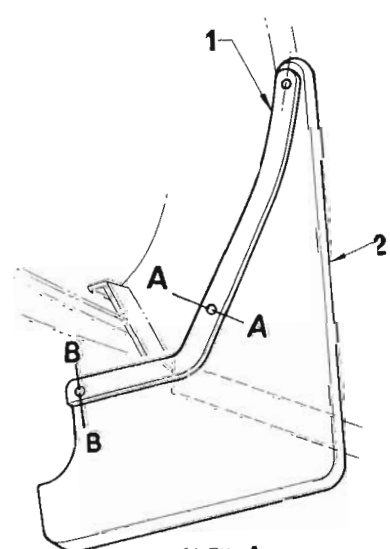


SECTION D - D



VIEW A
STATION WAGON

REAR

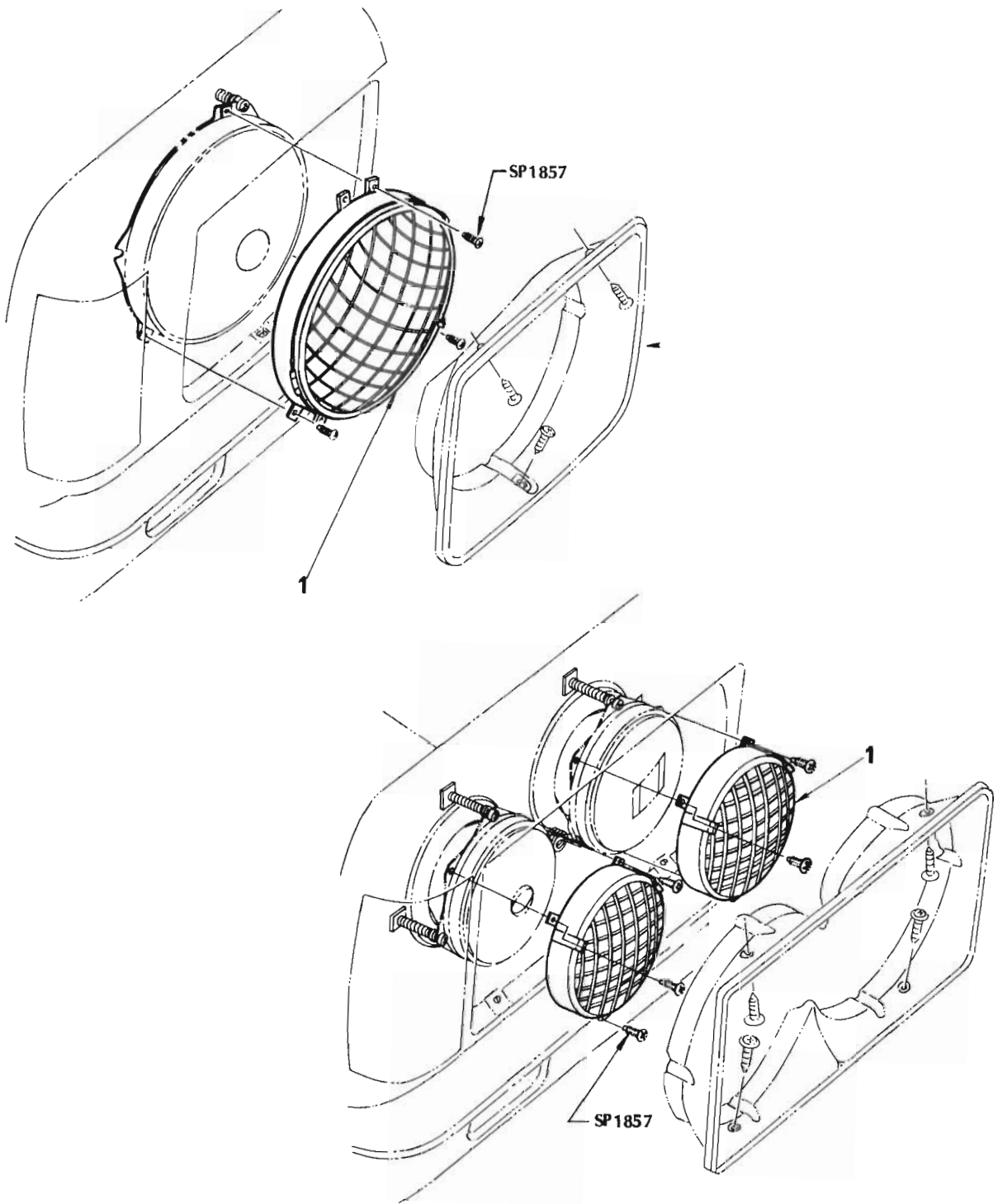


VIEW A

EXC. STATION WAGON

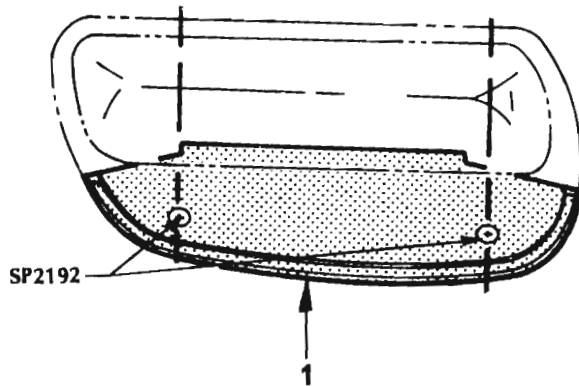
MUD DEFLECTOR PACKAGE

ILLUS. REF. NO.	PART NAME	GROUP
1.	RETAINER - Front & rear to fender.....	9.620
2.	DEFLECTOR PACKAGE	9.620



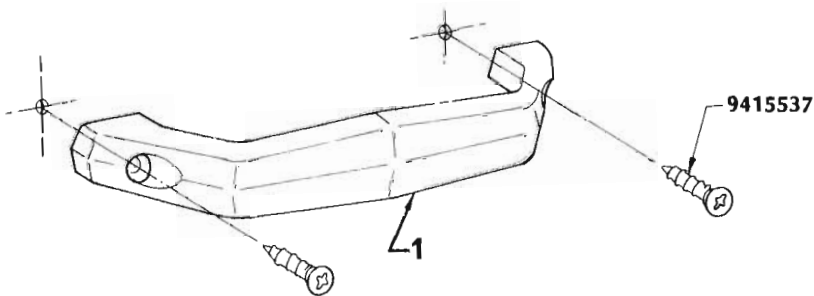
HEADLAMP GUARD

ILLUS. REF. NO.	PART NAME	GROUP
1.	GUARD PACKAGE – Headlamp stone	9.624



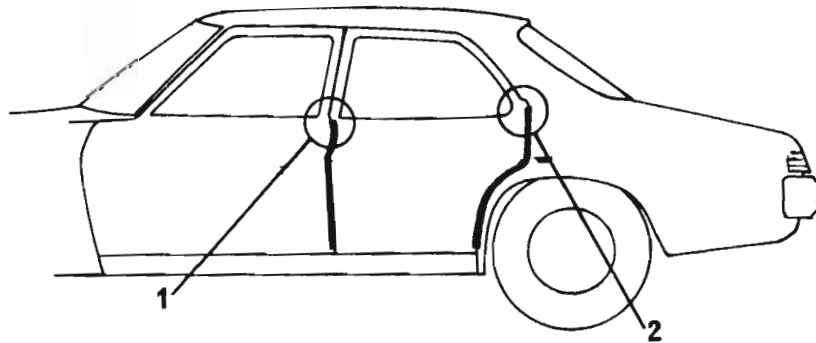
DOOR PAINT PROTECTION PLATE

ILLUS. REF. NO.	PART NAME	GROUP
1.	PLATE – Door paint protection	9.658



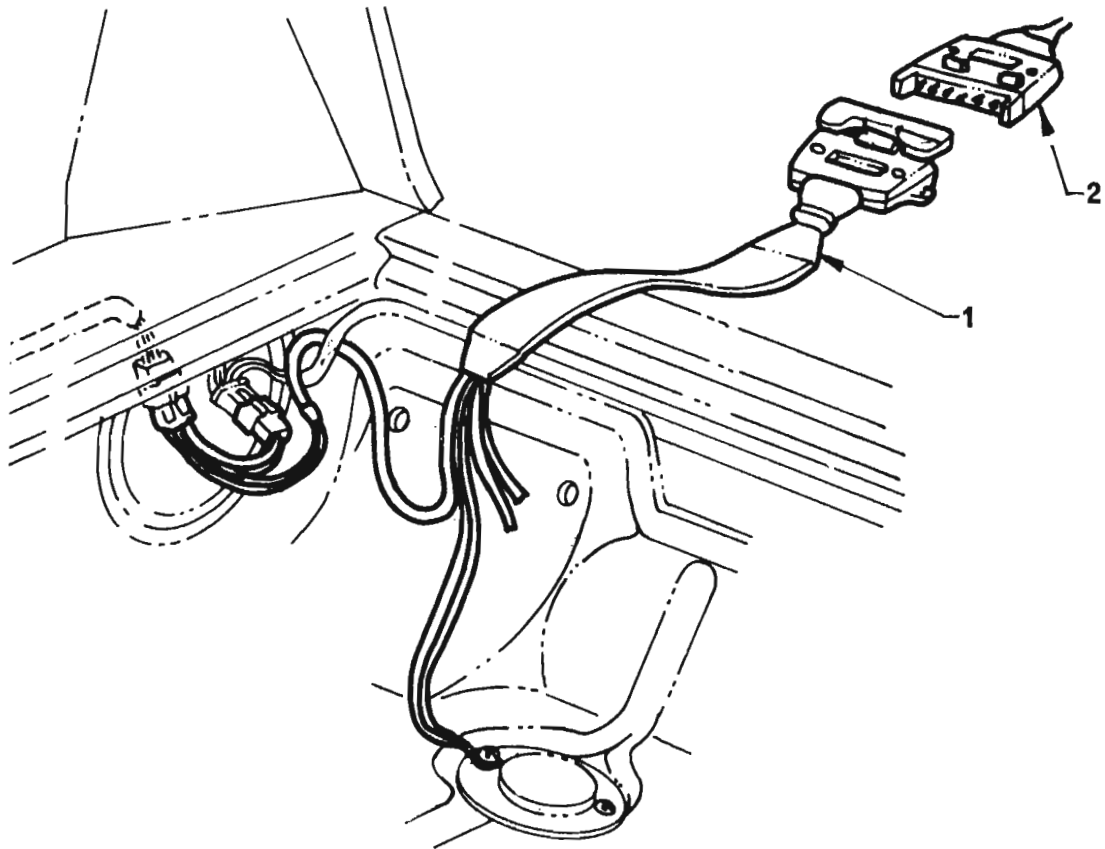
DOOR PULL-TO HANDLE

ILLUS. REF. NO.	PART NAME	GROUP
1.	HANDLE – Door pull-to	9.640



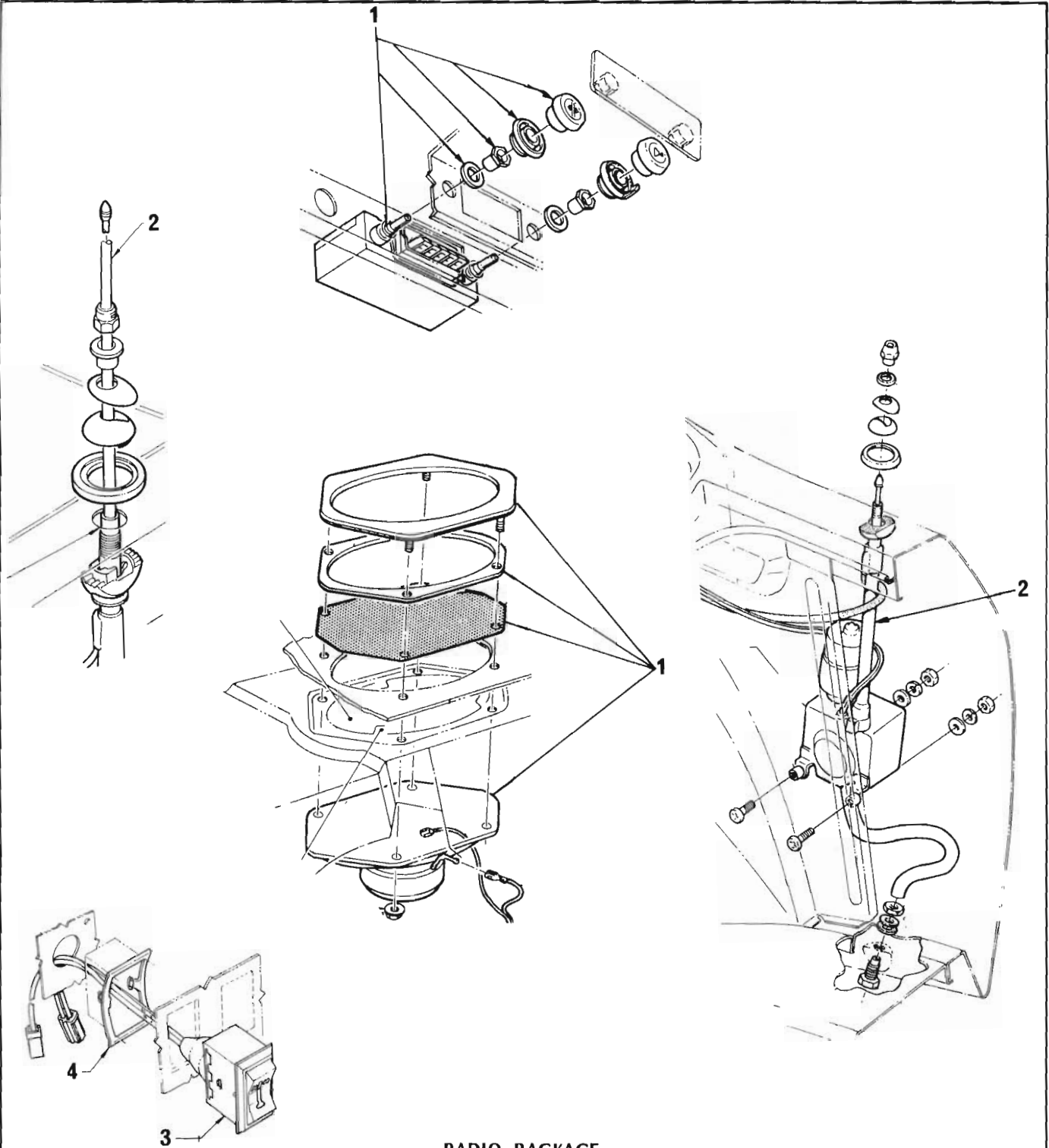
DOOR EDGE GUARDS

ILLUS. REF. NO.	PART NAME	GROUP
1 - 2	GUARD PACKAGE – Door edge	9.628
1.	GUARD – Door edge front	9.628
2.	GUARD – Door edge rear	9.628



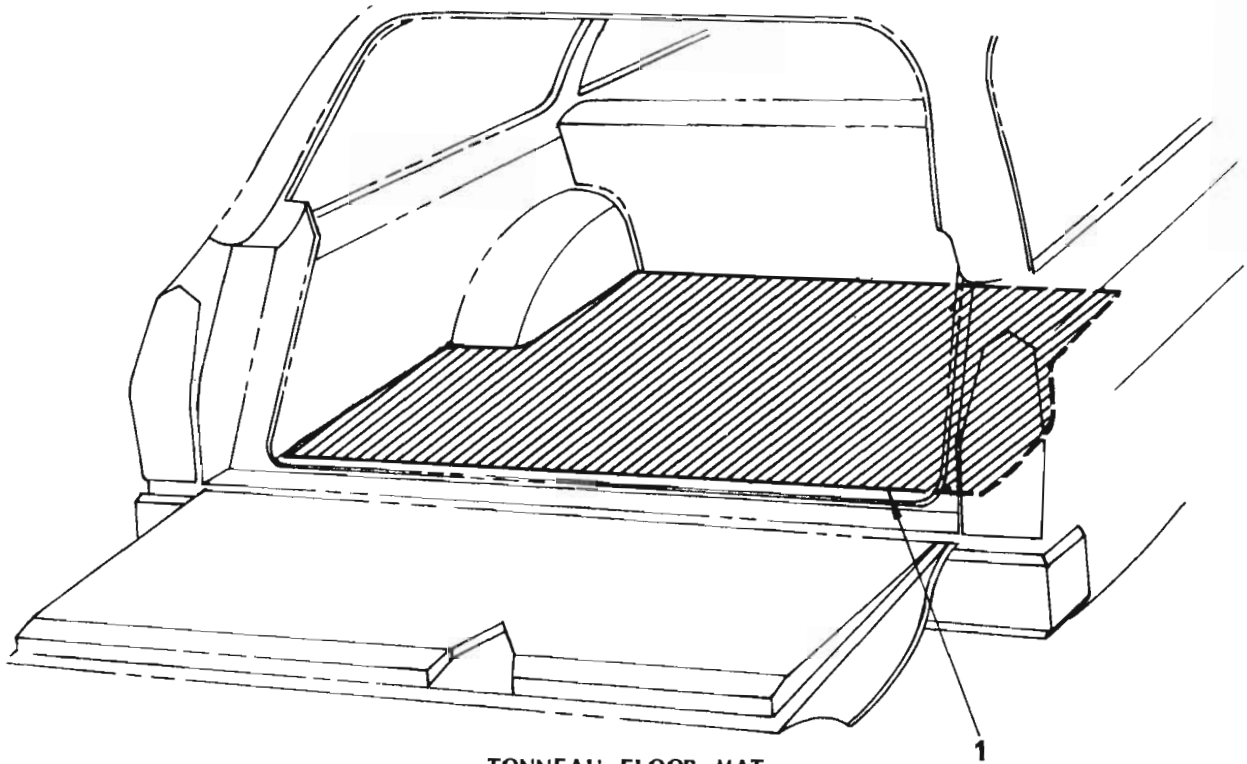
TRAILER WIRING HARNESS

ILLUS. REF. NO.	PART NAME	GROUP
1.	HARNESS ASSEMBLY – Trailer section	9.644
2.	HARNESS ASSEMBLY – Vehicle section	9.644



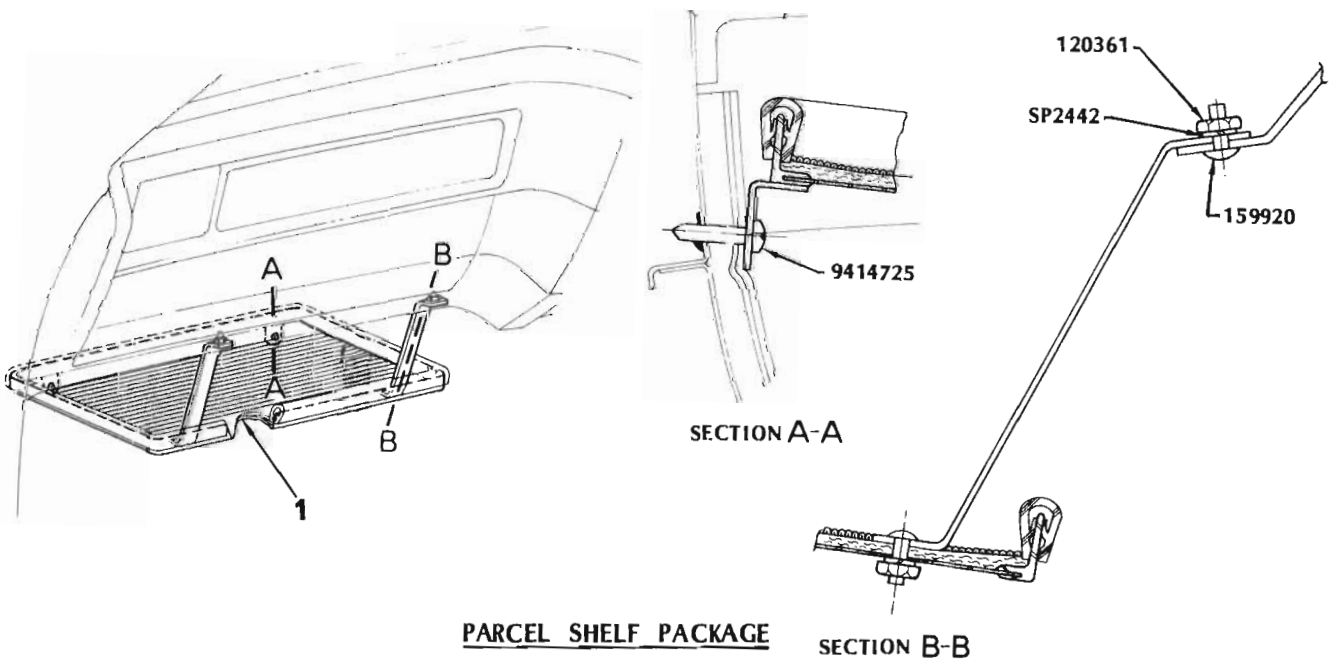
RADIO PACKAGE

ILLUS. REF. NO.	PART NAME	GROUP
1.	RADIO PACKAGE	9.662
2.	ANTENNA PACKAGE	9.662
3.	SWITCH - Electric antenna	9.662
4.	RETAINER - Antenna switch	9.662



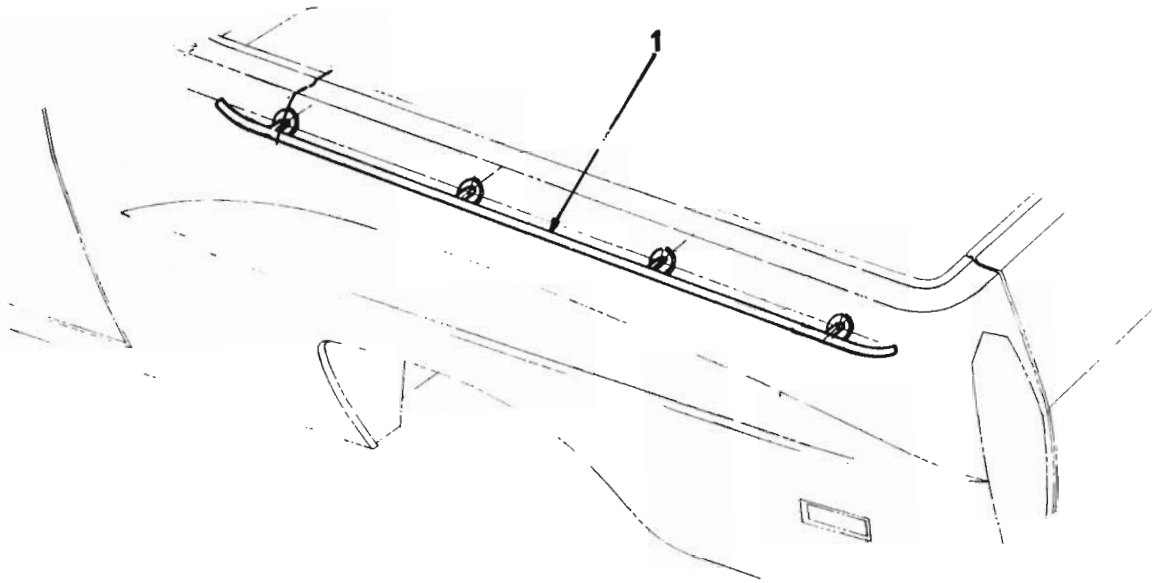
TONNEAU FLOOR MAT

ILLUS. REF. NO.	PART NAME	GROUP
1.	MAT - Cargo compartment	9.656



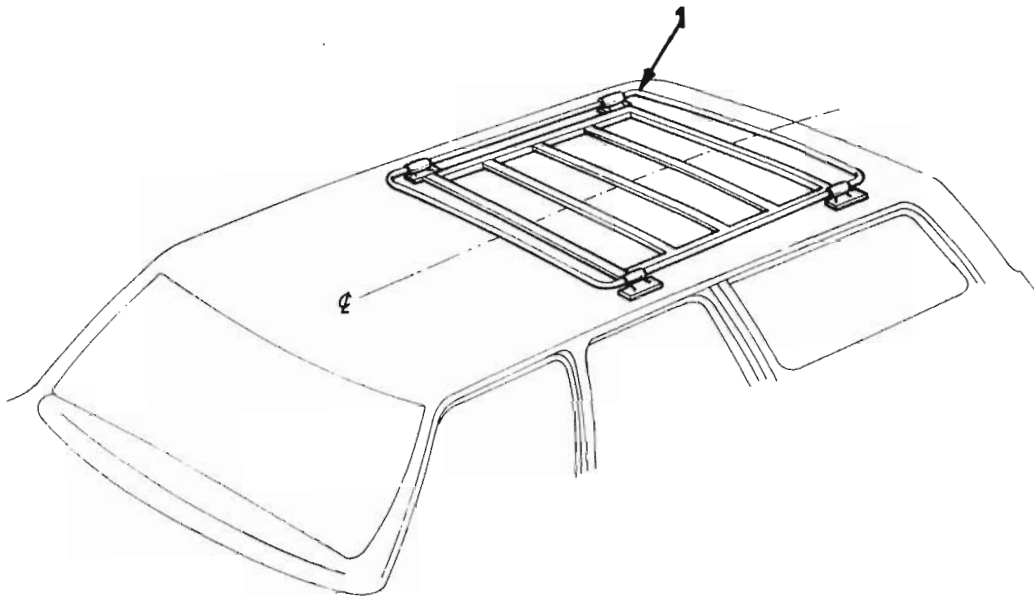
PARCEL SHELF PACKAGE

ILLUS. REF. NO.	PART NAME	GROUP
1.	SHELF PACKAGE - Parcel	9.672



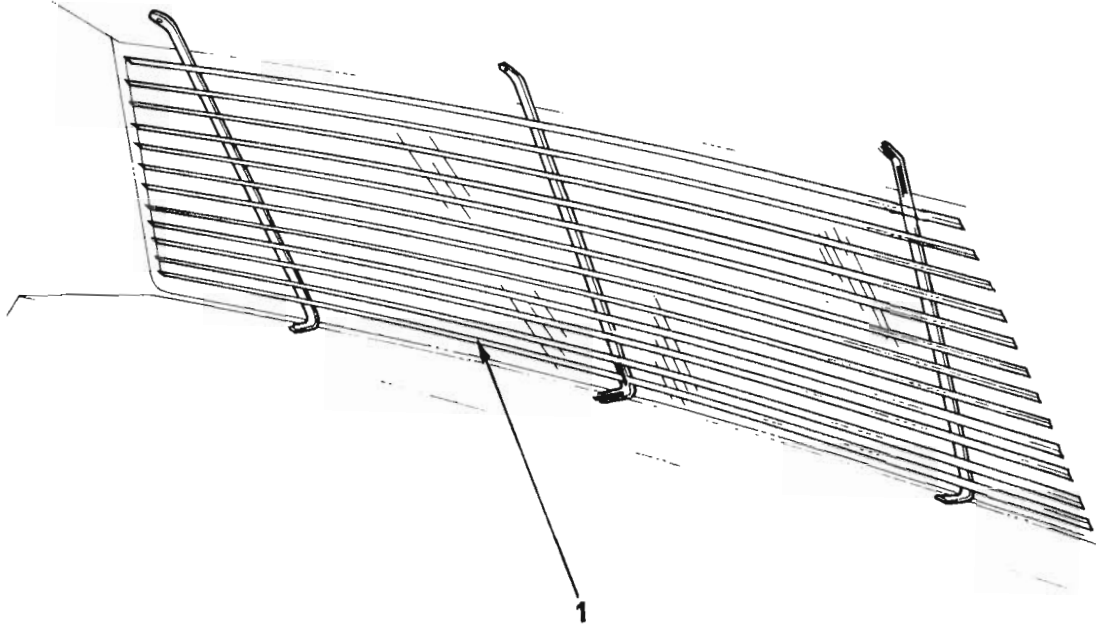
LOAD LASHING RAIL PACKAGE

ILLUS. REF. NO.	PART NAME	GROUP
1.	ROPE RAIL PACKAGE	9.666



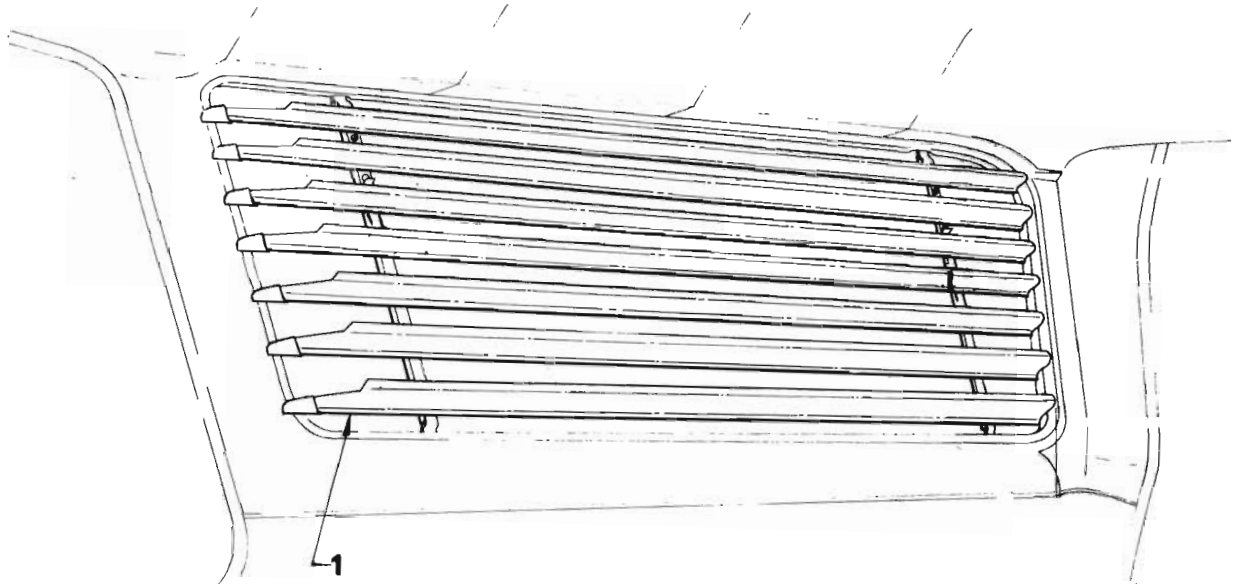
LUGGAGE RACK

ILLUS. REF. NO.	PART NAME	GROUP
1.	LUGGAGE RACK PACKAGE	9.661



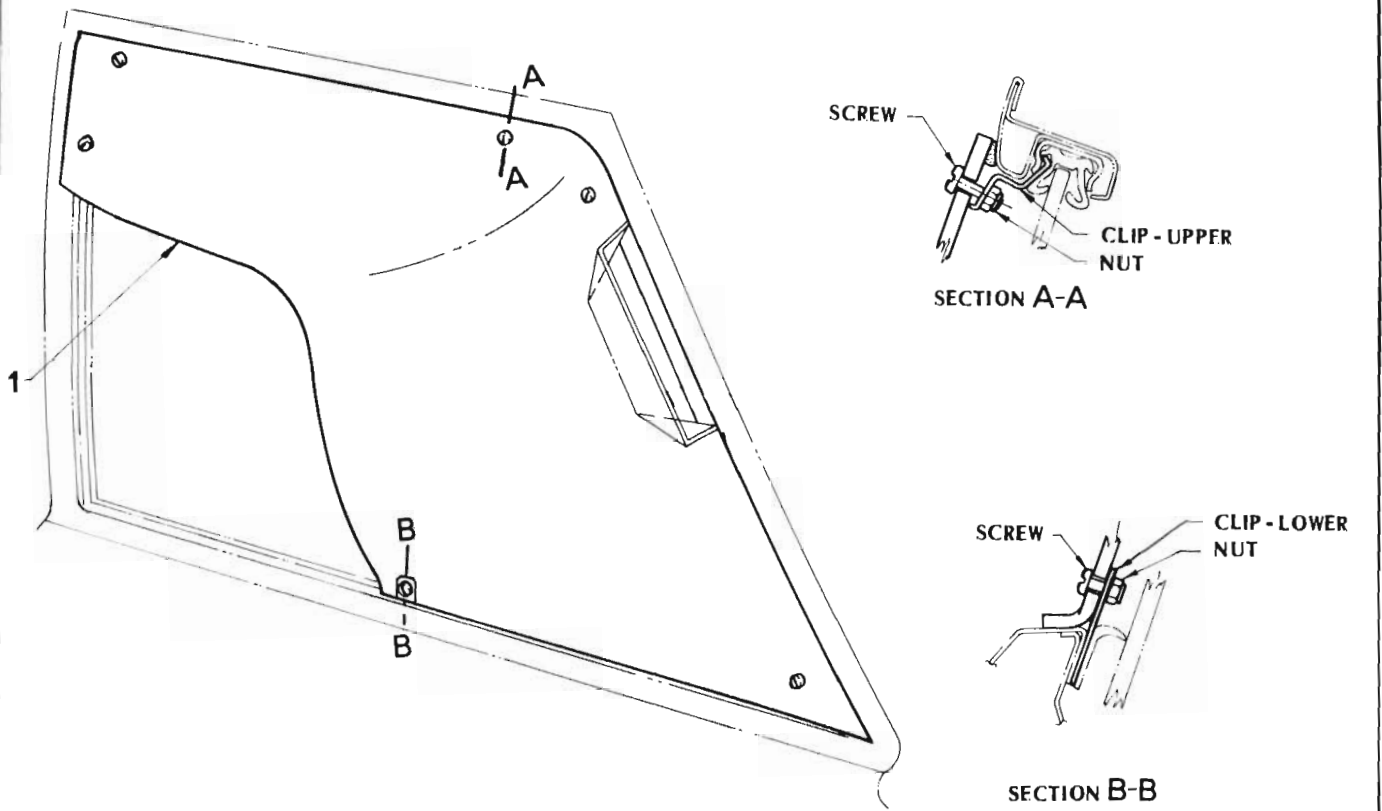
REAR WINDOW VENETIAN SHADE
69 Body Styles

ILLUS. REF. NO.	PART NAME	GROUP
1.	SHADE PACKAGE – Venetian	9.668



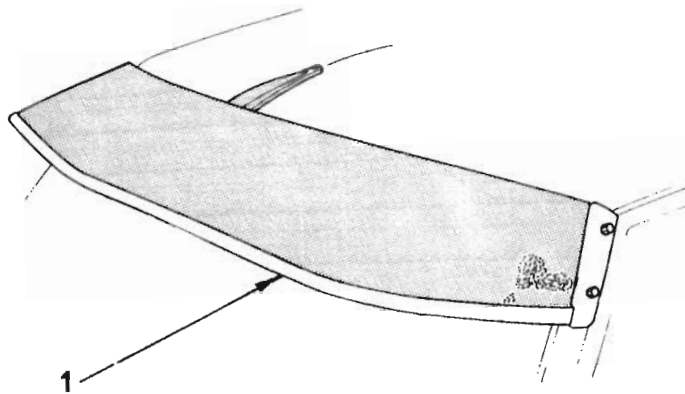
SIDE WINDOW VENETIAN SHADE
35 Body Styles

ILLUS. REF. NO.	PART NAME	GROUP
1.	SHADE PACKAGE – Venetian	9.668



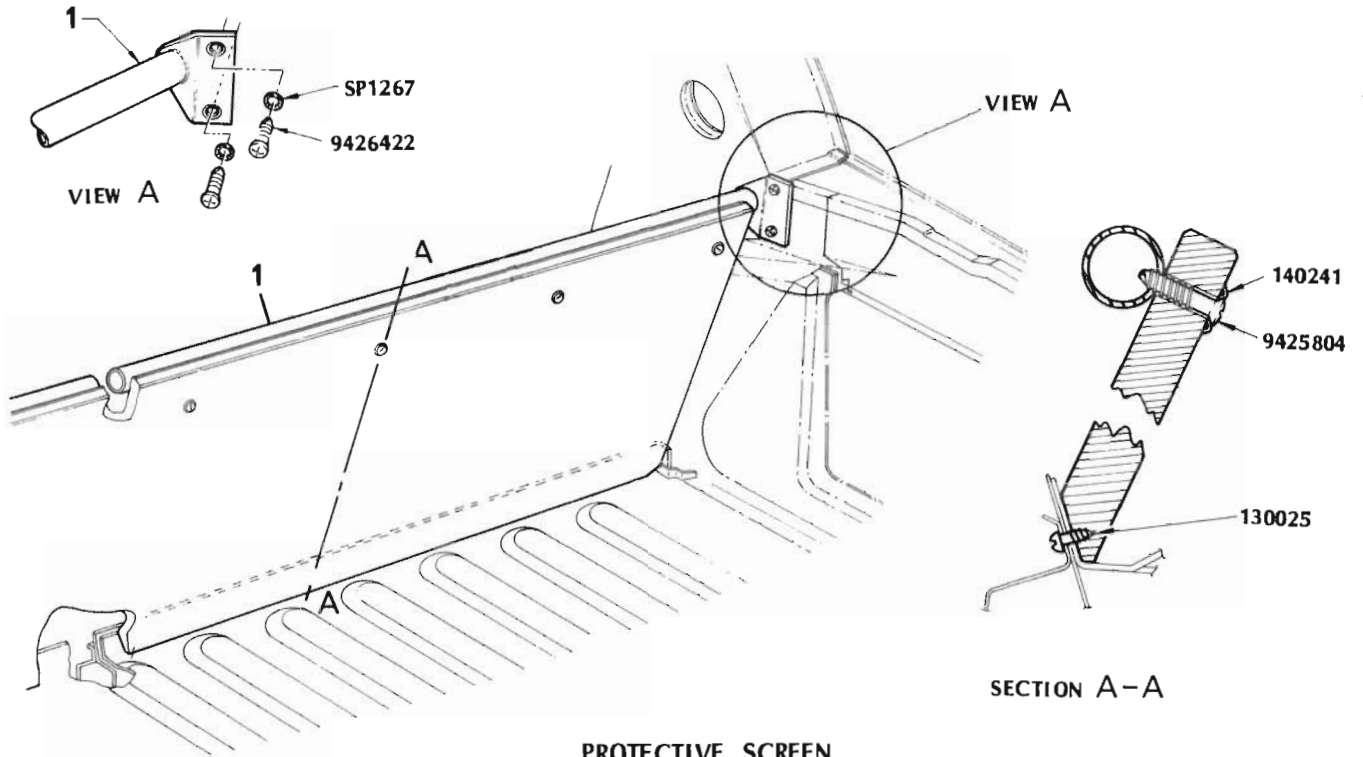
DOOR WEATHERSHIELD

ILLUS. REF. NO.	PART NAME	GROUP
1.	WEATHERSHIELD PACKAGE	9.684



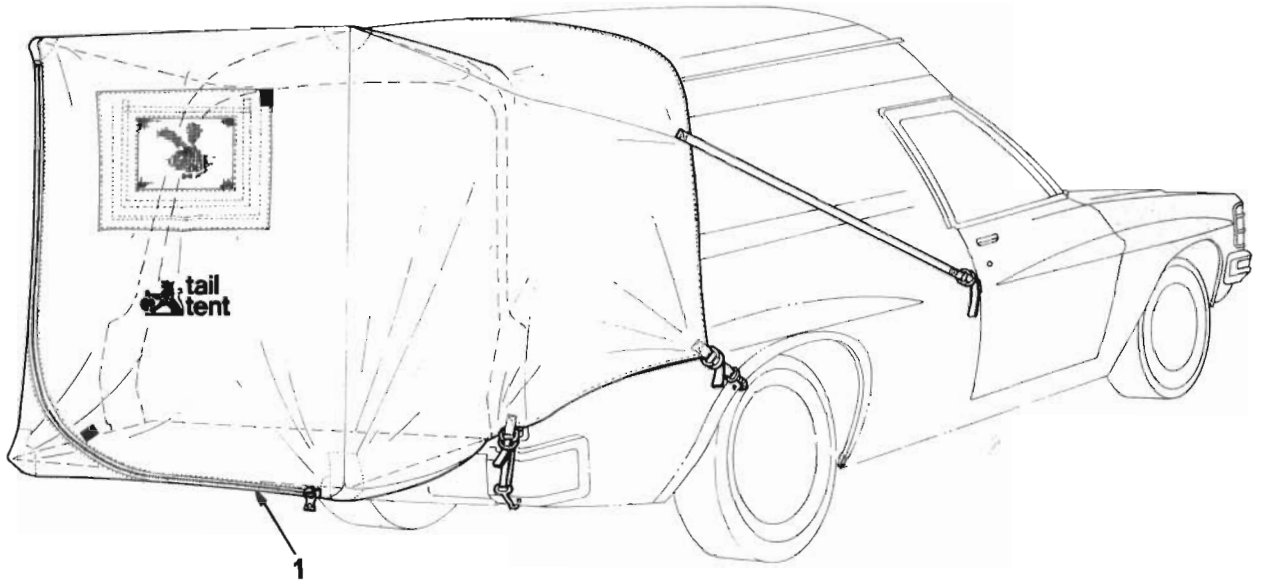
SUNSHADE PACKAGE

ILLUS. REF. NO.	PART NAME	GROUP
1.	SUNSHADE PACKAGE	9.680



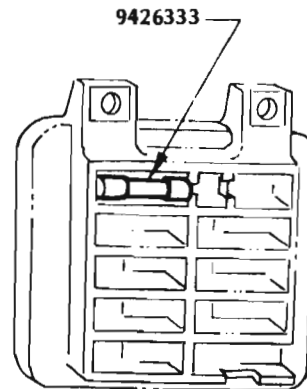
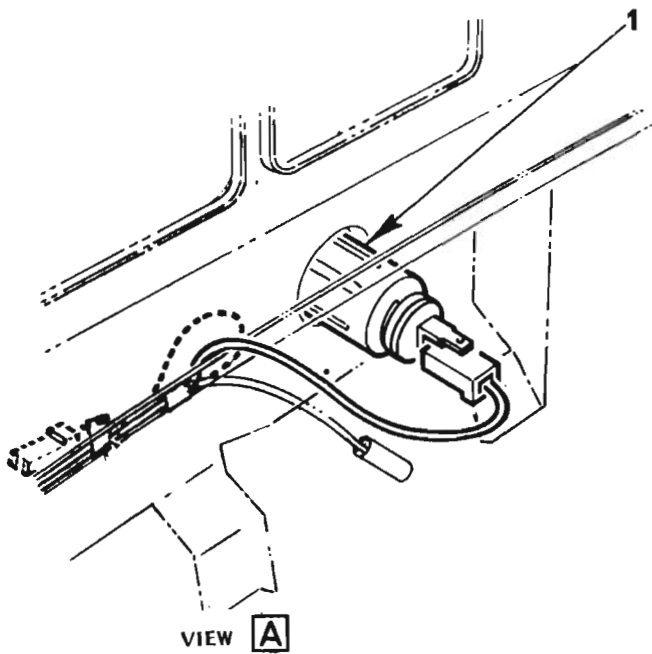
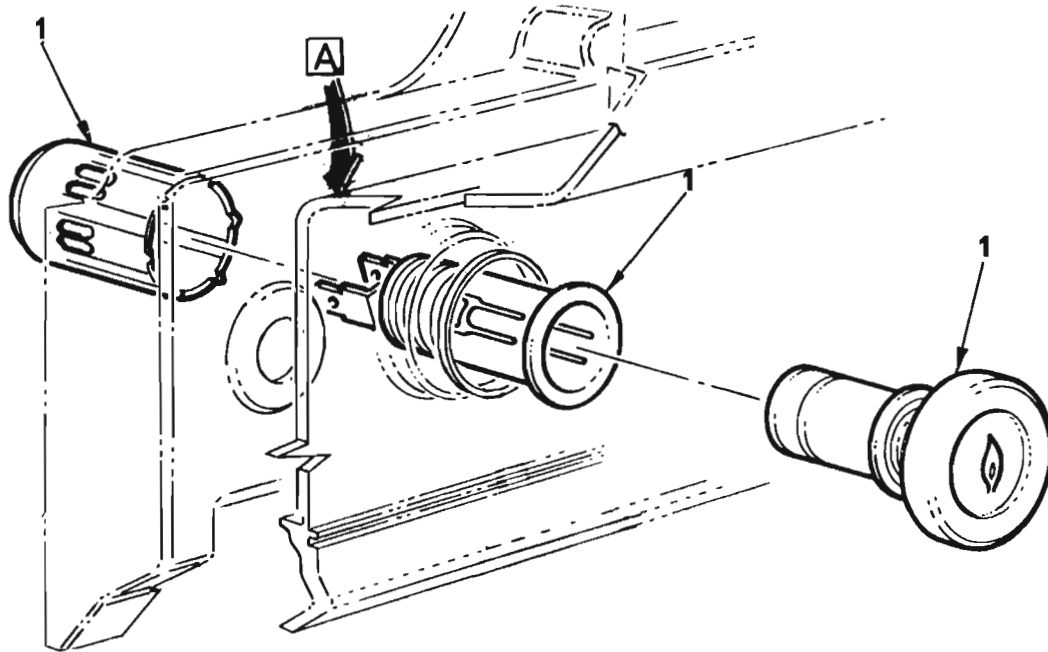
PROTECTIVE SCREEN
70 Body Styles

ILLUS. REF. NO.	PART NAME	GROUP
1.	PROTECTIVE SCREEN PACKAGE	9.666



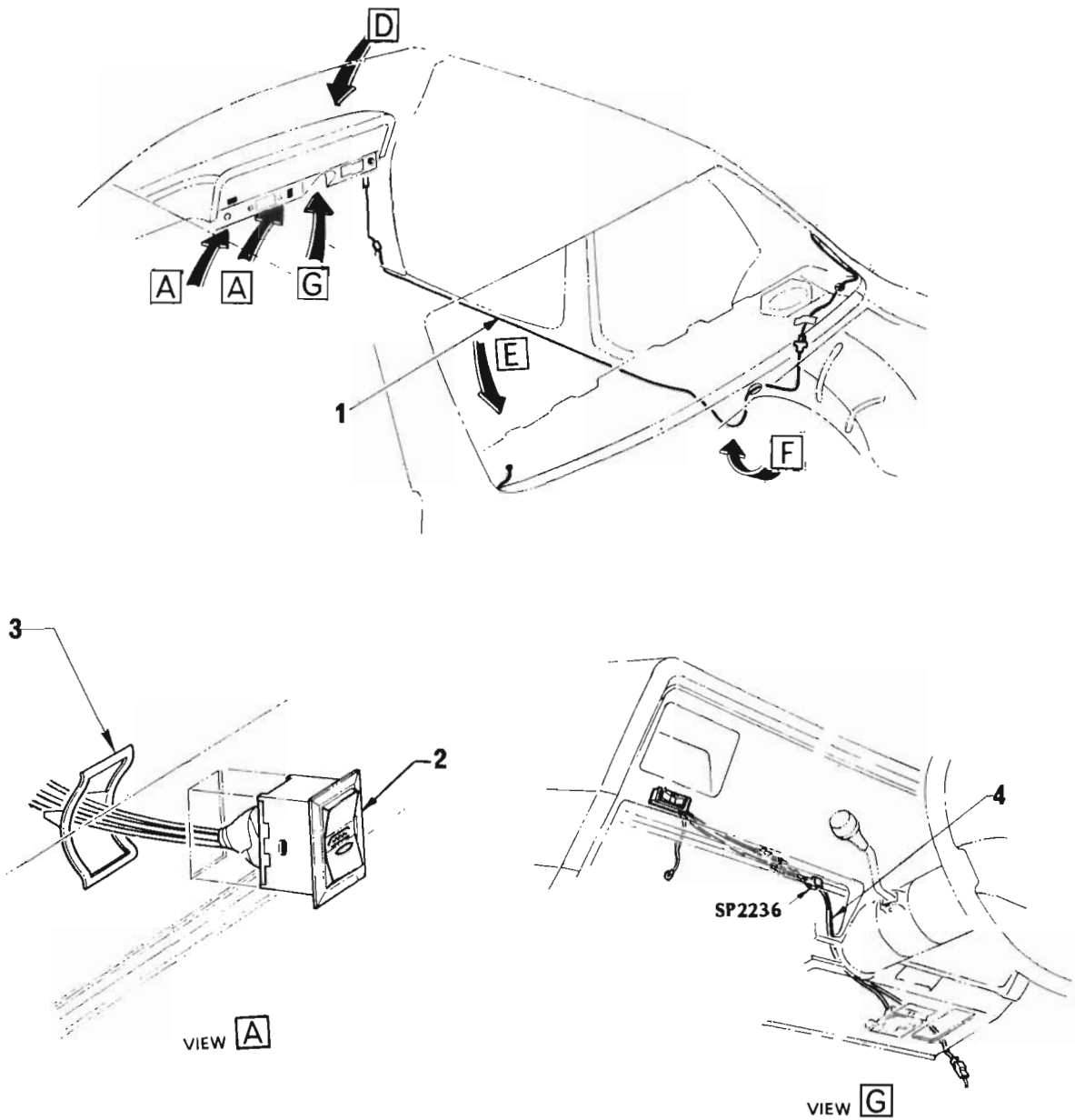
CAMPING PACKAGE

ILLUS. REF. NO.	PART NAME	GROUP
1.	CAMPING PACKAGE - Tail tent	9.685



CIGARETTE LIGHTER – INSTRUMENT PANEL

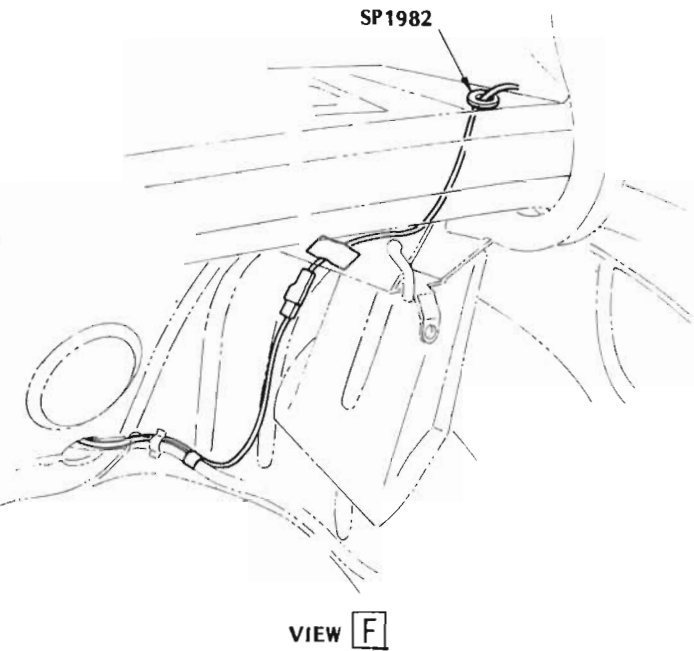
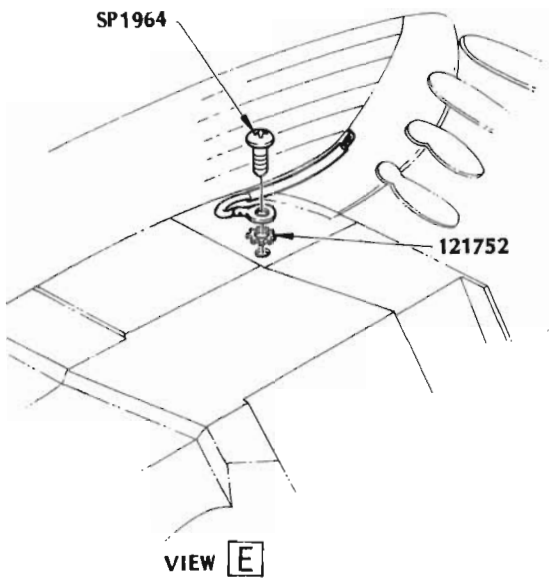
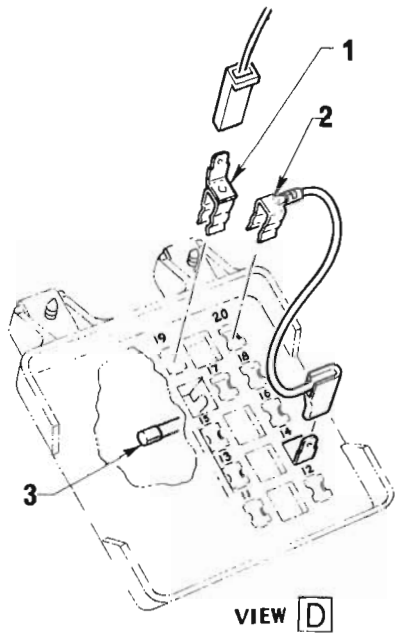
ILLUS. REF. NO.	PART NAME	GROUP
1.	LIGHTER PACKAGE	9.709



FOR VIEWS D,E,F REFER PAGE 512

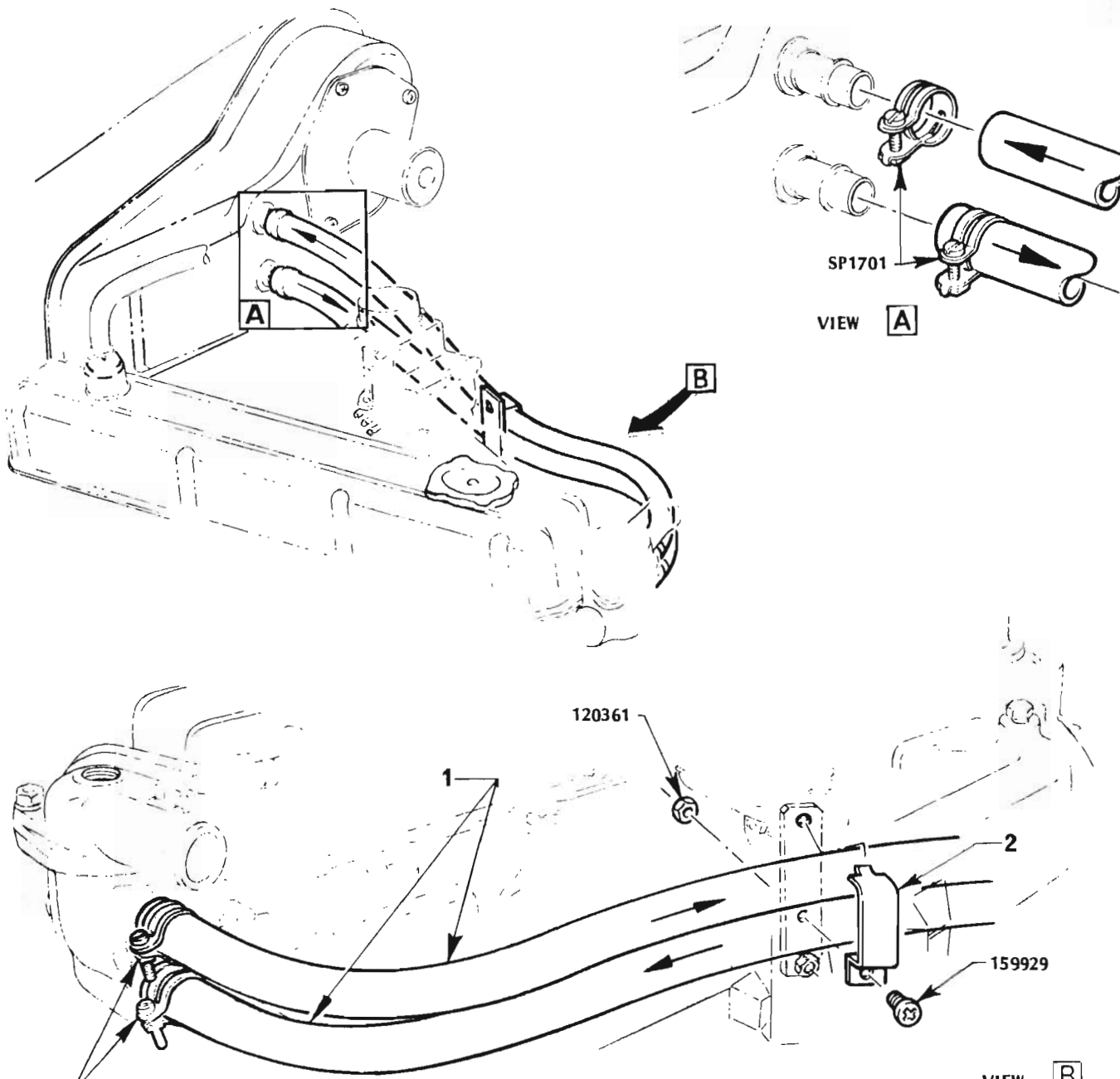
HEATED REAR WINDOW

ILLUS. REF. NO.	PART NAME	GROUP
1.	LEAD ASSEMBLY – Rear window	9.778
2.	SWITCH ASSEMBLY	9.778
3.	SPRING – Switch retainer	9.778
4.	LEAD ASSEMBLY – Rear window – Taxi equipment	9.778



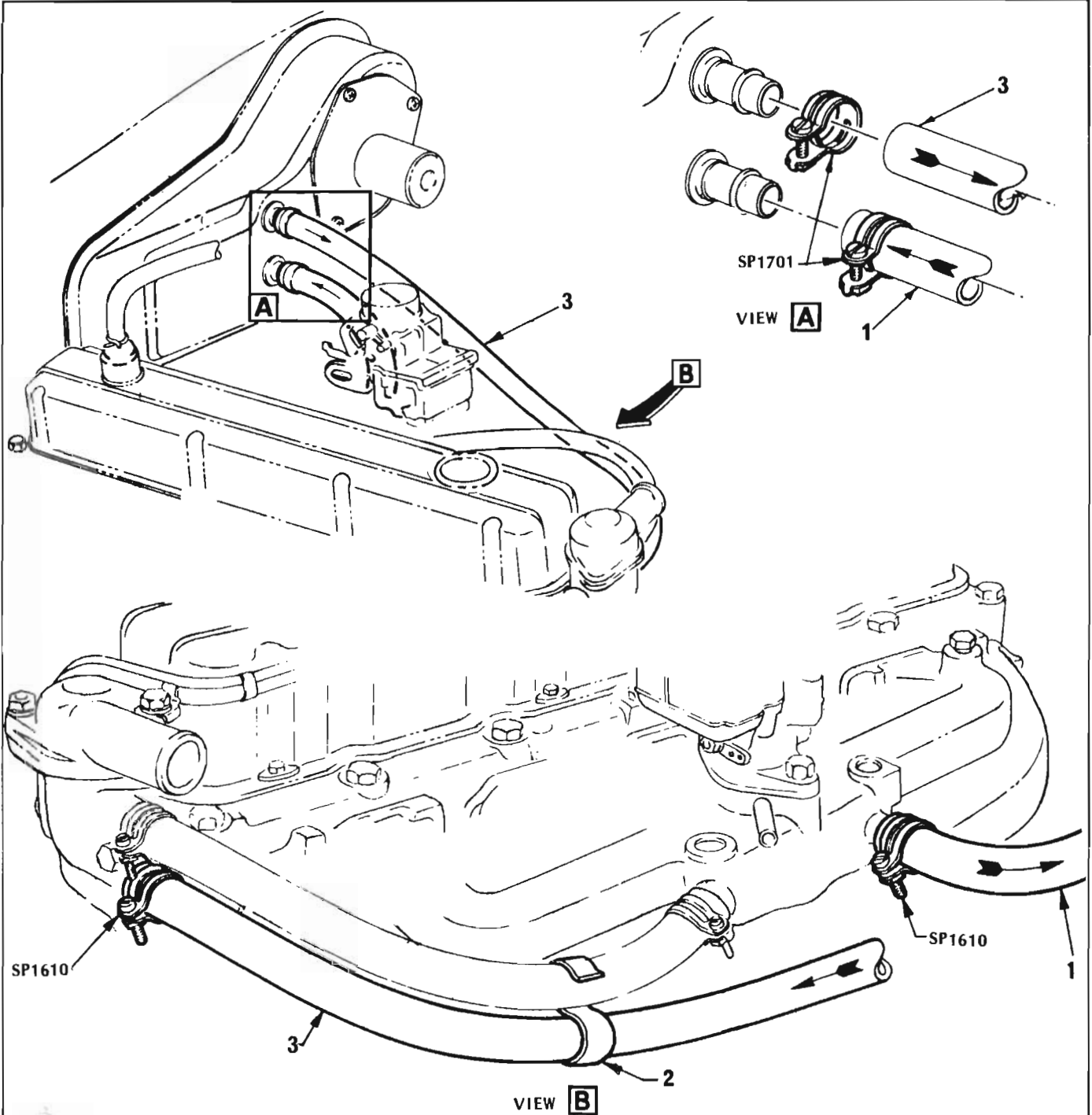
HEATED REAR WINDOW

ILLUS. REF. NO.	PART NAME	GROUP
1.	CLIP & TERMINAL ASSEMBLY - Fuse	9.778
2.	LEAD ASSEMBLY - Fuse	9.778
3.	FUSE - 15 amp	9.778



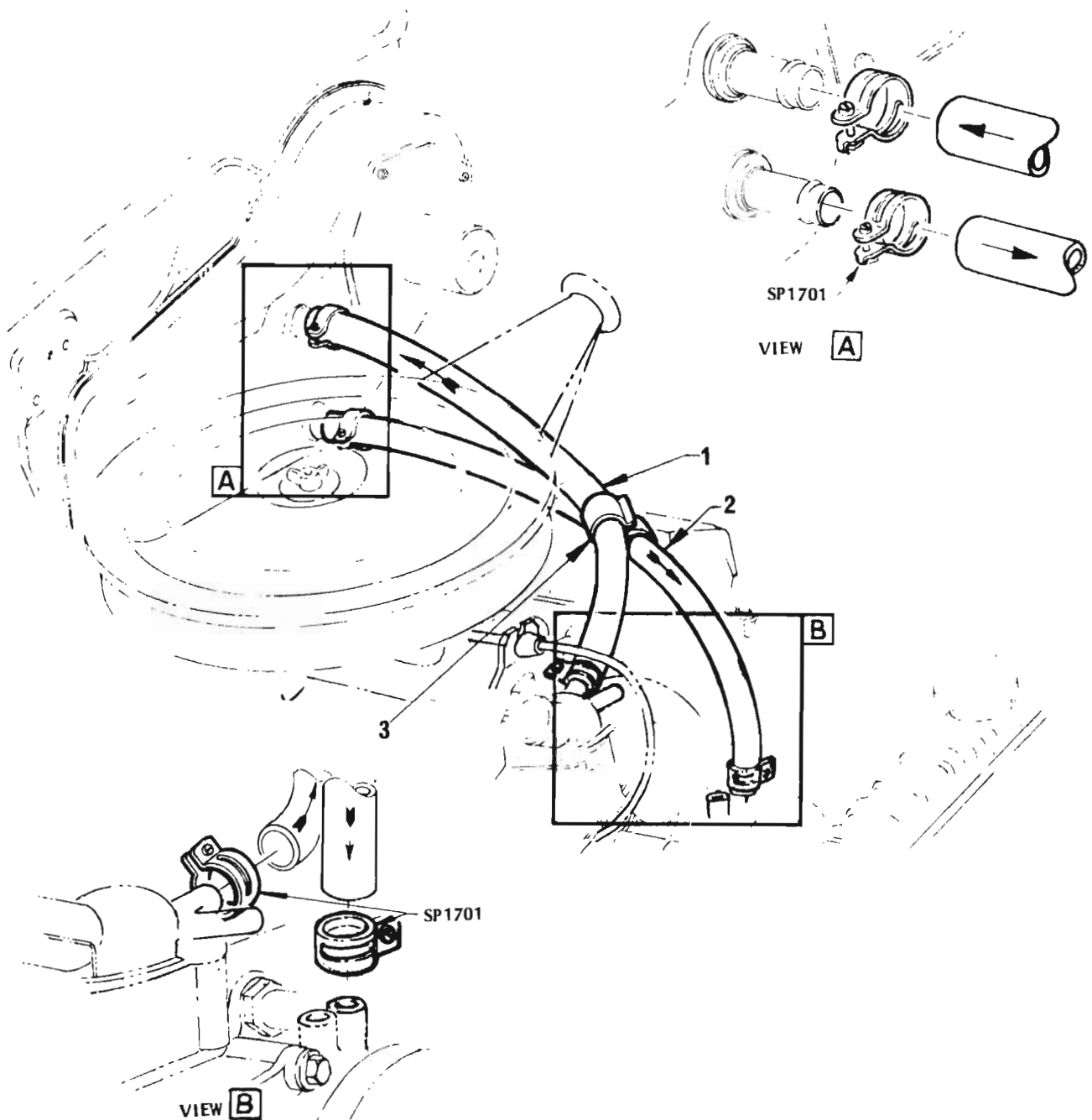
HEATER HOSES – EXC. FORCED AIR VENTILATION
EMISSION CONTROL – ADR27A
6 Cylinder Engine

ILLUS. REF. NO.	PART NAME	GROUP
1.	HOSE – Heater inlet & outlet	9.779
2.	CLAMP – Hose to manifold	9.779



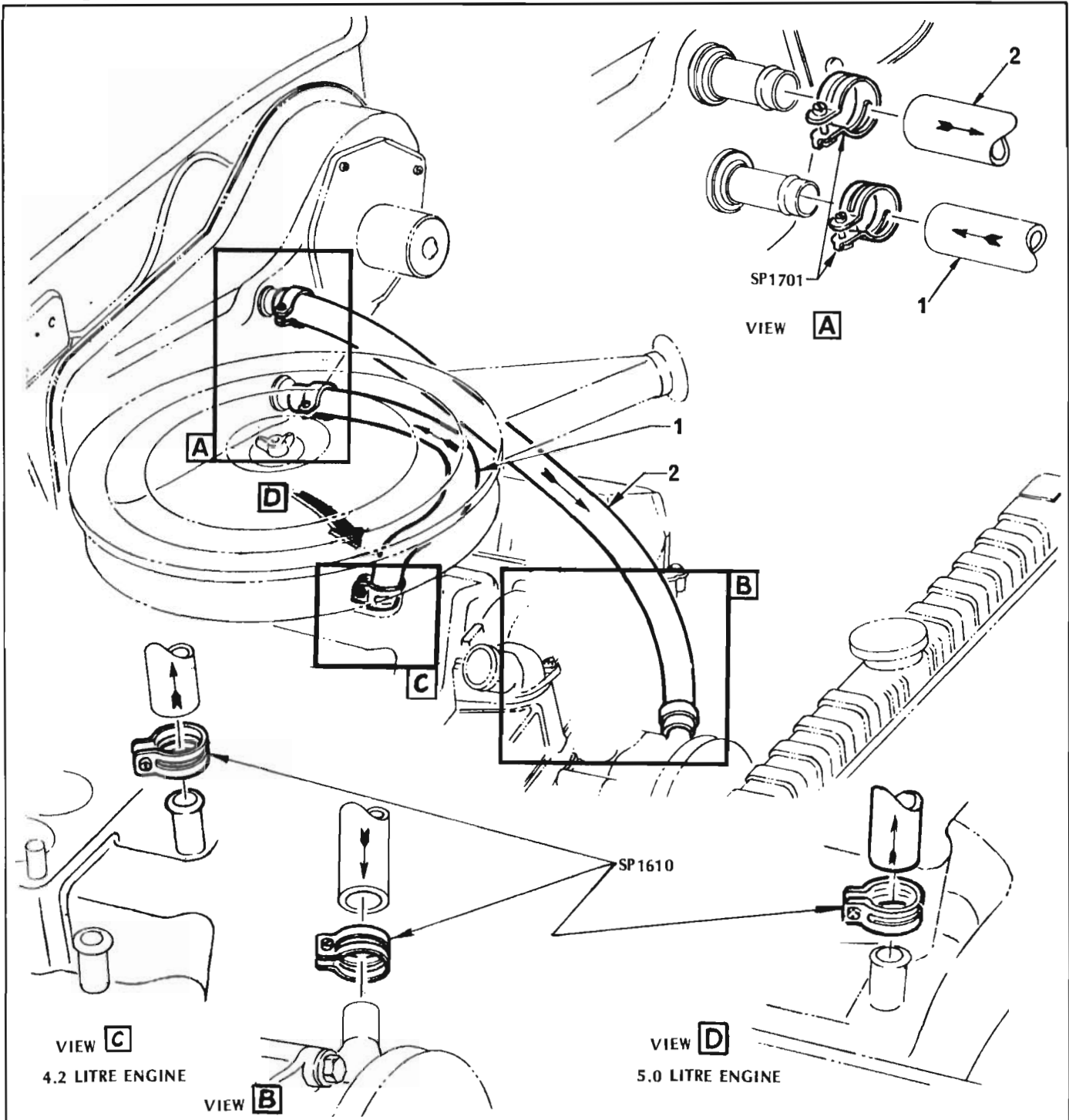
**HEATER HOSES – EXC. FORCED AIR VENTILATION
WITHOUT EXHAUST EMISSION CONTROL
6 Cylinder Engine**

ILLUS. REF. NO.	PART NAME	GROUP
1.	HOSE – Manifold to heater inlet	9.779
2.	CLIP – Manifold outlet hose to heater outlet hose	3.260
3.	HOSE – Heater outlet	9.779



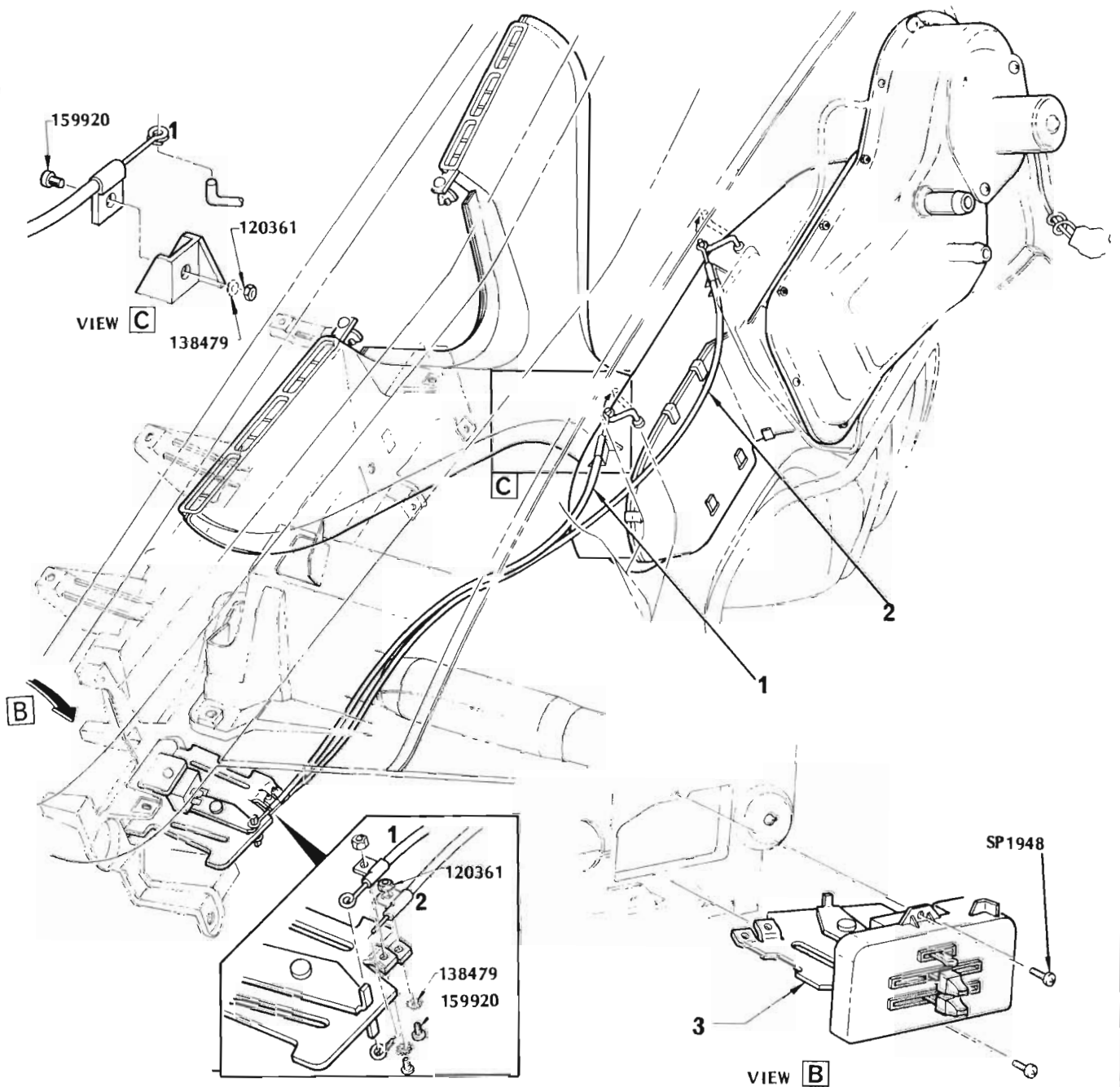
**HEATER HOSES – EXC. FORCED AIR VENTILATION
EMISSION CONTROL – ADR27A
8 Cylinder Engine**

ILLUS. REF. NO.	PART NAME	GROUP
1.	HOSE – Heater inlet	9,779
2.	HOSE – Heater outlet	9,779
3.	CLIP – Hose	9,779



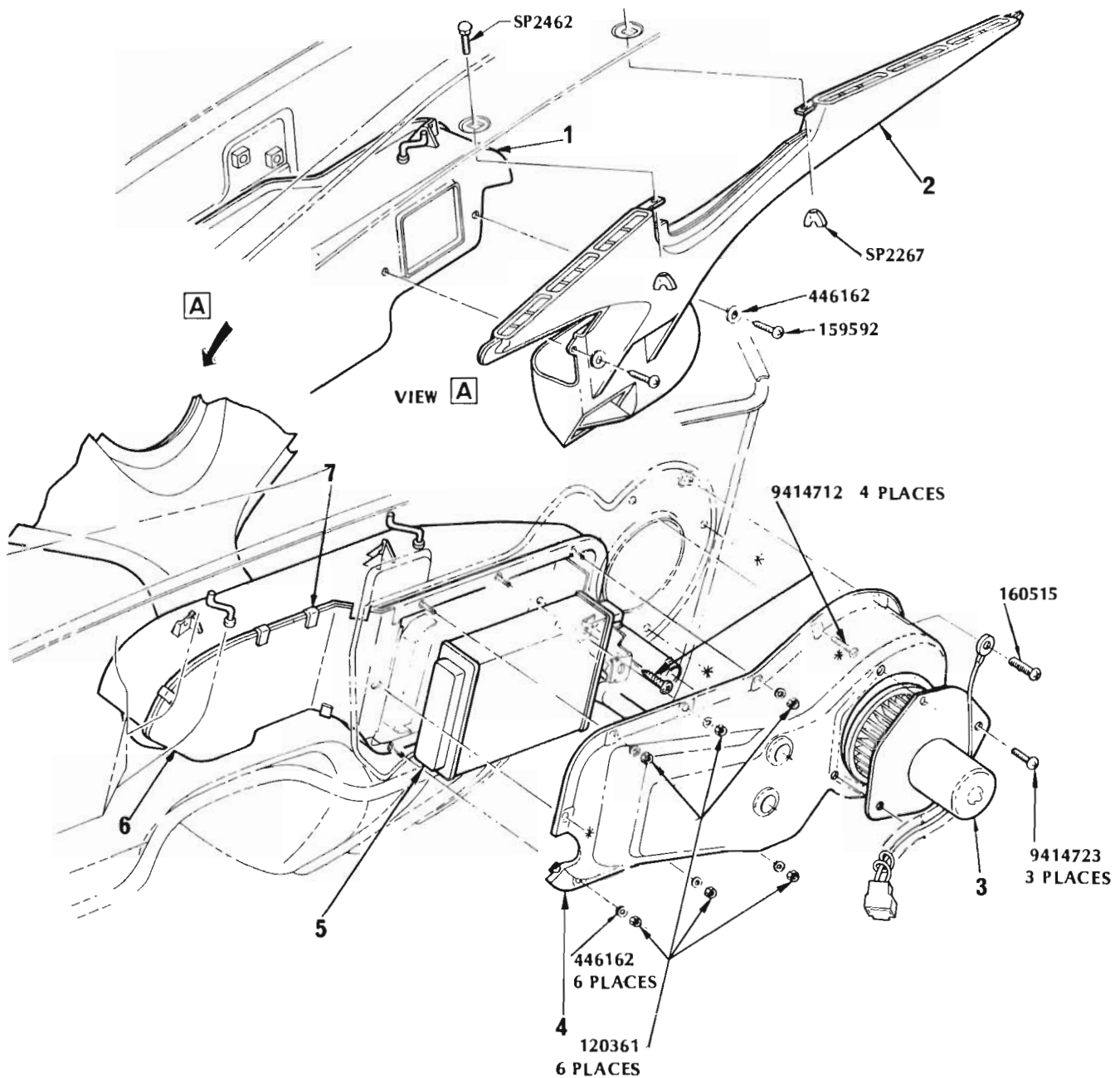
**HEATER HOSES – EXC. FORCED AIR VENTILATION
WITHOUT EXHAUST EMISSION CONTROL
8 Cylinder Engine**

ILLUS. REF. NO.	PART NAME	GROUP
1.	HOSE – Manifold to heater inlet	9.779
2.	HOSE – Heater outlet	9.779



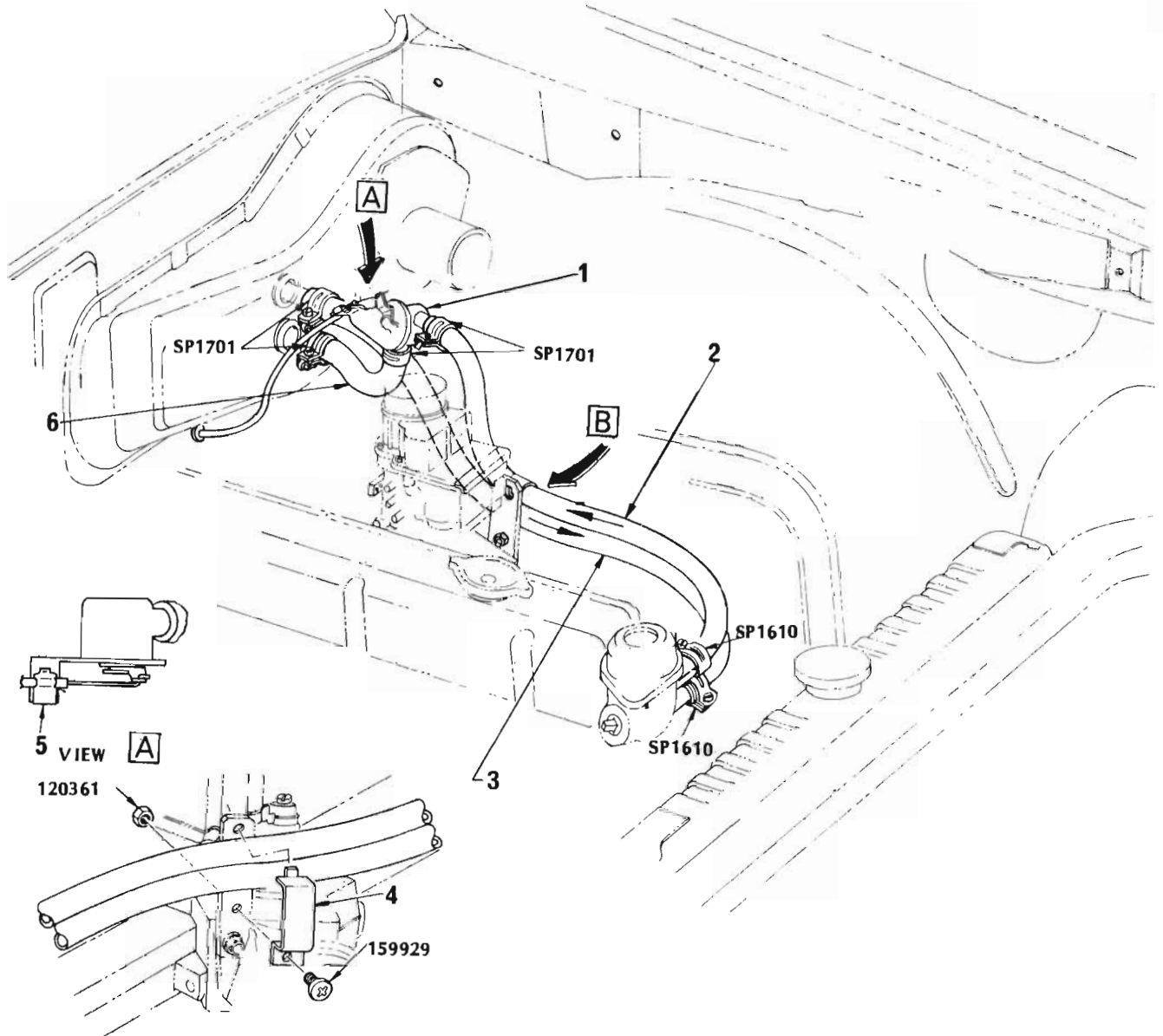
HEATER CONTROLS
Exc. Forced Air Ventilation

ILLUS. REF. NO.	PART NAME	GROUP
1.	CABLE - Mode control	9.779
2.	CABLE - Heater control	9.779
3.	CONTROL ASSEMBLY - Heater	9.779



HEATER and DEMISTER
Exc. Forced Air Ventilation

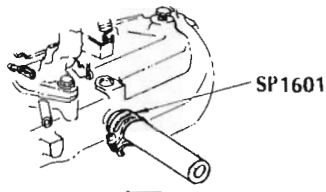
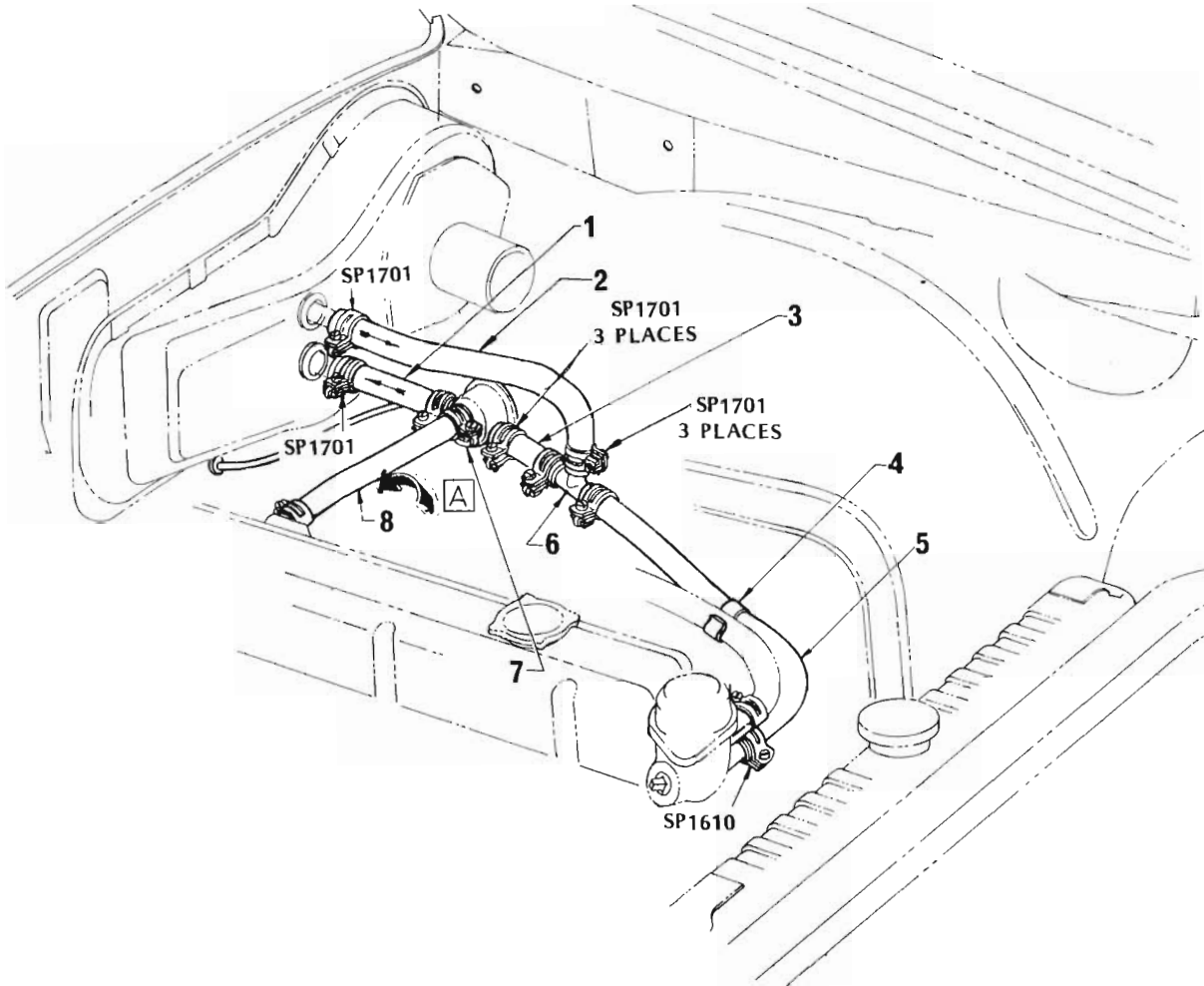
ILLUS. REF. NO.	PART NAME	GROUP
1.	DUCT - Heater distribution	9.779
2.	DUCT ASSEMBLY - Demist distribution	9.779
3.	MOTOR ASSEMBLY - Blower	9.779
4.	HOUSING ASSEMBLY - Blower & air duct	9.779
5.	CORE & FITTING ASSEMBLY - Heater radiator	9.779
6.	PANEL - Heat & demister duct closing	9.779
7.	CLIP - Duct closing panel.....	9.779



VIEW **B**

HEATER HOSES – FORCED AIR VENTILATION
EMISSION CONTROL – ADR27A
6 Cylinder Engine

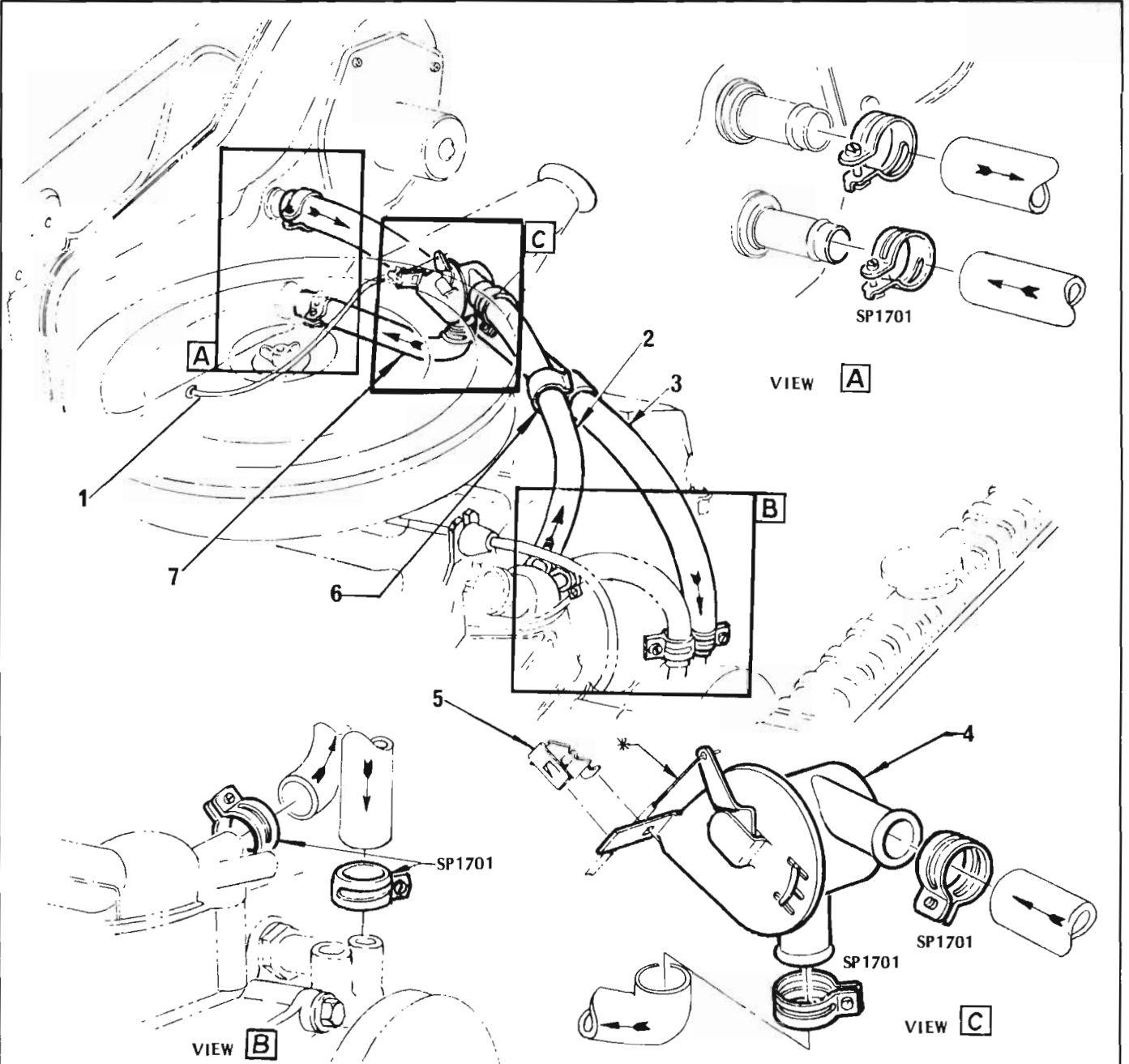
ILLUS. REF. NO.	PART NAME	GROUP
1.	VALVE ASSEMBLY – Heater water diverter	9.779
2.	HOSE – Thermostat housing to valve	9.779
3.	HOSE – Heater outlet	9.779
4.	CLAMP – Hose to manifold	9.779
5.	CLIP – Cable to water valve	9.779
6.	HOSE – Valve to heater	9.779



VIEW A

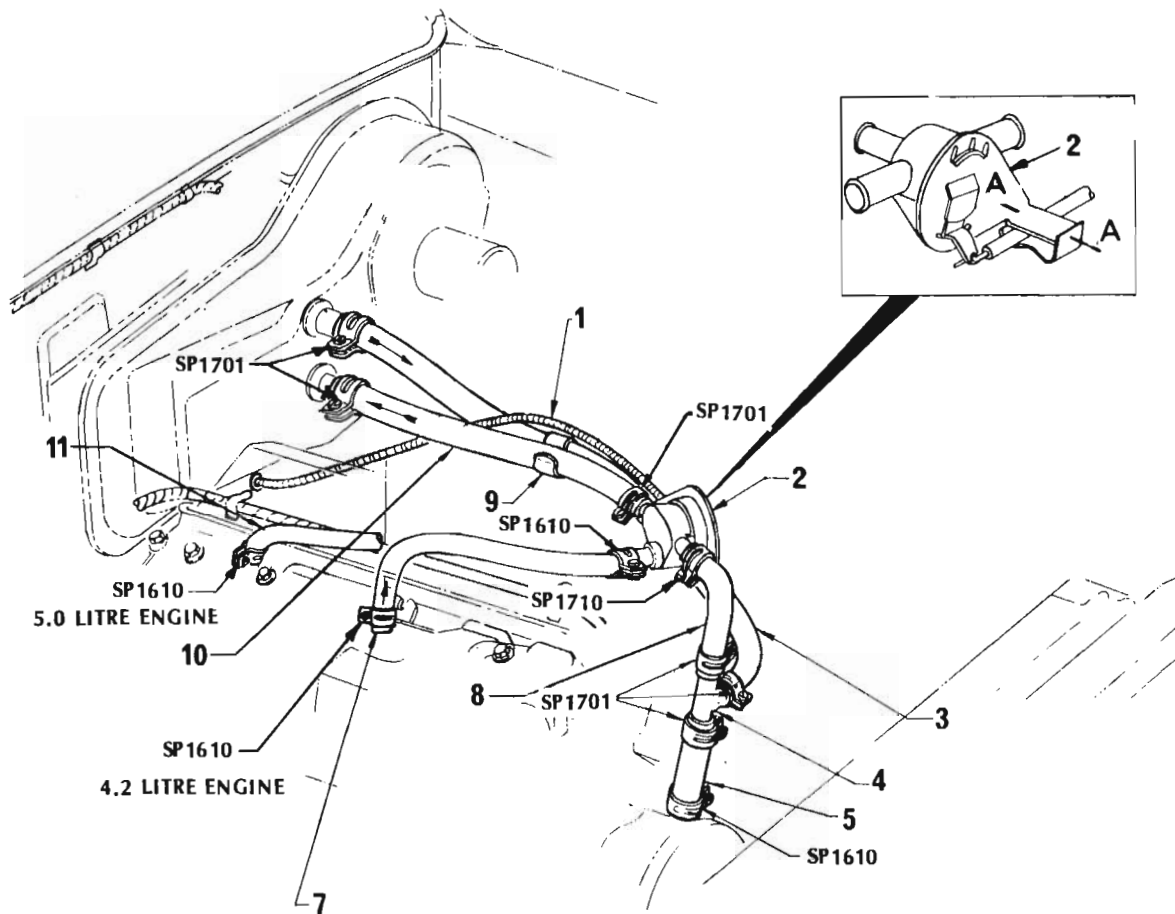
**HEATER HOSES – FORCED AIR VENTILATION
WITHOUT EXHAUST EMISSION CONTROL
6 Cylinder Engine**

ILLUS. REF. NO.	PART NAME	GROUP
1.	HOSE – Water valve to heater inlet	9.779
2.	HOSE – Heater outlet to tee	9.779
3.	HOSE – Water valve to tee	9.779
4.	CLIP – Inlet to outlet hose	9.779
5.	HOSE – Tee to thermo-housing	9.779
6.	TEE – Heater hose connector	9.779
7.	VALVE ASSEMBLY – Water	9.779
8.	HOSE – Manifold outlet to water valve	9.779



HEATER HOSES – FORCED AIR VENTILATION
EMISSION CONTROL – ADR27A
8 Cylinder Engine

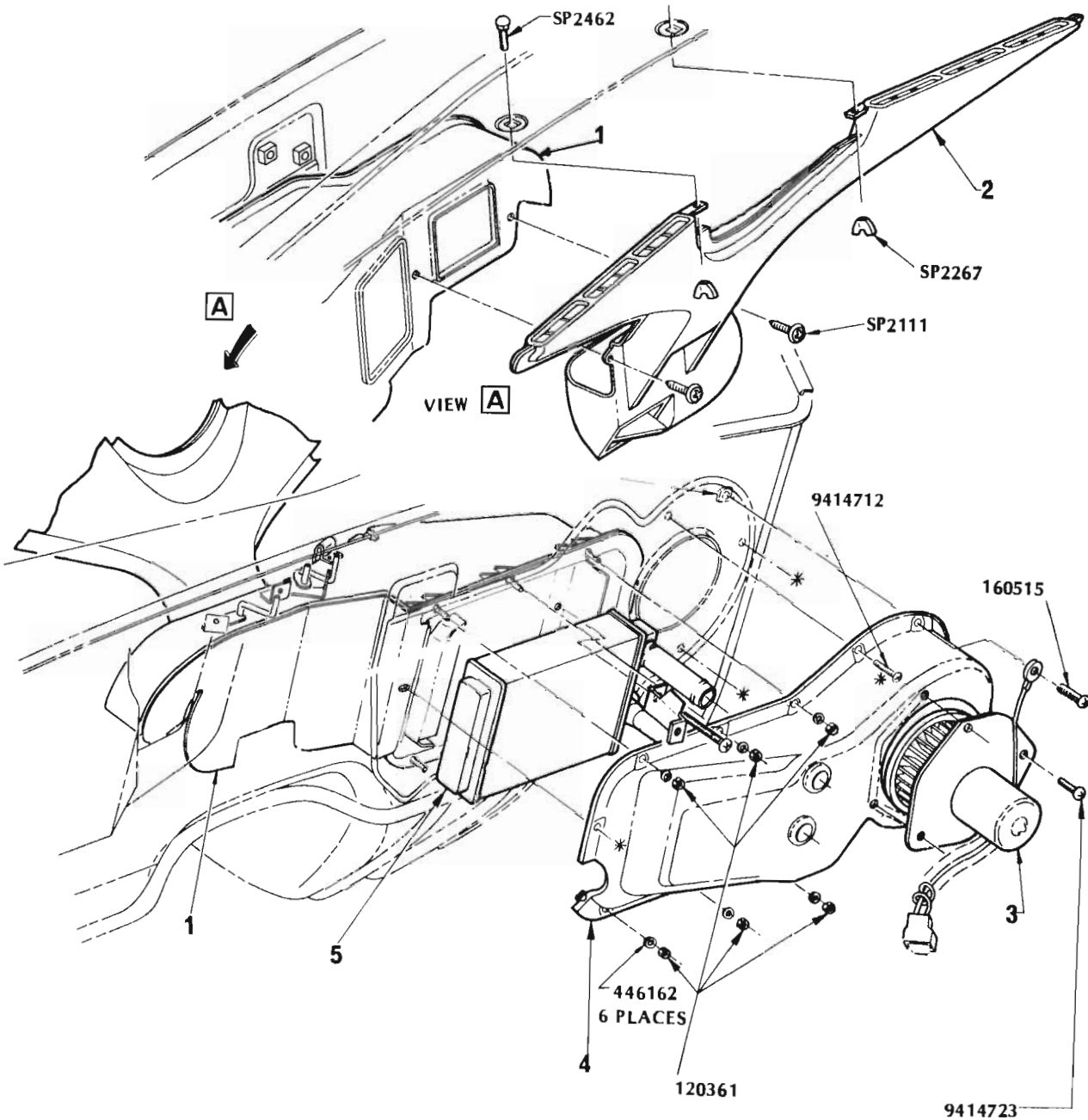
ILLUS. REF. NO.	PART NAME	GROUP
1.	CABLE – Valve	9.779
2.	HOSE – Thermostat housing to valve	9.779
3.	HOSE – Heater outlet	9.779
4.	VALVE – Heater water diverter	9.779
5.	CLIP – Cable to valve	9.779
6.	CLIP – Hose	9.779
7.	HOSE – Valve to heater	9.779



SECTION A-A

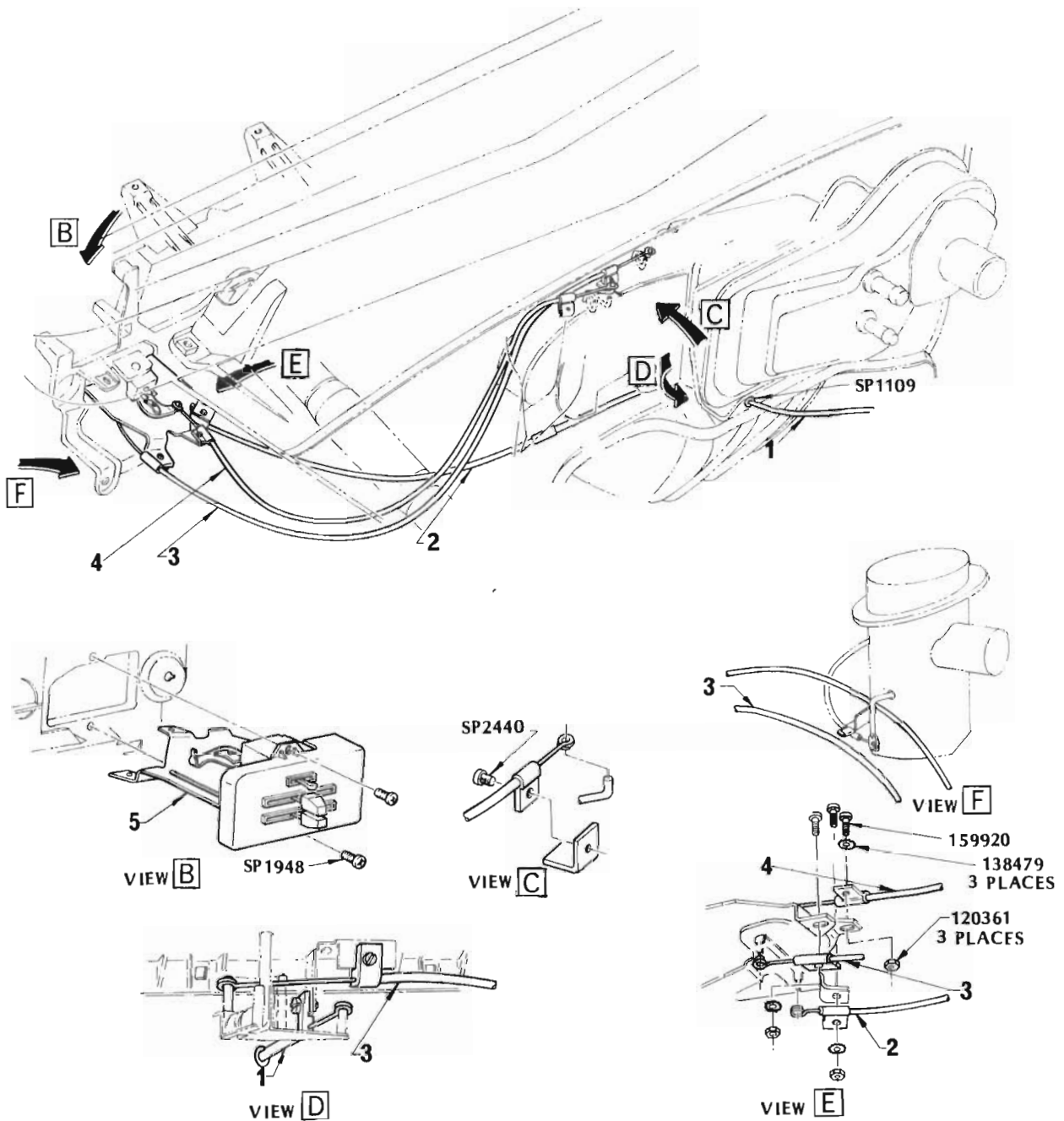
**HEATER HOSES – FORCED AIR VENTILATION
WITHOUT EXHAUST EMISSION CONTROL
8 Cylinder Engine**

ILLUS. REF. NO.	PART NAME	GROUP
1.	CABLE ASSEMBLY – Water valve control heater	9.779
2.	VALVE ASSEMBLY – Heater water	9.779
3.	HOSE – Heater outlet to tee	9.779
4.	TEE – Heater water hose connector	9.779
5.	HOSE – Tee to water pump	9.779
6.	CLIP – Cable to water valve	9.779
7.	HOSE – Manifold outlet to water valve	9.779
8.	HOSE – Water valve to tee	9.779
9.	CLIP – Inlet to outlet heater hose	9.779
10.	HOSE – Water valve to heater inlet	9.779
11.	HOSE – Manifold outlet to water valve	9.779



FORCED AIR VENTILATION

ILLUS. REF. NO.	PART NAME	GROUP
1.	DUCT ASSEMBLY – Heater & forced vent distribution ..	9.779
2.	DUCT ASSEMBLY – Demist distribution	9.779
3.	MOTOR ASSEMBLY – Blower	9.779
4.	HOUSING ASSEMBLY – Blower & air duct	9.779
5.	CORE & FITTING ASSEMBLY – Heater radiator	0.779



FORCED AIR VENTILATION CONTROLS

ILLUS. REF. NO.	PART NAME	GROUP
1.	CABLE ASSEMBLY - Water valve control heater	9.779
2.	CABLE ASSEMBLY - Temperature control heater	9.779
3.	CABLE ASSEMBLY - Vent control heater	9.779
4.	CABLE ASSEMBLY - Interior & demist control heater ..	9.779
5.	CONTROL ASSEMBLY - Heater & forced air vent	9.779

"HX" STATESMAN/HOLDEN PARTS CATALOGUE

GROUP	DESCRIPTION	MODEL	SIDE	PART No.	QTY.
9.127	LACING – Hood ledge Refer Group 8.010				
9.169	EVAPORATOR and BLOWER – Air conditioner				
	HOUSING – Evaporator and blower	ALL		2815701	1
	PLATE ASSY – Front	ALL		2815709	1
	PLATE ASSY – Rear	ALL		9928492	1
	SCREW – Evaporator & blower rear plate	ALL		273708	3
	SCREW – Evaporator & blower front plate	ALL		9428353	6
	SCREW – Evaporator & blower to dash panel	ALL		9414714	3
	WASHER – Evaporator & blower to dash panel	ALL		9416128	3
	SCREW – Evaporator & blower to heater duct	ALL		159972	4
	WASHER – Evaporator & blower to heater duct	ALL		9416128	4
	NUT – Evaporator & blower to heater duct	ALL		120361	4
	NUT – 'J' type No. 10 – 24	ALL		SP2230	4
	GASKET – Evaporator inlet	ALL		2817877	1
	GASKET – Evaporator outlet	ALL		2817876	1
	SEAL – Evaporator to housing	ALL		2815703	1
	SEAL – Evaporator to rear plate	ALL		9928493	2
	SEAL – Evaporator side	ALL		2815704	2
	INSULATOR – Evaporator & blower	ALL		9928884	1
	SCREW – Insulator	ALL		9416642	2
	WASHER – Insulator	ALL		SP2150	2
9.170	COMPRESSOR – Air conditioner				
	COMPRESSOR ASSEMBLY – 10.8 C.I.D.	6 Cyl. Eng., Chassis & Cab		1131046	1
	COMPRESSOR ASSEMBLY – 12.6 C.I.D.	8 Cyl. Eng. Exc. Chassis & Cab		5910775	1
	BOLT – Compressor to fitting	ALL		120677	1
	WASHER – Bolt to fitting – flat	ALL		3706737	1
	WASHER – Bolt to fitting – lock	ALL		103321	1
	"O" RING – Compressor to fitting	ALL		5887997	2
	WIRE ASSEMBLY – Compressor ground	ALL		2818819	1
	FITTING ASSEMBLY	6 Cyl. Eng.		9936385	1
	FITTING ASSEMBLY	8 Cyl. Eng.		9934264	1
	NUT – Shaft	ALL		6555385	1
	VALVE – Fitting Shrader	ALL		1138041	1
	CAP – Fitting Shrader valve	ALL		3792359	1
	WASHER – Fitting to compressor	ALL		3706737	1
9.171	BRACKET, SUPPORT, BRACE – Air conditioner compressor				
	BRACKET – Front	6 Cyl. Eng.		2814838	1
	SPACER – Front bracket to compressor	6 Cyl. Eng.		2814844	3
	BOLT – Front bracket and spacer to compressor	6 Cyl. Eng.		181608	3
	WASHER – Bolt to compressor – Lock	6 Cyl. Eng.		120214	3
	BOLT – Adjusting	6 Cyl. Eng.		180123	1
	WASHER – Adjusting bolt – Lock	6 Cyl. Eng.		120382	1
	WASHER – Adjusting bolt – Flat	6 Cyl. Eng.		SP1612	1
	BRACE – Front	6 Cyl. Eng.		2814839	1
	BOLT – Brace front bracket and generator to support	6 Cyl. Eng.		189305	1
	WASHER – Brace, bracket and generator bolt – lock	6 Cyl. Eng.		120382	1
	BRACKET – Rear	6 Cyl. Eng.		2814841	1
	WASHER – Rear bracket to compressor	6 Cyl. Eng.		SP2097	AR
	BOLT & LOCK WASHER – Rear bracket to compressor	6 Cyl. Eng.		SP2079	2
	BOLT – Rear bracket to support	6 Cyl. Eng.		180123	1
	WASHER – Rear bracket to support bolt – lock	6 Cyl. Eng.		120382	1
	SUPPORT	6 Cyl. Eng.		2814739	1
	BOLT – Support to engine	6 Cyl. Eng.		9427729	2
	WASHER – Support bolt – Lock	6 Cyl. Eng.		120382	2
	BOLT – Engine mounting and compressor bracket to engine	6 Cyl. Eng.		7421673	2

"HX" STATESMAN/HOLDEN PARTS CATALOGUE

GROUP	DESCRIPTION	MODEL	SIDE	PART No.	QTY.
9.171 BRACKET, SUPPORT, BRACE – Air conditioner compressor (contd.)					
	BRACKET – Front	8 Cyl. Eng.		2812397	1
	SUPPORT – Front	8 Cyl. Eng.		2822055	1
	SPACER – Support	8 Cyl. Eng.		2812399	1
	BOLT – Support	8 Cyl. Eng.		9432096	2
	BRACKET – Rear	8 Cyl. Eng.		2812398	1
	BOLT & WASHER – Bracket rear	8 Cyl. Eng.		SP2079	2
	BRACE – Rear	8 Cyl. Eng.		2812401	1
	BOLT & WASHER – Brace rear	8 Cyl. Eng.		SP2079	1
	BOLT – Brace to mounting bracket	8 Cyl. Eng.		120647	1
	WASHER – Brace to bolt	8 Cyl. Eng.		120382	1
	NUT – Brace to washer and bolt	8 Cyl. Eng.		2816049	1
	SPACER – Bracket to support	8 Cyl. Eng.		2812400	1
	STUD – Front & rear bracket to support	8 Cyl. Eng.		SP2597	1
	NUT – Front & Rear to stud	8 Cyl. Eng.		120377	2
	WASHER – Front & Rear to stud	8 Cyl. Eng.		120382	2
	SHIM – Rear bracket	8 Cyl. Eng.		3850581	A.R.
9.175 COIL and HOUSING, RING – Air conditioner compressor					
	COIL and HOUSING ASSEMBLY	ALL		6550835	1
	RING – Coil housing retaining	ALL		6555330	1
	RING – Clutch housing retaining	ALL		6555328	1
9.180 BELT – Air conditioner compressor					
	Refer Group 1.066				
9.180 PULLEY and BEARING – Air conditioner compressor					
	PULLEY and BEARING ASSEMBLY	ALL		5914730	1
9.181 BEARING, RING, SPACER – Air conditioner compressor					
	BEARING – Pulley	ALL		907257	1
	RING – Bearing to pulley retaining	ALL		6555338	1
	RING – Bearing to head retaining	ALL		6555329	1
	SPACER – Clutch hub	ALL		6555384	1
9.188 PLATE, KEY – Air conditioner compressor clutch					
	PLATE – Clutch hub and drive	ALL		5914719	1
	KEY – Clutch hub	ALL		6555320	1
9.190 CONDENSER – Air conditioner					
	CONDENSER ASSEMBLY	Exc. Chassis & Cab		9939494	1
	CONDENSER ASSEMBLY	Chassis & Cab		2825609	1
	SUPPORT – Condenser mounting	Chassis & Cab		2814173	2
	NUT – Condenser to support	Chassis & Cab		9422836	4
	GUARD – Condenser	ALL		3427100	1
	SCREW – Guard to hood lock plate	ALL		SP2197	2
	BOLT – Condenser to support panel	ALL		SP2321	4
	NUT – Condenser to support panel	ALL		3903539	4
9.195 RECEIVER and DEHYDRATOR – Air conditioner					
	RECEIVER & DEHYDRATOR ASSEMBLY – With female inlet	ALL		2821867	1
	BOLT – Receiver and dehydrator to fender skirt	ALL		SP1994	2
	WASHER – Bolt to fender skirt	ALL		120214	2
	NUT – Washer to fender skirt	ALL		120376	2
9.198 VALVE – P.O.A.S.T.					
	VALVE	ALL		5910594	1

"HX" STATESMAN/HOLDEN PARTS CATALOGUE

GROUP	DESCRIPTION	MODEL	SIDE	PART No.	QTY.
9.199	BRACKET, TUBE – P.O.A.S.T. valve				
	BRACKET – Mounting	ALL		3942672	1
	TUBE ASSEMBLY – Outlet	ALL		2818731	1
	SCREW – Valve mount to support bracket	ALL		9411372	1
	NUT – Valve support bracket screw	ALL		134551	1
9.210	CORE – Air conditioner evaporator				
	CORE ASSEMBLY – Evaporator	ALL		9928490	1
9.211	INLET, SEAL – Air Conditioner Air				
	INLET ASSY	ALL		2817550	1
	SEAL – Inlet	ALL		2818641	1
	TUBE – Case drain	ALL		3016305	1
	SCREW – Air inlet to plenum chamber	ALL		SP2111	3
9.213	VALVE – Modulex				
	VALVE	ALL		5910745	1
	CLAMP – Valve mounting	ALL		3017086	1
	SCREW – Valve mounting clamp	ALL		9414711	1
	CLAMP – Valve bulb to evaporator outlet	ALL		3147463	2
	SCREW – Valve bulb to evaporator outlet clamp	ALL		9414713	2
	INSULATION – Valve bulb to evaporator outlet	ALL		8526387	2
9.215	MOTOR, IMPELLER, HOSE – Air conditioner blower				
	MOTOR – Evaporator blower	ALL		4960538	1
	IMPELLER – Blower motor	ALL		3027062	1
	WASHER – Impeller	ALL		3015545	1
	NUT – Impeller	ALL		3027134	1
	HOSE – Motor cooling	ALL		2818388	1
	LEAD ASSEMBLY – Motor earth	ALL		9935220	1
	BOLT – Earth lead evaporator to dash panel	ALL		160515	1
	WASHER – Earth lead evaporator to dash panel	ALL		121753	1
	WASHER – Earth lead to motor & impeller	ALL		121752	1
	WASHER – Earth lead to evaporator & blower assy ..	ALL		120392	1
9.217	CORE, SUPPORT – Air conditioner heater				
	CORE ASSY.	ALL		9939199	1
	SUPPORT & TEMP. DOOR ASSY.	ALL		9934208	1
	GASKET – Heater core pipes	ALL		9935656	1
	SCREW – Clamp to heater core support	ALL		273708	4
	SCREW – Heater core support & temp. door assy.	ALL		273708	3
9.220	HOSE, CLAMP, "O" RING – Air conditioner				
	HOSE – Condenser to receiver dehydrator	6 Cyl. Eng.		3925749	1
	CLAMP – Hose	6 Cyl. Eng.		3840818	2
	HOSE – Compressor to condenser	6 Cyl. Eng.		3895976	1
	TUBE ASSEMBLY – Dehydrator to modulex valve	6 Cyl. Eng.		2818911	1
	'O' RING GASKET – Modulex valve inlet	6 Cyl. Eng.		8526398	1
	SLEEVE – P.O.A.S.T. outlet to compressor hose	6 Cyl. Eng.		2820848	1
	'O' RING GASKET – Receiver dehydrator outlet	6 Cyl. Eng.		8526398	1
	HOSE – P.O.A.S.T. valve to compressor	6 Cyl. Eng.		3843020	1
	CLAMP – Hose	6 Cyl. Eng.		3840818	4
	HOSE – Condenser to receiver dehydrator	8 Cyl. Eng.		3925749	1
	CLAMP – Hose	8 Cyl. Eng.		3840818	2
	HOSE – Compressor to condenser	8 Cyl. Eng.		3895976	1
	CLAMP – Hose	8 Cyl. Eng.		3840818	2
	TUBE ASSEMBLY – Dehydrator to modulex valve	8 Cyl. Eng.		2818911	1
	'O' RING GASKET – Modulex valve inlet & outlet ...	8 Cyl. Eng.		8526398	2
	HOSE – P.O.A.S.T. valve to compressor	8 Cyl. Eng.		3793825	1
	'O' RING GASKET – Modulex valve to evaporator ...	ALL		3140600	1

"HX" STATESMAN/HOLDEN PARTS CATALOGUE

GROUP	DESCRIPTION	MODEL	SIDE	PART No.	QTY.
9.220	HOSE, CLAMP, "O" RING – Air conditioner (contd.)				
	'O' RING GASKET – P.O.A.S.T. valve to evaporator	ALL		3140852	1
	'O' RING GASKET – Bleed pipe to P.O.A.S.T. valve	ALL		8526645	1
	'O' RING GASKET – Equalizer pipe to P.O.A.S.T. valve	ALL		8526645	1
	GROMMET – Condenser inlet pipe .50" x .80"	ALL		SP2049	1
	GROMMET – Condenser outlet pipe .40" x .80"	ALL		SP2048	1
9.220	HOSE, CLAMP, 'O' RING – Air conditioner – Heater hoses				
	HOSE – Heater outlet to thermostat inlet	6 Cyl. Eng.		(⁹³ 2824108	1
	CLAMP – Hose 1.03" dia.	6 Cyl. Eng.		(⁹³ SP1610	1
	CLAMP – Hose .97" dia.	6 Cyl. Eng.		(⁹³ SP1701	1
	HOSE – Heater to thermo. housing	6 Cyl. Eng.		(⁹³ 2805841	1
	HOSE – Thermo. outlet to water valve	6 Cyl. Eng.		(⁹³ 2824108	1
	CLAMP – Hose 1.03" dia.	6 Cyl. Eng.		(⁹³ SP1610	1
	CLAMP – Hose .97" dia.	6 Cyl. Eng.		(⁹³ SP1701	1
	HOSE – Water valve to heater inlet	6 Cyl. Eng.		(⁹³ 9929735	1
	CLAMP – Hose .97" dia.	6 Cyl. Eng.		(⁹³ SP1701	2
	HOSE – Heater outlet to tee	6 Cyl. Eng.		(⁹⁶ 7437879	1
	CLAMP – Hose .97" dia.	6 Cyl. Eng.		(⁹⁶ SP1701	2
	HOSE – Manifold outlet to water valve	6 Cyl. Eng.		(⁹⁶ 2818154	1
	CLAMP – Hose .97" dia.	6 Cyl. Eng.	6cyl	(⁹⁶ SP1701	2
	BRACKET – Heater hose support to engine	6 Cyl. Eng.		(⁹⁶ 9939153	1
	CLAMP – Heater hose to support bracket	6 Cyl. Eng.		(⁹⁶ 2824090	1
	BOLT – Heater hose clamp to support	6 Cyl. Eng.		(⁹⁶ 9414712	1
	NUT – Heater hose clamp to support bolt	6 Cyl. Eng.		(⁹⁶ 120361	1
	WASHER – Bracket & support, E.G.R. valve to manifold	6 Cyl. Eng.		(⁹⁶ 120214	2
	NUT – Bracket & support, E.G.R. valve to manifold	6 Cyl. Eng.		(⁹⁶ 120368	2
	HOSE – Water valve to heater inlet	6 Cyl. Eng.		(⁹⁶ 2822708	1
	HOSE – Thermo. housing to tee	6 Cyl. Eng.		(⁹⁶ 9943999	1
	CLAMP – Hose 1.03" dia.	6 Cyl. Eng.		(⁹⁶ SP1610	1
	CLAMP – Hose .97" dia.	6 Cyl. Eng.		(⁹⁶ SP1701	1
	HOSE – Heater outlet to water pump	8 Cyl. Eng.		(⁹³ 2822319	1
	CLAMP – Hose .97" dia.	8 Cyl. Eng.		(⁹³ SP1701	2
	HOSE – Thermo. housing to water valve	8 Cyl. Eng.		(⁹³ 2822625	1
	CLAMP – Hose .97" dia.	8 Cyl. Eng.	8cyl	(⁹³ SP1701	2
	CLIP – Heater hoses	8 Cyl. Eng.		(⁹³ 7433806	1
	HOSE – Water valve to heater inlet	8 Cyl. Eng.		(⁹³ 7434050	1
	CLAMP – Hose .97" dia.	8 Cyl. Eng.		(⁹³ SP1701	2
	HOSE – Water valve to heater inlet	8 Cyl. Eng.		(⁹⁶ 2822624	1
	HOSE – Heater outlet to tee	8 Cyl. Eng.		(⁹⁶ 2820894	1
	HOSE – Water valve to tee	8 Cyl. Eng.		(⁹⁶ 2822623	1
	HOSE – Tee to water pump	8 Cyl. Eng.		(⁹⁶ 2822709	1
	HOSE – Manifold to water valve	4.2 Litre Eng.		(⁹⁶ 2822625	1
	HOSE – Manifold to water valve	5 Litre Eng.		(⁹⁶ 2822679	1
	CLAMP – Hose 1.03" dia.	ALL		(⁹⁶ SP1610	AR
	CLAMP – Hose .97" dia.	ALL		(⁹⁶ SP1701	AR
	CLIP – Heater hoses	ALL		(⁹⁶ 7433806	1
9.262	DUCT, OUTLET, DOOR – Air conditioner distribution				
	DUCT – Heat distribution	ALL		2817409	1
	SCREW – Distribution duct to heater duct	ALL		SP2270	1
	SCREW – Distribution duct to heater duct	ALL		SP2111	1
	DUCT ASSEMBLY – Air distribution	ALL		9942137	1
	DUCT ASSEMBLY – Outlet, inner left side	ALL		9942138	1
	DUCT ASSEMBLY – Outlet, outer left side	ALL		9942139	1
	DUCT ASSEMBLY – Outlet, outer right side	ALL		9942140	1
	PANEL – Duct closing	ALL		2818642	1
	NUT – Hex. No. 10-24, Vacuum actuator attaching ...	ALL		SP2372	6
	PLATE and CAM ASSY. – Temp. door	ALL		2818694	1
	SPRING – Temp. door cam anti-rattle	ALL		2823973	1
	ROLLER – Temp. door plate and cam	ALL		3150822	1
	OUTLET ASSY – Upper level vent right side inner ...	ALL		9942141	1
Note:	(⁹³ With Evaporative and Exhaust Emission Control – A.D.R. 27A (Refer Safety Compliance Plate).				
	(⁹⁶ Without Exhaust Emission Control.				

"HX" STATESMAN/HOLDEN PARTS CATALOGUE

GROUP	DESCRIPTION	MODEL	SIDE	PART No.	QTY.
9.262 DUCT, OUTLET, DOOR – Air conditioner distribution (contd.)					
	OUTLET ASSY – Upper level vent – right side outer	ALL		9932148	1
	OUTLET ASSY. – Upper level vent, left side	ALL		9932148	2
	SCREW – Duct to instrument panel	ALL		SP1855	4
	DUCT ASSY. – Demister distribution	ALL		2813317	1
	BOLT – Demister duct to heater duct	ALL		159592	2
	WASHER – Demister duct to heater duct	ALL		446162	2
	SCREW – Demister duct to distribution duct	ALL		SP2270	2
	NUT – Demister duct to instrument panel	ALL		SP2267	2
	SCREW – Temp. door plate & door assy to duct	ALL		273708	3
	SCREW – Duct closing panel to distribution duct	ALL		273708	7
	GASKET – Distribution duct	ALL		2818001	1
	DOOR ASSY. – Demister	ALL		2818633	1
	DOOR ASSY. – Mode	ALL		2818632	1
	CLIP – Mode door hinge pin retaining	ALL		SP2019	1
	DOOR ASSY. – Temp.	ALL		2815638	1
	PIN – Demister door hinge	ALL		2818002	1
	PIN – Mode door hinge	ALL		2818003	1
	PIN – Temp. door cam	ALL		2818697	1
	CLIP – Demister door & mode door hinge pin	ALL		SP2453	2
	CLIP – Temp. door cam pin	ALL		SP1762	1
	BUSH – Air inlet door retaining	ALL		2818693	1
	BUSH – Vacuum valve rotor pin	ALL		7312579	1
	CLIP – Link to air inlet door	ALL		SP2207	1
9.263 COVER, SEAL – Plenum chamber outlet Air Conditioner					
	COVER – Right side	ALL		2814398	1
	SEAL	ALL		2814397	1
	SCREW – Cover	ALL		SP1855	3
9.275 WATER VALVE, SWITCH, CIRCUIT BREAKER, RELAY, RESISTOR – Air conditioner					
	VALVE ASSEMBLY – Heater water	ALL		⁵⁰⁰⁹⁵⁶ (93 481675)	1
	VALVE ASSEMBLY – Heater water	ALL		⁽⁹⁶⁾ 2822620	1
	SWITCH ASSY. – Fan	ALL		2814815	1
	SCREW – Fan switch to adaptor	ALL		451580	2
	NUT – Fan switch to adaptor	ALL		120622	2
	SWITCH ASSY. – Master micro	ALL		7308858	1
	SCREW – Master switch to base	ALL		9411529	1
	WASHER – Master switch to base	ALL		138526	1
	CIRCUIT BREAKER ASSY	ALL		4849850	1
	BODY – Circuit breaker to relay lead	ALL		2962448	1
	BOLT – Circuit breaker to skirt	ALL		159920	2
	WASHER – Circuit breaker to skirt	ALL		120391	2
	NUT – Circuit breaker to skirt	ALL		120361	2
	SLEEVE – Circuit breaker stud	ALL		7414969	2
	RELAY ASSY.	ALL		7437892	1
	SCREW & WASHER ASSEMBLY – Relay to skirt	ALL		SP1994	1
	RESISTOR ASSY	ALL		3979727	1
	SCREW – Resistor to housing	ALL		273708	2
	SEAL – Resistor	ALL		2815712	1
	GASKET – Resistor to housing	ALL		2815702	1
	SWITCH ASSY – Compressor micro	ALL		7935830	1
	SCREW – Compressor switch to base	ALL		9411529	1
	WASHER – Compressor switch to base	ALL		138526	1

Note: ⁽⁹³⁾ With Evaporative and Exhaust Emission Control – A.D.R. 27A (Refer Safety Compliance Plate).
⁽⁹⁶⁾ Without Exhaust Emission Control.

"HX" STATESMAN/HOLDEN PARTS CATALOGUE

GROUP	DESCRIPTION	MODEL	SIDE	PART No.	QTY.
9.276	HARNES, LEAD – Air conditioner wiring				
	HARNES ASSY – Wiring and vacuum hose	ALL		9928904	1
	LEAD ASSY – S/Motor to circuit breaker	6 Cyl. Eng.		2818984	1
	NUT – Lead to circuit breaker	ALL		120361	1
	WASHER – Lead to circuit breaker – Flat	ALL		446152	1
	WASHER – Lead to circuit breaker – Lock	ALL		SP2442	1
	LEAD ASSY. – Alternator to circuit breaker	8 Cyl. Eng.		2823750	1
	LEAD ASSY – Alternator to engine harness	6 Cyl. Eng.		9937117	1
	CLIP – Circuit breaker & compressor lead to fender ..	6 Cyl. Eng.		SP1498	1
	CLIP – Circuit breaker & compressor lead to fender skirt	8 Cyl. Eng.		2815231	1
	LEAD ASSY. – Circuit breaker to relay	ALL		2818985	1
	NUT – Relay lead to circuit breaker	ALL		120361	1
	WASHER – Relay lead to circuit breaker	ALL		SP2442	1
	WASHER – Relay lead to circuit breaker	ALL		446152	1
	BODY – Terminal connector – Single	ALL		2962448	4
	BODY – Terminal connector – 2 way female	ALL		2973407	1
	BODY – Terminal connector – Double	ALL		2962967	2
	BODY – Terminal connector – 4 way female	ALL		2965073	1
	BODY – Terminal connector – 5 way female	ALL		6294016	1
	CLIP – Harness to dash panel and steering column brace	ALL		7413370	3
9.278	CONTROL, BASE, ADAPTOR, ESCUTCHEON, LEVER, CABLE – Air conditioner control				
	CONTROL ASSEMBLY	ALL		9934384	1
	BASE – Control assembly	ALL		2817915	1
	ADAPTOR ASSEMBLY – Control	ALL		9934092	1
	ESCUTCHEON – Control assembly	ALL		9933671	1
	LEVER ASSEMBLY – Mode control	ALL		9934197	1
	LEVER ASSEMBLY – Heat control	ALL		9934199	1
	SPRING – Mode control	ALL		2814892	1
	SPRING – Heat control	ALL		2814892	1
	RIVET – Detent spring to lever	ALL		134794	1
	CABLE – Heat control	ALL		2819278	1
	SCREW – Heater cable to distribution duct	ALL		SP2165	1
	WASHER – Heater cable to distribution duct	ALL		9416128	1
	SCREW – Heater cable to heater control	ALL		159920	1
	NUT – Heater cable to heater control	ALL		120361	1
9.280	ACTUATOR, VALVE, LINK – Air conditioner vacuum				
	ACTUATOR – Mode door vacuum	ALL		1996563	1
	ACTUATOR – Demist door vacuum	ALL		1996563	1
	ACTUATOR – Air inlet vacuum	ALL		1996563	1
	VALVE ASSEMBLY – Mode vacuum	ALL		2820513	1
	NUT – Mode vacuum valve to base screw	ALL		120622	2
	VALVE ASSEMBLY – Heat vacuum	ALL		7930601	1
	BOLT – Temp. vacuum valve to base	ALL		7446262	2
	NUT – Temp. vacuum valve to base	ALL		134530	2
	BRACKET – Air inlet vacuum actuator support	ALL		2818628	1
	SCREW – Mode valve bracket to valve support	ALL		9414711	1
	SCREW – Bracket & vacuum actuator to air inlet	ALL		273446	2
	SPACER – Mode vacuum valve	ALL		9930459	2
	BOLT – Mode vacuum valve to base	ALL		159675	2
	NUT – Mode vacuum valve to base bolt	ALL		120622	2
	SPACER – Heat vacuum valve	ALL		9930350	2
	LINK – Mode door vacuum actuator	ALL		2817999	1
	SCREW – Mode link to vacuum actuator	ALL		9415191	1
	LINK – Demist door vacuum actuator	ALL		2818000	1
	SCREW – Demist link to vacuum actuator	ALL		9415191	1
	LINK – Air inlet vacuum actuator	ALL		2818692	1
	SCREW – Link to air inlet vacuum actuator	ALL		9415191	1
	CLIP – Vacuum actuator link to air inlet door	ALL		SP2207	1
	WASHER – Link to air inlet door	ALL		9421089	1
	PIN – Link to mode & demist door	ALL		11079751	2

"HX" STATESMAN/HOLDEN PARTS CATALOGUE

GROUP	DESCRIPTION	MODEL	SIDE	PART No.	QTY.
9.281	VALVE, HOSE – Air conditioner vacuum				
	VALVE ASSEMBLY – Check	ALL		1485553	1
	HOSE – Engine to check valve	ALL		3760716	1
	HOSE – Check valve to connector tee	ALL		9928779	1
	HOSE – Mode vac. valve to mode door 45" Green Stripe	ALL		2819178	1
	HOSE – Mode vac. valve to demister door 45" Pink Stripe	ALL		2819177	1
	HOSE – Mode valve to connector tee 2"	ALL		2822626	1
	HOSE – Vac. valve to air inlet door 67"	ALL		2819179	1
	HOSE – Heat valve to water valve 77"	ALL		2819181	1
	HOSE – Vac. heat valve to connector tee 5"	ALL		2822627	1
	TEE – Special	ALL		3895904	1
9.600	BAR, KIT – Tow				
	BAR – Less tongue	35, 37, 69		M37829	1
	KIT – Small parts attaching	35, 37, 69		M37095	1
	BAR – Less tongue	60, 70, 80		M37797	1
	KIT – Small parts attaching	60, 70, 80		M37191	1
9.600	TONGUE – Tow bar				
	TONGUE – Painted	Rams Horn exc. Western Australia		M37831	1
	TONGUE – Chrome plated	Rams Horn exc. Western Australia		M37832	1
	TONGUE – Chrome plated	'U' Shackle		M37833	1
9.600	LOAD LEVELLER PACKAGE – Tow bar				
	LOAD LEVELLER PACKAGE	ALL		M37617	1
	SHAFT	ALL		M37618	2
	MOUNTING ASSEMBLY	ALL		M37619	1
	PLATE – Chain	ALL		M37620	2
	PLATE – Clamp	ALL		M37621	2
	"U" BOLT	ALL		M37622	4
	CHAIN	ALL		M37623	2
	NUT	ALL		120367	8
	WASHER	ALL		120214	8
	PIN	ALL		SP2540	2
9.608	CARRIER – Water Bag				
	CARRIER	ALL		9933075	1
9.610	COVER – Steering wheel – Press stud type				
	COVER – Black	ALL		M37588BLK	1
	COVER – Red	ALL		M37588RED	1
	COVER – Tan	ALL		M37588TAN	1
9.614	COVER – Front bench seat – Without armrest – "Terry Towelling"				
	COVER – Tan	35, 69		M37563TAN	1
	COVER – Orange	35, 69		M37563MAN	1
	COVER – Red	35, 69		M37563RED	1
	COVER – Olive	35, 69		M37563GRN	1
	COVER – Royal	35, 69		M37563RYL	1
	COVER – Maroon	35, 69		M37563MRN	1
	COVER – Blue	35, 69		M37563BLU	1
	COVER – Black	35, 69		M37563BLK	1

"HX" STATESMAN/HOLDEN PARTS CATALOGUE

GROUP	DESCRIPTION	MODEL	SIDE	PART No.	QTY.
9.614	COVER – Front bench seat – With armrest – "Terry Towelling" (contd.)				
	COVER – Tan	35, 69		M37564TAN	1
	COVER – Orange	35, 69		M37564MAN	1
	COVER – Red	35, 69		M37564RED	1
	COVER – Olive	35, 69		M37564GRN	1
	COVER – Royal	35, 69		M37564RYL	1
	COVER – Maroon	35, 69		M37564MRN	1
	COVER – Blue	35, 69		M37564BLU	1
	COVER – Black	35, 69		M37564BLK	1
9.614	COVER – Front bench seat – "Terry Towelling"				
	COVER – Tan	60, 70, 80		M37565TAN	1
	COVER – Orange	60, 70, 80		M37565MAN	1
	COVER – Red	60, 70, 80		M37565RED	1
	COVER – Olive	60, 70, 80		M37565GRN	1
	COVER – Royal	60, 70, 80		M37565RYL	1
	COVER – Maroon	60, 70, 80		M37565MRN	1
	COVER – Blue	60, 70, 80		M37565BLU	1
	COVER – Black	60, 70, 80		M37565BLK	1
9.614	COVER – Bucket seat – "Terry Towelling"				
	COVER – Tan	ALL		M37562TAN	1
	COVER – Orange	ALL		M37562MAN	1
	COVER – Red	ALL		M37562RED	1
	COVER – Olive	ALL		M37562GRN	1
	COVER – Royal	ALL		M37562RYL	1
	COVER – Maroon	ALL		M37562MRN	1
	COVER – Blue	ALL		M37562BLU	1
	COVER – Black	ALL		M37562BLK	1
9.614	COVER – Rear seat – Without arm rest – "Terry Towelling"				
	COVER – Tan	ALL		M37104TAN	1
	COVER – Orange	ALL		M37104MAN	1
	COVER – Red	ALL		M37104RED	1
	COVER – Olive	ALL		M37104GRN	1
	COVER – Royal	ALL		M37104RYL	1
	COVER – Maroon	ALL		M37104MRN	1
	COVER – Blue	ALL		M37104BLU	1
	COVER – Black	ALL		M37104BLK	1
9.614	COVER – Rear seat – With armrest – "Terry Towelling"				
	COVER – Tan	ALL		M37105TAN	1
	COVER – Orange	ALL		M37105MAN	1
	COVER – Red	ALL		M37105RED	1
	COVER – Olive	ALL		M37105GRN	1
	COVER – Royal	ALL		M37105RYL	1
	COVER – Maroon	ALL		M37105MRN	1
	COVER – Blue	ALL		M37105BLU	1
	COVER – Black	ALL		M37105BLK	1
9.614	COVER – Front bench seat – Without armrest – "Deluxe"				
	COVER – Black & white check	35, 69		M37719BW	1
	COVER – Brown & Yellow check	35, 69		M37719BY	1
9.614	COVER – Front bench seat – With armrest – "Deluxe"				
	COVER – Black & White check	35, 69		M37720BW	1
	COVER – Brown & Yellow check	35, 69		M37720BY	1
9.614	COVER – Bucket seat – "Deluxe"				
	COVER – Black & White check	ALL		M37718BW	1
	COVER – Brown & Yellow check	ALL		M37718BY	1

"HX" STATESMAN/HOLDEN PARTS CATALOGUE

GROUP	DESCRIPTION	MODEL	SIDE	PART No.	QTY.
9.614	COVER – Rear seat – Without armrest – "Deluxe"				
	COVER – Black & White check	35		M37723BW	1
	COVER – Brown & Yellow check	35		M37723BY	1
	COVER – Black & White check	69		M37721BW	1
	COVER – Brown & Yellow check	69		M37721BY	1
9.614	COVER – Rear seat – With arm rest – "Deluxe"				
	COVER – Black & White check	35		M37724BW	1
	COVER – Brown & Yellow check	35		M37724BY	1
	COVER – Black & White check	69		M37722BW	1
	COVER – Brown & Yellow check	69		M37722BY	1
9.614	CUSHION – "Coolaride"				
	CUSHION – Blue	ALL		5250043BLU	AR
	CUSHION – Green	ALL		5250043GRN	AR
	CUSHION – Red	ALL		5250043Red	AR
	CUSHION – Black & White	ALL		5250043BLW	AR
	CUSHION – Neutral	ALL		5250043	AR
9.616	DEFLECTOR – End gate dust				
	DEFLECTOR PACKAGE – Prime	35		2822921	1
	DEFLECTOR PACKAGE – "Deluxe" – Chrome	35		2822920	1
	SMALL PARTS KIT – Deflector	35		M36561	1
9.620	DEFLECTOR – Fender mud				
	DEFLECTOR PACKAGE – Front	ALL		2820204 92005551	1
	DEFLECTOR PACKAGE – Rear	Station Wagon, Sedan		9932570	1
	DEFLECTOR PACKAGE – Rear	Panel Van, Utility, LE, Statesman		2820200	1
	DEFLECTOR – Front	ALL	LH	2820353	1
			RH	2820352	1
	RETAINER – Deflector front fender	ALL		2820351	2
	BOLT – Pan hd. No. 10 – 24 x 1 1/4"	ALL		159962	4
	SCREW – Pan hd. No. 8 – 18 x 7/8"	ALL		9414715	2
	WASHER – Retainer to deflector	ALL		121841	2
	DEFLECTOR – Rear	Station Wagon, Sedan Exc. Statesman	LH	9932289	1
			RH	9932288	1
	DEFLECTOR – Rear	Panel Van, Utility, LE, Statesman	LH	2820347	1
			RH	2820346	1
	RETAINER – Deflector rear fender	Exc. Chassis & Cab		2820350	2
	BOLT – Pan hd. No. 8 – 32 x 1"	Exc. Chassis & Cab		159675	2
	SCREW – Pan hd. No. 8 – 18 x 7/8"	Exc. Chassis & Cab		9414715	5
	WASHER – Lock No. 8	Exc. Chassis & Cab		121841	2
	NUT – No. 8 – 32	Exc. Chassis & Cab		120622	2
9.628	GUARD – Door edge				
	GUARD PACKAGE – Front and rear	35, 69		2819660	1
	GUARD PACKAGE – Front	Exc. 37		2819661	1
	GUARD – Front	Exc. 37	LH	2819427	1
			RH	2819426	1
	GUARD – Rear	35, 69	LH	2819429	1
			RH	2819428	1
	GUARD PACKAGE	37		2819662	1
	GUARD	37	LH	2819431	1
			RH	2819430	1
9.632	GUARD – Headlamp stone				
	GUARD PACKAGE – 1 pair	Single Headlights		9937562	1
	GUARD PACKAGE – 2 pair	Dual Headlights		7439906	1

"HX" STATESMAN/HOLDEN PARTS CATALOGUE

GROUP	DESCRIPTION	MODEL	SIDE	PART No.	QTY.
9.640	HANDLE – Door pull-to				
	HANDLE PACKAGE – Front & rear (set of 2)	ALL		2808258	2-1
	HANDLE – Single	ALL		7435413	4-2
	SCREW – Handle door pull - Front & rear	ALL		9415537	4
9.644	HARNESS – Trailer wiring				
	HARNESS PACKAGE – Brylite type (non-moulded) .	35, 37, 69		2819819	1
	HARNESS PACKAGE – Sphinx type (moulded)	35, 37, 69		2824013	1
	HARNESS PACKAGE	60		2824884	1
	HARNESS PACKAGE	70, 80		2825526	1
	HARNESS ASSY – Vehicle section – Brylite type	35, 37, 69		2820382	1
	HARNESS ASSY – Vehicle section – Sphinx type	35, 37, 69		2824011	1
	HARNESS ASSY – Trailer section – Sphinx type	35, 37, 69		2823933	1
	HARNESS ASSY	60		2824886	1
	HARNESS ASSY	70, 80		2824384	1
	BODY – 4 way male connector	35, 37, 69		2973603	1
	BODY – Panel connector – short	60		2962448	1
	BODY – 3 way male connector	60		2973172	1
	BODY – 3 way female connector	60		2962449	1
	BODY – 4 way male connector	70, 80		2973603	1
	BODY – Trailer wiring harness	Exc. 60		2962969	1
	SCREW – Trailer wiring harness	60, 70, 80		9414713	2
	WASHER – Trailer wiring harness	60, 70, 80		121753	2
	PLUG – Trailer section (Brylite type)	ALL		2815892	1
	FLASHER ASSY – Lucas	ALL		2815893	1
	SEAL – Trailer wiring harness	70, 80		2817385	1
	CONVERSION KIT – "Utilux" vehicle section to Brylite	ALL		M37793	1
	CONVERSION KIT – "Utilux" trailer section to Brylite	ALL		M37794	1
	CONVERSION KIT – Heavy duty 7 pin type to Brylite	ALL		M37795	1
9.648	LAMP – Auxiliary driving				
	LAMP PACKAGE	ALL		9944243	1
	LAMP ASSEMBLY – Hella	ALL		9936718	2
	SWITCH – Push pull	ALL		M31722	1
	KNOB – Switch	ALL		9933925	1
	LEAD ASSEMBLY – Lamp to connector	ALL		9936802	1
	LEAD ASSEMBLY - Lamp connector to dash connector	ALL		9934048	1
	BULB – Hologen 12v.55w – Hella	ALL		VS10970	2
	BODY – Single panel connector	ALL		2962448	AR
	BODY – Male connector	ALL		2962984	AR
	WASHER – Lamp mounting	ALL		SP2522	2
9.656	MAT – Cargo compartment				
	MAT	35		2820392	1
9.658	PLATE – Door paint protection				
	PLATE PACKAGE – Set of 4	35, 69		2820272	1
	PLATE PACKAGE – Set of 2	37, 60, 70, 80		2820277	1
	SCREW – Protection plate to door	35, 69		SP2192	8
9.661	LUGGAGE RACK – Chrome plated				
	LUGGAGE RACK PACKAGE – Deluxe	35		(9942929)	1
	SMALL PARTS KIT – Luggage rack	35		M37772	1
9.661	LUGGAGE RACK PACKAGE – Plastic Coated				
	LUGGAGE RACK PACKAGE – "Classic" – Large ...	ALL		M37800	1
	LUGGAGE RACK PACKAGE – "Type 1000" – Med.	ALL		M37801	1
	SMALL PARTS KIT – Consists of 1-foot clamp,				
	1-wing screw, 1-nut & 1-washer	ALL		M37844	4

"HX" STATESMAN/HOLDEN PARTS CATALOGUE

GROUP	DESCRIPTION	MODEL	SIDE	PART No.	QTY.
9.662	QUADRAPHONIC CARTRIDGE PLAYER				
	QUADRAPHONIC CARTRIDGE PLAYER	Caprice		9943495	1
9.662	RADIO/STEREO CASSETTE PLAYER PACKAGE, RADIO PACKAGE – Air chief				
	KNOB SET	Caprice		M37627	1
9.662	RADIO/STEREO CASSETTE PLAYER				
	RADIO/STEREO CASSETTE PLAYER PACKAGE ...	ALL		9934519	1
	ESCUTCHEON - Black	Chassis & Cab, Utility, Panel Van, Belmont, Kingswood		VS13164	1
	EXTENSION SPEAKER PACKAGE	Sedan, LE		9935256	1
9.662	RADIO				
	RADIO PACKAGE	ALL		M37615	1
	INSTALLATION KIT	ALL		M37764	1
	EXTENSION SPEAKER PACKAGE - Rear seat	Sedan		9941595	1
9.662	ANTENNA, LEAD-IN – Radio				
	ANTENNA & LEAD-IN PACKAGE	ALL		2824959	1
	ANTENNA & LEAD-IN PACKAGE - Lock down type - Long range	ALL		M37085	1
	ANTENNA & LEAD-IN PACKAGE - Lock down type - Medium range	ALL		M37115	1
	LEAD-IN	ALL		M35270	1
	ANTENNA PACKAGE - Rear quarter electric	Sedan, LE		9944307	1
	SWITCH - Electric antenna	Sedan, LE		9943144	1
	SPRING - Switch retaining	Sedan, LE		2816992	1
9.664	ROPE RAIL				
	ROPE RAIL PACKAGE	80		2820260	1
9.665	SCREEN – Insect				
	SCREEN PACKAGE	Exc. Air Cond.		2822353	1
9.666	PROTECTIVE SCREEN				
	PROTECTIVE SCREEN PACKAGE	70		9936429	1
	SCREW - Rail assembly to body	70		9426422	4
	WASHER - Rail assembly to body screw	70		SP1267	4
	SCREW - Bulkhead to rail assembly	70		9425804	7
	WASHER - Bulkhead to rail assembly screw	70		104241	7
	SCREW - Bulkhead to body	70		130025	7
9.667	SEAT – Child Safety				
	Refer Group 9.675				
9.668	SHADE – Venetian				
	SHADE PACKAGE - Rear window	Sedan exc. Statesman		2822856	1
	SHADE PACKAGE - Rear window	Statesman		2822857	1
	SHADE PACKAGE - Rear quarter	Station Wagon		2822858	1
	SMALL PARTS KIT - Shade package	69		M37185	1
9.672	SHELF – Parcel				
	SHELF PACKAGE	ALL		9935606	1
	BOLT - Parcel shelf to body	ALL		159920	4
	NUT - Parcel shelf to body	ALL		120361	4
	SCREW - Parcel shelf to body	ALL		9414725	2
	WASHER - Parcel shelf to body	ALL		SP2442	4

"HX" STATESMAN/HOLDEN PARTS CATALOGUE

GROUP	DESCRIPTION	MODEL	SIDE	PART No.	QTY.
9.675	INFANT CARRIER				
	INFANT CARRIER PACKAGE	ALL		994259	AR
	MOUNTING KIT - Child safety seat	ALL		9695953	AR
9.680	SUNSHADE - Windshield				
	SHADE - Panel only	Exc. LE, Statesman		2823270	1
	SHADE - Panel only - Expanded metal	Exc. LE, Statesman		2823492	1
	ATTACHING PACKAGE	Station Wagon		2823408	1
	ATTACHING PACKAGE	Sedans, Utility, Chassis & Cab Exc. Statesman, LE		2823273	1
	ATTACHING PACKAGE	Panel Van		2823272	1
	SHADE PACKAGE	LE		2823884	1
	SHADE PACKAGE - Black - Vinyl	Sedan exc. Belmont		9930285CY	1
	SHADE PACKAGE - Tan - Vinyl	Sedan exc. Belmont		9930285DX	1
	SHADE PACKAGE - Chamois - Vinyl	Sedan exc. Belmont		9930285DV	1
	SHADE PACKAGE - Buckskin - Vinyl	Caprice		9930285FH	1
	SHADE PACKAGE - Blue - Vinyl	Caprice		9930285EU	1
	SHADE PACKAGE - Red - Vinyl	Caprice		9930285EV	1
	SHADE PACKAGE - Sienna - Vinyl	Caprice		9930285EC	1
	SCREW - Sun shade to body	35, 69, 80		163158	4
9.684	WEATHERSHIELD - Door mounting				
	WEATHERSHIELD - Clear	Exc. LE, Caprice	LH	2822733 CLR	1
	WEATHERSHIELD - Tinted	Exc. LE, Caprice	RH	2822734 CLR	1
	WEATHERSHIELD - Louvre vented (Clear)	Exc. LE, Caprice	LH	2822733 TNT	1
	WEATHERSHIELD - Louvre vented (Tinted)	Exc. LE, Caprice	RH	2822734 TNT	1
	WEATHERSHIELD - Louvre vented (Clear)	Exc. LE, Caprice	LH	9936469 CLR	1
	WEATHERSHIELD - Louvre vented (Tinted)	Exc. LE, Caprice	RH	9936470 CLR	1
	WEATHERSHIELD - Louvre vented (Tinted)	Exc. LE, Caprice	LH	9936469 TNT	1
	WEATHERSHIELD - Louvre vented (Tinted)	Exc. LE, Caprice	RH	9936470 TNT	1
	SMALL PARTS KIT - Non-vented - Clear	Exc. LE, Caprice		M37060	2
9.685	CAMPING PACKAGE				
	CAMPING PACKAGE - "Tail Tent"	70		9942393	1
9.709	LIGHTER - Cigarette - Instrument panel				
	LIGHTER PACKAGE	Chassis & cab, Belmont		9936349	1
	LIGHTER ASSEMBLY	ALL		9937309	1
	PLUNGER and KNOB ASSEMBLY	ALL		9933867	1
9.743	PLUG - Cigarette Lighter Aperture				
	PLUG	Chassis & Cab, Utility, Panel Van, Belmont		7426303	1
9.778	SWITCH, LEAD - Heated rear window				
	SWITCH ASSY	37, 69		9934438	1
	SPRING - Switch retainer	37, 69		2816992	1
	LEAD ASSY - Rear window	37, 69		2824950	1
	LEAD ASSY - Rear window switch extension	Taxi equipment		9935569	1
	BODY - Connector, 1 Male terminal	37, 69		2984528	1
	BODY - Connector, 1 Female terminal	37, 69		2977253	1
	BODY - Rear window glass	37, 69		2984528	1
	CLIP - Lead to quarter inner panel	37, 69		7426417	1
	SCREW - Lead to quarter inner panel	37, 69		SP1884	1
	WASHER - Lead to quarter inner panel	37, 69		121752	1
	GROMMET - Rear compartment front outer panel	37, 69		SP1982	1
	LEAD ASSY - Fuse	37, 69		2824951	1
	BODY - Connector, Male	Taxi equipment		2962984	1
	BODY - Connector, 1 Female terminal	37, 69		6294142	1
	CLIP & TERMINAL ASSY - Fuse	37, 69		2814603	1
	FUSE - 25 Amp.	37, 69		9426332	1

"HX" STATESMAN/HOLDEN PARTS CATALOGUE

GROUP	DESCRIPTION	MODEL	SIDE	PART No.	QTY.
9.779	HEATER and DEMISTER COMPONENTS – Exc. forced air ventilation				
	ADAPTOR ASSEMBLY – Heater control	ALL		9934093	1
	BASE – Heater control	ALL		2814888	1
	BODY – Heater motor lead	ALL		2973172	1
	SCREW – Heater control base to adaptor	ALL		9414711	2
	BULB – Heater control illumination	ALL		9417863	1
	BRACKET – Support to engine	6 Cyl. Eng.		9939153	1
	BUSH – Heat distribution duct door(Elmaco)	ALL		VS11937	1
	CABLE – Mode control	ALL		2813323	1
	CABLE – Heater control	ALL		2813322	1
	CORE & FITTING ASSY. – Heater radiator	ALL		9939196	1
	CLIP – Control lever pivot pin	ALL		SP1762	1
	CLIP – Heat dist. duct closing panel(Elmaco)	ALL		VS11939	7
	CLIP – Heat dist. duct closing panel(Smith)	ALL		VS12053	7
	CONTROL ASSEMBLY – Heater	ALL		9934386	1
	DOOR ASSEMBLY – Mode(Elmaco)	ALL		VS11936	1
	SCREW – Heater control to inst. panel	ALL		SP1948	2
	SCREW – Heater control cable to heater duct	ALL		159920	1
	NUT – Heater control cable to heater duct	ALL		120361	1
	WASHER – Heater control cable to heater duct	ALL		138479	2
	WASHER – Heater control cable to heater control	ALL		138479	2
	DOOR ASSEMBLY – Mode(Smith)	ALL		VS12049	1
	DOOR ASSEMBLY – Temperature(Elmaco)	ALL		VS11935	1
	DOOR ASSEMBLY – Temperature(Smith)	ALL		VS12047	1
	DUCT ASSEMBLY – Demist distribution	ALL		2813317	1
	BOLT – Demister duct to inst. panel shroud	ALL		SP2462	2
	NUT – Demister duct to inst. panel shroud	ALL		SP2267	2
	SCREW – Distribution duct to heater duct	ALL		SP2270	1
	BOLT – Demister duct to heat duct	ALL		159592	2
	SCREW – Demister duct to heater dist. duct	ALL		SP2111	2
	WASHER – Demister duct to heater dist. duct	ALL		446162	2
	DUCT ASSEMBLY – Heat distribution	ALL		2813301	1
	DUCT – Heater distribution(Elmaco)	ALL		VS11934	1
	DUCT – Heater distribution(Smith)	ALL		VS12044	1
	DUCT – Upper vent outlet – Left side	ALL		9931053	1
	DUCT – Upper vent outlet – Right side	ALL		9931052	1
	ESCUTCHEON – Heater control	ALL		9933257	1
	FUSE – 25 amp	ALL		9426332	1
	GROMMET – Heater core inlet	ALL		2813295	1
	GROMMET – Heater core outlet	ALL		2817265	1
	HOSE – Heater inlet	6 Cyl. Eng.		⁽⁹³⁾ 2820894	1
	HOSE – Heater outlet	6 Cyl. Eng.		⁽⁹³⁾ 2820894	1
	HOSE – Heater inlet	8 Cyl. Eng.		⁽⁹³⁾ 9930490	1
	HOSE – Heater outlet	8 Cyl. Eng.		⁽⁹³⁾ 2822319	1
	HOSE – Manifold to heater inlet	6 Cyl. Eng.		⁽⁹⁶⁾ 2822318	1
	HOSE – Heater outlet to thermostat housing	6 Cyl. Eng.		⁽⁹⁶⁾ 2820894	1
	HOSE – Heater outlet to water pump	8 Cyl. Eng.		⁽⁹⁶⁾ 2822319	1
	HOSE – Manifold to heater inlet	4.2 Litre Eng.		⁽⁹⁶⁾ 2820892	1
	HOSE – Manifold to heater inlet	5 Litre Eng.		⁽⁹⁶⁾ 9938194	1
	CLAMP – Heater hoses to support bracket	6 Cyl. Eng.		⁽⁹³⁾ 2824090	1
	CLIP – Inlet to outlet hoses	8 Cyl. Eng.		⁽⁹³⁾ 7433806	1
	CLAMP – Heater hoses .97" dia.	ALL		⁽⁹³⁾ SP1701	AR
	CLAMP – Heater hoses 1.03" dia.	ALL		⁽⁹³⁾ SP1610	AR
	HOUSING ASSEMBLY – Blower and air duct	ALL		9933332	1
	SCREW – Motor & blower to blower & air duct	ALL		9414723	3
	SCREW – Blower & duct to dash panel	ALL		9414712	4
	WASHER – Blower & duct to heater dist. duct	ALL		446162	6
	IMPELLER – Heater motor	ALL		2818456	1
	KNOB – Control lever	ALL		2814903	2
	LEVER – Heater control	ALL		9934196	1
	LEVER – Mode control	ALL		9934195	1
	RIVET – Mode & heat control detent	ALL		134794	2
	PIN – Mode and heat lever to base	ALL		2822256	2

Note: ⁽⁹⁵⁾ With Evaporative and Exhaust Emission Control – A.D.R. 27A (Refer Safety Compliance Plate).
⁽⁹⁶⁾ Without Exhaust Emission Control.

"HX" STATESMAN/HOLDEN PARTS CATALOGUE

GROUP	DESCRIPTION	MODEL	SIDE	PART No.	QTY.
9.779 HEATER and DEMISTER COMPONENTS – Exc. forced air ventilation (contd.)					
	MOTOR ASSEMBLY – Blower	ALL		9931065	1
	SCREW – Motor & impeller to housing	ALL		SP2613	5
	NIPPLE – Heater by-pass to thermostat housing	6 Cyl. Eng.		7415042	1
	NUT – Heater motor impeller to shaft	ALL		3011293	1
	OUTLET ASSEMBLY – Upper level vent	ALL		9931055	2
	PANEL – Heat dist. duct closing	(Elmaco) ALL		VS11938	1
	PANEL – Heat dist. duct closing	(Smith) ALL		VS12051	1
	RETAINER – Escutcheon to adaptor	ALL		7308915	2
	ROD – Heater mode door	(Elmaco) ALL		VS11987	1
	ROD – Heater mode door	(Smith) ALL		VS12050	1
	ROD – Heater temperature door	(Elmaco) ALL		VS11986	1
	ROD – Heater temperature door	(Smith) ALL		VS12048	1
	SEAL – Duct closing panel	(Smith) ALL		VS12052	1
	SEAL – Heater radiator shroud	(Smith) ALL		VS12058	2
	SHROUD – Heater radiator	(Smith) ALL		VS12046	1
	SPRING – Heater and mode control detent	ALL		2814892	1
	STRAP – Heat dist. duct – Long	(Elmaco) ALL		VS11988	1
	STRAP – Heat dist. duct – Short	(Elmaco) ALL		VS11989	1
	STUD – Heat distribution duct	(Elmaco) ALL		VS11940	6
	STUD – Heat distribution duct	(Smith) ALL		VS12054	6
	SWITCH ASSEMBLY – Heater fan	ALL		2814897	1
	SCREW – Heater switch to adaptor	ALL		273445	2
	SCREW – Heater fan switch lever to housing	ALL		SP2018	1
	WASHER – Heater motor impeller to shaft	ALL		3004686	1
9.779 HEATER and DEMISTER COMPONENTS – Forced air ventilation					
	ADAPTOR ASSEMBLY – Heater & forced vent control	ALL		9934094	1
	BASE ASSEMBLY – Heater & forced vent control	ALL		9934126	1
	BUSH – Heat distribution duct door	(Elmaco) ALL		VS11937	1
	CABLE ASSEMBLY – Interior & demist control heater	ALL		9934272	1
	CABLE ASSEMBLY – Temp. control heater	ALL		9934271	1
	CABLE ASSEMBLY – Vent control heater	ALL		9934273	1
	CABLE ASSEMBLY – Water valve control heater	6 Cyl. Eng.		9934274	1
	CABLE ASSEMBLY – Water valve control heater	8 Cyl. Eng.		⁽⁹⁶⁾ 9937770	1
	CABLE ASSEMBLY – Water valve control heater	8 Cyl. Eng.		⁽⁹³⁾ 9934274	1
	CORE & FITTING ASSEMBLY – Heater radiator	ALL		9939196	1
	GROMMET – Cable to dash panel	ALL		SP1109	1
	CLIP – Control lever pivot pin	ALL		SP1762	1
	CLIP – Heat dist. duct closing panel	(Elmaco) ALL		VS11939	7
	CLIP – Heat dist. duct closing panel	(Smith) ALL		VS12053	7
	CLIP – Cable to watervalue	ALL		7187392	1
	CONTROL ASSEMBLY – Heater & forced vent	ALL		9934385	1
	RIVET – Forced vent & heater control	ALL		SP1143	2
	SCREW – Heater control cable to heater duct	ALL		SP2440	
	SCREW – Heater control cable to heater control	ALL		159220	4
	NUT – Heater control cable to heater control	ALL		120361	4
	SCREW – Control Assembly to inst. carrier	ALL		SP1948	2
	DOOR ASSEMBLY – Mode	(Elmaco) ALL		VS11936	1
	DOOR ASSEMBLY – Mode	(Smith) ALL		VS12049	1
	DOOR ASSEMBLY – Temperature	(Elmaco) ALL		VS11935	1
	DOOR ASSEMBLY – Temperature	(Smith) ALL		VS12047	1
	DUCT – Ventilation air distribution	ALL		9942135	1
	DUCT ASSEMBLY – Heater & forced vent distribution	ALL		9942659	1
	DUCT ASSEMBLY – Ventilation outlet – Inner left side	ALL		9942136	1
	ESCUTCHEON – Heater & forced vent control	ALL		9933670	1
	RETAINER – Escutcheon to adaptor	ALL		7308915	1
	FUSE – 25 Amp.	ALL		9426332	1
	GROMMET – Heater core inlet	ALL		2813295	1
	GROMMET – Heater core outlet	ALL		2817265	1
	HOSE – Valve to heater inlet	6 Cyl. Eng.		⁽⁹³⁾ 9939149	1
	HOSE – Thermostat housing to valve	6 Cyl. Eng.		⁽⁹³⁾ 7434050	1
	HOSE – Heater outlet to thermostat housing	6 Cyl. Eng.		⁽⁹³⁾ 2820894	1
	Note: ⁽⁹³⁾ With Evaporative and Exhaust Emission Control – A.D.R. 27A (Refer Safety Compliance Plate).				
	⁽⁹⁶⁾ Without Exhaust Emission Control.				

"HX" STATESMAN/HOLDEN PARTS CATALOGUE

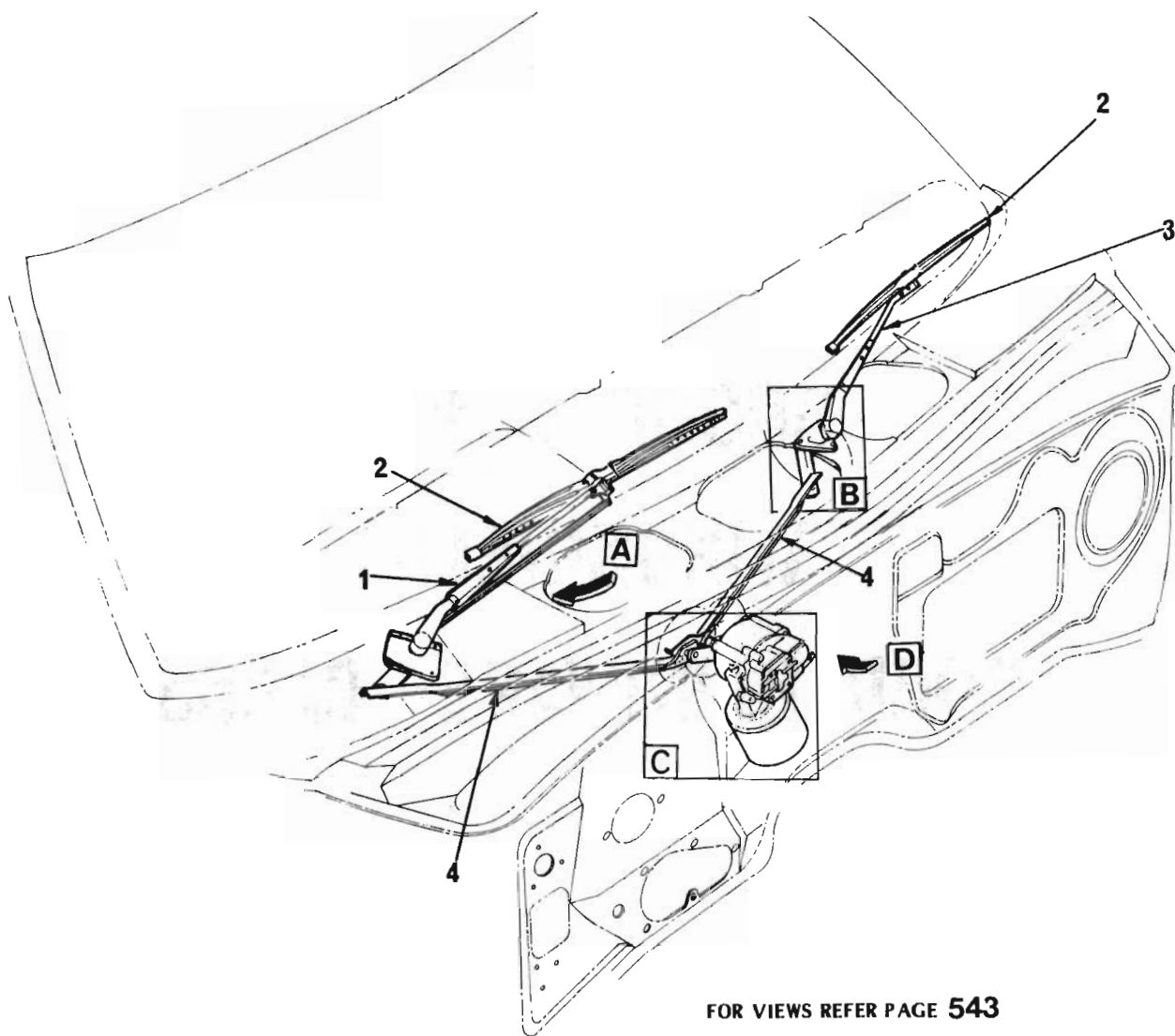
GROUP	DESCRIPTION	MODEL	SIDE	PART No.	QTY.
9.779	HEATER and DEMISTER COMPONENTS – Forced air ventilation (contd.)				
	HOSE – Heater by-pass	6 Cyl. Eng.		(⁹³ 9943170	1
	CLAMP – Heater hoses to support bracket	6 Cyl. Eng.		(⁹³ 2824090	1
	HOSE – Valve to heater inlet	8 Cyl. Eng.		(⁹³ 2822625	1
	HOSE – Thermostat housing to valve	8 Cyl. Eng.		(⁹³ 7434050	1
	HOSE – Heater outlet to water pump	8 Cyl. Eng.		(⁹³ 2822319	1
	HOSE – Heater by-pass	8 Cyl. Eng.		(⁹³ 9941032	1
	CLIP – Inlet to outlet hoses	8 Cyl. Eng.		(⁹³ 7433806	1
	CLAMP – Heater hose .97" dia.	ALL		(⁹³ SP1701	AR
	CLAMP – Heater hose 1.03" dia.	ALL		(⁹³ SP1610	AR
	HOSE – Heater outlet to tee	6 Cyl. Eng.		(⁹⁶ 2829736	1
	HOSE – Manifold outlet to water valve	6 Cyl. Eng.		(⁹⁶ 3427059	1
	HOSE – Tee to thermo housing	6 Cyl. Eng.		(⁹⁶ 9928722	1
	HOSE – Water valve to heater inlet	6 Cyl. Eng.		(⁹⁶ 2816881	1
	HOSE – Water valve to tee	6 Cyl. Eng.		(⁹⁶ 2822709	1
	HOSE – Heater outlet to tee	8 Cyl. Eng.		(⁹⁶ 2820894	1
	HOSE – Tee to water pump	8 Cyl. Eng.		(⁹⁶ 2822709	1
	HOSE – Water valve to heater inlet	8 Cyl. Eng.		(⁹⁶ 9931425	1
	HOSE – Water valve to tee	8 Cyl. Eng.		(⁹⁶ 2822623	1
	HOSE – Manifold outlet to water valve	4.2 Litre Eng.		(⁹⁶ 9939149	1
	HOSE – Manifold outlet to water valve	5 Litre Eng.		(⁹⁶ 2822679	1
	CLIP – Inlet to outlet heater hose	8 Cyl. Eng.		(⁹⁶ 7433806	AR
	CLAMP – Heater hose .97" dia.	ALL		(⁹⁶ SP1701	AR
	CLAMP – Heater hose 1.03" dia.	ALL		(⁹⁶ SP1610	AR
	HOUSING ASSEMBLY – Blower and air duct	ALL		9933332	1
	SCREW – Blower & motor to blower & air duct	ALL		9414723	3
	SCREW – Blower & duct to dash panel	ALL		9414712	4
	WASHER – Blower & duct to heater dist. duct	ALL		446162	6
	IMPELLER – Heater motor	ALL		2818456	1
	KNOB – Control lever	ALL		2814903	2
	LEVER ASSEMBLY – Forced vent & temp. control ...	ALL		9933922	1
	LEVER ASSEMBLY – Interior & demist control	ALL		9937219	1
	RIVET – Forced vent, temp control & interior demist ..	ALL		134794	2
	MOTOR ASSEMBLY – Blower	ALL		9931065	1
	NUT – Heater motor impeller to shaft	ALL		3011293	1
	WASHER – Heater motor impeller to shaft	ALL		3004686	1
	NIPPLE – Heater by-pass to thermo. housing	6 Cyl. Eng.		(⁹³ 7415042	1
	OUTLET ASSEMBLY – Upper level vent – Outer	ALL		9942142	2
	OUTLET ASSEMBLY – Upper level vent – Inner left side	ALL		9942142	1
	OUTLET ASSEMBLY – Upper level vent – Inner right side	ALL		9933879	1
	PANEL – Heat dist. duct closing(Elmaco)	ALL		VS11938	1
	PANEL – Heat dist. duct closing(Smith)	ALL		VS12051	1
	ROD – Heater mode door(Elmaco)	ALL		VS11987	1
	ROD – Heater mode door(Smith)	ALL		VS12050	1
	ROD – Heater temperature door(Elmaco)	ALL		VS11986	1
	ROD – Heater temperature door(Smith)	ALL		VS12048	1
	SEAL – Duct closing panel(Smith)	ALL		VS12052	1
	SEAL – Heater radiator shroud(Smith)	ALL		VS12058	2
	SHROUD – Heater radiator(Smith)	ALL		VS12046	1
	SPRING – Heater and mode control detent	ALL		2814892	1
	STRAP – Heat dist. duct – Long(Elmaco)	ALL		VS11988	1
	STRAP – Heat dist. duct – Short(Elmaco)	ALL		VS11989	1
	STUD – Heat distribution duct(Elmaco)	ALL		VS11940	6
	STUD – Heat distribution duct(Smith)	ALL		VS12054	6
	SWITCH ASSEMBLY – Heater fan	ALL		2814897	1
	SCREW – Heater fan switch to housing	ALL		SP2018	1
	TEE – Heater water hose connector	ALL		(⁹⁶ 9943932	1
	VALVE ASSEMBLY – Heater water	ALL		(93 9933683)	1
	VALVE ASSEMBLY – Heater water	ALL		(⁹³ 9933572	1

Note: (⁹³ With Evaporative and Exhaust Emission Control – A.D.R. 27A (Refer Safety Compliance Plate).
(⁹⁶ Without Exhaust Emission Control.

"HX" STATESMAN/HOLDEN PARTS CATALOGUE

GROUP	DESCRIPTION	MODEL	SIDE	PART No.	QTY.
9.785	TUBE – Plenum chamber drain				
	TUBE	ALL	LH	2812733	1
			RH	2812734	1
9.787	CONTROL, RETAINER, CLIP – Plenum chamber outlet				
	CONTROL ASSEMBLY - Door	Exc. Air Cond.	LH	9932145	1
			RH	9932146	1
	SCREW - Retainer & control to outlet	Exc. Air Cond.		SP2111	2
	RETAINER - Control cable	Exc. Air Cond.		2814936	2
	CLIP - Retainer	Exc. Air Cond.		7415519	1
	CLIP - Outlet rod	Exc. Air Cond.		SP2335	4
	SCREW - Plenum chamber to instrument carrier	Exc. Air Cond.		SP1768	2
	WASHER - Plenum chamber screw	Exc. Air Cond.		121841	2
	NUT - Plenum chamber to instrument carrier screw ..	Exc. Air Cond.		120622	2

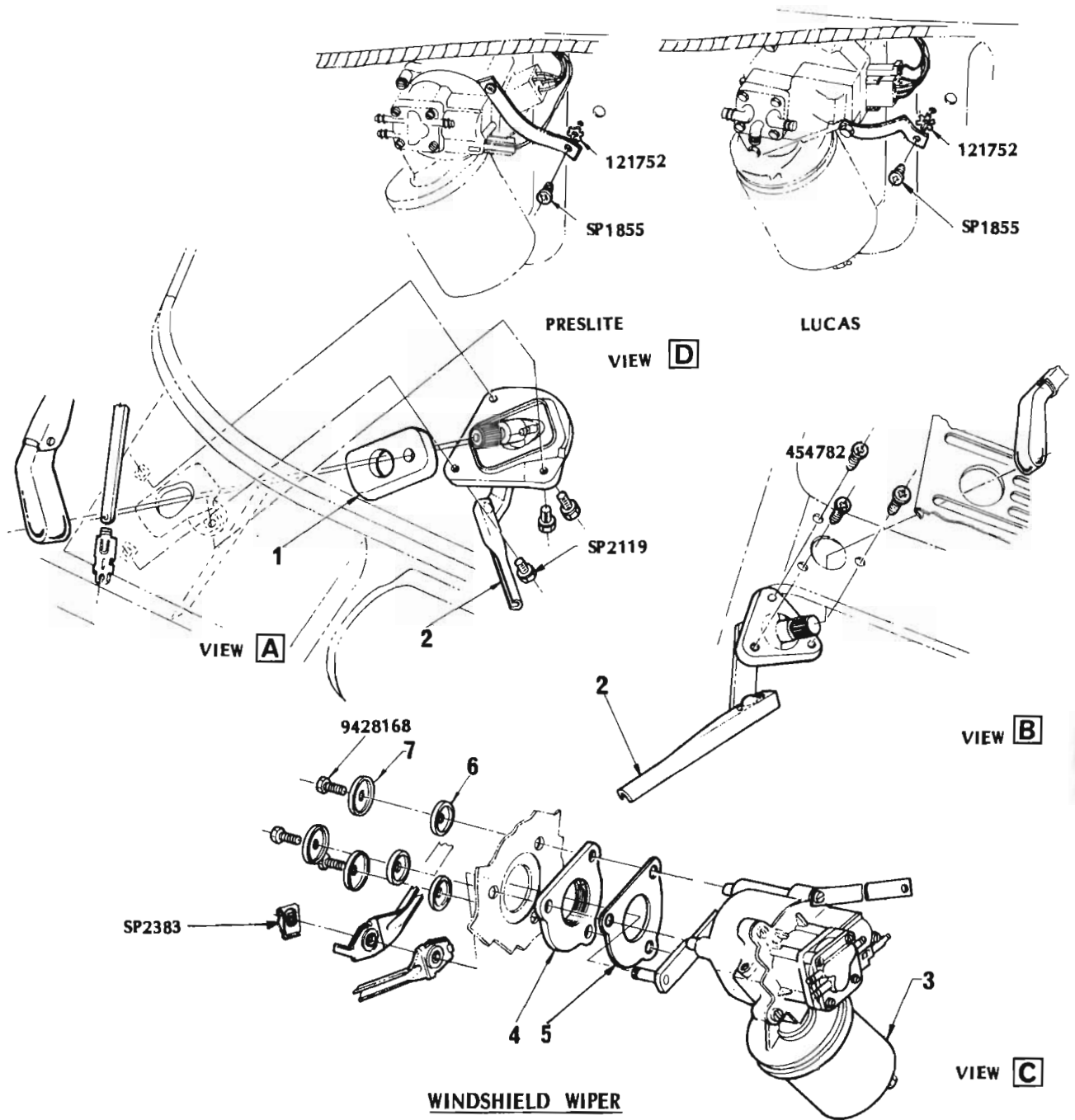
GROUP 10.000
WINDSHIELD
DOOR HARDWARE—GLASS



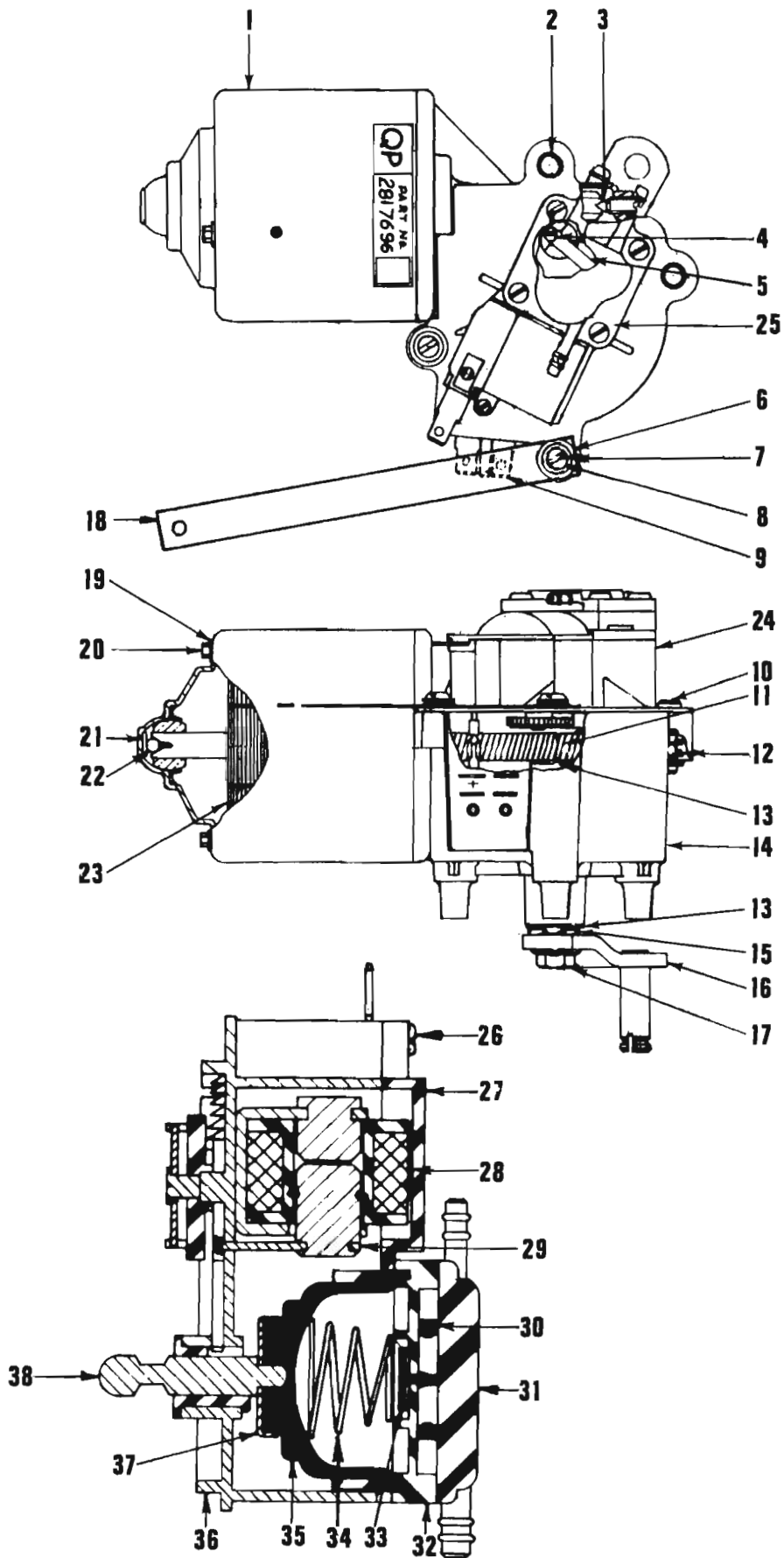
FOR VIEWS REFER PAGE 543

WINDSHIELD WIPER

ILLUS. REF. NO.	PART NAME	GROUP
1.	ARM & ACTUATING LINK ASSEMBLY	10.147
2.	BLADE ASSEMBLY	10.146
3.	ARM ASSEMBLY	10.147
4.	LINK & PIVOT ASSEMBLY	10.159



ILLUS. REF. NO.	PART NAME	GROUP
1.	SEAL - Pivot to shroud panel	10.161
2.	LINK & PIVOT ASSEMBLY	10.159
3.	MOTOR ASSEMBLY	10.150
4.	SEAL - Motor to dash panel	10.152
5.	PLATE - Seal retainer	10.152
6.	INSULATOR - Wiper motor mounting	10.152
7.	RETAINER - Insulator	10.152



WINDSHIELD WIPER

Preslite

ILLUSTRATION OPPOSITE

ILLUS. REF. NO.	PART NAME	GROUP
1.	HOUSING - Armature	10.150
2.	PIN - Pump retaining	10.150
3.	CONE - Armature thrust	10.150
4.	SCREW - Earth strap	10.150
5.	STRAP - Earth	10.150
6.	WASHER - Pump retaining screw - dished	10.150
7.	WASHER - Pump retaining screw - flat	10.150
8.	SCREW - Pump retaining	10.150
9.	TERMINAL BLOCK ASSEMBLY	10.150
10.	RING - Pump retaining pin	10.150
11.	GEAR & SHAFT ASSEMBLY	10.150
12.	SPRING - Pump retaining pin	10.150
13.	WASHER - Gear & shaft - flat	10.150
14.	HOUSING ASSEMBLY - Gear	10.150
15.	WASHER - Gear & shaft - wave	10.150
16.	CRANK ASSEMBLY	10.150
17.	NUT - Crank retaining	10.150
18.	STRAP - Earth	10.150
19.	WASHER - Through bolt	10.150
20.	BOLT - Through	10.150
21.	PAD - Armature thrust	10.150
22.	BALL - Armature thrust	10.150
23.	ARMATURE ASSEMBLY	10.150

WINDSHIELD WASHER

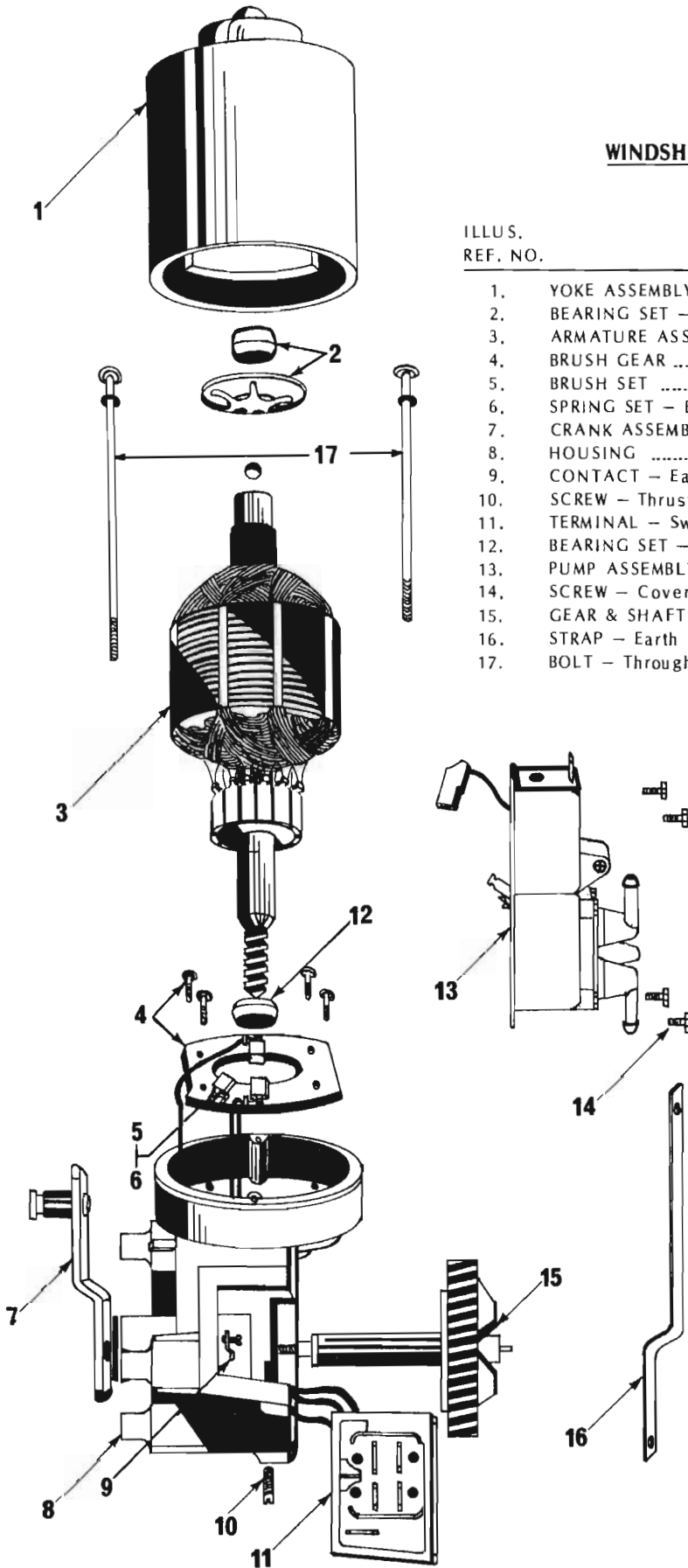
Preslite

ILLUS. REF. NO.	PART NAME	GROUP
24.	PUMP ASSEMBLY	10.153
25.	SCREW - Valve cover	10.153
26.	SCREW - Solenoid cover	10.153
27.	COVER - Solenoid	10.153
28.	SOLENOID ASSEMBLY	10.153
29.	PLUNGER & LEVER ASSEMBLY	10.153
30.	SEAL - Valve	10.153
31.	COVER - Valve	10.153
32.	SEAT - Valve	10.153
33.	RUBBER - Valve	10.153
34.	SPRING - Valve	10.153
35.	CAP - Suction	10.153
36.	HOUSING	10.153
37.	CUP - Trim	10.153
38.	PLUNGER	10.153

WINDSHIELD WIPER and WASHER

Lucas

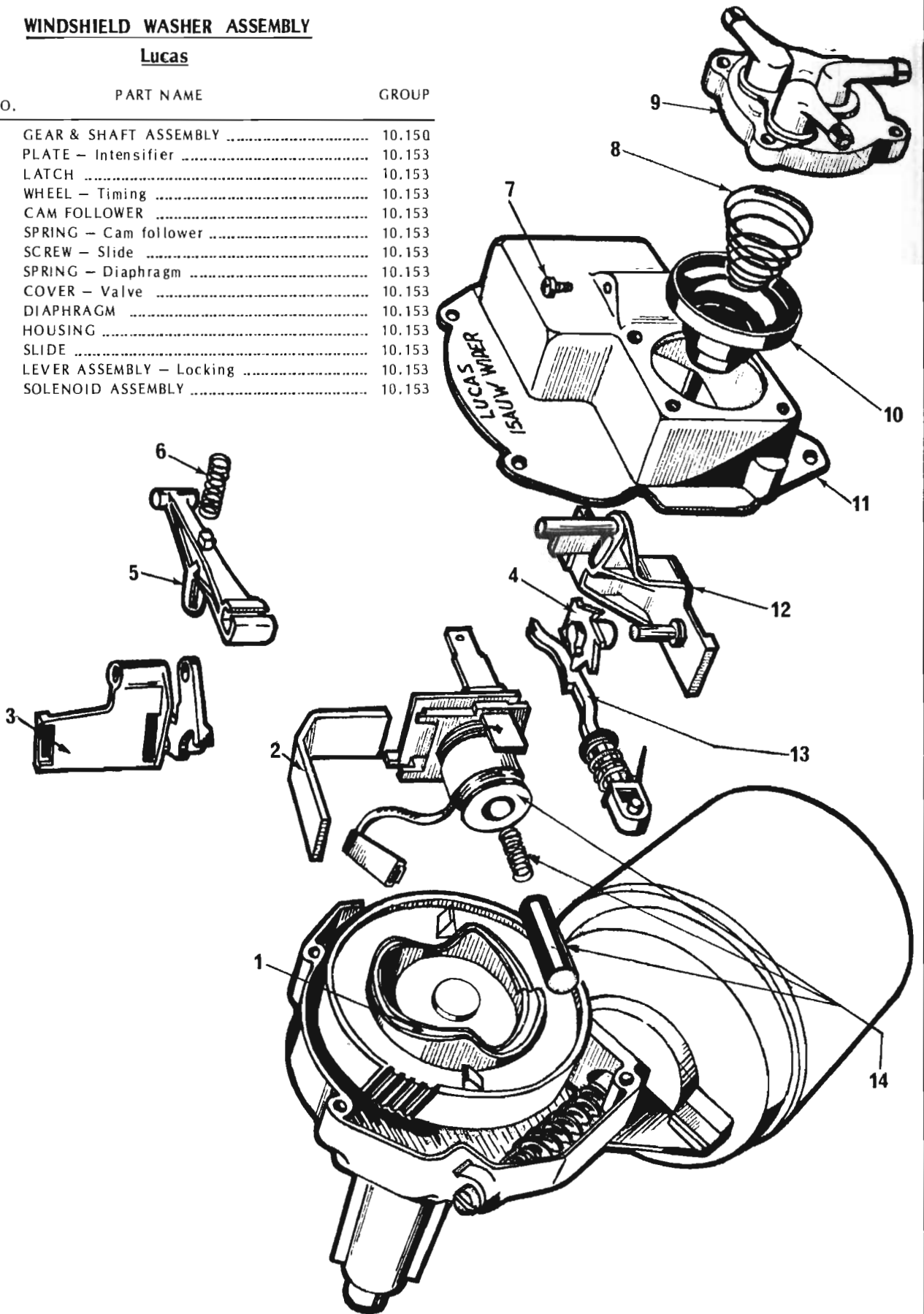
ILLUS. REF. NO.	PART NAME	GROUP
1.	YOKE ASSEMBLY	N.S.S.
2.	BEARING SET - Yoke	10.150
3.	ARMATURE ASSEMBLY	10.150
4.	BRUSH GEAR	10.150
5.	BRUSH SET	10.150
6.	SPRING SET - Brush	10.150
7.	CRANK ASSEMBLY	10.150
8.	HOUSING	N.S.S.
9.	CONTACT - Earth	10.150
10.	SCREW - Thrust	10.150
11.	TERMINAL - Switch	10.150
12.	BEARING SET - Commutator end	10.150
13.	PUMP ASSEMBLY	10.153
14.	SCREW - Cover attaching	10.150
15.	GEAR & SHAFT ASSEMBLY	10.150
16.	STRAP - Earth	10.150
17.	BOLT - Through	N.S.S.

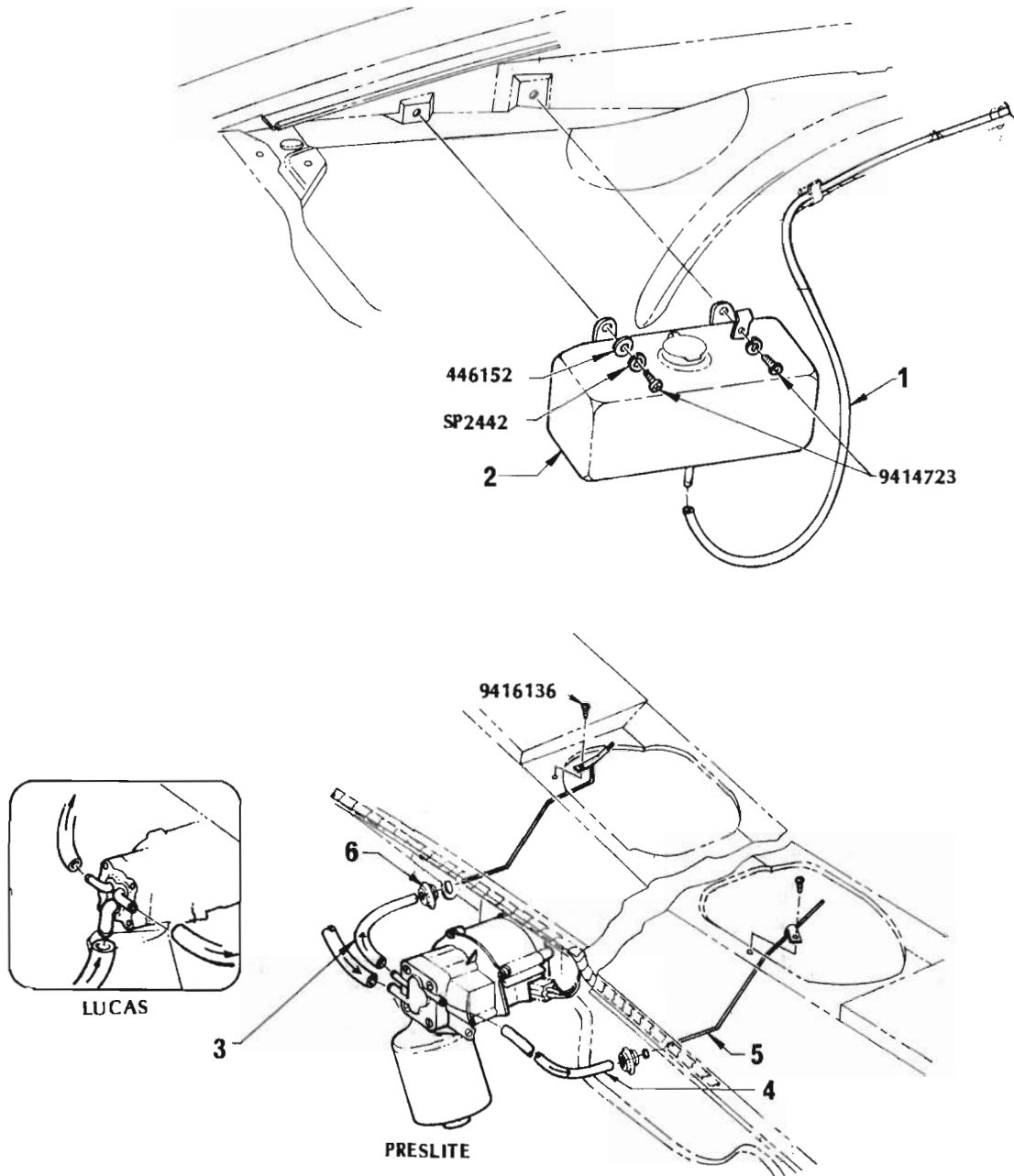


WINDSHIELD WASHER ASSEMBLY

Lucas

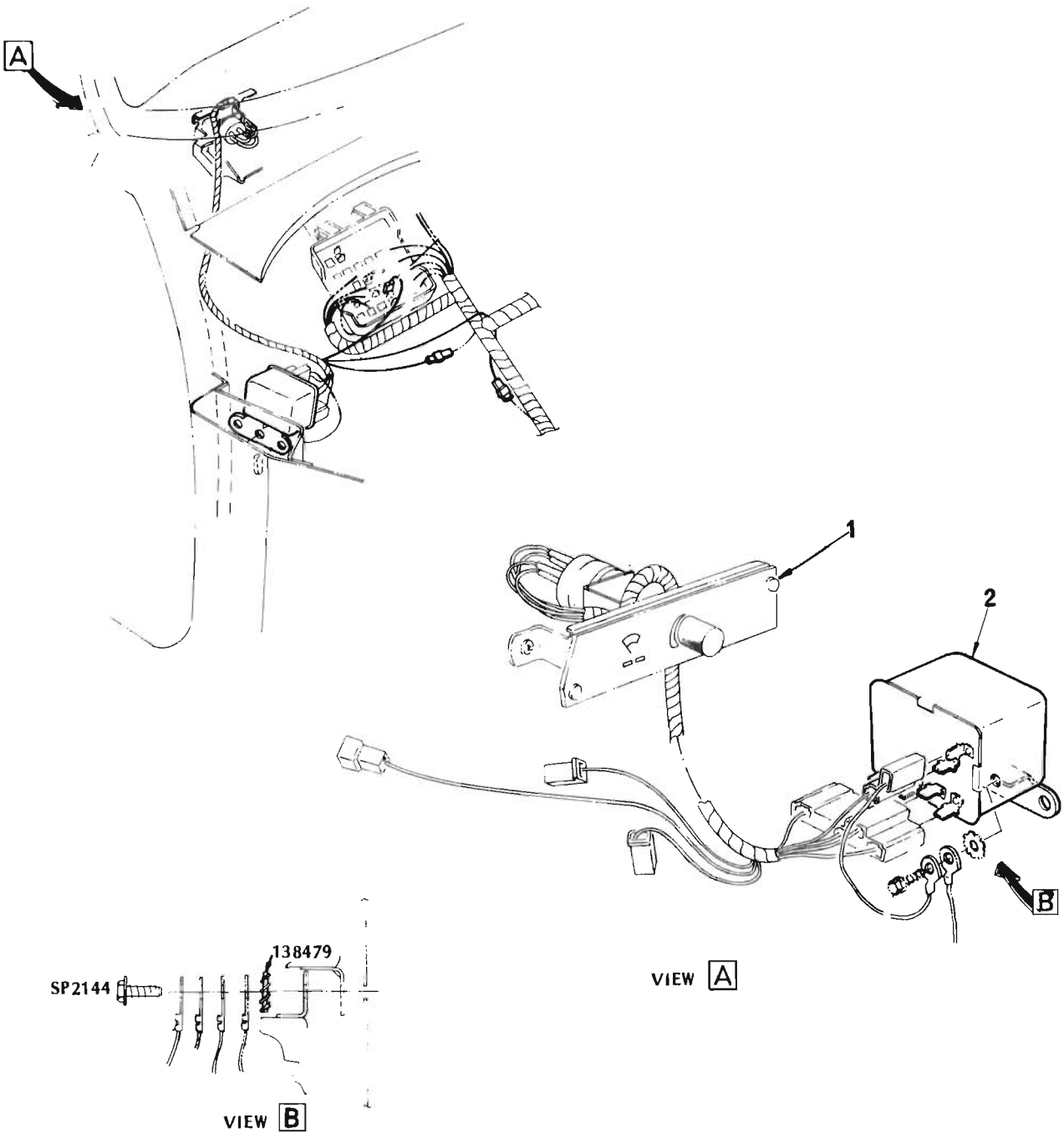
ILLUS. REF. NO.	PART NAME	GROUP
1.	GEAR & SHAFT ASSEMBLY	10.150
2.	PLATE - Intensifier	10.153
3.	LATCH	10.153
4.	WHEEL - Timing	10.153
5.	CAM FOLLOWER	10.153
6.	SPRING - Cam follower	10.153
7.	SCREW - Slide	10.153
8.	SPRING - Diaphragm	10.153
9.	COVER - Valve	10.153
10.	DIAPHRAGM	10.153
11.	HOUSING	10.153
12.	SLIDE	10.153
13.	LEVER ASSEMBLY - Locking	10.153
14.	SOLENOID ASSEMBLY	10.153





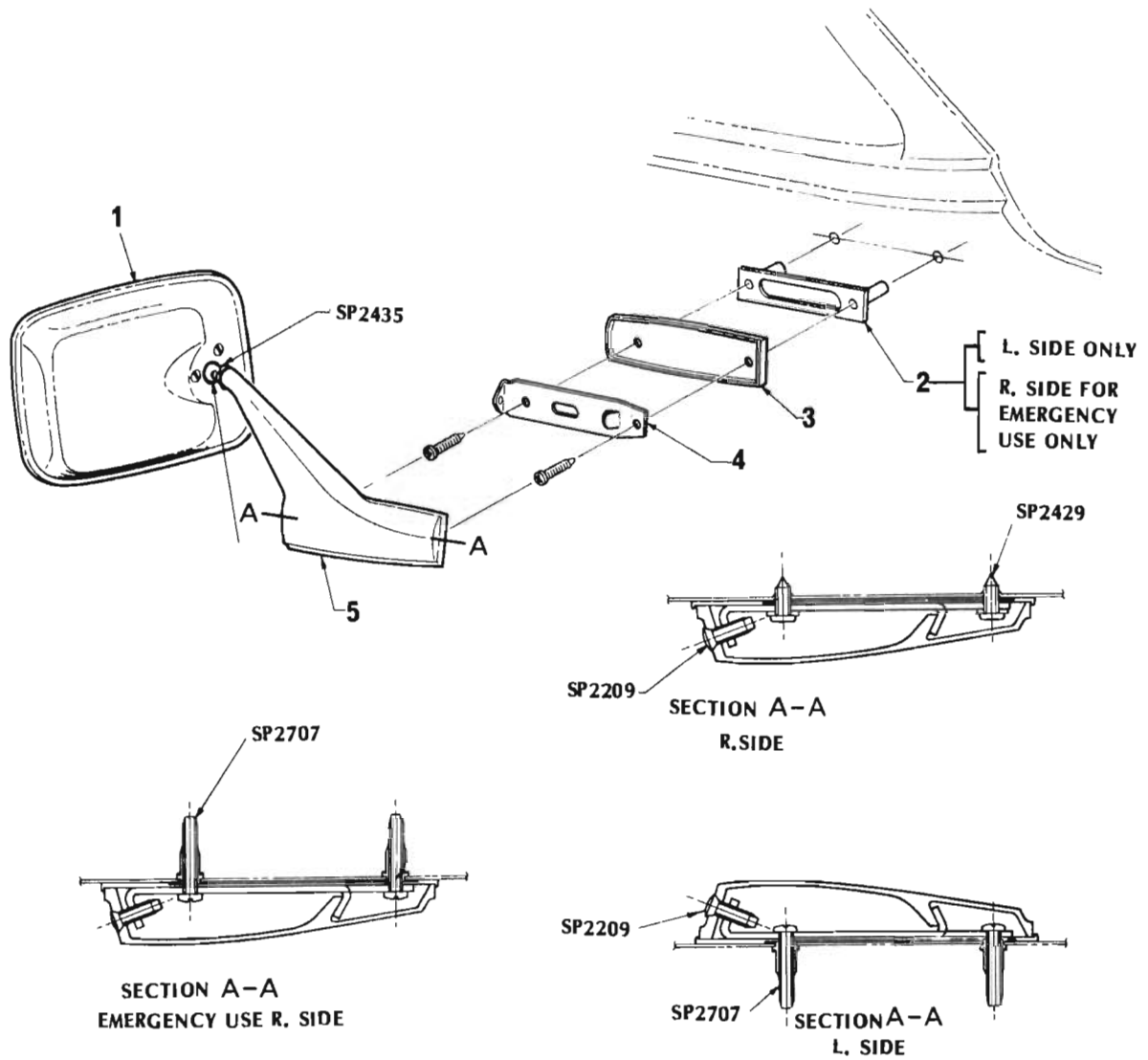
WINDSHIELD WASHER

ILLUS. REF. NO.	PART NAME	GROUP
1.	HOSE — Pump to reservoir	10.155
2.	RESERVOIR & FILTER ASSEMBLY — Windshield washer	10.154
3.	HOSE — Pump to RH nozzle	10.155
4.	HOSE — Pump to LH nozzle	10.155
5.	NOZZLE ASSEMBLY — Windshield washer	10.156
6.	GROMMET — Nozzle to shroud panel	10.156



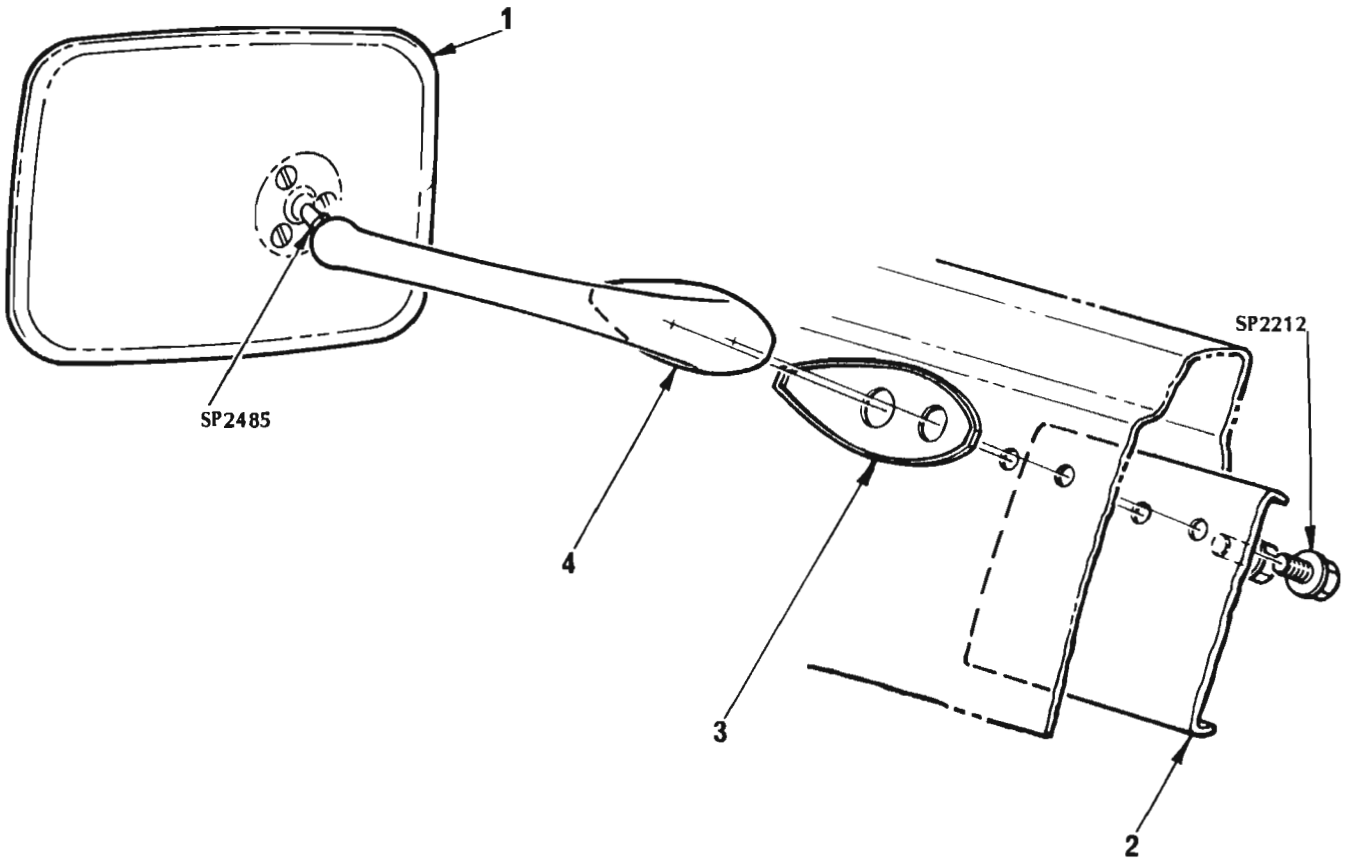
WINDSHIELD WIPER DWELL CONTROL

ILLUS. REF. NO.	PART NAME	GROUP
1.	SWITCH ASSEMBLY – Dwell control	10.163
2.	CONTROL UNIT	10.163



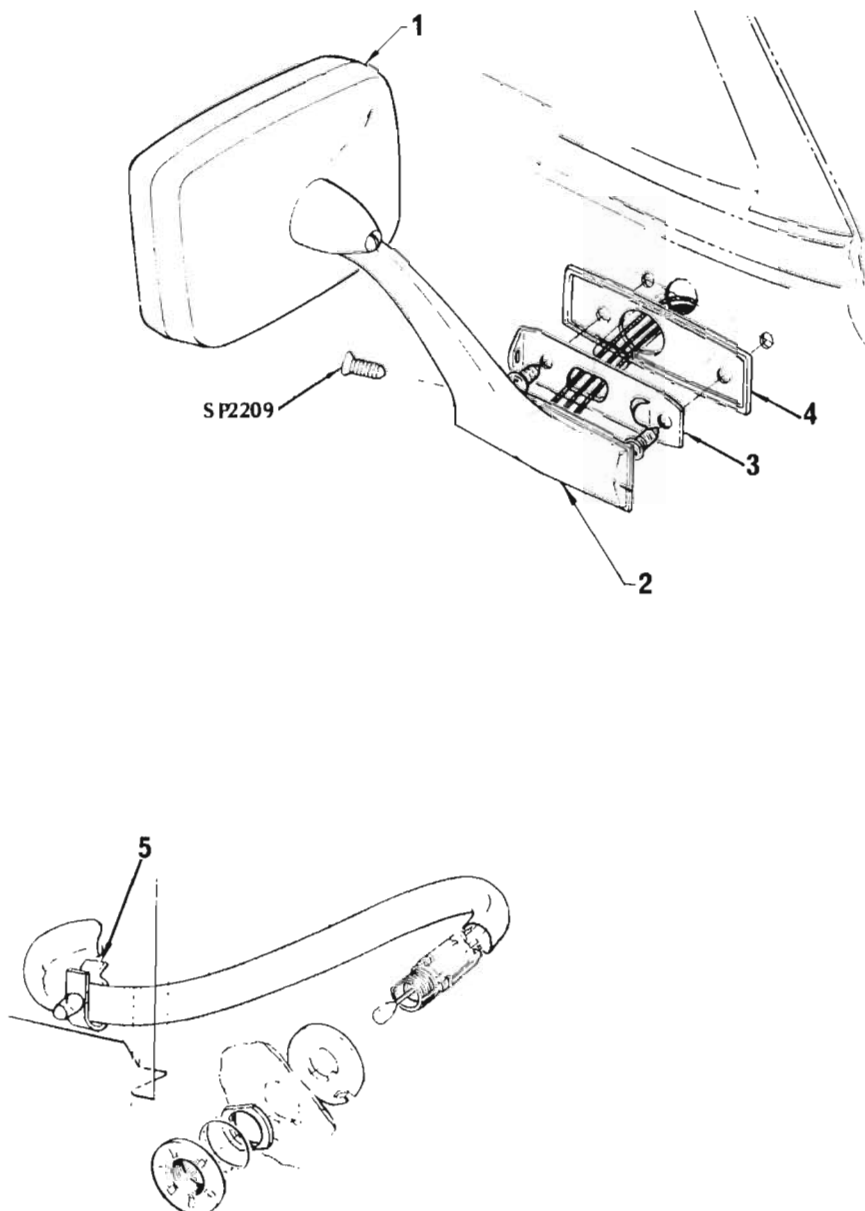
FRONT DOOR MIRROR
35,69,70,80 Body Styles exc. GTS

ILLUS. REF. NO.	PART NAME	GROUP
1.	MIRROR ASSEMBLY - Exterior	10.185
2.	NUT - Bracket to door	10.187
3.	PAD - Bracket to door	10.187
4.	BRACKET - Support mounting	10.187
5.	SUPPORT ASSEMBLY - Exterior	10.187



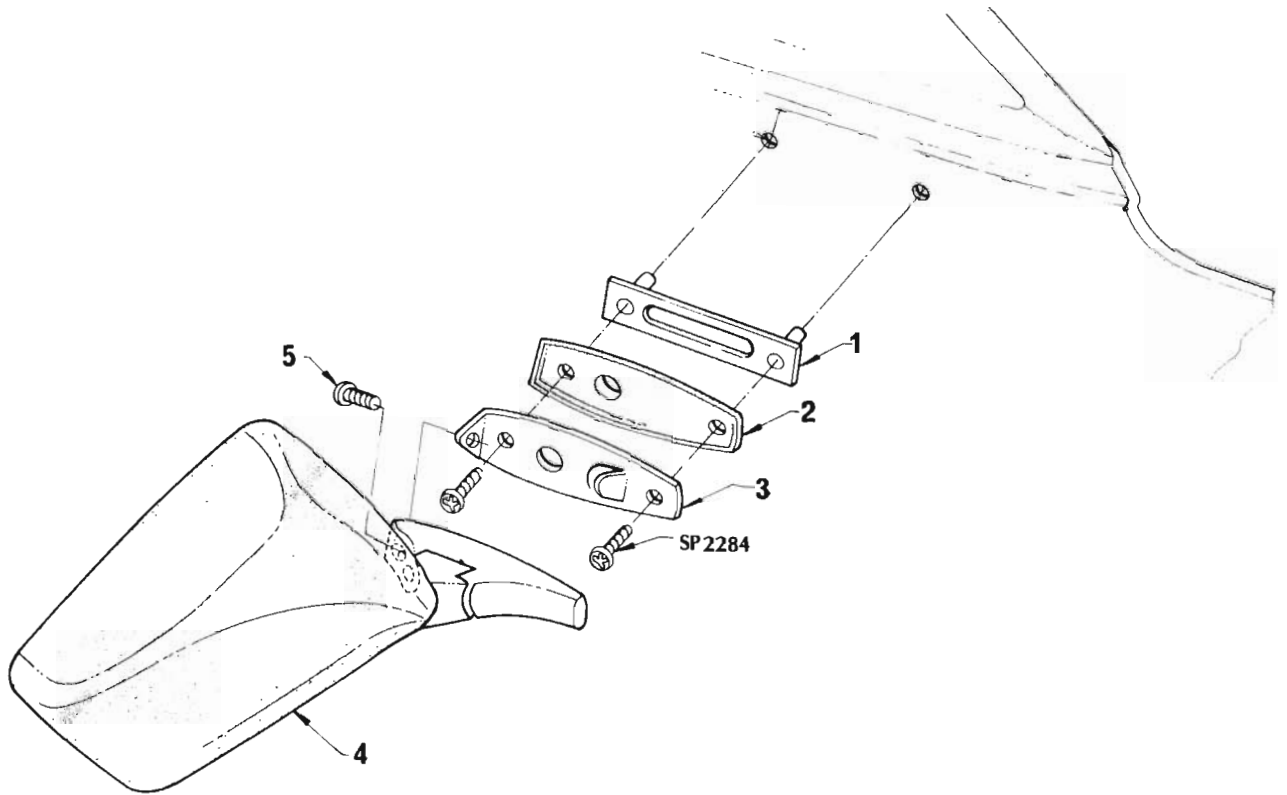
FRONT DOOR MIRROR
60 Body Styles

ILLUS. REF. NO.	PART NAME	GROUP
1.	MIRROR ASSEMBLY - Exterior	10.185
2.	REINFORCEMENT - Support	10.187
3.	GASKET - Support	10.187
4.	SUPPORT ASSEMBLY - Exterior	10.187



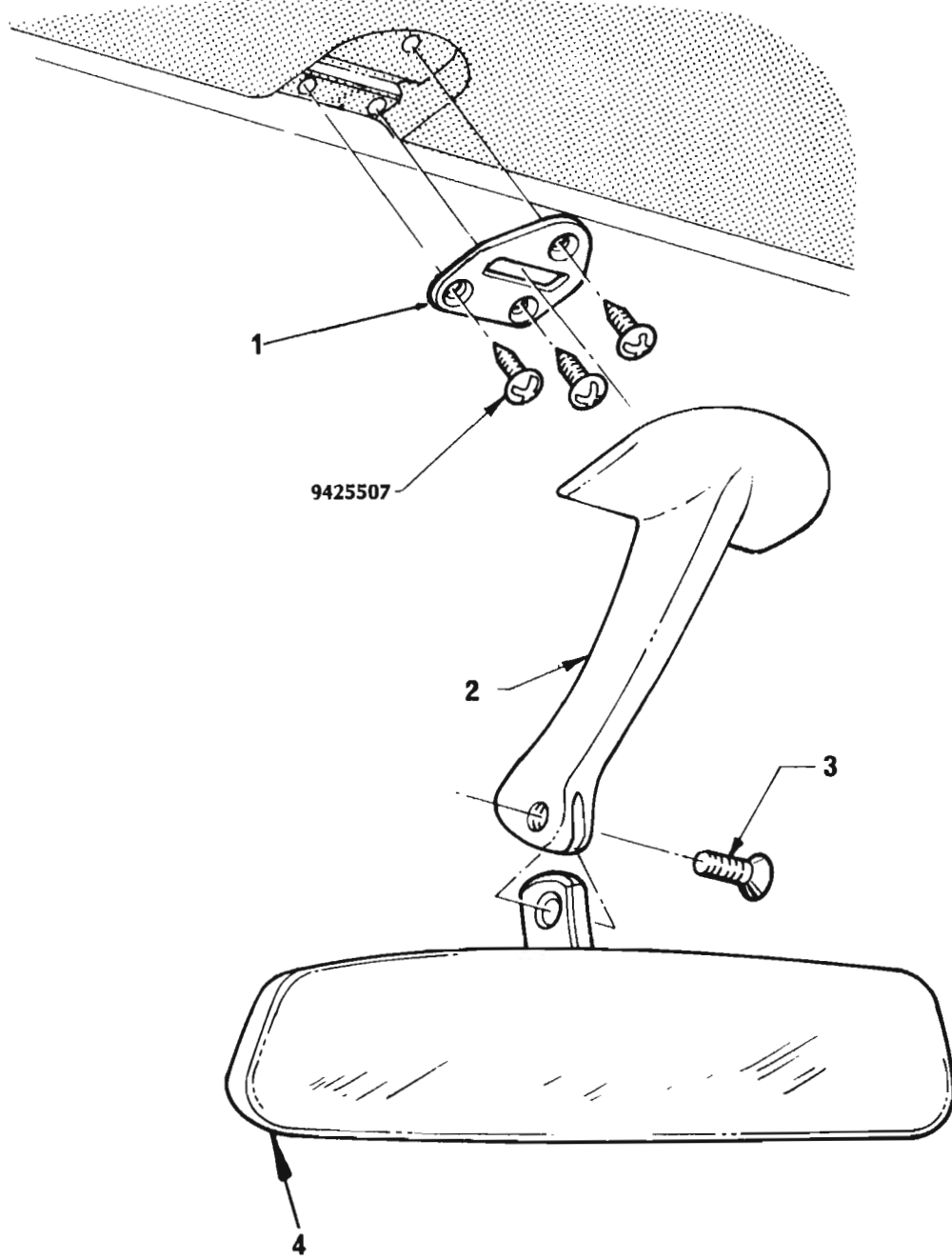
EXTERNAL MIRROR – REMOTE CONTROL

ILLUS. REF. NO.	PART NAME	GROUP
1 – 5.	MIRROR PACKAGE	10.185
1.	MIRROR ASSEMBLY	N.S.S.
2.	SUPPORT ASSEMBLY – Exterior	N.S.S.
3.	BRACKET – Exterior mirror mounting	10.187
4.	PAD – Exterior mirror mounting	10.187
5.	CLIP – Cable retaining	10.187



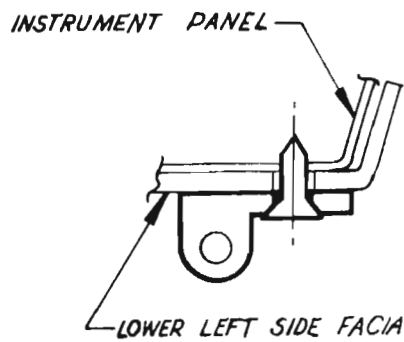
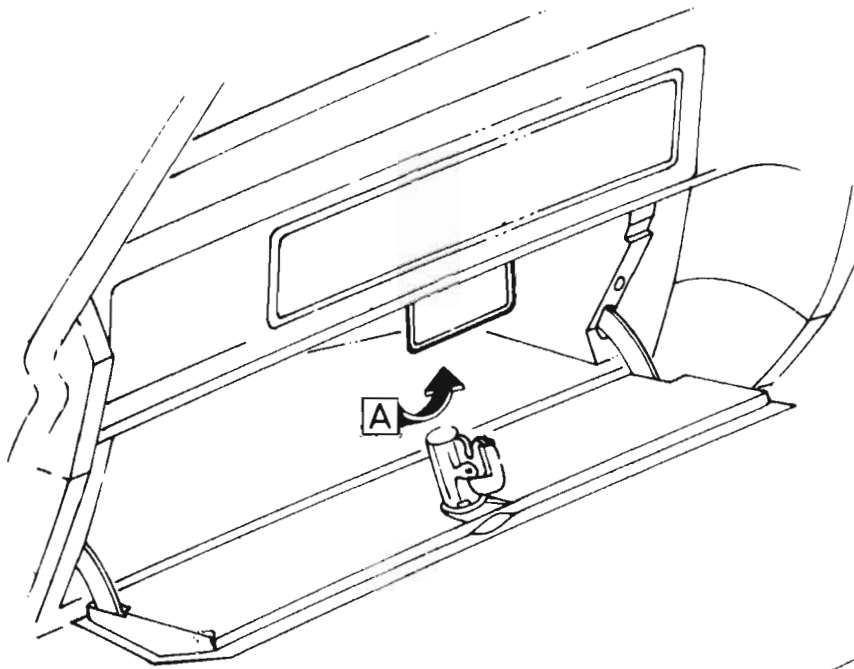
FRONT DOOR MIRROR
Aerodynamic Type

ILLUS. REF. NO.	PART NAME	GROUP
1.	NUT - Bracket to door	10.187
2.	PAD - Bracket to door	10.187
3.	BRACKET - Support mounting	10.187
4.	MIRROR ASSEMBLY	10.185
5.	SCREW - Support to bracket	10.187
3 - 5.	MIRROR PACKAGE - Aerodynamic	10.185

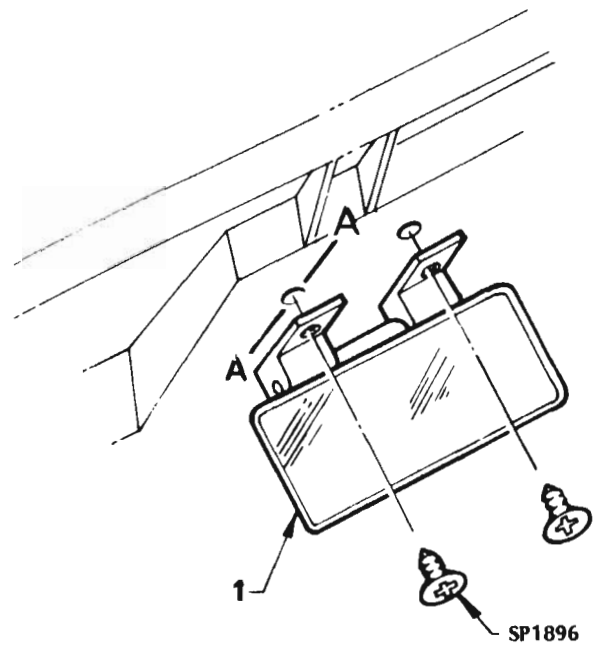


INTERIOR MIRROR

ILLUS. REF. NO.	PART NAME	GROUP
1.	PLATE - Support mounting	10.187
2.	SUPPORT - Interior mirror	10.187
3.	SCREW - Mirror pivot	10.185
4.	MIRROR ASSEMBLY - Interior	10.185



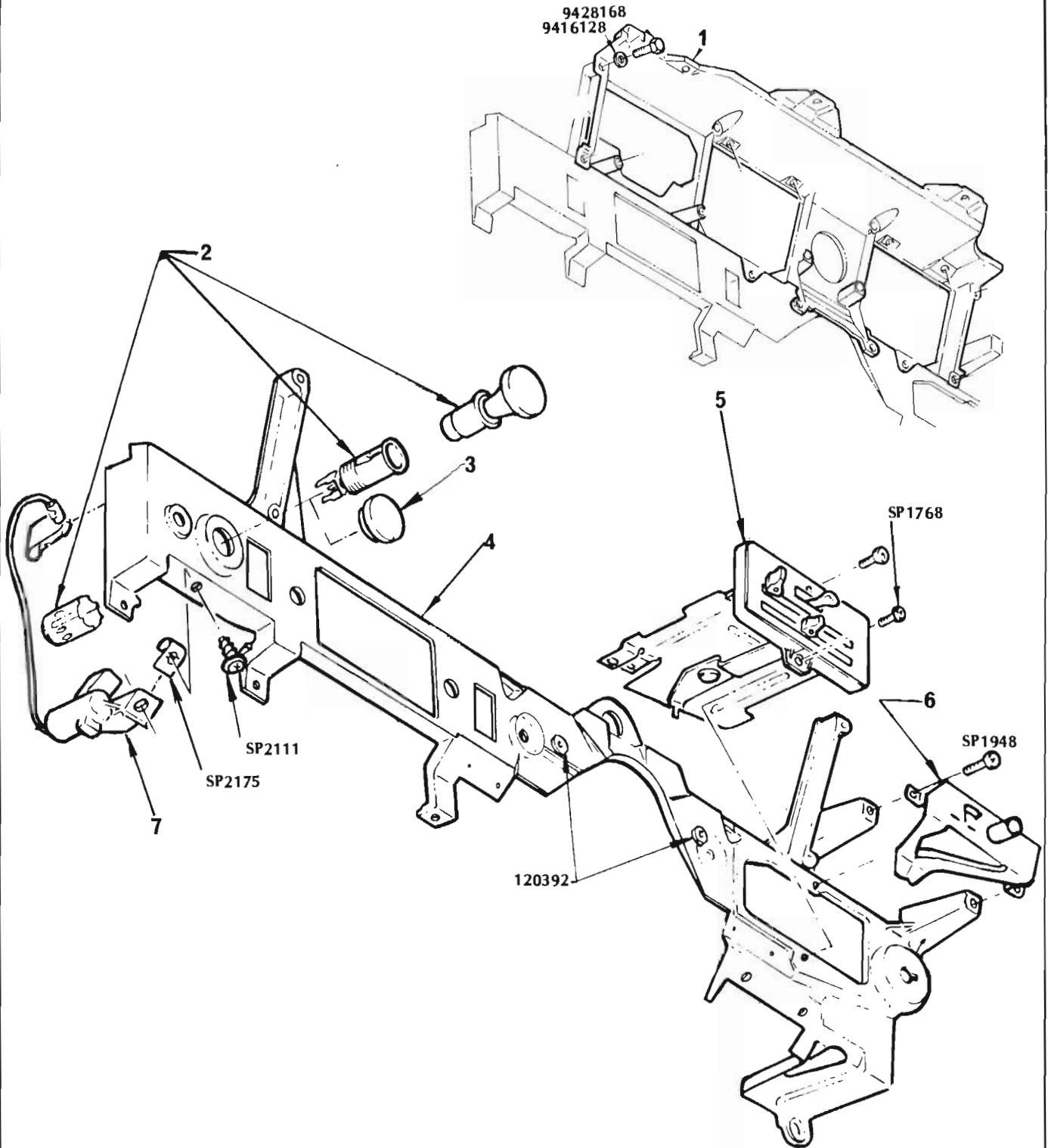
SECTION A-A



VIEW A

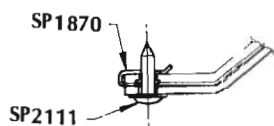
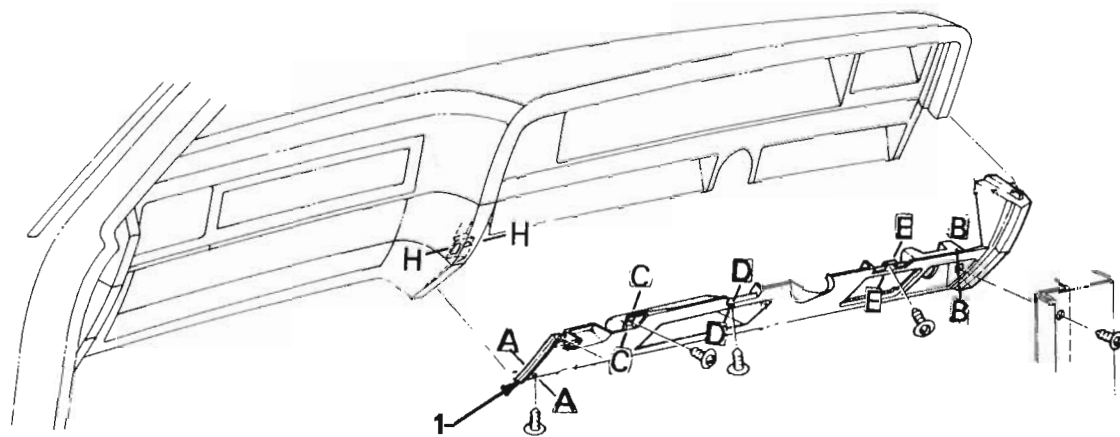
VANITY MIRROR

ILLUS. REF. NO.	PART NAME	GROUP
1.	MIRROR PACKAGE - Vanity	10.222

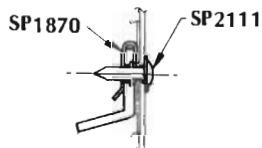


CARRIER and PANEL INSTRUMENT MOUNTING

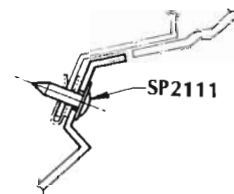
ILLUS. REF. NO.	PART NAME	GROUP
1.	CARRIER - Upper	2.515
2.	LIGHTER ASSEMBLY - Instrument panel	9.709
3.	PLUG - Cigarette lighter aperture	9.743
4.	PANEL - Instrument control mounting	10.230
5.	CONTROL ASSEMBLY - Heater	9.779
6.	SWITCH ASSEMBLY - Dwell control	10.163
7.	LENS - Ash tray illumination	12.012



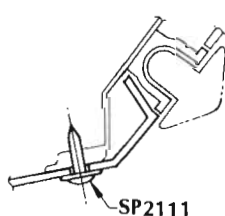
SECTION A-A



SECTION B-B



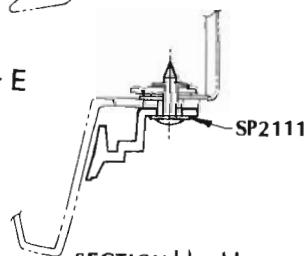
SECTION C-C



SECTION D-D



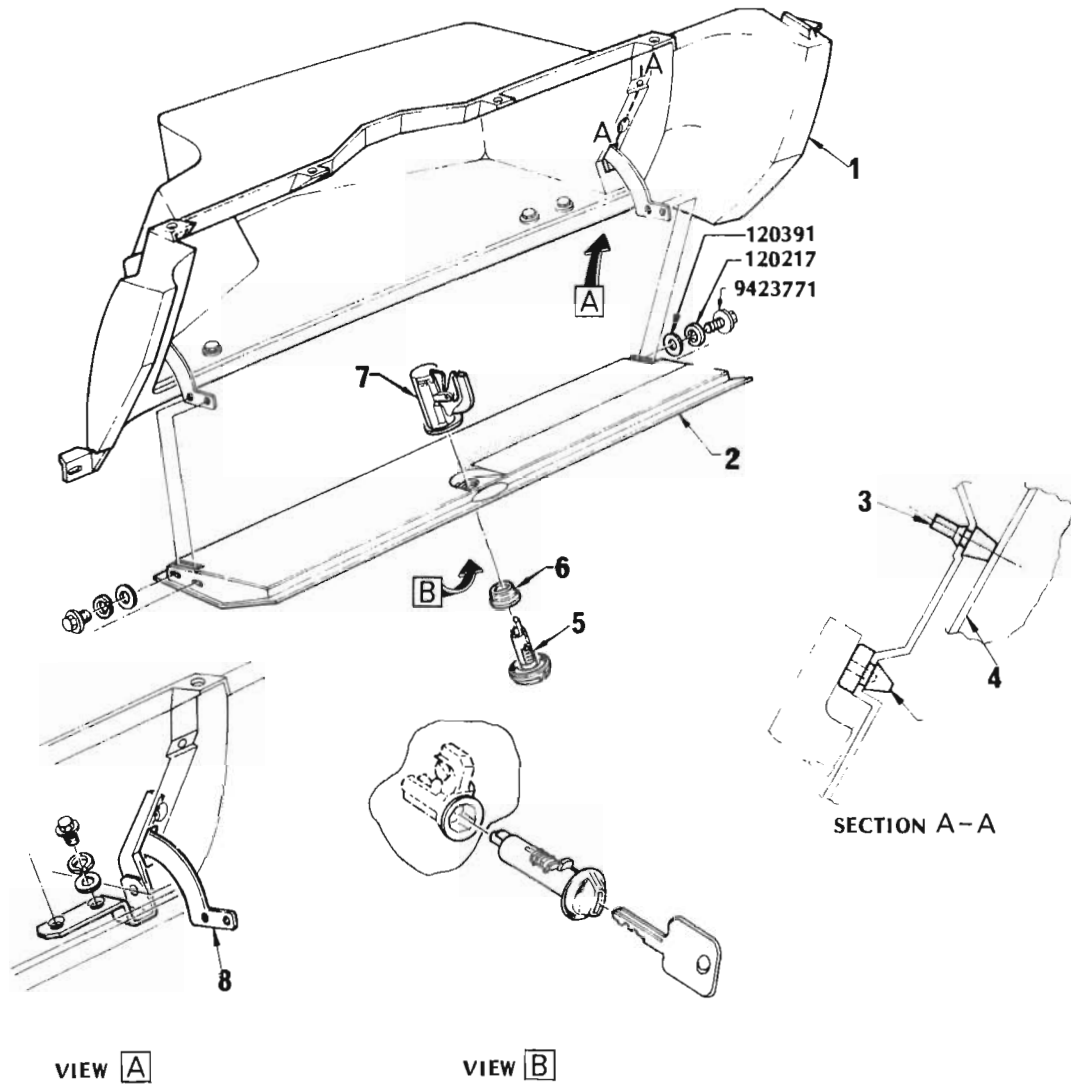
SECTION E-E



SECTION H-H

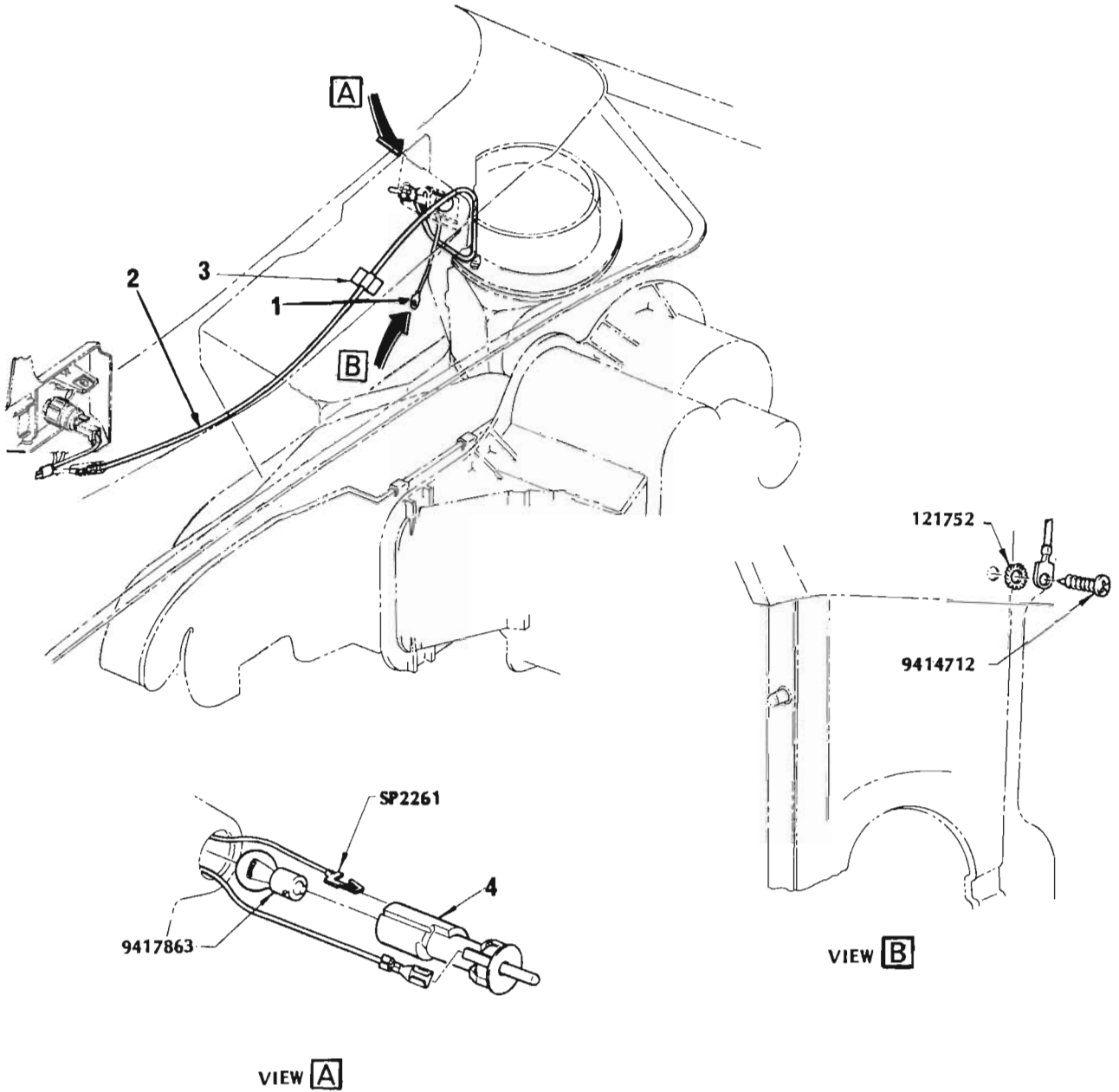
INSTRUMENT PANEL LOWER RIGHT SIDE FACIA

ILLUS. REF. NO.	PART NAME	GROUP
1.	FACIA	10.252



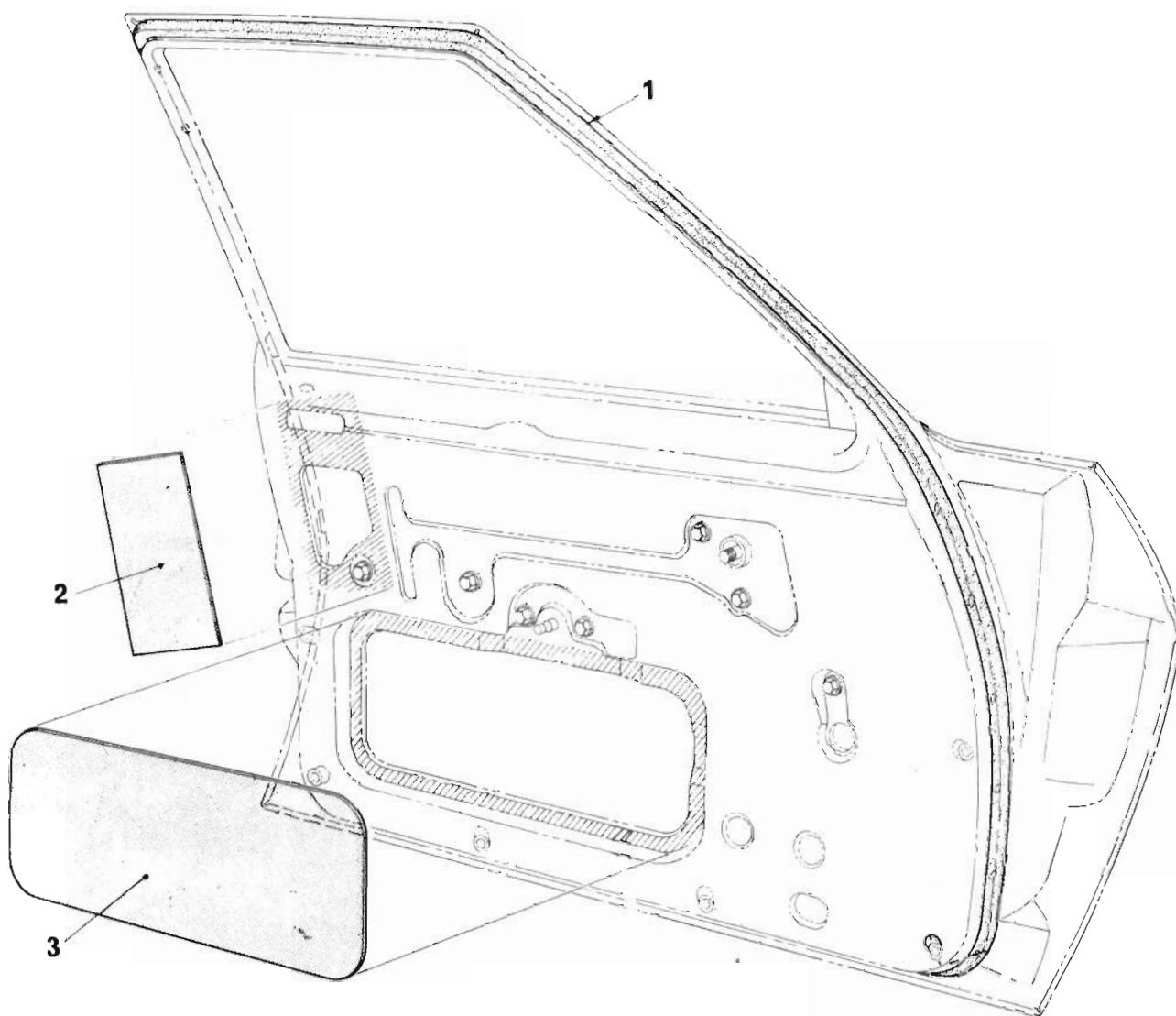
INSTRUMENT PANEL COMPARTMENT DOOR

ILLUS. REF. NO.	PART NAME	GROUP
1.	COMPARTMENT & FACIA - Instrument panel	10.260
2.	DOOR ASSEMBLY - Instrument panel compartment	10.261
3.	BUMPER - Door	10.263
4.	BUMPER - Hinge	10.263
5.	BARREL ASSEMBLY - Door	10.266
6.	ESCUTCHEON - Lock case	10.266
7.	CASE ASSEMBLY - Door	10.266
8.	HINGE ASSEMBLY - Door	10.262



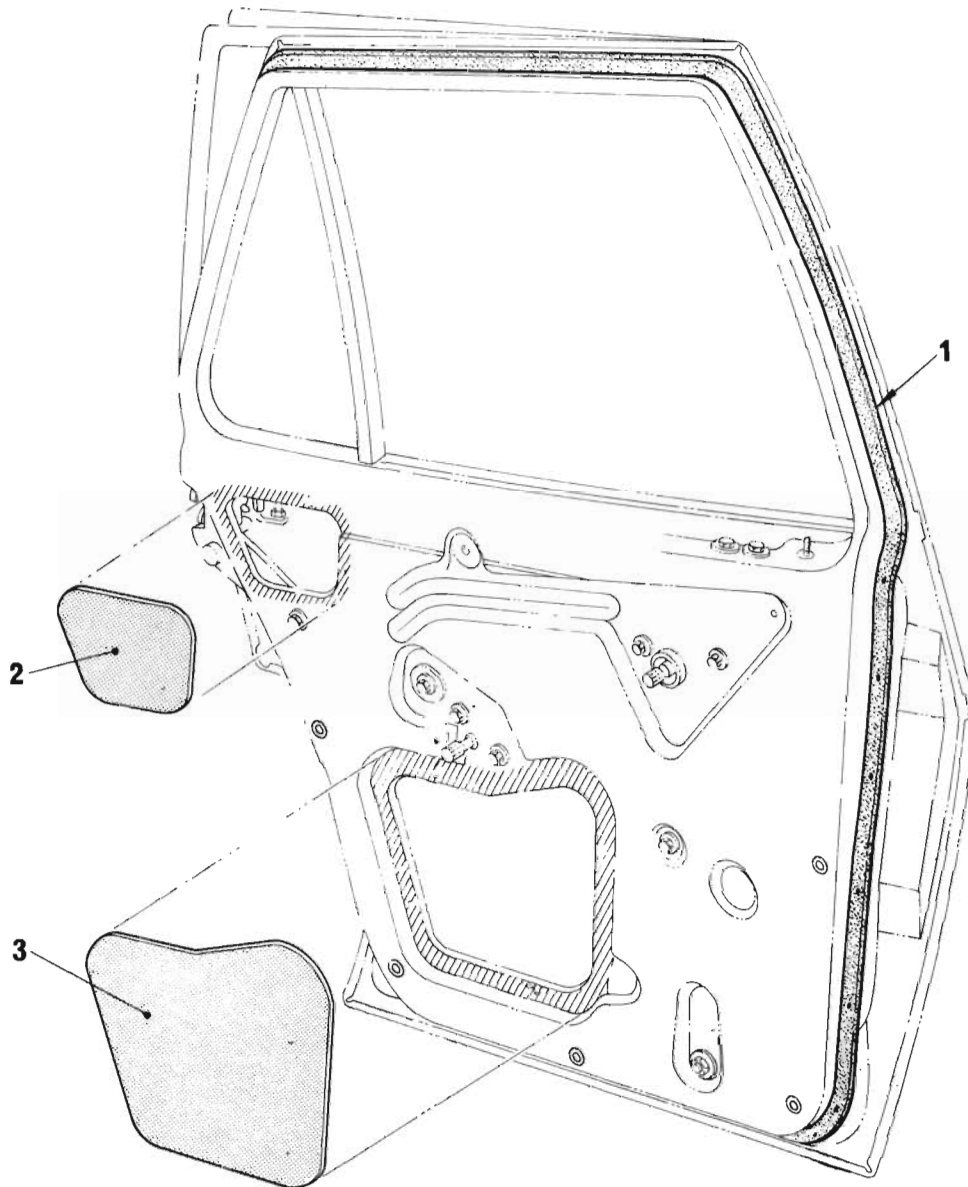
INSTRUMENT PANEL COMPARTMENT LAMP

ILLUS. REF. NO.	PART NAME	GROUP
1.	LEAD ASSEMBLY - Earth	10.270
2.	LEAD ASSEMBLY - Feed	10.270
3.	CLIP - Lead to cowl panel	10.270
4.	SWITCH ASSEMBLY	10.270



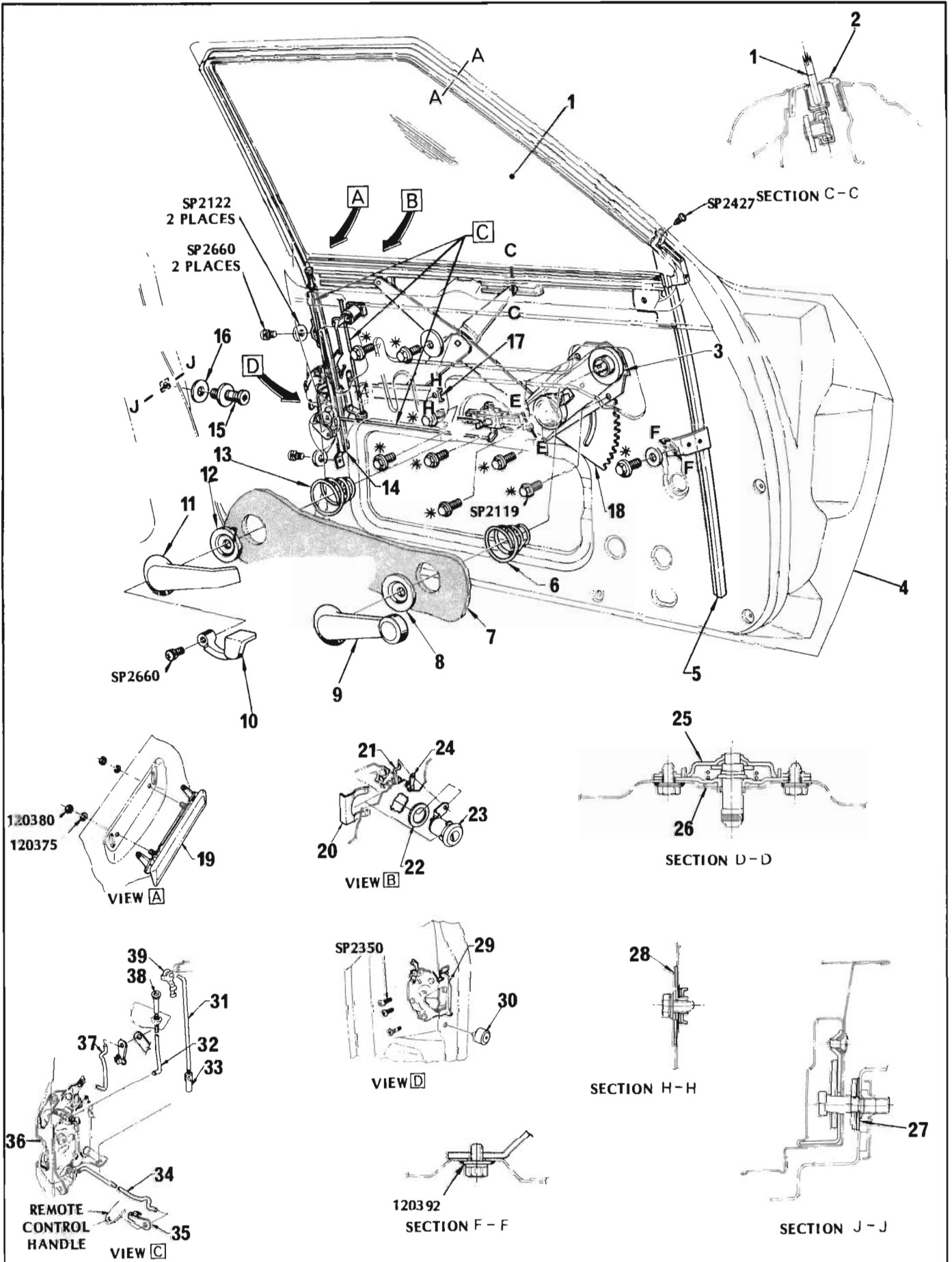
FRONT DOOR WEATHERSTRIP and SEALS

ILLUS. REF. NO.	PART NAME	GROUP
1.	WEATHERSTRIP — Front door opening	10.694
2.	SEAL — Front door inner panel	14.694
3.	SEAL — Front door inner panel	14.694



REAR DOOR WEATHERSTRIP and SEALS

ILLUS. REF. NO.	PART NAME	GROUP
1.	WEATHERSTRIP – Rear door opening	10.694
2.	SEAL – Rear door inner panel	14.768
3.	SEAL – Rear door inner panel	14.768



BODY

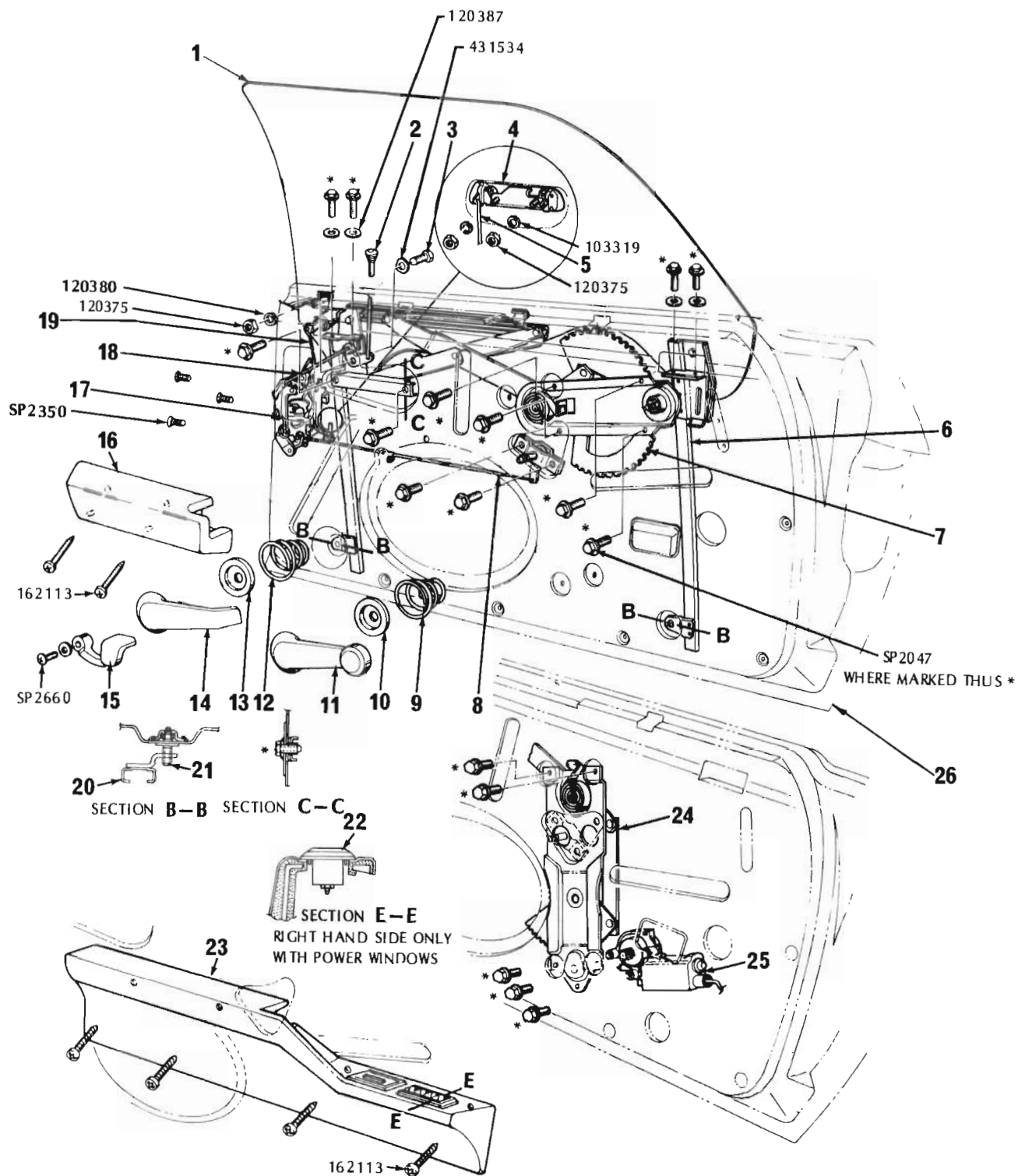
FRONT DOOR HARDWARE
EXC. 'LE'

ILLUSTRATION OPPOSITE

ILLUS. REF. NO.	PART NAME	GROUP
1.	GLASS – Front door	10.681
2.	WEATHERSTRIP – Front door	10.710
3.	WASHER – Rubber	10.783
4.	DOOR ASSEMBLY – Less trim	10.351
	PANEL ASSEMBLY	12.895
	PANEL – Outer	12.895
5.	RETAINER – Front channel	10.701
6.	SPRING	10.806
7.	TRIM – Front door	14.685
8.	PLATE – Handle wear	10.797
9.	HANDLE ASSEMBLY	10.797
10.	HANDLE ASSEMBLY – Door remote	10.512
11.	HANDLE – Door remote	10.512
12.	PLATE – Inside door handle wear	10.515
13.	SPRING – Front door remote control handle	10.516
14.	RETAINER – Rear channel	10.701
15.	STRIKER ASSEMBLY	10.569
16.	SPACER – Striker	10.571
17.	CAM ASSEMBLY – Sliding	10.783
18.	REGULATOR ASSEMBLY	10.783
19.	HANDLE – Outside	10.527
20.	RETAINER – Door lock	10.553
21.	ROD	10.507
22.	GASKET – Door lock cylinder	10.550
23.	BARREL ASSEMBLY	10.550
24.	CLIP – Anti-rattle	10.507
25.	CONTROL ASSEMBLY – Door lock remote	10.500
26.	GASKET – Remote control	10.516
27.	SPACER – Door lock striker	10.571
28.	WASHER – Front door window regulator	10.783
29.	LOCK & SEAL ASSEMBLY – Door	10.470
30.	BUMPER	10.587
31.	ROD – Front handle to lock connecting	10.529
32.	ROD – Front	10.563
33.	NUT – Rod adjusting	10.529
34.	ROD – Front door connecting	10.506
35.	CLIP – Front door rod retaining	10.506
36.	LOCK ASSEMBLY – Door	10.470
37.	ROD	10.507
38.	KNOB – Front	10.559
39.	CLIP – Handle to lock connecting rod	10.529

FRONT DOOR HARDWARE

"LE"

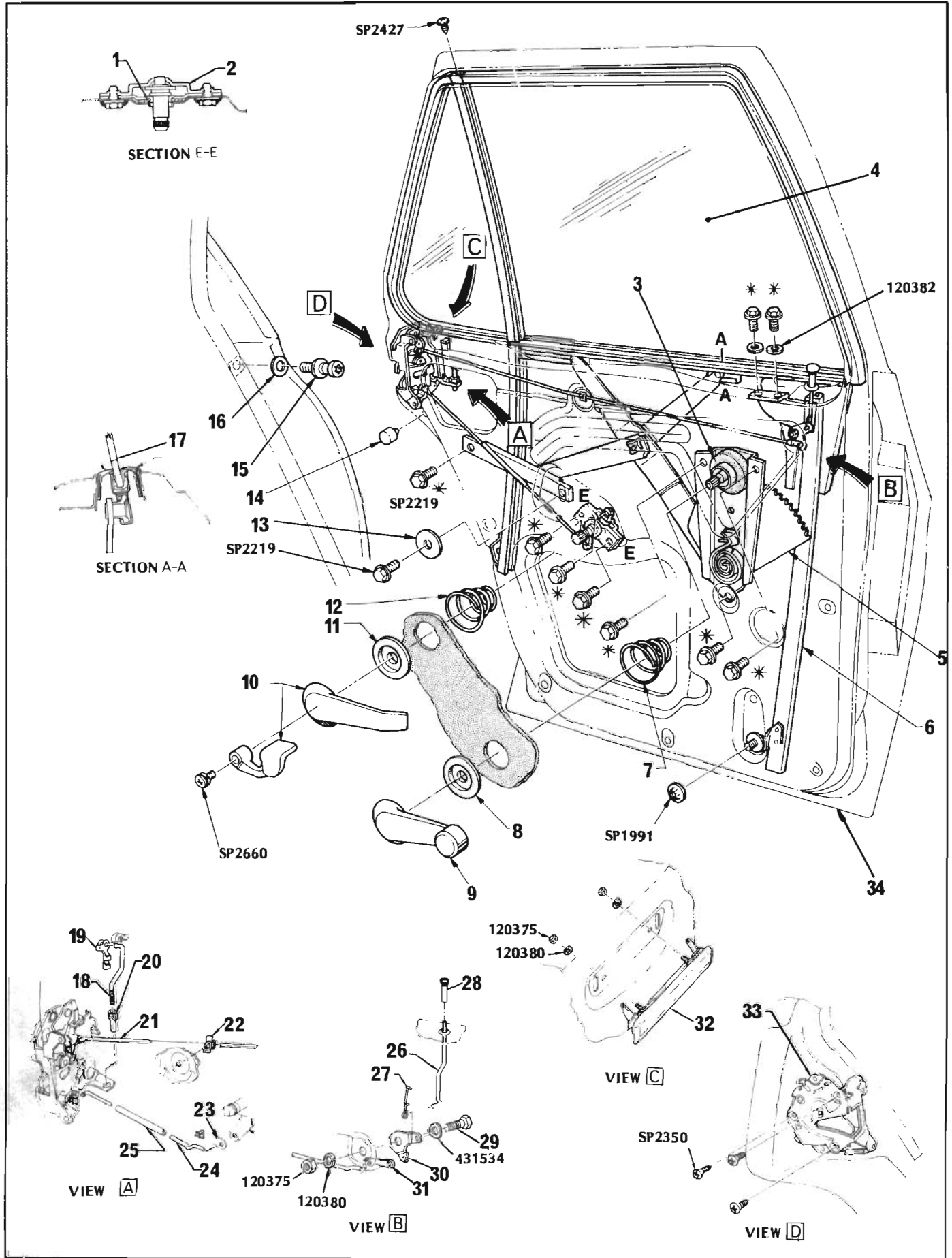


FRONT DOOR HARDWARE

"LE"

ILLUSTRATION OPPOSITE

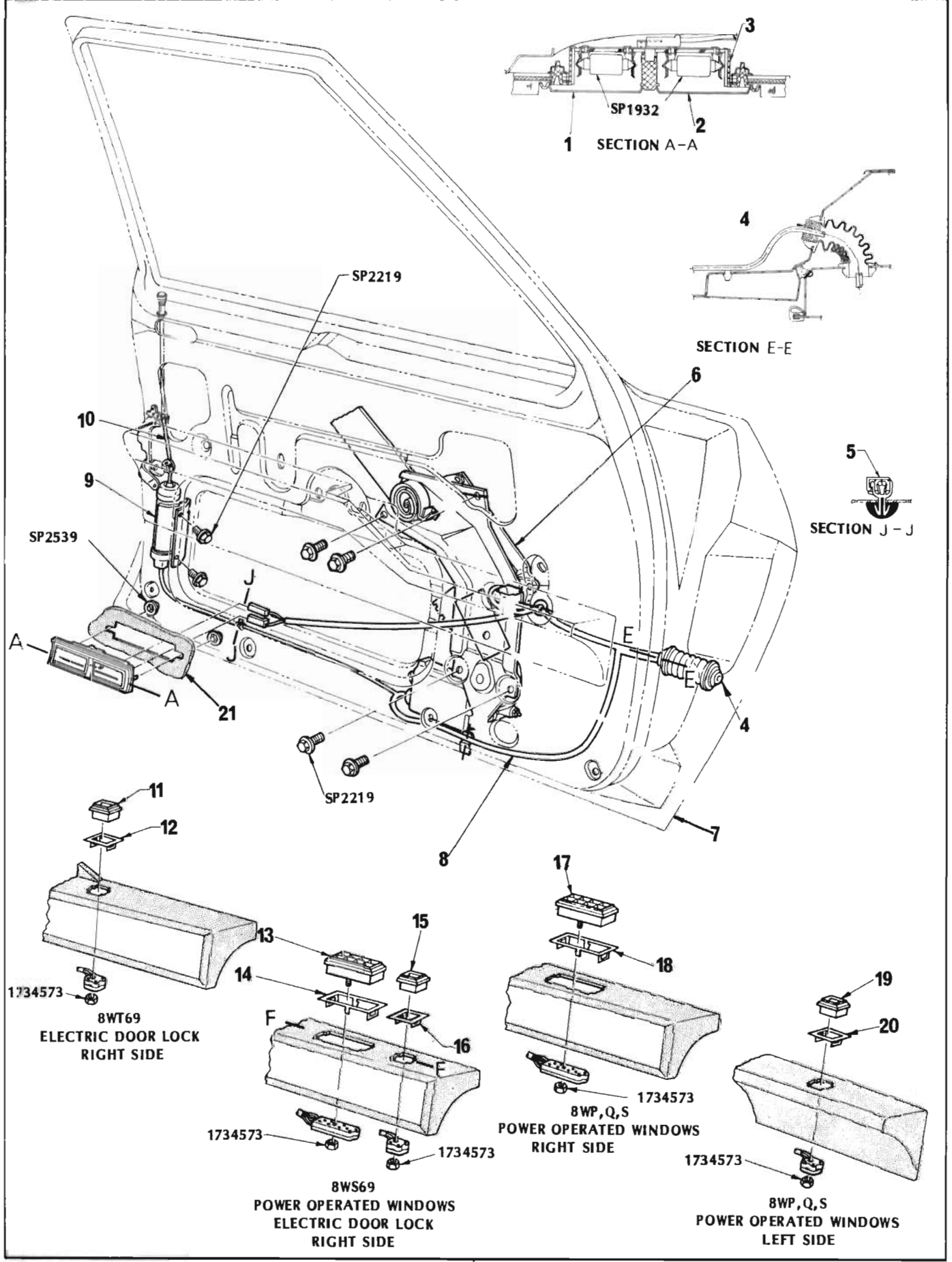
ILLUS. REF. NO.	PART NAME	GROUP
1.	GLASS - Front door	10.681
2.	KNOB - Inside locking rod	10.559
3.	BOLT - Locking lever	10.556
4.	HANDLE - Door outside	10.527
5.	ROD - Handle to lock connector	10.529
6.	CAM ASSY. - Front door	10.702
7.	REGULATOR ASSY. - Window	10.783
8.	ROD - Connecting	10.506
9.	SPRING - Handle escutcheon	10.806
10.	PLATE - Handle wear	10.797
11.	HANDLE ASSY.	10.797
12.	SPRING - Front door remote control	10.516
13.	PLATE - Inside door handle wear	10.515
14.	HANDLE - Door remote control	10.512
15.	HANDLE - Door remote control	10.512
16.	ARM REST ASSY.	14.686
17.	LOCK ASSY. - Door	10.470
18.	ROD - Door inside locking	10.556
19.	ROD - Door lock to lock cylinder connector	10.507
20.	CAM ASSY. - Front door	10.702
21.	STUD - Cam to door	10.702
22.	SWITCH ASSY. - Power window	10.777
23.	ARM REST ASSY.	14.686
24.	REGULATOR ASSY. - Window	10.783
25.	MOTOR ASSY. - Door window	10.784
26.	{ PANEL ASSY.	12.895
	{ DOOR ASSY. - Less trim	10.351
	{ PANEL - Outer	12.895



REAR DOOR HARDWARE

ILLUSTRATION OPPOSITE

ILLUS. REF. NO.	PART NAME	GROUP
1.	GASKET – Remote control	10.516
2.	CONTROL – Door lock remote	10.500
3.	WASHER – Rubber	10.783
4.	GLASS – Rear door	10.741
5.	REGULATOR – Window	10.783
6.	RETAINER – Front channel	10.701
7.	SPRING – Regulator handle	10.806
8.	PLATE – Regulator handle	10.797
9.	HANDLE – Window regulator	10.797
10.	HANDLE – Door remote	10.512
11.	PLATE – Remote control handle	10.515
12.	SPRING – Remote control handle	10.516
13.	WASHER	10.791
14.	BUMPER – Door pillar	10.587
15.	STRIKER – Door lock	10.569
16.	SPACER – Door lock striker	10.571
17.	WEATHERSTRIP – Door	10.710
18.	ROD – Handle to lock connecting	10.529
19.	CLIP – Handle to connecting rod	10.529
20.	NUT – Rod adjusting	10.529
21.	ROD – Door inside locking	10.556
22.	CLIP – Anti-rattle	10.556
23.	CLIP – Rod to lever	10.556
24.	ROD – Connecting	10.506
25.	SLEEVE – Connecting rod.....	10.506
26.	ROD – Inside locking	10.563
27.	CLIP – Inside locking rod	10.563
28.	KNOB – Inside locking rod	10.559
29.	BOLT – Locking lever	10.556
30.	LEVER – Inside locking	10.556
31.	CLIP – Rod to lever	10.556
32.	HANDLE – Door outside	10.527
33.	LOCK ASSEMBLY – Door	10.473
34.	{ DOOR ASSEMBLY – Less trim	10.351
	{ PANEL ASSEMBLY	12.895
	{ PANEL – Outer	12.895

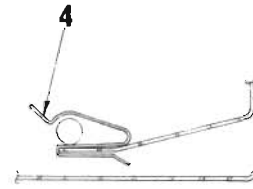
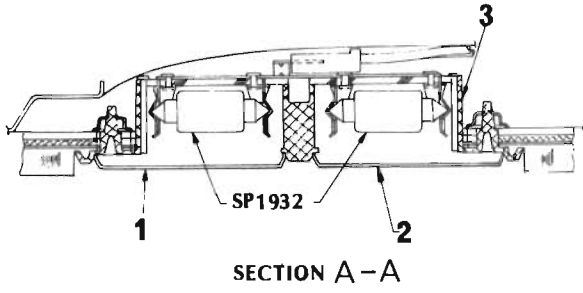


BODY

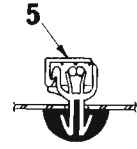
FRONT DOOR HARDWARE
POWER OPERATED SIDE WINDOWS
SIDE DOORS ELECTRIC LOCKING

ILLUSTRATION OPPOSITE

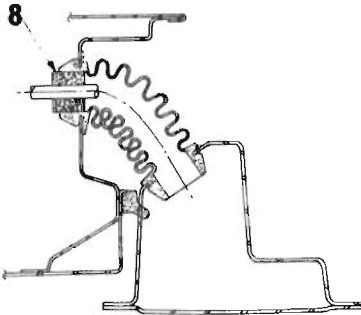
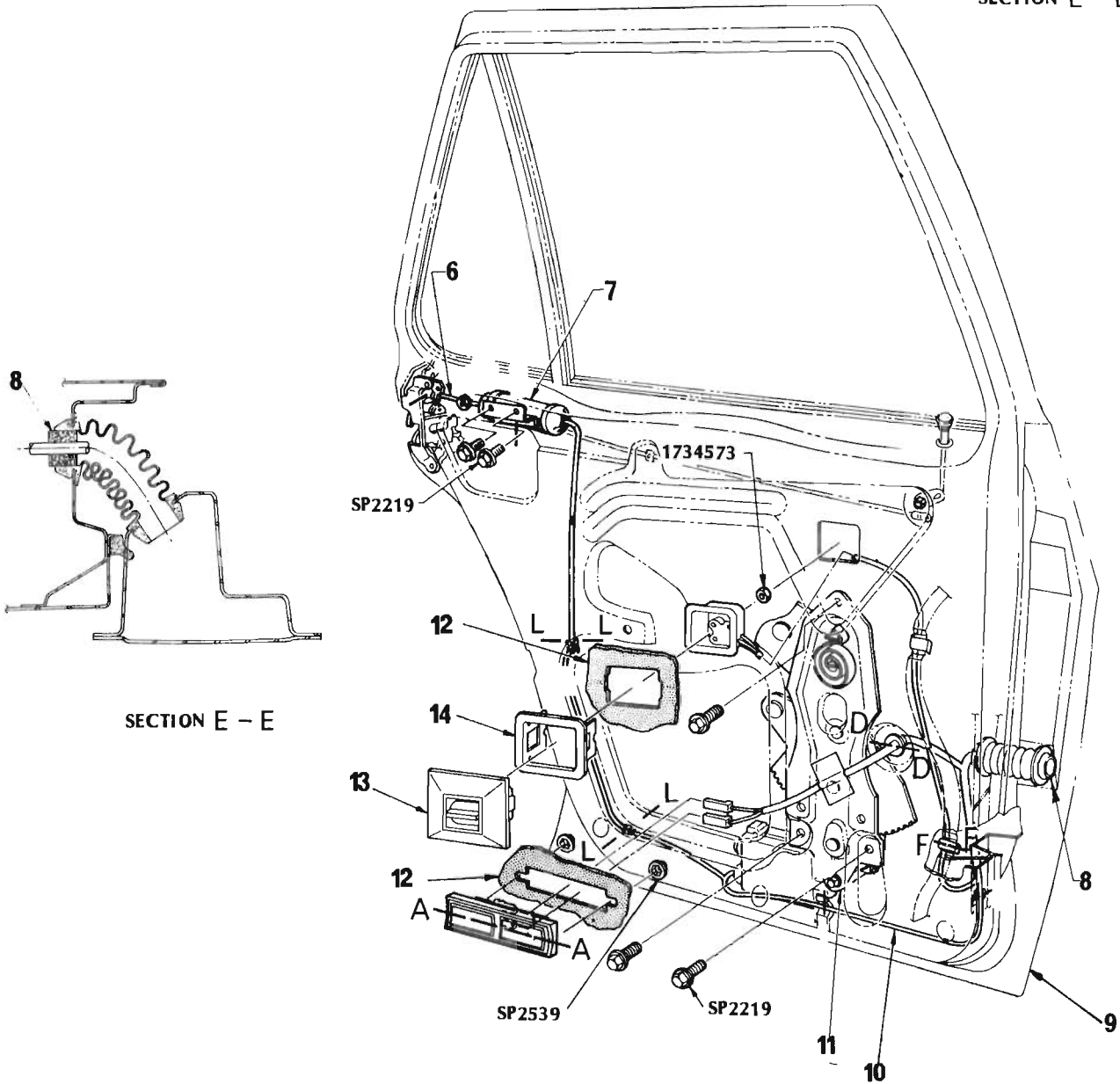
ILLUS. REF. NO.	PART NAME	GROUP
1.	LENS - Warning lamp	11.950
2.	LENS - Courtesy lamp	11.950
3.	REFLECTOR ASSEMBLY	11.950
4.	SEAL - Sleeve dust	10.777
5.	CLIP - Harness to front door	10.485
6.	REGULATOR ASSEMBLY	10.783
7.	DOOR ASSEMBLY - Power windows	10.351
8.	HARNESS ASSEMBLY	10.777
9.	ACTUATOR ASSEMBLY - Front door	10.485
10.	ROD - Actuator to lock	10.485
11.	SWITCH ASSEMBLY - Right side	10.485
12.	REINFORCEMENT - Switch to trim - right side	10.485
13.	SWITCH ASSEMBLY - 4 button - right side	10.777
14.	REINFORCEMENT - 4 button - right side	10.777
15.	SWITCH ASSEMBLY - Right side	10.485
16.	REINFORCEMENT - Single button switch - right side	10.777
17.	SWITCH ASSEMBLY - 4 Button - right side	10.777
18.	REINFORCEMENT - 4 button switch - right side	10.777
19.	SWITCH ASSEMBLY - Single button - left side	10.777
20.	REINFORCEMENT - Single button - left side	10.777
21.	TRIM - Door	14.685



SECTION F - F



SECTION L - L

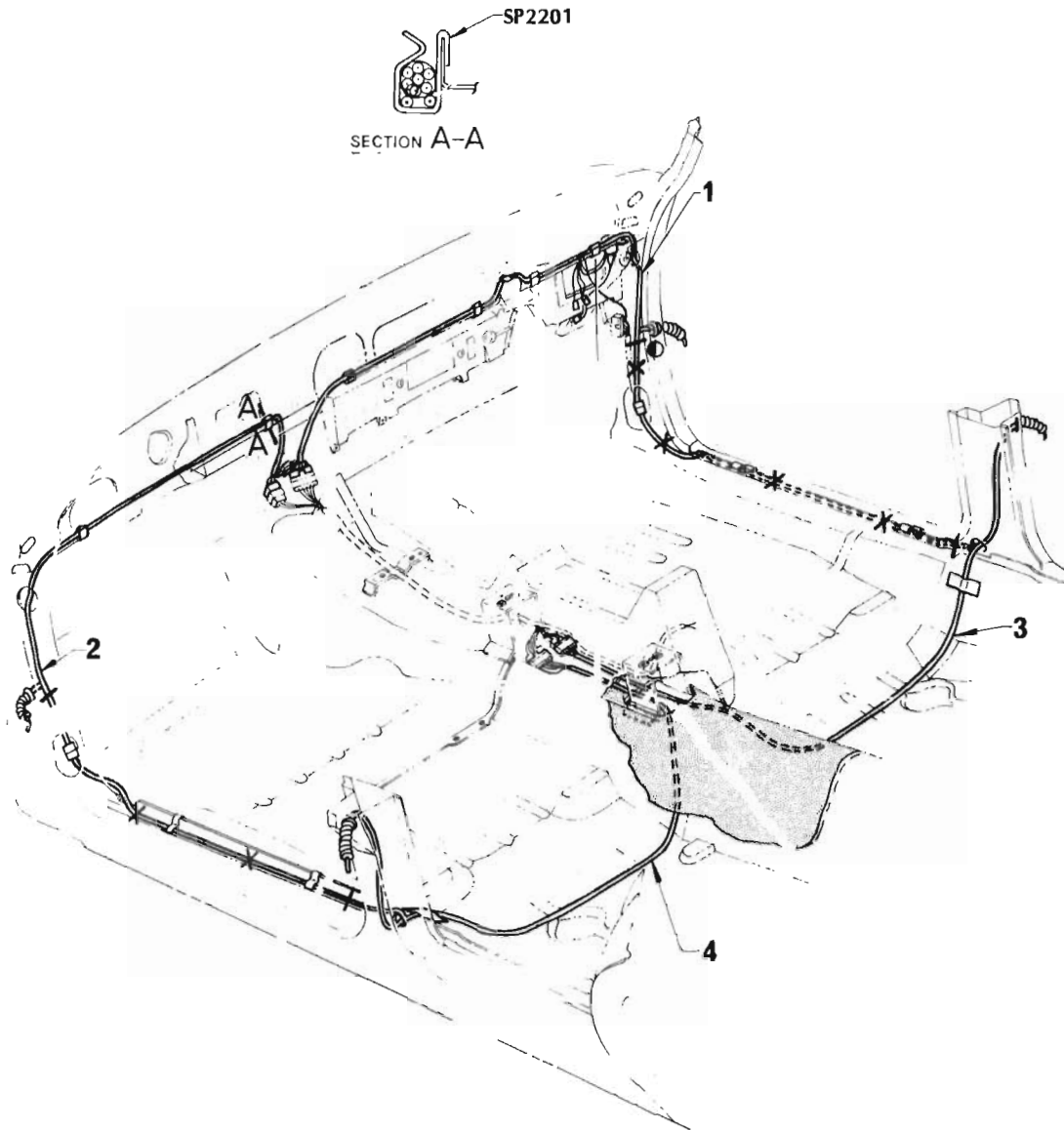


SECTION E - E

REAR DOOR HARDWARE
POWER OPERATED SIDE WINDOWS
SIDE DOORS ELECTRIC LOCKING

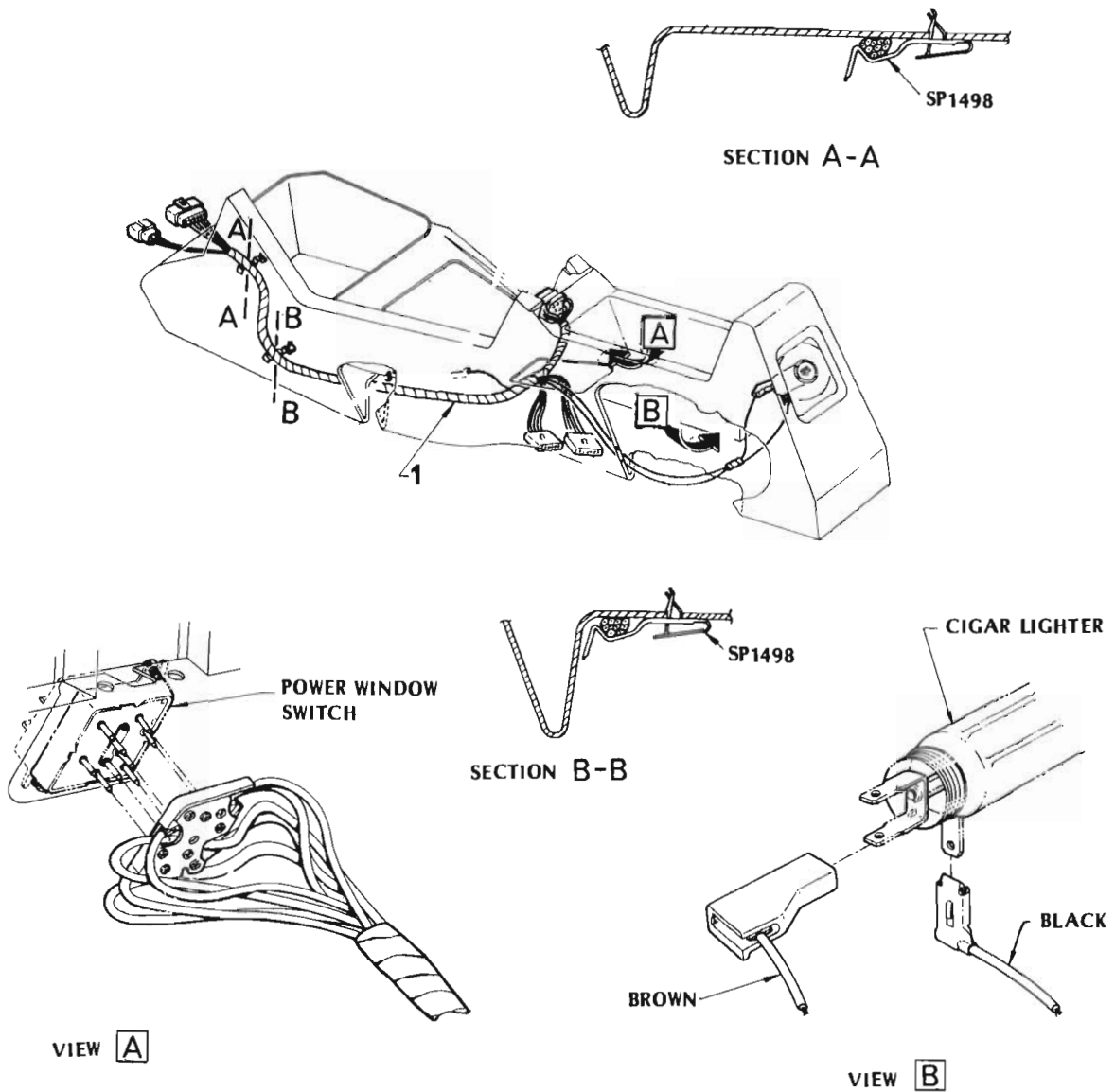
ILLUSTRATION OPPOSITE

ILLUS. REF. NO.	PART NAME	GROUP
1.	LENS - Warning lamp	11.950
2.	LENS - Courtesy lamp	11.950
3.	REFLECTOR ASSEMBLY	11.950
4.	CLIP - Rear door harness to door	10.485
5.	CLIP - Harness to rear door	10.485
6.	ROD - Actuator to lock	10.485
7.	ACTUATOR ASSEMBLY - Rear door	10.485
8.	SEAL - Sleeve dust	10.777
9.	DOOR ASSEMBLY - Power windows	10.373
10.	HARNES ASSEMBLY	10.777
11.	REGULATOR ASSEMBLY	10.791
12.	TRIM - Door	14.760
13.	SWITCH ASSEMBLY	10.777
14.	REINFORCEMENT - Switch	10.777



HARNES
Power Operated Windows

ILLUS. REF. NO.	PART NAME	GROUP
1.	HARNES ASSEMBLY - Front door - RH	10.777
2.	HARNES ASSEMBLY - Front door - LH	10.777
3.	HARNES ASSEMBLY - Rear door - RH	10.777
4.	HARNES ASSEMBLY - Rear door - LH	10.777



HARNESS — CONSOLE WIRING POWER OPERATED WINDOW

ILLUS. REF. NO.	PART NAME	GROUP
1.	HARNESS ASSEMBLY	10.777

"HX" STATESMAN/HOLDEN PARTS CATALOGUE

GROUP	DESCRIPTION	SIDE	PART No.	QTY.	BODY STYLE	M	N	P	Q	S	T
10.001	BODY ASSEMBLY – Complete Current production body assemblies complete with trim will be supplied on a Firm Order basis.										
10.002	BODY SHELL – Less doors and deck lid (In Prime)										
	BODY SHELL		9944781	1	35	X	X	X			
	BODY SHELL		9944160	1	37				X		
	BODY SHELL		9944785	1	60	X					
	BODY SHELL		9944779	1	69	X	X	X	X		
	BODY SHELL		9944780	1	69					X	
	BODY SHELL		9944786	1	69						X
	BODY SHELL		9944782	1	70	X					
	BODY SHELL		9944783	1	70		X				
	BODY SHELL		9944784	1	80	X	X				
10.027	GLASS – Windshield										
	GLASS – Armour Plate		2810347	1	35, 60, 69, 70, 80	X	X	X	X	X	
	GLASS – Laminated		2825815	1	35, 60, 69, 70, 80	X	X	X	X	X	
	GLASS – Laminated Tinted		2825822	1	35, 60, 69, 70, 80	X	X	X	X	X	X
	GLASS – Laminated Tinted		2825823	1	37				X		
10.051	PANEL – Front body pillar garnish										
	PANEL – Black	LH	9940821BA	1	35, 60, 69, 70, 80	X	X	X	X	X	X
		RH	9940822BA	1	35, 60, 69, 70, 80	X	X	X	X	X	X
	PANEL – Tan	LH	9940821DX	1	35, 60, 69, 70, 80	X	X	X	X	X	X
		RH	9940822DX	1	35, 60, 69, 70, 80	X	X	X	X	X	X
	PANEL – Dark Sienna	LH	9940821EK	1	35, 60, 69, 70, 80	X	X	X	X	X	X
		RH	9940822EK	1	35, 60, 69, 70, 80	X	X	X	X	X	X
	PANEL	LH	9931049	1	37				X		
		RH	9931048	1	37				X		
	SCREW – Garnish panel to pillar		9426432	4	ALL	X	X	X	X	X	X
10.093	MOULDING – Windshield reveal										
	MOULDING – Upper – Exc. Sandman	LH	2811175	1	35, 60, 69, 80	X	X	X		X	X
		RH	2811176	1	35, 60, 69, 80	X	X	X		X	X
	MOULDING – Side – Exc. Sandman	LH	2810357	1	35, 60, 69, 80	X	X	X		X	X
		RH	2810356	1	35, 60, 69, 80	X	X	X		X	X
	MOULDING – Lower – Exc. Sandman	LH	2811999	1	35, 60, 69, 80	X	X	X		X	X
		RH	2812000	1	35, 60, 69, 80	X	X	X		X	X
	MOULDING – Upper	LH	2813641	1	37				X		
		RH	2813642	1	37				X		
	MOULDING – Side	LH	2813643	1	37				X		
		RH	2813644	1	37				X		
	MOULDING – Lower	LH	2811999	1	37				X		
		RH	2812000	1	37				X		
	MOULDING – Upper	LH	9932855	1	69				X		
		RH	9932856	1	69				X		
	MOULDING – Side	LH	9932857	1	69				X		
		RH	9932858	1	69				X		
	MOULDING – Lower	LH	2813645	1	69				X		
		RH	2813646	1	69				X		
	MOULDING – Upper – Exc. Sandman	LH	9939575	1	70	X					
		RH	9939574	1	70	X					
	MOULDING – Side – Exc. Sandman	LH	2810357	1	70	X					
		RH	2810356	1	70	X					
	MOULDING – Lower – Exc. Sandman	LH	2811999	1	70	X					
		RH	2812000	1	70	X					
	MOULDING – Upper – Sandman	LH	9944097	1	70	X					
		RH	9944096	1	70	X					
	MOULDING – Side – Sandman	LH	9932857	1	70	X					
		RH	9932858	1	70	X					

"HX" STATESMAN/HOLDEN PARTS CATALOGUE

GROUP	DESCRIPTION	SIDE	PART No.	QTY.	BODY STYLE	M	N	P	Q	S	T
10.093 MOULDING – Windshield reveal (Continued)											
	MOULDING – Lower – Sandman	LH	2813645	1	70	X					
		RH	2813646	1	70	X					
	MOULDING – Upper – Sandman	LH	9932855	1	80	X					
		RH	9932856	1	80	X					
	MOULDING – Side – Sandman	LH	9932857	1	80	X					
		RH	9932858	1	80	X					
	MOULDING – Lower – Sandman	LH	2813645	1	80	X					
		RH	2813646	1	80	X					
	CLIP – Upper moulding to roof (Stud Type)		8736585	6	35, 60, 69, 80	X	X	X	X	X	X
	CLIP – Upper moulding to roof (Stud Type)		8736585	8	70	X	X				
	CLIP – Upper moulding to roof (Screw Type)		7434693	AR	ALL	X	X	X	X	X	X
	SCREW – Use with Clip No. 7434693		SP2495	AR	ALL	X	X	X	X	X	X
	CLIP – Lower Moulding to front end (Stud Type)		8736585	10	ALL	X	X	X	X	X	X
	CLIP – Lower moulding to front end (Screw Type)		7434693	AR	ALL	X	X	X	X	X	X
	SCREW – Use with Clip No. 7434693		SP2495	AR	ALL	X	X	X	X	X	X
	SCREW – Moulding retainer – Exc. Sandman		SP2192	8	35, 60, 69, 70, 80	X	X			X	X
	SCREW – Moulding retainer		SP2192	2	37				X		
	SCREW – Moulding retainer – Sandman		SP2700		69, 80	X			X		
10.146 BLADE – Windshield wiper											
	BLADE ASSEMBLY		2819700	2	ALL	X	X	X	X	X	X
	VERTEBRA & RUBBER INSERT		M37680	1	ALL	X	X	X	X	X	X
10.147 ARM – Windshield wiper											
	ARM ASSEMBLY		2819701	1	ALL	X	X	X	X	X	X
	ARM & ACTUATING LINK ASSY.		2819702	1	ALL	X	X	X	X	X	X
	CLIP – Lock		VS12250	1	ALL	X	X	X	X	X	X
10.150 MOTOR AND COMPONENTS – Windshield wiper											
	MOTOR ASSEMBLY		2817695	1	ALL	X	X	X	X	X	X
	NOTE: Preslite Motor 2817696 and Lucas Motor 2817695 fitted optionally in production.										
	SCREW – Motor to dash panel		9428168	3	ALL	X	X	X	X	X	X
	SCREW – Earth strap to dash panel		SP1855	1	ALL	X	X	X	X	X	X
	ARMATURE ASSEMBLY	(Preslite)	VS11958	1	ALL	X	X	X	X	X	X
	BALL – Armature thrust	(Preslite)	VS10285	1	ALL	X	X	X	X	X	X
	BOLT – Through	(Preslite)	VS11957	2	ALL	X	X	X	X	X	X
	CONE – Armature thrust	(Preslite)	7421381	1	ALL	X	X	X	X	X	X
	CRANK ASSEMBLY	(Preslite)	VS11942	1	ALL	X	X	X	X	X	X
	FINGER – Earth	(Preslite)	VS11950	1	ALL	X	X	X	X	X	X
	GEAR & SHAFT ASSEMBLY	(Preslite)	VS11945	1	ALL	X	X	X	X	X	X
	HOUSING – Armature	(Preslite)	VS11955	1	ALL	X	X	X	X	X	X
	HOUSING ASSEMBLY - Gear	(Preslite)	VS11959	1	ALL	X	X	X	X	X	X
	NUT – Crank retaining	(Preslite)	7429033	1	ALL	X	X	X	X	X	X
	PAD – Armature thrust	(Preslite)	VS10286	1	ALL	X	X	X	X	X	X
	PIN – Pump retaining	(Preslite)	VS11953	2	ALL	X	X	X	X	X	X
	RING – Pump retaining pin	(Preslite)	VS11943	2	ALL	X	X	X	X	X	X
	SCREW – Pump retaining	(Preslite)	VS10280	2	ALL	X	X	X	X	X	X
	SCREW – Earth finger	(Preslite)	VS11951	1	ALL	X	X	X	X	X	X
	SPRING – Pump retaining pin	(Preslite)	VS11944	2	ALL	X	X	X	X	X	X
	STRAP – Earth	(Preslite)	VS11941	1	ALL	X	X	X	X	X	X
	TERMINAL BLOCK ASSEMBLY	(Preslite)	VS11947	1	ALL	X	X	X	X	X	X
	WASHER – Pump retaining screw, flat	(Preslite)	VS11948	2	ALL	X	X	X	X	X	X
	WASHER – Pump ret. screw, dished	(Preslite)	VS11949	2	ALL	X	X	X	X	X	X
	WASHER – Gear and shaft flat	(Preslite)	7425272	2	ALL	X	X	X	X	X	X
	WASHER – Gear and shaft wave	(Preslite)	7429031	1	ALL	X	X	X	X	X	X
	WASHER – Through bolt	(Preslite)	120217	2	ALL	X	X	X	X	X	X
	ARMATURE ASSEMBLY	(Lucas)	VS11849	1	ALL	X	X	X	X	X	X
	BEARING SET – Commutator end	(Lucas)	VS10657	1	ALL	X	X	X	X	X	X
	BEARING SET – Yoke	(Lucas)	VS11848	1	ALL	X	X	X	X	X	X

BODY

"HX" STATESMAN/HOLDEN PARTS CATALOGUE

GROUP	DESCRIPTION	SIDE	PART No.	QTY.	BODY STYLE	M	N	P	Q	S	T
10.150 MOTOR AND COMPONENTS – Windshield wiper (Continued)											
	BRUSH GEAR(Lucas)		VS11843	1	ALL	X	X	X	X	X	X
	BRUSH SET(Lucas)		VS11844	1	ALL	X	X	X	X	X	X
	CONTACT – Earth(Lucas)		VS11859	1	ALL	X	X	X	X	X	X
	GEAR & SHAFT ASSEMBLY(Lucas)		VS11864	1	ALL	X	X	X	X	X	X
	CRANK ASSEMBLY(Lucas)		VS11865	1	ALL	X	X	X	X	X	X
	SCREW – Cover attaching(Lucas)		VS10562	4	ALL	X	X	X	X	X	X
	SCREW – Thrust(Lucas)		VS11852	1	ALL	X	X	X	X	X	X
	SPRING SET – Brush(Lucas)		VS11845	1	ALL	X	X	X	X	X	X
	STRAP – Earth(Lucas)		VS11862	1	ALL	X	X	X	X	X	X
	TERMINAL – Switch(Lucas)		VS11858	1	ALL	X	X	X	X	X	X
10.152 PLATE, SEAL, INSULATOR – Windshield wiper motor mounting											
	PLATE – Seal Retainer		2815470	1	ALL	X	X	X	X	X	X
	PLATE – Motor to dash panel		2815469	1	ALL	X	X	X	X	X	X
	Insulator		7432748	3	ALL	X	X	X	X	X	X
	RETAINER – Insulator		7432326	3	ALL	X	X	X	X	X	X
10.153 PUMP AND COMPONENTS – Windshield Washer											
	PUMP ASSY(Lucas)		VS11870	1	ALL	X	X	X	X	X	X
	PUMP ASSY.(Preslite)		VS11946	1	ALL	X	X	X	X	X	X
	CAP – Suction(Preslite)		VS12130	1	ALL	X	X	X	X	X	X
	COVER – Solenoid(Preslite)		VS12133	1	ALL	X	X	X	X	X	X
	COVER – Valve(Preslite)		VS12134	1	ALL	X	X	X	X	X	X
	CUP – Trim(Preslite)		VS12132	1	ALL	X	X	X	X	X	X
	HOUSING(Preslite)		VS12128	1	ALL	X	X	X	X	X	X
	PLUNGER(Preslite)		VS12131	1	ALL	X	X	X	X	X	X
	PLUNGER & LEVER ASSY – Solenoid(Preslite)		VS12139	1	ALL	X	X	X	X	X	X
	RUBBER – Valve(Preslite)		VS12137	3	ALL	X	X	X	X	X	X
	SCREW – Solenoid cover(Preslite)		VS10277	1	ALL	X	X	X	X	X	X
	SCREW – Valve cover(Preslite)		VS12138	4	ALL	X	X	X	X	X	X
	SEAL – Valve(Preslite)		VS12136	1	ALL	X	X	X	X	X	X
	SEAT – Valve(Preslite)		VS12135	1	ALL	X	X	X	X	X	X
	SOLENOID ASSY(Preslite)		VS12129	1	ALL	X	X	X	X	X	X
	SPRING – Valve(Preslite)		VS12140	1	ALL	X	X	X	X	X	X
	CAM FOLLOWER(Lucas)		VS12199	1	ALL	X	X	X	X	X	X
	COVER – Valve(Lucas)		VS12204	1	ALL	X	X	X	X	X	X
	DIAPHRAGM(Lucas)		VS12202	1	ALL	X	X	X	X	X	X
	HOUSING(Lucas)		VS12196	1	ALL	X	X	X	X	X	X
	LATCH(Lucas)		VS12198	1	ALL	X	X	X	X	X	X
	LEVER ASSY. – Locking(Lucas)		VS12207	1	ALL	X	X	X	X	X	X
	PLATE – Intensifier(Lucas)		VS12208	1	ALL	X	X	X	X	X	X
	SLIDE(Lucas)		VS12197	1	ALL	X	X	X	X	X	X
	SOLENOID ASSY.(Lucas)		VS12206	1	ALL	X	X	X	X	X	X
	SPRING – Cam follower(Lucas)		VS12201	1	ALL	X	X	X	X	X	X
	SPRING – Diaphragm(Lucas)		VS12203	1	ALL	X	X	X	X	X	X
	SCREW – Slide(Lucas)		VS12205	1	ALL	X	X	X	X	X	X
	WHEEL – Timing(Lucas)		VS12200	1	ALL	X	X	X	X	X	X
10.154 RESERVOIR, FILTER – Windshield washer											
	RESERVOIR & FILTER ASSY		7434071	1	ALL	X	X	X	X	X	X
	SCREW – Reservoir to RH fender skirt		9414723	2	ALL	X	X	X	X	X	X
	WASHER – Flat		446152	1	ALL	X	X	X	X	X	X
	WASHER – Lock		SP2442	2	ALL	X	X	X	X	X	X
	FILTER ASSY.		7433973	1	ALL	X	X	X	X	X	X
	“O” RING – Filter		7437020	1	ALL	X	X	X	X	X	X
	NUT – Filter		7433974	1	ALL	X	X	X	X	X	X

"HX" STATESMAN/HOLDEN PARTS CATALOGUE

GROUP	DESCRIPTION	SIDE	PART No.	QTY.	BODY STYLE	M	N	P	Q	S	T
10.155	HOSE, CLIP – Windshield washer										
	HOSE – Pump to LH nozzle – 156" I.D. x 23" O.L.		7406032	1	ALL	X	X	X	X	X	X
	HOSE – Pump to RH nozzle – 156" I.D. x 5.5" O.L.		7426356	1	ALL	X	X	X	X	X	X
	HOSE – Pump to reservoir – 219" I.D. x 58" O.L.		2818587	1	ALL	X	X	X	X	X	X
	CLIP – Hose to fender skirt		SP1779	2	ALL	X	X	X	X	X	X
10.156	NOZZLE, GROMMET – Windshield washer										
	NOZZLE ASSY	LH	2816297	1	ALL	X	X	X	X	X	X
		RH	2816298	1	ALL	X	X	X	X	X	X
	SCREW – Nozzle to shroud panel		9416136	2	ALL	X	X	X	X	X	X
	GROMMET – Nozzle to shroud panel		7412113	2	ALL	X	X	X	X	X	X
10.159	LINK – Windshield wiper										
	LINK & PIVOT ASSEMBLY	LH	2819601	1	ALL	X	X	X	X	X	X
		RH	2819600	1	ALL	X	X	X	X	X	X
	BOLT – Link to mounting bracket		SP2119	3	ALL	X	X	X	X	X	X
	BOLT – Link to shroud panel		454782	3	ALL	X	X	X	X	X	X
10.160	CLIP – Windshield drive link retainer										
	CLIP		SP2383	1	ALL	X	X	X	X	X	X
10.161	SEAL – Windshield wiper pivot										
	SEAL – Pivot to shroud panel		2815471	1	ALL	X	X	X	X	X	X
10.163	SWITCH – Windshield wiper & dimmer										
	SWITCH ASSEMBLY – Black		9942076BA	1	ALL	X	X	X	X	X	X
	SWITCH ASSEMBLY – Dark Sienna		9942076EK	1	ALL	X	X	X	X	X	X
	SWITCH ASSEMBLY – Tan		9942076DX	1	ALL	X	X	X	X	X	X
10.163	DWELL CONTROL PACKAGE & COMPONENTS – Windshield wiper										
	DWELL CONTROL PACKAGE		9942522	1	ALL	X	X				
	SWITCH ASSY		9942408	1	ALL	X	X	X	X	X	X
	SCREW – Switch to dash panel		9419609	2	ALL	X	X	X	X	X	X
	CONTROL UNIT		9939378	1	ALL	X	X	X	X	X	X
	SCREW – Control unit to front body pillar		SP2144	1	ALL	X	X	X	X	X	X
	SCREW – Dial to bracket		SP2429	2	ALL	X	X	X	X	X	X
	BODY – Single connector		2962448	1	ALL	X	X	X	X	X	X
	BODY – 2 way connector		2962910	1	ALL	X	X	X	X	X	X
	BODY – 4 way connector		2813907	1	ALL	X	X	X	X	X	X
10.185	MIRROR – Rear vision – Interior										
	MIRROR ASSEMBLY – Plain		2816950	1	35, 69, 70, 80	X	X				
	MIRROR PACKAGE – Plain		9935202	1	60	X					
	MIRROR ASSEMBLY – Plain		2816950	1	60	X					
	MIRROR ASSEMBLY – Anti Glare		7430042	1	35, 37, 69			X	X	X	X
	MIRROR ASSEMBLY – Anti Glare		7430042	1	35, 69, 70, 80	X	X				
	MIRROR PACKAGE – Anti Glare		9936596	1	60	X					
	MIRROR ASSEMBLY – Anti Glare		7430042	1	60	X					
	SCREW – Mirror pivot		SP2612	1	ALL	X	X	X	X	X	X
10.185	MIRROR – Rear Vision – Exterior										
	MIRROR PACKAGE – LH Door mtg. Access.		2819324	1	35, 69, 70, 80	X	X	X		X	X
	MIRROR PACKAGE – RH Door mtg.		M37196	1	35, 69, 70, 80	X	X				
	MIRROR ASSEMBLY – Exc. Sandman		2817539	1-2	35, 69, 70, 80	X	X		X	X	X
	MIRROR PACKAGE – Remote control – Exc. Sandman		2822896	1	35, 69, 70, 80	X	X	X		X	X
	MIRROR PACKAGE – Aerodynamic	LH	9944133	1	37, 69				X		
		RH	9944132	1	37, 69				X		

BODY

"HX" STATESMAN/HOLDEN PARTS CATALOGUE

GROUP	DESCRIPTION	SIDE	PART No.	QTY.	BODY STYLE	M	N	P	Q	S	T
10.185 MIRROR – Rear Vision – Exterior (Continued)											
	MIRROR PACKAGE – Aerodynamic – Sandman	LH	9944133	1	70, 80	X					
		RH	9944132	1	70, 80	X					
	MIRROR – Exterior		2823480	2	60	X					
	WASHER – Mirror to support exc. Remote Control, Aerodynamic		SP2485	1-2	ALL	X	X	X		X	X
10.187 SUPPORT – Interior rear vision mirror											
	SUPPORT		7434996	1	35, 69, 70, 80	X	X	X	X	X	X
	SUPPORT		7434996	1	60	X					
	SUPPORT		2813886	1	37				X		
	PLATE – Support Mounting		7434998	1	35, 69, 70, 80	X	X	X	X	X	X
	PLATE – Support Mounting		7434998	1	60	X					
10.187 SUPPORT – Exterior rear vision mirror – Standard Type											
	SUPPORT	LH	2818021	1	35, 69, 70, 80	X	X	X		X	X
		RH	2818020	1	35, 69, 70, 80	X	X				
	BRACKET – Support mounting		2818022	1-2	35, 69, 70, 80	X	X	X		X	X
	SCREW – Support to bracket		SP2209	1-2	35, 69, 70, 80	X	X	X		X	X
	SCREW – Bracket to door	RH	SP2429	2	35, 69, 70, 80	X	X	X		X	X
	SCREW – Bracket to door – Emergency use	RH	SP2707	2	35, 69, 70, 80	X	X	X		X	X
	SCREW – Bracket to door	LH	SP2707	2	35, 69, 70, 80	X	X	X		X	X
	PAD – Bracket to door	LH	2818023	1	35, 69, 70, 80	X	X	X		X	X
		RH	2818024	1	35, 69, 70, 80	X	X				
	NUT – Bracket to door – Twin – Emergency use	RH	2820823	1	35, 69, 70, 80	X	X	X		X	X
	NUT – Bracket to door – Twin	LH	2820823	1	35, 69, 70, 80	X	X	X		X	X
	SUPPORT	LH	2823493	1	60	X					
		RH	2823494	1	60	X					
	GASKET		7439253	2	60	X					
	REINFORCEMENT – Support		2823271	2	60	X					
	SCREW – Door to support		SP2212	4	60	X					
10.187 BRACKET – Exterior rear vision mirror – Remote Control											
	BRACKET – Support mounting		2818022	1	35, 69, 70, 80	X	X	X		X	X
	SCREW – Support to bracket		SP2209	1	35, 69, 70, 80	X	X	X		X	X
	SCREW – Bracket to door		SP1855	2	35, 69, 70, 80	X	X	X		X	X
	PAD – Bracket to door		2824820	1	35, 69, 70, 80	X	X	X		X	X
	CLIP – Cable retaining		SP1778	1	35, 69, 70, 80	X	X	X		X	X
10.187 BRACKET, PAD – Exterior rear vision mirror – Aerodynamic											
	BRACKET – Support mounting		VS13654	2	37, 69				X		
	BRACKET – Support mounting – Sandman		VS13654	2	70, 80	X					
	SCREW – Support to bracket		VS13655	2	37, 69				X		
	SCREW – Support to bracket – Sandman		VS13655	2	70, 80	X					
	SCREW – Bracket to door		SP2707	4	37, 69				X		
	SCREW – Bracket to door – Sandman		SP2707	4	70, 80	X					
	PAD – Bracket to door	LH	9943197	1	37, 69				X		
		RH	9943198	1	37, 69				X		
	PAD – Bracket to door – Sandman	LH	9943197	1	70, 80	X					
		RH	9943198	1	70, 80	X					
	NUT – Bracket to door – Twin		2820823	2	37, 69				X		
	NUT – Bracket to door – Twin – Sandman		2820823	2	70, 80	X					
10.203 SUN VISOR											
	VISOR ASSEMBLY – Chamois	LH	2823213DV	1	35, 60, 69	X					
		RH	2823214DV	1	ALL	X					
	VISOR ASSEMBLY – Tan	LH	2823213DX	1	ALL	X					
		RH	2823214DX	1	ALL	X					
	VISOR ASSEMBLY – Black	LH	2823213BA	1	70, 80	X					
		RH	2823214BA	1	70, 80	X					

"HX" STATESMAN/HOLDEN PARTS CATALOGUE

GROUP	DESCRIPTION	SIDE	PART No.	QTY.	BODY STYLE	M	N	P	Q	S	T
10.203 SUN VISOR (Continued)											
	VISOR ASSEMBLY - Chamois	LH	2823213DV	1	70, 80	X					
		RH	2823214DV	1	70, 80	X					
	VISOR ASSEMBLY - Sienna	LH	2823213EC	1	70, 80	X					
		RH	2823214EC	1	70, 80	X					
	VISOR ASSEMBLY - Tan	LH	2823213DX	1	70, 80	X					
		RH	2823214DX	1	70, 80	X					
	VISOR ASSEMBLY - Black	LH	2823213BA	1	35, 69, 70, 80		X				
		RH	2823214BA	1	35, 69, 70, 80		X				
	VISOR ASSEMBLY - Chamois	LH	2823213DV	1	35, 69, 70, 80		X				
		RH	2823214DV	1	35, 69, 70, 80		X				
	VISOR ASSEMBLY - Sienna	LH	2823213EC	1	35, 69, 70, 80		X				
		RH	2823214EC	1	35, 69, 70, 80		X				
	VISOR ASSEMBLY - Tan	LH	2823213DX	1	35, 69, 70, 80		X				
		RH	2823214DX	1	35, 69, 70, 80		X				
	VISOR ASSEMBLY - Cinnabar	LH	9938471DA	1	37				X		
		RH	9938472DA	1	37				X		
	VISOR ASSEMBLY - Black	LH	2823215BA	1	35, 69			X	X	X	
		RH	2823216BA	1	35, 69			X	X	X	
	VISOR ASSEMBLY - Chamois	LH	2823215DV	1	35, 69			X	X	X	
		RH	2823216DV	1	35, 69			X	X	X	
	VISOR ASSEMBLY - Sienna	LH	2823215EC	1	35, 69			X	X	X	
		RH	2823216EC	1	35, 69			X	X	X	
	VISOR ASSEMBLY - Tan	LH	2823215DX	1	35, 69			X	X	X	
		RH	2823216DX	1	35, 69			X	X	X	
	VISOR ASSEMBLY - Black	LH	9938471CY	1	69						X
		RH	9938472CY	1	69						X
	VISOR ASSEMBLY - Chamois	LH	9938471DV	1	69						X
		RH	9938472DV	1	69						X
	VISOR ASSEMBLY - Buckskin	LH	9938471FH	1	69						X
		RH	9938472FH	1	69						X
	VISOR ASSEMBLY - Sienna	LH	9938471EC	1	69						X
		RH	9938472EC	1	69						X
	VISOR ASSEMBLY - Tan	LH	9938471DX	1	69						X
		RH	9938472DX	1	69						X
10.203 SCREW, FERRULE - Sun visor to support & pivot											
	SCREW		SP2165	2	ALL	X	X	X	X	X	X
	FERRULE		9940572	2	69						X
10.219 SUPPORT - Sun Visor											
	SUPPORT and PIVOT ASSY.	LH	2814463	1	ALL	X	X	X	X	X	X
		RH	2814462	1	ALL	X	X	X	X	X	X
	SCREW - Support and pivot to body		9421086	6	ALL	X	X	X	X	X	X
10.222 MIRROR - Instrument panel compartment vanity											
	MIRROR PACKAGE		28235991		ALL	X	X	X	X	X	X
	MIRROR ASSEMBLY		2823598	1	ALL	X	X	X	X	X	X
	SCREW - Mirror to instrument panel		SP1896	2	ALL	X	X	X	X	X	X
10.230 PANEL - Instrument											
	PANEL - Instrument		9931044	1	ALL	X	X	X	X	X	X
	PANEL - Inst. control mounting - Exc. Taxi Equip.		9932430	1	ALL	X	X	X	X	X	X
	SCREW - Inst. cont. panel - Exc. Taxi Equipment		SP2683	4	ALL	X	X	X	X	X	X
	PANEL - Inst. control mounting - Taxi Equipment		9941659	1	69	X	X				
	SCREW - Inst. cont. panel to inst. panel - Taxi Equipment		274672	3	69	X	X				
	NUT - Inst. cont. panel to inst. panel - Taxi Equipment		SP2024	3	69	X	X				

BODY

"HX" STATESMAN/HOLDEN PARTS CATALOGUE

GROUP	DESCRIPTION	SIDE	PART No.	QTY.	BODY STYLE	M	N	P	Q	S	T
10.230	PANEL, BRACKET, PLATE – Taxi equipment mounting										
	INSTRUMENT PANEL PACKAGE		9942571	1	69	X	X				
	PANEL - Taxi equipment mounting		9941663	1	69	X	X				
	BRACKET - Mounting panel front support		9933974	1	69	X	X				
	BRACKET - Mounting		9933973	1	69	X	X				
	PLATE - Mounting		9941662	1	69	X	X				
	BOLT - Pan hd. cr. recess No. 10 - 24 x 3/8"		159908	7	69	X	X				
	WASHER - Lock No. 10		120217	7	69	X	X				
	NUT - Hex. No. 10 - 24		120361	7	69	X	X				
10.252	COVER - Heater control opening										
	COVER - Dash panel - Export only		2812737	1	ALL	X	X	X	X	X	
10.252	COVER - Heater control aperture - Required when heater not fitted										
	COVER - Export only		9938283	1	ALL	X	X		X		
	COVER - Export only		9941769	1	ALL			X		X	
10.252	FACIA – Instrument panel lower right side – Except taxi equipment										
	FACIA - Exc. Air Cond. - Black		9938468CY	1	ALL	X	X	X	X	X	
	FACIA - Exc. Air Cond. - Dark Sienna		9938468EK	1	ALL	X	X	X	X	X	
	FACIA - Exc. Air Cond. - Tan		9938468DX	1	ALL	X	X	X	X	X	
	FACIA - Air Cond. - Black		9938470CY	1	ALL	X	X	X	X	X	X
	FACIA - Air Cond. - Dark Sienna		9938470EK	1	ALL	X	X	X	X	X	X
	FACIA - Air Cond. - Tan		9938470DX	1	ALL	X	X	X	X	X	X
	NUT - Facia		SP1870	2	ALL	X	X	X	X	X	X
	SCREW - Facia		SP2111	6	ALL	X	X	X	X	X	X
	NUT - Lower facia & ash tray mounting		SP1733	2	ALL	X	X	X	X	X	X
10.252	FACIA – Instrument panel lower right side – Taxi Equipment										
	FACIA - Air Cond. - Black		9941706CY	1	69	X	X				
	FACIA - Air Cond. - Tan		9941706DX	1	69	X	X				
	FACIA - Air Cond. - Dark Sienna		9941706EK	1	69	X	X				
	FACIA - Exc. Air Cond. - Black		9941660CY	1	69	X	X				
	FACIA - Exc. Air Cond. - Tan		9941660DX	1	69	X	X				
	FACIA - Exc. Air Cond. - Dark Sienna		9941660EK	1	69	X	X				
	NUT - Facia		SP1870	2	69	X	X				
	SCREW - Facia		SP2111	4	69	X	X				
10.252	FACIA – Instrument panel centre – Taxi Equipment										
	FACIA - Black		9941665	1	69	X	X				
10.252	PLATE – Radio opening cover										
	PLATE		9941771	1	35, 69			X		X	
	PLATE		9942065	1	69				X		
	PLATE		9944258	1	69						X
10.260	COMPARTMENT & FACIA – Instrument panel – Except Taxi Equipment										
	COMPARTMENT & FACIA - Black		9932143CY	1	ALL	X	X	X	X	X	X
	COMPARTMENT & FACIA - Dark Sienna		9932143EK	1	ALL	X	X	X	X	X	X
	COMPARTMENT & FACIA - Tan		9932143DX	1	ALL	X	X	X	X	X	X
	NUT - Facia to pillar		SP1870	1	ALL	X	X	X	X	X	X
	SCREW - Facia to pillar		SP2111	1	ALL	X	X	X	X	X	X

"HX" STATESMAN/HOLDEN PARTS CATALOGUE

GROUP	DESCRIPTION	SIDE	PART No.	QTY.	BODY STYLE	M	N	P	Q	S	T
10.260	COMPARTMENT & FACIA – Instrument panel – Taxi Equipment										
	COMPARTMENT & FACIA – Black		9941661CY	1	69	X	X				
	COMPARTMENT & FACIA – Dark Sienna		9941661EK	1	69	X	X				
	COMPARTMENT & FACIA – Tan		9941661DX	1	69	X	X				
	NUT – Facia to pillar		SP1870	1	69	X	X				
	SCREW – Facia		SP2111	1	69	X	X				
10.261	DOOR – Instrument panel compartment										
	DOOR ASSEMBLY – Black		9931054CY	1	ALL	X	X	X	X	X	X
	DOOR ASSEMBLY – Dark Sienna		9931054EK	1	ALL	X	X	X	X	X	X
	DOOR ASSEMBLY – Tan		9931054DX	1	ALL	X	X	X	X	X	X
	DOOR & EMBLEM ASSEMBLY		9943855	1	37				X		
10.261	EMBLEM – Instrument panel compartment door										
	EMBLEM – "Limited Edition"		9943856	1	37				X		
10.262	HINGE – Instrument panel compartment door										
	HINGE ASSY.	LH	9931059	1	ALL	X	X	X	X	X	X
		RH	9931058	1	ALL	X	X	X	X	X	X
	SCREW – Hex. hd. No. 10 – 24 x 1/2"		9423771	8	ALL	X	X	X	X	X	X
	WASHER – Hinge		120391	8	ALL	X	X	X	X	X	X
	RIVET – Hinge		7431958	2	ALL	X	X	X	X	X	X
10.263	BUMPER – Instrument panel compartment door										
	BUMPER – Door – 3/8" Head		9944134	2	ALL	X	X	X	X	X	X
	BUMPER – Hinge		7433103	2	ALL	X	X	X	X	X	X
10.266	BARREL – instrument panel compartment door										
	BARREL ASSY. – Coded with keys		<i>92000791</i> (9943990)	1	ALL	X	X	X	X	X	X
	BARREL ASSY. – Uncoded		9943989	1	ALL	X	X	X	X	X	X
	ESCUTCHEON – Lock Case		3922831	1	ALL	X	X	X	X	X	X
	CASE ASSEMBLY		3934137	1	ALL	X	X	X	X	X	X
10.268	STRIKER – Instrument panel compartment door lock										
	STRIKER		2811631	1	ALL	X	X	X	X	X	X
	SCREW – Striker to instrument panel		9414711	2	ALL	X	X	X	X	X	X
	WASHER – Striker to instrument panel		9414106	2	ALL	X	X	X	X	X	X
10.270	LAMP – Instrument panel compartment										
	LAMP PACKAGE – Accessory		9943729	1	ALL	X	X				
	SWITCH ASSEMBLY		1244006	1	ALL	X	X	X	X	X	X
	LEAD ASSY. – Feed		9943943	1	ALL	X	X	X	X	X	X
	LEAD ASSY. – Earth		9935040	1	ALL	X	X	X	X	X	X
	BODY – Connector		2962448	1	ALL	X	X	X	X	X	X
	CLIP – Lead to instrument panel		SP2236	4	ALL	X	X				
	CLIP – Lead to instrument panel		7426417	4	ALL			X	X	X	X
	SCREW – Earth lead		9414712	1	ALL	X	X	X	X	X	X
	WASHER – Earth lead screw		121752	1	ALL	X	X	X	X	X	X
	LENS		9939488	1	ALL	X	X	X	X	X	X
	FUSE		9426333	1	ALL	X	X	X	X	X	X
	BULB – 12-16V. 2 C.P.		9417863	1	ALL	X	X	X	X	X	X
10.307	GRILLE – Cowl ventilator										
	GRILLE		2811482	1	ALL	X	X	X	X	X	X
	SCREW – Grille to Front End		9420511	4	ALL	X	X	X	X	X	X
	SCREW – Grille & Lacing to Front End		SP1855	6	ALL	X	X	X	X	X	X

"HX" STATESMAN/HOLDEN PARTS CATALOGUE

GROUP	DESCRIPTION	SIDE	PART No.	QTY.	BODY STYLE	M	N	P	Q	S	T
10.351 DOOR – Front less trim											
DOOR ASSY. - exc. Power Windows, Air Cond.	LH	9932951	1	35, 60, 69, 70, 80	X	X		X			
	RH	9932950	1	35, 60, 69, 70, 80	X	X		X			
DOOR ASSY. - exc. Power Windows, Air Cond.	LH	9932953	1	35, 69			X		X		
	RH	9932952	1	35, 69			X		X		
DOOR ASSY. - Power Windows exc. Air Cond.	LH	9932955	1	35, 69			X	X	X		
	RH	9932954	1	35, 69			X	X	X		
DOOR ASSY.	LH	9932957	1	69							X
	RH	9932956	1	69							X
DOOR ASSY.	LH	9940169	1	37					X		
	RH	9940170	1	37					X		
10.373 DOOR – Rear less trim											
DOOR ASSY. - exc. Power Windows, Air Cond.	LH	2819413	1	35		X	X	X			
	RH	2819414	1	35		X	X	X			
DOOR ASSY. - Power Windows exc. Air Cond.	LH	2819419	1	35				X			
	RH	2819420	1	35				X			
DOOR ASSY. - exc. Power Windows, Air Cond.	LH	2819411	1	69		X	X	X	X		
	RH	2819412	1	69		X	X	X	X		
DOOR ASSY. - Power Windows exc. Air Cond.	LH	2819417	1	69				X	X		
	RH	2819418	1	69				X	X		
DOOR ASSY. - exc. Power Windows, Air Cond.	LH	2819415	1	69						X	
	RH	2819416	1	69						X	
DOOR ASSY. - Power Windows exc. Air Cond.	LH	2819421	1	69						X	
	RH	2819422	1	69						X	
DOOR ASSY.	LH	9932871	1	69							X
	RH	9932872	1	69							X
10.450 HINGE – Front door upper											
HINGE ASSY.	LH	2812061	1	ALL		X	X	X	X	X	X
	RH	2812060	1	ALL		X	X	X	X	X	X
PLATE - Anchor		2811167	2	ALL		X	X	X	X	X	X
BOLT & WASHER ASSY.		SP2115	12	ALL		X	X	X	X	X	X
10.454 HINGE – Front door lower											
HINGE ASSY.	LH	2812063	1	ALL		X	X	X	X	X	X
	RH	2812062	1	ALL		X	X	X	X	X	X
PLATE - Anchor		2811167	2	ALL		X	X	X	X	X	X
BOLT & WASHER ASSY.		SP2115	12	ALL		X	X	X	X	X	X
10.456 HINGE – Rear door upper											
HINGE ASSY.	LH	2812765	1	35, 69		X	X	X	X	X	X
	RH	2812766	1	35, 69		X	X	X	X	X	X
PLATE - Anchor		2811169	2	35, 69		X	X	X	X	X	X
BOLT & WASHER ASSY.		SP2115	12	35, 69		X	X	X	X	X	X
10.460 HINGE – Rear door lower											
HINGE ASSY.	LH	2812763	1	35, 69		X	X	X	X	X	X
	RH	2812764	1	35, 69		X	X	X	X	X	X
PLATE - Anchor		2811167	2	35, 69		X	X	X	X	X	X
BOLT & WASHER ASSY.		SP2115	12	35, 69		X	X	X	X	X	X
10.466 PIN, BUSH ROLLER, LINK, SPRING – Front door hinge											
PIN - Upper & lower hinge		2819164	4	ALL		X	X	X	X	X	X
BUSH - Upper & lower hinge		4150462	6	ALL		X	X	X	X	X	X
BUSH - Upper hinge		4110660	2	ALL		X	X	X	X	X	X
ROLLER - Upper hinge detent		9704188	2	ALL		X	X	X	X	X	X
PIN - Upper hinge detent roller		9704187	2	ALL		X	X	X	X	X	X

"HX" STATESMAN/HOLDEN PARTS CATALOGUE

GROUP	DESCRIPTION	SIDE	PART No.	QTY.	BODY STYLE	M	N	P	Q	S	T
10.466 PIN, BUSH ROLLER, LINK, SPRING – Front door hinge (Continued)											
	LINK – Upper hinge detent		9704186	2	ALL	X	X	X	X	X	X
	RIVET – Upper hinge detent		2811601	2	ALL	X	X	X	X	X	X
	SPRING – Upper hinge detent		7432336	2	ALL	X	X	X	X	X	X
	PIN – Hinge stop		2811212	2	ALL	X	X	X	X	X	X
	PIN – Rear Door Hinge Stop		2811212	2	35, 69	X	X	X	X	X	X
10.466 PIN, BUSH, ROLLER, LINK, SPRING – Rear door hinge											
	PIN – Upper hinge		2819165	2	35, 69	X	X	X	X	X	X
	PIN – Lower hinge		2819164	2	35, 69	X	X	X	X	X	X
	BUSH – Upper & lower hinge		4150462	6	35, 69	X	X	X	X	X	X
	BUSH – Upper hinge		4110660	6	35, 69	X	X	X	X	X	X
	ROLLER – Lower hinge detent		9704188	2	35, 69	X	X	X	X	X	X
	PIN – Lower hinge detent roller		9704187	2	35, 69	X	X	X	X	X	X
	LINK – Lower hinge detent		9704186	2	35, 69	X	X	X	X	X	X
	RIVET		2811601	2	35, 69	X	X	X	X	X	X
	SPRING – Lower hinge detent		7432336	2	35, 69	X	X	X	X	X	X
	PIN – Hinge stop		2811212	2	35, 69	X	X	X	X	X	X
10.470 LOCK – Front door											
	LOCK & SEAL ASSY. – Exc. electric locking	LH	9929617	1	35,60,69,70,80	X	X	X	X	X	X
		RH	9929618	1	35,60,69,70,80	X	X	X	X	X	X
	LOCK ASSY.	LH	9929623	1	37				X		
		RH	9929624	1	37				X		
	LOCK & SEAL ASSY – Electric locking	LH	9943225	1	69					X	X
		RH	9943226	1	69					X	X
	SEAL – Door lock dust	LH	9929619	1	ALL	X	X	X	X	X	X
		RH	9929620	1	ALL	X	X	X	X	X	X
	SCREW & WASHER – ¼" – 20 x .50" Oval hd. cr. rec..		SP2350	6	ALL	X	X	X	X	X	X
10.473 LOCK – Rear door											
	LOCK & SEAL ASSY – Exc. electric locking	LH	9929621	1	35, 69	X	X	X	X	X	X
		RH	9929622	1	35, 69	X	X	X	X	X	X
	LOCK & SEAL ASSY. – Electric locking	LH	9943227	1	69					X	X
		RH	9943228	1	69					X	X
	SEAL – Door lock dust	LH	9929619	1	35, 69	X	X	X	X	X	X
		RH	9929620	1	35, 69	X	X	X	X	X	X
	SCREW & WASHER – ¼" – 20 x .50" Oval hd. cr. rec..		SP2350	6	35, 69	X	X	X	X	X	X
10.475 SPRING – Door lock											
	SPRING – Front door lock overcentre	LH	2813023	1	ALL	X	X	X	X	X	X
		RH	2813022	1	ALL	X	X	X	X	X	X
	SPRING – Front door actuating lever return	LH	2813029	1	ALL	X	X	X	X	X	X
		RH	2813028	1	ALL	X	X	X	X	X	X
	SPRING – Rear door lock overcentre	LH	2813023	1	35, 69	X	X	X	X	X	X
		RH	2813022	1	35, 69	X	X	X	X	X	X
	SPRING – Rear door actuating lever return	LH	2813029	1	35, 69	X	X	X	X	X	X
		RH	2813028	1	35, 69	X	X	X	X	X	X
10.485 ACTUATOR, ROD – Electric door lock											
	ACTUATOR ASSY – Front door	LH	9943233	1	69					X	X
		RH	9943234	1	69					X	X
	ACTUATOR ASSY. – Rear door	LH	9943235	1	69					X	X
		RH	9943236	1	69					X	X
	SCREW – Actuator to regulator		SP2219	4	69					X	X
	ROD – Actuator to lock		9943237	4	69					X	X

"HX" STATESMAN/HOLDEN PARTS CATALOGUE

GROUP	DESCRIPTION	SIDE	PART No.	QTY.	BODY STYLE	M	N	P	Q	S	T
10.485 SWITCH, HARNESS – Electric door lock											
	SWITCH ASSEMBLY 1725099		9825444	1	69					X	X
	REINFORCEMENT – Switch to trim		8799901	1	69					X	X
	HARNESS ASSY. – Front door	LH	9943735	1	69					X	
		RH	9943734	1	69					X	
	HARNESS ASSY. – Rear door		9943736	2	69					X	
	HARNESS ASSY. – Front door	LH	9943127	1	69						X
		RH	9943126	1	69						X
	HARNESS ASSY. – Rear door	LH	9943733	1	69						X
		RH	9943732	1	69						X
	BODY – Front door harness connector – Female		6288909	2	69					X	X
	BODY – Front door harness connector – 6 way female		6288538	1	69					X	X
	BODY – Front door harness connector – 6 way male		6288539	3	69					X	X
	BODY – Front door harness connector – Solenoid		8917487	2	69					X	X
	BODY – Front door harness connector		2973781	2	69					X	X
	BODY – Front door harness connector		2984883	1	69					X	X
	BODY – Front door harness connector	RH	2819072	1	69					X	
	BODY & COVER – Front door RH harness connector		2819015	1	69					X	
	SCREW – Front door harness connector		5297727	4	69					X	
	BODY & COVER – Front door harness connector		2977470	2	69					X	
	CLIP – Front door harness to shroud panel		SP2201	5	69					X	
	CLIP – Front door harness to door		2815231	2	69					X	X
	BODY – Rear door harness connector solenoid		8917487	2	69					X	X
	BODY – Rear door harness connector – Female		6288909	2	69					X	X
	BODY – Rear door harness connector – 6 way female		6288538	2	69					X	
	BODY & COVER – Rear door harness connector		2977470	2	69					X	
	CLIP – Rear door harness to door		2815231	4	69					X	X
10.500 CONTROL – Door lock remote											
	CONTROL ASSY. – Front Door	LH	2815487	1	35, 60, 69, 70, 80	X	X	X	X	X	X
		RH	2815486	1	35, 60, 69, 70, 80	X	X	X	X	X	X
	CONTROL ASSY.	LH	2816893	1	37					X	
		RH	2816894	1	37					X	
	CONTROL ASSY. – Rear Door	LH	2815487	1	35, 69	X	X	X	X	X	X
		RH	2815486	1	35, 69	X	X	X	X	X	X
	BOLT & WASHER ASSY. – Hex. hd. ¼ – 20 x ½"		SP2219	6-12	35, 60, 69, 70, 80	X	X	X	X	X	X
	BOLT & WASHER ASSY. – Hex. hd. ¼ – 20 x ½"		SP2219	4	37					X	
10.506 ROD – Door lock remote control											
	ROD – Connecting, Front		2814467	2	35, 60, 69, 70, 80	X	X	X	X	X	X
	ROD – Connecting		2817456	2	37					X	
	ROD – Connecting, Rear		2814695	2	35, 69	X	X	X	X	X	X
	SILENCER – Rod		7408725	2	37					X	
	SILENCER – Rod		2818181	2	35, 69	X	X	X	X	X	X
	CLIP – Rod retaining		2811401	2-4	ALL	X	X	X	X	X	X
	CLIP – Rod to lock & remote control		4576655	2-4	ALL	X	X	X	X	X	X
	CLIP – Anti-rattle rod to door		4110664	2	37					X	
10.507 ROD – Door lock to lock cylinder connector											
	ROD – Front	LH	2815929	1	35, 60, 69, 70, 80	X	X	X	X	X	X
		RH	2815930	1	35, 60, 69, 70, 80	X	X	X	X	X	X
	ROD		2815956	2	37					X	
	CLIP – Rod to Lock Cylinder		4576655	2	ALL	X	X	X	X	X	X
	CLIP – Rod Retainer		2811401	2	ALL	X	X	X	X	X	X

“HX” STATESMAN/HOLDEN PARTS CATALOGUE

GROUP	DESCRIPTION	SIDE	PART No.	QTY.	BODY STYLE	M	N	P	Q	S	T
10.512 HANDLE – Door remote control											
	HANDLE – Front – Without arm rests		7435242	2	ALL	X					
	HANDLE – Front – With arm rests	LH	2817043	1	ALL	X	X	X	X	X	X
		RH	2817044	1	ALL	X	X	X	X	X	X
	HANDLE – Rear – Without arm rests		7435242	2	35, 69	X	X	X			
	HANDLE – Rear – With arm rests	LH	2817043	1	35, 69		X	X	X	X	X
		RH	2817044	1	35, 69		X	X	X	X	X
	BOLT & WASHER – Handle to control – Pan hd. – with arm rests		SP2660	2-4	ALL	X	X	X	X	X	X
10.513 SPRING – Door Handle											
	SPRING – Handle retainer, front – Without arm rests		4168122	2	ALL	X					
	SPRING – Handle retainer, rear – Without arm rests		4168122	2	35, 69	X	X	X			
10.515 PLATE – Inside door handle bearing											
	PLATE – Front – Without arm rests		7731353	2	ALL	X					
	PLATE – Rear – Without arm rests		7731353	2	35, 69	X	X	X			
10.516 GASKET, SPRING – Door remote control											
	GASKET		2815681	2-4	ALL	X	X	X	X	X	X
	SPRING – Front – Without arm rests		7416898	2	ALL	X					
	SPRING – Rear – Without arm rests		7416898	2	35, 69	X	X	X			
10.527 HANDLE – Door outside											
	HANDLE – Chrome		2814620	2-4	ALL	X	X	X		X	X
	HANDLE – Black – Sandman		9942146	2	69, 70, 80	X					
	HANDLE – Black		9942146	4	69				X		
	WASHER – Handle		120380	8	ALL	X	X	X	X	X	X
	NUT – Handle		120375	8	ALL	X	X	X	X	X	X
10.529 ROD, CLIP – Door outside handle											
	ROD – Front handle to lock connector		2815265	2	35, 60, 69, 70, 80	X	X	X	X	X	X
	ROD – Handle to lock connector	LH	2817453	1	37				X		
		RH	2817452	1	37				X		
	ROD – Rear handle to lock connector		2815266	2	35, 69	X	X	X	X	X	X
	CLIP – Handle to Lock Connector Rod	LH	2806911	1-2	ALL	X	X	X	X	X	X
		RH	2806912	1-2	ALL	X	X	X	X	X	X
	NUT – Rod adjusting		2806603	2-4	ALL	X	X	X	X	X	X
10.550 BARREL – Door locking											
	BARREL ASSY. – With keys	LH	2816531	1	ALL	X	X	X	X	X	X
		RH	2816532	1	ALL	X	X	X	X	X	X
	SERVICE PACKAGE – Uncoded		M37124	2	ALL	X	X	X	X	X	X
	TUMBLER – No. 1 (Package of 100)		3901061	AR	ALL	X	X	X	X	X	X
	TUMBLER – No. 2 (Package of 100)		3901062	AR	ALL	X	X	X	X	X	X
	TUMBLER – No. 3 (Package of 100)		3901063	AR	ALL	X	X	X	X	X	X
	TUMBLER – No. 4 (Package of 100)		3901064	AR	ALL	X	X	X	X	X	X
	TUMBLER – No. 5 (Package of 100)		3901065	AR	ALL	X	X	X	X	X	X
	GASKET – Door lock cylinder		4587931	2	ALL	X	X	X	X	X	X
	PAWL		2815914	2	ALL	X	X	X	X	X	X
	CLIP – Pawl retaining		7006092	2	ALL	X	X	X	X	X	X
10.553 RETAINER – Door locking barrel											
	RETAINER		4884405	2	ALL	X	X	X	X	X	X

"HX" STATESMAN/HOLDEN PARTS CATALOGUE

GROUP	DESCRIPTION	SIDE	PART No.	QTY.	BODY STYLE	M	N	P	Q	S	T
10.556 LEVER & ROD CONNECTING – Door inside locking											
	ROD		2816984	2	37				X		
	CLIP – Rod to lever		4576655	2	37				X		
	LEVER		7403873	2	37				X		
	BOLT – Locking lever		7419196	2	37				X		
	WASHER – Locking lever bolt – Spring		431534	2	37				X		
	WASHER – Locking lever – Lock		120380	2	37				X		
	NUT – Locking lever		120375	2	37				X		
	ROD – Rear door		2814694	2	35, 69	X	X	X	X	X	X
	CLIP – Anti-rattle – Rear door centre		4110664	2	35, 69	X	X	X	X	X	X
	CLIP – Rod to lever – Rear door		4576655	2	35, 69	X	X	X	X	X	X
	LEVER – Rear door		7403873	2	35, 69	X	X	X	X	X	X
	BOLT – Locking lever – Rear door		7419196	2	35, 69	X	X	X	X	X	X
	WASHER – Locking lever bolt – Spring		431534	2	35, 69	X	X	X	X	X	X
	WASHER – Locking lever – Lock		120380	2	35, 69	X	X	X	X	X	X
	NUT – Locking lever		120375	2	35, 69	X	X	X	X	X	X
10.559 KNOB – Door Inside Locking Rod											
	KNOB – Front – Black		7434562	2	ALL	X	X				
	KNOB – Front – Chrome		7434563	2	ALL	X	X	X	X	X	X
	KNOB – Rear – Black		7434562	2	35, 69	X	X				
	KNOB – Rear – Chrome		7434563	2	35, 69	X	X	X	X	X	X
	FERRULE – Knob		4839529	2-4	ALL	X	X	X	X	X	X
10.563 ROD – Door inside locking											
	ROD – Front	LH	2818413	1	35, 60, 69, 70, 80	X	X	X	X	X	X
		RH	2818414	1	35, 60, 69, 70, 80	X	X	X	X	X	X
	ROD		2816798	2	37				X		
	CLIP – Rod to Lever		2825090	2	37				X		
	ROD – Rear		2814574	2	35, 69	X	X	X	X	X	X
	CLIP		2825090	2	35, 69	X	X	X	X	X	X
	CLIP – Rod retainer, front & rear		2811401	2-4	ALL	X	X	X	X	X	X
10.569 STRIKER – Door lock											
	STRIKER ASSY – Front		2665962	2	ALL	X	X	X	X	X	X
	STRIKER ASSY. – Rear		2665962	2	35, 69	X	X	X	X	X	X
10.571 PLATE, SPACER – Door lock striker											
	PLATE – Anchor		4465224	2-4	ALL	X	X	X	X	X	X
	RETAINER – Plate front door		2811165	2	35, 69	X	X	X	X	X	X
	SPACER – 1/16" thick		4469196	AR	ALL	X	X	X	X	X	X
	SPACER – 1/32" thick		4469197	AR	ALL	X	X	X	X	X	X
10.587 BUMPER – Door pillar											
	BUMPER		2809447	2-4	ALL	X	X	X	X	X	X
10.681 GLASS – Front door											
	GLASS – Exc. tinted	LH	9931757	1	35, 60, 69, 70, 80	X	X	X	X	X	
		RH	9931756	1	35, 60, 69, 70, 80	X	X	X	X	X	
	GLASS – Tinted	LH	9931805	1	35, 60, 69, 70, 80	X	X	X	X	X	X
		RH	9931806	1	35, 60, 69, 70, 80	X	X	X	X	X	X
	GLASS – Tinted	LH	2822497	1	37				X		
		RH	2822498	1	37				X		

"HX" STATESMAN/HOLDEN PARTS CATALOGUE

GROUP	DESCRIPTION	SIDE	PART No.	QTY.	BODY STYLE	M	N	P	Q	S	T
10.685 CHANNEL, PLATE – Front door glass lifter											
	CHANNEL ASSY	LH	9931759	1	35,60,69,70,80	X	X	X	X	X	X
		RH	9931760	1	35,60,69,70,80	X	X	X	X	X	X
	PLATE ASSY. – Lower sash front	LH	2817257	1	37				X		
		RH	2817256	1	37		X	X	X		
	BOLT – Lower front sash plate to glass		SP2064	4	37				X		
	WASHER – Lower front sash plate to glass		7436316	4	37				X		
	BUSH – Lower front sash plate to glass		4491087	4	37				X		
	NUT – Lower front sash plate to glass tee		4491088	4	37				X		
	PLATE ASSY. – Lower sash rear	LH	2817151	1	37				X		
		RH	2817150	1	37				X		
	BOLT – Lower rear sash plate to glass		SP2064	6	37				X		
	WASHER – Lower rear sash plate to glass		7436316	6	37				X		
	BUSH – Lower rear sash plate to glass		4491087	6	37				X		
	NUT – Lower rear sash plate to glass tee		4491088	6	37				X		
	FASTENER – Door glass bearing		7698786	4	37				X		
	CAP – Bearing fastener		8737225	4	37				X		
10.694 WEATHERSTRIP – Door opening											
	WEATHERSTRIP – Front	LH	2823805	1	35,60,69,70,80	X	X	X	X	X	X
		RH	2823806	1	35,60,69,70,80	X	X	X	X	X	X
	WEATHERSTRIP	LH	2817119	1	37				X		
		RH	2817118	1	37				X		
	RETAINER – Weatherstrip to door		SP1710	10	37				X		
	WEATHERSTRIP – Rear		2815779	2	35	X	X	X			
	WEATHERSTRIP – Rear		2815632	2	69	X	X	X	X		
	WEATHERSTRIP – Rear		2816257	2	69					X	X
10.695 PLUG – Door weatherstrip											
	PLUG – Weatherstrip attaching sealing, front door		4770719	38	35,60,69,70,80	X	X	X	X	X	X
	PLUG – Weatherstrip attaching sealing		4770719	42	37				X		
	PLUG – Weatherstrip attaching sealing, rear door		4770719	34	35, 69	X	X	X	X	X	X
10.696 WEATHERSTRIP – Door glass channel lifter											
	WEATHERSTRIP – Front		9931761	2	35,60,69,70,80	X	X	X	X	X	X
	WEATHERSTRIP – Rear		2812793	2	35, 69	X	X	X	X	X	X
10.701 CHANNEL, RETAINER – Front door glass											
	CHANNEL – Glass run		9931766	2	35,60,69,70,80	X	X	X	X	X	X
	RETAINER – Channel – Front	LH	9931763	1	35,60,69,70,80	X	X	X	X	X	X
		RH	9931762	1	35,60,69,70,80	X	X	X	X	X	X
	SCREW – Retainer to door – Upper mounting		SP2427	2	35,60,69,70,80	X	X	X	X	X	X
	BOLT & WASHER ASSY. – Retainer to door – Lower mounting		SP2219	2	35,60,69,70,80	X	X	X	X	X	X
	WASHER – Retainer to door – Lower mounting		120392	2	35,60,69,70,80	X	X	X	X	X	X
	RETAINER – Channel – Rear	LH	2812987	1	35,60,69,70,80	X	X	X	X	X	X
		RH	2812988	1	35,60,69,70,80	X	X	X	X	X	X
	WASHER – Channel retainer to door		SP2122	4	35,60,69,70,80	X	X	X	X	X	X
10.702 CAM – Front door window guide											
	CAM ASSY. – Front	LH	2817121	1	37				X		
		RH	2817120	1	37				X		
	CAM ASSY. – Rear	LH	2817123	1	37				X		
		RH	2817122	1	37				X		
	STUD – Cam to door		7436867	4	37				X		
	NUT – Washer type 1/4" – 20		SP1991	4	37				X		
	BOLT & WASHER ASSY.		SP2219	8	37				X		

"HX" STATESMAN/HOLDEN PARTS CATALOGUE

GROUP	DESCRIPTION	SIDE	PART No.	QTY.	BODY STYLE	M	N	P	Q	S	T
10.702 CAM – Rear door window guide											
	CAM ASSY.	LH	2815069	1	35, 69	X	X	X	X	X	X
		RH	2815068	1	35, 69	X	X	X	X	X	X
	STUD - Cam to door		7433032	2	35, 69	X	X	X	X	X	X
	NUT - Washer type 1/4" - 20		SP1991	2	35, 69	X	X	X	X	X	X
	BOLT & WASHER ASSY. - Cam to door		SP2219	4	35, 69	X	X	X	X	X	X
	WASHER - Cam to door		120386	4	35, 69	X	X	X	X	X	X
10.710 WEATHERSTRIP – Door belt											
	WEATHERSTRIP - Front door inner		9931771	2	35, 60, 69, 70, 80	X	X	X	X	X	X
	WEATHERSTRIP - Front door outer	LH	9931767	1	35, 60, 69, 70, 80	X	X	X	X	X	X
		RH	9931768	1	35, 60, 69, 70, 80	X	X	X	X	X	X
	WEATHERSTRIP - Inner		2816171	2	37				X		
	WEATHERSTRIP - Outer	LH	2817247	1	37				X		
		RH	2817246	1	37				X		
	WEATHERSTRIP - Rear Door Inner	LH	2815015	1	35, 69	X	X	X	X	X	X
		RH	2815014	1	35, 69	X	X	X	X	X	X
	WEATHERSTRIP - Rear Door Outer	LH	2815093	1	35, 69	X	X	X	X	X	X
		RH	2815094	1	35, 69	X	X	X	X	X	X
	STRIP ASSY. - Door Glass Anti-Rattle		2816461	4	37				X		
	BOLT & WASHER ASSY.		SP2219	4	37				X		
10.716 BUMPER, PLATE, STOP – Front door glass											
	BUMPER		9929719	4	37				X		
	PLATE - Guide		2816505	4	37				X		
	STOP - Upper		2816549	4	37				X		
10.741 GLASS – Rear door – Front											
	GLASS - Exc. tinted	LH	2812669	1	35	X	X	X			
		RH	2812668	1	35	X	X	X			
	GLASS - Tinted	LH	2822505	1	35	X	X	X			
		RH	2822504	1	35	X	X	X			
	GLASS - Exc. tinted	LH	2812207	1	69	X	X	X	X		
		RH	2812208	1	69	X	X	X	X		
	GLASS - Tinted	LH	2822501	1	69	X	X	X	X		
		RH	2822500	1	69	X	X	X	X		
	GLASS - Exc. tinted	LH	2812667	1	69					X	
		RH	2812666	1	69					X	
	GLASS - Tinted	LH	2822503	1	69					X	X
		RH	2822502	1	69					X	X
10.747 CHANNEL – Rear door glass lifter											
	CHANNEL ASSY.	LH	2813619	1	35, 69	X	X	X	X	X	X
		RH	2813618	1	35, 69	X	X	X	X	X	X
10.750 CHANNEL – Rear door glass											
	CHANNEL - Glass run, front		2812530	2	35, 69	X	X	X	X	X	X
	CHANNEL - Glass run, rear		2812529	2	35, 69	X	X	X	X	X	X
10.777 HARNESS – Console wiring power operated windows											
	HARNESS ASSEMBLY		9934426	1	69						X
	BODY - 4 way male connector		2973603	1	69						X
	BODY - 6 way female connector		6288538	2	69						X
	BODY - 6 way male connector		6288539	1	69						X
	BODY - Single female connector		6294142	1	69						X
	BODY & COVER ASSY. - Connector		8900332	1	69						X
	CLIP - Harness to console		SP1498	2	69						X
	CLIP - Harness		7432906	1	69						X
	SWITCH ASSEMBLY		7735894	1	69						X

"HX" STATESMAN/HOLDEN PARTS CATALOGUE

GROUP	DESCRIPTION	SIDE	PART No.	QTY.	BODY STYLE	M	N	P	Q	S	T
10.777 HARNESS – Console wiring power operated windows (Continued)											
	SCREW – Switch to console		SP1815	2	69						X
	NUT – Switch to console screw		SP2521	2	69						X
	ESCUTCHEON – Switch		9933908	1	69						X
	SCREW – Escutcheon to console		SP2155	2	69						X
	NUT – Escutcheon to console screw		SP1870	2	69						X
10.777 HARNESS – Front door power operated windows											
	HARNESS ASSY.	LH	9943738	1	35, 69			X	X	X	
		RH	9943737	1	35, 69			X	X	X	
	HARNESS ASSY.	LH	2817523	1	37				X		
		RH	9934416	1	37				X		
	HARNESS ASSEMBLY	LH	9943127	1	69						X
		RH	9943126	1	69						X
	SCREW – Harness	RH	5297727	4	69			X	X	X	
	BODY – 4 way female connector		2962969	1	69						X
	BODY – Single connector		2962448	1	ALL			X	X	X	X
	BODY – Female terminal connector		6288909	2	ALL			X	X	X	X
	BODY – Terminal connector, 3 way male	RH	2973172	1	ALL			X	X	X	
	BODY – Connector	RH	2819072	1	ALL			X	X	X	
	BODY – Terminal connector, 2 way		2962964	1	37				X		
	BODY – Terminal connector, 3 way female		2977471	1	ALL			X	X	X	
	BODY – Terminal connector, 6 way female		6288538	1	35, 69			X	X	X	
	BODY – Terminal connector, 3 way female		2962449	2	37				X		
	BODY ASSY. – Harness connector	RH	2819015	1	ALL			X	X	X	
	CONNECTOR BODY & COVER – Harness	LH	2977470	1	ALL			X	X	X	
	NUT – Capped – Push on and twist off		1734573	4-2	ALL			X	X	X	
	CLIP – Harness to RH & LH door panel (Plastic)		7432906	4-3	ALL			X	X	X	X
	CLIP – Harness to door (Special)		7413032	2	ALL			X	X	X	
	SLEEVE – Harness		2815949	2	ALL			X	X	X	
	SEAL – Sleeve dust		2817555	2	ALL			X	X	X	
	SEAL – Harness		2817385	2	ALL			X	X	X	
	SWITCH ASSY – Single button		1725094	1	ALL			X	X	X	
	SWITCH ASSY – 4 button		3062269	1	ALL			X	X	X	
	CLIP – Switch		9722397	4	ALL			X	X	X	
	REINFORCEMENT – Single button switch		8799901	1	ALL			X	X	X	
	REINFORCEMENT – 4 button switch		9826809	1	ALL			X	X	X	
10.777 HARNESS – Rear door power operated windows											
	HARNESS ASSY.		9943739	2	35, 69			X	X	X	
	HARNESS ASSEMBLY	LH	9943733	1	69						X
		RH	9943732	1	69						X
	BODY – Single Connector		2962448	1	35, 69				X	X	X
	BODY – Female Terminal Connector		6288909	2	35, 69			X	X	X	X
	BODY – Terminal connector, 3 way female		2977471	2-3	69			X	X	X	X
	BODY – Terminal connector, 6 way female		6288538	2	69			X	X	X	
	CONNECTOR BODY & COVER ASSY		2977470	2-3	35, 69			X	X	X	X
	CLIP – Special control harness to door		7413032	4	35, 69			X	X	X	X
	CLIP – Harness to door		7418449	4	35, 69			X	X	X	
	SLEEVE – Harness		2815949	2	35, 69			X	X	X	X
	SEAL – Sleeve dust		2817555	2	35, 69			X	X	X	X
	SWITCH ASSY.		1725094	2	35, 69			X	X	X	X
	REINFORCEMENT – Switch		8799901	2	35, 69			X	X	X	X
	SEAL – Switch dust		7436318	2	35, 69			X	X	X	X
10.777 HARNESS – Rear quarter windows											
	HARNESS ASSY	LH	2817525	1	37				X		
		RH	2817530	1	37				X		
	BODY – Female terminal conn.		6288909	2	37				X		
	BODY – Terminal connector, 3 way female		2977471	2	37				X		
	CONNECTOR BODY & COVER ASSY.		2977470	2	37				X		

"HX" STATESMAN/HOLDEN PARTS CATALOGUE

GROUP	DESCRIPTION	SIDE	PART No.	QTY.	BODY STYLE	M	N	P	Q	S	T
10.777 HARNESS – Rear quarter windows (Continued)											
	SEAL – Harness		2817385	2	37				X		
	SWITCH ASSY		1725094	2	37				X		
	CLIP – Switch		9722397	4	35, 69			X	X	X	X
	REINFORCEMENT – Switch		8799901	2	37				X		
	SEAL – Switch dust		7436318	2	37				X		
10.777 RELAY, CIRCUIT BREAKER – Power operated windows											
	RELAY		2818403	1	ALL			X	X	X	X
	BOLT – Relay to instrument		SP1994	1	ALL			X	X	X	X
	BREAKER – Circuit		1476675	1	ALL			X	X	X	X
	CLIP – Harness to shroud panel		SP2201	5-6	ALL			X	X	X	X
	BODY – Relay to fuse panel lead		2962448	2	ALL			X	X	X	X
	LEAD ASSY. – Relay to fuse panel		2817475	1	ALL			X	X	X	X
	LEAD ASSY. – Control to fuse panel		2817474	1	ALL			X	X	X	X
10.783 REGULATOR – Front door – Exc. Power Operated Windows											
	REGULATOR ASSY.	LH	2813853	1	35, 60, 69, 70, 80	X	X	X	X	X	
		RH	2813854	1	35, 60, 69, 70, 80	X	X	X	X	X	
	BOLT & WASHER ASSY. – Regulator to inner panel		SP2219	8	ALL	X	X	X	X	X	
	ROLLER		4158245	4	ALL	X	X	X	X	X	
	PIN		4158246	4	ALL	X	X	X	X	X	
	SPRING – Clutch		4157887	2	ALL	X	X	X	X	X	
	WASHER – Anti-rattle		4171918	2	ALL	X	X	X	X	X	
	SPRING – Counter balance		63737	2	35, 60, 69, 70, 80	X	X	X	X	X	
	WASHER – Rubber		7413223	2	ALL	X	X	X	X	X	
	CAM ASSY. – Sliding		7432423	2	35, 60, 69, 70, 80	X	X	X	X	X	
	BOLT & WASHER ASSY. – Cam to door		SP2219	AR	ALL	X	X	X	X	X	
	WASHER – Glass sliding cam		7429571	2	ALL	X	X	X	X	X	
	NUT – Sliding cam to door		9419938	4	ALL	X	X	X	X	X	
10.783 REGULATOR – Front door – Power Operated Windows											
	REGULATOR ASSY.	LH	2815833	1	35, 69			X	X	X	X
		RH	2815832	1	35, 69			X	X	X	X
	REGULATOR ASSY.	LH	2817467	1	37				X		
		RH	2817468	1	37				X		
	BOLT & WASHER ASSY. – Regulator to inner panel		SP2219	8	35, 37, 69			X	X	X	X
	ROLLER		4158245	4	35, 37, 69			X	X	X	X
	PIN		4158246	4	35, 37, 69			X	X	X	X
	SPRING – Counter balance		63737	2	35, 69			X	X	X	X
	SPRING – Counter balance		9703972	2	37				X		
	CAM ASSY. – Glass sliding		7432423	2	35, 69			X	X	X	X
	CAM ASSY. – Glass sliding		2816372	2	37				X		
	BOLT & WASHER ASSY. – Cam to door		SP2219	4	35, 37, 69			X	X	X	X
	WASHER – Glass sliding cam		7429571	2	35, 37, 69			X	X	X	X
	NUT – Sliding cam to door		9419938	4	35, 37, 69			X	X	X	X
	WASHER – Lock .594" x .812" x .010"		SP1956	2	35, 37, 69			X	X	X	X
10.784 MOTOR – Front door – Power Operated Windows											
	MOTOR ASSY.	LH	5045673	1	35, 69			X	X	X	X
		RH	5045674	1	35, 69			X	X	X	X
	MOTOR ASSY	LH	5045585	1	37				X		
		RH	5045586	1	37				X		
10.791 REGULATOR – Rear door – Exc. Power Operated Windows											
	REGULATOR ASSY	LH	2813913	1	35, 69	X	X	X	X	X	
		RH	2813912	1	35, 69	X	X	X	X	X	
	BOLT & WASHER ASSY. – Regulator to door		SP2219	6	35, 69	X	X	X	X	X	
	ROLLER		4158245	4	35, 69	X	X	X	X	X	
	PIN		4158246	4	35, 69	X	X	X	X	X	
	SPRING – Clutch		4157887	2	35, 69	X	X	X	X	X	

"HX" STATESMAN/HOLDEN PARTS CATALOGUE

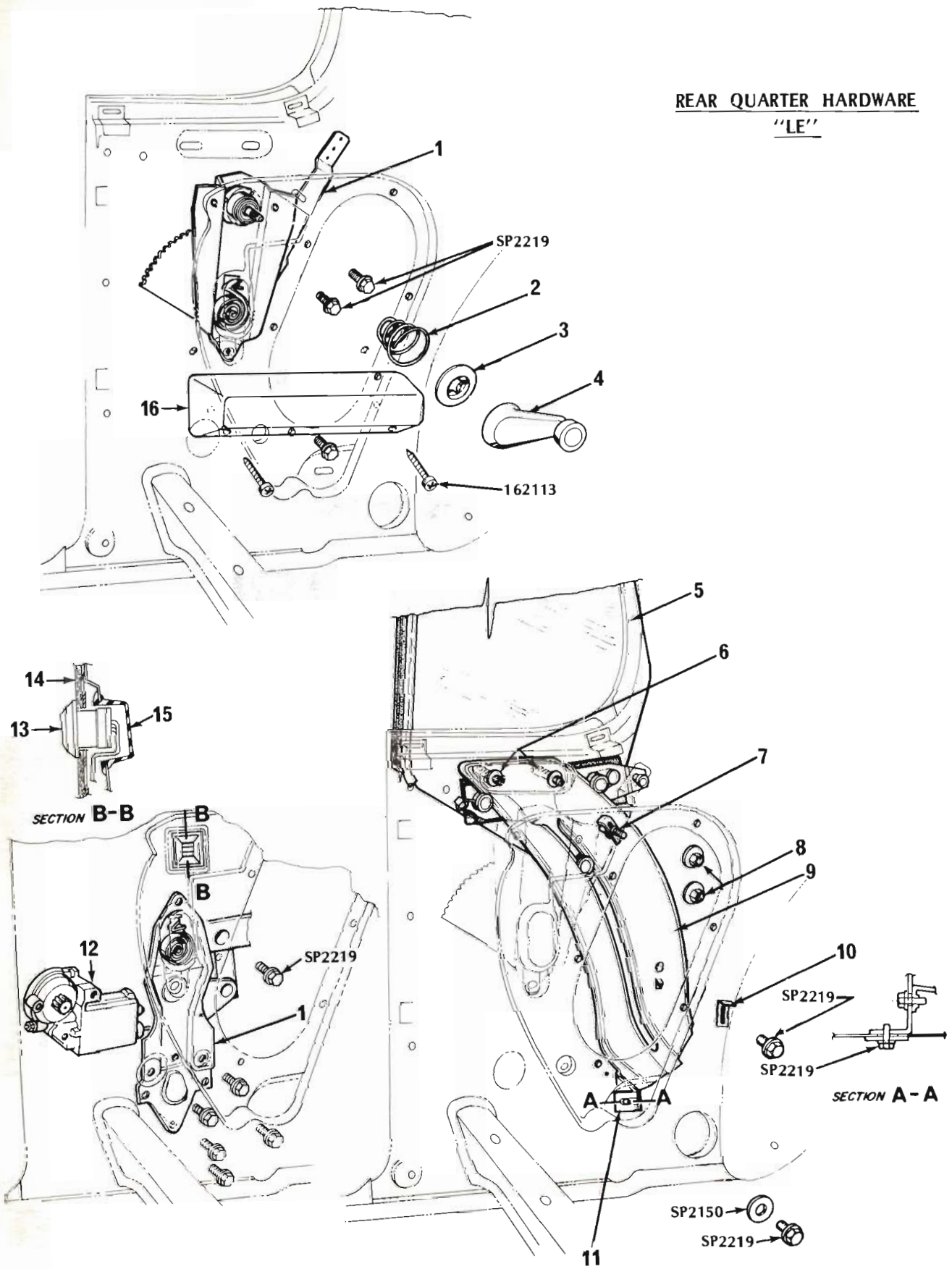
GROUP	DESCRIPTION	SIDE	PART No.	QTY.	BODY STYLE	M	N	P	Q	S	T
10.791	REGULATOR – Rear door – Exc. Power Operated Windows (Continued)										
	WASHER – Anti-Rattle		4171918	2	35, 69	X	X	X	X	X	
	SPRING Counter Balance		63737	2	35, 69	X	X	X	X	X	
	WASHER – Rubber		7413223	2	35, 69	X	X	X	X	X	
	CAM ASSY – Sliding		7436043	2	35, 69	X	X	X	X	X	
	BOLT & WASHER ASSY – Cam to door		SP2219	4	35, 69	X	X	X	X	X	
	WASHER – Glass sliding cam		7429571	2	35, 69	X	X	X	X	X	
	NUT – Cam to door		9419938	4	35, 69	X	X	X	X	X	
10.791	REGULATOR – Rear door – Power Operated Windows										
	REGULATOR ASSY	LH	2815835	1	35, 69			X	X	X	X
		RH	2815834	1	35, 69			X	X	X	X
	BOLT & WASHER – Reguator to door		SP2219	6	35, 69			X	X	X	X
	ROLLER		4158245	4	35, 69			X	X	X	X
	PIN		4158246	4	35, 69			X	X	X	X
	SPRING – Counter balance		63737	2	35, 69			X	X	X	X
	CAM ASSY – Glass sliding		7436043	2	35, 69			X	X	X	X
	BOLT & WASHER ASSY.		SP2219	4	35, 69			X	X	X	X
	WASHER – Glass sliding cam		7429571	2	35, 69			X	X	X	X
	NUT – Cam to door		9419938	4	35, 69			X	X	X	X
	WASHER – Lock .594" x .812" x .010"		SP1956	4	35, 69			X	X	X	X
10.792	MOTOR – Rear door – Power Operated Windows										
	MOTOR ASSY.	LH	5045673	1	35, 69			X	X	X	X
		RH	5045674	1	35, 69			X	X	X	X
10.797	HANDLE – Door window regulator – Exc. Power Operated Windows										
	HANDLE ASSY		7435027	4-2	ALL	X	X	X	X	X	
	SPRING – Handle Retainer		4168122	4-2	ALL	X	X	X	X	X	
	PLATE – Handle Bearing		7731353	4-2	ALL	X	X	X	X	X	
10.806	SPRING – Window regulator handle escutcheon										
	SPRING – exc. Power Windows		4566746	4-2	ALL	X	X	X	X	X	
10.822	WEATHERSTRIP – Rear door rear glass										
	WEATHERSTRIP		2814382	2	35	X	X	X			
	WEATHERSTRIP		2814381	2	69	X	X	X	X		
	WEATHERSTRIP		2814383	2	69					X	X
10.827	GLASS – Rear door rear										
	GLASS – Exc. tinted	LH	2813769	1	35	X	X	X			
		RH	2813770	1	35	X	X	X			
	GLASS – Tinted	LH	2822517	1	35	X	X	X			
		RH	2822518	1	35	X	X	X			
	GLASS – Exc. tinted	LH	2813767	1	69	X	X	X	X		
		RH	2813768	1	69	X	X	X	X		
	GLASS – Tinted	LH	2822513	1	69	X	X	X	X		
		RH	2822514	1	69	X	X	X	X		
	GLASS – Exc. tinted	LH	2813771	1	69					X	
		RH	2813772	1	69					X	
	GLASS – Tinted	LH	2822515	1	69					X	X
		RH	2822516	1	69					X	X
10.829	CHANNEL – Rear door glass division										
	CHANNEL	LH	2812785	1	35	X	X	X			
		RH	2812786	1	35	X	X	X			
	CHANNEL	LH	2812789	1	69	X	X	X	X		
		RH	2812790	1	69	X	X	X	X		

"HX" STATESMAN/HOLDEN PARTS CATALOGUE

GROUP	DESCRIPTION	SIDE	PART No.	QTY.	BODY STYLE	M	N	P	Q	S	T
10.829 CHANNEL – Rear door glass division (Continued)											
	CHANNEL	LH	2812787	1	69					X	X
		RH	2812788	1	69					X	X
	BOLT – Channel to door		SP2660	2	35, 69	X	X	X	X	X	X
	SCREW – Channel to door		SP2427	2	35, 69	X	X	X	X	X	X
	WASHER – Flat .2187" x .68" x .035"		SP2122	2	35, 69	X	X	X	X	X	X

GROUP 11.000
REAR GLASS
SEAT & ADJUSTER

REAR QUARTER HARDWARE
"LE"

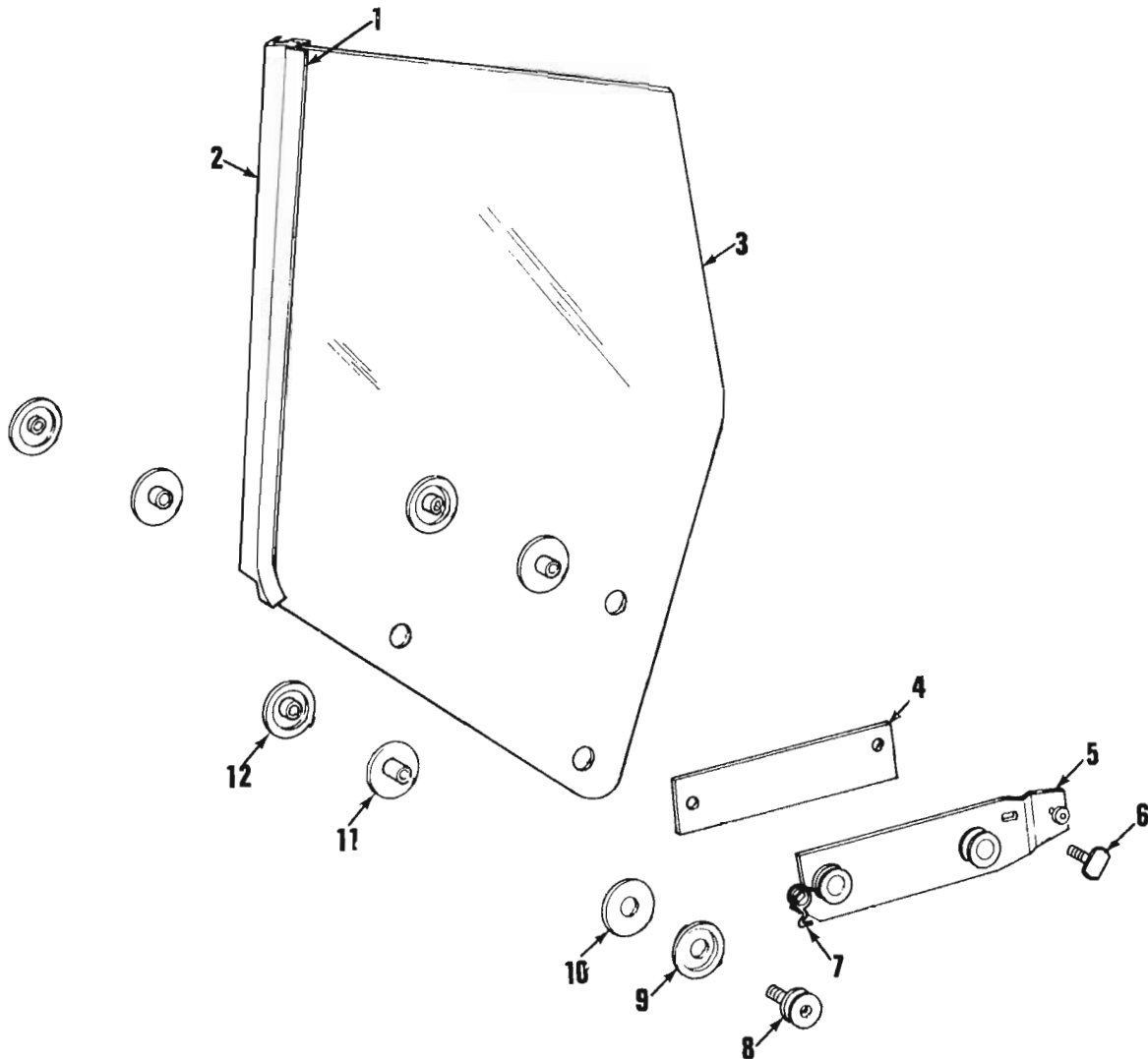


REAR QUARTER HARDWARE

"LE"

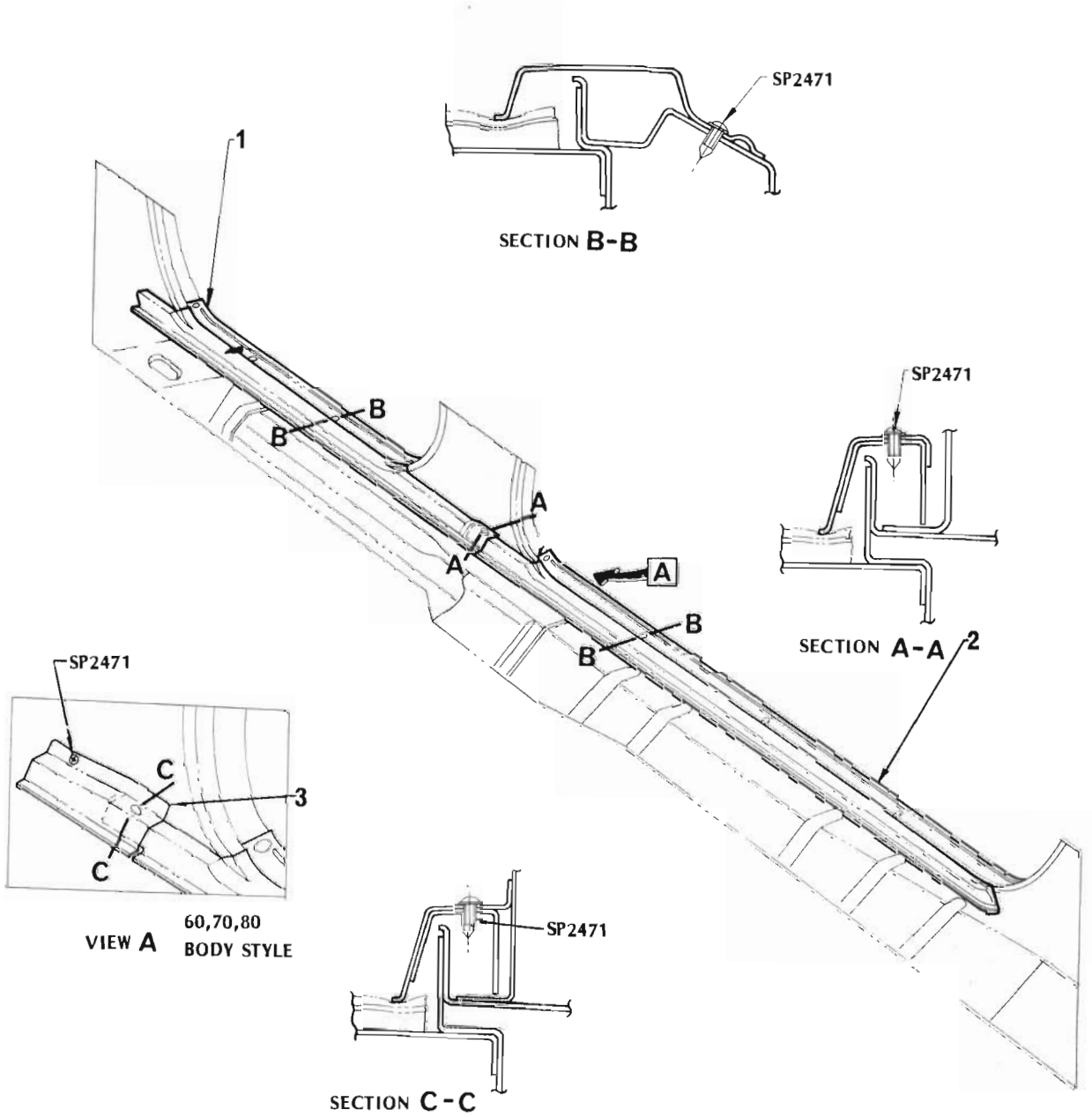
ILLUSTRATION OPPOSITE

ILLUS. REF. NO.	PART NAME	GROUP
1.	REGULATOR ASSEMBLY – Rear quarter window	11.041
2.	SPRING – Rear quarter window handle escutcheon	11.045
3.	PLATE – Handle bearing	11.044
4.	HANDLE ASSEMBLY	11.044
5.	GLASS – Rear quarter window	11.011
6.	STUD – Guide to inner panel	11.040
7.	STOP – Rear quarter window upper	11.012
8.	NUT – Guide to inner panel	11.040
9.	GUIDE – Rear quarter window	11.040
10.	STOP – Rear quarter window	11.012
11.	SUPPORT – Guide lower	11.040
12.	MOTOR ASSEMBLY – Rear quarter window	11.043
13.	SWITCH ASSEMBLY – Power windows	10.777
14.	TRIM ASSEMBLY – Rear quarter	15.100
15.	SEAL – Power window switch dust	10.777
16.	ARM REST ASSEMBLY – Rear quarter	14.762



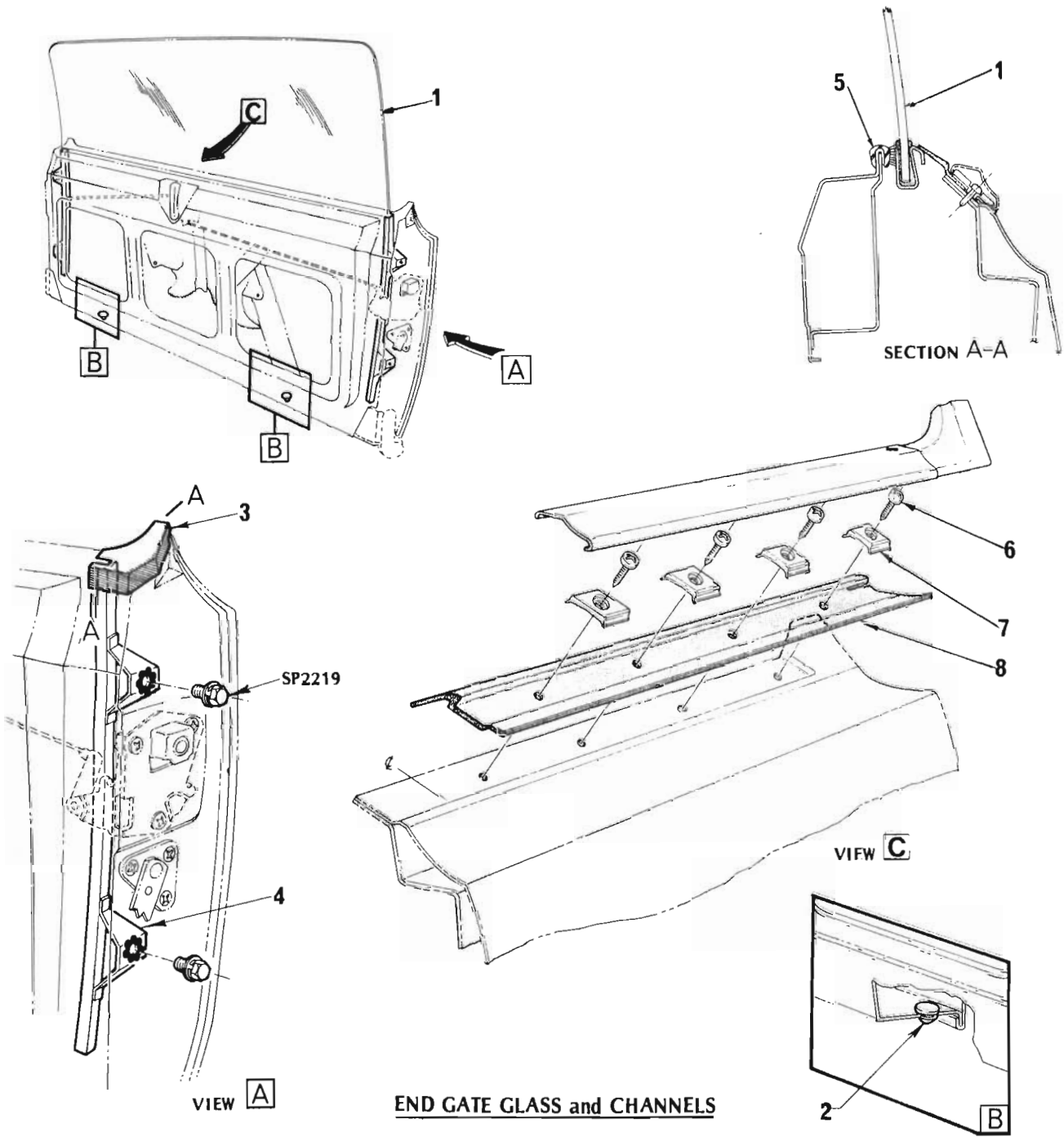
REAR QUARTER WINDOW
"LE"

ILLUS. REF. NO.	PART NAME	GROUP
1.	CHANNEL - Rear quarter sash, front	11.007
2.	WEATHERSTRIP - Rear quarter window front	11.015
3.	GLASS - Rear quarter window	11.011
4.	FILLER - Rear quarter window sash, lower	11.007
5.	PLATE & ROLLER ASSEMBLY - Rear quarter window sash	11.007
6.	PIN - Rear quarter window upper rear roller	11.007
7.	SPRING - Rear quarter window roller tension	11.007
8.	ROLLER ASSEMBLY - Rear quarter window lower	11.007
9.	WASHER - Rear quarter window lower roller, steel	11.007
10.	WASHER - Rear quarter window lower roller, rubber	11.007
11.	BUSH - Rear quarter window roller	11.007
12.	NUT - Rear quarter window roller tee	11.007



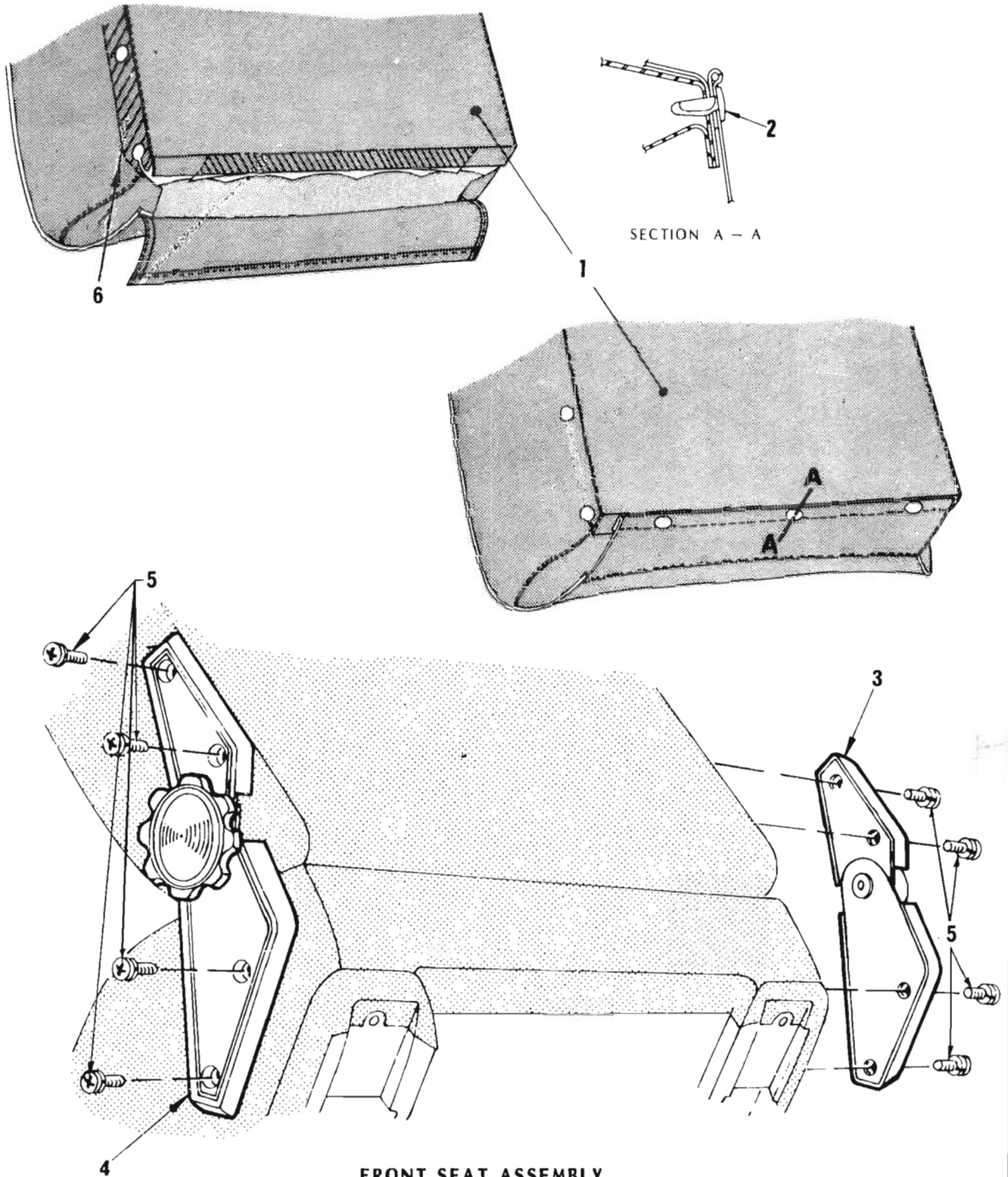
DOOR SCUFF PLATE

ILLUS. REF. NO.	PART NAME	GROUP
1.	PLATE	11.179
2.	PLATE	11.175
3.	PLATE - Extension	11.175



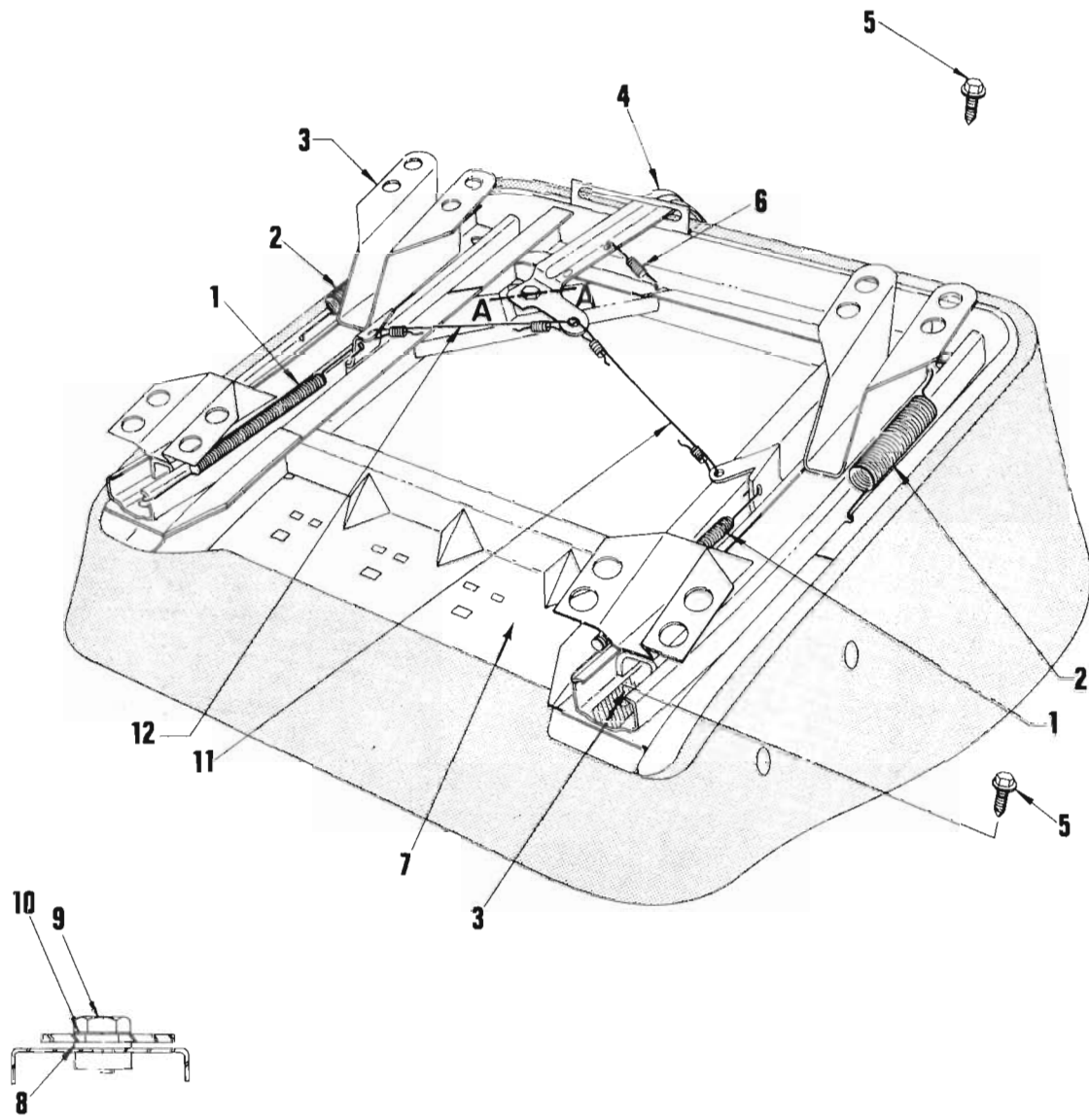
END GATE GLASS and CHANNELS

ILLUS. REF. NO.	PART NAME	GROUP
1.	GLASS - End gate	11.204
2.	BUMPER - Sliding glass channel cam	12.212
3.	CHANNEL - End gate glass lower	11.207
4.	RETAINER - End gate glass, lower	11.207
5.	LACE - End gate belt finishing	11.207
6.	SCREW - Moulding clip	12.182
7.	CLIP - Moulding	12.182
8.	WEATHERSTRIP - Outer belt	11.207



FRONT SEAT ASSEMBLY

ILLUS. REF. NO.	PART NAME	GROUP	ILLUS. REF. NO.	PART NAME	GROUP
1.	TRIM ASSY. - Front seat back rear	14.803	5.	SCREW - Adjuster to seat	11.388
2.	FASTENER - Trim	14.800	6.	COVER ASSEMBLY - Front seat back	14.800
3.	ARM ASSY. - Front seat reclining	11.392			
4.	ADJUSTER ASSY. - Front seat recliner	11.388			

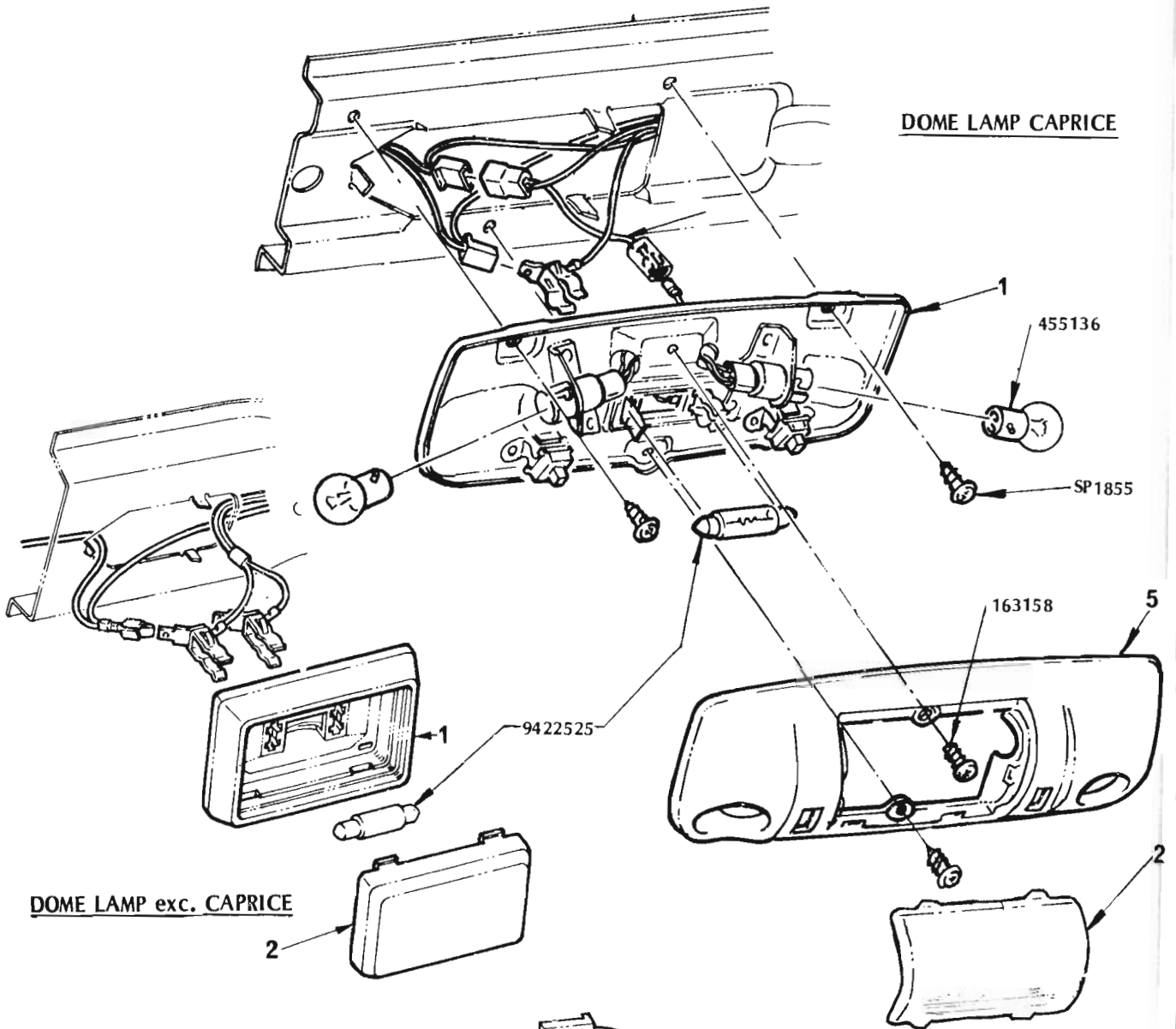


SECTION A - A

FRONT SEAT MECHANISM

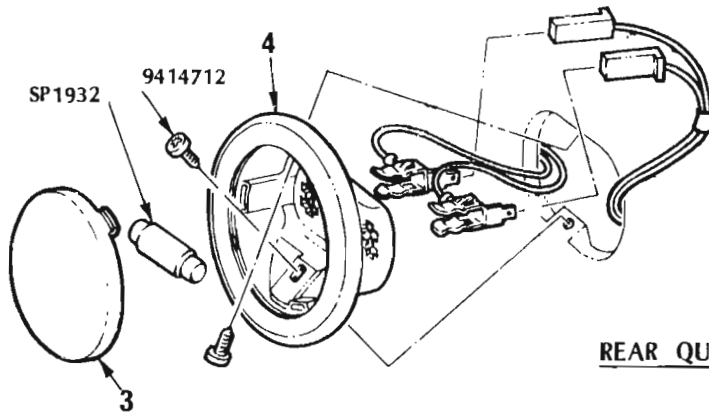
ILLUS. REF. NO.	PART NAME	GROUP	ILLUS. REF. NO.	PART NAME	GROUP
1.	SPRING - Release lever	11.581	7.	SPRING & FRAME ASSY. - Cushion	11.373
2.	SPRING - Assist	11.581	8.	WASHER - Flat	11.588
3.	ADJUSTER ASSY.	11.561	9.	BOLT - Handle	11.588
4.	HANDLE	11.588	10.	WASHER - Spring	11.588
5.	BOLT & WASHER - Adjuster to seat.....	11.561	11.	WIRE ASSY. - Long	11.589
6.	SPRING - Remote control handle	11.581	12.	WIRE ASSY. - Short	11.589

DOMELAMP CAPRICE

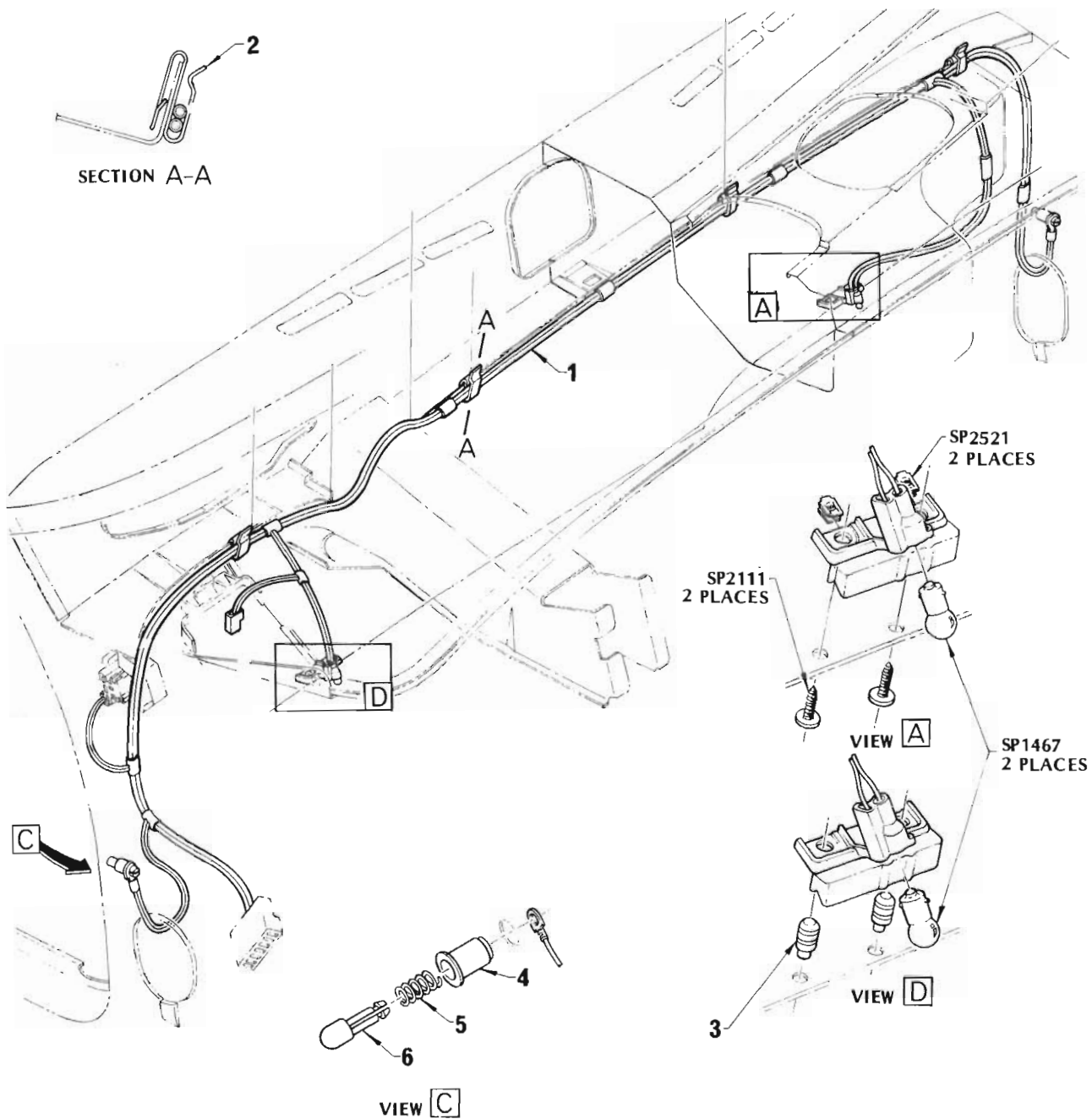


DOMELAMP exc. CAPRICE

REAR QUARTER LAMP

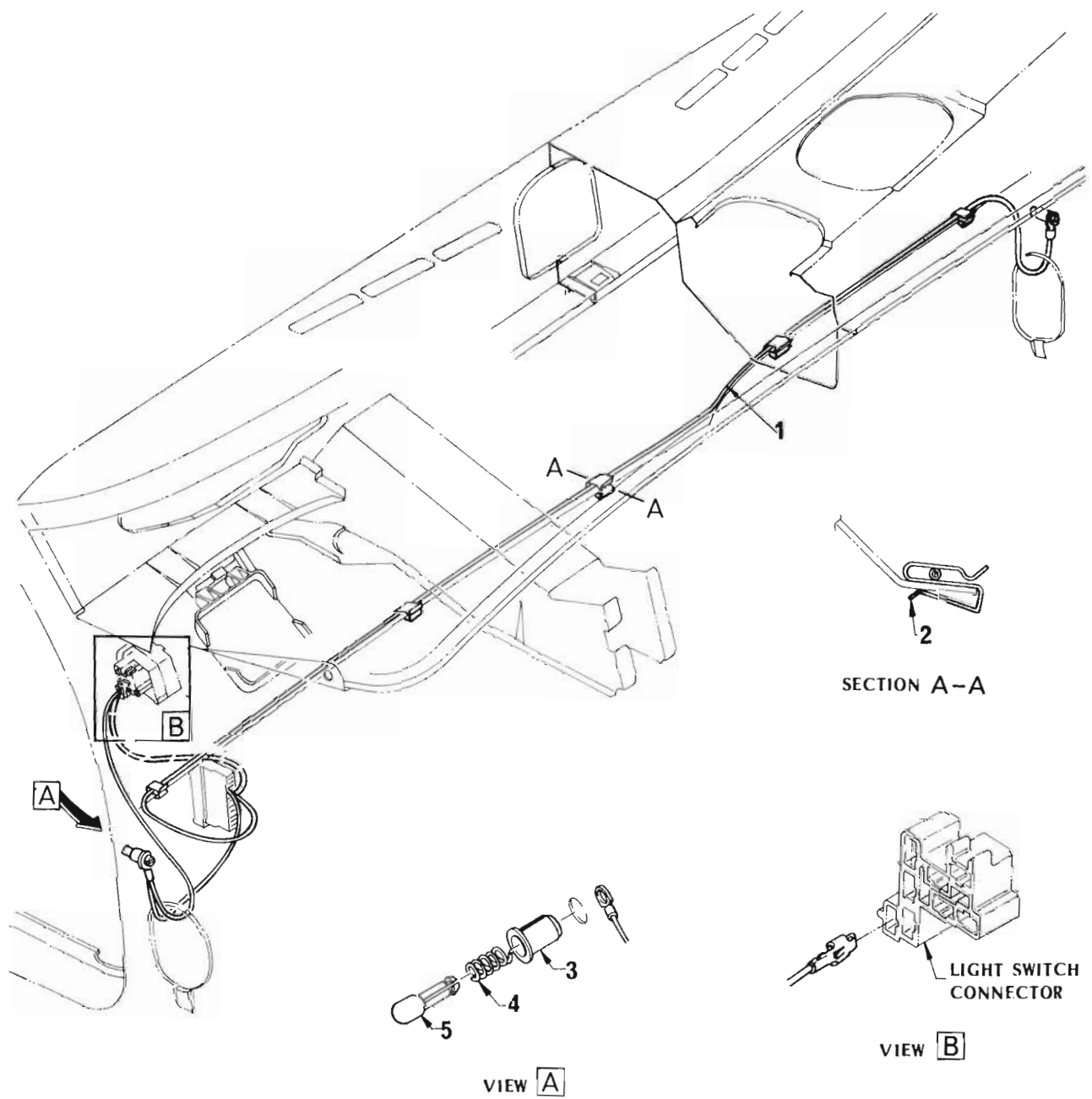


ILLUS. REF. NO.	PART NAME	GROUP
1.	BASE - Dome lamp	11.925
2.	LENS - Dome lamp	11.928
3.	LENS - Quarter lamp	11.940
4.	REFLECTOR - Rear quarter	11.940
5.	HOUSING ASSEMBLY	11.925



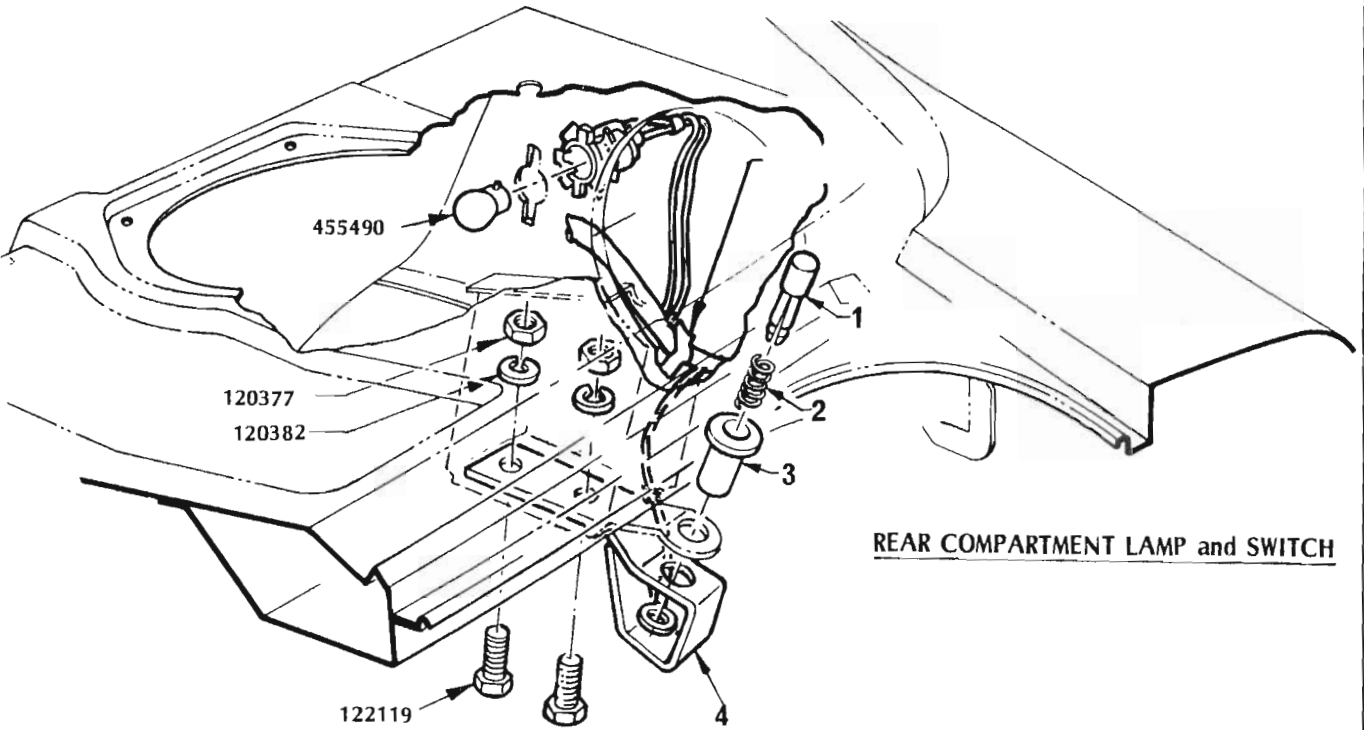
FOOT WELL ILLUMINATION

ILLUS. REF. NO.	PART NAME	GROUP
1.	HARNES ASSEMBLY – Foot well light	11.950
2.	CLIP – Harness	11.950
3.	GROMMET – Foot well illumination harness	11.950
4.	BODY – Courtesy light switch.....	11.950
5.	SPRING – Courtesy light switch	11.950
6.	PLUNGER – Courtesy light switch	11.950

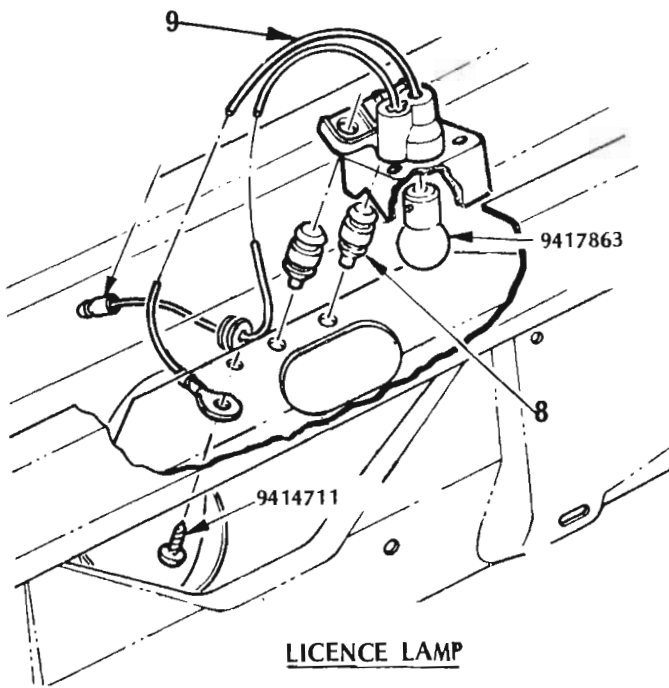


COURTESY LIGHT

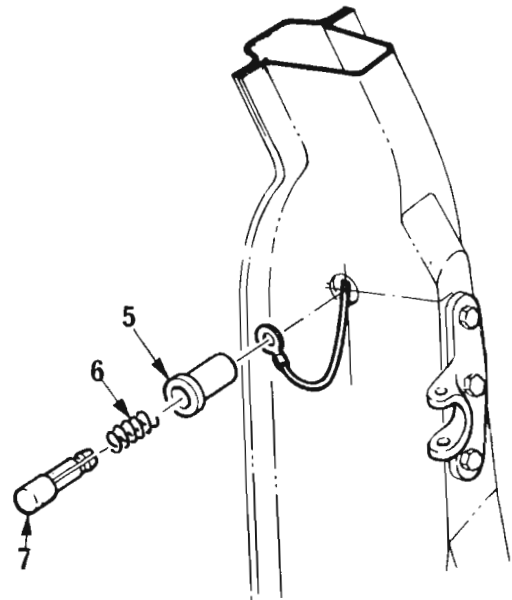
ILLUS. REF. NO.	PART NAME	GROUP
1.	LEAD ASSEMBLY - Courtesy light switch, front door ..	11.950
2.	CLIP - Harness	11.950
3.	BODY - Switch	11.950
4.	SPRING - Courtesy light switch	11.950
5.	PLUNGER - Courtesy light switch	11.950



REAR COMPARTMENT LAMP and SWITCH

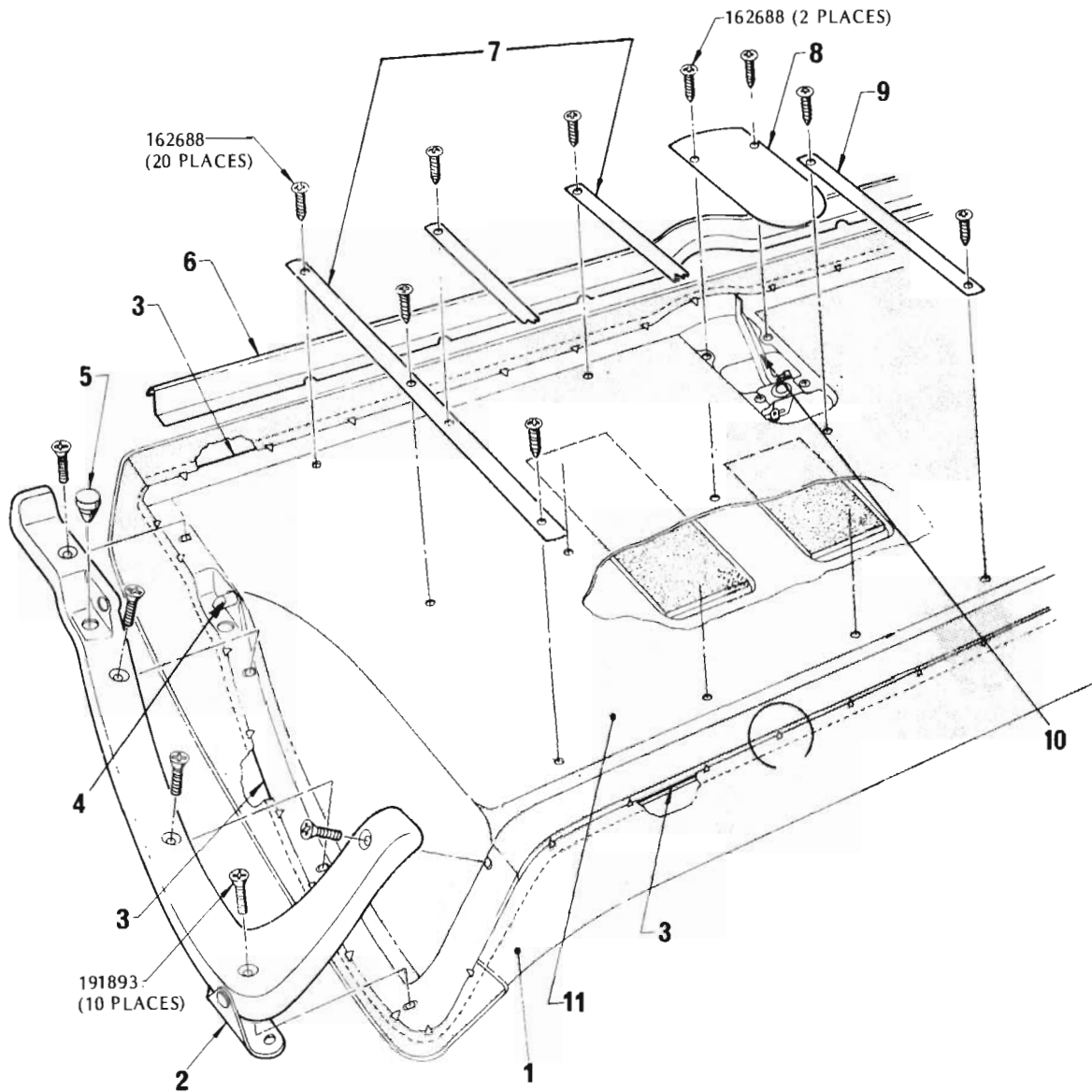


LICENCE LAMP



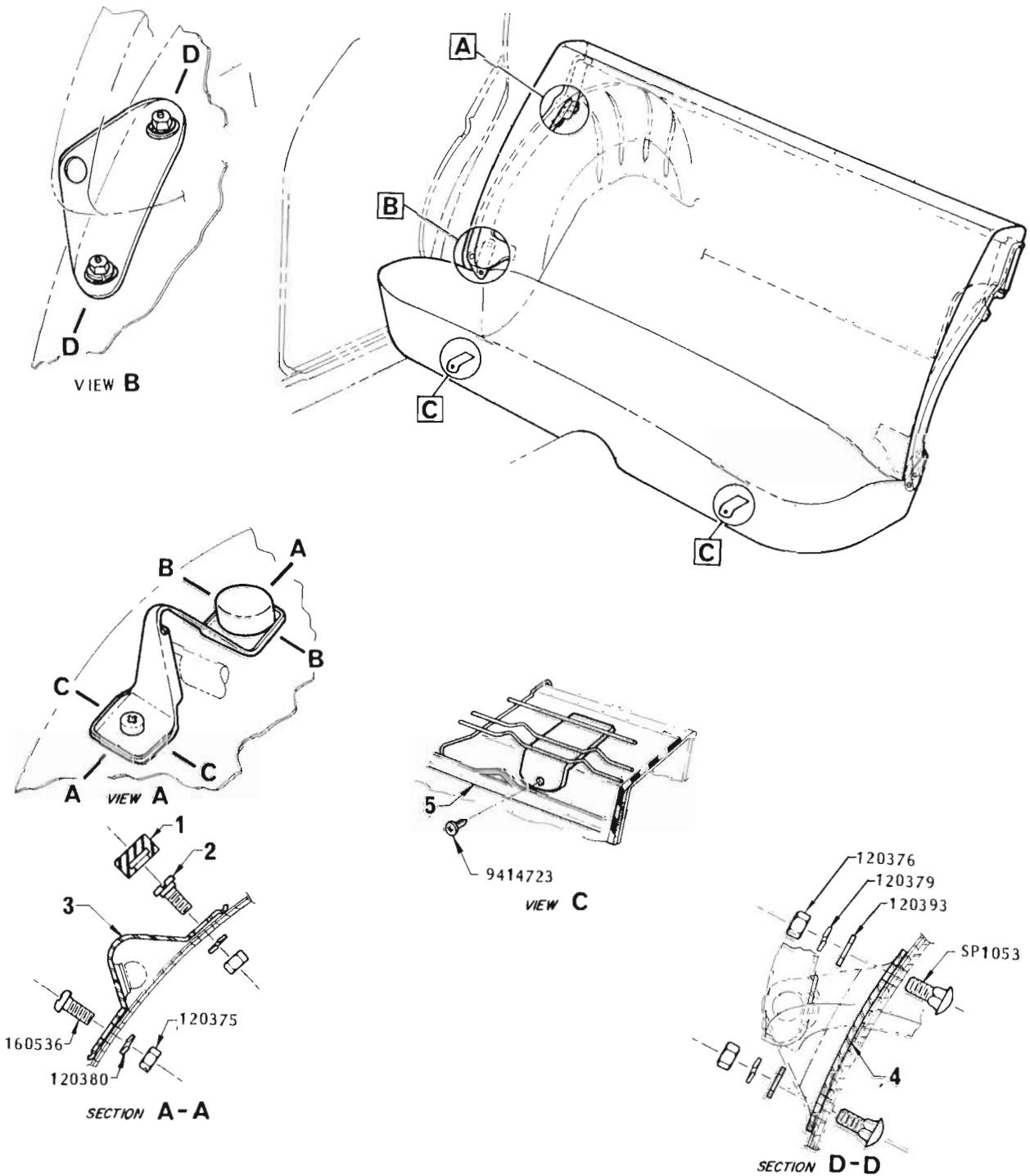
REAR DOOR SWITCH

ILLUS. REF. NO.	PART NAME	GROUP
1.	PLUNGER	11.960
2.	SPRING	11.960
3.	BODY - Switch	11.960
4.	BRACKET - Switch protecting	11.960
5.	BODY - Switch	11.950
6.	SPRING - Courtesy light switch	11.950
7.	PLUNGER - Courtesy light switch	11.950
8.	GROMMET - Rear licence lamp	2.705
9.	HARNES - Rear licence lamp	2.714



REAR SEAT TRIM & HARDWARE
STATION WAGONS – BODY STYLE 35

ILLUS. REF. NO.	PART NAME	GROUP	ILLUS. REF. NO.	PART NAME	GROUP
1.	COVER – Rear seat back	15.000	7.	STRIP – Seat back wear 18.32" long	14.818
2.	HINGE – Rear seat back	11.630	8.	PLATE – Lock cover	11.634
3.	SPRING & FRAME – Seat back	11.628	9.	STRIP – Seat back wear 10.92" long	14.818
4.	PLUNGER – Seat back lock	11.634	10.	HANDLE – Lock	11.634
5.	BUMPER	11.634	11.	TRIM – Rear seat back	15.310
6.	STRIP – Seat back upper finish wear	14.818			



**REAR SEAT HARDWARE
STATION WAGONS - BODY STYLE 35**

ILLUS. REF. NO.	PART NAME	GROUP
1.	BUMPER - Stop bracket	11.634
2.	BOLT - Stop bracket to bumper	11.634
3.	BRACKET - Stop	11.634
4.	HINGE - Rear seat back	11.630
5.	SPRING & FRAME ASSY.	11.628

"HX" STATESMAN/HOLDEN PARTS CATALOGUE

GROUP	DESCRIPTION	SIDE	PART No.	QTY.	BODY STYLE	M	N	P	Q	S	T
11.007 CHANNEL, FILLER, PLATE & ROLLER, ROLLER, PIN – Rear quarter window sash											
	CHANNEL – Front	LH	2816545	1	37				X		
		RH	2816544	1	37				X		
	FILLER – Front		2816548	2	37				X		
	PLATE & ROLLER ASSY.	LH	2815795	1	37				X		
		RH	2815796	1	37				X		
	FILLER – Plate		2815797	4	37				X		
	ROLLER – Upper		9709291	4	37				X		
	ROLLER ASSY. – Lower		7648823	2	37				X		
	PIN – Upper Roller		7791597	2	37				X		
	PIN – Upper Rear Roller		9709294	2	37				X		
	PIN – Lower Roller		4491090	2	37				X		
	BUSH – Roller		4491087	6	37				X		
	NUT – Roller Tee		4491088	6	37				X		
	WASHER – Lower Roller (rubber)		2815804	2	37				X		
	WASHER – Lower Roller (steel)		4491086	2	37				X		
	SPRING – Roller Tension		2816016	2	37				X		
11.011 GLASS – Rear quarter window											
	GLASS – Exc. tinted	LH	2815107	1	35	X	X	X			
		RH	2815106	1	35	X	X	X			
	GLASS – Tinted	LH	2822525	1	35	X	X	X			
		RH	2822524	1	35	X	X	X			
	GLASS – Tinted	LH	2822523	1	37				X		
		RH	2822522	1	37				X		
11.011 GLASS – Rear side window											
	GLASS – Front	LH	2805637	1	70	X	X				
		RH	2805636	1	70	X	X				
	GLASS – Rear	LH	2805639	1	70	X	X				
		RH	2805638	1	70	X	X				
11.012 STOP – Rear quarter window											
	STOP – Upper		7437276	2	37				X		
	STOP – Lower		2815792	2	37				X		
	BOLT & WASHER ASSY. – Hex. hd. ¼" – 20 x ½"		SP2219	4	37				X		
11.015 CHANNEL, WEATHERSTRIP – Rear quarter window											
	CHANNEL – Side Glass	LH	2815583	1	35	X	X	X			
		RH	2815582	1	35	X	X	X			
	WEATHERSTRIP – Window Front	LH	2816547	1	37				X		
		RH	2816546	1	37				X		
	WEATHERSTRIP – Quarter Belt Outer	LH	2816287	1	37				X		
		RH	2816288	1	37				X		
	SEAL – Lock Pillar Upper Corner	LH	2817245	1	37				X		
		RH	2817244	1	37				X		
	RETAINER – Window Glass Upper Front	LH	2817229	1	37				X		
		RH	2817230	1	37				X		
	RETAINER – Seal to Pillar		SP1710	4	37				X		
	SCREW – Weatherstrip assembly to quarter panel – Flat hd. 8 – 18 x ½"		9426506	4	37				X		
11.015 WEATHERSEAL, FILLER – Rear side window											
	WEATHERSEAL – Front glass		2805673	2	70	X	X				
	WEATHERSEAL – Rear glass		2805674	2	70	X	X				
	FILLER – Front		7382324	2	70	X	X				
	FILLER – Rear		7382325	2	70	X	X				

"HX" STATESMAN/HOLDEN PARTS CATALOGUE

GROUP	DESCRIPTION	SIDE	PART No.	QTY.	BODY STYLE	M	N	P	Q	S	T
11.015 WEATHERSTRIP, RETAINER – Door opening & rear quarter window											
	WEATHERSTRIP	LH	2816329	1	37				X		
		RH	2816330	1	37				X		
	RETAINER - Weatherstrip	LH	2816487	1	37				X		
		RH	2816488	1	37				X		
	SCREW - Retainer to Body		4436814	20	37				X		
	CLIP - Weatherstrip Retainer		7674311	2	37				X		
11.040 GUIDE, SUPPORT – Rear quarter window											
	GUIDE	LH	2815785	1	37				X		
		RH	2815786	1	37				X		
	SUPPORT - Guide Lower		2815720	2	37				X		
	STUD - Guide to Inner Panel		7433032	4	37				X		
	NUT - Guide to Inner Panel		SP1991	4	37				X		
	BOLT & WASHER ASSY - Lower support to guide		SP2219	2	37				X		
	BOLT & WASHER ASSY. - Lower support to inner panel		SP2219	2	37				X		
	WASHER - Lower support to inner panel		SP2150	2	37				X		
11.041 REGULATOR – Rear quarter window											
	REGULATOR ASSY - Power Windows	LH	2817399	1	37				X		
		RH	2817400	1	37				X		
	BOLT & WASHER ASSY - Hex. hd. 1/4" - 20 x 1/2"		SP2219	6	37				X		
	SPRING - Regulator Clutch		4157887	2	37				X		
	SPRING - Counter Balance		63737	2	37				X		
	WASHER - Regulator Assy. (rubber)		7413223	2	37				X		
	WASHER - Regulator Assy. (steel)		4171918	2	37				X		
11.042 PIN, ROLLER – Rear quarter window regulator											
	PIN		4158246	2	37				X		
	ROLLER		4158245	2	37				X		
11.043 MOTOR – Rear quarter windows – Power operated											
	MOTOR ASSY - Fast Winder	LH	5045586	1	37				X		
		RH	5045585	1	37				X		
	PINION PACKAGE		4919192	2	37				X		
11.175 PLATE – Front door scuff											
	PLATE - Exc. Sandman	LH	2811869	1	35,60,69,70,80	X					
		RH	2811870	1	35,60,69,70,80	X					
	PLATE - Sandman	LH	9944115	1	70, 80	X					
		RH	9944116	1	70, 80	X					
	PLATE	LH	9944115	1	35, 69, 70, 80		X				
		RH	9944116	1	35, 69, 70, 80		X				
	PLATE - Extension - Exc. Sandman	LH	2816651	1	60, 70, 80	X					
		RH	2816652	1	60, 70, 80	X					
	PLATE - Extension - Sandman	LH	9944119	1	70, 80	X					
		RH	9944120	1	70, 80	X					
	PLATE - Extension	LH	9944119	1	70, 80		X				
		RH	9944120	1	70, 80		X				
	PLATE	LH	2811871	1	35, 69			X	X	X	X
		RH	2811872	1	35, 69			X	X	X	X
	PLATE	LH	2811875	1	37				X		
		RH	2811876	1	37				X		
	SCREW - Scuff plate		SP2471	14-10	ALL	X	X	X	X	X	X

"HX" STATESMAN/HOLDEN PARTS CATALOGUE

GROUP	DESCRIPTION	SIDE	PART No.	QTY.	BODY STYLE	M	N	P	Q	S	T
11.179 PLATE – Rear door scuff											
	PLATE	LH	2811877	1	35, 69	X					
		RH	2811878	1	35, 69	X					
	PLATE	LH	9944117	1	35, 69		X				
		RH	9944118	1	35, 69		X				
	PLATE	LH	2811879	1	35, 69			X	X	X	X
		RH	2811880	1	35, 69			X	X	X	X
	SCREW – Scuff plate		SP2471	8	35, 69	X	X	X	X	X	X
11.200 FRAME – Rear window											
	FRAME		2812599	1	37				X		
	FRAME		2810245	1	69	X	X	X	X		
	FRAME		2810934	1	69					X	X
	FRAME		2816719	1	60, 80	X	X				
11.204 GLASS – Rear window											
	GLASS – Exc. Heated Window		2811778	1	37				X		
	GLASS – Heated Window		9933268	1	37				X		
	GLASS – Exc. Tinted, Heated Window		2809885	1	69	X	X	X	X		
	GLASS – Tinted exc. Heated Window		2822519	1	69	X	X	X	X		
	GLASS – Heated Window		9933267	1	69	X	X	X	X		
	GLASS – Exc. Tinted, Heated Window		2805921	1	69					X	
	GLASS – Tinted exc. Heated Window		2822520	1	69					X	
	GLASS – Heated Window		3428703	1	69					X	X
	GLASS – Exc. Tinted		2815685	1	60, 80	X	X				
	GLASS – Tinted		2822521	1	60, 80	X	X				
11.204 GLASS – End gate											
	GLASS – Exc. Tinted		2814362	1	35	X	X	X			
	GLASS – Tinted		2822526	1	35	X	X	X			
	GLASS – Exc. Tinted		7420405	1	70	X	X				
	GLASS – Tinted		2822527	1	70	X	X				
11.207 CHANNEL, RETAINER, WEATHERSTRIP – Rear window and end gate glass											
	CHANNEL – End gate glass, upper		2814797	1	35	X	X	X			
	RETAINER – Upper channel	LH	2814567	1	35	X	X	X			
		RH	2814566	1	35	X	X	X			
	SCREW – Upper Channel Retainer		SP2248	12	35	X	X	X			
	CHANNEL – End gate glass lower	LH	2815325	1	35	X	X	X			
		RH	2815324	1	35	X	X	X			
	RETAINER – End gate glass, lower		2813887	2	35	X	X	X			
	BOLT & WASHER ASSY. – Hex. hd. ¼" – 20 x .5"		SP2219	4	35	X	X	X			
	CHANNEL ASSY. – End gate glass lifter		2814371	1	35	X	X	X			
	LACE – End gate belt finishing		2814068	1	35	X	X	X			
	WEATHERSTRIP – End gate glass channel		2814286	1	35	X	X	X			
	CAM ASSY. – Lifter channel		7434382	2	35	X	X	X			
	NUT – Cam assy. to lifter channel		9419938	4	35	X	X	X			
	BOLT & WASHER ASSY. – Hex. hd. ¼" – 20 x .5"		SP2219	4	35	X	X	X			
	WEATHERSTRIP – Outer belt		2814479	1	35	X	X	X			
	CHANNEL – End gate glass		7420598	1	70	X	X				
	CHANNEL – Rear window glass		2816597	1	60, 80	X	X				
11.208 MOULDING – Rear window reveal											
	MOULDING – Upper		2814682	1	37				X		
	MOULDING – Lower	LH	2814683	1	37				X		
		RH	2814684	1	37				X		
	CLIP – Moulding		7434693	2	37				X		
	MOULDING – Upper		2813983	1	69	X	X	X			
	MOULDING	LH	2813985	1	69	X	X	X			
		RH	2813984	1	69	X	X	X			
	MOULDING – Upper		9944071	1	69				X		

"HX" STATESMAN/HOLDEN PARTS CATALOGUE

GROUP	DESCRIPTION	SIDE	PART No.	QTY.	BODY STYLE	M	N	P	Q	S	T
11.208 MOULDING – Rear window reveal (Continued)											
MOULDING	LH	9944069	1	69					X		
	RH	9944068	1	69					X		
MOULDING – Upper	LH	9936217	1	69						X	X
	RH	9936218	1	69						X	X
MOULDING – Lower		2813944	1	69						X	X
MOULDING	LH	2813945	1	69						X	X
	RH	2813946	1	69						X	X
EXTENSION – Lower moulding		2819992	1	37, 69		X	X	X	X		
EXTENSION – Lower moulding		9944070	1	69					X		
RETAINER – Moulding		2811948	8	37, 69		X	X	X	X		
CLIP – Moulding		7434693	AR	37, 69		X	X	X	X	X	X
SCREW – Moulding clip		SP2192	AR	37, 69		X	X	X	X	X	X
INSERT – Upper		2817101	1	60, 80		X					
INSERT – Lower		2817100	1	60, 80		X					
INSERT – Upper		2817168	1	70, 80		X	X				
INSERT – Lower		2817167	1	70, 80		X	X				
11.373 SPRING & FRAME – Front seat											
SPRING & FRAME ASSY. – Bench seat – Standard		9931726	1	35, 69		X	X				
SPRING & FRAME ASSY. – Bench seat – Heavy duty		9940358	1	35, 69		X	X				
SPRING & FRAME ASSY. – Bench seat – Centre arm rest		2825121	1	35, 69		X	X			X	
SPRING & FRAME ASSY. – Bench seat – Standard		9939137	1	60, 70, 80		X	X				
SPRING & FRAME ASSY. – Bench seat – Heavy duty		2824254	1	60, 70, 80		X	X				
SPRING & FRAME ASSY. – Bench seat		9931793	1	35				X			
SPRING & FRAME ASSY. – Bench seat		9931791	1	69				X		X	
FRAME ASSY. – Centre arm rest		2812462	1	35, 69				X		X	
FRAME ASSY. – Centre arm rest		9940368	1	69							X
PANEL – Centre arm rest		2812201	1	35, 69				X		X	X
SPRING & FRAME ASSY. – Cushion (Bucket seat)		9935830	2	ALL		X	X	X	X	X	X
FRAME ASSY. – Back (Bucket seat)		9937213	2	ALL		X	X	X	X	X	X
BOLT & WASHER ASSY. – Adj. to front seat spring & frame – Bucket seat		SP2089	8	ALL		X	X	X	X	X	X
11.374 SPRING, CLIP – Front seat back											
SPRING – Main – Bench seat – Centre arm rest		2820575	10	35, 69		X	X			X	
SPRING – Centre – Bench seat – Centre arm rest		2816214	3	35, 69		X	X			X	
CLIP – Back cover – (Bucket seat)		7100321	AR	ALL		X	X	X	X	X	X
CLIP – Bolster wire – (Bench seat)		7401768	6	35, 69			X	X		X	
11.388 ADJUSTER – Front seat recliner											
ADJUSTER ASSY. – Bucket seat reclining – Black	LH	9938363	1	35, 69		X	X	X	X		
	RH	9938364	1	35, 69		X	X	X	X		
ADJUSTER ASSY. – Bucket seat reclining – Chrome insert	LH	9928305	1	69						X	X
	RH	9928306	1	69						X	X
ADJUSTER ASSY. – Black – Bucket seat reclining	LH	9938665	1	37					X		
	RH	9938666	1	37					X		
SCREW – Adjuster to seat		SP2605	8	ALL		X	X	X	X	X	X
11.390 BAR – Front seat recliner											
BAR ASSY. – Frame side cushion (Bucket seat reclining)	LH	2816472	2	ALL		X	X	X	X	X	X
	RH	2816471	2	ALL		X	X	X	X	X	X
11.392 ARM – Front seat reclining											
ARM ASSY. – Left front seat	RH	9928309	1	ALL		X	X	X	X	X	X
ARM ASSY. – Right front seat	LH	9928310	1	ALL		X	X	X	X	X	X
SCREW – Arm to seat		SP2605	8	ALL		X	X	X	X	X	X

"HX" STATESMAN/HOLDEN PARTS CATALOGUE

GROUP	DESCRIPTION	SIDE	PART No.	QTY.	BODY STYLE	M	N	P	Q	S	T
11.420 SPRING, WIRE, CLIP, RING – Front seat cushion											
	SPRING - Main - Bench seat - Standard		9931944	8	35, 60, 69, 70, 80	X	X	X		X	
	SPRING - Main - Bench seat - Heavy duty		9931944	10	35, 60, 69, 70, 80	X	X				
	SPRING - Centre - Bench seat		9930234	3	35, 60, 69, 70, 80	X	X	X		X	
	SPRING - Main - Bucket seat reclining		9935829	8	ALL	X	X	X	X	X	X
	WIRE - Side border - Bench seat		2818131	2	35, 69	X	X			X	
	WIRE - Side border - Bench seat		2818132	2	35, 69	X	X			X	
	WIRE - Stabilizer - Bench seat		9942687	1	ALL	X	X	X		X	
	WIRE - Bucket seat		9928393	2	ALL	X	X	X	X	X	X
	CLIP - Cushion wire		7401768	AR	ALL	X	X	X	X	X	X
	RING - Hog		4556605	AR	ALL	X	X	X	X	X	X
11.561 ADJUSTER – Front seat – Fore & Aft Movement											
	ADJUSTER ASSY - Bench seat	LH	2809581	1	ALL	X	X	X		X	
		RH	2809580	1	ALL	X	X	X		X	
	ADJUSTER - Bucket seat	LH	2809581	2	ALL	X	X	X	X	X	X
		RH	2809580	2	ALL	X	X	X	X	X	X
	SPACER - Bench seat		9938961	2	35, 69	X	X	X		X	
	SCREW & WASHER ASSEMBLY - Seat to underbody		SP2093	AR	ALL	X	X	X	X	X	X
11.573 COVER, SUPPORT – Front seat adjuster											
	COVER - Adjuster rear - Bench seat		9938702	2	ALL	X	X	X		X	
	COVER - Adjuster rear - Bucket seat		9938702	4	ALL	X	X	X	X	X	X
	SUPPORT - Adjuster lever - Bench seat		2818466	1	ALL	X	X	X		X	
	SUPPORT - Adjuster lever - Bucket seat		2818466	2	ALL	X	X	X	X	X	X
	BOLT - Support to seat - Bench seat		9414712	2	ALL	X	X	X		X	
11.581 SPRING – Front seat adjuster											
	SPRING - Assist - Bench seat		4304426	2	ALL	X	X	X		X	
	SPRING - Assist - Bucket seat		4304426	4	ALL	X	X	X	X	X	X
	SPRING - Release lever - Bench seat		2811198	2	ALL	X	X	X		X	
	SPRING - Release lever - Bucket seat		2811198	4	ALL	X	X	X	X	X	X
11.588 HANDLE – Front seat adjuster											
	HANDLE - Bench seat		2811361	1	ALL	X	X	X		X	
	HANDLE - Bucket seat		2811361	2	ALL	X	X	X	X	X	X
	BOLT - Handle - Bench seat		2811258	1	ALL	X	X	X		X	
	BOLT - Handle - Bucket seat		2811258	2	ALL	X	X	X	X	X	X
	WASHER - Spring 7/16" - Bench seat		SP1328	1	ALL	X	X	X		X	
	WASHER - Spring 7/16" - Bucket seat		SP1328	2	ALL	X	X	X	X	X	X
	WASHER - Flat type "B" 1/4"		9419264	1-2	ALL	X	X	X	X	X	X
11.589 WIRE, TENSIONER – Seat adjuster											
	WIRE ASSY. - Long - Bench seat		2811366	1	ALL	X	X	X		X	
	WIRE - Short - Bench seat		2811253	1	ALL	X	X	X		X	
	TENSIONER - Auxiliary wire - Bench seat		2811360	1	ALL	X	X	X		X	
	WIRE ASSY. - Long - Bucket seat		2811255	2	ALL	X	X	X	X	X	X
	WIRE ASSY. - Short - Bucket seat		2811253	2	ALL	X	X	X	X	X	X
11.610 SPRING & FRAME – Rear seat cushion											
	SPRING & FRAME ASSY		2814807	1	35	X	X	X			
	SPRING & FRAME ASSY		2816254	1	37				X		
	SPRING & FRAME ASSY		2829974	1	69	X	X	X	X		
	SPRING & FRAME ASSY.		2814807	1	69					X	
	SPRING & FRAME ASSY.		9936444	1	69						X
	SPRING & FRAME ASSY. - Heavy duty		2829913	1	69	X	X				

"HX" STATESMAN/HOLDEN PARTS CATALOGUE

GROUP	DESCRIPTION	SIDE	PART No.	QTY.	BODY STYLE	M	N	P	Q	S	T
11.611	SPRING, CLIP – Rear seat cushion										
	SPRING – Main		2814485	10	35	X	X	X			
	SPRING – Main		2815046	10	37				X		
	SPRING – Main		2829914	10	69	X	X	X	X		
	SPRING – Main		2814485	10	69					X	X
	SPRING – End		2815047	2	37				X		
	SPRING – End		2812456	2	35, 69	X	X	X	X	X	X
	SPRING – End inner		2814488	2	35	X	X	X			
	SPRING – End inner		2829917	2	69	X	X	X	X		
	SPRING – End inner		2814488	2	69					X	X
	SPRING – Intermediate		2814487	2	35	X	X	X			
	SPRING – Intermediate		2815007	4	37				X		
	SPRING – Intermediate		2829916	2	69	X	X	X	X		
	SPRING – Intermediate		2814487	2	69					X	X
	SPRING – Centre		2814486	3	35	X	X	X			
	SPRING – Centre		2815112	3	37		X	X	X		
	SPRING – Centre		2829915	3	69	X	X	X	X		
	SPRING – Cushion		2814486	3	69					X	X
	SPRING – Cushion support		(⁵⁷ 7429742	6	35, 69	X	X				
	SPRING – Cushion support (Heavy duty)		2829973	6	69	X	X				
	WIRE – Helical tie (Heavy duty)		2811847	3	69	X	X				
	RING – Hog		4556605	AR	35, 69	X	X	X	X	X	X
	CLIP – Cushion wire		7401768	AR	ALL	X	X	X	X	X	X
	SUPPORT – Spring		2822252	12	37				X		
11.628	SPRING & FRAME – Rear seat back										
	SPRING & FRAME ASSY		2816132	1	35	X					
	SPRING & FRAME ASSY		2816320	1	35		X				
	SPRING & FRAME ASSY		2816108	1	35			X			
	SPRING & FRAME ASSY		2816255	1	37				X		
	SPRING & FRAME ASSY		2812615	1	69	X	X		X		
	SPRING & FRAME ASSY		2812616	1	69			X			
	SPRING & FRAME ASSY		2814786	1	69					X	
	SPRING & FRAME ASSY		9936394	1	69						X
	SPRING & FRAME ASSY – Heavy duty		2816349	1	69	X	X				
11.628	FRAME – Centre arm rest – rear seat										
	FRAME ASSY		2812462	1	35, 69			X		X	X
11.629	SPRING, WIRE, CLIP, RING – Rear seat back										
	SPRING – Main		2815485	12	35	X	X				
	SPRING – Main		2815485	8	35			X			
	SPRING – Main		2815257	8	37				X		
	SPRING – Main		2812975	12	69	X	X		X		
	SPRING – Main		2812975	8	69			X			X
	SPRING – Main		2814461	8	69					X	
	SPRING – Centre main		2815258	2	37				X		
	SPRING – Support		2815240	6	37				X		
	SPRING – Support		2811734	8	69	X	X		X		
	SPRING – Support		2811734	6	69			X			X
	SPRING – Support		2814439	6	69					X	
	SPRING – Intermediate		2815765	2	35	X	X	X			
	SPRING – Centre		2816402	4	35			X			
	SPRING – Centre		2815232	2	37				X		
	SPRING – Outer		2815153	2	35	X	X	X			
	SPRING – Outer		2809835	4	37				X		
	SPRING – Outer		2811735	4	69	X	X	X	X		X
	SPRING – Outer		2814441	4	69					X	
	WIRE – Helical tie (Heavy duty)		7419480	2	69	X	X				
	RING – Hog		4556605	AR	35, 37, 69	X	X	X	X	X	X
	CLIP – Cushion wire		7401768	AR	35, 37, 69	X	X	X	X	X	X
Note: (⁵⁷ Additional seat support.)											

"HX" STATESMAN/HOLDEN PARTS CATALOGUE

GROUP	DESCRIPTION	SIDE	PART No.	QTY.	BODY STYLE	M	N	P	Q	S	T
11.629 SPRING, WIRE, CLIP, RING – Rear seat back (Continued)											
	WIRE – Upper border		2815616	1	35	X	X	X			
	WIRE – Lower border		2815615	1	35	X	X				
	WIRE – Centre border		2816413	1	35			X			
	WIRE – Centre lower border		2816405	1	35			X			
	WIRE – Lower border	LH	2816403	1	35			X			
		RH	2816404	1	35			X			
11.630 HINGE, RETAINER – Rear seat back											
	HINGE	LH	2815341	1	35	X	X	X			
		RH	2815342	1	35	X	X	X			
	RETAINER – Upper		2812735	4	37, 69	X	X	X	X	X	X
	WASHER – Seat back to underbody		2824366	2	37, 69	X	X	X	X	X	X
11.634 PLUNGER, HANDLE, PLATE, BRACKET – Rear seat back											
	PLUNGER ASSY – Lock		2815293	2	35	X	X	X			
	HANDLE ASSY – Lock		2815596	1	35	X	X	X			
	CLIP – Lock bar		7402119	2	35	X	X	X			
	SPRING – Lock bar		7407811	2	35	X	X	X			
	PLATE – Lock cover		7433086	1	35	X	X	X			
	RETAINER – Plunger	LH	2815503	1	35	X	X	X			
		RH	2815504	1	35	X	X	X			
	BRACKET – Stop		7433102	2	35	X	X	X			
	BUMPER – Stop bracket		7424249	2	35	X	X	X			
	BUMPER – Lock		7433103	2	35	X	X	X			
	BOLT – Stop bracket to bumper		7433104	2	35	X	X	X			
11.925 BASE, LEAD, BULB – Dome lamp											
	BASE		2807099	1	35, 60, 69, 70, 80	X					
	BASE		2806962	1	35, 69, 80		X	X	X	X	
	LEAD ASSY		9942510	1	35, 60, 69, 80	X	X				
	LEAD ASSY		9942510	1	ALL			X	X	X	
	LEAD ASSY		9942509	1	70	X	X				
	LEAD ASSY. – Earth		2817464	1	35, 69, 70, 80	X					
	LEAD ASSY – Dome light – Export only		2816797	1	69		X				
	LEAD ASSY. – Earth		9942512	1	60	X					
	BULB – 12 – 16V 12 C.P.		9414045	1	ALL	X	X	X	X	X	X
	TERMINAL & CLIP ASSY		2823410	2	35, 69	X	X	X		X	X
	TERMINAL – Clip		2823409	2	ALL	X	X	X		X	
11.925 REFLECTOR, HOUSING, LEAD, BULB – Dome and reading lamp											
	REFLECTOR ASSY – Includes reading lamp, bulb holders and switches		1695626	1	69						X
	HOUSING ASSY. – Includes reading lamp lens		1695635	1	69						X
	LEAD ASSY.		9942511	1	69						X
	BULB – Dome lamp – 12 – 16V, 12CP		9414045	1	69						X
	BULB – Reading lamp – 12 – 16V – 15 CP		455136	2	69						X
	TERMINAL & CLIP ASSY.		2823410	2	69						X
	TERMINAL – Clip		2823409	2	69						X
	SCREW – Reflector to roof bow		SP1855	3	69						X
11.928 LENS – Dome Lamp											
	LENS		2806963	1	35, 60, 69, 70, 80	X	X	X	X	X	
	LENS		8780507	1	69						X

"HX" STATESMAN/HOLDEN PARTS CATALOGUE

GROUP	DESCRIPTION	SIDE	PART No.	QTY.	BODY STYLE	M	N	P	Q	S	T
11.940	LENS, REFLECTOR, LEAD, BULB – Quarter lamp										
	LENS		2813866	2	37				X		
	LENS		2813866	2	69					X	
	REFLECTOR		7731133	2	37				X		
	REFLECTOR		7731133	2	69					X	
	SCREW - Lamp to quarter panel		9414712	4	69					X	
	LEAD ASSY. - Feed		2817465	1	69					X	
	LEAD ASSY. - RH lamp to LH lamp		2817466	1	69					X	
	BULB - 12V. 5W - Festoon		SP1932	2	37, 69				X	X	
	TERMINAL & CLIP ASSY		2823410	2	69					X	
	TERMINAL - Clip		2823409	2	69					X	
11.940	PANEL, BRACKET, LENS, LEAD, BULB – Quarter reading lamp										
	PANEL ASSY. - Includes reflector, bulb holder and switch	LH	9935253	1	69						X
		RH	9935254	1	69						X
	BRACKET - Quarter reading lamp support		9935158	2	69						X
	LENS		8736868	2	69						X
	LEAD ASSY. - Feed		9935167	1	69						X
	LEAD ASSY. - Earth		2820619	2	69						X
	BULB		455136	2	69						X
	TERMINAL - Clip		2823409	1	69						X
	SCREW - Support bracket		9414712	4	69						X
11.950	SWITCH – Courtesy light										
	PACKAGE - Switch		9936425	AR	ALL	X	X	X	X	X	X
	BODY - Switch		2807323	4-2	ALL	X	X	X	X	X	X
	SPRING - Courtesy light switch		2807324	4-2	ALL	X	X	X	X	X	X
	PLUNGER - Courtesy light switch		2807325	4-2	ALL	X	X	X	X	X	X
	LEAD ASSY. - Courtesy light switch, Front door		9935036	1	ALL	X	X				
	CLIP - Lead to shroud panel		SP2236	2	ALL	X	X				
	LEAD ASSY. - Courtesy light switch, Rear door		2817459	1	35, 69	X	X	X	X		X
	LEAD ASSY. - Courtesy lamp switch, Rear door	LH	2817511	1	69					X	
		RH	2825256	1	69					X	
	TERMINAL - Courtesy light switch, Rear door		2962447	1	69					X	
	HARNESS ASSY. - Foot well light		9942071	1	ALL			X	X	X	X
	SOCKET - Foot well light		7433411	1	ALL			X	X	X	X
	SOCKET - Foot well light		9936420	1	35, 37, 69			X	X	X	X
	SCREW - Foot well light to inst. panel		SP2111	2	ALL			X	X	X	X
	NUT - Light to inst. panel		SP2521	2	ALL			X	X	X	X
	TERMINAL - Foot well illumination		6294206	1	35, 37, 69			X	X	X	X
	BODY - Foot well illumination terminal		6294142	1	35, 37, 69			X	X	X	X
	GROMMET - Foot well illumination harness		7416288	4	35, 37, 69			X	X	X	X
	BULB - Foot well illumination		SP1467	2	35, 37, 69			X	X	X	X
	CLIP - Harness		7426417	AR	35, 37, 69			X	X	X	X
11.950	REFLECTOR, LENS – Door courtesy & warning lamp										
	REFLECTOR ASSEMBLY		9664984	4	69						X
	SCREW - Reflector		163158	1	69						X
	NUT - Mounting		SP2539	8	69						X
	LENS - Courtesy lamp		9819848	4	69						X
	LENS - Warning lamp		9819849	4	69						X
	BULB		SP1932	8	69						X
11.960	LAMP – Rear compartment										
	BODY - Switch		2807323	1	37, 69	X	X	X	X	X	X
	SPRING		2807324	1	37, 69	X	X	X	X	X	X
	PLUNGER		2807325	1	37, 69	X	X	X	X	X	X
	BRACKET - Switch protecting		9929547	1	37, 69	X	X	X	X	X	X
	BOLT - Bracket 3/8" - 16 x 3/4"		122119	2	37, 69	X	X	X	X	X	X
	WASHER - Bracket - 3/8" Lock		120382	2	35, 69			X	X	X	X
	CLIP - Lead to rear quarter		7426417	2-1	37, 69	X	X	X	X		
	LEAD ASSY.		9934193	1	37				X		

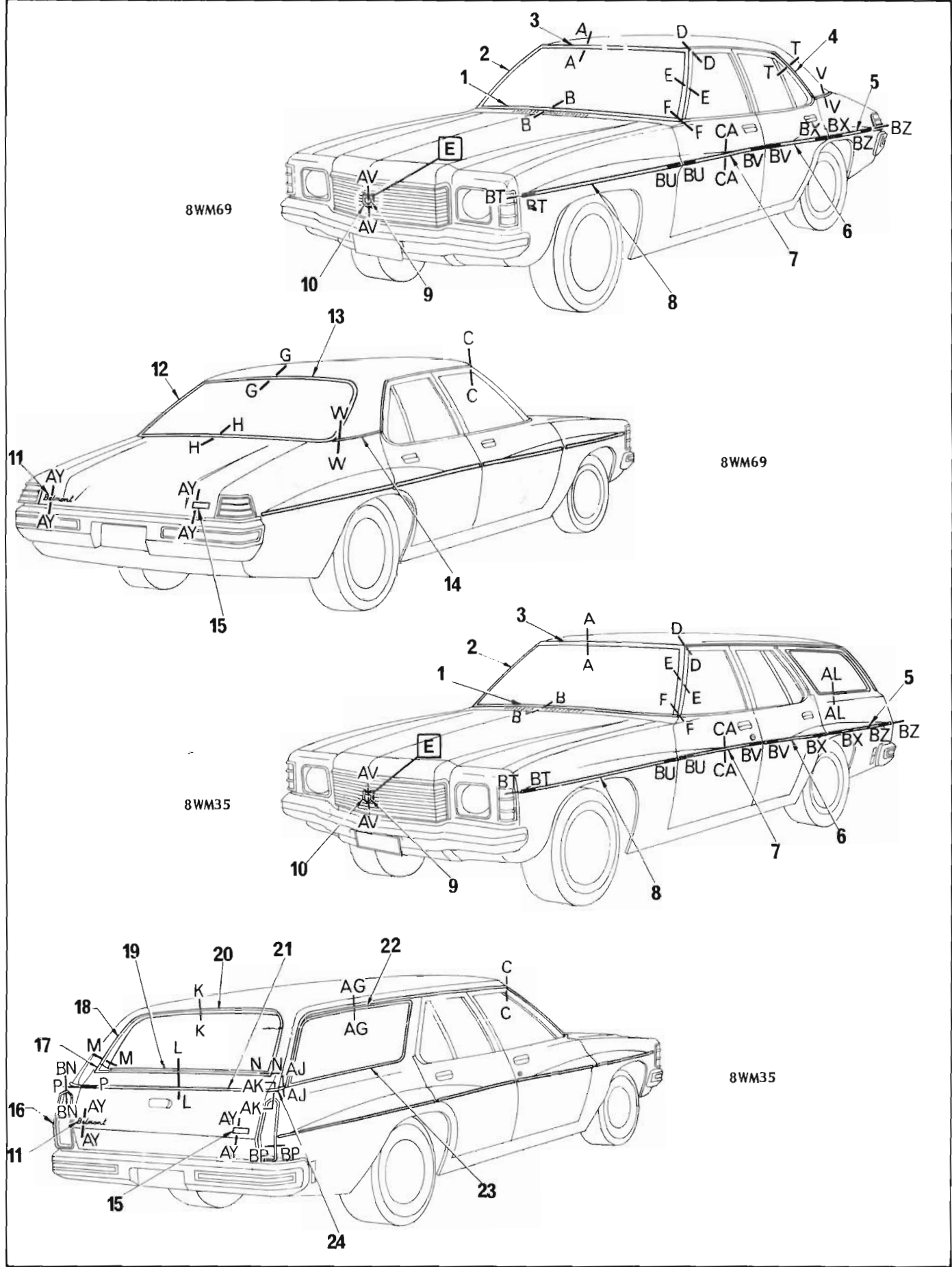
BODY

"HX" STATESMAN/HOLDEN PARTS CATALOGUE

GROUP	DESCRIPTION	SIDE	PART No.	QTY.	BODY STYLE	M	N	P	Q	S	T
11.960	LAMP – Rear compartment (Continued)										
	LEAD ASSY.		9934439	1	69	X	X				
	SOCKET		2824332	1	37				X		
	SPRING - Socket		2962243	1	37				X		
	BULB - 12-16V., 15 C.P.		455490	1	37, 69	X	X	X	X	X	X
	LAMP PACKAGE		9934434	1	69	X	X				

GROUP 12.000
MOULDINGS & CLIPS
SHEET METAL

"HX" STATESMAN/HOLDEN PARTS CATALOGUE



BODY MOULDINGS - 8WM35, 69

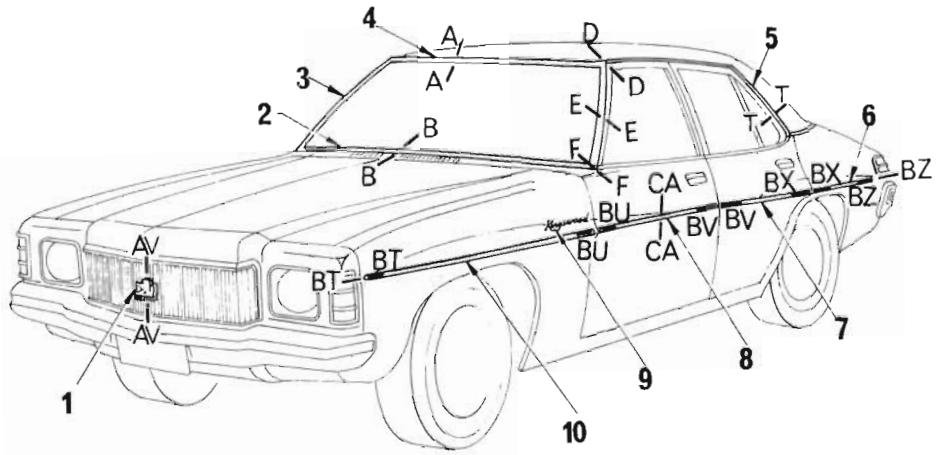
ILLUSTRATION OPPOSITE

ILLUS. REF. NO.	PART NAME	GROUP
1.	MOULDING - Windshield reveal lower	10.093
2.	MOULDING - Windshield reveal side	10.093
3.	MOULDING - Windshield reveal upper	10.093
4.	GUTTER - Roof drip rear	12.811
5.	MOUNTING - Rear quarter side	12.116
6.	MOULDING - Rear door side	12.114
7.	MOULDING - Front door side	12.112
8.	MOULDING - Front fender side	8.132
9.	INSERT - Radiator grille emblem	1.265
10.	EMBLEM - Radiator grille	1.265
11.	PLATE - Name "Belmont"	12.182
12.	MOULDING - Rear window reveal	11.208
13.	MOULDING - Rear window reveal upper	11.208
14.	MOULDING - Rear quarter upper - Two Tone	12.116
15.	PLATE - Name "Engine Size"	12.182
16.	MOULDING - Tail lamp reveal	12.116
17.	MOULDING - End gate belt	12.182
18.	MOULDING - End gate glass opening reveal side	12.174
19.	MOULDING - End gate belt centre	12.182
20.	MOULDING - End gate glass opening reveal centre	12.174
21.	MOULDING - End gate centre	12.182
22.	MOULDING - Rear quarter upper control	12.116
23.	MOULDING - Rear quarter lower reveal	12.116
24.	MOULDING - Rear quarter	12.116

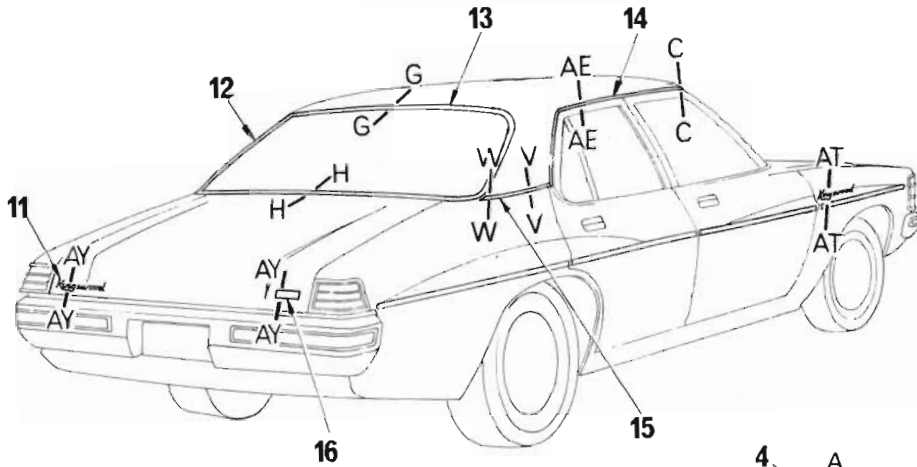
SECTIONS and VIEWS

A-A,B-B	REFER PAGE	636
BN-BN,BP-BP	REFER PAGE	638
AY-AY	REFER PAGE	639
AV-AV, VIEW E	REFER PAGE	640
AK-AK,AL-AL	REFER PAGE	642
BT-BT,BU-BU,BV-BV	REFER PAGE	643
BX-BX,BZ-BZ,CA-CA	REFER PAGE	644
AG-AG,AJ-AJ	REFER PAGE	645
W-W	REFER PAGE	647
T-T,V-V	REFER PAGE	648
K-K,L-L,M-M,N-N,P-P	REFER PAGE	649
G-G,H-H,	REFER PAGE	650
C-C,D-D,E-E,F-F	REFER PAGE	652

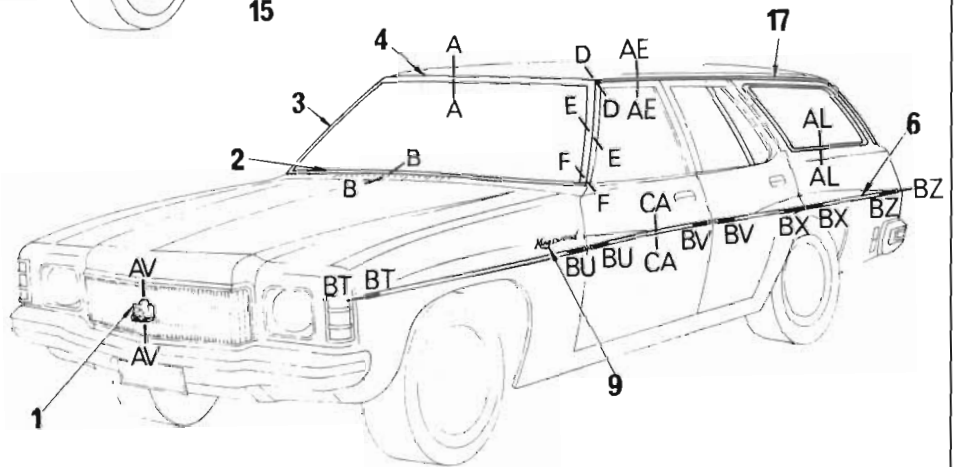
8WN69



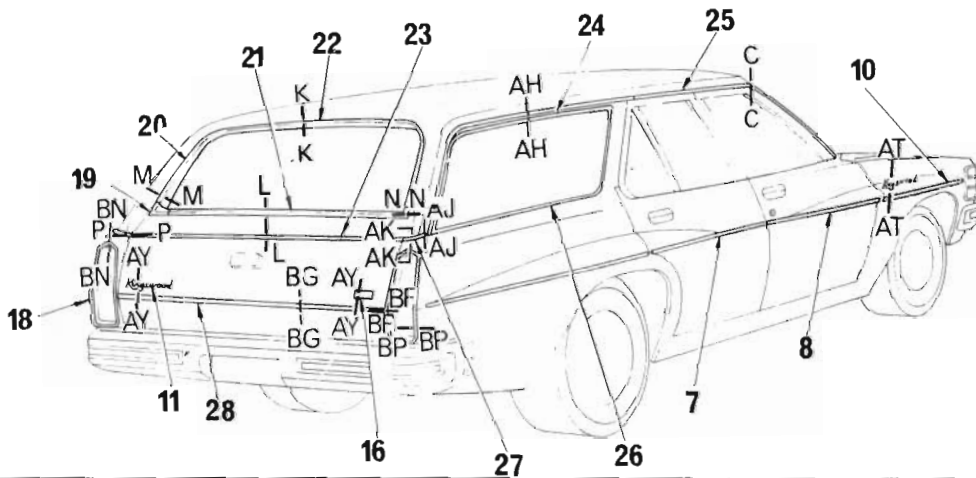
8WN69



8WN35



8WN35



BODY MOULDINGS — 8WN35, 69

ILLUSTRATION OPPOSITE

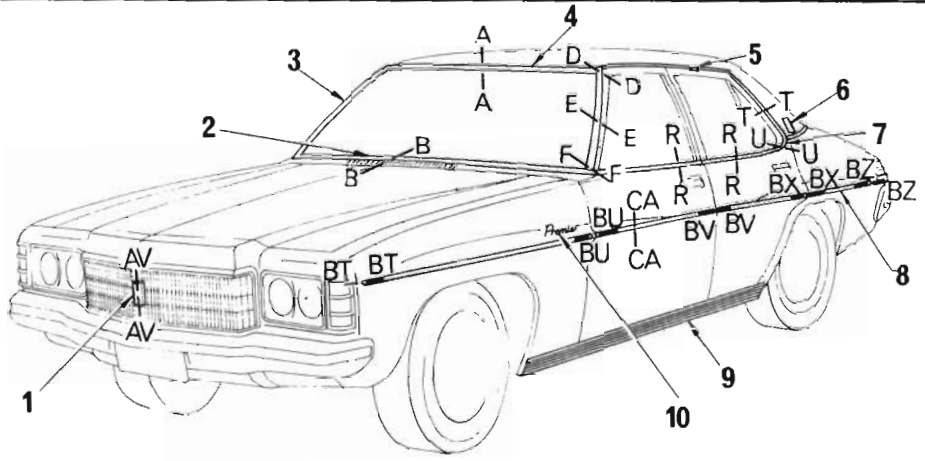
ILLUS. REF. NO.	PART NAME	GROUP
1.	EMBLEM — Radiator grille	1.265
2.	MOULDING — Windshield reveal lower	10.093
3.	MOULDING — Windshield reveal side	10.093
4.	MOULDING — Windshield reveal upper	10.093
5.	GUTTER — Roof drip rear	12.811
6.	MOULDING — Rear quarter side	12.116
7.	MOULDING — Rear door side	12.114
8.	MOULDING — Front door side	12.112
9.	PLATE — Name "Kingswood"	8.132
10.	MOULDING — Front fender side	8.132
11.	PLATE — Name "Kingswood"	12.182
12.	MOULDING — Rear window reveal	11.208
13.	MOULDING — Rear window reveal upper	11.208
14.	MOULDING — Roof reveal side	12.075
15.	MOULDING — Rear quarter upper — Two Tone	12.116
16.	PLATE — Name "Engine Size"	12.182
17.	MOULDING — Roof reveal side — rear	12.075
18.	MOULDING — Tail lamp reveal	12.116
19.	MOULDING — End gate belt	12.182
20.	MOULDING — End gate glass opening reveal side	12.174
21.	MOULDING — End gate belt centre	12.182
22.	MOULDING — End gate glass opening reveal centre	12.174
23.	MOULDING — End gate centre — Two Tone	12.182
24.	MOULDING — Rear quarter upper reveal	12.116
25.	MOULDING — Roof reveal side — front	12.075
26.	MOULDING — Rear quarter lower reveal	12.116
27.	MOULDING — Rear quarter — Two Tone	12.116
28.	MOULDING — End gate lower	12.182

SECTIONS and VIEWS

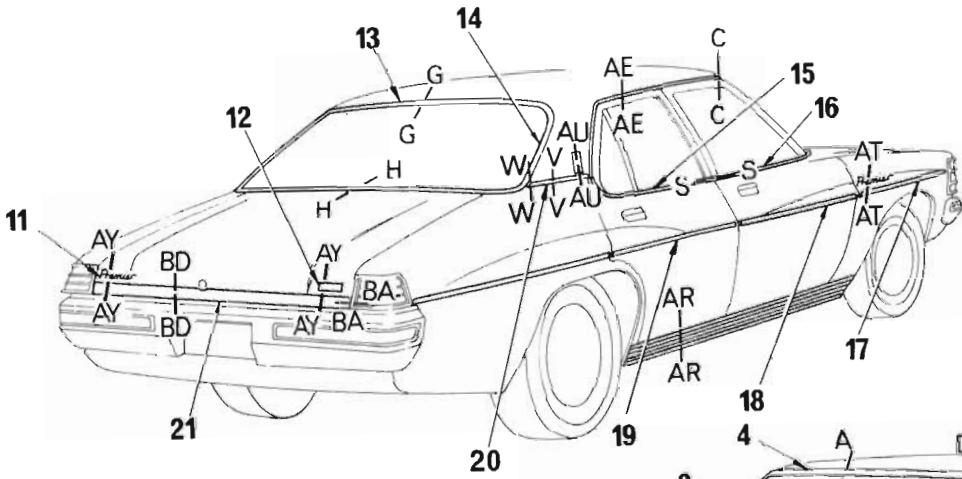
A—A,B—B	REFER PAGE	636
BF—BF,BG—BG,BN—BN,BP—BP	REFER PAGE	638
AY—AY	REFER PAGE	639
AT—AT,AV—AV	REFER PAGE	640
AK—AK,AL—AL	REFER PAGE	642
BT—BT,BU—BU,BV—BV	REFER PAGE	643
BX—BX,BZ—BZ,CA—CA	REFER PAGE	644
AH—AH,AJ—AJ	REFER PAGE	645
W—W	REFER PAGE	647
T—T,V—V	REFER PAGE	648
K—K,L—L,M—M,N—N,P—P	REFER PAGE	649
G—G,H—H	REFER PAGE	650
C—C,D—D,E—E,F—F	REFER PAGE	652
AE—AE	REFER PAGE	653

"HX" STATESMAN/HOLDEN PARTS CATALOGUE

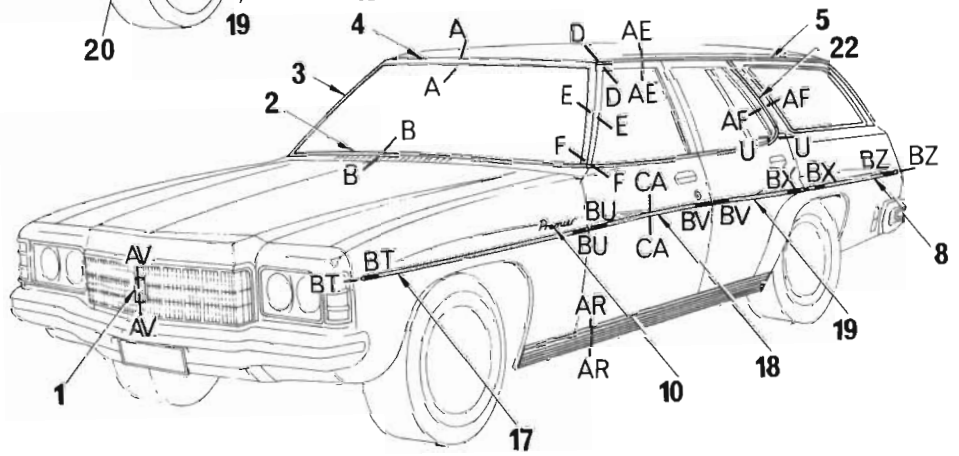
8WP69



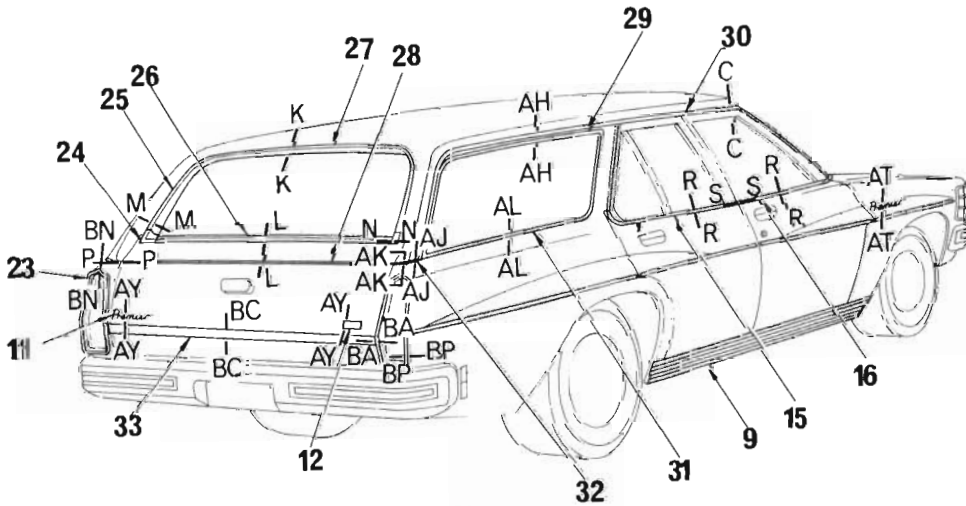
8WP69



8WP35



8WP35



BODY MOULDINGS — 8WP35, 69

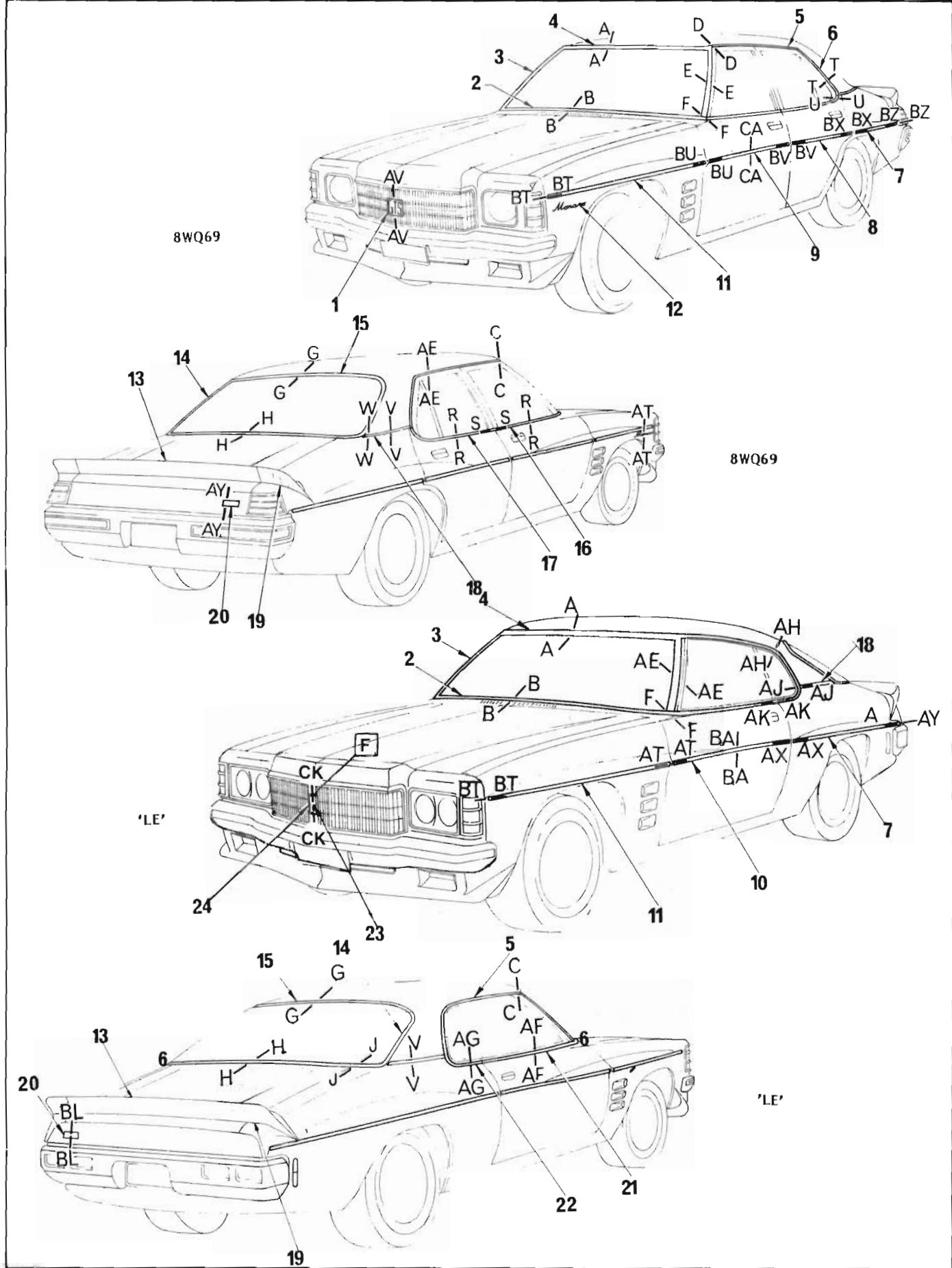
ILLUSTRATION OPPOSITE

ILLUS. REF. NO.	PART NAME	GROUP
1.	EMBLEM — Radiator grille	1.265
2.	MOULDING — Windshield reveal lower	10.093
3.	MOULDING — Windshield reveal side	10.093
4.	MOULDING — Windshield reveal upper	10.093
5.	MOULDING — Roof reveal side	12.075
6.	EMBLEM — "Premier"	12.116
7.	GUTTER — Roof drip rear	12.811
8.	MOULDING — Rear quarter side	12.116
9.	MOULDING — Rocker panel	8.304
10.	PLATE — Name "Premier"	8.132
11.	PLATE — Name "Premier"	12.182
12.	PLATE — Name "Engine Size"	12.182
13.	MOULDING — Rear window reveal upper	11.208
14.	MOULDING — Rear window reveal	11.208
15.	MOULDING — Rear door belt	12.114
16.	MOULDING — Front door belt	12.112
17.	MOULDING — Front fender side	8.132
18.	MOULDING — Front door side	12.112
19.	MOULDING — Rear door side	12.114
20.	MOULDING — Rear quarter upper	12.116
21.	MOULDING — Deck lid	12.182
22.	MOULDING — Rear quarter front	12.116
23.	MOULDING — Tail lamp reveal	12.116
24.	MOULDING — End gate belt	12.182
25.	MOULDING — End gate glass opening side reveal	12.174
26.	MOULDING — End gate belt centre	12.182
27.	MOULDING — End gate glass opening centre reveal	12.174
28.	MOULDING — End gate centre — Two Tone	12.182
29.	MOULDING — Rear quarter upper reveal	12.116
30.	MOULDING — Roof reveal side — front	12.075
31.	MOULDING — Rear quarter lower reveal	12.116
32.	MOULDING — Rear quarter — Two Tone	12.116
33.	MOULDING — End gate lower	12.182

SECTIONS and VIEWS

A—A,B—B	REFER PAGE 636
BN—BN,BP—BP,BD—BD	REFER PAGE 638
AY—AY,BA—BA,BC—BC	REFER PAGE 639
AT—AT,AV—AV,AU—AU	REFER PAGE 640
AR—AR	REFER PAGE 641
AK—AK,AL—AL	REFER PAGE 642
BT—BT,BU—BU,BV—BV	REFER PAGE 643
BX—BX,BZ—BZ,CA—CA	REFER PAGE 644
AH—AH,AJ—AJ,AF—AF	REFER PAGE 645
W—W	REFER PAGE 647
S—S,U—U	REFER PAGE 648
K—K,L—L,M—M,N—N,P—P	REFER PAGE 649
G—G,H—H	REFER PAGE 650
C—C,D—D,E—E,F—F	REFER PAGE 652
AE—AE,R—R	REFER PAGE 653

"HX" STATESMAN/HOLDEN PARTS CATALOGUE



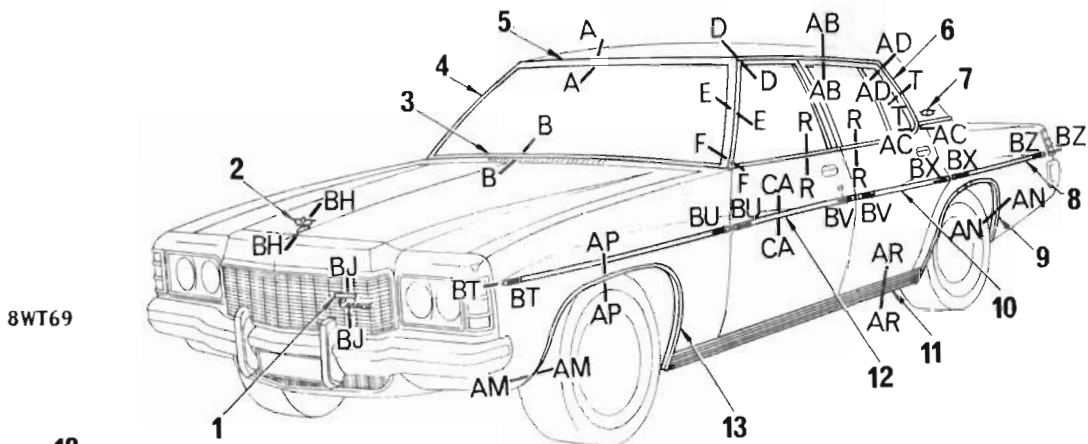
BODY MOULDINGS – 8WQ69 and LE

ILLUSTRATION OPPOSITE

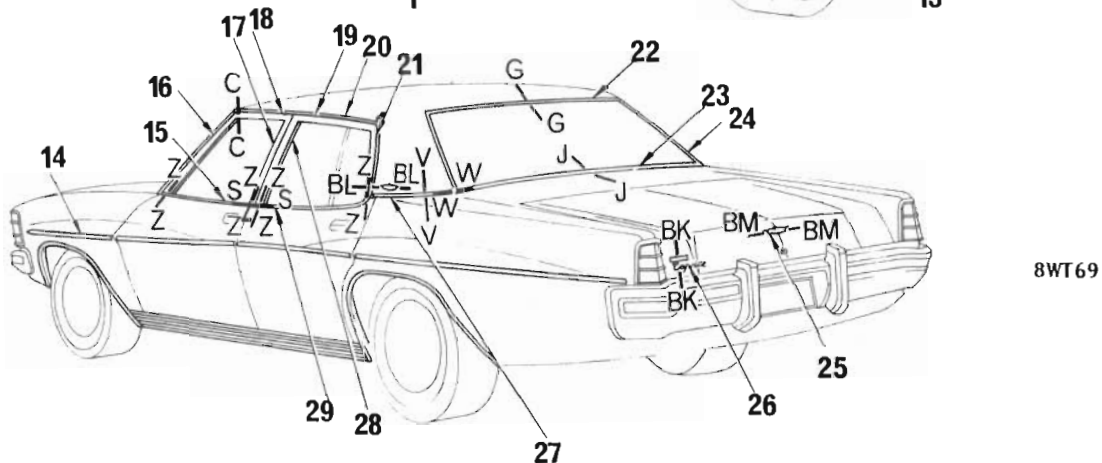
ILLUS. REF. NO.	PART NAME	GROUP
1.	EMBLEM – Radiator grille	1.265
2.	MOULDING – Windshield reveal lower	10.093
3.	MOULDING – Windshield reveal side	10.093
4.	MOULDING – Windshield reveal upper	10.093
5.	MOULDING – Roof reveal side	12.075
6.	GUTTFR – Roof drip rear	12.881
7.	MOULDING – Rear quarter side	12.116
8.	MOULDING – Rear door side	12.114
9.	MOULDING – Front door side	12.112
10.	MOULDING – Door side	12.112
11.	MOULDING – Front fender side	8.132
12.	PLATE – Name "Monaro"	8.132
13.	SPOILER ASSEMBLY – Deck lid	12.967
14.	MOULDING – Rear window reveal lower	11.208
15.	MOULDING – Rear window reveal upper	11.208
16.	MOULDING – Front door belt	12.112
17.	MOULDING – Rear door belt	12.114
18.	MOULDING – Rear quarter upper	12.116
19.	SPOILER – Quarter outer	12.967
20.	PLATE – Name – Engine Size	12.182
21.	MOULDING – Door belt	12.112
22.	MOULDING – Rear quarter belt	12.116
23.	INSERT – Radiator grille emblem – LE	1.265
24.	EMBLEM – Radiator grille	1.265

SECTIONS and VIEWS

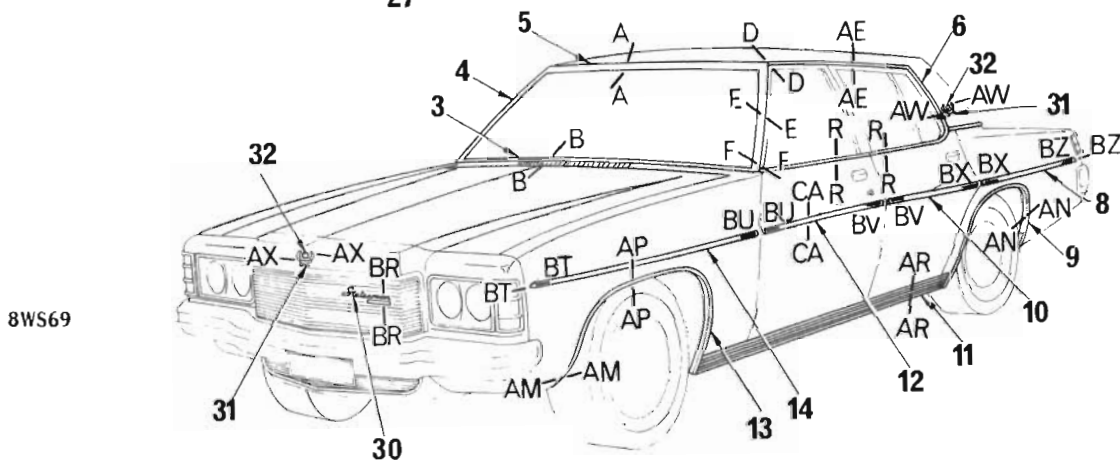
A–A,B–B	REFER PAGE 636
BG–BG,BK–BK,BL–BL	REFER PAGE 637
AX–AX,AY–AY,BA–BA	REFER PAGE 639
AS–AS,AT–AT,AV–AV	REFER PAGE 640
BT–BT,BU–BU,BV–BV	REFER PAGE 643
BX–BX,BZ–BZ,CA–CA	REFER PAGE 644
CK–CK, VIEW F	REFER PAGE 646
W–W	REFER PAGE 647
S–S,T–T,U–U,V–V	REFER PAGE 650
G–G,H–H,J–J	REFER PAGE 650
AF–AF,AG–AG,AH–AH,AJ–AJ,AK–AK	REFER PAGE 645
C–C,D–D,E–E,F–F	REFER PAGE 652
AE–AE,R–R	REFER PAGE 653



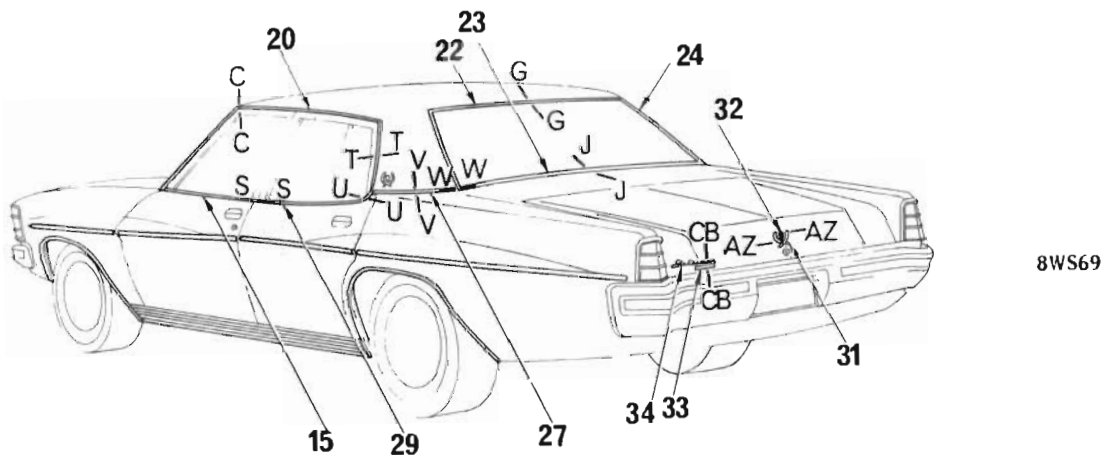
8WT69



8WT69



8WS69



8WS69

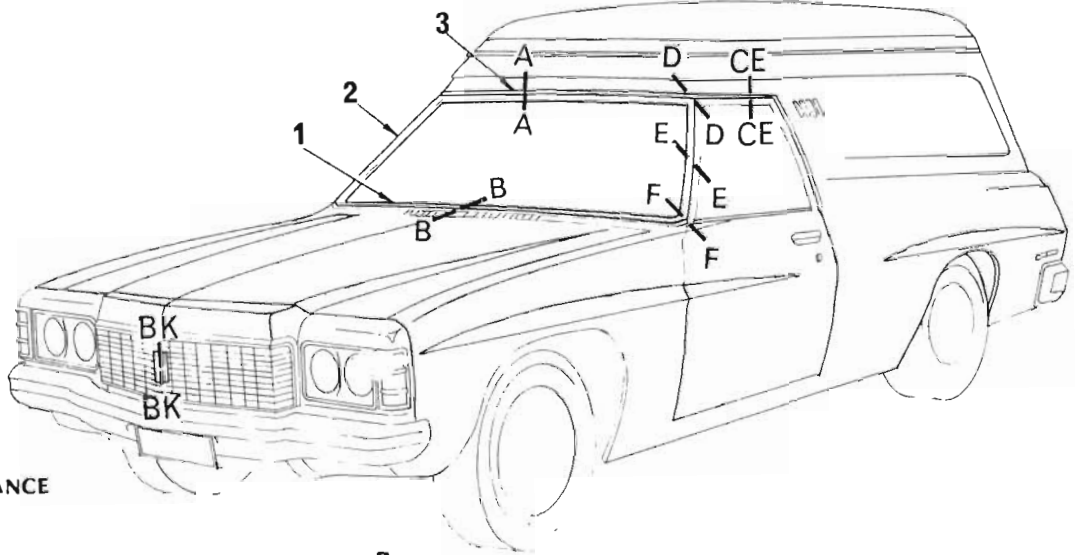
BODY MOULDINGS - 8WS69 and 8WT69

ILLUSTRATION OPPOSITE

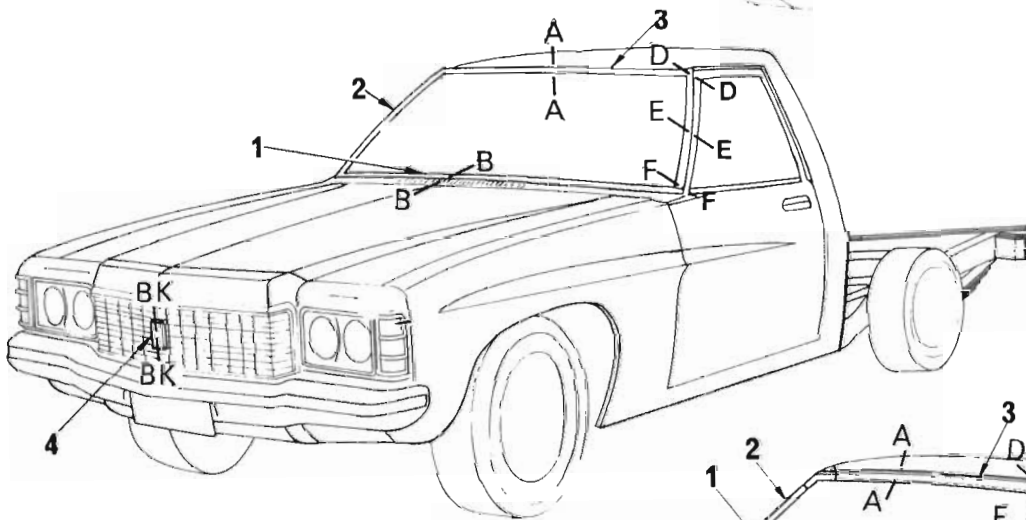
ILLUS. REF. NO.	PART NAME	GROUP
1.	PLATE - Name "Statesman Caprice"	1.265
2.	ORNAMENT & BASE ASSEMBLY	8.055
3.	MOULDING - Windshield reveal lower	10.093
4.	MOULDING - Windshield reveal side	10.093
5.	MOULDING - Windshield reveal upper	10.093
6.	GUTTER - Roof drip rear	12.811
7.	EMBLEM - Rear quarter panel	12.116
8.	MOULDING - Rear quarter side	12.116
9.	MOULDING - Rear wheel opening	12.116
10.	MOULDING - Rear door side	12.114
11.	MOULDING - Rocker panel	8.304
12.	MOULDING - Front door side	12.112
13.	MOULDING - Front wheel opening	8.132
14.	MOULDING - Front fender side	8.132
15.	MOULDING - Front door belt	12.112
16.	MOULDING - Front door front scalp	12.112
17.	MOULDING - Front door rear scalp	12.112
18.	MOULDING - Front door upper scalp	12.112
19.	MOULDING - Rear door upper scalp	12.114
20.	MOULDING - Roof reveal side	12.075
21.	MOULDING - Rear door rear scalp	12.114
22.	MOULDING - Rear window reveal upper	11.208
23.	MOULDING - Rear window reveal lower	11.208
24.	MOULDING - Rear window reveal	11.208
25.	EMBLEM ASSEMBLY - Deck lid	12.182
26.	PLATE - Name "Statesman Caprice"	12.182
27.	MOULDING - Rear quarter upper - vinyl roof	12.116
28.	MOULDING - Rear door front scalp	12.114
29.	MOULDING - Rear door belt	12.114
30.	PLATE - Name "Statesman De Ville"	1.265
31.	EMBLEM - Wreath	1.265/12.116/12.182
32.	EMBLEM - Shield	1.265/12.116/12.182
33.	PLATE - Name "De Ville"	12.116
34.	PLATE - Name "Statesman"	12.116

SECTIONS and VIEWS

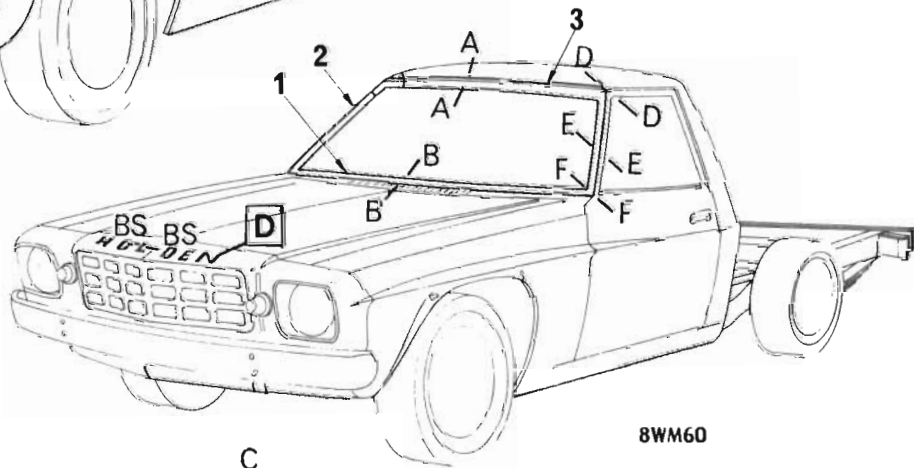
A-A,B-B	REFER PAGE 636
CB-CB,BR-BR,BH-BH,BJ-BJ,BM-BM,BK-BK,BL-BL ..	REFER PAGE 637
AX-AX,AZ-AZ	REFER PAGE 639
AW-AW	REFER PAGE 640
AM-AM,AN-AN,AP-AP,AR-AR	REFER PAGE 641
BT-BT,BU-BU,BV-BV	REFER PAGE 643
BX-BX,BZ-BZ,CA-CA	REFER PAGE 644
AB-AB,AC-AC,AD-AD	REFER PAGE 646
W-W	REFER PAGE 647
S-S,T-T,U-U,V-V	REFER PAGE 648
G-G,J-J	REFER PAGE 650
C-C,D-D,E-E,F-F	REFER PAGE 652
AE-AE,R-R	REFER PAGE 653



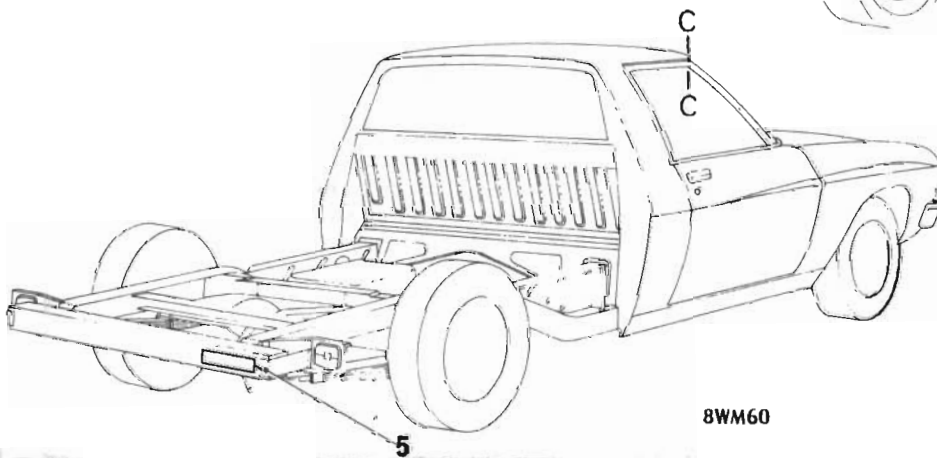
AMBULANCE



AMBULANCE



8WM60



8WM60

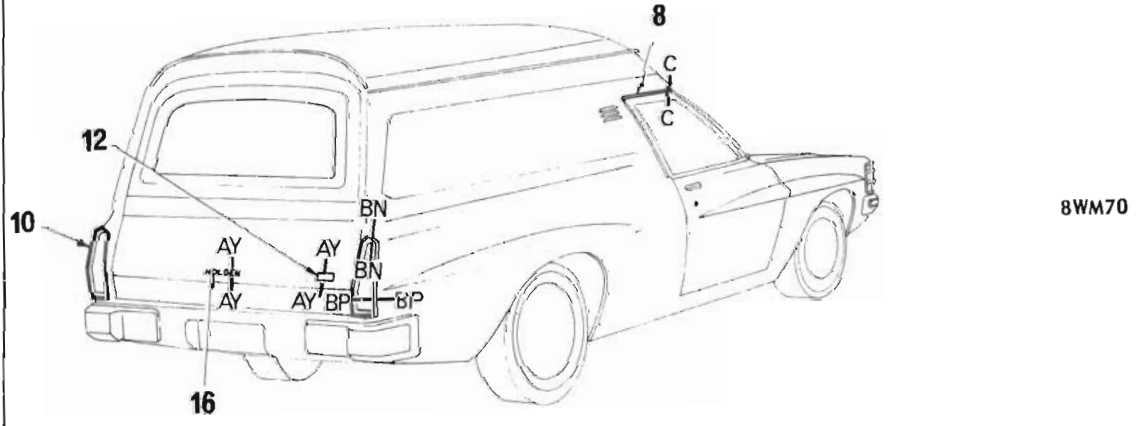
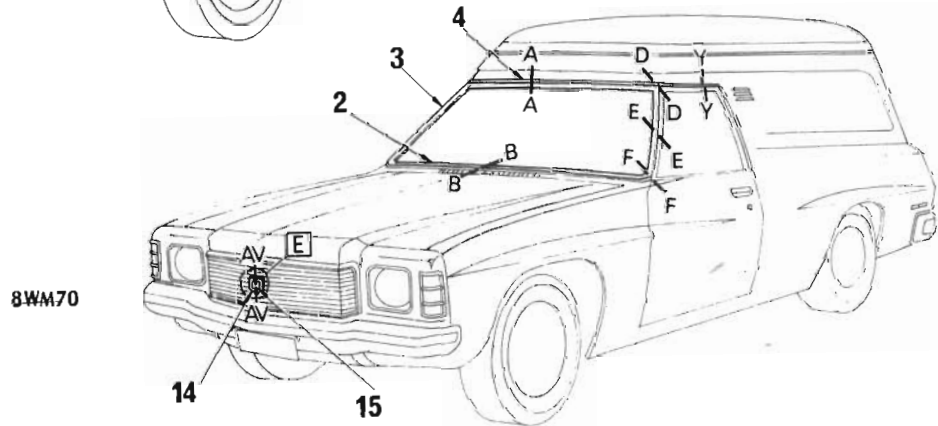
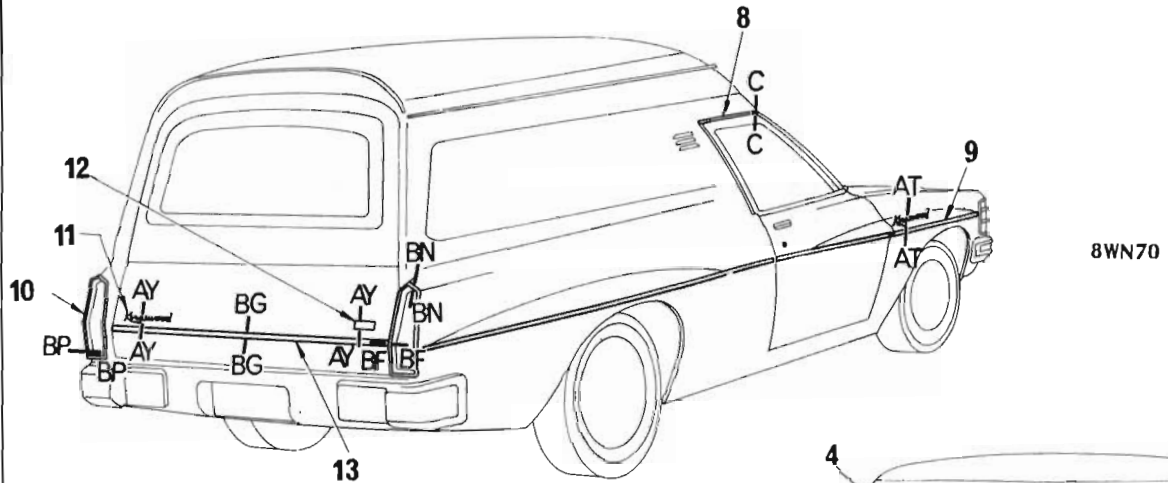
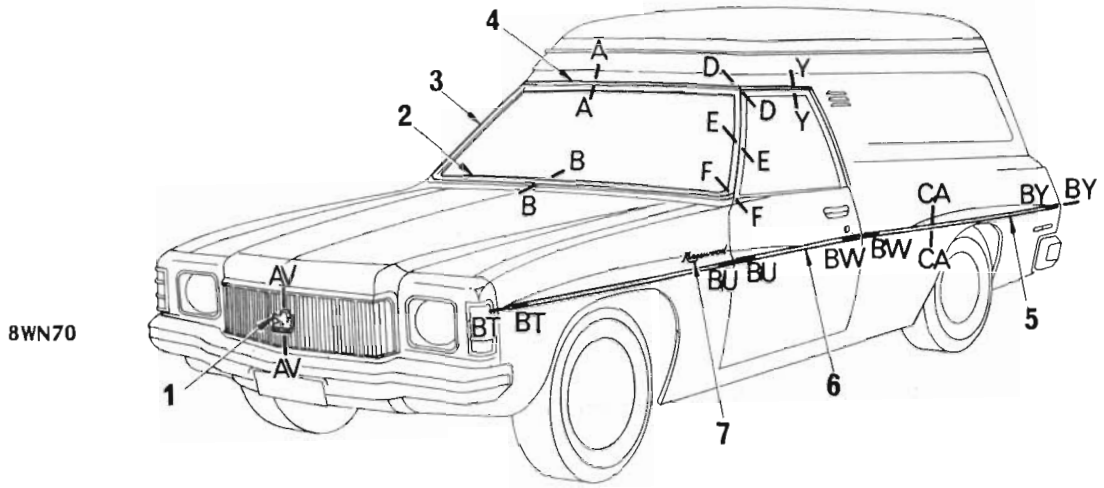
BODY MOULDINGS & 8WM60 and AMBULANCE

ILLUSTRATION OPPOSITE

ILLUS. REF. NO.	PART NAME	GROUP
1.	MOULDING - Windshield reveal lower	10.093
2.	MOULDING - Windshield reveal side	10.093
3.	MOULDING - Windshield reveal upper	10.093
4.	EMBLEM - Radiator grille	1.265
5.	TRANSFER - Name "Holden"	7.014

SECTIONS and VIEWS

A-A,B-B	REFER PAGE	636
BK-BK	REFER PAGE	637
BS-BS, VIEW D	REFER PAGE	642
CE-CE	REFER PAGE	651
D-D,E-E,F-F	REFER PAGE	652



BODY MOULDINGS — 8WM70 and 8WN70

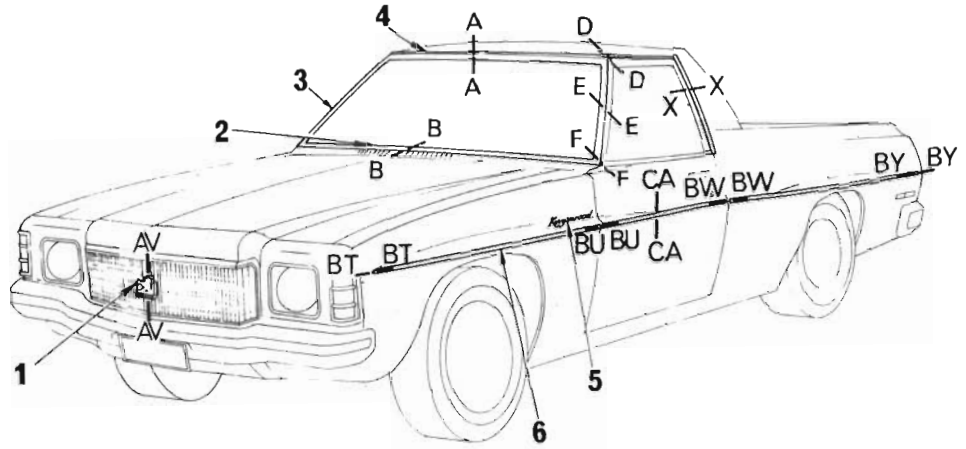
ILLUSTRATION OPPOSITE

ILLUS. REF. NO.	PART NAME	GROUP
1.	EMBLEM — Radiator grille — 8WN70	1.265
2.	MOULDING — Windshield reveal lower	10.093
3.	MOULDING — Windshield reveal side	10.093
4.	MOULDING — Windshield reveal upper	10.093
5.	MOULDING — Rear quarter side	12.116
6.	MOULDING — Front door side	12.112
7.	PLATE — Name "Kingswood"	8.132
8.	GUTTER — Door opening	12.811
9.	MOULDING — Front fender side	8.132
10.	MOULDING — Tail lamp reveal	12.116
11.	PLATE — Name "Kingswood"	12.182
12.	PLATE — Name "Engine Size"	12.182
13.	MOULDING — End gate lower	12.182
14.	EMBLEM — Radiator grille — 8WM70	1.265
15.	INSERT — Radiator grille emblem — 8WM70	1.265
16.	PLATE — Name "Holden"	12.182

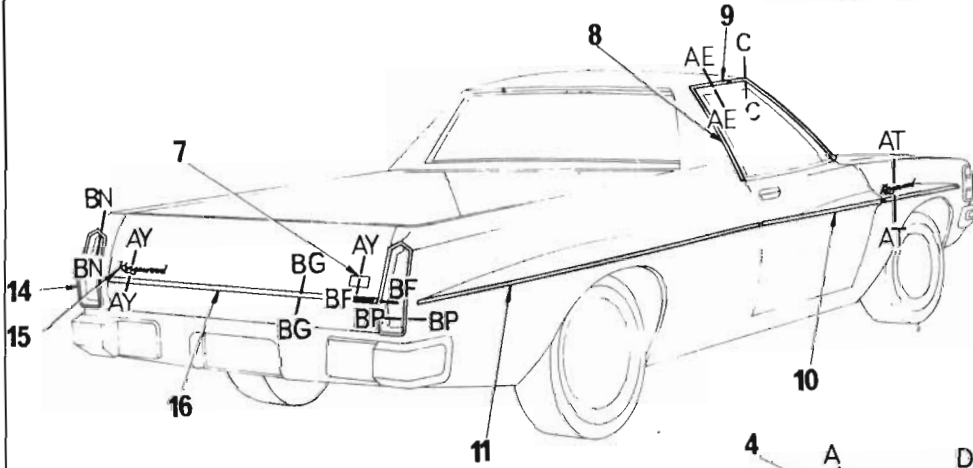
SECTIONS and VIEWS

A—A,B—B	REFER PAGE	636
BF—BF,BG—BG,BN—BN,BP—BP	REFER PAGE	638
AY—AY	REFER PAGE	639
AT—AT,AV—AV,VIEW E	REFER PAGE	640
BT—BT,BU—BU,BW—BW	REFER PAGE	643
BY—BY,CA—CA	REFER PAGE	644
C—C,D—D,E—E,F—F	REFER PAGE	652
Y—Y	REFER PAGE	653

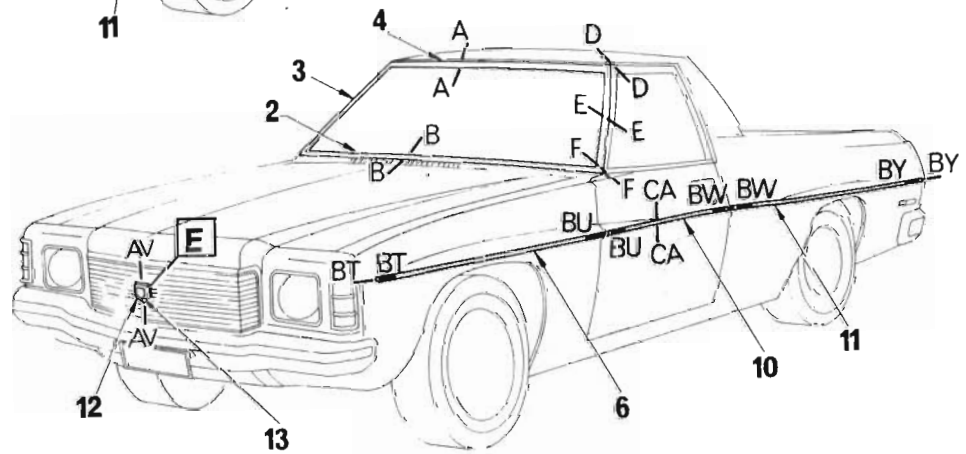
8WN80



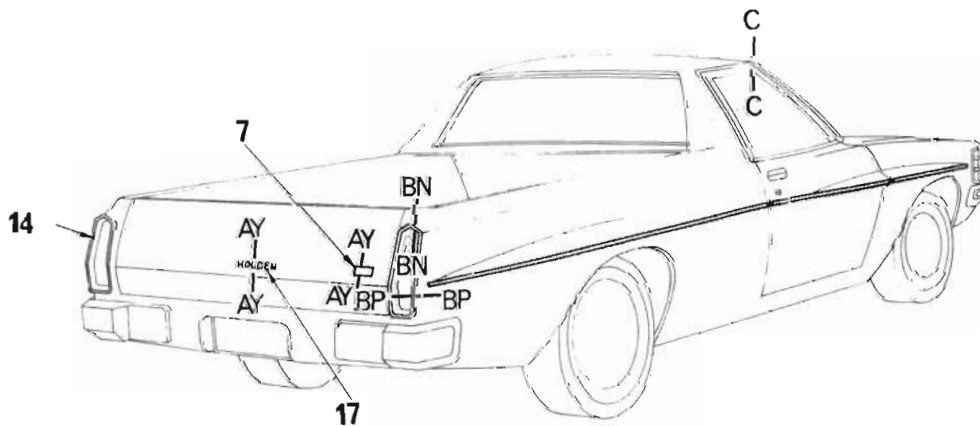
8WN80



8WM80



8WM80



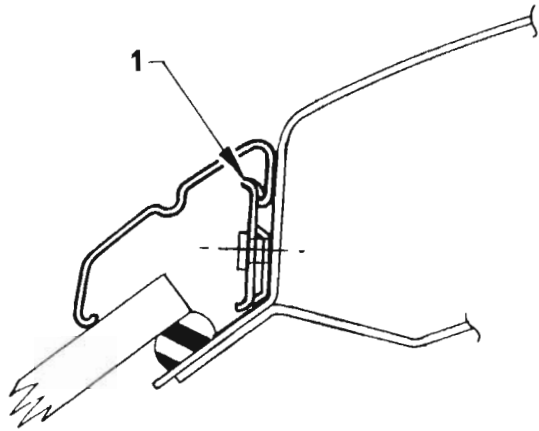
BODY MOULDINGS — 8WM80 and 8WN80

ILLUSTRATION OPPOSITE

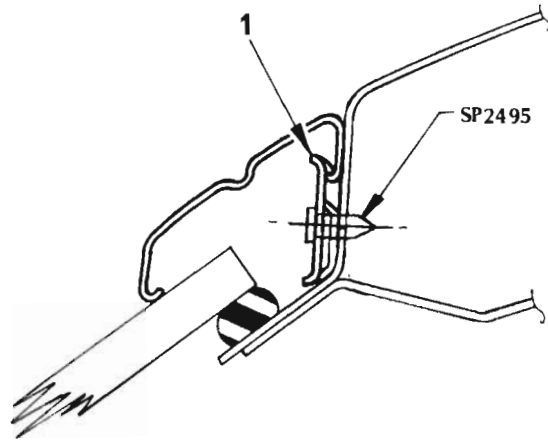
ILLUS. REF. NO.	PART NAME	GROUP
1.	EMBLEM — Radiator grille — 8WN80	1.265
2.	MOULDING — Windshield reveal lower	10.093
3.	MOULDING — Windshield reveal side	10.093
4.	MOULDING — Windshield reveal upper	10.093
5.	PLATE — Name "Kingswood"	8.132
6.	MOULDING — Front fender side	8.132
7.	PLATE — Name "Engine Size"	12.182
8.	MOULDING — Body side upper	12.116
9.	MOULDING — Roof reveal side	12.075
10.	MOULDING — Front door side	12.112
11.	MOULDING — Rear quarter side	12.116
12.	EMBLEM — Radiator grille — 8WM80	1.265
13.	INSERT — Radiator grille emblem — 8WM80	1.265
14.	MOULDING — Tail lamp reveal	12.116
15.	PLATE — Name "Kingswood"	12.182
16.	MOULDING — End gate lower	12.182
17.	PLATE — Name "Holden"	12.182

SECTIONS and VIEWS

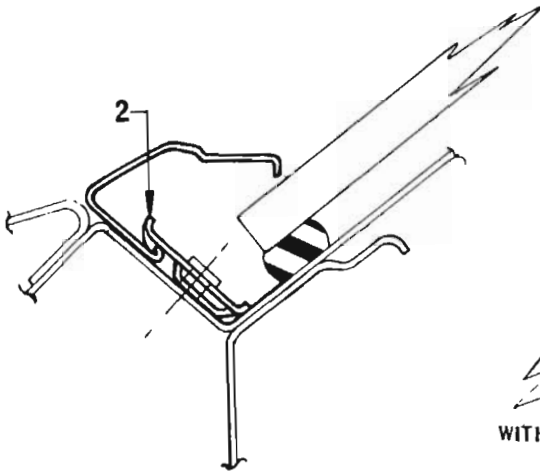
A—A,B—B	REFER PAGE	636
BF—BF,BG—BG,BN—BN,BP—BP	REFER PAGE	638
AY—AY	REFER PAGE	639
AT—AT,AV—AV, VIEW E	REFER PAGE	640
BT—BT,BU—BU,BW—BW	REFER PAGE	643
BY—BY,CA—CA	REFER PAGE	644
X—X	REFER PAGE	647
C—C,D—D,E—E,F—F	REFER PAGE	652
AE—AE	REFER PAGE	653



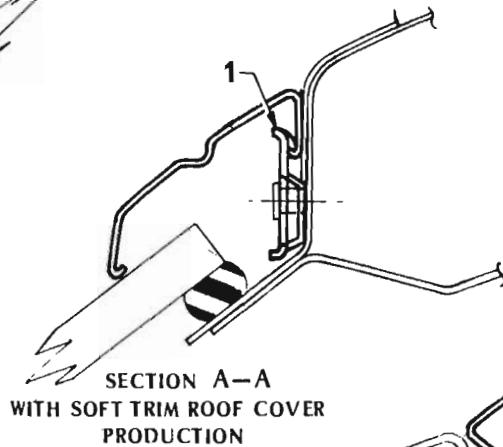
SECTION A-A
WITHOUT SOFT TRIM ROOF COVER
PRODUCTION



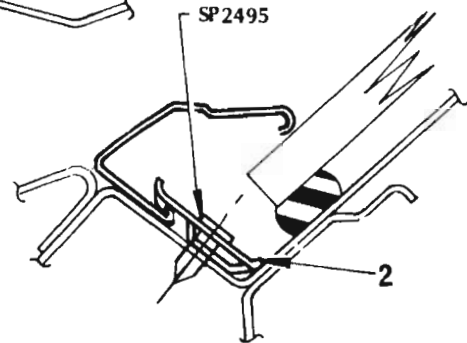
SECTION A-A
SERVICE



SECTION B-B
PRODUCTION



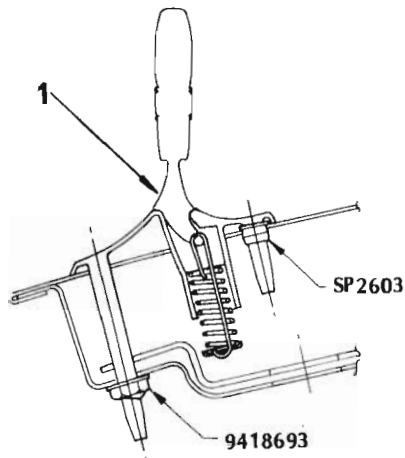
SECTION A-A
WITH SOFT TRIM ROOF COVER
PRODUCTION



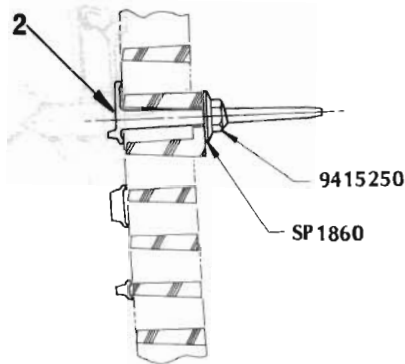
SECTION B-B
SERVICE

CLIPS and SCREWS - BODY MOULDINGS

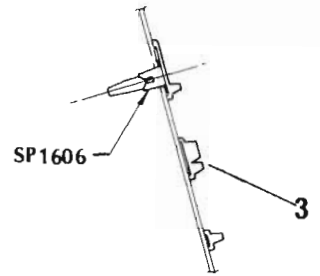
ILLUS. REF. NO.	PART NAME	GROUP
1.	CLIP - Upper moulding to roof	10.093
2.	CLIP - Lower moulding to front end	10.093



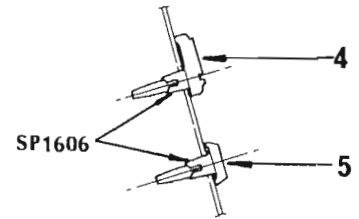
SECTION BH-BH



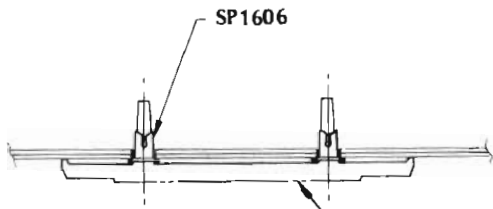
SECTION BJ-BJ



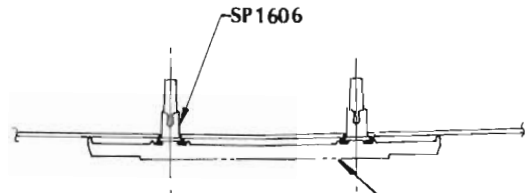
SECTION BK-BK



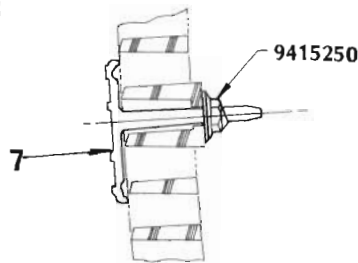
SECTION CB-CB



SECTION BL-BL



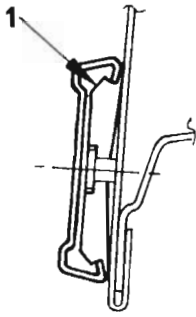
SECTION BM-BM



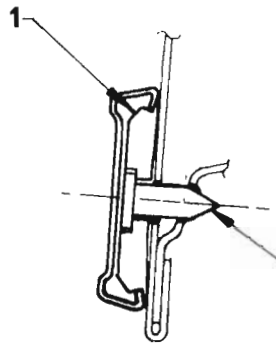
SECTION BR-BR

CLIPS and SCREWS - BODY MOULDINGS

ILLUS. REF. NO.	PART NAME	GROUP
1.	ORNAMENT & BASE ASSEMBLY	8.055
2.	PLATE - Name "Statesman Caprice"	1.265
3.	PLATE - Name "Statesman Caprice"	12.182
4.	PLATE - Name "Statesman"	12.116
5.	PLATE - Name "De Ville"	12.116
6.	EMBLEM ASSEMBLY - Deck lid	12.182
7.	PLATE - Name "Statesman De Ville"	1.265
8.	EMBLEM - Rear quarter panel	12.116

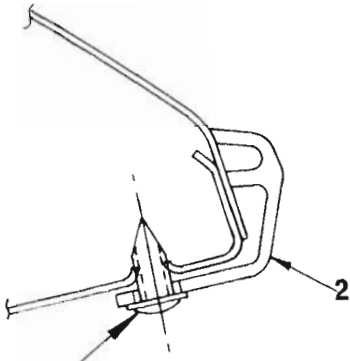


SECTION BD-BD
PRODUCTION



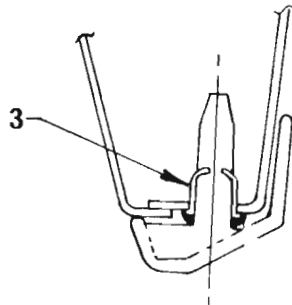
SECTION BD-BD
SERVICE

SP2495

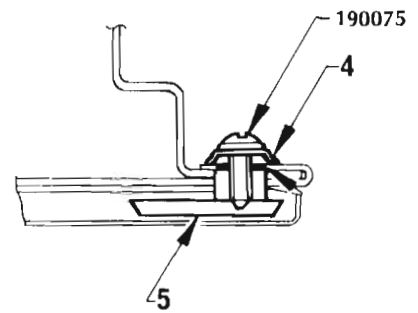


SP2127

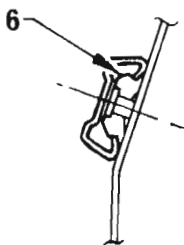
SECTION BN-BN



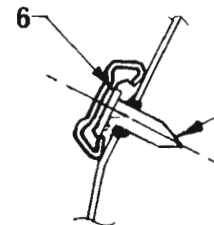
SECTION BP-BP



SECTION BF-BF



SECTION BG-BG
PRODUCTION

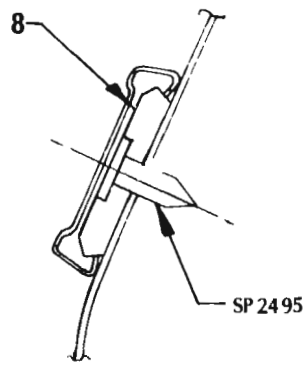
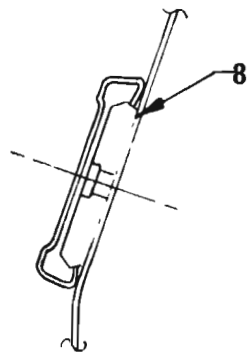
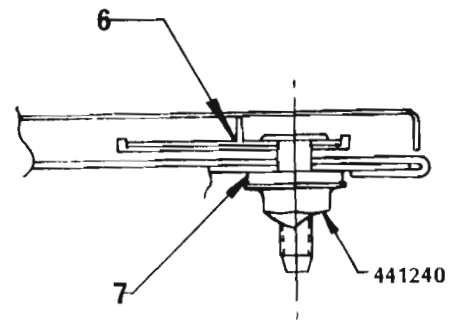
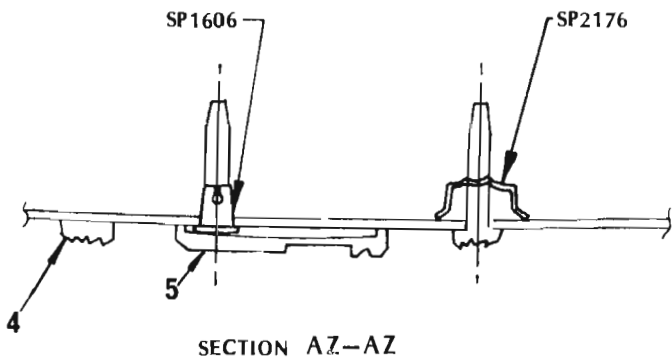
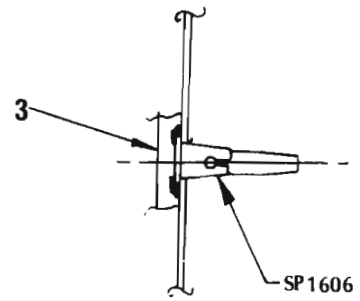
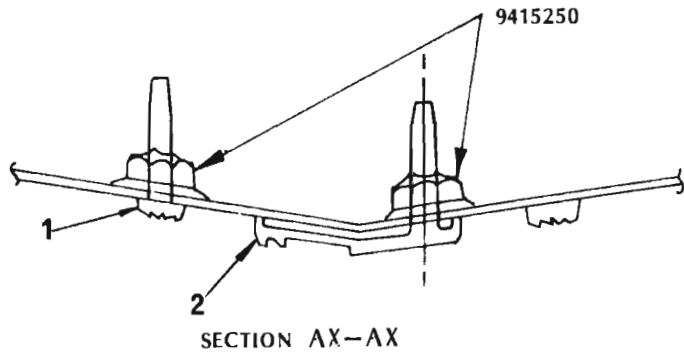


SECTION BG-BG
SERVICE

190075

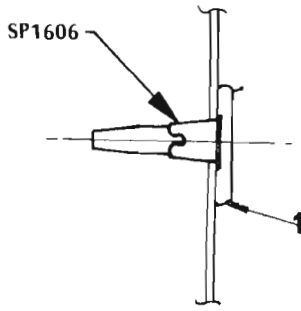
CLIPS and SCREWS – BODY MOULDINGS

ILLUS. REF. NO.	PART NAME	GROUP
1.	CLIP – Moulding deck lid	12.182
2.	MOULDING – Tail lamp reveal	12.116
3.	CLIP – Moulding tail lamp reveal	12.116
4.	WASHER – Moulding end gate lower retainer	12.182
5.	RETAINER – Moulding end gate lower	12.182
6.	CLIP – Moulding end gate lower	12.182

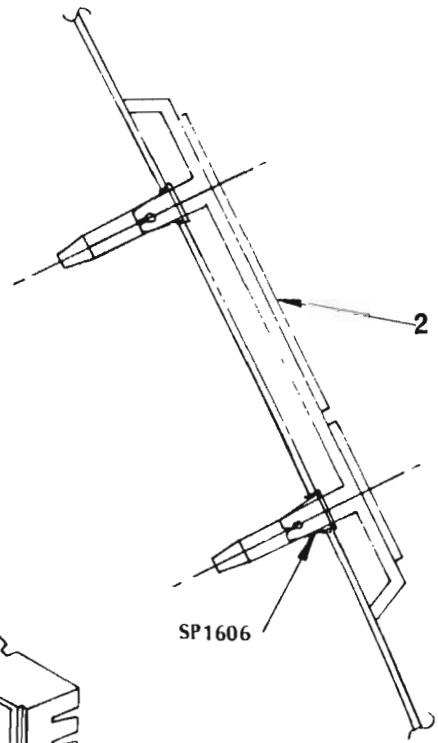


CLIPS and SCREWS - BODY MOULDINGS

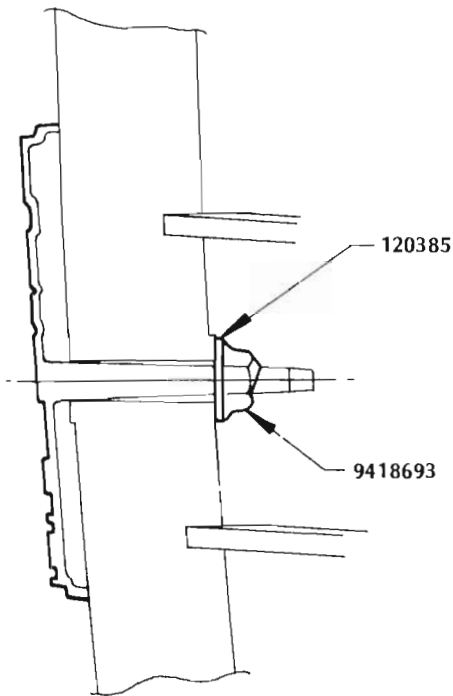
ILLUS. REF. NO.	PART NAME	GROUP
1.	EMBLEM - Wreath	1,265
2.	EMBLEM - Shield	1,265
3.	PLATE - Name	12,182
4.	EMBLEM - Wreath	12,182
5.	EMBLEM - Shield	12,182
6.	RETAINER - Moulding end gate lower	12,182
7.	WASHER - Moulding end gate lower	12,182
8.	CLIP - Moulding end gate lower	12,182



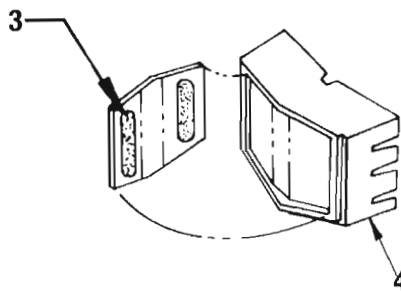
SECTION AT-AT



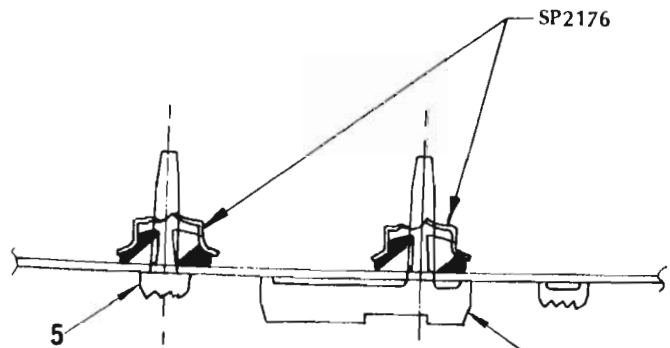
SECTION AU-AU



SECTION AV-AV



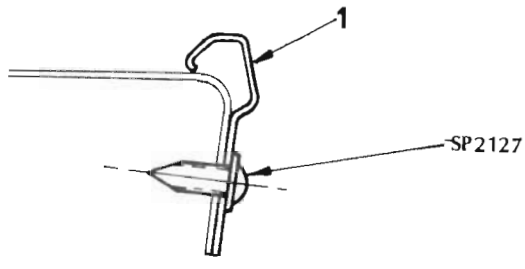
VIEW E



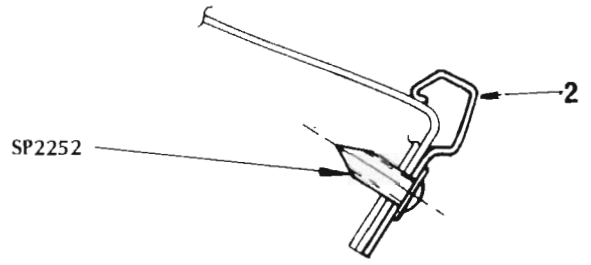
SECTION AW-AW

CLIPS and SCREWS – BODY MOULDINGS

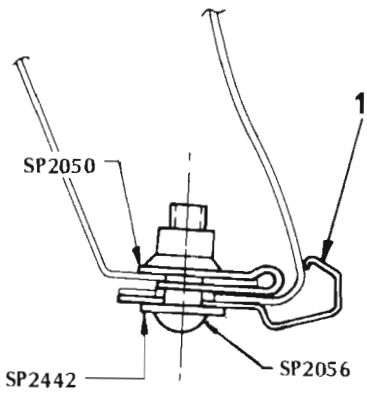
ILLUS. REF. NO.	PART NAME	GROUP
1.	PLATE – Name	8.132
2.	EMBLEM – "Premier"	12.116
3.	INSERT – Radiator grille emblem	1.265
4.	EMBLEM – Radiator grille	1.265
5.	EMBLEM – Wreath	12.116
6.	EMBLEM – Shield	12.116



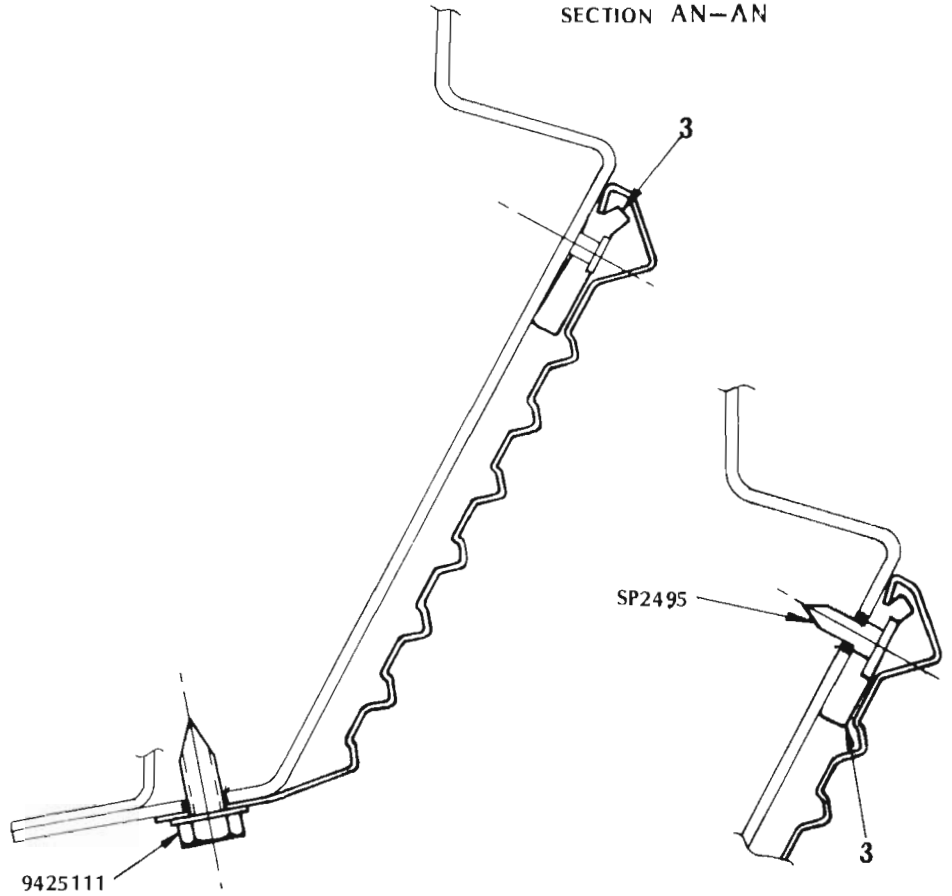
SECTION AM-AM



SECTION AN-AN



SECTION AP-AP

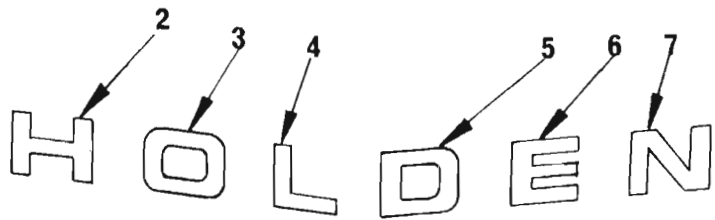
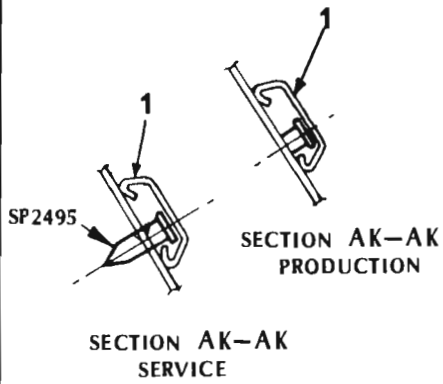


SECTION AR-AR
PRODUCTION

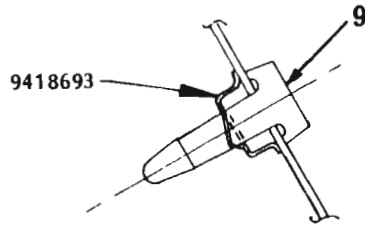
SECTION AR-AR
SERVICE

CLIPS and SCREWS — BODY MOULDINGS

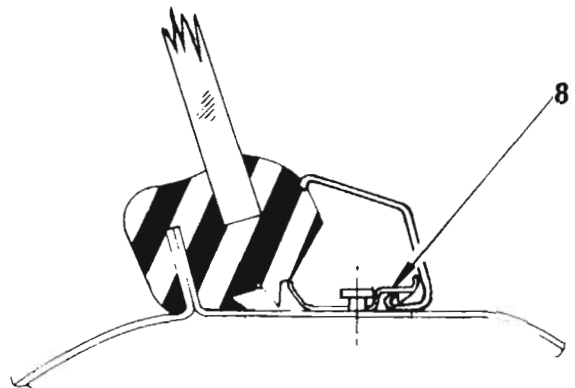
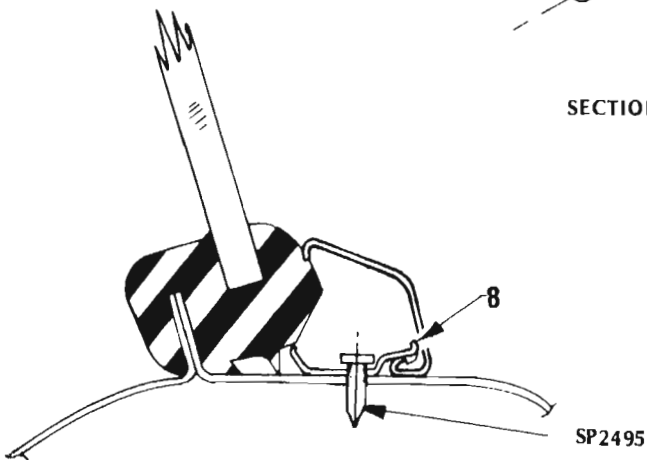
ILLUS. REF. NO.	PART NAME	GROUP
1.	MOULDING — Front wheel opening	8.132
2.	MOULDING — Rear wheel opening	12.116
3.	CLIP — Moulding rocker panel	8.304



VIEW D



SECTION BS-BS

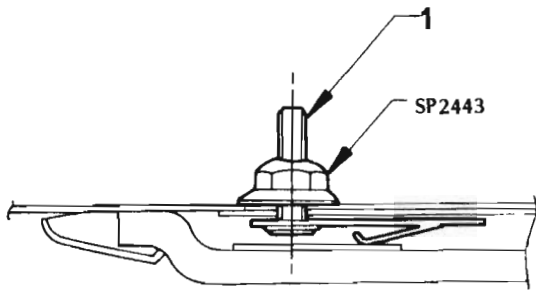


SECTION AL-AL SERVICE

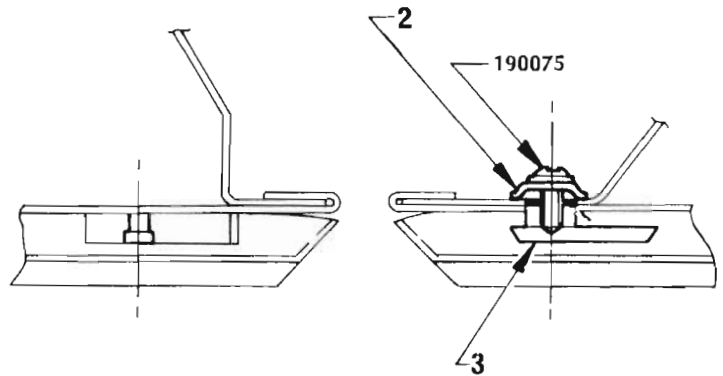
SECTION AL-AL PRODUCTION

CLIPS and SCREWS - BODY MOULDINGS

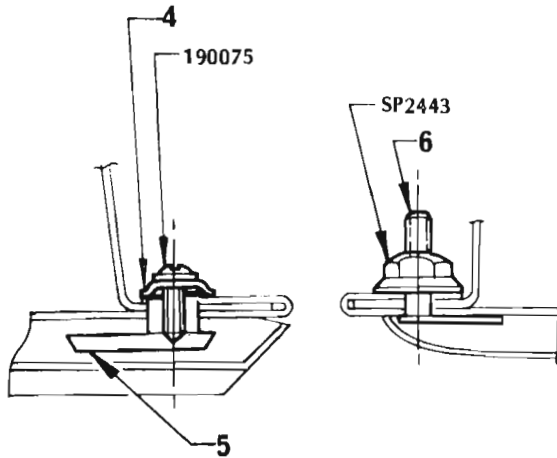
ILLUS. REF. NO.	PART NAME	GROUP
1.	MOULDING - Rear quarter - Two Tone	12.116
2.	LETTER - "H"	1.265
3.	LETTER - "O"	1.265
4.	LETTER - "L"	1.265
5.	LETTER - "D"	1.265
6.	LETTER - "E"	1.265
7.	LETTER - "N"	1.265
8.	CLIP - Moulding rear quarter lower reveal	12.116
9.	LETTERS - H - O - L - D - E - N	1.265



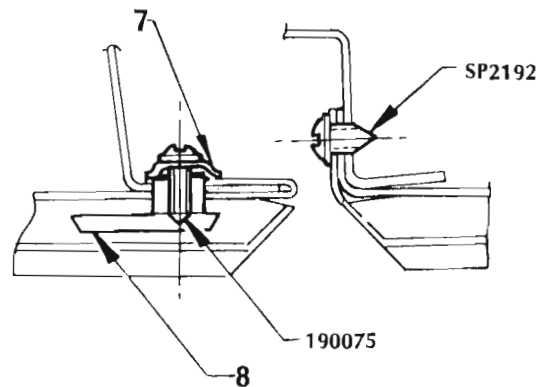
SECTION BT-BT



SECTION BU-BU



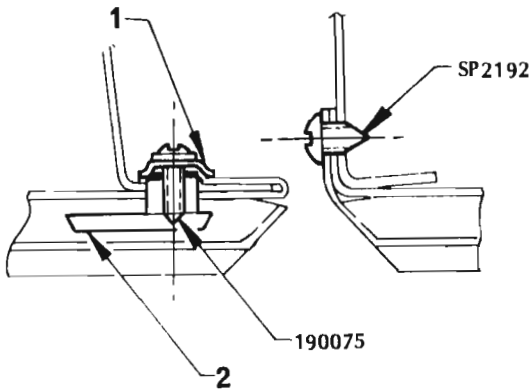
SECTION BV-BV



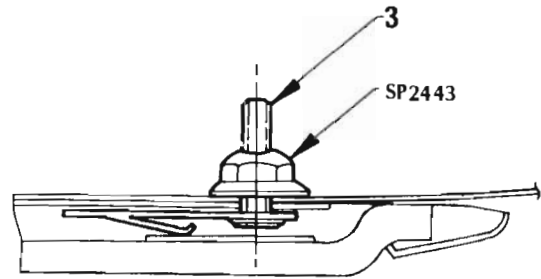
SECTION BW-BW

CLIPS and SCREWS – BODY MOULDINGS

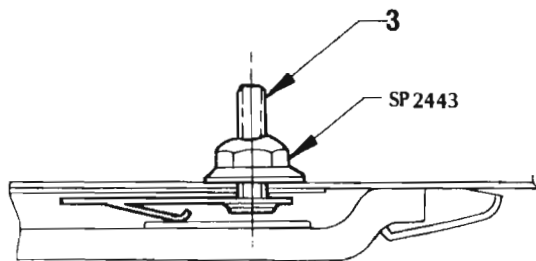
ILLUS. REF. NO.	PART NAME	GROUP
1.	RETAINER – Moulding to front fender	8.132
2.	WASHER – Retainer to front door side	12.112
3.	RETAINER – Moulding to front door side	12.112
4.	WASHER – Retainer to rear door side	12.114
5.	RETAINER – Moulding to rear door side	12.114
6.	RETAINER – Moulding to rear door side	12.114
7.	WASHER – Retainer to rear quarter panel	12.116
8.	RETAINER – Moulding to rear quarter panel	12.116



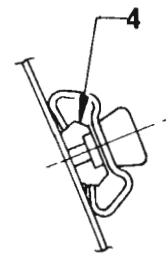
SECTION BX-BX



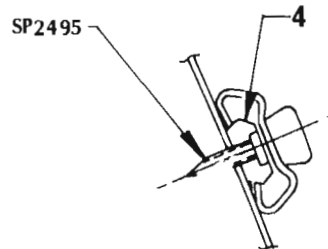
SECTION BY-BY



SECTION BZ-BZ



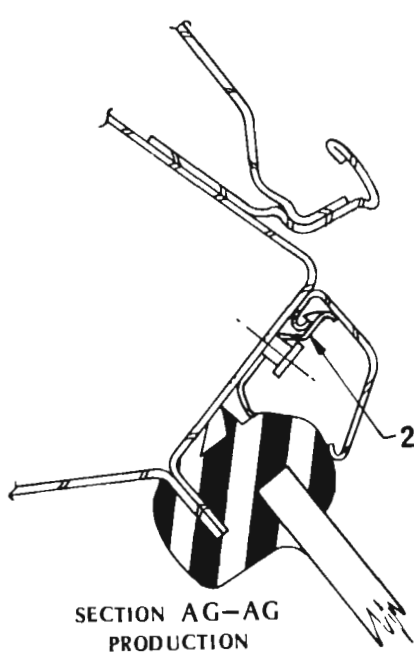
SECTION CA-CA
PRODUCTION



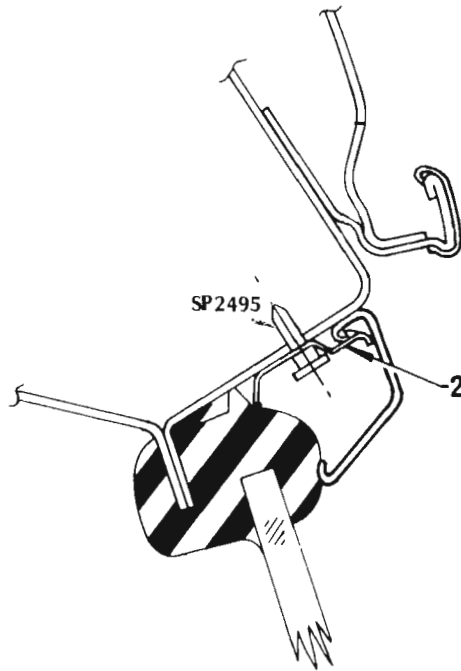
SECTION CA-CA
SERVICE

CLIPS and SCREWS - BODY MOULDINGS

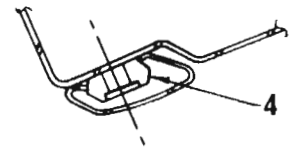
ILLUS. REF. NO.	PART NAME	GROUP
1.	WASHER - Retainer to rear quarter side	12.116
2.	RETAINER - Moulding to rear quarter side	12.116
3.	RETAINER - Moulding to rear quarter side	12.116
4.	CLIP - Moulding to front door side	12.112



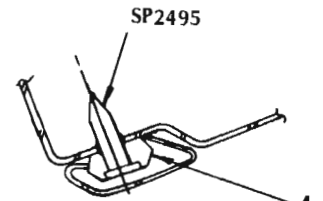
SECTION AG-AG
PRODUCTION



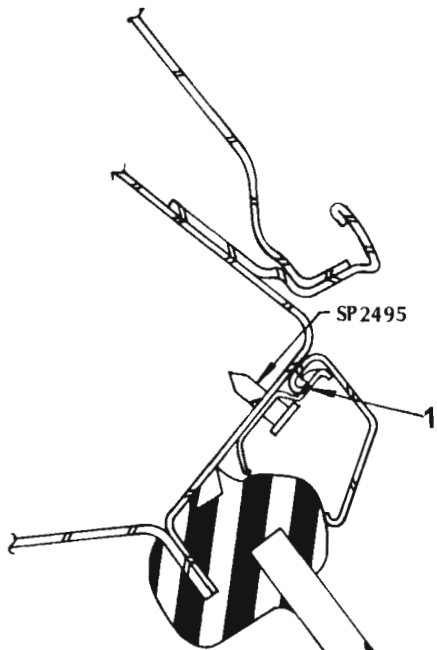
SECTION AH-AH
SERVICE



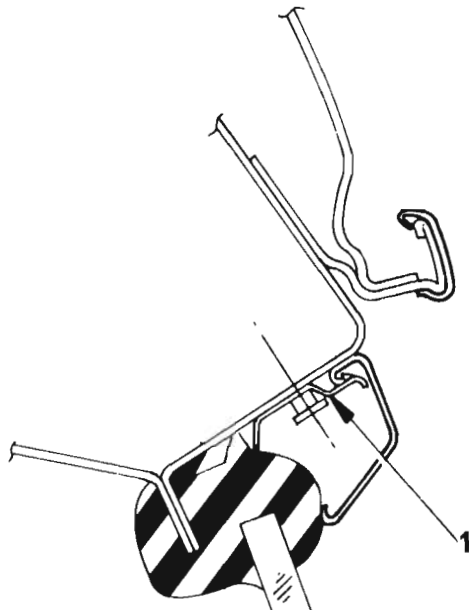
SECTION AF-AF
PRODUCTION



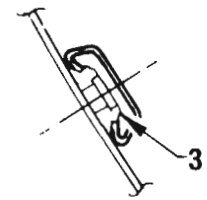
SECTION AF-AF
SERVICE



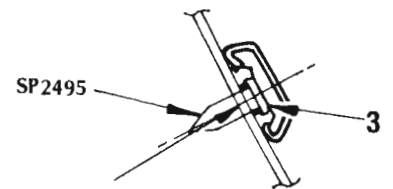
SECTION AG-AG
SERVICE



SECTION AH-AH
PRODUCTION



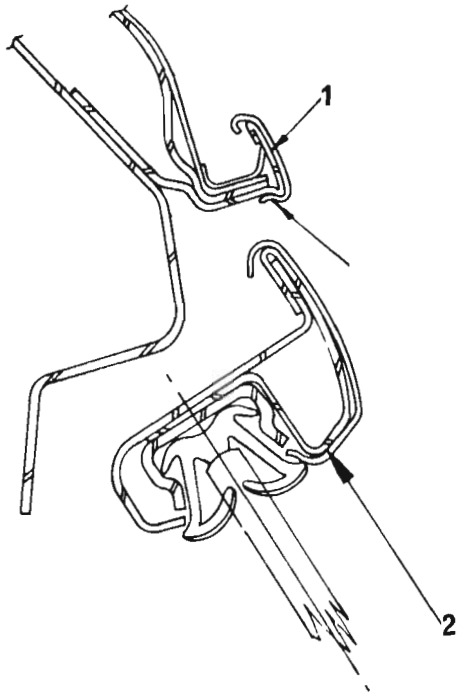
SECTION AJ-AJ
PRODUCTION



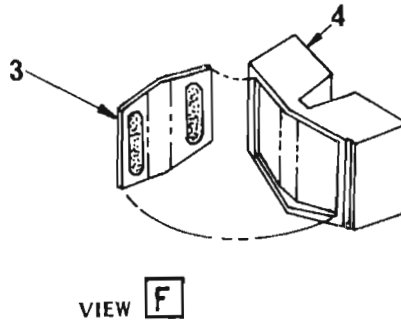
SECTION AJ-AJ
SERVICE

CLIPS and SCREWS - BODY MOULDINGS

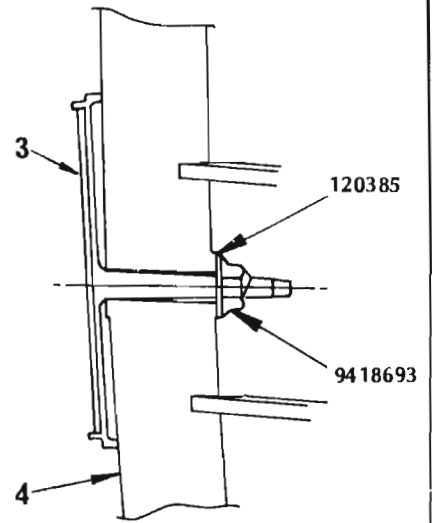
ILLUS. REF. NO.	PART NAME	GROUP
1.	CLIP - Rear quarter upper reveal	12.116
2.	CLIP - Rear quarter upper reveal	12.116
3.	CLIP - Rear quarter upper moulding	12.116
4.	CLIP - Rear quarter front moulding	12.116



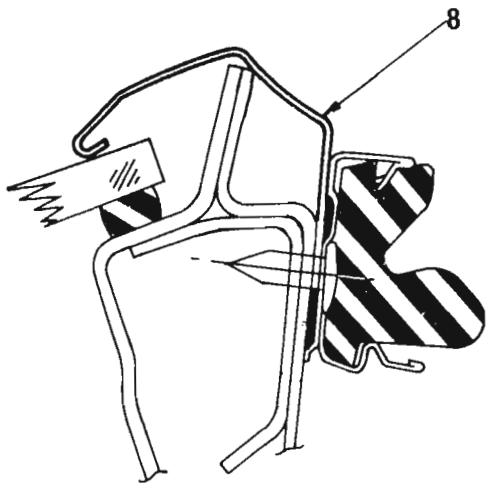
SECTION AB-AB



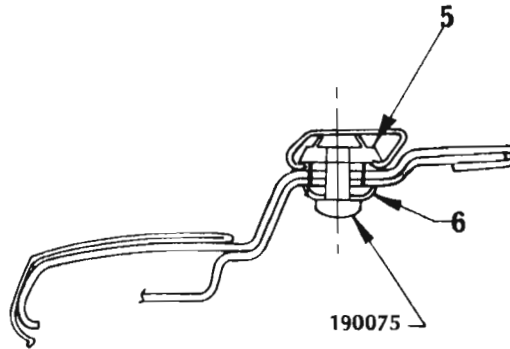
VIEW F



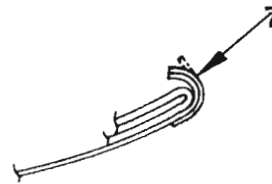
SECTION CK-CK



SECTION CJ-CJ



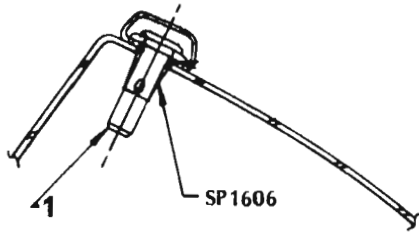
SECTION AC-AC



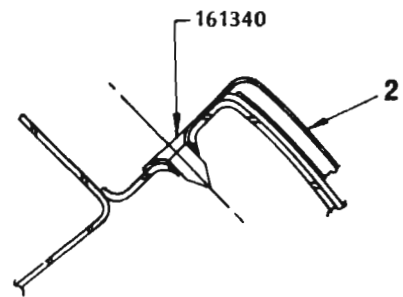
SECTION AD-AD

CLIPS and SCREWS - BODY MOULDINGS

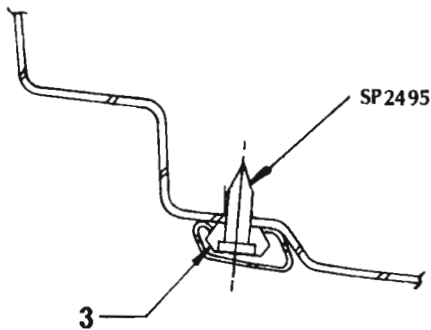
ILLUS. REF. NO.	PART NAME	GROUP
1.	MOULDING - Roof reveal side	12.075
2.	MOULDING - Rear door upper scalp	12.114
3.	INSERT - Radiator grille emblem	1.265
4.	EMBLEM - Radiator grille	1.265
5.	PLATE - Moulding anchor rear door belt	12.114
6.	WASHER - Moulding anchor plate to rear door belt	12.114
7.	MOULDING - Gutter roof drip rear	12.811
8.	MOULDING - Windshield reveal side	10.093



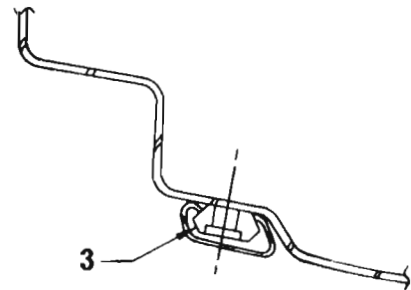
SECTION W-W
EXC. 8WS & 8WT69



SECTION W-W
8WS & 8WT69



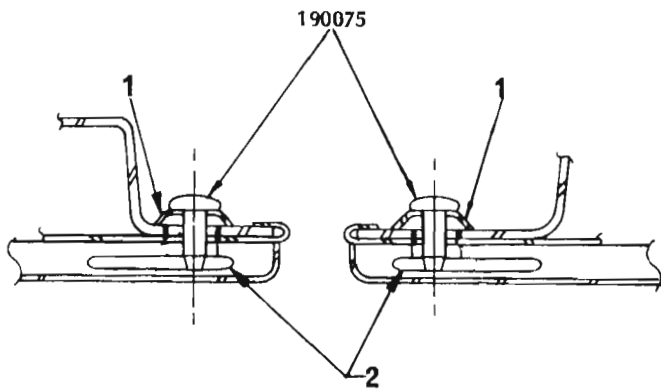
SECTION X-X
SERVICE



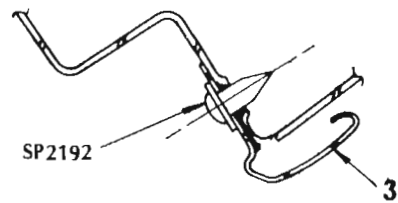
SECTION X-X
PRODUCTION

CLIPS and SCREWS — BODY MOULDINGS

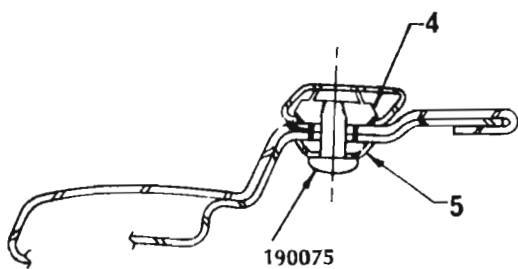
ILLUS. REF. NO.	PART NAME	GROUP
1.	RETAINER — Moulding rear quarter upper — Two Tone ..	12.116
2.	MOULDING — Rear quarter upper — Vinyl	12.116
3.	CLIP — Moulding body side upper	12.116



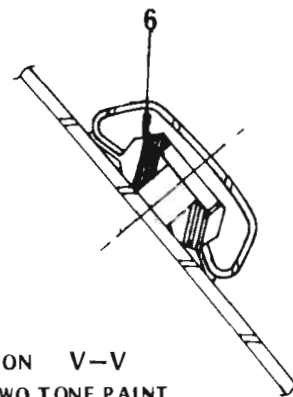
SECTION S-S



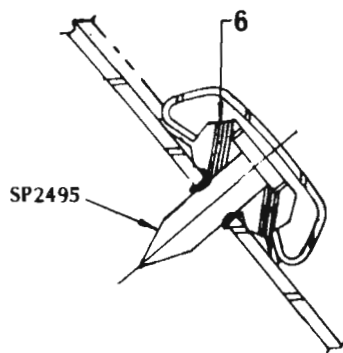
SECTION T-T



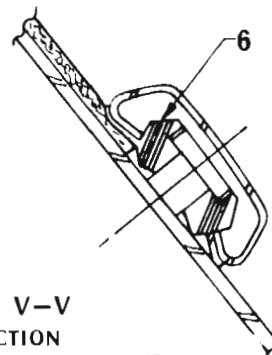
SECTION U-U



SECTION V-V
WITH TWO TONE PAINT



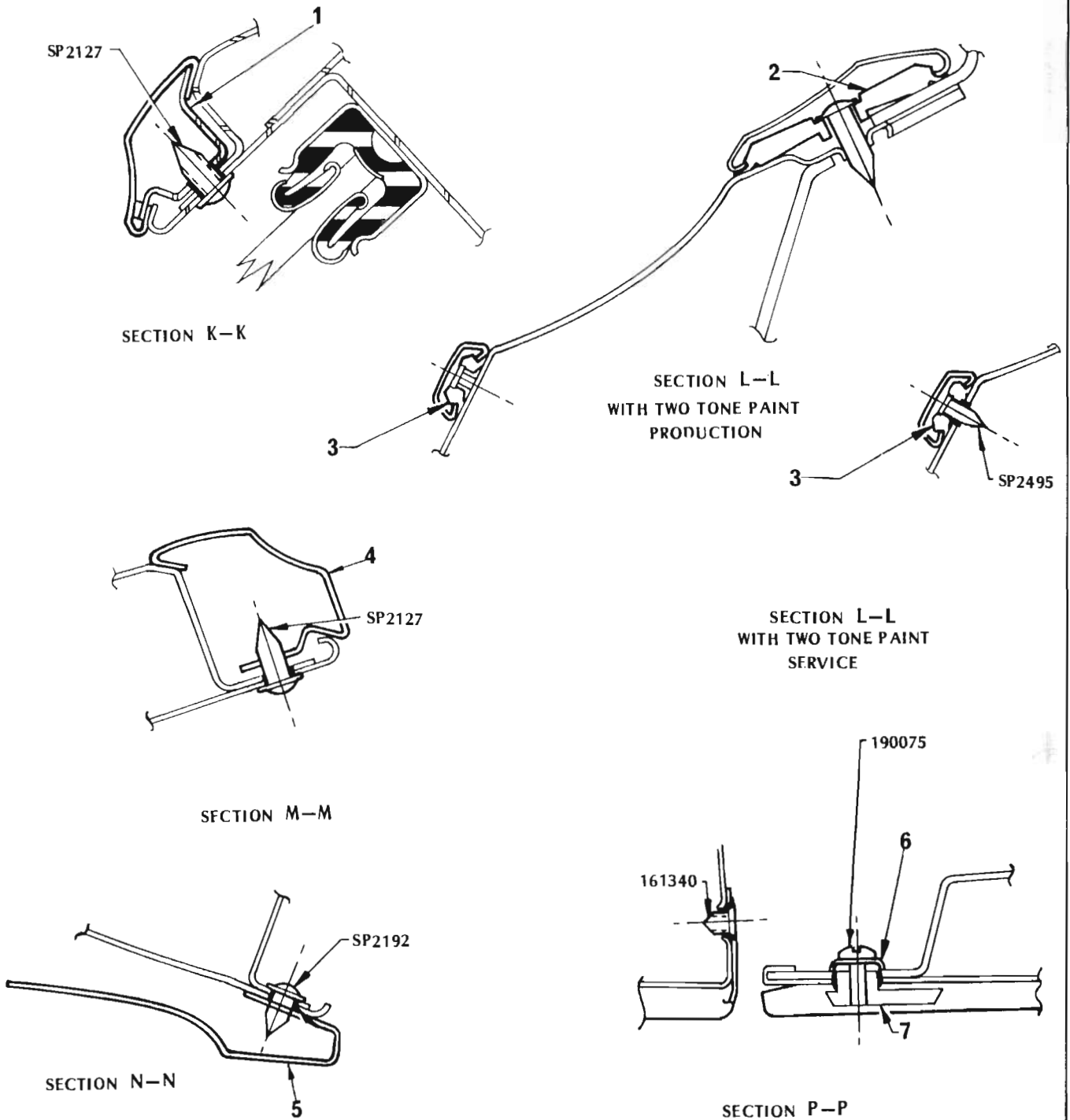
SECTION VV-VV
SERVICE



SECTION V-V
PRODUCTION
WITH SOFT TRIM ROOF COVER

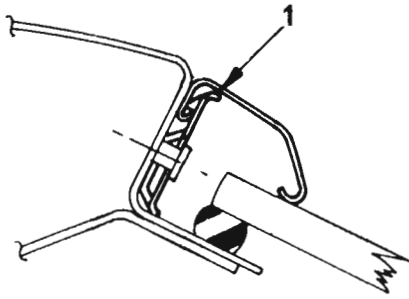
CLIPS and SCREWS — BODY MOULDINGS

ILLUS. REF. NO.	PART NAME	GROUP
1.	WASHER — Moulding anchor plate	12.114
2.	PLATE — Moulding anchor 12.112/12.114	12.114
3.	MOULDING — Windshield reveal upper	10.093
4.	PLATE — Moulding anchor rear door belt	12.114
5.	WASHER — Moulding anchor plate to rear door belt	12.114
6.	CLIP — Moulding rear quarter upper	12.116

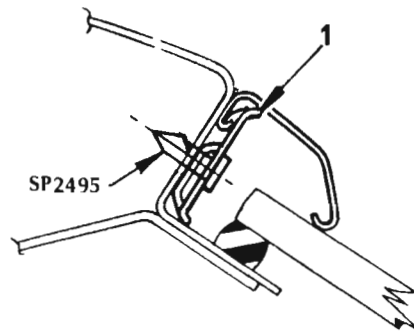


CLIPS and SCREWS – BODY MOULDINGS

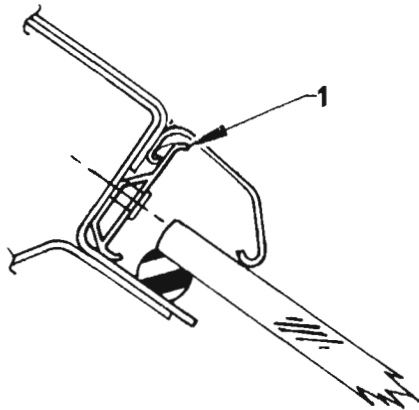
ILLUS. REF. NO.	PART NAME	GROUP
1.	CLIP – Moulding end gate glass opening reveal centre	12.174
2.	CLIP – Moulding end gate belt centre	12.182
3.	CLIP – Moulding end gate centre – Two Tone	12.182
4.	MOULDING – End gate glass opening reveal side	12.174
5.	MOULDING – End gate belt	12.182
6.	CLIP – Moulding end gate centre – Two Tone	12.182
7.	PLATE – Moulding anchor	12.182



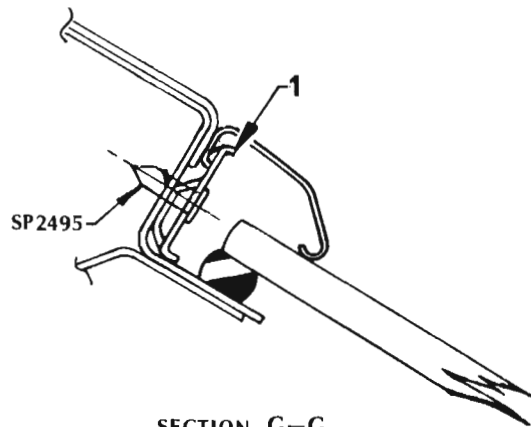
SECTION G-G
WITHOUT SOFT TRIM ROOF COVER
PRODUCTION



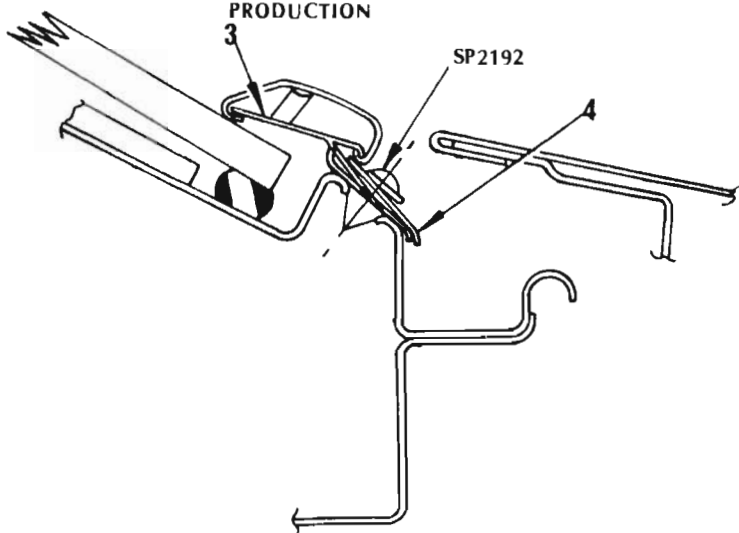
SECTION G-G
WITHOUT SOFT TRIM ROOF COVER
SERVICE



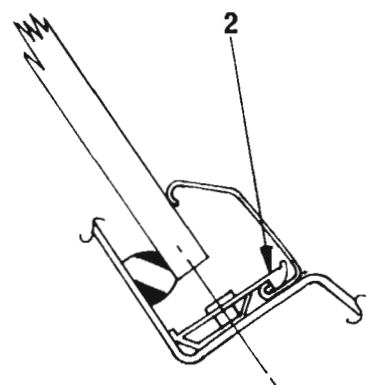
SECTION G-G
WITH SOFT TRIM ROOF COVER
PRODUCTION



SECTION G-G
WITH SOFT TRIM ROOF COVER
SERVICE



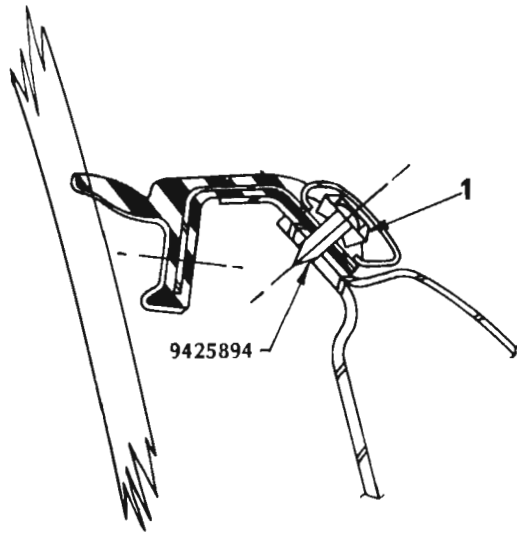
SECTION H-H



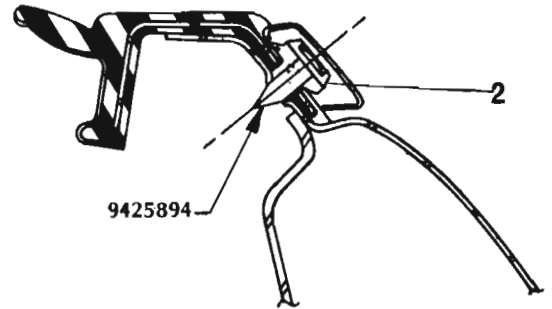
SECTION J-J

CLIPS and SCREWS - BODY MOULDINGS

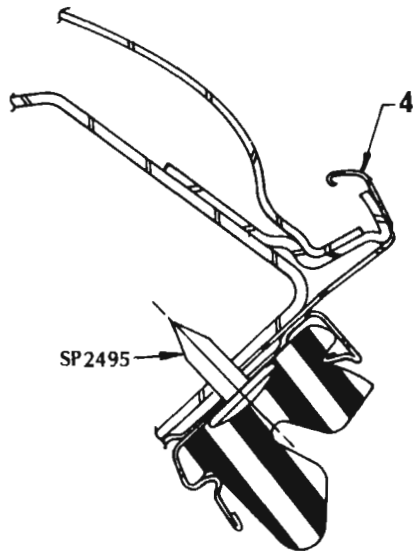
ILLUS. REF. NO.	PART NAME	GROUP
1.	CLIP - Moulding rear window reveal upper	11.208
2.	CLIP - Moulding rear window reveal lower	11.208
3.	RETAINER - Moulding rear window reveal lower	11.208
4.	EXTENSION - Moulding rear window reveal lower	11.208



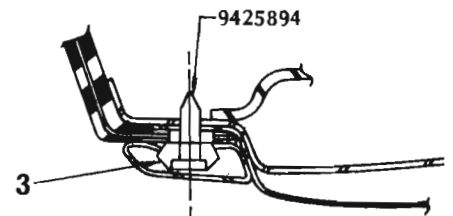
SECTION AF - AF



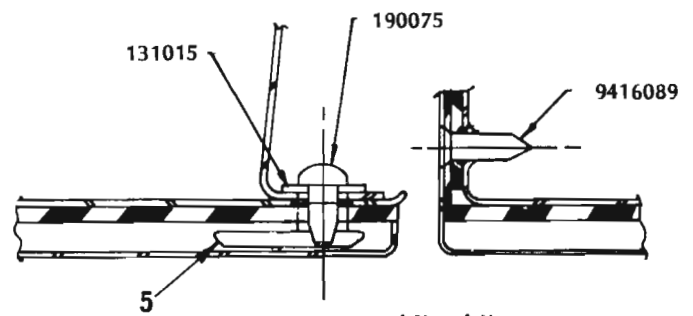
SECTION AG - AG



SECTION AH - AH



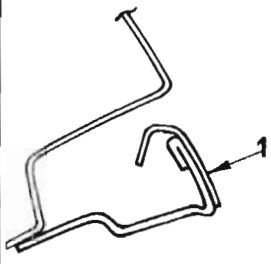
SECTION AJ - AJ



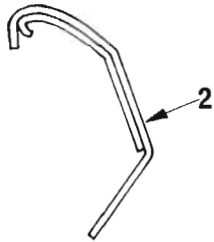
SECTION AK - AK

CLIPS and SCREWS - BODY MOULDINGS

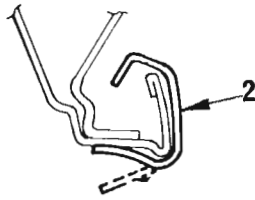
ILLUS. REF. NO.	PART NAME	GROUP
1.	CLIP - Moulding front door belt	12.112
2.	CLIP - Moulding rear quarter belt	12.116
3.	CLIP - Moulding rear quarter belt	12.116
4.	MOULDING - Roof reveal side	12.112
5.	PLATE - Moulding front door belt anchor	12.112



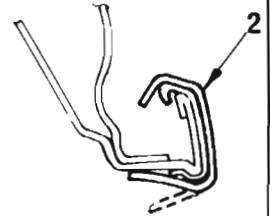
SECTION C - C
70 STYLES ONLY



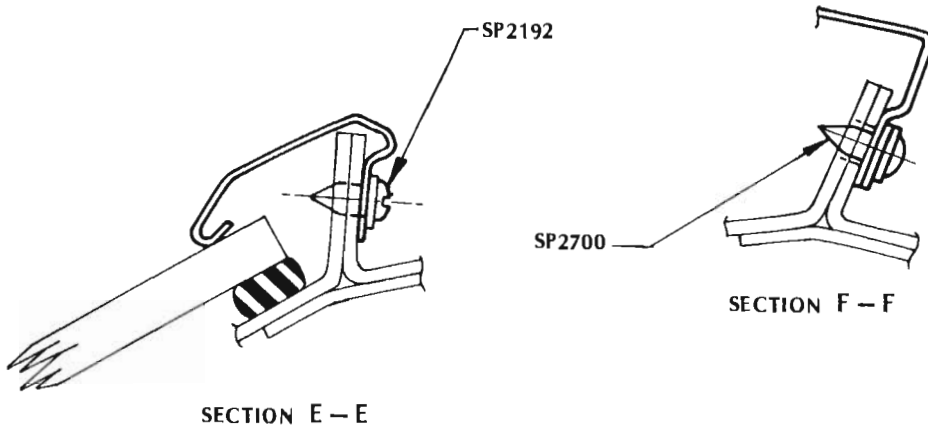
SECTION C - C
37 STYLES



SECTION C - C
8WM EXC. 70 STYLES

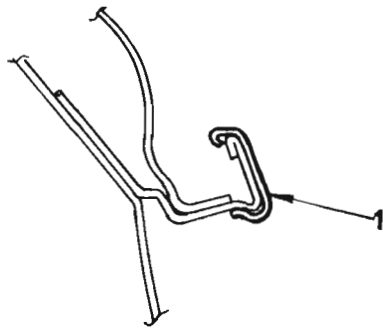


SECTION C - C
35 & 69 STYLES EXC. 8WM

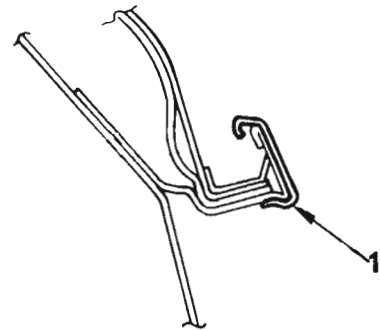


CLIPS and SCREWS - BODY MOULDINGS

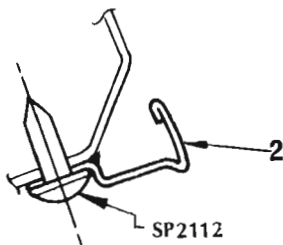
ILLUS. REF. NO.	PART NAME	GROUP
1.	GUTTER - Door opening	12.811
2.	MOULDING - Roof reveal side	12.075



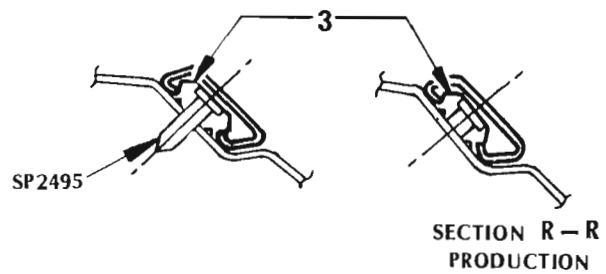
SECTION AE - AE
WITHOUT SOFT TRIM ROOF COVER



SECTION AE - AE
WITH SOFT TRIM ROOF COVER



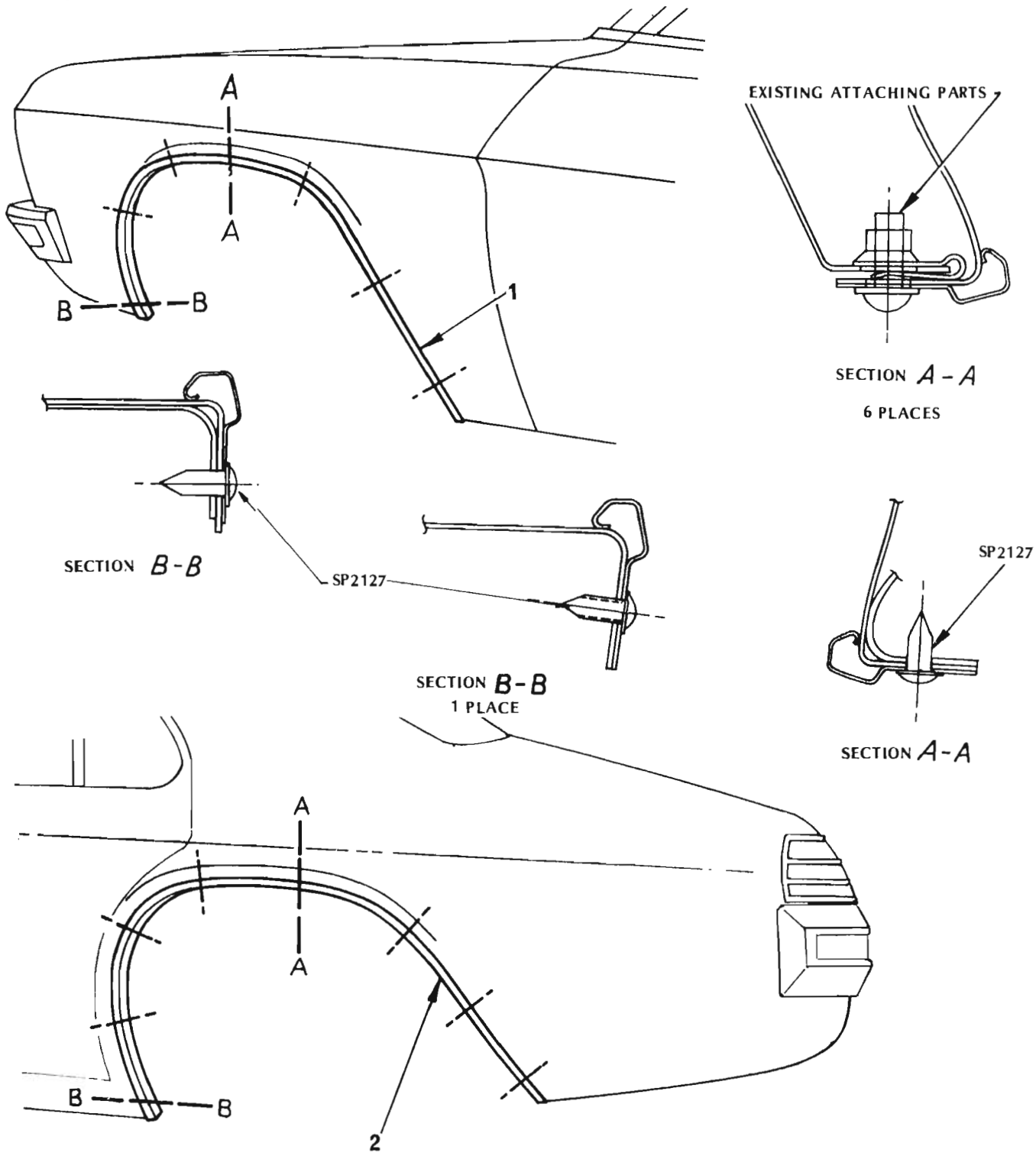
SECTION Y - Y



SECTION R - R
SERVICE

CLIPS and SCREWS - BODY MOULDINGS

ILLUS. REF. NO.	PART NAME	GROUP
1.	MOULDING - Roof reveal side	12.075
2.	GUTTER - Roof opening	12.811
3.	CLIP - Moulding front door belt	12.112



MOULDINGS, CLIPS and SCREWS
WHEEL OPENING

ILLUS. REF. NO.	PART NAME	GROUP
1.	MOULDING - Front wheel opening	8.132
2.	MOULDING - Rear wheel opening	12.116

EXTERNAL ORNAMENTATION

Statesman

2810210 - 12.116

DE VILLE

2817117 - 12.116



WREATH

SHIELD

9932377 - 1.265

9932614 - 1.265

2808122 - 12.116

2811703 - 12.116

2816345 - 12.116

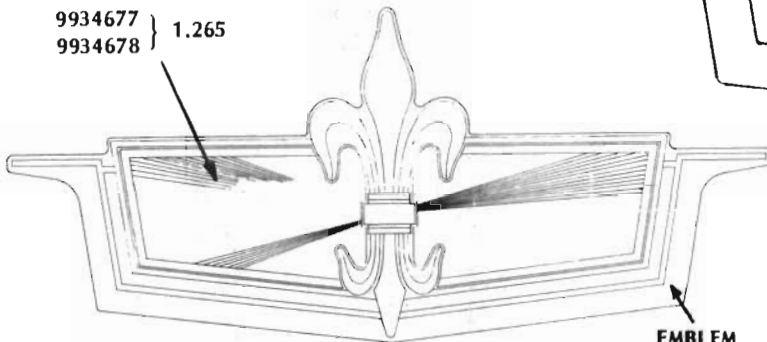
2816346 - 12.182

Statesman
DE VILLE

9941808 - 1.265

INSERTS

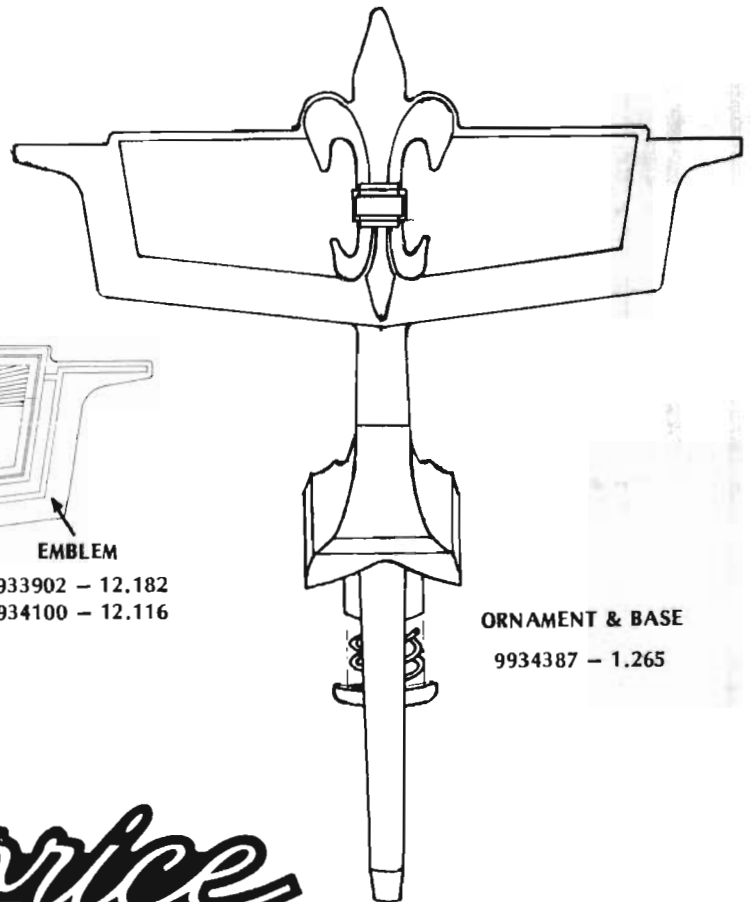
9934677 } 1.265
9934678 }



EMBLEM

9933902 - 12.182

9934100 - 12.116



ORNAMENT & BASE

9934387 - 1.265

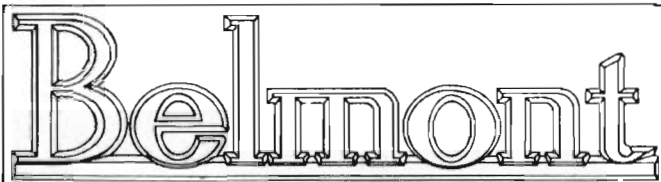
STATESMAN

Caprice

9934162 - 1.265

9934161 - 12.182

EXTERNAL ORNAMENTATION



2814784 - 8.132/12.182

PLUM, PURPLE & DARK BLUE
ORANGE, BROWN & DARK BROWN
ORANGE, BRIGHT BLUE & BLUE
YELLOW, ORANGE & RED
BRIGHT YELLOW, LIGHT ORANGE, DARK ORANGE } 8.132



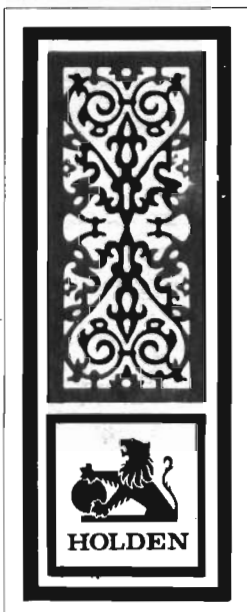
9933763 - 8.132/12.182



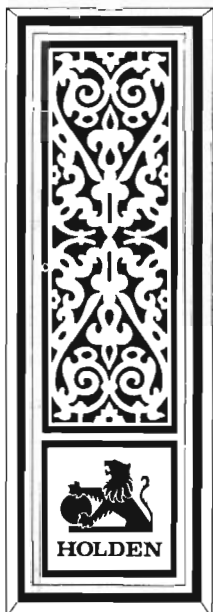
PLUM, PURPLE & DARK BLUE
ORANGE, BROWN & DARK BROWN
ORANGE, BRIGHT BLUE & BLUE
YELLOW, ORANGE & RED
BRIGHT YELLOW, LIGHT ORANGE, DARK ORANGE } 12.182



9930243 - RED 8.132/12.182



9931348
12.116

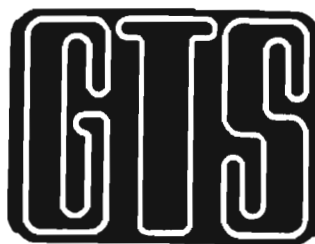


9941911
1.265



9931459 - 12.182

9931460 - 12.182



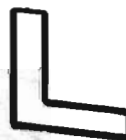
9941983 - 1.265



9934613 - CHROME
9942806 - SILVER
1.265



9934614 - CHROME
9942807 - SILVER
1.265



9934615 - CHROME
9942808 - SILVER
1.265

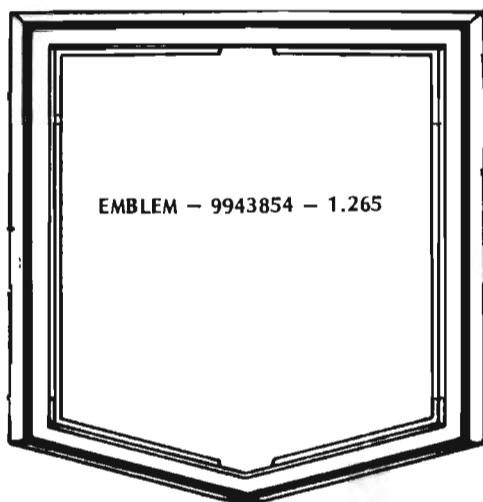
EXTERNAL ORNAMENTATION

Kingswood

9941887 - 8.132/12.182

Premier

9942350 - 8.132/12.182



EMBLEM - 9943854 - 1.265



EMBLEM - 9942709 - 1.265



INSERT - 9932010 - 1.265



INSERT - 9943903 - 1.265

D

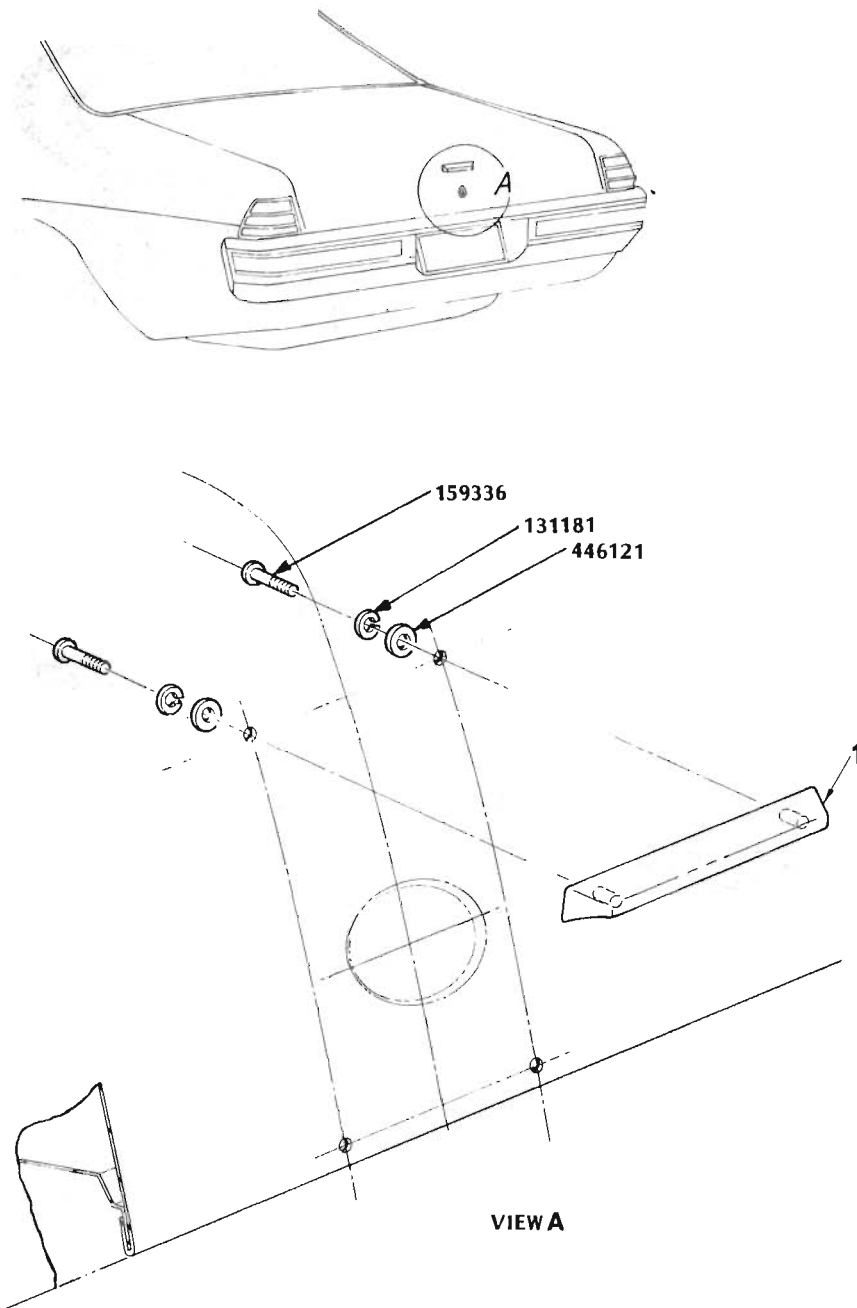
9934612 - CHROME
9942805 - SILVER
1.265

E

9943610 - CHROME
9942803 - SILVER
1.265

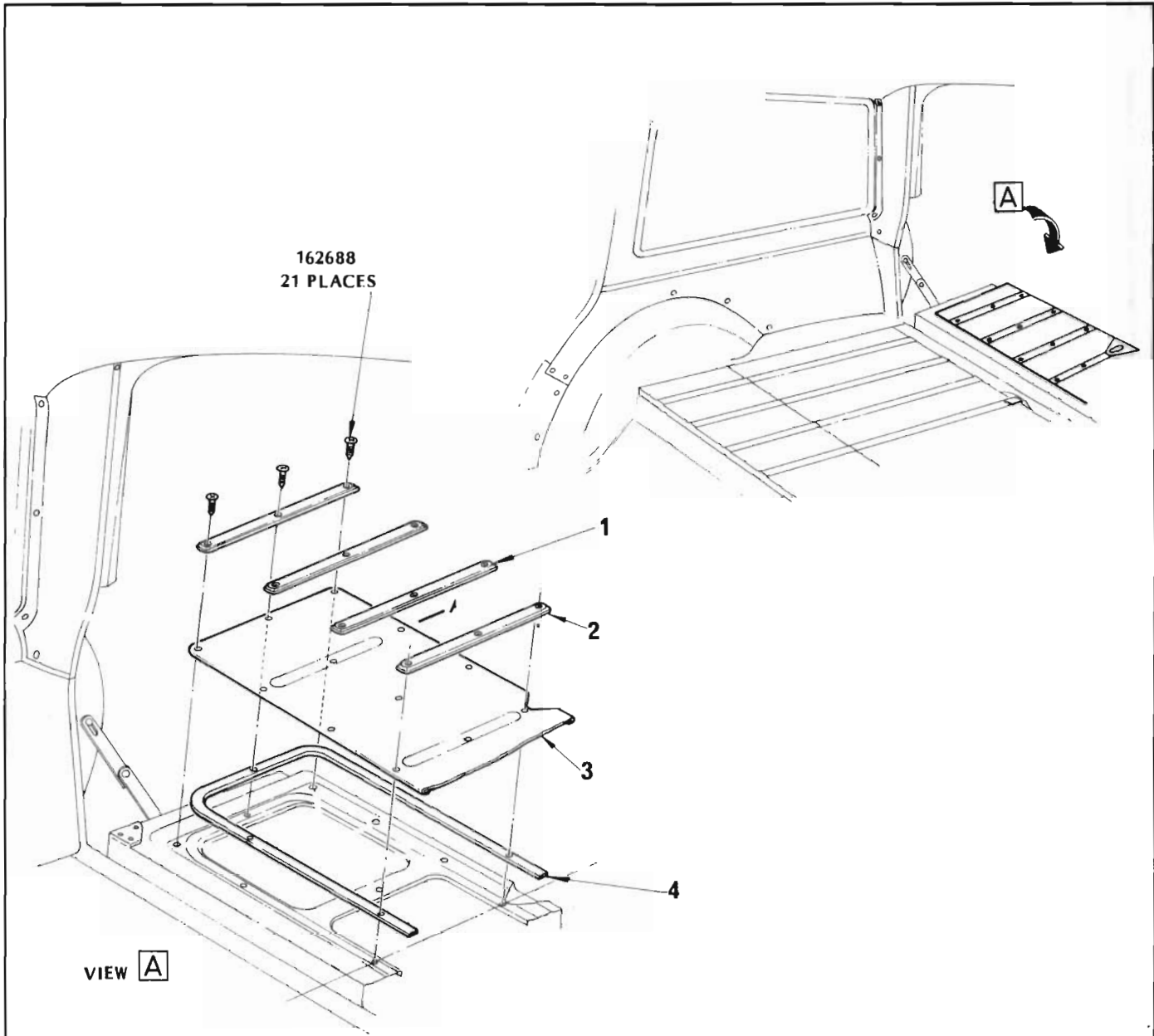
N

9934611 - CHROME
9942804 - SILVER
1.265



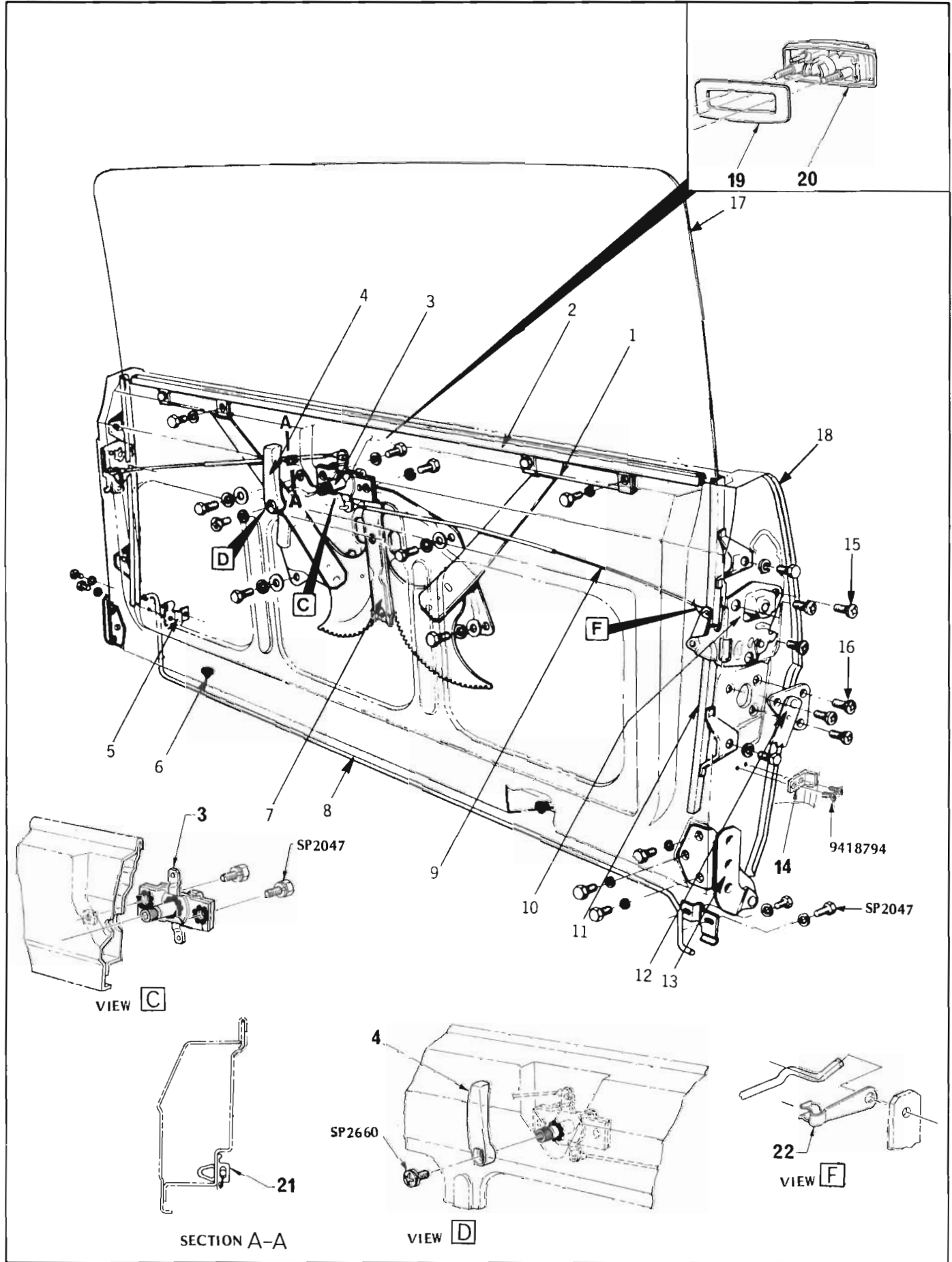
DECK LID HANDLE PACKAGE

ILLUS. REF. NO.	PART NAME	GROUP
1.	HANDLE – Deck lid lift	12.182



END GATE – STRIP, PANEL & SEAL
35 Body Styles

ILLUS. REF. NO.	PART NAME	GROUP
1.	STRIP – End gate 13''	12.195
2.	STRIP – End gate 11.3/16''	12.195
3.	PANEL – End gate trim	15.311
4.	SEAL – End gate trim panel	15.313



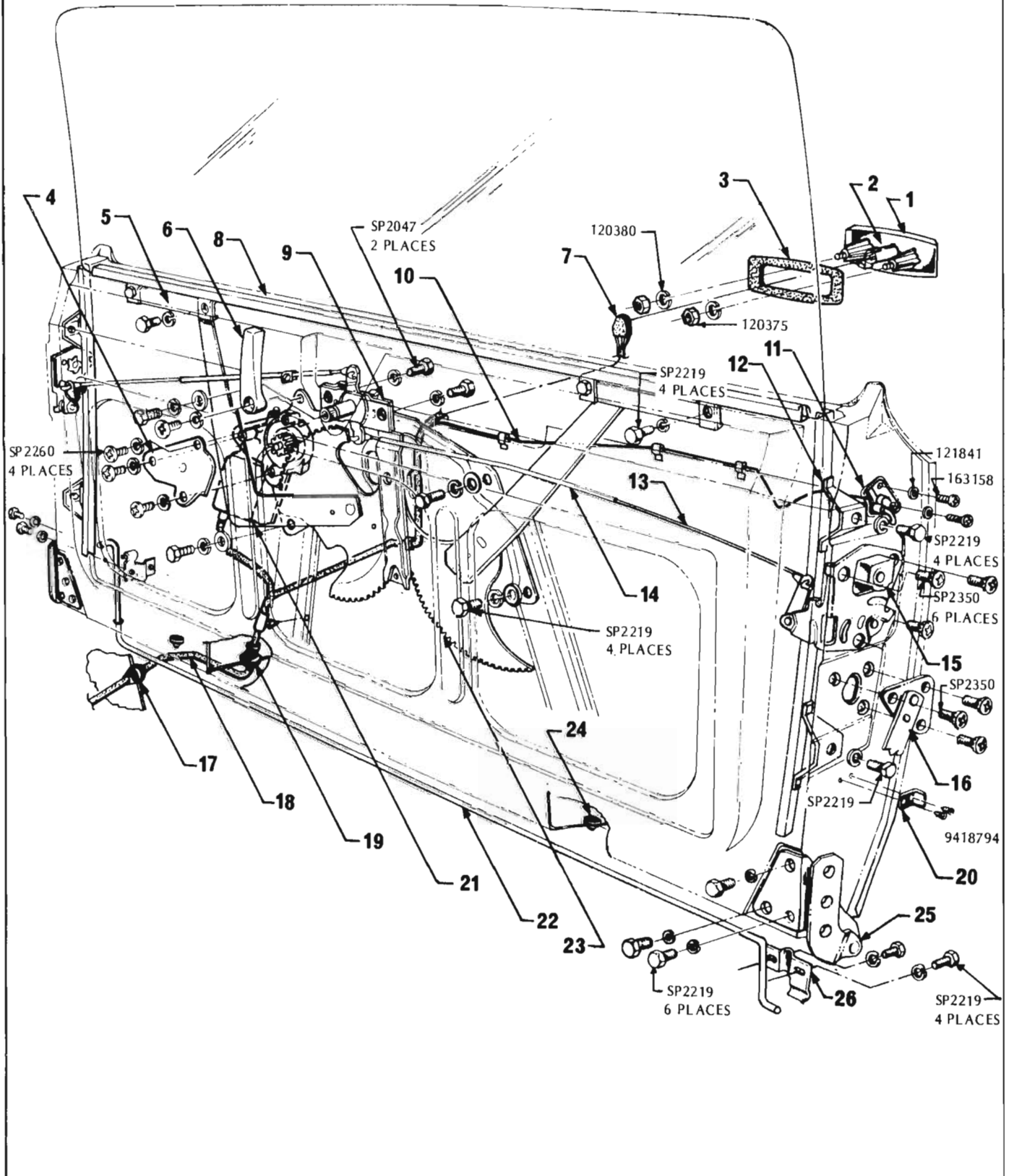
BODY

660

END GATE HARDWARE
35 Body Styles
Manual

ILLUSTRATION OPPOSITE

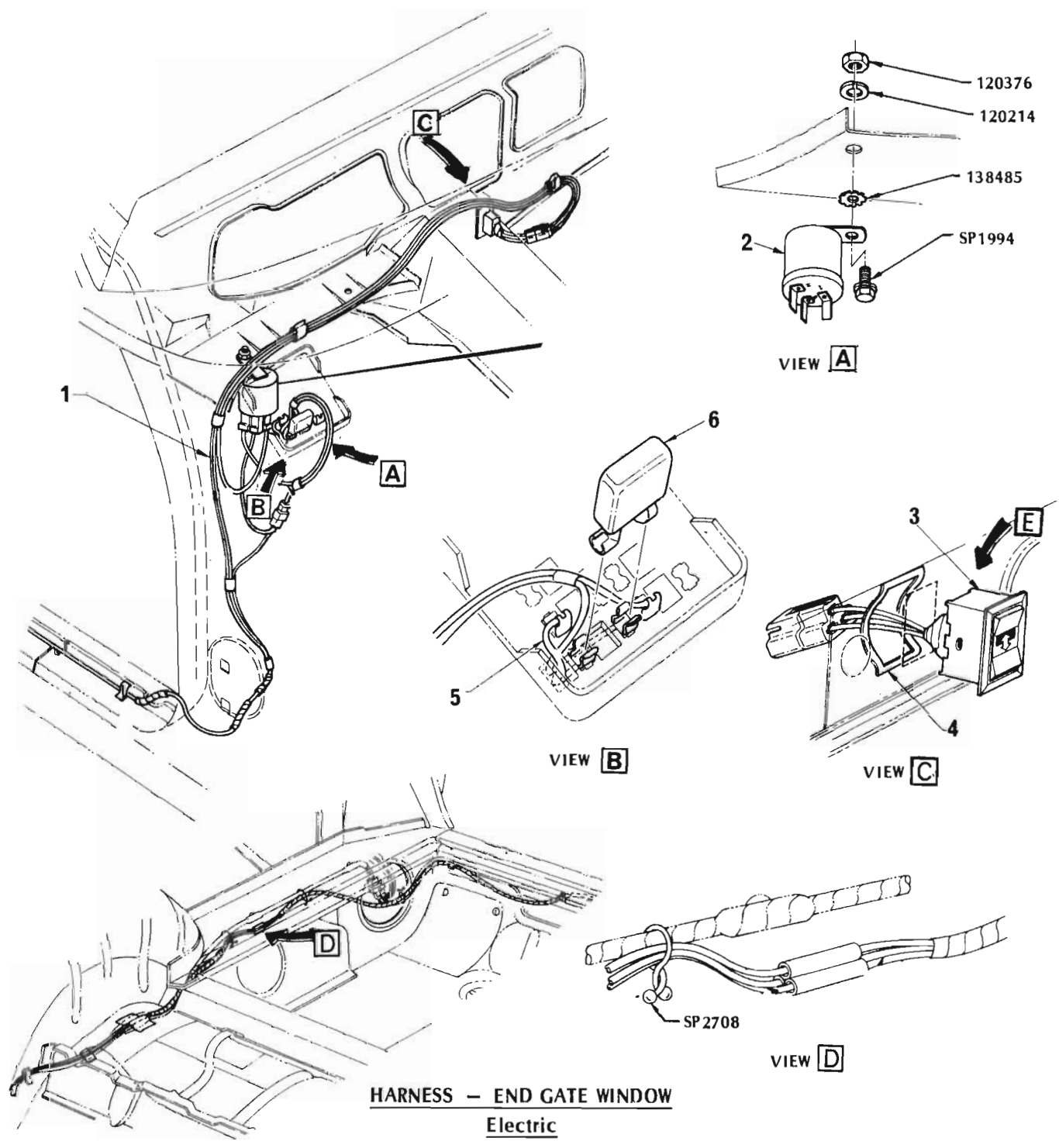
ILLUS. REF. NO.	PART NAME	GROUP
1.	CAM ASSEMBLY – Lifter channel	11.207
2.	CHANNEL ASSEMBLY – End gate glass lifter	11.207
3.	CONTROL ASSEMBLY – Remote	12.242
4.	HANDLE – Remote control	12.247
5.	RETAINER – Torque rod to end gate	12.187
6.	BUMPER – Sliding glass channel	12.212
7.	REGULATOR	12.272
8.	ROD – End gate torque	12.187
9.	ROD – Remote control	12.241
10.	LOCK ASSEMBLY – End gate	12.242
11.	RETAINER – Lower channel	11.207
12.	ARM ASSEMBLY – Limit	12.203
13.	HINGE ASSEMBLY – Gate section	12.184
14.	BUMPER – Limit arm	12.203
15.	SCREW	12.242
16.	SCREW – Limit arm	12.203
17.	GLASS – End gate	11.204
18.	GATE ASSEMBLY – End	12.179
19.	GASKET – Escutcheon	12.249
20.	HANDLE ASSEMBLY – Less barrel & key	12.247
21.	CLIP – Control rod anti-rattle	12.241
22.	CLIP – Control rod to end gate lock lever.....	12.241



END GATE HARDWARE
POWER OPERATED WINDOW

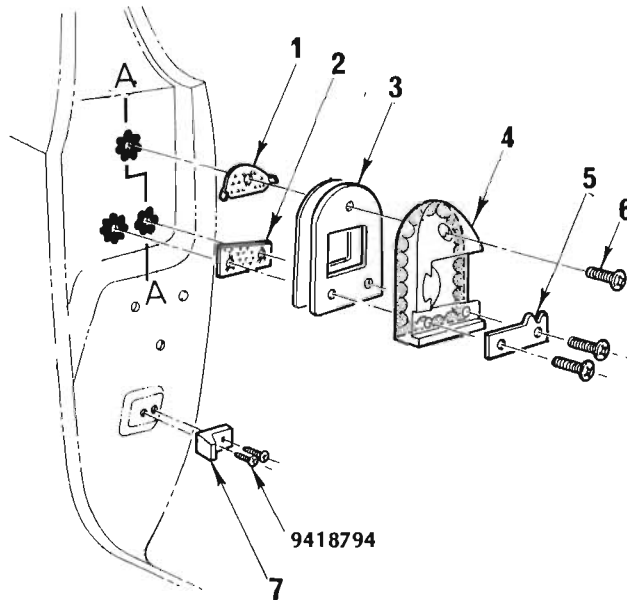
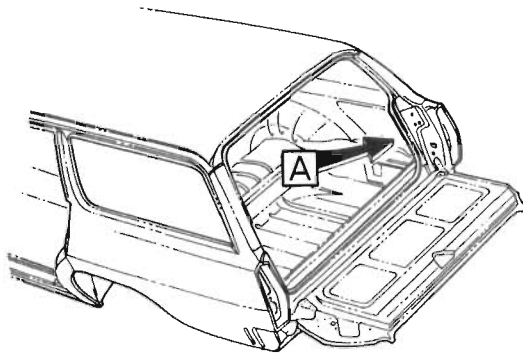
ILLUSTRATION OPPOSITE

ILLUS. REF. NO.	PART NAME	GROUP
1.	ESCUTCHEON - Regulator handle	12.249
2.	BARREL, KEY & SWITCH ASSY. - Window switch	12.248
3.	GASKET - Escutcheon	12.249
4.	PLATE - Window regulator motor cover.....	N.S.S.
5.	CAM ASSY. - Lifter channel.....	11.207
6.	HANDLE - Remove control	12.247
7.	CONNECTOR - Window regulator switch	N.S.S.
8.	CHANNEL ASSY. - End gate glass lifter	11.207
9.	CONTROL ASSY. - End gate remote.....	12.242
10.	HARNESS - Window regulator safety switch	12.277
11.	SWITCH ASSY. - Window winder safety	12.275
12.	RETAINER - Glass channel.....	11.207
13.	ROD - Remote control	12.241
14.	INSULATOR - Remote control rod	N.S.S.
15.	LOCK ASSY. - End gate.....	12.242
16.	ARM ASSY. - End gate limit	12.203
17.	SEAL - Window regulator harness	N.S.S.
18.	HARNESS ASSY. - Window regulator	12.277
19.	SEAL - Regulator harness to end gate	N.S.S.
20.	BUMPER - Limit arm	12.212
21.	MOTOR ASSY. - End gate regulator	12.280
22.	ROD - End gate torque	12.187
23.	REGULATOR - End gate window	12.272
24.	BUMPER - Glass stop	12.212
25.	HINGE ASSY. - End gate	12.184
26.	RETAINER - End gate torque rod	12.187



HARNESS — END GATE WINDOW
Electric

ILLUS. REF. NO.	PART NAME	GROUP
1.	HARNESS ASSEMBLY — End gate window	12.277
2.	RELAY ASSEMBLY — End gate window	12.277
3.	SWITCH ASSEMBLY — Window regulator inst. panel	12.275
4.	SPRING — Window switch retaining	12.275
5.	LEAD ASSEMBLY — Control to fuse panel	12.277
6.	BREAKER ASSEMBLY — End gate window	12.276

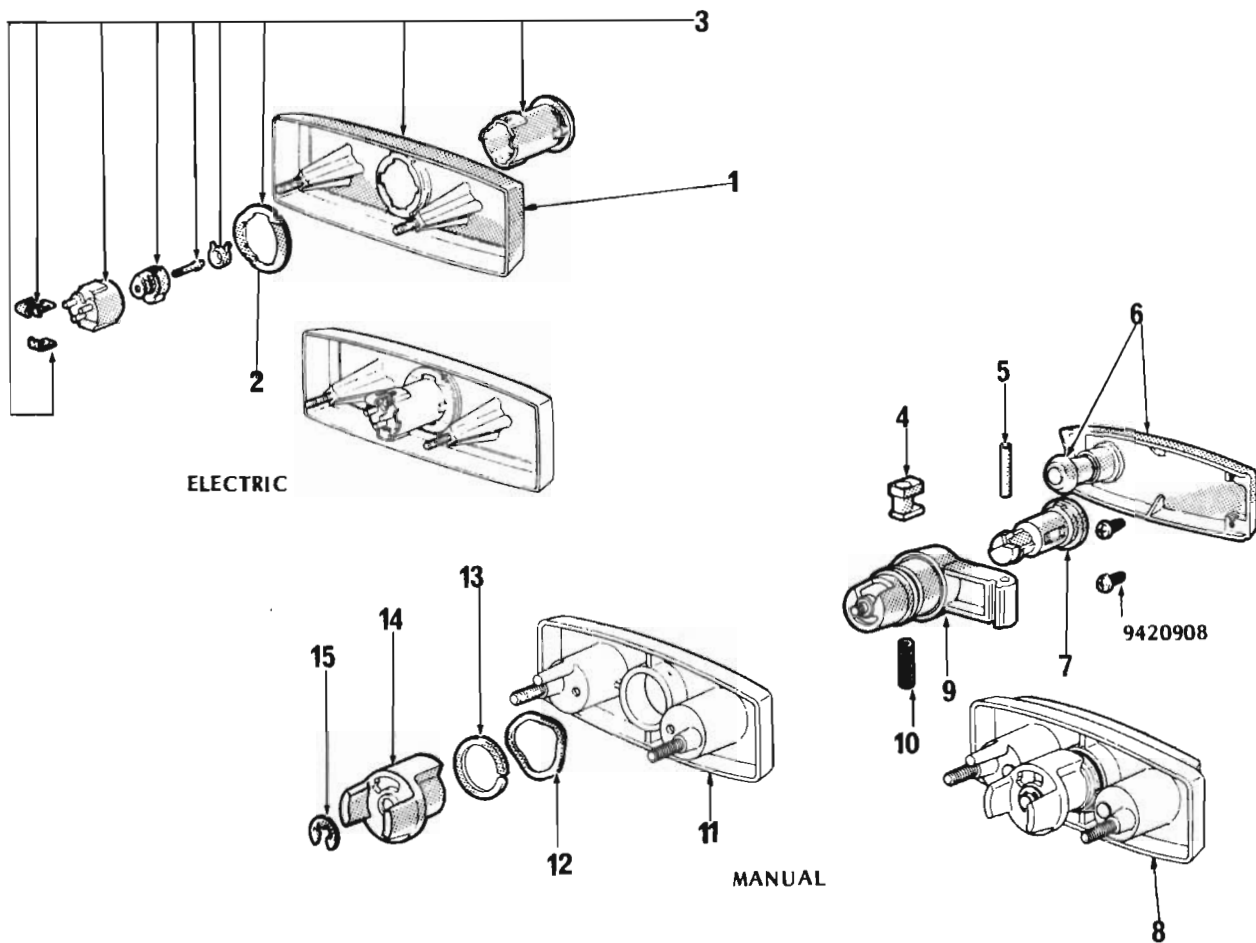


VIEW **A**

END GATE STRIKER

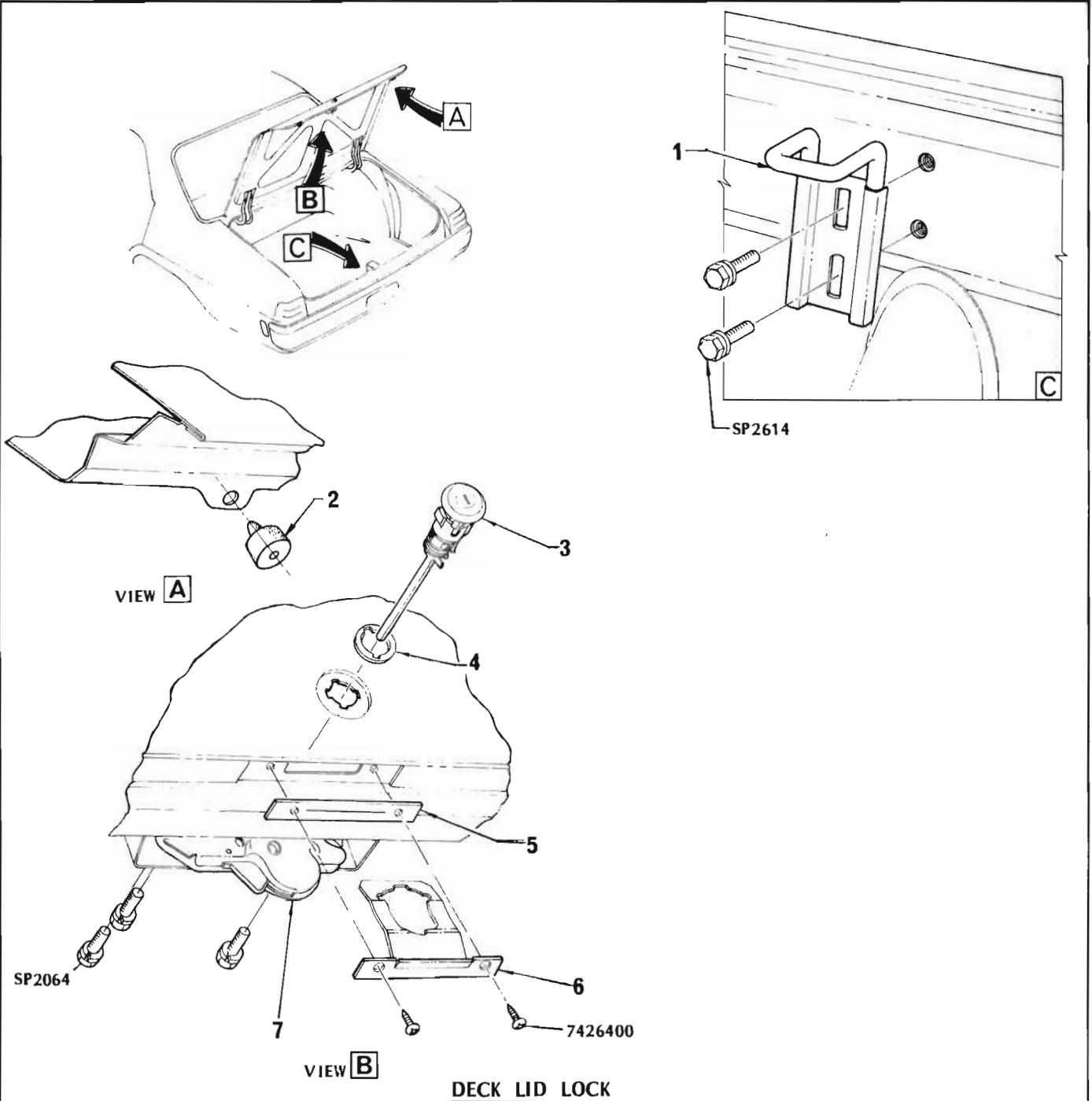
35 Body Styles

ILLUS. REF. NO.	PART NAME	GROUP
1.	PLATE — End gate striker adjusting upper	12.277
2.	PLATE — End gate striker adjusting lower	12.277
3.	SPACER — End gate lock	12.277
4.	STRIKER — End gate lock	12.277
5.	PLATE — End gate striker tooth	12.277
6.	SCREW — End gate lock	12.277
7.	BUMPER ASSEMBLY — Limit arm	12.212



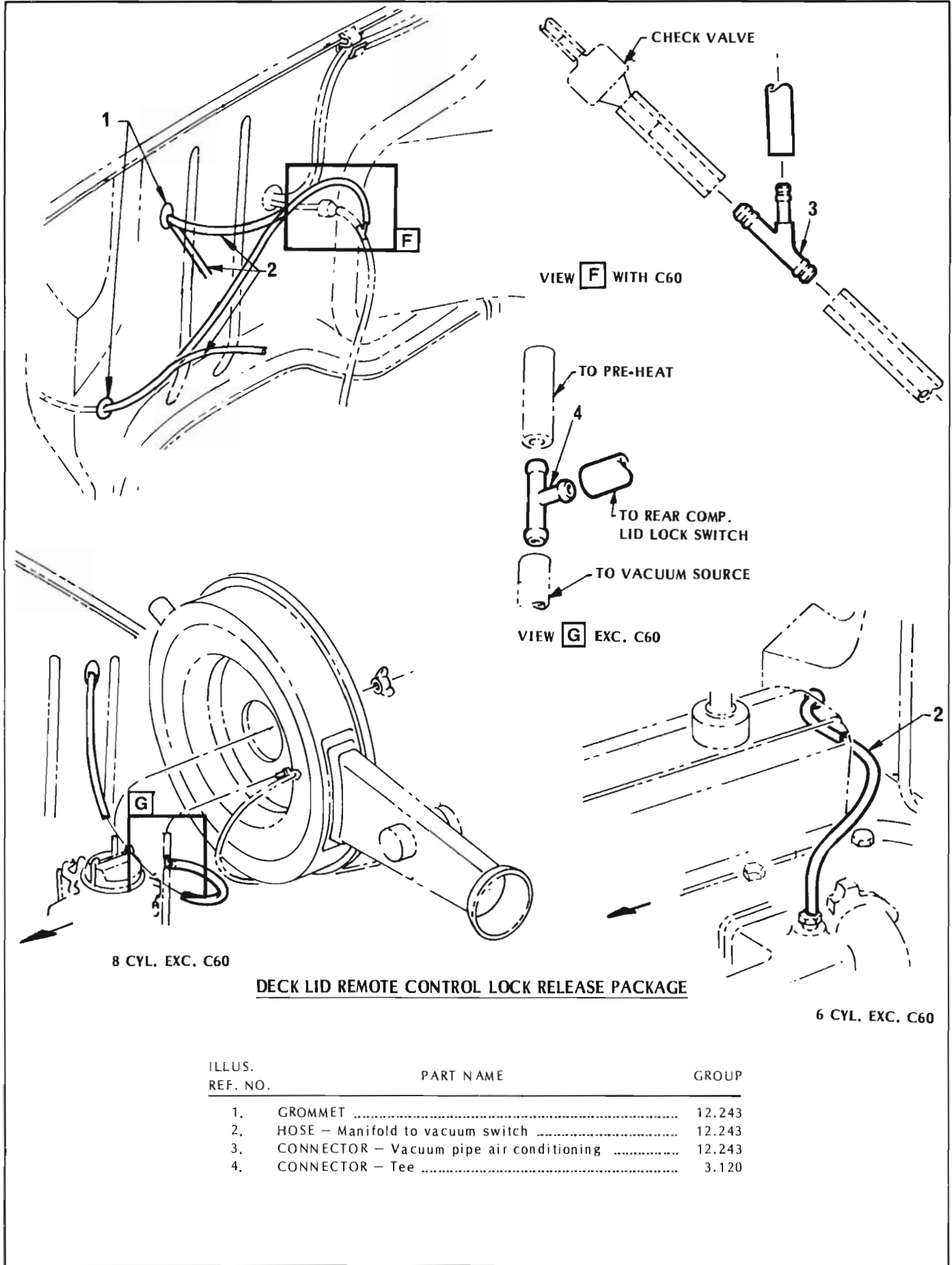
END GATE SWITCH and HANDLE

ILLUS. REF. NO.	PART NAME	GROUP
1.	ESCUTCHEON - Window lock cylinder - Electric	12.249
2.	RETAINER - Lock cylinder	12.248
3.	BARREL, KEY & SWITCH ASSEMBLY	12.248
4.	PAWL - Lock cylinder - Manual	12.248
5.	PIN - Handle hinge	12.247
6.	HANDLE - Window regulator	12.247
7.	BARREL & KEY ASSEMBLY - Window outer handle lock ..	12.248
8.	HANDLE ASSEMBLY - Less barrel & key	12.247
9.	DRIVER - Handle	12.247
10.	SPRING - Lock cylinder pawl	12.248
11.	ESCUTCHEON - Handle	12.249
12.	WASHER - Handle spring	12.247
13.	RING - Handle driver retainer	12.247
14.	CLUTCH - Handle	12.247
15.	RING - Handle clutch retainer	12.247



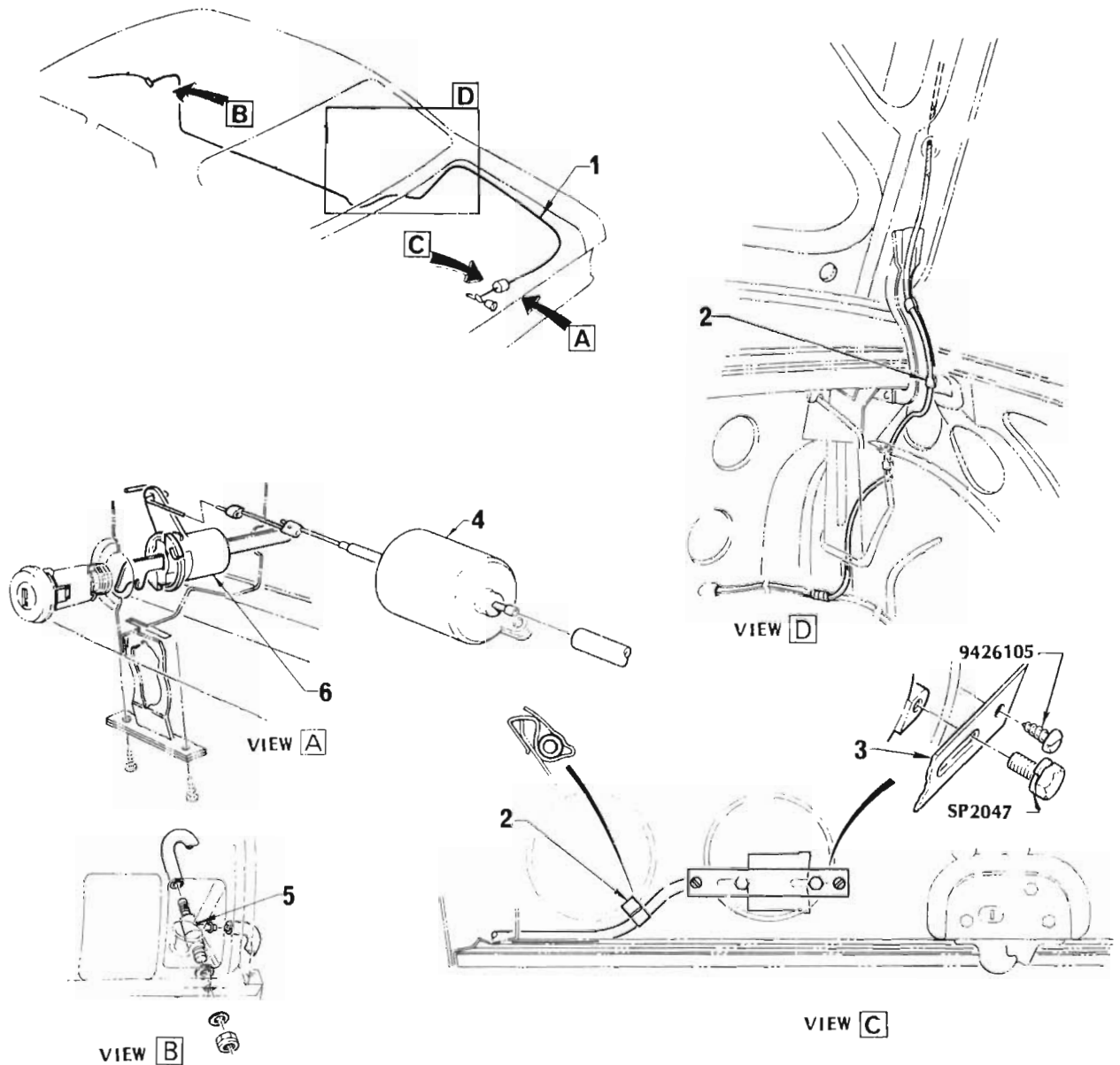
DECK LID LOCK

ILLUS. REF. NO.	PART NAME	GROUP
1.	STRIKER - Deck lid lock	12.237
2.	BUMPER ASSEMBLY - Deck lid	12.212
3.	BARREL & KEY ASSEMBLY - Deck lid	12.248
4.	GASKET - Deck lid lock cylinder	12.248
5.	GASKET - Lock cylinder retainer	12.248
6.	RETAINER - Deck lid lock cylinder	12.248
7.	LOCK ASSEMBLY - Deck lid	12.242



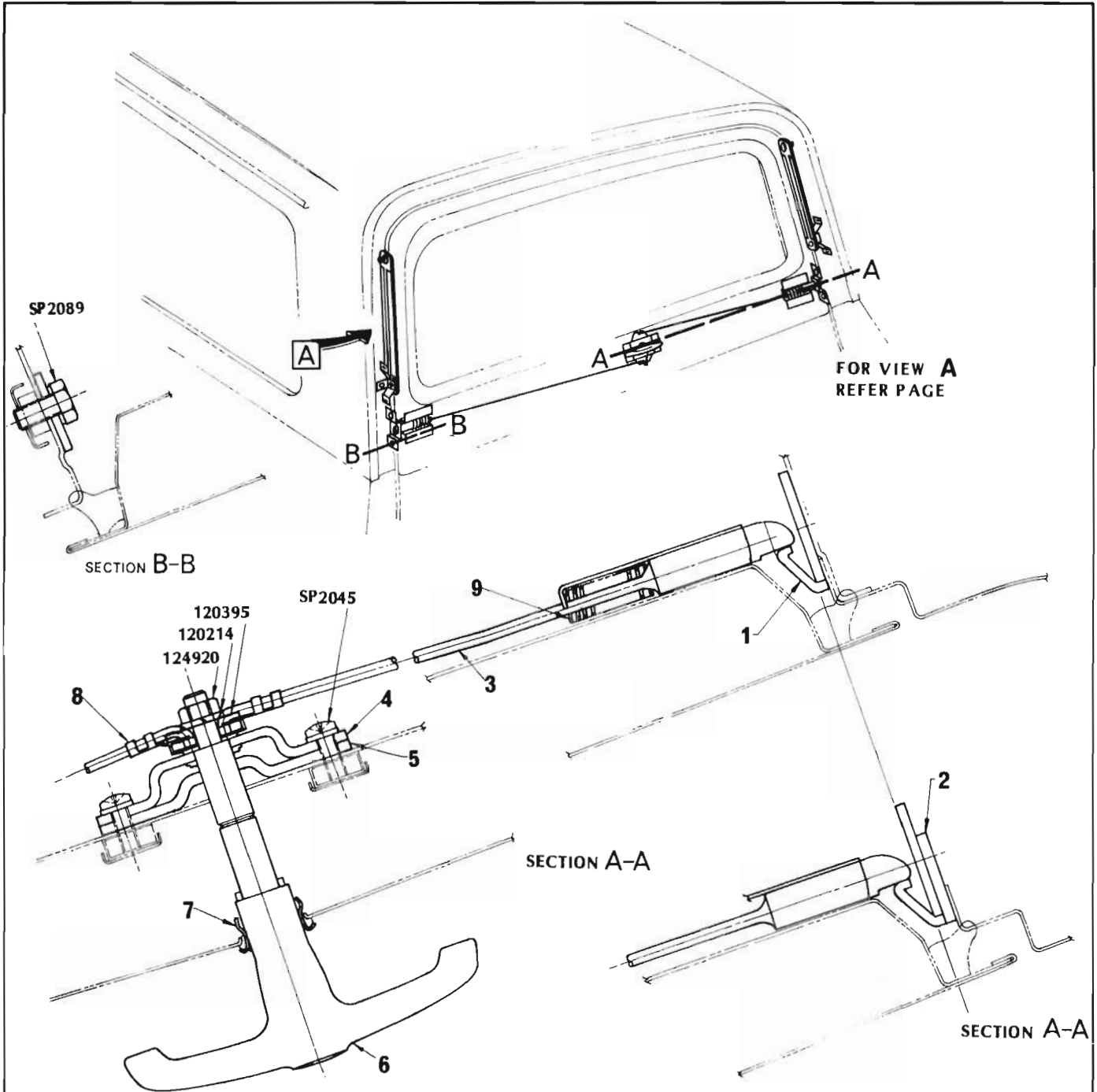
DECK LID REMOTE CONTROL LOCK RELEASE PACKAGE

ILLUS. REF. NO.	PART NAME	GROUP
1.	GROMMET	12.243
2.	HOSE - Manifold to vacuum switch	12.243
3.	CONNECTOR - Vacuum pipe air conditioning	12.243
4.	CONNECTOR - Tee	3.120



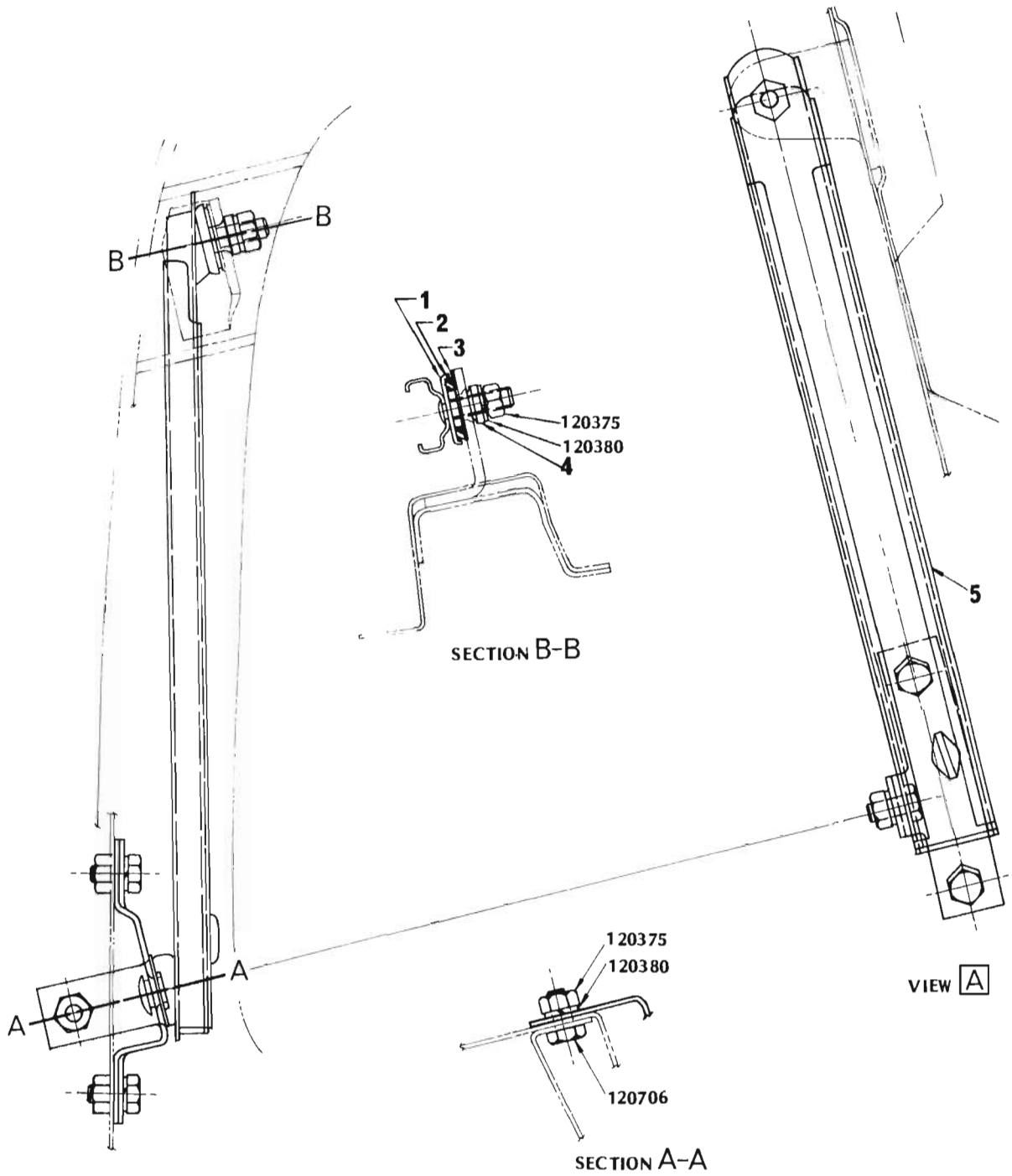
DECK LID REMOTE CONTROL LOCK RELEASE PACKAGE

ILLUS. REF. NO.	PART NAME	GROUP
1.	HOSE - Solenoid to vacuum switch	12.243
2.	CLIP - Solenoid to vacuum switch hose	12.243
3.	PLATE - Vacuum solenoid mounting	12.243
4.	SOLENOID ASSEMBLY - Vacuum	12.243
5.	SWITCH ASSEMBLY - Vacuum	12.243
6.	CLUTCH ASSEMBLY - Vacuum lock	12.243



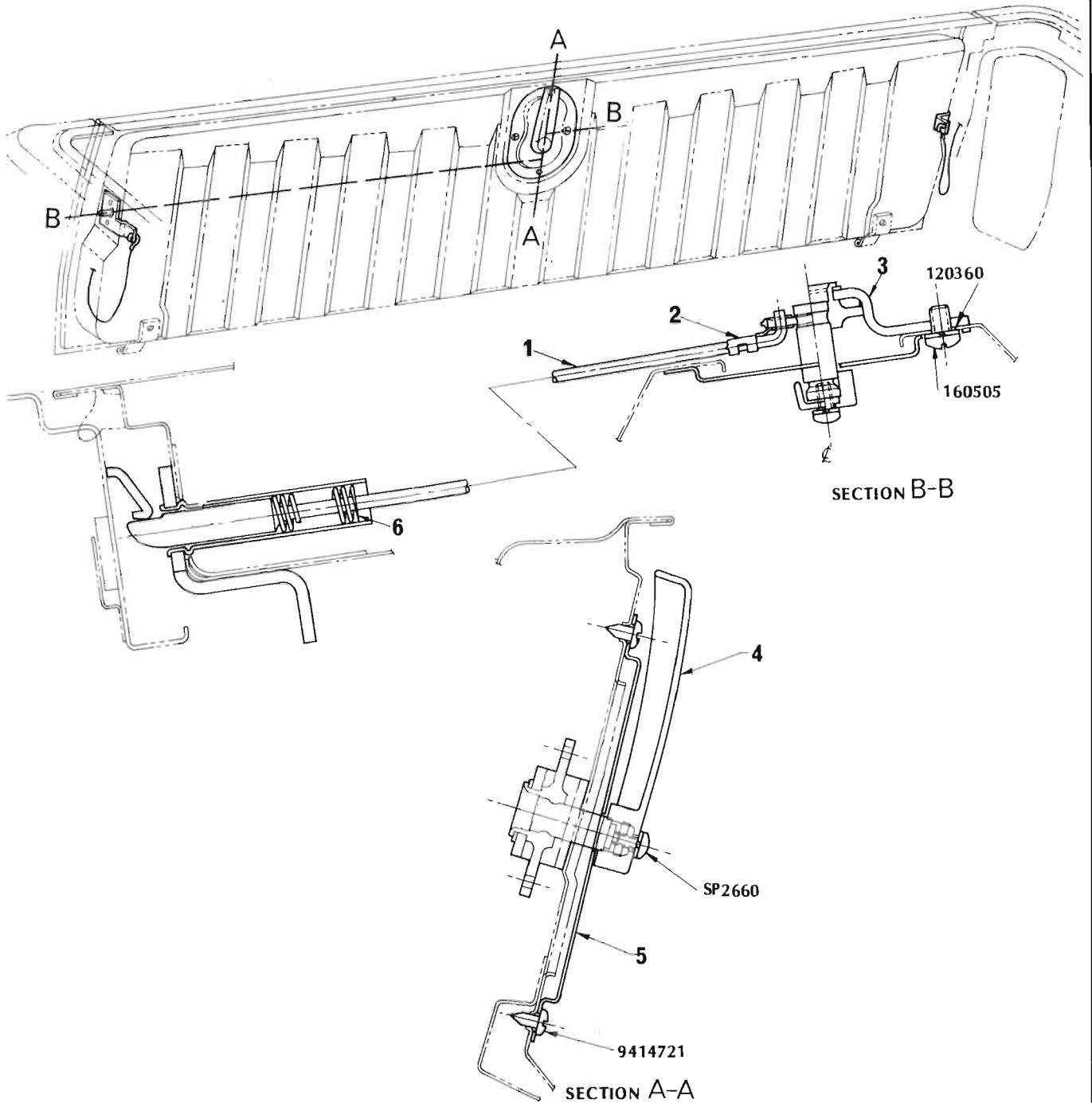
UPPER END GATE HARDWARE
70 Body Styles

ILLUS. REF. NO.	PART NAME	GROUP
1.	PLATE – Upper end gate striker	12.237
2.	SPACER – Striker	12.237
3.	PLUNGER ASSEMBLY – Upper end gate lock	12.241
4.	PLATE & ARM ASSEMBLY – Upper end gate lock base ..	12.242
5.	PLATE – Upper end gate locking	12.242
6.	HANDLE ASSEMBLY – Upper end gate	12.247
7.	FERRULE ASSEMBLY – Upper end gate handle	12.247
8.	CLIP – Lower end gate lock link	12.241
9.	SPRING – Upper end gate lock	12.241



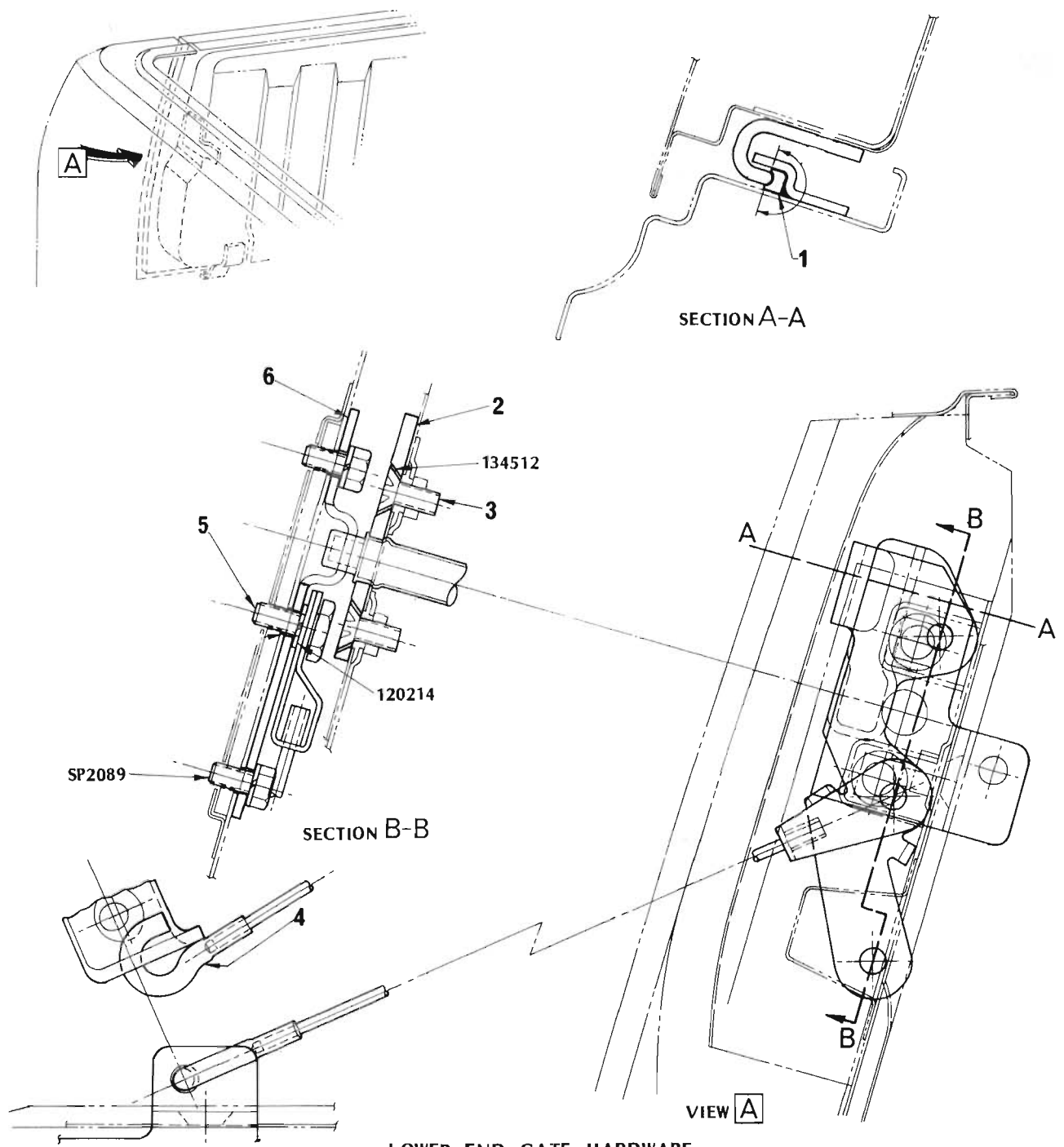
UPPER END GATE HARDWARE
70 Body Styles

ILLUS. REF. NO.	PART NAME	GROUP
1.	WASHER - Upper inner, cup	12.203
2.	WASHER - Upper inner, rubber	12.203
3.	WASHER - Upper inner, plastic	12.203
4.	SPACER - Upper inner	12.203
5.	ARM ASSEMBLY - Upper end gate hold open	12.203



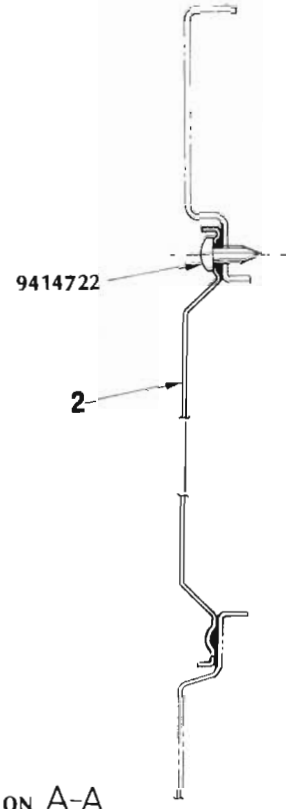
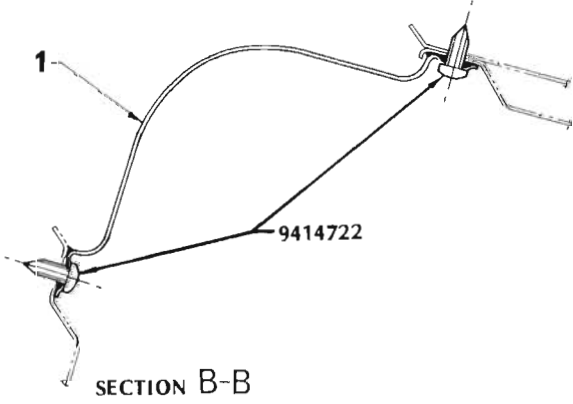
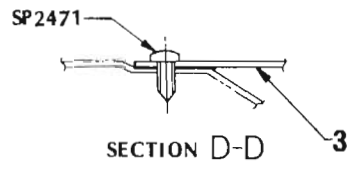
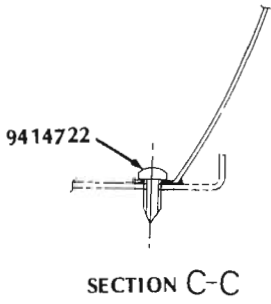
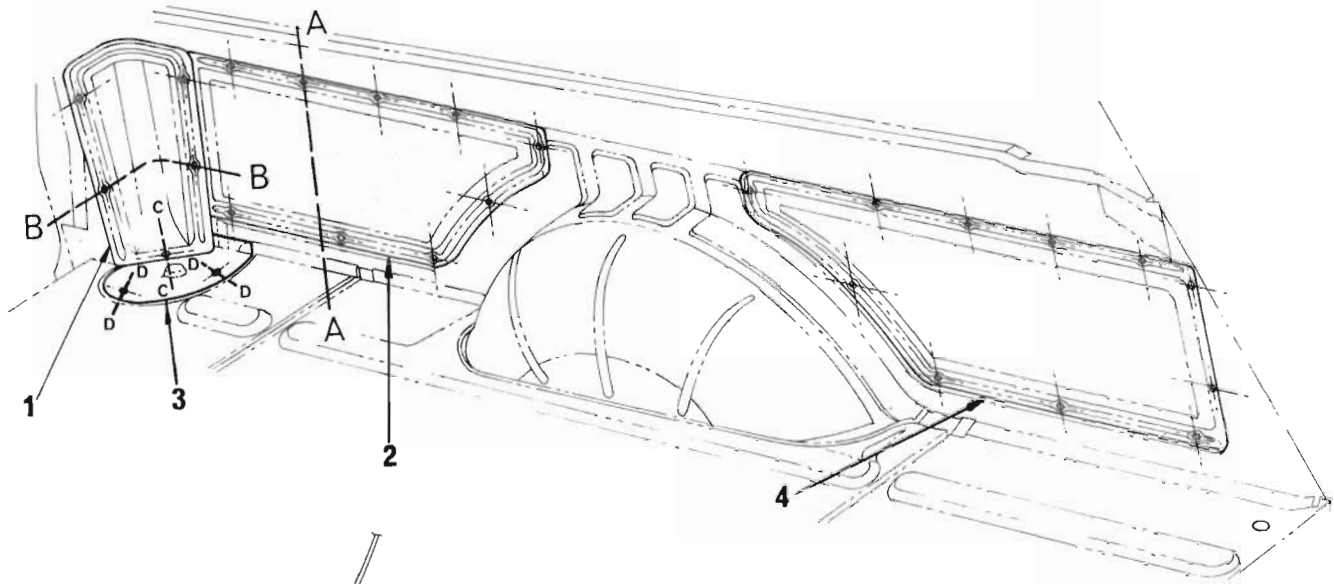
LOWER END GATE HARDWARE
70 and 80 Body Styles

ILLUS. REF. NO.	PART NAME	GROUP
1.	PLUNGER ASSEMBLY - Lower end gate lock	12.241
2.	CLIP - Lower end gate lock link	12.241
3.	PLATE ASSEMBLY - Lower end gate lock base	12.242
4.	HANDLE - Remote control	12.247
5.	PLATE - End gate lock cover	12.242
6.	SPRING - Lower end gate lock	12.241



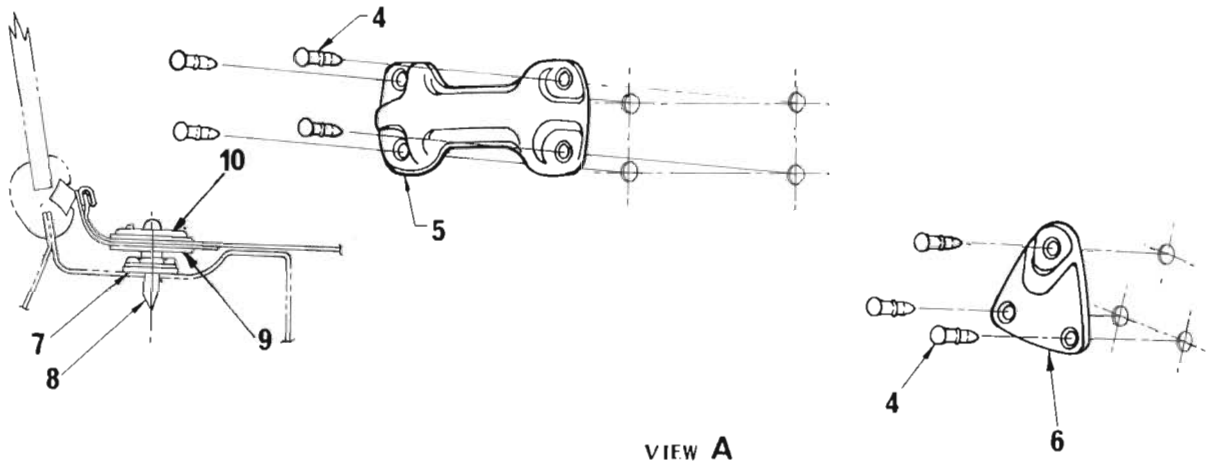
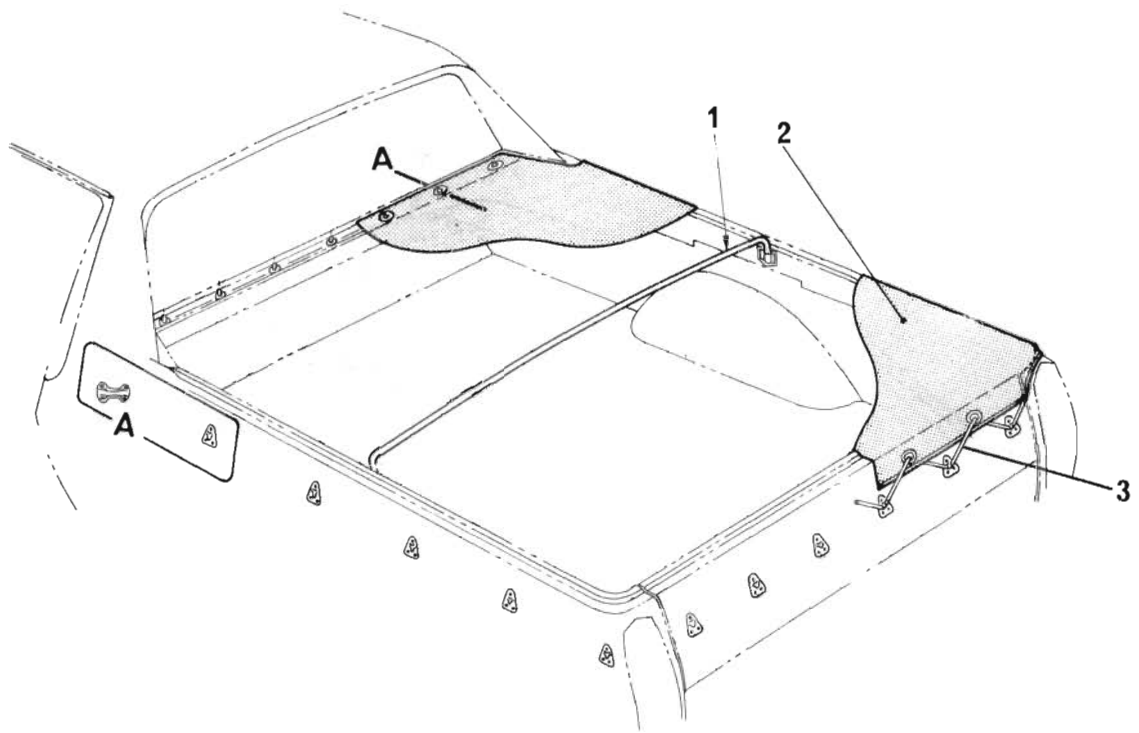
LOWER END GATE HARDWARE
70 and 80 Body Styles

ILLUS. REF. NO.	PART NAME	GROUP
1.	BUMPER – End gate anti-rattle	12.240
2.	GUIDE – Lower lock plunger	12.241
3.	SCREW – End gate hinge to body	12.184
4.	CABLE ASSEMBLY – Lower end gate limit	12.203
5.	BOLT – Lower end gate limit cable	12.203
6.	PLATE – Lower end gate striker	12.237



INNER PANEL COVERS
70, 80 Body Styles

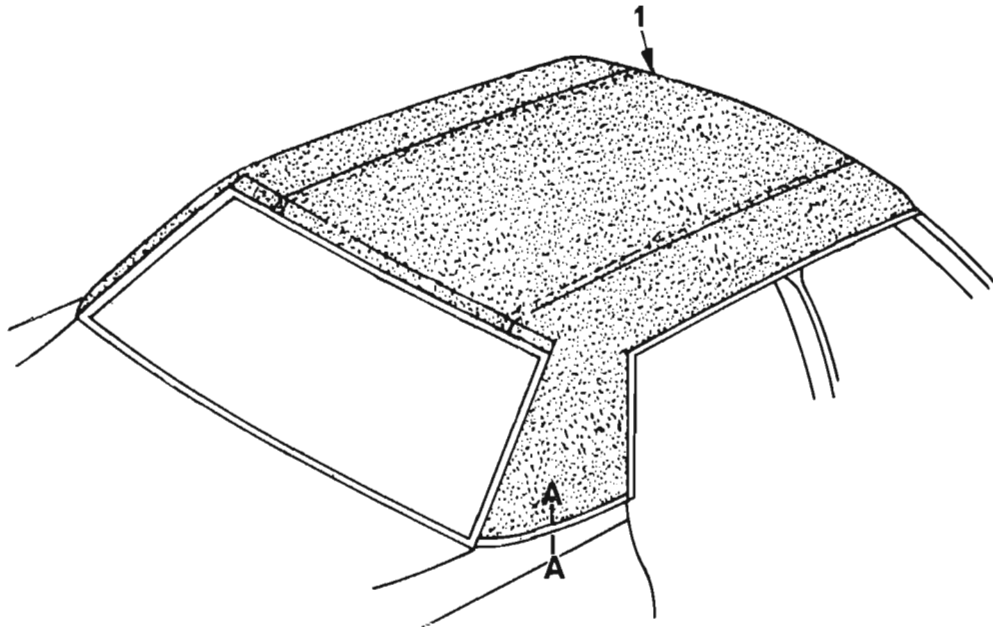
ILLUS. REF. NO.	PART NAME	GROUP
1.	COVER - End gate body pillar	12.948
2.	COVER - Front inner	12.948
3.	EXTENSION - Tonneau rear floor	12.986
4.	COVER - Rear inner	12.948



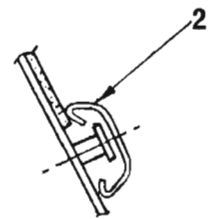
SECTION A-A

TONNEAU COVER
80 Body Styles

ILLUS. REF. NO.	PART NAME	GROUP
1.	SUPPORT — Cover	12.196
2.	COVER — Tonneau	12.196
3.	CORD — Lashing	12.196
4.	PIN — Lashing hook and cleat	12.196
5.	CLEAT — Lashing	12.196
6.	HOOK — Lashing	12.196
7.	WASHER — Stud insulating	12.196
8.	STUD	12.196
9.	PLATE — Socket	12.196
10.	SOCKET — Type 'D' fastener	12.196

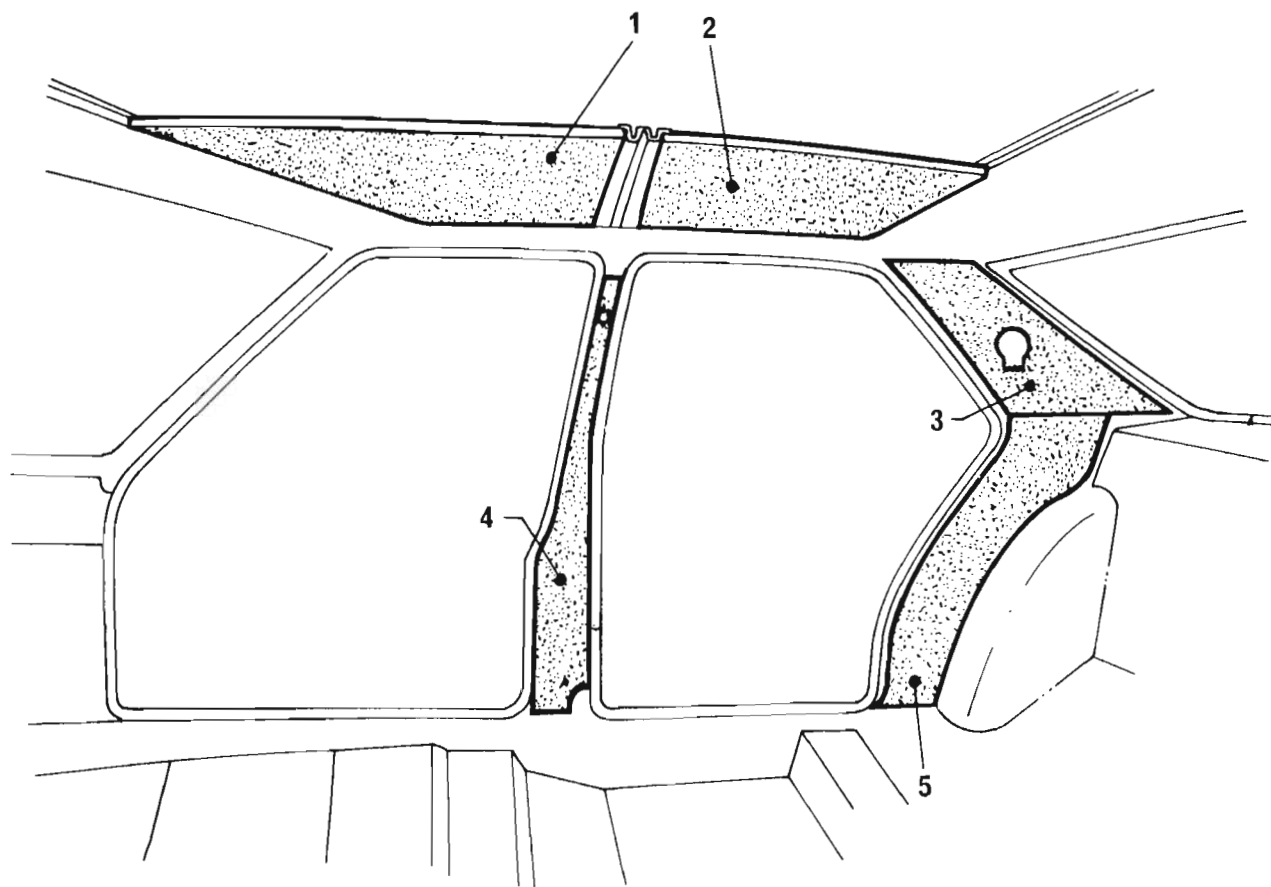


SECTION A - A



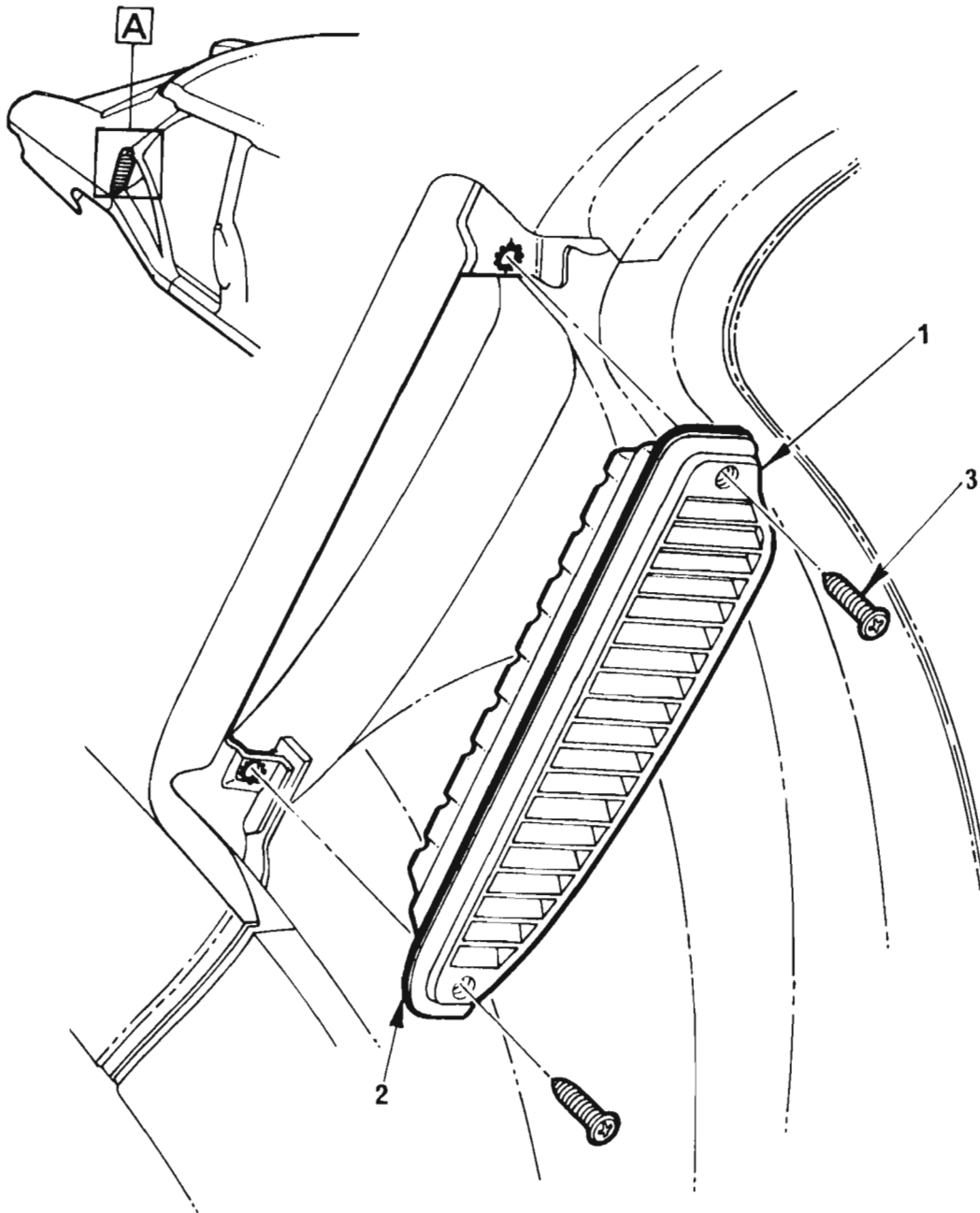
ROOF COVER

ILLUS. REF. NO.	PART NAME	GROUP
1.	COVER - Roof panel	12.810
2.	MOULDING - Rear quarter upper	12.116



INSULATORS and PADS
Model Code 8WT69

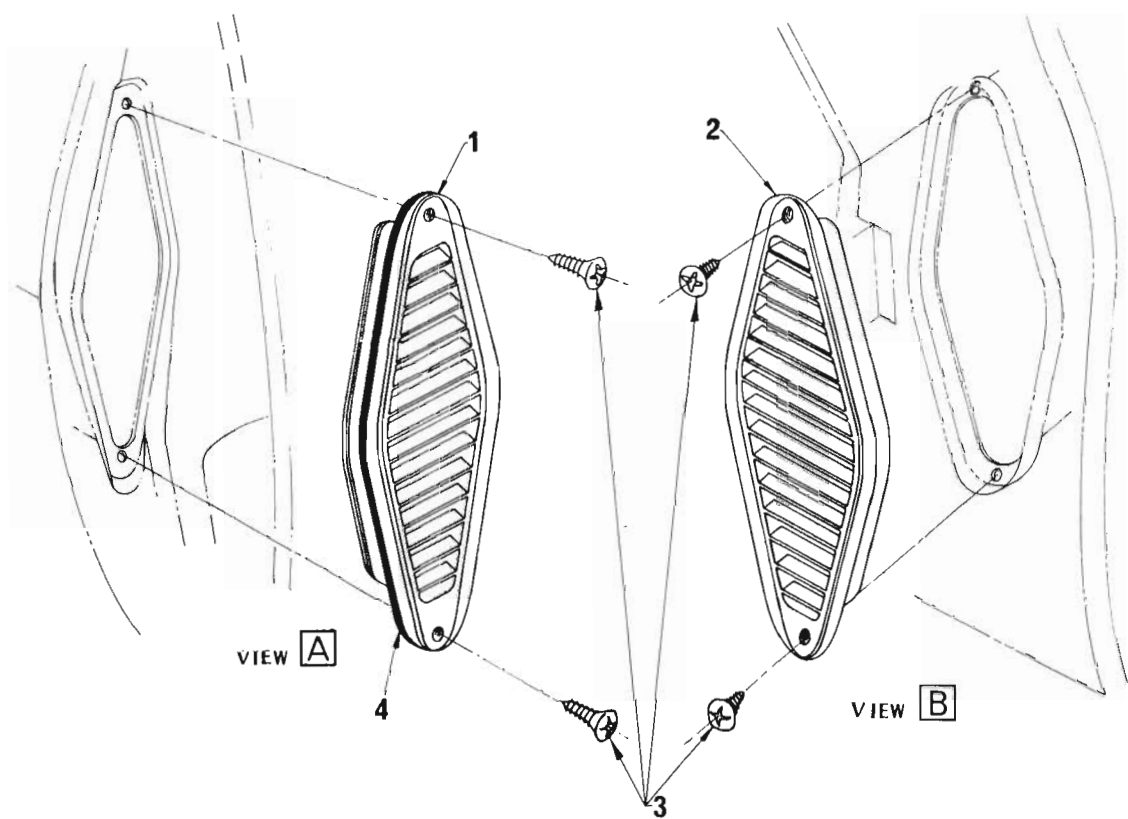
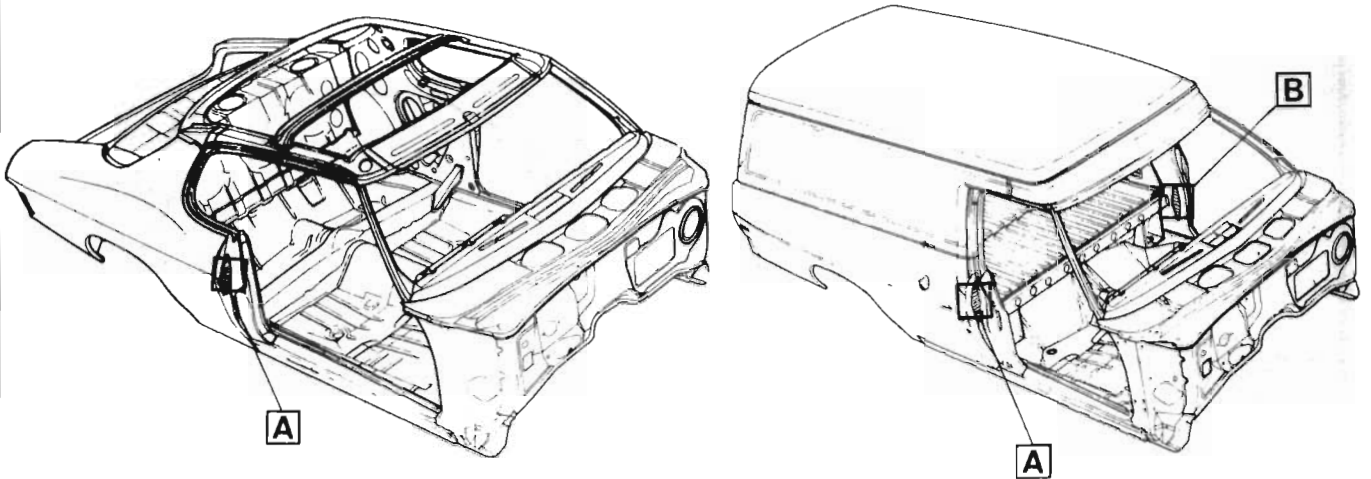
ILLUS. REF. NO.	PART NAME	GROUP
1.	INSULATOR – Roof front	12.810
2.	INSULATOR – Roof rear	12.810
3.	PAD – Rear quarter side upper	14.641
4.	PAD – Centre pillar trim	14.731
5.	PAD – Rear quarter side lower	14.641



VIEW **A**

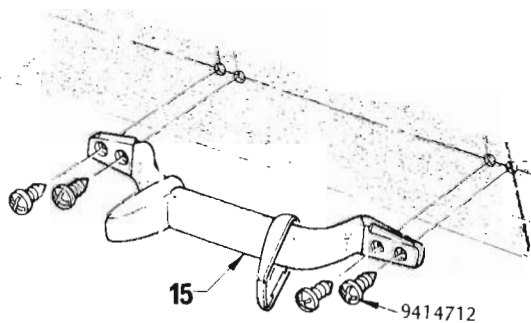
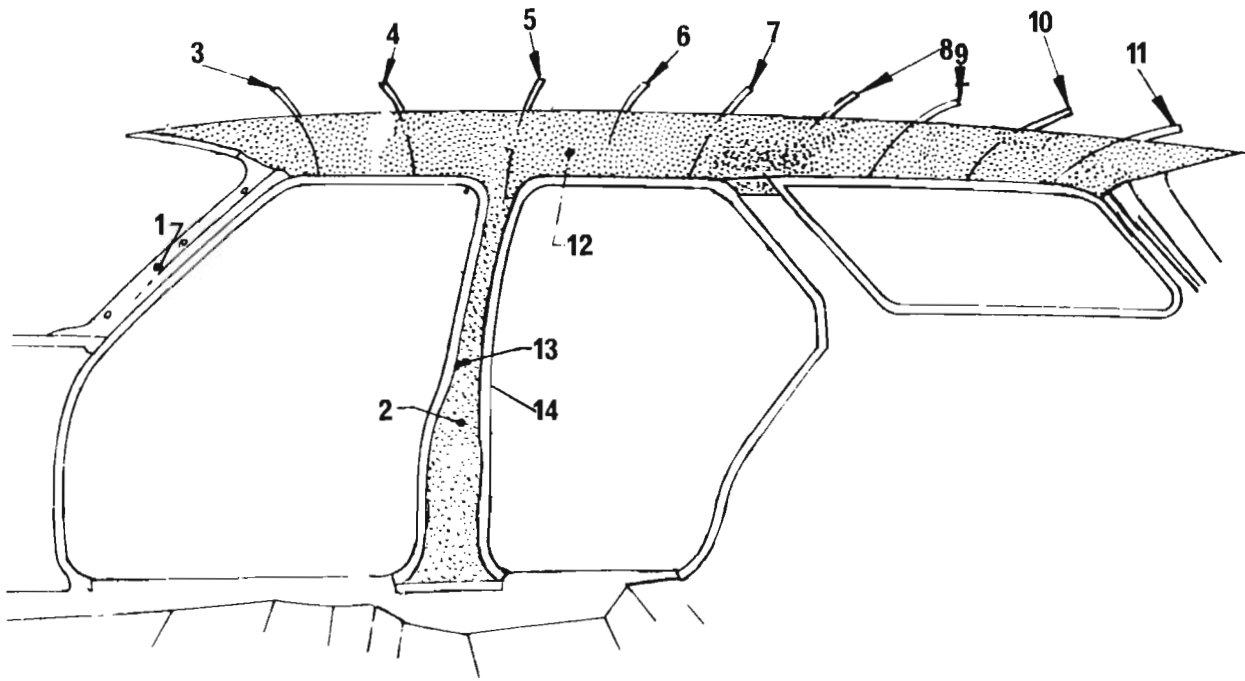
REAR QUARTER RELIEF VALVE
35 and 69 Body Styles

ILLUS. REF. NO.	PART NAME	GROUP
1.	VALVE ASSEMBLY – Pressure relief	12.942
2.	SEALER – Relief valve	12.942
3.	SCREW – Valve assembly to quarter panel	12.942

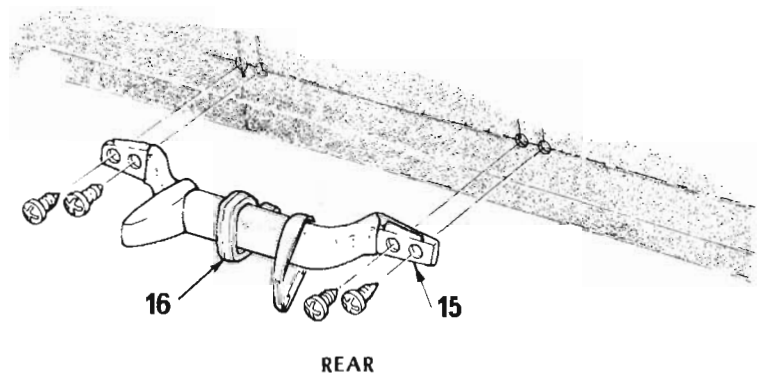


BODY LOCK PILLAR RELIEF VALVE
37, 60, 70 and 80 Body Styles

ILLUS. REF. NO.	PART NAME	GROUP
1.	VALVE ASSEMBLY – Pressure relief	12.942
2.	GRILLE – Relief valve	12.942
3.	SCREW – Valve assembly – to quarter panel	12.942
4.	SEALER – Relief valve	12.942



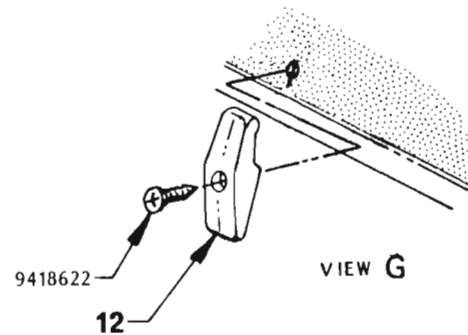
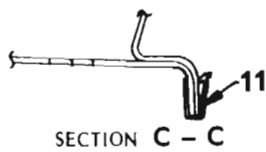
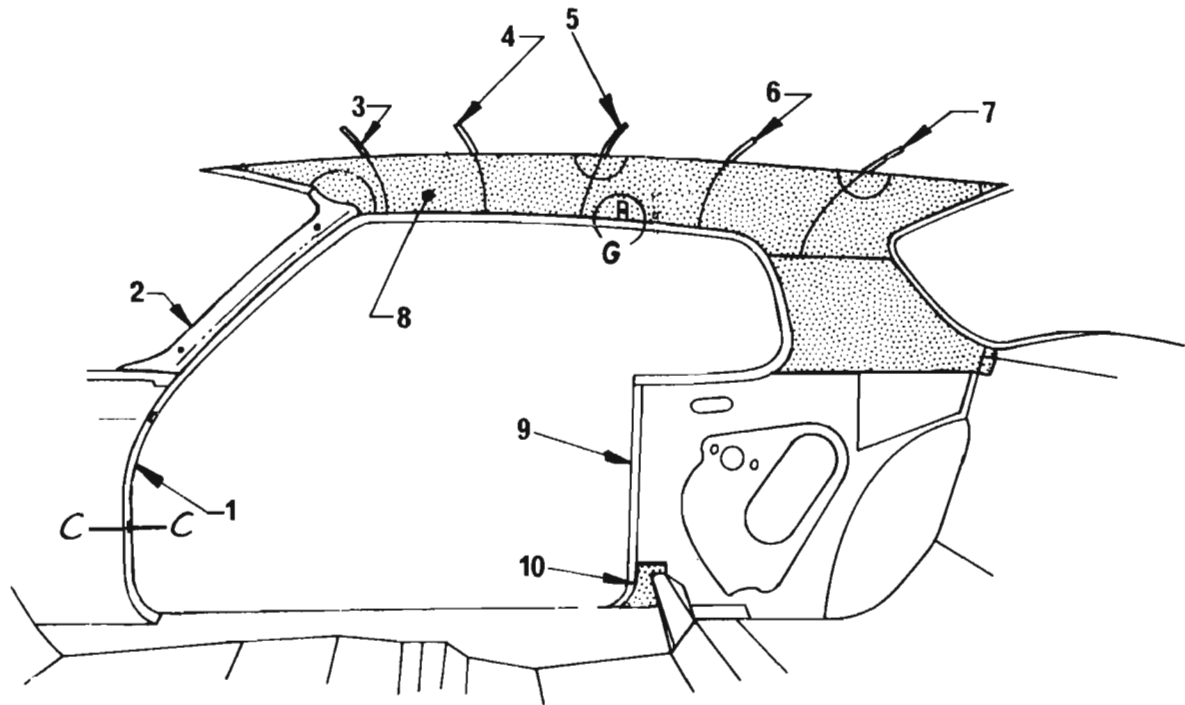
LEFT HAND FRONT



REAR

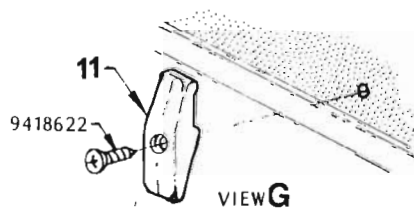
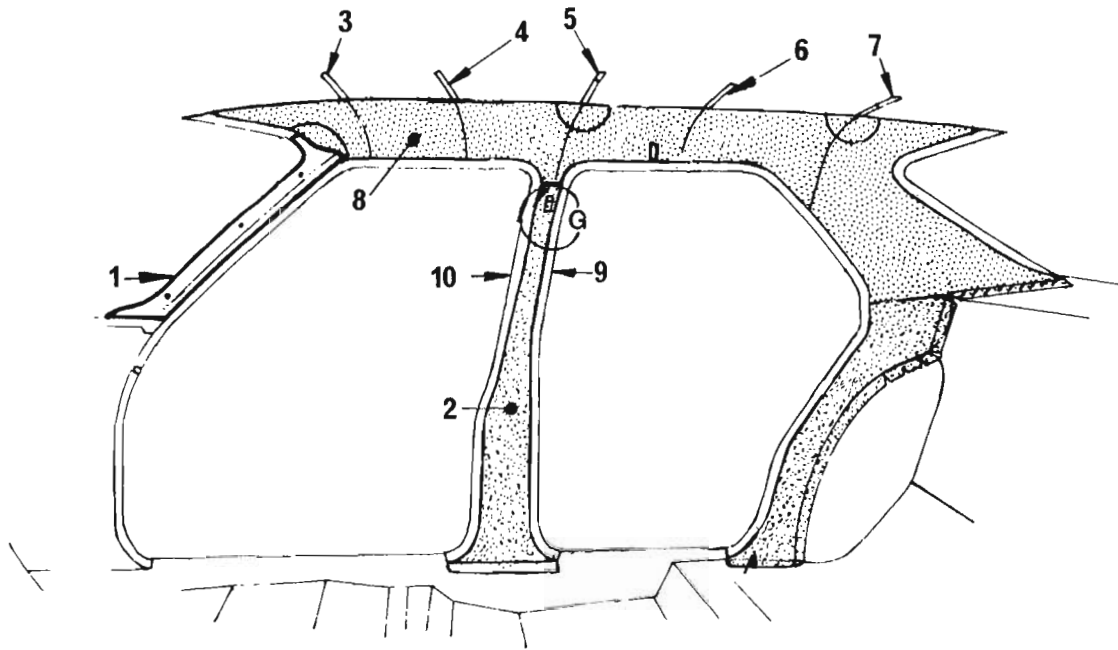
HEADLINING
35 Body Styles

ILLUS. REF. NO.	PART NAME	GROUP
1.	PANEL - Front body pillar garnish	10.051
2.	TRIM - Centre pillar	14.730
3.	WIRE - Headlining listing No. 1	12.955
4.	WIRE - Headlining listing No. 2	12.955
5.	WIRE - Headlining listing No. 3	12.955
6.	WIRE - Headlining listing No. 4	12.955
7.	WIRE - Headlining listing No. 5	12.955
8.	WIRE - Headlining listing No. 6	12.955
9.	WIRE - Headlining listing No. 7	12.955
10.	WIRE - Headlining listing No. 8	12.955
11.	WIRE - Headlining listing No. 9	12.955
12.	HEADLINING	14.640
13.	WINDLACE - Door opening front	15.520
14.	WINDLACE - Door opening rear	15.520
15.	HANDLE - Assist grip	15.390
16.	HOOK - Coat	14.691



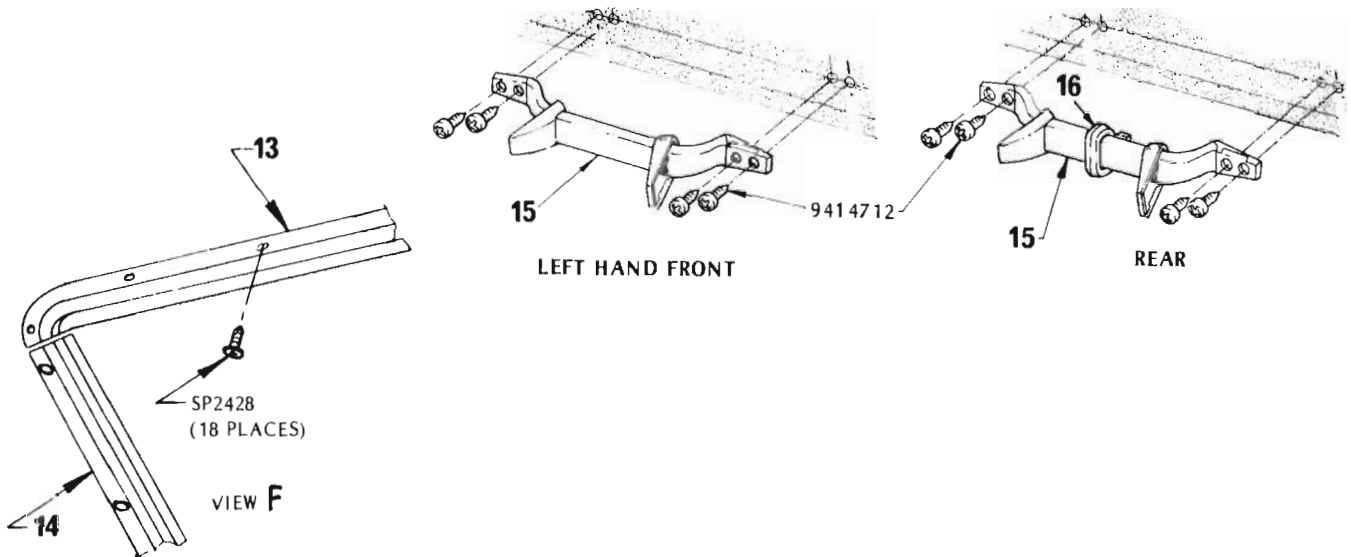
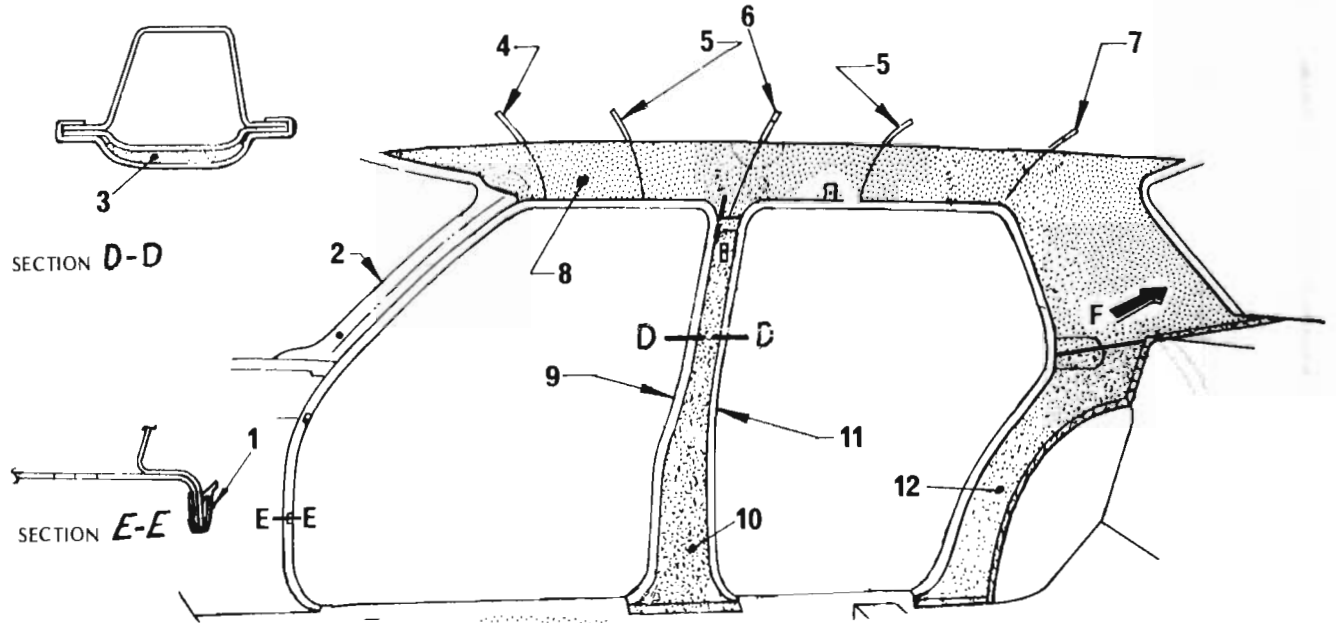
HEADLINING
37 Body Styles

ILLUS. REF. NO.	PART NAME	GROUP	ILLUS. REF. NO.	PART NAME	GROUP
1.	WINDLACE - Door opening - front	15.520	7.	WIRE - Headlining listing No. 5	12.955
2.	PANEL - Front body pillar garnish	10.051	8.	HEADLINING	14.640
3.	WIRE - Headlining listing No. 1	12.955	9.	WINDLACE - Rear quarter opening	15.520
4.	WIRE - Headlining listing No. 2	12.955	10.	TRIM - Rear quarter - lower	15.100
5.	WIRE - Headlining listing No. 3	12.955	11.	CLIP - Windlace	15.520
6.	WIRE - Headlining listing No. 4	12.955	12.	HOOK - Coat	14.651



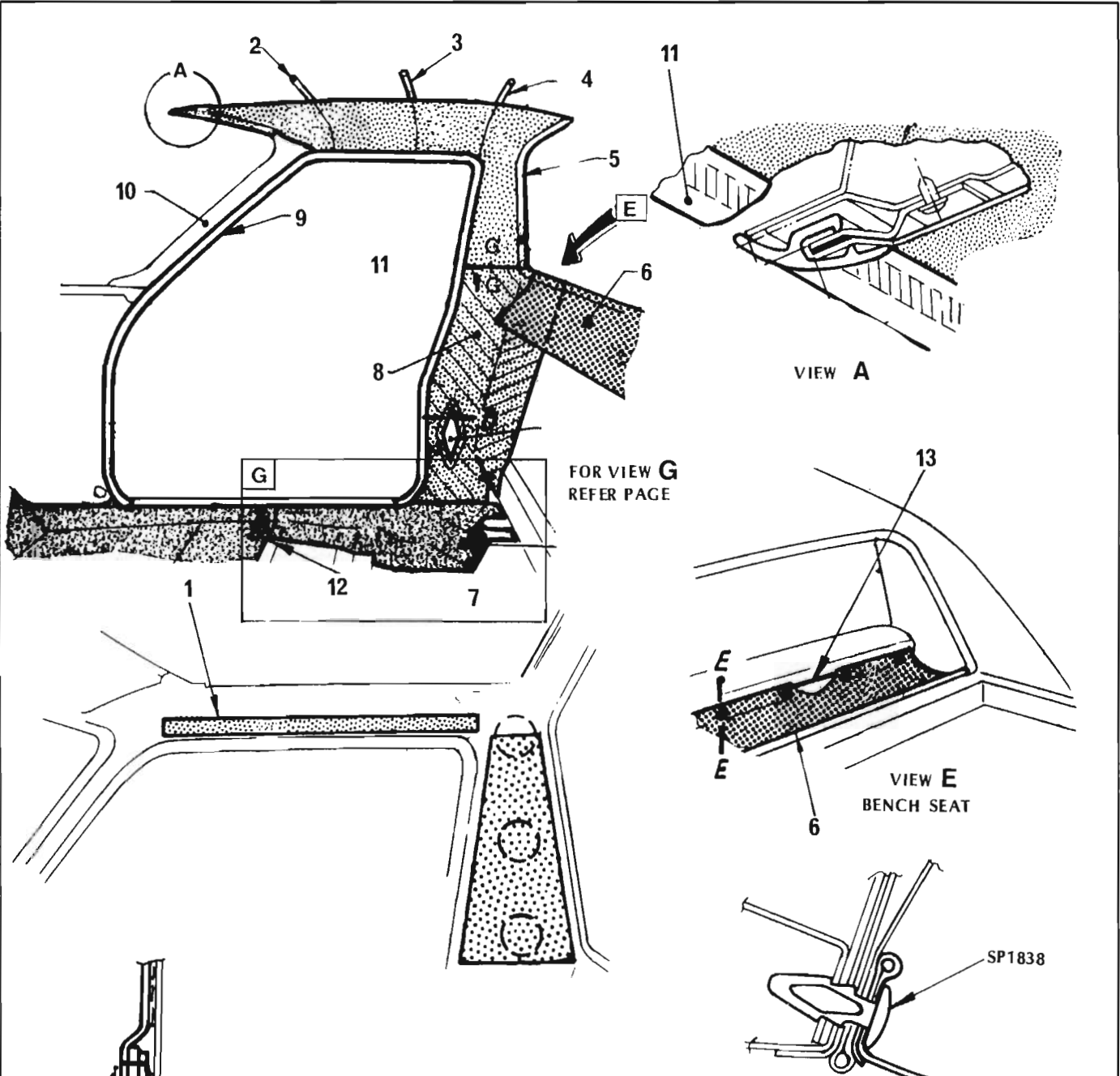
HEADLINING
69 Body Styles exc. Statesman

ILLUS. REF. NO.	PART NAME	GROUP
1.	PANEL - Front body pillar garnish	10.051
2.	TRIM - Centre pillar	14.730
3.	WIRE - Headlining listing No. 1	12.955
4.	WIRE - Headlining listing No. 2	12.955
5.	WIRE - Headlining listing No. 3	12.955
6.	WIRE - Headlining listing No. 4	12.955
7.	WIRE - Headlining listing No. 5	12.955
8.	HEADLINING	14.640
9.	WINDLACE - Door opening - rear	15.520
10.	WINDLACE - Door opening - front	15.520
11.	HOOK - Coat	14.651

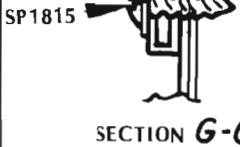


**HEADLINING
STATESMAN**

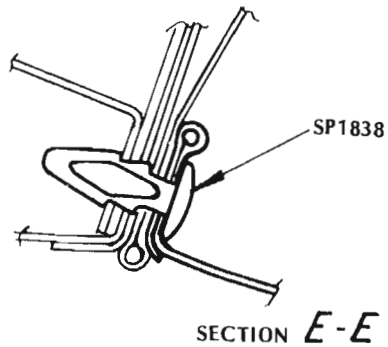
ILLUS. REF. NO.	PART NAME	GROUP	ILLUS. REF. NO.	PART NAME	GROUP
1.	CLIP - Windlace	15.520	10.	TRIM - Centre pillar	14.730
2.	PANEL - Front body pillar garnish	10.051	11.	WINDLACE - Door opening - rear	15.520
3.	PAD - Centre pillar trim	14.731	12.	TRIM - Rear quarter side - lower	15.100
4.	WIRE - Headlining listing No. 1	12.955	13.	RETAINER - Headlining trim rear upper	14.651
5.	WIRE - Headlining listing Nos. 2 & 4	12.955	14.	RETAINER - Headlining trim rear	14.651
6.	WIRE - Headlining listing No. 3	12.955	15.	HANDLE - Assist grip	15.390
7.	WIRE - Headlining listing No. 5	12.955	16.	HOOK - Coat	14.691
8.	HEADLINING	14.640			
9.	WINDLACE - Door opening - front	15.520			

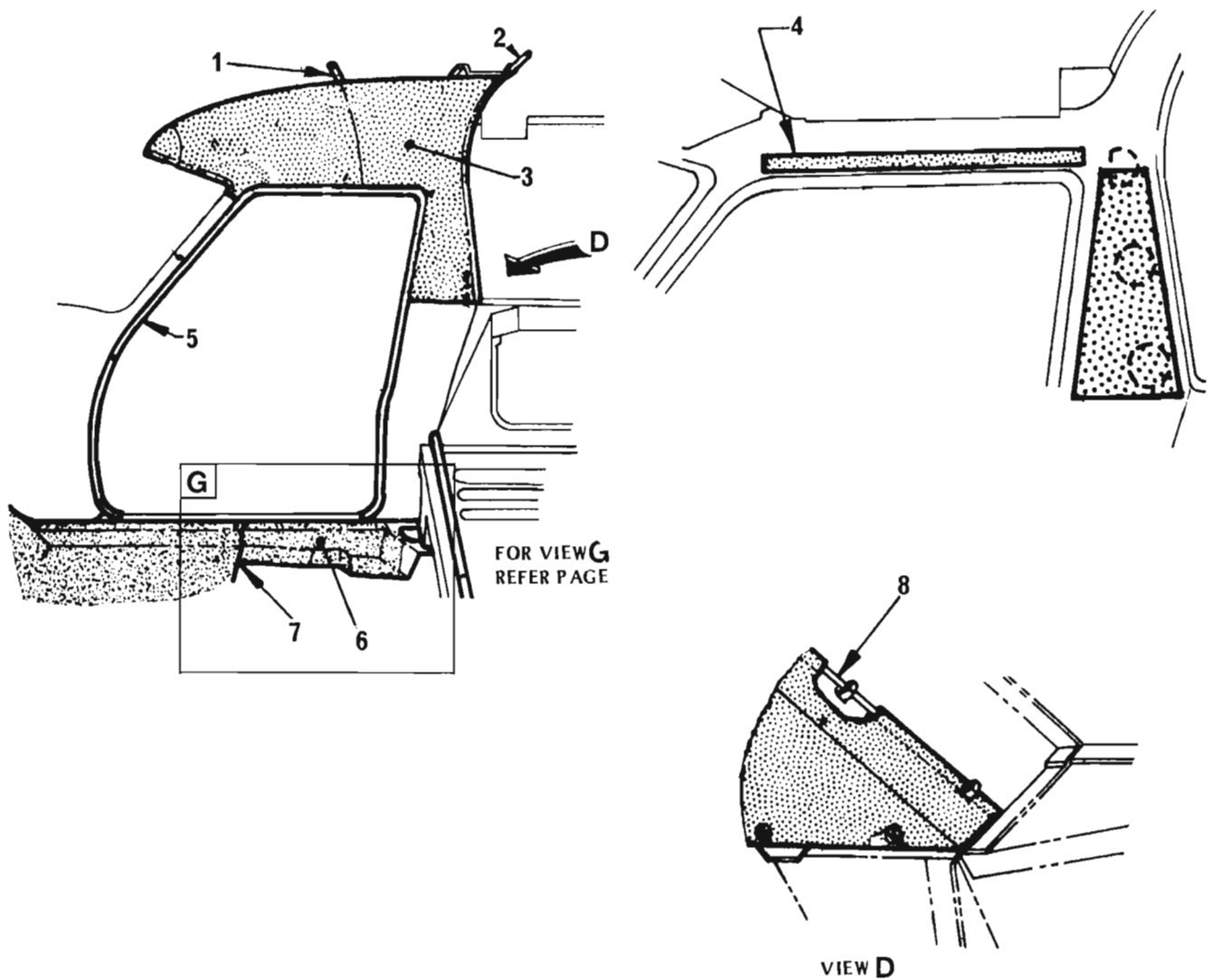


HEADLINING
60,80 Body Styles



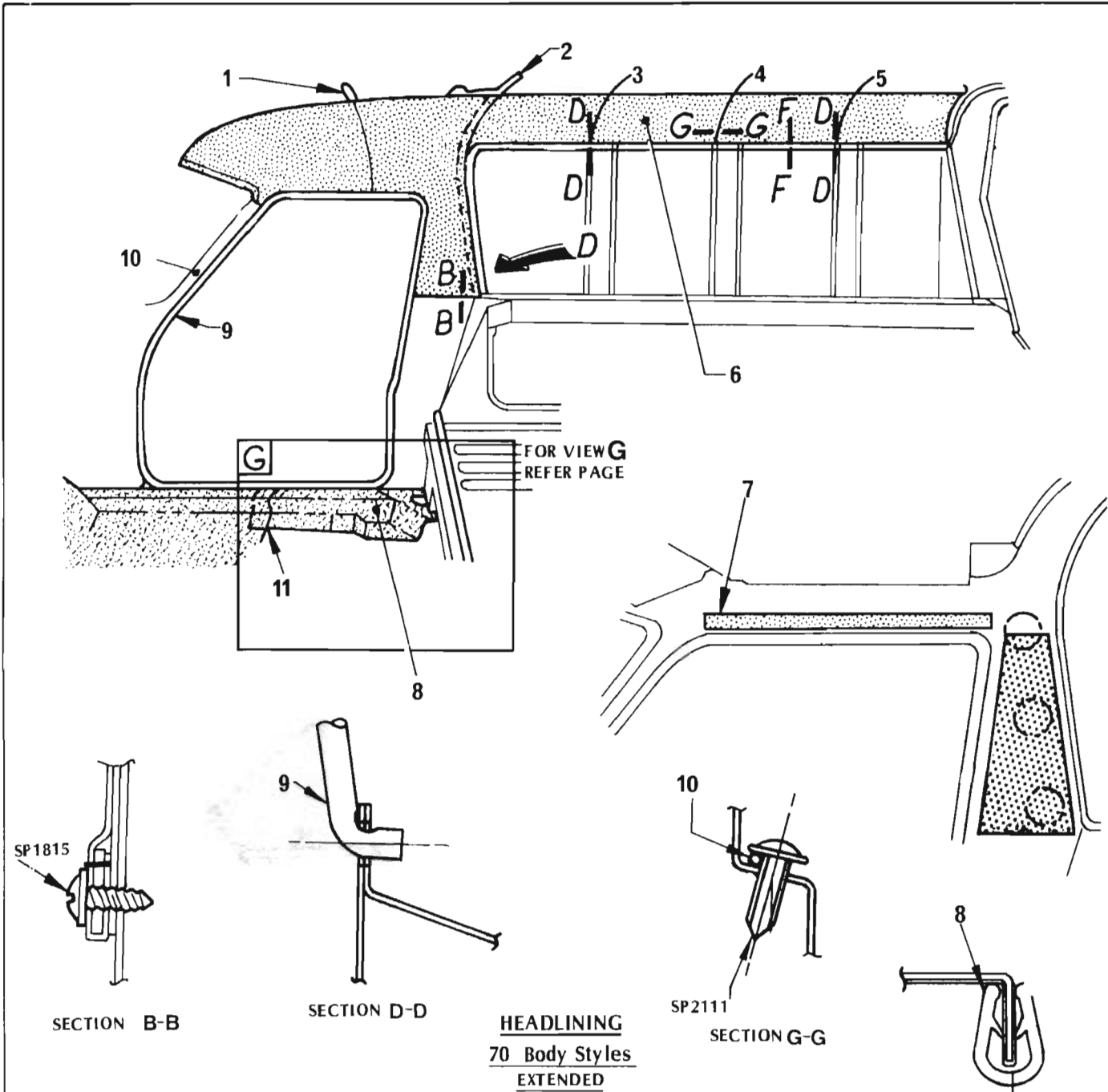
ILLUS. REF. NO.	PART NAME	GROUP
1.	PAD - Side trim 19.1/2" long	14.641
2.	WIRE - Headlining listing No. 1	12.955
3.	WIRE - Headlining listing No. 2	12.955
4.	WIRE - Headlining listing No. 3	12.955
5.	HEADLINING	14.640
6.	TRIM - Rear window to seat	15.024
7.	MAT - Rear floor	15.306
8.	TRIM - Rear quarter lower	15.100
9.	WINDLACE - Door opening	15.520
10.	PANEL - Front body pillar garnish	10.051
11.	VALVE - Pressure relief	12.942
12.	MAT/CARPET - Front floor	15.286
13.	RETAINER - Rear window seat trim	15.024





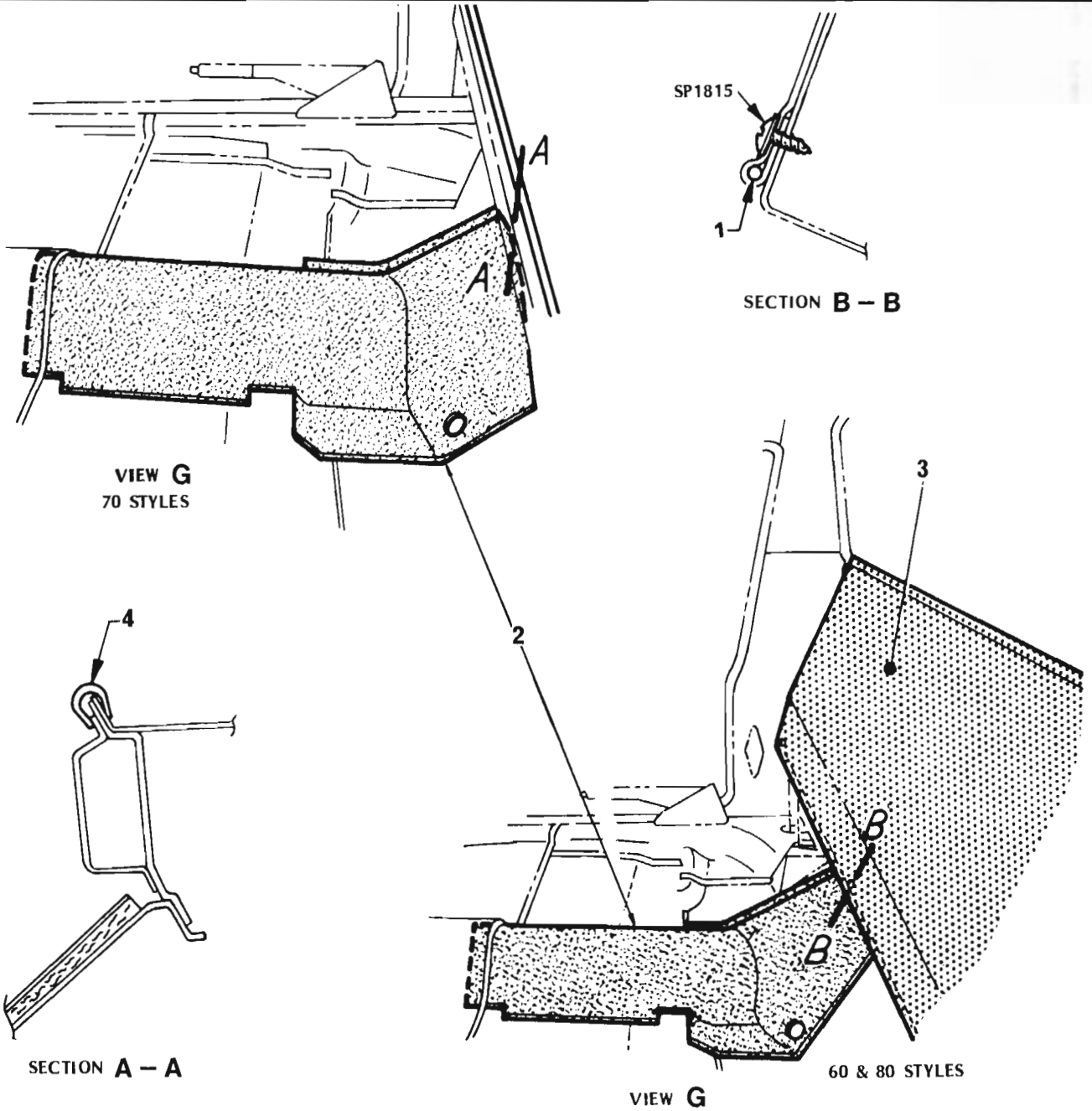
HEADLINING
70 Body Styles

ILLUS. REF. NO.	PART NAME	GROUP
1.	WIRE - Headlining listing No. 1	12.955
2.	WIRE - Headlining listing No. 2	12.955
3.	HEADLINING	14.640
4.	PAD - Side trim 19.1/2" long	14.641
5.	WINDLACE - Door opening	15.520
6.	MAT - Rear floor	15.306
7.	MAT/CARPET - Front floor	15.286
8.	WIRE - Headlining listing - rear edge	12.955



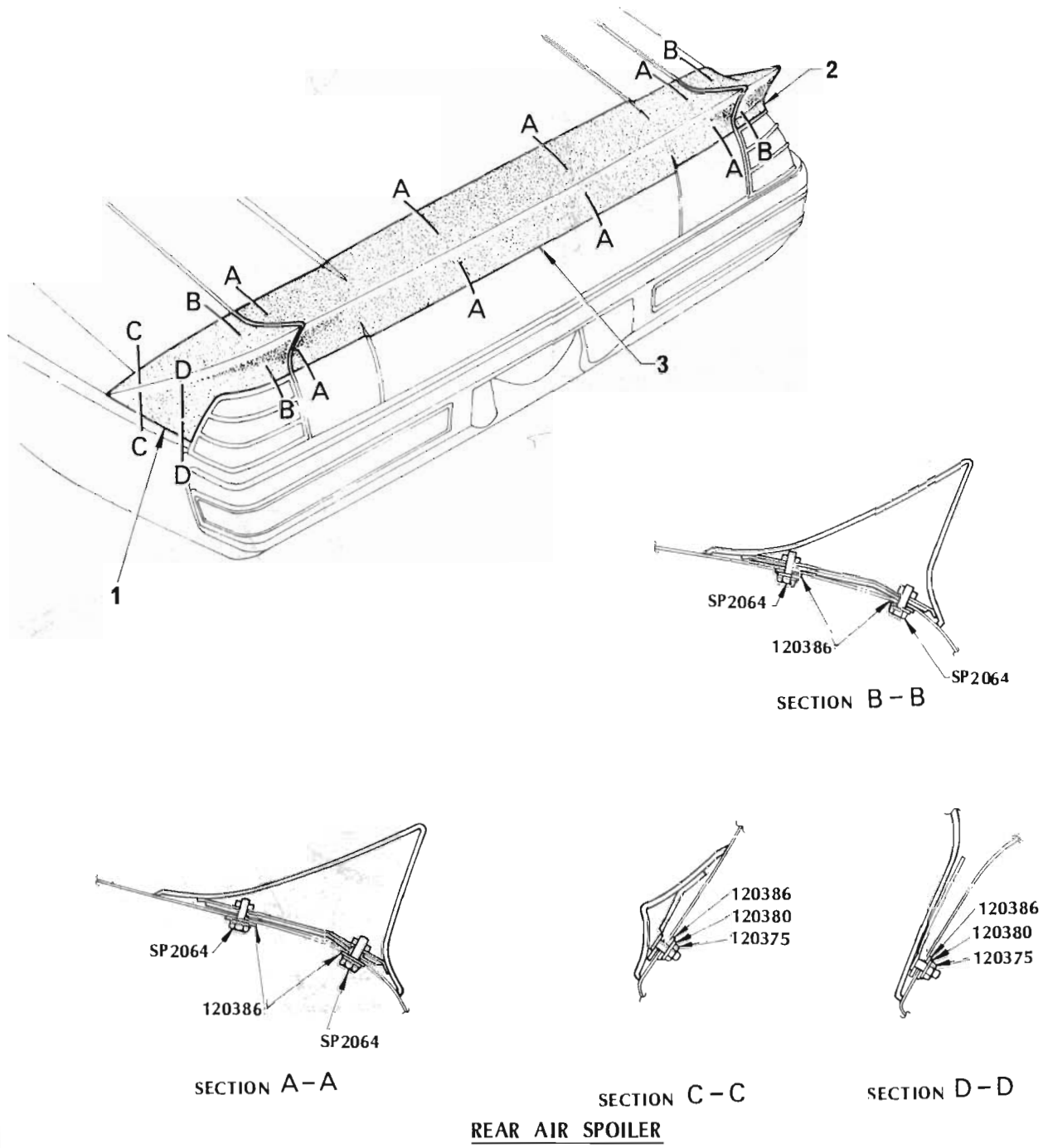
HEADLINING
70 Body Styles
EXTENDED

ILLUS. REF. NO.	PART NAME	GROUP
1.	WIRE - Headlining listing No. 1	12.955
2.	WIRE - Headlining listing No. 2	12.955
3.	WIRE - Headlining listing No. 3	12.955
4.	WIRE - Headlining listing No. 4	12.955
5.	WIRE - Headlining listing No. 5	12.955
6.	HEADLINING	14.640
7.	PAD - Side trim 19.1/2" long	14.641
8.	MAT - Rear floor	15.306
9.	WINDLACE - Door opening	15.520
10.	PANEL - Front body pillar garnish	10.051
11.	MAT/CARPET - Front floor	15.286

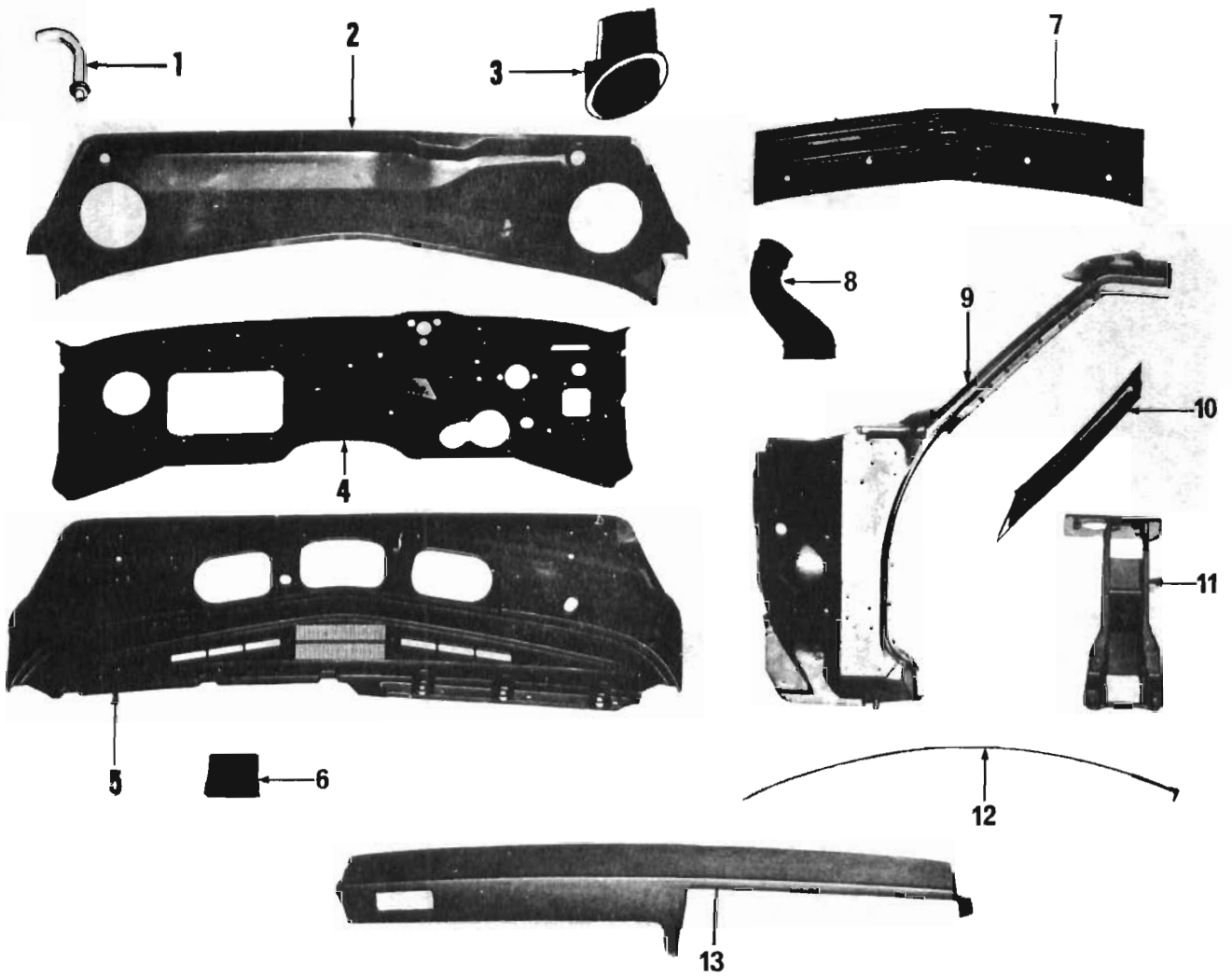


SEAT BACK PANEL TRIM
Bucket Seats
60,70 & 80 Body Styles

ILLUS. REF. NO.	PART NAME	GROUP
1.	PANEL - Front body pillar garnish	10.051
2.	MAT - Rear floor filler	15.306
3.	TRIM - Seat back panel	15.025
4.	LACE - Garnish	12.580

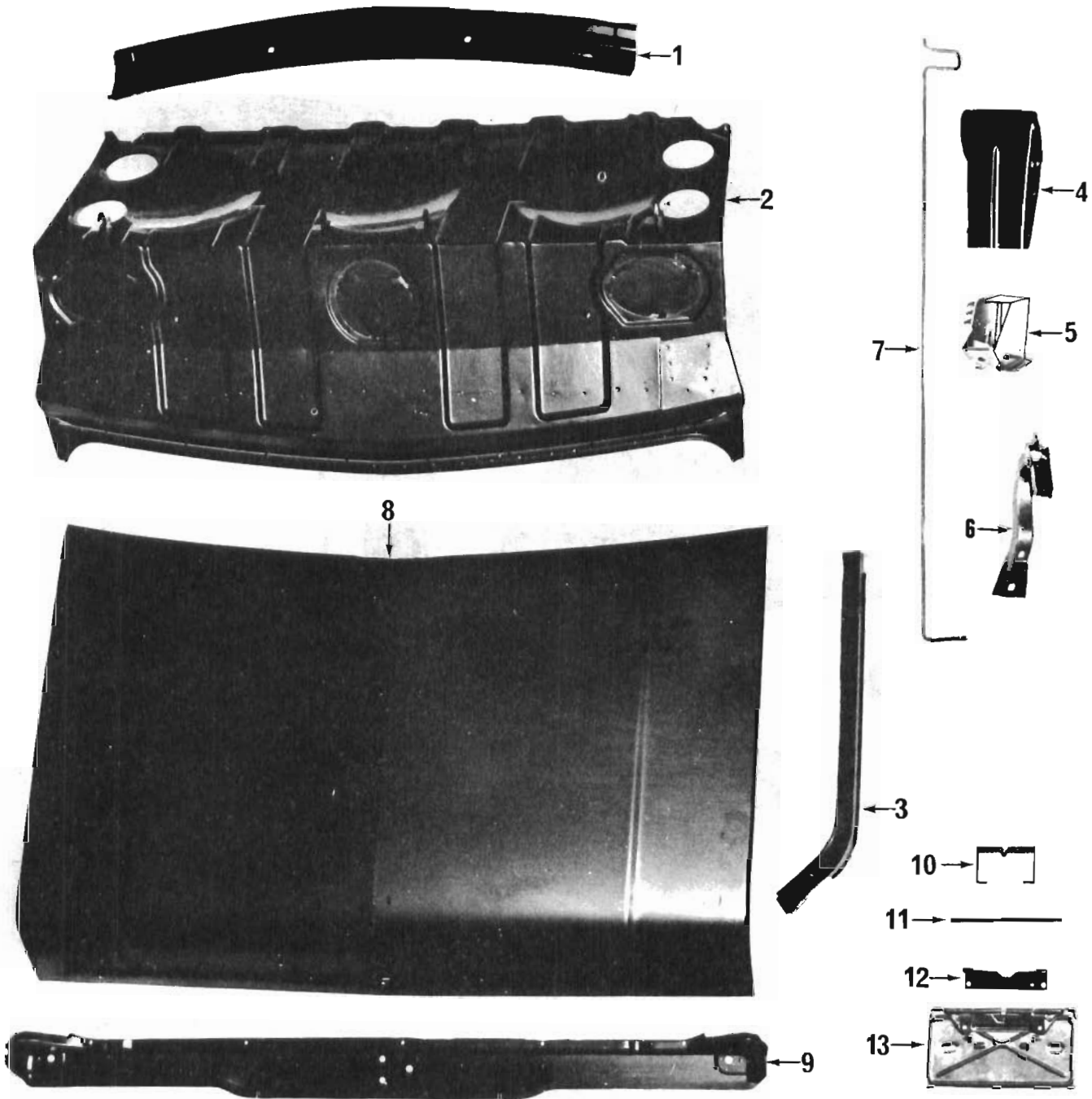


ILLUS. REF. NO.	PART NAME	GROUP
1.	SPOILER ASSEMBLY - Quarter outer LH	12.967
2.	SPOILER ASSEMBLY - Quarter outer RH	12.967
3.	SPOILER ASSEMBLY - Compartment lid	12.967



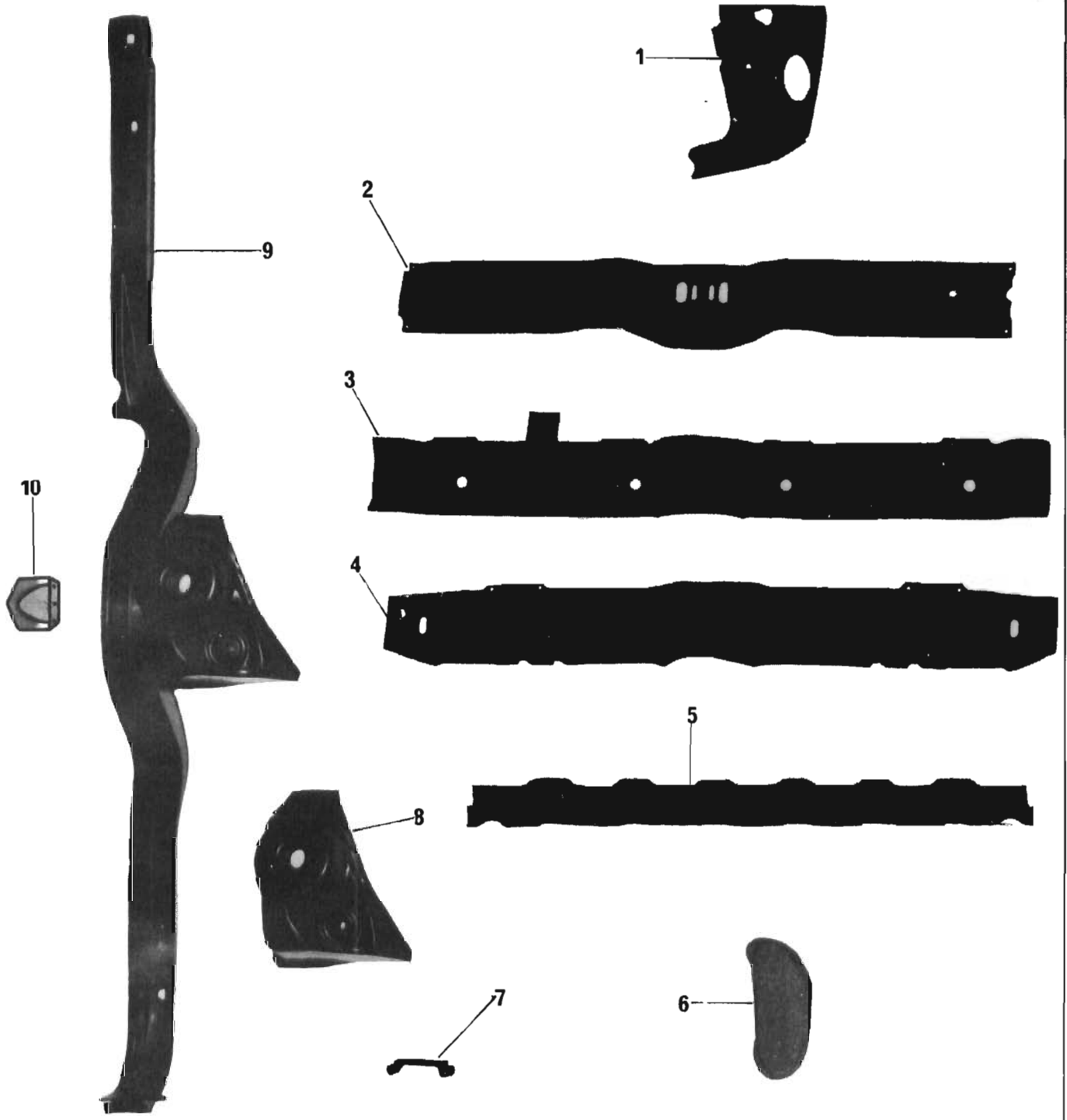
FRONT END BODY PANELS

ILLUS. REF. NO.	PART NAME	GROUP
1.	TUBE - Plenum chamber drain	9.785
2.	PANEL ASSEMBLY - Plenum chamber	12.803
3.	OUTLET ASSEMBLY - Plenum chamber	12.803
4.	PANEL ASSEMBLY - Dash	12.804
5.	PANEL ASSEMBLY - Cowl top	12.805
6.	OUTLET ASSEMBLY - Upper level vent	9.779
7.	FRAME - Windshield	12.807
8.	DUCT - Upper vent outlet	9.779
9.	PILLAR ASSEMBLY - Front body	12.805
10.	PANEL - Front body pillar garnish	10.051
11.	BRACE ASSEMBLY - Steering column to dash	6.761
12.	CONTROL ASSEMBLY - Plenum chamber outlet	9.787
13.	PAD ASSEMBLY - Instrument panel	14.655



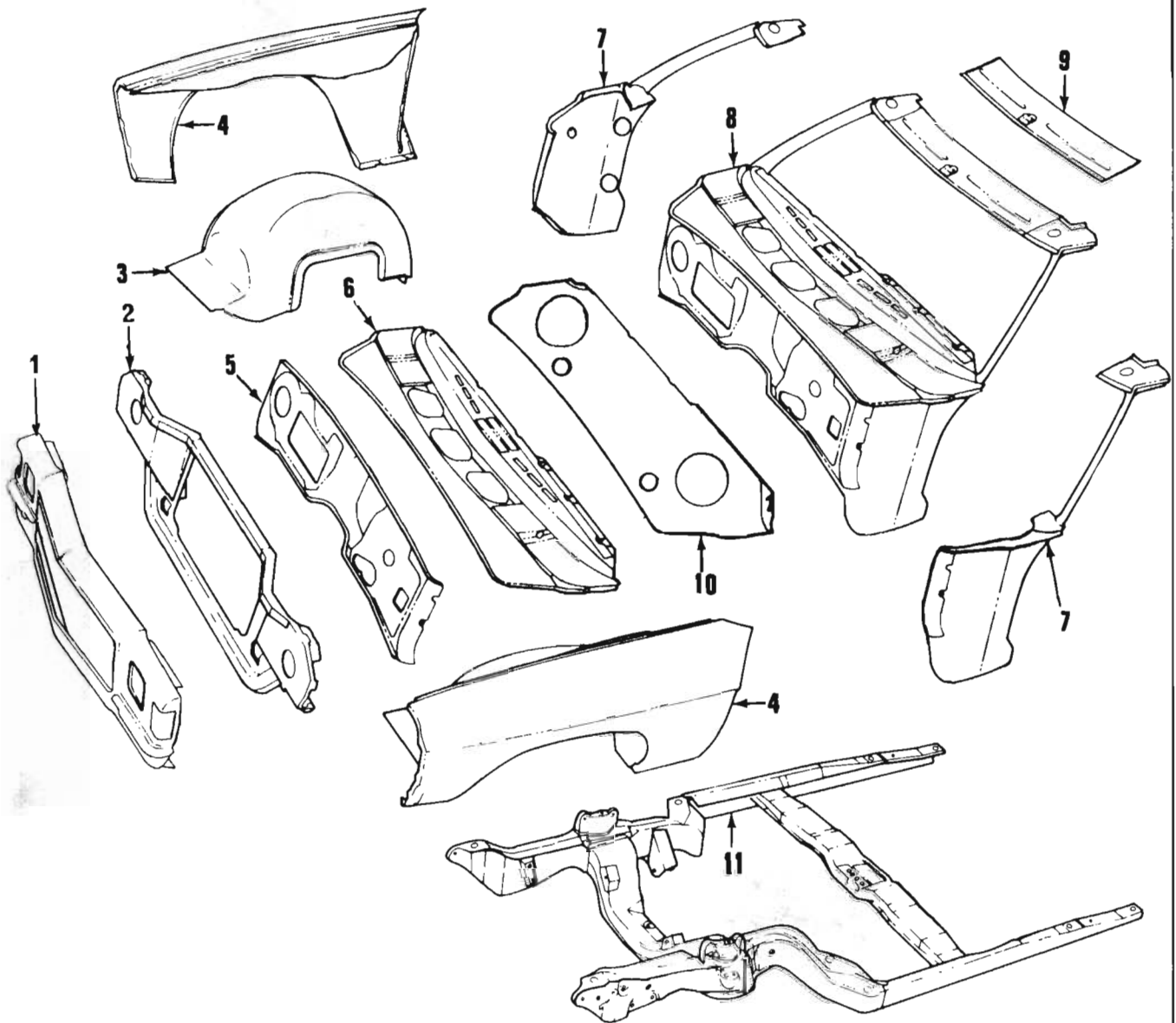
REAR END BODY PANELS
Sedan and 'LE'

ILLUS. REF. NO.	PART NAME	GROUP	ILLUS. REF. NO.	PART NAME	GROUP
1.	FRAME - Rear window	11.200	8.	LID ASSEMBLY - Deck	12.181
2.	PANEL ASSY. - Rear compartment front	12.971	9.	PANEL - Rear end inner	12.966
3.	REINF. - Rear compartment front	12.971	10.	SPRING - Fuel tank filler door	12.966
4.	BRACE - Deck lid hinge bracket	12.184	11.	PIN - Fuel tank filler door	12.966
5.	BRACKET ASSY. - Deck lid hinge mounting	12.184	12.	BRACKET - Fuel tank filler door	12.966
6.	HINGE ASSY. - Deck lid	12.184	13.	DOOR ASSEMBLY - Fuel tank filler	12.966
7.	ROD - Deck lid torque	12.187			



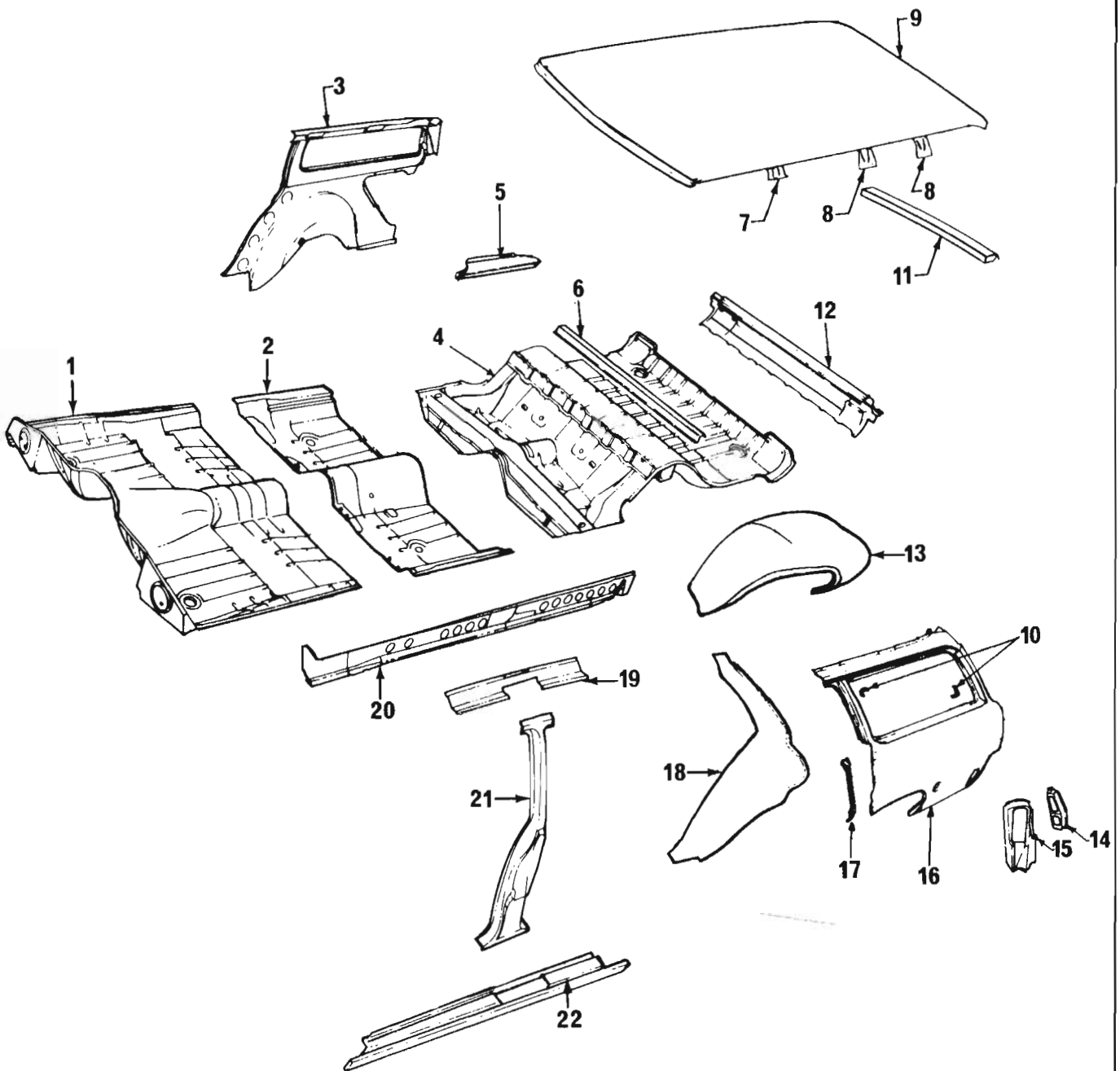
UNDERBODY MEMBERS

ILLUS. REF. NO.	PART NAME	GROUP	ILLUS. REF. NO.	PART NAME	GROUP
1.	BRACE ASSY. - Frame to floor pan	12.972	6.	PROTECTOR - Fuel filler pipe	3.003
2.	MEMBER - Transmission mounting cross	12.982	7.	SPACER - Rear bumper bar mounting	7.865
3.	BAR ASSY. - Underbody No. 1 cross	12.982	8.	BRACKET - Rear spring & shock abs. mtg.	12.984
4.	BAR ASSY. - Underbody No. 2 cross	12.982	9.	MEMBER - Underbody side	12.982
5.	BAR ASSY. - Underbody No. 3 cross	12.982	10.	MOUNTING - Rear axle bumper	7.536



BODY PANELS
Station Wagons

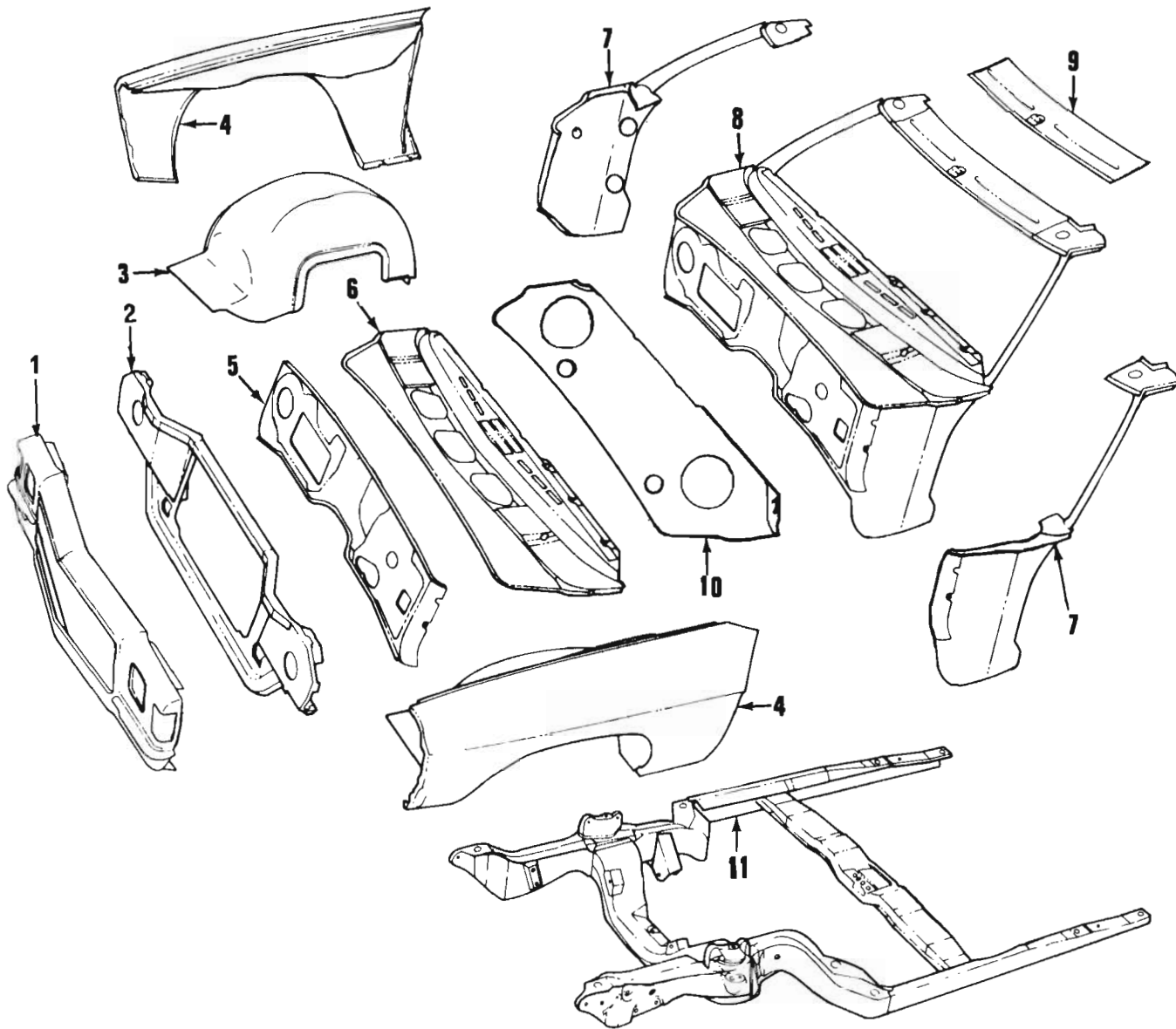
ILLUS. REF. NO.	PART NAME	GROUP	ILLUS. REF. NO.	PART NAME	GROUP
1.	PANEL - Front end	1.266	7.	PILLAR ASSY. - Front body	12.805
2.	PANEL ASSY. - Radiator support	1.270	8.	COWL ASSY.	12.803
3.	SKIRT ASSY. - Front fender	8.153	9.	FRAME - Windshield	12.807
4.	FENDER ASSY. - Front	8.130	10.	PANEL ASSY. - Plenum chamber	12.803
5.	PANEL ASSY. - Dash	12.804	11.	FRAME ASSY.	7.003
6.	PANEL ASSY. - Cowl top	12.805			



BODY PANELS

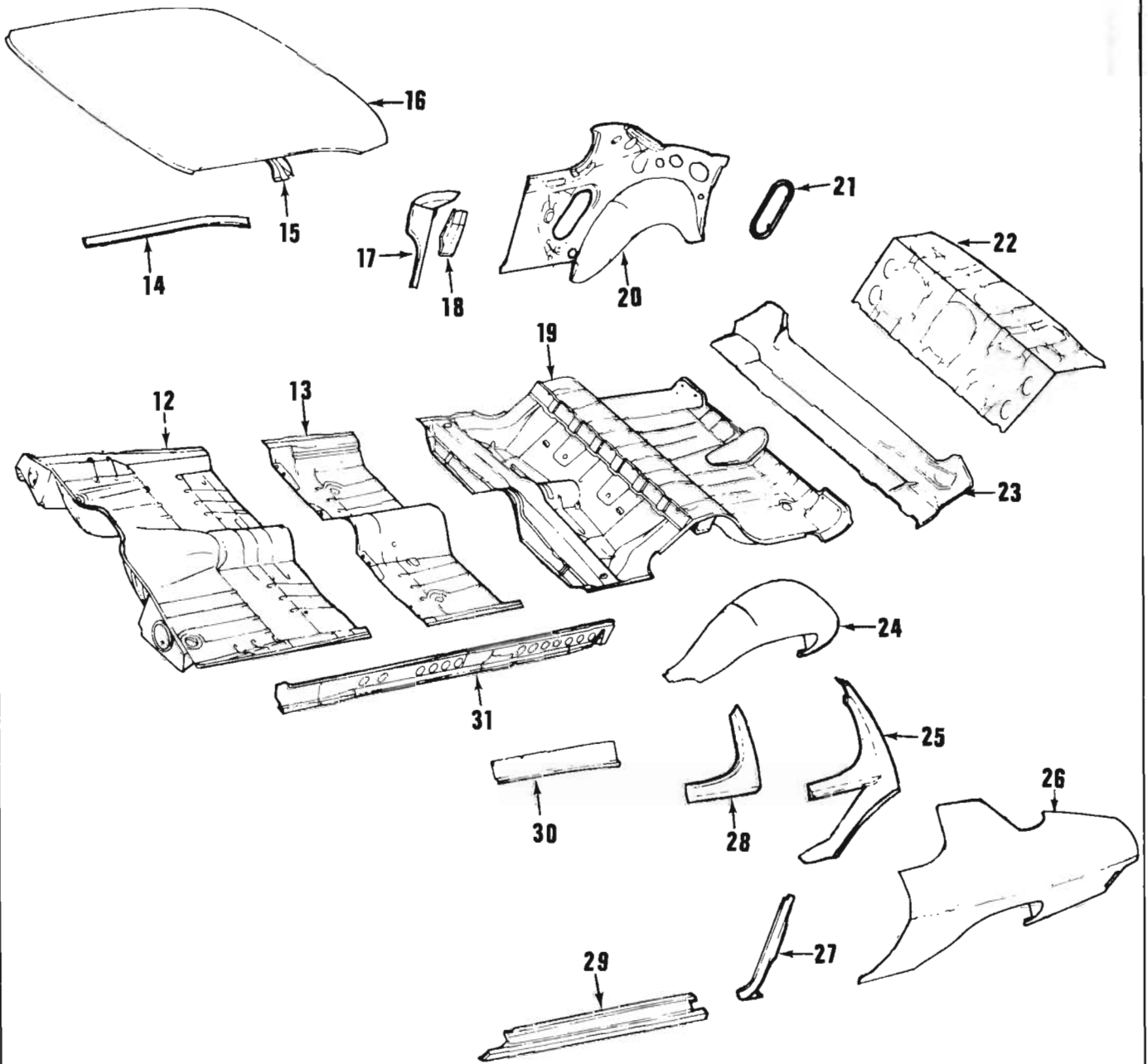
Station Wagons

ILLUS. REF. NO	PART NAME	GROUP	ILLUS. REF. NO	PART NAME	GROUP
1.	PAN ASSY. - Front floor	12.972	12.	PANEL ASSY. - Rear end	12.966
2.	PAN ASSY. - Centre floor	12.972	13.	PANEL - Wheelhouse	12.944
3.	PANEL ASSY. - Rear quarter inner	12.941	14.	SUPPORT - Tail lamp,	12.940
4.	PAN ASSY. - Rear floor	12.981	15.	PILLAR ASSY. - End gate body outer	12.951
5.	SILL - Tonneau floor side	12.986	16.	PANEL ASSY. - Rear quarter outer	12.940
6.	BAR - Tonneau floor No. 4 cross	12.982	17.	REINFORCEMENT - Rear quarter panel front	12.940
7.	BOW ASSY. - Roof front	12.952	18.	PANEL ASSY. - Rear body lock pillar	12.942
8.	BOW ASSY. - Roof	12.952	19.	RAIL - Roof side inner	12.956
9.	ROOF ASSY.	12.810	20.	PANEL - Rocker inner	12.934
10.	FILLER - Panel upper & lower	12.940	21.	PANEL ASSY. - Centre pillar	12.491
11.	RAIL ASSY. - Roof rear	12.956	22.	PANEL - Rocker outer	12.934



BODY PANELS
"LE"

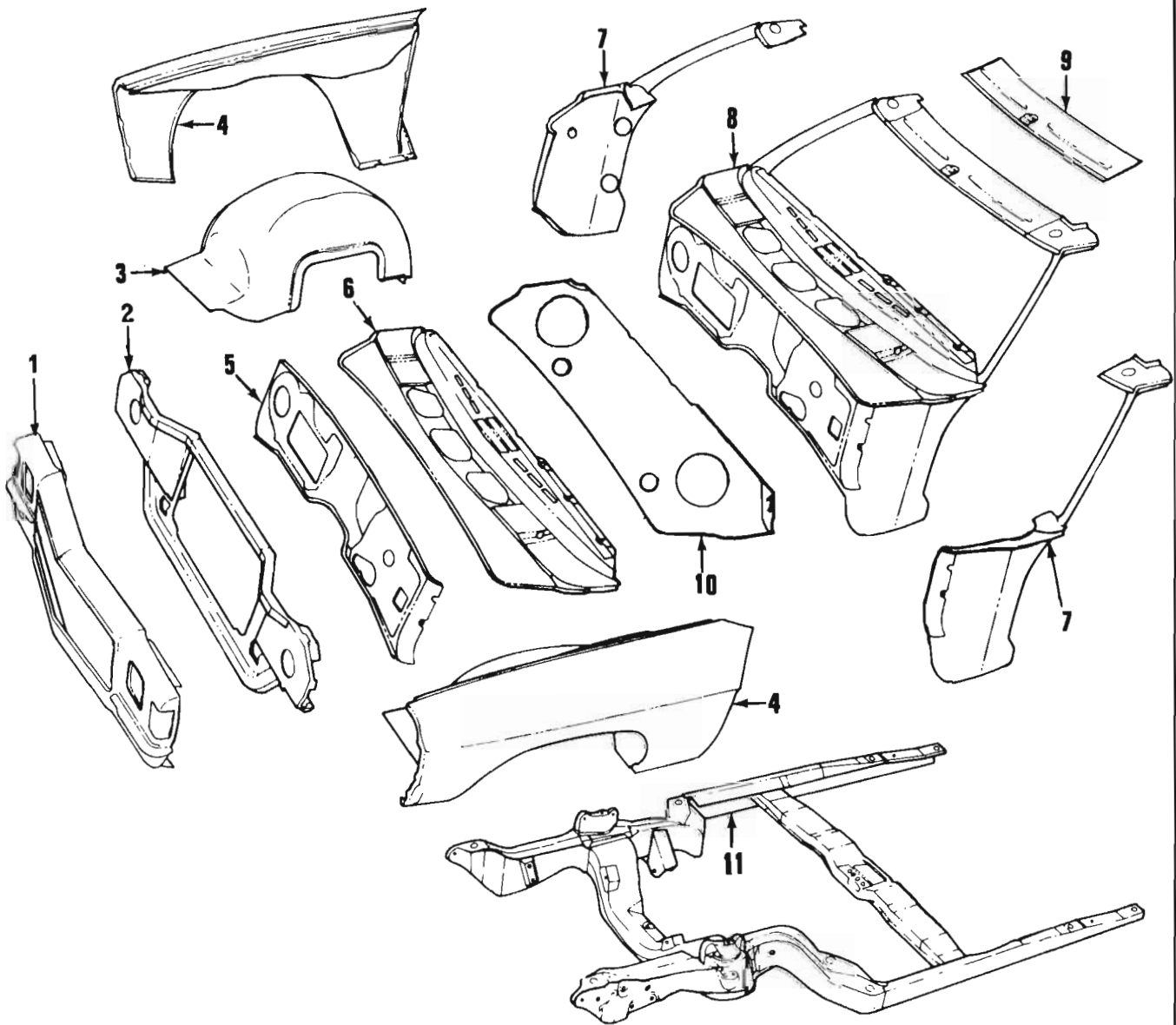
ILLUS. REF. NO.	PART NAME	GROUP	ILLUS. REF. NO.	PART NAME	GROUP
1.	PANEL - Front end	1.266	7.	PILLAR ASSY. - Front body	12.805
2.	PANEL ASSY. - Radiator support	1.270	8.	COWL ASSY.	12.803
3.	SKIRT ASSY. - Front fender	8.153	9.	FRAME - Windshield	12.807
4.	FENDER ASSY. - Front	8.130	10.	PANEL ASSY. - Plenum chamber	12.803
5.	PANEL ASSY. - Dash	12.804	11.	FRAME ASSY.	7.003
6.	PANEL ASSY. - Cowl top	12.805			



BODY PANELS

"LE"

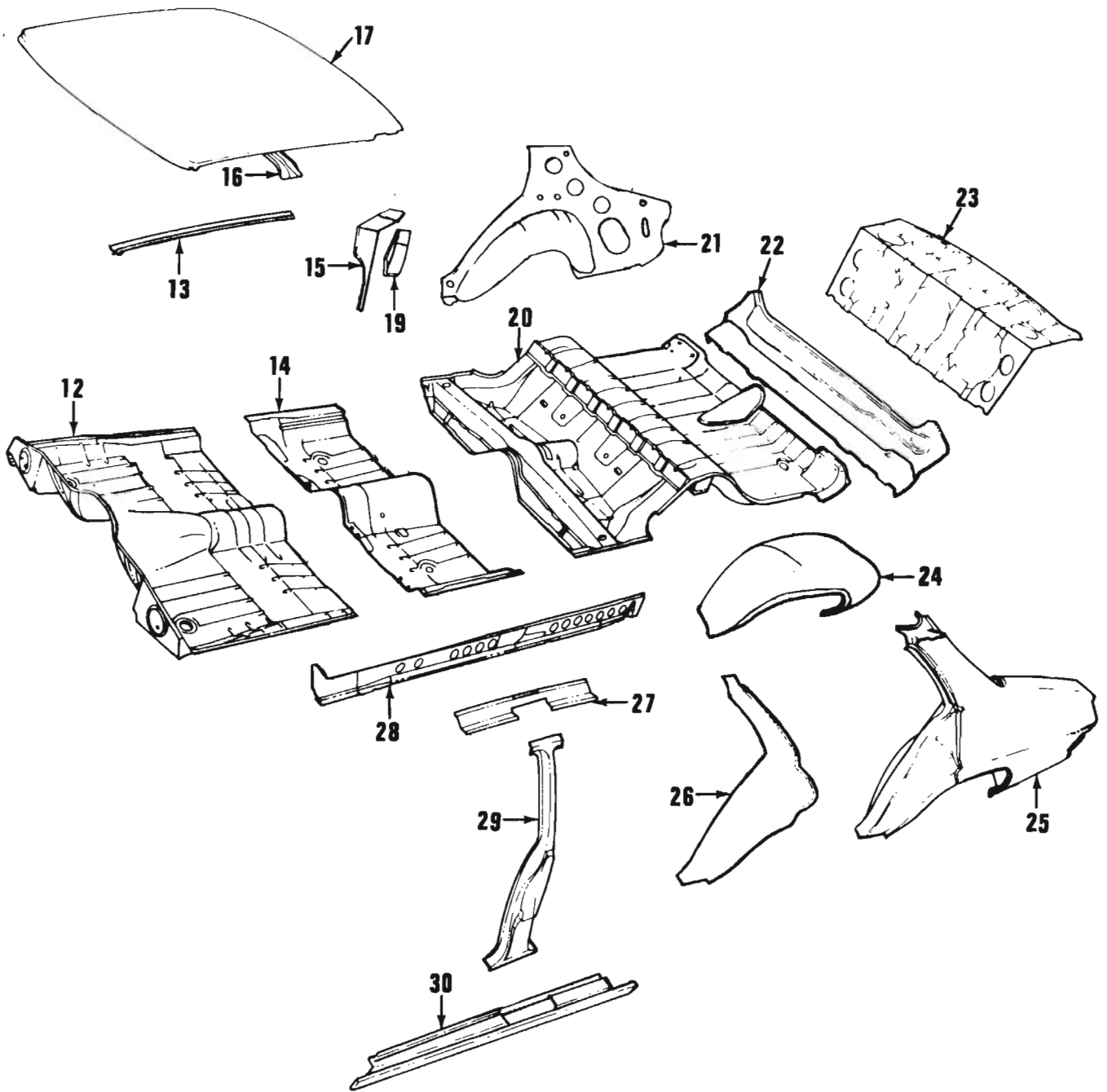
ILLUS. REF. NO.	PART NAME	GROUP	ILLUS. REF. NO.	PART NAME	GROUP
12.	PAN ASSY. — Front floor	12.972	22.	PANEL ASSY. — Rear compartment front	12.971
13.	PAN ASSY. — Centre floor	12.972	23.	PANEL ASSY. — Rear end outer	12.966
14.	GUTTER — Roof side	12.811	24.	PANEL — Wheelhouse	12.944
15.	BOW ASSY. — Roof	12.952	25.	PANEL — Rear body pillar	12.942
16.	ROOF ASSY.	12.810	26.	PANEL ASSY. — Rear quarter outer	12.940
17.	EXTENSION ASSY. — Rear comp. front panel	12.971	27.	PANEL ASSY. — Rear body lock pillar	12.942
18.	BRACE — Deck lid hinge bracket	12.184	28.	REINFORCEMENT — Rear quarter window opening	12.940
19.	PAN ASSY. — Rear floor	12.981	29.	PANEL — Rocker outer	12.934
20.	PANEL ASSY. — Rear quarter inner	12.941	30.	RAIL — Roof side inner	12.956
21.	COVER — Rear quarter inner panel	12.941	31.	PANEL — Rocker inner	12.934



BODY PANELS

Sedans

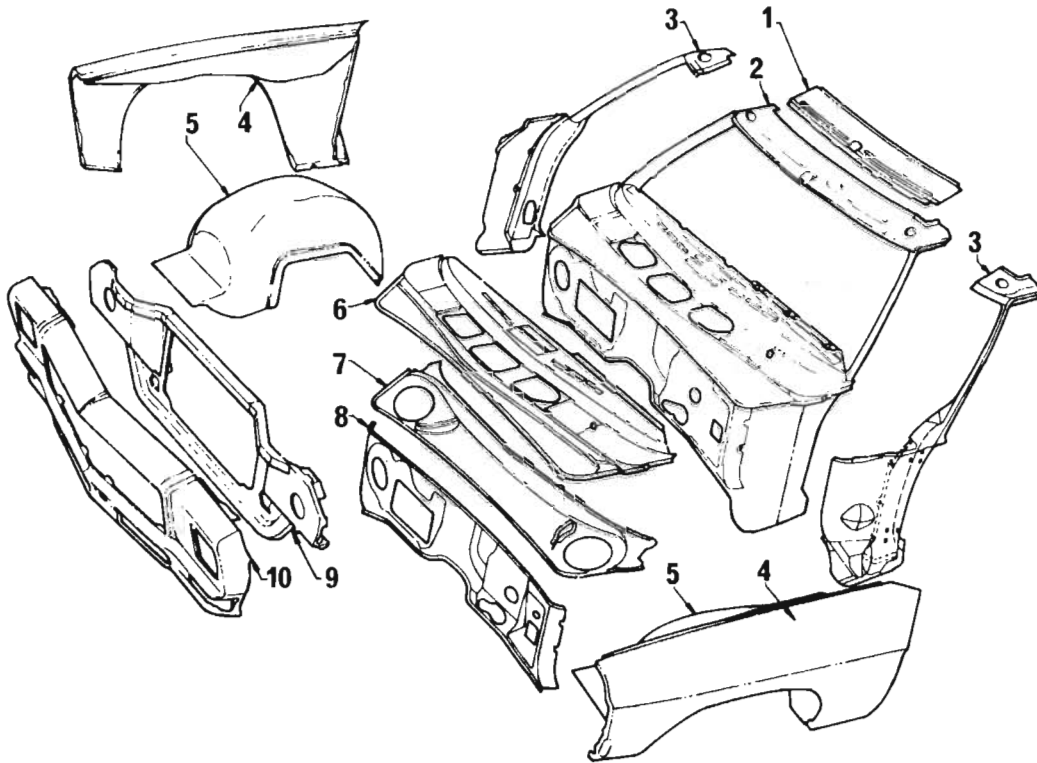
ILLUS. REF. NO.	PART NAME	GROUP	ILLUS. REF. NO.	PART NAME	GROUP
1.	PANEL - Front end	1.266	7.	PILLAR ASSY. - Front body	12.805
2.	PANEL ASSY. - Radiator support	1.270	8.	COWL ASSY.	12.803
3.	SKIRT ASSY. - Front fender	8.153	9.	FRAME - Windshield	12.807
4.	FENDER ASSY. - Front	8.130	10.	PANEL ASSY. - Plenum chamber	12.803
5.	PANEL ASSY. - Dash	12.804	11.	FRAME ASSY.	7.003
6.	PANEL ASSY. - Cowl top	12.805			



BODY PANELS

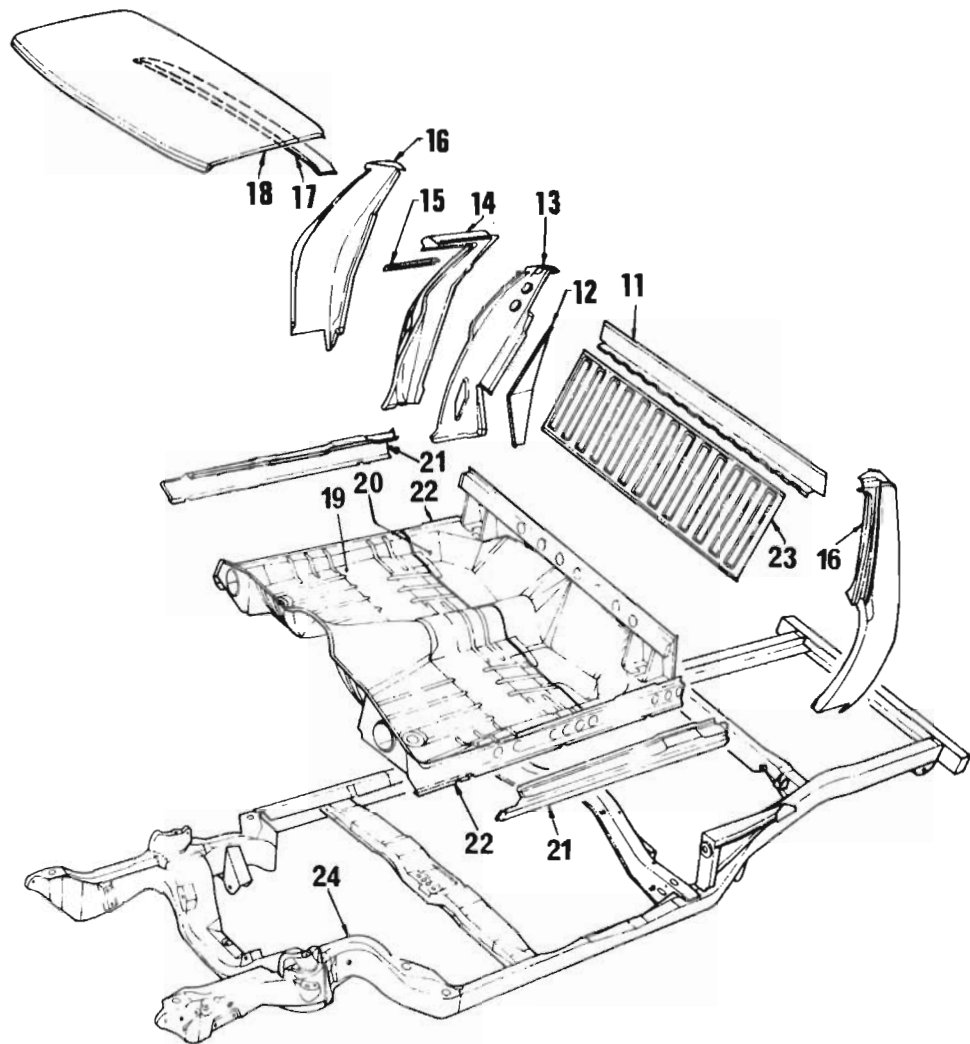
Sedans

ILLUS. REF. NO.	PART NAME	GROUP	ILLUS. REF. NO.	PART NAME	GROUP
12.	PAN ASSY. - Front floor	12.972	22.	PANEL ASSY. - Rear end outer	12.966
13.	GUTTER - Roof side	12.811	23.	PANEL ASSY. - Rear compartment front	12.971
14.	PAN ASSY. - Centre floor	12.972	24.	PANEL - Wheel house	12.944
15.	EXTENSION ASSY. - Rear comp. front panel ..	12.971	25.	PANEL ASSY. - Rear quarter outer	12.940
16.	BOW ASSY. - Roof	12.952	26.	PANEL ASSY. - Rear body lock pillar	12.942
17.	ROOF ASSY.	12.810	27.	RAIL - Roof side inner	12.956
19.	BRACE - Deck lid hinge bracket	12.184	28.	PANEL - Rocker inner	12.934
20.	PAN ASSY. - Rear floor	12.981	29.	PANEL ASSY. - Centre pillar	12.491
21.	PANEL ASSY. - Rear quarter inner	12.941	30.	PANEL - Rocker outer	12.934



BODY PANELS
Chassis & Cab

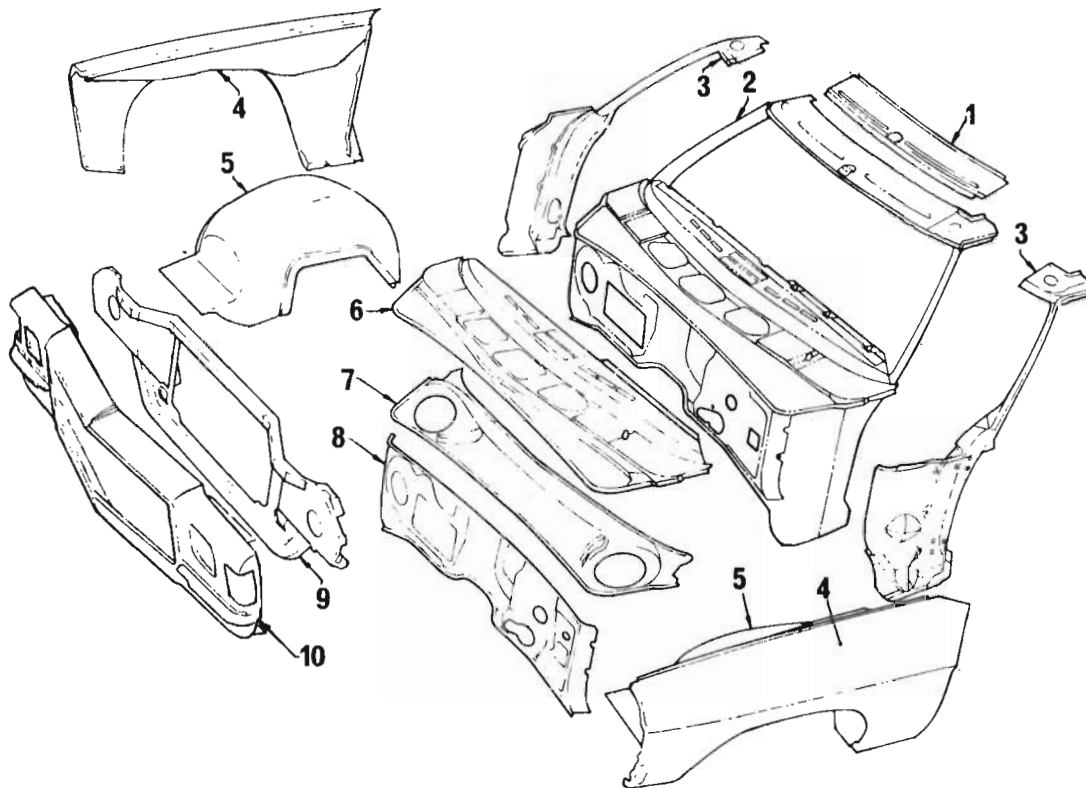
ILLUS. REF. NO.	PART NAME	GROUP
1.	FRAME— Windshield	12.807
2.	COWL ASSY.	12.803
3.	PILLAR ASSY. — Front body	12.805
4.	FENDER ASSY. — Front	8.130
5.	SKIRT ASSY. — Front fender	8.153
6.	PANEL ASSY. — Cowl top	12.805
7.	PANEL ASSY. — Plenum chamber	12.803
8.	PANEL ASSY. — Dash	12.804
9.	PANEL ASSY. — Radiator support	1.270
10.	PANEL — Front end	1.266



BODY PANELS

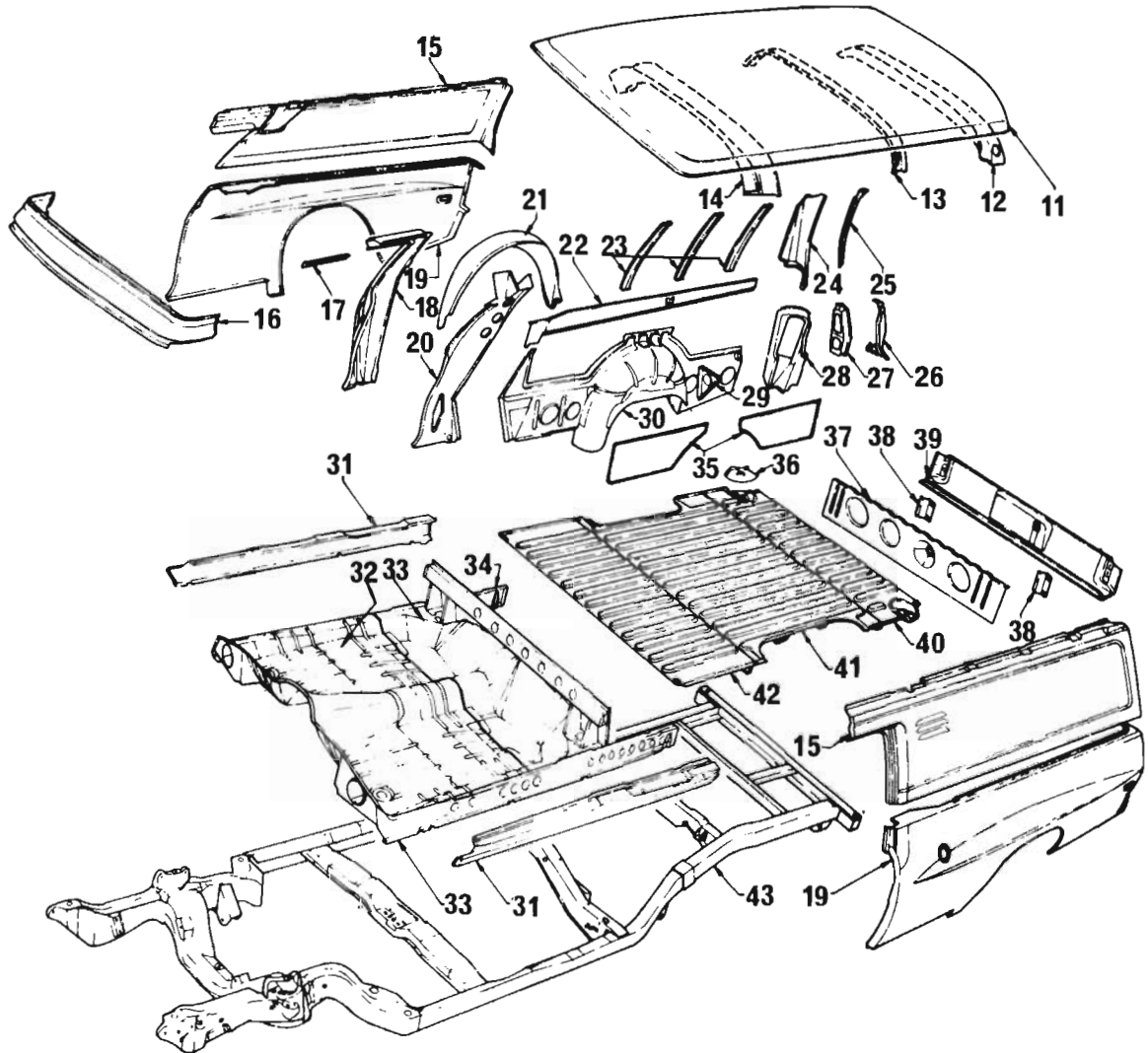
Chassis & Cab

ILLUS. REF. NO.	PART NAME	GROUP	ILLUS. REF. NO.	PART NAME	GROUP
11.	REINFORCEMENT — Rear window lower	12.958	18.	ROOF ASSEMBLY	12.810
12.	PANEL — Cab side inner rear	12.948	19.	PAN ASSEMBLY — Front floor	12.972
13.	PANEL — Cab side inner front	12.948	20.	PAN — Rear floor	12.981
14.	PILLAR ASSY. — Door lock striker	12.491	21.	PANEL — Rocker outer	12.934
15.	RAIL — Roof side inner	12.956	22.	PANEL — Rocker inner	12.934
16.	PANEL — Cab side outer	12.948	23.	PANEL ASSEMBLY — Seat back	12.958
17.	FRAME — Rear window	11.200	24.	FRAME ASSEMBLY	7.003



BODY PANELS
Panel Vans

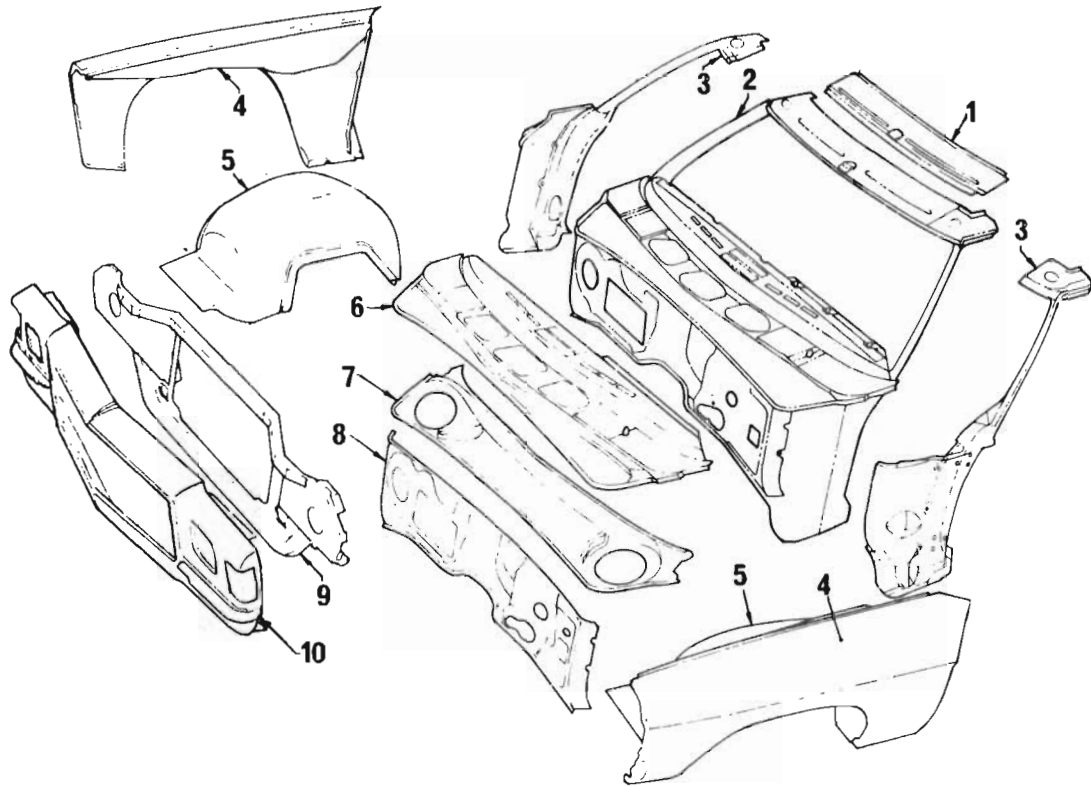
ILLUS. REF. NO.	PART NAME	GROUP
1.	FRAME— Windshield	12.807
2.	COWL ASSY.	12.803
3.	PILLAR ASSY. — Front body	12.805
4.	FENDER ASSY. — Front	8.130
5.	SKIRT ASSY. — Front fender	8.153
6.	PANEL ASSY. — Cowl top	12.805
7.	PANEL ASSY. — Plenum chamber	12.803
8.	PANEL ASSY. — Dash	12.804
9.	PANEL ASSY. — Radiator support	1.270
10.	PANEL — Front end	1.266



BODY PANELS

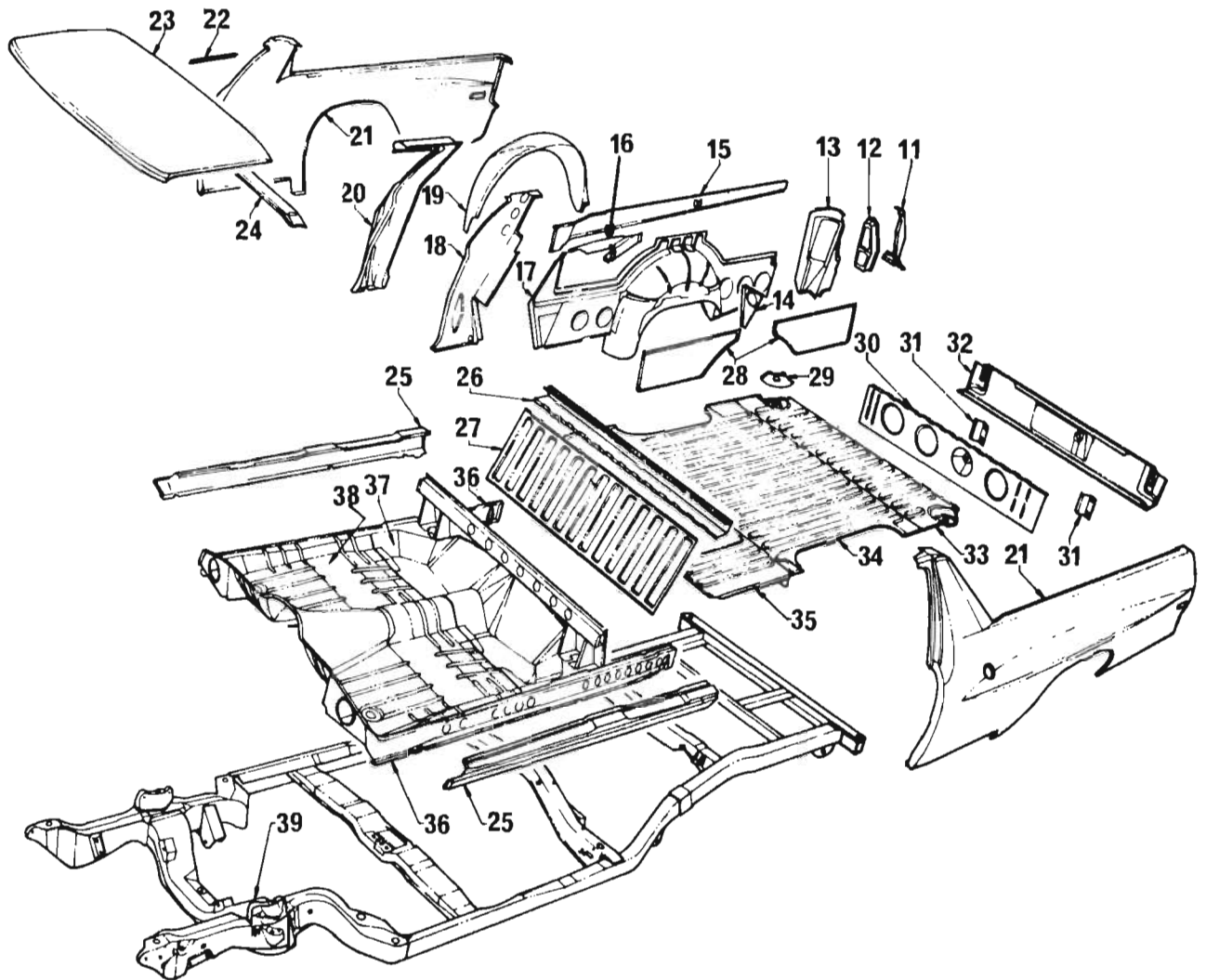
Panel Vans

ILLUS. REF. NO.	PART NAME	GROUP	ILLUS. REF. NO.	PART NAME	GROUP
11.	PANEL - Roof	12.810	28.	PILLAR - End gate body lower inner	12.951
12.	RAIL - Roof rear	12.956	29.	SUPPORT - Tonneau rear floor	12.986
13.	BOW ASSY. - Roof rear	12.952	30.	PANEL - Body side inner rear	12.948
14.	BOW ASSY. - Roof front	12.952	31.	PANEL - Rocker outer	12.934
15.	PANEL - Body side outer upper	12.948	32.	PAN ASSY. - Front floor	12.972
16.	EXTENSION - Roof panel	N.S.S.	33.	PAN ASSY. - Rear floor	12.981
17.	RAIL - Roof side inner	12.956	34.	PANEL - Rocker inner	12.934
18.	PILLAR ASSY. - Door lock striker	12.491	35.	COVER - Body side inner	12.948
19.	PANEL - Body side outer lower	12.948	36.	EXTENSION - Tonneau rear floor	12.986
20.	PANEL - Body side inner front	12.948	37.	PANEL - Back inner	12.966
21.	WHEELHOUSE ASSY.	12.944	38.	REINFORCEMENT ASSY. - End gate hinge mtg.	N.S.S.
22.	RAIL - Body side	12.428	39.	PANEL - Back outer	12.966
23.	PILLAR - Body side upper	12.950	40.	FLOOR - Tonneau rear	12.580
24.	PILLAR - End gate body upper inner	12.951	41.	FLOOR - Tonneau centre	12.580
25.	PILLAR - End gate body upper outer	12.951	42.	FLOOR - Tonneau front	12.580
26.	PILLAR ASSY. - End gate body lower outer	12.951	43.	FRAME ASSY.	7.003
27.	SUPPORT - Tail lamp	12.940			



BODY PANELS
Utilities

ILLUS. REF. NO.	PART NAME	GROUP
1.	FRAME→ Windshield	12.807
2.	COWL ASSY.	12.803
3.	PILLAR ASSY. - Front body	12.805
4.	FENDER ASSY. - Front	8.130
5.	SKIRT ASSY. - Front fender	8.153
6.	PANEL ASSY. - Cowl top	12.805
7.	PANEL ASSY. - Plenum chamber	12.803
8.	PANEL ASSY. - Dash	12.804
9.	PANEL ASSY. - Radiator support	1.270
10.	PANEL - Front end	1.266



BODY PANELS

Utilities

ILLUS. REF. NO.	PART NAME	GROUP	ILLUS. REF. NO.	PART NAME	GROUP
11.	PILLAR ASSY.— End gate body lower outer	12.951	26.	PANEL — Tonneau compartment front	N.S.S.
12.	SUPPORT — Tail lamp	12.940	27.	PANEL ASSY — Seat back	12.958
13.	PILLAR — End gate body lower inner	12.951	28.	COVER — Body side inner	12.948
14.	SUPPORT — Tonneau rear floor	12.986	29.	EXTENSION — Tonneau rear floor	12.986
15.	RAIL — Body side	12.428	30.	PANEL — Back inner	12.966
16.	EXTENSION — Body side panel	12.948	31.	REINFORCEMENT ASSY. — Eng gate hinge mtg.	N.S.S.
17.	PANEL — Body side inner rear	12.948	32.	PANEL — Back outer	12.966
18.	PANEL — Body side inner front	12.948	33.	FLOOR — Tonneau rear	12.580
19.	WHEELHOUSE ASSY.	12.944	34.	FLOOR — Tonneau centre	12.580
20.	PILLAR ASSY. — Door lock striker	12.491	35.	FLOOR — Tonneau front	12.580
21.	PANEL — Body side outer	12.948	36.	PANEL — Rocker inner	12.934
22.	RAIL — Roof side inner	12.956	37.	PAN ASSY. — Rear floor	12.981
23.	PANEL — Roof	12.810	38.	PAN ASSY. — Front floor	12.972
24.	FRAME — Rear window	11.200	39.	FRAME ASSY.	7.003
25.	PANEL — Rocker outer	12.934			

"HX" STATESMAN/HOLDEN PARTS CATALOGUE

GROUP	DESCRIPTION	SIDE	PART No.	QTY.	BODY STYLE	M	N	P	Q	S	T
12.007	LIGHTER, LEAD, ESCUTCHEON – Cigarette – Console										
	LIGHTER ASSY.		9934445	1	37				X		
	LEAD ASSEMBLY		9943878	1	37				X		
	ESCUTCHEON		9933909	1	37				X		
	RETAINER		9933910	1	37				X		
	LIGHTER ASS'		9934445	1	69						X
	ESCUTCHEON		9933909	1	69						X
	RETAINER		9933910	1	69						X
12.009	ASHTRAY – Instrument panel – Taxi equipment										
	ASHTRAY ASSEMBLY		9932173	1	69	X	X				
	CLIP – Ashtray retaining		2820398	1	69	X	X				
12.010	PANEL – Instrument panel ash tray										
	PANEL		9928479	1	ALL	X	X	X	X	X	X
12.012	LENS – Ash tray illumination – Exc. Taxi Equipment										
	LENS		9937308	1	ALL	X	X	X	X	X	X
	SCREW – Lens		SP2111	1	ALL	X	X	X	X	X	X
	NUT – Lens		SP2175	1	ALL	X	X	X	X	X	X
	BULB		SP2103	1	ALL	X	X	X	X	X	X
12.013	BODY and DRAWER – Instrument panel ash tray										
	BODY & DRAWER ASSY. – Exc. taxi equipment		9931063	1	ALL	X	X	X	X	X	X
12.030	ASH TRAY – Seat back and console										
	ASH TRAY ASSEMBLY – Front seat back (Bench Seat)		7431859	1	35, 69	X	X	X			
	ASH TRAY ASSEMBLY – Console, seat separator		2825811	1	35	X	X	X			
	ASHTRAY ASSEMBLY – Console		9943944	1	37				X		
	ASH TRAY ASSEMBLY – Console, seat separator		2825811	1	69	X	X				
	ASH TRAY ASSEMBLY – Console, seat separator (exc. Power Windows)		2825811	1	69				X		
	SCREW – Ashtray to front seat back (Bench seat)		163450	2	35, 69	X	X	X			
	RETAINER – Ashtray to console		9943945	1	37				X		
	SCREW – Ashtray to retainer		9414723	2	37				X		
	CLIP – Console, seat separator ash tray retaining		2820398	1	35, 69	X	X	X	X		
12.045	ASHTRAY – Rear door arm rest										
	ASHTRAY ASSEMBLY		2825827	2	69			X		X	X
	ASHTRAY ASSEMBLY – Power windows		2825827	2	69				X		
12.075	MOULDING – Roof reveal										
	MOULDING – Side, front	LH	2814969	1	35		X	X			
		RH	2814970	1	35		X	X			
	MOULDING – Side, rear	LH	2815041	1	35		X	X			
		RH	2815042	1	35		X	X			
	MOULDING – Side	LH	2815229	1	37				X		
		RH	2815228	1	37				X		
	MOULDING – Side	LH	2814017	1	69		X	X			
		RH	2814018	1	69		X	X			
	MOULDING – Side – Black	LH	9944073	1	69				X		
		RH	9944074	1	69				X		
	MOULDING – Side	LH	2814019	1	69					X	X
		RH	2814020	1	69					X	X
	MOULDING – Side	LH	2819203	1	80		X				
		RH	2819202	1	80		X				

"HX" STATESMAN/HOLDEN PARTS CATALOGUE

GROUP	DESCRIPTION	SIDE	PART No.	QTY.	BODY STYLE	M	N	P	Q	S	T
12.112 MOULDING, PROTECTOR – Front door scalp											
	MOULDING - Front	LH	2816921	1	69						X
		RH	2816920	1	69						X
	MOULDING - Upper	LH	2816923	1	69						X
		RH	2816922	1	69						X
	MOULDING - Rear	LH	2816925	1	69						X
		RH	2816924	1	69						X
	PROTECTOR - Front moulding	LH	9943493	1	69						X
		RH	9943494	1	69						X
	PROTECTOR - Rear moulding	LH	9943491	1	69						X
		RH	9943492	1	69						X
12.112 MOULDING – Upper body side											
	MOULDING	LH	2819201	1	80		X				
		RH	2819200	1	80		X				
12.112 MOULDING – Front door belt											
	MOULDING	LH	2812929	1	35, 69			X		X	X
		RH	2812930	1	35, 69			X		X	X
	CLIP - Moulding		9938151	12	35, 69			X		X	X
	PLATE - Moulding anchor		2815551	2	35, 69			X		X	X
	SCREW - Moulding clip - Service		SP2495	AR	35, 69			X		X	X
	SCREW - Moulding anchor plate to door		190075	2	35, 69			X		X	X
	WASHER - Moulding anchor plate to door		7432966	2	35, 69			X		X	X
	MOULDING	LH	9944067	1	69				X		
		RH	9944066	1	69				X		
	CLIP - Moulding		9938151	12	69				X		
	PLATE - Moulding anchor		2815551	2	69				X		
	SCREW - Moulding clip - Service		SP2495	AR	69				X		
	SCREW - Moulding anchor plate to door		190075	2	69				X		
	WASHER - Moulding anchor plate to door		7432966	2	69				X		
	MOULDING	LH	2815075	1	37				X		
		RH	2815074	1	37				X		
	CLIP - Moulding		7433488	10	37				X		
	PLATE - Moulding anchor		2815551	2	37				X		
	RETAINER - Moulding to door		7425671	4	37				X		
	WASHER - Retainer moulding to door		446121	4	37				X		
	SCREW - Moulding anchor plate to door		190075	2	37				X		
	WASHER - Moulding anchor plate to door		7432966	2	37				X		
	SCREW - Moulding		9425894	14	37				X		
12.112 MOULDING – Front door side											
	MOULDING - Exc. Sandman	LH	9942887	1	35, 69, 70, 80	X	X	X	X	X	X
		RH	9942888	1	35, 69, 70, 80	X	X	X	X	X	X
	RETAINER - Moulding		9938346	4	35, 69, 70, 80	X	X	X	X	X	X
	WASHER - Retainer to door		7432966	4	35, 69, 70, 80	X	X	X	X	X	X
	SCREW - Retainer to door		190075	4	35, 69, 70, 80	X	X	X	X	X	X
	CLIP - Moulding to door		9938151	10	35, 69, 70, 80	X	X	X	X	X	X
	SCREW - Clip - Service		SP2495	AR	35, 69, 70, 80	X	X	X	X	X	X
	CLIP - Moulding to door		7438659	10	37				X		
12.114 MOULDING, PROTECTOR – Rear door scalp											
	MOULDING - Front	LH	2816927	1	69						X
		RH	2816926	1	69						X
	PROTECTOR - Front moulding	LH	9943489	1	69						X
		RH	9943490	1	69						X
	MOULDING - Upper	LH	2816929	1	69						X
		RH	2816928	1	69						X
	MOULDING - Rear	LH	2816931	1	69						X
		RH	2816930	1	69						X
	PROTECTOR - Rear moulding	LH	9943487	1	69						X
		RH	9943488	1	69						X

BODY

"HX" STATESMAN/HOLDEN PARTS CATALOGUE

GROUP	DESCRIPTION	SIDE	PART No.	QTY.	BODY STYLE	M	N	P	Q	S	T
12.114 MOULDING – Rear door belt											
	MOULDING	LH	2813057	1	35, 69			X		X	X
		RH	2813058	1	35, 69			X		X	X
	CLIP – Moulding		9938151	8	35, 69			X		X	X
	PLATE – Moulding anchor		2815551	4	35, 69			X		X	X
	SCREW – Moulding clip – Service		SP2495	AR	35, 69			X		X	X
	SCREW – Moulding anchor plate to door		190075	4	35, 69			X		X	X
	WASHER – Moulding anchor plate to door		7432966	4	35, 69			X		X	X
	MOULDING	LH	9944065	1	69				X		
		RH	9944064	1	69				X		
	CLIP – Moulding		9938151	8	69				X		
	PLATE – Moulding anchor		2815551	4	69				X		
	SCREW – Moulding clip – Service		SP2495	AR	69				X		
	SCREW – Moulding anchor plate to door		190075	4	69				X		
	WASHER – Moulding anchor plate to door		7432966	4	69				X		
12.114 MOULDING – Rear door side											
	MOULDING	LH	9942639	1	35, 69	X	X	X	X	X	X
		RH	9942638	1	35, 69	X	X	X	X	X	X
	RETAINER – Moulding		9938346	2	35, 69	X	X	X	X	X	X
	WASHER – Retainer to door		7432966	2	35, 69	X	X	X	X	X	X
	SCREW – Retainer to door		190075	2	35, 69	X	X	X	X	X	X
	RETAINER – Moulding		9930612	2	35, 69	X	X	X	X	X	X
	NUT – Retainer		SP2443	2	35, 69	X	X	X	X	X	X
	CLIP – Moulding to door		9938151	8	35, 69	X	X	X	X	X	X
	SCREW – Clip – Service		SP2495	AR	35, 69	X	X	X	X	X	X
	SCREW – Moulding		SP2192	2	35, 69	X	X	X	X	X	X
12.116 MOULDING – Rear quarter belt											
	MOULDING	LH	2815997	1	37				X		
		RH	2815998	1	37				X		
	RETAINER – Moulding		7425671	4	37				X		
	WASHER – Retainer moulding		446121	4	37				X		
	CLIP – Moulding		7433488	6	37				X		
	SCREW – Moulding – No. 6 – 20 x 1/2"		9416089	2	37				X		
	SCREW – Moulding – No. 4 – 24 x 3/8"		9425894	10	37				X		
12.116 MOULDING – Rear quarter front											
	MOULDING	LH	2819169	1	35			X			
		RH	2819170	1	35			X			
	CLIP – Moulding		9938151	6	35			X			
	SCREW – Moulding clip – Service		SP2495	AR	35			X			
12.116 MOULDING – Rear quarter side upper & lower reveal											
	MOULDING – Upper	LH	28153115	1	35	X	X				
		RH	28153114	1	35	X	X				
	MOULDING – Upper	LH	28153111	1	35			X			
		RH	28153110	1	35			X			
	CLIP – Moulding		7434693	12	35	X	X	X			
	SCREW – Moulding clip – Service		SP2495	AR	35	X	X	X			
	MOULDING – Lower	LH	2815313	1	35	X	X				
		RH	2815312	1	35	X	X				
	MOULDING – Lower	LH	2815309	1	35			X			
		RH	2815308	1	35			X			
	CLIP – Moulding		7434693	14	35	X	X	X			
	SCREW – Moulding clip – Service		SP2495	AR	35	X	X	X			

"HX" STATESMAN/HOLDEN PARTS CATALOGUE

GROUP	DESCRIPTION	SIDE	PART No.	QTY.	BODY STYLE	M	N	P	Q	S	T
12.116 MOULDING -- Rear quarter -- Used with two tone paint & vinyl roof											
MOULDING		LH	2816375	1	35	X	X	X			
		RH	2816376	1	35	X	X	X			
CLIP - Moulding			9938151	2	35	X	X	X			
SCREW - Moulding clip - Service			SP2495	AR	35	X	X	X			
MOULDING - Upper - (two tone paint)		LH	2815211	1	69	X	X	X	X		
		RH	2815210	1	69	X	X	X	X		
RETAINER - Upper moulding			2815300	2	69	X	X	X	X		
CLIP - Upper moulding retainer			SP1606	2	69	X	X	X	X		
CLIP - Upper moulding			9938151	6	69	X	X	X	X		
SCREW - Upper moulding clip - Service			SP2495	AR	69	X	X	X	X		
MOULDING - Upper (Vinyl roof)		LH	9933725	1	69	X	X	X	X		
		RH	9933724	1	69	X	X	X	X		
RETAINER - Upper moulding			2815300	2	69	X	X	X	X		
CLIP - Upper moulding retainer			SP1606	2	69	X	X	X	X		
CLIP - Upper moulding			9938151	6	69	X	X	X	X		
SCREW - Upper moulding clip - Service			SP2495	AR	69	X	X	X	X		
MOULDING - Upper (Vinyl roof)		LH	9933727	1	69					X	X
		RH	9933726	1	69					X	X
CLIP - Upper moulding			9938151	6	69					X	X
SCREW - Upper moulding clip - Service			SP2495	AR	69					X	X
SCREW - Upper moulding			161340	2	69					X	X
12.116 MOULDING -- Rear quarter side											
MOULDING		LH	9943117	1	35	X	X	X			
		RH	9943116	1	35	X	X	X			
RETAINER - Moulding			9938346	2	35	X	X	X			
WASHER - Retainer to quarter panel			7432966	2	35	X	X	X			
SCREW - Retainer to quarter panel			190075	2	35	X	X	X			
SCREW - Moulding to quarter panel			SP2192	2	35	X	X	X			
CLIP - Moulding			9938151	12	35	X	X	X			
SCREW - Clip			SP2495	AR	35	X	X	X			
RETAINER - Moulding			7434212	2	35	X	X	X			
NUT - Retainer			SP2443	2	35	X	X	X			
MOULDING		LH	9943115	1	69	X	X	X	X		
		RH	9943114	1	69	X	X	X	X		
MOULDING		LH	9943119	1	69					X	X
		RH	9943118	1	69					X	X
RETAINER - Moulding			9938346	2	69	X	X	X	X	X	X
WASHER - Retainer to quarter panel			7432966	2	69	X	X	X	X	X	X
SCREW - Retainer to quarter panel			190075	2	69	X	X	X	X	X	X
SCREW - Moulding to quarter panel			SP2192	2	69	X	X	X	X	X	X
CLIP - Moulding			9938151	10	69	X	X	X	X	X	X
SCREW - Clip - Service			SP2495	AR	69	X	X	X	X	X	X
RETAINER - Moulding			7434212	2	69	X	X	X	X	X	X
NUT - Retainer			SP2443	2	69	X	X	X	X	X	X
MOULDING - Exc. Sandman		LH	9942897	1	70, 80	X	X				
		RH	9942896	1	70, 80	X	X				
RETAINER - Moulding			9938346	2	70, 80	X	X				
WASHER - Retainer to quarter panel			7432966	2	70, 80	X	X				
SCREW - Retainer to quarter panel			190075	2	70, 80	X	X				
SCREW - Moulding to quarter panel			SP2192	2	70, 80	X	X				
CLIP - Moulding			9938151	20	70, 80	X	X				
SCREW - Clip - Service			SP2495	AR	70, 80	X	X				
RETAINER - Moulding			7434212	2	70, 80	X	X				
NUT - Retainer			SP2443	2	70, 80	X	X				

"HX" STATESMAN/HOLDEN PARTS CATALOGUE

GROUP	DESCRIPTION	SIDE	PART No.	QTY.	BODY STYLE	M	N	P	Q	S	T
12.116 MOULDING – Rear wheel opening											
MOULDING	LH	9930609	1	35, 37, 69	X	X	X	X			
	RH	9930608	1	35, 37, 69	X	X	X	X			
MOULDING	LH	2815653	1	69						X	X
	RH	2815652	1	69						X	X
MOULDING	LH	2815653	1	70, 80	X	X					
	RH	2815652	1	70, 80	X	X					
SCREW – Moulding		SP2127	16	35,37,69,70,80	X	X	X	X	X	X	X
12.116 MOULDING – Tail lamp reveal											
MOULDING		2815754	2	35, 70, 80	X						
MOULDING – Sandman		2815566	2	70, 80	X						
MOULDING		2815566	2	35, 70, 80		X	X				
CLIP – Moulding		3697750	8	35, 70, 80	X	X	X				
SCREW – Moulding to support		SP2127	4	35, 70, 80	X	X	X				
12.116 EMBLEM – Rear quarter outer panel											
EMBLEM – "Premier"		9931348	2	69				X			
CLIP – Emblem – "Premier"		SP1606	4	69				X			
EMBLEM – "Wreath"		2808122	2	69						X	
NUT – Emblem – "Wreath"		SP2176	4	69						X	
EMBLEM – "Shield"		2811703	2	69						X	
NUT – Emblem – "Shield"		SP2176	4	69						X	
EMBLEM ASSEMBLY		9934100	2	69						X	
INSERT – Emblem	LH	9934677	2	69						X	
	RH	9934678	2	69						X	
NUT – Emblem		SP1606	4	69						X	
12.174 MOULDING – End gate glass opening reveal											
MOULDING	LH	2815579	1	35	X	X	X				
	RH	2815580	1	35	X	X	X				
MOULDING – Centre		2815581	1	35	X	X	X				
CLIP – Moulding		2816116	11	35	X	X	X				
SCREW – Moulding		SP2127	11	35	X	X	X				
12.176 MOULDING – End gate opening garnish											
MOULDING	LH	2816021	1	35	X	X	X				
	RH	2816022	1	35	X	X	X				
SCREW – Moulding		SP2429	10	35	X	X	X				
12.178 GATE – Upper end											
GATE ASSEMBLY		2815840	1	70	X						
PANEL – Outer		2815837	1	70	X						
12.179 GATE – Lower end less glass, trim & hardware											
GATE ASSEMBLY		2816909	1	70	X						
GATE ASSEMBLY		2816908	1	80	X	X					
GATE ASSEMBLY – (Manual)		2814853	1	35	X	X					
GATE ASSEMBLY – (Electric)		2814854	1	35		X	X				
PANEL – End gate outer		2815327	1	70, 80	X	X					
PANEL – End gate outer		2811807	1	35	X	X	X				
12.180 COVER – Spare wheel compartment											
COVER		2815467	1	35	X						
COVER		2815468	1	35		X	X				

"HX" STATESMAN/HOLDEN PARTS CATALOGUE

GROUP	DESCRIPTION	SIDE	PART No.	QTY.	BODY STYLE	M	N	P	Q	S	T
12.181 LID – Deck											
	LID ASSEMBLY		2813091	1	37, 69	X	X	X	X		
	LID ASSEMBLY		9930452	1	69					X	X
12.182 MOULDING – End gate belt											
	MOULDING – Centre		2814794	1	35	X	X	X			
	CLIP – Moulding		2814046	8	35	X	X	X			
	SCREW – Moulding clip		7426400	8	35	X	X	X			
	MOULDING – Outer	LH	2814795	1	35	X	X	X			
		RH	2814796	1	35	X	X	X			
	SCREW – Outer moulding		SP2192	2	35	X	X	X			
12.182 MOULDING – End gate centre – Used with two tone paint											
	MOULDING		2816316	1	35	X	X	X			
	CLIP – Moulding		9938151	1	35	X	X	X			
	SCREW – Moulding clip – Service		SP2495	AR	35	X	X	X			
	PLATE – Moulding anchor		2815551	2	35	X	X	X			
	WASHER – Anchor plate		7432966	2	35	X	X	X			
	SCREW – Anchor plate		190075	2	35	X	X	X			
12.182 MOULDING – End gate lower											
	MOULDING		9942676	1	35		X				
	CLIP – Moulding		9938151	8	35		X				
	SCREW – Moulding clip – Service		SP2495	AR	35		X				
	RETAINER – Moulding		9938346	2	35		X				
	WASHER – Moulding retainer		7432966	2	35		X				
	SCREW – Moulding retainer		190075	2	35		X				
	MOULDING		9942521	1	35				X		
	CLIP – Moulding		2811444	6	35				X		
	SCREW – Moulding clip – Service		SP2495	AR	35				X		
	RETAINER – Moulding		9930005	2	35				X		
	WASHER – Retainer and gate moulding		7424387	2	35				X		
	NUT – Retainer		441240	2	35				X		
	MOULDING		9942675	1	70, 80		X				
	CLIP – Moulding		9938151	8	70, 80		X				
	SCREW – Moulding clip – Service		SP2495	AR	70, 80		X				
	RETAINER – Moulding		9938346	2	70, 80		X				
	WASHER – Moulding retainer		7432966	2	70, 80		X				
	SCREW – Moulding retainer		190075	2	70, 80		X				
12.182 MOULDING – Deck lid											
	MOULDING		9942327	1	69				X		
	CLIP – Moulding		2811444	6	69				X		
	SCREW – Moulding clip – Service		SP2495	AR	69				X		
	RETAINER – Moulding		9930005	2	69				X		
	WASHER – Retainer deck lid moulding		7424387	2	69				X		
	NUT – Moulding retainer		441240	2	69				X		
	BOLT – Retainer		7418445	2	69				X		
12.182 PLATE – End gate & Deck lid name											
	PLATE – Name "Holden"		9933763	1	70, 80	X					
	CLIP – Name plate		SP1606	2	70, 80	X					
	PLATE – Name "Belmont"		2814784	1	35, 69	X					
	CLIP – Name plate		SP1606	2	35, 69	X					
	PLATE – Name "Kingswood"		9941887	1	35, 69, 70, 80		X				
	CLIP – Name plate		SP1606	2	35, 69, 70, 80		X				
	PLATE – Name "Premier"		9942350	1	35, 69				X		
	CLIP – Name plate		SP1606	2	35, 69				X		

"HX" STATESMAN/HOLDEN PARTS CATALOGUE

GROUP	DESCRIPTION	SIDE	PART No.	QTY.	BODY STYLE	M	N	P	Q	S	T
12.182 PLATE – End gate & Deck lid name (Continued)											
	PLATE – Name "Statesman"		2810210	1	69					X	
	PLATE – Name "De Ville"		2817117	1	69					X	
	CLIP – Name plate		SP1606	4	69					X	
	PLATE – Name "Statesman Caprice"		9934161	1	69						X
	CLIP – Name plate		SP1606	4	69						X
12.182 EMBLEM – Deck lid											
	EMBLEM – "Wreath"		2816345	1	69					X	
	NUT – Emblem		SP2176	2	69					X	
	EMBLEM – "Shield"		2816346	1	69					X	
	CLIP – Emblem		SP1606	2	69					X	
	EMBLEM		9934100	1	69						X
	INSERT – Emblem	LH	9934677	1	69						X
		RH	9934678	1	69						X
	CLIP – Emblem		SP1606	2	69						X
12.182 TRANSFER – End gate "Sandman"											
	TRANSFER – "Plum, Purple & Dark Blue"		9944056	1	70, 80	X					
	TRANSFER – "Orange, Brown & Dark Brown"		9944057	1	70, 80	X					
	TRANSFER – "Orange, Bright Blue & Blue"		9944058	1	70, 80	X					
	TRANSFER – "Yellow, Orange & Red"		9944059	1	70, 80	X					
	TRANSFER – "Bright Yellow, Light Orange, Dark Orange"		9944060	1	70, 80	X					
12.182 PLATE – Engine size name											
	PLATE – "4.2 Litre"		9931459	1	35, 69, 70, 80	X	X	X	X		
	CLIP – Plate		SP1606	2	35, 69, 70, 80	X	X	X	X		
	PLATE – "5.0 Litre"		9931460	1	35, 69, 70, 80	X	X	X	X		
	CLIP – Plate		SP1606	2	35, 69, 70, 80	X	X	X	X		
12.182 HANDLE – Deck lid lift											
	HANDLE PACKAGE		7437015	1	69	X	X	X	X	X	X
	SCREW – Handle to deck lid		159336	2	69	X	X	X	X	X	X
	WASHER – Handle to deck lid		446121	2	69	X	X	X	X	X	X
12.184 HINGE, BRACKET, BRACE – Deck lid and end gate											
	HINGE – End gate section	LH	2814533	1	35	X	X	X			
		RH	2814532	1	35	X	X	X			
	HINGE – Body section	LH	7433817	1	35	X	X	X			
		RH	7433818	1	35	X	X	X			
	SCREW – End gate hinge to body		7430091	6	35	X	X	X			
	RIVET – End gate hinge		7425610	2	35	X	X	X			
	HINGE ASSEMBLY – Deck lid		2811523	2	37, 69	X	X	X	X	X	X
	BRACKET ASSEMBLY – Deck lid hinge mounting	LH	2811383	1	37, 69	X	X	X	X		
		RH	2811384	1	37, 69	X	X	X	X		
	BRACKET ASSEMBLY – Deck lid hinge mounting	LH	2813383	1	69					X	X
		RH	2813384	1	69					X	X
	BRACE – Deck lid hinge bracket		2812059	2	37, 69	X	X	X	X		
	BRACE – Deck lid hinge bracket		2811652	2	69					X	X
	SCREW – Deck lid to hinge		SP2614	4	37, 69	X	X	X	X	X	X
	HINGE ASSEMBLY – Upper end gate		7420837	2	70	X	X				
	BOLT & WASHER – Hinge to body		SP2013	8	70	X	X				
	BOLT – Hinge to body		156417	2	70	X	X				
	BOLT & WASHER ASSY. – Hinge to end gate		SP2013	8	70	X	X				
	HINGE – Lower, end gate section		9937639	2	70, 80	X	X				
	HINGE – Lower, body section		9937640	2	70, 80	X	X				
	SCREW – Lower end gate hinge		7430091	4	70, 80	X	X				
	SCREW – Guide to lower end gate		7430091	6	70, 80	X	X				

"HX" STATESMAN/HOLDEN PARTS CATALOGUE

GROUP	DESCRIPTION	SIDE	PART No.	QTY.	BODY STYLE	M	N	P	Q	S	T
12.186	PIN – Deck lid and end gate hinge										
	PIN – Deck lid		7408627	2	37, 69	X	X	X	X	X	X
	PIN – Upper end gate		7415999	2	70	X	X				
	PIN – Lower end gate		7376637	2	70, 80	X	X				
12.187	ROD – Deck lid and end gate torque										
	ROD – End gate		2814679	1	35	X	X	X			
	SILENCER – End gate torque rod		4887072	1	35	X	X	X			
	RETAINER – Torque rod to body		2814588	1	35	X	X	X			
	RETAINER – Torque rod to end gate		2814913	1	35	X	X	X			
	ROD – Deck lid	LH	2813387	1	37, 69	X	X	X	X	X	X
		RH	2813386	1	37, 69	X	X	X	X	X	X
	SILENCER – Deck lid torque rod		7423499	1	37, 69	X	X	X	X	X	X
12.195	STRIP – End gate and tonneau floor wear										
	STRIP – End gate (11 ³ / ₁₆ ")		7449661	1	35	X	X	X			
	STRIP – End gate (13")		7433854	6	35	X	X	X			
	STRIP – Tonneau front floor filler wear (11 ³ / ₁₆ ")		2815517	7	35	X	X	X			
	STRIP – Tonneau front floor wear (14 ¹ / ₁₆ ")		7433036	7	35	X	X	X			
	STRIP – Tonneau rear floor wear (26 ⁷ / ₁₆ ")		2815538	1	35	X	X	X			
	STRIP – Tonneau rear floor wear (27")		2814781	6	35	X	X	X			
	STRIP – Tonneau front floor filler finish		7433090	1	35	X	X	X			
	STRIP – Tonneau front floor filler finish side	LH	2815369	1	35	X	X	X			
		RH	2815370	1	35	X	X	X			
	SCREW – No. 10-16 x ³ / ₁₆ "		9414721	4	35	X	X	X			
	SCREW – No. 10-16 x ¹ / ₂ "		9414742	21	35	X	X	X			
	NUT – Barrel		7426194	AR	35	X	X	X			
12.196	COVER – Tonneau										
	COVER ASSEMBLY		2822331	1	80	X	X				
	CORD ASSEMBLY – Lashing		2822332	1	80	X	X				
	HOOK – Lashing		2816060	16	80	X	X				
	PIN – Lashing hook		2816058	56	80	X	X				
	CLEAT – Lashing		2816059	2	80	X	X				
	EYELET		SP2559	15	80	X	X				
	WASHER – Eyelet		SP2560	15	80	X	X				
	STUD – No. 10 x .38"		SP1535	7	80	X	X				
	WASHER – Stud insulating		862108	7	80	X	X				
	SOCKET – Type "D" fastener		SP2061	7	80	X	X				
	PLATE – Socket		SP2060	7	80	X	X				
	SUPPORT – Cover		2817390	1	80	X	X				
12.203	ARM – End gate limit										
	ARM ASSEMBLY	LH	7434369	1	35	X	X	X			
		RH	7434368	1	35	X	X	X			
	SCREW – Arm to end gate		7434580	6	35	X	X	X			
	SCREW – Arm to pillar		SP2064	6	35	X	X	X			
	ARM ASSEMBLY – Upper end gate hold open	LH	7420877	1	70	X	X				
		RH	7420876	1	70	X	X				
	WASHER – Upper inner, plastic		7417580	2	70	X	X				
	WASHER – Upper inner, rubber		7417270	2	70	X	X				
	WASHER – Upper inner, cup		7417272	2	70	X	X				
	SPACER – Upper inner		7417271	2	70	X	X				
	CABLE ASSEMBLY – Lower end gate limit		9937638	2	70, 80	X	X				
	EOLT – Lower end gate limit cable		7427392	2	70, 80	X	X				
12.207	SPRING – Upper end gate hold open arm										
	SPRING – Lever over centre	LH	4158117	1	70	X	X				
		RH	4158116	1	70	X	X				

BODY

"HX" STATESMAN/HOLDEN PARTS CATALOGUE

GROUP	DESCRIPTION	SIDE	PART No.	QTY.	BODY STYLE	M	N	P	Q	S	T
12.212	BUMPER – Deck lid and end gate										
	BUMPER ASSEMBLY – Limit arm		7434570	4	35	X	X	X			
	BUMPER – Sliding glass channel cam		7431841	2	35	X	X	X			
	BUMPER – On striker		7417423	2	35	X	X	X			
	BUMPER ASSEMBLY – Deck lid		2809447	2	37, 69	X	X	X	X	X	X
	BUMPER ASSEMBLY – End gate		9937637	2	70, 80	X	X				
	SCREW – Limit arm bumper		9418794	8	35	X	X	X			
	SCREW – End gate bumper		9418894	2	70, 80	X	X				
12.237	STRIKER, PLATE, SPACER – Deck lid and end gate lock										
	STRIKER – End gate lock	LH	7424919	1	35	X	X	X			
		RH	7424918	1	35	X	X	X			
	SCREW		7429826	6	35	X	X	X			
	SPACER – .06" thick		7426308	AR	35	X	X	X			
	SPACER – 1.25" thick		7426309	AR	35	X	X	X			
	PLATE – End gate striker tooth	LH	7424923	1	35	X	X	X			
		RH	7424922	1	35	X	X	X			
	PLATE – End gate striker adjusting upper		7424398	2	35	X	X	X			
	PLATE – End gate striker adjusting lower		4649282	2	35	X	X	X			
	PLATE – End gate striker anchor		7426738	2	35	X	X	X			
	RETAINER – End gate striker anchor plate		7439263	2	35	X	X	X			
	STRIKER – Deck lid lock		9943095	1	37, 69	X	X	X	X	X	X
	REINFORCEMENT ASSY. – Deck lid striker		2810916	1	37, 69	X	X	X	X	X	X
	SCREW		SP2614	2	37, 69	X	X	X	X	X	X
	PLATE – Upper end gate striker		7420418	2	70	X	X				
	SPACER – Striker		7420492	AR	70	X	X				
	PLATE – Lower end gate striker	LH	2815969	1	70, 80	X	X				
		RH	2815970	1	70, 80	X	X				
	PLATE – Lower end gate striker anchor		7427288	2	70, 80	X	X				
	RETAINER – Lower end gate striker anchor plate		7427306	2	70, 80	X	X				
12.238	CATCH, HANDLE, RETAINER – Spare wheel compartment cover										
	CATCH ASSEMBLY		2815541	1	35	X	X	X			
	HANDLE – Catch		2815544	1	35	X	X	X			
	SCREW – Handle to catch, washer hd. No. 10 – 24		SP2056	1	35	X	X	X			
	RETAINER – Front		7433398	2	35	X	X	X			
	RIVET – Retainer		137871	4	35	X	X	X			
	WASHER – Retainer		446152	4	35	X	X	X			
12.240	BUMPER – End gate anti-rattle										
	BUMPER		7419355	2	70, 80	X	X				
12.241	ROD, PLUNGER, GUIDE, SPRING – End gate lock										
	ROD – Remote control		2814585	2	35	X	X	X			
	CLIP – Control rod to end gate anti-rattle		4576655	1	35	X	X	X			
	CLIP – Control rod to end gate lever		4576655	4	35	X	X	X			
	CLIP – Control rod anti-rattle		9941224	1	35	X	X	X			
	SILENCER – Remote control rod, right side		7408725	1	35	X	X	X			
	PLUNGER ASSY. – Upper end gate lock		7420419	2	70	X	X				
	GUIDE – Upper lock plunger		7407782	2	70	X	X				
	PLUNGER ASSY. – Lower end gate lock		7436018	2	70, 80	X	X				
	GUIDE – Lower lock plunger	LH	7418625	1	70, 80	X	X				
		RH	7418624	1	70, 80	X	X				
	SPRING – Upper end gate lock		7407811	2	70	X	X				
	SPRING – Lower end gate lock		7407811	2	70, 80	X	X				
	CLIP – Upper end gate lock link		7402119	2	70	X	X				
	CLIP – Lower end gate lock		7402119	2	70, 80	X	X				

"HX" STATESMAN/HOLDEN PARTS CATALOGUE

GROUP	DESCRIPTION	SIDE	PART No.	QTY.	BODY STYLE	M	N	P	Q	S	T
12.242 LOCK, CONTROL, SPRING, PLATE – Deck lid and end gate											
	LOCK ASSEMBLY – End gate	LH	7433977	1	35	X	X	X			
		RH	7433976	1	35	X	X	X			
	SPRING – End gate lock trip lever	LH	7424915	1	35	X	X	X			
		RH	7424914	1	35	X	X	X			
	SCREW & WASHER – Lock assy. to end gate		SP2350	6	35	X	X	X			
	CONTROL ASSY. – End gate remote		7434260	1	35	X	X	X			
	SCREW & WASHER – Control assy. to end gate		SP2047	2	35	X	X	X			
	LOCK ASSEMBLY – Deck lid		7421890	1	37, 69	X	X	X	X	X	X
	PLATE – Deck lid lock anchor		2810326	1	37, 69	X	X	X	X	X	X
	SCREW – Lock assy. to deck lid		SP2064	3	37, 69	X	X	X	X	X	X
	NUT – Lock assy. to deck lid		9419938	3	37, 69	X	X	X	X	X	X
	PLATE & ARM ASSY. – Upper end gate lock base		7413722	1	70	X	X				
	SCREW – Lock & base plate to upper end gate		SP2045	2	70	X	X				
	PLATE – Upper end gate locking		7413721	1	70	X	X				
	PLATE – End gate lock cover		7435941	1	70, 80	X	X				
	PLATE ASSY. – Lower end gate lock base		7436017	1	70, 80	X	X				
12.243 LOCK RELEASE PACKAGE – Deck lid											
	PACKAGE		2824613	1	37, 69	X	X	X	X	X	X
	CONNECTOR – Vacuum pipe, Air Cond.		9930241	1	37, 69	X	X	X	X	X	X
	CLUTCH ASSY. – Vacuum lock		2824239	1	37, 69	X	X	X	X	X	X
	HOSE – Manifold to vacuum switch		9940469	1	37, 69	X	X	X	X	X	X
	GROMMET – Manifold to vacuum switch hose		7409643	1	37, 69	X	X	X	X	X	X
	HOSE – Solenoid to vacuum switch		9940467	1	37, 69	X	X	X	X	X	X
	CLIP – Solenoid to vacuum switch hose		7413370	4	37, 69	X	X	X	X	X	X
	SWITCH ASSY. – Vacuum		2824147	1	37, 69	X	X	X	X	X	X
	SOLENOID ASSY. – Vacuum		2824146	1	37, 69	X	X	X	X	X	X
	PLATE – Vacuum solenoid mounting		2824252	1	37, 69	X	X	X	X	X	X
	SCREW – Solenoid to mounting plate		SP2047	2	37, 69	X	X	X	X	X	X
	SCREW – Mounting plate to deck lid		9426105	2	37, 69	X	X	X	X	X	X
12.247 HANDLE & COMPONENTS – End gate											
	HANDLE ASSY., LESS BARREL & KEY – Window regulator		7426873	1	35	X	X				
	HANDLE – Window regulator		7429199	1	35	X	X				
	SCREW – Handle to driver		9420908	2	35	X	X				
	CLIP – Handle hold open		7429682	1	35	X	X				
	RIVET – Oval hd. tubular 1/8" x 1/4"		SP1143	1	35	X	X				
	PIN – Window regulator handle hinge		7426095	1	35	X	X				
	DRIVER – Window regulator handle		7430719	1	35	X	X				
	RING – Window regulator handle driver retainer		7426098	1	35	X	X				
	CLUTCH – Window regulator handle		7426101	1	35	X	X				
	RING – Window regulator handle clutch retainer		7426103	1	35	X	X				
	WASHER – Window regulator handle spring		7426190	1	35	X	X				
	HANDLE – Remote control		7435141	1	35, 70, 80	X	X	X			
	HANDLE ASSY. – Upper end gate		7411267	1	70	X	X				
	WASHER – Flat – Handle to upper end gate assy.		120395	1	70	X	X				
	WASHER – Lock – Handle to upper end gate assy.		120214	1	70	X	X				
	NUT – Handle to upper end gate assy.		124920	1	70	X	X				
	FERRULE ASSY. – Upper end gate handle		7402384	1	70	X	X				
12.248 BARREL & KEY – Deck lid and end gate											
	BARREL & KEY ASSY. – Window regulator outer handle lock (coded) (manual)		2816620	1	35	X	X				
	LOCK SERVICE PACKAGE – Window regulator handle (uncoded) (manual)		M37123	1	35	X	X				
	PAWL – Window regulator lock cylinder (manual)		7426099	1	35	X	X				
	SPRING – Window regulator lock cylinder pawl (Manual)		7426100	1	35	X	X				
	BARREL, KEY & SWITCH ASSY. – Window switch (coded) (electric)		2816621	1	35		X	X			

"HX" STATESMAN/HOLDEN PARTS CATALOGUE

GROUP	DESCRIPTION	SIDE	PART No.	QTY.	BODY STYLE	M	N	P	Q	S	T
12.248 BARREL & KEY – Deck lid and end gate (Continued)											
	LOCK SERVICE PACKAGE – Window switch (uncoded) (electric)		M37126	1	35	X	X	X			
	RETAINER – Lock cylinder (electric)		5713260	1	35		X	X			
	BARREL & KEY ASSY. – Deck lid (coded)		2815103	1	37, 69	X	X	X	X	X	X
	LOCK SERVICE PACKAGE – Deck lid, (uncoded)		M37125	1	37, 69	X	X	X	X	X	X
	GASKET – Deck lid lock cylinder		4780518	1	37, 69	X	X	X	X	X	X
	RETAINER – Deck lid lock cylinder		7432669	1	37, 69	X	X	X	X	X	X
	GASKET – Lock cylinder retainer		7432672	1	37, 69	X	X	X	X	X	X
	SCREW – Retainer to inner panel		7426400	2	37, 69	X	X	X	X	X	X
	TUMBLER – No. 1 (Package of 100)		3901061	1	35, 37, 69	X	X	X	X	X	X
	TUMBLER – No. 2 (Package of 100)		3901062	1	35, 37, 69	X	X	X	X	X	X
	TUMBLER – No. 3 (Package of 100)		3901063	1	35, 37, 69	X	X	X	X	X	X
	TUMBLER – No. 4 (Package of 100)		3901064	1	35, 37, 69	X	X	X	X	X	X
	TUMBLER – No. 5 (Package of 100)		3901065	1	35, 37, 69	X	X	X	X	X	X
	BARREL & KEY ASSY. – End gate handle (coded)		2816712	1	70	X	X				
	PAWL – Upper end gate handle		7402366	1	70	X	X				
	SPRING – Upper end gate handle		7402364	1	70	X	X				
12.249 ESCUTCHEON, CLIP, GASKET – End gate											
	ESCUTCHEON – Window regulator handle (manual)		7426096	1	35	X	X				
	CLIP – Window regulator handle escutcheon (manual)		7426097	2	35	X	X				
	GASKET – Window regulator handle (manual)		7426875	1	35	X	X	X			
	ESCUTCHEON – Window lock cylinder (electric)		2816693	1	35		X	X			
	GASKET – Window lock cylinder escutcheon		7426879	1	35		X	X			
12.269 WEATHERSTRIP – Deck lid & end gate											
	WEATHERSTRIP – End gate		2814930	1	35	X	X	X			
	WEATHERSTRIP – Deck lid		2812216	1	37, 69	X	X	X	X	X	X
	WEATHERSTRIP – Upper end gate		2816148	1	70	X	X				
	WEATHERSTRIP – Lower end gate		2816489	1	70	X	X				
12.270 RETAINER, SCREW – End gate weatherstrip											
	RETAINER		2813972	1	35	X	X	X			
	RETAINER – Side	LH	2813545	1	35	X	X	X			
		RH	2813544	1	35	X	X	X			
	SCREW – Weatherstrip to lower end gate		9414711	2	70	X	X				
12.272 REGULATOR, SPRING, DRIVER – End gate window											
	REGULATOR – (manual)		7434610	1	35	X	X				
	SPRING – Regulator clutch (manual)		4157887	1	35	X	X				
	DRIVER – Regulator (manual)		7426453	1	35	X	X				
	REPAIR KIT – Regulator (manual)		7436921	1	35	X	X				
	REGULATOR – (electric)		7434634	1	35		X	X			
	PLATE & BUSHING ASSY. – Regulator sector (electric)		5718404	1	35		X	X			
	SPRING – Regulator centre balance		7426600	1	35	X	X	X			
	PIN – Regulator lift		4158246	2	35	X	X	X			
	ROLLER – Regulator		4158245	2	35	X	X	X			
	SCREW – Regulator to end gate		SP2219	4	35	X	X	X			
12.273 SUPPORT – End gate window regulator											
	SUPPORT ASSEMBLY		2814042	1	35	X	X	X			

"HX" STATESMAN/HOLDEN PARTS CATALOGUE

GROUP	DESCRIPTION	SIDE	PART No.	QTY.	BODY STYLE	M	N	P	Q	S	T
12.275 SWITCH – End gate window (Electric)											
	SWITCH ASSY. – Window regulator instrument panel		9944150	1	35		X	X			
	SPRING – Window switch retaining		2816992	1	35		X	X			
	SWITCH ASSY. – Window winder safety		4493796	1	35		X	X			
	BOLT – Window winder safety switch to end gate		163158	2	35		X	X			
	WASHER – Window winder safety switch to end gate		121841	2	35		X	X			
12.276 BREAKER – End gate window circuit (Electric)											
	BREAKER ASSY.		1476675	1	35		X	X			
12.277 HARNESS, SLEEVE, CLIP – End gate window regulator (Electric)											
	HARNESS ASSY. – Centre		9944148	1	35		X	X			
	BODY – 2 way male connector		2977763	1	35		X	X			
	BODY – Male connector		2962984	1	35		X	X			
	HARNESS ASSY. – Rear		2814889	1	35		X	X			
	BODY – 3 way female terminal connector		2977673	1	35		X	X			
	BODY – 3 way female connector		2971627	1	35		X	X			
	BODY – Single connector		2962448	1	35		X	X			
	SLEEVE – Window harness		2817473	1	35		X	X			
	CLIP – Rear harness		7401651	3	35		X	X			
	CLIP – Rear harness		7432906	1	35		X	X			
	CLIP – Rear harness to regulator		7426387	1	35		X	X			
	CLIP – Rear harness to rear quarter panel		2815231	1	35		X	X			
	RELAY ASSEMBLY		2818403	1	35		X	X			
	SCREW & WASHER ASSY. – Relay to instrument panel		SP1994	1	35		X	X			
	WASHER – Relay to instrument panel – External tooth		138485	1	35		X	X			
	WASHER – Relay to instrument panel – Lock		120214	1	35		X	X			
	NUT – Relay to instrument panel		120376	1	35		X	X			
	LEAD ASSY. – Relay to fuse panel		2817475	1	35		X	X			
	BODY – Single connector		2962448	1	35		X	X			
	LEAD ASSY. – Control to fuse panel		2817474	1	35		X	X			
	LEAD ASSY. – End gate and side windows		2817476	1	35		X	X			
12.280 MOTOR – End gate window regulator (Electric)											
	MOTOR ASSEMBLY		5045641	1	35		X	X			
	BOLT – Motor to regulator		157716	3	35		X	X			
	WASHER – Motor to regulator		120380	3	35		X	X			
	NOTE: No components are serviced for this motor										
	SPRING – Brush		4904213	2	35		X	X			
	BRUSH HOLDER & CIRCUIT BREAKAGE PKG.		4905337	1	35		X	X			
	GEAR & PINION PACKAGE		4913821	1	35		X	X			
	PLUG – Thrust		5098080	1	35		X	X			
	SCREW – Adjusting		4917377	1	35		X	X			
12.428 RAIL – Body Side											
	RAIL	LH	2816141	1	70, 80	X	X				
	RAIL	RH	2816142	1	70, 80	X	X				
	RAIL ASSEMBLY	LH	2816139	1	80	X	X				
	RAIL ASSEMBLY	RH	2816140	1	80	X	X				
12.491 PANEL, PILLAR – Centre & door lock striker											
	PANEL ASSY. – Centre pillar	LH	9932887	1	35, 69	X	X	X	X	X	X
	PANEL ASSY. – Centre pillar	RH	9932886	1	35, 69	X	X	X	X	X	X
	PILLAR ASSY. – Door lock striker	LH	9932777	1	60, 70, 80	X	X				
	PILLAR ASSY. – Door lock striker	RH	9932776	1	60, 70, 80	X	X				

"HX" STATESMAN/HOLDEN PARTS CATALOGUE

GROUP	DESCRIPTION	SIDE	PART No.	QTY.	BODY STYLE	M	N	P	Q	S	T
12.580 FLOOR – Tonneau											
	FLOOR		2814782	1	35	X					
	FLOOR - Front		2814730	1	35		X	X			
	SCREW - Wear strip, tonneau floor & filler to underbody		162703	7	35	X	X	X			
	FLOOR ASSY. - Front		9938954	1	70	X	X				
	FLOOR ASSY. - Front		9938955	1	80	X	X				
	REINFORCEMENT - Front floor		2816125	2	70, 80	X	X				
	FLOOR - Centre		2816987	1	70, 80	X	X				
	FLOOR - Rear		2816988	1	70, 80	X	X				
	LACE - Front floor finishing		2815016BA	1	70	X	X				
12.581 HINGE – Tonneau floor front filler											
	HINGE ASSEMBLY		2815256	1	35	X	X	X			
12.582 FILLER – Tonneau floor front											
	FILLER		2822721	1	35	X					
	FILLER		2815301	1	35		X	X			
12.803 COWL – Body front end											
	COWL ASSEMBLY		9942957	1	35, 69, 70, 80	X	X	X	X	X	X
	COWL ASSEMBLY		9943909	1	37				X		
	COWL ASSEMBLY - Exc. Ambulance		9942958		60	X					
	COWL ASSEMBLY - Ambulance		9942957	1	60	X					
	PANEL ASSY. - Plenum chamber		2812048	1	ALL	X	X	X	X	X	X
	OUTLET ASSY. - Plenum chamber (exc. Air Cond)	LH	2814545	1	ALL	X	X	X	X	X	
		RH	2814544	1	ALL	X	X	X	X	X	
	SEAL - Plenum chamber outlet (Exc. Air Cond.)	LH	2823197	1	ALL	X	X	X	X	X	
		RH	2823196	1	ALL	X	X	X	X	X	X
	PLUG - Dash sealing (nylon), (A)		SP2250	2	ALL	X	X	X	X	X	X
	SEAL - Dash panel (rubber), (A) 5 Litre Eng.		2819283	1	ALL	X	X	X	X	X	X
	PLUG - Choke control hole in dash panel, 8 Cyl. Eng.		SP1495	1	ALL	X	X	X	X	X	X
	PLUG - Choke cable hole in fascia, 8 Cyl. Eng.		SP1838BA	1	ALL	X	X	X	X	X	X
12.804 PANEL – Dash											
	PANEL ASSEMBLY		9941627	1	ALL	X	X	X	X	X	X
	PLUG - Sealing, dash panel (A)		SP2671	1	ALL	X	X	X	X	X	X
	PLUG - Sealing, dash panel		7419554	2	60, 70, 80	X	X				
12.805 PILLAR – Front body											
	PILLAR ASSEMBLY	LH	9932013	1	35, 60, 69, 70, 80	X	X	X	X	X	X
		RH	9932014	1	35, 60, 69, 70, 80	X	X	X	X	X	X
	PILLAR ASSEMBLY	LH	9932015	1	37				X		
		RH	9932016	1	37				X		
12.805 PANEL – Cowl top											
	PANEL ASSEMBLY		9931067	1	35, 37, 69, 70, 80	X	X	X	X	X	X
	PANEL ASSEMBLY - Ambulance		9931067	1	60	X					
	PANEL ASSEMBLY - Exc. Ambulance		9931069	1	60	X					
12.807 FRAME – Windshield											
	FRAME		2810346	1	35, 60, 69, 70, 80	X	X	X	X	X	X
	FRAME		2812717	1	37				X		

"HX" STATESMAN/HOLDEN PARTS CATALOGUE

GROUP	DESCRIPTION	SIDE	PART No.	QTY.	BODY STYLE	M	N	P	Q	S	T
12.810	PANEL – Roof										
	ROOF ASSEMBLY		2818203	1	35	X	X	X			
	ROOF ASSEMBLY		2818200	1	37				X		
	ROOF ASSEMBLY		2818201	1	69	X	X	X	X		
	ROOF ASSEMBLY		2818202	1	69					X	
	ROOF ASSEMBLY		9940967	1	69						X
	ROOF ASSEMBLY		2820116	1	70	X	X				
	ROOF ASSEMBLY		2820115	1	60, 80	X	X				
12.810	INSULATOR – Roof										
	INSULATOR – Front		9936309	1	69						X
	INSULATOR – Rear		9936308	1	69						X
12.810	COVER – Roof panel										
	COVER ASSY. – Black vinyl		2819633CY	1	69		X	X	X		
	COVER ASSY. – Chamois vinyl		2819633DV	1	69		X	X	X		
	COVER ASSY. – Tan vinyl		2819633DX	1	69		X	X	X		
	RETAINER – Roof panel cover	LH	2815847	1	69	X	X	X	X		
		RH	2815846	1	69	X	X	X	X		
	COVER ASSY. – Black vinyl		2820233CY	1	69					X	X
	COVER ASSY. – Chamois vinyl		2820233DV	1	69					X	X
	COVER ASSY. – Sienna vinyl		2820233EC	1	69						X
	COVER ASSY. – Tan vinyl		2820233DX	1	69					X	X
	COVER ASSY. – Red vinyl		2820233EV	1	69						X
	COVER ASSY. – Blue vinyl		2820233EU	1	69						X
	COVER ASSY. – Buckskin vinyl		2820233FH	1	69						X
	RETAINER – Roof panel cover	LH	2815849	1	69					X	X
		RH	2815848	1	69					X	X
12.811	FILLER – Gutter roof drip										
	FILLER		9944443	2	70	X	X				
12.811	GUTTER – Roof drip										
	GUTTER – Side	LH	2812093	1	35	X	X	X			
		RH	2812092	1	35	X	X	X			
	GUTTER – Rear	LH	2813389	1	35	X	X	X			
		RH	2813388	1	35	X	X	X			
	GUTTER – Side	LH	2813397	1	37				X		
		RH	2813398	1	37				X		
	GUTTER – Side	LH	2810547	1	69	X	X	X	X		
		RH	2810546	1	69	X	X	X	X		
	GUTTER – Side	LH	2811805	1	69					X	X
		RH	2811804	1	69					X	X
	GUTTER – Rear	LH	2812641	1	69	X					
		RH	2812640	1	69	X					
	GUTTER – Rear	LH	2812639	1	69		X	X			
		RH	2812638	1	69		X	X			
	GUTTER – Rear	LH	9944075	1	69				X		
		RH	9944076	1	69				X		
	GUTTER – Rear	LH	2812971	1	69					X	X
		RH	2812972	1	69					X	X
	SCREW – Gutter to quarter panel		SP2192	AR	69	X	X	X	X	X	X
	GUTTER – Side	LH	7427505	1	70	X	X				
		RH	7427504	1	70	X	X				
	GUTTER – Door opening – Rear – Exc. Sandman	LH	9939783	1	70	X	X				
		RH	9939782	1	70	X	X				
	GUTTER – Door opening, rear – Sandman	LH	9944099	1	70	X					
		RH	9944098	1	70	X					
	SCREW – Gutter to body – Exc. Sandman		SP2112	8	70	X					
	SCREW – Gutter to body – Sandman		SP2700	8	70	X					
	GUTTER – Side	LH	2816361	1	60, 80	X	X				
		RH	2816360	1	60, 80	X	X				

BODY

"HX" STATESMAN/HOLDEN PARTS CATALOGUE

GROUP	DESCRIPTION	SIDE	PART No.	QTY.	BODY STYLE	M	N	P	Q	S	T
12.895 DOOR – Front less glass, trim & hardware											
	DOOR ASSEMBLY	LH	9932319	1	35,60,69,70,80	X	X	X	X	X	X
		RH	9932318	1	35,60,69,70,80	X	X	X	X	X	X
	DOOR ASSEMBLY	LH	9932329	1	37				X		
		RH	9932328	1	37				X		
12.895 PANEL – Front door outer											
	PANEL ASSEMBLY	LH	2819409	1	35,60,69,70,80	X	X	X	X	X	X
		RH	2819410	1	35,60,69,70,80	X	X	X	X	X	X
	PANEL ASSEMBLY	LH	2812429	1	37				X		
		RH	2812430	1	37				X		
12.913 DOOR – Rear less glass, trim & hardware											
	DOOR ASSEMBLY - Exc. power windows	LH	2814453	1	35	X	X	X			
		RH	2814454	1	35	X	X	X			
	DOOR ASSEMBLY - Power windows	LH	2814455	1	35			X			
		RH	2814456	1	35			X			
	DOOR ASSEMBLY - Exc. power windows	LH	2814445	1	69	X	X	X	X		
		RH	2814446	1	69	X	X	X	X		
	DOOR ASSEMBLY - Exc. power windows	LH	2814449	1	69					X	
		RH	2814450	1	69					X	
	DOOR ASSEMBLY - Power windows	LH	2814447	1	69			X	X		
		RH	2814448	1	69			X	X		
	DOOR ASSEMBLY - Power windows	LH	2814451	1	69					X	X
		RH	2814452	1	69					X	X
12.913 PANEL – Rear door outer											
	PANEL ASSEMBLY	LH	2819423	1	35, 69	X	X	X	X	X	X
		RH	2819424	1	35, 69	X	X	X	X	X	X
12.934 PANEL – Rocker											
	PANEL - Inner	LH	2809489	1	35	X	X	X			
		RH	2809488	1	35	X	X	X			
	PANEL - Outer	LH	2809815	1	35	X	X	X			
		RH	2809816	1	35	X	X	X			
	PANEL - Inner	LH	2809491	1	37				X		
		RH	2809490	1	37				X		
	PANEL - Outer	LH	2809817	1	37				X		
		RH	2809818	1	37				X		
	PANEL - Inner	LH	2809487	1	69	X	X	X	X		
		RH	2809486	1	69	X	X	X	X		
	PANEL - Outer	LH	2809813	1	69	X	X	X	X		
		RH	2809814	1	69	X	X	X	X		
	PANEL - Inner	LH	2809489	1	69					X	X
		RH	2809488	1	69					X	X
	PANEL - Outer	LH	2809815	1	69					X	X
		RH	2809816	1	69					X	X
	PANEL - Inner	LH	2816389	1	60	X					
		RH	2816388	1	60	X					
	PANEL - Outer	LH	2816449	1	60	X					
		RH	2816448	1	60	X					
	PANEL - Inner	LH	2809489	1	70, 80	X	X				
		RH	2809488	1	70, 80	X	X				
	PANEL - Outer	LH	2809815	1	70, 80	X	X				
		RH	2809816	1	70, 80	X	X				

"HX" STATESMAN/HOLDEN PARTS CATALOGUE

GROUP	DESCRIPTION	SIDE	PART No.	QTY.	BODY STYLE	M	N	P	Q	S	T
12.940 PANEL, REINFORCEMENT, FILLER – Rear quarter outer											
PANEL	LH	9930437	1	35		X	X	X			
	RH	9930438	1	35		X	X	X			
REINFORCEMENT – Panel front	LH	9933607	1	35		X	X	X			
	RH	9933606	1	35		X	X	X			
FILLER – Panel lower	LH	2814867	1	35		X	X	X			
	RH	2814868	1	35		X	X	X			
FILLER – Panel upper	LH	2814929	1	35		X	X	X			
	RH	2814928	1	35		X	X	X			
PANEL	LH	2811643	1	37					X		
	RH	2811642	1	37					X		
REINFORCEMENT – Window opening	LH	2814443	1	37					X		
	RH	2814444	1	37					X		
PANEL	LH	9929797	1	69		X	X	X	X		
	RH	9929796	1	69		X	X	X	X		
PANEL	LH	9930433	1	69						X	X
	RH	9930434	1	69						X	X
REINFORCEMENT – Panel front	LH	9933607	1	69		X	X	X	X	X	X
	RH	9933606	1	69		X	X	X	X	X	X
PLATE – Panel seal	LH	2814235	1	69						X	X
	RH	2814236	1	69						X	X
12.940 SUPPORT – Tail lamp											
SUPPORT – Tail Lamp		2815291	2	35		X	X	X			
SUPPORT – Tail Lamp	LH	9930523	1	69		X	X	X	X		
	RH	9930524	1	69		X	X	X	X		
SUPPORT – Tail Lamp	LH	9930797	1	69						X	X
	RH	9930796	1	69						X	X
SUPPORT – Tail Lamp		2815291	2	70, 80		X	X				
12.941 PANEL – Rear quarter inner											
PANEL ASSEMBLY	LH	9931407	1	35		X	X	X			
	RH	9931406	1	35		X	X	X			
PANEL ASSEMBLY	LH	9932693	1	37					X		
	RH	9932694	1	37					X		
COVER – Inner panel		2815230	2	37					X		
SCREW – Cover		163210	12	37					X		
BRACE – Body side to underbody	LH	2814787	1	37					X		
	RH	2814788	1	37					X		
PANEL ASSEMBLY	LH	9931185	1	69		X	X	X	X		
	RH	9931184	1	69		X	X		X		
PANEL ASSEMBLY	LH	9931405	1	69						X	
	RH	9931404	1	69						X	
PANEL ASSEMBLY	LH	9936311	1	69							X
	RH	9936310	1	69							X
PANEL ASSEMBLY – Upper Reading Lamp	LH	9935253	1	69							X
	RH	9935254	1	69							X
BRACKET – Corner Lamp Support		9935158	2	69							X
12.942 PANEL, VALVE, GRILLE – Rear body lock pillar											
PANEL ASSEMBLY	LH	9933603	1	35		X	X	X			
	RH	9933602	1	35		X	X	X			
VALVE ASSY. – Pressure relief	LH	9933619	1	35		X	X	X			
	RH	9933618	1	35		X	X	X			
SCREW – Valve assy. to quarter panel		7426400	4	35		X	X		X		
SEALER – Relief valve		9939788	2	35		X	X	X			
VALVE – Body drain		2815909	2	35		X	X	X			
PANEL ASSEMBLY	LH	2813897	1	37					X		
	RH	2813896	1	37					X		
PANEL – Rear body pillar	LH	2814307	1	37					X		
	RH	2814308	1	37					X		
VALVE ASSY. – Pressure relief		2815773	2	37					X		

BODY

"HX" STATESMAN/HOLDEN PARTS CATALOGUE

GROUP	DESCRIPTION	SIDE	PART No.	QTY.	BODY STYLE	M	N	P	Q	S	T
12.942 PANEL, VALVE, GRILLE -- Rear body lock pillar (Continued)											
	SCREW - Valve assy. to quarter panel		7426400	4	37				X		
	SEALER - Relief valve		9939449	2	37				X		
	GRILLE - Relief valve		2816126	2	37				X		
	PANEL ASSEMBLY	LH	9933611	1	69	X	X	X	X		
		RH	9933610	1	69	X	X	X	X		
	PANEL ASSEMBLY	LH	9933613	1	69					X	X
		RH	9933612	1	69					X	X
	VALVE ASSY. - Pressure relief	LH	9933619	1	69	X	X	X	X	X	X
		RH	9933618	1	69	X	X	X	X	X	X
	SCREW - Valve assy. to quarter panel		7426400	4	69	X	X	X	X	X	X
	SEALER - Relief valve		9939788	2	69	X	X	X	X	X	X
	VALVE - Body drain		2815909	2	69	X	X	X	X	X	X
	VALVE ASSY. - Pressure relief		2815773	2	60, 70, 80	X	X				
	SCREW - Valve assy. to quarter panel		7426400	4	60, 70, 80	X	X				
	SEALER - Relief valve		9939449	2	60, 70, 80	X	X				
	VALVE - Body drain		2815909	2	60, 70, 80	X	X				
	GRILLE - Relief valve		2816126	2	60, 70, 80	X	X				
	SCREW - Grille to body		7426400	4	60, 70, 80	X	X				
12.944 PANEL - Wheelhouse											
	PANEL	LH	9929799	1	35	X	X	X			
		RH	9929800	1	35	X	X	X			
	PANEL	LH	2812945	1	37				X		
		RH	2812946	1	37				X		
	PANEL	LH	9929799	1	69	X	X	X	X		
		RH	9929798	1	69	X	X	X	X		
	PANEL	LH	2812945	1	69					X	X
		RH	2812946	1	69					X	X
	PANEL	LH	2812945	1	70, 80	X	X				
		RH	2812946	1	70, 80	X	X				
12.948 PANEL, COVER, EXTENSION - Body side											
	PANEL - Outer	LH	2816043	1	60	X					
		RH	2816044	1	60	X					
	PANEL - Inner front	LH	9932683	1	60	X					
		RH	9932684	1	60	X					
	PANEL - Inner rear	LH	2816397	1	60	X					
		RH	2816398	1	60	X					
	PANEL - Outer lower	LH	2814909	1	70	X	X				
		RH	2814910	1	70	X	X				
	PANEL - Outer upper	LH	2815647	1	70	X	X				
		RH	2815646	1	70	X	X				
	PANEL - Inner front	LH	9932793	1	70	X	X				
		RH	9932792	1	70	X	X				
	PANEL - Inner rear	LH	2816863	1	70	X	X				
		RH	2816862	1	70	X	X				
	COVER - Inner front	LH	2816641	1	70	X	X				
		RH	2816640	1	70	X	X				
	SCREW - Inner front cover		9414722	40	70	X	X				
	COVER - Inner rear	LH	2816640	1	70	X	X				
		RH	2816641	1	70	X	X				
	COVER - End gate body pillar lower		2817113	2	70	X	X				
	SCREW - End gate body pillar cover		9414722	10	70	X	X				
	EXTENSION - Body side upper	LH	2816457	1	70	X	X				
		RH	2816456	1	70	X	X				
	PANEL - Outer	LH	2815479	1	80	X	X				
		RH	2815478	1	80	X	X				
	PANEL - Inner front	LH	9932683	1	80	X	X				
		RH	9932684	1	80	X	X				
	PANEL - Inner rear	LH	2816863	1	80	X	X				
		RH	2816862	1	80	X	X				

"HX" STATESMAN/HOLDEN PARTS CATALOGUE

GROUP	DESCRIPTION	SIDE	PART No.	QTY.	BODY STYLE	M	N	P	Q	S	T
12.948 PANEL, COVER, EXTENSION – Body side (Continued)											
	COVER - Inner front	LH	2816641	1	80	X	X				
		RH	2816640	1	80	X	X				
	SCREW - Inner front cover		9414722	40	80	X	X				
	COVER - Inner rear	LH	2816640	1	80	X	X				
		RH	2816641	1	80	X	X				
	COVER - End gate body pillar		2817113	2	80	X	X				
	SCREW - End gate body pillar cover		9414722	10	80	X	X				
	EXTENSION - Body side front	LH	2817165	1	80	X	X				
		RH	2817166	1	80	X	X				
12.950 PILLAR – Body side											
	PILLAR ASSY - Upper		2816745	6	70	X					
12.951 PANEL, PILLAR – End gate body											
	PANEL ASSEMBLY - Inner	LH	2813571	1	35	X	X	X			
		RH	2813570	1	35	X	X	X			
	PANEL ASSEMBLY - Outer	LH	2813573	1	35	X	X	X			
		RH	2813572	1	35	X	X	X			
	PILLAR ASSEMBLY - Outer	LH	2816729	1	35	X	X	X			
		RH	2816728	1	35	X	X	X			
	PILLAR ASSEMBLY - Upper inner	LH	2816681	1	70	X	X				
		RH	2816682	1	70	X	X				
	PILLAR ASSEMBLY - Upper outer	LH	2816263	1	70	X	X				
		RH	2816262	1	70	X	X				
	PILLAR - Lower inner	LH	2817339	1	70	X	X				
		RH	2817340	1	70	X	X				
	PILLAR ASSEMBLY - Lower outer	LH	2816525	1	70	X	X				
		RH	2816524	1	70	X	X				
	PILLAR - Lower inner	LH	2817339	1	80	X	X				
		RH	2817340	1	80	X	X				
	PILLAR ASSEMBLY - Lower outer	LH	2816523	1	80	X	X				
		RH	2816522	1	80	X	X				
12.952 BOW – Roof											
	BOW - Front		2812845	1	35	X	X	X			
	BOW - No. 2 & 3		2812937	2	35	X	X	X			
	BOW		2811784	1	37				X		
	BOW - Front		2810287	1	37, 69	X	X	X	X	X	
	BOW		9938277	1	69						X
	BOW ASSEMBLY - Front		2816587	1	70	X	X				
	BOW ASSEMBLY - Rear		7420831	1	70	X	X				
12.955 WIRE – Headlining listing											
	WIRE - No. 1		2813464	1	35	X	X	X			
	WIRE - Nos. 2 & 9		2813463	2	35	X	X	X			
	WIRE - No. 3		2813632	2	35	X	X	X			
	WIRE - Nos. 4, 5 & 7		2813465	3	35	X	X	X			
	WIRE - Nos. 6 & 8		2813633	2	35	X	X	X			
	WIRE - No. 1		2814674	1	37				X		
	WIRE - No. 2		2811204	1	37				X		
	WIRE - No. 3		7434067	1	37				X		
	WIRE - No. 4		2814673	1	37				X		
	WIRE - No. 5		2815104	1	37				X		
	WIRE - No. 1		2811827	1	69	X	X	X	X	X	X
	WIRE - Nos. 2 & 4		2811244	2	69	X	X	X	X	X	X
	WIRE - No. 3		2813632	2	69	X	X	X	X	X	X
	WIRE - No. 5		2811204	1	69	X	X	X	X		
	WIRE - No. 5		2812387	1	69					X	X
	WIRE - No. 1		2813465	1	70	X	X				
	WIRE - No. 2		2816850	1	70	X	X				
	SCREW - Wire to bow - No. 2		SP2111	6	70	X	X				

"HX" STATESMAN/HOLDEN PARTS CATALOGUE

GROUP	DESCRIPTION	SIDE	PART No.	QTY.	BODY STYLE	M	N	P	Q	S	T
12.955 WIRE – Headlining listing (Continued)											
	WIRE – Exc. full length headlining		2813632	2	70	X	X				
	WIRE – Full length headlining No. 3 & 5		9938653	2	70	X	X				
	WIRE – Full length headlining No. 4		2813633	1	70	X	X				
	WIRE – No. 1		2811827	1	60, 80	X	X				
	WIRE – No. 2		2811244	1	60, 80	X	X				
	WIRE – No. 3		2813633	1	60, 80	X	X				
12.956 RAIL – Roof											
	RAIL – Side inner	LH	9942685	1	35	X	X	X			
		RH	9942686	1	35	X	X	X			
	RAIL ASSEMBLY – Rear		2811836	1	35	X	X	X			
	RAIL – Side inner	LH	9932749	1	37				X		
		RH	9932748	1	37				X		
	RAIL – Side inner	LH	2810421	1	69	X	X	X	X		
		RH	2810420	1	69	X	X	X	X		
	RAIL – Side outer	LH	2810419	1	69	X	X	X	X		
		RH	2810418	1	69	X	X	X	X		
	RAIL – Side inner	LH	2811639	1	69					X	X
		RH	2811638	1	69					X	X
	RAIL ASSEMBLY – Rear		7427495	1	70	X					
	RAIL ASSEMBLY – Rear		9944225	1	70		X				
	RAIL – Side inner		2817552	2	60, 70, 80	X	X				
12.958 PANEL – Cab rear											
	PANEL ASSEMBLY		2815896	1	60, 80	X	X				
12.958 REINFORCEMENT – Rear window lower											
	REINFORCEMENT		2816452	1	60	X					
12.966 PANEL – Rear end											
	PANEL ASSEMBLY		2813971	1	35	X	X	X			
	PANEL – Inner		2811174	1	37				X		
	PANEL ASSEMBLY – Outer		2813299	1	37				X		
	PANEL – Inner		9930555	1	69	X	X	X	X	X	X
	PANEL ASSEMBLY – Outer		9930698	1	69	X	X	X	X		
	PANEL ASSEMBLY – Outer		9930699	1	69					X	X
	PANEL ASSEMBLY – Inner		2817171	1	70, 80	X	X				
	PANEL – Outer		2815973	1	70, 80	X	X				
	GROMMET – Spare wheel hoist handle		2817174	1	70, 80	X	X				
12.966 DOOR, BRACKET, SPRING, PIN – Fuel tank filler											
	DOOR ASSEMBLY – Filler		2811713	1	37, 69	X	X	X	X	X	X
	BRACKET – Filler door		2811710	1	37, 69	X	X	X	X	X	X
	SPRING – Filler door		2811711	1	37, 69	X	X	X	X	X	X
	PIN – Filler door		3857018	1	37, 69	X	X	X	X	X	X
	BUMPER – Fuel tank filler door		7409209	2	37, 69	X	X	X	X	X	X
	BOLT – Filler door bracket to bumper		121887	2	37, 69	X	X	X	X	X	X
	WASHER – Plain		120392	2	37, 69	X	X	X	X	X	X
	WASHER – Lock		120380	2	37, 69	X	X	X	X	X	X
	NUT		120375	2	37, 69	X	X	X	X	X	X
12.967 SPOILER – Rear compartment lid air											
	SPOILER ASSEMBLY – Compartment Lid		9933848	1	37, 69	X	X	X	X		
	SPOILER ASSEMBLY – Quarter Outer	LH	9933849	1	37				X		
		RH	9933850	1	37				X		
	SPOILER ASSEMBLY – Quarter Outer	LH	9933851	1	69	X	X	X	X		
		RH	9933852	1	69	X	X	X	X		

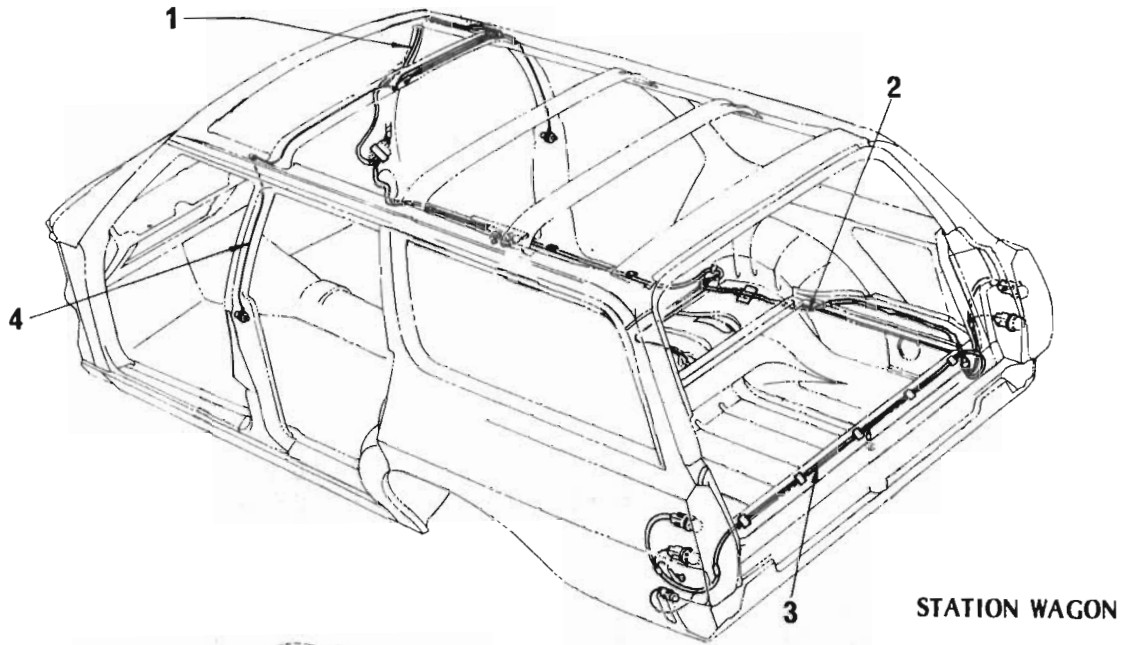
"HX" STATESMAN/HOLDEN PARTS CATALOGUE

GROUP	DESCRIPTION	SIDE	PART No.	QTY.	BODY STYLE	M	N	P	Q	S	T
12.967 SPOILER – Rear compartment lid air (Continued)											
	SPOILER PACKAGE		9935198	1	37				X		
	SPOILER PACKAGE		9935199	1	69	X	X	X	X		
	SMALL PARTS KIT		M37512	1	37, 69	X	X	X	X		
	SCREW & LOCKWASHER – Spoiler to rear compartment lid.....		SP2064	8	37, 69	X	X	X	X		
	SCREW & LOCKWASHER – Spoiler to rear quarter outer.....		SP2064	4	37, 69	X	X	X	X		
12.971 PANEL – Rear compartment front											
	PANEL ASSEMBLY		9940158	1	37, 69	X	X	X	X		
	REINFORCEMENT	LH	2811985	1	37				X		
		RH	2811986	1	37				X		
	EXTENSION – Panel	LH	9932721	1	37				X		
		RH	9932722	1	37				X		
	EXTENSION – Panel	LH	9932719	1	69	X	X	X	X		
		RH	9932720	1	69	X	X	X	X		
	REINFORCEMENT	LH	9930557	1	69	X	X	X	X		
		RH	9930556	1	69	X	X	X	X		
	PANEL ASSEMBLY		9940159	1	69					X	X
	REINFORCEMENT	LH	9930559	1	69					X	X
		RH	9930558	1	69					X	X
	EXTENSION – Panel	LH	9930653	1	69					X	X
		RH	9930652	1	69					X	X
12.972 FLOOR PAN											
	PAN ASSY. – Front floor		2825573	1	35	X	X	X			
	PAN ASSY. – Centre floor		9932741	1	35	X	X	X			
	PAN ASSY. – Front floor		2825573	1	37				X		
	PAN ASSY. – Centre floor		9932739	1	37				X		
	PAN ASSY. – Front floor		2825573	1	69	X	X	X	X	X	X
	PAN ASSY. – Centre floor		9932740	1	69	X	X	X	X		
	PAN ASSY. – Centre floor		9932741	1	69					X	X
	PAN ASSY. – Front floor		2817726	1	60, 70, 80	X	X				
12.972 PLATE, CAP, BRACE, COVER – Floor pan											
	PLATE – Floor pan cover		7418525	8	35, 37, 69	X	X	X	X	X	X
	PLATE – Floor pan cover		7418525	4	60	X					
	PLATE – Floor pan cover		7418525	6	70, 80	X	X				
	CAP – Underbody sealing		7410830	1	ALL	X	X	X	X	X	X
	BRACE ASSEMBLY – Frame to floor pan	LH	2812013	1	ALL	X	X	X	X	X	X
		RH	2812014	1	ALL	X	X	X	X	X	X
	SCREW – Cover plate to floor pan		163210	12	35, 69	X	X	X	X	X	X
	SCREW – Cover plate to floor pan		163210	8	60, 70, 80	X	X				
	COVER – Floor pan, gearshift lever (M) – Floor shift		2820683	1	ALL	X	X				
	SCREW – Cover to floor pan		SP2111	2	ALL	X	X				
12.980 FRAME – Front end											
	FRAME ASSY.		9937208	1	35, 37, 69, 70, 80	X	X	X	X	X	X
	FRAME ASSY.		9938378	1	60	X					
12.981 PAN – Rear floor											
	PAN ASSEMBLY		9932737	1	35	X	X	X			
	PAN ASSEMBLY		9932735	1	37, 69	X	X	X	X		
	PAN ASSEMBLY		9932736	1	69					X	X
	PAN		9932738	1	60, 70, 80	X	X				

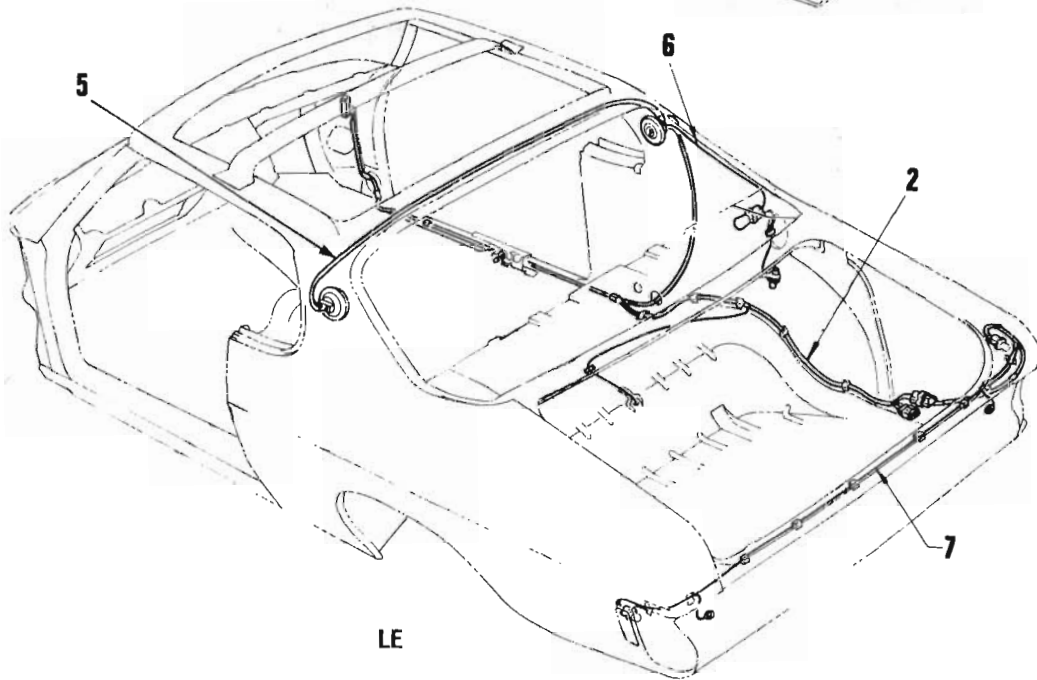
"HX" STATESMAN/HOLDEN PARTS CATALOGUE

GROUP	DESCRIPTION	SIDE	PART No.	QTY.	BODY STYLE	M	N	P	Q	S	T
12.982	BAR, SIDE MEMBER – Frame & underbody										
	BAR ASSY. – Underbody No. 1 cross		2810337	1	35	X	X	X			
	BAR – Underbody No. 2 cross		2808873	1	35	X	X	X			
	BAR – Underbody No. 3 cross		2809957	1	35	X	X	X			
	EXTENSION – No. 3 cross bar		2815529	2	35	X	X	X			
	BAR – Tonneau floor No. 4 cross		2812230	1	35	X	X	X			
	BAR – Tonneau floor rear cross		2814569	1	35	X	X	X			
	BAR ASSY. – Underbody No. 1 cross		2810337	1	37				X		
	BAR – Underbody No. 2 cross		2808873	1	37				X		
	BAR – Underbody No. 3 cross		2809957	1	37				X		
	BAR ASSY. – Underbody No. 1 cross		2810337	1	69	X	X	X	X	X	X
	BAR – Underbody No. 2 cross		2808873	1	69	X	X	X	X	X	X
	BAR – Underbody No. 3 cross		2809957	1	69	X	X	X	X	X	X
	BAR ASSY. – Underbody No. 1 cross		2820166	1	60, 70, 80	X	X				
	BAR ASSY. – Tonneau floor No. 1 cross		2817673	1	60	X					
	BAR ASSY. – Tonneau floor No. 1 cross		2816445	1	70, 80	X	X				
	BAR ASSY. – Tonneau floor No. 2 cross		2816073	1	70, 80	X	X				
	BAR – Tonneau floor No. 3 cross		2816714	1	70, 80	X	X				
	BRACE – Rear floor to tonneau floor cross bar		2816253	2	60, 70, 80	X	X				
	MEMBER ASSY. – Underbody side	LH	2808871	1	35	X	X	X			
		RH	9933072	1	35	X	X	X			
	MEMBER ASSY. – Underbody side	LH	2808869	1	37, 69	X	X	X	X		
		RH	2808870	1	37, 69	X	X	X	X		
	MEMBER ASSY. – Underbody side	LH	2810333	1	69					X	X
		RH	2810334	1	69					X	X
	MEMBER ASSY. – Trans. mounting cross, exc. (A) 5 Litre Eng.		2814616	1	35, 37, 69	X	X	X	X	X	X
	MEMBER ASSY. – Trans. Mounting Cross (A) 5 Litre Eng. MEMBER ASSY. – Trans. mounting cross exc. (A) 5 Litre Eng.		9933895	1	35, 37, 69	X	X	X	X	X	X
			2814618	1	60, 70, 80	X	X				
	MEMBER ASSY. – Trans. mounting cross (A) 5 Litre Eng.		9934231	1	60, 70, 80	X	X				
	BOLT – Trans. mounting crossmember to frame		123520	4	ALL	X	X	X	X	X	X
	WASHER – Trans. mounting crossmember to frame – Lock		120382	4	ALL	X	X	X	X	X	X
	WASHER – Trans. mounting crossmember to frame – Flat		118775	4	ALL	X	X	X	X	X	X
	NUT PLATE – Underbody, frame & tonneau floor		2809319	A.R.	ALL	X	X	X	X	X	X
12.984	BRACKET – Rear spring & shock absorber mounting										
	BRACKET	LH	2809247	1	35, 37, 69	X	X	X	X	X	X
		RH	2809248	1	35, 37, 69	X	X	X	X	X	X
12.986	SILL, SUPPORT, EXTENSION – Rear compartment floor										
	SILL – Tonneau floor side	LH	2814825	1	35	X	X	X			
		RH	2814824	1	35	X	X	X			
	SUPPORT – Tonneau rear floor	LH	2817083	1	70, 80	X	X				
		RH	2817082	1	70, 80	X	X				
	EXTENSION – Tonneau rear floor	LH	2817035	1	70, 80	X	X				
		RH	2817036	1	70, 80	X	X				
	SCREW – Tonneau rear floor extension to floor		SP2471	4	70, 80	X	X				

GROUP 13.000
BODY WIRING HARNESS



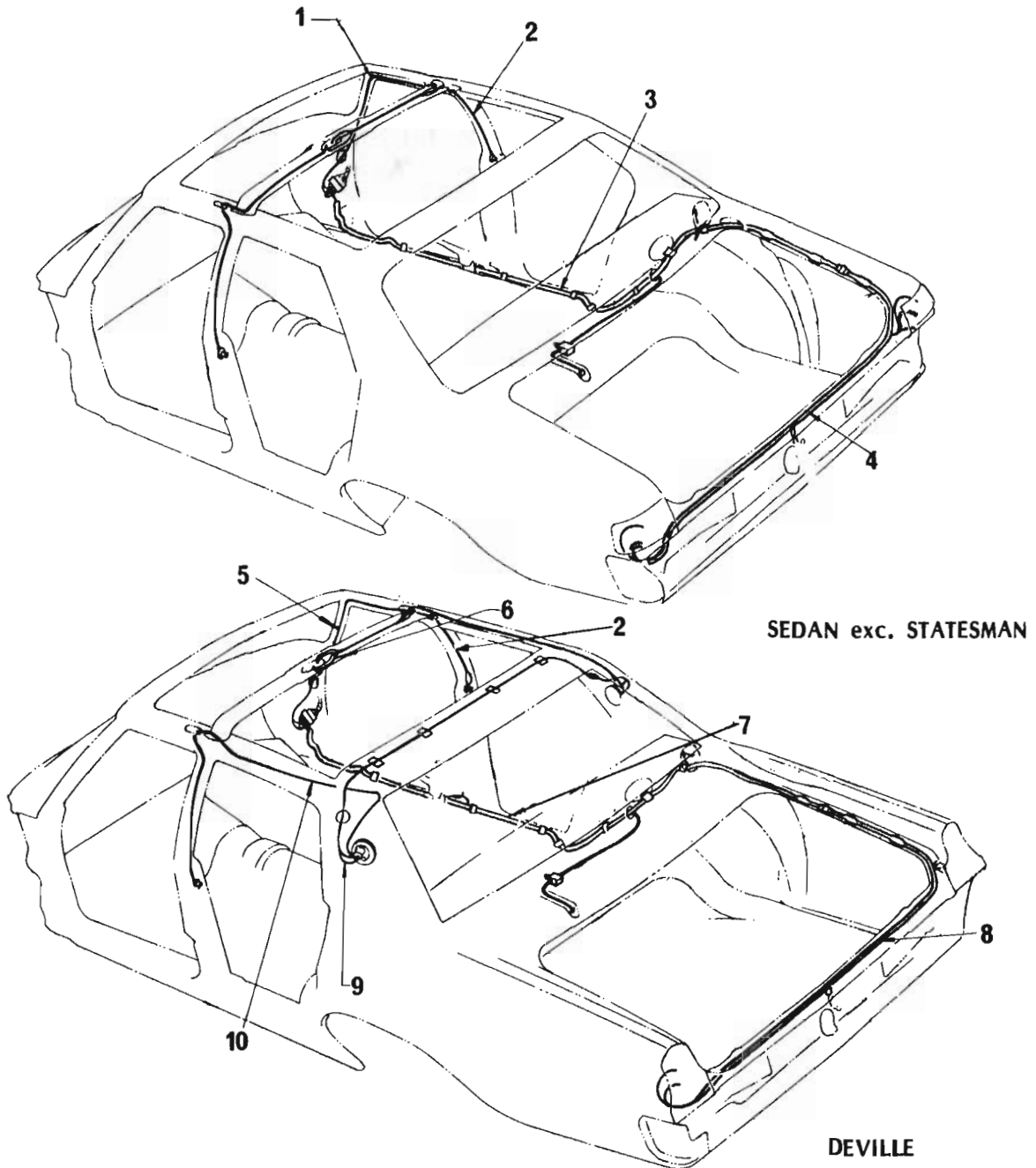
STATION WAGON



LE

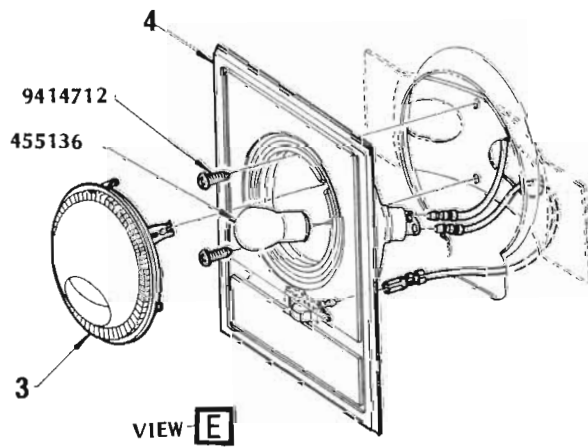
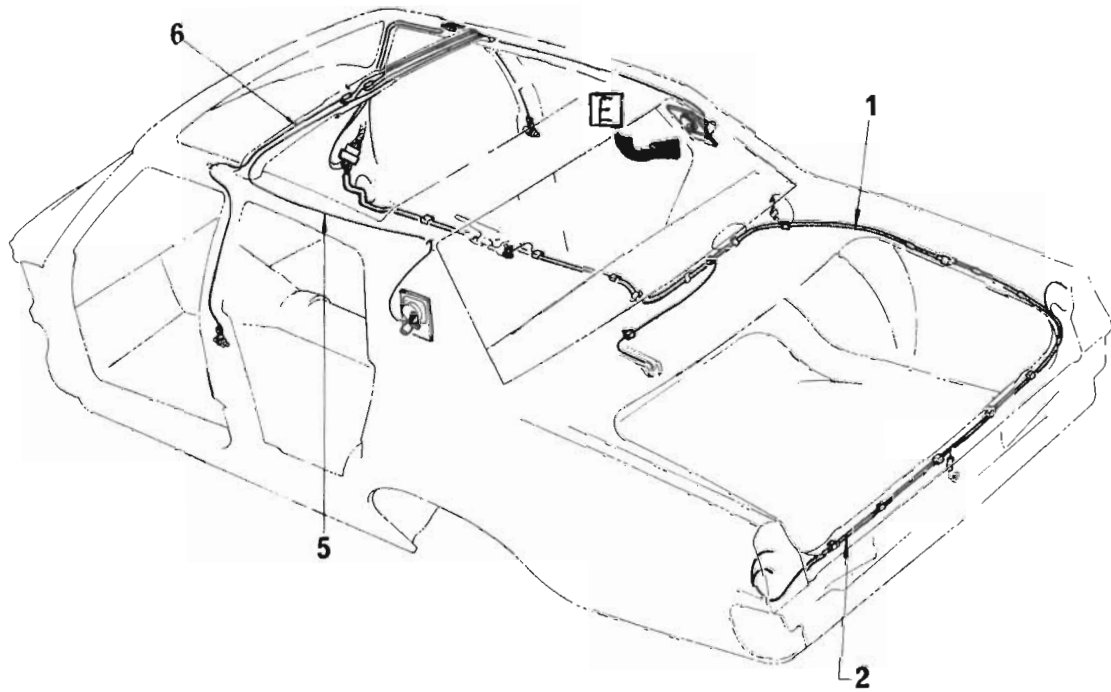
BODY WIRING

ILLUS. REF. NO.	PART NAME	GROUP
1.	LEAD ASSEMBLY - Dome lamp	11.925
2.	HARNESS ASSEMBLY - Body wiring	13.090
3.	HARNESS ASSEMBLY - Body wiring - rear	13.090
4.	LEAD ASSEMBLY - Courtesy lamp switch - rear door ..	11.950
5.	HARNESS ASSEMBLY - Rear quarter lamp	11.950
6.	LEAD ASSEMBLY - Rear compartment lamp	11.960
7.	HARNESS ASSEMBLY - Rear side marker lamps	13.090



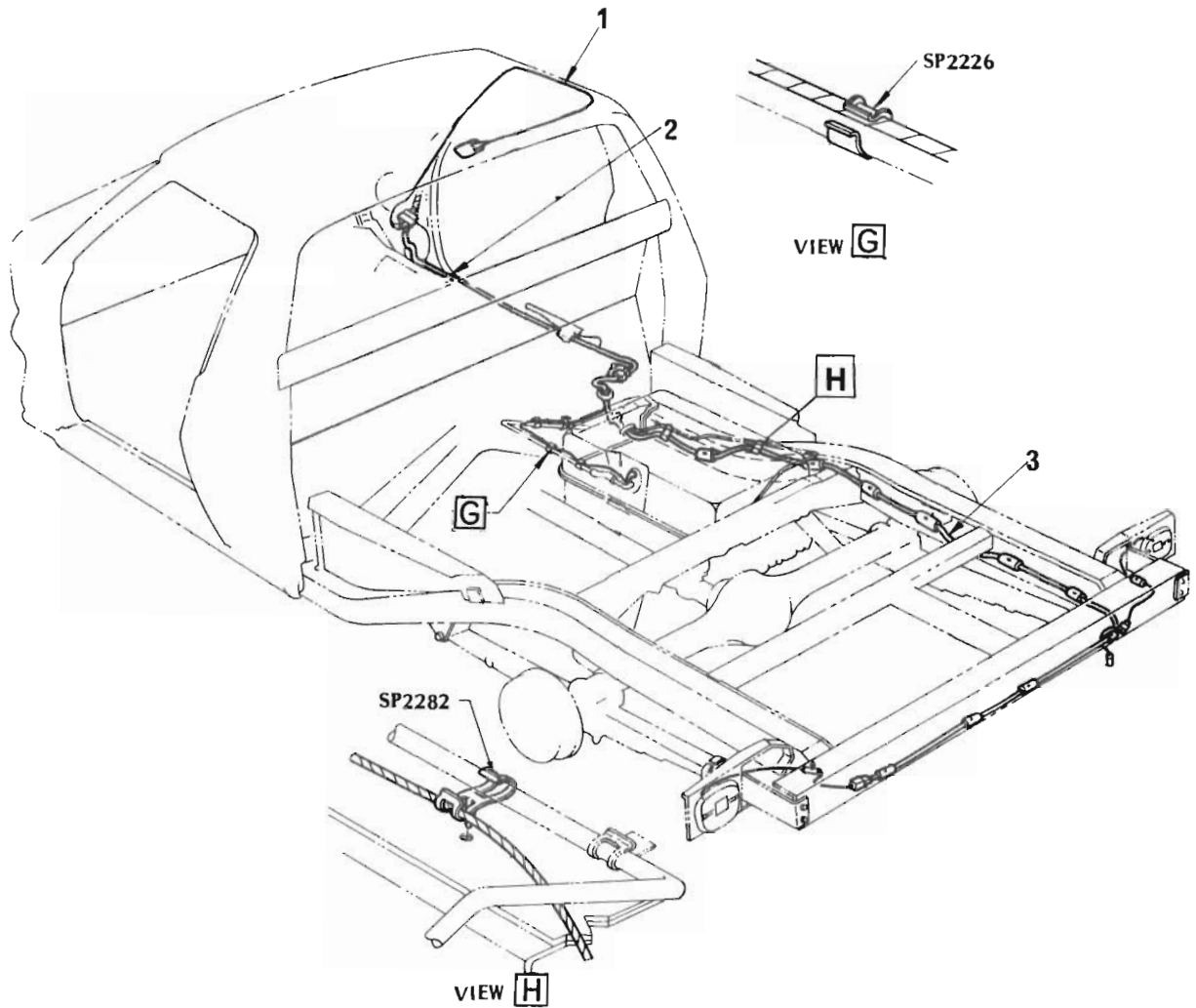
BODY WIRING

ILLUS. REF. NO.	PART NAME	GROUP
1.	LEAD ASSEMBLY - Dome lamp	11.925
2.	LEAD ASSEMBLY - Courtesy light switch - rear door ..	11.950
3.	HARNESS ASSEMBLY - Body	13.090
4.	HARNESS ASSEMBLY - Rear	13.090
5.	LEAD ASSEMBLY - Dome lamp	11.925
6.	LEAD ASSEMBLY - Feed - quarter lamp	11.940
7.	HARNESS ASSEMBLY	13.090
8.	HARNESS ASSEMBLY - Rear	13.090
9.	LEAD ASSEMBLY - RH lamp to LH lamp	11.940
10.	LEAD ASSEMBLY - Courtesy lamp switch - rear door ..	11.950



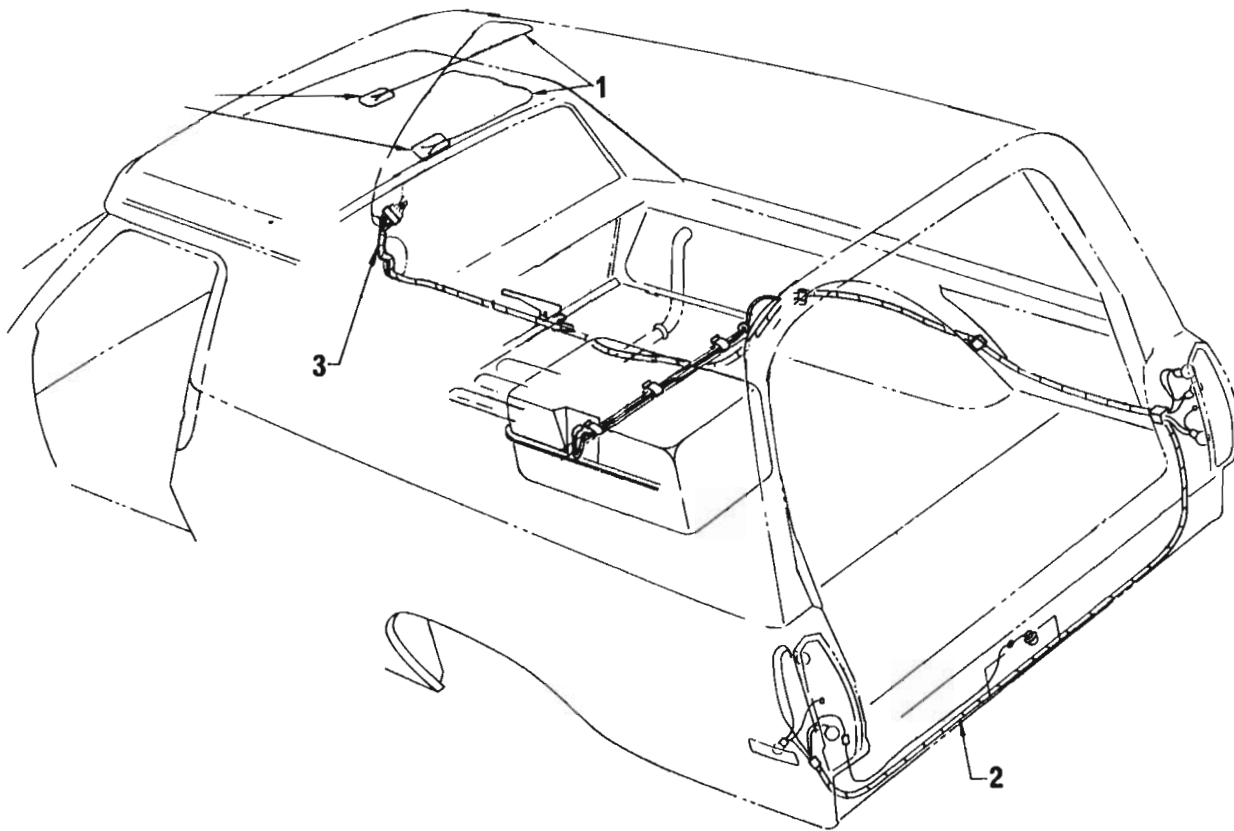
BODY WIRING
Caprice

ILLUS. REF. NO.	PART NAME	GROUP
1.	HARNESS ASSEMBLY - Body wiring	13,090
2.	HARNESS ASSEMBLY - Body wiring - rear	13,090
3.	LENS - Upper reading lamp	11,940
4.	PANEL ASSEMBLY - Upper reading lamp	12,941
5.	LEAD ASSEMBLY - Reading lamp	11,940
6.	LEAD ASSEMBLY - Courtesy light switch - rear door ..	11,950



BODY WIRING
Chassis & Cab

ILLUS. REF. NO.	PART NAME	GROUP
1.	LEAD ASSEMBLY - Dome lamp	11.925
2.	HARNESS ASSEMBLY - Body wiring	13.090
3.	HARNESS ASSEMBLY - Body wiring - rear	13.090



BODY WIRING
Utility, Panel Van

ILLUS. REF. NO.	PART NAME	GROUP
1.	LEAD ASSEMBLY - Dome lamp	11.925
2.	HARNESS ASSEMBLY - Body wiring - rear	13.090
3.	HARNESS ASSEMBLY - Body wiring	13.090

"HX" STATESMAN/HOLDEN PARTS CATALOGUE

GROUP	DESCRIPTION	SIDE	PART No.	QTY.	BODY STYLE	M	N	P	Q	S	T
13.090 HARNESS – Body wiring											
	HARNESS ASSY.		9942501	1	35	X	X	X			
	HARNESS ASSY.		2822140	1	37				X		
	HARNESS ASSY.		9942500	1	60	X					
	HARNESS ASSY.		9942501	1	69	X	X				
	HARNESS ASSY. – Taxi equip.		9942502	1	69	X	X				
	HARNESS ASSY.		9942502	1	69			X	X	X	X
	HARNESS ASSY.		9942499	1	70, 80	X	X				
	HARNESS ASSY. – Rear		9942505	1	35	X	X	X			
	HARNESS ASSY. – Rear		2815881	1	37				X		
	HARNESS ASSY. – Rear		9942503	1	69	X	X	X	X		
	HARNESS ASSY. – Rear, white back-up lens (optional export only)		9942507	1	69	X	X	X	X		
	HARNESS ASSY. – Rear		9942504	1	69					X	X
	HARNESS ASSY. – Rear		2816859	1	60	X					
	HARNESS ASSY. – Rear		2816858	1	70, 80	X	X				
	HARNESS ASSY. – Rear, white back up lens, (optional export only)		9942508	1	69					X	X
	HARNESS ASSY. – Rear, white back up lens, (optional export only)		9942506	1	35	X	X	X			
	HARNESS ASSY. – Rear, side marker lamps		2816677	1	37				X		
	LEAD ASSY. – Stop lamp – White back-up lens (optional export only)		2817867	1	35, 69, 70, 80	X	X	X	X	X	X
	LEAD ASSY. – Back-up lamp – White back-up lens (optional export only)		2817866	1	35, 69, 70, 80	X	X	X	X	X	X
13.090 BODY – Body wiring harness											
	BODY – Male Connector		2962984	1	35, 69, 70, 80	X	X	X	X	X	X
	BODY – 2 way male connector		9928643	1	ALL	X	X	X	X	X	X
	BODY – 3 way female connector		2962510	1	37		X	X	X		
	BODY – 3 way male connector		2973172	1	37		X	X	X		
	BODY – Rear, 3 way female connector		2973603	1	ALL	X	X	X	X	X	X
	BODY – 4 way female terminal connector		2962969	1	ALL	X	X	X	X	X	X
	BODY – Rear, 3 way male connector		2973172	2	60	X					
	BODY – Side marker lamp socket		5297797	2	37				X		
	BODY – Rear		5297797	2	35, 70, 80	X	X	X			
	BODY – Panel connector – Short		2962448	2	35	X	X	X			
	BODY – Panel connector – Short		2962448	7	69						X
	BODY – Panel connector – Short		2962448	1	60	X					
	BODY – Lead assy. stop lamp – Short		2962448	1	35, 69, 70, 80	X	X	X	X	X	X
13.090 SOCKET, SPRING – Body wiring											
	SOCKET ASSY. – Single filament, back up lamp		2813745	2	37		X	X	X		
	SOCKET ASSY. – Double filament, stop and tail lamp ..		2813744	2	37		X	X	X		
	SOCKET ASSY. – Rear, B1 type		7429955	2	35, 70, 80	X	X	X			
	SOCKET ASSY. – Rear, C2 type		7429820	2	35, 70, 80	X	X	X			
	SOCKET ASSY. – Rear, B1 Type		2823821	2	69	X	X	X	X	X	X
	SOCKET ASSY. – Rear, C2 Type		8905102	2	69	X	X	X	X	X	X
	SOCKET – Body wiring harness – Taxi equip.		2824332	1	69	X	X				
	SOCKET – Body wiring harness		2824332	1	69		X	X	X	X	X
	TERMINAL – Body wiring harness – Male		2965481	5	60	X					
	TERMINAL – Body wiring harness – Male		2965481	4	69, 70, 80	X	X	X	X	X	X
	TERMINAL – Body wiring harness		2823409	2	37				X		
	SPRING – Rear harness		2962243	1	ALL	X	X	X	X	X	X
	SPRING – Side marker lamp harness to socket		2962243	2	37				X		
13.092 CLIP – Body wiring											
	CLIP – Body wiring harness		2823409	1	37				X		
	CLIP – Body wiring harness		7432906	4-2	ALL	X	X	X	X	X	X
	CLIP – Body wiring harness to rocker panel		SP2191	4-2	ALL	X	X	X	X		
	CLIP – Body wiring harness to under body		7413031	2-1	35, 37, 69	X	X	X	X	X	X
	CLIP – Body wiring harness to frame		SP1909	1	60	X					

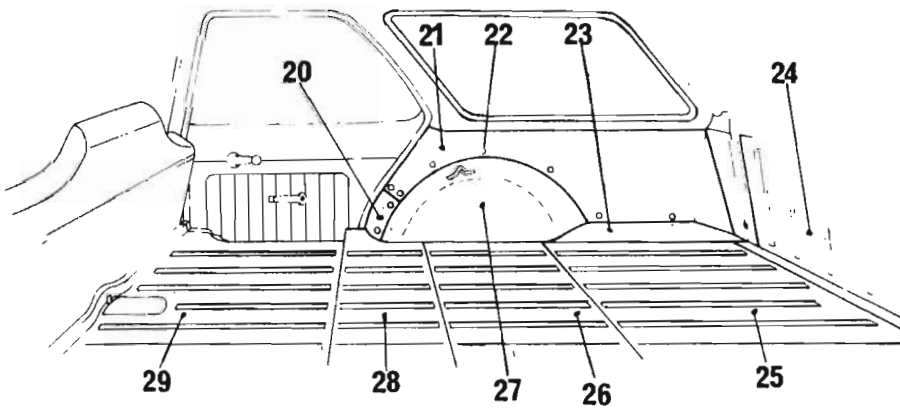
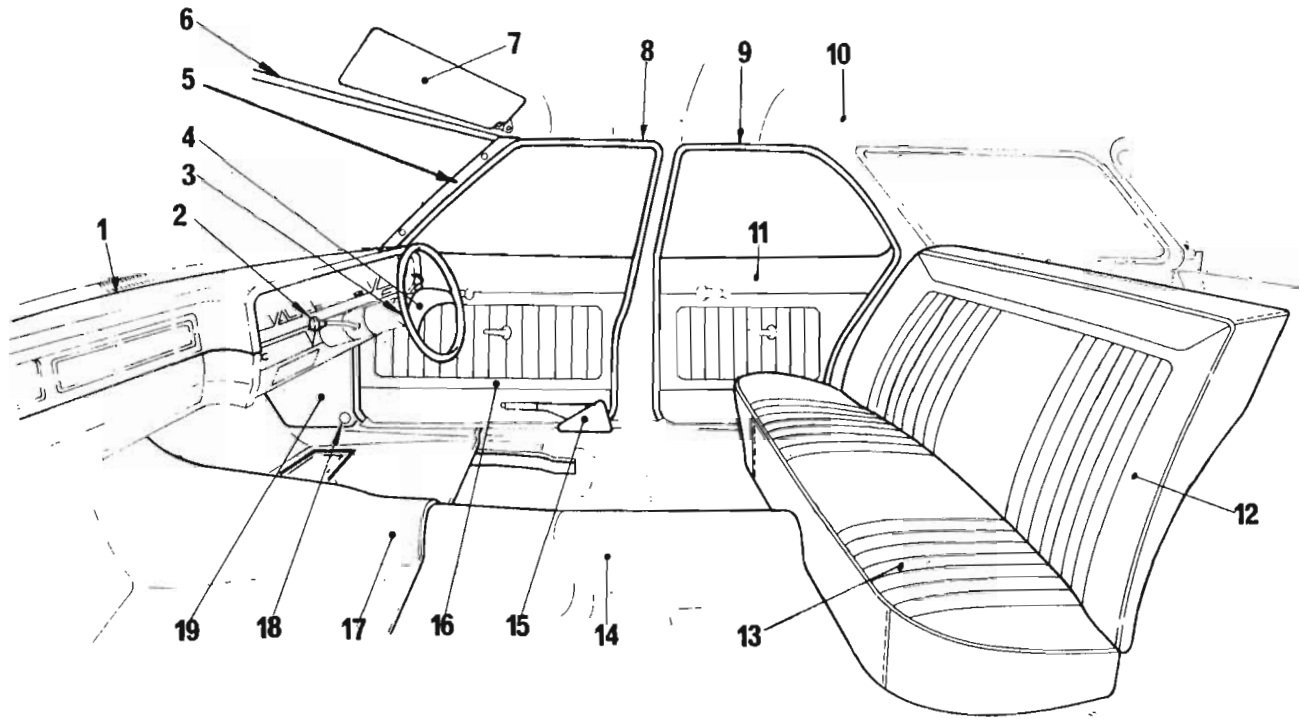
"HX" STATESMAN/HOLDEN PARTS CATALOGUE

GROUP	DESCRIPTION	SIDE	PART No.	QTY.	BODY STYLE	M	N	P	Q	S	T
13.092	CLIP - Body wiring (Continued)										
	CLIP - Rear body harness to fuel pipe		SP2226	4	60	X					
	CLIP - Body wiring harness to body side		7413031	1	35, 37	X	X	X	X		
	CLIP - Body wiring harness to side assy.		7413031	4	69	X	X	X	X	X	X
	CLIP - Body wiring harness to tonneau floor		7426417	3	70, 80	X	X				
	CLIP - Body wiring harness to rear pillar		2973345	1	70, 80	X	X				
	CLIP - Rear body harness to rear cross bar		7175429	5	35	X	X	X			
	CLIP - Body wiring - Spring edge		7175429	4	69	X	X	X	X	X	X
	CLIP - Rear body to outer panel		7413032	3	69	X	X	X	X	X	X
	CLIP - Rear body harness to rear end inner panel		2815231	4	69					X	X
	CLIP - Side marker lamp harness to rear panel		2815231	5	37				X		
	GROMMET - Body wiring harness		2817008	1	35, 37, 69, 70, 80	X	X	X	X	X	X
	GROMMET - Body wiring harness 1.38" O.D. x .30 I.D.		2816370	1-2	60, 70, 80	X	X				
	SEAL - Rear harness		7436318	3	35, 69			X	X	X	X

BODY

GROUP 14.000
INTERIOR TRIM

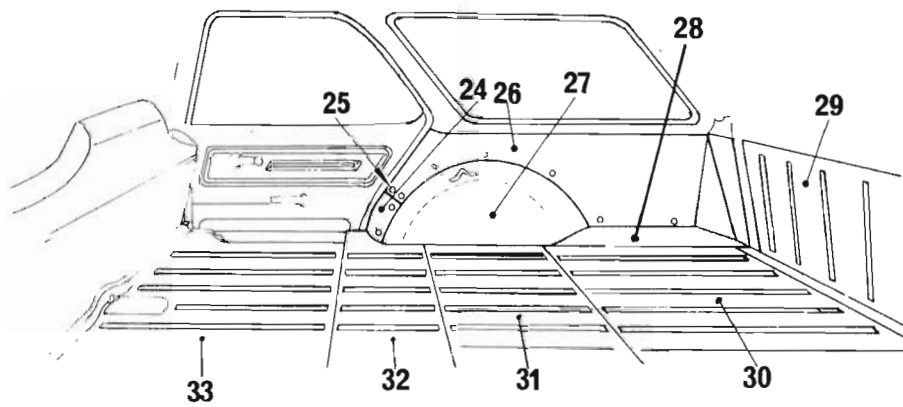
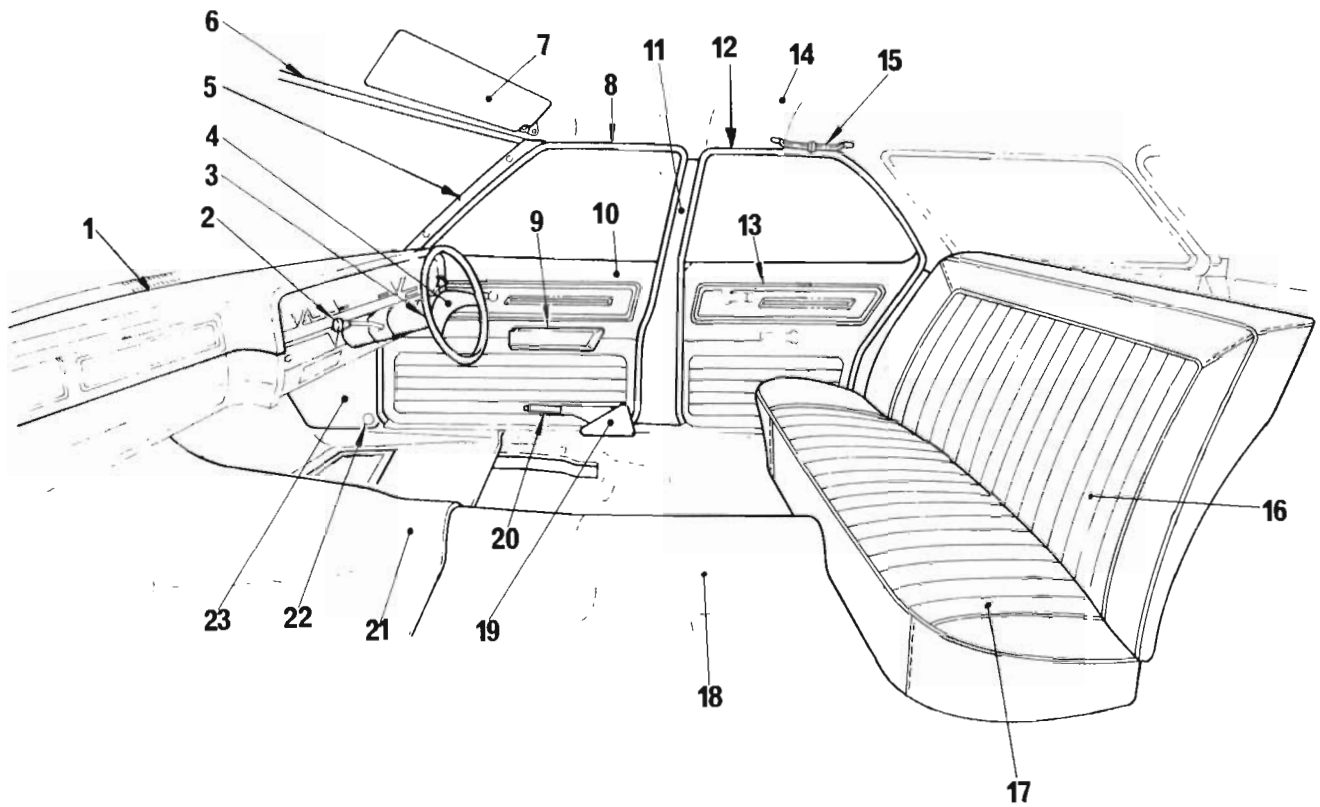
"HX" STATESMAN/HOLDEN PARTS CATALOGUE



INTERIOR TRIM
Model Code 8WM35

ILLUSTRATION OPPOSITE

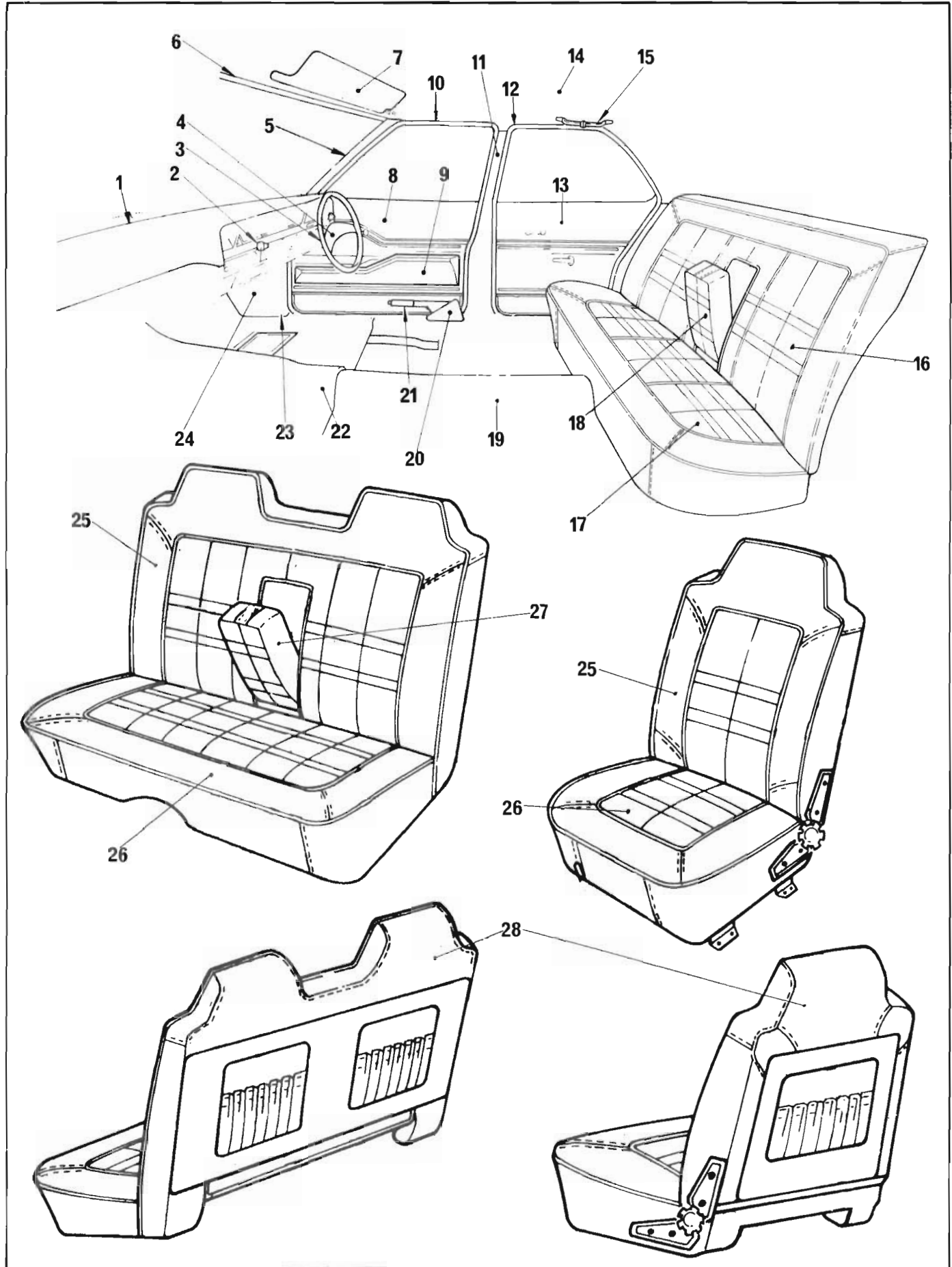
ILLUS. REF. NO.	PART NAME	GROUP
1.	PAD - Instrument panel	14.655
2.	KNOB - Gearshift control lever	4.009
3.	WHEEL ASSEMBLY - Steering	6.513
4.	BAR ASSEMBLY - Horn actuating	2.830
5.	PANEL - Front body pillar garnish	10.051
6.	LACE - Headlining trim front	14.650
7.	SUN VISOR ASSEMBLY	10.203
8.	WINDLACE - Front door opening	15.520
9.	WINDLACE - Rear door opening	15.520
10.	HEADLINING ASSEMBLY	14.640
11.	TRIM ASSEMBLY - Rear door	14.760
12.	COVER - Rear seat back	15.000
13.	COVER - Rear seat cushion	15.035
14.	CARPET - Rear floor	15.306
15.	COVER - Handbrake lever	4.608
16.	TRIM ASSEMBLY - Front door	14.685
17.	CARPET - Front floor	15.286
18.	FASTENER - Panel cowl side lower trim	14.630
19.	TRIM ASSEMBLY - Panel cowl side lower	14.630
20.	TRIM - Rear quarter side inner extension	15.100
21.	TRIM ASSEMBLY - Rear quarter side inner	15.100
22.	FASTENER - Rear quarter side inner trim	15.100
23.	TRIM ASSEMBLY - Tonneau floor side	15.308
24.	PANEL ASSEMBLY - End gate trim	15.311
25.	TRIM - Tonneau floor rear	15.308
26.	TRIM - Tonneau floor front	15.308
27.	TRIM ASSEMBLY - Wheelhouse	15.100
28.	TRIM - Tonneau floor front filler	15.308
29.	TRIM ASSEMBLY - Rear seat back	15.310

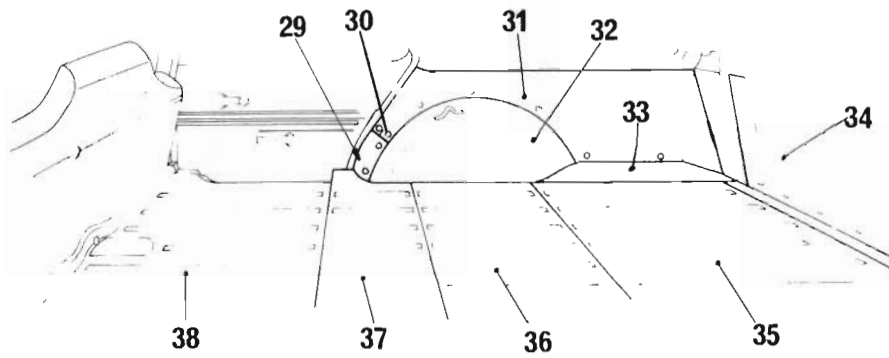


**INTERIOR TRIM
Model Code 8WN35**

ILLUSTRATION OPPOSITE

ILLUS. REF. NO.	PART NAME	GROUP
1.	PAD - Instrument panel	14.655
2.	KNOB - Gearshift control lever	4.009
3.	WHEEL ASSEMBLY - Steering	6.513
4.	BAR ASSEMBLY - Horn actuating	2.830
5.	PANEL - Front body pillar garnish	10.051
6.	LACE - Headlining trim front	14.650
7.	SUN VISOR ASSEMBLY	10.203
8.	WINDLACE - Front door opening	15.520
9.	ARM REST ASSEMBLY - Front door	14.686
10.	TRIM ASSEMBLY - Front door	14.685
11.	TRIM - Centre pillar	14.730
12.	WINDLACE - Rear door opening	15.520
13.	TRIM ASSEMBLY - Rear door	14.760
14.	HEADLINING ASSEMBLY	14.640
15.	HANDLE - Assist grip	15.390
16.	COVER - Rear seat back	15.000
17.	COVER - Rear seat cushion	15.035
18.	CARPET - Rear floor	15.306
19.	COVER - Handbrake lever	4.608
20.	GRIP - Handbrake lever	4.592
21.	CARPET - Front floor	15.286
22.	FASTENER - Panel cowl side lower trim	14.630
23.	TRIM ASSEMBLY - Panel cowl side lower	14.630
24.	TRIM - Rear quarter side inner extension	15.100
25.	FASTENER - Rear quarter side inner trim	15.100
26.	TRIM ASSEMBLY - Rear quarter side inner	15.100
27.	TRIM ASSEMBLY - Wheelhouse	15.100
28.	TRIM ASSEMBLY - Tonneau floor side	15.308
29.	PANEL ASSEMBLY - End gate trim	15.311
30.	TRIM - Tonneau floor rear	15.308
31.	TRIM - Tonneau floor front	15.308
32.	TRIM - Tonneau floor front filler	15.308
33.	TRIM ASSEMBLY - Rear seat back	15.310

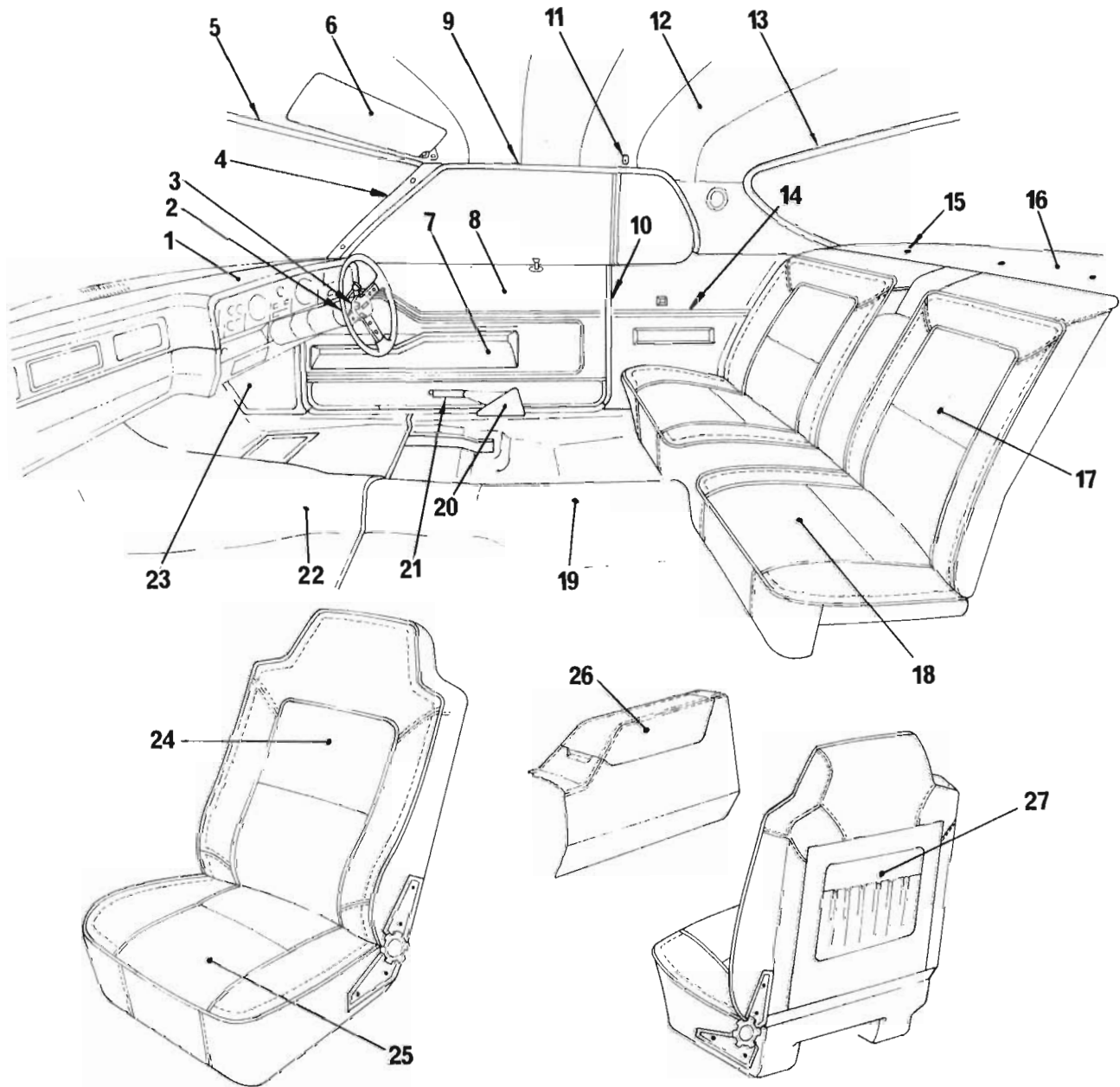




INTERIOR TRIM
Model Code 8WP35

ILLUSTRATION ABOVE AND OPPOSITE

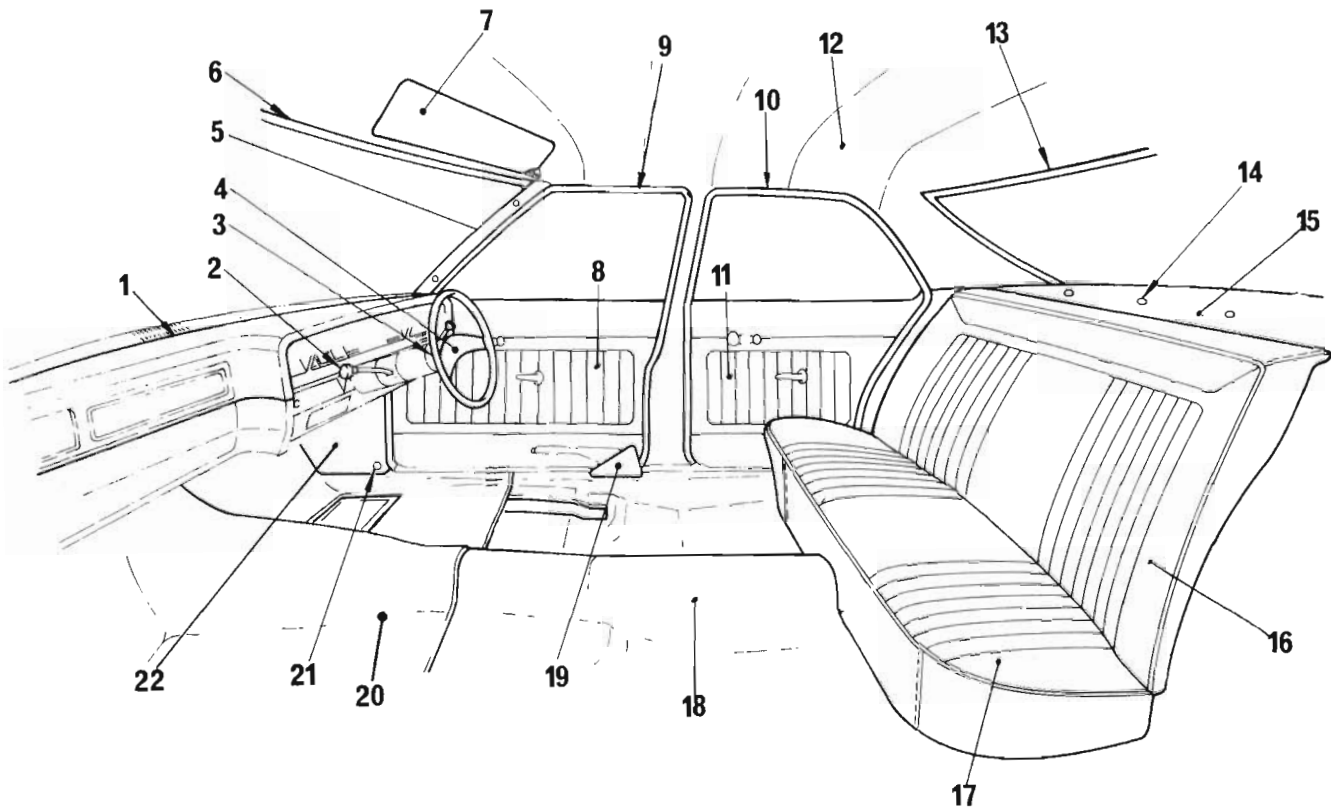
ILLUS. REF. NO.	PART NAME	GROUP
1.	PAD - Instrument panel	14.655
2.	KNOB - Gearshift control lever	4.009
3.	WHEEL ASSEMBLY - Steering	6.513
4.	BAR ASSEMBLY - Horn actuating	2.830
5.	PANEL - Front body pillar garnish	10.051
6.	LACE - Headlining trim front	14.650
7.	SUN VISOR ASSEMBLY	10.203
8.	TRIM ASSEMBLY - Front door	14.685
9.	ARM REST ASSEMBLY - Front door	14.686
10.	WINDLACE - Front door opening	15.520
11.	TRIM - Centre pillar	14.730
12.	WINDLACE - Rear door opening	15.520
13.	TRIM ASSEMBLY - Rear door	14.760
14.	HEADLINING ASSEMBLY	14.640
15.	HANDLE - Assist grip	15.390
16.	COVER - Rear seat back	15.000
17.	COVER - Rear seat cushion	15.035
18.	COVER - Rear seat back arm rest	15.001
19.	CARPET - Rear floor	15.306
20.	COVER - Handbrake lever	4.608
21.	GRIP - Handbrake lever	4.592
22.	CARPET - Front floor	15.286
23.	FASTENER - Panel cowl side lower trim	14.630
24.	TRIM ASSEMBLY - Panel cowl side lower	14.630
25.	COVER - Front seat back	14.800
26.	COVER - Front seat cushion	14.880
27.	COVER - Front seat back arm rest	14.801
28.	TRIM - Front seat back rear	14.803
29.	TRIM - Rear quarter side inner extension	15.100
30.	FASTENER - Rear quarter side inner trim	15.100
31.	TRIM ASSEMBLY - Rear quarter side inner	15.100
32.	TRIM ASSEMBLY - Wheelhouse	15.100
33.	TRIM ASSEMBLY - Tonneau floor side	15.308
34.	PANEL ASSEMBLY - End gate trim	15.311
35.	TRIM - Tonneau floor rear	15.308
36.	TRIM - Tonneau floor front	15.308
37.	TRIM - Tonneau floor front filler	15.308
38.	TRIM ASSEMBLY - Rear seat back	15.310



INTERIOR TRIM
Model Code 8WQ37

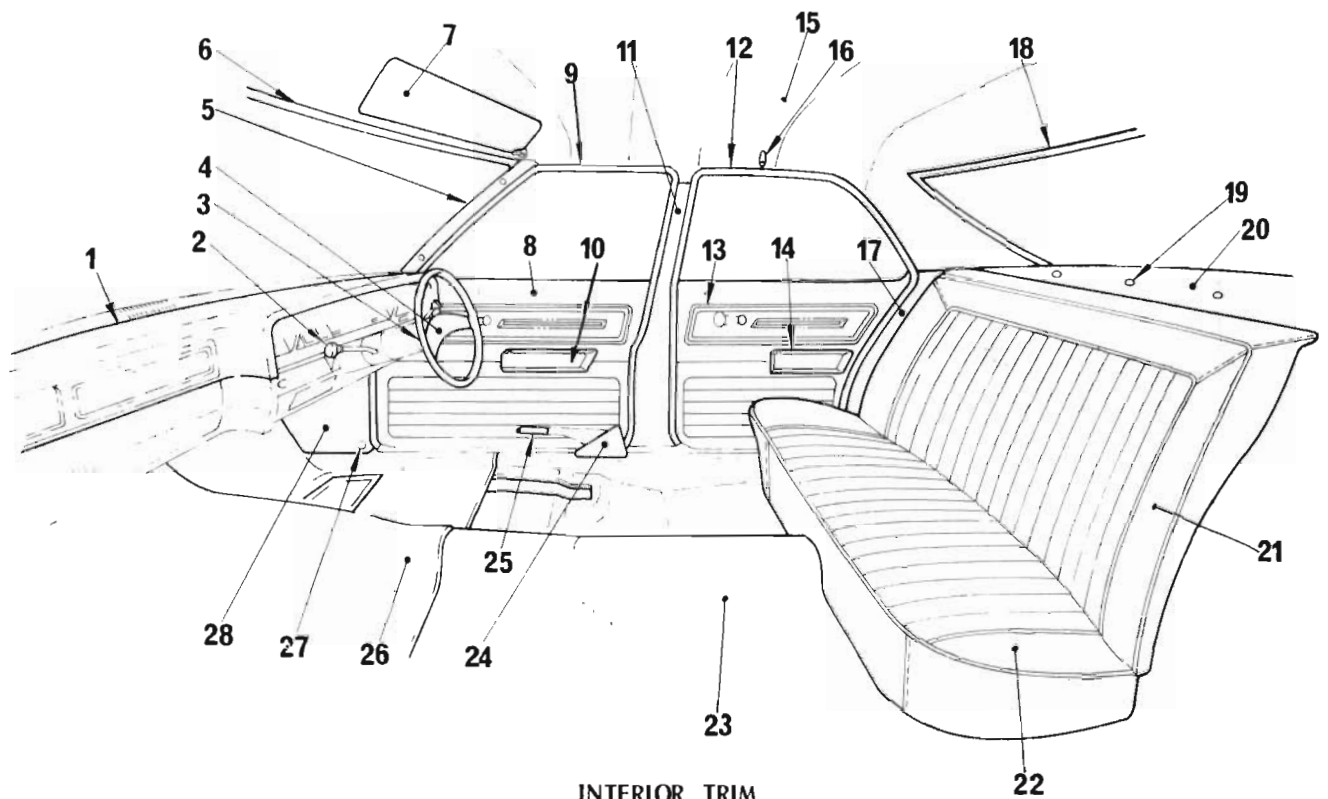
ILLUSTRATION OPPOSITE

ILLUS. REF. NO.	PART NAME	GROUP
1.	PAD - Instrument panel	14.655
2.	WHEEL ASSEMBLY - Steering	6.513
3.	BUTTON ASSEMBLY - Horn	2.820
4.	PANEL - Front body pillar garnish	10.051
5.	LACE - Headlining trim front	14.650
6.	SUN VISOR ASSEMBLY	10.203
7.	ARM REST ASSEMBLY - Front door	14.686
8.	TRIM ASSEMBLY - Front door	14.685
9.	WINDLACE - Door opening	15.520
10.	WINDLACE - Rear quarter opening	15.520
11.	HOOK - Coat	14.651
12.	HEADLINING ASSEMBLY	14.460
13.	LACE - Rear window finish	14.650
14.	TRIM ASSEMBLY - Rear quarter	15.100
15.	FASTENER - Package tray trim	15.024
16.	TRIM - Package tray	15.024
17.	COVER - Rear seat back	15.000
18.	COVER - Rear seat cushion	15.035
19.	CARPET - Rear floor	15.306
20.	COVER - Handbrake lever	4.608
21.	GRIP - Handbrake lever	4.592
22.	CARPET - Front floor	15.286
23.	TRIM ASSEMBLY - Panel cowl side lower	14.630
24.	COVER - Front seat back	14.800
25.	COVER - Front seat cushion	14.880
26.	ARM REST ASSEMBLY	15.288
27.	TRIM - Front seat back rear	14.803



INTERIOR TRIM
Model Code 8WM69

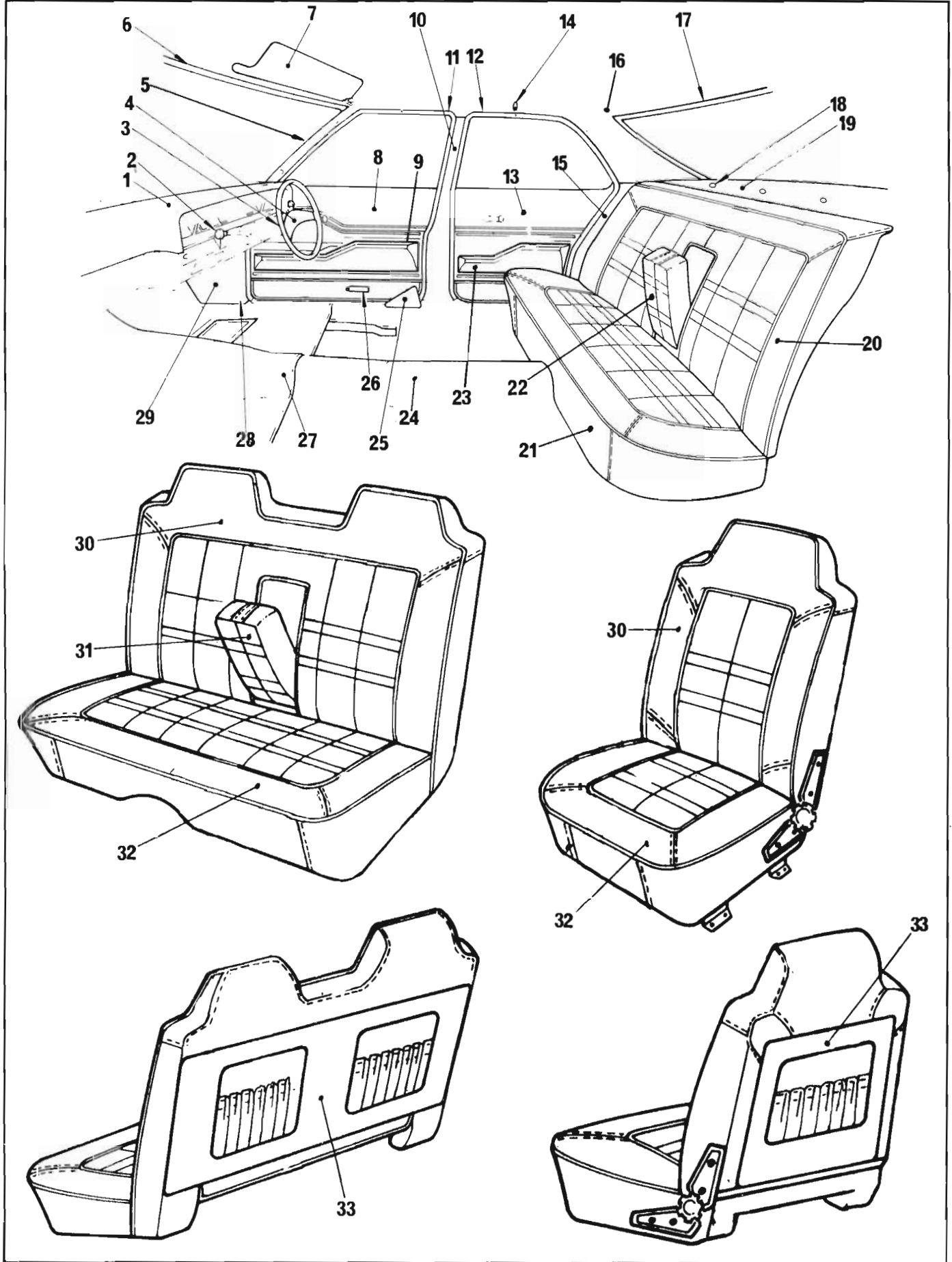
ILLUS. REF. NO.	PART NAME	GROUP
1.	PAD - Instrument panel	14.655
2.	KNOB - Gearshift control lever	4.009
3.	WHEEL ASSEMBLY - Steering	6.513
4.	BAR ASSEMBLY - Horn actuating	2.830
5.	PANEL - Front body pillar garnish	10.051
6.	LACE - Headlining trim front	14.650
7.	SUN VISOR ASSEMBLY	10.203
8.	TRIM ASSEMBLY - Front door	14.685
9.	WINDLACE - Front door opening	15.520
10.	WINDLACE - Rear door opening	15.520
11.	TRIM ASSEMBLY - Rear door	14.760
12.	HEADLINING ASSEMBLY	14.640
13.	LACE - Rear window finish	14.650
14.	FASTENER - Package tray trim	15.024
15.	TRIM - Package tray	15.024
16.	COVER - Rear seat back	15.000
17.	COVER - Rear seat cushion	15.035
18.	CARPET - Rear floor	15.306
19.	COVER - Handbrake lever	4.608
20.	CARPET - Front floor	15.286
21.	FASTENER - Panel cowl side lower trim	14.630
22.	TRIM ASSEMBLY - Panel cowl side lower	14.630



INTERIOR TRIM
Model Code 8WN69

ILLUS. REF. NO.	PART NAME	GROUP
1.	PAD - Instrument panel	14.655
2.	KNOB - Gearshift control lever	4.009
3.	WHEEL ASSEMBLY - Steering	6.513
4.	BAR ASSEMBLY - Horn actuating	2.830
5.	PANEL - Front body pillar gamish	10.051
6.	LACE - Headlining trim front	14.650
7.	SUN VISOR ASSEMBLY	10.203
8.	TRIM ASSEMBLY - Front door	14.685
9.	WINDLACE - Front door opening	15.520
10.	ARM REST ASSEMBLY - Front door	14.686
11.	TRIM - Centre pillar	14.730
12.	WINDLACE - Rear door opening	15.520
13.	TRIM ASSEMBLY - Rear door	14.760
14.	ARM REST ASSEMBLY - Rear door	14.762
15.	HEADLINING ASSEMBLY	14.640
16.	HOOK - Coat	14.651
17.	TRIM - Rear quarter side lower	15.100
18.	LACE - Rear window finish	14.650
19.	FASTENER - Package tray trim	15.024
20.	TRIM - Package tray	15.024
21.	COVER - Rear seat back	15.000
22.	COVER - Rear seat cushion	15.035
23.	CARPET - Rear floor	15.306
24.	COVER - Hand brake lever	4.608
25.	GRIP - Hand brake lever	4.592
26.	CARPET - Front floor	15.286
27.	FASTENER - Panel cowl side lower trim	14.630
28.	TRIM ASSEMBLY - Panel cowl side lower	14.630

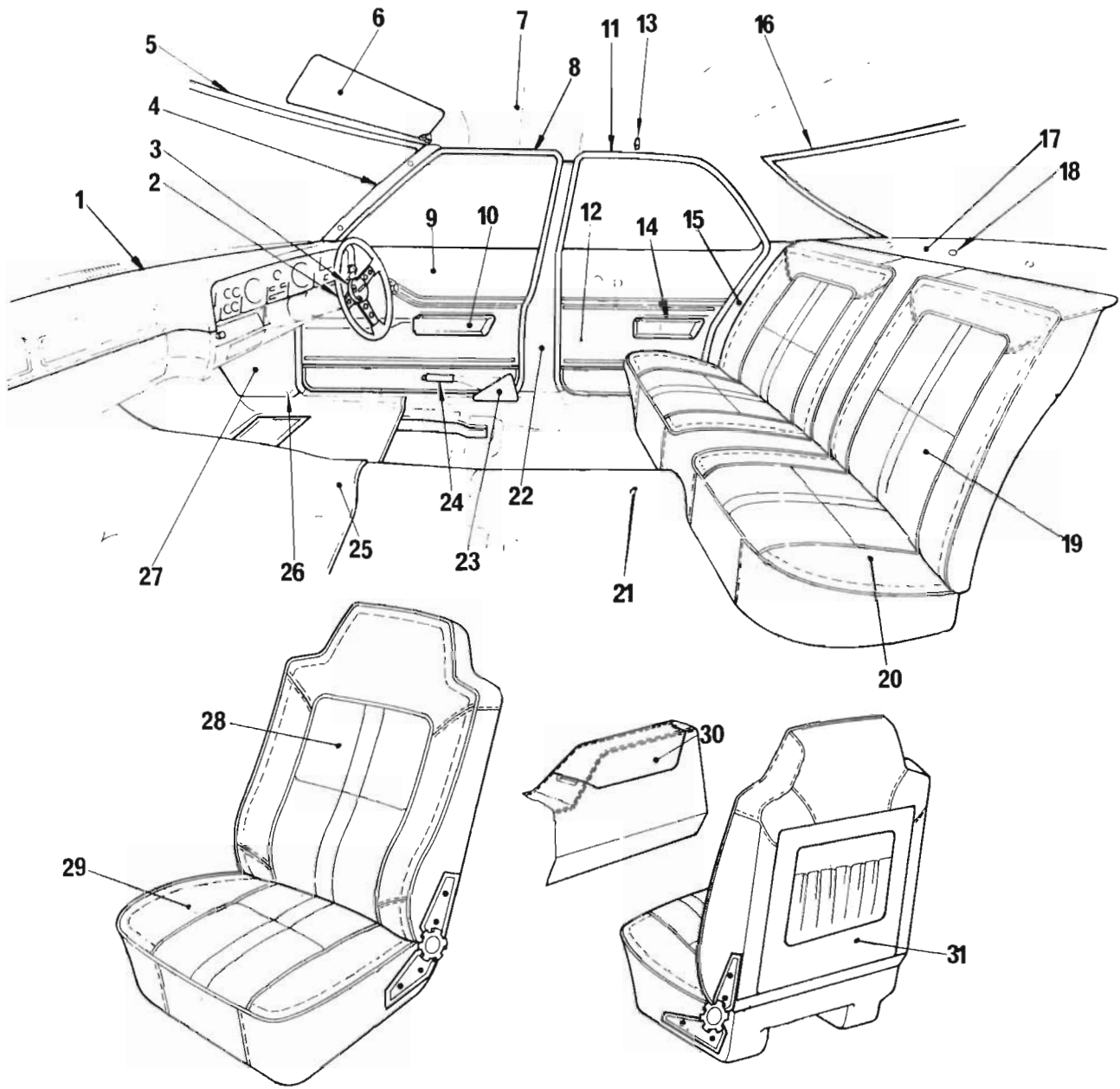
"HX" STATESMAN/HOLDEN PARTS CATALOGUE



INTERIOR TRIM
Model Code 8WP69

ILLUSTRATION OPPOSITE

ILLUS. REF. NO.	PART NAME	GROUP
1.	PAD – Instrument panel	14.655
2.	KNOB – Gearshift control lever	4.009
3.	WHEEL ASSEMBLY – Steering	6.513
4.	BAR ASSEMBLY – Horn actuating	2.830
5.	PANEL – Front body pillar garnish	10.051
6.	LACE – Headlining trim front	14.650
7.	SUN VISOR ASSEMBLY	10.203
8.	TRIM ASSEMBLY – Front door	14.685
9.	ARM REST ASSEMBLY – Front door	14.686
10.	TRIM – Centre pillar	14.730
11.	WINDLACE – Front door opening	15.520
12.	WINDLACE – Rear door opening	15.520
13.	TRIM ASSEMBLY – Rear door	14.760
14.	HOOK – Coat	14.651
15.	TRIM – Rear quarter side lower	15.100
16.	HEADLINING ASSEMBLY	14.640
17.	LACE – Rear window finish	14.650
18.	FASTENER – Package tray trim	15.024
19.	TRIM – Package tray	15.024
20.	COVER – Rear seat back	15.000
21.	COVER – Rear seat cushion	15.035
22.	COVER – Rear seat back arm rest	15.001
23.	ARM REST ASSEMBLY – Rear door	14.762
24.	CARPET – Rear floor	15.306
25.	COVER – Handbrake lever	4.608
26.	GRIP – Handbrake lever	4.592
27.	CARPET – Front floor	15.286
28.	FASTENER – Panel cover side lower trim	14.630
29.	TRIM ASSEMBLY – Panel cowl side lower	14.630
30.	COVER – Front seat back	14.800
31.	COVER – Front seat back arm rest	14.801
32.	COVER – Front seat cushion	14.880
33.	TRIM – Front seat back rear	14.803

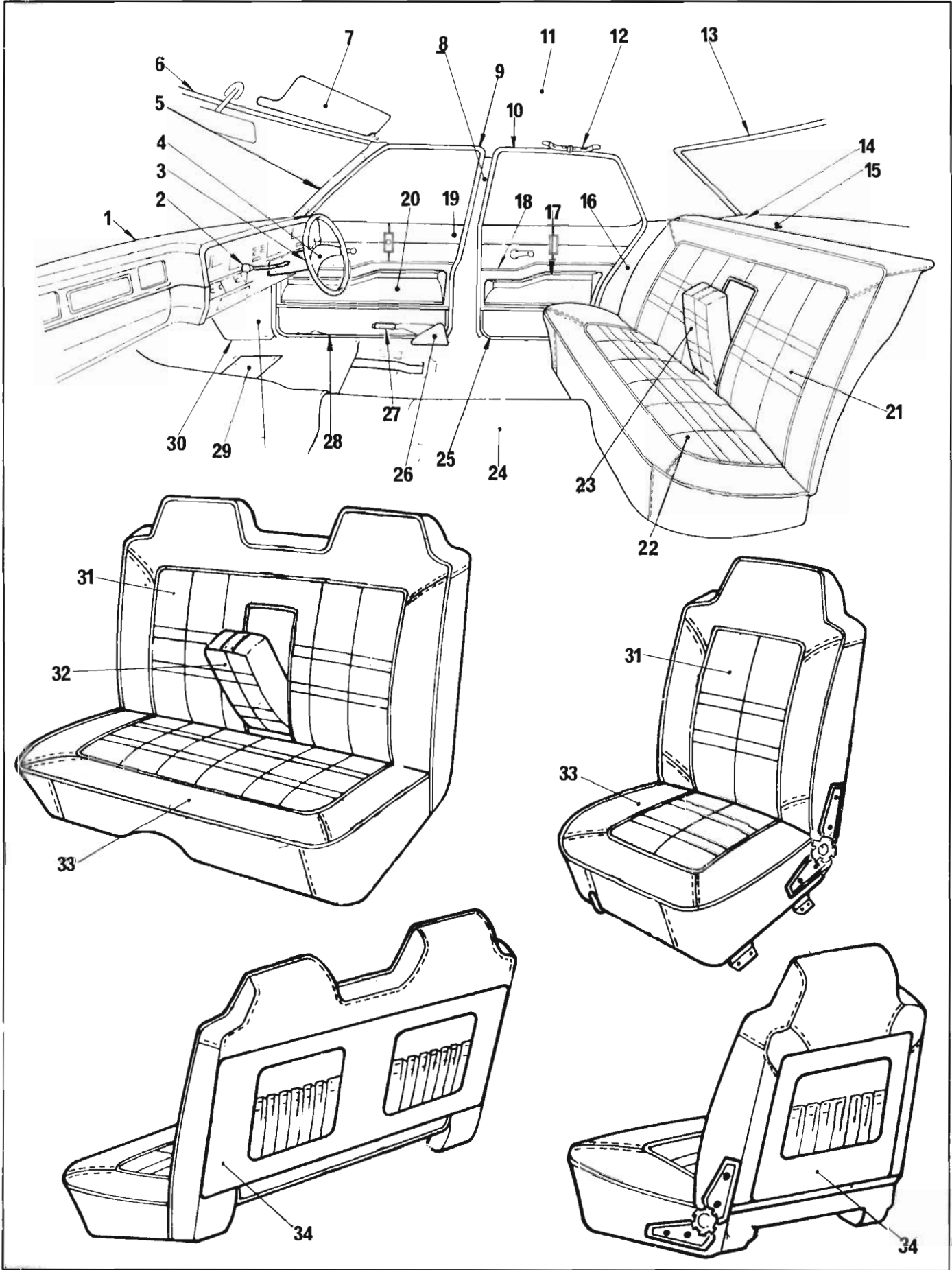


INTERIOR TRIM
Model Code 8WQ69

ILLUSTRATION OPPOSITE

ILLUS. REF. NO.	PART NAME	GROUP
1.	PAD - Instrument panel	14.655
2.	WHEEL ASSEMBLY - Steering	6.513
3.	BUTTON ASSEMBLY	2.820
4.	PANEL - Front body pillar garnish	10.051
5.	LACE - Headlining trim front	14.650
6.	SUN VISOR ASSEMBLY	10.203
7.	HEADLINING ASSEMBLY	14.640
8.	WINDLACE - Front door opening	15.520
9.	TRIM ASSEMBLY - Front door	14.685
10.	ARM REST ASSEMBLY - Front door	14.686
11.	WINDLACE - Rear door opening	15.520
12.	TRIM ASSEMBLY - Rear door	14.760
13.	HOOK - Coat	14.651
14.	ARM REST ASSEMBLY - Rear door	14.762
15.	TRIM - Rear quarter side lower	15.100
16.	LACE - Rear window finish	14.650
17.	TRIM - Package tray	15.024
18.	FASTENER - Package tray trim	15.024
19.	COVER ASSEMBLY - Rear seat back	15.000
20.	COVER ASSEMBLY - Rear seat cushion	15.035
21.	CARPET - Rear floor	15.306
22.	TRIM - Centre pillar	14.730
23.	COVER - Handbrake lever	4.608
24.	GRIP - Handbrake lever	4.592
25.	CARPET - Front floor	15.286
26.	FASTENER - Panel cowl side lower trim	14.630
27.	TRIM ASSEMBLY - Panel cowl side lower	14.630
28.	COVER - Front seat back	14.800
29.	COVER - Front seat cushion	14.880
30.	ARM REST ASSEMBLY	15.288
31.	TRIM - Front seat back rear	14.803

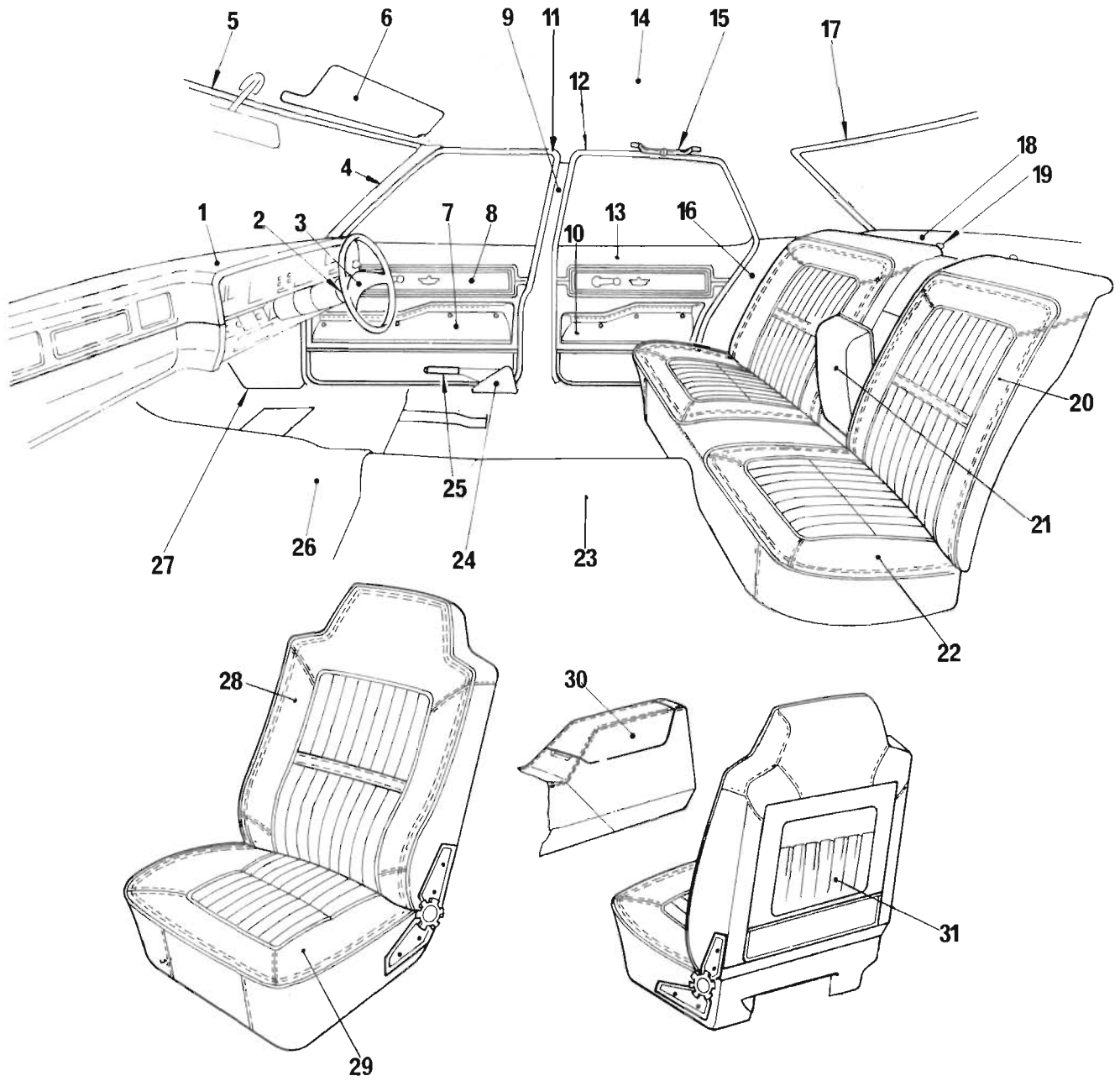




INTERIOR TRIM
Model Code 8WS69

ILLUSTRATION OPPOSITE

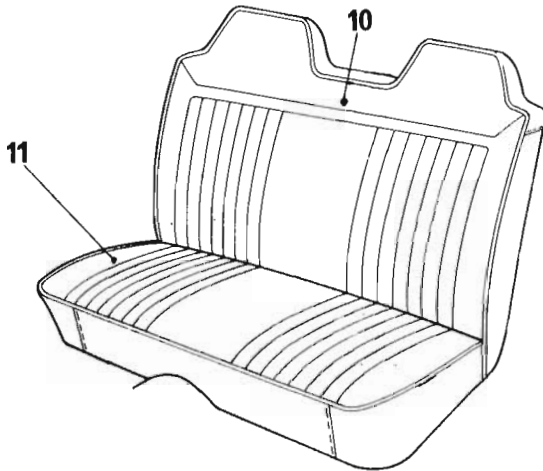
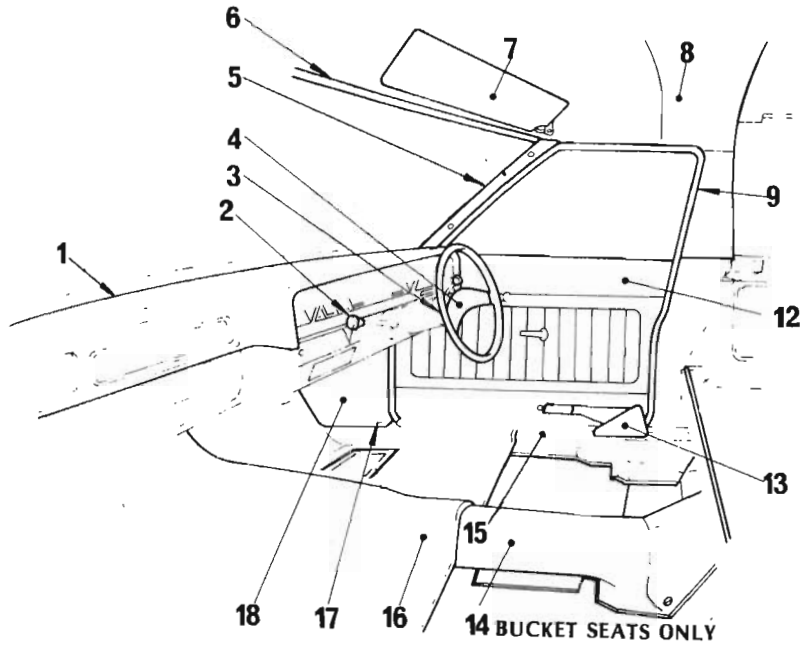
ILLUS. REF. NO.	PART NAME	GROUP
1.	PAD - Instrument panel	14.655
2.	KNOB - Gearshift control lever	4.009
3.	WHEEL ASSEMBLY - Steering	6.513
4.	BAR ASSEMBLY - Horn actuating	2.830
5.	PANEL - Front body pillar garnish	10.051
6.	LACE - Headlining trim front	14.650
7.	SUN VISOR ASSEMBLY	10.203
8.	TRIM - Centre pillar	14.730
9.	WINDLACE - Front door opening	15.520
10.	WINDLACE - Rear door opening	15.520
11.	HEADLINING ASSEMBLY	14.640
12.	HANDLE - Assist grip	15.390
13.	LACE - Rear window finish	14.650
14.	TRIM - Package tray	15.024
15.	FASTENER - Package tray trim	15.024
16.	TRIM - Rear quarter side lower	15.100
17.	ARM REST ASSEMBLY - Rear door	14.762
18.	TRIM ASSEMBLY - Rear door	14.760
19.	TRIM ASSEMBLY - Front door	14.685
20.	ARM REST ASSEMBLY - Front door	14.686
21.	COVER - Rear seat back	15.000
22.	COVER - Rear seat cushion	15.035
23.	COVER - Rear seat back arm rest	15.001
24.	CARPET - Rear floor	15.306
25.	PLATE - Rear door scuff	11.176
26.	COVER - Handbrake lever	4.608
27.	GRIP - Handbrake lever	4.592
28.	PLATE - Front door scuff	11.175
29.	CARPET - Front floor	15.286
30.	TRIM ASSEMBLY - Panel cowl side lower	14.630
31.	COVER - Front seat back	14.800
32.	COVER - Front seat back arm rest	14.801
33.	COVER - Front seat cushion	14.880
34.	TRIM - Front seat back rear	14.803



INTERIOR TRIM
Model Code 8WT69

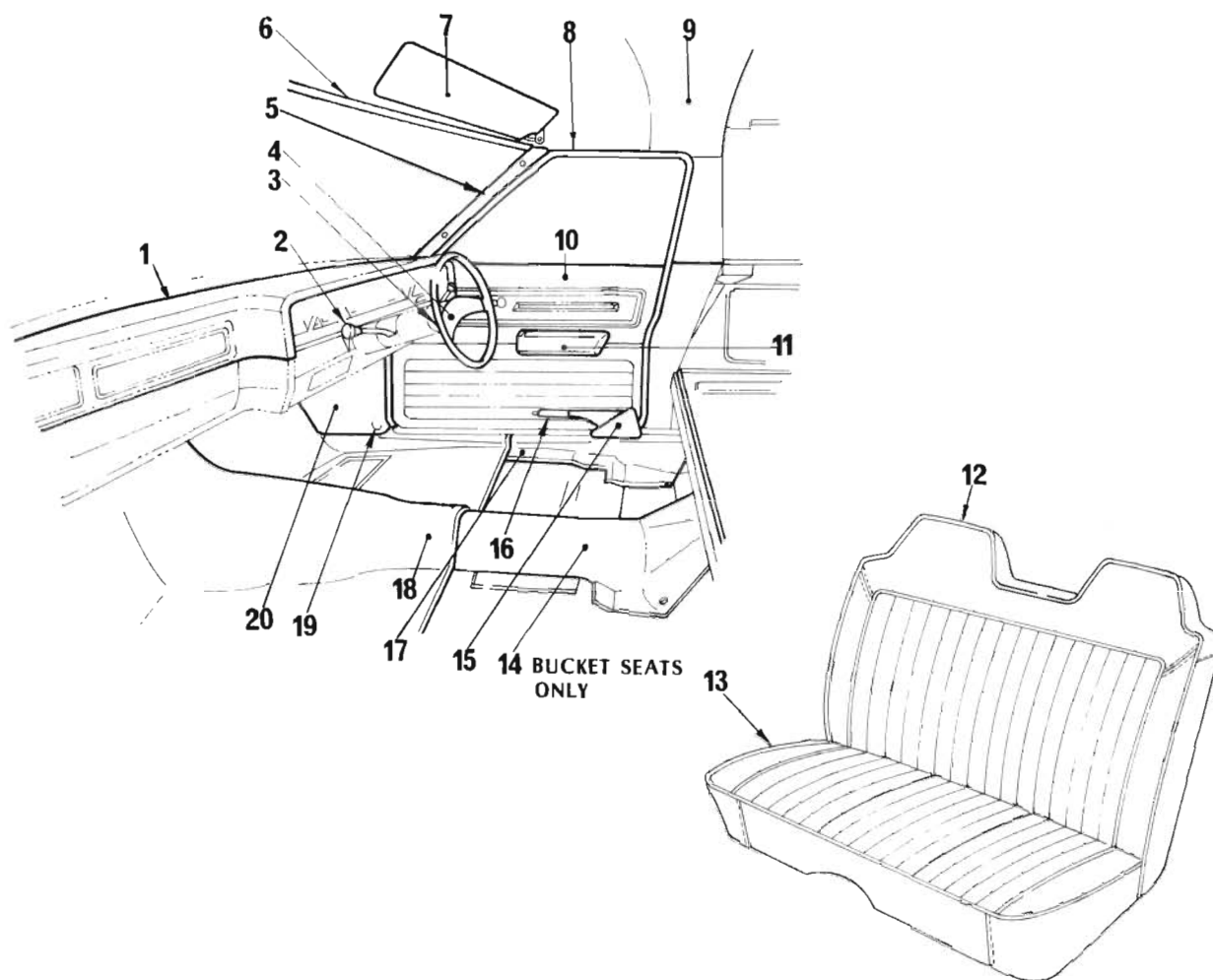
ILLUSTRATION OPPOSITE

ILLUS. REF. NO.	PART NAME	GROUP
1.	PAD - Instrument panel	14.655
2.	WHEEL ASSEMBLY - Steering	6.513
3.	BAR ASSEMBLY - Horn actuating	2.830
4.	PANEL - Front body pillar garnish	10.051
5.	LACE - Headlining trim front	14.650
6.	SUN VISOR ASSEMBLY	10.203
7.	ARM REST ASSEMBLY - Front door	14.686
8.	TRIM ASSEMBLY - Front door	14.685
9.	TRIM - Centre pillar	14.730
10.	ARM REST ASSEMBLY - Rear door	14.762
11.	WINDLACE - Front door opening	15.520
12.	WINDLACE - Rear door opening	15.520
13.	TRIM ASSEMBLY - Rear door	14.760
14.	HEADLINING ASSEMBLY	14.640
15.	HANDLE - Assist grip	15.390
16.	TRIM ASSEMBLY - Rear quarter side lower	15.100
17.	LACE - Rear window finish	14.650
18.	TRIM - Package tray	15.024
19.	FASTENER - Package tray trim	15.024
20.	COVER - Rear seat back	15.000
21.	COVER - Rear seat back arm rest	15.001
22.	COVER - Rear seat cushion	15.035
23.	CARPET - Rear floor	15.306
24.	COVER - Hand brake lever	4.608
25.	GRIP - Hand brake lever	4.592
26.	CARPET - Front floor	15.286
27.	TRIM ASSEMBLY - Panel cowl side lower	14.630
28.	COVER - Front seat back	14.800
29.	COVER - Front seat cushion	14.880
30.	ARM REST ASSEMBLY	15.288
31.	TRIM - Front seat back rear	14.803



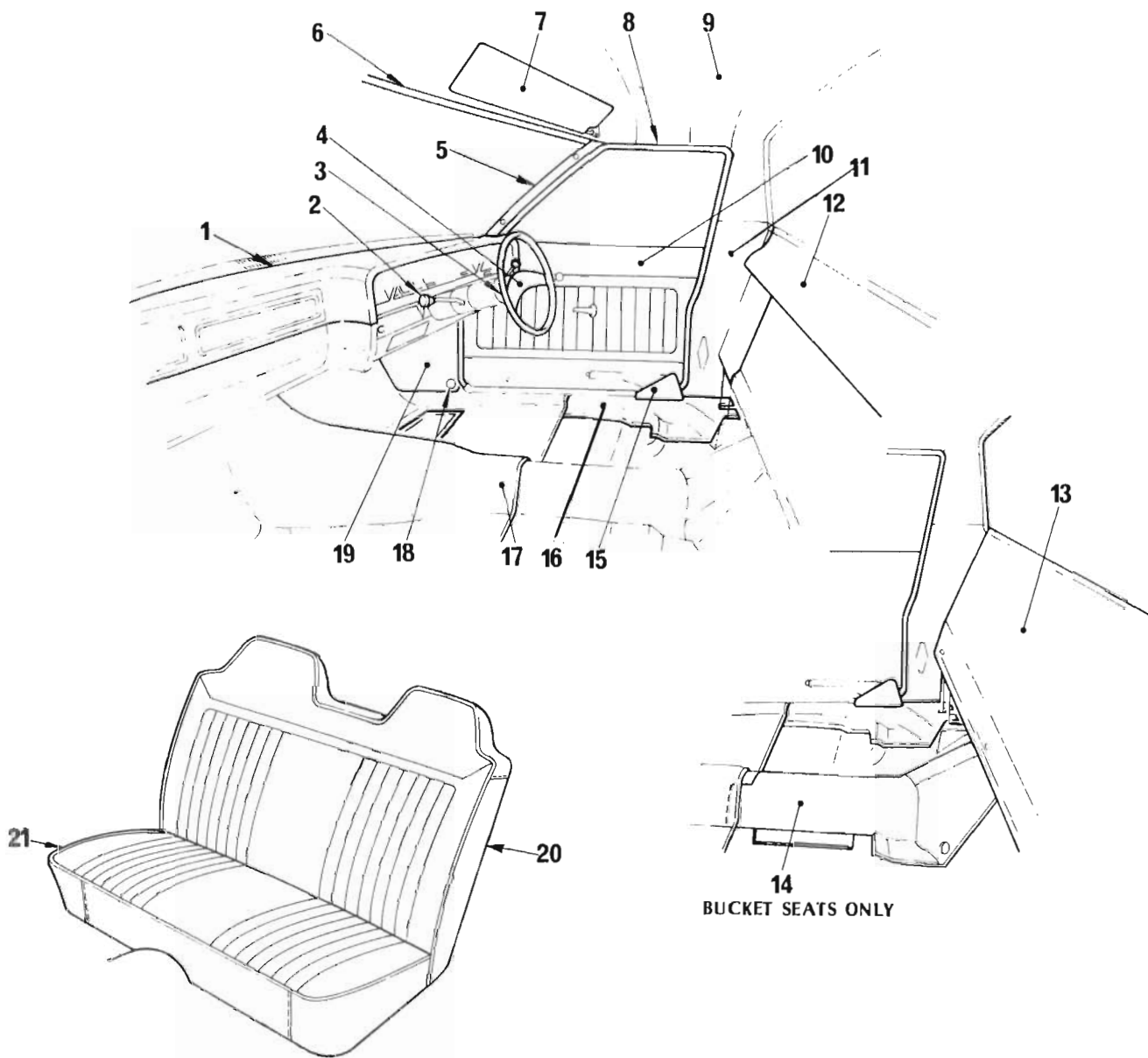
INTERIOR TRIM
Model Code 8WM70

ILLUS. REF. NO.	PART NAME	GROUP
1.	PAD - Instrument panel	14.655
2.	KNOB - Gearshift control lever	4.009
3.	WHEEL ASSEMBLY - Steering	6.513
4.	BAR ASSEMBLY - Horn actuating	2.830
5.	PANEL - Front body pillar garnish	10.051
6.	LACE - Headlining trim front	14.650
7.	SUN VISOR ASSEMBLY	10.203
8.	HEADLINING ASSEMBLY	14.640
9.	WINDLACE - Front door opening	15.520
10.	COVER - Front seat back	14.800
11.	COVER - Front seat cushion	14.880
12.	TRIM ASSEMBLY - Front door	14.685
13.	COVER - Handbrake lever	4.608
14.	CARPET - Rear floor centre	15.306
15.	CARPET - Rear floor side	15.306
16.	MAT - Front floor	15.286
17.	FASTENER - Panel cowl side lower trim	14.630
18.	TRIM ASSEMBLY - Panel cowl side lower	14.630



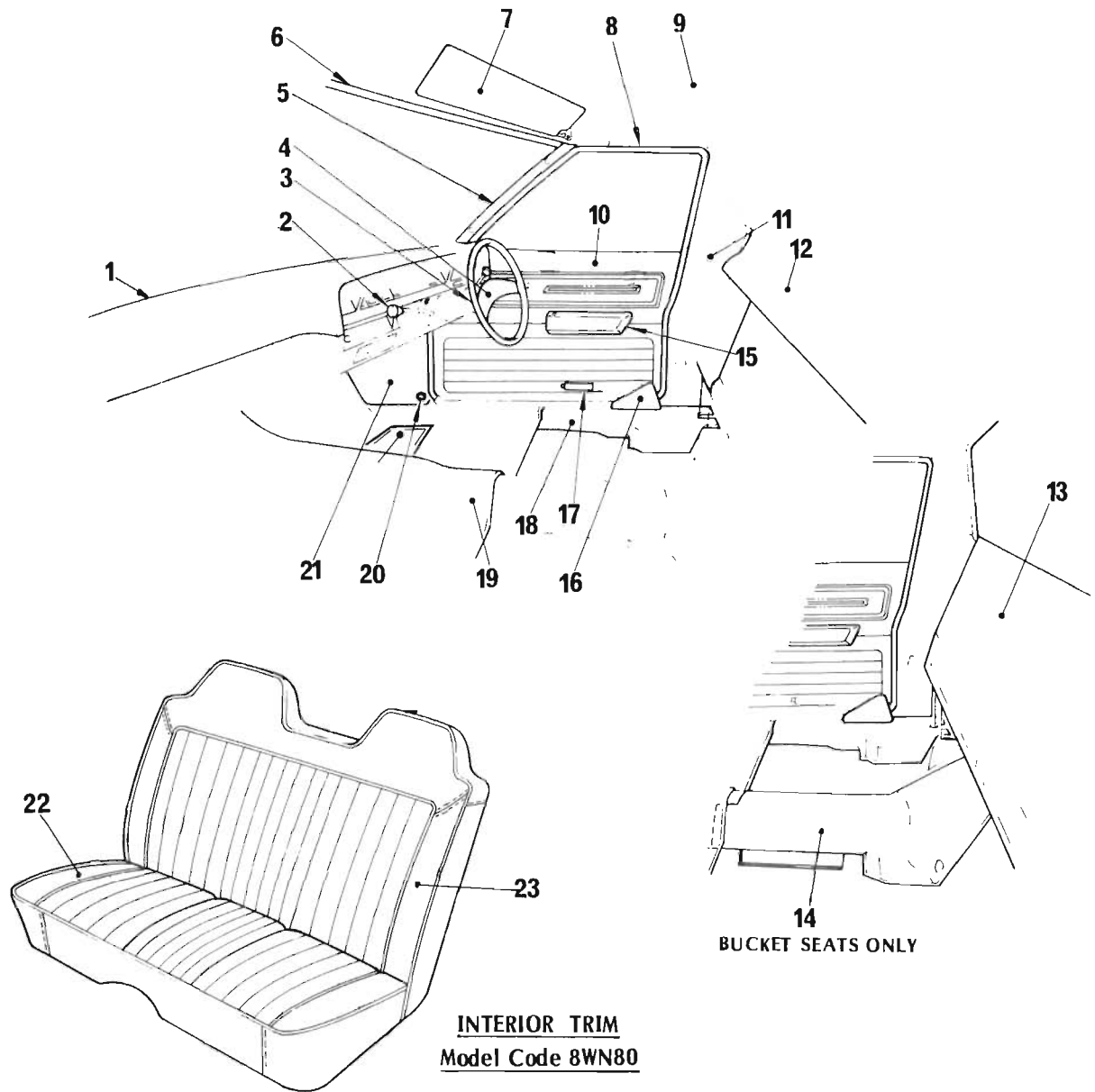
INTERIOR TRIM
Model Code 8WN70

ILLUS. REF. NO.	PART NAME	GROUP
1.	PAD - Instrument panel	14.655
2.	KNOB - Gearshift control lever	4.009
3.	WHEEL ASSEMBLY - Steering	6.513
4.	BAR ASSEMBLY - Horn actuating	2.830
5.	PANEL - Front body pillar garnish	10.051
6.	LACE - Headlining trim front	14.650
7.	SUN VISOR ASSEMBLY	10.203
8.	WINDLACE - Front door opening	15.520
9.	HEADLINING ASSEMBLY	14.640
10.	TRIM ASSEMBLY - Front door	14.685
11.	ARM REST - Front door	14.686
12.	COVER - Front seat back	14.800
13.	COVER - Front seat cushion	14.880
14.	CARPET - Rear floor centre	15.306
15.	COVER - Handbrake lever	4.608
16.	GRIP - Handbrake lever	4.592
17.	CARPET - Rear floor side	15.306
18.	MAT - Front floor	15.286
19.	FASTENER - Panel cowl side lower trim	14.630
20.	TRIM ASSEMBLY - Panel cowl side lower	14.630

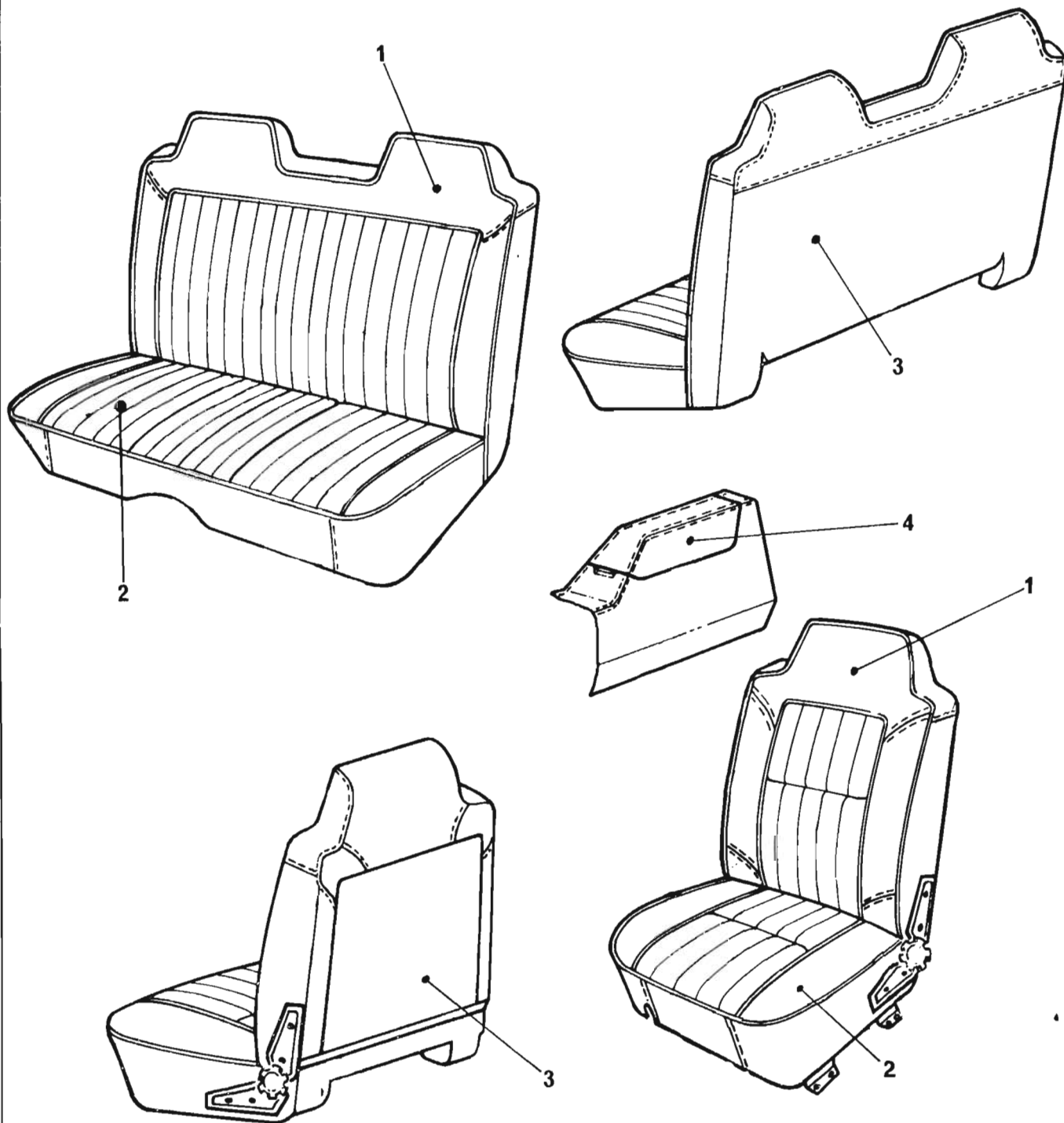


INTERIOR TRIM
Model Code 8WM60 and 80

ILLUS. REF. NO.	PART NAME	GROUP
1.	PAD - Instrument panel	14.655
2.	KNOB - Gearshift control lever	4.009
3.	WHEEL ASSEMBLY - Steering	6.513
4.	BAR ASSEMBLY - Horn actuating	2.830
5.	PANEL - Front body pillar garnish	10.051
6.	LACE - Headlining trim front	14.650
7.	SUN VISOR ASSEMBLY	10.203
8.	WINDLACE - Front door opening	15.520
9.	HEADLINING ASSEMBLY	14.640
10.	TRIM ASSEMBLY - Front door	14.685
11.	TRIM ASSEMBLY - Rear quarter lower	15.100
12.	TRIM ASSEMBLY - Rear window to seat	15.024
13.	TRIM ASSEMBLY - Seat back panel	15.025
14.	CARPET - Rear floor centre	15.306
15.	COVER - Handbrake lever	4.608
16.	CARPET - Rear floor side	15.306
17.	MAT - Front floor	15.286
18.	FASTENER - Panel cowl side lower trim	14.630
19.	TRIM ASSEMBLY - Panel cowl side lower	14.630
20.	COVER - Front seat back	14.800
21.	COVER - Front seat cushion	14.880

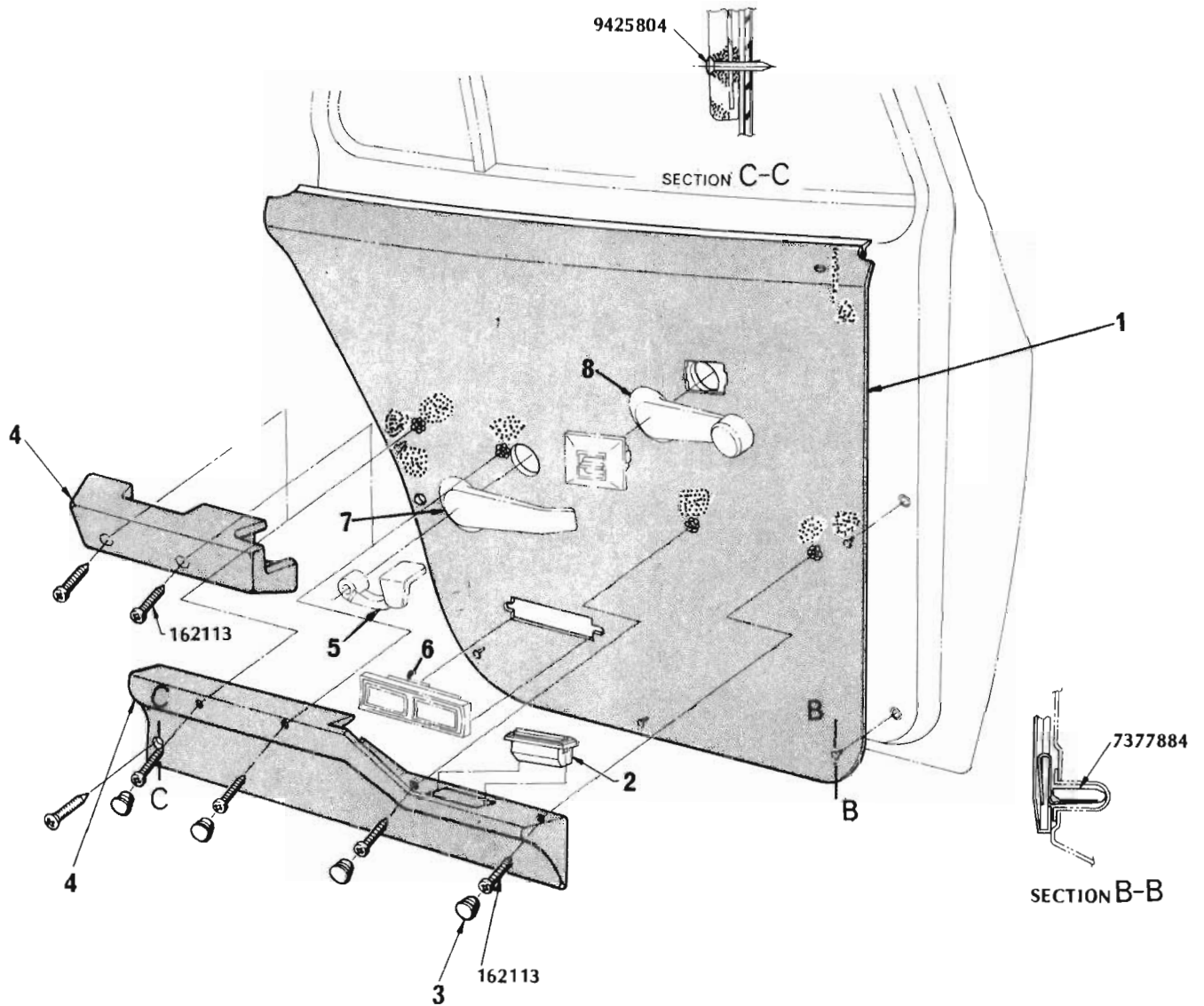


ILLUS. REF. NO.	PART NAME	GROUP
1.	PAD - Instrument panel	14.655
2.	KNOB - Gearshift control lever	4.009
3.	WHEEL ASSEMBLY - Steering	6.513
4.	BAR ASSEMBLY - Horn actuating	2.830
5.	PANEL - Front body pillar garnish	10.051
6.	LACE - Headlining trim front	14.650
7.	SUN VISOR ASSEMBLY	10.203
8.	WINDLACE - Front door opening	15.520
9.	HEADLINING ASSEMBLY	14.640
10.	TRIM ASSEMBLY - Front door	14.685
11.	TRIM ASSEMBLY - Rear quarter lower	15.100
12.	TRIM ASSEMBLY - Rear window to seat	15.024
13.	TRIM ASSEMBLY - Seat back panel	15.025
14.	CARPET - Rear floor centre	15.306
15.	ARM REST - Front door	14.686
16.	COVER - Handbrake lever	4.608
17.	GRIP - Handbrake lever	4.592
18.	CARPET - Rear floor side	15.306
19.	MAT - Front floor	15.286
20.	FASTENER - Panel cowl side lower trim	14.630
21.	TRIM ASSEMBLY - Panel cowl side lower	14.630
22.	COVER - Front seat cushion	14.880
23.	COVER - Front seat back	14.800



INTERIOR TRIM
Model Code 8WN35,69 and 80

ILLUS. REF. NO.	PART NAME	GROUP
1.	COVER — Front seat back	14.800
2.	COVER — Front seat cushion	14.880
3.	TRIM — Front seat back rear	14.802
4.	ARM REST ASSEMBLY	15.288



REAR DOOR TRIM & ARM RESTS
35,69 Body Styles

ILLUS. REF. NO.	PART NAME	GROUP
1.	TRIM ASSEMBLY - Rear door	14.760
2.	SWITCH ASSEMBLY - Power window	10.777
3.	BUTTON - Rear door arm rest plug	14.762
4.	ARM REST ASSEMBLY	14.762
5.	HANDLE - Door remote control	10.512
6.	LENS - Courtesy lamp	11.950
7.	HANDLE - Door remote control	10.512
8.	HANDLE - Window regulator	10.797

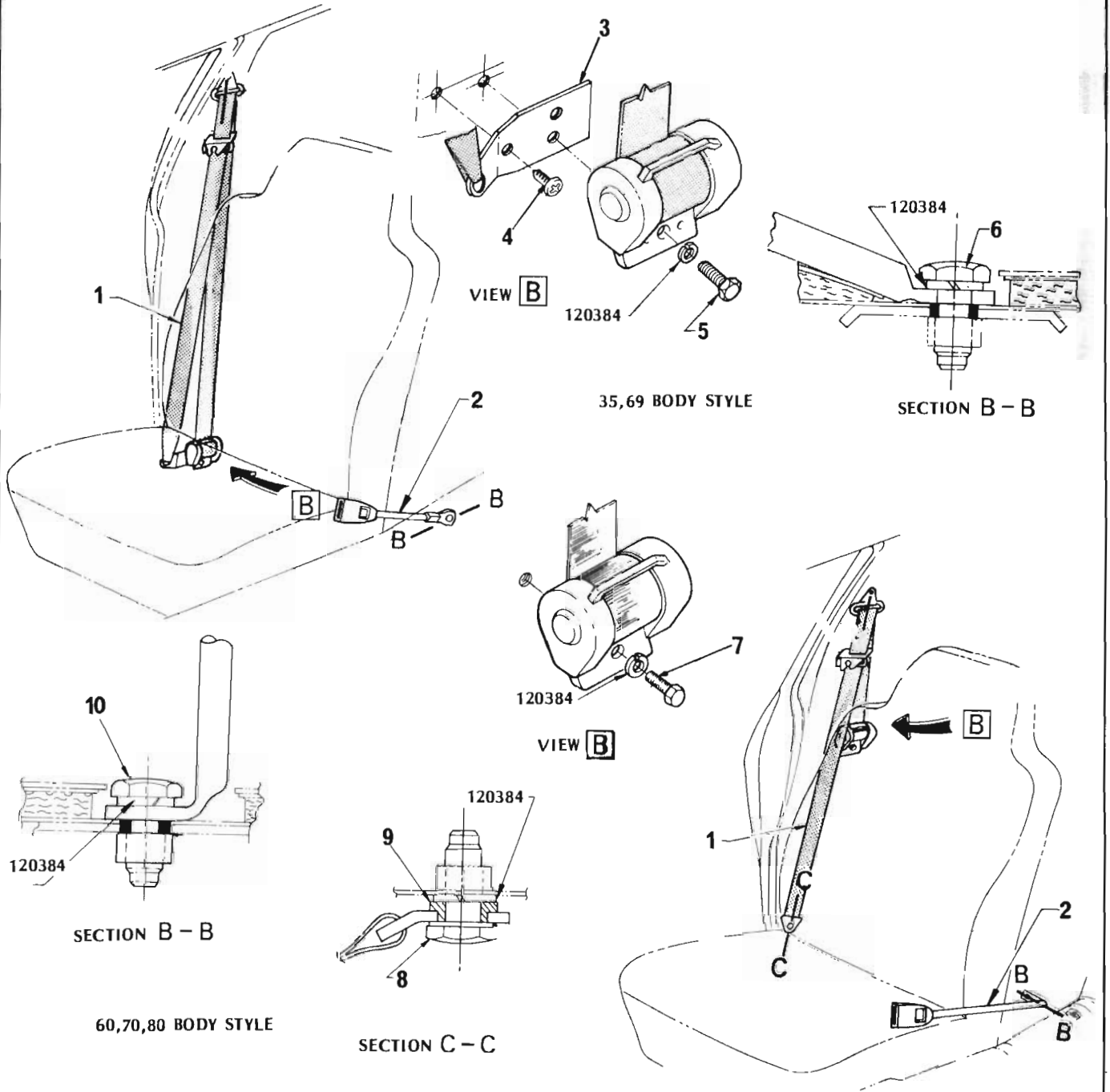
35,69 BODY STYLE

60,70,80 BODY STYLE

SEAT BELT ASSEMBLY - FRONT BENCH

ILLUS. REF. NO.

ILLUS. REF. NO.	PART NAME	GROUP
1.	BELT ASSEMBLY	14.798
2.	BUCKLE ASSEMBLY	14.798
3.	ANCHOR - Belt assembly	N.S.S.
4.	SCREW - Retractor to pillar	14.798
5.	BOLT - Retractor to pillar	14.798
6.	BOLT - Belt to underbody	14.798
7.	SPACER - Belt to underbody	14.798
8.	BOLT - Belt to pillar	N.S.S.
9.	BOLT - Retractor to door frame	14.798
10.	BELT ASSEMBLY	14.798
11.	BUCKLE ASSEMBLY	14.798
12.	BOLT - Retractor to pillar	14.798
13.	SPACER - Belt to pillar	14.798



SEAT BELT ASSEMBLY – FRONT BUCKET SEAT

ILLUS. REF. NO.	PART NAME	GROUP
1.	BELT ASSEMBLY	14.798
2.	BUCKLE ASSEMBLY	14.798
3.	ANCHOR	N. S. S.
4.	SCREW – Belt anchor to pillar	14.798
5.	BOLT – Retractor to pillar	14.798
6.	BOLT – Belt to pillar	N. S. S.
7.	BOLT – Retractor to door frame	14.798
8.	BOLT – Belt to pillar	14.798
9.	SPACER – Belt to pillar	14.798
10.	BOLT – Belt to underbody	14.798

"HX" STATESMAN/HOLDEN PARTS CATALOGUE

GROUP	DESCRIPTION	SIDE	PART No.	QTY.	BODY STYLE	M	N	P	Q	S	T
14.630 TRIM – Panel cowl side lower											
	TRIM ASSEMBLY – Black	LH	9933357BA	1	35, 60, 69, 70, 80	X	X	X	X		
		RH	9933356BA	1	35, 60, 69, 70, 80	X	X	X	X		
	TRIM ASSEMBLY – Jade	LH	9933357DU	1	35, 69, 80	X					
		RH	9933356DU	1	35, 69, 80	X					
	TRIM ASSEMBLY – Chamois	LH	9933357DV	1	35, 60, 69, 70, 80	X	X	X	X		
		RH	9933356DV	1	35, 60, 69, 70, 80	X	X	X	X		
	TRIM ASSEMBLY – Sienna	LH	9933357EC	1	35, 60, 69, 70, 80	X	X	X	X		
		RH	9933356EC	1	35, 60, 69, 70, 80	X	X	X	X		
	TRIM ASSEMBLY – Tan	LH	9933357DX	1	35, 60, 69, 70, 80	X	X	X	X		
		RH	9933356DX	1	35, 60, 69, 70, 80	X	X	X	X		
	TRIM ASSEMBLY – Black	LH	9934037CY	1	37				X		
		RH	9934036CY	1	37				X		
	TRIM ASSEMBLY – Slate Black	LH	9934037DT	1	ALL					X	X
		RH	9934036DT	1	ALL					X	X
	TRIM ASSEMBLY – Black	LH	9934037CY	1	ALL					X	X
		RH	9934036CY	1	ALL					X	X
	TRIM ASSEMBLY – Chamois	LH	9934037EY	1	ALL					X	X
		RH	9934036EY	1	ALL					X	X
	TRIM ASSEMBLY – Sienna	LH	9934037EC	1	ALL					X	X
		RH	9934036EC	1	ALL					X	X
	TRIM ASSEMBLY – Buckskin	LH	9934037FH	1	ALL					X	X
		RH	9934036FH	1	ALL					X	X
	TRIM ASSEMBLY – Tan	LH	9934037DX	1	ALL					X	X
		RH	9934036DX	1	ALL					X	X
14.630 FASTENER – Panel cowl side lower trim											
	FASTENER – Black		SP1838BA	4	ALL	X	X	X	X		
	FASTENER – Jade		SP1838DU	1	35, 69, 80	X					
	FASTENER – Chamois		SP1838DV	4	ALL	X	X	X	X		
	FASTENER – Sienna		SP1838EC	4	ALL	X	X	X	X		
	FASTENER – Tan		SP1838DX	4	ALL	X	X	X	X		
14.640 HEADLINING											
	HEADLINING ASSEMBLY – Black		2820520BA	1	35		X	X			
	HEADLINING ASSEMBLY – Chamois		2820520DV	1	35	X	X	X			
	HEADLINING ASSEMBLY – Sienna		2820520EC	1	35		X	X			
	HEADLINING ASSEMBLY – Tan		2820520DX	1	35	X	X	X			
	HEADLINING ASSEMBLY – Cinnabar		9943896DA	1	37				X		
	HEADLINING ASSEMBLY – Chamois		2822224DV	1	60	X					
	HEADLINING ASSEMBLY – Tan		2822224DX	1	60	X					
	HEADLINING ASSEMBLY – Black		9929698BA	1	69		X	X	X		
	HEADLINING ASSEMBLY – Chamois		9929698DV	1	69	X	X	X	X		
	HEADLINING ASSEMBLY – Sienna		9929698EC	1	69		X	X	X		
	HEADLINING ASSEMBLY – Tan		9929698DX	1	69	X	X	X	X		
	HEADLINING ASSEMBLY – Black		9929699BA	1	69					X	
	HEADLINING ASSEMBLY – Chamois		9929699DV	1	69					X	
	HEADLINING ASSEMBLY – Sienna		9929699EC	1	69					X	
	HEADLINING ASSEMBLY – Tan		9929699DX	1	69					X	
	HEADLINING ASSEMBLY – Black		9936448CY	1	69						X
	HEADLINING ASSEMBLY – Chamois		9936448DV	1	69						X
	HEADLINING ASSEMBLY – Buckskin		9936448FH	1	69						X
	HEADLINING ASSEMBLY – Sienna		9936448EC	1	69						X
	HEADLINING ASSEMBLY – Tan		9936448DX	1	69						X
	HEADLINING ASSEMBLY – Chamois		⁽⁵⁸⁾ 2822693DV	1	70	X					
	HEADLINING ASSEMBLY – Tan		⁽⁵⁸⁾ 2822693DX	1	70	X					
	HEADLINING ASSEMBLY – Black		⁽⁵⁹⁾ 9938591BA	1	70	X	X				
	HEADLINING ASSEMBLY – Chamois		⁽⁵⁹⁾ 9938591DV	1	70	X	X				
	HEADLINING ASSEMBLY – Sienna		⁽⁵⁹⁾ 9938591EC	1	70	X	X				
Note: ⁽⁵⁸⁾ Headlining finishes rear of door lock striker pillar. ⁽⁵⁹⁾ Headlining extends to rear of roof panel.											

"HX" STATESMAN/HOLDEN PARTS CATALOGUE

GROUP	DESCRIPTION	SIDE	PART No.	QTY.	BODY STYLE	M	N	P	Q	S	T
14.640 HEADLINING (Continued)											
	HEADLINING ASSEMBLY - Tan		(59) 9938591DX	1	70	X	X				
	HEADLINING ASSEMBLY - Black		2822224BA	1	80		X				
	HEADLINING ASSEMBLY - Chamois		2822224DV	1	80	X	X				
	HEADLINING ASSEMBLY - Sienna		2822224EC	1	80	X	X				
	HEADLINING ASSEMBLY - Tan		2822224DX	1	80		X				
14.641 PAD - Headlining trim											
	PAD - Rear Trim		7437280	1	35	X	X	X			
	PAD - Side Trim		7437280	2	35	X	X	X			
	PAD - Side trim, (27" long)		9931106	2	37				X		
	PAD - Side trim		2822280	2	60,70,80	X	X				
	PAD - Side trim		7437280	2	69	X	X	X	X	X	X
	PAD - Rear quarter side upper		9936439	2	69						X
	PAD - Rear quarter side lower		9936440	2	69						X
14.650 LACE - Headlining trim front											
	LACE - Black		2817718BA		35,60,69,70,80	X	X	X	X	X	X
	LACE - Tan		2817718DX		35,60,69,70,80	X	X	X	X	X	X
	LACE - Dark Sienna		2817718EK	1	35,60,69,70,80	X	X	X	X	X	X
	LACE - Black		2817719BA		37				X		
14.650 LACE - Headlining trim side											
	LACE - Black		9938686BA	1	70	X	X				
	LACE - Chamois		9938686DV	1	70	X	X				
	LACE - Sienna		9938686EC	1	70	X	X				
	LACE - Tan		9938686DX	1	70	X	X				
14.650 LACE - Rear window finish											
	LACE - Black		2819693BA		37				X		
	LACE - Black		2819694BA		69		X	X	X		
	LACE - Chamois		2819694DV		69	X	X	X	X		
	LACE - Sienna		2819694EC		69		X	X	X		
	LACE - Tan		2819694DX		69	X	X	X	X		
	LACE - Black		2817661BA		69					X	X
	LACE - Chamois		2817661DV		69					X	X
	LACE - Buckskin		2817661FH		69					X	X
	LACE - Sienna		2817661EC		69					X	X
	LACE - Tan		2817661DX		69					X	X
14.651 RETAINER - Headlining trim											
	RETAINER - Front		2811096	1	35,60,69,70,80	X	X	X	X	X	X
	RETAINER - Front		2813755	1	37				X		
	SCREW - Retainer front - No. 8-18 x 1/2" tap type "AB"		SP1855	2	ALL	X	X	X	X	X	X
	RETAINER - Rear	LH	2814813	1	37				X		
		RH	2814814	1	37				X		
	RETAINER - Rear	LH	2813037	1	69	X	X	X	X		
		RH	2813038	1	69	X	X	X	X		
	RETAINER - Rear	LH	2814171	1	69					X	X
		RH	2814172	1	69					X	X
	RETAINER - Rear upper		2814170	1	69					X	X
	SCREW - Retainer - No. 8-18 x 1/2" tap rd. hd.		7426400	2	69	X	X	X	X	X	X
	SCREW - Rd. hd. washer face cr. recess tap type										
	"AB" No. 8-18 x .375"		SP2428	AR	ALL	X	X	X	X	X	X
	SCREW - Rd. hd. tap No. 6-18 x .50"		SP1815	4	60, 70, 80	X	X				

Note: (59) Headlining extends to rear of roof panel.

"HX" STATESMAN/HOLDEN PARTS CATALOGUE

GROUP	DESCRIPTION	SIDE	PART No.	QTY.	BODY STYLE	M	N	P	Q	S	T
14.651 HOOK – Coat (not used with assist handles)											
	HOOK – Black		9928929BA	2	69		X	X	X		
	HOOK – Chamois		9928929DV	2	69		X	X	X		
	HOOK – Sienna		9928929EC	2	69		X	X	X		
	HOOK – Tan		9928929DX	2	69		X	X	X		
	SCREW – Hook – Oval hd. tap No. 8-18 x 5/8"		9418622	2	69		X	X	X		
14.651 HOOK – Coat (Used with assist handles)											
	HOOK		99329802		35, 69		X	X	X	X	X
14.655 PAD – Instrument panel (exc. Forced Air, Air Conditioning)											
	PAD ASSEMBLY – Black		9931700CY	1	ALL	X	X				
	PAD ASSEMBLY – Dark Sienna		9931700EK	1	ALL	X	X				
	PAD ASSEMBLY – Tan		9931700DX	1	ALL	X	X				
	SCREW- Oval hd. cr. recess tap type "AB" No. 10-16 x 1"		9426442	4	ALL	X	X				
	SCREW – Pan hd. tap No. 10-16 x 5/8"		9414723	1	ALL	X	X				
	SCREW – Pad to instrument panel		SP2111	2	ALL	X	X	X	X	X	X
	CLIP – Pad to instrument panel		7377884	8	ALL	X	X				
14.655 PAD – Instrument panel (Forced Air, Air Conditioning)											
	PAD ASSEMBLY – Black		9932141CY	1	ALL	X	X	X	X	X	X
	PAD ASSEMBLY – Dark Sienna		9932141EK	1	ALL	X	X	X	X	X	X
	PAD ASSEMBLY – Tan		9932141DX	1	ALL	X	X	X	X	X	X
	SCREW – Oval hd. cr. recess tap. type "AB" No. 10-16 x 1"		9426442	4	ALL	X	X	X	X	X	X
	SCREW – Pan hd. tap No. 10-16 x 5/8"		9414723	1	ALL	X	X	X	X	X	X
	SCREW – Pad to instrument carrier & fascia		SP2111	4	ALL	X	X	X	X	X	X
	NUT – Pad to instrument carrier & fascia		9422836	5	ALL	X	X	X	X	X	X
	CLIP – Pad to instrument panel		7377884	8	ALL	X	X	X	X	X	X
14.655 INSERT, PLATE – Instrument panel pad											
	INSERT		9942238	1	ALL			X			
	INSERT		9933173	1	37				X		
	INSERT – Black		9942239CY	1	ALL					X	
	INSERT – Dark Sienna		9942239EK	1	ALL					X	
	INSERT – Tan		9942239DX	1	ALL					X	
	INSERT – Black		9942240CY	1	ALL						X
	INSERT – Dark Sienna		9942240EK	1	ALL						X
	INSERT – Tan		9942240DX	1	ALL						X
	RETAINER – Insert		9933174	2	ALL			X	X	X	X
	PLATE – Name "Premier"		9941959	1	35, 69			X			
	PLATE – Name "GTS"		9933175	1	69				X		
	PLATE – Name "De Ville"		9933176	1	ALL					X	
	PLATE – Name "Caprice"		9941831	1	ALL						X
	NUT – Name plate		SP1534	2	ALL			X	X	X	X
14.685 TRIM – Front door											
	TRIM Nos. 19V, 19W – Exc. Ambulance, Sandman	LH	9933311CY	1	ALL	X					
		RH	9933310CY	1	ALL	X					
	TRIM Nos. 45W – Exc. Ambulance, Sandman	LH	9933311DU	1	ALL	X					
		RH	9933310DU	1	ALL	X					
	TRIM Nos. 60A – Exc. Ambulance, Sandman	LH	9933311DZ	1	ALL	X					
		RH	9933310DZ	1	ALL	X					
	TRIM Nos. 67V, 67W – Exc. Ambulance, Sandman	LH	9933311EE	1	ALL	X					
		RH	9933310EE	1	ALL	X					
	TRIM Nos. 19V, 19W – Ambulance	LH	9933627CY	1	60, 70	X					
		RH	9933628CY	1	60, 70	X					
	TRIM Nos. 60A – Ambulance	LH	9933627DZ	1	60, 70	X					
		RH	9933628DZ	1	60, 70	X					
	TRIM Nos. 67V, 67W – Ambulance	LH	9933627EE	1	60, 70	X					
		RH	9933628EE	1	60, 70	X					

"HX" STATESMAN/HOLDEN PARTS CATALOGUE

GROUP	DESCRIPTION	SIDE	PART No.	QTY.	BODY STYLE	M	N	P	Q	S	T
14.685	TRIM – Front door (Continued)										
	TRIM Nos. 18V – Sandman	LH	9933315DT	1	70, 80	X					
		RH	9933314DT	1	70, 80	X					
	TRIM Nos. 60A – Sandman	LH	9933315DV	1	70, 80	X					
		RH	9933314DV	1	70, 80	X					
	TRIM Nos. 65A – Sandman	LH	9933315EC	1	70, 80	X					
		RH	9933314EC	1	70, 80	X					
	TRIM Nos. 67V – Sandman	LH	9933315DX	1	70, 80	X					
		RH	9933314DX	1	70, 80	X					
	TRIM Nos. 18V, 18Y	LH	9933315DT	1	35, 69, 70, 80		X				
		RH	9933314DT	1	35, 69, 70, 80		X				
	TRIM Nos. 60A, 60B	LH	9933315DV	1	35, 69, 70, 80		X				
		RH	9933314DV	1	35, 69, 70, 80		X				
	TRIM Nos. 65A, 65B	LH	9933315EC	1	35, 69, 70, 80		X				
		RH	9933314EC	1	35, 69, 70, 80		X				
	TRIM Nos. 67V, 67X	LH	9933315DX	1	35, 69, 70, 80		X				
		RH	9933314DX	1	35, 69, 70, 80		X				
	TRIM Nos. 18V, 18X	LH	9933627DT	1	35, 69			X			
		RH	9933628DT	1	35, 69			X			
	TRIM Nos. 60A, 60X	LH	9933627EY	1	35, 69			X			
		RH	9933628EY	1	35, 69			X			
	TRIM Nos. 65A, 65X	LH	9933627EC	1	35, 69			X			
		RH	9933628EC	1	35, 69			X			
	TRIM Nos. 67V, 67X	LH	9933627DX	1	35, 69			X			
		RH	9933628DX	1	35, 69			X			
	TRIM Nos. 76Z	LH	9943337DA	1	37				X		
		RH	9943336DA	1	37				X		
	TRIM Nos. 18V, 18X	LH	9933629DT	1	69				X		
		RH	9933630DT	1	69				X		
	TRIM Nos. 60A, 60B	LH	9933629EY	1	69				X		
		RH	9933630EY	1	69				X		
	TRIM Nos. 65A, 65X	LH	9933629EC	1	69				X		
		RH	9933630EC	1	69				X		
	TRIM Nos. 67V, 67X	LH	9933629DX	1	69				X		
		RH	9933630DX	1	69				X		
	TRIM Nos. 18V, 18X	LH	9942531DT	1	69					X	
		RH	9942530DT	1	69					X	
	TRIM Nos. 60A, 60X	LH	9942531EY	1	69					X	
		RH	9942530EY	1	69					X	
	TRIM Nos. 65A, 65X	LH	9942531EC	1	69					X	
		RH	9942530EC	1	69					X	
	TRIM Nos. 67V, 67X	LH	9942531DX	1	69					X	
		RH	9942530DX	1	69					X	
	TRIM Nos. 19V, 19X, 19Y	LH	9934409CY	1	69						X
		RH	9934408CY	1	69						X
	TRIM Nos. 60A	LH	9934409EY	1	69						X
		RH	9934408EY	1	69						X
	TRIM Nos. 63V, 63Y	LH	9934409FH	1	69						X
		RH	9934408FH	1	69						X
	TRIM Nos. 65B	LH	9934409EC	1	ALL						X
		RH	9934408EC	1	ALL						X
	TRIM Nos. 67V, 67Y	LH	9934409DX	1	ALL						X
		RH	9934408DX	1	ALL						X
	CLIP – Trim to door		7377884	AR	ALL	X	X	X	X	X	X
	CAP – Clip sealing		7410830	12-14	ALL	X	X	X	X	X	X
	SCREW – Trim to door		SP2248	2	ALL	X					
	RETAINER – Door trim		2814937	4	37				X		

"HX" STATESMAN/HOLDEN PARTS CATALOGUE

GROUP	DESCRIPTION	SIDE	PART No.	QTY.	BODY STYLE	M	N	P	Q	S	T
14.686 ARM REST – Front door (exc. Power Windows)											
	ARM REST ASSEMBLY – Black – Exc. Ambulance	LH	2816469BA	1	60, 69, 70, 80	X					
		RH	2816470BA	1	60, 69, 80	X					
	ARM REST ASSEMBLY – Jade	LH	2816469DU	1	35, 69, 80	X					
		RH	2816470DU	1	35, 69, 80	X					
	ARM REST ASSEMBLY – Chamois – Exc. Ambulance	LH	2816469DV	1	60, 69, 70, 80	X					
		RH	2816470DV	1	60, 69, 80	X					
	ARM REST ASSEMBLY – Tan – Exc. Ambulance	LH	2816469DX	1	60, 69, 70, 80	X					
		RH	2816470DX	1	60, 69, 80	X					
	ARM REST ASSEMBLY – Black	LH	2816469BA	1	35, 69, 70, 80		X		X		
		RH	2816470BA	1	35, 69, 70, 80		X		X		
	ARM REST ASSEMBLY – Chamois	LH	2816469DV	1	35, 69, 70, 80		X		X		
		RH	2816470DV	1	35, 69, 70, 80		X		X		
	ARM REST ASSEMBLY – Sienna	LH	2816469EC	1	35, 69, 70, 80		X		X		
		RH	2816470EC	1	35, 69, 70, 80		X		X		
	ARM REST ASSEMBLY – Tan	LH	2816469DX	1	35, 69, 70, 80		X		X		
		RH	2816470DX	1	35, 69, 70, 80		X		X		
14.686 ARM REST – Front door (Power Windows)											
	ARM REST ASSEMBLY – Black	LH	9931625BA	1	69				X		
		RH	9931626BA	1	69				X		
	ARM REST ASSEMBLY – Chamois	LH	9931625DV	1	69				X		
		RH	9931626DV	1	69				X		
	ARM REST ASSEMBLY – Sienna	LH	9931625EC	1	69				X		
		RH	9931626EC	1	69				X		
	ARM REST ASSEMBLY – Tan	LH	9931625DX	1	69				X		
		RH	9931626DX	1	69				X		
14.686 ARM REST – Front door											
	ARM REST ASSEMBLY – Black – Ambulance	LH	9931625BA	1	60, 70	X					
		RH	9931626BA	1	60, 70	X					
	ARM REST ASSEMBLY – Chamois – Ambulance	LH	9931625DV	1	60, 70	X					
		RH	9931626DV	1	60, 70	X					
	ARM REST ASSEMBLY – Tan – Ambulance	LH	9931625DX	1	60, 70	X					
		RH	9931626DX	1	60, 70	X					
	ARM REST ASSEMBLY – Black	LH	9931625BA	1	ALL			X		X	
		RH	9931626BA	1	ALL			X		X	
	ARM REST ASSEMBLY – Chamois	LH	9931625DV	1	ALL			X		X	
		RH	9931626DV	1	ALL			X		X	
	ARM REST ASSEMBLY – Sienna	LH	9931625EC	1	ALL			X		X	
		RH	9931626EC	1	ALL			X		X	
	ARM REST ASSEMBLY – Tan	LH	9931625DX	1	ALL			X		X	
		RH	9931626DX	1	ALL			X		X	
	ARM REST ASSEMBLY – Cinnabar	LH	9943871DA	1	37				X		
		RH	9943870DA	1	37				X		
	ARM REST ASSEMBLY – Black	LH	9943871CY	1	ALL						X
		RH	9943870CY	1	ALL						X
	ARM REST ASSEMBLY – Chamois	LH	9943871DV	1	ALL						X
		RH	9943870DV	1	ALL						X
	ARM REST ASSEMBLY – Buckskin	LH	9943871FH	1	ALL						X
		RH	9943870FH	1	ALL						X
	ARM REST ASSEMBLY – Sienna	LH	9943871EC	1	ALL						X
		RH	9943870EC	1	ALL						X
	ARM REST ASSEMBLY – Tan	LH	9943871DX	1	ALL						X
		RH	9943870DX	1	ALL						X

"HX" STATESMAN/HOLDEN PARTS CATALOGUE

GROUP	DESCRIPTION	SIDE	PART No.	QTY.	BODY STYLE	M	N	P	Q	S	T
14.686	BUTTON, SCREW – Front door armrest										
	BUTTON – Cinnabar		7439054DA	8	37				X		
	BUTTON – Black		7439054BA	8	ALL						X
	BUTTON – Chamois		7439054DV	8	ALL						X
	BUTTON – Buckskin		7439054FH	8	ALL						X
	BUTTON – Sienna		7439054EC	8	ALL						X
	BUTTON – Tan		7439054DX	8	ALL						X
	SCREW – Armrest to door – Pan hd. tap No. 14-10 x 2"		162113	4-8	ALL	X	X	X	X	X	X
	SCREW – Armrest to door – Oval hd. tap No. 10-16 x 1 ¼"		9425804	2-4	ALL			X	X	X	X
14.691	EMBLEM – Front door trim										
	EMBLEM ASSEMBLY		9942586	2	ALL					X	
	EMBLEM ASSEMBLY		9933245	2	ALL						X
14.694	SEAL – Front door inner panel										
	SEAL – Material (24" x 18")		M36827	AR	ALL	X	X	X	X	X	X
14 730	TRIM – Centre pillar										
	TRIM – Slate Black	LH	D215DT	1	35, 69		X	X	X		
		RH	D216DT	1	35, 69		X	X	X		
	TRIM – Chamois	LH	D215DV	1	35, 69		X	X	X		
		RH	D216DV	1	35, 69		X	X	X		
	TRIM – Sienna	LH	D215EC	1	35, 69		X	X	X		
		RH	D216EC	1	35, 69		X	X	X		
	TRIM – Tan	LH	D215DX	1	35, 69		X	X	X		
		RH	D216DX	1	35, 69		X	X	X		
	TRIM – Slate Black	LH	G159DT	1	ALL						X
		RH	G158DT	1	ALL						X
	TRIM – Chamois	LH	G159DV	1	ALL						X
		RH	G158DV	1	ALL						X
	TRIM – Sienna	LH	G159EC	1	ALL						X
		RH	G158EC	1	ALL						X
	TRIM – Tan	LH	G159DX	1	ALL						X
		RH	G158DX	1	ALL						X
	TRIM – Black	LH	F705CY	1	ALL						X
		RH	F704CY	1	ALL						X
	TRIM – Chamois	LH	F705DV	1	ALL						X
		RH	F704DV	1	ALL						X
	TRIM – Buckskin	LH	F705FH	1	69						X
		RH	F704FH	1	69						X
	TRIM – Sienna	LH	F705EC	1	69						X
		RH	F704EC	1	69						X
	TRIM – Tan	LH	F705DX	1	69						X
		RH	F704DX	1	69						X
14.731	PAD – Centre pillar trim										
	PAD		9936438	2	69					X	X
14.760	TRIM – Rear door										
	TRIM Nos. 19V, 19W	LH	9933313CY	1	35, 69	X					
		RH	9933312CY	1	35, 69	X					
	TRIM Nos. 45W	LH	9933313DU	1	35, 69	X					
		RH	9933312DU	1	35, 69	X					
	TRIM Nos. 60A	LH	9933313DZ	1	35, 69	X					
		RH	9933312DZ	1	35, 69	X					
	TRIM Nos. 67V, 67W	LH	9933313EE	1	35, 69	X					
		RH	9933312EE	1	35, 69	X					
	TRIM Nos. 18V, 18X	LH	9933317DT	1	35, 69			X			
		RH	9933316DT	1	35, 69			X			
	TRIM Nos. 60A, 60B	LH	9933317DV	1	35, 69			X			
		RH	9933316DV	1	35, 69			X			

"HX" STATESMAN/HOLDEN PARTS CATALOGUE

GROUP	DESCRIPTION	SIDE	PART No.	QTY.	BODY STYLE	M	N	P	Q	S	T
14.760 TRIM – Rear door (Continued)											
	TRIM Nos. 65A, 65B	LH	9933317EC	1	35, 69		X				
		RH	9933316EC	1	35, 69		X				
	TRIM Nos. 67V, 67X	LH	9933317DX	1	35, 69		X				
		RH	9933316DX	1	35, 69		X				
	TRIM Nos. 18V, 18X	LH	9933623DT	1	35, 69			X			
		RH	9933624DT	1	35, 69			X			
	TRIM Nos. 60A, 60X	LH	9933623EY	1	35, 69			X			
		RH	9933624EY	1	35, 69			X			
	TRIM Nos. 65A, 65X	LH	9933623EC	1	35, 69			X			
		RH	9933624EC	1	35, 69			X			
	TRIM Nos. 67V, 67X	LH	9933623DX	1	35, 69			X			
		RH	9933624DX	1	35, 69			X			
	TRIM Nos. 18V, 18X	LH	9933625DT	1	69				X		
		RH	9933626DT	1	69				X		
	TRIM Nos. 60A, 60B	LH	9933625EY	1	69				X		
		RH	9933626EY	1	69				X		
	TRIM Nos. 65A, 65B	LH	9933625EC	1	69				X		
		RH	9933626EC	1	69				X		
	TRIM Nos. 67V, 67X	LH	9933625DX	1	69				X		
		RH	9933626DX	1	69				X		
	TRIM Nos. 18V, 18X	LH	9942537DT	1	69					X	
		RH	9942538DT	1	69					X	
	TRIM Nos. 60A, 60X	LH	9942537EY	1	69					X	
		RH	9942538EY	1	69					X	
	TRIM Nos. 65A, 65X	LH	9942537EC	1	69					X	
		RH	9942538EC	1	69					X	
	TRIM Nos. 67V, 67X	LH	9942537DX	1	69					X	
		RH	9942538DX	1	69					X	
	TRIM Nos. 19V, 19X, 19Y	LH	9934413CY	1	69						X
		RH	9934412CY	1	69						X
	TRIM Nos. 60A	LH	9934413EY	1	69						X
		RH	9934412EY	1	69						X
	TRIM Nos. 63V, 63Y	LH	9934413FH	1	69						X
		RH	9934412FH	1	69						X
	TRIM Nos. 65B	LH	9934413EC	1	69						X
		RH	9934412EC	1	69						X
	TRIM Nos. 67V, 67Y	LH	9934413DX	1	69						X
		RH	9934412DX	1	69						X
	CLIP – Trim to door		7377884	AR	35, 69	X	X	X	X	X	X
	CAP – Clip sealing		7410830	10	35, 69	X	X	X	X	X	X
	CAP – Clip sealing		7410830	4	37				X		
14.762 ARM REST – Rear door (exc. Power Windows)											
	ARM REST ASSEMBLY – Black	LH	2816939BA	1	69	X					
		RH	2816938BA	1	69	X					
	ARM REST ASSEMBLY – Chamois	LH	2816939DV	1	69	X					
		RH	2816938DV	1	69	X					
	ARM REST ASSEMBLY – Jade	LH	2816939DU	1	69	X					
		RH	2816938DU	1	69	X					
	ARM REST ASSEMBLY – Tan	LH	2816939DX	1	69	X					
		RH	2816938DX	1	69	X					
	ARM REST ASSEMBLY – Black	LH	2816939BA	1	35, 69		X		X		
		RH	2816938BA	1	35, 69		X		X		
	ARM REST ASSEMBLY – Chamois	LH	2816939DV	1	35, 69		X		X		
		RH	2816938DV	1	35, 69		X		X		
	ARM REST ASSEMBLY – Sienna	LH	2816939EC		35, 69		X		X		
		RH	2816938EC	1	35, 69		X		X		
	ARM REST ASSEMBLY – Tan	LH	2816939DX	1	35, 69		X		X		
		RH	2816938DX	1	35, 69		X		X		

"HX" STATESMAN/HOLDEN PARTS CATALOGUE

GROUP	DESCRIPTION	SIDE	PART No.	QTY.	BODY STYLE	M	N	P	Q	S	T
14.762 ARM REST – Rear door (Power Windows)											
	ARM REST ASSEMBLY – Black	LH	2829981BA	1	69				X		
		RH	2829982BA	1	69				X		
	ARM REST ASSEMBLY – Chamois	LH	2829981DV	1	69				X		
		RH	2829982DV	1	69				X		
	ARM REST ASSEMBLY – Sienna	LH	2829981EC	1	69				X		
		RH	2829982EC	1	69				X		
	ARM REST ASSEMBLY – Tan	LH	2829981DX	1	69				X		
		RH	2829982DX	1	69				X		
14.762 ARM REST – Rear quarter, rear door											
	ARM REST ASSEMBLY – Cinnabar		9943864DA	2	37				X		
	ARM REST ASSEMBLY – Black	LH	2829981BA	1	69			X		X	
		RH	2829982BA	1	69			X		X	
	ARM REST ASSEMBLY – Chamois	LH	2829981DV	1	69			X		X	
		RH	2829982DV	1	69			X		X	
	ARM REST ASSEMBLY – Sienna	LH	2829981EC	1	69			X		X	
		RH	2829982EC	1	69			X		X	
	ARM REST ASSEMBLY – Tan	LH	2829981DX	1	69			X		X	
		RH	2829982DX	1	69			X		X	
	ARM REST ASSEMBLY – Black	LH	9934361CY	1	69						X
		RH	9934362CY	1	69						X
	ARM REST ASSEMBLY – Chamois	LH	9934361DV	1	69						X
		RH	9934362DV	1	69						X
	ARM REST ASSEMBLY – Buckskin	LH	9934361FH	1	69						X
		RH	9934362FH	1	69						X
	ARM REST ASSEMBLY – Sienna	LH	9934361EC	1	69						X
		RH	9934362EC	1	69						X
	ARM REST ASSEMBLY – Tan	LH	9934361DX	1	69						X
		RH	9934362DX	1	69						X
14.762 BUTTON, SCREW – Rear door, quarter armrest											
	BUTTON – Armrest – Black		7439054BA	8	69						X
	BUTTON – Armrest – Buckskin		7439054FH	8	69						X
	BUTTON – Armrest – Sienna		7439054EC	8	69						X
	BUTTON – Armrest – Tan		7439054DX	8	69						X
	SCREW – Armrest to door – Pan hd. tap No. 14 – 10 x 2"		162113	4-8	35, 69	X	X	X	X	X	X
	SCREW – Armrest to door – Oval hd. tap No. 10-16 x 1 1/4"		9425804	2	69			X	X	X	X
14.764 INSERT – Rear door trim											
	INSERT ASSEMBLY – Black	LH	9934405CY	1	69						X
		RH	9934404CY	1	69						X
	INSERT ASSEMBLY – Chamois	LH	9934405DV	1	69						X
		RH	9934404DV	1	69						X
	INSERT ASSEMBLY – Buckskin	LH	9934405FH	1	69						X
		RH	9934404FH	1	69						X
	INSERT ASSEMBLY – Sienna	LH	9934405EC	1	69						X
		RH	9934404EC	1	69						X
	INSERT ASSEMBLY – Tan	LH	9934405DX	1	69						X
		RH	9934404DX	1	69						X
14.764 EMBLEM – Rear door trim											
	EMBLEM ASSEMBLY		9942586	2	69					X	
	EMBLEM ASSEMBLY		9933245	2	69						X
14.768 SEAL – Rear door inner panel											
	SEAL – Material (24" x 18")		M36827	AR	35, 69	X	X	X	X	X	X

"HX" STATESMAN/HOLDEN PARTS CATALOGUE

GROUP	DESCRIPTION	SIDE	PART No.	QTY.	BODY STYLE	M	N	P	Q	S	T
14.796 SEAT – Front	CURRENT PRODUCTION FRONT SEAT ASSEMBLIES WILL BE SUPPLIED IN CURRENT PRODUCTION TRIM ON A FIRM ORDER BASIS.										
14.798 BELT, BUCKLE – Front seat – Lap & shoulder – Cooldrive											
	BELT ASSEMBLY		9941450C	2	35, 69	X	X	X	X	X	X
	BELT ASSEMBLY		9941451C	2	37				X		
	BUCKLE ASSEMBLY		9941305C	2	35, 37, 69	X	X	X	X	X	X
	BELT ASSEMBLY		9941420C	2	60, 70, 80	X	X				
	BUCKLE ASSEMBLY		9941303C	2	60, 70, 80	X	X				
14.798 BELT, BUCKLE – Front seat – Lap & shoulder – Rainsford											
	BELT ASSEMBLY		9941450R	2	35, 69	X	X				
	BELT ASSEMBLY		9941451R	2	37				X		
	BUCKLE ASSEMBLY		9941305R	2	35, 37, 69	X	X	X	X	X	X
	BELT ASSEMBLY		9941420R	2	60, 70, 80	X	X				
	BUCKLE ASSEMBLY		9941303R	2	60, 70, 80	X	X				
14.798 BELT, BUCKLE – Front seat – Lap & shoulder – TRW											
	BELT ASSEMBLY		9941450T	2	35, 69	X	X				
	BELT ASSEMBLY		9941451T	2	37				X		
	BUCKLE ASSEMBLY		9941305T	2	35, 37, 69	X	X	X	X	X	X
	BELT ASSEMBLY		9941420T	2	60, 70, 80	X	X				
	BUCKLE ASSEMBLY		9941303T	2	60, 70, 80	X	X				
14.798 BELT, BUCKLE – Front seat – Centre lap – Cooldrive											
	BELT ASSEMBLY		9941734C	1	ALL	X	X	X		X	
	BUCKLE ASSEMBLY		9941684C	2	35, 69	X	X	X		X	
	BUCKLE ASSEMBLY		9941685C	2	60, 70, 80	X	X				
14.798 BELT – Front seat – Centre lap – Rainsford											
	BELT ASSEMBLY		9941734R	1	ALL	X	X	X		X	
	BUCKLE ASSEMBLY		9941684R	2	35, 69	X	X	X		X	
	BUCKLE ASSEMBLY		9941685R	2	60, 70, 80	X	X				
14.798 BELT, BUCKLE – Front seat – Centre lap (TRW)											
	BELT ASSEMBLY		9941734T	1	ALL	X	X	X		X	
	BUCKLE ASSEMBLY		9941684T	1	35, 69	X	X	X		X	
	BUCKLE ASSEMBLY		9941685T	1	60, 70, 80	X	X				
14.798 SPACER, BOLT – Front seat belt											
	SPACER – Belt to underbody – Bench seat		9929668	2	35, 69, 80	X	X	X		X	
	SPACER – Belt to pillar		9929669	2	60, 70, 80	X	X	X		X	
	SPACER – Belt to roof rail inner		9929669	2	37				X		
	SPACER – Belt to rocker panel inner		9929669	2	37				X		
	BOLT – Retractor to pillar – Special hex. hd. ½" – 13 x 1.12"		9929664	2	ALL	X	X	X	X	X	X
	SCREW – Belt anchor to pillar – Pan hd. cr. rec. ¼" – 14 x ¾"		9422037	2	35, 69	X	X	X	X	X	X
	BOLT – Retractor to door frame		9929664	2	60, 70, 80	X	X				
	BOLT – Belt to underbody – Bench seat		9934331	2	35, 69, 80	X	X	X		X	
	BOLT – Belt to underbody – Bucket seats		9929664	2	ALL	X	X	X	X	X	X
	WASHER – ½" lock		120384	AR	ALL	X	X	X	X	X	X

"HX" STATESMAN/HOLDEN PARTS CATALOGUE

GROUP	DESCRIPTION	SIDE	PART No.	QTY.	BODY STYLE	M	N	P	Q	S	T
14.800	COVER – Front seat back – Bench seat										
	TRIM Nos. 19W		9941227CY	1	35, 69	X					
	TRIM Nos. 45W		9941227DU	1	35, 69	X					
	TRIM Nos. 60A		9941227DZ	1	35, 69	X					
	TRIM Nos. 67W		9941227EE	1	35, 69	X					
	TRIM Nos. 19W		9941228CY	1	60, 70, 80	X					
	TRIM Nos. 45W		9941228DU	1	60, 70, 80	X					
	TRIM Nos. 60A		9941228DZ	1	60, 70, 80	X					
	TRIM Nos. 67W		9941228EE	1	60, 70, 80	X					
	TRIM Nos. 18V		9932409DT	1	70, 80		X				
	TRIM Nos. 60A		9932409DV	1	70, 80		X				
	TRIM Nos. 65A		9932409EC	1	70, 80		X				
	TRIM Nos. 67V		9932409DX	1	70, 80		X				
	TRIM Nos. 18V – Exc. centre armrest		9932390DT	1	35, 69		X				
	TRIM Nos. 60A – Exc. centre armrest		9932390DV	1	35, 69		X				
	TRIM Nos. 65A – Exc. centre armrest		9932390EC	1	35, 69		X				
	TRIM Nos. 67V – Exc. centre armrest		9932390DX	1	35, 69		X				
	TRIM Nos. 18V		9932409DT	1	70, 80		X				
	TRIM Nos. 60A		9932409DV	1	70, 80		X				
	TRIM Nos. 65A		9932409EC	1	70, 80		X				
	TRIM Nos. 67V		9932409DX	1	70, 80		X				
	TRIM Nos. 18Y		9942249EX	1	35, 69		X				
	TRIM Nos. 60B		9942249EY	1	35, 69		X				
	TRIM Nos. 65B		9942249EC	1	35, 69		X				
	TRIM Nos. 67X		9942249DX	1	35, 69		X				
	TRIM Nos. 18V – Centre armrest		9932394DT	1	35, 69		X	X		X	
	TRIM Nos. 60A – Centre armrest		9932394DV	1	35, 69		X	X		X	
	TRIM Nos. 65A – Centre armrest		9932394EC	1	35, 69		X	X		X	
	TRIM Nos. 67V – Centre armrest		9932394DX	1	35, 69		X	X		X	
	TRIM Nos. 18X		9932395EX	1	35, 69			X		X	
	TRIM Nos. 60X		9932395EY	1	35, 69			X		X	
	TRIM Nos. 65X		9932395EZ	1	35, 69			X		X	
	TRIM Nos. 67X		9932395FA	1	35, 69			X		X	
14.800	COVER – Front seat back (Bucket Seat)										
	TRIM Nos. 18V, 19V		9932398DT	2	35, 60, 69, 70, 80	X	X				
	TRIM Nos. 60A		9932398DV	2	35, 60, 69, 70, 80	X	X				
	TRIM Nos. 65A		9932398EC	2	35, 60, 69, 70, 80	X	X				
	TRIM Nos. 67V		9932398DX	2	35, 60, 69, 70, 80	X	X				
	TRIM Nos. 18Y		9942251EX	2	35, 69		X				
	TRIM Nos. 60B		9942251EY	2	35, 69		X				
	TRIM Nos. 65B		9942251EC	2	35, 69		X				
	TRIM Nos. 67X		9942251DX	2	35, 69		X				
	TRIM Nos. 18V		9932402DT	2	ALL			X		X	
	TRIM Nos. 60A		9932402DV	2	ALL			X		X	
	TRIM Nos. 65A		9932402EC	2	ALL			X		X	
	TRIM Nos. 67V		9932402DX	2	ALL			X		X	
	TRIM Nos. 18X		9932403EX	2	ALL			X		X	
	TRIM Nos. 60X		9932403EY	2	ALL			X		X	
	TRIM Nos. 65X		9932403EZ	2	ALL			X		X	
	TRIM Nos. 67X		9932403FA	2	ALL			X		X	
	TRIM Nos. 76Z		9943851DA	1	37				X		
	TRIM Nos. 18V		9932414DT	2	69				X		
	TRIM Nos. 60A		9932414EY	2	69				X		
	TRIM Nos. 65A		9932414EC	2	69				X		
	TRIM Nos. 67V		9932414DX	2	69				X		
	TRIM Nos. 18X		9932415DT	2	69				X		
	TRIM Nos. 60B		9932415EY	2	69				X		
	TRIM Nos. 65B		9932415EC	2	69				X		
	TRIM Nos. 67X		9932415DX	2	69				X		
	TRIM Nos. 19V		9932406CY	2	ALL						X
	TRIM Nos. 60A		9932406DV	2	ALL						X
	TRIM Nos. 63V		9932406FH	1	ALL						X
	TRIM Nos. 67V		9932406DX	1	ALL						X

BODY

"HX" STATESMAN/HOLDEN PARTS CATALOGUE

GROUP	DESCRIPTION	SIDE	PART No.	QTY.	BODY STYLE	M	N	P	Q	S	T
14.800 COVER – Front seat back (Bucket Seat) (Continued)											
	TRIM Nos. 19X		9932407CY	2	ALL						X
	TRIM Nos. 19Y		9932407BA	1	ALL						X
	TRIM Nos. 63Y		9932407FH	1	ALL						X
	TRIM Nos. 65B		9932407EC	1	ALL						X
	TRIM Nos. 67Y		9932407DX	1	ALL						X
14.800 FASTENER – Front seat back cover to frame											
	FASTENER – Black		SP1838BA	AR	ALL	X	X	X	X	X	X
	FASTENER – Jade		SP1838DU	AR	ALL	X	X				
	FASTENER – Chamois		SP1838DV	AR	ALL	X	X	X	X	X	X
	FASTENER – Sienna		SP1838EC	AR	ALL	X	X	X	X	X	X
	FASTENER – Buckskin		SP1838FH	AR						X	X
	FASTENER – Tan		SP1838DX	AR		X	X	X	X	X	X
14.801 COVER – Front seat back arm rest											
	TRIM Nos. 18V		9934506DT	1	35, 69		X	X		X	
	TRIM Nos. 60A		9934506DV	1	35, 69		X	X		X	
	TRIM Nos. 65A		9934506EC	1	35, 69		X	X		X	
	TRIM Nos. 67V		9934506DX	1	35, 69		X	X		X	
	TRIM Nos. 18X		9934507EX	1	35, 69			X		X	
	TRIM Nos. 60X		9934507EY	1	35, 69			X		X	
	TRIM Nos. 65X		9934507EZ	1	35, 69			X		X	
	TRIM Nos. 67X		9934507FA	1	35, 69			X		X	
14.801 TRIM – Front seat back arm rest recess lower											
	TRIM Nos. 18V, 18X		D456DT	1	35, 69			X		X	
	TRIM Nos. 60A, 60X		D456DV	1	35, 69			X		X	
	TRIM Nos. 65A, 65X		D456EC	1	35, 69			X		X	
	TRIM Nos. 67V, 67X		D456DX	1	35, 69			X		X	
14.802 PAD, INSULATOR – Front seat back											
	PAD ASSEMBLY – Bench seat exc. centre armrest		9933570	1	ALL	X					
	PAD ASSEMBLY – Bench seat exc. centre armrest		9931263	1	35, 69, 80		X				
	PAD ASSEMBLY – Bench seat with centre armrest		9931526	1	35, 69	X	X	X		X	
	PAD ASSEMBLY – Front seat back armrest		9935091	1	35, 69		X	X		X	
	PAD ASSEMBLY – Bucket seat		9931528	2	ALL	X	X	X	X	X	X
	PAD – Bucket seat frame		9931462	4	35, 60, 69, 80	X	X	X	X	X	X
	INSULATOR ASSEMBLY – Bench seat exc. centre armrest		9929565	1	35, 60, 69, 70, 80	X	X				
	INSULATOR ASSEMBLY – Bench seat with centre armrest		9932852	2	ALL		X	X		X	
	INSULATOR ASSEMBLY – Bucket seat		9935831	2	ALL	X	X	X	X	X	X
14.803 TRIM – Front seat back rear (Bench Seat with Centre Armrest)											
	TRIM Nos. 18V, 18X		9933262DT	1	35, 69		X	X		X	
	TRIM Nos. 60A, 60X		9933262DV	1	35, 69		X	X		X	
	TRIM Nos. 65A, 65X		9933262EC	1	35, 69		X	X		X	
	TRIM Nos. 67V, 67X		9933262DX	1	35, 69		X	X		X	
	CLIP – Trim		7437078	8	35, 69		X	X		X	
	CLIP – Trim		7377884	14	35, 69		X	X		X	
14.803 TRIM – Front seat back rear (Bucket Seat)											
	TRIM Nos. 18V, 18X, 19V		9931419DT	2	35, 37, 60, 69, 80	X	X				
	TRIM Nos. 60A, 60B		9931419DV	2	35, 37, 60, 69, 80	X	X				
	TRIM Nos. 65A, 65B		9931419EC	2	35, 37, 60, 69, 80	X	X				
	TRIM Nos. 67V, 67X		9931419DX	2	35, 37, 60, 69, 80	X	X				
	TRIM Nos. 18V, 18X		9933239DT	2	35, 69			X	X	X	
	TRIM Nos. 60A, 60B, 60X		9933239DV	2	35, 69			X	X	X	
	TRIM Nos. 65A, 65B, 65X		9933239EC	2	35, 69			X	X	X	
	TRIM Nos. 67V, 67X		9933239DX	2	35, 69			X	X	X	

"HX" STATESMAN/HOLDEN PARTS CATALOGUE

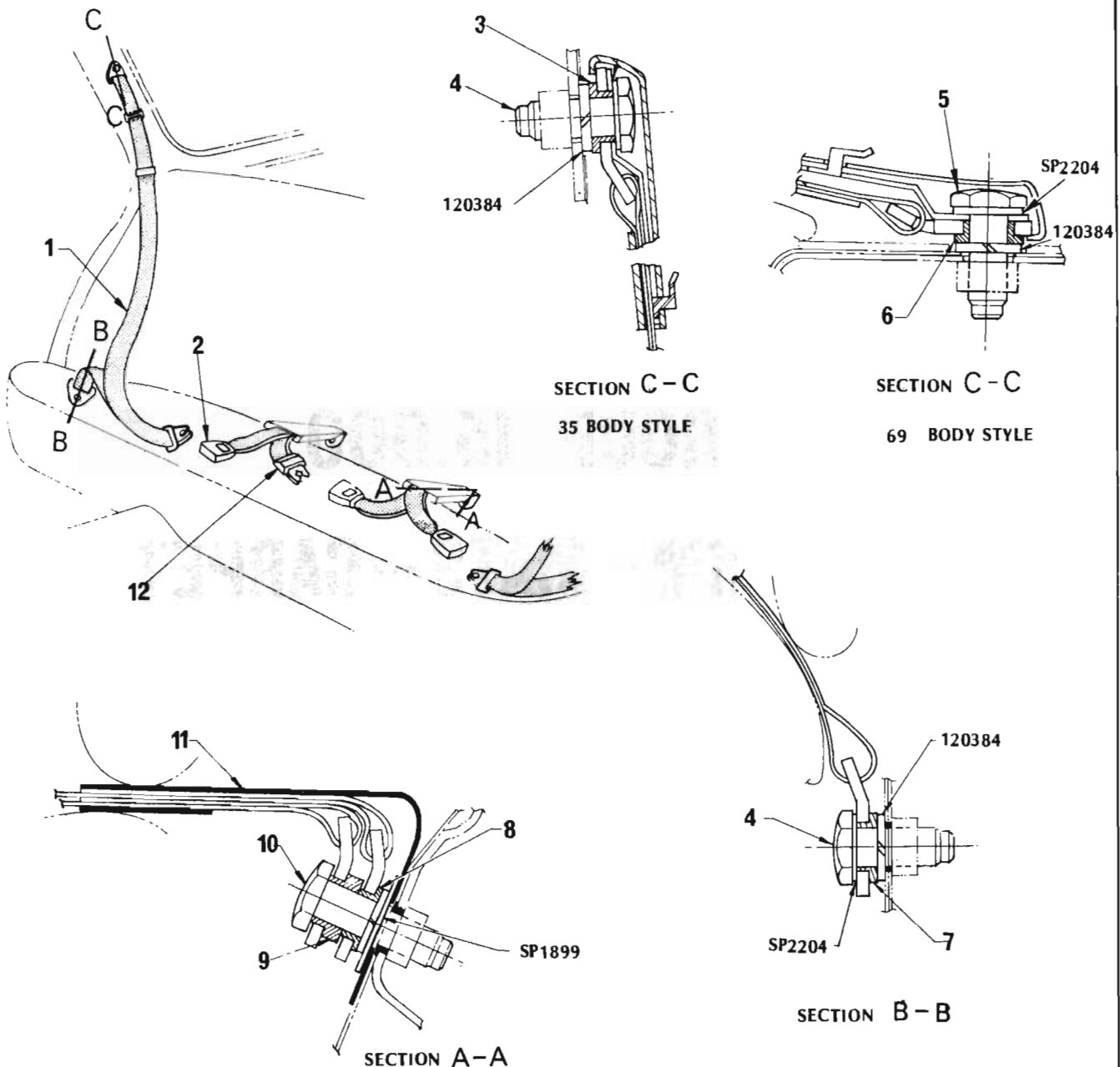
GROUP	DESCRIPTION	SIDE	PART No.	QTY.	BODY STYLE	M	N	P	Q	S	T
14.803 TRIM – Front seat back rear (Bucket Seat) (Continued)											
	TRIM Nos. 76Z		9943874DA	1	37				X		
	TRIM Nos. 19V, 19X, 19Y		9933580CY	2	ALL						X
	TRIM Nos. 60A		9933580EY	2	ALL						X
	TRIM Nos. 63V, 63Y		9933580FH	2	ALL						X
	TRIM Nos. 65B		9933580EC	2	ALL						X
	TRIM Nos. 67V, 67Y		9933580DX	2	ALL						X
	CLIP – Trim assy to frame		7377884	AR	35,37,60,69,80	X	X	X	X	X	
	RETAINER – Trim assy to frame		7433398	AR	35,37,60,69,80	X	X	X	X	X	X
14.804 COVER – Front seat back rear lower (Bench Seat with Centre Armrest)											
	TRIM Nos. 18V, 18X		9933634DT	1	35, 69		X	X		X	
	TRIM Nos. 60A, 60X		9933634EY	1	35, 69		X	X		X	
	TRIM Nos. 65A, 65X		9933634EC	1	35, 69		X	X		X	
	TRIM Nos. 67V, 67X		9933634DX	1	35, 69		X	X		X	
14.818 STRIP – Seat panel											
	STRIP – Rear seat back wear 18.32" long		2815515	6	35	X	X	X			
	STRIP – Rear seat back wear 10.92" long		2815516	1	35	X	X	X			
	STRIP – Rear seat back upper finish wear		2815917	1	35	X	X	X			
14.860 RETAINER – Front seat cushion cover (Bucket Seat)											
	RETAINER		2819239	2	ALL	X	X	X	X	X	X
14.880 COVER – Front seat cushion (Bench Seat)											
	TRIM Nos. 19W		9941226CY	1	ALL	X					
	TRIM Nos. 45W		9941226DU	1	ALL	X					
	TRIM Nos. 60A		9941226DZ	1	ALL	X					
	TRIM Nos. 67W		9941226EE	1	ALL	X					
	TRIM Nos. 18V – Exc. centre armrest		9932388DT	1	35, 69, 80		X				
	TRIM Nos. 60A – Exc. centre armrest		9932388DV	1	35, 69, 80		X				
	TRIM Nos. 65A – Exc. centre armrest		9932388EC	1	35, 69, 80		X				
	TRIM Nos. 67V – Exc. centre armrest		9932388DX	1	35, 69, 80		X				
	TRIM Nos. 18Y		9942248EX	1	35, 69		X				
	TRIM Nos. 60B		9942248EY	1	35, 69		X				
	TRIM Nos. 65B		9942248EC	1	35, 69		X				
	TRIM Nos. 67X		9942248DX	1	35, 69		X				
	TRIM Nos. 18V – Centre armrest		9932392DT	1	35, 69		X	X		X	
	TRIM Nos. 60A – Centre armrest		9932392DV	1	35, 69		X	X		X	
	TRIM Nos. 65A – Centre armrest		9932392EC	1	35, 69		X	X		X	
	TRIM Nos. 67V – Centre armrest		9932392DX	1	35, 69		X	X		X	
	TRIM Nos. 18X		9932393EX	1	35, 69			X		X	
	TRIM Nos. 60X		9932393EY	1	35, 69			X		X	
	TRIM Nos. 65X		9932393EZ	1	35, 69			X		X	
	TRIM Nos. 67X		9932393FA	1	35, 69			X		X	
14.880 COVER – Front seat cushion (Bucket Seat)											
	TRIM Nos. 18V, 19V		9932396DT	2	35,60,69,70,80	X	X				
	TRIM Nos. 60A		9932396DV	2	35,60,69,70,80	X	X				
	TRIM Nos. 65A		9932396EC	2	35,60,69,70,80	X	X				
	TRIM Nos. 67V		9932396DX	2	35,60,69,70,80	X	X				
	TRIM Nos. 18Y		9942250EX	2	35, 69		X				
	TRIM Nos. 60B		9942250EY	2	35, 69		X				
	TRIM Nos. 65B		9942250EC	2	35, 69		X				
	TRIM Nos. 67X		9942250DX	2	35, 69		X				
	TRIM Nos. 18V		9932400DT	2	ALL			X		X	
	TRIM Nos. 60A		9932400DV	2	ALL			X		X	
	TRIM Nos. 65A		9932400EC	2	ALL			X		X	
	TRIM Nos. 67V		9932400DX	2	ALL			X		X	
	TRIM Nos. 18X		9932401EX	2	ALL			X		X	
	TRIM Nos. 60X		9932401EY	2	ALL			X		X	

BODY

"HX" STATESMAN/HOLDEN PARTS CATALOGUE

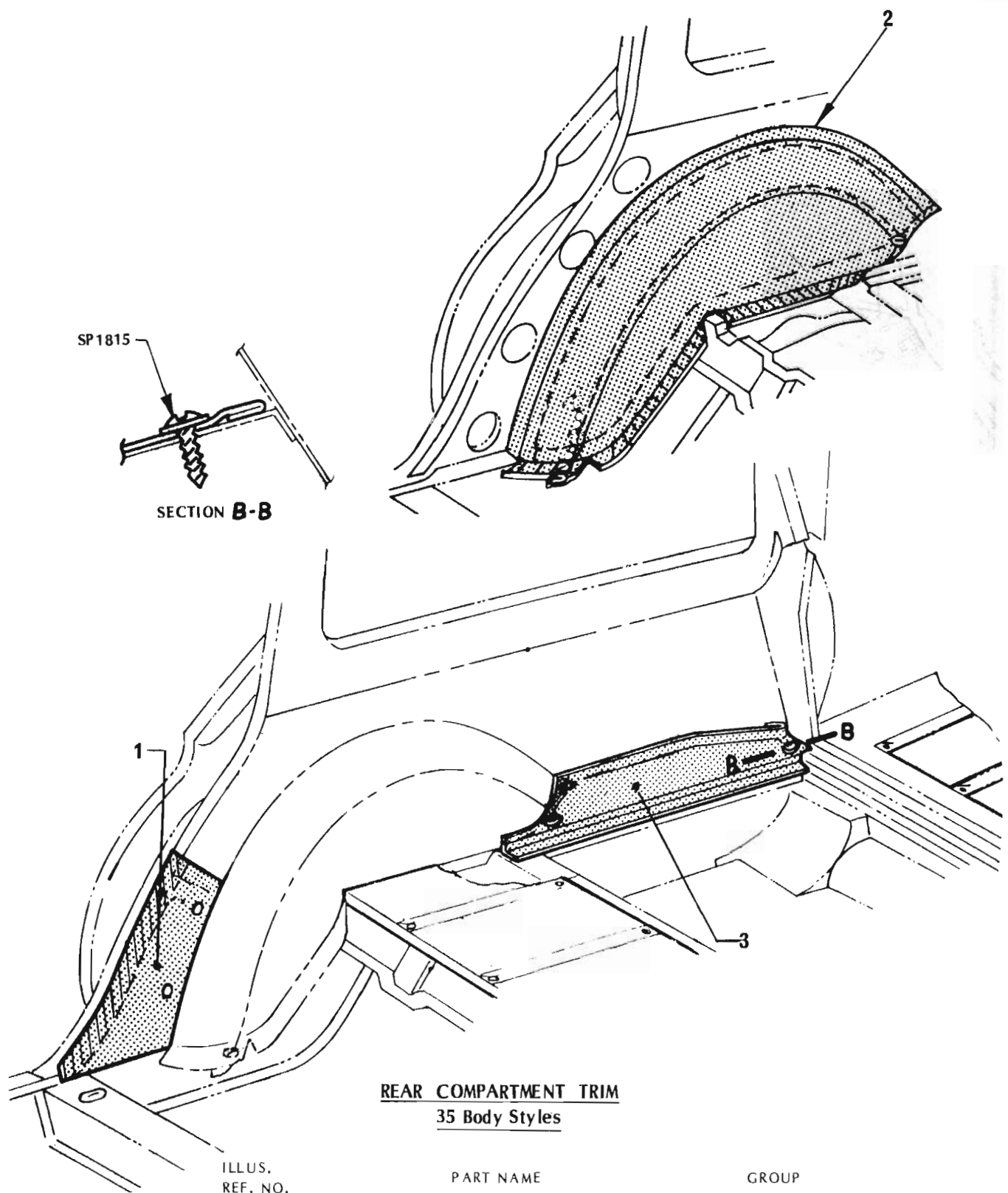
GROUP	DESCRIPTION	SIDE	PART No.	QTY.	BODY STYLE	M	N	P	Q	S	T
14.880	COVER – Front seat cushion (Bucket Seat) (Continued)										
	TRIM Nos. 65X		9932401EZ	2	ALL			X		X	
	TRIM Nos. 67X		9932401FA	2	ALL			X		X	
	TRIM Nos. 76Z		9943850DA	2	37				X		
	TRIM Nos. 18V		9932412DT	2	69				X		
	TRIM Nos. 60A		9932412EY	2	69				X		
	TRIM Nos. 65A		9932412EC	2	69				X		
	TRIM Nos. 67V		9932412DX	2	69				X		
	TRIM Nos. 18X		9932413DT	2	69				X		
	TRIM Nos. 60B		9932413EY	2	69				X		
	TRIM Nos. 65B		9932413EC	2	69				X		
	TRIM Nos. 67X		9932413DX	2	69				X		
	TRIM Nos. 19V		9932404CY	2	ALL						X
	TRIM Nos. 60A		9932404EY	2	ALL						X
	TRIM Nos. 63V		9932404FH	2	ALL						X
	TRIM Nos. 67V		9932404DX	2	ALL						X
	TRIM Nos. 19X		9932405CY	2	ALL						X
	TRIM Nos. 19Y		9932405BA	2	ALL						X
	TRIM Nos. 63Y		9932405FH	2	ALL						X
	TRIM Nos. 65B		9932405EC	2	ALL						X
	TRIM Nos. 67Y		9932405DX	2	ALL						X
14.890	PAD – Front seat cushion										
	PAD ASSEMBLY – Bench seat		9933582	1	ALL	X					
	PAD ASSEMBLY – Bench seat exc. vinyl and cloth trim		9931025	1	ALL		X				
	PAD ASSEMBLY – Bench seat with vinyl and cloth trim		9933582	1	35, 69		X				
	PAD ASSEMBLY – Bench seat with centre arm rest		9931442	1	35, 69		X	X		X	
	PAD ASSEMBLY – Bucket seat		9931755	2	ALL	X	X	X	X	X	
14.925	PAD – Front seat head restraint										
	PAD – Bench seat		9931600	2	35, 69	X	X	X		X	
	PAD – Bench seat		9933583	2	60, 70, 80	X	X				
	PAD – Bucket seat		9931547	2	ALL	X	X	X	X	X	X
14.998	BACK – Rear seat										
	CURRENT PRODUCTION REAR SEAT BACK ASSEMBLIES WILL BE SUPPLIED IN CURRENT PRODUCTION TRIM ON A FIRM ORDER BASIS.										

GROUP 15.000
REAR TRIM – MATS – CARPETS



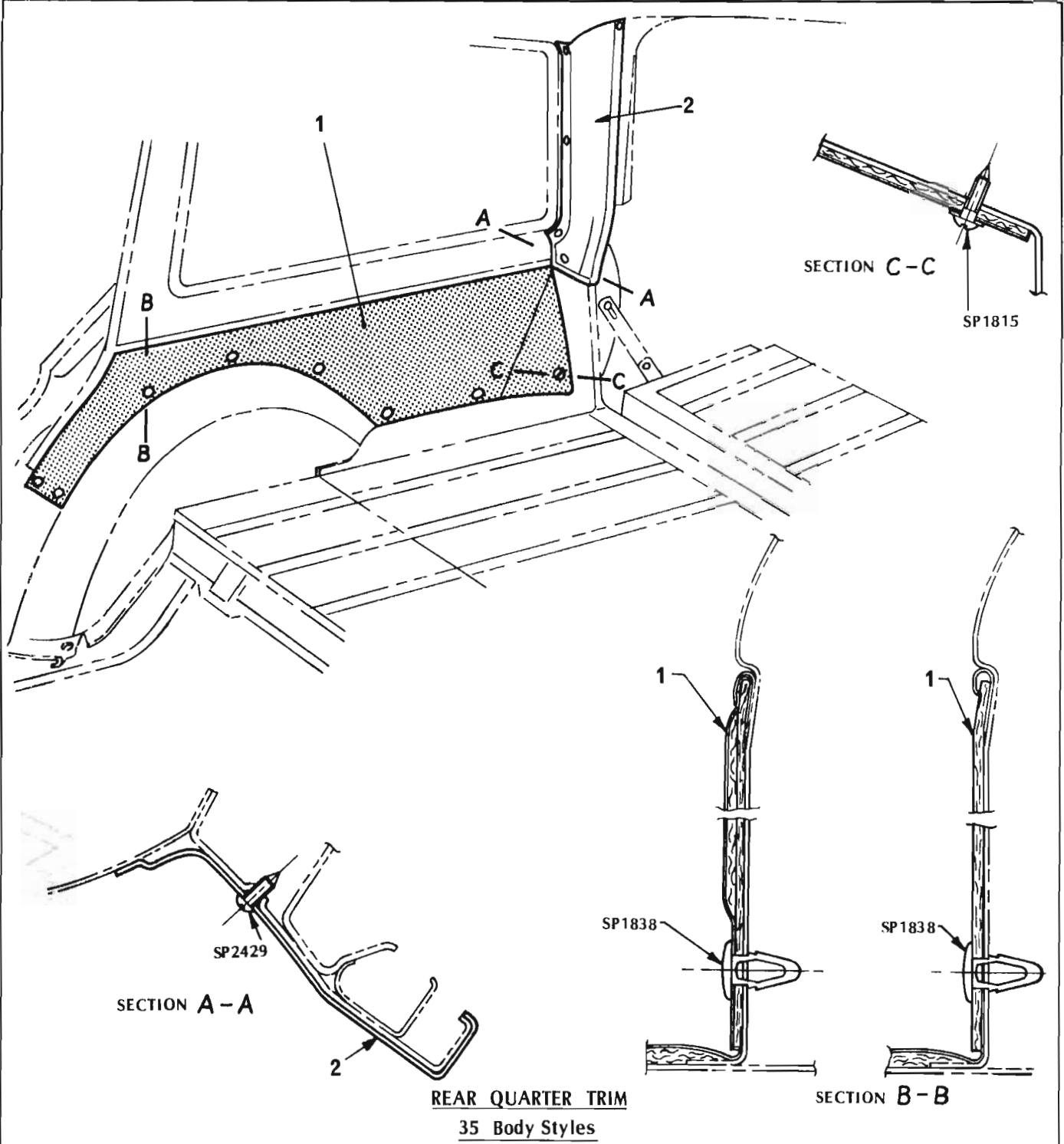
SEAT BELT ASSEMBLY – REAR SEAT

ILLUS. REF. NO.	PART NAME	GROUP
1.	BELT ASSEMBLY	15.040
2.	BUCKLE ASSEMBLY	15.040
3.	SPACER – Belt to rear quarter	15.040
4.	BOLT – Belt to rear quarter	15.040
5.	BOLT – Belt to rear quarter lower	15.040
6.	SPACER – Belt to extention assembly	15.040
7.	SPACER – Belt to rear quarter lower	15.040
8.	SPACER – Belt to underbody	15.040
9.	SPACER – Belt to underbody	15.040
10.	BOLT – Belt to underbody	15.040
11.	SLEEVE	15.040
12.	BELT ASSEMBLY	15.040



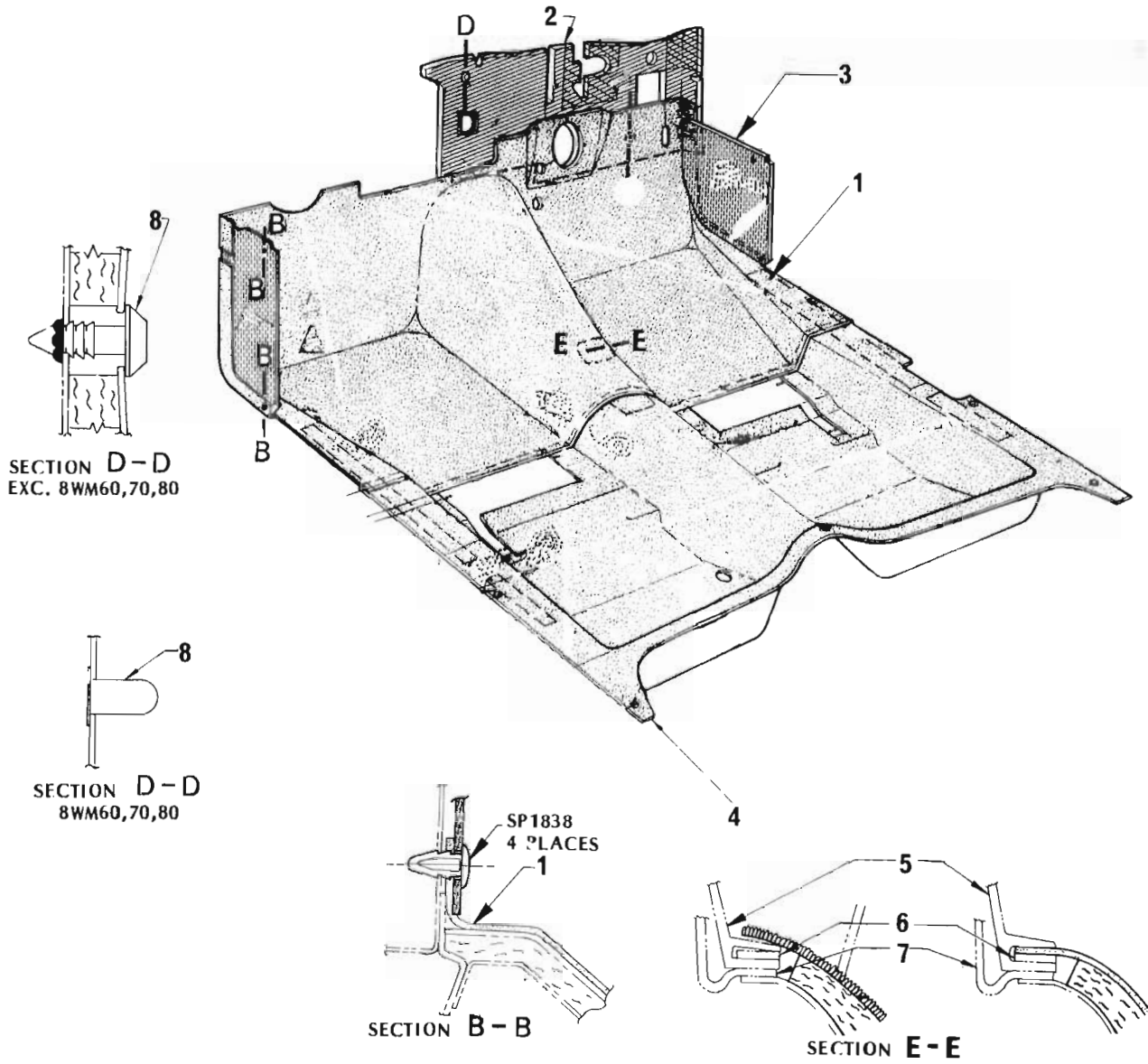
REAR COMPARTMENT TRIM
35 Body Styles

ILLUS. REF. NO.	PART NAME	GROUP
1.	TRIM - Rear quarter side inner extension	15.100
2.	TRIM - Wheelhouse	15.100
3.	TRIM - Tonneau floor side	15.308



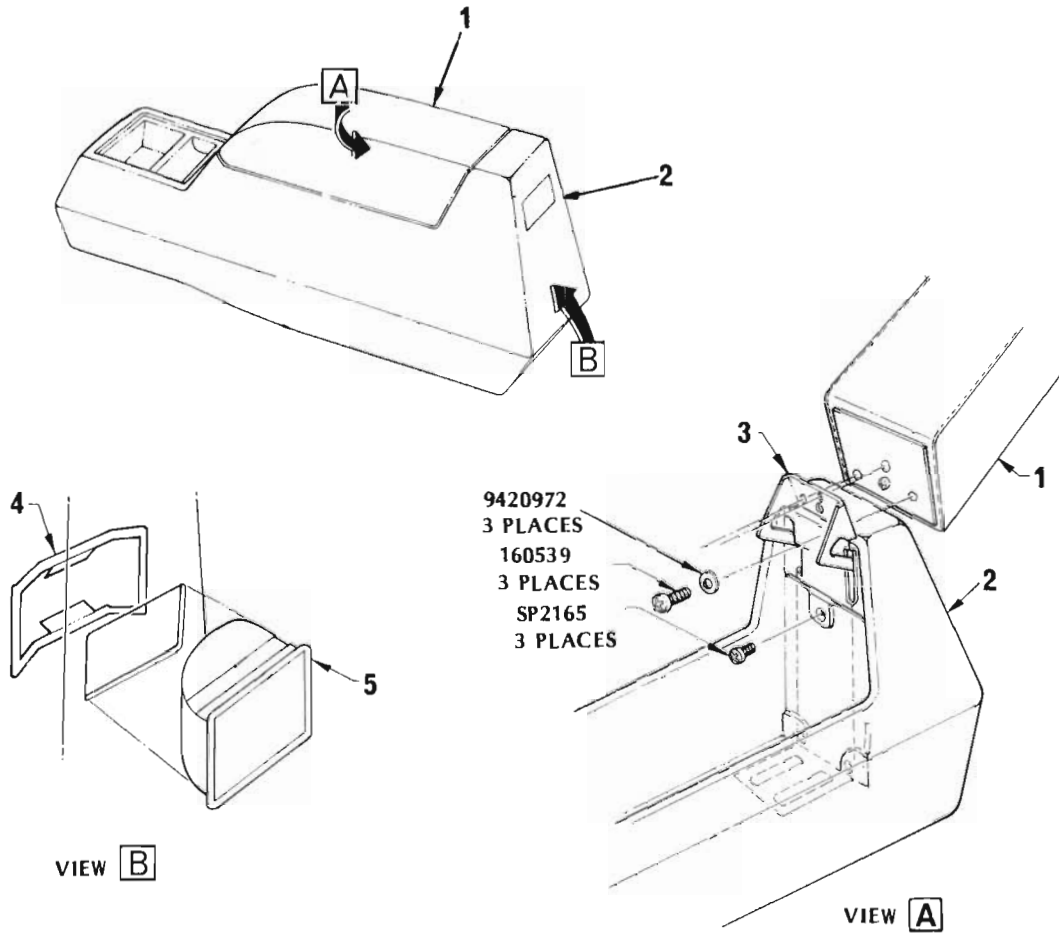
REAR QUARTER TRIM
35 Body Styles

ILLUS. REF. NO.	PART NAME	GROUP
1.	TRIM ASSEMBLY – Rear quarter side inner	15.100
2.	MOULDING – End gate opening garnish	12.176



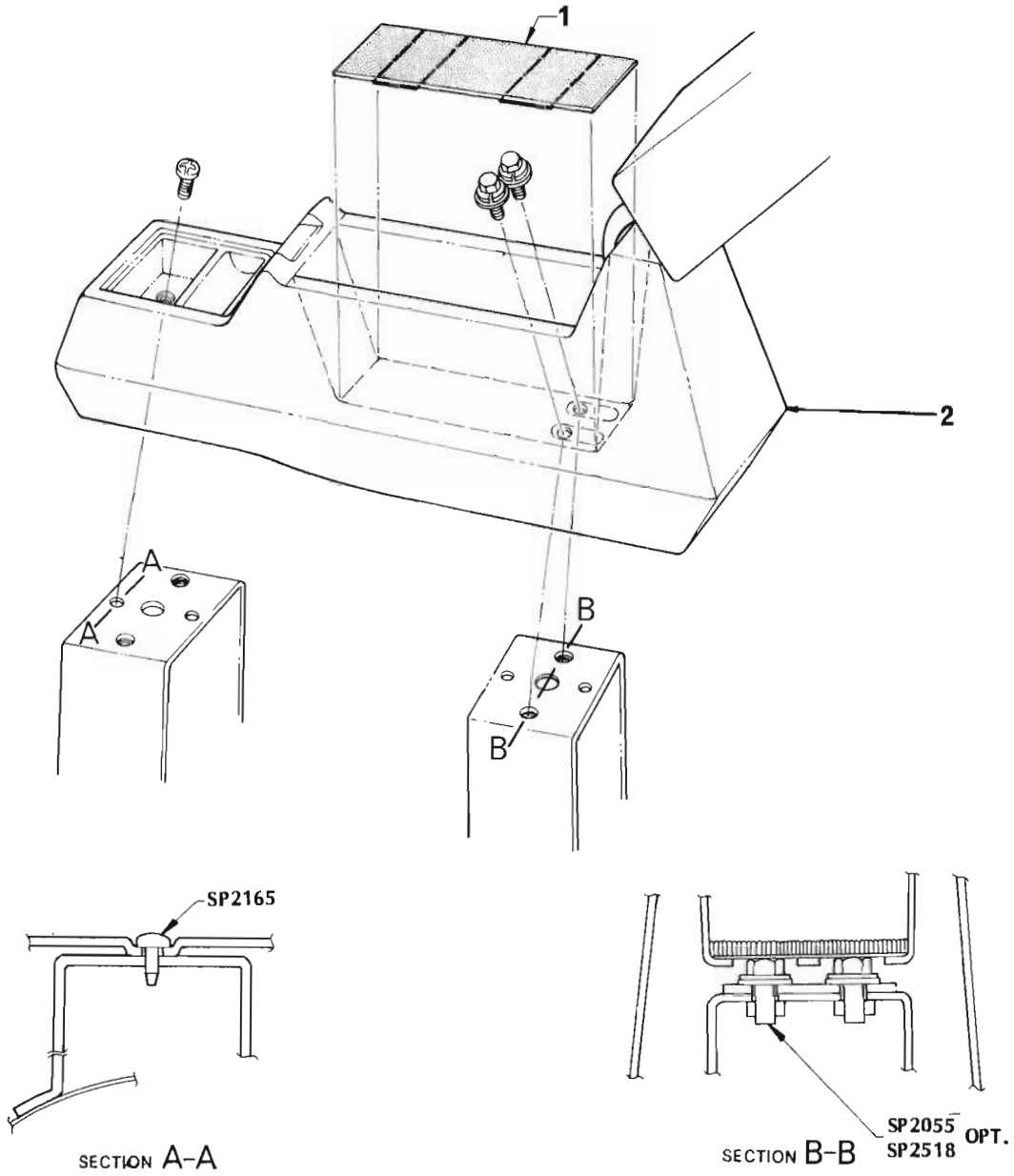
FLOOR MATS & CARPETS

ILLUS. REF. NO.	PART NAME	GROUP
1.	MAT/CARPET - Front floor	15.286
2.	INSULATOR - Dash panel	15.280
3.	TRIM - Cowl side panel	14.630
4.	MAT/CARPET - Rear floor	15.286
5.	BOOT - Gearshift control lever	4.015
6.	RETAINER - Gearshift control lever boot	4.015
7.	SEAL - Gearshift control lever	4.015
8.	FASTENER - Dash panel insulator	15.282



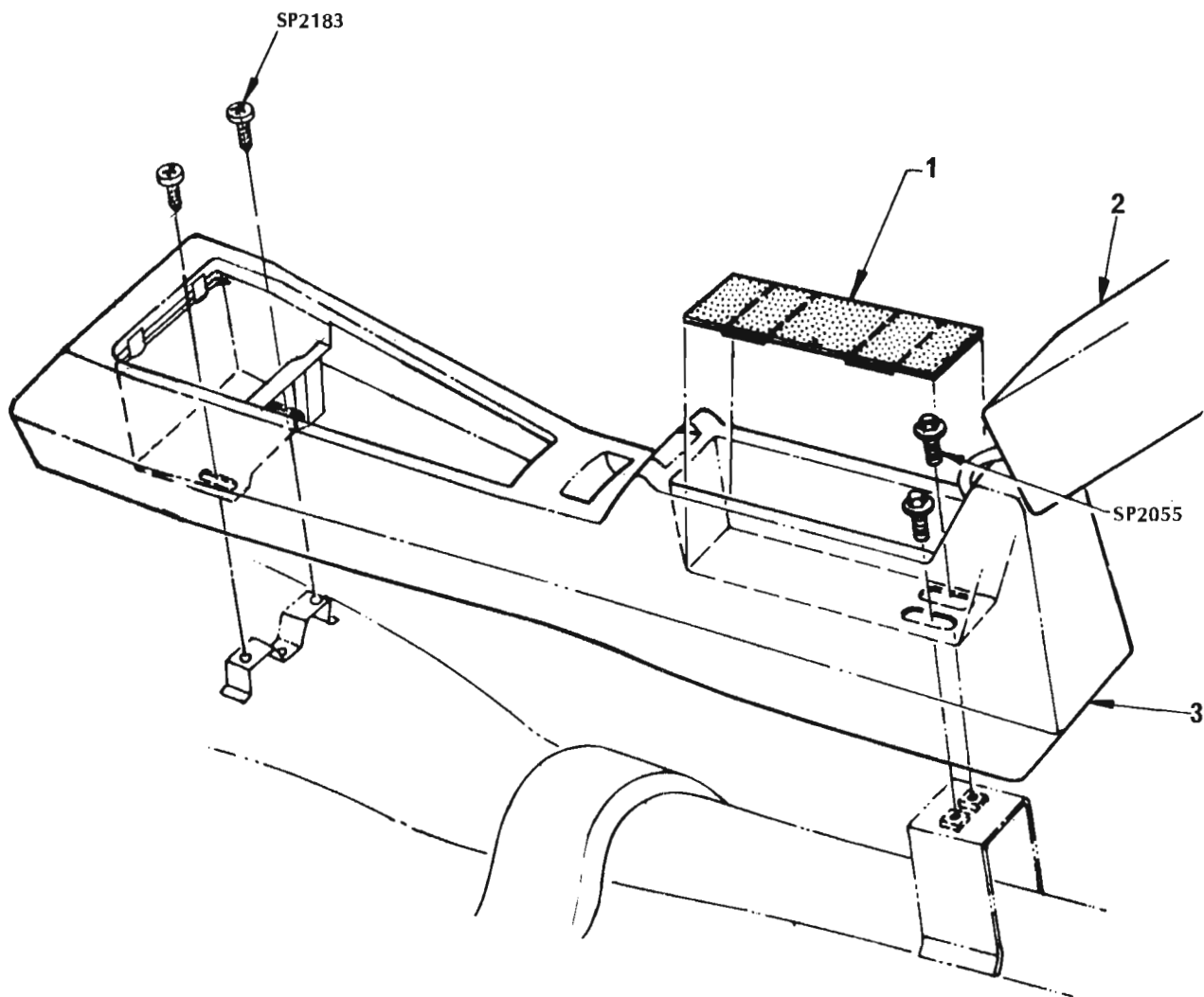
FRONT SEAT SEPARATOR

ILLUS. REF. NO.	PART NAME	GROUP
1.	ARM REST ASSEMBLY	15.288
2.	SEPARATOR ASSEMBLY	15.290
3.	HINGE - Arm rest	15.288
4.	CLIP - Ash tray retaining	12.030
5.	ASH TRAY - Seat separator	12.030



FRONT SEAT SEPARATOR

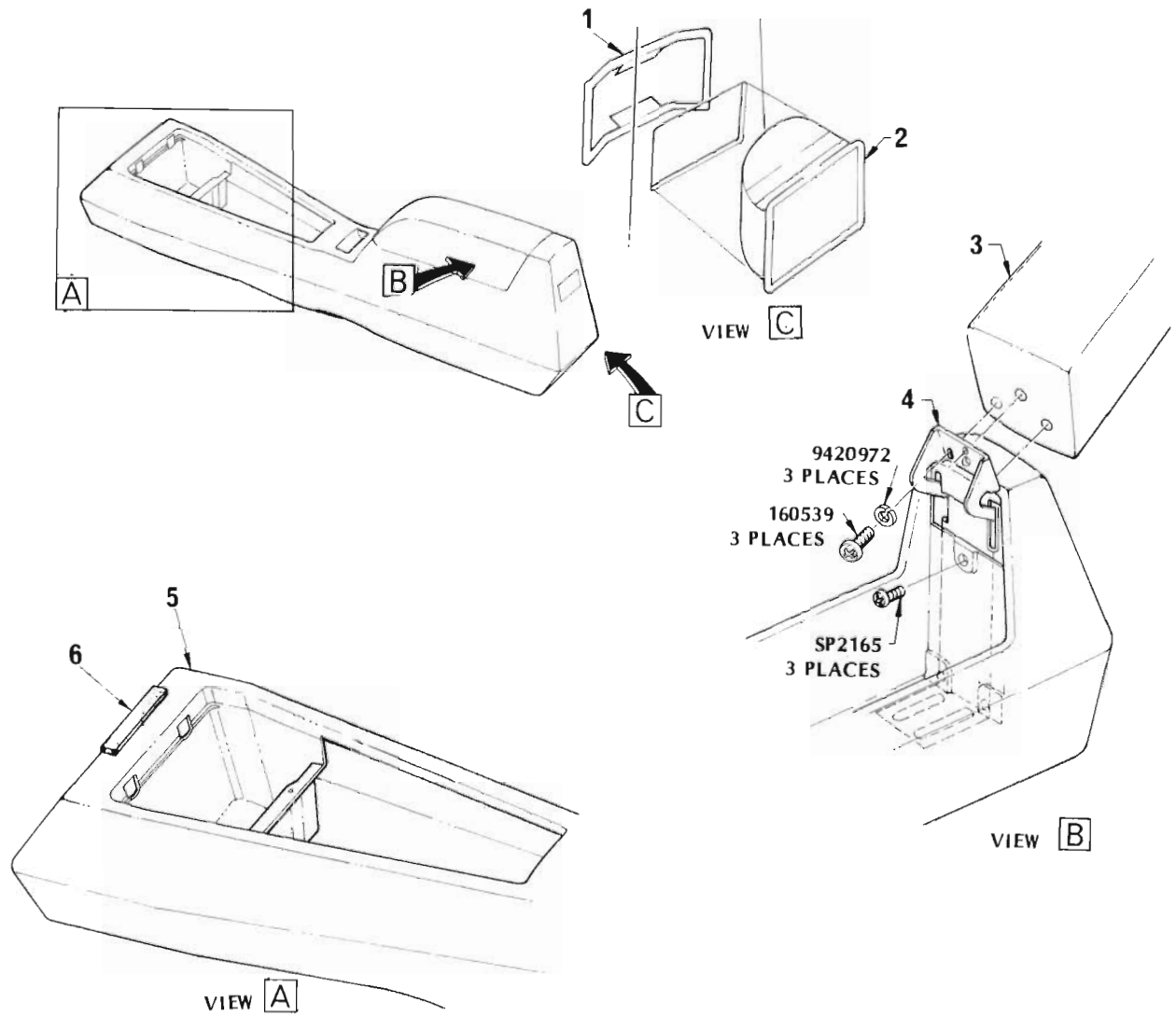
ILLUS. REF. NO.	PART NAME	GROUP
1.	CARPET – Seat separator	15.291
2.	SEPARATOR ASSEMBLY	15.290



TRANSMISSION CONSOLE

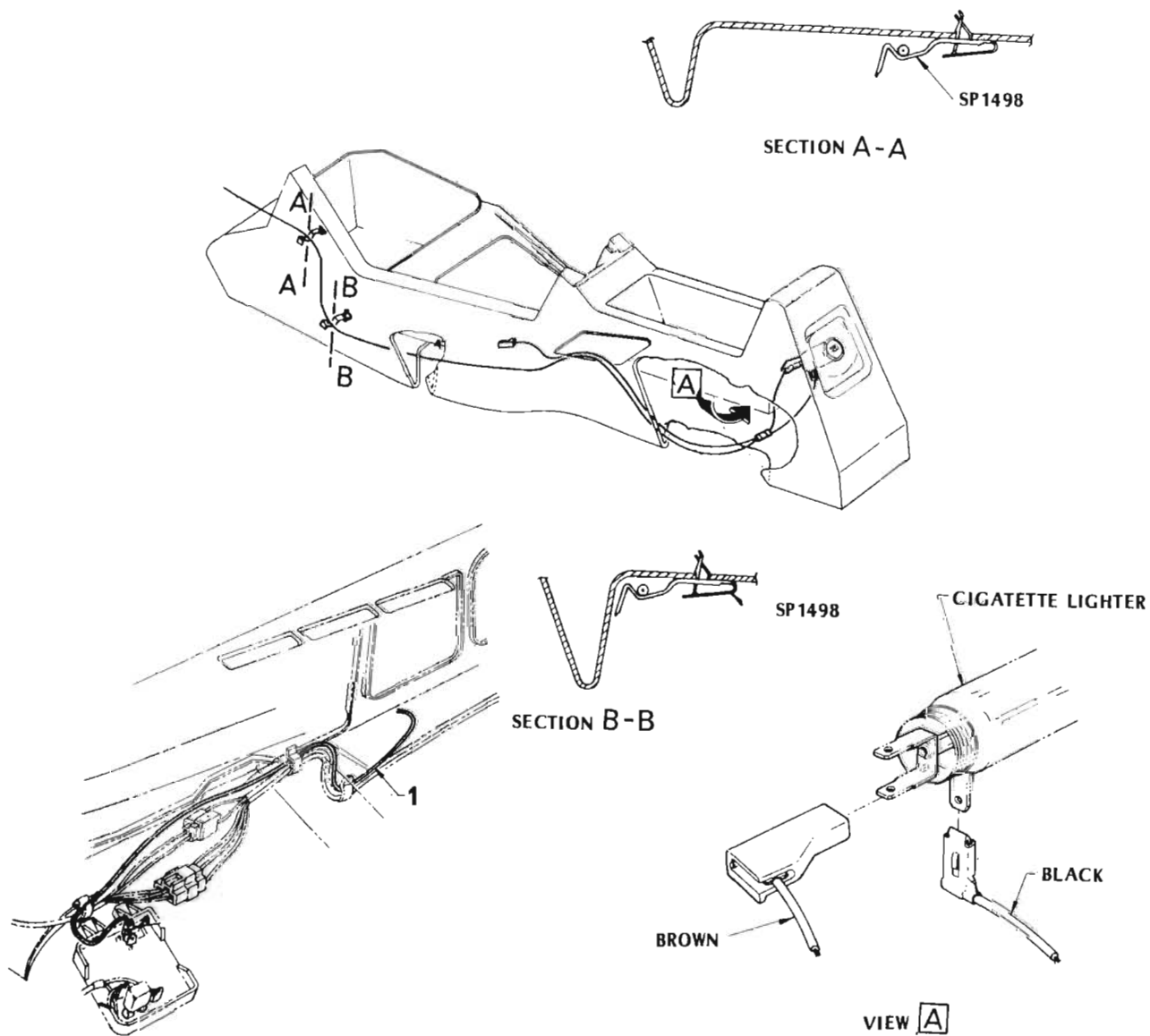
Exc. LE and Caprice

ILLUS. REF. NO.	PART NAME	GROUP
1.	CARPET — Rear	15.291
2.	ARM REST ASSEMBLY	15.288
3.	HOUSING — Console	15.290



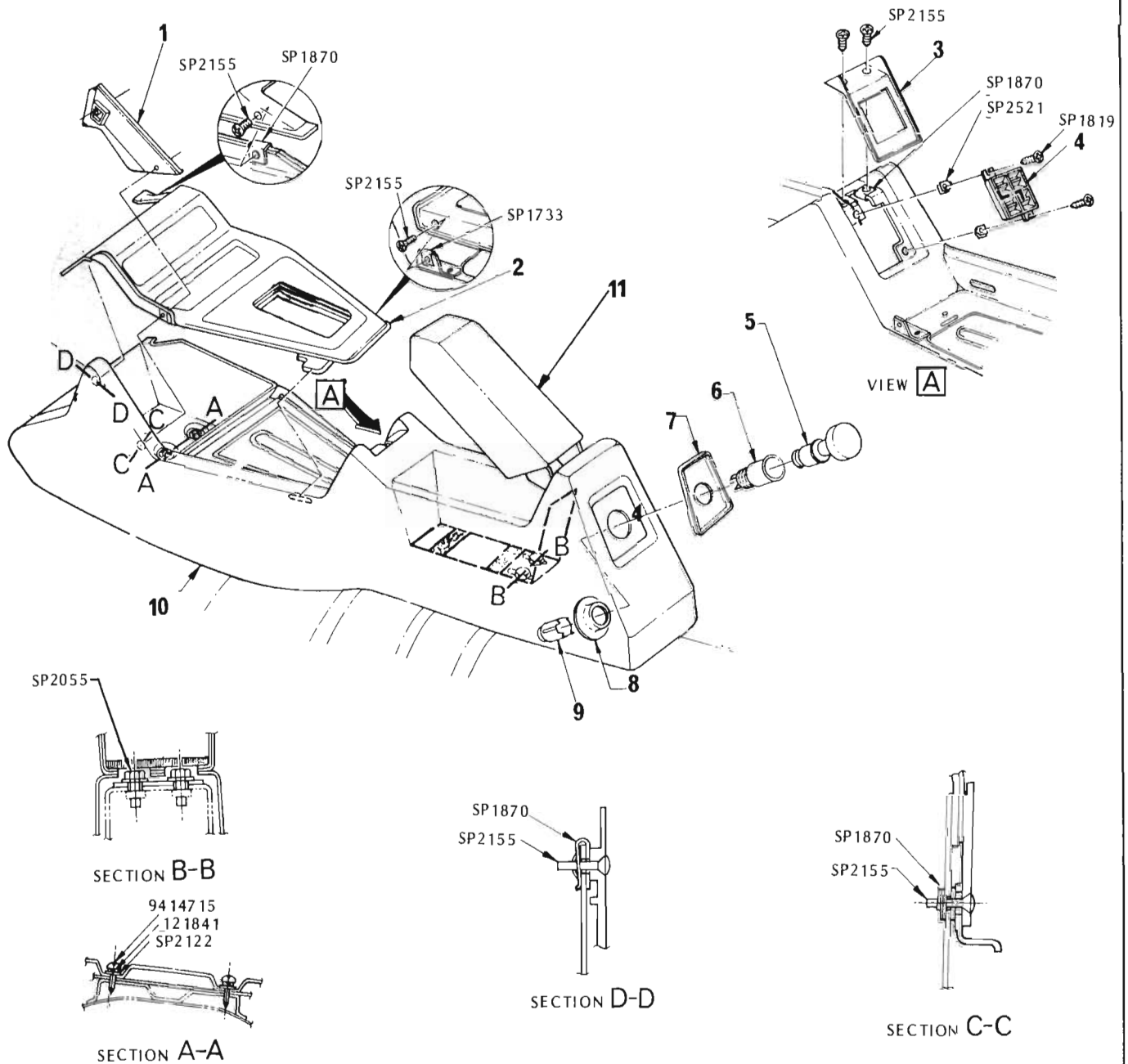
TRANSMISSION CONSOLE
 EXC. LE & CAPRICE

ILLUS. REF. NO.	PART NAME	GROUP
1.	CLIP - Ash tray retaining	12.030
2.	ASH TRAY - Console	12.030
3.	ARM REST ASSEMBLY	15.288
4.	HINGE - Arm rest	15.288
5.	HOUSING	15.290
6.	TAPE - Console to instrument panel	15.290



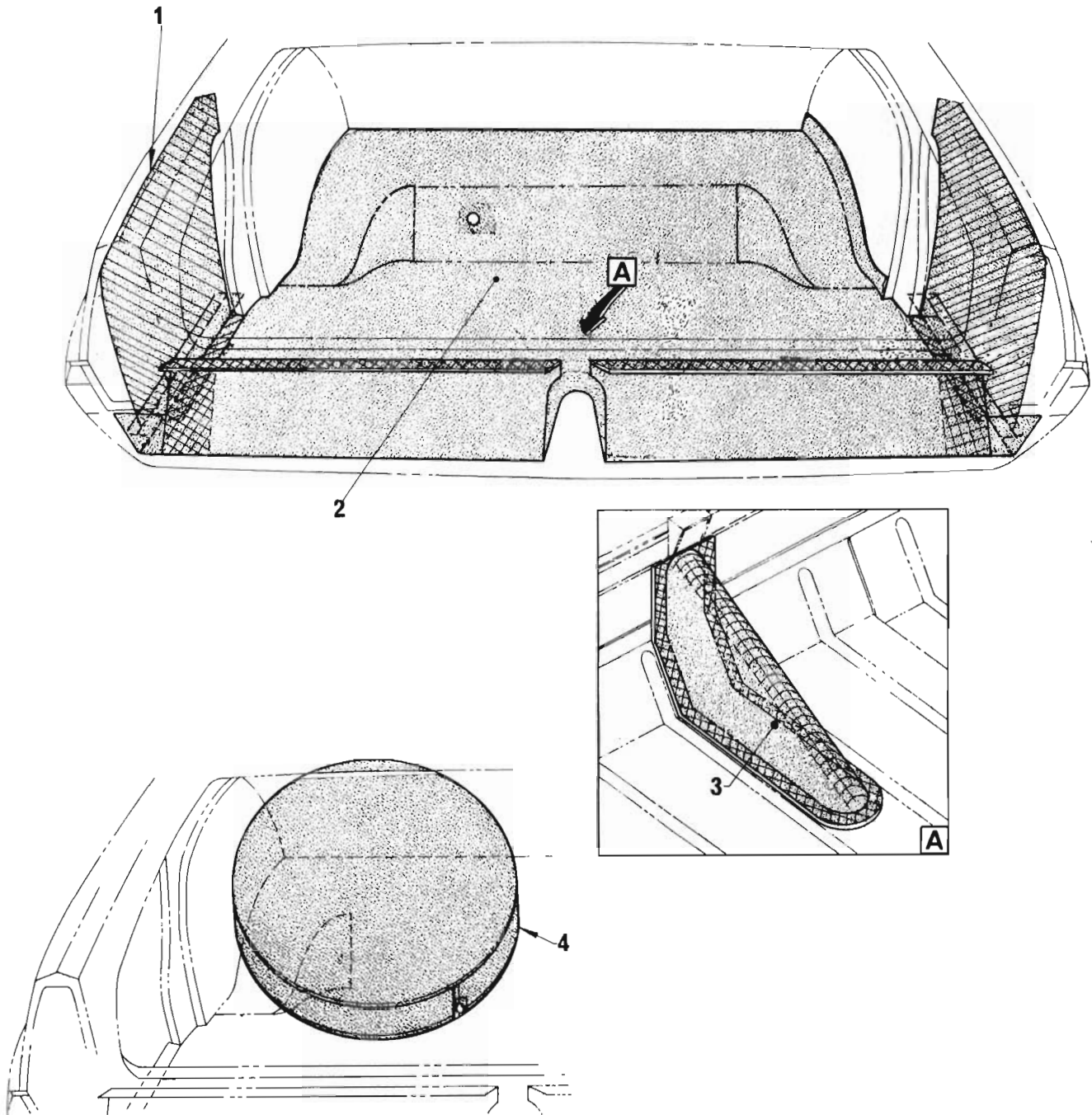
LEAD ASSEMBLY – CIGARETTE LIGHTER
"LE"

ILLUS. REF. NO.	PART NAME	GROUP
1.	LEAD ASSEMBLY	12.007



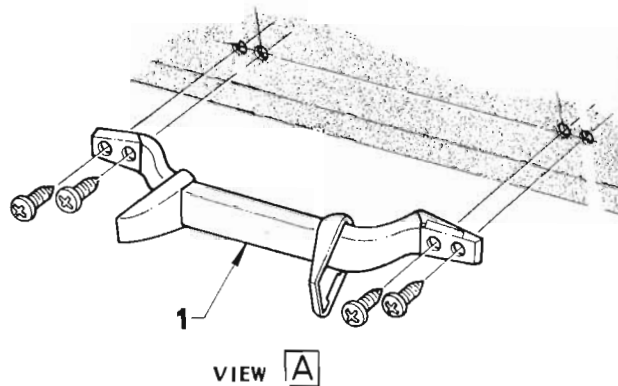
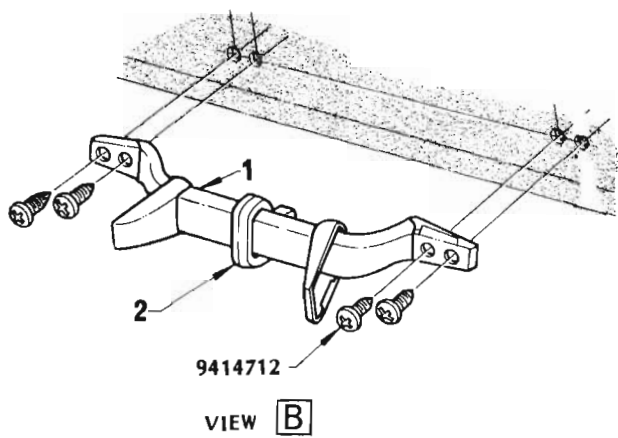
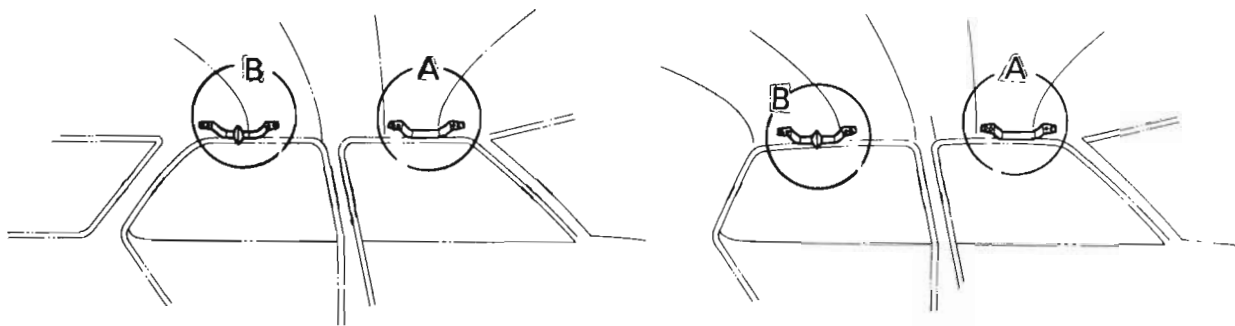
TRANSMISSION CONSOLE – CAPRICE

ILLUS. REF. NO.	PART NAME	GROUP
1.	PLATE – Cover side	15.293
2.	COVER – Console	15.293
3.	ESCUTCHEON – Switch	10.777
4.	SWITCH ASSEMBLY – Power operated windows	10.777
5.	LIGHTER ASSEMBLY – Cigarette	12.007
6.	SOCKET – Cigarette lighter	N. S. S.
7.	ESCUTCHEON ASSEMBLY	12.007
8.	RETAINER	12.007
9.	BASE – Cigarette lighter	N. S. S.
10.	HOUSING – Console	15.290
11.	PAD – Console arm rest	15.290



LUGGAGE COMPARTMENT TRIM
8WS,8WT,8WQ37 Model Codes

ILLUS. REF. NO.	PART NAME	GROUP
1.	CARPET - Side	15.294
2.	CARPET - Floor	15.294
3.	CARPET - Centre rear	15.294
4.	COVER - Spare wheel	15.222



ASSIST GRIP HANDLE

ILLUS. REF. NO.	PART NAME	GROUP
1.	HANDLE - Assist grip	15.390
2.	HOOK - Coat	14.651

"HX" STATESMAN/HOLDEN PARTS CATALOGUE

GROUP	DESCRIPTION	SIDE	PART No.	QTY.	BODY STYLE	M	N	P	Q	S	T
15.000	COVER - Rear seat back										
	TRIM Nos. 19W		(⁴⁹ 9941231CY	1	35	X					
	TRIM Nos. 45W		(⁴⁹ 9941231DU	1	35	X					
	TRIM Nos. 60A		(⁴⁹ 9941231DZ	1	35	X					
	TRIM Nos. 67W		(⁴⁹ 9941231EE	1	35	X					
	TRIM Nos. 19V		(⁵⁰ 9933406DT	1	35	X					
	TRIM Nos. 60A		(⁵⁰ 9933406DV	1	35	X					
	TRIM Nos. 67V		(⁵⁰ 9933406DX	1	35	X					
	TRIM Nos. 18V		9933406DT	1	35		X				
	TRIM Nos. 60A		9933406DV	1	35		X				
	TRIM Nos. 65V		9933406EC	1	35		X				
	TRIM Nos. 67V		9933406DX	1	35		X				
	TRIM Nos. 18Y		9942254EX	1	35		X				
	TRIM Nos. 60B		9942254EY	1	35		X				
	TRIM Nos. 65B		9942254EC	1	35		X				
	TRIM Nos. 67X		9942254DX	1	35		X				
	TRIM Nos. 18V		9933410DT	1	35			X			
	TRIM Nos. 60A		9933410DV	1	35			X			
	TRIM Nos. 65A		9933410EC	1	35			X			
	TRIM Nos. 67V		9933410DX	1	35			X			
	TRIM Nos. 18X		9933411EX	1	35			X			
	TRIM Nos. 60X		9933411EY	1	35			X			
	TRIM Nos. 65X		9933411EZ	1	35			X			
	TRIM Nos. 67X		9933411FA	1	35			X			
	TRIM Nos. 76Z		9943853DA	1	37				X		
	TRIM Nos. 19W		(⁴⁹ 9941232CY	1	69	X					
	TRIM Nos. 45W		(⁴⁹ 9941232DU	1	69	X					
	TRIM Nos. 60A		(⁴⁹ 9941232DZ	1	69	X					
	TRIM Nos. 67W		(⁴⁹ 9941232EE	1	69	X					
	TRIM Nos. 19V		(⁵⁰ 9933408DT	1	69	X					
	TRIM Nos. 60A		(⁵⁰ 9933408DV	1	69	X					
	TRIM Nos. 67V		(⁵⁰ 9933408DX	1	69	X					
	TRIM Nos. 18V		9933408DT	1	69		X				
	TRIM Nos. 60A		9933408DV	1	69		X				
	TRIM Nos. 65A		9933408EC	1	69		X				
	TRIM Nos. 67V		9933408DX	1	69		X				
	TRIM Nos. 18Y		9942255EX	1	69		X				
	TRIM Nos. 60B		9942255EY	1	69		X				
	TRIM Nos. 65B		9942255EC	1	69		X				
	TRIM Nos. 67X		9942255DX	1	69		X				
	TRIM Nos. 18V		9933412DT	1	69			X			
	TRIM Nos. 60A		9933412DV	1	69			X			
	TRIM Nos. 65A		9933412EC	1	69			X			
	TRIM Nos. 67V		9933412DX	1	69			X			
	TRIM Nos. 18X		9933413EX	1	69			X			
	TRIM Nos. 60X		9933413EY	1	69			X			
	TRIM Nos. 65X		9933413EZ	1	69			X			
	TRIM Nos. 67X		9933413FA	1	69			X			
	TRIM Nos. 18V		9933416DT	1	69				X		
	TRIM Nos. 60A		9933416EY	1	69				X		
	TRIM Nos. 65A		9933416EC	1	69				X		
	TRIM Nos. 67V		9933416DX	1	69				X		
	TRIM Nos. 18X		9933417DT	1	69				X		
	TRIM Nos. 60B		9933417EY	1	69				X		
	TRIM Nos. 65B		9933417EC	1	69				X		
	TRIM Nos. 67X		9933417DX	1	69				X		
	TRIM Nos. 18V		9933414DT	1	69					X	
	TRIM Nos. 60A		9933414DV	1	69					X	
	TRIM Nos. 65A		9933414EC	1	69					X	
	TRIM Nos. 67V		9933414DX	1	69					X	
	TRIM Nos. 18X		9933415EX	1	69					X	
	TRIM Nos. 60X		9933415EY	1	69					X	
	TRIM Nos. 65X		9933415EZ	1	69					X	

Note: (⁴⁹ Bench Seats.
(⁵⁰ Bucket Seats.

"HX" STATESMAN/HOLDEN PARTS CATALOGUE

GROUP	DESCRIPTION	SIDE	PART No.	QTY.	BODY STYLE	M	N	P	Q	S	T
15.000 COVER – Rear seat back (Continued)											
	TRIM Nos. 67X		9933415FA	1	69					X	
	TRIM Nos. 19V	LH	9933419CY	1	69						X
		RH	9933418CY	1	69						X
	TRIM Nos. 60A	LH	9933419DV	1	69						X
		RH	9933418DV	1	69						X
	TRIM Nos. 63V	LH	9933419FH	1	69						X
		RH	9933418FH	1	69						X
	TRIM Nos. 67V	LH	9933419DX	1	69						X
		RH	9933418DX	1	69						X
	TRIM Nos. 19X	LH	9936367CY	1	69						X
		RH	9936366CY	1	69						X
	TRIM Nos. 19Y	LH	9936367BA	1	69						X
		RH	9936366BA	1	69						X
	TRIM Nos. 63Y	LH	9936367FH	1	69						X
		RH	9936366FH	1	69						X
	TRIM Nos. 65B	LH	9936367EC	1	69						X
		RH	9936366EC	1	69						X
	TRIM Nos. 67Y	LH	9936367DX	1	69						X
		RH	9936366DX	1	69						X
	RETAINER - Seat cover		9944529	2	ALL				X		
15.001 COVER – Rear seat back arm rest											
	TRIM Nos. 18V		9934509DT	1	35, 69			X		X	
	TRIM Nos. 60A		9934509DV	1	35, 69			X		X	
	TRIM Nos. 65A		9934509EC	1	35, 69			X		X	
	TRIM Nos. 67V		9934509DX	1	35, 69			X		X	
	TRIM Nos. 18X		9934510EX	1	35, 69			X		X	
	TRIM Nos. 60X		9934510EY	1	35, 69			X		X	
	TRIM Nos. 65X		9934510EZ	1	35, 69			X		X	
	TRIM Nos. 67X		9934510FA	1	35, 69			X		X	
	TRIM Nos. 60A		9940376DV	1	69						X
	TRIM Nos. 19V		9940376CY	1	69						X
	TRIM Nos. 63V		9940376FH	1	69						X
	TRIM Nos. 67V		9940376DX	1	69						X
	TRIM Nos. 65B		9940377EC	1	69						X
	TRIM Nos. 19X		9940377CY	1	69						X
	TRIM Nos. 19Y		9940377BA	1	69						X
	TRIM Nos. 63Y		9940377FH	1	69						X
	TRIM Nos. 67Y		9940377DX	1	69						X
15.001 TRIM – Rear seat back arm rest recess lower											
	TRIM - Black		D456CY	1	35, 69			X		X	X
	TRIM - Slate Black		D456DT	1	35, 69			X		X	X
	TRIM - Chamois		D456CY	1	35, 69			X		X	X
	TRIM - Buckskin		D456FH	1	35, 69						X
	TRIM - Sienna		D456EC	1	35, 69			X		X	X
	TRIM - Tan		D456DX	1	35, 69			X		X	X
15.001 TRIM – Rear seat back centre											
	TRIM Nos. 19V, 19X, 19Y		9940372CY	1	69						X
	TRIM Nos. 60A		9940372DV	1	69						X
	TRIM Nos. 63V, 63Y		9940372FH	1	69						X
	TRIM Nos. 65B		9940372EC	1	69						X
	TRIM Nos. 67V, 67Y		9940372DX	1	69						X
15.002 PAD – Rear seat back											
	PAD ASSEMBLY – Rear seat back		9934079	1	35, 69	X	X				
	PAD ASSEMBLY – Rear seat back		9935165	1	35			X			
	PAD ASSEMBLY – Rear seat back		9935143	1	37				X		
	PAD ASSEMBLY – Rear seat back		9933813	1	69			X			
	PAD ASSEMBLY – Rear seat back		9935159	1	69				X		

BODY

"HX" STATESMAN/HOLDEN PARTS CATALOGUE

GROUP	DESCRIPTION	SIDE	PART No.	QTY.	BODY STYLE	M	N	P	Q	S	T
15.002 PAD – Rear seat back (Continued)											
	PAD ASSEMBLY – Rear seat back	LH RH	9933812	1	69					X	
	PAD ASSEMBLY – Rear seat back		9933815	1	69						
	PAD ASSEMBLY – Rear seat back		9933814	1	69						X
	PAD ASSEMBLY – Rear seat back arm rest		9934694	1	35, 69			X		X	
	PAD ASSEMBLY – Rear seat back armrest		9940370	1	69						X
	PAD ASSEMBLY – Rear seat back riser		9940073	1	69						X
	PAD ASSEMBLY – Rear seat back centre upper		9935139	1	37				X		
	PAD ASSEMBLY – Rear seat back cover to frame		9936779	2	69						X
15.002 SPACER – Rear seat back upper											
	SPACER		2818981	1	35	X	X	X			
	SPACER		2819384	2	37				X		
	SPACER		2819432	1	69	X	X		X		
	SPACER		2819434	1	69			X		X	
15.024 TRIM – Package tray											
	TRIM – Black		9943895BA	1	37				X		
	TRIM – Black		9942689BA	1	69	X	X				
	TRIM – Dark Sienna		9942689EK	1	69	X	X				
	TRIM – Tan		9942689DX	1	69	X	X				
	TRIM – Black		9940882CY	1	69			X	X		
	TRIM – Dark Sienna		9940882EK	1	69			X	X		
	TRIM – Tan		9940882DX	1	69			X	X		
	TRIM – Black		9940883CY	1	69					X	
	TRIM – Dark Sienna		9940883EK	1	69					X	
	TRIM – Tan		9940883DX	1	69					X	
	TRIM – Black		9939898CY	1	69						X
	TRIM – Dark Sienna		9939898EK	1	69						X
	TRIM – Tan		9939898DX	1	69						X
15.024 FASTENER – Package tray trim											
	FASTENER – Black		SP2661BA	4	37, 69	X	X	X	X	X	X
	FASTENER – Dark Sienna		SP2661EK	4	69	X	X	X	X	X	X
	FASTENER – Tan		SP2661DX	4	69	X	X	X	X	X	X
15.024 TRIM – Rear window to seat (Bench Seat)											
	TRIM ASSEMBLY – Black		2820609CY	1	60, 80	X					
	TRIM ASSEMBLY – Jade		2820609DU	1	60, 80	X					
	TRIM ASSEMBLY – Beige		2820609DZ	1	60, 80	X					
	TRIM ASSEMBLY – Brown		2820609EE	1	60, 80	X					
	TRIM ASSEMBLY – Slate Black		2820609DT	1	80		X				
	TRIM ASSEMBLY – Chamois		2820609DV	1	80		X				
	TRIM ASSEMBLY – Sienna		2820609EC	1	80		X				
	TRIM ASSEMBLY – Tan		2820609DX	1	80		X				
	RETAINER		2822281	1	60, 80	X	X				
15.024 FASTENER – Rear window to seat trim											
	FASTENER – Black		SP1838BA	6	60, 80	X	X				
	FASTENER – Jade		SP1838DU	6	60, 80	X	X				
	FASTENER – Chamois		SP1838DV	6	60, 80	X	X				
	FASTENER – Sienna		SP1838EC	6	60, 80	X	X				
	FASTENER – Tan		SP1838DX	6	60, 80	X	X				

"HX" STATESMAN/HOLDEN PARTS CATALOGUE

GROUP	DESCRIPTION	SIDE	PART No.	QTY.	BODY STYLE	M	N	P	Q	S	T
15.025	TRIM – Seat back panel (Bucket Seat)										
	TRIM ASSEMBLY – Slate Black		2822351DT	1	60, 80	X	X				
	TRIM ASSEMBLY – Chamois		2822351DV	1	60, 80	X	X				
	TRIM ASSEMBLY – Sienna		2822351EC	1	60, 80	X	X				
	TRIM ASSEMBLY – Tan		2822351DX	1	60, 80	X	X				
	RETAINER		2822642	1	60, 80	X	X				
	SCREW		SP1815	3	60, 80	X	X				
15.033	CUSHION – Rear seat										
	CURRENT PRODUCTION REAR SEAT CUSHION ASSEMBLIES WILL BE SUPPLIED IN CURRENT PRODUCTION TRIM ON A FIRM ORDER BASIS										
15.035	COVER – Rear seat cushion										
	TRIM Nos. 19W		(⁴⁹ 9941229CY	1	35	X					
	TRIM Nos. 45W		(⁴⁹ 9941229DU	1	35	X					
	TRIM Nos. 60A		(⁴⁹ 9941229DZ	1	35	X					
	TRIM Nos. 67W		(⁴⁹ 9941229EE	1	35	X					
	TRIM Nos. 19V		(⁵⁰ 9933384DT	1	35	X					
	TRIM Nos. 60A		(⁵⁰ 9933384DV	1	35	X					
	TRIM Nos. 67V		(⁵⁰ 9933384DX	1	35	X					
	TRIM Nos. 18V		9933384DT	1	35		X				
	TRIM Nos. 60A		9933384DV	1	35		X				
	TRIM Nos. 65A		9933384EC	1	35		X				
	TRIM Nos. 67V		9933384DX	1	35		X				
	TRIM Nos. 18Y		9942252EX	1	35		X				
	TRIM Nos. 60B		9942252EY	1	35		X				
	TRIM Nos. 65B		9942252EC	1	35		X				
	TRIM Nos. 67X		9942252DX	1	35		X				
	TRIM Nos. 18V		9933392DT	1	35			X			
	TRIM Nos. 60A		9933392DV	1	35			X			
	TRIM Nos. 65A		9933392EC	1	35			X			
	TRIM Nos. 67V		9933392DX	1	35			X			
	TRIM Nos. 18X		9933389EX	1	35			X			
	TRIM Nos. 60X		9933389EY	1	35			X			
	TRIM Nos. 65X		9933389EZ	1	35			X			
	TRIM Nos. 67X		9933389FA	1	35			X			
	TRIM Nos. 76Z		9943852DA	1	37				X		
	TRIM Nos. 19W		(⁴⁹ 9941230CY	1	69	X					
	TRIM Nos. 45W		(⁴⁹ 9941230DU	1	69	X					
	TRIM Nos. 60A		(⁴⁹ 9941230DZ	1	69	X					
	TRIM Nos. 67W		(⁴⁹ 9941230EE	1	69	X					
	TRIM Nos. 19V		(⁵⁰ 9933386DT	1	69	X					
	TRIM Nos. 60A		(⁵⁰ 9933386DV	1	69	X					
	TRIM Nos. 67V		(⁵⁰ 9933386DX	1	69	X					
	TRIM Nos. 18V		9933386DT	1	69		X				
	TRIM Nos. 60A		9933386DV	1	69		X				
	TRIM Nos. 65A		9933386EC	1	69		X				
	TRIM Nos. 67V		9933386DX	1	69		X				
	TRIM Nos. 18Y		9942253EX	1	69		X				
	TRIM Nos. 60B		9942253EY	1	69		X				
	TRIM Nos. 65B		9942253EC	1	69		X				
	TRIM Nos. 67X		9942253DX	1	69		X				
	TRIM Nos. 18V		9933390DT	1	69			X			
	TRIM Nos. 60A		9933390DV	1	69			X			
	TRIM Nos. 65A		9933390EC	1	69			X			
	TRIM Nos. 67V		9933390DX	1	69			X			
	TRIM Nos. 18X		9933391EX	1	69			X			
	TRIM Nos. 60X		9933391EY	1	69			X			
	TRIM Nos. 65X		9933391EZ	1	69			X			
	TRIM Nos. 67X		9933391FA	1	69			X			
	Note: (⁴⁹ Bench Seats. (⁵⁰ Bucket Seats.										

"HX" STATESMAN/HOLDEN PARTS CATALOGUE

GROUP	DESCRIPTION	SIDE	PART No.	QTY.	BODY STYLE	M	N	P	Q	S	T
15.035 COVER – Rear seat cushion (Continued)											
	TRIM Nos. 18V		9933394DT	1	69				X		
	TRIM Nos. 60A		9933394EY	1	69				X		
	TRIM Nos. 65A		9933394EC	1	69				X		
	TRIM Nos. 67V		9933394DX	1	69				X		
	TRIM Nos. 18X		9933395DT	1	69				X		
	TRIM Nos. 60B		9933395EY	1	69				X		
	TRIM Nos. 65B		9933395EC	1	69				X		
	TRIM Nos. 67X		9933395DX	1	69				X		
	TRIM Nos. 18V		9933392DT	1	69					X	
	TRIM Nos. 60A		9933392DV	1	69					X	
	TRIM Nos. 65A		9933392EC	1	69					X	
	TRIM Nos. 67V		9933392DX	1	69					X	
	TRIM Nos. 18X		9933389EX	1	69					X	
	TRIM Nos. 60X		9933389EY	1	69					X	
	TRIM Nos. 65X		9933389EZ	1	69					X	
	TRIM Nos. 67X		9933389FA	1	69					X	
	TRIM Nos. 19V		9933396CY	1	69						X
	TRIM Nos. 60A		9933396DV	1	69						X
	TRIM Nos. 63V		9933396FH	1	69						X
	TRIM Nos. 67V		9933396DX	1	69						X
	TRIM Nos. 19X		9933397CY	1	69						X
	TRIM Nos. 19Y		9933397BA	1	69						X
	TRIM Nos. 63Y		9933397FH	1	69						X
	TRIM Nos. 65B		9933397EC	1	69						X
	TRIM Nos. 67Y		9933397DX	1	69						X
15.036 PAD – Rear seat cushion											
	PAD ASSEMBLY		2817823	1	35	X					
	PAD ASSEMBLY		2817823	1	35		X				
	PAD ASSEMBLY		9934533	1	35			X			
	PAD ASSEMBLY		9934432	1	37				X		
	PAD ASSEMBLY – Exc. heavy duty		⁽⁴⁹⁾ 2817823	1	69	X					
	PAD ASSEMBLY – Heavy Duty		⁽⁴⁹⁾ 9928665	1	69	X					
	PAD ASSEMBLY		⁽⁵⁰⁾ 2817823	1	69	X					
	PAD ASSEMBLY – Exc. heavy duty		2817823	1	69		X				
	PAD ASSEMBLY – Heavy Duty		9928665	1	69		X				
	PAD ASSEMBLY		9935075	1	69			X			
	PAD ASSEMBLY		9934644	1	69				X		
	PAD ASSEMBLY		9934533	1	69					X	
	PAD ASSEMBLY		9933824	1	69						X
	PAD – Cushion spring		7414105	1	35, 37, 69	X	X	X	X	X	X
	SCREW – Cushion to body – Pan hd. tap No. 10-16 x 5/8"		9414723	2	35, 37, 69	X	X	X	X	X	X
15.040 BELT, BUCKLE – Rear seat – Lap & shoulder (Cooldrive)											
	BELT ASSEMBLY		9941804C	2	35	X	X	X			
	BUCKLE ASSEMBLY		9941682C	2	35	X	X	X			
	BELT ASSEMBLY		9941803C	2	37		X	X	X		
	BUCKLE ASSEMBLY		9941682C	2	37		X	X	X		
	BELT ASSEMBLY		9941801C	2	69	X	X	X	X	X	
	BUCKLE ASSEMBLY		9941682C	2	69	X	X	X	X	X	
15.040 BELT, BUCKLE – Rear seat – Lap & shoulder (Rainsford)											
	BELT ASSEMBLY		9941804R	2	35	X	X	X			
	BUCKLE ASSEMBLY		9941682R	2	35	X	X	X			
	BELT ASSEMBLY		9941803R	2	37				X		
	BUCKLE ASSEMBLY		9941682R	2	37				X		
	BELT ASSEMBLY		9941801R	2	69	X	X	X	X	X	
	BUCKLE ASSEMBLY		9941682R	2	69	X	X	X	X	X	
Note: ⁽⁴⁹⁾ Bench Seats. ⁽⁵⁰⁾ Bucket Seats.											

"HX" STATESMAN/HOLDEN PARTS CATALOGUE

GROUP	DESCRIPTION	SIDE	PART No.	QTY.	BODY STYLE	M	N	P	Q	S	T
15.040	BELT, BUCKLE – Rear seat – Lap & shoulder (TRW)										
	BELT ASSEMBLY		9941804T	2	35	X	X	X			
	BUCKLE ASSEMBLY		9941682T	2	35	X	X	X			
	BELT ASSEMBLY		9941803T	2	37				X		
	BUCKLE ASSEMBLY		9941682T	2	37				X		
	BELT ASSEMBLY		9941801T	2	69	X	X	X	X	X	
	BUCKLE ASSEMBLY		9941682T	2	69	X	X	X	X	X	
15.040	BELT, BUCKLE – Rear seat – Lap & shoulder – Retractor type (Cooldrive)										
	BELT ASSEMBLY		9941955C	2	69	X	X	X	X	X	X
	BUCKLE ASSEMBLY		9941682C	2	69	X	X	X	X	X	X
15.040	BELT, BUCKLE – Rear seat – Lap & shoulder – Retractor type (Rainsford)										
	BELT ASSEMBLY		9941955R	2	69	X	X	X	X	X	X
	BUCKLE ASSEMBLY		9941682R	2	69	X	X	X	X	X	X
15.040	BELT, BUCKLE – Rear seat – Lap & shoulder – Retractor type (TRW)										
	BELT ASSEMBLY		9941955T	2	69	X	X	X	X	X	X
	BUCKLE ASSEMBLY		9941682T	2	69	X	X	X	X	X	X
15.040	BELT, BUCKLE – Rear seat – Centre lap (Cooldrive)										
	BELT ASSEMBLY		9941736C	1	35, 37, 69	X	X	X	X	X	X
	BUCKLE ASSEMBLY		9941682C	1	35, 37, 69	X	X	X	X	X	X
15.040	BELT, BUCKLE – Rear seat – Centre lap (Rainsford)										
	BELT ASSEMBLY		9941736R	1	35, 37, 69	X	X	X	X	X	X
	BUCKLE ASSEMBLY		9941682R	1	35, 37, 69	X	X	X	X	X	X
15.040	BELT, BUCKLE – Rear seat – Centre lap (TRW)										
	BELT ASSEMBLY		9941736T	1	35, 37, 69	X	X	X	X	X	X
	BUCKLE ASSEMBLY		9941682T	1	35, 37, 69	X	X	X	X	X	X
15.040	BOLT, WASHER, SPACER – Rear seat belt										
	BOLT – Belt to underbody		9934331	2	35, 69	X	X	X	X	X	X
	BOLT – Belt to extension assembly		9929664	2	69	X	X	X	X	X	
	BOLT – Retractor belt to extension assembly		9934331	2	69	X	X	X	X	X	X
	BOLT – Belt to rear quarter lower		9929664	2	35, 69	X	X	X	X	X	X
	BOLT – Belt to rear quarter		9929664	2	35	X	X	X			
	WASHER – Lock .640" x .860" x .010"		SP2204	AR	35, 37, 69	X	X	X	X	X	X
	WASHER – Reg. hel. spr. lock ½"		120384	AR	35, 37, 69	X	X	X	X	X	X
	SPACER – Belt to extension assembly		9932904	2	69	X	X	X	X	X	
	SPACER – Retractor belt to extension		9939348	2	69	X	X	X	X	X	X
	SPACER – Belt to underbody		9929668	2	35, 37, 69	X	X	X	X	X	X
	SPACER – Belt to underbody		9929669	2	35, 37, 69	X	X	X	X	X	X
	SPACER – Belt to rear quarter lower		9929669	2	35, 37, 69	X	X	X	X	X	X
	SPACER – Belt to rear quarter		9932904	2	35	X	X	X			
15.040	SLEEVE – Rear seat belt retention										
	SLEEVE		9940004	2	35, 37, 69	X	X	X	X	X	X
15.100	TRIM – Wheelhouse										
	TRIM – Black	LH	(⁴⁹ 2820517CY	1	35	X					
		RH	(⁴⁹ 2820518CY	1	35	X					
	TRIM – Jade	LH	(⁴⁹ 2820517DU	1	35	X					
		RH	(⁴⁹ 2820518DU	1	35	X					
	TRIM – Beige	LH	(⁴⁹ 2820517DZ	1	35	X					
		RH	(⁴⁹ 2820518DZ	1	35	X					
	Note: (⁴⁹ Bench Seats.										

"HX" STATESMAN/HOLDEN PARTS CATALOGUE

GROUP	DESCRIPTION	SIDE	PART No.	QTY.	BODY STYLE	M	N	P	Q	S	T
15.100 TRIM – Wheelhouse (Continued)											
	TRIM – Brown	LH	2820517EE	1	35	X					
		RH	2820518EE	1	35	X					
	TRIM – Slate Black	LH	⁽⁵⁰⁾ 2820517DT	1	35	X					
		RH	⁽⁵⁰⁾ 2820518DT	1	35	X					
	TRIM – Chamois	LH	⁽⁵⁰⁾ 2820517DV	1	35	X					
		RH	⁽⁵⁰⁾ 2820518DV	1	35	X					
	TRIM – Tan	LH	⁽⁵⁰⁾ 2820517DX	1	35	X					
		RH	⁽⁵⁰⁾ 2820518DX	1	35	X					
	TRIM – Slate Black	LH	2820525DT	1	35		X	X			
		RH	2820524DT	1	35		X	X			
	TRIM – Chamois	LH	2820525DV	1	35		X	X			
		RH	2820524DV	1	35		X	X			
	TRIM – Sienna	LH	2820525EC	1	35		X	X			
		RH	2820524EC	1	35		X	X			
	TRIM – Tan	LH	2820525DX	1	35		X	X			
		RH	2820524DX	1	35		X	X			
	SCREW		9425903	4	35	X	X	X			
15.100 TRIM – Rear quarter side inner											
	TRIM – Black	LH	2817337BA	1	35	X	X				
		RH	2817338BA	1	35	X	X				
	TRIM – Jade	LH	2817337DU	1	35	X	X				
		RH	2817338DU	1	35	X	X				
	TRIM – Chamois	LH	2817337DV	1	35	X	X				
		RH	2817338DV	1	35	X	X				
	TRIM – Sienna	LH	2817337EC	1	35	X	X				
		RH	2817338EC	1	35	X	X				
	TRIM – Tan	LH	2817337DX	1	35	X	X				
		RH	2817338DX	1	35	X	X				
	TRIM – Slate Black	LH	2818129DT	1	35				X		
		RH	2818130DT	1	35				X		
	TRIM – Chamois	LH	2818129DV	1	35				X		
		RH	2818130DV	1	35				X		
	TRIM – Sienna	LH	2818129EC	1	35				X		
		RH	2818130EC	1	35				X		
	TRIM – Tan	LH	2818129DX	1	35				X		
		RH	2818130DX	1	35				X		
	SCREW		SP1815	2	35	X	X	X			
15.100 FASTENER – Rear quarter side inner trim											
	FASTENER – Black		SP1838BA	14	35	X	X	X			
	FASTENER – Jade		SP1838DU	14	35	X	X	X			
	FASTENER – Chamois		SP1838DV	14	35	X	X	X			
	FASTENER – Sienna		SP1838EC	14	35	X	X	X			
	FASTENER – Tan		SP1838DX	14	35	X	X	X			
15.100 TRIM – Rear quarter side inner extension											
	TRIM – Black	LH	9930931BA	1	35	X	X				
		RH	9930930BA	1	35	X	X				
	TRIM – Jade	LH	9930931DU	1	35	X	X				
		RH	9930930DU	1	35	X	X				
	TRIM – Chamois	LH	9930931DV	1	35	X	X				
		RH	9930930DV	1	35	X	X				
	TRIM – Sienna	LH	9930931EC	1	35	X	X				
		RH	9930930EC	1	35	X	X				
	TRIM – Tan	LH	9930931DX	1	35	X	X				
		RH	9930930DX	1	35	X	X				
	TRIM – Slate Black	LH	2817471DT	1	35				X		
		RH	2817472DT	1	35				X		
Note: ⁽⁵⁰⁾ Bucket Seats.											

"HX" STATESMAN/HOLDEN PARTS CATALOGUE

GROUP	DESCRIPTION	SIDE	PART No.	QTY.	BODY STYLE	M	N	P	Q	S	T
15.100 TRIM – Rear quarter side inner extension (Continued)											
	TRIM – Chamois	LH	2817471DV	1	35			X			
		RH	2817472DV	1	35			X			
	TRIM – Sienna	LH	2817471EC	1	35			X			
		RH	2817472EC	1	35			X			
	TRIM – Tan	LH	2817471DX	1	35			X			
		RH	2817472DX	1	35			X			
15.100 FASTENER – Rear quarter side inner extension trim											
	FASTENER – Black		SP1838BA	4	35	X	X	X			
	FASTENER – Jade		SP1838DU	4	35	X	X	X			
	FASTENER – Chamois		SP1838DV	4	35	X	X	X			
	FASTENER – Sienna		SP1838EC	4	35	X	X	X			
	FASTENER – Tan		SP1838DX	4	35	X	X	X			
15.100 TRIM – Rear quarter											
	TRIM – Cinnabar	LH	9943863DA	1	37					X	
		RH	9943862DA	1	37					X	
	CLIP – Trim		7377884	6-8	37					X	
	CAP – Clip		7410830	4	37					X	
15.100 TRIM – Rear quarter lower											
	TRIM – Cinnabar	LH	G639DA	1	37					X	
		RH	G638DA	1	37					X	
	TRIM – Slate Black – Sandman	LH	D471DT	1	80	X					
		RH	D470DT	1	80	X					
	TRIM – Chamois – Sandman	LH	D471DV	1	80	X					
		RH	D470DV	1	80	X					
	TRIM – Sienna – Sandman	LH	D471EC	1	80	X					
		RH	D470EC	1	80	X					
	TRIM – Tan – Sandman	LH	D471DX	1	80	X					
		RH	D470DX	1	80	X					
	TRIM – Slate Black	LH	D471DT	1	80		X				
		RH	D470DT	1	80		X				
	TRIM – Chamois	LH	D471DV	1	80		X				
		RH	D470DV	1	80		X				
	TRIM – Sienna	LH	D471EC	1	80		X				
		RH	D470EC	1	80		X				
	TRIM – Tan	LH	D471DX	1	80		X				
		RH	D470DX	1	80		X				
15.100 TRIM – Rear quarter side lower											
	TRIM – Black	LH	(⁴⁹ E409CY	1	69	X					
		RH	(⁴⁹ E408CY	1	69	X					
	TRIM – Jade	LH	(⁴⁹ E409DU	1	69	X					
		RH	(⁴⁹ E408DU	1	69	X					
	TRIM – Beige	LH	(⁴⁹ E409DZ	1	69	X					
		RH	(⁴⁹ E408DZ	1	69	X					
	TRIM – Brown	LH	(⁴⁹ E409EE	1	69	X					
		RH	(⁴⁹ E408EE	1	69	X					
	TRIM – Slate Black	LH	(⁵⁰ E409DT	1	69	X					
		RH	(⁵⁰ E408DT	1	69	X					
	TRIM – Chamois	LH	(⁵⁰ E409DV	1	69	X					
		RH	(⁵⁰ E408DV	1	69	X					
	TRIM – Tan	LH	(⁵⁰ E409DX	1	69	X					
		RH	(⁵⁰ E408DX	1	69	X					
	TRIM – Slate Black	LH	E409DT	1	69		X	X	X		
		RH	E408DT	1	69		X	X	X		
	TRIM – Chamois	LH	E409DV	1	69		X	X	X		
		RH	E408DV	1	69		X	X	X		
Note: (⁴⁹ Bench Seats. (⁵⁰ Bucket Seats.											

"HX" STATESMAN/HOLDEN PARTS CATALOGUE

GROUP	DESCRIPTION	SIDE	PART No.	QTY.	BODY STYLE	M	N	P	Q	S	T
15.100	TRIM – Rear quarter side lower (Continued)										
	TRIM – Sienna	LH	E409EC	1	69		X	X	X		
		RH	E408EC	1	69		X	X	X		
	TRIM – Tan	LH	E409DX	1	69		X	X	X		
		RH	E408DX	1	69		X	X	X		
	TRIM – Slate Black	LH	E411DT	1	69					X	
		RH	E410DT	1	69					X	
	TRIM – Chamois	LH	E411DV	1	69					X	
		RH	E410DV	1	69					X	
	TRIM – Sienna	LH	E411EC	1	69					X	
		RH	E410EC	1	69					X	
	TRIM – Tan	LH	E411DX	1	69					X	
		RH	E410DX	1	69					X	
	TRIM – Black	LH	9937371CY	1	69						X
		RH	9937372CY	1	69						X
	TRIM – Chamois	LH	9937371DV	1	69						X
		RH	9937372DV	1	69						X
	TRIM – Buckskin	LH	9937371FH	1	69						X
		RH	9937372FH	1	69						X
	TRIM – Sienna	LH	9937371EC	1	69						X
		RH	9937372EC	1	69						X
	TRIM – Tan	LH	9937371DX	1	69						X
		RH	9937372DX	1	69						X
15.101	RETAINER – Wheelhouse & rear quarter trim										
	RETAINER	LH	2815401	1	35	X	X	X			
		RH	2815400	1	35	X	X	X			
15.222	COVER – Spare wheel										
	COVER ASSEMBLY		9935893	1	69	X	X				
	COVER ASSEMBLY		9936368	1	37				X		
	COVER ASSEMBLY		2820510	1	69			X		X	
	COVER ASSEMBLY		9936368	1	69						X
	STUD – Fastener clinch type "A"		SP1226	1	37				X		
	STUD – Fastener clinch type "A"		SP1226	1	69					X	X
	SOCKET – Fastener type "A"		SP1018	1	37				X		
	BUTTON – ¼" Barrel fastener type "A"		SP1020	1	37				X		
	BUTTON – ¼" Barrel fastener type "A"		SP1020	1	69					X	X
	EYELET – ¼" Barrel fastener type "A"		SP1238	1	37				X		
	EYELET – ¼" Barrel fastener type "A"		SP1238	1	69					X	X
15.280	SILENCER – Plenum chamber and front body pillar										
	SILENCER – Plenum chamber	LH	G107	1	35, 69	X					
		RH	D856	1	35, 69	X					
	SILENCER – Plenum chamber	LH	G107	1	ALL		X	X	X	X	X
		RH	D856	1	ALL		X	X	X	X	X
	SILENCER – Front body pillar	LH	F887	1	69						X
		RH	F888	1	69						X
15.280	INSULATOR – Dash panel										
	INSULATOR		9933034	1	35, 69	X					
	INSULATOR		9933034	1	ALL		X	X	X	X	X
15.282	FASTENER – Dash panel insulator										
	FASTENER		3730562	2	ALL	X	X	X	X	X	X

"HX" STATESMAN/HOLDEN PARTS CATALOGUE

GROUP	DESCRIPTION	SIDE	PART No.	QTY.	BODY STYLE	M	N	P	Q	S	T
15.286	MAT – Front floor (exc. Heavy Duty)										
	MAT – Black		9942488BA	1	ALL	X	X				
	MAT – Dark Sienna		9942488EK	1	ALL		X				
	MAT – Tan		9942488DX	1	ALL		X				
	SCREW – Mat to floor		SP2112	2	ALL	X	X				
15.286	MAT – Front floor (Heavy Duty)										
	MAT – Black		9943702BA	1	69	X	X				
	MAT – Dark Sienna		9943702EK	1	69		X				
	MAT – Tan		9943702DX	1	69		X				
	SCREW – Mat to floor		SP2112	2	69	X	X				
15.286	CARPET – Front floor										
	CARPET – Black		9942490BA	1	ALL	X	X				
	CARPET – Dark Sienna		9942490EK	1	ALL	X	X				
	CARPET – Tan	9200.9500 px	9942490DX	1	ALL	X	X				
	CARPET – Black		9942491BA	1	35, 69			X	X		
	CARPET – Dark Sienna		9942491EK	1	35, 69			X	X		
	CARPET – Tan		9942491DX	1	35, 69			X	X		
	CARPET – Black		9942492BA	1	37				X		
	CARPET – Black		9942492BA	1	69					X	X
	CARPET – Dark Sienna		9942492EK	1	69					X	X
	CARPET – Tan		9942492DX	1	69					X	X
	SCREW – Carpet to floor		SP2112	2	ALL	X	X	X	X	X	X
15.288	ARM REST – Front seat separator and console										
	ARM REST ASSEMBLY – Slate Black		9933024DT	1	35, 60, 69, 70, 80	X	X	X	X	X	
	ARM REST ASSEMBLY – Chamois		9933024DV	1	35, 60, 69, 70, 80	X	X	X	X	X	
	ARM REST ASSEMBLY – Sienna		9933024EC	1	35, 60, 69, 70, 80	X	X	X	X	X	
	ARM REST ASSEMBLY – Tan		9933024DX	1	35, 60, 69, 70, 80	X	X	X	X	X	
	ARM REST ASSEMBLY – Black		9933911CY	1	37				X		
	ARM REST ASSEMBLY – Black		9933911CY	1	69						X
	ARM REST ASSY. – Chamois		9933911DV	1	69						X
	ARM REST ASSY. – Dark Sienna		9933911EK	1	69						X
	ARM REST ASSY. – Tan		9933911DX	1	69						X
15.289	COVER – Front seat separator and console pad										
	COVER ASSEMBLY – Slate Black		9933029DT	1	35, 60, 69, 70, 80	X	X	X	X	X	
	COVER ASSEMBLY – Chamois		9933029DV	1	35, 60, 69, 70, 80	X	X	X	X	X	
	COVER ASSEMBLY – Sienna		9933029EC	1	35, 60, 69, 70, 80	X	X	X	X	X	
	COVER ASSEMBLY – Tan		9933029DX	1	35, 60, 69, 70, 80	X	X	X	X	X	
	COVER – Slate Black		F889DT	1	35, 69, 70, 80	X	X	X	X	X	
	COVER – Chamois		F889DV	1	35, 69, 70, 80	X	X	X	X	X	
	COVER – Sienna		F889EC	1	35, 69, 70, 80	X	X	X	X	X	
	COVER – Tan		F889DX	1	35, 69, 70, 80	X	X	X	X	X	
	COVER – Black		F889CY	1	35, 69, 70, 80	X	X	X	X	X	
15.290	CONSOLE – Complete										
	CONSOLE ASSEMBLY – Black		9943875CY	1	37				X		
	CONSOLE ASSEMBLY – Black		9934029CY	1	69						X
	CONSOLE ASSEMBLY – Tan		9934029DX	1	69						X
	CONSOLE ASSEMBLY – Dark Sienna		9934029EK	1	69						X
	CONSOLE ASSEMBLY – Chamois		9934029EY	1	69						X
15.290	HOUSING, BRACKET – Transmission Console										
	HOUSING		9939803	1	35, 69	X	X				
	HOUSING		9939803	1	35			X			
	HOUSING		9943876	1	37				X		
	HOUSING – Exc. power windows		9939803	1	69				X		
	HOUSING		9939802	1	69			X		X	

BODY

800

"HX" STATESMAN/HOLDEN PARTS CATALOGUE

GROUP	DESCRIPTION	SIDE	PART No.	QTY.	BODY STYLE	M	N	P	Q	S	T
15.290 HOUSING, BRACKET – Transmission Console (Continued)											
	HOUSING – Power windows		9939802	1	69				X		
	HOUSING – Black		9933033CY	1	69						X
	HOUSING – Chamois		9933033EY	1	69						X
	HOUSING – Tan		9933033DX	1	69						X
	HOUSING – Dark Sienna		9933033EK	1	69						X
	HOUSING		9939802	1	70, 80	X	X				
	TAPE – Console to instrument panel		9935873	1	35, 37, 69, 70, 80	X	X	X	X	X	X
	PLATE – Closing		9933030	1	35, 37, 69, 70, 80	X	X	X	X	X	X
	BRACKET – Front mounting		9933191	1	35, 37, 69, 70, 80	X	X	X	X	X	X
	BRACKET – Rear mounting		9933031	1	35, 37, 69, 70, 80	X	X	X	X	X	X
	SCREW – Front mounting bracket		9414715	2	35, 37, 69, 70, 80	X	X	X	X	X	X
	WASHER – Console to front mounting bracket		121841	2	ALL	X	X	X	X	X	X
	SCREW – Rear mounting bracket		SP2055	2	35, 37, 69, 70, 80	X	X	X	X	X	X
15.290 HOUSING, BRACKET – Seat separator											
	HOUSING – (A) Column Shift		9933035	1	35			X			
	HOUSING – Column Shift		9933035	1	35, 69	X	X				
	HOUSING – (M) Column Shift		9933036	1	69					X	
	HOUSING – (A) Column Shift		9933036	1	69			X			
	HOUSING – Column Shift		9933036	1	60, 70, 80	X	X				
	PLATE – Closing		9933030	1	ALL	X	X	X		X	
	BRACKET – Separator mounting		9933031	2	35, 60, 69, 70, 80	X	X	X			
	SCREW – Front mounting		SP2165	2	ALL	X	X	X		X	
	SCREW – Rear mounting		SP2055	2	ALL	X	X	X		X	
15.290 PAD – Console and seat separator arm rest											
	PAD ASSEMBLY		9933025	1	35, 60, 69, 70, 80	X	X	X	X	X	
15.291 CARPET – Console compartment											
	CARPET – Front		D145	1	35, 37, 69, 70, 80	X	X	X	X	X	
	CARPET – Rear		F250	1	35, 37, 69, 70, 80	X	X	X	X	X	
	CARPET – Front		E767	1	69						X
	CARPET – Rear		9934262	1	69						X
15.291 CARPET – Seat separator compartment											
	CARPET		F250	1	35, 60, 69, 70, 80	X	X	X	X	X	
15.292 HINGE – Console and seat separator arm rest											
	HINGE		9933021	1	35, 60, 69, 70, 80	X	X	X	X	X	
15.293 COVER – Transmission control housing											
	COVER ASSEMBLY – Manual		9942597	1	35, 69, 70, 80	X	X				
	COVER ASSEMBLY – Manual		9942598	1	69			X		X	
	COVER – Manual		9942601	1	35, 69, 70, 80	X	X				
	COVER – Manual		9942602	1	69			X		X	
	COVER – Manual		9942600	1	69				X		
	COVER ASSEMBLY – Automatic		⁽⁸⁵⁾ 9942836	1	35, 69, 70, 80	X	X				
	COVER ASSEMBLY – Automatic		⁽⁸⁶⁾ 9942608	1	35, 69, 70, 80	X	X				
	COVER ASSEMBLY – Automatic		⁽⁸⁵⁾ 9942451	1	ALL			X		X	
	COVER ASSEMBLY – Automatic		⁽⁸⁶⁾ 9942606	1	ALL			X		X	
	COVER ASSEMBLY – Automatic		⁽⁸⁵⁾ 9942885	1	69				X		
	COVER ASSEMBLY – Automatic		⁽⁸⁶⁾ 9942607	1	69				X		
	SCREW – Cover to console		9421137	2	35, 69, 70, 80	X	X	X	X	X	
	COVER – Housing		9942837	1	37				X		
	RETAINER – Cover		9933907	1	37				X		
	SCREW – Cover, No. 8-18 x 1.375"		SP2368	1	37				X		
	SCREW – Cover, No. 8-18 x .62"		SP2431	2	37				X		
Note: ⁽⁸⁵⁾ Console with front lid. ⁽⁸⁶⁾ Console without front lid.											

"HX" STATESMAN/HOLDEN PARTS CATALOGUE

GROUP	DESCRIPTION	SIDE	PART No.	QTY.	BODY STYLE	M	N	P	Q	S	T
15.293 COVER – Transmission control housing (Continued)											
	NUT – Cover		SP1870	3	37				X		
	TAPE – Cover to console		9935847	1	37				X		
	COVER – Console		9933905	1	37				X		
	BRACKET – Cover attaching		9934030	1	37				X		
	SCREW – Cover, No. 8-18 x 5/8"		SP2155	2	37				X		
	NUT – Cover to console front		SP1870	1	37				X		
	NUT – Cover to console rear		SP1733	1	37				X		
	PLATE – Cover side		9933906	1	37				X		
	SCREW – Side plate, No. 8-18 x 5/8"		SP2155	2	37				X		
	NUT – Side plate		SP1870	2	37				X		
	COVER – Housing		9942837	1	69						X
	RETAINER – Cover		9933907	1	69						X
	SCREW – Cover, No. 8 – 18 x 1.375"		SP2368	1	69						X
	SCREW – Cover, No. 8 – 18 x .62"		SP2431	2	69						X
	NUT – Cover		SP1870	3	69						X
	TAPE – Cover to console		9935847	1	69						X
	COVER – Console		9933905	1	69						X
	BRACKET – Cover attaching		9934030	1	69						X
	SCREW – Cover, No. 8 – 18 x 5/8"		SP2155	2	69						X
	NUT – Cover to console front		SP1870	1	69						X
	NUT – Cover to console rear		SP1733	1	69						X
	PLATE – Cover side		9933906	1	69						X
	SCREW – Side plate, No. 8 – 18 x 5/8"		SP2155	2	69						X
	NUT – Side plate		SP1870	2	69						X
15.294 MAT, CARPET – Luggage compartment floor											
	MAT		9938683	1	69	X	X	X	X		
	CARPET		9943873	1	37				X		
	CARPET – Left side		G629	1	37				X		
	CARPET – Right side		G628	1	37				X		
	CARPET		2816944	1	69					X	X
	CARPET – Left side		D859	1	69					X	X
	CARPET – Right side		D858	1	69					X	X
	CARPET – Centre rear		2824896	1	69					X	X
15.306 MAT – Rear floor (exc. Heavy Duty)											
	MAT – Black		2814975BA	1	35	X	X				
	MAT – Dark Sienna		2814975EK	1	35		X				
	MAT – Tan		2814975DX	1	35		X				
	MAT – Black		2814974BA	1	69	X	X				
	MAT – Dark Sienna		2814974EK	1	69		X				
	MAT – Tan		2814974DX	1	69		X				
	SCREW – Mat to floor		SP2112	4	35, 69	X	X				
15.306 MAT – Rear floor (Heavy Duty)											
	MAT – Black		9943703BA	1	69	X	X				
	MAT – Dark Sienna		9943703EK	1	69		X				
	MAT – Tan		9943703DX	1	69		X				
15.306 CARPET – Rear floor											
	CARPET – Black		⁽⁸³⁾ 9940796BA	1	35	X	X				
	CARPET – Dark Sienna		⁽⁸³⁾ 9940796EK	1	35		X				
	CARPET – Tan		⁽⁸³⁾ 9940796DX	1	35		X				
	CARPET – Black		⁽⁸⁴⁾ 9940798BA	1	35	X	X				
	CARPET – Dark Sienna		⁽⁸⁴⁾ 9940798EK	1	35		X				
	CARPET – Tan		⁽⁸⁴⁾ 9940798DX	1	35		X				
	CARPET – Black		2814985BA	1	35			X			
	CARPET – Dark Sienna		2814985EK	1	35			X			
	CARPET – Tan		2814985DX	1	35			X			
	Note: ⁽⁸³⁾ Use when seat belts fitted. ⁽⁸⁴⁾ Use when seat belts not fitted – Export.										

"HX" STATESMAN/HOLDEN PARTS CATALOGUE

GROUP	DESCRIPTION	SIDE	PART No.	QTY.	BODY STYLE	M	N	P	Q	S	T
15.306 CARPET – Rear floor (Continued)											
	CARPET - Black		9943872BA	1	37				X		
	CARPET - Black		⁽⁸³⁾ 9940795BA	1	69	X	X				
	CARPET - Dark Sienna		⁽⁸³⁾ 9940795EK	1	69		X				
	CARPET - Tan		⁽⁸³⁾ 9940795DX	1	69		X				
	CARPET - Black		⁽⁸⁴⁾ 9940797BA	1	69	X	X				
	CARPET - Dark Sienna		⁽⁸⁴⁾ 9940797EK	1	69		X				
	CARPET - Tan		⁽⁸⁴⁾ 9940797DX	1	69		X				
	CARPET - Black		2814984BA	1	69			X	X		
	CARPET - Dark Sienna		2814984EK	1	69			X	X		
	CARPET - Tan		2814984DX	1	69			X	X		
	CARPET - Black		2814986BA	1	69					X	X
	CARPET - Dark Sienna		2814986EK	1	69					X	X
	CARPET - Tan		2814986DX	1	69					X	X
	SCREW - Carpet to floor		SP2112	4	35, 69	X	X	X	X	X	X
15.306 MAT – Rear floor											
	MAT - Black	LH	2822465BA	1	60, 70, 80	X	X				
		RH	2822464BA	1	60, 70, 80	X	X				
	MAT - Dark Sienna	LH	2822465EK	1	60, 70, 80	X	X				
		RH	2822464EK	1	60, 70, 80	X	X				
	MAT - Tan	LH	2822465DX	1	60, 70, 80	X	X				
		RH	2822464DX	1	60, 70, 80	X	X				
15.306 CARPET – Rear floor centre – Bucket seat											
	CARPET - Black		9940758BA	1	60, 80	X	X				
	CARPET - Dark Sienna		9940758EK	1	60, 80	X	X				
	CARPET - Tan		9940758DX	1	60, 80	X	X				
15.306 CARPET – Rear floor side											
	CARPET - Black	LH	9942397BA	1	60, 70, 80	X	X				
		RH	9942398BA	1	60, 70, 80	X	X				
	CARPET - Dark Sienna	LH	9942397EK	1	70, 80	X	X				
		RH	9942398EK	1	70, 80	X	X				
	CARPET - Tan	LH	9942397DX	1	70, 80	X	X				
		RH	9942398DX	1	70, 80	X	X				
15.308 TRIM – Tonneau floor front filler											
	TRIM - Slate Black	LH	E785DT	1	35		X	X			
		RH	D032DT	1	35		X	X			
	TRIM - Chamois	LH	E785DV	1	35		X	X			
		RH	D032DV	1	35		X	X			
	TRIM - Sienna	LH	E785EC	1	35		X	X			
		RH	D032EC	1	35		X	X			
	TRIM - Tan	LH	E785DX	1	35		X	X			
		RH	D032DX	1	35		X	X			
15.308 TRIM – Tonneau floor front											
	TRIM - Slate Black		D035DT	1	35		X	X			
	TRIM - Chamois		D035DV	1	35		X	X			
	TRIM - Sienna		D035EC	1	35		X	X			
	TRIM - Tan		D035DX	1	35		X	X			
15.308 TRIM – Tonneau floor side											
	TRIM - Slate Black	LH	2820523DT	1	35		X	X			
		RH	2820522DT	1	35		X	X			
	TRIM - Chamois	LH	2820523DV	1	35		X	X			
		RH	2820522DV	1	35		X	X			
Note: ⁽⁸³⁾ Use when seat belts fitted. ⁽⁸⁴⁾ Use when seat belts not fitted - Export.											

"HX" STATESMAN/HOLDEN PARTS CATALOGUE

GROUP	DESCRIPTION	SIDE	PART No.	QTY.	BODY STYLE	M	N	P	Q	S	T
15.308 TRIM – Tonneau floor side (Continued)											
TRIM – Sienna	LH	2820523EC	1	35			X	X			
	RH	2820522EC	1	35			X	X			
TRIM – Tan	LH	2820523DX	1	35			X	X			
	RH	2820522DX	1	35			X	X			
SCREW – Trim to floor	LH	SP1815	4	35			X	X			
15.308 TRIM – Tonneau floor rear											
TRIM – Slate Black		D036DT	1	35			X	X			
TRIM – Chamois		D036DV	1	35			X	X			
TRIM – Sienna		D036EC	1	35			X	X			
TRIM – Tan		D036DX	1	35			X	X			
15.310 TRIM – Rear seat back											
TRIM – Slate Black		⁽⁵⁰⁾ 2818785DT	1	35		X					
TRIM – Chamois		⁽⁶⁰⁾ 2818785DV	1	35		X					
TRIM – Tan		⁽⁵⁰⁾ 2818785DW	1	35		X					
TRIM – Slate Black		2818785DT	1	35			X	X			
TRIM – Chamois		2818785DV	1	35			X	X			
TRIM – Sienna		2818785EC	1	35			X	X			
TRIM – Tan		2818785DX	1	35			X	X			
15.311 TRIM – End gate panel											
TRIM – Slate Black		A075DT	1	35			X	X			
TRIM – Chamois		A075DV	1	35			X	X			
TRIM – Sienna		A075EC	1	35			X	X			
TRIM – Tan		A075DX	1	35			X	X			
15.311 PANEL – End gate trim											
PANEL		7434122	1	35		X	X	X			
15.313 SEAL – End gate trim panel											
SEAL		7427777	1	35		X	X	X			
15.390 HANDLE – Assist grip											
HANDLE – Black		9928482BA	3	35, 69		X	X	X	X	X	X
HANDLE – Jade		9928482DU	3	35, 69		X	X				
HANDLE – Chamois		9928482DV	3	35, 69		X	X	X	X	X	X
HANDLE – Buckskin		9928482FH	3	69						X	X
HANDLE – Sienna		9928482EC	3	69		X	X	X	X	X	X
HANDLE – Tan		9928482DX	3	35, 69		X	X	X	X	X	X
SCREW – Handle to roof rail		9414712	1	35, 69		X	X	X	X	X	X
15.492 DEADENER – Floor pan sound											
DEADENER – Floor pan 20" x 15"		M36770	AR	ALL		X	X	X	X	X	X
15.520 WINDLACE – Front door opening											
WINDLACE – Black		2823076BA	2	35, 69		X	X	X	X	X	X
WINDLACE – Jade		2823076DU	2	35, 69		X	X				
WINDLACE – Chamois		2823076DV	2	35, 69		X	X	X	X	X	X
WINDLACE – Buckskin		2823076FH	2	69						X	X
WINDLACE – Sienna		2823076EC	2	35, 69		X	X	X	X	X	X
WINDLACE – Tan		2823076DX	2	35, 69		X	X	X	X	X	X
WINDLACE – Black	LH	2816649BA	1	37						X	
	RH	2816648BA	1	37					X		

Note: ⁽⁵⁰⁾ Bucket Seats.

"HX" STATESMAN/HOLDEN PARTS CATALOGUE

GROUP	DESCRIPTION	SIDE	PART No.	QTY.	BODY STYLE	M	N	P	Q	S	T
15.520	WINDLACE – Front door opening (Continued)										
	WINDLACE - Black		2823076BA	2	60, 70, 80	X	X				
	WINDLACE - Chamois		2823076DV	2	60, 70, 80	X	X				
	WINDLACE - Sienna		2823076EC	2	60, 70, 80	X	X				
	WINDLACE - Tan		2823076DX	2	60, 70, 80	X	X				
15.520	WINDLACE – Rear door opening										
	WINDLACE - Black		2823076BA	2	35	X	X	X			
	WINDLACE - Jade		2823076DU	2	35	X	X				
	WINDLACE - Chamois		2823076DV	2	35	X	X	X			
	WINDLACE - Sienna		2823076EC	2	35	X	X	X			
	WINDLACE - Tan		2823076DX	2	35	X	X	X			
	WINDLACE - Black		2808877BA	2	69	X	X	X	X		
	WINDLACE - Jade		2808877DU	2	69	X	X	X	X		
	WINDLACE - Chamois		2808877DV	2	69	X	X	X	X		
	WINDLACE - Sienna		2808877EC	2	69	X	X	X	X		
	WINDLACE - Tan		2808877DX	2	69	X	X	X	X		
	WINDLACE - Black		2823076BA	2	69					X	X
	WINDLACE - Chamois		2823076DV	2	69					X	X
	WINDLACE - Buckskin		2823076FH	2	69					X	X
	WINDLACE - Sienna		2823076EC	2	69					X	X
	WINDLACE - Tan		2823076DX	2	69					X	X
15.520	WINDLACE – Rear quarter opening										
	WINDLACE - Black		2823579BA	2	37				X		

"HX" STATESMAN/HOLDEN PARTS CATALOGUE

PART No.	GROUP	PART No.	GROUP	PART No.	GROUP	PART No.	GROUP	PART No.	GROUP
A075DT	15.311	E409EC	15.100	M37019	8.823	M37564BLK	9.614	M37829	9.600
A075DV	15.311	E409EE	15.100	M37042	2.187	M37564BLU	9.614	M37831	9.600
A075DX	15.311	E410DT	15.100	M37060	9.684	M37564GRN	9.614	M37832	9.600
A075EC	15.311	E410DV	15.100	M37080	7.828	M37564MAN	9.614	M37833	9.600
CT22	0.799	E410DX	15.100	M37081	7.828	M37564MRN	9.614	M37843	7.800
D032DT	15.308	E410EC	15.100	M37085	9.662	M37564RED	9.614	M37844	9.661
D032DV	15.308	E411DT	15.100	M37095	9.600	M37564RYL	9.614	PF10	1.835
D032DX	15.308	E411DV	15.100	M37104BLK	9.614	M37564TAN	9.614	R43T	2.270
D032EC	15.308	E411DX	15.100	M37104BLU	9.614	M37565BLK	9.614	SP1003	4.047V
D035DT	15.308	E411EC	15.100	M37104GRN	9.614	M37565BLU	9.614	SP1018	15.222
D035DV	15.308	E767	15.291	M37104MAN	9.614	M37565GRN	9.614	SP1020	15.222
D035DX	15.308	E785DT	15.308	M37104MRN	9.614	M37565MAN	9.614	SP1109	9.779
D035EC	15.308	E785DV	15.308	M37104RED	9.614	M37565MRN	9.614	SP1143	9.779
D036DT	15.308	E785DX	15.308	M37104RYL	9.614	M37565RED	9.614	SP1143	12.247
D036DV	15.308	E785EC	15.308	M37104TAN	9.614	M37565RYL	9.614	SP1226	15.222
D036DX	15.308	F250	15.291	M37105BLK	9.614	M37565TAN	9.614	SP1238	15.222
D036EC	15.308	F704CY	14.730	M37105BLU	9.614	M37588BLK	9.610	SP1267	9.666
D145	15.291	F704DV	14.730	M37105GRN	9.614	M37588RED	9.610	SP1279	7.852
D215DT	14.730	F704DX	14.730	M37105MAN	9.614	M37588TAN	9.610	SP1328	3.430
D215DV	14.730	F704EC	14.730	M37105MRN	9.614	M37615	9.662	SP1328	11.588
D215DX	14.730	F704FH	14.730	M37105RED	9.614	M37617	9.600	SP1330	7.370
D215EC	14.730	F705CY	14.730	M37105RYL	9.614	M37618	9.600	SP1352	3.410
D216DT	14.730	F705DV	14.730	M37105TAN	9.614	M37619	9.600	SP1378	7.347
D216DV	14.730	F705DX	14.730	M37107	3.705	M37620	9.600	SP1445	4.040U
D216DX	14.730	F705EC	14.730	M37108	3.705	M37621	9.600	SP1445	4.040V
D216EC	14.730	F705FH	14.730	M37109	3.705	M37622	9.600	SP1450	4.700
D456CY	15.001	F887	15.280	M37115	9.662	M37623	9.600	SP1467	11.950
D456DT	14.801	F888	15.280	M37118	8.823	M37627	9.662	SP1486	4.045F
D456DV	14.801	F889CY	15.289	M37123	12.248	M37645	1.071	SP1486	4.046A
D456DX	14.801	F889DT	15.289	M37124	10.550	M37649	3.609	SP1486	4.050A
D456DX	14.801	F889DV	15.289	M37125	12.248	M37680	10.146	SP1495	12.803
D456DX	15.001	F889DX	15.289	M37126	12.248	M37703	8.055	SP1498	2.342
D456EC	14.801	F889EC	15.289	M37137	2.374	M37718BW	9.614	SP1498	2.555
D456EC	15.001	G107	15.280	M37185	9.668	M37718BY	9.614	SP1498	9.276
D456FH	15.001	G158DT	14.730	M37191	9.600	M37719BW	9.614	SP1498	10.777
D470DT	15.100	G158DV	14.730	M37194	8.823	M37719BY	9.614	SP1528	4.040V
D470DV	15.100	G158DX	14.730	M37195	7.503	M37720BW	9.614	SP1528	4.636
D470DX	15.100	G158EC	14.730	M37196	10.185	M37720BY	9.614	SP1528	7.016
D470EC	15.100	G159DT	14.730	M37209	8.823	M37721BW	9.614	SP1534	4.015F
D471DT	15.100	G159DV	14.730	M37425	4.005A	M37721BY	9.614	SP1534	14.655
D471DV	15.100	G159DX	14.730	M37512	12.967	M37722BW	9.614	SP1535	12.196
D471DX	15.100	G159EC	14.730	M37542	8.126	M37722BY	9.614	SP1543	3.003
D471EC	15.100	G628	15.294	M37545	8.823	M37723BW	9.614	SP1548	1.270
D856	15.280	G629	15.294	M37557	4.003F	M37723BY	9.614	SP1548	2.333
D858	15.284	G638DA	15.100	M37562BLK	9.614	M37724BW	9.614	SP1548	7.828
D859	15.294	G639DA	15.100	M37562BLU	9.614	M37724BY	9.614	SP1548	8.079
E408CY	15.100	M31722	9.648	M37562GRN	9.614	M37728	2.333	SP1548	8.143
E408DT	15.100	M33106	6.230	M37562MAN	9.614	M37764	9.662	SP1557	1.166
E408DU	15.100	M33106	6.895	M37562MRN	9.614	M37772	9.661	SP1566	1.723
E408DV	15.100	M35270	9.662	M37562RED	9.614	M37793	9.644	SP1581	6.670
E408DX	15.100	M35821	0.449	M37562RYL	9.614	M37794	9.644	SP1605	3.159
E408DZ	15.100	M36561	9.616	M37562TAN	9.614	M37795	9.644	SP1606	8.132
E408EC	15.100	M36770	15.492	M37563BLK	9.614	M37797	9.600	SP1606	12.116
E408EE	15.100	M36815	4.177U	M37563BLU	9.614	M37800	9.661	SP1606	12.182
E409CY	15.100	M36827	14.694	M37563GRN	9.614	M37801	9.661	SP1610	1.069
E409DT	15.100	M36827	14.768	M37563MAN	9.614	M37823	8.823	SP1610	3.260
E409DU	15.100	M37015	8.823	M37563MRN	9.614	M37824	8.823	SP1610	9.220
E409DV	15.100	M37016	8.823	M37563RED	9.614	M37825	8.823	SP1610	9.779
E409DX	15.100	M37017	8.823	M37563RYL	9.614	M37826	8.823	SP1612	6.606
E409DZ	15.100	M37018	8.823	M37563TAN	9.614	M37828	4.103F	SP1612	9.171

"HX" STATESMAN/HOLDEN PARTS CATALOGUE

PART No.	GROUP	PART No.	GROUP	PART No.	GROUP	PART No.	GROUP	PART No.	GROUP
SP16480.033	SP1838EC14.800	SP199412.277	SP20799.171	SP216510.203
SP16490.033	SP1838EC15.024	SP19952.679	SP20894.680	SP216515.290
SP16490.553	SP1838EC15.100	SP20057.632	SP208911.373	SP21723.003
SP16520.033	SP1838FH14.800	SP201312.184	SP20903.603	SP217512.012
SP16597.020	SP18433.415	SP20189.779	SP20903.670	SP217612.116
SP16655.545	SP18558.010	SP20199.262	SP20904.680	SP217612.182
SP17019.220	SP18559.262	SP20244.010U	SP209311.561	SP21847.016
SP17019.779	SP18559.263	SP20244.010V	SP20944.311A	SP21863.001
SP17085.504	SP185510.150	SP20244.015F	SP20944.311F	SP219113.092
SP171010.694	SP185510.187	SP20244.015U	SP20976.606	SP21929.658
SP171011.015	SP185510.307	SP202410.230	SP20979.171	SP219210.093
SP17243.910	SP185511.925	SP20281.652	SP21012.481	SP219211.208
SP17332.728	SP185514.651	SP20294.003A	SP21032.515	SP219212.114
SP173310.252	SP18601.265	SP20294.003F	SP210312.012	SP219212.116
SP173315.293	SP18672.731	SP20301.153	SP21076.606	SP219212.182
SP17560.839	SP18681.762	SP20342.728	SP21119.211	SP219212.811
SP17629.262	SP187010.252	SP20392.682	SP21119.262	SP21979.190
SP17629.779	SP187010.260	SP20402.317	SP21119.779	SP220110.485
SP17633.288	SP187010.777	SP20403.459	SP21119.787	SP220110.777
SP17633.670	SP187015.293	SP20403.670	SP211110.252	SP22034.008U
SP17633.900	SP18797.371	SP20443.451	SP211110.260	SP22034.010V
SP17682.822	SP18849.778	SP204512.242	SP211111.950	SP220415.040
SP17682.895	SP18854.342A	SP20474.342A	SP211112.012	SP22079.262
SP17689.787	SP18854.342F	SP20474.342U	SP211112.955	SP22079.280
SP17782.342	SP18854.342U	SP204712.242	SP211112.972	SP220910.187
SP177810.187	SP18873.120	SP204712.243	SP211114.655	SP22114.015F
SP17792.555	SP18917.370	SP20489.220	SP211212.811	SP22126.508
SP177910.155	SP189610.222	SP20499.220	SP211215.286	SP221210.187
SP17952.341	SP18997.836	SP20501.266	SP211215.306	SP22152.728
SP18074.035F	SP19002.585	SP20508.126	SP21136.521	SP22164.015F
SP18120.033	SP19002.679	SP20508.143	SP211510.450	SP22191.219
SP181510.777	SP19048.820	SP20551.270	SP211510.454	SP221910.485
SP181514.651	SP19048.821	SP20552.333	SP211510.456	SP221910.500
SP181515.025	SP19094.685	SP20557.020	SP211510.460	SP221910.701
SP181515.100	SP190913.092	SP20558.079	SP21176.524	SP221910.702
SP181515.308	SP193211.940	SP20558.085	SP211910.159	SP221910.710
SP18166.020	SP193211.950	SP20558.143	SP21223.001	SP221910.783
SP18200.839	SP19344.720	SP205515.290	SP21226.524	SP221910.791
SP18364.685	SP19482.515	SP20568.143	SP212210.701	SP221911.012
SP1838BA2.515	SP19489.779	SP205612.238	SP212210.829	SP221911.040
SP1838BA8.112	SP19560.852	SP206012.196	SP21278.132	SP221911.041
SP1838BA8.154	SP19564.008V	SP206112.196	SP212712.116	SP221911.207
SP1838BA12.803	SP195610.783	SP206410.685	SP212712.174	SP221912.272
SP1838BA14.630	SP195610.791	SP206412.203	SP21344.826	SP22203.001
SP1838BA14.800	SP19614.038U	SP206412.242	SP21390.683	SP22226.524
SP1838BA15.024	SP19614.038V	SP206412.967	SP21394.003U	SP22237.020
SP1838BA15.100	SP19687.020	SP20651.656	SP21394.133U	SP22252.408
SP1838DU14.630	SP19746.672	SP20681.251	SP21414.105A	SP22252.555
SP1838DU14.800	SP19750.553	SP20691.251	SP21414.105F	SP22254.055U
SP1838DU15.024	SP19763.902	SP20701.153	SP21442.555	SP222613.092
SP1838DU15.100	SP19796.508	SP20706.606	SP21442.815	SP22277.020
SP1838DV14.630	SP19829.778	SP20711.153	SP214410.163	SP22309.169
SP1838DV14.800	SP19897.243	SP20712.277	SP21509.169	SP22354.686
SP1838DV15.024	SP19897.370	SP20733.430	SP215011.040	SP22364.055U
SP1838DV15.100	SP199110.702	SP20772.277	SP21542.170	SP22364.055V
SP1838DX14.630	SP199111.040	SP20782.041	SP21548.015	SP223610.270
SP1838DX14.800	SP19942.333	SP20787.828	SP215510.777	SP223611.950
SP1838DX15.024	SP19949.195	SP20790.027	SP215515.293	SP22402.705
SP1838DX15.100	SP19949.275	SP20792.041	SP21654.720	SP22404.040U
SP1838EC14.630	SP199410.777	SP20796.606	SP21659.278	SP22404.040V

"HX" STATESMAN/HOLDEN PARTS CATALOGUE

PART No.	GROUP	PART No.	GROUP	PART No.	GROUP	PART No.	GROUP	PART No.	GROUP
SP2240	4.681	SP2440	9.779	SP2570	3.288	VS10372	5.518	VS10824	2.100
SP2240	7.535	SP2442	2.585	SP2593	7.836	VS10373	5.511	VS10826	2.096
SP2241	3.710	SP2442	2.700	SP2597	9.171	VS10374	5.543	VS10828	2.083
SP2241	7.836	SP2442	3.001	SP2599	4.317A	VS10375	5.543	VS10831	2.077
SP2246	2.728	SP2442	4.016U	SP2599	4.317F	VS10392	5.510	VS10832	2.077
SP2248	11.207	SP2442	4.016V	SP2600	7.632	VS10393	5.527	VS10841	2.362
SP2248	14.685	SP2442	7.800	SP2603	8.055	VS10432	3.755	VS10842	2.362
SP2249	2.820	SP2442	9.276	SP2605	11.388	VS10433	3.749	VS10843	2.362
SP2250	12.803	SP2442	9.672	SP2605	11.392	VS10437	3.729	VS10844	2.362
SP2256	8.304	SP2442	10.154	SP2612	10.185	VS10439	3.797	VS10845	2.393
SP2265	7.865	SP2443	8.132	SP2613	9.779	VS10440	3.797	VS10846	2.393
SP2267	9.262	SP2443	12.114	SP2614	12.184	VS10442	3.796	VS10849	2.372
SP2267	9.779	SP2443	12.116	SP2614	12.237	VS10443	3.771	VS10853	2.389
SP2270	9.262	SP2445	2.555	SP2619	6.524	VS10444	3.798	VS10854	2.381
SP2270	9.779	SP2452	5.382	SP2625	7.852	VS10445	3.773	VS10855	2.379
SP2274	3.710	SP2452	6.168	SP2635	1.050	VS10447	3.779	VS10856	2.385
SP2279	3.120	SP2453	9.262	SP2636	2.408	VS10448	3.779	VS10857	2.385
SP2282	4.685	SP2456	2.679	SP2638	2.810	VS10456	3.799	VS10858	2.384
SP2291	7.632	SP2459	4.008V	SP2639	6.524	VS10457	3.799	VS10861	2.385
SP2295	2.342	SP2459	4.019A	SP2643	2.515	VS10458	3.799	VS10863	2.385
SP2319	2.188	SP2459	4.020A	SP2648	2.555	VS10460	3.789	VS10865	2.382
SP2321	9.190	SP2459	4.040U	SP2649	3.641	VS10463	3.792	VS10866	2.367
SP2323	6.518	SP2459	4.040V	SP2650	3.159	VS10464	3.780	VS10867	2.367
SP2327	7.632	SP2462	9.779	SP2659	1.266	VS10467	3.758	VS10868	2.368
SP2330	2.341	SP2471	11.175	SP2660	10.512	VS10468	3.758	VS10869	2.410
SP2333	7.852	SP2471	11.179	SP2660	10.829	VS10472	3.793	VS10870	2.410
SP2335	9.787	SP2471	12.986	SP2661BA	15.024	VS10517	3.781	VS10883	3.757
SP2337	2.555	SP2485	10.185	SP2661DX	15.024	VS10518	3.759	VS10886	5.510
SP2338	7.633	SP2495	8.132	SP2661EK	15.024	VS10519	3.760	VS10893	3.799
SP2343	7.003	SP2495	10.093	SP2662	3.288	VS10520	3.734	VS10894	3.791
SP2350	10.470	SP2495	12.112	SP2665	0.852	VS10522	3.729	VS10895	3.792
SP2350	10.473	SP2495	12.114	SP2666	0.852	VS10523	3.748	VS10897	3.788
SP2350	12.242	SP2495	12.116	SP2667	0.837	VS10526	3.767	VS10899	3.791
SP2357	3.159	SP2495	12.182	SP2668	0.852	VS10527	3.760	VS10899	3.793
SP2357	3.202	SP2496	0.027	SP2671	12.804	VS10528	3.779	VS10906	3.737
SP2359	4.685	SP2499	7.852	SP2674	2.555	VS10529	3.779	VS10907	3.737
SP2365	7.852	SP2499	7.865	SP2683	10.230	VS10530	3.764	VS10910	3.731
SP2367	3.120	SP2504	4.035F	SP2692	2.515	VS10562	10.150	VS10911	3.731
SP2367	3.202	SP2508	6.896	SP2695	3.275	VS10576	4.907	VS10912	3.797
SP2368	15.293	SP2511	1.270	SP2699	3.275	VS10577	4.903	VS10914	3.796
SP2370	2.728	SP2511	8.126	SP2700	10.093	VS10578	4.907	VS10915	3.798
SP2372	9.262	SP2511	8.143	SP2700	12.811	VS10579	4.908	VS10917	3.799
SP2383	10.160	SP2514	2.681	SP2707	10.187	VS10604	5.548	VS10922	3.748
SP2388	4.233U	SP2521	10.777	VS10202	2.372	VS10606	5.548	VS10970	9.648
SP2411	1.266	SP2521	11.950	VS10204	2.381	VS10608	5.555	VS10971	2.049
SP2416	5.858	SP2522	9.648	VS10205	2.388	VS10657	10.150	VS10972	2.085
SP2422	2.555	SP2525	8.075	VS10206	2.388	VS10686	8.800	VS10973	2.085
SP2422	4.055V	SP2528	3.275	VS10210	2.364	VS10806	3.913	VS10974	3.779
SP2423	2.555	SP2530	7.632	VS10211	2.381	VS10812	2.052	VS10982	2.393
SP2424	2.555	SP2531	2.555	VS10215	2.100	VS10813	2.108	VS10982	2.410
SP2427	10.701	SP2532	2.555	VS10269	2.389	VS10814	2.108	VS10986	2.389
SP2427	10.829	SP2538	7.529	VS10277	10.153	VS10815	2.086	VS10988	2.381
SP2428	14.651	SP2539	11.950	VS10280	10.150	VS10816	2.087	VS10992	2.385
SP2429	10.163	SP2540	9.600	VS10285	10.150	VS10817	2.087	VS11002	2.410
SP2429	10.187	SP2552	2.589	VS10286	10.150	VS10818	2.087	VS11038	3.748
SP2429	12.176	SP2555	2.555	VS10305	2.400	VS10819	2.087	VS11086	2.102
SP2431	2.728	SP2559	12.196	VS10306	2.381	VS10820	2.087	VS11087	2.102
SP2431	15.293	SP2560	12.196	VS10369	5.517	VS10821	2.087	VS11089	2.080
SP2440	1.266	SP2561	0.837	VS10370	5.542	VS10822	2.100	VS11090	2.102
SP2440	8.126	SP2561	4.636	VS10371	5.511	VS10823	2.100	VS11091	2.077

"HX" STATESMAN/HOLDEN PARTS CATALOGUE

PART No.	GROUP	PART No.	GROUP	PART No.	GROUP	PART No.	GROUP	PART No.	GROUP
VS11092	2.077	VS11852	10.150	VS11989	9.779	VS12195	2.684	VS12470	3.765
VS11094	2.279	VS11858	10.150	VS12012	2.381	VS12196	10.153	VS12472	3.754
VS11146	2.085	VS11859	10.150	VS12019	2.289	VS12197	10.153	VS12473	3.754
VS11279	6.803	VS11862	10.150	VS12020	2.289	VS12198	10.153	VS12475	3.749
VS11288	6.856	VS11864	10.150	VS12023	2.285	VS12199	10.153	VS12476	3.749
VS11289	6.855	VS11865	10.150	VS12024	2.286	VS12200	10.153	VS12477	3.748
VS11290	6.855	VS11870	10.153	VS12026	2.316	VS12201	10.153	VS12488	3.731
VS11292	6.585	VS11871	2.067	VS12027	2.307	VS12202	10.153	VS12489	3.741
VS11321	3.748	VS11872	2.087	VS12028	2.315	VS12203	10.153	VS12490	3.729
VS11322	3.748	VS11873	2.087	VS12038	2.291	VS12204	10.153	VS12491	3.734
VS11354	2.085	VS11874	2.083	VS12040	2.291	VS12205	10.153	VS12500	2.102
VS11360	5.555	VS11875	2.051	VS12044	9.779	VS12206	10.153	VS12505	3.767
VS11361	5.548	VS11876	2.052	VS12046	9.779	VS12207	10.153	VS12506	3.767
VS11368	6.530	VS11877	2.053	VS12047	9.779	VS12208	10.153	VS12529	2.305
VS11378	6.551	VS11878	2.052	VS12048	9.779	VS12217	7.640	VS12530	2.307
VS11380	6.850	VS11879	2.108	VS12049	9.779	VS12250	10.147	VS12532	2.297
VS11390	6.822	VS11881	2.087	VS12050	9.779	VS12262	2.590	VS12533	2.289
VS11391	6.822	VS11882	2.087	VS12051	9.779	VS12263	2.586	VS12535	2.291
VS11393	6.807	VS11883	2.085	VS12052	9.779	VS12264	2.586	VS12536	2.500
VS11395	6.586	VS11885	2.101	VS12053	9.779	VS12265	2.589	VS12537	3.748
VS11395	6.809	VS11887	2.041	VS12054	9.779	VS12266	2.590	VS12539	3.731
VS11396	6.807	VS11888	2.041	VS12058	9.779	VS12312	2.589	VS12540	3.753
VS11397	6.807	VS11911	3.758	VS12061	3.791	VS12313	2.586	VS12541	3.731
VS11401	6.585	VS11918	4.667	VS12080	2.049	VS12320	2.307	VS12542	3.731
VS11413	6.830	VS11926	4.666	VS12081	2.077	VS12321	2.279	VS12549	3.783
VS11414	6.803	VS11927	4.668	VS12083	2.316	VS12322	2.297	VS12550	3.752
VS11417	6.803	VS11928	4.665	VS12084	2.307	VS12323	2.289	VS12553	3.734
VS11419	6.786	VS11933	4.908	VS12085	2.307	VS12324	2.289	VS12554	3.731
VS11421	6.552	VS11934	9.779	VS12088	2.289	VS12325	2.289	VS12555	3.731
VS11422	6.552	VS11935	9.779	VS12089	2.289	VS12326	2.291	VS12556	3.741
VS11424	6.527	VS11936	9.779	VS12090	2.310	VS12327	2.285	VS12557	3.731
VS11425	6.856	VS11937	9.779	VS12091	2.289	VS12328	2.310	VS12558	2.279
VS11426	6.585	VS11938	9.779	VS12092	2.307	VS12329	2.500	VS12559	2.310
VS11427	6.585	VS11939	9.779	VS12096	4.265 U	VS12330	2.279	VS12560	2.279
VS11428	6.840	VS11940	9.779	VS12121	3.795	VS12332	6.526	VS12561	2.289
VS11429	6.830	VS11941	10.150	VS12128	10.153	VS12333	2.585	VS12562	2.316
VS11430	6.586	VS11942	10.150	VS12129	10.153	VS12334	2.585	VS12583	6.524
VS11737	2.389	VS11943	10.150	VS12130	10.153	VS12335	2.585	VS12599	5.018
VS11738	2.389	VS11944	10.150	VS12131	10.153	VS12338	2.305	VS12600	4.665
VS11763	2.316	VS11945	10.150	VS12132	10.153	VS12340	2.410	VS12610	5.527
VS11765	2.280	VS11946	10.153	VS12133	10.153	VS12345	2.372	VS12628	4.668
VS11767	2.306	VS11947	10.150	VS12134	10.153	VS12346	2.400	VS12635	4.666
VS11771	2.307	VS11948	10.150	VS12135	10.153	VS12347	2.362	VS12636	4.667
VS11773	2.298	VS11949	10.150	VS12136	10.153	VS12348	2.362	VS12640	5.018
VS11776	2.297	VS11950	10.150	VS12137	10.153	VS12351	2.389	VS12641	3.757
VS11789	4.686	VS11951	10.150	VS12138	10.153	VS12352	2.385	VS12642	3.752
VS11795	3.793	VS11953	10.150	VS12139	10.153	VS12374	2.310	VS12651	5.018
VS11797	3.795	VS11955	10.150	VS12140	10.153	VS12376	2.279	VS12700	2.305
VS11799	3.789	VS11957	10.150	VS12142	5.555	VS12377	2.500	VS12718	3.752
VS11800	3.792	VS11958	10.150	VS12149	4.906	VS12378	2.297	VS12724	2.381
VS11812	3.736	VS11959	10.150	VS12177	5.517	VS12380	2.289	VS12982	3.725
VS11813	3.735	VS11964	2.043	VS12178	5.542	VS12381	2.500	VS12983	3.725
VS11814	3.735	VS11965	2.049	VS12179	5.511	VS12393	3.757	VS12984	3.763
VS11815	3.734	VS11969	2.108	VS12180	5.518	VS12394	3.754	VS12985	3.778
VS11818	3.788	VS11970	2.052	VS12181	5.511	VS12395	3.754	VS12986	3.725
VS11843	10.150	VS11971	2.063	VS12182	5.543	VS12455	6.550	VS12987	3.725
VS11844	10.150	VS11973	2.102	VS12183	5.543	VS12456	7.640	VS12988	3.724
VS11845	10.150	VS11986	9.779	VS12184	5.527	VS12457	7.640	VS12989	3.763
VS11848	10.150	VS11987	9.779	VS12193	2.381	VS12458	7.640	VS12990	3.765
VS11849	10.150	VS11988	9.779	VS12194	2.682	VS12468	3.724	VS12991	3.780

"HX" STATESMAN/HOLDEN PARTS CATALOGUE

PART No.	GROUP	PART No.	GROUP	PART No.	GROUP	PART No.	GROUP	PART No.	GROUP
VS12994	3.727	VS13642	2.515	VS13704	3.749	106751	0.728	120369	3.706
VS12995	3.727	VS13643	2.515	VS13705	3.767	106751	0.736	120369	4.035 F
VS12996	3.727	VS13644	4.668	VS13706	3.748	106973	5.539	120369	6.524
VS12997	3.764	VS13645	4.665	VS13707	3.731	108580	3.275	120375	1.270
VS12998	3.776	VS13646	4.666	VS13708	3.754	113897	4.103 A	120375	3.430
VS12999	3.778	VS13647	4.665	VS13709	3.795	113897	4.103 F	120375	4.342 V
VS13001	3.764	VS13654	10.187	VS13710	3.795	113897	5.400	120375	6.606
VS13002	3.778	VS13655	10.187	VS13711	3.444	114468	4.226 U	120375	7.371
VS13003	3.727	VS13656	3.725	VS13712	3.795	114494	4.228 U	120375	10.527
VS13018	5.018	VS13657	3.724	VS13713	3.791	114494	8.075	120375	10.556
VS13022	4.907	VS13658	3.791	VS13714	3.757	114497	6.515	120375	12.966
VS13110	4.907	VS13659	3.729	VS13715	3.752	114605	5.539	120376	0.027
VS13164	9.662	VS13659	3.789	VS13716	3.788	116341	3.202	120376	0.830
VS13170	4.038 U	VS13660	3.789	VS13717	3.791	118775	12.982	120376	0.852
VS13339	4.342 V	VS13661	3.763	VS13718	3.791	120214	0.027	120376	2.665
VS13516	6.586	VS13662	3.792	VS13719	3.791	120214	0.659	120376	2.810
VS13541	4.342 A	VS13663	3.792	VS13721	3.726	120214	0.830	120376	3.001
VS13541	4.342 F	VS13664	3.792	VS13722	3.778	120214	0.852	120376	3.710
VS13541	4.342 U	VS13665	3.783	VS13725	3.727	120214	1.050	120376	4.686
VS13542	4.342 V	VS13666	3.757	VS13726	3.754	120214	1.064	120376	4.730
VS13565	6.579	VS13667	3.788	VS13727	3.725	120214	2.333	120376	7.016
VS13566	6.586	VS13668	3.749	VS13728	3.725	120214	2.665	120376	7.640
VS13591	2.389	VS13669	3.727	VS13729	3.725	120214	3.001	120376	8.126
VS13592	2.389	VS13670	3.737	VS13730	3.725	120214	3.670	120376	9.195
VS13593	2.381	VS13671	3.731	VS13731	3.725	120214	3.710	120376	12.277
VS13594	2.410	VS13672	3.731	VS13738	5.018	120214	5.382	120377	1.219
VS13595	2.389	VS13673	3.731	VS13739	4.665	120214	7.016	120377	4.902
VS13596	2.389	VS13674	3.731	VS13740	4.668	120214	7.640	120377	5.395
VS13597	2.381	VS13675	3.729	VS13741	4.665	120214	7.865	120377	6.606
VS13598	2.410	VS13676	3.731	44T	2.270	120214	9.171	120377	7.852
VS13599	2.389	VS13677	3.741	45T	2.270	120214	9.195	120377	9.171
VS13600	2.381	VS13678	3.748	430G	2.332	120214	9.220	120378	7.016
VS13601	2.410	VS13679	3.748	456H	2.332	120214	9.600	120380	1.270
VS13602	5.018	VS13680	3.778	18995	4.009 V	120214	12.247	120380	3.003
VS13603	5.018	VS13681	3.748	43468	7.243	120214	12.277	120380	3.130
VS13614	2.372	VS13682	3.444	63737	10.783	120217	10.150	120380	3.430
VS13615	2.410	VS13683	3.444	63737	10.791	120217	10.230	120380	4.665
VS13616	2.389	VS13684	3.725	63737	11.041	120228	5.382	120380	6.606
VS13617	2.389	VS13685	3.725	100136	4.317 U	120361	3.001	120380	7.371
VS13618	2.515	VS13686	3.724	102635	3.275	120361	4.720	120380	10.527
VS13619	2.515	VS13687	3.789	102647	6.168	120361	9.169	120380	10.556
VS13620	2.515	VS13688	3.444	102648	6.168	120361	9.220	120380	12.280
VS13621	2.515	VS13688	3.731	103026	3.275	120361	9.275	120380	12.966
VS13622	2.515	VS13688	3.763	103026	5.002	120361	9.276	120382	0.027
VS13623	2.515	VS13688	4.902	103026	5.506	120361	9.278	120382	0.683
VS13625	2.515	VS13689	3.763	103320	7.370	120361	9.672	120382	1.153
VS13626	2.515	VS13690	3.767	103321	0.870	120361	9.779	120382	2.170
VS13627	2.515	VS13691	3.782	103321	5.002	120361	10.230	120382	2.277
VS13628	2.515	VS13692	3.779	103321	9.170	120367	2.679	120382	2.317
VS13629	2.515	VS13693	3.776	103322	4.665	120367	3.003	120382	3.430
VS13630	2.515	VS13694	3.779	103322	6.103	120367	9.600	120382	3.616
VS13631	2.515	VS13695	3.778	103322	7.523	120368	1.050	120382	3.706
VS13632	2.515	VS13696	3.748	103889	3.641	120368	3.288	120382	4.006 F
VS13633	2.515	VS13697	3.754	104241	9.666	120368	3.670	120382	4.081 F
VS13634	2.515	VS13698	3.731	104251	6.168	120368	3.900	120382	4.902
VS13635	2.515	VS13699	3.729	106285	5.504	120368	4.826	120382	5.395
VS13636	2.515	VS13700	3.727	106331	2.363	120368	9.220	120382	6.524
VS13637	2.515	VS13701	3.731	106331	3.275	120369	0.027	120382	6.606
VS13640	2.515	VS13702	3.731	106751	0.659	120369	2.277	120382	7.852
VS13641	2.515	VS13703	3.734			120369	3.616	120382	9.171

"HX" STATESMAN/HOLDEN PARTS CATALOGUE

PART No.	GROUP	PART No.	GROUP	PART No.	GROUP	PART No.	GROUP	PART No.	GROUP
120382	11.960	121753	9.644	134794	9.278	159920	9.779	186669	6.103
120382	12.982	121841	9.620	134794	9.779	159962	9.620	187375	6.843
120383	0.027	121841	9.787	137396	4.686	159972	9.169	188154	3.288
120383	0.683	121841	12.275	137398	3.202	160515	9.215	189301	6.606
120383	4.081A	121841	15.290	137398	4.128U	160548	4.342V	189305	3.275
120383	4.081F	121887	12.966	137398	4.128V	160548	7.371	189305	9.171
120383	4.081U	121926	3.261	137399	6.670	161340	12.116	189334	2.277
120383	4.081V	121999	2.665	137508	5.586	162113	14.686	189995	4.009U
120383	4.103U	122007	4.047V	137509	5.586	162113	14.762	190075	12.112
120383	4.133U	122007	4.730	137871	12.238	162703	12.580	190075	12.114
120383	7.852	122007	7.370	138474	2.555	163158	4.016U	190075	12.116
120384	7.836	122017	0.852	138479	2.585	163158	4.016V	190075	12.182
120384	7.852	122017	3.710	138479	2.700	163158	6.518	190863	3.603
120384	14.798	122017	4.040V	138479	4.720	163158	9.680	192281	3.265
120384	15.040	122017	4.591	138479	8.143	163158	11.950	215723	0.837
120385	1.265	122017	4.595	138479	9.779	163158	12.275	215723	4.636
120386	10.702	122022	3.001	138485	2.810	163210	3.003	224255	0.659
120388	7.852	122027	3.001	138485	4.686	163210	3.028	266800	6.844
120389	7.852	122065	4.686	138485	12.277	163210	4.006V	271501	0.027
120391	7.800	122077	0.830	138489	2.341	163210	4.047V	271501	7.852
120391	9.275	122104	2.170	138526	9.275	163210	4.342V	271505	7.523
120391	10.262	122119	4.006F	138538	7.347	163210	12.941	272312	6.233
120392	1.219	122119	11.960	138542	8.075	163210	12.972	272846	4.740
120392	3.130	122126	5.395	141149	4.105A	163216	2.342	272846	4.931
120392	3.430	122126	6.807	141149	4.105F	163450	12.030	272847	3.003
120392	7.371	122138	6.760	141192	0.206	179816	4.342F	273445	9.779
120392	9.215	122150	6.606	141202	0.736	179816	4.356A	273446	9.280
120392	10.701	122246	4.081A	141216	0.033	179816	4.356F	273708	2.515
120392	12.966	122246	4.081F	141216	0.206	179817	4.212U	273708	9.169
120393	2.665	122246	4.081U	142953	1.609	179817	4.265U	273708	9.217
120393	3.900	122246	4.081V	143343	3.202	179819	4.265U	273708	9.262
120393	4.730	122279	4.081A	144542	0.728	179826	4.265U	273708	9.275
120394	2.170	122279	4.081F	144811	7.800	179842	4.003V	273807	2.679
120394	3.001	122279	4.081U	145027	4.040V	179843	3.275	274244	1.516
120394	4.035F	122279	4.081V	145027	4.041U	179866	0.683	274613	4.226V
120395	12.247	122340	0.027	145027	4.041V	179866	4.103U	274672	1.270
120423	2.679	122354	7.370	145027	4.294U	179866	4.133U	274672	10.230
120426	7.836	123435	3.003	145193	7.800	180015	4.665	274762	3.028
120524	2.895	123520	12.982	145475	4.128U	180073	4.338V	274762	4.038U
120614	2.585	123540	4.311F	145475	4.128V	180079	0.027	274762	4.038V
120614	2.700	124824	2.333	145496	6.515	180079	7.016	274762	6.518
120614	7.800	124824	2.342	147481	4.265U	180079	8.143	274865	7.865
120622	2.819	124824	8.024	147489	4.311F	180119	0.027	343353	4.740
120622	9.275	124829	3.001	148148	4.294V	180121	0.027	344856	2.515
120622	9.280	124829	6.822	154005	3.796	180123	9.171	381909	6.168
120622	9.620	124920	12.247	154061	2.341	180124	4.317A	384220	6.176
120622	9.787	124925	0.839	156417	12.184	180124	4.317F	402410	6.176
120638	4.595	124939	6.232	157057	4.608	180124	6.606	410431	3.028
120638	4.730	125250	6.870	157716	12.280	180126	6.606	412501	3.726
120647	9.171	127968	2.277	159220	9.779	180137	2.317	412562	0.649
120677	9.170	130025	9.666	159336	12.182	180138	2.317	417715	3.028
121637	3.430	131014	8.055	159592	9.262	180138	6.606	419047	3.726
121743	2.342	131015	8.055	159592	9.779	180144	0.027	423335	1.426
121744	2.342	131099	0.659	159675	9.280	181385	5.504	425224	1.656
121752	9.215	131181	8.055	159675	9.620	181608	9.171	431534	10.556
121752	9.778	131954	8.077	159908	10.230	181645	6.524	436567	4.030
121752	10.270	132908	7.800	159920	3.001	181671	4.665	440502	1.266
121753	2.341	134530	8.055	159920	9.275	181677	4.665	441240	1.268
121753	2.815	134530	9.280	159920	9.278	186493	1.723	441240	12.182
121753	9.215	134551	9.199	159920	9.672	186634	1.050	443770	4.103F

"HX" STATESMAN/HOLDEN PARTS CATALOGUE

PART No.	GROUP	PART No.	GROUP	PART No.	GROUP	PART No.	GROUP	PART No.	GROUP
444613	4.075U	599119	4.685	1725094	10.777	2806375	0.106	2809100	3.410
444613	4.103U	838029	0.310	1734573	10.777	2806376	0.106	2809107	6.230
444631	3.670	838538	0.033	1846722	2.895	2806377	0.106	2809115	6.111
444782	1.928	858388	2.447	1964784	2.895	2806379	0.106	2809219	6.164
444819	0.033	858388	4.054U	1964785	2.895	2806380	0.106	2809235	5.395
446121	12.112	858388	4.054V	1967685	2.895	2806381	0.106	2809247	12.984
446121	12.116	862108	12.196	1993620	4.265V	2806382	0.616	2809248	12.984
446121	12.182	907257	9.181	1996563	9.280	2806383	0.616	2809284	1.426
446152	1.266	994259	9.675	1997425	2.408	2806384	0.094	2809290	4.309F
446152	8.036	1018694	2.370	2064155	4.054U	2806385	0.094	2809294	1.656
446152	9.276	1131046	9.170	2064155	4.054V	2806386	0.094	2809297	1.516
446152	10.154	1138041	9.170	2074100	4.054U	2806388	0.094	2809319	12.982
446152	12.238	1194360	1.611	2074100	4.054V	2806389	0.094	2809324	6.168
446162	9.262	1194560	4.177U	2080129	4.054U	2806390	0.094	2809325	6.168
446162	9.779	1199080	1.609	2080129	4.054V	2806399	0.616	2809447	10.587
446188	4.342V	1235439	4.710	2665962	10.569	2806400	0.616	2809447	12.212
451580	9.275	1235440	4.710	2692449	2.555	2806521	4.035F	2809457	4.412F
451790	4.010V	1237644	4.337V	2805057	4.133U	2806603	10.529	2809480	6.103
453570	4.103U	1237980	4.337V	2805059	4.133U	2806691	0.413	2809481	6.103
453570	4.153U	1239445	4.047V	2805180	8.821	2806776	8.800	2809486	12.934
453570	4.226U	1239465	1.123	2805347	1.153	2806877	6.606	2809487	12.934
453570	4.265U	1239469	1.123	2805402	3.603	2806911	10.529	2809488	12.934
453571	4.265U	1240561	4.338V	2805461	3.603	2806912	10.529	2809489	12.934
453670	5.518	1240561	4.710	2805499	4.009F	2806962	11.925	2809490	12.934
454293	0.659	1242101	4.054U	2805510	6.164	2806963	11.928	2809491	12.934
454512	1.643	1242101	4.054V	2805636	11.011	2807098	6.170	2809580	11.561
454782	10.159	1244006	10.270	2805637	11.011	2807099	11.925	2809581	11.561
454848	6.168	1362048	4.337V	2805638	11.011	2807236	2.361	2809593	3.001
454869	0.659	1362049	4.337V	2805639	11.011	2807323	11.950	2809594	3.001
454893	1.064	1362195	4.337V	2805673	11.015	2807323	11.960	2809600	4.316F
454905	6.606	1362215	4.338V	2805674	11.015	2807324	11.950	2809607	7.020
454943	0.027	1362294	4.338V	2805728	6.164	2807324	11.960	2809727	4.304F
455136	11.925	1363951	4.223V	2805794	0.423	2807325	11.950	2809789	1.426
455136	11.940	1367656	4.008V	2805795	0.443	2807325	11.960	2809791	1.656
455404	2.697	1367656	4.019A	2805841	9.220	2807897	4.017A	2809794	1.516
455404	4.054V	1367656	4.020A	2805921	11.204	2807914	3.726	2809813	12.934
455481	4.006V	1367656	4.040U	2806368	0.096	2808035	3.417	2809814	12.934
455481	4.008U	1367656	4.040V	2806368	0.099	2808122	12.116	2809815	12.934
455481	4.016U	1368774	4.055V	2806368	0.101	2808124	5.510	2809816	12.934
455481	4.016V	1372313	4.337V	2806368	0.103	2808133	3.796	2809817	12.934
455481	4.040V	1373122	4.337A	2806369	0.096	2808136	3.603	2809818	12.934
455481	4.309F	1373122	4.337F	2806369	0.099	2808164	3.261	2809835	11.629
455490	11.960	1373122	4.337U	2806369	0.101	2808182	3.925	2809885	11.204
455980	7.852	1476675	10.777	2806369	0.103	2808183	3.901	2809917	3.796
456632	3.261	1476675	12.276	2806370	0.096	2808189	1.062	2809918	3.796
476737	4.047V	1485553	9.281	2806370	0.099	2808258	9.640	2809921	3.796
476737	4.681	1497889	8.055	2806370	0.101	2808656	5.813	2809922	3.796
476737	4.826	1497894	8.055	2806370	0.103	2808752	4.685	2809928	3.159
481375	9.275	1497970	8.055	2806372	0.096	2808856	7.020	2809932	3.159
483084	5.803	1521708	3.931	2806372	0.099	2808857	7.020	2809933	3.159
483250	5.871	1521953	3.913	2806372	0.101	2808869	12.982	2809934	4.279U
495279	2.408	1521985	3.902	2806372	0.103	2808870	12.982	2809937	3.796
513975	1.453	1522046	3.922	2806373	0.096	2808871	12.982	2809957	12.982
513975	4.195U	1522199	3.925	2806373	0.099	2808873	12.982	2810034	6.803
591022	4.358A	1523093	3.920	2806373	0.101	2808877BA	15.520	2810036	6.850
591022	4.358F	1523094	3.903	2806373	0.103	2808877DU	15.520	2810038	6.855
599119	2.424	1523099	3.929	2806374	0.096	2808877DV	15.520	2810043	6.786
599119	3.120	1533669	1.762	2806374	0.099	2808877DX	15.520	2810210	12.182
599119	3.159	1695626	11.925	2806374	0.101	2808877EC	15.520	2810214	7.536
599119	3.202	1695635	11.925	2806374	0.103	2808988	7.242	2810245	11.200

"HX" STATESMAN/HOLDEN PARTS CATALOGUE

PART No.	GROUP	PART No.	GROUP	PART No.	GROUP	PART No.	GROUP	PART No.	GROUP
28102546.807	281117412.966	281171312.966	28120453.796	281252910.750
28102556.809	281117510.093	281173411.629	28120463.796	281253010.750
28102576.830	281117610.093	281173511.629	281204812.803	281259911.200
28102586.852	28111964.005U	28117426.758	281205912.184	28126055.387
28102596.852	28111974.127U	28117712.679	281206010.450	281261511.628
281028712.952	281119811.581	28117722.680	281206110.450	281261611.628
281032612.242	281120412.955	28117742.684	281206210.454	28126175.510
28103297.865	281121210.466	28117752.682	281206310.454	28126185.510
281033312.982	281124412.955	28117762.682	28120724.826	281263812.811
281033412.982	281125311.589	281177811.204	28120824.035F	281263912.811
281033712.982	281125511.589	28117792.679	281209212.811	281264012.811
281034612.807	281125811.588	28117802.679	281209312.811	281264112.811
281034710.027	28112593.270	281178412.952	28120956.163	281266610.741
281035610.093	28112615.382	28117920.095	28120966.163	281266710.741
281035710.093	28112625.382	28117920.098	28120976.163	281266810.741
28103672.041	28113167.370	28117920.100	28121015.387	281266910.741
28103794.700	28113424.015F	28117920.102	28121025.816	28126718.079
28103814.826	28113444.015F	28117974.265U	28121035.822	281271712.807
28103824.829	281136011.589	281180412.811	28121095.504	28127339.785
28103834.829	281136111.588	281180512.811	28121611.219	28127349.785
28103844.829	28113644.081U	281180712.179	28121730.269	281273511.630
28103854.829	281136611.589	28118195.387	28121740.269	281273710.252
28103884.826	281138312.184	281182712.955	28121771.219	281276310.460
28103943.003	281138412.184	281183612.956	28121801.219	281276410.460
28103953.003	281140110.506	281184711.611	281220111.373	281276510.456
281041812.956	281140110.507	28118523.609	281220710.741	281276610.456
281041912.956	281140110.563	28118533.609	281220810.741	281278510.829
281042012.956	28114020.629	28118578.036	28122091.159	281278610.829
281042112.956	28114030.629	28118583.706	28122118.009	281278710.829
28104407.241	28114040.629	28118593.706	281221612.269	281278810.829
28104964.829	28114050.629	281186911.175	281223012.982	281278910.829
28104994.226U	281144412.182	281187011.175	28122337.014	281279010.829
28105134.826	281148210.307	281187111.175	28122347.112	281279310.696
28105193.159	281152312.184	281187211.175	28122524.040U	281284512.952
28105374.265U	28115310.643	281187511.175	28122544.040U	28129284.931
28105396.232	28115320.643	281187611.175	28122554.040V	281292912.112
281054612.811	28115330.643	281187711.179	28122554.041U	281293012.112
281054712.811	28115340.643	281187811.179	28122564.016U	281293712.952
28106920.289	28115360.643	281187911.179	28122564.016V	281294512.944
28106964.834	28115370.643	281188011.179	28122681.270	281294612.944
28107717.240	281160110.466	28118823.609	28122701.159	281297112.811
28107756.008	28116038.036	28118833.705	28123257.118	281297212.811
28107766.008	28116048.036	28118912.277	28123470.629	281297511.629
28108487.241	28116253.603	28118922.277	28123480.629	281298710.701
281091612.237	28116263.603	28118932.317	281238712.955	281298810.701
28109324.003A	28116273.603	28119188.015	28123979.171	281302210.475
281093411.200	281163110.268	28119198.015	28123989.171	281302310.475
28110244.035F	281163812.956	28119208.081	28123999.171	281302810.475
28110324.045F	281163912.956	28119242.188	28124009.171	281302910.475
28110541.071	281164212.940	28119310.333	28124019.171	28130333.603
28110560.289	281164312.940	28119320.426	28124020.027	281303714.651
28110570.289	28116441.516	28119330.429	28124271.066	281303814.651
28110591.429	28116494.650	281194811.208	281242912.895	281305712.114
28110610.536	28116504.651	281198512.971	281243012.895	281305812.114
281109614.651	28116514.651	281198612.971	28124425.395	28130652.679
281116510.571	281165212.184	281199910.093	281245611.611	28130662.679
281116710.450	28116801.659	281200010.093	28124591.062	28130672.680
281116710.454	281170312.116	281201312.972	28124610.673	28130682.682
281116710.460	281171012.966	281201412.972	281246211.373	28130692.682
281116910.456	281171112.966	28120451.153	281246211.628	28130702.684

"HX" STATESMAN/HOLDEN PARTS CATALOGUE

PART No.	GROUP	PART No.	GROUP	PART No.	GROUP	PART No.	GROUP	PART No.	GROUP
2813091	12.181	2813559BA	4.009V	2813927	4.594	2814339	5.441	2814694	10.556
2813155	5.529	2813559DX	4.009A	2813944	11.208	2814340	5.441	2814695	10.506
2813156	5.529	2813559DX	4.009U	2813945	11.208	2814362	11.204	2814721	5.001
2813164	6.524	2813559DX	4.009V	2813946	11.208	2814371	11.207	2814722	5.001
2813229	5.809	2813559EK	4.009A	2813961	4.019A	2814381	10.822	2814723	5.150
2813295	9.779	2813559EK	4.009U	2813961	4.020A	2814382	10.822	2814728	2.728
2813299	12.966	2813559EK	4.009V	2813971	12.966	2814383	10.822	2814730	12.580
2813301	9.779	2813570	12.95	2813972	12.270	2814397	9.263	2814737	0.831
2813317	9.262	2813571	12.95	2813983	11.208	2814398	9.263	2814737	4.626
2813317	9.779	2813572	12.95	2813984	11.208	2814439	11.629	2814738	4.103U
2813322	9.779	2813573	12.95	2813985	11.208	2814440	6.606	2814739	9.171
2813323	9.779	2813618	10.747	2814014	8.154	2814441	11.629	2814753	0.206
2813372	0.616	2813619	10.747	2814017	12.075	2814442	6.606	2814771	0.027
2813373	0.616	2813632	12.955	2814018	12.075	2814443	12.940	2814781	12.195
2813378	0.616	2813633	12.955	2814019	12.075	2814444	12.940	2814782	12.580
2813379	0.616	2813641	10.093	2814020	12.075	2814445	12.913	2814784	12.182
2813383	12.184	2813642	10.093	2814030	4.008V	2814446	12.913	2814786	11.628
2813384	12.184	2813643	10.093	2814030	4.019A	2814447	12.913	2814787	12.941
2813385	2.447	2813644	10.093	2814030	4.020A	2814448	12.913	2814788	12.941
2813386	12.187	2813645	10.093	2814030	4.040U	2814449	12.913	2814794	12.182
2813387	12.187	2813646	10.093	2814030	4.040V	2814450	12.913	2814795	12.182
2813388	12.811	2813652	3.001	2814031	4.008V	2814451	12.913	2814796	12.182
2813389	12.811	2813664	3.003	2814031	4.019A	2814452	12.913	2814797	11.207
2813397	12.811	2813684	2.682	2814031	4.020A	2814453	12.913	2814798	3.900
2813398	12.811	2813685	2.682	2814031	4.040U	2814454	12.913	2814807	11.610
2813463	12.955	2813686	2.684	2814031	4.040V	2814455	12.913	2814808	6.524
2813464	12.955	2813687	2.684	2814033	4.008V	2814456	12.913	2814810	6.524
2813465	12.955	2813743	0.027	2814033	4.019A	2814461	11.629	2814813	14.651
2813489	4.418F	2813744	13.090	2814033	4.020A	2814462	10.219	2814814	14.651
2813490	4.395F	2813745	13.090	2814033	4.040U	2814463	10.219	2814815	9.275
2813491	4.415F	2813746	2.680	2814033	4.040V	2814467	10.506	2814824	12.986
2813492	4.415F	2813755	14.651	2814042	12.273	2814479	11.207	2814825	12.986
2813493	4.403F	2813767	10.827	2814046	12.182	2814480	4.437A	2814838	9.171
2813496	4.421F	2813768	10.827	2814047	3.451	2814481	4.433A	2814839	9.171
2813497	4.421F	2813769	10.827	2814059	2.333	2814485	11.611	2814840	2.317
2813500	4.418F	2813770	10.827	2814064	2.555	2814486	11.611	2814841	9.171
2813501	4.311F	2813771	10.827	2814068	11.207	2814487	11.611	2814844	3.459
2813504	4.317F	2813772	10.827	2814128	2.317	2814488	11.611	2814844	9.171
2813506	4.303F	2813838	8.079	2814150	2.341	2814532	12.184	2814845	1.066
2813507	4.318F	2813853	10.783	2814170	14.651	2814533	12.184	2814853	12.179
2813511	4.311F	2813854	10.783	2814171	14.651	2814544	12.803	2814854	12.179
2813513	4.317F	2813866	11.940	2814172	14.651	2814545	12.803	2814867	12.940
2813514	4.309F	2813871	4.595	2814173	9.190	2814566	11.207	2814868	12.940
2813515	4.380F	2813875	4.595	2814211	2.726	2814567	11.207	2814877	4.212U
2813517	4.419F	2813876	4.594	2814212	2.726	2814569	12.982	2814888	9.779
2813519	4.432F	2813877	4.594	2814235	12.940	2814574	10.563	2814889	12.277
2813520	4.309F	2813878	4.594	2814236	12.940	2814585	12.241	2814892	9.278
2813521	4.311F	2813883	4.596	2814270	3.609	2814588	12.187	2814892	9.779
2813522	4.419F	2813884	4.596	2814271	3.705	2814603	2.481	2814897	9.779
2813525	4.418F	2813886	10.187	2814286	11.207	2814603	9.778	2814903	9.779
2813527	4.311F	2813887	11.207	2814287	5.441	2814616	12.982	2814909	12.948
2813531	0.659	2813896	12.942	2814288	4.265U	2814618	12.982	2814910	12.948
2813532	0.659	2813897	12.942	2814293	4.265U	2814620	10.527	2814913	12.187
2813535	0.659	2813898	2.682	2814294	4.265U	2814673	12.955	2814924	2.481
2813536	0.659	2813899	2.682	2814295	4.265U	2814674	12.955	2814928	12.940
2813544	12.270	2813907	10.163	2814307	12.942	2814679	12.187	2814929	12.940
2813545	12.270	2813912	10.791	2814308	12.942	2814682	11.208	2814930	12.269
2813550	2.195	2813913	10.791	2814312	4.265U	2814683	11.208	2814936	9.787
2813559BA	4.009A	2813919	2.679	2814337	5.441	2814684	11.208	2814937	14.685
2813559BA	4.009U	2813920	2.679	2814338	5.441	2814689	7.013	2814958	5.460

"HX" STATESMAN/HOLDEN PARTS CATALOGUE

PART No.	GROUP	PART No.	GROUP	PART No.	GROUP	PART No.	GROUP	PART No.	GROUP
2814959	5.460	2815193	7.370	2815469	10.152	2815773	12.942	2816125	12.580
2814960	5.460	2815209BA	4.608	2815470	10.152	2815779	10.694	2816126	12.942
2814961	5.460	2815209DX	4.608	2815471	10.161	2815785	11.040	2816132	11.628
2814962	5.460	2815209EC	4.608	2815478	12.948	2815786	11.040	2816139	12.428
2814963	5.460	2815210	12.116	2815479	12.948	2815792	11.012	2816140	12.428
2814964	5.460	2815211	12.116	2815485	11.629	2815795	11.007	2816141	12.428
2814969	12.075	2815220	4.128 U	2815486	10.500	2815796	11.007	2816142	12.428
2814970	12.075	2815221	4.128 U	2815487	10.500	2815797	11.007	2816148	12.269
2814974BA	15.306	2815222	4.054 U	2815494	8.153	2815804	11.007	2816171	10.710
2814974DX	15.306	2815222	4.054 V	2815495	8.153	2815832	10.783	2816214	11.374
2814974EK	15.306	2815228	12.075	2815503	11.634	2815833	10.783	2816230	5.858
2814975BA	15.306	2815229	12.075	2815504	11.634	2815834	10.791	2816253	12.982
2814975DX	15.306	2815230	12.941	2815515	14.818	2815835	10.791	2816254	11.610
2814975EK	15.306	2815231	2.342	2815516	14.818	2815837	12.178	2816255	11.628
2814984BA	15.306	2815231	9.276	2815517	12.195	2815840	12.178	2816257	10.694
2814984DX	15.306	2815231	10.485	2815522	3.163	2815846	12.810	2816262	12.95
2814984EK	15.306	2815231	12.277	2815529	12.982	2815847	12.810	2816263	12.95
2814985BA	15.306	2815231	13.092	2815538	12.195	2815848	12.810	2816279	4.680
2814985DX	15.306	2815232	11.629	2815541	12.238	2815849	12.810	2816280	4.681
2814985EK	15.306	2815240	11.629	2815544	12.238	2815873	2.041	2816287	11.015
2814986BA	15.306	2815244	7.633	2815551	12.112	2815881	13.090	2816288	11.015
2814986DX	15.306	2815245	2.679	2815551	12.114	2815887	1.652	2816297	10.156
2814986EK	15.306	2815246	3.890	2815551	12.182	2815888	1.653	2816298	10.156
2815007	11.611	2815256	12.581	2815566	12.116	2815892	9.644	2816311	2.822
2815014	10.710	2815257	11.629	2815574	3.710	2815893	9.644	2816312	2.822
2815015	10.710	2815258	11.629	2815575	3.710	2815896	12.958	2816316	12.182
2815016BA	12.580	2815265	10.529	2815579	12.174	2815909	12.942	2816320	11.628
2815041	12.075	2815266	10.529	2815580	12.174	2815914	10.550	2816329	11.015
2815042	12.075	2815269	1.429	2815581	12.174	2815915	3.451	2816330	11.015
2815046	11.611	2815271	2.697	2815582	11.015	2815916	3.451	2816345	12.182
2815047	11.611	2815285	3.609	2815583	11.015	2815917	14.818	2816346	12.182
2815068	10.702	2815290	2.810	2815585	0.659	2815929	10.507	2816349	11.628
2815069	10.702	2815291	12.940	2815586	0.659	2815930	10.507	2816360	12.811
2815074	12.112	2815292	3.001	2815587	0.659	2815949	10.777	2816361	12.811
2815075	12.112	2815293	11.634	2815596	11.634	2815952	2.555	2816370	13.092
2815080	6.524	2815300	12.116	2815615	11.629	2815952	2.596	2816372	10.783
2815081	6.524	2815301	12.582	2815616	11.629	2815952	4.038 U	2816375	12.116
2815093	10.710	2815308	12.116	2815632	10.694	2815952	4.038 V	2816376	12.116
2815094	10.710	2815309	12.116	2815638	9.262	2815956	10.507	2816388	12.934
2815102	1.659	2815310	12.116	2815646	12.948	2815969	12.237	2816389	12.934
2815103	12.248	2815311	12.116	2815647	12.948	2815970	12.237	2816392	2.679
2815104	12.955	2815312	12.116	2815652	12.116	2815972	8.304	2816393	2.679
2815106	11.011	2815313	12.116	2815653	12.116	2815973	12.966	2816394	2.679
2815107	11.011	2815314	12.116	2815664	8.304	2815997	12.116	2816395	2.679
2815109	4.826	2815315	12.116	2815665	8.304	2815998	12.116	2816397	12.948
2815112	11.611	2815324	11.207	2815665CLP	8.304	2816014	8.304	2816398	12.948
2815126	6.606	2815325	11.207	2815666	8.304	2816016	11.007	2816402	11.629
2815127	6.606	2815327	12.179	2815667	8.304	2816021	12.176	2816403	11.629
2815128	6.606	2815341	11.630	2815681	10.516	2816022	12.176	2816404	11.629
2815130	6.606	2815342	11.630	2815685	11.204	2816034	7.370	2816405	11.629
2815131	6.606	2815354	6.508	2815701	9.169	2816043	12.948	2816413	11.629
2815138	0.027	2815355	6.524	2815702	9.275	2816044	12.948	2816415	6.508
2815153	11.629	2815357	4.700	2815703	9.169	2816049	9.171	2816417	6.524
2815162	5.803	2815369	12.195	2815704	9.169	2816058	12.196	2816419	4.177 U
2815185	4.826	2815370	12.195	2815709	9.169	2816059	12.196	2816422	4.177 U
2815186	4.826	2815381	0.852	2815712	9.275	2816060	12.196	2816423	4.177 U
2815187	4.829	2815400	15.101	2815720	11.040	2816073	12.982	2816427	4.158 U
2815188	4.829	2815401	15.101	2815723	7.241	2816083	7.012	2816428	4.158 U
2815189	4.829	2815467	12.180	2815754	12.116	2816108	11.628	2816429	4.187 U
2815190	4.829	2815468	12.180	2815765	11.629	2816116	12.174	2816434	4.153 U

"HX" STATESMAN/HOLDEN PARTS CATALOGUE

PART No.	GROUP	PART No.	GROUP	PART No.	GROUP	PART No.	GROUP	PART No.	GROUP
2816435	4.177U	2816714	12.982	2817044	10.512	2817399	11.041	2817593	0.101
2816438	4.177U	2816719	11.200	2817074	4.006U	2817400	11.041	2817593	0.103
2816441	4.177U	2816728	12.95	2817074	4.006V	2817409	9.262	2817594	0.096
2816442	4.177U	2816729	12.95	2817082	12.986	2817452	10.529	2817594	0.099
2816445	12.982	2816745	12.950	2817083	12.986	2817453	10.529	2817594	0.101
2816448	12.934	2816766	0.830	2817100	11.208	2817456	10.506	2817594	0.103
2816449	12.934	2816796	0.830	2817101	11.208	2817459	11.950	2817595	0.106
2816452	12.958	2816797	11.925	2817113	12.948	2817464	11.925	2817596	0.106
2816456	12.948	2816798	10.563	2817117	12.182	2817465	11.940	2817597	0.106
2816457	12.948	2816850	12.955	2817118	10.694	2817466	11.940	2817599	0.106
2816461	10.710	2816858	13.090	2817119	10.694	2817467	10.783	2817600	0.106
2816469BA	14.686	2816859	13.090	2817120	10.702	2817468	10.783	2817601	0.106
2816469DU	14.686	2816862	12.948	2817121	10.702	2817471DT	15.100	2817627	4.279U
2816469DV	14.686	2816863	12.948	2817122	10.702	2817471DV	15.100	2817631	4.265U
2816469DX	14.686	2816881	9.779	2817123	10.702	2817471DX	15.100	2817632	4.265U
2816469EC	14.686	2816882	4.265U	2817149	0.683	2817471EC	15.100	2817633	4.265U
2816470BA	14.686	2816893	10.500	2817150	10.685	2817472DT	15.100	2817634	4.265U
2816470DU	14.686	2816894	10.500	2817151	10.685	2817472DV	15.100	2817661BA	14.650
2816470DX	14.686	2816908	12.179	2817154	4.685	2817472DX	15.100	2817661DV	14.650
2816470EC	14.686	2816909	12.179	2817155	2.714	2817472EC	15.100	2817661DX	14.650
2816471	11.390	2816919	7.865	2817162	4.006U	2817473	12.277	2817661EC	14.650
2816472	11.390	2816920	12.112	2817163	4.010U	2817474	10.777	2817661FH	14.650
2816487	11.015	2816921	12.112	2817163	4.010V	2817474	12.277	2817673	12.982
2816488	11.015	2816922	12.112	2817164	6.513	2817475	10.777	2817695	10.150
2816489	12.269	2816923	12.112	2817165	12.948	2817475	12.277	2817718BA	14.650
2816491	4.158U	2816924	12.112	2817166	12.948	2817476	12.277	2817718DX	14.650
2816505	10.716	2816925	12.112	2817167	11.208	2817511	11.950	2817718EK	14.650
2816507	4.177U	2816926	12.114	2817168	11.208	2817523	10.777	2817719BA	14.650
2816522	12.95	2816927	12.114	2817171	12.966	2817525	10.777	2817726	12.972
2816523	12.95	2816928	12.114	2817174	12.966	2817530	10.777	2817736	4.009F
2816524	12.95	2816929	12.114	2817224	4.265U	2817531	2.714	2817738	5.002
2816525	12.95	2816930	12.114	2817225	4.265U	2817532	2.714	2817774	4.003U
2816531	10.550	2816931	12.114	2817229	11.015	2817539	10.185	2817779	4.003U
2816532	10.550	2816938BA	14.762	2817230	11.015	2817550	9.211	2817811	2.665
2816544	11.007	2816938DU	14.762	2817244	11.015	2817552	12.956	2817812	2.665
2816545	11.007	2816938DV	14.762	2817245	11.015	2817555	10.777	2817813	2.705
2816546	11.015	2816938DX	14.762	2817246	10.710	2817581	0.094	2817823	15.036
2816547	11.015	2816938EC	14.762	2817247	10.710	2817582	0.094	2817866	13.090
2816548	11.007	2816939BA	14.762	2817256	10.685	2817583	0.094	2817867	13.090
2816549	10.716	2816939DU	14.762	2817257	10.685	2817585	0.094	2817874	4.342A
2816574	4.081V	2816939DV	14.762	2817261	8.820	2817586	0.094	2817874	4.342F
2816587	12.952	2816939DX	14.762	2817265	9.779	2817587	0.094	2817874	4.342U
2816597	11.207	2816939EC	14.762	2817266	2.705	2817588	0.096	2817876	9.169
2816620	12.248	2816944	15.294	2817332	5.871	2817588	0.099	2817877	9.169
2816621	12.248	2816950	10.185	2817337BA	15.100	2817588	0.101	2817879	6.670
2816639	7.013	2816950	10.185	2817337DU	15.100	2817588	0.103	2817884	2.361
2816640	12.948	2816983	7.831	2817337DV	15.100	2817589	0.096	2817915	9.278
2816641	12.948	2816984	10.556	2817337DX	15.100	2817589	0.099	2817925	3.001
2816648BA	15.520	2816985	4.015U	2817337EC	15.100	2817589	0.101	2817926	3.001
2816649BA	15.520	2816987	12.580	2817338BA	15.100	2817589	0.103	2817928	3.001
2816651	11.175	2816988	12.580	2817338DU	15.100	2817590	0.096	2817929	3.001
2816652	11.175	2816992	9.662	2817338DV	15.100	2817590	0.099	2817932	3.001
2816677	13.090	2816992	9.778	2817338DX	15.100	2817590	0.101	2817933	3.001
2816679	4.685	2816992	12.275	2817338EC	15.100	2817590	0.103	2817934	3.001
2816681	12.95	2817008	13.092	2817339	12.95	2817592	0.096	2817935	3.001
2816682	12.95	2817028	4.006U	2817340	12.95	2817592	0.099	2817999	9.280
2816690	0.852	2817028	4.006V	2817346	4.040U	2817592	0.101	2818000	9.280
2816693	12.249	2817035	12.986	2817385	9.644	2817592	0.103	2818001	9.262
2816712	12.248	2817036	12.986	2817385	10.777	2817593	0.096	2818002	9.262
		2817043	10.512	2817390	12.196	2817593	0.099	2818003	9.262

"HX" STATESMAN/HOLDEN PARTS CATALOGUE

PART No.	GROUP	PART No.	GROUP	PART No.	GROUP	PART No.	GROUP	PART No.	GROUP
2818020	10.187	2818628	9.280	2819412	10.373	2819590	3.704	2820209	2.485
2818021	10.187	2818632	9.262	2819413	10.373	2819591	3.704	2820210	3.609
2818022	10.187	2818633	9.262	2819414	10.373	2819593	4.205 V	2820212	3.705
2818023	10.187	2818641	9.211	2819415	10.373	2819595	7.020	2820213	4.005 U
2818024	10.187	2818642	9.262	2819416	10.373	2819600	10.159	2820214	4.005 U
2818028	7.020	2818652	4.015 F	2819417	10.373	2819601	10.159	2820230	4.256 U
2818029	7.020	2818692	9.280	2819418	10.373	2819631	7.016	2820231	4.256 U
2818034	2.555	2818693	9.262	2819419	10.373	2819633CY	12.810	2820233CY	12.810
2818038	4.256 U	2818694	9.262	2819420	10.373	2819633DV	12.810	2820233DV	12.810
2818092	5.545	2818697	9.262	2819421	10.373	2819633DX	12.810	2820233DX	12.810
2818093	5.546	2818731	9.199	2819422	10.373	2819660	9.628	2820233EC	12.810
2818095	6.758	2818785DT	15.310	2819423	12.913	2819661	9.628	2820233EU	12.810
2818096	6.758	2818785DV	15.310	2819424	12.913	2819662	9.628	2820233EV	12.810
2818129DT	15.100	2818785DW	15.310	2819426	9.628	2819693BA	14.650	2820233FH	12.810
2818129DV	15.100	2818785DX	15.310	2819427	9.628	2819694BA	14.650	2820259BA	4.592
2818129DX	15.100	2818785EC	15.310	2819428	9.628	2819694DV	14.650	2820259DX	4.592
2818129EC	15.100	2818819	9.170	2819429	9.628	2819694DX	14.650	2820259EC	4.592
2818130DT	15.100	2818853	6.897	2819430	9.628	2819694EC	14.650	2820260	9.664
2818130DV	15.100	2818894	2.679	2819431	9.628	2819696	0.643	2820271	4.829
2818130DX	15.100	2818897	3.798	2819432	15.002	2819697	0.643	2820272	9.658
2818130EC	15.100	2818911	9.220	2819434	15.002	2819698	0.643	2820277	9.658
2818131	11.420	2818929	0.519	2819458	0.289	2819699	0.643	2820281	2.700
2818132	11.420	2818981	15.002	2819462	0.095	2819700	10.146	2820283	4.038 U
2818151	5.586	2818984	9.276	2819462	0.098	2819701	10.147	2820283	4.038 V
2818154	9.220	2818985	9.276	2819462	0.100	2819702	10.147	2820284	4.038 U
2818181	10.506	2819001	4.030	2819462	0.102	2819720	5.017	2820284	4.038 V
2818188	3.609	2819015	10.485	2819472	1.429	2819724	5.017	2820285	4.038 U
2818189	3.609	2819015	10.777	2819473	1.159	2819726	5.018	2820285	4.038 V
2818190	3.705	2819072	10.485	2819474	1.159	2819728	5.018	2820286	4.038 U
2818191	3.705	2819072	10.777	2819505	0.629	2819771	2.270	2820286	4.038 V
2818195	4.041 U	2819075	4.055 U	2819506	0.629	2819802	7.640	2820294	7.112
2818198	3.710	2819098	0.643	2819507	0.629	2819807	4.054 U	2820295	7.112
2818200	12.810	2819099	0.643	2819508	0.629	2819807	4.054 V	2820311	4.055 U
2818201	12.810	2819100	0.643	2819509	0.629	2819819	9.644	2820311	4.055 V
2818202	12.810	2819101	0.643	2819510	0.629	2819820	3.001	2820345	5.517
2818203	12.810	2819164	10.466	2819511	0.629	2819855	4.081 A	2820346	9.620
2818329	7.345	2819165	10.466	2819512	0.629	2819855	4.081 F	2820347	9.620
2818345	7.240	2819169	12.116	2819513	0.629	2819855	4.081 U	2820350	9.620
2818388	9.215	2819170	12.116	2819514	0.629	2819856	4.081 A	2820351	9.620
2818403	10.777	2819177	9.281	2819515	0.629	2819856	4.081 F	2820352	9.620
2818403	12.277	2819178	9.281	2819516	0.629	2819856	4.081 U	2820353	9.620
2818405	2.694	2819179	9.281	2819517	0.629	2819937	7.345	2820354	3.704
2818406	3.706	2819181	9.281	2819518	0.629	2819950	4.655	2820382	9.644
2818413	10.563	2819184	7.016	2819519	0.629	2819992	11.208	2820392	9.656
2818414	10.563	2819200	12.112	2819520	0.629	2820035	3.003	2820398	12.009
2818456	9.779	2819201	12.112	2819521	0.629	2820037	3.003	2820398	12.030
2818466	11.573	2819202	12.075	2819522	0.629	2820053	3.024	2820426	7.535
2818476	6.361	2819203	12.075	2819523	0.629	2820055	3.003	2820429	2.725
2818478	6.361	2819239	14.860	2819524	0.629	2820056	3.024	2820455	3.705
2818480	6.361	2819259	7.003	2819525	0.629	2820057	3.024	2820471	3.260
2818481	6.361	2819263	7.003	2819526	0.629	2820060	3.001	2820472	3.260
2818482	6.361	2819278	9.278	2819527	0.629	2820087	7.118	2820473	3.261
2818484	6.361	2819283	12.803	2819528	0.629	2820110	4.265 U	2820478	3.609
2818485	7.503	2819316	3.120	2819529	0.629	2820111	2.361	2820480	1.064
2818487	7.503	2819324	10.185	2819530	0.629	2820115	12.810	2820482	3.609
2818488	7.503	2819332	7.020	2819531	0.629	2820116	12.810	2820505	2.270
2818500	7.345	2819384	15.002	2819532	0.629	2820166	12.982	2820507	4.156 U
2818506	4.700	2819409	12.895	2819576	7.020	2820200	9.620	2820510	15.222
2818540	4.041 V	2819410	12.895	2819577	7.020	2820201	9.620	2820513	9.280
2818587	10.155	2819411	10.373	2819589	3.704	2820206	5.420	2820516	5.387

"HX" STATESMAN/HOLDEN PARTS CATALOGUE

PART No.	GROUP	PART No.	GROUP	PART No.	GROUP	PART No.	GROUP	PART No.	GROUP
2820517CY	15.100	2820830	3.260	2822498	10.681	2822917	4.006 F	2823546	7.836
2820517DT	15.100	2820844	2.424	2822500	10.741	2822920	9.616	2823547	7.836
2820517DU	15.100	2820848	9.220	2822501	10.741	2822921	9.616	2823548	7.836
2820517DV	15.100	2820857	4.256 U	2822502	10.741	2822924	4.591	2823549	7.836
2820517DX	15.100	2820888	4.233 U	2822503	10.741	2822933	4.103 A	2823557	2.585
2820517DZ	15.100	2820892	9.779	2822504	10.741	2822944	4.196 U	2823558	2.585
2820517EE	15.100	2820894	9.220	2822505	10.741	2822947	3.260	2823559	1.266
2820518CY	15.100	2820894	9.779	2822513	10.827	2822948	3.260	2823579BA	15.520
2820518DT	15.100	2820899	3.701	2822514	10.827	2822994	6.760	2823586	3.710
2820518DU	15.100	2820903	7.523	2822515	10.827	2823058	3.003	2823587	3.710
2820518DV	15.100	2820930	0.423	2822516	10.827	2823076BA	15.520	2823588	3.710
2820518DX	15.100	2820994	4.158 U	2822517	10.827	2823076DU	15.520	2823598	10.222
2820518DZ	15.100	2820996	6.020	2822518	10.827	2823076DV	15.520	28235991	10.222
2820518EE	15.100	2820997	6.020	2822519	11.204	2823076DX	15.520	2823630	3.003
2820520BA	14.640	2821867	9.195	2822520	11.204	2823076EC	15.520	2823630	3.202
2820520DV	14.640	2822013	3.710	2822521	11.204	2823076FH	15.520	2823652	5.803
2820520DX	14.640	2822032	3.158	2822522	11.011	2823098	5.871	2823661	2.727
2820520EC	14.640	2822055	9.171	2822523	11.011	2823196	12.803	2823664	7.016
2820522DT	15.308	2822065	4.177 U	2822524	11.011	2823197	12.803	2823665	7.016
2820522DV	15.308	2822078	6.896	2822525	11.011	2823213BA	10.203	2823666	7.016
2820522DX	15.308	2822091	4.040 V	2822526	11.204	2823213DV	10.203	2823667	4.223 U
2820522EC	15.308	2822093	4.041 V	2822527	11.204	2823213DX	10.203	2823750	9.276
2820523DT	15.308	2822140	13.090	2822614	2.819	2823213EC	10.203	2823803	4.651
2820523DV	15.308	2822149	3.158	2822620	9.275	2823214BA	10.203	2823805	10.694
2820523DX	15.308	2822163	4.006 U	2822623	9.220	2823214DV	10.203	2823806	10.694
2820523EC	15.308	2822224BA	14.640	2822623	9.779	2823214DX	10.203	2823821	13.090
2820524DT	15.100	2822224DV	14.640	2822624	9.220	2823214EC	10.203	2823839	1.064
2820524DV	15.100	2822224DX	14.640	2822625	9.220	2823215BA	10.203	2823840	1.064
2820524DX	15.100	2822224EC	14.640	2822625	9.779	2823215DV	10.203	2823841	1.064
2820524EC	15.100	2822252	11.611	2822626	9.281	2823215DX	10.203	2823849	5.816
2820525DT	15.100	2822256	9.779	2822627	9.281	2823215EC	10.203	2823884	9.680
2820525DV	15.100	2822269	3.003	2822642	15.025	2823216BA	10.203	2823933	9.644
2820525DX	15.100	2822280	14.641	2822647	7.503	2823216DV	10.203	2823973	9.262
2820525EC	15.100	2822281	15.024	2822668	8.013	2823216DX	10.203	2823981	1.108
2820527	3.705	2822318	9.779	2822679	9.220	2823216EC	10.203	2823988	1.069
2820528	4.433 F	2822319	9.220	2822679	9.779	2823265	8.800	2823991	1.270
2820530	5.110	2822319	9.779	2822693DV	14.640	2823266	8.800	2824011	9.644
2820531	5.110	2822329	3.159	2822693DX	14.640	2823270	9.680	2824013	9.644
2820575	11.374	2822331	12.196	2822708	9.220	2823271	10.187	2824038	3.110
2820609CY	15.024	2822332	12.196	2822709	9.220	2823272	9.680	2824074	2.555
2820609DT	15.024	2822340	7.632	2822709	9.779	2823273	9.680	2824076	2.555
2820609DU	15.024	2822348	3.001	2822721	12.582	2823360	7.524	2824090	9.220
2820609DV	15.024	2822349	3.001	2822733CL	9.684	2823374	7.632	2824090	9.779
2820609DX	15.024	2822350	3.001	2822733TN	9.684	2823393	3.710	2824108	9.220
2820609DZ	15.024	2822351DT	15.025	2822734CL	9.684	2823408	9.680	2824144	4.829
2820609EC	15.024	2822351DV	15.025	2822734TN	9.684	2823409	11.925	2824146	12.243
2820609EE	15.024	2822351DX	15.025	2822755	8.823	2823409	11.940	2824147	12.243
2820619	11.940	2822351EC	15.025	2822798	2.270	2823409	13.090	2824239	12.243
2820670	7.345	2822353	9.665	2822856	9.668	2823409	13.092	2824252	12.243
2820671	7.345	2822464BA	15.306	2822857	9.668	2823410	11.925	2824254	11.373
2820681	4.163 U	2822464DX	15.306	2822858	9.668	2823410	11.940	2824255	2.585
2820683	12.972	2822464EK	15.306	2822870	4.040 V	2823470	7.016	2824280	1.064
2820687	7.345	2822465BA	15.306	2822871	4.040 V	2823473	7.831	2824303	4.279 U
2820688	7.345	2822465DX	15.306	2822872	4.040 V	2823480	10.185	2824332	11.960
2820694	4.421 F	2822465EK	15.306	2822873	4.040 V	2823491	0.027	2824332	13.090
2820696	4.415 F	2822480	4.680	2822874	4.040 V	2823492	9.680	2824362	4.649
2820777	4.265 U	2822485	8.800	2822896	10.185	2823493	10.187	2824366	11.630
2820778	4.265 U	2822488	3.003	2822913	8.130	2823494	10.187	2824384	9.644
2820816	1.251	2822489	3.003	2822914	8.130	2823499	7.014	2824451	4.265 U
2820823	10.187	2822497	10.681	2822916	4.680	2823509	1.266	2824463	3.705

"HX" STATESMAN/HOLDEN PARTS CATALOGUE

PART No.	GROUP	PART No.	GROUP	PART No.	GROUP	PART No.	GROUP	PART No.	GROUP
2824464	3.705	2825541	5.855	2962448	10.163	2977763	4.055V	3774937	3.107
2824526	5.809	2825542	5.420	2962448	10.270	2977763	12.277	3775050	4.376A
2824526	6.307	2825573	12.972	2962448	10.777	2984163	2.555	3775050	4.376F
2824541	1.073	2825609	9.190	2962448	12.277	2984169	2.555	3775052	4.376A
2824553	1.069	2825622	3.705	2962448	13.090	2984528	2.555	3775052	4.376F
2824609	4.015 U	2825634	7.535	2962449	2.555	2984528	9.778	3775061	4.428A
2824609	4.015 V	2825635	5.395	2962449	2.694	2984883	10.485	3775061	4.428F
2824613	12.243	2825652	5.395	2962449	9.644	2989877	2.555	3775063	4.423A
2824649	6.758	2825687	6.670	2962449	10.777	3004686	9.779	3775063	4.423F
2824700	4.685	2825700	8.154	2962510	13.090	3011293	9.779	3775089	4.382A
2824711	4.685	2825748	6.361	2962551	2.555	3015545	9.215	3775089	4.382F
2824718	6.524	2825749	6.361	2962679	2.555	3016305	9.211	3784609	4.226 U
2824742	7.345	2825750	6.361	2962679	4.055 U	3017086	9.213	3784834	0.626
2824743	7.345	2825751	7.503	2962679	4.055 V	3023863	1.150	3786275	3.120
2824768	7.518	2825752	7.503	2962910	2.555	3024924	1.150	3786275	3.163
2824769	7.518	2825753	7.503	2962910	10.163	3027062	9.215	3786276	3.120
2824784	5.803	2825773	6.518	2962964	2.596	3027134	9.215	3786276	4.710
2824813	5.387	2825774	6.518	2962964	10.777	3027222	4.265 V	3787240	4.103A
2824820	10.187	2825784	8.800	2962965	2.555	3028858	3.120	3788444	1.429
2824884	9.644	2825811	12.030	2962967	2.555	3030951	3.670	3789860	0.033
2824886	9.644	2825815	10.027	2962967	4.055 U	3062269	10.777	3789860	0.553
2824896	15.294	2825822	10.027	2962967	4.055 V	3140600	9.220	3789898	3.273
2824950	9.778	2825823	10.027	2962967	9.276	3140852	9.220	3792359	9.170
2824951	9.778	2825827	12.045	2962969	2.555	3147463	9.213	3793825	9.220
2824954	2.342	2825869	3.265	2962969	9.644	3150822	9.262	3798256	0.831
2824955	2.341	2825882	0.519	2962969	10.777	3176207	7.347	3798256	4.626
2824959	9.662	2825954	3.603	2962969	13.090	3427059	9.779	3799830	4.156 U
2824999	3.003	2825988	4.430 F	2962984	2.555	3427100	9.190	3805921	4.256 U
2825019	2.274	2829736	9.779	2962984	2.596	3428703	11.204	3814026	3.603
2825077	7.020	2829913	11.610	2962984	9.648	3697750	12.116	3820840	4.104 U
2825090	10.563	2829914	11.611	2962984	9.778	3702366	1.609	3826039	4.710
2825091	4.279 U	2829915	11.611	2962984	12.277	3706737	9.170	3828882	3.120
2825091	4.294 U	2829916	11.611	2962984	13.090	3707189	4.412A	3829058	1.762
2825121	11.373	2829917	11.611	2965073	9.276	3707189	4.412F	3829086	3.275
2825167	7.003	2829932	2.555	2965481	13.090	3708408	3.403	3829139	4.195 U
2825168	7.003	2829973	11.611	2965736	2.251	3710497	3.120	3829139	4.195 V
2825169	7.014	2829974	11.610	2965987	2.258	3710497	4.128 U	3829471	3.120
2825170	7.013	2829981BA	14.762	2971627	12.277	3710497	4.128 V	3831716	4.309A
2825171	7.012	2829981DV	14.762	2973172	9.644	3711176	0.309	3831716	4.309F
2825172	7.003	2829981DX	14.762	2973172	9.779	3713379	0.027	3835215	8.800
2825173	7.003	2829981EC	14.762	2973172	10.777	3714792	5.545	3835487	3.275
2825174	7.016	2829982BA	14.762	2973172	13.090	3717682	4.317A	3835665	1.758
2825175	7.016	2829982DV	14.762	2973345	13.092	3717682	4.317F	3835946	0.209
2825179	8.820	2829982DX	14.762	2973407	2.555	3717682	4.317 U	3836540	8.800
2825180	8.820	2829982EC	14.762	2973407	9.276	3719206	1.426	3836710	3.275
2825256	11.950	2962243	4.055 U	2973431	2.697	3719206	3.900	3836710	6.606
2825271	3.731	2962243	4.055 V	2973431	4.055 U	3730562	15.282	3836755	0.308
2825280	7.345	2962243	11.960	2973431	4.055 V	3749084	0.839	3837115	1.610
2825280	8.823	2962243	13.090	2973603	9.644	3749084	4.008 V	3840818	9.220
2825323CY	2.830	2962447	11.950	2973603	10.777	3749084	4.019A	3843020	9.220
2825323DX	2.830	2962448	2.515	2973603	13.090	3749084	4.020A	3845648	1.066
2825323EK	2.830	2962448	2.555	2973781	10.485	3749084	4.035F	3848255	1.066
2825325	3.701	2962448	2.810	2977253	2.408	3749084	4.040 U	3850581	9.171
2825388	2.822	2962448	2.830	2977253	2.555	3749084	4.040 V	3857018	12.966
2825480	2.275	2962448	4.055 U	2977253	9.778	3749086	1.246	3861040	7.371
2825523	2.830	2962448	4.055 V	2977470	10.485	3750685	3.163	3869858	3.120
2825526	9.644	2962448	9.275	2977470	10.777	3752901	5.545	3888457	1.066
2825528	4.009 U	2962448	9.276	2977471	10.777	3760716	9.281	3894701	5.537
2825528	4.009 V	2962448	9.644	2977673	12.277	3770112	4.830	3894702	5.537
2825536	8.154	2962448	9.648	2977763	4.055 U	3770598	2.363	3894703	5.537

"HX" STATESMAN/HOLDEN PARTS CATALOGUE

PART No.	GROUP	PART No.	GROUP	PART No.	GROUP	PART No.	GROUP	PART No.	GROUP
3894704	5.537	4110664	10.556	5045673	10.784	5258166	4.226U	5258578	4.265U
3894705	5.537	4150462	10.466	5045673	10.792	5258179	4.265U	5258580	4.265U
3894706	5.537	4157887	10.783	5045674	10.784	5258180	4.265U	5258582	4.265U
3894707	5.537	4157887	10.791	5045674	10.792	5258181	4.265U	5258584	4.265U
3894708	5.537	4157887	11.041	5098080	12.280	5258183	4.228U	5258600	4.265U
3894709	5.537	4157887	12.272	5232765	0.459	5258185	4.233U	5258805	4.265U
3894710	5.537	4158116	12.207	5250043	9.614	5258190	4.251U	5258807	4.265U
3894711	5.537	4158117	12.207	5250043BLU	9.614	5258191	4.103U	5258850	4.226U
3894712	5.537	4158245	10.783	5250043BLW	9.614	5258193	4.265U	5258939	4.226U
3894713	5.537	4158245	10.791	5250043GRN	9.614	5258199	4.318U	5258989	4.163U
3894714	5.537	4158245	11.042	5250043R	9.614	5258202	4.129U	5258990	4.163U
3894715	5.537	4158245	12.272	5257956	5.531	5258203	4.129U	5259609	4.177U
3894716	5.537	4158246	10.783	5258002	4.166U	5258204	4.129U	5259667	4.128U
3894717	5.537	4158246	10.791	5258004	4.166U	5258205	4.129U	5289527	2.258
3894718	5.537	4158246	11.042	5258005	4.166U	5258206	4.129U	5290441	2.258
3894719	5.537	4158246	12.272	5258017	4.163U	5258207	4.129U	5297727	10.485
3895904	9.281	4168122	10.513	5258019	4.163U	5258212	4.265U	5297727	10.777
3895976	9.220	4168122	10.797	5258021	4.189U	5258213	4.265U	5297797	4.055U
3896934	0.309	4171918	10.783	5258025	4.163U	5258216	4.265U	5297797	4.055V
3901061	10.550	4171918	10.791	5258035	4.163U	5258219	4.226U	5297797	13.090
3901061	12.248	4171918	11.041	5258038	4.165U	5258240	4.265U	5452315	4.653
3901062	10.550	4304426	11.581	5258039	4.165U	5258243	4.265U	5452322	4.652
3901062	12.248	4436814	11.015	5258041	4.166U	5258244	4.265U	5452519	4.656
3901063	10.550	4465224	10.571	5258042	4.166U	5258253	4.279U	5452520	4.655
3901063	12.248	4469196	10.571	5258043	4.166U	5258275	4.103U	5453620	4.654
3901064	10.550	4469197	10.571	5258054	4.177U	5258276	4.103U	5454797	5.158
3901064	12.248	4491086	11.007	5258055	4.177U	5258285	4.163U	5454798	5.158
3901065	10.550	4491087	10.685	5258057	4.163U	5258286	4.294U	5455421	4.669
3901065	12.248	4491087	11.007	5258058	4.163U	5258289	4.166U	5455481	4.667
3903539	9.190	4491088	10.685	5258062	4.294U	5258293	4.156U	5460195	4.654
3905449	4.133V	4491088	11.007	5258065	4.177U	5258329	4.256U	5462635	4.654
3909982	3.459	4491090	11.007	5258066	4.177U	5258333	4.265U	5462637	4.657
3911068	0.303	4493796	12.275	5258076	4.295U	5258338	4.265U	5462642	4.657
3911670	1.066	4556605	11.420	5258082	4.294U	5258338	4.279U	5463805	4.251U
3919812	3.403	4556605	11.611	5258087	4.177U	5258339	4.212U	5464418	4.653
3922831	10.266	4556605	11.629	5258090	4.129U	5258340	4.265U	5464424	4.655
3924414	3.430	4566746	10.806	5258091	4.129U	5258342	4.256U	5467356	4.656
3925749	9.220	4576655	10.506	5258093	4.128U	5258344	4.226U	5574397	1.837
3927791	1.064	4576655	10.507	5258094	4.128U	5258350	4.153U	5575416	1.837
3929530	2.408	4576655	10.556	5258095	4.153U	5258351	4.158U	5592046	3.906
3932255	4.317A	4576655	12.241	5258100	4.127U	5258383	4.256U	5592850	3.902
3932255	4.317F	4587931	10.550	5258106	4.127U	5258484	4.317U	5592851	3.921
3932255	4.317U	4649282	12.237	5258109	4.166U	5258493	4.337F	5592852	3.921
3934137	10.266	4770719	10.695	5258116	4.128U	5258493	4.337U	5593301	3.902
3934260	8.009	4780518	12.248	5258119	4.226U	5258494	4.337U	5593404	3.904
3937781	1.050	4839529	10.559	5258121	4.128U	5258509	4.265U	5593866	3.909
3942672	9.199	4849850	9.275	5258124	4.164U	5258528	4.163U	5623374	3.909
3947772	1.064	4884405	10.553	5258128	4.158U	5258543	4.166U	5651393	3.787
3948963	4.156V	4887072	12.187	5258129	4.158U	5258545	4.177U	5666683	6.527
3970076	3.120	4904213	12.280	5258130	4.224U	5258547	4.256U	5666693	6.530
3974420	4.133V	4905337	12.280	5258132	4.128U	5258547	4.265U	5666887	6.842
3979727	9.275	4913821	12.280	5258137	4.158U	5258553	4.177U	5666888	6.843
3980267	0.209	4917377	12.280	5258140	4.226U	5258554	4.177U	5667628	6.861
3987930	4.156V	4919192	11.043	5258143	4.226U	5258555	4.177U	5671921	6.524
3987936	4.354A	4960538	9.215	5258145	4.265U	5258563	4.233U	5675186	6.524
3987936	4.354F	5045585	10.784	5258158	4.103U	5258564	4.233U	5679626	6.168
3996286	2.408	5045585	11.043	5258159	4.127U	5258566	4.233U	5679629	6.168
3996287	2.408	5045586	10.784	5258160	4.265U	5258569	4.228U	5687898	6.614
4110660	10.466	5045586	11.043	5258161	4.226U	5258572	4.233U	5688011	6.610
4110664	10.506	5045641	12.280	5258166	4.040V	5258574	4.337F	5688014	6.609

"HX" STATESMAN/HOLDEN PARTS CATALOGUE

PART No.	GROUP	PART No.	GROUP	PART No.	GROUP	PART No.	GROUP	PART No.	GROUP
5688015	6.635	6414278	3.921	7030735	3.440	7040699	3.806	7401768	11.420
5688034	6.612	6414391	3.921	7030758	3.130	7041169	3.779	7401768	11.611
5688035	6.674	6415453	3.902	7031105	3.763	7041344	3.130	7401768	11.629
5688037	6.612	6416345	3.910	7031231	3.791	7042457	3.741	7402029	0.870
5688043	6.612	6416623	3.920	7031365	3.776	7042653	3.444	7402119	11.634
5688044	6.609	6420265	3.410	7031925	3.799	7042654	3.444	7402119	12.241
5688047	6.610	6421976	1.762	7031968	3.754	7043051	3.670	7402364	12.248
5688049	6.674	6424450	3.415	7031977	3.754	7043367	3.796	7402366	12.248
5688109	6.635	6424498	3.415	7032324	3.776	7043634	3.735	7402384	12.247
5689351	6.630	6424750	3.415	7032508	3.787	7043715	3.130	7403873	10.556
5689352	6.630	6437746	4.223V	7032732	3.787	7044041	3.670	7405107	3.767
5689357	6.608	6438851	4.224V	7033747	3.772	7044794	3.737	7405109	2.515
5689358	6.612	6484245	3.415	7033751	3.771	7045665	3.789	7405109	3.751
5689359	6.612	6484435	3.415	7033752	3.773	7045823	3.735	7405112	3.773
5689388	6.614	6486638	3.415	7034320	3.806	7045983	3.806	7405118	3.789
5689546	6.606	6487779	1.762	7034356	3.787	7046766	3.724	7405120	3.792
5690732	6.524	6490887	2.408	7034361	3.762	7046819	3.796	7405121	3.792
5690857	6.611	6494725	4.710	7034522	3.806	7047493	3.799	7405122	3.791
5690858	6.610	6495870	4.720	7034850	3.806	7048169	3.780	7405124	3.791
5690977	6.524	6550835	9.175	7034903	3.788	7048532	3.741	7405125	3.791
5693014	6.635	6555320	9.188	7034975	3.787	7049826	3.787	7405131	3.757
5693027	6.870	6555328	9.175	7035130	3.771	7077093	2.333	7405136	3.784
5694191	6.521	6555329	9.181	7035142	3.771	7084112	7.243	7405138	3.783
5696245	6.635	6555330	9.175	7035199	3.735	7100321	11.374	7405139	3.787
5697702	6.861	6555338	9.181	7035344	3.780	7139364	2.384	7405140	3.736
5699251	6.524	6555384	9.181	7035523	3.735	7175429	2.555	7405140	3.778
5699603	6.521	6555385	9.170	7035772	3.735	7175429	13.092	7405140	3.783
5713260	12.248	7000614	3.796	7035790	3.748	7187392	9.779	7405141	3.778
5718404	12.272	7002117	3.760	7035998	3.735	7308858	9.275	7405144	3.756
5887997	9.170	7002121	3.734	7036019	3.788	7308915	9.779	7405145	3.784
5910594	9.198	7002760	3.796	7036021	3.789	7312579	9.262	7405146	3.757
5910745	9.213	7003176	3.734	7036067	3.798	7376637	12.186	7405147	3.772
5910775	9.170	7005109	3.798	7036425	3.764	7377884	14.655	7405153	3.783
5914719	9.188	7005109	3.799	7036430	3.791	7377884	14.685	7405156	3.775
5914730	9.180	7006092	10.550	7036565	3.724	7377884	14.760	7405158	3.767
6255523	0.626	7011270	3.796	7036948	3.796	7377884	14.803	7405159	3.784
6255641	4.133U	7011479	3.742	7037314	3.779	7377884	15.100	7405160	3.782
6255641	4.133V	7014699	3.763	7037316	3.773	7382324	11.015	7405162	3.787
6256437	4.764	7019709	3.797	7037317	3.775	7382325	11.015	7405165	3.729
6256636	2.362	7021697	3.130	7037319	3.762	7400144	8.077	7405165	3.789
6270078	1.123	7024281	3.787	7037569	3.791	7400162	4.265U	7405166	3.763
6288538	2.555	7026014	3.130	7037968	3.780	7400162	4.352A	7405166	3.795
6288538	10.485	7026138	3.783	7038167	3.799	7400162	4.352F	7405167	3.763
6288538	10.777	7026339	3.799	7038239	3.799	7400181	4.103A	7405167	3.795
6288539	2.555	7027270	3.798	7038259	3.791	7400181	4.103F	7405170	3.775
6288539	10.485	7028046	3.130	7038269	3.798	7400181	5.400	7405562	2.370
6288539	10.777	7029038	3.787	7038282	3.791	7400256	4.317A	7405590	2.083
6288909	10.485	7029087	3.765	7038285	3.797	7400256	4.317F	7405604	2.108
6288909	10.777	7029249	3.787	7038298	3.735	7400256	5.504	7405613	2.372
6294016	9.276	7029849	3.760	7038301	3.791	7400279	5.543	7405614	2.372
6294142	2.555	7029856	3.775	7038305	3.799	7400280	5.542	7405615	2.372
6294142	9.778	7029862	3.810	7038581	3.799	7401111	1.154	7405633	2.316
6294142	10.777	7029866	3.789	7038808	3.796	7401296	0.033	7405638	2.410
6294142	11.950	7029866	3.791	7038967	3.799	7401304	0.683	7405645	2.102
6294206	11.950	7029899	3.737	7039188	3.725	7401304	4.103U	7405703	2.280
6294643	2.555	7029900	3.737	7039314	3.725	7401651	7.347	7405754	5.019
6413700	3.925	7029912	3.763	7040100	3.799	7401651	12.277	7406004	0.683
6413712	3.922	7030567	3.444	7040163	3.788	7401662	2.555	7406004	4.103U
6413724	3.926	7030602	3.444	7040498	3.788	7401662	2.714	7406032	10.155
6413726	3.926	7030677	3.735	7040691	3.778	7401768	11.374	7406323	2.387

"HX" STATESMAN/HOLDEN PARTS CATALOGUE

PART No.	GROUP	PART No.	GROUP	PART No.	GROUP	PART No.	GROUP	PART No.	GROUP
7406323	2.500	7415042	9.779	7420114	0.666	7421939	2.363	7424840	8.024
7406618	2.063	7415204	5.387	7420118	0.669	7422512	8.800	7424849	8.143
7406701	3.771	7415519	9.787	7420124	0.439	7422731	5.545	7424850	8.143
7406742	2.385	7415559	8.085	7420128	0.679	7422733	5.546	7424914	12.242
7406835	2.108	7415654	4.685	7420137	0.293	7422734	5.586	7424915	12.242
7406859	2.100	7415658	3.120	7420138	0.269	7422739	3.410	7424918	12.237
7406900	2.387	7415943	3.900	7420151	3.273	7422779	2.170	7424919	12.237
7406900	2.500	7415999	12.186	7420172	0.296	7422780	2.170	7424922	12.237
7407400	5.539	7416288	2.705	7420173	0.296	7423203	7.852	7424923	12.237
7407782	12.241	7416288	11.950	7420174	0.296	7423279	5.529	7425039	8.800
7407811	11.634	7416898	10.516	7420175	0.297	7423284	1.153	7425228	8.800
7407811	12.241	7417028	8.800	7420176	0.297	7423304	5.188	7425229	8.800
7408094	5.460	7417270	12.203	7420177	0.297	7423305	3.202	7425230	8.800
7408095	5.460	7417271	12.203	7420240	3.763	7423454	2.239	7425234	8.800
7408096	5.460	7417272	12.203	7420254	3.797	7423483	1.453	7425272	10.150
7408097	5.460	7417423	12.212	7420311	0.666	7423483	4.195 U	7425330	8.800
7408098	5.460	7417478	2.892	7420312	0.669	7423499	12.187	7425360	8.800
7408099	5.460	7417490	1.611	7420335	3.771	7423613	1.643	7425610	12.184
7408100	5.460	7417580	12.203	7420345	0.033	7423613	2.374	7425653	5.460
7408627	12.186	7417652	4.045 F	7420405	11.204	7423616	0.536	7425671	12.112
7408725	10.506	7417652	4.046 A	7420418	12.237	7423709	3.003	7425671	12.116
7408725	12.241	7417652	4.050 A	7420419	12.241	7424068	8.024	7426095	12.247
7409058	6.830	7417686	4.265 V	7420476	2.333	7424198	2.824	7426096	12.249
7409160	0.798	7418439	4.035 F	7420492	12.237	7424228	8.085	7426097	12.249
7409209	7.800	7418445	12.182	7420598	11.207	7424249	8.024	7426098	12.247
7409209	12.966	7418449	10.777	7420687	3.901	7424249	11.634	7426099	12.248
7409643	3.521	7418525	12.972	7420688	3.925	7424387	7.800	7426100	12.248
7409643	12.243	7418544	4.610	7420715	4.666	7424387	12.182	7426101	12.247
7410046	4.680	7418548	5.504	7420762	5.151	7424398	12.237	7426103	12.247
7410794	5.043	7418624	12.241	7420798	0.649	7424550	3.763	7426138	3.403
7410830	12.972	7418625	12.241	7420831	12.952	7424551	3.780	7426190	12.247
7410830	14.685	7418703	2.515	7420837	12.184	7424555	3.779	7426194	12.195
7410830	14.760	7418703	2.714	7420847	2.087	7424617	3.731	7426211	3.201
7410830	15.100	7418703	7.347	7420850	2.306	7424617	3.781	7426303	9.743
7411267	12.247	7418802	4.610	7420853	2.298	7424618	3.731	7426308	12.237
7411849	4.662	7418929	4.610	7420876	12.203	7424618	3.781	7426309	12.237
7411921	5.517	7419016	3.003	7420877	12.203	7424631	2.087	7426356	10.155
7412113	10.156	7419064	1.928	7421049	4.081 A	7424633	2.096	7426387	2.555
7413031	13.092	7419196	10.556	7421049	4.081 F	7424644	2.049	7426387	12.277
7413032	10.777	7419355	12.240	7421049	4.081 U	7424645	2.049	7426400	12.182
7413032	13.092	7419480	11.629	7421049	4.081 V	7424647	2.083	7426400	12.248
7413223	10.783	7419554	12.804	7421214	0.636	7424648	2.108	7426400	12.942
7413223	10.791	7419667	3.403	7421381	10.150	7424649	2.108	7426400	14.651
7413223	11.041	7419668	3.403	7421634	5.531	7424652	2.043	7426417	2.555
7413370	2.555	7420001	1.429	7421641	5.536	7424653	2.086	7426417	2.810
7413370	4.055 U	7420004	0.207	7421644	5.484	7424657	2.067	7426417	9.778
7413370	4.055 V	7420011	1.658	7421647	5.506	7424660	2.051	7426417	10.270
7413370	9.276	7420016	1.724	7421649	5.545	7424661	2.053	7426417	11.950
7413370	12.243	7420017	1.654	7421650	5.537	7424665	2.063	7426417	11.960
7413400	5.858	7420025	0.728	7421664	5.453	7424666	2.077	7426417	13.092
7413406	6.311	7420026	0.738	7421668	5.545	7424669	2.100	7426453	12.272
7413409	6.313	7420034	0.519	7421670	5.447	7424678	2.102	7426584	3.932
7413721	12.242	7420066	1.073	7421673	0.027	7424679	2.102	7426600	12.272
7413722	12.242	7420068	1.109	7421673	5.506	7424685	2.316	7426738	12.237
7414105	15.036	7420069	1.079	7421673	9.171	7424746	2.372	7426772	5.107
7414620	2.555	7420070	1.069	7421765	3.112	7424749	2.387	7426773	5.107
7414906	3.275	7420071	0.296	7421813	5.505	7424753	2.382	7426774	5.103
7414969	2.342	7420072	0.297	7421827	1.268	7424757	2.500	7426775	5.103
7414969	2.555	7420086	0.623	7421877	0.449	7424765	3.003	7426776	5.103
7414969	9.275	7420106	0.056	7421890	12.242	7424836	5.110	7426777	5.103

"HX" STATESMAN/HOLDEN PARTS CATALOGUE

PART No.	GROUP	PART No.	GROUP	PART No.	GROUP	PART No.	GROUP	PART No.	GROUP
74267785.103	742995513.090	743184112.212	743348812.112	74342664.342A
742687312.247	74299664.382F	743185912.030	743348812.116	74342664.342F
74268748.800	74299994.355A	743195810.262	74336311.453	74342664.342U
742687512.249	74299994.355F	74319923.616	74336314.195U	74342664.342V
742687912.249	743004210.185	74319933.616	74336331.453	74343074.421A
74268802.585	743009112.184	74320302.487	74336334.195U	74343084.418A
74269091.611	74300960.679	74321475.026	74337010.830	74343124.685
74269371.723	74300990.796	74322354.081A	74337373.616	743436812.203
742728812.237	74301364.309A	74322354.081F	74337373.706	743436912.203
742730612.237	74301364.309F	74322354.081U	74337383.616	743438211.207
74273433.783	74301834.740	74322364.081A	74337383.706	74344524.342A
742739212.203	74302700.289	74322364.081F	74337674.318A	74344524.342F
74274180.748	74304102.274	74322364.081U	74337684.317A	74344524.342U
742749512.956	74304440.616	743232610.152	74337694.109A	74344652.697
742750412.811	74304450.616	743233610.466	74337694.109F	74345104.931
742750512.811	74304460.616	743242310.783	74337724.311A	743456210.559
74276251.516	74304480.616	74326385.510	74337734.311A	743456310.559
74277310.296	74304490.616	743266912.248	74337744.304A	743457012.212
74277320.297	74304500.616	743267212.248	74337754.303A	743458012.203
74277380.206	74304510.616	743274810.152	74337754.303F	743461012.272
742777715.313	74304520.616	74328882.737	74337764.423A	743463412.272
74278074.040U	74304530.616	74328892.729	74337764.423F	743469310.093
74278074.040V	74304540.616	74329062.555	74337930.797	743469311.208
74278084.040U	74304963.270	743290610.777	74338063.260	743469312.116
74278084.040V	74306216.524	743290612.277	74338069.220	74346990.736
74279625.555	743071912.247	743290613.092	74338069.779	74347170.207
74285520.844	74307897.633	74329332.737	743381712.184	74347260.623
74287052.096	74307907.632	743296612.112	743381812.184	74347280.636
74287072.096	74308651.069	743296612.114	74338304.395A	74347321.643
74289682.367	74309174.342A	743296612.116	743385412.195	74347341.429
74289692.382	74309174.342F	743296612.182	74338684.430A	74347351.429
74289702.393	74309174.342U	743299612.116	74338694.309A	74347380.308
74289722.385	74309214.338A	74330052.731	74338694.309F	74347390.669
74289802.388	74309214.338F	74330165.026	74338714.403A	74347401.658
74289822.368	74309214.338U	74330175.105	74338950.796	74347413.932
742903110.150	74309220.736	74330185.105	74338960.798	74347491.079
742903310.150	74309674.337A	74330195.105	74339155.041	74347551.659
742919912.247	74309674.337F	74330208.076	74339274.311A	74347570.736
74292418.800	74309674.337U	743303210.702	74339274.311F	74347583.900
74293810.861	74309684.337A	743303211.040	74339284.423A	74347590.728
74293900.839	74309684.337F	743303612.195	74339284.423F	74347670.296
74294591.252	74309684.337U	743308611.634	74339294.408A	74347680.297
74294643.288	74309694.337A	743309012.195	74339294.408F	74347780.669
74294730.289	74309694.337F	743310211.634	743397310.154	74347951.154
74294763.275	74309694.337U	743310310.263	743397410.154	74348000.666
74295143.601	74309704.337A	743310311.634	743397612.242	74348062.727
74295190.603	74309704.337F	743310411.634	743397712.242	74348080.293
74295213.270	74309704.337U	74331202.727	74339864.433A	74348090.293
74295323.611	74309714.337A	74331215.149	74339984.317A	74348096.508
74295393.610	74309714.337F	74331225.149	74340509.220	74348100.293
74295514.007A	74309714.337U	74331305.111	74340509.779	74348120.289
74295514.007U	74309724.337A	74331315.111	743406712.955	74348140.296
74295514.007V	74309724.337F	74331394.652	743407110.154	74348150.296
742957110.783	74309724.337U	74331624.652	743412215.311	74348160.296
742957110.791	74310872.170	74331724.675	74341652.333	74348170.296
742968212.247	74312486.524	74332644.017A	74342103.163	74348180.297
742974211.611	74315330.673	74333526.518	74342128.132	74348190.297
74297740.533	74317460.736	743339812.238	743421212.116	74348200.297
742982013.090	74317563.616	743339814.803	74342240.659	74348210.297
742982612.237	74317573.616	743341111.950	743426012.242	74348481.654

"HX" STATESMAN/HOLDEN PARTS CATALOGUE

PART No.	GROUP	PART No.	GROUP	PART No.	GROUP	PART No.	GROUP	PART No.	GROUP
7434849	1.724	7436254	2.892	7438310	4.665	7449240	4.931	7950756	3.910
7434855	2.362	7436316	10.685	7438311	4.665	7449355	5.543	8526387	9.213
7434859	1.656	7436318	10.777	7438367	4.668	7449382	5.528	8526398	9.220
7434861	0.429	7436318	13.092	7438425	4.670	7449383	5.526	8526645	9.220
7434870	0.333	7436379	1.066	7438477	1.150	7449389	5.542	8611710	4.103V
7434871	0.519	7436461	6.606	7438527	4.383A	7449396	1.652	8616504	4.318V
7434874	1.835	7436617	1.426	7438527	4.383F	7449397	1.653	8620318	4.294V
7434932	1.723	7436618	1.426	7438532	3.120	7449470	5.545	8622045	4.265V
7434961	4.653	7436618	4.010U	7438537	4.040V	7449472	5.545	8623037	4.294V
7434978	4.383A	7436618	4.010V	7438562	1.762	7449489	5.510	8623039	4.226V
7434978	4.383F	7436629	0.886	7438646	5.111	7449490	5.510	8623041	4.295V
7434979	3.270	7436630	0.886	7438659	8.132	7449495	4.352A	8623042	4.294V
7434980	3.270	7436633	0.861	7438659	12.112	7449495	4.352F	8623056	4.275V
7434981	2.361	7436634	0.861	7438806	5.529	7449496	4.422A	8623056	4.282U
7434996	10.187	7436736	5.529	7438910	8.800	7449496	4.422F	8623078	4.226V
7434998	10.187	7436752	2.239	7438960	0.289	7449498	4.003A	8623078	4.265V
7435003	3.163	7436758	0.426	7439027	0.886	7449505	5.536	8623104	4.164V
7435027	10.797	7436769	3.120	7439054BA	14.686	7449531	5.447	8623105	4.164V
7435043	4.384A	7436769	3.430	7439054BA	14.762	7449534	5.484	8623112	4.164V
7435043	4.384F	7436867	10.702	7439054DA	14.686	7449561	4.133U	8623117	4.168V
7435044	4.380A	7436921	12.272	7439054DV	14.686	7449562	4.133U	8623120	4.167V
7435044	4.380F	7437015	12.182	7439054DX	14.686	7449627	5.506	8623122	4.163V
7435045	4.380A	7437019	5.045	7439054DX	14.762	7449661	12.195	8623123	4.251V
7435047	4.384A	7437020	10.154	7439054EC	14.686	7449737	5.398	8623131	4.229V
7435071	3.270	7437055	4.383A	7439054EC	14.762	7449801	5.399	8623145	4.164V
7435105	2.170	7437055	4.383F	7439054FH	14.686	7449858	5.453	8623146	4.164V
7435107	0.533	7437068	7.016	7439054FH	14.762	7449859	5.469	8623148	4.162V
7435140	3.270	7437069	0.679	7439077	4.665	7449861	5.460	8623148	4.226V
7435141	12.247	7437078	14.803	7439253	10.187	7648823	11.007	8623149	4.164V
7435153	5.508	7437128	0.844	7439263	12.237	7674311	11.015	8623150	4.163V
7435189	1.062	7437137	0.797	7439491	1.610	7698786	10.685	8623151	4.163V
7435242	10.512	7437138	0.797	7439584	1.762	7731133	11.940	8623152	4.163V
7435250	0.533	7437199	3.610	7439585	1.745	7731353	10.515	8623153	4.164V
7435295	0.659	7437269	0.748	7439693	0.679	7731353	10.797	8623155	4.251V
7435382	5.505	7437276	11.012	7439856	4.740	7735894	10.777	8623157	4.248V
7435386	5.586	7437280	14.641	7439863	2.727	7791597	11.007	8623174	4.241V
7435396	1.659	7437291	3.275	7439906	9.632	7800269	6.521	8623177	4.161V
7435397	2.041	7437296	3.410	7439930	4.017U	7800580	6.521	8623202	4.187V
7435413	9.640	7437298	3.410	7439930	4.017V	7802916	6.524	8623232	4.275V
7435450	0.603	7437317	4.337A	7440470	2.170	7803432	6.524	8623262	4.256V
7435458	0.659	7437355	6.898	7441302	1.803	7803820	6.635	8623263	4.256V
7435546	5.510	7437372	0.666	7441715	3.120	7804410	2.195	8623292	4.226V
7435617	0.636	7437392	5.529	7446262	9.280	7804412	2.195	8623295	4.265V
7435646	0.683	7437450	3.275	7447111	2.726	7804413	6.518	8623298	4.265V
7435646	4.103U	7437547	3.415	7448437	2.737	7804771	6.521	8623300	4.169V
7435667	7.016	7437569	8.077	7448550	8.800	7805700	6.524	8623301	4.169V
7435825	3.601	7437584	7.347	7448551	8.800	7805950	2.188	8623302	4.169V
7435833	1.611	7437585	7.347	7448553	8.800	7806046	2.195	8623303	4.169V
7435914	6.321	7437586	7.347	7448554	8.800	7807271	6.524	8623304	4.169V
7435941	12.242	7437623	2.424	7448624	0.795	7807934	6.608	8623305	4.169V
7436017	12.242	7437623	3.415	7448810	4.337A	7808099	6.524	8623306	4.169V
7436018	12.241	7437776	2.737	7448810	4.337F	7808195	6.617	8623311	4.337V
7436026	3.601	7437825	6.822	7448810	4.337U	7809226	6.624	8623368	4.226V
7436029	0.308	7437879	9.220	7448829	0.056	7811617	6.673	8623422	4.226V
7436043	10.791	7437892	9.275	7448884	4.040U	7813462	6.612	8623430	4.242V
7436174	0.795	7438035	5.527	7448884	4.040V	7818018	6.605	8623437	4.162V
7436220	3.616	7438087	1.150	7449079	2.824	7818175	6.614	8623483	4.163V
7436220	3.706	7438110	2.041	7449209	1.063	7930601	9.280	8623489	4.233V
7436221	3.616	7438128	1.109	7449215	5.529	7935830	9.275	8623507	4.265V
7436222	3.616	7438144	5.510	7449218	5.529	7950671	3.927	8623561	4.265V

"HX" STATESMAN/HOLDEN PARTS CATALOGUE

PART No.	GROUP	PART No.	GROUP	PART No.	GROUP	PART No.	GROUP	PART No.	GROUP
8623563	4.265V	8625544	4.265V	8629082	4.265V	9414920	4.047V	9421089	4.030
8623592	4.265V	8625546	4.265V	8629286	4.003V	9415191	9.280	9421089	9.280
8623653	4.127U	8625571	4.103U	8736585	10.093	9415250	1.265	9421137	3.130
8623653	4.229V	8625571	4.226V	8736868	11.940	9415250	1.266	9421137	15.293
8623654	4.233V	8625648	4.226V	8737225	10.685	9415491	2.515	9421330	2.515
8623664	4.247V	8625657	4.177U	8780507	11.928	9415537	9.640	9421330	2.585
8623666	4.246V	8625717	4.164V	8799901	10.485	9416089	12.116	9421330	4.038U
8623741	4.265V	8625718	4.164V	8799901	10.777	9416128	2.515	9421330	4.038V
8623744	4.241V	8625736	4.172V	8900332	10.777	9416128	9.169	9421744	1.723
8623842	4.180V	8625766	4.195V	8905102	13.090	9416128	9.278	9422037	3.130
8623849	4.163V	8625769	4.224V	8905116	2.555	9416136	10.156	9422037	14.798
8623851	4.163V	8625773	4.294V	8905117	2.515	9416367	0.533	9422176	3.001
8623917	4.166V	8625814	4.167V	8905117	2.555	9416367	0.679	9422280	7.516
8623918	4.166V	8625859	4.175V	8909393	4.055V	9416642	3.130	9422286	6.164
8623920	4.159V	8625893	4.317V	8917487	10.485	9416642	9.169	9422297	6.896
8623921	4.159V	8625902	4.226V	8958619	4.128U	9416897	5.398	9422299	6.168
8623922	4.187V	8625905	4.005V	8958678	4.164U	9417028	6.103	9422299	7.370
8623924	4.256V	8625913	4.175V	9411372	9.199	9417098	4.008V	9422301	5.382
8623940	4.226V	8625954	4.226V	9411397	4.016V	9417098	4.019A	9422301	6.168
8623941	4.103V	8625955	4.226V	9411529	9.275	9417098	4.020A	9422836	2.515
8623942	4.162V	8625957	4.175V	9412978	4.233V	9417098	4.040U	9422836	2.830
8623943	4.176V	8625967	4.003V	9413523	4.241V	9417098	4.040V	9422836	9.190
8623944	4.161V	8625967	4.166V	9413531	0.679	9417098	4.636	9422836	14.655
8623944	4.226V	8625990	4.162V	9413976	6.168	9417730	5.875	9423551	2.679
8623945	4.168V	8626112	4.176V	9414045	11.925	9417793	3.001	9423771	10.262
8623978	4.226V	8626173	4.176V	9414106	10.268	9417863	2.679	9423842	0.429
8623979	4.005V	8626252	4.265V	9414193	4.422A	9417863	2.714	9423842	4.103U
8623983	4.265V	8626281	4.226V	9414193	4.422F	9417863	4.038U	9423842	4.226U
8624009	4.162V	8626309	4.226V	9414320	3.410	9417863	4.038V	9425111	8.304
8624016	4.166V	8626372	4.176V	9414521	4.279U	9417863	9.779	9425804	9.666
8624073	4.164V	8626632	4.128V	9414711	2.705	9417863	10.270	9425804	14.686
8624091	4.294V	8626785	4.317V	9414711	9.213	9417866	2.585	9425804	14.762
8624101	4.164V	8626807	4.159V	9414711	9.280	9417866	2.679	9425894	12.112
8624136	4.241V	8626816	4.162V	9414711	9.779	9417867	2.679	9425894	12.116
8624138	4.241V	8626878	4.228V	9414711	10.268	9417891	6.168	9425903	15.100
8624139	4.241V	8626879	4.228V	9414711	12.270	9417892	6.168	9426105	12.243
8624140	4.241V	8626881	4.233V	9414712	9.220	9418302	8.085	9426332	2.481
8624141	4.241V	8626883	4.228V	9414712	9.779	9418622	14.651	9426332	9.778
8624196	4.164V	8626884	4.228V	9414712	10.270	9418693	1.265	9426332	9.779
8624199	4.163V	8626886	4.224V	9414712	11.573	9418693	1.266	9426333	2.481
8624256	4.246V	8626901	4.317V	9414712	11.940	9418693	8.055	9426333	10.270
8624336	4.279V	8626902	4.241V	9414712	15.390	9418794	12.212	9426341	2.481
8624482	4.265V	8626931	4.196V	9414713	9.213	9418894	7.865	9426378	2.830
8624709	4.318V	8626938	4.166V	9414713	9.644	9418894	12.212	9426422	9.666
8624772	4.123V	8626953	4.103V	9414714	9.169	9418931	6.176	9426432	10.051
8624781	4.164V	8627152	4.242V	9414715	9.620	9419234	4.003V	9426442	2.481
8624783	4.162V	8627153	4.242V	9414715	15.290	9419264	11.588	9426442	14.655
8624908	4.169V	8627206	4.275V	9414721	12.195	9419330	2.681	9426506	11.015
8624976	4.294V	8627332	2.408	9414722	2.515	9419342	6.760	9427182	4.103U
8625197	4.163V	8627334	4.167V	9414722	6.524	9419609	8.126	9427636	0.206
8625221	4.172V	8627385	4.164V	9414722	12.948	9419609	10.163	9427636	3.900
8625324	4.265V	8627387	4.169V	9414723	3.001	9419938	10.783	9427637	0.206
8625401	4.176V	8627442	4.256V	9414723	9.779	9419938	10.791	9427637	1.069
8625402	4.176V	8627453	4.175V	9414723	10.154	9419938	11.207	9427638	0.206
8625403	4.176V	8627509	4.248V	9414723	12.030	9419938	12.242	9427686	2.277
8625404	4.176V	8627566	4.104V	9414723	14.655	9420234	7.831	9427729	1.153
8625405	4.176V	8627650	4.265V	9414723	15.036	9420453	4.055V	9427729	3.275
8625406	4.176V	8627677	4.226V	9414725	9.672	9420511	10.307	9427729	9.171
8625422	4.128V	8627831	4.256V	9414742	12.195	9420908	12.247	9427813	0.206
8625514	4.166V	8627883	4.265V	9414811	0.386	9421086	10.219	9427813	1.652

"HX" STATESMAN/HOLDEN PARTS CATALOGUE

PART No.	GROUP	PART No.	GROUP	PART No.	GROUP	PART No.	GROUP	PART No.	GROUP
9427961	0.033	9928643	2.895	9929664	15.040	9930285FH	9.680	9930921	4.351 F
9428163	0.206	9928643	13.090	9929668	14.798	9930308	2.424	9930922	4.351 A
9428168	2.515	9928644	2.555	9929668	15.040	9930350	9.28C	9930923	4.351 F
9428168	10.150	9928665	15.036	9929669	14.798	9930366	7.506	9930924	4.351 F
9428353	9.169	9928684	3.265	9929669	15.040	9930368	7.506	9930925	4.351 F
9428787	3.780	9928699	1.745	9929681	4.279 U	9930433	12.940	9930930BA	15.100
9429003	2.679	9928722	3.260	9929698BA	14.640	9930434	12.940	9930930DU	15.100
9429003	2.682	9928722	9.779	9929698DV	14.640	9930437	12.940	9930930DV	15.100
9429662	7.370	9928754	7.640	9929698DX	14.640	9930438	12.940	9930930DX	15.100
9430452	1.064	9928779	9.281	9929698EC	14.640	9930439	7.831	9930930EC	15.100
9430454	1.064	9928795	4.230 U	9929699BA	14.640	9930452	12.181	9930931BA	15.100
9432096	2.277	9928800	1.203	9929699DV	14.640	9930454	1.064	9930931DU	15.100
9432096	9.171	9928844	4.006 A	9929699DX	14.640	9930459	9.280	9930931DV	15.100
9432483	2.317	9928845	4.006 U	9929699EC	14.640	9930461	6.524	9930931DX	15.100
9433975	7.242	9928845	4.006 V	9929709	4.265 U	9930469	3.001	9930931EC	15.100
9434026	0.679	9928884	9.169	9929719	10.716	9930472	0.027	9930949	8.132
9436896	3.275	9928895	3.120	9929721	3.107	9930490	9.779	9930950	8.132
9664984	11.950	9928904	9.276	9929722	3.107	9930515	4.650	9931025	14.890
9695953	9.675	9928908	2.684	9929735	9.220	9930519	4.653	9931040	7.831
9703972	10.783	9928919	4.639	9929775	3.430	9930523	12.940	9931044	10.230
9704186	10.466	9928929BA	14.651	9929776	3.430	9930524	12.940	9931048	10.051
9704187	10.466	9928929DV	14.651	9929796	12.940	9930535	2.275	9931049	10.051
9704188	10.466	9928929DX	14.651	9929797	12.940	9930537	2.275	9931052	9.779
9709291	11.007	9928929EC	14.651	9929798	12.944	9930541	7.836	9931053	9.779
9709294	11.007	9928956	4.662	9929799	12.944	9930542	7.836	9931054CY	10.261
9722397	10.777	9928961	4.337 A	9929800	12.944	9930555	12.966	9931054DX	10.261
9774413	4.337 V	9928962	1.762	9929854	3.265	9930556	12.971	9931054EK	10.261
9780470	4.337 V	9929019	3.265	9929899	4.665	9930557	12.971	9931055	9.779
9780628	4.337 V	9929041	0.027	9929900	4.665	9930558	12.971	9931058	10.262
9788982	1.064	9929042	0.027	9929907	4.686	9930559	12.971	9931059	10.262
9793193	4.047 V	9929051	4.007 A	9929974	5.441	9930562	3.726	9931063	12.013
9819848	11.950	9929053	4.007 U	9929988	1.265	9930599	3.201	9931065	9.779
9819849	11.950	9929053	4.007 V	9930005	12.182	9930600	3.201	9931067	12.805
9825444	10.485	9929162	0.137	9930035	4.226 U	9930604	7.831	9931069	12.805
9826809	10.777	9929199	3.107	9930040	3.120	9930608	12.116	9931106	14.641
9928305	11.388	9929200	3.107	9930061	4.009 U	9930609	12.116	9931184	12.941
9928306	11.388	9929260	3.120	9930061	4.009 V	9930612	12.114	9931185	12.941
9928309	11.392	9929261	3.609	9930083	3.001	9930616	4.015 F	9931194	7.831
9928310	11.392	9929262	3.705	9930084	3.001	9930652	12.971	9931252	3.003
9928311	8.112	9929265	5.441	9930085	3.001	9930653	12.971	9931262	3.402
9928338	3.417	9929279	4.226 U	9930092	3.001	9930685	7.831	9931263	14.802
9928341	3.417	9929281	3.430	9930127	0.519	9930698	12.966	9931274	0.679
9928342	3.417	9929516	4.019 A	9930146	7.831	9930699	12.966	9931340	7.836
9928351	2.815	9929517	4.020 A	9930147	7.831	9930700	5.441	9931341	7.836
9928393	11.420	9929518	4.046 A	9930164	4.009 U	9930737	3.163	9931348	12.116
9928398	3.430	9929519	4.050 A	9930164	4.009 V	9930738	3.159	9931398	7.836
9928399	3.430	9929528	4.904	9930194	3.265	9930777	7.831	9931399	7.836
9928479	12.010	9929547	11.960	9930196	3.265	9930796	12.940	9931400	2.820
9928482BA	15.390	9929565	14.802	9930197	3.265	9930797	12.940	9931404	12.941
9928482DU	15.390	9929617	10.470	9930222	7.831	9930830	0.001	9931405	12.941
9928482DV	15.390	9929618	10.470	9930234	11.420	9930831	0.001	9931406	12.941
9928482DX	15.390	9929619	10.470	9930241	12.243	9930878	8.130	9931407	12.941
9928482EC	15.390	9929619	10.473	9930243	8.132	9930879	8.130	9931419DT	14.803
9928482FH	15.390	9929620	10.470	9930269	3.451	9930880	8.130	9931419DV	14.803
9928490	9.210	9929620	10.473	9930285CY	9.680	9930881	8.130	9931419DX	14.803
9928492	9.169	9929621	10.473	9930285DV	9.680	9930909	4.356 A	9931419EC	14.803
9928493	9.169	9929622	10.473	9930285DX	9.680	9930909	4.356 F	9931425	9.779
9928577	5.816	9929623	10.470	9930285EC	9.680	9930910	4.356 A	9931442	14.890
9928589	4.680	9929624	10.470	9930285EU	9.680	9930910	4.356 F	9931459	12.182
9928643	2.555	9929664	14.798	9930285EV	9.680	9930921	4.351 A	9931460	12.182

"HX" STATESMAN/HOLDEN PARTS CATALOGUE

PART No.	GROUP	PART No.	GROUP	PART No.	GROUP	PART No.	GROUP	PART No.	GROUP
9931462	14.802	9932003	1.268	9932318	12.895	9932405EC	14.880	9932738	12.981
9931526	14.802	9932004	1.268	9932319	12.895	9932405FH	14.880	9932739	12.972
9931528	14.802	9932007	1.268	9932328	12.895	9932406CY	14.800	9932740	12.972
9931547	14.925	9932008	1.268	9932329	12.895	9932406DV	14.800	9932741	12.972
9931570	1.219	9932010	1.265	9932377	1.266	9932406DX	14.800	9932748	12.956
9931600	14.925	9932011	2.728	9932388DT	14.880	9932406FH	14.800	9932749	12.956
9931625BA	14.686	9932013	12.805	9932388DV	14.880	9932407BA	14.800	9932776	12.491
9931625DV	14.686	9932014	12.805	9932388DX	14.880	9932407CY	14.800	9932777	12.491
9931625DX	14.686	9932015	12.805	9932388EC	14.880	9932407DX	14.800	9932792	12.948
9931625EC	14.686	9932016	12.805	9932390DT	14.800	9932407EC	14.800	9932793	12.948
9931626BA	14.686	9932052	1.270	9932390DV	14.800	9932407FH	14.800	9932800	7.242
9931626DV	14.686	9932053	1.270	9932390DX	14.800	9932409DT	14.800	9932801	7.242
9931626DX	14.686	9932055	1.270	9932390EC	14.800	9932409DV	14.800	9932810	6.168
9931626EC	14.686	9932056	1.270	9932392DT	14.880	9932409DX	14.800	9932833	0.646
9931634	6.233	9932059	7.524	9932392DV	14.880	9932409EC	14.800	9932837	0.646
9931639	1.219	9932090	2.684	9932392DX	14.880	9932412DT	14.880	9932843	0.646
9931658	2.684	9932092	2.679	9932392EC	14.880	9932412DX	14.880	9932845	0.646
9931664	2.317	9932093	2.679	9932393EX	14.880	9932412EC	14.880	9932852	14.802
9931665	2.277	9932094	2.681	9932393EY	14.880	9932412EY	14.880	9932855	10.093
9931667	6.233	9932095	2.681	9932393EZ	14.880	9932413DT	14.880	9932856	10.093
9931673	4.686	9932096	2.682	9932393FA	14.880	9932413DX	14.880	9932857	10.093
9931700CY	14.655	9932097	2.682	9932394DT	14.800	9932413EC	14.880	9932858	10.093
9931700DX	14.655	9932098	2.682	9932394DV	14.800	9932413EY	14.880	9932871	10.373
9931700EK	14.655	9932099	2.682	9932394DX	14.800	9932414DT	14.800	9932872	10.373
9931726	11.373	9932100	2.679	9932394EC	14.800	9932414DX	14.800	9932874	0.386
9931747	6.168	9932101	2.679	9932395EX	14.800	9932414EC	14.800	9932886	12.491
9931748	6.168	9932102	2.684	9932395EY	14.800	9932414EY	14.800	9932887	12.491
9931755	14.890	9932103	2.684	9932395EZ	14.800	9932415DT	14.800	9932889	3.265
9931756	10.681	9932106	2.679	9932395FA	14.800	9932415DX	14.800	9932891	3.265
9931757	10.681	9932107	2.679	9932396DT	14.880	9932415EC	14.800	9932904	15.040
9931759	10.685	9932108	2.679	9932396DV	14.880	9932415EY	14.800	9932918	0.852
9931760	10.685	9932109	2.679	9932396DX	14.880	9932421	2.515	9932950	10.351
9931761	10.696	9932110	2.682	9932396EC	14.880	9932423	2.515	9932951	10.351
9931762	10.701	9932111	2.682	9932398DT	14.800	9932425	2.515	9932952	10.351
9931763	10.701	9932141CY	14.655	9932398DV	14.800	9932426	2.515	9932953	10.351
9931766	10.701	9932141DX	14.655	9932398DX	14.800	9932428	2.515	9932954	10.351
9931767	10.710	9932141EK	14.655	9932398EC	14.800	9932430	10.230	9932955	10.351
9931768	10.710	9932143CY	10.260	9932400DT	14.880	9932431	2.515	9932956	10.351
9931771	10.710	9932143DX	10.260	9932400DV	14.880	9932442	1.803	9932957	10.351
9931778	4.205 U	9932143EK	10.260	9932400DX	14.880	9932444	2.515	9932964	6.020
9931788	1.268	9932145	9.787	9932400EC	14.880	9932449	2.251	9932965	6.020
9931789	1.268	9932146	9.787	9932401EX	14.880	9932450	2.251	9932980	14.651
9931791	11.373	9932148	9.262	9932401EY	14.880	9932545	4.265 U	9932986	8.075
9931793	11.373	9932151	7.836	9932401EZ	14.880	9932546	4.265 U	9932993	2.682
9931795	3.402	9932152	7.836	9932401FA	14.880	9932570	9.620	9932994	2.682
9931805	10.681	9932157	7.865	9932402DT	14.800	9932578	3.610	9932997	1.268
9931806	10.681	9932158	7.865	9932402DV	14.800	9932614	1.266	9933021	15.292
9931823	3.704	9932173	12.009	9932402DX	14.800	9932683	12.948	9933024DT	15.288
9931824	3.704	9932185	1.762	9932402EC	14.800	9932684	12.948	9933024DV	15.288
9931878	6.168	9932216	2.682	9932403EX	14.800	9932690	5.382	9933024DX	15.288
9931879	6.168	9932217	2.682	9932403EY	14.800	9932692	8.000	9933024EC	15.288
9931889	3.003	9932218	2.681	9932403EZ	14.800	9932693	12.941	9933025	15.290
9931891	3.003	9932232	1.762	9932403FA	14.800	9932694	12.941	9933029DT	15.289
9931892	4.128 U	9932266	0.386	9932404CY	14.880	9932719	12.971	9933029DV	15.289
9931893	4.128 U	9932275	2.728	9932404DX	14.880	9932720	12.971	9933029DX	15.289
9931894	7.836	9932288	9.620	9932404EY	14.880	9932721	12.971	9933029EC	15.289
9931895	7.836	9932289	9.620	9932404FH	14.880	9932722	12.971	9933030	15.290
9931896	4.128 U	9932304	4.045 F	9932405BA	14.880	9932735	12.981	9933031	15.290
9931944	11.420	9932305	4.045 F	9932405CY	14.880	9932736	12.981	9933033	9.779
9931976	1.268	9932306	4.035 F	9932405DX	14.880	9932737	12.981	9933033CY	15.290

"HX" STATESMAN/HOLDEN PARTS CATALOGUE

PART No.	GROUP	PART No.	GROUP	PART No.	GROUP	PART No.	GROUP	PART No.	GROUP
9933033DX	15.290	9933315DT	14.685	9933396DX	15.035	9933580CY	14.803	9933635	2.810
9933033EK	15.290	9933315DV	14.685	9933396FH	15.035	9933580DX	14.803	9933636	4.038 U
9933033EY	15.290	9933315DX	14.685	9933397BA	15.035	9933580EC	14.803	9933636	4.038 V
9933034	15.280	9933315EC	14.685	9933397CY	15.035	9933580EY	14.803	9933648	4.038 U
9933035	15.290	9933316DT	14.760	9933397DX	15.035	9933580FH	14.803	9933648	4.038 V
9933036	15.290	9933316DV	14.760	9933397EC	15.035	9933582	14.890	9933649	4.038 U
9933061	3.601	9933316DX	14.760	9933397FH	15.035	9933583	14.925	9933649	4.038 V
9933072	12.982	9933316EC	14.760	9933406DT	15.000	9933585	3.120	9933650	4.038 U
9933075	9.608	9933317DT	14.760	9933406DV	15.000	9933602	12.942	9933650	4.038 V
9933106	5.858	9933317DV	14.760	9933406DX	15.000	9933603	12.942	9933651	4.038 U
9933107	5.858	9933317DX	14.760	9933406EC	15.000	9933606	12.940	9933651	4.038 V
9933112	3.670	9933317EC	14.760	9933408DT	15.000	9933607	12.940	9933653	4.038 U
9933114	3.417	9933332	9.779	9933408DV	15.000	9933610	12.942	9933654	4.038 U
9933173	14.655	9933334	5.382	9933408DX	15.000	9933611	12.942	9933654	4.038 V
9933174	14.655	9933335	7.371	9933408EC	15.000	9933612	12.942	9933670	9.779
9933175	14.655	9933355	6.176	9933410DT	15.000	9933613	12.942	9933671	9.278
9933176	14.655	9933356BA	14.630	9933410DV	15.000	9933618	12.942	9933672	5.441
9933191	15.290	9933356DU	14.630	9933410DX	15.000	9933619	12.942	9933673	5.441
9933233	4.665	9933356DV	14.630	9933410EC	15.000	9933623DT	14.760	9933693	2.170
9933234	4.665	9933356DX	14.630	9933411EX	15.000	9933623DX	14.760	9933703	2.342
9933239DT	14.803	9933356EC	14.630	9933411EY	15.000	9933623EC	14.760	9933715	3.603
9933239DV	14.803	9933357BA	14.630	9933411EZ	15.000	9933623EY	14.760	9933717	3.603
9933239DX	14.803	9933357DU	14.630	9933411FA	15.000	9933624DT	14.760	9933719	8.823
9933239EC	14.803	9933357DV	14.630	9933412DT	15.000	9933624DX	14.760	9933724	12.116
9933241	7.828	9933357DX	14.630	9933412DV	15.000	9933624EC	14.760	9933725	12.116
9933242	7.828	9933357EC	14.630	9933412DX	15.000	9933624EY	14.760	9933726	12.116
9933243	7.828	9933384DT	15.035	9933412EC	15.000	9933625DT	14.760	9933727	12.116
9933245	14.691	9933384DV	15.035	9933413EX	15.000	9933625DX	14.760	9933745	4.018 A
9933245	14.764	9933384DX	15.035	9933413EY	15.000	9933625EC	14.760	9933746	4.018 A
9933257	9.779	9933384EC	15.035	9933413EZ	15.000	9933625EY	14.760	9933746	4.018 U
9933262DT	14.803	9933386DT	15.035	9933413FA	15.000	9933626DT	14.760	9933746	4.018 V
9933262DV	14.803	9933386DV	15.035	9933414DT	15.000	9933626DX	14.760	9933747	4.018 A
9933262DX	14.803	9933386DX	15.035	9933414DV	15.000	9933626EC	14.760	9933747	4.018 U
9933262EC	14.803	9933386EY	15.035	9933414DX	15.000	9933626EY	14.760	9933747	4.018 V
9933267	11.204	9933389EX	15.035	9933414EC	15.000	9933627CY	14.685	9933749	4.019 A
9933268	11.204	9933389EY	15.035	9933415EX	15.000	9933627DT	14.685	9933750	6.524
9933276	3.647	9933389EZ	15.035	9933415EY	15.000	9933627DX	14.685	9933751	6.518
9933295	3.265	9933389FA	15.035	9933415EZ	15.000	9933627DZ	14.685	9933763	12.182
9933302	3.402	9933390DT	15.035	9933415FA	15.000	9933627EC	14.685	9933775	2.486
9933305	7.828	9933390DV	15.035	9933416DT	15.000	9933627EE	14.685	9933776	2.726
9933310CY	14.685	9933390DX	15.035	9933416DX	15.000	9933627EY	14.685	9933777	2.726
9933310DU	14.685	9933390EC	15.035	9933416EC	15.000	9933628CY	14.685	9933812	15.002
9933310DZ	14.685	9933391EX	15.035	9933416EY	15.000	9933628DT	14.685	9933813	15.002
9933310EE	14.685	9933391EY	15.035	9933417DT	15.000	9933628DX	14.685	9933814	15.002
9933311CY	14.685	9933391EZ	15.035	9933417DX	15.000	9933628DZ	14.685	9933815	15.002
9933311DU	14.685	9933391FA	15.035	9933417EC	15.000	9933628EC	14.685	9933824	15.036
9933311DZ	14.685	9933392DT	15.035	9933417EY	15.000	9933628EE	14.685	9933846	8.126
9933311EE	14.685	9933392DV	15.035	9933418CY	15.000	9933628EY	14.685	9933847	8.126
9933312CY	14.760	9933392DX	15.035	9933418DV	15.000	9933629DT	14.685	9933848	12.967
9933312DU	14.760	9933392EC	15.035	9933418DX	15.000	9933629DX	14.685	9933849	12.967
9933312DZ	14.760	9933394DT	15.035	9933418FH	15.000	9933629EC	14.685	9933850	12.967
9933312EE	14.760	9933394DX	15.035	9933419CY	15.000	9933629EY	14.685	9933851	12.967
9933313CY	14.760	9933394EC	15.035	9933419DV	15.000	9933630DT	14.685	9933852	12.967
9933313DU	14.760	9933394EY	15.035	9933419DX	15.000	9933630DX	14.685	9933867	9.709
9933313DZ	14.760	9933395DT	15.035	9933419FH	15.000	9933630EC	14.685	9933872	2.515
9933313EE	14.760	9933395DX	15.035	9933435	0.724	9933630EY	14.685	9933879	9.779
9933314DT	14.685	9933395EC	15.035	9933549	3.430	9933634DT	14.804	9933892	2.822
9933314DV	14.685	9933395EY	15.035	9933550	3.430	9933634DX	14.804	9933895	12.982
9933314DX	14.685	9933396CY	15.035	9933570	14.802	9933634EC	14.804	9933905	15.293
9933314EC	14.685	9933396DV	15.035	9933572	9.779	9933634EY	14.804	9933906	15.293

"HX" STATESMAN/HOLDEN PARTS CATALOGUE

PART No.	GROUP	PART No.	GROUP	PART No.	GROUP	PART No.	GROUP	PART No.	GROUP
9933907	15.293	9934177	3.609	9934405DV	14.764	9934611	1.266	9935578	3.130
9933908	10.777	9934179	4.018U	9934405DX	14.764	9934612	1.266	9935585	1.219
9933909	12.007	9934179	4.018V	9934405EC	14.764	9934613	1.266	9935606	9.672
9933910	12.007	9934187	4.038U	9934405FH	14.764	9934614	1.266	9935618	3.459
9933911CY	15.288	9934187	4.038V	9934408CY	14.685	9934615	1.266	9935619	3.459
9933911DV	15.288	9934188	4.038U	9934408DX	14.685	9934625	5.871	9935625	6.895
9933911DX	15.288	9934188	4.038V	9934408EC	14.685	9934644	15.036	9935626	6.859
9933911EK	15.288	9934190	2.810	9934408EY	14.685	9934675	3.402	9935627	6.859
9933922	9.779	9934193	11.960	9934408FH	14.685	9934677	8.055	9935629	6.870
9933925	9.648	9934195	9.779	9934409CY	14.685	9934677	12.116	9935645	6.655
9933933	3.521	9934196	9.779	9934409DX	14.685	9934677	12.182	9935656	9.217
9933951	3.459	9934197	9.278	9934409EC	14.685	9934678	8.055	9935665	6.103
9933964	3.130	9934199	9.278	9934409EY	14.685	9934678	12.116	9935666	6.103
9933973	10.230	9934208	9.217	9934409FH	14.685	9934678	12.182	9935682	2.408
9933974	10.230	9934209	3.603	9934412CY	14.760	9934685	7.828	9935683	2.408
9934008	8.126	9934210	3.603	9934412DX	14.760	9934686	7.828	9935684	2.408
9934009	8.126	9934212	3.603	9934412EC	14.760	9934694	15.002	9935685	2.408
9934010	8.126	9934213	3.603	9934412EY	14.760	9934941	1.066	9935685	4.055V
9934027	6.168	9934218	7.831	9934412FH	14.760	9934943	3.159	9935735	2.555
9934029CY	15.290	9934219	7.831	9934413CY	14.760	9934951	4.040V	9935781	3.120
9934029DX	15.290	9934231	12.982	9934413DX	14.760	9935024	3.402	9935795	3.120
9934029EK	15.290	9934244	4.128V	9934413EC	14.760	9935027	1.762	9935829	11.420
9934029EY	15.290	9934245	4.128V	9934413EY	14.760	9935030	6.524	9935830	11.373
9934030	15.293	9934262	15.291	9934413FH	14.760	9935036	11.950	9935831	14.802
9934036CY	14.630	9934264	9.170	9934416	10.777	9935040	10.270	9935847	15.293
9934036DT	14.630	9934270	3.603	9934422	3.609	9935043	3.705	9935855	5.441
9934036DX	14.630	9934271	9.779	9934423	3.609	9935075	15.036	9935873	15.290
9934036EC	14.630	9934272	9.779	9934424	3.609	9935091	14.802	9935893	15.222
9934036EY	14.630	9934273	9.779	9934425	3.609	9935139	15.002	9935916	1.219
9934036FH	14.630	9934274	9.779	9934426	10.777	9935143	15.002	9935923	3.609
9934037CY	14.630	9934321	4.040V	9934432	15.036	9935158	11.940	9935932	7.503
9934037DT	14.630	9934324	3.609	9934434	11.960	9935158	12.941	9935932	7.505
9934037DX	14.630	9934326	3.609	9934438	9.778	9935159	15.002	9935933	7.503
9934037EC	14.630	9934331	14.798	9934439	11.960	9935165	15.002	9935933	7.505
9934037EY	14.630	9934331	15.040	9934445	12.007	9935167	11.940	9935934	7.503
9934037FH	14.630	9934332	3.601	9934458	3.201	9935198	12.967	9935934	7.505
9934048	9.648	9934347	4.205V	9934501	3.609	9935199	12.967	9935935	7.503
9934064	2.515	9934361CY	14.762	9934506DT	14.801	9935200	8.126	9935935	7.505
9934079	15.002	9934361DV	14.762	9934506DV	14.801	9935202	10.185	9935964BA	6.513
9934092	9.278	9934361DX	14.762	9934506DX	14.801	9935205	3.158	9935964DX	6.513
9934093	9.779	9934361EC	14.762	9934506EC	14.801	9935214	4.685	9935964EK	6.513
9934094	9.779	9934361FH	14.762	9934507EX	14.801	9935215	4.685	9935967	1.266
9934100	12.116	9934362CY	14.762	9934507EY	14.801	9935216	4.685	9935978	4.730
9934100	12.182	9934362DV	14.762	9934507EZ	14.801	9935217	4.685	9936011	6.524
9934116	2.515	9934362DX	14.762	9934507FA	14.801	9935218	4.685	9936012	6.524
9934117	2.515	9934362EC	14.762	9934509DT	15.001	9935220	9.215	9936018	3.265
9934125	1.159	9934362FH	14.762	9934509DV	15.001	9935253	11.940	9936087	3.028
9934126	9.779	9934372	8.085	9934509DX	15.001	9935253	12.941	9936088	3.028
9934140	3.001	9934374	8.085	9934509EC	15.001	9935254	11.940	9936121	0.269
9934141	3.001	9934384	9.278	9934510EX	15.001	9935254	12.941	9936122	0.269
9934143	3.001	9934385	9.779	9934510EY	15.001	9935256	9.662	9936127	3.670
9934149	3.120	9934386	9.779	9934510EZ	15.001	9935269	0.646	9936149	3.640
9934150	3.120	9934387	8.055	9934510FA	15.001	9935272	0.646	9936206	1.219
9934151	3.120	9934389	4.040V	9934519	9.662	9935275	3.120	9936217	11.208
9934152	3.003	9934404CY	14.764	9934521	2.188	9935541	4.166U	9936218	11.208
9934154	3.003	9934404DV	14.764	9934533	15.036	9935566	6.518	9936232	1.073
9934161	12.182	9934404DX	14.764	9934587	2.188	9935568	6.518	9936233	1.069
9934162	1.265	9934404EC	14.764	9934607	7.831	9935569	9.778	9936252	1.064
9934167	5.812	9934404FH	14.764	9934609	1.266	9935575	4.685	9936253	0.519
9934169	3.410	9934405CY	14.764	9934610	1.266	9935576	4.685	9936255	0.736

"HX" STATESMAN/HOLDEN PARTS CATALOGUE

PART No.	GROUP	PART No.	GROUP	PART No.	GROUP	PART No.	GROUP	PART No.	GROUP
9936268	4.129U	9936763	2.589	9937267	0.105	9937679	1.150	9938391	4.105A
9936269	4.129U	9936764	2.589	9937268	7.370	9937679	2.424	9938391	4.105F
9936270	4.129U	9936765	2.589	9937270	4.670	9937683	3.120	9938392	4.309A
9936299	3.415	9936775	7.828	9937271	4.670	9937684	3.120	9938392	4.309F
9936308	12.810	9936779	15.002	9937275	2.341	9937688	3.120	9938406CY	2.830
9936309	12.810	9936786	3.120	9937291	1.270	9937692	3.120	9938432	3.609
9936310	12.941	9936787	3.120	9937294	6.326	9937693	3.120	9938452	3.120
9936311	12.941	9936788	3.120	9937308	12.012	9937770	9.779	9938455	7.003
9936346	3.159	9936789	3.120	9937309	9.709	9937771	3.120	9938467	2.258
9936349	9.709	9936790	3.120	9937336	4.006F	9937778	4.265U	9938468CY	10.252
9936366BA	15.000	9936791	3.120	9937366	3.609	9937782	3.120	9938468DX	10.252
9936366CY	15.000	9936802	9.648	9937367	3.609	9937790	3.003	9938468EK	10.252
9936366DX	15.000	9936811	0.666	9937368	3.609	9937792	3.748	9938470CY	10.252
9936366EC	15.000	9936831	3.725	9937369	3.609	9937834	4.006V	9938470DX	10.252
9936366FH	15.000	9936832	3.725	9937371CY	15.100	9937836	4.040V	9938470EK	10.252
9936367BA	15.000	9936833	3.725	9937371DV	15.100	9937871	0.033	9938471CY	10.203
9936367CY	15.000	9936834	3.725	9937371DX	15.100	9937874	0.033	9938471DA	10.203
9936367DX	15.000	9936835	3.725	9937371EC	15.100	9937902	0.616	9938471DV	10.203
9936367EC	15.000	9936836	3.725	9937371FH	15.100	9937903	0.616	9938471DX	10.203
9936367FH	15.000	9936865	0.033	9937372CY	15.100	9937924	0.105	9938471EC	10.203
9936368	15.222	9936866	0.033	9937372DV	15.100	9938007	0.033	9938471FH	10.203
9936385	9.170	9936869	0.033	9937372DX	15.100	9938008	0.033	9938472CY	10.203
9936394	11.628	9936870	0.033	9937372EC	15.100	9938031	2.679	9938472DA	10.203
9936420	2.714	9936874	0.033	9937372FH	15.100	9938044	3.028	9938472DV	10.203
9936420	11.950	9936876	0.033	9937383	3.791	9938045	3.028	9938472DX	10.203
9936423	3.202	9936879	7.828	9937387	2.424	9938046	3.028	9938472EC	10.203
9936425	11.950	9936899	8.820	9937388	1.150	9938047	3.028	9938472FH	10.203
9936429	9.666	9936912	4.685	9937388	2.424	9938048	3.003	9938478	3.609
9936437	0.886	9936914	4.685	9937388	3.415	9938079	4.166U	9938523	4.205U
9936438	14.731	9936915	4.685	9937389	2.424	9938107	7.347	9938523	4.205V
9936439	14.641	9936923	3.158	9937409	3.402	9938108	7.347	9938533	1.219
9936440	14.641	9936924	3.158	9937430	3.725	9938109	7.347	9938534	1.219
9936444	11.610	9936925	3.159	9937431	3.725	9938110	7.347	9938535	1.219
9936448CY	14.640	9936926	3.159	9937432	3.725	9938111	7.347	9938536	1.219
9936448DV	14.640	9936927	3.159	9937433	3.725	9938127	7.870	9938591BA	14.640
9936448DX	14.640	9936935	4.038U	9937455	3.001	9938128	7.870	9938591DV	14.640
9936448EC	14.640	9936935	4.038V	9937515	1.762	9938129	1.266	9938591DX	14.640
9936448FH	14.640	9937023	3.158	9937531	4.265U	9938130	1.266	9938591EC	14.640
9936469CL	9.684	9937117	9.276	9937549	3.130	9938151	12.112	9938601	4.625
9936469TN	9.684	9937147	4.685	9937559	5.871	9938151	12.114	9938602	4.625
9936470CL	9.684	9937148	4.685	9937561	2.731	9938151	12.116	9938653	12.955
9936470TN	9.684	9937161	8.000	9937562	9.632	9938151	12.182	9938665	11.388
9936510	2.727	9937167	4.040U	9937602	0.033	9938160	4.904	9938666	11.388
9936512	2.590	9937168	0.646	9937603	0.033	9938194	9.779	9938671	3.430
9936583	3.705	9937185	3.120	9937604	0.033	9938208	3.120	9938672	3.430
9936596	10.185	9937188	7.003	9937605	0.033	9938262	1.762	9938679	2.725
9936621	3.120	9937189	7.003	9937608	0.033	9938273	5.527	9938683	15.294
9936630	5.529	9937191	7.003	9937609	0.033	9938277	12.952	9938686BA	14.650
9936633	5.528	9937192	7.003	9937636	3.120	9938279	2.239	9938686DV	14.650
9936634	5.526	9937193	7.003	9937636	3.202	9938283	10.252	9938686DX	14.650
9936654	2.424	9937208	12.980	9937636	4.685	9938284	8.820	9938686EC	14.650
9936655	2.424	9937212	7.003	9937637	7.865	9938293	2.342	9938699	4.228U
9936674	2.239	9937213	11.373	9937637	12.212	9938346	12.112	9938702	11.573
9936718	9.648	9937219	9.779	9937638	12.203	9938346	12.114	9938739	0.206
9936753	2.585	9937221	0.629	9937639	12.184	9938346	12.116	9938756	4.129U
9936754	2.585	9937223	0.629	9937640	12.184	9938346	12.182	9938761	1.153
9936755	2.586	9937225	0.629	9937659	2.424	9938363	11.388	9938898	5.469
9936756	2.586	9937227	0.629	9937663	3.120	9938364	11.388	9938912	4.003U
9936761	2.596	9937229	0.629	9937665	3.670	9938378	12.980	9938913	4.003U
9936762	2.589	9937231	0.629	9937678	2.515	9938380	7.003	9938938	4.103U

"HX" STATESMAN/HOLDEN PARTS CATALOGUE

PART No.	GROUP	PART No.	GROUP	PART No.	GROUP	PART No.	GROUP	PART No.	GROUP
9938953	3.670	9939863	3.726	9940548	3.403	9941000CY	2.820	9941371	0.629
9938954	12.580	9939898CY	15.024	9940552	4.226 U	9941000DX	2.820	9941372	0.629
9938955	12.580	9939898DX	15.024	9940554	3.410	9941000EK	2.820	9941373	0.629
9938961	11.561	9939898EK	15.024\	9940556	3.270	9941001	2.824	9941401CY	2.830
9938966	4.233 U	9939935	4.008 U	9940572	10.203	9941032	9.779	9941401DX	2.830
9938991	3.415	9939935	4.010 U	9940584	2.408	9941038	4.625	9941401EK	2.830
9938992	2.361	9939935	4.010 V	9940592	6.758	9941058	4.265 U	9941420C	14.798
9938993	2.361	9939936	4.006 U	9940593	8.055	9941066	3.201	9941420R	14.798
9938994	2.361	9939936	4.006 V	9940594	8.055	9941142	3.201	9941420T	14.798
9939001	4.003 A	9939938	4.030 U	9940758BA	15.306	9941147	2.481	9941442	4.279 U
9939002	4.003 A	9939940	4.030 V	9940758DX	15.306	9941170	7.503	9941443	4.294 U
9939005	4.003 A	9939941	4.008 U	9940758EK	15.306	9941171	7.503	9941450C	14.798
9939007	4.003 F	9939942	5.813	9940760	2.555	9941224	12.241	9941450R	14.798
9939008	4.003 F	9939945	8.823	9940768	2.555	9941226CY	14.880	9941450T	14.798
9939009	4.003 F	9939971	6.606	9940770	4.625	9941226DU	14.880	9941451C	14.798
9939011	4.003 F	9939976	7.370	9940771	4.625	9941226DZ	14.880	9941451R	14.798
9939012	4.003 F	9939978	7.370	9940772	4.902	9941226EE	14.880	9941451T	14.798
9939017	3.270	9939979	7.370	9940773	4.639	9941227CY	14.800	9941537	1.219
9939024	2.555	9939980	7.370	9940795BA	15.306	9941227DU	14.800	9941539	3.265
9939101	0.033	9939981	7.370	9940795DX	15.306	9941227DZ	14.800	9941541	7.347
9939137	11.373	9940004	15.040	9940795EK	15.306	9941227EE	14.800	9941595	9.662
9939149	9.779	9940058	0.269	9940796BA	15.306	9941228CY	14.800	9941627	12.804
9939153	9.220	9940059	0.269	9940796DX	15.306	9941228DU	14.800	9941633	4.006 V
9939153	9.779	9940060	0.269	9940796EK	15.306	9941228DZ	14.800	9941636	4.055 U
9939154	3.403	9940061	0.269	9940797BA	15.306	9941228EE	14.800	9941644	5.529
9939164	1.762	9940073	15.002	9940797DX	15.306	9941229CY	15.035	9941659	10.230
9939187	1.762	9940103	5.858	9940797EK	15.306	9941229DU	15.035	9941660CY	10.252
9939196	9.779	9940158	12.971	9940798BA	15.306	9941229DZ	15.035	9941660DX	10.252
9939199	9.217	9940159	12.971	9940798DX	15.306	9941229EE	15.035	9941660EK	10.252
9939205	1.762	9940169	10.351	9940798EK	15.306	9941230CY	15.035	9941661CY	10.260
9939209	4.030	9940170	10.351	9940799	4.153 U	9941230DU	15.035	9941661DX	10.260
9939222	1.150	9940233	2.361	9940821BA	10.051	9941230DZ	15.035	9941661EK	10.260
9939227	1.153	9940250	2.555	9940821DX	10.051	9941230EE	15.035	9941662	10.230
9939322	1.658	9940258	2.555	9940821EK	10.051	9941231CY	15.000	9941663	10.230
9939329	0.861	9940327	0.844	9940822BA	10.051	9941231DU	15.000	9941665	10.252
9939348	15.040	9940348	2.515	9940822DX	10.051	9941231DZ	15.000	9941682C	15.040
9939353	4.195 U	9940358	11.373	9940822EK	10.051	9941231EE	15.000	9941682R	15.040
9939378	10.163	9940368	11.373	9940845	5.816	9941232CY	15.000	9941682T	15.040
9939400	3.163	9940370	15.002	9940851	3.725	9941232DU	15.000	9941684C	14.798
9939401	7.633	9940372CY	15.001	9940852	3.725	9941232DZ	15.000	9941684R	14.798
9939449	12.942	9940372DV	15.001	9940882CY	15.024	9941232EE	15.000	9941684T	14.798
9939488	10.270	9940372DX	15.001	9940882DX	15.024	9941276	2.515	9941685C	14.798
9939494	9.190	9940372EC	15.001	9940882EK	15.024	9941277	2.515	9941685R	14.798
9939496	2.727	9940372FH	15.001	9940883CY	15.024	9941278	2.515	9941685T	14.798
9939570	0.303	9940376CY	15.001	9940883DX	15.024	9941279	2.515	9941695	4.720
9939574	10.093	9940376DV	15.001	9940883EK	15.024	9941280	2.515	9941706CY	10.252
9939575	10.093	9940376DX	15.001	9940891	3.402	9941281	2.515	9941706DX	10.252
9939576	2.596	9940376FH	15.001	9940904	2.515	9941282	2.515	9941706EK	10.252
9939612	7.003	9940377BA	15.001	9940905	2.515	9941303C	14.798	9941718	4.720
9939750	0.886	9940377CY	15.001	9940906	2.515	9941303R	14.798	9941731	7.516
9939751	3.008	9940377DX	15.001	9940907	2.515	9941303T	14.798	9941732	7.516
9939764	8.010	9940377EC	15.001	9940908	2.515	9941305C	14.798	9941734C	14.798
9939765	8.010	9940377FH	15.001	9940909	2.515	9941305R	14.798	9941734R	14.798
9939782	12.811	9940401	6.103	9940934	3.265	9941305T	14.798	9941734T	14.798
9939783	12.811	9940402	3.120	9940956	0.787	9941329	3.402	9941736C	15.040
9939788	12.942	9940418	4.265 U	9940957	0.839	9941365	0.033	9941736R	15.040
9939793	8.010	9940467	12.243	9940967	12.810	9941367	3.402	9941736T	15.040
9939802	15.290	9940469	12.243	9940999BA	6.513	9941368	0.629	9941769	10.252
9939803	15.290	9940477	8.820	9940999DX	6.513	9941369	0.629	9941770	2.515
9939810	3.120	9940527	6.508	9940999EK	6.513	9941370	0.629	9941771	2.515

"HX" STATESMAN/HOLDEN PARTS CATALOGUE

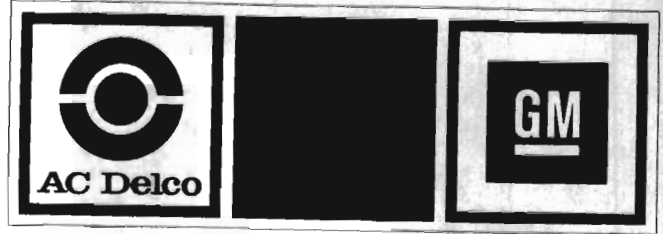
PART No.	GROUP	PART No.	GROUP	PART No.	GROUP	PART No.	GROUP	PART No.	GROUP
9941771	10.252	9941999	4.265 U	9942239CY	14.655	9942393	9.685	9942531DX	14.685
9941772	2.515	9942005	0.830	9942239DX	14.655	9942395	2.188	9942531EC	14.685
9941783	1.266	9942008	4.233 U	9942239EK	14.655	9942397BA	15.306	9942531EY	14.685
9941784	1.266	9942010	4.265 U	9942240CY	14.655	9942397DX	15.306	9942537DT	14.760
9941785	1.266	9942014	4.265 U	9942240DX	14.655	9942397EK	15.306	9942537DX	14.760
9941801C	15.040	9942015	4.265 U	9942240EK	14.655	9942398BA	15.306	9942537EC	14.760
9941801R	15.040	9942016	4.005 U	9942248DX	14.880	9942398DX	15.306	9942537EY	14.760
9941801T	15.040	9942018	4.265 U	9942248EK	14.880	9942398EK	15.306	9942538DT	14.760
9941803C	15.040	9942019	4.005 U	9942248EX	14.880	9942408	10.163	9942538DX	14.760
9941803R	15.040	9942021	4.265 U	9942248EY	14.880	9942442	2.515	9942538EC	14.760
9941803T	15.040	9942022	4.265 U	9942249DX	14.800	9942443	2.515	9942538EY	14.760
9941804C	15.040	9942024	4.265 U	9942249EC	14.800	9942451	15.293	9942568	0.830
9941804R	15.040	9942025	4.153 U	9942249EX	14.800	9942464	5.504	9942571	10.230
9941804T	15.040	9942026	4.265 U	9942249EY	14.800	9942465	5.504	9942585	3.415
9941808	1.265	9942027	4.265 U	9942250DX	14.880	9942466	5.504	9942586	14.691
9941817	3.726	9942028	4.265 U	9942250EK	14.880	9942467	5.504	9942586	14.764
9941831	14.655	9942029	4.265 U	9942250EX	14.880	9942469	5.504	9942588	5.382
9941834	1.219	9942031	4.265 U	9942250EY	14.880	9942470	5.504	9942590	3.748
9941835	1.219	9942033	4.265 U	9942251DX	14.800	9942471	5.504	9942597	15.293
9941850	2.515	9942038	4.265 U	9942251EK	14.800	9942472	5.504	9942598	15.293
9941851	2.515	9942039	4.256 U	9942251EX	14.800	9942484	3.003	9942600	15.293
9941859	1.219	9942047	3.159	9942251EY	14.800	9942488BA	15.286	9942601	15.293
9941860	1.219	9942065	10.252	9942252DX	15.035	9942488DX	15.286	9942602	15.293
9941871	2.515	9942071	11.950	9942252EK	15.035	9942488EK	15.286	9942603	4.015 F
9941872	2.515	9942073	2.895	9942252EX	15.035	9942490BA	15.286	9942605	4.015 F
9941873	2.515	9942076BA	2.459	9942252EY	15.035	9942490DX	15.286	9942606	15.293
9941874	2.515	9942076BA	10.163	9942253DX	15.035	9942490EK	15.286	9942607	15.293
9941876	2.515	9942076DX	2.459	9942253EK	15.035	9942491BA	15.286	9942608	15.293
9941878	2.515	9942076DX	10.163	9942253EX	15.035	9942491DX	15.286	9942615	3.726
9941879	2.515	9942076EK	2.459	9942253EY	15.035	9942491EK	15.286	9942616	3.726
9941880	2.515	9942076EK	10.163	9942254DX	15.000	9942492BA	15.286	9942621	2.679
9941881	2.515	9942079	2.728	9942254EK	15.000	9942492DX	15.286	9942622	2.679
9941882	2.515	9942080	2.679	9942254EX	15.000	9942492EK	15.286	9942624	5.420
9941883	2.515	9942081	2.679	9942254EY	15.000	9942495	2.555	9942629	5.382
9941884	2.515	9942082	2.681	9942255DX	15.000	9942496	2.555	9942630	5.382
9941885	2.515	9942083	2.681	9942255EK	15.000	9942497	2.555	9942636	8.132
9941886	2.515	9942086CY	2.830	9942255EX	15.000	9942498	2.555	9942637	8.132
9941887	8.132	9942086DX	2.830	9942255EY	15.000	9942499	13.090	9942638	12.114
9941887	12.182	9942086EK	2.830	9942260	6.518	9942500	13.090	9942639	12.114
9941888	3.726	9942088	2.728	9942268	3.265	9942501	13.090	9942656	3.265
9941891	2.810	9942089	2.555	9942269	3.265	9942502	13.090	9942659	9.779
9941892	2.810	9942090	2.515	9942270	3.265	9942503	13.090	9942675	12.182
9941911	1.265	9942091	2.555	9942271	3.265	9942504	13.090	9942676	12.182
9941922	1.219	9942093	2.515	9942272	3.265	9942505	13.090	9942679	4.665
9941926	0.852	9942104	2.520	9942273	3.265	9942506	13.090	9942680	4.665
9941955C	15.040	9942105	2.520	9942274	3.265	9942507	13.090	9942685	12.956
9941955R	15.040	9942121	5.858	9942275	1.064	9942508	13.090	9942686	12.956
9941955T	15.040	9942135	9.779	9942275	4.265 U	9942509	11.925	9942687	11.420
9941957	1.266	9942136	9.779	9942276	1.064	9942510	11.925	9942689BA	15.024
9941958	1.266	9942137	9.262	9942282	4.054 U	9942511	11.925	9942689DX	15.024
9941959	14.655	9942138	9.262	9942282	4.054 V	9942512	11.925	9942689EK	15.024
9941963	1.266	9942139	9.262	9942289	3.120	9942521	12.182	9942690	7.242
9941964	1.266	9942140	9.262	9942307	5.803	9942522	10.163	9942693	7.242
9941983	1.265	9942141	9.262	9942327	12.182	9942527	3.120	9942699	1.653
9941986	2.515	9942142	9.779	9942350	8.132	9942528	3.120	9942709	1.265
9941990	4.265 U	9942146	10.527	9942350	12.182	9942530DT	14.685	9942710	3.726
9941991	4.265 U	9942168	1.270	9942352	2.515	9942530DX	14.685	9942714	6.508
9941993	4.265 U	9942170	1.270	9942366	7.831	9942530EK	14.685	9942716	6.508
9941994	4.265 U	9942172	4.294 U	9942385	7.831	9942530EY	14.685	9942717	6.508
9941998	4.265 U	9942238	14.655	9942390	1.064	9942531DT	14.685	9942721	4.003 U

"HX" STATESMAN/HOLDEN PARTS CATALOGUE

PART No.	GROUP	PART No.	GROUP	PART No.	GROUP	PART No.	GROUP	PART No.	GROUP
9942736	3.417	9943064	0.852	9943504	4.030	9943864DA	14.762	9944069	11.208
9942737	3.417	9943095	12.237	9943505	4.030	9943865	2.515	9944070	11.208
9942770	0.797	9943098	4.665	9943506	4.030	9943870CY	14.686	9944071	11.208
9942772	0.683	9943099	4.665	9943510	4.030	9943870DA	14.686	9944073	12.075
9942775	5.855	9943111	2.728	9943511	4.010F	9943870DV	14.686	9944074	12.075
9942778	0.852	9943114	12.116	9943514	4.030	9943870DX	14.686	9944075	12.811
9942779	0.852	9943115	12.116	9943515	4.006F	9943870EC	14.686	9944076	12.811
9942780	0.839	9943116	12.116	9943516	4.006F	9943870FH	14.686	9944094	4.205 U
9942782	2.895	9943117	12.116	9943517	4.006F	9943871CY	14.686	9944096	10.093
9942793	3.403	9943118	12.116	9943518	4.006F	9943871DA	14.686	9944097	10.093
9942794	2.515	9943119	12.116	9943537	0.386	9943871DV	14.686	9944098	12.811
9942796	4.337 U	9943126	10.485	9943556	0.852	9943871DX	14.686	9944099	12.811
9942803	1.266	9943126	10.777	9943557	0.852	9943871EC	14.686	9944115	11.175
9942804	1.266	9943127	10.485	9943558	0.852	9943871FH	14.686	9944116	11.175
9942805	1.266	9943127	10.777	9943559	0.683	9943872BA	15.306	9944117	11.179
9942806	1.266	9943144	9.662	9943560	0.852	9943873	15.294	9944118	11.179
9942807	1.266	9943150	1.835	9943603	1.219	9943874DA	14.803	9944119	11.175
9942808	1.266	9943161	4.035 F	9943604	1.219	9943875CY	15.290	9944120	11.175
9942809	2.515	9943170	9.779	9943605	1.219	9943876	15.290	9944122	2.515
9942810	0.830	9943171	1.069	9943606	1.219	9943878	12.007	9944132	10.185
9942819	4.038 U	9943172	1.073	9943693	6.020	9943880	2.555	9944133	10.185
9942819	4.038 V	9943173	1.251	9943694	6.020	9943895BA	15.024	9944134	10.263
9942820	4.038 U	9943197	10.187	9943695	6.020	9943896DA	14.640	9944148	12.277
9942820	4.038 V	9943198	10.187	9943696	6.020	9943903	1.265	9944150	12.275
9942821	4.038 V	9943225	10.470	9943702BA	15.286	9943909	12.803	9944154	2.515
9942826	8.823	9943226	10.470	9943702DX	15.286	9943932	9.779	9944160	10.002
9942827	8.823	9943227	10.473	9943702EK	15.286	9943943	10.270	9944173	4.740
9942836	15.293	9943228	10.473	9943703BA	15.306	9943944	12.030	9944182	3.159
9942837	15.293	9943233	10.485	9943703DX	15.306	9943945	12.030	9944225	12.956
9942885	15.293	9943234	10.485	9943703EK	15.306	9943947	1.150	9944243	9.648
9942887	12.112	9943235	10.485	9943729	10.270	9943956	3.120	9944258	10.252
9942888	12.112	9943236	10.485	9943732	10.485	9943967	6.168	9944283	1.246
9942895	6.761	9943237	10.485	9943732	10.777	9943982	8.132	9944307	9.662
9942896	12.116	9943251	8.823	9943733	10.485	9943983	8.132	9944327	4.931
9942897	12.116	9943253	8.823	9943733	10.777	9943984	8.132	9944443	12.811
9942905	0.787	9943327	5.858	9943734	10.485	9943985	8.132	9944498	4.016 U
9942906	0.852	9943336DA	14.685	9943735	10.485	9943986	8.132	9944498	4.016 V
9942907	0.852	9943337DA	14.685	9943736	10.485	9943989	10.266	9944529	15.000
9942908	1.062	9943342	4.041 V	9943737	10.777	9943990	10.266	9944718	2.342
9942909	7.545	9943343	4.008 V	9943738	10.777	9943999	9.220	9944719	2.342
9942914	2.555	9943344	4.008 V	9943739	10.777	9944046	8.132	9944779	10.002
9942915	2.555	9943345	4.010 V	9943764	8.823	9944047	8.132	9944780	10.002
9942928	8.821	9943346	4.006 V	9943765	8.823	9944048	8.132	9944781	10.002
9942929	9.661	9943347	4.008 V	9943789	3.273	9944049	8.132	9944782	10.002
9942931	3.521	9943348	4.010 V	9943790	3.273	9944050	8.132	9944783	10.002
9942956	1.108	9943349	4.008 V	9943805	4.342 A	9944051	8.132	9944784	10.002
9942957	12.803	9943350	4.006 V	9943805	4.342 F	9944052	8.132	9944785	10.002
9942958	12.803	9943352	2.515	9943805	4.342 U	9944053	8.132	9944786	10.002
9942959	8.823	9943363	8.823	9943806	4.342 V	9944054	8.132	9944937	8.823
9942960	8.823	9943476	2.515	9943850DA	14.880	9944055	8.132	9944938	8.823
9942987	8.823	9943477	2.515	9943851DA	14.800	9944056	12.182	11027991	4.054 U
9942988	8.823	9943487	12.114	9943852DA	15.035	9944057	12.182	11027991	4.054 V
9942989	8.823	9943488	12.114	9943853DA	15.000	9944058	12.182	11076681	6.168
9942990	8.823	9943489	12.114	9943854	1.265	9944059	12.182	11076681	6.870
9942991	8.823	9943490	12.114	9943855	10.261	9944060	12.182	11076743	4.047 V
9942992	8.823	9943491	12.112	9943856	10.261	9944064	12.114	11079741	4.040 V
9942997	2.555	9943492	12.112	9943858	8.823	9944065	12.114	11079741	4.662
9942998	2.555	9943493	12.112	9943859	8.823	9944066	12.112	11079741	4.907
9942999	2.555	9943494	12.112	9943862DA	15.100	9944067	12.112	11079741	6.233
9943063	0.852	9943495	9.662	9943863DA	15.100	9944068	11.208	11079751	6.020

"HX" STATESMAN/HOLDEN PARTS CATALOGUE

PART No.	GROUP	PART No.	GROUP	PART No.	GROUP	PART No.	GROUP	PART No.	GROUP
110797519.280	170546053.725						
110797834.040U	170548113.748						
110797834.040V	170549563.725						
170506393.727	170549573.727						
170515993.763								
170527893.748								
170527953.725								
170527963.725								
170531553.763								
170542743.778								



CATALOGUE NO. M37865A
EFFECTIVE: SEPTEMBER, 1976.
I.S.B.N 0 909989 64 8

'HX'

PARTS CATALOGUE

AMENDING SUPPLEMENT

THE FOLLOWING AMENDMENTS ARE EFFECTIVE IMMEDIATELY.

THIS AMENDING SUPPLEMENT IS TO BE USED IN CONJUNCTION
WITH PARTS CATALOGUE NO. M37865

NOTE: FUTURE AMENDMENTS WILL BE CONSOLIDATED UNTIL
SUCH TIME AS A NEW UP-DATED PARTS CATALOGUE
IS PUBLISHED.

GROUP	DESCRIPTION	MODEL	SIDE	PART NO.	NEW PART NO.	QTY.	REMARKS
0.027	BOLT - Bracket to engine			180121	454905		Amend Part No.
0.033	BLOCK COMPLETE † Short Motor	4.2 Litre Eng.					
		9.4:1 C.R.		9939101			Amend Model
0.033	BLOCK - Fitted with pistons	4.2 Litre Eng.					
		9.4:1 C.R.		9941365			Amend Model
0.103	BEARING UNIT - .030" U/S	6 Cyl. Eng.		2817594			Amend Model
0.289	GASKET SET		96)	7430270			Add Note
0.289	GASKET SET	3300 Eng.	93)	9945175		1	Add
0.289	GASKET SET		96)	2811056			Add Note
0.289	GASKET SET	4.2 Litre Eng.	93)	9945059		1	Add
0.289	GASKET SET		96)	2811057			Add Note
0.289	GASKET SET	5 Litre Eng.	93)	9945061		1	Add
0.629	PISTON & PIN - Standard	4.2 Litre Eng.	93)	9941368			Amend Model
0.629	PISTON & PIN - Standard - High limit	4.2 Litre Eng.	93)	9941369			Amend Model
0.629	PISTON & PIN - .001" O/S	4.2 Litre Eng.	93)	9941370			Amend Model
0.629	PISTON & PIN - .002" O/S	4.2 Litre Eng.	93)	9941371			Amend Model
0.629	PISTON & PIN - .020" O/S	4.2 Litre Eng.	93)	9941372			Amend Model
0.629	PISTON & PIN - .030" O/S	4.2 Litre Eng.	93)	9941373			Amend Model
1.050	STUD - Clutch & pulley to hub - 5/16" - 24 x 2.375"	(M) 6 Cyl. Eng. Air Cond.	93)	SP2635			Amend Model & Add Note
1.050	STUD - Clutch & pulley to hub - 5/16" - 24 x 1.90"	(A) 6 Cyl. Eng. Air Cond.	93)	SP2757		4	Add Add Group
1.055	FAN - Auxiliary FAN PACKAGE	(A) Air Cond.		M37882		1	Add Add Group
1.055	MOTOR, BRACKET - Auxiliary fan - Printed Circuit Type MOTOR ASSEMBLY	(A) Air Cond.		9945182		1	Add
	BRACKET - Motor mounting	(A) Air Cond.		9945180		2	Add
	BOLT - Motor to bracket	(A) Air Cond.		SP2272		4	Add
	SPACER - Motor to bracket	(A) Air Cond.		9940157		4	Add
	WASHER - Motor to bracket	(A) Air Cond.		138479		2	Add
	WASHER - Motor to bracket	(A) Air Cond.		SP2442		3	Add
	NUT - Motor to bracket	(A) Air Cond.		120361		4	Add
	BOLT - Bracket to radiator support - Upper	(A) Air Cond.		160548		2	Add
	WASHER - Bracket to radiator support - Upper	(A) Air Cond.		121753		2	Add
	WASHER - Bracket to radiator support - Upper	(A) Air Cond.		120380		1	Add
	NUT - Bracket to radiator support - Upper	(A) Air Cond.		120375		2	Add
	SCREW - Bracket to radiator support - Lower	(A) Air Cond.		9422037		2	Add

NOTE: 93) With Evaporative and Exhaust Emission Control - ADR27A (Refer Safety Compliance Plate)
96) Without Exhaust Emission Control.

GROUP	DESCRIPTION	MODEL	SIDE	PART NO.	NEW PART NO.	QTY.	REMARKS
1.055	MOTOR, BRACKET — Auxiliary fan — Printed Circuit Type (Cont'd.)						
	SHIM — Bracket to radiator support	(A) Air Cond.		SP1491	A.R	Add
1.055	MOTOR, BRACKET — Auxiliary fan — Permanent Magnet — Wound Armature Type						Add Group
	MOTOR ASSEMBLY	(A) Air Cond.		9940232	1	Add
	BRACKET — Adaptor	(A) Air Cond.		9940172	1	Add
	BOLT — Motor to adaptor bracket	(A) Air Cond.		123435	3	Add
	WASHER — Motor to adaptor bracket	(A) Air Cond.		120380	3	Add
	BRACKET — Motor mounting	(A) Air Cond.		9945180	2	Add
	BOLT — Adaptor bracket to mounting bracket	(A) Air Cond.		SP2272	4	Add
	WASHER — Adaptor bracket to mounting bracket	(A) Air Cond.		SP2442	4	Add
	NUT — Adaptor bracket to mounting bracket	(A) Air Cond.		120361	4	Add
	BOLT — Bracket to radiator support — Upper	(A) Air Cond.		160548	2	Add
	WASHER — Bracket to radiator support — Upper	(A) Air Cond.		121753	2	Add
	WASHER — Bracket to radiator support — Upper	(A) Air Cond.		120380	1	Add
	NUT — Bracket to radiator support — Upper	(A) Air Cond.		120375	2	Add
	SCREW — Bracket to radiator support — Lower	(A) Air Cond.		9422037	2	Add
	SHIM — Bracket to radiator support	(A) Air Cond.		SP1491	A.R	Add
1.035	HARNESS — Auxiliary fan wiring						Add Group
	HARNESS ASSEMBLY	(A) Air Cond.	107)	9940165	1	Add
	BODY — Single female connector	(A) Air Cond.		2977253	1	Add
	BODY — Six way female connector	(A) Air Cond.		9944329	1	Add
	STRAP — Harness to air cond. hoses ..	(A) Air Cond.		7436769	1	Add
	SLEEVE — Harness	(A) Air Cond.		7415162	1	Add
	HARNESS ASSEMBLY	(A) Air Cond.	108)	9945242	1	Add
	BODY — Single connector	(A) Air Cond.	108)	2984528	1	Add
	LEAD — Harness to switch	(A) 6 Cyl. Eng. Air Cond.	108)	9945243	1	Add
	CLIP — Harness to front end panel	(A) Air Cond.		7426417	1	Add
1.055	RELAY — Auxiliary fan						Add Group
	RELAY	(A) Air Cond.		9945238	1	Add
	SCREW — Relay mounting	(A) Air Cond.		SP2144	1	Add
1.055	BLADE — Auxiliary fan						Add Group
	BLADE ASSEMBLY	(A) Air Cond.		9945181	1	Add
1.062	PULLEY ASSEMBLY	(A) 8 Cyl. Eng. Air Cond.		2812459		Delete Note
1.062	PULLEY ASSEMBLY	(A) 8 Cyl. Eng. exc. Chassis & Cab	93)	9942908		Delete
1.062	PULLEY ASSEMBLY	(A) 8 Cyl. Eng. Air Cond. Chassis & Cab	93)	2812459		Delete
1.064	BLADE ASSEMBLY — 4 blade	(A) 6 Cyl. Eng. exc. Chassis & Cab, Air Cond.	93)	9942276		Add Note
1.064	BLADE ASSEMBLY — 4 blade		96)	2824280		Delete
1.064	BLADE ASSEMBLY — 4 blade	6 Cyl. Eng. Chassis & Cab exc. Air Cond. H/Duty Rad.		2820480	93) 9942276		Amend Part No.
1.064	BLADE ASSEMBLY — 7 blade	6 Cyl. Eng. Chassis & Cab. with H/Duty Rad.		9788982		Amend Model

NOTE: 93) With Evaporative and Exhaust Emission Control — ADR27A (Refer Safety Compliance Plate)
96) Without Exhaust Emission Control.
107) Use without Thermo-Switch.
108) Use with Thermo-Switch.

GROUP	DESCRIPTION	MODEL	SIDE	PART NO.	NEW PART NO.	QTY.	REMARKS
1.064	BLADE ASSEMBLY — 7 blade — Straight	(A) 6 Cyl. Eng. Chassis & Cab exc. Air Cond.		93) 9788982		Add Note
1.064	BLADE ASSEMBLY — 4 blade	(M) 8 Cyl. Eng. exc. Air Cond. Chassis & Cab		3927791		Amend Model
1.064	BLADE ASSEMBLY — 4 blade	(A) 6 Cyl. Eng. exc. Chassis & Cab, Air Cond.		96) 2820480	1	Add
1.064	BLADE ASSEMBLY — 4 blade	(M) 6 Cyl. Eng. Chassis & Cab with H/Duty Rad.		96) 2820480	1	Add
1.064	SPACER — 1.02" long	(M) 6 Cyl. Eng. Air Cond.		93) 9942390		Amend Model & Note No.
1.064	SPACER	6 Cyl. Eng. exc. Chassis & Cab, Air Cond. H/Duty Rad.		96) 2823841	1	Add
1.064	SPACER	(A) 6 Cyl. Eng. Air Cond.		93) 9945224	1	Add
1.064	SPACER — 2.42" long			97) 9936252		Delete
1.064	SPACER	6 Cyl. Eng. exc. Air Cond., H/Duty Rad.		93) 2823840		Amend Model
1.064	SPACER	(M) 6 Cyl. Eng. H/Duty Rad.		93) 2823840	1	Add
1.064	SPACER	(A) 6 Cyl. Eng. H/Duty Rad.		93) 9936252	1	Add
1.064	SPACER	(A) 8 Cyl. Eng. Chassis & Cab, with H/Duty Rad. ..		9936252	1	Add
1.064	SPACER	(A) 5 Litre Eng. exc. Chassis & Cab, H/Duty Rad., Air Cond.		93) 9936252		Add Note
1.064	BOLT — Fan spacer & pulley to hub			93) 9430454		Add Note
1.064	BOLT — Fan spacer & pulley to hub	8 Cyl. Eng. Chassis & Cab exc. Air Cond., H/Duty Rad.		9930454	93) 9430454		Amend Model, Part No. & Add Note
1.064	BOLT — Fan spacer & pulley to hub	(A) 5 Litre Eng. H/Duty Rad. exc. Chassis & Cab		93) 9430454		Amend Model & Add Note
1.064	BOLT — Fan spacer & pulley to hub	(A) 4.2 Litre Eng. exc. Chassis & Cab, Air Cond.		93) 9430454		Add Note
1.064	BOLT — Fan spacer & pulley to hub	8 Cyl. Eng. exc. Chassis & Cab, Air Cond., H/Duty Rad.		96) 9430454	4	Add
1.064	BOLT — Fan spacer & pulley to hub	8 Cyl. Eng. Chassis & Cab exc. Air Cond.		96) 9427685	4	Add
1.064	BOLT — Fan spacer & pulley to hub	(A) 5 Litre Eng. H/Duty Rad. exc. Chassis & Cab		96) 9427685	4	Add
1.064	BOLT — Fan spacer & pulley to hub	(A) 6 Cyl. Eng. Air Cond.		96) 9427685	4	Add

NOTE: 93) With Evaporative and Exhaust Emission Control — ADR27A (Refer Safety Compliance Plate)
96) Without Exhaust Emission Control.

GROUP	DESCRIPTION	MODEL	SIDE	PART NO.	NEW PART NO.	QTY.	REMARKS
1.069	SEAL - Heater hose connection - Export	8 Cyl. Eng.		7434745	1	Add
1.069	PUMP ASSEMBLY	(M) 6 Cyl. Eng.	93)	9943171		Amend Model
1.069	PUMP ASSEMBLY	(A) 6 Cyl. Eng. exc. Air Cond.	93)	9943171	1	Add
1.069	PUMP ASSEMBLY	(A) 6 Cyl. Eng. Air Cond.	93)	9945223	1	Add
1.071	REPAIR KIT	(M) 6 Cyl. Eng.		M37645		Amend Model
1.071	REPAIR KIT	(A) 6 Cyl. Eng. exc. Air Cond.		M37645	1	Add
1.071	REPAIR KIT	(A) 6 Cyl. Eng. Air Cond.	96)	M37645	1	Add
1.071	REPAIR KIT	(A) 6 Cyl. Eng. Air Cond.	93)	7423694	1	Add
1.108	SHAFT and BEARING	(M) 6 Cyl. Eng.		2823981		Amend Model
1.108	SHAFT and BEARING	(A) 6 Cyl. Eng. exc. Air Cond.		2823981	1	Add
1.108	SHAFT and BEARING	(A) 6 Cyl. Eng. Air Cond.	96)	2823981	1	Add
1.108	SHAFT and BEARING	(A) 6 Cyl. Eng. Air Cond.	93)	7420067	1	Add
1.150	SWITCH - Auxiliary fan thermostat						Add Group
	SWITCH	(A) Air Cond.		9945245	1	Add
	GASKET - Switch to radiator	(A) Air Cond.		3929530	1	Add
1.166	CLAMP - Inlet - 1.38" - 2.12" worm drive	Exc. 6 Cyl. Eng. Air Cond.		SP2754	2	Add
1.166	CLAMP - Inlet - 1.38" - 2.12" worm drive	6 Cyl. Eng. Air Cond.		SP1557	2-4	Amend Desc. Model & Qty.
1.166	CLAMP - Outlet - 1.38" - 2.12" worm drive	ALL		SP1557	2	Add
1.219	RADIATOR ASSEMBLY	(A) 6 Cyl. Eng. Chassis & Cab Air Cond.	96)	9943603		Add Note
1.219	RADIATOR ASSEMBLY	(A) 6 Cyl. Eng. Chassis & Cab Air Cond.	93)	9945192	1	Add
1.219	RADIATOR ASSEMBLY	(A) 6 Cyl. Eng. Chassis & Cab exc. Air Cond.	96)	9935585		Add Note
1.219	RADIATOR ASSEMBLY	(A) 6 Cyl. Eng. Chassis & Cab exc. Air Cond.	93)	9945191	1	Add
1.219	RADIATOR ASSEMBLY	(A) 4.2 Litre Eng. Chassis & Cab Air Cond.	96)	9943606		Add Note
1.219	RADIATOR ASSEMBLY	(A) 4.2 Litre Eng. Chassis & Cab Air Cond.	93)	9945194	1	Add
1.219	RADIATOR ASSEMBLY	(A) 4.2 Litre Eng. Air Cond. exc. Chassis & Cab, Caprice	96)	9941860		Add Note
1.219	RADIATOR ASSEMBLY	(A) 4.2 Litre Eng. Air Cond. exc. Chassis & Cab, Caprice	93)	9945193	1	Add
1.219	RADIATOR ASSEMBLY	(A) 4.2 Litre Eng. Caprice	93)	9941860	93) 9945193		Amend Part No.

NOTE: 93) With Evaporative and Exhaust Emission Control - ADR27A (Refer Safety Compliance Plate)
96) Without Exhaust Emission Control.

GROUP	DESCRIPTION	MODEL	SIDE	PART NO.	NEW PART NO.	QTY.	REMARKS
1.219	RADIATOR ASSEMBLY	(A) 5 Litre Eng. Chassis & Cab Air Cond.	98)	9943605		Add Note
1.219	RADIATOR ASSEMBLY	(A) 5 Litre Eng. Chassis & Cab Air Cond.	93)	9945194	1	Add
1.219	RADIATOR ASSEMBLY	(A) 5 Litre Eng. Air Cond. exc. Chassis & Cab, Caprice	98)	9941834		Add Note
1.219	RADIATOR ASSEMBLY	(A) 5 Litre Eng. Air Cond. exc. Chassis & Cab, Caprice	93)	9945193	1	Add
1.219	RADIATOR ASSEMBLY	5 Litre Eng. Caprice	93)	9941834	93) 9945193		Amend Part No.
1.219	PLUG – Thermo switch hole	(A) Air Cond.		SP2759	1	Add
1.219	GASKET – Plug	(A) Air Cond.		3929530	1	Add
1.270	FINGER GUARD – Fan – Bolt on type ..	Exc. when shroud fitted		2823991	9945132		Amend Part No.
1.270	SEAL – Radiator support panel to hood	(A) Air Cond.		9945230	1	Add
1.652	PUMP, REPAIR KIT – Oil						Amend Group Heading
1.652	REPAIR KIT	8 Cyl. Eng.		M37755	1	Add
1.762	HOSE – Breather to carburettor	93)	7439584		Amend Desc.

NOTE: 93) With Evaporative and Exhaust Emission Control – ADR27A (Refer Safety Compliance Plate)
98) Without Exhaust Emission Control.

GROUP	DESCRIPTION	MODEL	SIDE	PART NO.	NEW PART NO.	QTY.	REMARKS
2.188	CLIP - Ignition lock	ALL		9944194	1	Add
2.270	SPARK PLUG PACKAGE		2822798		Delete
2.289	PLATE - Field terminal with diodes (Lucas)		VS12325	VS12706		Amend Part No.
2.305	PLATE		VS12529	VS13515		Amend Part No.
2.361	DISTRIBUTOR	96)	2817884		Delete
2.362	BUSH - Housing - Lower		VS10842	1	Amend Desc. & Qty.
2.362	BUSH - Housing - Upper	8 Cyl. Eng.		VS13604	1	Add
2.372	SHAFT		VS10202	VS13742	1	Amend Part No.
2.372	SHAFT		VS10849		Delete
2.372	SHAFT & DRIVE PLATE	8 Cyl. Eng.		VS13614		Amend Model
2.389	SPRING - Heavy	(Bosch)	93)	VS13591	93) VS13639		Amend Part No.
2.408	CLIP - Lead to clutch housing	(M) 8 Cyl. Eng.		SP2636		Amend Desc.
2.408	CLIP - Lead to transmission	(A) 5 Litre Eng.		1368774	1	Add
2.424	PIPE - Flexible	96)	2820844		Add Note
2.424	HOSE - Vac. spark delay valve to T.C.S. solenoid	93)	9937387	93) 9936299		Amend Part No.
2.424	HOSE - Vac. spark delay valve to T.C.S. solenoid	93)	9937679	93) 9937659		Amend Part No.
2.424	HOSE - Carburettor to T.C.S. solenoid	93)	9937388	93) 9938357		Amend Part No.
2.481	ADAPTOR - Power operated antenna to fuse panel	ALL		SP2643	1	Add
2.500	REGULATOR ASSEMBLY	(Lucas)		VS12329	VS12536		Amend Part No.
2.515	LENS - Brake warning lamp	Type 7		9942794	9945165		Amend Part No.
2.515	LENS - Brake warning lamp	Type 6		9942794	9945165		Amend Part No.
2.515	LENS - Brake warning lamp	Type 6		9934117	9945165		Amend Part No.
2.555	BODY - 3 way female connector		2692449	2962449		Amend Part No.
2.555	CLIP - Main wiring harness to dash panel	6 Cyl. Eng.		7413370	1	Add
2.555	CLIP - Main wiring harness to dash panel	6 Cyl. Eng.		SP2236	1	Add
2.555	WASHER - Earth to floor panel		138474	138479		Amend Part No.
2.586	WASHER - Nut		VS12264	SP2442		Amend Part No.
2.586	NUT		VS12263	120614		Amend Part No.
2.679	SCREW - No. 8 - 18 x .75"		SP2456	9414714		Amend Part No.
2.679	WASHER	LE		138479	6	Add
2.725	BULB - Quartz halogen	LE		11063919	2	Add
2.728	NUT - Lower		SP2034	SP2536		Amend Part No.

NOTE: 93) With Evaporative and Exhaust Emission Control - ADR27A (Refer Safety Compliance Plate)
96) Without Exhaust Emission Control.

GROUP	DESCRIPTION	MODEL	SIDE	PART NO.	NEW PART NO.	QTY.	REMARKS
Page 196 5 Litre Eng. Air Cond.							Amend Illus.
Page 196 Illus. Ref. No. 3 – Group 3.159							Heading
							Amend Group
3.001	GUARD ASSEMBLY		9930092		Delete
3.001	BRACKET – Guard support – front		9930083		Delete
3.001	BRACKET – Guard support – centre		9930469		Delete
3.001	BRACKET – Guard support	LH	9930085		Delete
			RH	9930084		Delete
3.003	PIPE – Vent – lower (Left hand)		9931891		Delete
3.028	CAP ASSEMBLY		410431	413755		Amend Part No.
3.028	CAP ASSEMBLY		417715	413755		Amend Part No.
3.028	TRANSFER – Fuel filler cap					Add Group
	TRANSFER – Yellow, Orange, Red	Sandman		9945465	1	Add
	TRANSFER – Bright Yellow, Light Orange, Dark Orange	Sandman		9945466	1	Add
	TRANSFER – Orange, Bright Blue, Blue	Sandman		9945464	1	Add
	TRANSFER – Orange, Brown, Dark Brown	Sandman		9945463	1	Add
	TRANSFER – Plum, Purple, Dark Blue ..	Sandman		9945462	1	Add
3.120	STRAP – Harness securing		SP1887	7436769		Amend Part No.
3.120	HOSE – Canister to carburettor purge port	93)	9937663	93) 9940403		Amend Part No.
3.120	SCREW – Hose retaining clamp to bracket	6 Cyl. Eng. with Power Steering		9428168	1	Add
3.159	PIPE – Front	(A) 5 Litre Eng. Air Cond. Panel Van, Utility, Chassis & Cab		9936927		Amend Model
3.159	PIPE – Rear	(A) 5 Litre Eng. Air Cond. Panel Van, Utility, Chassis & Cab		2822329		Amend Model
3.159	HOSE – Rear vapour pipe to front pipe		2810519	2809932		Amend Part No.
3.159	CLIP – Fuel pipe to vapour return pipe	(A) 5 Litre Eng. 60,70,80 Air Cond.		599119		Amend Model
3.159	CLIP – Vapour pipe to side rail	(A) 5 Litre Eng. 60,70,80 Air Cond.		SP2357	3	Add
3.159	CLIP – Vapour return pipe to brake connector	(A) 5 Litre Eng. Air Cond.		SP2650		Amend Model
3.159	SEPARATOR ASSEMBLY	(A) 5 Litre Eng. Air Cond.	96)	2820246	1	Add
3.260	HOSE, CLAMP – Inlet manifold water					Amend Group Heading
3.260	HOSE – Inlet	6 Cyl. Eng. exc. Air Cond.	96)	9928722		Amend Model
3.260	HOSE – Inlet	6 Cyl. Eng. Air Cond.	96)	2815207	1	Add
3.265	MANIFOLD	93)	9932889		Amend Note No.
3.265	MANIFOLD	96)	9932684		Amend Note No.
3.265	MANIFOLD	93)	9932891		Amend Note No.
3.265	MANIFOLD	93)	9942656		Amend Note No.
3.265	MANIFOLD	96)	9929854		Amend Note No.
3.265	MANIFOLD	93)	9941539		Delete
3.265	MANIFOLD	6 Cyl. Eng.	93)	9936018		Amend Model
3.265	PLUG – Manifold expansion	6 Cyl. Eng.	96)	9419378	1	Add
3.270	GASKET SET	96)	7430496		Add Note
3.270	GASKET – Inlet to exhaust manifold	6 Cyl. Eng.	93)	9935769	1	Add
3.270	GASKET SET	96)	2811259		Add Note

NOTE: 93) With Evaporative and Exhaust Emission Control – ADR27A (Refer Safety Compliance Plate)
96) Without Exhaust Emission Control.

GROUP	DESCRIPTION	MODEL	SIDE	PART NO.	NEW PART NO.	QTY.	REMARKS
3.270	GASKET SET	8 Cyl. Eng.	93)	9945060	1	Add
3.275	NUT - Inlet to exhaust manifold	6 Cyl. Eng.	93)	103026	1	Add
3.275	STUD - Inlet & exhaust manifold attaching	93)	SP2699		Add Note
3.275	BOLT - Inlet manifold to cyl. head		9427729	8-14	Amend Qty.
3.275	BOLT - Inlet manifold to cyl. head	93)	9436896		Add Note
3.275	BOLT - Stove & exhaust manifold to cyl. head		189305		Amend Desc.
3.275	STUD - Exhaust pipe to RH manifold	93)	SP2528		Add Note
3.288	NUT	6 Cyl. Eng.	93)	120368		Add Note
3.288	NUT	6 Cyl. Eng.	96)	120369		Add Note
3.288	STUD	93)	SP2570		Add Note
3.288	STUD	4.2 Litre Eng.	96)	SP1763	4	Add
3.410	TRANSFER		9940891		Delete Note
3.415	RETAINER - Diaphragm		6424498	9942585		Amend Part No.
3.430	LEVER - Carburettor		9929281		Delete
3.444	BOLT - Bracket to carburettor		7030567	2	Amend Qty.
3.459	SPRING - Return	6 Cyl. Eng.	93)	2825271	1	Add
3.459	BRACKET - Return spring	6 Cyl. Eng.	93)	9945517	1	Add
3.603	HOSE - Pipe to carburettor	8 Cyl. Eng.	93)	9934270		Amend Model
3.609	PIPE ASSEMBLY	96)	2811852	96) M37649		Amend Part No.
3.670	VALVE ASSEMBLY		7043051	17051860		Amend Part No.
3.726	GASKET - Flange	93)	VS13721		Add Note
3.726	GASKET - Flange	6 Cyl. Eng.	96)	9930562	1	Add
3.726	INSULATOR	93)	9941888		Add Note
3.726	SHIELD - Heat	93)	9939863		Add Note
3.726	GASKET - Shield to manifold	93)	9942710		Add Note
3.726	GASKET - Flange	4.2 Litre Eng.	96)	7433691	1	Add
3.726	INSULATOR	93)	9941817		Add Note
3.726	SHIELD - Heat	93)	9942615		Add Note
3.726	GASKET - Shield to manifold	93)	9942616		Add Note
3.726	INSULATOR	93)	419047		Add Note
3.726	GASKET - Flange	5 Litre Eng.	96)	2807914	1	Add
3.726	GASKET - Flange	5 Litre Eng.	93)	412501	1	Add
Page 255	CARBURETTOR ASSEMBLIES - 9936831, 9936832, 9936833, 9936834 - GROUP 3.726		9930562		Delete from Charts
Page 258	CARBURETTOR ASSEMBLIES - 9937430, 9937431, 9940851, 9940852 - GROUP 3.731		VS13702	2825271		Amend Part No.
Page 260	CARBURETTOR ASSEMBLY - 9936836 - GROUP 3.725		VS12986	VS12992		Amend Part No.
Page 260	CARBURETTOR ASSEMBLY - 9936836 - GROUP 3.725		VS12987	VS12993		Amend Part No.
Page 260	CARBURETTOR ASSEMBLIES - 9936835, 9936836 - GROUP 3.748		VS10922	VS13000		Amend Part No.
Page 260	CARBURETTOR ASSEMBLIES - 9937432, 9937433 - GROUP 3.754		VS12394	VS13744		Amend Part No.
Page 261	CARBURETTOR ASSEMBLIES - 9936835, 9936836 - GROUP 3.792		VS10895	118873		Amend Part No.
Page 263	CARBURETTOR ASSEMBLY - 17052795 - GROUP 3.726		2807914		Delete from Charts
Page 263	CARBURETTOR ASSEMBLY - 17054956 - GROUP 3.726		412501		Delete from Charts
Page 263	CARBURETTOR ASSEMBLY - 17052795 - GROUP 3.741		7042457	7048532		Amend Part No.

NOTE: 93) With Evaporative and Exhaust Emission Control - ADR27A (Refer Safety Compliance Plate)
96) Without Exhaust Emission Control.

GROUP	DESCRIPTION	MODEL	SIDE	PART NO.	NEW PART NO.	QTY.	REMARKS
THREE SPEED MANUAL TRANSMISSION							
4.337A	GEAR – Driven – 20 teeth – White ...	3.08:1 AR with QCM, QEP, QEV QKF, QRA, QRQ, QRR, QRS, QTX, tyre options		7430968		Amend Model
4.337A	GEAR – Driven – 21 teeth – Green....	3.36:1 AR with QCQ, QDW, QEF, QEP, QEQ, QER, QEV, QFF, QFP, QFV, QGA, QRP, QRQ, QRS, QRU, QSD, QTM, QXZ tyre options		7430969		Amend Model
4.337A	GEAR – Driven – 22 teeth – Dark Blue	3.36:1 AR with QCB, QCM, QKF, QMV, QRA, QRD, QRR, QRZ, QTX, QXS tyre options....		7430970		Amend Model
4.337A	GEAR – Driven – 22 teeth – Dark Blue	3.55:1 AR with QDW, QEF, QER, QFF, QFP, QFS, QFV, QFZ, QGA, QRP, QRQ, QRU, QTM, QXZ tyre options		7430970		Amend Model
4.337A	GEAR – Driven – 23 teeth – Red	3.55:1 AR with QCB, QCM, QCQ, QEP, QEV, QKF, QMV, QRA, QRQ, QRR, QRS, QRY, QRZ, QTX, QXP, QXS, tyre options		7430971		Amend Model
4.337A	GEAR – Driven – 21 teeth – Green ..	4.44:1 AR with QSD, QTM tyre options		7430969		Amend Model
4.337A	GEAR – Driven – 20 teeth – White	4.44:1 AR with QFP, QFS tyre options		7430968	1	Add
FOUR SPEED MANUAL TRANSMISSION							
4.005F	GASKET SET – Transmission GASKET SET	ALL		M37425	1	Add Group Add
4.006F	MOUNTING & LEVER ASSEMBLY		9943515		Delete
4.006F	MOUNTING & LEVER ASSEMBLY	ALL		9943516	9944921		Amend Model & Part No.
4.006F	LEVER & YOKE ASSEMBLY		9943517	9944924		Amend Part No.
4.006F	LEVER & YOKE ASSEMBLY		9943518	9944925		Amend Part No.
4.015F	BOOT – Floor pan		28 11342	9944863		Amend Part No.
4.030F	LEVER – 3rd & 4th shift		9943504	9944922		Amend Part No.
4.337F	GEAR – Driven – 20 teeth – White ...	3.08:1 AR with QCM, QEP, QEV, QKF, QRA, QRQ, QRR, QRS, QTX, tyre options		7430968		Amend Model

GROUP	DESCRIPTION	MODEL	SIDE	PART NO.	NEW PART NO.	QTY.	REMARKS
4.337F	GEAR – Driven – 21 teeth – Green	3.36:1 AR with QCQ, QDW, QEF, QEP, QEQ, QER, QEV, QFF, QFP, QFV, QGA, QRP, QRQ, QRS, QRU, QSD, QTM, QXZ; tyre options		7430969		Amend Model
4.337F	GEAR – Driven – 22 teeth – Dark Blue	3.36:1 AR with QCB, QCM, QEV, QKF, QMV, QRA, QRD, QRY, QRZ, QXS tyre options		7430970		Amend Model
4.337F	GEAR – Driven – 22 teeth – Dark Blue	3.55:1 AR with QDW, QEF, QER, QFF, QFP, QFS, QFV, QFZ, QGA, QRP, QRQ, QRU, QSD, QTM, QXZ, tyre options		7430970		Amend Model
4.337F	GEAR – Driven – 23 teeth – Red	3.55:1 AR with QCB, QCM, QCQ, QEP, QEV, QKF, QMV, QRA, QRQ, QRR, QRS, QRY, QRZ, QTX, QXP, QXS tyre options		7430971		Amend Model
4.337F	GEAR – Driven – 21 teeth – Green	4.44:1 AR with QSD, QTM tyre options		7430969		Amend Model
4.337F	GEAR – Driven – 20 teeth – White	4.44:1 AR with QFP, QFS tyre options		7430968	1	Add
TRANSMISSION ASSEMBLY "TRIMATIC" AUTOMATIC							
4.003U	TRANSMISSION ASSEMBLY		2817774	98) 9938911		Amend Part No. & Add Note
4.003U	TRANSMISSION ASSEMBLY	3300 Eng. exc. 4.44:1 AR		93) 9938912		Amend Model
4.003U	TRANSMISSION ASSEMBLY	3300 Eng. 4.44:1 AR		93) 9938916	1	Add
4.016U	GATE		9944498		Delete
4.038U	LENS – Indicator		9933653	9942821		Amend Part No.
4.038U	SCREW – Indicator to upper carrier	Steering Column Shift		9413586	4	Add
4.054U	BOLT – Detent switch to bracket supt.		11027991	160536		Amend Part No.
4.054U	WASHER – Switch to bracket support – lock		2074100	120380		Amend Part No.
4.054U	WASHER – Switch to bracket support – flat		2080129		Delete
4.054U	NUT – Hex		2064155	120375		Amend Part No.
4.075U	PLUG – Transmission control switch closing		Delete Refer Group 4.103U
4.075U	PLUG		98) 444613		Delete Refer Group 4.103U
4.103U	CASE ASSEMBLY – Filter fitted in governor		9938938		Amend Desc.
4.103U	CASE ASSEMBLY – Filter fitted in case ALL		9942288	1	Add
4.103U	PLUG – Transmission control switch closing		Add Group
4.103U	PLUG	ALL		98) 444613	1	Add

NOTE: 93) With Evaporative and Exhaust Emission Control – ADR27A (Refer Safety Compliance Plate)
98) Without Exhaust Emission Control.

GROUP	DESCRIPTION	MODEL	SIDE	PART NO.	NEW PART NO.	QTY.	REMARKS
4.103U	BOLT – Housing to cylinder block	6 Cyl. Eng.		179866		4	Amend Qty.
4.103U	WASHER – Housing to cylinder block	6 Cyl. Eng.		120383		4	Amend Qty.
4.103U	BOLT – Housing to cylinder block	4.2 Litre Eng.		179866	SP2139	6	Amend Part No. & Qty.
4.127U	RING – Oil pump to 2nd clutch oil seal			5258106	9938079		Amend Part No.
4.128U	RING – Governor to output shaft retainer			5258116	SP2716		Amend Part No. Delete
4.158U	CLUTCH ASSEMBLY – 2nd			2816428			Delete
4.163U	PLATE – 2nd driven	2850 Eng.		5258057		5	Add
4.163U	PLATE – 3rd driven	6 Cyl. Eng.		5258058			Amend Model
4.163U	PLATE – Reverse reaction	6 Cyl. Eng.		5258019			Amend Model
4.163U	SPACER – 2nd clutch plate	3300 Eng.		5258285			Amend Model
4.163U	SPACER – 2nd clutch plate	2850 Eng.		5258284		1	Add
4.163U	SPACER – 2nd clutch	ALL		5258057		A.R	Add
4.164U	SPRING – 3rd cushion			8958678	711528		Amend Part No.
4.226U	VALVE – Priming			5258344			Delete
4.226U	SPRING – Priming valve			9940552			Delete
4.226U	SPRING – Pressure regulator valve	4.2 Litre Eng.		2810499			Amend Model (Second Entry)
4.226U	SPRING – Pressure regulator valve	3300 Eng.	93)	5258166		1	Add
4.226U	VALVE – Pressure regulator booster	6 Cyl. Eng.		5258143			Amend Model
4.226U	VALVE – Pressure regulator booster	4.2 Litre Eng.		9945355		1	Add
4.226U	SLEEVE – Pressure regulator booster valve	6 Cyl. Eng.		5258161			Amend Model
4.226U	SLEEVE – Pressure regulator booster valve	4.2 Litre Eng.		9945354		1	Add
NOTE: With Body & Gear Package Part No. 9929279 use 1–5258344 & 1 – 9940552							
4.228U	PISTON ASSEMBLY – Servo		96)	5258183			Add Note
4.228U	PISTON ASSEMBLY – Servo	4.2 Litre Eng.	93)	9945356		1	Add
4.228U	PISTON – Accumulator			9938699	5258186		Amend Part No.
4.233U	SPRING – Servo piston return		93)	5258572			Add Note
4.233U	SPRING – Servo piston return	2850 Eng.		5258572		1	Add
4.233U	SPRING – Servo piston return	4.2 Litre Eng.	93)	2820888	93) 5258572		Amend Part No.
4.233U	SPRING – Servo piston cushion	6 Cyl. Eng.		5258566			Amend Model
4.233U	PIN – Accumulator piston	ALL	93)	9942008			Add Note
4.256U	GOVERNOR ASSEMBLY – Filter in governor	ALL	96)	2820230			Amend Desc.
4.256U	GOVERNOR ASSEMBLY – Filter in case	ALL	96)	9944294		1	Add
4.256U	GOVERNOR ASSEMBLY – Filter in governor	ALL	93)	9942039			Amend Desc.
4.256U	GOVERNOR ASSEMBLY – Filter in case	ALL	93)	9944292		1	Add
4.256U	SPRING – Secondary valve			5258547	9944999		Amend Part No.
4.265U	VALVE – Low speed timing control		93)	7400162	93) 9944707		Amend Part No.
4.265U	SPRING – High speed downshift timing valve – Purple	6 Cyl. Eng.		2816882			Amend Model (First Entry)
4.265U	SPRING – 1st & 2nd accumulator valve			9942275	93) 9942265		Amend Part No. & Add Note
4.265U	SPRING – 1st & 2nd accumulator	4.2 Litre Eng.	96)	2820868		1	Add
4.265U	VALVE – Vacuum modulator	3300 Eng.		2820777			Amend Model
4.265U	VALVE – Vacuum modulator	4.2 Litre Eng.		5258179			Amend Model
4.265U	SPRING – 3rd to 2nd control valve		93)	9942033	93) 9942031		Amend Part No.
4.265U	SLEEVE – Vacuum modulator valve	3300 Eng.		2820778			Amend Model
4.265U	SLEEVE – Vacuum modulator valve	4.2 Litre Eng.	93)	5258180		1	Add
4.265U	PLUG – 1st & 2nd accumulator valve			9942038			Delete Note
4.294U	NUT – Park lock & range selector inner lever attaching			145027	117211		Amend Part No.
4.337U	GEAR – Driven – 21 teeth – Green	2.60:1 AR with QCM, QCQ, QEP, QEV, QKF, QRA, QRQ, QRR, QRS, QRY, QRZ, QTX, tyre options		7430969			Amend Desc.

NOTE: 93) With Evaporative and Exhaust Emission Control – ADR27A (Refer Safety Compliance Plate)
96) Without Exhaust Emission Control.

GROUP	DESCRIPTION	MODEL	SIDE	PART NO.	NEW PART NO.	QTY.	REMARKS
4.337U	GEAR – Driven – 20 teeth – White	3.08:1 AR with QCB, QCQ, QEQ, QER, QEV, QMV, QRA, QRD, QRQ, QRR, QRS, QRY, QRZ, QTX tyre options		7430968		Amend Desc.
4.337U	GEAR – Driven – 22 teeth – Dark Blue	3.08:1 AR with QCM, QCQ, QDW, QEF, QEP, QER, QEV, QGA, QKF, QRA, QRQ, QRR, QRS, QRU, QRY, QRZ, QTX, QXZ, tyre options		7430970		Amend Desc.
4.337U	GEAR – Driven – 21 teeth – Green	3.36:1 AR with QCQ, QDW, QEF, QEP, QEQ, QER, QEV, QFF, QFV, QGA, QRP, QRQ, QRS, QRU, QXZ, tyre options		7430969		Amend Desc.
4.337U	GEAR – Driven – 22 teeth – Dark Blue	3.36:1 AR with QCB, QCM, QKF, QMV, QRD, QRR, QRY, QRZ, QXS, tyre options		7430970		Amend Desc.
4.337U	GEAR – Driven – 23 teeth – Red	3.36:1 AR with QFP, QFS tyre options		7430971		Amend Desc.
4.337U	GEAR – Driven – 22 teeth – Dark Blue	3.55:1 AR with QDW, QEF, QER, QFF, QFP, QFS, QFV, QFZ, QGA, QRP, QRQ, QRU, QSD, QTM, QXZ, tyre options		7430970		Amend Desc.
4.337U	GEAR – Driven – 23 teeth – Red	3.55:1 AR with QCB, QCM, QEP, QEV, QKF, QMV, QRA, QRQ, QRR, QRS, QRY, QRZ, QTX, QXP, QXS, tyre options		7430971		Amend Desc.
4.338U	GEAR – Drive	6 Cyl. Eng. exc .		5258493		Amend Model
4.338U	GEAR – Drive	4.44:1 AR		5258574	1	Add
		6 Cyl .Eng. 4.44:1 AR					

TRANSMISSION ASSEMBLY – “TURBO HYDRAMATIC” AUTOMATIC

Replace Pages 331 & 335 with illustration legend pages attached to amendment.

				Page Nos.
4.033V	TRANSMISSION ASSEMBLY	8629286	8629425	Revised
4.038V	SCREW – Indicator to upper carrier	Steering Column Shift	9413586	Amend Part No.
			4	Add

GROUP	DESCRIPTION	MODEL	SIDE	PART NO.	NEW PART NO.	QTY.	REMARKS
4.040V	WASHER – Control rod	Exc. GTS, LE, Caprice		9417098		Amend Model
4.040V	PIN – Rod to cross shaft	Exc. GTS, LE, Caprice		11079741		Amend Model
4.040V	PIN – Shaft & lever to bracket	Exc. GTS, LE, Caprice		11079783		Amend Model
4.040V	NUT – Lever to cross shaft	Exc. GTS, LE, Caprice		145027	117211		Amend Part No.
4.040V	NUT – Lever to shaft		145027	117211		Amend Desc. & Part No.
4.047V	YOKE – Cable assembly		476737	334961		Amend Part No.
4.055V	WIRE ASSEMBLY		8909393		Delete
4.055V	WIRE ASSEMBLY	Console Shift		9935685		Amend Model
4.055V	CLIP – Solenoid switch wire to trans.		1368774		Delete
4.167V	RETAINER – Intermediate clutch piston		8627334	8623119		Amend Part No.
4.176V	BUSH – Output shaft		8623943	8624988		Amend Part No.
4.196V	GASKET		8626931	8623266		Amend Part No.
4.242V	RING – Accumulator piston oil seal inner		8627152	8623671		Amend Part No.
4.275V	SEAL – Manual shaft	ALL		8621767	1	Add
4.337V	GEAR – Driven – 34 teeth – Light Green	2.60:1 AR with YFX tyre options exc. Rear Wheel Lock Control		9774413		Amend Model
4.337V	GEAR – Driven – 35 teeth – Pink	2.60:1 AR with QCM, QCP, QCQ, QDW, QEF, QEP, QER, QEV, QGA, QKF, QRA, QRQ, QRR, QRS, QRU, QRY, QRZ, QTX, tyre options exc. Rear Wheel Lock Control		9780628		Amend Model
4.337V	GEAR – Driven – 44 teeth – Dark Grey	3.36:1 AR with QFP, QFS, QFZ, YFX tyre options		9780470		Amend Model
4.337V	GEAR – Driven – 45 teeth – Light Blue	3.36:1 AR with QCQ, QDW, QEF, QEP, QER, QEV, QGA, QRA, QRQ, QRS, QRU, QRY, QRZ, QSD, QTM, QTX tyre options exc. Rear Wheel Lock Control		1372313		Amend Model
4.337V	GEAR – Driven – 41 teeth – Yellow ..	3.08:1 AR with QDW, QEP, QEV, QRA, QRQ, QRR, tyre options with Rear Wheel Lock Control		1237644		Amend Model
4.338V	SLEEVE & SEAL ASSEMBLY	2.60:1 AR exc. Rear Wheel Lock Control		1362294		Amend Model
4.338V	SEAL – Sleeve	ALL		1240561	1	Add
4.338V	SLEEVE & SEAL ASSEMBLY	3.08:1, 3.36:1 AR exc. Rear Wheel Lock Control		1362293	1	Add

GROUP	DESCRIPTION	MODEL	SIDE	PART NO.	NEW PART NO.	QTY.	REMARKS
Page 366 Illus. Ref. No. 1	HOSE – Modulator vacuum,	Group 4.740					Amend Group
Page 366 Illus. Ref. No. 5	HOSE – Booster to tee,	Group 4.740					Amend Part Name & Group
Page 366 Illus. Ref. No. 6	TEE – Vacuum hose,	Group 4.740					Amend Part Name & Group
Page 366 Illus. Ref. No. 7	HOSE – Tee to vacuum,	Group 4.740					Amend Part Name & Group
4.592	GRIP – Dark Sienna		2820259EC	2820259EK		Amend Desc. & Part No.
4.665	SLEEVE KIT (PBR)	100)	VS13739	2	Add
4.665	BOLT – Caliper to knuckle..... (PBR)		181677	9943966		Amend Part No.
4.665	BOLT – Caliper to knuckle.. (Girlock)		181671	454975		Amend Part No.
4.667	SEAL KIT (PBR)	100)	VS13802	2	Add
4.668	PISTON – Front caliper	(PBR)	100)	VS13740	100) VS11927		Amend Part No.
4.730	MODULATOR ASSEMBLY		9935978	9944988		Amend Part No.
4.907	WASHER – Plunger felt		VS10578		Amend Desc.
4.931	HOSE	Statesman exc. Rear Wheel Lock Control		2812928		Amend Model

NOTE: 100) Use with cast iron/aluminium type caliper.

GROUP	DESCRIPTION	MODEL	SIDE	PART NO.	NEW PART NO.	QTY.	REMARKS
5.504	BOLT - Differential & carrier to axle housing		181385	186309		Amend Part No.
5.504	BOLT - Drain		181385	186309		Amend Part No.
5.504	NUT - Differential & carrier to axle housing	3.08:1, 3.36:1, 3.55:1, 3.90:1 AR		103026	6	Add
5.506	NUT - Cap to carrier		103026		Delete
5.510	CASE & BEARING ASSEMBLY - 3.36:1, 3.55:1, 3.90:1 AR		7432638	7432637		Amend Desc & Part No.
5.510	BOLT - Case - Salisbury type rear axle	Limited Slip Diff. ..		454864	A.R	Add
5.803	WHEEL ASSEMBLY - 5.00 x 14	Utility, Panel Van, Belmont, Kingswood, Premier, De Ville ..		2815162		Amend Model
Page 400 For View A Refer Page 401							Add Page Nos.
Page 400 For View C Refer Pages 402 & 403							Add Page Nos.
6.524	SCREW - Shield to crossmember		9414722	9425111		Amend Part No.
6.524	EXCLUDER - Mud & dust	Power Steering		VS12443	1	Add
6.524	RING - Mud & dust excluder retainer..	Power Steering		VS12445	1	Add
6.609	NOTE: Kit includes all seals except drive shaft seal - Group 6.617						Add Note
6.610	ROTOR KIT - 1 rotor, 10 vanes, 1 ring		5690858	7825173		Amend Part No.
6.610	VANE KIT - 10 vanes		5688047		Delete
6.612	SEAL - "O" ring end & pressure plate		5688034		Delete Use Kit
6.635	SEAL - Reservoir bolt 29/64" I.D.		5688109		Delete Use Kit
6.674	SEAL - Pump outlet fitting - Rectangular section		5688049		Delete Use Kit
6.674	SEAL - Pump outlet fitting - "O" Ring		5688035		Delete Use Kit
6.807	PIN - Cover locating - Roll	Power Steering		VS12444	1	Add
7.370	PLATE - Front shock absorber to member		9937268	7437268		Amend Part No.
7.370	PLATE - Rear shock absorber to underbody	35, 37, 69		9939976	7437268	4	Amend Model, Part No. & Qty.
7.370	PLATE - Rear shock absorber to underbody		9937268		Delete
7.503	SPRING ASSEMBLY - Regular - 4 leaf	LH	9935933		Amend Desc.
			RH	9935935		Amend Desc.
7.503	SPRING ASSEMBLY - Heavy duty - 6 leaf	LH	9935932		Amend Desc.
			RH	9935934		Amend Desc.
7.516	"U" BOLT		9941732	2820512		Amend Part No.
7.516	"U" BOLT - Standard spring		9941731	2814348		Amend Desc. & Part No.
7.516	"U" BOLT - Heavy duty spring	70, 80		2814348	4	Add
7.831	STRIP ASSEMBLY - Rear bumper bar rubbing		9931040	2	Delete Side, Amend Qty.

GROUP	DESCRIPTION	MODEL	SIDE	PART NO.	NEW PART NO.	QTY.	REMARKS
8.055	INSULATOR — Ornament to hood		9940594		Delete
8.112	SCREW — Splash pan to frame	ALL		9414722	4	Add
8.132	TRANSFER — Yellow, Orange, Red	LH	9944053	9945439		Amend Desc. & Part No.
			RH	9944052	9945438		Amend Desc. & Part No.
8.132	TRANSFER — Bright Yellow, Light Orange, Dark Orange	LH	9944055	9945441		Amend Desc. & Part No.
			RH	9944054	9945440		Amend Desc. & Part No.
8.132	TRANSFER — Orange, Bright Blue, Blue	LH	9944051	9945437		Amend Desc. & Part No.
			RH	9944050	9945436		Amend Desc. & Part No.
8.132	TRANSFER — Orange, Brown, Dark Brown	LH	9944049	9945435		Amend Desc. & Part No.
			RH	9944048	9945434		Amend Desc. & Part No.
8.132	TRANSFER — Plum, Purple, Dark Blue	LH	9944047	9945433		Amend Desc. & Part No.
			RH	9944046	9945432		Amend Desc. & Part No.
8.143	Washer — Fender to skirt	ALL		SP2442	12	Add
8.153	SKIRT ASSEMBLY	LH	2815495	2813999		Amend Part No.
			RH	2815494	2813998		Amend Part No.
8.800	OPTICLEAN — 5 Litres	ALL		M37859	A.R	Add
8.800	CAULKING COMPOUND — Silicone — Windshield		2823265		Delete
8.800	CAULKING COMPOUND — Silicone — Rear window		2823266		Delete
8.800	FLUID — Heavy duty brake — 4 gallon		7448551		Delete
8.800	FLUID — Heavy duty brake — 4 gallon — External cap		7448550		Delete
8.800	FLUID — Brake — 20 Litres	ALL		M37535	A.R	Add
8.800	PASTE — Gasket & thermo switch		3836540		Delete
8.800	SEALER — Non-hardening — 1 kilo	ALL		7425360	M37741		Amend Desc. & Part No.
8.823	MASK — Paint spray "GTS" rear door..	GTS exc. Black Painted Body		9942756	2	Add
8.823	MASK — Paint spray "GTS" deck lid ..	GTS exc. Black Painted Body		9942760	1	Add
8.823	MASK — Paint spray "GTS" rear door..	GTS Black Painted Body		9946040	2	Add
8.823	MASK — Paint spray "GTS" deck lid ..	GTS Black Painted Body		9946039	1	Add

GROUP	DESCRIPTION	MODEL	SIDE	PART NO.	NEW PART NO.	QTY.	REMARKS
9.190	CONDENSER ASSEMBLY	8 Cyl. Eng. exc. Chassis & Cab		9939494		Amend Model
9.190	CONDENSER ASSEMBLY	6 Cyl. Eng. exc. Chassis & Cab		9938728	1	Add
9.190	BOLT - Condenser to support panel		SP2321	SP2381		Amend Part No.
9.262	NUT - Hex. hd. No. 10-24 vacuum actuator attaching		SP2372	SP1900		Amend Desc. & Part No.
9.262	CIRCLIP - Temp. door cam pin		SP2453		Amend Desc.
9.262	BUSH - Vacuum valve rotor pin		7312579	3891714		Amend Part No.
9.281	TEE - Hose mode valve & vacuum valve		3895904		Amend Desc.
9.600	PIN		SP2540		Delete
9.648	SWITCH		M31722	9934377		Amend Part No.
9.648	RELAY ASSEMBLY	ALL		9941984	1	Add
9.648	LEAD ASSEMBLY - Lamp to connector dash connector		9936802		Delete
9.648	LEAD ASSEMBLY - Switch to main wiring harness	ALL		9944642	1	Add
9.648	LEAD ASSEMBLY - Switch to relay ...	ALL		9944640	1	Add
9.648	LEAD ASSEMBLY - Relay to main wiring harness	ALL		9944639	1	Add
9.648	LEAD ASSEMBLY - Relay earth	ALL		9944641	1	Add
9.648	LEAD ASSEMBLY - Lamps to main wiring harness	ALL		9944549	1	Add
9.648	SCREW - Relay mounting	ALL		SP2144	1	Add
9.648	WASHER - Relay mounting	ALL		138479	1	Add
9.648	WASHER - Driving lamp	ALL		SP2522	2	Add
9.648	BODY - Single female connector	ALL		SP2648	1	Add
9.648	BODY - 2 way	ALL		2977763	2	Add
9.648	BODY - 2 way male connector	ALL		2962910	1	Add
9.648	BODY - 2 way female connector	ALL		8911772	1	Add
9.662	ANTENNA & LEAD-IN PACKAGE		M37085	9943442		Amend Part No.
9.662	RELAY ASSY. - Electric antenna (R.V.B.)	ALL		9945472	1	Add
9.662	SCREW - Electric antenna relay mounting	(R.V.B.) ALL		SP2144	1	Add
9.662	LEAD ASSY. - Electric antenna relay (R.V.B.)	ALL		9945474	1	Add
9.662	LEAD ASSY. - Electric antenna relay (R.V.B.)	ALL		9945475	1	Add
9.662	LEAD ASSY. - Electric antenna switch	(R.V.B.) ALL		9945473	1	Add
9.662	ADAPTOR - Lead to fuse panel (R.V.B.)	ALL		SP2643	1	Add
9.662	RELAY ASSY. - Electric antenna	ALL		9944328	1	Add
9.662	HARNES ASSY. - Electric antenna ...	ALL		9944304	1	Add
9.662	BODY - Electric antenna harness	ALL		9944329	1	Add
9.662	BODY - Electric antenna harness	ALL		8905116	1	Add
9.662	INSTALLATION KIT		M37764	M37868		Amend Part No.
9.664	ROPE RAIL PACKAGE		2820260	2820260B		Amend Part No.
9.666	WASHER - Bulk head to rail assembly screw		104241		Delete
9.675	INFANT CARRIER		994259		Delete Group
9.675	INFANT CARRIER PACKAGE		9695953		Delete
9.675	MOUNTING KIT - Child safety seat		9695953		Delete
9.779	SCREW - Heater control cable to heater duct		SP2440	1	Add Qty.
9.779	SCREW - Heater control cable to heater duct		159220	159920		Amend Part No.
9.779	HOSE - Heater outlet to tee	96)	2829736	96) 9929736		Amend Part No.
9.779	VALVE ASSEMBLY - Heater water	96)	9933033	96) 9933303		Amend Part No.
9.779	DUCT - Heater distribution (Elmaco)		VS11934		Delete

NOTE: 96) Without Exhaust Emission Control.

GROUP	DESCRIPTION	MODEL	SIDE	PART NO.	NEW PART NO.	QTY.	REMARKS
10.150	WASHER - Through bolt (Preslite)			120217	SP2442		Amend Part No.
10.150	SCREW - Cover attaching..... (Lucas)			VS10562	7425855		Amend Part No.
10.163	RELAY - Windscreen wiper and dimmer switch						Add Group
	RELAY	All Model Code					
		M,N,P,Q,S,T		9945238	1	Add
	SCREW	All Model Code					
		M,N,P,Q,S,T		SP2330	1	Add
	WASHER	All Model Code					
		M,N,P,Q,S,T		121753	1	Add
	HARNES - Relay to switch	All Model Code					
		M,N,P,Q,S,T		9945244	1	Add
	BODY - Connector	All Model Code					
		M,N,P,Q,S,T		2962448	1	Add
10.187	NUT - Remote control exterior rear vision mirror cable	35,69,70,80 Model Code M,N,P,S,T		M37876	A.R	Add
10.222	MIRROR PACKAGE			28235991	2823599	1	Amend Part No. and Qty.
10.230	WASHER - Lock No. 10			120217	SP2442		Amend Part No.
10.515	PLATE - Inside door handle wear						Amend Group Heading
10.563	SILENCER - Front rod	37 Model Code Q ..		7403875	2	Add
10.563	SILENCER - Rear rod	35,69 Model Code					
		M,N,P,Q,S,T		7403875	2	Add
10.797	PLATE - Handle wear			7731353		Amend Desc.
11.175	PLATE - Chrome		LH	2811871		Amend Desc.
			RH	2811872		Amend Desc.
11.175	PLATE - Polished	35,69 Model Code P,Q,S,T	LH	9944115	1	Add
			RH	9944116	1	Add
11.179	PLATE - Chrome		LH	2811879		Amend Desc.
			RH	2811880		Amend Desc.
11.179	PLATE - Polished	35,69 Model Code P,Q,S,T	LH	9944117	1	Add
			RH	9944118	1	Add
11.373	BOLT & WASHER ASSY. - Adj. to front seat spring & frame - Bucket seat.. ..			SP2089		Delete
11.388	SCREW - Adjuster to seat			SP2605	SP2040		Amend Part No.
11.392	SCREW - Arm to seat			SP2605	SP2040		Amend Part No.
11.561	BOLT & WASHER ASSY. - Adj. to seat - Bucket seat	All Model Code M,N,P,Q,S,T		SP2089	8	Add
11.628	SPRING & FRAME ASSY. - Exc. centre armrest			2816320	2816132		Amend Desc. & Part No.
11.628	SPRING & FRAME ASSY. - Centre armrest	35 Model Code N ..		2816108	1	Add
11.628	SPRING & FRAME ASSY. - Exc. centre armrest			2812615		Amend Desc.
11.628	SPRING & FRAME ASSY. - Centre armrest	69 Model Code N ..		2812616	1	Add
11.950	BODY - Foot well illumination harness connector	All Model Code P,Q,S,T		2962448	1	Add
11.950	BODY - Rear door switch lead connector	35,69 Model Code P,Q,S,T		2962448	1	Add

GROUP	DESCRIPTION	MODEL	SIDE	PART NO.	NEW PART NO.	QTY.	REMARKS
12.112	TRANSFER — Front door						Add Group
	TRANSFER — Yellow, Orange, Red — Sandman	70,80 Model Code M	LH	9945449	1	Add
			RH	9945448	1	Add
	TRANSFER — Bright Yellow, Light Orange, Dark Orange — Sandman	70,80 Model Code M	LH	9945451	1	Add
			RH	9945450	1	Add
	TRANSFER — Orange, Bright Blue, Blue — Sandman	70,80 Model Code M	LH	9945447	1	Add
			RH	9945446	1	Add
	TRANSFER — Orange, Brown, Dark Brown — Sandman	70,80 Model Code M	LH	9945445	1	Add
			RH	9945444	1	Add
	TRANSFER — Plum, Purple, Dark Blue — Sandman	70,80 Model Code M	LH	9945443	1	Add
			RH	9945442	1	Add
12.116	TRANSFER — Body side panel						Add Group
	TRANSFER — Yellow, Orange, Red — Sandman	70,80 Model Code M	LH	9945459	1	Add
			RH	9945458	1	Add
	TRANSFER — Bright Yellow, Light Orange, Dark Orange — Sandman	70,80 Model Code M	LH	9945461	1	Add
			RH	9945460	1	Add
	TRANSFER — Orange, Bright Blue, Blue — Sandman	70,80 Model Code M	LH	9945457	1	Add
			RH	9945456	1	Add
	TRANSFER — Orange, Brown, Dark Brown — Sandman	70,80 Model Code M	LH	9945455	1	Add
			RH	9945454	1	Add
	TRANSFER — Plum, Purple, Dark Blue — Sandman	70,80 Model Code M	LH	9945453	1	Add
			RH	9945452	1	Add
12.182	HANDLE			7437015	7424070		Amend Desc. & Part No.
12.182	WASHER — Handle to deck lid	ALL		131181	2	Add
12.248	BARREL & KEY ASSEMBLY — Window regulator outer handle lock — Coded — Manual			2816620		Delete
12.248	BARREL, KEY & SWITCH ASSEMBLY — Window switch — Coded — Electric			2816621		Delete
12.248	BARREL & KEY ASSEMBLY — Deck lid — Coded			2815103		Delete
12.248	LOCK SERVICE PACKAGE — Deck lid — Uncoded			M37125		Delete
12.248	TUMBLER — No. 1 — Package of 100 ..			3901061		Delete
12.248	TUMBLER — No. 2 — Package of 100 ..			3901062		Delete
12.248	TUMBLER — No. 3 — Package of 100 ..			3901063		Delete
12.248	TUMBLER — No. 4 — Package of 100 ..			3901064		Delete
12.248	TUMBLER — No. 5 — Package of 100 ..			3901065		Delete
12.280	MOTOR ASSEMBLY			5045641	5045611		Amend Part No.
12.280	SPRING — Brush			4904213		Delete
12.280	BRUSH HOLDER & CIRCUIT BREAKER PACKAGE			4905337		Delete
12.280	GEAR & PINION PACKAGE			4913821		Delete
12.280	PLUG — Thrust			5098080		Delete
12.280	SCREW — Adjusting			4917377		Delete
12.805	PILLAR ASSEMBLY		RH	9932014	9945498		Amend Part No.
12.942	SEALER — Relief valve	37 Model Code Q ..		9939449	9933935		Amend Part No.
12.942	SEALER — Relief valve	60,70,80 Model Code M,N		9939449	9933935		Amend Part No.
12.982	BAR — Tonneau floor No. 4 cross			2812230	9941877		Amend Part No.

GROUP	DESCRIPTION	MODEL	SIDE	PART NO.	NEW PART NO.	QTY.	REMARKS
14.651	HOOK			99329802	9932980	2	Amend Part No & Qty.
14.655	PAD ASSEMBLY - Dark Sienna			9931700EK			Delete
14.800	COVER - Front seat back - Bench seat						
	TRIM Nos. 18Y - Exc. centre armrest ..			9942249EX			Amend Desc.
	TRIM Nos. 60B - Exc. centre armrest ..			9942249EY			Amend Desc.
	TRIM Nos. 65B - Exc. centre armrest ..			9942249EC			Amend Desc.
	TRIM Nos. 67X - Exc. centre armrest ..			9942249DX			Amend Desc.
	TRIM Nos. 18Y - Centre armrest	35,69 Model Code N		9932395EX		1	Add
	TRIM Nos. 60B - Centre armrest	35,69 Model Code N		9932395EY		1	Add
	TRIM Nos. 65B - Centre armrest	35,69 Model Code N		9932395EC		1	Add
	TRIM Nos. 67X - Centre armrest	35,69 Model Code N		9932395DX		1	Add
14.801	COVER - Front seat back armrest						
	TRIM Nos. 18Y	35,69 Model Code N		9934507EX		1	Add
	TRIM Nos. 60B	35,69 Model Code N		9934507EY		1	Add
	TRIM Nos. 65B	35,69 Model Code N		9934507EC		1	Add
	TRIM Nos. 67X	35,69 Model Code N		9934507DX		1	Add
14.801	TRIM - Front seat back armrest lower						
	TRIM Nos. 18V,18Y	35,69 Model Code N,P,S		D456DT			Amend Desc. & Model
	TRIM Nos. 60A,60B,60X	35,69 Model Code N,P,S		D456DV			Amend Desc. & Model
	TRIM Nos. 65A,65B,65X	35,69 Model Code N,P,S		D456EC			Amend Desc. & Model
	TRIM Nos. 67V,67X	35,69 Model Code N,P,S		D456DX			Amend Desc. & Model
14.880	COVER - Front seat cushion - Bench seat						
	TRIM Nos. 18Y - Exc. centre armrest ..			9942248EX			Amend Desc.
	TRIM Nos. 60B - Exc. centre armrest ..			9942248EY			Amend Desc.
	TRIM Nos. 65B - Exc. centre armrest ..			9942248EC			Amend Desc.
	TRIM Nos. 67X - Exc. centre armrest ..			9942248DX			Amend Desc.
	TRIM Nos. 18Y - Centre armrest	35,69 Model Code N		9932393EX		1	Add
	TRIM Nos. 60B - Centre armrest	35,69 Model Code N		9932393EY		1	Add
	TRIM Nos. 65B - Centre armrest	35,69 Model Code N		9932393EC		1	Add
	TRIM Nos. 67X - Centre armrest	35,69 Model Code N		9932393DX		1	Add

GROUP	DESCRIPTION	MODEL	SIDE	PART NO.	NEW PART NO.	QTY.	REMARKS
15.000	COVER – Rear seat back						
	TRIM Nos. 18 V – Exc. centre armrest..		9933406DT		Amend Desc.
	TRIM Nos. 60 A – Exc. centre armrest..		9933406DV		Amend Desc.
	TRIM Nos. 65 V – Exc. centre armrest..		9933406EC		Amend Desc.
	TRIM Nos. 67 V – Exc. centre armrest..		9933406DX		Amend Desc.
	TRIM Nos. 18 V – Centre armrest	35 Model Code N ..		9933410DT	1	Add
	TRIM Nos. 60 A – Centre armrest	35 Model Code N ..		9933410DV	1	Add
	TRIM Nos. 65 V – Centre armrest	35 Model Code N ..		9933410EC	1	Add
	TRIM Nos. 67 V – Centre armrest	35 Model Code N ..		9933410DX	1	Add
	TRIM Nos. 18 Y – Exc. centre armrest		9942254EX		Amend Desc.
	TRIM Nos. 60 B – Exc. centre armrest		9942254EY		Amend Desc.
	TRIM Nos. 65 B – Exc. centre armrest		9942254EX		Amend Desc.
	TRIM Nos. 67 X – Exc. centre armrest		9942254DX		Amend Desc.
	TRIM Nos. 18 Y – Centre armrest	35 Model Code N ..		9933411EX	1	Add
	TRIM Nos. 60 B – Centre armrest	35 Model Code N ..		9933411EY	1	Add
	TRIM Nos. 65 B – Centre armrest	35 Model Code N ..		9933411EC	1	Add
	TRIM Nos. 67 X – Centre armrest	35 Model Code N ..		9933411DX	1	Add
	TRIM Nos. 18 V – Exc. centre armrest..		9933408DT		Amend Desc.
	TRIM Nos. 60 A – Exc. centre armrest..		9933408DV		Amend Desc.
	TRIM Nos. 65 A – Exc. centre armrest..		9933408EC		Amend Desc.
	TRIM Nos. 67 V – Exc. centre armrest..		9933408DX		Amend Desc.
	TRIM Nos. 18 V – Centre armrest	69 Model Code N ..		9933412DT	1	Add
	TRIM Nos. 60 A – Centre armrest	69 Model Code N ..		9933412DV	1	Add
	TRIM Nos. 65 A – Centre armrest	69 Model Code N ..		9933412EC	1	Add
	TRIM Nos. 67 V – Centre armrest	69 Model Code N ..		9933412DX	1	Add
	TRIM Nos. 18 Y – Exc. centre armrest		9942255EX		Amend Desc.
	TRIM Nos. 60 B – Exc. centre armrest		9942255EY		Amend Desc.
	TRIM Nos. 65 B – Exc. centre armrest		9942255EX		Amend Desc.
	TRIM Nos. 67 X – Exc. centre armrest		9942255DX		Amend Desc.
	TRIM Nos. 18 Y – Centre armrest	69 Model Code N ..		9933413EX	1	Add
	TRIM Nos. 60 B – Centre armrest	69 Model Code N ..		9933413EY	1	Add
	TRIM Nos. 65 B – Centre armrest	69 Model Code N ..		9933413EC	1	Add
	TRIM Nos. 67 X – Centre armrest	69 Model Code N ..		9933413DX	1	Add
15.001	COVER – Rear seat back armrest						
	TRIM Nos. 18 V	35, 69 Model Code N ..		9934509DT	1	Add
	TRIM Nos. 60 A	35, 69 Model Code N ..		9934509DV	1	Add
	TRIM Nos. 65 A	35, 69 Model Code N ..		9934509EC	1	Add
	TRIM Nos. 67 V	35, 69 Model Code N ..		9934509DX	1	Add
	TRIM Nos. 18 Y	35, 69 Model Code N ..		9934510EX	1	Add
	TRIM Nos. 60 B	35, 69 Model Code N ..		9934510EY	1	Add
	TRIM Nos. 65 B	35, 69 Model Code N ..		9934510EC	1	Add
	TRIM Nos. 67 X	35, 69 Model Code N ..		9934510DX	1	Add
15.001	TRIM – Rear seat back armrest recess lower						
	TRIM Nos. 18 V, 18 X	35, 69 Model Code N ..		D456DT		Amend Desc. & Model
	TRIM Nos. 19 V, 19 X, 19 Y		D456CY		Amend Desc.
	TRIM Nos. 60 A, 60 X	35, 69 Model Code N ..		D456DV		Amend Desc. & Model
	TRIM Nos. 63 V, 63 Y		D456FH		Amend Desc.
	TRIM Nos. 65 A, 65 B, 65 X	35, 69 Model Code N ..		D456EC		Amend Desc. & Model

GROUP	DESCRIPTION	MODEL	SIDE	PART NO.	NEW PART NO.	QTY.	REMARKS
15.001	TRIM — Rear seat back armrest recess lower (Cont'd.) TRIM Nos. 67V, 67X, 67Y	35, 69 Model Code N		D456DX		Amend Desc. & Model
15.002	PAD — Rear seat back — Exc. centre armrest			9934079		Amend Desc.
15.002	PAD — Rear seat back — Exc. centre armrest	35 Model Code N ..		9935165	1	Add
15.002	PAD — Rear seat back — Exc. centre armrest	69 Model Code N ..		9933813	1	Add
15.002	PAD ASSEMBLY — Rear seat back armrest	35, 69 Model Code N		9934694	1	Add
15.002	SPACER — Rear seat back upper	69 Model Code N ..		2819434	1	Add
15.035	TRIM — Rear seat cushion						
	TRIM Nos. 18V — Exc. centre armrest ..			9933384DT		Amend Desc.
	TRIM Nos. 60A — Exc. centre armrest ..			9933384DV		Amend Desc.
	TRIM Nos. 65A — Exc. centre armrest ..			9933384EC		Amend Desc.
	TRIM Nos. 67V — Exc. centre armrest ..			9933384DX		Amend Desc.
	TRIM Nos. 18V — Centre armrest	35 Model Code N ..		9933392DT	1	Add
	TRIM Nos. 60A — Centre armrest	35 Model Code N ..		9933392DV	1	Add
	TRIM Nos. 65A — Centre armrest	35 Model Code N ..		9933392EC	1	Add
	TRIM Nos. 67V — Centre armrest	35 Model Code N ..		9933392DX	1	Add
	TRIM Nos. 18Y — Exc. centre armrest ..			9942252EX		Amend Desc.
	TRIM Nos. 60B — Exc. centre armrest ..			9942252EY		Amend Desc.
	TRIM Nos. 65B — Exc. centre armrest ..			9942252EC		Amend Desc.
	TRIM Nos. 67X — Exc. centre armrest ..			9942252DX		Amend Desc.
	TRIM Nos. 18Y — Centre armrest	35 Model Code N ..		9933389EX	1	Add
	TRIM Nos. 60B — Centre armrest	35 Model Code N ..		9933389EY	1	Add
	TRIM Nos. 65B — Centre armrest	35 Model Code N ..		9933389EC	1	Add
	TRIM Nos. 67X — Centre armrest	35 Model Code N ..		9933389DX	1	Add
	TRIM Nos. 18V — Exc. centre armrest ..			9933386DT		Amend Desc.
	TRIM Nos. 60A — Exc. centre armrest ..			9933386DV		Amend Desc.
	TRIM Nos. 65A — Exc. centre armrest ..			9933386EC		Amend Desc.
	TRIM Nos. 67V — Exc. centre armrest ..			9933386DX		Amend Desc.
	TRIM Nos. 18V — Centre armrest	69 Model Code N ..		9933390DT	1	Add
	TRIM Nos. 60A — Centre armrest	69 Model Code N ..		9933390DV	1	Add
	TRIM Nos. 65A — Centre armrest	69 Model Code N ..		9933390EC	1	Add
	TRIM Nos. 67V — Centre armrest	69 Model Code N ..		9933390DX	1	Add
	TRIM Nos. 18Y — Exc. centre armrest ..			9942253EX		Amend Desc.
	TRIM Nos. 65B — Exc. centre armrest ..			9942253EC		Amend Desc.
	TRIM Nos. 67X — Exc. centre armrest ..			9942253DX		Amend Desc.
	TRIM Nos. 18Y — Centre armrest	69 Model Code N ..		9933391EX	1	Add
	TRIM Nos. 60B — Centre armrest	69 Model Code N ..		9933391EY	1	Add
	TRIM Nos. 65B — Centre armrest	69 Model Code N ..		9933391EC	1	Add
	TRIM Nos. 67X — Centre armrest	69 Model Code N ..		9933391DX	1	Add
15.036	PAD ASSEMBLY — Exc. centre armrest	35 Model Code N ..		2817823		Amend Desc.
15.036	PAD ASSEMBLY — Centre armrest	35 Model Code N ..		9934533	1	Add
15.036	PAD ASSEMBLY — Exc. heavy duty — centre armrest	69 Model Code N ..		2817823		Amend Desc.
15.036	PAD ASSEMBLY — Centre armrest	69 Model Code N ..		9935075	1	Add
15.286	MAT — Dark Sienna			9942488EK		Delete
15.286	MAT — Tan			9942488DX		Delete
15.286	MAT — Dark Sienna			9943702EK		Delete
15.286	MAT — Tan			9943702DX		Delete
15.288	PAD, HINGE, PLATE — Console and seat separator armrest						Add Group Heading
	PAD	35,69,70,80 Model Code M,N,P,Q,S ..		9933025	1	Add
	HINGE	35,69,70,80 Model Code M,N,P,Q,S ..		9933021	1	Add
	SCREW — Hinge to armrest	35,69,70,80 Model Code M,N,P,Q,S ..		160539	3	Add

GROUP	DESCRIPTION	MODEL	SIDE	PART NO.	NEW PART NO.	QTY.	REMARKS
15.288	PAD, HINGE, PLATE — Console and seat separator armrest (Cont'd)						
	WASHER — Hinge to armrest	35,69,70,80 Model Code M,N,P,Q,S ..		9420972	3	Add
	PLATE — Armrest closing	35,69,70,80 Model Code M,N,P,Q,S ..		9933030	1	Add
	SCREW — Plate to armrest	35,69,70,80 Model Code M,N,P,Q,S ..		SP2430	1	Add
15.290	HOUSING, BRACKET — Transmission Console						
15.290	HOUSING — Without front lid	35 Model Code P..		9939803		Amend Desc.
15.290	HOUSING — With front lid	35 Model Code P..		9933020	1	Add
15.290	HOUSING — Without front lid	69 Model Code P,S		9939802		Amend Desc.
15.290	HOUSING — With front lid	69 Model Code P,S		9933037	1	Add
15.290	HOUSING — Black		9933033CY		Delete
15.290	HOUSING — Chamois		9933033EY		Delete
15.290	HOUSING — Tan		9933033DX		Delete
15.290	HOUSING — Dark Sienna		9933033EK		Delete
15.290	PLATE — Closing		9933030		Delete Refer Group 15.288
15.290	HOUSING, BRACKET — Seat Separator						
15.290	PLATE — Closing		9933030		Delete Refer Group 15.288
15.290	SCREW — Front mounting bracket	35,69,70,80 Model Code M,N,P,S,T ..		9414715		Amend Model
15.290	SCREW — Front mounting bracket	37 Model Code Q..		9414715	2	Add
15.290	SCREW — Front mounting bracket	69 Model Code Q..		SP2183	2	Add
15.292	HINGE — Console and seat separator armrest						Delete Refer Group 15.288
15.292	HINGE		9933021		Delete Refer. Group 15.288
15.292	LID, SPRING, BUMPER — Transmission control housing — Automatic console shift						Add Group Heading
	LID ASSEMBLY	35,69,70,80 Model Code M,N		2816801	1	Add
	LID ASSEMBLY	35,69 Model Code P,S		9941341	1	Add
	LID ASSEMBLY	69 Model Code Q..		9928866	1	Add
	RETAINER — Lid	35,69,70,80 Model Code M,N,P,Q,S ..		2816966	2	Add
	SCREW — Lid & retainer to console ..	35,69,70,80 Model Code M,N,P,Q,S ..		159577	2	Add
	SPRING — Hold open	35,69,70,80 Model Code M,N,P,Q,S ..		2822287	1	Add
	BUMPER — Lid	35,69,70,80 Model Code M,N,P,Q,S ..		7438383	1	Add
15.293	TAPE — Cover to console		9935847		Delete
15.306	MAT		2814975EK		Delete
15.306	MAT		2814974EK		Delete
15.306	MAT		9943703EK		Delete
15.306	MAT	LH	2822465EK		Delete
			RH	2822464EK		Delete
15.306	CARPET — Black	LH	9942397BA	9943297BA		Amend Part No.
			RH	9942398BA	9943298BA		Amend Part No.
15.306	CARPET — Dark Sienna	LH	9942397EK	9943297EK		Amend Part No.
			RH	9942398EK	9943298EK		Amend Part No.
15.306	CARPET — Tan	LH	9942397DX	9943297DX		Amend Part No.
			RH	9942398DX	9943298DX		Amend Part No.

ADDITIONS TO NUMERICAL INDEX

PART NO.	GROUP	PART NO.	GROUP	PART NO.	GROUP	PART NO.	GROUP
M37425	4.005	120375	4.054	7424070	12.182	9933410EC	15.000
M37535	8.800	120380	4.054	7425855	10.150	9933411DX	15.000
M37649	3.609	120614	2.586	7426417	1.055	9933411EC	15.000
M37741	8.800	121753	10.163	7432637	5.510	9933411EX	15.000
M37755	1.652	138479	2.555	7433691	3.726	9933411EY	15.000
M37859	8.800	138479	9.648	7436769	3.120	9933412DT	15.000
M37868	9.662	159577	15.292	7438383	15.292	9933412DV	15.000
M37876	10.187	159920	9.779	7825173	6.610	9933412DX	15.000
M37882	1.053	160536	4.054	8621767	4.275	9933412EC	15.000
SP1491	1.055	160539	15.288	8623119	4.167	9933413DX	15.000
SP1763	3.288	186309	5.504	8623266	4.196	9933413EC	15.000
SP1900	9.262	334961	4.047	8623671	4.242	9933413EX	15.000
SP2040	11.388	413755	3.028	8624988	4.176	9933413EY	15.000
SP2040	11.392	454864	5.510	8629425	4.003	9933935	12.942
SP2089	11.561	454905	0.027	8905116	9.662	9934507DX	14.801
SP2139	4.103	454975	4.665	8911772	9.648	9934507EC	14.801
SP2144	1.055	711528	4.164	9413586	4.038	9934507EX	14.801
SP2144	9.648	1240561	4.338	9414714	2.679	9934507EY	14.801
SP2144	9.662	1362293	4.338	9414715	15.290	9934509DV	15.001
SP2176	4.128	1368774	2.408	9419378	3.265	9934509DT	15.001
SP2183	15.290	2809932	3.159	9420972	15.288	9934509DX	15.001
SP2236	2.555	2812616	11.628	9422037	1.055	9934509EC	15.001
SP2272	1.055	2813999	8.153	9428168	3.120	9934510DX	15.001
SP2330	10.163	2815207	3.260	9928866	15.292	9934510EC	15.001
SP2357	3.159	2816108	11.628	9929736	9.779	9934510EX	15.001
SP2381	9.190	2816132	11.628	9932393DX	14.880	9934510EY	15.001
SP2430	15.288	2816801	15.292	9932393EC	14.880	9934533	15.036
SP2442	2.586	2816966	15.292	9932393EX	14.880	9935075	15.036
SP2442	8.143	2820246	3.159	9932393EY	14.880	9935769	3.270
SP2442	10.150	2820259EK	4.592	9932395DX	14.800	9936252	1.064
SP2442	10.230	2820260B	9.664	9932395EC	14.800	9936299	2.424
SP2522	9.648	2820868	4.265	9932395EX	14.800	9937659	2.424
SP2536	2.728	2822287	15.292	9932395EY	14.800	9938079	4.127
SP2643	2.481	2823599	10.222	9932980	14.651	9938357	2.424
SP2643	9.662	2825271	3.459	9933020	15.290	9938728	9.190
SP2648	9.648	2962448	10.163	9933021	15.288	9938916	4.003
SP2757	1.050	2962448	11.950	9933025	15.288	9940157	1.055
SP2759	1.219	2962449	2.555	9933030	15.288	9940165	1.055
VS11927	4.668	2962910	9.648	9933037	15.290	9940172	1.055
VS12443	6.524	2977763	9.648	9933303	9.779	9940232	1.055
VS12445	6.52	3813998	8.153	9933389DX	15.035	9940403	3.120
VS12536	2.500	3891714	9.262	9933389EC	15.035	9941341	15.292
VS12706	2.289	3929530	1.150	9933389EX	15.035	9941877	12.982
VS12992	3.725	3929530	1.219	9933389EY	15.035	9941984	9.648
VS12993	3.725	5045611	12.280	9933391DX	15.035	9942031	4.265
VS13515	2.505	5258057	4.163	9933391EC	15.035	9942288	4.103
VS13604	2.362	5258180	4.265	9933391EX	15.035	9942585	3.415
VS13639	2.389	5258186	4.228	9933391EY	15.035	9942756	8.823
VS13739	4.667	5258284	4.163	9933392DV	15.035	9942760	8.823
VS13742	2.362	5258572	4.233	9933392DT	15.035	9942821	4.038
VS13744	3.754	5258574	4.338	9933392DX	15.035	9943297BA	15.306
103026	5.504	7403875	10.563	9933392EC	15.035	9943297EK	15.306
117211	4.040	7413370	2.555	9933410DT	15.000	9943297DX	15.306
117211	4.294	7420067	1.108	9933410DV	15.000	9943298BA	15.306
118873	3.792	7423694	1.071	9933410DX	15.000	9943298EK	15.306

PART NO.	GROUP	PART NO.	GROUP	PART NO.	GROUP	PART NO.	GROUP
9943298DX	15.306	9944925	4.006	9945354	4.226	9945453	12.116
9943442	9.662	9944988	4.730	9945355	4.226	9945454	12.116
9943518	4.006	9944999	4.256	9945356	4.228	9945455	12.116
9943966	4.665	9945059	0.289	9945432	8.132	9945456	12.116
9944115	11.175	9945060	0.289	9945433	8.132	9945457	12.116
9944116	11.175	9945061	0.289	9945434	8.132	9945458	12.116
9944117	11.179	9945132	1.270	9945435	8.132	9945459	12.116
9944118	11.179	9945165	2.515	9945436	8.132	9945460	12.116
9944194	2.188	9945175	0.289	9945437	8.132	9945461	12.116
9944292	4.256	9945180	1.055	9945438	8.132	9945462	3.028
9944294	4.256	9945181	1.055	9945439	8.132	9945463	3.028
9944304	9.662	9945182	1.055	9945440	8.132	9945464	3.028
9944328	9.662	9945191	1.219	9945441	8.132	9945465	3.028
9944329	9.662	9945192	1.219	9945442	12.112	9945466	3.028
9944549	9.648	9945193	1.219	9945443	12.112	9945472	9.662
9944639	9.648	9945194	1.219	9945444	12.112	9945473	9.662
9944640	9.648	9945223	1.069	9945445	12.112	9945474	9.662
9944641	9.648	9945230	1.270	9945446	12.112	9945475	9.662
9944642	9.648	9945238	1.055	9945447	12.112	9945498	12.805
9944707	4.265	9945238	10.163	9945448	12.112	9945517	3.459
9944863	4.015	9945242	1.055	9945449	12.112	9946039	8.823
9944921	4.006	9945243	1.055	9945450	12.112	9946040	8.823
9944922	4.030	9945244	10.163	9945451	12.112	11063919	2.725
9944924	4.006	9945245	1.150	9945452	12.116	17051860	3.670

DELETIONS FROM NUMERICAL INDEX

PART NO.	GROUP	PART NO.	GROUP	PART NO.	GROUP	PART NO.	GROUP
M31722	9.648	476737	4.047	5688047	6.610	9935978	4.730
M37085	9.662	1368774	4.055	5688049	6.674	9936802	9.648
M37123	12.248	2064155	4.054	5688109	6.635	9937387	2.424
M37125	12.248	2080129	4.054	5690858	6.610	9937388	2.424
M37126	12.248	2692449	2.555	6424498	3.415	9937663	3.120
M37764	9.662	2810519	3.159	7042457	3.741	9937679	2.424
SP1887	3.120	2811342	4.015	7043051	3.670	9938699	4.228
SP2034	2.728	2811852	3.609	7048532	3.741	9939449	12.942
SP2089	11.373	2812230	12.982	7312579	9.262	9930454	1.064
SP2321	9.190	2814974EK	15.306	7400162	4.265	9940552	4.226
SP2372	9.262	2814975EK	15.306	7425360	8.800	9940594	8.055
SP2456	2.679	2815103	12.248	7432638	5.510	9941539	3.265
SP2540	9.600	2815494	8.153	7448551	8.800	9942033	4.265
SP2605	11.388	2815495	8.153	8623943	4.176	9942397BA	15.306
SP2605	11.392	2816320	11.628	8626931	4.196	9942397DX	15.306
VS10202	2.372	2816620	12.248	8627152	4.242	9942397EK	15.306
VS10562	10.150	2816621	12.248	8627334	4.167	9942398BA	15.306
VS10895	3.792	2817774	4.003	8629286	4.003	9942398DX	15.306
VS11934	9.779	2817884	2.361	8909393	4.055	9942398EK	15.306
VS12263	2.586	2820259EC	4.592	8958678	4.164	9942488EK	15.286
VS12264	2.586	2820260	9.664	9414722	6.524	9942488DX	15.286
VS12444	6.807	2823265	8.800	9414722	8.112	9942794	2.515
VS12325	2.289	2823266	8.800	9425111	6.524	9943504	4.030
VS12329	2.500	2829736	9.779	9929281	3.430	9943515	4.006
VS12529	2.305	3836540	8.800	9930083	3.001	9943516	4.006
VS13591	2.389	3901061	12.248	9930084	3.001	9943517	4.006
VS13739	4.665	3901062	12.248	9930085	3.001	9943702DX	15.286
VS13740	4.668	3901063	12.248	9930092	3.001	9943702EK	15.286
103026	5.506	3901064	12.248	9930469	3.001	9943703EK	15.306
104241	9.666	3901065	12.248	9931700EK	14.655	9944046	8.132
120217	10.150	4904213	12.280	9931891	3.003	9944047	8.132
120217	10.230	4905337	12.280	9932014	12.805	9944048	8.132
131181	12.182	4913821	12.280	9933021	15.292	9944049	8.132
138474	2.555	4917377	12.280	9933030	15.290	9944050	8.132
145027	4.040	5045641	12.280	9933033	9.779	9944051	8.132
145027	4.294	4098080	12.280	9933033CY	15.290	9944052	8.132
159220	9.779	5158106	4.127	9933033DX	15.290	9944053	8.132
180121	0.027	5258116	4.128	9933033EK	15.290	9944054	8.132
181385	5.504	5258344	4.226	9933033EY	15.290	9944055	8.132
181671	4.665	5258547	4.256	9933653	4.038	9944498	4.016
181677	4.665	5687898	6.617	9934048	9.648	11027991	4.054
410431	3.028	5688034	6.612	9934117	2.515	28235991	10.222
417715	3.028	5688035	6.674	9935847	15.293		

SERVO ACCUMULATOR, GOVERNOR AND VALVE BODY

ILLUSTRATION OPPOSITE

ILLUS. REF. NO.	PART NAME	GROUP
1.	SPRING - Front servo piston	4.233
2.	RETAINER - Front servo spring	4.233
3.	PIN - Front servo piston	4.228
4.	RING - Front servo spring retainer	4.228
5.	PISTON - Front servo	4.228
6.	RING - Front servo piston oil seal	4.229
7.	RING - Front accumulator piston retaining	4.233
8.	PISTON - Front accumulator	4.228
9.	RING - Front accumulator piston oil seal	4.229
10.	SPRING - Front accumulator piston	4.233
11.	PIN - Rear band apply	4.241
12.	RETAINER - Rear servo piston spring	4.247
13.	SPRING - Rear servo	4.246
14.	WASHER - Rear servo piston	4.241
15.	RING - Accumulator piston oil seal inner	4.242
16.	PISTON - Rear servo accumulator	4.241
17.	RING - Accumulator piston oil seal outer	4.242
18.	SEAL - Rear servo piston	4.242
19.	SPRING - Rear accumulator	4.246
20.	PISTON - Rear servo	4.241
21.	RING - Rear servo piston retaining	4.241
22.	GASKET - Rear servo cover	4.241
23.	COVER - Rear servo	4.241
24.	BOLT - Rear servo cover	4.241
25.	BOLT - Case to support	4.162
26.	GASKET - Spacer to case	4.265
27.	PLATE - Valve body spacer	4.265
28.	GASKET - Spacer to valve body	4.265
29.	VALVE BODY ASSEMBLY - Oil control	4.265
30.	SCREW ASSEMBLY - Governor oil	4.248
31.	PIPE - Governor oil	4.248
32.	BOLT - Solenoid to case	4.265
33.	SOLENOID ASSEMBLY	4.265
34.	GASKET - Solenoid valve	4.265
35.	BOLT - Valve body to case	4.265
36.	VALVE - Manual control	4.265
37.	SEAL - 'O' Ring	4.223
38.	PIPE ASSEMBLY - Filter intake	4.224
39.	GROMMET - Oil filter	4.223
40.	FILTER ASSEMBLY	4.224
41.	BOLT - Filter to case	4.224
42.	GASKET - Oil pan	4.196
43.	PAN - Transmission oil	4.195
44.	SCREW & WASHER ASSEMBLY - Oil pan to case	4.195

CASE, EXTENSION AND PLANET CARRIER

ILLUSTRATION OPPOSITE

ILLUS. REF. NO.	PART NAME	GROUP
1.	RETAINER – Modulator to case	4.265
2.	BOLT – Modulator retainer	4.265
3.	MODULATOR ASSEMBLY – Vacuum	4.265
4.	SEAL – Modulator to case	4.265
5.	VALVE – Vacuum modulator	4.265
6.	BOLT – Governor cover	4.256
7.	COVER – Governor	4.256
8.	GASKET – Governor cover	4.256
9.	GOVERNOR ASSEMBLY – Complete	4.256
10.	GEAR & PIN PACKAGE – Driven	4.256
11.	CASE ASSEMBLY	4.103
12.	BUSH – Case	4.103
13.	GASKET – Case to extension	4.318
14.	BOLT – Housing	4.317
15.	HOUSING ASSEMBLY	4.317
16.	BUSH – Housing	4.317
17.	SEAL – Housing	4.317
18.	GEAR – Speedometer driven	4.337
19.	SLEEVE & SEAL ASSEMBLY	4.338
20.	SEAL – Driven gear sleeve – 'O' ring	4.338
21.	RETAINER – Sleeve	4.338
22.	BOLT – Sleeve retainer	4.338
23.	CONNECTOR – Downshift solenoid valve	4.265
24.	SHAFT – Main	4.172
25.	BEARING PACKAGE – Sun gear to internal gear thrust ..	4.159
26.	GEAR – Rear internal mainshaft	4.187
27.	THRUST RACE PACKAGE – Rear internal gear to output shaft	4.187
28.	RING – Mainshaft to internal gear	4.172
29.	BUSH – Output shaft	4.176
30.	SHAFT & BUSH ASSEMBLY – Output	4.175
31.	RING – Output shaft	4.176
32.	WASHER – Output shaft to case front	4.176
33.	WASHER – Output shaft to case rear	4.176
34.	GEAR – Drive	4.337
35.	SEAL – Output shaft – 'O' ring	4.318
36.	BEARING PACKAGE – Centre support to sun gear thrust	4.159
37.	BUSH – Sun gear shaft	4.161
38.	SHAFT ASSEMBLY	4.161
39.	GEAR – Sun	4.159
40.	CARRIER ASSEMBLY – Reaction	4.175
41.	PINION PACKAGE	4.175
42.	BAND ASSEMBLY – Rear	4.251
43.	RING – Front internal gear	4.176
44.	WASHER – Internal gear to reaction carrier	4.176
45.	CARRIER ASSEMBLY – Output with pinions	4.175
46.	PINION PACKAGE	4.175

AVAILABLE FROM GM. P. & A. DISTRIBUTORS AND GMH DEALERS