

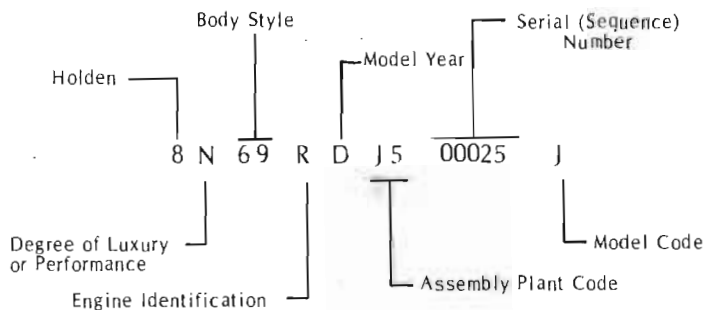
INTRODUCTION

This Holden and Statesman Parts Catalogue has been compiled to cover all Replacement Parts, Kits and Accessories applicable to the 'HJ' Series.

VEHICLE IDENTIFICATION NUMBERING SYSTEM

The Vehicle Identification Numbering System (V.I.N.) is based on the uniform car model designation system. The reason for this is to identify the vehicle entirely in one coded series of fourteen characters.

The significance of these characters or blocks of characters is explained below, using as an example identification number 8N69RDJ500025J.



- 1st. Character – '8' This number denotes Australian Operations
- 2nd. Character – 'N' Denotes degree of luxury or performance
- 3rd & 4th Characters – '69' Identify body style
- 5th. Character – 'R' Engine identification code
- 6th. Character – 'D' Identifies model year. Changes at September 1st. each year and relates to GM internal operations only.
- 7th & 8th Characters – 'J5' Identify assembly plant
- 9th thru 13th Characters – '00025' Sequence number in which the vehicle was built
- 14th. Characters – 'J' Terminal letter of the model code

Further details concerning this numbering system are covered on the following page.

COPYRIGHT – GENERAL MOTORS-HOLDEN'S PTY. LTD.

Reproduction in whole or in part prohibited without written approval.

CONTENTS PRESENTATION SEQUENCE

ALPHABETICAL INDEX

ENGINE and CLUTCH	0
COOLING and OILING	1
ELECTRICAL	2
FUEL	3
TRANSMISSION	4
BRAKES	4/5
REAR AXLE	5
FRONT SUSP. and STEERING	6
FRAME	7
SHEET METAL and STANDARD PARTS	8
MISCELLANEOUS ACCESSORIES HEATER	9
BODY	10-15
NUMERICAL INDEX	

VEHICLE IDENTIFICATION NUMBERING SYSTEM (Cont'd)

2nd. CHARACTER

LETTER	BODY STYLE	MODEL DESIGNATION
M	35	"Belmont" Station Wagon
	60	"Holden" Chassis and Cab.
	69	"Belmont" Sedan
	70	"Holden" Panel Van
	80	"Holden" Coupe Utility
N	35	"Kingswood" Station Wagon
	37	"Monaro" Coupe
	69	"Kingswood" Sedan
	80	"Kingswood" Coupe Utility
P	35	"Premier" Station Wagon
	37	"Monaro LS" Coupe
	69	"Premier" Sedan
Q	37	"Monaro GTS" Coupe
	69	"Monaro GTS" Sedan
S	69	"Statesman De Ville" Sedan
T	69	"Statesman Caprice" Sedan

3rd. & 4th. CHARACTER

NUMBER	BODY STYLE
35	Station Wagon
37	Coupe
60	Chassis and Cab.
69	Sedan
70	Panel Van
80	Coupe Utility

5th. CHARACTER

LETTER	ENGINE
D	2850 High Compression
E	2850 Low Compression
L	3300 High Compression
M	3300 Low Compression
R	4.2 Litre High Compression
S	4.2 Litre Low Compression
T	5 Litre

7th. & 8th. CHARACTER

CODE	ASSEMBLY PLANT LOCATION
H1 thru H4	Brisbane
H5 thru H9	Sydney
J1 thru J9	Melbourne
L1 thru L5	Adelaide

NOTE: The 8th. Character is also the first digit of the Serial Number.

Details of the remaining Characters are covered on Page 1.

MODEL DESIGNATIONS

Presented in Body Style sequence

CODE	MODEL
8WM35	Belmont Station Wagon
8WN35	Kingswood Station Wagon
8WP35	Premier Station Wagon
8WN37	Monaro Coupe
8WP37	Monaro LS Coupe
8WQ37	Monaro GTS Coupe
8WM60	Holden Chassis and Cab.
8WM69	Belmont Sedan
8WN69	Kingswood Sedan
8WP69	Premier Sedan
8WQ69	Monaro GTS Sedan
8WS69	Statesman De Ville Sedan
8WT69	Statesman Caprice Sedan
8WM70	Holden Panel Van
8WM80	Holden Coupe Utility
8WN80	Kingswood Coupe Utility

Presented in Luxury/Performance sequence

CODE	MODEL
8WM35	Belmont Station Wagon
8WM60	Holden Chassis and Cab.
8WM69	Belmont Sedan
8WM70	Holden Panel Van
8WM80	Holden Coupe Utility
8WN35	Kingswood Station Wagon
8WN37	Monaro Coupe
8WN69	Kingswood Sedan
8WN80	Kingswood Coupe Utility
8WP35	Premier Station Wagon
8WP37	Monaro LS Coupe
8WP69	Premier Sedan
8WQ37	Monaro GTS Coupe
8WQ69	Monaro GTS Sedan
8WS69	Statesman De Ville Sedan
8WT69	Statesman Caprice Sedan

NOTE: For V.I.N. stamping the second digit of model code is omitted.

The Body Section of this catalogue – Groups 10 thru 15 – is presented in alphabetical sequence of Model Designation Code to reflect the Luxury/Performance (2nd. character) of the V.I.N.

ENGINE SPECIFICATIONS

CAPACITY	TYPE	BORE	STROKE	COMP. RATIO	ENG. NO. PREFIX
2850	L6	3.50"	3.00"	8.3 : 1	QE
2850	L6	3.50"	3.00"	9.4 : 1	QD
3300	L6	3.62"	3.25"	7.8 : 1	QM
3300	L6	3.62"	3.25"	9.4 : 1	QL
4.2 Litre	V8	3.62"	3.06"	8.0 : 1	QS
4.2 Litre	V8	3.62"	3.06"	9.0 : 1	QR
5 Litre	V8	4.00"	3.06"	9.7 : 1	QT

NOTE: Statesman engines carry an additional prefix of "11" preceding the alphabetical prefix.

ILLUSTRATIONS:

Illustrations are included to assist in the identification of parts, but as some parts which perform a similar function vary in detail of design etc., on different models, all illustrations should be regarded as typical.

GROUP SYSTEM AND HOW TO LOCATE PARTS:

The Group System used is identical with that operating throughout the General Motors Organisation and briefly is as follows:—

Main units of the car are identified by the Numeral preceding the Decimal, i.e.,

Engine	0.
Cooling and Oiling	1.
Electrical	2.
Fuel System	3.

Individual Parts are assigned a Group Number, the first Numeral identifying the Main unit it is affiliated with, and following the Decimal is the Sub-Group Number, under which all parts of the same name & function are listed. For instance Group 0.096: "0" indicates that it is an Engine part. "096" is the location where all Part Numbers of Crankshaft Front Bearing Units now being serviced may be found.

OPTIONAL EQUIPMENT AND HOW TO INTERPRET:

As optional equipment which includes items such as Engines, Transmissions, Rear Axles, Brakes, Steering etc., together with alternate types and colours of interior trim is available to the customers choice, the cataloging of replacement parts, where differences exist, has been achieved by stipulating the type of equipment against the specific part.

The method used to indicate major units or equipment is as follows:—

ENGINE:—

- 2850 Eng. Further qualified if necessary.
- 3300 Eng. Further qualified if necessary.
- 4.2 Litre Eng. Further qualified if necessary.
- 5 Litre Eng. Further qualified if necessary.

TRANSMISSION:—

- (M) — Manual Transmission Further qualified if necessary.
- (A) — Automatic Transmission Further qualified if necessary.

BRAKES:—

- Drum Brakes — Drum Brakes on all wheels.
- Power Brakes — Power Brake qualification added only when necessary to differentiate from unassisted Drum Brakes.
- Disc Brakes — Disc Brakes on front wheels, Drum Brakes on rear wheels.

STEERING:—

Power Steering — Power assisted steering.

BODY:—

Body Style Numbers are:—

- 35 Station Wagon
- 37 Coupe
- 60 Chassis & Cab.
- 69 Sedan
- 70 Panel Van
- 80 Coupe Utility.

When Body Style is the model determining factor, the Two Digit Body Style Number system applies.

Should usage be restricted due to design characteristics, this portion of the V.I.N. is linked with the Body Style Number to provide complete identification.

SEATS:—

Bench Seat — Single full width front seat.
Bucket Seat — Twin front seats of infinitely variable reclining type.

INTERIOR TRIM

All items of trim are identified by a part number consisting of a basic number which identifies the item and a suffix consisting of alphabetical symbols which denotes the colour, e.g.,

BASIC No.	Suffix	COMPLETE No.
2819357	BA	2819357BA

To interpret requirements it is necessary to determine the model and trim number from the plate attached to the dash panel beneath the engine hood, also the type of seats, etc., fitted.

Trim Numbers will be allocated to identify trim colour only and will not indicate trim design requirements. The colour will be predicted by the colour of the vinyl used in seat construction, except where specific conditions necessitate basing the number on a seat insert colour to provide identification.

Separate numbers will be allocated for vinyl and vinyl/cloth combinations.

The codes will consist of 2 numeric characters and one alphabetical character established as follows:

Characters 1 & 2

Will identify colour family and shade.

The first digit will identify the colour family and the second digit the shade.

Shade numbers will be allocated from light to dark in ascending number order.

00-09 Open	50-59 Yellow - Gold
10-19 Neutral	60-69 Brown - Beige - Orange
20-29 Blue	70-79 Pink - Red - Plum
30-39 Aqua - Turquoise	80-89 Miscellaneous
40-49 Green	90-99 Firemist Metallic

Character 3

Will identify as a Vinyl or Vinyl and Cloth combination

'V' will indicate Vinyl

'X' will indicate Vinyl and Cloth

Shown below as examples are the combination numbers allocated to cover Jade Trim :

45V	Jade Vinyl Trim
45X	Jade Vinyl and Cloth Trim

TRIM NUMBER CHART

TRIM NO.	COLOUR	TRIM NO.	COLOUR	TRIM NO.	COLOUR
14V	Dove Grey	19V	Black	60V	Beige, Chamois
14X	Dove Grey	19X	Black	60X	Chamois
18V	Slate Black	45V	Jade	64V	Fawn, Gazelle
18X	Slate Black	45X	Jade	64X	Gazelle.

"HJ" PARTS CATALOGUE

ACTUATOR - Air cond. vacuum -----	9.280	BAR - Underbody -----	12.982
ACTUATOR - Trans. parking brake -----	4.294	BAR - Air horn reinforcing -----	3.763
ADAPTOR - Air conditioner control -----	9.278	BAR - Bumper face -----	7.831
ADAPTOR - Engine breather hose -----	1.762	BAR - Cross -----	12.982
ADAPTOR - Engine unit temp. gauge -----	0.277	BAR - Frame side -----	7.003
ADAPTOR - Horn actuating bar -----	2.824	BAR - Front seat recliner -----	11.390
ADAPTOR - Oil filter -----	1.835	BAR - Horn actuating -----	2.830
ADAPTOR - Power steering hose -----	6.670	BAR - Tow -----	9.600
ADAPTOR - Speedometer ratio -----	4.337	BARREL & KEY - Deck lid -----	12.248
ADAPTOR - Steering shaft bearing -----	6.524	BARREL & KEY - Door locking -----	10.550
ADAPTOR - Trans. rear bearing -----	4.317	BARREL & KEY - End gate -----	12.248
ADJUSTER - Front seat -----	11.561	BASE - Air condition control -----	9.278
ADJUSTER - Front seat recliner -----	11.388	BASE - Dome lamp -----	11.925
ADJUSTER - Steering gear lash -----	6.822	BASE - Heater control -----	9.779
ADJUSTER - Steering gear worm brg. -----	6.830	BASE - Parking & turn signal lamp -----	2.586
ADJUSTER - Transmission shifter -----	4.035	BASE - Radiator grille ornament -----	1.265
AIR CLEANER -----	3.402	BASE - Tail stop & turn signal lamp -----	2.679
AIR HORN - Carburettor -----	3.763	BASE - Transmission control indicator -----	4.038
ANCHOR - Hood catch control rod -----	8.077	BATTERY -----	2.332
ANTENNA - Radio -----	9.662	BEARING - Air conditioner compressor -----	9.181
ANTISQUEAK - Fuel tank -----	3.024	BEARING - Axle shaft -----	5.855
ARM - Control -----	6.168	BEARING - Brake pedal pivot -----	4.626
ARM - End gate hold open -----	12.203	BEARING - Camshaft thrust -----	0.533
ARM - End gate limit -----	12.203	BEARING - Clutch gear -----	4.355
ARM - Front seat recliner -----	11.392	BEARING - Clutch pedal -----	0.831
ARM - Fuel pump rocker -----	3.920	BEARING - Clutch relay lever -----	0.852
ARM - Pitman -----	6.859	BEARING - Clutch throwout -----	0.799
ARM - Rear axle control -----	5.382	BEARING - Counter shaft -----	4.422
ARM - Steering -----	6.103	BEARING - Crankshaft clutch pilot -----	0.649
ARM - Valve rocker -----	0.333	BEARING - Differential preload -----	5.460
ARM - Windshield wiper -----	10.147	BEARING - Differential side -----	5.536
ARM - Wiper motor crank -----	10.150	BEARING - Front wheel inner -----	6.311
ARM REST - Front door -----	14.686	BEARING - Front wheel outer -----	6.313
ARM REST - Quarter -----	14.762	BEARING - Generator drive end -----	2.306
ARM REST - Rear door -----	14.762	BEARING - Generator slip ring end -----	2.298
ARM REST - Rear seat centre -----	14.998	BEARING - Low sun gear thrust -----	4.177
ARMATURE - End gate window motor -----	12.280	BEARING - Main shaft front -----	4.352
ARMATURE - Front door window -----	10.784	BEARING - Main shaft rear -----	4.408
ARMATURE - Rear door window -----	10.792	BEARING - Pinion front -----	5.447
ARMATURE - Starter motor -----	2.043	BEARING - Pinion rear -----	5.484
ARMATURE - Wiper motor -----	10.150	BEARING - Stg. gear pitman shaft -----	6.786
ARRESTOR - Fuel tank -----	3.001	BEARING - Steering hyd. coupling sleeve -----	6.552
ARRESTOR - Rear engine mounting -----	4.081	BEARING - Steering shaft -----	6.521
ARRESTOR - Trans. mtg. support -----	4.081	BEARING - Steering shaft coupling -----	6.524
ASH TRAY -----	12.030	BEARING - Trans. planet -----	4.177
AXLE - Rear -----	5.386	BEARING - Trans. planet pinion needle -----	4.177
AXLE SHAFT - Rear -----	5.420	BEARING - Trans. sun gear -----	4.159
BACK - Rear seat -----	14.998	BEARING - Water pump -----	1.108
BACK - Transmission control illumination hsg. -----	4.038	BEARING - Wiper motor -----	10.150
BAFFLE - Carburettor float chamber -----	3.776	BEARING - Worm thrust -----	6.530
BAFFLE - Choke heat tube -----	3.720	BEARING KIT - Camshaft -----	0.536
BAIL - Brake main cylinder cover -----	4.651	BEARING SET - Crankshaft -----	0.094
BAIL - Fuel pump bowl -----	3.906	BEARING SET - Connecting rod -----	0.616
BALL - Carburettor discharge -----	3.760	BEARING UNIT - Connecting rod -----	0.616
BALL - Carburettor pump check -----	3.760	BEARING UNIT - Crankshaft centre -----	0.101
BALL - Dist. breaker plate -----	2.385	BEARING UNIT - Crankshaft front -----	0.096
BALL - Steel -----	8.899	BEARING UNIT - Crankshaft front inter. -----	0.099
BALL - Steering gear -----	6.844	BEARING UNIT - Crankshaft rear -----	0.106
BALL - Transmission oil pump -----	4.226	BEARING UNIT - Crankshaft rear inter. -----	0.103
BALL - Wiper motor armature -----	10.150	BELT - Air conditioner comp. -----	9.180
BALL JOINT - Control arm -----	6.168	BELT - Fan & generator -----	1.066
BAND - Trans. brake -----	4.251	BELT - Front seat -----	14.798
BAND - Trans. reaction -----	4.251	BELT - Power steering -----	6.660

"HJ" PARTS CATALOGUE

BELT - Rear seat -----	15.040	BOLT - Rear spring centre -----	7.505
BELT - Stg. gear hyd. pump drive -----	6.660	BOLT - Rear spring mounting -----	7.529
BLADE - Fan -----	1.064	BOLT - Ring gear -----	5.531
BLADE - Windshield wiper -----	10.146	BOLT - Round head -----	8.906
BLANK - Key -----	8.800	BOLT - Round head carriage -----	8.903
BLEEDER - Carburettor high speed -----	3.751	BOLT - Shock absorber mounting -----	7.370
BLOCK - Cylinder -----	0.033	BOLT - Starter motor -----	2.041
BLOCK - Diff. preload spring -----	5.511	BOLT - Starter motor through -----	2.077
BODY -----	10.001	BOLT - Steering gear hyd. pump -----	6.606
BODY - Air cond. wiring terminal -----	9.276	BOLT - Steering shaft coupling -----	6.524
BODY - Back up lamp harness -----	2.697	BOLT - Trans. centre support -----	4.162
BODY - Brake main cylinder -----	4.650	BOLT - Trans. oil pump -----	4.226
BODY - Brake wheel cylinder -----	4.665	BOLT - Trans. shifter control -----	4.030
BODY - Carburettor main -----	3.748	BOLT - Truss. head -----	8.913
BODY - Carburettor throttle -----	3.727	BOLT - Valve push rod cover -----	0.449
BODY - Courtesy light switch -----	11.950	BOLT - Water pump -----	1.069
BODY - Door window -----	10.777	BOLT - Wheel hub -----	5.812
BODY - End gate window reg. harness -----	12.277	BOLT - Wiper motor -----	10.150
BODY - Fuel pump -----	3.902	BOLT & WASHER - Front fender -----	8.143
BODY - Inst. panel comp. lamp switch -----	10.270	BOOSTER - Brake vacuum servo -----	4.902
BODY - Oil pump -----	1.653	BOOT - Brake main cylinder -----	4.659
BODY - Rear comp. lamp switch -----	11.960	BOOT - Brake vacuum servo booster -----	4.907
BODY - Rear lamp harness connector -----	2.694	BOOT - Brake wheel cylinder -----	4.670
BODY - Shell -----	10.002	BOOT - Clutch fork -----	0.797
BODY - Trans. governor valve -----	4.256	BOOT - Parking & turn signal lamp lead -----	2.596
BODY - Trans. oil control valve -----	4.265	BOOT - Spark plug insulating -----	2.258
BODY - Trans. oil pump -----	4.226	BOOT - Transmission shift lever -----	4.015
BODY - Water pump -----	1.037	BOW - Roof -----	12.952
BODY - Wiring harness term. conn. -----	2.555	BOWL - Fuel pump -----	3.903
BODY & GEAR PACKAGE - Trans. oil pump --	4.226	BRACE - Air conditioner compressor -----	9.171
BOLT - Air cleaner -----	3.403	BRACE - Clutch relay lever -----	0.852
BOLT - Air cond. condenser -----	9.190	BRACE - Deck lid hinge bracket -----	12.184
BOLT - Air cond. compressor -----	9.171	BRACE - Floor pan -----	12.972
BOLT - Battery mounting -----	2.333	BRACE - Generator -----	2.317
BOLT - Brake backing plate -----	5.002	BRACE - Quarter inner panel -----	12.941
BOLT - Bumper bar -----	7.836	BRACE - Steering column -----	6.761
BOLT - Bumper face bar -----	7.852	BRACE - Underbody cross bar -----	12.982
BOLT - Camshaft sprocket -----	0.736	BRACKET - Accelerator pedal -----	3.451
BOLT - Camshaft thrust -----	0.533	BRACKET - Accelerator spring -----	3.459
BOLT - Clutch -----	0.870	BRACKET - Air conditioner comp. -----	9.171
BOLT - Clutch pedal lever -----	0.830	BRACKET - Air cond. P. O. A. S. T. valve ----	9.199
BOLT - Clutch pedal retaining -----	0.837	BRACKET - Air conditioner vacuum actuator --	9.280
BOLT - Connecting rod -----	0.623	BRACKET - Brake cable -----	4.829
BOLT - Crankcase front cover -----	0.206	BRACKET - Brake cable pulley -----	4.700
BOLT - Crankshaft bearing cap -----	0.056	BRACKET - Brake hose -----	4.681
BOLT - Crankshaft pulley -----	0.659	BRACKET - Brake pedal bumper -----	4.625
BOLT - Cylinder head -----	0.293	BRACKET - Brake pipe connector mtg. -----	4.686
BOLT - Differential carrier -----	5.506	BRACKET - Bumper mounting -----	7.836
BOLT - Diff. carrier to housing -----	5.387	BRACKET - Choke heat pipe -----	3.720
BOLT - Door inside locking lever -----	10.556	BRACKET - Clutch brace -----	0.852
BOLT - End gate cable -----	12.203	BRACKET - Clutch pedal bumper -----	0.830
BOLT - Fillister head -----	8.907	BRACKET - Clutch relay strut -----	0.852
BOLT - Flat head -----	8.908	BRACKET - Deck lid hinge -----	12.184
BOLT - Flywheel -----	0.669	BRACKET - Diff. pinion bumper -----	5.395
BOLT - Front seat adjuster handle -----	11.588	BRACKET - Engine mounting -----	0.027
BOLT - Front fender attaching -----	8.143	BRACKET - Front stabiliser shaft -----	7.242
BOLT - Generator through -----	2.316	BRACKET - Fuel tank -----	3.001
BOLT - Hexagon head -----	8.900	BRACKET - Fuel tank filler door -----	12.966
BOLT - Hood bumper -----	8.024	BRACKET - Generator mounting -----	2.277
BOLT - Manifold -----	3.275	BRACKET - Hood catch control rod -----	8.077
BOLT - Oval head -----	8.909	BRACKET - Hood lock -----	8.085
BOLT - Pan head -----	8.810	BRACKET - Ignition coil -----	2.170
BOLT - Rear seat back, stop bracket -----	11.634	BRACKET - Instrument closing panel -----	2.515

"HJ" PARTS CATALOGUE

BRACKET - Muffler support -----	3.704
BRACKET - Platform mounting -----	7.016
BRACKET - Plenum chamber control -----	9.787
BRACKET - Park brake lever spring -----	4.596
BRACKET - Power plant mounting -----	6.008
BRACKET - Radiator support to fender -----	1.270
BRACKET - Rear axle control arm -----	5.382
BRACKET - Rear compt. lamp switch protn. --	11.960
BRACKET - Rear licence lamp -----	2.705
BRACKET - Rear seat back stop -----	11.634
BRACKET - Rear shock abs. mounting -----	12.984
BRACKET - Rear spring front hanger -----	7.112
BRACKET - Rear spring rear hanger -----	7.118
BRACKET - Rear vision mirror -----	10.187
BRACKET - Seat separator -----	12.801
BRACKET - Spark plug wire retainer -----	2.251
BRACKET - Steering column support -----	6.760
BRACKET - Stg. gear hyd. pump mtg. -----	6.606
BRACKET - Stop light switch -----	4.625
BRACKET - Tail stop & turn signal lamp -----	2.665
BRACKET - Taxi equipment mount -----	10.230
BRACKET - Throttle cable retaining -----	3.430
BRACKET - Throttle cable support -----	3.731
BRACKET - Trans. control cross shaft -----	4.040
BRACKET - Trans. parking brake actuator ----	4.294
BREAKER - Door window reg. circuit -----	10.777
BREAKER - End gate window reg. circuit -----	12.276
BREATHER - Axle housing -----	5.387
BREATHER - Trans. -----	4.104
BRIDGE - Air cleaner -----	3.403
BRUSH - Distributor cap -----	2.370
BRUSH - End gate window motor -----	12.280
BRUSH - Front door window motor -----	10.784
BRUSH - Rear door window motor -----	10.792
BRUSH - Wiper motor -----	10.150
BRUSH HOLDER & CIRCUIT BREAKER - End gate window motor -----	12.280
BRUSH HOLDER & CIRCUIT BREAKER - Front door window motor -----	10.784
BRUSH HOLDER & CIRCUIT BREAKER - Rear door window motor -----	10.792
BRUSH PLATE - Generator -----	2.291
BRUSH SET - Generator -----	2.285
BRUSH SET - Starter motor -----	2.051
BUFFER - Starter motor drive -----	2.087
BULB -----	8.991
BULB - Courtesy light -----	11.950
BULB - Dome lamp -----	11.925
BULB - Inst. indicator & illumination -----	2.515
BULB - Inst. panel comp. -----	10.270
BULB - Parking & turn sig. lamp -----	2.585
BULB - Quarter corner lamp -----	11.940
BULB - Rear comp. lamp -----	11.960
BULB - Rear licence lamp -----	2.714
BULB - Tail & stop lamp -----	2.679
BULB - Trans. control dial -----	4.038
BULB - Turn signal indicator -----	2.893
BUMPER - Brake pedal -----	4.625
BUMPER - Clutch pedal -----	0.830
BUMPER - Control arm -----	6.176
BUMPER - Deck lid -----	12.212
BUMPER - Diff. pinion nose -----	5.395
BUMPER - Door pillar -----	10.587

BUMPER - End gate -----	12.212
BUMPER - End gate anti-rattle -----	12.240
BUMPER - Front door window -----	10.716
BUMPER - Hood -----	8.024
BUMPER - Instrument carrier -----	2.515
BUMPER - Instrument panel compt. door -----	10.263
BUMPER - Licence plate mounting front -----	7.796
BUMPER - Licence plate mounting rear -----	2.670
BUMPER - Rear axle -----	7.535
BUMPER - Rear seat back -----	11.634
BUMPER - Trans. control housing lid -----	15.292
BUSHING - Air cond. vac. valve rotor pin ----	9.262
BUSHING - Air cond. air inlet door -----	9.262
BUSHING - Brake adjuster -----	5.103
BUSHING - Clutch pedal -----	0.831
BUSHING - Clutch relay lever -----	0.852
BUSHING - Converter housing -----	0.683
BUSHING - Distributor shaft -----	2.362
BUSHING - Door hinge -----	10.466
BUSHING - Front door sash plate -----	10.685
BUSHING - Front stabiliser -----	7.243
BUSHING - Heat distribution duct door -----	9.779
BUSHING - Lighting switch -----	2.487
BUSHING - Lower control arm -----	6.170
BUSHING - Oil pump drive shaft -----	1.653
BUSHING - Rear axle control arm -----	5.382
BUSHING - Rear qrt. window roller -----	11.007
BUSHING - Rear spring -----	7.524
BUSHING - Reverse idler gear -----	4.433
BUSHING - Shock absorber mounting -----	7.370
BUSHING - Starter drive -----	2.087
BUSHING - Starter motor -----	2.083
BUSHING - Steering conn. rod idler lever -----	6.897
BUSHING - Transmission case -----	4.103
BUSHING - Trans. centre support -----	4.162
BUSHING - Trans. clutch drum -----	4.158
BUSHING - Trans. inter. clutch sprag -----	4.168
BUSHING - Trans. oil pump body -----	4.226
BUSHING - Trans. output shaft -----	4.176
BUSHING - Trans. rear extension housing -----	4.317
BUSHING - Trans. sun gear -----	4.161
BUSHING - Upper control arm -----	6.164
BUSHING - Wiper motor -----	10.150
BUTTON - Curtain fastener -----	8.987
BUTTON - Gearshift lever handle -----	4.009
BUTTON - Rod release -----	4.594
CABLE & CASING - Speedometer -----	4.342
CABLE - Air conditioner heat control -----	9.278
CABLE - Battery ground -----	2.341
CABLE - End gate limit -----	12.203
CABLE - Hand brake -----	4.826
CABLE - Heater control -----	9.779
CABLE - Mode control -----	9.779
CABLE - Parking & turn signal lamp -----	2.596
CABLE - Spare wheel hoist -----	7.640
CABLE - Speedometer -----	4.342
CABLE - Starter -----	2.342
CABLE - Throttle control -----	3.430
CALIPER - Brake -----	5.010
CAM - Carburettor fast idle -----	3.735
CAM - Distributor -----	2.381
CAM - Door window guide -----	10.702
CAM - End gate glass lifter channel -----	11.207

"HJ" PARTS CATALOGUE

CAM - Front door window -----	10.783	CLAMP - Distributor -----	2.414
CAM - Rear door window -----	10.791	CLAMP - Exhaust pipe -----	3.616
CAM - Trans, detent -----	4.311	CLAMP - Engine breather hose -----	1.762
CAMSHAFT -----	0.519	CLAMP - Heater hose -----	9.779
CAP - Air conditioner fitting valve -----	9.170	CLAMP - Hose -----	1.166
CAP - Crankshaft centre bearing -----	0.100	CLAMP - Hose -----	8.948
CAP - Crankshaft front bearing -----	0.095	CLAMP - Inlet manifold hose -----	3.260
CAP - Crankshaft front int. bearing -----	0.098	CLAMP - Manifold -----	3.273
CAP - Crankshaft rear bearing -----	0.105	CLAMP - Muffler rear -----	3.706
CAP - Crankshaft rear int. bearing -----	0.102	CLAMP - Radiator hose -----	1.166
CAP - Distributor -----	2.367	CLAMP - Spare wheel -----	7.629
CAP - Door glass bearing -----	10.685	CLAMP - Steering gear ball guide -----	6.843
CAP - Front door trim clip -----	14.685	CLAMP - Stg. gear hyd. pump hose -----	6.672
CAP - Fuel tank -----	3.028	CLAMP - Steering shaft seal -----	6.524
CAP - Oil filler -----	1.516	CLAMP - Tail pipe -----	3.710
CAP - Oil pressure regulator valve -----	1.609	CLEANER - Air -----	3.402
CAP - Radiator -----	1.203	CLIP - Air cleaner filter -----	3.410
CAP - Rear door trim clip -----	14.760	CLIP - Air cond. mode duct -----	9.262
CAP - Shock absorber air valve -----	7.347	CLIP - Air cond. temp. door pin -----	9.262
CAP - Starter motor armature -----	2.063	CLIP - Air cond. vacuum actuator link -----	9.280
CAP - Stg. gear hyd. pump reservoir -----	6.635	CLIP - Air cond. wiring harness -----	9.276
CAP - Underbody sealing -----	12.972	CLIP - Automatic choke pipe -----	3.720
CAP - Valve spring -----	0.309	CLIP - Body wiring -----	13.092
CAP - Wheel hub -----	5.858	CLIP - Carburettor choke rod -----	3.798
CARBURETTOR -----	3.725	CLIP - Carburettor choke kick rod -----	3.799
CARPET - Trans. control housing -----	15.291	CLIP - Carburettor fuel pipe -----	3.202
CARPET - Front floor -----	15.286	CLIP - Carburettor pump rod -----	3.783
CARPET - Luggage comp. floor -----	15.294	CLIP - Carburettor strainer screen -----	3.787
CARPET - Rear floor -----	15.306	CLIP - Clutch relay lever -----	0.852
CARRIER - Infant safety -----	9.667	CLIP - Crankcase ventilator hose -----	1.762
CARRIER - Instrument -----	2.515	CLIP - Deck lid name plate -----	12.182
CARRIER - Trans. output -----	4.175	CLIP - Door belt weatherstrip -----	10.712
CARRIER - Trans. planet -----	4.177	CLIP - Door control con. rod anti-rattle -----	10.556
CARRIER - Trans. reaction -----	4.175	CLIP - Door control link anti-rattle -----	10.506
CARRIER - Water bag -----	9.608	CLIP - Door inside locking rod -----	10.563
CARRIER & CAP - Differential -----	5.505	CLIP - Door locking barrel -----	10.550
CASE - Differential -----	5.510	CLIP - Door outside handle rod -----	10.529
CASE - Fuel gauge -----	2.515	CLIP - End gate control rod -----	12.241
CASE - Inst. panel door lock -----	10.266	CLIP - End gate name plate -----	12.182
CASE - Transmission -----	4.103	CLIP - End gate reg. escutcheon -----	12.249
CASE SET - Travel -----	9.612	CLIP - End gate reveal moulding -----	12.174
CATCH - Hood safety -----	8.036	CLIP - End gate window handle -----	12.247
CATCH - Spare wheel comp. cover -----	12.238	CLIP - End gate window reg. harness -----	12.277
CAULKING COMPOUND -----	8.820	CLIP - Front door ext. moulding -----	12.112
CHAIN - Camshaft timing -----	0.724	CLIP - Front door trim -----	14.685
CHANNEL - End gate glass -----	11.207	CLIP - Front seat back spring -----	11.374
CHANNEL - Front door glass -----	10.701	CLIP - Front seat cushion spring -----	11.420
CHANNEL - Front door glass lifter -----	10.685	CLIP - Hand brake lever retainer -----	5.158
CHANNEL - Rear door glass -----	10.759	CLIP - Hand brake warning switch -----	4.610
CHANNEL - Rear door glass division -----	10.829	CLIP - Heat distribution duct closing panel ---	9.779
CHANNEL - Rear door glass lifter -----	10.747	CLIP - Heater control lever pin -----	9.779
CHANNEL - Rear quarter side glass -----	11.015	CLIP - Hood catch control rod -----	8.077
CHANNEL - Rear quarter window -----	11.007	CLIP - Pipe or cable -----	8.950
CHANNEL - Rear window glass -----	11.207	CLIP - Plenum chamber control cable -----	9.787
CHOCK - Spare wheel -----	7.629	CLIP - Rear door ext. moulding -----	12.114
CIRCLIP - Distributor cam -----	2.381	CLIP - Rear door trim -----	14.760
CIRCUIT BREAKER - Air cond. -----	9.275	CLIP - Rear quarter moulding -----	12.116
CIRCUIT BREAKER - Door window reg. -----	10.777	CLIP - Rear quarter window -----	11.015
CIRCUIT BREAKER - End gate window reg. -----	12.276	CLIP - Rear seat back lock bar -----	11.634
CLAMP - Air cleaner -----	3.403	CLIP - Rear seat back spring -----	11.629
CLAMP - Air cond. heater core -----	9.217	CLIP - Rear seat cushion spring -----	11.611
CLAMP - Air cond. modulex valve -----	9.213	CLIP - Rear window reveal moulding -----	11.208
CLAMP - Air cond. hose -----	9.220	CLIP - Rocker panel moulding -----	8.304

CLIP - Shock absorber tube -----	7.347	COVER - Converter housing -----	0.679
CLIP - Solenoid switch wire to trans. -----	4.055	COVER - Crankcase front end -----	0.206
CLIP - Speedometer cable -----	4.342	COVER - Flywheel housing -----	0.679
CLIP - Speedometer drive gear -----	4.337	COVER - Front seat back -----	14.800
CLIP - Stg. gear lash adj. screw -----	6.822	COVER - Front seat back head restraint -----	14.924
CLIP - Steering pitman shaft seal -----	6.856	COVER - Front seat cushion -----	14.880
CLIP - Stg. shaft bearing adaptor -----	6.524	COVER - Front seat back trim arm rest -----	14.801
CLIP - Tail lamp reveal moulding -----	12.116	COVER - Front seat torque spring -----	11.390
CLIP - Tubular lock -----	8.949	COVER - Front wheel hub bearing -----	5.858
CLIP - Windshield reveal moulding -----	10.093	COVER - Fuel gauge -----	2.515
CLIP - Windshield washer hose -----	8.798	COVER - Fuel pump -----	3.910
CLIP - Windshield wiper link -----	10.160	COVER - Fuse panel -----	2.481
CLIP - Wiring harness -----	2.555	COVER - Heater opening -----	12.803
CLOCK -----	2.515	COVER - Heater control opening -----	10.252
CLUTCH - End gate handle -----	12.247	COVER - Oil pump -----	1.723
CLUTCH - Fan -----	1.050	COVER - Park brake lever -----	4.608
CLUTCH - Trans. 2nd & 3rd -----	4.158	COVER - Quarter panel inner -----	12.941
COCK - Drain -----	8.951	COVER - Rear axle housing -----	5.398
COIL - Ignition -----	2.170	COVER - Rear seat back -----	15.000
COIL - Starter motor field -----	2.049	COVER - Rear seat back arm rest -----	15.001
COIL & HOUSING - Air conditioner compressor -----	9.175	COVER - Rear seat cushion -----	15.035
COLLAR - Starter retaining ring -----	2.096	COVER - Roof fabric -----	12.810
COLUMN - Steering -----	6.508	COVER - Roof vinyl -----	12.810
COMPARTMENT - Inst. panel -----	10.260	COVER - Seat separator -----	15.289
COMPRESSOR - Air cond. -----	9.170	COVER - Spare wheel compartment -----	12.180
CONDENSER - Air cond. -----	9.190	COVER - Starter solenoid switch -----	2.102
CONDENSER - Distributor -----	2.393	COVER - Stg. column -----	6.518
CONE - Differential side bearing -----	5.536	COVER - Stg. column to dash -----	6.758
CONE - Pinion front bearing -----	5.447	COVER - Stg. gear housing -----	6.807
CONE - Pinion rear bearing -----	5.484	COVER - Steering hyd. piston rack -----	6.586
CONE - Wiper motor armature -----	10.150	COVER - Timing gear -----	0.206
CONNECTOR - Brake pipe -----	4.686	COVER - Tonneau -----	12.196
CONNECTOR - Hand brake cable -----	4.830	COVER - Trans. -----	4.105
CONNECTOR - Pipe -----	8.963	COVER - Trans. control housing -----	15.293
CONNECTOR - Trans. oil cooler pipe -----	4.128	COVER - Trans. governor -----	4.256
CONNECTOR - Trans. solenoid valve -----	4.265	COVER - Trans. oil pump -----	4.226
CONTACT - Starter solenoid switch -----	2.102	COVER - Trans. rear servo -----	4.241
CONTACT - Wiper motor earth -----	10.150	COVER - Trans. servo -----	4.212
CONTACT SET - Distributor -----	2.384	COVER - Valve push rod -----	0.439
CONTROL - Air conditioner -----	9.278	COVER - Valve rocker -----	0.386
CONTROL - Choke -----	3.521	COVER & PRESSURE PLATE - Clutch -----	0.861
CONTROL - Door remote -----	10.500	COWL - Body front end -----	12.803
CONTROL - End gate lock -----	12.242	CRANK - Wiper motor -----	10.150
CONTROL - Heater -----	9.779	CRANKSHAFT -----	0.646
CONTROL - Plenum chamber outlet -----	9.787	CUP - Brake main cyl. piston -----	4.654
CONVERTER - Trans. -----	4.156	CUP - Brake wheel cyl. -----	4.667
COOLER - Oil -----	1.219	CUP - Diff. side bearing -----	5.536
CORE - Air cond. evaporator -----	9.210	CUP - Pinion front bearing -----	5.447
CORE - Air cond. heater -----	9.217	CUP - Pinion rear bearing -----	5.484
CORE - Radiator -----	1.219	CUP - Steering column housing -----	6.518
CORE - Shock absorber air valve -----	7.347	CUSHION - Rear seat -----	15.033
COUNTER SHAFT - Trans. -----	4.428	CYLINDER - Brake main -----	4.650
COUPLING - Steering shaft -----	6.524	CYLINDER - Brake wheel -----	4.665
COVER - Air cleaner element -----	3.410	CYLINDER - Inst. panel door lock -----	10.266
COVER - Air cond. plenum chamber -----	9.263	CYLINDER BLOCK -----	0.033
COVER - Brake adjusting hole -----	5.188	CYLINDER HEAD -----	0.269
COVER - Brake main cylinder -----	4.651	DAMPER - Crankshaft -----	0.659
COVER - Body side panel -----	12.948	DAMPER - Timing chain -----	0.726
COVER - Carb. thermostat -----	3.796	DAMPER - Trans. control plunger -----	4.006
COVER - Carb. automatic choke thermo. -----	3.750	DAMPER & VALVE - Air pre heat -----	3.415
COVER - Choke control opening -----	2.515	DEADENER - Floor panel -----	15.492
COVER - Clutch housing -----	0.679	DEADENER - Sound -----	15.492
COVER - Clutch & trans. case -----	0.679	DEFLECTOR - Differential pinion -----	5.545

"HJ" PARTS CATALOGUE

DEFLECTOR - End gate dust -----	9.616	EYELET - Curtain fastener -----	8.987
DEFLECTOR - Fender mud -----	9.620	FACIA - Instrument -----	2.515
DEFLECTOR - Front fender opening mud ----	8.154	FAN - Generator -----	2.274
DIAL - Fuel gauge -----	2.515	FASTENER - Air pre heat valve -----	3.415
DIAL - Radio -----	9.662	FASTENER - Cowl side trim -----	14.630
DIAL - Trans. control indicator -----	4.038	FASTENER - Curtain -----	8.987
DIAPHRAGM - Air pre heat -----	3.415	FASTENER - Front door glass bearing -----	10.685
DIAPHRAGM - Brake main cyl. cover -----	4.651	FASTENER - Front fender dust shield -----	8.154
DIAPHRAGM - Carb. choke kick -----	3.779	FASTENER - Front seat back cover -----	14.800
DIAPHRAGM - Fuel pump -----	3.925	FASTENER - Front seat head restraint cov. ---	14.924
DIAPHRAGM KIT - Fuel pump -----	3.925	FASTENER - Rear quarter trim -----	15.100
DIFFERENTIAL & CARRIER -----	5.504	FASTENER - Rear seat back shelf trim -----	15.024
DISC. - Brake -----	5.809	FELT - Distributor shaft -----	2.362
DISC - Wheel hub -----	5.858	FENDER - Front -----	8.130
DISTRIBUTOR -----	2.361	FERRULE - End gate handle -----	12.247
DOOR - Air cond. -----	9.262	FERRULE - Gearshift lever boot -----	4.015
DOOR - Fuel tank filler -----	12.966	FERRULE - Locking knob -----	10.559
DOOR - Front, less hardware -----	12.895	FILLER - Quarter panel -----	12.940
DOOR - Front, with hardware -----	10.351	FILLER - Rear quarter window sash -----	11.007
DOOR - Heater mode -----	9.779	FILLER - Tonneau floor front -----	12.582
DOOR - Heater temp. -----	9.779	FILTER - Air cleaner -----	3.410
DOOR - Instrument panel compt. -----	10.261	FILTER - Brake vacuum servo booster -----	4.903
DOOR - Rear, less hardware -----	12.913	FILTER - Carburettor fuel -----	3.787
DOOR - Rear, with hardware -----	10.373	FILTER - Oil -----	1.835
DRIVE - Starter motor -----	2.086	FILTER - Stg. gear hyd. pump -----	6.630
DRIVER - End gate handle -----	12.247	FILTER - Windshield washer reservoir -----	8.798
DRIVER - End gate window reg. -----	12.272	FINGER GUARD - Fan -----	1.270
DRUM - Brake -----	5.809	FINGER - Wiper motor earth -----	10.150
DRUM - Trans. clutch -----	4.158	FITTING - Air conditioner -----	9.170
DRUM & INPUT SHAFT - Trans. clutch -----	4.153	FITTING - Lubrication -----	8.984
DUCT - Air cond. distribution -----	9.262	FITTING - Speedometer driven gear -----	4.338
DUCT - Demist & heat distribution -----	9.779	FITTING - Stg. gear hyd. valve hose -----	6.673
ELBOW - Brake vacuum hose -----	4.931	FITTING - Tube & pipe -----	8.963
ECCENTRIC - Clutch pedal bumper -----	0.830	FLANGE - Differential pinion -----	5.545
ELBOW - Pipe -----	8.963	FLANGE - Exhaust pipe packing -----	3.610
ELEMENT - Air cleaner -----	3.410	FLASHER - Trailer harness -----	9.644
ELEMENT - Stg. gear hyd. pump filter -----	6.630	FLASHER - Turn signal -----	2.892
EMBLEM - Deck lid -----	12.182	FLOAT & LEVER - Carb. -----	3.773
EMBLEM - Front door trim -----	14.691	FLOOR - Tonneau -----	12.580
EMBLEM - Horn actuating bar -----	2.820	FLUID - Brake -----	8.800
EMBLEM - Instrument panel -----	2.515	FLUID - Windshield washer -----	8.800
EMBLEM - Rad. grille -----	1.265	FLYWHEEL -----	0.666
EMBLEM - Rear door trim -----	14.764	FORK - Clutch -----	0.795
EMBLEM - Rear quarter -----	12.116	FORK - Trans. shift shaft 1st & reverse -----	4.304
ENGINE -----	0.000	FORK - Trans. shift shaft 2nd & 3rd -----	4.303
ENGINE UNIT - Oil gauge -----	1.803	FRAME -----	7.003
ENGINE UNIT - Temperature gauge -----	0.277	FRAME - Front end -----	12.980
EQUALISER - Hand brake cable -----	4.764	FRAME - Front seat -----	11.373
ESCUTCHEON - Air conditioner control -----	9.278	FRAME - Rear seat back -----	11.628
ESCUTCHEON - End gate window reg. -----	12.249	FRAME - Rear seat cushion -----	11.610
ESCUTCHEON - Heater control -----	9.779	FRAME - Rear window -----	11.200
ESCUTCHEON - Inst. panel door lock -----	10.266	FRAME - Starter motor com. end -----	2.067
EXCLUDER - Steering pitman shaft dust -----	6.856	FRAME - Windshield -----	12.807
EXTENSION - Body side panel -----	12.948	FRONT SUSPENSION -----	6.007
EXTENSION - Bumper bar mounting -----	7.865	FUSE -----	2.481
EXTENSION - Exhaust pipe -----	3.705	FUSE -----	8.965
EXTENSION - Front floor pan -----	12.972	GASKET - Air cleaner -----	3.410
EXTENSION - Rear compt. front panel -----	12.971	GASKET - Air cleaner to carburettor -----	3.403
EXTENSION - Rear window reveal moulding --	11.208	GASKET - Air cond. duct -----	9.262
EXTENSION - Tonneau rear floor -----	12.986	GASKET - Air cond. evaporator -----	9.169
EXTENSION - Under body cross bar -----	12.982	GASKET - Air cond. heater pipes -----	9.217
EXTENSION - Valve stem -----	5.875	GASKET - Air cond. resistor -----	9.275
EYELET -----	8.954	GASKET - Axle housing -----	5.508

GASKET - Axle housing plug -----	5.400	GASKET - Valve push rod cover -----	0.443
GASKET - Body lock pillar relief valve -----	12.942	GASKET - Valve rocker cover -----	0.423
GASKET - Carburettor air horn -----	3.765	GASKET - Water pump to block -----	1.079
GASKET - Carburettor by-pass jet -----	3.757	GASKET KIT - Carburettor -----	3.724
GASKET - Carb. check valve plug -----	3.784	GASKET KIT - Transmission -----	4.005
GASKET - Carburettor flange -----	3.726	GASKET SET - Cylinder head -----	0.289
GASKET - Carburettor fuel filter -----	3.787	GASKET SET - Engine -----	0.010
GASKET - Carburettor main body -----	3.749	GASKET SET - Engine overhaul -----	0.001
GASKET - Carburettor main metering jet plug -----	3.756	GASKET UNIT - Oil pan -----	1.429
GASKET - Carburettor needle valve seat -----	3.772	GATE - End -----	12.179
GASKET - Carburettor power jet -----	3.757	GATE - Trans. control selector -----	4.016
GASKET - Carburettor pump jet -----	3.757	GATE - Upper end -----	12.178
GASKET - Carburettor pump -----	3.758	GAUGE - Fuel -----	2.515
GASKET - Carburettor thermo. cover -----	3.796	GAUGE - Fuel, tank unit -----	3.107
GASKET - Clutch gear brg. retainer -----	4.358	GAUGE - Oil, engine unit -----	1.803
GASKET - Crankcase frt. end cover -----	0.207	GAUGE - Oil pressure -----	2.515
GASKET - Cylinder head -----	0.289	GAUGE - Temperature -----	2.515
GASKET - Cyl. head water outlet -----	1.154	GAUGE - Temp. engine unit -----	0.277
GASKET - Deck lid lock cylinder -----	12.248	GEAR - Camshaft -----	0.736
GASKET - Distributor -----	2.362	GEAR - Crankshaft -----	0.723
GASKET - Door locking barrel -----	10.550	GEAR - Clutch -----	4.351
GASKET - Door remote control -----	10.516	GEAR - Counter -----	4.421
GASKET - End gate lock escutcheon -----	12.249	GEAR - Differential side -----	5.528
GASKET - End gate regulator handle -----	12.249	GEAR - Distributor -----	2.374
GASKET - Fuel pump bowl -----	3.904	GEAR - Flywheel ring -----	0.673
GASKET - Fuel pump flange -----	3.932	GEAR - Mainshaft first speed -----	4.418
GASKET - Fuel pump mounting plate -----	3.932	GEAR - Mainshaft reverse -----	4.418
GASKET - Fuel pump valve -----	3.913	GEAR - Mainshaft second speed -----	4.395
GASKET - Fuel tank filler pipe -----	3.008	GEAR - Oil pump (Set) -----	1.659
GASKET - Inlet manifold water outlet -----	3.216	GEAR - Pitman -----	6.850
GASKET - Manifold -----	3.270	GEAR - Reverse idler -----	4.430
GASKET - Oil filter -----	1.837	GEAR - Speedometer drive -----	4.337
GASKET - Oil pan drain plug -----	1.453	GEAR - Speedometer driven -----	4.337
GASKET - Oil pressure reg. spring -----	1.611	GEAR - Steering -----	6.508
GASKET - Oil pressure reg. valve -----	1.609	GEAR - Third speed -----	4.415
GASKET - Oil pump cover -----	1.724	GEAR - Transmission front sun -----	4.159
GASKET - Oil pump suction pipe -----	1.656	GEAR - Transmission governor -----	4.256
GASKET - Oil pump to block -----	1.654	GEAR - Transmission input sun -----	4.177
GASKET - Parking & turn signal lamp lens ---	2.590	GEAR - Transmission ring -----	4.187
GASKET - Rear axle housing cover -----	5.399	GEAR & DRUM - Reaction sun -----	4.177
GASKET - Rear axle housing plug -----	5.400	GEAR & PINION - Differential -----	5.529
GASKET - Rear side lamp lens -----	2.684	GEAR & PINION PKG. - End gate window motor	12.280
GASKET - Round closed -----	8.955	GEAR & SHAFT - Wiper motor -----	10.150
GASKET - Starter solenoid switch -----	2.102	GEAR KIT - Oil pump drive -----	1.643
GASKET - Stg. gear hsg. cover -----	6.809	GEAR PACKAGE - Distributor -----	2.374
GASKET - Tail & stop lamp -----	2.684	GEAR SET - Differential -----	5.527
GASKET - Thermostat housing -----	1.252	GEAR UNIT - Speedometer drive -----	4.337
GASKET - Timing gear cover -----	0.207	GENERATOR -----	2.275
GASKET - Trans. cover -----	4.109	GLASS - End gate -----	11.204
GASKET - Trans. drain plug -----	4.103	GLASS - Front door -----	10.681
GASKET - Trans. extension housing -----	4.318	GLASS - Rear door -----	10.741
GASKET - Trans. filler plug -----	4.103	GLASS - Rear door rear -----	10.827
GASKET - Trans. modulator -----	4.265	GLASS - Rear quarter side -----	11.011
GASKET - Trans. oil cooler pipe -----	4.128	GLASS - Rear window -----	11.204
GASKET - Trans. oil pan -----	4.196	GLASS - Windshield -----	10.027
GASKET - Trans. oil pan screw -----	4.195	GOVERNOR - Transmission -----	4.256
GASKET - Trans. oil pump -----	4.226	GRILLE - Cowl ventilator -----	10.307
GASKET - Trans. oil suction screen -----	4.223	GRILLE - Radiator -----	1.266
GASKET - Trans. rear extension housing -----	4.318	GRILLE - Rear body pillar pressure valve -----	12.942
GASKET - Trans. rear servo cover -----	4.241	GRIP - Handbrake lever -----	4.592
GASKET - Trans. servo cover -----	4.212	GROMMET -----	8.956
GASKET - Trans. solenoid -----	4.265	GROMMET - Air condition harness -----	9.276
GASKET - Trans. valve plate -----	4.265	GROMMET - Air condition pipe -----	9.220

"HJ" PARTS CATALOGUE

GROMMET - Body wiring harness -----	13.092	HEAD RESTRAINT -----	14.796
GROMMET - Brake cable -----	4.826	HEADLAMP -----	2.725
GROMMET - Choke control -----	3.521	HEADLINING -----	14.640
GROMMET - Fuel vent pipe -----	3.003	HINGE - Deck lid -----	12.184
GROMMET - Hand brake cable -----	4.834	HINGE - End gate -----	12.184
GROMMET - Heater core -----	9.779	HINGE - Front door lower -----	10.454
GROMMET - Hood catch control rod -----	8.076	HINGE - Front door upper -----	10.450
GROMMET - Rear licence lamp -----	2.705	HINGE - Hood -----	8.015
GROMMET - Shock absorber tube -----	7.347	HINGE - Instrument panel compartment door -	10.262
GROMMET - Spare wheel hoist handle -----	7.630	HINGE - Rear door lower -----	10.460
GROMMET - Start. switch cable outlet -----	2.101	HINGE - Rear door upper -----	10.456
GROMMET - Sun visor -----	10.203	HINGE - Rear seat back -----	11.630
GROMMET - Throttle control cable -----	3.430	HINGE - Seat separator -----	12.802
GROMMET - Trans. control cross shaft -----	4.040	HINGE - Tonneau floor front -----	12.581
GROMMET - Valve cover to block vent -----	1.745	HOG RING - Front seat back spring -----	11.374
GROMMET - Windshield washer nozzle -----	8.798	HOG RING - Front seat cushion spring -----	11.420
GROMMET - Wiring -----	2.561	HOIST - Spare wheel -----	7.640
GUARD - Bumper -----	7.828	HOLDER - Carburettor choke tube -----	3.795
GUARD - Door edge -----	9.628	HOLDER - Bulb -----	2.555
GUARD - Fan finger -----	1.270	HOLDER - Starter motor brush -----	2.052
GUARD - Fuel tank stone -----	3.001	HOOD - Ornament package -----	8.055
GUARD - Head lamp stone -----	9.632	HOOK - Coat -----	14.651
GUIDE - Brake cable -----	4.829	HOOK - Front seat belt stowage -----	14.799
GUIDE - End gate plunger -----	12.241	HOOK - Rear seat belt stowage -----	15.042
GUIDE - Front door glass -----	10.702	HORN -----	2.810
GUIDE - Front seat head restraint -----	11.376	HORN - Carburettor air -----	3.763
GUIDE - Hand brake button release -----	4.594	HOSE - Air conditioner -----	9.220
GUIDE - Rear quarter window -----	11.040	HOSE - Air conditioner blower motor -----	9.215
GUIDE - Steering gear ball return -----	6.842	HOSE - Air conditioner vacuum -----	9.281
GUIDE - Speedometer driven gear -----	4.337	HOSE - Air pre-heat stone to exhaust manifold	3.417
GUIDE - Trans. intermediate clutch spring ---	4.164	HOSE - Air pre-heat valve -----	3.415
GUTTER - Roof drip -----	12.811	HOSE - Brake -----	4.680
HANDLE - Assist grip -----	15.390	HOSE - Brake vacuum servo -----	4.931
HANDLE - Deck lid lift -----	12.182	HOSE - Carburetor choke heat -----	3.799
HANDLE - Door outside -----	10.527	HOSE - Choke heat -----	3.720
HANDLE - Door pull-to -----	9.640	HOSE - Engine breather -----	1.762
HANDLE - Door remote control -----	10.512	HOSE - Fuel line -----	3.163
HANDLE - Door window regulator -----	10.797	HOSE - Fuel tank filler -----	3.003
HANDLE - End gate -----	12.247	HOSE - Fuel tank vent -----	3.003
HANDLE - Front seat adjuster -----	11.588	HOSE - Heater -----	9.779
HANDLE - Fuel tank cap -----	3.028	HOSE - Inlet manifold water -----	3.260
HANDLE - Gearshift control lever -----	4.009	HOSE - Radiator -----	1.159
HANDLE - Lifting jack -----	8.820	HOSE - Steering gear hydraulic -----	6.670
HANDLE - Rear seat back lock -----	11.634	HOSE - Spark control -----	2.424
HANDLE - Rear quarter window regulator -----	11.044	HOSE - Tonneau floor drain -----	10.997
HANDLE - Spare wheel compartment cover ---	12.238	HOSE - Windshield washer -----	8.798
HANDRAIL -----	9.636	HOSE - Vapour return -----	3.159
HARNESS - Air condition wiring -----	9.276	HOUSING - Air conditioner evaporator -----	9.169
HARNESS - Body wiring -----	13.090	HOUSING - Clutch -----	0.683
HARNESS - Courtesy lamp -----	11.950	HOUSING - Converter -----	0.683
HARNESS - Door window console wiring -----	10.777	HOUSING - Generator slip ring end plate -----	2.297
HARNESS - End gate window regulator -----	12.277	HOUSING - Heater -----	9.779
HARNESS - Engine -----	2.555	HOUSING - Rear axle -----	5.387
HARNESS - Front & rear door window -----	10.777	HOUSING - Starter motor drive -----	2.085
HARNESS - Instrument -----	2.555	HOUSING - Steering column -----	6.518
HARNESS - Lighting -----	2.555	HOUSING - Steering gear -----	6.803
HARNESS - Main wiring -----	2.555	HOUSING - Steering gear hydraulic pump ---	6.608
HARNESS - Rear lamp -----	2.694	HOUSING - Tail, stop & turn signal lamp ---	2.680
HARNESS - Rear licence lamp -----	2.714	HOUSING - Transmission control illumination -	4.038
HARNESS - Rear quarter lamp -----	11.940	HOUSING - Transmission extension -----	4.317
HARNESS - Tachometer -----	2.520	HOUSING - Transmission clutch drum -----	4.169
HARNESS - Trailer wiring -----	9.644	HOUSING - Transmission control -----	15.290
HEAD - Cylinder -----	0.269	HOUSING - Transmission control indicator ---	4.038

HOUSING - Thermostat -----	1,251
HOUSING - Wiper motor -----	10,150
HOUSING & LENS - Instrument illumination -	2,515
HUB - Front wheel -----	6,307
HUB - Transmission clutch -----	4,164
HUB - Water pump & fan pulley -----	1,063
IMPELLER - Air conditioner blower -----	9,215
IMPELLER - Heater motor -----	9,779
INDICATOR - Oil level -----	1,516
INDICATOR - Timing -----	0,210
INDICATOR - Transmission control -----	4,038
INDICATOR - Transmission oil level -----	4,133
INLET - Air conditioner air -----	9,211
INLET - Inlet manifold water -----	8,260
INSERT - Brake main cylinder tube -----	4,652
INSERT - Bumper bar guard -----	7,828
INSERT - Carburettor main body -----	3,762
INSERT - Radiator grille emblem -----	1,265
INSERT - Radiator grille ornament -----	1,265
INSERT - Rear window reveal -----	11,208
INSERT - Transmission control housing -----	15,293
INSTRUMENT - Combined -----	2,515
INSULATOR - Air conditioner evap. & blower	9,169
INSULATOR - Air conditioner modulex valve	9,213
INSULATOR - Carburettor mounting -----	7,020
INSULATOR - Choke heat pipe -----	3,720
INSULATOR - Clutch strut -----	0,852
INSULATOR - Dash panel -----	15,280
INSULATOR - Front seat cushion -----	14,890
INSULATOR - Front stabiliser shaft -----	7,242
INSULATOR - Gearshift control trunnion to rod	4,019
INSULATOR - Gearshift 1st. & rev. shift ---	4,020
INSULATOR - Gearshift 2nd & 3rd. shift ---	4,010
INSULATOR - Lever & support to floor -----	4,015
INSULATOR - Muffler -----	3,704
INSULATOR - Rear spring -----	7,545
INSULATOR - Starter field coil -----	2,049
INSULATOR - Steering column -----	6,785
INSULATOR - Tail pipe -----	3,710
INSULATOR - Transmission control rod -----	4,040
INSULATOR - Windshield wiper motor mounting	10,152
INSTALLATION KIT - Radio -----	9,662
JACK - Lifting -----	8,820
JACKET - Steering column -----	6,513
JET - Carburettor main discharge -----	3,754
JET - Carburettor main metering -----	3,754
JET - Carburettor power -----	3,757
JET - Carburettor pump, by-pass -----	3,757
JOURNAL - Universal joint -----	5,548
KEY - Air conditioner compressor clutch hub -	9,188
KEY - Steering gear hydraulic pump -----	6,614
KEY - Transmission synchroniser -----	4,384
KEY - Valve stem -----	0,310
KEY - Woodruff -----	8,960
KEYBLANK -----	8,800
KIT - Ball joint seal & clamp -----	6,168
KIT - Brake caliper seal -----	4,667
KIT - Brake lining -----	5,018
KIT - Brake main cylinder repair -----	4,665
KIT - Camshaft bearing -----	0,536
KIT - Camshaft gear -----	0,736
KIT - Carburettor gasket -----	3,724
KIT - Carburettor idle vent valve -----	3,764

KIT - Carburettor repair -----	3,725
KIT - Clutch main cylinder repair -----	0,902
KIT - Connecting rod bearing -----	0,616
KIT - Crankshaft bearing -----	0,094
KIT - Cylinder head gasket -----	0,289
KIT - Differential gear -----	5,527
KIT - Distributor contact -----	2,384
KIT - Distributor gear -----	2,374
KIT - Engine overhaul gasket -----	0,001
KIT - Front stabiliser stud -----	7,240
KIT - Fuel pump diaphragm -----	3,925
KIT - Fuel pump repair -----	3,901
KIT - Gen. drive end brg. cover plate parts --	2,307
KIT - Generator sundry parts -----	2,315
KIT - Oil pan gasket -----	1,429
KIT - Oil pump cover -----	1,723
KIT - Oil pump drive gear -----	1,643
KIT - Piston ring -----	0,643
KIT - Rear spring mounting stud -----	7,529
KIT - Rear spring shackle -----	7,523
KIT - Spark plug -----	2,270
KIT - Spark plug wire -----	2,239
KIT - Speedometer cable -----	4,342
KIT - Stabiliser spacer stud -----	7,240
KIT - Steering conn. rod idler lever -----	6,895
KIT - Steering gear hydraulic pump rotor ---	6,610
KIT - Steering gear hydraulic pump seal ----	6,609
KIT - Steering gear hydraulic pump vane ----	6,610
KIT - Transmission gasket -----	4,005
KIT - Transmission overhaul -----	4,003
KIT - Transmission repair -----	4,003
KIT - Transmission snap ring -----	4,005
KIT - Universal joint repair -----	5,548
KIT - Water jacket core plug -----	0,033
KIT - Water pump gasket -----	1,071
KIT - Water pump repair -----	1,071
KNOB - Door locking rod -----	10,559
KNOB - Gearshift lever -----	4,009
KNOB - Heater control -----	9,779
KNOB - Instrument panel door lock -----	10,266
KNOB - Turn signal lamp switch -----	2,897
KNUCKLE - Steering -----	6,020
LABEL - Fan warning -----	8,823
LACE - End gate belt finishing -----	11,207
LACE - Headlining -----	14,650
LACE - Tonneau floor -----	12,580
LACING - Hood ledge -----	9,127
LAMP - Dome -----	11,925
LAMP - Instrument panel compartment -----	10,270
LAMP - Parking & turn signal -----	2,585
LAMP - Rear compartment -----	11,960
LAMP - Rear licence plate -----	2,700
LAMP - Rear side -----	2,679
LAMP - Tail & stop -----	2,679
LAMP - Turn signal -----	2,679
LEAD - Air conditioner blower earth -----	9,215
LEAD - Air conditioner wiring -----	9,276
LEAD - Courtesy light switch -----	11,950
LEAD - Cigarette lighter -----	9,709
LEAD - Distributor terminal -----	2,400
LEAD - Dome lamp -----	11,925
LEAD - End gate window regulator -----	12,277
LEAD - Heater rear window -----	9,778

LEAD - Horn -----	2,810	LINK - Fuel pump -----	3,931
LEAD - Instrument panel compartment lamp -	10,270	LINK - Fusible -----	2,555
LEAD - Power window circuit breaker -----	10,777	LINK - Transmission manual valve lever -----	4,265
LEAD - Quarter corner lamp -----	11,940	LINK - Windshield wiper motor -----	10,159
LEAD - Rear compartment lamp -----	11,960	LOCATOR - Camshaft thrust -----	0,533
LEAD - Tachometer -----	2,520	LOCK - Clutch gear bearing -----	4,356
LEAD IN - Antenna -----	9,662	LOCK - Deck lid -----	12,242
LEAF - Rear spring -----	7,505	LOCK - Differential bearing adjuster nut -----	5,539
LENS - Courtesy light warning -----	11,950	LOCK - End gate -----	12,242
LENS - Dome lamp -----	11,928	LOCK - Front door -----	10,470
LENS - Instrument warning -----	2,515	LOCK - Hood -----	8,079
LENS - Parking & turn signal lamp -----	2,589	LOCK - Ignition -----	2,188
LENS - Quarter corner lamp -----	11,940	LOCK - Instrument panel door -----	10,266
LENS - Rear side lamp -----	2,682	LOCK - Manifold bolt -----	3,275
LENS - Tail & stop lamp -----	2,682	LOCK - Rear door -----	10,473
LENS - Transmission control indicator -----	4,038	LUGGAGE RACK PACKAGE -----	9,661
LEVER - Air conditioner mode control -----	9,278	MAGNET - Chip collector -----	4,103
LEVER - Brake adjuster -----	5,103	MAIN SHAFT - Transmission -----	4,403
LEVER - Carburettor actuating torsion -----	3,732	MANIFOLD - Exhaust -----	3,601
LEVER - Carburettor choke -----	3,791	MANIFOLD - Inlet -----	3,265
LEVER - Carburettor fast idle -----	3,792	MANUAL - Owner -----	8,823
LEVER - Carburettor fast idle cam -----	3,735	MANUAL - Workshop -----	8,823
LEVER - Carburettor pump -----	3,780	MAT - Cargo compartment -----	9,656
LEVER - Carburettor thermostat -----	3,797	MAT - Front floor -----	15,286
LEVER - Carburettor throttle -----	3,731	MAT - Luggage compartment floor -----	15,294
LEVER - Clutch pedal rod -----	0,830	MAT - Rear floor -----	15,306
LEVER - Clutch -----	0,795	MEMBER - Frame front -----	7,012
LEVER - Clutch push rod -----	0,852	MEMBER - Frame side -----	12,980
LEVER - Clutch relay -----	0,852	MEMBER - Frame rear -----	7,014
LEVER - Door inside locking -----	10,556	MEMBER - Frame intermediate -----	7,013
LEVER - Gearshift -----	4,006	MEMBER - Hoist support -----	7,013
LEVER - Gearshift 1st & rev. shift -----	4,020	MEMBER - Underbody cross -----	12,982
LEVER - Gearshift 2nd & 3rd shift -----	4,019	MEMBER - Underbody side -----	12,982
LEVER - Hand brake actuating -----	5,149	MIRROR - Rear vision -----	10,185
LEVER - Heater control -----	9,779	MIRROR - Sun visor vanity -----	10,220
LEVER - Mode control -----	9,779	MODULATOR - Trans. vacuum -----	4,265
LEVER - Parking brake -----	4,592	MOTOR - Air conditioner blower -----	9,215
LEVER - Rear door inside locking -----	10,556	MOTOR - End gate window regulator -----	12,280
LEVER - Reverse shifter -----	4,316	MOTOR - Front door window -----	10,784
LEVER - Starter motor shift -----	2,108	MOTOR - Heater -----	9,779
LEVER - Steering connecting rod idler -----	6,895	MOTOR - Rear door window -----	10,792
LEVER - Transmission control -----	4,006	MOTOR - Rear quarter window -----	11,043
LEVER - Transmission control -----	4,030	MOTOR - Starter -----	2,041
LEVER - Transmission control -----	4,040	MOTOR - Windshield wiper -----	10,150
LEVER - Transmission external control -----	4,041	MOULDING - Deck lid -----	12,182
LEVER - Trans. parking lock & range selector -----	4,279	MOULDING - End gate -----	12,182
LEVER - Transmission 1st. & rev. shift -----	4,050	MOULDING - End gate opening garnish -----	12,176
LEVER - Transmission 2nd & 3rd. shift -----	4,046	MOULDING - End gate opening reveal -----	12,174
LEVER - Transmission shifter shaft -----	4,045	MOULDING - Front door exterior -----	12,112
LEVER - Turn signal lamp switch -----	2,897	MOULDING - Front fender -----	8,132
LEVER & PIVOT - Accelerator pedal -----	3,451	MOULDING - Radiator grille -----	1,268
LEVER & RATCHET - Brake -----	4,591	MOULDING - Rear door exterior -----	12,114
LID - Deck -----	12,181	MOULDING - Rear end panel -----	12,121
LID - Seat separator -----	12,801	MOULDING - Rear quarter -----	12,116
LID - Transmission control housing -----	15,292	MOULDING - Rear window reveal -----	11,208
LIFTER - Hydraulic valve -----	0,459	MOULDING - Rocker panel -----	8,304
LIGHTER - Cigarette -----	9,709	MOULDING - Roof side -----	12,075
LINER - Rear spring -----	7,504	MOULDING - Tail lamp reveal -----	12,116
LINING - Brake -----	5,018	MOULDING - Windshield reveal -----	10,093
LINK - Air conditioner vacuum actuator -----	9,280	MOULDING PACKAGE - Body side -----	8,132
LINK - Brake adjuster -----	5,105	MOUNT - Body -----	7,020
LINK - Brake wheel cylinder -----	4,675	MOUNTING - Engine -----	0,027
LINK - Door hinge -----	10,466	MOUNTING - Rear axle bumper -----	7,536

"HJ" PARTS CATALOGUE

MOUNTING - Transmission control lever ----	4. 010	OUTLET - Heater -----	9. 779
MOUNTING - Transmission support -----	4. 081	OUTLET - Inlet manifold water -----	3. 260
MUFFLER -----	3. 701	ORNAMENT & BASE -----	1. 265
NAME PLATE - Deck lid -----	12. 182	OVERHAUL KIT - Transmission -----	4. 003
NAME PLATE - End gate -----	12. 182	PACKING - Exhaust pipe -----	3. 611
NAME PLATE - Radiator grille -----	1. 265	PACKING - Oil pan seal -----	1. 429
NIPPLE - Brake vacuum servo -----	4. 931	PAD - Brake pedal -----	4. 625
NIPPLE - Coil insulating -----	2. 258	PAD - Centre pillar trim -----	14. 731
NIPPLE - Distributor cap insulating -----	2. 258	PAD - Clutch pedal -----	0. 830
NIPPLE - Lubrication -----	8. 984	PAD - Front seat back -----	14. 802
NOZZLE - Carburettor pump -----	3. 758	PAD - Front seat cushion -----	14. 890
NOZZLE - Timing gear oil -----	0. 748	PAD - Front seat head restraint -----	14. 925
NOZZLE - Windshield washer -----	8. 798	PAD - Headlining trim -----	14. 641
NUT - Air conditioner -----	9. 169	PAD - Instrument panel -----	14. 655
NUT - Air conditioner compressor brace ----	9. 171	PAD - Rear quarter panel -----	14. 641
NUT - Air conditioner condenser -----	9. 190	PAD - Rear seat arm rest -----	15. 002
NUT - Air conditioner impeller -----	9. 215	PAD - Rear seat back -----	15. 002
NUT - Brake adjusting -----	5. 111	PAD - Rear seat cushion -----	15. 036
NUT - Carburettor choke tube holder -----	3. 795	PAD - Rear vision exterior mirror door mtd. --	10. 187
NUT - Carburettor fast idle lever attaching --	3. 792	PAD - Steering hydraulic rack adjusting -----	6. 585
NUT - Carburettor fuel filter -----	3. 787	PAD - Wiper motor -----	10. 150
NUT - Carburettor idle vent valve -----	3. 764	PAD SET - Brake -----	5. 018
NUT - Carburettor pump lever -----	3. 781	PAN - Engine oil -----	1. 426
NUT - Clutch push rod -----	0. 839	PAN - Engine splash -----	8. 112
NUT - Connecting rod bolt -----	0. 626	PAN - Front & centre floor -----	12. 972
NUT - Differential bearing adjusting -----	5. 537	PAN - Rear floor -----	12. 981
NUT - Differential pinion flange -----	5. 545	PAN - Transmission oil -----	4. 195
NUT - Door outside handle rod -----	10. 529	PANEL - Air conditioner duct closing -----	9. 262
NUT - Generator rotor -----	2. 280	PANEL - Back -----	12. 966
NUT - Heater impeller -----	9. 779	PANEL - Body side -----	12. 948
NUT - Headlamp adjusting -----	2. 729	PANEL - Bumper bar trim -----	7. 831
NUT - Headlamp rim -----	2. 728	PANEL - Centre pillar -----	12. 491
NUT - Hexagon -----	8. 915	PANEL - Cowl side trim -----	14. 630
NUT - Hexagon jam -----	8. 916	PANEL - Cowl top -----	12. 805
NUT - Hexagon self locking -----	8. 918	PANEL - Dash -----	12. 804
NUT - Hexagon slotted -----	8. 917	PANEL - End gate -----	12. 179
NUT - Manifold -----	3. 275	PANEL - End gate body pillar -----	12. 951
NUT - Pitman arm shaft -----	6. 861	PANEL - End gate trim -----	15. 311
NUT - Radiator grille mould retainer -----	1. 268	PANEL - Front body pillar garnish -----	10. 051
NUT - Rear quarter window guide -----	11. 040	PANEL - Front door -----	12. 895
NUT - Rear quarter window sash -----	11. 007	PANEL - Front seat head restraint -----	11. 376
NUT - Shock absorber mounting -----	7. 370	PANEL - Fuse -----	2. 481
NUT - Spare wheel -----	7. 633	PANEL - Heat distribution duct closing -----	9. 779
NUT - Square -----	8. 923	PANEL - Hood -----	8. 000
NUT - Stamped -----	8. 921	PANEL - Instrument -----	10. 230
NUT - Starter shift lever screw -----	2. 108	PANEL - Instrument facia closing -----	2. 515
NUT - Steering gear hydraulic pump pulley --	6. 655	PANEL - Package tray trim -----	15. 024
NUT - Steering gear worm adjuster -----	6. 830	PANEL - Quarter -----	12. 940
NUT - Steering hydraulic rack adjuster screw-	6. 585	PANEL - Quarter inner -----	12. 941
NUT - Steering tie rod -----	6. 234	PANEL - Radiator front end -----	1. 266
NUT - Stop light switch -----	2. 447	PANEL - Radiator support -----	1. 270
NUT - Wheel hub bolt -----	5. 813	PANEL - Rear body lock pillar -----	12. 942
NUT - Wing -----	8. 920	PANEL - Rear compartment front -----	12. 971
NUT - Wiper motor -----	10. 150	PANEL - Rear door -----	12. 913
"O" RING - Air conditioner -----	9. 220	PANEL - Rear end -----	12. 966
"O" RING - Gearshift lever boot -----	4. 015	PANEL - Rear quarter inner -----	12. 941
"O" RING - Steering shaft -----	6. 524	PANEL - Rear quarter outer -----	12. 940
"O" RING - Transmission oil filler tube ----	4. 133	PANEL - Rocker -----	12. 934
"O" RING - Transmission oil pump -----	4. 226	PANEL - Roof -----	12. 810
"O" RING - Trans. solenoid & connector ----	4. 265	PANEL - Seat back & package tray -----	12. 958
OIL - Radiator -----	8. 800	PANEL - Taxi equipment mounting -----	10. 230
OUTLET - Air conditioner vent -----	9. 262	PANEL - Upper end gate -----	12. 178
OUTLET - Cylinder head water -----	1. 153	PANEL - Wheelhouse -----	12. 944

PASTE - Gasket & thermo switch -----	8.800
PAWL - Door locking barrel -----	10.550
PAWL - End gate lock cylinder -----	12.248
PAWL - Hand brake ratchet -----	4.595
PAWL - Transmission parking brake -----	4.294
PEDAL - Accelerator -----	3.451
PEDAL - Brake -----	4.625
PEDAL - Clutch -----	0.830
PILLAR - Body side -----	12.950
PILLAR - Door lock striker -----	12.491
PILLAR - End gate body -----	12.951
PILLAR - Front body -----	12.805
PIN - Accelerator pedal -----	3.451
PIN - Air conditioner hinge -----	9.262
PIN - Brake anchor -----	5.055
PIN - Brake main cylinder rod clevis -----	4.662
PIN - Brake shoe hold down -----	5.041
PIN - Carburettor fast idle cam -----	3.736
PIN - Carburettor fast idle rod -----	3.793
PIN - Carburettor float fulcrum -----	3.775
PIN - Carburettor pump -----	3.783
PIN - Carburettor pump piston -----	3.778
PIN - Clevis -----	8.942
PIN - Clutch housing locating -----	0.683
PIN - Clutch pedal lever -----	0.830
PIN - Converter housing locating -----	0.683
PIN - Cotter -----	8.938
PIN - Deck lid hinge -----	12.186
PIN - Differential pinion shaft -----	5.518
PIN - Distributor gear -----	2.379
PIN - Door hinge -----	10.466
PIN - Dowel -----	8.939
PIN - End gate handle -----	12.247
PIN - End gate hinge -----	12.186
PIN - End gate regulator -----	12.272
PIN - Front window regulator -----	10.783
PIN - Fuel pump rocker arm -----	3.921
PIN - Fuel tank filler door -----	12.966
PIN - Groove -----	8.940
PIN - Heater & mode lever -----	9.779
PIN - Hood safety catch -----	8.036
PIN - Oil pump gear -----	1.643
PIN - Piston -----	0.636
PIN - Rear quarter window roller -----	11.007
PIN - Rear window regulator -----	10.791
PIN - Rear quarter window regulator -----	11.042
PIN - Shock absorber mounting -----	7.370
PIN - Spring -----	8.941
PIN - Starter shift lever -----	2.108
PIN - Steering gear hydraulic pump -----	6.608
PIN - Steering shaft coupling -----	6.524
PIN - Taper -----	8.940
PIN - Transmission accumulator piston -----	4.233
PIN - Transmission brake band anchor -----	4.251
PIN - Transmission detent cam -----	4.311
PIN - Transmission detent roller -----	4.279
PIN - Transmission dowel -----	4.003
PIN - Transmission parking brake nut -----	4.275
PIN - Transmission rear servo -----	4.241
PIN - Transmission servo piston -----	4.228
PIN - Wiper motor -----	10.150
PIN KIT - Brake caliper -----	5.020
PINION - Differential -----	5.526

PINION PACKAGE - Front door window -----	10.784
PINION PACKAGE - Rear door window -----	10.792
PINION PACKAGE - Rear quarter window -----	11.043
PINION SET - Planet carrier -----	4.177
PIPE - Brake -----	4.685
PIPE - Carburettor fuel -----	3.201
PIPE - Choke heat -----	3.720
PIPE - Crankcase vent -----	1.762
PIPE - Exhaust -----	3.609
PIPE - Fuel -----	3.158
PIPE - Fuel tank filler -----	3.003
PIPE - Fuel tank vent -----	3.003
PIPE - Muffler tail -----	3.705
PIPE - Oil cooler -----	4.128
PIPE - Radiator overflow -----	1.219
PIPE - Spark control -----	2.424
PIPE - Transmission governor oil -----	4.248
PIPE - Transmission oil cooler -----	4.128
PIPE - Transmission vacuum modulator -----	4.205
PIPE - Vapour return -----	3.159
PISTON -----	0.629
PISTON - Brake main cylinder -----	4.653
PISTON - Brake wheel cylinder -----	4.668
PISTON - Carburettor pump -----	3.778
PISTON - Carburettor vacuum power -----	3.788
PISTON - Transmission accumulator -----	4.228
PISTON - Transmission clutch -----	4.166
PISTON - Transmission rear servo -----	4.241
PISTON - Transmission servo -----	4.228
PIVOT - Valve rocker arm -----	0.429
PLATE - Air conditioner compressor clutch --	9.188
PLATE - Air conditioner evaporator -----	9.169
PLATE - Air conditioner name -----	9.169
PLATE - Air conditioner nut -----	9.169
PLATE - Air conditioner temperature door --	9.262
PLATE - Battery retainer lock -----	2.333
PLATE - Brake anchor pin lock -----	5.056
PLATE - Brake backing -----	5.001
PLATE - Brake adjuster lever pivot -----	5.103
PLATE - Brake shoe guide -----	5.045
PLATE - Cab mounting -----	7.016
PLATE - Clutch -----	0.886
PLATE - Clutch fork -----	0.797
PLATE - Clutch strut insulator -----	0.852
PLATE - Deck lid & end gate moulding anchor	12.182
PLATE - Deck lid lock anchor -----	12.242
PLATE - Door lock striker -----	10.571
PLATE - Door paint protection -----	9.658
PLATE - Differential pinion flange screw ---	5.546
PLATE - Distributor breaker -----	2.385
PLATE - End gate lock -----	12.242
PLATE - End gate lock striker -----	12.237
PLATE - End gate regulation section -----	12.272
PLATE - Floor pan cover -----	12.972
PLATE - Front door exterior moulding -----	12.112
PLATE - Front door glass guide -----	10.716
PLATE - Front door lower hinge anchor -----	10.454
PLATE - Front door sash -----	10.685
PLATE - Front door scuff -----	11.175
PLATE - Front door upper hinge anchor -----	10.450
PLATE - Front fender name -----	8.132
PLATE - Generator drive end -----	2.305
PLATE - Generator slip ring end -----	2.297

PLATE - Instrument facia name -----	2.515	PLUNGER - Rear seat back lock -----	11.634
PLATE - Inside door handle -----	10.515	PLUNGER - Transmission modulator -----	4.265
PLATE - Manifold bolt lock -----	3.275	POCKET - Front seat back rear -----	14.803
PLATE - Quarter panel -----	12.940	POINTER - Transmission control indicator ---	4.038
PLATE - Rear door lower hinge anchor -----	10.460	PRESSURE PLATE - Brake vacuum servo booster	4.906
PLATE - Radiator grille name -----	1.265	PROPELLER SHAFT -----	5.441
PLATE - Rear door regulator handle -----	10.797	PROTECTIVE SCREEN PACKAGE -----	9.666
PLATE - Rear door exterior moulding -----	12.114	PROTECTOR - Brake main cylinder piston ---	4.654
PLATE - Rear door upper hinge anchor -----	10.456	PROTECTOR - Fuel filler pipe -----	3.003
PLATE - Rear door scuff -----	11.179	PROTECTOR - Windshield stone -----	9.660
PLATE - Rear quarter window handle -----	11.044	PULLEY - Crankshaft -----	0.659
PLATE - Reverse gear anti lash -----	4.419	PULLEY - Generator -----	2.274
PLATE - Rear seat back lock -----	11.634	PULLEY - Hand brake cable -----	4.700
PLATE - Rear spring & shock absorber mtg. --	7.518	PULLEY - Steering gear hydraulic pump -----	6.655
PLATE - Transmission control cover -----	4.038	PULLEY - Water pump -----	1.062
PLATE - Shock absorber mounting -----	7.370	PULLEY & BEARING - Air conditioner comp. -	9.180
PLATE - Starter brush holder -----	2.052	PUMP - Engine oil -----	1.652
PLATE - Steering gear hydraulic pump -----	6.612	PUMP - Fuel -----	3.900
PLATE - Support mounting -----	10.187	PUMP - Steering gear hydraulic -----	6.605
PLATE - Transmission clutch -----	4.163	PUMP - Transmission oil -----	4.226
PLATE - Transmission control indicator lamp-	4.038	PUMP - Water -----	1.069
PLATE - Transmission oil pump wear -----	4.226	PUMP - Windshield washer -----	8.793
PLATE - Transmission pinion shaft lock -----	4.177	PUSH ROD - Brake vacuum servo booster ---	4.907
PLATE - Transmission valve transfer -----	4.265	QUADRAPHONIC CARTRIDGE PLAYER PKG. --	9.662
PLATE - Windshield wiper mounting support -	10.152	RACE - Transmission clutch sprag -----	4.158
PLATE & CAM - Rear quarter window -----	11.007	RACE - Transmission rear internal gear -----	4.187
PLUG - Axle housing -----	5.400	RACE - Worm thrust bearing -----	6.527
PLUG - Brake main cylinder -----	4.652	RACE & RETAINER - Transmission clutch spr.-	4.158
PLUG - Camshaft rear bearing -----	0.553	RACK - Ignition switch -----	2.195
PLUG - Carburettor body -----	3.767	RACK - Steering hydraulic piston -----	6.586
PLUG - Carburettor metering jet -----	3.755	RADIATOR -----	1.219
PLUG - Carburettor pump check valve -----	3.784	RADIATOR - Heater -----	9.779
PLUG - Cigarette lighter aperture -----	9.743	RADIATOR SERVICE SET -----	1.219
PLUG - Cylinder block -----	0.033	RADIO - Air chief -----	9.662
PLUG - Cylinder head -----	0.269	RAIL - Body side -----	12.420
PLUG - Dash panel seal -----	12.803	RAIL - Roof -----	12.956
PLUG - Door weatherstrip -----	10.695	REAR AXLE -----	5.386
PLUG - Expansion -----	8.970	REAR COMP. LID LOCK RELEASE PACKAGE -	12.243
PLUG - Fuel pump rocker arm pin -----	3.921	RECEIVER & DEHYDRATOR - Air conditioner -	9.195
PLUG - Oil pan drain -----	1.453	REFLECTOR - Courtesy light warning -----	11.950
PLUG - Oil pressure cover hole -----	1.928	REFLECTOR - Quarter corner lamp -----	11.940
PLUG - Oil pressure regulator spring -----	1.611	REGULATOR - End gate window -----	12.272
PLUG - Oil pump cover -----	1.723	REGULATOR - Front door window -----	10.783
PLUG - Pipe -----	8.971	REGULATOR - Rear door window -----	10.791
PLUG - Rear seat belt plate sealing -----	12.972	REGULATOR - Rear quarter window -----	11.041
PLUG - Spark -----	2.270	REGULATOR - Voltage & current -----	2.500
PLUG - Steering gear housing cover -----	6.807	REINFORCEMENT - Body mounting -----	7.020
PLUG - Transmission case -----	4.103	REINFORCEMENT - Fuel tank strap -----	3.001
PLUG - Transmission drain -----	4.103	REINFORCEMENT - Quarter panel -----	12.940
PLUG - Transmission valve body -----	4.265	REINFORCEMENT - Rear comp. front panel --	12.971
PLUG - Thrust front door window -----	10.784	REINFORCEMENT - Rear window -----	12.958
PLUG - Thrust rear door window -----	10.792	REINFORCEMENT - Tail pipe insulator -----	3.710
PLUG - Water jacket cylinder -----	0.033	REINFORCEMENT - Transmission support ---	4.081
PLUG - Water jacket cylinder head -----	0.269	REINFORCEMENT - Trans. valve transfer plate	4.265
PLUG KIT - Water jacket core -----	0.033	REINFORCEMENT - Valve rocker cover -----	0.413
PLUNGER - Cigarette lighter -----	9.709	RELAY - Air conditioner -----	9.275
PLUNGER - Courtesy light switch -----	11.950	RELAY - End gate window -----	12.277
PLUNGER - End gate -----	12.241	RELAY - Horn -----	2.815
PLUNGER - Gearshift lever -----	4.006	RELAY - Power window -----	10.777
PLUNGER - Hand brake warning lamp switch -	4.610	REPAIR KIT - Brake main cylinder -----	4.649
PLUNGER - Hood catch -----	8.085	REPAIR KIT - Brake wheel cylinder -----	4.665
PLUNGER - Instrument panel comp. lamp sw.-	10.270	REPAIR KIT - Carburettor -----	3.725
PLUNGER - Rear compartment lamp switch --	11.960	REPAIR KIT - End gate window regulator ----	12.272

REPAIR KIT - Fuel pump -----	3.901	RETAINER - Transmission control housing lid --	15.292
REPAIR KIT - Transmission -----	4.003	RETAINER - Trans. oil pump priming valve --	4.226
REPAIR KIT - Universal joint -----	5.548	RETAINER - Trans. control indicator housing -	4.038
REPAIR KIT - Water pump -----	1.071	RETAINER - Transmission driven gear sleeve --	4.338
RESERVOIR - Stg. gear hydraulic pump -----	6.635	RETAINER - Transmission inter. clutch piston -	4.167
RESERVOIR - Windshield washer -----	8.798	RETAINER - Transmission servo spring -----	4.233
RESISTOR - Air conditioner switch -----	9.275	RETAINER - Transmission rear bearing -----	4.317
RETAINER - Air conditioner side outlet wire -	9.169	RETAINER - Trans. rear servo piston spring ---	4.247
RETAINER - Air pre heat diaphragm -----	3.415	RETAINER - Trans. shifter pin to adjuster ----	4.035
RETAINER - Battery -----	2.333	RETAINER - Upper control arm bushing -----	6.164
RETAINER - Brake main cylinder piston -----	4.655	RETAINER - Windshield wiper motor insulator -	10.152
RETAINER - Body mounting insulator -----	7.020	RETAINER - Window glass upper front -----	11.015
RETAINER - Carburettor choke kick rod -----	3.799	RIM - Headlamp -----	2.728
RETAINER - Carburettor fast idle rod -----	3.793	RIM - Tail stop & turn signal lamp -----	2.681
RETAINER - Clutch gear bearing -----	4.356	RING - Air conditioner compressor coil -----	9.175
RETAINER - Clutch relay lever pin -----	0.852	RING - Air conditioning compressor bearing --	9.181
RETAINER - Deck lid lock -----	12.248	RING - Brake main cylinder lock -----	4.656
RETAINER - Deck lid moulding -----	12.182	RING - Camshaft gear spacing -----	0.738
RETAINER - Distributor breaker plate ball ---	2.385	RING - Clutch gear bearing -----	4.376
RETAINER - Distributor clamp -----	2.414	RING - Distributor cam -----	2.381
RETAINER - Distributor wick -----	2.364	RING - End gate handle -----	12.247
RETAINER - Door locking barrel -----	10.553	RING - Fuel gauge tank unit -----	3.107
RETAINER - End gate glass channel -----	11.207	RING - Generator rotor slip -----	2.279
RETAINER - End gate lock cylinder -----	12.248	RING - Headlamp mounting -----	2.726
RETAINER - End gate moulding -----	12.182	RING - Headlamp retaining -----	2.731
RETAINER - End gate striker plate -----	12.237	RING - Hog -----	11.611
RETAINER - End gate weatherstrip -----	12.270	RING - Hog -----	11.629
RETAINER - Front door glass run channel ----	10.701	RING - Main shaft lock -----	4.412
RETAINER - Front door trim -----	14.685	RING - Rear axle bearing retainer -----	5.816
RETAINER - Front seat cushion cover -----	14.860	RING - Sealing, front door -----	10.784
RETAINER - Front stabiliser bushing -----	7.243	RING - Sealing, rear door -----	10.792
RETAINER - Gearshift 1st & rev. shift -----	4.020	RING - Starter motor shift retaining -----	2.108
RETAINER - Gearshift 2nd & 3rd shift -----	4.019	RING - Starter pinion stop retaining -----	2.096
RETAINER - Gearshift lever boot -----	4.015	RING - Steering gear hydraulic pump -----	6.609
RETAINER - Headlining -----	14.651	RING - Steering gear hydraulic pump -----	6.611
RETAINER - Hood catch spring -----	8.085	RING - Steering gear hydraulic pump drive ---	6.614
RETAINER - Hood ledge lacing -----	9.127	RING - Steering pitman shaft seal -----	6.855
RETAINER - Hood lock control rod -----	8.077	RING - Steering shaft bearing -----	6.521
RETAINER - Hood silencer -----	8.009	RING - Steering shaft seal retainer -----	6.524
RETAINER - Inlet manifold gasket -----	3.270	RING - Transmission accumulator piston -----	4.128
RETAINER - Plenum chamber control cable --	9.787	RING - Transmission accumulator piston -----	4.229
RETAINER - Radiator grille moulding -----	1.268	RING - Transmission centre support -----	4.162
RETAINER - Radiator grille ornament spring --	1.265	RING - Transmission clutch housing snap -----	4.167
RETAINER - Rear axle bearing -----	5.816	RING - Transmission clutch hub snap -----	4.164
RETAINER - Rear end moulding -----	12.121	RING - Transmission clutch retainer -----	4.128
RETAINER - Rear quarter moulding -----	12.116	RING - Transmission clutch spring snap -----	4.128
RETAINER - Rear quarter trim -----	15.101	RING - Transmission detent cam -----	4.311
RETAINER - R/quarter window weather strip -	11.015	RING - Transmission front internal gear -----	4.176
RETAINER - Rear seat back lock plunger ----	11.634	RING - Transmission governor to output shaft --	4.128
RETAINER - Rear window reveal moulding --	11.208	RING - Transmission mainshaft snap -----	4.172
RETAINER - Rocker panel moulding -----	8.304	RING - Transmission oil pump seal -----	4.226
RETAINER - Roof moulding cover -----	12.810	RING - Transmission output shaft snap -----	4.176
RETAINER - Shock absorber tube -----	7.347	RING - Transmission parking brake lock act. --	4.294
RETAINER - Spare wheel compartment cover -	12.238	RING - Transmission rear accumulator piston --	4.242
RETAINER - Spark plug wire -----	2.251	RING - Transmission rear strut piston snap ----	4.241
RETAINER - Speedometer cable -----	4.342	RING - Transmission reverse clutch -----	4.128
RETAINER - Speedo driven gear guide -----	4.337	RING - Transmission ring gear retainer -----	4.128
RETAINER - Steering shaft bearing -----	6.521	RING - Transmission servo piston retainer ----	4.128
RETAINER - Steering shaft "O" ring seal ----	6.524	RING - Transmission servo piston -----	4.229
RETAINER - Throttle control cable -----	3.430	RING - Transmission synchroniser -----	4.383
RETAINER - Transmission clutch spring -----	4.164	RING - Transmission synchroniser snap -----	4.382
RETAINER - Transmission control rod -----	4.040	RING - Wheel trim -----	5.871
RETAINER - Trans. governor sec. valve spring	4.256	RING - Wiper motor pin -----	10.150

"HJ" PARTS CATALOGUE

RING GEAR & PINION -----	5.529	SCREEN - Transmission governor oil -----	4.248
RING SET - Piston -----	0.643	SCREEN - Transmission governor valve -----	4.256
RIVET -----	8.967	SCREEN - Transmission oil -----	4.224
RIVET - Brake lining -----	5.019	SCREW - Brake main cylinder piston -----	4.656
RIVET - Front door glass guide -----	10.702	SCREW - Brake main cylinder stop -----	4.653
ROD - Air cleaner -----	3.403	SCREW - Brake shoe adjusting -----	5.110
ROD - Brake main cylinder push -----	4.658	SCREW - Carburettor air horn -----	3.763
ROD - Carburettor choke -----	3.798	SCREW - Carburettor choke tube holder -----	3.795
ROD - Carburettor choke kick -----	3.799	SCREW - Carburettor choke valve -----	3.789
ROD - Carburettor fast idle -----	3.793	SCREW - Carburettor choke wire clamp -----	3.791
ROD - Carburettor pump -----	3.782	SCREW - Carburettor fast idle -----	3.737
ROD - Carburettor pump -----	3.783	SCREW - Carburettor fast idle cam -----	3.735
ROD - Carburettor volume restrictor -----	3.753	SCREW - Carburettor main body -----	3.748
ROD - Clutch fork -----	0.839	SCREW - Carburettor pump lever attaching --	3.781
ROD - Clutch pedal push -----	0.918	SCREW - Carburettor pump nozzle -----	3.759
ROD - Clutch pull -----	0.787	SCREW - Carburettor slow idle adjusting ----	3.734
ROD - Connecting -----	0.603	SCREW - Carburettor thermostat cover -----	3.796
ROD - Deck lid hinge torque -----	12.187	SCREW - Carburettor throttle valve -----	3.729
ROD - Door control connecting -----	10.556	SCREW - Distributor breaker plate -----	2.385
ROD - Door inside locking -----	10.563	SCREW - Distributor condenser -----	2.393
ROD - Door lock cylinder connecting -----	10.507	SCREW - Distributor contact -----	2.387
ROD - Door outside handle -----	10.529	SCREW - Distributor vacuum control -----	2.410
ROD - Door remote control -----	10.506	SCREW - End gate window motor -----	12.280
ROD - End gate control -----	12.241	SCREW - Front fender attaching -----	8.143
ROD - End gate torque -----	12.187	SCREW - Gearshift control rod -----	4.019
ROD - Gearshift 1st & rev. shift -----	4.020	SCREW - Gearshift 1st & rev. shift -----	4.020
ROD - Gearshift 2nd & 3rd shift -----	4.019	SCREW - Gearshift 2nd & 3rd shift -----	4.019
ROD - Head restraint adjuster -----	11.376	SCREW - Headlamp beam adjusting -----	2.737
ROD - Heater mode door -----	9.779	SCREW - Headlamp retaining ring -----	2.731
ROD - Heater temperature door -----	9.779	SCREW - Headlamp rim -----	2.728
ROD - Hood catch control -----	8.075	SCREW - Hood lock bracket -----	8.085
ROD - Lighting switch -----	2.486	SCREW - Horn actuating bar adaptor -----	2.824
ROD - Parking brake release -----	4.594	SCREW - Horn bar -----	2.830
ROD - Steering connecting -----	6.870	SCREW - Horn contact adjusting -----	2.819
ROD - Steering tie -----	6.232	SCREW - Oil pan -----	1.426
ROD - Transmission control -----	4.040	SCREW - Quarter panel weatherstrip -----	11.015
ROD - Transmission servo piston -----	4.230	SCREW - Rear door moulding retaining -----	12.114
ROD - Transmission shifter -----	4.035	SCREW - Rocker panel moulding -----	8.304
ROD - Valve push -----	0.426	SCREW - Set -----	8.975
ROD - Volume restrictor -----	3.753	SCREW - Sheet metal -----	8.977
ROLLER - Air conditioner temperature door --	9.262	SCREW - Solenoid switch attaching -----	2.100
ROLLER - Door hinge -----	10.466	SCREW - Starter brush holder -----	2.052
ROLLER - End gate regulator -----	12.272	SCREW - Starter shift lever -----	2.108
ROLLER - Front window regulator -----	10.783	SCREW - Starter solenoid switch cover -----	2.102
ROLLER - Rear quarter window guide -----	11.007	SCREW - Steering gear ball guide -----	6.834
ROLLER - Rear quarter window regulator -----	11.042	SCREW - Steering gear housing cover -----	6.807
ROLLER - Rear window regulator -----	10.791	SCREW - Steering gear lash adjuster -----	6.822
ROLLER - Transmission detent -----	4.279	SCREW - Steering hydraulic rack adjusting --	6.585
ROLLER - Transmission intermediate clutch --	4.167	SCREW - Tail lamp reveal moulding -----	12.116
ROLLER - Transmission low clutch -----	4.180	SCREW - Transmission governor -----	4.256
ROLLER & SPRING - Transmission detent ----	4.279	SCREW - Transmission oil pan drain -----	4.195
ROLLER & SPRING - Transmission parking brk.	4.294	SCREW - Transmission oil pump -----	4.226
ROOF -----	12.810	SCREW - Transmission planet shaft -----	4.177
ROPE RAIL -----	9.664	SCREW - Transmission shifter shaft lever ----	4.045
ROTOR - Distributor -----	2.382	SCREW - Wiper motor -----	10.150
ROTOR - Generator -----	2.279	SCREW & WASHER - Fuel pump cover -----	3.910
ROTOR - Steering gear hydraulic pump -----	6.610	SEAL - Air conditioner air inlet -----	9.211
ROTOR - Water pump -----	1.109	SEAL - Air conditioner evaporator -----	9.169
ROTOR KIT - Steering gear hydraulic pump -	6.610	SEAL - Air conditioner plenum chamber cover	9.263
SCREEN - Carburettor pump strainer -----	3.787	SEAL - Air conditioner resistor -----	9.275
SCREEN - Fuel pump -----	3.929	SEAL - Brake main cylinder piston -----	4.654
SCREEN - Insect -----	9.665	SEAL - Clutch pull rod -----	0.787
SCREEN - Oil pump -----	1.656	SEAL - Clutch push rod -----	0.924

SEAL - Converter housing -----	0.683	SEAL KIT - Transmission -----	4.005
SEAL - Crankcase front end cover oil -----	0.209	SEALED BEAM UNIT - Headlamp -----	2.727
SEAL - Crankshaft rear bearing oil -----	0.137	SEALING COMPOUND -----	8.800
SEAL - Dash panel -----	12.803	SEAT - Child safety -----	9.667
SEAL - Duct closing panel -----	9.779	SEAT - Front -----	14.796
SEAL - End gate trim -----	15.313	SEAT - Pitman gear control spring -----	6.852
SEAL - Front door dust -----	10.470	SEAT - Radiator grille ornament spring -----	1.265
SEAL - Front door switch dust -----	10.777	SEAT - Steering gear hose -----	6.803
SEAL - Front door trim -----	14.694	SEAT - Trans. clutch piston return spring -----	4.165
SEAL - Front wheel bearing -----	6.326	SEAT - Transmission oil pump valve spring ---	4.226
SEAL - Fuel pump -----	3.902	SEAT - Transmission reverse clutch spring ---	4.189
SEAL - Fuel tank gauge unit -----	3.112	SEAT - Transmission valve body spring -----	4.265
SEAL - Gearshift lever boot retainer -----	4.015	SEAT - Water pump seal -----	1.123
SEAL - Heater core shroud -----	9.779	SECTOR - Ignition switch -----	2.195
SEAL - Heater hose connection -----	1.069	SENDER UNIT - Engine gauges -----	0.277
SEAL - Inlet manifold -----	3.270	SENDER UNIT - Oil pressure -----	1.803
SEAL - Oil indicator tube -----	1.516	SEPARATOR - Front seat -----	12.801
SEAL - Oil pan end -----	1.429	SEPARATOR - Vapour return -----	3.159
SEAL - Pitman arm ball joint -----	6.886	SERVICE SET - Radiator -----	1.219
SEAL - Plenum chamber outlet -----	12.803	SHACKLE SET - Rear spring -----	7.523
SEAL - Rear axle oil -----	5.822	SHADE - Venetian -----	9.668
SEAL - Rear axle pinion oil -----	5.469	SHAFT - Carburettor choke -----	3.791
SEAL - Rear body pillar pressure valve -----	12.942	SHAFT - Carburettor throttle -----	3.731
SEAL - Rear door dust -----	10.473	SHAFT - Counter gear -----	4.428
SEAL - Rear door inner panel -----	14.768	SHAFT - Differential pinion -----	5.517
SEAL - Rear quarter window -----	11.015	SHAFT - Distributor -----	2.372
SEAL - Rubber -----	8.955	SHAFT - Front stabiliser -----	7.241
SEAL - Solenoid -----	2.101	SHAFT - Gearshift control lever -----	4.030
SEAL - Speedometer cable -----	4.342	SHAFT - Gearshift cross -----	4.019
SEAL - Speedometer driven gear -----	4.338	SHAFT - Ignition switch actuator -----	2.195
SEAL - Steering column -----	6.758	SHAFT - Oil pump driven gear -----	1.658
SEAL - Steering connecting rod -----	6.870	SHAFT - Propeller -----	5.441
SEAL - Steering connecting rod idler lever ---	6.898	SHAFT - Rear axle -----	5.420
SEAL - Steering gear housing cover -----	6.809	SHAFT - Reverse idler gear -----	4.433
SEAL - Steering gear hydraulic pump -----	6.612	SHAFT - Steering -----	6.524
SEAL - Steering gear hydraulic pump outlet --	6.674	SHAFT - Steering gear hydraulic pump drive -	6.614
SEAL - Steering gear hyd. pump drive shaft --	6.617	SHAFT - Transmission control cross -----	4.040
SEAL - Steering gear hydraulic pump reservoir	6.635	SHAFT - Transmission main (automatic) -----	4.172
SEAL - Steering gear worm bearing adjuster --	6.840	SHAFT - Transmission main (manual) -----	4.403
SEAL - Steering hydraulic coupling -----	6.551	SHAFT - Transmission manual range selector -	4.275
SEAL - Steering hydraulic piston rack -----	6.579	SHAFT - Transmission output -----	4.175
SEAL - Steering hydraulic piston rack cover --	6.586	SHAFT - Transmission park lock & selector ---	4.294
SEAL - Steering hydraulic rack adjusting screw	6.585	SHAFT - Transmission parking brake pawl ---	4.294
SEAL - Steering hydraulic valve -----	6.550	SHAFT - Transmission planet pinion -----	4.177
SEAL - Steering pitman shaft -----	6.855	SHAFT - Transmission shifter yoke -----	4.309
SEAL - Steering shaft coupling -----	6.524	SHAFT - Transmission sun gear -----	4.161
SEAL - Steering tie rod socket -----	6.111	SHAFT - Transmission turbine -----	4.123
SEAL - Transmission clutch piston -----	4.166	SHAFT - Upper control arm -----	6.164
SEAL - Transmission detent valve sleeve oil --	4.279	SHAFT & BEARING - Water pump -----	1.108
SEAL - Trans. manual range selector shaft ---	4.275	SHAFT & LEVER - Carburettor choke -----	3.791
SEAL - Transmission oil filler tube -----	4.133	SHELF - Parcel -----	9.672
SEAL - Transmission rear servo piston -----	4.242	SHIELD - Front fender skirt dust -----	8.154
SEAL - Transmission oil pump -----	4.226	SHIELD - Rear shock absorber -----	7.371
SEAL - Trans. park. lock & range sel. shaft --	4.282	SHIELD - Valve stem seal -----	0.308
SEAL - Transmission rear bearing -----	4.317	SHIFTER - Transmission control -----	4.030
SEAL - Transmission shifter shaft -----	4.309	SHIM - Air conditioner compressor bracket ---	9.171
SEAL - Valve push rod cover bolt -----	0.449	SHIM - Body mounting -----	7.020
SEAL - Valve stem oil -----	0.308	SHIM - Control arm shaft -----	6.163
SEAL - Water pump -----	1.123	SHIM - Differential side bearing -----	5.537
SEAL - Windshield wiper motor -----	10.152	SHIM - Differential side gear thrust -----	5.543
SEAL - Windshield wiper pivot -----	10.161	SHIM - Distributor shaft -----	2.372
SEAL KIT - Ball joint -----	6.168	SHIM - Pinion bearing -----	5.460
SEAL KIT - Steering gear hydraulic pump ---	6.609	SHIM - Pinion locating -----	5.460

SHIM - Steering worm adjusting -----	6.526	SPACER - Generator brace -----	2.317
SHOCK ABSORBER -----	7.345	SPACER - Muffler support -----	3.704
SHOE & LINING - Brake -----	5.017	SPACER - Parking & turn signal lamp -----	2.585
SHORT MOTOR -----	0.033	SPACER - Pinion bearings -----	5.453
SHROUD - Heater core -----	9.779	SPACER - Rear seat back -----	15.002
SHROUD - Radiator -----	1.270	SPACER - Rear spring mounting -----	7.530
SILENCER - Door remote control rod -----	10.506	SPACER - Reverse idler gear -----	4.437
SILENCER - End gate control rod -----	12.241	SPACER - Spare wheel -----	7.632
SILENCER - Hood panel -----	8.009	SPACER - Spark plug wire -----	2.251
SILENCER - Plenum chamber -----	15.280	SPACER - Steering gear hydraulic pump -----	6.606
SILL - Tonneau floor side -----	12.986	SPACER - Steering hyd. coupling sleeve brg. --	6.552
SINK - Generator heat -----	2.289	SPACER - Transmission centre support -----	4.162
SKIRT - Front fender -----	8.153	SPACER - Transmission clutch plate -----	4.163
SLEEVE - Air conditioner heater outlet hose --	9.220	SPACER - Transmission planet pinion bearing -	4.177
SLEEVE - Converter pilot -----	0.649	SPACER - Transmission support mounting -----	4.081
SLEEVE - Distributor breaker -----	2.385	SPACER - Turn signal lamp -----	2.679
SLEEVE - Front seat belt protector -----	14.798	SPARK PLUG -----	2.270
SLEEVE - Gearshift cross shaft -----	4.019	SPEAKER - Rear seat -----	9.662
SLEEVE - Gearshift 1st & rev. shift -----	4.020	SPEEDOMETER -----	2.515
SLEEVE - Gearshift 2nd & 3rd shift -----	4.019	SPOILER - Rear compartment lid air -----	12.967
SLEEVE - Mainshaft 1st speed gear -----	4.418	SPRAG - Transmission input -----	4.158
SLEEVE - Rear seat belt protector -----	15.040	SPRING - Accelerator -----	3.459
SLEEVE - Reverse lockout spring -----	4.030	SPRING - Brake adjuster -----	5.107
SLEEVE - Seat belt protector -----	15.040	SPRING - Brake adjuster nut -----	5.026
SLEEVE - Steering shaft -----	6.524	SPRING - Brake cable -----	4.826
SLEEVE - Transmission control trunnion -----	4.040	SPRING - Brake hose -----	4.681
SLEEVE - Transmission detent valve -----	4.279	SPRING - Brake hose yoke -----	4.681
SLEEVE - Transmission modulator pipe -----	4.205	SPRING - Brake main cylinder check -----	4.657
SLEEVE - Trans. oil pump regulator valve ----	4.226	SPRING - Brake main cylinder piston -----	4.655
SLEEVE - Trans. parking brake actuator -----	4.294	SPRING - Brake pedal return -----	4.639
SLEEVE - Transmission shifter shaft -----	4.309	SPRING - Brake shoe hold down pin -----	5.043
SLEEVE - Trans. vacuum modulator valve ----	4.265	SPRING - Brake shoe retractor -----	5.026
SLEEVE - Transmission valve body -----	4.265	SPRING - Brake wheel cylinder cup -----	4.669
SLEEVE & SEAL - Driven gear -----	4.338	SPRING - Brush front door window -----	10.784
SLIDE - Transmission control indicator -----	4.038	SPRING - Brush rear door window -----	10.792
SLINGER - Clutch gear bearing oil -----	4.374	SPRING - Carburettor choke lever -----	3.791
SLIP RING - Generator -----	2.279	SPRING - Carburettor fuel filter -----	3.787
SNAP RING KIT - Transmission -----	4.005	SPRING - Carburettor idle needle valve -----	3.742
SOCKET - Body wiring lamp -----	13.090	SPRING - Carburettor idle vent valve -----	3.764
SOCKET - Bulb -----	2.555	SPRING - Carburettor pump stem -----	3.779
SOCKET - Courtesy lamp -----	11.950	SPRING - Carburettor slow idle adjuster -----	3.734
SOCKET - Curtain fastener -----	8.987	SPRING - Clutch cross shaft lever push rod ---	0.852
SOCKET - Inst. panel compartment lamp ----	10.270	SPRING - Clutch fork plate -----	0.798
SOCKET - Parking & turn signal lamp lead ---	2.596	SPRING - Clutch fork retaining -----	0.844
SOCKET - Rear licence lamp -----	2.714	SPRING - Clutch fork return -----	0.844
SOCKET - Steering tie rod -----	6.233	SPRING - Clutch pedal return -----	0.844
SOLENOID - Starter switch -----	2.100	SPRING - Courtesy light switch -----	11.950
SOLENOID - Transmission -----	4.265	SPRING - Differential pre-load -----	5.511
SPACER - Air conditioning comp. clutch hub -	9.181	SPRING - Distributor cap -----	2.368
SPACER - Air conditioning comp. suppressor --	9.171	SPRING - Distributor weight -----	2.389
SPACER - Air conditioner vacuum valve -----	9.280	SPRING - Door handle retaining -----	10.513
SPACER - Air pre-heat stove -----	3.417	SPRING - Door hinge -----	10.466
SPACER - Body mounting insulator -----	7.020	SPRING - Door remote control handle escut. --	10.516
SPACER - Bumper bar -----	7.865	SPRING - End gate arm -----	12.207
SPACER - Carburettor main body -----	3.748	SPRING - End gate lock bar -----	12.241
SPACER - Countershaft bearing -----	4.423	SPRING - End gate lock -----	12.242
SPACER - Clutch pedal bumper bracket -----	0.830	SPRING - End gate lock cylinder -----	12.248
SPACER - Distributor shaft -----	2.372	SPRING - End gate window motor -----	12.280
SPACER - Door lock striker -----	10.571	SPRING - End gate window regulator -----	12.272
SPACER - End gate arm -----	12.203	SPRING - End gate window switch -----	12.275
SPACER - End gate lock striker -----	12.237	SPRING - Front -----	6.361
SPACER - Fan blade -----	1.064	SPRING - Front door window regulator -----	10.783
SPACER - Gearshift control -----	4.018	SPRING - Front seat adjuster -----	11.581

SPRING - Front seat back -----	11.374
SPRING - Front seat cushion -----	11.420
SPRING - Front seat head restraint -----	11.376
SPRING - Fuel pump diaphragm -----	3.927
SPRING - Fuel pump rocker arm -----	3.922
SPRING - Fuel tank filler door -----	12.966
SPRING - Gearshift anti-rattle -----	4.017
SPRING - Gearshift control reverse lock out ---	4.030
SPRING - Gearshift cross shaft -----	4.010
SPRING - Gearshift lever handle button -----	4.009
SPRING - Gearshift lever plunger -----	4.006
SPRING - Gearshift lever & yoke preload -----	4.006
SPRING - Gearshift lower control -----	4.017
SPRING - Generator brush -----	2.286
SPRING - Hand brake lever strut -----	5.151
SPRING - Hand brake release rod -----	4.594
SPRING - Headlamp light unit rim -----	2.737
SPRING - Heater control detent -----	9.779
SPRING - Hood catch -----	8.085
SPRING - Hood catch lock plate -----	8.081
SPRING - Hood hinge -----	8.013
SPRING - Hood safety catch -----	8.036
SPRING - Horn actuating bar adaptor -----	2.824
SPRING - Ignition switch actuator -----	2.195
SPRING - Instrument panel comp. lamp switch	10.270
SPRING - Instrument panel door lock -----	10.266
SPRING - Oil pressure regulator -----	1.610
SPRING - Park brake lever retaining -----	4.596
SPRING - Pitman gear control -----	6.852
SPRING - Radiator grille ornament base -----	1.265
SPRING - Rear -----	7.503
SPRING - Rear compartment lamp switch -----	11.960
SPRING - Rear door regulator handle -----	10.797
SPRING - Rear door window regulator -----	10.791
SPRING - Rear quarter window handle -----	11.044
SPRING - Rear quarter window handle escut. --	11.045
SPRING - Rear quarter window reg. balance --	11.041
SPRING - Rear quarter window roller -----	11.007
SPRING - Rear seat back -----	11.629
SPRING - Rear seat back lock -----	11.634
SPRING - Rear seat cushion -----	11.611
SPRING - Reverse gear anti lash -----	4.419
SPRING - Selector return -----	4.017
SPRING - Starter motor brush -----	2.053
SPRING - Steering gear hydraulic pump -----	6.612
SPRING - Steering shaft bearing -----	6.521
SPRING - Steering shaft coupling -----	6.524
SPRING - Synchronising cone -----	4.383
SPRING - Transmission accumulator piston ---	4.233
SPRING - Transmission accumulator valve ---	4.265
SPRING - Transmission clutch release -----	4.164
SPRING - Transmission control cross shaft -----	4.040
SPRING - Transmission control lever -----	4.017
SPRING - Transmission detent cam -----	4.311
SPRING - Transmission detent roller -----	4.279
SPRING - Trans. governor secondary valve ---	4.256
SPRING - Transmission oil pump valve -----	4.226
SPRING - Transmission parking brake pawl ---	4.295
SPRING - Transmission pressure regulator -----	4.265
SPRING - Transmission rear accumulator -----	4.246
SPRING - Transmission rear servo -----	4.246
SPRING - Transmission servo piston -----	4.233
SPRING - Transmission shift valve -----	4.265

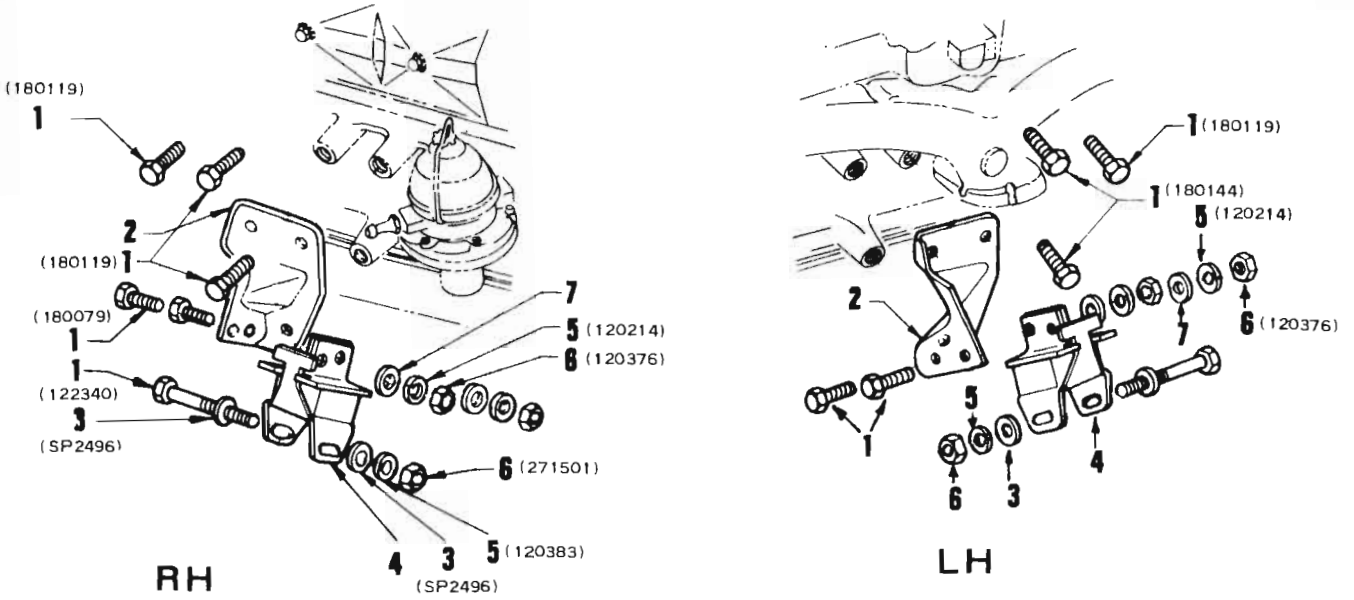
SPRING - Valve -----	0.303
SPRING - Window regulator handle escutcheon	10.806
SPRING - Wiper motor -----	10.150
SPRING & FRAME - Front seat -----	11.373
SPRING & FRAME - Rear seat back -----	11.628
SPRING & FRAME - Rear seat cushion -----	11.610
SPROCKET - Camshaft -----	0.736
SPROCKET - Crankshaft -----	0.728
STATOR - Generator -----	2.310
STEM - Carburettor idle vent valve -----	3.764
STEM - Shock absorber air valve -----	7.347
STOP - Brake primary piston -----	4.653
STOP - Front door glass -----	10.716
STOP - Rear quarter window -----	11.012
STOP - Starter motor pinion -----	2.096
STOVE - Air pre-heat -----	3.417
STRAP - Adjustable -----	8.955
STRAP - Assist grip -----	15.390
STRAP - Front seat back robe -----	14.805
STRAP - Fuel tank -----	3.001
STRAP - Heat distribution duct -----	9.779
STRAP - Steering column jacket lower -----	6.518
STRAP - Throttle control cable -----	3.430
STRAP - Wiper motor -----	10.150
STRAINER - Fuel tank riser pipe -----	3.110
STRIKER - Deck lid lock -----	12.237
STRIKER - Door lock -----	10.569
STRIKER - End gate lock -----	12.237
STRIKER - Instrument panel door lock -----	10.268
STRIP - Door glass anti rattle -----	10.710
STRIP - End gate wear -----	12.195
STRIP - Rear seat back wear -----	14.818
STRIP - Rear seat cushion wear -----	14.818
STRIP - Tonneau floor board wear -----	12.195
STRUT - Clutch relay lever -----	0.852
STRUT - Hand brake actuating lever -----	5.150
STUD -----	8.914
STUD - Air cleaner -----	3.410
STUD - Carburettor -----	3.288
STUD - Clutch fork ball -----	0.796
STUD - Clutch lever -----	0.796
STUD - Curtain fastener -----	8.987
STUD - Front stabiliser -----	7.240
STUD - Heat distribution duct -----	9.779
STUD - Manifold -----	3.275
STUD - Rear quarter window guide -----	11.040
STUD - Spare wheel compartment door -----	12.238
STUD - Starter motor heat shield -----	2.040
STUD - Steering gear hydraulic pump mounting	6.606
STUD - Throttle control cable lever -----	3.430
STUD - Water pump -----	1.069
STUD KIT - Front stabiliser -----	7.240
SUNDRY PARTS SET - Generator -----	2.315
SUNDRY PARTS SET - Gen. drive end brg. plate	2.307
SUNDRY PARTS SET - Heat sink mounting ---	2.289
SUNDRY PARTS SET - Starter motor -----	2.080
SUNSHADE - Windshield -----	9.680
SUN VISOR -----	10.203
SUPPORT - Air conditioner heater core -----	9.217
SUPPORT - Battery mounting -----	2.333
SUPPORT - Body mounting -----	7.020
SUPPORT - End gate window regulator -----	12.273
SUPPORT - Engine -----	0.027

"HJ" PARTS CATALOGUE

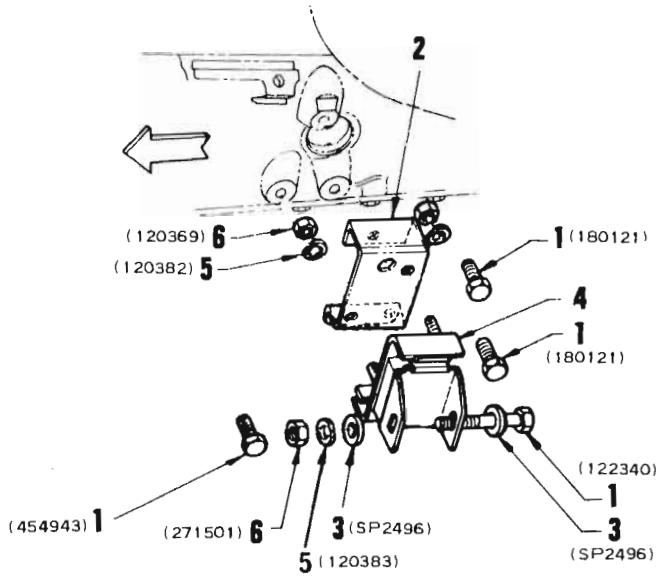
SUPPORT - Front seat adjuster lever -----	11.561	TRANSFER - Rear quarter striping -----	12.116
SUPPORT - Gearshift control -----	4.018	TRANSFER - Sandman -----	12.116
SUPPORT - Gearshift control shifter -----	4.010	TRANSMISSION -----	4.003
SUPPORT - Hoist -----	7.013	TRIM - Accelerator pedal -----	3.451
SUPPORT - Hood lock -----	8.079	TRIM - Centre pillar -----	14.730
SUPPORT - Horn contact -----	2.822	TRIM - Cowl side -----	14.630
SUPPORT - Muffler -----	3.704	TRIM - End gate -----	15.311
SUPPORT - Rear quarter window guide -----	11.040	TRIM - Front door -----	14.685
SUPPORT - Rear vision mirror -----	10.187	TRIM - Front seat back rear -----	14.803
SUPPORT - Steering conn. rod idler lever ----	6.896	TRIM - Package tray -----	15.024
SUPPORT - Steering column -----	6.761	TRIM - Rear door -----	14.760
SUPPORT - Steering gear hydraulic pump ----	6.606	TRIM - Rear quarter -----	15.100
SUPPORT - Sun visor -----	10.219	TRIM - Rear seat back rear -----	15.310
SUPPORT - Tail lamp -----	12.940	TRIM - Rear seat back shelf -----	15.024
SUPPORT - Taxi equipment mount, panel ---	10.230	TRIM - Side quarter -----	15.100
SUPPORT - Tonneau cover -----	12.196	TRIM - Tonneau floor -----	15.308
SUPPORT - Tonneau rear floor -----	12.986	TRIM - Wheel centre -----	5.871
SUPPORT - Transmission centre -----	4.162	TRIM - Wheelhouse -----	15.100
SURROUND - Instrument facia -----	2.515	TRUNNION - Gearshift 1st & rev. shift -----	4.020
SWITCH - Air conditioner control -----	9.275	TRUNNION - Gearshift 2nd & 3rd shift -----	4.019
SWITCH - Aux. driving lamp -----	9.648	TRUNNION - Transmission shifter rod -----	4.035
SWITCH - Back up lamp -----	2.697	TRUNNION - Transmission control rod -----	4.040
SWITCH - Brake pressure warning -----	4.686	TUBE - Air cleaner vacuum -----	3.417
SWITCH - Courtesy light -----	11.950	TUBE - Air conditioner case drain -----	9.211
SWITCH - Dimmer -----	2.459	TUBE - Air cond. dehydrator to module valve -	9.220
SWITCH - Door power opposite windows ----	10.777	TUBE - Air conditioner P. O. A. S. T. valve ---	9.199
SWITCH - Electric antenna -----	9.662	TUBE - Carburettor air horn vent -----	3.763
SWITCH - End gate window regulator -----	12.275	TUBE - Carburettor idle -----	3.752
SWITCH - Heated rear window -----	9.778	TUBE - Gearshift control -----	4.007
SWITCH - Heater -----	9.779	TUBE - Oil level indicator -----	1.516
SWITCH - Ignition & starting -----	2.188	TUBE - Plenum chamber drain -----	9.785
SWITCH - Lighting -----	2.485	TUBE - Shock absorber inflation -----	7.347
SWITCH - Neutral start safety -----	4.054	TUBE - Steering gear hose -----	6.803
SWITCH - Oil pressure -----	1.803	TUBE - Transmission oil filler -----	4.133
SWITCH - Solenoid detent actuating -----	4.054	TUBE - Vacuum hose manifold fitting -----	1.762
SWITCH - Starter solenoid -----	2.100	TUMBLER - End gate lock cylinder -----	12.248
SWITCH - Stop light -----	2.447	TUMBLER - Instrument panel door lock ----	10.266
SWITCH - Thermostat tell tale -----	0.277	"U" BOLT - Exhaust pipe -----	3.616
SWITCH - Turn signal lamp -----	2.895	"U" BOLT - Muffler to tail pipe -----	3.706
SWITCH - Windshield wiper -----	10.163	"U" BOLT - Rear spring -----	7.516
SWITCH - Wiper motor timing -----	10.150	"U" BOLT - Universal joint -----	5.586
SWIVEL - Transmission shifter rod -----	4.035	UNION - Pipe -----	8.963
SYNCHRONISER - Transmission -----	4.380	VACUUM CONTROL - Distributor -----	2.410
TACHOMETER -----	2.515	VALVE - Air conditioner fitting -----	9.170
TAG - Shock absorber caution -----	7.345	VALVE - Air conditioner heater water -----	9.275
TAG - Shock absorber caution -----	8.823	VALVE - Air conditioner module -----	9.213
TANK - Fuel -----	3.001	VALVE - Air conditioner P. O. A. S. T. -----	9.198
TAPE PLAYER -----	9.662	VALVE - Air conditioner vacuum -----	9.280
TEE - Air conditioner vacuum hose -----	9.281	VALVE - Air conditioner vacuum check ----	9.281
TEE - Carburettor air bleed valve -----	1.762	VALVE - Body lock pillar drain -----	12.942
TEE - Water hose connection -----	9.220	VALVE - Brake main cylinder -----	4.657
TENSIONER - Seat adjuster wire -----	11.589	VALVE - Brake proportioning -----	4.686
TERMINAL - Body wiring -----	13.090	VALVE - Brake wheel cylinder bleeder -----	4.666
TERMINAL - Instrument harness bulb holder --	2.555	VALVE - Carburettor choke -----	3.789
TERMINAL - Wiper motor -----	10.150	VALVE - Carburettor float needle -----	3.771
THERMOSTAT -----	1.246	VALVE - Carburettor idle needle -----	3.741
THERMOSTAT - Carburettor automatic choke -	3.750	VALVE - Carburettor pump check -----	3.784
TONGUE - Toe bar -----	9.600	VALVE - Carburettor throttle -----	3.792
TOOL KIT CONTAINER -----	8.821	VALVE - Engine breather -----	1.762
TORQUE TUBE - Front seat recliner act. lever-	11.390	VALVE - Exhaust -----	0.297
TRANSFER - Air cleaner -----	3.402	VALVE - Fuel pump -----	3.909
TRANSFER - Deck lid striping -----	12.182	VALVE - Inlet -----	0.296
TRANSFER - End gate -----	12.182	VALVE - Oil filter -----	1.837

"HJ" PARTS CATALOGUE

VALVE - Oil pressure regulator -----	1.609	WASHER - Rear quarter guide roller -----	11.007
VALVE - Rear body lock pillar pressure relief -	12.942	WASHER - Rear quarter window regulator -----	11.041
VALVE - Steering gear hyd. pump control ----	6.624	WASHER - Reverse idler gear thrust -----	4.432
VALVE - Transmission detent -----	4.279	WASHER - Shake proof -----	8.932
VALVE - Transmission governor -----	4.256	WASHER - Shock absorber mounting -----	7.370
VALVE - Transmission manual control -----	4.265	WASHER - Spring -----	8.928
VALVE - Transmission oil pump -----	4.226	WASHER - Starter brush holder -----	2.052
VALVE - Transmission vacuum modulator ----	4.265	WASHER - Starter housing bolt -----	2.077
VALVE BODY - Transmission oil connector ---	4.265	WASHER - Starter shift lever -----	2.108
VALVE KIT - Carburettor idle vent -----	3.764	WASHER - Starter solenoid switch -----	2.102
VALVE & SHIELD - Air pre heat -----	3.415	WASHER - Steering knuckle spindle nut -----	6.321
VANE - Steering gear hydraulic pump -----	6.610	WASHER - Steering shaft bearing -----	6.521
VENT - Transmission -----	4.104	WASHER - Transmission centre support -----	4.162
VERTEBRA - Wiper blade -----	10.146	WASHER - Transmission clutch housing thrust -	4.169
WASHER - Air conditioner compressor bracket -	9.171	WASHER - Transmission control rod -----	4.040
WASHER - Air conditioner impeller -----	9.215	WASHER - Transmission detent cam -----	4.311
WASHER - Brake adjusting screw -----	5.110	WASHER - Transmission front int. gear thrust -	4.176
WASHER - Brake hose -----	4.680	WASHER - Transmission oil pump -----	4.226
WASHER - Brake main cylinder rod clevis ----	4.662	WASHER - Transmission output shaft thrust ---	4.176
WASHER - Brake vacuum servo booster push rod	4.907	WASHER - Transmission planet pinion -----	4.177
WASHER - Carburettor choke tube holder -----	3.795	WASHER - Trans. planet input sun gear thrust -	4.177
WASHER - Carburettor fast idle lever -----	3.792	WASHER - Transmission rear servo piston -----	4.241
WASHER - Carburettor pump lever -----	3.781	WASHER - Transmission thrust -----	4.129
WASHER - Carburettor thermostat cover ----	3.796	WASHER - Wiper motor -----	10.150
WASHER - Clutch relay lever -----	0.852	WEATHERSHIELD - Door mounting -----	9.684
WASHER - Counter shaft -----	4.423	WEATHERSTRIP - Deck lid -----	12.269
WASHER - Crankshaft pulley -----	0.659	WEATHERSTRIP - Door belt -----	10.710
WASHER - Deck lid name plate -----	12.182	WEATHERSTRIP - Door glass -----	10.696
WASHER - Deck lid moulding sealing -----	12.182	WEATHERSTRIP - Door opening -----	10.694
WASHER - Differential housing to carrier bolt -	5.387	WEATHERSTRIP - End gate -----	12.269
WASHER - Differential pinion flange -----	5.545	WEATHERSTRIP - End gate glass -----	11.207
WASHER - Differential pinion thrust -----	5.542	WEATHERSTRIP - End gate glass channel -----	11.207
WASHER - Differential side gear thrust -----	5.543	WEATHERSTRIP - Quarter window -----	11.015
WASHER - Distributor breaker plate -----	2.385	WEATHERSTRIP - Rear door rear glass -----	10.822
WASHER - Distributor cam -----	2.381	WEIGHT - Distributor -----	2.388
WASHER - Distributor contact -----	2.387	WHEEL - Road -----	5.803
WASHER - Distributor shaft -----	2.372	WHEEL - Steering -----	6.513
WASHER - Distributor weight -----	2.388	WHEEL HOUSE -----	12.944
WASHER - End gate arm -----	12.203	WICK - Distributor -----	2.364
WASHER - End gate handle -----	12.247	WINDLACE -----	15.520
WASHER - End gate name plate -----	12.182	WIRE - Back up lamp -----	2.697
WASHER - Engine support to bracket -----	0.027	WIRE - Front seat adjuster -----	11.589
WASHER - Finish -----	8.930	WIRE - Front seat back stay -----	11.374
WASHER - Flat -----	8.929	WIRE - Headlining listing support -----	12.955
WASHER - Front window regulator -----	10.783	WIRE - Helical tie -----	11.629
WASHER - Front fender -----	8.143	WIRE - Neutral starting safety switch -----	4.055
WASHER - Fuel pump seal -----	3.902	WIRE - Solenoid actuating switch -----	4.055
WASHER - Gearshift 1st & rev. shift -----	4.020	WIRE UNIT - Spark plug & distributor -----	2.239
WASHER - Gearshift 2nd & 3rd shift -----	4.019	WORM & BALL NUT -----	6.524
WASHER - Gearshift control lever -----	4.030	WORM, VALVE & SLEEVE - Steering -----	6.524
WASHER - Generator brace -----	2.317	YOKE - First & reverse shifter -----	4.304
WASHER - Generator rotor -----	2.280	YOKE - Transmission reverse shifter -----	4.304
WASHER - Generator through bolt -----	2.316	YOKE - Transmission shifter first & second ---	4.303
WASHER - Hand brake lever -----	5.158	YOKE - Transmission shifter third & fourth ---	4.303
WASHER - Heater impellor -----	9.779	YOKE - Universal joint -----	5.555
WASHER - Lock -----	8.931	YOKE - Wiper motor -----	10.150
WASHER - Manifold -----	3.275		
WASHER - Pinion bearing -----	5.453		
WASHER - Pinion flange nut -----	5.545		
WASHER - Pitman arm shaft -----	6.861		
WASHER - Rear door moulding -----	12.114		
WASHER - Rear door window regulator -----	10.791		
WASHER - Rear quarter moulding seal -----	12.116		



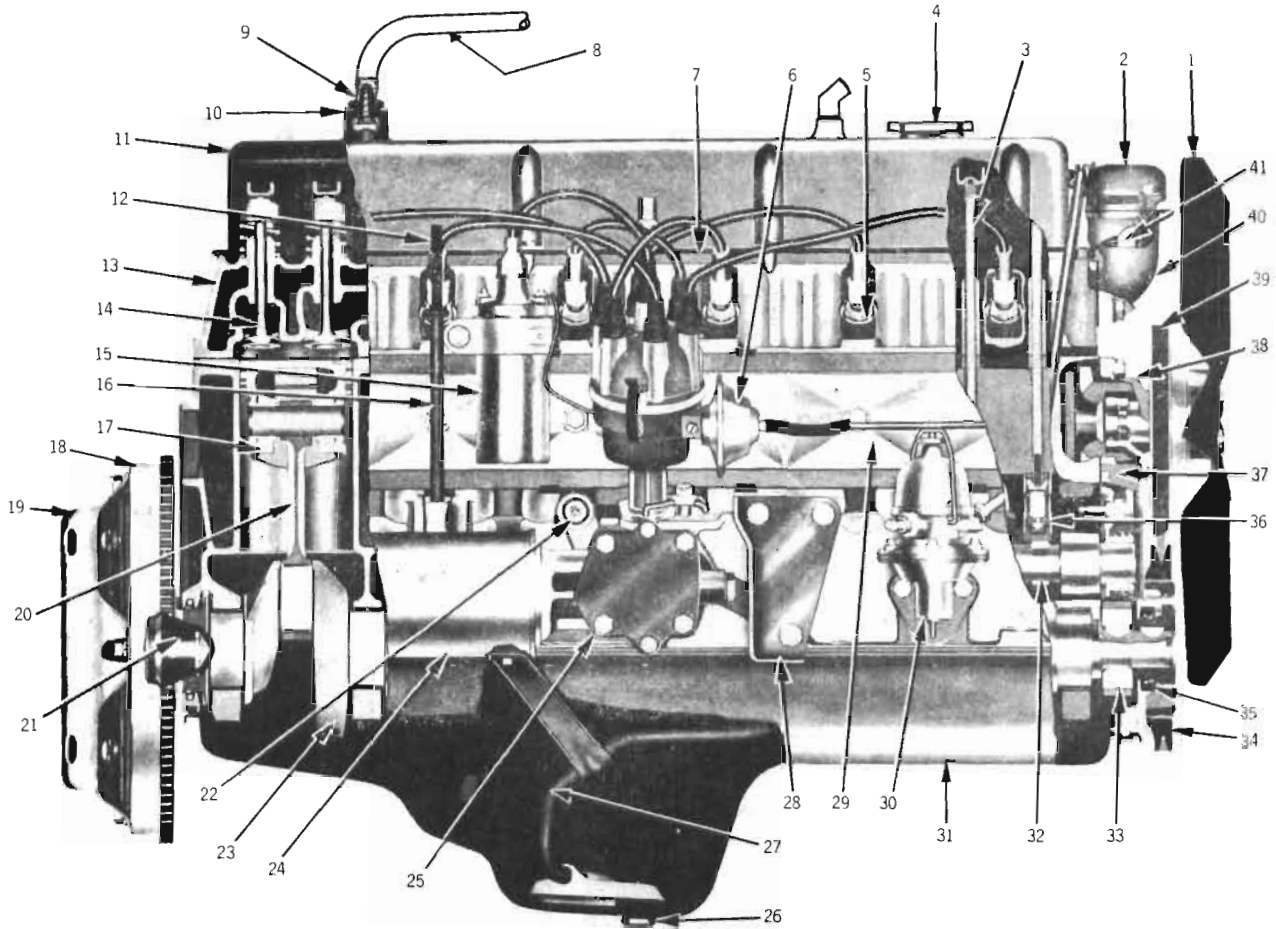
6 CYLINDER ENGINE



8 CYLINDER ENGINE

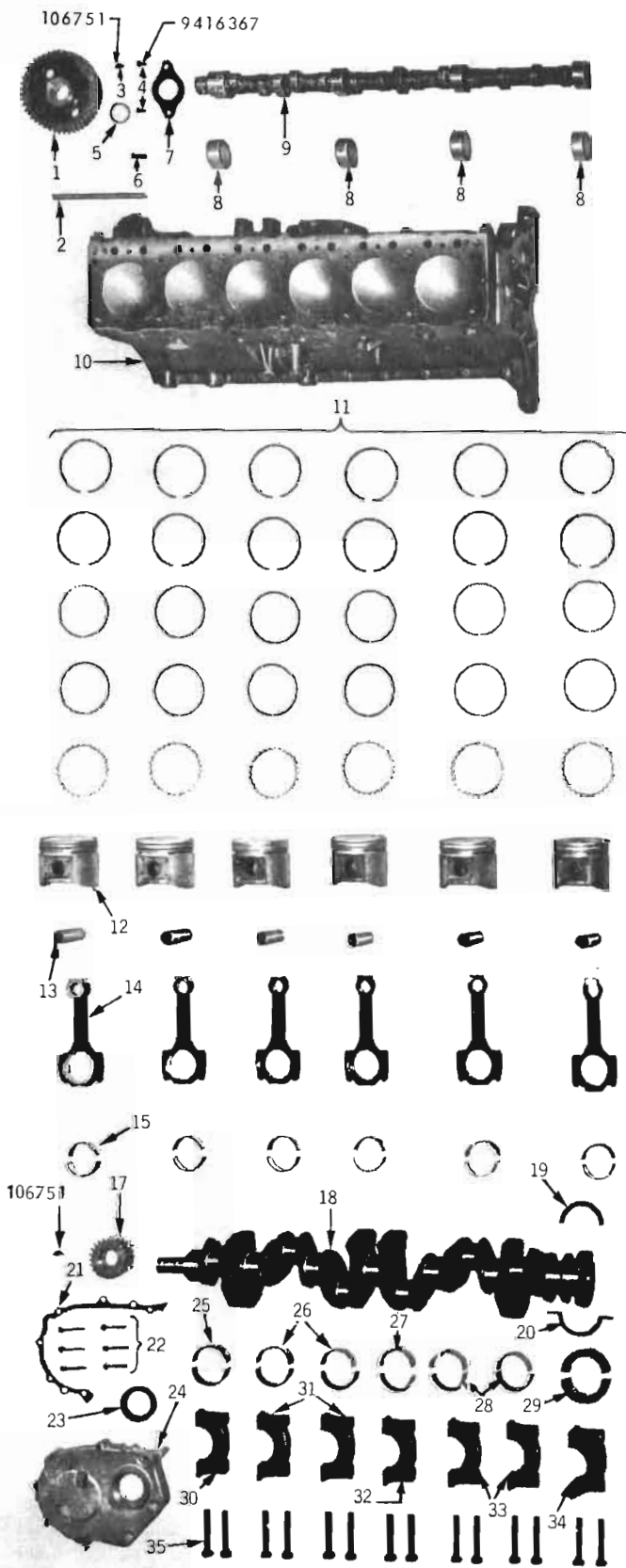
POWER PLANT MOUNTING

ILLUS. REF. NO.	PART NAME	GROUP	ILLUS. REF. NO.	PART NAME	GROUP
1.	BOLT - Hexagon head	8.900	5.	WASHER - Lock	8.931
2.	BRACKET ASSY. - Front mounting	0.027	6.	NUT - Hexagon	8.915
3.	WASHER - Flat	8.929	7.	WASHER - Support to bracket	0.027
4.	SUPPORT ASSY. - Front	0.027			



ENGINE ASSEMBLY — 6 CYLINDER

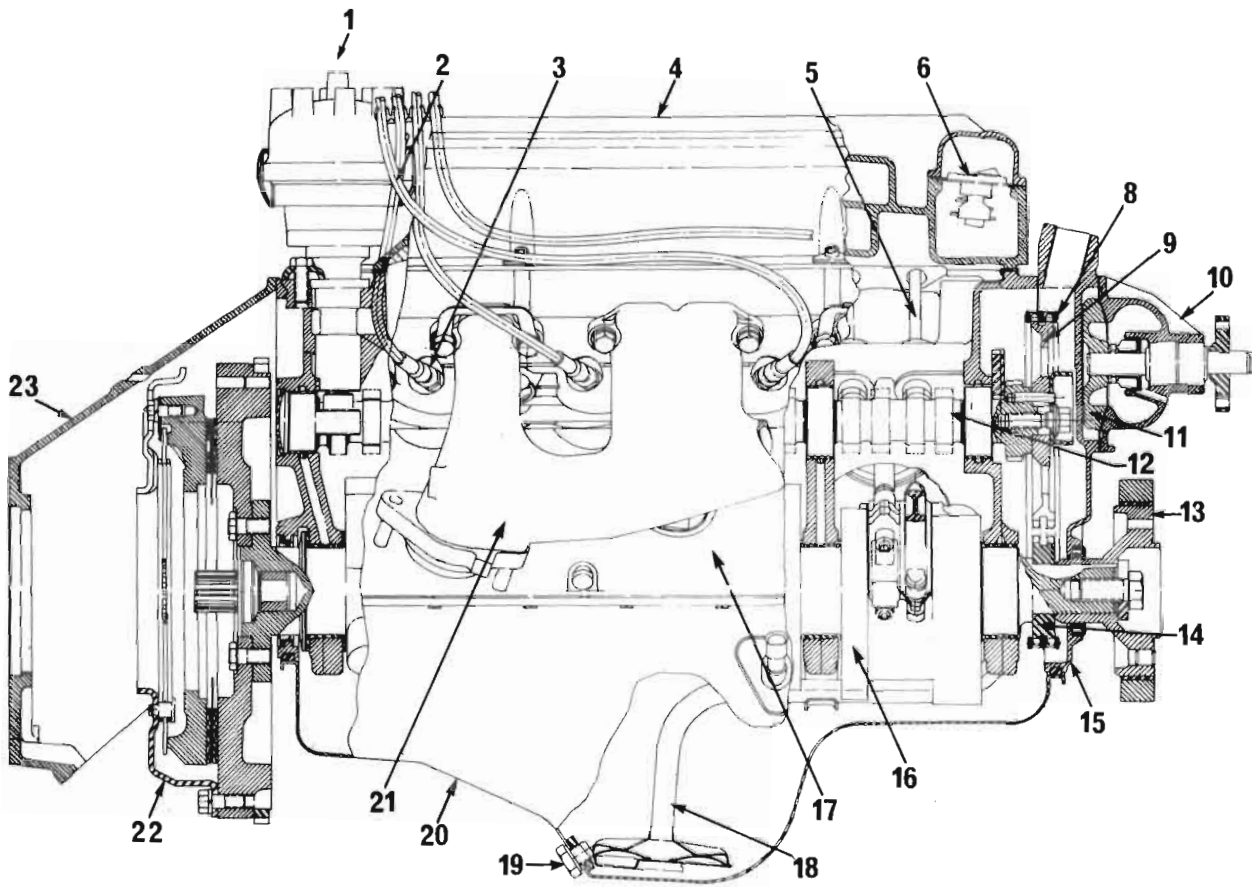
Illus. Ref. No.	Part Name	Group	Illus. Ref. No.	Part Name	Group
1.	BLADE ASSEMBLY—Fan	1.064	22.	SWITCH ASSEMBLY—Oil pressure	1.803
2.	OUTLET—Cylinder head water	1.153	23.	CRANKSHAFT	0.646
3.	ROD—Valve push	0.426	24.	FILTER ASSEMBLY—Oil	1.835
4.	CAP ASSEMBLY—Oil filler	1.516	25.	PUMP ASSEMBLY—Oil	1.652
5.	PLUG ASSEMBLY—Spark	2.270	26.	PLUG & GASKET ASSEMBLY—Oil pan	1.453
6.	VACUUM CONTROL ASSEMBLY—Distributor	2.410	27.	SCREEN ASSEMBLY—Oil pump	1.656
7.	GASKET—Valve rocker cover	0.423	28.	BRACKET ASSEMBLY—Front mounting	0.027
8.	HOSE—Breather	1.762	29.	COVER ASSEMBLY—Valve push rod	0.439
9.	VALVE ASSEMBLY—Ventilator	1.762	30.	PUMP ASSEMBLY—Fuel	3.900
10.	GROMMET—Valve cover to block vent	1.745	31.	PAN ASSEMBLY—Oil	1.426
11.	COVER—Valve rocker	0.386	32.	CAMSHAFT ASSEMBLY	0.519
12.	INDICATOR ASSEMBLY—Oil level	1.516	33.	GEAR—Crankshaft	0.728
13.	HEAD—Cylinder	0.269	34.	DAMP ER ASSEMBLY - Crankshaft	0.659
14.	VALVE	0.297	35.	SEAL—Crankcase cover oil	0.209
15.	COIL ASSEMBLY—Ignition	2.170	36.	LIFTER ASSEMBLY—Hydraulic valve	0.459
16.	TUBE—Oil level indicator	1.516	37.	COVER ASSEMBLY—Crankcase	0.206
17.	PISTON & PIN ASSEMBLY	0.629	38.	PUMP ASSEMBLY—Water	1.069
18.	FLYWHEEL ASSEMBLY	0.666	39.	BELT—Fan and generator	1.066
19.	COVER & PRESSURE PLATE ASSEMBLY	0.861	40.	HOUSING—Thermostat	1.251
20.	ROD ASSEMBLY—Connecting	0.603	41.	THERMOSTAT ASSEMBLY	1.246
21.	BEARING ASSEMBLY—Clutch pilot	0.649			



ILLUS. REF. NO.	PART NAME	GROUP
1.	GEAR – Camshaft	0.736
2.	TUBE – Oil level indicator	1.516
5.	RING – Camshaft gear spacing	0.738
6.	NOZZLE – Timing gear oil	0.748
7.	BEARING – Camshaft thrust	0.533
8.	BEARING SET – Camshaft	0.536
9.	CAMSHAFT	0.519
10.	BLOCK ASSEMBLY	0.033
11.	RING SET – Piston	0.643
12.	PISTON & PIN ASSEMBLY	0.629
13.	PIN – Piston	0.636
14.	ROD ASSEMBLY – Connecting	0.603
15.	BEARING – Connecting rod	0.616
17.	GEAR – Crankshaft	0.728
18.	CRANKSHAFT	0.646
19.	SEAL – Upper	0.137
20.	SEAL – Lower	0.137
21.	GASKET – Front end cover	0.207
22.	BOLT – Front end cover	0.206
23.	SEAL – Front end cover	0.209
24.	COVER – Front end	0.206
25.	BEARING – Front	0.096
26.	BEARING – Front intermediate	0.099
27.	BEARING – Centre	0.101
28.	BEARING – Rear intermediate	0.103
29.	BEARING – Rear	0.106
30.	CAP – Front bearing	0.095
31.	CAP – Front intermediate bearing	0.098
32.	CAP – Centre bearing	0.100
33.	CAP – Rear intermediate bearing	0.102
34.	CAP – Rear bearing	0.105
35.	BOLT – Bearing cap	0.056

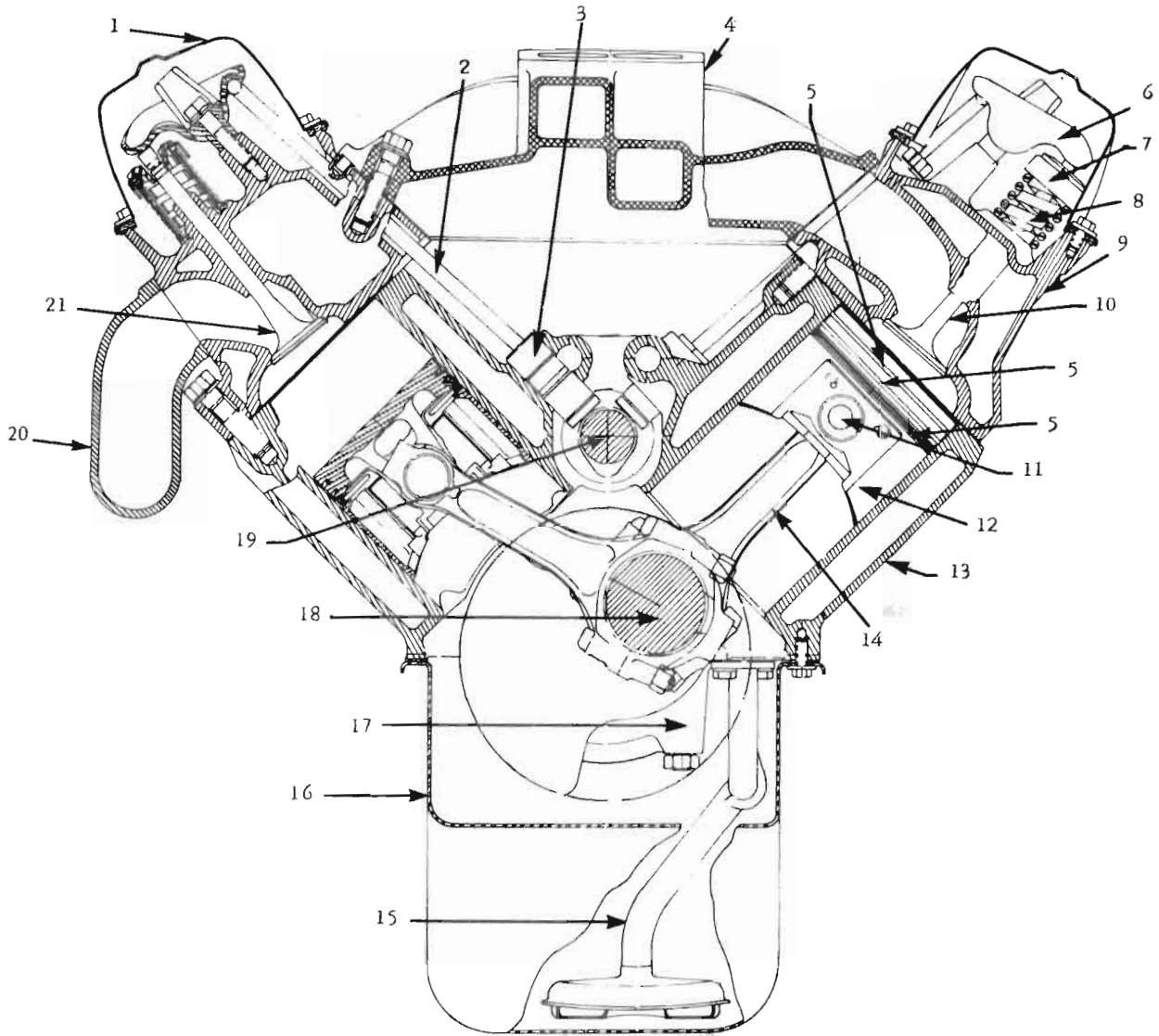
CYLINDER BLOCK – 6 CYL.

Note: The items illustrated constitute a Short Motor.



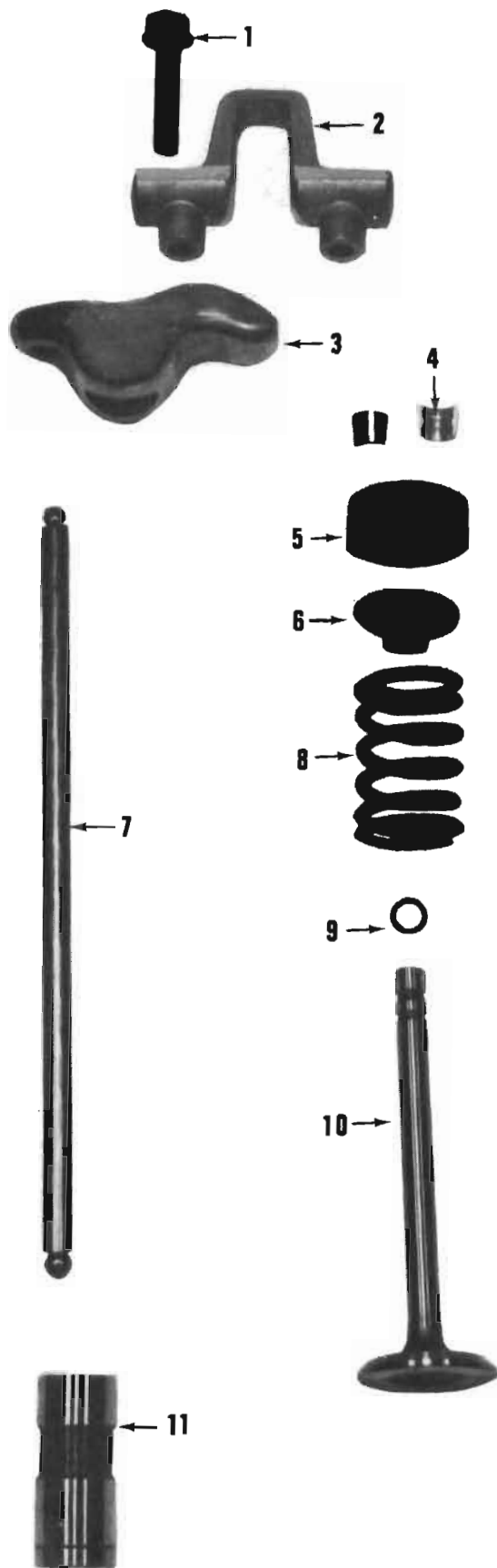
8 CYLINDER ENGINE

ILLUS. REF. NO.	PART NAME	GROUP	ILLUS. REF. NO.	PART NAME	GROUP
1.	DISTRIBUTOR ASSEMBLY	2.361	13.	DAMPER ASSEMBLY – Crankshaft	0.659
2.	WIRE UNIT – Spark plug	2.239	14.	SPROCKET – Crankshaft	0.728
3.	PLUG ASSEMBLY – Spark	2.270	15.	COVER – Front end	0.206
4.	COVER – Valve rocker	0.386	16.	CRANKSHAFT	0.646
5.	ROD – Valve push	0.426	17.	BLOCK ASSEMBLY	0.033
6.	THERMOSTAT ASSEMBLY	1.246	18.	SCREEN ASSEMBLY – With pipe	1.656
8.	CHAIN – Timing	0.724	19.	PLUG – Drain	1.453
9.	SPROCKET – Camshaft	0.736	20.	PAN ASSEMBLY – Oil	1.426
10.	PUMP ASSEMBLY – Water	1.069	21.	MANIFOLD ASSEMBLY – Exhaust	3.601
11.	ROTOR – Water pump	1.109	22.	COVER ASSEMBLY – Clutch	0.861
12.	CAMSHAFT	0.519	23.	HOUSING – Clutch	0.683



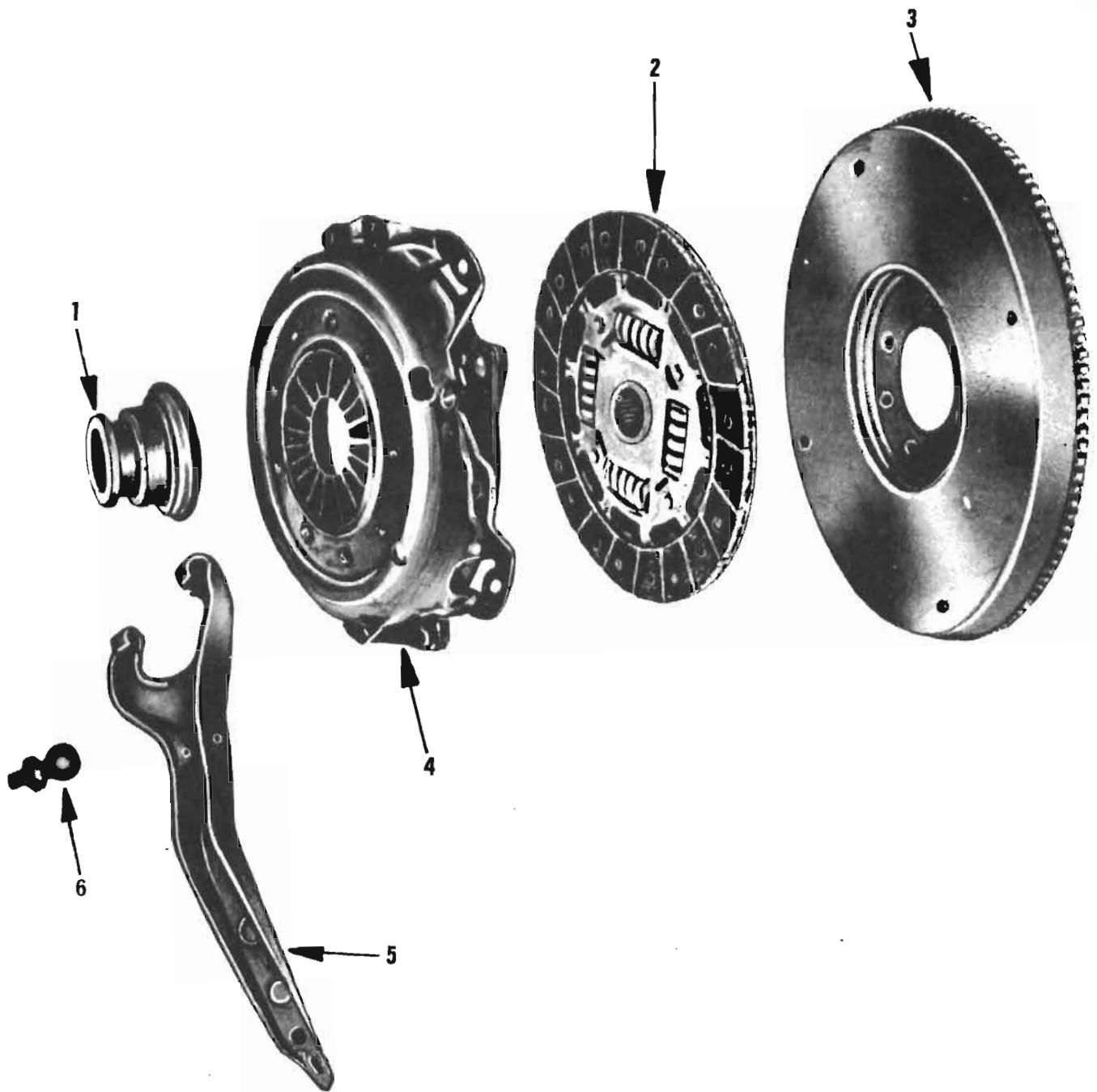
ENGINE ASSEMBLY — 8 CYLINDER ENGINE

Illus. Ref. No.	Part Name	Group	Illus. Ref. No.	Part Name	Group
1.	COVER — Valve rocker	0.386	12.	PISTON ASSEMBLY	0.629
2.	ROD — Valve push	0.426	13.	BLOCK ASSEMBLY	0.033
3.	LIFTER ASSEMBLY — Valve	0.459	14.	ROD ASSEMBLY — Connecting	0.603
4.	MANIFOLD — Inlet	3.265	15.	SCREEN ASSEMBLY — With pipe	1.656
5.	RING SET — Piston	0.643	16.	PAN ASSEMBLY — Oil	1.426
6.	ARM — Valve rocker	0.333	17.	CAP — Crankshaft bearing	0.095
7.	SHIELD — Valve stem	0.308	18.	CRANKSHAFT	0.646
8.	SPRING — Valve	0.303	19.	CAMSHAFT	0.519
9.	HEAD ASSEMBLY — Cylinder	0.269	20.	MANIFOLD ASSEMBLY — Exhaust	3.601
10.	VALVE — Inlet	0.296	21.	VALVE — Exhaust	0.297
11.	PIN — Piston	0.636			



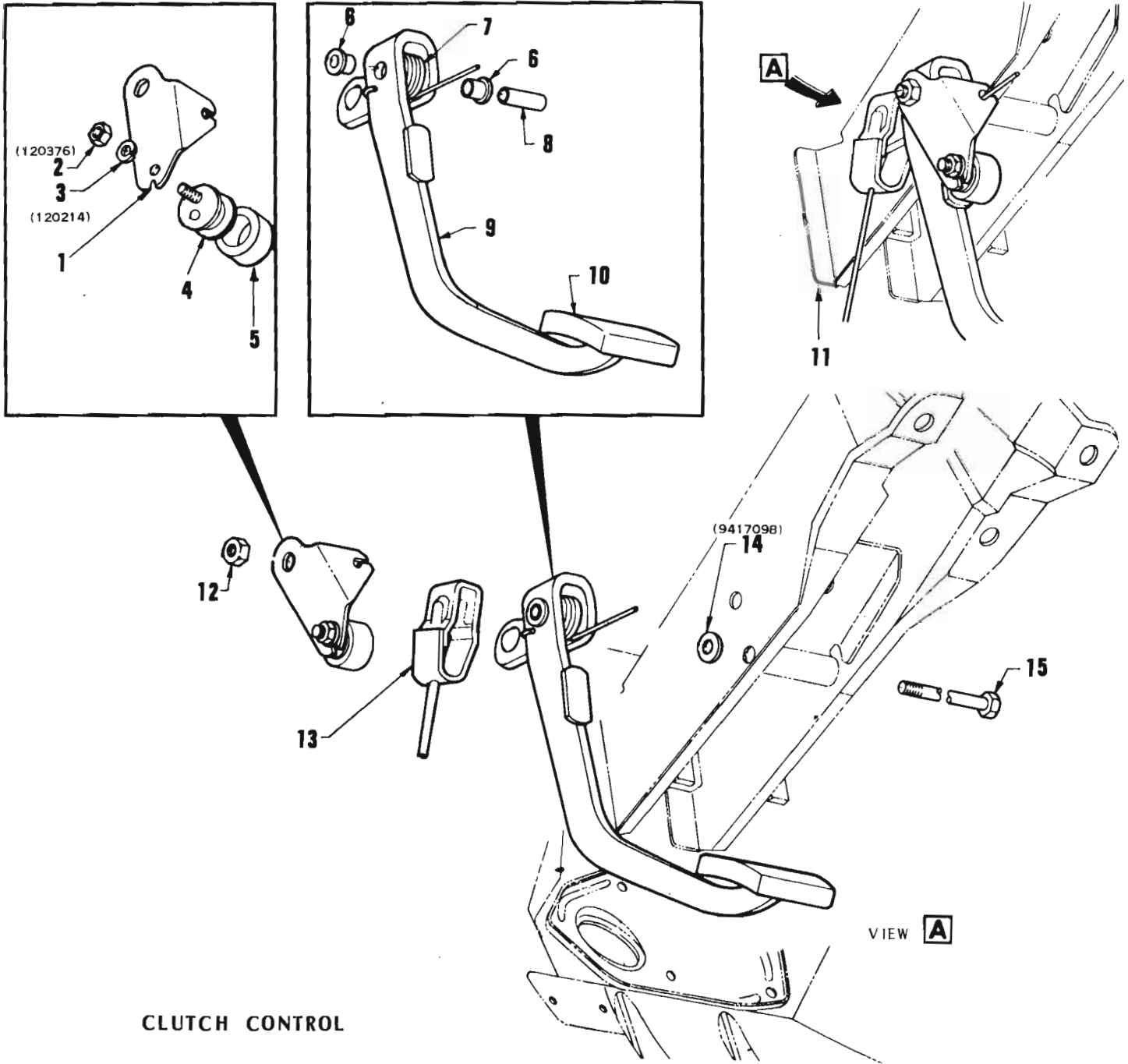
VALVE OPERATING MECHANISM

ILLUS. REF. NO.	PART NAME	GROUP
1.	BOLT – Pivot	0.429
2.	PIVOT – Valve rocker arm	0.429
3.	ARM – Valve rocker	0.333
4.	KEY – Valve stem	0.310
5.	SHIELD – Valve stem	0.308
6.	CAP – Valve spring	0.309
7.	ROD – Valve push	0.426
8.	SPRING – Valve	0.303
9.	SEAL – Valve stem	0.308
10.	VALVE	0.296/0.297
11.	LIFTER ASSY. – Hydraulic valve	0.459



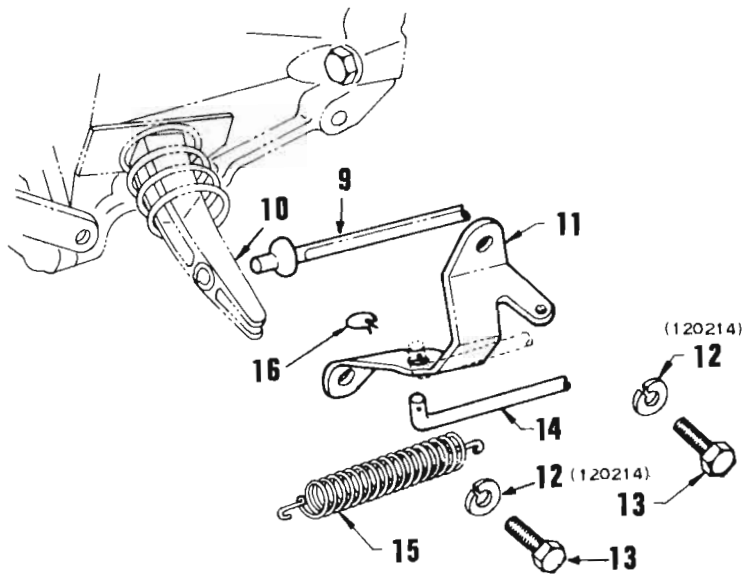
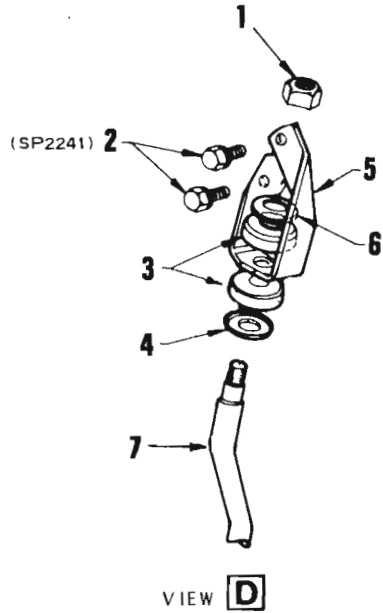
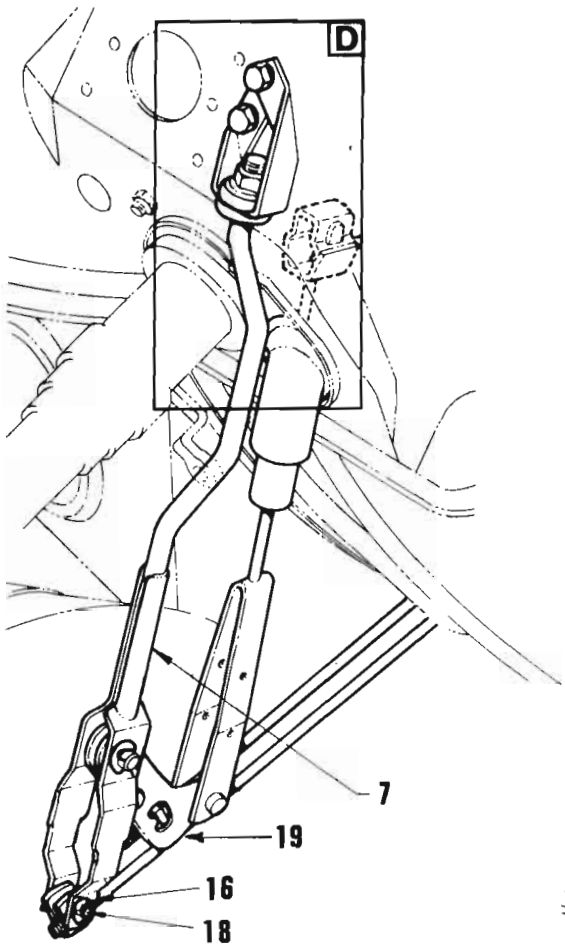
CLUTCH and FLYWHEEL

ILLUS. REF. NO.	DESCRIPTION	GROUP
1.	BEARING ASSY.	0.799
2.	PLATE ASSY. - Clutch driven	0.886
3.	FLYWHEEL & RING GEAR ASSY.	0.666
4.	COVER & PRESSURE PLATE ASSY. - Clutch ...	0.861
5.	LEVER - Clutch	0.795
6.	STUD - Clutch lever ball	0.796



CLUTCH CONTROL

ILLUS. REF. NO.	PART NAME	GROUP	ILLUS. REF. NO.	PART NAME	GROUP
1.	BRACKET - Clutch pedal bumper	0.830	9.	PEDAL - Clutch	0.830
2.	NUT - Hexagon	8.915	10.	PAD - Clutch pedal	0.830
3.	WASHER - Lock	8.931	11.	BRACE - Steering column to dash	6.761
4.	ECCENTRIC ASSY. - Bumper	0.830	12.	NUT - Clutch pedal retaining	0.837
5.	BUMPER - Clutch pedal	0.830	13.	ROD ASSEMBLY - Clutch pull	0.787
6.	BUSHING - Clutch pedal	0.831	14.	WASHER - Flat	8.929
7.	SPRING - Clutch over-centre	0.844	15.	BOLT - Clutch pedal retaining	0.837
8.	BEARING - Clutch pedal	0.831			



CLUTCH CONTROL

ILLUS. REF. NO.	PART NAME	GROUP	ILLUS. REF. NO.	PART NAME	GROUP
1.	NUT - Hexagon	8.915	11.	BRACKET - Clutch brace	0.852
2.	SCREW - Sheet metal	8.977	12.	WASHER - Lock	8.931
3.	INSULATOR - Clutch lever strut	0.852	13.	BOLT - 5/16" - 18 x 3/4" (zinc)	8.900
4.	PLATE - Strut insulator lower	0.852	14.	BRACE ASSY. - Clutch lever	0.852
5.	BRACKET - Strut to dash	0.852	15.	SPRING - Clutch lever return	0.844
6.	PLATE - Strut insulator upper	0.852	16.	CLIP - Clutch lever brace	0.852
7.	LEVER & STRUT ASSEMBLY	0.852	18.	PIN - Brace to strut	0.852
9.	ROD - Clutch lever push	0.839	19.	LEVER & PIN ASSEMBLY	0.852
10.	LEVER - Clutch	0.795			

"HJ" PARTS CATALOGUE

GROUP	DESCRIPTION	MODEL	SIDE	PART No.	QTY.
0.000	ENGINE ASSEMBLY				
	Current production Engine Assemblies will be supplied on a firm order basis.				
0.001	GASKET SET – Engine overhaul				
	SUPPLEMENTARY (less crankshaft rear bearing oil seal)	6 Cyl. Eng.		9930831	1
	SUPPLEMENTARY (less crankshaft rear bearing oil seal)	8 Cyl. Eng.		9930830	1
	NOTE – The above Gasket Set contains, in conjunction with the appropriate Cylinder Head Gasket Set (Group 0.289) and rear bearing oil seals, all gaskets necessary for a complete engine overhaul.				
0.027	MOUNTING, INSULATOR BRACKET – Power plant mounting				
	MOUNTING ASSEMBLY – Front	6 Cyl. Eng.		2815138	2
	BRACKET ASSEMBLY – Front mounting	6 Cyl. Eng. exc. Air Cond.	LH	9929041	1
	BRACKET ASSEMBLY – Front mounting	6 Cyl. Eng.	RH	9929042	1
	BRACKET ASSEMBLY – Front mounting	6 Cyl. Eng. Air Cond.	LH	2814771	1
	WASHER – Support to bracket	6 Cyl. Eng.		3713379	4
	SUPPORT ASSEMBLY – Front	8 Cyl. Eng.		9930472	2
	BRACKET – Front mounting	8 Cyl. Eng. exc. Air Cond.	LH	2813743	1
	BRACKET – Front mounting	8 Cyl. Eng.	RH	2813743	1
	BRACKET ASSEMBLY – Front mounting	8 Cyl. Eng. Air Cond.	LH	2812402	1
0.033	CYLINDER BLOCK ASSEMBLY				
	BLOCK COMPLETE – (Short Motor)	(M) 2850 Eng. 8.3:1 C.R.		9936861	1
	BLOCK COMPLETE – (Short Motor)	(A) 2850 Eng. 8.3:1 C.R.		9936862	1
	BLOCK COMPLETE – (Short Motor)	(M) 2850 Eng. 9.4:1 C.R.		9936859	1
	BLOCK COMPLETE – (Short Motor)	(A) 2850 Eng. 9.4:1 C.R.		9936860	1
	BLOCK COMPLETE – (Short Motor)	(M) 3300 Eng. 7.8:1 C.R.		9936869	1
	BLOCK COMPLETE – (Short Motor)	(A) 3300 Eng. 7.8:1 C.R.		9936870	1
	BLOCK COMPLETE – (Short Motor)	(M) 3300 Eng. 9.4:1 C.R.		9936865	1
	BLOCK COMPLETE – (Short Motor)	(A) 3300 Eng. 9.4:1 C.R.		9936866	1
	BLOCK COMPLETE – (Short Motor)	4.2 Litre Eng. 8.0:1 C.R.		9937870	1
	BLOCK COMPLETE – (Short Motor)	4.2 Litre Eng. 9.0:1 C.R.		9937869	1
	BLOCK COMPLETE – (Short Motor)	(M) 5 Litre Eng.		9937871	1
	BLOCK COMPLETE – (Short Motor)	(A) 5 Litre Eng.		9938007	1
	BLOCK – Fitted with pistons	2850 Eng. 8.3:1 C.R.		9936872	1
	BLOCK – Fitted with pistons	2850 Eng. 9.4:1 C.R.		9936871	1
	BLOCK – Fitted with pistons	3300 Eng. 7.8:1 C.R.		9936876	1
	BLOCK – Fitted with pistons	3300 Eng. 9.4:1 C.R.		9936874	1
	BLOCK – Fitted with pistons	4.2 Litre Eng. 8.0:1 C.R.		9937873	1
	BLOCK – Fitted with pistons	4.2 Litre Eng. 9.0:1 C.R.		9937872	1
	BLOCK – Fitted with pistons	(M) 5 Litre Eng.		9937874	1
	BLOCK – Fitted with pistons	(A) 5 Litre Eng.		9938008	1
	PLUG – Water jacket core cup $1\frac{1}{32}$ "	6 Cyl. Eng.		SP1652	2
	PLUG – Water jacket core, rear $2\frac{1}{64}$ "	6 Cyl. Eng.		3789860	1
	PLUG – Water jacket core cup $2\frac{1}{16}$ "	6 Cyl. Eng.		SP1649	1
	PLUG – Water jacket core $1\frac{5}{8}$ "	ALL		838538	3-8
	PLUG – Water jacket core cup $1\frac{1}{16}$ "	6 Cyl. Eng.		SP1648	3
	PLUG – Water jacket core $1\frac{5}{8}$ "	8 Cyl. Eng.		SP1812	2
	PLUG – Rear locating hole – $\frac{5}{8}$ " cup	8 Cyl. Eng.		9427961	1
	COCK – Drain	ALL		444819	2
	PLUG KIT – Expansion	6 Cyl. Eng.		7420345	1
	PLUG – Water jacket core $1\frac{1}{4}$ "	6 Cyl. Eng.		7401296	2
	PIN – Dowel, cyl. head and crankcase cover	ALL		141216	A.R.
	NOTE – Block complete (Short Motor) includes Crankshaft, Camshaft, Timing Gears, Pistons, Piston Rings, Piston Pins, Connecting Rods, Front Cover Plate.				
0.056	BOLT, STUD – Crankshaft bearing cap				
	BOLT – Bearing cap	6 Cyl. Eng.		7420106	14
	BOLT – Bearing cap	8 Cyl. Eng.		7448829	10

"HJ" PARTS CATALOGUE

GROUP	DESCRIPTION	MODEL	SIDE	PART No.	QTY.
0.094	BEARING SET – Crankshaft				
	STANDARD	2850 Eng.		7430402	1
	.001" U/S	2850 Eng.		7430403	1
	.002" U/S	2850 Eng.		7430404	1
	.010" U/S	2850 Eng.		7430406	1
	.020" U/S	2850 Eng.		7430407	1
	.030" U/S	2850 Eng.		7430408	1
	STANDARD	2300 Eng.		2817581	1
	.001" U/S	3300 Eng.		2817582	1
	.002" U/S	3300 Eng.		2817583	1
	.010" U/S	3300 Eng.		2817585	1
	.020" U/S	3300 Eng.		2817586	1
	.030" U/S	3300 Eng.		2817587	1
	STANDARD	8 Cyl. Eng.		2806384	1
	.001" U/S	8 Cyl. Eng.		2806385	1
	.002" U/S	8 Cyl. Eng.		2806386	1
	.010" U/S	8 Cyl. Eng.		2806388	1
	.020" U/S	8 Cyl. Eng.		2806389	1
	.030" U/S	8 Cyl. Eng.		2806390	1
0.095	CAP – Crankshaft front bearing				
	CAP	2850 Eng.		2819465	1
	CAP	3300 Eng.		2819462	1
	CAP	8 Cyl. Eng.		2811792	1
0.096	BEARING UNIT – Crankshaft front				
	STANDARD	2850 Eng.		7430430	1
	.001" U/S	2850 Eng.		7430431	1
	.002" U/S	2850 Eng.		7430432	1
	.010" U/S	2850 Eng.		7430434	1
	.020" U/S	2850 Eng.		7430435	1
	.030" U/S	2850 Eng.		7430436	1
	STANDARD	3300 Eng.		2817588	1
	.001" U/S	3300 Eng.		2817589	1
	.002" U/S	3300 Eng.		2817590	1
	.010" U/S	3300 Eng.		2817592	1
	.020" U/S	3300 Eng.		2817593	1
	.030" U/S	3300 Eng.		2817594	1
	STANDARD	8 Cyl. Eng.		2806368	1
	.001" U/S	8 Cyl. Eng.		2806369	1
	.002" U/S	8 Cyl. Eng.		2806370	1
	.010" U/S	8 Cyl. Eng.		2806372	1
	.020" U/S	8 Cyl. Eng.		2806373	1
	.030" U/S	8 Cyl. Eng.		2806374	1
0.098	CAP – Crankshaft front intermediate bearing				
	CAP	2850 Eng.		2819465	2
	CAP	3300 Eng.		2819462	2
	CAP	8 Cyl. Eng.		2811792	1
0.099	BEARING UNIT – Crankshaft front intermediate				
	STANDARD	2850 Eng.		7430430	2
	.001" U/S	2850 Eng.		7430431	2
	.002" U/S	2850 Eng.		7430432	2
	.010" U/S	2850 Eng.		7430434	2
	.020" U/S	2850 Eng.		7430435	2
	.030" U/S	2850 Eng.		7430436	2
	STANDARD	3300 Eng.		2817588	2
	.001" U/S	3300 Eng.		2817589	2
	.002" U/S	3300 Eng.		2817590	2
	.010" U/S	3300 Eng.		2817592	2
	.020" U/S	3300 Eng.		2817593	2
	.030" U/S	3300 Eng.		2817594	2

"HJ" PARTS CATALOGUE

GROUP	DESCRIPTION	MODEL	SIDE	PART No.	QTY.
0.099	BEARING UNIT – Crankshaft front intermediate (contd.)				
	STANDARD	8 Cyl. Eng.		2806368	1
	.001" U/S	8 Cyl. Eng.		2806369	1
	.002" U/S	8 Cyl. Eng.		2806370	1
	.010" U/S	8 Cyl. Eng.		2806372	1
	.020" U/S	8 Cyl. Eng.		2806373	1
	.030" U/S	8 Cyl. Eng.		2806374	1
0.100	CAP – Crankshaft centre bearing				
	CAP	2850 Eng.		2819465	1
	CAP	3300 Eng.		2819462	1
	CAP	8 Cyl. Eng.		2811792	1
0.101	BEARING UNIT – Crankshaft centre				
	STANDARD	2850 Eng.		7430430	1
	.001" U/S	2850 Eng.		7430431	1
	.002" U/S	2850 Eng.		7430432	1
	.010" U/S	2850 Eng.		7430434	1
	.020" U/S	2850 Eng.		7430435	1
	.030" U/S	2850 Eng.		7430436	1
	STANDARD	3300 Eng.		2817588	1
	.001" U/S	3300 Eng.		2817589	1
	.002" U/S	3300 Eng.		2817590	1
	.010" U/S	3300 Eng.		2817592	1
	.020" U/S	3300 Eng.		2817593	1
	.030" U/S	3300 Eng.		2817594	1
	STANDARD	8 Cyl. Eng.		2806368	1
	.001" U/S	8 Cyl. Eng.		2806369	1
	.002" U/S	8 Cyl. Eng.		2806370	1
	.010" U/S	8 Cyl. Eng.		2806372	1
	.020" U/S	8 Cyl. Eng.		2806373	1
	.030" U/S	8 Cyl. Eng.		2806374	1
0.102	CAP – Crankshaft rear intermediate bearing				
	CAP	2850 Eng.		2819465	2
	CAP	3300 Eng.		2819462	2
	CAP	8 Cyl. Eng.		2811792	1
0.103	BEARING UNIT – Crankshaft rear intermediate				
	STANDARD	2850 Eng.		7430430	2
	.001" U/S	2850 Eng.		7430431	2
	.002" U/S	2850 Eng.		7430432	2
	.010" U/S	2850 Eng.		7430434	2
	.020" U/S	2850 Eng.		7430435	2
	.030" U/S	2850 Eng.		7430436	2
	STANDARD	3300 Eng.		2817588	2
	.001" U/S	3300 Eng.		2817589	2
	.002" U/S	3300 Eng.		2817590	2
	.010" U/S	3300 Eng.		2817592	2
	.020" U/S	3300 Eng.		2817593	2
	.030" U/S	3300 Eng.		2817594	2
	STANDARD	8 Cyl. Eng.		2806368	1
	.001" U/S	8 Cyl. Eng.		2806369	1
	.002" U/S	8 Cyl. Eng.		2806370	1
	.010" U/S	8 Cyl. Eng.		2806372	1
	.020" U/S	8 Cyl. Eng.		2806373	1
	.030" U/S	8 Cyl. Eng.		2806374	1
0.105	CAP – Crankshaft rear bearing				
	CAP	2850 Eng.		9937268	1
	CAP	3300 Eng.		9937267	1
	CAP	8 Cyl. Eng.		9937924	1

"HJ" PARTS CATALOGUE

GROUP	DESCRIPTION	MODEL	SIDE	PART No.	QTY.
0.106	BEARING UNIT – Crankshaft rear				
	STANDARD	2850 Eng.		7430437	1
	.001" U/S	2850 Eng.		7430438	1
	.002" U/S	2850 Eng.		7430439	1
	.010" U/S	2850 Eng.		7430441	1
	.020" U/S	2850 Eng.		7430442	1
	.030" U/S	2850 Eng.		7430443	1
	STANDARD	3300 Eng.		2817595	1
	.001" U/S	3300 Eng.		2817596	1
	.002" U/S	3300 Eng.		2817597	1
	.010" U/S	3300 Eng.		2817599	1
	.020" U/S	3300 Eng.		2817600	1
	.030" U/S	3300 Eng.		2817601	1
	STANDARD	8 Cyl. Eng.		2806375	1
	.001" U/S	8 Cyl. Eng.		2806376	1
	.002" U/S	8 Cyl. Eng.		2806377	1
	.010" U/S	8 Cyl. Eng.		2806379	1
	.020" U/S	8 Cyl. Eng.		2806380	1
	.030" U/S	8 Cyl. Eng.		2806381	1
0.137	SEAL – Crankshaft rear bearing oil				
	SEAL	ALL		9929162	2
0.206	COVER ASSEMBLY – Crankcase front end				
	COVER ASSEMBLY	6 Cyl. Eng.		2814753	1
	BOLT – Crankcase front cover	6 Cyl. Eng.		7427738	6
	PIN – Crankcase front cover	6 Cyl. Eng.		141216	2
	COVER ASSEMBLY	8 Cyl. Eng.		2814753	1
	PIN – Crankcase front cover	8 Cyl. Eng.		141192	2
0.207	GASKET – Crankcase front end cover				
	GASKET	6 Cyl. Eng.		7420004	1
	GASKET	8 Cyl. Eng.		7434717	1
0.209	SEAL – Crankcase front end cover oil				
	SEAL	6 Cyl. Eng.		3835946	1
	SEAL	8 Cyl. Eng.		3980267	1
0.210	INDICATOR – Timing				
	INDICATOR	8 Cyl. Eng.		7435456	1
0.269	HEAD ASSEMBLY – Cylinder				
	HEAD COMPLETE	2850 Eng. 8.3:1 C.R.		2819457	1
	HEAD COMPLETE	2850 Eng. 9.4:1 C.R.		2819454	1
	HEAD COMPLETE	3300 Eng.		2819457	1
	HEAD COMPLETE	8 Cyl. Eng.		2812173	2
	HEAD	2850 Eng. 8.3:1 C.R.		2823851	1
	HEAD	2850 Eng. 9.4:1 C.R.		2823850	1
	HEAD	3300 Eng.		2823851	1
	HEAD	8 Cyl. Eng.		2812174	2
	PLUG – Water jacket core ¾"	6 Cyl. Eng.		7420138	3
	NOTE – Head complete includes Valves, Valve Springs, Caps and Keys.				
0.277	SWITCH SENDER UNIT – Thermo				
	SWITCH – Thermo tell-tale (warning lamps)	Exc. 60 H/Duty Rad., Air Cond.		7428087	1
	SWITCH – Thermo tell-tale (warning lamps)	60		7438087	1
	SWITCH – Thermo tell-tale (warning lamps)	H/Duty Rad., Air Cond.		7438087	1
	SENDER UNIT – Engine (gauges)	ALL		9932443	1
	ADAPTOR – Engine sender unit (gauges)	ALL		7438477	1

"HJ" PARTS CATALOGUE

GROUP	DESCRIPTION	MODEL	SIDE	PART No.	QTY.
0.289	GASKET SET, GASKET – Cylinder head				
	GASKET SET	2850 Eng.		2819458	1
	GASKET	2850 Eng.		2810692	1
	GASKET SET	3300 Eng.		7430270	1
	GASKET	3300 Eng.		7429473	1
	GASKET SET	4.2 Litre Eng.		2811056	1
	GASKET	4.2 Litre Eng.		7434812	2
	GASKET SET	5 Litre Eng.		2811057	1
	GASKET	5 Litre Eng.		7438960	2
0.293	BOLT – Cylinder head				
	BOLT	6 Cyl. Eng.		7420137	14
	BOLT – 1 ¹ / ₁₆ " long	8 Cyl. Eng.		7434808	10
	BOLT – 3 ¹ / ₁₆ " long	8 Cyl. Eng.		7434809	4
	BOLT – 4 ¹ / ₄ " long	8 Cyl. Eng.		7434810	10
0.296	VALVE – Inlet				
	STANDARD	6 Cyl. Eng.		7420071	6
	.0015" O/S	6 Cyl. Eng.		7427731	6
	.003" O/S	6 Cyl. Eng.		7420172	6
	.015" O/S	6 Cyl. Eng.		7420173	6
	.030" O/S	6 Cyl. Eng.		7420174	6
	STANDARD	8 Cyl. Eng.		7434767	8
	.0015" O/S	8 Cyl. Eng.		7434814	8
	.003" O/S	8 Cyl. Eng.		7434815	8
	.015" O/S	8 Cyl. Eng.		7434816	8
	.030" O/S	8 Cyl. Eng.		7434817	8
0.297	VALVE – Exhaust				
	STANDARD	6 Cyl. Eng.		7420072	6
	.0015" O/S	6 Cyl. Eng.		7427732	6
	.003" O/S	6 Cyl. Eng.		7420175	6
	.015" O/S	6 Cyl. Eng.		7420176	6
	.030" O/S	6 Cyl. Eng.		7420177	6
	STANDARD	8 Cyl. Eng.		7434768	8
	.0015" O/S	8 Cyl. Eng.		7434818	8
	.003" O/S	8 Cyl. Eng.		7434819	8
	.015" O/S	8 Cyl. Eng.		7434820	8
	.030" O/S	8 Cyl. Eng.		7434821	8
0.303	SPRING – Valve				
	SPRING	6 Cyl. Eng.		7420073	12
	SPRING	8 Cyl. Eng.		3911068	16
0.308	SEAL, SHIELD – Valve stem				
	SEAL	ALL		7434738	12-16
	SHIELD	6 Cyl. Eng.		3836755	12
	SHIELD	8 Cyl. Eng.		7436029	16
0.309	CAP – Valve spring				
	CAP	6 Cyl. Eng.		3711176	12
	CAP	8 Cyl. Eng.		3896934	16
0.310	KEY – Valve stem				
	KEY	ALL		838029	24-32
0.333	ARM – Valve rocker				
	ARM	6 Cyl. Eng.		2811931	12
	ARM	8 Cyl. Eng.		7434870	16

"HJ" PARTS CATALOGUE

GROUP	DESCRIPTION	MODEL	SIDE	PART No.	QTY.
0.386	COVER – Valve rocker				
	COVER	6 Cyl. Eng.		9932266	1
	COVER ASSEMBLY	8 Cyl. Eng.	LH	9933189	1
			RH	9932874	1
0.388	TRANSFER – Valve rocker cover				
	TRANSFER – "Low Compression"	6 Cyl. Eng. Low Comp.		9931262	1
	TRANSFER – "2850"	2850 Eng.		9931641	1
	TRANSFER – "3300"	3300 Eng.		9931640	1
	TRANSFER – "Low Compression"	4.2 Litre Eng. Low Comp.		9931262	1
	TRANSFER – "4.2 Litre"	4.2 Litre Eng.		9931643	1
	TRANSFER – "5.0 Litre"	5 Litre Eng.		9931644	1
0.413	REINFORCEMENT – Valve rocker cover				
	REINFORCEMENT	ALL		2806691	8-12
0.423	GASKET – Valve rocker cover				
	GASKET	6 Cyl. Eng.		2805794	1
	GASKET	8 Cyl. Eng.		2820930	2
0.426	ROD – Valve push				
	ROD	6 Cyl. Eng.		2811932	12
	ROD ASSEMBLY	8 Cyl. Eng.		7436758	16
0.429	PIVOT, BOLT – Valve rocker arm				
	PIVOT	6 Cyl. Eng.		2811933	6
	PIVOT	8 Cyl. Eng.		7434861	8
	BOLT – Pivot	ALL		9423842	12-16
0.439	COVER – Valve push rod				
	COVER	6 Cyl. Eng.		7420124	2
0.443	GASKET – Valve push rod cover				
	GASKET	6 Cyl. Eng.		2805795	2
0.449	BOLT – Valve push rod cover				
	BOLT and SEAL ASSEMBLY	6 Cyl. Eng.		7421877	6
	SEAL	6 Cyl. Eng.		M35821	6
0.459	LIFTER ASSEMBLY – Hydraulic valve				
	LIFTER ASSEMBLY	ALL		5232795	12-16
0.519	CAMSHAFT				
	CAMSHAFT	2850 Eng.		7420034	1
	CAMSHAFT	3300 Eng.		2818929	1
	CAMSHAFT	4.2 Litre Eng.		7434871	1
	CAMSHAFT	5 Litre Eng.		2825882	1
0.533	BEARING – Camshaft thrust				
	BEARING	6 Cyl. Eng.		7429774	1
0.533	LOCATOR, BOLT – Camshaft				
	LOCATOR	8 Cyl. Eng.		7435250	1
	BOLT	8 Cyl. Eng.		7435107	1
0.536	BEARING SET – Camshaft				
	BEARING SET	6 Cyl. Eng.		7423616	1
	BEARING SET	8 Cyl. Eng.		2811061	1

"HJ" PARTS CATALOGUE

GROUP	DESCRIPTION	MODEL	SIDE	PART No.	QTY.
0.553	PLUG – Camshaft rear bearing				
	PLUG	6 Cyl. Eng.		3789860	1
	PLUG - Cup 2 $\frac{1}{16}$ "	6 Cyl. Eng.		SP1649	1
	PLUG	8 Cyl. Eng.		SP1975	1
0.603	ROD ASSEMBLY – Connecting				
	ROD ASSEMBLY	6 Cyl. Eng.		7429519	6
	ROD ASSEMBLY	8 Cyl. Eng.		7435450	8
0.616	BEARING SET, BEARING UNIT – Connecting rod				
	BEARING SET - Standard	6 Cyl. Eng.		7430450	1
	BEARING SET - .001" U/S	6 Cyl. Eng.		7430451	1
	BEARING SET - .002" U/S	6 Cyl. Eng.		7430452	1
	BEARING SET - .010" U/S	6 Cyl. Eng.		7430453	1
	BEARING SET - .020" U/S	6 Cyl. Eng.		7430454	1
	BEARING SET - Standard	8 Cyl. Eng.		2806399	1
	BEARING SET - .001" U/S	8 Cyl. Eng.		2806400	1
	BEARING SET - .002" U/S	8 Cyl. Eng.		2813373	1
	BEARING SET - .010" U/S	8 Cyl. Eng.		2813379	1
	BEARING UNIT - Standard	6 Cyl. Eng.		7430444	6
	BEARING UNIT - .001" U/S	6 Cyl. Eng.		7430445	6
	BEARING UNIT - .002" U/S	6 Cyl. Eng.		7430446	6
	BEARING UNIT - .010" U/S	6 Cyl. Eng.		7430448	6
	BEARING UNIT - .020" U/S	6 Cyl. Eng.		7430449	6
	BEARING UNIT - Standard	8 Cyl. Eng.		2806382	8
	BEARING UNIT - .001" U/S	8 Cyl. Eng.		2806383	8
	BEARING UNIT - .002" U/S	8 Cyl. Eng.		2813372	8
	BEARING UNIT - .010" U/S	8 Cyl. Eng.		2813378	8
0.623	BOLT – Connecting rod				
	BOLT	6 Cyl. Eng.		7420086	12
	BOLT	8 Cyl. Eng.		7434726	16
0.626	NUT – Connecting rod bolt				
	NUT	6 Cyl. Eng.		6255523	12
	NUT	8 Cyl. Eng.		3784834	16
0.629	PISTON and PIN ASSEMBLY				
	STANDARD	2850 Eng. 8.3:1 C.R.		2819526	6
	STANDARD - High limit	2850 Eng. 8.3:1 C.R.		2819527	6
	.001" O/S	2850 Eng. 8.3:1 C.R.		2819528	6
	.002" O/S	2850 Eng. 8.3:1 C.R.		2819529	6
	STANDARD	2850 Eng. 9.4:1 C.R.		2819519	6
	STANDARD - High limit	2850 Eng. 9.4:1 C.R.		2819520	6
	.001" O/S	2850 Eng. 9.4:1 C.R.		2819521	6
	.002" O/S	2850 Eng. 9.4:1 C.R.		2819522	6
	.020" O/S	2850 Eng. 9.4:1 C.R.		2819523	6
	.030" O/S	2850 Eng. 9.4:1 C.R.		2819524	6
	.040" O/S	2850 Eng. 9.4:1 C.R.		2819525	6
	STANDARD	3300 Eng. 7.8:1 C.R.		2819512	6
	STANDARD - High limit	3300 Eng. 7.8:1 C.R.		2819513	6
	.001" O/S	3300 Eng. 7.8:1 C.R.		2819514	6
	.002" O/S	3300 Eng. 7.8:1 C.R.		2819515	6
	STANDARD	3300 Eng. 9.4:1 C.R.		2819505	6
	STANDARD - High limit	3300 Eng. 9.4:1 C.R.		2819506	6
	.001" O/S	3300 Eng. 9.4:1 C.R.		2819507	6
	.002" O/S	3300 Eng. 9.4:1 C.R.		2819508	6
	.020" O/S	3300 Eng. 9.4:1 C.R.		2819509	6
	.030" O/S	3300 Eng. 9.4:1 C.R.		2819510	6
	.040" O/S	3300 Eng. 9.4:1 C.R.		2819511	6
	STANDARD	4.2 Litre Eng. 8.0:1 C.R.		2811397	8
	STANDARD - High limit	4.2 Litre Eng. 8.0:1 C.R.		2811398	8
	.001" O/S	4.2 Litre Eng. 8.0:1 C.R.		2812349	8

"HJ" PARTS CATALOGUE

GROUP	DESCRIPTION	MODEL	SIDE	PART No.	QTY.
0.629	PISTON and PIN ASSEMBLY (contd.)				
	.002" O/S	4.2 Litre Eng. 8.0:1 C.R.		2812350	8
	.020" O/S	4.2 Litre Eng. 8.0:1 C.R.		2811399	8
	.030" O/S	4.2 Litre Eng. 8.0:1 C.R.		2811400	8
	STANDARD	4.2 Litre Eng. 9.0:1 C.R.		2811402	8
	STANDARD - High limit	4.2 Litre Eng. 9.0:1 C.R.		2811403	8
	.001" O/S	4.2 Litre Eng. 9.0:1 C.R.		2812347	8
	.002" O/S	4.2 Litre Eng. 9.0:1 C.R.		2812348	8
	.020" O/S	4.2 Litre Eng. 9.0:1 C.R.		2811404	8
	.030" O/S	4.2 Litre Eng. 9.0:1 C.R.		2811405	8
	STANDARD	5 Litre Eng.		9937221	8
	STANDARD - High limit	5 Litre Eng.		9937223	8
	.001" O/S	5 Litre Eng.		9937225	8
	.002" O/S	5 Litre Eng.		9937227	8
	.020" O/S	5 Litre Eng.		9937229	8
	.030" O/S	5 Litre Eng.		9937231	8
0.636	PIN - Piston				
	PIN	6 Cyl. Eng.		7421214	6
	PIN	4.2 Litre Eng.		7434728	8
	PIN	5 Litre Eng.		7435617	8
0.643	RING SET - Piston				
	STANDARD	2850 Eng.		2819098	1
	.020" O/S	2850 Eng.		2819099	1
	.030" O/S	2850 Eng.		2819100	1
	.040" O/S	2850 Eng.		2819101	1
	STANDARD	3300 Eng.		2819696	1
	.020" O/S	3300 Eng.		2819697	1
	.030" O/S	3300 Eng.		2819698	1
	.040" O/S	3300 Eng.		2819699	1
	STANDARD	4.2 Litre Eng.		2811532	1
	.020" O/S	4.2 Litre Eng.		2811536	1
	.030" O/S	4.2 Litre Eng.		2811537	1
	STANDARD	5 Litre Eng.		2811531	1
	.020" O/S	5 Litre Eng.		2811533	1
	.030" O/S	5 Litre Eng.		2811534	1
* 0.646	CRANKSHAFT ASSEMBLY				
	CRANKSHAFT ASSEMBLY	(M) 2850 Eng.		9932828	1
	CRANKSHAFT ASSEMBLY	(M) 3300 Eng.		9932837	1
	CRANKSHAFT ASSEMBLY	(A) 2850 Eng.		9932824	1
	CRANKSHAFT ASSEMBLY	(A) 3300 Eng.		9932833	1
X	CRANKSHAFT ASSEMBLY	4.2 Litre Eng.		9931197 9932845	1
	CRANKSHAFT ASSEMBLY	(M) 5 Litre Eng.		9931198 9932843	1
	CRANKSHAFT	(A) 5 Litre Eng.		9937168	1
X	REMOVE PILOT BRG WHEN FITTING TO (AUTO)				
0.649	BEARING - Crankshaft clutch pilot				
	BEARING	(M)		412562	1
0.649	SLEEVE - Converter pilot				
	SLEEVE	6 Cyl. Eng.		7420798	1
0.659	DAMPER ASSEMBLY, PULLEY - Crankshaft				
	DAMPER ASSEMBLY	6 Cyl. Eng.		7434224	1
	DAMPER ASSEMBLY	8 Cyl. Eng.		7435458	1
	PULLEY	6 Cyl. Eng. P/Stg. exc. Air Cond.		2815586	1
	PULLEY	3300 Eng. Air Cond. exc. P/Stg.		2815587	1
	PULLEY ASSEMBLY	3300 Eng. P/Stg., Air Cond.		2815585	1
	PULLEY ASSEMBLY	8 Cyl. Eng. exc. P/Stg., Air Cond.		2813531	1

"HJ" PARTS CATALOGUE

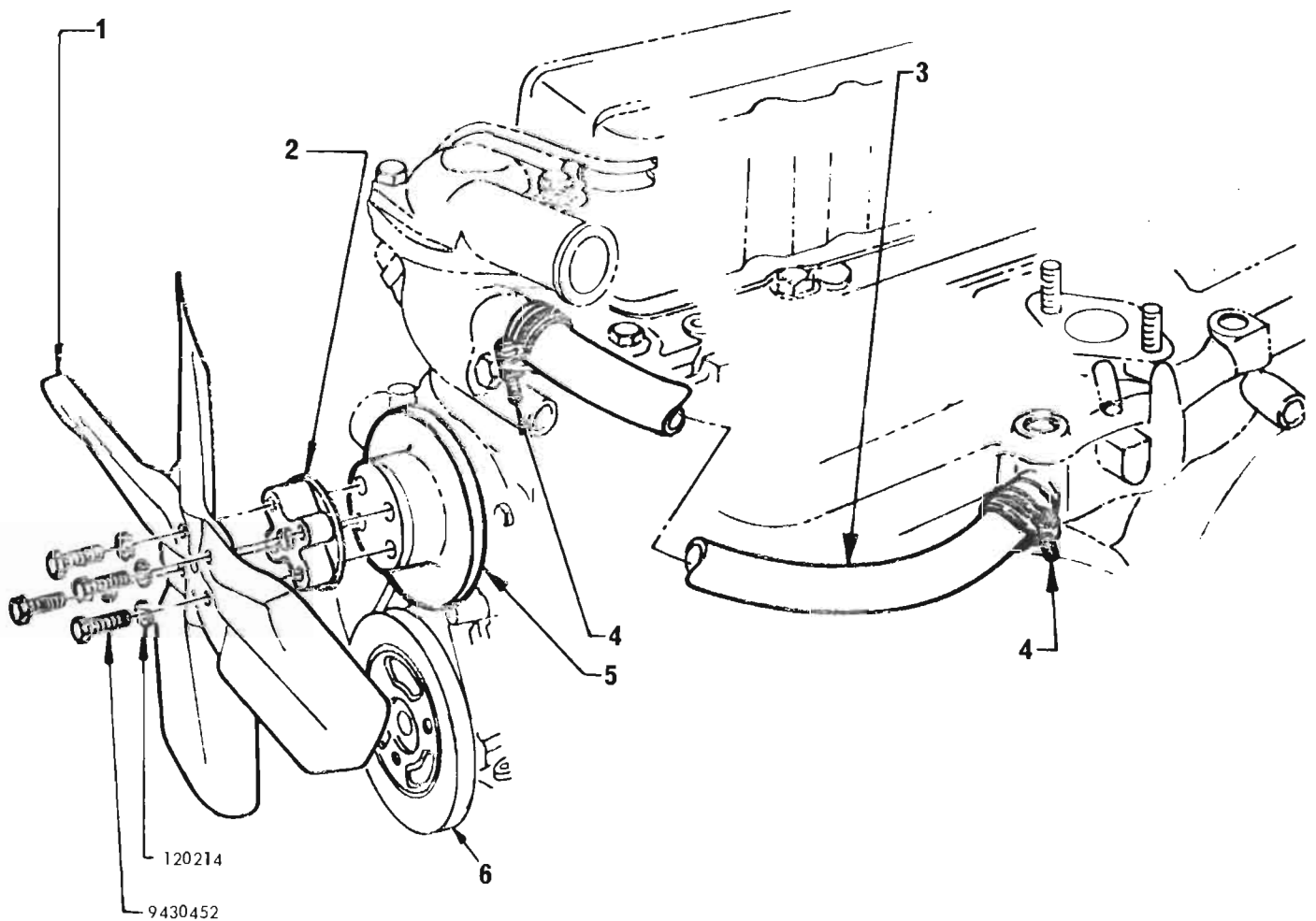
GROUP	DESCRIPTION	MODEL	SIDE	PART No.	QTY.
0.659	DAMPER ASSEMBLY, PULLEY – Crankshaft (contd.)				
	PULLEY ASSEMBLY	8 Cyl. Eng. P/Stg., exc. Air Cond.		2813532	1
	PULLEY ASSEMBLY	8 Cyl. Eng. Air Cond. exc. P/Stg.		2813535	1
	PULLEY ASSEMBLY	8 Cyl. Eng. Air Cond., P/Stg.		2813536	1
	WASHER – Damper to crankshaft	8 Cyl. Eng.		7435295	1
	BOLT – Damper to crankshaft	8 Cyl. Eng.		SP2219	2
0.666	FLYWHEEL and RING GEAR ASSEMBLY				
	FLYWHEEL & RING GEAR ASSEMBLY	(M) 6 Cyl. Eng.		7420114	1
	FLYWHEEL & RING GEAR ASSEMBLY	(A) 6 Cyl. Eng.		7420311	1
	FLYWHEEL & RING GEAR ASSEMBLY	(M) 8 Cyl. Eng.		7434800	1
	FLYWHEEL & RING GEAR ASSEMBLY	(A) 4.2 Litre Eng.		7437372	1
	FLYWHEEL & RING GEAR ASSEMBLY	(A) 5 Litre Eng.		9936811	1
0.669	BOLT – Flywheel to crankshaft				
	BOLT	(M) 6 Cyl. Eng.		7420118	6
	BOLT	(A) 6 Cyl. Eng.		7420312	6
	BOLT	(M) 8 Cyl. Eng.		7434739	6
	BOLT	(A) 8 Cyl. Eng.		7434778	6
0.673	GEAR – Flywheel ring				
	GEAR	(M) 6 Cyl. Eng.		7431533	1
	GEAR	(M) 8 Cyl. Eng.		2812461	1
0.679	COVER ASSEMBLY – Clutch and transmission case, converter housing				
	COVER – Upper	6 Cyl. Eng.		7420128	1
	COVER – Lower	(M) 6 Cyl. Eng.		7430096	1
	COVER – Lower	(A) 6 Cyl. Eng.		7439693	1
	COVER – Lower	(M) 8 Cyl. Eng.		7437069	1
	COVER – Lower	(A) 4.2 Litre Eng.		7437069	1
	COVER – Lower	(A) 5 Litre Eng.		9931274	1
	BOLT & LOCK WASHER ASSEMBLY	ALL		9416367	A.R
	SCREW – Cover to housing	(A) 5 Litre Eng.		9413531	4
0.683	HOUSING – Clutch, converter				
	HOUSING – Clutch	(M) 6 Cyl. Eng.		7435393	1
	HOUSING – Clutch	(M) 8 Cyl. Eng.		2817149	1
	HOUSING – Converter	(A) 6 Cyl. Eng.		5258275	1
	HOUSING – Converter	(A) 4.2 Litre Eng.		5258276	1
	SEAL – Housing	(A)		8625571	1
	BUSHING – Housing	(A) 6 Cyl., 4.2 Litre Eng.		2814738	1
	BOLT – Housing to cylinder block	(M) 8 Cyl. Eng.		SP2139	6
	BOLT – Hex. hd. flanged $\frac{5}{16}$ " – 18 x 1 $\frac{5}{8}$ ", housing and oil pump to transmission case	(A) 6 Cyl., 4.2 Litre Eng.		9427182	7
	BOLT – Hex. hd. flanged $\frac{5}{16}$ " – 18 x 1 $\frac{3}{8}$ ", housing to oil pump	(A) 6 Cyl., 4.2 Litre Eng.		9423842	5
	PIN – Dowel	6 Cyl. Eng.		7401304	2
	PIN – Dowel (Oversize)	6 Cyl. Eng.		7406004	2
	PIN – Housing to cylinder block	(M) 8 Cyl. Eng.		7435646	2
	PIN – Housing to cylinder block	(A) 4.2 Litre Eng.		7435646	2
	PIN – Housing to cylinder block	(A) 5 Litre Eng.		3736406	2
0.724	CHAIN – Camshaft timing				
	CHAIN	8 Cyl. Eng.		9933435	1
0.728	GEAR, SPROCKET – Crankshaft				
	GEAR	6 Cyl. Eng.		7420025	1
	SPROCKET	8 Cyl. Eng.		7434759	1
	KEY – Woodruff $\frac{3}{16}$ " x $\frac{3}{4}$ "	6 Cyl. Eng.		106751	1
	KEY – Woodruff $\frac{3}{16}$ " x 2 $\frac{1}{8}$ "	8 Cyl. Eng.		144542	1

"HJ" PARTS CATALOGUE

GROUP	DESCRIPTION	MODEL	SIDE	PART No.	QTY.
0.736	GEAR KIT, GEAR, SPROCKET – Camshaft				
	GEAR KIT	6 Cyl. Eng.		7431746	1
	GEAR – Camshaft	6 Cyl. Eng.		7430922	1
	KEY – Woodruff $\frac{3}{16}$ " x $\frac{3}{4}$ "	6 Cyl. Eng.		106751	1
	SPROCKET	8 Cyl. Eng.		7434699	1
	PIN – Sprocket	8 Cyl. Eng.		141202	1
	BOLT – Eccentric & sprocket to camshaft	8 Cyl. Eng.		7434757	1
0.738	RING – Camshaft gear spacing				
	RING	6 Cyl. Eng.		7420026	1
0.748	NOZZLE – Timing gear oil				
	NOZZLE	6 Cyl. Eng.		7427418	1
	NOZZLE	8 Cyl. Eng.		7437269	1
0.787	ROD ASSEMBLY – Clutch pull				
	ROD ASSEMBLY	(M)		2816542	1
0.795	FORK, LEVER – Clutch				
	FORK	(M) 6 Cyl. Eng.		7448624	1
	LEVER	(M) 8 Cyl. Eng.		7436174	1
0.796	STUD – Clutch lever ball				
	STUD	(M) 6 Cyl. Eng.		7433895	1
	STUD	(M) 8 Cyl. Eng.		7430099	1
0.797	PLATE, BOOT – Clutch fork				
	PLATE – Guide	(M) 6 Cyl. Eng.		7433793	1
	PLATE – Sliding	(M) 6 Cyl. Eng.		7433794	1
	PLATE – Guide	(M) 8 Cyl. Eng.		7437138	1
	PLATE – Sliding	(M) 8 Cyl. Eng.		7437137	1
0.798	SPRING – Clutch fork sliding plate retaining				
	SPRING	(M) 6 Cyl. Eng.		7433896	1
	SPRING	(M) 8 Cyl. Eng.		7409160	1
0.799	BEARING ASSEMBLY – Clutch throwout				
	BEARING ASSEMBLY	(M)		9029712 CT22	1
0.830	PEDAL, PAD, BUMPER – Clutch				
	PEDAL ASSEMBLY	(M)		2816720	1
	PAD – Clutch pedal	(M)		7433701	1
	BALL – Clutch pedal	(M)		169162	1
	BUMPER – Clutch pedal	(M)		2816796	1
	BOLT – Bumper to bracket	(M)		9415820	1
	BRACKET – Clutch pedal bumper	(M)		2822510	1
	SPACER – Clutch pedal bumper bracket	(M)		2814737	1
	ECCENTRIC ASSEMBLY – Clutch pedal bumper	(M)		2816766	1
0.831	BUSHING, BEARING – Clutch pedal				
	BUSHING – Special, $\frac{5}{16}$ "	(M)		3798256	2
	BEARING – Long	(M)		2814737	1
0.837	BOLT, NUT – Clutch pedal retaining				
	BOLT – Hex. hd. $\frac{1}{2}$ " – 13 x $5\frac{1}{4}$ "	(M)		215723	1
	NUT	(M)		SP2561	1

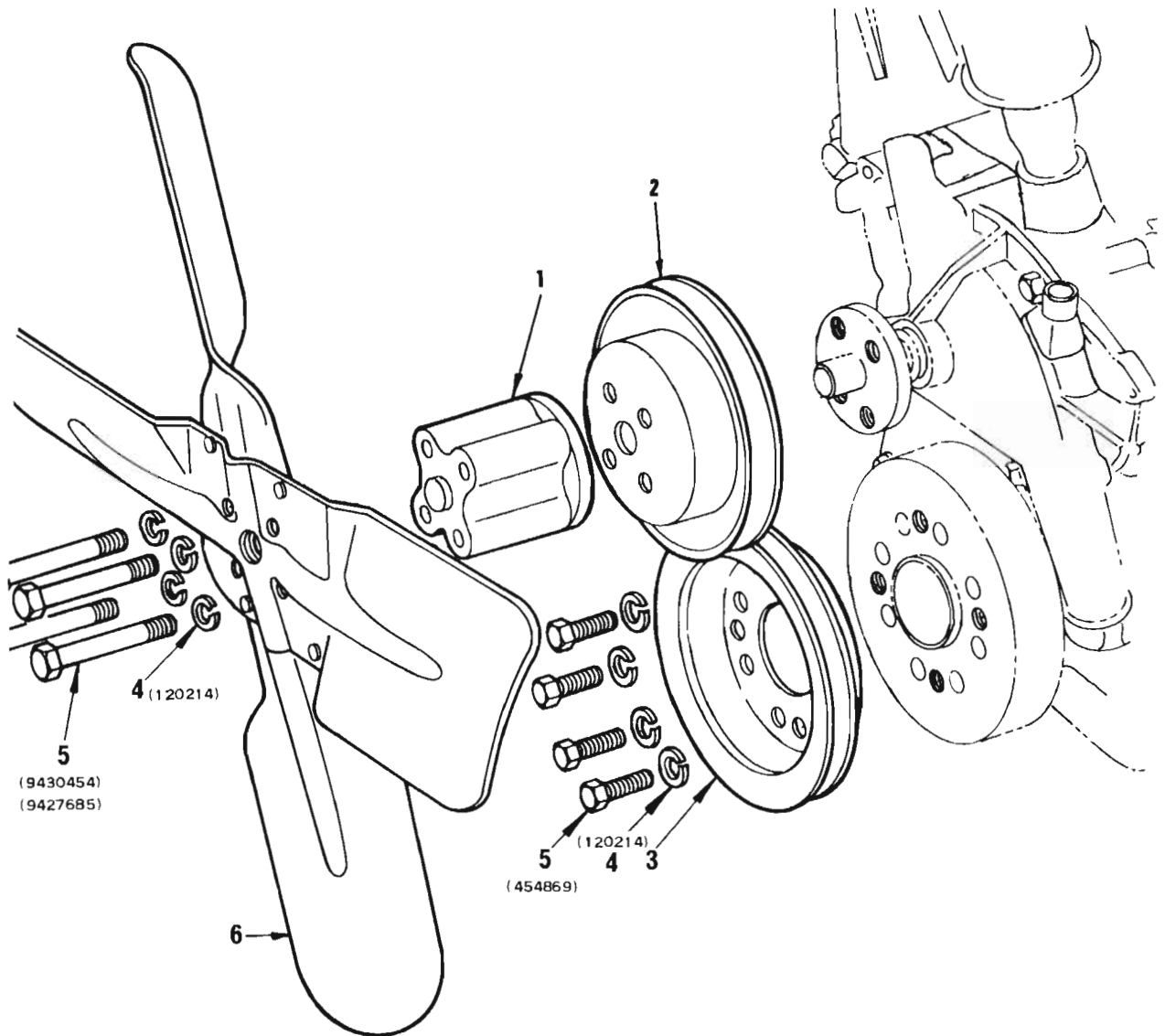
"HJ" PARTS CATALOGUE

GROUP	DESCRIPTION	MODEL	SIDE	PART No.	QTY.
0.839	ROD – Clutch lever push				
	ROD	(M)		2816851	1
	NUT – Adjusting	(M)		SP2149	1
0.844	SPRING – Clutch return				
	SPRING – Clutch over-centre	(M)		2816812	1
	SPRING – Clutch fork retaining	(M)		7428552	1
	SPRING – Clutch lever return	(M)		7437128	1
0.852	LEVER & STRUT ASSEMBLY, LEVER & PIN ASSEMBLY, STRUT ASSEMBLY – Clutch relay				
	LEVER & STRUT ASSEMBLY	(M)		2820072	1
	LEVER & PIN ASSEMBLY	(M)	LH	2820241	1
			RH	2820240	1
	BUSH – Lever pivot	(M)		2815381	1
	PIN – Lever pivot	(M)		SP2238	1
	RETAINER – Lever pin	(M)		2820067	1
	WASHER – Lever thrust	(M)		2816690	1
	CLIP – Lever spacer	(M)		2816032	1
	STRUT ASSEMBLY – Lever	(M)		2820066	1
	BRACKET – Strut to dash	(M)		2820071	1
	PLATE – Strut insulator upper	(M)		7437489	1
	INSULATOR – Strut	(M)		7437284	2
	PLATE – Strut insulator lower	(M)		2820063	1
	BRACE ASSEMBLY – Clutch lever	(M)		2820068	1
	PIN – Brace to strut	(M)		SP2239	1
	CLIP – Clutch lever brace	(M)		3749084	2
	BRACKET ASSEMBLY – Clutch brace	(M) 6 Cyl. Eng.		2817021	1
	BRACKET – Clutch brace	(M) 8 Cyl. Eng.		2817077	1
0.861	COVER and PRESSURE PLATE ASSEMBLY – Clutch				
	(Includes Diaphragm Spring)	(M) 6 Cyl. Eng. exc. Chassis & Cab		7429381	1
	(Includes Diaphragm Spring)	(M) 6 Cyl. Eng. Chassis & Cab		9036436	1
	(Includes Diaphragm Spring)	(M) 4.2 Litre Eng.		7436634	1
	(Includes Diaphragm Spring)	(M) 5 Litre Eng.		7436633	1
0.870	BOLT – Clutch to flywheel				
	BOLT	(M)		7402029	4-6
0.886	PLATE ASSEMBLY – Clutch driven				
	PLATE ASSEMBLY – Regular	(M) 6 Cyl. Eng. <u>EXC CHASSIS & CAB</u>		9937145	1
	PLATE ASSEMBLY – Heavy duty	(M) 6 Cyl. Eng. <u>EXC CHASSIS & CAB</u>		7409027 <u>9936437</u>	1
	PLATE ASSEMBLY	(M) 4.2 Litre Eng.		7436630	1
	PLATE ASSEMBLY	(M) 5 Litre Eng.		7436629	1
	<u>PLATE ASSEMBLY</u>	(M) <u>6 Cyl. Eng. CHASSIS & CAB</u>		<u>998437</u>	1



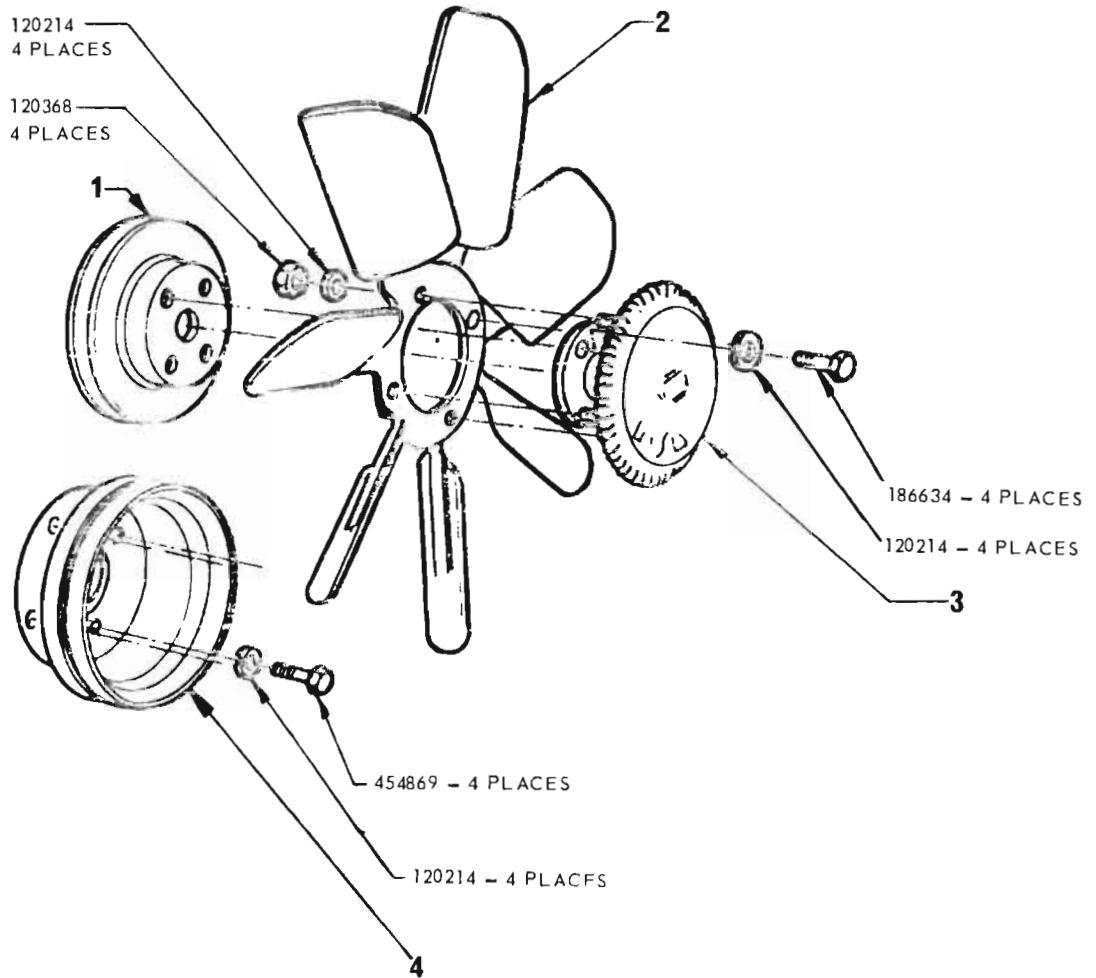
**FAN BLADE & PULLEY
6Cyl. Eng.**

ILLUS. REF. NO.	PART NAME	GROUP	ILLUS. REF. NO.	PART NAME	GROUP
1.	BLADE ASSEMBLY - Fan	1.064	4.	CLAMP - Hose 1.03"	3.260
2.	SPACER	1.064	5.	PULLEY ASSY. - Water pump and fan ..	1.062
3.	HOSE - Inlet	3.260	6.	PULLEY ASSY. - Crankshaft	0.659



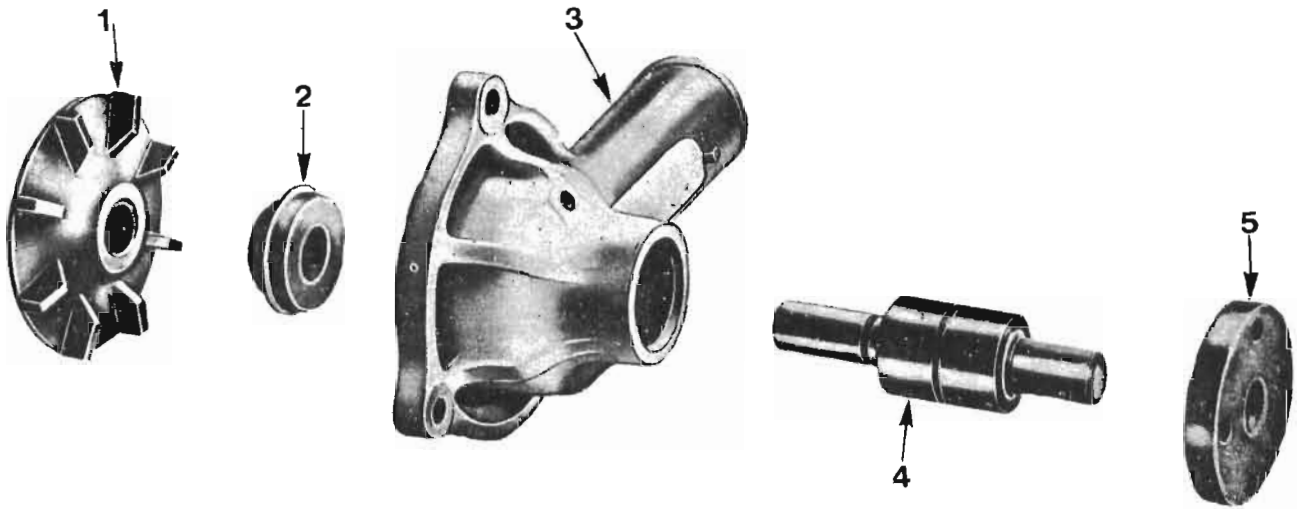
FAN BLADE & PULLEY
Model - 8Cyl. Eng.

ILLUS. REF. NO.	PART NAME	GROUP	ILLUS. REF. NO.	PART NAME	GROUP
1.	SPACER	1.064	4.	WASHER - Lock	8.931
2.	PULLEY ASSEMBLY	1.062	5.	BOLT - Hexagon head	8.900
3.	PULLEY ASSEMBLY	0.659	6.	BLADE ASSEMBLY	1.064



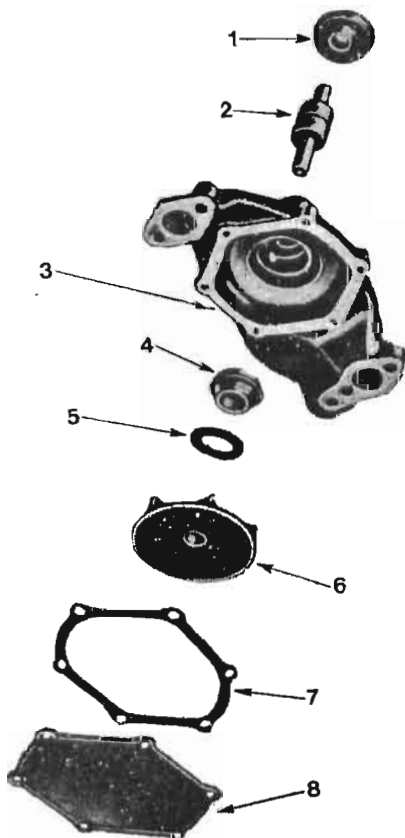
**FAN BLADE & PULLEY
AIR CONDITIONING**

ILLUS. REF. NO.	PART NAME	GROUP	ILLUS. REF. NO.	TRADE NAME	GROUP
1.	PULLEY ASSY. - Water pump & fan	1.062	3.	CLUTCH ASSEMBLY	1.050
2.	BLADE ASSEMBLY - Fan	1.064	4.	PULLEY ASSY. - Crankshaft	0.659



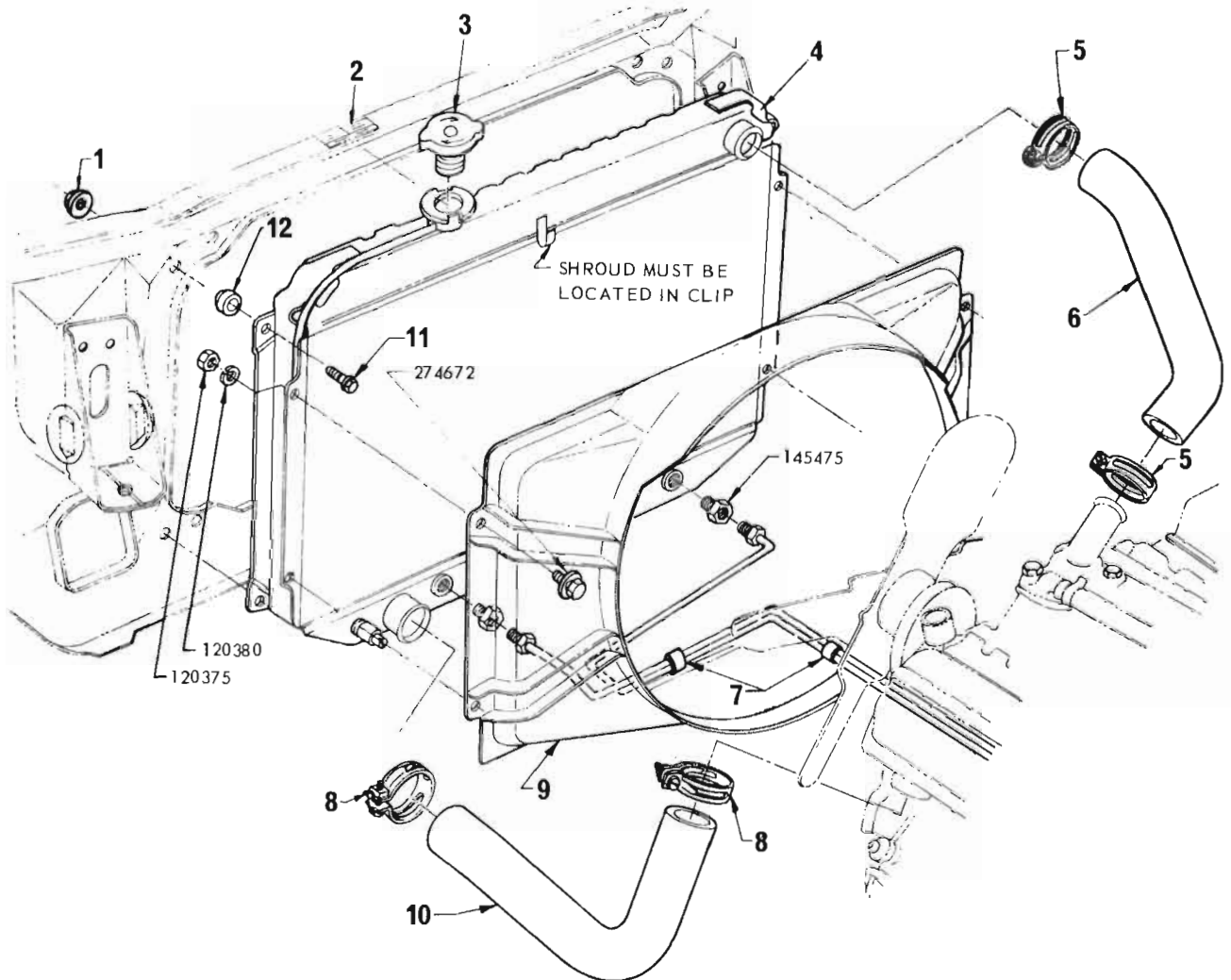
ILLUS. REF. NO.	DESCRIPTION	GROUP
1.	ROTOR — Water pump	1.109
2.	SEAL ASSY. — Water pump	1.123
3.	BODY — Water pump	1.073
4.	SHAFT & BEARING ASSY.	1.108
5.	HUB — Water pump and fan pulley	1.063

WATER PUMP — 6 CYL.



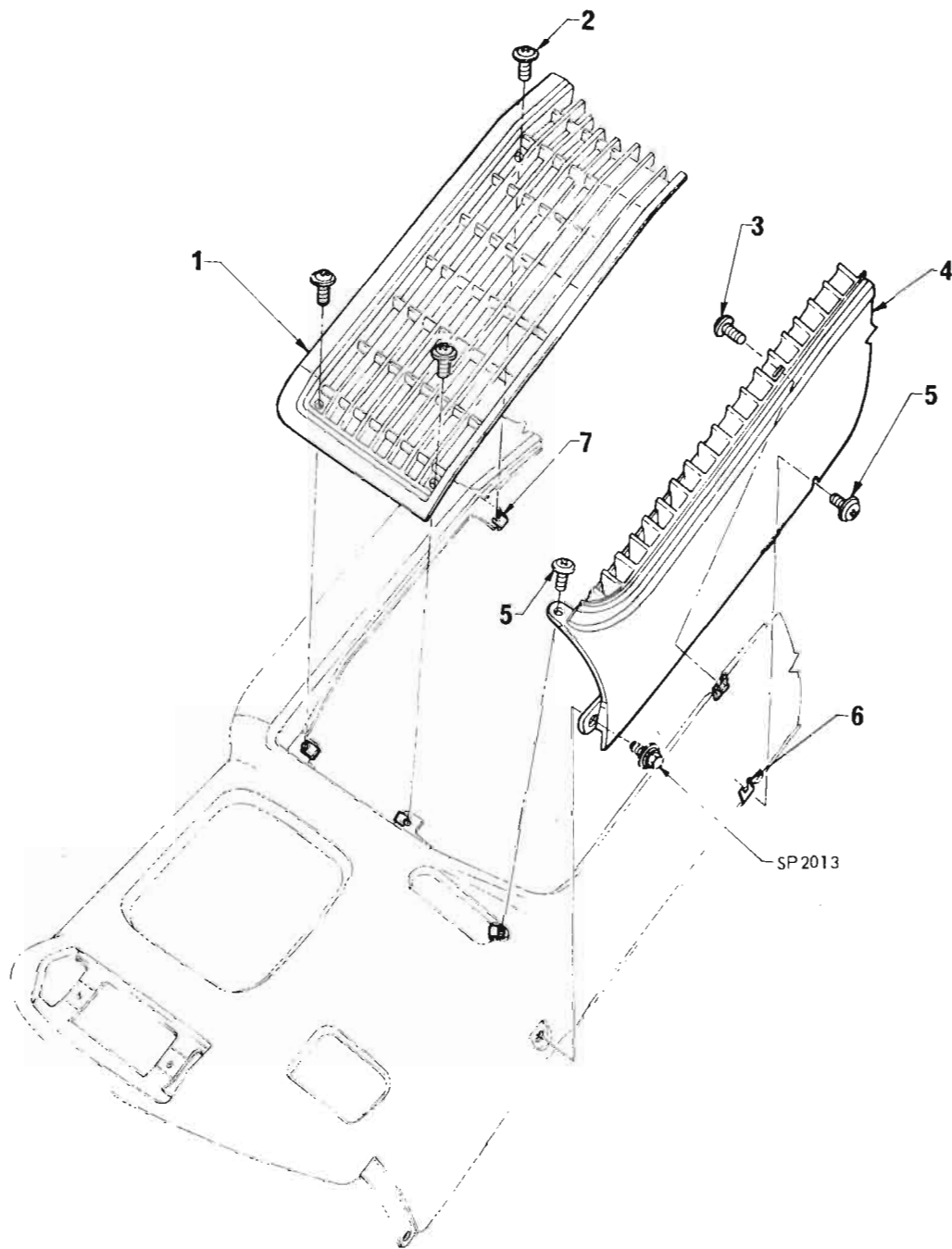
ILLUS. REF. NO.	DESCRIPTION	GROUP
1.	HUB — Water pump and fan pulley	1.063
2.	SHAFT & BEARING ASSY.	1.108
3.	BODY — Water pump	1.073
4.	SEAL ASSY. — Water pump	1.123
5.	SEAT ASSEMBLY — Seal	1.123
6.	ROTOR — Water pump	1.109
7.	GASKET — Water pump plate	N.S.S.
8.	PLATE — Water pump	N.S.S.
1 — 8 Inc. PUMP ASSY.		1.069

WATER PUMP — 8 Cyl. Eng.



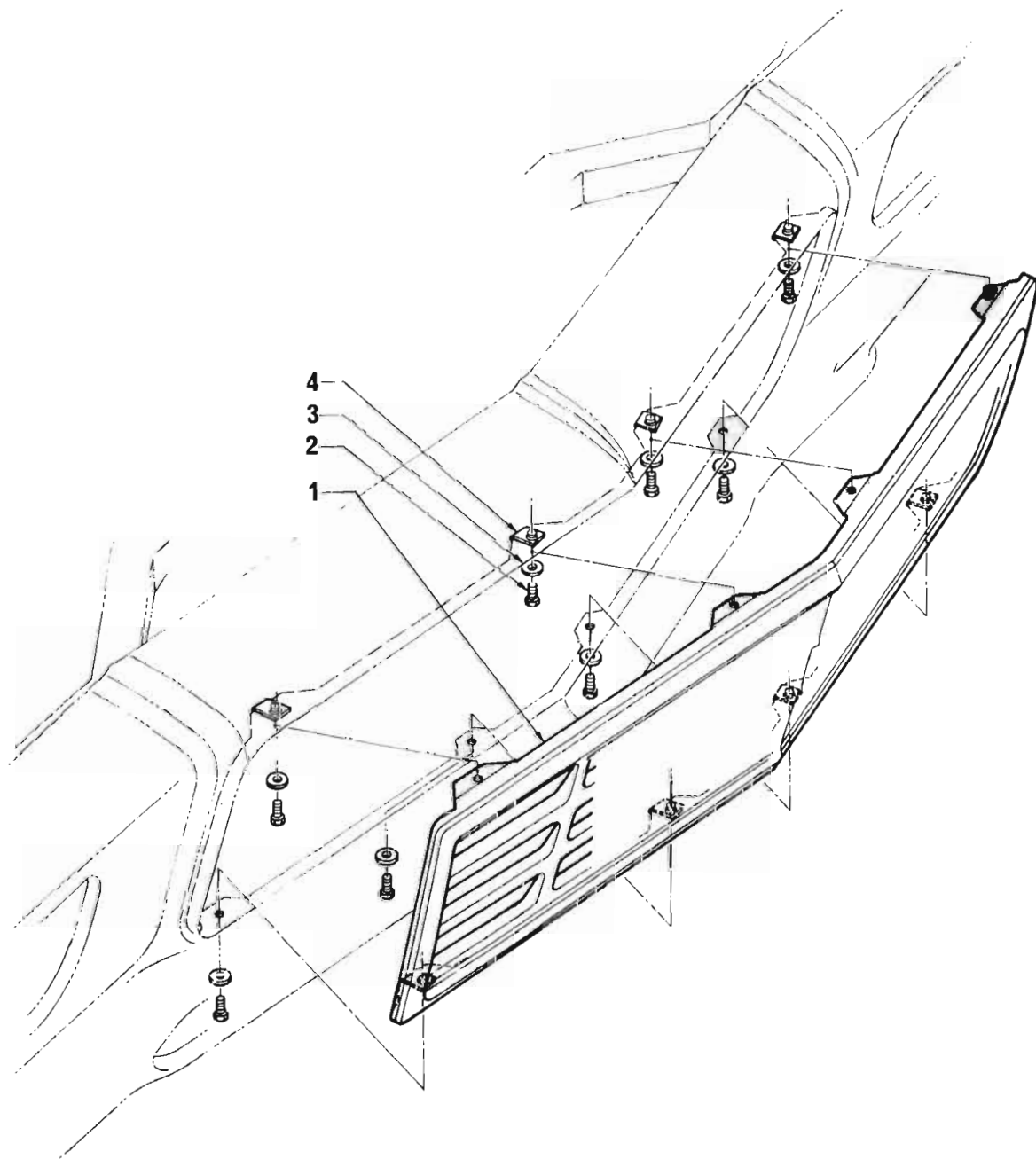
RADIATOR ASSEMBLY

ILLUS. REF. NO.	PART NAME	GROUP	ILLUS. REF. NO.	PART NAME	GROUP
1.	NUT - Radiator to front end panel	1.219	7.	CLIP - Inlet to outlet pipe	4.128
2.	LABEL - Fan warning	8.823	8.	CLAMP - Outlet hose	1.166
3.	CAP ASSEMBLY - Radiator	1.203	9.	SHROUD - Radiator fan	1.270
4.	RADIATOR ASSEMBLY	1.219	10.	HOSE & SPRING PACKAGE - Outlet ..	1.159
5.	CLAMP - Inlet hose	1.166	11.	SCREW - Radiator to front end panel ..	1.219
6.	HOSE - Inlet	1.159	12.	GROMMET - Radiator to front end panel	1.219



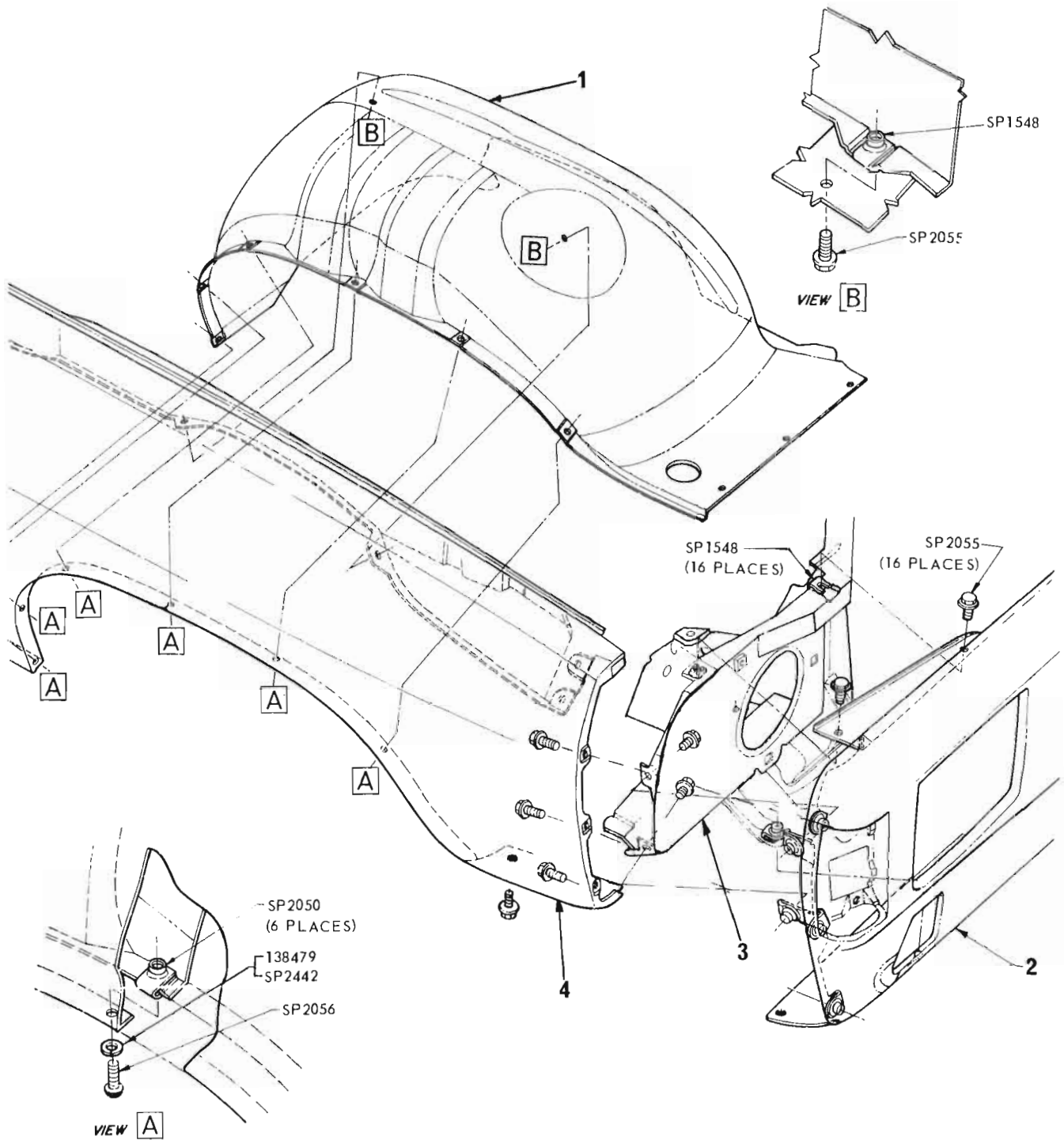
RADIATOR GRILLE
Exc. Chassis and Cab.

ILLUS. REF. NO.	PART NAME	GROUP	ILLUS. REF. NO.	PART NAME	GROUP
1.	GRILLE ASSEMBLY - Radiator	1.266	5.	BOLT - Lower grille to front end panel	1.266
2.	BOLT - Grille to front end panel	1.266	6.	NUT - Lower grille to front end panel	1.266
3.	BOLT - Lower grille to front end panel ..	1.266	7.	NUT - Grille to front end panel	1.266
4.	GRILLE ASSY. - Radiator lower	1.266			



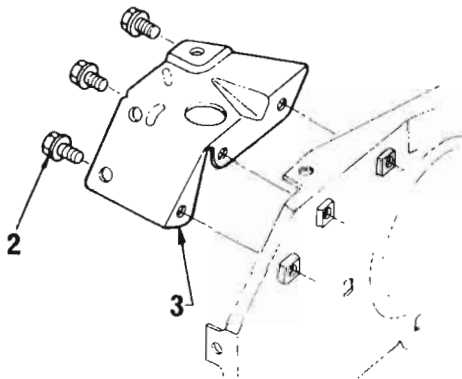
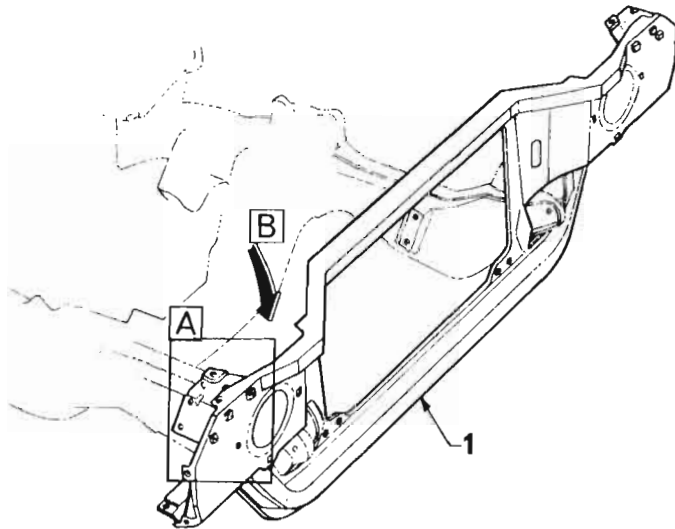
RADIATOR GRILLE
Chassis and Cab

ILLUS. REF. NO.	PART NAME	GROUP	ILLUS. REF. NO.	PART NAME	GROUP
1.	GRILLE ASSY. - Radiator	1.266	3.	WASHER - Grille to front end panel	1.266
2.	BOLT - Grille to front end panel	1.266	4.	NUT - Grille to front end panel	1.266

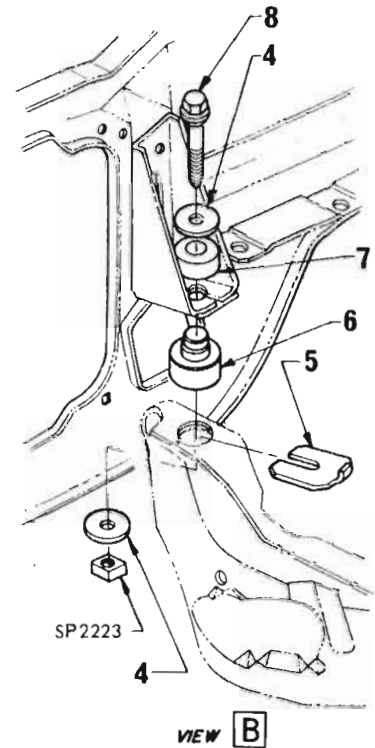


FRONT END PANELS

ILLUS. REF. NO.	PART NAME	GROUP	ILLUS. REF. NO.	PART NAME	GROUP
1.	SKIRT ASSY. - Front fender	8.153	3.	PANEL ASSY. - Radiator support	1.270
2.	PANEL - Front end	1.266	4.	FENDER ASSY. - Front	8.130

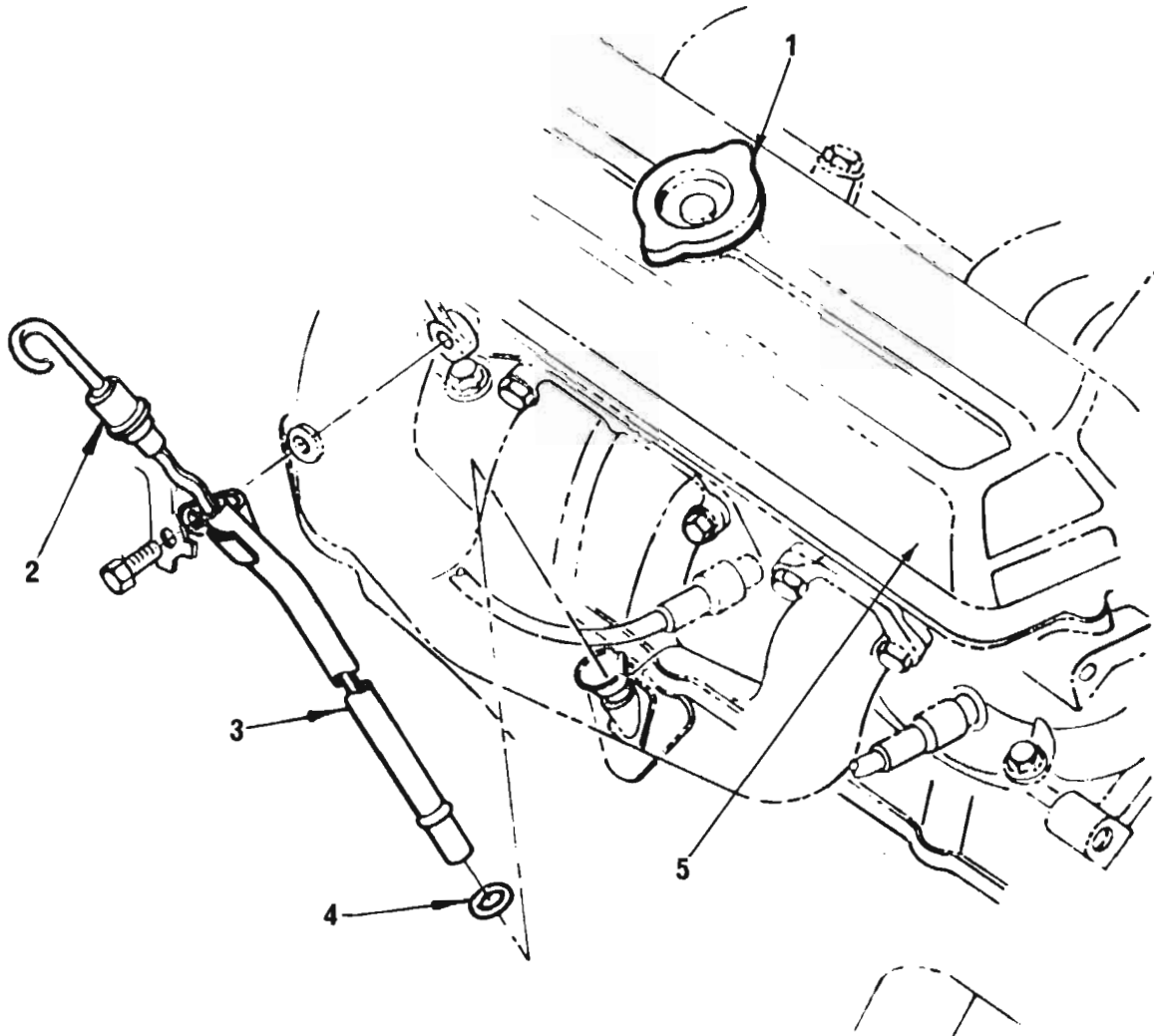


VIEW A
EXC. 60 STYLES



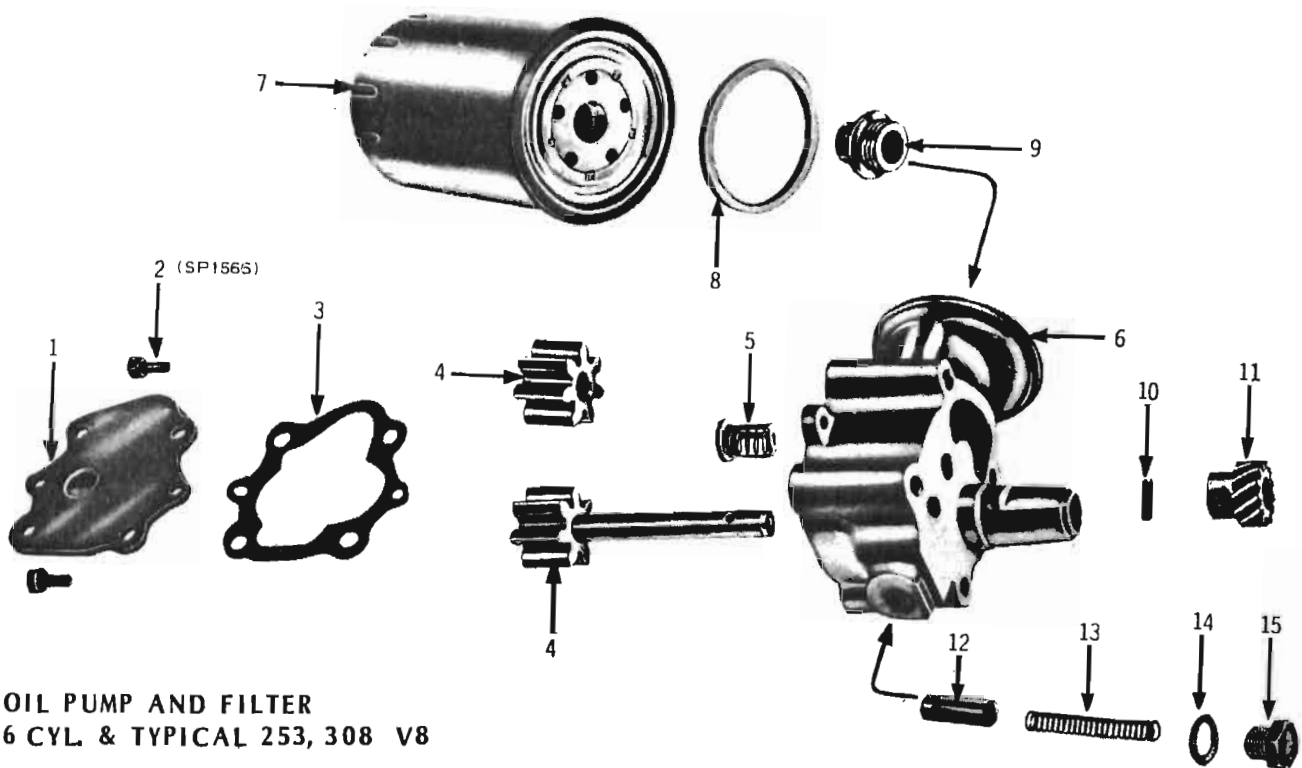
RADIATOR SUPPORT PANEL

ILLUS. REF. NO.	PART NAME	GROUP	ILLUS. REF. NO.	PART NAME	GROUP
1.	PANEL ASSY. - Radiator support	1.270	5.	SHIM - Mounting	7.020
2.	BOLT - Radiator support bracket	1.270	6.	MOUNTING ASSY. - Front end	7.020
3.	BRACKET ASSY. - Radiator support to fender	1.270	7.	MOUNT - Body lower front end	7.020
4.	WASHER - Body mounting	7.020	8.	BOLT - Body mounting	7.020



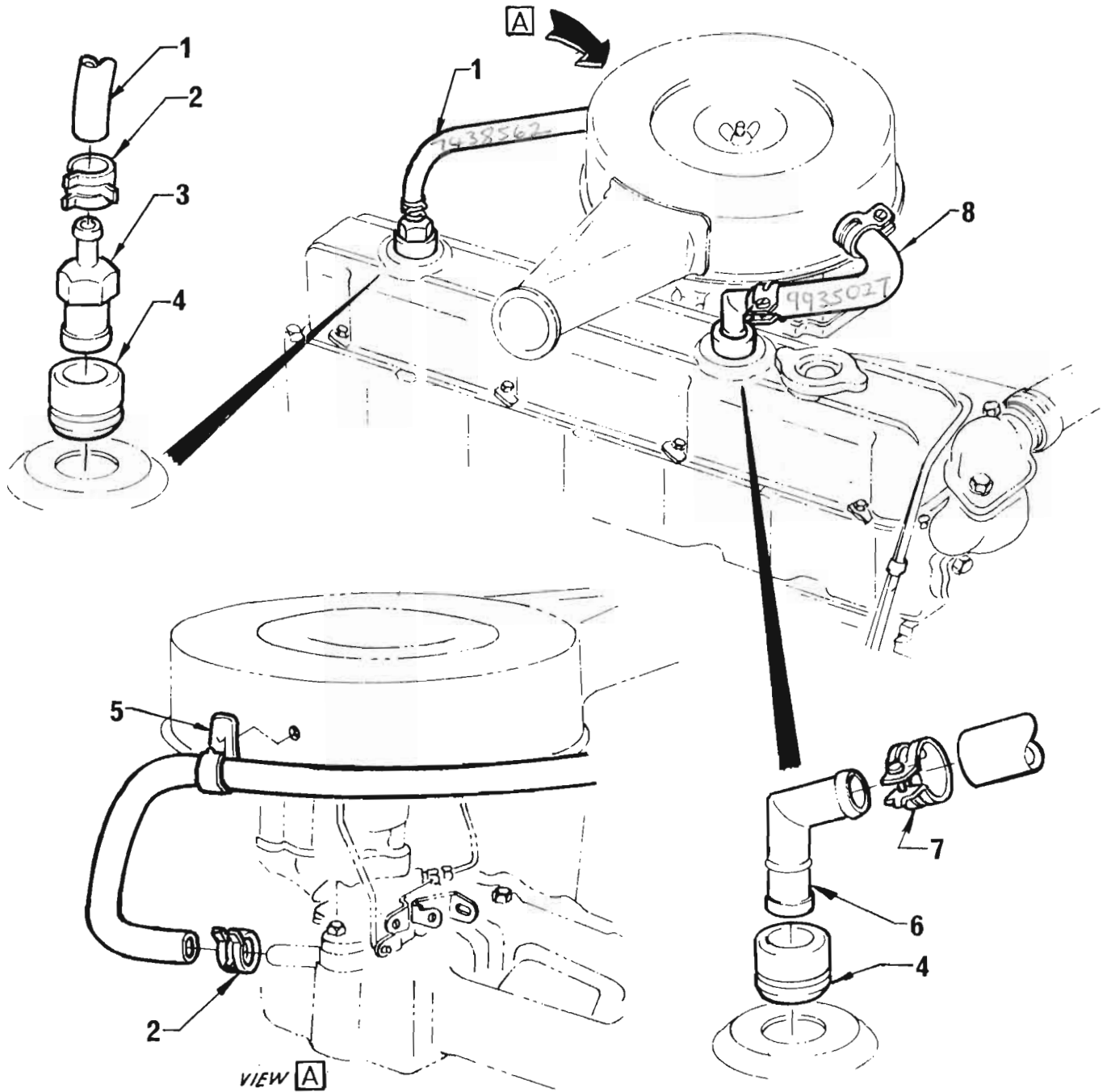
OIL LEVEL INDICATOR

ILLUS. REF. NO.	PART NAME	GROUP	ILLUS. REF. NO.	PART NAME	GROUP
1.	CAP ASSEMBLY - Oil filler	1.516	4.	SEAL - Oil level indicator tube	1.516
2.	INDICATOR ASSY. - Oil level	1.516	5.	COVER ASSY. - Valve rocker	0.386
3.	TUBE ASSY.- Oil level indicator	1.516			



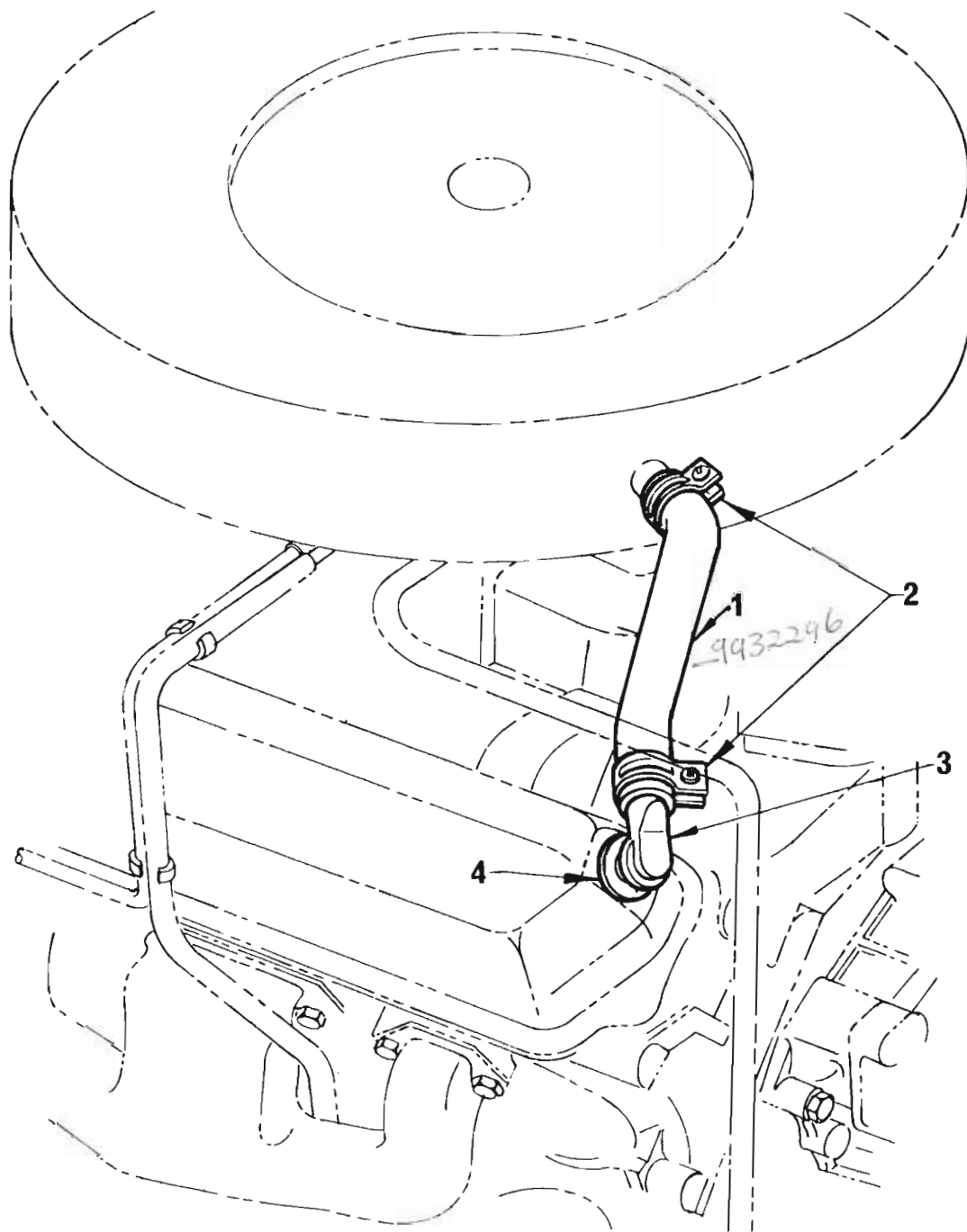
**OIL PUMP AND FILTER
6 CYL. & TYPICAL 253, 308 V8**

ILLUS. REF. NO.	PART NAME	GROUP	ILLUS. REF. NO.	PART NAME	GROUP
1.	COVER	1.723	9.	ADAPTOR	1.835
2.	BOLT - Hexagon head	8.900	10.	PIN	1.643
3.	GASKET	1.724	10/11.	GEAR KIT	1.643
4.	GEAR SET	1.659	12.	VALVE	1.609
5.	VALVE ASSEMBLY - Bypass	1.837	13.	SPRING	1.610
6.	BODY ASSEMBLY	1.653	14.	GASKET	1.611
7.	FILTER ASSEMBLY	1.835	15.	PLUG	1.611
8.	GASKET	1.837			



BREATHER HOSES
6 Cyl. Eng.

ILLUS. REF. NO.	PART NAME	GROUP	ILLUS. REF. NO.	PART NAME	GROUP
1.	HOSE - Breather to manifold	1.762	5.	CLIP - Hose to air cleaner	1.762
2.	CLAMP - Breather hose to carb.	1.762	6.	CONNECTOR - Breather outlet hose	1.762
3.	VALVE ASSEMBLY	1.762	7.	CLAMP - Breather outlet hose to air cleaner	1.762
4.	GROMMET	1.745	8.	HOSE - Breather outlet to air cleaner	1.762



**BREATHER HOSE
8 Cyl. Eng.**

ILLUS. REF. NO.	PART NAME	GROUP	ILLUS. REF. NO.	PART NAME	GROUP
1.	HOSE - Breather outlet to air cleaner	1.762	3.	CONNECTOR - Breather outlet hose	1.762
2.	CLAMP - Breather outlet hose	1.762	4.	GROMMET - Connector to rocker cover	1.745

"HJ" PARTS CATALOGUE

GROUP	DESCRIPTION	MODEL	SIDE	PART No.	QTY.
1.050	CLUTCH ASSEMBLY – Fan				
	CLUTCH ASSEMBLY	8 Cyl. Eng. Air Cond.		3937781	1
1.062	PULLEY – Water pump, fan and power steering				
	PULLEY ASSEMBLY	6 Cyl. Eng.		2808189	1
	PULLEY ASSEMBLY	8 Cyl. Eng. exc. Air Cond.		7435189	1
	PULLEY ASSEMBLY	8 Cyl. Eng. Air Cond.		2812459	1
1.063	HUB – Water pump and fan pulley				
	HUB	ALL		7449209	1
1.064	BLADE ASSEMBLY – Fan *				
	BLADE ASSEMBLY – 4 Blade	6 Cyl. Eng. exc. Air Cond., Chassis & Cab. (M)		2820480	1
	BLADE ASSEMBLY – 4 Blade	6 Cyl. Eng. Chassis & Cab exc. Air Cond. H/Duty Rad.		2824280	1
	BLADE ASSEMBLY – 4 Blade	(M) 6 Cyl. Eng. Chassis & Cab w/H/Duty Rad.		} 2824280 2820480	1
	BLADE ASSEMBLY – 7 Blade	(A) 6 Cyl. Eng. Chassis & Cab w/H/Duty Rad.		9788982	1
	BLADE ASSEMBLY – 7 Blade	6 Cyl Eng Air Cond.		9788982	1
	BLADE ASSEMBLY – 4 Blade	8 Cyl. Eng. exc. Air Cond.		3927791	1
	BLADE ASSEMBLY – 7 Blade	8 Cyl. Eng. Air Cond.		3947772	1
	SPACER	6 Cyl. Eng.		2823840	1
	SPACER	8 Cyl. Eng. exc. Air Cond. H/Duty Rad., Chassis & Cab		2823841	1
	SPACER	4.2 Litre Eng. Chassis & Cab exc. Air Cond.		2823839	1
	SPACER	8 Cyl. Eng. H/Duty Rad. exc. Chassis & Cab		2823839	1
1.066	BELT – Fan and generator				
	BELT	6 Cyl. Eng. exc. Air Cond.		9934941	1
	BELT	6 Cyl. Eng. Air Cond.		2814845	1
	BELT	8 Cyl. Eng. exc. Air Cond.		7436379	1
	BELT	8 Cyl. Eng. Air Cond.		2812427	1
1.069	PUMP ASSEMBLY – Water				
	PUMP ASSEMBLY	6 Cyl. Eng.		2808367 → 2823988 88	1
	SEAL KIT – Heater hose connection	6 Cyl. Eng.		7430865	1
	BOLT & WASHER	6 Cyl. Eng.		7420070	2
	PUMP ASSEMBLY	8 Cyl. Eng.		2824553	1
1.071	REPAIR KIT – Water pump				
	REPAIR KIT	6 Cyl. Eng.		7423694 m37465	1
	REPAIR KIT	8 Cyl. Eng.		2811054	1
1.073	BODY – Water pump				
	BODY	6 Cyl. Eng.		7420066	1
	BODY	8 Cyl. Eng.		2824541	1
1.079	GASKET – Water pump to block				
	GASKET	6 Cyl. Eng.		7420069	1
	GASKET	8 Cyl. Eng.		7434749	1
1.108	SHAFT and BEARING ASSEMBLY – Water pump				
	SHAFT and BEARING	ALL		2823981	1
1.109	ROTOR – Water pump				
	ROTOR	6 Cyl. Eng.		7420068	1
	ROTOR	8 Cyl. Eng.		7438128	1

"HJ" PARTS CATALOGUE

GROUP	DESCRIPTION	MODEL	SIDE	PART No.	QTY.
1.123	SEAL ASSEMBLY – Water pump				
	SEAL ASSEMBLY	6 Cyl. Eng.		6270078	1
	SEAL ASSEMBLY	8 Cyl. Eng.		1239465	1
	SEAT ASSEMBLY – Seal	8 Cyl. Eng.		1239469	1
1.153	OUTLET – Cylinder head water				
	OUTLET	6 Cyl. Eng.		7423284	1
	OUTLET	8 Cyl. Eng.		2805347	1
1.154	GASKET – Cylinder head water outlet				
	GASKET	6 Cyl. Eng.		7401111	1
	GASKET	8 Cyl. Eng.		7434795	1
1.159	HOSE – Radiator				
	HOSE – Inlet	6 Cyl. Eng. exc. Air Cond. H/Duty Rad.		2812209	1
	HOSE – Inlet	6 Cyl. Eng. Air Cond., H/Duty Rad.		9934125	1
	HOSE – Inlet	8 Cyl. Eng.		2812270	1
	HOSE & SPRING PACKAGE – Outlet	6 Cyl. Eng.		2819473	1
	HOSE & SPRING PACKAGE – Outlet	8 Cyl. Eng.		2819474	1
1.166	CLAMP – Hose				
	CLAMP – Inlet 1.625" diameter	6 Cyl. Eng.		SP1004	2
	CLAMP – Inlet 1.88" diameter	8 Cyl. Eng.		SP1572	2
	CLAMP – Outlet 1.88" diameter	ALL		SP1572	2
1.203	CAP ASSEMBLY – Radiator pressure				
	CAP ASSEMBLY	ALL		9928800	1
1.219	RADIATOR ASSEMBLY, CORE, SERVICE SET				
	RADIATOR ASSEMBLY – Regular	(M) 6 Cyl. Eng. exc. Air Cond., Chassis & Cab		2812172	1
	RADIATOR ASSEMBLY – Regular	(M) 2850 Eng. Chassis & Cab, exc. Air Cond.	4939533	2812172	1
	RADIATOR ASSEMBLY – Regular	(M) 3300 Eng. Chassis & Cab, exc. Air Cond.		2812180	1
	RADIATOR ASSEMBLY – Heavy duty	(M) 6 Cyl. Eng.		2820097	1
	RADIATOR ASSEMBLY – Regular	(A) 6 Cyl. Eng. exc. Air Cond., Chassis & Cab		2820095	1
	RADIATOR ASSEMBLY – Heavy duty	(A) 6 Cyl. Eng. exc. Chassis & Cab		2820096	1
	RADIATOR ASSEMBLY – Regular	(A) 6 Cyl Eng Chassis & Cab exc Air Cond.		9931570	1
	RADIATOR ASSEMBLY – Heavy duty	(A) 6 Cyl. Eng. Chassis & Cab		9931699	1
	RADIATOR ASSEMBLY	(A) 6 Cyl. Eng. Chassis & Cab Air Cond. ..		9931699	1
	RADIATOR ASSEMBLY	(M) 6 Cyl. Eng. Air Cond.		2820097	1
	RADIATOR ASSEMBLY	(A) 6 Cyl. Eng. Air Cond. exc. Chassis & Cab		2820096	1
	RADIATOR ASSEMBLY – Regular	(M) 8 Cyl. Eng. exc. Air Cond.		2820098	1
	RADIATOR ASSEMBLY	(M) 8 Cyl. Eng. Air Cond.		2820101	1
	RADIATOR ASSEMBLY – Heavy duty	(M) 8 Cyl. Eng.		2820101	1
	RADIATOR ASSEMBLY – Regular	(A) 8 Cyl. Eng. exc. Air Cond., Chassis & Cab		2820099	1
	RADIATOR ASSEMBLY – Regular	(A) 4.2 Litre Eng Chassis & Cab exc. Air Cond.		9931639	1
	RADIATOR ASSEMBLY	(A) 8 Cyl. Eng. Air Cond.		2812161	1
	RADIATOR ASSEMBLY – Heavy duty	(A) 8 Cyl. Eng.		2812161	1
	CORE ASSEMBLY – Regular	(M) 6 Cyl. Eng. exc. Air Cond., Chassis & Cab		7427765	1
	CORE ASSEMBLY – Heavy duty	(M) 6 Cyl. Eng.		7438983	1
	CORE ASSEMBLY – Regular	(M) 2850 Eng. Chassis & Cab exc. Air Cond.		7427765	1
	CORE ASSEMBLY – Regular	(M) 3300 Eng. Chassis & Cab exc. Air Cond.		7427764	1
	CORE ASSEMBLY – Regular	(A) 6 Cyl. Eng. exc. Air Cond., Chassis & Cab		2820196	1
	CORE ASSEMBLY – Heavy duty	(A) 6 Cyl. Eng. exc. Chassis & Cab		7438983	1
	CORE ASSEMBLY	(M) 6 Cyl. Eng. Air Cond.		7438983	1
	CORE ASSEMBLY	(A) 6 Cyl. Eng. Air Cond. exc. Chassis & Cab		7438983	1
	CORE ASSEMBLY	(A) 6 Cyl. Eng. Chassis & Cab		7427764	1
	CORE ASSEMBLY – Regular	(M) 8 Cyl. Eng. exc. Air Cond.,		2820197	1

"HJ" PARTS CATALOGUE

GROUP	DESCRIPTION	MODEL	SIDE	PART No.	QTY.
1.219	RADIATOR ASSEMBLY, CORE, SERVICE SET (contd.)				
	CORE ASSEMBLY - Heavy duty	(M) 8 Cyl. Eng.		7438983	1
	CORE ASSEMBLY	(M) 8 Cyl. Eng. Air Cond.		7438983	1
	CORE ASSEMBLY	(M) 4.2 Litre Eng. Chassis & Cab		7438983	1
	CORE ASSEMBLY - Regular	(A) 8 Cyl. Eng. exc. Air Cond., Chassis & Cab		2820198	1
	CORE ASSEMBLY - Regular	(A) 4.2 Litre Eng. Chassis & Cab exc. Air Cond.		7438983	1
	CORE ASSEMBLY - Heavy duty	(A) 8 Cyl. Eng.		7438983	1
	CORE ASSEMBLY	(A) 8 Cyl. Eng. Air Cond.		7438983	1
	SERVICE SET - Regular	(M) 6 Cyl. Eng. exc. Air Cond.		2820199	1
	SERVICE SET - Heavy duty	(M) 6 Cyl. Eng.		2818116	1
	SERVICE SET	(M) 6 Cyl. Eng. Air Cond.		2818116	1
	SERVICE SET - Regular	(A) 6 Cyl. Eng. exc. Air Cond., Chassis & Cab		2818115	1
	SERVICE SET - Heavy duty	(A) 6 Cyl. Eng. exc. Chassis & Cab		2818117	1
	SERVICE SET	(A) 6 Cyl. Eng. Air Cond., exc. Chassis & Cab		2818117	1
	SERVICE SET - Regular	(A) 6 Cyl. Eng. Chassis & Cab exc. Air Cond.		9931680	1
	SERVICE SET - Heavy duty	(A) 6 Cyl. Eng. Chassis & Cab		9931704	1
	SERVICE SET	(A) 6 Cyl. Eng. Chassis & Cab Air Cond. ...		9931704	1
	SERVICE SET	(M) 8 Cyl. Eng.		2818118	1
	SERVICE SET	(A) 8 Cyl. Eng. exc. Chassis & Cab		2818119	1
	SERVICE SET	(A) 4.2 Litre Eng. Chassis & Cab		9931679	1
	COOLER ASSEMBLY - Oil - Regular	(A) 6 Cyl. Eng. exc. Air Cond., Chassis & Cab		2820103	1
	COOLER ASSEMBLY - Oil - Heavy Duty	(A) 6 Cyl. Eng. exc. Chassis & Cab		2820102	1
	COOLER ASSEMBLY - Oil	(A) 6 Cyl. Eng. Air Cond. exc. Chassis & Cab		2820102	1
	COOLER ASSEMBLY - Oil - Regular	(A) 6 Cyl. Eng. Chassis & Cab exc Air Cond.		9931621	1
	COOLER ASSEMBLY - Oil - Heavy Duty	(A) 6 Cyl Eng Chassis & Cab		9931620	1
	COOLER ASSEMBLY - Oil	(A) 6 Cyl Eng Chassis & Cab Air Cond.		9931620	1
	COOLER ASSEMBLY - Oil	(A) 8 Cyl. Eng. exc. Chassis & Cab		2820102	1
	COOLER ASSEMBLY - Oil	(A) 4.2 Litre Eng Chassis & Cab		9931620	1
	STRAP & BRACKET KIT - Regular	6 Cyl. Eng. exc. Air Cond.		2818124	1
	STRAP & BRACKET KIT - Heavy duty	6 Cyl. Eng.		2818125	1
	STRAP & BRACKET KIT	6 Cyl. Eng. Air Cond.		2818125	1
	STRAP & BRACKET KIT	8 Cyl. Eng.		2818125	1
	PIPE - Overflow	6 Cyl. Eng.		7427774	4
	PIPE - Overflow	8 Cyl. Eng.	2820136	7438985	1
	SCREW - Radiator to front end panel	ALL		SP2381	4
	GROMMET - Radiator to front end panel	ALL		SP2382	4
	NUT - Radiator to front end panel	ALL		SP2384	4
1.246	THERMOSTAT ASSEMBLY				
	THERMOSTAT ASSEMBLY	ALL		3749086	1
1.251	HOUSING - Thermostat				
	HOUSING	6 Cyl. Eng.		2820816	1
1.252	GASKET - Thermostat housing				
	GASKET	6 Cyl. Eng.		7429459	1
1.265	EMBLEM, NAME PLATE - Radiator grille				
	EMBLEM	Exc. Premier, LS, GTS, Statesman, Chassis & Cab		9929988	1
	INSERT - Grille emblem	Exc. Premier, LS, Statesman, Chassis & Cab		9932010	1
	EMBLEM	Premier, L.S.		9931897	1
	EMBLEM	GTS		9933216	1
	NUT - Emblem insert	Exc. Statesman, Chassis & Cab		9418693	1
	EMBLEM - Wreath	De Ville		9932377	1
	EMBLEM - Shield	De Ville		9932614	1
	NUT - Wreath & shield emblem to front end panel	De Ville		9415250	4
	PLATE - "Statesman Caprice" name	Caprice		9934162	1

"HJ" PARTS CATALOGUE

GROUP	DESCRIPTION	MODEL	SIDE	PART No.	QTY.
1.265	EMBLEM, NAME PLATE – Radiator grille (contd.)				
	NUT – Name plate	Caprice		9415250	2
	WASHER – Name plate	Caprice		SP1860	2
	ORNAMENT & BASE ASSY.	Caprice		9934387	1
	ORNAMENT ASSY.	Caprice		9934217	1
	BASE – Ornament	Caprice		9934215	1
	NUT – Ornament base to front end panel	Caprice		9418693	2
	INSERT – Ornament	Caprice	LH RH	9934677 9934678	2 2
	SPRING – Ornament to base	Caprice		1497889	1
	RETAINER – Ornament spring	Caprice		1497894	1
	SEAT – Ornament spring	Caprice		1497970	1
	LETTER 'H' – Glacier white	Chassis & Cab		2823679	1
	LETTER 'O' – Glacier white	Chassis & Cab		2823680	1
	LETTER 'L' – Glacier white	Chassis & Cab		2823681	1
	LETTER 'D' – Glacier white	Chassis & Cab		2823682	1
	LETTER 'E' – Glacier white	Chassis & Cab		2823683	1
	LETTER 'N' – Glacier white	Chassis & Cab		2823684	1
	LETTER 'H' – Seagull grey	Chassis & Cab		2825287	1
	LETTER 'O' – Seagull grey	Chassis & Cab		2825288	1
	LETTER 'L' – Seagull grey	Chassis & Cab		2825289	1
	LETTER 'D' – Seagull grey	Chassis & Cab		2825290	1
	LETTER 'E' – Seagull grey	Chassis & Cab		2825291	1
	LETTER 'N' – Seagull grey	Chassis & Cab		2825292	1
	LETTER 'H' – Chrome	Chassis & Cab		9934610	1
	LETTER 'O' – Chrome	Chassis & Cab		9934611	1
	LETTER 'L' – Chrome	Chassis & Cab		9934612	1
	LETTER 'D' – Chrome	Chassis & Cab		9934613	1
	LETTER 'E' – Chrome	Chassis & Cab		9934614	1
	LETTER 'N' – Chrome	Chassis & Cab		9934615	1
	NUT – Letter to front end panel	Chassis & Cab		9418693	12
REFER AMENDMENTS FOR Ambulance PARTS					
1.266	GRILLE – Radiator				
	GRILLE ASSEMBLY	Belmont		9931001	1
	GRILLE ASSEMBLY	Kingswood exc. Sports Utility		9931001	1
	GRILLE ASSEMBLY	Monaro exc. GTS, LS		9931001	1
	GRILLE ASSEMBLY – Regular	Utility, Panel Van		9931001	1
	GRILLE ASSEMBLY – Sports Option	Utility, Panel Van		9931003	1
	GRILLE ASSEMBLY – Chrome	Chassis & Cab		9934609	1
	GRILLE ASSEMBLY – Painted	Chassis & Cab	2823509	2825309	1
	GRILLE ASSEMBLY	GTS		9931003	1
	GRILLE ASSEMBLY	Premier, LS		9931002	1
	GRILLE ASSEMBLY – Upper	De Ville		9933086	1
	GRILLE ASSEMBLY – Upper	Caprice		9933085	1
	GRILLE ASSEMBLY – Lower	Statesman		9932679	1
1.266	PANEL – Front End				
	PANEL – Front end	Exc. Premier, LS, Statesman, Chassis & Cab		99381201 9936413	1
	PANEL – Front end	Premier, LS, Statesman	9938130	9936412	1
	PANEL – Front end	Chassis & Cab		2823559	1
	BOLT – Grille to front end panel	Exc. Chassis & Cab		SP2440	5
	NUT – Grille to front end panel	Exc. Chassis & Cab		SP2050	5
	BOLT – Lower grille to front end panel	Statesman		SP2440	3
	BOLT – Lower grille to front end panel	Statesman		SP2411	1
	NUT – Lower grille to front end panel	Statesman		SP2050	4
	BOLT – Grille to front end panel	Chassis & Cab		440502	8
	NUT – Grille to front end panel	Chassis & Cab		SP2050	8
	WASHER – Grille to front end panel	Chassis & Cab		446152	8

"HJ" PARTS CATALOGUE

GROUP	DESCRIPTION	MODEL	SIDE	PART No.	QTY.
1.268	MOULDING – Radiator grille				
	MOULDING – Upper	Exc. Statesman, Chassis & Cab		9931789	1
	MOULDING – Lower	Exc. Statesman, Chassis & Cab		9931788	1
	MOULDING – Side	Exc. Statesman, Chassis & Cab	LH	9932003	1
			RH	9932004	1
	MOULDING Upper grille	Statesman		9931976	1
	MOULDING – Upper grille side	Statesman	LH	9932007	1
			RH	9932008	1
	MOULDING – Lower grille	Statesman		9932997	1
	RETAINER ASSY. – Lower grille moulding	Statesman		7421827	AR
	NUT – Moulding retainer	Statesman		441240	AR
1.270	PANEL ASSEMBLY – Radiator support				
	PANEL ASSEMBLY	Exc. Premier, LS, Statesman, Chassis & Cab		9932052	1
	PANEL ASSEMBLY	Premier, LS, Statesman		9932053	1
	PANEL ASSEMBLY	Chassis & Cab		9937291	1
	BRACKET ASSY. – Radiator support to fender	Exc. Chassis & Cab	LH	9932055	1
			RH	9932056	1
	BOLT Radiator support bracket to fender	Exc. Chassis & Cab		SP2055	6
	BOLT Radiator support $\frac{5}{16}$ "-18 x .812"	ALL		SP2055	AR
	NUT – Radiator support $\frac{5}{16}$ "-18 "J" type	ALL		SP1548	AR
1.270	SHROUD – Radiator fan				
	SHROUD	8 Cyl. Eng. Air Cond., H/Duty Rad. exc. Chassis & Cab		2812268	1
	SHROUD	4.2 Litre Eng. Chassis & Cab		2812268	1
	FINGER GUARD – Fan – Bolt on type	8 Cyl. Eng. exc. when shroud fitted		2823991	1
1.426	PAN ASSEMBLY – Oil				
	PAN ASSEMBLY	6 Cyl. Eng.		2809284	1
	SCREW & LOCK WASHER ASSEMBLY	6 Cyl. Eng.		SP1533	4
	PAN ASSEMBLY	8 Cyl. Eng.		2809789	1
	SCREW – $\frac{3}{8}$ " hex. hd. – .62" long	8 Cyl. Eng.		7436618	16
	SCREW – $\frac{1}{2}$ " hex. hd. – .96" long	8 Cyl. Eng.		7436617	4
1.429	GASKET UNIT – Oil pan				
	GASKET UNIT	6 Cyl. Eng.		2819472	1
	SEAL – Front	6 Cyl. Eng.		7420001	1
	SEAL – Rear	6 Cyl. Eng.		3788444	1
	PACKING – Seal	6 Cyl. Eng.		2815269	2
	GASKET SET	8 Cyl. Eng.		2811059	1
	SEAL – Front	8 Cyl. Eng.		7434735	1
	SEAL – Rear	8 Cyl. Eng.		7434734	1
1.453	PLUG – Oil pan drain				
	PLUG & GASKET ASSEMBLY	ALL		7423483	1
	GASKET	ALL		513975	1
	PLUG & GASKET ASSEMBLY – Oversize $\frac{3}{16}$ " – 18	ALL		7433631	1
	GASKET – $\frac{3}{16}$ "	ALL		7433633	1
1.516	CAP, INDICATOR – Oil				
	CAP ASSEMBLY – Oil filler	ALL		3835665	1
	INDICATOR ASSEMBLY – Oil level	6 Cyl. Eng.		2809297	1
	TUBE – Oil level indicator	6 Cyl. Eng.		7427625	1
	INDICATOR ASSEMBLY – Oil level	8 Cyl. Eng.		2809794	1
	TUBE ASSEMBLY – Oil level indicator	8 Cyl. Eng.		2811644	1
	SEAL – Oil level indicator tube	8 Cyl. Eng.		274244	1

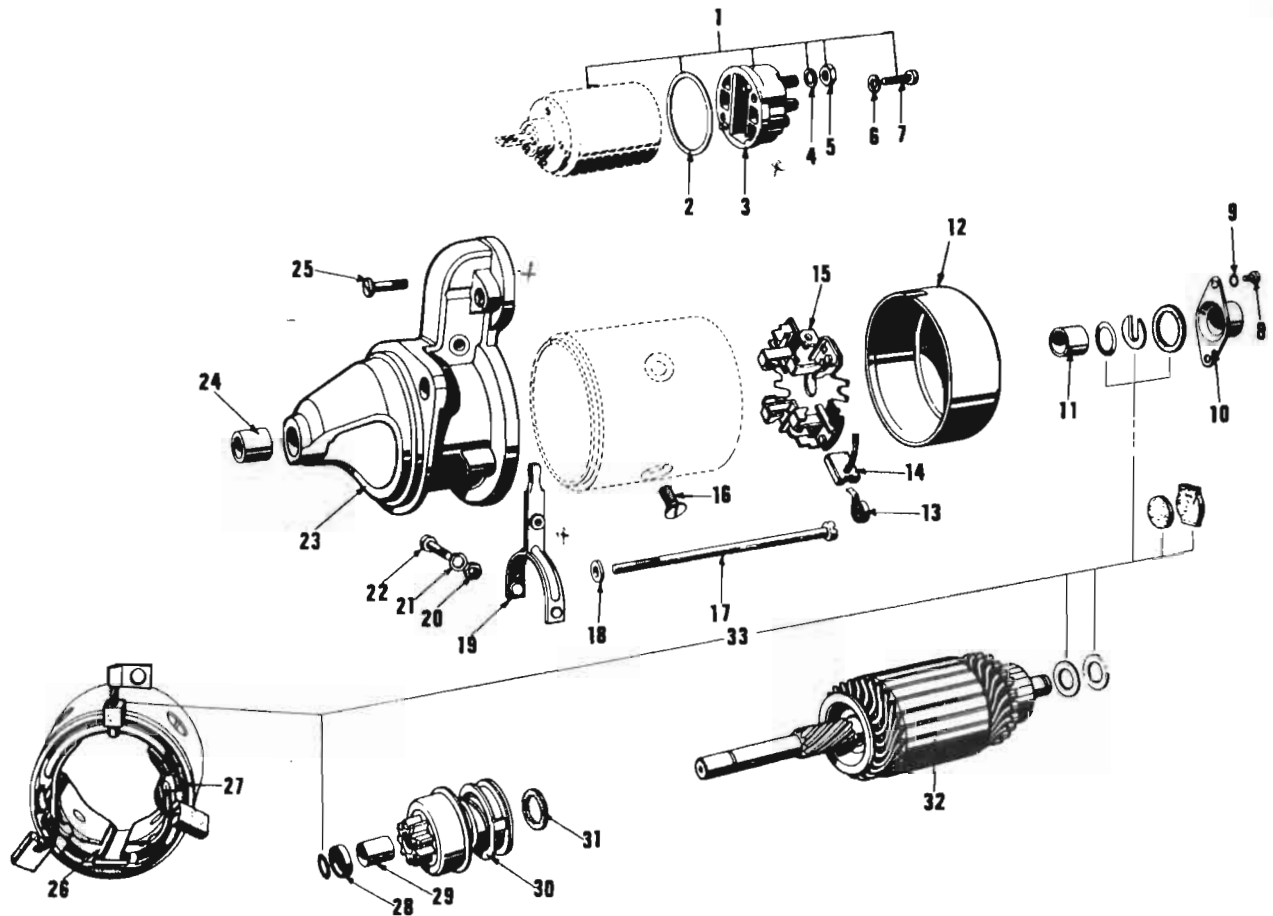
"HJ" PARTS CATALOGUE

GROUP	DESCRIPTION	MODEL	SIDE	PART No.	QTY.
1.609	VALVE – Oil pressure regulator				
	VALVE	6 Cyl. Eng.		3702366	1
	VALVE	8 Cyl. Eng.		1199080	1
	CAP – Valve	8 Cyl. Eng.		1194360	1
	GASKET – Valve cap	8 Cyl. Eng.		7435833	1
1.610	SPRING – Oil pressure regulator				
	SPRING	6 Cyl. Eng.		3837115	1
	SPRING	8 Cyl. Eng.		7439491	1
1.611	PLUG – Oil pressure regulator spring				
	PLUG	6 Cyl. Eng.		7426909	1
	GASKET	6 Cyl. Eng.		7417490	1
1.643	GEAR KIT – Oil pump drive				
	GEAR KIT	6 Cyl. Eng.		7423613	1
	GEAR	8 Cyl. Eng.		7434732	1
	PIN – Slotted spring $\frac{3}{16}$ " x $\frac{3}{4}$ "	ALL		454512	1
1.652	PUMP ASSEMBLY – Oil				
	PUMP ASSEMBLY	6 Cyl. Eng.		7449396	1
	PUMP ASSEMBLY	8 Cyl. Eng.		2815887	1
1.653	BODY ASSEMBLY – Oil pump				
	BODY ASSEMBLY	6 Cyl. Eng.		7449397	1
	BODY ASSEMBLY	8 Cyl. Eng.		2815888	1
	BUSH – Drive shaft	8 Cyl. Eng.		7434946	1
1.654	GASKET – Oil pump to block				
	GASKET	6 Cyl. Eng.		7420017	1
	GASKET	8 Cyl. Eng.		7434848	1
1.656	SCREEN ASSEMBLY – Oil pump with pipe				
	SCREEN ASSEMBLY	6 Cyl. Eng.		2809294	1
	SCREEN ASSEMBLY	8 Cyl. Eng.		2809791	1
	GASKET – Suction pipe flange	8 Cyl. Eng.		7434859	1
1.658	SHAFT – Oil pump driven gear				
	SHAFT	6 Cyl. Eng.		7420011	1
	SHAFT – Driven gear	8 Cyl. Eng.		9790864	1
	SHAFT – Drive	8 Cyl. Eng.		7434740	1
1.659	GEAR SET – Oil pump				
	GEAR SET	6 Cyl. Eng.		2815102	1
	GEAR SET	8 Cyl. Eng.		2811680	1
	GEAR and SHAFT ASSEMBLY	8 Cyl. Eng.		7434755	1
	GEAR – Primary	8 Cyl. Eng.		7435396	1
	GEAR – Secondary	8 Cyl. Eng.		7435396	1
1.723	COVER KIT, COVER – Oil pump				
	COVER	6 Cyl. Eng.		7426937	1
	BOLT & LOCK WASHER ASSEMBLY	6 Cyl. Eng.		SP1566	2
	COVER ASSEMBLY	8 Cyl. Eng.		7434932	1
	PLUG – Oil pump cover	8 Cyl. Eng.		9421744	1
1.724	GASKET – Oil pump cover				
	GASKET	6 Cyl. Eng.		7420016	1
	GASKET	8 Cyl. Eng.		7434849	1

9939322

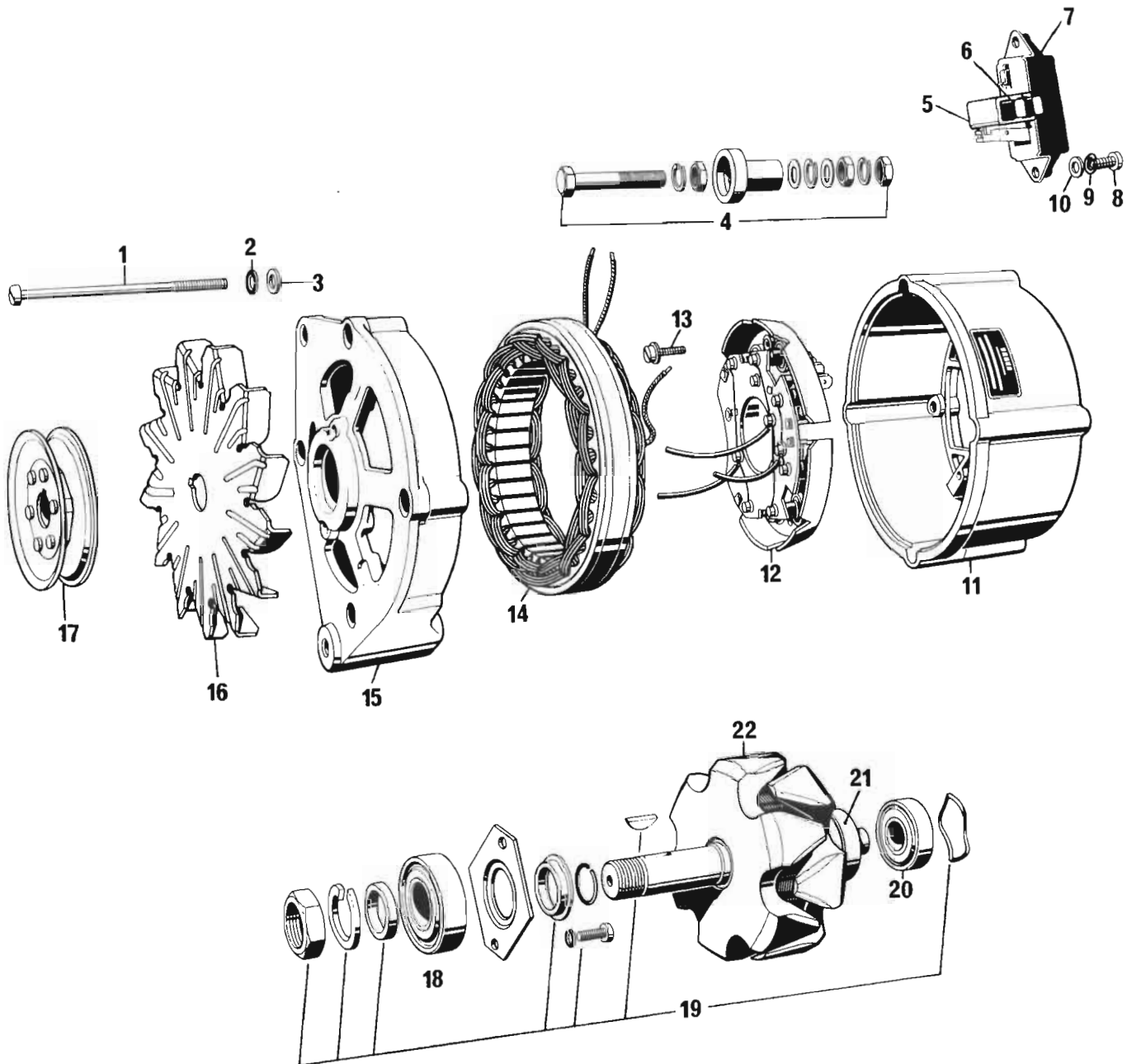
"HJ" PARTS CATALOGUE

GROUP	DESCRIPTION	MODEL	SIDE	PART No.	QTY.
1.745	GROMMET – Valve cover to block vent				
	GROMMET	6 Cyl. Eng.		9928699	1
	GROMMET	8 Cyl. Eng.		7439585	1
1.762	VALVE, HOSE, ADAPTOR – Crankcase ventilator				
	VALVE ASSEMBLY	6 Cyl. Eng.		1533669	1
	VALVE ASSEMBLY	8 Cyl. Eng.		6421976	1
	HOSE – Breather to manifold	6 Cyl. Eng.		7438562	1
	HOSE - Breather outlet to air cleaner	6 Cyl. Eng.		9935027	1
	HOSE – Breather to carburettor	4.2 Litre Eng.		7439584	1
	HOSE – Breather to carburettor	5 Litre Eng.		2819770	1
	HOSE – Breather outlet to air cleaner	8 Cyl. Eng.		9932296	1
	CLAMP – Breather hose to carburettor	ALL		3829058	2
	CLIP – Breather hose to air cleaner	6 Cyl. Eng.		SP1868	1
	TUBE – Vacuum hose manifold fittings	6 Cyl. Eng.		7433250	1
	CONNECTOR – Breather outlet hose	6 Cyl. Eng.		9932232	1
	CONNECTOR – Breather outlet hose	8 Cyl. Eng.		9932185	1
1.803	SWITCH ASSEMBLY – Oil pressure tell-tale				
	SWITCH ASSEMBLY - Warning lamp equipment	ALL		7441302	1
1.803	SENDER UNIT – Oil pressure – Engine unit				
	SENDER UNIT - Engine, gauge, equipment	ALL		9932442	1
1.835	FILTER ASSEMBLY – Oil				
	FILTER ASSEMBLY	ALL		PF10	1
	ADAPTOR	6 Cyl. Eng.		7421853	1
	ADAPTOR	8 Cyl. Eng.		7434874	1
1.837	VALVE ASSEMBLY, GASKET – Oil filter				
	VALVE ASSEMBLY – By-pass	ALL		5575416	1
	GASKET	ALL		5574397	1
1.928	PLUG – Cylinder block oil gallery				
	PLUG – Cylinder block oil gallery, front	ALL		7419064	1-3



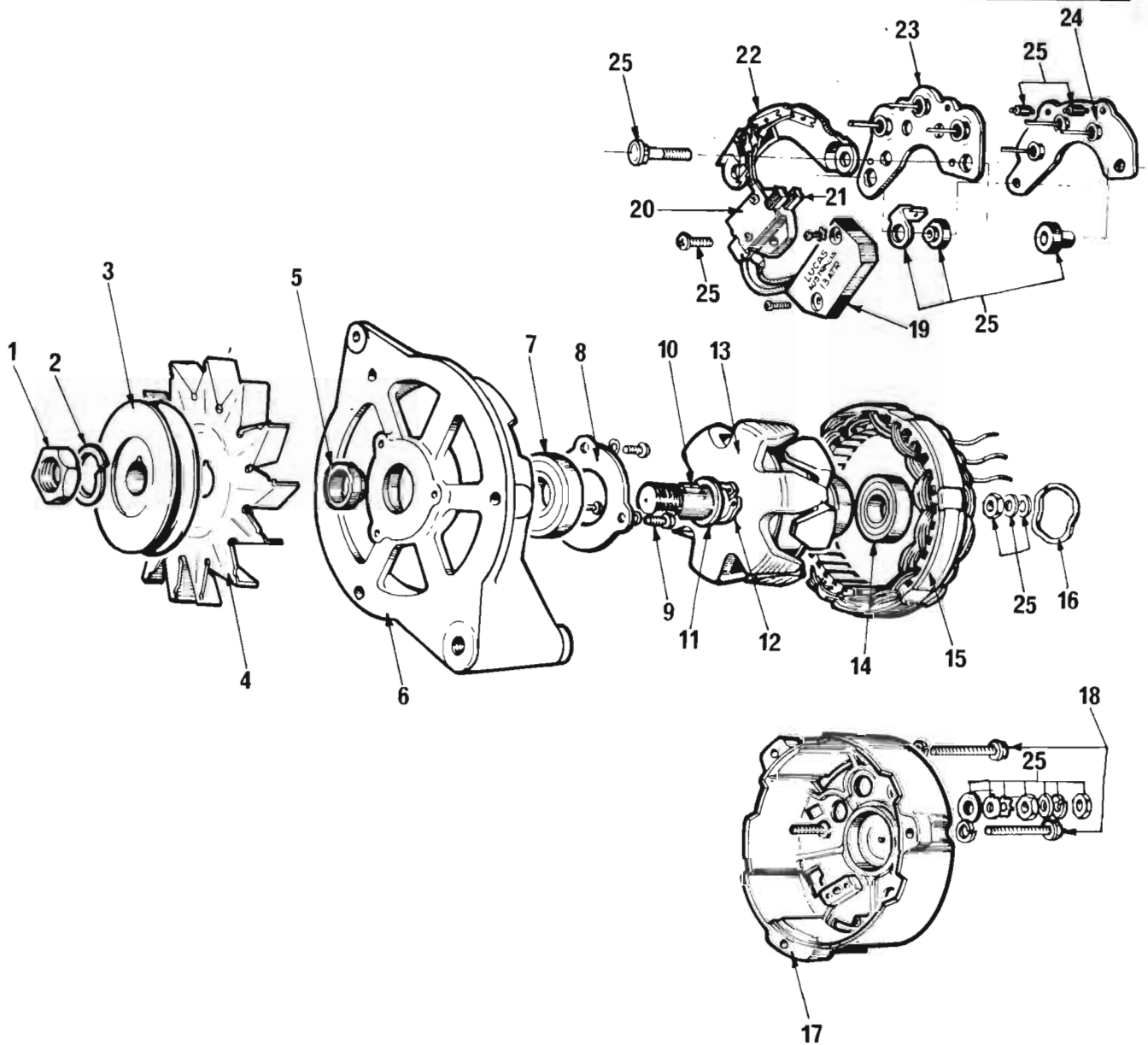
STARTER MOTOR – (Bosch)

ILLUS. REF. NO.	PART NAME	GROUP	ILLUS. REF. NO.	PART NAME	GROUP
1.	SWITCH – Solenoid	2.100	18.	WASHER – Through bolt	2.077
2.	GASKET – Solenoid	2.102	19.	LEVER	2.108
3.	COVER – Solenoid switch	2.102	20.	NUT	2.108
4.	WASHER – Main terminal	2.102	21.	WASHER	2.108
5.	NUT – Contact bolt	2.102	22.	SCREW	2.108
6.	WASHER – Cover attaching screw	2.102	23.	HOUSING	2.085
7.	SCREW – Cover attaching	2.102	24.	BUSHING – Drive end	2.083
8.	SCREW – Bearing cap	2.063	25.	SCREW – Solenoid switch attaching	2.100
9.	WASHER – Bearing cap screw	2.063	26.	COIL ASSEMBLY	2.049
10.	CAP – Bearing	2.063	27.	INSULATOR	2.049
11.	BUSHING – Commutator end	2.083	28.	RING – Stop	2.096
12.	FRAME – Commutator end	2.067	29.	BUSHING – Drive	2.087
13.	SPRING – Brush	2.053	30.	DRIVE ASSEMBLY	2.086
14.	BRUSH SET	2.051	31.	BUFFER – Drive	2.087
15.	PLATE – Brush holder	2.052	32.	ARMATURE	2.043
16.	SCREW – Pole shoe	2.077	33.	SUNDRY PARTS SET	2.080
17.	BOLT – Through	2.077			



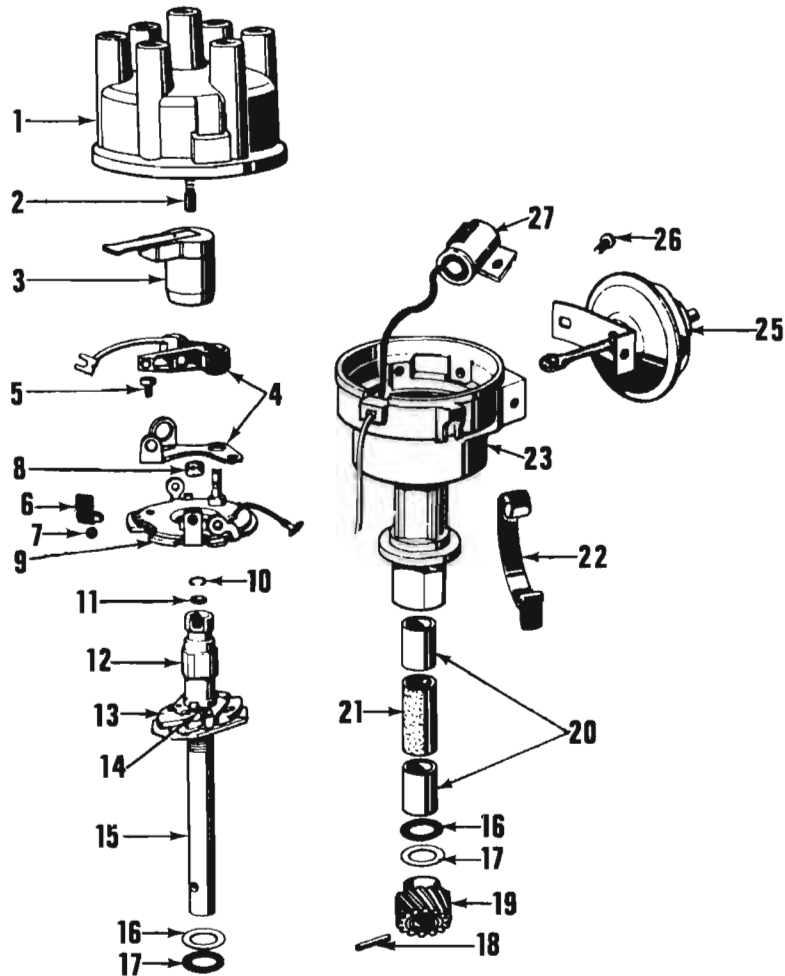
**GENERATOR
(Bosch)
6 Cylinder Engine**

ILLUS. REF. NO.	PART NAME	GROUP	ILLUS. REF. NO.	PART NAME	GROUP
1.	BOLT — Through	2.316	12.	RECTIFIER ASSEMBLY	2.289
2.	WASHER — Lock	2.316	13.	BOLT — Rectifier	2.289
3.	WASHER — Flat	2.316	14.	STATOR	2.310
4.	SUNDRY PARTS SET	2.315	15.	PLATE — Drive end	2.305
5.	SPRING — Brush	2.286	16.	FAN	2.274
6.	BRUSH SET	2.285	17.	PULLEY	2.274
7.	REGULATOR ASSEMBLY	2.500	18.	BEARING — Drive end	2.306
8.	SCREW	2.500	19.	SUNDRY PARTS SET — Drive end	2.307
9.	WASHER — Lock	2.500	20.	BEARING — Slip ring end	2.298
10.	WASHER — Flat	2.500	21.	SLIP RING	2.279
11.	HOUSING — Slip ring end	2.297	22.	ROTOR	2.279



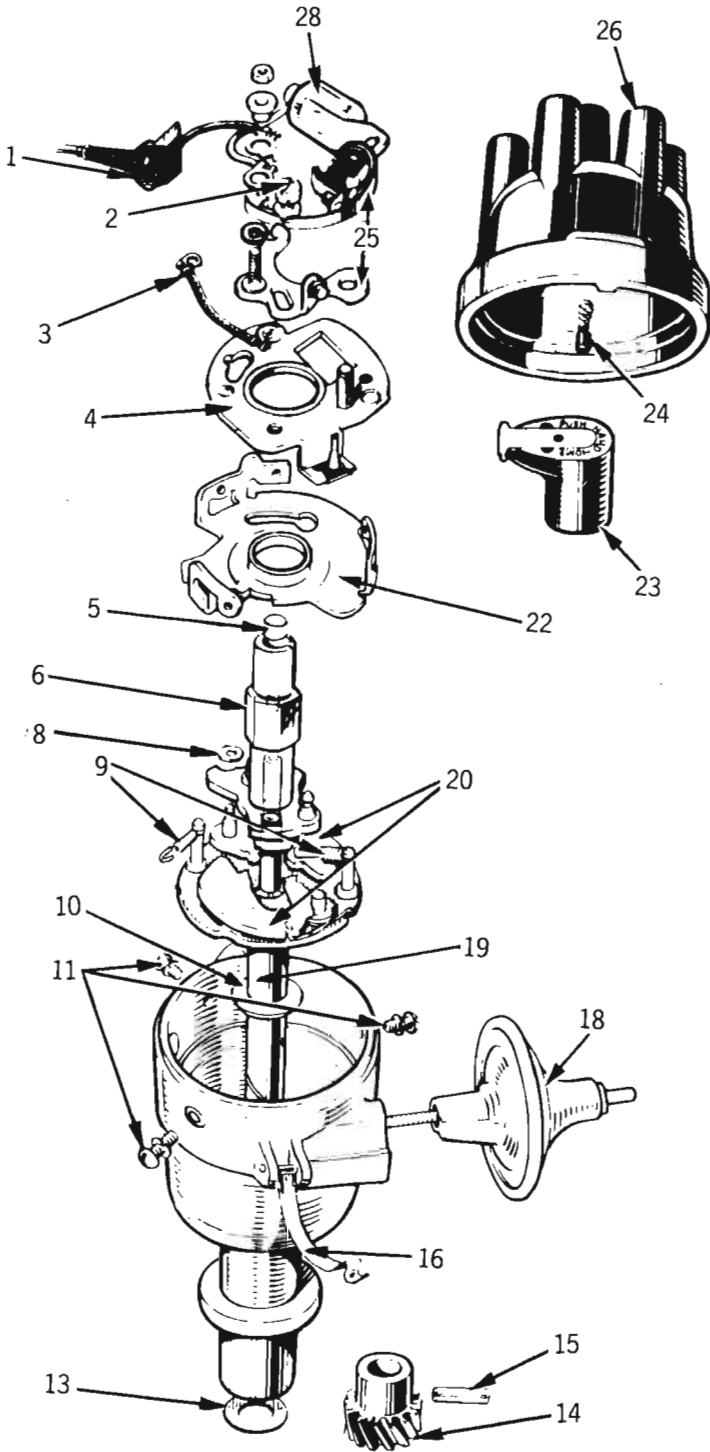
GENERATOR - LUCAS

ILLUS. REF. NO.	PART NAME	GROUP	ILLUS. REF. NO.	PART NAME	GROUP
1.	NUT - Rotor	2.280	14.	BEARING - Slip ring end	2.298
2.	WASHER - Lock	2.280	15.	STATOR	2.310
3.	PULLEY	2.274	16.	WASHER - Wave	2.297
4.	FAN	2.274	17.	PLATE - Slip ring end	2.297
5.	COLLAR - Distance	2.307	18.	BOLT - Through	2.316
6.	PLATE - Drive end	2.305	19.	REGULATOR ASSEMBLY	2.500
7.	BEARING - Drive end	2.306	20.	MOULDING - Brush box	2.291
8.	PLATE - Bearing retainer	2.307	21.	BRUSH SET	2.285
9.	SCREW - Bearing retainer plate	2.307	22.	PLATE - Field terminal with diodes	2.289
10.	KEY	2.279	23.	SINK - Heat positive with diodes	2.289
11.	WASHER - Support	2.307	24.	SINK - Heat negative with diodes	2.289
12.	CIRCLIP - Shaft	2.307	25.	SUNDRY PARTS SET - Heat sink mounting	2.289
13.	ROTOR	2.279			



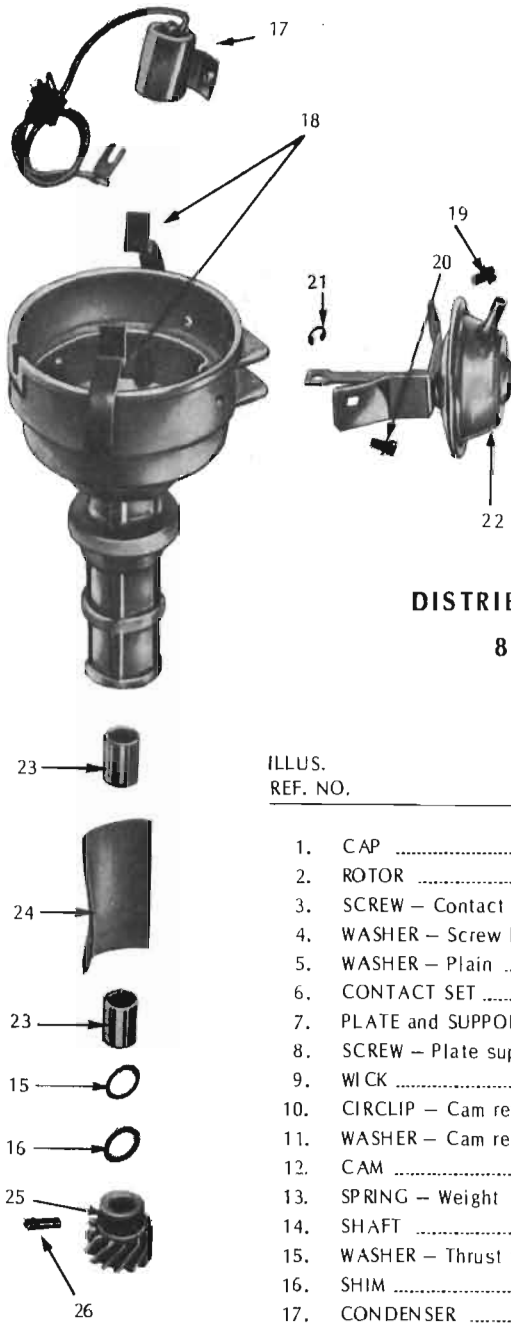
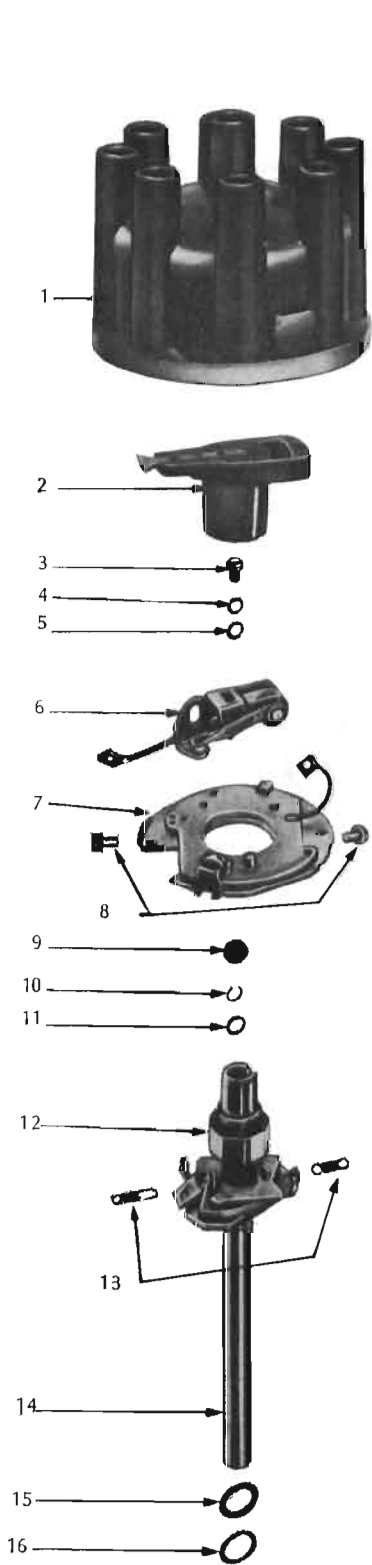
DISTRIBUTOR (Bosch)
6 Cyl. Eng.

ILLUS. REF. NO.	PART NAME	GROUP	ILLUS. REF. NO.	PART NAME	GROUP
1.	CAP	2.367	15.	SHAFT	2.372
2.	BRUSH - Cap	2.370	16.	SHIM - Thrust upper & lower	2.372
3.	ROTOR	2.382	17.	WASHER - Thrust, fibre, upper & lower ..	2.372
4.	CONTACT SET	2.384	18.	PIN - slotted spring	2.379
5.	SCREW - Contact breaker	2.387	19/18	GEAR PACKAGE	2.374
6.	RETAINER - Plate ball	2.385	20.	BUSHING - Upper & lower	2.362
7.	BALL - Plate retaining	2.385	21.	FELT - Lubricating	2.362
8.	WICK	2.364	22.	SPRING	2.368
9.	PLATE & SUPPORT ASSEMBLY	2.385	23.	HOUSING	N.S.S.
10.	CIRCLIP - Cam retainer	2.381	24.	SCREW & WASHER - Attaching	2.410
11.	WASHER - Cam retainer	2.381	25.	VACUUM CONTROL ASSY.	2.410
12.	CAM	2.381	26.	SCREW & WASHER - Attaching	2.393
13.	WEIGHT	2.388	27.	CONDENSER	2.393
14.	SPRING	2.389			



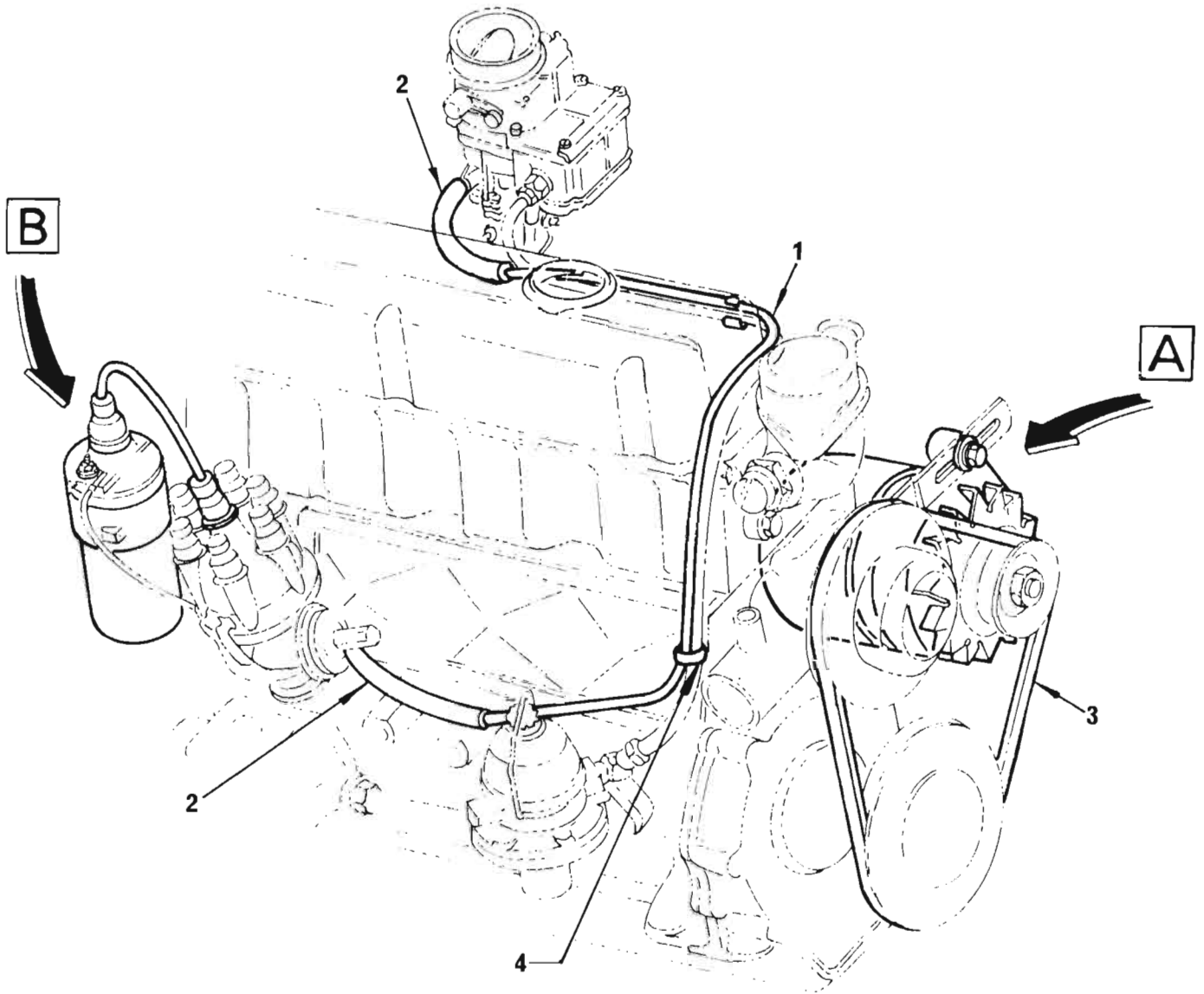
**DISTRIBUTOR (Lucas)
6 Cyl. Eng.**

ILLUS. REF. NO.	PART NAME	GROUP
1.	LEAD - To coil	2.400
2.	SCREW - Contact breaker	2.387
3.	LEAD - Ground	2.400
4.	PLATE - Breaker base	2.385
5.	WICK	2.364
6.	CAM	2.381
8.	WASHER - Cam retaining nut	2.381
9.	SPRING SET - Weight	2.389
11.	SCREW - Breaker plate fixing	2.385
13.	WASHER - Thrust	2.372
14.	GEAR PACKAGE	2.374
15.	PIN - Gear	2.379
16.	SPRING - Cap	2.368
18.	VACUUM CONTROL ASSEMBLY	2.410
19.	SHAFT	2.372
20.	WEIGHT	2.388
22.	PLATE - Breaker bearing	2.385
23.	ROTOR	2.382
24.	BRUSH - Cap	2.370
25.	CONTACT SET	2.384
26.	CAP	2.367
28.	CONDENSER	2.393



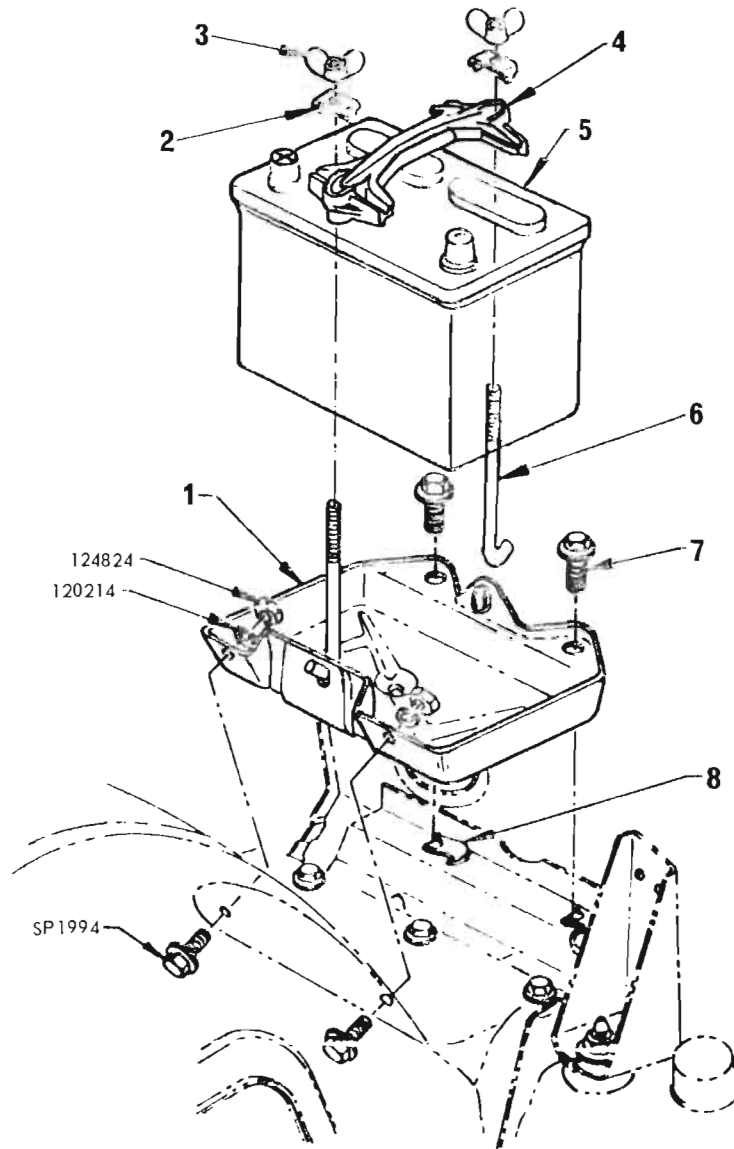
**DISTRIBUTOR – (Bosch)
8 Cyl. Eng.**

ILLUS. REF. NO.	PART NAME	GROUP
1.	CAP	2.367
2.	ROTOR	2.382
3.	SCREW – Contact breaker	2.387
4.	WASHER – Screw lock	2.387
5.	WASHER – Plain	2.387
6.	CONTACT SET	2.384
7.	PLATE and SUPPORT ASSY.	2.385
8.	SCREW – Plate support	2.385
9.	WICK	2.364
10.	CIRCLIP – Cam retainer	2.381
11.	WASHER – Cam retainer	2.381
12.	CAM	2.381
13.	SPRING – Weight	2.389
14.	SHAFT	2.372
15.	WASHER – Thrust fibre	2.372
16.	SHIM	2.372
17.	CONDENSER	2.393
18.	SPRING – Cap	2.368
19.	SCREW	2.393
20.	SCREW	2.410
21.	CLIP – Rod attaching	2.410
22.	VACUUM CONTROL	2.410
23.	BUSHING	2.362
24.	FELT	2.362
25.	GEAR PACKAGE	2.374
26.	PIN – Gear	2.379



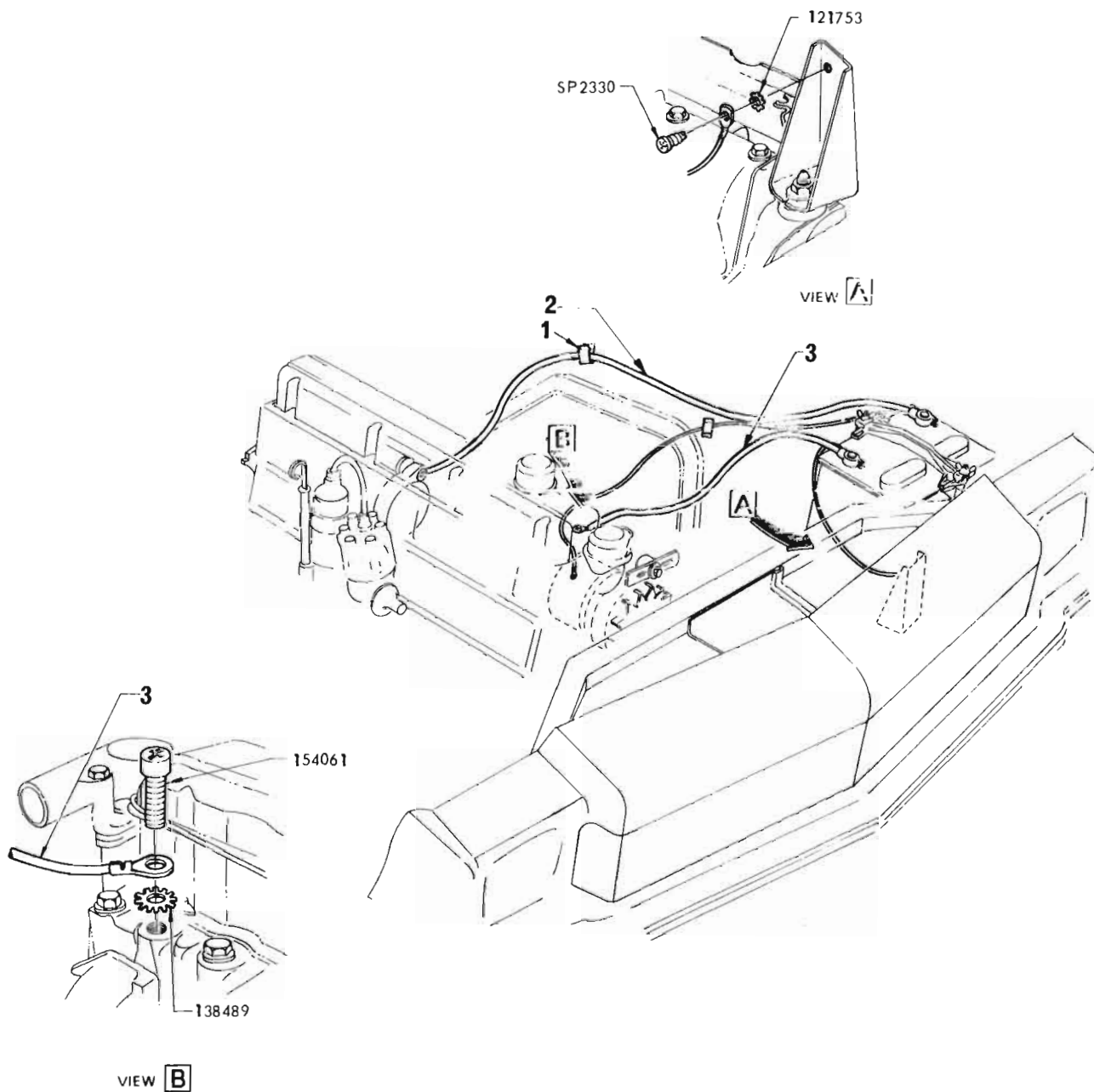
SPARK CONTROL PIPE
6 Cyl. Eng.

ILLUS. REF. NO.	PART NAME	GROUP	ILLUS. REF. NO.	PART NAME	GROUP
1.	PIPE ASSEMBLY - Spark control	2.424	3.	BELT - Fan & Generator	1.066
2.	PIPE - Flexible	2.424	4.	CLIP	2.424



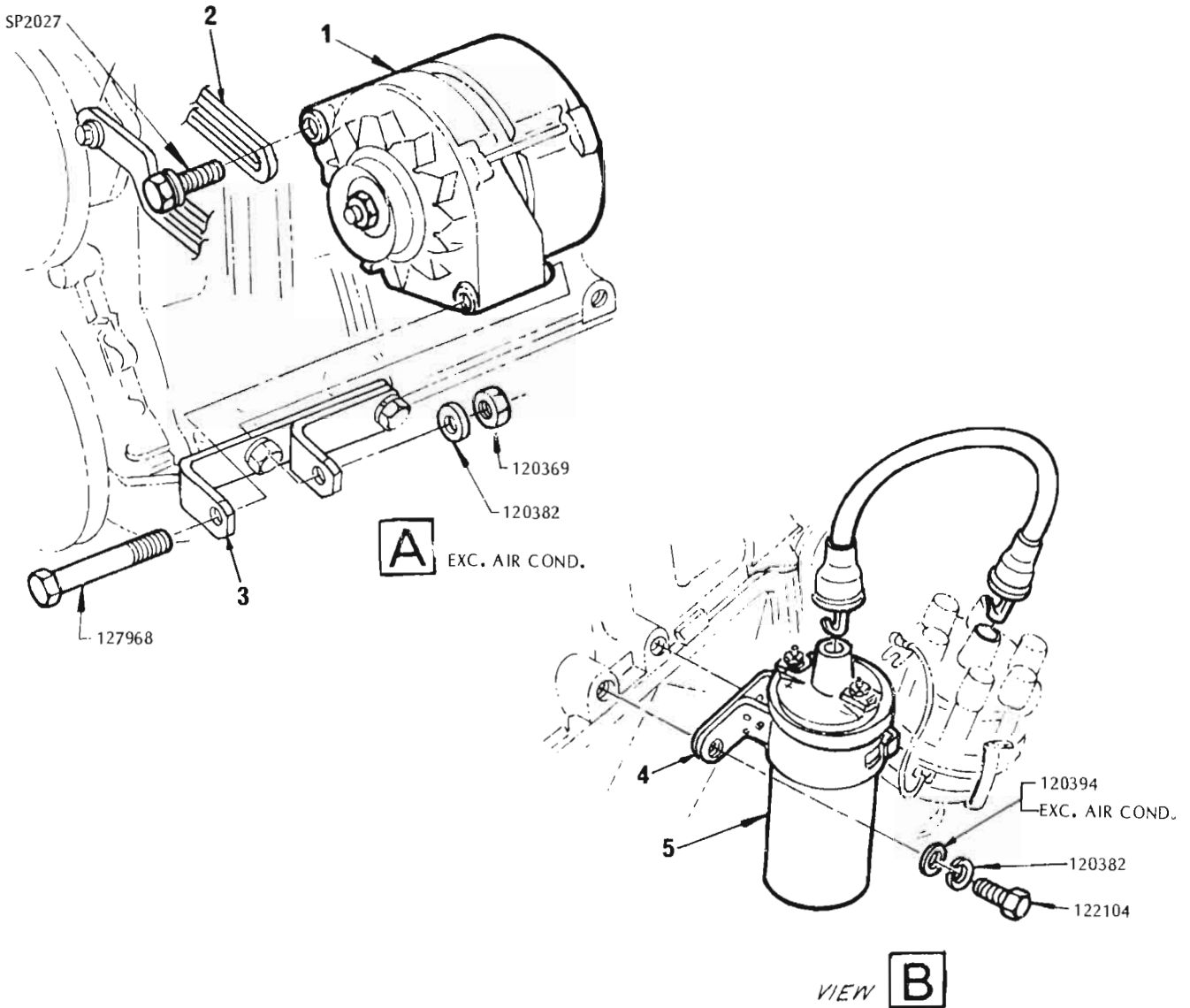
BATTERY

ILLUS. REF. NO.	PART NAME	GROUP	ILLUS. REF. NO.	PART NAME	GROUP
1.	SUPPORT	2.333	6.	BOLT - Mounting	2.333
2.	PLATE - Retainer lock	2.333	7.	BOLT & WASHER ASSY. - Hex. hd. 5/16" - 18 x .812	2.333
3.	NUT - Wing 1/4" - 20	2.333	8.	NUT - 5/16" - 18 "J" type	2.333
4.	RETAINER	2.333			
5.	BATTERY	2.332			



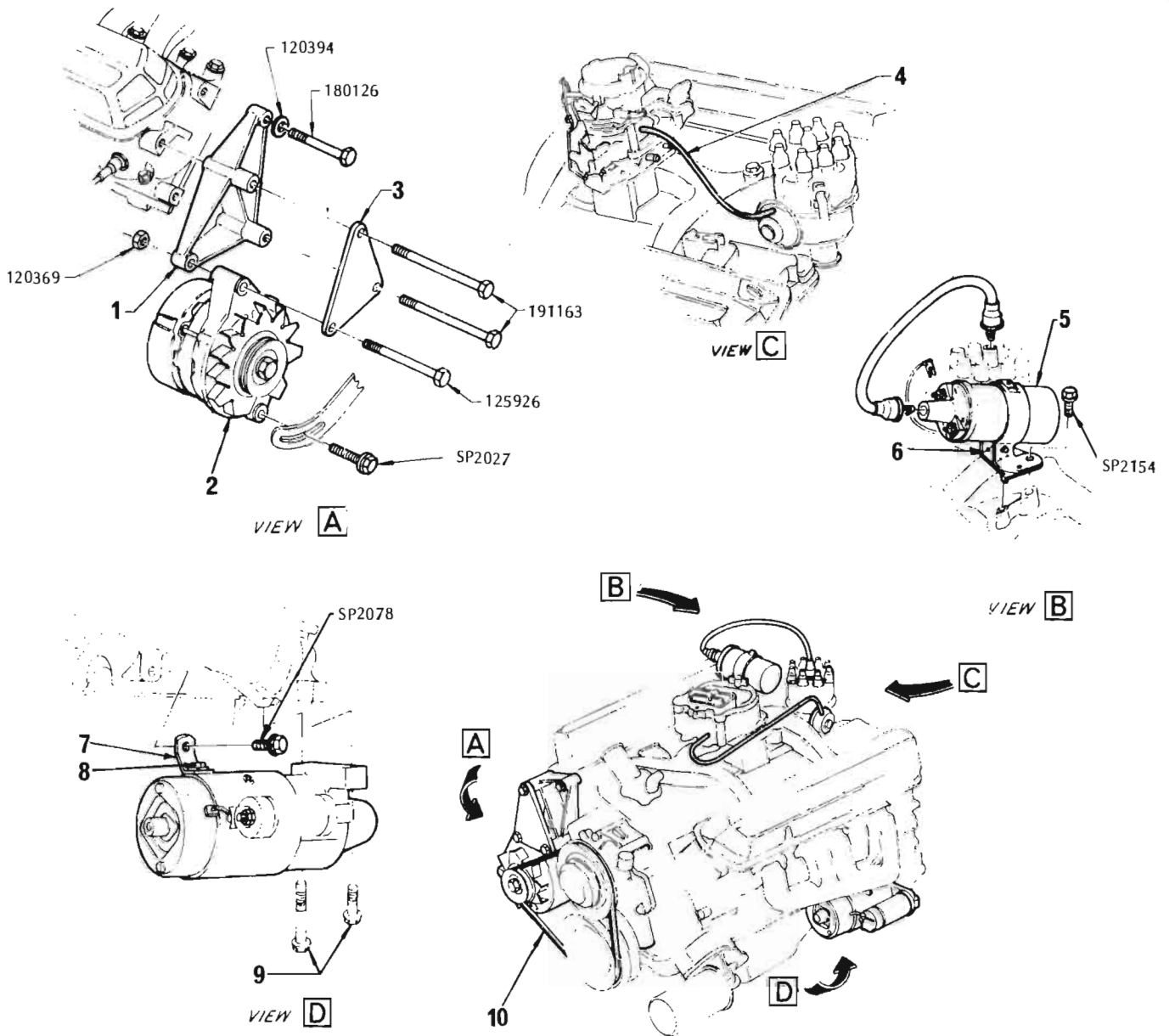
BATTERY CABLES

ILLUS. REF. NO.	PART NAME	GROUP
1.	CLIP - Cable to fender skirt	2.341
2.	CABLE ASSEMBLY - Starter	2.342
3.	CABLE ASSEMBLY - Battery ground	2.341



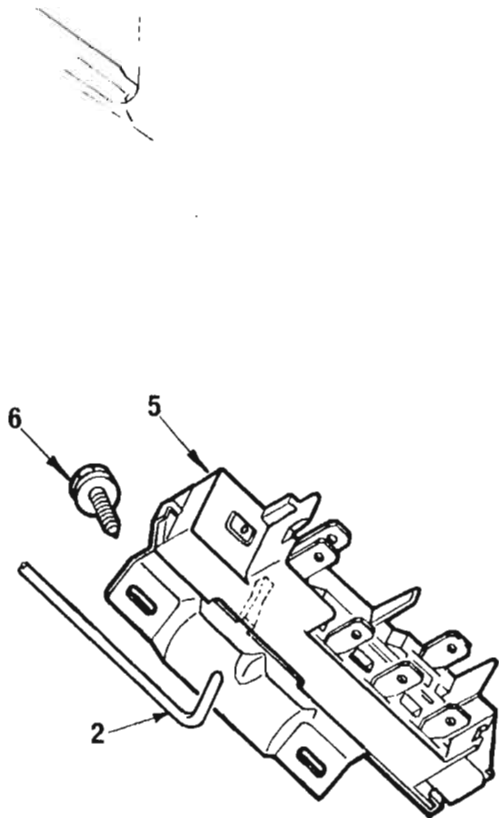
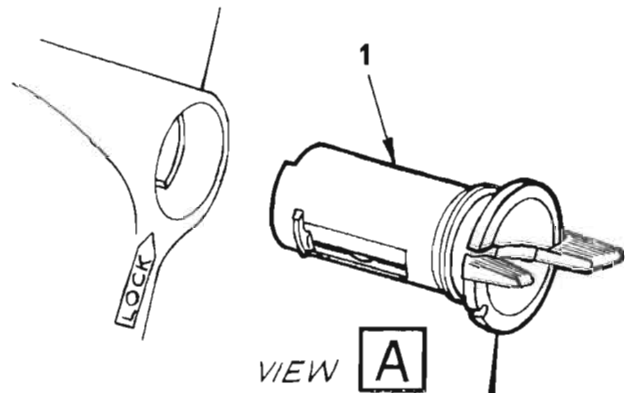
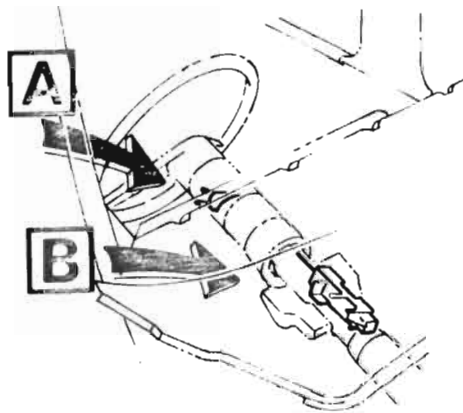
**GENERATOR and COIL
6 Cyl. Eng.**

ILLUS. REF. NO.	PART NAME	GROUP	ILLUS. REF. NO.	PART NAME	GROUP
1.	GENERATOR ASSEMBLY	2.275	4.	BRACKET - Ignition coil	2.170
2.	BRACE - Generator	2.317	5.	COIL ASSEMBLY - Ignition	2.170
3.	BRACKET ASSEMBLY - Generator mounting	2.277			

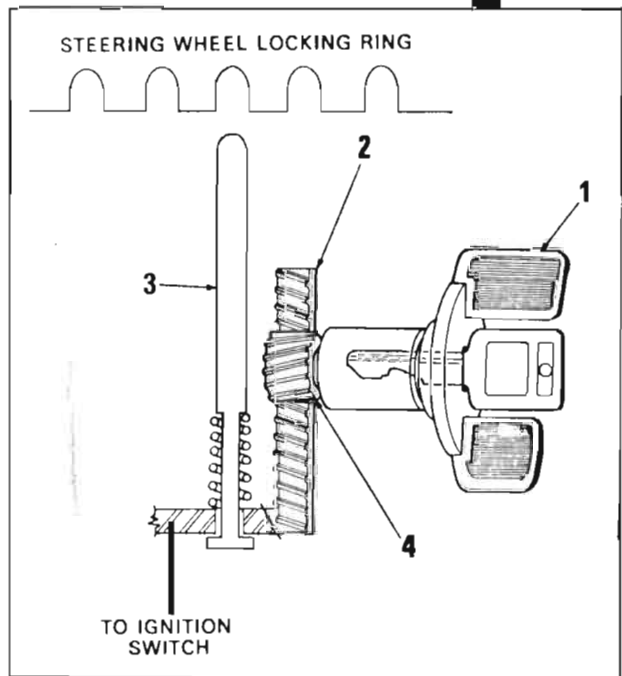


**ELECTRICAL UNITS ATTACHING PARTS
8 Cyl. Eng.**

ILLUS. REF. NO.	PART NAME	GROUP	ILLUS. REF. NO.	PART NAME	GROUP
1.	SUPPORT – Generator rear	2.277	7.	BRACKET – Starter motor steady	2.041
2.	GENERATOR ASSEMBLY	2.275	8.	BOLT – Steady bracket to starter motor	2.041
3.	BRACKET – Generator mounting front	2.277	9.	BOLT – Starter motor	2.041
4.	HOSE – Spark control	2.424	10.	BELT – Fan & generator	1.066
5.	COIL ASSEMBLY – Ignition	2.170			
6.	BRACKET & SCREW ASSY. – Ignition coil ..	2.170			

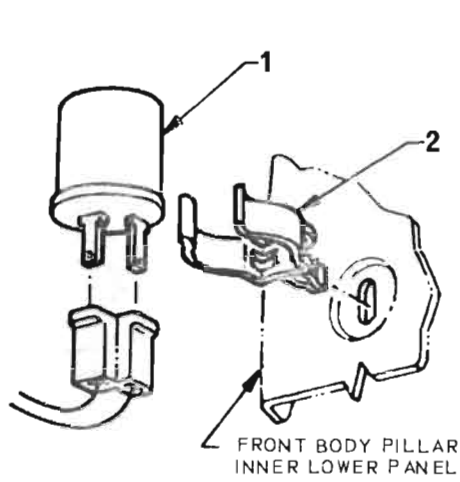


VIEW **B**

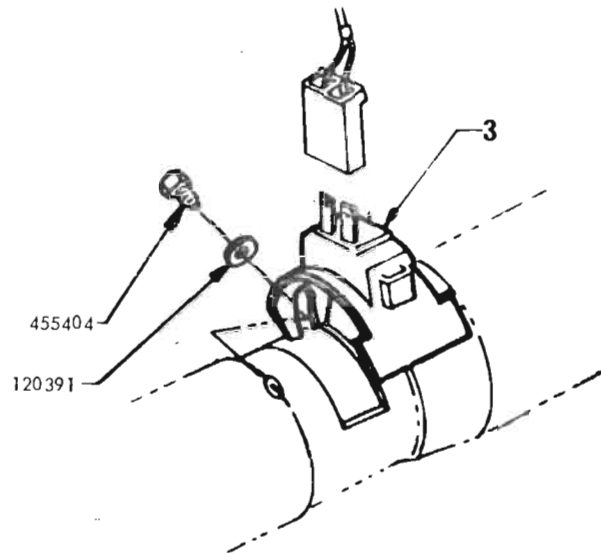


IGNITION & STARTER SWITCH ASSEMBLY

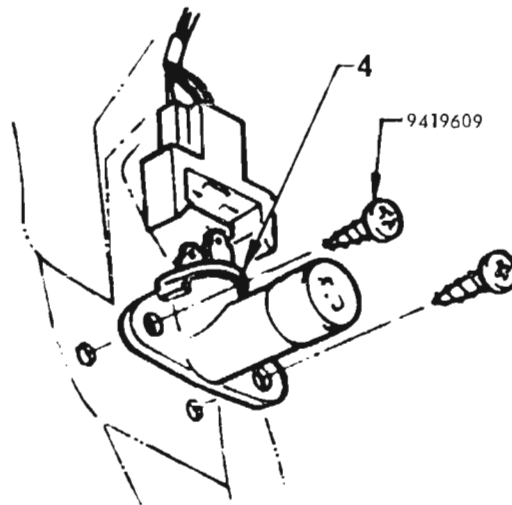
ILLUS. REF. NO.	PART NAME	GROUP	ILLUS. REF. NO.	PART NAME	GROUP
1.	LOCK ASSEMBLY - Ignition	2.188	4.	SECTOR	2.195
2.	RACK & ROD - Ignition switch	2.195	5.	SWITCH ASSY. - Ignition & starter	2.188
3.	BOLT & SPRING ASSY. - Steering lock	2.188	6.	BOLT - Switch to column	2.188



FLASHER ASSY.-TURN SIGNAL

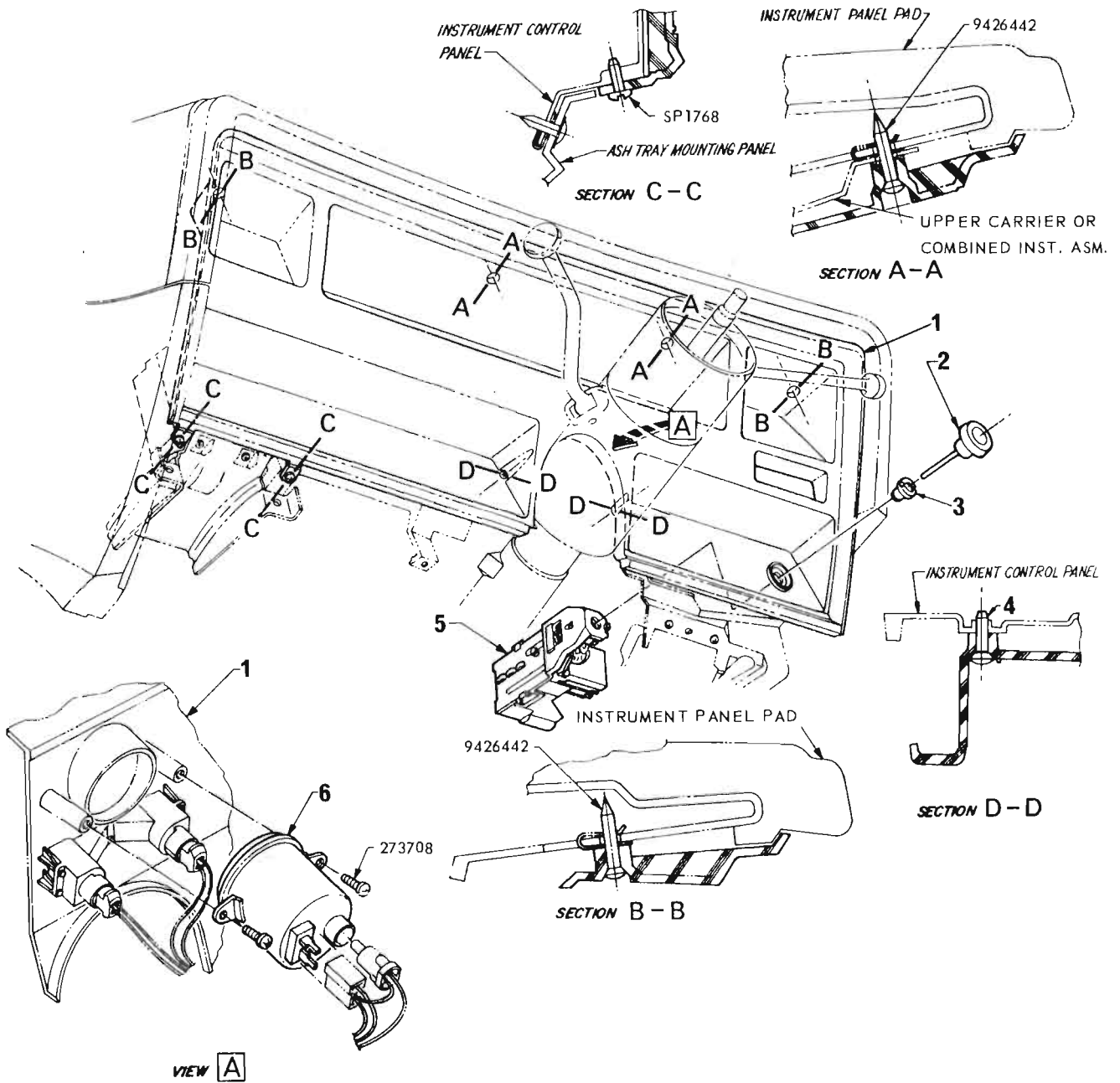


SWITCH ASSY.-BACK-UP LAMP



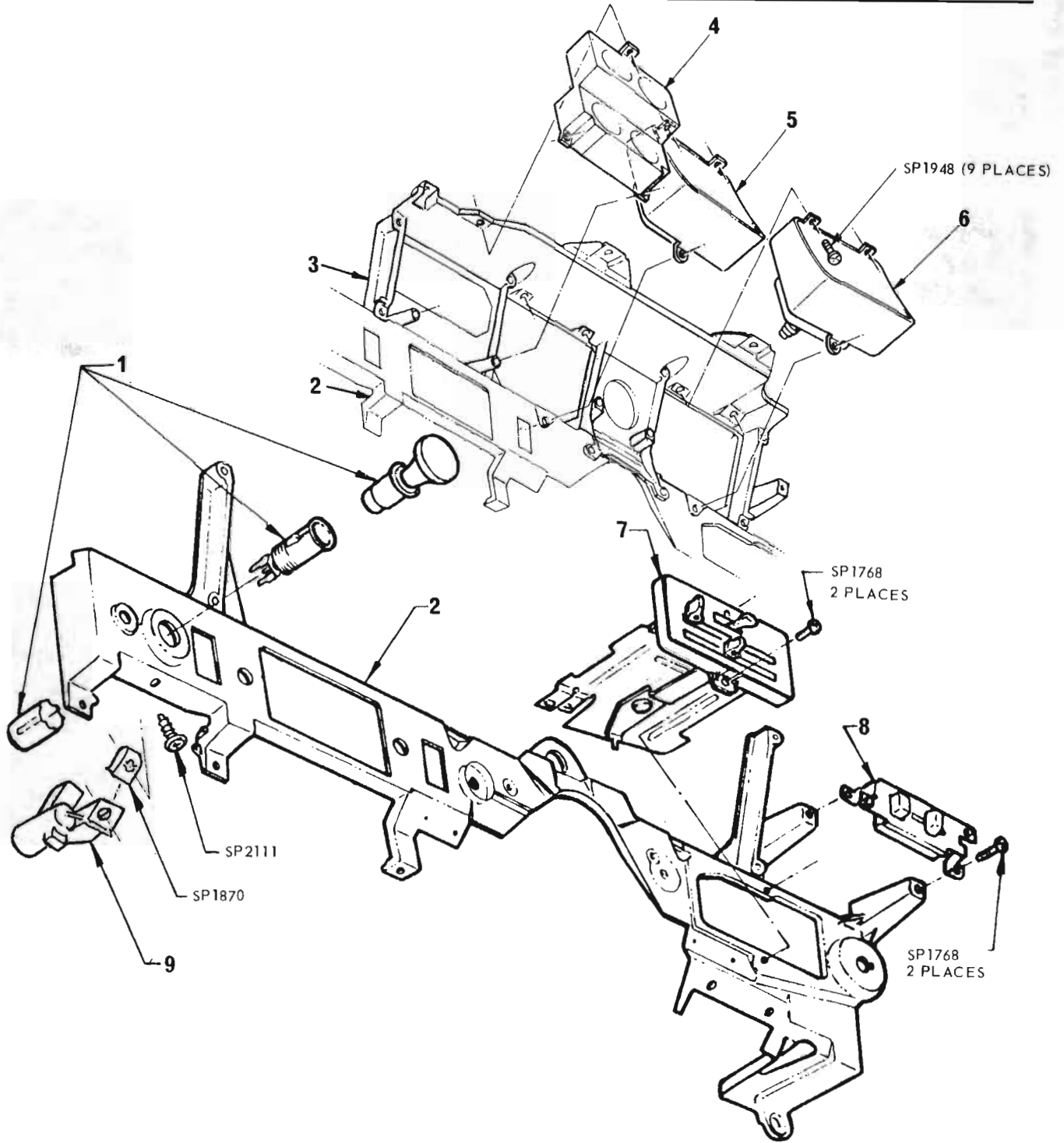
SWITCH ASSY.-DIMMER

ILLUS. REF. NO.	PART NAME	GROUP
1.	FLASHER ASSEMBLY - Turn signal	2.892
2.	CLIP - Retaining	2.892
3.	SWITCH ASSEMBLY - Back-up lamp	2.697
4.	SWITCH ASSEMBLY - Dimmer	2.459



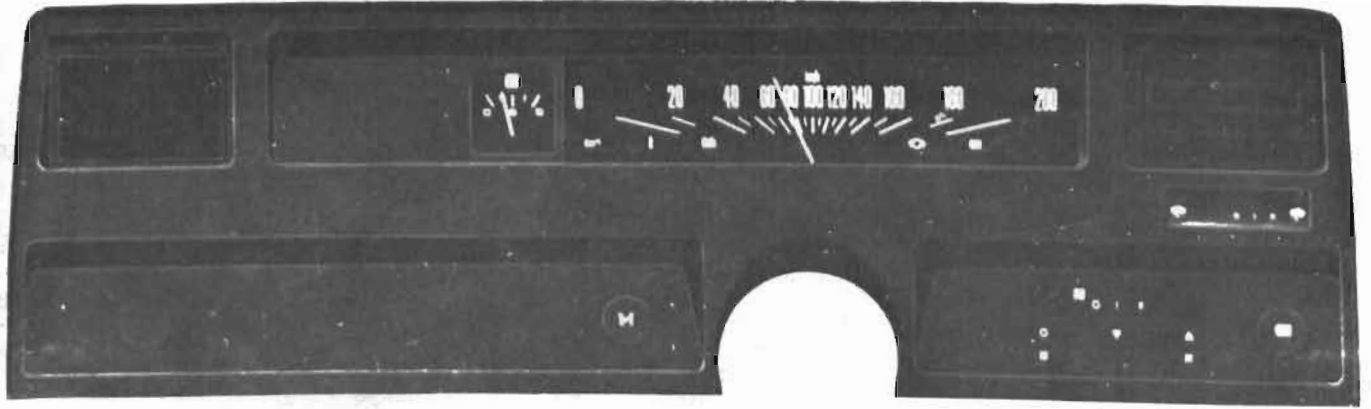
INSTRUMENT FACIA & LIGHTING SWITCH

ILLUS. REF. NO.	PART NAME	GROUP	ILLUS. REF. NO.	PART NAME	GROUP
1.	FACIA - Instrument	2.515	4.	SCREW - Pan Hd. cr.recess tap No.B - 32 x .62"	2.515
2.	ROD ASSEMBLY - Lighting Switch Control	2.486	5.	SWITCH ASSEMBLY - Lighting	2.485
3.	BUSHING ASSEMBLY - Lighting switch	2.487	6.	CLOCK ASSEMBLY	2.515

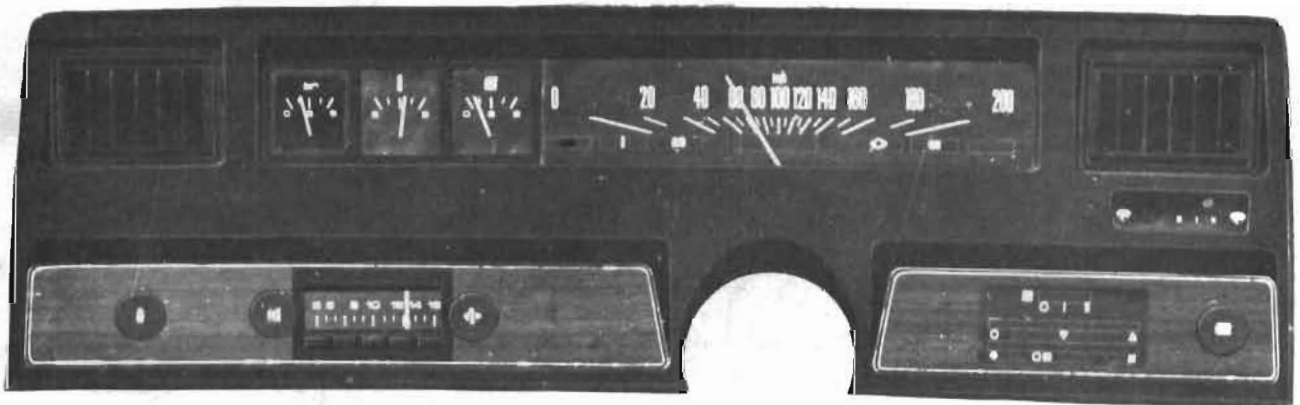


PANEL INSTRUMENT MOUNTING

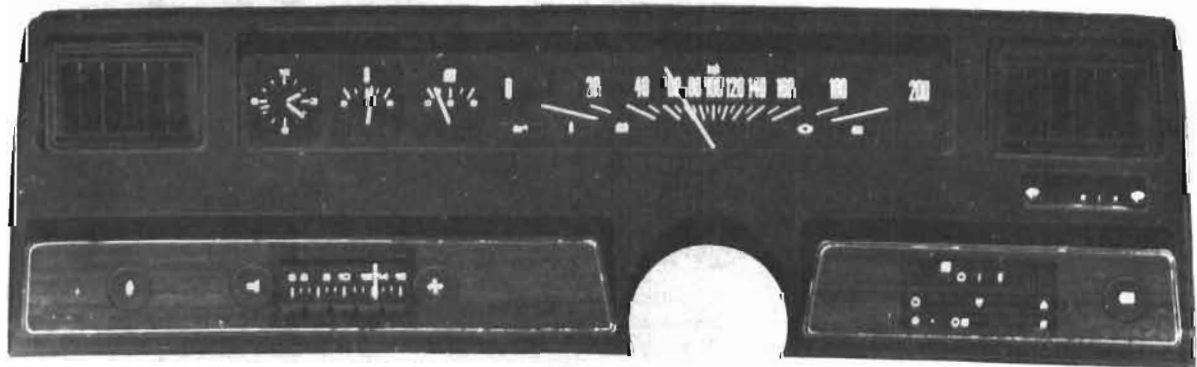
ILLUS. REF. NO.	PART NAME	GROUP	ILLUS. REF. NO.	PART NAME	GROUP
1.	LIGHTER ASSEMBLY	9.709	6.	SPEEDOMETER ASSEMBLY	2.515
2.	PANEL ASSY. - Inst. control mounting	10.230	7.	CONTROL ASSY. - Heater	9.779
3.	CARRIER - Upper	2.515	8.	SWITCH ASSY. - Windshield wiper	10.163
4.	GAUGE ASSY. - Fuel, temp., oil & bat.	2.515	9.	LENS - Ashtray illumination	12.012
5.	TACHOMETER ASSY.	2.515			



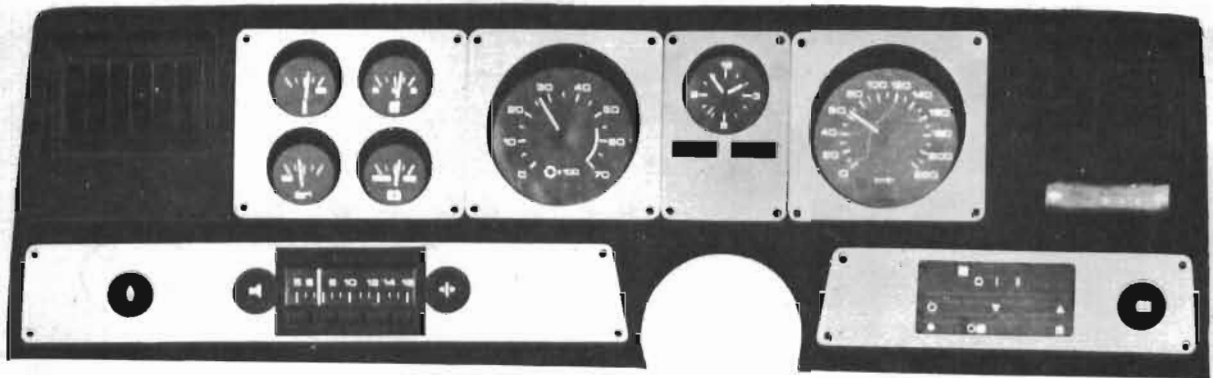
TYPE 1



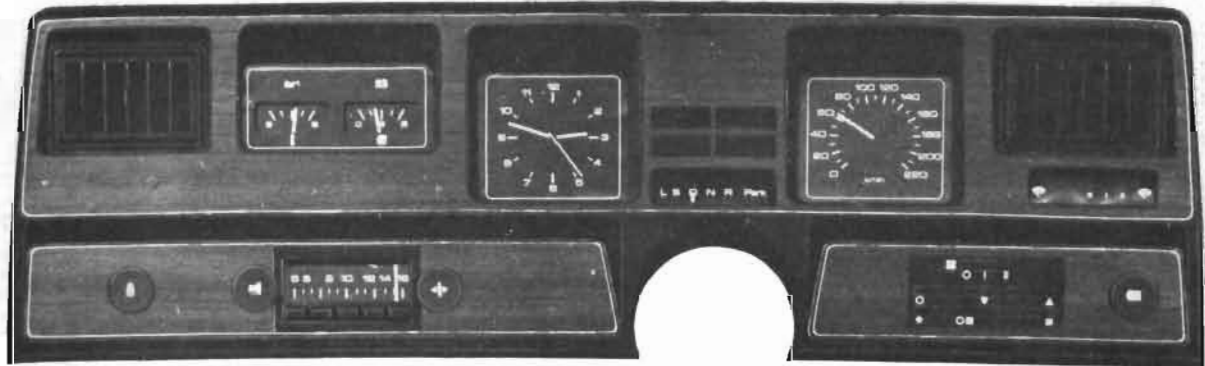
TYPE 2



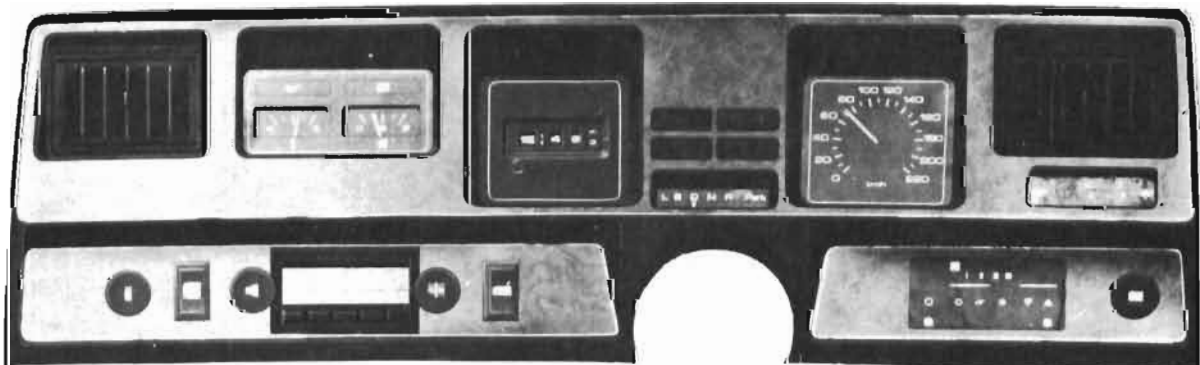
TYPE 3



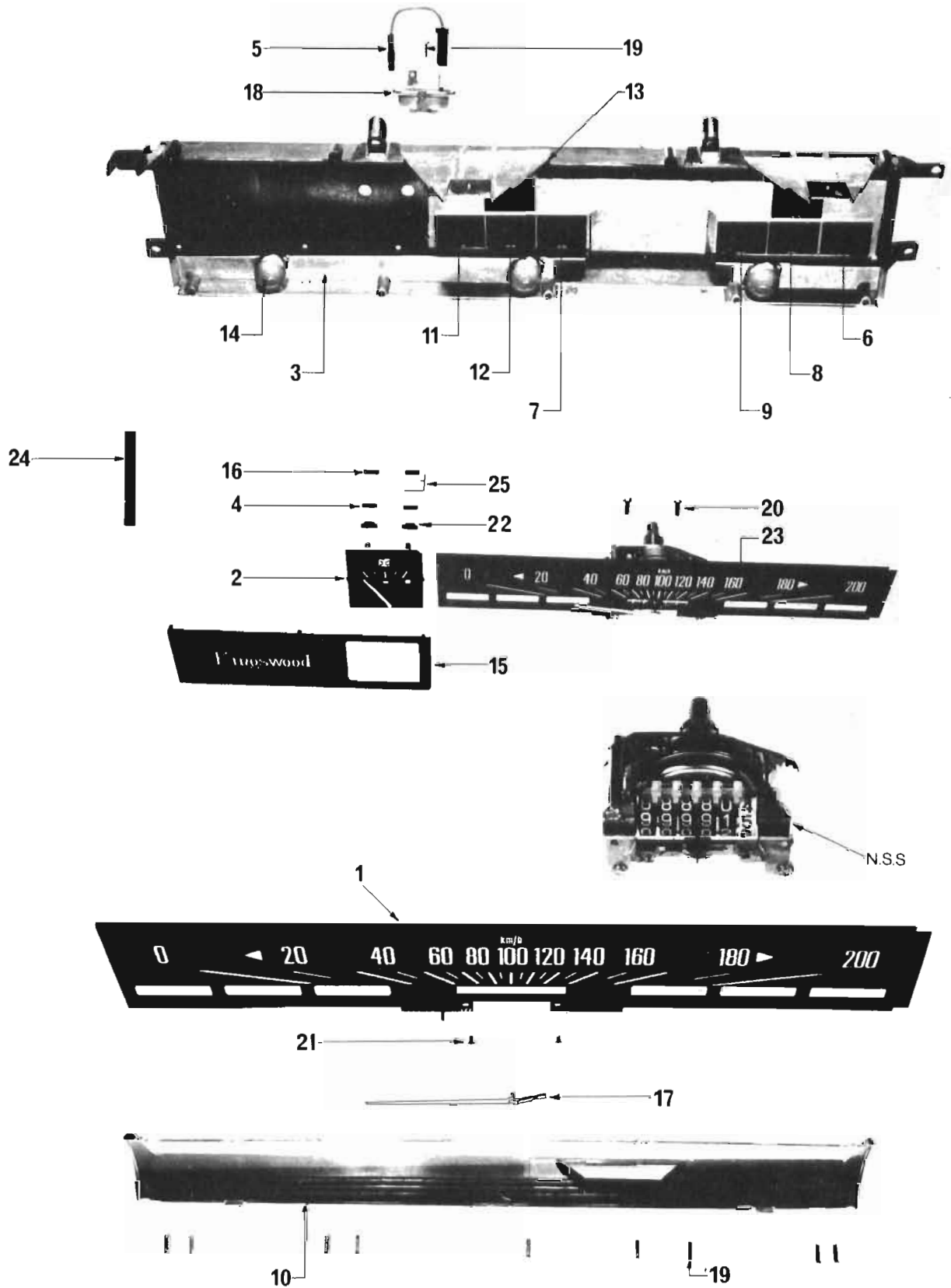
TYPE 4



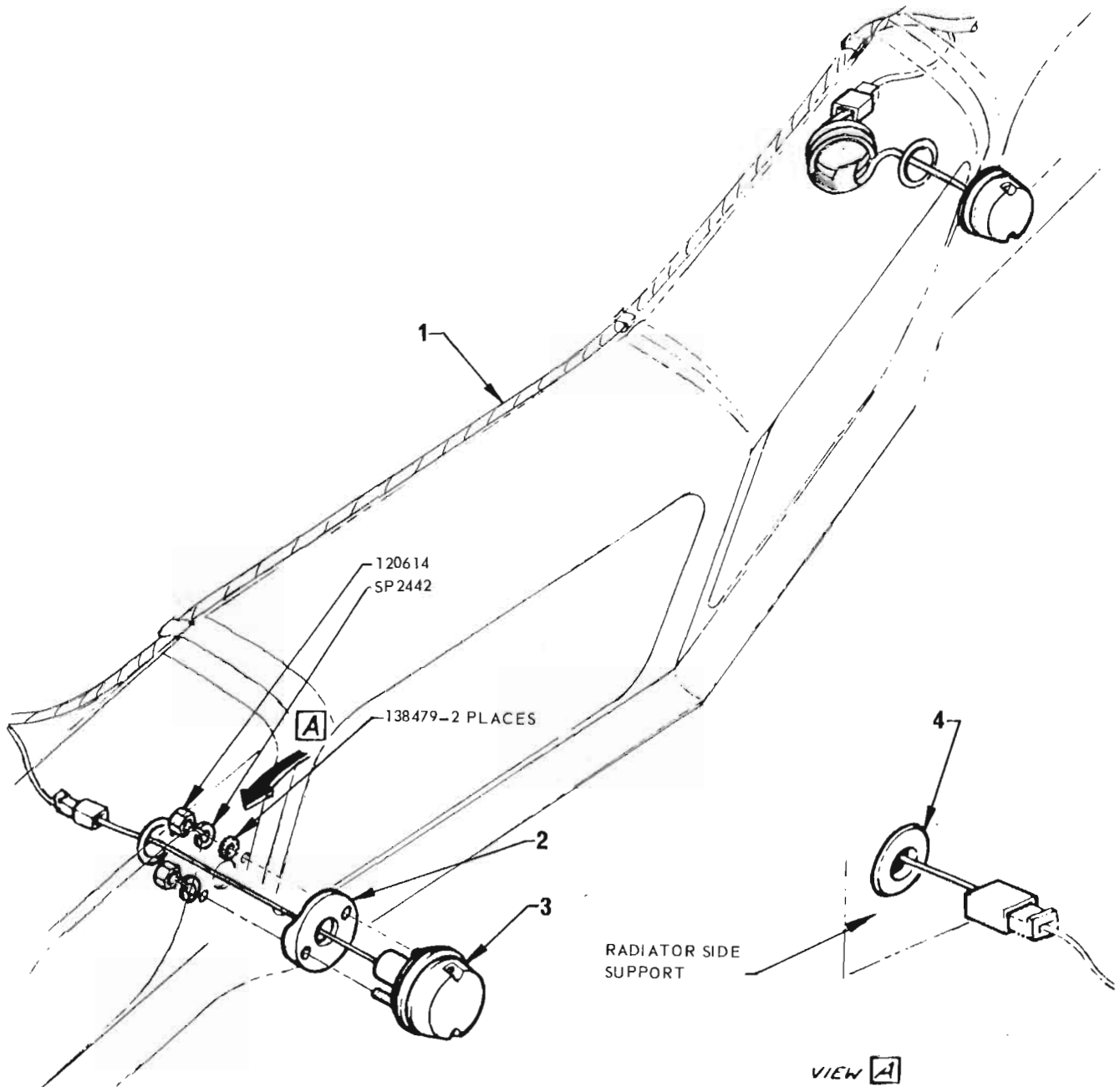
TYPE 5



TYPE 6

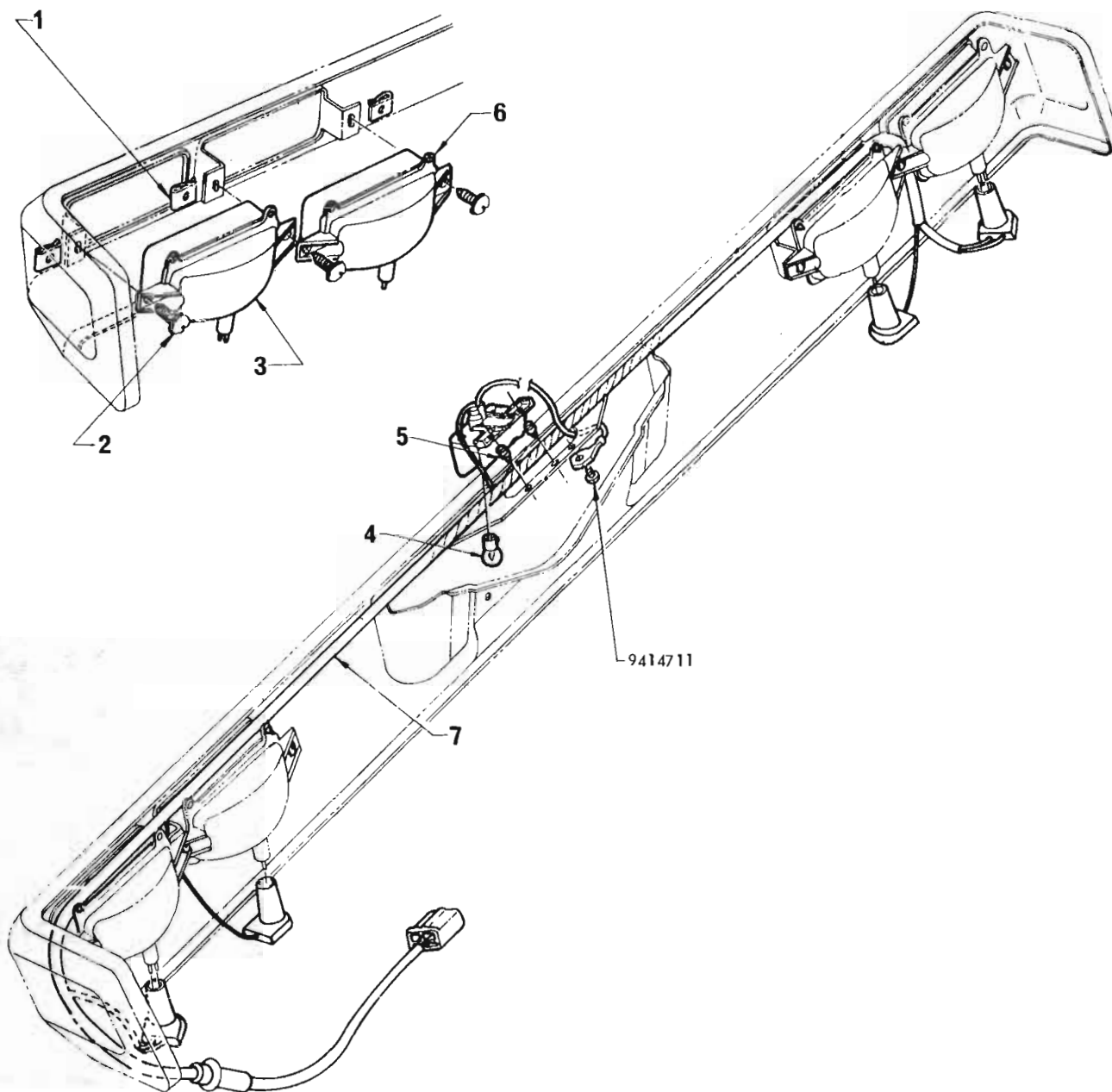


V.D.O. COMBINED INSTRUMENT
Assemblies 9932416, 9932417 Refer Group 2.515



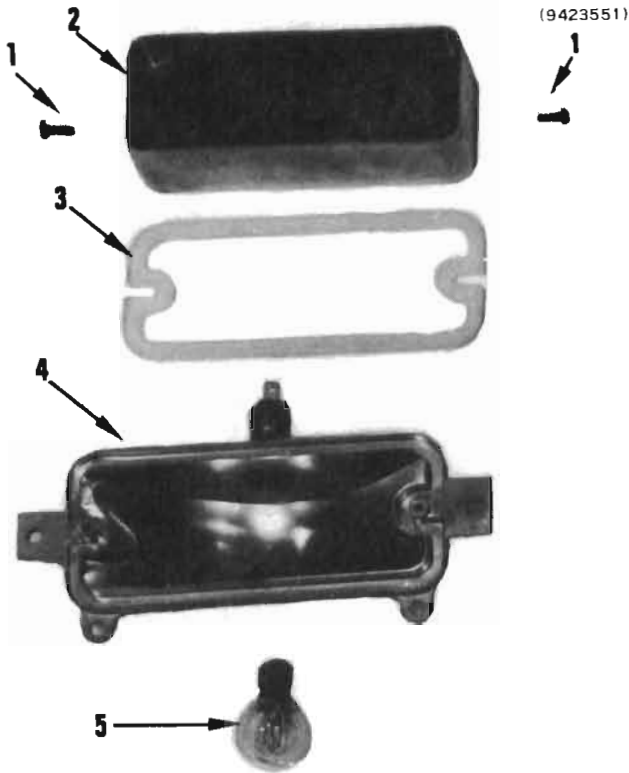
TURN SIGNAL LAMP
Chassis & Cab

ILLUS. REF. NO.	PART NAME	GROUP	ILLUS. REF. NO.	PART NAME	GROUP
1.	HARNES ASSEMBLY - Lighting	2.555	3.	LAMP ASSEMBLY	2.585
2.	SPACER	2.585	4.	GROMMET - Lead thru. rad. side support	2.596



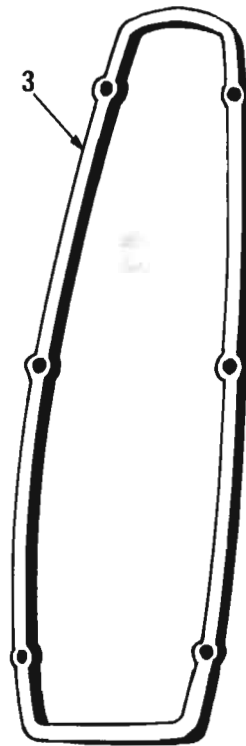
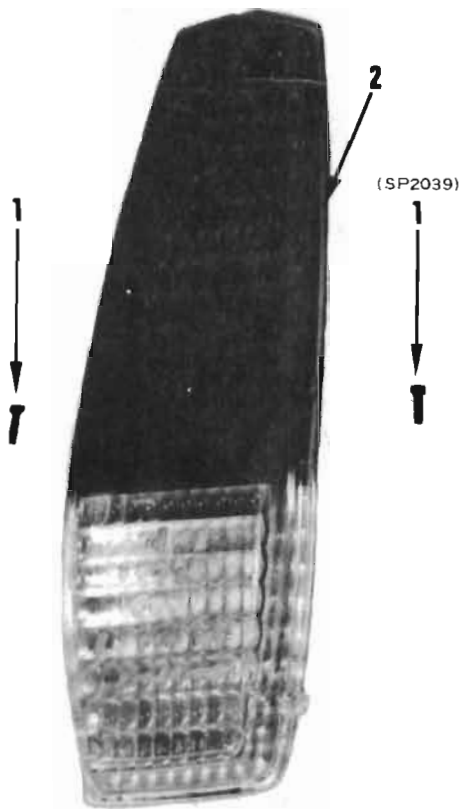
**TAIL, STOP & TURN SIGNAL LAMP
MONARO exc. GTS SEDAN**

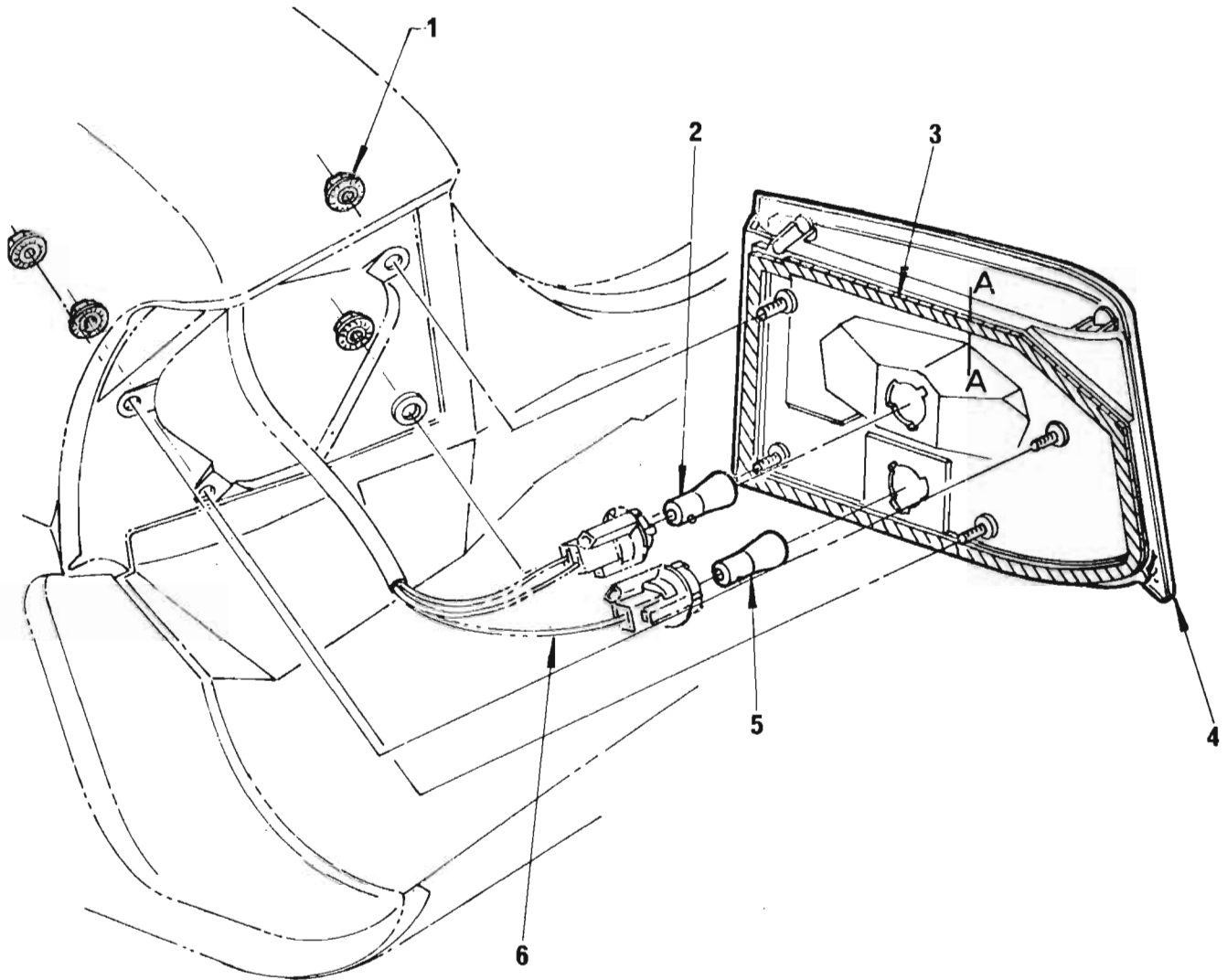
ILLUS. REF. NO.	PART NAME	GROUP	ILLUS. REF. NO.	PART NAME	GROUP
1.	NUT - "U" type spring No.10 - 12 type "A"	2.679	5.	GROMMET - Rear licence lamp	2.705
2.	SCREW - Pan hd. top No.10-16 x .75"	2.679	6.	LAMP ASSY. - Turn signal	2.679
3.	LAMP ASSY. - Tail and stop	2.679	7.	HARNES ASSY. - Rear	13.090
4.	BULB - 12 - 16V. 2C.P. S.C.	2.714			



TAIL LAMPS

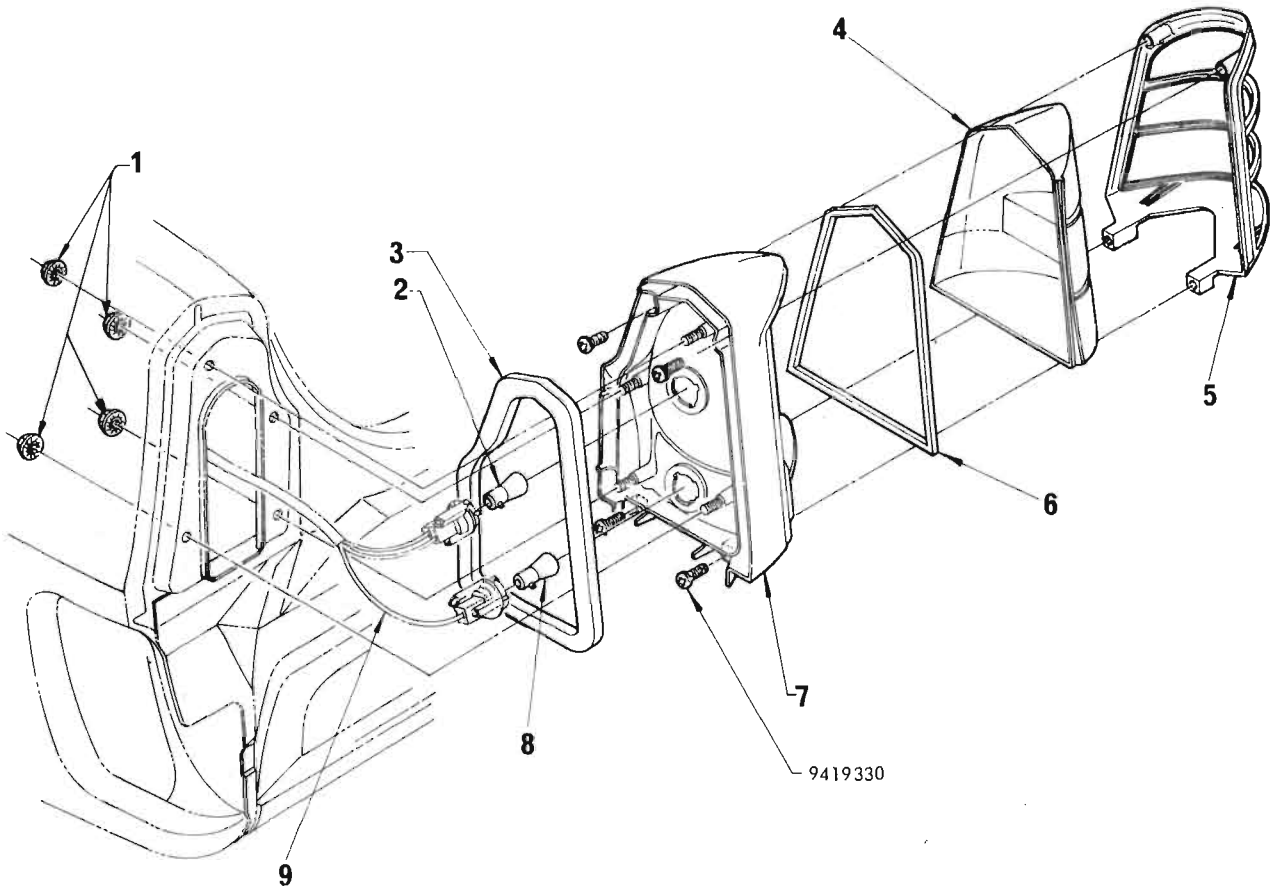
ILLUS. REF. NO.	PART NAME	GROUP
1.	SCREW - Sheet metal	8.977
2.	LENS ASSEMBLY	2.682
3.	GASKET - Lens	2.684
4.	HOUSING ASSEMBLY	2.680
5.	BULB	2.679





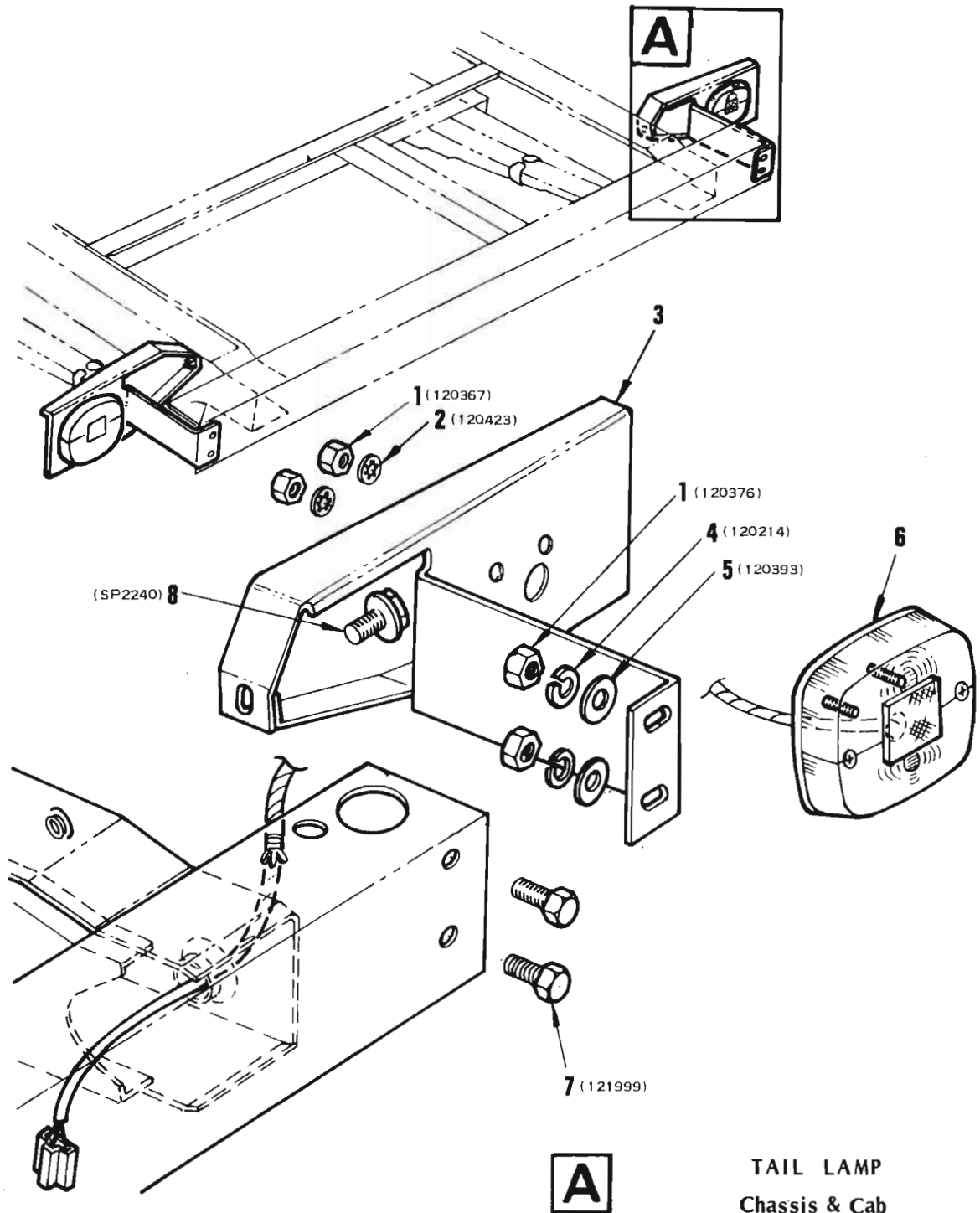
TAIL, STOP, & TURN SIGNAL LAMP
Sedan exc. Statesman

ILLUS. REF. NO.	PART NAME	GROUP	ILLUS. REF. NO.	PART NAME	GROUP
1.	NUT - Serrated face lock No. 10 - 24	2.679	4.	LAMP ASSEMBLY	2.679
2.	BULB - 12 - 16v. 32 - 4 c.p.	2.679	5.	BULB - 12 - 16v. 32 c.p.	2.679
3.	GASKET - Lamp to body	2.684	6.	HARNES ASSY. - Rear	13.090



TAIL, STOP & TURN SIGNAL LAMP
Statesman

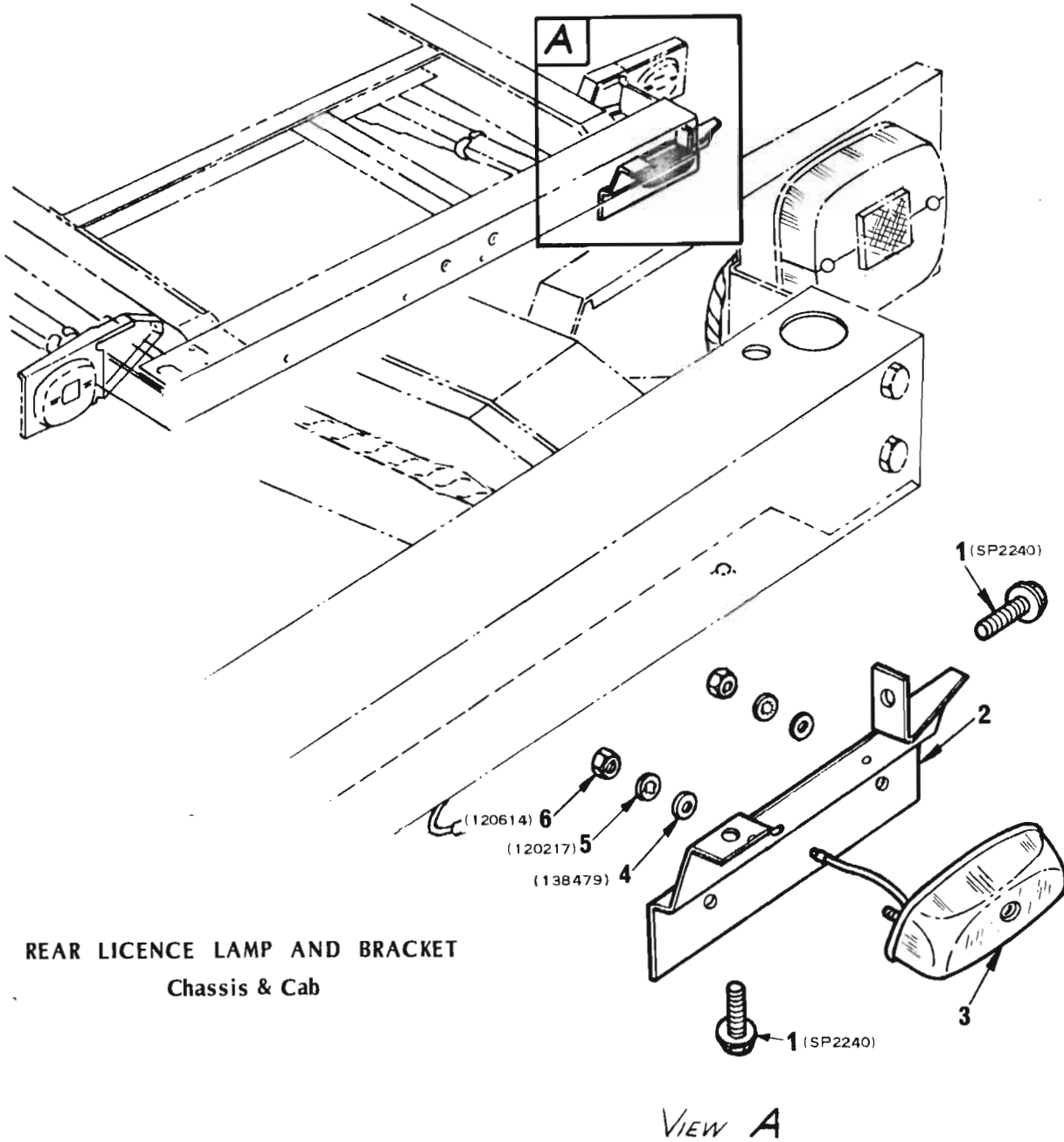
ILLUS. REF. NO.	PART NAME	GROUP	ILLUS. REF. NO.	PART NAME	GROUP
1.	NUT - Serrated face lock No.10-24	2.679	6.	GASKET - Lens to base	2.684
2.	BULB - 12 - 16v. 32 - 4 c.p.	2.679	7.	BASE ASSEMBLY	2.679
3.	GASKET - Lamp to body	2.684	8.	BULB - 12 - 16v. 32 c.p.	2.679
4.	LENS ASSEMBLY	2.682	9.	HARNES ASSY. - Rear	13.090
5.	RIM	2.681			



A

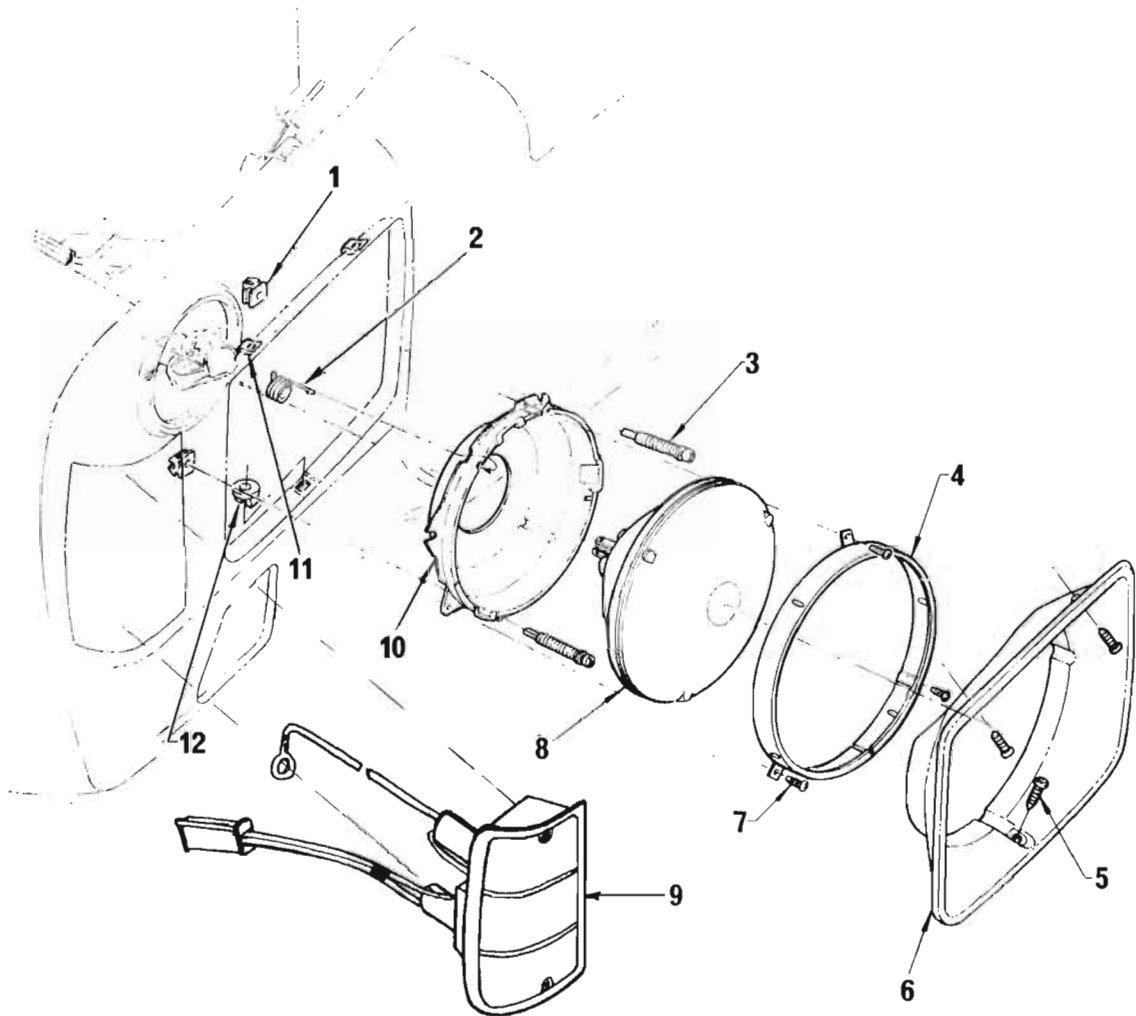
**TAIL LAMP
Chassis & Cab**

ILLUS. REF. NO.	PART NAME	GROUP	ILLUS. REF. NO.	PART NAME	GROUP
1.	NUT – Hexagon	8.915	5.	WASHER – Flat	8.929
2.	WASHER – Shakeproof	8.932	6.	LAMP ASSY. – Stop, tail & turn signal	2,679
3.	BRACKET – Tail, stop & turn signal lamp mounting	2.665	7.	BOLT – Hexagon head	8.900
4.	WASHER – Lock	8.931	8.	SCREW – Sheet metal	8.977



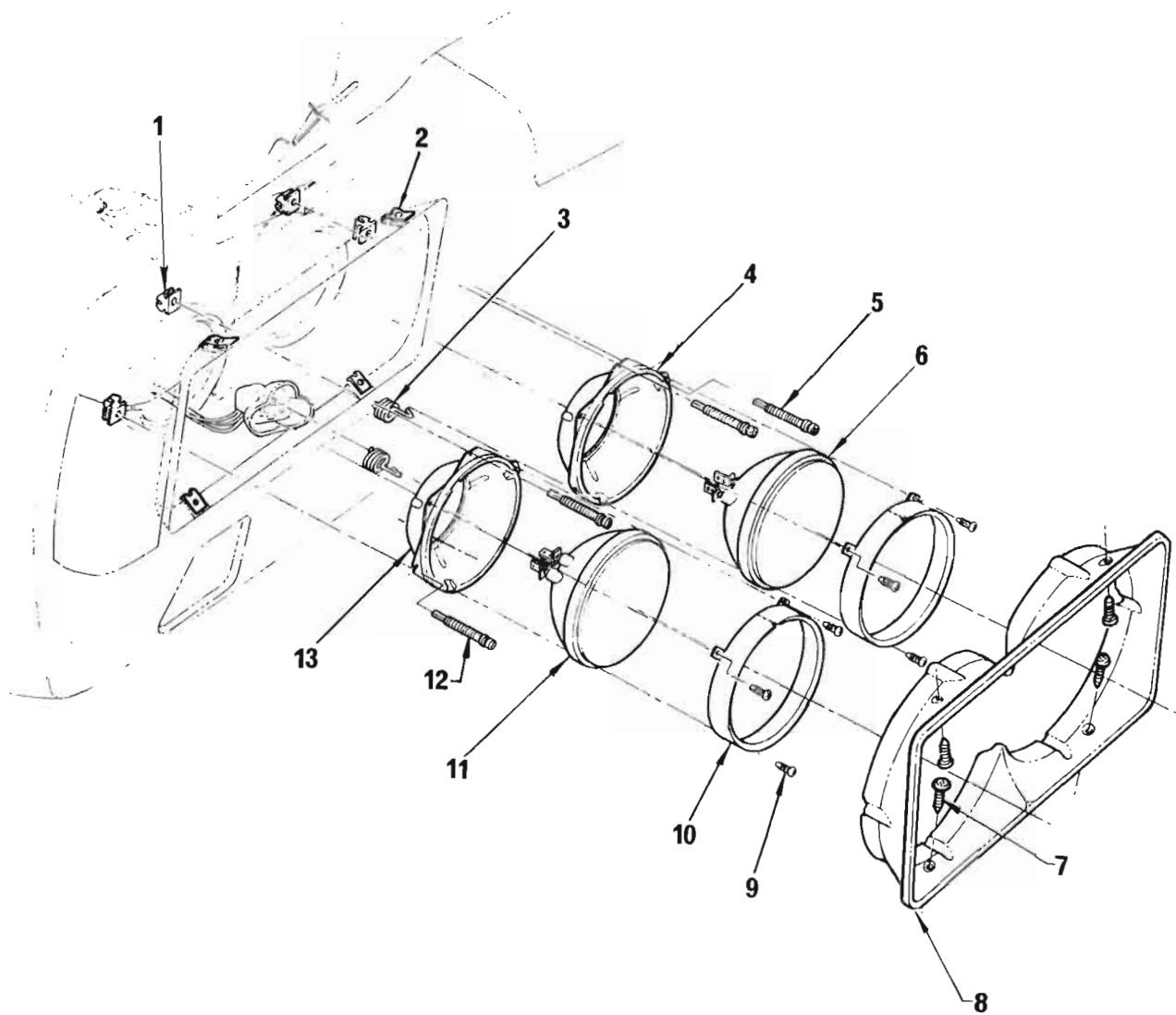
REAR LICENCE LAMP AND BRACKET
Chassis & Cab

ILLUS. REF. NO.	PART NAME	GROUP
1.	SCREW - Hex. hd. 5/16'' - 18 x 5/8'' flanged head	8.977
2.	BRACKET - Rear licence lamp	2.705
3.	LAMP ASSY. - Rear licence plate	2.700
4.	WASHER - Shakeproof, No. 10 internal/external tooth	8.932
5.	WASHER - Lock, No. 10 medium	8.931
6.	NUT - Hex. No. 10 - 32 machine screw (cad or zinc)	8.915



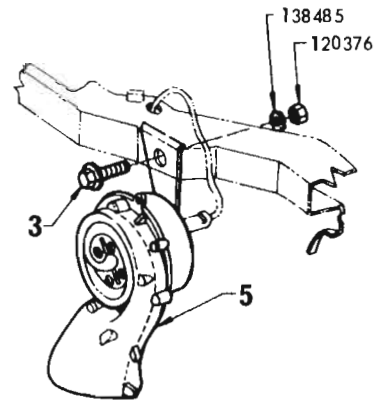
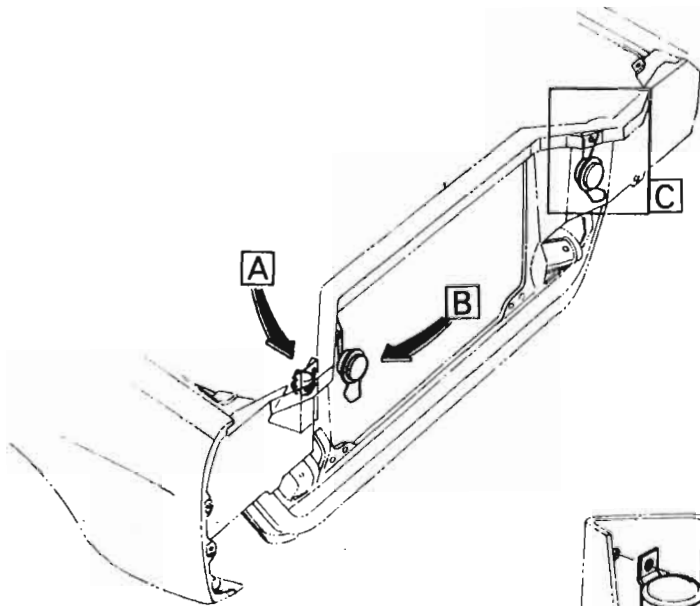
HEADLAMP ASSEMBLY
Exc. Premier, LS, Statesman

ILLUS. REF. NO.	PART NAME	GROUP	ILLUS. REF. NO.	PART NAME	GROUP
1	NUT - Headlamp adjusting	2.729	7	SCREW - Retaining ring to mounting ring	2.731
2	SPRING - Retaining	2.737	8	SEALED BEAM UNIT	2.727
3	SCREW - Beam adjusting	2.737	9	LAMP ASSEMBLY	2.679
4	RING ASSY. - Retaining	2.731	10	RING - Mounting	2.726
5	SCREW - Tap No.8 - 18 x .62"	2.728	11	NUT - Upper, 'U' type spring No. 8A	2.728
6	RIM	2.728	12	NUT - Lower	2.728

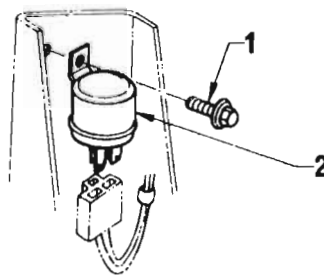


HEADLAMP ASSEMBLY
Premier, L.S., Statesman

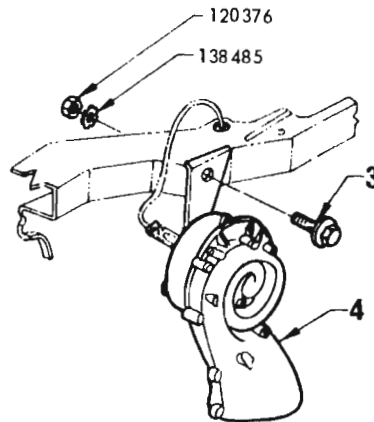
ILLUS. REF. NO.	PART NAME	GROUP	ILLUS. REF. NO.	PART NAME	GROUP
1.	NUT - Headlamp adjusting	2.729	8.	RIM	2.728
2.	NUT - Upper "U" type spring No.8A	2.728	9.	SCREW - Retaining ring to mounting ring	2.731
3.	SPRING - Retaining	2.737	10.	RING ASSY. - Retaining	2.731
4.	RING - Mounting inner ..	2.726	11.	SEALED BEAM UNIT - Outer	2.727
5.	SCREW - 2.1/2"	2.737	12.	SCREW - Beam adjusting, 2" long	2.737
6.	SEALED BEAM UNIT - Inner	2.727	13.	RING - Mounting outer	2.726
7.	SCREW - Tap No. 8 - 18 x .625"	2.728			



VIEW B LOW NOTE



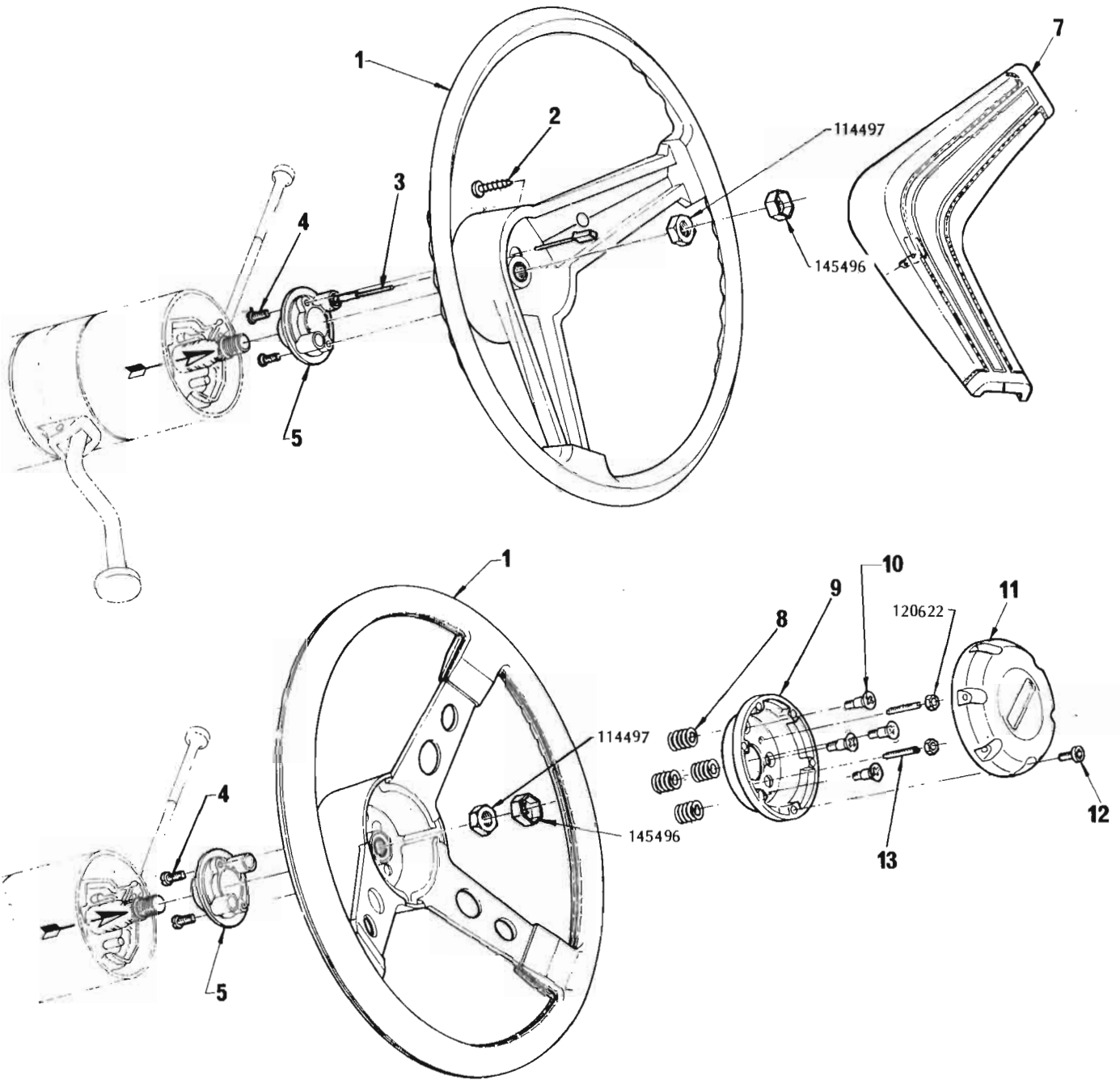
VIEW A



VIEW C HIGH NOTE

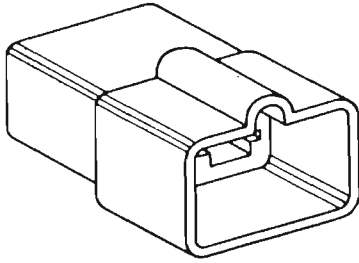
HORN ASSEMBLY

ILLUS. REF. NO.	PART NAME	GROUP	ILLUS. REF. NO.	PART NAME	GROUP
1.	SCREW - Hex. hd. tap No.10 - 16 x .500"	2.815	4.	HORN ASSEMBLY - Low note	2.810
2.	RELAY	2.815	5.	HORN ASSEMBLY - High note	2.810
3.	SCREW - Hex. hd. tap 5/16" - 18 x .625"	2.810			

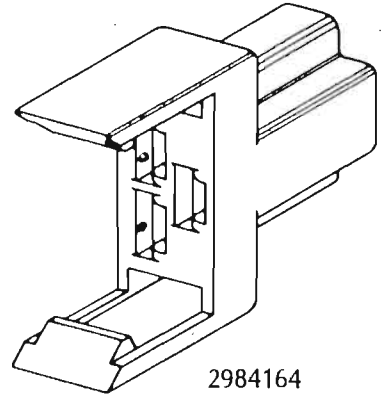


STEERING WHEEL and HORN BAR

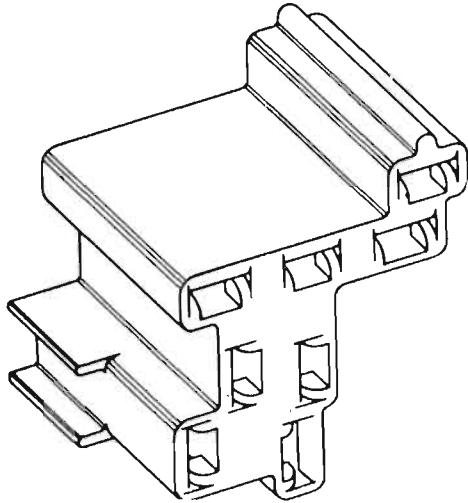
ILLUS. REF. NO.	PART NAME	GROUP	ILLUS. REF. NO.	PART NAME	GROUP
1.	WHEEL ASSEMBLY - Steering	6.513	8.	SPRING - Adaptor to steering wheel	2.824
2.	SCREW - Horn bar to steering wheel	2.830	9.	ADAPTOR - Horn emblem & button	2.824
3.	LEAD ASSY. - Horn actuating bar earth	2.830	10.	SCREW - Adaptor to steering wheel	2.824
4.	SCREW - Support & ring to steering wheel	2.822	11.	EMBLEM & BUTTON ASSY. - Horn	2.820
5.	SUPPORT & RING ASSY. - Horn contact	2.822	12.	SCREW - Horn emblem & button to adaptor	2.820
7.	BAR ASSEMBLY - Horn actuating	2.830	13.	SCREW - Horn contact adjusting	2.819



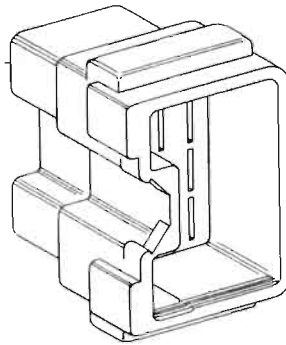
2973603



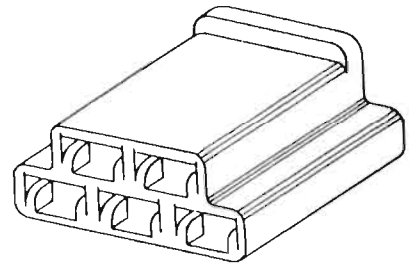
2984164



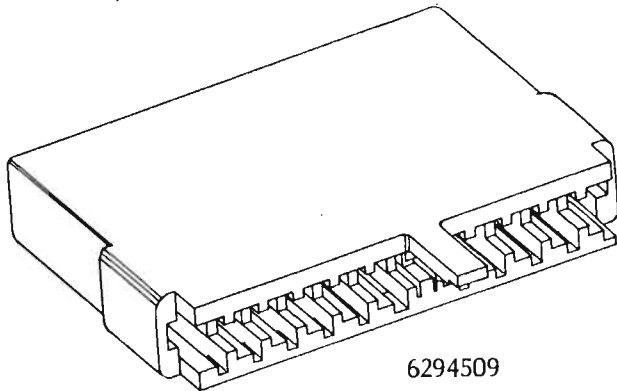
2984169



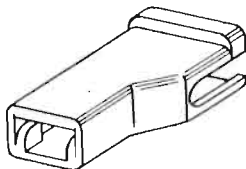
6288890



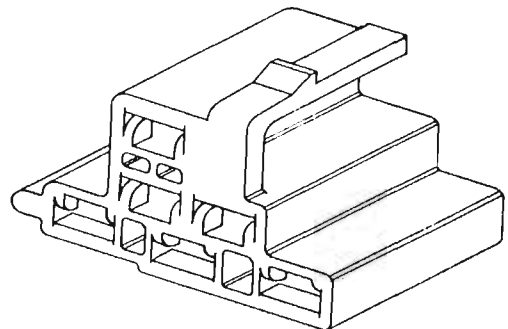
6294016



6294509

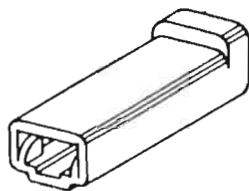


6294142

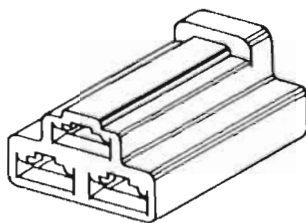


6294643

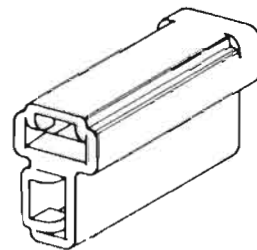
TERMINAL CONNECTOR BODIES



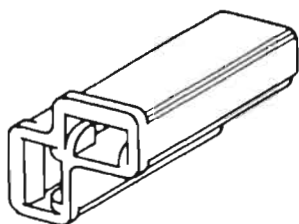
2962448



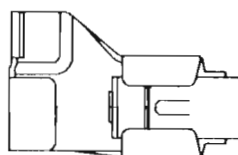
2962449



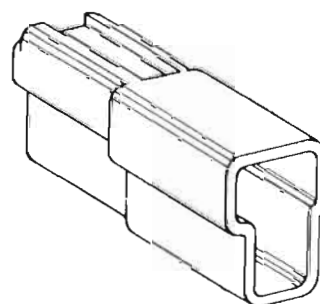
2962551



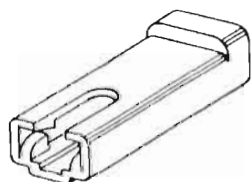
2962910



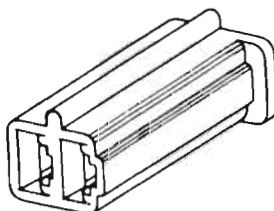
2962915



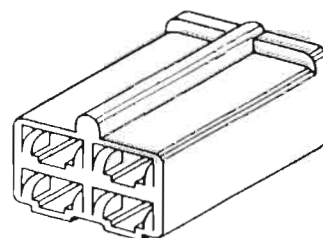
2962964



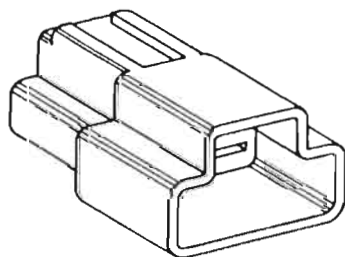
2962965



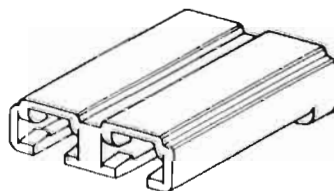
2962967



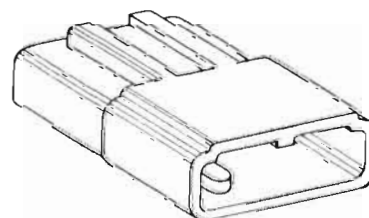
2962969



2973172



2973407



2973431

TERMINAL CONNECTOR BODIES

"HJ" PARTS CATALOGUE

GROUP	DESCRIPTION	MODEL	SIDE	PART No.	QTY.
2.041	MOTOR ASSEMBLY – Starter				
	MOTOR ASSEMBLY(Lucas)	2850 Eng.		2819377	1
	MOTOR ASSEMBLY(Bosch)	6 Cyl. Eng.		2815873	1
	MOTOR ASSEMBLY(Bosch)	8 Cyl. Eng.		7438110	1
	MOTOR ASSEMBLY(Lucas)	4.2 Litre Eng.		2819022	1
	BOLT	8 Cyl. Eng.		7435397	1
	BOLT	(M) 8 Cyl. Eng.		2810367	1
	BOLT	(A) 4.2 Litre Eng.		2810367	1
	BRACKET - Steady(Lucas)	4.2 Litre Eng.		VS11887	1
	SCREW - Steady bracket(Lucas)	4.2 Litre Eng.		VS11888	1
2.043	ARMATURE – Starter motor				
	ARMATURE(Bosch)	ALL		7424652	1
	ARMATURE(Lucas)	2850, 4.2 Litre Eng.		VS11964	1
2.049	COIL ASSEMBLY, INSULATOR – Starter motor field				
	COIL ASSEMBLY(Lucas)	2850 Eng.		VS12080	1
	COIL ASSEMBLY(Lucas)	4.2 Litre Eng.		VS11965	1
	COIL ASSEMBLY(Bosch)	ALL		VS10971	1
	INSULATOR - Field coil to housing(Bosch)	ALL		7424644	1
	INSULATOR - Field coil to pole shoe(Bosch)	ALL		7424645	1
2.051	BRUSH – Starter motor				
	BRUSH SET(Bosch)	ALL		7424660	1
	BRUSH SET(Lucas)	2850, 4.2 Litre Eng.		VS11875	1
2.052	PLATE ASSEMBLY – Starter motor brush holder				
	PLATE ASSEMBLY - Brush holder(Bosch)	ALL		VS11970	1
	HOLDER - Brush(Lucas)	2850, 4.2 Litre Eng.		VS11876	1
	SCREW - Brush holder attaching(Lucas)	2850, 4.2 Litre Eng.		VS11878	2
	WASHER - Brush holder screw(Lucas)	2850, 4.2 Litre Eng.		VS10812	2
2.053	SPRING – Starter motor brush				
	SPRING(Bosch)	ALL		7424661	4
	SPRING & PLATE ASSY.(Lucas)	2850, 4.2 Litre Eng.		VS11877	1
2.063	CAP, SCREW – Starter motor armature				
	CAP - Bearing(Bosch)	ALL		7424665	1
	SCREW - Bearing cap(Bosch)	ALL		VS11971	2
	WASHER - Bearing cap screw(Bosch)	ALL		7406618	2
2.067	FRAME ASSEMBLY – Starter motor commutator end				
	FRAME ASSEMBLY(Bosch)	ALL		7424657	1
	FRAME ASSEMBLY(Lucas)	2850, 4.2 Litre Eng.		VS11871	1
2.077	SCREW, BOLT – Starter motor				
	SCREW - Pole shoe(Bosch)	ALL		VS11091	4
	BOLT - Through(Bosch)	ALL		7424666	2
	WASHER - Through bolt(Bosch)	ALL		VS11092	2
	BOLT - Through(Lucas)	2850 Eng.		VS12081	2
	BOLT - Through(Lucas)	4.2 Litre Eng.		VS10831	2
	WASHER - Through bolt(Lucas)	2850, 4.2 Litre Eng.		VS10832	2
2.080	SUNDRY PARTS SET – Starter motor				
	SUNDRY PARTS SET(Bosch)	ALL		VS11089	1
2.083	BUSHING – Starter motor				
	BUSHING - Drive end(Bosch)	ALL		7424647	1
	BUSHING - Drive end(Lucas)	2850, 4.2 Litre Eng.		VS10828	1
	BUSHING - Comm. end frame(Bosch)	ALL		7405590	1
	BUSHING - Comm. end(Lucas)	2850, 4.2 Litre Eng.		VS11874	1

"HJ" PARTS CATALOGUE

GROUP	DESCRIPTION	MODEL	SIDE	PART No.	QTY.
2.085 HOUSING – Starter motor drive with bushing					
HOUSING	(Bosch)	6 Cyl. Eng.		VS11146	1
HOUSING	(Bosch)	8 Cyl. Eng.		VS10972	1
HOUSING	(Lucas)	2850 Eng.		VS11883	1
HOUSING	(Lucas)	4.2 Litre Eng.		VS11354	1
SEAL - To clutch, converter housing		8 Cyl. Eng.		VS10973	1
2.086 DRIVE ASSEMBLY – Starter motor					
DRIVE ASSEMBLY	(Bosch)	ALL		7424653	1
DRIVE ASSEMBLY	(Lucas)	2850, 4.2 Litre Eng.		VS10815	1
2.087 BUSHING, BUFFER – Starter motor pinion					
BUSHING - Drive	(Bosch)	ALL		7424631	1
BUFFER - Drive	(Bosch)	ALL		7420847	1
WASHER - Thrust, plain steel	(Lucas)	2850, 4.2 Litre Eng.		VS11872	1
WASHER - Thrust, stepped steel	(Lucas)	2850, 4.2 Litre Eng.		VS11881	1
WASHER - Thrust, nylon	(Lucas)	2850, 4.2 Litre Eng.		VS11882	1
SHIM	(Lucas)	2850, 4.2 Litre Eng.		VS11873	1
BUSHING - Pinion bearing	(Lucas)	2850, 4.2 Litre Eng.		VS10821	1
RING - Lock	(Lucas)	2850, 4.2 Litre Eng.		VS10816	1
SPRING - Engaging	(Lucas)	2850, 4.2 Litre Eng.		VS10817	1
PLATE - Thrust	(Lucas)	2850, 4.2 Litre Eng.		VS10820	1
PLATE - Operating	(Lucas)	2850, 4.2 Litre Eng.		VS10818	1
COLLAR - Bearing	(Lucas)	2850, 4.2 Litre Eng.		VS10819	1
2.096 STOP, COLLAR, RING – Starter motor					
STOP - Pinion assembly	(Bosch)	ALL		7424633	1
COLLAR - Drive end	(Lucas)	2850, 4.2 Litre Eng.		VS10826	1
RING - Collar retaining	(Lucas)	2850, 4.2 Litre Eng.		7428707	1
WASHER - Drive end	(Lucas)	2850 Eng.		7428705	1
2.100 SWITCH ASSEMBLY – Starter					
SWITCH - Solenoid	(Bosch)	ALL		VS10215	1
SCREW - Switch attaching	(Bosch)	ALL		7424669	2
SWITCH - Solenoid	(Lucas)	2850, 4.2 Litre Eng.		VS10822	1
NUT - Terminal	(Lucas)	2850, 4.2 Litre Eng.		VS10823	2
WASHER - Terminal nut	(Lucas)	2850, 4.2 Litre Eng.		VS10824	2
NUT - Switch attaching	(Lucas)	2850, 4.2 Litre Eng.		7406859	2
2.101 GROMMET – Starter switch to solenoid					
GROMMET	(Lucas)	2850 Eng.		VS11885	1
2.102 STARTER MOTOR (SOLENOID) COMPONENTS					
COVER - Switch	(Bosch)	ALL		VS11090	1
GASKET - Solenoid 0.5 m.m.	(Bosch)	ALL		7424678	A.R.
GASKET - Solenoid 1 m.m.	(Bosch)	ALL		7424679	A.R.
NUT - Contact bolt	(Bosch)	ALL		7405645	A.R.
SCREW - Cover attaching	(Bosch)	6 Cyl. Eng.		VS11973	2
SCREW - Cover attaching	(Bosch)	8 Cyl. Eng.		VS12500	2
WASHER - Main terminal	(Bosch)	ALL		VS11087	1
WASHER - Switch cover screw	(Bosch)	ALL		VS11086	2
2.108 LEVER ASSEMBLY – Starter motor shift					
LEVER ASSY.	(Bosch)	ALL		7424648	1
SCREW	(Bosch)	ALL		7424649	1
NUT	(Bosch)	ALL		7405604	1
WASHER - Lock	(Bosch)	ALL		VS11969	1
LEVER ASSEMBLY	(Lucas)	2850, 4.2 Litre Eng.		VS10813	1
PIN - Pivot	(Lucas)	2850 Eng.		VS11879	1
PIN - Pivot	(Lucas)	4.2 Litre Eng.		VS10814	1
NUT - Pivot pin	(Lucas)	2850, 4.2 Litre Eng.		7406835	1

"HJ" PARTS CATALOGUE

GROUP	DESCRIPTION	MODEL	SIDE	PART No.	QTY.
2.170	COIL ASSEMBLY, BRACKET – Ignition				
	COIL ASSEMBLY(Bosch)	6 Cyl. Eng.		7422779	1
	COIL ASSEMBLY(Lucas)	6 Cyl. Eng.		7431087	1
	BRACKET - Ignition coil(Bosch)	6 Cyl. Eng.		7422780	1
	BRACKET - Ignition coil(Lucas)	6 Cyl. Eng.		7422907	1
	COIL ASSEMBLY(Bosch)	8 Cyl. Eng.		7435105	1
	COIL ASSEMBLY(Lucas)	8 Cyl. Eng.		7440470	1
	BRACKET & SCREW ASSEMBLY - Coil	8 Cyl. Eng.		7449585	1
2.188	SWITCH ASSEMBLY – Ignition and starting				
	LOCK ASSEMBLY - Ignition (coded)	ALL		9934521	1
	SERVICE PACKAGE - Ignition lock (uncoded)	ALL		9934587	1
	TUMBLER - No. 1 (Package of 100)	ALL		3901061	A.R.
	TUMBLER - No. 2 (Package of 100)	ALL		3901062	A.R.
	TUMBLER - No. 3 (Package of 100)	ALL		3901063	A.R.
	TUMBLER - No. 4 (Package of 100)	ALL		3901064	A.R.
	TUMBLER - No. 5 (Package of 100)	ALL		3901065	A.R.
	SWITCH ASSEMBLY - Ignition & starter	ALL		2811924	1
	BOLT - Switch to column	ALL		SP2319	2
	BOLT & SPRING ASSY. - Steering lock	ALL		2812811	1
	WASHER - Steering lock thrust	ALL		7805950	1
2.195	RACK and ROD, SECTOR, SHAFT – Ignition switch actuator				
	RACK & ROD	ALL		2813550	1
	SPRING - Rack preload	ALL		7804410	1
	SHAFT	ALL		7804412	1
	SECTOR	ALL		7806046	1
2.239	WIRE UNIT – Spark plug and distributor				
	WIRE UNIT - T.V.R.S.	6 Cyl. Eng.		7423454	1
	WIRE UNIT - Copper wire	6 Cyl. Eng.		7436752	1
	WIRE UNIT - T.V.R.S.	8 Cyl. Eng.		2812003	1
	WIRE UNIT - Copper Wire	8 Cyl. Eng.		9936674	1
				9938279	
2.251	RETAINER, BRACKET, SPACER – Spark plug wire				
	RETAINER - Spark plug wire	8 Cyl. Eng.		2965736	2
	RETAINER - Spark plug wire	8 Cyl. Eng.		9932449	4
	BRACKET - Retainer to rocker cover	8 Cyl. Eng.		9932450	4
	SPACER	8 Cyl. Eng. - Air Cond.		297447	4
2.258	NIPPLE, BOOT – Spark plug wire insulating				
	NIPPLE - Distributor cap insulating	ALL		5289527	6-8
	NIPPLE - Coil lead insulating (Cap end)	ALL		5289527	1
	NIPPLE - Coil lead insulating (Coil end)	ALL		5290441	1
	BOOT - Spark plug	6 Cyl. Eng.		2962674	6
	BOOT - Spark plug	8 Cyl. Eng.		2965987	8
				9938467	
2.270	PLUG ASSEMBLY – Spark				
	PLUG - Spark	2850 Eng.		44T	6
	PACKAGE - (Set of 6 No. 44T)	2850 Eng.		2820504	1
	PLUG - Spark	3300 Eng.		45T	6
	PACKAGE - (Set of 6 No. 45T)	3300 Eng.		2820505	1
	PLUG - Spark	8 Cyl. Eng.		44T	8
	PACKAGE - (Set of 8 No. 44T)	8 Cyl. Eng.		2819771	1
	PLUG - Spark (Optional)	2850, 8 Cyl. Eng.		43T	6-8
	PACKAGE - (Set of 8 No. 43T) (Optional)	8 Cyl. Eng.		2822798	1
2.274	PULLEY, FAN – Generator				
	PULLEY ASSEMBLY	ALL		2825019	1
	FAN - Generator	ALL		7430410	1

"HJ" PARTS CATALOGUE

GROUP	DESCRIPTION	MODEL	SIDE	PART No.	QTY.
2.275	GENERATOR ASSEMBLY – Diode rectified				
	GENERATOR ASSEMBLY(Bosch)	Exc. Air Cond.		9930535	1
	GENERATOR ASSEMBLY(Lucas)	Exc. Air Cond.		2825480	1
	GENERATOR ASSEMBLY(Bosch)	Air Cond.		9930537	1
2.277	BRACKET, SUPPORT – Generator mounting				
	BRACKET ASSEMBLY	6 Cyl. Eng. exc. Air Cond.		9931665	1
	BRACKET – Front	8 Cyl. Eng.		2811892	1
	SUPPORT – Rear	8 Cyl. Eng. exc. Air Cond.		2811891	1
2.279	ROTOR – Generator				
	ROTOR(Bosch)	Exc. Air Cond.		VS12376	1
	SLIP RING(Bosch)	Exc. Air Cond.		VS11094	1
	ROTOR(Bosch)	Air Cond.		VS12560	1
	SLIP RING(Bosch)	Air Cond.		VS12558	1
	ROTOR(Lucas)	Exc. Air Cond.		VS12321	1
	SLIP RING(Lucas)	Exc. Air Cond.		VS12330	1
	KEY(Lucas)	ALL		7405705	+
2.280	NUT, WASHER – Generator rotor				
	NUT(Lucas)	ALL		7405703	1
	WASHER(Lucas)	ALL		VS11765	1
2.285	BRUSH SET – Generator				
	BRUSH SET(Bosch)	ALL		VS12023	1
	BRUSH SET(Lucas)	ALL		VS12327	1
2.286	SPRING – Generator brush				
	SPRING(Bosch)	ALL	VS12024	VS12379	2
2.289	RECTIFIER ASSEMBLY – Generator				
	RECTIFIER ASSEMBLY(Bosch)	Exc. Air Cond.		VS12380	1
	RECTIFIER ASSEMBLY(Bosch)	Air Cond.		VS12561	1
	BOLT – Rectifier, long(Bosch)	ALL		VS12019	1
	BOLT – Rectifier, short(Bosch)	ALL		VS12020	2
2.289	SINK – Heat and components				
	SINK – Heat, negative with diodes(Lucas)	Exc. Air Cond.		VS12323	1
	SINK – Heat, positive with diodes(Lucas)	Exc. Air Cond.		VS12324	1
	SINK – Heat, negative with diodes(Lucas)	Air Cond.		VS12088	1
	SINK – Heat, positive with diodes(Lucas)	Air Cond.		VS12089	1
	PLATE – Field terminal with diodes(Lucas)	Exc. Air Cond.		VS12325	1
	PLATE – Field terminal with diodes(Lucas)	Air Cond.		VS12533	1
	SUNDRY PARTS SET – Heat sink mounting.(Lucas)	ALL		VS12091	1
2.291	BOX, MOULDING – Generator brush				
	BOX ASSEMBLY – Brush (Metal)(Lucas)	Exc. Air Cond.		VS12326	1
	BOX ASSEMBLY – Brush (Metal)(Lucas)	Air Cond.		VS12535	1
	MOULDING – Brush box (Plastic)(Lucas)	ALL		VS12040	1
	SCREW – Brush box(Lucas)	ALL		VS12038	1
2.297	HOUSING, PLATE – Generator slip ring end				
	HOUSING(Bosch)	ALL		VS12378	1
	PLATE(Lucas)	Exc. Air Cond.		VS12322	1
	PLATE(Lucas)	Air Cond.		VS12532	1
	WASHER – Wave(Lucas)	ALL		VS11776	1
2.298	BEARING – Generator slip ring end				
	BEARING(Bosch)	ALL		7420853	1
	BEARING(Lucas)	ALL		VS11773	1

"HJ" PARTS CATALOGUE

GROUP	DESCRIPTION	MODEL	SIDE	PART No.	QTY.
2.305	PLATE – Generator drive end				
	PLATE(Bosch)	Exc. Air Cond.		VS12338	1
	PLATE(Lucas)	Exc. Air Cond.		VS12319	1
	PLATE(Lucas)	Air Cond.		VS12529	1
2.306	BEARING – Generator drive end				
	BEARING(Bosch)	ALL		7420850	1
	BEARING(Lucas)	ALL		VS11767	1
2.307	SUNDRY PARTS – Generator drive end				
	SUNDRY PARTS SET – Bearing cover plate(Bosch)	ALL		VS12027	1
	PLATE – Bearing retainer(Lucas)	ALL		VS12084	1
	SCREW – Bearing retainer plate(Lucas)	ALL		VS11771	3
	COLLAR – Distance(Lucas)	Exc. Air Cond.		VS12320	1
	COLLAR – Distance(Lucas)	Air Cond.		VS12530	1
	WASHER – Support(Lucas)	ALL		VS12085	1
	CIRCLIP – Shaft(Lucas)	ALL		VS12092	1
2.310	STATOR – Generator				
	STATOR(Bosch)	Exc. Air Cond.		VS12374	1
	STATOR(Bosch)	Air Cond.		VS12559	1
	STATOR(Lucas)	Exc. Air Cond.		VS12328	1
	STATOR(Lucas)	Air Cond.		VS12090	1
2.315	SUNDRY PARTS SET – Generator				
	SUNDRY PARTS SET(Bosch)	ALL		VS12028	1
2.316	BOLT – Generator through				
	BOLT(Bosch)	Exc. Air Cond.		VS12026	4
	BOLT(Bosch)	Air Cond.		VS12562	4
	WASHER – Lock(Bosch)	ALL		7424685	4
	WASHER – Flat(Bosch)	ALL		7405633	4
	BOLT(Lucas)	Exc. Air Cond.		VS11763	3
	BOLT(Lucas)	Air Cond.		VS12083	3
2.317	BRACE – Generator				
	BRACE	6 Cyl. Eng. exc. Air Cond.		9931664	1
	BRACE	6 Cyl. Eng. Air Cond.		2814840	1
	SPACER – Brace to thermostat housing	6 Cyl. Eng. Air Cond.		2814128	1
	BRACE	8 Cyl. Eng.		2811893	1
2.332	BATTERY				
	BATTERY – 50 amp. hour	173, 202, 253, 308 Eng.		430G	1
	BATTERY – 61 amp. hour	ALL		456H	1
2.333	SUPPORT – Battery				
	SUPPORT	ALL		2814059	1
	BOLT & WASHER ASSY. – Hex. hd. $\frac{5}{16}$ " – 18 x .812"	ALL		SP2055	2
	NUT – $\frac{3}{8}$ " – 18 'J' type	ALL		SP1548	2
	RETAINER	ALL		7434165	1
	PLATE – Retainer lock	ALL		7420476	2
	BOLT – Mounting	ALL		2814060	2
	NUT – Wing $\frac{1}{4}$ " – 20	ALL		7077093	2
2.341	CABLE ASSEMBLY – Battery ground				
	CABLE ASSEMBLY	6 Cyl. Eng.		2814150	1
	CABLE ASSEMBLY	8 Cyl. Eng. exc. Air Cond.		2824955	1
	CABLE ASSEMBLY	8 Cyl. Eng. Air Cond.		9937275	1

"HJ" PARTS CATALOGUE

GROUP	DESCRIPTION	MODEL	SIDE	PART No.	QTY.
2.342	CABLE ASSEMBLY – Starter				
	CABLE ASSEMBLY	6 Cyl. Eng. exc. Air Cond.		2814145	1
	CABLE ASSEMBLY	6 Cyl. Eng. Air Cond.		2820549	1
	CABLE ASSEMBLY	8 Cyl. Eng. Exc. Air Cond.		2824954	1
	CLIP – Cable to fender skirt	8 Cyl. Eng. ALL		SP1778	2
	CABLE ASSEMBLY	8 Cyl. Eng. AIR COND		SP1498	1
	CLIP – GENERATOR LEAD TO FENDER SKIRT	ALL		SP1498	1
2.361	DISTRIBUTOR ASSEMBLY				
	DISTRIBUTOR ASSEMBLY(Bosch)	6 Cyl. Eng.		2820111	1
	DISTRIBUTOR ASSEMBLY(Lucas)	6 Cyl. Eng.		2817804	1
	DISTRIBUTOR ASSEMBLY(Bosch)	4.2 Litre Eng.		7434981	1
	DISTRIBUTOR ASSEMBLY(Bosch)	5 Litre Eng.		2807236	1
2.362	BUSHING, GASKET, FELT – Distributor				
	BUSHING(Bosch)	6 Cyl. Eng.		VS10841	2
	FELT(Bosch)	6 Cyl. Eng.		VS10843	1
	BUSHING – Housing(Lucas)	6 Cyl. Eng.		VS12347	2
	FELT(Lucas)	6 Cyl. Eng.		VS12348	1
	BUSHING – Housing	8 Cyl. Eng.		VS10842	2
	FELT	8 Cyl. Eng.		VS10844	1
	GASKET	6 Cyl. Eng.		6256636	1
	GASKET	8 Cyl. Eng.		7434855	1
2.364	WICK – Distributor				
	WICK(Bosch)	ALL		VS10210	1
2.367	CAP – Distributor				
	CAP(Bosch)	6 Cyl. Eng.		VS10866	1
	CAP(Lucas)	6 Cyl. Eng.		7428968	1
	CAP(Bosch)	8 Cyl. Eng.		VS10867	1
2.368	SPRING – Distributor cap				
	SPRING(Bosch)	ALL		VS10868	2
	CLIP – Retaining(Lucas)	6 Cyl. Eng.		7428982	2
2.370	BRUSH – Distributor cap				
	BRUSH(Bosch)	ALL		7405562	1
	BRUSH ASSEMBLY(Lucas)	6 Cyl. Eng.		1018694	1
2.372	SHAFT – Distributor				
	SHAFT(Bosch)	6 Cyl. Eng.		VS10202	1
	SHAFT – With weight plate(Lucas)	6 Cyl. Eng.		VS12345	1
	SHAFT(Bosch)	8 Cyl. Eng.		VS10849	1
	WASHER – Thrust fibre – upper and lower ... (Bosch)	ALL		7424746	2
	SHIM – Thrust 0.1 mm – upper and lower (Bosch)	ALL		7405613	A.R.
	SHIM – Thrust 0.2 mm – upper and lower (Bosch)	ALL		7405615	A.R.
	SHIM – Thrust 0.3 mm – upper and lower (Bosch)	ALL		7405614	A.R.
2.374	GEAR PACKAGE, GEAR – Distributor				
	GEAR PACKAGE	6 Cyl. Eng.		7423613	1
	GEAR PACKAGE	8 Cyl. Eng.		M37137	1
2.379	PIN – Distributor gear				
	PIN – Slotted spring(Bosch)	ALL		VS10855	1
2.381	CAM – Distributor				
	CAM(Bosch)	6 Cyl. Eng.		VS12012	1
	CAM(Bosch)	4.2 Litre Eng.		VS10854	1
	CAM(Bosch)	5 Litre Eng.		VS10988	1
	RING – Cam spacer(Bosch)	ALL		VS10211	1

"HJ" PARTS CATALOGUE

GROUP	DESCRIPTION	MODEL	SIDE	PART No.	QTY.
2.381	CAM – Distributor (contd.)				
	WASHER – Cam retainer(Bosch)	ALL		VS12193	1
	CIRCLIP – Cam retainer(Bosch)	ALL		VS10204	1
	CAM ASSEMBLY(Lucas)	6 Cyl. Eng.		VS10306	1
	CIRCLIP – Cam retaining(Lucas)	6 Cyl. Eng.	VS12724	VS12343	1
2.382	ROTOR – Distributor				
	ROTOR(Bosch)	6 Cyl. Eng.		7424753	1
	ROTOR(Lucas)	6 Cyl. Eng.		7428969	1
	ROTOR(Bosch)	8 Cyl. Eng.		VS10865	1
2.384	CONTACT SET – Distributor				
	CONTACT SET(Bosch)	ALL		VS10858	1
	CONTACT SET(Lucas)	6 Cyl. Eng.		7139364	1
2.385	PLATE – Distributor breaker				
	PLATE & SUPPORT ASSY.(Bosch)	6 Cyl. Eng.		VS10856	1
	PLATE & CONTACT BREAKER ASSY.(Bosch)	8 Cyl. Eng.		VS10857	1
	SCREW – Plate support(Bosch)	6 Cyl. Eng.		VS10861	2
	WASHER – Support screw lock(Bosch)	6 Cyl. Eng.		VS10992	2
	BALL – Plate retaining(Bosch)	ALL		7406742	1
	RETAINER – Plate ball(Bosch)	ALL		VS10863	1
	PLATE – Breaker base(Lucas)	6 Cyl. Eng.		VS12352	1
	PLATE – Breaker bearing(Lucas)	6 Cyl. Eng.		7428972	1
2.387	SCREW – Distributor				
	SCREW – Contact breaker(Bosch)	ALL		7424749	1
	WASHER – Plain(Bosch)	ALL		7406900	1
	WASHER – Screw lock(Bosch)	ALL		7406323	1
2.388	WEIGHT – Distributor				
	WEIGHT(Bosch)	ALL		VS10205	2
	WASHER – Weight spacer(Bosch)	ALL		VS10206	2
	WEIGHT(Lucas)	6 Cyl. Eng.		7428980	2
2.389	SPRING – Distributor weight				
	SPRING – Light(Bosch)	6 Cyl. Eng.		VS11737	1
	SPRING – Heavy(Bosch)	6 Cyl. Eng.		VS11738	1
	SPRING SET(Lucas)	6 Cyl. Eng.		VS12351	1
	SPRING – Light(Bosch)	4.2 Litre Eng.		VS10853	1
	SPRING – Heavy(Bosch)	4.2 Litre Eng.		VS10986	1
	SPRING – Light(Bosch)	5 Litre Eng.		VS10269	1
	SPRING – Heavy(Bosch)	5 Litre Eng.		VS10986	1
2.393	CONDENSER				
	CONDENSER(Bosch)	6 Cyl. Eng.		VS10845	1
	CONDENSER(Lucas)	6 Cyl. Eng.		7428970	1
	CONDENSER(Bosch)	8 Cyl. Eng.		VS10846	1
	SCREW & WASHER – Attaching(Bosch)	ALL		VS10982	1
2.400	LEAD – Distributor terminal				
	LEAD ASSEMBLY – Low tension(Lucas)	6 Cyl. Eng.		VS10305	1
	LEAD ASSEMBLY – Earth(Lucas)	6 Cyl. Eng.		VS12346	1
2.410	VACUUM CONTROL ASSEMBLY – Distributor				
	VACUUM CONTROL ASSY.(Bosch)	6 Cyl. Eng.		VS10869	1
	VACUUM CONTROL ASSY.(Lucas)	6 Cyl. Eng.		VS12340	1
	VACUUM CONTROL ASSY.(Bosch)	4.2 Litre Eng.		VS10870	1
	VACUUM CONTROL ASSY.(Bosch)	5 Litre Eng.		VS11002	1
	SCREW & WASHER – Attaching(Bosch)	ALL		VS10982	1
	CLIP – Rod attaching(Bosch)	ALL		7405638	1

"HJ" PARTS CATALOGUE

GROUP	DESCRIPTION	MODEL	SIDE	PART No.	QTY.
2.414	CLAMP, RETAINER – Distributor				
	CLAMP	8 Cyl. Eng.		7421939	1
	RETAINER	8 Cyl. Eng.		3770598	1
2.424	PIPE ASSEMBLY, HOSE – Spark control				
	PIPE – Flexible	6 Cyl. Eng.		2820844	2
	PIPE ASSEMBLY	6 Cyl. Eng.		9930308	1
	HOSE	4.2 Litre Eng.		7436713	1
	HOSE	5 Litre Eng.		2807752	1
	CLIP	6 Cyl. Eng.		599119	2
2.447	SWITCH ASSEMBLY – Stop light				
	SWITCH ASSEMBLY	ALL		2813385	1
	NUT – Switch attaching	ALL		858388	2
2.459	SWITCH ASSEMBLY – Dimmer				
	SWITCH ASSEMBLY	ALL		1997037	1
2.481	PANEL, COVER, FUSE – Fuse panel				
	PANEL – Instrument harness fuse	ALL		2814924	1
	COVER – Fuse panel	ALL		9935115	1
	NUT	ALL		SP2101	2
	CLIP & TERMINAL ASSY. – Fuse	ALL		2814603	A.R.
	FUSE – 3 amp	ALL		9426341	A.R.
	FUSE – 15 amp	ALL		9426333	A.R.
	FUSE – 25 amp	ALL		9426332	A.R.
2.485	SWITCH ASSEMBLY – Lighting				
	SWITCH ASSEMBLY	ALL		2820209	1
2.486	ROD ASSEMBLY – Lighting switch control				
	ROD ASSEMBLY	ALL		9933775	1
2.487	BUSHING ASSEMBLY – Lighting switch				
	BUSHING ASSEMBLY	ALL		7416237	1
2.500	REGULATOR ASSEMBLY – Voltage and current				
	REGULATOR ASSEMBLY	(Bosch) ALL		VS12381	1
	REGULATOR ASSEMBLY	(Lucas) Exc. Air Cond.		VS12329	4
	REGULATOR ASSEMBLY	(Lucas) Air Cond. All		VS12536	1
	SCREW – Regulator & brush set	(Bosch) ALL		VS12377	2
	SCREW – Regulator & brush set	(Bosch) Air Cond.		7424757	2
	WASHER – Flat	(Bosch) ALL		7406900	2
	WASHER – Lock	(Bosch) ALL		7406323	2
2.515	COMBINED INSTRUMENT ASSY., CARRIER, FACIA ASSY., GAUGE ASSY. – Instrument				
	BULB – 12 – 16V 2 C.P.	ALL		9421330	A.R.
	BULB – Wedge base miniature 12V x 1.2W	Types 4, 5, 6		SP2103	4-3
	CARRIER – Upper	Types 4, 5, 6		9932431	1
	CLOCK ASSY.	Type 4		9932444	1
	CLOCK ASSY.	Type 5		9932425	1
	CLOCK ASSY.	Type 6		9932426	1
	COMBINED INSTRUMENT ASSY.	Type 1 Belmont, Panel Van, Chassis & Cab		9932416	1
	COMBINED INSTRUMENT ASSY.	Type 1 Utility, exc. Kingswood Utility		9932416	1
	COMBINED INSTRUMENT ASSY.	Type 1 Kingswood		9932417	1
	COMBINED INSTRUMENT ASSY.	Type 1 Monaro		9933060	1
	COMBINED INSTRUMENT ASSY.	Type 2		9932419	1
	COMBINED INSTRUMENT ASSY.	Type 3		9932418	1
	FACIA – Lower left side, Trim Nos. 14V, 14X GREY	ALL		9932143DS	1
	FACIA – Lower left side Trim Nos. 18V, 18X, 19V, 19X, 45V, 45X BLACK	ALL		9932143CY	1

"HJ" PARTS CATALOGUE

GROUP	DESCRIPTION	MODEL	SIDE	PART No.	QTY.
2.515	COMBINED INSTRUMENT ASSY., CARRIER, FACIA ASSY., GAUGE ASSY. – Instrument (contd.)				
	FACIA – Lower left side, Trim Nos. 60V, 60X	ALL		9932143DY	1
	FACIA – Lower left side, Trim Nos. 64V, 64X	ALL		9932143DX	1
	FACIA – Lower right side, Trim Nos. 14V, 14X	Exc. Air Cond.		9932142DS	1
	FACIA – Lower right side, Trim Nos. 18V, 18X, 19V, 45V, 45X	Exc. Air Cond.		9932142CY	1
	FACIA – Lower right side, Trim Nos. 60V, 60X	Exc. Air Cond.		9932142DY	1
	FACIA – Lower right side, Trim Nos. 64V, 64X	Exc. Air Cond.		9932142DX	1
	FACIA – Lower right side, Trim Nos. 14V, 14X	Air Cond.		9932705DS	1
	FACIA – Lower right side, Trim Nos. 18V, 18X, 19V, 19X, 45Y, 45X	Air Cond.		9932705CY	1
	FACIA – Lower right side, Trim Nos. 60V, 60X	Air Cond.		9932705DY	1
	FACIA – Lower right side, Trim Nos. 64V, 64X	Air Cond.		9932705DX	1
	FACIA – Instrument, (M)	Types 1, 2		9932432	1
	FACIA – Instrument, (A) Steering column shift	Types 1, 2		9932433	1
	FACIA – Instrument, (A) Console shift	Types 1, 2		9932432	1
	FACIA – Instrument (M)	Type 3		9932434	1
	FACIA – Instrument (A) Steering Column shift	Type 3		9932435	1
	FACIA – Instrument, (A) Console shift	Type 3		9932434	1
	FACIA – Instrument, (M)	Type 4		9932436	1
	FACIA – Instrument, (A) Steering column shift	Type 4		9932437	1
	FACIA – Instrument, (A) Console shift	Type 4		9932436	1
	FACIA – Instrument (M)	Type 5		9933059	1
	FACIA – Instrument (A) Steering column shift	Type 5		9932438	1
	FACIA – Instrument (A) Console shift	Type 5		9933059	1
	FACIA – Instrument	Type 6		9934050	1
	GAUGE ASSY. – Fuel, temp, oil & Bat.	Type 4		9932423	1
	GAUGE ASSY. – Fuel, temp.	Type 5, 6		9932428	1
	LENS – Brake warning	Type 4		9934063	1
	LENS – Brake warning	Type 5, 6		9934117	1
	LENS – High beam	Type 4		9933872	1
	LENS – High beam	Types 5, 6		9934116	1
	LENS – Warning lamps (Plain)	Types 5, 6		9934064	2
	NUT – "U" type spring No. 8A	ALL		SP1733	2
	NUT – "U" type spring No. 8AB	ALL		SP1870	3
	NUT – "U" type spring No. 10A	ALL		SP1750	2
	NUT – "U" type spring ¼-20 UNC	ALL		SP2506	4
	SCREW – Pan hd. cr. recess tap No. 8 – 32 x .62" ..	ALL		SP2515	2
	SCREW – Hex. washer hd. tap No. 8 – 12 x 1¼"	ALL		SP2323	2
	SPEEDOMETER ASSY.	Type 5, 6		9932424	1
	TACHOMETER ASSY.	Type 4		9932421	1
	NOTE – For Instrument Type No. and lay-out see illustration on Page No. 86 - 87				
2.520	LEAD ASSEMBLY – Tachometer				
	LEAD ASSEMBLY	Type 4		9932863	1
2.555	HARNESS ASSEMBLY – Instrument cluster				
	HARNESS ASSEMBLY	Type 1		(⁶ 9934370	1
	HARNESS ASSEMBLY	Type 2		(⁶ 9934449	1
	HARNESS ASSEMBLY	Type 3		(⁶ 9934448	1
	HARNESS ASSEMBLY	Type 4		(⁶ 9934939	1
	HARNESS ASSEMBLY	Types 5, 6		(⁶ 9934901	1
	BODY – Single panel connector (short)	ALL		(⁶ 2962448	A.R.
	BODY – Single button contact connector	Type 3		(⁶ 2962965	1
	BODY – 2 way female connector ("T" section)	Types 4, 5, 6		(⁶ 2962551	2-1
	BODY – 11 way female connector	ALL		9928644	1
	CLIP – Harness	Types 4, 5, 6		7432906	1
	SOCKET – Bulb	ALL		2815952	A.R.

Note: (⁶ Refer Group 2.515 for Type No. Identification.

"HJ" PARTS CATALOGUE

GROUP	DESCRIPTION	MODEL	SIDE	PART No.	QTY.
2.555	HARNES ASSEMBLY – Instrument panel				
	HARNES ASSEMBLY	(M)		9934536	1
	HARNES ASSEMBLY	(A)		9934537	1
	LEAD ASSEMBLY – Generator to starter motor	6 Cyl. Eng.		2825620	1
	LEAD ASSEMBLY – Generator ground	6 Cyl. Eng.		7433003	1
	BODY – Dash connector	ALL		2815532	1
	BODY – Single panel connector (Short)	ALL		2962448	A.R.
	BODY – 2 way female connector (Parallel section) ..	(A)		2962967	1
	BODY – 2 way female connector	ALL		2973407	1
	BODY – 2 way female connector	ALL		2962679	1
	BODY – Lock type connector	ALL		2984164	1
	BODY – 3 way female connector	ALL		2962449	1
	BODY – Flasher connector	ALL		2962910	1
	BODY – 4 way connector	ALL		2813907	1
	BODY – 6 way female connector	ALL		6294643	1
	BODY – 8 way female connector	ALL		2984169	1
	BODY – 11 way female connector	ALL		9928644	2
	BODY – 11 way male connector	ALL		9928643	1
2.555	HARNES ASSEMBLY – Engine				
	HARNES ASSEMBLY	6 Cyl. Eng. Types 1, 2, 3, 5		9934083	1
	HARNES ASSEMBLY	6 Cyl. Eng. Type 4		9934084	1
	HARNES ASSEMBLY	8 Cyl. Eng. Types 1, 2, 3, 5, 6		9934085	1
	HARNES ASSEMBLY	8 Cyl. Eng. Type 4		9934086	1
	BODY – Single panel connector (Short)	ALL		2962448	2-3
	BODY – 3 way female connector	ALL		2962449	1
	BODY – 17 mixed male connector	ALL		8900460	1
	RETAINER – Male connector	ALL		6294288	1
	SLEEVE – Harness assy.	ALL		7414969	1
	LINK – Fusible	ALL		7449910	1
	CLIP – Harness to fender	6 Cyl. Eng., Air Cond.		SP1778	1
	CLIP – Harness to oil pan	6 Cyl. Eng.		SP2555	2
	CLIP – Harness to rocker cover	6 Cyl. Eng.		7413031	2
2.555	HARNES ASSEMBLY – Lighting				
	HARNES ASSEMBLY	Exc. Chassis & Cab, LS, Premier, Statesman		9936897	1
	HARNES ASSEMBLY	Chassis & Cab		9934619	1
	HARNES ASSEMBLY	LS, Premier, Statesman		9934620	1
	BODY – Single panel connector (Short)	ALL		2962448	A.R.
	BODY – 2 way female connector ('T' section)	Exc. Chassis & Cab		2962551	2
	BODY – 3 way femal connetor	ALL		2692449	1
	BODY – 4 way female connector	ALL		2962969	1
	BODY – 14 mixed male terminal connector	ALL		6288890	1
	BODY – Headlamp connector	ALL		2824074	2
	BODY ASSY. – Headlamp connector	ALL		2824076	2
	BODY – Headlamp connector	Premier, Statesman		2814064	2
	SOCKET Bulb	ALL		2815952	2
	CLIP – Harness to fender skirt	ALL		SP1778	1
	CLIP – Harness & windshield washer hose to fender skirt	ALL		SP1779	2
	CLIP – Harness to brake pipe	ALL		SP2225	2
	CLIP – Harness to radiator support assy.	ALL		7175429	1
2.585	LAMP ASSEMBLY, SPACER – Parking and turn signal				
	LAMP ASSEMBLY	Exc. chassis & cab	LH	9936753	1
	Nut – Lamp	Exc. chassis & cab	RH	9936754	1
	LAMP ASSEMBLY	Chassis & cab		SP1900	4
	WASHER – Sealing	Chassis & cab		2824255	2
	WASHER – Retaining	Chassis & cab		VS12333	2
		Chassis & cab		VS12334	2

Note: (° Refer Group 2.515 for Type No. Identification.

"HJ" PARTS CATALOGUE

GROUP	DESCRIPTION	MODEL	SIDE	PART No.	QTY.
2.585	LAMP ASSEMBLY, SPACER – Parking and turn signal (contd.)				
	NUT	Chassis & cab		VS12335	2
	SPACER	Chassis & cab	LH	2823557	1
			RH	2823558	1
	BULB – 12 – 16 V. 32 C.P.	ALL		9417866	2
	BULB – 12 – 16 V. 2 C.P.	ALL		9421330	2
2.586	BASE ASSEMBLY – Parking and turn signal lamp				
	BASE ASSEMBLY	Exc. chassis & cab	LH	9936755	1
			RH	9936756	1
	BASE ASSEMBLY	Chassis & cab		VS12313	2
	NUT	Chassis & cab		VS12263	4
	WASHER – Nut	Chassis & cab		VS12264	4
2.589	LENS – Parking and turn signal lamp				
	LENS – Inner	Exc. Chassis & Cab	LH	9936763	1
			RH	9936762	1
	LENS – Outer	Exc. Chassis & Cab	LH	9936765	1
			RH	9936764	1
	SCREW – Lens to base	Exc. Chassis & Cab		SP2552	4
	LENS	Chassis & Cab		VS12312	2
	SCREW – Lens to base	Chassis & Cab		VS12265	4
2.590	GASKET – Parking and turn signal lamp				
	GASKET	Exc. chassis & cab		9936512	2
	GASKET – Base	Chassis & cab		VS12266	2
	GASKET – LENS	Chassis & cab		VS12262	2
2.596	CABLE ASSEMBLY – Parking and turn signal lamp				
	CABLE ASSEMBLY	Exc. chassis & cab		9936761	2
	BODY – Terminal 2 way	Exc. chassis & cab		2962964	2
	BODY – Male connector	Exc. chassis & cab		2962984	2
	<i>LEAD ASSY – PARKING LAMP</i>	<i>Exc. Chassis & Cab</i>		<i>9939576</i>	<i>2</i>
2.665	BRACKET – Tail, stop and turn signal lamp mounting				
	BRACKET	Chassis & cab	LH	2817811	1
			RH	2817812	1
2.670	BUMPER, WASHER – Rear licence plate mounting				
	BUMPER	Utility, Panel Van		7409209	2
	WASHER – Rubber	Utility, Panel Van		7424387	2
2.679	LAMP ASSEMBLY – Tail, stop and turn signal				
	LAMP ASSEMBLY	Belmont Station Wagon, Kingswood Station Wagon, Utility, Panel Van		2813066	2
	LAMP ASSEMBLY – White back-up lens (Optional Export Only)	Belmont Station Wagon, Kingswood Station Wagon, Utility, Panel Van		2813920	2
	LAMP ASSEMBLY	Premier Station Wagon		2813065	2
	LAMP ASSEMBLY – White back-up lens (Optional Export Only)	Premier Station Wagon		2813919	2
	LAMP ASSEMBLY	Sedan exc. Statesman	LH	9932093	1
			RH	9932092	1
	LAMP ASSEMBLY – White back-up lens (Optional Export Only)	Sedan exc. Statesman	LH	9932109	1
			RH	9932108	1
	LAMP ASSEMBLY	Chassis & cab		2818894	2
2.679	LAMP ASSEMBLY – Tail and stop				
	LAMP ASSEMBLY	Monaro, exc. GTS Sedan		2811771	2

"HJ" PARTS CATALOGUE

GROUP	DESCRIPTION	MODEL	SIDE	PART No.	QTY.
2.679	LAMP ASSEMBLY – Turn signal				
	LAMP ASSEMBLY	Monaro, exc. GTS Sedan	LH	2811779	1
			RH	2811780	1
	LAMP ASSEMBLY - White back-up lens (Optional Export Only)	Monaro, exc. GTS Sedan	LH	2811781	1
			RH	2811782	1
	<i>DEVIDER - LENS</i>	<i>SEDAN EXC STATESMAN</i>		<i>9938031</i>	<i>2</i>
2.679	LAMP ASSEMBLY – Rear, side				
	LAMP ASSEMBLY - (Amber lens)	Station Wagon, Monaro, exc. GTS Sedan .	LH	2816393	1
			RH	2816392	1
	LAMP ASSEMBLY - (Red lens) (Optional Export Only)	Station Wagon, Monaro, Sedan	LH	2816395	1
			RH	2816394	1
	LAMP ASSEMBLY - (Amber lens)	Utility, Panel Van	LH	2816392	1
			RH	2816393	1
	LAMP ASSEMBLY - (Red lens) (Optional Export Only)	Utility, Panel Van	LH	2816394	1
			RH	2816395	1
2.679	BULB, SPACER – Tail, stop and turn signal				
	BULB - 12 - 16 V. 32 - 4 C.P.	Exc. Chassis & Cab		9417867	2
	BULB - 12 - 16 V. 32 C.P.	Exc. Chassis & Cab		9417866	2
	BULB - 12 - 16 V. 2 C.P.	Exc. Sedan, Chassis & Cab		9417863	2
	SPACER - Turn signal lamp (Left Hand Lamp, Right Nut - 'U' Type spring No. 10 - 12 Type '3/8'	Monaro exc. GTS Sedan		SP1995	6
	SCREW - Pan hd. tap. No. 10 - 16 x .75"	Monaro, exc. GTS Sedan		SP2456	6
	NUT - Serrated face lock No. 10-24	Sedan		SP1900	8
2.679	BASE ASSEMBLY – Tail, stop and turn signal lamp				
	BASE ASSEMBLY	Sedan exc. Statesman	LH	9932101	1
			RH	9932100	1
	BASE ASSEMBLY	Statesman	LH	9932107	1
			RH	9932106	1
2.680	HOUSING ASSEMBLY – Tail, stop and turn signal lamp				
	HOUSING ASSEMBLY - Tail, stop & turn signal	Station Wagon, Utility, Panel Van		2813067	2
	HOUSING ASSEMBLY - Tail, stop	Monaro, exc. GTS, Sedan		2811772	2
	HOUSING ASSEMBLY - Turn signal	Monaro, exc. GTS Sedan		2813746	2
2.681	RIM – Tail, stop and turn signal lamp				
	RIM	Sedan exc Statesman	LH	9932095	1
			RH	9932094	1
	RIM	Statesman		9932218	2
	SCREW - Base to rim	Sedan exc Statesman		SP2514	10
2.682	LENS ASSEMBLY – Tail, stop and turn signal lamp				
	LENS	Chassis & cab		VS12194	2
	LENS ASSEMBLY	Belmont Station Wagon, Kingswood Station Wagon, Utility, Panel Van		2813898	2
	LENS ASSEMBLY - White back-up lens (Optional Export Only)	Belmont Station Wagon, Kingswood Station Wagon, Utility, Panel Van		2813899	2
	LENS ASSEMBLY	Premier Station Wagon		2813068	2
	LENS ASSEMBLY - White back-up lens (Optional Export Only)	Premier Station Wagon		2813069	2
	SCREW - Lens mounting, Tap. No. 6 - 20 x .50"	Station Wagon, Utility, Panel Van		SP2039	12
	LENS ASSEMBLY - Outer	Sedan exc. Statesman	LH	9932097	1
			RH	9932096	1
	LENS ASSEMBLY - Outer, white back-up lens (Optional Export Only)	Sedan exc. Statesman	LH	9932111	1
			RH	9932110	1

"HJ" PARTS CATALOGUE

GROUP	DESCRIPTION	MODEL	SIDE	PART No.	QTY.
2.682	LENS ASSEMBLY – Tail, stop and turn signal lamp (contd.)				
	LENS – Inner	Sedan exc. Statesman	LH	9932099	1
			RH	9932098	1
	LENS – Inner, white back-up lens (Optional Export Only)	Sedan exc. Statesman	LH	9932993	1
			RH	9932994	1
	LENS ASSEMBLY	Statesman		9932216	2
	LENS ASSEMBLY – White back-up lens (Optional Export Only)	Statesman		9932217	2
2.682	LENS ASSEMBLY – Stop, Tail lamp				
	LENS ASSEMBLY	Monaro, exc. GTS Sedan		2811775	2
2.682	LENS ASSEMBLY – Turn signal lamp				
	LENS ASSEMBLY	Monaro, exc. GTS Sedan		2811776	2
	LENS ASSEMBLY – White back-up lens (Optional Export Only)	Monaro, exc. GTS Sedan		2811777	2
2.682	LENS ASSEMBLY – Rear side lamp				
	LENS ASSEMBLY	Station Wagon, Monaro, Utility, Panel Van .		2813684	2
	LENS ASSEMBLY – White back-up lens (Optional Export Only)	Station Wagon, Monaro, Sedan, Utility, Panel Van		2813685	2
2.684	GASKET – Tail, stop and turn signal lamp				
	GASKET – Lamp	Chassis & cab		VS12195	2
	GASKET – Lamp	Station Wagon, Utility, Panel Van		9928908	2
	GASKET – Lens	Station Wagon, Utility, Panel Van		2813070	2
	GASKET – Lens	Monaro, exc. GTS Sedan		2811774	4
	GASKET – Rear side lamp lens to housing	Station Wagon, Monaro, Utility, Panel Van, exc. GTS Sedan		2813686	2
	GASKET – Rear side lamp to body	Station Wagon, Monaro, Utility, Panel Van, exc. GTS Sedan		2813687	2
	Gasket – Lens to base	Sedan exc. Statesman		9932102	2
	Gasket – Lamp to body	Sedan exc. Statesman		9932103	2
	GASKET – Lens to base	Statesman		9931658	2
	Gasket – Lamp to body	Statesman		9932090	2
2.694	HARNES ASSEMBLY – Rear lamp				
	HARNES ASSEMBLY	Chassis & cab		2818405	2
	BODY – 3 way female connector	Chassis & Cab		2962449	2
2.697	SWITCH, WIRE ASSEMBLY – Back-up lamp				
	SWITCH ASSEMBLY	(M) 3 Speed Trans.		7434465	1
	SWITCH ASSEMBLY	(M) 4 Speed Trans.		2815271	1
	BODY – 2 way male connector	(M) 4 Speed Trans.		2973431	1
	WIRE ASSEMBLY – White back-up lens (Optional Export Only)	ALL		2817866	1
	BODY – Male connector – White back-up lens (Optional Export Only)	ALL		2962984	1
2.700	LAMP ASSEMBLY – Rear licence plate				
	LAMP ASSEMBLY	Chassis & cab		2820281	1
2.705	BRACKET – Rear licence lamp				
	BRACKET	Chassis & cab		2817813	1
	BRACKET	Utility, Panel Van		2817266	1
	GROMMET	Monaro, Belmont Sedan, Kingswood Sedan, Premier Sedan		7416288	2

"HJ" PARTS CATALOGUE

GROUP	DESCRIPTION	MODEL	SIDE	PART No.	QTY.
2.714	HARNES, BULB – Rear licence lamp				
	HARNES Station Wagon, Sedan 2817531 1				
	HARNES - White back-up lens (Optional Export Only) Station Wagon, Sedan 2817532 1				
	SOCKET Station Wagon, Statesman 9936420 1				
	SOCKET & LEAD ASSEMBLY Utility, Panel Van 2817155 1				
	SOCKET Utility, Panel Van 7401662 1				
	BULB - 12 - 16 V. 2 C.P. S.C. Exc. chassis & cab 9417863 1				
2.725	HEADLAMP ASSEMBLY PACKAGE				
	HEADLAMP ASSEMBLY PACKAGE Chassis & Cab 2820429 2				
	" " " " EXC CHASSIS & CAB PREMIER - 9938679 2 EXCLS MONARO GTS STATESMAN				
2.726	RING – Headlamp mounting				
	RING Exc. LS, Premier, Statesman 7447111 2				
	RING - Inner LS, Premier, Statesman LH 2814211 1				
 RH 2814212 1				
	RING - Outer LS, Premier, Statesman LH 9933777 1				
 RH 9933776 1				
2.727	SEALED BEAM UNIT – Headlamp				
	SEALED BEAM UNIT Exc. Chassis & Cab, Premier, LS, GTS, Statesman 7434806 2				
	SEALED BEAM UNIT Chassis & Cab 2823661 2				
	SEALED BEAM UNIT GTS 9936510 2				
	SEALED BEAM UNIT - Inner LS, Premier, Statesman 7439863 2				
	SEALED BEAM UNIT - Outer LS, Premier, Statesman 7433120 2				
2.728	RIM – Headlamp				
	RIM - Glacier white Chassis & cab 2824391 2				
	RIM - Seagull grey Chassis & cab 2825293 2				
	RIM - Chrome Chassis & Cab 2814728 2				
	RIM Belmont Sedan, Station Wagon, Kingswood Sedan, Station Wagon, Monaro exc. GTS, LS 9931604 2				
	RIM Panel Van, Utility exc. sports option 9931604 2				
	RIM Panel Van, Utility w/sports option 9932275 2				
	RIM GTS 9932275 2				
	RIM LS, Premier, De Ville 9931605 2				
	RIM Caprice 9932011 2				
	NUT - Upper, 'U' Type spring No. 8A ALL SP1733 4				
	NUT - Lower Exc. LS, Premier, Statesman SP2215 2				
	NUT - Lower LS, Premier, Statesman SP2034 2				
	SCREW - Tap. No. 8 - 18 x .62" Chassis & Cab, Belmont Sedan, Station Wagon, Kingswood Sedan, Station Wagon, Monaro exc. GTS, LS SP2431 6				
	SCREW - Tap. No. 8 - 18 x .62" Panel Van, Utility exc. Sports option SP2431 6				
	SCREW Panel Van, Utility W/Sports option SP2370 6				
	SCREW GTS SP2370 6				
	SCREW - Tap. No. 8 - 18 x .625" LS, Premier, Statesman SP2246 6				
2.729	NUT – Headlamp adjusting				
	NUT - Rectangular, plastic ALL 7432889 4-8				
2.731	RING – Headlamp retaining				
	RING ASSEMBLY Exc. LS, Premier, Statesman 9937419 2				
	RING ASSEMBLY LS, Premier, Statesman 7433005 4				
	SCREW - Retaining ring to mounting ring ALL SP1867 6-12				
2.737	SCREW – Headlamp beam adjusting				
	SCREW Exc. LS, Premier, Statesman 7432888 4				
	SCREW - 2½" long LS, Premier, Statesman 7432933 4				
	SCREW - 2" long LS, Premier, Statesman 7437776 4				

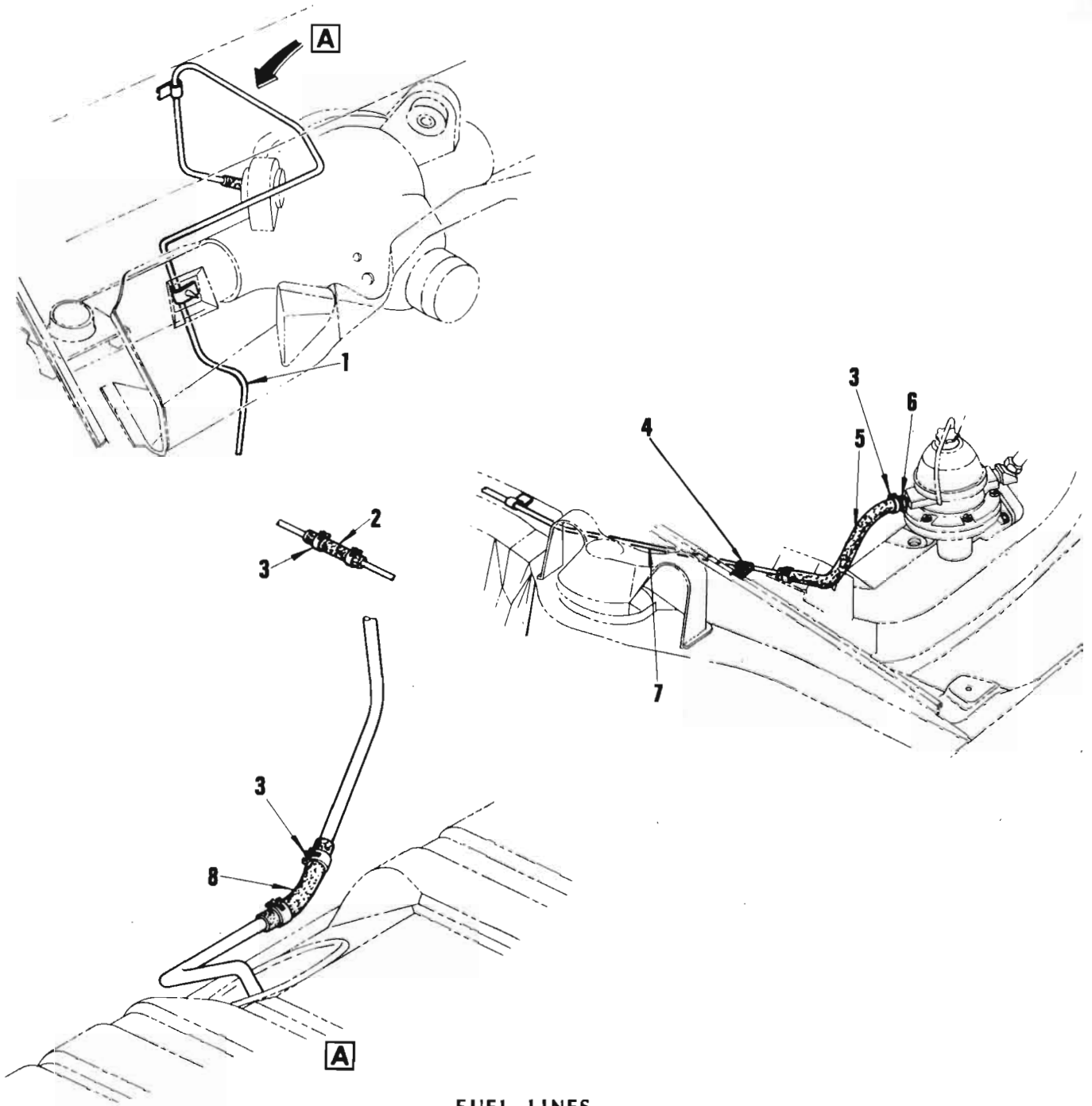
"HJ" PARTS CATALOGUE

GROUP	DESCRIPTION	MODEL	SIDE	PART No.	QTY.
2.737	SPRING – Light unit retaining				
	SPRING – Retaining	ALL		7448437	2-4
2.810	HORN ASSEMBLY				
	HORN ASSEMBLY – Low note	ALL		9933890	1
	HORN ASSEMBLY – High note	ALL		9933891	1
	HORN ASSEMBLY – High note package	Exc. GTS, LS, Premier, Statesman		9934190	
	HORN ASSEMBLY – Extra high note	Triple Horn Equip.		2815290	1
	LEAD ASSEMBLY – Low note to high note horn	Exc. LS, Premier, Statesman		9933635	1
	SCREW – Horn & bracket to radiator side support Hex. hd. tap. $\frac{5}{16}$ " – 18 x .625"	ALL		SP2518	2
2.815	RELAY – Horn				
	RELAY	ALL		9928351	1
	SCREW – Hex. hd. tap No. 10 – 16 x .500"	ALL		SP2144	1
2.819	SCREW – Horn contact adjusting				
	SCREW	Panel Van, Utility, W/Sports option		2822614	2
	SCREW	GTS		2822614	2
2.820	EMBLEM AND BUTTON – Horn				
	BUTTON ASSEMBLY	Panel Van, Utility w/Sports option		9931400	1
	BUTTON ASSEMBLY	GTS		9931400	1
	SCREW – Emblem & button to adaptor	Panel Van, Utility W/Sports option		SP2249	6
	SCREW – Emblem & button to adaptor	GTS		SP2249	6
2.822	SUPPORT and RING ASSEMBLY – Horn contact				
	SUPPORT & RING ASSEMBLY – 20:1 ratio steering gear	Exc. Panel Van, Utility, GTS, Statesman		9933892	1
	SUPPORT & RING ASSEMBLY – 20:1 ratio steering gear	Panel Van, Utility exc. Sports option		9933892	1
	SUPPORT & RING ASSEMBLY – 20:1 ratio steering gear	Panel Van, Utility W/Sports option		2816311	1
	SUPPORT & RING ASSEMBLY – 20:1 ratio steering gear	GTS exc. Power steering		2816311	1
	SUPPORT & RING ASSEMBLY – 16.7:1 ratio steering gear	Exc. GTS		2825388	1
	SUPPORT & RING ASSEMBLY – 16.7:1 ratio steering gear	GTS		2816312	1
	SUPPORT & RING ASSEMBLY	GTS w/Power Steering		2816312	1
	SUPPORT & RING ASSEMBLY	Power Steering exc. GTS		2825388	1
2.824	ADAPTOR – Horn emblem & button				
	ADAPTOR	Panel Van, Utility W/Sports option		2816892	1
	ADAPTOR	GTS		2816892	1
	SCREW – Adaptor to steering wheel	Panel Van, Utility W/Sports option		7424198	4
	SPRING – Adaptor to steering wheel	Panel Van, Utility W/Sports option		7449079	4
	SCREW – Adaptor to steering wheel	GTS		7424198	4
	SPRING – Adaptor to steering wheel	GTS		7449079	4
2.830	BAR ASSEMBLY – Horn actuating				
	TRIM Nos. 14V, 14X (Grey)	Exc. GTS, LS, Premier, Statesman		2825323DS	1
	TRIM Nos. 18V, 18X, 19V, 45V, 45X (Black)	Exc. GTS, LS, Premier, Statesman		2825323CY	1
	TRIM Nos. 60V, 60X (Covert)	Exc. GTS, LS, Premier, Statesman		2825323DY	1
	TRIM Nos. 64V, 64X (Tan)	Exc. GTS, LS, Premier, Statesman		2825323DX	1
	TRIM Nos. 14V, 14X (Grey)	LS, Premier		2825558DS	1
	TRIM Nos. 18V, 18X, 45V, 45X (Black)	LS, Premier		2825558CY	1
	TRIM Nos. 60V, 60X (Covert)	LS, Premier		2825558DY	1
	TRIM Nos. 64V, 64X (Tan)	LS, Premier		2825558DX	1
	TRIM Nos. 14V, 14X (Grey)	De Ville		9933886DS	1
	TRIM Nos. 18V, 18X, 45V, 45X (Black)	De Ville		9933886CY	1

"HJ" PARTS CATALOGUE

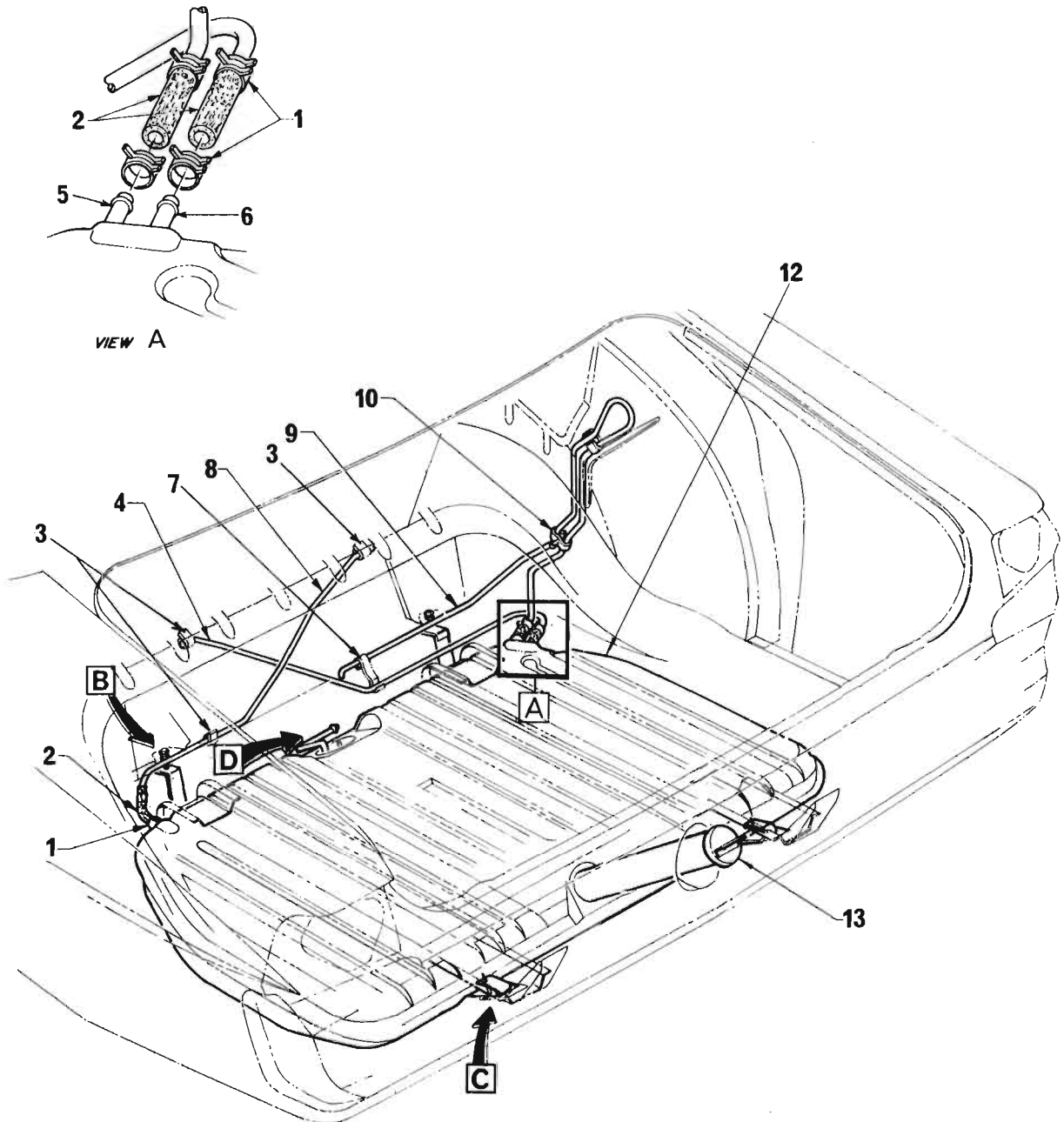
GROUP	DESCRIPTION	MODEL	SIDE	PART No.	QTY.
2.830	BAR ASSEMBLY – Horn actuating (contd.)				
	TRIM Nos. 60V, 60X (Covert)	De Ville		9933886DY	1
	TRIM Nos. 64V, 64X (Tan)	De Ville		9933886DX	1
	TRIM Nos. 14V, 14X (Grey)	Caprice		9933888DS	1
	TRIM Nos. 19V, 19X (Black)	Caprice		9933888CY	1
	TRIM Nos. 60V, 60X (Covert)	Caprice		9933888DY	1
	SCREW – Pan hd. tap No. 10 – 16 x 1 ½"	Exc. Panel Van, Utility, W/Sports option, GTS		9426378	2
	LEAD ASSY – Horn actuating bar earth	Exc. Panel Van, Utility W/Sports option, GTS		2825523	1
2.892	FLASHER ASSEMBLY – Turn signal				
	FLASHER ASSEMBLY	ALL		7436254	1
	CLIP – Retaining	ALL		7417478	1
2.895	SWITCH ASSEMBLY – Turn signal lamp				
	SWITCH ASSEMBLY	ALL		2823091	1
	SPRING – Turn signal switch cancel	ALL	LH	1964785	1
			RH	1964784	1
	SPRING – Turn signal switch detent	ALL		1846722	1
	SPRING – Turn signal switch	ALL		1967685	1
	BODY – Turn signal switch connection	ALL		9928643	1
2.897	LEVER, KNOB – Turn signal lamp switch				
	LEVER	ALL		2814701	1
	KNOB – Trim Nos. 14V, 14X (Grey)	Exc. GTS		2814702DS	1
	KNOB – Trim Nos. 18V, 18X, 19V, 19X, 45V, 45X (Black)	Exc. GTS		2814702BA	1
	KNOB – Trim Nos. 60V, 60X (Covert)	Exc. GTS		2814702DY	1
	KNOB – Trim Nos. 64V, 64X (Tan)	Exc. GTS		2814702DX	1
	KNOB – Trim Nos. 14V, 14X, 18V, 18X, 45V, 45X, 60V, 60X, 64V, 64X (Black)	GTS		2814702BA	1

2822676



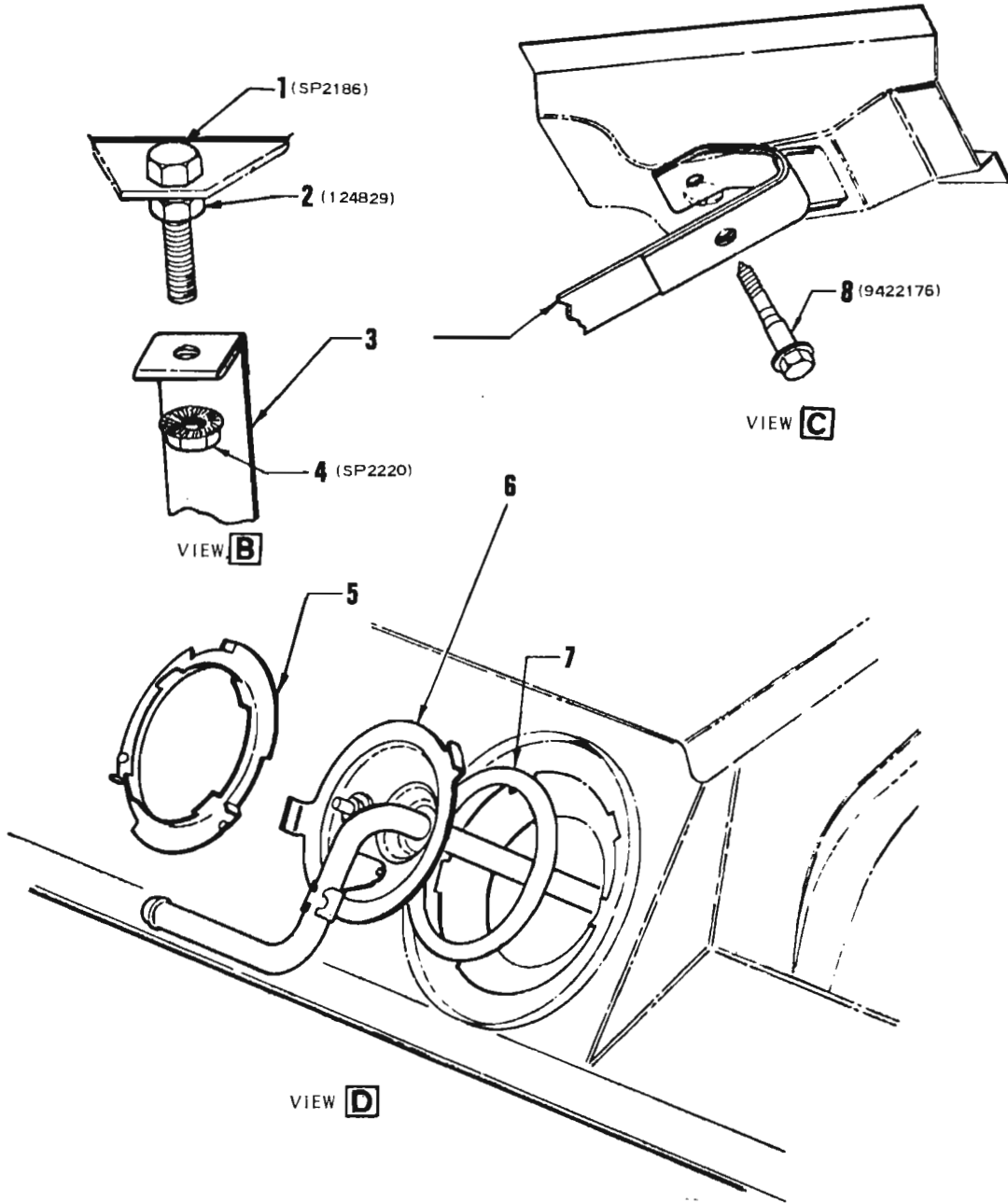
FUEL LINES

ILLUS. REF. NO.	PART NAME	GROUP	ILLUS. REF. NO.	PART NAME	GROUP
1.	PIPE ASSY. - Fuel tank to pump, rear	3.158	5.	HOSE - Fuel, front	3.163
2.	HOSE - Fuel, front to rear pipe	3.163	6.	CONNECTOR - Hose to fuel pump	3.163
3.	CLAMP - Hose	3.163	7.	PIPE ASSY. - Fuel tank to pump, front	3.158
4.	CLIP - Front pipe to frame and cross member	3.202	8.	HOSE - Fuel, rear	3.163



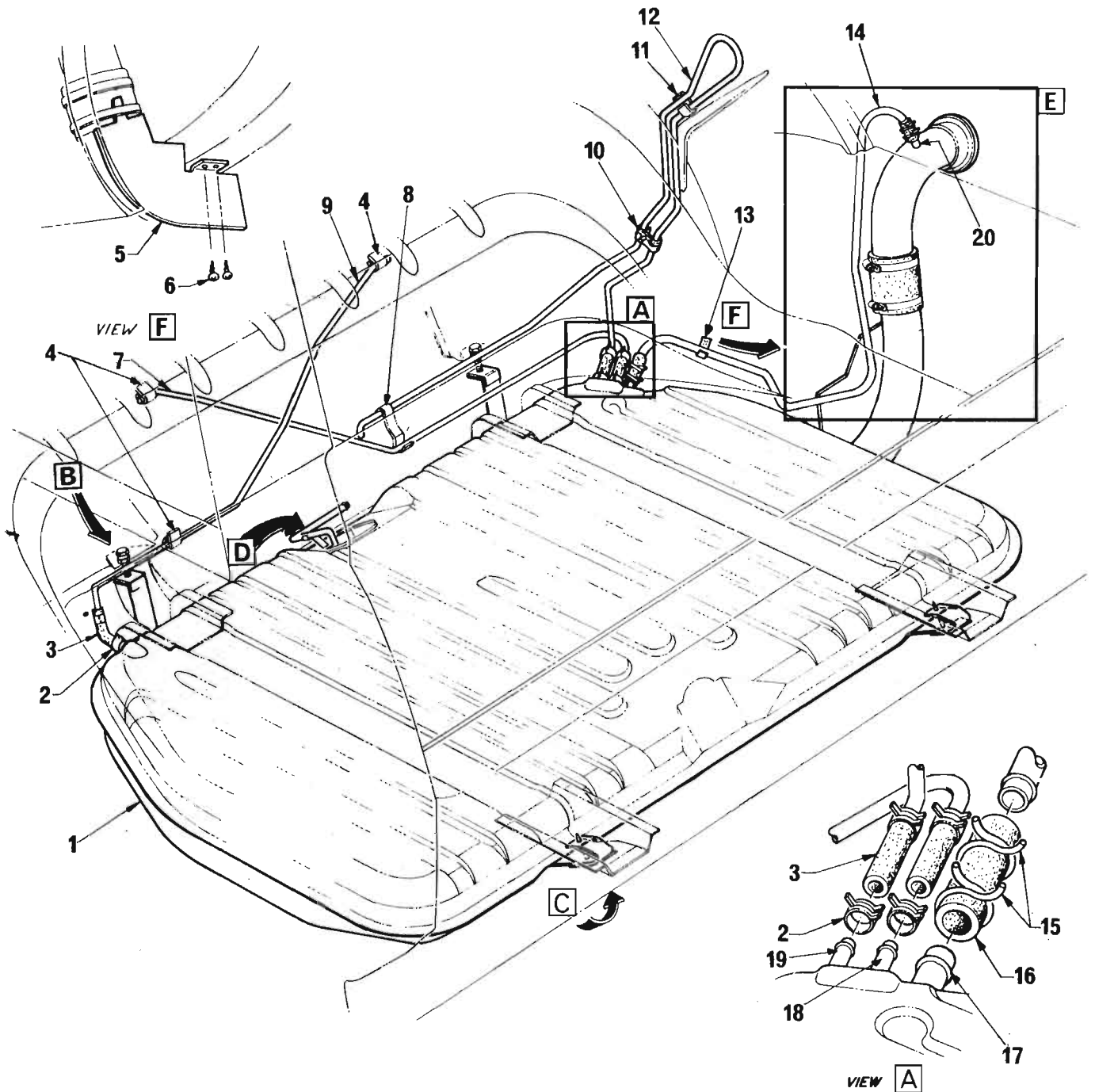
FUEL TANK - SEDAN & COUPE

ILLUS. REF. NO.	PART NAME	GROUP	ILLUS. REF. NO.	PART NAME	GROUP
1.	CLAMP - Vent hose to pipe	3.003	8.	PIPE - Vent, upper (Left Hand)	3.003
2.	HOSE - Vent pipe	3.003	9.	PIPE - Vent, upper front (Right Hand)	3.003
3.	CLIP - Vent pipe	3.003	10.	CLIP - Vent pipe to side frame	3.003
4.	PIPE - Vent, upper rear (Right hand)	3.003	11.	CLIP - Vent pipe to quarter inner panel ..	3.003
5.	PIPE - Vent, lower front (Right hand)	3.003	12.	TANK ASSEMBLY	3.001
6.	PIPE - Vent, lower rear (Right hand)	3.003	13.	CAP ASSEMBLY	3.028
7.	CLIP - Vent pipe to rear floor plan	3.003			



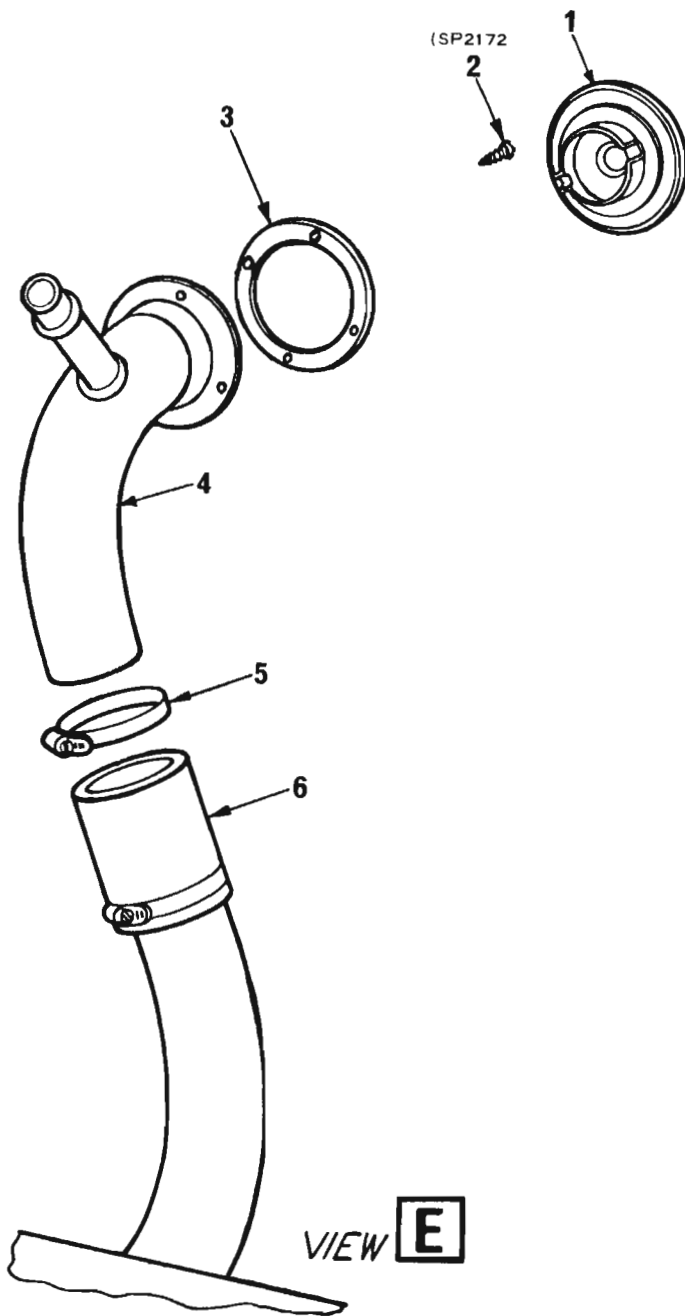
FUEL TANK GAUGE
Sedan, Coupe, Station Wagon

ILLUS. REF. NO.	PART NAME	GROUP	ILLUS. REF. NO.	PART NAME	GROUP
1.	BOLT – Hexagon head	8.900	5.	RING – Fuel gauge tank unit retainer	3.107
2.	NUT – Hexagon	8.915	6.	GAUGE ASSEMBLY	3.107
3.	STRAP – Support	3.001	7.	SEAL	3.112
4.	NUT – Hexagon self locking	8.918	8.	BOLT – Sheet metal	8.977



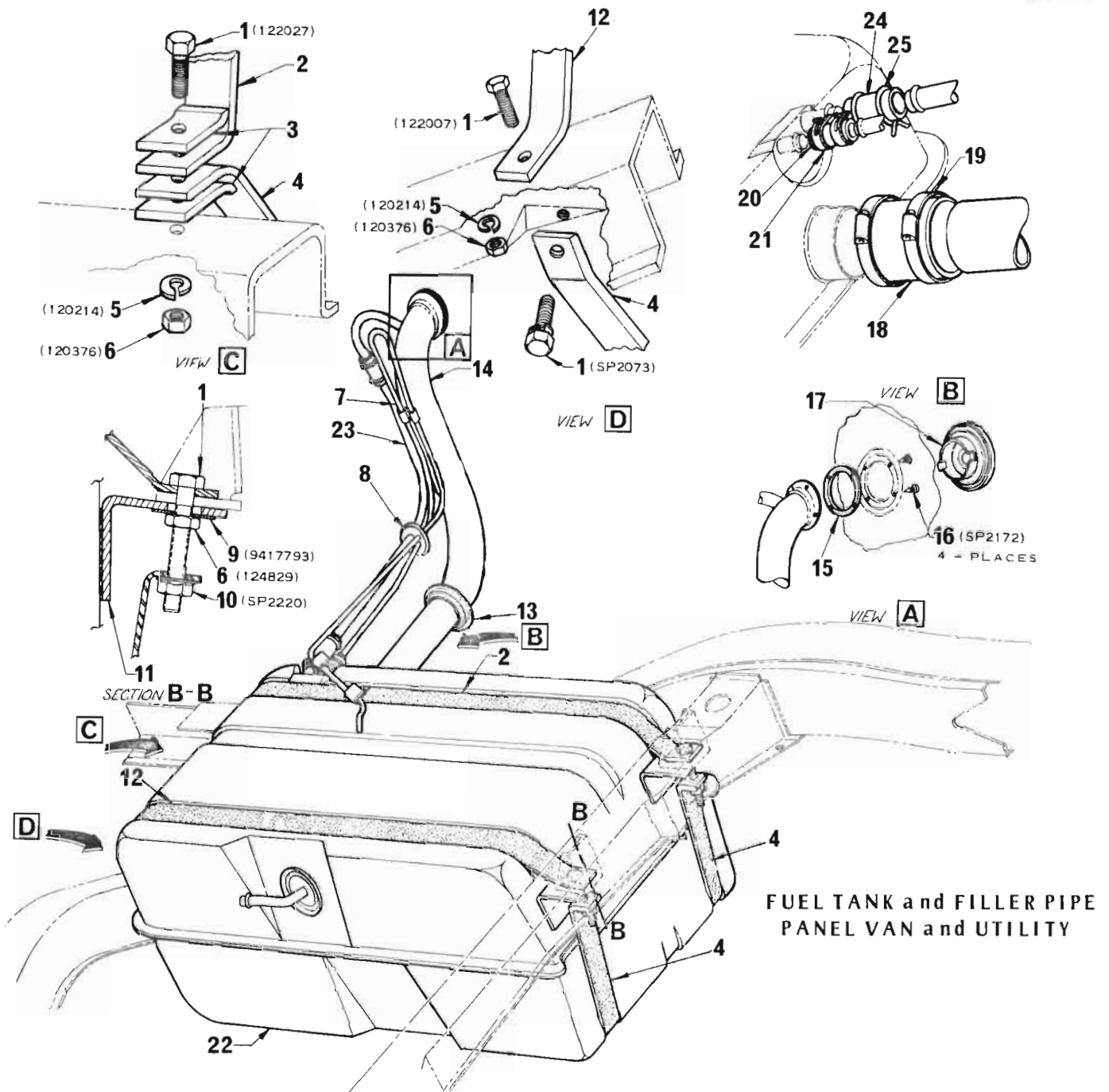
FUEL TANK - STATION WAGON

ILLUS. REF. NO.	PART NAME	GROUP	ILLUS. REF. NO.	PART NAME	GROUP
1.	TANK ASSEMBLY	3.001	11.	CLIP - Vent pipe to quarter inner panel	3.003
2.	CLAMP - Vent hose to pipe	3.003	12.	PIPE - Vent, upper front (R.H.)	3.003
3.	HOSE - Vent pipe	3.003	13.	CLIP - Vent pipe to side frame	3.003
4.	CLIP - Vent pipe	3.003	14.	PIPE - Vent	3.003
5.	PROTECTOR - Filler pipe	3.003	15.	CLAMP - Hose to vent pipe	3.003
6.	SCREW - Pan hd. No. 10-16 x 3/8" cr. rec.	8.977	16.	HOSE - Vent pipe, 1.13/16" long	3.003
7.	PIPE - Vent, upper rear (R.H.)	3.003	17.	PIPE - Vent lower	3.003
8.	CLIP - Vent pipe to rear floor pan	3.003	18.	PIPE - Vent, lower rear (R.H.)	3.003
9.	PIPE - Vent, upper (L.H.)	3.003	19.	PIPE - Vent, lower front (R.H.)	3.003
10.	CLIP - Vent pipe to side frame	3.003	20.	PIPE - Vent, upper	3.003



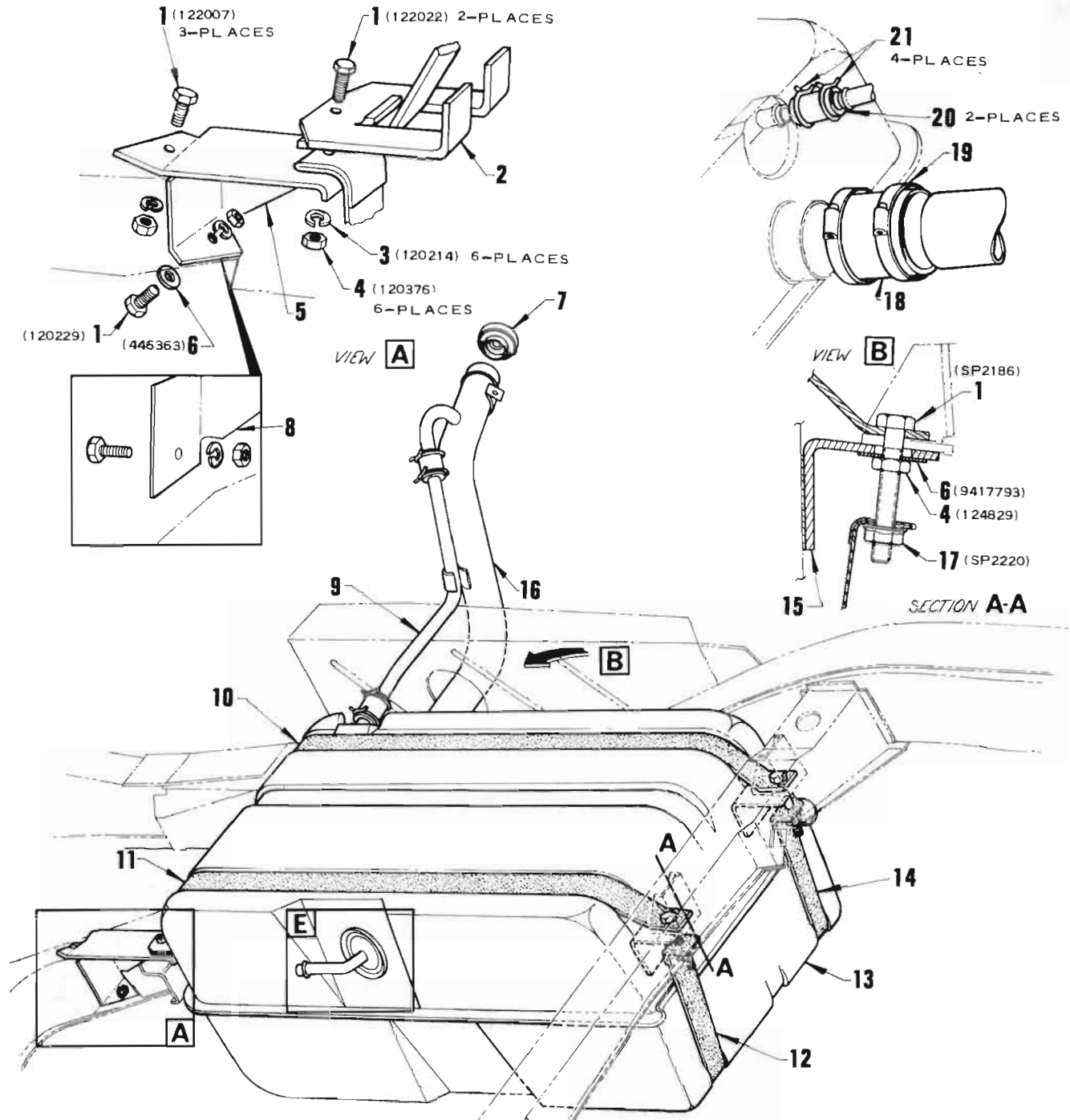
FUEL FILLER PIPE – STATION WAGON

ILLUS. REF. NO.	PART NAME	GROUP	ILLUS. REF. NO.	PART NAME	GROUP
1.	CAP – Less handle	3.028	4.	PIPE ASSY. – Filler, upper	3.003
2.	SCREW – Pan hd., No.6–20 x 5/8	8.977	5.	CLAMP – Hose, filler neck	3.003
3.	GASKET – Fuel tank filler pipe	3.008	6.	HOSE – Filler neck	3.003



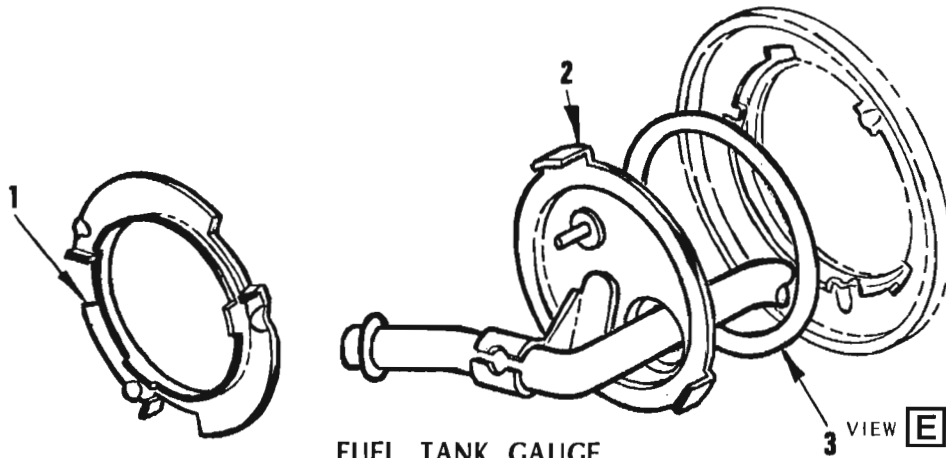
**FUEL TANK and FILLER PIPE
PANEL VAN and UTILITY**

ILLUS. REF. NO.	PART NAME	GROUP	ILLUS. REF. NO.	PART NAME	GROUP
1.	BOLT - Hexa gon head	8.900	14.	PIPE ASSEMBLY - Filler, upper	3.003
2.	STRAP - Upper outer	3.001	15.	GASKET - Fuel tank filler pipe	3.008
3.	REINFORCEMENT - Outer strap	3.001	16.	SCREW - Sheet metal	8.977
4.	STRAP - Lower inner & outer	3.001	17.	CAP - Fuel tank filler	3.028
5.	WASHER - Lock	8.931	18.	HOSE - Filler pipe to tank	3.003
6.	NUT - Hexagon	8.915	19.	CLAMP - Hose, filler neck	3.003
7.	PIPE - Vent upper	3.003	20.	HOSE - Vent pipe	3.003
8.	GROMMET - Vent pipe to panel	3.003	21.	CLAMP - Vent hose to pipe	3.003
9.	WASHER - Flat	8.929	22.	TANK ASSEMBLY - Fuel	3.001
10.	NUT - Hexagon self locking	8.918	23.	PIPE - Filler vent - upper	3.003
11.	ARRESTOR - Rear	3.001	24.	HOSE - Vent pipe	3.003
12.	STRAP - Upper inner	3.001	25.	CLAMP - Hose to vent pipe	3.003
13.	GROMMET - Fuel pipe to inner panel	3.003			



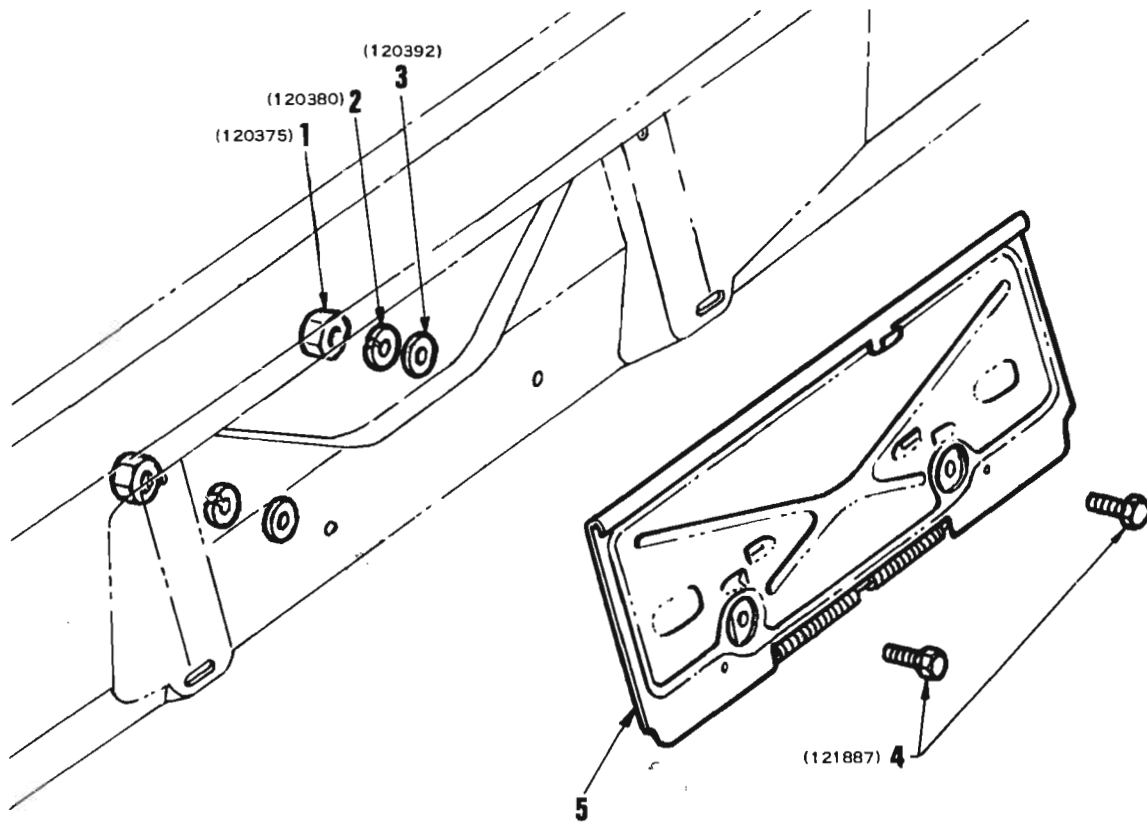
FUEL TANK and FILLER PIPE – CHASSIS & CAB.

ILLUS. REF. NO.	PART NAME	GROUP	ILLUS. REF. NO.	PART NAME	GROUP
1.	BOLT – Hexagon head.....	8.900	12.	STRAP – Lower inner	3.001
2.	ARRESTOR – Front	3.001	13.	TANK ASSEMBLY	3.001
3.	WASHER – Lock	8.931	14.	STRAP – Lower outer	3.001
4.	NUT – Hexagon	8.915	15.	ARRESTOR – Rear	3.001
5.	BRACKET – Inner support	3.001	16.	PIPE ASSEMBLY – Filler upper.....	3.003
6.	WASHER – Flat	8.929	17.	NUT – Hexagon self locking	8.918
7.	CAP – Fuel tank filler	3.028	18.	HOSE – Filler pipe to tank	3.003
8.	BRACKET – Outer support	3.001	19.	CLAMP – Hose, filler neck	3.003
9.	PIPE – Vent, upper	3.003	20.	HOSE – Vent pipe	3.003
10.	STRAP – Upper outer	3.001	21.	CLAMP – Hose to vent pipe	3.003
11.	STRAP – Upper inner	3.001			



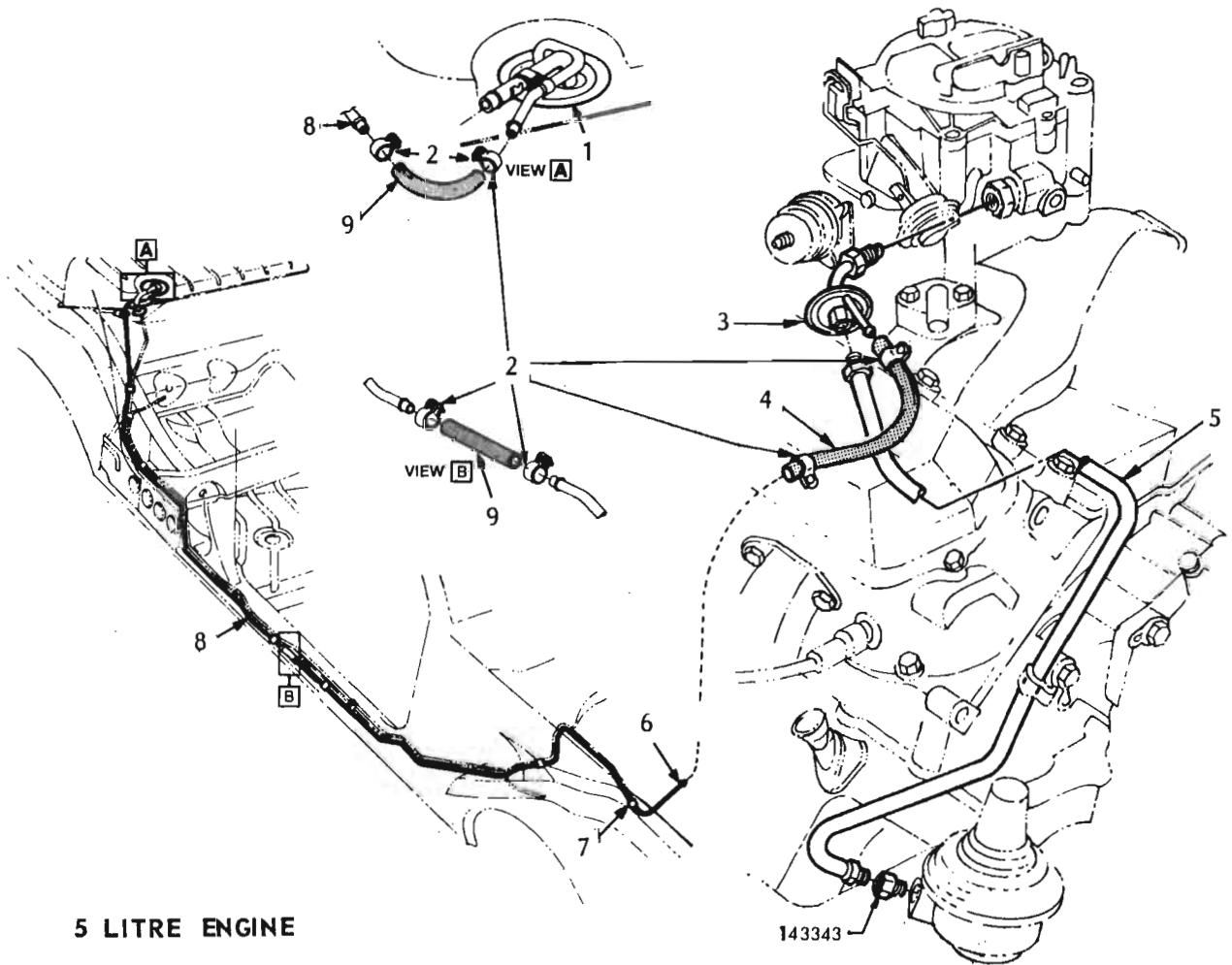
FUEL TANK GAUGE
Panel Van, Utility, Chassis & Cab

ILLUS. REF. NO.	PART NAME	GROUP	ILLUS. REF. NO.	PART NAME	GROUP
1.	RING - Fuel gauge tank unit retainer	3.107	3.	SEAL - Fuel gauge tank unit	3.112
2.	GAUGE ASSEMBLY	3.107			



FUEL TANK FILLER DOOR

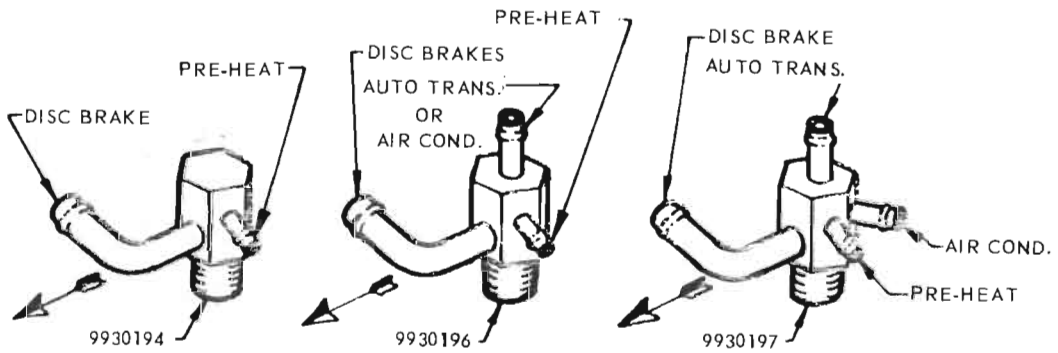
ILLUS. REF. NO.	PART NAME	GROUP	ILLUS. REF. NO.	PART NAME	GROUP
1.	NUT - Hexagon	8.915	4.	BOLT - Hexagon head	8.900
2.	WASHER - Lock	8.931	5.	DOOR ASSY. - Fuel tank filler	12.966
3.	WASHER - Flat	8.929			



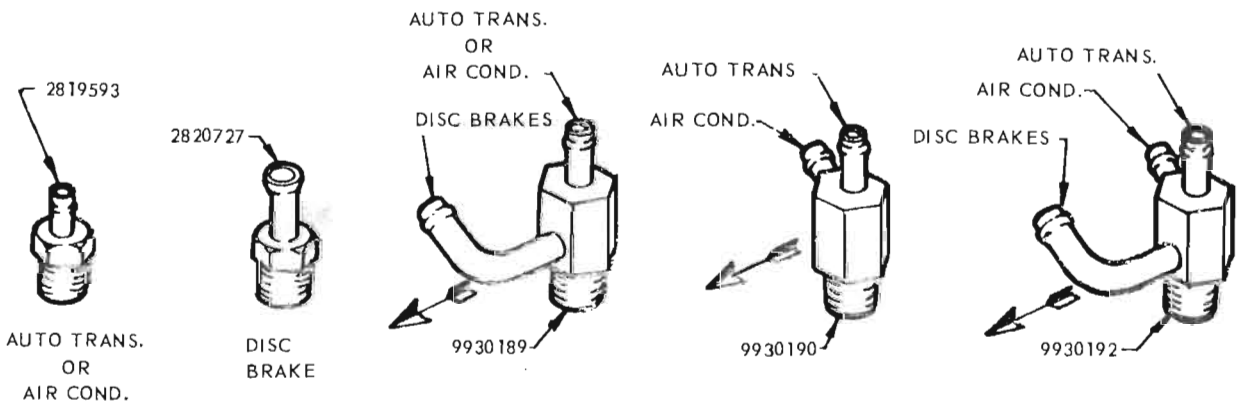
5 LITRE ENGINE

VAPOUR RETURN PIPES

ILLUS. REF. NO.	PART NAME	GROUP	ILLUS. REF. NO.	PART NAME	GROUP
1.	GAUGE ASSEMBLY – Tank unit	3.107	6.	PIPE – Vapour return, front	3.159
2.	CLAMP – Vapour hose	3.159	7.	CLIP – Fuel pipe to vapour pipe	3.159
3.	SEPARATOR ASSEMBLY	3.159	8.	PIPE – Vapour return, rear	3.159
4.	HOSE – Separator to front pipe	3.159	9.	HOSE – Rear pipe to front pipe and tank ..	3.159
5.	PIPE ASSEMBLY – Carburettor	3.201			

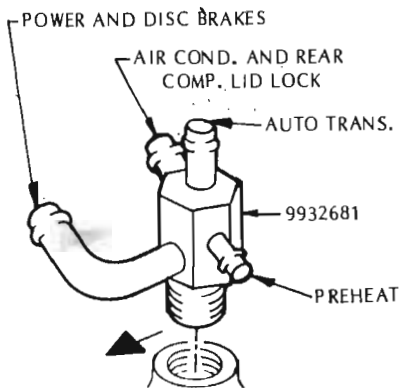
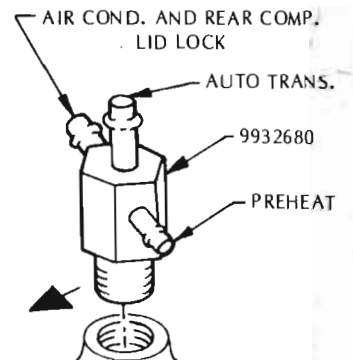
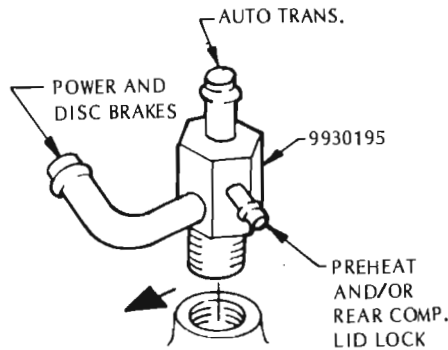
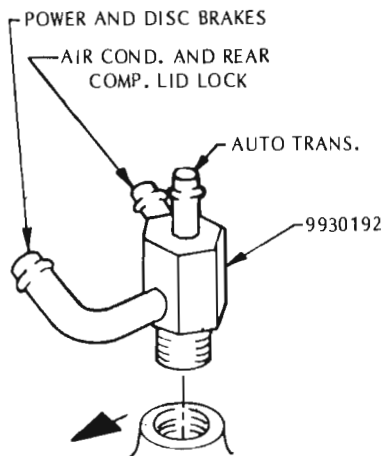
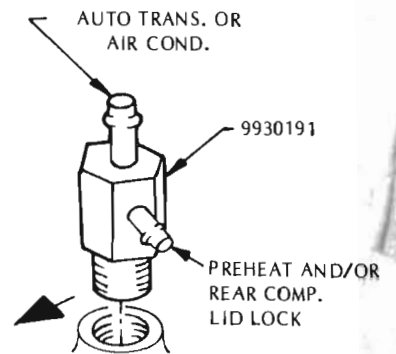
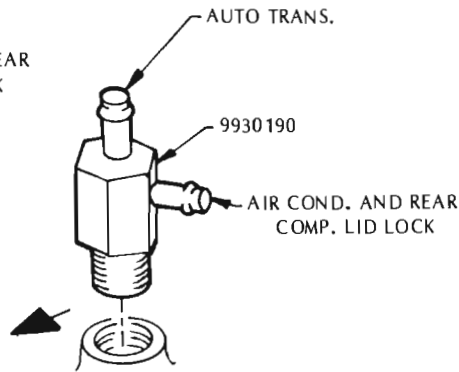
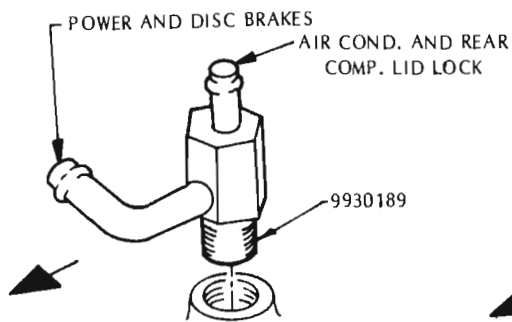
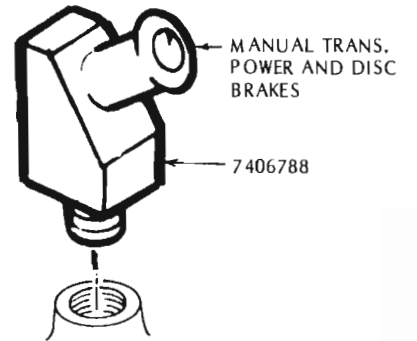
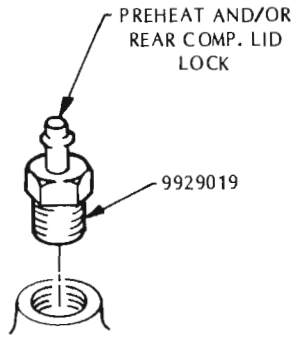
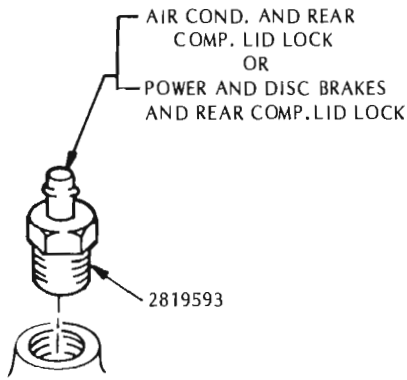


8 Cylinder Engine



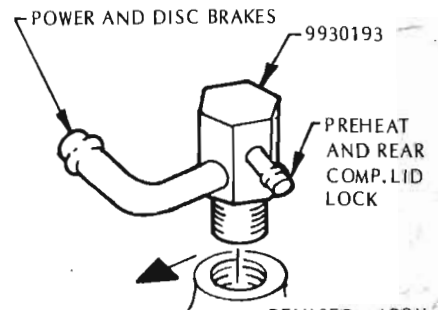
6 Cylinder Engine

VACUUM ADAPTORS
Refer Group 3.265

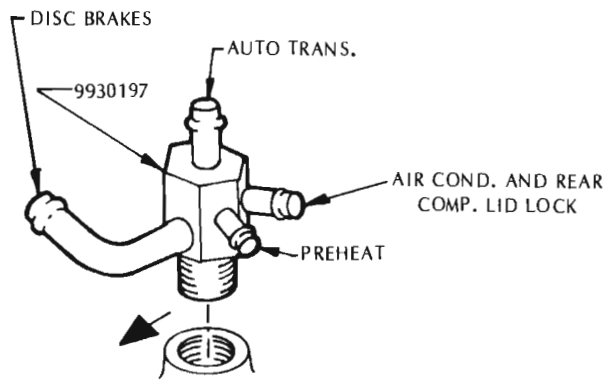
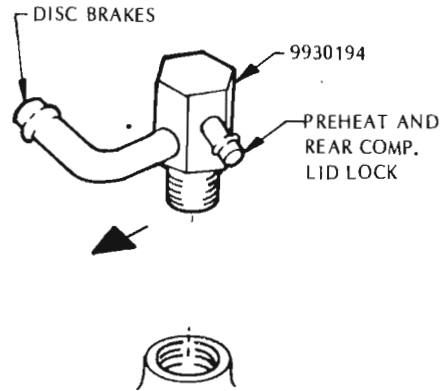
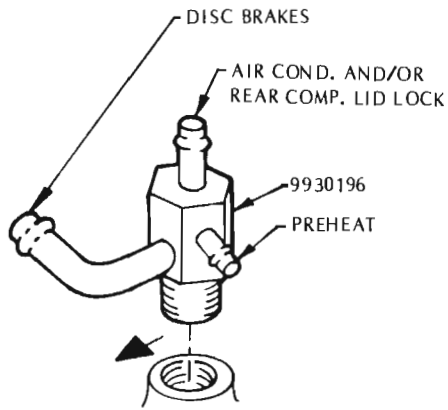


6 CYLINDER ENGINE

VACUUM ADAPTORS
Refer Group 3.265



REVISED APRIL, 1975.

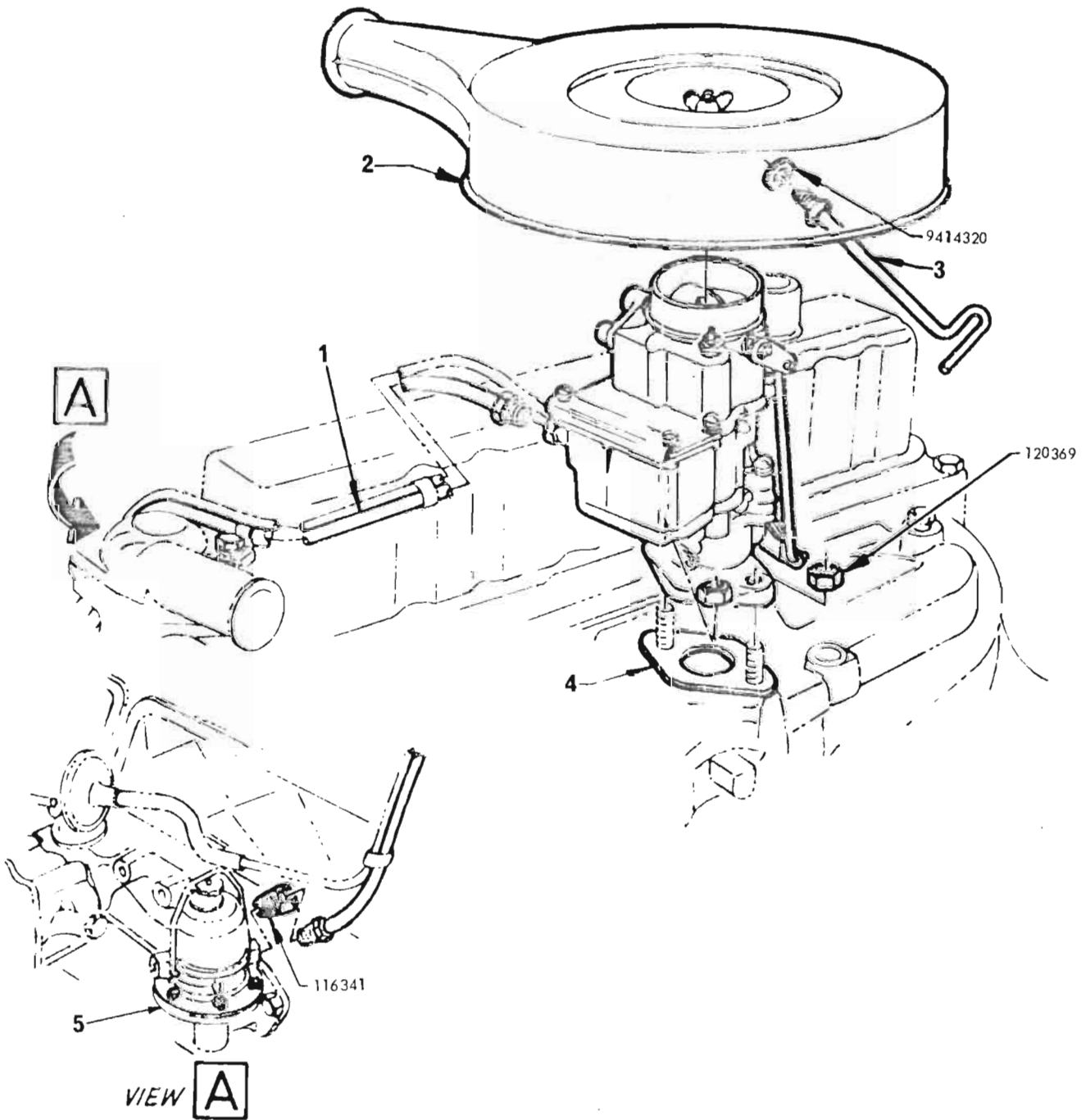


8 CYLINDER ENGINE

VACUUM ADAPTORS

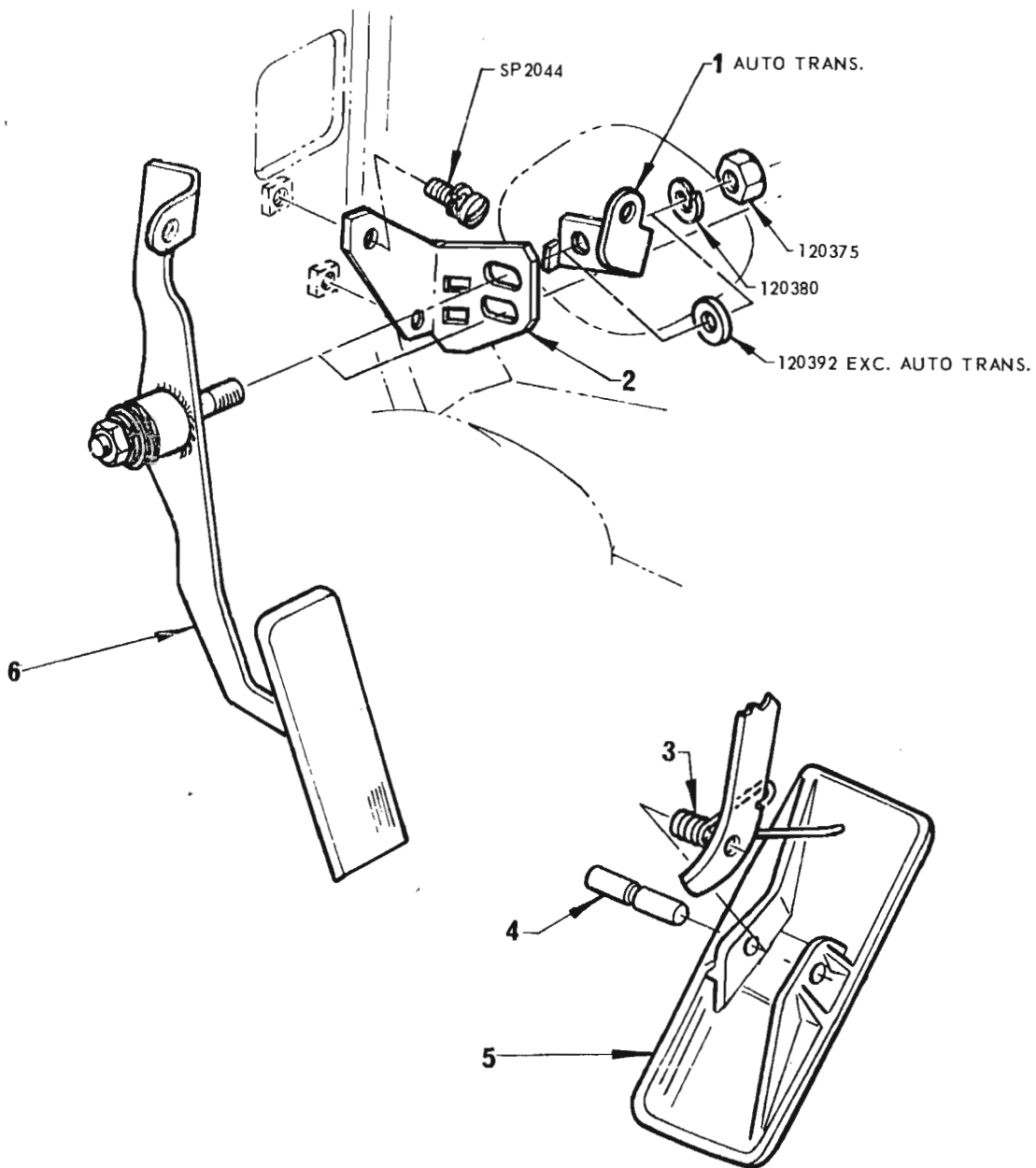
Refer Group 3.265

REVISED APRIL, 1975.



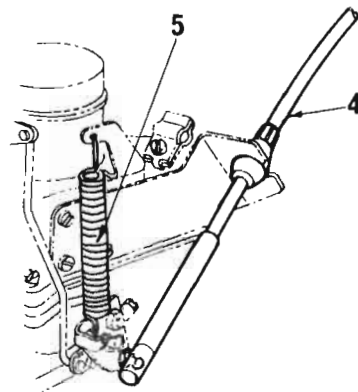
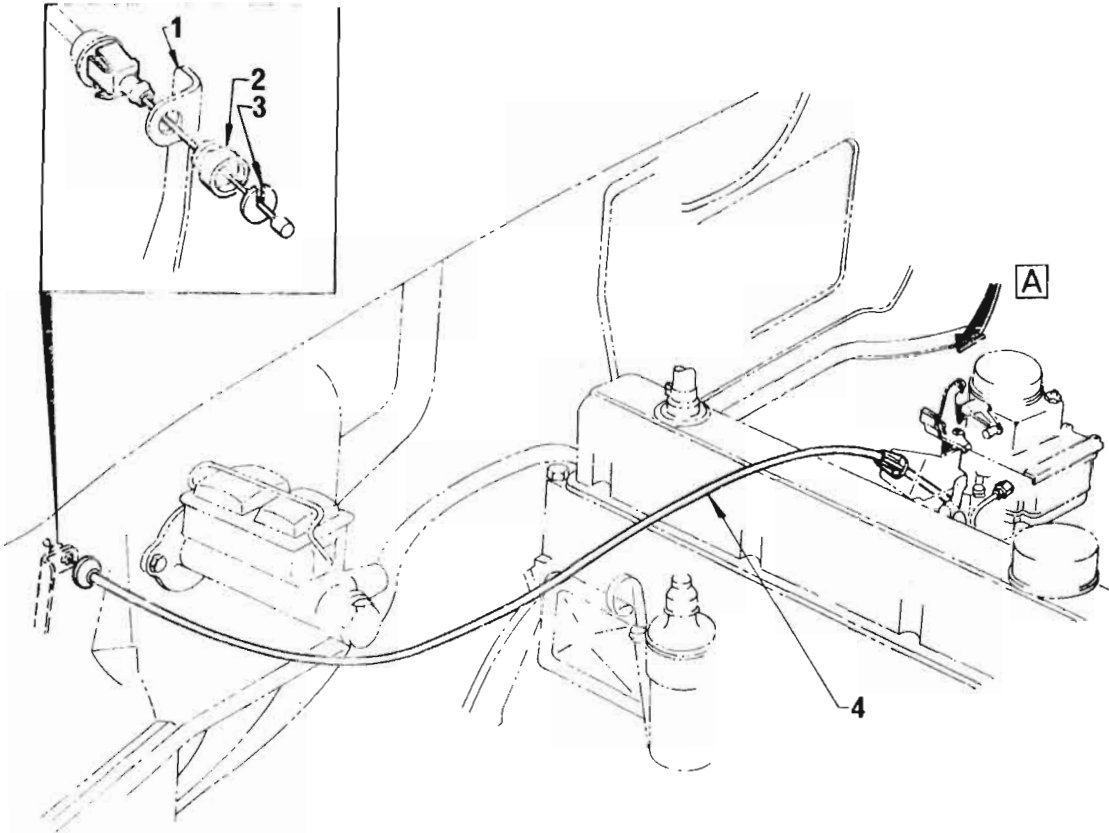
AIR CLEANER & FUEL PIPE
6 Cyl. Eng.

ILLUS. REF. NO.	PART NAME	GROUP	ILLUS. REF. NO.	PART NAME	GROUP
1.	PIPE ASSY. - Carburettor fuel	3.201	4.	GASKET - Carburettor flange	3.726
2.	AIR CLEANER and SILENCER ASSEMBLY ..	3.402	5.	PUMP ASSEMBLY - Fuel	3.900
3.	ROD - Air cleaner	3.403			



ACCELERATOR PEDAL

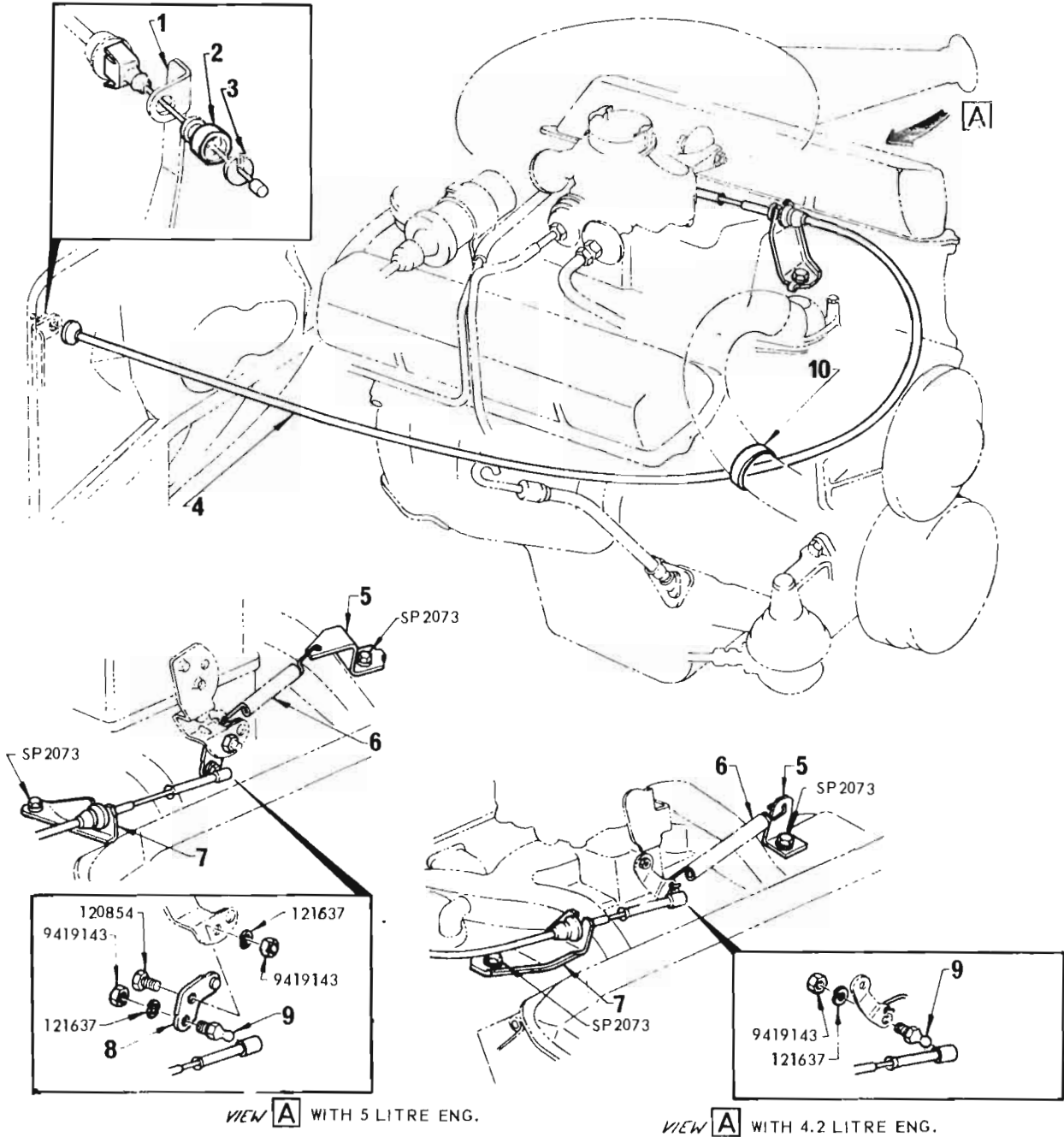
ILLUS. REF. NO.	PART NAME	GROUP	ILLUS. REF. NO.	PART NAME	GROUP
1.	BRACKET - Solenoid detent actuating switch	4.054	4.	PIN - Pedal to lever	3.451
2.	BRACKET - Accelerator pedal	3.451	5.	PEDAL ASSEMBLY	3.451
3.	SPRING - Pedal tension	3.459	6.	LEVER & PIVOT ASSY. - Accelerator pedal	3.430



VIEW **A**

**THROTTLE CONTROL
6 Cyl. Eng.**

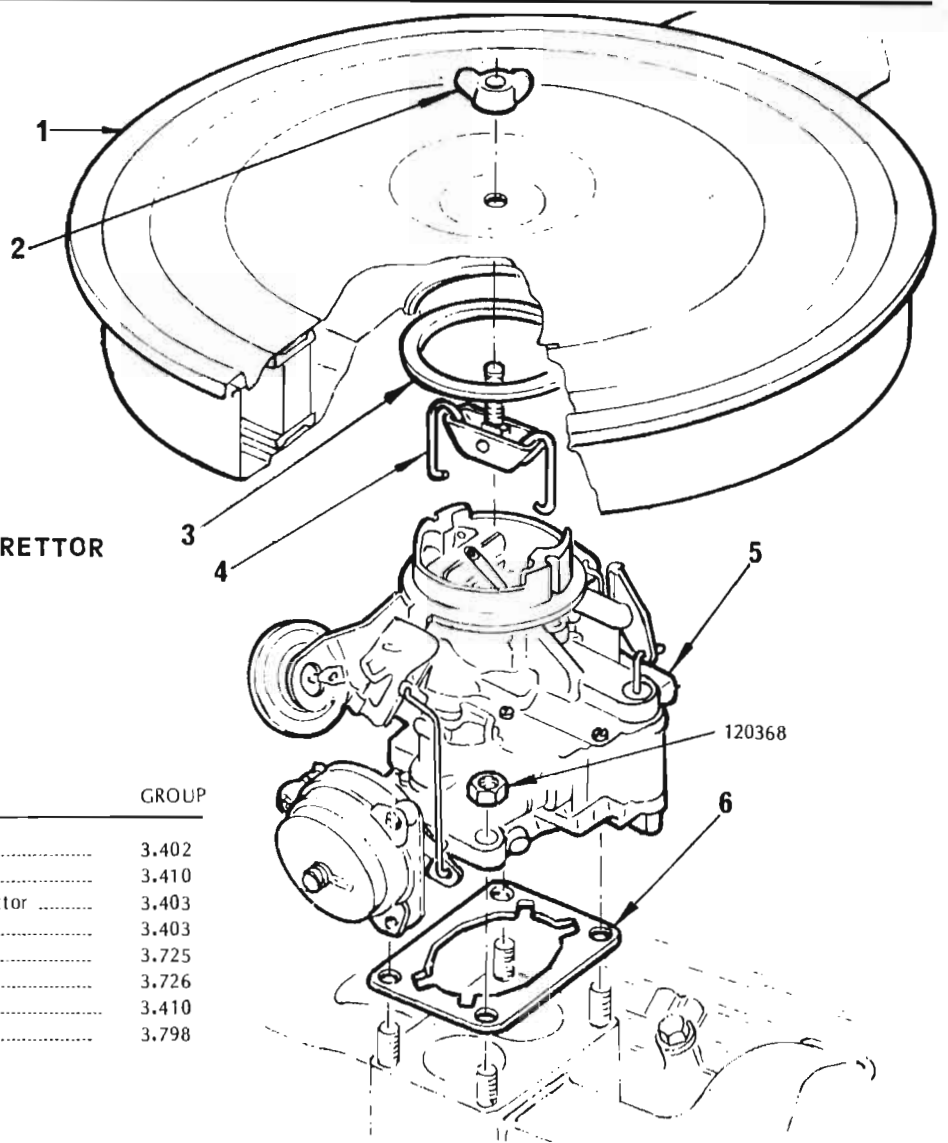
ILLUS. REF. NO.	PART NAME	GROUP	ILLUS. REF. NO.	PART NAME	GROUP
1.	LEVER & PIVOT ASSY. - Accelerator pedal	3.430	4.	CABLE ASSEMBLY - Throttle	3.430
2.	GROMMET - Cable insulator	3.430	5.	SPRING - Lever return	3.731
3.	RETAINER - Cable Assy.	3.430			



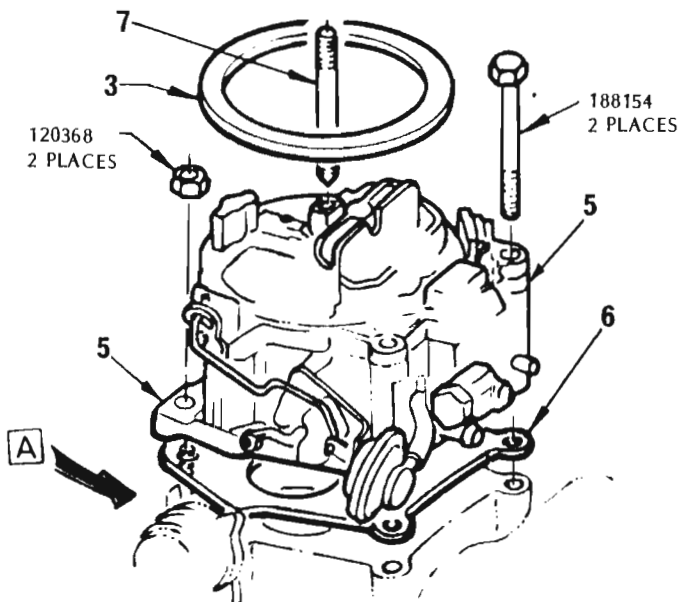
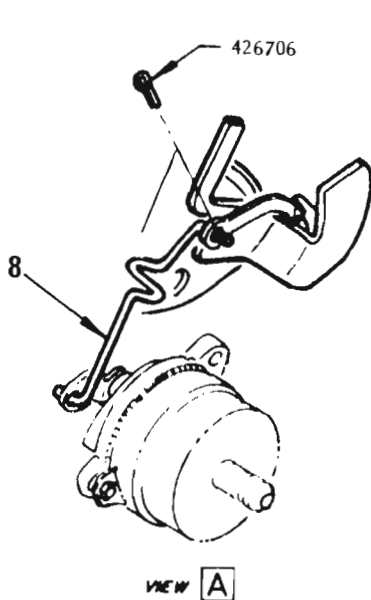
**THROTTLE CONTROL
8 Cyl. Eng.**

ILLUS. REF.NO.	PART NAME	GROUP	ILLUS. REF. NO.	PART NAME	GROUP
1.	LEVER & PIVOT ASSY. Accelerator pedal	3.430	6.	SPRING - Return	3.459
2.	GROMMET - Cable insulator	3.430	7.	BRACKET - Cable retaining	3.430
3.	RETAINER - Cable assy.	3.430	8.	LEVER - Carburettor	3.430
4.	CABLE ASSEMBLY - Throttle	3.430	9.	STUD - Cable to lever	3.430
5.	BRACKET - Return spring	3.459	10.	STRAP - Cable to radiator hose	3.430

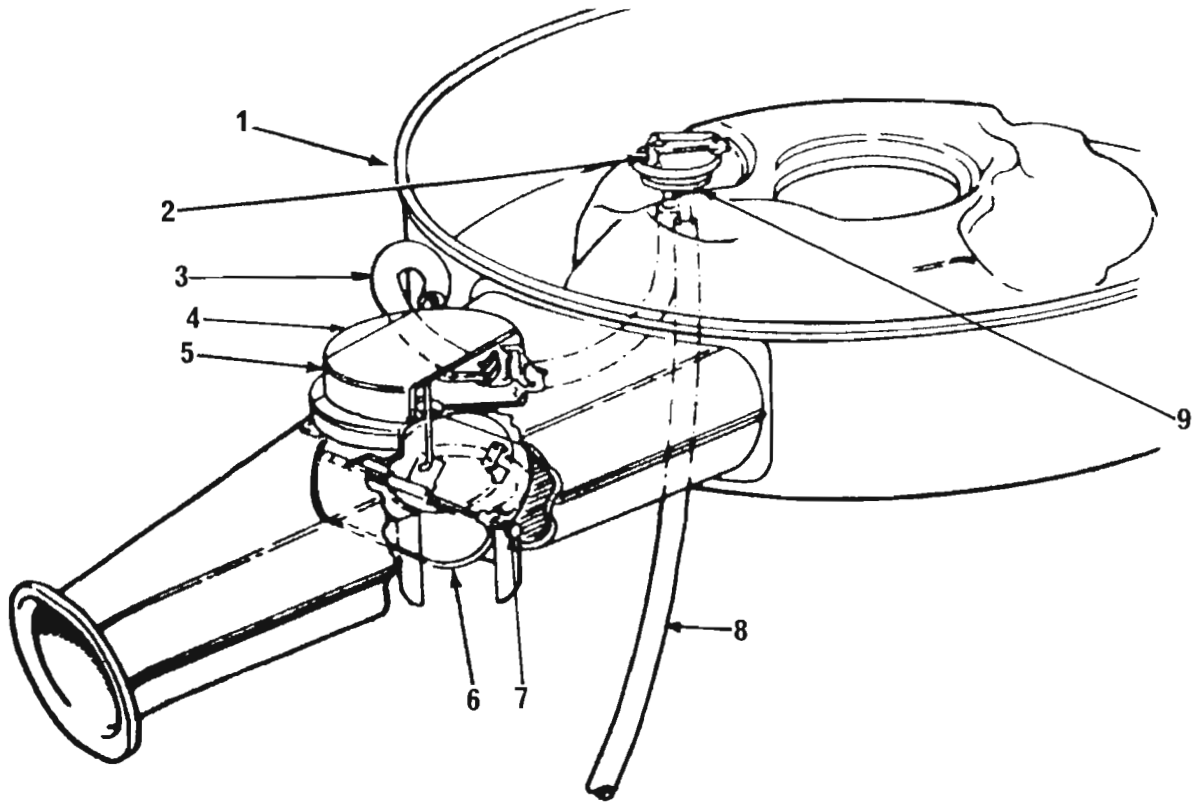
AIR CLEANER & CARBURETTOR
4.2 Litre Eng.



ILLUS. REF. NO.	PART NAME	GROUP
1.	AIR CLEANER & SILENCER ASSY	3.402
2.	NUT – Wing 1/4" – 20	3.410
3.	GASKET – Air cleaner to carburettor	3.403
4.	BRIDGE ASSEMBLY	3.403
5.	CARBURETTOR ASSEMBLY	3.725
6.	GASKET – Flange	3.726
7.	STUD	3.410
8.	ROD – Automatic choke	3.798

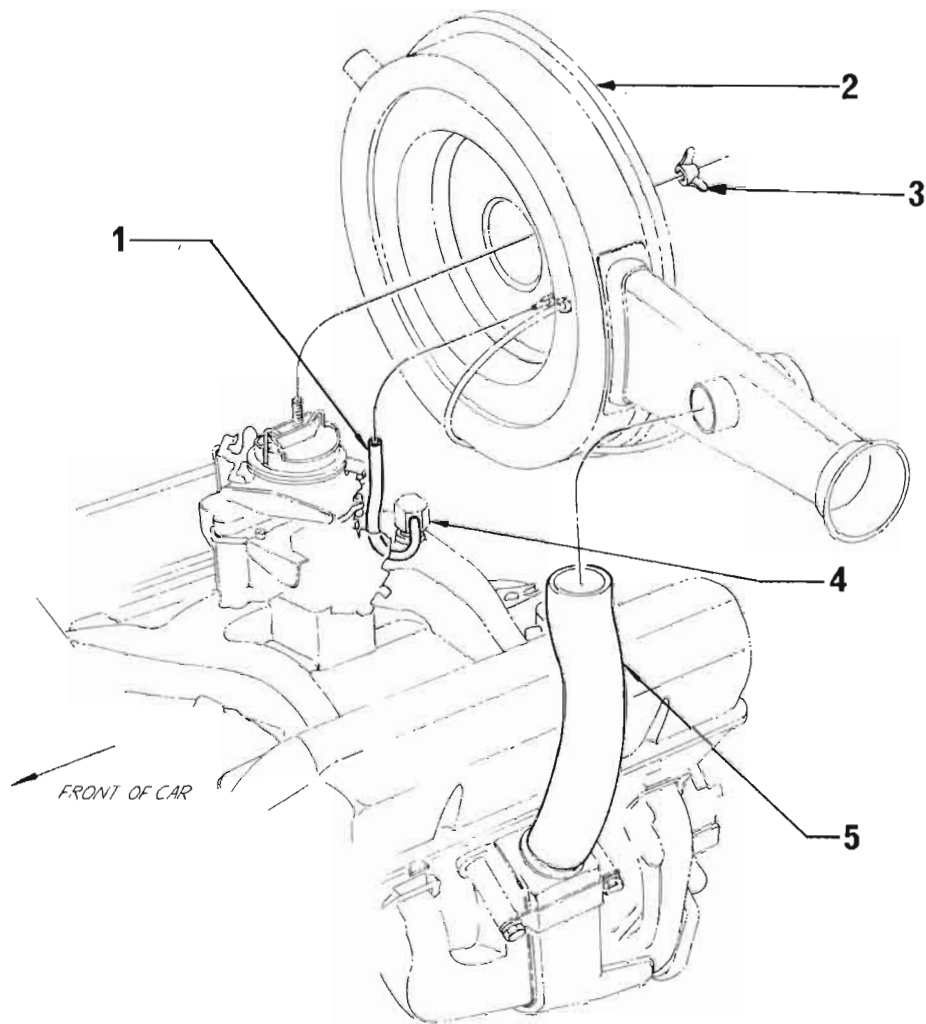


5 Litre Eng.



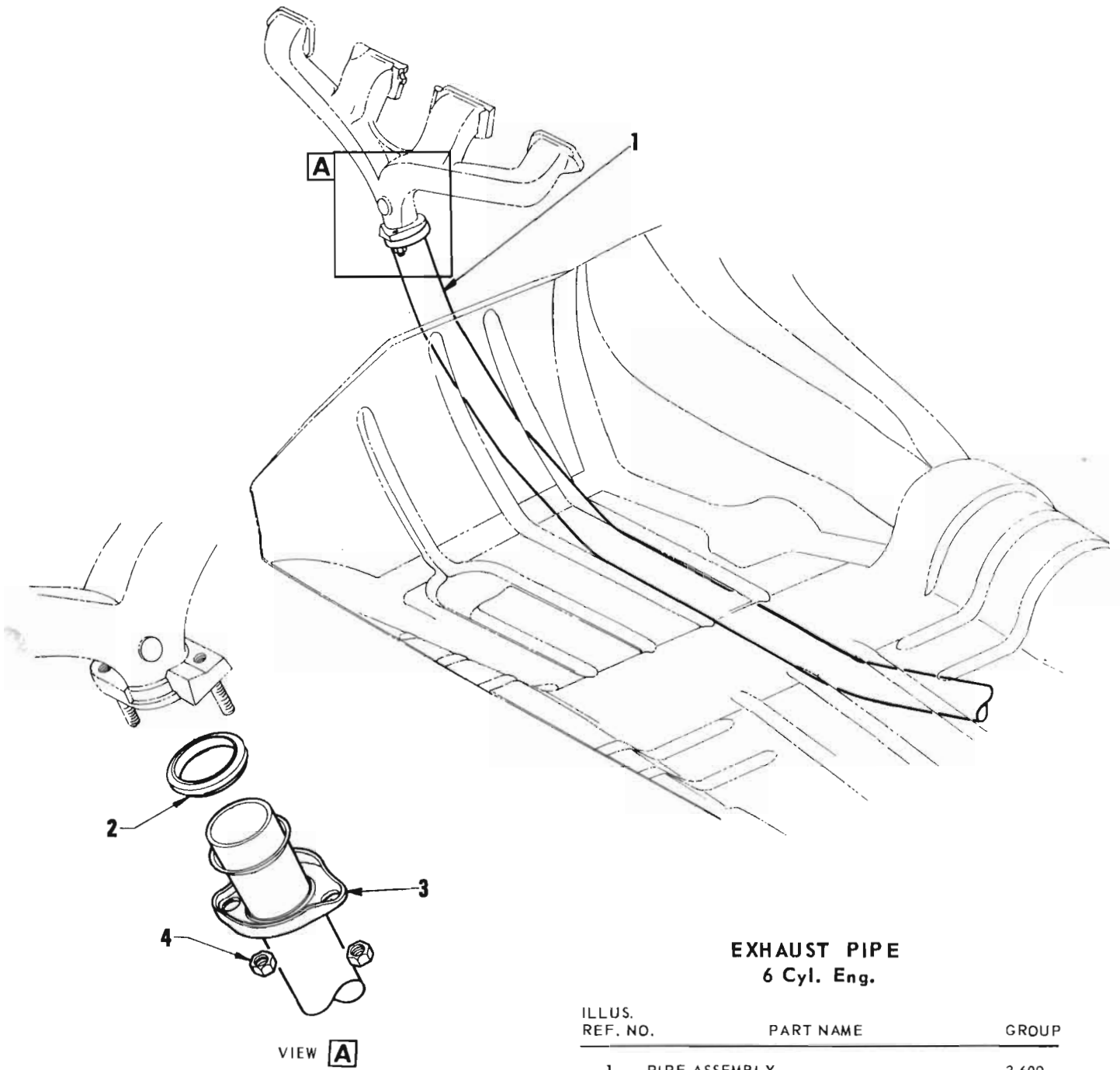
AIR CLEANER & SILENCER ASSEMBLY -
AIR PRE HEAT

ILLUS. REF. NO.	PART NAME	GROUP	ILLUS. REF. NO.	PART NAME	GROUP
1.	AIR CLEANER & SILENCER ASSY.	3.402	6.	DAMPER & VALVE ASSY.	3.415
2.	VALVE & SHIELD ASSY.	3.415	7.	PIN - Diaphragm assy. to air cleaner inlet	3.415
3.	HOSE - Thermal valve vacuum	3.415	8.	HOSE - Thermal valve to vac. source	3.415
4.	DIAPHRAGM ASSY.	3.415	9.	FASTENER - Valve to air cleaner	3.415
5.	RETAINER - Diaphragm	3.415			



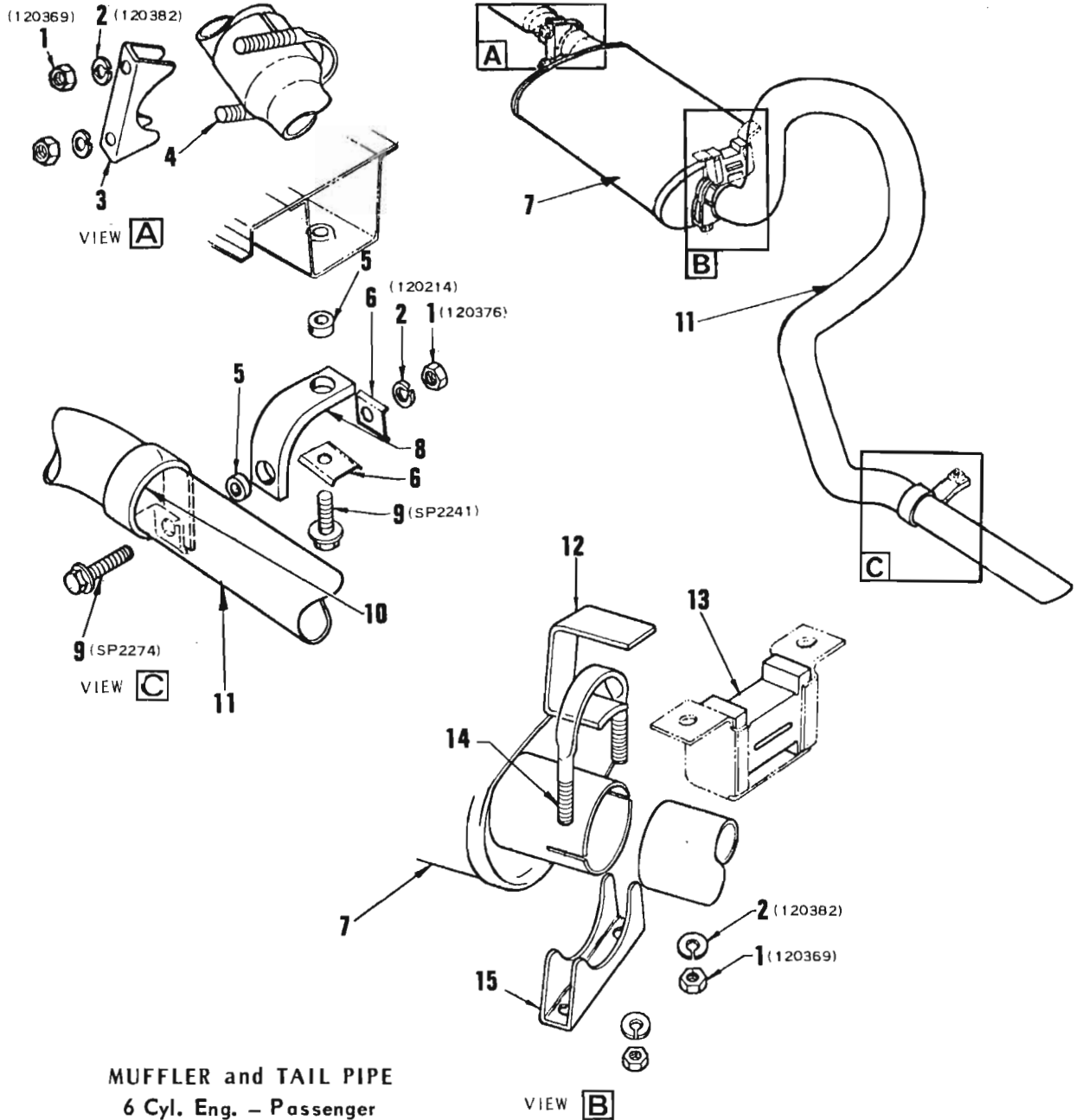
**AIR PRE-HEAT SYSTEM
4.2, 5 Litre Engine**

ILLUS. REF. NO.	PART NAME	GROUP	ILLUS. REF. NO.	PART NAME	GROUP
1.	HOSE - Thermal valve to vacuum source ..	3.415	4.	ADAPTOR - Vacuum	3.265
2.	AIR CLEANER & SILENCER ASSY.	3.402	5.	HOSE - Stove to air cleaner	3.417
3.	NUT - Wing 1/4" - 20	3.410			



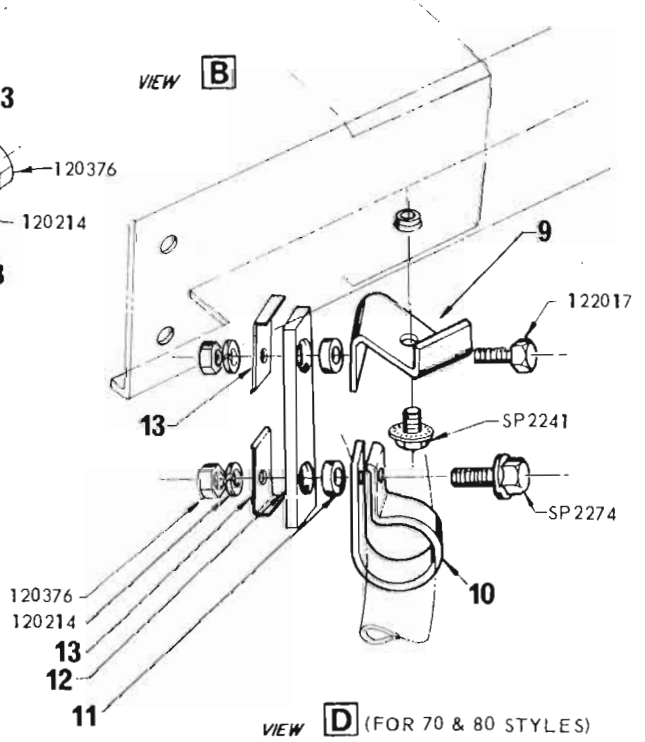
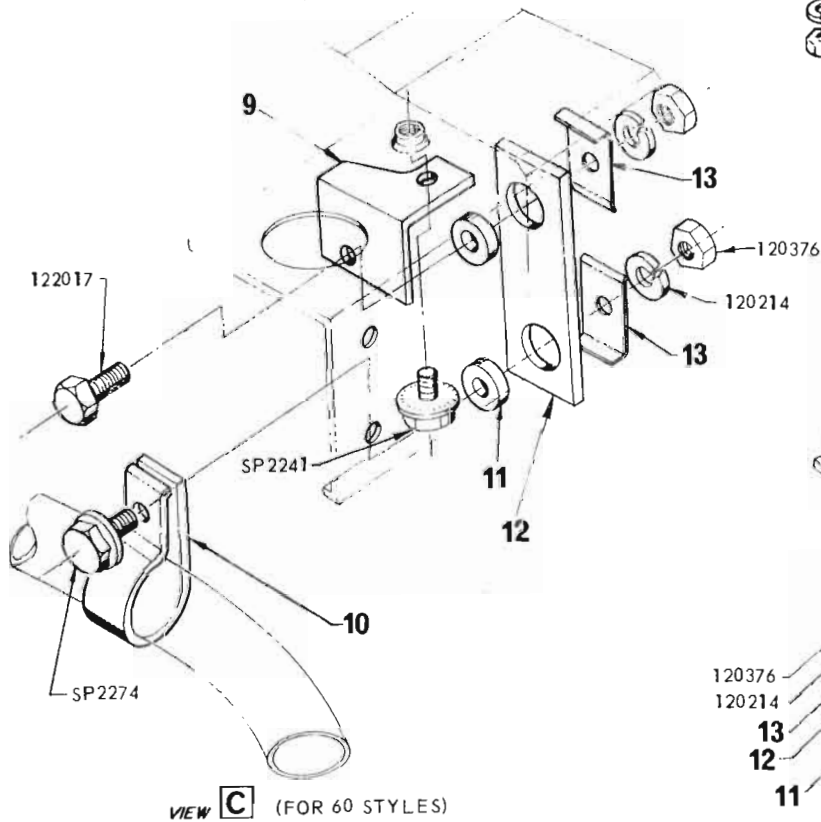
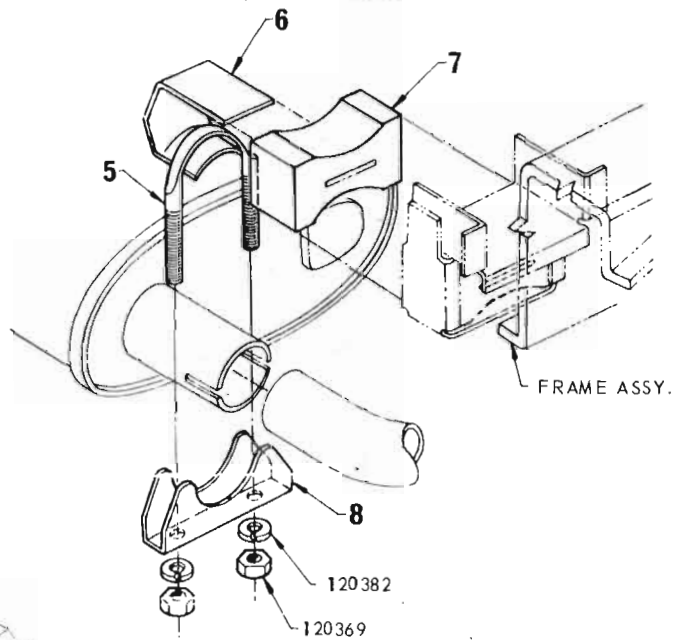
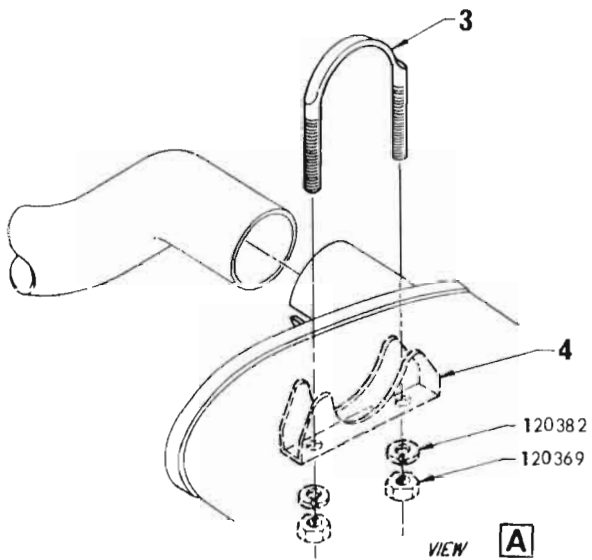
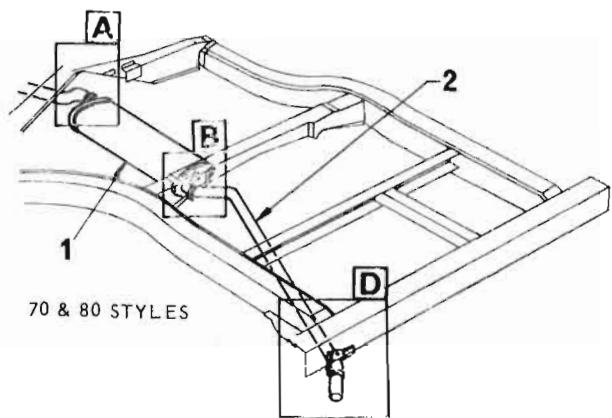
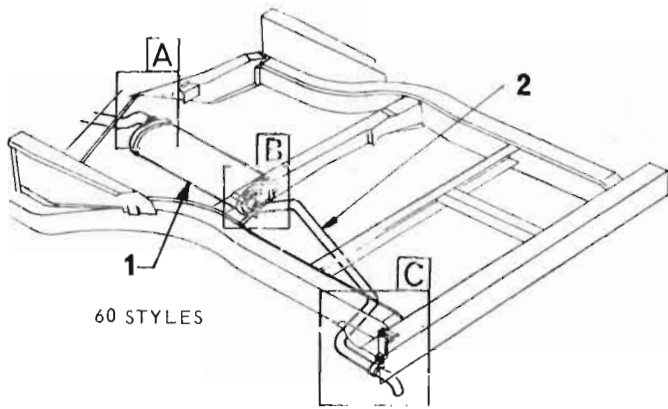
**EXHAUST PIPE
6 Cyl. Eng.**

ILLUS. REF. NO.	PART NAME	GROUP
1.	PIPE ASSEMBLY	3.609
2.	PACKING	3.611
3.	FLANGE	3.610
4.	NUT - Hexagon	3.275



**MUFFLER and TAIL PIPE
6 Cyl. Eng. - Passenger**

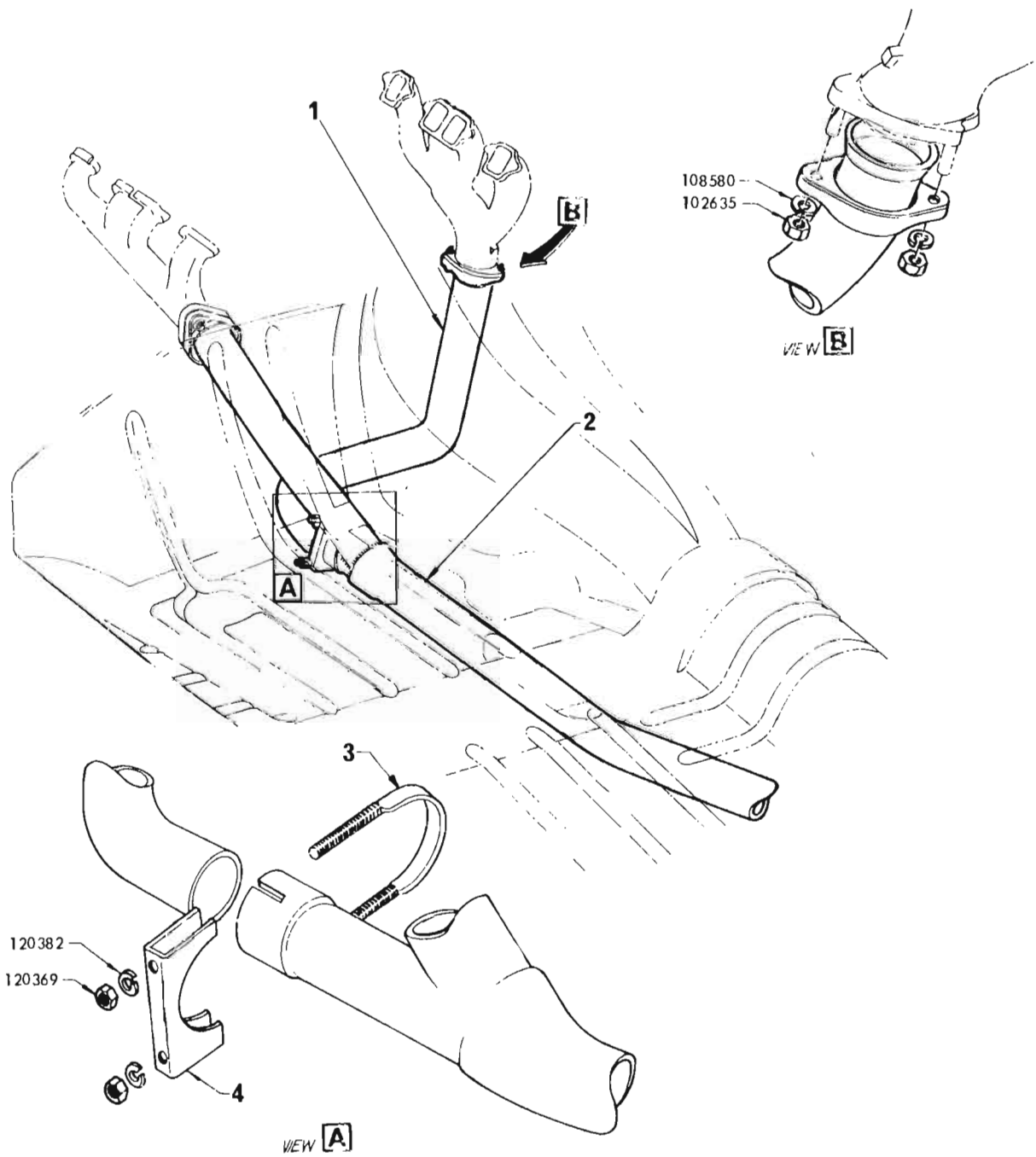
ILLUS. REF. NO.	PART NAME	GROUP	ILLUS. REF. NO.	PART NAME	GROUP
1.	NUT - Hexagon	8.915	9.	BOLT - Hexagon head	8.900
2.	WASHER - Lock	8.931	10.	CLAMP	3.710
3.	CLAMP - Pipe to muffler	3.616	11.	PIPE	3.705
4.	"U" BOLT - Pipe to muffler	3.616	12.	SUPPORT	3.704
5.	SPACER	3.710	13.	INSULATOR - Support	3.704
6.	REINFORCEMENT	3.710	14.	"U" BOLT - Muffler to tail pipe	3.706
7.	MUFFLER ASSEMBLY	3.701	15.	CLAMP - Muffler to tail pipe	3.706
8.	INSULATOR	3.710			



EXHAUST SYSTEM - COMMERCIAL

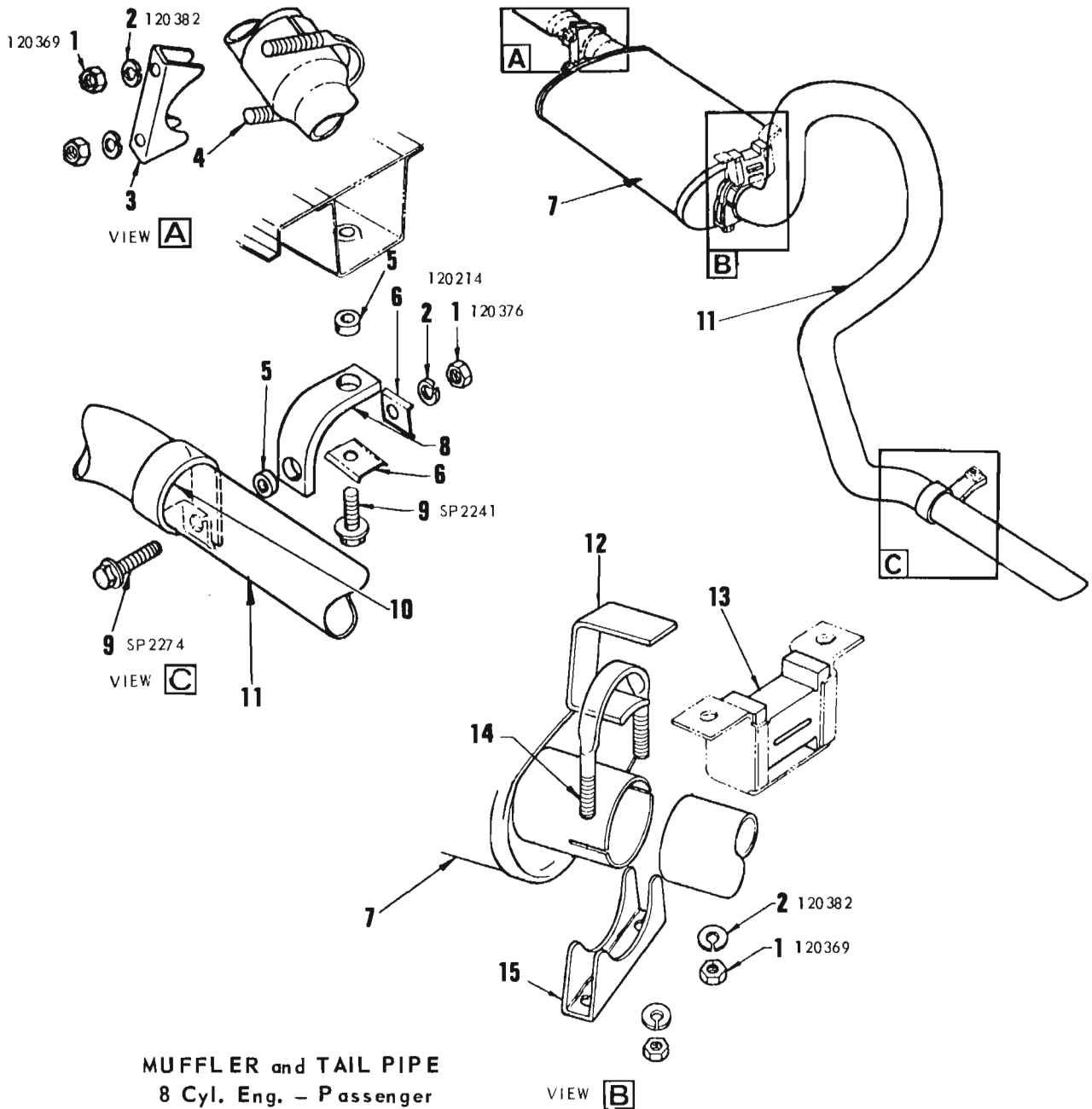
ILLUSTRATION OPPOSITE

ILLUS. REF. NO.	PART NAME	GROUP
1.	MUFFLER ASSEMBLY	3.701
2.	PIPE - Muffler tail	3.705
3.	'U' BOLT - Pipe to muffler	3.616
4.	CLAMP - Pipe to muffler	3.616
5.	'U' BOLT - Muffler to tail pipe	3.706
6.	SUPPORT - Muffler	3.704
7.	INSULATOR - Support	3.704
8.	CLAMP - Muffler to tail pipe	3.706
9.	BRACKET - Tail pipe	3.710
10.	CLAMP - Tail pipe	3.710
11.	SPACER - Tail pipe	3.710
12.	INSULATOR - Tail pipe	3.710
13.	REINFORCEMENT - Tail pipe	3.710



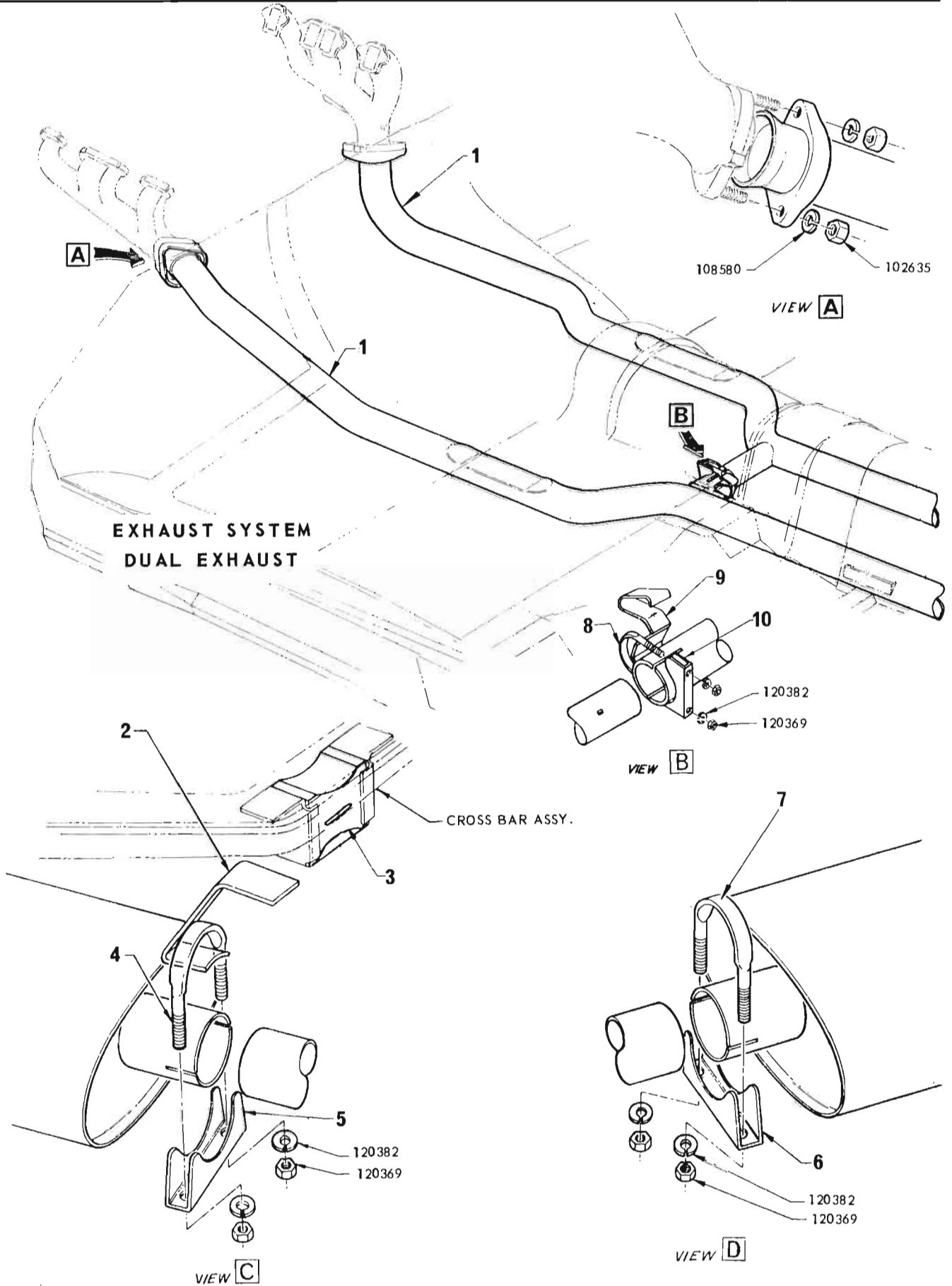
EXHAUST SYSTEM
8 Cyl. Eng. exc. Dual Exhaust

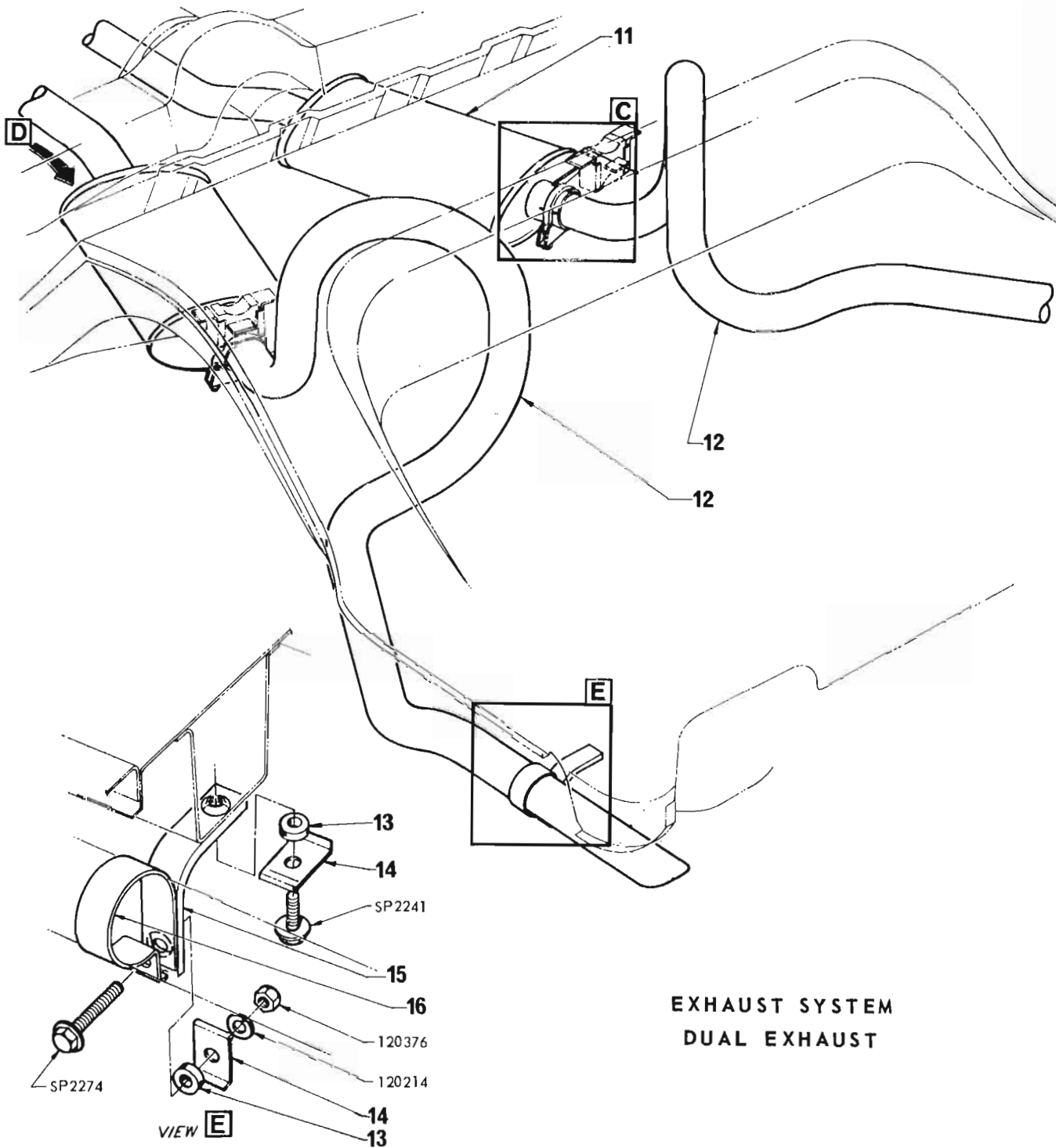
ILLUS. REF. NO.	PART NAME	GROUP	ILLUS. REF. NO.	PART NAME	GROUP
1.	PIPE ASSEMBLY - RH	3.609	3.	"U" Bolt - RH to LH pipe	3.616
2.	PIPE ASSEMBLY - LH	3.609	4.	CLAMP - RH to LH pipe	3.616



MUFFLER and TAIL PIPE
8 Cyl. Eng. - Passenger
exc. Dual Exhaust

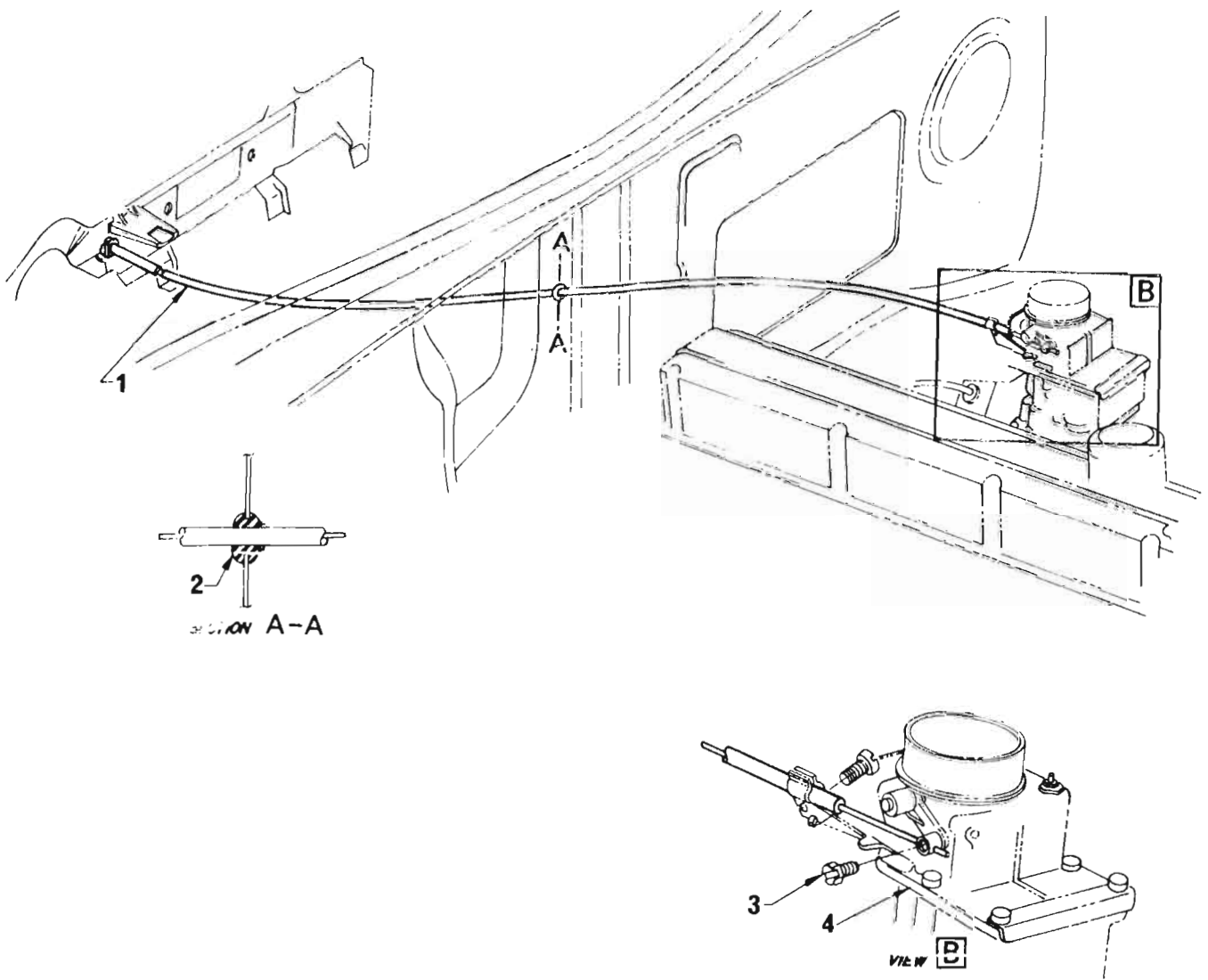
ILLUS. REF. NO.	PART NAME	GROUP	ILLUS. REF. NO.	PART NAME	GROUP
1.	NUT - Hexagon	8.915	9.	BOLT - Hexagon head	8.900
2.	WASHER - Lock	8.931	10.	CLAMP	3.710
3.	CLAMP - Pipe to muffler	3.616	11.	PIPE	3.705
4.	"U" BOLT - Pipe to muffler	3.616	12.	SUPPORT	3.704
5.	SPACER	3.710	13.	INSULATOR - Support	3.704
6.	REINFORCEMENT	3.710	14.	"U" BOLT - Muffler to tail pipe	3.706
7.	MUFFLER ASSEMBLY	3.701	15.	CLAMP - Muffler to tail pipe	3.706
8.	INSULATOR	3.710			





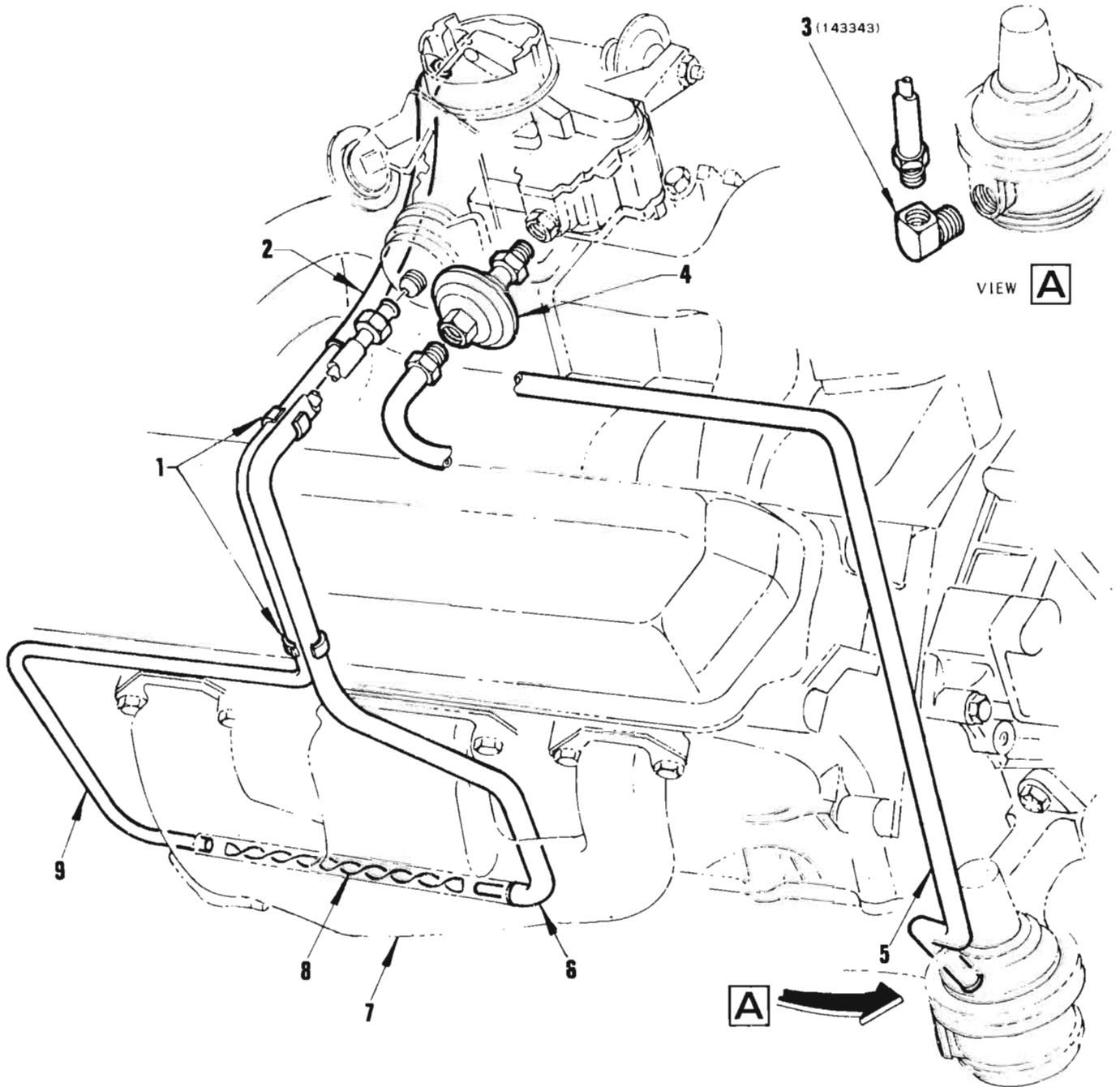
**EXHAUST SYSTEM
DUAL EXHAUST**

ILLUS. REF. NO.	PART NAME	GROUP	ILLUS. REF. NO.	PART NAME	GROUP
1.	PIPE ASSEMBLY	3.609	9.	GUIDE - Exhaust balance pipe	4.829
2.	SUPPORT - Lower	3.704	10.	CLAMP - RH to LH balance pipe	3.616
3.	INSULATOR - Support	3.704	11.	MUFFLER ASSEMBLY	3.701
4.	"U" BOLT - Muffler to tail pipe	3.706	12.	PIPE - Muffler tail	3.705
5.	CLAMP - Muffler to tail pipe	3.706	13.	SPACER	3.710
6.	CLAMP - Pipe to muffler	3.616	14.	REINFORCEMENT	3.710
7.	"U" BOLT - Pipe to muffler	3.616	15.	INSULATOR	3.710
8.	"U" BOLT - RH to LH balance pipe	3.616	16.	CLAMP	3.710



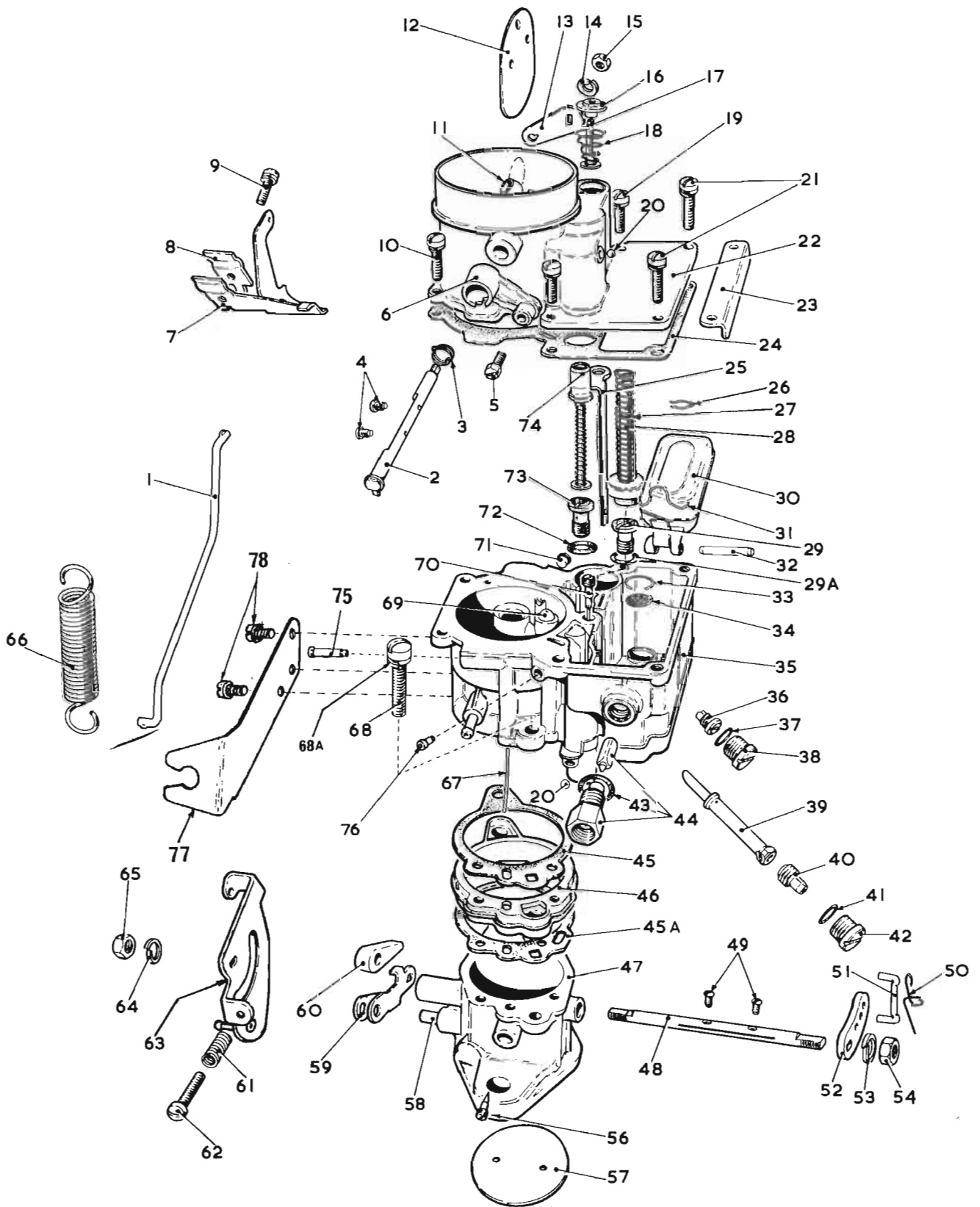
MANUAL CHOKE CONTROL

ILLUS. REF. NO.	PART NAME	GROUP	ILLUS. REF. NO.	PART NAME	GROUP
1.	CONTROL ASSEMBLY - Choke	3.521	3.	SCREW - Wire clamp	3.791
2.	GROMMET - Choke control to dash panel	3.521	4.	CARBURETTOR ASSEMBLY	3.725



AUTOMATIC CHOKE CONTROL

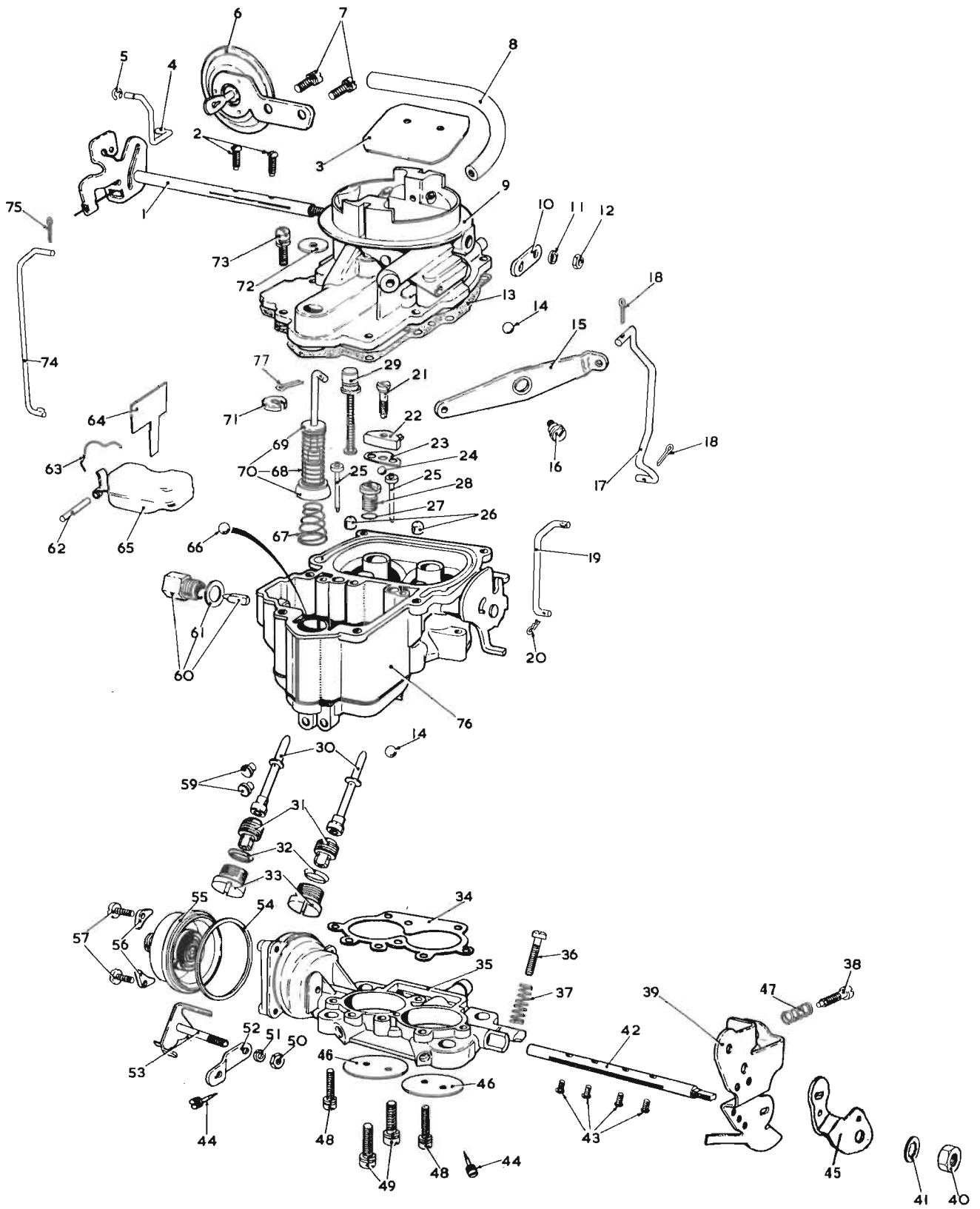
ILLUS. REF. NO.	PART NAME	GROUP	ILLUS. REF. NO.	PART NAME	GROUP
1.	CLIP - Pipe	3.720	6.	PIPE - Air heat	3.720
2.	HOSE - Inlet	3.720	7.	MANIFOLD ASSEMBLY - Exhaust	3.601
3.	ELBOW	8.963	8.	BAFFLE - Choke head tube	3.720
4.	FILTER ASSEMBLY	3.787	9.	PIPE - Air inlet	3.720
5.	PIPE ASSEMBLY	3.201			



CARBURETTOR – SINGLE BARREL TYPE

ILLUSTRATION OPPOSITE

ILLUS. REF. NO.	PART NAME	GROUP	ILLUS. REF. NO.	PART NAME	GROUP
1.	ROD – Fast idle	3.793	39.	JET – Main discharge	3.754
2.	SHAFT & LEVER ASSY. – Choke	3.791	40.	JET – Main metering	3.754
3.	SPRING – Choke lever	3.791	41.	GASKET – Metering jet plug	3.756
4.	SCREW – Choke valve attaching	3.789	42.	PLUG – Metering jet	3.756
5.	SCREW – Wire clamp	3.791	43.	GASKET – Needle valve seat	3.772
6.	LEVER ASSY. – Choke	3.791	44.	VALVE & SEAT ASSY.	3.771
8.	CLAMP – Choke cable.....	3.795	45.	GASKET – Main body	3.749
9.	SCREW & LOCK WASHER – Clamp	3.795	45A.	GASKET – Throttle body	3.749
7. } 8. } 9. }	BRACKET ASSY. – Choke cable	3.795	46.	SPACER – Insulating	3.748
10.	SCREW & LOCK WASHER – Bracket	3.795	47.	BODY ASSY. – Throttle	3.727
11.	TUBE – Vent.....	3.763	48.	SHAFT – Throttle	3.731
12.	VALVE ASSY. – Choke	3.789	49.	SCREW – Throttle valve	3.729
13.	LEVER – Fast idle	3.792	50.	CLIP – Spring	3.783
14.	WASHER – Lever attaching nut	3.792	51.	LINK – Pump	3.783
15.	NUT – Lever attaching	3.792	52.	LEVER – Pump	3.780
16.	VALVE – Idle vent	3.764	53.	WASHER – Pump lever nut	3.781
17.	STEM – Idle vent valve	3.764	54.	NUT – Pump lever	3.781
18.	SPRING – Idle vent valve	3.764	56.	VALVE – Idle needle	3.741
19.	SCREW & LOCK WASHER – Air horn	3.763	57.	VALVE – Throttle	3.729
20.	PLUG – Lead ball	3.767	58.	PIN – Fast idle cam	3.736
21.	SCREW & LOCK WASHER – Air horn	3.763	59.	LEVER – Fast idle	3.735
22.	AIR HORN ASSY.	3.763	60.	CAM – Fast idle	3.735
23.	BAR – Reinforcing	3.763	61.	SPRING – Slow idle adjusting screw	3.734
24.	GASKET – Air horn	3.765	62.	SCREW – Slow idle adjusting	3.734
25.	ROD – Pump	3.782	63.	LEVER – Throttle	3.731
26.	PIN – Cotter	3.778	64.	WASHER – Throttle lever nut	3.731
27.	SPRING – Pump stem	3.779	65.	NUT – Throttle lever	3.731
28.	PISTON & STEM ASSY.	3.778	66.	SPRING – Throttle lever return	3.731
29.	JET ASSY. – Pump by-pass	3.757	67.	ROD – Volume restrictor	3.753
29A.	GASKET – Pump by-pass jet	3.757	68.	SCREW – Main body	3.748
30.	FLOAT & LEVER ASSY.	3.773	68A.	WASHER – Main body lock	3.748
31.	SPRING – Float fulcrum pin	3.775	69.	BLEEDER – High speed	3.751
32.	PIN – Float fulcrum	3.775	70.	TUBE – Idle	3.752
33.	CLIP – Strainer screen	3.787	71.	PLUG – Main body	3.767
34.	SCREEN – Pump strainer	3.787	72.	GASKET – Power by-pass jet	3.757
35.	BODY ASSY. – Main	3.748	73.	JET – Power by-pass	3.757
36.	VALVE ASSY. – Pump check.....	3.784	74.	PISTON – Vacuum power	3.788
37.	GASKET – Plug	3.784	75.	PLUG – Main body (long)	3.767
38.	PLUG – Check valve	3.784	76.	PLUG – Main body (short).....	3.767
			77.	BRACKET – Throttle cable support	3.731
			78.	SCREW – Bracket attaching	3.731

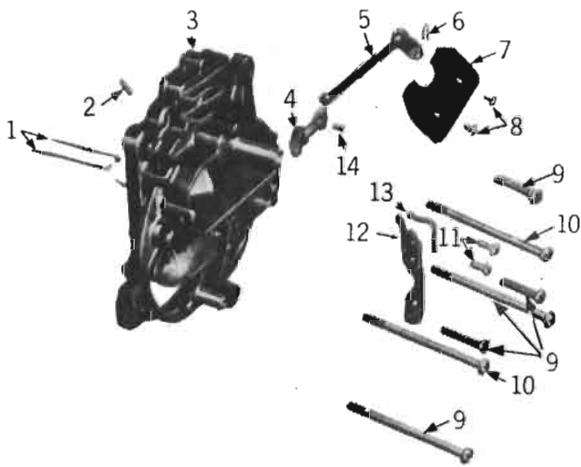


CARBURETTOR – TWO BARREL

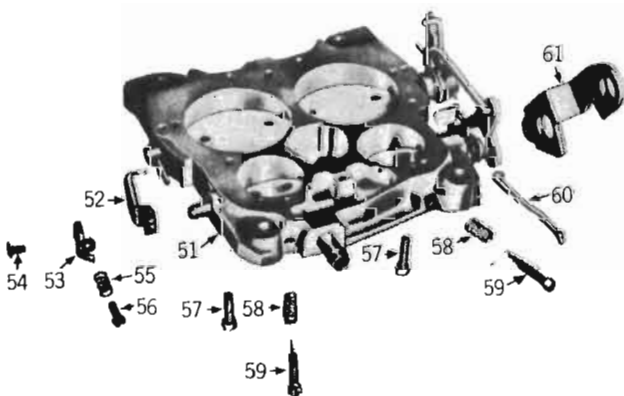
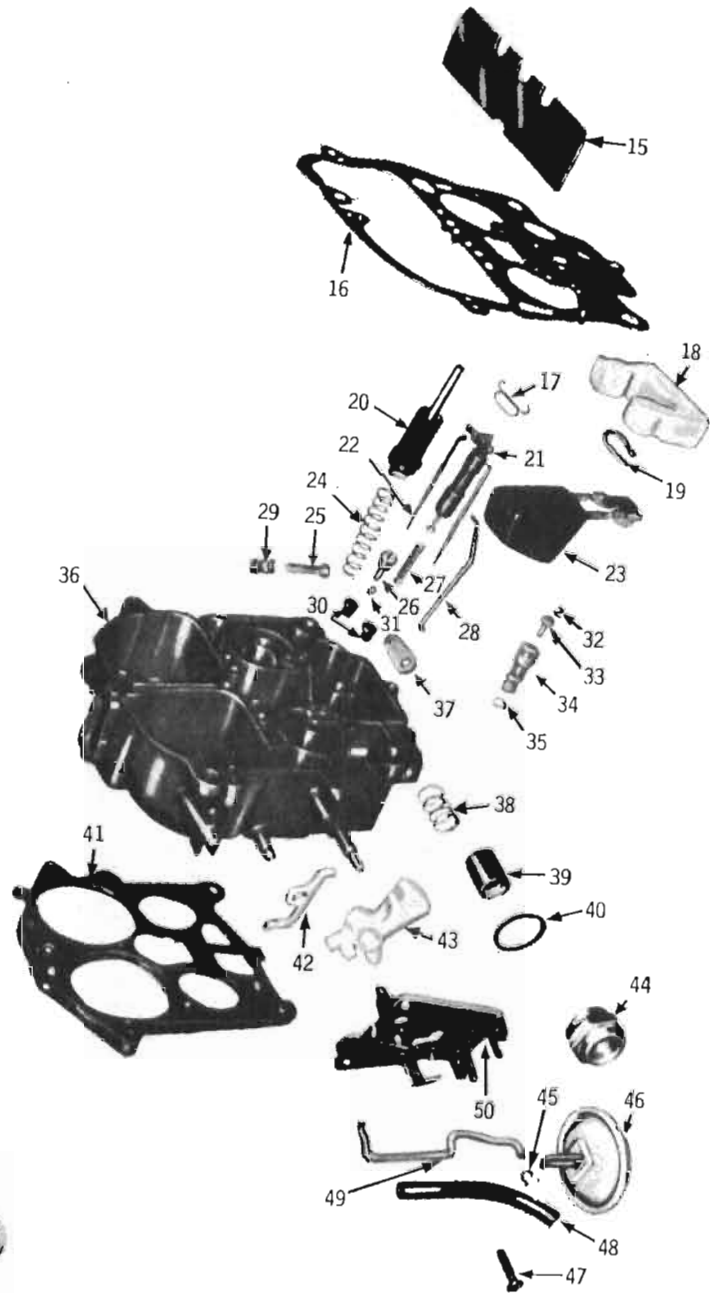
4.2 Litre Eng.

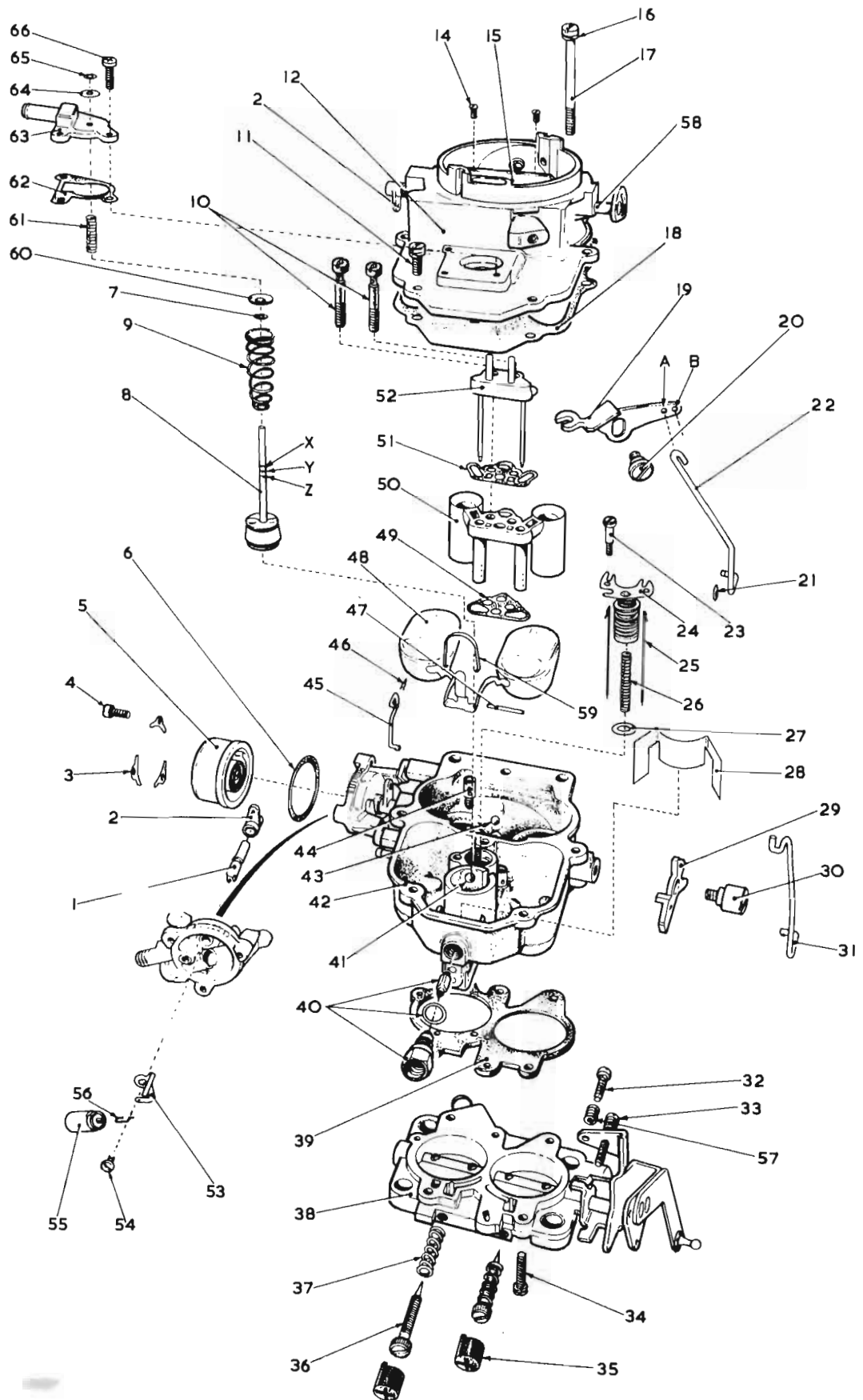
ILLUSTRATION OPPOSITE

ILLUS. REF. NO.	PART NAME	GROUP	ILLUS. REF. NO.	PART NAME	GROUP
1.	SHAFT & LEVER ASSY. – Choke	3.791	39.	LEVER – Throttle	3.731
2.	SCREW – Choke valve	3.789	40.	NUT – Throttle lever	3.731
3.	VALVE – Choke	3.789	41.	WASHER – Throttle lever nut	3.731
4.	ROD – Choke kick	3.799	42.	SHAFT – Throttle	3.731
5.	RETAINER – Choke kick rod	3.799	43.	SCREW – Throttle valve	3.729
6.	DIAPHRAGM ASSEMBLY – Choke kick	3.799	44.	VALVE – Idle needle	3.741
7.	SCREW – Diaphragm attaching	3.799	45.	LEVER – Throttle cable	3.731
8.	HOSE – Vacuum	3.799	46.	VALVE – Throttle	3.729
9.	AIR HORN ASSEMBLY	3.763	47.	SPRING – Fast idle screw	3.737
10.	LEVER – Fast idle	3.792	48.	SCREW & LOCK WASHER – Throttle body	3.748
11.	WASHER – Lever attaching nut	3.792	49.	SCREW & LOCK WASHER – Throttle body	3.748
12.	NUT – Lever attaching	3.792	50.	NUT – Thermostat lever	3.797
13.	GASKET – Air horn	3.765	51.	WASHER – Thermostat lever	3.797
14.	PLUG – Lead ball	3.767	52.	LEVER – Thermostat	3.797
15.	LEVER – Pump	3.780	53.	LEVER & SHAFT ASSY. – Thermostat	3.797
16.	SCREW – Pump lever	3.781	54.	GASKET – Thermostat cover	3.796
17.	ROD – Pump	3.783	55.	COVER ASSEMBLY – Thermostat	3.796
18.	PIN – Cotter	3.783	56.	WASHER – Thermostat cover	3.796
19.	ROD – Fast idle	3.793	57.	SCREW – Thermostat cover	3.796
20.	CLIP – Fast idle rod	3.793	59.	PLUG – Drive	3.767
21.	SCREW – Pump nozzle	3.759	60.	VALVE & SEAT ASSEMBLY – Float	3.771
22.	NOZZLE – Pump	3.758	61.	GASKET – Float needle seat	3.772
23.	GASKET – Pump nozzle	3.758	62.	PIN – Float fulcrum	3.775
24.	BALL – Pump outlet check	3.760	63.	SPRING – Float fulcrum pin	3.775
25.	TUBE – Idle	3.752	64.	BAFFLE – Float chamber	3.776
26.	BLEEDER – High speed	3.751	65.	FLOAT & LEVER ASSEMBLY	3.773
27.	GASKET – Power by-pass jet	3.757	66.	BALL – Pump inlet check	3.760
28.	JET – Power by-pass	3.757	67.	SPRING – Pump bottom	3.779
29.	PISTON – Vacuum power	3.788	68.	SPRING – Pump duration	3.779
30.	JET – Main discharge	3.754	69.	WASHER – Duration spring retainer	3.779
31.	JET – Main metering	3.754	70.	PISTON ASSEMBLY – Pump	3.778
32.	GASKET – Metering jet plug	3.756	71.	WASHER – Duration spring clip	3.779
33.	PLUG – Main metering jet	3.755	72.	WASHER – Idle vent seal	3.764
34.	GASKET – Main body	3.749	73.	SCREW & LOCK WASHER – Air horn	3.763
35.	BODY ASSEMBLY – Throttle	3.727	74.	ROD – Choke	3.798
36.	SCREW – Slow idle	3.734	75.	PIN – Cotter	3.798
37.	SPRING – Slow idle screw	3.734	76.	BODY ASSEMBLY – Main	3.748
38.	SCREW – Fast idle	3.737	77.	PIN – Cotter	3.778



**CARBURETTOR
(Exploded View)**





CARBURETTOR – FOUR BARREL TYPE

5 Litre Eng.

ILLUSTRATION OPPOSITE

ILLUS. REF. NO.	PART NAME	GROUP	ILLUS. REF. NO.	PART NAME	GROUP
1.	ROD – Secondary metering	3,806	30.	JET – Main discharge	3,754
2.	PIN – Spring 3/32" x 7/16"	3,780	31.	BALL – Pump discharge	3,760
3.	AIR HORN ASSEMBLY	3,763	32/33/34/35.	NEEDLE VALVE & SEAT ASSY.	3,771
4/12/13/14.	VALVE – Kit	3,764	35.	GASKET – Needle valve seat	3,772
5.	SHAFT and LEVER ASSEMBLY – Choke	3,791	36.	BODY ASSEMBLY – Main	3,748
6.	CLIP – Choke rod	3,798	37.	LEVER – Choke intermediate	3,791
7.	VALVE – Choke	N.S.S.	38.	SPRING – Fuel filter	3,787
8.	SCREW – Valve attaching	3,789	39.	FILTER – Inlet fuel	3,787
5/7/8.	SHAFT & VALVE KIT – Choke	3,789/3,791	40.	GASKET – Fuel filter	3,787
9.	SCREW – Air horn attaching	3,763	41.	GASKET – Main body	N.S.S.
10.	SCREW – Air horn attaching	3,763	42.	LEVER – Secondary lockout	3,798
11.	SCREW – Air horn attaching	3,763	43.	CAM – Fast idle	3,735
12.	LEVER – Pump	3,780	44.	NUT – Fuel filter	3,787
13.	LEVER – Idle vent valve	N.S.S.	45.	CLIP – Control rod	3,799
14.	SCREW – Idle vent valve	3,764	46.	DIAPHRAGM ASSEMBLY	3,799
15.	BAFFLE – Float chamber	3,776	47.	SCREW – Diaphragm attaching	3,799
16.	GASKET – Air horn	3,765	48.	HOSE – Vacuum	3,799
17.	SPRING – Metering rod	3,810	49.	ROD – Diaphragm control	3,799
18.	INSERT – Main body	3,762	50.	BRACKET ASSEMBLY – Diaphragm	N.S.S.
19.	PIN – Float fulcrum	3,775	51.	BODY ASSEMBLY – Throttle	3,727
20.	PISTON ASSEMBLY – Pump	3,778	52.	LEVER – Cam follower	3,735
21.	PISTON ASSEMBLY – Power	3,788	53.	LEVER – Fast idle	3,735
22.	ROD – Primary metering	3,806	54.	SCREW – Fast idle and cam levers	3,735
23.	FLOAT AND LEVER ASSEMBLY	3,773	55.	SPRING – Fast idle screw	3,737
24.	SPRING – Pump return	3,779	56.	SCREW – Fast idle adjusting	3,737
25.	SCREW – Slow idle adjusting	3,734	57.	SCREW – Throttle body	3,748
26.	RETAINER – Discharge ball	3,760	58.	SPRING – Idle needle valve	3,742
27.	SPRING – Power piston	3,788	59.	VALVE – Idle needle	3,741
28.	ROD – Choke	3,798	60.	ROD – Pump	3,783
29.	SPRING – Slow idle screw	3,734	61.	LEVER – Throttle	N.S.S.

**EVAPORATIVE EMISSION CONTROL
CARBURETTOR – TWO BARREL TYPE**

**EMAIL
4.2 Litre Engine**

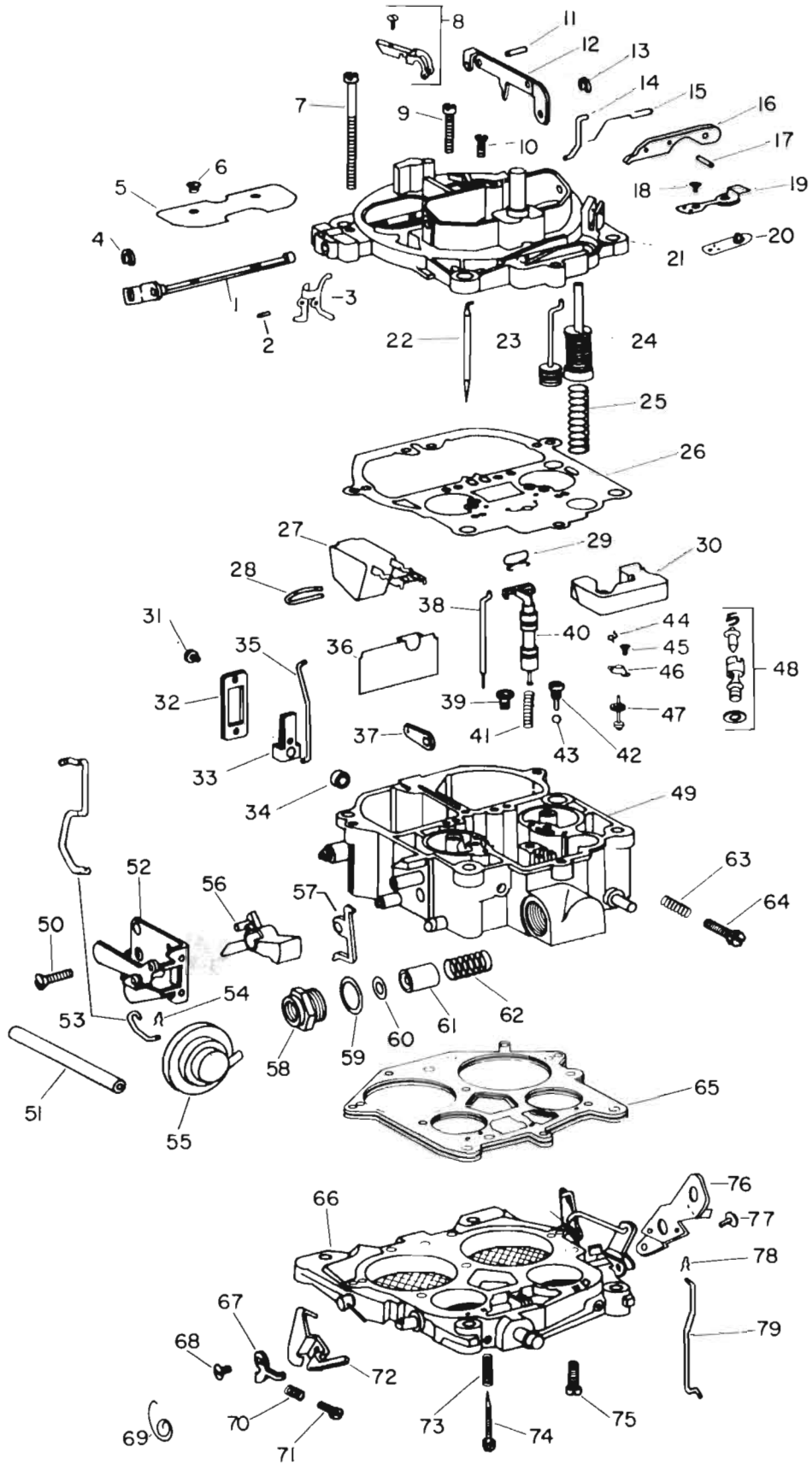
ILLUSTRATION OPPOSITE

ILLUS. REF. NO.	PART NAME	GROUP	ILLUS. REF. NO.	PART NAME	GROUP
1-66	CARBURETTOR ASSY.	3.725	34.	SCREW – Main body	3.748
1.	SHAFT – Thermostat	3.797	35.	CAP – Limiter	3.741
2. (c)	LEVER	3.791/3.797	36. (c)	VALVE – Idle needle	3.741
3.	RETAINER – Thermostat	3.796	37. (c)	SPRING – Idle needle valve	3.742
4.	SCREW – Thermostat	3.796	38.	BODY ASSY. – Throttle	3.727
5.	THERMOSTAT ASSY.	3.796	39. (A, B)	GASKET – Main body	3.749
6. (A, B)	GASKET – Thermostat cover	3.796	40. (c)	VALVE & SEAT ASSY. – Float	3.771
7.	CLIP – Pump piston retainer	3.778	41. (B)	BALL – Inlet check	3.760
8. (c)	PISTON ASSY. – Pump	3.778	42.	BODY ASSY. – Main	3.748
9. (c)	SPRING – Pump duration	3.779	43. (B)	BALL – Outlet check	3.760
10. (c)	SCREW – Venturi	3.786	44. (c)	JET – Main metering	3.754
11.	SCREW – Air horn	3.763	45.	ROD – Choke	3.798
12.	AIR HORN ASSY.	3.763	46. (B)	CLIP – Choke rod	3.798
14.	SCREW – Choke valve	3.789	47.	PIN – Float fulcrum	3.775
15.	VALVE – Choke	3.789	48.	FLOAT ASSY.	3.773
16.	WASHER – Air horn attaching screw.....	3.763	49. (A, B)	GASKET – Venturi cluster – Lower..	3.786
17.	SCREW – Air horn	3.763	50.	VENTURI ASSY.	3.786
18. (A, B)	GASKET – Air horn	3.765	51. (A, B)	GASKET – Venturi cluster – Upper..	3.786
19.	LEVER – Pump	3.780	52.	COVER ASSY. – Venturi	3.786
20.	SCREW – Pump lever	3.781	53.	LEVER – Modulating piston	3.796
21. (B)	CLIP – Pump rod	3.783	54.	SCREW – Modulating piston	3.796
22.	ROD – Pump	3.783	55.	PISTON ASSY. – Modulating	3.796
23. (c)	SCREW – Step up piston	3.788	56.	LINK – Modulating piston	3.796
24. (c)	PISTON ASSY. – Step up	3.788	57.	SPRING – Fast idle screw	3.737
25. (c)	ROD – Metering	3.752	58. (c)	SHAFT ASSY. – Choke	3.791
26. (c)	SPRING – Step up piston	3.788	59. (c)	RETAINER – Float fulcrum	3.775
27. (A, B)	GASKET – Step up piston	3.788	60.	VALVE – Bowl vent	3.764
28.	BAFFLE – Float chamber	3.776	61.	SPRING – Bowl vent	3.764
29.	CAM – Fast idle	3.735	62.	GASKET – Bowl vent cover	3.764
30.	SCREW – Fast idle cam	3.735	63.	COVER – Bowl vent	3.764
31.	ROD – Fast idle	3.793	64.	WASHER – Bowl vent spring	3.764
32.	SCREW – Fast idle	3.737	65.	CLIP – Bowl vent washer retainer....	3.764
33.	SCREW – Slow idle	3.734	66.	SCREW – Vent cover to air horn	3.764

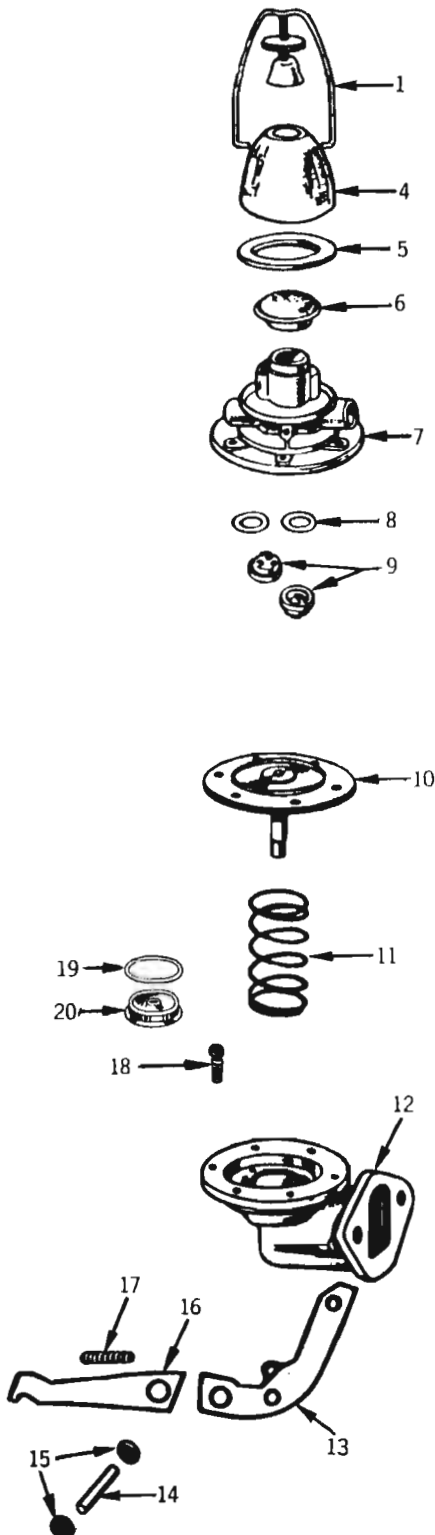
NOTE: (A) Included in Gasket Kit, Group 3.724

(B) Included in Minor Repair Kit, Group 3.725

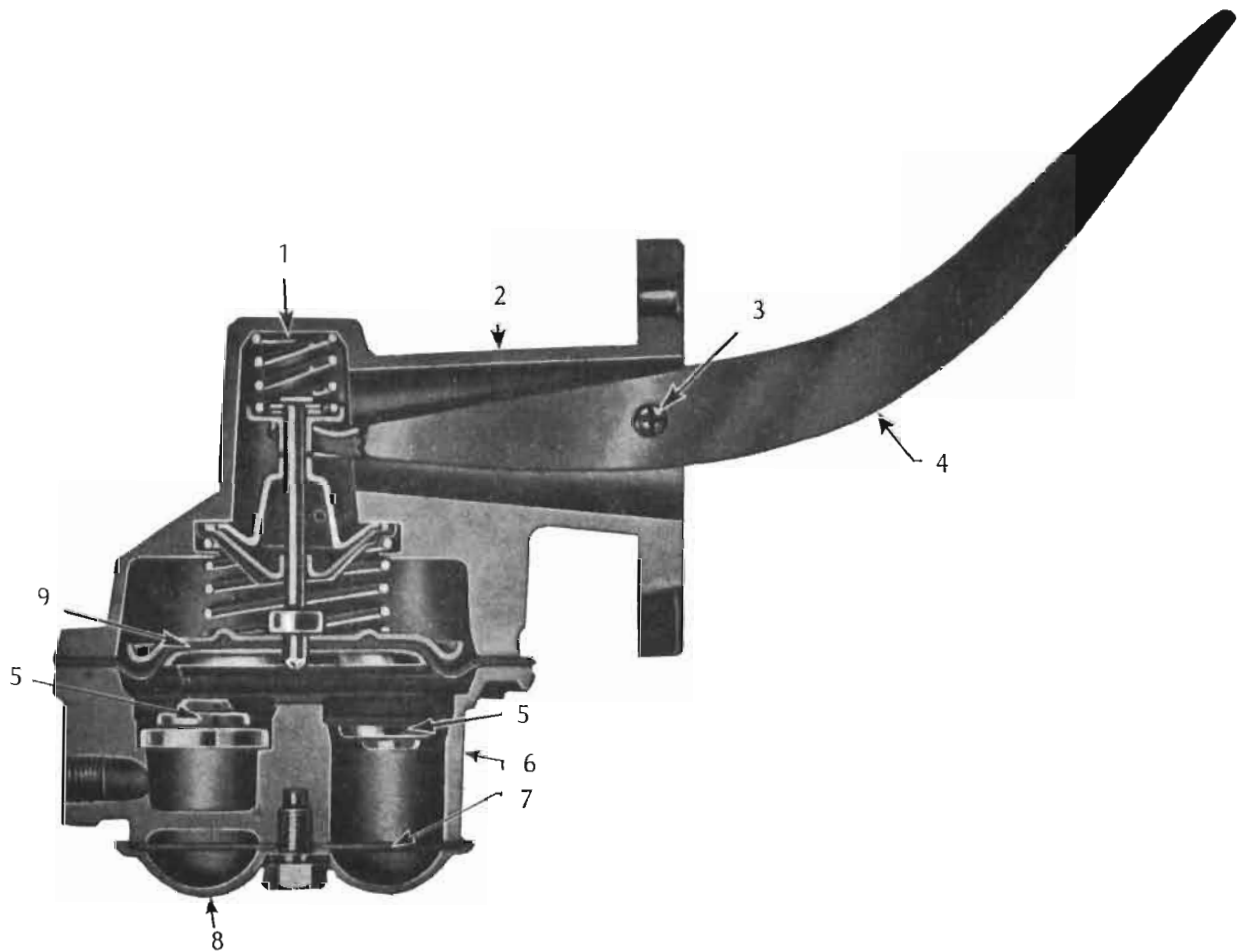
(c) Included in Major Repair Kit, Group 3.725



**FUEL PUMP
(6 Cylinder Engine)**



Illus. Ref. No.	Part Name	Group
1.	BAIL AND SCREW	3.906
4.	BOWL	3.903
5.	GASKET	3.904
6.	SCREEN ASSEMBLY	3.929
7.	COVER	3.910
8.	GASKET	3.913
9.	VALVE AND CAGE ASSEMBLY	3.909
10.	DIAPHRAGM AND PULL ROD ASSEMBLY	3.925
11.	SPRING	3.927
12.	BODY	3.902
13.	ARM	3.920
14.	PIN	3.921
15.	PLUG	3.921
16.	LINK	3.931
17.	SPRING	3.922
18.	SCREW AND WASHER	3.910
19.	WASHER—Seal	3.902
20.	SEAL	3.902



FUEL PUMP

8 Cyl. Eng.

Illus. Ref. No.	Part Name	Group	Illus. Ref. No.	Part Name	Group
1.	SPRING — Rocker arm	3.922	6.	COVER ASSEMBLY	3.910
2.	BODY	3.902	7.	PULSATOR — Diaphragm	3.926
3.	PIN — Rocker arm	3.921	8.	PLATE — Pulsator cover	3.926
4.	ARM — Rocker	3.920	9.	DIAPHRAGM & PULL ROD ASSEMBLY	3.925
5.	VALVE ASSEMBLY	3.909			

* REFER TO A News 214

"HJ"

PARTS CATALOGUE

FOR VEHICLES FITTED WITH

FUEL EVAPORATIVE EMISSION CONTROL

GROUP	DESCRIPTION	MODEL	SIDE	PART No.	QTY.
3.001	TANK ASSEMBLY – Fuel *				
	TANK ASSY.	Station Wagon		9931960	1
	TANK ASSY.	Monaro		9931959	1
	TANK ASSY.	Sedan exc. Statesman		9931959	1
	TANK ASSY.	Statesman		9931961	1
	TANK ASSY.	Panel Van, Utility		2817917	1
	TANK ASSY.	Chassis & Cab		2820054	1
	STRAP – Support	35, 37, 69		2813652	2
	BRACKET – Retaining	35, 37, 69		2809593	2
	BRACKET – Mounting, rear	35, 37, 69		2809594	2
	BRACKET – Mounting, rear	60, 70, 80		2815292	2
	STRAP – Lower outer	60, 70, 80		2822348	1
	STRAP – Upper outer	60, 70, 80		2817929	1
	ARRESTOR – Rear	60, 70, 80		2817932	2
	BRACKET – Inner support	60		2817934	1
	BRACKET – Outer support	60		2817933	1
	STRAP – Lower inner	60		2822349	1
	STRAP – Upper inner	60		2817935	1
	ARRESTOR – Front	60		2820060	2
	REINFORCEMENT – Strap	60		2817926	1
	STRAP – Lower inner	70, 80		2822350	1
	STRAP – Upper inner	70, 80		2817928	1
	ARRESTOR – Front	70, 80		2817925	1
	REINFORCEMENT – Outer strap	70, 80		2817926	2
	GUARD PACKAGE – Stone	35, 37, 69		9930165	1
	BRACKET – Guard support, front	35, 37, 69		9930083	2
	BRACKET – Guard support	35, 37, 69	LH	9930085	1
			RH	9930084	1
	* HOSE, PIPE ASSEMBLY – Fuel tank filler and vent				
	HOSE – Filler neck	35		7423709	1
	HOSE – Filler pipe to tank	60, 70, 80		2820037	1
	CLAMP – Hose, filler neck	35		SP1609	2
	HOSE – Vent pipe	35, 37, 69		9928895	3
	HOSE – Vent pipe, 1 ³ / ₁₆ " long	35, 60, 70, 80		7419016	2-1
	HOSE – Vent pipe 3/4" O.D.	70, 80		2824999	1
	HOSE – Vent pipe 1/2" O.D.	70, 80		2825000	1
	CLAMP – Hose to vent pipe	35, 60, 70, 80		272847	4
	CLAMP – Vent hose to pipe	Exc. 60		7441715	A.R.
	PIPE ASSEMBLY – Filler	37, 69 exc. Statesman		9931969	1
	PIPE ASSEMBLY – Filler	Statesman		9931970	1
	PIPE ASSEMBLY – Filler, lower	35		2813664	1
	PIPE ASSEMBLY – Filler, upper	35		2822300	1
	PIPE ASSEMBLY – Filler, upper	60		2820058	1
	PIPE ASSEMBLY – Filler, upper	70, 80		2822491	1
	PROTECTOR – Filler pipe	35		2823058	1
	PROTECTOR – Filler pipe	37, 69 exc. Statesman		2810394	1
	PROTECTOR – Filler pipe	Statesman		2810395	1
	PIPE – Vent, upper, front (right hand)	35, 37, 69		9931973	1
	PIPE – Vent lower front (right hand)	35, 37, 69		9931888	1
	PIPE – Vent, upper rear (right hand)	35, 37, 69		9931974	1
	PIPE – Vent, lower rear (right hand)	35, 37, 69		9931960	1
	PIPE – Vent, upper (left hand)	35, 37, 69		9931975	1
	PIPE – Vent, lower (left hand)	35, 37, 69		9931891	1
	PIPE Vent	35		9931252	1
	PIPE – Vent, upper	35		7424765	1
	PIPE – Vent, lower	35		9931889	1
	CLIP – Vent, pipe to side frame	35		2822269	1
	PIPE – Filler vent – Upper	60		2820055	1
	PIPE – Filler vent – Upper	70, 80		2822488	1
	PIPE – Filler vent – Lower	60, 70, 80		2820052	1
	PIPE – Vent, upper	70, 80		2822490	1
	PIPE – Vent, lower	70, 80		2817923	1
	GROMMET – Fuel pipe to inner panel	70, 80		2820035	1

"HJ" PARTS CATALOGUE

GROUP	DESCRIPTION	MODEL	SIDE	PART No.	QTY.
3.003	HOSE, PIPE ASSEMBLY – Fuel tank filler and vent (contd.)				
	GROMMET – Vent pipe to panel	70, 80		2822489	1
	CLIP – Vent pipe	Exc. 60		2823630	3-2
	CLIP – Vent pipe to rear floor pan	35, 37, 69		9929832	1
	CLIP – Vent pipe to quarter inner panel	35, 37, 69		2806758	1
	CLIP – Vent pipe to side frame	35, 37, 69		SP2095	1
3.008	GASKET – Fuel tank filler pipe				
	GASKET	35, 70, 80		7424218	1
3.024	ANTISQUEAK – Fuel tank				
	ANTISQUEAK – Front	60		2820053	2
	ANTISQUEAK – Front	70, 80		2820057	1
	ANTISQUEAK – Rear	60, 70, 80		2820056	2
3.028	CAP – Fuel tank filler				
	CAP ASSEMBLY	37, 69		3850591	1
	CAP ASSEMBLY	60	3931449	9843698	1
	CAP – Less handle (Prime finish)	35, 70, 80		7424161	1
	HANDLE – Fuel tank cap (Prime finish)	Belmont Station Wagon, Kingswood Station Wagon, 70, 80		7426802	1
	HANDLE – Fuel tank cap (Plated finish)	Premier Station Wagon		7424162	1
	CAP ASSEMBLY – Locking – Plated finish	35, 70, 80		7420483	1
	CAP ASSEMBLY – Locking	37, 69		2820519	1
	CAP ASSEMBLY – Locking	60		9929784	1
3.107	GAUGE ASSEMBLY – Fuel – Tank unit				
	GAUGE ASSY.	35, 37, 69 6 Cyl., 4.2 Litre Eng.		9929721	1
	GAUGE ASSY.	(A) 35, 37, 69 5 Litre Eng. exc. Air Cond. .		9929721	1
	GAUGE ASSY.	(A) 35, 37, 69 5 Litre Eng. Air Cond.		9929722	1
	GAUGE ASSY.	60, 70, 80 6 Cyl., 4.2 Litre Eng.		9929199	1
	GAUGE ASSY.	70, 80 5 Litre Eng. exc. Air Cond.		9929199	1
	GAUGE ASSY.	70, 80 5 Litre Eng. Air Cond.		9929200	1
	RING – Fuel gauge tank unit retainer	ALL		3774937	1
3.110	STRAINER – Fuel tank riser pipe				
	STRAINER	ALL		2824038	1
3.112	SEAL – Fuel gauge tank unit				
	SEAL	ALL		7421765	1
* 3.120	FUEL EVAPORATIVE SYSTEM				
3.158	PIPE ASSEMBLY – Fuel				
	PIPE ASSEMBLY – Fuel tank to pump, front	35, 37, 69		9935205	1
	PIPE ASSEMBLY – Fuel tank to pump, rear	35		9936924	1
	PIPE ASSEMBLY – Fuel tank to pump, rear	37, 69 exc. Statesman		9936923	1
	PIPE ASSEMBLY – Fuel tank to pump, rear	Statesman		9936924	1
	PIPE – Fuel tank to pump, front	60, 70, 80		9937023	1
	PIPE – Fuel tank to pump, rear	60		2822149	1
	PIPE – Fuel tank to pump, rear	70, 80		2822032	1
* 3.159	PIPE, HOSE, SEPARATOR – Vapour return				
	PIPE – Front	(A) 5 Litre Eng. Air Cond. Sedan, Station Wagon, Monaro		9936346	1
	PIPE – Front	(A) 5 Litre Eng. Air Cond. Panel Van, Utility		9936927	1
	PIPE – Rear	(A) 5 Litre Eng. Air Cond. Monaro, Sedan exc. Statesman		9936925	1
	PIPE – Rear	(A) 5 Litre Eng. Air Cond. Station Wagon, Statesman		9936926	1
	PIPE – Rear	(A) 5 Litre Eng. Air Cond. Panel Van, Utility		2822329	1
	HOSE – Separator to front pipe	(A) 5 Litre Eng. Air Cond.		2809933	1
	HOSE – Rear vapour pipe to tank	(A) 5 Litre Eng. 35, 37, 69 Air Cond.		9930738	1
	HOSE – Rear vapour return pipe to tank	(A) 5 Litre Eng. 70, 80 Air Cond.		2809932	1

FUEL

"HJ" PARTS CATALOGUE

GROUP	DESCRIPTION	MODEL	SIDE	PART No.	QTY.
3.159	PIPE, HOSE, SEPARATOR – Vapour return (contd.)				
	HOSE – Rear vapour pipe to front pipe	(A) 5 Litre Eng. Air Cond.		2810519	1
	CLAMP – Vapour hose	(A) 5 Litre Eng. Air Cond.		SP1605	6
	CLIP – Fuel pipe to vapour return pipe	(A) 5 Litre Eng. 70, 80 Air Cond.		599119	9-7
	CLIP – Vapour return pipe	(A) 5 Litre Eng. Air Cond.		2809928	1
	CLIP – Vapour return pipe to brake connector	(A) 5 Litre Eng. 35, 37, 69 Air Cond.		SP2519	1
	CLIP – Vapour return pipe to side rail & underbody	(A) 5 Litre Eng. 35, 37, 69 Air Cond.		SP2357	4
	SEPARATOR ASSEMBLY	(A) 5 Litre Eng. Air Cond.		2820246	1
3.163	HOSE – Fuel line				
	HOSE – Fuel, front	6 Cyl. Eng.		7434211	1
	HOSE – Fuel, front	8 Cyl. Eng.		2815522	1
	HOSE – Fuel pipe to tank	Sedan, Monaro, Station Wagon		9930737	1
	HOSE – Fuel pipe to tank	Panel Van, Utility, Chassis & Cab		7434210	1
	HOSE – Fuel, front to rear pipe	ALL		7434210	1
	CLAMP – Hose	ALL		3786275	A.R.
	CONNECTOR – Hose to fuel pump	6 Cyl. Eng.		3750685	1
	CONNECTOR – Hose to fuel pump	8 Cyl. Eng.		7435003	1
3.201	PIPE ASSEMBLY – Carburettor fuel				
	PIPE ASSEMBLY	6 Cyl. Eng.		7426211	1
	PIPE ASSEMBLY	4.2 Litre Eng.		9930601	1
	PIPE ASSY.	(M) 5 Litre Eng.		9930599	1
	PIPE ASSY.	(A) 5 Litre Eng. exc. Air Cond.		9930599	1
	PIPE ASSY.	(A) 5 Litre Eng. Air Cond.		9930600	1
3.202	PIPE FITTINGS				
	CLIP – Fuel pipe to rear brake pipe	ALL		599119	A.R.
	CLIP – Fuel pipe to underbody	ALL		2823630	AR
	CLIP – Fuel & brake pipe to frame	ALL		SP2357	AR
	CLIP – Fuel pipe to frame & cross member	ALL		SP2367	A.R.
	CLIP – Carburettor fuel pipe	6 Cyl. Eng.		7423305	1
3.260	HOSE, OUTLET, INLET, CLAMP – Inlet manifold water				
	HOSE – Inlet	2850 Eng.		9928722	1
	HOSE – Inlet	3300 Eng. exc. Air Cond.		9928722	1
	HOSE – Inlet	3300 Eng. Air Cond.		2815207	1
	HOSE – Outlet	6 Cyl. Eng. exc. heater		2820830	1
	CLIP – Inlet hose to outlet hose	6 Cyl. Eng. exc. heater		7433806	1
	HOSE – Inlet	4.2 Litre Eng. with heater		2820471	1
	HOSE – Outlet	4.2 Litre Eng. exc. heater		2822947	1
	HOSE – Inlet	5 Litre Eng. with heater		2820472	1
	HOSE – Outlet	5 Litre Eng. exc. heater		2822948	1
	INLET	5 Litre Eng.		2820473	1
	CLAMP – Hose 1.03"	ALL		SP1610	A.R.
3.261	GASKET – Inlet manifold water outlet				
	GASKET	5 Litre Eng.		2808164	1
3.265	MANIFOLD – Inlet				
	MANIFOLD	6 Cyl. Eng.		2825869	1
	MANIFOLD	4.2 Litre Eng.		9928684	1
	MANIFOLD	5 Litre Eng.		9929854	1
	ADAPTOR – Vacuum, single	(M) 6 Cyl. Eng. Disc Brakes exc. Air Cond.		2820727	1
	ADAPTOR – Vacuum, Single	(M) 6 Cyl. Eng. Drum Brakes, Air Cond.		2819593	1
	ADAPTOR – Vacuum, 2 way	(M) 6 Cyl. Eng. Disc Brakes Air Cond.		9930189	1
	ADAPTOR – Vacuum, 2 way	(A) 6 Cyl. Eng. Disc Brakes exc. Air Cond.		9930189	1
	ADAPTOR – Vacuum, 2 way	(A) 6 Cyl. Eng. Drum Brakes Air Cond.		9930190	1

"HJ" PARTS CATALOGUE

GROUP	DESCRIPTION	MODEL	SIDE	PART No.	QTY.
3.265	MANIFOLD – Inlet (contd.)				
	ADAPTOR – Vacuum, 3 way	(A) 6 Cyl. Eng. Disc Brakes Air Cond.		9930192	1
	ADAPTOR – Vacuum, 2 way	(M) 8 Cyl. Eng. exc. Air Cond.		9930194	1
	ADAPTOR – Vacuum, 3 way	(M) 8 Cyl. Eng. Air Cond.		9930196	1
	ADAPTOR – Vacuum, 3 way	(A) 8 Cyl. Eng. exc. Air Cond.		9930196	1
	ADAPTOR – Vacuum, 4 way	(A) 8 Cyl. Eng. Air Cond.		9930197	1
3.270	GASKET – Manifold				
	GASKET SET	6 Cyl. Eng.		7430496	1
	GASKET	6 Cyl. Eng.		7429521	1
	GASKET SET – Inlet manifold	8 Cyl. Eng.		2811259	1
	GASKET – Inlet	8 Cyl. Eng.		7435140	2
	RETAINER – Inlet manifold gasket	8 Cyl. Eng.		7435071	4
	SEAL – Inlet manifold front	8 Cyl. Eng.		7434979	1
	SEAL – Inlet manifold rear	8 Cyl. Eng.		7434980	1
3.273	CLAMP – Manifold				
	CLAMP – Small	6 Cyl. Eng.		7420151	4
	CLAMP – Large	6 Cyl. Eng.		3789898	2
3.275	STUD, BOLT – Inlet and exhaust manifold				
	STUD – Inlet and exhaust manifold	6 Cyl. Eng.		7429476	4
	STUD – Manifold locating	6 Cyl. Eng.		3835487	2
	STUD – Exhaust pipe to manifold	6 Cyl. Eng.		7414906	2
	STUD – Exhaust pipe to front exhaust manifold	8 Cyl. Eng.		7437291	4
	PLATE – Bolt lock	8 Cyl. Eng.		7437450	4
	WASHER – Exhaust manifold to cyl. head	8 Cyl. Eng.		3836710	10
	NUT – Exhaust pipe to manifold	6 Cyl. Eng.		3829086	2
3.288	STUD – Carburettor to manifold				
	STUD	6 Cyl. Eng.		7429464	2
	STUD – $\frac{3}{16}$ " x 1.54"	8 Cyl. Eng.		SP1763	2-4
3.402	AIR CLEANER and SILENCER ASSEMBLY				
	AIR CLEANER and SILENCER ASSEMBLY – Single element	6 Cyl. Eng.		9935024	1
	AIR CLEANER ASSEMBLY – Dual element	6 Cyl. Eng.		9934675	1
	AIR CLEANER and SILENCER ASSEMBLY	4.2 Litre Eng.		9933873	1
	AIR CLEANER and SILENCER ASSEMBLY	5 Litre Eng.		9933874	1
	TRANSFER – Dual element	6 Cyl. Eng.		9935203	1
3.403	ROD, CLAMP, BOLT, BRIDGE, GASKET – Air cleaner				
	ROD	6 Cyl. Eng.		7419668	1
	CLAMP	6 Cyl. Eng.		7419667	1
	BOLT – Dual element cleaner	6 Cyl. Eng.		7426138	1
	BRIDGE – Dual element cleaner	6 Cyl. Eng.		7426133	1
	BRIDGE	4.2 Litre Eng.		7437297	1
	GASKET – Air cleaner to carburettor	4.2 Litre Eng.		3708408	1
	GASKET – Air cleaner to carburettor	5 Litre Eng.		3919812	1
3.410	ELEMENT, NUT, CLIP – Air cleaner				
	ELEMENT	6 Cyl. Eng.		7422739	1
	ELEMENT – Foam – Dual element cleaner	6 Cyl. Eng.		9934169	1
	GASKET – Air cleaner	8 Cyl. Eng.		7437296	1
	ELEMENT	8 Cyl. Eng.		7437298	1
	FILTER – Positive crankcase ventilator	ALL	9940554	6485974	1
	CLIP – Filter retaining	ALL		6420265	1
	NUT – Wing, $\frac{1}{4}$ " – 20	ALL		SP1352	1
	STUD	5 Litre Eng.		2809100	1

"HJ" PARTS CATALOGUE

GROUP	DESCRIPTION	MODEL	SIDE	PART No.	QTY.
3.415	VALVE, DIAPHRAGM DAMPER & VALVE ASSY. – Air cleaner pre-heat				
	VALVE & SHIELD ASSY. – Thermal	8 Cyl. Eng.		6424750	1
	FASTENER – Valve to air cleaner	8 Cyl. Eng.		6484435	1
	HOSE – Thermal valve vacuum	8 Cyl. Eng.		7437547	1
	HOSE – Thermal valve to vacuum source	8 Cyl. Eng.		7437623	1
	CLIP – Hose to air cleaner	8 Cyl. Eng.		SP1843	1
	DIAPHRAGM ASSY.	8 Cyl. Eng.		6424440	1
	RETAINER – Diaphragm	8 Cyl. Eng.		6424498	1
	PIN – Diaphragm assy. to air cleaner inlet	8 Cyl. Eng.		6424450	1
	DAMPER & VALVE ASSY.	8 Cyl. Eng.		6486638	1
3.417	STOVE ASSEMBLY, HOSE, TUBE – Air pre-heat				
	STOVE ASSY.	8 Cyl. Eng.		9928338	1
	SPACER – Stove to exhaust manifold	8 Cyl. Eng.		9928342	2
	HOSE – Stove to air cleaner	8 Cyl. Eng.		9928341	1
	TUBE – Air cleaner vacuum	5 Litre Eng.		2808035	1
3.430	COMPONENTS – Throttle control linkage				
	LEVER & PIVOT ASSY. – Accelerator pedal	70, 80		9933550	1
	CABLE ASSY. – Throttle	6 Cyl. Eng.		9929776	1
	RETAINER – Cable assy.	6 Cyl. Eng.		9928398	1
	GROMMET – Cable insulator	6 Cyl. Eng.		9928399	1
	WASHER – Lever anti-rattle	6 Cyl. Eng.		SP1328	1
	LEVER & PIVOT ASSY. – Accelerator pedal	8 Cyl. Eng.		9933549	1
	CABLE ASSY. – Throttle	8 Cyl. Eng.		9929775	1
	RETAINER – Cable assy.	8 Cyl. Eng.		9928398	1
	GROMMET – Cable insulator	8 Cyl. Eng.		9928399	1
	STRAP – Cable to radiator hose	8 Cyl. Eng.		7436769	1
	BRACKET – Cable retaining	4.2 Litre Eng.		9928659	1
	BRACKET – Cable retaining	5 Litre Eng.		9929238	1
	LEVER – Carburettor	5 Litre Eng.		9929281	1
	WASHER – Lever anti-rattle	8 Cyl. Eng.		SP1328	1
	STUD – Cable to lever	8 Cyl. Eng.		3924414	1
	NUT – Stud to lever	8 Cyl. Eng.		120375	1
3.451	PEDAL ASSEMBLY – Accelerator				
	PEDAL ASSEMBLY	ALL		2815916	1
	PIN – Pedal to lever	ALL		2814047	1
	TRIM – Pedal	Statesman		2815915	1
	BRACKET – Accelerator pedal	ALL		9930269	1
3.459	SPRING – Accelerator				
	SPRING – Pedal tension	ALL		3909982	1
	SPRING – Return	4.2 Litre Eng.		9933951	1
	SPRING – Return	5 Litre Eng.		9933839	1
	BRACKET – Return Spring	4.2 Litre Eng.		9928658	1
	BRACKET – Return Spring	5 Litre Eng.		9929239	1
3.521	CONTROL ASSEMBLY – Choke				
	CONTROL ASSEMBLY – Choke	6 Cyl. Eng.		9933933	1
	GROMMET – Choke control to dash panel	6 Cyl. Eng.		7409643	1
3.601	MANIFOLD ASSEMBLY – Exhaust				
	MANIFOLD ASSEMBLY	6 Cyl. Eng.		7429514	1
	MANIFOLD ASSEMBLY	8 Cyl. Eng.	LH	7435825	1
			RH	7436026	1
3.603	TUBE – Exhaust manifold choke heat				
	TUBE	8 Cyl. Eng.		3814026	1

"HJ" PARTS CATALOGUE

GROUP	DESCRIPTION	MODEL	SIDE	PART No.	QTY.
3.609	PIPE ASSEMBLY – Exhaust				
	PIPE ASSEMBLY	6 Cyl. Eng. Station Wagon		2814270	1
	PIPE ASSEMBLY	6 Cyl. Eng. Monaro, Sedan		2811882	1
	PIPE ASSEMBLY	6 Cyl. Eng. Chassis & Cab		2820482	1
	PIPE ASSEMBLY	6 Cyl. Eng. Panel Van, Utility		2820210	1
	PIPE ASSEMBLY	Single exhaust 4.2 Litre Eng. Monaro, Sedan exc. Statesman	LH RH	2811853 2811852	1 1
	PIPE ASSEMBLY	Dual exhaust 4.2 Litre Eng. Monaro, Sedan exc. Statesman	LH RH	2818189 2818188	1 1
	PIPE ASSEMBLY	Single exhaust (M) 5 Litre Eng. Monaro, Sedan exc. Statesman	LH RH	2811853 2811852	1 1
	PIPE ASSEMBLY	Dual exhaust (M) 5 Litre Eng. Monaro, Sedan exc. Statesman	LH RH	2818189 2818188	1 1
	PIPE ASSEMBLY	Single exhaust (A) 5 Litre Eng. Monaro, Sedan exc. Statesman	LH RH	9934425 9934424	1 1
	PIPE ASSEMBLY	Dual exhaust (A) 5 Litre Eng. Monaro, Sedan exc. Statesman	LH RH	9934423 9934422	1 1
	PIPE ASSEMBLY	4.2 Litre Eng. Station Wagon, Statesman ..	LH RH	2815285 2811852	1 1
	PIPE ASSEMBLY	(M) 5 Litre Eng. Station Wagon	LH RH	2815285 2811852	1 1
	PIPE ASSEMBLY	(A) 5 Litre Eng. Station Wagon, Statesman.	LH RH	9934177 9934424	1 1
	PIPE ASSEMBLY	4.2 Litre Eng. Panel Van, Utility	LH RH	2820478 2811852	1 1
	PIPE ASSEMBLY	(M) 5 Litre Eng. Panel Van, Utility	LH RH	2820478 2811852	1 1
	PIPE ASSEMBLY	(A) 5 Litre Eng. Panel Van, Utility	LH RH	9934501 9934424	1 1
	PIPE ASSEMBLY	4.2 Litre Eng. Chassis & Cab	LH RH	9929261 2811852	1 1
3.610	FLANGE – Exhaust pipe packing				
	FLANGE	6 Cyl. Eng.		7429539	1
	FLANGE	8 Cyl. Eng.	RH	7437199	1
3.611	PACKING – Exhaust pipe				
	PACKING	6 Cyl. Eng.		7429532	1
3.616	CLAMP, "U" BOLT – Exhaust pipe				
	CLAMP – Pipe to muffler	Exc. Dual Exhaust		7431756	1
	"U" BOLT – Pipe to muffler	Exc. Dual Exhaust		7431757	1
	CLAMP & "U" BOLT PACKAGE	Exc. Dual Exhaust		7436221	1
	CLAMP – RH to LH pipe	8 Cyl. Eng., exc. Dual Exhaust		7433738	1
	"U" BOLT – RH to LH pipe	8 Cyl. Eng., exc. Dual Exhaust		7433737	1
	CLAMP & "U" BOLT PACKAGE	8 Cyl. Eng., exc. Dual Exhaust		7436220	1
	CLAMP – Pipe to muffler	Dual Exhaust		7433738	2
	"U" BOLT – Pipe to muffler	Dual Exhaust		7433737	2
	CLAMP & "U" BOLT PACKAGE	Dual Exhaust		7436220	2
	CLAMP – RH to LH balance pipe	Dual Exhaust		7431992	1
	"U" BOLT – RH to LH balance pipe	Dual Exhaust		7431993	1
	CLAMP & "U" BOLT PACKAGE	Dual Exhaust		7436222	1
3.701	MUFFLER ASSEMBLY				
	MUFFLER ASSEMBLY	Exc. Dual Exhaust		2820899	1
	MUFFLER ASSEMBLY	Dual Exhaust		2825325	2

"HJ" PARTS CATALOGUE

GROUP	DESCRIPTION	MODEL	SIDE	PART No.	QTY.
3.704	BRACKET, SUPPORT, INSULATOR – Muffler				
	BRACKET – Support	Exc. 60, 70, 80		2819589	1-2
	BRACKET – Support	60, 70, 80		2820354	1
	SUPPORT	Exc. Dual Exhaust		2819590	1
	SUPPORT – Lower	Dual Exhaust	LH	9931823	1
			RH	9931824	1
	INSULATOR – Support	ALL		2819591	1-2
3.705	PIPE – Muffler tail				
	PIPE	6 Cyl. Eng. Station Wagon		9936583	1
	PIPE	8 Cyl. Eng. Station Wagon		2825622	1
	PIPE	6 Cyl. Eng. Monaro, Sedan, exc. Statesman,		2811883	1
	PIPE	8 Cyl. Eng. Monaro, Sedan, exc. Statesman,			
		Dual Exhaust		2824463	1
	PIPE	Statesman 8 Cyl. Eng.		2824464	1
	PIPE	Dual Exhaust	LH	2818191	1
			RH	2818190	1
	PIPE	6 Cyl. Eng. Chassis & Cab		2820527	1
	PIPE	8 Cyl. Eng. Chassis & Cab		9929262	1
	PIPE	6 Cyl. Eng. Panel Van, Utility		2820212	1
	PIPE	8 Cyl. Eng. Panel Van, Utility 4.2 Litre		2820455	1
	EXTENSION – Exhaust, Chrome				
	1 1/2" I.D. 13 1/2" long	6 Cyl. Eng.		M37108	1
	EXTENSION – Exhaust, Chrome				
	1 1/2" I.D. 13 1/2" long	8 Cyl. Eng.		M37107	1
	EXTENSION – Exhaust, Chrome				
	2" I.D. 13 1/2" long	8 Cyl. Eng.		M37109	1-2
3.706	CLAMP, "U" BOLT – Muffler to tail pipe				
	CLAMP	Exc. Dual Exhaust		2811858	1
	"U" BOLT	Exc. Dual Exhaust		2811859	1
	CLAMP & "U" BOLT PACKAGE	Exc. Dual Exhaust		2818406	1
	CLAMP	Dual Exhaust		7433738	2
	"U" BOLT	Dual Exhaust		7433737	2
	CLAMP & "U" BOLT PACKAGE	Dual Exhaust		7436220	2
3.710	INSULATOR, CLAMP, BRACKET – Tail pipe				
	INSULATOR	ALL		2823586	1-2
	REINFORCEMENT	ALL		2823393	A.R.
	SPACER	ALL		2822013	2-4
	CLAMP	6 Cyl. Eng.		2815574	1
	CLAMP	8 Cyl. Eng. 35, 37, 69 exc. Dual Exhaust ..		2818198	2
	CLAMP	8 Cyl. Eng. 60, 70, 80 4.2 Litre		2815575	1
	CLAMP	Dual Exhaust		2818198	2
	BRACKET	6 Cyl. Eng.		2823587	1
	BRACKET	70, 80		2823588	1
3.720	PIPE, HOSE, BRACKET – Automatic choke heat				
	PIPE – Air inlet	8 Cyl. Eng.		2808136	1
	CLIP – Air inlet pipe to rocker cover	8 Cyl. Eng.		2825954	1
	PIPE – Air heat	4.2 Litre Eng.		2811625	1
	PIPE – Air heat	5 Litre Eng.		2811626	1
	CLIP – Pipe	8 Cyl. Eng.		2805402	2
	HOSE – Inlet	8 Cyl. Eng.		2813033	1
	BAFFLE – Choke heat tube	8 Cyl. Eng.		2805461	1
	INSULATOR – Choke pipe	8 Cyl. Eng.		2811627	1
3.724	GASKET KIT – Carburettor				
	GASKET KIT	6 Cyl. Eng.		VS12468	1
	GASKET KIT	4.2 Litre Eng.		VS12546	1
	GASKET KIT	5 Litre Eng.		7036565	1

MUST USE ALSO 1x 2807914 CARBY TO MANIFOLD GKT

"HJ" PARTS CATALOGUE

GROUP	DESCRIPTION	MODEL	SIDE	PART No.	QTY.
3.725	CARBURETTOR ASSEMBLY, REPAIR KIT				
	CARBURETTOR ASSEMBLY	(M) 2850 Eng.		9930585	1
	CARBURETTOR ASSEMBLY	(A) 2850 Eng.		9930586	1
	CARBURETTOR ASSEMBLY	(M) 3300 Eng.		9930587	1
	CARBURETTOR ASSEMBLY	(A) 3300 Eng.		9930588	1
	CARBURETTOR ASSEMBLY	(M) 4.2 Litre Eng.		9931463	1
	CARBURETTOR ASSEMBLY	(A) 4.2 Litre Eng.		9931464	1
	CARBURETTOR ASSEMBLY	(M) 5 Litre Eng.		17050641	1
	CARBURETTOR ASSEMBLY	(A) 5 Litre Eng.		17050642	1
	REPAIR KIT - Major overhaul	ALL		VS12466	1
	REPAIR KIT - Major overhaul	(M) 4.2 Litre Eng.		VS12547	1
	REPAIR KIT - Major overhaul	(A) 4.2 Litre Eng.		VS12544	1
	REPAIR KIT - Major overhaul	(M) 5 Litre Eng.		7041300	1
	REPAIR KIT - Major overhaul	(A) 5 Litre Eng.		7036741	1
	REPAIR KIT - Minor overhaul	6 Cyl. Eng.		VS12467	1
	REPAIR KIT - Minor overhaul	(M) 4.2 Litre Eng.		VS12548	1
	REPAIR KIT - Minor overhaul	(A) 4.2 Litre Eng.		VS12545	1
	REPAIR KIT - Minor overhaul	(M) 5 Litre Eng.		7039188	1
	REPAIR KIT - Minor overhaul	(A) 5 Litre Eng.		7039168	1
3.726	GASKET - Carburettor flange				
	GASKET	6 Cyl. Eng.		9930562	1
	GASKET	4.2 Litre Eng.		7433691	1
	GASKET	5 Litre Eng.		2807914	1
	GASKET - INSULATOR	5 Litre Eng.		3884574	1
3.727	BODY ASSEMBLY - Carburettor throttle				
	BODY ASSEMBLY	6 Cyl. Eng.		VS12487	1
	BODY ASSEMBLY	(M) 4.2 Litre Eng.		VS12551	1
	BODY ASSEMBLY	(A) 4.2 Litre Eng.		VS12552	1
	BODY ASSEMBLY	(M) 5 Litre Eng.		17050639	1
	BODY ASSEMBLY	(A) 5 Litre Eng.		17050640	1
3.729	VALVE - Carburettor throttle				
	VALVE	6 Cyl. Eng.		VS12490	1
	SCREW - Valve attaching	6 Cyl. Eng.		7405165	2
	VALVE	4.2 Litre Eng.		VS10437	2
	SCREW - Valve attaching	4.2 Litre Eng.		VS10522	4
3.731	LEVER, SHAFT, SPRING - Carburettor throttle				
	LEVER	6 Cyl. Eng.		VS12539	1
	SHAFT	6 Cyl. Eng.		VS12488	1
	NUT	6 Cyl. Eng.		7424617	1
	WASHER	6 Cyl. Eng.		7424618	1
	SPRING - Lever return	6 Cyl. Eng.		2825271	1
	BRACKET - Throttle cable support	6 Cyl. Eng.		VS12541	1
	SCREW - Bracket attaching	6 Cyl. Eng.		VS12542	2
	LEVER	4.2 Litre Eng.		VS12554	1
	LEVER - Cable	4.2 Litre Eng.		VS12557	1
	SHAFT	4.2 Litre Eng.		VS12555	1
	NUT	4.2 Litre Eng.		VS10910	1
	WASHER	4.2 Litre Eng.		VS10911	1
3.734	SCREW, SPRING - Carburettor slow idle adjusting				
	SCREW	6 Cyl. Eng.		VS12491	1
	SPRING	6 Cyl. Eng.		VS11815	1
	SCREW	4.2 Litre Eng.		VS10520	1
	SPRING	4.2 Litre Eng.		VS12553	1
	SCREW	5 Litre Eng.		7002121	1
	SPRING	5 Litre Eng.		7003176	1

"HJ" PARTS CATALOGUE

GROUP	DESCRIPTION	MODEL	SIDE	PART No.	QTY.
3.735	CAM, LEVER – Carburettor fast idle				
	CAM	6 Cyl. Eng.		VS11814	1
	LEVER	6 Cyl. Eng.		VS11813	1
	CAM	5 Litre Eng.		7045823	1
	SCREW - Attaching	5 Litre Eng.		7035523	1
	LEVER - Cam follower	5 Litre Eng.		7043634	1
	LEVER - Fast idle	5 Litre Eng.		7030677	1
	SPRING - Cam lever	5 Litre Eng.		7035772	1
3.736	PIN – Carburettor fast idle cam				
	PIN	6 Cyl. Eng.		VS11812	1
3.737	SCREW, SPRING – Carburettor fast idle				
	SCREW	4.2 Litre Eng.		VS10906	1
	SPRING	4.2 Litre Eng.		VS10907	1
	SCREW	5 Litre Eng.		7029899	1
	SPRING	5 Litre Eng.		7029900	1
3.741	VALVE – Carburettor idle needle				
	VALVE	6 Cyl. Eng.		VS12489	1-
	VALVE	4.2 Litre Eng.		VS12556	2
	VALVE	5 Litre Eng.		7042457	2
3.742	SPRING – Carburettor idle needle valve				
	SPRING	5 Litre Eng.		7011479	2
3.748	BODY ASSEMBLY – Carburettor main				
	BODY ASSEMBLY	6 Cyl. Eng.		VS12537	1
	SCREW	6 Cyl. Eng.		VS11321	2
	WASHER - Lock	6 Cyl. Eng.		VS11322	2
	SPACER - Insulating	6 Cyl. Eng.		VS12477	1
	BODY ASSEMBLY	4.2 Litre Eng.		VS10922	1
	SCREW and LOCKWASHER ASSEMBLY	4.2 Litre Eng.		VS10523	2
	SCREW and LOCKWASHER ASSEMBLY	4.2 Litre Eng.		VS11038	2
	BODY ASSEMBLY	5 Litre Eng.		7036743	1
	SCREW	5 Litre Eng.		7035790	3
3.749	GASKET – Carburettor main body, throttle body				
	GASKET - Main body	6 Cyl. Eng.		VS12475	1
	GASKET - Throttle body	6 Cyl. Eng.		VS12476	1
	GASKET - Main body	4.2 Litre Eng.		VS10433	1
3.751	BLEEDER – Carburettor high speed				
	BLEEDER	6 Cyl., 4.2 Litre Eng.		7405109	1-2
3.752	TUBE – Carburettor idle				
	TUBE - (No. 62)	6 Cyl. Eng.		VS12642	1
	TUBE - (No. 66)	(M) 4.2 Litre Eng.		VS12718	2
	TUBE - (No. 67)	(A) 4.2 Litre Eng.		VS12550	2
3.753	ROD – Carburettor volume restrictor				
	ROD	6 Cyl. Eng.		VS12540	1
3.754	JET – Carburettor main metering, main discharge				
	JET - Main metering	6 Cyl. Eng.		(¹⁰ VS12473	1
	JET - Main discharge	6 Cyl. Eng.		VS12472	1
	JET - Main metering	4.2 Litre Eng.		VS12395	1
	JET - Main discharge	4.2 Litre Eng.		VS12394	2
	JET	(M) 5 Litre Eng.		7031977	2
	JET	(A) 5 Litre Eng.		7031976	2

Note: (¹⁰ High Altitude 8000-12000 ft.

"HJ" PARTS CATALOGUE

GROUP	DESCRIPTION	MODEL	SIDE	PART No.	QTY.
3.755	PLUG – Carburettor main metering jet				
	PLUG	6 Cyl., 4.2 Litre Eng.		VS10432	1-2
3.756	GASKET – Carburettor metering jet plug				
	GASKET	6 Cyl., 4.2 Litre Eng.		7405144	1-2
3.757	JET ASSEMBLY – Carburettor pump by-pass, power by-pass				
	PUMP BY-PASS	6 Cyl. Eng.		7405131	1
	POWER BY-PASS (No. 53)	6 Cyl. Eng.		VS12641	1
	GASKET - Pump & power by-pass jet	6 Cyl. Eng.		7405146	2
	POWER BY-PASS	4.2 Litre Eng.		VS12393	1
	GASKET - Power by-pass jet	4.2 Litre Eng.		VS10883	1
3.758	NOZZLE, GASKET – Carburettor pump				
	NOZZLE	(M) 4.2 Litre Eng.		VS11911	1
	NOZZLE	(A) 4.2 Litre Eng.		VS10467	1
	GASKET	4.2 Litre Eng.		VS10468	1
3.759	SCREW – Carburettor pump nozzle				
	SCREW	4.2 Litre Eng.		VS10518	1
3.760	BALL – Carburettor pump check and discharge				
	BALL - Inlet check	4.2 Litre Eng.		VS10527	1
	BALL - Outlet check	4.2 Litre Eng.		VS10519	1
	BALL - Discharge	5 Litre Eng.		7002117	1
	RETAINER - Discharge ball	5 Litre Eng.		7029849	1
3.762	INSERT – Carburettor main body				
	INSERT	5 Litre Eng.		7037319	1
3.763	AIR HORN ASSEMBLY – Carburettor				
	AIR HORN ASSEMBLY	6 Cyl. Eng.		VS11803	1
	BAR - Air horn reinforcing	6 Cyl. Eng.		7420240	1
	SCREW and WASHER - Air horn attaching 5/8"	6 Cyl. Eng.		7405167	2
	SCREW and WASHER - Air horn attaching 1/2"	6 Cyl. Eng.		7405166	3
	TUBE - Vent	6 Cyl. Eng.		7424550	1
	AIR HORN ASSEMBLY	4.2 Litre Eng.		VS10461	1
	SCREW and LOCKWASHER - Air horn attaching ...	4.2 Litre Eng.		7405166	6
	AIR HORN ASSEMBLY	5 Litre Eng.		7038964	1
	SCREW - Air horn attaching, 3" long	5 Litre Eng.		7029912	2
	SCREW - Air horn attaching, 1" long	5 Litre Eng.		7014699	5
	SCREW - Air horn attaching, 3/8" long	5 Litre Eng.		7031105	2
3.764	VALVE ASSEMBLY – Carburettor idle vent				
	VALVE	6 Cyl. Eng.		VS11801	1
	STEM	6 Cyl. Eng.		VS11802	1
	SPRING - Stem	6 Cyl. Eng.		7420244	1
	WASHER	4.2 Litre Eng.		VS10530	1
	VALVE KIT	5 Litre Eng.		7036425	1
3.765	GASKET – Carburettor air horn				
	GASKET	6 Cyl. Eng.		VS12470	1
	GASKET	4.2 Litre Eng.		VS12396	1
	GASKET	5 Litre Eng.		7029087	1

"HJ" PARTS CATALOGUE

GROUP	DESCRIPTION	MODEL	SIDE	PART No.	QTY.
3.767	PLUG – Carburettor				
	PLUG - Main and throttle body channel	6 Cyl. Eng.		7405158	1
	PLUG - Lead ball	6 Cyl. Eng.		7405107	6
	PLUG - Main body (long)	6 Cyl. Eng.		VS12505	1
	PLUG - Main body (short)	6 Cyl. Eng.		VS12506	1
	PLUG - Drive	4.2 Litre Eng.		VS10526	2
	PLUG - Lead ball	4.2 Litre Eng.		7405107	4
3.771	VALVE ASSEMBLY – Carburettor float needle				
	VALVE and SEAT ASSEMBLY	6 Cyl. Eng.		7406701	1
	VALVE and SEAT ASSEMBLY - Heavy duty	6 Cyl. Eng.		7420335	1
	VALVE and SEAT ASSEMBLY	4.2 Litre Eng.		VS10443	1
	VALVE and SEAT ASSEMBLY	5 Litre Eng.		7035130	1
	CLIP - Pull	5 Litre Eng.		7033751	1
3.772	GASKET – Carburettor float needle valve seat				
	GASKET	6 Cyl., 4.2 Litre Eng.		7405147	1
	GASKET	5 Litre Eng.		7033747	1
3.773	FLOAT and LEVER ASSEMBLY – Carburettor				
	FLOAT and LEVER ASSEMBLY	6 Cyl. Eng.		7405112	1
	FLOAT and LEVER ASSEMBLY	4.2 Litre Eng.		VS10445	1
	FLOAT and LEVER ASSEMBLY	5 Litre Eng.		7037316	1
3.775	PIN, SPRING – Carburettor float fulcrum				
	PIN	6 Cyl., 4.2 Litre Eng.		7405156	1
	SPRING	6 Cyl., 4.2 Litre Eng.		7405170	1
	PIN	5 Litre Eng.		7037317	1
3.776	BAFFLE – Carburettor float chamber				
	BAFFLE	4.2 Litre Eng.		VS10446	1
	BAFFLE	5 Litre Eng.		7032324	1
3.778	PISTON and STEM – Carburettor pump				
	PISTON and STEM ASSEMBLY	6 Cyl. Eng.		7405133	1
	PIN - Cotter	6 Cyl. Eng.		7405141	1
	PISTON ASSEMBLY	(M) 4.2 Litre Eng.		VS11151	1
	PISTON ASSEMBLY	(A) 4.2 Litre Eng.		VS10916	1
	PIN - Cotter	4.2 Litre Eng.		7405140	1
	PISTON ASSEMBLY	(M) 5 Litre Eng.		7040691	1
	PISTON ASSEMBLY	(A) 5 Litre Eng.		7037337	1
3.779	SPRING – Carburettor pump stem				
	SPRING	6 Cyl. Eng.		7424555	1
	SPRING - Duration	(M) 4.2 Litre Eng.		VS10448	1
	SPRING - Duration	(A) 4.2 Litre Eng.		VS10974	1
	WASHER - Duration spring retainer	4.2 Litre Eng.		VS10528	1
	WASHER - Duration spring clip	4.2 Litre Eng.		VS10529	1
	SPRING - Bottom	4.2 Litre Eng.		VS10447	1
	SPRING - Return	5 Litre Eng.		7037314	1
3.780	LEVER – Carburettor pump				
	LEVER	6 Cyl. Eng.		7424551	1
	LEVER	4.2 Litre Eng.		VS10464	1
	LEVER	5 Litre Eng.		7048028	1
	PIN - Spring $\frac{3}{32} \times \frac{7}{16}$	5 Litre Eng.		9428787	1
	SPRING and CAM KIT - Air valve	5 Litre Eng.		7035344	1

"HJ" PARTS CATALOGUE

GROUP	DESCRIPTION	MODEL	SIDE	PART No.	QTY.
3.781	NUT, WASHER, SCREW – Carburettor pump lever attaching				
	NUT	6 Cyl. Eng.		7424617	1
	WASHER	6 Cyl. Eng.		7424618	1
	SCREW	4.2 Litre Eng.		VS10517	1
3.782	ROD – Carburettor pump				
	ROD	6 Cyl. Eng.		7405160	1
3.783	LINK, ROD – Carburettor pump				
	LINK	6 Cyl. Eng.		7405153	1
	CLIP - Spring	6 Cyl. Eng.		7405138	1
	REPAIR KIT - Link	6 Cyl. Eng.		7427343	1
	ROD	4.2 Litre Eng.		VS12549	1
	PIN - Cotter	4.2 Litre Eng.		7405140	2
	ROD	5 Litre Eng.		7026138	1
3.784	VALVE ASSEMBLY, PLUG – Carburettor pump check				
	VALVE ASSEMBLY	6 Cyl. Eng.		7405136	1
	PLUG	6 Cyl. Eng.		7405159	1
	GASKET - Plug	6 Cyl. Eng.		7405145	1
3.787	SCREEN, FILTER – Carburettor pump strainer				
	SCREEN	6 Cyl. Eng.		7405162	1
	CLIP - Strainer screen	6 Cyl. Eng.		7405139	1
	FILTER ASSEMBLY	4.2 Litre Eng.		2815246	1
	GASKET - Fuel filter	5 Litre Eng.		5651393	1
	GASKET - Fuel filter	5 Litre Eng.		7032508	1
	SPRING - Fuel filter	5 Litre Eng.		7034356	1
	NUT - Fuel filter	5 Litre Eng.		7034975	1
3.788	PISTON ASSEMBLY – Carburettor vacuum power				
	PISTON ASSEMBLY	6 Cyl. Eng.		VS11818	1
	PISTON	4.2 Litre Eng.		VS10897	1
	PISTON ASSEMBLY	5 Litre Eng.		7034903	1
	SPRING - Piston	5 Litre Eng.		7036019	1
3.789	VALVE ASSEMBLY – Carburettor choke				
	VALVE ASSEMBLY	6 Cyl. Eng.		VS11799	1
	SCREW - Valve attaching	6 Cyl. Eng.		7405118	2
	VALVE ASSEMBLY	4.2 Litre Eng.		VS10460	1
	SCREW - Valve attaching	4.2 Litre Eng.		7405165	2
	SHAFT and VALVE KIT	5 Litre Eng.		7036430	1
	SCREW - Valve attaching	5 Litre Eng.		7029866	2
3.791	SHAFT, LEVER – Carburettor choke				
	SHAFT ASSEMBLY	6 Cyl. Eng.		VS12061	1
	SPRING - Choke lever	6 Cyl. Eng.		7405125	1
	LEVER ASSEMBLY	6 Cyl. Eng.		7405122	1
	SCREW - Wire clamp	6 Cyl. Eng.		7405124	1
	SPRING - Choke shaft anti-buzz	6 Cyl. Eng.		9937383	1
	LEVER and SHAFT ASSEMBLY	4.2 Litre Eng.		VS10894	1
	SHAFT and VALVE KIT	5 Litre Eng.		7036430	1
	LEVER - Intermediate	5 Litre Eng.		7031231	1
3.792	LEVER – Carburettor fast idle				
	LEVER	6 Cyl. Eng.		VS11800	1
	NUT - Lever attaching	6 Cyl. Eng.		7405120	1
	WASHER - Lever attaching nut	6 Cyl. Eng.		7405121	1
	LEVER	4.2 Litre Eng.		VS10463	1
	NUT - Lever attaching	4.2 Litre Eng.		7405120	1
	WASHER - Lever attaching nut	4.2 Litre Eng.		VS10895	1

"HJ" PARTS CATALOGUE

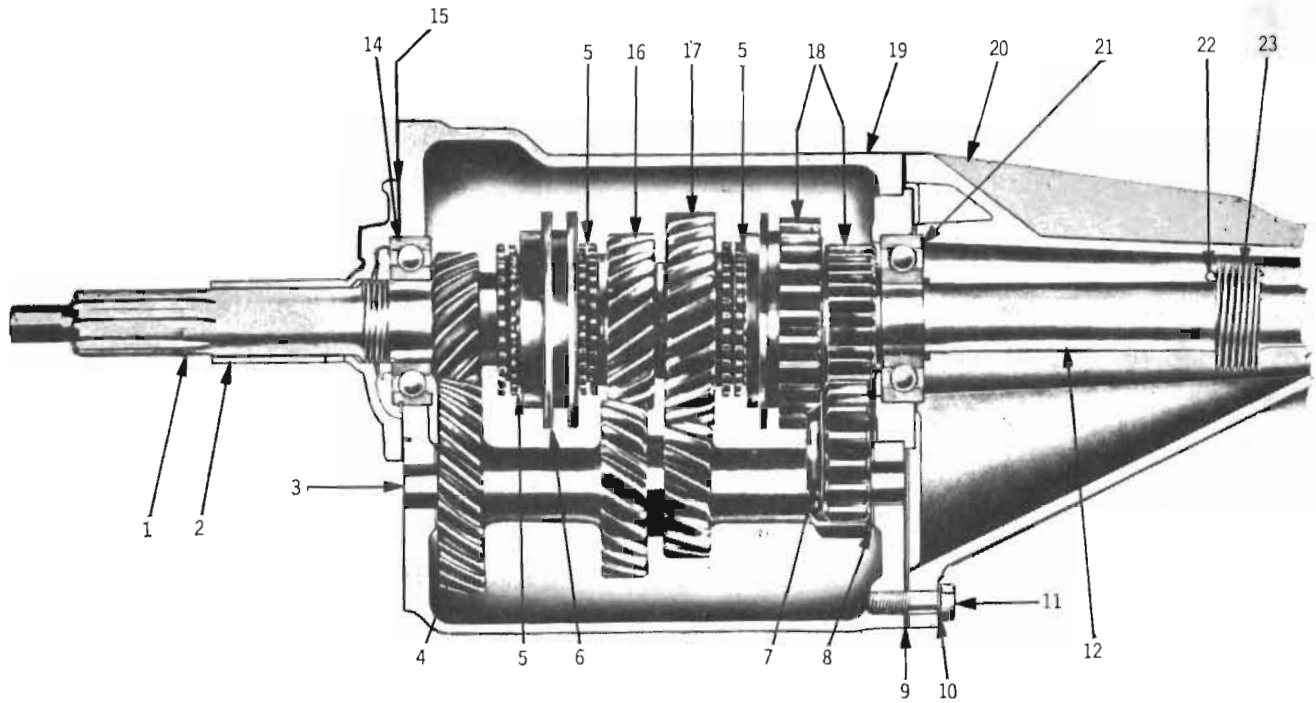
GROUP	DESCRIPTION	MODEL	SIDE	PART No.	QTY.
3.793	ROD – Carburettor fast idle				
	ROD	6 Cyl. Eng.		VS11795	1
	ROD	4.2 Litre Eng.		VS10472	1
	CLIP – Rod	4.2 Litre Eng.		VS10899	1
3.795	BRACKET, CLAMP – Carburettor choke cable support				
	BRACKET ASSEMBLY	6 Cyl. Eng.		VS12121	1
	CLAMP – Choke cable	6 Cyl. Eng.		VS11797	1
	SCREW and LOCKWASHER ASSY. – Clamp	6 Cyl. Eng.		7405166	1
	SCREW and LOCKWASHER ASSY. – Bracket attaching	6 Cyl. Eng.		7405167	1
3.796	COVER, BODY, GASKET – Carburettor thermostat				
	COVER ASSEMBLY	(M) 4.2 Litre Eng.		VS10914	1
	COVER ASSEMBLY	(A) 4.2 Litre Eng.		VS10442	1
	COVER ASSEMBLY	5 Litre Eng.		2809917	1
	SCREW – Cover	8 Cyl. Eng.		2809937	3
	WASHER – Cover	8 Cyl. Eng.		2809922	3
	GASKET – Cover	8 Cyl. Eng.		2809921	1
	SPACER – Thermostat housing – ½" thick	5 Litre Eng.		2812046	1
	BODY and SHAFT ASSEMBLY	5 Litre Eng.		2809918	1
	WASHER – Housing	5 Litre Eng.		2808133	1
	DOWEL – Housing locating – 1 3/32" long	5 Litre Eng.		2812128	1
3.797	LEVER and SHAFT ASSEMBLY – Carburettor thermostat				
	LEVER and SHAFT ASSEMBLY	4.2 Litre Eng.		VS10440	1
	LEVER	4.2 Litre Eng.		VS10439	1
	NUT – Lever attaching	4.2 Litre Eng.		7420254	1
	WASHER	4.2 Litre Eng.		VS10912	1
	LEVER	5 Litre Eng.		2809920	1
3.798	ROD – Carburettor choke				
	ROD	4.2 Litre Eng.		VS10444	1
	PIN – Cotter	4.2 Litre Eng.		VS10915	1
	ROD – Automatic choke	5 Litre Eng.		2818897	1
	ROD	5 Litre Eng.		7036067	1
	CLIP	5 Litre Eng.		7005109	1
	LEVER – Secondary lockout	5 Litre Eng.		7027270	1
3.799	DIAPHRAGM, ROD, HOSE – Carburettor choke kick				
	DIAPHRAGM ASSEMBLY	4.2 Litre Eng.		VS10893	1
	SCREW – Diaphragm attaching	4.2 Litre Eng.		VS10917	2
	ROD ASSEMBLY	4.2 Litre Eng.		VS10456	1
	RETAINER – Rod	4.2 Litre Eng.		VS10457	1
	HOSE – Vacuum	4.2 Litre Eng.		VS10458	1
	HOSE – Vacuum	5 Litre Eng.		7026339	1
	DIAPHRAGM and BRACKET ASSEMBLY	5 Litre Eng.		7038967	1
	DIAPHRAGM ASSEMBLY	5 Litre Eng.		7038239	1
	SCREW – Diaphragm attaching	5 Litre Eng.		7031925	1
	ROD – Diaphragm control	5 Litre Eng.		7038167	1
	CLIP – Control rod	5 Litre Eng.		7005109	1
3.806	ROD, HOLDER – Carburettor metering				
	ROD – Primary	(M) 5 Litre Eng.		7034849	2
	ROD – Primary	(A) 5 Litre Eng.		7034845	2
	ROD – Secondary	5 Litre Eng.		7034320	2
	HOLDER KIT – Secondary metering rod	5 Litre Eng.		7034522	1
3.810	SPRING – Carburettor metering rod				
	SPRING	5 Litre Eng.		7029862	1

"HJ" PARTS CATALOGUE

GROUP	DESCRIPTION	MODEL	SIDE	PART No.	QTY.
3.900	PUMP ASSEMBLY – Fuel				
	PUMP ASSEMBLY	6 Cyl. Eng.		7415943	1
	SCREW and LOCK WASHER ASSEMBLY	6 Cyl. Eng.		3719206	2
	PUMP ASSEMBLY	8 Cyl. Eng.		2814798	1
	ECCENTRIC	8 Cyl. Eng.		7434758	1
	STUD - $\frac{1}{8}$ " x 1.54"	8 Cyl. Eng.		SP1763	1
3.901	REPAIR KIT – Fuel pump				
	REPAIR KIT	6 Cyl. Eng.		7420687	1
	REPAIR KIT	8 Cyl. Eng.		2808183	1
3.902	BODY, OIL SEAL – Fuel pump				
	BODY	6 Cyl. Eng.		5592850	1
	SEAL	6 Cyl. Eng.		5593301	1
	WASHER - Seal	6 Cyl. Eng.		1521985	1
	BODY	8 Cyl. Eng.		6415453	1
	SCREW	8 Cyl. Eng.		SP1976	1
3.903	BOWL – Fuel pump				
	GLASS	6 Cyl. Eng.		1523094	1
3.904	GASKET – Fuel pump bowl				
	GASKET	6 Cyl. Eng.		5593404	1
3.906	BAIL and SCREW – Fuel pump				
	WITH NUT and SEAT	6 Cyl. Eng.		5592046	1
3.909	VALVE and CAGE ASSEMBLY – Fuel pump				
	VALVE and CAGE ASSEMBLY	6 Cyl. Eng.		5593866	2
	VALVE ASSEMBLY	8 Cyl. Eng.		5623374	2
3.910	COVER – Fuel pump				
	COVER	6 Cyl. Eng.		7950756	1
	COVER ASSEMBLY	8 Cyl. Eng.		6416345	1
	SCREW and WASHER	ALL		SP1724	6
3.913	GASKET – Fuel pump valve and cage				
	GASKET	6 Cyl. Eng.		1521953	2
	GASKET	8 Cyl. Eng.		VS10806	2
3.920	ARM – Fuel pump rocker				
	ARM	6 Cyl. Eng.		1523093	1
	ARM	8 Cyl. Eng.		6416623	1
3.921	PIN, PLUG – Fuel pump rocker arm				
	PIN	6 Cyl. Eng.		5592851	1
	PLUG	6 Cyl. Eng.		5592852	2
	PIN	8 Cyl. Eng.		6414278	1
	PLUG	8 Cyl. Eng.		6414391	2
3.922	SPRING – Fuel pump rocker arm				
	SPRING	6 Cyl. Eng.		1522046	1
	SPRING	8 Cyl. Eng.		6413712	1
3.925	DIAPHRAGM KIT, DIAPHRAGM ASSEMBLY – Fuel pump				
	DIAPHRAGM KIT	6 Cyl. Eng.		7420688	1
	DIAPHRAGM and PULL ROD	6 Cyl. Eng.		1522199	1
	DIAPHRAGM KIT	8 Cyl. Eng.		2808182	1
	DIAPHRAGM and PULL ROD ASSEMBLY	8 Cyl. Eng.		6413700	1

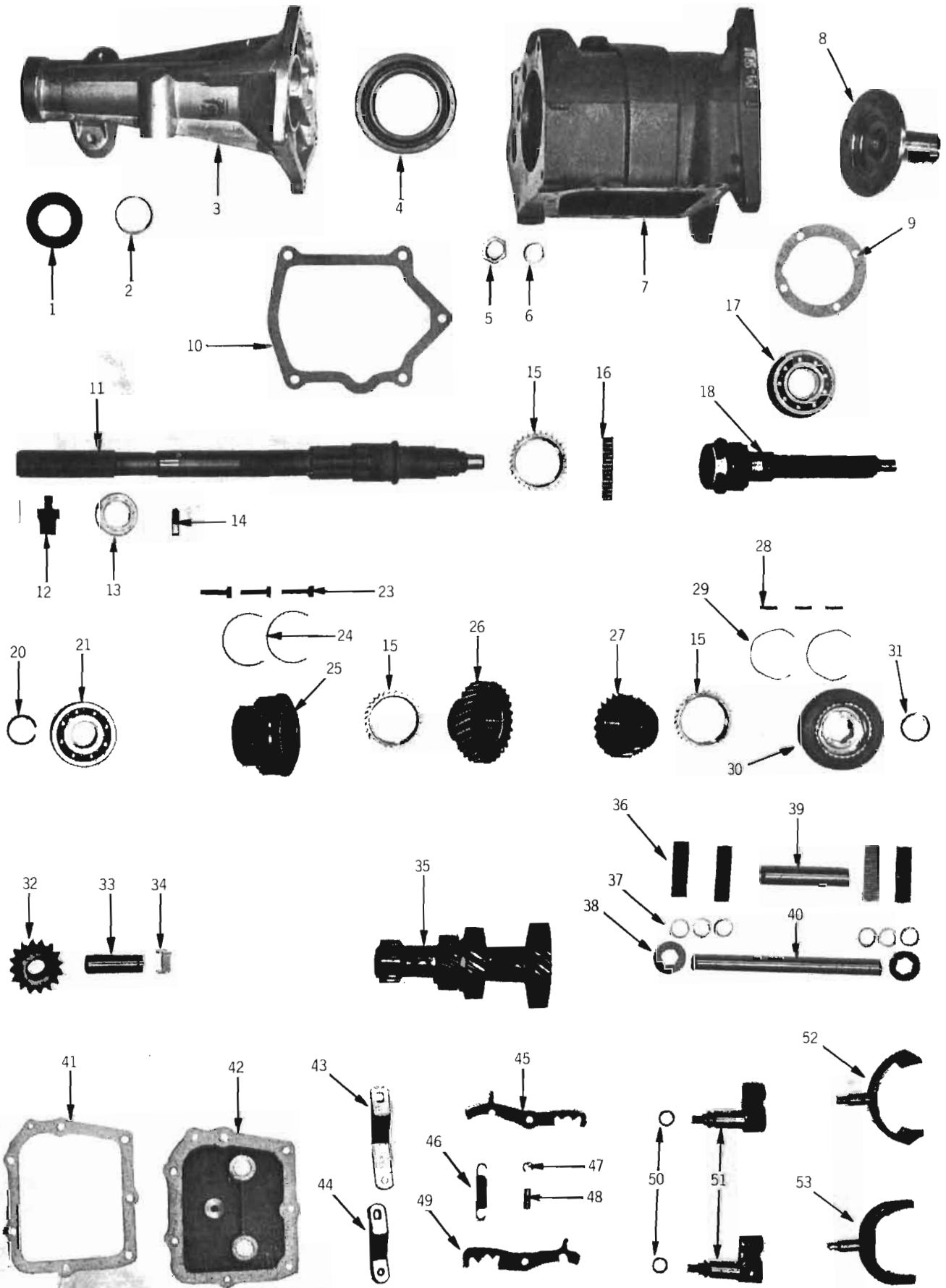
“HJ” PARTS CATALOGUE

GROUP	DESCRIPTION	MODEL	SIDE	PART No.	QTY.
3.926	PULSATOR – Fuel pump diaphragm				
	PULSATOR	8 Cyl. Eng.		6413726	1
	PLATE - Pulsator cover	8 Cyl. Eng.		6413724	1
3.927	SPRING – Fuel pump diaphragm				
	SPRING	6 Cyl. Eng.		7950671	1
3.929	SCREEN – Fuel pump				
	SCREEN	6 Cyl. Eng.		1523099	1
3.931	LINK – Fuel pump				
	LINK	6 Cyl. Eng.		1521708	1
3.932	GASKET – Fuel pump flange and mounting plate				
	GASKET	6 Cyl. Eng.		7426584	1
	GASKET	8 Cyl. Eng.		7434741	1



TRANSMISSION CASE and GEARS
Three Speed Fully Synchronized

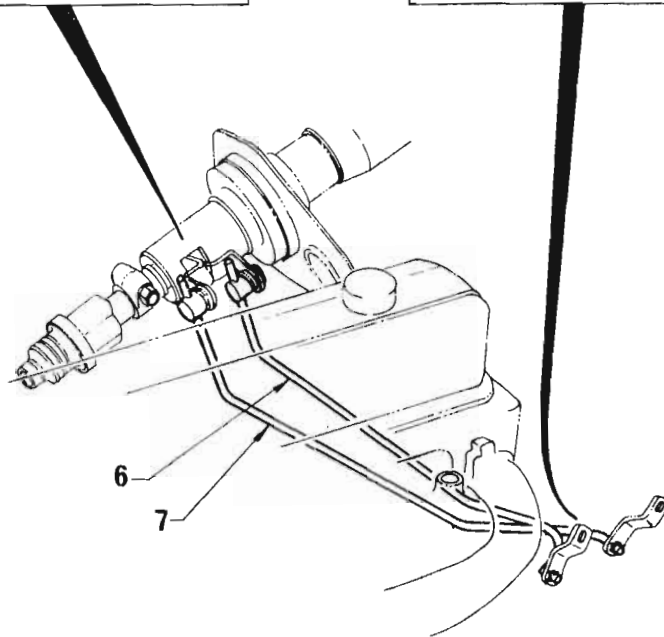
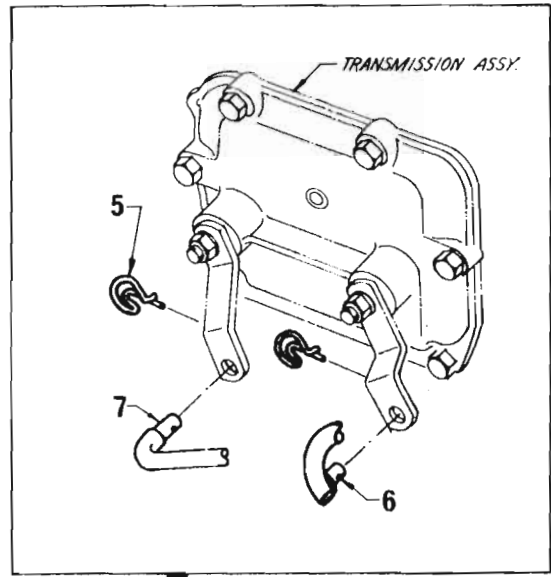
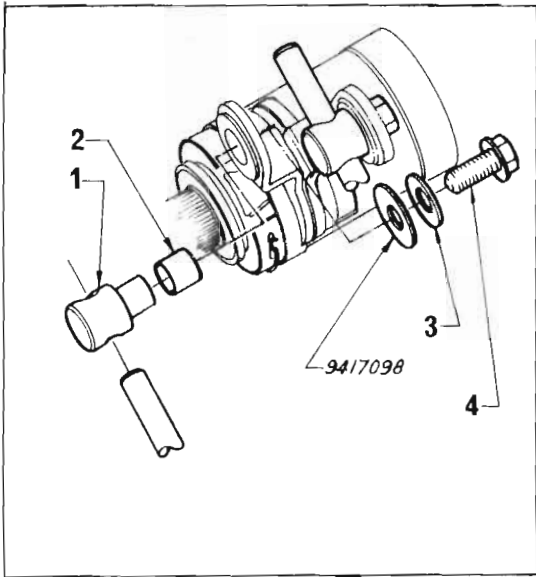
ILLUS. REF. NO.	PART NAME	GROUP	ILLUS. REF. NO.	PART NAME	GROUP
1.	GEAR - Clutch	4.351	12.	SHAFT - Main	4.403
2.	RETAINER - Clutch gear bearing	4.356	14.	BEARING - Clutch gear	4.355
3.	SHAFT - Counter gear	4.428	15.	GASKET - Bearing retainer	4.358
4.	GEAR - Counter	4.421	16.	GEAR - 2nd Speed	4.395
5.	RING - Blocking	4.383	17.	GEAR - 1st Speed	4.418
6.	SYNCHRONIZER ASSY. - 2nd & 3rd Speed ..	4.380	18.	SYNCHRONIZER ASSY. - 1st & Reverse	4.380
7.	GEAR - Reverse idler	4.430	19.	CASE	4.103
8.	WASHER - Counter gear thrust	4.423	20.	HOUSING ASSY.	4.317
9.	GASKET	4.318	21.	BEARING ASSY. - Mainshaft rear	4.408
10.	WASHER	4.317	22.	CLIP - Speedo drive gear	4.338
11.	BOLT	8.900	23.	GEAR - Speedo drive	4.337



TRANSMISSION CASE AND GEARS
3 SPEED - FULLY SYNCHRONIZED TRANSMISSION

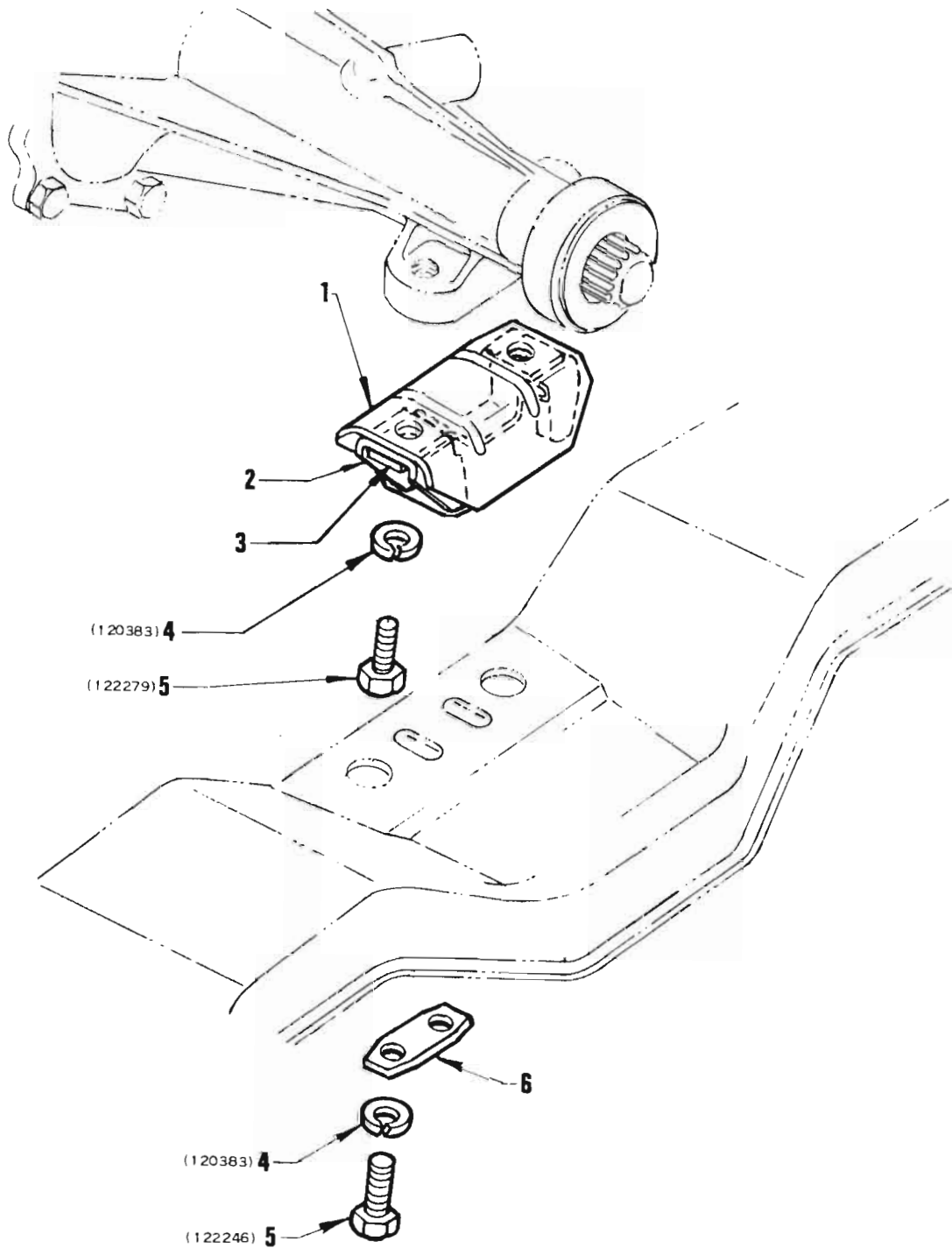
ILLUSTRATION OPPOSITE

ILLUS. REF. NO.	PART NAME	PART NO.	QTY.	GROUP
1.	SEAL - Housing	3871649	1	4.317
2.	BUSHING - Housing	3717682	1	4.317
3.	HOUSING ASSEMBLY	7433768	1	4.317
4.	ADAPTOR - Transmission rear bearing	7433998	1	4.317
5.	PLUG - Transmission filler	7400181	1	4.103
6.	GASKET - Filler plug	113897	1	4.103
7.	CASE	2822933	1	4.103
8.	RETAINER - With 6 cyl. eng.	9930909	1	4.356
	- With 4.2 Litre eng.	9930910	1	4.356
9.	GASKET - Clutch gear bearing retainer	591022	1	4.358
10.	GASKET - Transmission extension housing	7433767	1	4.318
11.	SHAFT - Main	7433871	1	4.403
12.	GEAR - Driven, 20 teeth	7430968	1	4.337
	21 teeth	7430969	1	4.337
	22 teeth	7430970	1	4.337
	23 teeth	7430971	1	4.337
	25 teeth	7448810	1	4.337
13.	GEAR - Drive exc. 4.44 AR	7437317	1	4.337
	4.44AR	9928961	1	4.337
14.	CLIP - Drive gear	1373122	1	4.337
15.	RING - B locking	7434978	3	4.383
16.	BEARING - Mainshaft front needle roller	7400162	15	4.352
17.	BEARING - Clutch gear	7429999	1	4.355
18.	GEAR - Clutch, with 6 cyl. eng.	9930921	1	4.351
	with 4.2 Litre eng.	9930922	1	4.351
20.	RING - Mainshaft lock	3707189	1	4.412
21.	BEARING ASSEMBLY - Mainshaft rear	7433929	1	4.408
23.	KEY - 1st and reverse synchronizer	7435047	3	4.384
24.	SPRING - 1st and reverse synchronizer	7437055	2	4.383
25.	SYNCHRONIZER ASSEMBLY - 1st and reverse	7435045	1	4.380
26.	GEAR - First speed	7434308	1	4.418
27.	GEAR - Second speed	7433830	1	4.395
28.	KEY - 2nd and 3rd synchronizer	7435043	3	4.384
29.	SPRING - 2nd and 3rd synchronizer	7438527	2	4.383
30.	SYNCHRONIZER ASSEMBLY - 2nd and 3rd	7435044	1	4.380
31.	RING - 2nd and 3rd synchronizer to mainshaft	3775089	1	4.382
32.	GEAR ASSEMBLY - Reverse idler	7433868	1	4.430
33.	SHAFT - Reverse idler gear	2814481	1	4.433
34.	KEY - Reverse idler gear shaft	7433986	1	4.433
35.	GEAR - Counter	7434307	1	4.421
36.	BEARING - Counter gear needle roller	9414193	92	4.422
37.	WASHER - Bearing	3775063	6	4.423
38.	WASHER - Gear thrust	7433776	2	4.423
39.	SPACER - Bearing	7433928	1	4.423
40.	SHAFT - Counter gear	3775061	1	4.428
41.	GASKET - Transmission cover	7433769	1	4.109
42.	COVER - Transmission	7433771	1	4.105
43.	LEVER - 1st and reverse external	9929519	1	4.050
44.	LEVER - 2nd and 3rd external	9929518	1	4.046
45.	CAM - 1st and reverse detent	7433772	1	4.311
46.	SPRING - Detent cam	7433927	1	4.311
48.	PIN - Detent cam	SP 2094	1	4.311
49.	CAM - 2nd and 3rd detent	7433773	1	4.311
50.	SEAL - Shifter shaft	7430136	2	4.309
51.	SHAFT ASSEMBLY - Shifter fork	7433869	2	4.309
52.	FORK - 1st and reverse shift	7433774	1	4.304
53.	FORK - 2nd and 3rd shift	7433775	1	4.303



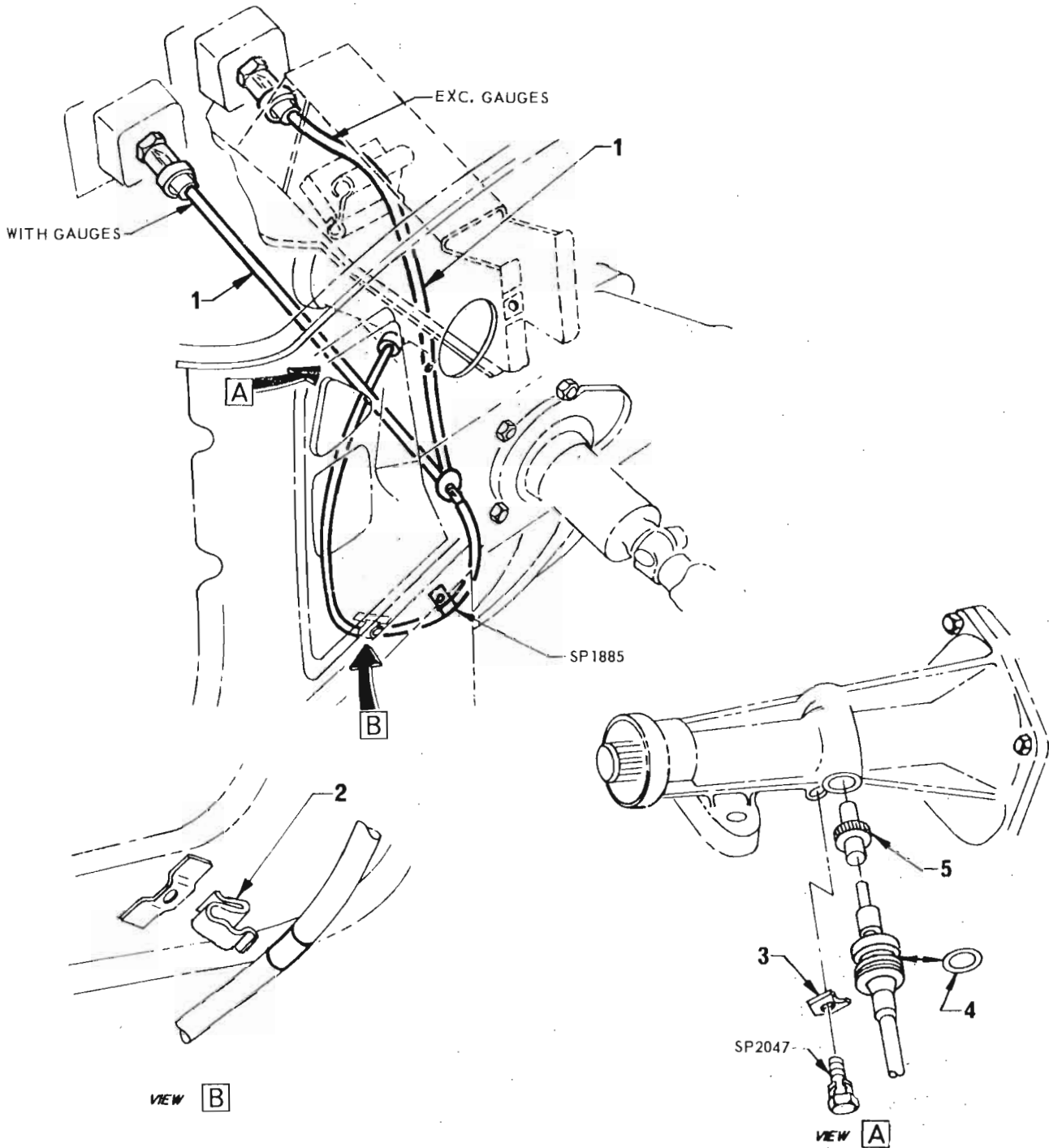
GEARSHIFT CONTROL

ILLUS. REF. NO.	PART NAME	GROUP	ILLUS. REF. NO.	PART NAME	GROUP
1.	TRUNNION – Shift rod	4.020	5.	RETAINER – Rod to external lever	4.020
2.	SLEEVE – Shift rod	4.020	6.	ROD – 2nd & 3rd shift	4.019
3.	WASHER – Spring	4.020	7.	ROD – 1st & Reverse shift	4.020
4.	SCREW – Shift rod	4.020			



TRANSMISSION MOUNTING

ILLUS. REF. NO.	PART NAME	GROUP	ILLUS. REF. NO.	PART NAME	GROUP
1.	MOUNTING ASSEMBLY	4.081	4.	WASHER - Lock	8.931
2.	ARRESTOR - Rear side mounting	4.081	5.	BOLT - Hexagon head	8.900
3.	ARRESTOR - Rear mounting	4.081	6.	SPACER - Mounting to cross member	4.081



SPEEDOMETER CABLE & GEAR

ILLUS. REF. NO.	PART NAME	GROUP	ILLUS. REF. NO.	PART NAME	GROUP
1.	CABLE & CASING	4.342	4.	SEAL - "O" Ring	4.338
2.	CLIP - Cable to floor pan	4.342	5.	GEAR - Driven	4.337
3.	RETAINER - Casing, drive end	4.342			

GROUP	DESCRIPTION	MODEL	SIDE	PART No.	QTY.
TRANSMISSION ASSEMBLY, 3-SPEED MANUAL CONTROL, FULLY SYNCHRONIZED					
4.003	TRANSMISSION ASSEMBLY				
	TRANSMISSION ASSEMBLY	6 Cyl. Eng. exc. Chassis & Cab		9936928	1
	TRANSMISSION ASSEMBLY	6 Cyl. Eng. Chassis & Cab		9936905	1
	TRANSMISSION ASSEMBLY	4.2 Litre Eng.		9936929	1
	OVERHAUL KIT	ALL		7449498	1
	REPAIR KIT	ALL		2810932	1
4.005	GASKET SET – Transmission				
	GASKET SET	ALL	1737425	7449499	1
4.006	LEVER – Gearshift control				
	LEVER	ALL		9928844	1
4.007	TUBE ASSEMBLY – Gearshift control				
	TUBE ASSEMBLY	ALL		9929051	1
	PIN	ALL		7429551	1
4.009	KNOB – Gearshift control lever				
	KNOB (Grey)	ALL		2813559DS	1
	KNOB (Black)	ALL		2813559BA	1
	KNOB (Covert)	ALL		2813559DY	1
	KNOB (Tan)	ALL		2813559DX	1
4.017	SPRING – Gearshift				
	SPRING - Lower control	ALL		7433264	1
	SPRING - Selector return	ALL		2807897	1
4.018	SUPPORT – Gearshift control				
	SUPPORT	ALL		9933745	1
	SPACER	ALL		9933746	1
	WASHER	ALL		9933747	1
4.019	LEVER, RETAINER, ROD, TRUNNION, INSULATOR – Gearshift 2nd and 3rd shift				
	LEVER - 2nd and 3rd shift	ALL		2813961	1
	RETAINER - 2nd and 3rd shift lever lower	ALL		9933749	1
	ROD - 2nd and 3rd shift	ALL		9929516	1
	TRUNNION - Shift rod	ALL		2814030	1
	WASHER - Spring	ALL		1367656	1
	SLEEVE - Shift rod	ALL		2814031	1
	INSULATOR - Shift rod	ALL		2814033	1
	SCREW - Shift rod	ALL		SP2459	1
4.020	LEVER, RETAINER, ROD, INSULATOR – Gearshift 1st and reverse shift				
	LEVER - 1st and reverse shift	ALL		2813961	1
	ROD - 1st and reverse shift	ALL		9929517	1
	TRUNNION - Shift rod	ALL		2814030	1
	WASHER - Spring	ALL		1367656	1
	SLEEVE - Shift rod	ALL		2814031	1
	INSULATOR - Shift rod	ALL		2814033	1
	SCREW - Shift rod	ALL		SP2459	1
	RETAINER - Rod to external lever	ALL		3749084	1
4.046	LEVER – 2nd and 3rd shifter				
	LEVER - 2nd and 3rd external	ALL		9929518	1
	NUT - Special	ALL		7417652	1

"HJ" PARTS CATALOGUE

GROUP	DESCRIPTION	MODEL	SIDE	PART No.	QTY.
TRANSMISSION ASSEMBLY, 3-SPEED MANUAL CONTROL, FULLY SYNCHRONIZED					
4.050	LEVER – 1st and Reverse				
	LEVER - 1st and reverse external	ALL		9929519	1
	NUT - Special	ALL		7417652	1
4.081	MOUNTING ARRESTOR – Transmission support				
	MOUNTING ASSEMBLY	ALL		7432236	1
	ARRESTOR - Rear mounting	ALL		2819856	1
	ARRESTOR - Rear side mounting	ALL		2819855	2
	SPACER - Mounting to crossmember	ALL		7421049	1
4.103	CASE ASSEMBLY – Transmission				
	CASF	ALL		2822933	1
	MAGNET - Chip collector	ALL		3787240	1
	PLUG - Transmission filler (3/4" - 16)	ALL		7400181	1
	GASKET - Filler plug (3/4" annular)	ALL		113897	1
4.105	COVER – Transmission				
	COVER	ALL		7433771	1
	BOLT ASSY. - Cover to case	ALL		SP2141	4
4.109	GASKET – Transmission cover				
	GASKET	ALL		7433769	1
4.303	FORK – Transmission shifter shaft 2nd and 3rd				
	FORK - 2nd and 3rd	ALL		7433775	1
4.304	FORK – Transmission shifter shaft 1st and reverse				
	FORK - 1st and reverse	ALL		7433774	1
4.309	SHAFT, SEAL – Transmission shift fork				
	SHAFT ASSEMBLY	ALL		7433869	2
	SEAL - Shift shaft - 'O' Ring 5/16" x 3/32"	ALL		7430136	2
4.311	CAM, SPRING – Transmission detent				
	CAM - 1st and reverse detent	ALL		7433772	1
	CAM - 2nd and 3rd detent	ALL		7433773	1
	PIN - Detent cam	ALL		SP2094	1
	SPRING - Detent cam	ALL		7433927	1
4.317	HOUSING, ADAPTOR, BUSHING, SEAL – Transmission extension				
	HOUSING ASSEMBLY	ALL		7433768	1
	ADAPTOR - Transmission rear bearing	ALL		7433998	1
	WASHER	ALL		7400256	1
	BUSHING - Housing	ALL		3717682	1
	SEAL - Housing	ALL		3871649	1
4.318	GASKET – Transmission extension housing				
	GASKET	ALL		7433767	1
4.337	GEAR, CLIP – Speedometer driven and drive				
	GEAR - Driven - 19 teeth - Pink	3.08 : 1 AR		7430967	1
	GEAR - Driven - 20 teeth - White	3.08 : 1 AR		7430968	1
	GEAR - Driven - 22 teeth - Dark blue	3.08 : 1 AR		7430970	1
	GEAR - Driven - 21 teeth - Green	3.36 : 1 AR		7430969	1
	GEAR - Driven - 22 teeth - Dark blue	3.55 : 1 AR		7430970	1

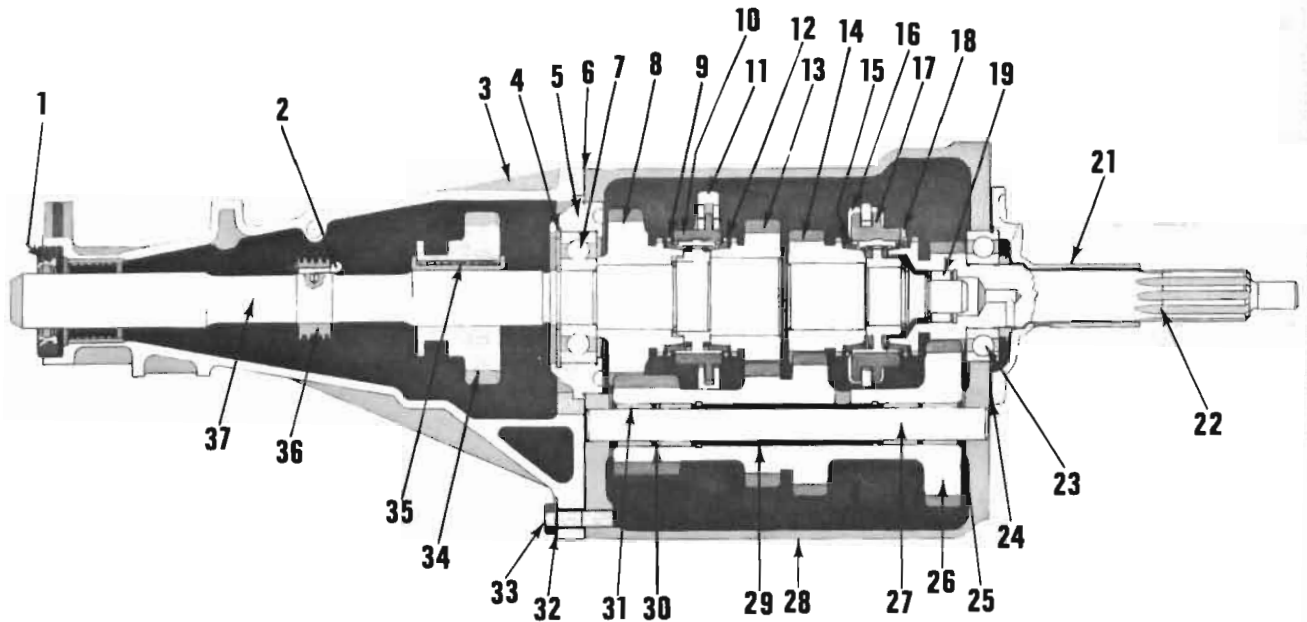
"HJ" PARTS CATALOGUE

GROUP	DESCRIPTION	MODEL	SIDE	PART No.	QTY.
TRANSMISSION ASSEMBLY, 3-SPEED MANUAL CONTROL, FULLY SYNCHRONIZED					
4.337	GEAR, CLIP – Speedometer driven and drive (contd.)				
	GEAR – Driven – 24 teeth – Yellow	3.90 : 1 AR		7430972	1
	GEAR – Driven – 21 teeth – Green	4.44 : 1 AR		7430969	1
	GEAR – Drive	Exc. 4.44 AR		7437317	1
	GEAR – Drive	6 Cyl. Eng. Chassis & Cab 4.44 AR		9928961	1
	CLIP – Drive gear	ALL		1373122	1
4.338	SEAL – Speedometer driven gear				
	SEAL – 'O' Ring (1 $\frac{1}{16}$ " I.D. x $\frac{1}{8}$ ")	ALL		7430921	1
4.342	CABLE and CASING – Speedometer				
	CABLE & CASING	Instrument types 1, 2, 3		(⁶ 9994184	1
	CABLE & CASING	Instrument types 4, 5, 6		(⁶ 9032430	1
	CABLE KIT	Instrument types 1, 2, 3		(⁶ VC12646	1
	CABLE KIT	Instrument types 4, 5, 6		(⁶ VS12647	1
	CLIP – Cable to floor pan	ALL		7434452	1
	CLIP – Cable to floor brace	ALL		SP1885	1
	RETAINER – Casing drive end	ALL		7430917	1
	SEAL – Cable	ALL		7434266	1
	RETAINER – Seal	ALL		2817874	1
4.351	GEAR – Clutch				
	GEAR	6 Cyl. Eng.		9930921	1
	GEAR	4.2 Litre Eng.		9930922	1
4.352	BEARING – Mainshaft front				
	BEARING – Mainshaft front needle roller	ALL		7400162	15
	BEARING PACKAGE	ALL		7449495	1
4.354	SEAL – Clutch gear bearing oil				
	SEAL	ALL		3987936	1
4.355	BEARING ASSEMBLY – Clutch gear				
	BEARING	ALL		7429999	1
4.356	RETAINER – Clutch gear bearing				
	RETAINER	6 Cyl. Eng.		9930909	1
	RETAINER	4.2 Litre Eng.		9930910	1
4.358	GASKET – Clutch gear bearing retainer				
	GASKET	ALL		591022	1
4.376	RING – Clutch gear bearing retainer				
	RING – .088" thick	ALL		(¹¹ 3775052	1
	RING – .094" thick	ALL		(¹¹ 3775050	1
4.380	SYNCHRONIZER ASSEMBLY – Transmission				
	SYNCHRONIZER ASSEMBLY – 1st and reverse	ALL		7435045	1
	SYNCHRONIZER ASSEMBLY – 2nd and 3rd	ALL		7435044	1
4.382	RING – Transmission synchronizer				
	RING – 2nd and 3rd synchro to mainshaft	ALL		3775089	1

Note: (⁶ Refer Group 2.515 for Type No. Identification.
 (¹¹ Selective fit.

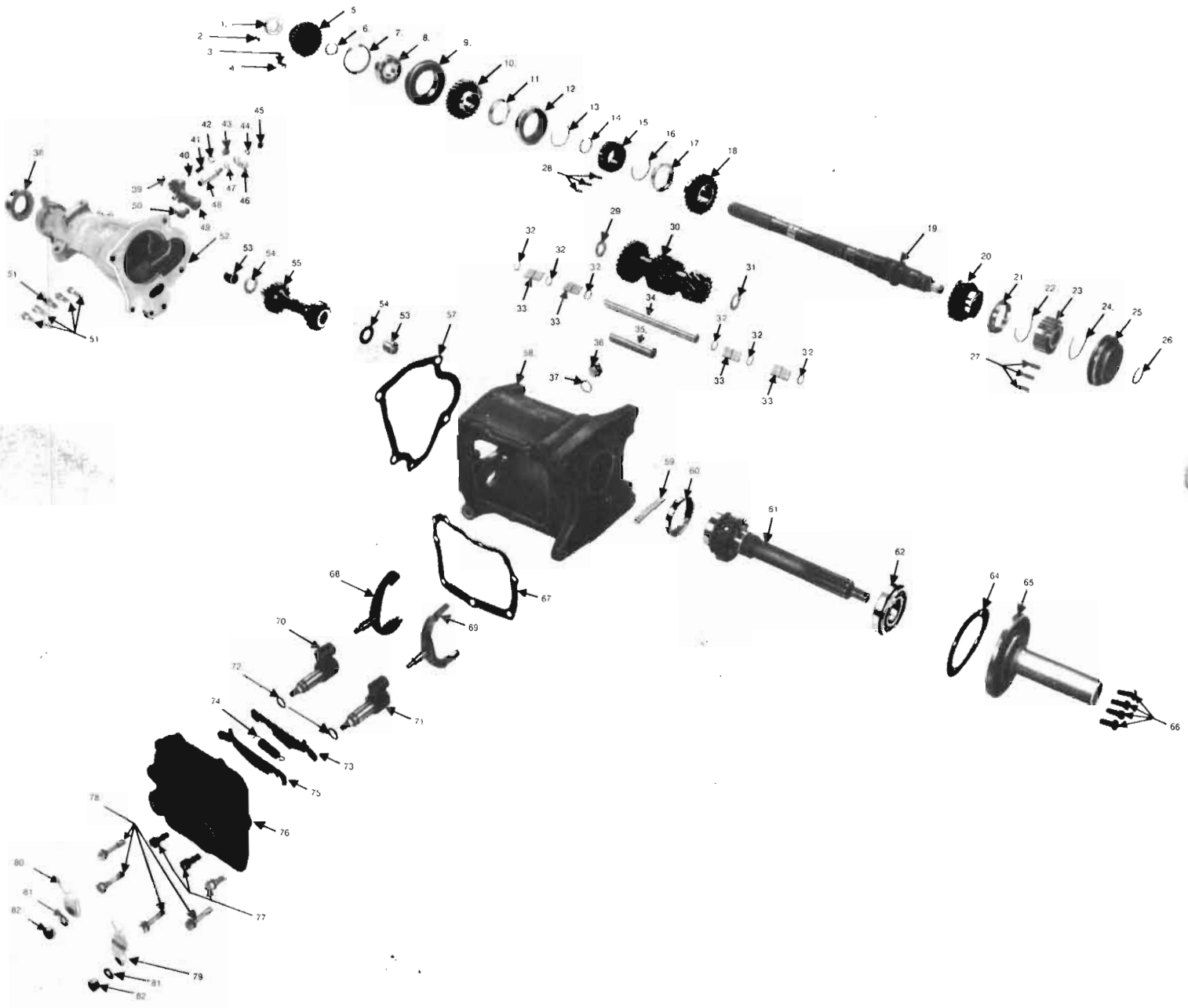
“HJ” PARTS CATALOGUE

GROUP	DESCRIPTION	MODEL	SIDE	PART No.	QTY.
TRANSMISSION ASSEMBLY, 3-SPEED MANUAL CONTROL, FULLY SYNCHRONIZED					
4.383	SPRING, RING – Transmission synchronizer				
	SPRING - 1st and reverse	ALL		7437055	2
	SPRING - 2nd and 3rd	ALL		7438527	2
	RING - Blocking	ALL		7434978	3
4.384	KEY – Transmission synchronizer				
	KEY - 1st and reverse	ALL		7435047	3
	KEY - 2nd and 3rd	ALL		7435043	3
4.395	GEAR – Mainshaft second speed				
	GEAR	ALL		7433830	1
4.403	SHAFT – Transmission main				
	SHAFT	ALL		7433871	1
4.408	BEARING ASSEMBLY – Mainshaft rear				
	BEARING ASSEMBLY	ALL		7433929	1
4.412	RING – Mainshaft lock				
	RING	ALL		3707189	1
4.418	GEAR – Mainshaft first speed				
	GEAR	ALL		7434308	1
4.421	GEAR – Counter				
	GEAR	ALL		7434307	1
4.422	BEARING – Counter gear				
	NEEDLE ROLLER	ALL		9414193	92
	BEARING PACKAGE	ALL		7449496	1
4.423	WASHER – Counter shaft				
	WASHER - Bearing	ALL		3775063	6
	SPACER - Bearing	ALL		7433928	1
	WASHER - Gear thrust	ALL		7433776	2
4.428	SHAFT – Counter gear				
	SHAFT	ALL		3775061	1
4.430	GEAR ASSEMBLY – Reverse idler				
	GEAR ASSEMBLY	ALL		7433868	1
4.433	SHAFT, KEY – Reverse idler gear				
	SHAFT	ALL		2814481	1
	KEY	ALL		7433986	1
4.437	SPACER – Reverse idler				
	SPACER	ALL		2814480	1



TRANSMISSION ASSEMBLY – FOUR SPEED MANUAL CONTROL

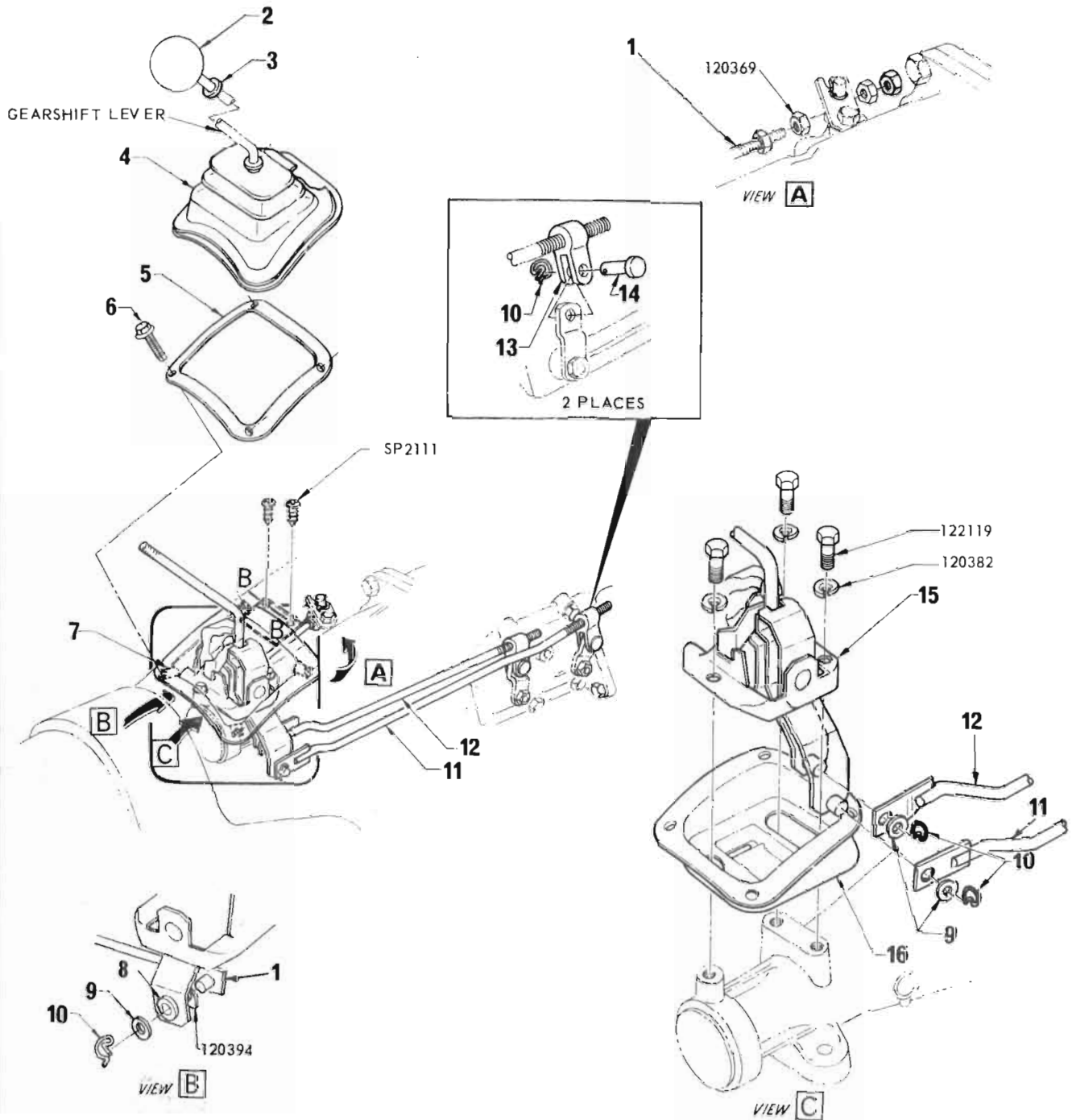
ILLUS. REF. NO.	PART NAME	GROUP	ILLUS. REF. NO.	PART NAME	GROUP
1.	SEAL – Extension housing oil	4.317	21.	RETAINER – Clutch gear bearing	4.356
2.	CLIP – Speedometer drive gear	4.337	22.	GEAR – Clutch	4.351
3.	HOUSING – Rear extension	4.317	23.	BEARING – Clutch gear	4.355
4.	RING – Rear bearing locating	4.412	24.	GASKET – Bearing retainer	4.358
5.	ADAPTOR – Rear bearing	4.317	25.	WASHER – Counter gear thrust	4.423
6.	GASKET – Extension housing	4.318	26.	GEAR – Counter	4.421
7.	BEARING – Mainshaft rear	4.408	27.	SHAFT – Counter gear	4.428
8.	GEAR – First speed	4.418	28.	CASE – Transmission	4.103
9.	RING – Blocking	4.383	29.	SPACER – Counter gear bearing	4.423
10.	SYNCHRONIZER ASSY. – 1st & 2nd speed ..	4.380	30.	WASHER – Counter shaft bearing	4.423
11.	FORK – 1st & 2nd speed shift	4.303	31.	BEARING – Needle roller	4.422
12.	RING – Blocking	4.383	32.	WASHER	4.317
13.	GEAR – 2nd speed	4.395	33.	BOLT – Hex.hd. 3/8"–16 x 1.1/8" w/ washer	8.900
14.	GEAR – 3rd speed	4.415	34.	GEAR – Reverse	4.418
15.	RING – Blocking	4.383	35.	PLATE – Reverse gear anti-lash	4.419
16.	FORK – 3rd & 4th speed shift	4.303	36.	GEAR – Speedometer drive	4.337
17.	SYNCHRONIZER ASSY. – 3rd & 4th speed ..	4.380	37.	SHAFT – Main	4.403
18.	RING – Blocking	4.383			
19.	BEARING – Needle roller	4.352			



**TRANSMISSION ASSEMBLY
FOUR SPEED MANUAL CONTROL**

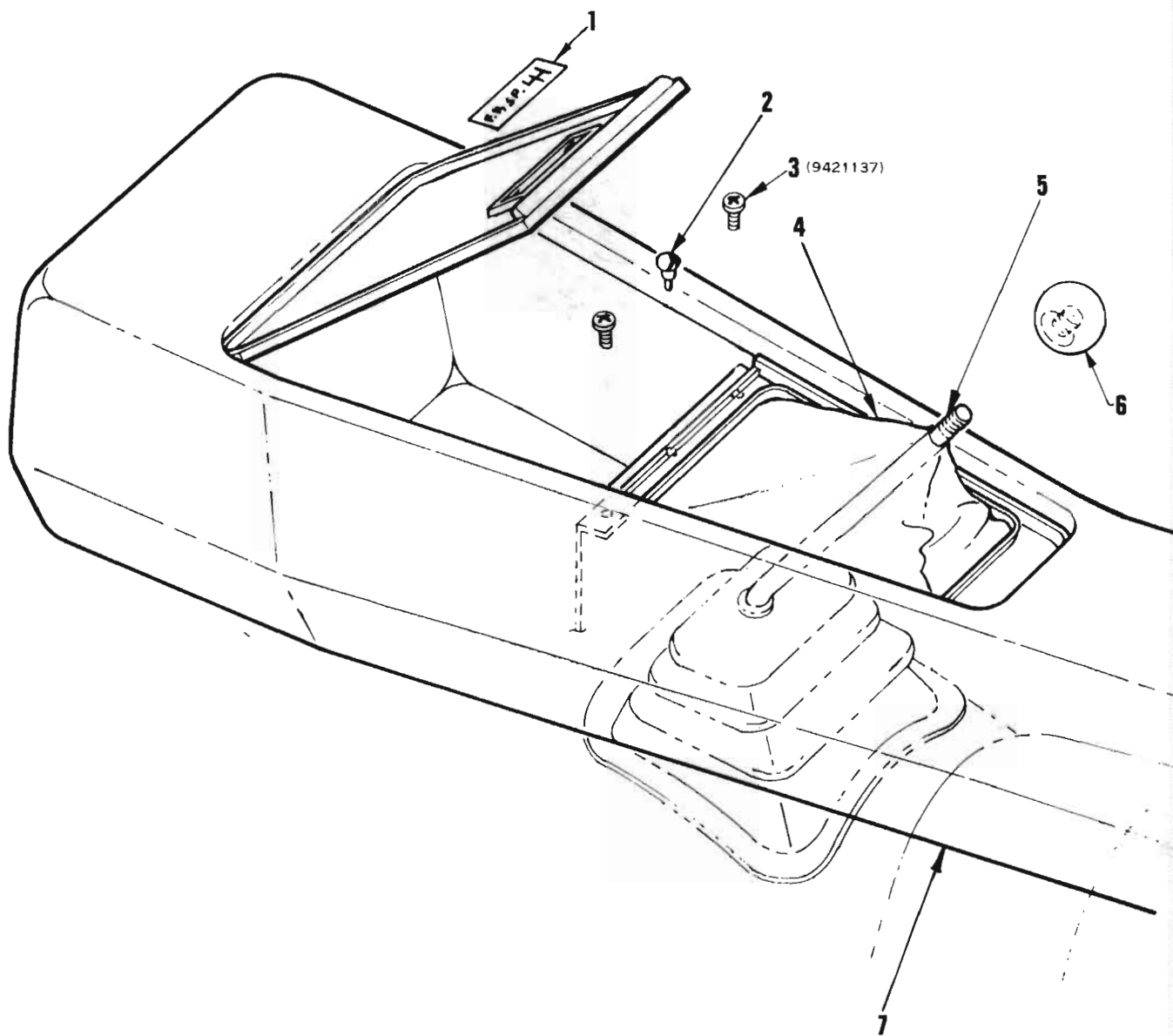
ILLUSTRATION OPPOSITE

Illus. Ref. No.	Part Name	Part No.	Qty.	Group	Illus. Ref. No.	Part Name	Part No.	Qty.	Group
1.	GEAR - Drive	5258493	1	4.337	38.	SEAL - Extension housing oil	3871649	1	4.317
2.	CLIP - Drive gear	1373122	1	4.337	39.	PIN	455481	1	8.941
3.	SPRING - Anti lash plate	2813522	1	4.419	40.	BALL - Reverse detent	147489	1	4.311
4.	PLATE - Anti lash	2813517	1	4.419	41.	SPRING - Reverse detent	2813527	1	4.311
5.	GEAR - Reverse, 6 cyl. eng.	2813525	1	4.418	42.	WASHER - Reverse detent	2813521	1	4.311
	8 cyl. eng.	2813500	1	4.418	43.	BOLT	123540	1	8.900
6.	RING - Mainshaft lock	3707189	1	4.412	44.	WASHER - Lock	SP1486	1	8.931
7.	RING - Locating	2809457	1	4.412	45.	NUT - Lever to shaft	7417652	1	4.045
8.	BEARING - Rear	7433929	1	4.408	46.	LEVER - Reverse, external	2811032	1	4.045
9.	ADAPTOR - Rear bearing	2813513	1	4.317	47.	SEAL - "O" Ring reverse shift shaft	2809290	1	4.309
10.	GEAR - First speed	2813489	1	4.418	48.	SHAFT - Reverse shift	2813514	1	4.309
11.	RING - Blocking	7434978	1	4.383	49.	LEVER - Reverse internal shift	2809600	1	4.316
12/13/15/16.	SYNCHRONIZER ASSY. - 1st & 2nd speed	2813515	1	4.380	50.	YOKE - Reverse shifter	2809727	1	4.304
13.	SPRING - Synchronizer - 1st & 2nd speed	7437055	1	4.383	51.	BOLT	425348/122145	AR	8.900
14.	RING - Synchronizer retainer - 1st & 2nd speed	7429966	1	4.382	52.	HOUSING - Rear extension	2813504	1	4.317
16.	SPRING - Synchronizer 1st & 2nd speed	7437055	1	4.383	53.	BUSHING - Reverse idler	2820528	2	4.433
17.	RING - Blocking	7434978	1	4.383	54.	WASHER - Idler gear thrust	2813519	2	4.432
18.	GEAR - 2nd speed	2813490	1	4.395	55.	GEAR - Reverse idler	2825988	1	4.430
19.	SHAFT - Main	2813493	1	4.403	57.	GASKET - Rear extension hsg.	2813507	1	4.318
20.	GEAR - 3rd speed				58.	CASE - Transmission	2829795	1	4.103
	3.05 : 1 Low gear ratio, 6 cyl. eng.	2813491	1	4.415	59.	BEARING - Needle roller	7400162	15	4.352
	3.74 : 1 Low gear ratio, 6 cyl. eng.	2820696	1	4.415	60.	RING - Blocking	7434978	1	4.383
	3.05 : 1 Low gear ratio, 4.2 Litre	2813491	1	4.415	61.	GEAR - Clutch			
	2.54 : 1 Low gear ratio, 8 cyl. eng.	2813492	1	4.415		3.05 : 1 Low gear ratio, 6 cyl. eng.	9930923	1	4.351
21.	RING - Blocking	7434978	1	4.383		3.74 : 1 Low gear ratio, 6 cyl. eng.	9930921	1	4.351
22.	SPRING - Synchronizer 3rd & 4th speed	7438527	1	4.383		3.05 : 1 Low gear ratio, 4.2 Litre	9930925	1	4.351
22/23/24/25.	SYNCHRONIZER ASSY. - 3rd & 4th speed	7435044	1	4.380		2.54 : 1 Low gear ratio, 8 cyl. eng.	9930924	1	4.351
24.	SPRING - Synchronizer 3rd & 4th speed	7438527	1	4.383	62.	BEARING - Clutch gear	7429999	1	4.355
26.	RING - Synchronizer retainer 3rd & 4th speed	3775089	1	4.382	64.	GASKET - Bearing retainer	591022	1	4.358
27.	KEY - Synchronizer 3rd & 4th speed	7435043	3	4.384	65.	RETAINER - Clutch gear bearing			
28.	KEY - Synchronizer 1st & 2nd speed	7435043	3	4.384		6 cyl. eng.	9930909	1	4.356
29.	WASHER - Gear thrust	7433776	1	4.423		8 cyl. eng.	9930910	1	4.356
30.	GEAR - Counter				66.	BOLT	179816	4	8.900
	3.05 : 1 Low gear ratio, 6 cyl. eng.	2813496	1	4.421	67.	GASKET - Cover	7433769	1	4.109
	3.74 : 1 Low gear ratio, 6 cyl. eng.	2820694	1	4.421	68.	FORK - 1st & 2nd speed shift	2813506	1	4.303
	3.05 : 1 Low gear ratio, 4.2 Litre	2813496	1	4.421	69.	FORK - 3rd & 4th speed shift	7433775	1	4.303
	2.54 : 1 Low gear ratio, 8 cyl. eng.	2813497	1	4.421	70.	SHAFT ASSY. - Shifter fork	7433869	1	4.309
31.	WASHER - Gear thrust	7433776	1	4.423	71.	SHAFT ASSY. - Shifter fork	7433869	1	4.309
32.	WASHER - Counter shaft bearing	3775063	6	4.423	72.	SEAL - "O" Ring shift shaft	7430136	2	4.309
33.	BEARING - Needle roller	9414193	92	4.422	73.	CAM - 1st & 2nd speed detent	2813501	1	4.311
34.	SHAFT - Counter gear	3775061	1	4.428	74.	SPRING - Detent cam	7433927	1	4.311
35.	SPACER - Counter gear bearing	7433928	1	4.423	75.	CAM - 3rd & 4th speed detent	2813511	1	4.311
36.	PLUG - Filler	7400181	1	4.103	76.	COVER	7433771	1	4.105
37.	GASKET - Filler plug	113897	1	4.103	77.	BOLT	9413576	3	8.900
					78.	BOLT	9415818	4	8.900
					79.	LEVER - 3rd & 4th speed shift	9932305	1	4.045
					80.	LEVER - 1st & 2nd speed shift	9932304	1	4.045
					81.	WASHER - Lock	SP1486	2	8.931
					82.	NUT - Lever to shaft	7417652	2	4.045



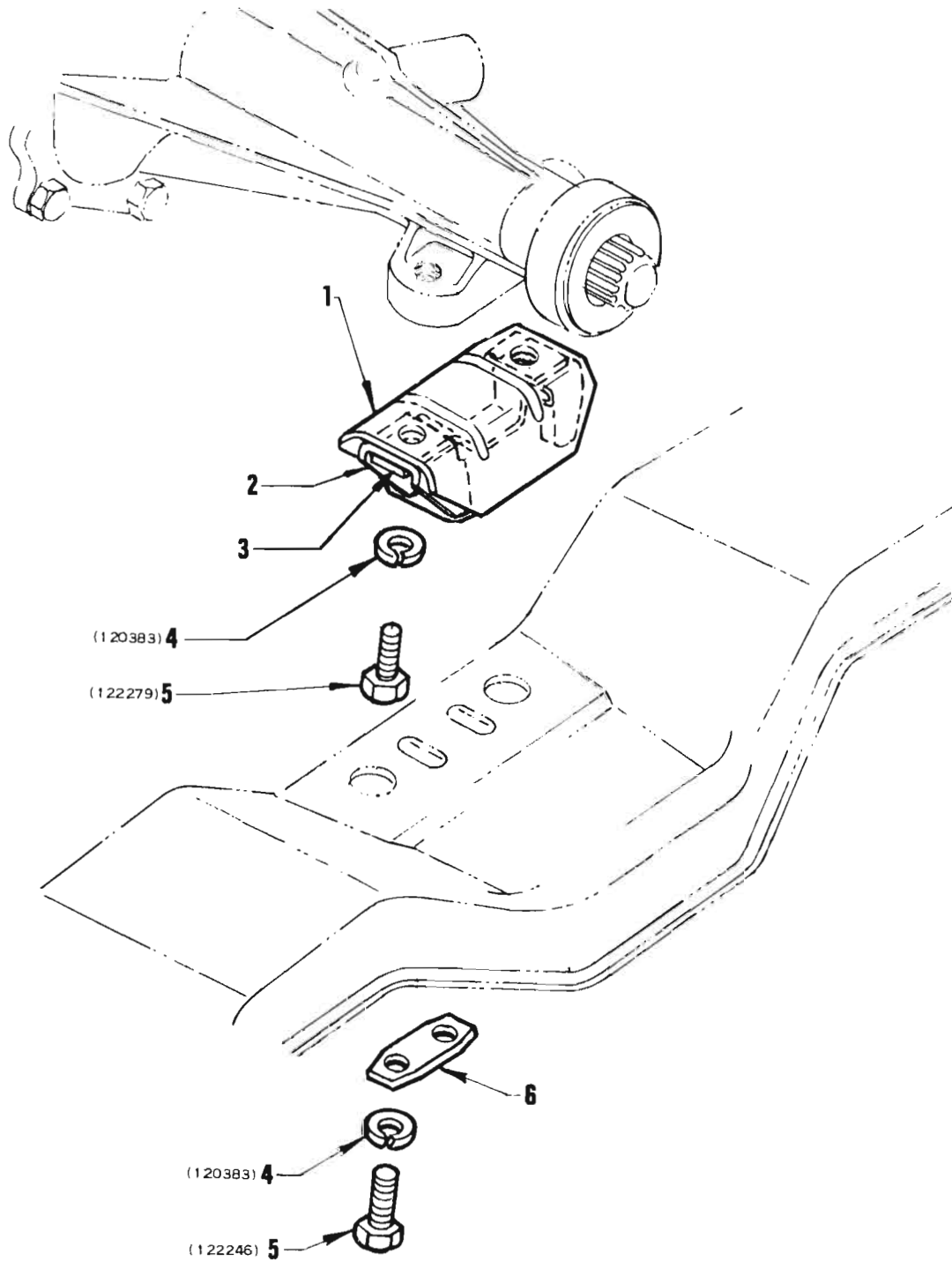
TRANSMISSION CONTROL LINKAGE

ILLUS. REF. NO.	PART NAME	GROUP	ILLUS. REF. NO.	PART NAME	GROUP
1.	ROD - Reverse	4.035	9.	WASHER - Rod to lever	4.035
2.	KNOB - Gearshift lever control	4.009	10.	RETAINER - Shift rods to control levers	4.035
3.	NUT - Knob lock	4.009	11.	ROD - 3rd & 4th speed	4.035
4.	BOOT - Floor pan	4.015	12.	ROD - 1st & 2nd speed	4.035
5.	RETAINER - Floor pan boot	4.015	13.	ADJUSTER - Rod	4.035
6.	SCREW & WASHER ASSY. - Retainer to floor pan	4.015	14.	PIN - Adjuster to lever	4.035
7.	NUT - Retainer to floor pan screw	4.015	15.	MOUNTING & LEVER ASSY.	4.006
8.	INSULATOR - Reverse rod to trans. control lever	4.035	16.	SEAL	4.015



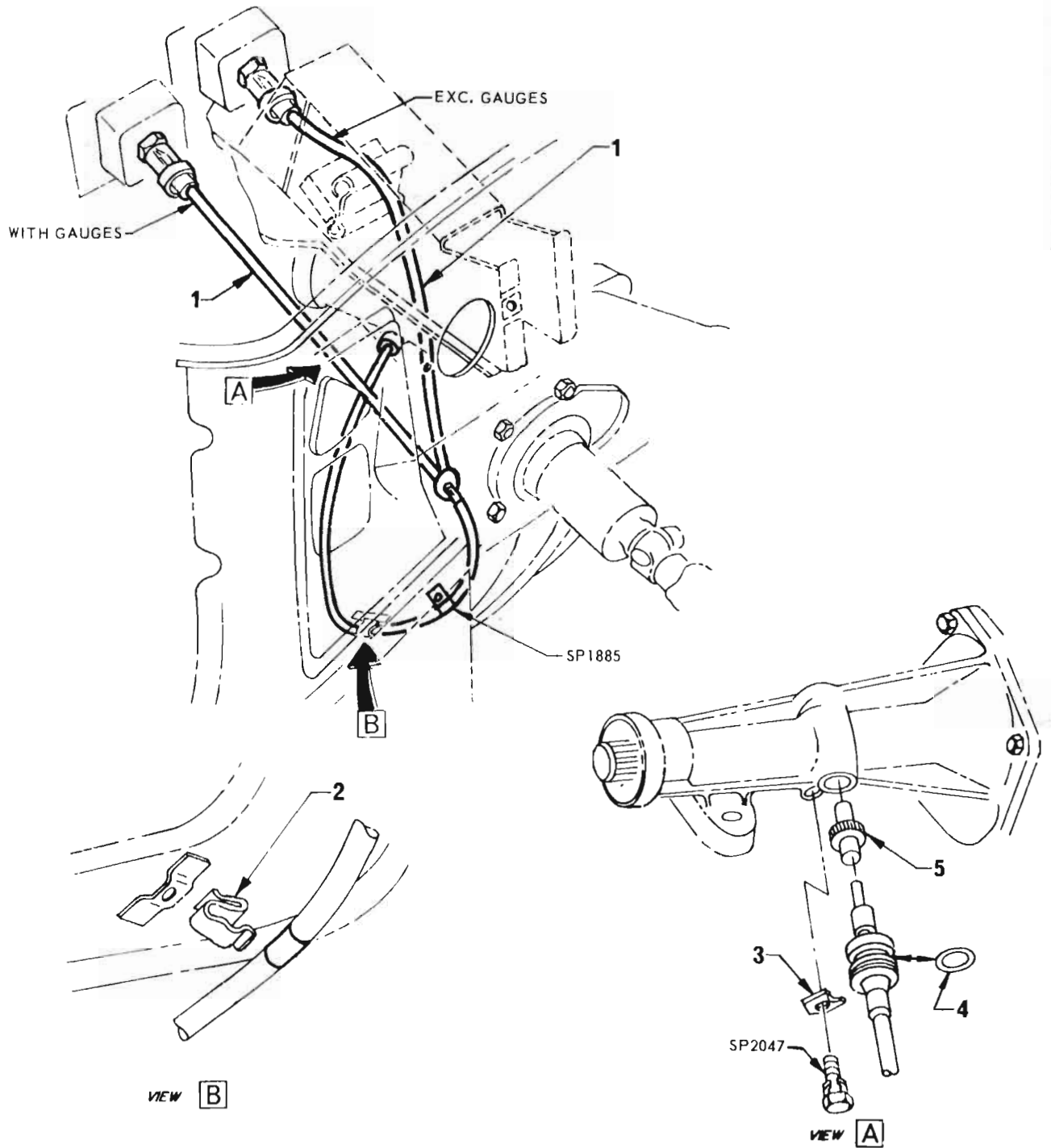
TRANSMISSION CONTROL

ILLUS. REF. NO.	PART NAME	GROUP	ILLUS. REF. NO.	PART NAME	GROUP
1.	INSERT - Manual gearshift pattern	15.293	5.	LEVER & YOKE ASSEMBLY	4.006
2.	BUMPER - Console lid	15.292	6.	KNOB - Gearshift lever control	4.009
3.	SCREW - Sheet metal	8.977	7.	HOUSING - Transmission console	15.290
4.	BOOT - Cover	4.015			



TRANSMISSION MOUNTING

ILLUS. REF. NO.	PART NAME	GROUP	ILLUS. REF. NO.	PART NAME	GROUP
1.	MOUNTING ASSEMBLY	4.081	4.	WASHER - Lock	8.931
2.	ARRESTOR - Rear side mounting	4.081	5.	BOLT - Hexagon head	8.900
3.	ARRESTOR - Rear mounting	4.081	6.	SPACER - Mounting to cross member	4.081



SPEEDOMETER CABLE & GEAR

ILLUS. REF. NO.	PART NAME	GROUP	ILLUS. REF. NO.	PART NAME	GROUP
1.	CABLE & CASING	4.342	4.	SEAL - "O" Ring	4.338
2.	CLIP - Cable to floor pan	4.342	5.	GEAR - Driven	4.337
3.	RETAINER - Casing, drive end	4.342			

"HJ" PARTS CATALOGUE

GROUP	DESCRIPTION	MODEL	SIDE	PART No.	QTY.
TRANSMISSION ASSEMBLY, FOUR SPEED MANUAL CONTROL,					
4.003	TRANSMISSION ASSEMBLY				
	TRANSMISSION ASSEMBLY - 3.05 Low Gear Ratio	6 Cyl. Eng.		9937026	1
	TRANSMISSION ASSEMBLY - 3.74 Low Gear Ratio	6 Cyl. Eng. 3.36, 3.55, 3.40 AR		9937030	1
	TRANSMISSION ASSEMBLY - 3.74 Low Gear Ratio	6 Cyl. Eng. Chassis & Cab 4.44 AR		9936451	1
	TRANSMISSION ASSEMBLY - 3.05 Low Gear Ratio	4.2 Litre Eng.		9937027	1
	TRANSMISSION ASSEMBLY - 2.54 Low Gear Ratio	8 Cyl. Eng.		9937029	1
	4.005 4.003 OVERHAUL KIT GASKET SET	ALL	M37557	931425	1
4.006	LEVER - Gearshift control				
	MOUNTING & LEVER ASSY.	Bucket Seat		2825519	1
	LEVER & YOKE ASSEMBLY	Bench Seat		2819375	1
	LEVER & YOKE ASSEMBLY	Bucket Seat		2825518	1
	SPRING - Lever & yoke preload	ALL		2822917	1
4.009	KNOB - Gearshift lever control				
	KNOB	Bench Seat		2817736	1
	KNOB	Bucket Seat		2817737	1
	NUT - Knob lock	Bench Seat		2805499	1
4.010	MOUNTING - Gearshift control lever				
	MOUNTING ASSEMBLY	ALL		2814941	1
4.015	BOOT, SEAL, RETAINER - Gearshift control				
	BOOT - Floor pan	ALL		2811342	1
	RETAINER - Floor pan boot	ALL		2811344	1
	SEAL	ALL		9930616	1
	SCREW & WASHER ASSEMBLY - Retainer to floor pan	ALL		SP2211	4
	NUT Retainer to floor pan screw	ALL		SP2024	4
	BOOT - Cover	Bucket Seat		2817276	1
	RETAINER - Cover boot	Bucket Seat		2816967	1
	NUT - Boot to cover	Bucket Seat		SP1534	7
	FERRULE - Boot	Bucket Seat		2818652	1
	'O' RING - Boot to ferrule	Bucket Seat		SP2216	1
4.030	LEVER, SPRING, SHAFT, WASHER - Transmission control				
	LEVER - 1st and 2nd shift	ALL		2811327	1
	LEVER - 3rd and 4th shift	ALL		2811328	1
	LEVER - Reverse shift	ALL		2811329	1
	SPRING - Reverse lockout	ALL		2819001	1
	SHAFT - Control lever	ALL		2814806	1
	WASHER - 3rd and 4th shift lever preload	ALL		2814887	1
	SLEEVE - Reverse lockout spring	ALL		2820682	1
4.035	ROD, ADJUSTER, PIN, WASHER, TRUNNION, RETAINER - Transmission shifter				
	ROD - 1st and 2nd speed	ALL		9932306	1
	ADJUSTER - 1st & 2nd speed rod	ALL		2806521	1
	PIN - Adjuster to lever - Clevis .320" x .68"	ALL		SP2504	1
	WASHER - Rod to lever flat, .39" x .875" x .083"	ALL		SP1807	1
	RETAINER - Pin to adjuster	ALL		3749084	1
	ROD - 3rd and 4th speed	ALL		9932307	1
	ADJUSTER - 3rd & 4th speed rod	ALL		2806521	1
	PIN - Adjuster to lever - Clevis .320" x .68"	ALL		SP2504	1
	WASHER - Rod to lever flat, .39" x .875" x .083"	ALL		SP1807	1
	RETAINER - Adjuster	ALL		3749084	1
	ROD - Reverse	ALL		2811024	1
	TRUNNION - Reverse rod	ALL		2812082	1
	RETAINER - Trunnion	ALL		3749084	1
	INSULATOR - Reverse rod to trans. control lever	ALL		7418439	1
	RETAINER - Shifter rods to control levers	ALL		3749084	3

“HJ” PARTS CATALOGUE

GROUP	DESCRIPTION	MODEL	SIDE	PART No.	QTY.
TRANSMISSION ASSEMBLY, FOUR SPEED MANUAL CONTROL,					
4 045	LEVER – Transmission shifter shaft				
	LEVER - 1st and 2nd speed	ALL		9932304	1
	LEVER - 3rd and 4th speed	ALL		9932305	1
	LEVER - Reverse, external	ALL		2811032	1
	NUT - Levers to shafts	ALL		7417652	3
4.081	MOUNTING – Transmission support				
	MOUNTING ASSEMBLY	ALL		7432236	1
	ARRESTOR - Rear mounting	ALL		2819856	1
	ARRESTOR - Rear side mounting	ALL		2819855	2
	SPACER - Mounting to crossmember	ALL		7421049	1
4.103	CASE ASSEMBLY – Transmission				
	CASE ASSEMBLY	ALL		2829795	1
	PLUG - Transmission filler (3/4" - 16)	ALL		7400181	1
	GASKET - Filler plug (3/4" annular)	ALL		113897	1
4.105	COVER – Transmission				
	COVER	ALL		7433771	1
	BOLT - Cover to case	ALL		SP2141	4
4.109	GASKET – Transmission cover				
	GASKET	ALL		7433769	1
4.303	FORK – Transmission shifter				
	FORK - 1st and 2nd speed	ALL		2813506	1
	FORK - 3rd and 4th speed	ALL		7433775	1
4.304	YOKE – Reverse shifter				
	YOKE	ALL		2809727	1
4.309	SHAFT, SEAL – Transmission shifter				
	SHAFT ASSEMBLY - 1st and 2nd, 3rd and 4th	ALL		7433869	2
	SEAL - Shift shaft - 'O' Ring 9/16" x 3/32"	ALL		7430136	2
	SHAFT Reverse shift	ALL		2813514	1
	SLEEVE - Reverse shift shaft	ALL		2813520	1
	SEAL - Reverse shift shaft - 'O' Ring 3/8" x 3/32"	ALL		2809290	1
4.311	CAM, PIN, SPRING, BALL – Transmission detent				
	CAM - 1st and 2nd speed	ALL		2813501	1
	CAM - 3rd and 4th speed	ALL		2813511	1
	PIN - Detent cam	ALL		SP2094	1
	SPRING - Detent cam	ALL		7433927	1
	BALL - Reverse shift lever detent (3/8" dia.)	ALL		147489	1
	SPRING Reverse lever detent ball	ALL		2813527	1
	WASHER - Reverse detent	ALL		2813521	1
4 316	LEVER – Reverse internal shifter				
	LEVER	ALL		2809600	1
4 317	HOUSING, ADAPTOR, SEAL – Transmission extension				
	HOUSING ASSEMBLY	ALL		2813504	1
	ADAPTOR - Transmission rear bearing	ALL		2813513	1
	BUSHING - Housing	ALL		3717682	1
	SEAL - Housing	ALL		3871649	1
	WASHER - Housing to case	ALL		7400256	1

GROUP	DESCRIPTION	MODEL	SIDE	PART No.	QTY.
TRANSMISSION ASSEMBLY, FOUR SPEED MANUAL CONTROL,					
4.318	GASKET – Transmission extension housing				
	GASKET	ALL		2813507	1
4.337	GEAR – Speedometer driven and drive				
	GEAR – Driven – 19 teeth – Pink	3.08 : 1 AR		7430967	1
	GEAR – Driven – 20 teeth – White	3.08 : 1 AR		7430968	1
	GEAR – Driven – 22 teeth – Dark blue	3.08 : 1 AR		7430970	1
	GEAR – Driven – 21 teeth – Green	3.36 : 1 AR		7430969	1
	GEAR – Driven – 22 teeth – Dark blue	3.55 : 1 AR		7430970	1
	GEAR – Driven – 24 teeth – Yellow	3.90 : 1 AR		7430972	1
	GEAR – Driven – 21 teeth – Green	4.44 : 1 AR		7430969	1
	GEAR – Drive	Exc. Chassis & Cab 4.44 A.R.		5258493	1
	GEAR – Drive	6 Cyl. Eng. Chassis & Cab 4.44 AR ...	5258754	628574	1
	CLIP – Drive gear	ALL		1373122	1
4.338	SEAL – Speedometer driven gear				
	SEAL - 'O' Ring ($\frac{3}{16}$ " I.D. x $\frac{1}{8}$ ")	ALL		7430921	1
4.342	CABLE and CASING – Speedometer				
	CABLE & CASING	Instrument types 1,2,3	9943803 992	(⁶ 9024184	1
	CABLE & CASING	Instrument types 4,5,6	9943805	(⁶ 9024199	1
	CABLE KIT	Instrument types 1,2,3	V.513539	(⁶ V812046	1
	CABLE KIT	Instrument types 4,5,6	V.513541	(⁶ V812047	1
	CLIP – Cable to floor pan	ALL		7434452	1
	CLIP – Cable to floor brace	ALL		SP1885	1
	RETAINER – Drive end	ALL		7430917	1
	SEAL – Cable	ALL		7434266	1
	RETAINER – Seal	ALL		2817874	1
4.351	GEAR – Clutch				
	GEAR – 3.05 : 1 Low Gear Ratio	6 Cyl. Eng.		9930923	1
	GEAR – 3.74 : 1 Low Gear Ratio	6 Cyl. Eng.		9930921	1
	GEAR – 3.05 : 1 Low Gear Ratio	4.2 Litre Eng.		9930925	1
	GEAR – 2.54 : 1 Low Gear Ratio	8 Cyl. Eng.		9930924	1
4.352	BEARING – Main shaft front				
	BEARING – Needle roller	ALL		7400162	15
	BEARING PACKAGE	ALL		7449495	1
4.354	SEAL – Clutch gear bearing oil				
	SEAL	ALL		3987936	1
4.355	BEARING ASSEMBLY – Clutch gear				
	BEARING	ALL		7429999	1
4.356	RETAINER – Clutch gear bearing				
	RETAINER	6 Cyl. Eng.		9930909	1
	RETAINER	8 Cyl. Eng.		9930910	1
4.358	GASKET – Clutch gear bearing retainer				
	GASKET	ALL		591022	1
4.376	RING – Clutch gear bearing retainer				
	RING – .088" thick	ALL		(¹¹ 3775052	1
	RING – .094" thick	ALL		(¹¹ 3775050	1

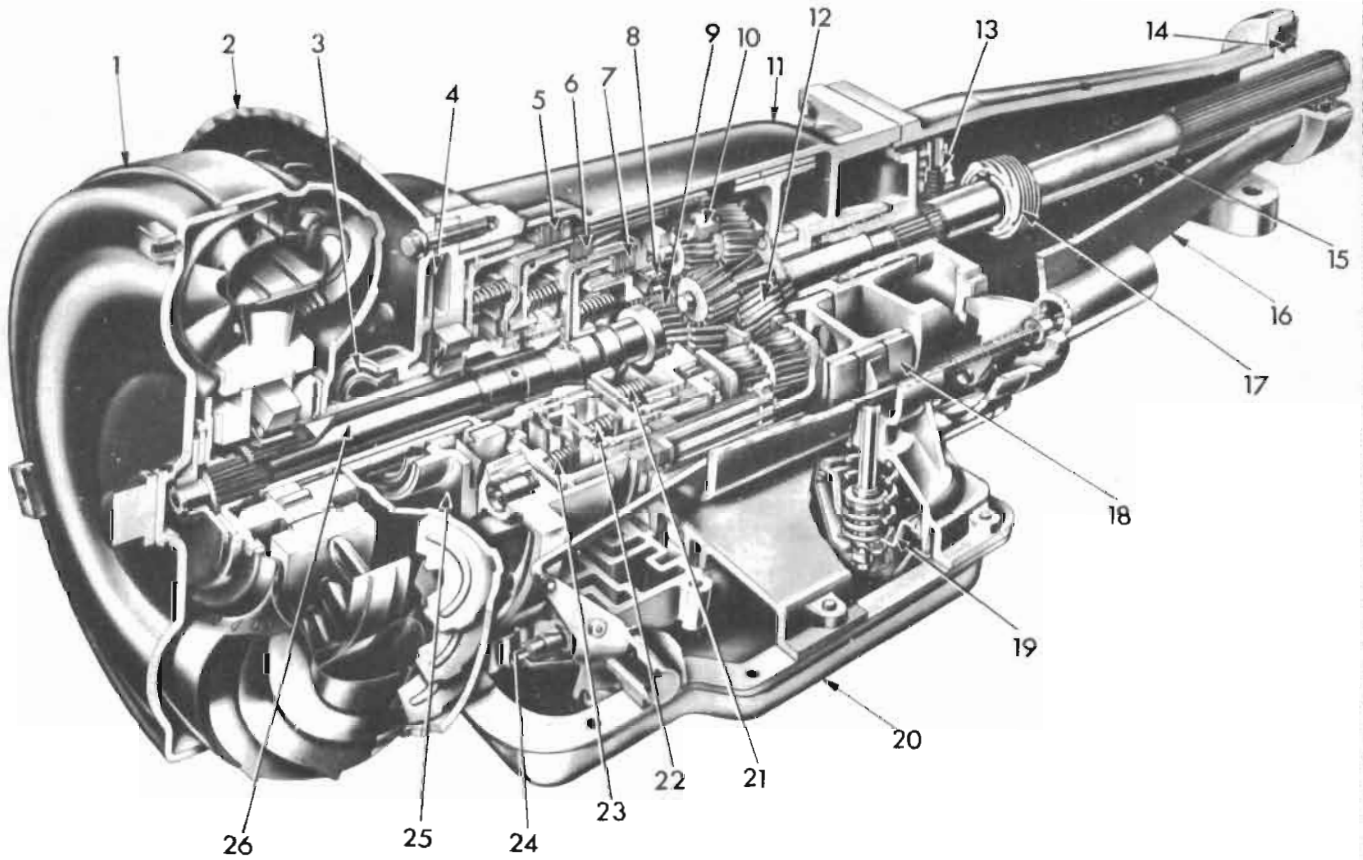
Note: (⁶ Refer Group 2.515 for Type No. Identification.
 (¹¹ Selective fit.

“HJ” PARTS CATALOGUE

GROUP	DESCRIPTION	MODEL	SIDE	PART No.	QTY.
TRANSMISSION ASSEMBLY, FOUR SPEED MANUAL CONTROL,					
4.380	SYNCHRONIZER ASSEMBLY – Transmission				
	SYNCHRONIZER ASSEMBLY – 1st and 2nd speed.	ALL		2813515	1
	SYNCHRONIZER ASSEMBLY – 3rd and 4th speed.	ALL		7435044	1
4.382	RING – Transmission synchronizer retainer				
	RING – 1st and 2nd	ALL		7429966	1
	RING – 3rd and 4th	ALL		3775089	1
4.383	SPRING, RING – Transmission synchronizer				
	SPRING – 1st and 2nd	ALL		7437055	2
	SPRING – 3rd and 4th	ALL		7438527	2
	RING – Blocking	ALL		7434978	A.R.
4.384	KEY – Transmission synchronizer				
	KEY	ALL		7435043	6
4.395	GEAR – Second speed				
	GEAR	ALL		2813490	1
4.403	SHAFT – Transmission main				
	SHAFT	ALL		2813493	1
4.408	BEARING ASSEMBLY – Mainshaft rear				
	BEARING ASSEMBLY	ALL		7433929	1
4.412	RING – Transmission bearing				
	RING – Locating	ALL		2809457	1
	RING – Mainshaft lock	ALL		3707189	1
4.415	GEAR – Third speed				
	GEAR – 3.05 : 1 Low Gear Ratio	6 Cyl. Eng.		2813491	1
	GEAR – 3.74 : 1 Low Gear Ratio	6 Cyl. Eng.		2820696	1
	GEAR – 3.05 : 1 Low Gear Ratio	4.2 Litre Eng.		2813491	1
	GEAR – 2.54 : 1 Low Gear Ratio	8 Cyl. Eng.		2813492	1
4.418	GEAR – Mainshaft first speed, reverse				
	GEAR – 1st speed	ALL		2813489	1
	GEAR – Reverse	6 Cyl. Eng.		2813525	1
	GEAR – Reverse	8 Cyl. Eng.		2813500	1
4.419	PLATE, SPRING – Reverse gear anti-lash				
	PLATE	6 Cyl. Eng.		2813517	1
	SPRING	6 Cyl. Eng.		2813522	1
4.421	GEAR – Counter				
	GEAR – 3.05 : 1 Low Gear Ratio	6 Cyl. Eng.		2813496	1
	GEAR – 3.74 : 1 Low Gear Ratio	6 Cyl. Eng.		2820694	1
	GEAR – 3.05 : 1 Low Gear Ratio	4.2 Litre Eng.		2813496	1
	GEAR – 2.54 : 1 Low Gear Ratio	8 Cyl. Eng.		2813497	1
4.422	BEARING – Counter gear				
	BEARING – Needle roller	ALL		9414193	92
	BEARING PACKAGE	ALL		7449496	1

“HJ” PARTS CATALOGUE

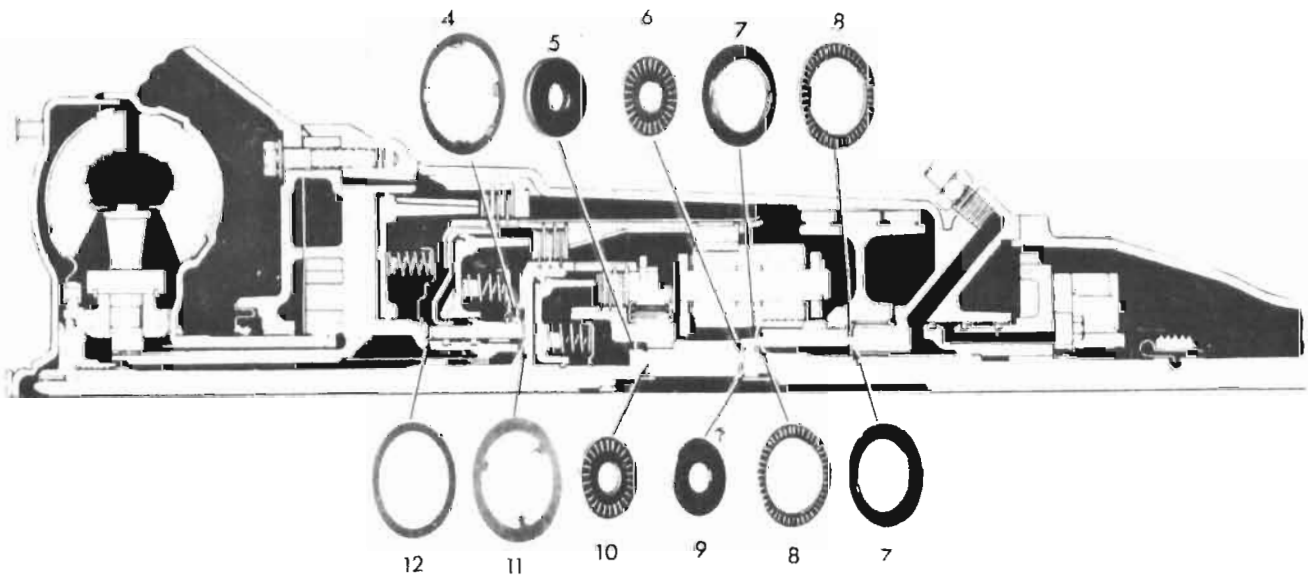
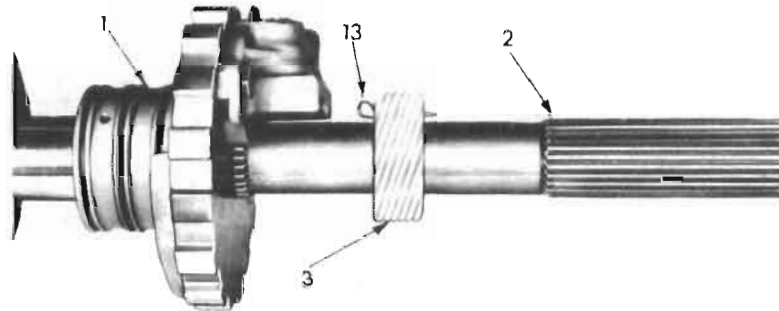
GROUP	DESCRIPTION	MODEL	SIDE	PART No.	QTY.
TRANSMISSION ASSEMBLY, FOUR SPEED MANUAL CONTROL,					
4.423	WASHER – Counter shaft				
	WASHER – Bearing	ALL		3775063	6
	SPACER – Bearing	ALL		7433928	1
	WASHER – Gear thrust	ALL		7433776	2
4.428	SHAFT – Counter gear				
	SHAFT	ALL		3775061	1
4.430	GEAR – Reverse idler				
	GEAR	ALL		2825988	1
4.432	WASHER – Reverse idler gear thrust				
	WASHER	ALL		2813519	2
4.433	BUSHING – Reverse idler gear				
	BUSHING – Reverse idler to transmission case and extension housing	ALL		2820528	2



TRANSMISSION ASSEMBLY

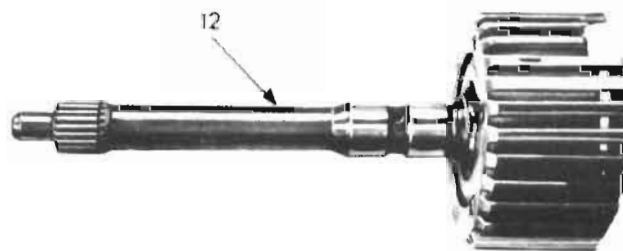
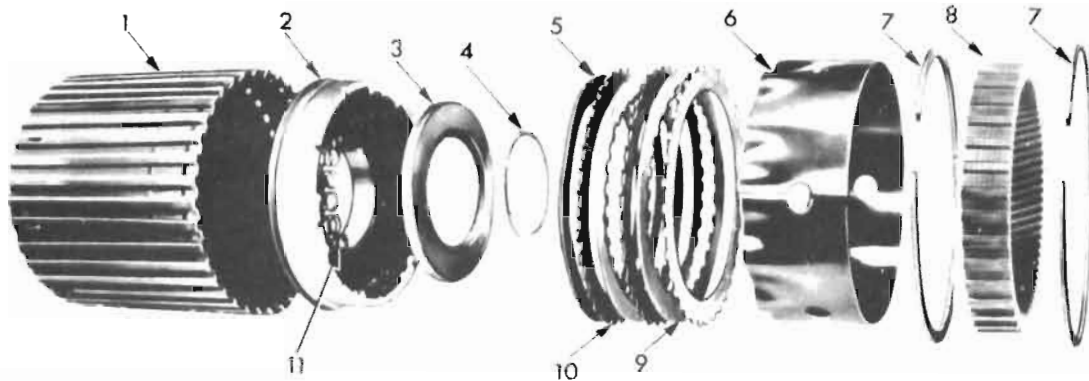
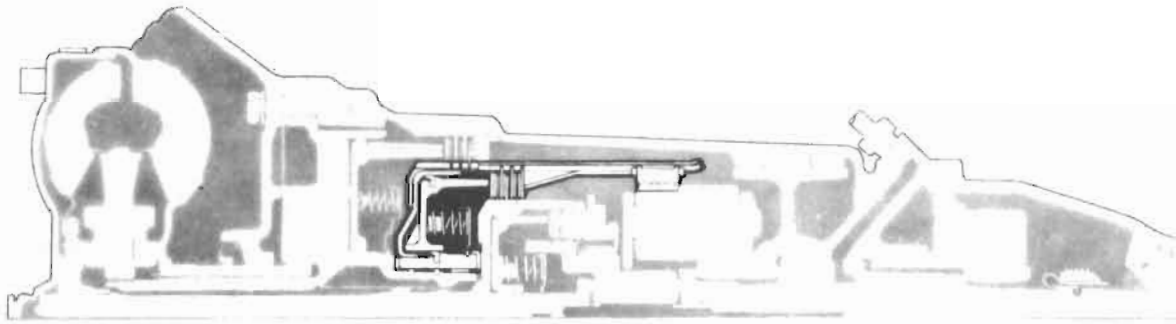
(Trimatic)

ILLUS. REF. NO.	PART NAME	GROUP	ILLUS. REF. NO.	PART NAME	GROUP
1.	CONVERTER ASSY.	4.156	14.	SEAL - Rear bearing housing	4.317
2.	HOUSING - Converter	0.683	15.	CARRIER ASSY. - Planet	4.177
3.	SEAL - Converter housing	0.683	16.	HOUSING - Rear bearing	4.317
4.	PLATE - Wear	4.226	17.	GEAR - Speedo drive	4.337
5.	PLATE - Reverse clutch	4.163	18.	BAND ASSY. - Reaction	4.251
6.	PLATE - 2nd clutch	4.163	19.	PISTON - Servo	4.228
7.	PLATE - 3rd clutch	4.163	20.	PAN - Transmission oil	4.195
8.	SPRAG ASSY.	4.158	21.	SPRING - 3rd clutch piston	4.164
9.	GEAR ASSY. - Input sun	4.177	22.	SPRING - 2nd clutch piston	4.164
10.	GEAR - Ring	4.187	23.	SPRING - Reverse clutch piston	4.164
11.	CASE - Transmission	4.103	24.	VALVE - Manual	4.265
12.	GEAR & DRUM ASSY. - Reaction sun	4.177	25.	PUMP ASSY. - Oil	4.226
13.	GOVERNOR	4.256	26.	DRUM & INPUT SHAFT - 3rd clutch	4.153



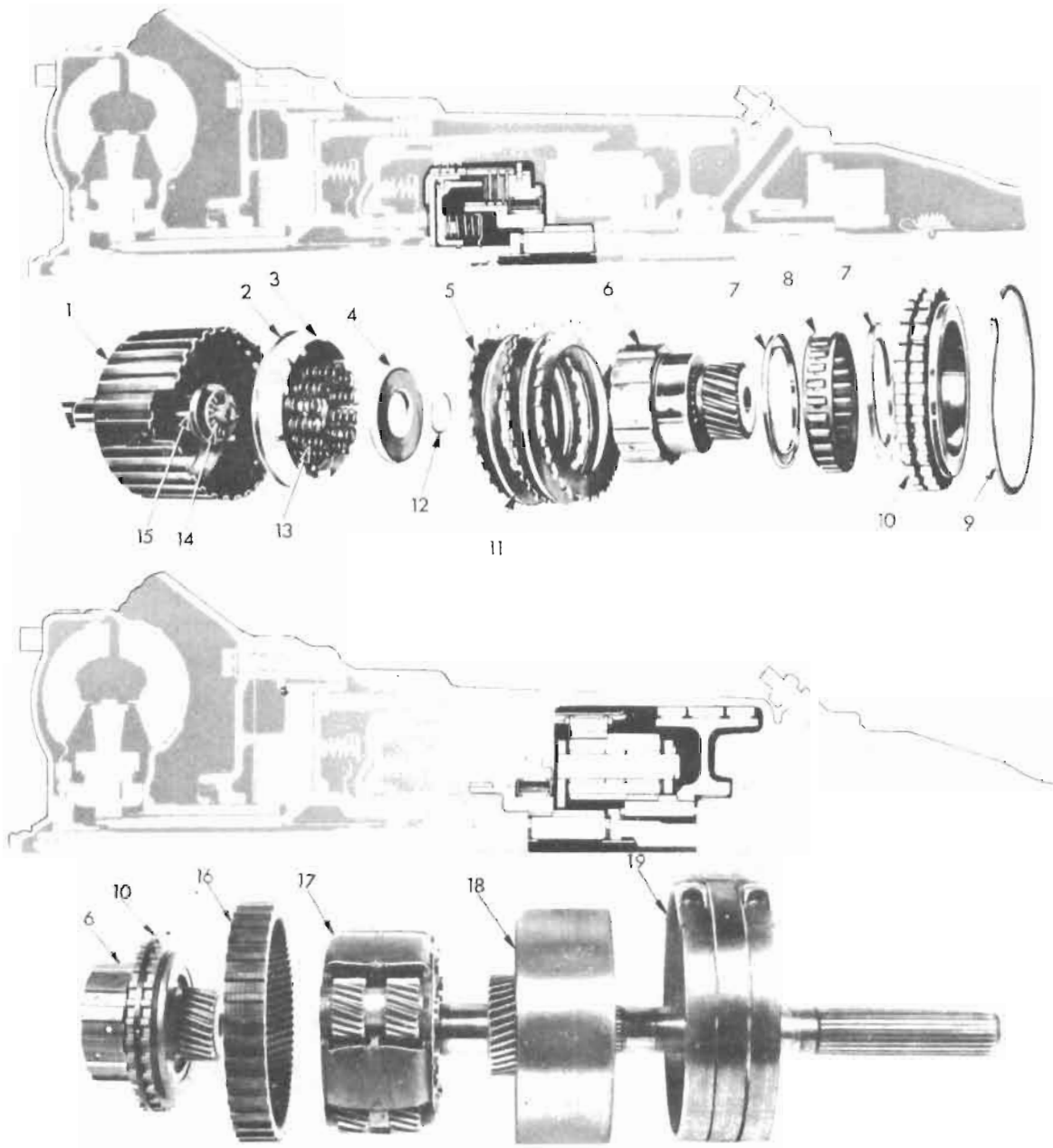
TRANSMISSION ASSEMBLY
(Trimatic)

ILLUS. REF. NO.	PART NAME	GROUP	ILLUS. REF. NO.	PART NAME	GROUP
1.	GOVERNOR ASSEMBLY	4.256	8.	BEARING - Reaction sun gear	4.177
2.	CARRIER ASSEMBLY - Planet	4.177	9.	WASHER - Sun gear to carrier assy.	4.177
3.	GEAR - Speedometer drive	4.337	10.	BEARING - Input shaft to sun gear thrust	4.177
4.	WASHER - 2nd & 3rd clutch thrust (bronze) .	4.129	11.	WASHER - 2nd & 3rd clutch thrust (steel)	4.129
5.	WASHER - Input shaft to sun gear thrust	4.177	12.	WASHER - Clutch thrust	4.129
6.	BEARING - Sun gear to carrier assy.	4.177	13.	CLIP - Speedometer drive gear	4.337
7.	WASHER - Reaction sun gear & drum	4.129			



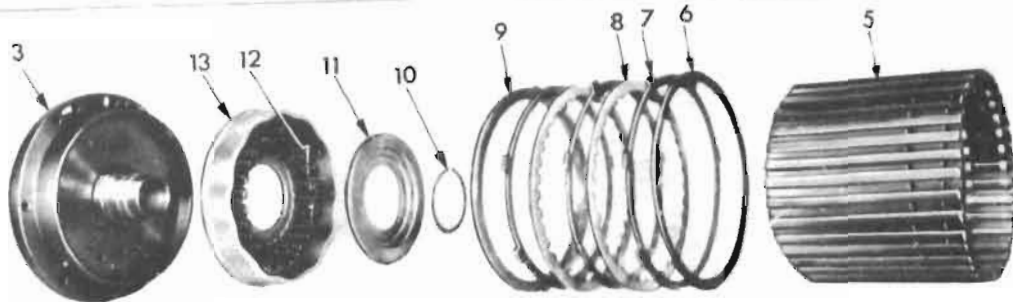
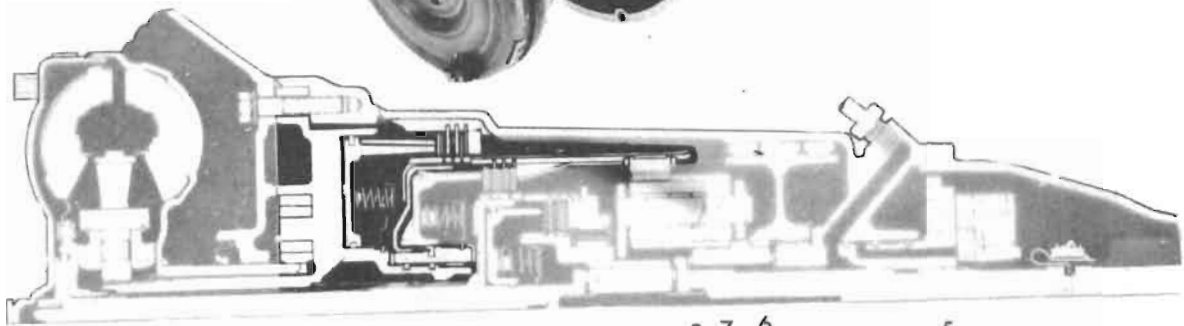
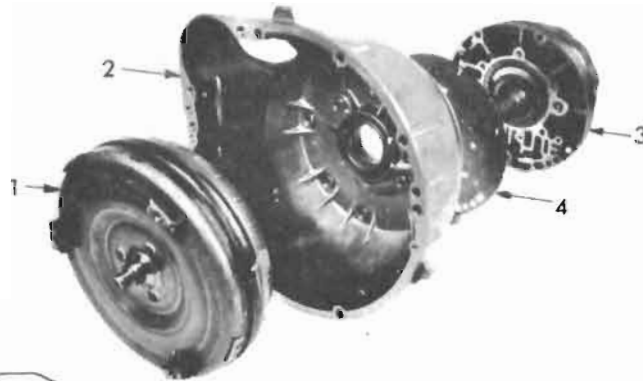
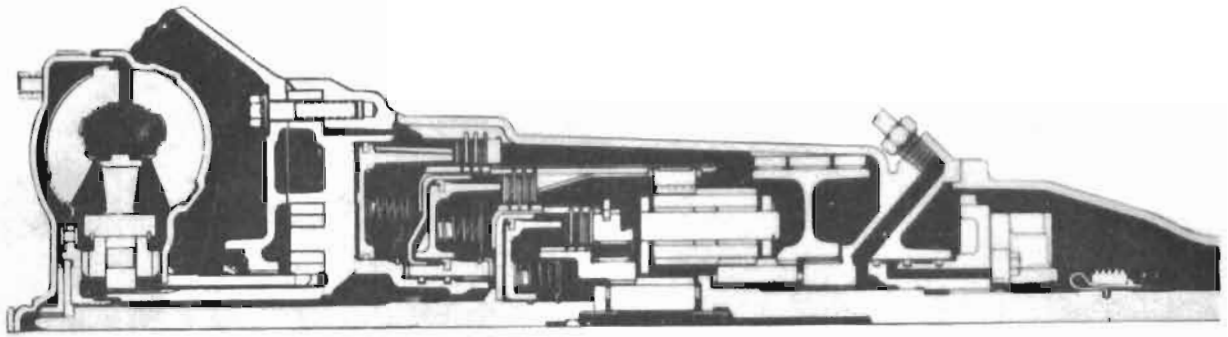
**TRANSMISSION ASSEMBLY
(Trimatic)**

ILLUS. REF. NO.	PART NAME	GROUP	ILLUS. REF. NO.	PART NAME	GROUP
1.	DRUM - 2nd clutch	4.158	8.	GEAR - Ring	4.187
2.	PISTON ASSY. - 2nd clutch	4.166	9.	PLATE - 2nd clutch drive	4.163
3.	SEAT - 2nd clutch piston	4.165	10.	PLATE - 2nd clutch driven	4.163
4.	RING - 2nd clutch piston seat retainer..	4.128	11.	SPRING - 2nd clutch piston	4.164
5.	PLATE - 2nd clutch cushion	4.163	12.	DRUM & INPUT SHAFT ASSY.- 3rd clutch	4.153
6.	SPACER - 2nd clutch plate	4.163			
7.	RING - Ring gear retaining	4.128			



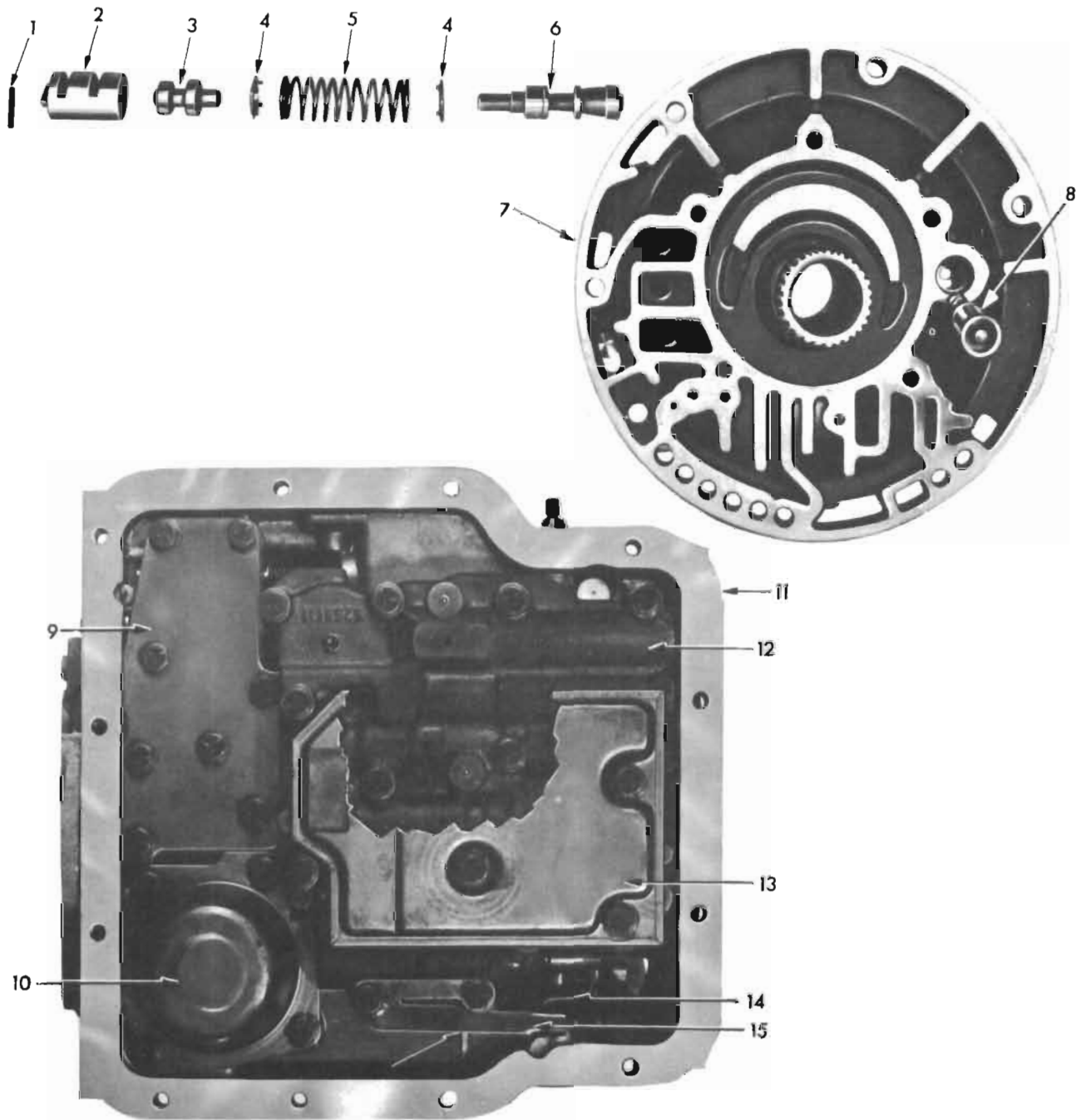
**TRANSMISSION ASSEMBLY
(Trimatic)**

ILLUS. REF. NO.	PART NAME	GROUP	ILLUS. REF. NO.	PART NAME	GROUP
1.	DRUM & INPUT SHAFT ASSY. - 3rd clutch	4.153	11.	PLATE - 3rd clutch drive	4.163
2.	SEAL - 3rd clutch piston outer	4.166	12.	RING - 3rd clutch piston spring retainer ..	4.128
3.	PISTON ASSY. - 3rd clutch	4.166	13.	SPRING - 3rd clutch	4.164
4.	SEAT - 3rd clutch piston spring	4.165	14.	BEARING - Input shaft to sun gear thrust..	4.177
5.	PLATE - 3rd clutch driven	4.163	15.	WASHER - Input shaft to sun gear thrust..	4.177
6.	GEAR ASSY. - Input sun	4.177	16.	GEAR - Ring	4.187
7. } 8. }	SPRAG ASSY. - Input	4.158	17.	CARRIER ASSY. - Planet	4.177
9.	RING - 3rd clutch retainer	4.128	18.	GEAR & DRUM ASSY. - Reaction	4.177
10.	RACE & RETAINER ASSY. - 3rd clutch input sprag	4.158	19.	BAND ASSY. - Reaction	4.251



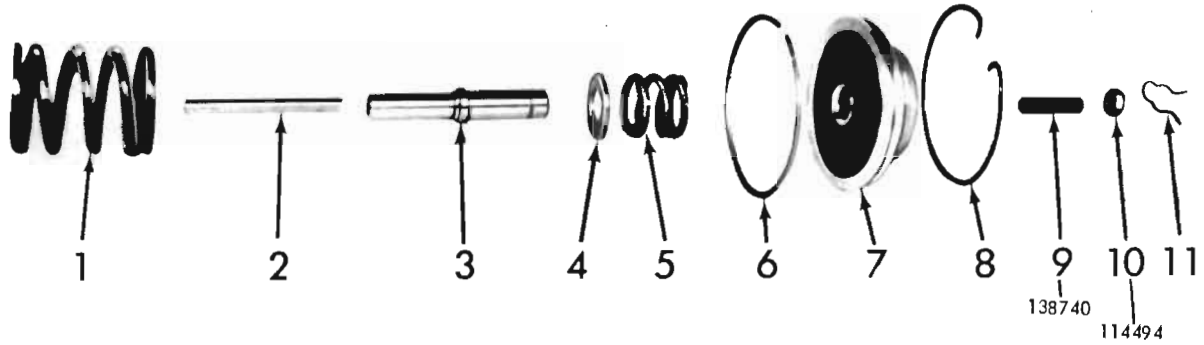
TRANSMISSION ASSEMBLY
(Trimatic)

ILLUS. REF. NO.	PART NAME	GROUP	ILLUS. REF. NO.	PART NAME	GROUP
1.	CONVERTER ASSEMBLY	4.156	8.	PLATE - Reverse clutch drive	4.163
2.	HOUSING - Converter	0.683	9.	PLATE - Reverse clutch cushion	4.163
3.	BODY & GEAR PACKAGE	4.226	10.	RING - Reverse clutch piston	4.128
4.	PLATE - Wear	4.226	11.	SEAT - Reverse clutch piston return spring ..	4.189
5.	DRUM ASSEMBLY - 2nd clutch	4.158	12.	SPRING - Reverse clutch piston	4.164
6.	PLATE - Reverse clutch pressure	4.163	13.	PISTON - Reverse clutch	4.166
7.	PLATE - Reverse clutch reaction	4.163			



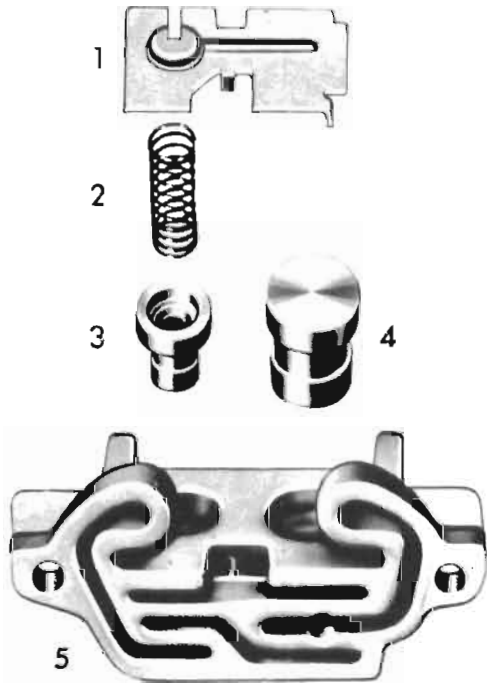
**TRANSMISSION ASSEMBLY
(Trimatic)**

ILLUS. REF. NO.	PART NAME	GROUP	ILLUS. REF. NO.	PART NAME	GROUP
1.	PIN - Chamfer 1/8" x 1,1/16"	4.226	9.	REINFORCEMENT - Transfer plate	4.265
2.	SLEEVE - Pressure regulator booster valve	4.226	10.	COVER - Servo	4.212
3.	VALVE - Pressure regulator booster	4.226	11.	CASE - Transmission	4.103
4.	SEAT - Pressure regulator valve spring	4.226	12.	BODY ASSEMBLY - Valve	2.265
5.	SPRING - Pressure regulator valve	4.226	13.	SCREEN ASSY. - Oil pump suction	4.224
6.	VALVE - Pressure regulator	4.226	14.	LINK - Manual valve lever	4.265
7.	BODY & GEAR PACKAGE	4.226	15.	ROLLER & SPRING ASSY. - Detent	4.279
8.	VALVE - Oil pump priming	4.226			



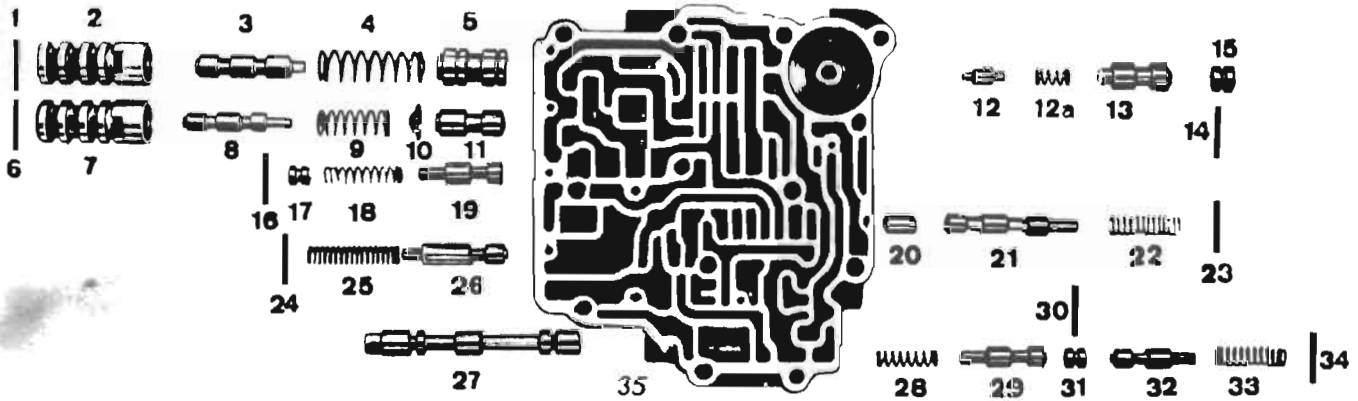
SERVO ASSEMBLY

ILLUS. REF. NO.	PART NAME	GROUP	ILLUS. REF. NO.	PART NAME	GROUP
1.	SPRING – Servo piston return	4.233			
2.	ROD – Servo piston apply	4.230	3.	PISTON ASSY. – Servo	4.228
5.	SPRING – Servo cushion piston	4.233	4.		
6.	RING – Servo piston	4.127	5.		
8.	RING – Servo piston retainer	4.128	6.		
9.	BOLT – Servo piston adjusting	8.975	7.		
10.	NUT – Servo piston adjusting	8.916	11.		
11.	RETAINER – Servo piston	4.233			



GOVERNOR ASSEMBLY

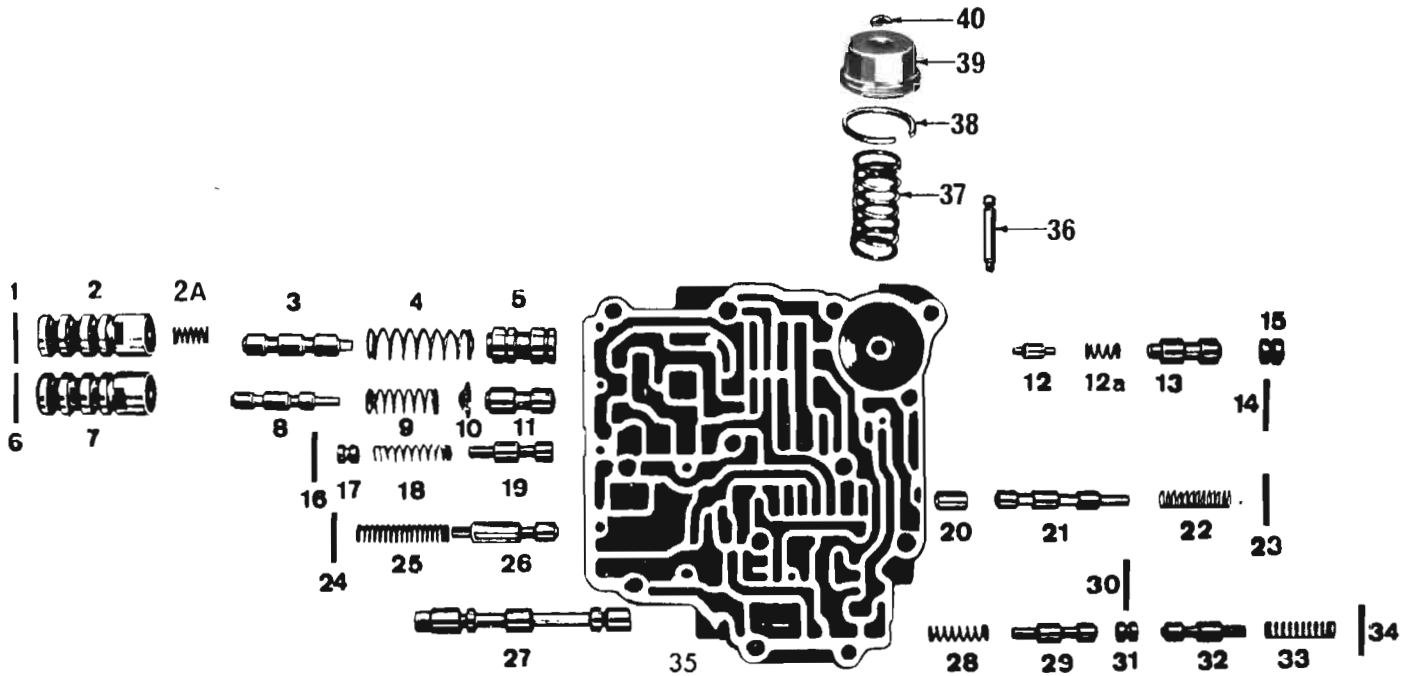
ILLUS. REF. NO.	PART NAME	GROUP
1.	RETAINER – Secondary valve spring	4.256
2.	SPRING – Secondary valve	4.256
3.	VALVE – Secondary	4.256
4.	VALVE – Primary	4.256
5.	BODY – Valve	4.256



VALVE BODY

ILLUS. REF. NO.	PART NAME	GROUP	ILLUS. REF. NO.	PART NAME	GROUP
1.	PIN - Coiled spring	4,265	19.	VALVE - 3rd to 2nd control	4,265
2.	SLEEVE - 1st & 2nd shift control valve	4,265	20.	VALVE - Reverse control	4,265
3.	VALVE - 1st & 2nd shift control	4,265	21.	VALVE - Manual low control	4,265
4.	SPRING - 1st & 2nd shift control valve	4,265	22.	SPRING - Manual low & reverse control valve	4,265
5.	VALVE - 1st & 2nd shift	4,265	23.	PIN - Coiled spring	4,265
6.	PIN - Coiled spring	4,265	24.	PIN - Coiled spring	4,265
7.	SLEEVE - 2nd & 3rd shift control valve	4,265	25.	SPRING - Detent pressure regulator valve	4,265
8.	VALVE - 2nd & 3rd shift control	4,265	26.	VALVE - Detent pressure regulator	4,265
9.	SPRING - 2nd & 3rd shift control valve	4,265	27.	VALVE - Manual	4,265
10.	SEAT - 2nd & 3rd shift control valve spring	4,265	28.	SPRING - Low speed d/shift timing valve	4,265
11.	VALVE - 2nd & 3rd shift	4,265	29.	VALVE - Low speed d/shift timing	4,265
12.	VALVE - 1st & 2nd accumulator control	4,265	30.	PIN - Coiled spring	4,265
12A.	SPRING - 1st & 2nd accumulator valve	4,265	31.	PLUG - Low speed d/shift timing valve	4,265
13.	VALVE - 1st & 2nd accumulator	4,265	32.	VALVE - High speed d/shift timing	4,265
14.	PIN - Coiled spring	4,265	33.	SPRING - High speed d/shift timing valve	4,265
15.	PLUG - 1st & 2nd accumulator valve	4,265	34.	PIN - Coiled spring	4,265
16.	PIN - Coiled spring	4,265	35.	BODY - Valve	4,265
17.	PLUG - 3rd to 2nd control valve	4,265			
18.	SPRING - 3rd to 2nd control valve	4,265			

"HJ" PARTS CATALOGUE

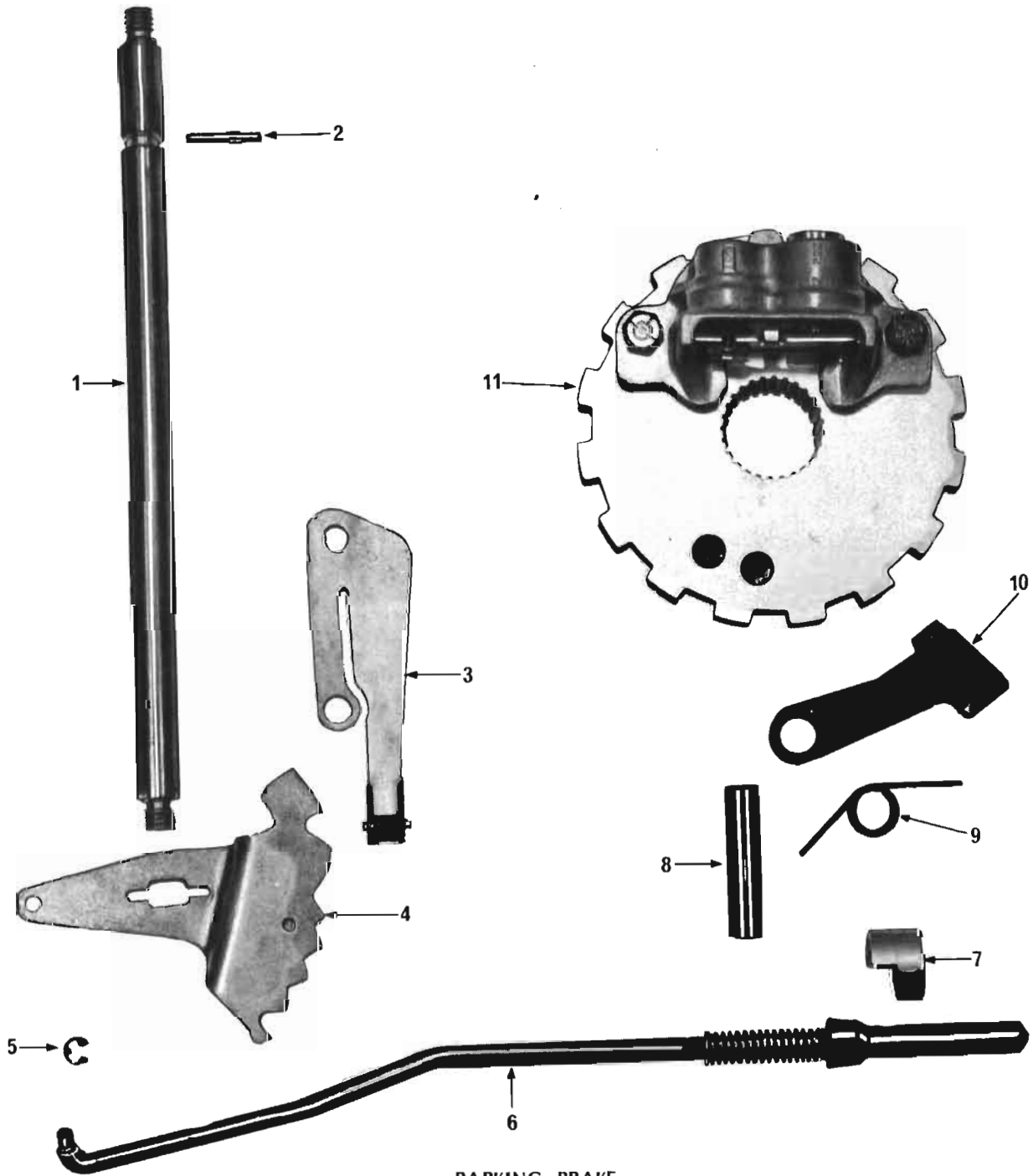


**VALVE BODY
(Trimatic)**

ILLUS. REF. NO.	PART NAME	GROUP	ILLUS. REF. NO.	PART NAME	GROUP
1.	PIN - Spring	4.265	20.	VALVE - Reverse control	4.265
2.	SLEEVE - 1st & 2nd shift control valve	4.265	21.	VALVE - Manual low control	4.265
2A.	SPRING - 1st & 2nd shift control valve - return	4.265	22.	SPRING - Manual low & reverse control valve	4.265
3.	VALVE - 1st & 2nd shift control	4.265	23.	PIN - Spring	4.265
4.	SPRING - 1st & 2nd shift control valve	4.265	24.	PIN - Spring	4.265
5.	VALVE - 1st & 2nd shift	4.265	25.	SPRING - Detent pressure regulator valve	4.265
6.	PIN - Spring	4.265	26.	VALVE - Detent pressure regulator	4.265
7.	SLEEVE - 2nd & 3rd shift control valve	4.265	27.	VALVE - Manual	4.265
8.	VALVE - 2nd & 3rd shift control	4.265	28.	SPRING - Low speed downshift timing valve	4.265
9.	SPRING - 2nd & 3rd shift control valve	4.265	29.	VALVE - Low speed downshift timing	4.265
10.	SEAT - 2nd & 3rd shift control valve spring	4.265	30.	PIN - Spring	4.265
11.	VALVE - 2nd & 3rd shift	4.365	31.	PLUG - Low speed downshift timing valve	4.265
12.	VALVE - 1st & 2nd accumulator control	4.265	32.	VALVE - High speed downshift timing	4.265
12A.	SPRING - 1st & 2nd accumulator valve	4.265	33.	SPRING - High speed downshift timing valve	4.265
13.	VALVE - 1st & 2nd accumulator	4.265	34.	PIN - Spring	4.265
14.	PIN - 1st & 2nd accumulator valve retaining	4.265	35.	BODY - Spring	4.265
15.	PLUG - 1st & 2nd accumulator valve	4.265	36.	PIN - Accumulator piston	4.233
16.	PIN - Spring	4.265	37.	SPRING - Accumulator piston	4.233
17.	PLUG - 3rd to 2nd control valve	4.265	38.	RING - Accumulator piston	4.127
18.	SPRING - 3rd to 2nd control valve	4.265	39.	PISTON - Accumulator	4.228
19.	VALVE - 3rd to 2nd control	4.265	40.	RING - Accumulator piston retaining	4.128

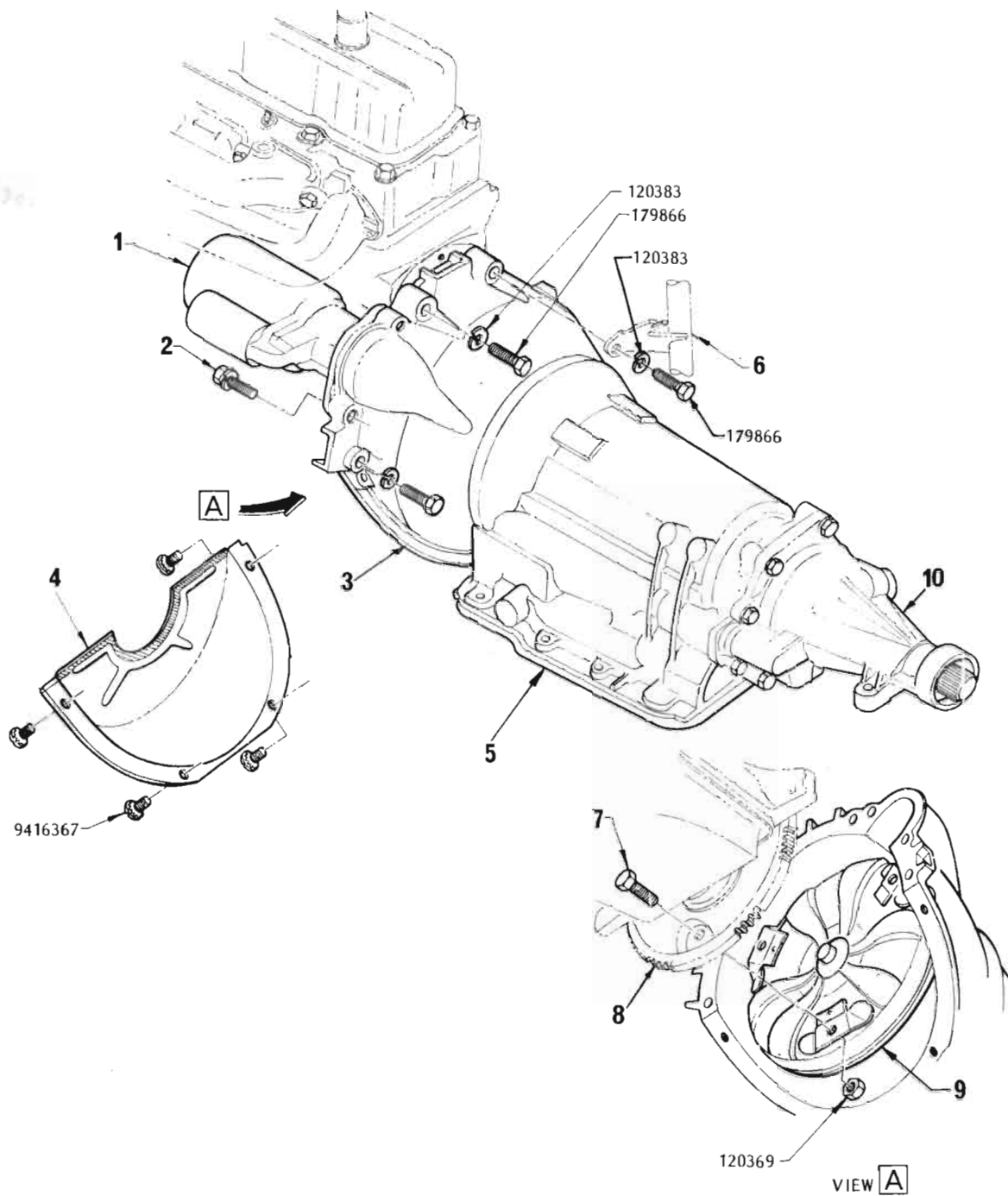
REVISED OCTOBER, 1974

"HJ" PARTS CATALOGUE



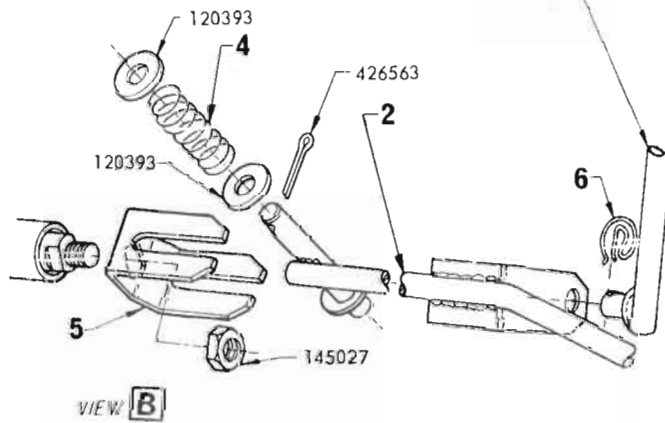
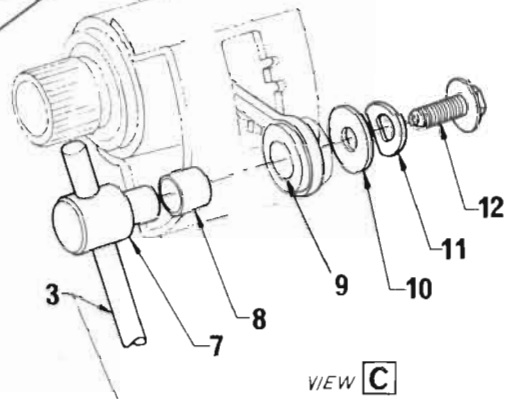
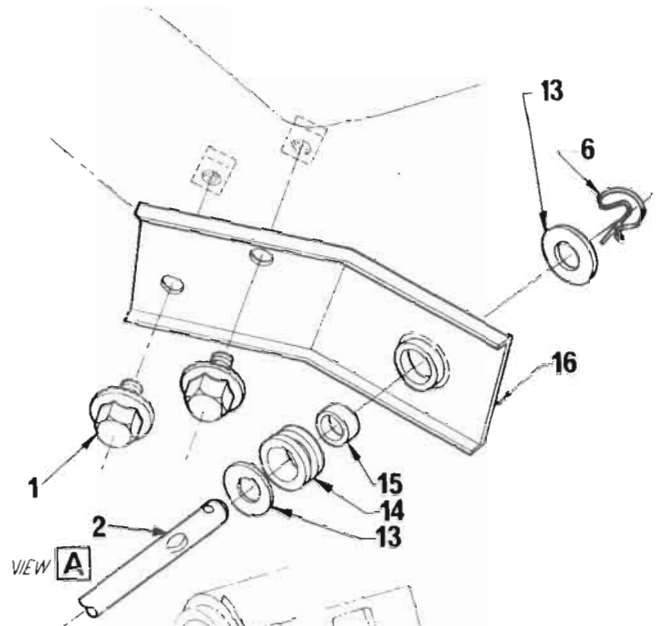
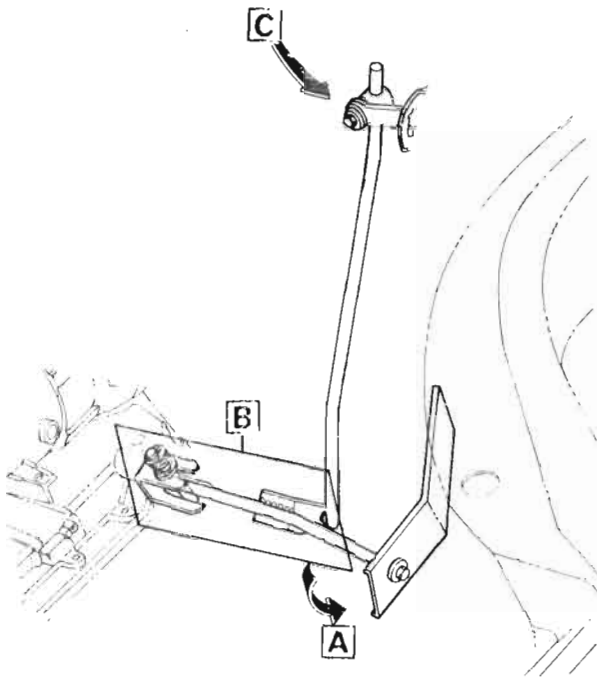
**PARKING BRAKE
(Trimatic)**

ILLUS. REF. NO.	PART NAME	GROUP	ILLUS. REF. NO.	PART NAME	GROUP
1.	SHAFT - Park lock & range selector	4.294	7.	SLEEVE - Actuator	4.294
2.	PIN - Park lock & range selector retaining	4.294	8.	SHAFT - Pawl	4.294
3.	ROLLER & SPRING ASSEMBLY	4.279	9.	SPRING - Pawl disengaging	4.295
4.	LEVER - Park lock & range selector	4.279	10.	PAWL	4.294
5.	RING - Actuator rod to lever	4.294	11.	GOVERNOR ASSEMBLY	4.256
6.	ACTUATOR	4.294			



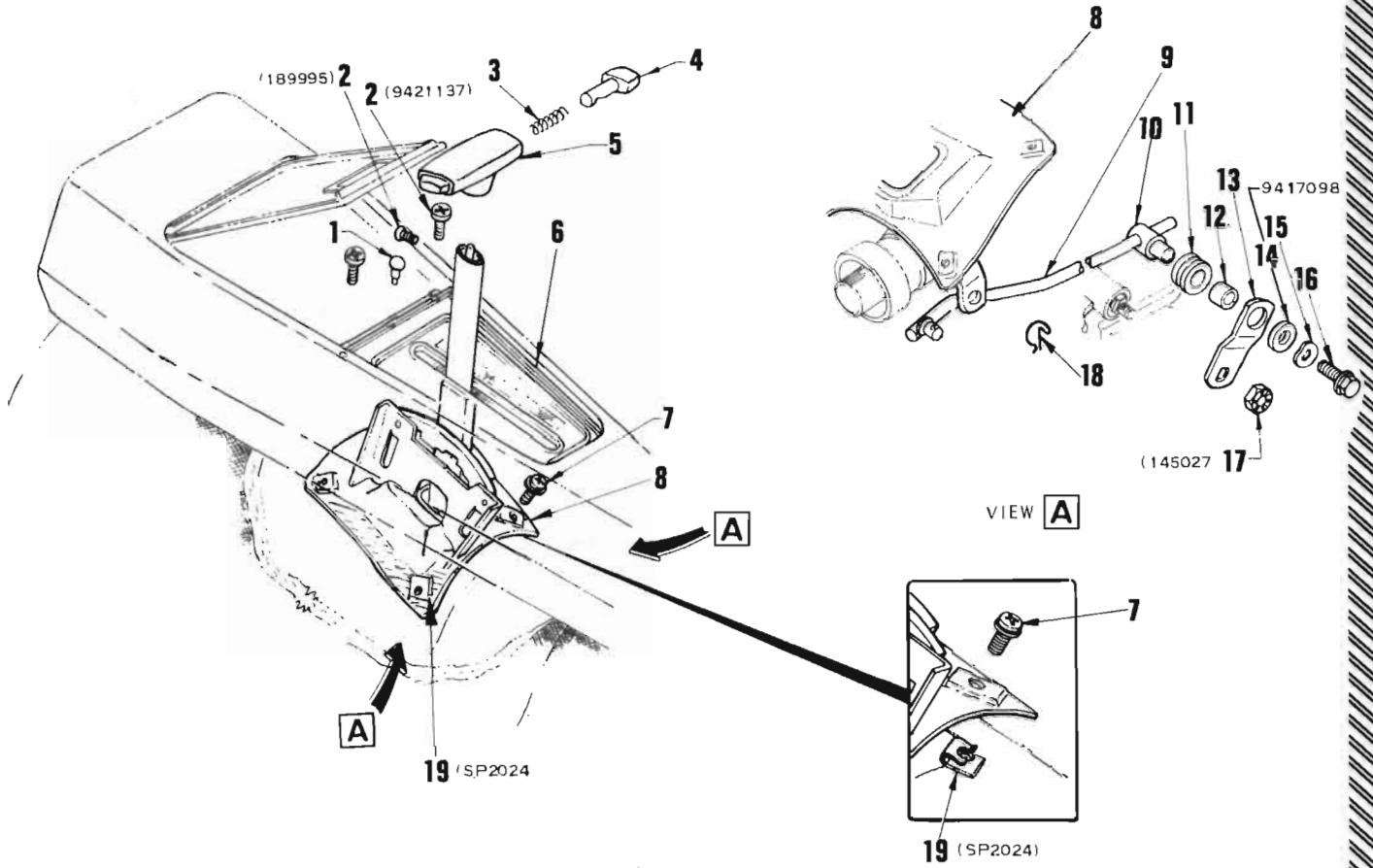
TRANSMISSION CONVERTER

ILLUS. REF. NO.	PART NAME	GROUP	ILLUS. REF. NO.	PART NAME	GROUP
1.	MOTOR ASSEMBLY – Starter	2.041	6.	TUBE ASSEMBLY – Oil filler	4.133
2.	BOLT – Starter motor	2.041	7.	BOLT – Converter to drive plate	4.156
3.	HOUSING – Converter	0.683	8.	FLYWHEEL & RING GEAR ASSY.	0.666
4.	COVER – Lower	0.679	9.	CONVERTER ASSEMBLY	4.156
5.	TRANSMISSION ASSEMBLY	4.003	10.	HOUSING – Rear bearing	4.317



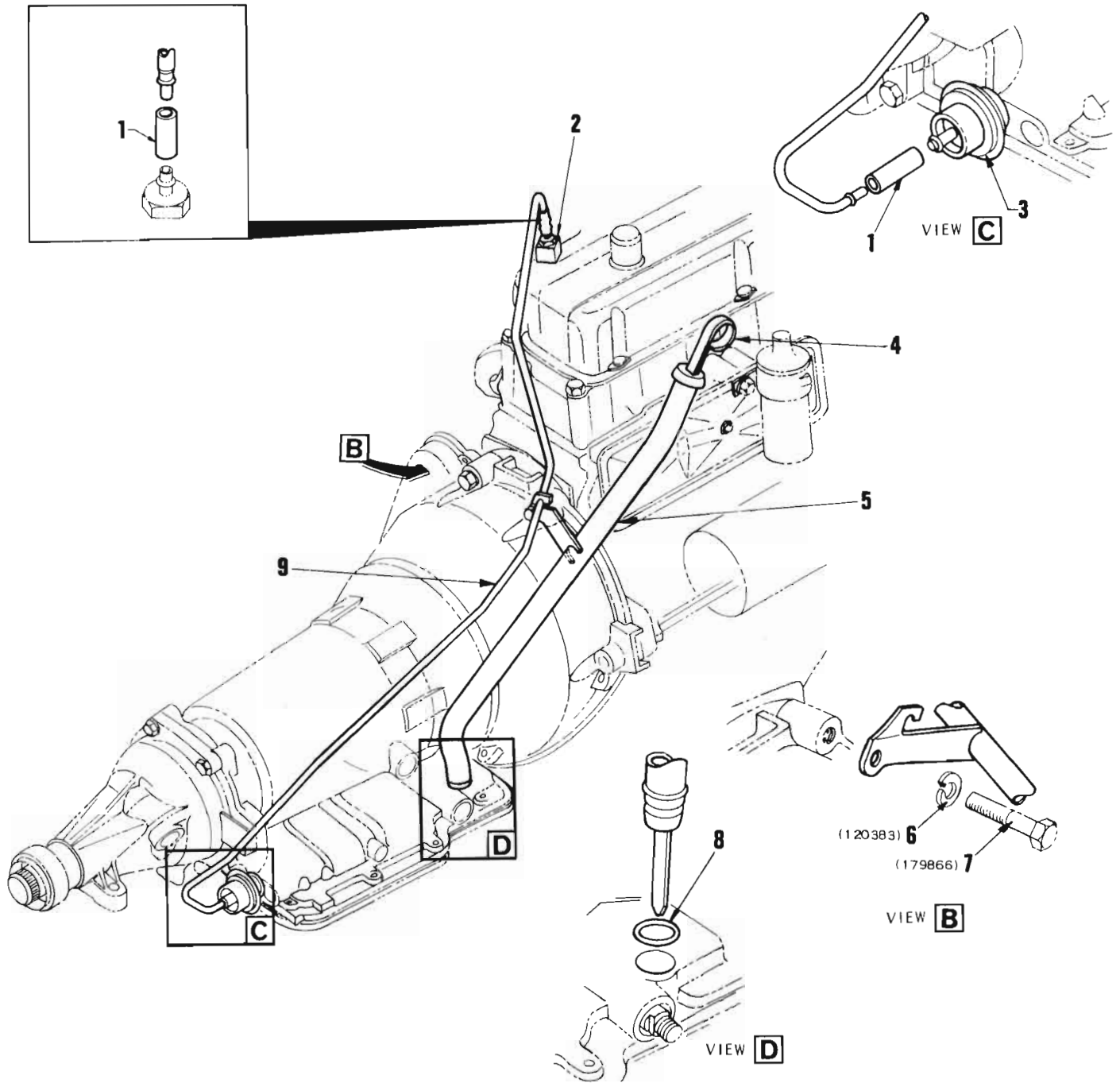
**GEARSHIFT CONTROL
(COLUMN SHIFT)**

ILLUS. REF. NO.	PART NAME	GROUP	ILLUS. REF. NO.	PART NAME	GROUP
1.	BOLT – Cross shaft support bracket to frame ..	4.040	9.	INSULATOR	4.040
2.	SHAFT ASSEMBLY – Cross	4.040	10.	WASHER	4.040
3.	ROD ASSEMBLY	4.040	11.	WASHER – Spring	4.040
4.	SPRING – Cross shaft to lever	4.040	12.	SCREW – Rod clamp	4.040
5.	LEVER	4.041	13.	WASHER – Cross shaft to bracket	4.040
6.	RETAINER – Cross shaft	4.040	14.	GROMMET – Cross shaft to bracket	4.040
7.	TRUNNION – Rod to lever	4.040	15.	SLEEVE – Cross shaft	4.040
8.	SLEEVE – Trunnion	4.040	16.	BRACKET – Cross shaft support	4.040



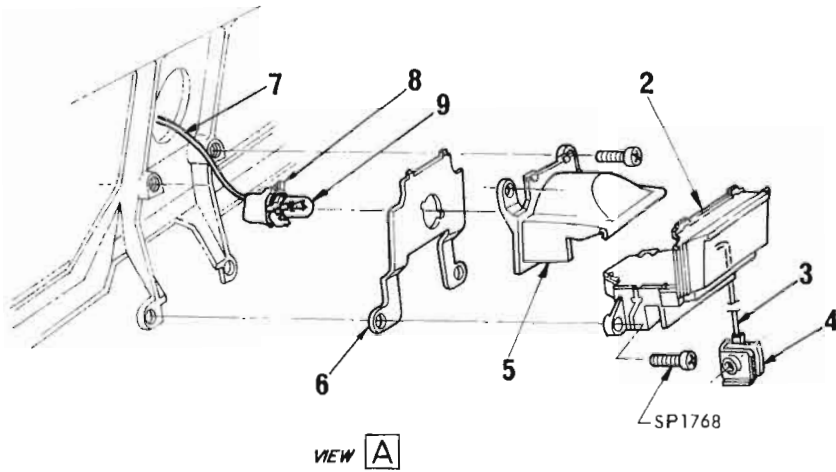
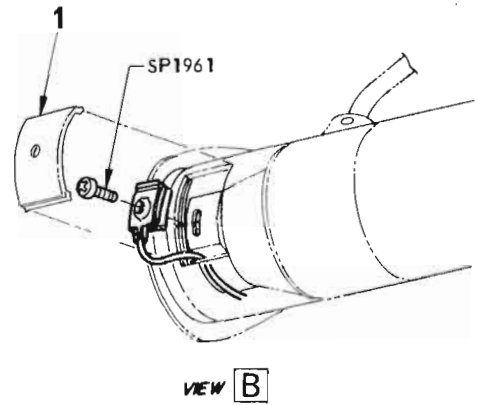
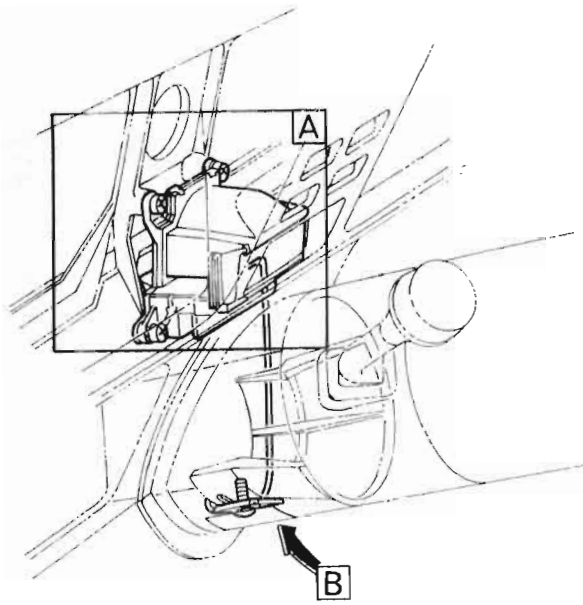
**GEARSHIFT CONTROL
(CONSOLE SHIFT)**

ILLUS. REF. NO.	PART NAME	GROUP	ILLUS. REF. NO.	PART NAME	GROUP
1.	BUMPER – Console lid	15.292	11.	INSULATOR	4.040
2.	SCREW – Sheet metal	8.977	12.	SLEEVE	4.040
3.	SPRING	4.009	13.	LEVER	4.041
4.	BUTTON	4.009	14.	WASHER	8.929
5.	HANDLE	4.009	15.	WASHER – Spring	4.040
6.	COVER – Auto	15.293	16.	SCREW – Rod clamp	4.040
7.	BOLT – Support to floor	4.010	17.	NUT – Hexagon self locking	8.918
8.	LEVER & SUPPORT	4.006	18.	RETAINER – Rod to lower lever	4.040
9.	ROD ASSEMBLY	4.040	19.	NUT – Stamped	8.921
10.	TRUNNION	4.040			



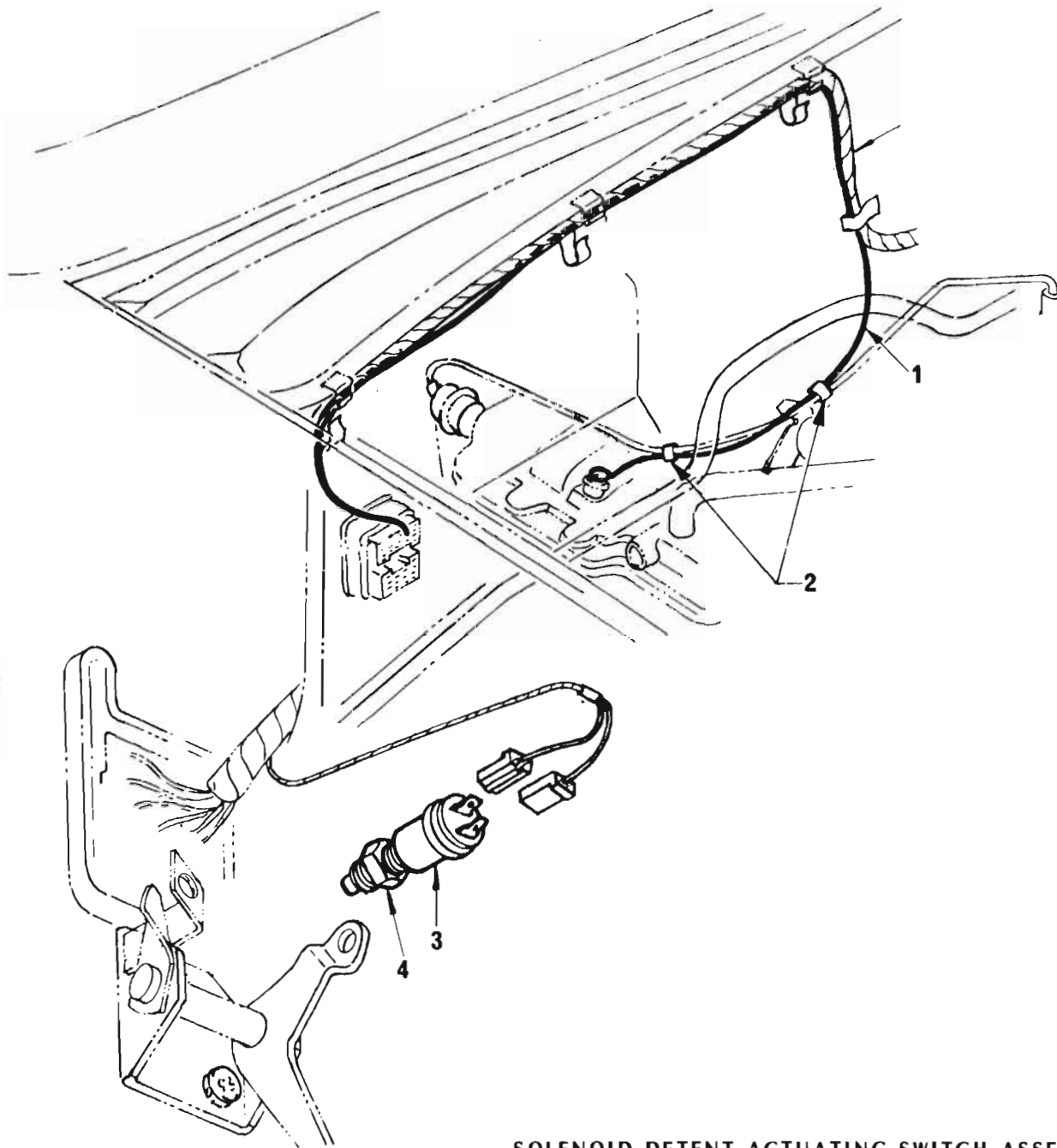
**VACUUM MODULATOR and OIL FILLER
(TRIMATIC)**

ILLUS. REF. NO.	PART NAME	GROUP	ILLUS. REF. NO.	PART NAME	GROUP
1.	SLEEVE – Modulator pipe	4.205	6.	WASHER – Lock	8.931
2.	ADAPTOR – Pipe to modulator – 2 way ..	3.265	7.	BOLT – Hexagon head	8.900
3.	MODULATOR ASSEMBLY – Vacuum	4.265	8.	SEAL – 'O' Ring, tube to case	4.133
4.	INDICATOR ASSEMBLY – Oil lever	4.133	9.	PIPE	4.205
5.	TUBE ASSEMBLY – Oil filler	4.133			



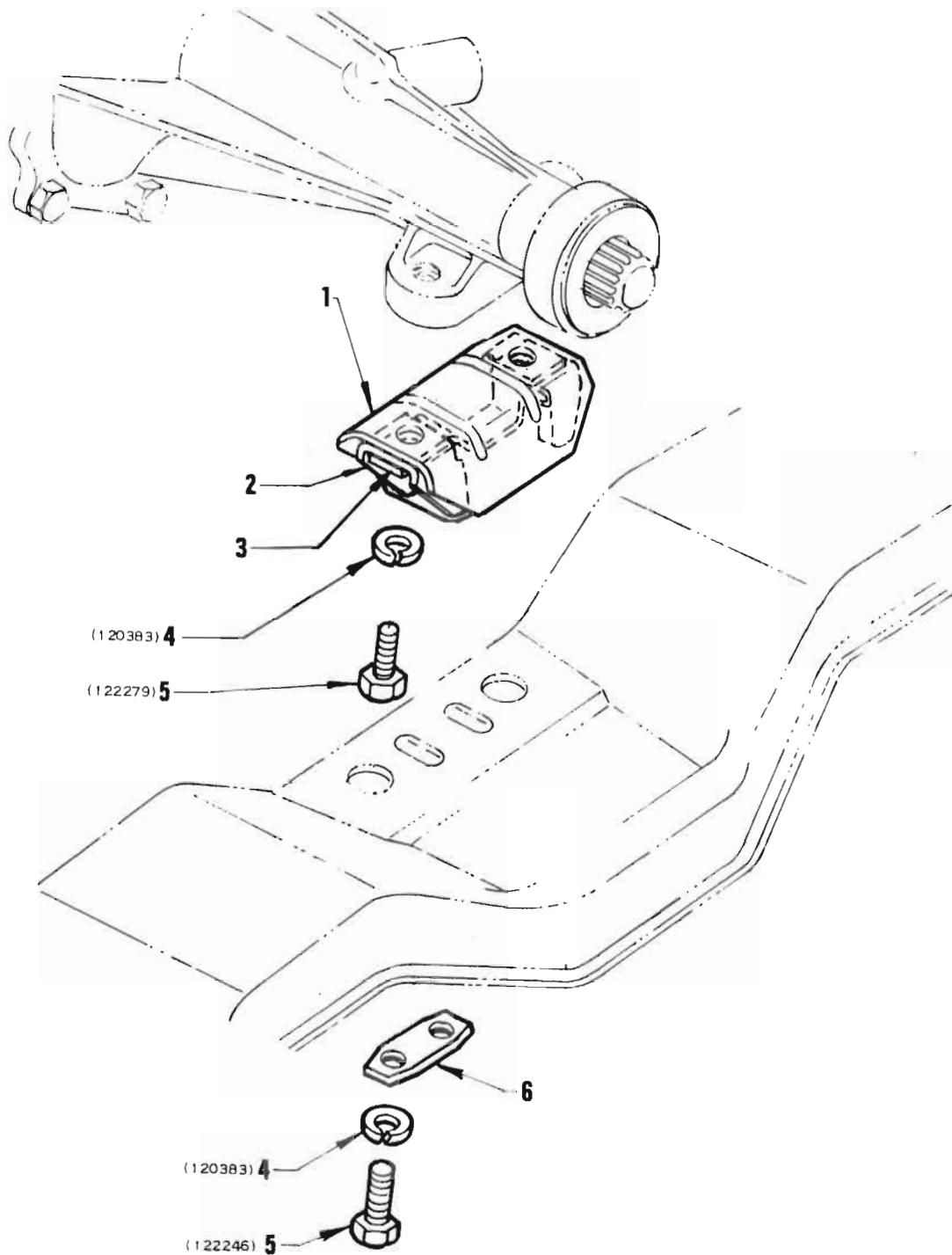
**TRANSMISSION CONTROL INDICATOR
(Trimatic)**

ILLUS. REF. NO.	PART NAME	GROUP	ILLUS. REF. NO.	PART NAME	GROUP
1.	PLATE - Steering column cover access	6.758	6.	BACK - Housing	4.038
2.	INDICATOR ASSEMBLY	4.038	7.	LEAD - Lamp	4.038
3.	CABLE ASSEMBLY	4.038	8.	SOCKET - Bulb	4.038
4.	CLIP	4.038	9.	BULB	4.038
5.	HOUSING - Illumination	4.038			



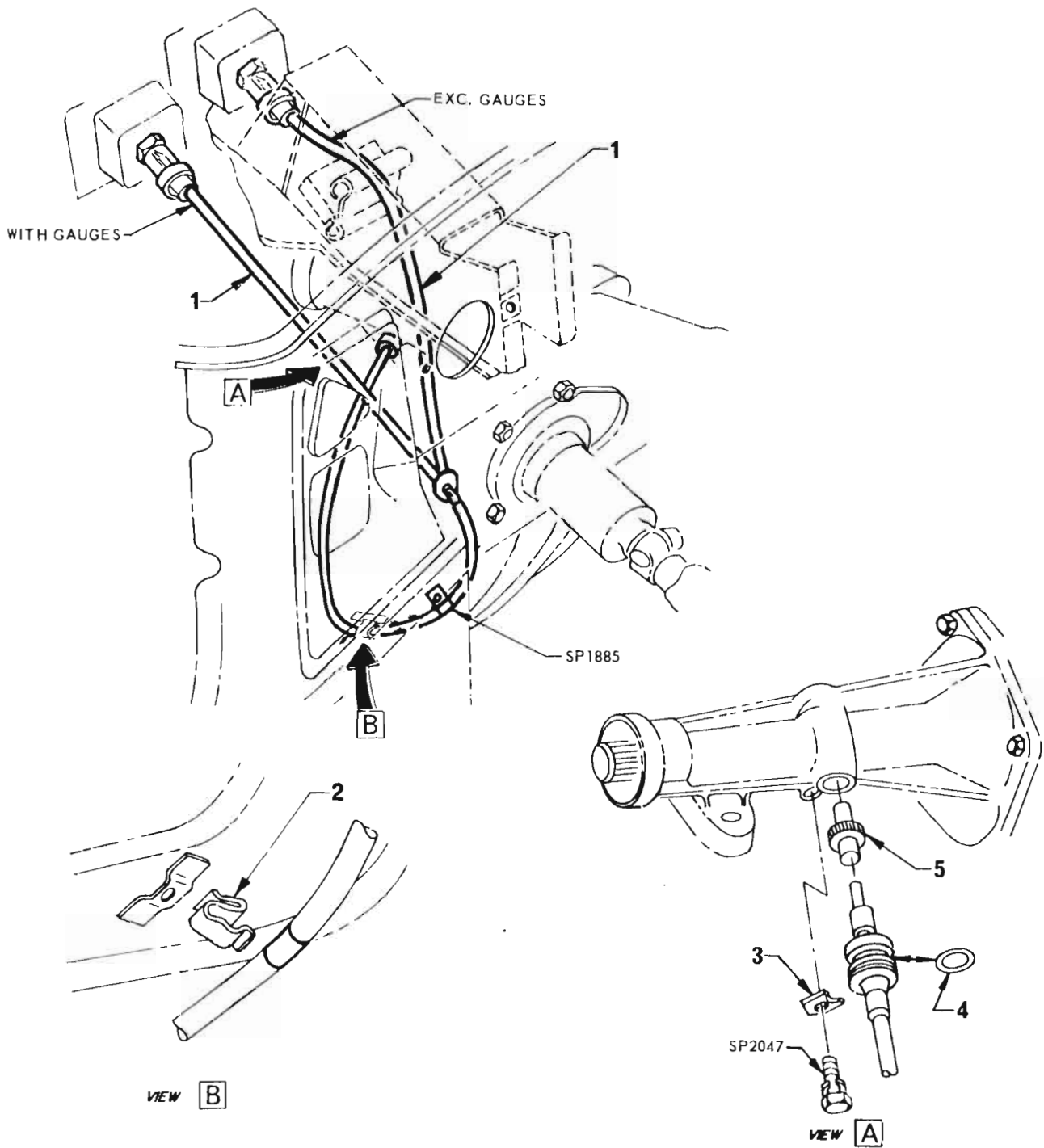
SOLENOID DETENT ACTUATING SWITCH ASSEMBLY

ILLUS. REF. NO.	PART NAME	GROUP	ILLUS. REF. NO.	PART NAME	GROUP
1.	WIRE ASSY. — Solenoid actuating switch to dash connector	4.055	3.	SWITCH ASSY. — Solenoid detent actuating	4.054
2.	CLIP — Solenoid switch wire to modulator pipe	4.055	4.	NUT — Solenoid switch to accelerator bracket	4.054



TRANSMISSION MOUNTING

ILLUS. REF. NO.	PART NAME	GROUP	ILLUS. REF. NO.	PART NAME	GROUP
1.	MOUNTING ASSEMBLY	4.081	4.	WASHER - Lock	8.931
2.	ARRESTOR - Rear side mounting	4.081	5.	BOLT - Hexagon head	8.900
3.	ARRESTOR - Rear mounting	4.081	6.	SPACER - Mounting to cross member	4.081



SPEEDOMETER CABLE & GEAR

ILLUS. REF. NO.	PART NAME	GROUP	ILLUS. REF. NO.	PART NAME	GROUP
1.	CABLE & CASING	4.342	4.	SEAL - "O" Ring	4.338
2.	CLIP - Cable to floor pan	4.342	5.	GEAR - Driven	4.337
3.	RETAINER - Casing, drive end	4.342			

"HJ" PARTS CATALOGUE

GROUP	DESCRIPTION	MODEL	SIDE	PART No.	QTY.
TRANSMISSION ASSEMBLY "TRI-MATIC" AUTOMATIC					
4.003	TRANSMISSION ASSEMBLY				
	TRANSMISSION ASSEMBLY	2850 Eng.	H/N	2817774	1
	TRANSMISSION ASSEMBLY	3300 Eng.	HT	2817779	1
	TRANSMISSION ASSEMBLY	4.2 Litre Eng.	HO	2817775	1
	BOLT & WASHER ASSEMBLY - Transmission to eng. (3/8" - 16 x 1.50")	4.2 Litre Eng.		SP2139	5
4.005	GASKET SET - Transmission				
	GASKET & SEAL SET - Minor	ALL		2820213	1
	GASKET & SEAL SET - Major	ALL		2820214	1
	SEAL KIT	ALL		2811196	1
4.006	LEVER ASSEMBLY - Transmission control				
	LEVER ASSEMBLY	Steering Column Shift		9928845	1
	LEVER & SUPPORT ASSEMBLY	Console Shift		2817162	1
	LEVER ASSEMBLY	Console Shift		2817027	1
	PLUNGER	Console Shift		2817028	1
	SPRING	Console Shift		2817074	1
	DAMPER - Plunger	Console Shift		2822163	1
4.007	TUBE ASSEMBLY - Transmission control				
	TUBE ASSEMBLY	Steering Column Shift		9929053	1
	PIN	Steering Column Shift		7429551	1
4.009	KNOB, HANDLE, BUTTON, SPRING - Transmission control lever				
	KNOB (Grey)	Steering Column Shift		2813559DS	1
	KNOB (Black)	Steering Column Shift		2813559BA	1
	KNOB (Covert)	Steering Column Shift		2813559DY	1
	KNOB (Tan)	Steering Column Shift		2813559DX	1
	HANDLE	Console Shift		9930061	1
	BUTTON	Console Shift		9930164	1
	SPRING	Console Shift		2825528	1
4.010	SUPPORT ASSEMBLY - Transmission control lever				
	SUPPORT ASSEMBLY	Console Shift		2817163	1
	BOLT - Support to floor	Console Shift		7436618	4
	NUT - Support to floor	Console Shift		SP2024	4
4.015	BOOT - Transmission control				
	BOOT - Lower lever	Console Shift		2816985	1
	INSULATOR - Lever & support to floor	Console Shift		2824609	1
4.016	GATE - Transmission control selector				
	GATE	Steering Column Shift		2812256	1
	GATE	Console Shift		2817097	1
	STOP - Gate (Pin Spring 3/16" x 1")	Console Shift		455481	1
4.017	SPRING - Transmission control				
	SPRING - Lever return	Steering Column Shift		7439930	1
4.018	SUPPORT - Transmission control				
	SUPPORT - Control lever	Steering Column Shift		9934179	1
	SPACER - Support	Steering Column Shift		9933746	1
	WASHER - Support	Steering Column Shift		9933747	1

GROUP	DESCRIPTION	MODEL	SIDE	PART No.	QTY.
TRANSMISSION ASSEMBLY "TRI-MATIC" AUTOMATIC					
4.038	INDICATOR, HOUSING, DIAL, POINTER – Transmission control				
	INDICATOR ASSEMBLY	Steering Column Shift		9933647	1
	BASE Indicator	Steering Column Shift		9933648	1
	LENS - Indicator	Steering Column Shift		9933653	1
	BULB - 12-16V. 2 cp	Steering Column Shift		9421330	1
	CABLE ASSEMBLY - Indicator	Steering Column Shift		9933651	1
	CLIP - Cable	Steering Column Shift		6482655	1
	LINK - Cable	Steering Column Shift		9933654	1
	DIAL - Indicator	Steering Column Shift		9933652	1
	POINTER - Indicator	Steering Column Shift		9933649	1
	SPRING Indicator	Steering Column Shift		9933650	1
	HOUSING - Illumination - (° Instrument types 4,5,6 ..	Steering Column Shift		9934187	1
	BACK - Housing - (° Instrument types 4,5,6	Steering Column Shift		9934188	1
	LEAD - Lamp - (° Instrument types 4,5,6	Steering Column Shift		9933636	1
	SOCKET - Bulb - (° Instrument types 4,5,6	Steering Column Shift		2815952	1
	POINTER	Console Shift		9933681	1
	SLIDE	Console Shift		2820284	1
	DIAL	Console Shift		9936935	1
	PLATE - Control cover	Console Shift		2820286	1
	PLATE - Lamp mounting	Console Shift		2820285	1
	BULB - 12 - 16 V. 2 C.P. S.C.	Console Shift		9417863	1
4.040	LEVER, ROD, SHAFT, TRUNNION, INSULATOR – Transmission control				
	TRUNNION Rod to lever	Steering Column Shift		2814030	1
	SLEEVE - Trunnion	Steering Column Shift		2814031	1
	INSULATOR	Steering Column Shift		2814033	1
	WASHER - Spring	Steering Column Shift		1367656	1
	SCREW - Rod clamp	Steering Column Shift		SP2459	1
	ROD ASSEMBLY	Steering Column Shift		2812252	1
	RETAINER - Cross shaft	Steering Column Shift		3749084	2
	SHAFT ASSEMBLY - Cross	Steering Column Shift		2812254	1
	SPRING - Cross shaft to lever	Steering Column Shift		7448884	1
	BRACKET - Cross shaft support	Steering Column Shift		9937167	1
	SLEEVE - Cross shaft	Steering Column Shift		7427808	1
	GROMMET - Cross shaft to bracket	Steering Column Shift		7427807	1
	WASHER - Cross shaft to bracket	Steering Column Shift		SP1445	2
	BOLT Cross shaft support bracket to frame	Steering Column Shift		SP2240	2
	SHAFT	Console Shift		2817133	1
	BUSH - Shaft	Console Shift		7438537	2
	RETAINER - Shaft	Console Shift		2817218	1
	LEVER - Lower	Console Shift		2817018	1
	ROD ASSEMBLY	Console Shift		9929587	1
	RETAINER - Rod to lower lever	Console Shift		3749084	1
	TRUNNION	Console Shift		2814030	1
	SLEEVE	Console Shift		2814031	1
	INSULATOR	Console Shift		2814033	1
	WASHER - Spring	Console Shift		1367656	1
	SCREW - Rod clamp	Console Shift		SP2459	1
4.041	LEVER – Transmission external control				
	LEVER	Steering Column Shift		2812255	1
	LEVER	Console Shift		2818195	1
4.054	SWITCH ASSEMBLY – Neutral starting and back-up				
	SWITCH ASSEMBLY - Neutral starting	Steering Column Shift		2815222	1
	SWITCH ASSEMBLY - Neutral starting	Console Shift		2819807	1

Note: (° Refer Group 2.515 for Type No. Identification.

GROUP	DESCRIPTION	MODEL	SIDE	PART No.	QTY.
TRANSMISSION ASSEMBLY "TRI-MATIC" AUTOMATIC					
4.054	SWITCH ASSEMBLY – Solenoid detent actuating				
	SWITCH ASSEMBLY – Solenoid detent actuating	ALL		2819605	1
	NUT - Solenoid switch to accelerator bracket	ALL		858388	1
4.055	WIRE ASSEMBLY – Neutral starting and back-up switch				
	WIRE ASSEMBLY – Neutral starting & back-up	Console Shift		2820311	1
	BODY – Panel connector – Short	Console Shift		2962448	1
	BODY – Terminal 2 way female	Console Shift		2962679	1
	BODY – Terminal 2 way panel	Console Shift		2962967	1
	BODY – Terminal 2 way male	Console Shift		2977763	1
	BODY – Terminal 2 way male	Console Shift		2973431	1
	BODY – Terminal lamp socket	Console Shift		5297797	1
	SPRING – Lamp socket	Console Shift		2962243	1
4.055	WIRE ASSEMBLY – Solenoid actuating switch				
	WIRE ASSEMBLY – Solenoid actuating switch to dash connector	ALL		2819075	1
	CLIP – Solenoid switch wire to modulator pipe	ALL		SP2225	1
	CLIP – Solenoid switch wire to dash	ALL		SP2236	1
4.081	MOUNTING ASSEMBLY – Transmission support				
	MOUNTING ASSEMBLY	ALL		7432236	1
	ARRESTOR – Rear mounting	ALL		2819856	1
	ARRESTOR – Rear side mounting	ALL		2819855	2
	SPACER – Mounting to crossmember	6 Cyl. Eng.		7421049	1
	REINFORCEMENT – Mounting to crossmember	4.2 Litre Eng.		2811364	1
4.103	CASE ASSEMBLY – Transmission				
	CASE ASSEMBLY	ALL		2818390	1
	BUSHING – Case	ALL		5258191	1
	SLEEVE – Reaction sun gear & drum bearing	ALL		5258158	1
	PLUG – Line pressure	ALL		444613	1
	PLUG – Cooler pipe access hole	ALL		8611710	1
4.104	VENT ASSEMBLY – Transmission				
	VENT ASSEMBLY	ALL		3820840	1
4.127	RING – Transmission oil seal (Metal)				
	RING KIT	ALL		2811197	1
	RING – Servo piston	ALL		5258159	1
	RING – Accumulator piston (1.7855" O.D. x .093")	ALL		8623653	1
	RING – Oil pump to 2nd clutch oil seal	ALL		5258106	2
	RING – Governor hub oil seal	ALL		5258100	3
4.128	PIPE – Transmission oil cooler				
	PIPE ASSEMBLY – Inlet	6 Cyl. Eng.		9931892	1
	PIPE ASSEMBLY – Outlet	6 Cyl. Eng. exc. Air Cond., H/Duty Rad. ...		9931893	1
	PIPE ASSEMBLY – Outlet	6 Cyl. Eng. Air Cond., H/Duty Rad.		9931896	1
	PIPE ASSEMBLY – Inlet	4.2 Litre Eng.		9930353	1
	PIPE ASSEMBLY – Outlet	4.2 Litre Eng.		9930070	1
	CONNECTOR – Pipes to radiator and transmission	ALL		145475	4
	CLIP – Inlet to outlet pipe	ALL		3710497	3
4.128	RING – Transmission retainer and snap				
	RING – Servo piston retainer	ALL		5258121	1
	RING – Retainer front accumulator piston	ALL		5259667	1
	RING – Reverse clutch piston return spring seat retainer	ALL		5258093	1

"HJ" PARTS CATALOGUE

GROUP	DESCRIPTION	MODEL	SIDE	PART No.	QTY.
TRANSMISSION ASSEMBLY "TRI-MATIC" AUTOMATIC					
4.128	RING – Transmission retainer and snap (contd.)				
	RING – 2nd clutch piston return spring seat retainer .	ALL		5258093	1
	RING – 3rd clutch piston return spring retainer	ALL		5258094	1
	RING – 3rd clutch retainer	ALL		5258132	1
	RING – Governor to output shaft retainer	ALL		5258116	1
	RING – Ring gear retainer	ALL		8958619	2
4.129	WASHER – Transmission thrust				
	WASHER – Clutch (Yellow) .070" – .074"	ALL		(¹) 5258202	1
	WASHER – Clutch (Blue) .076" – .080"	ALL		(¹) 5258203	1
	WASHER – Clutch (Red) .081" – .085"	ALL		(¹) 5258204	1
	WASHER – Clutch (Brown) .086" – .090"	ALL		(¹) 5258205	1
	WASHER – Clutch (Green) .091" – .095"	ALL		(¹) 5258206	1
	WASHER – Clutch (Black) .097" – .101"	ALL		(¹) 5258207	1
	WASHER – 2nd & 3rd clutch (Steel)	ALL		5258090	1
	WASHER – 2nd & 3rd clutch (Bronze)	ALL		5258091	1
	WASHER – Reaction sun gear & drum bearing	ALL		5258046	2
4.133	TUBE, INDICATOR, SEAL – Transmission oil				
	TUBE ASSEMBLY – Oil filler	6 Cyl. Eng.		2805057	1
	TUBE ASSEMBLY – Oil filler	4.2 Litre Eng.		7449561	1
	INDICATOR ASSEMBLY – Oil level	6 Cyl. Eng.		2805059	1
	INDICATOR ASSEMBLY – Oil level	4.2 Litre Eng.		7449562	1
	SEAL – 'O' Ring, tube to case	ALL		6255641	1
	BOLT & WASHER ASSEMBLY – Tube to engine ($\frac{3}{8}$ " – 16 x 1 $\frac{1}{2}$ ")	4.2 Litre Eng.		SP2139	1
4.153	DRUM and INPUT SHAFT ASSEMBLY – 3rd clutch				
	DRUM & INPUT SHAFT ASSEMBLY	6 Cyl. Eng.		5258095	1
	DRUM & INPUT SHAFT ASSEMBLY	4.2 Litre Eng.		5258350	1
4.156	CONVERTER ASSEMBLY – Transmission				
	CONVERTER ASSEMBLY	6 Cyl. Eng.		5258293	1
	CONVERTER ASSEMBLY	4.2 Litre Eng.		3850525 2820507	1
	BOLT – Converter to drive plate (Special $\frac{3}{8}$ " – 24 x $\frac{3}{16}$ ")	ALL		3799830	3
4.158	CLUTCH, DRUM, BUSHING, SPRAG – Transmission clutch				
	CLUTCH ASSEMBLY – 2nd	6 Cyl. Eng.		2816427	1
	CLUTCH ASSEMBLY – 2nd	4.2 Litre Eng.		2816428 2820994	1
	CLUTCH ASSEMBLY – 3rd	6 Cyl. Eng.		2816433	1
	CLUTCH ASSEMBLY – 3rd	4.2 Litre Eng.		2820995 2816434	1
	DRUM ASSEMBLY – 2nd clutch	ALL		5258129	1
	BUSHING – 2nd clutch hub	ALL		5258128	1
	BUSHING – Reaction sun gear drum	ALL		2816491	1
	SPRAG ASSEMBLY – Input	ALL		5258137	1
	RACE & RETAINER ASSEMBLY – 3rd clutch input sprag	ALL		5258351	1
4.163	PLATE, SPACER – Clutch				
	PLATE ASSEMBLY – 2nd drive	ALL		5258025	4-5
	PLATE – 2nd driven	ALL		5258057	5-6
	PLATE – 2nd cushion	ALL		5258990	1
	PLATE ASSEMBLY – 3rd drive	ALL		5258035	4
	PLATE – 3rd driven	ALL		5258058	5
	PLATE – Reverse drive	ALL		5258017	4-5

Note: (¹) Selective fit.

"HJ" PARTS CATALOGUE

GROUP	DESCRIPTION	MODEL	SIDE	PART No.	QTY.
TRANSMISSION ASSEMBLY "TRI-MATIC" AUTOMATIC					
4.163	PLATE, SPACER – Clutch (contd.)				
	PLATE - Reverse reaction	ALL		5258019	5-6
	PLATE - Reverse pressure	ALL		5258528	1
	PLATE - Reverse cushion	ALL		5258989	1
	SPACER - 2nd clutch plate	6 Cyl. Eng.		5258284	1
	SPACER - 2nd clutch plate	4.2 Litre Eng.		5258285	1
4.164	SPRING – Clutch piston return				
	SPRING - 2nd clutch	ALL		5258124	22
	SPRING - 3rd clutch	ALL		5258124	12
	SPRING - Reverse clutch	ALL		5258124	24
4.165	SEAT – Clutch piston return spring				
	SEAT - 2nd clutch	ALL		5258038	1
	SEAT - 3rd clutch	ALL		5258039	1
4.166	PISTON, SEAL – Clutch				
	PISTON ASSEMBLY - 2nd clutch	ALL		5258109	1
	PISTON ASSEMBLY - 3rd clutch	6 Cyl. Eng.		5258112	1
	PISTON ASSEMBLY - 3rd clutch	4.2 Litre Eng.		5258323	1
	PISTON - Reverse clutch	6 Cyl. Eng.		5258002	1
	PISTON - Reverse clutch	4.2 Litre Eng.		5258289	1
	SEAL - 2nd clutch piston inner	ALL		5258043	1
	SEAL - 2nd clutch piston outer	ALL		5258041	1
	SEAL - 3rd clutch piston inner	ALL		5258543	1
	SEAL - 3rd clutch piston outer	ALL		5258042	1
	SEAL - Reverse clutch piston inner	ALL		5258005	1
	SEAL - Reverse clutch piston outer	ALL		5258004	1
4.177	CARRIER ASSEMBLY – Planet				
	GEAR SET PACKAGE	ALL		2822065	1
	CARRIER ASSEMBLY - Planet	ALL		2816419	1
	CARRIER & SHAFT ASSY. - Output	ALL		2816507	1
	GEAR ASSEMBLY - Input sun	ALL		2816435	1
	PINION SET - Short	ALL		2816442	1
	PINION SET - Long	ALL		2816441	1
	WASHER - Short pinion (Bronze)	ALL		2816423	8
	WASHER - Short pinion (Steel)	ALL		2816422	8
	WASHER - Long pinion (Bronze)	ALL		5258066	8
	WASHER - Long pinion (Steel)	ALL		5258065	8
	SHAFT - Short pinion	ALL		5258055	4
	SHAFT - Long pinion	ALL		5258054	4
	PLATE - Pinion shaft locking	ALL		5258545	1
	SCREW - Pinion shaft locking	ALL		5259609	4
	BEARING - Pinion needle	ALL		8625657	260
	PINION NEEDLE ROLLER BEARING PACKAGE (Package of 260)	ALL		M36815	1
	SPACER - Pinion needle bearing	ALL		5258087	4
	WASHER - Input sun gear to carrier assembly	ALL		5258554	1
	WASHER - Input shaft to sun gear thrust	ALL		5258555	1
	BEARING - Sun gear to carrier	ALL		5258553	1
	BEARING - Input shaft to sun gear thrust	ALL		5258553	1
	BEARING - Reaction sun gear	ALL		5686837	2
	GEAR & DRUM ASSEMBLY - Reaction sun	ALL		2816438	1
NOTE: Gear set Package consists of Carrier Assy., Reaction Gear & Drum Assy., Input Sun Gear Assy., Ring Gear.					
4.187	GEAR – Transmission ring				
	GEAR	ALL		2816429	1

GROUP	DESCRIPTION	MODEL	SIDE	PART No.	QTY.
TRANSMISSION ASSEMBLY "TRI-MATIC" AUTOMATIC					
4.189	SEAT – Reverse clutch piston return spring				
	SEAT	ALL		5258021	1
4.195	PAN – Transmission oil				
	PAN ASSEMBLY	ALL		5258141	1
	SCREW – Hex. hd. mach. $\frac{5}{16}$ " – 18 x $\frac{5}{16}$ "	ALL		3829139	12
	SCREW & GASKET ASSEMBLY – Drain	ALL		7423483	1
	GASKET – Drain screw	ALL		513975	1
	SCREW & GASKET ASSEMBLY – Drain – $\frac{9}{16}$ " – 18	ALL		7433631	1
	GASKET – Drain screw – $\frac{9}{16}$ "	ALL		7433633	1
4.196	GASKET – Transmission oil pan				
	GASKET	ALL		2822944	1
4.205	PIPE, ADAPTOR, SLEEVE – Transmission vacuum modulator				
	PIPE	6 Cyl. Eng.		9931778	1
	PIPE	4.2 Litre Eng.		9931779	1
	SLEEVE – Modulator pipe	ALL		7420336	2
4.212	COVER – Transmission servo				
	COVER	ALL		2814877	1
	GASKET – Cover	ALL		5258339	1
4.223	GASKET – Oil pump suction screen				
	GASKET	ALL		2823667	1
4.224	SCREEN ASSEMBLY – Transmission oil pump suction				
	SCREEN ASSEMBLY	ALL		5258130	1
4.226	OIL PUMP COMPONENTS				
	BUSHING – Body	ALL		9930035	1
	VALVE – Pressure regulator booster	ALL		5258143	1
	VALVE Priming	ALL		5258344	1
	SPRING Priming valve	ALL		5258586	1
	VALVE – Pressure regulator	ALL		5258140	1
	SPRING – Pressure regulator valve	2850, 4.2 Litre Eng.		5258166	1
	SPRING – Pressure regulator valve	3300 Eng.		2810499	1
	PIN – Chamfer $\frac{1}{8}$ " x $1\frac{1}{16}$ "	ALL		114468	1
	PLATE – Wear	ALL		5258850	1
	SEAL – Oil pump outer	ALL		5258119	1
	SEAT – Pressure regulator valve spring	ALL		5258219	2
	BODY & GEAR PACKAGE – (Matched set)	ALL		9929279	1
	SLEEVE – Pressure regulator booster valve	ALL		5258161	1
	RETAINER – Priming valve	ALL		3784609	1
	GASKET – Oil pump assembly	ALL		5258939	1
	BOLT – Flanged hex. hd. $\frac{5}{16}$ " – 18 x $1\frac{3}{8}$ "	ALL		9423842	5
	BALL – Oil pump	ALL		453570	3
4.228	PISTON – Servo and accumulator				
	PISTON ASSEMBLY – Servo	6 Cyl. Eng.		5258569	1
	PISTON ASSEMBLY – Servo	4.2 Litre Eng.		5258183	1
	PISTON – Accumulator	ALL		5258186	1
4.230	ROD – Servo piston apply				
	ROD	ALL		9928795	1

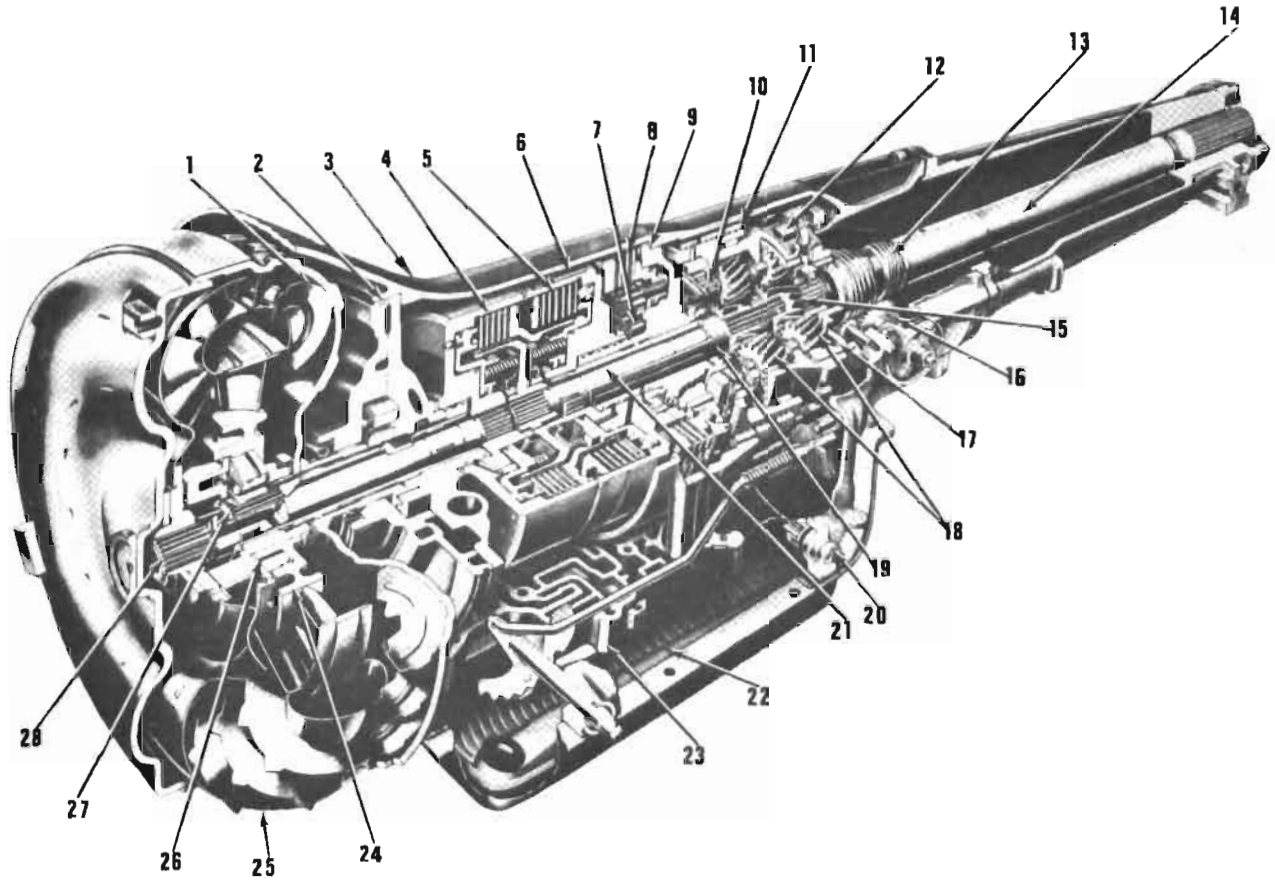
GROUP	DESCRIPTION	MODEL	SIDE	PART No.	QTY.
TRANSMISSION ASSEMBLY "TRI-MATIC" AUTOMATIC					
4.233	SPRING, RETAINER – Piston				
	SPRING – Servo piston return	6 Cyl. Eng.		5258572	1
	SPRING – Servo piston return	4.2 Litre Eng.		2820888	1
	SPRING – Servo piston cushion	6 Cyl. Eng.		5258566	1
	SPRING – Servo piston cushion	4.2 Litre Eng.		5258564	1
	RETAINER – Servo piston	ALL		5258185	1
	SCREW – Oval point hex. socket 3/8" – 24 x 1 1/2"	ALL		SP2388	1
	SPRING – Accumulator piston	ALL		5258563	1
	PIN – Accumulator piston	ALL		5259666	1
4.251	BAND ASSEMBLY – Transmission reaction				
	BAND ASSEMBLY	ALL		5463805	1
	PIN – Band anchor	ALL		5258190	2
4.256	GOVERNOR ASSEMBLY & COMPONENTS				
	GOVERNOR ASSEMBLY	ALL		2820230	1
	BODY – Governor valve	ALL		2820857	1
	SCREW & LOCK WASHER ASSEMBLY – Hex. hd. mach. 1/4" – 20 x 3/4"	ALL		3805921	2
	GASKET – Governor	ALL		2818038	1
	VALVE – Primary	ALL		2820232	1
	VALVE – Secondary	ALL		5258329	1
	SPRING – Secondary valve	ALL		5258547	1
	RETAINER – Secondary valve spring	ALL		5258342	1
	SCREEN ASSEMBLY – Governor valve	ALL		5258383	1
4.265	BODY ASSEMBLY – Valve and components				
	BODY ASSEMBLY	2850 Eng.		2824451	1
	BODY ASSEMBLY	3300 Eng.		2824453	1
	BODY ASSEMBLY	4.2 Litre Eng.		2822253	1
	BODY	ALL <i>6 cyl Eng (4.2 Litre 9929709)</i>		2811797	1
	PLATE – Transfer	6 Cyl. Eng.		2817631	1
	PLATE – Transfer	4.2 Litre Eng.		2820743	1
	GASKET – Transfer plate to valve body	ALL		5258443	1
	GASKET – Transfer plate to case	ALL		2825184	1
	REINFORCEMENT – Transfer plate	ALL		2817632	1
	SOLENOID & CONNECTOR ASSEMBLY	ALL		2817633	1
	'O' RING – Solenoid & connector	ALL		VS12096	1
	GASKET – Solenoid	ALL		2817634	1
	MODULATOR ASSEMBLY – Vacuum	ALL		5258181	1
	PLUNGER – Vacuum modulator	ALL		5258244	1
	GASKET – Vacuum modulator	ALL		5258240	1
	VALVE – Vacuum modulator	6 Cyl. Eng.		5258179	1
	VALVE – Vacuum modulator	4.2 Litre Eng.		2820777	1
	SLEEVE – Vacuum modulator valve	6 Cyl. Eng.		5258180	1
	SLEEVE – Vacuum modulator valve	4.2 Litre Eng.		2820778	1
	SEAL – Vacuum modulator valve sleeve	ALL		5258338	1
	VALVE – Manual	ALL		5258145	1
	VALVE – 1st & 2nd shift	ALL		5258160	1
	VALVE – 2nd & 3rd shift	ALL		5258193	1
	VALVE – 1st & 2nd shift control	ALL		2814293	1
	VALVE – 2nd & 3rd shift control	ALL		9932546	1
	VALVE – Low speed downshift timing	ALL		5258340	1
	VALVE – High speed downshift timing	ALL		5258340	1
	VALVE – 3rd to 2nd control	ALL		5258340	1
	VALVE – Manual low control	ALL		5258213	1
	VALVE – 1st & 2nd accumulator	ALL		2814288	1
	VALVE – 1st & 2nd accumulator control	ALL		5258807	1
	VALVE – Detent pressure regulator	ALL		5258600	1
	VALVE – Reverse control	ALL		5258212	1
	SPRING – 1st & 2nd shift control valve <i>RETURN</i>	ALL		2814295	1

GROUP	DESCRIPTION	MODEL	SIDE	PART No.	QTY.
TRANSMISSION ASSEMBLY "TRI-MATIC" AUTOMATIC					
4.265	BODY ASSEMBLY – Valve and components (contd.)				
	SPRING – 1st & 2nd shift valve CONTROL VALVE	ALL		2814312	1
	SPRING – 2nd & 3rd shift control valve	ALL		5258578	1
	SPRING – Low speed downshift timing valve	ALL 6091 (4.2 Litre 2817274)		5258579	1
	SPRING – High speed downshift timing valve	2850 Eng.		9929681	1
	SPRING – High speed downshift timing valve	3300, 4.2 Litre Eng.		2820889	1
	SPRING – 3rd to 2nd control valve	2850 Eng.		5258584	1
	SPRING – 3rd to 2nd control valve	3300 Eng.		2816882	1
	SPRING – 3rd to 2nd control valve	4.2 Litre Eng.		2811471	1
	SPRING – Manual low & reverse control valve	ALL		5258581	1
	SPRING – 1st & 2nd accumulator valve	2850 Eng.		2810537	1
	SPRING – 1st & 2nd accumulator valve	3300, 4.2 Litre Eng.		2810538	1
	SPRING – Detent pressure regulator valve	ALL		5258582	1
	SLEEVE – 1st & 2nd shift control valve	ALL		2814294	1
	SLEEVE – 2nd & 3rd shift control valve	ALL		9932545	1
	SEAT – 2nd & 3rd shift control valve spring	ALL		5258509	1
	SEAT – Detent pressure regulator valve spring	ALL		5258805	1
	PIN – Coiled spring	ALL		2820110	8
	LINK – Manual valve lever	ALL		5258243	1
	PLUG – Low speed downshift timing valve	ALL		5258216	1
	PLUG – 3rd to 2nd control valve	ALL		5258216	1
	PLUG – 1st & 2nd accumulator valve	ALL		5258333	1
	PLUG – Accumulator piston access hole	ALL		8611710	1
4.279	VALVE, SPRING, SLEEVE, ROLLER – Detent				
	VALVE	ALL		2824303	1
	SPRING – Valve	ALL		2817629	1
	SLEEVE – Valve	ALL		2817627	1
	SEAL – Valve sleeve oil	ALL		5258338	1
	ROLLER & SPRING ASSEMBLY	ALL		5258253	1
	SPRING – Roller	ALL		2809934	1
	PIN – Roller to spring	ALL		9414521	1
	PIN – Detent valve retainer	ALL		2825091	1
	LEVER – Park lock & range selector, inner	ALL		5258149	1
4.282	SEAL – Park lock and range selector shaft oil				
	SEAL	ALL		8623056	1
4.294	ACTUATOR ASSEMBLY, RING, SLEEVE, SHAFT – Parking brake lock				
	ACTUATOR ASSEMBLY	ALL		2817360	1
	RING – Actuator to inner lever	ALL		6257880	1
	SLEEVE – Actuator	ALL		5258082	1
	PAWL	ALL		5258062	1
	SHAFT – Pawl	ALL		5258366	1
	SHAFT – Park lock & range selector	ALL		5258286	1
	PIN – Park lock & range selector retainer	ALL		2825091	1
4.295	SPRING – Parking brake lock pawl disengaging				
	SPRING	ALL		5258076	1
4.317	HOUSING – Transmission extension				
	HOUSING ASSEMBLY	ALL		5258484	1
	BUSHING – Housing	ALL		3717682	1
	SEAL – Housing	ALL		3932255	1
4.318	GASKET – Transmission extension housing				
	GASKET	ALL		5258199	1

"HJ" PARTS CATALOGUE

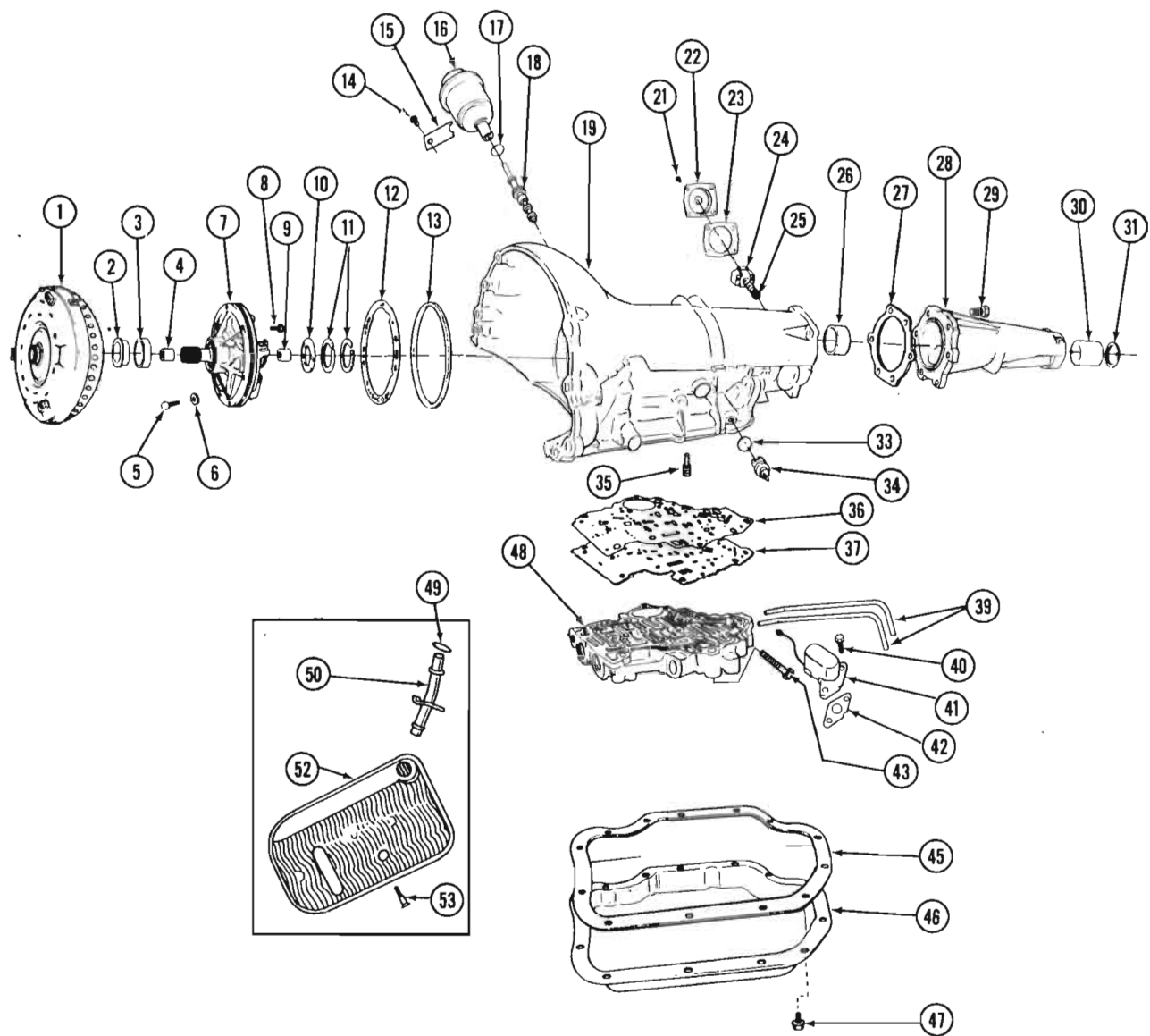
GROUP	DESCRIPTION	MODEL	SIDE	PART No.	QTY.
TRANSMISSION ASSEMBLY "TRI-MATIC" AUTOMATIC					
4.337	GEAR, CLIP – Speedometer driven and drive				
	GEAR – Driven – 19 teeth – Pink	2.78 : 1, 3.08 : 1 AR		7430967	1
	GEAR – Driven – 20 teeth – White	2.78 : 1, 3.08 : 1 AR		7430968	1
	GEAR – Driven – 22 teeth – Dark blue	3.08 : 1 AR		7430970	1
	GEAR – Driven – 21 teeth – Green	3.36 : 1 AR		7430969	1
	GEAR – Driven – 22 teeth – Dark blue	3.55 : 1 AR		7430970	1
	GEAR – Driven – 24 teeth – Yellow	3.90 : 1 AR		7430972	1
	GEAR – Drive	6 Cyl. Eng.		5258493	1
	GEAR – Drive	4.2 Litre Eng.		5258494	1
	CLIP – Drive gear	ALL		1373122	1
4.338	SEAL – Speedometer driven gear				
	SEAL – 'O' Ring – 1 3/16" I.D. x 1/8"	ALL		7430921	1
4.342	CABLE and CASING, RETAINER – Speedometer				
	CABLE & CASING	Instrument types 1,2,3 <i>9943803</i>		(6 9934184	1
	CABLE & CASING	Instrument types 4,5,6 <i>9943805</i>		(6 9932430	1
	CABLE KIT	Instrument types 1,2,3 <i>V.513539</i>		(6 V612646	1
	CABLE KIT	Instrument types 4,5,6 <i>V.513541</i>		(6 V612647	1
	CLIP – Cable to floor brace	ALL		SP1885	1
	CLIP – Speedo cable to floor pan	ALL		7434452	1
	RETAINER – Cable & casing assy.	ALL		2817874	1
	RETAINER – Casing drive end	ALL		7430917	1
	SEAL – Cable	ALL		7434266	1

Note: (6 Refer Group 2.515 for Type No. Identification.



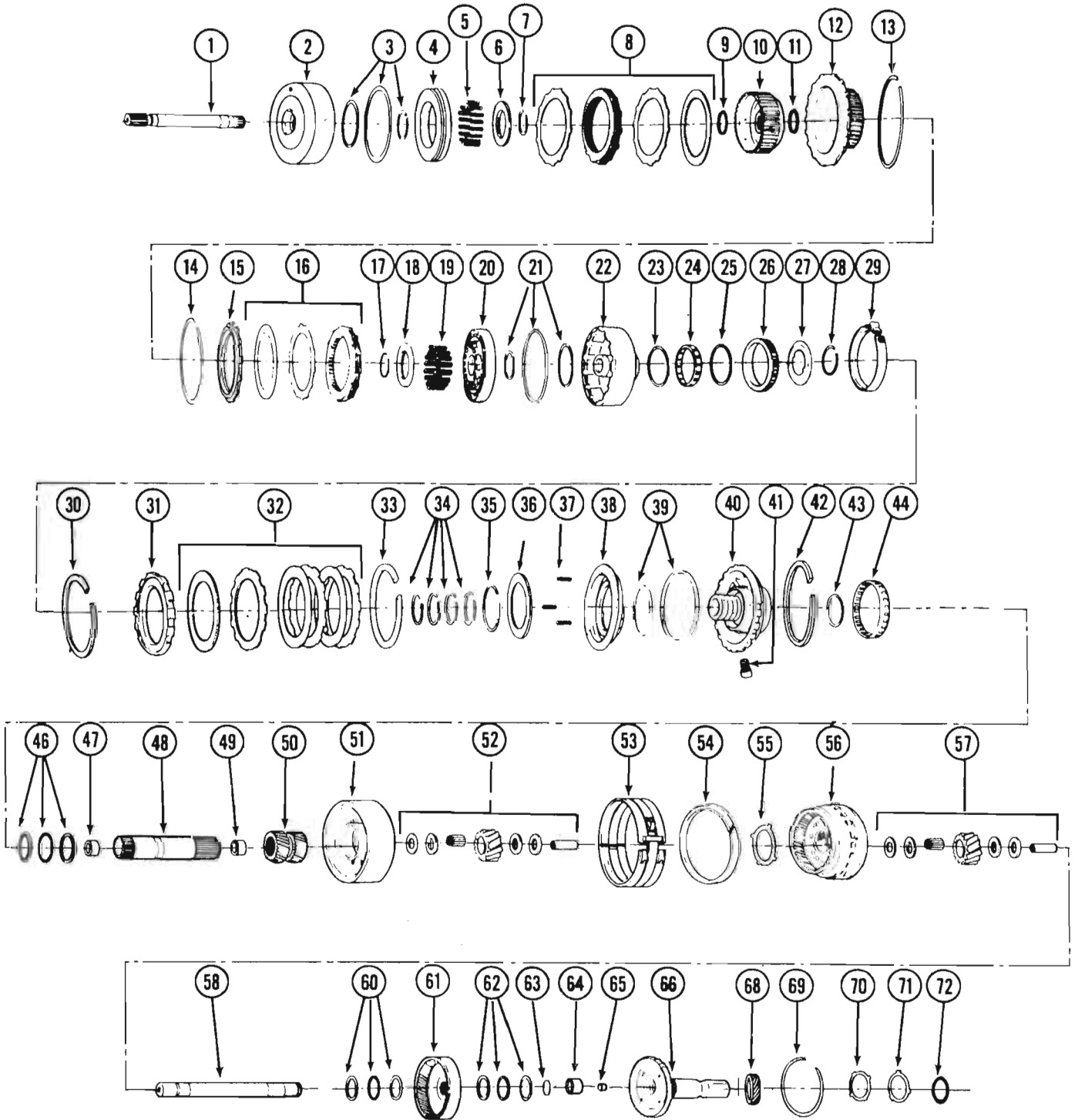
**TRANSMISSION ASSEMBLY
(TURBO HYDRAMATIC)**

ILLUS. REF. NO.	PART NAME	GROUP	ILLUS. REF. NO.	PART NAME	GROUP
1.	CONVERTER ASSEMBLY	4.156	15.	GEAR - Sun	4.159
2.	OIL PUMP ASSY.USE COMPONENTS		16.	GEAR - Speedo driven	4.337
3.	CASE ASSEMBLY	4.103	17.	GEAR - Rear internal mainshaft	4.187
4.	HOUSING ASSY. - Forward clutch	4.169	18.	PINION PACKAGE	4.175
5.	HOUSING & RACE - Direct clutch	4.169	19.	SHAFT ASSY. - Sun gear	4.161
6.	BAND ASSEMBLY - Front	4.251	20.	CONNECTOR - Downshift solenoid valve	4.265
7.	ROLLER ASSEMBLY	4.167	21.	SHAFT - Main	4.172
8.	PLATE - Intermediate clutch	4.163	22.	STRAINER ASSEMBLY	4.224
9.	SPACER - Support to case	4.162	23.	VALVE BODY ASSEMBLY	4.265
10.	ROLLER ASSEMBLY	4.180	24.	STATOR ASSEMBLY	N.S.S.
11.	BAND ASSEMBLY - Rear	4.251	25.	TURBINE	N.S.S.
12.	CARRIER ASSEMBLY - Output	4.175	26.	STATOR ROLLER CLUTCH	N.S.S.
13.	GEAR - Drive	4.337	27.	SHAFT - Stator	N.S.S.
14.	SHAFT & BUSHING ASSY.' - Output	4.175	28.	SHAFT - Turbine	4.123



CASE AND ASSOCIATED PARTS

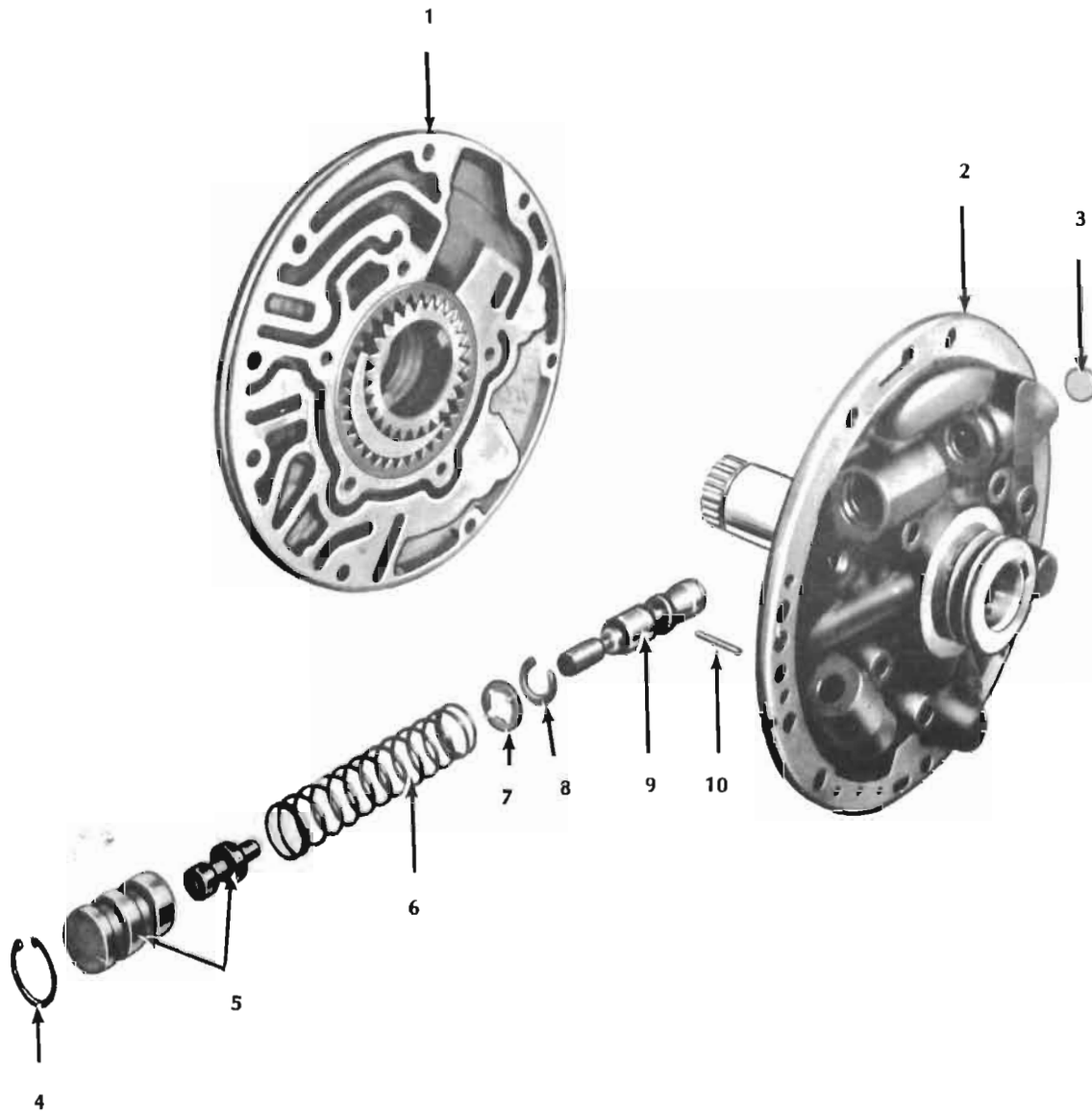
Illus. Ref. No.	Part Name	Part No.	Qty.	Group	Illus. Ref. No.	Part Name	Part No.	Qty.	Group
1.	CONVERTER ASSY. 8623964 391.8963	8623964	1	4.156	22.	COVER - Governor	8623262	1	4.256
2.	SEAL ASSY. - Pump body	8625571	1	4.226	23.	GASKET - Governor cover	8623263	1	4.256
3.	BUSHING - Pump body	8623940	1	4.226	24.	GOVERNOR ASSY.	8627442	1	4.256
4.	BUSHING - Stator shaft, front	8623944	1	4.226	25.	GEAR & PIN PKG. - Driven	8623924	1	4.256
5.	BOLT - Pump to case	8627677	6	4.226	26.	BUSHING - Case	8623941	1	4.103
6.	GASKET - Pump to case bolts	8626281	6	4.226	27.	GASKET - Case to extension	8624709	1	4.318
7.	PUMP ASSY. - Use components				28.	HOUSING ASSY.	8626785	1	4.317
8.	BOLT - Pump body to cover	192347	2	8.900	29.	BOLT - Housing	100134	6	8.900
		220425	2	8.900	30.	BUSHING - Housing	8626901	1	4.317
		220426	1	8.900	31.	SEAL - Housing	8625893	1	4.317
9.	BUSHING - Stator shaft, rear	8623944	1	4.226	34.	CONNECTOR - Downshift solenoid valve	8626252	1	4.265
10.	WASHER - Oil pump cover to Fwd. clutch housing thrust (Fibre)				35.	BOLT - Case to support	8624009	1	4.162
	Yellow .060" - .064" thick	8623300	AR	4.169	36.	GASKET - Spacer to case	8623563	1	4.265
	Blue .071" - .075" thick	8623301	AR	4.169	37.	PLATE - Valve body spacer	8625652	1	4.265
	Red .082" - .086" thick	8623302	AR	4.169	39.	PIPE - Governor	8623157	2	4.248
	Brown .093" - .097" thick	8623303	AR	4.169	40.	BOLT - Solenoid to case	179795	2	8.900
	Green .104" - .108" thick	8623304	AR	4.169	41.	SOLENOID ASSY.	8623788	1	4.265
	Black .115" - .119" thick	8623305	AR	4.169	42.	GASKET - Solenoid valve	8623741	1	4.265
	Purple .126" - .130" thick	8623306	AR	4.169	43.	BOLT - Valve body to case	108597	8	8.900
11.	RING - Pump to forward clutch housing oil seal	8623148	2	4.226			108586	3	8.900
12.	GASKET - Pump to case	8623978	1	4.226	45.	GASKET - Oil pan	8626931	1	4.196
13.	'O' RING - Pump to case	8626309	1	4.226	46.	PAN - Transmission oil	8625766	1	4.195
14.	BOLT - Modulator retainer	115658	1	8.900	47.	SCREW & WASHER ASSY. - Oil pan to case	3829139	13	4.195
15.	RETAINER - Modulator to case	1357282	1	4.265	48.	VALVE BODY ASSY.	8627883	1	4.265
16.	MODULATOR ASSY. - Vacuum	8625976	1	4.265	49.	SEAL - 'O' Ring	1363951	1	4.223
18.	VALVE - Vacuum modulator	8623983	1	4.265	50.	PIPE ASSY. - Strainer intake	8625428	1	4.224
19.	CASE ASSY.	8626953	1	4.103	52.	STRAINER ASSY.	6437741	1	4.224
21.	BOLT - Governor cover	115658	4	8.900	53.	BOLT - Strainer to case	8625769	1	4.224



FORWARD, DIRECT AND INTERMEDIATE CLUTCH

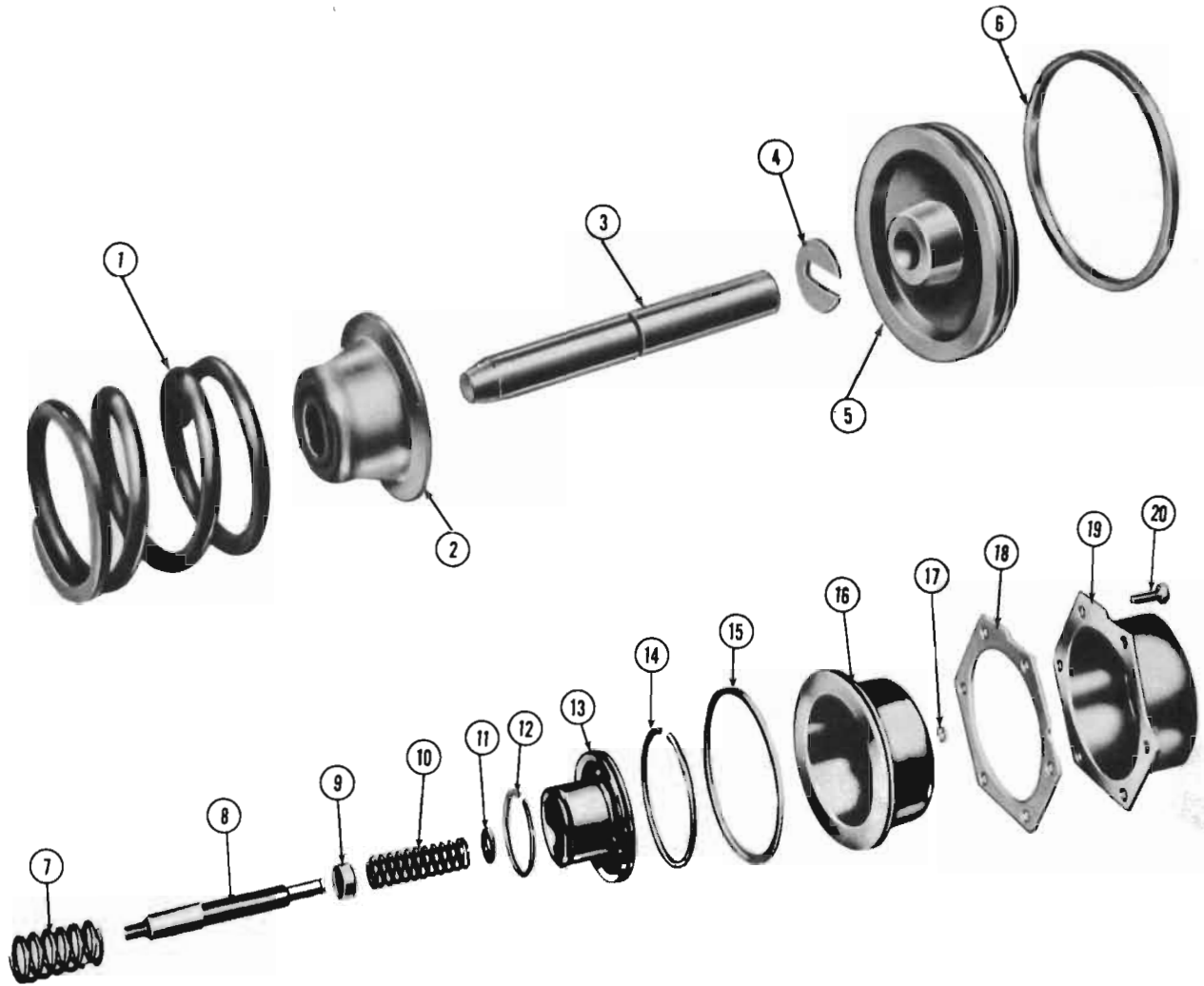
ILLUSTRATION OPPOSITE

Illus. Ref. No.	Part Name	Part No.	Qty.	Group	Illus. Ref. No.	Part Name	Part No.	Qty.	Group
1.	SHAFT - Turbine	8624772	1	4.123	38.	PISTON - Intermediate clutch	8626938	1	4.166
2.	HOUSING ASSY. - Forward clutch..	8624908	1	4.169	39.	SEAL PKG. - Inter clutch piston	8623918	1	4.166
3.	SEAL PKG. - Forward clutch piston	8623917	1	4.166	40.	SUPPORT ASSY. - Centre with			
4.	PISTON - Forward clutch	8624016	1	4.166		race and plug	8625990	1	4.162
5.	SPRING - Fwd.clutch piston release	8624101	16	4.164	41.	BOLT - Case to support	8624009	1	4.162
6.	RETAINER - Fwd.clutch spring	8623104	1	4.164	42.	SPACER - Support to case	8626816	1	4.162
7.	RING - Fwd.clutch to housing				43.	WASHER - Support to reaction			
	spring retainer	8623105	1	4.164		drum thrust	8624783	1	4.162
8.	PLATE - Fwd.clutch,drive (Comp.)	8623483	5	4.163	44.	ROLLER ASSY.	8623842	1	4.180
	Driven (steel) ..	8623849	4	4.163	46.	BEARING PKG. - Centre support			
	Driven (wave) ..	8623851	1	4.163		to sun gear thrust	8623920	1	4.159
9.	WASHER - Fwd.clutch housing to				47.	BUSHING - Sun gear shaft	8623944	1	4.161
	hub (Thrust)	8624196	1	4.164	48.	SHAFT ASSEMBLY	8623177	1	4.161
10.	HUB - Forward clutch	8625717	1	4.164	49.	BUSHING - Sun gear shaft	8623944	1	4.161
11.	WASHER - Fwd.clutch hub to				50.	GEAR - Sun	8626807	1	4.159
	direct clutch hub (Thrust)	8624781	1	4.164	51.	CARRIER ASSY. - Reaction	8625859	1	4.175
12.	HUB - Direct clutch driving	8625718	1	4.164	52.	PINION PACKAGE	8625913	1	4.175
13.	RING - Fwd.clutch to Fwd. clutch				53.	BAND ASSY. - Rear (Complete) ..	8623155	1	4.251
	housing	8623112	1	4.164	54.	RING - Front internal gear	8626112	1	4.176
14.	RING - Direct clutch to direct				55.	WASHER - Internal gear to reaction			
	clutch housing	8623112	1	4.164		carrier (Thrust)	8626372	1	4.176
15.	PLATE - Direct clutch backing	8623122	1	4.163	56.	CARRIER ASSY. - Output w/pins..	8625957	1	4.175
16.	PLATE - Direct clutch, Drive (Comp)	8623483	5	4.163	57.	PINION PACKAGE	8625913	1	4.175
	Driven (Steel) ..	8625197	4	4.163	58.	SHAFT - Main	8625736	1	4.172
	Driven (Wave) ..	8623851	1	4.163	60.	BEARING PKG. - Sun gear to			
17.	RING - Direct clutch to housing					internal gear thrust	8623921	1	4.159
	spring retainer	8623105	1	4.164	61.	GEAR - Rear internal mainshaft ..	8623202	1	4.187
18.	RETAINER - Direct clutch spring ..	8623104	1	4.164	62.	THRUST RACE PKG. - Rear			
19.	SPRING - Direct clutch piston rel. ..	8624073	14	4.164		internal gear to output shaft	8623922	1	4.187
20.	PISTON ASSY. - Direct clutch	8625514	1	4.166	63.	RING - Mainshaft to internal gear ..	8625221	1	4.172
21.	SEAL PKG. - Direct clutch piston ..	8623917	1	4.166	64.	BUSHING - Output shaft	8623943	1	4.176
22.	HOUSING & RACE - Direct clutch ..	8625816	1	4.169	65.	PLUG - Output shaft	8623484	1	4.175
23.	BUSHING	8623945	1	4.168	66.	SHAFT & BUSHING ASSY. -			
24.	ROLLER ASSY.	8625814	1	4.167		Output	8627453	1	4.175
25.	BUSHING	8623945	1	4.168	68.	GEAR - Drive	8623311	1	4.337
26.	RACE - Clutch outer	8623117	1	4.168	69.	RING - Output shaft	8626173	1	4.176
27.	RETAINER - Inter.clutch piston	8627334	1	4.167	70.	WASHER - Output shaft to case			
28.	RING - Sprag retainer to direct					front, Thrust	8626372	1	4.176
	clutch housing	8623120	1	4.167	71.	WASHER - Output shaft to case			
29.	BAND ASSY. - Front	8623123	1	4.251		rear, Thrust .074" - .078" thick ..	8625401	1	4.176
30.	RING - Inter.clutch spring retainer..	8623149	1	4.164		.082" - .086" thick ..	8625402	1	4.176
31.	PLATE - Inter. clutch backing	8623152	1	4.163		.090" - .094" thick ..	8625403	1	4.176
32.	PLATE - Inter.clutch, Drive (Comp)..	8623151	3	4.163		.098" - .102" thick ..	8625404	1	4.176
	Reaction	8623150	2	4.163		.106" - .110" thick ..	8625405	1	4.176
	Reaction (Wave) ..	8624199	1	4.163		.114" - .118" thick ..	8625406	1	4.176
33.	RING - Support to case	8623437	1	4.162	72.	SEAL - Output shaft "O" Ring ..	8616504	1	4.318
34.	RING - Support oil seal	8623148	4	4.162					
35.	RING - Inter.clutch spring retainer								
	to support	8623153	1	4.164					
36.	RETAINER - Inter.clutch spring	8623146	1	4.164					
37.	SPRING - Inter.clutch piston rel.	8623145	3	4.164					



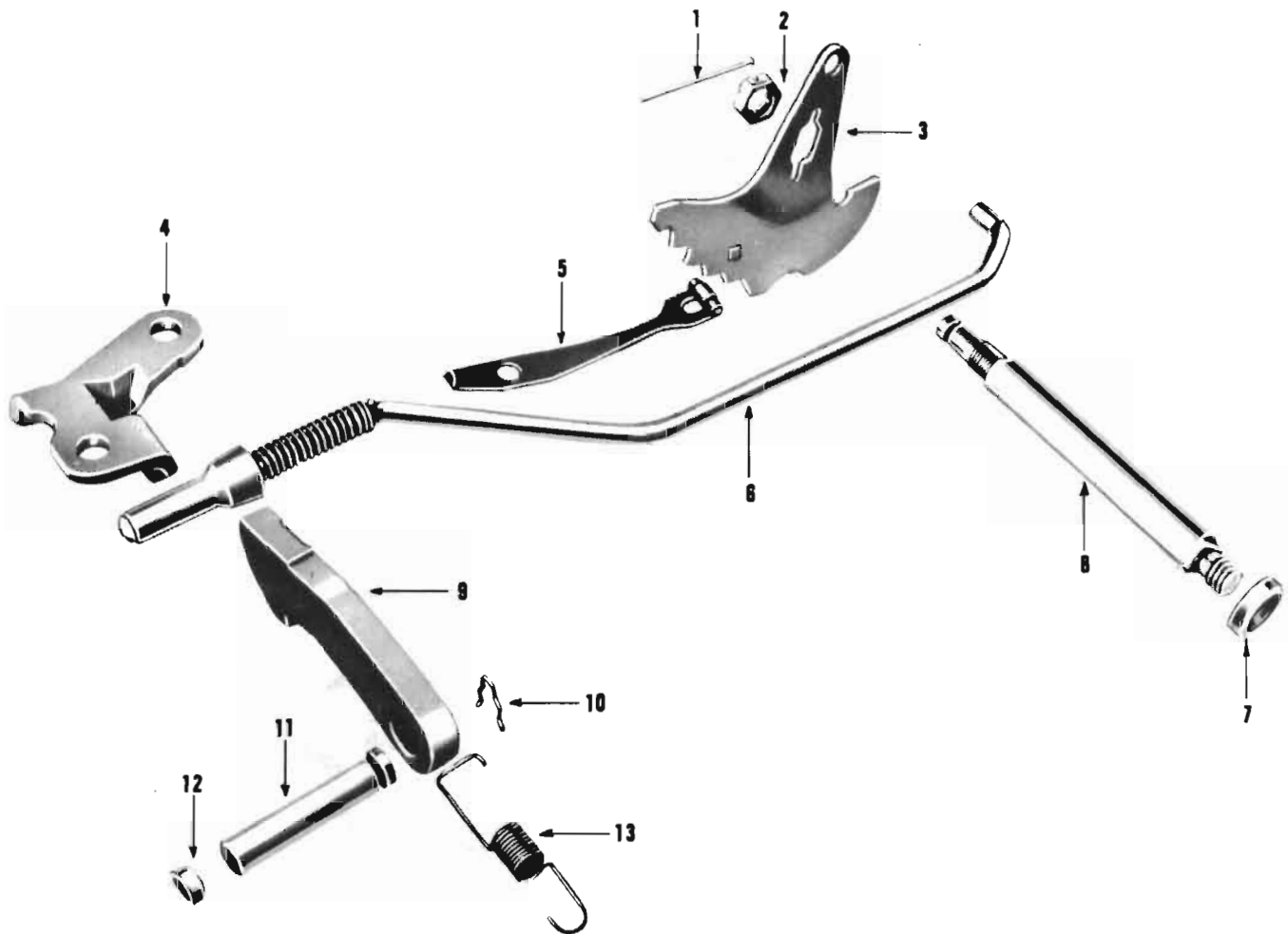
PUMP ASSEMBLY

Part No.	Part Name	Part No.	Qty.	Group	Illus. Ref. No.	Part Name	Part No.	Qty.	Group
1.	BODY ASSEMBLY – Pump	8625954	1	4.226	6.	SPRING – Regulator	8625648	1	4.226
2.	COVER ASSEMBLY – Pump	8625955	1	4.226	7.	WASHER – Reg. spring retainer	8623039	1	4.226
3.	PLUG – Regulator valve	8623292	1	4.226	8.	SPACER – Regulator spring	8623368	AR	4.226
4.	RING – Regulator bushing retainer	274613	1	4.226	9.	VALVE & PLUG ASSY. – Pressure regulator	8623422	1	4.226
5.	BUSHING & VALVE UNIT – Modulator booster	8625902	1	4.226	10.	PIN – Plug retaining	8623078	1	4.226



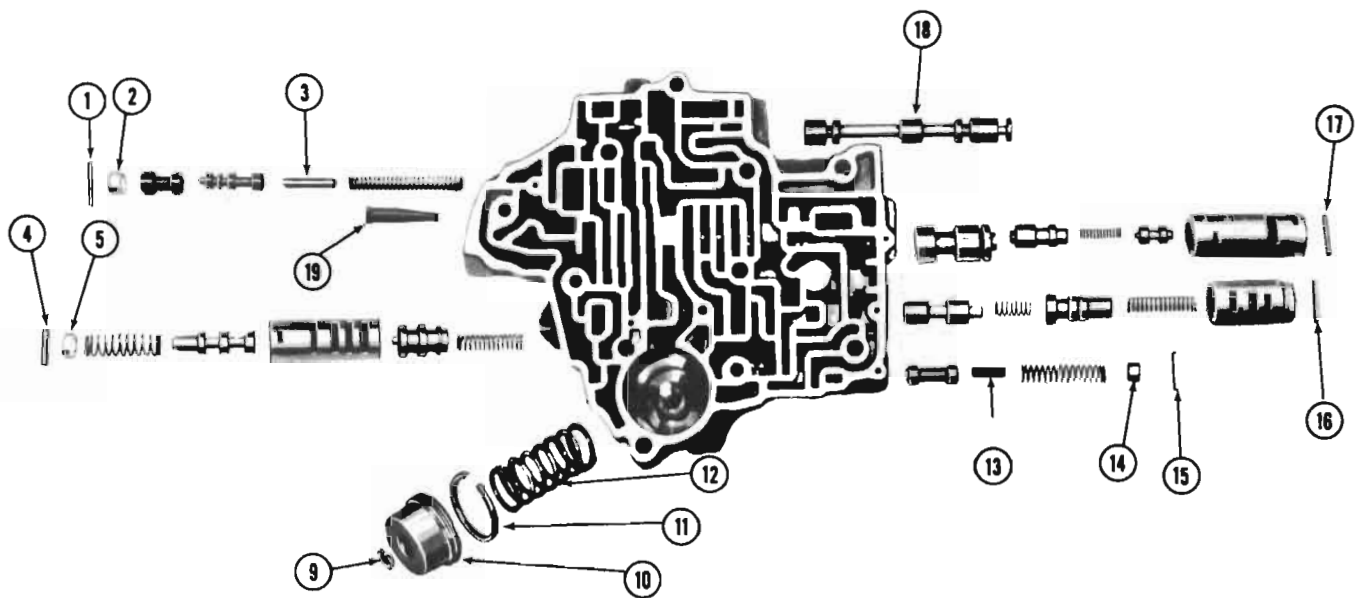
FRONT AND REAR SERVO ACCUMULATOR

Illus. Ref. No.	Part Name	Part No.	Qty.	Group	Illus. Ref. No.	Part Name	Part No.	Qty.	Group
1.	SPRING - Front servo piston	8623489	1	4.233	11.	WASHER - Rear servo piston	8623744	1	4.241
2.	RETAINER - Front servo spring	8626881	1	4.233	12.	RING - Accumulator piston oil seal inner	8627152	1	4.242
3.	PIN - Front servo piston	8626879	1	4.228	13.	PISTON - Rear servo accumulator ..	8626902	1	4.241
4.	RING - Front servo spring retainer	8626884	1	4.228	14.	RING - Accumulator piston oil seal outer	8627153	1	4.242
5.	PISTON - Front servo	8626878	1	4.228	15.	SEAL - Rear servo piston	8623430	1	4.242
6.	RING - Front servo piston oil seal	8623131	1	4.229	16.	PISTON - Rear servo	8624138	1	4.241
7.	SPRING - Rear accumulator	8624256	1	4.246	17.	RING - Rear servo piston retainer ..	9413523	1	4.241
8.	PIN - Rear band apply				18.	GASKET - Rear servo cover	8623174	1	4.241
	(1 Ring) (4.253" O.L.)	8624139	AR	4.241	19.	COVER - Rear servo	8624136	1	4.241
	(2 Rings) (4.309" O.L.)	8624140	AR	4.241	20.	BOLT - Rear servo cover	179816	6	8.900
	(3 Rings) (4.365" O.L.)	8624141	AR	4.241					
9.	RETAINER - Rear servo piston spring	8623664	1	4.247					
10.	SPRING - Rear servo	8623666	1	4.246					



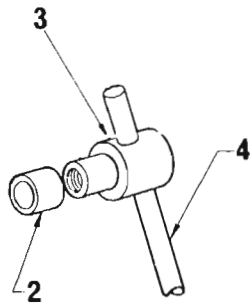
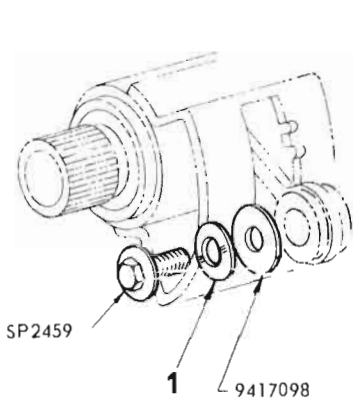
PARKING BRAKE AND INSIDE DETENT LEVER

Illus. Ref. No.	Part Name	Part No.	Qty.	Group	Illus. Ref. No.	Part Name	Part No.	Qty.	Group
1.	PIN - Parking brake nut	8623232	1	4.275	8.	SHAFT	8623714	1	4.275
2.	NUT - Hexagon, slotted	117212	1	8.717	9.	PAWL	8623037	1	4.294
3.	LEVER & PIN ASSEMBLY	8624336	1	4.279	10.	RETAINER - Pawl to shaft	148148	1	4.294
4.	BRACKET	8623042	1	4.294	11.	SHAFT & PLUG PKG. - Pawl	8624976	1	4.294
5.	ROLLER & SPRING	8625773	1	4.294	12.	PLUG - Pawl shaft bore hole	8620318	1	4.294
6.	ACTUATOR ASSEMBLY	8624091	1	4.294	13.	SPRING - Return	8623041	1	4.295
7.	SEAL - Shaft	8623056	1	4.275					

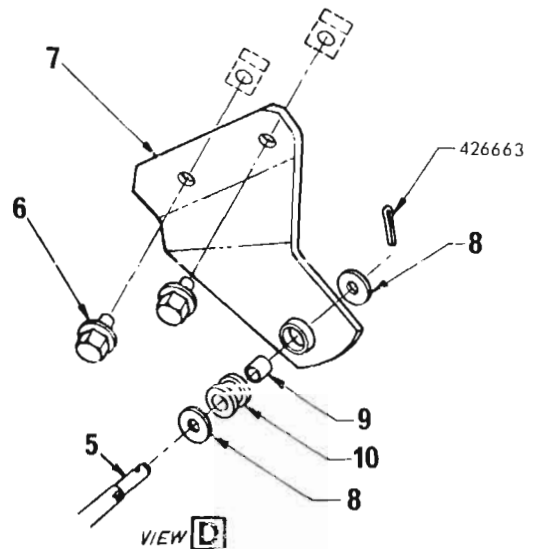


VALVE BODY

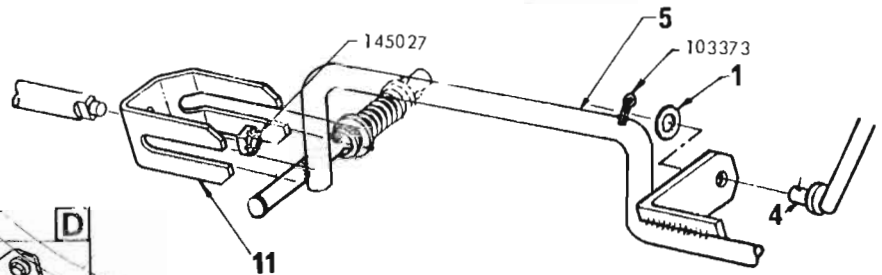
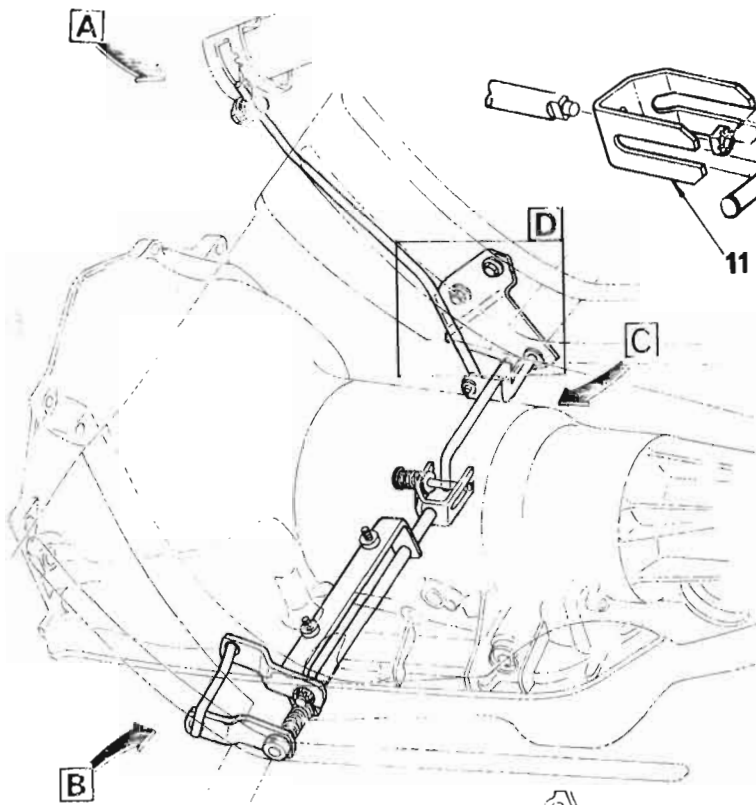
Illus. Ref. No.	Part Name	Part No.	Qty.	Group	Illus. Ref. No.	Part Name	Part No.	Qty.	Group
1.	PIN - Body, .125'' OD x 1.03'' (Coiled Spring)	8624482	1	4.265	12.	SPRING - Front accumulator piston ..	8623654	1	4.233
2.	PLUG - Detent valve	8623295	1	4.265	13.	PIN - Third to second valve	8623583	1	4.265
3.	PIN - Detent regulator valve	8623507	1	4.265	14.	PLUG - Three two valve	8623298	1	4.265
4.	PIN - Bore plug retaining	8625544	1	4.265	15.	PIN - Body, .125'' Dia. x .82'' Straight	8622045	1	4.265
5.	PLUG - One two accumulator	8625546	1	4.265	16.	PIN - Body, .125'' Dia. x 1.32'' Straight	8623078	1	4.265
9.	RING - Front accumulator piston retaining	9412978	1	4.233	17.	PIN - Body, .125'' OD x 1.03'' (Coiled Spring)	8624482	1	4.265
10.	PISTON - Front accumulator	8626883	1	4.228	18.	VALVE - Manual control	8623592	1	4.265
11.	RING - Front accumulator piston oil seal	8623653	1	4.229	19.	SCREEN ASSY. - Pipe hole	8627509	1	4.248



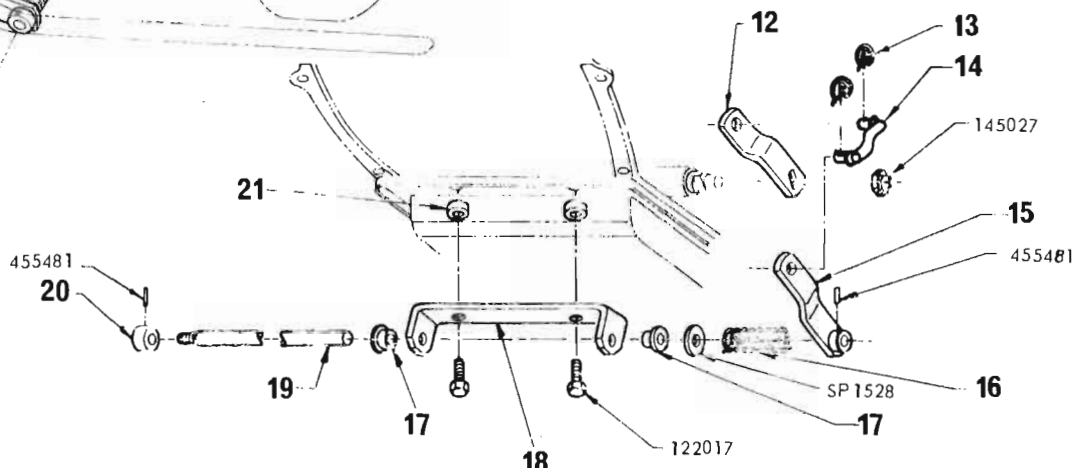
VIEW **A**



VIEW **D**



VIEW **C**

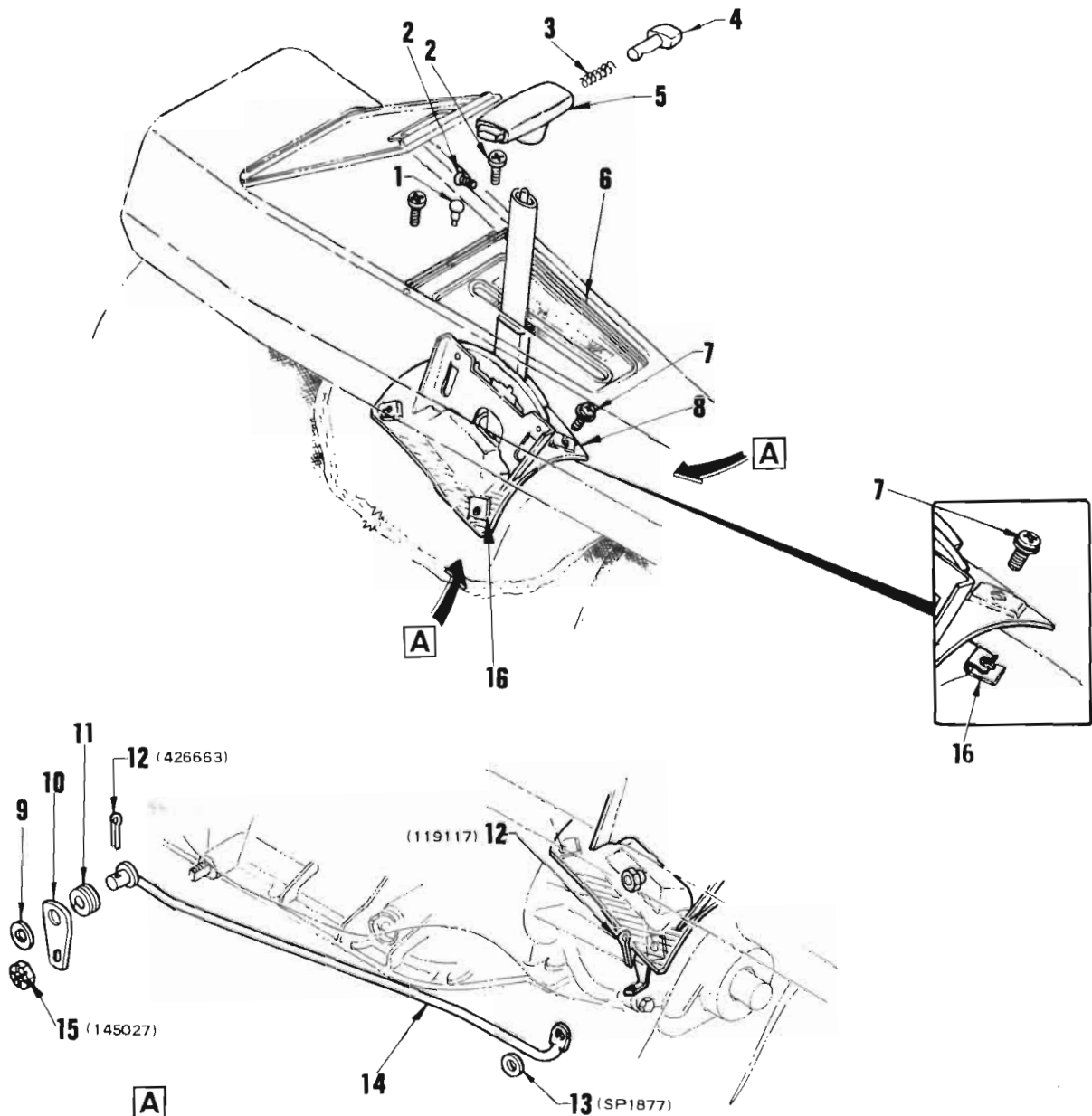


VIEW **E**

**GEARSHIFT CONTROL
(Column Shift)**

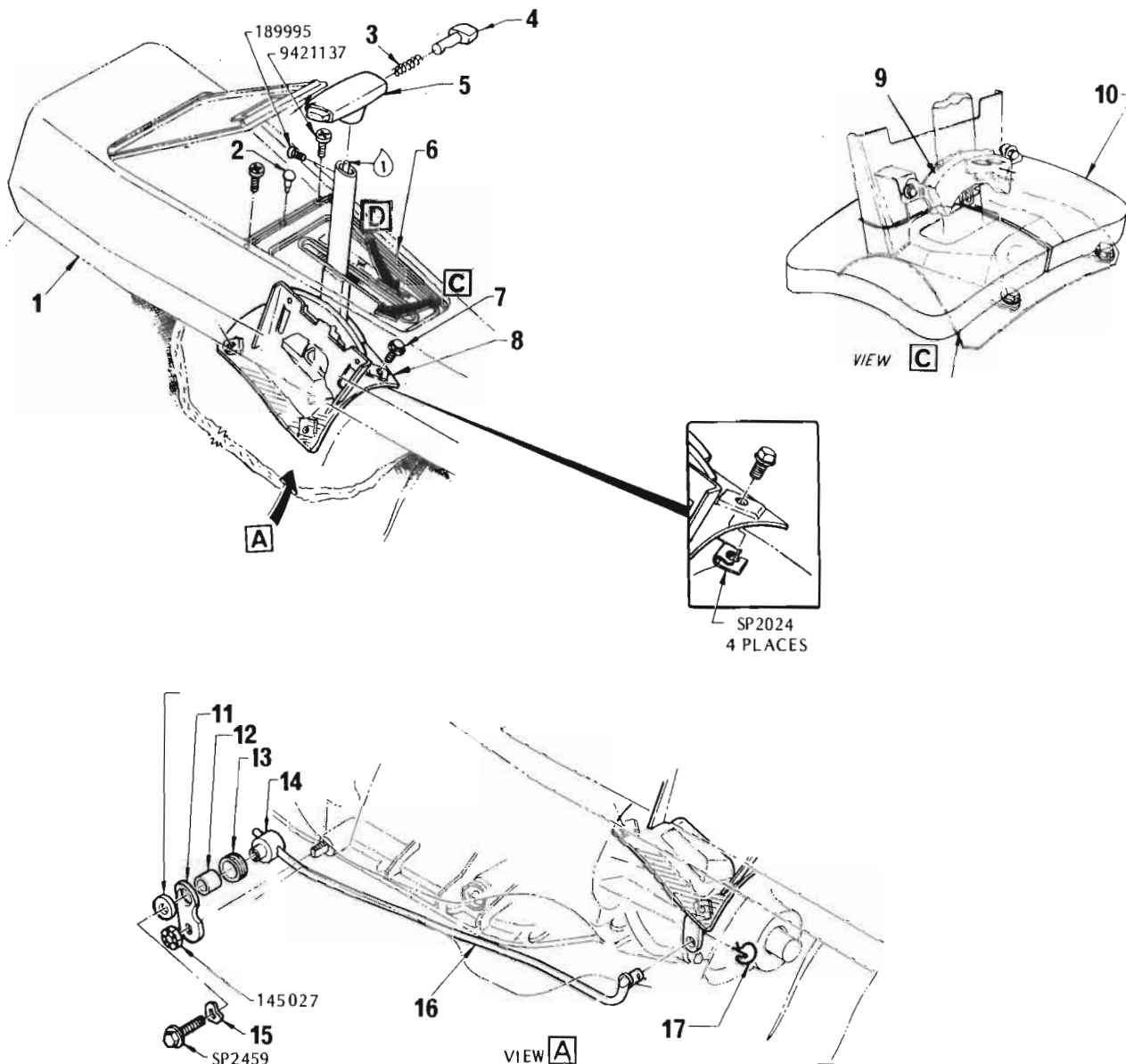
ILLUSTRATION OPPOSITE

ILLUS. REF. NO.	PART NAME	GROUP
1.	WASHER - Spring	4.040
2.	SLEEVE - Trunnion	4.040
3.	TRUNNION - Rod to lever	4.040
4.	ROD ASSEMBLY	4.040
5.	SHAFT & LEVER ASSEMBLY	4.040
6.	BOLT - Cross shaft support bracket to frame	4.040
7.	BRACKET - Shaft & lever support	4.040
8.	WASHER - Rod to cross shaft	4.040
9.	SLEEVE - Shaft & lever to bracket	4.040
10.	GROMMET - Shaft & lever to bracket	4.040
11.	LEVER - Cross shaft to cross shaft	4.040
12.	LEVER	4.041
13.	RETAINER - Link Assy.	4.040
14.	LINK ASSEMBLY	4.040
15.	LEVER ASSEMBLY - Cross shaft	4.040
16.	SPRING - Cross shaft to bracket	4.040
17.	BUSH - Cross shaft to bracket	4.040
18.	BRACKET - Cross shaft mounting	4.040
19.	SHAFT - Control cross	4.040
20.	RETAINER - Cross shaft	4.040
21.	SPACER - Cross shaft mounting bracket	4.040



**GEARSHIFT CONTROL
(CONSOLE SHIFT)**

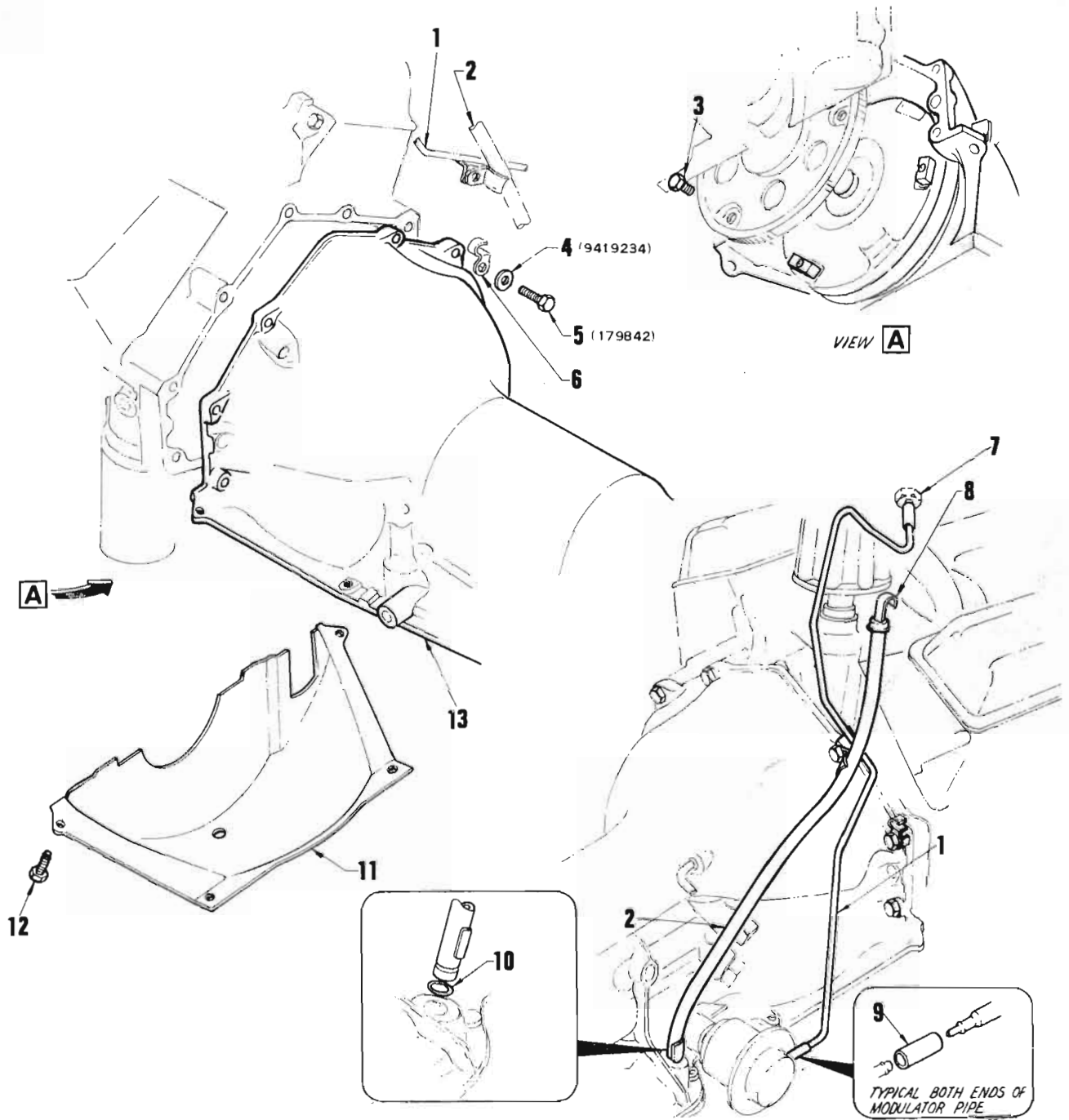
ILLUS. REF. NO.	PART NAME	GROUP	ILLUS. REF. NO.	PART NAME	GROUP
1.	BUMPER - Console lid	15.292	9.	WASHER - Special	4.040
2.	SCREW - Sheet metal	8.977	10.	LEVER	4.041
3.	SPRING	4.009	11.	INSULATOR - Rod to lever	4.040
4.	BUTTON	4.009	12.	PIN - Cotter	8.938
5.	HANDLE	4.009	13.	WASHER - Flat	8.929
6.	COVER - Auto	15.293	14.	ROD ASSEMBLY	4.040
7.	BOLT - Hexagon head	4.010	15.	NUT - Hexagon self locking	4.041
8.	LEVER & SUPPORT	4.006	16.	NUT - Stamped	4.010



**GEARSHIFT CONTROL
CONSOLE SHIFT**

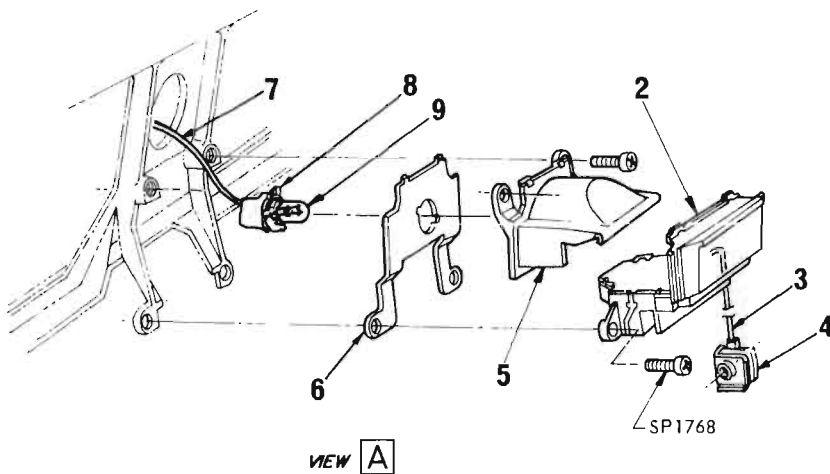
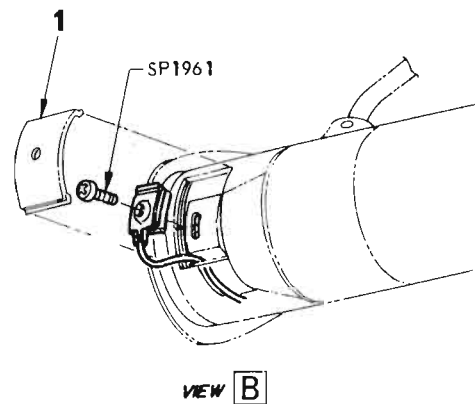
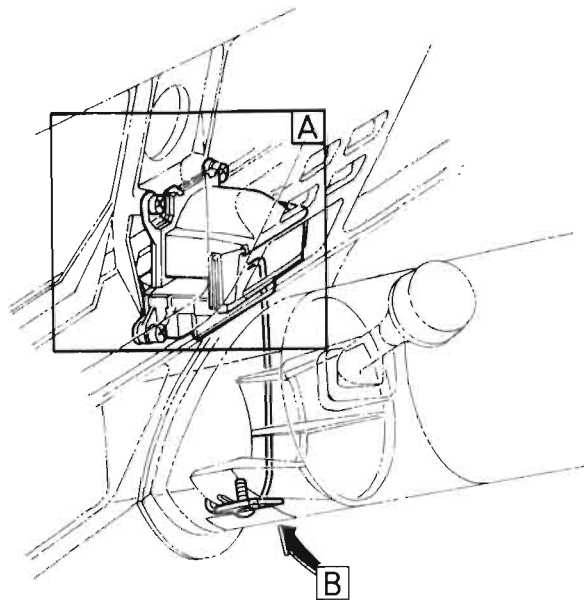
ILLUS. REF. NO.	PART NAME	GROUP	ILLUS. REF. NO.	PART NAME	GROUP
1.	HOUSING - Transmission console	15.290	10.	INSULATOR - Lever & support	4.015
2.	BUMPER - Console lid	15.292	11.	LEVER - External control	4.041
3.	SPRING - Control lever	4.009	12.	SLEEVE	4.040
4.	BUTTON - Control lever	4.009	13.	INSULATOR	4.040
5.	HANDLE - Control lever	4.001	14.	TRUNNION	4.040
6.	COVER - Control housing	15.293	15.	WASHER - Spring	4.040
7.	BOLT - Support to floor	4.010	16.	ROD	4.040
8.	LEVER & SUPPORT - Control	4.006	17.	RETAINER - Rod to lower lever	4.040
9.	SWITCH - Neutral starting	4.054			

REVISED APRIL, 1975.



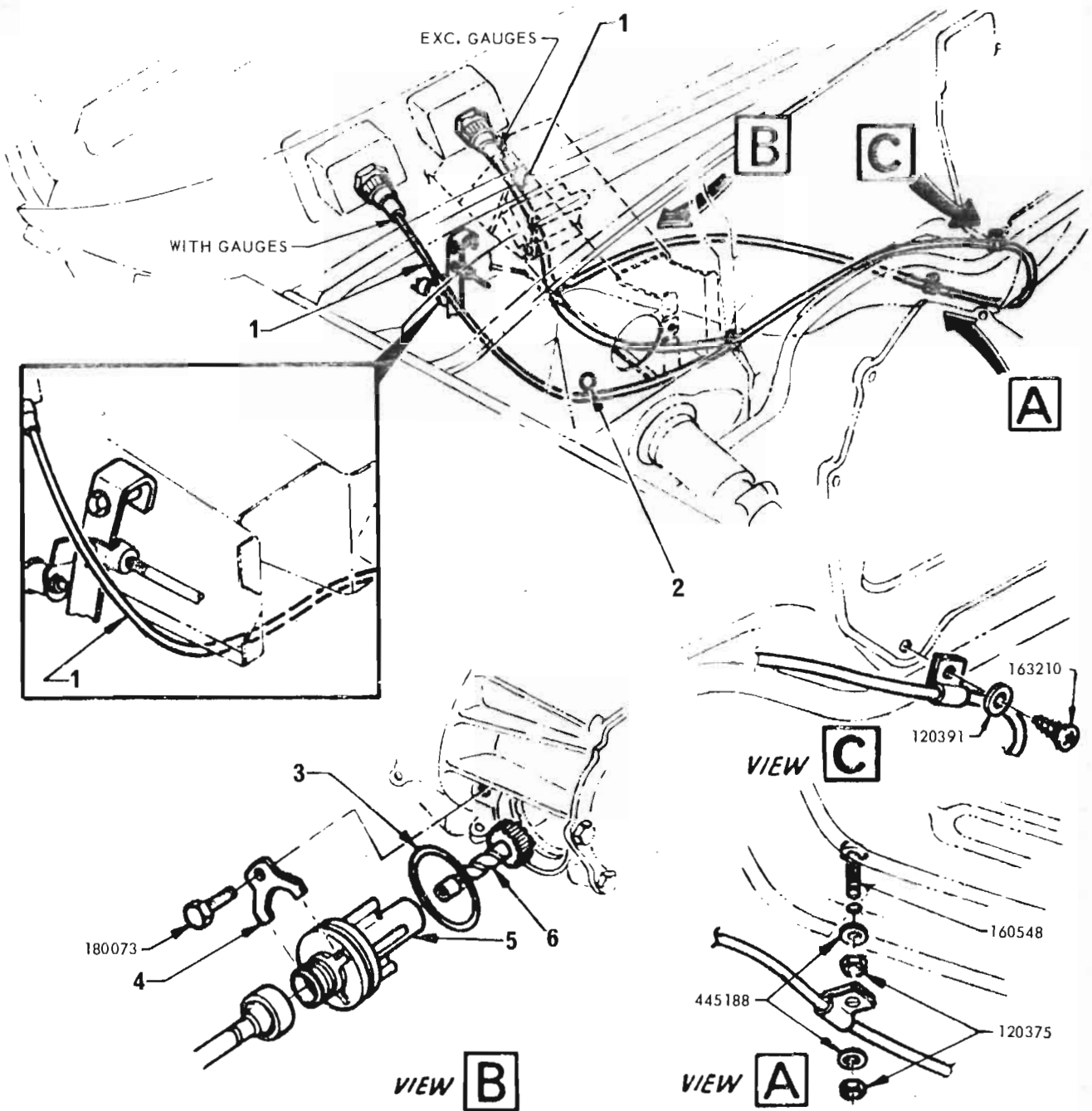
VACUUM MODULATOR and OIL FILLER

ILLUS. REF. NO.	PART NAME	GROUP	ILLUS. REF. NO.	PART NAME	GROUP
1.	PIPE	4.205	8.	INDICATOR ASSEMBLY – Oil level	4.133
2.	TUBE ASSEMBLY – Oil filler	4.133	9.	SLEEVE – Pipe to connector & modulator	4.205
3.	BOLT – Converter to drive plate	4.156	10.	SEAL – Tube to case	4.133
4.	WASHER – Flat	8.929	11.	COVER – Converter housing lower	0.679
5.	BOLT – Hexagon head	8.900	12.	SCREW – Cover to housing	0.679
6.	CLIP – Harness to engine	2.555	13.	TRANSMISSION ASSEMBLY	4.003
7.	CONNECTOR	4.205			



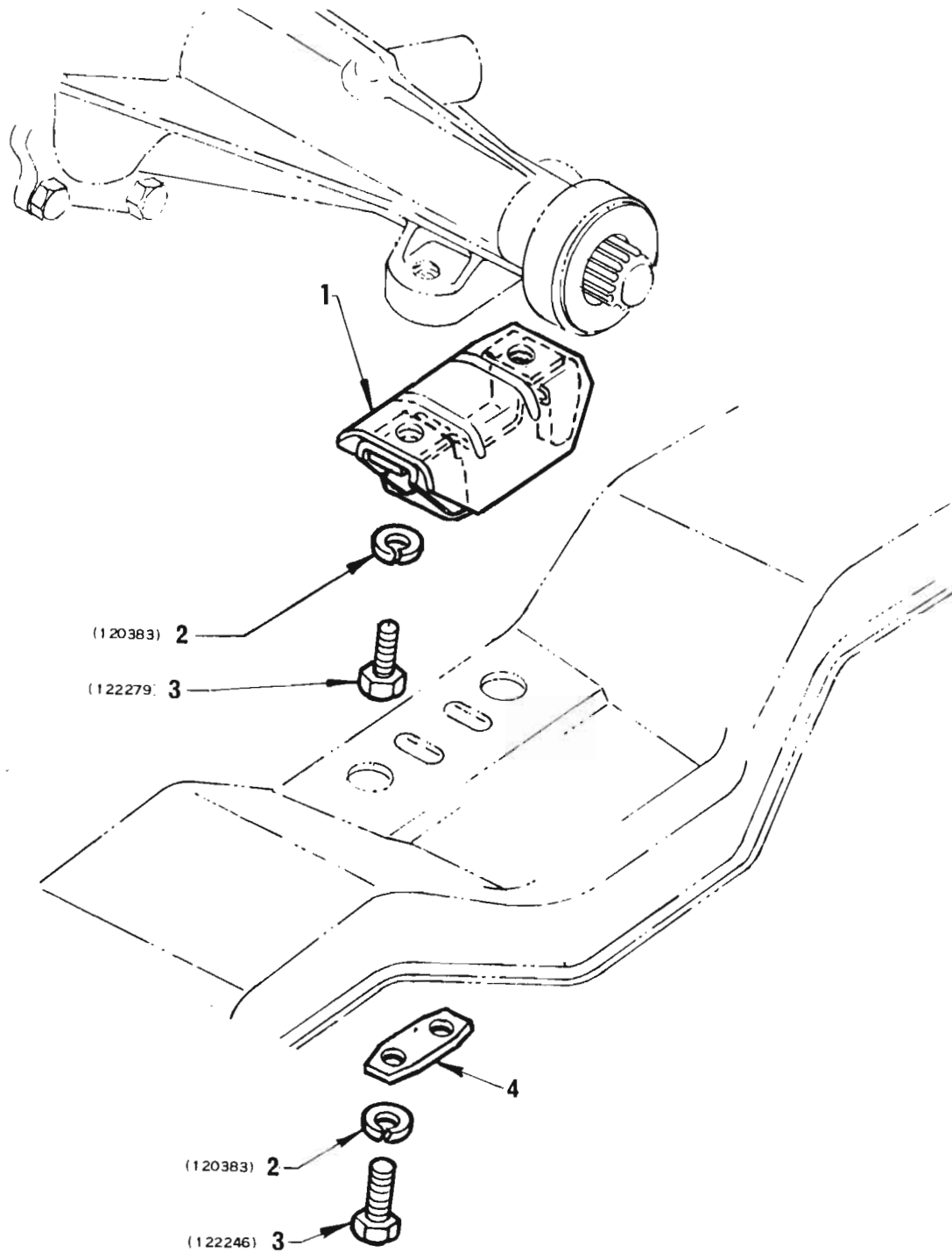
TRANSMISSION CONTROL INDICATOR

ILLUS. REF. NO.	PART NAME	GROUP	ILLUS. REF. NO.	PART NAME	GROUP
1.	PLATE - Steering column cover access	6.758	6.	BACK - Housing	4.038
2.	INDICATOR ASSEMBLY	4.038	7.	LEAD - Lamp	4.038
3.	CABLE ASSEMBLY	4.038	8.	SOCKET - Bulb	4.038
4.	CLIP	4.038	9.	BULB	4.038
5.	HOUSING - Illumination	4.038			



SPEEDOMETER CABLE & GEAR

ILLUS. REF. NO.	PART NAME	GROUP	ILLUS. REF. NO.	PART NAME	GROUP
1.	CABLE & CASING	4.342	4.	RETAINER - Sleeve	4.338
2.	SEAL - Dash panel (rubber)	12.803	5.	SLEEVE & SEAL ASSEMBLY	4.338
3.	SEAL - Driven gear sleeve	4.338	6.	GEAR - Driven	4.337



TRANSMISSION MOUNTING

ILLUS. REF. NO.	PART NAME	GROUP	ILLUS. REF. NO.	PART NAME	GROUP
1.	MOUNTING ASSEMBLY	4.081	3.	BOLT - Hexagon head	8.900
2.	WASHER - Lock	8.931	4.	SPACER - Mounting to cross member	4.081

"HJ" PARTS CATALOGUE

GROUP	DESCRIPTION	MODEL	SIDE	PART No.	QTY.
TRANSMISSION ASSEMBLY, "TURBO HYDRA-MATIC" AUTOMATIC,					
4.003	TRANSMISSION ASSEMBLY				
	TRANSMISSION ASSEMBLY	ALL		8627858	1
	REPAIR KIT	ALL		8625967	1
4.005	GASKET SET, SNAP RING KIT – Transmission				
	GASKET & SEAL SET	ALL		8625905	1
	SNAP RING KIT	ALL		8623979	1
4.006	LEVER ASSEMBLY – Transmission control				
	LEVER ASSEMBLY	Steering column shift		9928845	1
	LEVER & SUPPORT ASSEMBLY	Console shift		2818538	1
	LEVER ASSEMBLY	Console shift		2817027	1
	PLUNGER	Console shift		2817028	1
	SPRING	Console shift		2817074	1
	DAMPER – Plunger	Console shift		2822163	1
4.007	TUBE ASSEMBLY – Transmission control				
	TUBE ASSY.	Steering column shift		9929053	1
	PIN	Steering column shift		7429551	1
4.009	KNOB, HANDLE, BUTTON, SPRING – Transmission control lever				
	KNOB (Grey)	Steering Column Shift		2813559DS	1
	KNOB (Black)	Steering Column Shift		2813559BA	1
	KNOB (Covert)	Steering Column Shift		2813559DY	1
	KNOB (Tan)	Steering Column Shift		2813559DX	1
	HANDLE	Console shift		9930061	1
	BUTTON	Console shift		9930164	1
	SPRING	Console shift		2825528	1
4.010	SUPPORT ASSEMBLY – Transmission control lever				
	SUPPORT ASSEMBLY	Console shift		2817163	1
	BOLT – Support to floor	Console shift		7436618	4
	NUT – Support to floor	Console Shift		SP2024	4
4.015	BOOT, INSULATOR – Transmission control				
	BOOT – Lower lever	Console shift		2816985	1
	INSULATOR – Lever & support to floor	Console shift		2824609	1
4.016	GATE – Transmission control selector				
	GATE	Steering column shift		2812256	1
	GATE	Console shift		2817097	1
	STOP – Gate	Console shift		455481	1
4.017	SPRING – Lever return				
	SPRING	Steering column shift		7439930	1
4.018	SUPPORT – Transmission control				
	SUPPORT – Control lever	Steering column shift		9934179	1
	SPACER – Support	Steering column shift		9933746	1
	WASHER – Support	Steering Column Shift		9933747	1
4.038	INDICATOR, HOUSING, DIAL, POINTER – Transmission control				
	INDICATOR ASSEMBLY	Steering Column Shift		9933647	1
	BASE – Indicator	Steering Column Shift		9933648	1
	LENS – Indicator	Steering Column Shift		9933653	1
	BULB – 12-16V. 2 CP	Steering Column Shift		9421330	1
	CABLE ASSEMBLY – Indicator	Steering Column Shift		9933651	1
	CLIP – Cable	Steering Column Shift		6482655	1

"HJ" PARTS CATALOGUE

GROUP	DESCRIPTION	MODEL	SIDE	PART No.	QTY.
TRANSMISSION ASSEMBLY, "TURBO HYDRA-MATIC" AUTOMATIC,					
4.038	INDICATOR, HOUSING, DIAL, POINTER – Transmission control (contd.)				
	LINK - Cable	Steering Column Shift		9933654	1
	DIAL - Indicator	Steering Column Shift		9933652	1
	POINTER - Indicator	Steering Column Shift		9933649	1
	SPRING - Indicator	Steering Column Shift		9933650	1
	HOUSING - Illumination - (° Instrument types 4, 5, 6	Steering Column Shift		9934187	1
	BACK - Housing - (° Instrument types 4, 5, 6	Steering Column Shift		9934188	1
	LEAD - Lamp - (° Instrument types 4, 5, 6	Steering Column Shift		9933636	1
	SOCKET - Bulb - (° Instrument types 4, 5, 6	Steering Column Shift		2815952	1
	POINTER	Console shift		9933681	1
	SLIDE	Console shift		2820284	1
	DIAL	Console shift		9936935	1
	PLATE - Control cover	Console shift		2820286	1
	PLATE - Lamp mounting	Console shift		2820285	1
	BULB - 12 - 16 V. 2 C.P. S.C.	Console shift		9417863	1
4.040	SHAFT, LEVER, ROD, INSULATOR – Transmission control				
	TRUNNION - Rod to lever	Steering column shift		2814030	1
	SLEEVE - Trunnion	Steering column shift		2814031	1
	INSULATOR	Steering column shift		2814033	1
	WASHER - Spring	Steering column shift		1367656	2
	SCREW - Rod clamp	Steering column shift		SP2459	1
	ROD ASSEMBLY	Steering column shift		9934951	1
	WASHER - Rod to cross shaft	Steering Column Shift		1367656	1
	SHAFT & LEVER ASSEMBLY	Steering column shift		9934389	1
	SPRING - Shaft & lever assy.	Steering column shift		7448884	1
	BRACKET Shaft lever support	Steering column shift		9934321	1
	SLEEVE Shaft & lever to bracket	Steering column shift		7427808	1
	GROMMET - Shaft & lever to bracket	Steering column shift		7427807	1
	WASHER - Shaft & lever to bracket	Steering column shift		SP1445	2
	BOLT - Cross shaft support bracket to frame	Steering column shift		SP2240	2
	LEVER - Cross shaft to cross shaft	Steering column shift		2812255	1
	NUT - Lever to cross shaft	Steering column shift		145027	1
	RETAINER - Cross shaft	Steering column shift		2822091	1
	PIN - Retainer to cross shaft	Steering column shift		455481	1
	SHAFT Control cross	Steering column shift		2822870	1
	BRACKET - Cross shaft mounting	Steering column shift		2822871	1
	BOLT - Cross shaft bracket	Steering column shift		122017	2
	SPACER - Cross shaft mounting bracket	Steering column shift		2822872	2
	BUSH Cross shaft to bracket	Steering column shift		7438537	2
	WASHER - Cross shaft to bracket	Steering column shift		SP1528	1
	SPRING - Cross shaft to bracket	Steering column shift		5258166	1
	LEVER ASSEMBLY - Cross shaft	Steering column shift		2822873	1
	PIN - Lever to cross shaft	Steering column shift		455481	1
	LINK ASSEMBLY	Steering column shift		2822874	1
	RETAINER - Link assy.	Steering column shift		3749084	2
	SHAFT	Console shift		2818541	1
	BUSH - Shaft	Console shift		7438537	1
	LEVER - Lower	Console shift		2818539	1
	NUT - Lever to shaft	Console shift		2818544	1
	CLIP - Shaft retainer	Console shift		SP2203	1
	ROD ASSEMBLY	Console shift		9934277	1
	RIVET - Control rod	Console shift		SP2206	1
	INSULATOR - Rod to lever	Console shift		7418439	1
	WASHER - Special	Console shift		7400948	1
	RETAINER - Rod	Console Shift		3749084	2
4.041	LEVER – Transmission external control				
	LEVER	Steering column shift		2822093	1
	LEVER	Console shift		2818540	1
	NUT - Hex. lock 3/8" - 16	ALL		145027	1

Note: (° Refer Group 2.515 for Type No. Identification.

GROUP	DESCRIPTION	MODEL	SIDE	PART No.	QTY.
TRANSMISSION ASSEMBLY, "TURBO HYDRA-MATIC" AUTOMATIC,					
4.054	SWITCH ASSEMBLY – Neutral starting and Back-up				
	SWITCH ASSEMBLY - Neutral starting	Steering column shift		2815222	1
	SWITCH ASSEMBLY - Neutral starting	Console shift		2819807	1
4.054	SWITCH ASSEMBLY – Solenoid detent actuating				
	SWITCH ASSEMBLY - Solenoid detent actuating	ALL		2819605	1
	NUT - Solenoid switch to accelerator bracket	ALL		858388	1
4.055	WIRE ASSEMBLY – Neutral starting and Back-up				
	WIRE ASSEMBLY - Neutral starting & back-up	Console shift		2820311	1
	BODY - Panel connector (Short)	Console shift		2962448	1
	BODY - Terminal 2 way female	Console shift		2962679	1
	BODY - Terminal 2 way panel	Console shift		2962967	1
	BODY - Terminal 2 way male	Console shift		2977763	1
	BODY - Terminal 2 way male	Console shift		2973431	1
	BODY Terminal lamp socket	Console shift		5297797	1
	SPRING - Lamp socket	Console shift		2962243	1
4.055	WIRE ASSEMBLY – Solenoid to dash panel connector				
	WIRE ASSEMBLY	Console shift		8909393	1
	CLIP - Solenoid switch wire to trans.	Console shift		1368774	1
	CLIP - Solenoid switch wire to dash flange	Console shift		SP2236	1
4.081	MOUNTING ASSEMBLY – Transmission support				
	MOUNTING ASSEMBLY	ALL		2816574	1
	SPACER - Mounting to crossmember	ALL		7421049	1
4.103	CASE ASSEMBLY – Transmission				
	CASE ASSEMBLY	ALL		8626953	1
	BUSHING Case	ALL		8623941	1
	PLUG - .25" dia.	ALL		8611710	1
4.104	VENT ASSEMBLY – Transmission				
	SLEEVE & PIPE ASSEMBLY - Vent	ALL		8627566	1
4.123	SHAFT – Transmission turbine				
	SHAFT	ALL		8624772	1
4.128	PIPE – Transmission oil cooler				
	PIPE ASSEMBLY - Inlet	ALL		9934244	1
	PIPE ASSEMBLY - Outlet	ALL		9934245	1
	CONNECTOR - Pipes to radiator	ALL		145475	2
	CONNECTOR - Pipes to transmission	ALL		8626632	2
	GASKET Connector to transmission	ALL		8625422	2
	CLIP - Inlet to outlet pipe	ALL		3710497	3
4.133	TUBE, INDICATOR, SEAL – Transmission oil				
	TUBE ASSEMBLY - Oil filler	ALL		3974420	1
	INDICATOR ASSEMBLY - Oil level	ALL		3905449	1
	SEAL - Tube to case	ALL		6255641	1
4.156	CONVERTER ASSEMBLY – Transmission				
	CONVERTER ASSEMBLY	ALL		8620964	1
	BOLT - Converter to drive plate	ALL		180410	3

ALL 394-8963 8620964 1
 ALL 398-7930 180410 3
 REPER NEWSCOT42 75-2

GROUP	DESCRIPTION	MODEL	SIDE	PART No.	QTY.
TRANSMISSION ASSEMBLY, "TURBO HYDRA-MATIC" AUTOMATIC,					
4.159	GEAR, BEARING PACKAGE – Transmission front sun				
	GEAR – Sun	ALL		8626807	1
	BEARING PACKAGE – Centre support to sun gear thrust	ALL		8623920	1
	BEARING PACKAGE – Sun gear to internal gear thrust	ALL		8623921	1
4.161	SHAFT ASSEMBLY – Sun gear				
	SHAFT ASSEMBLY	ALL		8623177	1
	BUSHING – 1.12" O.D. x .50"	ALL		8623944	2
4.162	SUPPORT, SPACER, WASHER, RING, BUSHING – Transmission centre support				
	SUPPORT ASSEMBLY – Centre with race and plug	ALL		8625990	1
	BOLT – Case to support	ALL		8624009	1
	SPACER – Support to case	ALL		8626816	1
	WASHER – Support to reaction drum thrust	ALL		8624783	1
	RING – Support to case – snap, beveled	ALL		8623437	1
	RING – Support oil seal	ALL		8623148	4
	BUSHING – Support – 1.536" dia. x 3.52"	ALL		8623942	1
4.163	PLATE – Transmission clutch				
	PLATE – Forward clutch drive (Composition)	ALL		8623483	5
	PLATE – Forward clutch driven (Steel) (14 teeth)	ALL		8623849	4
	PLATE – Forward clutch driven (Wave) (14 teeth)	ALL		8623851	1
	PLATE – Direct clutch backing	ALL		8623122	1
	PLATE – Direct clutch drive (Composition)	ALL		8623483	5
	PLATE – Direct clutch driven (Steel) (14 teeth)	ALL		8625197	4
	PLATE – Direct clutch driven (Wave) (14 teeth)	ALL		8623851	1
	PLATE – Intermediate clutch backing	ALL		8623152	1
	PLATE – Intermediate clutch drive (Composition) (47 teeth)	ALL		8623151	3
	PLATE – Intermediate clutch reaction	ALL		8623150	2
	PLATE – Intermediate clutch reaction (Wave)	ALL		8624199	1
4.164	HUB, RETAINER, RING, SPRING, WASHER – Transmission clutch				
	HUB – Forward clutch	ALL		8625717	1
	RETAINER – Forward clutch spring	ALL		8623104	1
	RING – Forward clutch to housing spring retainer (Snap)	ALL		8623105	1
	SPRING – Forward clutch piston release (Green)	ALL		8624101	16
	WASHER – Forward clutch housing to hub (Thrust)	ALL		8624196	1
	WASHER – Forward clutch hub to direct clutch hub (Thrust)	ALL		8624781	1
	RING – Forward clutch to forward clutch housing (Snap)	ALL		8623112	1
	HUB – Direct clutch driving	ALL		8625718	1
	RETAINER – Direct clutch spring	ALL		8623104	1
	RING – Direct clutch to housing spring retainer (Snap)	ALL		8623105	1
	SPRING – Direct clutch piston release (Red)	ALL		8624073	14
	RING – Direct clutch to direct clutch housing (Snap)	ALL		8623112	1
	RETAINER – Intermediate clutch spring	ALL		8623146	1
	RING – Intermediate clutch spring retainer to support (Snap) (3" I.D.)	ALL		8623153	1
	RING – Intermediate clutch spring retainer (Snap) (Flat) (7.10" I.D.)	ALL		8623149	1
	SPRING – Intermediate clutch piston release (Plain)	ALL		8623145	3
	GUIDE – Intermediate clutch spring	ALL		8627385	1

GROUP	DESCRIPTION	MODEL	SIDE	PART No.	QTY.
TRANSMISSION ASSEMBLY, “TURBO HYDRA-MATIC” AUTOMATIC,					
4.166	PISTON, SEAL PACKAGE – Transmission clutch				
	PISTON ASSEMBLY – Direct clutch	ALL		8625514	1
	PISTON – Intermediate clutch	ALL		8626938	1
	PISTON – Forward clutch	ALL		8624016	1
	SEAL – Intermediate clutch piston outer	ALL		8623143	1
	SEAL – Intermediate clutch piston inner	ALL		8627627	1
	SEAL PACKAGE – Forward & direct clutch piston ...	ALL		8623917	2
4.167	ROLLER ASSEMBLY, RETAINER, RING – Transmission intermediate clutch				
	ROLLER ASSEMBLY	ALL		8625814	1
	RETAINER – Intermediate clutch piston	ALL		8627334	1
	RING – Sprag retainer to direct clutch housing (Snap)	ALL		8623120	1
4.168	BUSHING, RACE – Transmission intermediate clutch				
	BUSHING	ALL		8623945	2
	RACE – Clutch outer	ALL		8623117	1
4.169	HOUSING, WASHER – Transmission clutch drum				
	HOUSING ASSEMBLY – Forward clutch	ALL		8624908	1
	HOUSING & RACE – Direct clutch	ALL		8625816	1
	WASHER – Oil pump cover to forward clutch housing thrust (Fibre)				
	Yellow .060” – .064” thick	ALL		8623300	A.R.
	Blue .071” – .075” thick	ALL		8623301	A.R.
	Red .082” – .086” thick	ALL		8623302	A.R.
	Brown .093” – .097” thick	ALL		8623303	A.R.
	Green .104” – .108” thick	ALL		8623304	A.R.
	Black .115” – .119” thick	ALL		8623305	A.R.
	Purple .126” – .130” thick	ALL		8623306	A.R.
4.172	SHAFT, RING – Transmission mainshaft				
	SHAFT	ALL		8625736	1
	RING – Mainshaft to internal gear (Snap)	ALL		8625221	1
4.175	CARRIER ASSEMBLY, PINION PACKAGE, SHAFT & BUSHING ASSEMBLY – Transmission output & reaction				
	CARRIER ASSEMBLY – Output with pinions	ALL		8625957	1
	CARRIER ASSEMBLY – Reaction	ALL		8625859	1
	PINION PACKAGE	ALL		8625913	2
	SHAFT & BUSHING ASSEMBLY – Output	ALL		8627453	1
4.176	BUSHING, RING, WASHER – Transmission output shaft				
	BUSHING – Output shaft	ALL		8623943	1
	RING – Output shaft (Snap)	ALL		8626173	1
	WASHER – Output shaft to case front (Thrust) (Bronze)	ALL		8626372	1
	WASHER – Output shaft to case rear (Thrust) (Steel)				
	.074” – .078” thick (Flat Tabs)	ALL		8625401	1
	.082” – .0867” thick (Flat Tabs)	ALL		8625402	1
	.090” – .094” thick (Flat Tabs)	ALL		8625403	1
	.098” – .102” thick (Stamped 4) (Flat Tabs)	ALL		8625404	1
	.106” – .110” thick (Stamped 5)	ALL		8625405	1
	.114” – .118” thick (Stamped 6) (3 Notches – Tabs)	ALL		8625406	1
4.176	RING, WASHER – Transmission front internal gear				
	RING – Front internal gear	ALL		8626112	1
	WASHER – Internal gear to reaction carrier (Thrust) (Bronze)	ALL		8626372	1

"HJ" PARTS CATALOGUE

GROUP	DESCRIPTION	MODEL	SIDE	PART No.	QTY.
TRANSMISSION ASSEMBLY, "TURBO HYDRA-MATIC" AUTOMATIC,					
4.180	ROLLER ASSEMBLY – Transmission low clutch				
	ROLLER ASSEMBLY	ALL		8623842	1
4.187	GEAR, THRUST RACE – Internal				
	GEAR – Rear internal mainshaft	ALL		8623202	1
	THRUST RACE PACKAGE – Rear internal gear to output shaft	ALL		8623922	1
4.195	PAN – Transmission oil				
	PAN	ALL		8625766	1
	SCREW & WASHER ASSEMBLY – To case ($\frac{3}{16}$ " – 18 x $\frac{5}{16}$ ")	ALL		3829139	13
4.196	GASKET – Transmission oil pan				
	GASKET	ALL		8626931	1
4.205	PIPE, SLEEVE, CONNECTOR, ADAPTOR – Transmission vacuum modulator				
	PIPE – Carb. to trans. vacuum modulator	ALL		9934347	1
	SLEEVE Pipe to connector & modulator	ALL		7420336	2
	CONNECTOR	Air Cond.		2819593	1
4.223	SEAL – Strainer pipe				
	SEAL – 'O' Ring	ALL		1363951	1
4.224	STRAINER ASSEMBLY – Transmission oil				
	STRAINER ASSEMBLY	ALL		6437741	1
	PIPE ASSEMBLY – Strainer intake	ALL		8625428	1
	BOLT – Strainer to case	ALL		8625769	1
4.226	PUMP COMPONENTS – Transmission oil				
	BODY ASSEMBLY	ALL		8625954	1
	COVER ASSEMBLY	ALL		8625955	1
	BUSHING – Pump body	ALL		8623940	1
	BUSHING – Stator shaft, front & rear (1.12" O.D. x .50")	ALL		8623944	2
	SEAL ASSEMBLY – Body	ALL		8625571	1
	RING – Pump to forward clutch housing oil seal	ALL		8623148	2
	GASKET – Pump to case	ALL		8623978	1
	'O' RING – Pump to case	ALL		8626309	1
	BOLT – Pump to case – Hex. hd. $\frac{3}{16}$ " – 18 x 1.406" ..	ALL		8627677	6
	GASKET – Pump to case bolts	ALL		8626281	6
	VALVE & PLUG ASSEMBLY – Pressure regulator ...	ALL		8623422	1
	PIN – Plug retaining – Straight .12" dia. x .132"	ALL		8623078	1
	SPACER – Regulator spring	ALL		8623368	A.R.
	WASHER – Regulator spring retainer	ALL		8623039	1
	SPRING – Regulator	ALL		8625648	1
	BUSHING & VALVE UNIT – Modulator booster	ALL		8625902	1
	RING – Regulator bushing retainer – $\frac{7}{8}$ "	ALL		274613	1
	PLUG – Regulator valve – .69" O.D.	ALL		8623292	1
4.228	PISTON, PIN, WASHER – Transmission servo piston				
	PISTON – Front servo	ALL		8626878	1
	PISTON – Front accumulator	ALL		8626883	1
	PIN – Front servo piston	ALL		8626879	1
	RING – Front servo spring retainer	ALL		8626884	1

"HJ" PARTS CATALOGUE

GROUP	DESCRIPTION	MODEL	SIDE	PART No.	QTY.
TRANSMISSION ASSEMBLY, "TURBO HYDRA-MATIC" AUTOMATIC,					
4.229	RING – Transmission piston oil seal				
	RING – Front servo piston oil seal	ALL		8623131	1
	RING – Front accumulator piston oil seal	ALL		8623653	1
4.233	RETAINER, RING, SPRING – Servo and accumulator piston				
	RETAINER – Front servo spring	ALL		8626881	1
	SPRING – Front servo piston	ALL		8623489	1
	RING – Front accumulator piston retaining	ALL		9412978	1
	SPRING – Front accumulator piston	ALL		8623654	1
4.241	COVER, GASKET, PIN, PISTON, WASHER – Transmission rear servo				
	COVER – Rear servo	ALL		8624136	1
	GASKET – Rear servo cover	ALL		8623174	1
	PIN – Rear band apply (1 Ring) (4.253" O.L.)	ALL		8624139	A.R.
	PIN – Rear band apply (2 Rings) (4.309" O.L.)	ALL		8624140	A.R.
	PIN – Rear band apply (3 Rings) (4.365" O.L.)	ALL		8624141	A.R.
	PISTON – Rear servo (6 Ribs)	ALL		8624138	1
	RING – Rear servo piston retaining (Snap)	ALL		9413523	1
	WASHER – Rear servo piston	ALL		8623744	1
	PISTON – Rear servo accumulator	ALL		8626902	1
4.242	RING, SEAL – Transmission rear servo and accumulator piston				
	RING – Accumulator piston oil seal inner (1.649" O.D.)	ALL		8627152	1
	RING – Accumulator piston oil seal outer	ALL		8627153	1
	SEAL – Rear servo piston	ALL		8623430	1
4.246	SPRING – Transmission rear servo and accumulator				
	SPRING – Rear servo	ALL		8623666	1
	SPRING – Rear accumulator	ALL		8624256	1
4.247	RETAINER – Transmission rear servo piston spring				
	RETAINER	ALL		8623664	1
4.248	PIPE, SCREEN – Transmission governor oil				
	PIPE	ALL		8623157	2
	SCREEN ASSEMBLY	ALL		8627509	1
4.251	BAND ASSEMBLY – Transmission brake				
	BAND ASSEMBLY – Front	ALL		8623123	1
	BAND ASSEMBLY – Rear (complete)	ALL		8623155	1
4.256	GOVERNOR, COVER, GASKET, GEAR, PIN – Transmission governor				
	GOVERNOR ASSEMBLY – Complete	ALL		8627442	1
	COVER – Governor	ALL		8623262	1
	GASKET – Cover	ALL		8623263	1
	BOLT – Cover attaching	ALL		8627831	4
	GEAR & PIN PACKAGE – Driven (less Stop Pin)	ALL		8623924	1
4.265	BODY ASSEMBLY – Valve and components				
	VALVE BODY ASSEMBLY – Oil control	ALL		8627883	1
	VALVE – Manual control	ALL		8623592	1
	GASKET – Spacer to case	ALL		8623563	1
	PLATE – Valve body spacer	ALL		8625652	1
	SOLENOID ASSEMBLY	ALL		8623788	1
	GASKET – Solenoid valve	ALL		8623741	1
	CONNECTOR – Downshift solenoid valve	ALL		8626252	1
	MODULATOR ASSEMBLY – Vacuum	ALL		8625976	1
	VALVE – Vacuum modulator	ALL		8623983	1

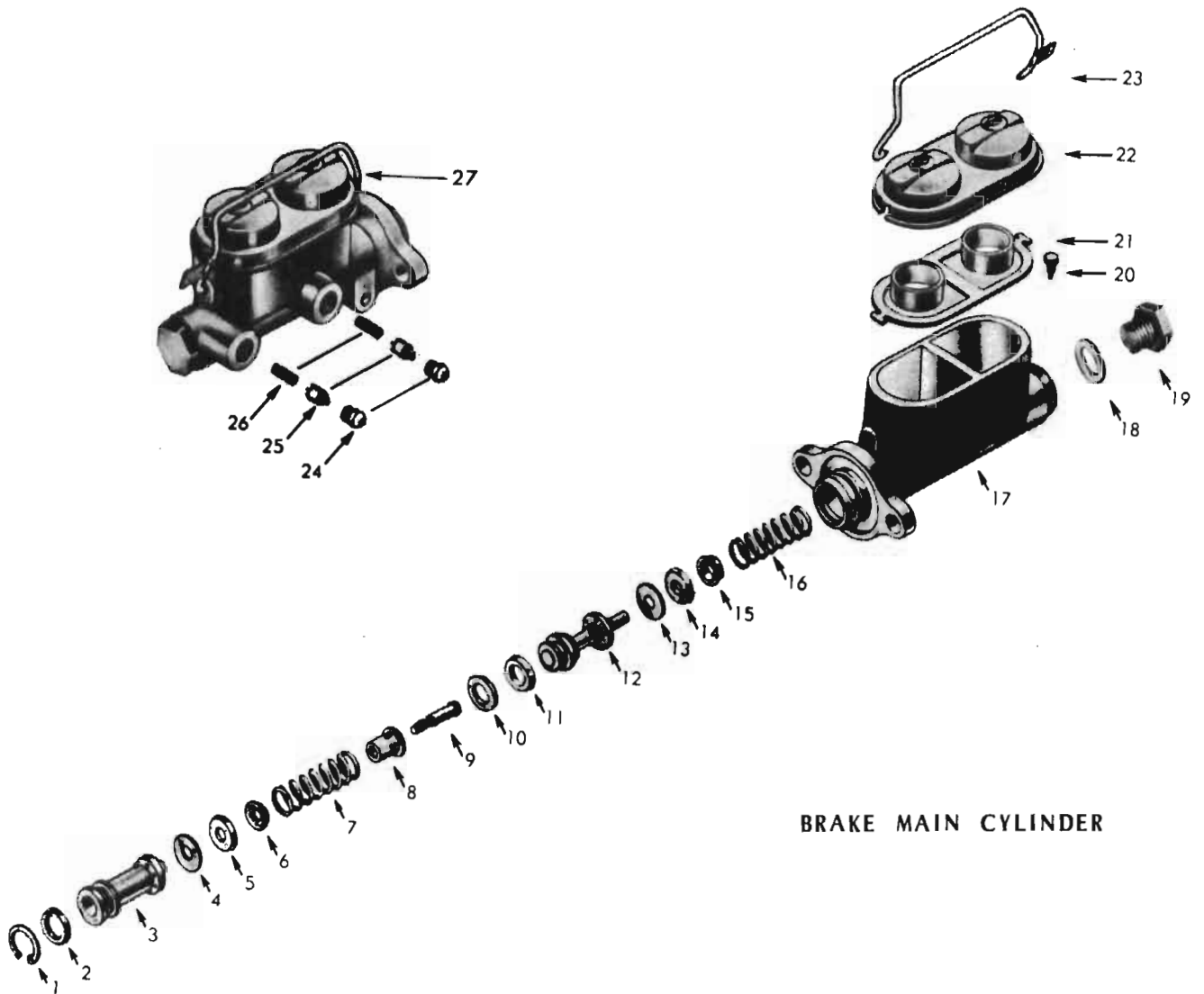
"HJ" PARTS CATALOGUE

GROUP	DESCRIPTION	MODEL	SIDE	PART No.	QTY.
TRANSMISSION ASSEMBLY, "TURBO HYDRA-MATIC" AUTOMATIC,					
4.265	BODY ASSEMBLY – Valve and components (contd.)				
	SEAL Modulator to case	ALL		7417686	1
	RETAINER - Modulator to case	ALL		8627650	1
	PIN Body .125" dia. x .82" (Straight)	ALL		8622045	1
	PIN - Body .125" dia. x .132" (Straight)	ALL		8623078	1
	PIN - Body .125" O.D. x 1.03" (Coiled Spring)	ALL		8624482	2
	PIN - Bore plug retaining .125" O.D. x .82" (Grooved)	ALL		8625544	1
	PIN - Third to second valve	ALL		8623583	1
	PIN - Detent regulator valve	ALL		8623507	1
	PLUG - Detent valve .50" O.D.	ALL		8623295	1
	PLUG - One two accumulator .56" O.D.	ALL		8625546	1
	PLUG - Three two valve .437" O.D.	ALL		8623298	1
4.275	SHAFT, SEAL, PIN – Transmission manual range selector				
	SHAFT	ALL		8623714	1
	SEAL Shaft	ALL		8623056	1
	PIN Parking brake nut .090" dia. x 1.88"	ALL		8623232	1
4.279	LEVER and PIN ASSEMBLY – Transmission parking lock inside detent				
	LEVER & PIN ASSEMBLY	ALL		8624336	1
4.294	ACTUATOR, BRACKET, ROLLER & SPRING, PAWL, SHAFT – Transmission parking lock				
	ACTUATOR ASSEMBLY	ALL		8624091	1
	BRACKET	ALL		8623042	1
	ROLLER & SPRING	ALL		8625773	1
	PAWL	ALL		8623037	1
	SHAFT & PLUG PACKAGE - Pawl	ALL		8624976	1
	PLUG Pawl shaft bore hole - $\frac{3}{16}$ "	ALL		8620318	1
	RETAINER - Pawl to shaft - Spring type "A"	ALL		148148	1
4.295	SPRING – Transmission parking lock pawl return				
	SPRING	ALL		8623041	1
4.317	HOUSING, BUSHING, SEAL – Transmission extension				
	HOUSING ASSEMBLY	ALL		8626785	1
	BUSHING Housing	ALL		8626901	1
	SEAL Housing	ALL		8625893	1
4.318	SEAL, GASKET – Transmission extension				
	SEAL Output shaft 'O' Ring	ALL		8616504	1
	GASKET - Case to extension	ALL		8624709	1
4.337	GEAR, SLEEVE and SEAL, RETAINER – Speedometer driven and drive				
	GEAR - Driven - 34 teeth - Light green	2.78 : 1 AR		9774413	1
	GEAR - Driven - 36 teeth - White	2.78 : 1 AR		1359270	1
	GEAR - Driven - 38 teeth - Blue	3.08 : 1 AR		1359272	1
	GEAR - Driven - 39 teeth - Brown	3.08 : 1 AR		1359273	1
	GEAR - Drive - 16 teeth - Orange	ALL		8623311	1
	RETAINER - Sleeve	ALL		1362215	1
4.338	SEAL – Speedometer driven gear				
	SEAL Driven gear	ALL		1359319	1

"HJ" PARTS CATALOGUE

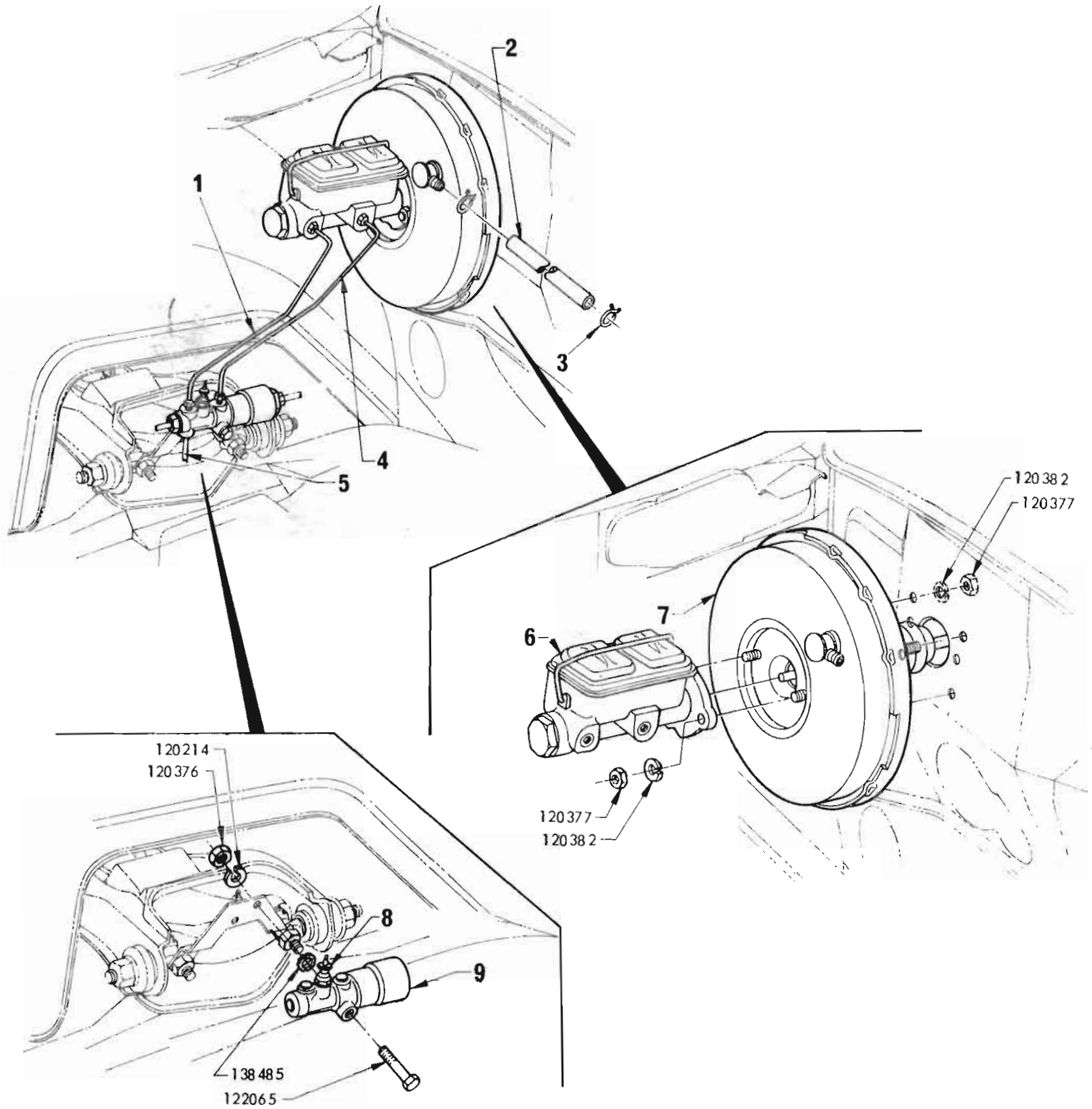
GROUP	DESCRIPTION	MODEL	SIDE	PART No.	QTY.
TRANSMISSION ASSEMBLY, "TURBO HYDRA-MATIC" AUTOMATIC,					
4.342	CABLE ASSEMBLY - Speedometer				
	CABLE & CASING	Instrument types 1, 2, 3		(⁶ 2817170	1
	CABLE & CASING	Instrument types 4, 5, 6		(⁶ 9992441	1
	CABLE KIT	Instrument types 1, 2, 3		(⁶ V511092	1
	CABLE KIT	Instrument types 4, 5, 6		(⁶ V512649	1
	RETAINER - Cable & casing assy.	ALL		2817874	1
	SEAL - Cable	ALL		7434266	1

Note: (⁶ Refer Group 2.515 for Type No. Identification.



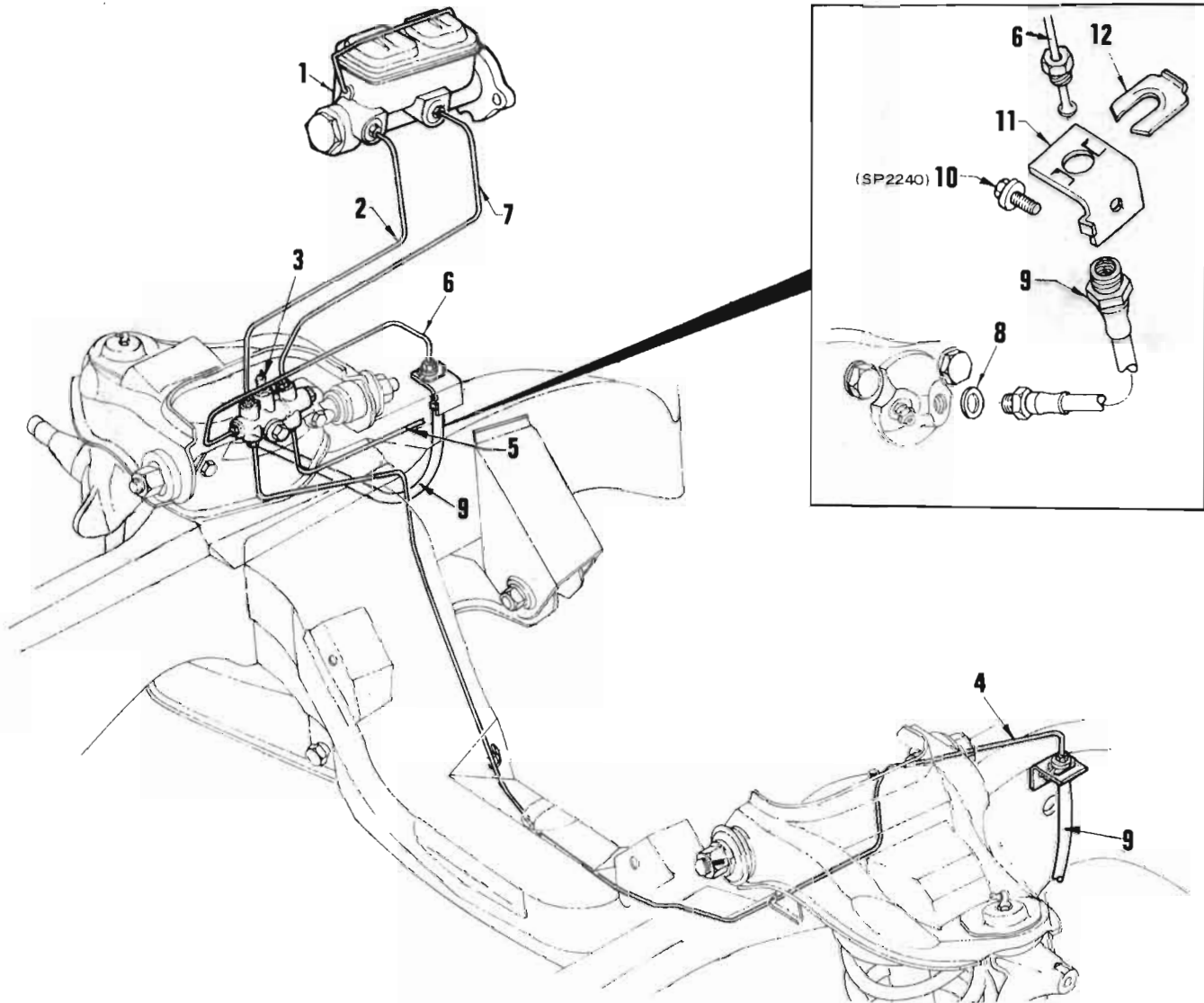
BRAKE MAIN CYLINDER

Illus. Ref. No.	Part Name	Group	Illus. Ref. No.	Part Name	Group
1.	RING—Lock	4.656	15.	SPRING & RETAINER—Secondary	4.655
2.	SEAL	4.654	16.		
3.	PISTON—Primary	4.653	17.	BODY	4.650
4.	PROTECTOR	4.654	18.	WASHER—Plug	4.652
5.	SEAL	4.654	19.	PLUG	4.652
6.	RETAINER—Primary spring	4.655	20.	SCREW—Primary piston stop	4.653
7.	SPRING—Primary	4.655	21.	DIAPHRAGM—Cover	4.651
8.	STOP—Primary piston	4.653	22.	COVER	4.651
9.	SCREW—Primary piston extension	4.656	23.	BAIL—Cover	4.651
10.	SEAL	4.654	24.	INSERT—Tube fitting	4.652
11.	SEAL	4.654	25.	VALVE ASSEMBLY	4.657
12.	PISTON—Secondary	4.653	26.	SPRING—Valve	4.657
13.	PROTECTOR	4.654	27.	CYLINDER ASSEMBLY	4.650
14.	SEAL	4.654			



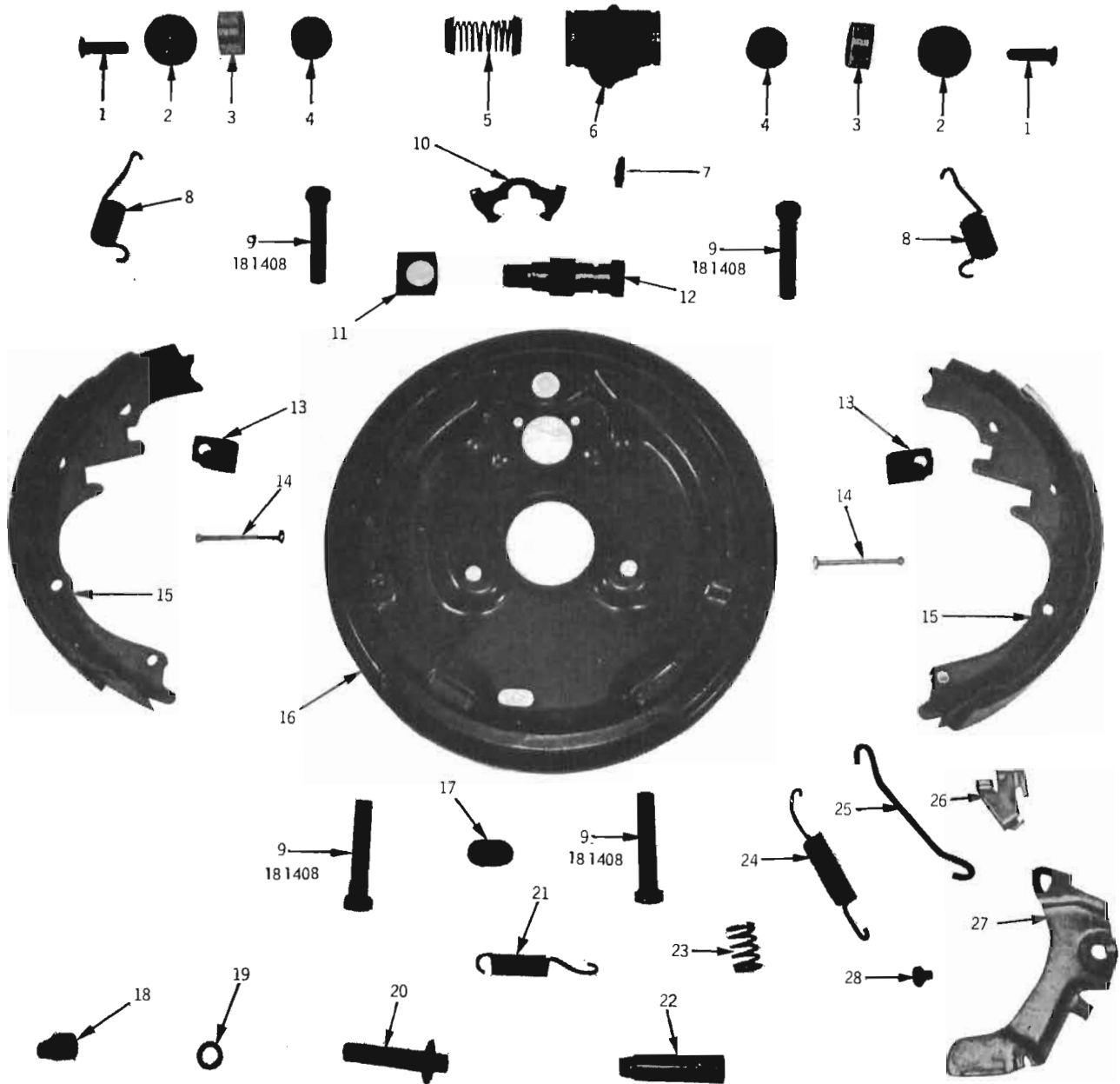
BRAKE MAIN CYLINDER, PRESSURE SWITCH & BOOSTER MOUNTING

ILLUS. REF. NO.	PART NAME	GROUP	ILLUS. REF. NO.	PART NAME	GROUP
1.	PIPE ASSY. – Main cyl. to switch(front)	4.685	6.	CYLINDER ASSY. – Brake main	4.650
2.	HOSE – Servo	4.931	7.	BOOSTER – Servo	4.902
3.	CLAMP – Hose	4.931	8.	SWITCH ASSY. – Pressure warning	4.686
4.	PIPE ASSY. – Main cyl. to switch (rear)	4.685	9.	VALVE ASSY. – Pressure warning switch & proportioning	4.686
5.	PIPE ASSY. – Switch to left front brake	4.685			



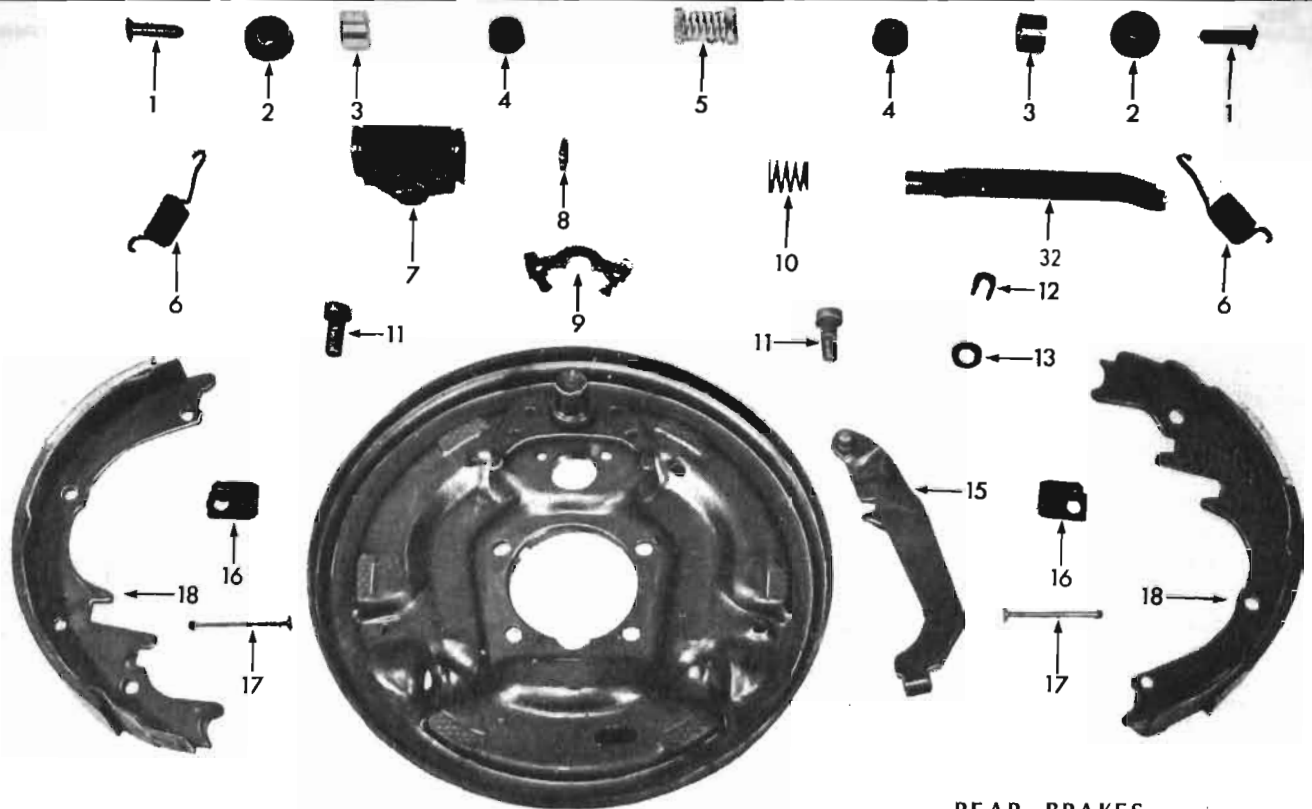
FRONT BRAKE PIPES – Typical

ILLUS. REF. NO.	PART NAME	GROUP	ILLUS. REF. NO.	PART NAME	GROUP
1.	CYLINDER ASSEMBLY – Brake main	4.650	7.	PIPE ASSY. – Main cyl.to switch (rear)	4.685
2.	PIPE ASSY. – Main cyl. to switch (front)	4.685	8.	WASHER – Hose to wheel cylinder	4.680
3.	CONNECTOR & SWITCH ASSY. – Pressure warning	4.686	9.	HOSE – Front	4.680
4.	PIPE ASSY. – Switch to left front brake	4.685	10.	SCREW – Sheet metal	8.977
5.	PIPE ASSY. – Switch to union rear	4.685	11.	BRACKET – Front brake hose mounting	4.681
6.	PIPE ASSY. – Switch to right front brake	4.685	12.	SPRING – Yoke	4.681

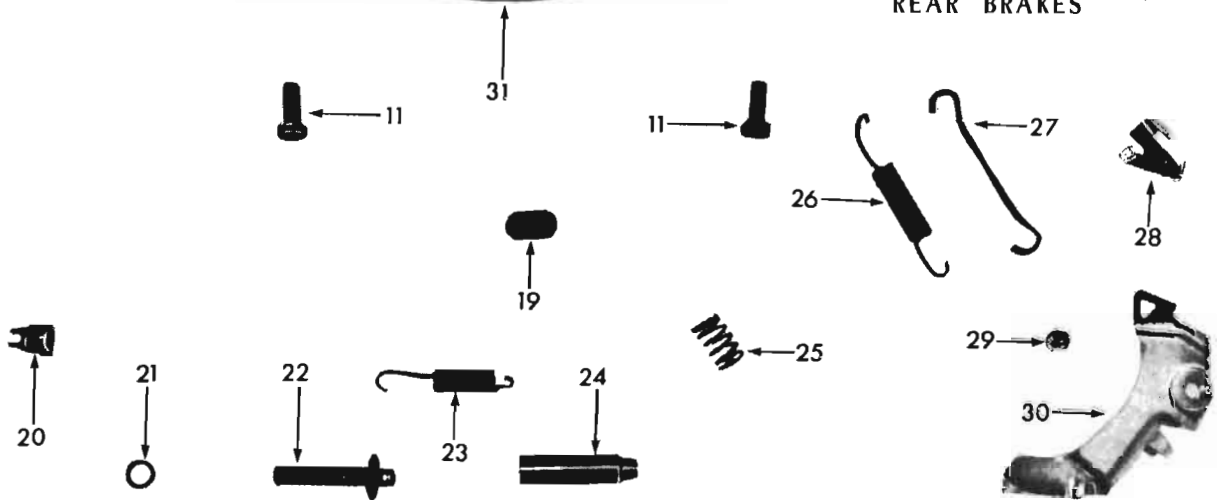


**FRONT BRAKES
(Duo-Servo Self Adjusting)**

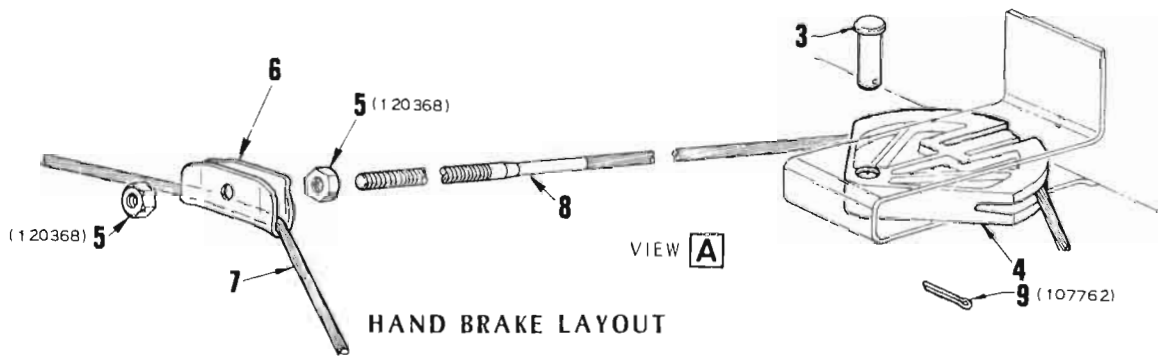
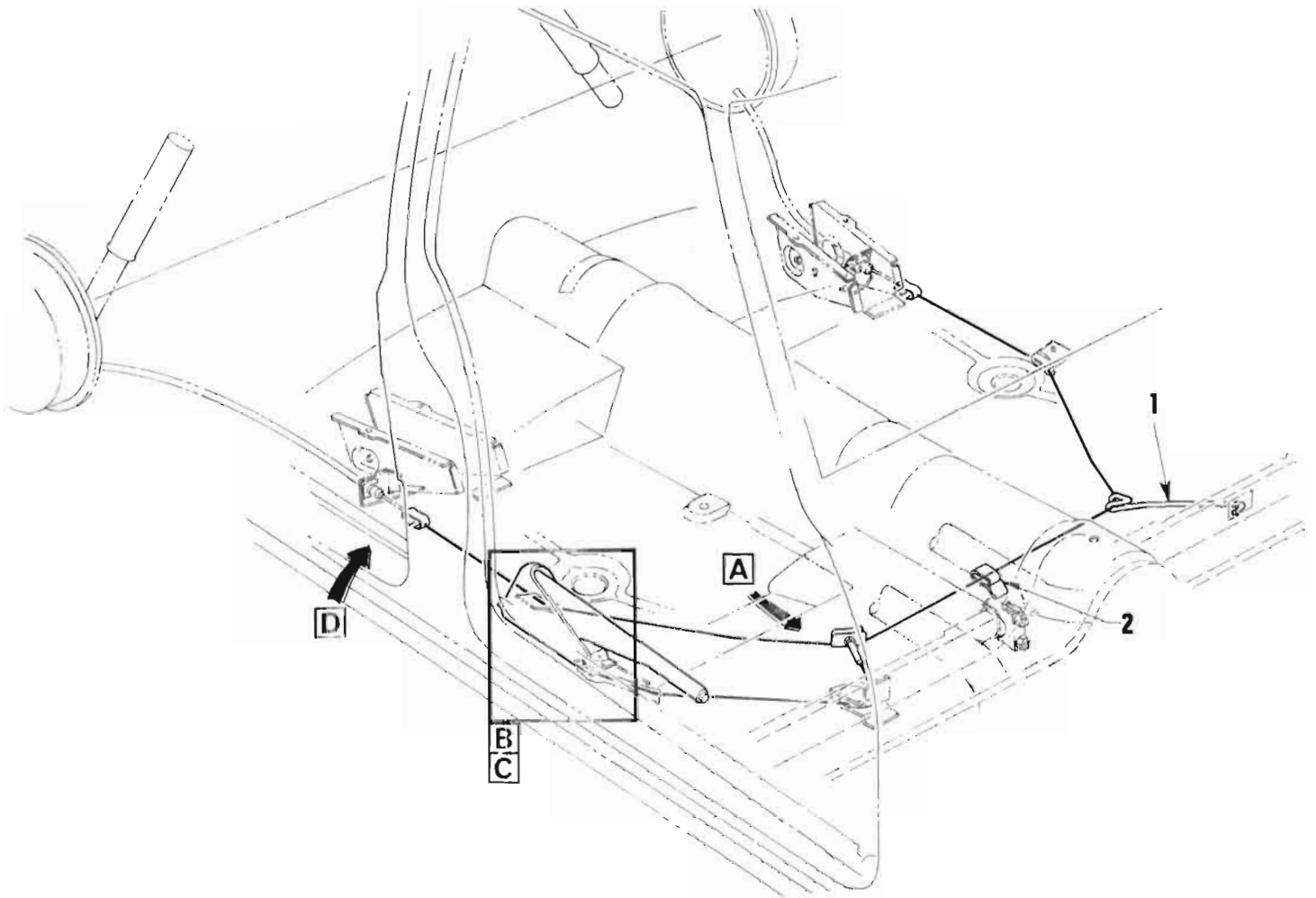
Illus. Ref. No.	Part Name	Group	Illus. Ref. No.	Part Name	Group	Illus. Ref. No.	Part Name	Group
1.	LINK—Connecting ..	4.675	11.	PLATE—Anchor pin lock	5.056	20.	SCREW—Adjusting ..	5.110
2.	BOOT	4.670	12.	PIN—Anchor ..	5.055	21.	SPRING—Adjusting nut ..	5.026
3.	PISTON	4.668	13.	SPRING—Hold down pin	5.043	22.	NUT—Adjusting ..	5.111
4.	CUP	4.667	14.	PIN—Shoe hold down ..	5.041	23.	SPRING—Adjuster return	5.107
5.	SPRING	4.669	15.	SHOE and LINING ..	5.017	24.	SPRING—	
6.	BODY	4.665	16.	PLATE—Backing ..	5.001		Adjuster overload	5.107
7.	VALVE—Bleeder	4.666	17.	COVER—Adjusting hole ..	5.188	25.	LINK	5.105
8.	SPRING—Retractor ..	5.026	18.	PLUG—Adjusting ..	5.111	26.	PLATE—Lever pivot ..	5.103
9.	BOLT—Backing plate ..	8.900	19.	WASHER—		27.	LEVER	5.103
10.	PLATE—Guide	5.045		Adjusting Screw	5.110	28.	BUSHING	5.103



REAR BRAKES

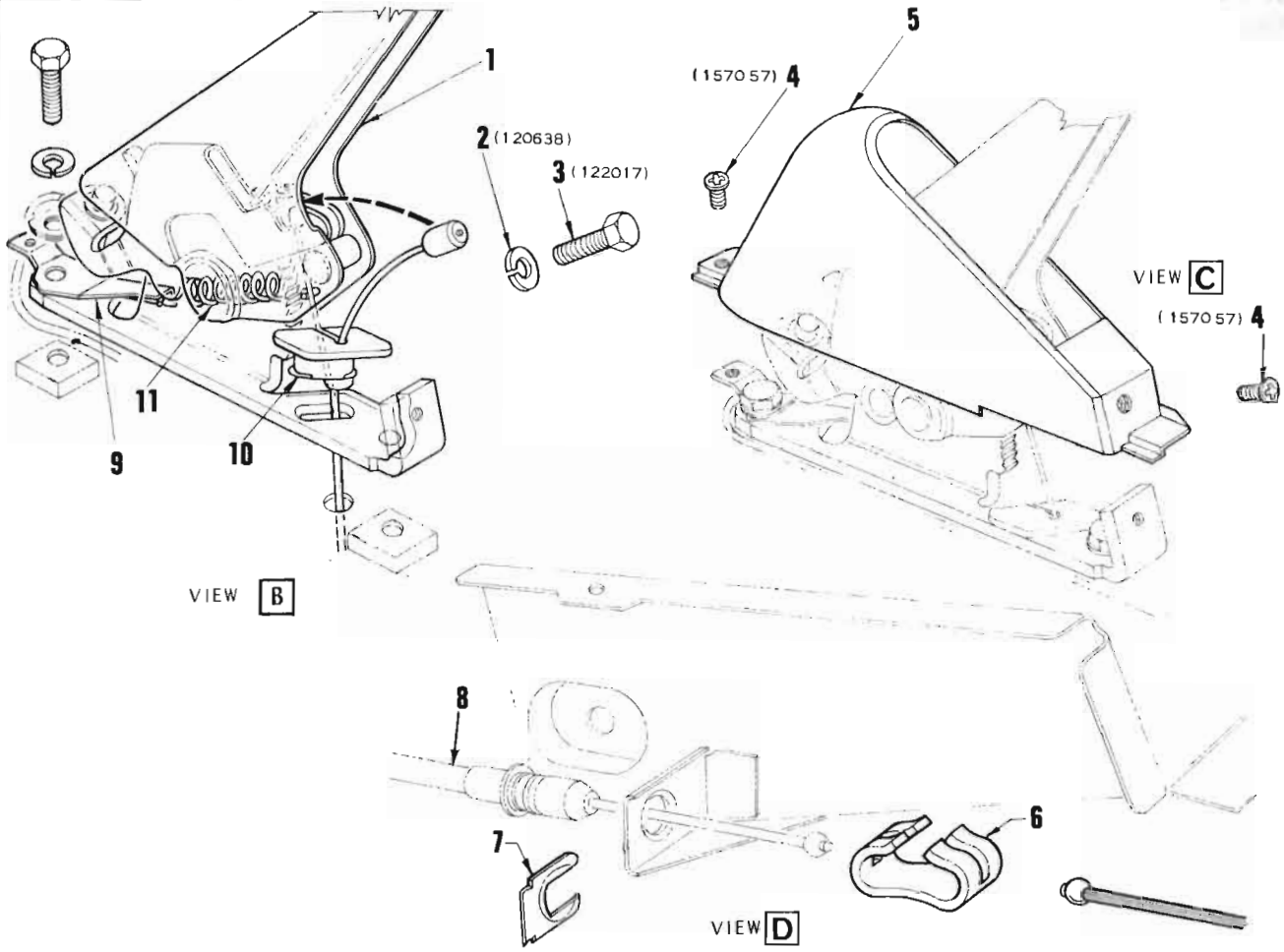


ILLUS. REF. NO.	PART NAME	GROUP	ILLUS. REF. NO.	PART NAME	GROUP
1.	LINK - Connecting	4.675	18.	SHOE AND LINING	5.017
2.	BOOT	4.670	19.	COVER - Adjusting hole	5.188
3.	PISTON	4.668	20.	PLUG - Adjusting	5.111
4.	CUP	4.667	21.	WASHER - Adjusting screw	5.110
5.	SPRING	4.669	22.	SCREW - Adjusting	5.110
6.	SPRING - Retractor	5.026	23.	SPRING - Adjusting nut	5.026
7.	BODY	4.665	24.	NUT - Adjusting	5.111
8.	VALVE - Bleeder	4.666	25.	SPRING - Adjuster return	5.107
9.	PLATE - Guide	5.045	26.	SPRING - Adjuster overload	5.107
10.	SPRING - Strut	5.151	27.	LINK	5.105
11.	BOLT - Backing plate	5.002	28.	PLATE - Lever pivot	5.103
12.	CLIP - Lever retainer	5.158	29.	BUSHING	5.103
13.	WASHER - Lever to shoe	5.158	30.	LEVER	5.103
15.	LEVER	5.149	31.	PLATE - Backing	5.001
16.	SPRING - Hold down pin	5.043	32.	STRUT	5.150
17.	PIN - Shoe hold down	5.041			



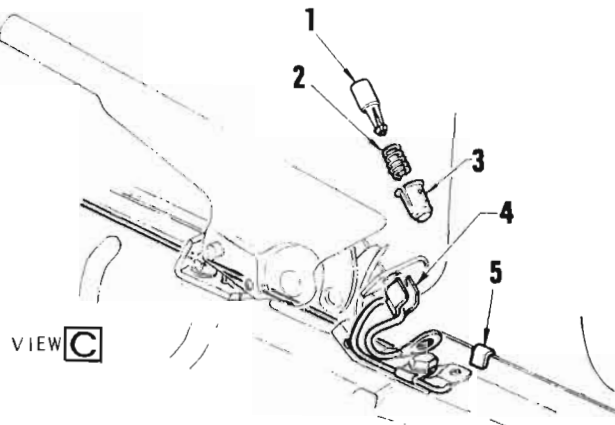
HAND BRAKE LAYOUT

ILLUS. REF. NO.	PART NAME	GROUP	ILLUS. REF. NO.	PART NAME	GROUP
1.	GUIDE – Intermediate cable, front	4.829	6.	EQUALISER – Front cable	4.764
2.	GUIDE – Exhaust balance pipe	4.829	7.	CABLE ASSEMBLY – Intermediate	4.826
3.	PIN – Pulley clevis	4.700	8.	CABLE ASSEMBLY – Front	4.826
4.	PULLEY – Front cable	4.700	9.	PIN – Cotter	8.938
5.	NUT – Hexagon	8.915			

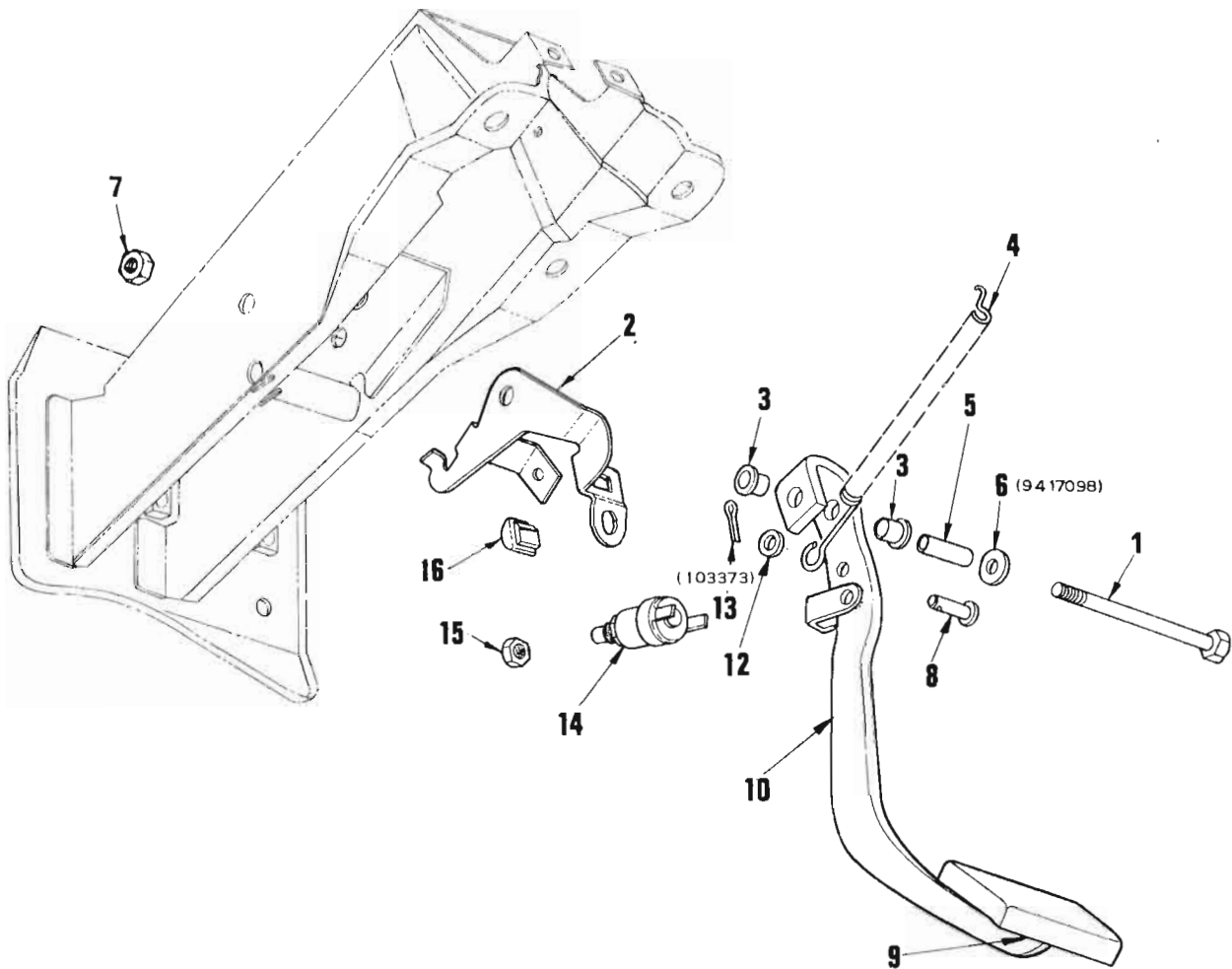


HAND BRAKE

ILLUS. REF. NO.	PART NAME	GROUP	ILLUS. REF. NO.	PART NAME	GROUP
1.	LEVER ASSEMBLY - Hand brake	4.591	7.	SPRING - Yoke	4.826
2.	WASHER - Lock	8.931	8.	CABLE & CONDUIT ASSY. - Rear	4.826
3.	BOLT - Hexagon head	8.900	9.	BRACKET - Return spring	4.596
4.	BOLT - Oval head	8.909	10.	GROMMET - Hand brake cable floor pan ..	4.834
5.	COVER - Hand brake lever	4.608	11.	SPRING - Lever return	4.596
6.	CONNECTOR - Hand brake inter. cable ..	4.830			

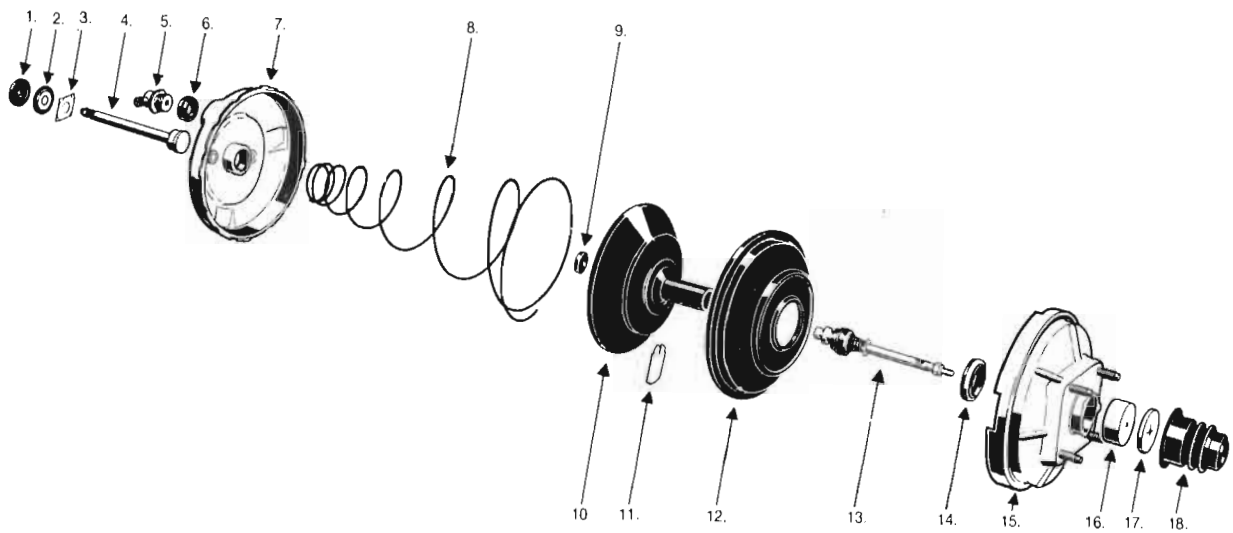


ILLUS. REF. NO.	PART NAME	GROUP	ILLUS. REF. NO.	PART NAME	GROUP
1.	PLUNGER - H/brake warning lamp switch	4.610	4.	CLIP - H/brake warning lamp switch	4.610
2.	SPRING - H/brake warning lamp switch ..	4.610	5.	CLIP - Body wiring harness to rocker panel	13.092
3.	BODY - H/brake warning lamp switch	4.610			



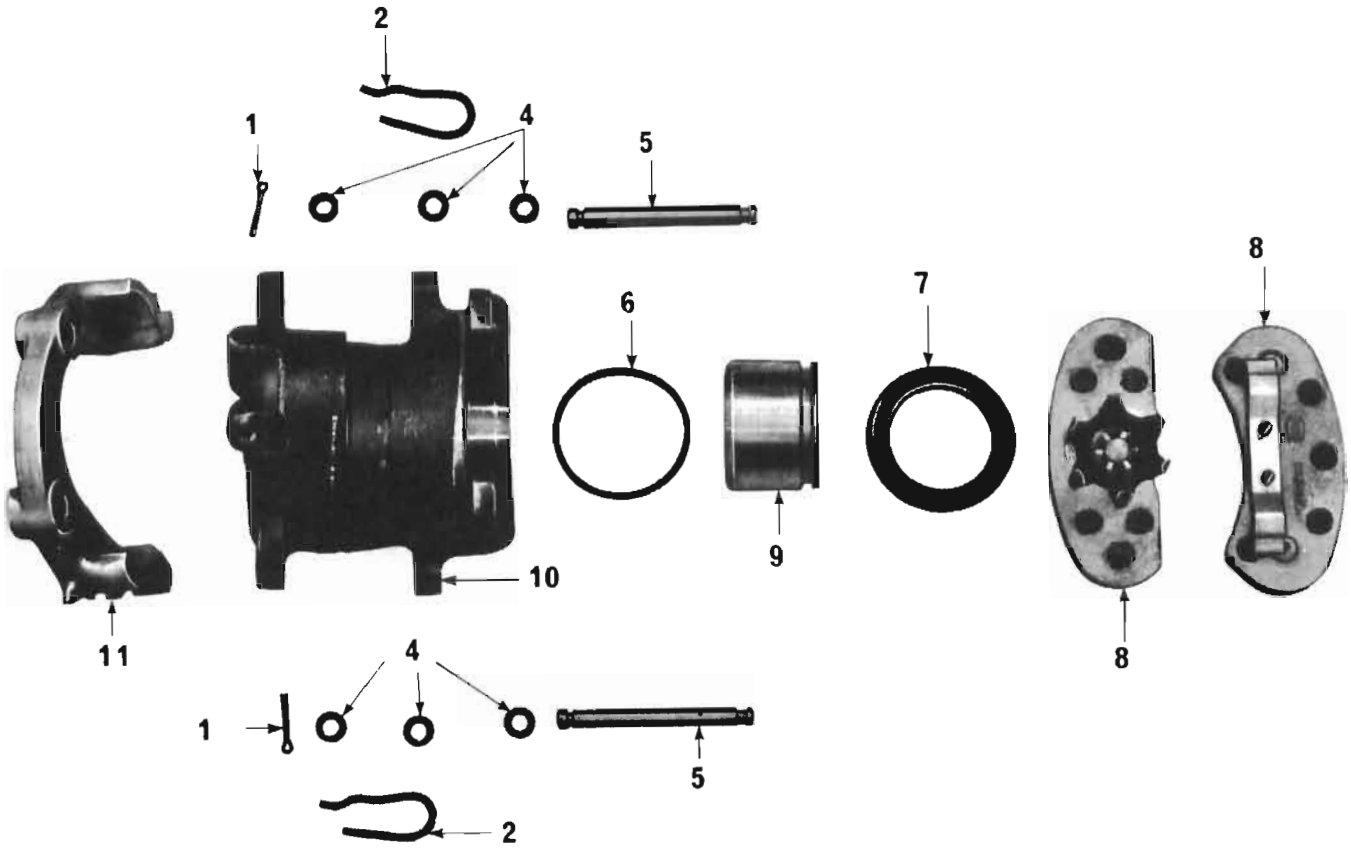
BRAKE PEDAL

ILLUS. REF. NO.	PART NAME	GROUP	ILLUS. REF. NO.	PART NAME	GROUP
1.	BOLT - Pivot	4.636	9.	PAD - Pedal	4.625
2.	BRACKET - Bumper & stop lamp switch mounting	4.625	10.	PEDAL ASSEMBLY	4.625
3.	BUSHING	4.626	12.	WASHER	4.662
4.	SPRING	4.639	13.	PIN - Cotter	8.938
5.	BEARING	4.626	14.	SWITCH ASSEMBLY	2.447
6.	WASHER - Flat	8.929	15.	NUT - Switch attaching	2.447
7.	NUT	4.636	16.	BUMPER - Pedal	4.625
8.	PIN - Clevis	4.662			



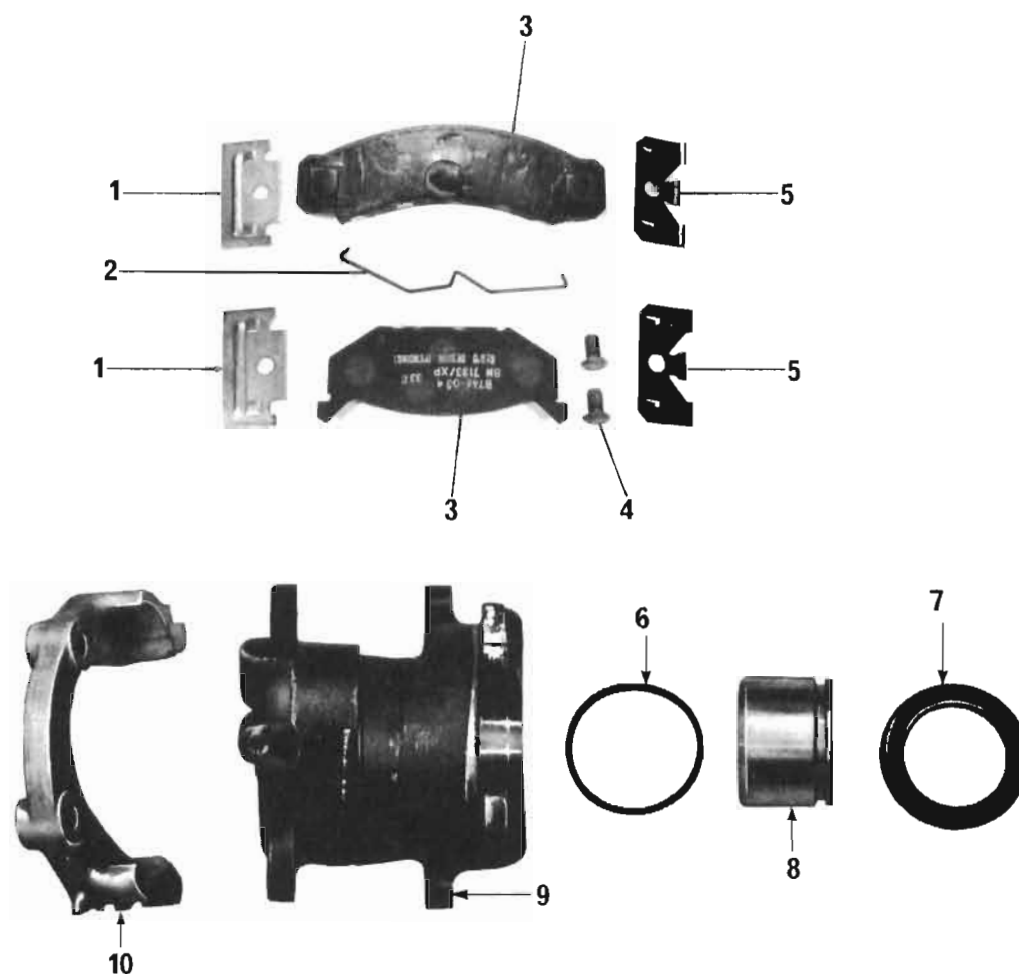
BRAKE BOOSTER

ILLUS. REF. NO.	PART NAME	GROUP	ILLUS. REF. NO.	PART NAME	GROUP
1.	SEAL - Push rod	4.907	6.	GROMMET - Check valve	4.904
1.	REPAIR KIT	4.902	7.	SHELL - Front	N.S.S.
5			8.	SPRING - Return	N.S.S.
6.			9.	DISC - Reaction	N.S.S.
9.			10.	PLATE - Valve body & diaphragm pressure	N.S.S.
13.			11.	KEY - Locking	N.S.S.
14.			12.	DIAPHRAGM	4.908
16.			13.	VALVE ROD & PLUNGER ASSEMBLY	N.S.S.
17.			14.	SEAL ASSEMBLY - Rear shell	4.908
18.	15.	SHELL - Rear	N.S.S.		
2.	PLATE - Push rod seal support	N.S.S.	16.	FILTER	4.903
3.	RETAINER - Push rod	N.S.S.	17.	WASHER - Plunger felt	4.907
4.	PUSH ROD ASSEMBLY	4.907	18.	BOOT - Plunger	4.907
5.	VALVE ASSEMBLY - Check	4.904			



BRAKE CALIPER ASSEMBLY (P.B.R.)

ILLUS. REF. NO.	PART NAME	GROUP	ILLUS. REF. NO.	PART NAME	GROUP
1-11	CALIPER & BRACKET ASSY.	5.010	8.	PAD SET	5.018
1.	PIN KIT	5.020	9.	PISTON	4.668
4.			10.	HOUSING	N.S.S.
5.			11.	BRACKET	N.S.S.
2.	SPRING - Anti rattle	5.020			
6.	SEAL KIT	4.667			
7.					



BRAKE CALIPER ASSEMBLY (Girlock)

ILLUS. REF. NO.	PART NAME	GROUP	ILLUS. REF. NO.	PART NAME	GROUP
1-10	CALIPER & BRACKET ASSY.	5.010	6. } 7. }	SEAL KIT	4.667
1. } 2. }	PAD SET	5.018	8.	PISTON	4.668
3. }			9.	HOUSING	N.S.S.
4. }			10.	BRACKET	N.S.S.
5. }					

"HJ" PARTS CATALOGUE

GROUP	DESCRIPTION	MODEL	SIDE	PART No.	QTY.
4.591	LEVER ASSEMBLY – Hand brake				
	LEVER ASSEMBLY	ALL		2822924	1
4.592	GRIP – Hand brake lever				
	GRIP (Black)	Kingswood, Premier, Monaro, Statesman ..		2820259BA	1
	GRIP (Dark grey)	Kingswood, Premier, Monaro, Statesman ..		2820259DS	1
	GRIP (Jade)	Kingswood, Premier, Monaro, Statesman ..		2820259DU	1
	GRIP (Tan)	Kingswood, Premier, Monaro, Statesman ..		2820259DX	1
	GRIP (Covert)	Kingswood, Premier, Monaro, Statesman ..		2820259DY	1
4.594	ROD – Hand brake release				
	ROD	ALL		2813876	1
	SPRING - Rod release	ALL		2813877	1
	BUTTON - Rod release	ALL		2813878	1
	GUIDE - Button release	ALL		2813927	1
4.595	LEVER, PAWL – Hand brake ratchet				
	LEVER - Pawl	ALL		2813871	1
	PAWL	ALL		2813875	1
4.596	SPRING, BRACKET – Hand brake lever return				
	SPRING	ALL		2813883	1
	BRACKET - Return spring	ALL		2813884	1
4.608	COVER – Hand brake lever				
	COVER (Black)	ALL		2815209BA	1
	COVER (Dark grey)	ALL		2815209DS	1
	COVER (Jade)	ALL		2815209DU	1
	COVER (Tan)	ALL		2815209DX	1
	COVER (Covert)	ALL		2815209DY	1
4.610	LAMP – Hand brake warning				
	BODY - Switch	ALL		7418802	1
	SPRING - Switch	ALL		7418544	1
	PLUNGER - Switch	ALL		7418929	1
	CLIP - Switch	ALL		SP2294	1
4.625	PEDAL, PAD, BUMPER – Brake				
	PEDAL ASSEMBLY	(M)		2814734	1
	PEDAL ASSEMBLY	(A)		2814925	1
	PAD - Pedal	(M) Drum Brake		7433701	1
	PAD - Pedal	(M) Disc Brake		7436293	1
	PAD - Pedal	(A) Drum Brake		7433702	1
	PAD - Pedal	(A) Disc Brake		7436291	1
	RIM - Pedal pad trim	(A) 8 Cyl. Eng.		7435375	1
	BUMPER - Pedal	Drum Brake		7431380	1
	BRACKET - Bumper & stop lamp switch mounting	Drum Brake		2823413	1
	BRACKET - Bumper & stop lamp switch mounting	Disc Brake		9935060	1
4.626	BUSHING, BEARING – Brake pedal				
	BUSHING	ALL		3798256	2
	BEARING	ALL		2814737	1
4.636	BOLT, NUT – Brake pedal retaining				
	BOLT - Pivot	(M)		SP2297	1
	BOLT - Pivot	(A)		215723	1
	NUT	ALL		SP2561	1

“HJ” PARTS CATALOGUE

GROUP	DESCRIPTION	MODEL	SIDE	PART No.	QTY.
4.639	SPRING – Brake pedal return				
	SPRING	ALL		2814736	1
4.649	REPAIR KIT – Brake main cylinder				
	REPAIR KIT - Less pistons	ALL		2824362	1
	NOTE: Discard one valve when using on vehicles equipped with Disc Brakes.				
4.650	CYLINDER ASSEMBLY, BODY – Brake main				
	CYLINDER ASSEMBLY	Drum Brake		9930514	1
	CYLINDER ASSEMBLY	Disc Brake		9930515	1
	BODY	Drum Brake		2811648	1
	BODY	Disc Brake		2811649	1
4.651	COVER, DIAPHRAGM, BAIL – Brake main cylinder				
	COVER	ALL		2811650	1
	DIAPHRAGM - Cover	ALL		2811651	1
	BAIL - Cover	ALL		2823803	1
4.652	INSERT, PLUG, WASHER – Brake main cylinder				
	INSERT - Tube fitting	ALL		5452322	2
	PLUG	ALL		7433139	1
	WASHER - Plug	ALL		7433162	1
4.653	PISTON – Brake main cylinder				
	PISTON - Primary	ALL		9930519	1
	PISTON - Secondary	ALL		7434961	1
	STOP - Primary piston	ALL		5452315	1
	SCREW - Primary piston stop	ALL		5464418	1
4.654	PROTECTOR, SEAL – Brake main cylinder piston				
	PROTECTOR	ALL		5462635	2
	SEAL - $\frac{5}{16}$ " I.D.	ALL		5453620	2
	SEAL - $\frac{9}{16}$ " I.D.	ALL		5460195	3
4.655	SPRING, RETAINER – Brake main cylinder piston				
	SPRING & RETAINER ASSEMBLY - Secondary	ALL		2819950	1
	SPRING - Primary	ALL		5452520	1
	RETAINER - Primary spring	ALL		5464424	1
4.656	RING, SCREW – Brake main cylinder				
	RING - Lock	ALL		5467356	1
	SCREW - Primary piston extension	ALL		5452519	1
4.657	VALVE ASSEMBLY, SPRING – Brake main cylinder check				
	VALVE ASSEMBLY	ALL		5462642	2-1
	SPRING - Valve	ALL		5462637	2-1
4.658	ROD RETAINER – Brake main cylinder push				
	ROD & RETAINER ASSY.	Drum Brake		9928753	1
	RETAINER	Drum Brake		9928571	1
4.659	BOOT – Brake main cylinder push rod				
	BOOT	Drum Brake		9928905	1
4.662	PIN, WASHER – Brake main cylinder rod end				
	PIN - Clevis, .375" x 1.06"	ALL		SP1450	1
	WASHER	ALL		7411849	1

"HJ" PARTS CATALOGUE

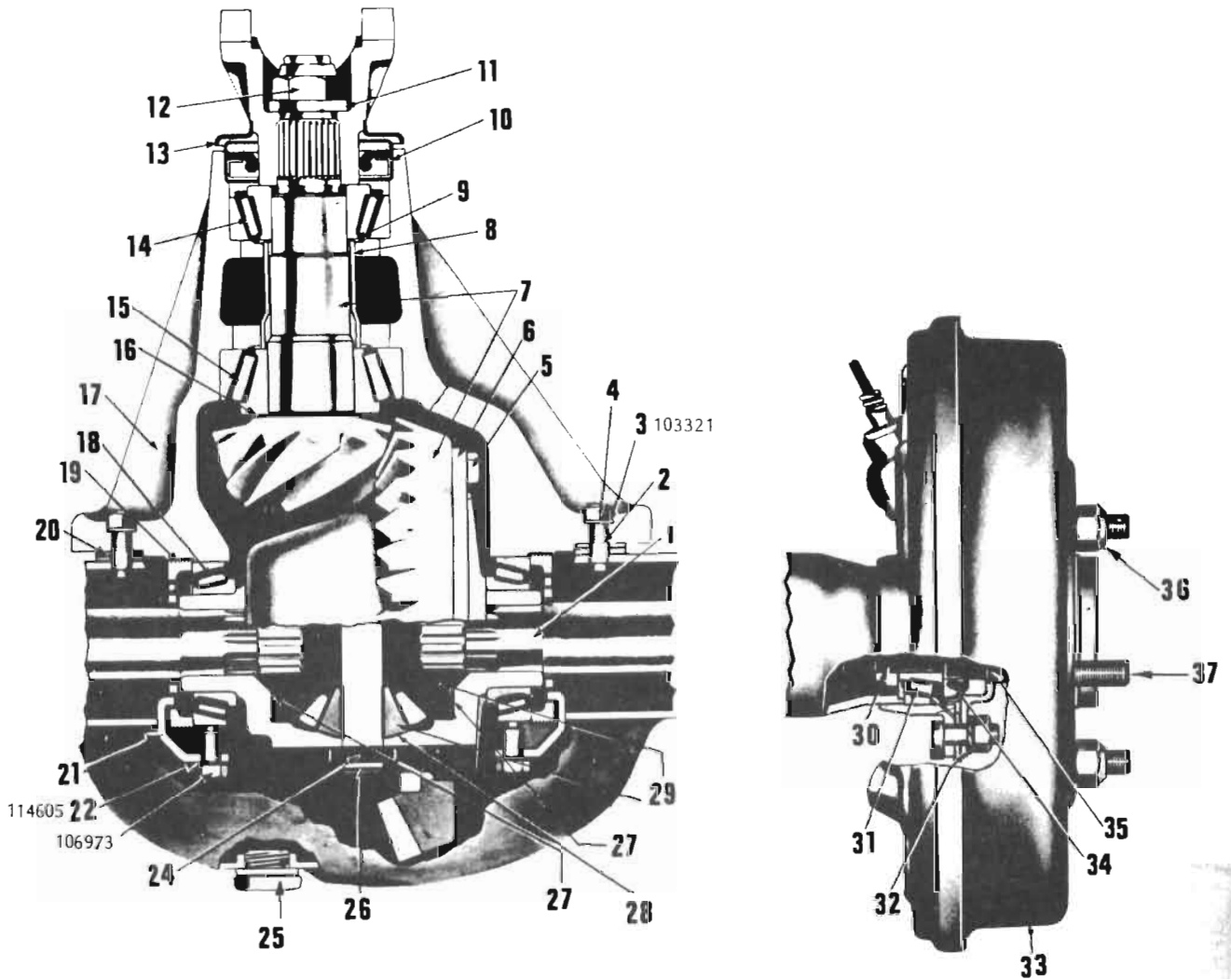
GROUP	DESCRIPTION	MODEL	SIDE	PART No.	QTY.
4.665	CYLINDER ASSEMBLY, BODY, REPAIR KIT – Wheel brake				
	CYLINDER ASSEMBLY – Front – 1 1/8" Dia.	Drum Brake	LH	7438309	1
			RH	7438308	1
	CYLINDER ASSEMBLY – Rear – 7/8" Dia.	ALL		7438310	2
	BODY – Front – 1 1/8" Dia.	Drum Brake	LH	7438089	1
			RH	7438090	1
	BODY – Rear – 7/8" Dia.	ALL		7438311	2
	REPAIR KIT – Front – 1 1/8" Dia. cyl.	Drum Brake		7439076	2
	REPAIR KIT – Rear – 7/8" Dia. cyl.	ALL		7439077	2
4.666	VALVE – Wheel brake bleeder				
	VALVE – Front and rear cylinder	ALL		7420715	4-2
	VALVE – Front caliper	Disc Brake		VS11926	2
	VALVE – Front caliper	Disc Brake		VS12635	2
4.667	CUP – Wheel brake cylinder				
	CUP – Front – 1 1/8" Dia.	Drum Brake		5455298	4
	CUP – Front .007" O/S	Drum Brake		M37187	4
	CUP – Rear – 7/8" Dia.	ALL		5455481	4
4.667	SEAL KIT – Front caliper				
	SEAL KIT – Front caliper	Disc Brake		VS11918	1
	SEAL KIT – Front caliper	Disc Brake		VS12636	2
4.668	PISTON – Wheel brake cylinder, caliper				
	PISTON – Front – 1 1/8" Dia.	Drum Brake		7438390	4
	PISTON – Front caliper	Disc Brake		VS11927	2
	PISTON – Front caliper	Disc Brake		VS12628	2
	PISTON – Rear – 7/8" Dia.	ALL		7438367	4
4.669	SPRING – Wheel brake cylinder cup				
	SPRING – Front 1 1/8" Dia. cyl.	Drum Brake		5455487	2
	SPRING – Rear – 7/8" Dia. cyl.	ALL		5455421	2
4.670	BOOT – Wheel brake cylinder				
	BOOT – Front – 1 1/8" Dia. cyl.	Drum Brake		7438159	4
	BOOT – Rear – 7/8" Dia. cyl.	ALL		7438425	4
4.675	LINK – Wheel brake cylinder connecting				
	FRONT and REAR	ALL		7433172	8-4
4.680	HOSE, WASHER – Brake				
	HOSE – Front	Drum Brake		2816278	2
	WASHER – Hose to wheel cylinder	Drum Brake		7410046	2
	HOSE – Front	Disc Brake		2816279	2
	WASHER – Hose to caliper	Disc Brake		7410046	2
	HOSE – Rear	35, 37, 69		2822916	1
	HOSE – Rear	60, 70, 80		2822480	1
	BOLT – Hose to rear axle	35, 37, 69 6 Cyl. Eng.		SP2089	1
	BOLT – Hose to rear axle	35, 37, 69 8 Cyl. Eng.		SP2090	1
4.681	BRACKET, SPRING – Brake hose				
	BRACKET – Front brake hose mounting	ALL		2816280	2
	BOLT – Bracket to frame	ALL		SP2240	2
	BRACKET – Brake hose rear axle	6 Cyl. exc. 60		2816285	1
	SPRING – Yoke	ALL		476737	3

"HJ" PARTS CATALOGUE

GROUP	DESCRIPTION	MODEL	SIDE	PART No.	QTY.
4.685	PIPE ASSEMBLY, CLIP – Brake				
	PIPE ASSY. Main cylinder to switch (Front)	Drum Brake		2816275	1
	PIPE ASSY. Main cylinder to switch (Rear)	Drum Brake		2816277	1
	PIPE ASSY. Main cylinder to switch (Front)	Disc Brake		9935214	1
	PIPE ASSY. - Main cylinder to switch (Rear)	Disc Brake		9935215	1
	PIPE ASSY. Switch to LH front brake	Drum Brake		9936659	1
	PIPE ASSY. Switch to RH front brake	Drum Brake		2816282	1
	PIPE ASSY. - Switch to LH front brake	Disc Brake		9935217	1
	PIPE ASSY. - Switch to RH front brake	Disc Brake		9935216	1
	PIPE ASSY. Switch to union	35, 37, 69 Drum Brake		9936658	1
	PIPE ASSY. Switch to union	35, 37, 69 Disc Brake		9935218	1
	PIPE ASSY. - Switch to union	60, 70, 80 Drum Brake		9936913	1
	PIPE ASSY. Switch to union	60, 70, 80 Disc Brake		9936912	1
	PIPE ASSY. - Union to rear hose	35		9936915	1
	PIPE ASSY. - Union to rear hose	37, 69 exc. Statesman		9936914	1
	PIPE ASSY. Union to rear hose	Statesman		9936915	1
	PIPE ASSY. - Union to rear hose	60		9937147	1
	PIPE ASSY. - Union to rear hose	70, 80		9937148	1
	PIPE ASSY. Hose to LH rear brake	35, 37, 69		2824711	1
	PIPE ASSY. Hose to RH rear brake	35, 37, 69		2824700	1
	PIPE ASSY. Hose to LH rear brake	60, 70, 80		2817154	1
	PIPE ASSY. - Hose to RH rear brake	60, 70, 80		2816679	1
	NUT Pipe $\frac{3}{16}$ " inv. fld. tube $\frac{7}{16}$ " 24	ALL		7434312	2
	CLIP Brake pipe to crossmember	ALL		2808752	1
	CLIP Brake pipe and fuel pipe	ALL		599119	3
	CLIP - Brake pipe to frame	60, 70, 80		SP2359	1-2
	CLIP - Brake pipe to rear axle housing	ALL		7415654	2
	CLIP - Brake pipe to frame	70, 80		SP1836	1
	CLIP - Brake pipe to frame	60		SP1909	1
	CLIP - Brake pipe and wiring harness	60		SP2282	1
4.686	CONNECTOR and SWITCH ASSEMBLY – Brake pressure warning				
	CONNECTOR & SWITCH ASSY. - Pressure warning	Drum Brake		2817426	1
	CONNECTOR, SWITCH & PROPORTIONING VALVE	Disc Brake		9929907	1
	SWITCH ASSEMBLY - Pressure warning	ALL		VS11789	1
	BRACKET ASSEMBLY - Warning switch	ALL		9931673	1
4.686	UNION – Front pipe to rear pipe				
	UNION Front pipe to rear pipe	ALL		SP2235	1
4 700	PULLEY, BRACKET – Hand brake cable				
	PULLEY - Front cable	ALL		2818506	1
	PIN Pulley clevis .375" x 1.06"	ALL		SP1450	1
	BRACKET - Pulley	35, 37, 69		2810379	1
	BRACKET - Pulley	60, 70, 80		2815357	1
4.764	EQUALISER – Hand brake cable				
	EQUALISER Front cable	ALL		6256437	1
4.826	CABLE ASSEMBLY – Hand brake				
	CABLE ASSEMBLY - Front	ALL		2810381	1
	CABLE ASSEMBLY Intermediate	Station wagon, Statesman		2812072	1
	CABLE ASSEMBLY - Intermediate	Belmont Sedan, Kingswood Sedan, Premier Sedan, Monaro		2810388	1
	CABLE ASSEMBLY Intermediate	Chassis & Cab		2815185	1
	CABLE ASSEMBLY Intermediate	Panel Van, Utility		2815109	1
	CABLE & CONDUIT ASSEMBLY - Rear	Station wagon, Sedan, Monaro		2810513	2
	CABLE & CONDUIT ASSEMBLY - Rear	Chassis & cab, Panel van, Utility		2815186	2
	GROMMET - Intermediate cable	Chassis & Cab, Panel van, Utility		SP2134	2
	SPRING Yoke	ALL		476737	2

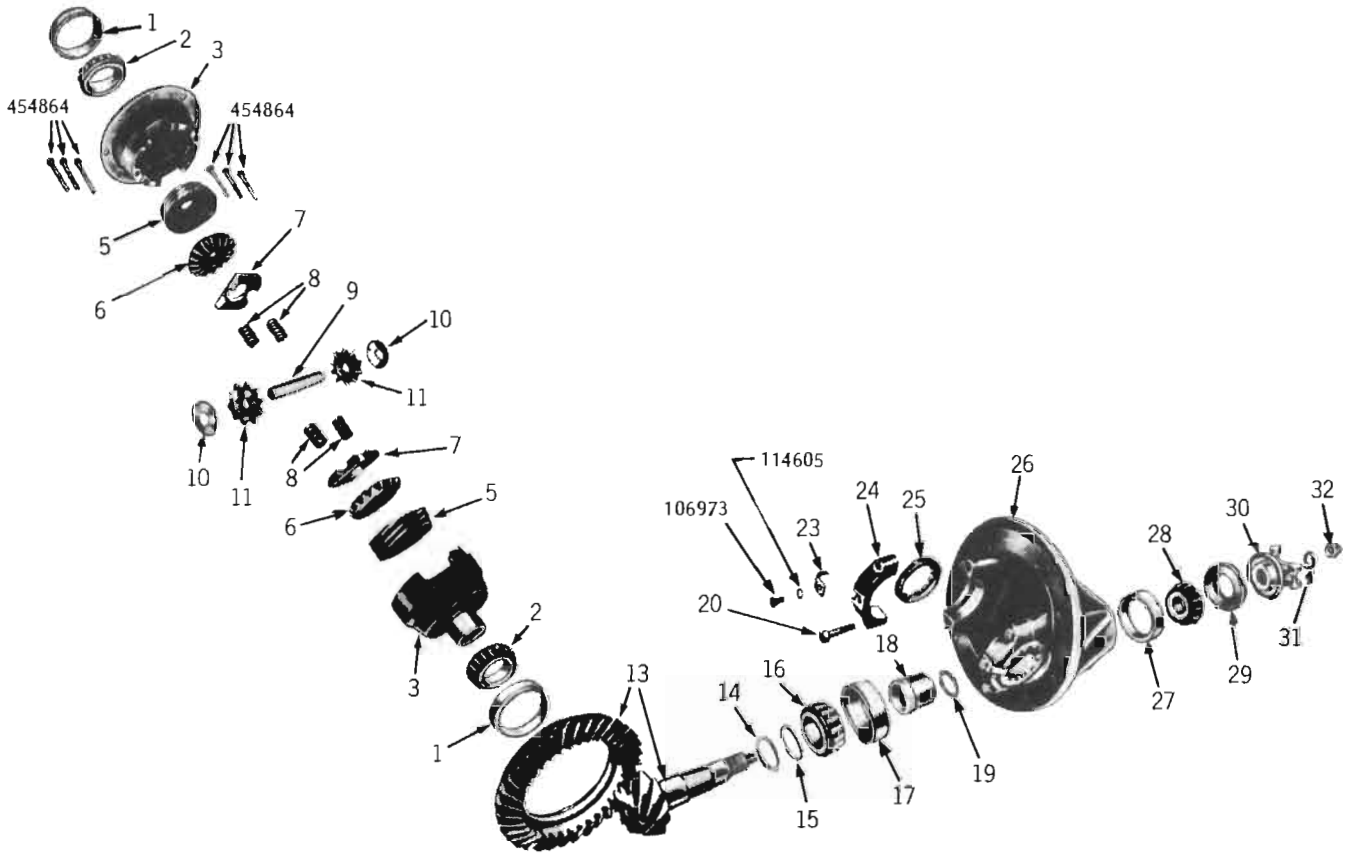
“HJ” PARTS CATALOGUE

GROUP	DESCRIPTION	MODEL	SIDE	PART No.	QTY.
4.829	BRACKET, GUIDE – Hand brake cable				
	BRACKET - Rear cable	35, 37, 69	LH	2810385	1
			RH	2810384	1
	BRACKET - Rear cable	60, 70, 80	LH	2815187	1
			RH	2815188	1
	GUIDE - Front cable	ALL		2824144	1
	GUIDE - Intermediate cable (front)	35, 37, 69		2810496	1
	GUIDE - Intermediate cable (rear)	35, 37, 69	LH	2810383	1
			RH	2810382	1
	GUIDE - Exhaust balance pipe	Dual Exhaust		2820271	1
	GUIDE - Intermediate cable to crossbar	60, 70, 80		2815190	1
	GUIDE - Intermediate cable to frame	60, 70, 80		2815189	2
4.830	CONNECTOR – Hand brake intermediate cable				
	CONNECTOR	ALL		3770112	2
4.834	GROMMET – Hand brake cable floor pan				
	GROMMET	ALL		2810696	1
4.902	BOOSTER, REPAIR KIT – Brake vacuum servo				
	BOOSTER PACKAGE	Drum Brakes		2822768	1
	BOOSTER	Drum Brake		2822563	1
	SPACER - Booster to dash	Drum Brake		2822766	1
	BOOSTER	Disc Brake		9931981	1
	REPAIR KIT	Disc Brake		VS12643	1
4.903	FILTER – Brake vacuum servo booster				
	FILTER	Disc Brake		VS10577	1
4.904	VALVE, GROMMET – Brake vacuum servo booster				
	VALVE ASSEMBLY - Check	Disc, Power Brake		9929529	1
	GROMMET - Check valve	Disc, Power Brake		9929528	1
4.906	PRESSURE PLATE – Brake vacuum servo booster				
	PRESSURE PLATE & VALVE BODY - Diaphragm ..	Disc Brake		VS12149	1
4.907	SEAL, DISC, PUSH ROD, BOOT – Brake vacuum servo booster				
	SEAL - Push rod	Disc Brake		VS10576	1
	PUSH ROD ASSEMBLY	Disc Brake		VS12651	1
	WASHER - Push rod felt	Disc Brake		VS10578	1
	BOOT	Disc Brake		VS11161	1
4.908	SEAL ASSEMBLY, DIAPHRAGM – Brake vacuum servo booster				
	SEAL ASSEMBLY - Rear shell	Disc Brake		VS10579	1
	DIAPHRAGM - Rear	Disc Brake		VS11933	1
4.931	HOSE, ELBOW – Brake vacuum servo				
	HOSE	Power Brake		7434510	1
	HOSE	(M) 6 Cyl. Eng.		7434510	1
	HOSE	(A) 6 Cyl. Eng. Disc Brake		2816860	1
	HOSE	8 Cyl. Eng.		2812928	1
	CLAMP - Hose	Disc, Power Brake		272846	2
	FLBOW - Manifold	Disc, Power Brake		7406788	1
	NIPPLE	(M) exc. Air Cond.		2820727	1
5.001	PLATE ASSEMBLY – Brake backing				
	PLATE ASSEMBLY - Front	Drum Brake	LH	2814609	1
			RH	2814608	1
	PLATE ASSEMBLY - Rear	ALL	LH	2814721	1
			RH	2814722	1



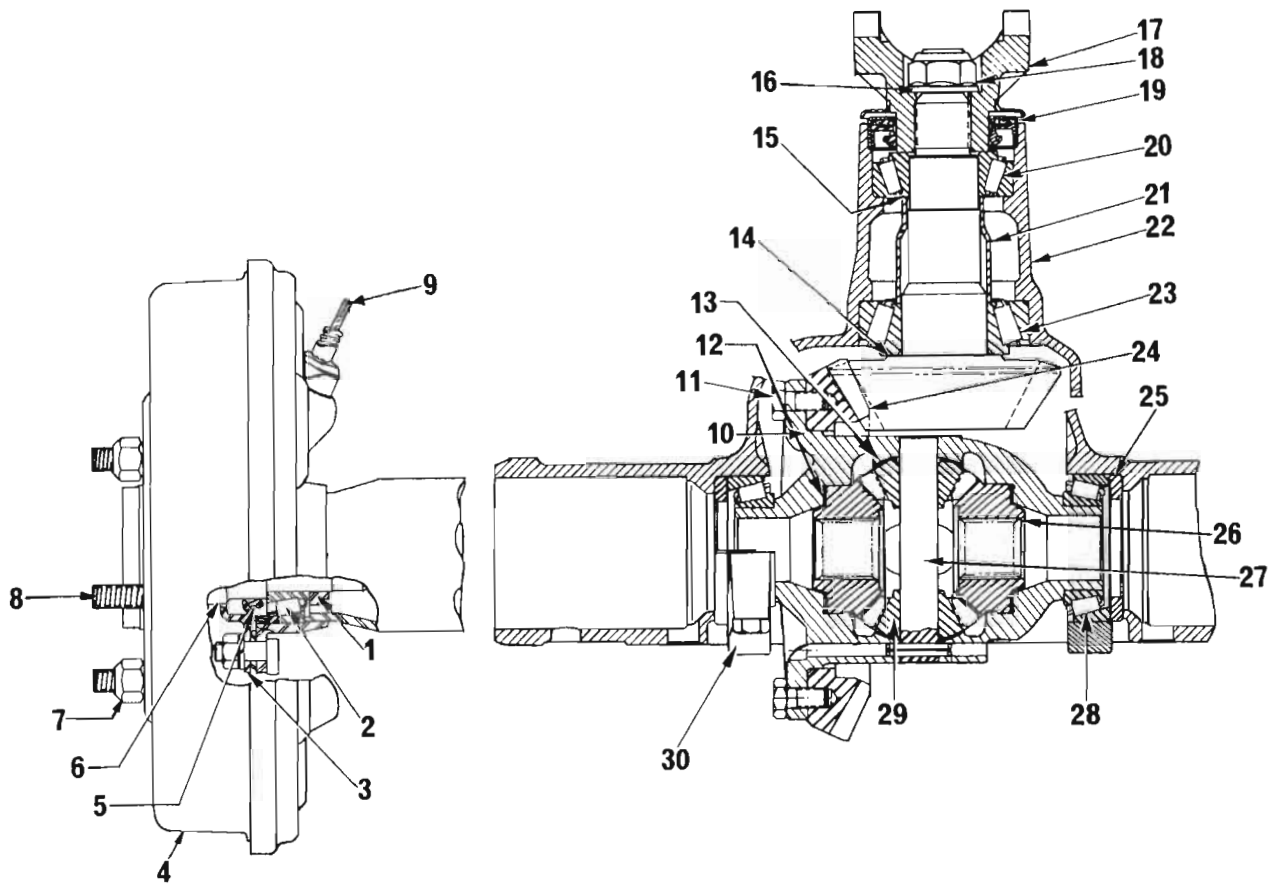
BANJO TYPE REAR AXLE ASSEMBLY

ILLUS. REF. NO.	PART NAME	GROUP	ILLUS. REF. NO.	PART NAME	GROUP
1.	SHAFT - Axle	5.420	19.	NUT - Adjusting	5.537
2.	BOLT - Axle housing	5.387	20.	GASKET	5.508
3.	WASHER - Lock, 3/8 medium	8.931	21.	LOCK	5.539
4.	NUT - Hex. 3/8 - 24	8.915	22.	WASHER - External tooth, 5/16	8.932
5.	BOLT - Ring gear	5.531	24.	PIN - Spring	5.518
6.	CASE - Differential	5.510	25.	PLUG - Filler	5.400
7.	RING GEAR & PINION ASSY.	5.529	26.	SHAFT - Differential pinion	5.517
8.	SPACER - Pinion bearing	5.453	27.	WASHER - Side gear thrust	5.543
9.	SHIM - Preload	5.460	28.	WASHER - Pinion thrust	5.542
10.	SEAL - Pinion oil	5.469	29.	GEAR SET - 2 side gears, 2 pinions	5.527
11.	WASHER - Flange nut	5.545	30.	RING	5.816
12.	NUT - Flange retaining	5.545	31.	BEARING - Axle shaft	5.855
13.	FLANGE ASSEMBLY	5.545	32.	RETAINER	5.816
14.	CONE - Front pinion bearing	5.447	33.	DRUM ASSEMBLY - Brake	5.809
15.	CONE - Rear pinion bearing	5.484	34.	SEAL	5.822
16.	SHIM - Locating	5.460	35.	SHAFT - Axle	5.420
17.	CARRIER & CAP ASSEMBLY	5.505	36.	NUT - Wheel hub	5.813
18.	CONE - Differential side bearing	5.536	37.	BOLT - Wheel hub	5.812



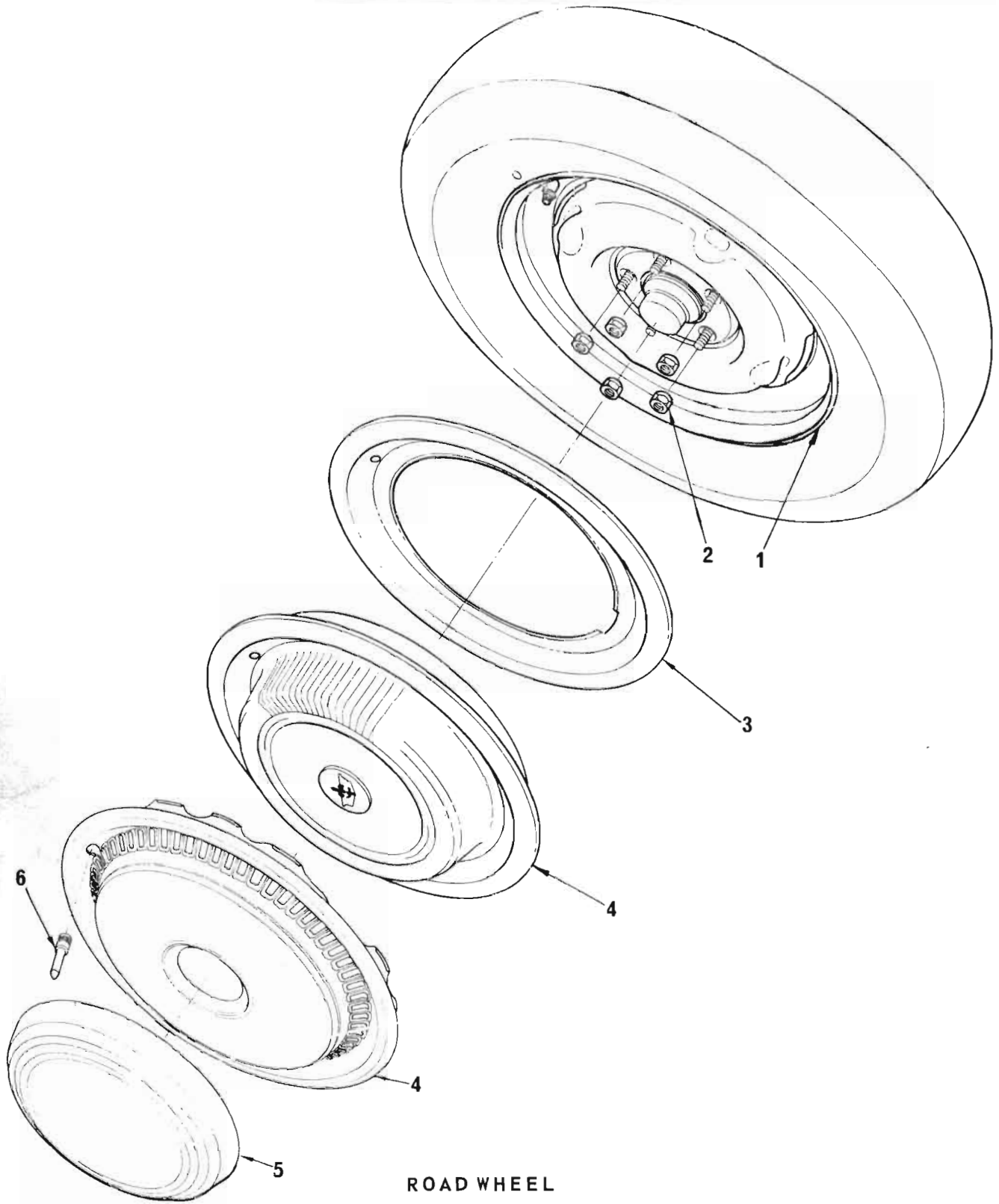
**LIMITED SLIP DIFFERENTIAL ASSEMBLY
(Banjo Type Rear Axle Assembly)**

ILLUS. REF. NO.	PART NAME	GROUP	ILLUS. REF. NO.	PART NAME	GROUP
1.	CUP – Diff. side bearing	5.536	17.	CUP – Pinion rear bearing	5.484
2.	CONE – Diff. side bearing	5.536	18.	SPACER – Pinion bearing	5.453
3./5.	CASE – Differential	5.510	19.	SHIM – Bearing preload	5.460
5./3.	CASE – Differential	5.510	20.	BOLT – Cap to carrier	5.506
6.	GEAR SET – 2 side gears, 2 pinions	5.527	23.	LOCK – Adjusting nut	5.539
7.	BLOCK – Preload spring	5.511	24/26.	CARRIER & CAP ASSEMBLY	5.505
8.	SPRING – Preload	5.511	25.	NUT – Bearing adjusting	5.537
9.	SHAFT – Pinion	5.517	26/24.	CARRIER & CAP ASSEMBLY	5.505
10.	WASHER – Thrust	5.542	27.	CUP – Pinion front bearing	5.447
11.	GEAR SET – 2 side gears, 2 pinions	5.527	28.	CONE – Pinion front bearing	5.447
13.	RING GEAR & PINION	5.529	29.	SEAL – Pinion oil	5.469
14.	SHIM – Pinion locating	5.460	30.	FLANGE ASSEMBLY	5.545
15.	SHIM – Pinion locating	5.460	31.	WASHER – Flange nut	5.545
16.	CONE – Pinion rear bearing	5.484	32.	NUT – Flange retaining	5.545



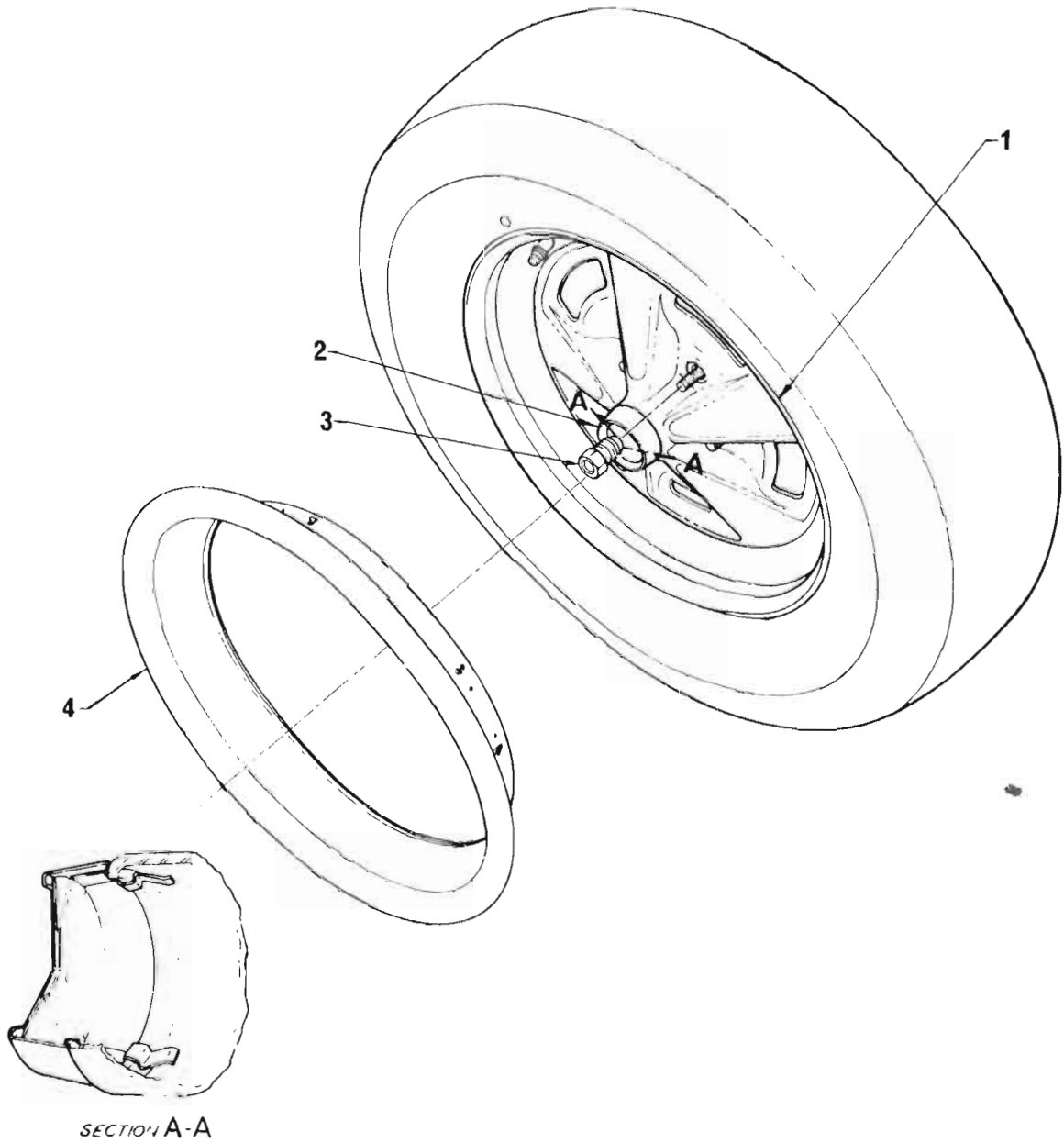
SALISBURY TYPE REAR AXLE ASSEMBLY

ILLUS. REF. NO.	PART NAME	GROUP	ILLUS. REF. NO.	PART NAME	GROUP
1.	RING	5.816	16.	WASHER - Flange nut	5.545
2.	BEARING - Axle shaft	5.855	17.	FLANGE ASSEMBLY	5.545
3.	RETAINER	5.816	18.	NUT - Flange retaining	5.545
4.	DRUM ASSEMBLY - Brake	5.809	19.	SEAL	5.469
5.	SEAL	5.822	20.	BEARING - Pinion front	5.447
6.	SHAFT - Axle	5.420	21.	SPACER - Pinion bearing	5.453
7.	NUT - Wheel hub	5.813	22.	HOUSING ASSEMBLY	5.387
8.	BOLT - Wheel hub	5.812	23.	BEARING - Pinion rear	5.484
9.	CABLE & CONDUIT ASSEMBLY	4.826	24.	RING GEAR & PINION ASSEMBLY	5.529
10.	CASE	5.510	25.	SHIM - Adjusting	5.537
11.	BOLT	5.531	26.	GEAR - Differential side	5.528
12.	WASHER - Side gear thrust	5.543	27.	SHAFT - Pinion	5.517
13.	WASHER - Pinion thrust	5.542	28.	BEARING - Side	5.536
14.	SHIM - Pinion locating	5.460	29.	PINION	5.526
15.	SHIM - Pinion preload	5.460	30.	BOLT - Cap to housing	5.506



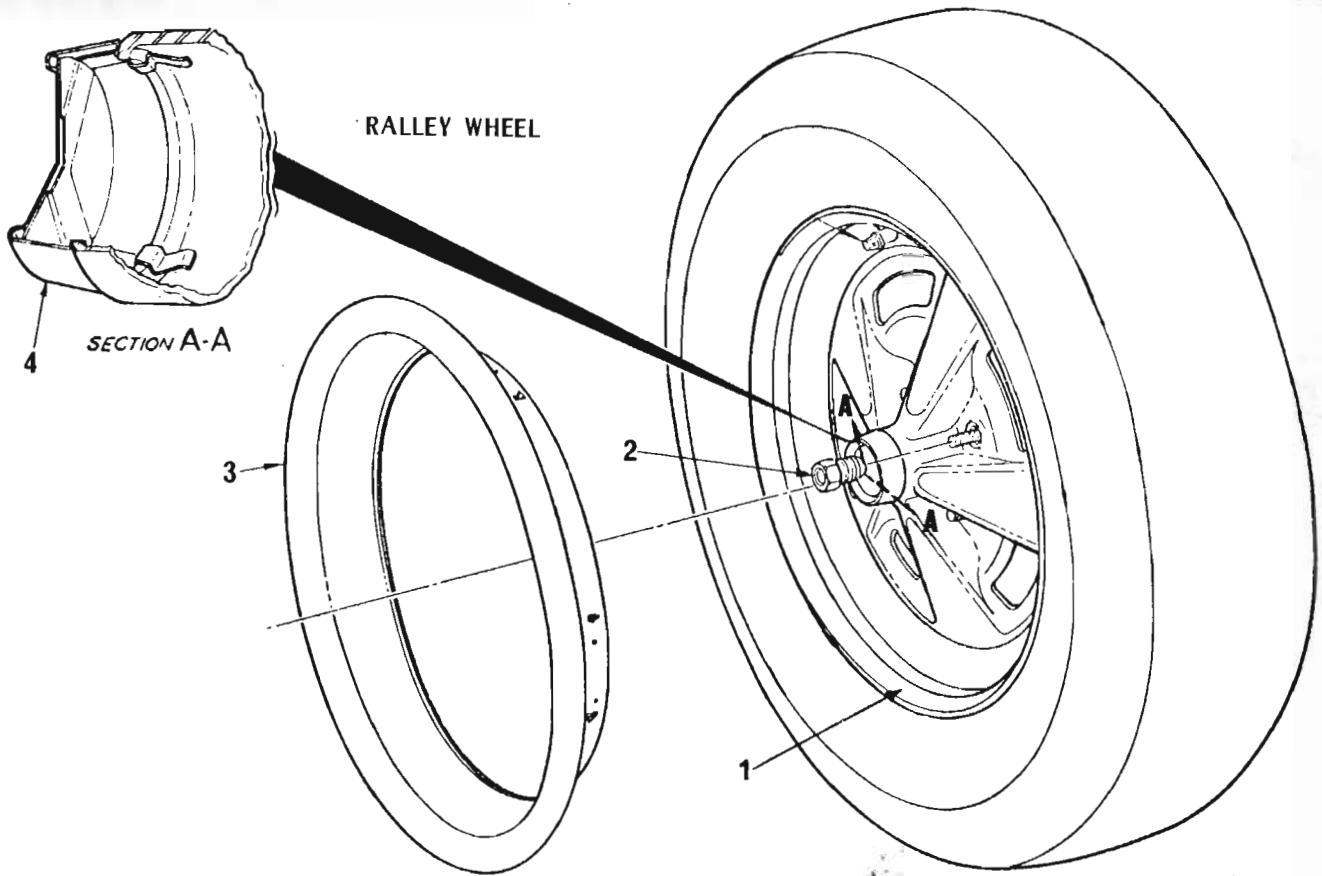
ROAD WHEEL

ILLUS. REF. NO.	PART NAME	GROUP	ILLUS. REF. NO.	PART NAME	GROUP
1.	WHEEL ASSEMBLY – Road	5.803	4.	DISC ASSEMBLY	5.858
2.	NUT – Wheel hub bolt	5.813	5.	CAP – Wheel hub	5.858
3.	RING – Wheel trim	5.871	6.	EXTENSION – Valve stem	5.875



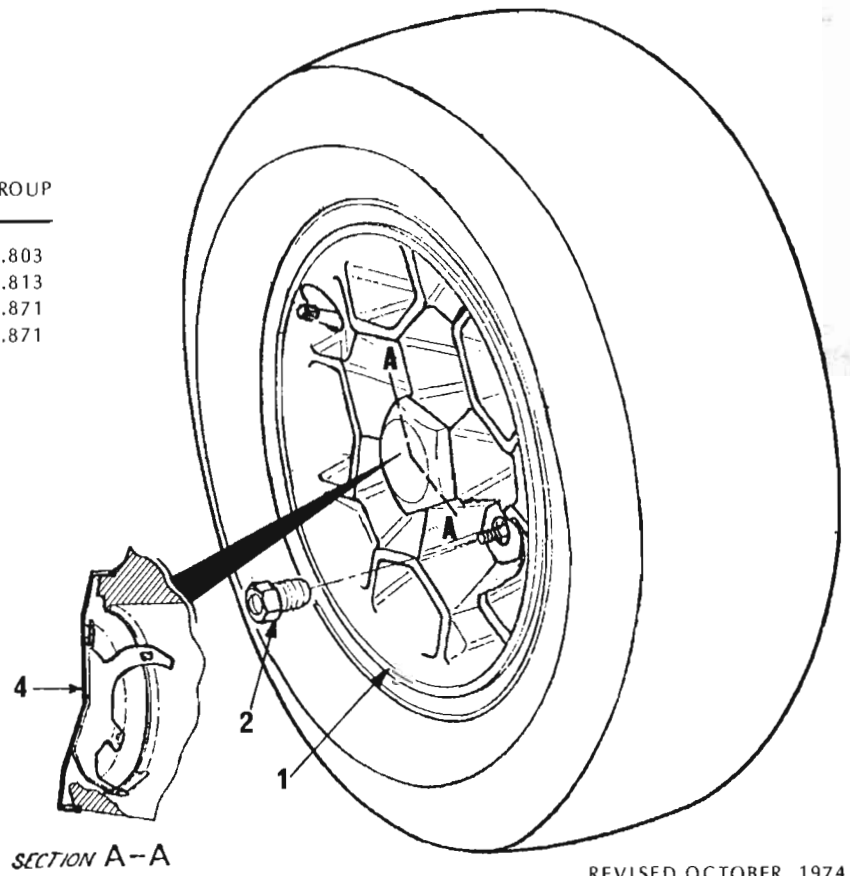
ROAD WHEEL - RALLY TYPE

ILLUS. REF. NO.	PART NAME	GROUP	ILLUS. REF. NO.	PART NAME	GROUP
1.	WHEEL ASSEMBLY - Road	5.803	3.	NUT - Wheel hub bolt	5.813
2.	TRIM - Wheel centre	5.871	4.	RING - Wheel trim	5.871



ILLUS. REF. NO.	PART NAME	GROUP
1.	WHEEL	5.803
2.	NUT	5.813
3.	RING	5.871
4.	TRIM	5.871

**POLYCAST WHEEL (700 x 14)
(HONEYCOMB)**



REVISED OCTOBER, 1974

"HJ" PARTS CATALOGUE

GROUP	DESCRIPTION	MODEL	SIDE	PART No.	QTY.
5.382	ARM ASSEMBLY – Rear axle control				
	ARM ASSEMBLY – Upper	35, 37, 69		7449283	2
	BUSH ASSEMBLY	35, 37, 69		2807098	4
	BAR ASSEMBLY – Upper arm mounting	35, 37, 69		9932690	1
	ARM ASSEMBLY – Lower	(M) 35, 37, 69		9931610	2
	ARM ASSEMBLY – Lower	(A) 35, 37, 69		2811213	2
	BUSH ASSEMBLY	(M) 35, 37, 69		2807098	4
	BUSH ASSEMBLY	(A) 35, 37, 69		2805716	4
	BRACKET ASSEMBLY – Front mounting	35, 37, 69	LH	2811261	1
			RH	2811262	1
	NUT – Hex. ½" – 13 Lock	35, 37, 69		9422301	8
	BOLT – Arm mounting	35, 37, 69		SP2452	8
5.386	AXLE ASSEMBLY – Rear				
	Production Rear Axle Assemblies will be supplied on a firm order basis.				
5.387	HOUSING ASSEMBLY – Rear axle – Banjo type				
	HOUSING ASSEMBLY – 3.08 : 1 A.R.	35, 37, 69		2812101	1
	HOUSING ASSEMBLY – 3.36 : 1, 3.55 : 1, 3.90 : 1 A.R.	35, 37, 69		2811819	1
	HOUSING ASSEMBLY – 3.36 : 1, 3.55 : 1, 3.90 : 1 A.R.	70, 80		2812605	1
	BREATHER ASSEMBLY	ALL		7415204	1
	BOLT – Axle housing	All exc. 60		2812109	6-7
	WASHER – Aluminium	All exc. 60		7418548	6-7
5.387	HOUSING ASSEMBLY – Rear axle – Salisbury type				
	HOUSING ASSEMBLY	35, 37, 69		2820516	1
	HOUSING ASSEMBLY	60, 70, 80		2824813	1
	BREATHER ASSEMBLY	ALL		7415204	1
5.395	BUMPER ASSEMBLY, BRACKET – Pinion nose				
	BUMPER ASSEMBLY	6 Cyl. Eng. 35, 37, 69		2825635	1
	BUMPER ASSEMBLY	8 Cyl. Eng. 35, 37, 69		2825652	1
	BUMPER ASSEMBLY	60, 70, 80		2809235	1
	BRACKET – Bumper	60, 70, 80		2812442	1
5.398	COVER – Rear axle housing				
	COVER – Salisbury type rear axle	8 Cyl. Eng.		7449737	1
5.399	GASKET – Rear axle housing cover				
	GASKET	Salisbury type rear axle		7449801	1
5.400	PLUG – Axle housing				
	PLUG – Filler	ALL		7400181	1
	GASKET – Plug	ALL		113897	1
	PLUG – Drain – Bolt hex. hd. 3" – 24 x 3", 3.08 : 1 A.R.	Banjo type rear axle		181385	1
	PLUG – Drain – Bolt hex. hd. ¾" – 24 x ¾", 3.36 : 1, 3.55 : 1, 3.90 : 1 A.R.	Banjo type rear axle		106285	1
	GASKET – Drain plug	Banjo type rear axle		7400256	1
5.420	SHAFT – Rear axle				
	SHAFT – Banjo type rear axle	35, 37, 69, 70, 80		2820205	2
	SHAFT	60		2825542	2
	SHAFT – Salisbury type rear axle	35, 37, 69, 70, 80		2820206	2

"HJ" PARTS CATALOGUE

GROUP	DESCRIPTION	MODEL	SIDE	PART No.	QTY.
5.441	SHAFT ASSEMBLY – Propeller – Banjo type rear axle				
	SHAFT - With joints	Belmont Sedan, Kingswood Sedan, Premier Sedan, Monaro with 6 Cyl. Eng.		2814337	1
	SHAFT - With joints	(M) S/Wagon, Statesman, P/Van, Utility with 6 Cyl. Eng.		2814287	1
	SHAFT - With joints	(A) S/Wagon, Statesman, P/Van, Utility with 6 Cyl. Eng.		2814338	1
5.441	SHAFT – Propeller – Salisbury type rear axle				
	SHAFT - With joints	Belmont Sedan, Kingswood Sedan, Premier Sedan, Monaro with 6 Cyl. Eng.		2814339	1
	SHAFT - With joints	S/Wagon, Statesman, P/Van, Utility with 6 Cyl. Eng.		2814340	1
	SHAFT - With joints	Chassis & Cab with 6 Cyl. Eng.		9929974	1
	SHAFT - With joints	Chassis & Cab with 4.2 Litre Eng.		9929265	1
	SHAFT - With joints	(M) Belmont Sedan, Kingswood Sedan, Premier Sedan, Monaro with 8 Cyl. Eng.		2814339	1
	SHAFT - With joints	(A) Belmont Sedan, Kingswood Sedan, Premier Sedan, Monaro with 4.2 Litre Eng.		2814339	1
	SHAFT - With joints	(A) Belmont Sedan, Kingswood Sedan, Premier Sedan, Monaro with 5 Litre Eng.		9933672	1
	SHAFT - With joints	(M) S/Wagon, P/Van, Utility with 8 Cyl. Eng.		2814340	1
	SHAFT - With joints	(A) S/Wagon, P/Van, Utility with 4.2 Litre Eng.		2814340	1
	SHAFT - With joints	(A) S/Wagon, P/Van, Utility with 5 Litre Eng.		9933673	1
	SHAFT - With joints	(A) Statesman with 4.2 Litre Eng.		9930700	1
	SHAFT - With joints	(A) Statesman with 5 Litre Eng.		9933673	1
5.447	BEARING – Pinion front				
	CUP	Banjo type rear axle		7421671	1
	CONE	Banjo type rear axle		7421672	1
	CUP	Salisbury type rear axle		7449532	1
	CONE	Salisbury type rear axle		7449533	1
5.453	SPACER – Pinion bearing				
	SPACER	Banjo type rear axle		7421664	1
	SPACER	Salisbury type rear axle		7449858	1
5.460	SHIM – Pinion bearing				
	PRELOAD	Banjo type rear axle		7425653	A.R.
	LOCATING - .005"	Banjo type rear axle		7408094	A.R.
	LOCATING - .006"	Banjo type rear axle		7408095	A.R.
	LOCATING - .007"	Banjo type rear axle		7408096	A.R.
	LOCATING - .008"	Banjo type rear axle		7408097	A.R.
	LOCATING - .009"	Banjo type rear axle		7408098	A.R.
	LOCATING - .010"	Banjo type rear axle		7408099	A.R.
	LOCATING - .015"	Banjo type rear axle		7408100	A.R.
	PRELOAD	Salisbury type rear axle		7449861	A.R.
	LOCATING - .005"	Salisbury type rear axle		2814958	A.R.
	LOCATING - .006"	Salisbury type rear axle		2814959	A.R.
	LOCATING - .007"	Salisbury type rear axle		2814960	A.R.
	LOCATING - .008"	Salisbury type rear axle		2814961	A.R.
	LOCATING - .009"	Salisbury type rear axle		2814962	A.R.
	LOCATING - .010"	Salisbury type rear axle		2814963	A.R.
	LOCATING - .015"	Salisbury type rear axle		2814964	A.R.
5.469	SEAL – Rear axle pinion oil				
	SEAL	Banjo type rear axle		7421648	1
	SEAL	Salisbury type rear axle		7449859	1

“HJ” PARTS CATALOGUE

GROUP	DESCRIPTION	MÓDEL	SIDE	PART No.	QTY.
5.484	BEARING ASSEMBLY – Pinion rear				
	CUP	Banjo type rear axle		7421645	1
	CONE	Banjo type rear axle		7421646	1
	CUP	Salisbury type rear axle		7449535	1
	CONE	Salisbury type rear axle		7449536	1
5.504	DIFFERENTIAL and CARRIER ASSEMBLY – Banjo type rear axle				
	DIFFERENTIAL & CARRIER ASSY. - 3.08:1 A.R. ..	Regular type, 6 Cyl. Eng.		2809015	1
	DIFFERENTIAL & CARRIER ASSY. - 3.08:1 A.R. ..	Limited Slip Diff., 6 Cyl. Eng.		2809014	1
	DIFFERENTIAL & CARRIER ASSY. - 3.36:1 A.R. ..	Regular Type		7421719	1
	DIFFERENTIAL & CARRIER ASSY. - 3.36:1 A.R. ..	Limited Slip Diff.		7430869	1
	DIFFERENTIAL & CARRIER ASSY. - 3.55:1 A.R. ..	Regular Type <i>6 cyl (519)</i>		7421475	1
	DIFFERENTIAL & CARRIER ASSY. - 3.55:1 A.R. ..	Limited Slip Diff.		7430870	1
	DIFFERENTIAL & CARRIER ASSY. - 3.90:1 A.R. ..	Regular Type		7425931	1
	DIFFERENTIAL & CARRIER ASSY. 3.90:1 A.R. ..	Limited Slip Diff.		7430871	1
5.505	CARRIER and CAP ASSEMBLY – Differential – Banjo type rear axle				
	CARRIER & CAP ASSY. - 3.08:1 A.R.	ALL		7435382	1
	CARRIER & CAP ASSY. - 3.36:1, 3.55:1, 3.90:1 AR	ALL		7421813	1
5.506	BOLT – Differential carrier				
	BOLT Cap to carrier 3 1/2"	Banjo type rear axle		7421647	2
	BOLT Cap to carrier 1 7/8"	Banjo type rear axle		7421673	2
	BOLT - Cap to housing	Salisbury type rear axle		7449627	4
5.508	GASKET – Axle housing to differential carrier				
	GASKET	Banjo type rear axle		7435153	1
5.510	CASE – Differential – Banjo type rear axle				
	CASE - 3.08:1 A.R.	Exc. Limited Slip Diff		7435546	1
	CASE Complete with internal components, 3.08:1 A.R.	Limited Slip Diff		2808124	1
	CASE 3.08:1 A.R.	Limited Slip Diff		VS10886	1
	CASE 3.36:1, 3.55:1, 3.90:1 A.R.	Exc. Limited Slip Diff		7438144	1
	CASE Complete with internal components, 3.36:1, 3.55:1, 3.90:1 A.R.	Limited Slip Diff		7432638	1
	CASE 3.36:1, 3.55:1, 3.90:1 A.R.	Limited Slip Diff		VS10392	1
5.510	CASE – Differential – Salisbury type rear axle				
	CASE 2.78:1 A.R.	Exc. Limited Slip Diff		7449489	1
	CASE Complete with internal components, 2.78:1 A.R.	Limited Slip Diff.		2812617	1
	CASE 2.78:1 A.R.	Limited Slip Diff.		VS12008	1
	CASE 3.08:1, 3.36:1, 3.55:1, 4.44:1 A.R.	Exc. Limited Slip Diff.		7449490	1
	CASE Complete with internal components - 3.08:1, 3.36:1, 3.55:1 A.R.	Limited Slip Diff.		2812618	1
	CASE 3.08:1, 3.36:1, 3.55:1 A.R.	Limited Slip Diff.		VS12007	1
5.511	SPRING, BLOCK – Differential				
	SPRING Preload banjo type rear axle	Limited Slip Diff.		VS10371	4
	SPRING Preload salisbury type rear axle	Limited Slip Diff.		VS12179	4
	BLOCK Preload spring banjo type rear axle	Limited Slip Diff.		VS10373	2
	BLOCK Preload spring salisbury type rear axle	Limited Slip Diff.		VS12181	2
5.517	SHAFT – Differential pinion				
	SHAFT Banjo type rear axle	Exc. Limited Slip Diff.		7411921	1
	SHAFT Banjo type rear axle	Limited Slip Diff		VS10369	1
	SHAFT Salisbury type rear axle	Exc. Limited Slip Diff.		2820345	1
	SHAFT Pinion shaft - Salisbury type rear axle	Limited Slip Diff		VS12177	1

"HJ" PARTS CATALOGUE

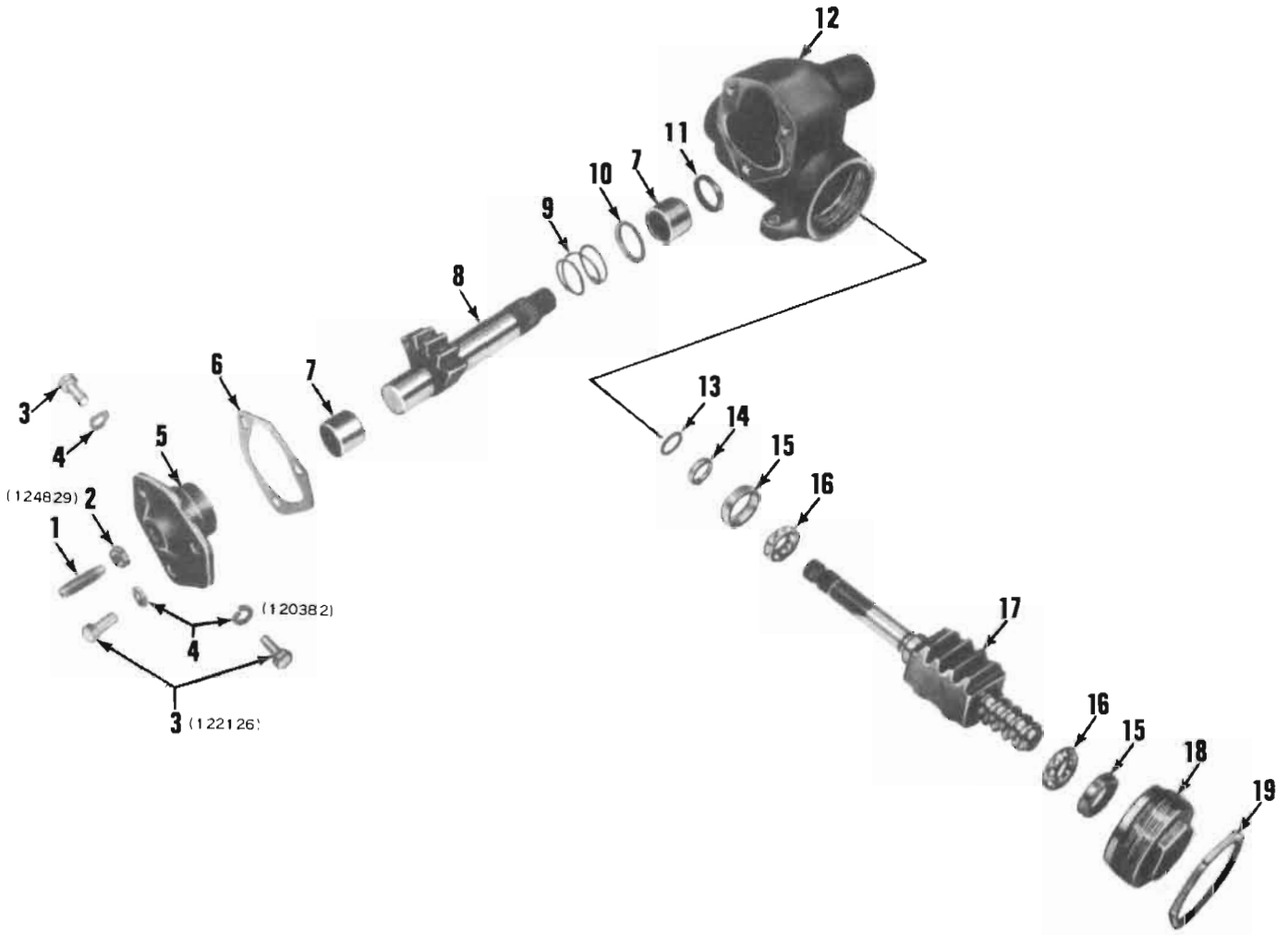
GROUP	DESCRIPTION	MODEL	SIDE	PART No.	QTY.
5.518	PIN – Differential shaft lock				
	PIN – Spring, 1" x 11" – Banjo type rear axle	Exc. Limited Slip Diff.		453670	1
	PIN – Banjo type rear axle	Limited Slip Diff.		VS10372	1
	PIN – Salisbury type rear axle	Limited Slip Diff.		VS12180	1
5.526	PINION – Differential				
	PINION – Salisbury type rear axle	Exc. Limited Slip Diff., 4.44: 1 AR		7449383	2
5.527	GEAR SET – Differential (2 side gears, 2 pinions)				
	GEAR SET – Banjo type rear axle	Exc. Limited Slip Diff.		7438035	1
	GEAR SET – Banjo type rear axle	Limited Slip Diff.		VS10393	1
	GEAR SET – Salisbury type rear axle	Limited Slip Diff.		VS12184	1
	GEAR SET – Salisbury type rear axle	4.44: 1 AR exc. Limited Slip Diff.		VS12610	1
5.528	GEAR – Differential side				
	GEAR – Salisbury type rear axle	Exc. Limited Slip Diff., 4.44: 1 AR		7449382	2
5.529	RING GEAR and PINION ASSEMBLY				
	RING GEAR & PINION ASSEMBLY – 3.08: 1 A.R. ...	Banjo type rear axle		7437392	1
	RING GEAR & PINION ASSEMBLY – 3.36: 1 A.R. ...	Banjo type rear axle		7438806	1
	RING GEAR & PINION ASSEMBLY – 3.55: 1 A.R. ...	Banjo type rear axle		7423279	1
	RING GEAR & PINION ASSEMBLY – 3.90: 1 A.R. ...	Banjo type rear axle		7436736	1
	RING GEAR & PINION ASSEMBLY – 2.78: 1 A.R. ...	Salisbury type rear axle		2813155	1
	RING GEAR & PINION ASSEMBLY – 3.08: 1 A.R. ...	Salisbury type rear axle		7449218	1
	RING GEAR & PINION ASSEMBLY – 3.36: 1 A.R. ...	Salisbury type rear axle		2813156	1
	RING GEAR & PINION ASSEMBLY – 3.55: 1 A.R. ...	Salisbury type rear axle		7449215	1
	RING GEAR & PINION ASSEMBLY – 4.44: 1 AR	Salisbury Type Rear Axle		9936630	1
5.531	BOLT – Ring gear				
	BOLT	Banjo type rear axle		7421634	8
	BOLT	Salisbury type rear axle		5257956	10
5.536	BEARING ASSEMBLY – Differential side				
	CUP	Banjo type rear axle		7421642	2
	CONE	Banjo type rear axle		7421643	2
	CUP	Salisbury type rear axle		9420096	2
	CONE	Salisbury type rear axle		7449509	2
5.537	NUT, SHIM, SPACER – Differential side bearing				
	NUT – Adjusting	Banjo type rear axle		7421650	2
	SHIM – .222"	Salisbury Type Rear Axle		3894701	A.R.
	SHIM – .224"	Salisbury Type Rear Axle		3894702	A.R.
	SHIM – .226"	Salisbury Type Rear Axle		3894703	A.R.
	SHIM – .228"	Salisbury Type Rear Axle		3894704	A.R.
	SHIM – .230"	Salisbury Type Rear Axle		3894705	A.R.
	SHIM – .232"	Salisbury Type Rear Axle		3894706	A.R.
	SHIM – .234"	Salisbury Type Rear Axle		3894707	A.R.
	SHIM – .236"	Salisbury Type Rear Axle		3894708	A.R.
	SHIM – .238"	Salisbury Type Rear Axle		3894709	A.R.
	SHIM – .240"	Salisbury Type Rear Axle		3894710	A.R.
	SHIM – .242"	Salisbury Type Rear Axle		3894711	A.R.
	SHIM – .244"	Salisbury Type Rear Axle		3894712	A.R.
	SHIM – .246"	Salisbury Type Rear Axle		3894713	A.R.
	SHIM – .248"	Salisbury Type Rear Axle		3894714	A.R.
	SHIM – .250"	Salisbury Type Rear Axle		3894715	A.R.
	SHIM – .252"	Salisbury Type Rear Axle		3894716	A.R.
	SHIM – .254"	Salisbury Type Rear Axle		3894717	A.R.
	SHIM – .256"	Salisbury Type Rear Axle		3894718	A.R.
	SHIM – .258"	Salisbury Type Rear Axle		3894719	A.R.

"HJ" PARTS CATALOGUE

GROUP	DESCRIPTION	MODEL	SIDE	PART No.	QTY.
5.539	LOCK – Differential side bearing adjusting nut				
	LOCK	Regular type rear axle		7407400	2
	SCREW – Bearing adjusting nut	Regular type rear axle		106973	2
5.542	WASHER – Differential pinion thrust				
	WASHER – Banjo type rear axle	Exc. Limited Slip Diff.		7400280	2
	WASHER – Banjo type rear axle	Limited Slip Diff.		VS10370	2
	WASHER – Salisbury type rear axle	Exc. Limited Slip Diff.		7449389	2
	WASHER – Salisbury type rear axle	Limited Slip Diff.		VS12178	2
5.543	WASHER, SHIM – Differential side gear thrust				
	WASHER – Banjo type rear axle	Exc. Limited Slip Diff.		7400279	2
	SHIM – .005" – Banjo type rear axle	Limited Slip Diff.		VS10374	A.R.
	SHIM – .010" – Banjo type rear axle	Limited Slip Diff.		VS10375	A.R.
	WASHER – Salisbury type rear axle	Exc. Limited Slip Diff.		7449355	2
	SHIM – .005" – Salisbury type rear axle	Limited Slip Diff.		VS12182	A.R.
	SHIM – .010" – Salisbury type rear axle	Limited Slip Diff.		VS12183	A.R.
5.545	FLANGE, DEFLECTOR, NUT – Differential pinion				
	FLANGE ASSEMBLY	Banjo type rear axle		7422731	1
	FLANGE ASSEMBLY	6 Cyl. Eng. Salisbury type Exc. 60		7449470	1
	FLANGE ASSEMBLY	60		2818092	1
	FLANGE ASSEMBLY	8 Cyl. Eng.		7449470	1
	DEFLECTOR	Banjo type rear axle		7421668	1
	DEFLECTOR	Salisbury type rear axle		7449472	1
	NUT – Flange retaining	Banjo type rear axle		7421651	1
	NUT – Flange retaining	Salisbury type rear axle		3752901	1
	WASHER – Flange nut	Banjo type rear axle		7421649	1
	WASHER – Flange nut	Salisbury type rear axle		3714792	1
5.546	PLATE – Differential pinion flange				
	PLATE – Lock	173, 202, 253, 308 Eng. exc. 60		7422733	2
	PLATE – Lock (Suit 3/8" dia. "U" bolts)	60		2818093	2
5.548	REPAIR KIT – Universal joint				
	REPAIR KIT – Banjo type rear axle	6 Cyl. Eng.		VS10604	2
	REPAIR KIT – Salisbury rear axle	6 Cyl. Eng. exc. 60		VS10606	2
	REPAIR KIT	60		VS11361	2
	REPAIR KIT	8 Cyl. Eng. Exc. 60		VS10606	2
5.555	YOKE – Universal joint				
	YOKE ASSEMBLY – Front sleeve – Banjo type rear axle	6 Cyl. Eng.		7427962	1
	YOKE ASSEMBLY – Front sleeve – Salisbury type rear axle	6 Cyl. Eng. Exc. 60		VS10608	1
	YOKE ASSEMBLY – Front sleeve	60		VS11360	1
	YOKE ASSEMBLY – Front sleeve	4.2 Litre Eng. Exc. 60		VS10608	1
	YOKE ASSEMBLY – Front sleeve	(M) 5 Litre Eng.		VS10608	1
	YOKE ASSEMBLY – Front sleeve	(A) 5 Litre Eng.		VS12142	1
5.586	"U" BOLT – Universal joint				
	"U" BOLT – Rear Banjo type rear axle	6 Cyl. Eng. Exc. 60		7422734	2
	"U" BOLT – Rear Salisbury type rear axle	6 Cyl. Eng. Exc. 60		7435386	2
	"U" BOLT – Rear	60		2818151	2
	"U" BOLT – Rear	8 Cyl. Eng. Exc. 60		7435386	2

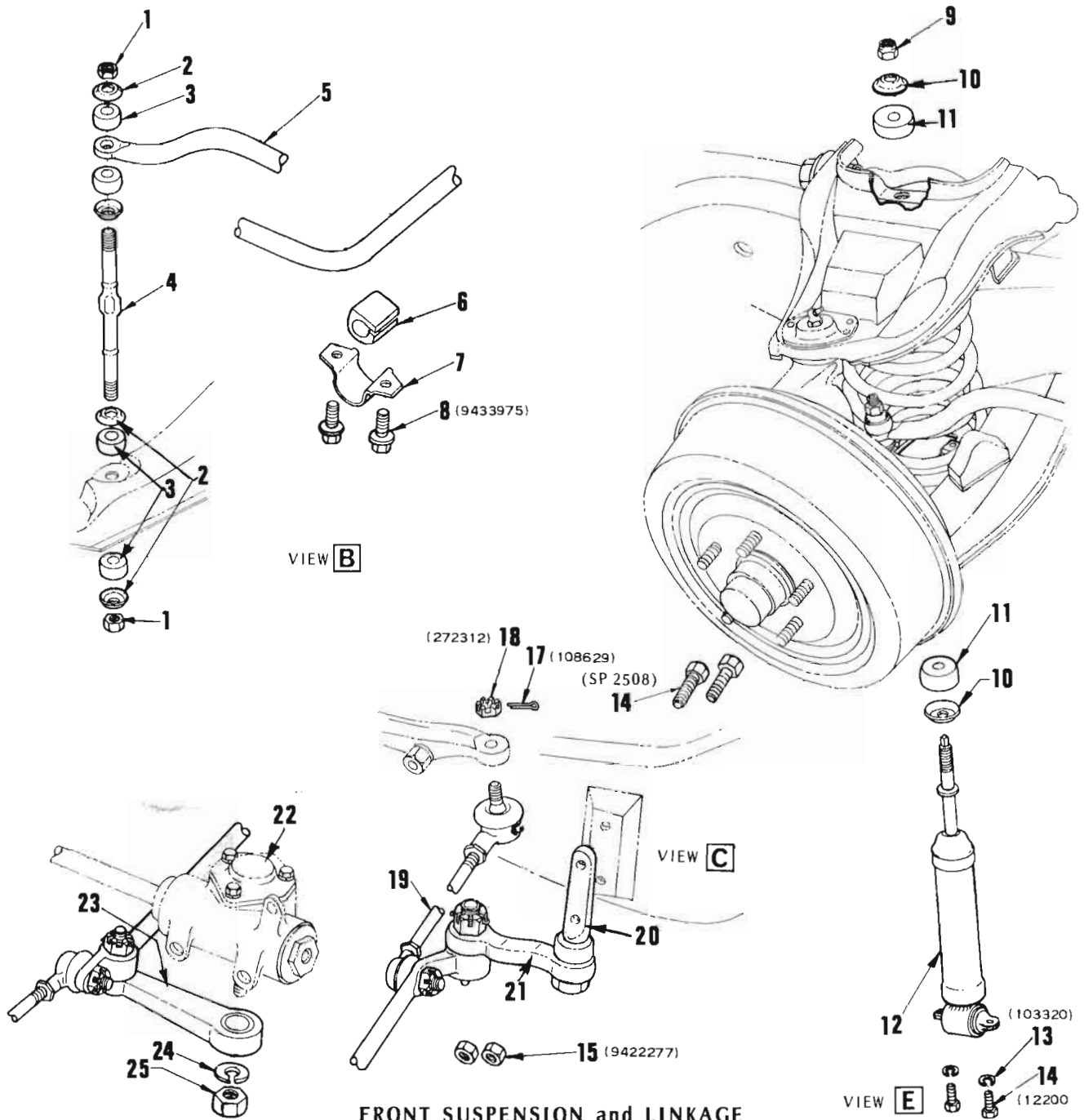
"HJ" PARTS CATALOGUE

GROUP	DESCRIPTION	MODEL	SIDE	PART No.	QTY.
5.803	WHEEL ASSEMBLY – Road				
	WHEEL ASSEMBLY - 5.00 x 14	Belmont, Kingswood, Premier, Statesman, Monaro exc. GTS		2815162	5
	WHEEL ASSEMBLY - 6.00 x 14	Chassis & Cab		2824784	5
	WHEEL ASSEMBLY - 6.00 x 14	Belmont, Kingswood, Premier, Statesman, Monaro exc. GTS		2823652	5
	WHEEL ASSEMBLY 6.00 x 14	Rally Type Wheel		9930999	5
	WHEEL ASSEMBLY 7.00 x 14	Belmont, Kingswood, Premier Statesman, Monaro		483084	5
5.809	DRUM ASSEMBLY – Brake				
	DRUM ASSEMBLY - Front	Drum Brake		2819712	2
	DRUM ASSEMBLY - Rear	ALL		2813229	2
5.812	BOLT – Wheel hub				
	FRONT & REAR	ALL		9934167	20
5.813	NUT – Wheel hub bolt				
	NUT	Exc. Rally Type Wheel, 7" wheel		2808656	20
	NUT	Rally Type Wheel, 7" wheel		2825904	20
5.816	RETAINER, RING – Rear axle bearing				
	RETAINER	Exc. Chassis & Cab		2812102	2
	RETAINER	Chassis & Cab		2823849	2
	RING	Exc. Chassis & Cab		2812104	2
	RING	Chassis & Cab		9928577	2
5.822	SEAL – Rear axle bearing oil				
	SEAL	ALL		2812103	2
5.855	BEARING ASSEMBLY – Axle shaft				
	BEARING PACKAGE	Exc. Chassis & Cab		2823082	2
	BEARING PACKAGE	Chassis & Cab		2825541	2
5.858	CAP, DISC, COVER – Wheel hub				
	CAP	Utility, Panel Van, Belmont, Kingswood, Monaro exc. LS, GTS, 7" wheel		9933106	4
	CAP Painted	Chassis & cab		9933107	4
	CAP Chrome plated	Chassis & Cab		2816230	4
	CAP	De Ville exc. 7" wheel, Rally Wheel		2820371	4
	Disc Assembly	Premier, LS exc. 7" wheel		9934220	4
	Disc Assembly	Caprice exc. 7" wheel		9932558	4
	COVER Front wheel bearing	ALL		7413400	2
5.871	RING – Wheel trim				
	RING	6.00 x 14 Wheel		2823098	4
	RING	Rally Type Wheel		2823098	4
	PACKAGE - (Set of 4)	6.00 x 14 Wheel		2823512	1
	RING	Statesman De Ville		2817322	4
5.871	TRIM – Wheel centre				
	TRIM 7" wheel	Rally Type Wheel		9934625	5
5.875	EXTENSION – Valve stem				
	EXTENSION	Premier, LS, Caprice		9417730	5



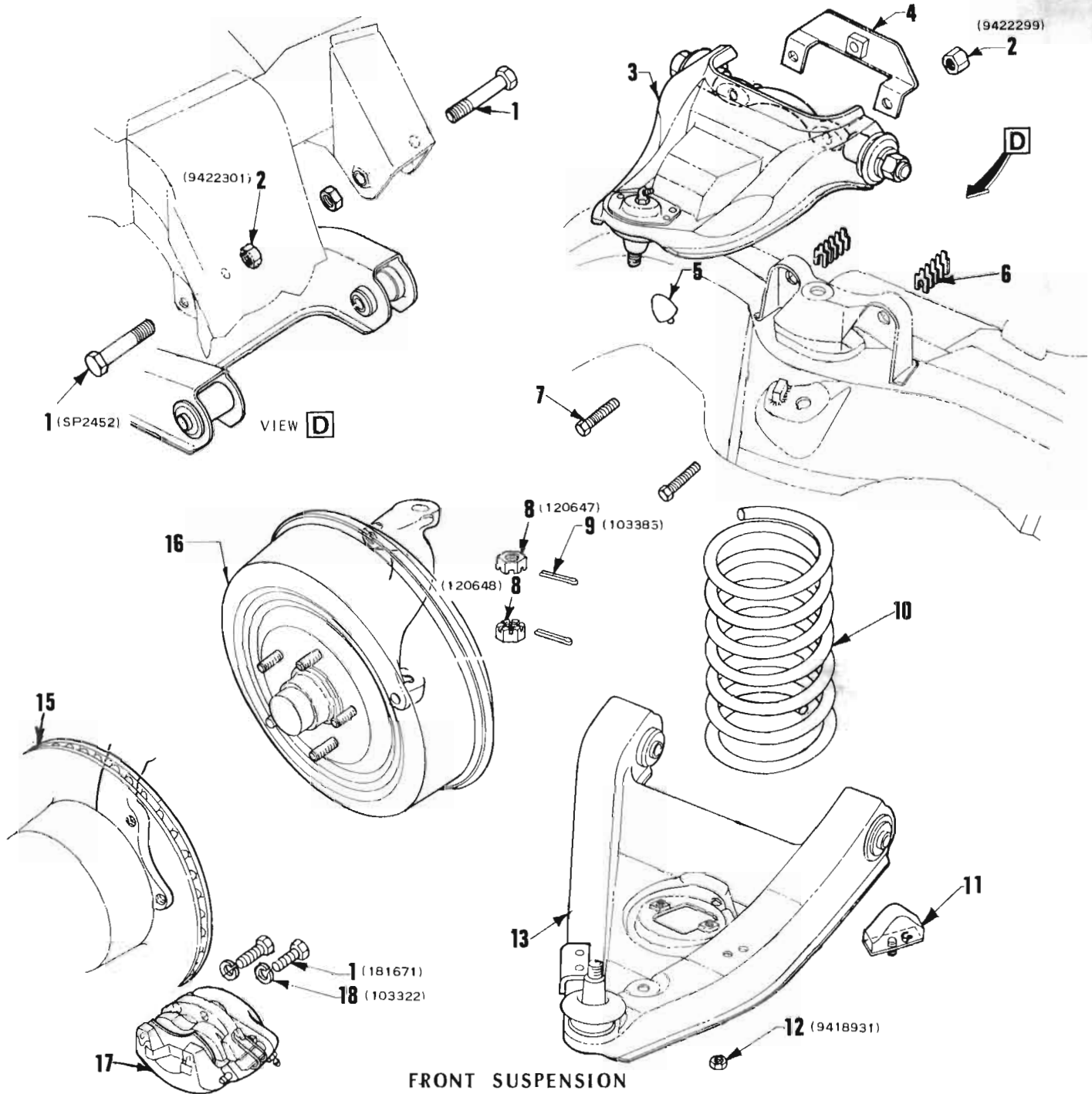
STEERING GEAR

ILLUS. REF. NO.	PART NAME	GROUP	ILLUS. REF. NO.	PART NAME	GROUP
1.	ADJUSTER – Steering gear lash	6.822	11.	SEAL – Pitman shaft	6.855
2.	NUT – Hexagon jam	8.916	12.	HOUSING ASSY. – Steering gear	6.803
3.	BOLT – Hexagon head	8.900	13.	‘O’ RING – Worm & ball nut	6.524
4.	WASHER – Lock	8.931	14.	RETAINER – ‘O’ Ring seal	6.524
5.	COVER AS.Y. – Steering gear housing	6.807	15.	RACE – Worm thrust bearing	6.527
6.	GASKET – Steering gear housing cover	6.809	16.	BEARING – Worm thrust	6.530
7.	BEARING – Pitman shaft	6.786	17.	WORM & BALL NUT ASSY.	6.524
8.	GEAR & SHAFT – Pitman	6.850	18.	ADJUSTER – Steering gear worm bearing	6.830
9.	SPRING – Pitman gear control	6.852	19.	NUT – Adjuster lack	6.830
10.	SEAT – Pitman gear control spring	6.852			



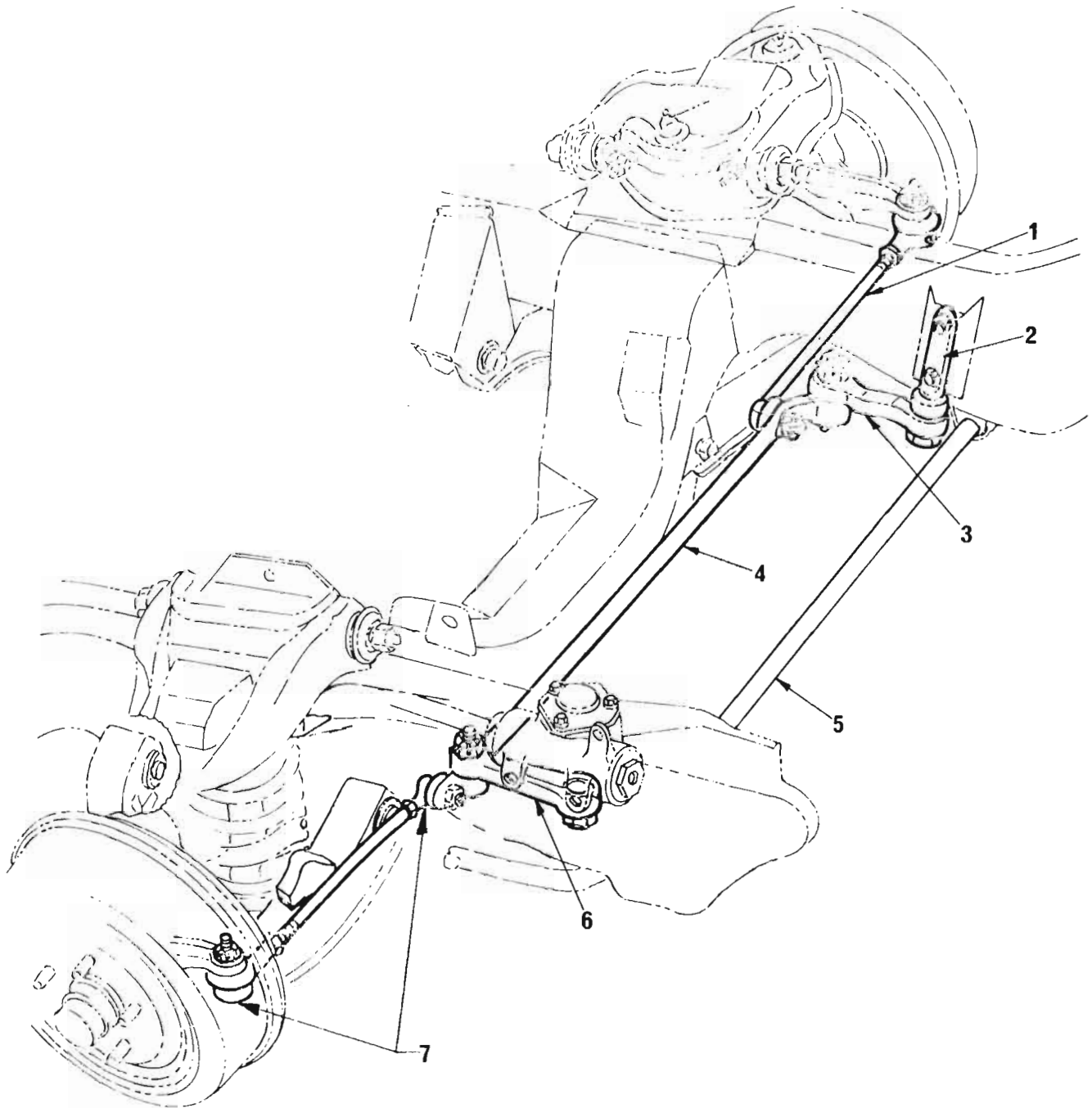
FRONT SUSPENSION and LINKAGE

ILLUS. REF. NO.	PART NAME	GROUP	ILLUS. REF. NO.	PART NAME	GROUP
1.	NUT	7.243	13.	WASHER - Lock	8.931
2.	RETAINER - Front stabiliser	7.243	14.	BOLT - Hexagon head	8.900
3.	BUSHING - Front stabiliser	7.243	15.	NUT - Hexagon self locking	8.918
4.	STUD - Front stabiliser spacer	7.240	17.	PIN - Cotter	8.938
5.	SHAFT - Front stabiliser	7.241	18.	NUT - Hexagon slotted	8.917
6.	INSULATOR - Front stabiliser shaft	7.242	19.	ROD - Steering tie	6.232
7.	BRACKET - Front stabiliser shaft	7.242	20.	SUPPORT ASSY. - Idler lever	6.896
8.	SCREW - Sheet metal	8.977	21.	LEVER - Idler	6.895
9.	NUT - Front shock absorber	7.370	22.	GEAR ASSY. - Steering	6.508
10.	PLATE - Front shock absorber	7.370	23.	ARM - Pitman	6.859
11.	BUSHING - Front shock absorber	7.370	24.	WASHER - Pitman arm to shaft	6.861
12.	SHOCK ABSORBER ASSY. - Front	7.345	25.	NUT - Pitman arm to shaft	6.861



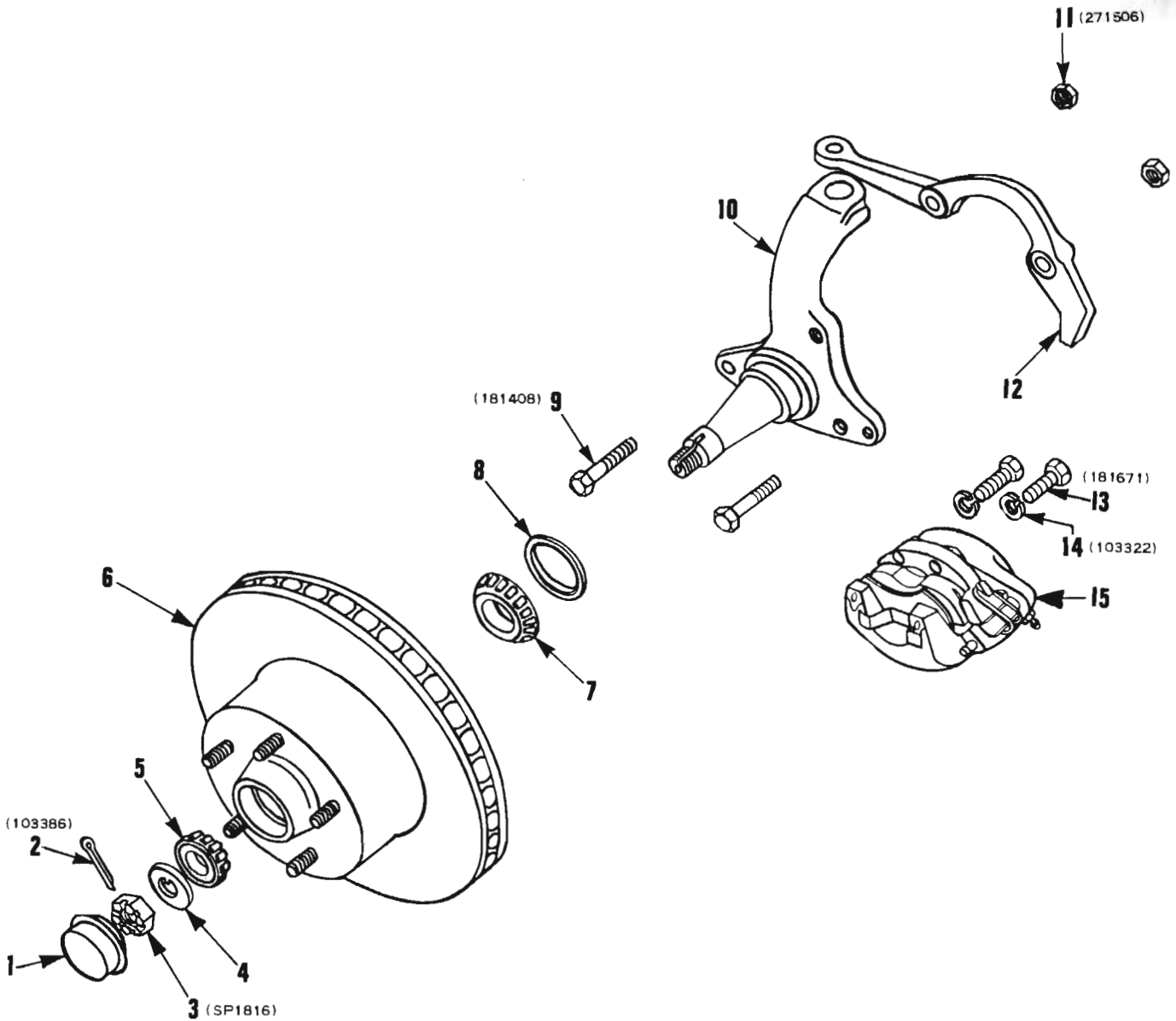
FRONT SUSPENSION

ILLUS. REF. NO.	PART NAME	GROUP	ILLUS. REF. NO.	PART NAME	GROUP
1.	BOLT – Hexagon head	8.900	10.	SPRING	6.361
2.	NUT – Hexagon self locking	8.918	11.	BUMPER – Lower control arm	6.176
3.	ARM ASSY. – Upper control	6.168	12.	NUT – Hexagon	8.915
4.	BRACKET ASSY. – Conn. & switch to frame	4.686	13.	ARM ASSY. – Lower control	6.168
5.	BUMPER – Upper control arm	6.176	15.	HUB & DISC	6.307
6.	SHIM – Upper control arm shaft	6.163	16.	DRUM ASSY.	5.809
7.	BOLT – Upper control arm to frame	6.168	17.	CALIPER & BRACKET ASSY.	5.010
8.	NUT – Hexagon slotted	8.917	18.	WASHER – Lock	8.931
9.	PIN – Cotter	8.938			



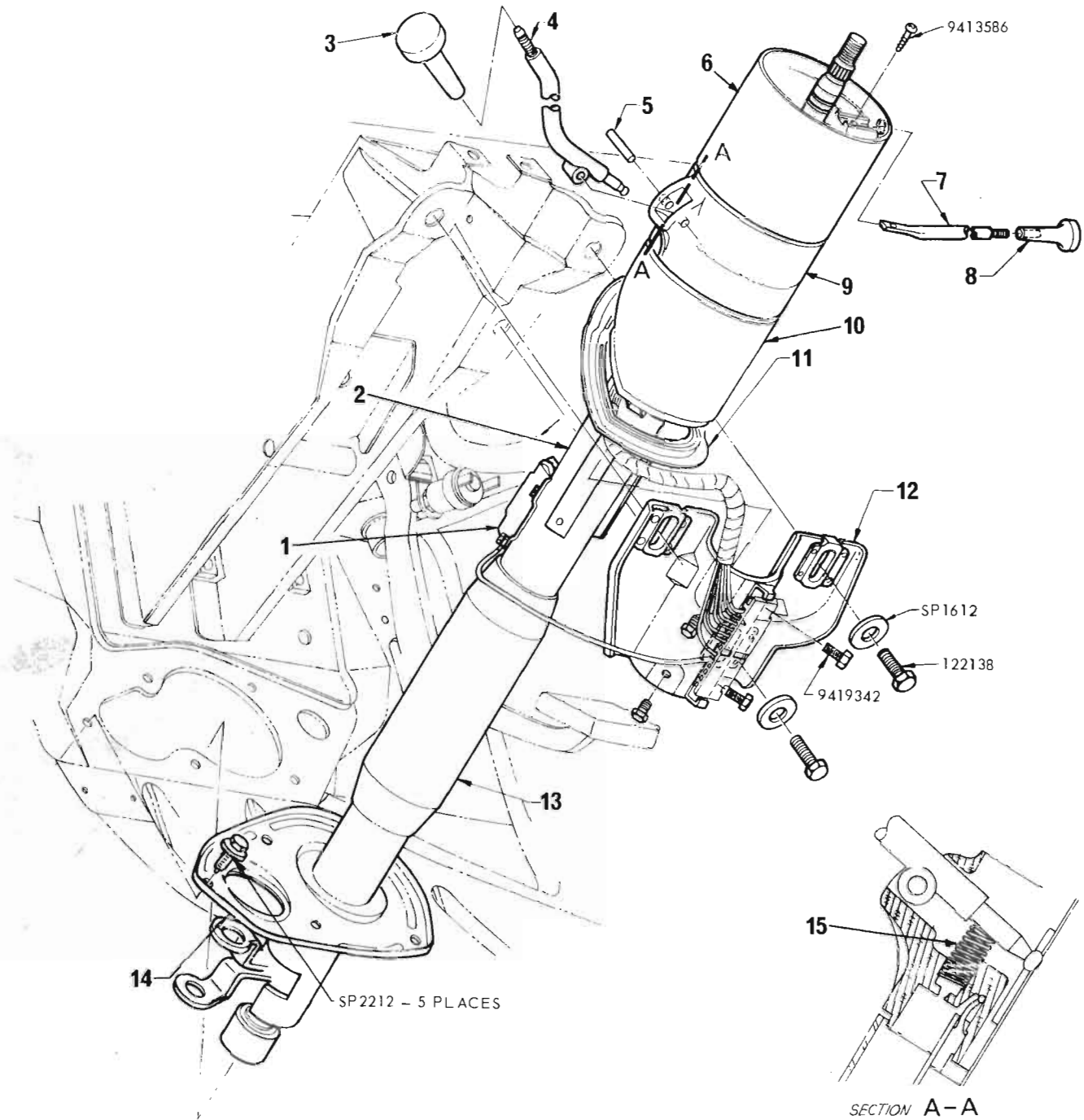
STEERING LINKAGE

ILLUS. REF. NO.	PART NAME	GROUP	ILLUS. REF. NO.	PART NAME	GROUP
1.	ROD - Steering tie	6.232	5.	SHAFT - Front stabiliser	7.241
2.	SUPPORT ASSY. - Idler lever	6.896	6.	ARM - Pitman	6.859
3.	LEVER - Idler	6.895	7.	SOCKET ASSY. - Tie rod ball	6.233
4.	ROD ASSEMBLY - Connecting	6.870			



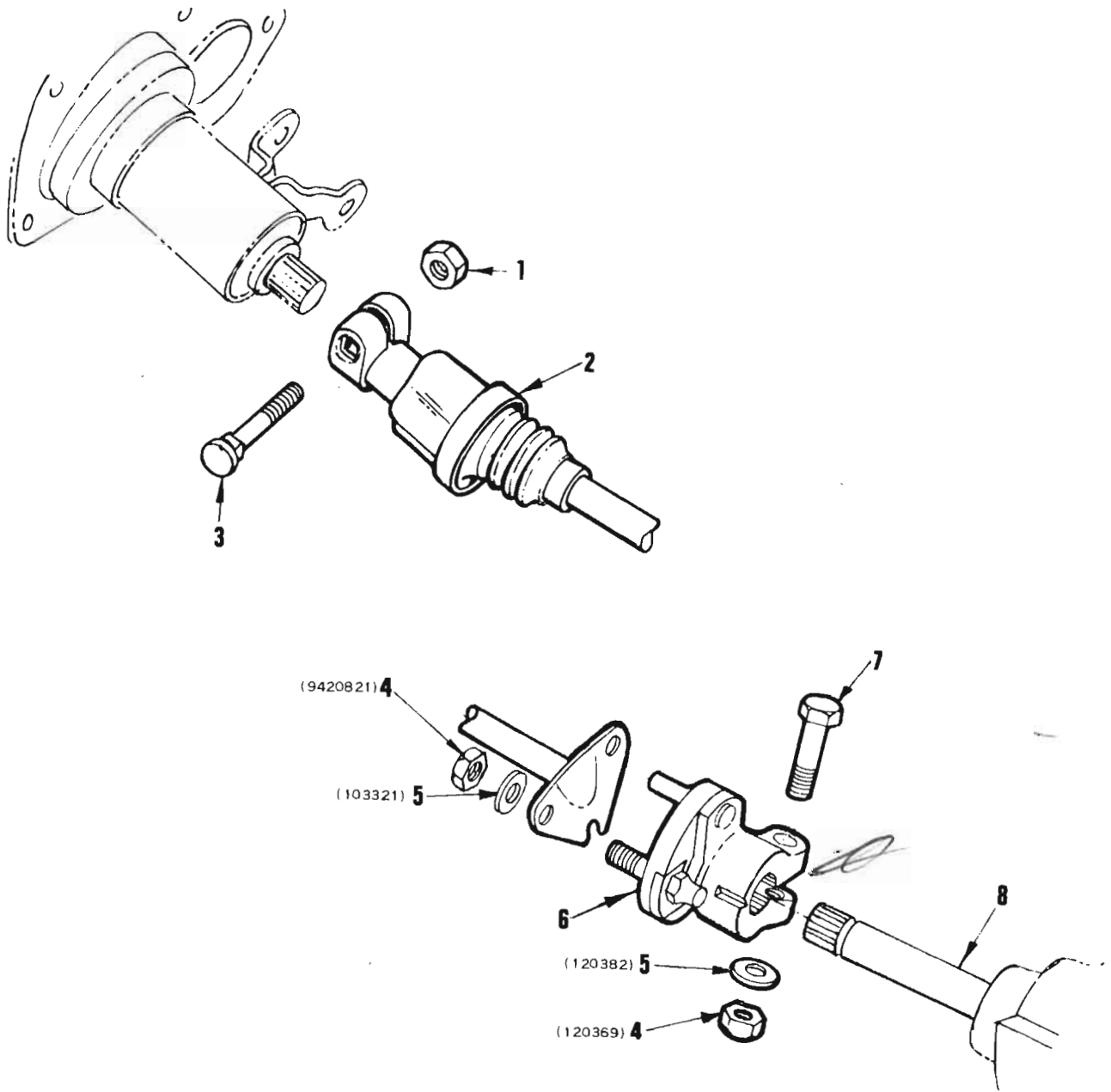
HUB AND DISC, KNUCKLE, CALIPER

ILLUS. REF. NO.	PART NAME	GROUP	ILLUS. REF. NO.	PART NAME	GROUP
1.	CAP - Wheel hub	5.858	9.	BOLT - Hex. head, 7/16" - 20 x 2.1/2" ..	8.900
2.	PIN - Cotter, 1/8" x 1.1/4"	8.938	10.	KNUCKLE - Steering	6.020
3.	NUT - Hex. slotted 3/4" - 20	8.917	11.	NUT - Hex., 7/16" - 20 (cad or zinc)	8.915
4.	WASHER - Spindle nut	6.321	12.	ARM - Steering	6.103
5.	BEARING ASSY. - Outer	6.313	13.	BOLT - Hex. hd. 7/16" - 20 x 1.5/8" ..	8.900
6.	HUB & DISC	6.307		(zinc)	8.931
7.	BEARING ASSY. - Inner	6.311	14.	WASHER - Lock, 7/16" medium	8.931
8.	SEAL - Front wheel bearing	6.326	15.	CALIPER & BRACKET ASSY.	5.010



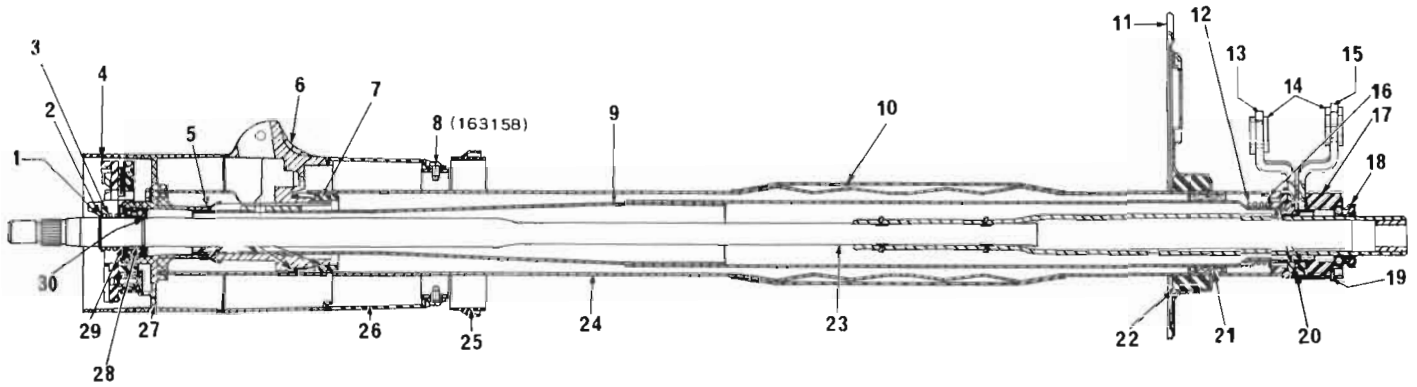
STEERING COLUMN

ILLUS. REF. NO.	PART NAME	GROUP	ILLUS. REF. NO.	PART NAME	GROUP
1.	SWITCH ASSY. - Ignition & starter	2.188	9.	SUPPORT - Gearshift control	4.018
2.	JACKET ASSEMBLY	6.518	10.	COVER	6.518
3.	KNOB - Gearshift control lever	4.009	11.	SEAL - To instrument panel	6.758
4.	LEVER - Gearshift control	4.006	12.	BRACKET & CAPSULE ASSY.	6.760
5.	PIN	4.007	13.	COVER - Column jacket	6.518
6.	HOUSING	6.518	14.	COVER - To dash	6.758
7.	LEVER - Turn signal lamp switch	2.897	15.	SPRING - Selector return	4.017
8.	KNOB - Turn signal lamp lever	2.897			



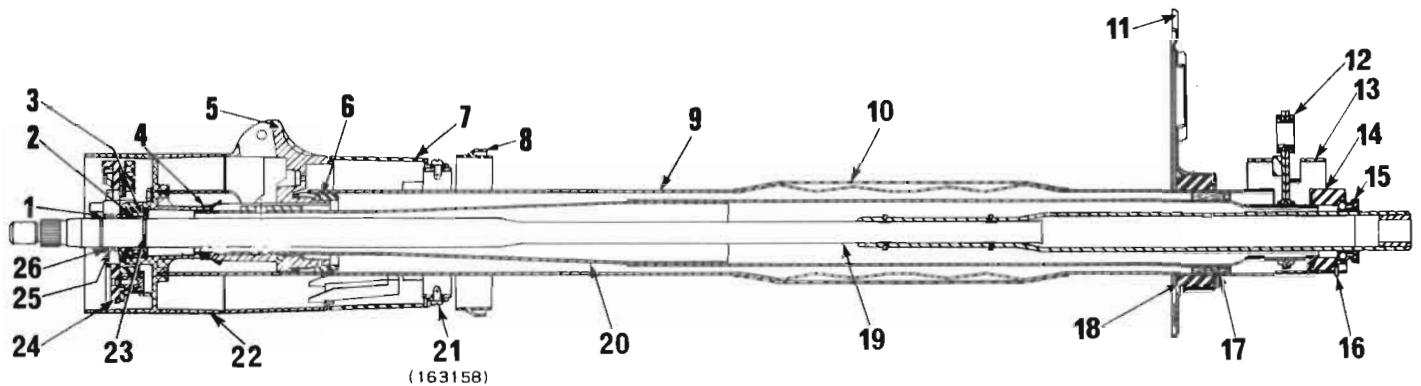
STEERING INTERMEDIATE SHAFT and COUPLINGS

ILLUS. REF. NO.	PART NAME	GROUP	ILLUS. REF. NO.	PART NAME	GROUP
1.	NUT - Coupling clamp to steering column	6.524	5.	WASHER - Lock	8.931
2.	COUPLING ASSY. - Intermediate shaft	6.524	6.	COUPLING ASSY. - Inter. shaft, flanged ..	6.524
3.	BOLT - Coupling clamp to steering column	6.524	7.	BOLT - Coupling to steering box	6.524
4.	NUT - Hexagon	8.915	8.	GEAR ASSY. - Steering	6.508



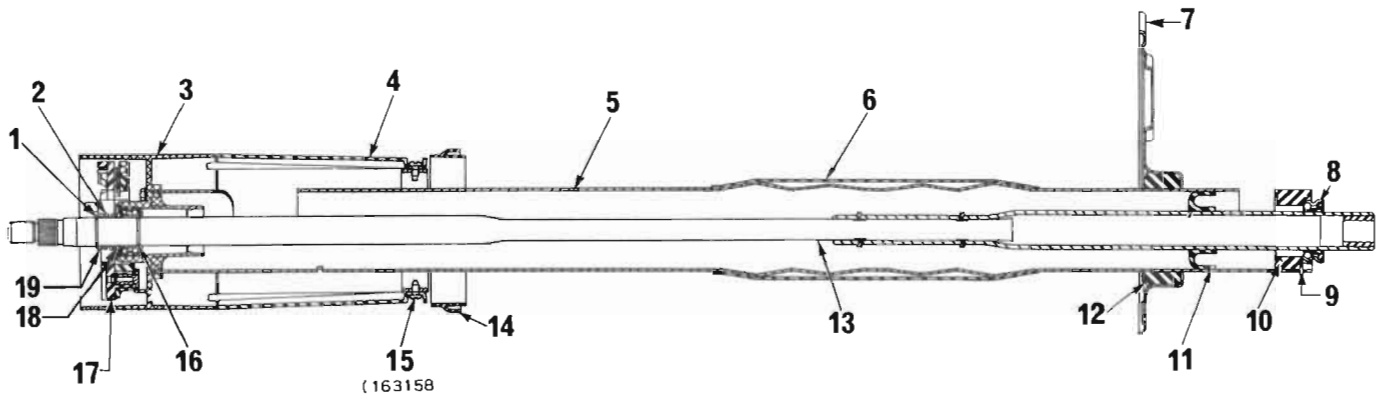
**STEERING COLUMN
3 Speed Manual Transmission**

ILLUS. REF. NO.	PART NAME	GROUP	ILLUS. REF. NO.	PART NAME	GROUP
1.	RING - Upper bearing	6.521	16.	RETAINER - 2nd & 3rd shift lever lower	4.019
2.	WASHER - Spring, .75" x 1.00" x .0478"	6.521	17.	ADAPTOR - Steering shaft lower bearing	6.524
3.	SPRING - Upper bearing	6.521	18.	BEARING ASSEMBLY - Steering shaft lower	6.524
4.	SWITCH ASSY. - Turn signal lamp	2.895	19.	CLIP - Adaptor	6.524
5.	CUP - Housing thrust	6.518	20.	SPACER - Lower control	4.019
6.	SUPPORT - Gear shift control	4.018	21.	INSULATOR - Steering column	6.758
7.	SPACER - Gearshift support	4.018	22.	INSULATOR - Steering column to dash	6.758
8.	SCREW - Pan hd. No.8-18 x 3/8" cr. recess ...	8.977	23.	SHAFT ASSEMBLY - Upper	6.524
9.	TUBE ASSEMBLY	4.007	24.	JACKET ASSEMBLY	6.518
10.	COVER - Steering column jacket	6.518	25.	SEAL - Steering column to instrument panel ...	6.758
11.	COVER - Steering column to dash	6.758	26.	COVER	6.518
12.	SPRING - Lower control	4.017	27.	HOUSING - Steering column	6.518
13.	LEVER - 2nd & 3rd shift	4.019	28.	BEARING ASSEMBLY - Upper	6.521
14.	INSULATOR - Shift rod	4.019/4.020	29.	WASHER - Spring	6.521
15.	LEVER - 1st & Reverse shift	4.020	30.	RETAINER - Upper bearing	6.521



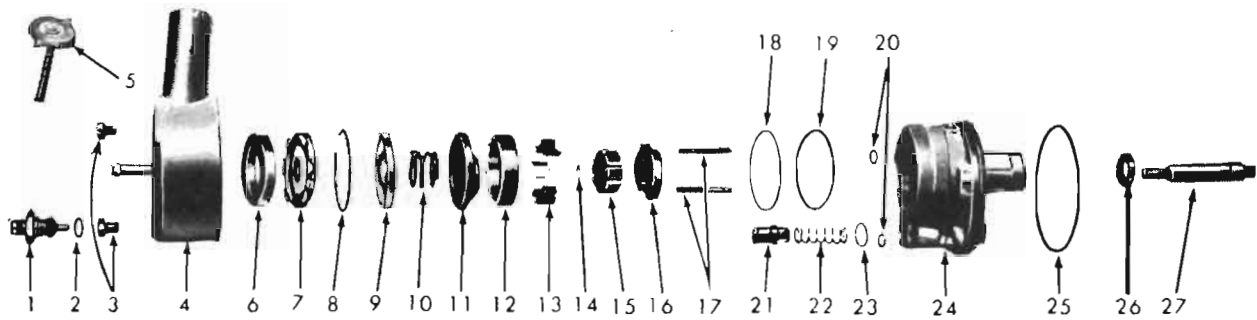
STEERING COLUMN
AUTOMATIC TRANSMISSION
(Column Shift)

ILLUS. REF.. NO.	PART NAME	GROUP
1.	RING - Steering shaft upper	6.521
2.	WASHER - Spring	6.521
3.	BEARING ASSEMBLY - Upper	6.521
4.	CUP - Housing thrust	6.518
5.	SUPPORT - Gearshift control	4.018
6.	SPACER - Gearshift support	4.018
7.	COVER	6.518
8.	SEAL - Steering column to instrument panel	6.758
9.	JACKET ASSEMBLY	6.518
10.	COVER - Column jacket	6.518
11.	COVER - Steering column to dash	6.758
12.	INSULATOR - Control rod trunnion	4.040
13.	GATE	4.016
14.	ADAPTOR - Steering shaft lower bearing	6.524
15.	BEARING ASSEMBLY - Steering shaft lower	6.524
16.	CLIP - Adaptor	6.524
17.	INSULATOR - Steering column	6.758
18.	INSULATOR - Steering column to dash	6.758
19.	SHAFT ASSEMBLY - Upper	6.524
20.	TUBE ASSEMBLY	4.007
21.	SCREW - Pan hd. No. 8 - 18 x 3/8" cr. recess.	8.977
22.	HOUSING - Steering column	6.518
23.	RETAINER - Upper bearing	6.521
24.	SWITCH ASSEMBLY - Turn signal lamp	2.895
25.	SPRING - Upper bearing	6.521
26.	WASHER - Spring, .75" x 1.00" x .0478"	6.521



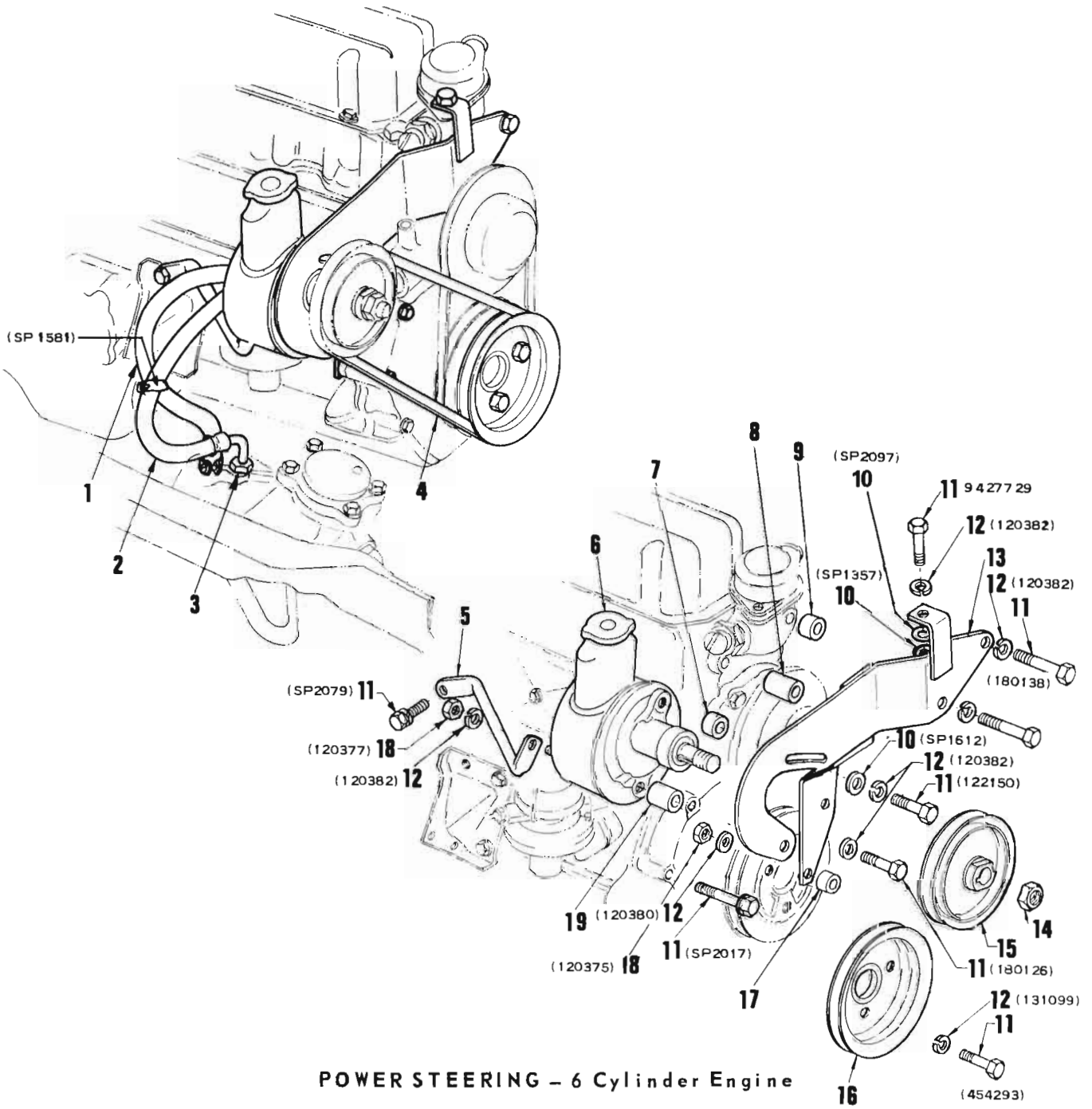
**STEERING COLUMN
MANUAL & AUTOMATIC TRANSMISSIONS
(Floor Shift)**

ILLUS. REF. NO.	PART NAME	GROUP	ILLUS. REF. NO.	PART NAME	GROUP
1.	RING — Upper bearing	6.521	11.	SEAL — Steering column lower	6.758
2.	SPRING — Upper bearing	6.521	12.	INSULATOR — Steering column to dash	6.758
3.	HOUSING — Steering column	6.518	13.	SHAFT ASSEMBLY — Upper	6.524
4.	COVER	6.518	14.	SEAL — Steering column to instrument panel	6.758
5.	JACKET ASSEMBLY	6.518	15.	SCREW — Pan hd. No. 8—18 x 3/8" cr. recess ...	8.977
6.	COVER — Steering column jacket	6.518	16.	RETAINER — Upper bearing	6.521
7.	COVER — Steering column to dash	6.758	17.	SWITCH ASSY. — Turn signal lamp	2.895
8.	BEARING ASSEMBLY — Steering shaft lower	6.524	18.	WASHER — Spring,	6.521
9.	CLIP — Adaptor	6.524	19.	WASHER — Spring, .75" x 1.00" x .0478"	6.521
10.	ADAPTOR — Steering shaft lower bearing	6.524			



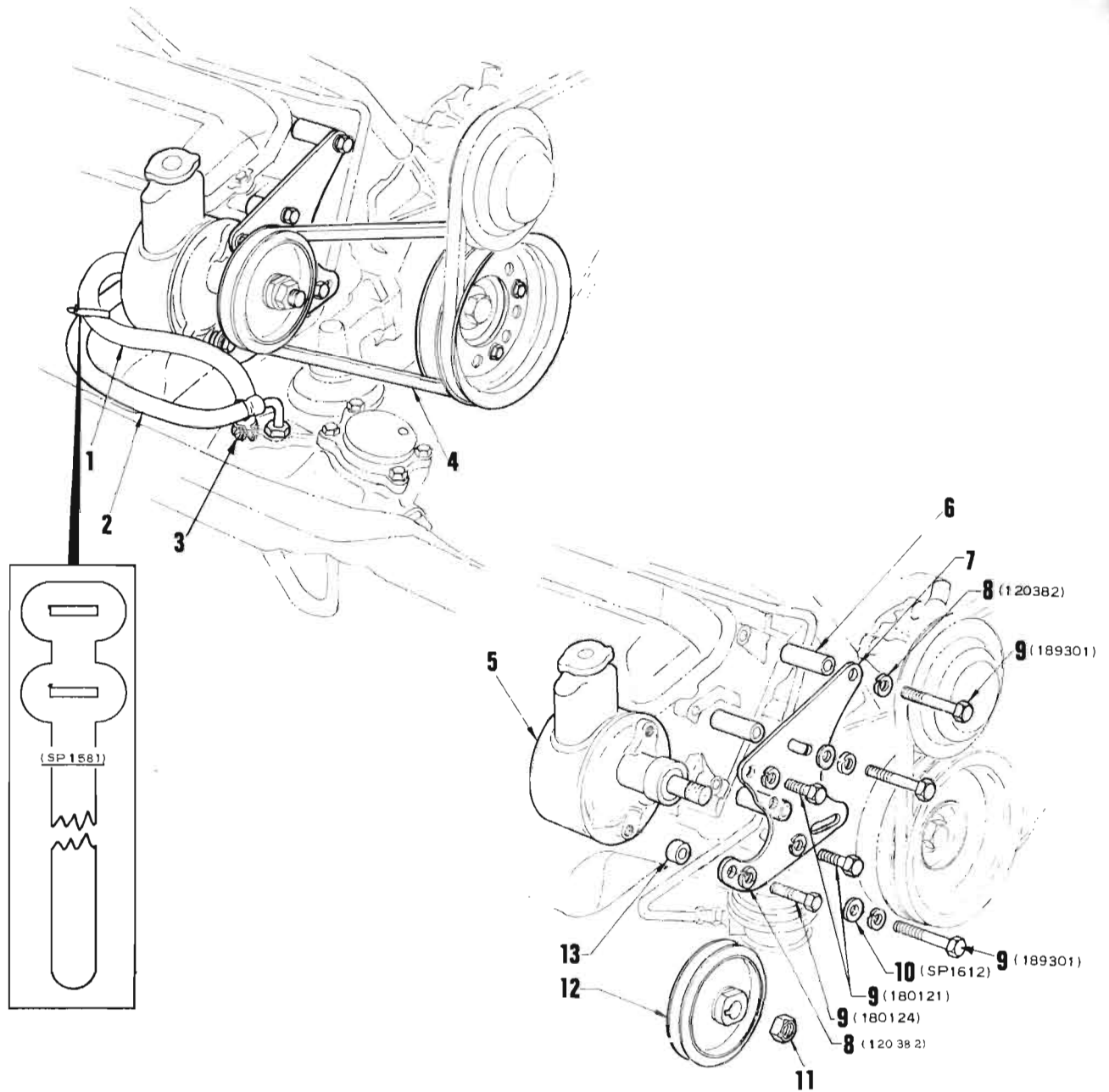
**POWER STEERING PUMP
(TYPICAL)**

ILLUS. REF. NO.	PART NAME	GROUP	ILLUS. REF. NO.	PART NAME	GROUP
1.	FITTING ASSY. - Hose	6.673	12.	} ROTOR KIT	6.610
2.	SEAL	6.674	13.		
18.	} SEAL KIT	6.609	15.	} VANE KIT	6.610
19.			14.		
20.			15.	ROTOR	6.610
23.			16.	PLATE - Thrust	6.612
25.			17.	PIN - Dowel	6.608
3.	BOLT - Reservoir	6.606	18.	SEAL - 'O' Ring	6.612
4.	RESERVOIR ASSY.	6.635	19.	SEAL - 'O' Ring	6.612
5.	CAP ASSY.	6.635	20.	SEAL - Reservoir bolt	6.635
6.	ELEMENT - Filler	6.630	21.	VALVE ASSY.	6.624
6/7.	FILTER ASSY.	6.630	22.	SPRING - Flow control	6.612
8.	RING - End plate ret.	6.609	23.	SEAL - 'O' Ring	6.674
9.	PLATE - Pump end	6.612	24.	HOUSING ASSY.	6.608
10.	SPRING - Pressure plate	6.612	25.	SEAL - 'O' Ring	6.635
11.	PLATE - Pressure	6.612	26.	SEAL	6.617
12.	RING	6.611	27.	SHAFT	6.614



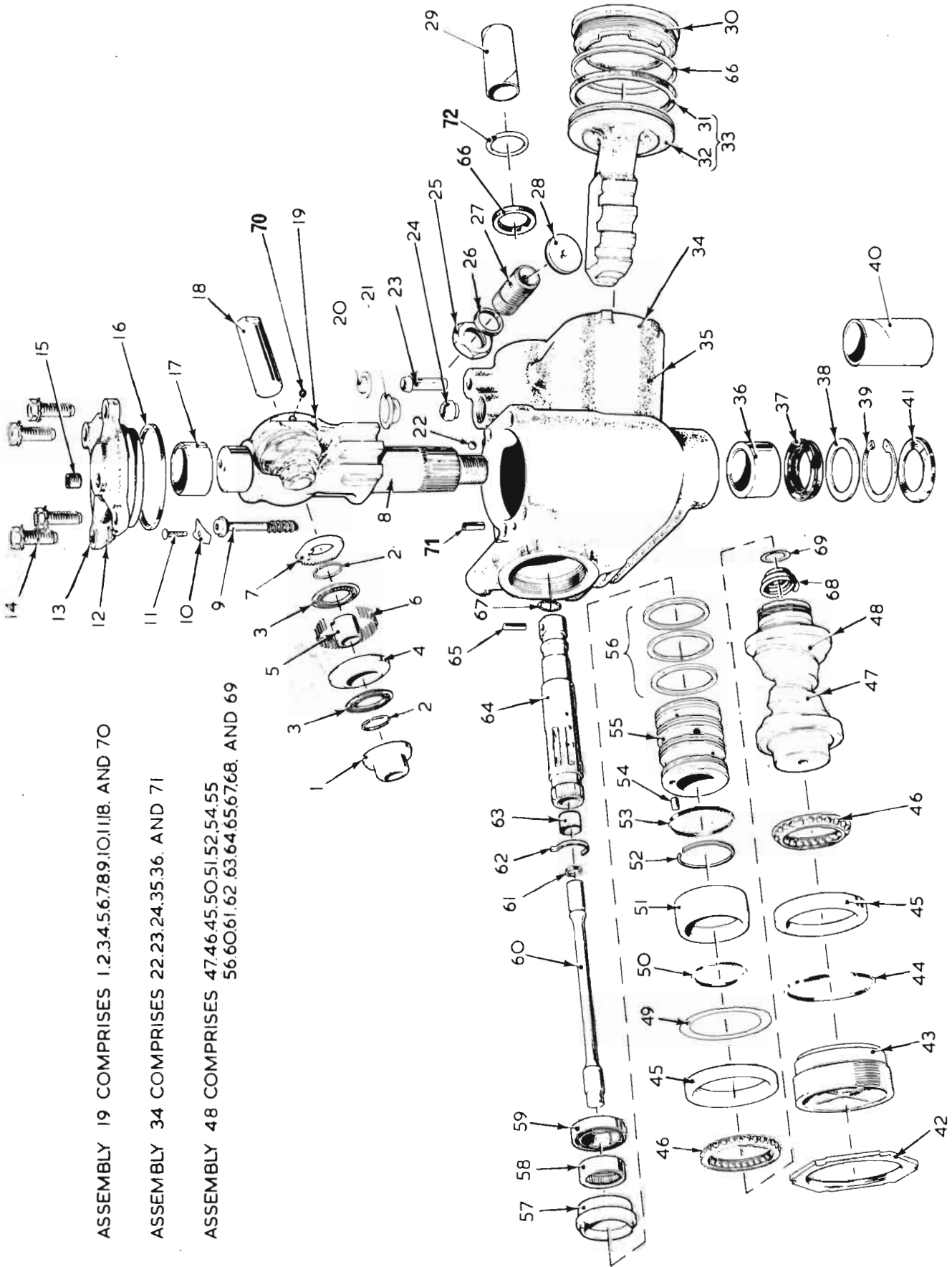
POWER STEERING – 6 Cylinder Engine

ILLUS. REF. NO.	PART NAME	GROUP	ILLUS. REF. NO.	PART NAME	GROUP
1.	HOSE ASSY. – Return	6.670	12.	WASHER – Lock	8.931
2.	HOSE ASSY. – Pressure	6.670	13.	BRACKET – Pump mounting	6.606
3.	CLAMP – Return hose	6.672	14.	NUT	6.655
4.	BELT	6.660	15.	PULLEY ASSY.	6.655
5.	BRACE – Pump mounting	6.606	16.	PULLEY – Crankshaft	0.659
6.	PUMP ASSY.	6.605	17.	SPACER – Mounting bracket to cylinder block, .40"	6.606
7.	SPACER – Mounting bracket to pump, .31"	6.606	18.	NUT – Hexagon	8.915
8.	SPACER – Mounting bracket to thermo housing, 1.53"	6.606	19.	SPACER – Mounting bracket to pump, .67"	6.606
9.	SPACER – Mounting bracket to thermo housing, .73"	6.606			
10.	WASHER – Flat	8.929			
11.	BOLT – Hexagon head	8.900			



POWER STEERING – 8 Cylinder Engine

ILLUS. REF. NO.	PART NAME	GROUP	ILLUS. REF. NO.	PART NAME	GROUP
1.	HOSE ASSY. – Return	6.670	7.	BRACKET – Pump mounting	6.606
2.	HOSE ASSY. – Pressure	6.670	8.	WASHER – Lock	8.931
3.	CLAMP – Return hose	6.672	9.	BOLT – Hexagon head	8.900
4.	BELT	6.660	10.	WASHER – Flat	8.929
5.	PUMP ASSY.	6.605	11.	NUT	6.655
6.	SPACER – Mounting bracket to cylinder head, 1.305"	6.606	12.	PULLEY ASSY.	6.655
			13.	SPACER – Pump to front bracket, .36"	6.606



ASSEMBLY 19 COMPRISES 1.2.3.4.5.6.7.8.9.10.11.B. AND 70

ASSEMBLY 34 COMPRISES 22.23.24.35.36. AND 71

ASSEMBLY 48 COMPRISES 47.46.45.50.51.52.54.55
56.60.61.62.63.64.65.67.68. AND 69

GEAR ASSEMBLY POWER STEERING

ILLUSTRATION OPPOSITE

ILLUS. REF. NO.	PART NAME	GROUP	ILLUS. REF. NO.	PART NAME	GROUP
1.	COLLAR - Thrust	N.S.S.	37.	SEAL - Pitman shaft	6.855
2.	RING - Spacer	N.S.S.	38.	RING - Seal Back-up	6.855
3.	RACE - Thrust	N.S.S.	39.	CLIP - Retainer	6.856
4.	FOLLOWER - Worm	N.S.S.	40.	SHIPPING - Protector	N.S.S.
5.	SLEEVE - Eccentric	N.S.S.	41.	EXCLUDER - Dust	6.856
6.	NEEDLE ROLLER	N.S.S.	42.	NUT - Bearing adjuster lock	6.830
7.	ADJUSTER - Eccentric sleeve	N.S.S.	43.	ADJUSTER - Bearing	6.830
8.	SECTOR SHAFT	N.S.S.	44.	SEAL - Bearing adjuster	6.840
9.	SCREW - Adjusting	6.822	45.	RACE - Worm thrust	6.527
10.	CLIP - Adjusting screw locking	6.822	46.	BEARING - Worm thrust	6.530
11.	SCREW - Drive	N.S.S.	47.	WORM	N.S.S.
12.	COVER and BUSH ASSEMBLY	6.807	48.	WORM, VALVE and SLEEVE ASSY.	6.524
13.	COVER	N.S.S.	49.	SHIM - Worm adjusting	6.526
14.	SCREW and LOCK WASHER - Cover	6.807	50.	SEAL - Coupling sleeve	N.S.S.
15.	PLUG - Cover	6.807	51.	SLEEVE - Coupling	N.S.S.
16.	SEAL - Cover	6.809	52.	RING - Sleeve retaining	N.S.S.
17.	BUSH - Bearing	N.S.S.	53.	SEAL - Sleeve	N.S.S.
18.	PIN	N.S.S.	54.	PIN - Sleeve drive	N.S.S.
19.	GEAR and SHAFT - Pitman	6.850	55.	SLEEVE	N.S.S.
20.	SHIPPING PLUG	N.S.S.	56.	SEAL - Sleeve (Teflon)	6.551
21.	SHIPPING PLUG	N.S.S.	57.	SPACER - Bearing	6.552
22.	BALL - Sealing	6.803	58.	BEARING - Roller	6.550
23.	TUBE - Return hose connection	6.803	59.	SEAL - Valve	N.S.S.
24.	SEAT - Pressure hose connection	6.803	60.	BAR - Torsion	N.S.S.
25.	LOCKNUT - Rack adjusting	6.585	61.	SEAL - Torsion bar	N.S.S.
26.	SEAL - Rack adjusting screw	6.585	62.	SPRING - Coupling & fail safe	N.S.S.
27.	SCREW - Rack adjusting	6.585	63.	BUSH - Split delrin	N.S.S.
28.	PAD - Rack adjusting	6.585	64.	VALVE	N.S.S.
29.	SHIPPING PROTECTOR	N.S.S.	65.	DOWEL	N.S.S.
30.	COVER - Piston	6.586	66.	EXCLUDER - Dust & mud	6.586
31.	SEAL - Piston	6.579	67.	WASHER - Fixing	N.S.S.
32.	PISTON RACK	N.S.S.	68.	SPRING - Conical	N.S.S.
33.	PISTON and SEAL ASSEMBLY	6.586	69.	WASHER	N.S.S.
34.	HOUSING ASSEMBLY - Steering gear	6.803	70.	BALL - Locking	N.S.S.
35.	HOUSING	N.S.S.	71.	ROLL PIN - Cover locating	6.807
36.	BEARING - Pitman shaft	6.786	72.	RING - Dust/mud excluder retaining	6.524

"HJ" PARTS CATALOGUE

GROUP	DESCRIPTION	MODEL	SIDE	PART No.	QTY.
6.007	FRONT SUSPENSION ASSEMBLY				
	CURRENT PRODUCTION FRONT AXLE ASSEMBLIES WILL BE SUPPLIED ON A FIRM ORDER BASIS.				
6.008	BRACKET ASSEMBLY – Front suspension cross				
	BRACKET ASSEMBLY - Power plant to crossmember	ALL	LH	2810775	1
			RH	2810776	1
6.020	KNUCKLE – Steering				
	KNUCKLE	Drum Brake exc. Chassis & Cab		7432662	2
	KNUCKLE	Drum Brake Chassis & Cab		9932966	2
	KNUCKLE	Disc Brake exc. Chassis & Cab	LH	2820997	1
			RH	2820996	1
	KNUCKLE	Disc Brake Chassis & Cab	LH	9932965	1
			RH	9932964	1
6.103	ARM – Steering				
	ARM	Exc. Chassis & Cab	LH	2809481	1
			RH	2809480	1
	ARM	Chassis & Cab	LH	2825251	1
			RH	2825250	1
				9931737	
				9931738	
6.111	SEAL – Steering tie rod socket dust				
	SEAL	ALL		2809115	4
6.163	SHIM – Upper control arm shaft				
	SHIM - .030"	ALL		2812095	A.R.
	SHIM - .059"	ALL		2812096	A.R.
	SHIM - .120"	ALL		2812097	A.R.
	NUT - Hex. lock 5" - 18	ALL		9422286	4
6.164	SHAFT, BUSHING – Upper control arm				
	SHAFT	ALL		2809219	2
	BUSHING	ALL		2805510	4
	RETAINER - Bushing	ALL		2805728	4
6.168	ARM ASSEMBLY – Control				
	ARM & BALL JOINT ASSEMBLY - Upper control ...	Exc. Chassis & Cab	LH	9931879	1
			RH	9931878	1
	ARM & BALL JOINT ASSEMBLY - Upper control ...	Chassis & Cab	LH	9931747	1
			RH	9931748	1
	BOLT - Upper control arm to frame	ALL		381909	4
	NUT - Hex. lock 7/16" - 14	ALL		9422299	4
	BALL JOINT KIT - Upper control	Exc. Chassis & Cab		9932810	2
	BALL JOINT KIT - Upper control	Chassis & Cab		9934027	2
	SEAL & CLAMP KIT - Upper ball joint	ALL		5679626	2
	ARM & BALL JOINT ASSEMBLY - Lower control ...	ALL	LH	2809325	1
			RH	2809324	1
	NUT - Hex. lock 1/2" - 13	ALL		9422301	4
	BOLT - Lower control arm to frame	ALL		SP2452	4
	BALL JOINT ASSEMBLY - Lower control	ALL		5693552	2
	SEAL & CLAMP KIT - Lower ball joint	ALL		5679629	2
6.170	BUSHING ASSEMBLY – Lower control arm				
	BUSHING ASSEMBLY	ALL		2807098	4
6.176	BUMPER – Control arm				
	BUMPER - Upper arm	ALL		384220	2
	BUMPER - Lower arm	ALL		402410	2

"HJ" PARTS CATALOGUE

GROUP	DESCRIPTION	MODEL	SIDE	PART No.	QTY.
6.232	ROD – Steering tie				
	ROD	ALL		2809107	2
6.233	SOCKET ASSEMBLY – Steering tie rod ball				
	SOCKET ASSEMBLY – RH thread	ALL		9931634	2
	SOCKET ASSEMBLY – LH thread	ALL		9931667	2
6.234	NUT – Steering tie rod				
	NUT – RH thread	ALL		124939	2
	NUT – LH thread	ALL		2810539	2
6.307	HUB – Front wheel				
	HUB	Drum Brake		2824345	2
	HUB & DISC	Disc Brake		2824526	2
6.311	BEARING ASSEMBLY – Front wheel, inner				
	BEARING ASSEMBLY	ALL		7413406	2
6.313	BEARING ASSEMBLY – Front wheel, outer				
	BEARING ASSEMBLY	ALL		7413409	2
6.321	WASHER – Steering knuckle spindle nut				
	WASHER	ALL		7435914	2
6.326	SEAL ASSEMBLY – Front wheel bearing				
	SEAL	ALL <i>DRUM BRAKE</i>		2829925	2
	SEAL	<i>DISC BRAKE</i>		9937294	2
6.361	SPRING – Front				
	SPRING – Regular (ident. code "FA")	exc. Air Cond. 35, 37, 69 W/6 Cyl. Eng.		2818476	2
	SPRING – Regular (ident. code "FB")	Air Cond. 35, 37, 69 W/6 Cyl. Eng.		2818477	2
	SPRING – Heavy duty (ident. code "FT")	exc. Air Cond. 35, 37, 69 W/6 Cyl. Eng.		2825748	2
	SPRING – Heavy duty (ident. code "FU")	Air Cond. 35, 37, 69 W/6 Cyl. Eng.		2825749	2
	SPRING – (ident. code "FU")	exc. Air Cond. 60 w/6 Cyl. Eng.		2825749	2
	SPRING – (ident. code "FV")	Air Cond. 60 w/6 Cyl. Eng.		2825750	2
	SPRING	exc. Air Cond. 70, 80 W/6 Cyl. Eng.		2822598	2
	SPRING	Air Cond. 70, 80 W/6 Cyl. Eng.		2822599	2
	SPRING – Regular (ident. code "FC")	exc. Air Cond. 35, 37, 69 W/4.2 Litre Eng. exc. S'man		2818478	2
	SPRING – Regular (ident. code "FC")	exc. Air Cond. 35, 37, 69 (M) 5 Litre Eng. exc. S'man		2818478	2
	SPRING – Regular (ident. code "FF")	exc. Air Cond. 35, 37, 69 (A) 5 Litre Eng. exc. S'man		2818482	2
	SPRING – Regular (ident. code "FD")	Air Cond. 35, 37, 69 W/8 Cyl. Eng. exc. S'man		2818480	2
	SPRING – Heavy duty (ident. code "FU")	exc. Air Cond. 35, 37, 69 W/8 Cyl. Eng. exc. S'man		2825749	2
	SPRING – Heavy duty (ident. code "FV")	Air Cond. 35, 37, 69 w/8 Cyl. Eng. exc. S'man		2825750	2
	SPRING – (ident. code "FV")	exc. Air Cond. 60 w/4.2 Litre Eng.		2825750	2
	SPRING	exc. Air Cond. 70, 80 W/8 Cyl. Eng.		2822600	2
	SPRING	Air Cond. 70, 80 W/8 Cyl. Eng.		2822601	2
	SPRING – Regular (ident. code "FF")	exc. Air Cond. 4.2 Litre Eng. De Ville		2818482	2
	SPRING – Regular (ident. code "FD")	exc. Air Cond. 5 Litre Eng. De Ville		2818480	2
	SPRING – Regular (ident. code "FE")	Air Cond. 8 Cyl. Eng. De Ville		2818481	2

"HJ" PARTS CATALOGUE

GROUP	DESCRIPTION	MODEL	SIDE	PART No.	QTY.
6.361 SPRING – Front (contd.)					
	SPRING - Heavy duty (ident. code "FU")exc. Air Cond.	8 Cyl. Eng. De Ville		2825749	2
	SPRING - Heavy duty (ident. code "FV")Air Cond.	8 Cyl. Eng. De Ville		2825750	2
	SPRING - Regular (ident. code "FE")	Caprice		2818481	2
	SPRING - Heavy Duty (ident. code "FV")	Caprice		2825750	2
6.508 COLUMN ASSEMBLY, GEAR ASSEMBLY – Steering					
	COLUMN ASSEMBLY	(M) 3 Speed		9934166	1
	COLUMN ASSEMBLY	(M) 4 Speed		9934170	1
	COLUMN ASSEMBLY - Steering column shift	(A)		9934168	1
	COLUMN ASSEMBLY - Console shift	(A)		9934171	1
	GEAR ASSEMBLY - 20:1 Ratio	Exc. Power Steering		2815354	1
	GEAR ASSEMBLY - 16.7:1 Ratio	Exc. Power Steering		2816415	1
	GEAR ASSEMBLY	Power Steering		2810820	1
	BOLT - Gear assembly to frame	ALL		7434809	3
	WASHER - Gear assembly to frame	ALL		SP1979	3
6.513 WHEEL ASSEMBLY – Steering					
	WHEEL ASSEMBLY (Black)	Exc. GTS, Statesman		9930927BA	1
	WHEEL ASSEMBLY (Grey)	Exc. GTS, Statesman		9930927DS	1
	WHEEL ASSEMBLY (Covert)	Exc. GTS, Statesman		9930927DY	1
	WHEEL ASSEMBLY (Tan)	Exc. GTS, Statesman		9930927DX	1
	WHEEL ASSEMBLY	GTS		2817164	1
	WHEEL ASSEMBLY (Grey)	Statesman		9931929DS	1
	WHEEL ASSEMBLY (Black)	Statesman		9931929BA	1
	WHEEL ASSEMBLY (Covert)	Statesman		9931929DY	1
	WHEEL ASSEMBLY (Tan)	Statesman		9931929DX	1
6.518 HOUSING, JACKET, COVER – Steering column					
	HOUSING	ALL		2813553	1
	CUP - Housing thrust	Column Shift		7804413	1
	JACKET ASSEMBLY	Column Shift		2825773	1
	JACKET ASSEMBLY	Console Shift		2825774	1
	SCREW - Housing to jacket	ALL		SP2323	4
	COVER	(M) Column Shift		9934174	1
	COVER	(A) Column Shift		9935195	1
	COVER	Console Shift		9934178	1
	COVER - Column jacket	ALL		7433352	1
	STRAP - Jacket lower	Exc. (A) Column Shift		9933751	1
6.521 BEARING ASSEMBLY – Steering shaft upper					
	BEARING ASSEMBLY	ALL		7800269	1
	RETAINER	ALL		5694191	1
	RING	ALL		5699603	1
	SPRING	ALL		7804771	1
	WASHER - Spring	ALL		7800580	1
	WASHER - .75" x 1.00" x .0478" spring	ALL		SP2113	1
6.524 SHAFT ASSEMBLY, COUPLING, WORM and BALL NUT – Steering					
	SHAFT ASSEMBLY - Upper	ALL		2813164	1
	SHAFT & COUPLING ASSEMBLY - Intermediate ...	ALL		2814808	1
	SHAFT ASSEMBLY - Intermediate with seal	ALL		2814810	1
	SLEEVE - Intermediate shaft	ALL		5690732	1
	CLAMP - Intermediate shaft seal	ALL		7802916	1
	RING - Intermediate shaft seal retaining	ALL		7803432	1
	COUPLING ASSEMBLY - Intermediate shaft	ALL		2824718	1
		Exc. Power Steering		2815080	1
		Power Steering		2815081	1
	BOLT - Hex. hd. 3/8" - 24 x 1 5/8"	Exc. Power Steering		181645	1
	BOLT - Coupling to steering box (1 1/2" long)	Power Steering		7807271	1
	BEARING - Coupling	ALL		5671921	2

"HJ" PARTS CATALOGUE

GROUP	DESCRIPTION	MODEL	SIDE	PART No.	QTY.
6.524	SHAFT ASSEMBLY, COUPLING, WORM and BALL NUT – Steering (contd.)				
	PIN – Coupling bearing retaining	ALL		5690977	1
	BOLT – Flange mounting	ALL		5699251	2
	NUT – Push on – 3/8" stud	ALL		SP2117	2
	SEAL – Coupling	ALL		7808099	1
	SPRING – Coupling	ALL		5675186	1
	BOLT – Coupling clamp to steering column	ALL		7803464	1
	NUT – Coupling clamp to steering column bolt	ALL		SP2222	1
	WORM & BALL NUT ASSEMBLY – 20:1 Steering gear ratio	Exc. Power Steering		2815355	1
	WORM & BALL NUT ASSEMBLY – 16.7:1 Steering gear ratio	Exc. Power Steering		2816417	1
	WORM, VALVE & SLEEVE ASSEMBLY	Power Steering		VS12583	1
	'O' RING – 3/4" x 1/8"	Exc. Power Steering		7430621	1
	RETAINER – 'O' Ring seal	Exc. Power Steering		7431248	1
6.524	BEARING, ADAPTOR – Steering shaft lower				
	BEARING ASSEMBLY – Steering shaft lower	ALL		7805700	1
	ADAPTOR – Steering shaft lower bearing	ALL		9933750	1
	CLIP – Adaptor (Offset type)	ALL		9930461	1
6.526	SHIM – Steering worm adjusting (Power Steering)				
	SHIM – .004"	ALL		VS12332	A.R.
6.527	RACE – Worm thrust bearing				
	RACE	Exc. Power Steering		5666683	2
	RACE	Power Steering		VS11424	2
6.530	BEARING – Worm thrust				
	BEARING	Exc. Power Steering		5666693	2
	BEARING	Power Steering		VS11368	2
6.550	SEAL – Steering gear valve (Power Steering)				
	SEAL	ALL		VS12455	1
6.551	SEAL – Steering gear coupling sleeve (Power Steering)				
	SEAL	ALL		VS11378	3
6.552	BEARING, SPACER – Steering gear sleeve (Power Steering)				
	BEARING – Roller	ALL		VS11421	1
	SPACER – Bearing	ALL		VS11422	1
6.579	SEAL – Steering gear piston rack (Power Steering)				
	SEAL	ALL		VS11400	1
6.585	PAD, SCREW, SEAL, LOCKNUT – Steering gear rack adjusting (Power Steering)				
	PAD	ALL		VS11401	1
	SCREW	ALL		VS11426	1
	SEAL – Screw	ALL		VS11292	1
	LOCKNUT – Screw	ALL		VS11427	1
6.586	RACK and SEAL ASSEMBLY, COVER – Steering gear piston (Power Steering)				
	RACK & SEAL ASSEMBLY	ALL		VS11398	1
	COVER	ALL		VS11430	1
	SEAL – Cover	ALL		VS11395	1
6.605	PUMP ASSEMBLY – Steering gear hydraulic (Power Steering)				
	PUMP ASSEMBLY	6 Cyl. Eng.		2819814	1
	PUMP ASSEMBLY	8 Cyl. Eng.		7812724	1

"HJ" PARTS CATALOGUE

GROUP	DESCRIPTION	MODEL	SIDE	PART No.	QTY.
6.606	BRACKET, BRACE, SPACER, STUD – Steering gear hydraulic pump mounting (Power Steering)				
	BRACKET	6 Cyl. Eng.		2815125	1
	BOLT - Hex. flg. hd. ¼" - 20 x 2.62"	ALL		SP2107	2
	BRACE	6 Cyl. Eng.		2815126	1
	SPACER - Mounting bracket to pump .31"	6 Cyl. Eng.		7436461	1
	SPACER - Mounting bracket to pump .67"	6 Cyl. Eng.		2815127	1
	SPACER - Mounting bracket to cylinder block .40"	6 Cyl. Eng.		2815130	2
	SPACER - Mounting bracket to thermostat housing, .73"	6 Cyl. Eng. exc. Air Cond.		2815128	1
	SPACER - Mounting bracket to thermostat housing, 1.53"	6 Cyl. Eng.		2815131	1
	STUD - Pump mounting	6 Cyl. Eng.		5689546	1
	BOLT - Reservoir	ALL		5696245	1-2
	BRACKET	8 Cyl. Eng.		2814440	1
	SPACER - Pump to front bracket .36"	8 Cyl. Eng.		2806877	1
	SPACER - Mounting bracket to cylinder head 1.305"	8 Cyl. Eng.		2814442	3
6.608	HOUSING, PIN – Steering gear hydraulic pump (Power Steering)				
	HOUSING ASSEMBLY	ALL		7807934	1
	PIN - Ring dowel 3/16" x 1 13/16"	ALL		5689357	2
6.609	SEAL KIT, RING – Steering gear hydraulic pump (Power Steering)				
	SEAL KIT	ALL		5688044	1
	RING - End plate retaining, 3" O.D.	ALL		5688014	1
6.610	ROTOR KIT, VANE KIT, ROTOR – Steering gear hydraulic pump (Power Steering)				
	ROTOR KIT - (1 rotor, 10 vanes, 1 ring)	ALL		5690858	1
	VANE KIT - (10 vanes)	ALL		5688047	1
	ROTOR	ALL		5688011	1
6.611	RING – Steering gear hydraulic pump (Power Steering)				
	RING	ALL		5690857	1
6.612	PLATE, SPRING, SEAL – Steering gear hydraulic pump (Power Steering)				
	PLATE - Thrust	ALL		7813462	1
	PLATE - Pressure	ALL		5688043	1
	PLATE - Pump end	ALL		5689358	1
	SPRING - Flow control	ALL		5688037	1
	SPRING - Pressure plate	ALL		5689359	1
	SEAL - 'O' Ring end and pressure plate	ALL		5688034	2
6.614	SHAFT – Steering gear hydraulic pump drive (Power Steering)				
	SHAFT - Service kit	ALL		7810333	1
	RING - Shaft retaining	ALL		5689388	1
	KEY - Drive shaft	ALL		5687898	1
6.617	SEAL – Steering gear hydraulic pump drive shaft (Power Steering)				
	SEAL	ALL		7808195	1
6.624	VALVE ASSEMBLY – Steering gear hydraulic pump control (Power Steering)				
	VALVE ASSEMBLY	ALL		7809226	1
6.630	FILTER ASSEMBLY, ELEMENT – Hydraulic steering pump (Power Steering)				
	FILTER ASSEMBLY	ALL		5689351	1
	ELEMENT - Filter	ALL		5689352	1
6.635	RESERVOIR, SEAL – Steering gear hydraulic pump (Power Steering)				
	RESERVOIR ASSEMBLY	ALL		5693014	1
	CAP ASSEMBLY	ALL		7803820	1
	SEAL - 'O' Ring 4 1/2" I.D.	ALL		5688015	1
	SEAL - Reservoir bolt 3/8" I.D.	ALL		5688109	2

"HJ" PARTS CATALOGUE

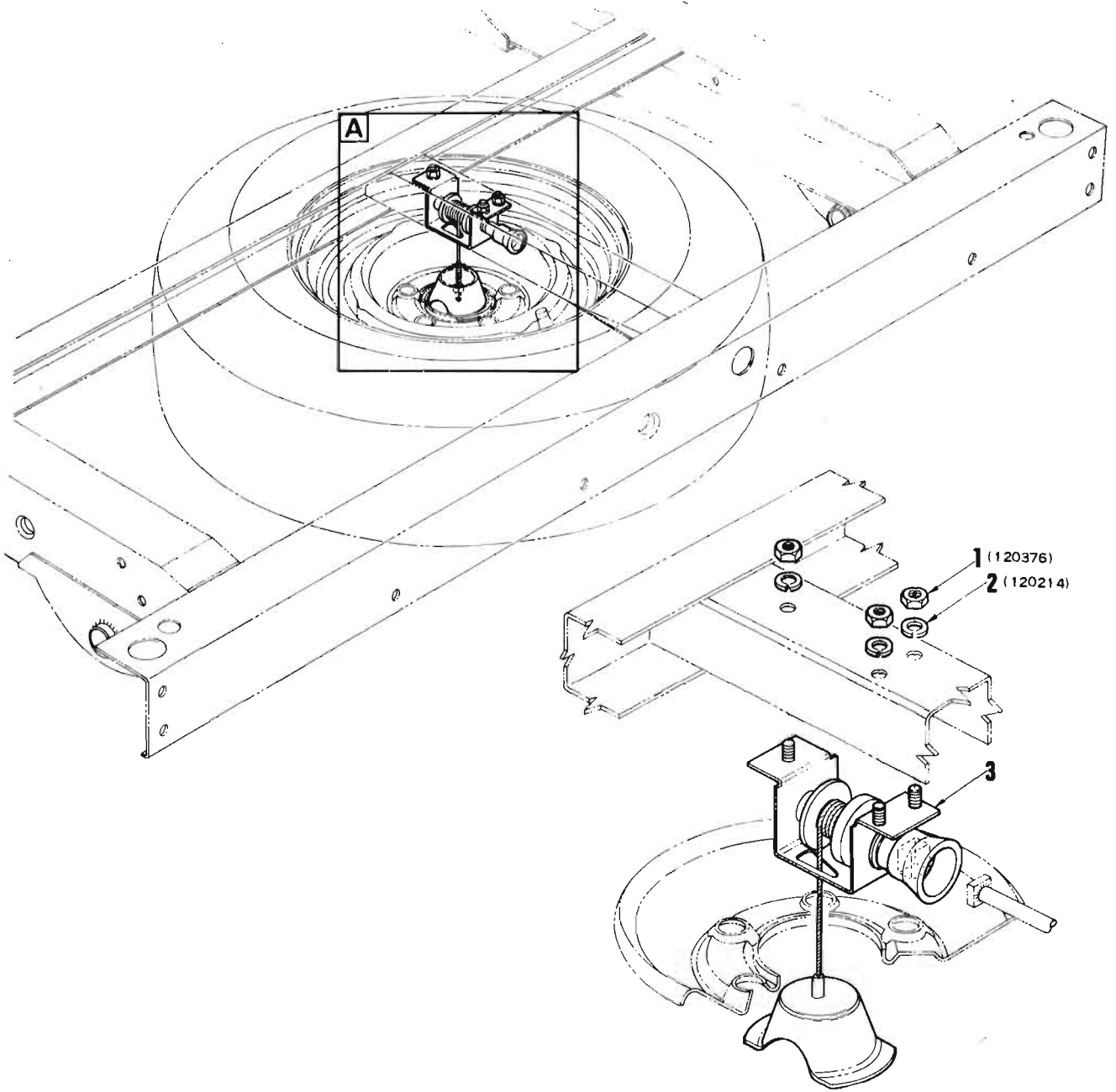
GROUP	DESCRIPTION	MODEL	SIDE	PART No.	QTY.
6.655	PULLEY, NUT – Steering gear hydraulic pump (Power Steering)				
	PULLEY ASSEMBLY	ALL		7436278	1
	NUT	ALL		3824475	1
6.660	BELT – Steering gear hydraulic pump drive (Power Steering)				
	BELT	6 Cyl. Eng.		3848255	1
	BELT	8 Cyl. Eng.		3845648	1
6.670	HOSE ASSEMBLY – Steering pump to valve (Power Steering)				
	HOSE ASSEMBLY - Pressure	ALL		2825687	1
	HOSE ASSEMBLY - Return	ALL		2817879	1
	CLIP - Pressure hose to return hose	ALL		SP1581	1
	NUT - Pressure hose to steering box	ALL		SP2482	1
6.672	CLAMP – Hydraulic steering pump hose (Power Steering)				
	CLAMP - Return hose .66" Dia.	ALL		SP1974	2
6.673	FITTING ASSEMBLY – Steering gear hydraulic valve hose (Power Steering)				
	FITTING ASSEMBLY	ALL		7811617	1
6.674	SEAL – Steering gear hydraulic valve hose and fitting (Power Steering)				
	SEAL - Pump outlet fitting - Rectangular section	ALL		5688049	1
	SEAL - Pump outlet fitting - 'O' Ring	ALL		5688035	1
6.758	COVER, INSULATOR – Steering column				
	COVER - To dash	(M)		2818094	1
	COVER - To dash	(A)		2818095	1
	INSULATOR	Steering Column Shift		2811742	1
	INSULATOR - To dash	ALL		2818096	1
	SEAL - Lower	Console Shift		2824649	1
	SEAL To instrument panel	(M)		9934175	1
	SEAL To instrument panel	(A) Steering Column Shift		9934181	1
	SEAL To instrument panel	(A) Console Shift		9934175	1
	PLATE Cover access	(A) Steering Column Shift		9934180	1
6.760	BRACKET ASSEMBLY – Steering column support				
	BRACKET & CAPSULE ASSEMBLY	ALL		2813725	1
6.761	BRACE ASSEMBLY – Instrument panel to dash				
	BRACE ASSEMBLY	ALL		9937295	1
6.786	BEARING – Steering gear housing pitman shaft				
	BEARING	Exc. Power Steering		2810043	2
	BEARING	Power Steering		VS11419	1
6.803	HOUSING ASSEMBLY – Steering gear				
	HOUSING ASSEMBLY	Exc. Power Steering		2810034	1
	HOUSING ASSEMBLY	Power Steering		VS11414	1
	TUBE Return hose connection	Power Steering		VS11279	1
	SEAT Pressure hose connection	Power Steering		VS11417	1
6.807	COVER ASSEMBLY – Steering gear housing				
	COVER ASSEMBLY	Exc. Power Steering		2810254	1
	COVER ASSEMBLY	Power Steering		VS11393	1
	PIUG Cover	Power Steering		VS11396	1
	SCREW & LOCK WASHER - Cover	Power Steering		VS11397	4

"HJ" PARTS CATALOGUE

GROUP	DESCRIPTION	MODEL	SIDE	PART No.	QTY.
6.809	GASKET, SEAL – Steering gear housing cover				
	GASKET	Exc. Power Steering		2810255	1
	SEAL	Power Steering		VS11395	1
6.822	ADJUSTER – Steering gear lash				
	ADJUSTER	Exc. Power Steering		7437825	1
	SCREW - Adjusting	Power Steering		VS11390	1
	CLIP - Adjusting screw locking	Power Steering		VS11391	1
6.830	ADJUSTER, NUT – Steering gear worm bearing				
	ADJUSTER	Exc. Power Steering		2810257	1
	NUT - Adjuster lock	Exc. Power Steering		7409058	1
	ADJUSTER	Power Steering		VS11429	1
	NUT - Adjuster lock	Power Steering		VS11413	1
6.840	SEAL – Steering gear worm bearing adjuster				
	SEAL	Power Steering		VS11428	1
6.842	GUIDE – Steering gear ball return				
	GUIDE	Exc. Power Steering		5666887	4
6.843	CLAMP – Steering gear ball return guide				
	CLAMP	Exc. Power Steering		5666888	1
	SCREW - Clamp guide	Exc. Power Steering		187375	1
6.844	BALL – Steering gear				
	BALL	Exc. Power Steering		266800	54
6.850	GEAR & SHAFT – Pitman				
	GEAR - 20:1 Steering gear ratio	Exc. Power Steering		2810036	1
	GEAR - 16.7:1 Steering gear ratio	Exc. Power Steering		2816414	1
	GEAR	Power Steering		VS11380	1
6.852	SPRING, SEAT – Pitman gear control				
	SPRING	Exc. Power Steering		2810258	1
	SEAT - Spring	Exc. Power Steering		2810259	1
6.855	SEAL – Steering gear pitman shaft				
	SEAL	Exc. Power Steering		2810038	1
	SEAL	Power Steering		VS11290	1
	RING - Seal back-up	Power Steering		VS11289	1
6.856	CLIP, EXCLUDER – Steering gear pitman shaft seal				
	CLIP - Retainer	Power Steering		VS11288	1
	EXCLUDER - Dust	Power Steering		VS11425	1
6.859	ARM – Pitman				
	ARM	Exc. Power Steering		2809280	1
	ARM	Power Steering		2809281	1
6.861	NUT – Pitman arm assembly to shaft				
	NUT	ALL		5667628	1
	WASHER	ALL		5697702	1
6.870	ROD – Steering connecting				
	ROD ASSEMBLY	ALL		2808985	1
	SEAL ASSEMBLY - Ball joint	ALL		5693027	2

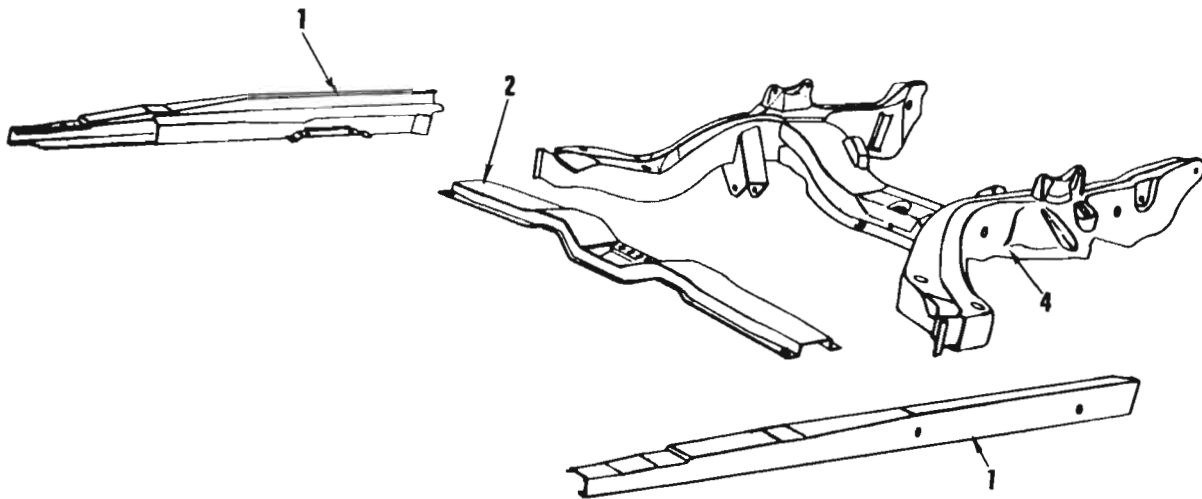
“HJ” PARTS CATALOGUE

GROUP	DESCRIPTION	MODEL	SIDE	PART No.	QTY.
6.895	LEVER – Steering gear connecting rod idler				
	LEVER	ALL		2824307	1
6.896	SUPPORT ASSEMBLY – Steering gear connecting rod idler lever				
	SUPPORT ASSEMBLY	ALL		2822078	1
	BOLT - Flange hd $\frac{3}{8}$ " - 16 x 1.25"	ALL		SP2508	2
	NUT - Hex. $\frac{3}{8}$ " - 16	ALL		9422297	2
6.897	BUSHING ASSEMBLY – Steering connecting rod idler lever				
	BUSHING ASSEMBLY	ALL		2818853	1
6.898	SEAL – Steering connecting rod idler lever				
	SEAL	ALL		7437355	1



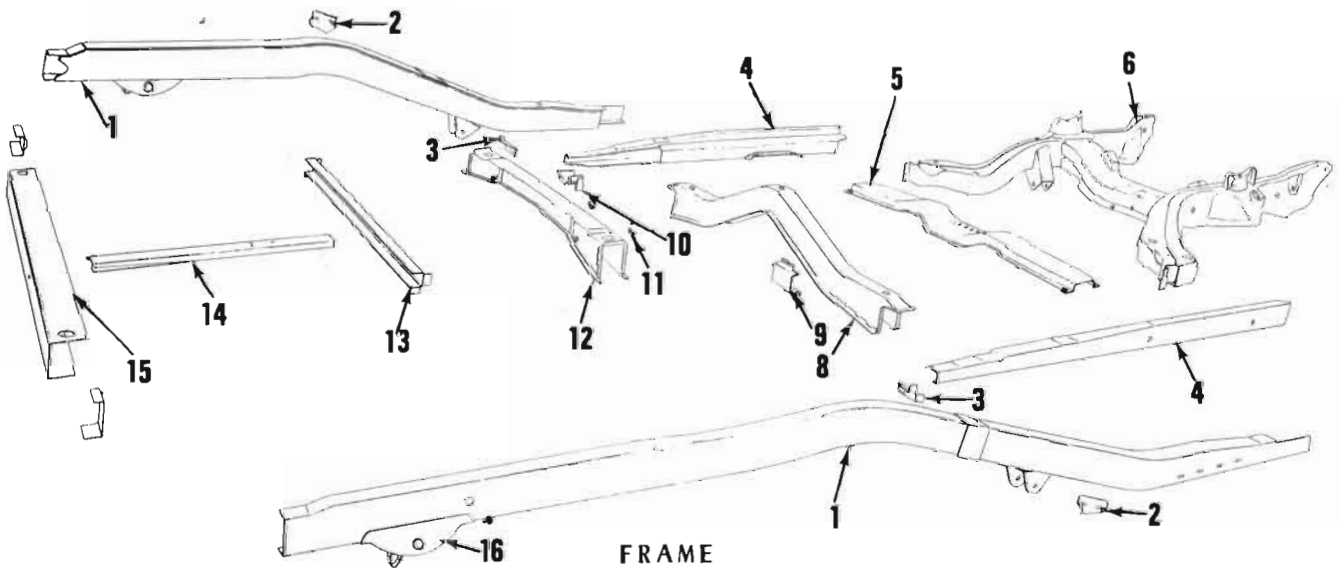
SPARE WHEEL MOUNTING (Commercial)

ILLUS. REF. NO.	PART NAME	GROUP	ILLUS. REF. NO.	PART NAME	GROUP
1.	NUT – Hexagon	8.915	3.	HOIST ASSY. – Spare wheel	7.640
2.	WASHER – Lock	8.931			



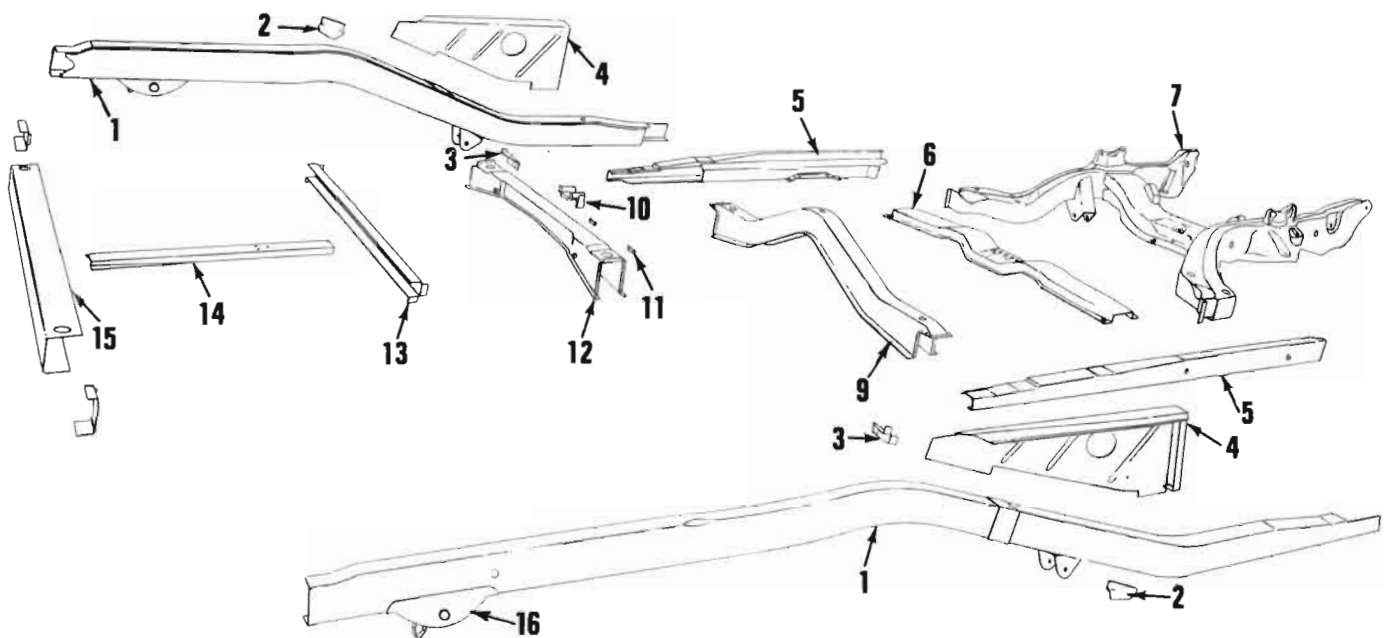
FRAME (Passenger)

ILLUS. REF. NO.	PART NAME	GROUP	ILLUS. REF. NO.	PART NAME	GROUP
1.	BAR ASSY. - Centre side outer	7.003	4.	FRAME ASSY. - Front end	12.980
2.	MEMBER ASSY. - Transmission mtg. cross	12.982	1-4 Inc.	FRAME ASSY. - Body	7.003



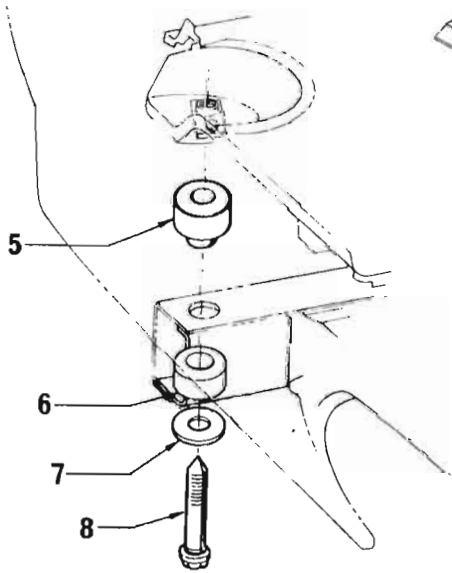
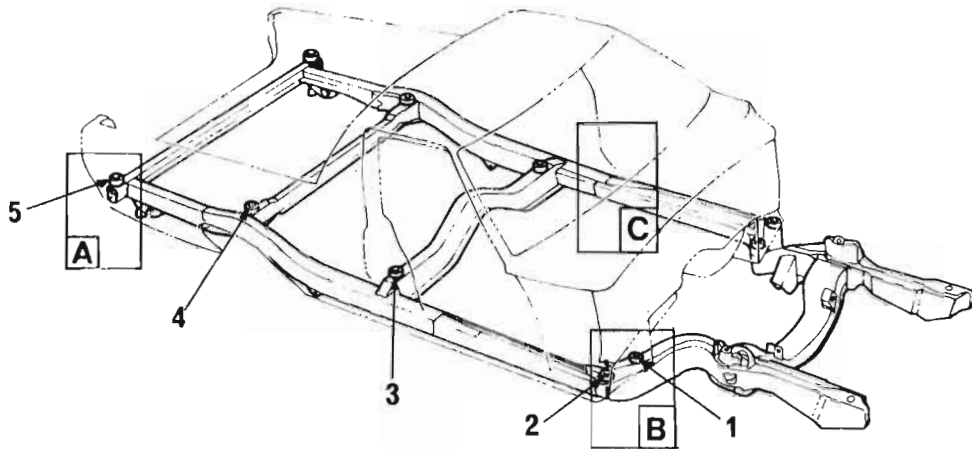
FRAME (Panel Van & Utility)

ILLUS. REF. NO.	PART NAME	GROUP	ILLUS. REF. NO.	PART NAME	GROUP
1.	BAR ASSY. - Rear side	7.003	10.	BRACKET ASSY. - Muffler upper support	3.704
2.	REINFORCEMENT - Rr. spring frt. hanger..	7.112	11.	BRACKET - Fuel tank mounting	3.001
3.	BRACKET - Rear cable	4.829	12.	MEMBER ASSY. - Frame intermediate	7.013
4.	BAR ASSY. - Centre side	7.003	13.	MEMBER - Hoist support	7.013
5.	MEMBER ASSY. - Transmission mtg. cross	12.982	14.	SUPPORT - Hoist	7.013
6.	FRAME ASSY. - Front end	12.980	15.	MEMBER - Frame rear	7.014
8.	MEMBER ASSY. - Front frame	7.012	16.	BRACKET ASSY. - Rr. spring rr. hanger ...	7.118
9.	ARRESTOR - Front	3.001	1-16. Inc.	FRAME ASSY. - Body	7.003

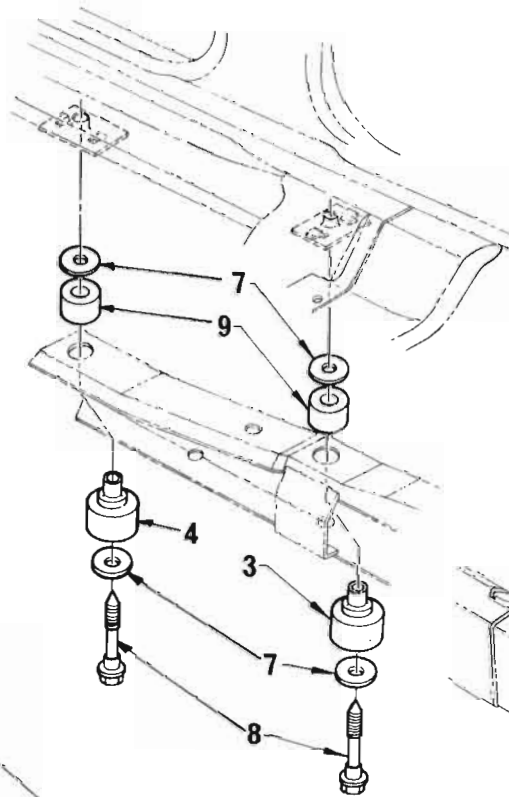


FRAME (Chassis & Cab.)

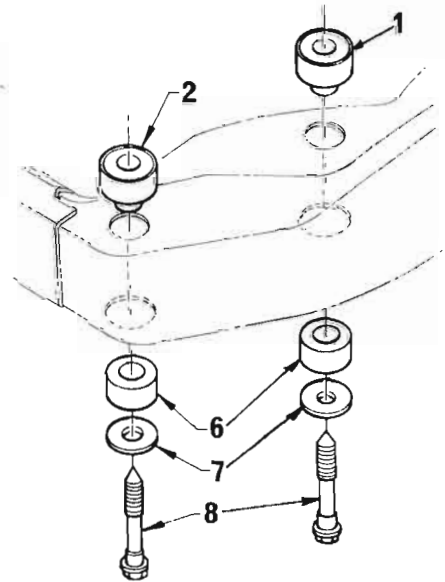
ILLUS. REF. NO.	PART NAME	GROUP	ILLUS. REF. NO.	PART NAME	GROUP
1.	BAR ASSEMBLY - Rear side	7.003	10.	BRACKET ASSEMBLY - Muffler upper support	3.704
2.	REINFORCEMENT - Rear spring front hanger	7.112	11.	BRACKET - Fuel tank mounting	3.001
3.	BRACKET - Rear cable	4.829	12.	MEMBER ASSEMBLY - Frame intermediate	7.013
4.	PLATE ASSEMBLY - Cab mounting	7.016	13.	MEMBER - Hoist support	7.013
5.	BAR ASSEMBLY - Centre side	7.003	14.	SUPPORT - Hoist	7.013
6.	MEMBER ASSY. - Transmission mounting cross..	12.982	15.	MEMBER - Frame rear	7.014
7.	FRAME ASSEMBLY - Front end	12.980	16.	BRACKET ASSEMBLY - Rear spring rear hanger ..	7.118
9.	MEMBER ASSEMBLY - Front frame	7.012	1-16	Inc. FRAME ASSEMBLY - Body	7.003



VIEW A
(TYPICAL ALL
10 MOUNTS)
(COMMERCIAL)



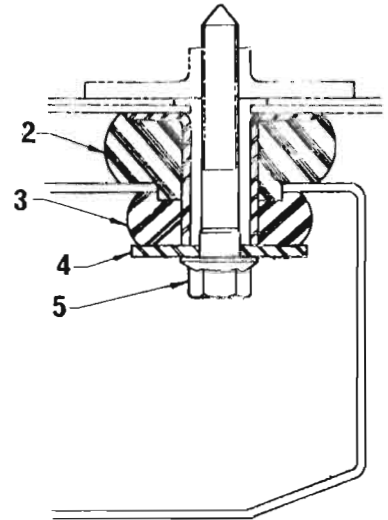
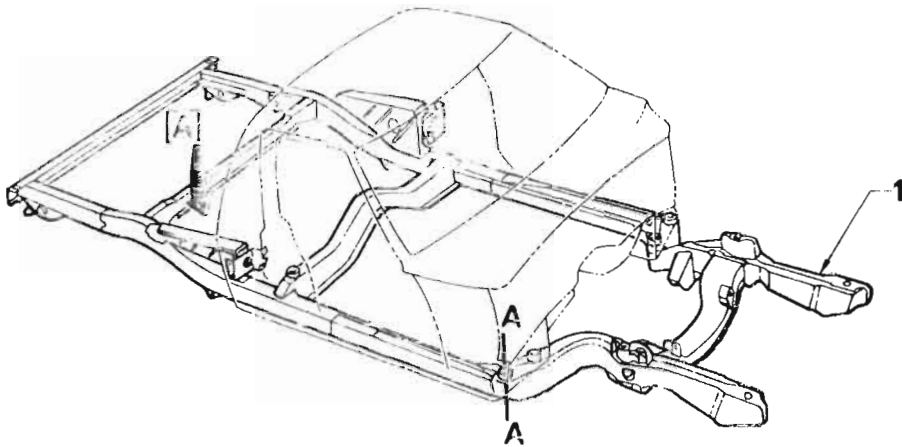
VIEW C
(PASSENGER)



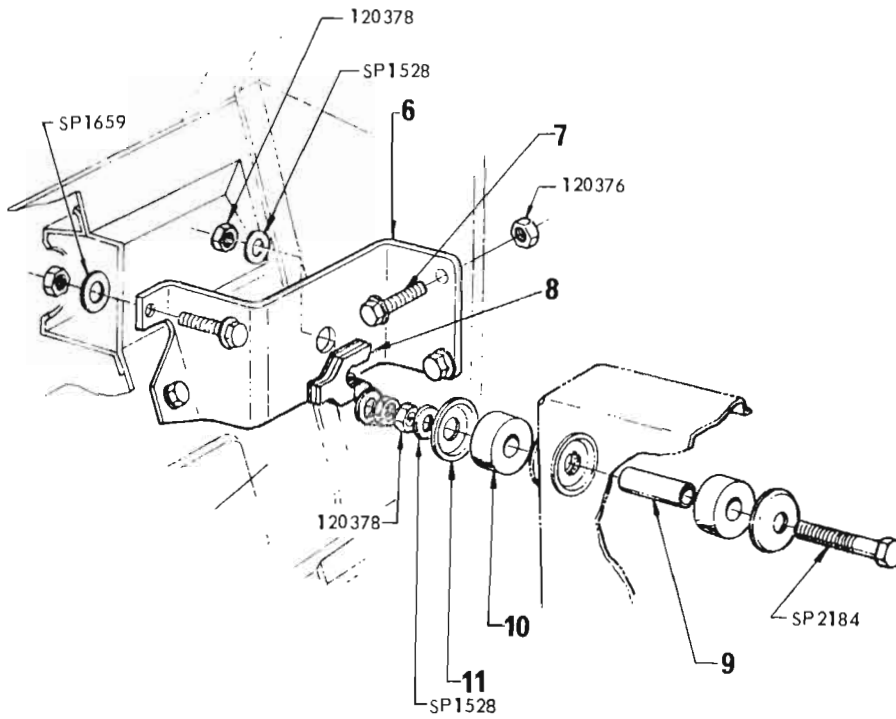
VIEW B

BODY MOUNTINGS

ILLUS. REF. NO.	PART NAME	GROUP	ILLUS. REF. NO.	PART NAME	GROUP
1.	MOUNT ASSY. - No. 1	7.020	6.	MOUNT - Body lower	7.020
2.	MOUNT ASSY. - No. 2	7.020	7.	WASHER - Body mounting	7.020
3.	MOUNT ASSY. - No. 3	7.020	8.	BOLT - Body mounting	7.020
4.	MOUNT ASSY. - No. 4	7.020	9.	MOUNT - Body upper	7.020
5.	MOUNT ASSY. - No. 5	7.020			



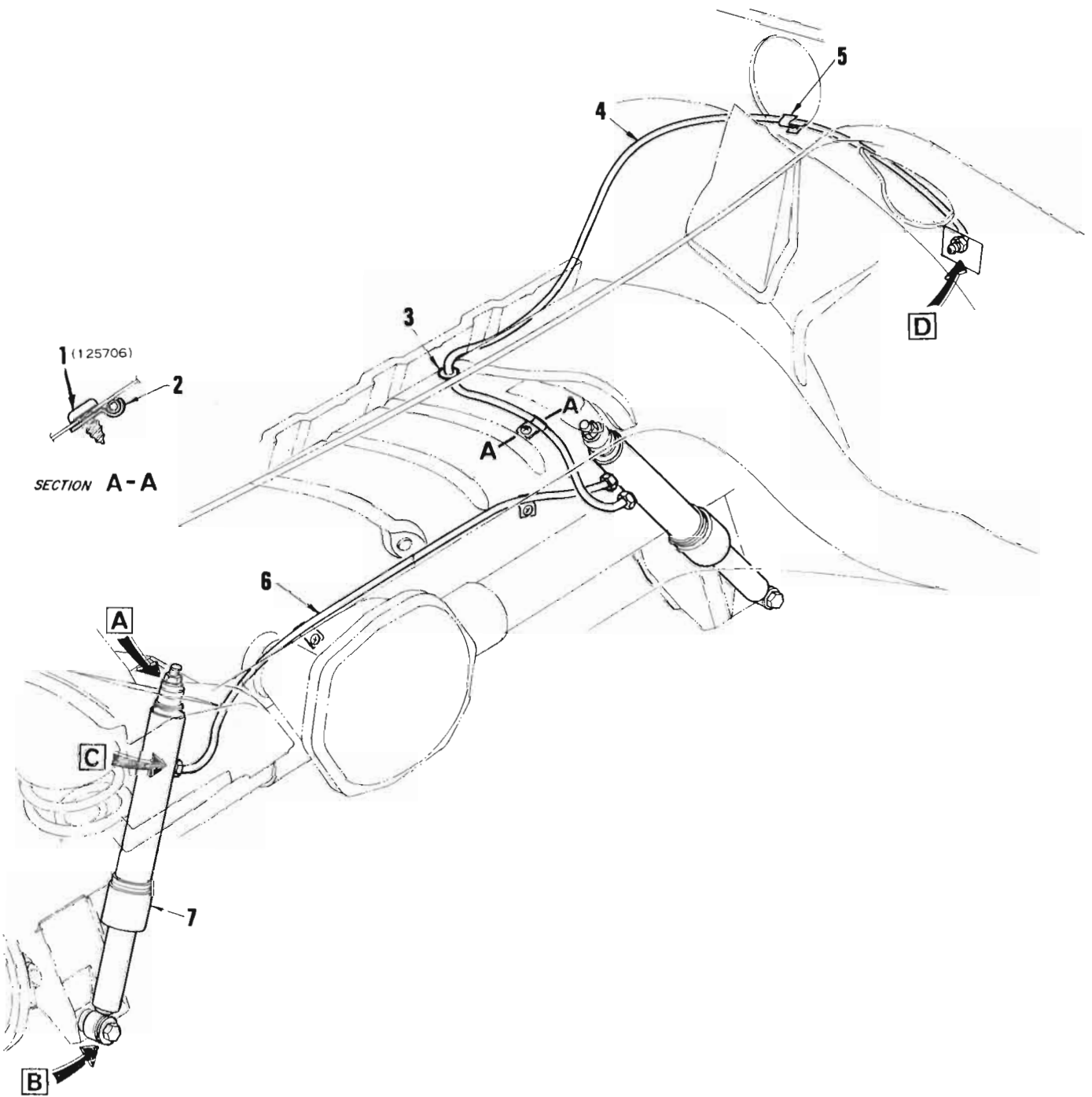
SECTION A-A
(TYPICAL ALL 6 MOUNTS)



VIEW **A**

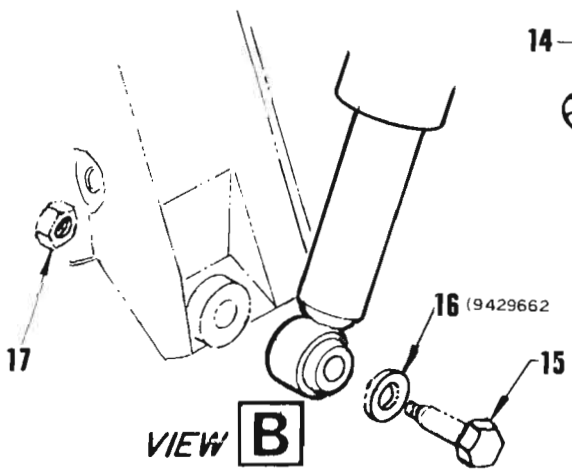
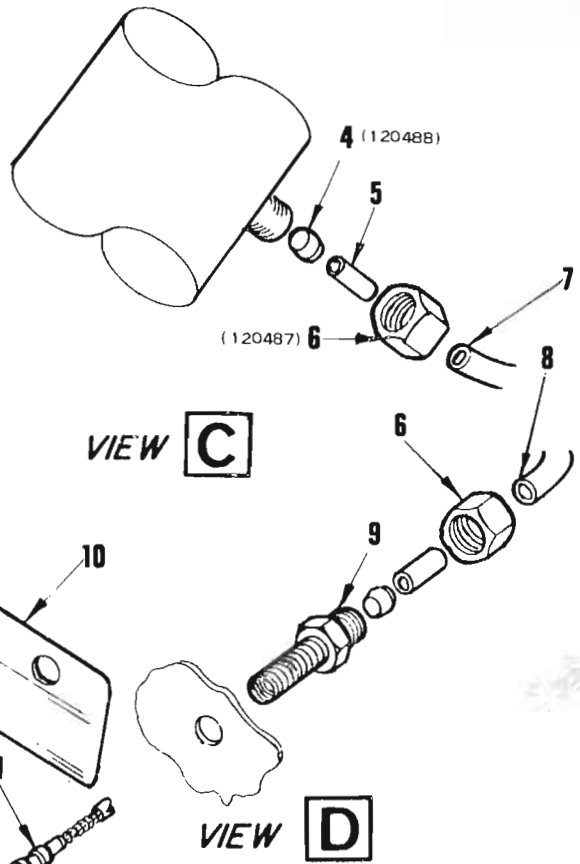
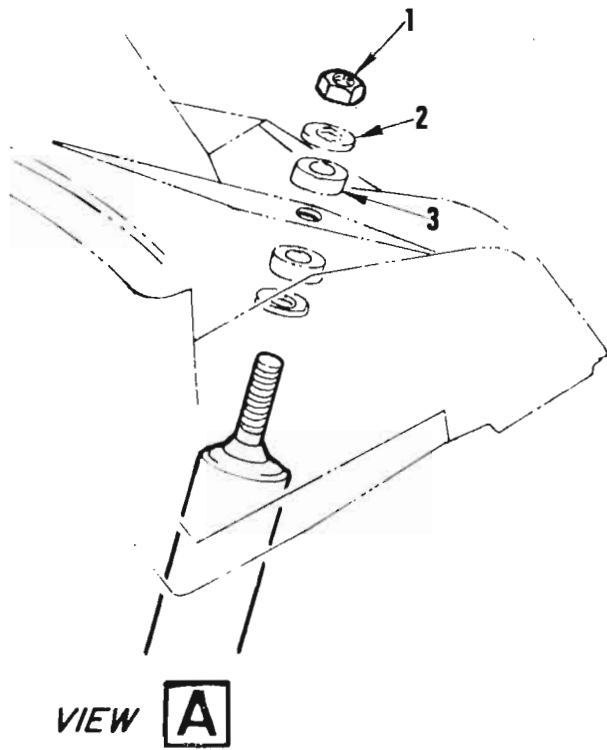
**BODY MOUNTINGS
CHASSIS & CAB**

ILLUS. REF. NO.	PART NAME	GROUP	ILLUS. REF. NO.	PART NAME	GROUP
1.	FRAME ASSEMBLY	7.003	7.	BOLT ASSY. - No.4 body mounting support	7.020
2.	MOUNT - Body lower	7.020	8.	SHIM - Mounting plate	7.016
3.	MOUNT ASSY. - No.1, No.2, No.3	7.020	9.	SPACER - Insulator	7.020
4.	WASHER - Body mounting	7.020	10.	INSULATOR - Cab mounting	7.020
5.	BOLT - Body mounting	7.020	11.	RETAINER - Insulator	7.020
6.	SUPPORT - No.4 mounting	7.020			



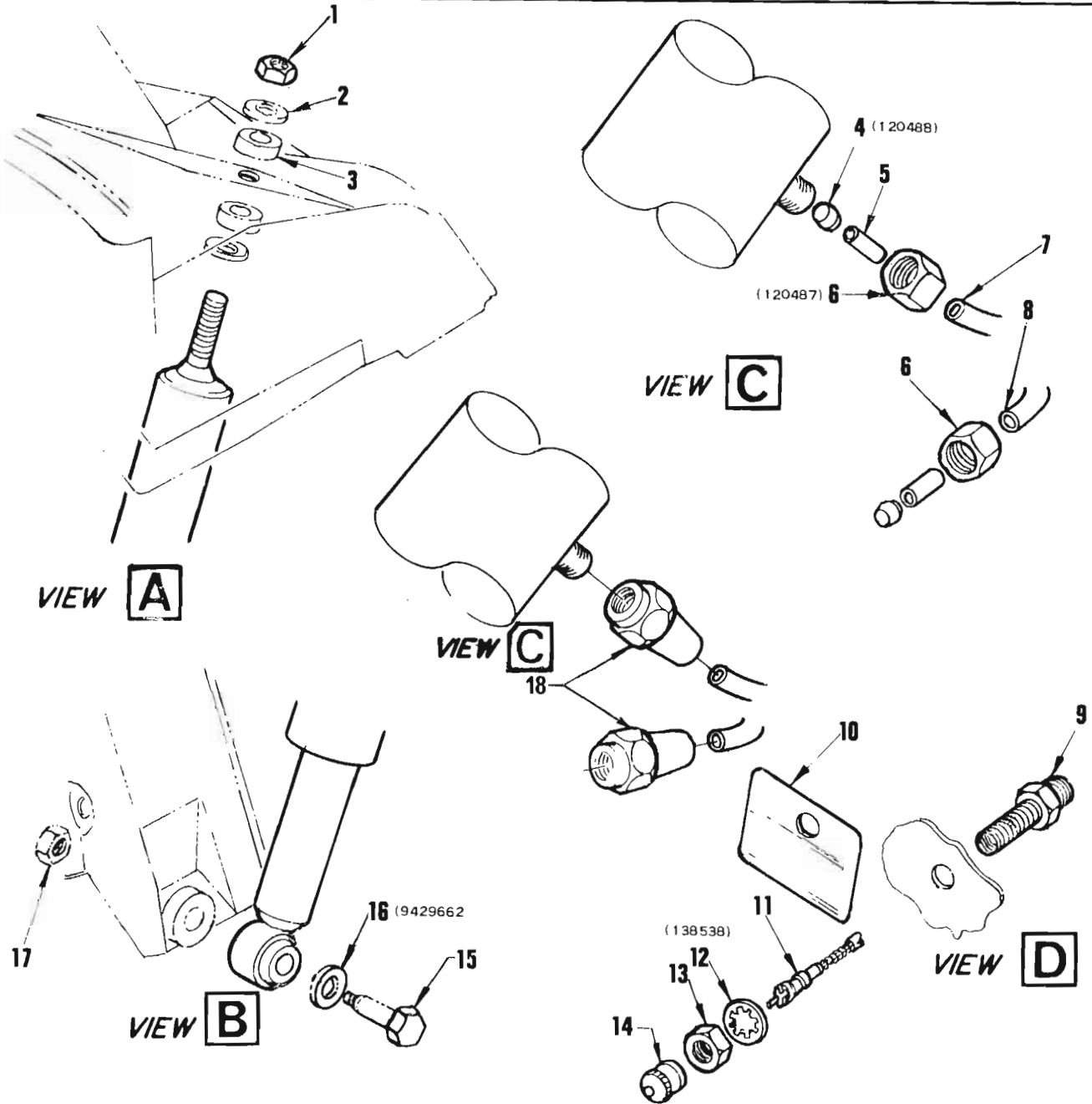
REAR SHOCK ABSORBER (Superlift)

ILLUS. REF. NO.	PART NAME	GROUP	ILLUS. REF. NO.	PART NAME	GROUP
1.	SCREW — Sheet metal	8.977	5.	CLIP — Tube to underbody	7.347
2.	RETAINER — Tube to underbody	7.347	6.	TUBE — Interconnection	7.347
3.	GROMMET	7.347	7.	SHOCK ABSORBER ASSY. — Rear, superlift	7.345
4.	TUBE — Inflation	7.347			



REAR SHOCK ABSORBER MOUNTINGS (Superlift)

ILLUS. REF. NO.	PART NAME	GROUP	ILLUS. REF. NO.	PART NAME	GROUP
1.	NUT - Rear shock absorber	7.370	10.	TAG	7.345
2.	PLATE - Rear shock absorber to u/body..	7.370	11.	CORE ASSY. - Air valve	7.347
3.	BUSHING - Rear shock abs. to u/body	7.370	12.	WASHER - Shake proof	8.932
4.	SLEEVE	8.963	13.	NUT - Air valve stem	7.347
5.	INSERT - Tube	7.347	14.	CAP - Air valve	7.347
6.	NUT	8.963	15.	BOLT - Shock absorber to bracket	7.370
7.	TUBE - Interconnection	7.347	16.	WASHER - Flat	8.929
8.	TUBE - Inflation	7.347	17.	NUT - Shock absorber to bracket	7.370
9.	STEM - Air valve	7.347			

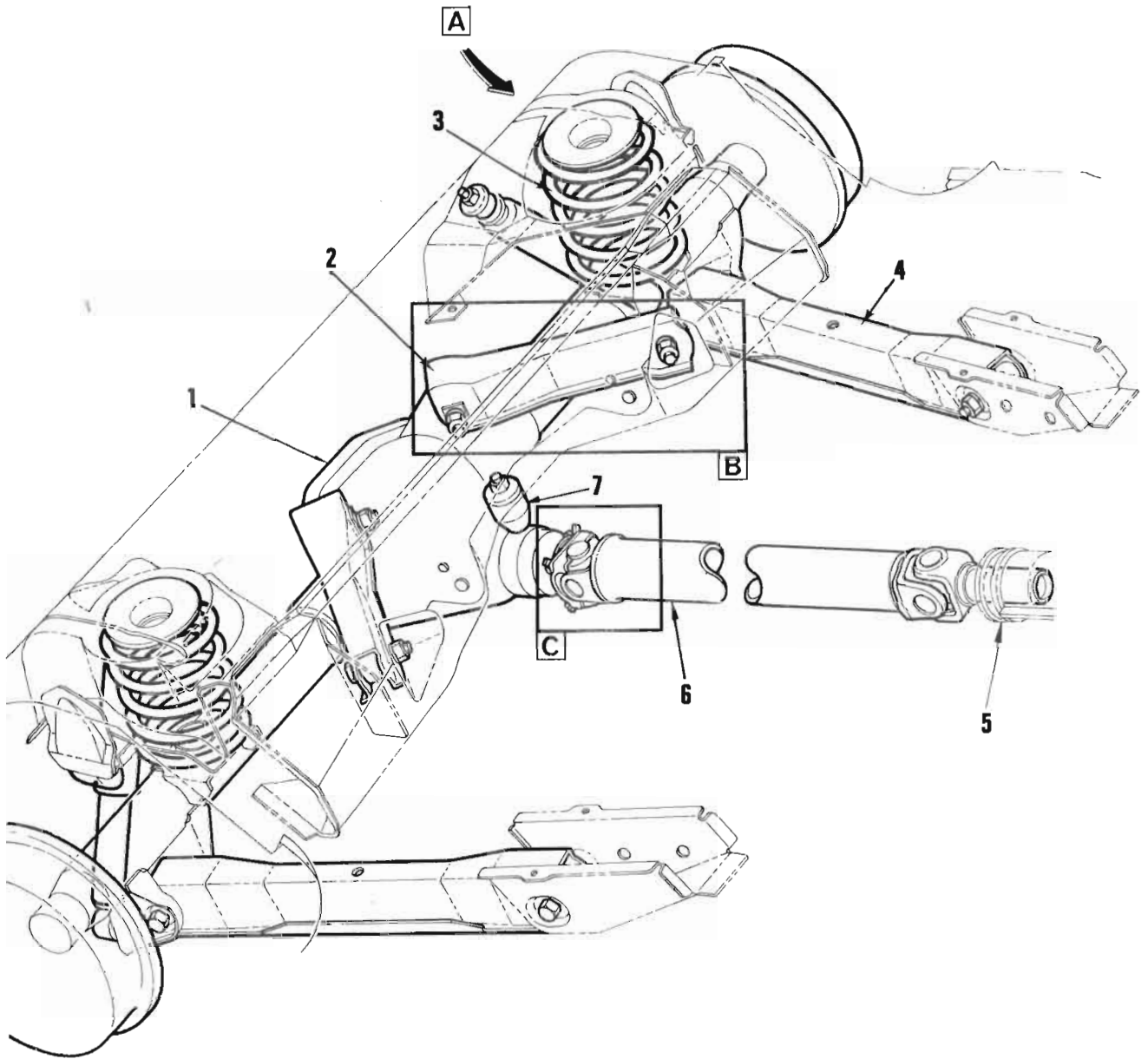


REAR SHOCK ABSORBER MOUNTINGS (Superlift)

ILLUS. REF. NO.	PART NAME	GROUP	ILLUS. REF. NO.	PART NAME	GROUP
1.	NUT - Rear shock absorber	7.370	10.	TAG	7.345
2.	PLATE - Rear shock absorber to u/body	7.370	11.	CORE ASSY. - Air valve	7.347
3.	BUSHING - Rear shock abs. to u/body.. ..	7.370	12.	WASHER - Shake proof	8.932
4. (A)	SLEEVE	8.963	13.	NUT - Air valve stem	7.347
5. (A)	INSERT - Tube	7.347	14.	CAP - Air valve	7.347
6. (A)	NUT	8.963	15.	BOLT - Shock absorber to bracket.. ..	7.370
7.	TUBE - Interconnection	7.347	16.	WASHER - Flat	8.929
8.	TUBE - Inflation	7.347	17.	NUT - Shock absorber to bracket.. ..	7.370
9.	STEM - Air valve	7.347	18. (B)	NUT ASSY. - Tube - flared	7.347

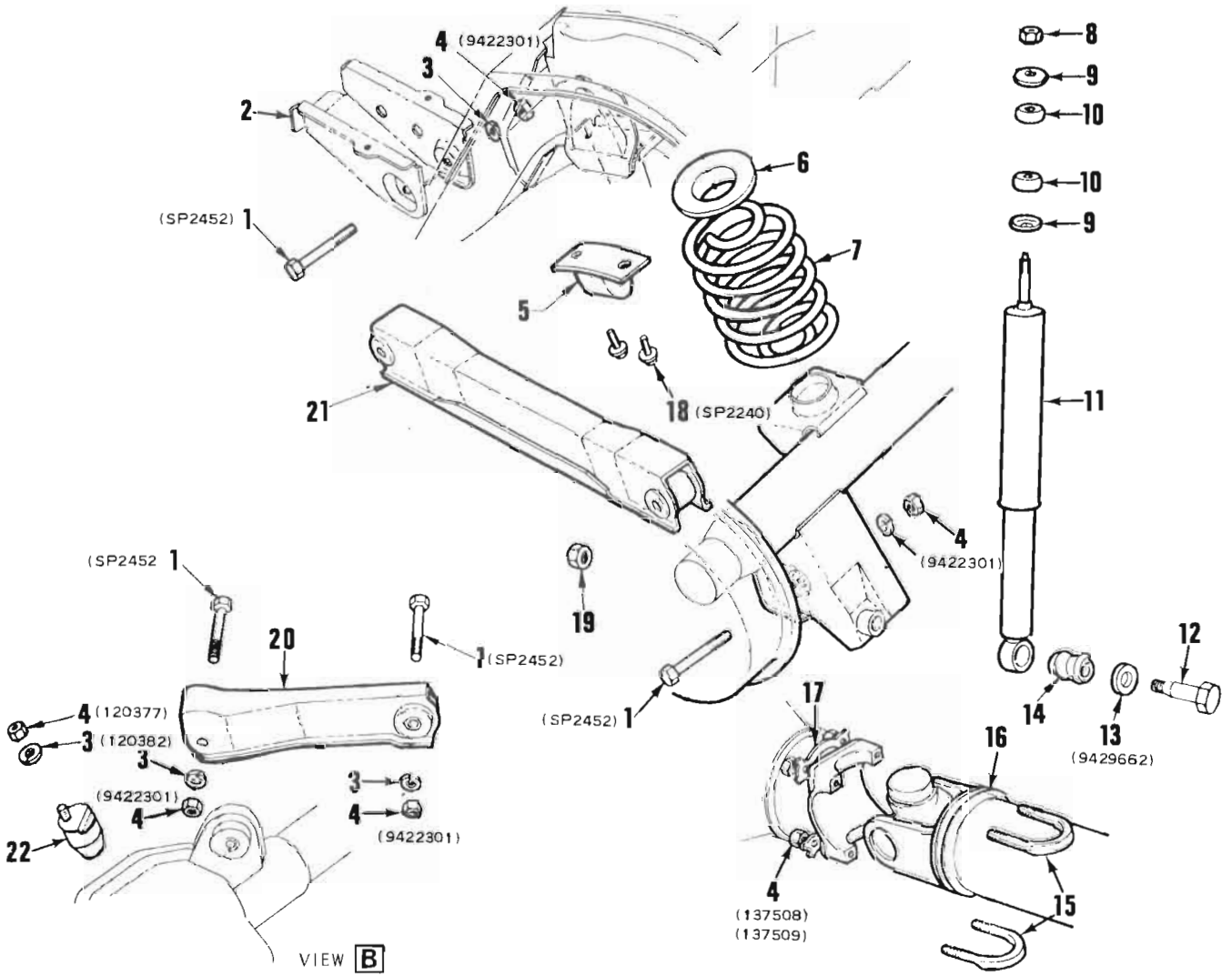
NOTE: (A) Prior to tubes using flared nuts.
 (B) Tubes using flared nuts.

REVISED APRIL, 1975.



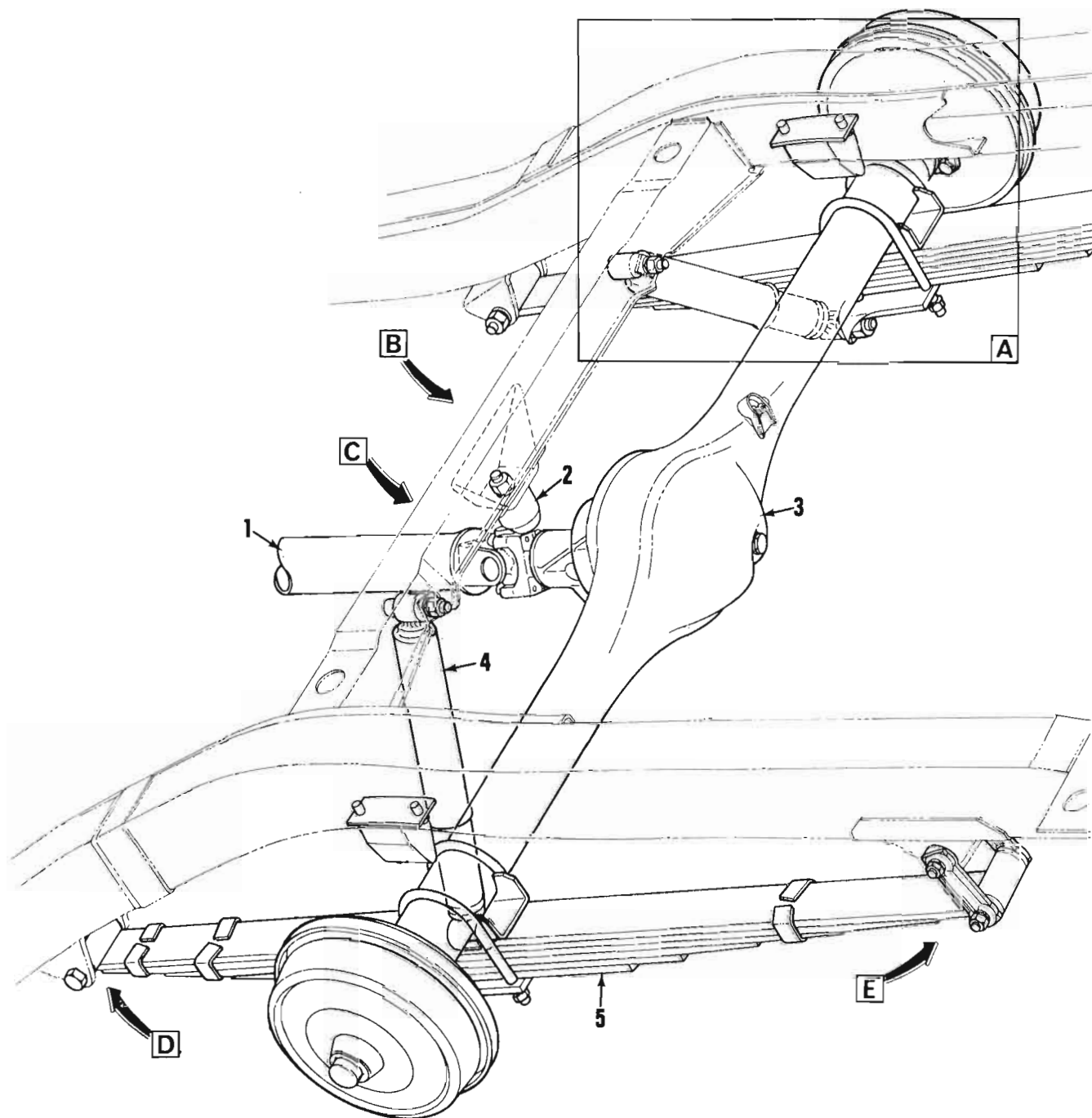
REAR AXLE and SUSPENSION (Passenger)

ILLUS. REF. NO.	PART NAME	GROUP	ILLUS. REF. NO.	PART NAME	GROUP
1.	AXLE ASSEMBLY – Rear	5.504	4.	ARM ASSY. – Lower	5.382
2.	ARM ASSY. – Upper	5.382	5.	HOUSING ASSY.	4.317
3.	SPRING ASSY.	7.503	6.	SHAFT ASSY. – Propeller	5.441
			7.	BUMPER ASSY.	5.395



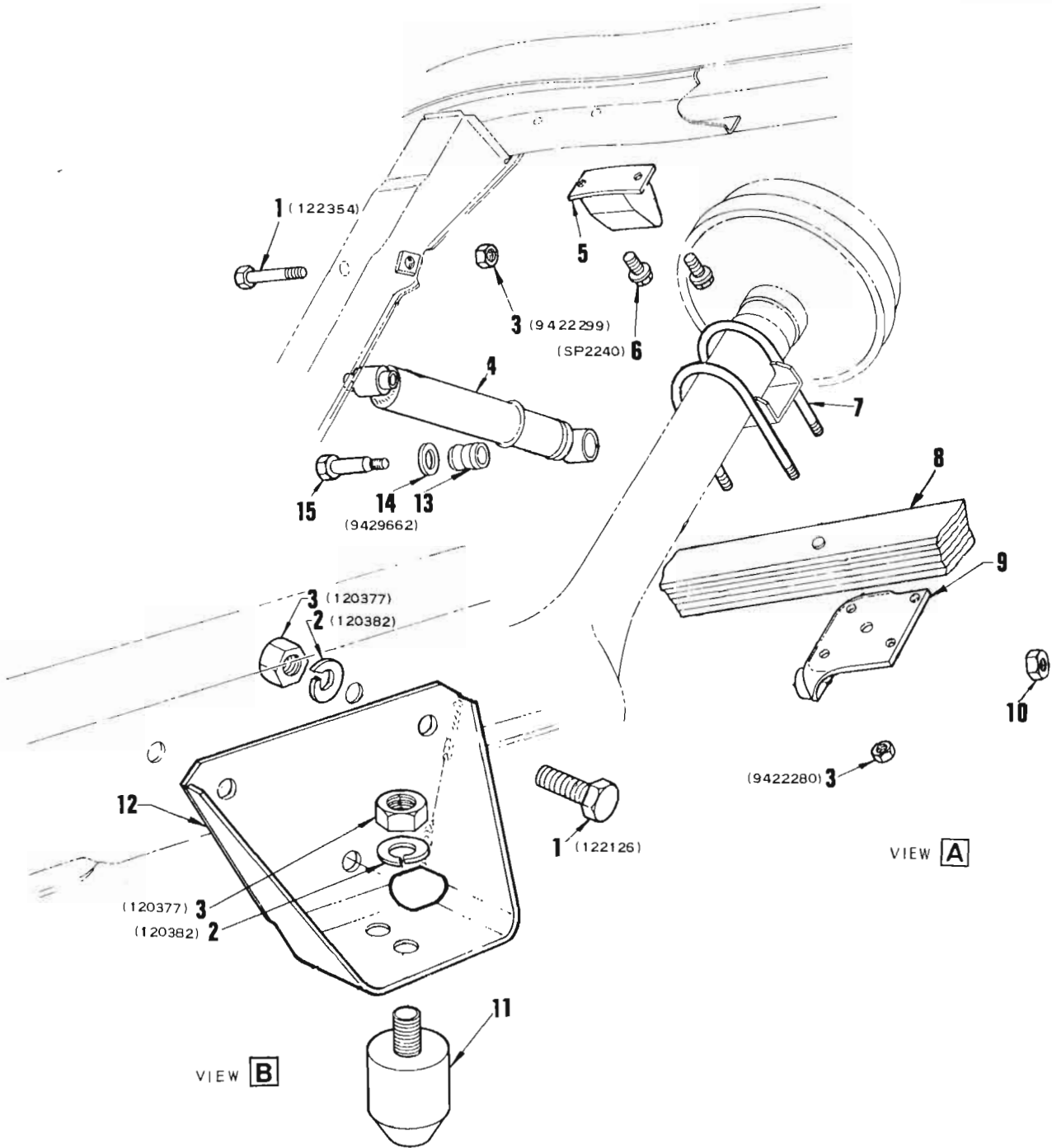
REAR SUSPENSION (Passenger)

ILLUS. REF. NO.	PART NAME	GROUP	ILLUS. REF. NO.	PART NAME	GROUP
1.	BOLT - Hexagon head	8.900	11.	SHOCK ABSORBER ASSY. - Rear	7.345
2.	BRACKET ASSY. - Front mounting	5.382	12.	BOLT - Shock absorber to bracket	7.370
3.	WASHER - Lock	8.931	13.	WASHER - Flat	8.929
4.	NUT - Hexagon	8.915	14.	BUSHING - Shock absorber to bracket	7.370
5.	BUMPER	7.535	15.	"U" BOLT - Rear universal joint	5.586
6.	INSULATOR - Rear spring	7.545	16.	SHAFT ASSY. - Propeller	5.441
7.	SPRING ASSY.	7.503	17.	PLATE - Lock	5.546
8.	NUT - Rear shock absorber to u/body	7.370	18.	SCREW - Sheet metal	8.977
9.	PLATE - Rear shock absorber to u/body	7.370	19.	NUT - Shock absorber to bracket	7.370
10.	BUSHING - Rear shock abs. to u/body	7.370	20.	ARM ASSY. - Upper	5.382
			21.	ARM ASSY. - Lower	5.382
			22.	BUMPER ASSY.	5.395



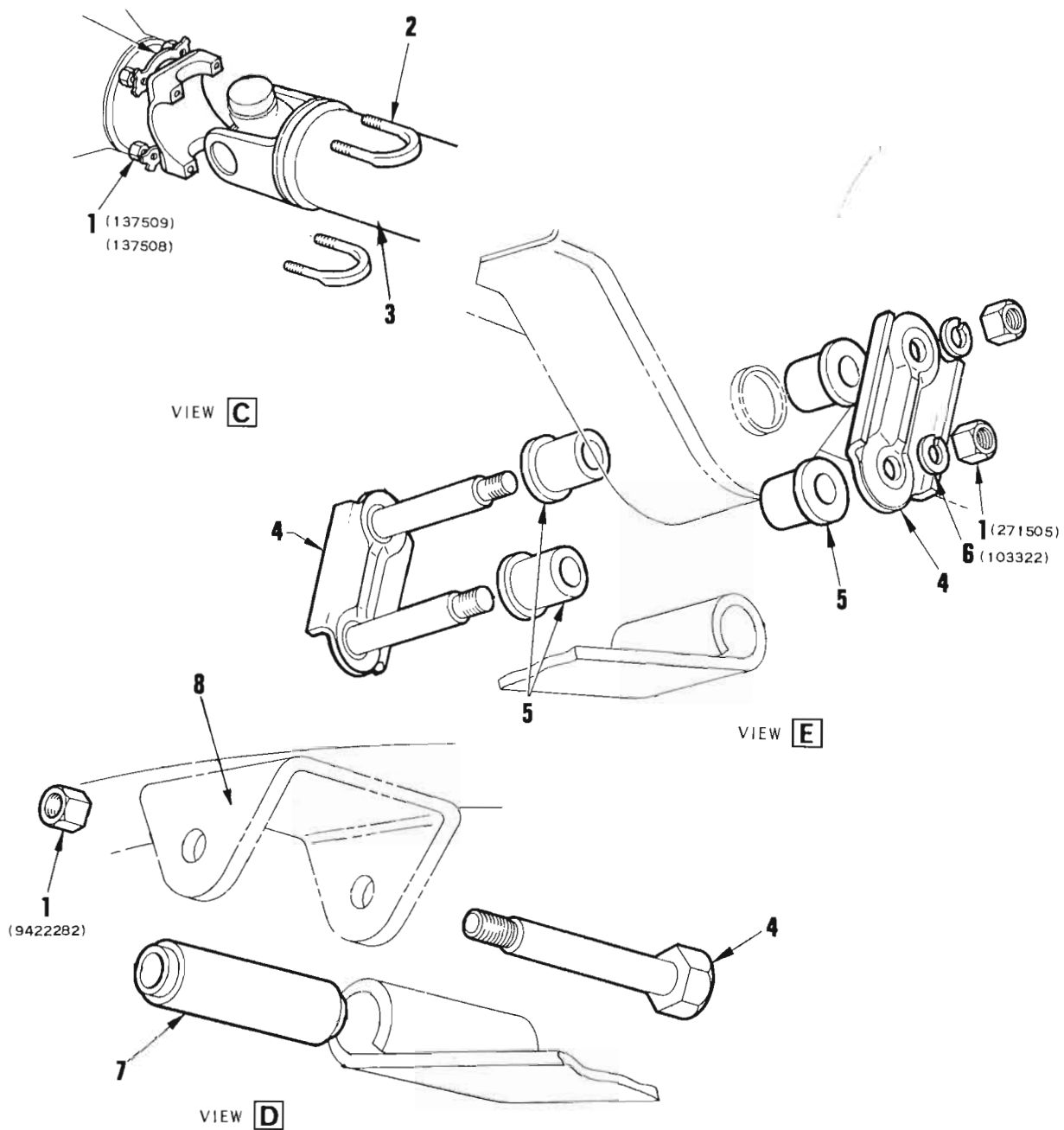
REAR AXLE and SUSPENSION (Commercial)

ILLUS. REF. NO.	PART NAME	GROUP	ILLUS. REF. NO.	PART NAME	GROUP
1.	SHAFT ASSY. — Propeller	5.441	4.	SHOCK ABSORBER ASSY. — Rear	7.345
2.	BUMPER ASSY.	5.395	5.	SPRING ASSY.	7.503
3.	AXLE ASSY. — Rear	5.386			



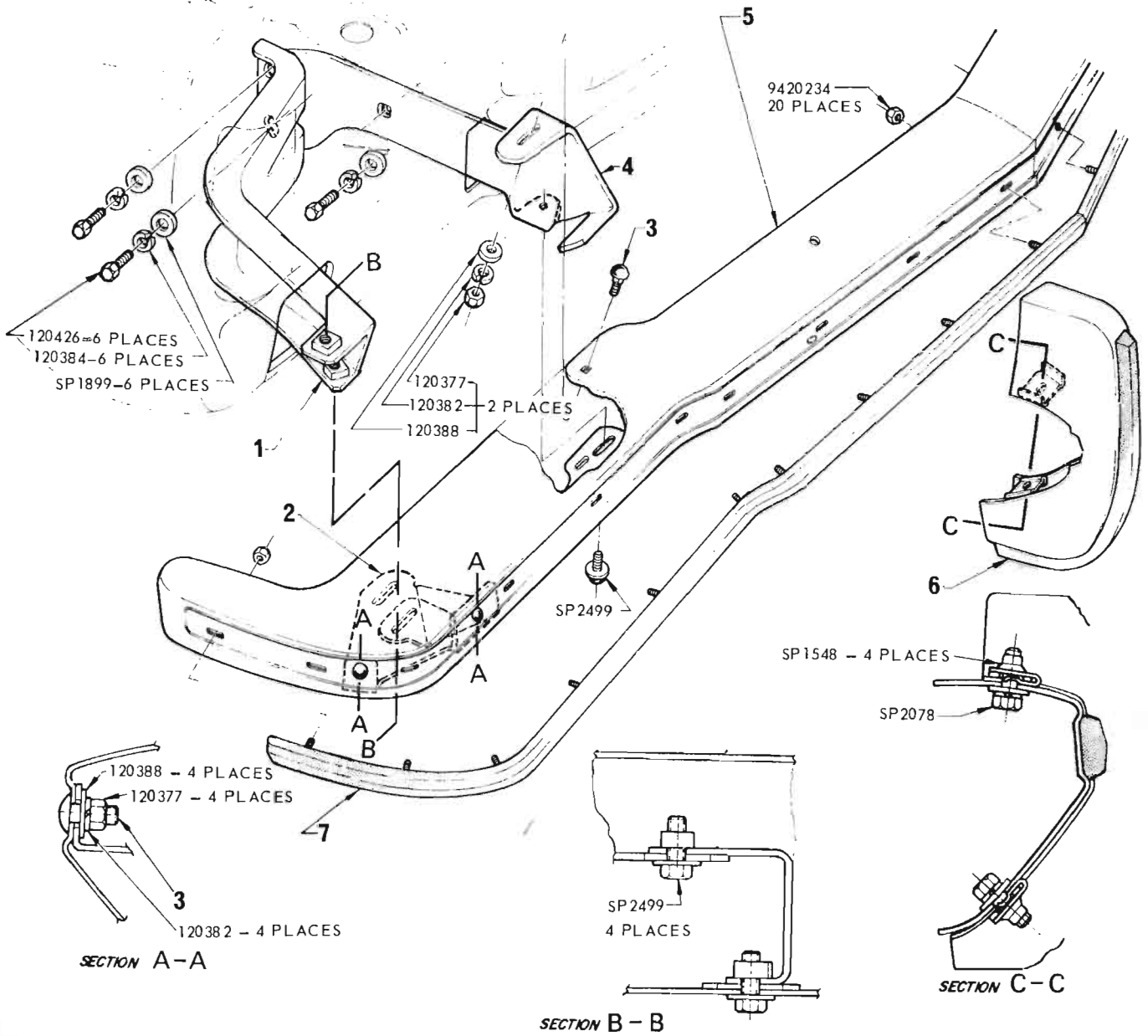
REAR SUSPENSION (Commercial)

ILLUS. REF. NO.	PART NAME	GROUP	ILLUS. REF. NO.	PART NAME	GROUP
1.	BOLT — Hexagon head	8.900	9.	PLATE ASSY.	7.518
2.	WASHER — Lock	8.931	10.	NUT — Shock absorber to bracket	7.370
3.	NUT — Hexagon	8.915	11.	BUMPER ASSY.	5.395
4.	SHOCK ABSORBER ASSY. — Rear	7.345	12.	BRACKET — Bumper	5.395
5.	BUMPER	7.535	13.	BUSHING — Shock absorber to bracket	7.370
6.	SCREW — Sheet metal	8.977	14.	WASHER — Flat	8.929
7.	'U' BOLT — Rear spring	7.516	15.	BOLT — Shock absorber to bracket	7.370
8.	SPRING ASSY.	7.503			



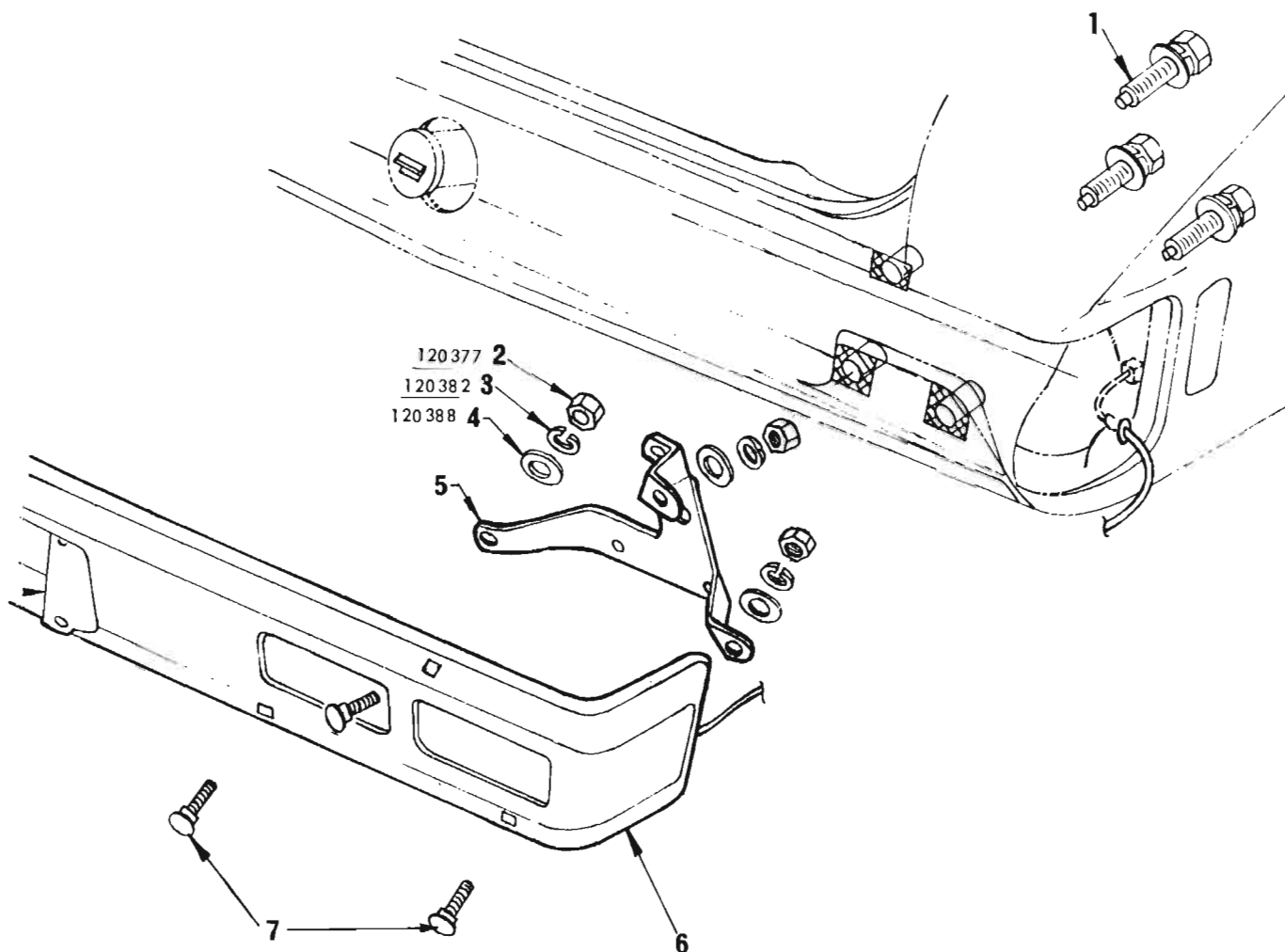
REAR SPRING SHACKLES (Commercial)

ILLUS. REF. NO.	PART NAME	GROUP	ILLUS. REF. NO.	PART NAME	GROUP
1.	NUT – Hexagon	8.915	5.	BUSHING – Rear	7.524
2.	‘U’BOLT – Rear universal joint	5.586	6.	WASHER – Lock	8.931
3.	SHAFT ASSY. – Propeller	5.441	7.	BUSHING – Front	7.524
4.	SHACKLE SET – Rear spring	7.523	8.	BRACKET ASSY.	7.112



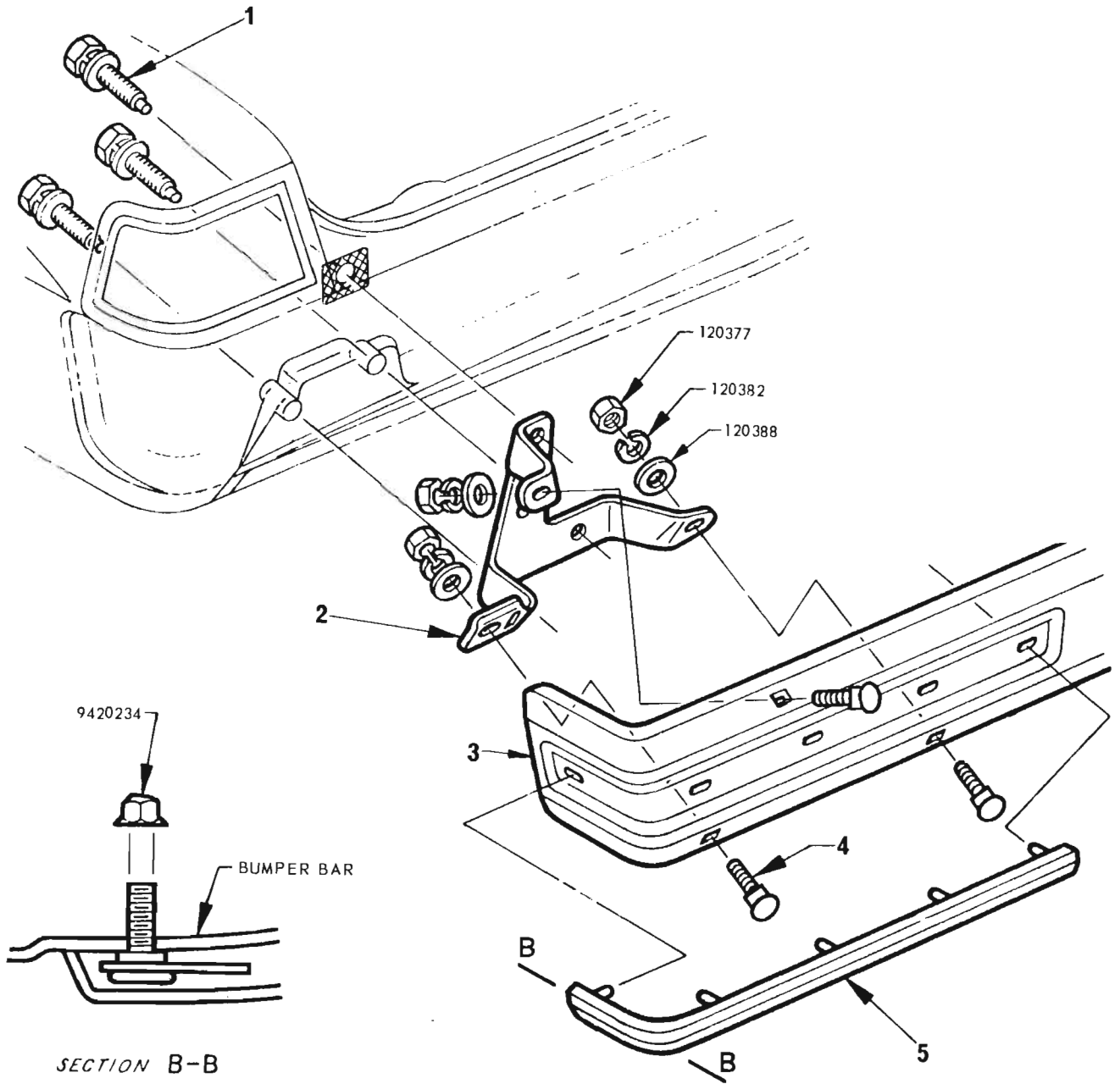
FRONT BUMPER BAR

ILLUS. REF. NO.	PART NAME	GROUP	ILLUS. REF. NO.	PART NAME	GROUP
1.	BRACKET ASSY. - Front outer	7.836	5.	BAR - Bumper face	7.831
2.	EXTENSION - Front bar outer bracket	7.865	6.	GUARD ASSEMBLY - Front	7.828
3.	BOLT - Rnd. hd. short sq. neck 3/8" - 16 x 1"	7.852	7.	STRIP ASSY. - Front bumper bar rubbing	7.831
4.	BRACKET ASSY. - Front inner	7.836			



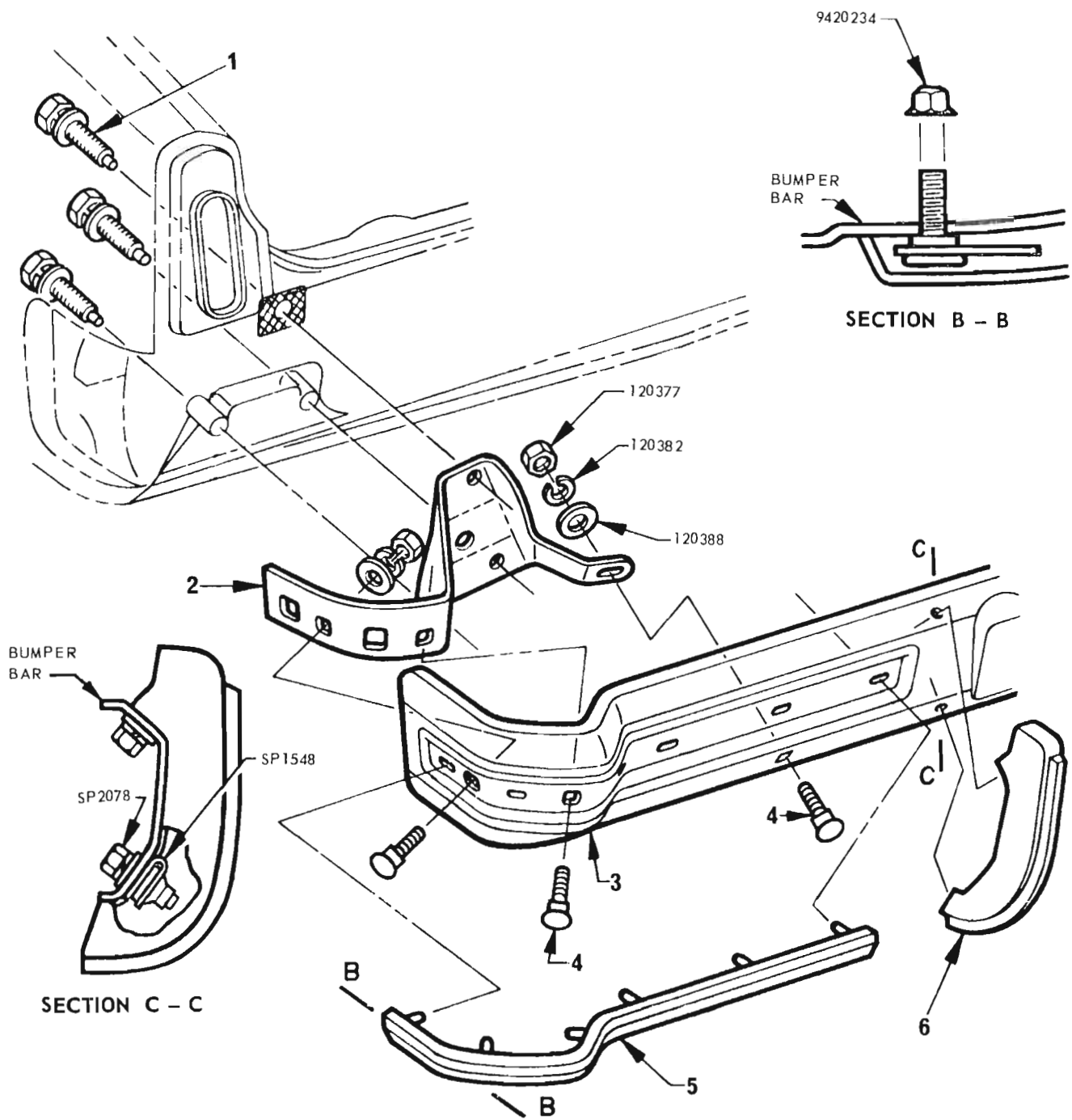
**REAR BUMPER BAR
(Monaro exc. GTS Sedan)**

ILLUS. REF. NO.	PART NAME	GROUP	ILLUS. REF. NO.	PART NAME	GROUP
1.	BOLT - Bumper bar to outer panel	7.836	5.	BRACKET ASSY. - Rear	7.836
2.	NUT - Hexagon	8.915	6.	BAR - Bumper face rear	7.831
3.	WASHER - Lock	8.931	7.	BOLT	7.852
4.	WASHER - Flat	8.929			



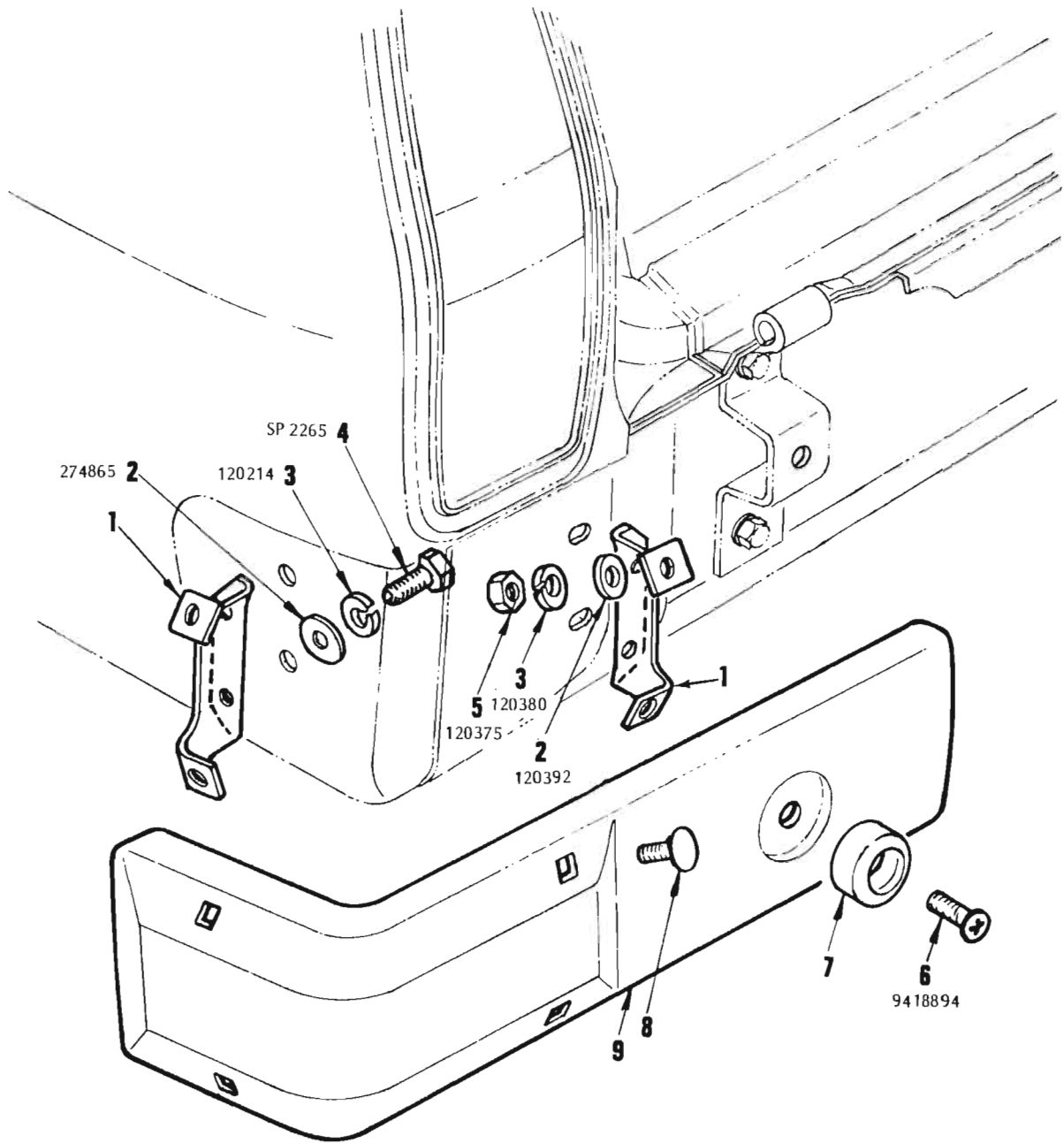
REAR BUMPER BAR
Sedan exc. Statesman

ILLUS. REF. NO.	PART NAME	GROUP	ILLUS. REF. NO.	PART NAME	GROUP
1.	BOLT - Bumper bar to outer panel	7.836	4.	BOLT - Rnd.hd. short sq. neck, 3/8" - 16 x 1"	7.852
2.	BRACKET - Rear	7.836	5.	STRIP ASSY. - Rear bumper bar rubbing	7.831
3.	BAR - Bumper face	7.831			



**REAR BUMPER BAR
Statesman**

ILLUS. REF. NO.	PART NAME	GROUP	ILLUS. REF. NO.	PART NAME	GROUP
1.	BOLT - Bumper bar to outer panel	7.836	4.	BOLT - Rnd.hd.short sq.neck, 3/8" - 16 x 1"	7.852
2.	BRACKET - Rear	7.836	5.	STRIP ASSY. - Rear bumper bar rubbing ..	7.831
3.	BAR - Bumper face	7.831	6.	GUARD ASSEMBLY - Rear	7.828



REAR BUMPER BAR (Commercial)

ILLUS. REF. NO.	PART NAME	GROUP	ILLUS. REF. NO.	PART NAME	GROUP
1.	SPACER – Rear bumper bar	7.865	6.	BOLT – Pan head	8.910
2.	WASHER – Flat	8.929	7.	BUMPER ASSY. – End gate	12.212
3.	WASHER – Lock	8.931	8.	BOLT	7.852
4.	BOLT – Hexagon head	8.900	9.	BAR – Bumper face rear	7.831
5.	NUT – Hexagon	8.915			

"HJ" PARTS CATALOGUE

GROUP	DESCRIPTION	MODEL	SIDE	PART No.	QTY.
7.003	FRAME ASSEMBLY				
	FRAME ASSEMBLY	35, 37, 69 exc. (A) 5 Litre Eng.		9937188	1
	FRAME ASSEMBLY	35, 37, 69 w/(A) 5 Litre Eng.		9937191	1
	FRAME ASSEMBLY	60		9937193	1
	FRAME ASSEMBLY	70, 80 exc. (A) 5 Litre Eng.		9937189	1
	FRAME ASSEMBLY	70, 80 w/(A) 5 Litre Eng.		9937192	1
	NUT - $\frac{3}{16}$ " insert. Use when attaching holes stripped.	ALL		SP2343	A.R.
7.003	BAR ASSEMBLY - Frame side				
	BAR ASSEMBLY - Centre side outer	35, 37, 69	LH	2819259	1
			RH	9937212	1
	BAR ASSEMBLY - Centre side	60, 70, 80	LH	2819263	1
			RH	2819264	1
	BAR ASSEMBLY - Rear side	60	LH	2825173	1
			RH	2825172	1
	BAR ASSEMBLY - Rear side	70, 80	LH	2825167	1
			RH	2825168	1
7.012	MEMBER ASSEMBLY - Frame front				
	MEMBER ASSY.	60		2816083	1
	MEMBER ASSY.	70, 80		2825171	1
7.013	MEMBER ASSEMBLY - Frame intermediate				
	MEMBER ASSY. - Intermediate	60, 70, 80		2825170	1
7.013	MEMBER, SUPPORT - Hoist				
	MEMBER - Hoist support	60, 70, 80		2816639	1
	SUPPORT - Hoist	60, 70, 80		2814689	1
7.014	MEMBER - Frame rear				
	MEMBER	60		2812233	1
	MEMBER ASSEMBLY	70, 80		2825169	1
7.016	PLATE ASSEMBLY - Cab mounting				
	PLATE ASSY.	60	LH	2825175	1
			RH	2825174	1
	SHIM - Mounting plate .03"	60		2823666	A.R.
	SHIM - Mounting plate .06"	60		2823665	A.R.
	SHIM - Mounting plate .12"	60		2823664	A.R.
7.016	BRACKET ASSEMBLY - Platform mounting				
	BRACKET ASSY.	60		2823470	2
7.020	MOUNT ASSEMBLY, SHIM, SUPPORT, SPACER - Body mount				
	MOUNT - Body upper	35, 37, 69		2808857	4
	MOUNT - Body lower	35, 37, 69, 70, 80		2808857	10-4
	MOUNT - Body lower front end	ALL		2808857	2
	MOUNT - Body lower	60		2819595	6
	MOUNT ASSY. - No. 1, No. 2, No. 3	35, 37, 69, 70, 80		2808856	6
	MOUNT ASSY. - No. 1, No. 2, No. 3	60		2819332	6
	MOUNT ASSY. - No. 4	35, 37, 69, 70, 80		2808856	2
	MOUNT ASSY. - No. 5	70, 80		2808856	2
	MOUNT ASSY. - Front end	ALL		2808856	2
	INSULATOR - Cab mounting	60		2819184	4
	SHIM - Mounting - $\frac{3}{32}$ " thick	ALL		2819576	A.R.
	SHIM - Mounting - $\frac{3}{16}$ " thick	ALL		2819577	A.R.
	SUPPORT - No. 4 Mounting	60	LH	2818029	1
			RH	2818028	1
	BOLT ASSY. - No. 4 body mounting support	60		SP2055	8
	SPACER - Insulator	60		2819631	2
	RETAINER - Insulator - 1" dia. hole	60		7437068	4

"HJ" PARTS CATALOGUE

GROUP	DESCRIPTION	MODEL	SIDE	PART No.	QTY.
7.020	MOUNT ASSEMBLY, SHIM, SUPPORT, SPACER – Body mount (contd.)				
	RETAINER – Insulator – ½" dia. hole	60		7435667	4
	REINFORCEMENT – No. 4 Mount	35, 37, 69		2809607	2
	BODY MOUNTING PACKAGE	60		(²³ 2825077	1
	BOLT – Body mounting	ALL		SP2227	A.R.
	WASHER – Body mounting	ALL		SP1968	A.R.
7.112	BRACKET, REINFORCEMENT – Rear Spring Front Hanger				
	BRACKET	60, 70, 80		2812234	2
	REINFORCEMENT	60, 70, 80	LH	2820295	1
			RH	2820294	1
7.118	BRACKET – Rear spring rear hanger				
	BRACKET ASSY.	60, 70, 80	LH	2820087	1
			RH	2812325	1
7.240	STUD KIT, STUD – Front stabiliser spacer				
	STUD KIT	ALL		2818345	1
	STUD	ALL		2810771	2
7.241	SHAFT – Front stabiliser				
	SHAFT	6 Cyl. Eng.		2810848	1
	SHAFT	8 Cyl. Eng. exc. GTS, Coprice		2815723	1
	SHAFT	GTS, Coprice		2810440	1
7.242	BRACKET, INSULATOR – Front stabiliser shaft				
	BRACKET	ALL		2808988	2
	INSULATOR	6 Cyl. Eng.		9932800	2
	INSULATOR	8 Cyl. Eng. exc. GTS, Coprice		9932801	2
	INSULATOR	GTS, Coprice		9932802	2
7.243	BUSHING, RETAINER – Front stabiliser				
	BUSHING	ALL		7084112	8
	RETAINER	ALL		43468	8
	NUT – Hex. ¾" – 24 cone lock	ALL		SP1989	4
7.345	SHOCK ABSORBER ASSEMBLY				
	FRONT – Regular (Branded 9937829)	6 Cyl. Sedan exc. Statesman		9938139	2
	FRONT – Regular (Branded 9937830)	8 Cyl. Sedan exc. Monaro, Statesman		9938140	2
	FRONT – Regular (Branded 9937829)	6 Cyl. Monaro		9938139	2
	FRONT – Regular (Branded 9937830)	8 Cyl. Monaro exc. GTS		9938140	2
	FRONT – Regular (Branded 2819938)	Monaro GTS		2819936	2
	FRONT – Regular (Branded 9937830)	6 Cyl. Statesman		9938140	2
	FRONT – Regular (Branded 9937277)	8 Cyl. Statesman		9938141	2
	FRONT – Regular (Branded 2817851)	6 Cyl. Station Wagon		2818326	2
	FRONT – Regular (Branded 2819938)	8 Cyl. Station Wagon		2819936	2
	FRONT – Regular (Branded 2817851)	Panel Van, Utility, Chassis & Cab		2818326	2
	FRONT – Heavy duty (Branded 2817851)	6 Cyl. Sedan exc. Statesman		2818326	2
	FRONT – Heavy duty (Branded 2819938)	6 Cyl. Statesman		2819936	2
	FRONT – Heavy duty (Branded 2819938)	8 Cyl. Sedan exc. GTS		2819936	2
	FRONT – Heavy duty (Branded 2817851)	6 Cyl. Monaro		2818326	2
	FRONT – Heavy duty (Branded 2819938)	8 Cyl. Monaro exc. GTS		2819936	2
	REAR – Regular (Branded 9933527)	Sedan exc. Monaro GTS		9938142	2
	REAR – Regular (Branded 9933527)	Monaro exc. GTS		9938142	2
	REAR – Regular (Branded 2818310)	Monaro GTS		2818500	2
	REAR – Regular (Branded 2818310)	Station Wagon		2818500	2
	REAR – Regular (Branded 2813924)	Panel Van, Utility, Chassis & Cab		2818329	2
	REAR – Heavy duty (Branded 2819940)	Sedan exc. GTS		2819937	2
	REAR – Heavy duty (Branded 2819940)	Monaro exc. GTS		2819937	2
	PACKAGE COMPLETE – Rear, superlift	35, 37, 69		2824742	1
	PACKAGE COMPLETE – Rear, superlift	70, 80		2824743	1

Note: (²³ Set of mounts to enable body builder to mount body.

“HJ” PARTS CATALOGUE

GROUP	DESCRIPTION	MODEL	SIDE	PART No.	QTY.
7.345 SHOCK ABSORBER ASSEMBLY (contd.)					
REAR - Superlift	35, 37, 69		LH	2820687	1
			RH	2820688	1
REAR - Superlift	70, 80		LH	2820671	1
			RH	2820670	1
TAG - Caution (Use with Superlift shock absorbers)	ALL			2825280	1
7.347 TUBE and COMPONENTS - Superlift shock absorber air					
TUBE - Inflation	35			2824731	1
TUBE - Inflation	37, 69			2816961	1
TUBE - Inflation	70, 80			7438376	1
TUBE - Interconnection	35, 37, 69			9937236	1
TUBE - Interconnection	70, 80			2816975	1
CLIP - Tube to underbody, small	35, 37, 69, 70, 80			7426387	1-3
CLIP - Tube to underbody, 3/16"	70, 80			SP1836	1-3
INSERT - Tube	35, 37, 69, 70, 80			7437644	4
GROMMET - .19" diameter	35, 37, 69			SP1676	1
STEM - Air valve	35, 37, 69, 70, 80			7437583	1
NUT - Air valve stem	35, 37, 69, 70, 80			7437584	1
CORE ASSEMBLY - Air valve	35, 37, 69, 70, 80			7437586	1
CAP - Air valve	35, 37, 69, 70, 80			7437585	1
7.370 BUSHING, PLATE - Shock absorber mounting					
PIN ASSEMBLY - Front shock absorber mounting ..	ALL			2811316	2
BUSHING - Front shock absorber to member	ALL	9938689		7437267	4
PLATE - Front shock absorber to member	ALL			7437268	4
NUT - Front shock absorber to member (3/8" - 24 hex. cone lock)	ALL			SP1989	2
BUSHING - Rear shock absorber to bracket	ALL			2815193	2
BOLT - Shock absorber to bracket	ALL			2816034	2
NUT - Rear shock absorber to bracket	ALL			SP1891	2
BUSHING - Rear shock absorber to underbody	35, 37, 69	9938689		7437267	4
PLATE - Rear shock absorber to underbody	35, 37, 69			7437268	4
NUT - Rear shock absorber to underbody	35, 37, 69			SP1989	2
NUT - Rear shock absorber to frame	60, 70, 80			9422299	2
NUT - Rear Superlift shock absorber	35, 37, 69			SP1330	2
7.371 SHIELD, CLAMP - Rear shock absorber (Superlift)					
SHIELD	70, 80			3861040	2
CLAMP - Shield to shock absorber	70, 80			SP1879	2
7.503 SPRING ASSEMBLY - Rear					
SPRING ASSEMBLY - Regular (ident. code "RE") ..	35			2822647	2
SPRING ASSEMBLY - Heavy duty (ident. code "RK") ..	35			2825753	2
SPRING ASSEMBLY - Regular (ident. code "RA") ..	37, 69, exc. Statesman			2818485	2
SPRING ASSEMBLY - Heavy duty (ident. code "RH") ..	37, 69 exc. Statesman			2825751	2
SPRING ASSEMBLY - Regular (ident. code "RC") ..	Statesman			2818487	2
SPRING ASSEMBLY - Heavy duty (ident. code "RJ") ..	Statesman			2825752	2
SPRING ASSEMBLY - 6 Leaf	60		LH	2824741	1
			RH	2824740	1
SPRING ASSEMBLY	70, 80		LH	2822919	1
			RH	2822918	1
BRACKET & BOLT ASSEMBLY - Rear spring	60, 70, 80			M37195	2
7.505 LEAF - Rear spring					
LEAF - No. 1	60			(2 ^d VS12274	1
LEAF - No. 2	60			(2 ^d VS12275	1
LEAF - No. 3	60			(2 ^d VS12276	1
LEAF - No. 4	60			(2 ^d VS12277	1
LEAF - No. 5	60			(2 ^d VS12278	1
LEAF - No. 6	60			(2 ^d VS12279	1

Note: (2^d Suit rear spring assembly 2824740.

"HJ" PARTS CATALOGUE

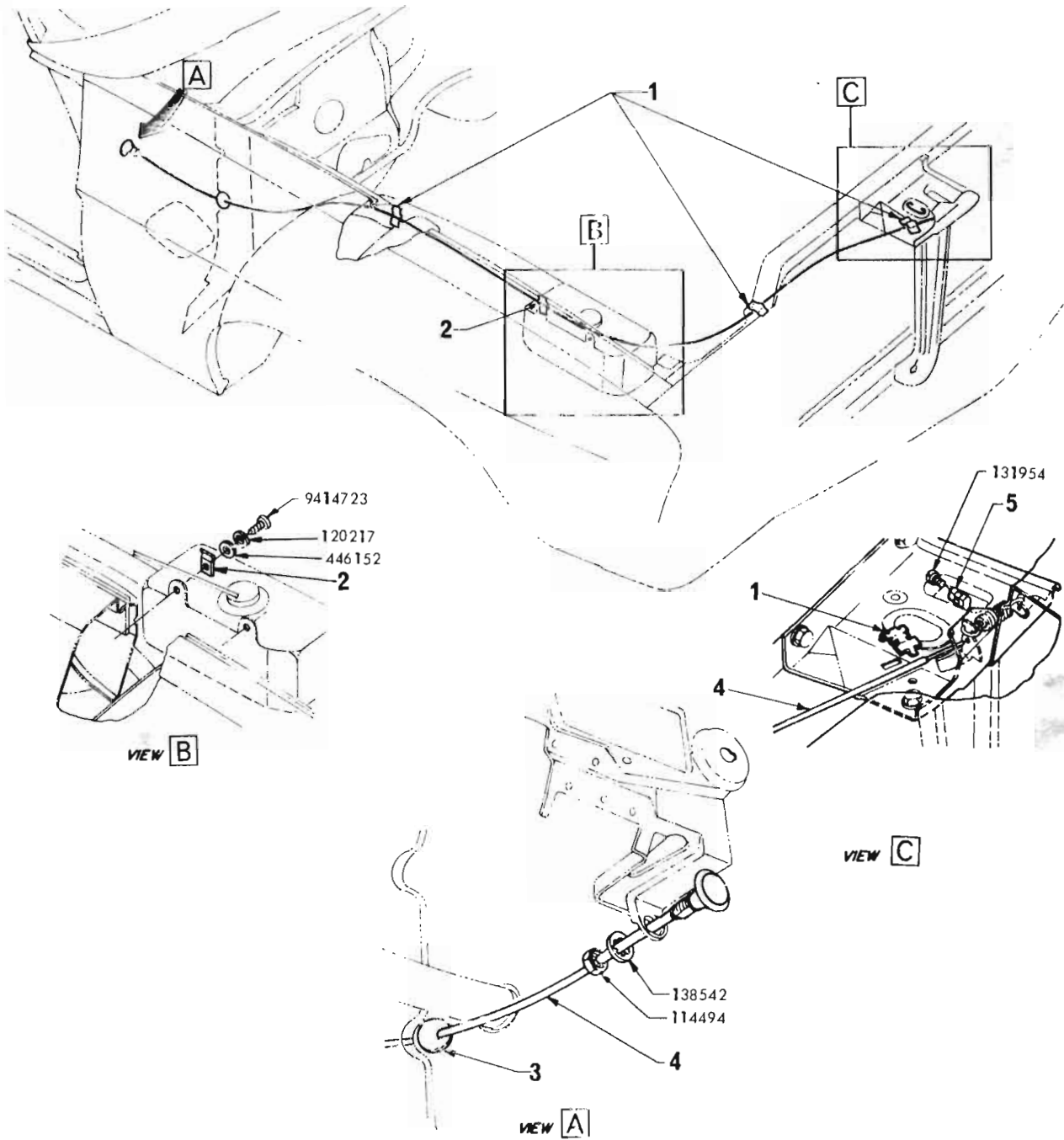
GROUP	DESCRIPTION	MODEL	SIDE	PART No.	QTY.
7.505	LEAF – Rear spring (contd.)				
	LEAF - No. 1	60		(²⁵ VS12284	1
	LEAF - No. 2	60		(²⁵ VS12285	1
	LEAF - No. 3	60		(²⁵ VS12286	1
	LEAF - No. 4	60		(²⁵ VS12287	1
	LEAF - No. 5	60		(²⁵ VS12288	1
	LEAF - No. 6	60		(²⁵ VS12289	1
	LEAF - No. 1	70, 80		(²⁶ VS12280	1
	LEAF - No. 2	70, 80		(²⁶ VS12281	1
	LEAF - No. 3	70, 80		(²⁶ VS12282	1
	LEAF - No. 4	70, 80		(²⁶ VS12283	1
	LEAF - No. 1	70, 80		(²⁷ VS12290	1
	LEAF - No. 2	70, 80		(²⁷ VS12291	1
	LEAF - No. 3	70, 80		(²⁷ VS12292	1
	LEAF - No. 4	70, 80		(²⁷ VS12293	1
7.505	BOLT ASSEMBLY – Rear spring				
	BOLT ASSEMBLY	60		9930368	2
	BOLT ASSEMBLY	70, 80		9930366	2
7.516	'U' BOLT – Rear Spring				
	'U' BOLT	60		2820512	4
	'U' BOLT	70, 80		2814348	4
7.518	PLATE – Rear spring and shock absorber mounting				
	PLATE	60, 70, 80	LH	2824769	1
			RH	2824768	1
7.523	SHACKLE SET – Rear spring				
	SHACKLE SET	60, 70, 80		2820903	2
7.524	BUSHING – Rear spring				
	BUSHING - Front	60, 70, 80		9932059	2
	BUSHING - Rear	60, 70, 80		2823360	8
7.529	BOLT – Rear spring mounting				
	BOLT - Front eye	60, 70, 80		SP2538	2
7.535	BUMPER – Rear Axle				
	BUMPER	35, 37, 69		2825634	2
	BUMPER	60, 70, 80		2820426	2
	BOLT - Hex. hd. $\frac{5}{16}$ " - 18 x $\frac{5}{8}$ " tap	ALL		SP2240	4
7.536	MOUNTING ASSEMBLY – Rear axle bumper				
	MOUNTING ASSEMBLY	35, 37, 69		2810214	2
7.545	INSULATOR – Rear spring				
	INSULATOR	35, 37, 69		2809189	2
7.630	GROMMET – Spare wheel hoist handle				
	GROMMET	70, 80		2817174	1
7.632	BOLT, SPACER – Spare wheel				
	BOLT - Rd. hd. sq. neck $\frac{3}{16}$ " - 18 x 6.00" (Cad or Zinc)	35		SP2005	1
	BOLT - Rd. hd. sq. neck $\frac{3}{16}$ " - 18 x 8.50" (Cad or Zinc)	37, 69 exc. Rally Wheel		SP2291	1
	Note: (²⁵ Suit rear spring assembly 2824741. (²⁶ Suit rear spring assembly 2822918. (²⁷ Suit rear spring assembly 2822919.				

"HJ" PARTS CATALOGUE

GROUP	DESCRIPTION	MODEL	SIDE	PART No.	QTY.
7.632	BOLT, SPACER – Spare wheel (contd.)				
	BOLT – Rd. hd. sq. neck $\frac{3}{16}$ " – 18 x 11.00" (Cad or Zinc)	37, 69 Rally Wheel		SP2327	1
	SPACER – Spare wheel	37, 69 Rally Wheel		2823374	1
	RETAINER – Mounting bolt	35		7430790	1
	RETAINER – Mounting bolt	37, 69		2822340	1
7.633	NUT – Spare wheel				
	NUT – Clamp	35 Rally Wheel		7430789	1
	NUT – Wing	35 exc. Rally Wheel		SP2338	1
	NUT – Wing	37, 69		SP2338	1
7.640	HOIST ASSEMBLY – Spare wheel				
	HOIST ASSEMBLY	60, 70, 80 exc. Rally Wheel		2819802	1
	CABLE ASSEMBLY – Hoist	60, 70, 80 exc. Rally Wheel		VS12217	1
	PLATE – Hoist support	60, 70, 80 exc. Rally Wheel		VS12458	1
	PAD – Hoist compression	60, 70, 80 exc. Rally Wheel		VS12457	1
	WASHER – Hoist cup	60, 70, 80 exc. Rally Wheel		VS12456	1
	WINCH	70, 80 Rally Wheel		9928754	1
7.796	BUMPER – Front license plate mounting				
	BUMPER	35, 37, 69, 70, 80		7409209	2
	NUT	35, 37, 69, 70, 80		SP2536	2
	WASHER – Rubber	60		7424387	2
7.828	GUARD ASSEMBLY – Bumper bar				
	GUARD PACKAGE – Front, without rubbing strip	Exc. Chassis & Cab		9934686	1
	GUARD PACKAGE – Front, with rubbing strip	Exc. Chassis & Cab, Caprice		9934685	1
	GUARD ASSEMBLY – Front	Caprice	LH	9933241	1
			RH	9933242	1
	GUARD PACKAGE – Rear	37, 69 exc. Statesman		9936775	1
	GUARD PACKAGE – Rear	De Ville		9936879	1
	GUARD ASSEMBLY – Rear	Caprice		9933305	2
	INSERT – Rubber, front & rear bumper guard	Exc. Chassis & Cab, Caprice		M37080	4
	PLUG – Plastic, front & rear bumper guard	Exc. Chassis & Cab, Caprice		M37081	4
	STRIP – Rubbing, front & rear bumper guard	Caprice		9933243	4
	BOLT ASSY. – Guard to bumper bar	Caprice		SP2078	8
	NUT – Guard to bumper bar	Caprice		SP1548	8
7.831	BAR – Bumper face				
	BAR – Front, without rubbing strip	Exc. Chassis & Cab		9930146	1
	BAR – Front	Chassis & Cab		2823473	1
	BAR – Front, chromed	Chassis & Cab		9934607	1
	BAR – Front, with rubbing strip	Exc. Chassis & Cab, Caprice		9930777	1
	BAR – Front	Caprice		9934218	1
	BAR – Rear, without rubbing strip	S/wagon, Sedan exc. Premier, Statesman		9930222	1
	BAR – Rear, with rubbing strip	S/wagon, Sedan exc. Statesman		9930147	1
	BAR – Rear	Coupe		9930685	1
	BAR – Rear	De Ville		9930439	1
	BAR – Rear	Caprice		9934219	1
	BAR – Rear, end	Panel Van, Utility		2816983	2
	STRIP ASSY – Front bumper bar rubbing	Exc. Chassis & Cab		9931194	1
	STRIP ASSY – Rear bumper bar rubbing	S/Wagon, Sedan exc. Statesman	LH	9930603	1
			RH	9930604	1
	STRIP ASSY – Rear bumper bar rubbing	Statesman	LH	9931041	1
			RH	9931040	1
	NUT – Rubbing strip to bumper bar	Exc. Chassis & Cab		9420234	A.R.

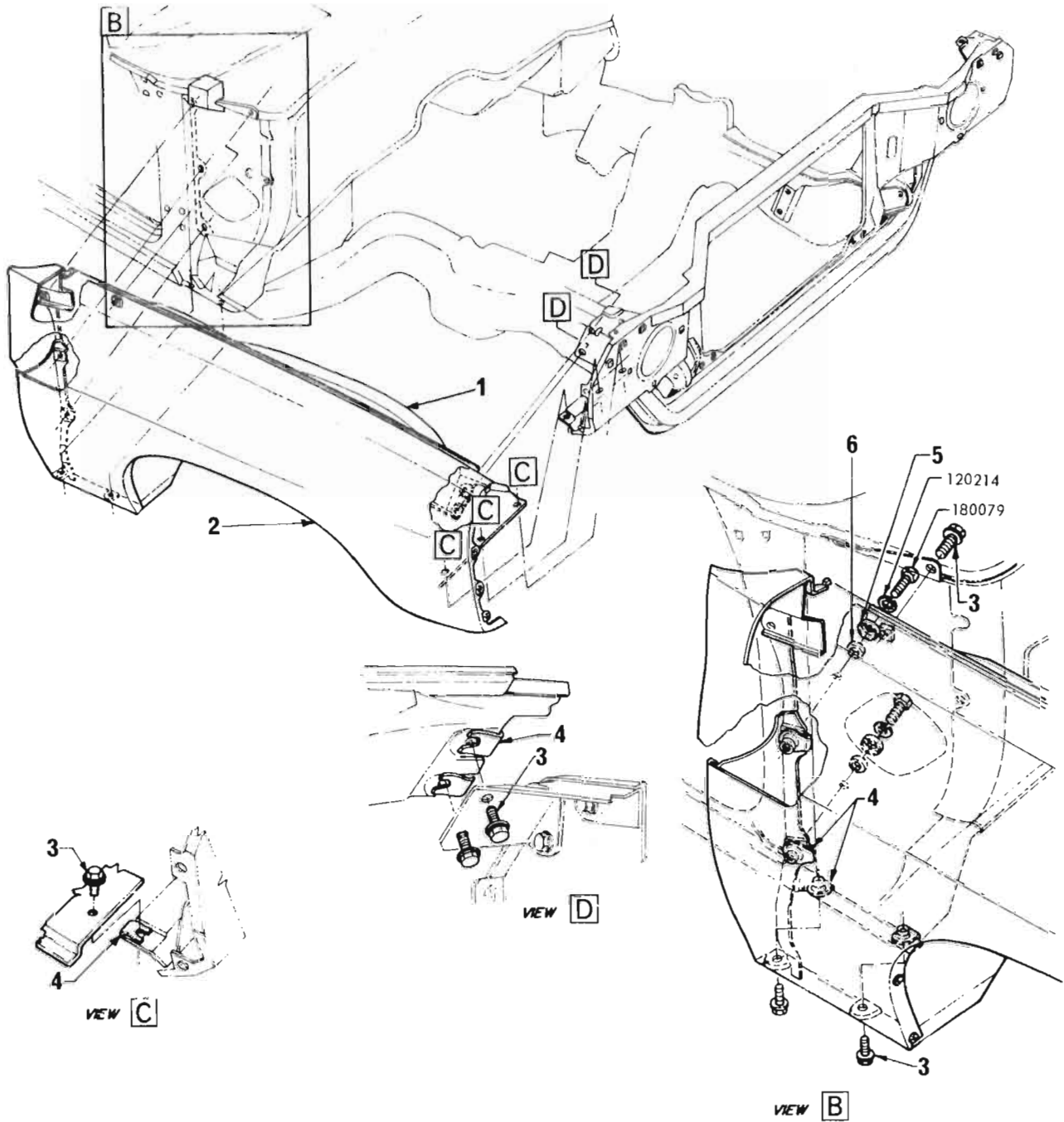
"HJ" PARTS CATALOGUE

GROUP	DESCRIPTION	MODEL	SIDE	PART No.	QTY.
7.836	BRACKET – Bumper mounting				
	BRACKET ASSEMBLY – Front inner	Exc. Chassis & Cab	LH	9931341	1
			RH	9931340	1
	BRACKET ASSEMBLY – Front outer	Exc. Chassis & Cab	LH	9932151	1
			RH	9932152	1
	BRACKET – Front inner	Chassis & Cab	LH	2823549	1
			RH	2823548	1
	BRACKET – Front outer	Chassis & Cab	LH	2823547	1
			RH	2823546	1
	WASHER – Plain .53" x 1.25" x .109"	ALL		SP1899	4-2
	BRACKET – Rear	35	LH	9931399	1
			RH	9931398	1
	BRACKET – Rear	37, 69 exc. Statesman	LH	9930541	1
			RH	9930542	1
	BRACKET – Rear	Statesman	LH	9931895	1
			RH	9931894	1
	BOLT – Bumper bar to outer panel	35, 37, 69		SP2108	6-4
7.852	BOLT – Bumper bar face				
	BOLT – Rnd. hd. short sq. neck, 3/8" – 16 x 1" (Cad or zinc)	Station Wagon, Coupe, Sedan		455980	A.R.
	BOLT – Rnd. hd. short sq. neck 3" – 16 x 1" (chrome cap)	Exc. Chassis & Cab		SP2365	A.R.
	BOLT – Rear bar to spacer	Panel Van, Utility		7423203	8
	BOLT – Front bumper	Chassis & Cab		SP2333	10
7.865	SPACER, EXTENSION ASSEMBLY – Bumper bar				
	SPACER – Rear	35, 37, 69		2810329	2
	SPACER – Rear	70, 80		2816919	4
	EXTENSION – Front bar outer bracket	Exc. Chassis & Cab	LH	9932157	1
			RH	9932158	1
T.870 SHIELD, FRONT Bumper Stone					
	SHIELD	Exc CHASSIS & CAB	LH	9938127	1
			RH	9938128	1



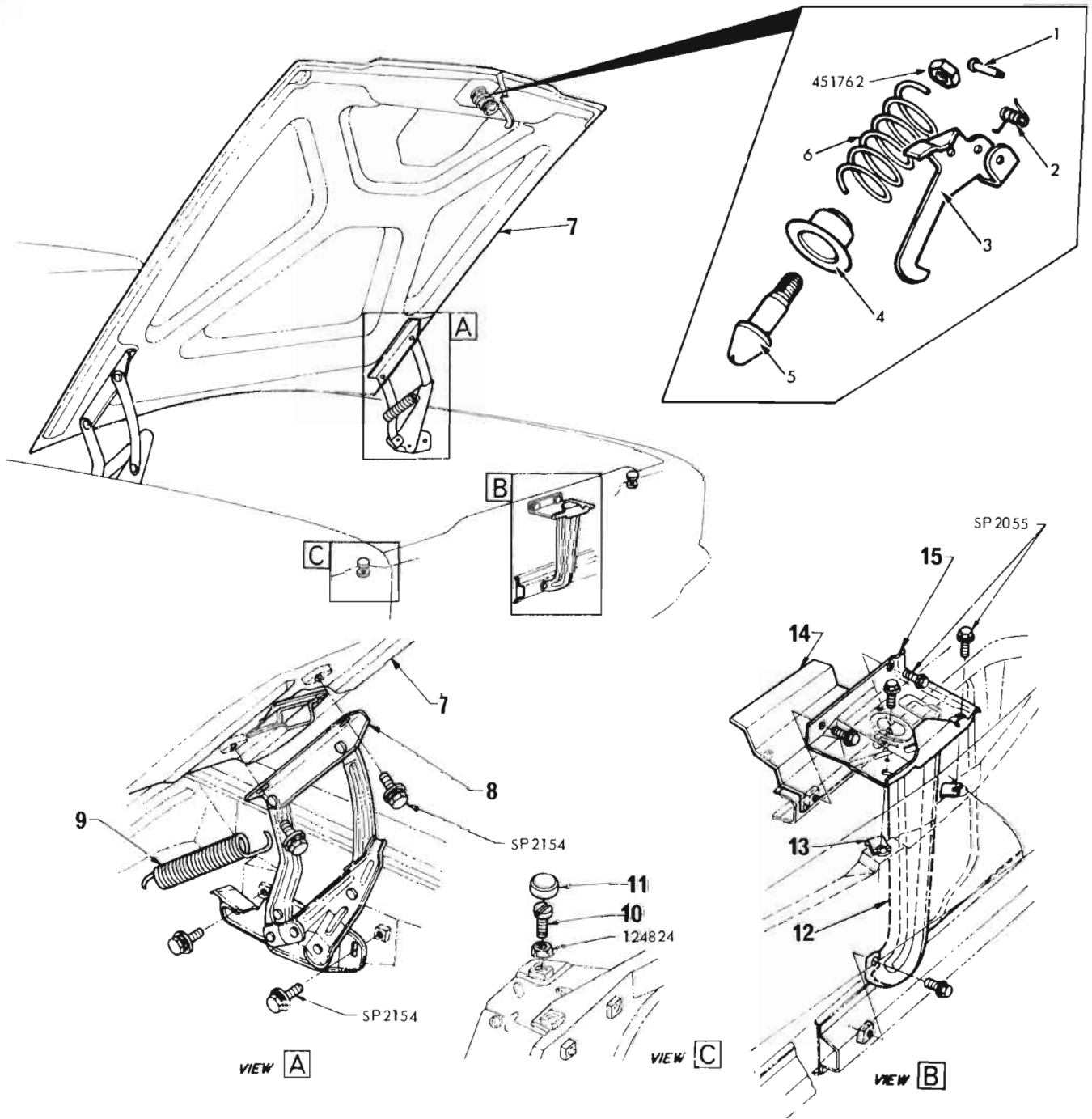
HOOD LOCK

ILLUS. REF. NO.	PART NAME	GROUP	ILLUS. REF. NO.	PART NAME	GROUP
1.	CLIP - Speed	8.075	4.	ROD ASSEMBLY	8.075
2.	RETAINER	8.077	5.	ANCHOR	8.077
3.	GROMMET	8.076			



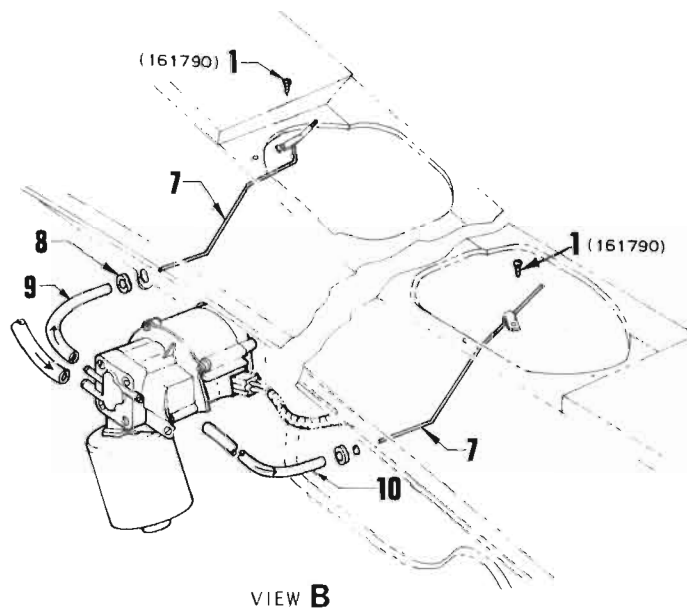
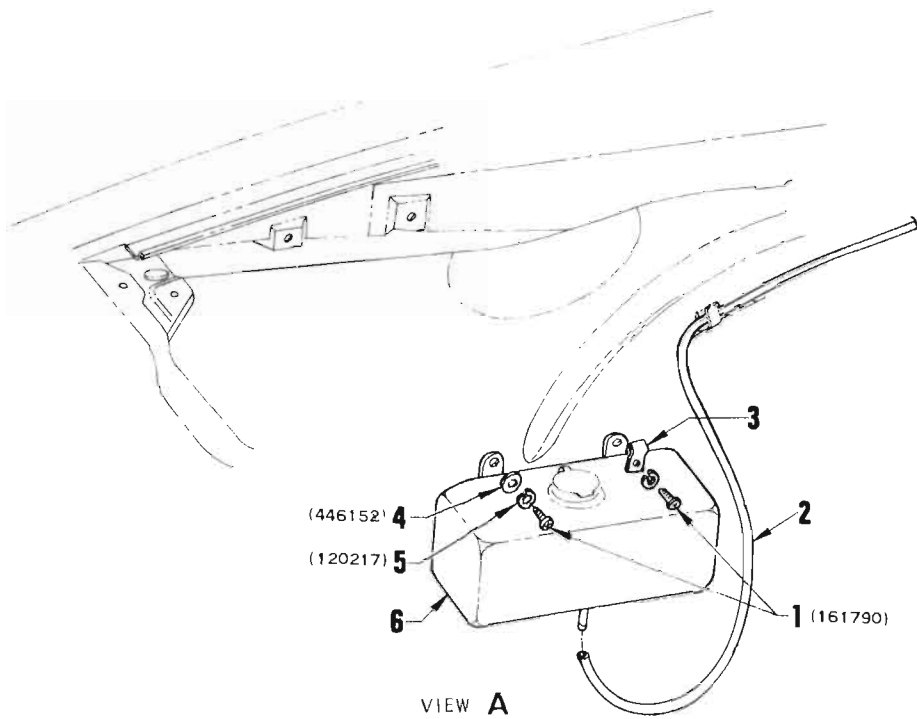
FRONT FENDER

ILLUS. REF. NO.	PART NAME	GROUP	ILLUS. REF. NO.	PART NAME	GROUP
1.	SKIRT ASSEMBLY – Front fender	8.153	4.	NUT – 5/16" – 18 "J" type	8.143
2.	FENDER ASSEMBLY – Front	8.130	5.	WASHER – (Cup)	8.143
3.	BOLT & WASHER ASSY.	8.143	6.	WASHER – (Rubber)	8.143



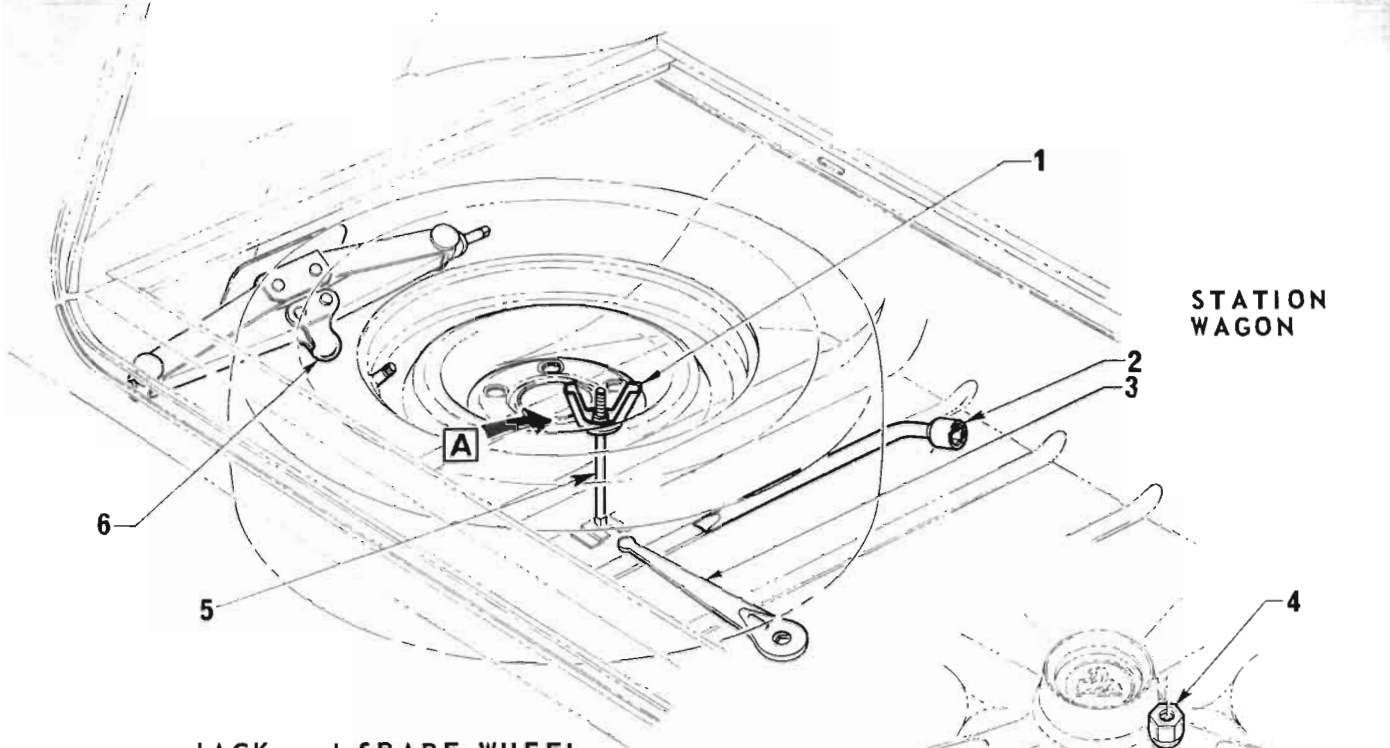
HINGE and HOOD LOCK

ILLUS REF NO.	PART NAME	GROUP	ILLUS REF. NO.	PART NAME	GROUP
1	PIN - Safety catch	8 036	9	SPRING - Hood hinge	8.013
2	SPRING - Safety catch	8 036	10	BOLT - Bumper to rad. support panel	8 024
3	CATCH - Hood safety	8.036	11	BUMPER - Hood to rad. support panel	8.024
4	RETAINER - Hood catch spring	8.085	12	SUPPORT - Lock	8.079
5	PLUNGER - Hood lock	8.085	13	NUT - 5/16" - 18 "J" type	8.079
6	SPRING - Hood catch	8.085	14	FINGER GUARD - Fan	1.270
7	PANEL ASSEMBLY - Hood	8.000	15	LOCK ASSEMBLY	8.079
8	HINGE ASSEMBLY - Hood	8.015			



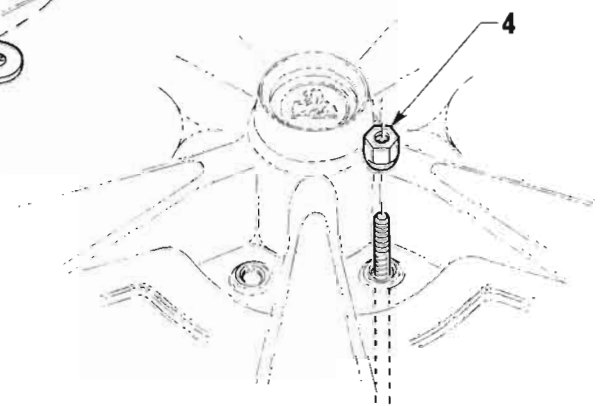
VIEW B
WINDSHIELD WASHER

ILLUS. REF. NO.	PART NAME	GROUP	ILLUS. REF. NO.	PART NAME	GROUP
1.	SCREW - Sheet metal	8.977	6.	RESERVOIR ASSY.	8.798
2.	HOSE - Pump to reservoir	8.798	7.	NOZZLE ASSY.	8.798
3.	RETAINER - Hood lock control rod	8.077	8.	GROMMET - Nozzle to shroud panel	8.798
4.	WASHER - Flat	8.929	9.	HOSE - Pump to RH nozzle	8.798
5.	WASHER - Lock	8.931	10.	HOSE - Pump to LH nozzle	8.798

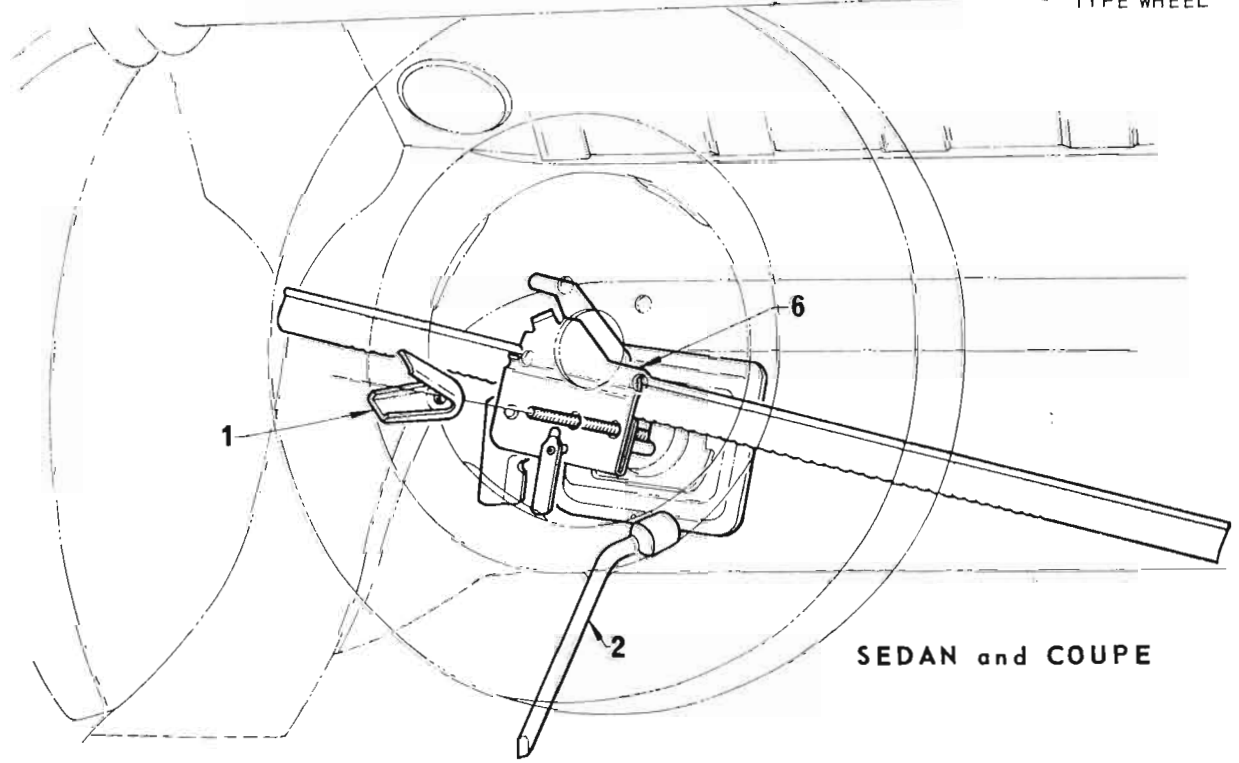


JACK and SPARE WHEEL

ILLUS. REF. NO.	PART NAME	GROUP
1.	NUT - Wing	7.633
2.	WRENCH - Wheel nut	8.821
3.	HANDLE - Jack side lifting	8.820
4.	NUT - Clamp	7.633
5.	BOLT - Spare wheel	7.632
6.	JACK & HANDLE PACKAGE	8.820



VIEW A WITH RALLY TYPE WHEEL



SEDAN and COUPE

"HJ" PARTS CATALOGUE

GROUP	DESCRIPTION	MODEL	SIDE	PART No.	QTY.
8.000	PANEL ASSEMBLY – Hood				
	PANEL ASSEMBLY	Exc. Chassis & Cab		9937161	1
	PANEL ASSEMBLY	Chassis & Cab		9932692	1
		<i>AMBULANCE</i>			
		<i>Exc. AMBULANCE</i>			
8.009	SILENCER – Hood Panel				
	SILENCER	ALL		2812211	1
	RETAINER – Silencer to panel	ALL		3934260	16
8.013	SPRING – Hood hinge				
	SPRING	ALL		2822668	2
8.015	HINGE ASSEMBLY – Hood				
	HINGE ASSEMBLY	ALL	LH	2811919	1
			RH	2811918	1
8.024	BUMPER – Hood				
	BUMPER – Hood	ALL		7424840	4
	BUMPER – Hood to radiator support panel	ALL		7424249	2
	BOLT – Bumper to radiator support panel	ALL		7424068	2
8.036	CATCH, SPRING – Hood safety				
	CATCH	ALL		2811857	1
	PIN – Hood safety catch	ALL		2811603	1
	SPRING – Safety catch	ALL		2811604	1
8.055	ORNAMENT – Hood				
	ORNAMENT PACKAGE	ALL		2827499	1
8.075	ROD – Hood lock control				
	ROD ASSEMBLY	ALL		9932986	1
	CLIP – Speed	ALL		SP2525	3
8.076	GROMMET – Hood lock control				
	GROMMET	ALL		7433020	1
8.077	ANCHOR, RETAINER – Hood lock control rod				
	ANCHOR	ALL		7400144	1
	RETAINER	ALL		7437569	1
8.079	LOCK ASSEMBLY – Hood				
	LOCK ASSEMBLY	ALL		2812671	1
	SUPPORT – Lock	ALL		2813838	1
	BOLT – Hex. hd. $\frac{5}{16}$ " – 18 x .812" with lock washer ..	ALL		SP2055	4
	NUT – $\frac{5}{16}$ " – 18 'J' type	ALL		SP1548	2
8.081	SPRING – Hood catch lock plate				
	SPRING	ALL		2811920	1
8.085	SPRING, RETAINER – Hood catch				
	SPRING – Hood catch	ALL		9934373	1
	RETAINER – Hood catch spring	ALL		9934374	1
8.085	BRACKET, PLUNGER – Hood lock				
	BRACKET – Hood lock	ALL		9934372	1
	BOLT – Hex. hd. $\frac{5}{16}$ " – 18 x .812" with lock washer ..	ALL		SP2055	2
	PLUNGER – Hood lock	ALL		7415559	1

"HJ" PARTS CATALOGUE

GROUP	DESCRIPTION	MODEL	SIDE	PART No.	QTY.
8.112	SPLASH PAN PACKAGE				
	PACKAGE	ALL		9928311	1
	FASTENER	ALL		SP1838BA	8
8.126	FRONT AIR DAM PACKAGE				
	PACKAGE	Exc. Statesman, Chassis & Cab		9935200	1
	DAM	Exc. Statesman, Chassis & Cab	LH	9933847	1
			RH	9933846	1
	BRACKET - Inner	Exc. Statesman, Chassis & Cab		9934009	2
	BRACKET - Centre	Exc. Statesman, Chassis & Cab		9934008	1
	BRACKET - Outer	Exc. Statesman, Chassis & Cab		9934010	2
	BOLT - Hex. hd. $\frac{5}{16}$ " - 18 x .812" with lock washer ..	Exc. Statesman, Chassis & Cab		SP2511	5
	BOLT - Round hd. cr. rec. No. 10 - 24 x .62"	Exc. Statesman, Chassis & Cab		SP2440	2
	NUT - No. 10 - 24 "J" type	Exc. Statesman, Chassis & Cab		SP2050	2
8.130	FENDER ASSEMBLY - Front				
	FENDER ASSEMBLY	Sedan exc. GTS	LH	9930879	1
			RH	9930878	1
	FENDER ASSEMBLY	Monaro exc. GTS	LH	9930879	1
			RH	9930878	1
	FENDER ASSEMBLY	Station Wagon	LH	9930879	1
			RH	9930878	1
	FENDER ASSEMBLY	Panel Van, Utility exc. Sports option	LH	9930879	1
			RH	9930878	1
	FENDER ASSEMBLY	GTS	LH	9930881	1
			RH	9930880	1
	FENDER ASSEMBLY	Panel Van, Utility w/Sports option	LH	9930881	1
			RH	9930880	1
	FENDER ASSEMBLY	Chassis & Cab	LH	2822913	1
			RH	2822914	1
8.132	MOULDING, NAME PLATE - Front fender				
	MOULDING - Wheel opening	ALL	LH	9930949	1
			RH	9930950	1
	SCREW - Moulding to fender tap. No. 8 - 18 x .437" (Sealed)	ALL		SP2127	2
	MOULDING ASSEMBLY - Side <i>Exc. CAB/CHASSIS & Panel VAN</i>	Kingswood, Premier, Statesman, Monaro exc GTS, Sports Option		9930887	2
	SCREW - Flat hd. cr. rec. tap No. 4 - 24 x .375"	Kingswood, Premier, Statesman, Monaro exc GTS, Sports Option		SP2495	14
	NUT - Moulding to fender	Kingswood, Premier, Statesman, Monaro exc GTS, Sports Option		SP2443	2
	PLATE - 'Belmont' name	Belmont		2814784	2
	PLATE - 'Holden' name	Panel Van, Utility		9933763	2
	PLATE - 'Kingswood' name	Kingswood		2814535	2
	PLATE - 'Monaro' name (Black)	Monaro exc. L.S.		2814805	2
	PLATE - 'Monaro L.S.' name	L.S.		2817707	2
	PLATE - 'Premier' name	Premier		2814573	2
	CLIP - Name plate (Tubular $\frac{1}{8}$ ")	ALL		SP1606	4-6
	<i>MOULDING PLATE - Wheel opening</i>	ALL		9931901	1
	<i>SPECIAL HARD (SUIT SIDE MOUNT)</i>	ALL		9930707	1
8.143	FRONT FENDER ATTACHING PARTS				
	BOLT & WASHER ASSY. - Hex. hd. $\frac{5}{16}$ " - 18 x $\frac{13}{16}$ "	ALL		SP2055	A.R.
	NUT - $\frac{5}{16}$ " - 18 'J' type	ALL		SP1548	A.R.
	SCREW - Fender to skirt - Washer hd. No. 10 - 24 x .62"	ALL		SP2056	12
	NUT - Fender to skirt - No. 10 - 24 'J' type	ALL		SP2050	12
	WASHER - Fender to front body pillar (Cup)	ALL		7424850	4
	WASHER - Fender to front body pillar (Rubber)	ALL		7424849	4
8.153	SKIRT ASSEMBLY - Front fender				
	SKIRT ASSEMBLY	ALL	LH	2815495	1
			RH	2815494	1

"HJ" PARTS CATALOGUE

GROUP	DESCRIPTION	MODEL	SIDE	PART No.	QTY.
8.154	SHIELD, FASTENER – Front fender				
	SHIELD – Front fender skirt dust	ALL		2814014	2
	FASTENER – Dust shield to fender skirt	ALL		SP1838BA	4
	FRONT FENDER OPENING UPPER MUD DEFLECTOR PACKAGE	ALL		2825700	1
	DEFLECTOR – Opening upper mud	ALL		2825536	2
8.304	MOULDING, CLIP – Rocker panel				
	MOULDING	Premier Sedan	LH	2815665	1
			RH	2815664	1
	MOULDING	Premier Station Wagon, Statesman	LH	2815667	1
			RH	2815666	1
	MOULDING	L.S.	LH	2816885	1
			RH	2816884	1
	MOULDING CLIP PACKAGE	Premier, L.S., Statesman		2815665CLP	2
	CLIP – Moulding (Stud type)	Premier, L.S., Statesman		2815972	24
	CLIP – Moulding (Screw type)	Premier, L.S., Statesman		2816014	A.R.
	SCREW – Rd. hd. washer face c/rec. tap. No. 8 – 18 x 7/16"	Premier, L.S., Statesman		SP2256	A.R.
	SCREW – Hex. washer hd. No. 10 – 16 x 1/2"	Premier, L.S., Statesman		9425111	14
8.798	WINDSHIELD WASHER COMPONENTS				
	RESERVOIR ASSY.	ALL		7434071	1
	FILTER ASSY.	ALL		7433973	1
	PUMP ASSY. – 'Lucas'	ALL		VS11870	1
	PUMP ASSY. – 'Preslite'	ALL		VS11946	1
	CAP – Suction	(Preslite) ALL		VS12130	1
	COVER – Solenoid	(Preslite) ALL		VS12133	1
	COVER – Valve	(Preslite) ALL		VS12134	1
	CUP – Trim	(Preslite) ALL		VS12132	1
	HOUSING	(Preslite) ALL		VS12128	1
	PLUNGER	(Preslite) ALL		VS12131	1
	PLUNGER & LEVER ASSY. – Solenoid	(Preslite) ALL		VS12139	1
	RUBBER – Valve	(Preslite) ALL		VS12137	3
	SCREW – Solenoid cover	(Preslite) ALL		VS10277	1
	SCREW – Valve cover	(Preslite) ALL		VS12138	4
	SEAL – Valve	(Preslite) ALL		VS12136	1
	SEAT – Valve	(Preslite) ALL		VS12135	1
	SOLENOID ASSY.	(Preslite) ALL		VS12129	1
	SPRING – Valve	(Preslite) ALL		VS12140	1
	CAM FOLLOWER	(Lucas) ALL		VS12199	1
	COVER – Valve	(Lucas) ALL		VS12204	1
	DIAPHRAGM	(Lucas) ALL		VS12202	1
	HOUSING	(Lucas) ALL		VS12196	1
	LATCH	(Lucas) ALL		VS12198	1
	LEVER ASSY. – Locking	(Lucas) ALL		VS12207	1
	PLATE – Intensifier	(Lucas) ALL		VS12208	1
	SLIDE	(Lucas) ALL		VS12197	1
	SOLENOID ASSY.	(Lucas) ALL		VS12206	1
	SPRING – Cam follower	(Lucas) ALL		VS12201	1
	SPRING – Diaphragm	(Lucas) ALL		VS12203	1
	SCREW – Slide	(Lucas) ALL		VS12205	1
	TIMING WHEEL	(Lucas) ALL		VS12200	1
	NOZZLE ASSY.	ALL	LH	2816297	1
			RH	2816298	1
	GROMMET – Nozzle to shroud panel	ALL		7412113	2
	HOSE – Pump to LH nozzle (.156" I.D. x 23" long)	ALL		7406032	1
	HOSE – Pump to RH nozzle (.156" I.D. x 5.5" long)	ALL		7426356	1
	HOSE – Pump to Reservoir (.219" I.D. x 58" long)	ALL		2818587	1
	CLIP – Hose to fender skirt	ALL		SP1779	2

"HJ" PARTS CATALOGUE

GROUP	DESCRIPTION	MODEL	SIDE	PART No.	QTY.
8.800	SERVICE ACCESSORIES – Maintenance				
	ADHESIVE – Plastic	ALL		7425228	A.R.
	ADHESIVE – P.V.C.	ALL		7425230	A.R.
	ANTI-FREEZE – 1 Litre can	ALL		7425039	A.R.
	CAULKING COMPOUND – In can	ALL		7425360	A.R.
	CAULKING COMPOUND – Silicone – Windshield ...	ALL		2823265	A.R.
	CAULKING COMPOUND – Silicone – Rear window.	37, 69		2823266	A.R.
	CAULKING PACKAGE – Thermo electric Windshield & rear window	ALL		2825784	A.R.
	CEMENT – Neoprene	ALL		7425229	A.R.
	FLUID – Heavy duty brake – 10 oz.	ALL		7448554	A.R.
	FLUID – Heavy duty brake – 1 pint	ALL		7448553	A.R.
	FLUID – Heavy duty brake – 4 gallon	ALL		7448551	A.R.
	FLUID – Heavy duty brake – 4 gallon – External cap	ALL		7448550	A.R.
	INHIBITOR – Radiator – 227.2 ml (8 oz.) – use when new radiator fitted	ALL		7426874	A.R.
	INHIBITOR – Radiator – 200 ml. – use after radiator has been in service for 6000 miles	ALL		2822485	A.R.
	KEY BLANK – Square hd. (Primary)	ALL		M37042	A.R.
	KEY BLANK – Oval hd. (Secondary)	ALL		M37043	A.R.
	OIL – Compressor – 1 quart	ALL		VS10686	A.R.
	OIL – Silicone (Diode Rect. Generator)	ALL		7429241	A.R.
	PASTE – Gasket and thermo switch	ALL		3836540	A.R.
	PUTTY – Flexomastic	ALL		2806776	A.R.
	SEALER – Prestik No. 14, non-hardening, black	ALL		7425330	A.R.
	SEALER – Prestik No. 14, non-hardening, grey	ALL		7422512	A.R.
	SEALER – Prestik No. 14 non-hardening, grey 1 strip	ALL		7417028	A.R.
	SEALER – Non-hardening, 1½ lb. (N202)	ALL		7438910	A.R.
	SEALER – Non-hardening, 2½ lb. (N202)	ALL		7425360	A.R.
	SEALER – Plastic (quart tin)	ALL		7425234	A.R.
	SEALING COMPOUND – Crankshaft rear bearing cap	ALL		3835215	A.R.
	TAPE – Regulator sealing	ALL		7429243	A.R.
8.820	JACK and HANDLE ASSEMBLY				
	JACK & HANDLE PACKAGE – Side lifting	35		9938284	1
	HANDLE – Jack side lifting	35		9936899	1
	JACK ASSEMBLY – Bumper lifting	37, 69		9932380	1
	JACK & HANDLE PACKAGE – Under axle type	60		2825180	1
	JACK & HANDLE PACKAGE – Under axle type	70, 80		2825179	1
	HANDLE – Jack	60, 70, 80		2817261	1
	CLIP – Jack handle to body	60, 70, 80		SP1904	1
8.821	TOOLS				
	WRENCH – Wheel nut	ALL		9932167	1
	CLIP – Wheel nut wrench to body	60, 70, 80		SP1904	1
8.823	MANUAL – Owner, workshop				
	MANUAL – Owner	Exc. Statesman		9937103	1
	MANUAL – Owner	Statesman		9937102	1
	MANUAL – Workshop (Body and Air Conditioning)	ALL		M37015	1
	MANUAL – Workshop (Front and Rear Suspension, Brakes, Steering)	ALL		M37016	1
	MANUAL – Workshop (Rear Axle & Transmission) ..	ALL		M37017	1
	MANUAL – Workshop (Engine and General Specifications)	ALL		M37018	1
	MANUAL – Workshop (Electrical)	ALL		M37019	1
	MANUAL – Workshop (Supplement)	60, 70, 80		M37118	1
	DECAL – "Air Conditioned"	Air Cond.		9933719	1
	LABEL – Fan warning	ALL		2822755	1
	TAG – Caution	Superlift Shock Absorber		2825280	1

“HJ” PARTS CATALOGUE

GROUP	DESCRIPTION	MODEL	SIDE	PART No.	QTY.
8.823	MANUAL – Owner, workshop (contd.)				
	TRANSFER – Holden name	Chassis & Cab		2823499	1
	TRANSFER PACKAGE – Sandman, Black	Panel Van, Utility		9933123	1
	TRANSFER PACKAGE – Sandman, White	Panel Van, Utility		9933124	1

8.899 BALL - Steel



1/8" Carbon steel (Comm. A1)	453566
1/4" Carbon steel	453570
5/32" Carbon steel	453571
3/8" Carbon steel	453593
7/8" Carbon steel	147489
5/8" Carbon steel	169162

8.900 BOLT - Hexagon Head



No. 10 - 16 x 1/2" with flat washer (zinc)	SP2144
No. 10 - 24 x 5/16" (cr. recess) (cad)	SP2441
No. 10 - 24 x .38" (zinc)	SP2319
No. 10 - 24 x 3/8" (zinc)	SP2125
No. 10 - 24 x 3/8" washer head	SP2319
No. 10 - 24 x 1/2" (zinc or phos.)	SP1897
No. 10 - 24 x 1/2" (cad or zinc)	443874
No. 10 - 24 x .62" washer face (cr. recess) (phos.)	SP2440
No. 10 - 24 x .62"	SP2056
No. 10 - 24 x 5/8"	440502
No. 10 - 24 x 5/8" hd. point (cad or zinc)	SP2119
No. 10 - 24 x 3/4" washer face (cr. recess)	SP2411
No. 10 - 24 x 1 1/4"	454774
No. 10 - 32 x 3/8" with lock washer	457007
1/4" - 20 x 3/8" (zinc)	121797
1/2" - 20 x 3/8" with washer (zinc)	9411397
1/4" - 20 x 7/16" (cad or zinc)	180015
1/4" - 20 x 1/2" with washer (zinc)	SP2047
1/4" - 20 x 1/2" washer head (cad or zinc)	9411372
1/4" - 20 x 1/2" with washer (phos. coated)	SP2219
1/4" - 20 x 1/2" (zinc)	121926
1/4" - 20 x 1/2" (cad or zinc)	180016
1/4" - 20 x 1/2" with lock washer (cad or zinc)	274430
1/4" - 20 x 1/2"	9414811
1/4" - 20 x 1/2" (zinc)	120706
1/4" - 20 x 1/2" washer hd. with ext. tooth lock washer	9427959
1/4" - 20 x 1/2" (cad or zinc)	9415794
1/4" - 20 x 1/2" with lock washer	423335
1/4" - 20 x 9/16"	117461
1/4" - 20 x 9/16" (zinc)	121867
1/4" - 20 x 9/16"	9415795
1/4" - 20 x 5/8" with washer (phos. coated)	SP2280
1/4" - 20 x 5/8" with washer (cad or zinc)	274672
1/4" - 20 x 5/8" with lock washer (zinc)	SP2064
1/4" - 20 x 5/8" (zinc)	120854
1/4" - 20 x 5/8" with lock washer (cad or zinc)	9409107
1/4" - 20 x 5/8" with lock washer	SP2065
1/4" - 20 x 5/8" with ext. tooth lock washer	186493
1/4" - 20 x 1 1/8" with lock washer	SP1566
1/4" - 20 x 3/4" (zinc)	121887
1/4" - 20 x 3/4" (cad or zinc)	9413531
1/4" - 20 x .75" (phos.)	SP2381
1/4" - 20 x .81" washer head (phos.)	SP2321

8.900 BOLT - Hexagon Head (contd.)

1/4" - 20 x 7/8"	SP2211
1/4" - 20 x 7/8" with washer	SP2279
1/4" - 20 x 7/8" (cad or zinc)	456632
1/4" - 20 x 7/8" with lock washer	SP2031
1/4" - 20 x 7/8" with lock washer	SP2483
1/4" - 20 x 1 5/8"	108586
1/4" - 20 x 2 3/8" (cad or zinc)	SP2107
1/4" - 28 x 1/2"	123316
1/4" - 28 x 5/8" (zinc)	123435
1/4" - 28 x .640 with lock washer	SP1976
1/4" - 28 x 3/4"	123450
1/4" - 28 x 7/8" (zinc)	454848
5/16" - 10 Acme	SP1775
5/16" - 18 x 1/2"	SP1771
5/16" - 18 x 1/2" (phos. coated)	9419342
5/16" - 18 x 1/2" (zinc)	180073
5/16" - 18 x 1/2" (plain)	106973
5/16" - 18 x 1/2" (cad or zinc)	120834
5/16" - 18 x 1/2" with lock washer	423345
5/16" - 18 x 9/16"	115658
5/16" - 18 x 5/8" (cad or zinc)	120228
5/16" - 18 x 5/8" (zinc)	180075
5/16" - 18 x 5/8" with lock washer	SP2089
5/16" - 18 x 5/8" with flat washer (zinc)	SP1994
5/16" - 18 x 1 1/8" (zinc)	121999
5/16" - 18 x 3/4"	179816
5/16" - 18 x 3/4" with lock washer (zinc)	SP2073
5/16" - 18 x 3/4" (cad or zinc)	454869
5/16" - 18 x 3/4" (cad or zinc)	9415813
5/16" - 18 x 3/4" (phos. coated)	SP2265
5/16" - 18 x 3/4" with lock washer (zinc)	SP2195
5/16" - 18 x 3/4" with lock and flat washer (zinc)	SP2093
5/16" - 18 x .81"	SP1533
5/16" - 18 x .81"	SP2511
5/16" - 18 x 1 1/16" with washer (zinc)	SP2055
5/16" - 18 x 7/8" with lock washer (zinc)	SP2115
5/16" - 18 x 7/8" (cad or zinc)	120229
5/16" - 18 x 7/8" with lock and flat washer (zinc)	SP2078
5/16" - 18 x 7/8"	179817
5/16" - 18 x 7/8" with lock washer (zinc)	SP2090
5/16" - 18 x 7/8" (cad or zinc)	9413576
5/16" - 18 x 1"	179818
5/16" - 18 x 1" with lock washer (zinc)	SP2013
5/16" - 18 x 1" with washer (zinc)	SP2014
5/16" - 18 x 1" Type 'A' lock	192347
5/16" - 18 x 1" (cad or zinc)	122017
5/16" - 18 x 1" (cad or zinc)	180079
5/16" - 18 x 1" with serrated washer head	9413497
5/16" - 18 x 1" flanged hd. (zinc)	9427636
5/16" - 18 x 1 1/8"	179819
5/16" - 18 x 1 1/8"	180080
5/16" - 18 x 1 1/8" with washer	SP2433
5/16" - 18 x 1 1/8" with lock washer	SP2040
5/16" - 18 x 1 1/8" with lock and flat washer	SP2027
5/16" - 18 x 1 1/8" with lock washer	SP2067
5/16" - 18 x 1 1/8" (cad or zinc)	122022
5/16" - 18 x 1 1/4"	100123
5/16" - 18 x 1 1/4"	180081
5/16" - 18 x 1 1/4"	122027
5/16" - 18 x 1 1/4" with washer (zinc)	SP2027
5/16" - 18 x 1 3/8" Flanged hd.	9420831
5/16" - 18 x 1 3/8" (cad or zinc)	9415818
5/16" - 18 x 1 3/8" Flanged hd.	9423842
5/16" - 18 x 1 3/8" Flanged hd. (zinc)	9428163
5/16" - 18 x 1 1/2"	179822
5/16" - 18 x 1 1/2" Type 'A' lock	220425

8.900	BOLT - Hexagon Head (contd.)	
$\frac{5}{16}$ "	- 18 x 1 1/2" Flanged hd. (cad or zinc)	SP2274
$\frac{5}{16}$ "	- 18 x 1 5/8" Flanged hd.	9427658
$\frac{5}{16}$ "	- 18 x 1 5/8" Flanged hd.	9427182
$\frac{5}{16}$ "	- 18 x 1 3/4" (cad or zinc)	9415820
$\frac{5}{16}$ "	- 18 x 1 3/4" Type 'A' lock	220426
$\frac{5}{16}$ "	- 18 x 1 3/4" Flanged hd. (zinc)	9427637
$\frac{5}{16}$ "	- 18 x 1 7/8"	9419999
$\frac{5}{16}$ "	- 18 x 1 7/8"	108597
$\frac{5}{16}$ "	- 18 x 2"	179826
$\frac{5}{16}$ "	- 18 x 2"	454864
$\frac{5}{16}$ "	- 18 x 2.00" Dog point (phos.)	SP2108
$\frac{5}{16}$ "	- 18 x 2 1/4" Flanged hd. (zinc)	9427638
$\frac{5}{16}$ "	- 18 x 2 1/4" Flanged hd. (zinc)	9427813
$\frac{5}{16}$ "	- 18 x 2 3/8" with lock washer	SP2028
$\frac{5}{16}$ "	- 18 x 3 3/4" (cad or zinc)	188154
$\frac{5}{16}$ "	- 18 x 3 3/8"	9432483
$\frac{5}{16}$ "	- 24 x 3/4" (cad or zinc)	181595
$\frac{5}{16}$ "	- 24 x 3/4"	9420519
$\frac{5}{16}$ "	- 24 x 3/4" (cad or zinc)	120741
$\frac{5}{16}$ "	- 24 x .750" (zinc)	SP2083
$\frac{5}{16}$ "	- 24 x 7/8"	181596
$\frac{5}{16}$ "	- 24 x 1"	121661
$\frac{5}{16}$ "	- 24 x 1" (zinc)	181608
$\frac{5}{16}$ "	- 24 x 1" (zinc)	186634
$\frac{5}{16}$ "	- 24 x 1 1/4"	123774
$\frac{5}{16}$ "	- 24 x 1 3/8"	454885
$\frac{5}{16}$ "	- 24 x 2 1/16" (zinc)	9427685
$\frac{5}{16}$ "	- 24 x 2 1/2"	124094
$\frac{5}{16}$ "	- 24 x 3 1/2" (zinc)	9430452
$\frac{5}{16}$ "	- 24 x 4 1/4"	9430454
$\frac{3}{8}$ "	- 16 x 1/2" (zinc)	180116
$\frac{3}{8}$ "	- 16 x 5/8" (cad or zinc)	122104
$\frac{3}{8}$ "	- 16 x 1 1/16" (cad or zinc)	180119
$\frac{3}{8}$ "	- 16 x 3/4" (cad or zinc)	180120
$\frac{3}{8}$ "	- 16 x 3/4" (zinc)	122119
$\frac{3}{8}$ "	- 16 x 7/8" (cad or zinc)	122126
$\frac{3}{8}$ "	- 16 x 7/8"	179838
$\frac{3}{8}$ "	- 16 x 7/8" (cad or zinc)	180121
$\frac{3}{8}$ "	- 16 x 7/8" with lock washer	SP2077
$\frac{3}{8}$ "	- 16 x 7/8"	454905
$\frac{3}{8}$ "	- 16 x 7/8" with washer (zinc)	SP2035
$\frac{3}{8}$ "	- 16 x 1" (cad or zinc)	120233
$\frac{3}{8}$ "	- 16 x 1"	100134
$\frac{3}{8}$ "	- 16 x 1" (cad or zinc)	180122
$\frac{3}{8}$ "	- 16 x 1 1/8" (cad or zinc)	122138
$\frac{3}{8}$ "	- 16 x 1 1/8" with lock washer	SP2079
$\frac{3}{8}$ "	- 16 x 1 1/8"	186619
$\frac{3}{8}$ "	- 16 x 1 1/8" (cad or zinc)	180123
$\frac{3}{8}$ "	- 16 x 1 1/8"	106331
$\frac{3}{8}$ "	- 16 x 1 1/8" (cad or zinc)	435611
$\frac{3}{8}$ "	- 16 x 1 1/8" with lock washer	SP2071
$\frac{3}{8}$ "	- 16 x 1 1/8" with lock washer (cad or zinc)	425348
$\frac{3}{8}$ "	- 16 x 1 1/4" with lock washer	SP2068
$\frac{3}{8}$ "	- 16 x 1 1/4" (zinc)	122145
$\frac{3}{8}$ "	- 16 x 1 1/4"	179841
$\frac{3}{8}$ "	- 16 x 1 1/4" (cad or zinc)	180124
$\frac{3}{8}$ "	- 16 x 1.25" Flanged hd.	SP2508
$\frac{3}{8}$ "	- 16 x 1 3/8" with washer	SP2029
$\frac{3}{8}$ "	- 16 x 1 3/8" (cad or zinc)	180125
$\frac{3}{8}$ "	- 16 x 1 3/8"	122150
$\frac{3}{8}$ "	- 16 x 1 3/8"	179842
$\frac{3}{8}$ "	- 16 x 1 3/8" with lock washer	SP2030
$\frac{3}{8}$ "	- 16 x 1 1/2" with washer (zinc)	SP2139
$\frac{3}{8}$ "	- 16 x 1 1/2" (cad or zinc)	180126
$\frac{3}{8}$ "	- 16 x 1 1/2" (cad or zinc)	120918
$\frac{3}{8}$ "	- 16 x 1 1/2"	179843

8.900	BOLT - Hexagon Head (contd.)	
$\frac{3}{8}$ "	- 16 x 1 1/2"	454906
$\frac{3}{8}$ "	- 16 x 1 1/2" (phos. coated)	181116
$\frac{3}{8}$ "	- 16 x 1 1/2"	100136
$\frac{3}{8}$ "	- 16 x 1 5/8" Flanged hd. (cad or zinc)	9427729
$\frac{3}{8}$ "	- 16 x 1 3/4" with lock washer	SP2070
$\frac{3}{8}$ "	- 16 x 2" with lock washer	SP2069
$\frac{3}{8}$ "	- 16 x 2" (cad or zinc)	122181
$\frac{3}{8}$ "	- 16 x 2 1/4"	180132
$\frac{3}{8}$ "	- 16 x 2 3/8" (zinc)	189301
$\frac{3}{8}$ "	- 16 x 2 7/16" (zinc)	9432096
$\frac{3}{8}$ "	- 16 x 2 1/2" (zinc)	SP2186
$\frac{3}{8}$ "	- 16 x 2 3/4"	179850
$\frac{3}{8}$ "	- 16 x 2 3/4" (cad or zinc)	180137
$\frac{3}{8}$ "	- 16 x 2 7/8"	189302
$\frac{3}{8}$ "	- 16 x 3" (zinc)	180138
$\frac{3}{8}$ "	- 16 x 3 1/4"	189304
$\frac{3}{8}$ "	- 16 x 3 1/2"	189305
$\frac{3}{8}$ "	- 16 x 4 1/8"	9428498
$\frac{3}{8}$ "	- 16 x 4 7/8" (cad or zinc)	9427686
$\frac{3}{8}$ "	- 16 x 6.03" (cad or zinc)	SP1957
$\frac{3}{8}$ "	- 24 x 1 1/16" (zinc)	454293
$\frac{3}{8}$ "	- 24 x 3/4" (zinc)	123520
$\frac{3}{8}$ "	- 24 x 7/8"	106285
$\frac{3}{8}$ "	- 24 x 1" (zinc)	120647
$\frac{3}{8}$ "	- 24 x 1"	454922
$\frac{3}{8}$ "	- 24 x 1 1/4"	121615
$\frac{3}{8}$ "	- 24 x 1 1/2" (cad or zinc)	120677
$\frac{3}{8}$ "	- 24 x 1 1/2" (cad or zinc)	181643
$\frac{3}{8}$ "	- 24 x 1 5/8" (zinc)	181645
$\frac{3}{8}$ "	- 24 x 1 5/8"	454924
$\frac{3}{8}$ "	- 24 x 3" (plain)	181385
$\frac{3}{8}$ "	- 24 x 3 1/4"	186309
$\frac{3}{8}$ "	- 24 x 3 1/2" (cad or zinc)	127968
$\frac{3}{8}$ "	- 24 x 4 1/2" (zinc)	189334
$\frac{3}{8}$ "	- 24 x 5"	SP1798
$\frac{3}{8}$ "	- 24 x 5"	189335
$\frac{3}{8}$ "	- 24 x 5 1/2"	116493
$\frac{3}{8}$ "	- 24 x 8 3/8" (zinc)	189342
$\frac{7}{16}$ "	- 14 x 1/4" (cad or zinc)	122246
$\frac{7}{16}$ "	- 14 x 3/8" (cad or zinc)	180144
$\frac{7}{16}$ "	- 14 x 3/8" (cad or zinc)	454943
$\frac{7}{16}$ "	- 14 x 1"	122253
$\frac{7}{16}$ "	- 14 x 1"	180145
$\frac{7}{16}$ "	- 14 x 1 1/4"	122267
$\frac{7}{16}$ "	- 14 x 1 3/8"	122273
$\frac{7}{16}$ "	- 14 x 1 1/2" (cad or zinc)	122279
$\frac{7}{16}$ "	- 14 x 2"	179866
$\frac{7}{16}$ "	- 14 x 2 1/8"	9427960
$\frac{7}{16}$ "	- 14 x 2 1/2" (zinc)	180157
$\frac{7}{16}$ "	- 14 x 3.147" (cad or zinc)	SP2227
$\frac{7}{16}$ "	- 14 x 3 1/4" (cad or zinc)	122340
$\frac{7}{16}$ "	- 14 x 3 1/2" (cad or zinc)	180162
$\frac{7}{16}$ "	- 14 x 3 3/4" (zinc)	122354
$\frac{7}{16}$ "	- 14 x 3 3/4" (zinc)	454466
$\frac{7}{16}$ "	- 14 x 3 7/8" (cad or zinc)	SP2153
$\frac{7}{16}$ "	- 20 x 5/8" (zinc)	123540
$\frac{7}{16}$ "	- 20 x 1 1/4"	123841
$\frac{7}{16}$ "	- 20 x 1 3/8"	181669
$\frac{7}{16}$ "	- 20 x 1 5/8" (zinc)	181671
$\frac{7}{16}$ "	- 20 x 1 5/8" (zinc)	454975
$\frac{7}{16}$ "	- 20 x 2 1/4" (phos. coated)	9428643
$\frac{7}{16}$ "	- 20 x 2 1/2"	181408
$\frac{1}{2}$ "	- 13 x 1 1/4" (cad or zinc)	120426
$\frac{1}{2}$ "	- 13 x 1 3/4"	100161
$\frac{1}{2}$ "	- 13 x 2" (zinc)	122459
$\frac{1}{2}$ "	- 13 x 3.63" (zinc)	SP2452

8.900 BOLT - Hexagon Head (contd.)

1/2" - 13 x 3 3/4" (cad or zinc)	SP2184
1/2" - 13 x 5 3/4" (zinc)	215723
1/2" - 13 x 7.50" (zinc)	SP2297
5/8" - 18 x 1 3/8" (cad or zinc)	224255

8.903 BOLT - Round Head Carriage



No. 10 - 24 x 1" (phos. coated)	SP2345
5/16" - 18 x 3/4"	SP1053
5/16" - 18 x 7.00" (cad or zinc)	SP2005
5/16" - 18 x 8.50" (cad or zinc)	SP2291
5/16" - 18 x 11.00"	SP2327
3/8" - 16 x 1" (cad or zinc)	455980
3/8" - 16 x 1"	SP2365
7/16" - 14 x .88" (Brt. chr.)	SP1279
7/16" - 14 x .88" (painted)	SP2333

8.906 BOLT - Round Head



No. 8 - 18 'BT' type (cad or zinc)	SP2018
No. 10 - 32 x 1/2" (cad or zinc)	132908
5/16" - 18 x 6"	SP1696
7/16" - 14 x 4 1/2" (cad or zinc)	126774

8.907 BOLT - Fillister Head



No. 8 - 32 x 1/4" (slotted) (cad or zinc)	131954
No. 10 - 24 x 1/2" (slotted)	120687
No. 10 - 32 x 5/16" (slotted) (cad or zinc)	132100
No. 10 - 32 x 3/16" (cad or zinc)	SP1724
1/4" - 28 x 3/16" (slotted) with internal tooth lock washer	187375
5/16" - 18 x 1 1/2" (cr. recess) (cad or zinc)	154005
3/8" - 16 x 3/8" (cr. recess) (cad or zinc)	154061

8.908 BOLT - Flat Head



No. 6 - 20 x 3/8"	SP1896
No. 10 - 24 x 1/2" (cr. recess)	155937
No. 10 - 24 x 1/2" header point	9418712
1/4" - 20 x 5/8" (cr. recess) with csk. external tooth lock washer (cad or zinc)	191983
5/16" - 18 x 5/8" (slotted)	133822
5/16" - 18 x 5/8" (cr. recess) (cad or zinc)	156417
3/8" - 16 x 7/8" (cr. recess)	156544

8.909 BOLT - Oval Head



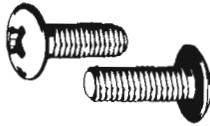
No. 8 - 18 x 5/8" (Black)	SP2155
No. 10 - 24 x .625" (cr. recess)	SP2209
No. 10 - 32 x 3/8" (cr. recess) (cad or zinc)	157057
1/4" - 20 x 1/2" with washer (zinc)	SP2350

8.910 BOLT - Pan Head



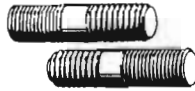
No. 6 - 32 x 5/16" (cr. recess) (cad or zinc)	159240
No. 6 - 32 x 1/2" (cr. recess) (cad or zinc)	159336
No. 6 - 32 x 1" (cr. recess) (zinc)	7446262
No. 8 - 32 x 1/4" (cr. recess) (cad or zinc)	159572
No. 8 - 32 x 3/16" (cr. recess) (cad or zinc)	159577
No. 8 - 32 x 1/2" (cr. recess) (cad or zinc)	159592
No. 8 - 32 x 3/16" (cr. recess)	9426936
No. 8 - 32 x 1/4" (cr. recess) (cad or zinc)	159572
No. 8 - 32 x 1" (cad or zinc)	159675
No. 10 - 16 x 3/4" (cr. recess) (cad or zinc)	9414724
No. 10 - 24 x 1/4" (slotted)	436567
No. 10 - 24 x 3/8" (cr. recess) (cad or zinc)	159908
No. 10 - 24 x 1/2" (cr. recess) (cad or zinc)	159920
No. 10 - 24 x 1/2" (blk. zn)	SP1897
No. 10 - 24 x 1/2" (cad or zinc)	436732
No. 10 - 24 x 3/8" (cr. recess)	454782
No. 10 - 24 x 3/4"	159947
No. 10 - 24 x 1 1/4" (cr. recess)	159962
1/4" - 20 x 3/8" (cr. recess) (cad or zinc)	160505
1/4" - 20 x 7/16" with external tooth lock washer	SP1672
1/4" - 20 x 1/2" (cr. recess) with lock washer	9416367
1/4" - 20 x 1/2" (cr. recess) with internal lock washer	188712
1/4" - 20 x 1/2" (cr. recess) with external tooth lock washer	191985
1/4" - 20 x 1/2" (cad or zinc)	160515
1/4" - 20 x 3/16" (cr. recess) (cad or zinc)	SP2044
1/4" - 20 x 3/8" (cr. recess) with lock washer	9418894
1/4" - 20 x 5/8" 'B' type (zinc)	SP2168
1/4" - 20 x 5/8" (cr. recess) (cad or zinc)	160536
1/4" - 20 x 1 1/8" (cr. recess) (phos.)	160539
1/4" - 20 x 3/4" (cr. recess) with external tooth lock washer	446680
1/4" - 20 x 3/4" with washer (zinc)	SP2045
1/4" - 20 x 3/4" (cr. recess) (cad or zinc)	160541
1/4" - 20 x 7/8" (cad or zinc)	160548
1/4" - 20 x 3" (cr. recess)	191875
1/4" - 28 x 1/2" (cr. recess)	191879
3/16" - 18 x 1/2" with lock washer (cad or zinc)	442689
3/16" - 18 x 1/2" (cr. recess) (with lock washer) (cad or zinc)	9434026
5/16" - 18 x 3/4" (cr. recess)	147672
5/16" - 18 x 3/4" (cr. recess with lock washer) (black zinc)	SP2305

8.913 BOLT - Truss Head



No. 8 - 32 x 3/4" (cr. recess) (cad or zinc)	451580
1/4" - 20 x 1/2" (cr. recess) (cad or zinc)	157716
5/16" - 18 x 1" (cr. recess) (phos.)	9436643

8.914 STUD



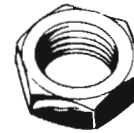
5/16" x 1.54"	SP1763
---------------------	--------

8.915 NUT - Hexagon



No. 6 - 32 (cad or zinc)	134530
No. 8 - 32 Machine screw (cad or zinc)	120622
No. 10 - 24 Machine screw (cad or zinc)	120361
No. 10 - 24 Machine screw (flange) (zinc)	SP2372
No. 10 - 32 Machine screw (cad or zinc)	120614
No. 10 - 32 Machine screw (flange) (zinc)	SP2091
1/4" - 20 (phos. coated)	9419143
1/4" - 20 Machine screw (cad or zinc)	134551
1/4" - 20 Light (zinc)	120375
1/4" - 20 Washer type	SP1991
1/4" - 28 Light (cad or zinc)	120367
1/4" - 28 Thick	137508
5/16" - 18	102634
5/16" - 18 Light (cad or zinc)	120376
5/16" - 24 Light (cad or zinc)	120368
5/16" - 24 Thick (phos. coated)	137509
3/8" - 16 (phos. coated)	9418931
3/8" - 16 (cad or zinc)	9422277
3/8" - 16 (phos. coated)	134568
3/8" - 16	102635
3/8" - 16 Light (cad or zinc)	120377
3/8" - 24	103026
3/8" - 24 Light (zinc)	120369
3/8" - 24	SP1708
3/8" - 24	114942
3/8" - 24 Heavy	451401
3/8" - 24	9420821
7/16" 14 (cad or zinc)	271501
7/16" - 20	271505
7/16" - 20 (cad or zinc)	271506
7/16" - 20 Thick	272233
1/2" - 13 (cad or zinc)	120378
5/8" - 18 (cad or zinc)	121358

8.916 NUT - Hexagon Jam



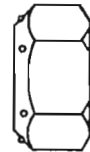
1/4" - 28 (cad or zinc)	120613
5/16" - 18	114502
5/16" - 18	124824
5/16" - 24 Light (cad or zinc)	124920
3/8" - 16 (cad or zinc)	124829
3/8" - 24 Light (cad or zinc)	124925
3/8" - 24 Light (plain)	114494
1/2" - 20 Light	114496
1/2" - 20 Heavy (phos. coated)	9418302
5/16" - 18 (zinc)	124939
5/16" - 18	114497

8.917 NUT - Hexagon Slotted



3/8" - 16	9422297
3/8" - 24	125233
3/8" - 24	117212
7/16" - 20 (thick) (zinc)	272312
1/2" - 20	102647
1/2" - 20 (cad or zinc)	125250
1/2" - 20 (thick) (plain)	119254
5/16" - 18	102648
3/4" - 20	SP1816

8.918 NUT - Hexagon Self Locking



No. 10 - 24 with serrated washer	SP1900
1/4" - 20 UNE with serrated face	SP1890
1/4" - 20	3903539
1/4" - 28	9413976
3/8" - 16 (zinc)	SP2220
3/8" - 16 (cad or zinc)	145027
3/8" - 20 (cad or zinc)	SP1330
3/8" - 24 High hex. cone lock (cad)	SP1989
7/16" - 14	9422299
7/16" - 20 (cad)	SP2222
7/16" - 20 (cad or zinc)	9422280
7/16" - 24 (cad or zinc)	273807
1/2" - 13 washer face	SP2187
1/2" - 13 Tension lock (cad)	9422301
1/2" - 20 (cad)	SP1891
5/8" - 18 (cad)	9422286
3/4" - 16 Flange ret.	SP1665

8.920 NUT - Wing



$\frac{3}{16}$ " - 24	SP2267
$\frac{1}{4}$ " - 20 (chrome plated)	SP1919
$\frac{1}{4}$ " - 20 (steel)	SP1352
$\frac{1}{4}$ " - 20 (brass)	SP1769
$\frac{3}{16}$ " - 18	SP2338

8.921 NUT - Stamped



No. 6 - 32 'G' type (cad or zinc)	272733
No. 6A 'U' type	SP2521
No. 8 'J' type	SP2175
No. 8A 'U' type	SP1733
No. 8A 'U' type	SP1747
No. 8AB 'U' type	SP1854
No. 8 or 10 Screw	SP2215
No. 10 - 24 'DO' type (phos. coated)	273330
No. 10 - 24 'DO' type	441240
No. 10 - 24 'B' type 'J' shaped	446716
No. 10 - 24 'DO' type	441239
No. 10A 'U' type (phos. coated)	SP1750
No. 10 'U' type (phos. coated)	9422836
No. 10 - 24 'J' type (zinc)	SP2050
No. 10 - 12 'A' type	SP1995
$\frac{1}{8}$ " 'SC' type (cad)	9416046
$\frac{1}{8}$ " 'A' type	SP1534
$\frac{1}{8}$ " 'M' type (phos. coated)	9415250
$\frac{3}{16}$ " Flat type	SP2019
$\frac{3}{16}$ " 'M' type (phos. coated)	9418693
$\frac{3}{16}$ " B.S.W. Flat speed	SP1876
$\frac{1}{4}$ " - 20 'DF' type (zinc)	9420234
$\frac{1}{4}$ " - 20 'U' type (zinc)	SP2506
$\frac{1}{4}$ " - 20 'J' type	SP2024
$\frac{5}{16}$ " - 10 Acme 'U' type	SP1776
$\frac{5}{16}$ " - 18	SP1548
$\frac{5}{16}$ " - 18 'J' type	SP1585
$\frac{1}{2}$ " - 20 'R' type	147514
$\frac{3}{16}$ " - 18 (phos. coated)	145496

8.923 NUT - Square



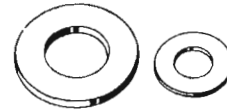
No. 10 - 24 Machine screw (cad or zinc)	120619
$\frac{1}{4}$ " - Clinch type 'AH'	9419938
$\frac{5}{16}$ " - 18 Machine screw	105616
$\frac{3}{16}$ " - 14 (cad or zinc)	SP2223
$\frac{3}{16}$ " - 20	SP2149

8.928 WASHER - Spring



$\frac{1}{4}$ "	SP1003
.380" - .385" (cad or zinc)	431534
$\frac{7}{16}$ "	SP1328
.594" x .812" x 0.10"	SP1956

8.929 WASHER - Flat



No. 8 Narrow (cad or zinc)	9414106
No. 10	9416128
No. 10 (zinc)	9417373
$\frac{5}{32}$ " x $\frac{5}{16}$ " x .035" (zinc)	446121
$\frac{1}{8}$ " x $\frac{13}{32}$ " x .049" (cad or zinc)	446130
$\frac{3}{16}$ " x $\frac{7}{16}$ " x .049" (cad or zinc)	131015
.20 x .80 x .035"	SP1438
$\frac{13}{64}$ " x $\frac{15}{32}$ " x .049" (cad or zinc)	446152
$\frac{7}{32}$ " x $\frac{7}{16}$ " x .049"	446161
$\frac{7}{32}$ " x $\frac{1}{2}$ " x .049" (zinc)	120391
.218" x .68" x .035" (cad or zinc)	SP2122
.219" x .438" x .049" 'A' type	9428813
.219" x .500" x .049" (phos. coated)	9421089
.250" x .562" x .049" (zinc)	120385
$\frac{1}{4}$ " 'B' type, regular	9419264
$\frac{1}{4}$ " narrow	9414320
$\frac{1}{4}$ " narrow (zinc)	9414920
$\frac{17}{64}$ " x $\frac{5}{8}$ " x .049" (zinc)	446188
$\frac{17}{64}$ " x $\frac{3}{4}$ " x .075"	SP1107
$\frac{9}{32}$ " x $\frac{5}{8}$ " x .065"	103339
$\frac{9}{32}$ " x $\frac{5}{8}$ " x .065" (phos. coated)	118773
$\frac{9}{32}$ " x $\frac{5}{8}$ " x .065" (cad or zinc)	120392
.281" x 1.30" x .035" (cad or zinc)	SP2150
$\frac{5}{16}$ " 'A' type (phos.)	9418304
$\frac{5}{16}$ " x $\frac{3}{4}$ " x .065" (cad or zinc)	120386
$\frac{5}{16}$ " x $\frac{7}{8}$ " x .065" (cad or zinc)	446354
$\frac{3}{16}$ " Regular (cad or zinc)	274865
.320" x $\frac{1}{2}$ " x .059"	SP1877
.34" x .76" x .105"	SP1470
.34" x 1.00" x .075" (cad or zinc)	SP1445
$\frac{1}{32}$ " x $\frac{1}{16}$ " x .065" (cad or zinc)	120393
$\frac{1}{32}$ " x $\frac{3}{4}$ " x .075"	SP1390
$\frac{3}{8}$ " narrow (phos. coated)	9419234
$\frac{3}{8}$ " narrow (zinc)	274517
$\frac{3}{8}$ " x $\frac{3}{4}$ " x .065"	446548
$\frac{3}{8}$ " x $\frac{7}{8}$ " x .083" (cad or zinc)	446363
$\frac{3}{8}$ " x 1 $\frac{1}{4}$ " x .10"	9417793
.38" x .62" x .059"	SP1507
.385" x .70" x .067"	SP1493
.385" x 1" x .105" (cad or zinc)	SP1612
.385" x 1" x $\frac{1}{8}$ "	SP1882
.39" x .75" x .050" (cad or zinc)	SP1820
$\frac{25}{64}$ " x 1.40" x .062" (cad or zinc)	SP1659
$\frac{27}{64}$ " x $\frac{3}{4}$ " x .083" (cad or zinc)	SP1357
$\frac{13}{32}$ " x $\frac{13}{16}$ " x .065" (cad or zinc)	120394
$\frac{13}{32}$ " x $\frac{7}{8}$ " x .089"	SP1807
.406" x .88" x .020"	SP2097

8.929 WASHER - Flat (contd.)

$\frac{7}{16}$ " x $\frac{7}{8}$ " x .083"	446212
$\frac{7}{16}$ " x 1" x .083" 'A' type (cad or zinc)	120388
.4375" x 1.25" x .120"	SP1757
.4531" x 1.94" x .105" (cad or zinc)	SP1968
.469" x .875" x .095" (phos.)	SP2496
.469" x 1.25" x .125" hardened	SP1979
$\frac{15}{32}$ " x $\frac{59}{64}$ " x .065"	118776
$\frac{15}{32}$ " x $\frac{59}{64}$ " x .065" (cad or zinc)	120395
$\frac{1}{2}$ " 'B' type narrow (cad or zinc)	9417098
.500" x .200" x .036" (phos.)	SP2178
$\frac{1}{2}$ " x 1 $\frac{1}{4}$ " x .083"	120389
.53" x 1.06" x .085"	SP1528
$\frac{17}{32}$ " x 1 $\frac{1}{4}$ " x .109"	SP1899
.531" x 1.75" x .150"	SP1861
.56" x .17" x 20G (cad or zinc)	SP1860
$\frac{5}{8}$ " x 1 $\frac{5}{16}$ " x .095" (phos. coated)	9429662
1.00" x .75" x .0478"	SP2113

8.930 WASHER - Finish



No. 6 (cad or zinc)	140239
No. 6 (Bright nickel)	SP1050
No. 8	140240

8.931 WASHER - Lock



No. 6 Light (zinc)	131181
No. 6 Medium	106495
No. 8 Medium (zinc)	121841
No. 10 Light (zinc)	131183
No. 10 Light (cad)	SP2442
No. 10 Medium (zinc)	120217
No. 12 Medium	121744
$\frac{1}{4}$ " Light (zinc)	121637
$\frac{1}{4}$ " Light (cad)	SP2485
$\frac{1}{4}$ " Medium (zinc)	120380
$\frac{5}{16}$ " Light	120379
$\frac{5}{16}$ " Medium (zinc)	120214
$\frac{5}{16}$ " Medium (plain)	103320
$\frac{5}{16}$ " Heavy (zinc)	120638
$\frac{5}{16}$ "	187119
$\frac{11}{32}$ " Medium	SP1486
$\frac{3}{8}$ " Medium (plain)	103321
$\frac{3}{8}$ " Medium (zinc)	120382
$\frac{3}{8}$ " Heavy	108580
$\frac{3}{8}$ " Heavy (zinc)	131099
$\frac{7}{16}$ " Medium (plain)	103322
$\frac{7}{16}$ " Medium (zinc)	120383
$\frac{1}{2}$ " Medium (zinc)	120384
$\frac{1}{2}$ " Heavy	103329
$\frac{5}{8}$ " Medium (zinc)	121574

8.932 WASHER - Shakeproof



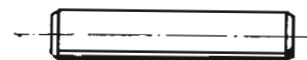
No. 8 Internal tooth (cad or zinc)	138530
No. 8 External tooth (cad or zinc)	121752
No. 10 External tooth (cad or zinc)	138479
No. 10 Internal/external tooth	178378
$\frac{1}{4}$ " Internal tooth (cad or zinc)	120423
$\frac{1}{4}$ " External tooth (cad or zinc)	121753
$\frac{5}{16}$ " External tooth (cad or zinc)	138485
$\frac{5}{16}$ " External tooth (medium)	114605
$\frac{5}{16}$ " Csk. external tooth (cad or zinc)	134512
$\frac{5}{16}$ " Internal tooth (cad or zinc)	138538
$\frac{3}{8}$ " Internal tooth (cad or zinc)	138542
$\frac{3}{8}$ " External tooth (cad or zinc)	138489
$\frac{3}{8}$ " Csk. external tooth	138617
$\frac{7}{16}$ " External tooth (cad or zinc)	136857
$\frac{1}{2}$ " External tooth	135629

8.938 PIN - Cotter



$\frac{3}{64}$ " x $\frac{5}{16}$ "	426706
$\frac{1}{16}$ " x $\frac{3}{8}$ "	119981
$\frac{3}{32}$ " x $\frac{1}{2}$ " (Plated)	119117
$\frac{3}{32}$ " x $\frac{5}{8}$ " (Plated)	137159
$\frac{3}{32}$ " x $\frac{5}{8}$ "	107762
$\frac{3}{32}$ " x $\frac{3}{4}$ "	103373
$\frac{3}{32}$ " x 1"	103374
$\frac{3}{32}$ " x 1"	121224
$\frac{1}{8}$ " x $\frac{5}{8}$ " (cad or zinc)	426663
$\frac{1}{8}$ " x 1"	103385
$\frac{1}{8}$ " x 1 $\frac{1}{4}$ "	103386

8.939 PIN - Dowel



$\frac{3}{16}$ " x $\frac{3}{8}$ "	141149
$\frac{1}{4}$ " x $\frac{7}{16}$ "	141192
$\frac{1}{4}$ " x 1 $\frac{1}{8}$ "	141202
$\frac{1}{4}$ " x 1 $\frac{1}{2}$ "	456722
$\frac{5}{16}$ " x $\frac{9}{16}$ "	141216
$\frac{5}{16}$ " x $\frac{3}{4}$ "	443770
$\frac{5}{16}$ " x .90"	SP2094

8.939 PIN - Straight - Chamfered ends



$\frac{1}{8}$ " x 1 $\frac{1}{16}$ "	114468
--------------------------------------------	--------

"HJ" PARTS CATALOGUE

8.940 PIN - Groove, taper



$\frac{3}{32}$ " x $\frac{9}{8}$ " (zinc)	142953
$\frac{3}{32}$ " x 1 $\frac{1}{4}$ "	103565

8.941 PIN - Spring



$\frac{3}{32}$ " x $\frac{1}{2}$ " 'A' type	455105
$\frac{3}{32}$ " x $\frac{9}{16}$ "	9414521
$\frac{1}{8}$ " x $\frac{3}{4}$ "	9415236
$\frac{1}{8}$ " x $\frac{7}{8}$ "	455862
$\frac{1}{8}$ " x 1"	453676
$\frac{5}{32}$ " x $\frac{7}{16}$ "	9417504
$\frac{5}{32}$ " x $\frac{3}{4}$ "	9420737
$\frac{3}{16}$ " x $\frac{3}{4}$ "	454512
$\frac{3}{16}$ " x $\frac{7}{8}$ "	454563
$\frac{3}{16}$ " x 1"	455481
$\frac{1}{4}$ " x 1 $\frac{1}{8}$ " (Slotted)	453670

8.942 PIN - Clevis



.320" x .65" (cad or zinc)	SP2504
.335" x .85"	SP1730
$\frac{3}{16}$ " x $\frac{5}{16}$ "	SP1756
$\frac{3}{16}$ " x .92"	SP1825
.375" x 1.06"	SP1450
.375" x 1.20"	SP2239
$\frac{7}{16}$ " x .83"	SP1754
.50" x 1.36"	SP2238

8.948 CLAMP - Hose



.44"	SP1605
$\frac{1}{2}$ " - $\frac{3}{4}$ " worm drive	SP1725
.66"	SP1974
$\frac{11}{16}$ "	272846
$\frac{3}{4}$ "	272847
.97"	SP1701
.97"	SP1865
1.03"	SP1610
1 $\frac{3}{16}$ " - 2.12 worm drive	SP1557
1 $\frac{1}{2}$ "	SP1758
1 $\frac{3}{8}$ "	SP1004
1.88"	SP1572
2.12"	SP1425

8.948 CLAMP - Hose (contd.)

2.38"	SP1879
2 $\frac{9}{16}$ " Preset	SP1609
2 $\frac{3}{4}$ " worm drive	SP1543

8.949 CLIP - Lock

$\frac{1}{8}$ " tubular	SP1606
-------------------------------	--------

8.950 CLIP - Pipe or cable



$\frac{3}{16}$ " Snap type	SP1836
$\frac{3}{16}$ " x $\frac{1}{4}$ "	SP1837
$\frac{3}{16}$ " x $\frac{5}{16}$ "	SP2357
$\frac{3}{16}$ " closed No. 3	120520
$\frac{1}{4}$ "	SP1774
$\frac{1}{4}$ " x $\frac{1}{4}$ " (phos.)	SP2095
$\frac{9}{32}$ " x $\frac{3}{8}$ "	SP1778
$\frac{9}{32}$ " x $\frac{3}{8}$ "	SP2423
$\frac{5}{16}$ "	SP2367
$\frac{5}{16}$ "	SP1574
$\frac{5}{16}$ " Snap type (phos.)	SP1885
$\frac{5}{16}$ " x $\frac{3}{8}$ "	SP2201
.325"	SP1962
$\frac{3}{8}$ "	SP1779
$\frac{3}{8}$ "	SP1905
$\frac{3}{8}$ " Edge mount	SP2555
$\frac{3}{8}$ " x $\frac{1}{4}$ " Right angled (phos.)	SP1796
$\frac{3}{8}$ " x $\frac{3}{8}$ " (phos.)	SP1795
$\frac{3}{8}$ " x $\frac{3}{8}$ " Right angled	SP2052
$\frac{7}{16}$ " (phos.)	SP1904
$\frac{1}{2}$ "	SP1735
.69"	SP1868
1.12" Open, edge mount (phos.)	SP2334

8.950 STRAP - Adjustable



Strap 3"	SP2454
----------------	--------

8.951 COCK - Drain



$\frac{1}{4}$ " - 18	SP1717
----------------------------	--------

"HJ" PARTS CATALOGUE

8.954 EYELET



Coned SP1364

8.955 GASKET - Round closed



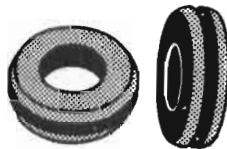
$\frac{3}{4}$ " Annular 113897

8.955 SEAL - Rubber



.343" ID x .468" x .075" 274244

8.956 GROMMET



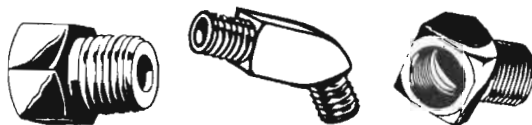
.19" SP1676
 .25" ID x .50" x .38" SP2382
 $\frac{5}{16}$ " SP2326
 .40" x .80" SP2048
 .50" x .80" SP2049
 .75" ID x 1.25" x .24" Split SP1982
 1" x $\frac{1}{8}$ " SP1722
 1" x .875" SP2134

8.960 KEY - Woodruff



$\frac{3}{16}$ " x $\frac{3}{4}$ " 106751
 $\frac{3}{16}$ " x $2\frac{1}{8}$ " 144542

8.963 FITTINGS - Tube and pipe



CONNECTOR - $\frac{3}{16}$ " inv. flared (Brass) 137404
 CONNECTOR - $\frac{3}{16}$ " inv. flared (Brass) 187343
 CONNECTOR - $\frac{3}{16}$ " inv. flared (Brass) 137406
 CONNECTOR - $\frac{5}{16}$ " inv. flared (Steel) 145475
 CONNECTOR - $\frac{1}{2}$ " inv. flared 425224
 ELBOW - $\frac{3}{16}$ " - 45° 190338

8.963 FITTINGS - Tube and pipe (contd.)

ELBOW - $\frac{3}{16}$ " - 45° (Heavy series) 116341
 ELBOW - $\frac{3}{16}$ " - 90° 143343
 NUT - Ball sleeve tube $\frac{3}{16}$ " 120487
 NUT - $\frac{3}{16}$ " inv. flared 137396
 NUT - Ball sleeve tube $\frac{1}{4}$ " 114627
 NUT - Ball sleeve tube $\frac{1}{4}$ " (cad or zinc) 190863
 NUT - $\frac{1}{4}$ " inv. flared tube 137397
 NUT - $\frac{5}{16}$ " inv. flared tube 137398
 NUT - $\frac{3}{8}$ " inv. flared 137399
 SLEEVE - Ball $\frac{3}{16}$ " 120488
 SLEEVE - Ball $\frac{1}{4}$ " 114628
 UNION - $\frac{3}{16}$ " inv. flared SP2235
 UNION - $\frac{5}{16}$ " inv. flared 137414

8.965 FUSE



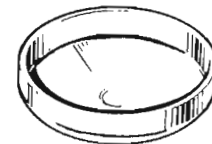
3 amp 9426341
 15 amp 9426333
 25 amp 9426332

8.967 RIVET



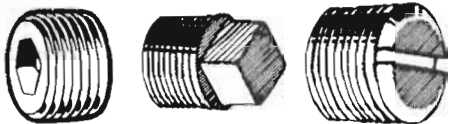
Button hd. solid $\frac{5}{16}$ " x $2\frac{1}{32}$ " SP1387
 Csk. hd. solid .093" x 22" SP1515
 Domed hd. break stem .125" x .290" SP2316
 Flat hd. solid $\frac{1}{8}$ " x $\frac{1}{8}$ " 134794
 Flat hd. solid $\frac{3}{16}$ " x $\frac{1}{4}$ " SP1863
 Flat hd. solid $\frac{3}{16}$ " x $\frac{3}{8}$ " 111285
 Flat hd. solid $\frac{1}{4}$ " x $\frac{3}{4}$ " 104251
 Flat hd. solid $\frac{1}{16}$ " x .65" SP2281
 Flat hd. solid $\frac{5}{16}$ " x .75" SP2206
 Flat hd. solid - Cone point $\frac{5}{16}$ " x $\frac{3}{4}$ " 117557
 Oval hd. tubular $\frac{1}{8}$ " x $\frac{3}{16}$ " 107285
 Oval hd. tubular $\frac{1}{8}$ " x $\frac{5}{32}$ " (cad or zinc) SP1344
 Oval hd. semi-tubular $\frac{1}{8}$ " x $\frac{1}{32}$ " 191522
 Oval hd. $\frac{1}{8}$ " x $\frac{1}{4}$ " SP1143
 Oval hd. split $\frac{3}{64}$ " x $\frac{3}{4}$ " 136669
 Truss hd. semi-tubular $\frac{3}{16}$ " x $\frac{1}{2}$ " 137871

8.970 PLUG - Expansion



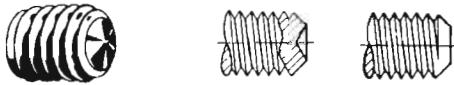
$\frac{3}{16}$ " (plain) 9421744
 $\frac{3}{16}$ " (zinc) 9427961
 $\frac{5}{16}$ " 9419378
 $1\frac{5}{16}$ " (cad or zinc) SP1812

8.971 PLUG - Pipe



1/8" hex. hd.	444613
1/8" hex. hd.	444612
1/4" hex. hd.	444819
1/4" - 18 hex. hd.	444619
3/8" - 18 hex. hd.	444625
3/8" sq. socket	444782
3/8" - 24 x 1 1/2" hex. socket oval point	138740
1/2" sq. hd.	103868
1/2" hex. hd.	444788

8.975 SCREW - Set



No. 6 - 32 x 1/8" cup point hex. socket	147458
No. 8 - 32 x 3/16" cone point hex. socket	454649
No. 8 - 32 x .418" (zinc)	SP2249
No. 10 - 24 x 1/2"	456785
1/4" - 20 x 3/16"	432750
3/8" - 16 x 7/8"	9425450
3/8" - 24 x 1.50" flat point	SP2388

8.977 SCREW - Sheet metal (Flat Head)



No. 4 - 24 x 1/4" cr. recess (cad or zinc)	161340
No. 4 - 24 x 3/8" (cad or zinc)	9426487
No. 4 - 24 x .375" cr. recess sealer	SP2495
No. 6 - 18 x 1/2" cr. recess (cad or zinc)	161373
No. 6 - 20 x 3/8" (cad or zinc)	163098
No. 6 - 20 x 1/2" cr. recess	9416089
No. 8 - 18 x 3/8" cr. recess trim (zinc)	9418794
No. 8 - 18 x 1/2" (cad or zinc)	9411652
No. 8 - 18 x 1/2" (cad or zinc)	9426506
No. 10 - 12 x 5/8" cr. recess	161439
No. 10 - 16 x 1/2" tap. (cad or zinc)	9414742
No. 10 - 16 x 5/8" cr. recess (cad or zinc)	162688
No. 10 - 16 x 7/8" cr. recess	162696
No. 10 - 16 x 1" cr. recess	162701
No. 10 - 16 x 1 1/4" cr. recess (cad or zinc)	162703

8.977 SCREW - Sheet metal (Oval Head)



No. 6 - 18 x 5/8" cr. recess (cad or zinc)	162292
No. 6 - 18 x 7/8" (cad or zinc)	162296
No. 6 - 20 x 3/8" cr. recess (cad or zinc)	163401
No. 6 - 20 x 1/2" cr. recess (cad or zinc)	163404

8.977 SCREW - Sheet metal (Oval Head) (contd.)

No. 8 x 1/4" 'B' type slotted (cad or zinc)	125706
No. 8 - 15 x 1/2" slotted	142220
No. 8 - 15 x 5/8" cr. recess (cad or zinc)	162397
No. 8 - 18 x 1/2" cr. recess	9417325
No. 8 - 18 x 5/8" cr. recess (cad or zinc)	9418622
No. 8 - 18 x 3/4" cr. recess (cad or zinc)	163450
No. 8 - 32 x 3/8" cr. recess (phos.)	SP1961
No. 10 - 12 x 3/4" cr. recess (chrome brt.)	162474
No. 10 - 16 x 1/2" cr. recess	163467
No. 10 - 16 x 1/2" cr. recess tap. (cad or zinc)	9425507
1/4" - 14 x 3/4" (cad or zinc)	9426422

8.977 SCREW - Sheet metal (Hexagon Head)



No. 8 - 18 x 3/8" (cad or zinc)	9415191
No. 10 - 12 x 1 1/4"	SP2323
No. 10 - 16 x 1/4" tap. (cad or zinc)	455404
No. 10 - 16 x 3/8" (cad or zinc)	451790
No. 10 - 16 x 3/8" washer hd.	9420453
No. 10 - 16 x 1/2" washer hd. (phos. coated)	9425111
No. 10 - 16 x 1 1/4" (cad or zinc)	9415491
No. 10 - 24 x 1/2" tap. (cad or zinc)	9428168
1/4" - 14 x 1"	9422176
1/4" - 28 x 3/4" tap.	171041
5/16" - 18 x 5/8" flanged hd.	SP2092
5/16" - 18 x .625" (phos.)	SP2240
3/16" - 18 x 3/4" (cad or zinc)	SP2241
3/16" - 18 x 7/8" (phos. coated)	9433975

8.977 SCREW - Sheet metal (Pan Head)



No. 4 - 24 x 1/4" cr. recess	161752
No. 4 - 24 x 1/4" cr. recess	163024
No. 4 - 24 x 3/8" cr. recess tap. (cad or zinc)	161755
No. 6 - 18 x 3/8" (cad or zinc)	161790
No. 6 - 18 x 3/8" cr. recess	186412
No. 6 - 18 x 5/8" (cad or zinc)	161801
No. 6 - 20 x 1/4" (cad or zinc)	9411529
No. 6 - 20 x 3/16" long cr. recess	SP2130
No. 6 - 20 x 5/16" cr. recess (cad or zinc)	190075
No. 6 - 20 x 3/8"	163098
No. 6 - 20 x 3/8" cr. recess	9416136
No. 6 - 20 x 7/16" cr. recess	9428353
No. 6 - 20 x 1/2" cr. recess (zinc)	9428647
No. 6 - 20 x 1/2" (phos.)	9425763
No. 6 - 20 x 5/8"	SP2172
No. 8 - 15 x 1/2" 'A' type	161860
No. 8 - 15 x 1/2" cr. recess tap.	SP1824
No. 8 - 15 x 5/8"	161869
No. 8 - 15 x 3/4" cr. recess tap.	161871
No. 8 - 18 x 1/4" cr. recess (cad or zinc)	9420908
No. 8 - 18 x 5/16" cr. recess (cad or zinc)	274762
No. 8 - 18 x 3/8" slotted (cad or zinc)	128270
No. 8 - 18 x 3/8" cr. recess (cad or zinc)	163158
No. 8 - 18 x 3/8" cr. recess (cad or zinc)	9411532
No. 8 - 18 x 3/8" cr. recess (cad or zinc)	9414711

8.977 SCREW - Sheet metal (Pan Head) (contd.)

No. 8 - 18 x 3/8" cr. recess tap. (chrome)	163160
No. 8 - 18 x 3/8" cr. recess (cad or zinc)	273445
No. 8 - 18 x 1/2" (cad or zinc)	9414712
No. 8 - 18 x 1/2" cr. recess (cad or zinc)	273708
No. 8 - 18 x .437" cr. recess (cad or zinc)	SP2256
No. 8 - 18 x 1/2" cr. recess	163162
No. 8 - 18 x 1/2" cr. recess (phos.)	9421137
No. 8 - 18 x 5/8" cr. recess (cad or zinc)	9414713
No. 8 - 18 x 5/8" cr. recess (cad or zinc)	9413586
No. 8 - 18 x 5/8" cr. recess (zinc)	9429003
No. 8 - 18 x 3/4" (cad or zinc)	9414714
No. 8 - 18 x 7/8" (cad or zinc)	9414715
No. 8 - 18 x 1.00" cr. recess	SP2284
No. 8 - 32 x 1/4" (cad or zinc)	449809
No. 8 - 32 x .35" cr. recess (cad)	SP1867
No. 8 - 32 x .38" cr. recess (phos. coated)	SP1948
No. 8 - 32 x 1/2" cr. recess tap. (phos. coated) ..	SP1768
No. 8 - 32 x 1/2" cr. recess tap.	9419633
No. 8 - 32 x 1/2" cr. recess	449813
No. 8 - 32 x 1/2" cr. recess (phos.)	9419330
No. 8 - 32 x 5/8" cr. recess (phos. coated)	9423551
No. 8 - 32 x .62" cr. recess (phos.)	SP2515
No. 8 - 32 x .88" cr. recess (phos. coated)	SP2202
No. 10 - 12 x 3/8" (cad or zinc)	161892
No. 10 - 12 x 1/2" slotted 'A' type (cad or zinc) ..	144811
No. 10 - 12 x 1/2"	161895
No. 10 - 12 x 5/8" (cad or zinc)	161901
No. 10 - 16 x 3/8" slotted	145189
No. 10 - 16 x 3/8" tap. (cad or zinc)	9411535
No. 10 - 16 x 3/8" cr. recess (cad or zinc)	163210
No. 10 - 16 x 1/2" slotted 'B' type	145193
No. 10 - 16 x 1/2" cr. recess tap. (cad or zinc)	273446
No. 10 - 16 x 1/2" cr. recess (cad or zinc)	9414722
No. 10 - 16 x 5/8" cr. recess tap.	9414723
No. 10 - 16 x .75" cr. recess (zinc)	SP2456
No. 10 - 16 x 7/8" slotted	9414725
No. 10 - 16 x 1 1/2" cr. recess (phos.)	9426378
No. 10 - 24 x 7/16" (phos. coated)	SP2165
No. 10 - 24 x 5/8" slotted	9416197
No. 10 - 24 x 1 1/2" (cad or zinc)	159967
No. 12 - 14 x 1/2" cr. recess	9417408
No. 14 - 10 x 2" cr. recess (cad or zinc)	162113
No. 14 - 14 x 1/2" slotted	221154
1/4" - 14 x 3/4" (phos. coated)	9422037
1/4" - 14 x 5/8" (cad or zinc)	9416642

8.977 SCREW - Sheet metal (Truss Head)



No. 10 - 16 x 1/2" cr. recess (phos.)	9419609
No. 10 - 16 x 1/2" cr. recess (cad or zinc)	9416643

8.977 SCREW - Sheet metal (Washer Head)



No. 8 - 18 x 1/2" 'AB' type (cad or zinc)	SP1855
-------------------------------------------------	--------

8.977 SCREW - Sheet metal (Round Head)

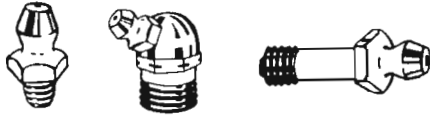


No. 6 - 18 x 1/2" (cad or zinc)	SP1815
No. 8 - 15 x 1/2" washer face cr. recess (cad or zinc)	SP1490
No. 8 - 18 x .312" washer face cr. recess (zinc) ..	SP2427
No. 8 - 18 x 5/16" washer face (sealed)	SP2192
No. 8 - 18 x .375" washer face cr. recess (zinc) ..	SP2428
No. 8 - 18 x 3/8" washer face cr. recess (zinc)	4403686
No. 8 - 18 x 7/16" washer face cr. recess	SP2127
No. 8 - 18 x .437" washer face (sealed) cr. recess	SP2248
No. 8 - 18 x .50" washer face cr. recess (phos.) ..	SP2430
No. 8 - 18 x .50" washer face cr. recess (zinc) ..	SP2429
No. 8 - 18 x 1/2" (cr. recess) (sealed)	SP2251
No. 8 - 18 x 5/8" washer face cr. recess (phos. coated)	SP2111
No. 8 - 18 x 5/8" washer face cr. recess (cad or zinc)	SP1884
No. 8 - 18 x 5/8" washer face cr. recess	SP2246
No. 8 - 18 x .62" washer face cr. recess (zinc) ..	SP2431
No. 8 - 18 x .62" washer face cr. recess (blk. phos.)	SP2370
No. 8 - 18 x .75" washer face cr. recess (zinc) ..	SP2432
No. 8 - 18 x 3/4" (sealed)	SP2112
No. 8 - 18 x 1 1/2" washer face cr. recess (phos. coated)	SP2270
No. 8 - 18 x 1.375" washer face cr. recess (blk. phos.)	SP2368
No. 10 - 16 x 1/4" (cad or zinc)	455404
No. 10 - 16 x 1/2" washer face (phos. coated)	SP2242
No. 10 - 24 x 1 3/4" (cad or zinc)	132859

8.977 SCREW - Sheet metal (Fillister Head)

No. 6 - 20 x .31" cr. recess (phos.)	SP2514
No. 6 - 20 x .50" cr. recess (phos.)	SP2039

8.984 FITTING - Lubrication



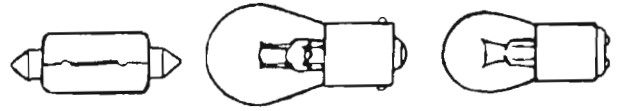
1/8" Straight 'C' type	M33112
1/4" Straight 'C' type	M33106
1/4" - 28 x 1/2" Straight	9411027
1/4" - 28 Elbow 45°	9417891
1/4" - 28 Elbow 90°	9417892

8.987 FASTENER - Curtain

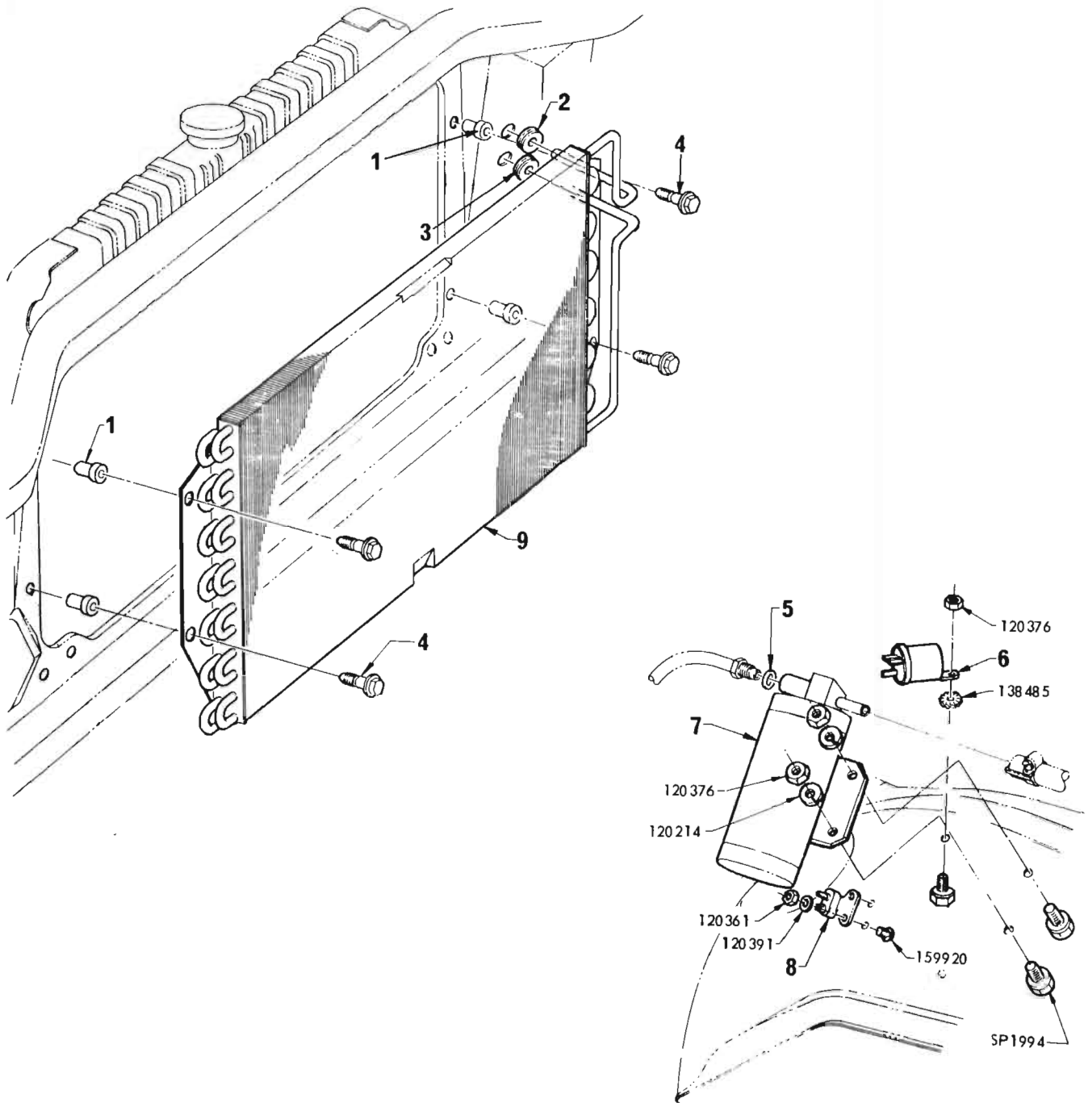


No. 8 - 3/8" Fastener 'A' type self tapping	SP1017
STUD No. 10 x .38" self tapping	SP1535
STUD - Fastener clinch type 'A'	SP1226
SOCKET - Fastener type 'D'	SP2061
SOCKET - Fastener type 'A'	SP1018
PLATE - Fastener type 'D'	SP2060
BUTTON - 1/4" Barrel fastener type 'A'	SP1020
EYELET - 1/4" Barrel fastener type 'A'	SP1238

8.991 BULB

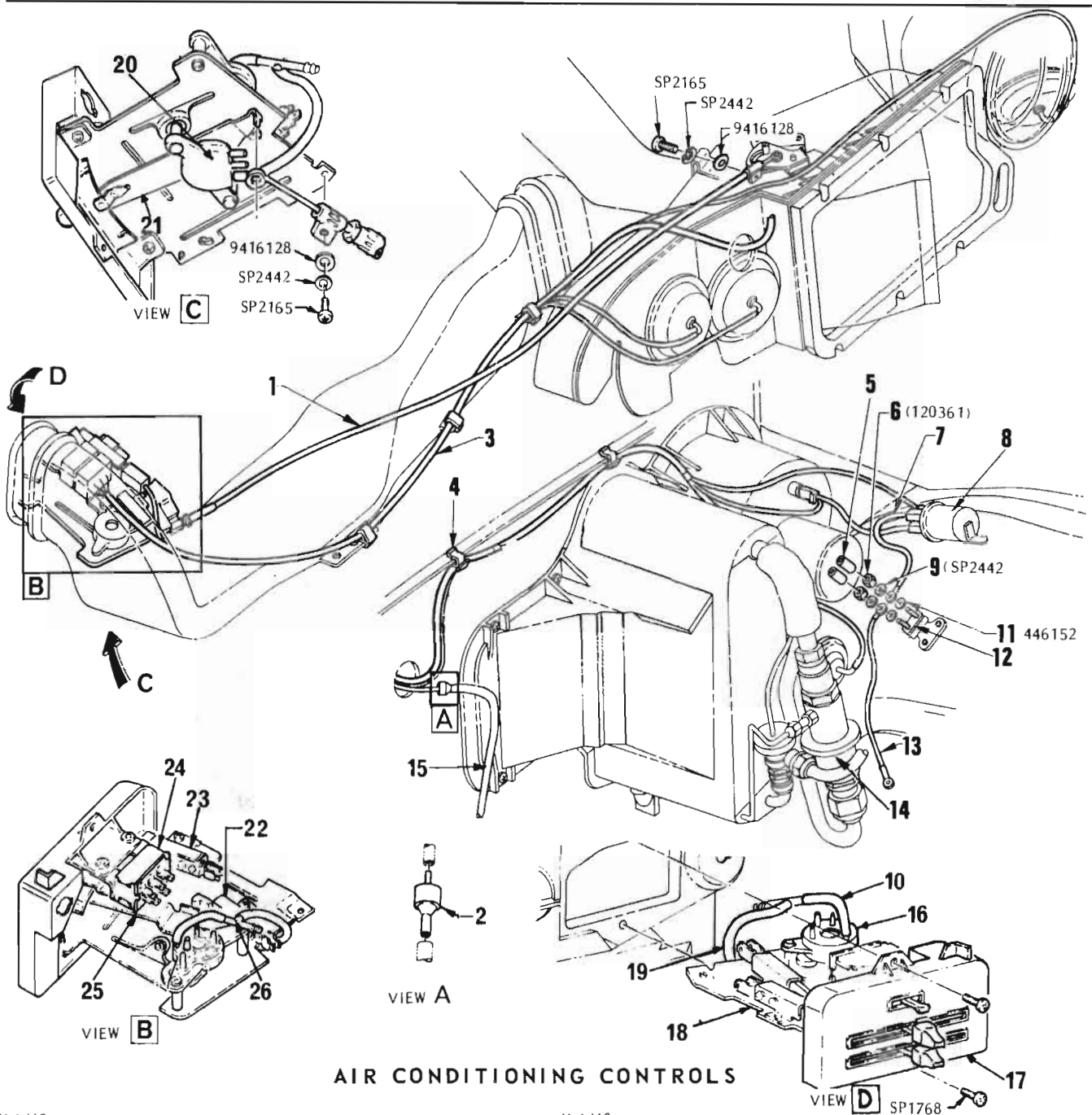


12 - 16 V., 0.1 amp.	SP1477
12 - 16 V., 1.2 W - s.c. wedge type	SP2103
12 - 16 V., 2 c.p. - s.c. wedge type	9421330
12 - 16 V., 2 c.p. - s.c. bayonet type	9417863
12 - 16 V., 2.2 Watt - s.c.	7117579
12 - 16 V., 3 Watt - Festoon	SP1903
12 - 16 V., 5 Watt - Festoon	SP1932
12 - 16 V., 6 Watt - s.c.	SP1467
12 - 16 V., 12 c.p. - Festoon	9414045
12 - 16 V., 15 c.p. - d.c.	455136
12 - 16 V., 15 c.p. - s.c.	455490
12 - 16 V., 21 c.p. - s.c.	142456
12 - 16 V., 32 c.p. - s.c.	9417866
12 - 16 V., 32 c.p. - 4 c.p. - d.c.	9417867



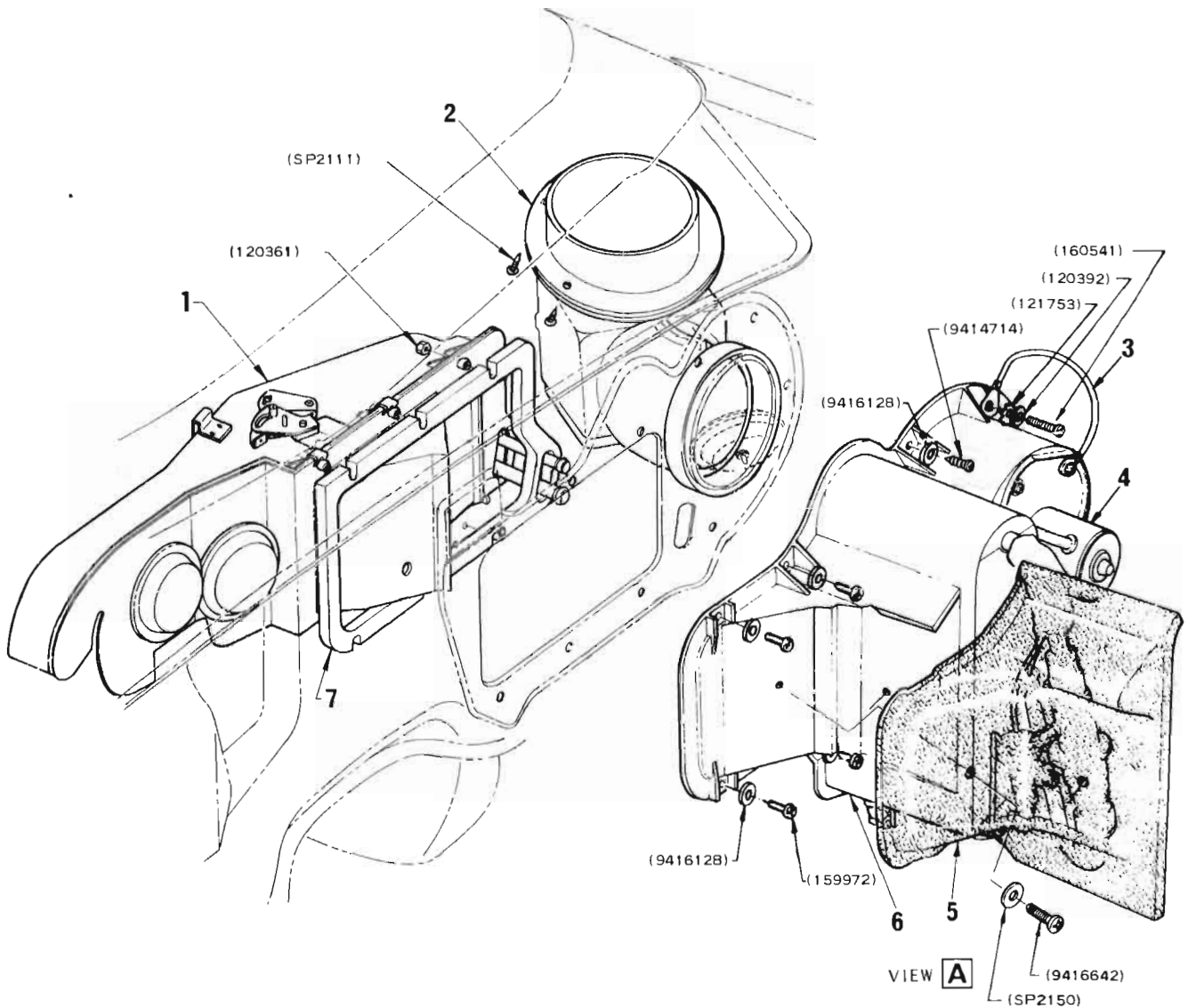
CONDENSER, RECEIVER & DEHYDRATOR

ILLUS. REF. NO.	PART NAME	GROUP	ILLUS. REF. NO.	PART NAME	GROUP
1.	NUT - Condenser to support panel	9.190	6.	RELAY ASSY.	9.275
2.	GROMMET - Condenser inlet pipe	9.220	7.	RECEIVER & DEHYDRATOR ASSY.	9.195
3.	GROMMET - Condenser outlet pipe	9.220	8.	CIRCUIT BREAKER ASSY.	9.275
4.	BOLT - Condenser to support panel	9.190	9.	CONDENSER ASSY.	9.190
5.	'O' RING - Receiver dehydrator outlet	9.220			



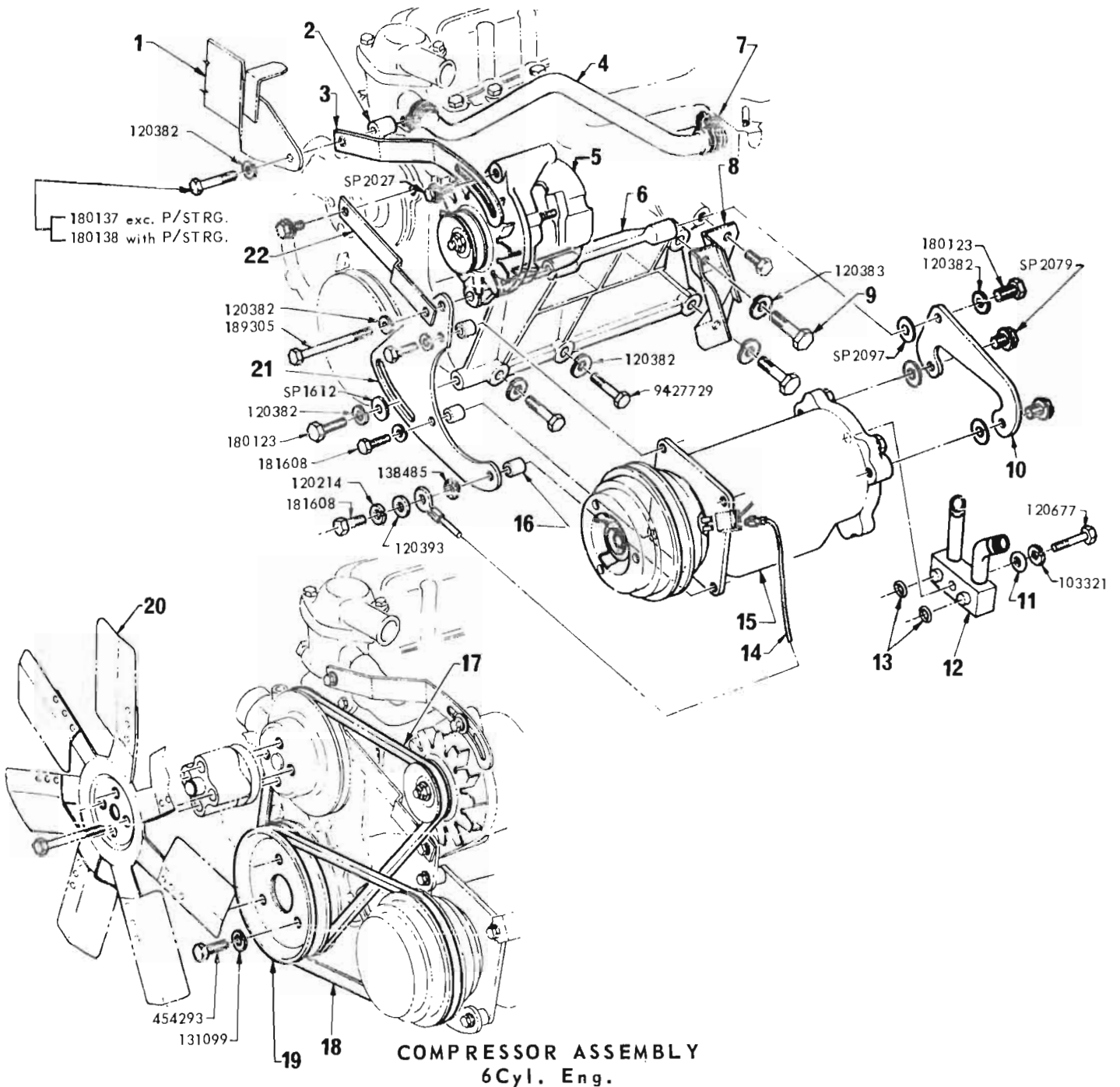
AIR CONDITIONING CONTROLS

ILLUS. REF. NO.	PART NAME	GROUP	ILLUS. REF. NO.	PART NAME	GROUP
1.	CABLE - Heat control	9.278	14.	VALVE - P.O.A.S.T.	9.198
2.	VALVE ASSY. - Check	9.281	15.	HOSE - Engine to check valve	9.281
3.	HARNES ASSY. - Wiring & Vacuum hose	9.276	16.	VALVE ASSY. - Mode vacuum	9.280
4.	CLIP - Harness to dash panel	9.276	17.	ESCUTCHEON - Control	9.278
5.	SLEEVE	9.275	18.	BASE - Control	9.278
6.	NUT - Hexagon	8.915	19.	HOSE - Vac. heat valve to conn. tee	9.281
7.	LEAD ASSY. - Circuit breaker to relay	9.276	20.	VALVE ASSY. - Heat vacuum	9.280
8.	RELAY ASSY.	9.275	21.	LEVER ASSY. - Heat control	9.278
9.	WASHER - Lock	8.931	22.	SWITCH ASSY. - Compressor micro	9.275
10.	HOSE - Mode valve to conn. tee	9.281	23.	SWITCH ASSY. - Master micro	9.275
11.	WASHER - Flat	8.929	24.	SWITCH ASSY. - Fan	9.275
12.	CIRCUIT BREAKER ASSY.	9.275	25.	LEVER ASSY. - Mode control	9.278
13.	LEAD ASSY. - Starter motor to circuit breaker	9.276	26.	TEE - Special	9.281

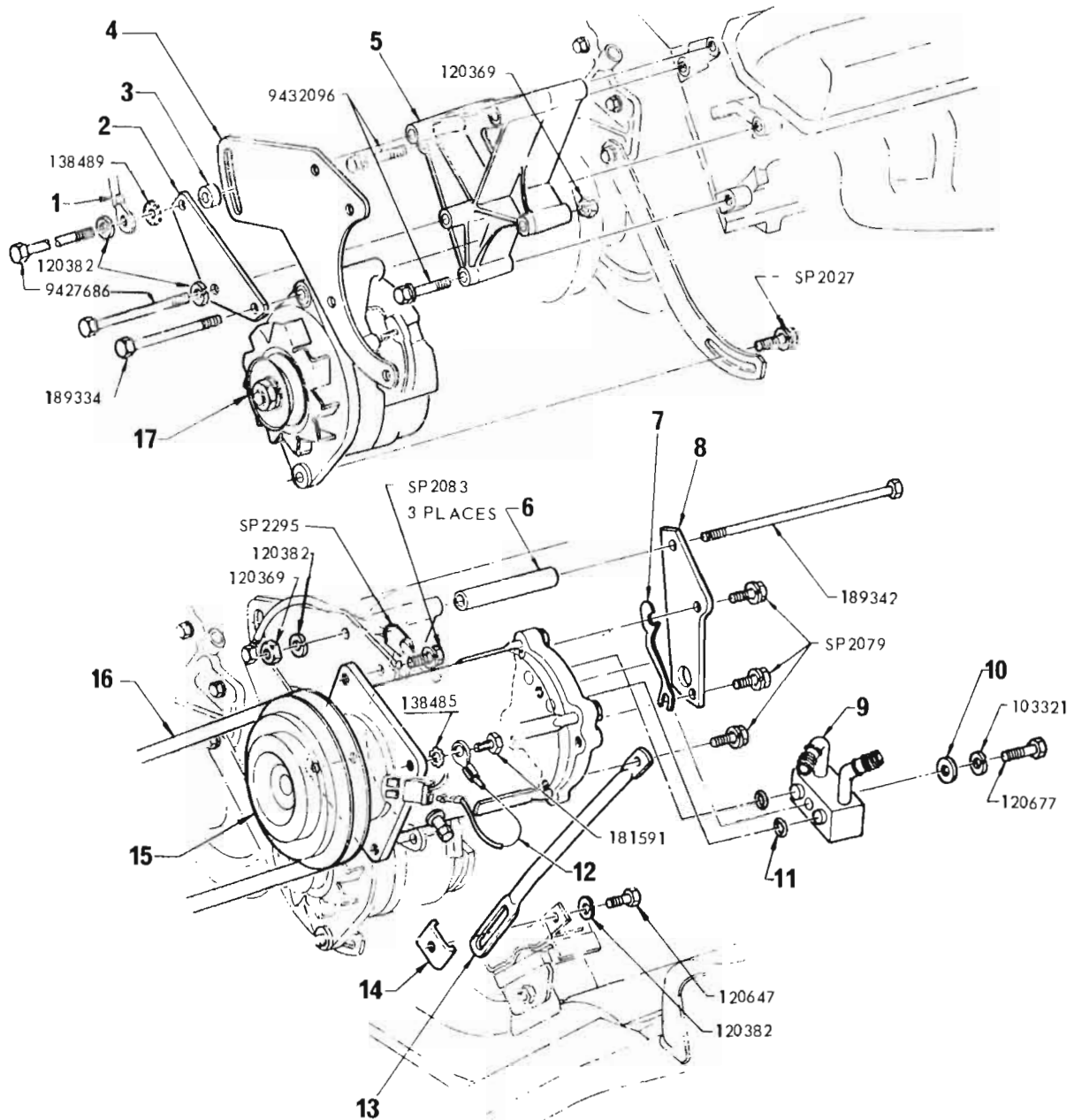


AIR CONDITIONING HOUSING and DUCT

ILLUS. REF. NO.	PART NAME	GROUP	ILLUS. REF. NO.	PART NAME	GROUP
1.	DUCT - Heat distribution	9.262	5.	INSULATOR - Evaporator & blower	9.169
2.	INLET ASSY. - Air	9.211	6.	HOUSING - Evaporator & blower	9.169
3.	LEAD ASSY. - Motor earth	9.215	7.	GASKET - Distribution duct	9.262
4.	MOTOR - Evaporator blower	9.215			

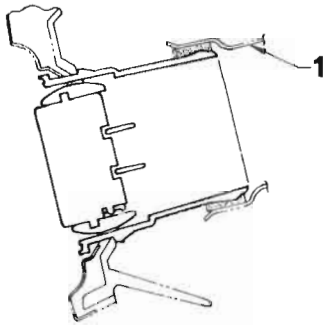


ILLUS. REF. NO.	PART NAME	GROUP	ILLUS. REF. NO.	PART NAME	GROUP
1.	BRACKET - Power steering pump	6.606	12.	FITTING ASSEMBLY	9.170
2.	SPACER - Brace to thermostat housing	2.317	13.	"O" RING - Compressor to fitting	9.170
3.	BRACE - Generator	2.317	14.	WIRE ASSY. - Compressor ground	9.170
4.	HOSE - Inlet manifold water	3.260	15.	COMPRESSOR ASSEMBLY	9.170
5.	GENERATOR ASSY.	2.275	16.	SPACER - Front bracket	9.171
6.	SUPPORT	9.171	17.	BELT - Fan & generator	1.066
7.	CLAMP - Hose 1.03"	3.260	18.	BELT - Compressor	9.180
8.	BRACKET ASSY. - Front mounting	0.027	19.	PULLEY - Crankshaft	0.659
9.	BOLT - Engine mtg. & compressor bracket to engine	9.171	20.	BLADE ASSY.- Fan	1.064
10.	BRACKET - Rear	9.171	21.	BRACKET - Front	9.171
11.	WASHER - Fitting to compressor	9.170	22.	BRACE - Front	9.171

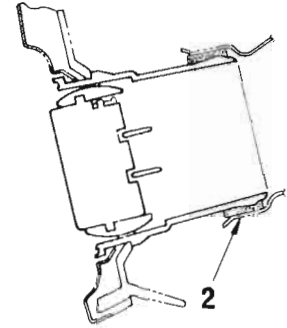


COMPRESSOR ASSEMBLY
8 Cyl. Eng.

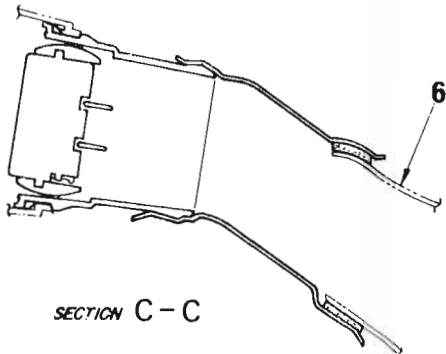
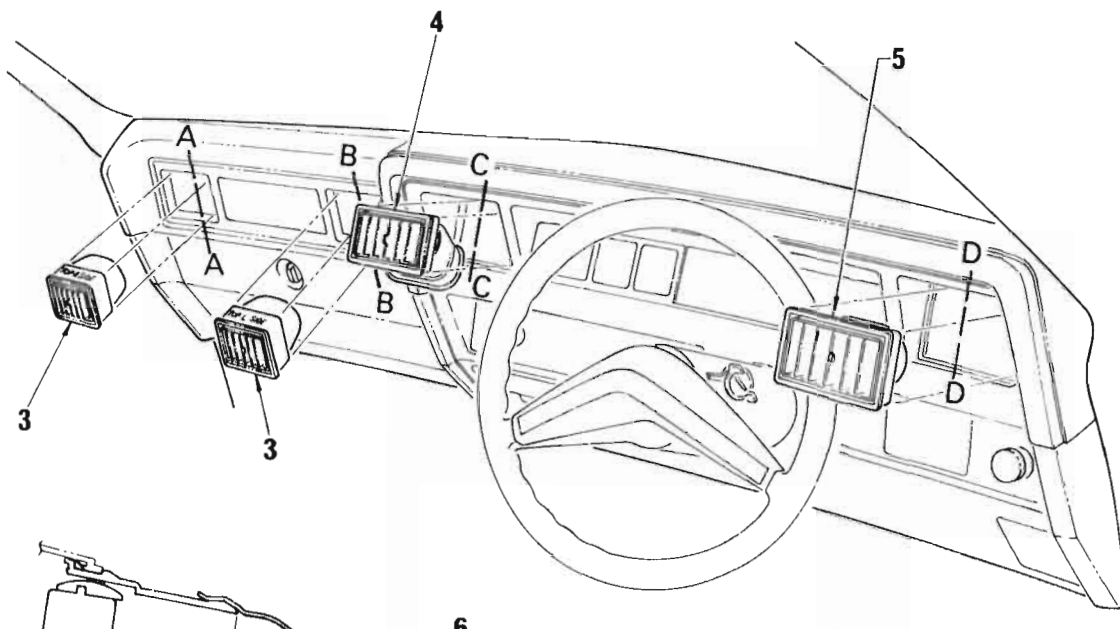
ILLUS. REF. NO.	PART NAME	GROUP	ILLUS. REF. NO.	PART NAME	GROUP
1.	CABLE ASSY. - Battery ground	2.341	10.	WASHER - Fitting to compressor	9.170
2.	BRACKET - Generator mounting front	2.277	11.	'O' RING - Compressor to fitting	9.170
3.	SPACER - Support	9.171	12.	WIRE ASSY. - Compressor ground	9.170
4.	BRACKET - Front	9.171	13.	BRACE - Rear	9.171
5.	SUPPORT	9.171	14.	NUT - Brace	9.171
6.	SPACER - Bracket to support	9.171	15.	COMPRESSOR ASSEMBLY	9.170
7.	SHIM - Rear bracket	9.171	16.	BELT - Compressor	9.180
8.	BRACKET - Rear	9.171	17.	GENERATOR ASSEMBLY	2.275
9.	FITTING ASSEMBLY	9.170			



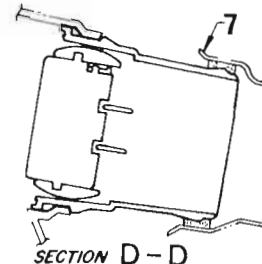
SECTION A-A



SECTION B-B



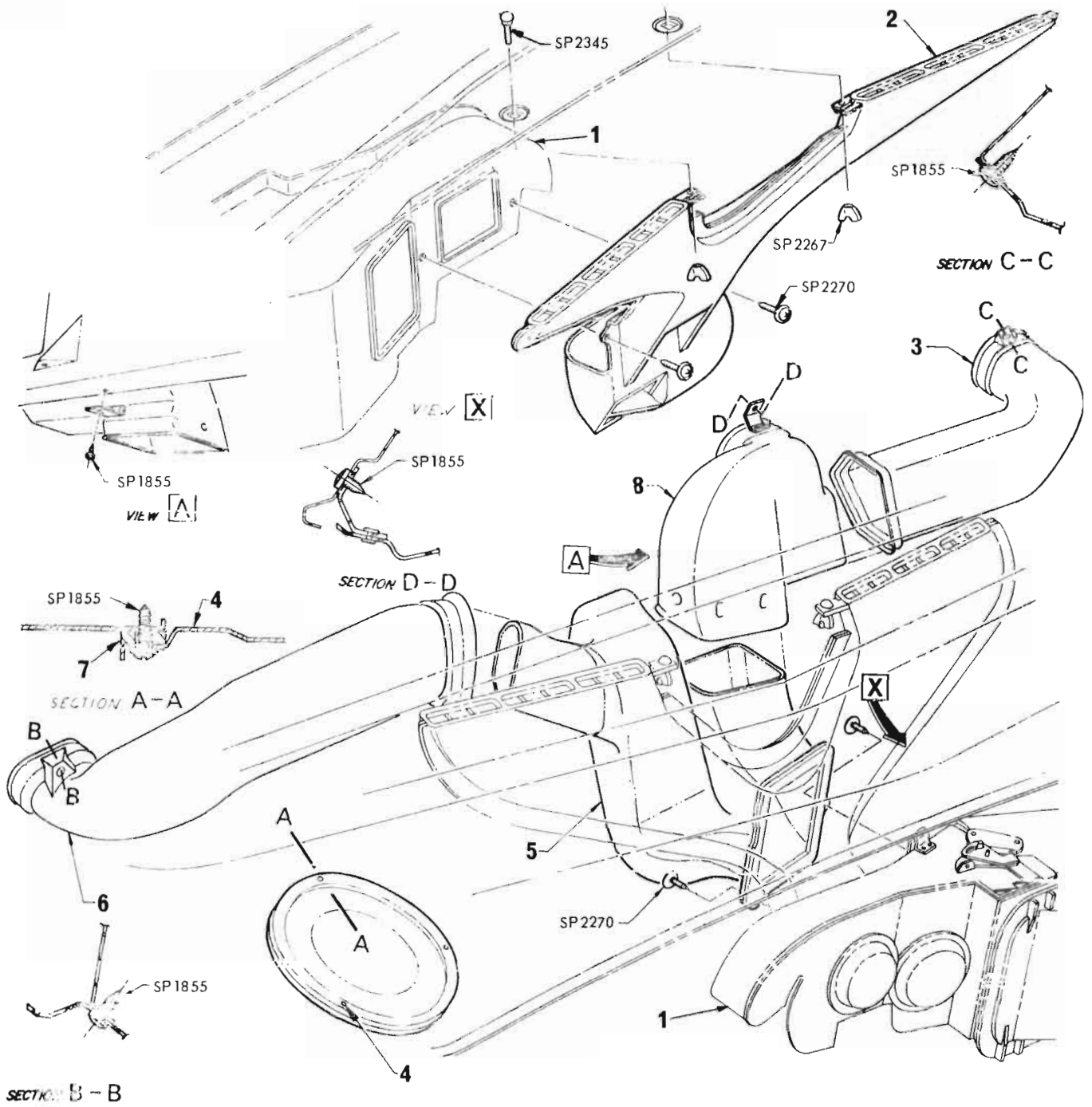
SECTION C-C



SECTION D-D

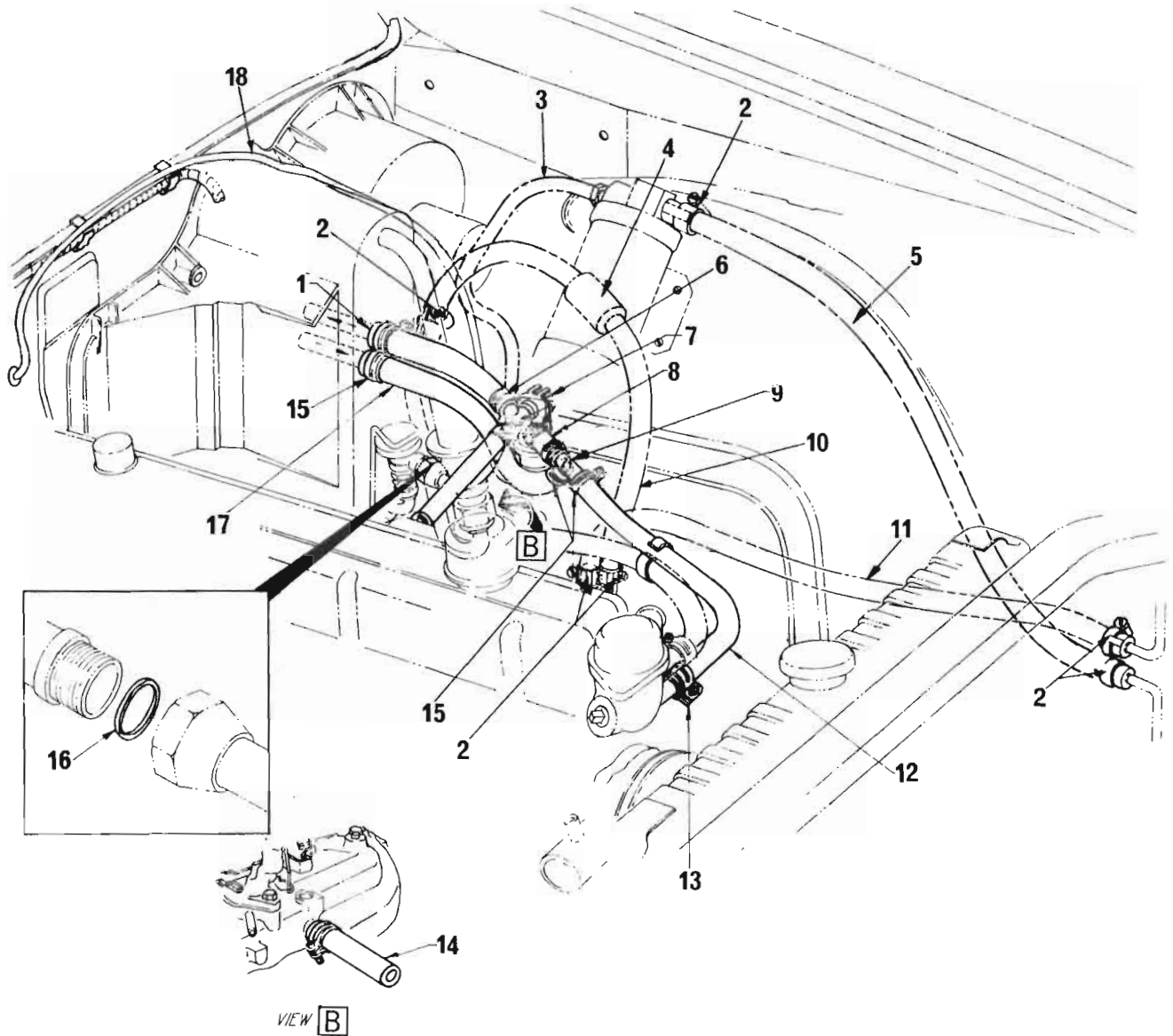
AIR CONDITIONING OUTLETS

ILLUS. REF. NO.	PART NAME	GROUP	ILLUS. REF. NO.	PART NAME	GROUP
1.	DUCT ASSY. - Outlet, outer left side	9.262	5.	OUTLET ASSY. - Upper level vent, right side outer	9.262
2.	DUCT ASSY. - Outlet, inner left side	9.262	6.	DUCT ASSY. - Air distribution	9.262
3.	OUTLET ASSY. - Upper level vents, left side	9.262	7.	DUCT ASSY. - Outlet, outer right side	9.262
4.	OUTLET ASSY. - Upper level vent, right side inner	9.262			



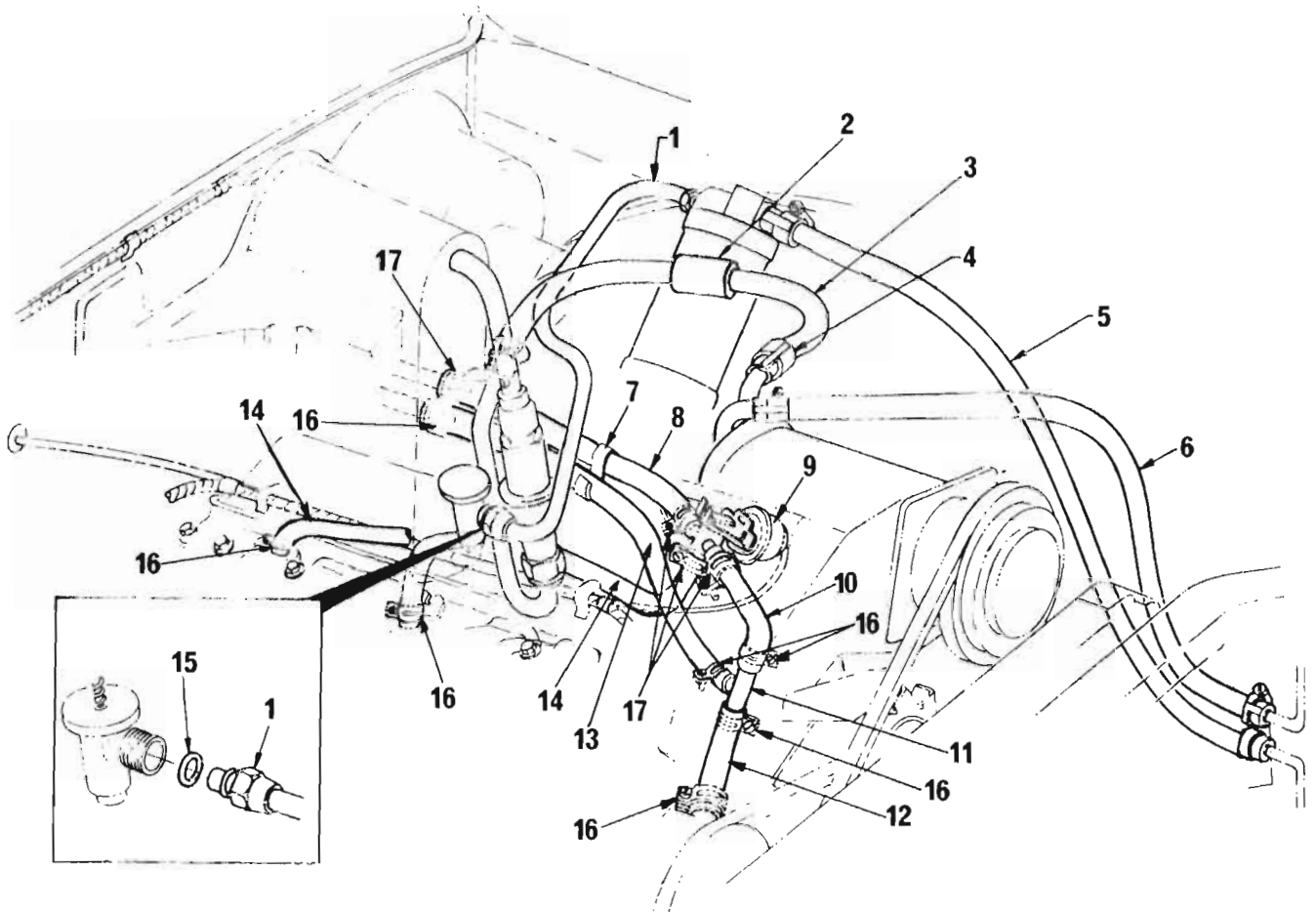
AIR CONDITIONING DUCTS

ILLUS. REF. NO.	PART NAME	GROUP	ILLUS. REF. NO.	PART NAME	GROUP
1.	DUCT - Heat distribution	9.262	5.	DUCT ASSY. - Air distribution	9.262
2.	DUCT ASSY. - Demist distribution	9.262	6.	DUCT ASSY. - Outlet, outer right side ...	9.262
3.	DUCT ASSY. - Outlet, outer left side	9.262	7.	SEAL	9.263
4.	COVER - Right side	9.263	8.	DUCT ASSY. - Outlet, inner left side ...	9.262



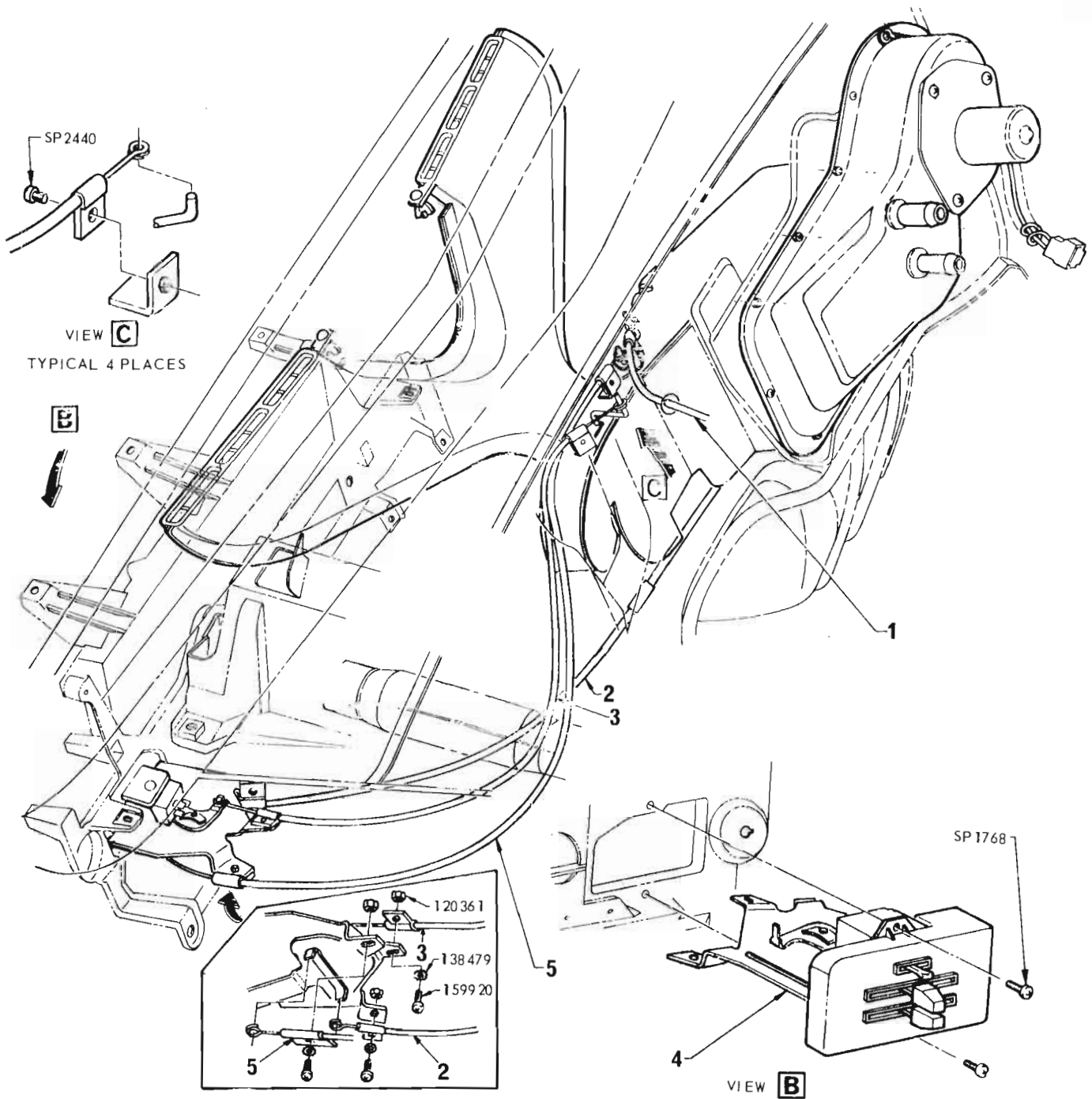
AIR CONDITIONING HOSES
6Cyl. Eng.

ILLUS. REF. NO.	PART NAME	GROUP	ILLUS. REF. NO.	PART NAME	GROUP
1.	HOSE - Water valve to Air Cond. heater inlet	9.220	10.	HOSE - P.O.A.S.T. valve to compressor	9.220
2.	CLAMP - Hose	9.220	11.	HOSE - Compressor to condenser	9.220
3.	TUBE ASSY. - Dehydrator to modulex valve	9.220	12.	HOSE - Thermostat housing inlet to tee	9.220
4.	SL FVEVE - P.O.A.S.T. valve to compressor hose	9.220	13.	CLAMP - Heater hose .97" dia.	9.220
5.	HOSE - Condenser to receiver dehydrator	9.220	14.	HOSE - Water valve inlet to manifold outlet	9.220
6.	CLIP - Heater inlet to outlet hose	9.220	15.	CLAMP - Heater hose 1.03" dia.	9.220
7.	VALVE ASSY. - Heater water	9.275	16.	"O" RING GASKET - Modulex valve inlet	9.220
8.	HOSE - Tee to water valve	9.220	17.	HOSE - Air Cond. heater outlet to tee	9.220
9.	TEE - Water hose connection	9.220	18.	HOSE - Heat valve to water valve 77"	9.281



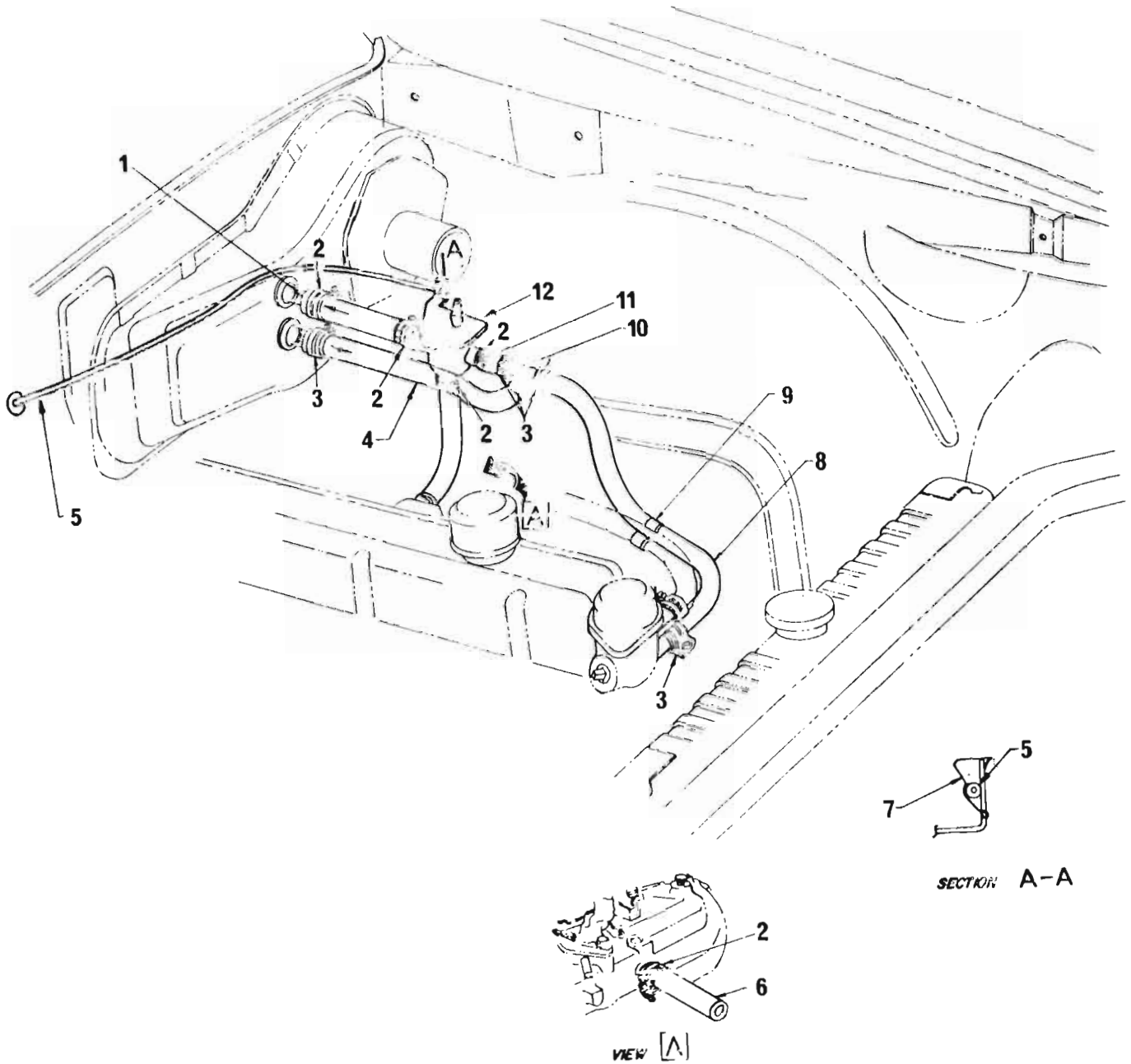
AIR CONDITIONING HOSES
8Cyl. Eng.

ILLUS. REF. NO.	PART NAME	GROUP	ILLUS. REF. NO.	PART NAME	GROUP
1.	TUBE ASSY. - Dehydrator to modulex valve	9.220	10.	HOSE - Water valve to tee	9.779
2.	SLEEVE - P.O.A.S.T. Valve to comp. hose	9.220	11.	TEE - Heater water hose connector	9.779
3.	HOSE - P.O.A.S.T. valve to compressor	9.220	12.	HOSE - Tee to water pump	9.779
4.	CLAMP - Hose	9.220	13.	HOSE - Heater outlet to tee	9.779
5.	HOSE - Condenser to receiver dehydrator	9.220	14.	HOSE - Manifold outlet to water valve	9.779
6.	HOSE - Compressor to condenser	9.220	15.	"O" RING GASKET - Receiver dehydrator inlet	9.220
7.	CLIP - Inlet to outlet hose	9.779	16.	CLAMP - Heater hose 1.03" dia.	9.779
8.	HOSE - Water valve to heater inlet	9.779	17.	CLAMP - Heater hose .97" dia.	9.779
9.	VALVE ASSY. - Heater water	9.275			



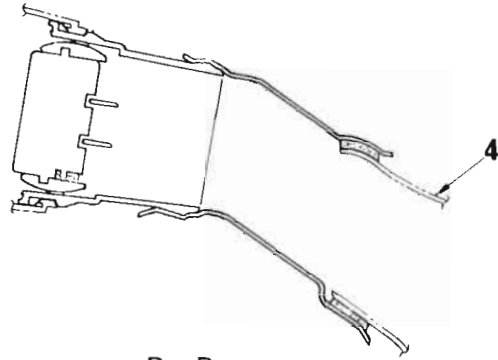
FORCED AIR VENTILATION CONTROLS

ILLUS. REF. NO.	PART NAME	GROUP	ILLUS. REF. NO.	PART NAME	GROUP
1.	CABLE ASSY. - Water valve control	9.779	4.	CONTROL ASSY. - Heater & forced ventilation	9.779
2.	CABLE ASSY. - Temperature control	9.779	5.	CABLE ASSY. - Vent control	9.779
3.	CABLE ASSY. - Interior & demist control	9.779			

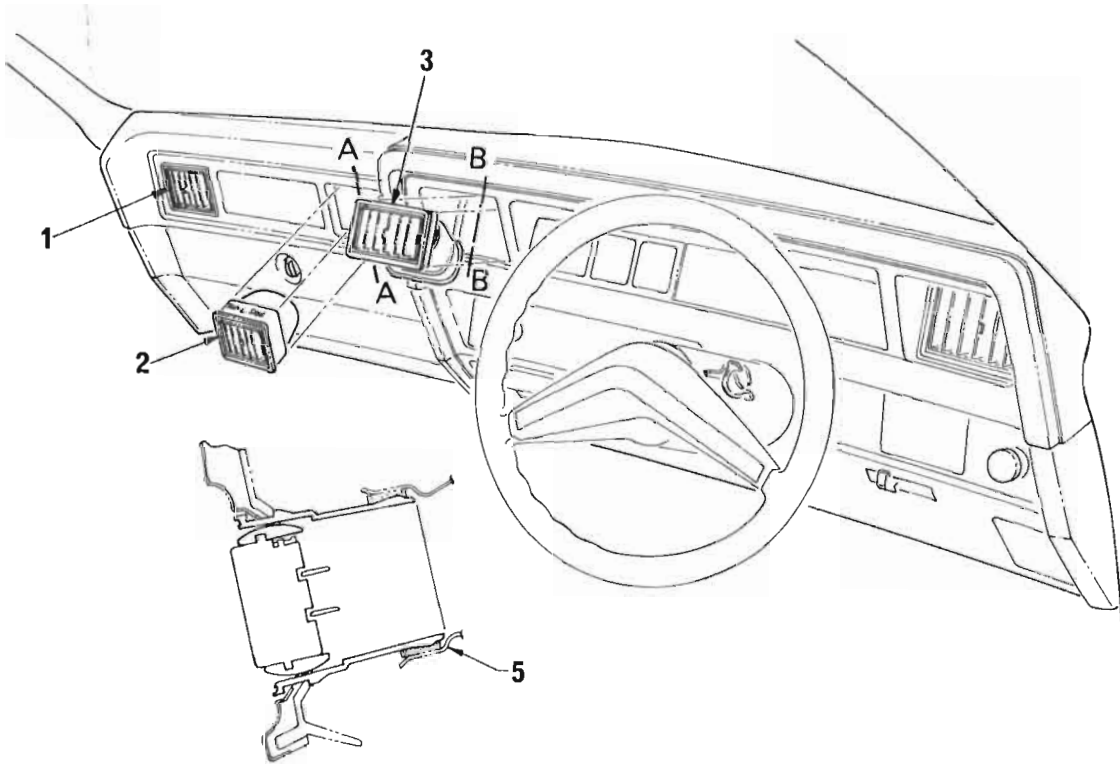


**FORCED AIR VENTILATION HOSES
6Cyl. Eng.**

ILLUS. REF. NO.	PART NAME	GROUP	ILLUS. REF. NO.	PART NAME	GROUP
1.	HOSE — Water valve to heater inlet	9.779	7.	CLIP — Cable to water valve	9.779
2.	CLAMP — Heater hose, .97" dia.	9.779	8.	HOSE — Tee to thermo. housing	9.779
3.	CLAMP — Heater hose, 1.03" dia.	9.779	9.	CLIP — Heater hose to manifold	9.779
4.	HOSE — Heater outlet to tee	9.779	10.	TEE — Heater water hose connector	9.779
5.	CABLE ASSY. — Water valve control heater ...	9.779	11.	HOSE — Water valve to tee	9.779
6.	HOSE — Manifold outlet to tee	9.779	12.	VALVE ASSY. — Heater water diverter	9.779



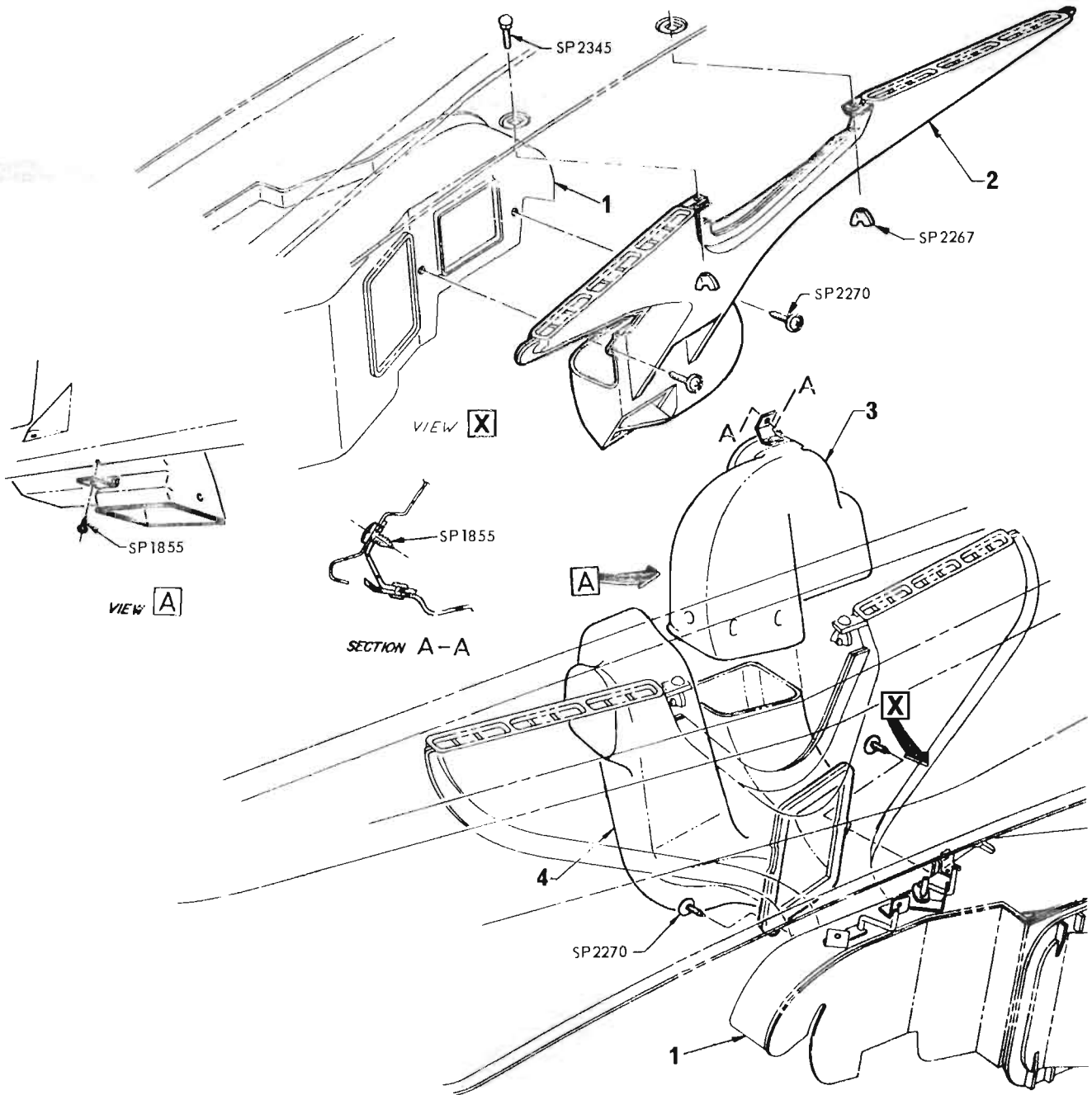
SECTION B-B



SECTION A-A

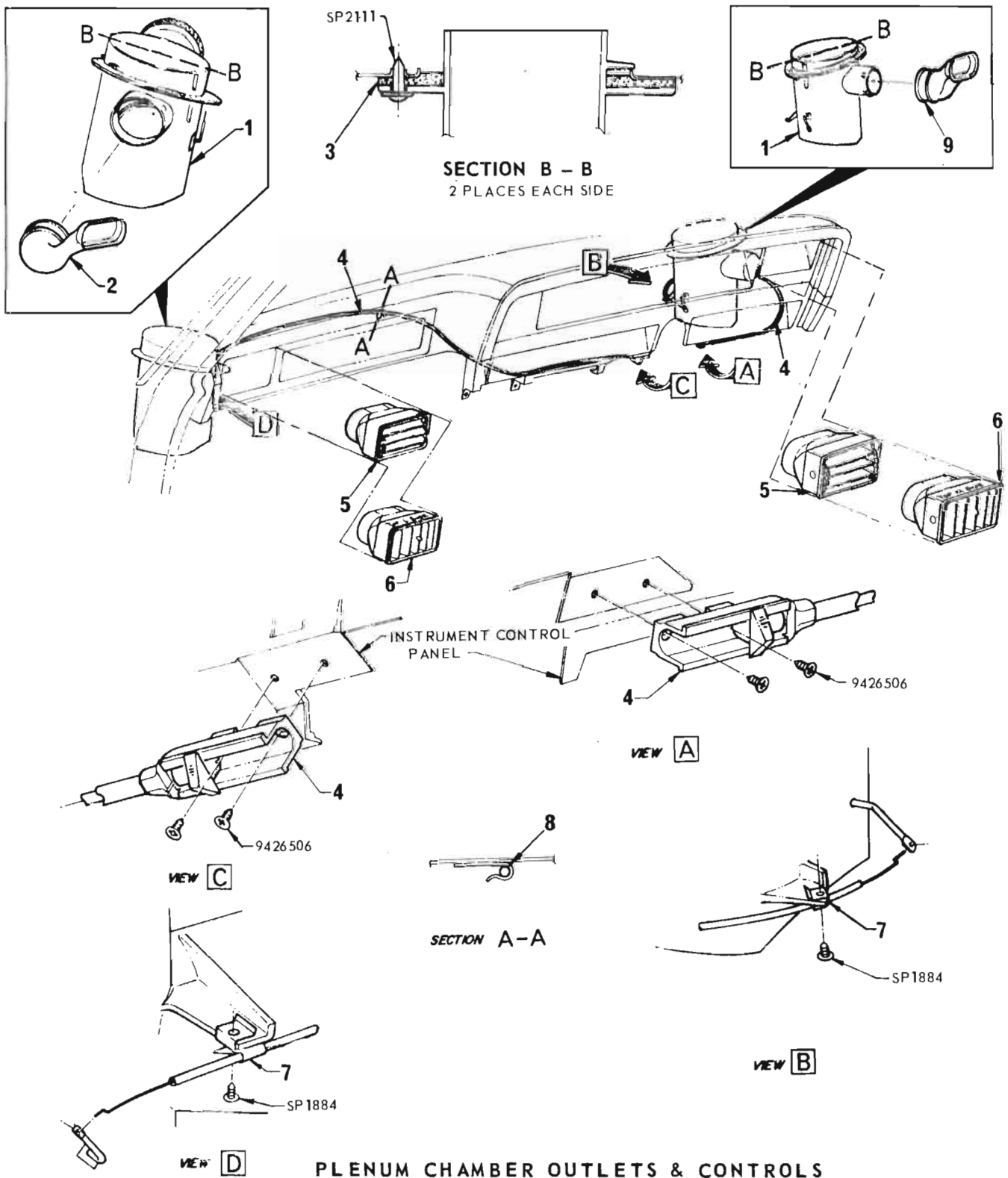
FORCED AIR VENTILATION OUTLETS

ILLUS. REF. NO.	PART NAME	GROUP	ILLUS. REF. NO.	PART NAME	GROUP
1.	OUTLET ASSY. - Upper level vent - outer	9.779	4.	DUCT - Vent, air distribution	9.779
2.	OUTLET ASSY. - Upper level vent - inner left side	9.779	5.	DUCT ASSY. - Vent, outlet - inner left side	9.779
3.	OUTLET ASSY. - Upper level vent - inner right side	9.779			



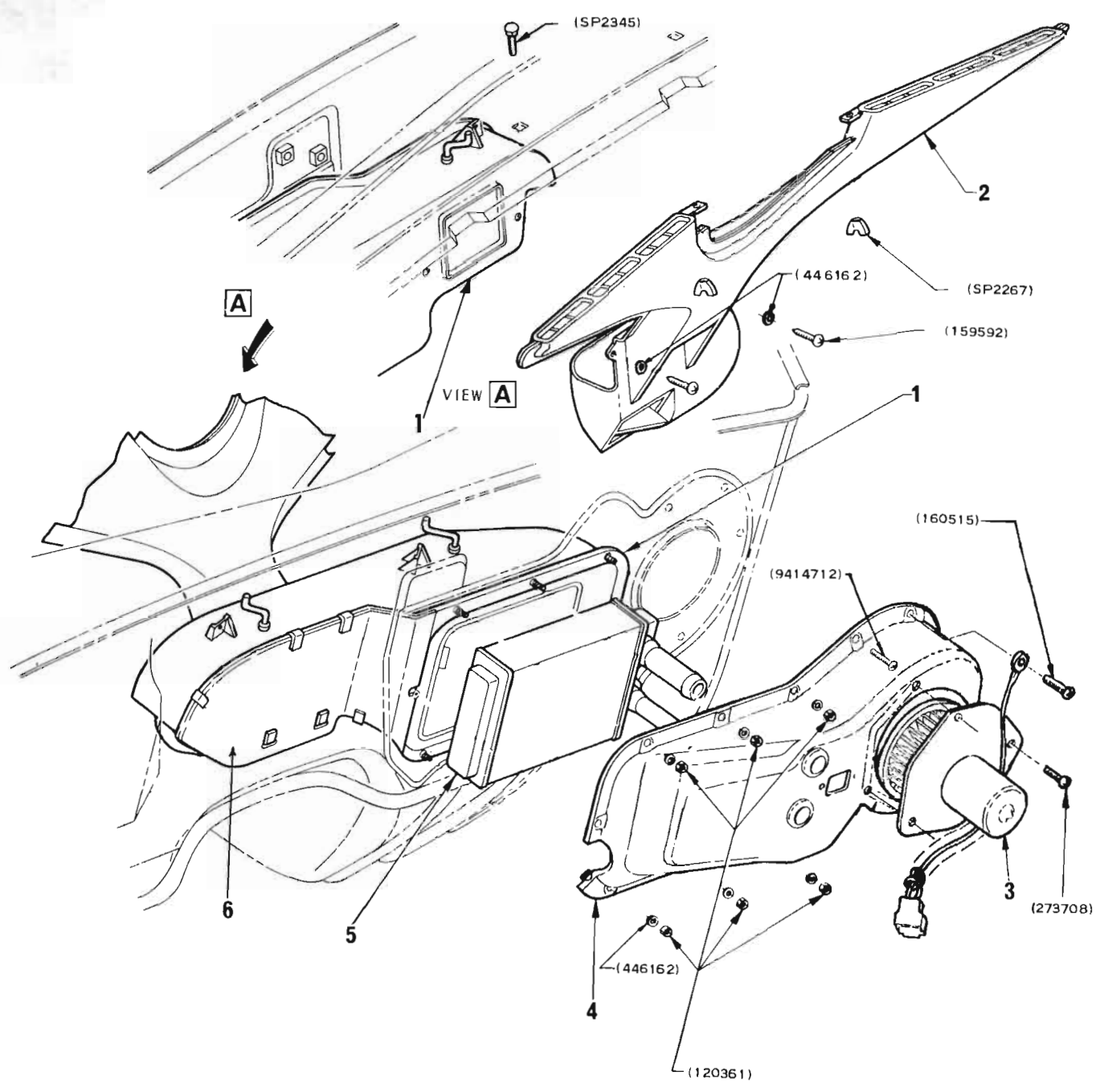
FORCED AIR VENTILATION DUCTS

ILLUS. REF. NO.	PART NAME	GROUP	ILLUS. REF. NO.	PART NAME	GROUP
1.	DUCT ASSY. - Heater & forced vent distribution	9.779	3.	DUCT ASSY. - Vent, outlet - inner left side	9.779
2.	DUCT ASSY. - Demist distribution	9.779	4.	DUCT - Vent, air distribution	9.779



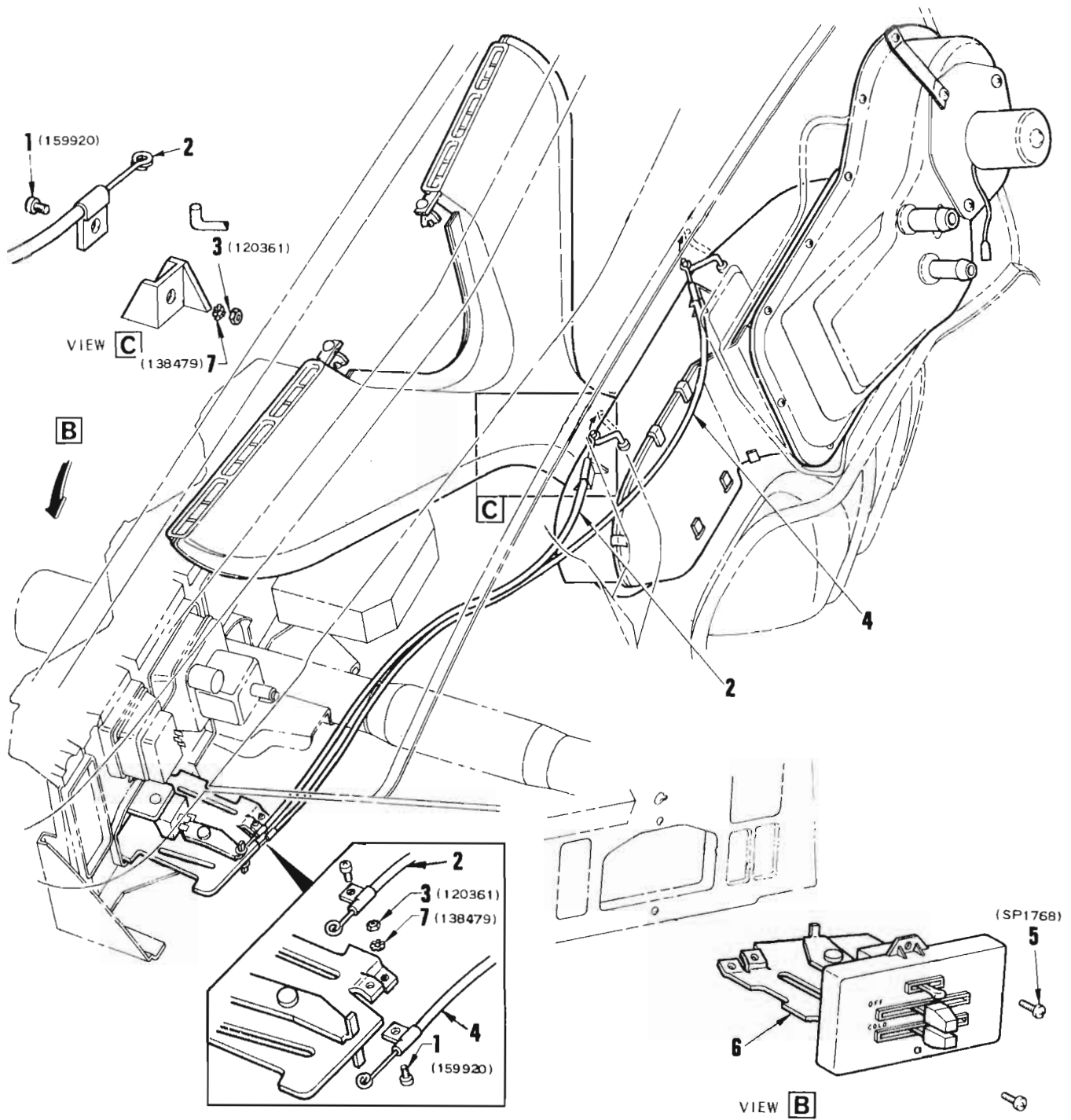
PLENUM CHAMBER OUTLETS & CONTROLS

ILLUS. REF. NO.	PART NAME	GROUP	ILLUS. REF. NO.	PART NAME	GROUP
1.	OUTLET ASSY. - Plenum chamber	12.803	6.	OUTLET ASSY. - Upper level vent	9.262/9.779
2.	DUCT - Upper vent outlet - left side	9.779	7.	RETAINER - Control cable	9.787
3.	SEAL - Plenum chamber outlet	12.803	8.	CLIP - Retainer	9.787
4.	CONTROL ASSEMBLY - Door	9.787	9.	DUCT - Upper vent outlet - right side	9.779
5.	OUTLET ASSY. - Upper level vent	9.779			



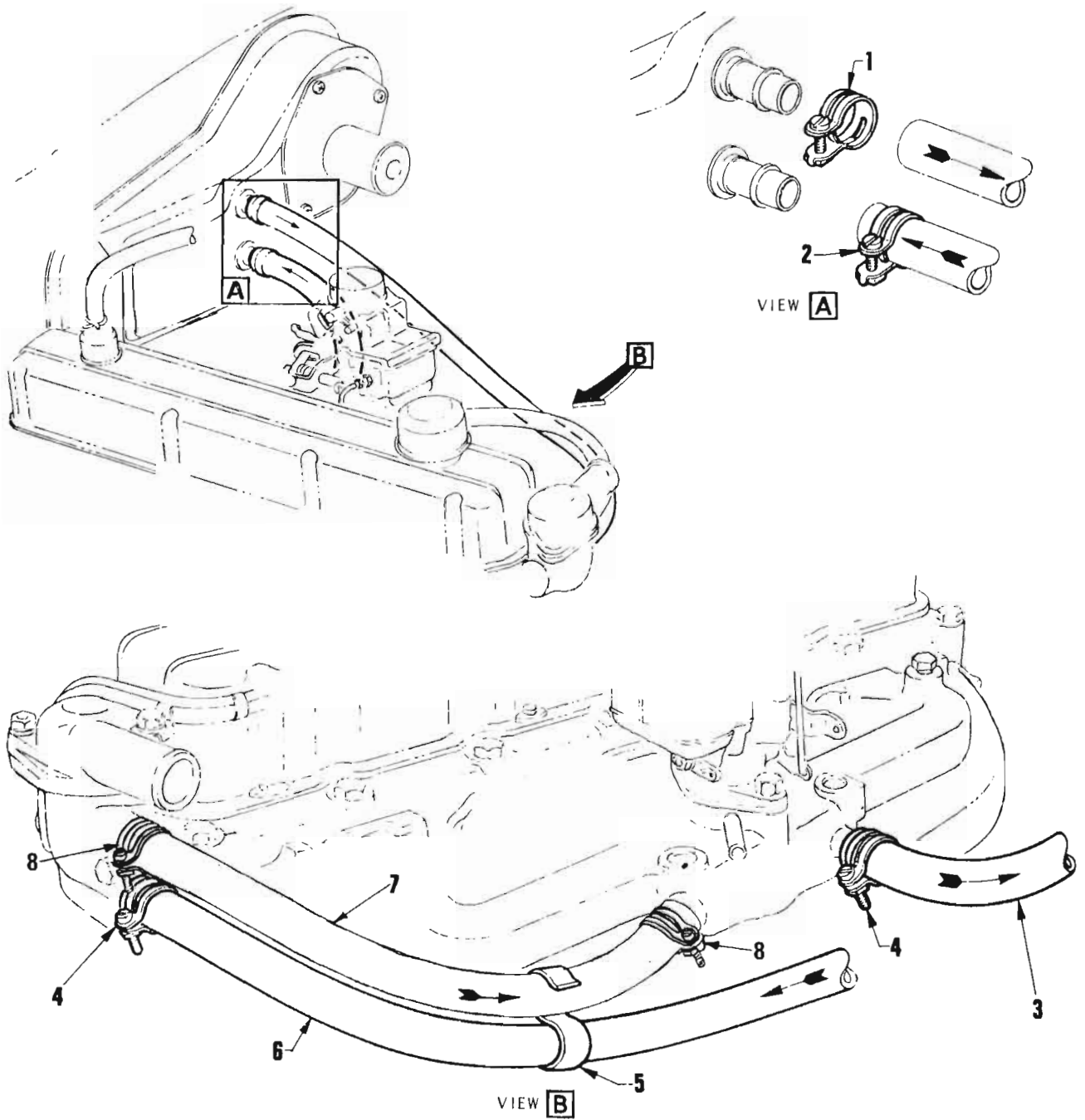
HEATER and DEMISTER

ILLUS. REF. NO.	PART NAME	GROUP	ILLUS. REF. NO.	PART NAME	GROUP
1.	DUCT - Heat distribution	9.779	4.	HOUSING ASSY. - Blower & air duct	9.779
2.	DUCT ASSY. - Demist distribution	9.779	5.	RADIATOR ASSY.	9.779
3.	MOTOR ASSY. - Blower	9.779	6.	PANEL - Heat dist. duct closing	9.779



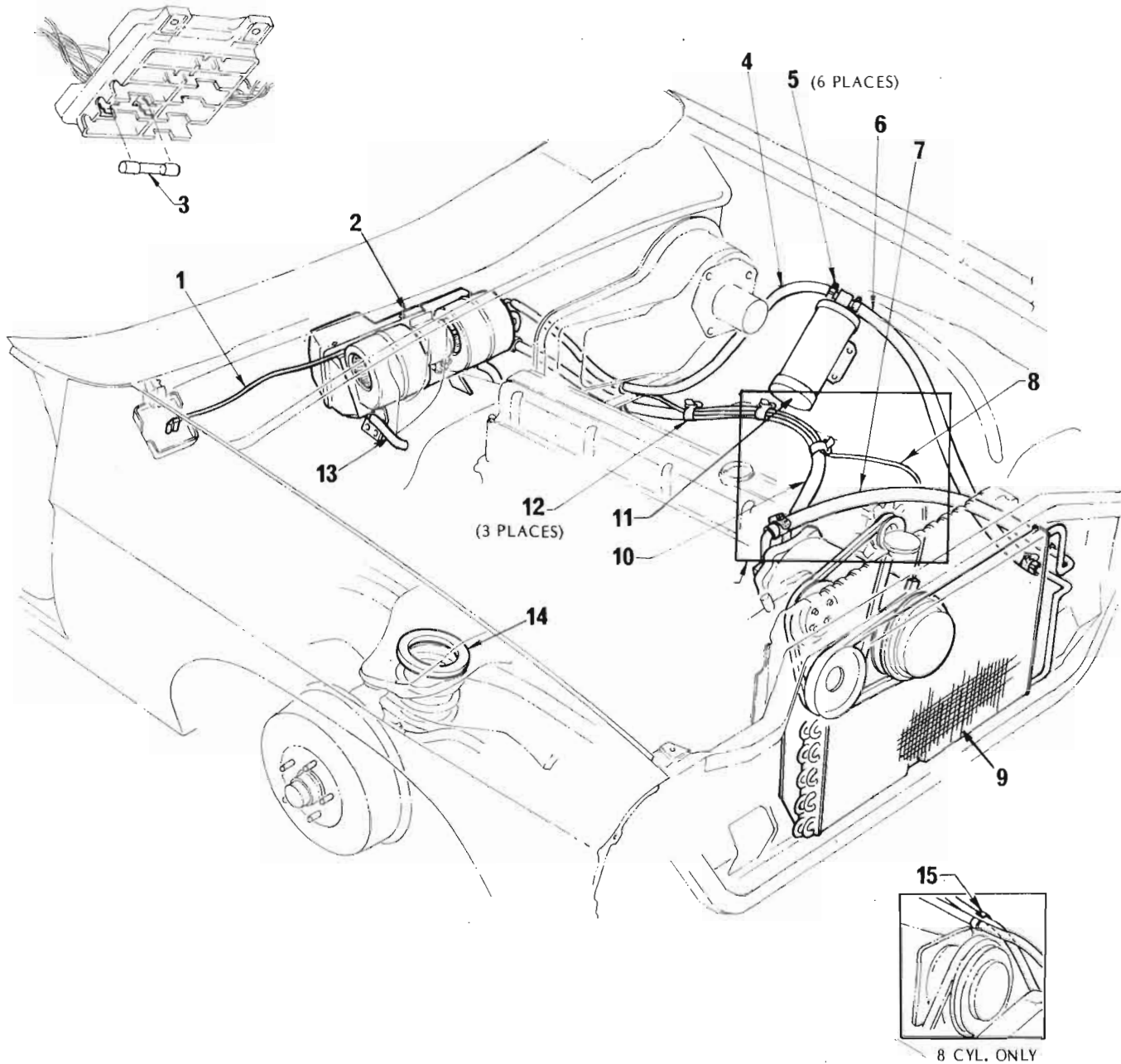
HEATER CONTROLS

ILLUS. REF. NO.	PART NAME	GROUP	ILLUS. REF. NO.	PART NAME	GROUP
1.	BOLT - Pan head	8.910	5.	SCREW - Sheet metal	8.977
2.	CABLE - Mode control	9.779	6.	CONTROL ASSY. - Heater	9.779
3.	NUT - Hexagon	8.915	7.	WASHER - Shakeproof	8.932
4.	CABLE - Heater control	9.779			



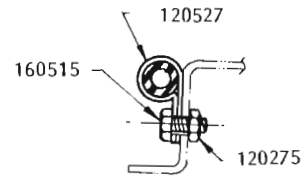
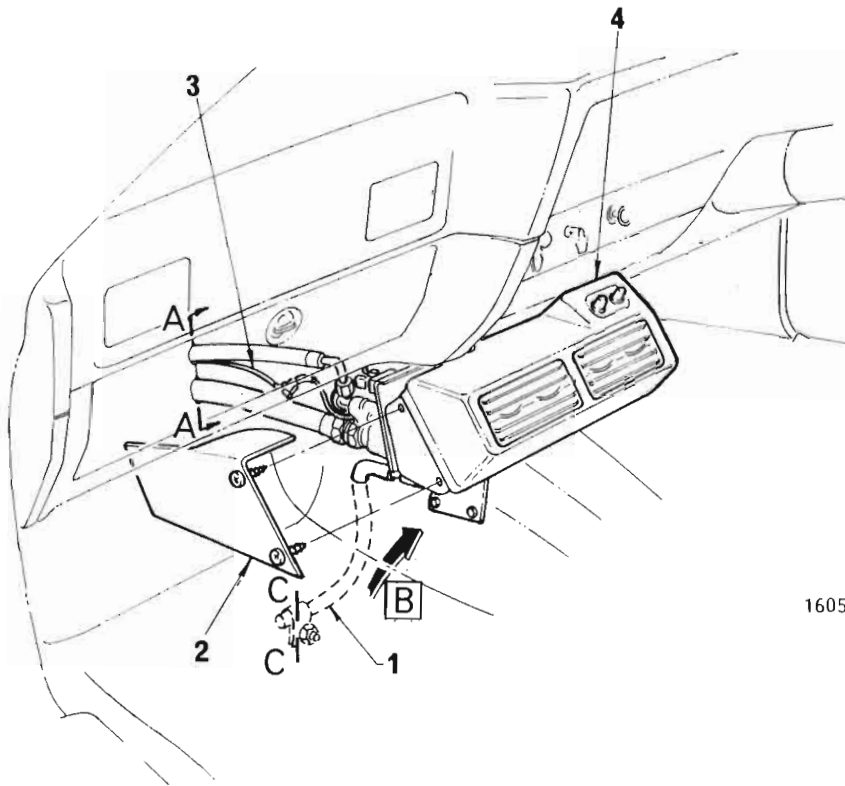
HEATER HOSES

ILLUS. REF. NO.	PART NAME	GROUP	ILLUS. REF. NO.	PART NAME	GROUP
1.	CLAMP - Hose, 1.03"	9.779	5.	CLIP - Inlet hose to outlet hose	9.779
2.	CLAMP - Hose, .97"	9.779	6.	HOSE - Heater outlet	9.779
3.	HOSE - Heater inlet	9.779	7.	HOSE - Inlet manifold water	3.260
4.	CLAMP - Hose, 1.03"	9.779	8.	CLAMP - Hose	3.260

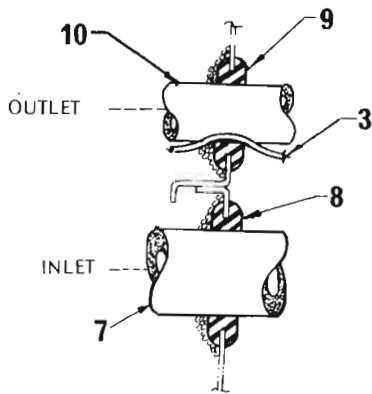


AIR CONDITIONER HOSES & LEADS ACCESSORY PACKAGE

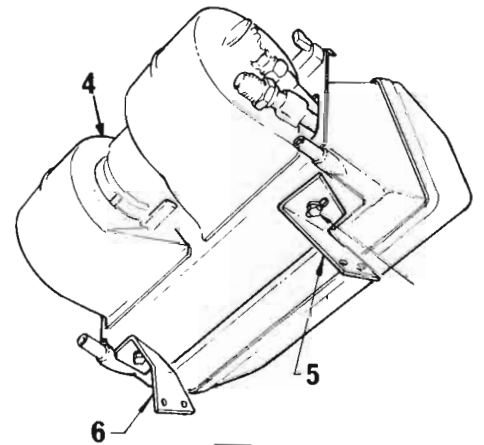
ILLUS. REF. NO.	PART NAME	GROUP	ILLUS. REF. NO.	PART NAME	GROUP
1.	LEAD - Relay to fuse panel	9.276	8.	LEAD - Thermostat control to compressor	9.276
2.	EVAPORATOR & BLOWER ASSY.	9.169	9.	CONDENSER ASSY.	9.190
3.	FUSE - 25 amp.	8.965	10.	HOSE & FITTING - Comp. to evaporator ..	9.220
4.	HOSE & FITTING - Evaporator to receiver	9.220	11.	RECEIVER DEHYDRATOR	9.195
5.	CLAMP - Hose	9.220	12.	STRAP - Compressor lead to hose	9.276
6.	HOSE - Receiver dehy. to condenser	9.220	13.	HOSE - Evaporator drain	9.220
7.	HOSE - Compressor to condenser	9.220	14.	INSULATOR - Front spring	6.364
			15.	CLIP - Condenser hose	9.220



SECTION C-C



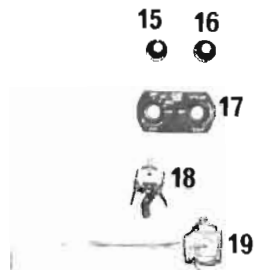
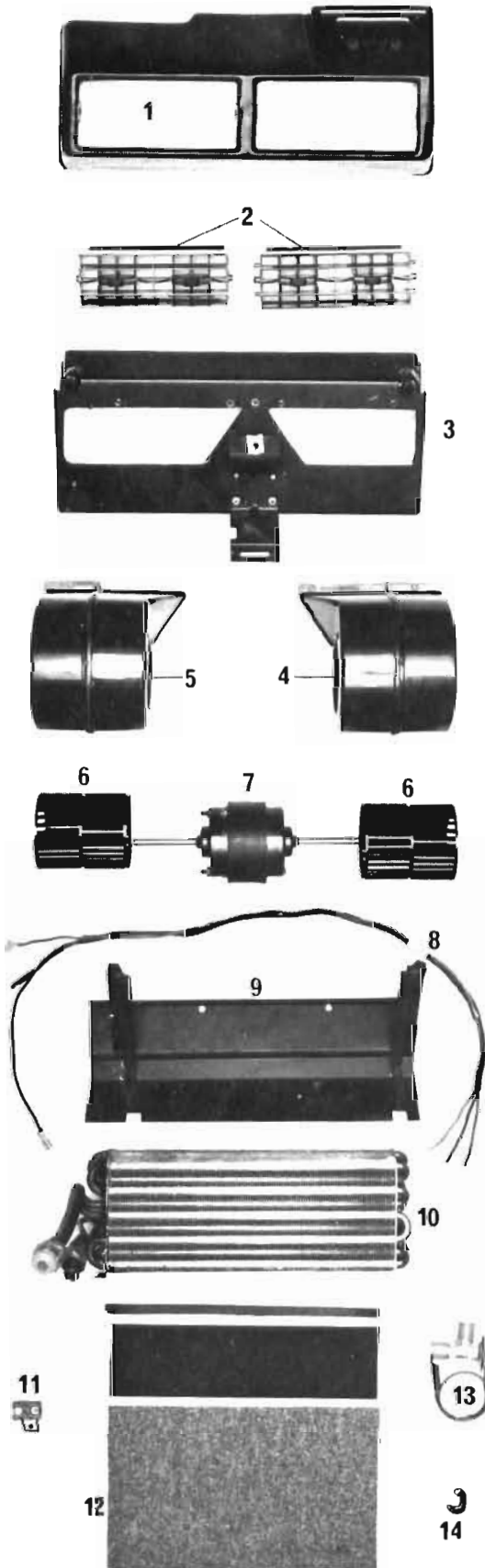
SECTION A-A



VIEW B

AIR CONDITIONER EVAPORATOR & BLOWER ACCESSORY PACKAGE

ILLUS. REF. NO.	PART NAME	GROUP	ILLUS. REF. NO.	PART NAME	GROUP
1.	HOSE - Evaporator drain	9.220	6.	BRACKET - Mounting - RH	T.B.A.
2.	COVER	T.B.A.	7.	HOSE & FITTING - Comp. to evaporator..	9.220
3.	LEAD - Thermostat control to compressor	9.276	8.	GROMMET - Condenser inlet pipe	9.220
4.	EVAPORATOR & BLOWER ASSY.	9.169	9.	GROMMET - Condenser outlet pipe	9.220
5.	BRACKET - Mounting - LH	T.B.A.	10.	HOSE & FITTING - Evaporator to receiver	9.220



**AIR CONDITIONER
EVAPORATOR & BLOWER
ACCESSORY PACKAGE**

ILLUS. REF. NO.	PART NAME	GROUP
1.	BEZEL	9.169
2.	LOUVRE	9.169
3.	TRAY - Drip	9.169
4.	VOLUTE - RH	9.169
5.	VOLUTE - LH	9.169
6.	IMPELLER - Motor	9.215
7.	MOTOR - Evaporator blower	9.215
8.	HARNES - Wiring	9.276
9.	PLATE - Drip tray	9.169
10.	CORE	9.210
11.	CIRCUIT BREAKER	9.275
12.	SCREW - Filter	9.169
13.	VALVE - Expansion	9.169
14.	CLIP - Expansion valve	9.169
15.	KNOB - Switch	9.275
16.	KNOB - Temperature control	9.275
17.	PLATE - Name	9.169
18.	SWITCH	9.275
19.	THERMOSTAT	9.275

"HJ" PARTS CATALOGUE

GROUP	DESCRIPTION	MODEL	SIDE	PART No.	QTY.
9.127	LACING – Hood ledge				
	LACING	ALL		2811864	1
	RETAINER – Lacing	ALL		2811817	2
9.169	EVAPORATOR and BLOWER ASSEMBLY – Air Conditioner				
	HOUSING – Evaporator and blower	ALL		2815701	1
	PLATE ASSY. – Front	ALL		2815709	1
	PLATE ASSY. – Rear	ALL		9928492	1
	NUT – 'J' type No. 10 – 24	ALL		SP2230	4
	GASKET – Evaporator inlet	ALL		2817877	1
	GASKET – Evaporator outlet	ALL		2817876	1
	SEAL – Evaporator to housing	ALL		2815703	1
	SEAL – Evaporator to rear plate	ALL		9928493	2
	SEAL – Evaporator side	ALL		2815704	2
	INSULATOR – Evaporator & blower	ALL		9928884	1
9.170	COMPRESSOR ASSEMBLY – Air Conditioner				
	COMPRESSOR ASSEMBLY	Exc. Chassis & Cab		5910775	1
	COMPRESSOR ASSEMBLY	Chassis & Cab		1131046	1
	"O" RING – Compressor to fitting	ALL		5887997	2
	WIRE ASSEMBLY – Compressor ground	ALL		2818819	1
	FITTING ASSEMBLY	6 Cyl. Eng.		9936385	1
	FITTING ASSEMBLY	8 Cyl. Eng.		9934264	1
	NUT – Shaft	ALL		6555385	1
	VALVE – Fitting Shrader	ALL		1138041	1
	CAP – Fitting Shrader valve	ALL		3792359	1
	WASHER – Fitting to compressor	ALL		3706737	1
9.171	BRACKET, SUPPORT, BRACE – Air Conditioner compressor				
	BRACKET – Front	6 Cyl. Eng.		2814838	1
	BRACKET – Rear	6 Cyl. Eng.		2814841	1
	BRACKET – Front	8 Cyl. Eng.		2812397	1
	BRACKET – Rear	8 Cyl. Eng.		2812398	1
	BRACKET – Brace	8 Cyl. Eng.		9930631	1
	SPACER – Front bracket	6 Cyl. Eng.		2814844	3
	BOLT – Engine mounting and compressor bracket to engine	6 Cyl. Eng.		7421673	2
	SHIM – Rear bracket	8 Cyl. Eng.		3850581	A.R.
	SUPPORT	6 Cyl. Eng.		2814739	1
	SUPPORT	8 Cyl. Eng.		2822055	1
	SPACER – Support	8 Cyl. Eng.		2812399	1
	BRACE – Front	6 Cyl. Eng.		2814839	1
	BRACE – Rear	8 Cyl. Eng.		2812401	1
	SPACER – Bracket to support	8 Cyl. Eng.		2812400	1
	NUT – Brace	8 Cyl. Eng.		2816049	1
9.175	COIL and HOUSING ASSEMBLY, RING – Air conditioner compressor				
	COIL and HOUSING ASSEMBLY	ALL		6550835	1
	RING – Coil housing retaining	ALL		6555330	1
	RING – Clutch housing retaining	ALL		6555328	1
9.180	BELT – Air Conditioner compressor				
	BELT – Nominal length 36 1/2"	6 Cyl. Eng.		3888457	1
	BELT – Nominal length 55"	8 Cyl. Eng.		3911670	1
9.180	PULLEY and BEARING ASSEMBLY – AIR CONDITIONER COMPRESSOR				
	PULLEY and BEARING ASSEMBLY	ALL		5914730	1

"HJ" PARTS CATALOGUE

GROUP	DESCRIPTION	MODEL	SIDE	PART No.	QTY.
9.181	BEARING, RING, SPACER – Air conditioner compressor				
	BEARING - Pulley	ALL		907257	1
	RING - Bearing to pulley retaining	ALL		6555338	1
	RING - Bearing to head retaining	ALL		6555329	1
	SPACER - Clutch hub	ALL		6555384	1
9.188	PLATE, KEY – Air conditioner compressor clutch				
	PLATE - Clutch hub and drive	ALL		5914719	1
	KEY - Clutch hub	ALL		6555320	1
9.190	CONDENSER ASSEMBLY – Air Conditioner				
	CONDENSER ASSEMBLY	Exc. Chassis & Cab		9934691	1
	CONDENSER ASSEMBLY	Chassis & Cab		2825609	1
	SUPPORT - Condenser mounting	Chassis & Cab		2814173	2
	GUARD - Condenser	ALL		3427100	1
	BOLT - Condenser to support panel	ALL		SP2321	4
	NUT - Condenser to support panel	ALL		3903539	4
9.195	RECEIVER and DEHYDRATOR ASSEMBLY – Air Conditioner				
	RECEIVER & DEHYDRATOR ASSEMBLY	ALL		2821867	1
9.198	VALVE – P.O.A.S.T.				
	VALVE	ALL		5910594	1
9.199	BRACKET, TUBE – P.O.A.S.T. valve				
	BRACKET - Mounting	ALL		3942672	1
	TUBE ASSEMBLY - Outlet	ALL		2818731	1
9.210	CORE – Air Conditioner Evaporator				
	CORE ASSEMBLY - Evaporator	ALL		9928490	1
9.211	INLET, SEAL – Air Conditioner Air				
	INLET ASSY.	ALL		2817550	1
	SEAL - Inlet	ALL		2818641	1
	TUBE - Case drain	ALL		3016305	1
9.213	VALVE – Modulex				
	VALVE	ALL		5910745	1
	CLAMP - Valve mounting	ALL		3017086	1
	CLAMP - Valve bulb to evaporator outlet	ALL		3147463	2
	INSULATION - Valve bulb to evaporator outlet	ALL		8526387	2
9.215	MOTOR, IMPELLER, HOSE – Air Conditioner Blower				
	MOTOR - Evaporator blower	ALL		4960538	1
	IMPELLER - Blower motor	ALL		3027062	1
	WASHER - Impeller	ALL		3015545	1
	NUT - Impeller	ALL		3027134	1
	HOSE - Motor cooling	ALL		2818388	1
	LEAD ASSEMBLY - Motor earth	ALL		9935220	1
9.217	CORE ASSY., SUPPORT – Air Conditioner Heater				
	CORE ASSY.	ALL		2815643	1
	SUPPORT & TEMP. DOOR ASSY.	ALL		9934208	1
	GASKET - Heater core pipes	ALL		2817878	1
9.220	HOSE, CLAMP, 'O' RING – Air Conditioner				
	HOSE - Condenser to receiver dehydrator	ALL		3925749	1
	CLAMP - Hose	ALL		3840818	2
	HOSE - Compressor to condenser	6 Cyl. Eng.		3883891	1
	HOSE - Compressor to condenser	8 Cyl. Eng.		3895976	1

MISCELLANEOUS

GROUP	DESCRIPTION	MODEL	SIDE	PART No.	QTY.
9.220	HOSE, CLAMP, 'O' RING – Air Conditioner (contd.)				
	TUBE ASSEMBLY – Dehydrator to modulex valve	ALL		2818911	1
	"O" RING GASKET – Receiver dehydrator inlet	ALL		8526398	1
	HOSE – P.O.A.S.T. valve to compressor	6 Cyl. Eng.		3843020	1
	HOSE – P.O.A.S.T. valve to compressor	8 Cyl. Eng.		3793825	1
	CLAMP – Hose	ALL		3840818	6
	HOSE – Thermostat housing inlet to tee	6 Cyl. Eng.		2822711	1
	HOSE – Water pump inlet to tee	8 Cyl. Eng.		2822622	1
	HOSE – Tee to water valve	6 Cyl. Eng.		2822709	1
	HOSE – Tee to water valve	8 Cyl. Eng.		2822623	1
	HOSE – Water valve to Air Cond. heater inlet	6 Cyl. Eng.		2822708	1
	HOSE – Water valve to Air Cond. heater inlet	8 Cyl. Eng.		2822624	1
	HOSE – Air Cond. heater outlet to tee	6 Cyl. Eng.		2822710	1
	HOSE – Air Cond. heater outlet to tee	8 Cyl. Eng.		2815018	1
	HOSE – Water valve inlet to manifold outlet	6 Cyl. Eng.		2818154	1
	HOSE – Water valve inlet to manifold outlet	4.2 Litre Eng.		2822625	1
	HOSE – Water valve inlet to manifold outlet	5 Litre Eng.		2822679	1
	SLEEVE – P.O.A.S.T. valve to compressor hose	ALL		2820848	1
	CLAMP – Heater hose .97" Dia.	ALL		SP1701	4
	CLAMP – Heater hose 1.03" Dia.	ALL		SP1610	5-6
	CLIP – Heater inlet to outlet hose	ALL		7433806	1
	'O' RING GASKET – Modulex valve inlet	ALL		8526398	1
	'O' RING GASKET – Modulex valve to evaporator	ALL		3140600	1
	'O' RING GASKET – P.O.A.S.T. valve to evaporator	ALL		3140852	1
	'O' RING GASKET – P.O.A.S.T. valve outlet tube	ALL		3140852	1
	'O' RING GASKET – Bleed pipe to P.O.A.S.T. valve	ALL		8526645	1
	'O' RING GASKET – Equalizer pipe to P.O.A.S.T. valve	ALL		8526645	1
	GROMMET – Condenser inlet pipe .50" x .80"	ALL		SP2049	1
	GROMMET – Condenser outlet pipe .40" x .80"	ALL		SP2048	1
	TEE – Water hose connection	ALL		2822621	1
9.262	DUCT, OUTLET, DOOR – Air Conditioner distribution				
	DUCT – Heat distribution	ALL		2817409	1
	DUCT ASSEMBLY – Air distribution	ALL		9934234	1
	DUCT ASSEMBLY – Outlet, inner left side	ALL		9934926	1
	DUCT ASSEMBLY – Outlet, outer left side	ALL		9934463	1
	DUCT ASSEMBLY – Outlet, outer right side	ALL		9932440	1
	PANEL – Duct closing	ALL		2818642	1
	NUT – Hex. No. 10-24, Vacuum actuator attaching	ALL		SP2372	6
	PLATE and CAM ASSY. – Temp. door	ALL		2818694	1
	SPRING – Temp. door cam anti-rattle	ALL		2823973	1
	ROLLER – Temp. door plate and cam	ALL		3150822	1
	OUTLET ASSY. – Upper level vent right side inner	ALL		9933879	1
	OUTLET ASSY. – Upper level vent – right side outer	ALL		9932148	1
	OUTLET ASSY. – Upper level vent, left side	ALL		9932148	2
	DUCT ASSY. – Demist distribution	ALL		2813317	1
	GASKET – Distribution duct	ALL		2818001	1
	DOOR ASSY. – Demister	ALL		2818633	1
	DOOR ASSY. – Mode	ALL		2818632	1
	DOOR ASSY. – Temp.	ALL		2815638	1
	PIN – Demister door hinge	ALL		2818002	1
	PIN – Mode door hinge	ALL		2818003	1
	PIN – Temp. door cam	ALL		2818697	1
	CLIP – Demist door & mode door hinge pin	ALL		SP2453	2
	CLIP – Temp. door cam pin	ALL		SP1762	1
	BUSH – Air inlet door retaining	ALL		2818693	1
	BUSHING – Vacuum valve rotor pin	ALL		3891794	1
	CLIP – Link to air inlet door	ALL		SP2207	1
9.263	COVER, SEAL – Plenum chamber outlet Air Conditioner				
	COVER – Right side	ALL		2814398	1
	SEAL	ALL		2814397	1

"HJ" PARTS CATALOGUE

GROUP	DESCRIPTION	MODEL	SIDE	PART No.	QTY.
9.275	WATER VALVE, SWITCH, CIRCUIT BREAKER, RELAY, RESISTOR ASSEMBLY – Air Conditioner				
	VALVE ASSEMBLY – Heater water	ALL		2822620	1
	SWITCH ASSY. – Fan	ALL		2814815	1
	SWITCH ASSY. – Master micro	ALL		7308858	1
	CIRCUIT BREAKER ASSY.	ALL		4849850	1
	SLEEVE – Circuit breaker stud	ALL		7414969	1
	RELAY ASSY.	ALL		7437892	1
	RESISTOR ASSY.	ALL		3979727	1
	SEAL – Resistor	ALL		2815712	1
	GASKET – Resistor to housing	ALL		2815702	1
	SWITCH ASSY. – Compressor micro	ALL		7935830	1
9.276	HARNESS, LEAD – Air Conditioner wiring				
	HARNESS ASSY. – Wiring and vacuum hose	ALL		9928904	1
	LEAD ASSY. – S/Motor to circuit breaker	6 Cyl. Eng.		2818984	1
	LEAD ASSY. – Generator to circuit breaker	8 Cyl. Eng.		2823750	1
	LEAD ASSY. – Generator to engine harness	6 Cyl. Eng.		9937117	1
	LEAD ASSY. – Circuit breaker to relay	ALL		2818985	1
	BODY – Terminal connector – Single	ALL		2962448	4
	BODY – Terminal connector – 2 way female	ALL		2973407	1
	BODY – Terminal connector – Double	ALL		2962967	2
	BODY – Terminal connector – 4 way female	ALL		2965073	1
	BODY – Terminal connector – 5 way female	ALL		6294016	1
	CLIP – Harness to dash panel and steering column brace	ALL		7413370	3
9.278	CONTROL, BASE, ADAPTOR, ESCUTCHEON, LEVER, CABLE – Air conditioner control				
	CONTROL ASSEMBLY	ALL		9934384	1
	BASE – Control assembly	ALL		2817915	1
	ADAPTOR ASSEMBLY – Control	ALL		9934092	1
	ESCUTCHEON – Control assembly	ALL		9933671	1
	LEVER ASSEMBLY – Mode control	ALL		9934197	1
	LEVER ASSEMBLY – Heat control	ALL		9934199	1
	CABLE – Heat control	ALL		2819278	1
9.280	ACTUATOR, VALVE ASSEMBLY, LINK – Air conditioner vacuum				
	ACTUATOR – Mode door vacuum	ALL		1998981	1
	ACTUATOR – Demist door vacuum	ALL		1998981	1
	ACTUATOR – Air inlet vacuum	ALL		1998981	1
	VALVE ASSEMBLY – Mode vacuum	ALL		2820513	1
	VALVE ASSEMBLY – Heat vacuum	ALL		7930601	1
	BRACKET – Air inlet vacuum actuator support	ALL		2818628	1
	SPACER – Mode vacuum valve	ALL		2818214	2
	SPACER – Heat vacuum valve	ALL		2820172	2
	LINK – Mode door vacuum actuator	ALL		2817999	1
	LINK – Demist door vacuum actuator	ALL		2818000	1
	LINK – Air inlet vacuum actuator	ALL		2818692	1
	CLIP – Vacuum actuator link to air inlet door	ALL		SP2207	1
9.281	VALVE ASSY., HOSE – Air conditioner vacuum				
	VALVE ASSEMBLY – Check	ALL		1485553	1
	HOSE – Engine to check valve	6 Cyl. Eng.		3748710	1
	HOSE – Engine to check valve	8 Cyl. Eng.		3760716	1
	HOSE – Check valve to connector tee	ALL		9928779	1
	HOSE – Mode vac. valve to mode door 45" Green Stripe	ALL		2819178	1
	HOSE – Mode vac. valve to demister door 45" Pink Stripe	ALL		2819177	1
	HOSE – Mode valve to connector tee 2"	ALL		2822626	1
	HOSE – Vac. valve to air inlet door 67"	ALL		2819179	1
	HOSE – Heat valve to water valve 77"	ALL		2819181	1
	HOSE – Vac. heat valve to connector tee 5"	ALL		2822627	1
	TEE – Special	ALL		3895904	1

"HJ" PARTS CATALOGUE

GROUP	DESCRIPTION	MODEL	SIDE	PART No.	QTY.
9.600	BAR – Tow				
	BAR – Less tongue	35, 37, 69		2819857	1
	BAR – Less tongue	60, 70, 80		9932551	1
	TONGUE – Painted	Rams Horn		2819858	1
	TONGUE – Chrome plated	Rams Horn		2819859	1
	TONGUE – Chrome plated	'U' Shackle		2819861	1
9.608	CARRIER – Water Bag				
	CARRIER	ALL		9933075	1
9.616	DEFLECTOR PACKAGE – End gate dust				
	PRIME	35		2822921	1
	EXTRUDED	35		2822920	1
9.620	DEFLECTOR – Fender mud				
	FRONT PACKAGE	ALL		2820201	1
	REAR PACKAGE	Station Wagon, Sedan exc. Statesman		9932570	1
	REAR PACKAGE	Monaro, Panel Van, Utility		2820200	1
	REAR PACKAGE	Statesman		2820200	1
	FRONT	ALL	LH	2820353	1
			RH	2820352	1
	REAR	Station Wagon, Sedan Exc. Statesman	LH	9932289	1
			RH	9932288	1
	REAR	Monaro, Panel Van, Utility	LH	2820347	1
			RH	2820346	1
	REAR	Statesman	LH	2820347	1
			RH	2820346	1
9.628	GUARD PACKAGE – Door edge				
	PACKAGE – Front and rear	35, 69		2819660	1
	PACKAGE – Front	Exc. 37		2819661	1
	GUARD – Front	Exc. 37	LH	2819427	1
			RH	2819426	1
	GUARD – Rear	35, 69	LH	2819429	1
			RH	2819428	1
	PACKAGE	37		2819662	1
	GUARD	37	LH	2819431	1
			RH	2819430	1
9.632	GUARD PACKAGE – Headlamp stone				
	GUARD PACKAGE – 1 pair	Belmont, Kingswood, G.T.S.		9937562	1
	GUARD PACKAGE – 2 pair	Premier, Statesman, Monaro L.S.		7439906	1
9.640	HANDLE PACKAGE – Door pull-to				
	PACKAGE (Set of 2)	ALL		2808258	2-1
	HANDLE	ALL		7435413	4-2
9.644	HARNES PACKAGE – Trailer wiring				
	PACKAGE – Brylite type (non-moulded)	35, 37, 69		2819819	1
	PACKAGE – Sphinx type (moulded)	35, 37, 69		2824013	1
	HARNES ASSY. – Vehicle section (Brylite type)	35, 37, 69		2820382	1
	HARNES ASSY. – Vehicle section (sphinx type)	35, 37, 69		2824011	1
	PLUG – Trailer section (Brylite type)	ALL		2815892	1
	HARNES ASSY. – Trailer section (sphinx type)	35, 37, 69		2823933	1
	FLASHER ASSY.	ALL		2815893	1
	PACKAGE	60		2824884	1
	HARNES ASSY. – Vehicle section	60		2824886	1
	PACKAGE	70, 80		2825526	1
	HARNES ASSY. – Vehicle section	70, 80		2824384	1

"HJ" PARTS CATALOGUE

GROUP	DESCRIPTION	MODEL	SIDE	PART No.	QTY.
9.648	LAMP PACKAGE – Auxiliary driving				
	LAMP PACKAGE	Exc. Premier, LS, Statesman		9937631	1
9.656	MAT – Cargo compartment				
	MAT	35		2820392	1
9.658	PLATE PACKAGE – Door paint protection				
	PLATE PACKAGE – Set of 4	35, 69		2820272	1
	PLATE PACKAGE – Set of 2	37, 60, 70, 80		2820277	1
9.661	LUGGAGE RACK PACKAGE				
	PACKAGE	35		9929095	1
9.662	QUADRAPHONIC CARTRIDGE PLAYER				
	QUADRAPHONIC CARTRIDGE PLAYER	Caprice		9935055	1
9.662	RADIO/STEREO CASSETTE PLAYER PACKAGE, RADIO PACKAGE – Air chief				
	RADIO/STEREO CASSETTE PLAYER PACKAGE ..	ALL		9934519	1
	EXTENSION SPEAKER PACKAGE – Radio/Stereo cassette player (2 speakers 1 balance control)	Monaro, Sedan		9935256	1
	RADIO PACKAGE – 13 Transistor – Push button	ALL		9933817	1
	RADIO PACKAGE – 11 Transistor – Push button	ALL		9935034	1
	RADIO PACKAGE – 11 Transistor – Manual	ALL		9935033	1
	EXTENSION SPEAKER PACKAGE – Rear seat	Monaro, Sedan		2818739	1
	ANTENNA & LEAD-IN PACKAGE	ALL		2824959	1
	ANTENNA & LEAD-IN PACKAGE – Lock down type (median range)	ALL		M37115	1
	ANTENNA & LEAD-IN PACKAGE – Lock down type (long range)	ALL		M37085	1
	LEAD-IN	ALL		M35270	1
	ANTENNA PACKAGE – Rear quarter electric	Monaro, Sedan		9934433	1
	SWITCH ASSEMBLY – Electric antenna	Monaro, Sedan exc. Statesman		9930491	1
	SWITCH ASSEMBLY – Electric antenna	Statesman		9934182	1
	SPRING – Electric antenna switch retaining	Monaro, Sedan		2816992	1
	DIAL – Radio (letters)	All States		2819186	1
	DIAL – Radio (letters)	Vic. & Tas.		2819188	1
	DIAL – Radio (letters)	N.S.W.		2819189	1
	DIAL – Radio (letters)	S.A. & W.A.		2819190	1
	DIAL – Radio (letters)	Qld & N.T.		2819191	1
	DIAL – Radio (Numerical)	ALL		2819187	1
9.662	RADIO PACKAGE – Air ranger				
	RADIO PACKAGE	ALL		M37247	1
	INSTALLATION KIT	ALL		M37461	1
	EXTENSION SPEAKER PACKAGE – Rear seat	Monaro, Sedan		M37463	1
	ANTENNA & LEAD IN PACKAGE	ALL		2824959	1
9.664	ROPE RAIL PACKAGE				
	ROPE RAIL PACKAGE	80		2820260	1
9.665	SCREEN PACKAGE – Insect				
	SCREEN PACKAGE	Exc. Air Cond.		2822353	1
9.666	PROTECTIVE SCREEN PACKAGE				
	PROTECTIVE SCREEN PACKAGE	70		9936429	1
9.667	SEAT – Child Safety				
	SEAT – Child safety	Bench Seat with Lap Belt		9677326	A.R.
	CARRIER – Infant safety	With Lap Belts		994259	A.R.

"HJ" PARTS CATALOGUE

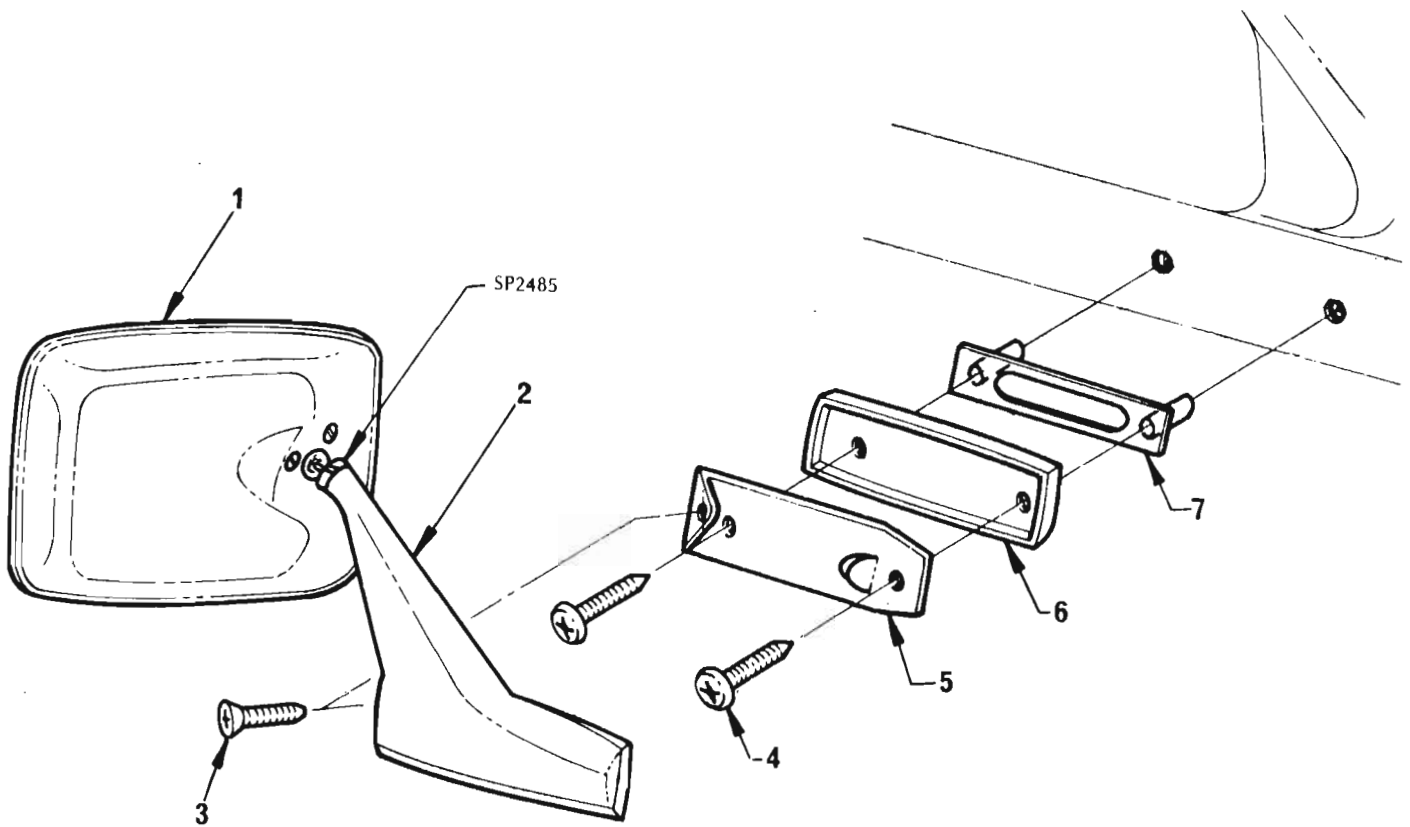
GROUP	DESCRIPTION	MODEL	SIDE	PART No.	QTY.
9.668	SHADE PACKAGE – Venetian				
	SHADE PACKAGE – Rear window	Sedan exc. Statesman		2822856	1
	SHADE PACKAGE – Rear window	Statesman		2822857	1
	SHADE PACKAGE – Rear quarter	Station Wagon		2822858	1
9.672	SHELF PACKAGE – Parcel				
	SHELF PACKAGE	ALL		9934023	1
9.680	SUNSHADE – Windshield				
	SHADE - Panel only	Exc. 2 Door Monaro, Statesman		2823270	1
	SHADE - Panel only - Expanded metal	Exc. 2 Door Monaro, Statesman		2823492	1
	ATTACHING PACKAGE	Station Wagons		2823408	1
	ATTACHING PACKAGE	Sedans, Utility, Chassis & Cab exc. Statesman		2823273	1
	ATTACHING PACKAGE	Panel Van		2823272	1
	SHADE PACKAGE	2 Door Monaro		2823884	1
	SHADE PACKAGE – Black – Vinyl	2 Door Monaro		9930280CY	1
	SHADE PACKAGE – Dove grey – Vinyl	2 Door Monaro		9930280DR	1
	SHADE PACKAGE – Chamois – Vinyl	2 Door Monaro		9930280DV	1
	SHADE PACKAGE – Gazelle – Vinyl	2 Door Monaro		9930280DW	1
	SHADE PACKAGE – Black – Vinyl	Sedan exc. Belmont		9930285CY	1
	SHADE PACKAGE – Dove grey – Vinyl	Sedan exc. Belmont		9930285DR	1
	SHADE PACKAGE – Chamois – Vinyl	Sedan exc. Belmont		9930285DV	1
	SHADE PACKAGE – Gazelle – Vinyl	Sedan exc. Belmont		9930285DW	1
9.684	WEATHERSHIELD PACKAGE – Door mounting				
	WEATHERSHIELD – Clear	Exc. 2 Door Monaro, Caprice	LH	2822733 CLR.	1
	WEATHERSHIELD .. Tinted	Exc. 2 Door Monaro, Caprice	RH +	2822734 CLR.	1
	WEATHERSHIELD – Door vented (Clear)	Exc. 2 Door Monaro, Caprice	LH	2822733 TNT.	1
	WEATHERSHIELD – Door vented (Tinted)	Exc. 2 Door Monaro, Caprice	RH +	2822734 TNT.	1
	WEATHERSHIELD – Louvre vented (Clear)	Exc. 2 Door Monaro, Caprice	LH	9931349 CLR.	1
	WEATHERSHIELD – Louvre vented (Tinted)	Exc. 2 Door Monaro, Caprice	RH	9930730 CLR.	1
	WEATHERSHIELD – Louvre vented (Clear)	Exc. 2 Door Monaro, Caprice	LH	9931349 TNT.	1
	WEATHERSHIELD – Louvre vented (Tinted)	Exc. 2 Door Monaro, Caprice	RH	9930730 TNT.	1
	WEATHERSHIELD – Louvre vented (Clear)	Exc. 2 Door Monaro, Caprice	LH	9936469CLR.	1
	WEATHERSHIELD – Louvre vented (Tinted)	Exc. 2 Door Monaro, Caprice	RH	9936470CLR.	1
	WEATHERSHIELD – Louvre vented (Clear)	Exc. 2 Door Monaro, Caprice	LH	9936469TNT.	1
	WEATHERSHIELD – Louvre vented (Tinted)	Exc. 2 Door Monaro, Caprice	RH	9936470TNT.	1
	RAINSHIELD	2 Door Monaro	LH	2824871	1
	RAINSHIELD	2 Door Monaro	RH	2824872	1
	RAINSHIELD PACKAGE – (1 pair)	2 Door Monaro		2824873	1
		+ REFER NASCO NEWS 210 FOR FITTING INSTRUCTIONS			
9.709	LIGHTER ASSEMBLY – Cigarette				
	LIGHTER PACKAGE	Chassis & cab, Belmont		9936349	1
	LIGHTER ASSEMBLY – Front seat	ALL		9937309	1
	PLUNGER and KNOB ASSEMBLY – Front seat	ALL		9933867	1
	LIGHTER ASSEMBLY – Console	Caprice		9934445	1
	RETAINER	Caprice		9933910	1
	ESCUTCHEON ASSEMBLY	Caprice		9933909	1
9.743	PLUG – Cigarette Lighter Aperture				
	PLUG	Belmont		7426303	1
9.778	SWITCH ASSY., LEAD ASSY. – Heated rear window				
	SWITCH ASSY	37, 69		9934438	1
	SPRING – Switch retainer	37, 69		2816992	1
	LEAD ASSY – Rear window	37, 69		2824950	1
	BODY - Connector, 1 Male terminal	37, 69		2984528	1
	BODY - Connector, 1 Female terminal	37, 69		2977253	1
	BODY – Rear window glass	37, 69		2984528	1
	CLIP – Lead to quarter inner panel	37, 69		7426417	1
	SCREW – Lead to quarter inner panel	37, 69		SP1884	1
	WASHER – Lead to quarter inner panel	37, 69		121752	1

"HJ" PARTS CATALOGUE

GROUP	DESCRIPTION	MODEL	SIDE	PART No.	QTY.
9.778	SWITCH ASSY., LEAD ASSY. - Heated rear window (contd.)				
	GROMMET - Rear compartment front outer panel ...	37, 69		SP1982	1
	LEAD ASSY - Fuse	37, 69		2814951	1
	BODY - Connector, 1 Female terminal	37, 69		6294142	1
	CLIP & TERMINAL ASSY - Fuse	37, 69		2814603	1
	FUSE - 15 Amp.	37, 69		9426333	1
9.779	HEATER and DEMISTER COMPONENTS				
	ADAPTOR ASSEMBLY - Heater control	ALL		9934093	1
	BASE - Heater control	ALL		2814888	1
	BUSHING - Heat distribution duct door(Elmaco)	ALL		VS11937	1
	CABLE - Mode control	ALL		2813323	1
	CABLE - Heater control	ALL		2813322	1
	CLAMP - Heater radiator(Smith)	ALL		VS12056	1
	CLIP - Control lever pivot pin	ALL		SP1762	1
	CLIP - Heat dist. duct closing panel(Elmaco)	ALL		VS11939	7
	CLIP - Heat dist. duct closing panel(Smith)	ALL		VS12053	7
	CONTROL ASSEMBLY - Heater	ALL		9934386	1
	DOOR ASSEMBLY - Mode(Elmaco)	ALL		VS11936	1
	DOOR ASSEMBLY - Mode(Smith)	ALL		VS12049	1
	DOOR ASSEMBLY - Temperature(Elmaco)	ALL		VS11935	1
	DOOR ASSEMBLY - Temperature(Smith)	ALL		VS12047	1
	DUCT ASSEMBLY - Demist distribution	ALL		2813317	1
	DUCT ASSEMBLY - Heat distribution	ALL		2813301	1
	DUCT - Heater distribution(Elmaco)	ALL		VS11934	1
	DUCT - Heater distribution(Smith)	ALL		VS12044	1
	DUCT - Upper vent outlet - Left side	ALL		9931053	1
	DUCT - Upper vent outlet - Right side	ALL		9931052	1
	ESCUTCHEON - Heater control	ALL		9933257	1
	FUSE - Type 3AG or AG - C - 15 amp.	ALL		9426333	1
	GROMMET - Heater core inlet	ALL		2813295	1
	GROMMET - Heater core outlet	ALL		2817265	1
	HOSE - Heater inlet	6 Cyl. Eng.		2822318	1
	HOSE - Heater inlet	4.2 Litre Eng.		2820892	1
	HOSE - Heater inlet	5 Litre Eng.		7434050	1
	CLAMP - Heater inlet hose .97"	ALL		SP1701	1
	CLAMP - Heater inlet hose 1.03" dia.	ALL		SP1610	1
	HOSE - Heater outlet	ALL		2813325	1
	CLAMP - Heater outlet hose 1.03" dia.	ALL		SP1610	2
	CLIP - Inlet to outlet hose	6 Cyl. Eng.		7433806	1
	HOUSING ASSEMBLY - Blower and air duct	ALL		9933332	1
	IMPELLER - Heater motor	ALL		2818456	1
	KNOB - Control lever	ALL		2814903	2
	LEVER - Heater control	ALL		9934196	1
	LEVER - Mode control	ALL		9934195	1
	PIN - Mode and heat lever to base	ALL		2822256	2
	MOTOR ASSEMBLY - Blower	ALL		9931065	1
	NUT - Heater motor impeller to shaft	ALL		3011293	1
	OUTLET ASSEMBLY - Upper level vent	ALL		9931055	2
	PANEL Heat dist. duct closing(Elmaco)	ALL		VS11938	1
	PANEL - Heat dist. duct closing(Smith)	ALL		VS12051	1
	RADIATOR ASSEMBLY	ALL		9936649	1
	RETAINER - Escutcheon to adaptor	ALL		7308915	2
	ROD - Heater mode door(Elmaco)	ALL		VS11987	1
	ROD - Heater mode door(Smith)	ALL		VS12050	1
	ROD - Heater temperature door(Elmaco)	ALL		VS11986	1
	ROD - Heater temperature door(Smith)	ALL		VS12048	1
	SCREW - Heater radiator clamp(Smith)	ALL		VS12057	1
	SEAL - Duct closing panel(Smith)	ALL		VS12052	1
	SEAL - Heater radiator shroud(Smith)	ALL		VS12058	2
	SHROUD - Heater radiator(Smith)	ALL		VS12046	1
	SPRING - Heater and mode control detent	ALL		2814892	1
	STRAP - Heat dist. duct - Long(Elmaco)	ALL		VS11988	1

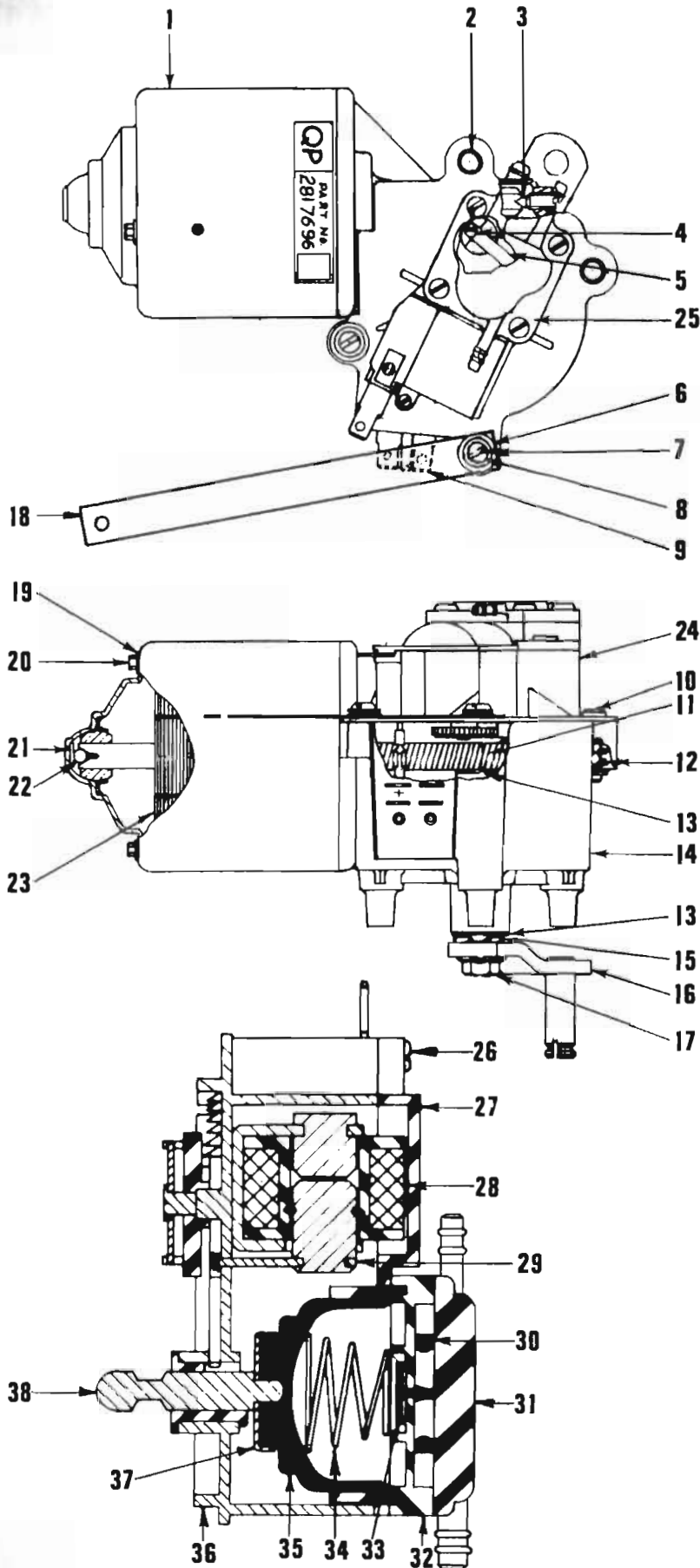
"HJ" PARTS CATALOGUE

GROUP	DESCRIPTION	MODEL	SIDE	PART No.	QTY.
9.779 HEATER and DEMISTER COMPONENTS (contd.)					
	STRAP - Heat dist. duct - Short(Elmaco)	ALL		VS11989	1
	STUD - Heat distribution duct(Elmaco)	ALL		VS11940	6
	STUD - Heat distribution duct(Smith)	ALL		VS12054	6
	SWITCH ASSEMBLY - Blower motor	ALL		2814897	1
	WASHER - Heater motor impeller to shaft	ALL		3004686	1
9.779 FORCED AIR VENTILATION COMPONENTS					
	ADAPTOR ASSEMBLY - Heater & forced vent control	ALL		9934094	1
	BASE ASSEMBLY - Heater & forced vent control	ALL		9934126	1
	CABLE ASSEMBLY - Interior & demist control heater	ALL		9934272	1
	CABLE ASSEMBLY - Temp. control heater	ALL		9934271	1
	CABLE ASSEMBLY - Vent control heater	ALL		9934273	1
	CABLE ASSEMBLY - Water valve control heater	6 Cyl. Eng.		9934274	1
	CABLE ASSEMBLY - Water valve control heater	8 Cyl. Eng.		9937770	1
	GROMMET - Cable to dash panel	ALL		SP1109	1
	CLIP - Cable to watervalve	ALL		7187392	1
	CONTROL ASSEMBLY - Heater & forced vent	ALL		9934385	1
	DUCT - Ventilation air distribution	ALL		9934233	1
	DUCT ASSEMBLY - Heater & forced vent distribution	ALL		9933374	1
	DUCT ASSEMBLY - Ventilation outlet - Inner left side	ALL		9932915	1
	ESCUTCHEON - Heater & forced vent control	ALL		9933670	1
	HOSE - Heater outlet to tee	6 Cyl. Eng.		9937523	1
	HOSE - Manifold outlet to water valve	6 Cyl. Eng.		3427059	1
	HOSE - Tee to thermo housing	6 Cyl. Eng.		9937522	1
	HOSE - Water valve to heater inlet	6 Cyl. Eng.		2816881	1
	HOSE - Water valve to tee	6 Cyl. Eng.		2822709	1
	CLIP - Heater hose to manifold hose	6 Cyl. Eng.		7433806	1
	HOSE - Heater outlet to tee	8 Cyl. Eng.		2820830	1
	HOSE - Manifold outlet to water valve	4.2 Litre Eng.		2822625	1
	HOSE - Manifold outlet to water valve	5 Litre Eng.		2822679	1
	HOSE - Tee to water pump	8 Cyl. Eng.		2822622	1
	HOSE - Water valve to heater inlet	8 Cyl. Eng.		7434050	1
	HOSE - Water valve to tee	8 Cyl. Eng.		2822623	1
	CLIP - Inlet to outlet heater hose	8 Cyl. Eng.		7433806	1
	CLAMP - Heater hose .97" dia.	ALL		SP1701	AR
	CLAMP - Heater hose 1.03" dia.	ALL		SP1610	AR
	LEVER ASSEMBLY - Forced vent & temp. control ..	ALL		9933922	1
	LEVER ASSEMBLY - Interior & demist control	ALL		9937219	1
	OUTLET ASSEMBLY - Upper level vent - Outer	ALL		9932148	2
	OUTLET ASSEMBLY - Upper level vent - Inner leftside	ALL		9932148	2
	OUTLET ASSEMBLY - Upper level vent - Inner right side	ALL		9933879	1
	TEE - Heater water hose connector	ALL		2822621	1
	VALVE ASSEMBLY - Heater water diverter	ALL		9933303	1
9.785 TUBE - Plenum chamber drain					
	TUBE	ALL	LH	2812733	1
			RH	2812734	1
9.787 CONTROL, BRACKET, RETAINER, CLIP - Plenum chamber outlet					
	CONTROL ASSEMBLY - Door	Exc. Air Cond.	LH	9932145	1
			RH	9932146	1
	RETAINER - Control cable	Exc. Air Cond.		2814936	2
	CLIP - Retainer	Exc. Air Cond.		7415519	1
	CLIP - Outlet rod	Exc. Air Cond.		SP2335	4



FRONT DOOR MIRROR

ILLUS. REF. NO.	PART NAME	GROUP	ILLUS. REF. NO.	PART NAME	GROUP
1.	MIRROR ASSEMBLY – Exterior	10.185	5.	BRACKET – Exterior mirror mounting	10.187
2.	SUPPORT ASSEMBLY – Exterior	10.187	6.	PAD – Exterior mirror mounting	10.187
3.	SCREW – Support to mounting bracket	10.187	7.	NUT – Mounting twin	10.187
4.	SCREW – Mounting bracket to door	10.187			



WINDSHIELD WIPER ASSEMBLY

GROUP 10.150

(PRESLITE)

ILLUS. REF. NO.	PART NAME	PART NO.
1.	HOUSING - Armature	VS11955
2.	PIN - Pump retaining	VS11953
3.	CONE - Armature thrust	7421381
4.	SCREW - Earth finger	VS11951
5.	FINGER - Earth	VS11950
6.	WASHER - Pump ret.screw dished	VS11949
7.	WASHER - Pump ret.screw flat ..	VS11948
8.	SCREW - Pump retaining	VS10280
9.	TERMINAL BLOCK ASSY.	VS11947
10.	RING - Pump retaining pin	VS11943
11.	GEAR & SHAFT ASSY.	VS11945
12.	SPRING - Pump retaining pin ...	VS11944
13.	WASHER - Gear & shaft, flat ...	7425272
14.	HOUSING - Gear	VS11959
15.	WASHER - Gear & shaft, wave ..	7429031
16.	CRANK ASSY.	VS11942
17.	NUT - Crank retaining	7429033
18.	STRAP - Earth	VS11941
19.	WASHER	120217
20.	BOLT - Through	VS11957
21.	PAD - Armature thrust	VS10286
22.	BALL - Armature thrust	VS10285
23.	ARMATURE ASSY.	VS11958

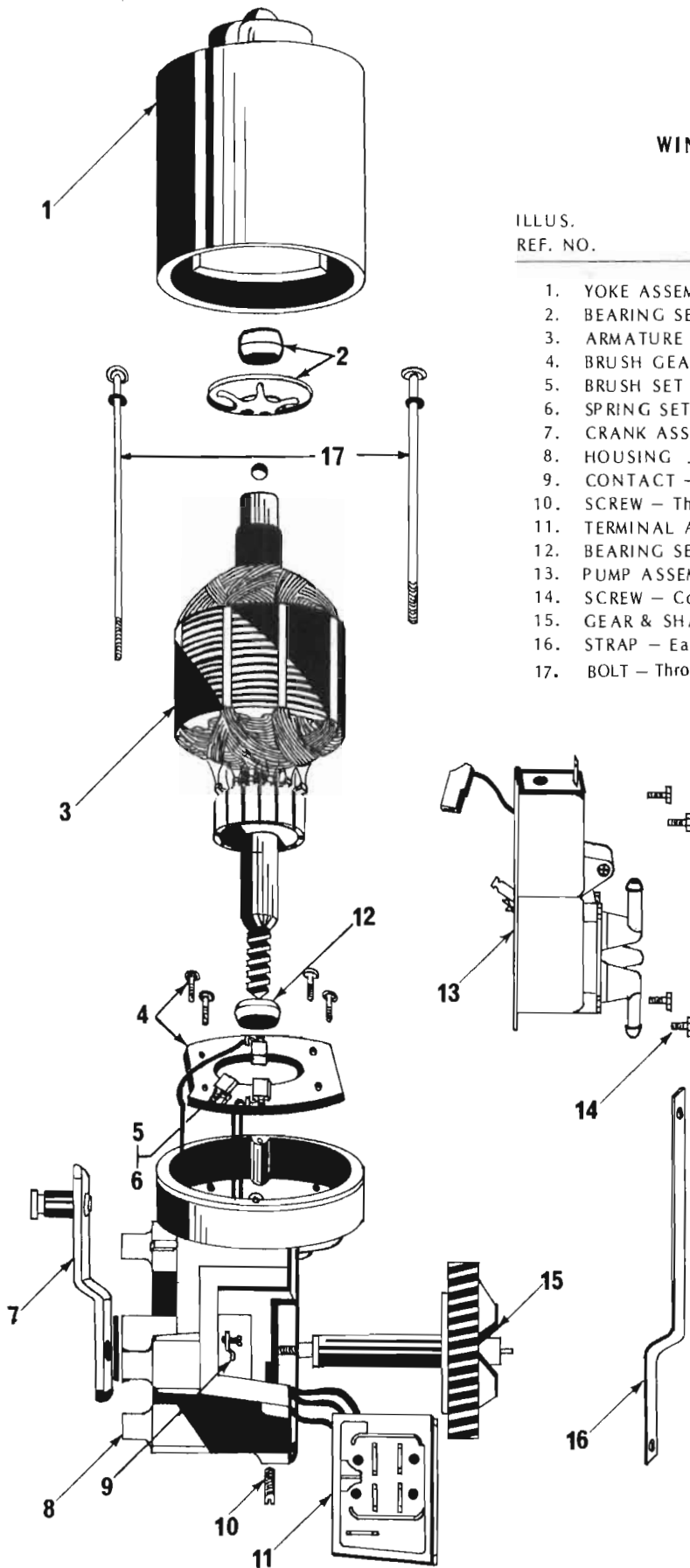
WINDSHIELD WASHER ASSEMBLY

GROUP 8.798

(PRESLITE)

24.	PUMP ASSY.	VS11946
25.	SCREW - Valve cover	VS12138
26.	SCREW - Solenoid cover	VS10277
27.	COVER - Solenoid	VS12133
28.	SOLENOID ASSY.	VS12129
29.	PLUNGER & LEVER ASSY.	VS12139
30.	SEAL - Valve	VS12136
31.	COVER - Valve	VS12134
32.	SEAT - Valve	VS12135
33.	RUBBER - Valve	VS12137
34.	SPRING	VS12140
35.	CAP - Suction	VS12130
36.	HOUSING	VS12128
37.	CUP - Trim	VS12132
38.	PLUNGER	VS12131

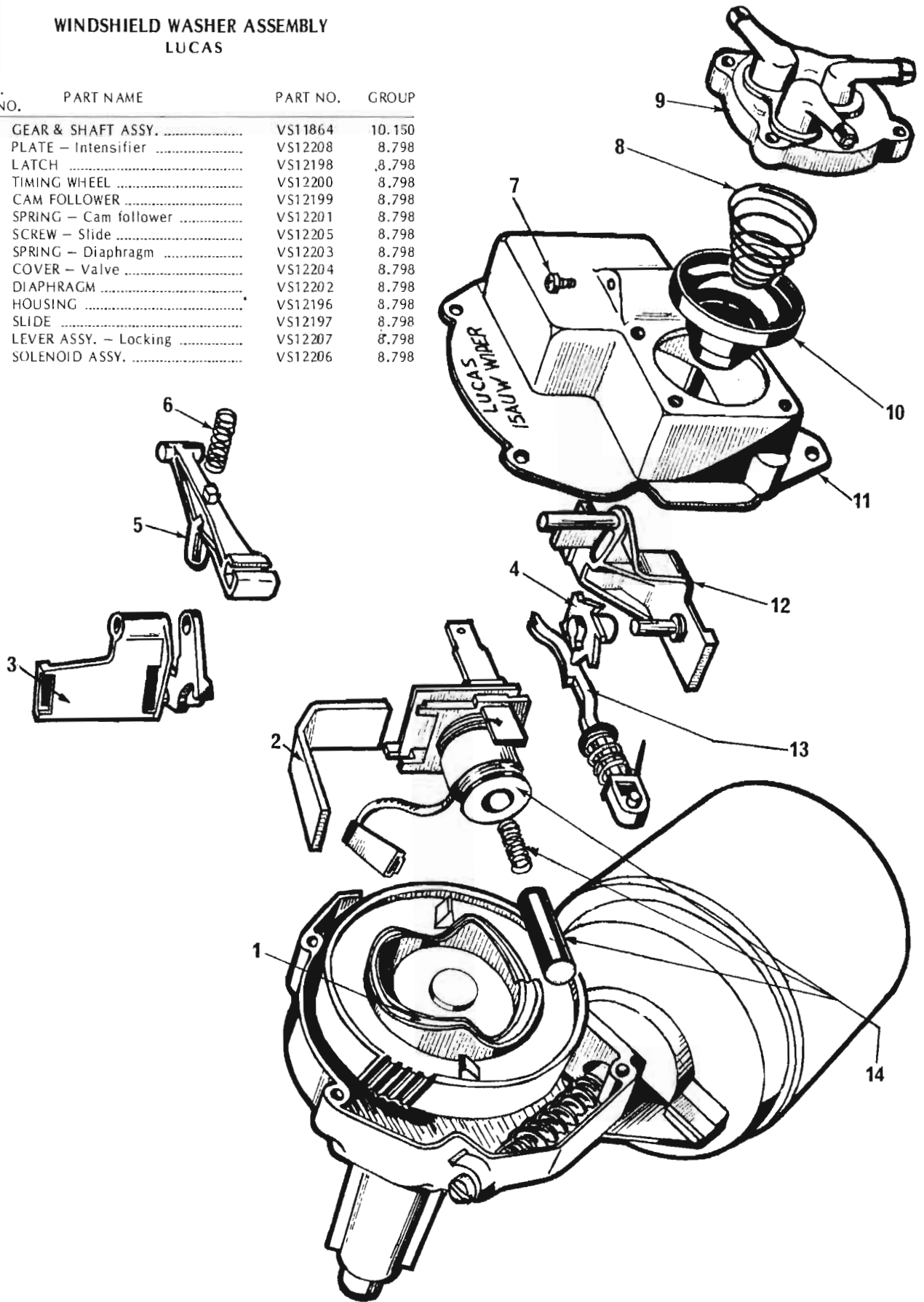
WINDSHIELD WIPER & WASHER
(LUCAS)

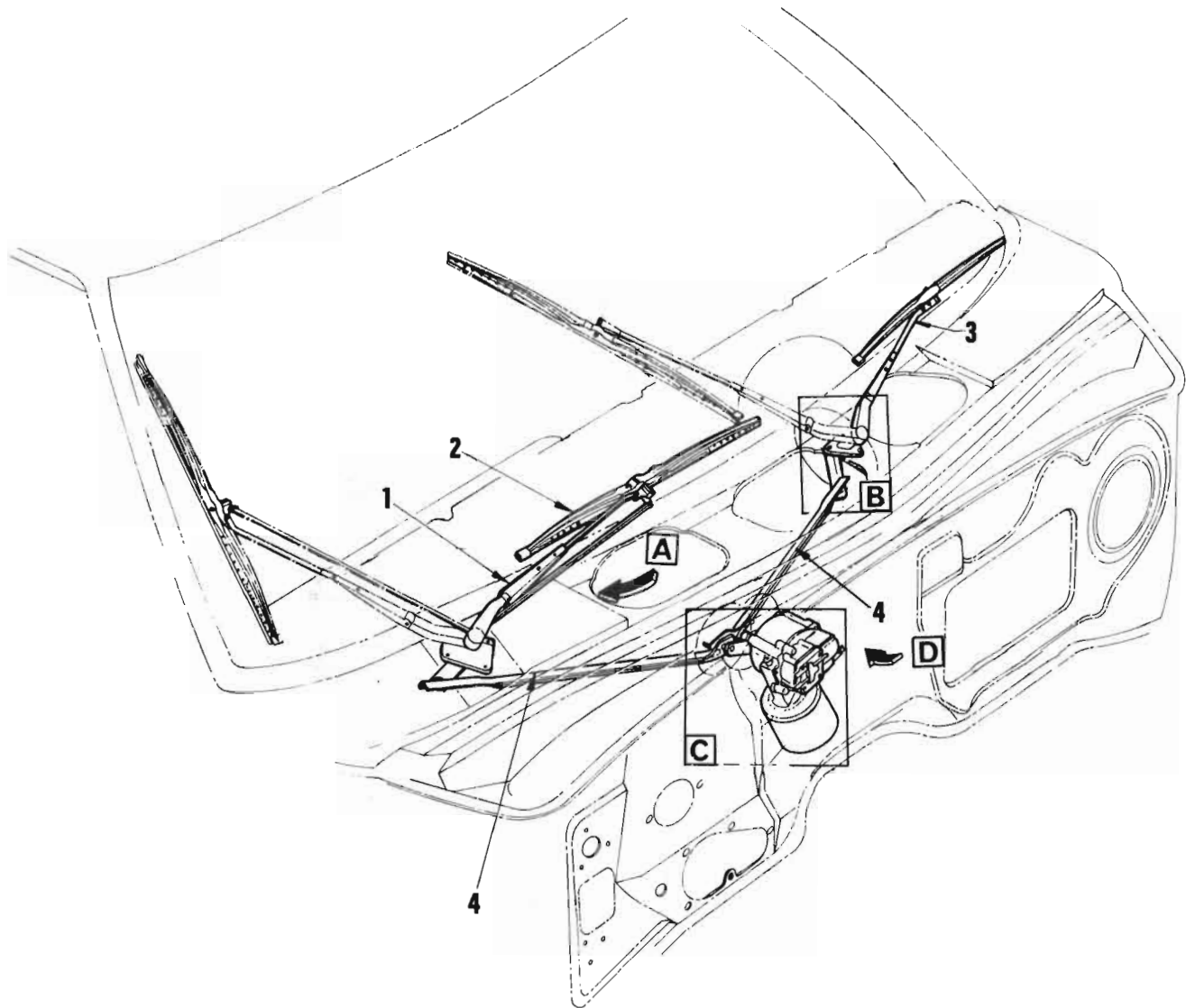


ILLUS. REF. NO.	PART NAME	PART NO.	GROUP
1.	YOKE ASSEMBLY	Not Serviced	
2.	BEARING SET - Yoke	VS11848	10.150
3.	ARMATURE	VS11849	10.150
4.	BRUSH GEAR	VS11843	10.150
5.	BRUSH SET	VS11844	10.150
6.	SPRING SET - Brush	VS11845	10.150
7.	CRANK ASSEMBLY	VS11865	10.150
8.	HOUSING	Not Serviced	
9.	CONTACT - Earth	VS11859	10.150
10.	SCREW - Thrust	VS11852	10.150
11.	TERMINAL ASSEMBLY - Switch	VS11858	10.150
12.	BEARING SET - Comm. end	VS10657	10.150
13.	PUMP ASSEMBLY	VS11870	8.798
14.	SCREW - Cover attach.	VS10562	10.150
15.	GEAR & SHAFT ASSEMBLY	VS11864	10.150
16.	STRAP - Earth	VS11862	10.150
17.	BOLT - Through	VS12251	10.150

WINDSHIELD WASHER ASSEMBLY
LUCAS

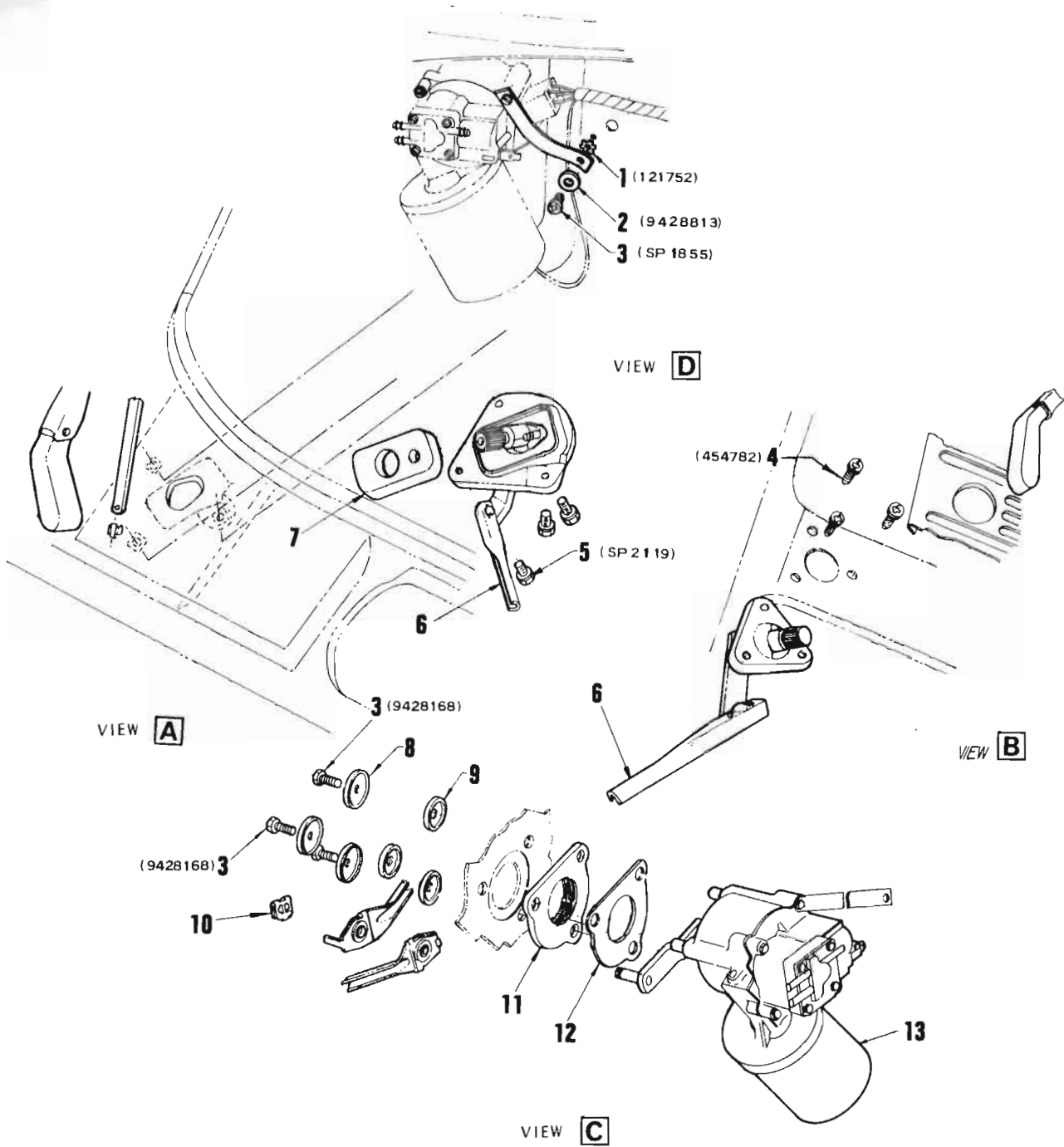
ILLUS. REF. NO.	PART NAME	PART NO.	GROUP
1.	GEAR & SHAFT ASSY.	VS11864	10.150
2.	PLATE - Intensifier	VS12208	8.798
3.	LATCH	VS12198	8.798
4.	TIMING WHEEL	VS12200	8.798
5.	CAM FOLLOWER	VS12199	8.798
6.	SPRING - Cam follower	VS12201	8.798
7.	SCREW - Slide	VS12205	8.798
8.	SPRING - Diaphragm	VS12203	8.798
9.	COVER - Valve	VS12204	8.798
10.	DIAPHRAGM	VS12202	8.798
11.	HOUSING	VS12196	8.798
12.	SLIDE	VS12197	8.798
13.	LEVER ASSY. - Locking	VS12207	8.798
14.	SOLENOID ASSY.	VS12206	8.798





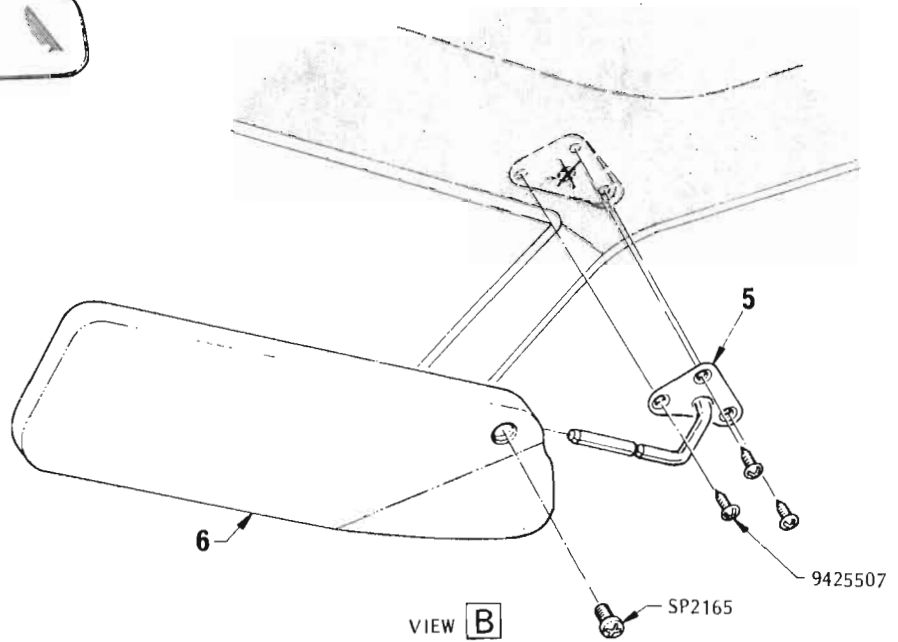
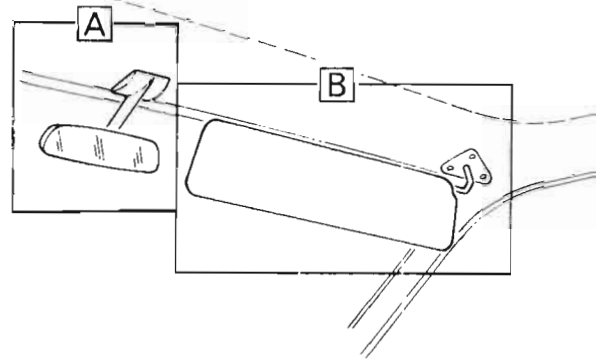
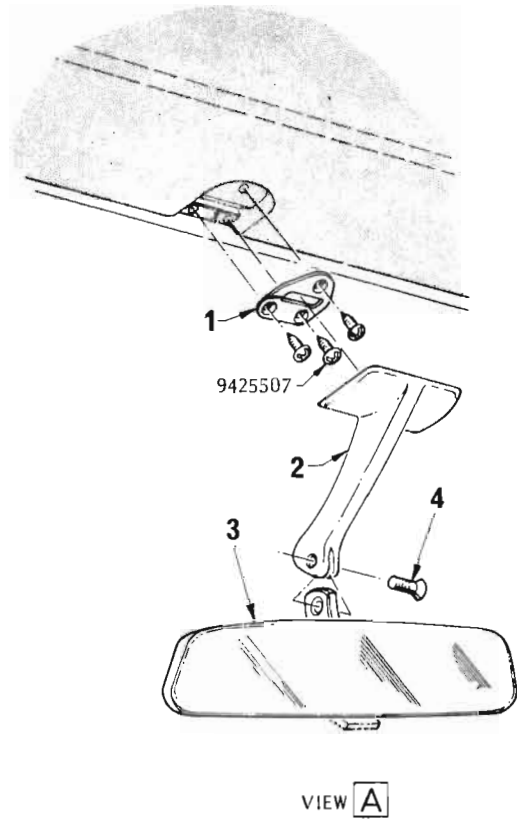
WINDSHIELD WIPER

ILLUS. REF. NO.	PART NAME	GROUP	ILLUS. REF. NO.	PART NAME	GROUP
1	ARM & ACTUATING LINK ASSY.	10.147	3.	ARM ASSY.	10.147
2.	BLADE ASSY.	10.146	4.	LINK & PIVOT ASSY.	10.159



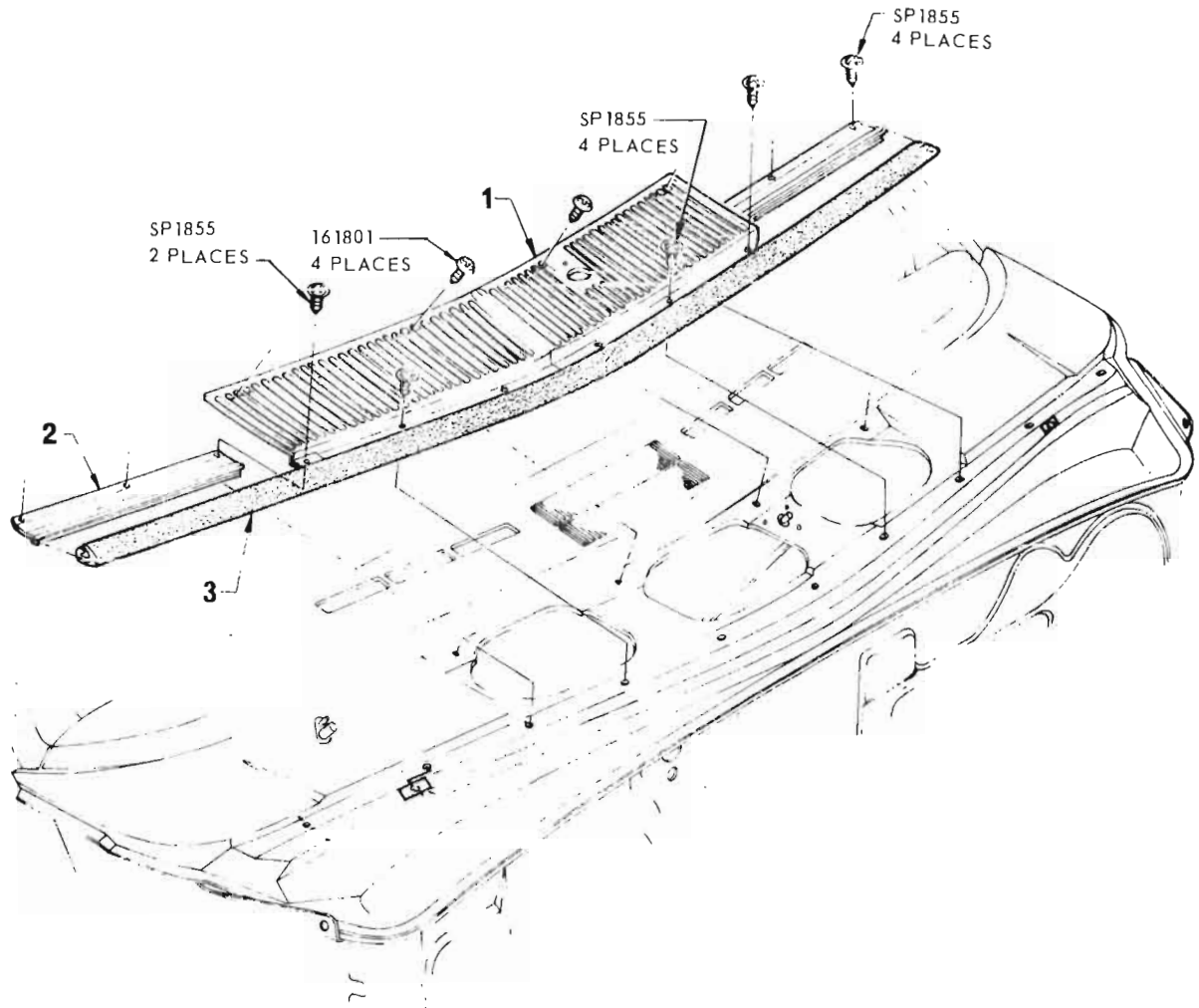
WINDSHIELD WIPER

ILLUS. REF. NO.	PART NAME	GROUP	ILLUS. REF. NO.	PART NAME	GROUP
1.	WASHER - Shakeproof	8.932	8.	RETAINER - Insulator	10.152
2.	WASHER - Flat	8.929	9.	INSULATOR	10.152
3.	SCREW - Sheet metal	8.977	10.	CLIP	10.160
4.	BOLT - Pan head	8.910	11.	SEAL - Motor to dash panel	10.152
5.	SCREW	10.159	12.	PLATE - Seal retainer	10.152
6.	LINK & PIVOT ASSY.	10.159	13.	MOTOR ASSY.	10.150
7.	SEAL - Windshield wiper pivot	10.161			



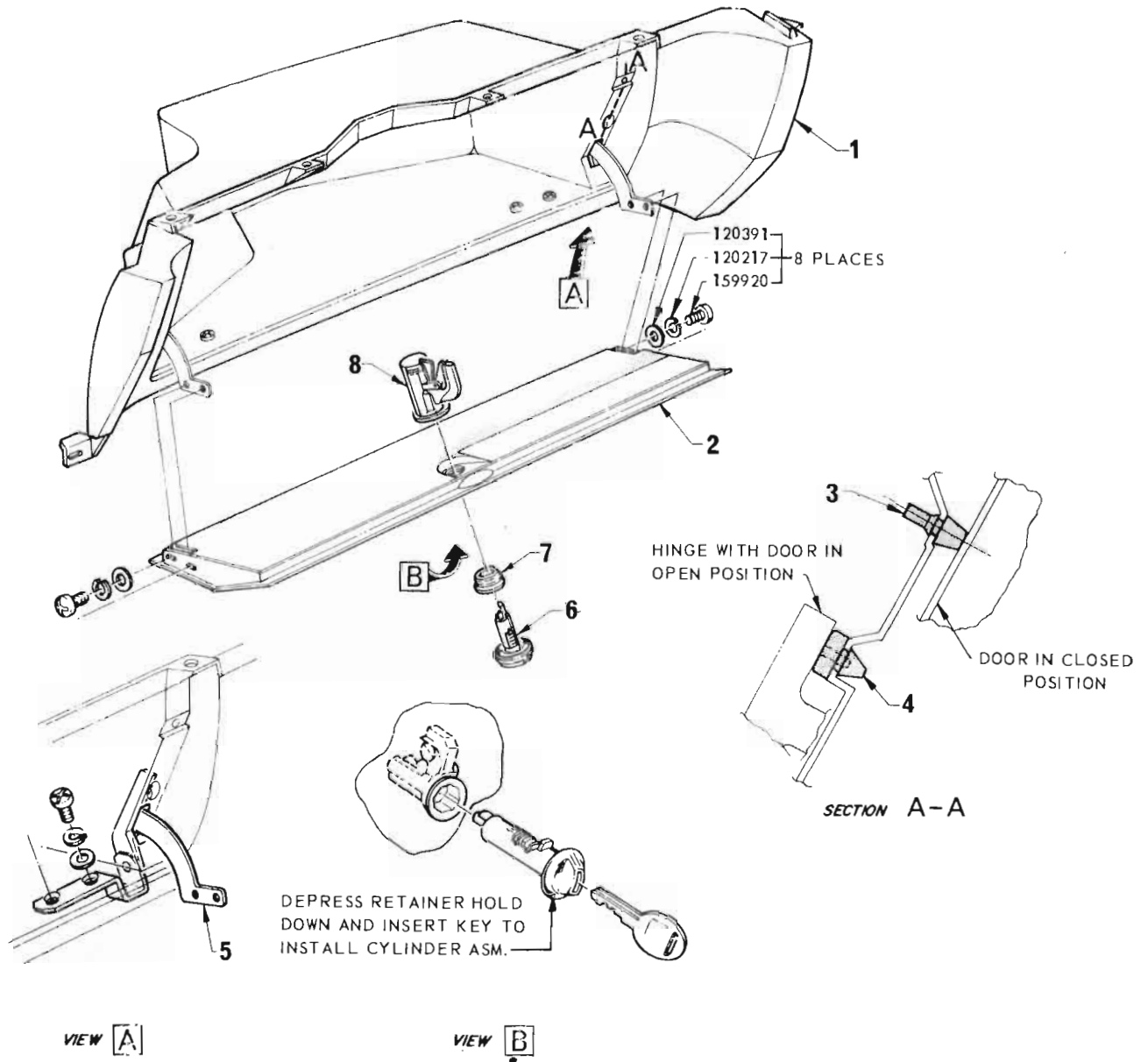
SUN VISOR and INTERIOR MIRROR

ILLUS. REF. NO.	PART NAME	GROUP	ILLUS. REF. NO.	PART NAME	GROUP
1.	PLATE – Support mounting	10.187	4.	SCREW – Mirror pivot	10.185
2.	SUPPORT ASSEMBLY – Interior	10.187	5.	SUPPORT & PIVOT ASSEMBLY	10.219
3.	MIRROR ASSEMBLY – Interior	10.185	6.	SUN VISOR ASSEMBLY	10.203



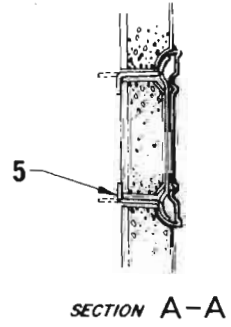
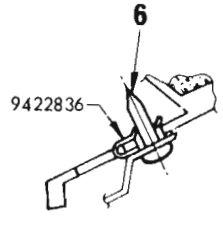
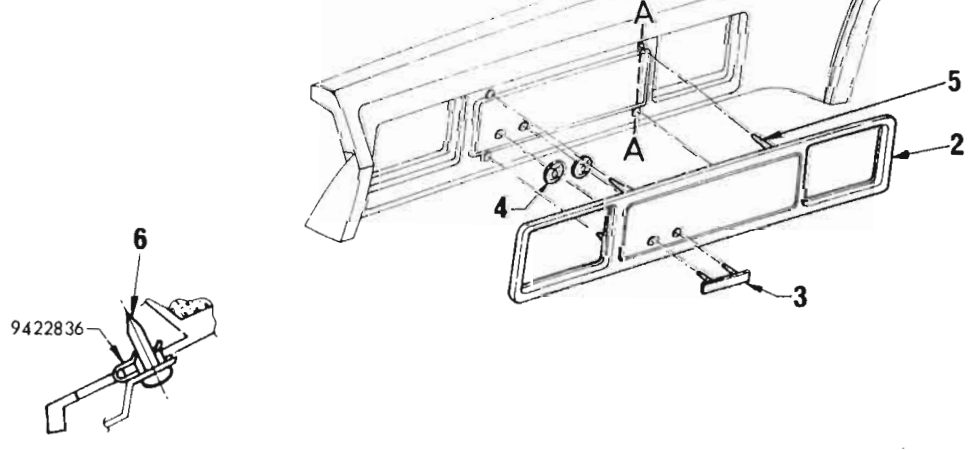
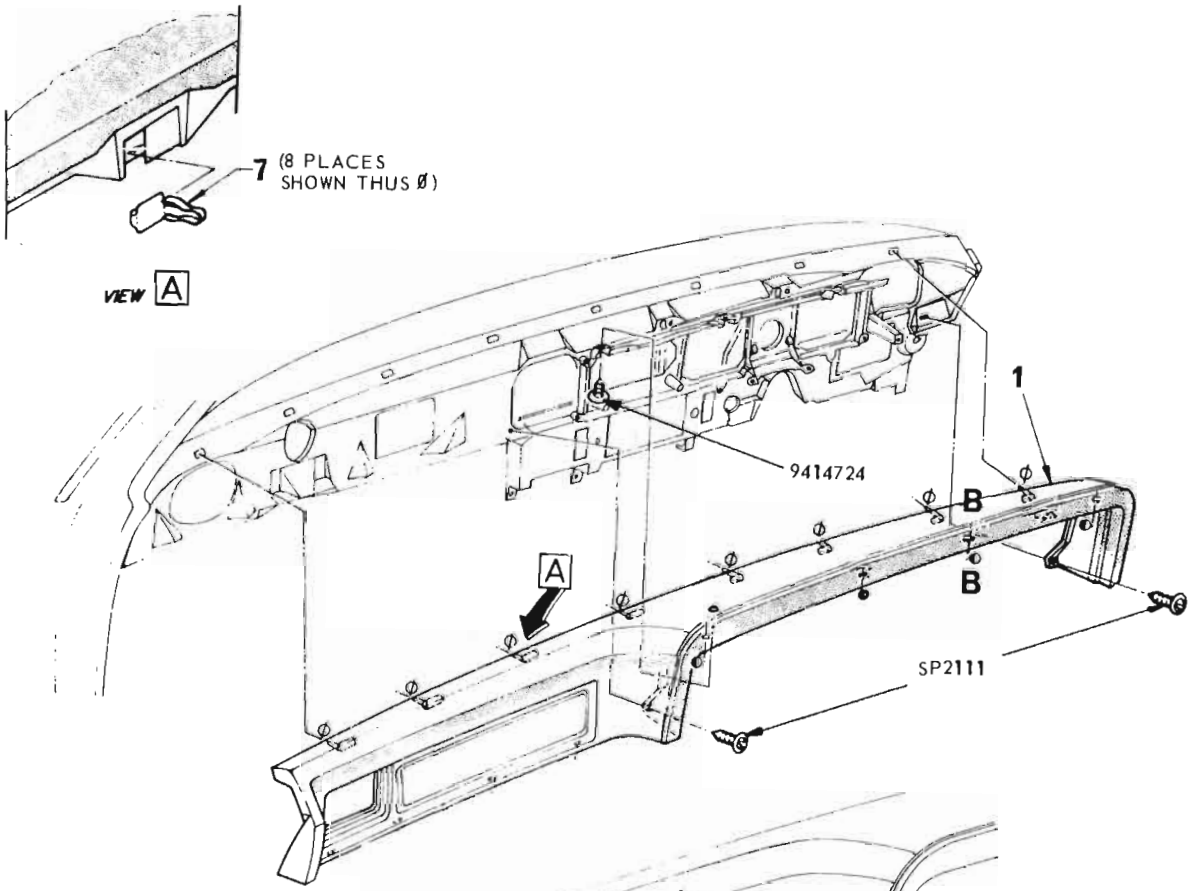
GRILLE & LACING

ILLUS. REF. NO	PART NAME	GROUP	ILLUS. REF. NO.	PART NAME	GROUP
1.	GRILLE - Cowl ventilator	10.307	3.	LACING - Hood ledge	9.127
2.	RETAINER - Lacing	9.127			



INSTRUMENT PANEL COMPARTMENT & DOOR

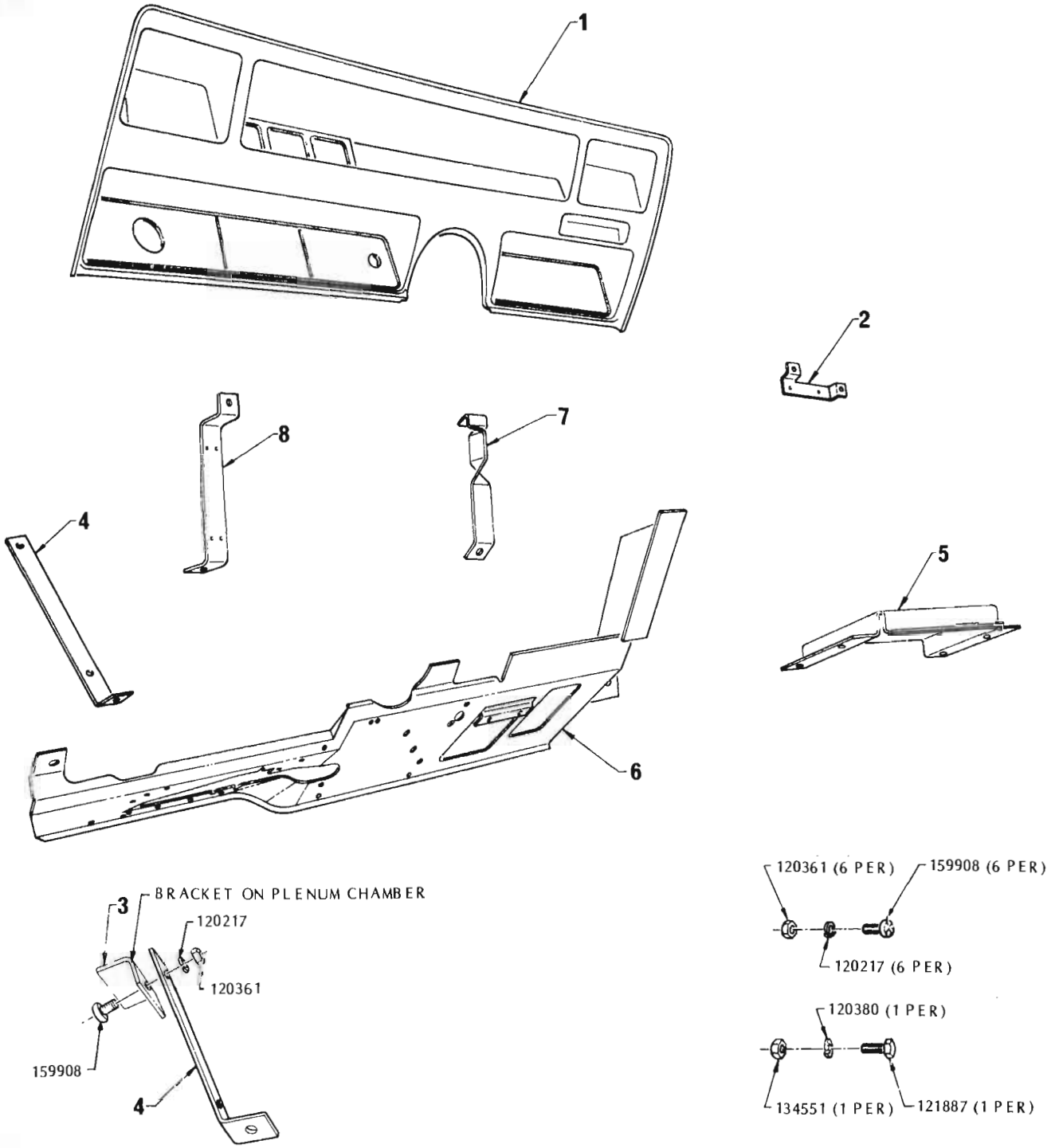
ILLUS. REF. NO.	PART NAME	GROUP	ILLUS. REF. NO.	PART NAME	GROUP
1.	COMPARTMENT AND FACIA - Instrument panel	10.260	5.	HINGE ASSY.	10.262
2.	DOOR ASSY.	10.261	6.	BARREL ASSY.	10.266
3.	BUMPER - Door 3/8" head	10.263	7.	ESCUTCHEON - Lock case	10.266
4.	BUMPER - Hinge	10.263	8.	CASE ASSY.	10.266



SECTION B - B
(4 PLACES MARKED THUS Ø)

INSTRUMENT PANEL PAD

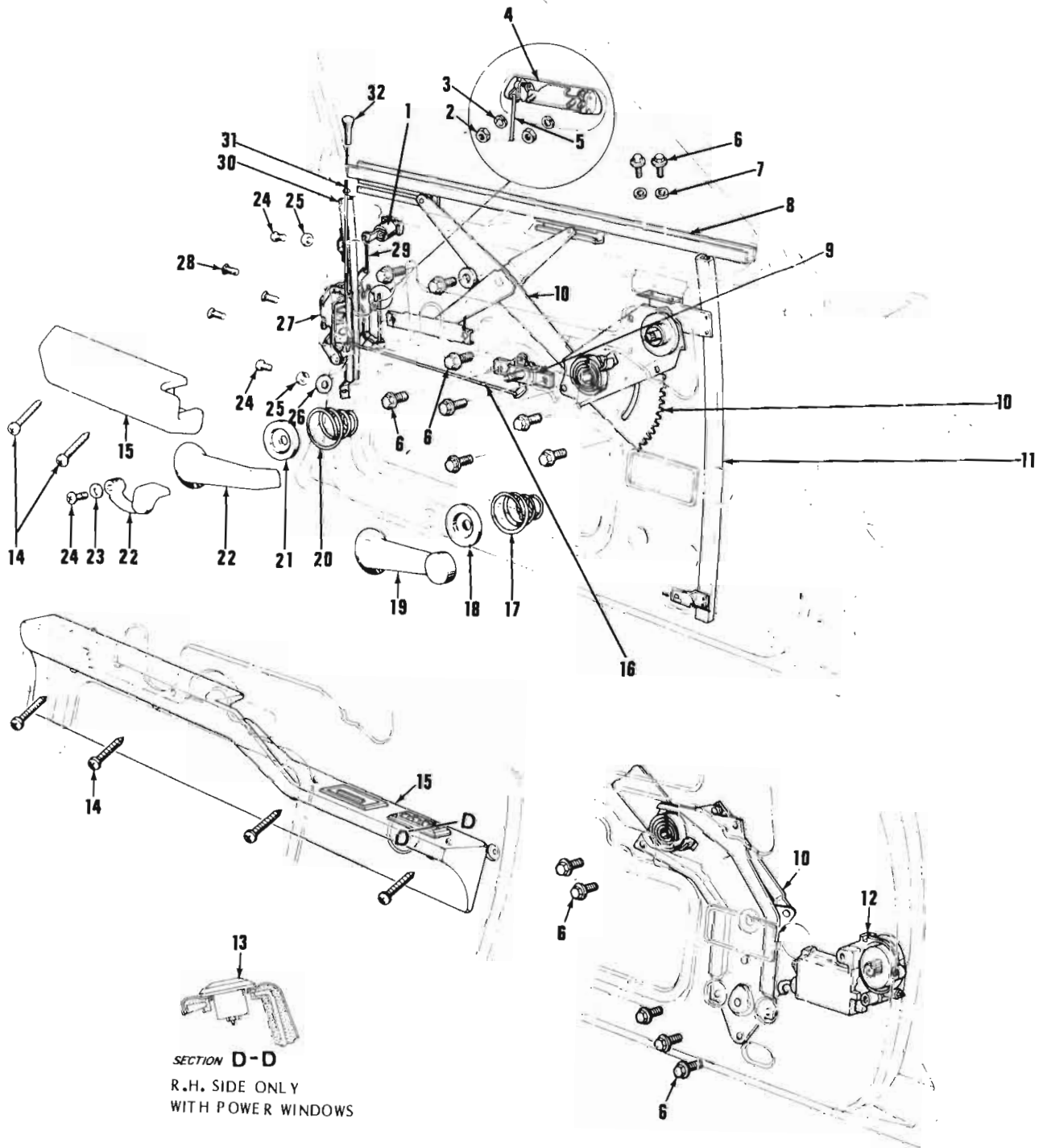
ILLUS. REF. NO.	PART NAME	GROUP	ILLUS. REF. NO.	PART NAME	GROUP
1.	PAD ASSY. - Instrument panel	14.655	5.	RETAINER - Insert	14.655
2.	INSERT - Instrument panel	14.655	6.	SCREW	14.655
3.	PLATE - Name	14.655	7.	CLIP - Pad to instrument panel	14.655
4.	NUT - Name plate	14.655			



**PANEL ASSY. INSTRUMENT
(Taxi Only)**

ILLUS. REF. NO.	PART NAME	GROUP	ILLUS. REF. NO.	PART NAME	GROUP
1.	FACIA - Instrument	2.515	5.	BRACKET - Taximeter mounting	10.230
2.	BRACKET - Vent control mounting	10.230	6.	PANEL - Taxi equipment mounting	10.230
3.	BRACKET - Mounting	10.230	7.	SUPPORT - Mounting panel rear	10.230
4.	SUPPORT - Mounting panel front	10.230	8.	SUPPORT - Taximeter	10.230

FRONT DOOR HARDWARE

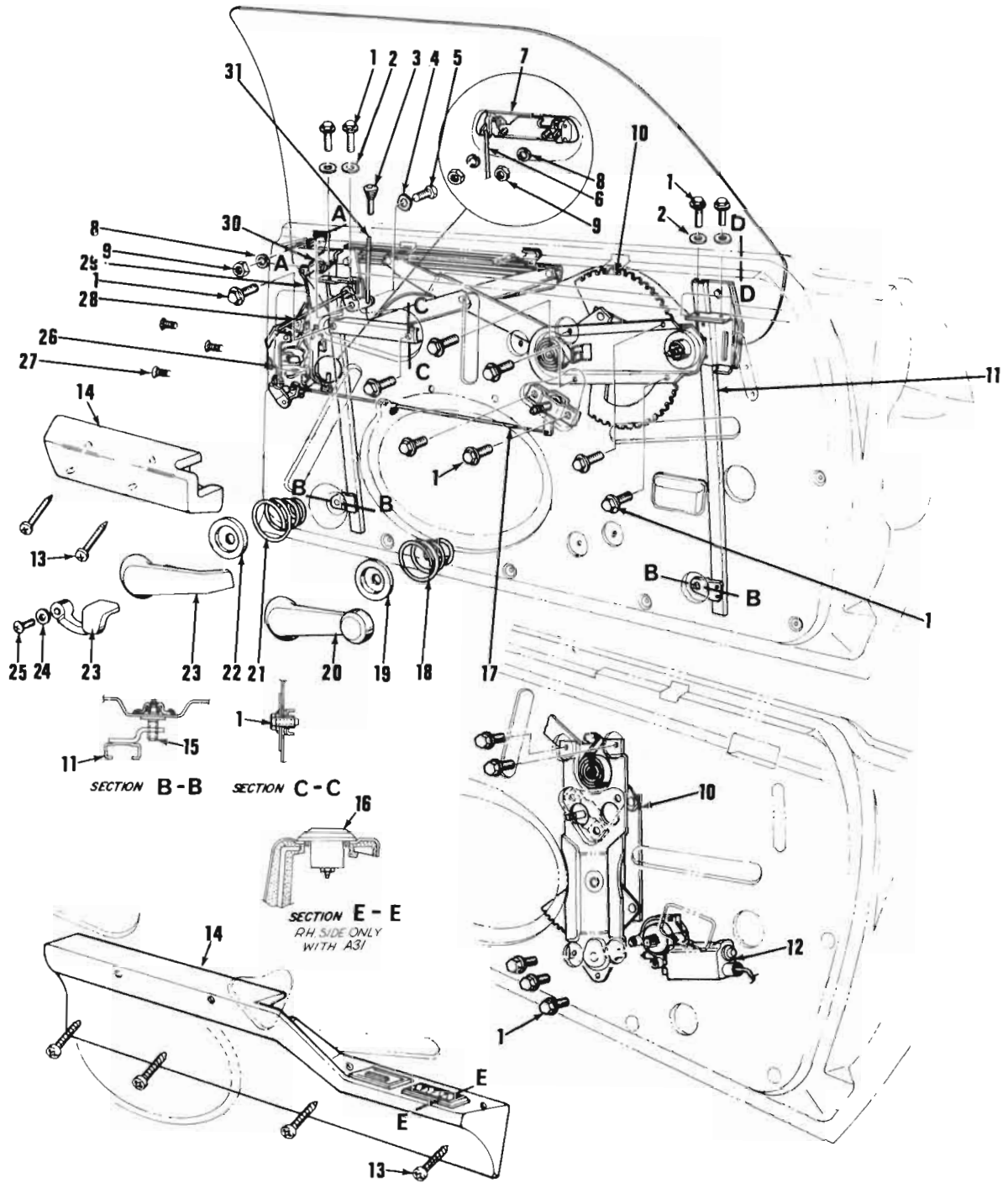


FRONT DOOR HARDWARE

ILLUSTRATION OPPOSITE

ILLUS. REF. NO.	PART NAME	GROUP
1.	SERVICE PACKAGE - Uncoded	10.550
2.	NUT - Hexagon, 1/4" - 20 Light	8.915
3.	WASHER - Lock, 1/4" Medium	8.931
4.	HANDLE - Door outside	10.527
5.	ROD - Frt. handle to lock connector	10.529
6.	BOLT - Hex. hd., 1/4" - 20 x 1/2" w/washer	8.900
7.	WASHER - Flat, 5/16" x 3/4" x .065"	8.929
8.	CHANNEL ASSY. - Glass lifter	10.685
9.	CONTROL ASSY. - Front door	10.500
10.	REGULATOR ASSY. - Front door window	10.783
11.	CAM ASSY. - Window guide	10.702
12.	MOTOR ASSY. - Front door window	10.784
13.	SWITCH ASSY. - Power windows	10.777
14.	SCREW - Pan hd., No.14 - 10 x 2" cr. rec.	8.977
15.	ARM REST ASSY.	14.686
16.	ROD - Door inside locking	10.556
17.	SPRING - Handle escutcheon	10.806
18.	PLATE - Handle bearing	10.797
19.	HANDLE ASSY.	10.797
20.	SPRING - Front door remote control	10.516
21.	PLATE - Inside door handle bearing	10.515
22.	HANDLE - Door remote control	10.512
23.	WASHER - Lock, No. 10 Medium	8.931
24.	BOLT - Pan hd., No.10 - 24 x 5/16" cr. rec.	8.910
25.	WASHER - Lock, No. 10 Light	8.931
26.	WASHER - Flat, .218" x .68" x .035"	8.929
27.	LOCK ASSY. - Front door	10.470
28.	SCREW - Oval hd.cr.rec. with lock washer ..	10.470
29.	ROD - Door lock to lock cyl. connector	10.507
30.	CHANNEL - Glass run	10.701
31.	ROD - Front door inside locking	10.563
32.	KNOB - Inside locking rod	10.559

FRONT DOOR HARDWARE
(MONARO COUPE)

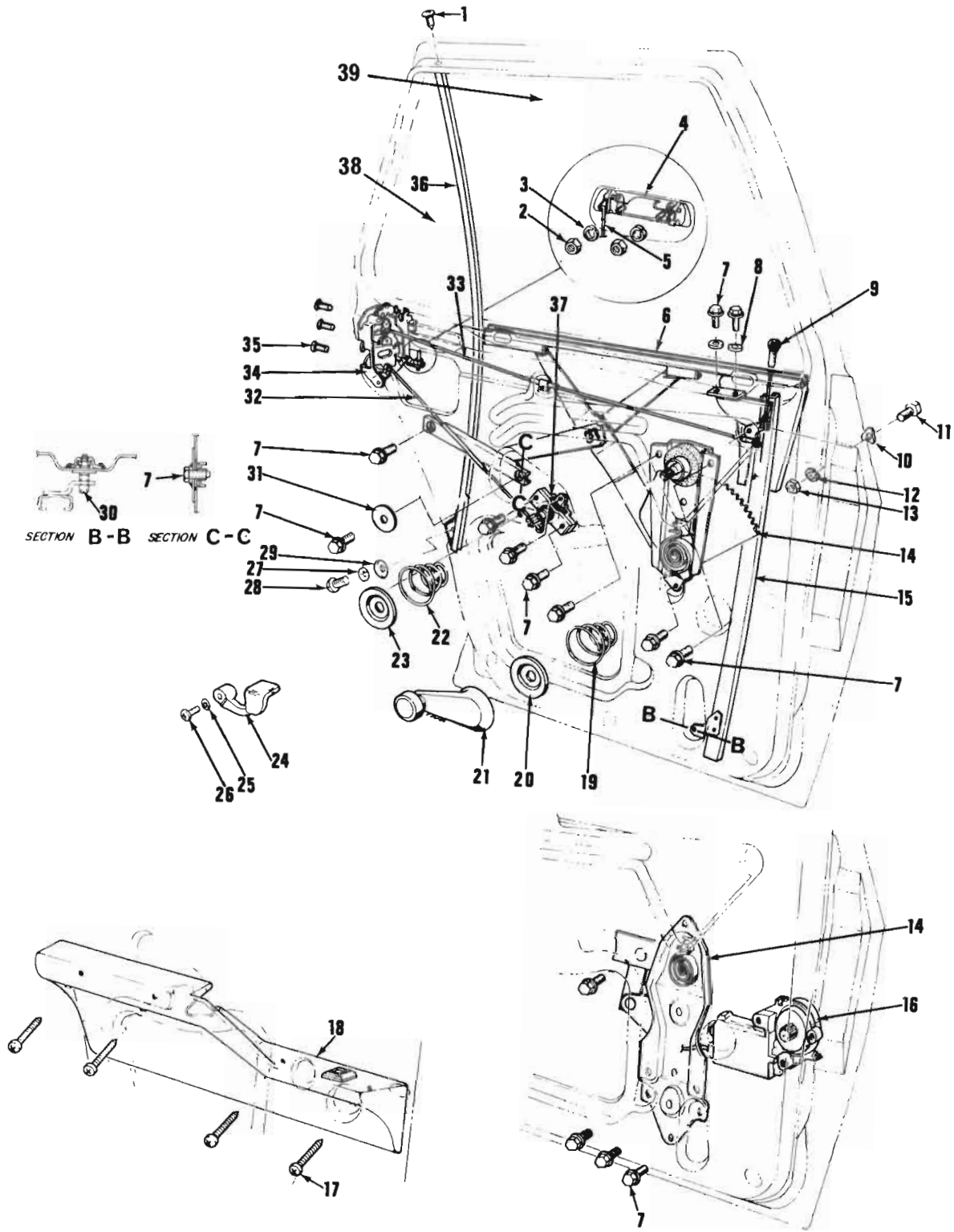


**FRONT DOOR HARDWARE
(MONARO COUPE)**

ILLUSTRATION OPPOSITE

ILLUS. REF. NO.	PART NAME	GROUP
1.	BOLT - Hex.hd., 1/4" - 20 x 1/2" w/washer	8.900
2.	WASHER - Flat, 5/16" x 3/4" x .065"	8.929
3.	KNOB - Inside locking rod	10.559
4.	WASHER - Spring, .380" - .385"	8.928
5.	BOLT - Locking lever	10.556
6.	ROD - Handle to lock connector	10.529
7.	HANDLE - Door outside	10.527
8.	WASHER - Lock, 1/4" Medium	8.931
9.	NUT - Hexagon, 1/4" - 20 Light	8.915
10.	REGULATOR ASSY. - Window	10.783
11.	CAM ASSY. - Front door	10.702
12.	MOTOR ASSY. - Door window	10.784
13.	SCREW - Pan hd., No.14 - 10 x 2" cr. rec. ..	8.977
14.	ARM REST ASSY.	14.686
15.	STUD - Cam to door	10.702
16.	SWITCH ASSY. - Power window	10.777
17.	ROD - Connecting	10.506
18.	SPRING - Handle escutcheon	10.806
19.	PLATE - Handle bearing	10.797
20.	HANDLE ASSY.	10.797
21.	SPRING - Frt. door remote control	10.516
22.	PLATE - Inside door handle bearing	10.515
23.	HANDLE - Door remote control	10.512
24.	WASHER - Lock, No. 10 Medium	8.931
25.	BOLT - Pan hd., No.10 - 24 x 5/16" cr. rec. ..	8.910
26.	LOCK ASSY. - Door	10.470
27.	SCREW - Oval hd.cr.rec. w/lock washer	10.470
28.	ROD - Door inside locking	10.556
29.	ROD - Door lock to lock cyl. connector	10.507
30.	SERVICE PACKAGE - Uncoded	10.550
31.	ROD - Door inside locking	10.563
32.	CONTROL ASSY. - Door	10.500

REAR DOOR HARDWARE

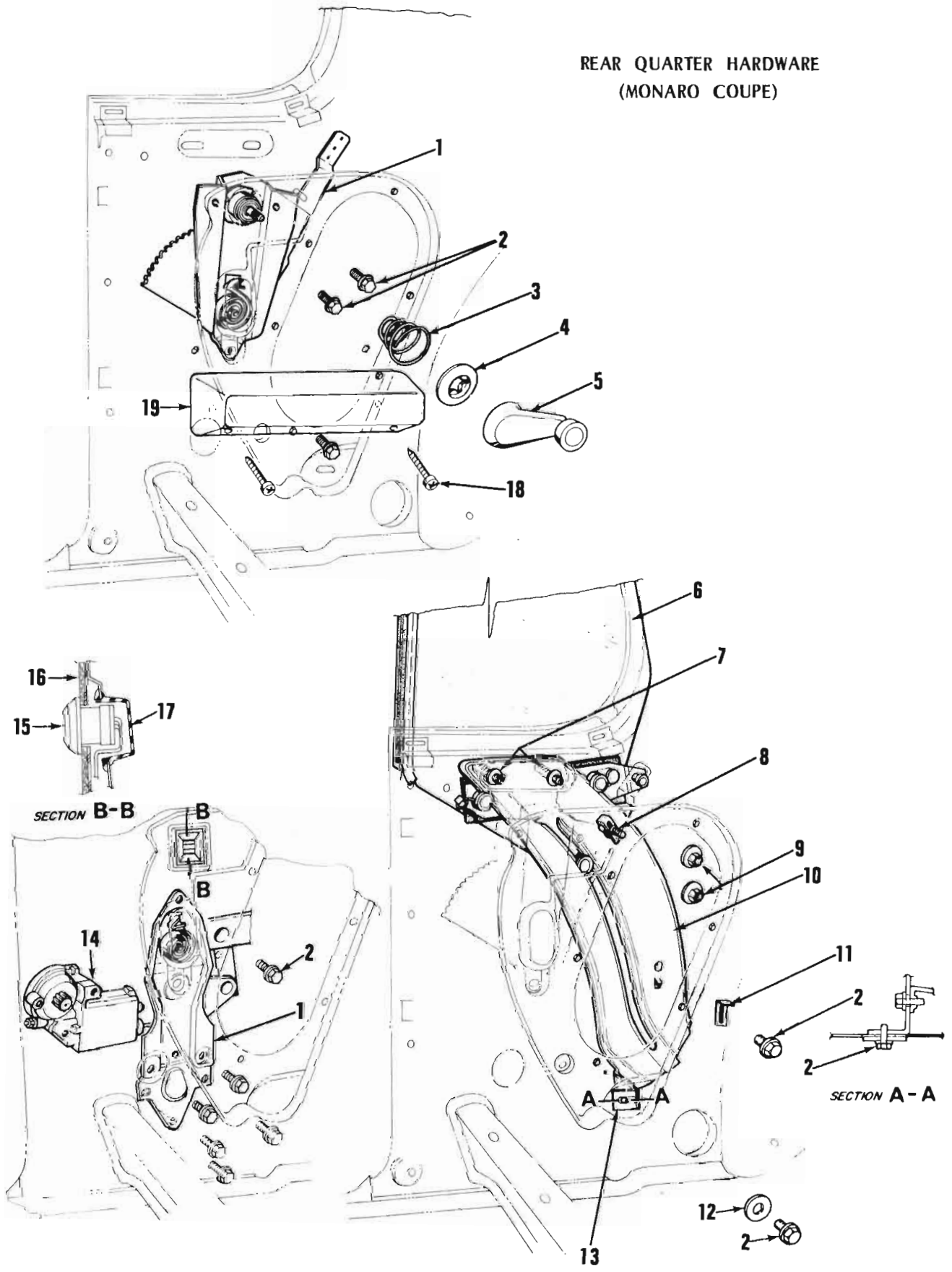


REAR DOOR HARDWARE

ILLUSTRATION OPPOSITE

ILLUS. REF. NO.	PART NAME	GROUP
1.	SCREW – Pan hd. No.10 - 24 x 5/16''	10.829
2.	NUT – Hexagon, 1/4'' - 20 Light	8.915
3.	WASHER – Lock, 1/4'' Medium	8.931
4.	HANDLE – Door outside	10.527
5.	ROD – Rear handle to lock connector	10.529
6.	CHANNEL ASSY. – Glass lifter	10.747
7.	BOLT – Hex. hd., 1/4'' - 20 x 1/2'' w/washer	8.900
8.	WASHER – Flat, 5/16'' x 3/4'' x .065''	8.929
9.	KNOB – Inside locking rod	10.559
10.	WASHER – Spring, .380'' – .385''	8.928
11.	BOLT – Locking lever	10.556
12.	WASHER – Lock, 1/4'' Medium	8.931
13.	NUT – Hexagon, 1/4'' - 20 Light	8.915
14.	REGULATOR ASSY. – Window	10.783
15.	CAM ASSY. – Rear door	10.702
16.	MOTOR ASSY. – Door window	10.784
17.	SCREW – Pan hd., No.14 - 10 x 2'' cr. rec.	8.977
18.	ARM REST ASSY.	14.762
19.	SPRING – Handle escutcheon	10.806
20.	PLATE – Handle bearing	10.797
21.	HANDLE ASSY.	10.797
22.	SPRING – Front door remote control	10.516
23.	PLATE – Inside door handle bearing	10.515
24.	HANDLE – Door remote control	10.512
25.	WASHER – Lock, No.10 Medium	8.931
26.	BOLT – Pan hd., No.10 - 24 x 5/16'' cr. rec.	8.910
27.	WASHER – Lock, No.10 Light	8.931
28.	BOLT – Pan hd., No.10 - 24 x 5/16'' cr. rec.	8.910
29.	WASHER – Flat, .218'' x .68'' x .035''	8.929
30.	STUD – Cam to door	10.702
31.	WASHER	10.791
32.	ROD – Connecting, rear	10.506
33.	ROD – Rear door	10.556
34.	LOCK ASSY. – Rear door	10.473
35.	SCREW – Oval hd.cr.rec. with lock washer ..	10.470
36.	CHANNEL – Rear door glass division	10.829
37.	CONTROL ASSY. – Rear door	10.500
38.	GLASS – Rear door rear	10.827
39.	GLASS – Rear door	10.741

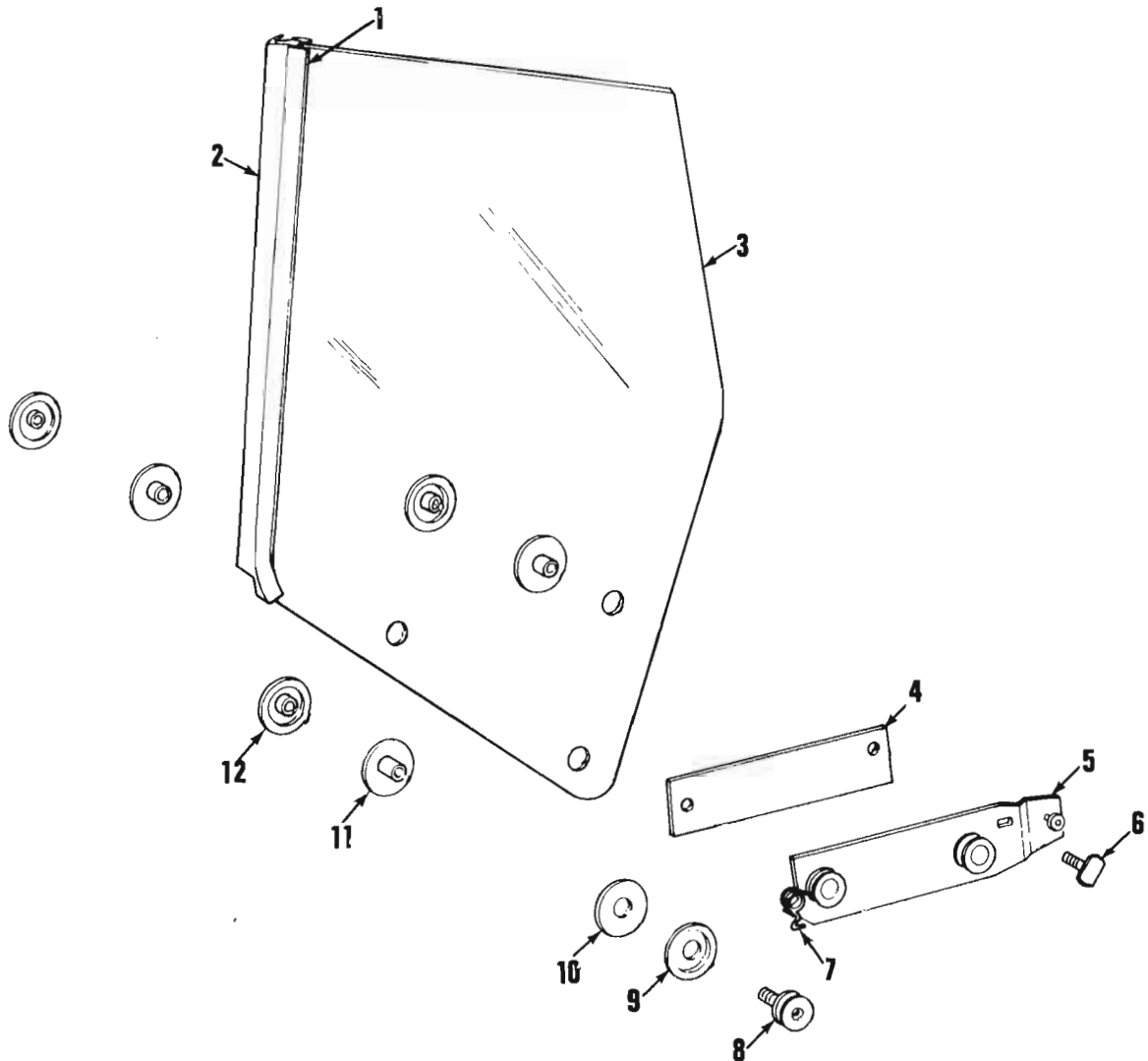
REAR QUARTER HARDWARE
(MONARO COUPE)



**REAR QUARTER HARDWARE
(MONARO COUPE)**

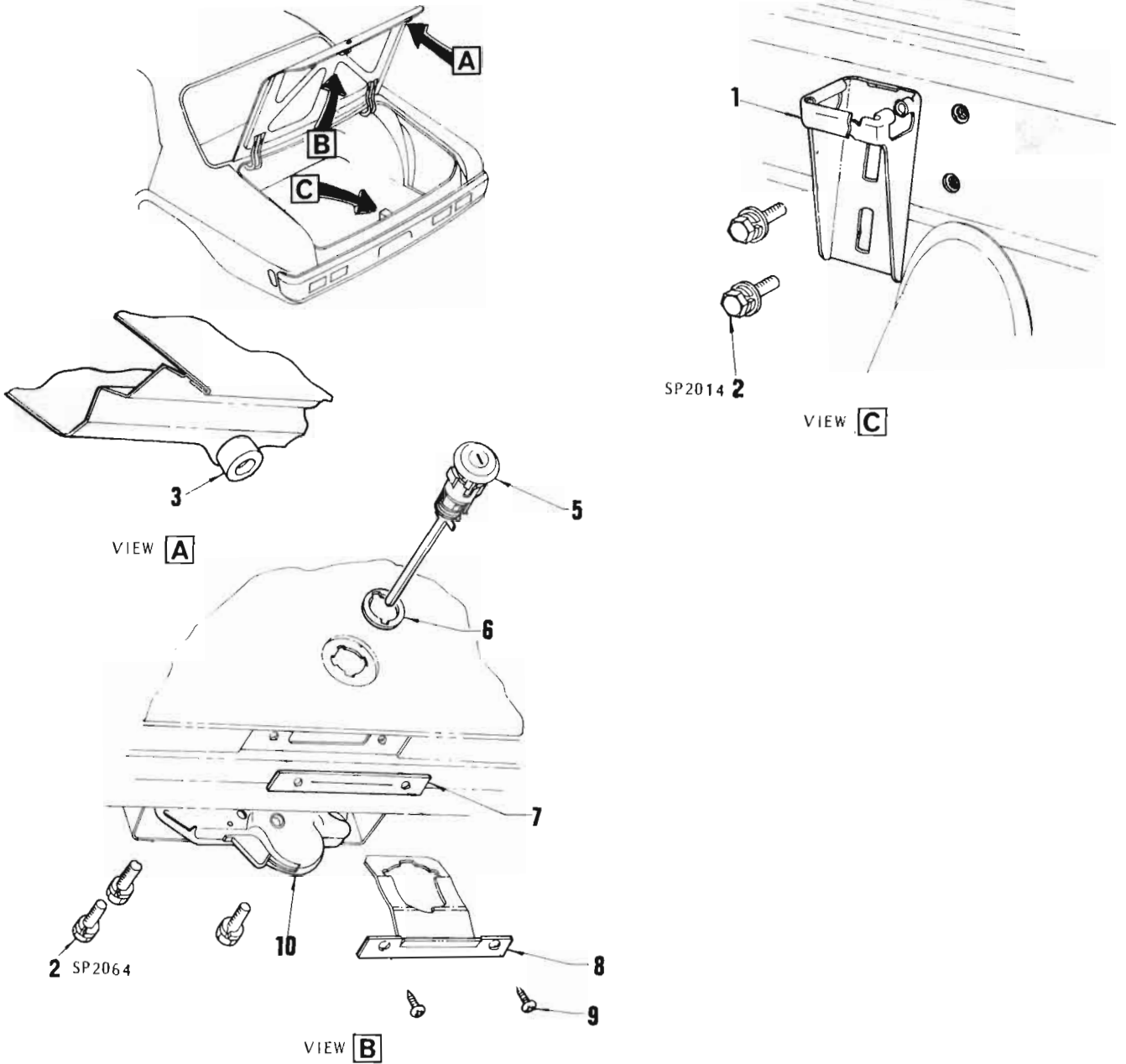
ILLUSTRATION OPPOSITE

ILLUS. REF. NO.	PART NAME	GROUP
1.	REGULATOR ASSY. - R/quarter window	11.041
2.	BOLT - Hex.hd., 1/4" - 20 x 1/2" w/washer	8.900
3.	SPRING - R/qtr. window handle escutcheon ..	11.045
4.	PLATE - Handle bearing	11.044
5.	HANDLE ASSY.	11.044
6.	GLASS - R/quarter window	11.011
7.	STUD - Guide to inner panel	11.040
8.	STOP - R/quarter window upper	11.012
9.	NUT - Guide to inner panel	11.040
10.	GUIDE - R/quarter window	11.040
11.	STOP - R/quarter window	11.012
12.	WASHER - Flat, .281" x 1.30" x .035"	8.929
13.	SUPPORT - Guide lower	11.040
14.	MOTOR ASSY. - R/quarter window	11.043
15.	SWITCH ASSY. - Power windows	10.777
16.	TRIM ASSY. - Rear quarter	15.100
17.	SEAL - Power window switch dust	10.777
18.	SCREW - Pan hd., No.14 - 10 x 2" cr. rec.	8.977
19.	ARM REST ASSY. - Rear quarter	14.762



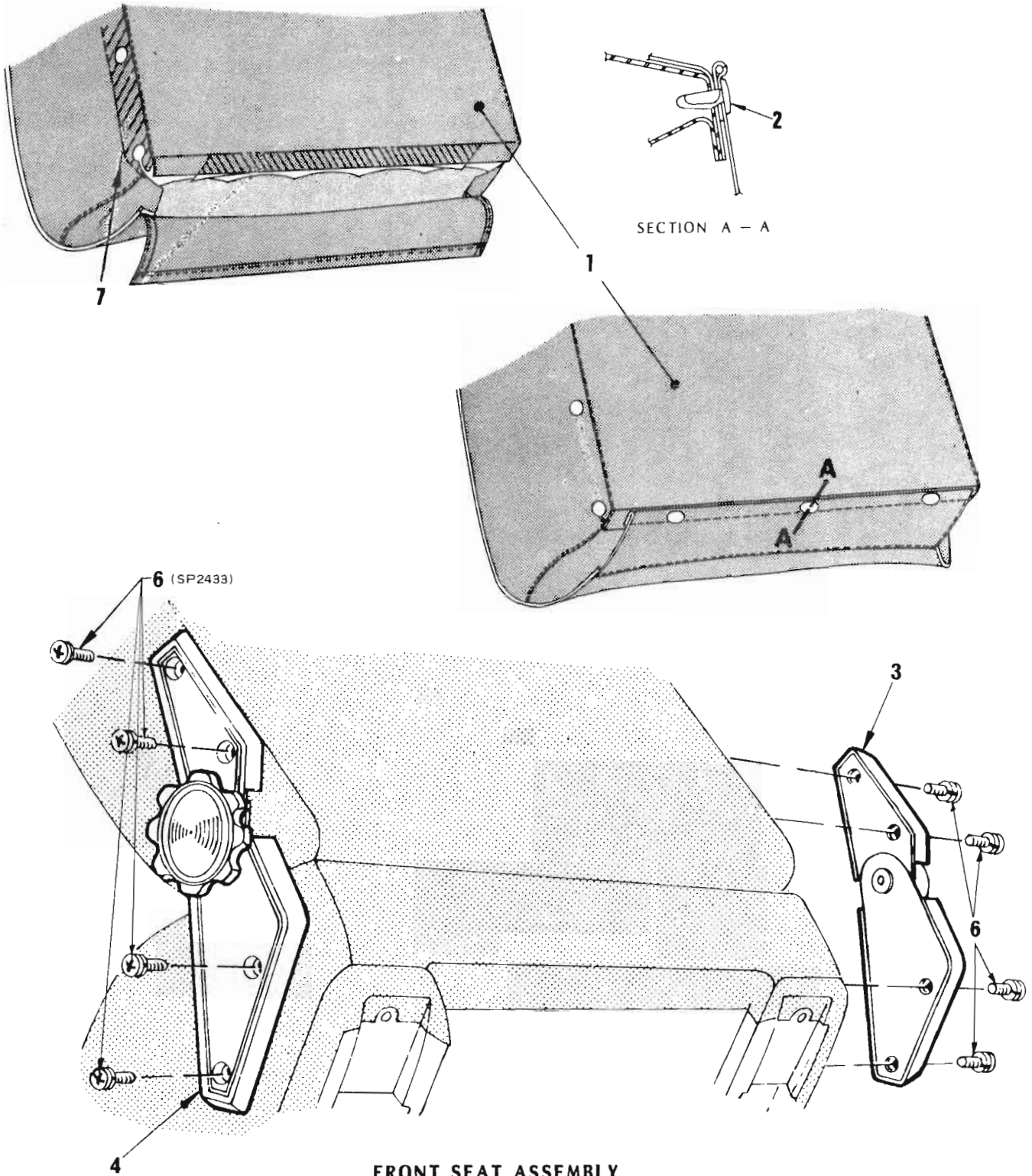
REAR QUARTER WINDOW
(MONARO COUPE)

ILLUS. REF. NO.	PART NAME	GROUP	ILLUS. REF. NO.	PART NAME	GROUP
1.	CHANNEL - R/qtr. window sash, front	11.007	7.	SPRING - R/qtr. window roller tension	11.007
2.	WEATHERSTRIP - R/qtr. window front	11.015	8.	ROLLER ASSY. - R/qtr. window lower	11.007
3.	GLASS - R/quarter window	11.011	9.	WASHER - R/qtr. window lower roller (steel)	11.007
4.	FILLER - R/quarter window sash, lower	11.007	10.	WASHER - R/qtr. window lower roller (rubber)	11.007
5.	PLATE & ROLLER ASSY. - R/qtr. window sash	11.007	11.	BUSHING - R/quarter window roller	11.007
6.	PIN - R/quarter window upper rear roller	11.007	12.	NUT - R/quarter window roller tee	11.007



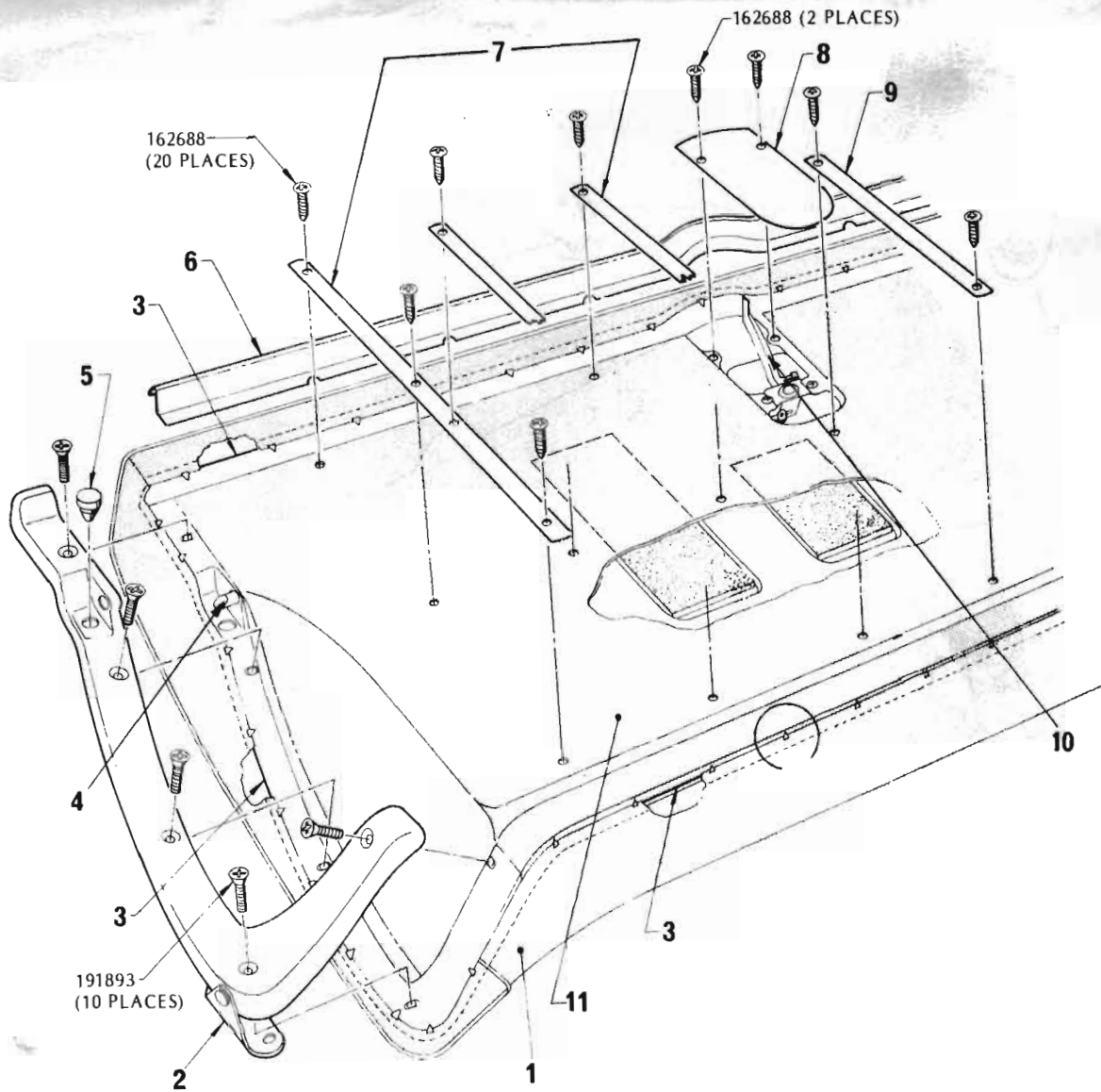
REAR COMPARTMENT LID LOCK

ILLUS. REF. NO.	PART NAME	GROUP	ILLUS. REF. NO.	PART NAME	GROUP
1.	STRIKER - Deck lid lock	12.237	7.	GASKET - Lock cylinder retainer	12.248
2.	BOLT - Hex. hd.	8.900	8.	RETAINER - Deck lid lock cylinder	12.248
3.	BUMPER ASSY. - Deck lid	12.212	9.	SCREW - Retainer to inner panel	12.248
5.	LOCK SERVICE PACKAGE	12.248	10.	LOCK ASSY. - Deck lid	12.242
6.	GASKET - Deck lid lock cylinder	12.248			



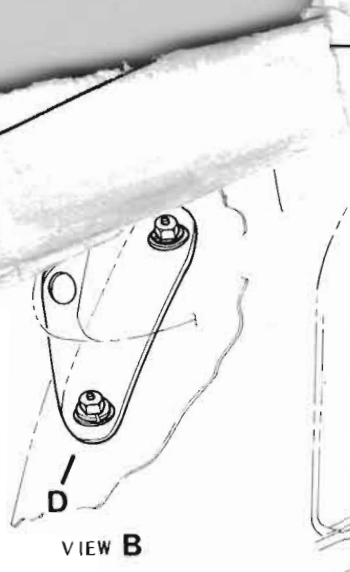
FRONT SEAT ASSEMBLY

ILLUS. REF. NO.	PART NAME	GROUP	ILLUS. REF. NO.	PART NAME	GROUP
1.	TRIM ASSY. - Front seat back rear	14.803	5.	WASHER - Flat	8.929
2.	FASTENER - Trim	14.800	6.	BOLT - Hexagon head	8.900
3.	ARM ASSY. - Front seat reclining	11.392	7.	COVER ASSY. - Front seat back	14.800
4.	ADJUSTER ASSY. - Front seat recliner	11.388			

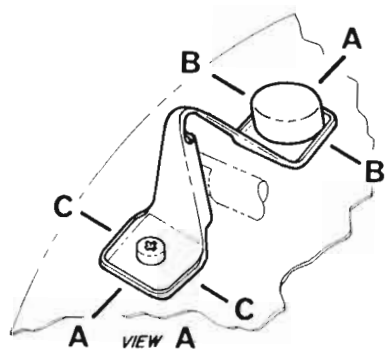
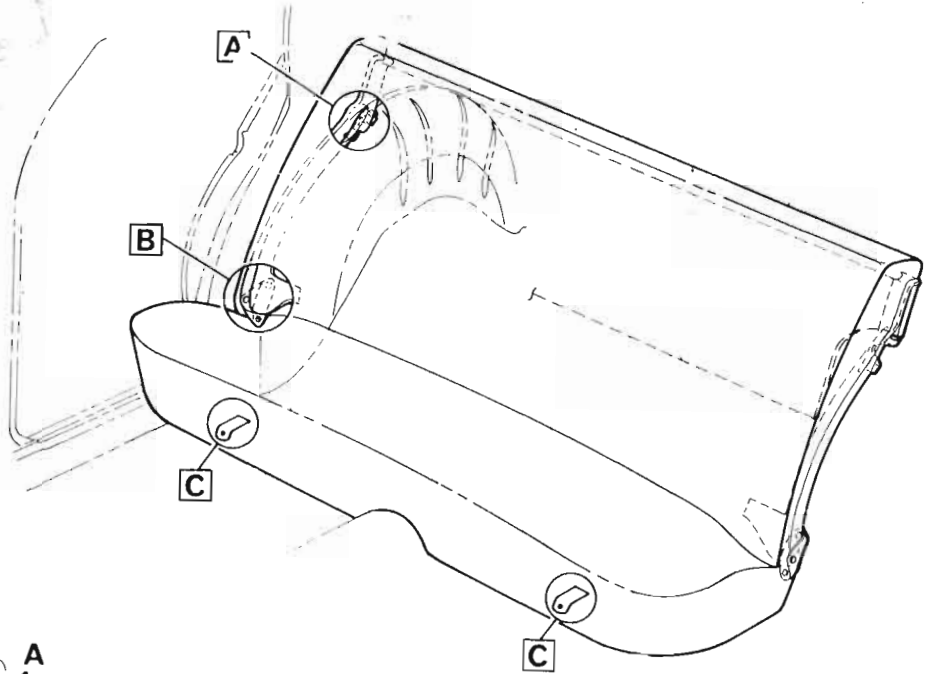


**REAR SEAT TRIM & HARDWARE
STATION WAGONS – BODY STYLE 35**

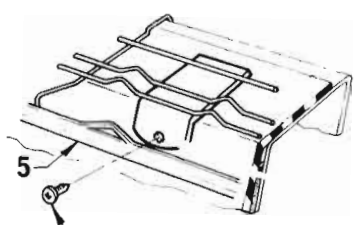
ILLUS. REF. NO.	PART NAME	GROUP	ILLUS. REF. NO.	PART NAME	GROUP
1.	COVER – Rear seat back	15.000	7.	STRIP – Seat back wear 18.32" long	14.818
2.	HINGE – Rear seat back	11.630	8.	PLATE – Lock cover	1-1.634
3.	SPRING & FRAME – Seat back	11.628	9.	STRIP – Seat back wear 10.92" long	14.818
4.	PLUNGER – Seat back lock	11.634	10.	HANDLE – Lock	11.634
5.	BUMPER	11.634	11.	TRIM – Rear seat back	15.310
6.	STRIP – Seat back upper finish wear	14.818			



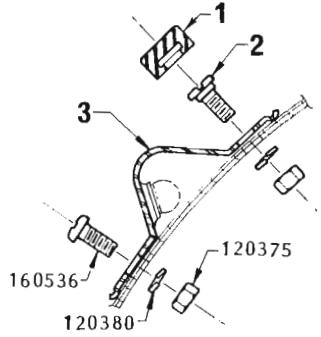
VIEW B



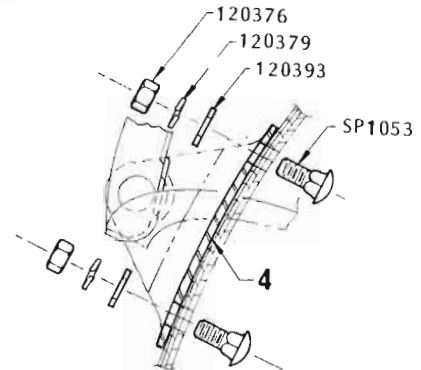
VIEW A



VIEW C



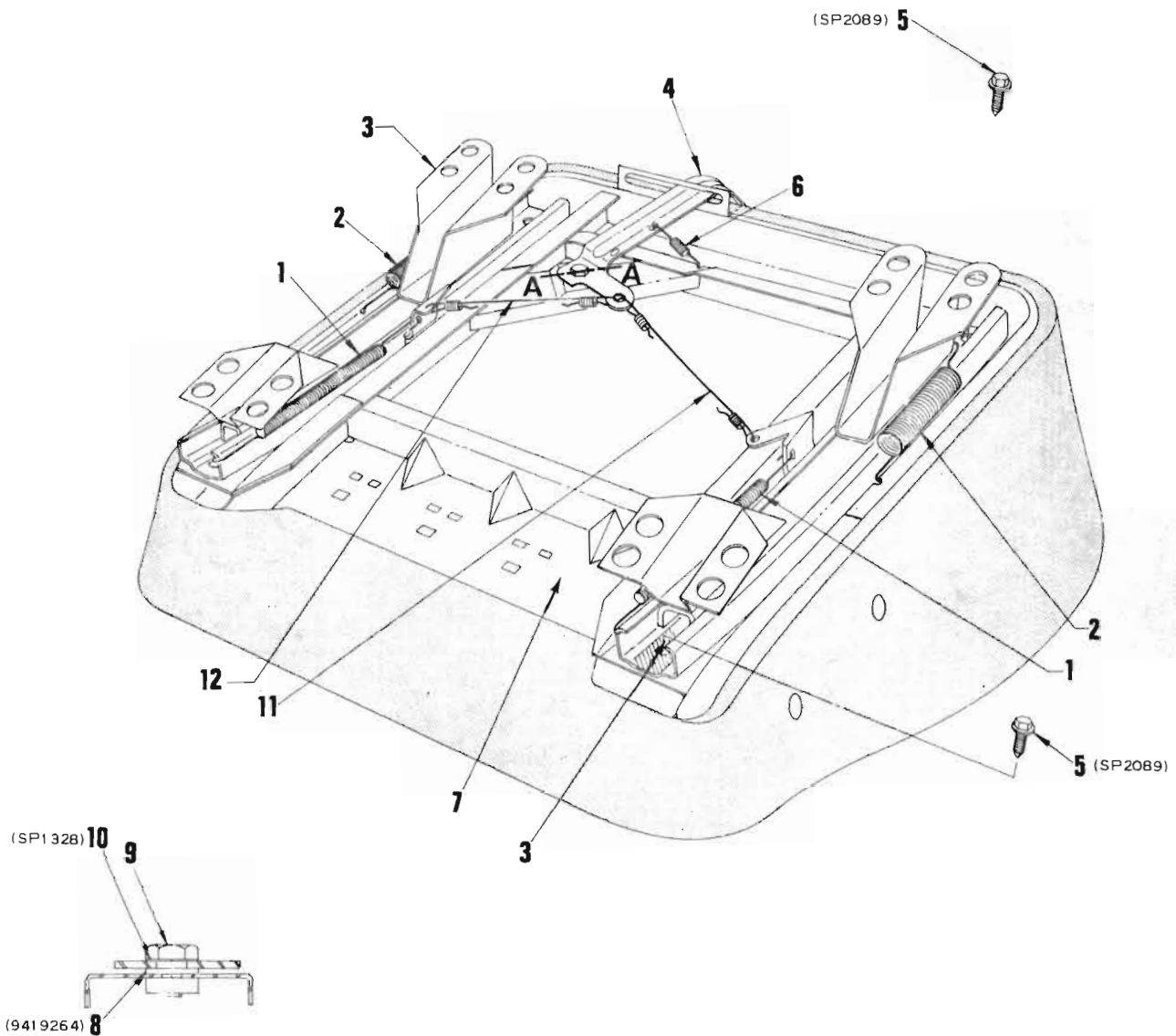
SECTION A-A



SECTION D-D

**REAR SEAT HARDWARE
STATION WAGONS - BODY STYLE 35**

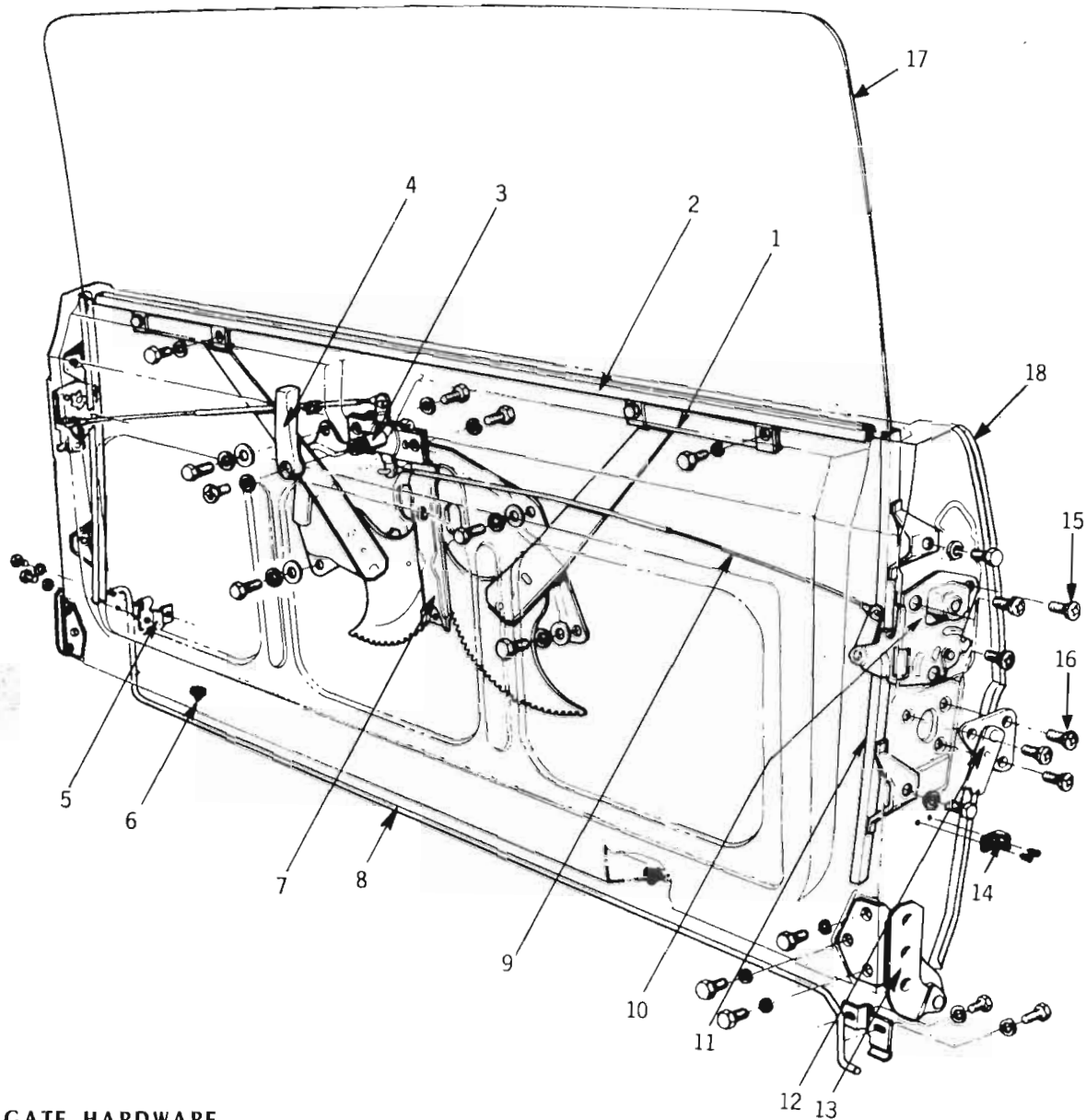
ILLUS. REF. NO.	PART NAME	GROUP
1.	BUMPER - Stop bracket	11.634
2.	BOLT - Stop bracket to bumper	11.634
3.	BRACKET - Stop	11.634
4.	HINGE - Rear seat back	11.630
5.	SPRING & FRAME ASSY.	11.628



SECTION A - A

FRONT SEAT MECHANISM

ILLUS. REF. NO.	PART NAME	GROUP	ILLUS. REF. NO.	PART NAME	GROUP
1.	SPRING - Release lever	11.581	7.	SPRING & FRAME ASSY. - Cushion	11.373
2.	SPRING - Assist	11.581	8.	WASHER - Spring	8.928
3.	ADJUSTER ASSY.	11.561	9.	BOLT - Handle	11.588
4.	HANDLE	11.588	10.	WASHER - Flat	8.929
5.	BOLT - Hex. head	8.900	11.	WIRE ASSY. - Long	11.589
6.	SPRING - Remote control handle	11.581	12.	WIRE ASSY. - Short	11.589



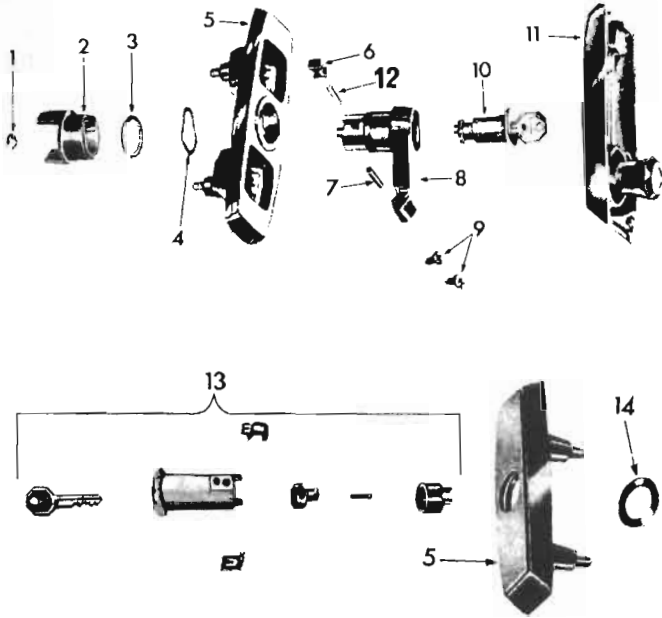
END GATE HARDWARE

ILLUS. REF. NO.	PART NAME	GROUP	ILLUS. REF. NO.	PART NAME	GROUP
1.	CAM ASSY. - Lifter channel	11.207	10.	LOCK ASSY. - End gate	12.242
2.	CHANNEL ASSY. - End gate glass lifter	11.207	11.	RETAINER - Lower channel	11.207
3.	CONTROL ASSY. - Remote	12.242	12.	ARM ASSY. - Limit	12.203
4.	HANDLE - Remote control	12.247	13.	HINGE ASSY. - Gate section	12.184
5.	RETAINER - Torque rod to end gate	12.187	14.	BUMPER - Limit arm	12.212
6.	BUMPER - Sliding glass channel	12.212	15.	SCREW - Limit arm	12.242
7.	REGULATOR	12.272	16.	SCREW - Limit arm	12.203
8.	ROD - End gate torque	12.187	17.	GLASS - End gate	11.204
9.	ROD - Remote control	12.241	18.	GATE ASSY. - End	12.179

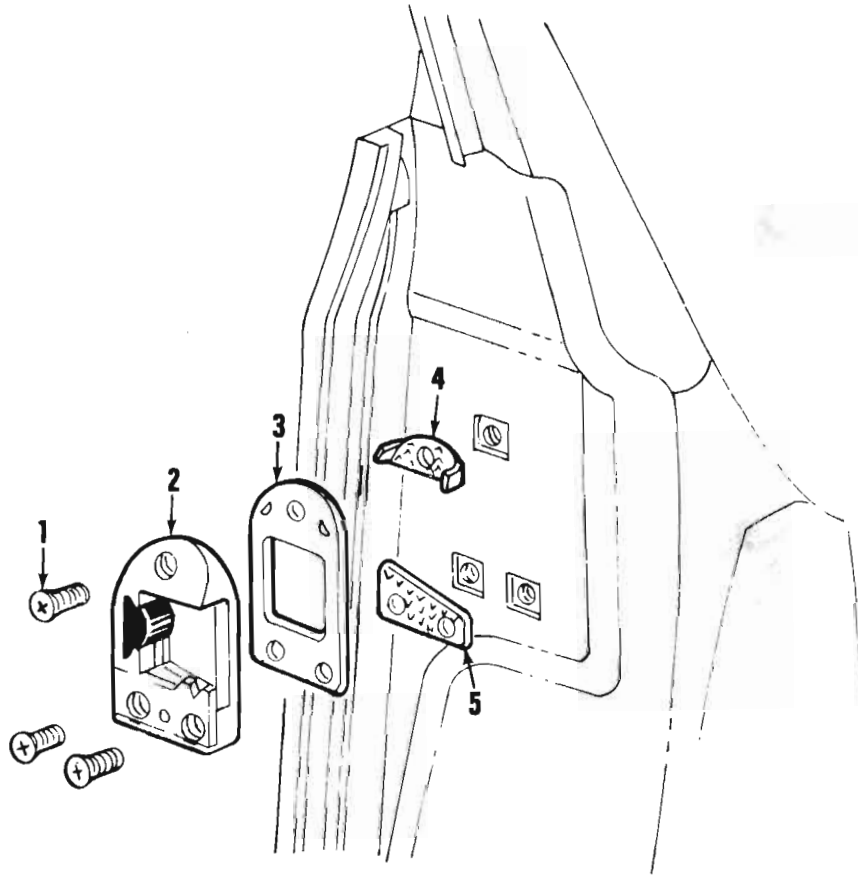
FOR POWER OPERATED WINDOWS (Not illustrated)

MOTOR ASSY.	12.280	SAFETY SWITCH	12.275
HARNESS - Wiring	12.277	CONNECTOR - Control switch	12.277
SLEEVE - Window harness	12.277		

END GATE REGULATOR and LOCK

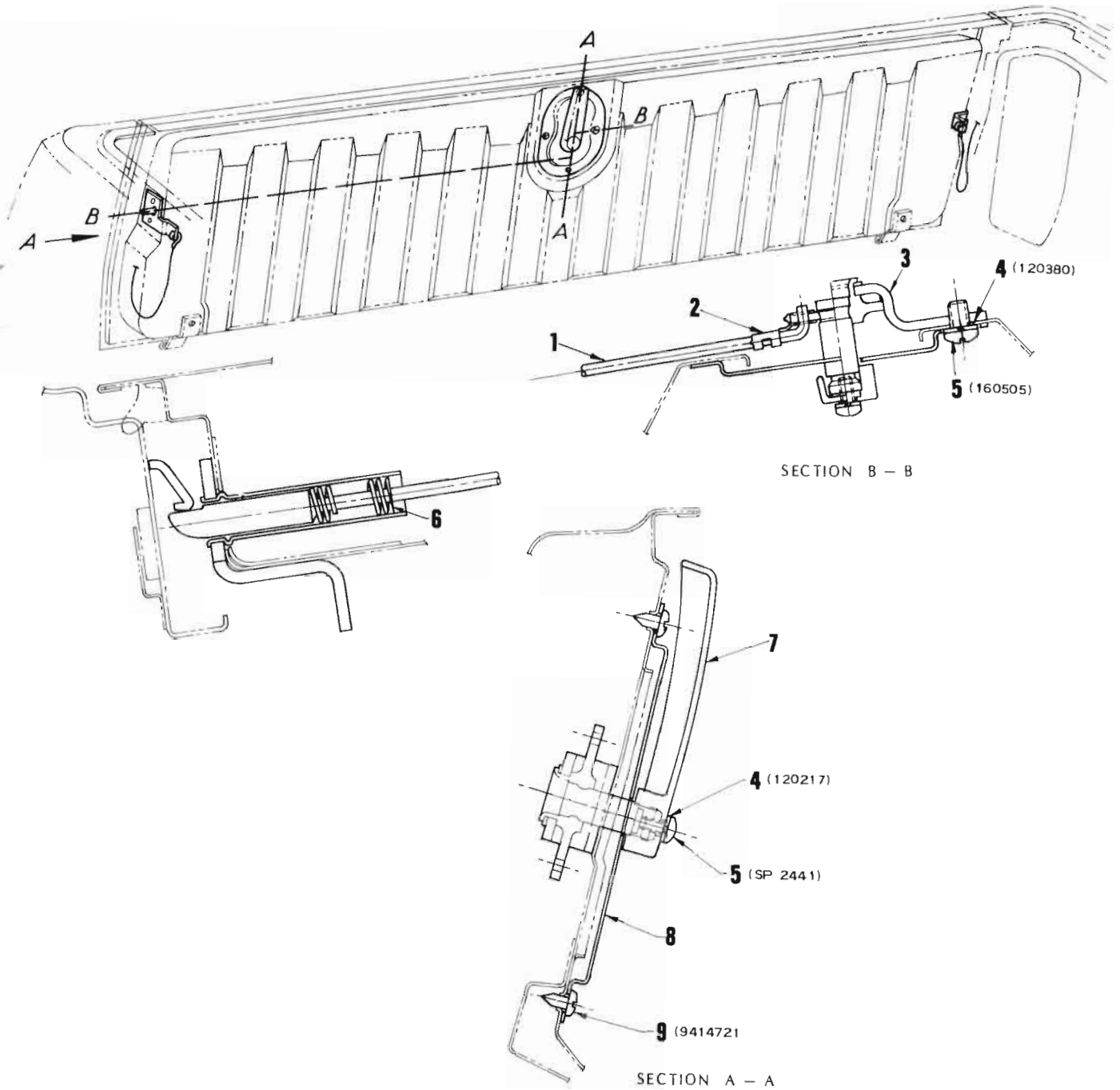


ILLUS. REF. NO.	PART NAME	GROUP
1.	RING - Reg. handle clutch retainer	12.247
2.	CLUTCH - Regulator handle	12.247
3.	RING - Reg. handle driver retainer	12.247
4.	WASHER - Reg. handle spring	12.247
5.	ESCUTCHEON - Reg. handle	12.249
6.	PAWL - Reg. lock cylinder	12.248
7.	PIN - Reg. handle hinge	12.247
8.	DRIVER - Regulator handle	12.247
9.	SCREW - Pan hd. No. 8 - 18 x 1/4" cr. rec. ...	8.977
10.	BARREL & KEY ASSY. - Reg. outer handle	12.248
11.	HANDLE ASSY. - Regulator	12.247
12.	SPRING - Reg. lock cylinder pawl	12.248
13.	BARREL, KEY & SWITCH ASSY. - Window switch	12.248
14.	RETAINER - Window lock cylinder	12.248



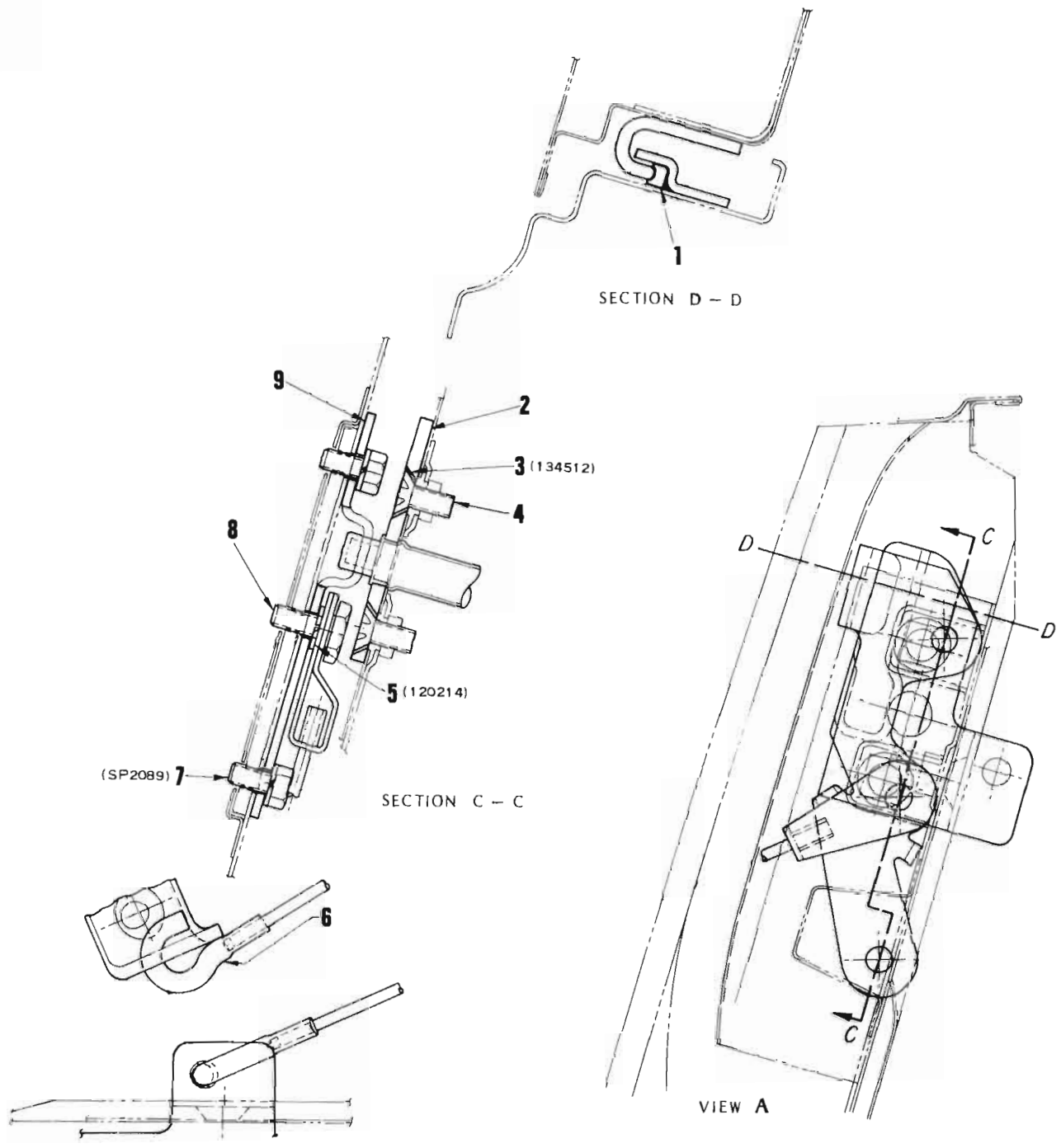
END GATE STRIKER

ILLUS. REF. NO.	PART NAME	GROUP	ILLUS. REF. NO.	PART NAME	GROUP
1.	SCREW	12.237	4.	PLATE - End gate striker adjusting, upper	12.237
2.	STRIKER - End gate lock	12.237	5.	PLATE - End gate striker adjusting, lower	12.237
3.	SPACER	12.237			



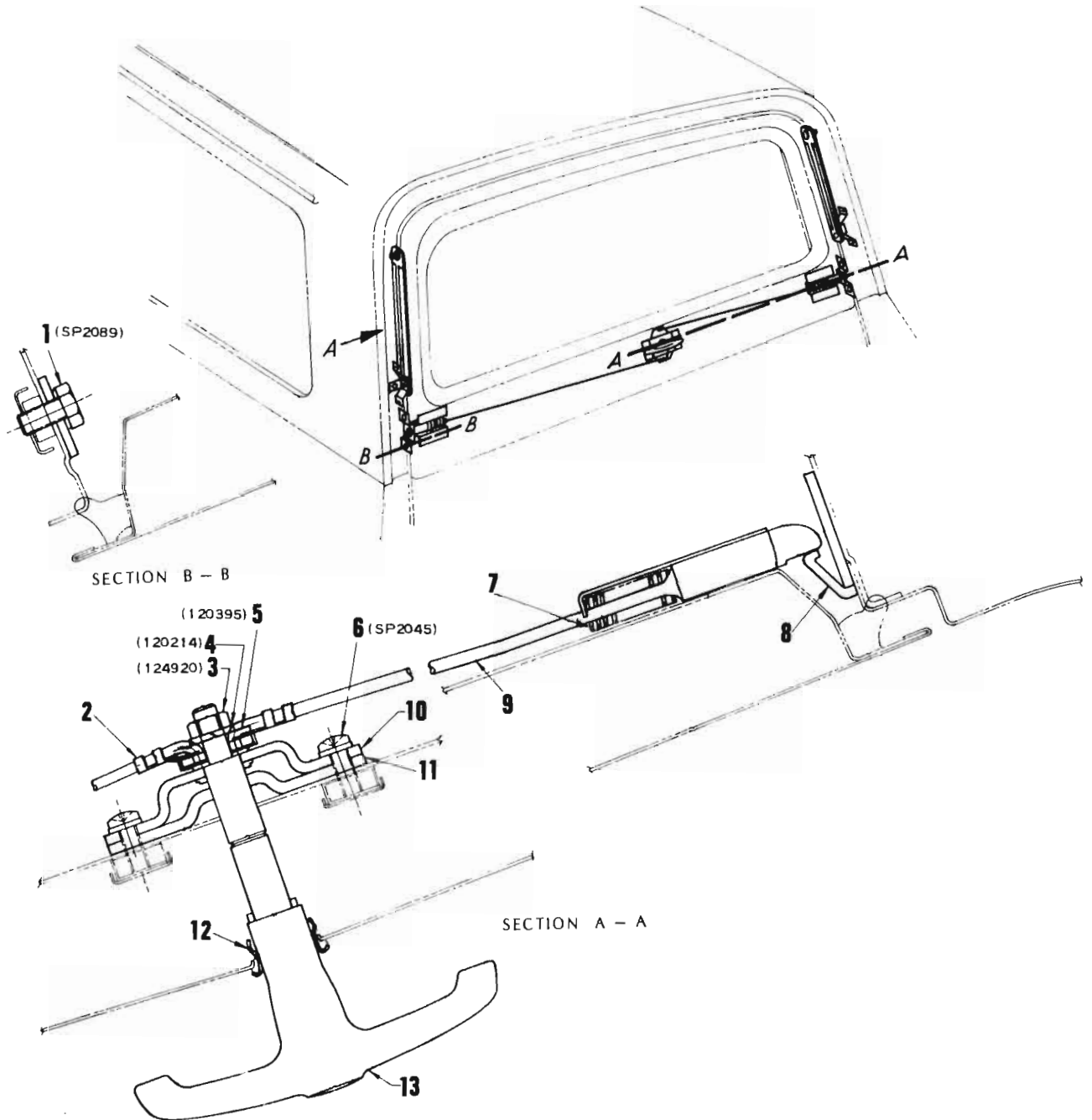
LOWER END GATE HARDWARE

ILLUS. REF. NO.	PART NAME	GROUP	ILLUS. REF. NO.	PART NAME	GROUP
1.	PLUNGER ASSY. - Lower end gate lock ..	12.241	6.	SPRING - Lock bar	12.241
2.	CLIP - Lock bar	12.241	7.	HANDLE - Remote control	12.247
3.	PLATE ASSY. - Lower end gate lock base	12.242	8.	PLATE - End gate lock cover	12.242
4.	WASHER - Lock	8.931	9.	SCREW - Sheet metal	8.977
5.	BOLT - Pan head	8.910			



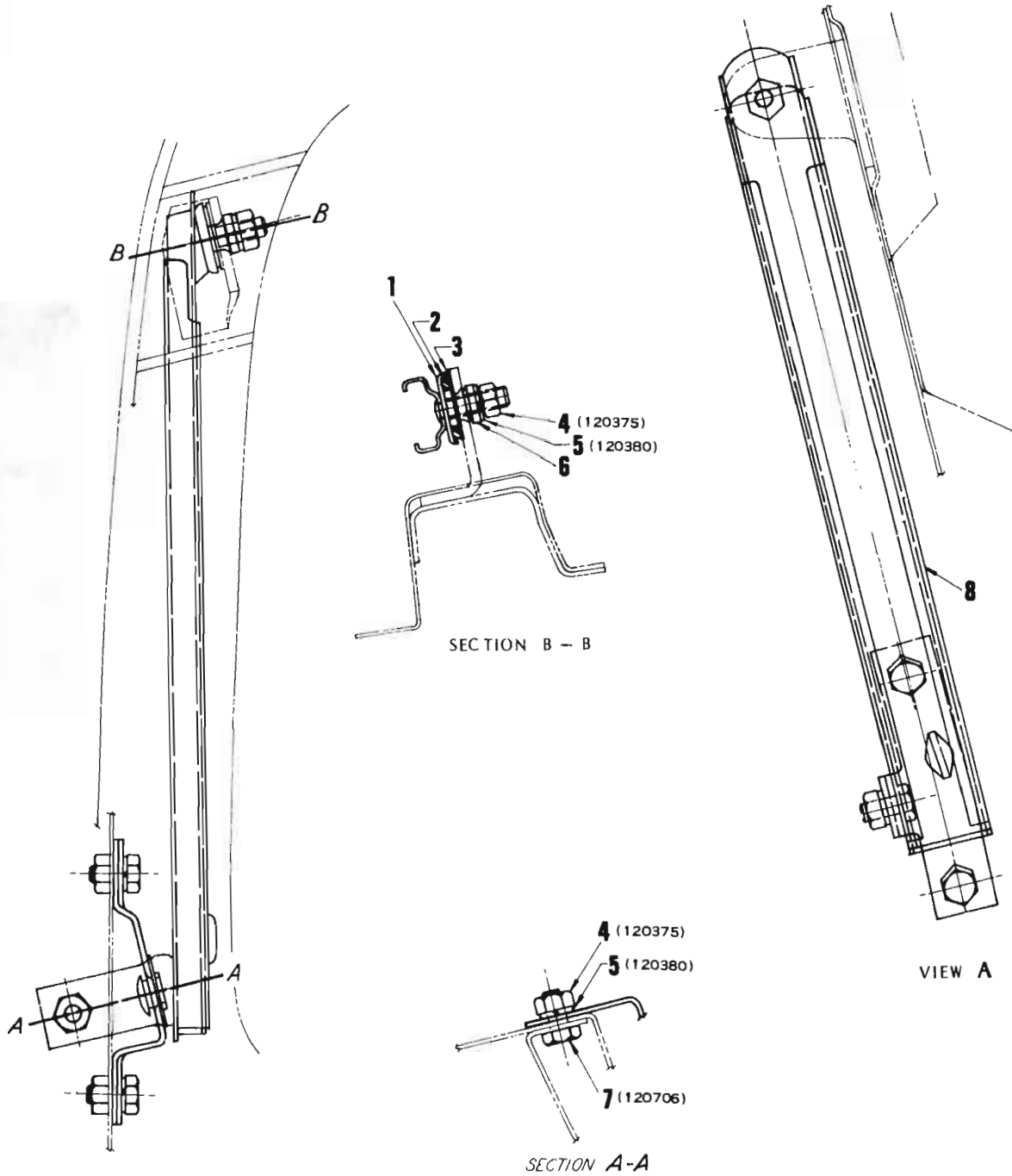
LOWER END GATE HARDWARE

ILLUS. REF. NO.	PART NAME	GROUP	ILLUS. REF. NO.	PART NAME	GROUP
1.	BUMPER	12.240	6.	CABLE ASSY. - Lower end gate limit	12.203
2.	GUIDE - Lower lock plunger	12.241	7.	BOLT - Hex. head	8.900
3.	WASHER - Shakeproof	8.932	8.	BOLT - Lower end gate limit cable	12.203
4.	SCREW - End gate hinge to body	12.184	9.	PLATE - Lower end gate striker	12.237
5.	WASHER - Lock	8.931			



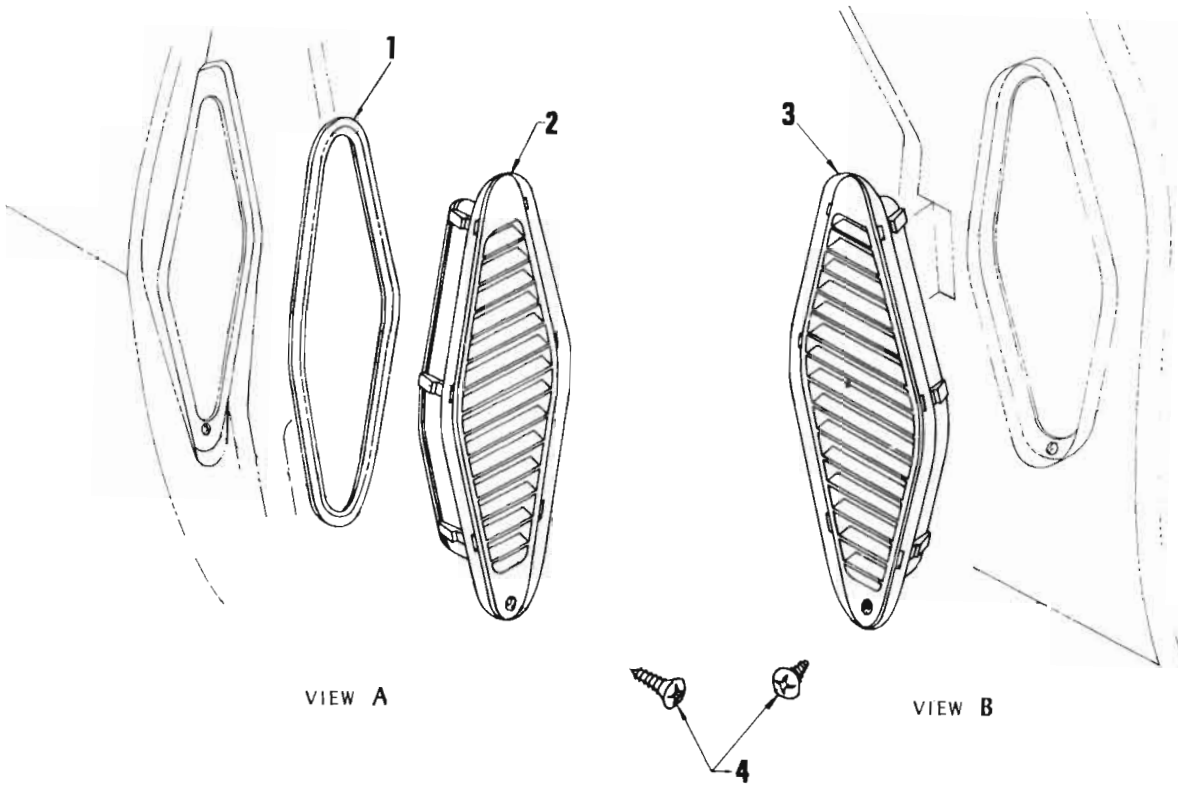
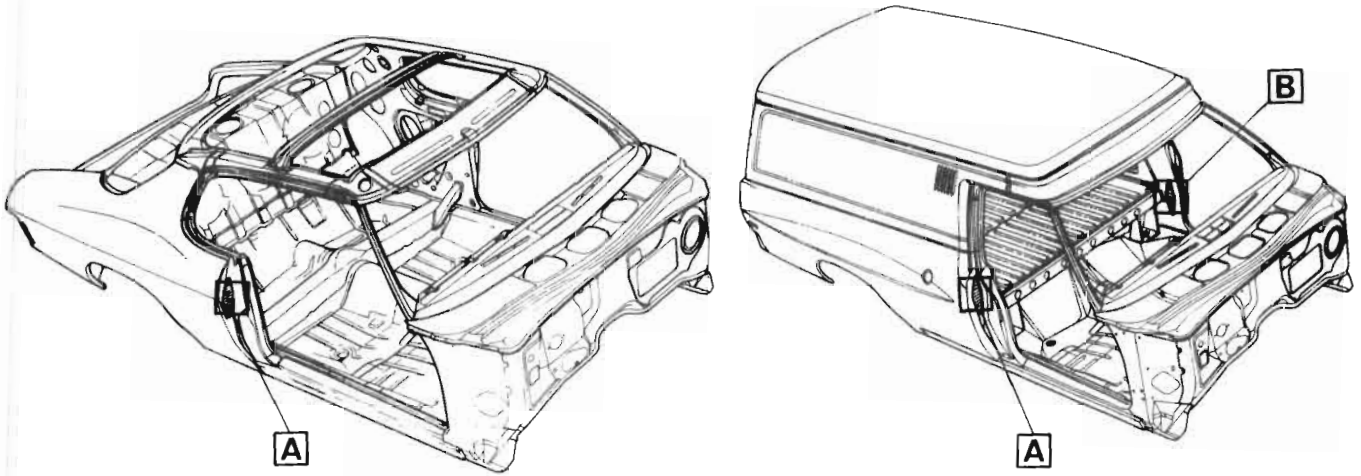
UPPER END GATE HARDWARE

ILLUS. REF. NO.	PART NAME	GROUP	ILLUS. REF. NO.	PART NAME	GROUP
1.	BOLT - Hex. head	8.900	8.	PLATE - Upper end gate striker	12.237
2.	CLIP - Lock bar	12.241	9.	PLUNGER ASSY. - Upper end gate lock	12.241
3.	NUT - Hex. jam	8.916	10.	PLATE & ARM ASSY. - Upper end gate lock base	12.242
4.	WASHER - Lock	8.931	11.	PLATE - Upper end gate locking	12.242
5.	WASHER - Flat	8.929	12.	FERRULE ASSY. - Upper end gate handle	12.247
6.	BOLT - Pan head	8.910	13.	HANDLE ASSY. - Upper end gate	12.247
7.	SPRING - Lock bar	12.241			



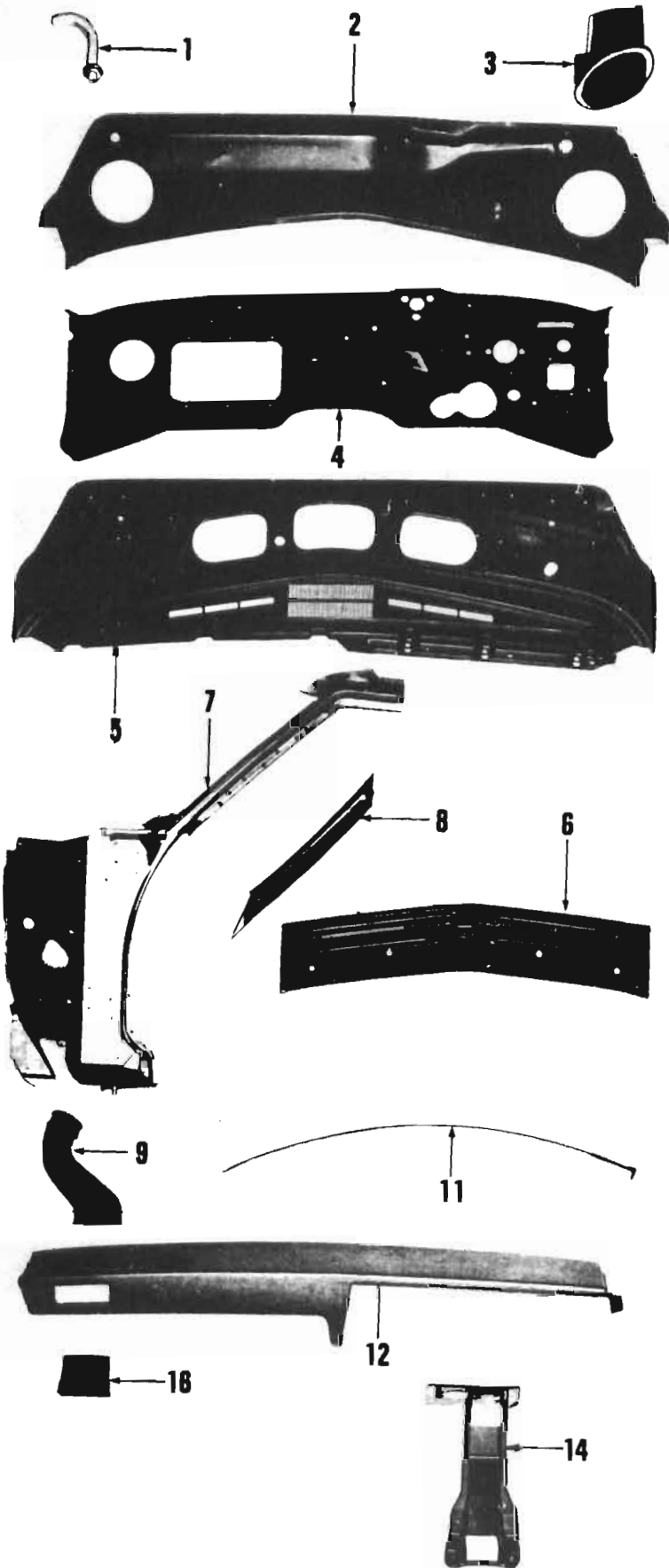
UPPER END GATE HARDWARE

ILLUS. REF. NO.	PART NAME	GROUP	ILLUS. REF. NO.	PART NAME	GROUP
1	WASHER - Upper inner, cup	12.203	5.	WASHER - Lock	8.931
2.	WASHER - Upper inner, rubber	12.203	6.	SPACER - Upper inner	12.203
3.	WASHER - Upper inner, plastic	12.203	7.	BOLT - Hex. head	8.900
4.	NUT - Hexagon	8.915	8.	ARM ASSY. - Upper end gate hold open ..	12.203



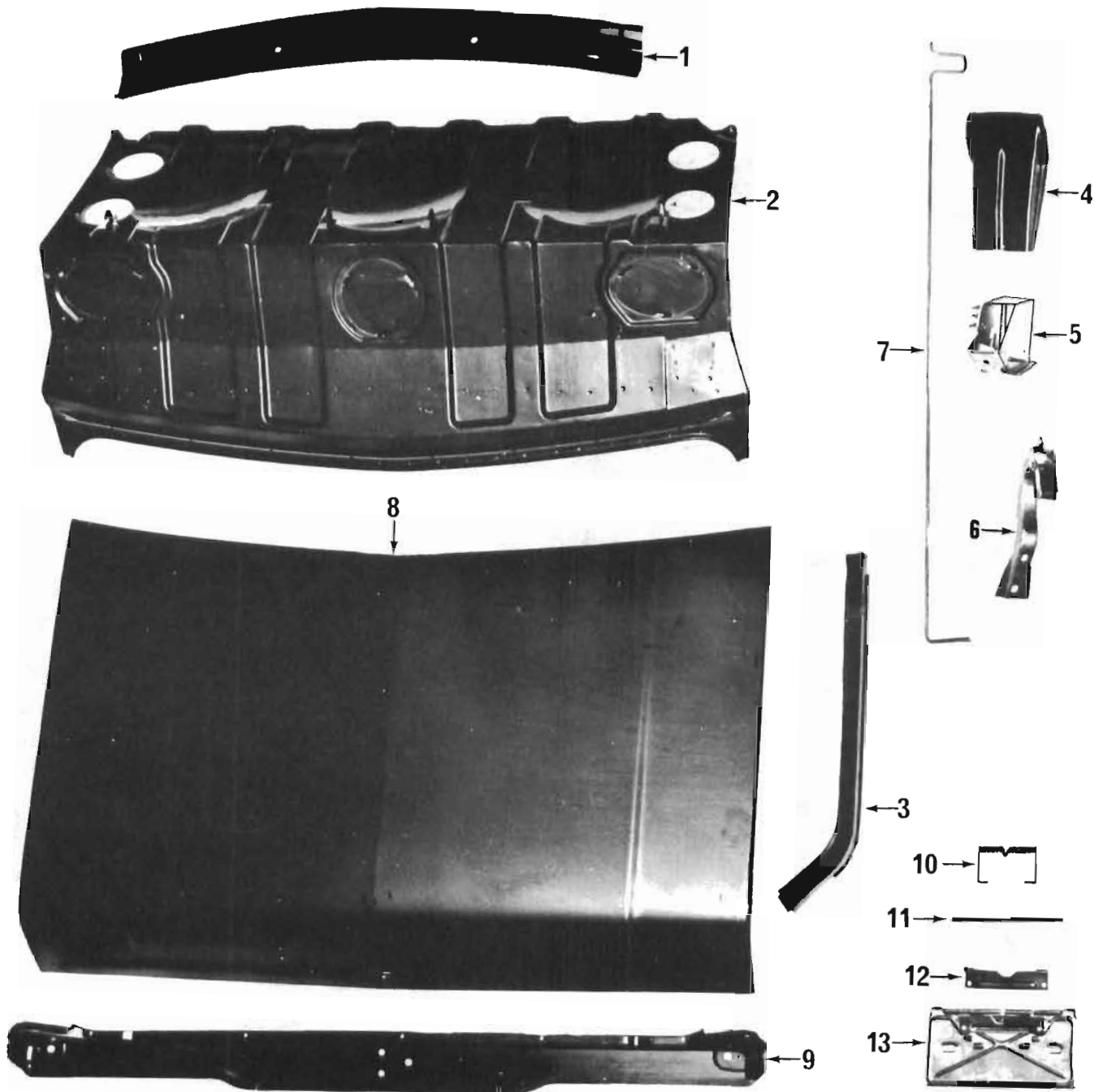
BODY LOCK PILLAR RELIEF VALVE

ILLUS. REF. NO.	PART NAME	GROUP	ILLUS. REF. NO.	PART NAME	GROUP
1.	SEAL — Relief valve	12.942	3.	GRILLE — Relief valve	12.942
2.	VALVE ASSY. — Pressure relief	12.942	4.	SCREW	12.942



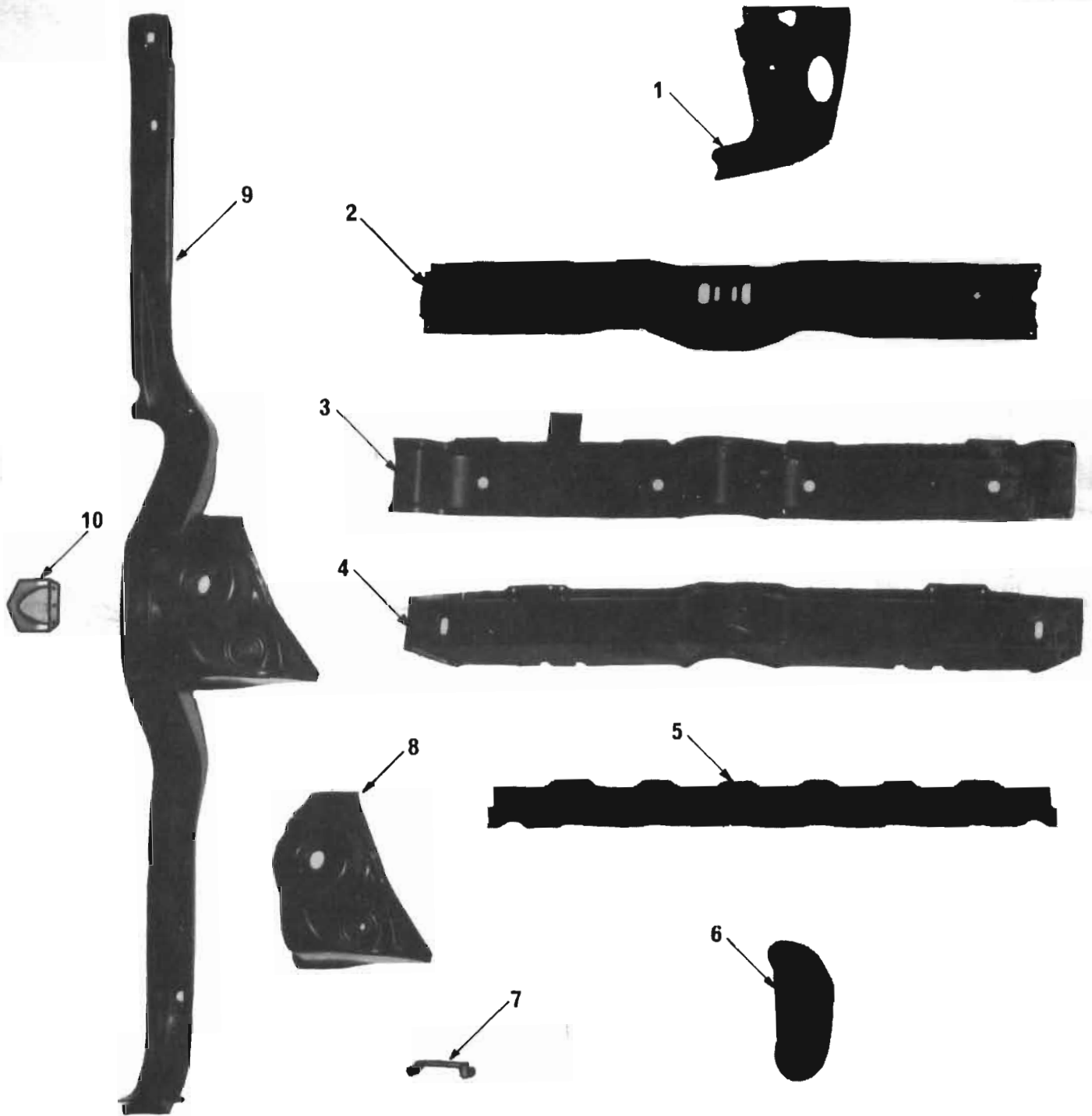
FRONT END BODY PANELS

ILLUS. REF. NO.	PART NAME	GROUP
1.	TUBE - Plenum chamber drain	9.785
2.	PANEL ASSY. - Plenum chamber	12.803
3.	OUTLET ASSY. - Plenum chamber	12.803
4.	PANEL ASSY. - Dash	12.804
5.	PANEL ASSY. - Cowl top	12.805
6.	FRAME - Windshield	12.807
7.	PILLAR ASSY. - Front body	12.805
8.	PANEL - Frt. body pillar garnish ..	10.051
9.	DUCT - Upper vent outlet	9.779
11.	CONTROL ASSY. - Plenum chamber outlet	9.787
12.	PAD ASSY. - Instrument panel	14.655
14.	BRACE ASSY. - Stg. col. to dash	6.761
16.	OUTLET ASSY. - Upper level vent	9.779



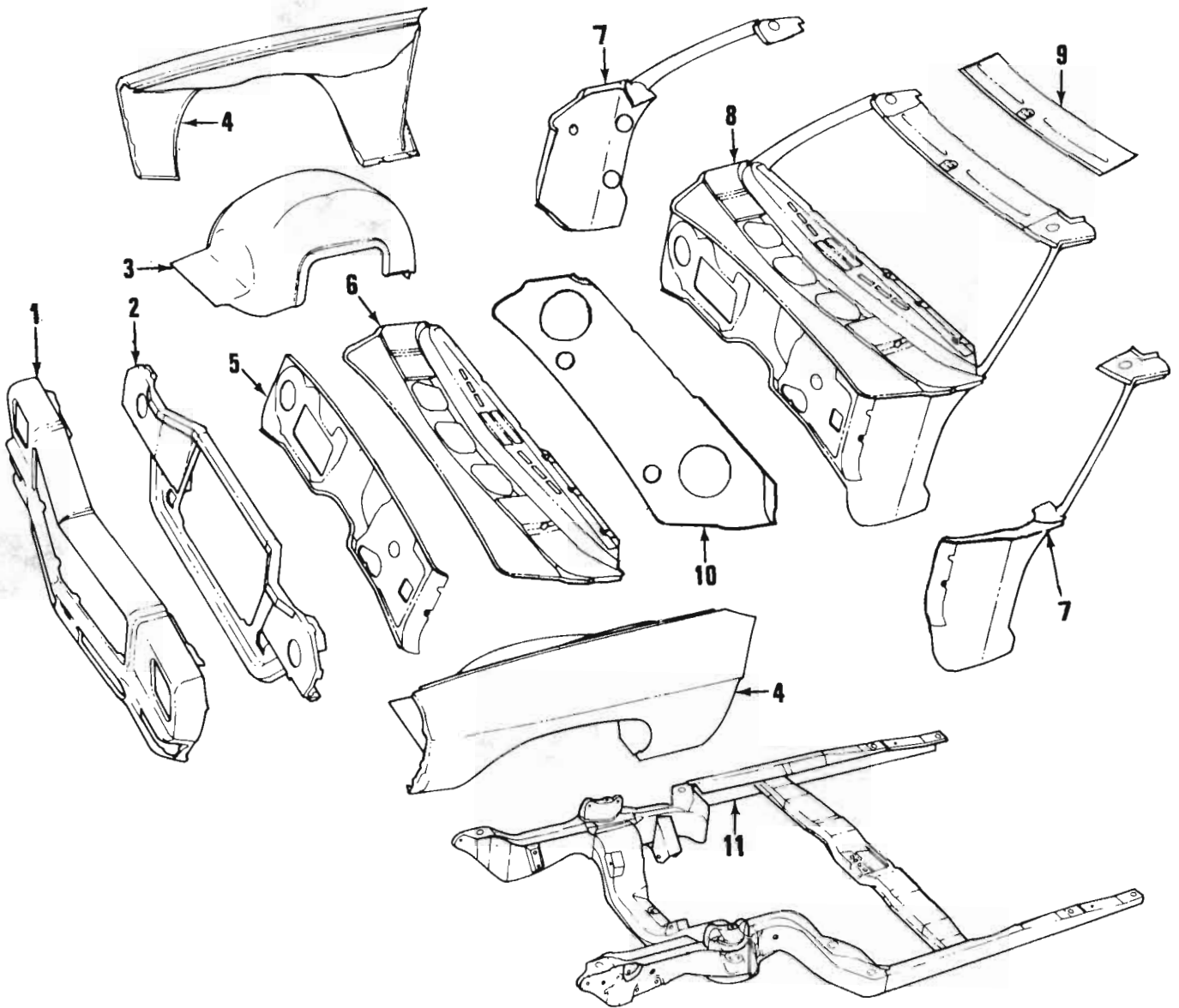
REAR END BODY PANELS
(Sedan & Monaro)

ILLUS. REF. NO.	PART NAME	GROUP	ILLUS. REF. NO.	PART NAME	GROUP
1.	FRAME - Rear window	11,200	8.	LID ASSEMBLY - Deck	12,181
2.	PANEL ASSY. - Rear compartment front	12,971	9.	PANEL - Rear end inner	12,966
3.	REINF. - Rear compartment front	12,971	10.	SPRING - Fuel tank filler door	12,966
4.	BRACE - Deck lid hinge bracket	12,184	11.	PIN - Fuel tank filler door	12,966
5.	BRACKET ASSY. - Deck lid hinge mounting	12,184	12.	BRACKET - Fuel tank filler door	12,966
6.	HINGE ASSY. - Deck lid	12,184	13.	DOOR ASSEMBLY - Fuel tank filler	12,966
7.	ROD - Deck lid torque	12,187			



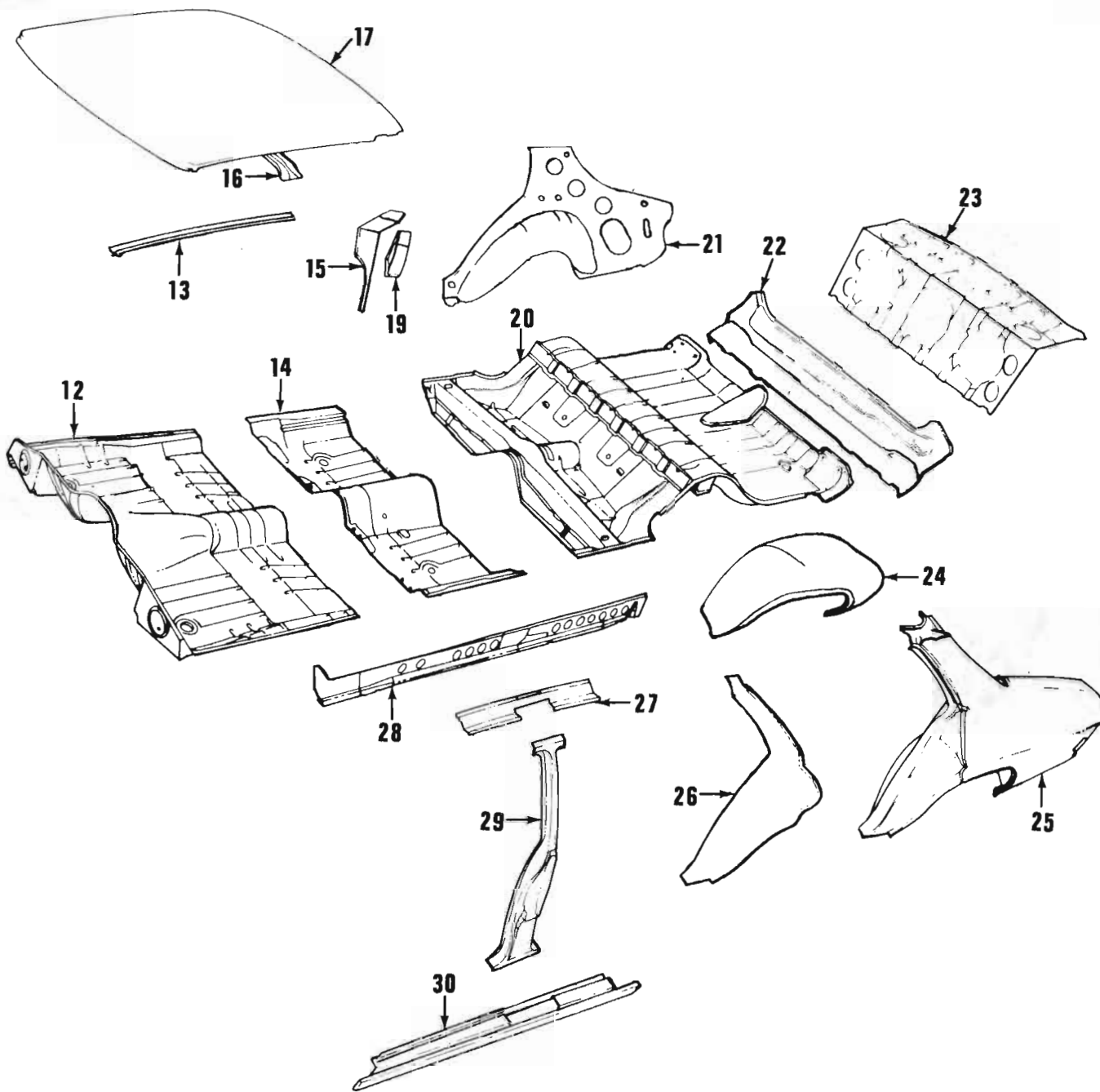
UNDERBODY MEMBERS

ILLUS. REF. NO.	PART NAME	GROUP	ILLUS. REF. NO.	PART NAME	GROUP
1.	BRACE ASSY. - Frame to floor pan	12.972	6.	PROTECTOR - Fuel filler pipe	3.003
2.	MEMBER - Transmission mounting cross	12.982	7.	SPACER - Rear bumper bar mounting	7.865
3.	BAR ASSY. - Underbody No. 1 cross	12.982	8.	BRACKET - Rear spring & shock abs. mtg.	12.984
4.	BAR ASSY. - Underbody No. 2 cross	12.982	9.	MEMBER - Underbody side	12.982
5.	BAR ASSY. - Underbody No. 3 cross	12.982	10.	MOUNTING - Rear axle bumper	7.536



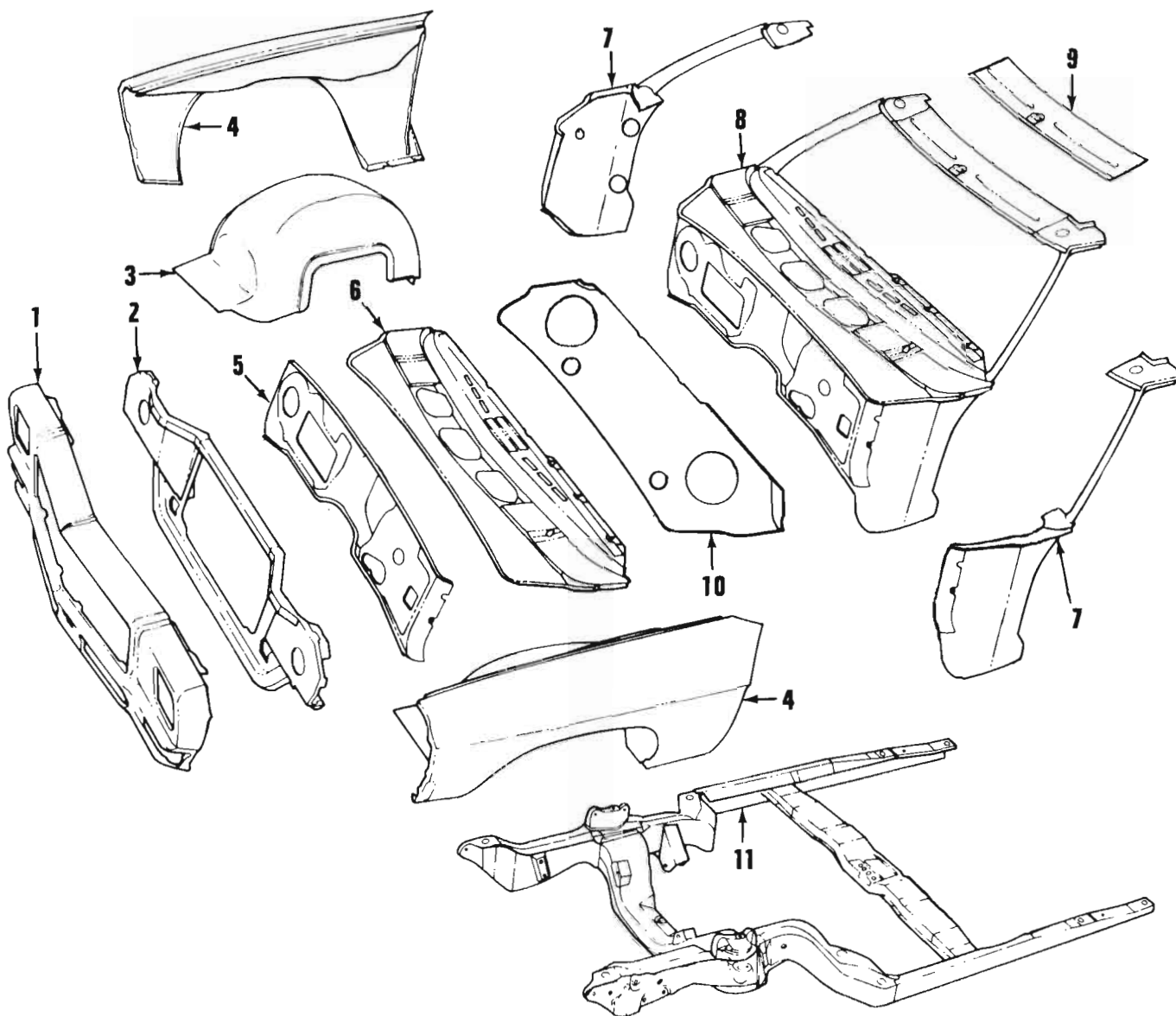
SEDAN BODY PANELS

ILLUS. REF. NO.	PART NAME	GROUP	ILLUS. REF. NO.	PART NAME	GROUP
1.	PANEL — Front end	1.266	7.	PILLAR ASSY. — Front body	12.805
2.	PANEL ASSY. — Radiator support	1.270	8.	COWL ASSY.	12.803
3.	SKIRT ASSY. — Front fender	8.153	9.	FRAME — Windshield	12.807
4.	FENDER ASSY. — Front	8.130	10.	PANEL ASSY. — Plenum chamber	12.803
5.	PANEL ASSY. — Dash	12.804	11.	FRAME ASSY.	7.003
6.	PANEL ASSY. — Cowl top	12.805			



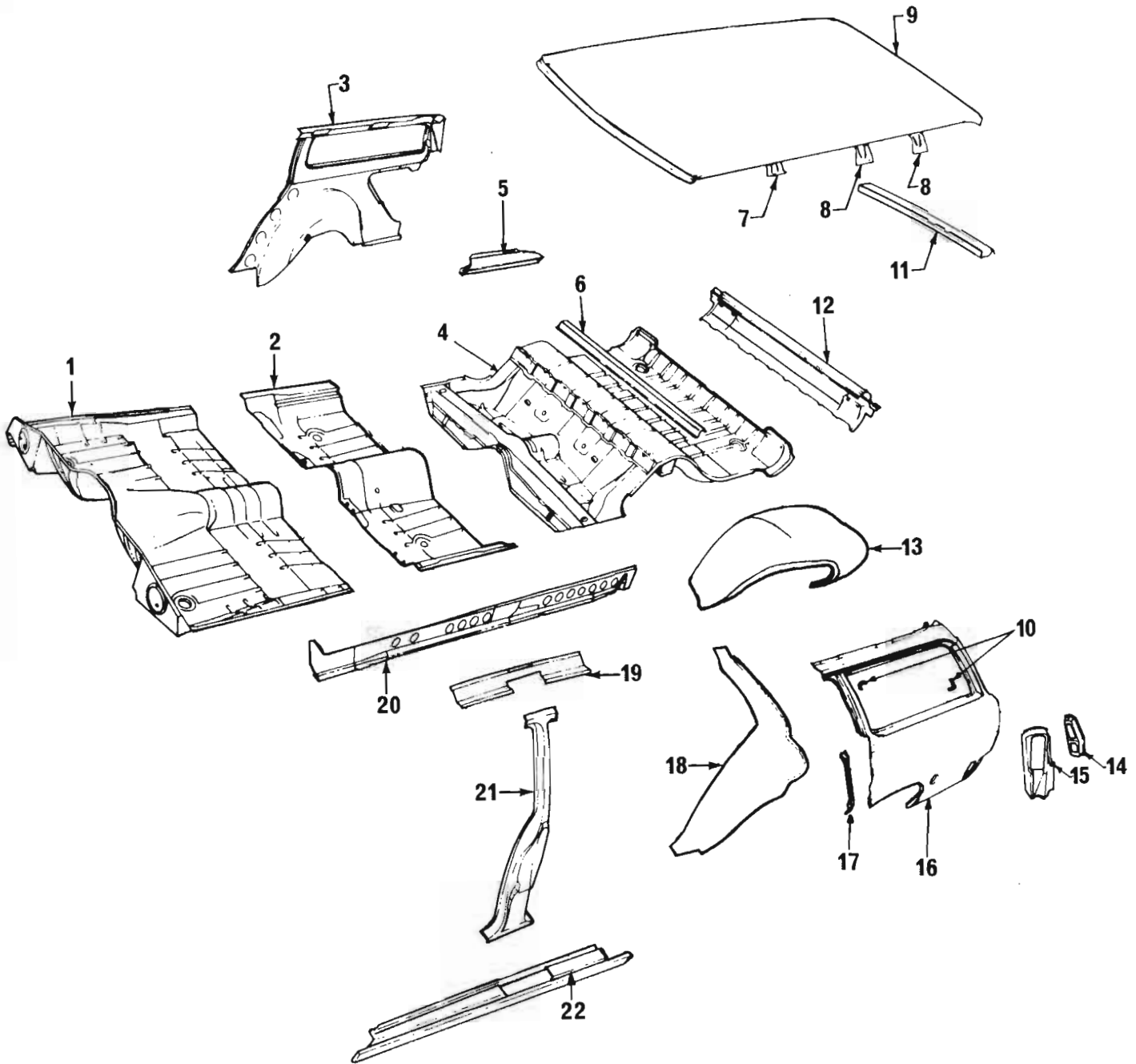
SEDAN BODY PANELS

ILLUS. REF. NO.	PART NAME	GROUP	ILLUS. REF. NO.	PART NAME	GROUP
12.	PAN ASSY. - Front floor	12.972	22.	PANEL ASSY. - Rear end outer	12.966
13.	GUTTER - Roof side	12.811	23.	PANEL ASSY. - Rear compartment front	12.971
14.	PAN ASSY. - Centre floor	12.972	24.	PANEL - Wheel house	12.944
15.	EXTENSION ASSY. - Rear comp. front panel	12.971	25.	PANEL ASSY. - Rear quarter outer	12.940
16.	BOW ASSY. - Roof	12.952	26.	PANEL ASSY. - Rear body lock pillar	12.942
17.	ROOF ASSY.	12.810	27.	RAIL - Roof side inner	12.956
19.	BRACE - Deck lid hinge bracket	12.184	28.	PANEL - Rocker inner	12.934
20.	PAN ASSY. - Rear floor	12.981	29.	PANEL ASSY. - Centre pillar	12.491
21.	PANEL ASSY. - Rear quarter inner	12.941	30.	PANEL - Rocker outer	12.934



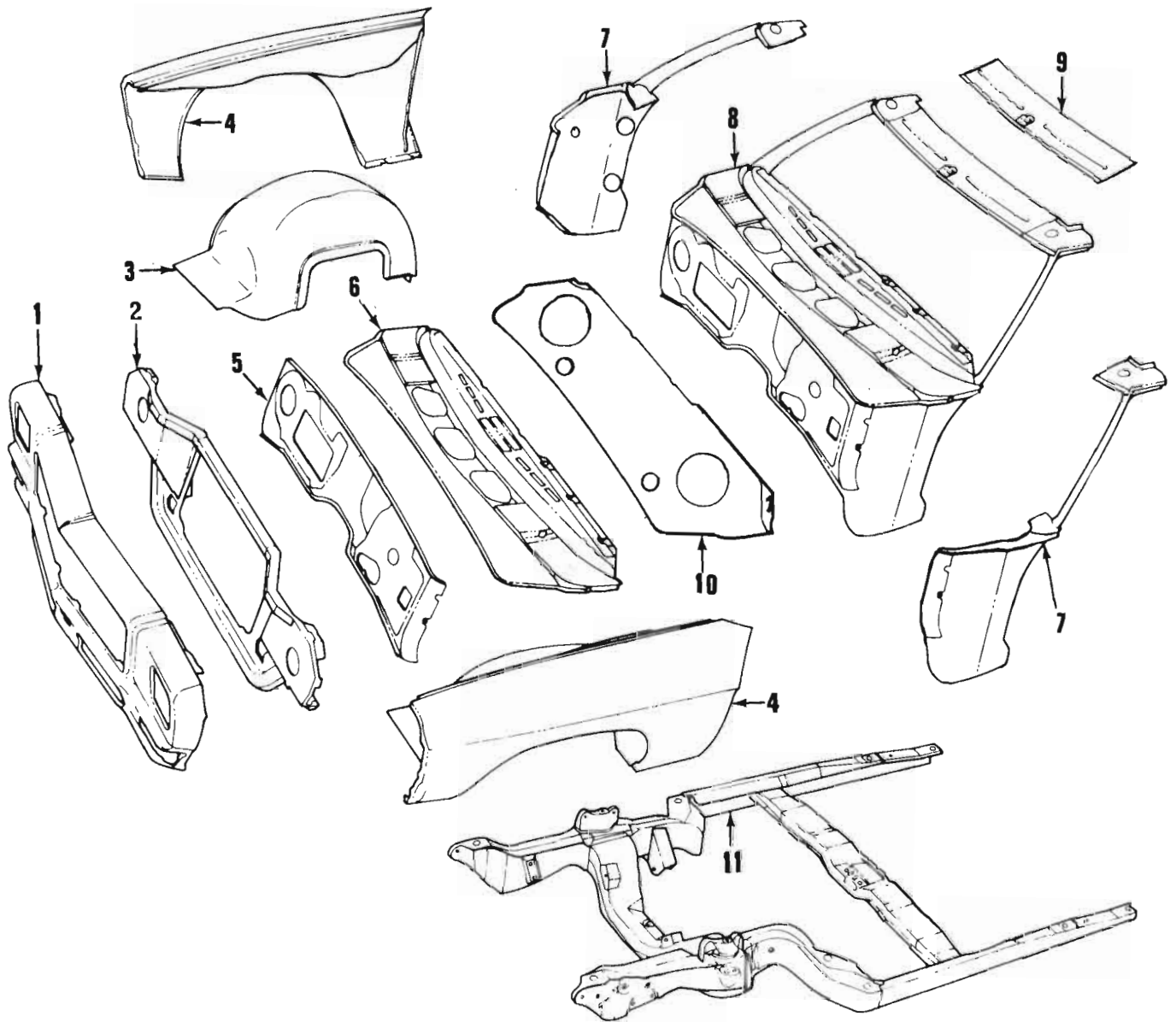
STATION WAGON BODY PANELS

ILLUS. REF. NO.	PART NAME	GROUP	ILLUS. REF. NO.	PART NAME	GROUP
1.	PANEL — Front end	1.266	7.	PILLAR ASSY. — Front body	12.805
2.	PANEL ASSY. — Radiator support	1.270	8.	COWL ASSY.	12.803
3.	SKIRT ASSY. — Front fender	8.153	9.	FRAME — Windshield	12.807
4.	FENDER ASSY. — Front	8.130	10.	PANEL ASSY. — Plenum chamber	12.803
5.	PANEL ASSY. — Dash	12.804	11.	FRAME ASSY.	7.003
6.	PANEL ASSY. — Cowl top	12.805			



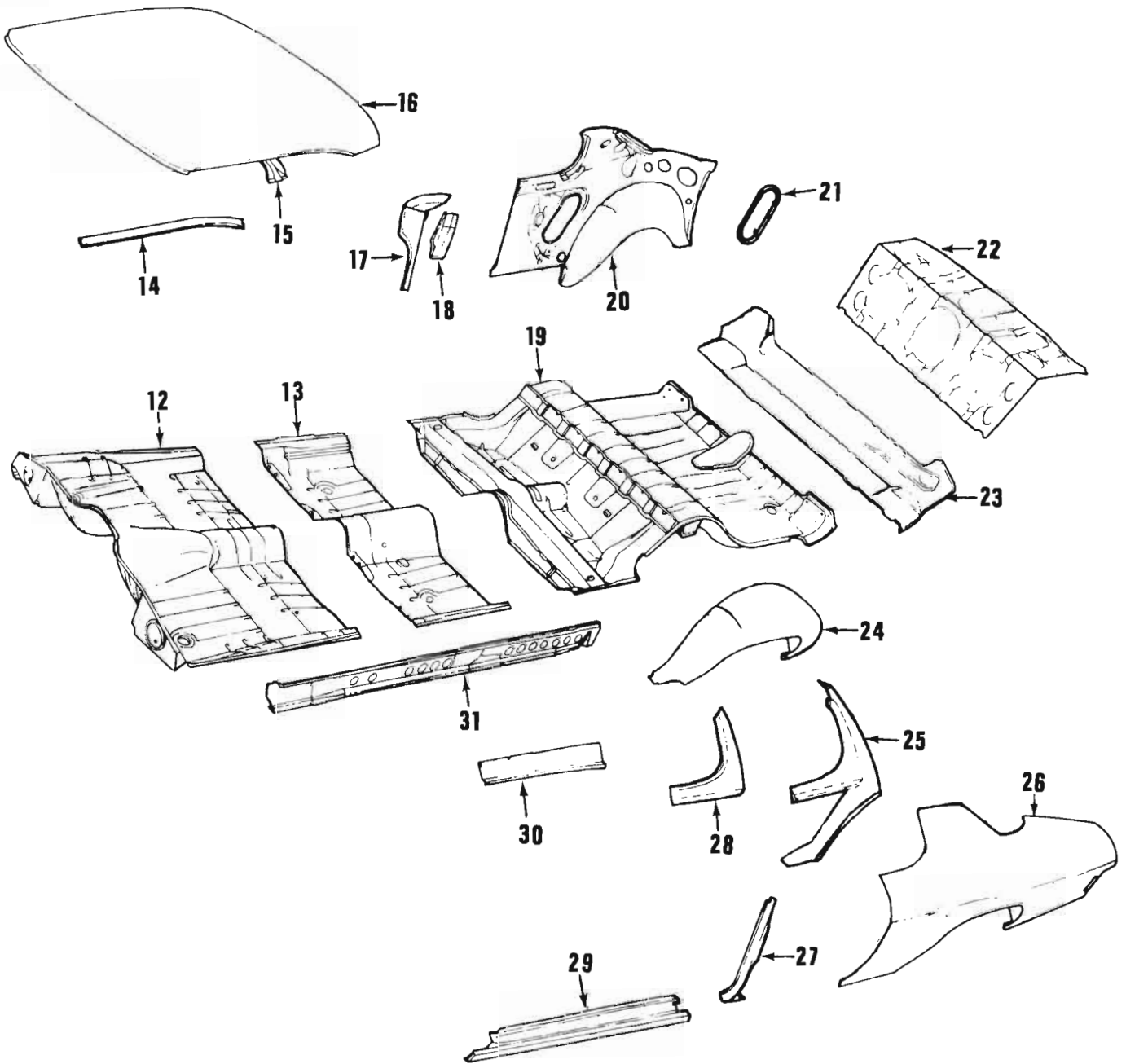
STATION WAGON BODY PANELS

ILLUS. REF. NO	PART NAME	GROUP	ILLUS. REF. NO	PART NAME	GROUP
1.	PAN ASSY. - Front floor	12.972	12.	PANEL ASSY. - Rear end	12.966
2.	PAN ASSY. - Centre floor	12.972	13.	PANEL - Wheelhouse	12.944
3.	PANEL ASSY. - Rear quarter inner	12.941	14.	SUPPORT - Tail lamp.....	12.940
4.	PAN ASSY. - Rear floor	12.981	15.	PILLAR ASSY. - End gate body outer	12.951
5.	SILL - Tonneau floor side	12.986	16.	PANEL ASSY. - Rear quarter outer	12.940
6.	BAR - Tonneau floor No. 4 cross	12.982	17.	REINFORCEMENT - Rear quarter panel front	12.940
7.	BOW ASSY. - Roof front	12.952	18.	PANEL ASSY. - Rear body lock pillar	12.942
8.	BOW ASSY. - Roof	12.952	19.	RAIL - Roof side inner	12.956
9.	ROOF ASSY.	12.810	20.	PANEL - Rocker inner	12.934
10.	FILLER - Panel upper & lower	12.940	21.	PANEL ASSY. - Centre pillar	12.491
11.	RAIL ASSY. - Roof rear	12.956	22.	PANEL - Rocker outer	12.934



MONARO BODY PANELS

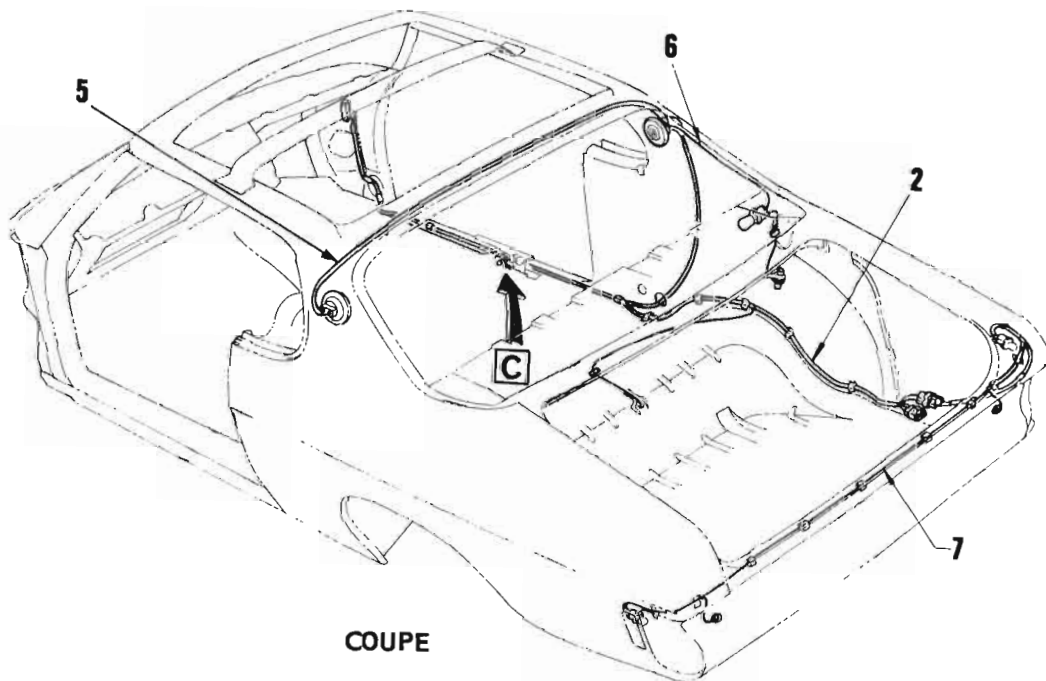
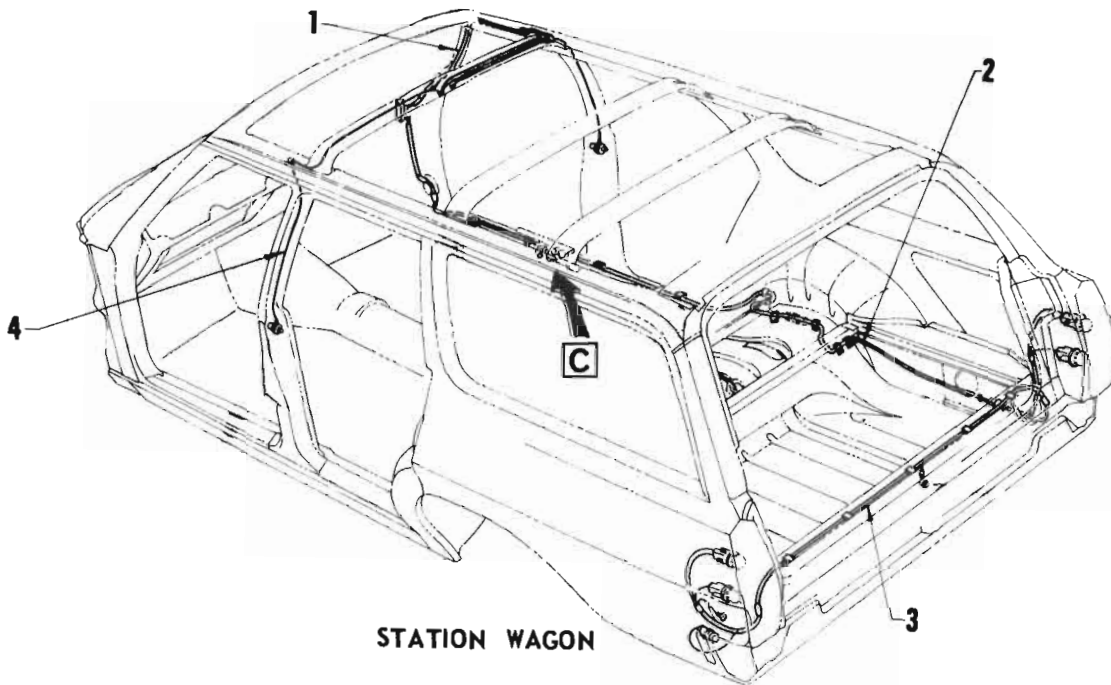
ILLUS. REF. NO.	PART NAME	GROUP	ILLUS. REF. NO.	PART NAME	GROUP
1.	PANEL - Front end	1.266	7.	PILLAR ASSY. - Front body	12.805
2.	PANEL ASSY. - Radiator support	1.270	8.	COWL ASSY.	12.803
3.	SKIRT ASSY. - Front fender	8.153	9.	FRAME - Windshield	12.807
4.	FENDER ASSY. - Front	8.130	10.	PANEL ASSY. - Plenum chamber	12.803
5.	PANEL ASSY. - Dash	12.804	11.	FRAME ASSY.	7.003
6.	PANEL ASSY. - Cowl top	12.805			

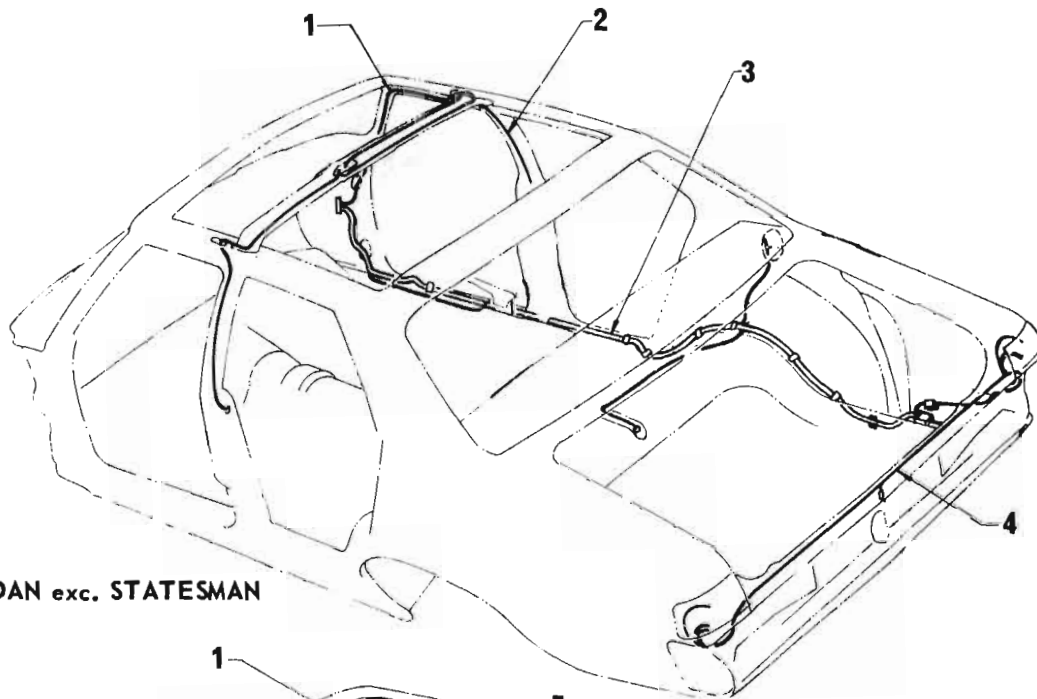


MONARO BODY PANELS

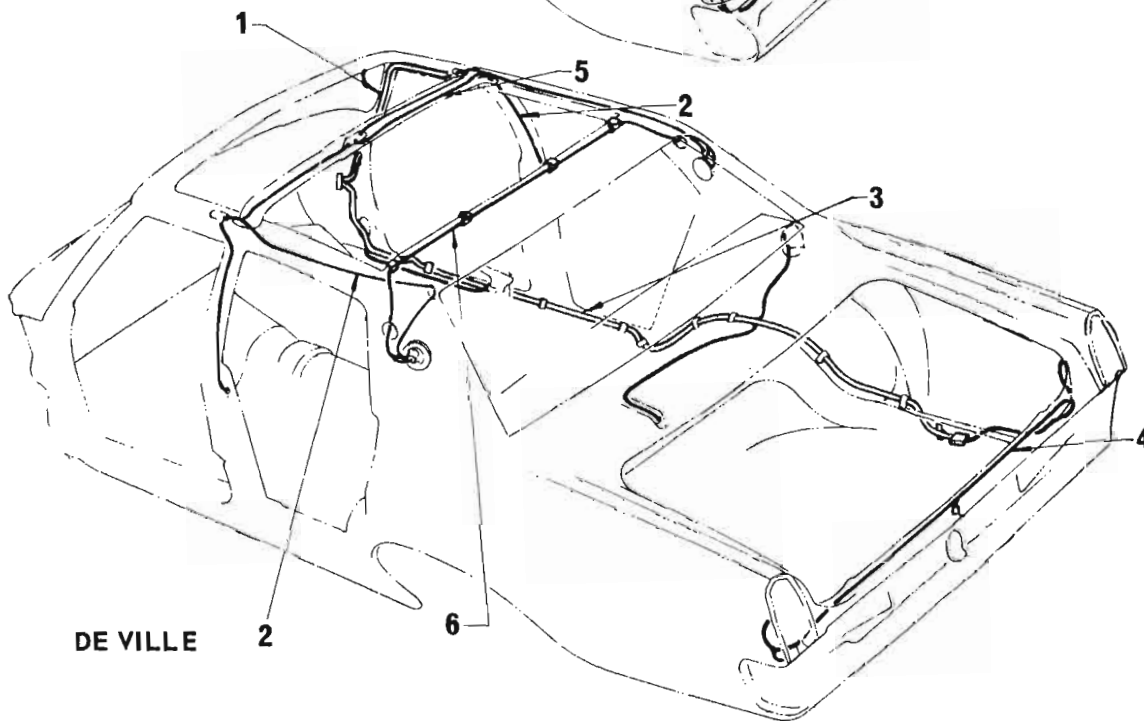
ILLUS. REF. NO.	PART NAME	GROUP	ILLUS. REF. NO.	PART NAME	GROUP
12.	PAN ASSY. — Front floor	12.972	22.	PANEL ASSY. — Rear compartment front	12.971
13.	PAN ASSY. — Centre floor	12.972	23.	PANEL ASSY. — Rear end outer	12.966
14.	GUTTER — Roof side	12.811	24.	PANEL — Wheelhouse	12.944
15.	BOW ASSY. — Roof	12.952	25.	PANEL — Rear body pillar	12.942
16.	ROOF ASSY.	12.810	26.	PANEL ASSY. — Rear quarter outer	12.940
17.	EXTENSION ASSY. — Rear comp. front panel	12.971	27.	PANEL ASSY. — Rear body lock pillar	12.942
18.	BRACE — Deck lid hinge bracket	12.184	28.	REINFORCEMENT — Rear quarter window opening	12.940
19.	PAN ASSY. — Rear floor	12.981	29.	PANEL — Rocker outer	12.934
20.	PANEL ASSY. — Rear quarter inner	12.941	30.	RAIL — Roof side inner	12.956
21.	COVER — Rear quarter inner panel	12.941	31.	PANEL — Rocker inner	12.934

14.	BOW ASSY. — Roof front	12.952	31.	PANEL — Rocker outer	12.934
15.	PANEL — Body side outer upper	12.948	32.	PAN ASSY. — Front floor	12.972
16.	EXTENSION — Roof panel	N.S.S.	33.	PAN ASSY. — Rear floor	12.981
17.	RAIL — Roof side inner	12.956	34.	PANEL — Rocker inner	12.934





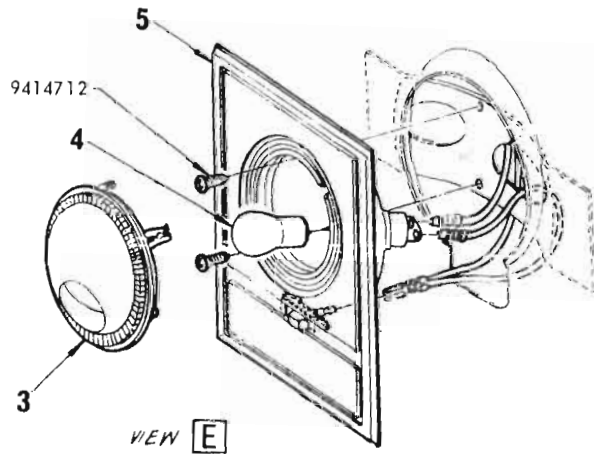
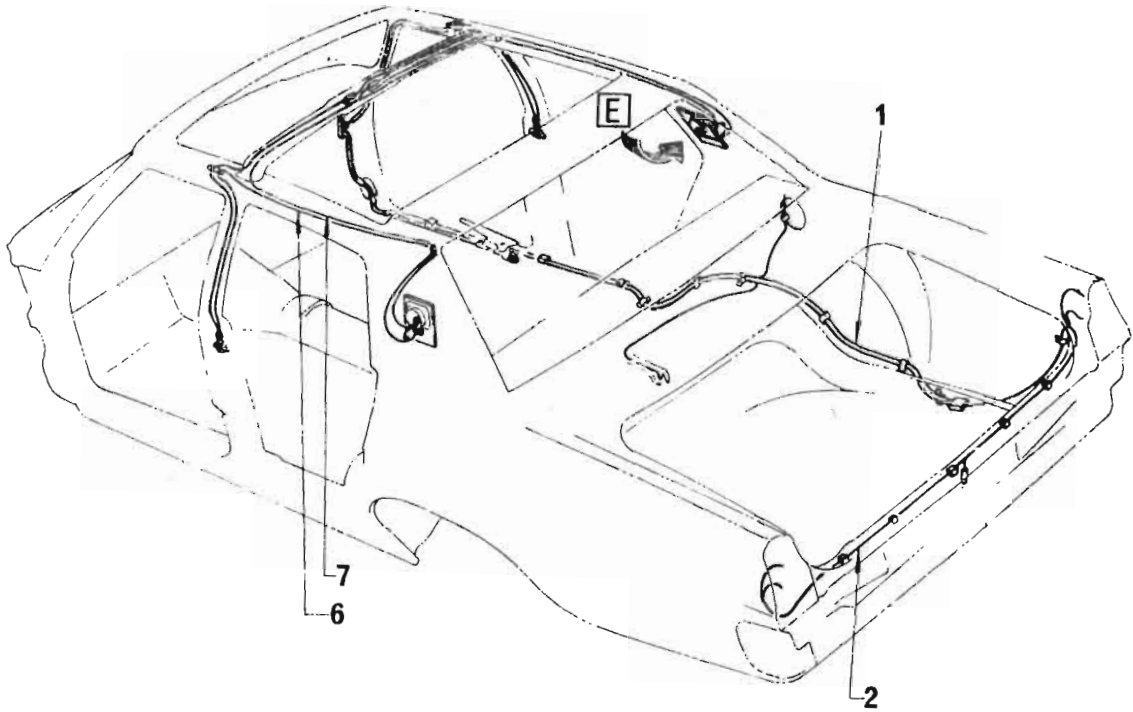
SEDAN exc. STATESMAN



DE VILLE

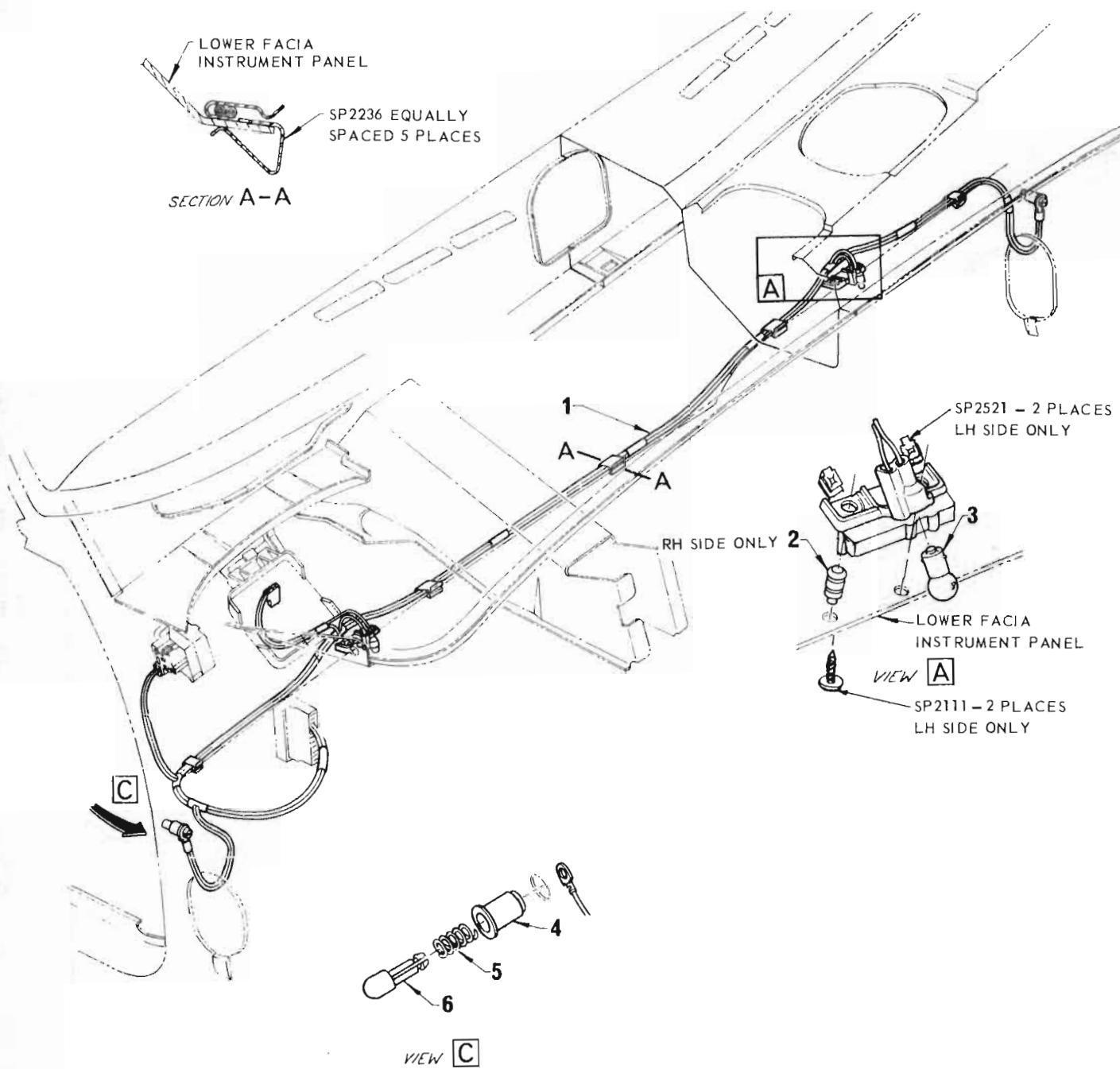
BODY WIRING

ILLUS. REF. NO.	PART NAME	GROUP	ILLUS. REF. NO.	PART NAME	GROUP
1.	LEAD ASSY. - Dome lamp	11.925	4.	HARNESS ASSY. - Rear	13.090
2.	LEAD ASSY. - Courtesy light switch, rear door	11.950	5.	LEAD ASSY. - Feed	11.940
3.	HARNESS ASSY.	13.090	6.	LEAD ASSY. - RH lamp to LH lamp	11.940



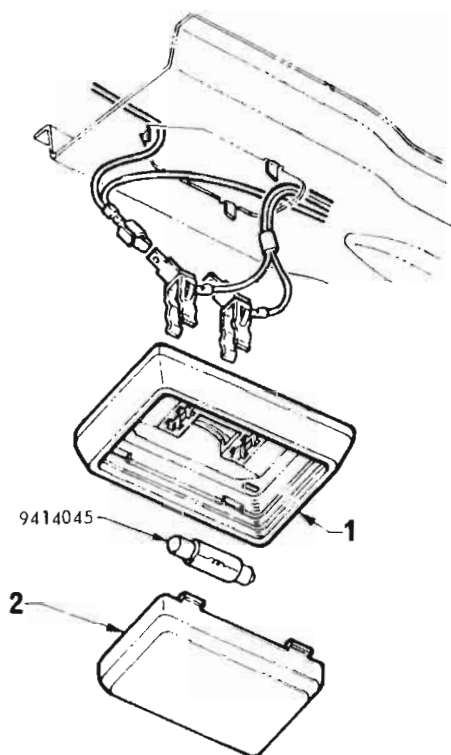
**BODY WIRING
CAPRICE**

ILLUS. REF. NO.	PART NAME	GROUP	ILLUS REF. NO.	PART NAME	GROUP
1.	HARNESS ASSY.	13.090	5.	PANEL ASSY. - Upper reading lamp	12.941
2.	HARNESS ASSY. - Rear	13.090	6.	LEAD ASSY. - Earth	11.940
3.	LENS	11.940	7.	LEAD ASSY. - Feed	11.940
4.	BULB - 12 - 16v., 15 c.p.	11.940			

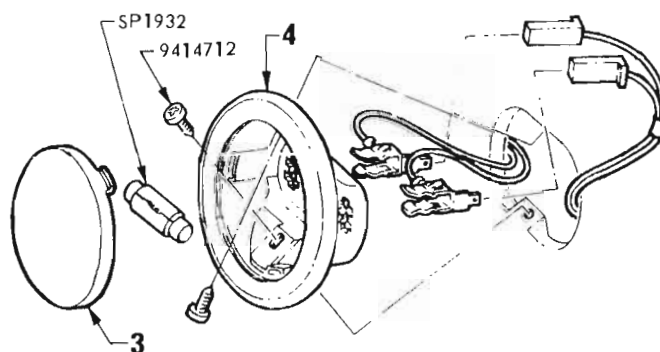


FOOTWELL ILLUMINATION

ILLUS. REF. NO.	PART NAME	GROUP	ILLUS. REF. NO.	PART NAME	GROUP
1.	HARNES ASSY. - Footwell light	11.950	4.	BODY - Switch	11.950
2.	GROMMET - Footwell illumination harness	11.950	5.	SPRING - Courtesy light switch	11.950
3.	BULB - Footwell illumination	11.950	6.	PLUNGER - Courtesy light switch	11.950

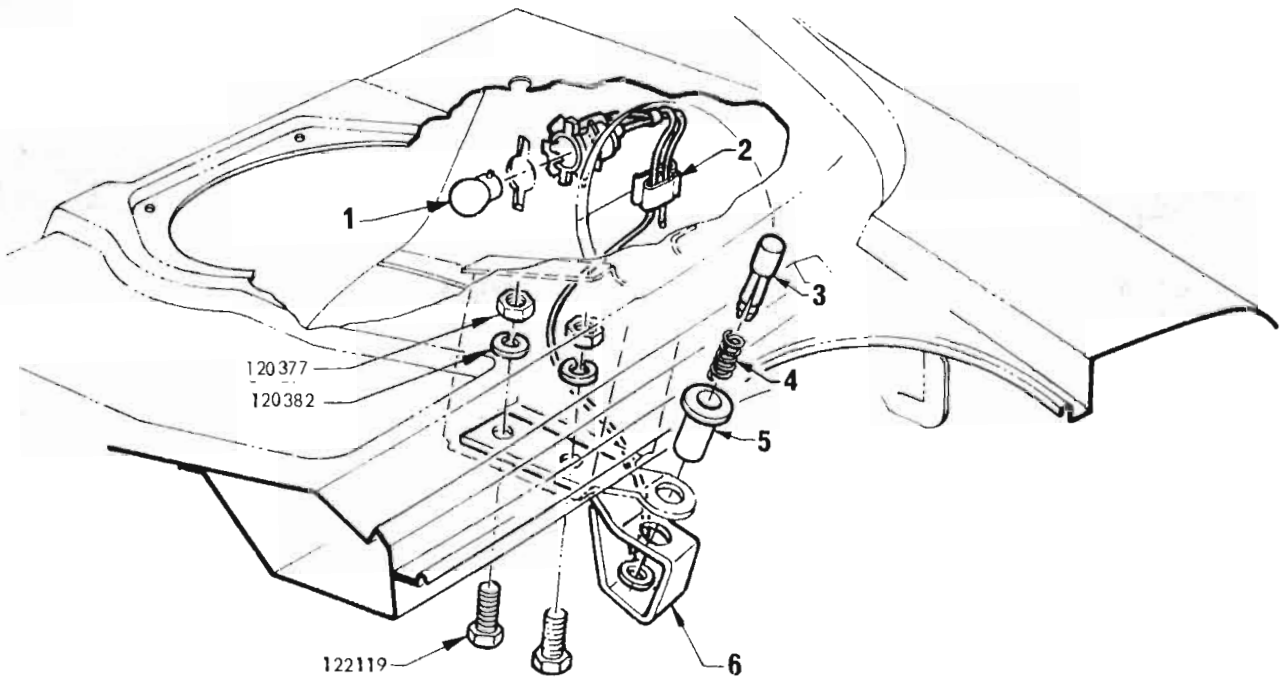


DOMELAMP

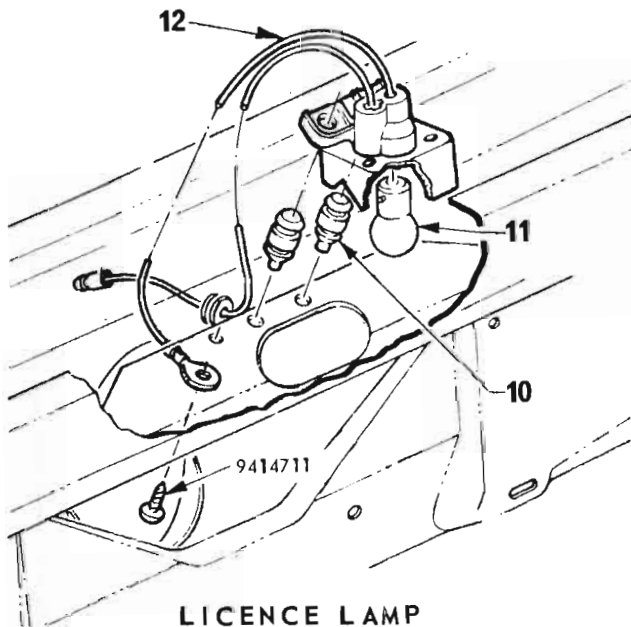


REAR QUARTER LAMP

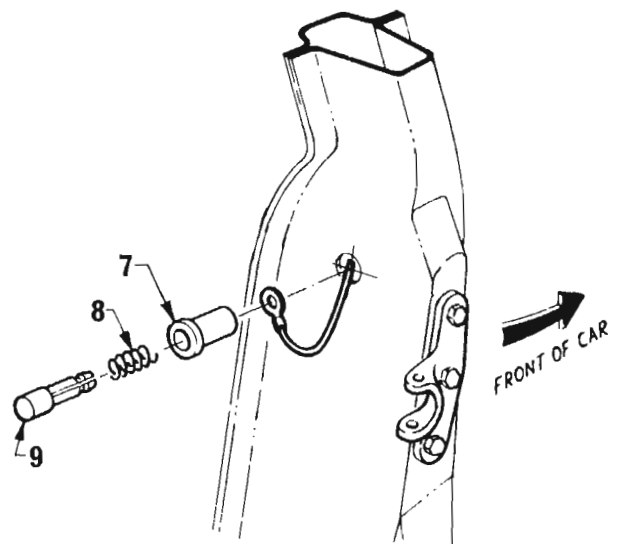
ILLUS. REF. NO.	PART NAME	GROUP	ILLUS. REF. NO.	PART NAME	GROUP
1.	BASE - Dome lamp	11.925	3.	LENS - Quarter lamp	11.940
2.	LENS - Dome lamp	11.928	4.	REFLECTOR	11.940



REAR COMPT. LAMP & SWITCH

























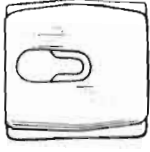
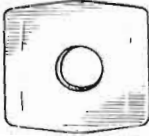




LICENCE LAMP


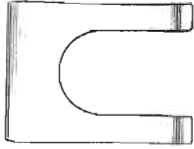



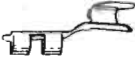





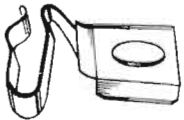


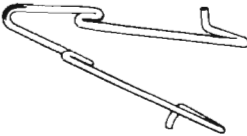






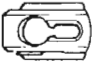
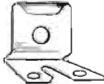






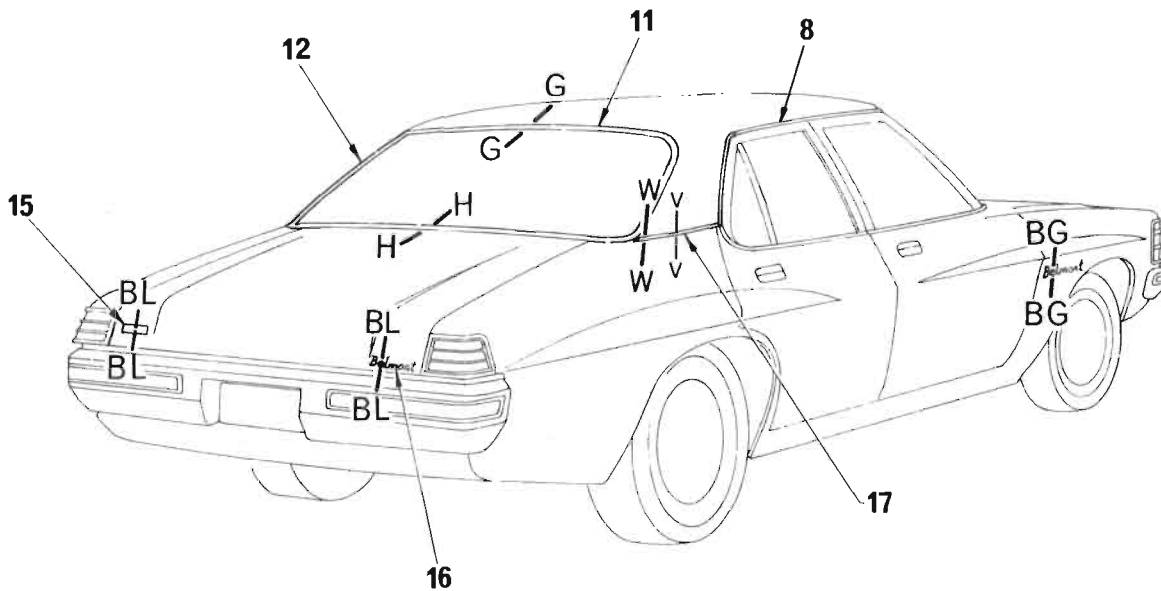
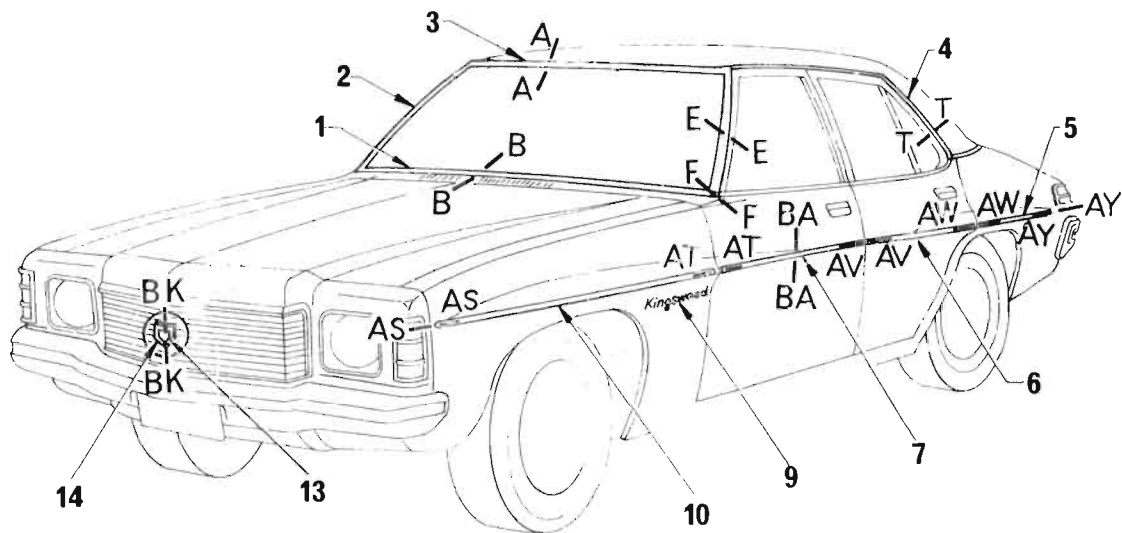
REAR DOOR SWITCH

ILLUS. REF. NO.	PART NAME	GROUP	ILLUS. REF. NO.	PART NAME	GROUP
1.	BULB - 12-16v., 15 c.p.	11.960	7.	BODY - Switch	11.950
2.	CLIP - Lead to rear quarter	11.960	8.	SPRING - Courtesy light switch	11.950
3.	PLUNGER	11.960	9.	PLUNGER - Courtesy light switch	11.950
4.	SPRING	11.960	10.	GROMMET - Rear licence lamp	2.705
5.	BODY - Switch	11.960	11.	BULB - 12-16v., 2 c.p. s.c.	2.714
6.	BRACKET - Switch protecting	11.960	12.	HARNES - Rear licence lamp	2.714

NUT and CLIP CHART

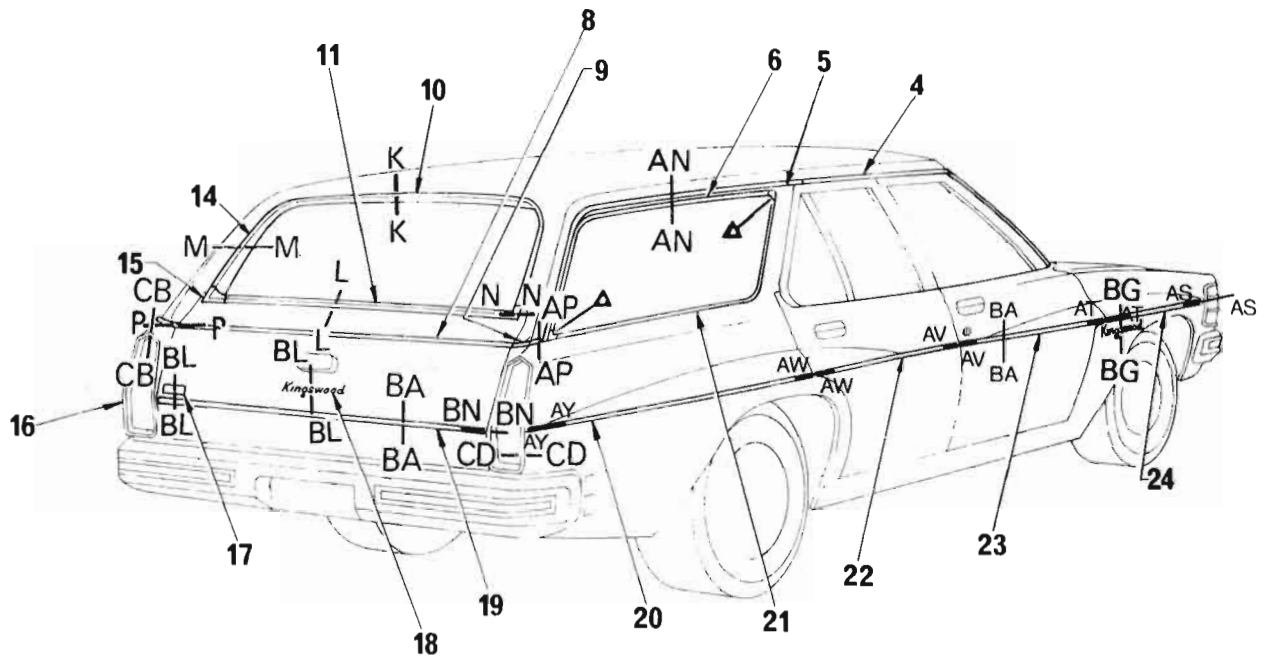
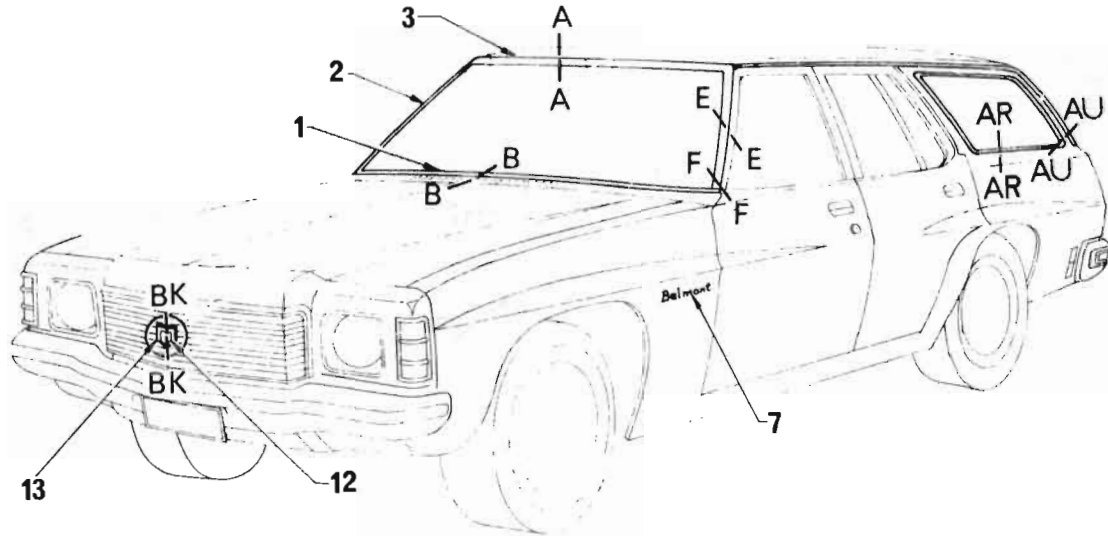
 SP1410	 SP1446	 SP1534	 SP1548
 SP1574	 SP1606	 SP1733	 SP1750
 SP1778	 SP1779	 SP1836	 SP1909
 SP1937	 SP2019	 SP2176	 272733
 273330	 599119	 2805402	 2806911
 2806912	 2810747	 2814965	 2814966
 2973345	 4110664	 4561802	 4576655

 <p>4637217</p>	 <p>6420265</p>	 <p>7100321</p>	 <p>7175429</p>
 <p>7401768</p>	 <p>7402119</p>	 <p>7403054</p>	 <p>7403387</p>
 <p>7413032</p>	 <p>7415653</p>	 <p>7418449</p>	 <p>7423305</p>
 <p>7425608</p>	 <p>7426097</p>	 <p>7426148</p>	 <p>7426417</p>
 <p>7429682</p>	 <p>7432906</p>	 <p>7433488</p>	 <p>7434693</p>
 <p>7434873</p>	 <p>7438659</p>	 <p>7674311</p>	 <p>9415250</p>
 <p>9416046</p>	 <p>9418693</p>	 <p>9422836</p>	



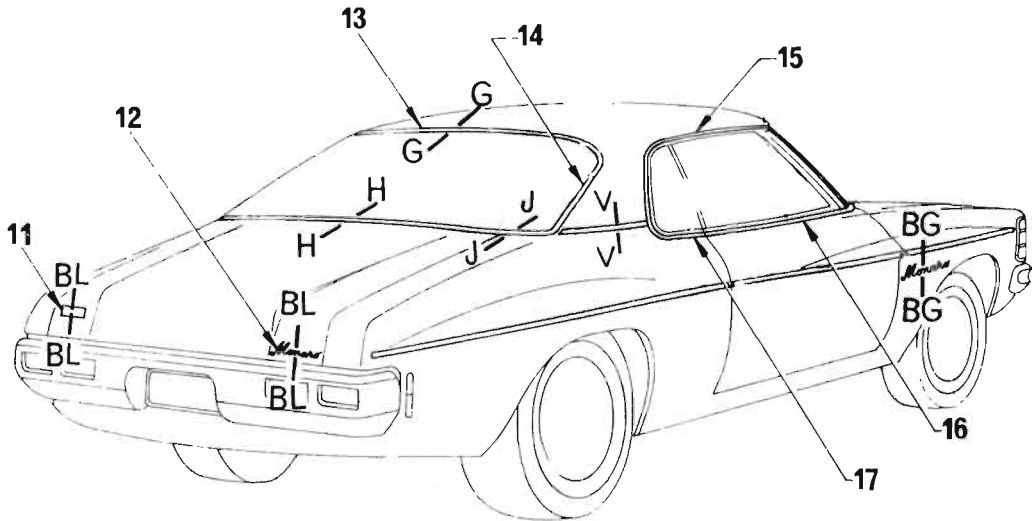
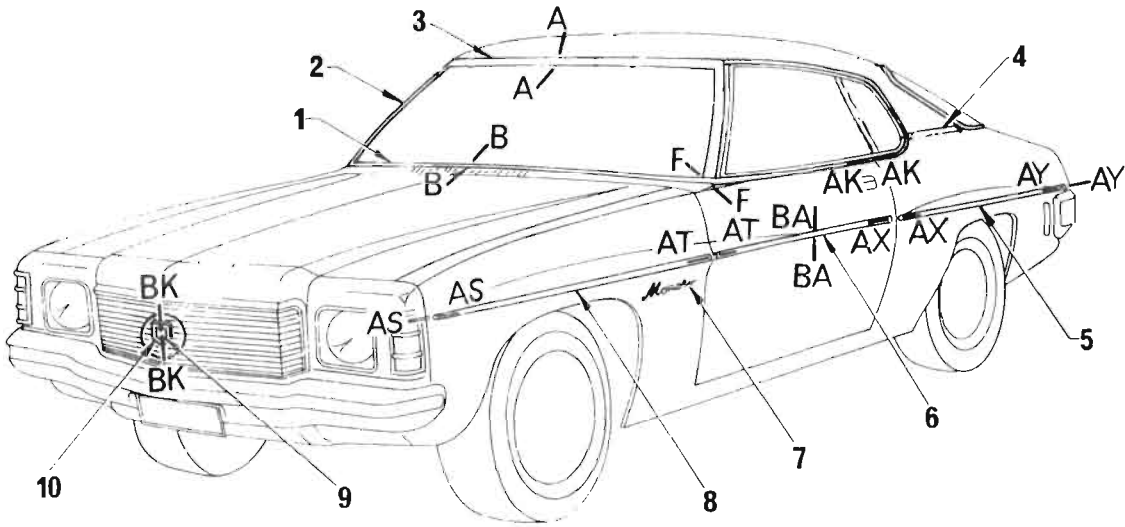
BODY MOULDINGS
(Belmont & Kingswood Sedan)

ILLUS. REF. NO.	PART NAME	GROUP	ILLUS. REF. NO.	PART NAME	GROUP
1.	MOULDING - Windshield reveal lower	10.093	10.	MOULDING ASSY. - Front fender side	8.132
2.	MOULDING - Windshield reveal side	10.093	11.	MOULDING - Rear window reveal upper	11.208
3.	MOULDING - Windshield reveal upper	10.093	12.	MOULDING - Rear window reveal	11.208
4.	GUTTER - Roof drip rear	12.811	13.	INSERT - Radiator grille emblem	1.265
5.	MOULDING ASSY. - Rear quarter body side	12.116	14.	EMBLEM - Radiator grille	1.265
6.	MOULDING ASSY. - Rear door body side	12.114	15.	PLATE - Engine size name	12.182
7.	MOULDING - Front door body side	12.112	16.	PLATE - Belmont name	12.182
8.	MOULDING - Roof reveal side	12.075	17.	MOULDING - Rear quarter upper (two tone)	12.116
9.	PLATE - Front fender "Kingswood" name	8.132			



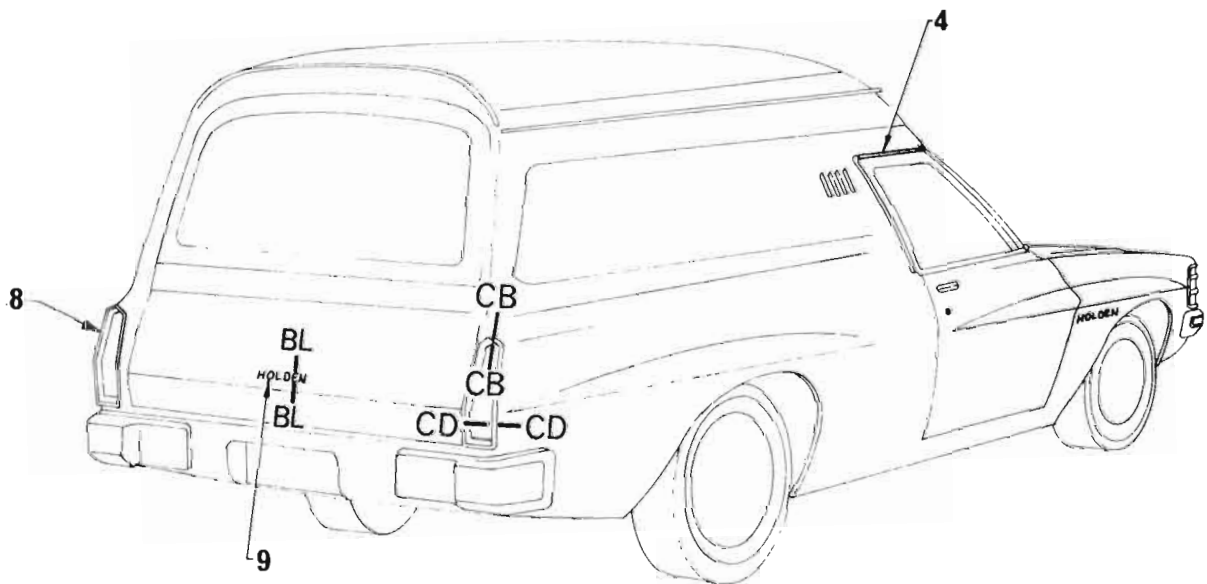
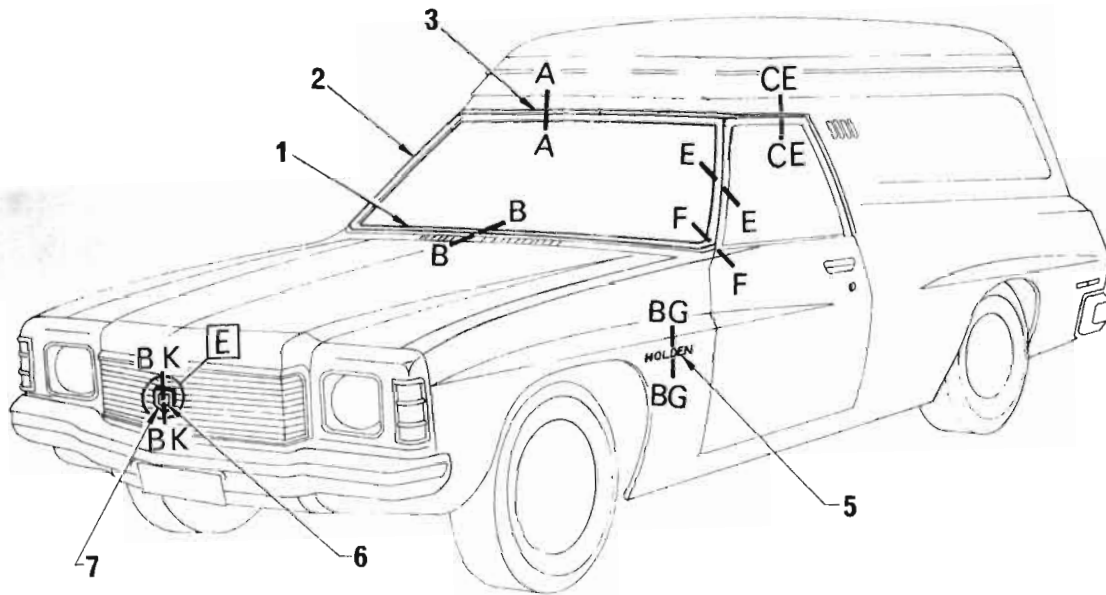
BODY MOULDINGS
(Belmont & Kingswood Wagon)

ILLUS. REF. NO.	PART NAME	GROUP	ILLUS. REF. NO.	PART NAME	GROUP
1.	MOULDING - Windshield reveal lower	10.093	13.	EMBLEM - Radiator grille	1.265
2.	MOULDING - Windshield reveal side	10.093	14.	MOULDING - End gate glass opening reveal	12.174
3.	MOULDING - Windshield reveal upper	10.093	15.	MOULDING - End gate belt	12.182
4.	MOULDING - Roof reveal side, front	12.075	16.	MOULDING - Tail lamp reveal	12.116
5.	MOULDING - Roof reveal side, rear	12.075	17.	PLATE - Engine size name	12.182
6.	MOULDING - Rear quarter upper reveal	12.116	18.	PLATE - "Kingswood" name	12.182
7.	PLATE - Frant fender "Belmont" name	8.132	19.	MOULDING - End gate lower	12.182
8.	MOULDING - End gate centre (two tone)	12.182	20.	MOULDING ASSY. - Rear quarter body side	12.116
9.	MOULDING - Rear quarter (two tone)	12.116	21.	MOULDING - Rear quarter lower reveal	12.116
10.	MOULDING - End gate glass opening reveal centre	12.174	22.	MOULDING ASSY. - Rear door body side	12.114
11.	MOULDING - End gate belt centre	12.182	23.	MOULDING - Front door body side	12.112
12.	INSERT - Radiator grille emblem	1.265	24.	MOULDING - Front fender side	8.132



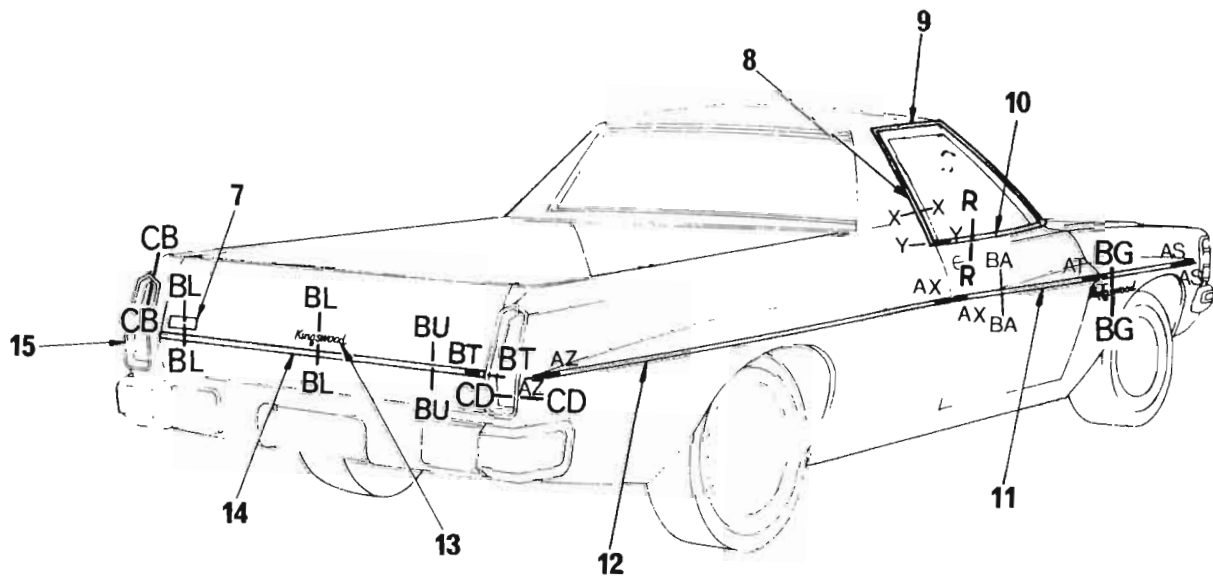
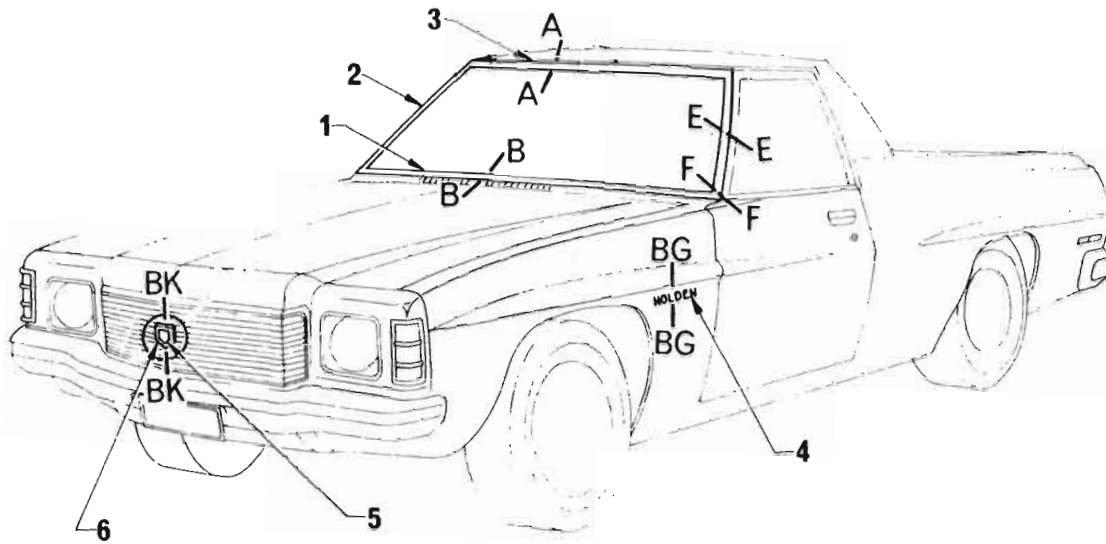
BODY MOULDINGS
(Monaro exc.: LS, GTS)

ILLUS. REF. NO.	PART NAME	GROUP	ILLUS. REF. NO.	PART NAME	GROUP
1.	MOULDING - Windshield reveal lower	10.093	10.	EMBLEM - Radiator grille	1.265
2.	MOULDING - Windshield reveal side	10.093	11.	PLATE - Engine size name	12.182
3.	MOULDING - Windshield reveal upper	10.093	12.	PLATE - "Monaro" name	12.182
4.	MOULDING - Rear quarter upper (Vinyl)	12.116	13.	MOULDING - Rear window reveal upper	11.208
5.	MOULDING - Rear quarter body side	12.116	14.	MOULDING - Rear window reveal lower	11.208
6.	MOULDING - Front door body side	12.112	15.	MOULDING - Roof reveal side	12.075
7.	PLATE - "Monaro" name	8.132	16.	MOULDING - Front door belt	12.112
8.	MOULDING ASSY. - Front fender side	8.132	17.	MOULDING - Rear quarter belt	12.116
9.	INSERT - Radiator grille emblem	1.265			



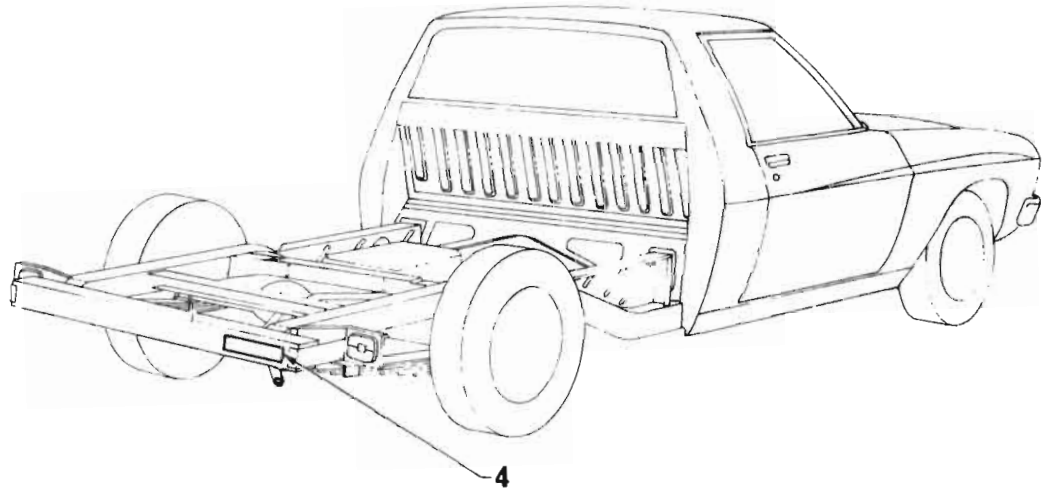
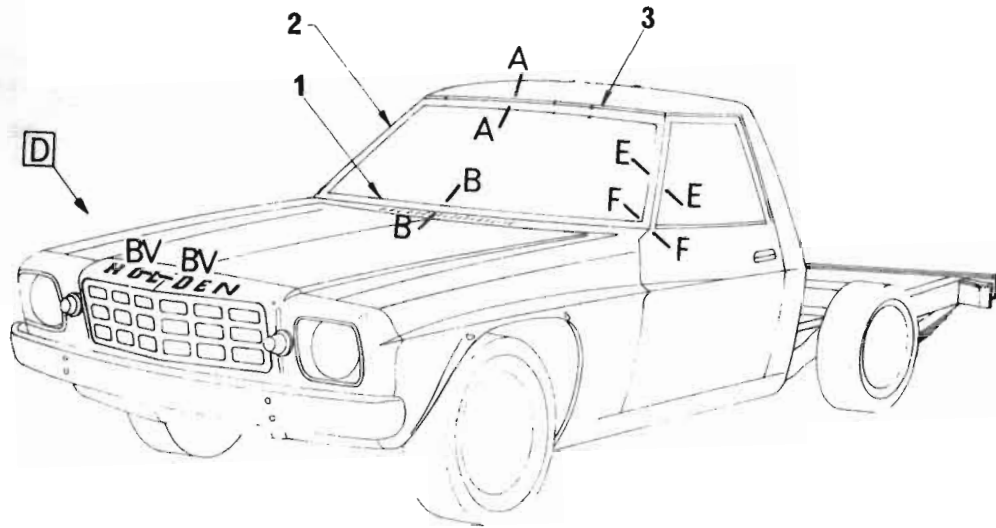
**BODY MOULDINGS
(Panel Van)**

ILLUS. REF. NO.	PART NAME	GROUP	ILLUS. REF. NO.	PART NAME	GROUP
1.	MOULDING - Windshield reveal lower	10.093	6.	INSERT - Radiator grille emblem	1.265
2.	MOULDING - Windshield reveal side	10.093	7.	EMBLEM - Radiator grille	1.265
3.	MOULDING - Windshield reveal upper	10.093	8.	MOULDING - Tail lamp reveal	12.116
4.	GUTTER - Door opening	12.811	9.	PLATE - "Holden" name	12.182
5.	PLATE - "Holden" name	8.132			



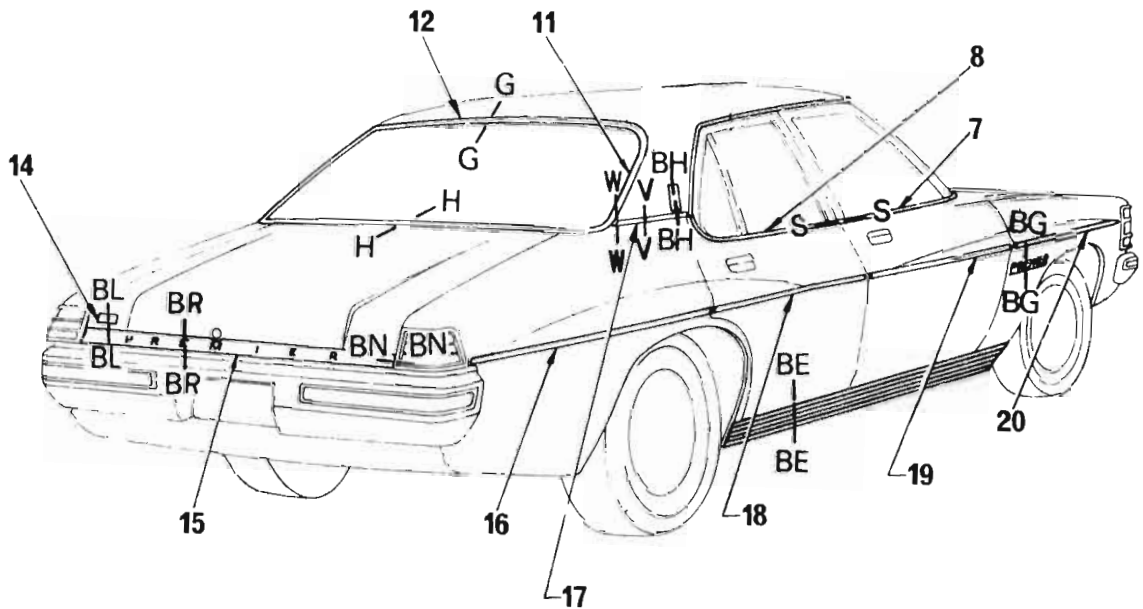
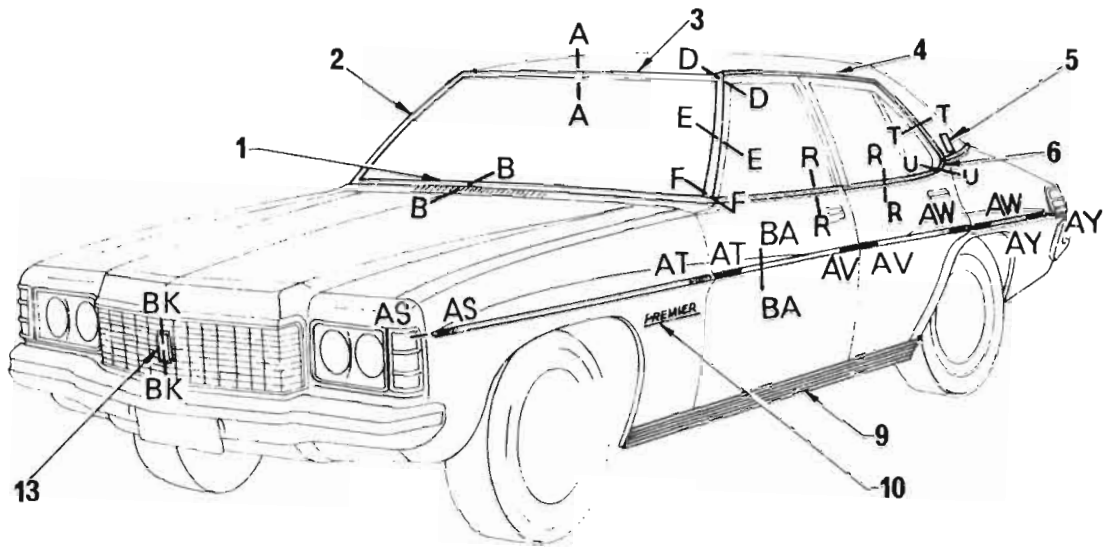
**BODY MOULDINGS
(Utility)**

ILLUS. REF. NO.	PART NAME	GROUP	ILLUS. REF. NO.	PART NAME	GROUP
1.	MOULDING - Windshield reveal lower	10.093	9.	MOULDING - Roof reveal side	12.075
2.	MOULDING - Windshield reveal side	10.093	10.	MOULDING - Door belt	12.112
3.	MOULDING - Windshield reveal upper	10.093	11.	MOULDING - Body side	12.112
4.	PLATE - "Holden" name	8.132	12.	MOULDING ASSY. - Body side	12.116
5.	INSERT - Radiator grille emblem	1.265	13.	PLATE - "Kingswood" name	12.182
6.	EMBLEM - Radiator grille	1.265	14.	MOULDING - Lower end gate	12.182
7.	PLATE - Engine size name	12.182	15.	MOULDING - Tail lamp reveal	12.116
8.	MOULDING - Body side upper	12.116			



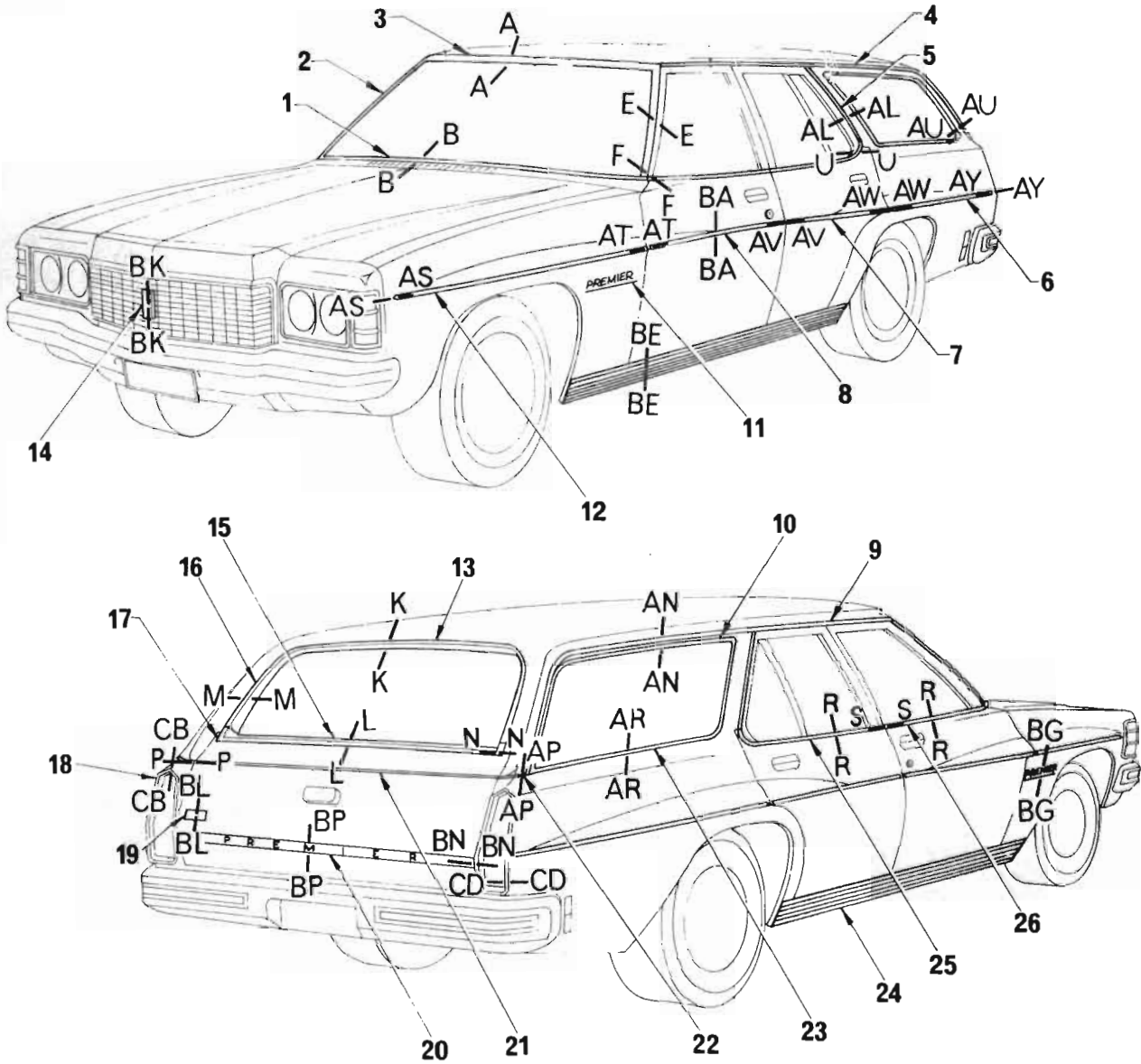
BODY MOULDINGS
Chassis & Cab

ILLUS. REF. NO.	PART NAME	GROUP	ILLUS. REF. NO.	PART NAME	GROUP
1.	MOULDING - Windshield reveal lower	10.093	3.	MOULDING - Windshield reveal upper	10.093
2.	MOULDING - Windshield reveal side	10.093	4.	TRANSFER - "Holden" name	8.823



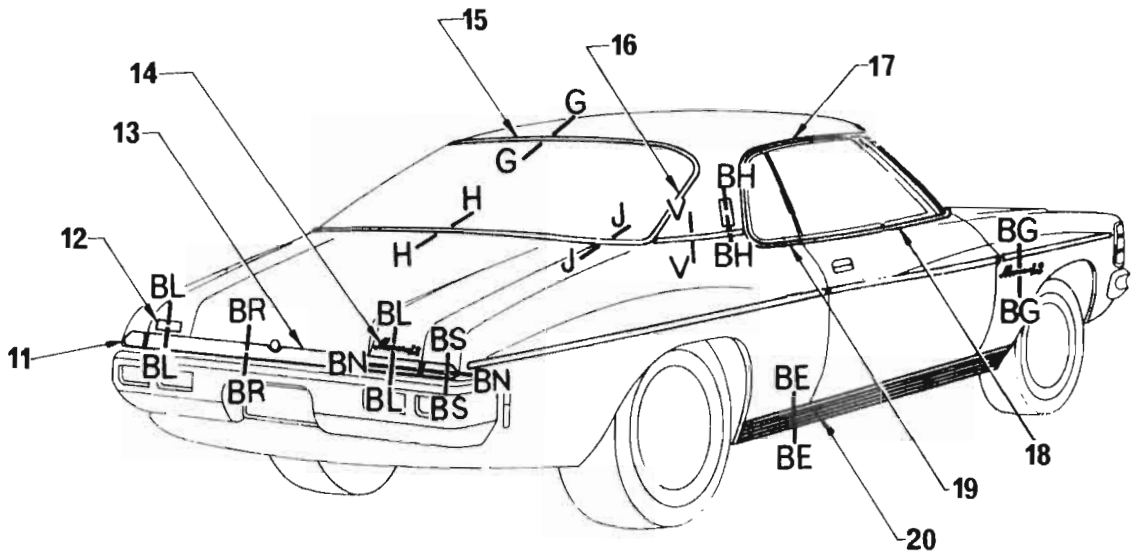
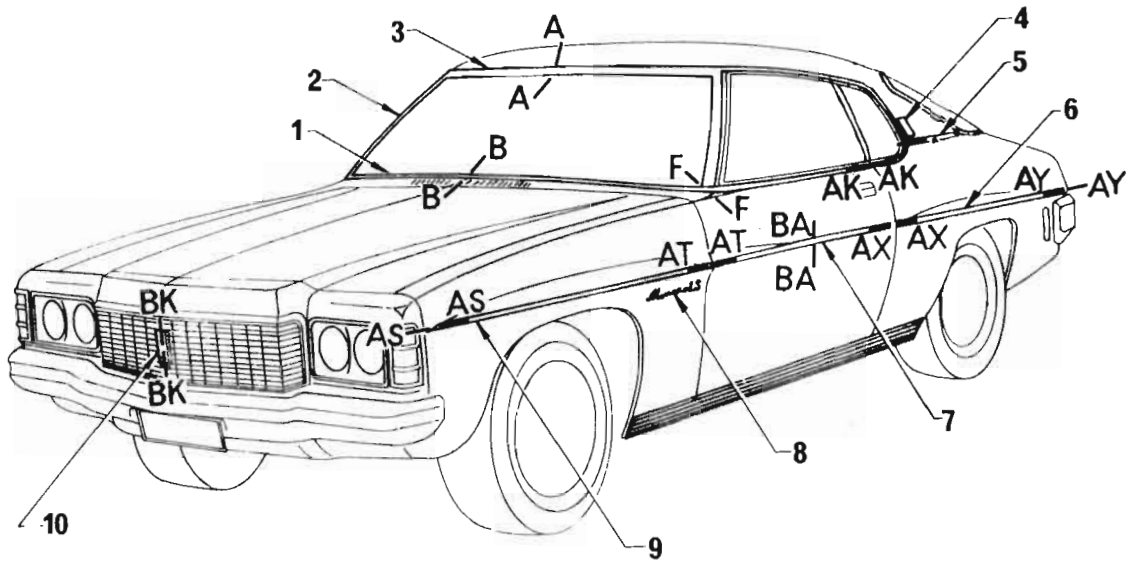
**BODY MOULDINGS
(Premier Sedan)**

ILLUS. REF. NO.	PART NAME	GROUP	ILLUS. REF. NO.	PART NAME	GROUP
1.	MOULDING - Windshield reveal lower	10.093	11.	MOULDING - Rear window reveal	11.208
2.	MOULDING - Windshield reveal side	10.093	12.	MOULDING - Rear window reveal upper	11.208
3.	MOULDING - Windshield reveal upper	10.093	13.	EMBLEM - Radiator grille	1.265
4.	MOULDING - Roof reveal side	12.075	14.	PLATE - Engine size	12.182
5.	EMBLEM - 'Premier'	12.116	15.	MOULDING - Deck lid	12.182
6.	GUTTER - Roof drip rear	12.811	16.	MOULDING - Rear quarter body side	12.116
7.	MOULDING - Front door belt	12.112	17.	MOULDING - Rear quarter upper (Two tone)	12.116
8.	MOULDING - Rear door belt	12.114	18.	MOULDING ASSY. - Rear door body side	12.114
9.	MOULDING - Rocker panel	8.304	19.	MOULDING - Front door body side	12.112
10.	PLATE - 'Premier' name	8.132	20.	MOULDING - Front fender side	8.132



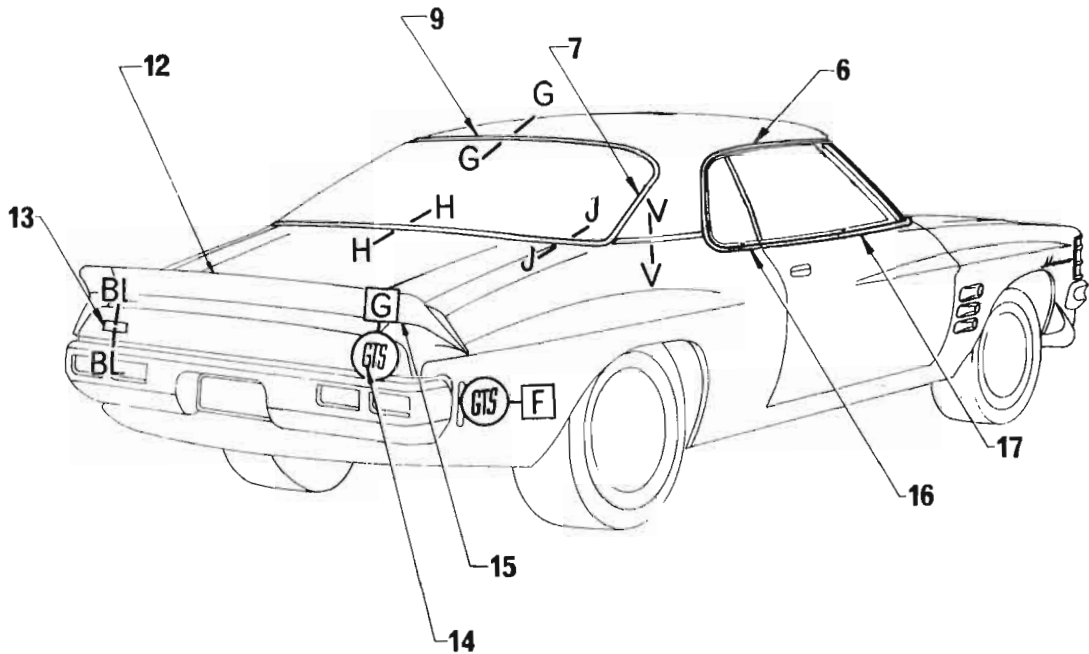
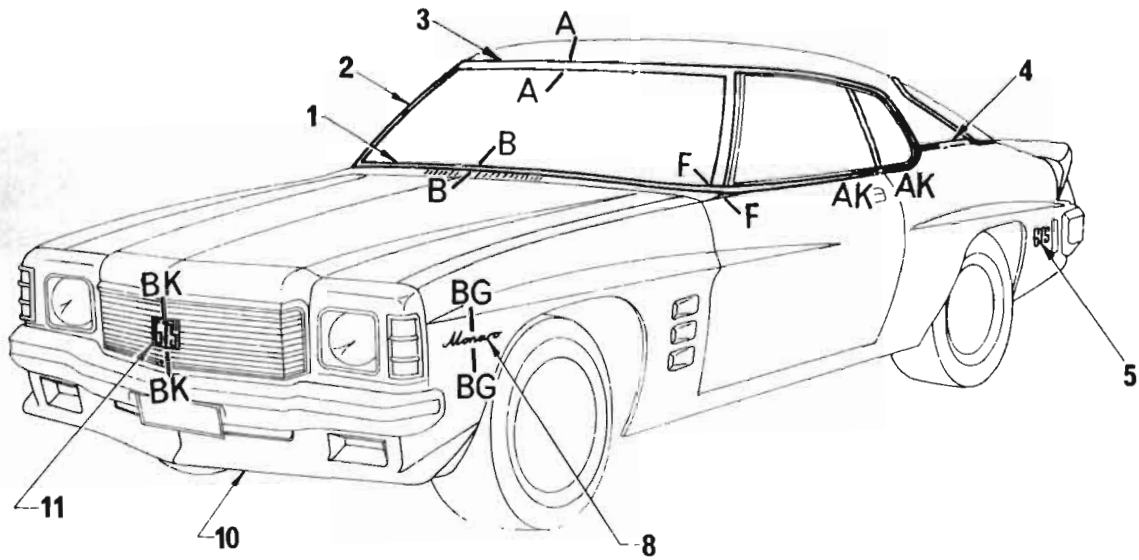
**BODY MOULDINGS
(Premier Wagon)**

ILLUS. REF. NO.	PART NAME	GROUP	ILLUS. REF. NO.	PART NAME	GROUP
1.	MOULDING - Windshield reveal lower	10.093	14.	EMBLEM - Radiator grille	1.265
2.	MOULDING - Windshield reveal side	10.093	15.	MOULDING - End gate belt centre	12.182
3.	MOULDING - Windshield reveal upper	10.093	16.	MOULDING - End gate glass opening reveal	12.174
4.	MOULDING - Roof reveal side, rear	12.075	17.	MOULDING - End gate belt	12.182
5.	MOULDING - Rear quarter front	12.116	18.	MOULDING - Tail lamp reveal	12.116
6.	MOULDING - Rear quarter body side	12.116	19.	PLATE - Engine size name	12.182
7.	MOULDING ASSY. - Rear door body side	12.114	20.	MOULDING - End gate lower	12.182
8.	MOULDING - Front door body side	12.112	21.	MOULDING - End gate centre (two tone)	12.182
9.	MOULDING - Roof reveal side, front	12.075	22.	MOULDING - Rear quarter (two tone)	12.116
10.	MOULDING - Rear quarter upper reveal	12.116	23.	MOULDING - Rear quarter lower reveal	12.116
11.	PLATE - Front fender "Premier" name	8.132	24.	MOULDING - Rocker panel	8.304
12.	MOULDING ASSY. - Front fender side	8.132	25.	MOULDING - Rear door belt	12.114
13.	MOULDING - End gate glass opening reveal centre	12.174	26.	MOULDING - Front door belt	12.112



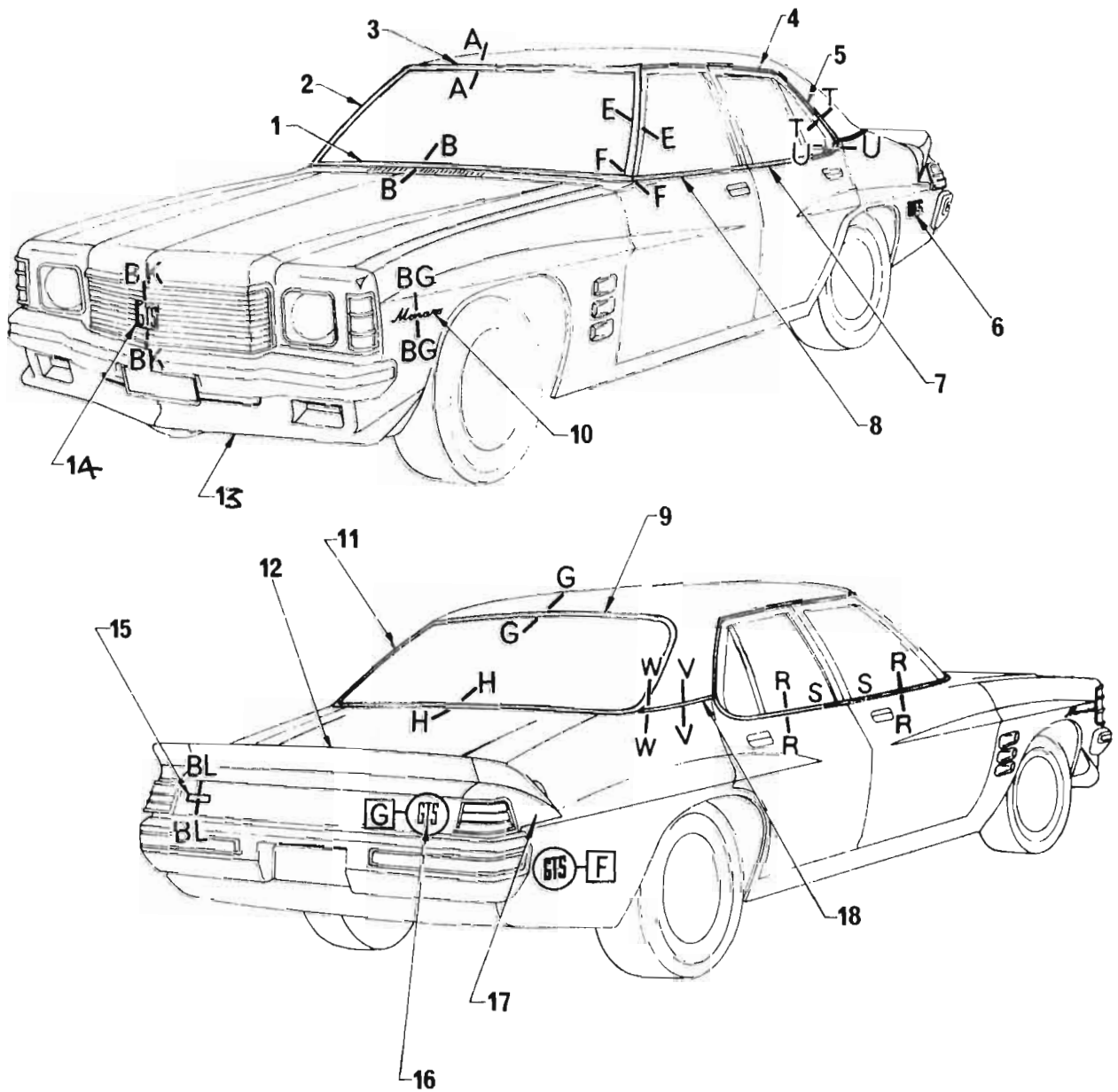
**BODY MOULDINGS
(Monaro LS)**

ILLUS. REF. NO.	PART NAME	GROUP	ILLUS. REF. NO.	PART NAME	GROUP
1.	MOULDING - Windshield reveal lower	10.093	11.	MOULDING - Rear end panel	12.121
2.	MOULDING - Windshield reveal side	10.093	12.	PLATE - Engine size name	12.182
3.	MOULDING - Windshield reveal upper	10.093	13.	MOULDING - Deck lid	12.182
4.	EMBLEM - "Premier"	12.116	14.	PLATE - "Monaro LS" name	12.182
5.	MOULDING - Rear quarter upper (Vinyl)	12.116	15.	MOULDING - Rear window reveal upper	11.208
6.	MOULDING - Rear quarter body side	12.116	16.	MOULDING - Rear window reveal lower	11.208
7.	MOULDING - Body side	12.112	17.	MOULDING - Roof reveal side	12.075
8.	PLATE - "Monaro LS" name	8.132	18.	MOULDING - Door belt	12.112
9.	MOULDING ASSY. - Front fender side	8.132	19.	MOULDING - Rear quarter belt	12.116
10.	EMBLEM - Radiator grille	1.265	20.	MOULDING - Rocker panel	8.304



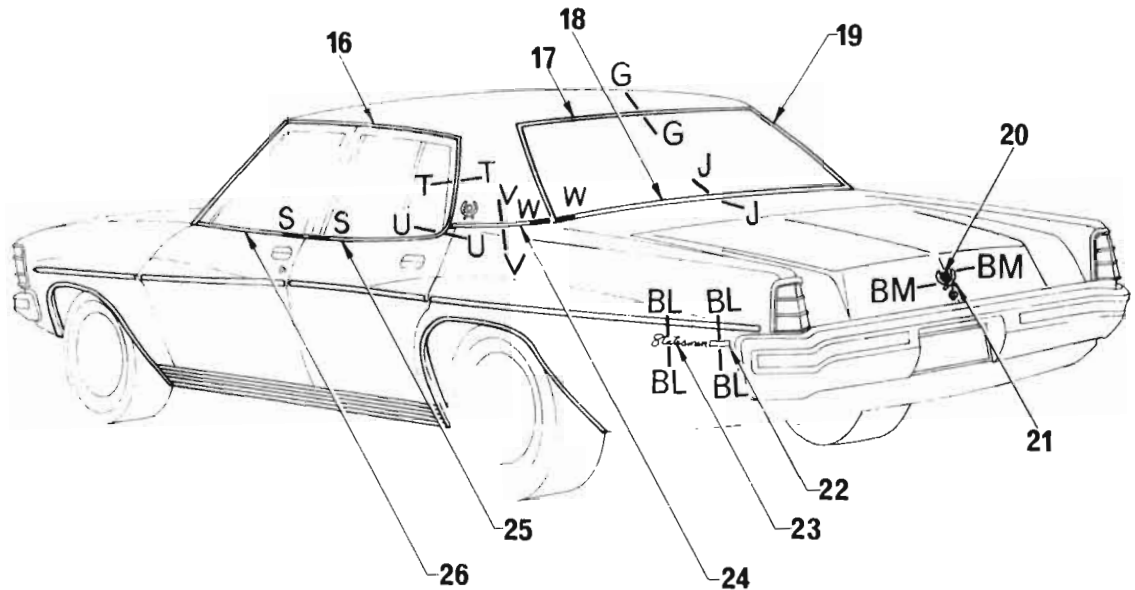
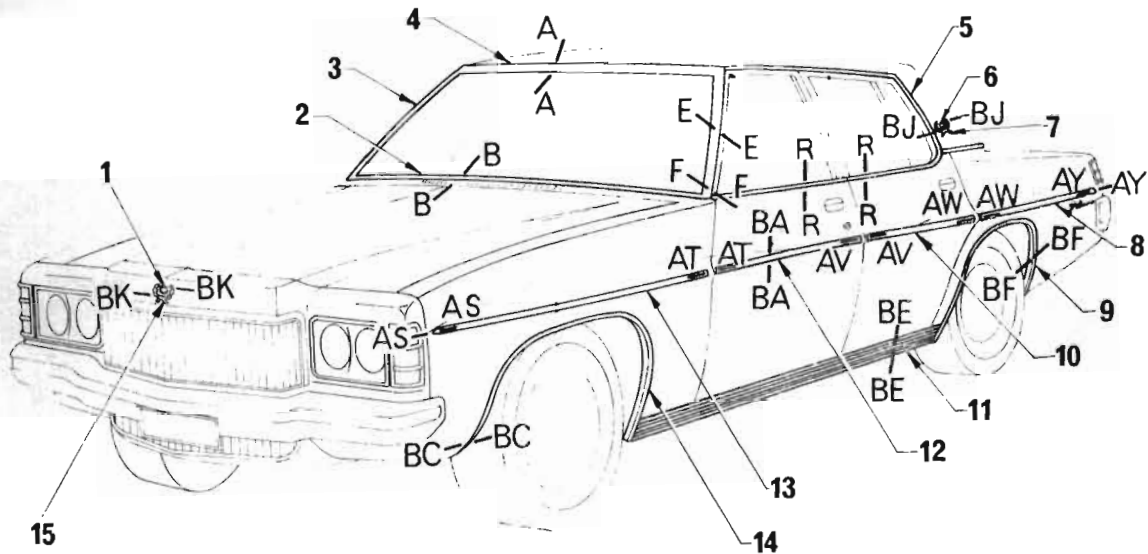
**BODY MOULDINGS
(GTS Coupe)**

ILLUS. REF. NO.	PART NAME	GROUP	ILLUS. REF. NO.	PART NAME	GROUP
1.	MOULDING - Windshield reveal lower	10.093	10.	DAM - Front air	8.126
2.	MOULDING - Windshield reveal side	10.093	11.	EMBLEM - Radiator grille	1.265
3.	MOULDING - Windshield reveal upper	10.093	12.	SPOILER ASSY. - Compartment lid	12.967
4.	MOULDING - Rear quarter upper (Vinyl)	12.116	13.	PLATE - Engine size name	12.182
5.	TRANSFER - "GTS"	12.116	14.	TRANSFER - "GTS"	12.182
6.	MOULDING - Roof reveal side	12.075	15.	SPOILER ASSY. - Quarter outer	12.967
7.	MOULDING - Rear window reveal lower	11.208	16.	MOULDING - Rear quarter belt	12.116
8.	PLATE - "Monaro" name	8.132	17.	MOULDING - Front door belt	12.112
9.	MOULDING - Rear window reveal upper	11.208			



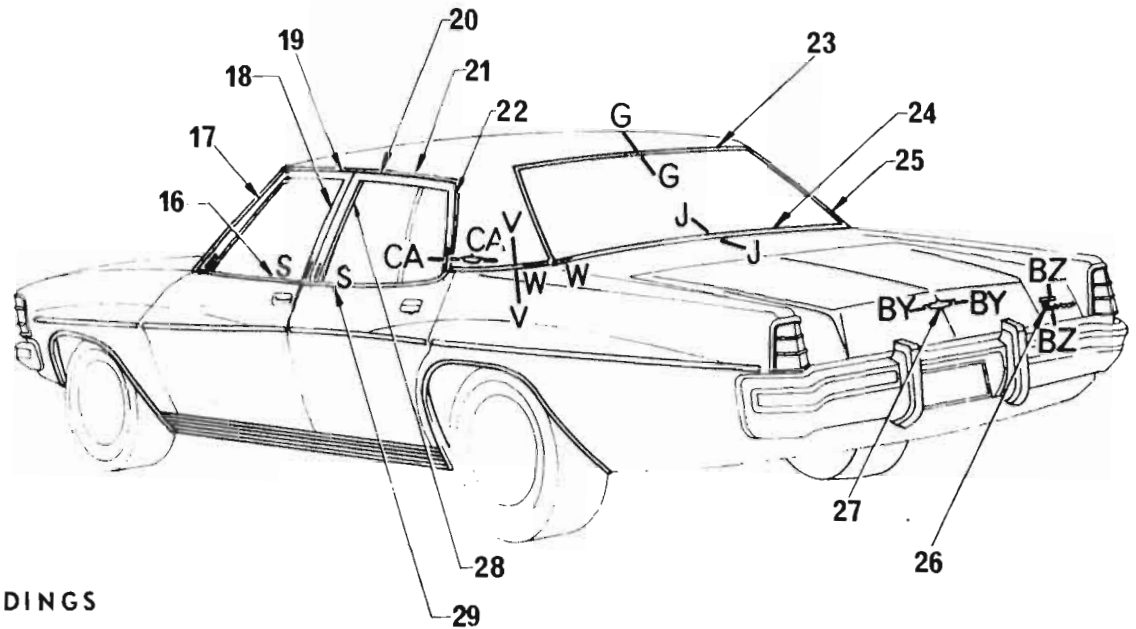
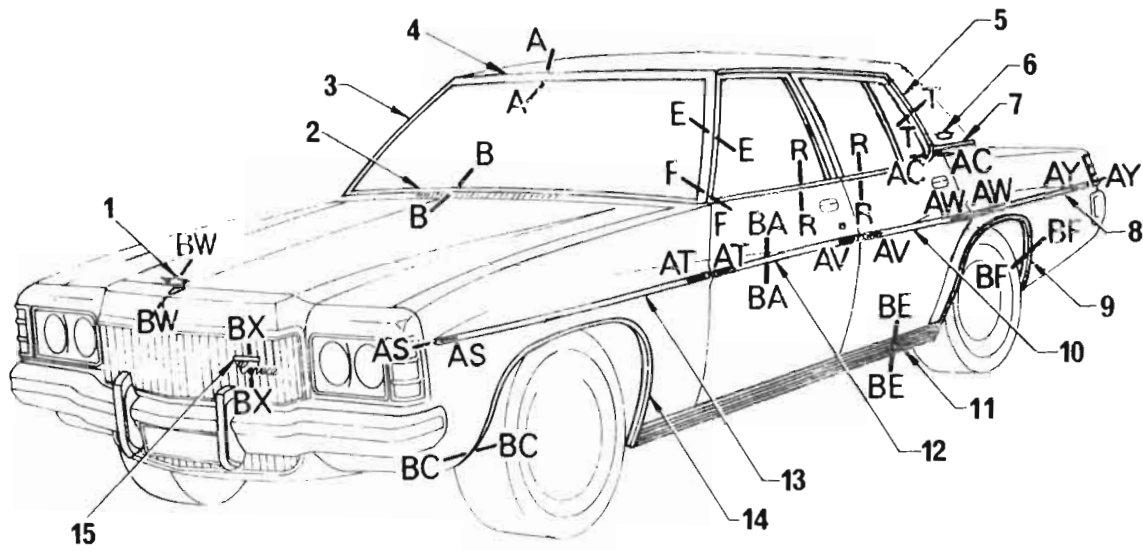
**BODY MOULDINGS
(GTS Sedan)**

ILLUS. REF. NO.	PART NAME	GROUP	ILLUS. REF. NO.	PART NAME	GROUP
1.	MOULDING - Windshield reveal lower	10.093	10.	PLATE - "Monaro" name	8.132
2.	MOULDING - Windshield reveal side	10.093	11.	MOULDING - Rear window reveal	11.208
3.	MOULDING - Windshield reveal upper	10.093	12.	SPOILER ASSY. - Compartment lid	12.967
4.	MOULDING - Roof reveal side	12.075	13.	DAM - Front air	8.126
5.	GUTTER - Roof drip rear	12.811	14.	EMBLEM - Radiator grille	1.265
6.	TRANSFER - "GTS"	12.116	15.	PLATE - Engine size name	12.182
7.	MOULDING - Rear door belt	12.114	16.	TRANSFER - "GTS"	12.182
8.	MOULDING - Front door belt	12.112	17.	SPOILER ASSY. - Quarter outer	12.967
9.	MOULDING - Rear window reveal upper	11.208	18.	MOULDING - Rear quarter upper (two tone)	12.116



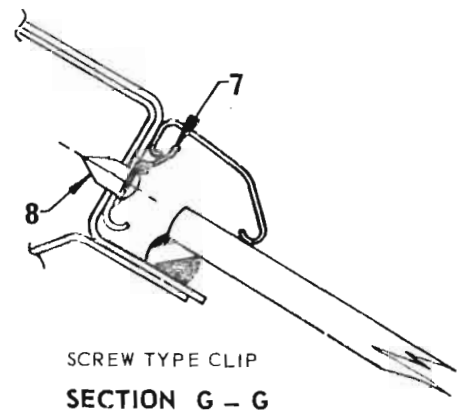
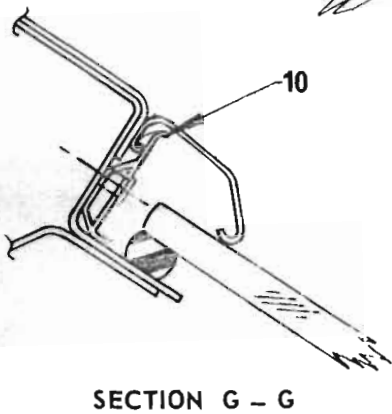
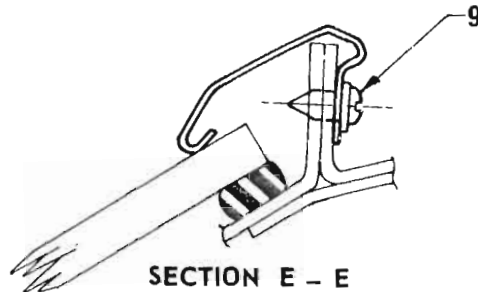
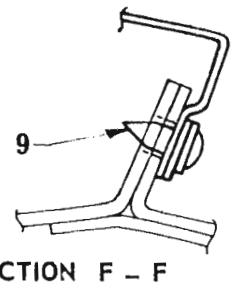
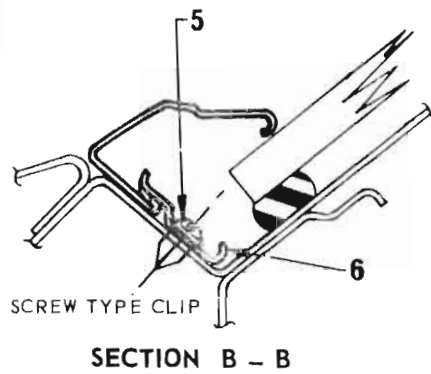
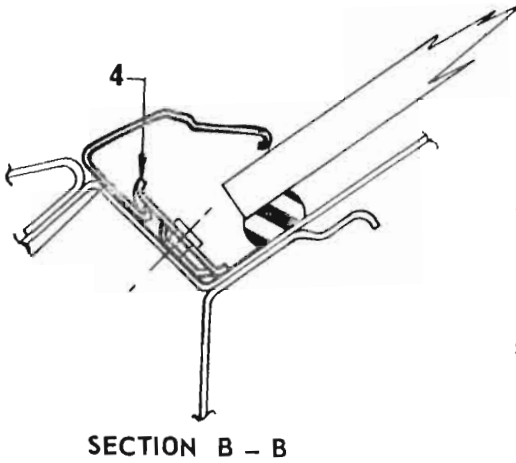
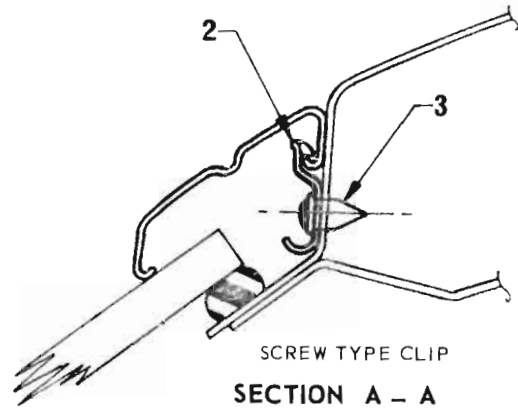
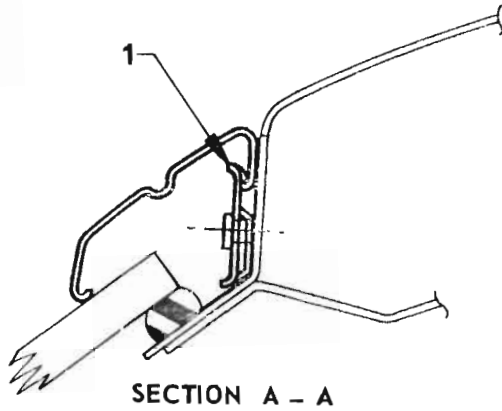
**BODY MOULDINGS
(De Ville)**

ILLUS. REF. NO.	PART NAME	GROUP	ILLUS. REF. NO.	PART NAME	GROUP
1.	EMBLEM - Shield	1.265	14.	MOULDING - Front wheel opening	8.132
2.	MOULDING - Windshield reveal lower	10.093	15.	EMBLEM - Wreath	1.265
3.	MOULDING - Windshield reveal side	10.093	16.	MOULDING - Roof reveal side	12.075
4.	MOULDING - Windshield reveal upper	10.093	17.	MOULDING - Rear window reveal upper	11.208
5.	GUTTER - Roof drip rear	12.811	18.	MOULDING - Rear window reveal lower	11.208
6.	EMBLEM - Shield	12.116	19.	MOULDING - Rear window reveal	11.208
7.	EMBLEM - Wreath	12.116	20.	EMBLEM - Shield	12.182
8.	MOULDING - Rear quarter body side	12.116	21.	EMBLEM - Wreath	12.182
9.	MOULDING - Rear wheel opening	12.116	22.	PLATE - "De Ville" name	12.116
10.	MOULDING ASSY. - Rear door body side	12.114	23.	PLATE - "Statesman" name	12.116
11.	MOULDING - Rocker panel	9.304	24.	MOULDING - Rear quarter upper (Vinyl)	12.116
12.	MOULDING - Front door body side	12.112	25.	MOULDING - Rear door belt	12.114
13.	MOULDING ASSY. - Front fender body side	8.132	26.	MOULDING - Front door belt	12.112



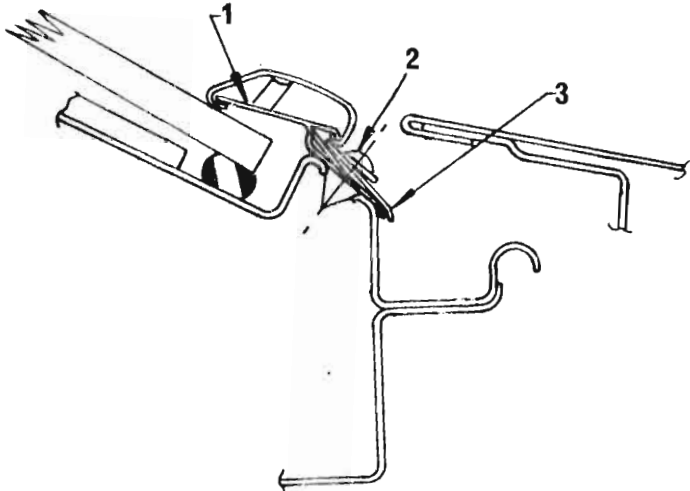
BODY MOULDINGS
Caprice

ILLUS. REF. NO.	PART NAME	GROUP	ILLUS. REF. NO.	PART NAME	GROUP
1.	ORNAMENT & BASE. ASSY.	1.265	16.	MOULDING - Front door belt	12.112
2.	MOULDING - Windshield reveal lower	10.093	17.	MOULDING - Front door front scalp	12.112
3.	MOULDING - Windshield reveal side	10.093	18.	MOULDING - Front door rear scalp	12.112
4.	MOULDING - Windshield reveal upper	10.093	19.	MOULDING - Front door upper scalp	12.112
5.	GUTTER - Roof drip rear	12.811	20.	MOULDING - Rear door upper scalp	12.114
6.	EMBLEM ASSY. - Rear quarter panel	12.116	21.	MOULDING - Roof reveal side	12.075
7.	MOULDING - Rear quarter upper (Vinyl)	12.116	22.	MOULDING - Rear door rear scalp	12.114
8.	MOULDING ASSY. - Rear quarter body side	12.116	23.	MOULDING - Rear window reveal upper	11.208
9.	MOULDING - Rear wheel opening	12.116	24.	MOULDING - Rear window reveal lower	11.208
10.	MOULDING ASSY. - Rear door body side	12.114	25.	MOULDING - Rear window reveal	11.208
11.	MOULDING - Rocker panel	8.304	26.	PLATE - "Statesman Caprice" name	12.182
12.	MOULDING - Front door body side	12.112	27.	EMBLEM ASSEMBLY - Deck lid	12.182
13.	MOULDING ASSY. - Front fender side	8.132	28.	MOULDING - Rear door front scalp	12.114
14.	MOULDING - Front wheel opening	8.132	29.	MOULDING - Rear door belt	12.114
15.	PLATE - "Statesman Caprice" name	1.265			

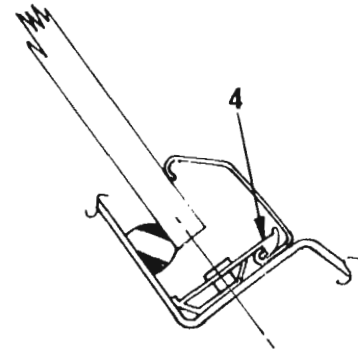


CLIPS & SCREWS - BODY MOULDINGS

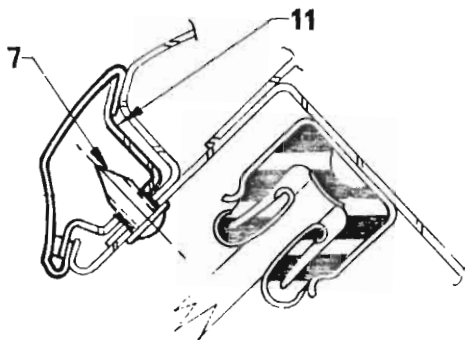
ILLUS. REF. NO.	PART NAME	GROUP	ILLUS. REF. NO.	PART NAME	GROUP
1.	CLIP - Upper moulding to roof (stud type)	10.093	6.	CLIP - Lower moulding to front end (screw type)	10.093
2.	CLIP - Upper moulding to roof (screw type)	10.093	7.	CLIP - Moulding (screw type)	11.208
3.	SCREW - Use with clip No.7434873	10.093	8.	SCREW - Moulding clip	11.208
4.	CLIP - Lower moulding to front end (stud type)	10.093	9.	SCREW - Moulding retainer	10.093
5.	SCREW - Use with clip No.7434873	10.093	10.	CLIP - Moulding (stud type)	11.208



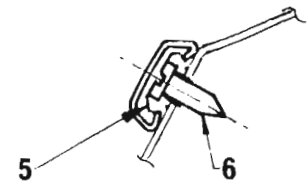
SECTION H - H



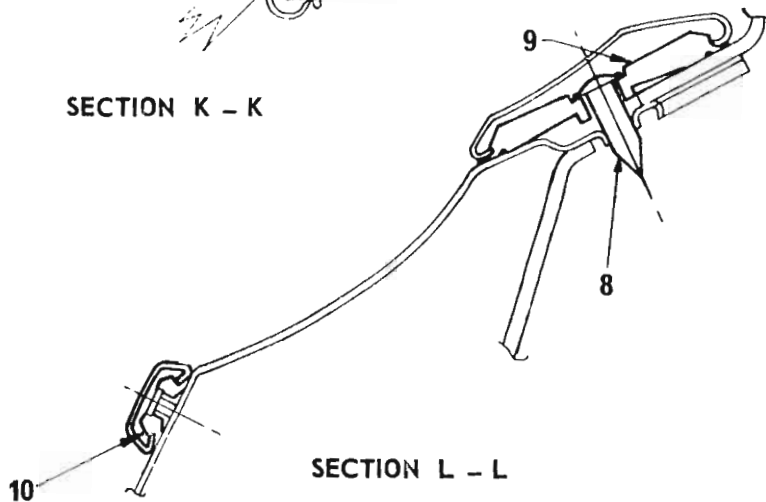
SECTION J - J



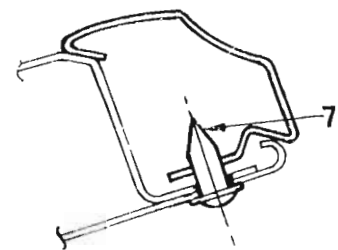
SECTION K - K



SCREW TYPE CLIP
SECTION L - L



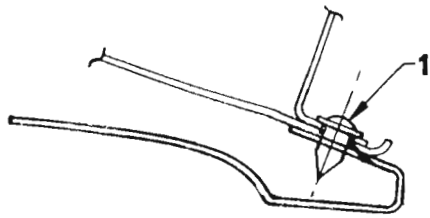
SECTION L - L



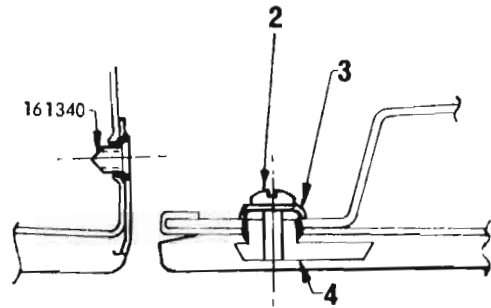
SECTION M - M

CLIPS & SCREWS - BODY MOULDINGS

ILLUS. REF. NO.	PART NAME	GROUP	ILLUS. REF. NO.	PART NAME	GROUP
1.	RETAINER - Rear window reveal moulding	11.208	7.	SCREW - End gate glass opening reveal mould	12.174
2.	SCREW - Rear window reveal moulding clip	11.208	8.	SCREW - End gate belt moulding clip	12.182
3.	EXTENSION - Rear window reveal lower moulding	11.208	9.	CLIP - End gate belt centre moulding	12.182
4.	CLIP - Rear window reveal moulding	11.208	10.	CLIP - End gate moulding (stud type) (two tone)	12.182
5.	CLIP - End gate moulding (screw type) (two tone)	12.182	11.	CLIP - End gate glass opening reveal moulding	12.174
6.	SCREW - End gate moulding clip (two tone) ..	12.182			

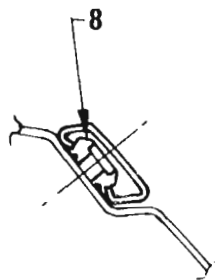


SECTION N - N

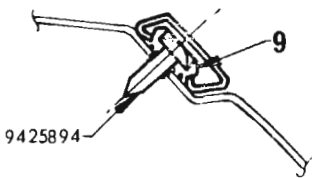


WITH TWO TONE PAINT

SECTION P - P

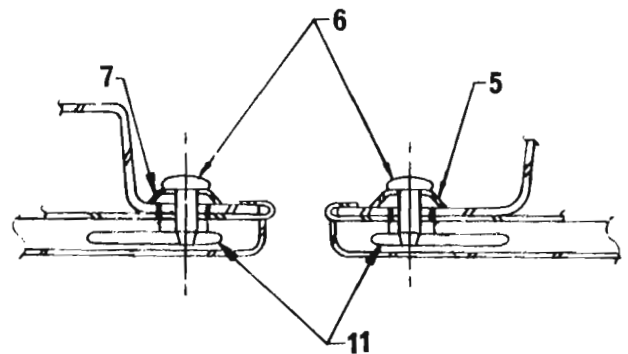


SECTION R - R

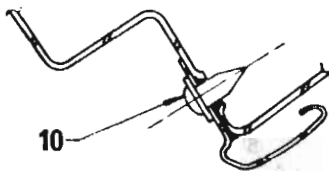


SCREW TYPE CLIP

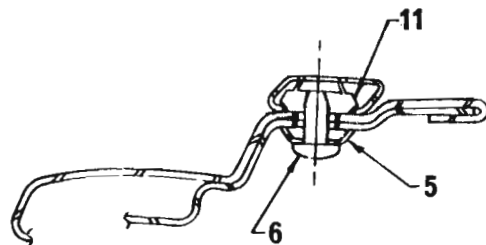
SECTION R - R



SECTION S - S



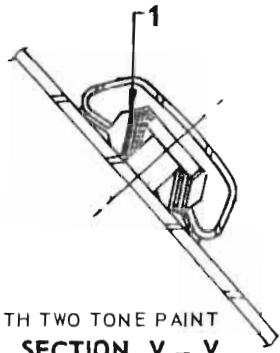
SECTION T - T



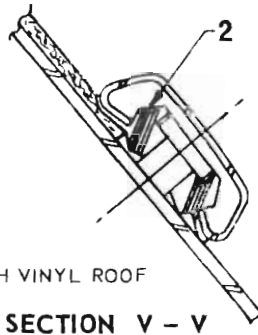
SECTION U - U

CLIPS & SCREWS - BODY MOULDINGS

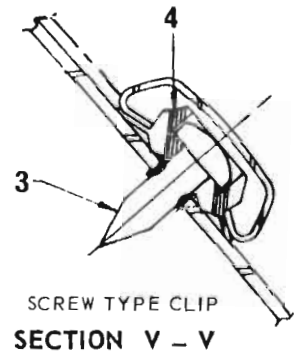
ILLUS. REF. NO.	PART NAME	GROUP	ILLUS. REF. NO.	PART NAME	GROUP
1.	SCREW - Moulding to end gate	12.182	6.	SCREW - Anchor plate	12.112/12.114
2.	SCREW - Pan hd. cr. recess No.6 - 20 x 5/16" (two tone)	12.182	7.	WASHER - Anchor plate	12.114
3.	WASHER - Moulding cup (two tone)	12.182	8.	CLIP - Moulding (stud type)	12.112/12.114
4.	PLATE - Moulding anchor (two tone)	12.182	9.	CLIP - Moulding (screw type)	12.112/12.114
5.	WASHER - Anchor plate	12.112	10.	SCREW - Gutter to quarter panel	12.811
			11.	PLATE - Moulding anchor	12.112/12.114



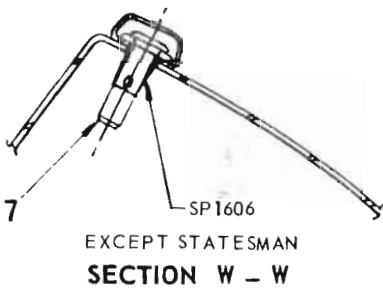
WITH TWO TONE PAINT
SECTION V - V



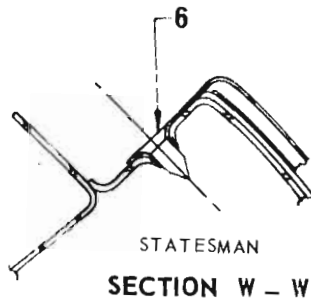
WITH VINYL ROOF
SECTION V - V



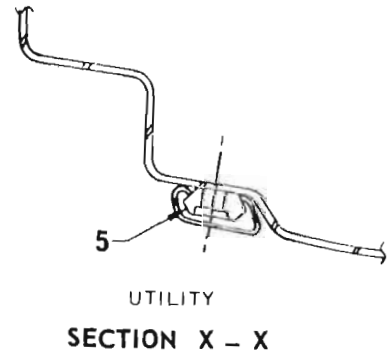
SCREW TYPE CLIP
SECTION V - V



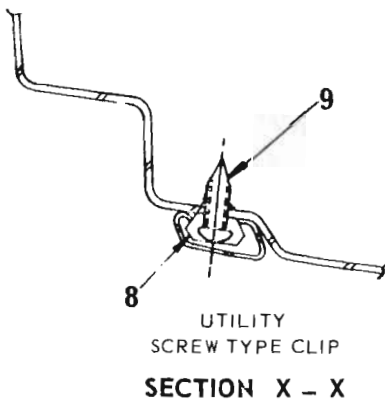
SPT1606
EXCEPT STATESMAN
SECTION W - W



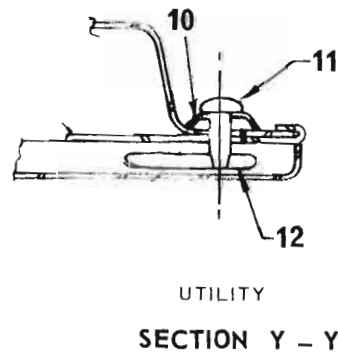
STATESMAN
SECTION W - W



UTILITY
SECTION X - X



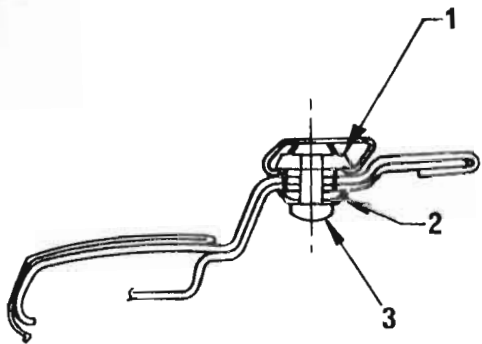
UTILITY
SCREW TYPE CLIP
SECTION X - X



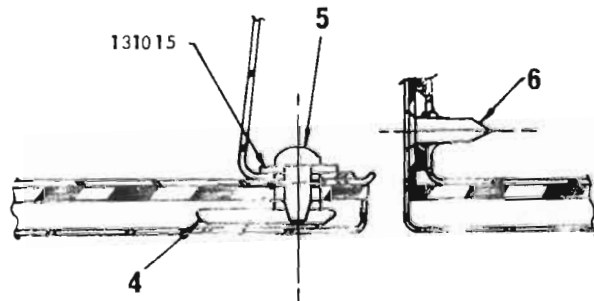
UTILITY
SECTION Y - Y

CLIPS & SCREWS - BODY MOULDINGS

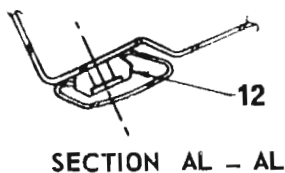
ILLUS. REF. NO.	PART NAME	GROUP	ILLUS. REF. NO.	PART NAME	GROUP
1.	CLIP - Moulding (two tone, stud type)	12.116	7.	RETAINER - Moulding	12.116
2.	CLIP - Moulding (Vinyl, stud type)	12.116	8.	CLIP - Moulding (screw type)	12.116
3.	SCREW - Moulding clip	12.116	9.	SCREW - Moulding clip	12.116
4.	CLIP - Moulding (screw type)	12.116	10.	WASHER - Anchor plate	12.112
5.	CLIP - Moulding (stud type)	12.116	11.	SCREW - Anchor plate	12.112
6.	SCREW - Moulding	12.116	12.	PLATE - Moulding anchor	12.112



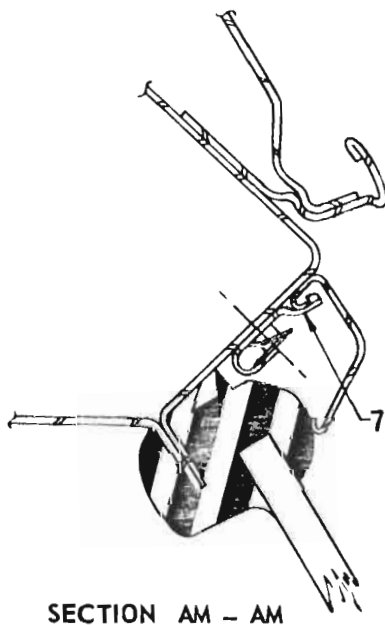
SECTION AC - AC



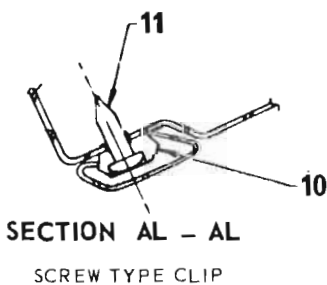
SECTION AK - AK



SECTION AL - AL

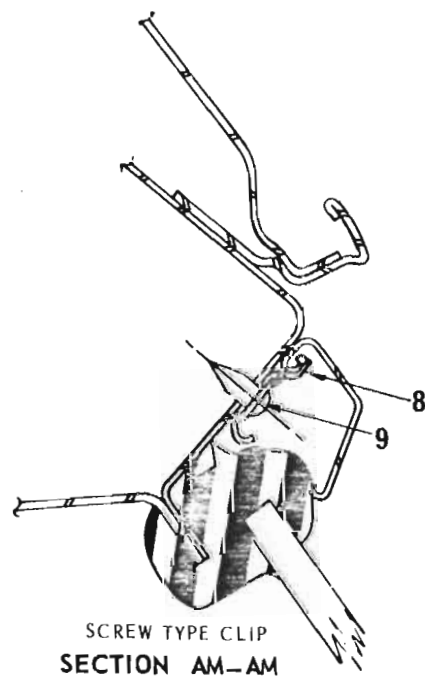


SECTION AM - AM



SECTION AL - AL

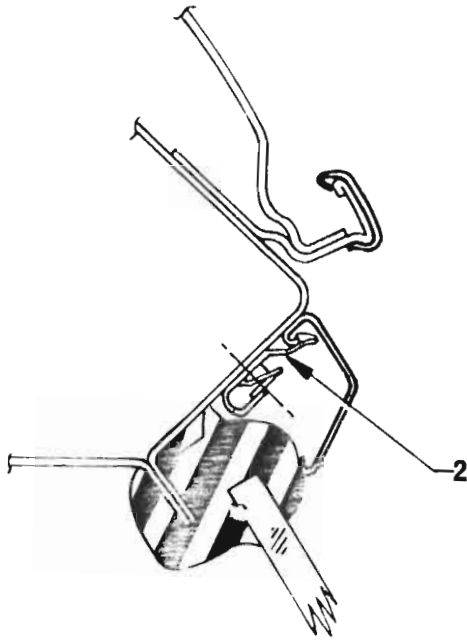
SCREW TYPE CLIP



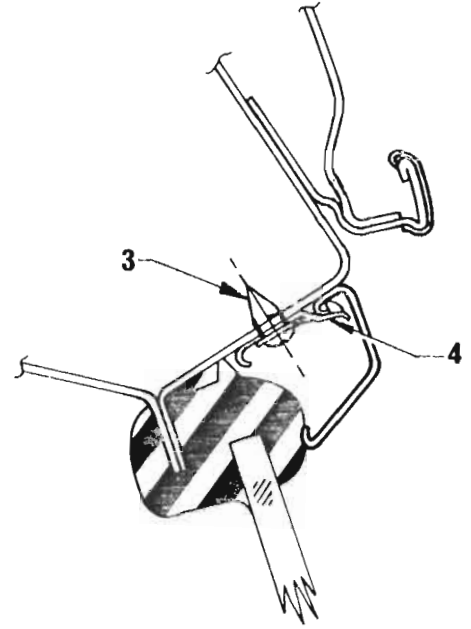
SECTION AM-AM
SCREW TYPE CLIP

CLIPS & SCREWS - BODY MOULDINGS

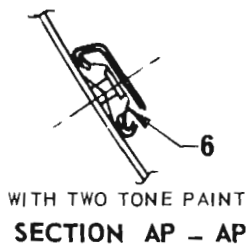
ILLUS. REF. NO.	PART NAME	GROUP	ILLUS. REF. NO.	PART NAME	GROUP
1.	PLATE - Rear door belt moulding anchor	12.114	8.	CLIP - Rear quarter upper reveal moulding (screw type)	12.116
2.	WASHER - Anchor plate	12.114	9.	SCREW - Moulding clip	12.116
3.	SCREW - Anchor plate	12.114	10.	CLIP - Rear quarter front moulding (screw type)	12.116
4.	PLATE - Front door belt moulding anchor	12.112	11.	SCREW - Moulding clip	12.116
5.	SCREW - Anchor plate	12.112	12.	CLIP - Rear quarter front moulding (stud type)	12.116
6.	SCREW - Rear quarter belt moulding	12.116			
7.	CLIP - Rear quarter upper reveal moulding (stud type)	12.116			



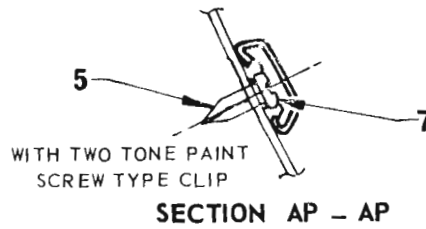
SECTION AN - AN



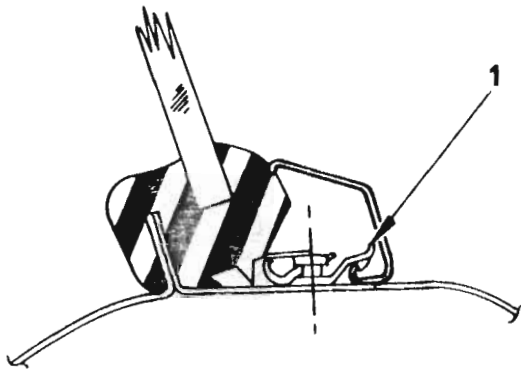
SCREW TYPE CLIP
SECTION AN - AN



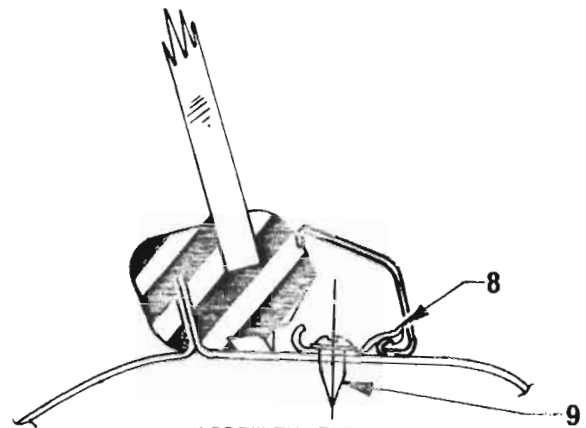
WITH TWO TONE PAINT
SECTION AP - AP



WITH TWO TONE PAINT
SCREW TYPE CLIP
SECTION AP - AP



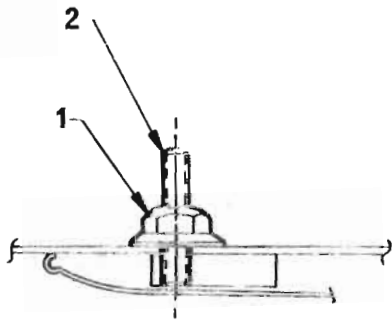
SECTION AR - AR



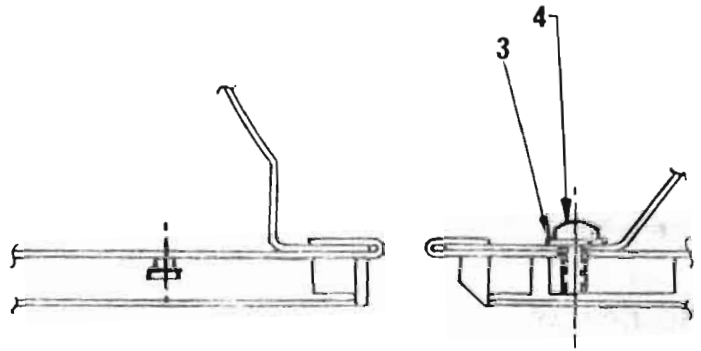
SCREW TYPE CLIP
SECTION AR - AR

CLIPS & SCREWS - BODY MOULDINGS

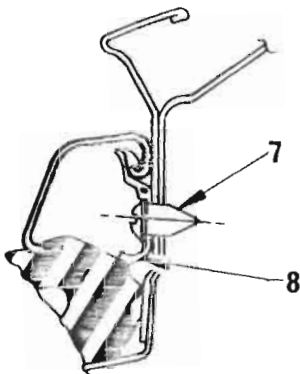
ILLUS. REF. NO.	PART NAME	GROUP	ILLUS. REF. NO.	PART NAME	GROUP
1.	CLIP - Lower reveal moulding (stud type)	12.116	6.	CLIP - Moulding (two tone, stud type)	12.116
2.	CLIP - Upper reveal moulding (stud type)	12.116	7.	CLIP - Moulding (two tone, screw type)	12.116
3.	SCREW - Upper reveal moulding clip	12.116	8.	CLIP - Lower reveal moulding (screw type)	12.116
4.	CLIP - Upper reveal moulding (screw type)	12.116	9.	SCREW - Lower reveal moulding clip	12.116
5.	SCREW - Moulding clip (two tone)	12.116			



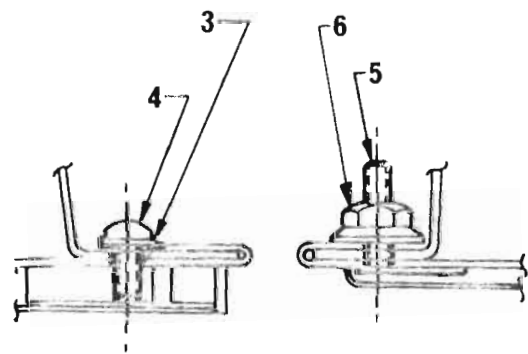
SECTION AS - AS



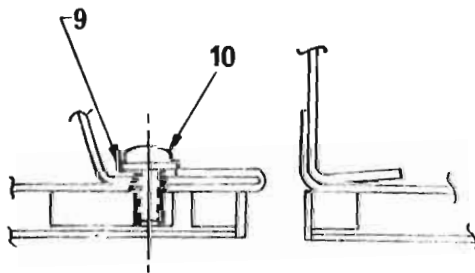
SECTION AT - AT



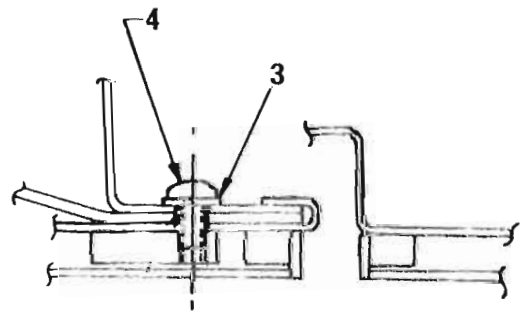
8 PLACES SHOWN **▲**
SECTION AU - AU



SECTION AV - AV



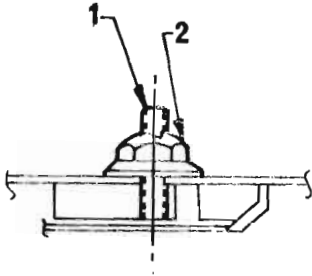
SECTION AW - AW



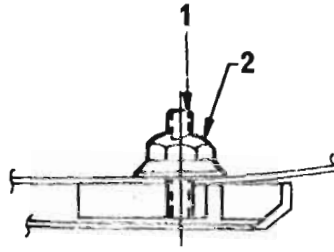
SECTION AX - AX

CLIPS & SCREWS - BODY MOULDINGS

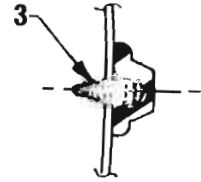
ILLUS. REF. NO.	PART NAME	GROUP	ILLUS. REF. NO.	PART NAME	GROUP
1.	NUT - Moulding to fender	8.132	7.	SCREW - Upper & lower reveal moulding clip ...	12.116
2.	STUD - Moulding to fender	8.132	8.	CLIP - Upper & lower moulding (screw type)	12.116
3.	WASHER - Moulding to door	12.112	9.	WASHER - Moulding to door	12.114
4.	SCREW - Moulding to door	12.112	10.	SCREW - Moulding to door	12.114
5.	RETAINER - Moulding to door	12.114			
6.	NUT - Moulding to door	12.114			



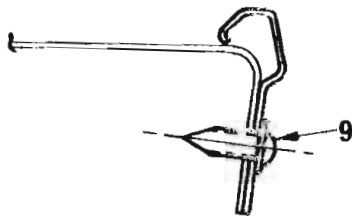
SECTION AY - AY



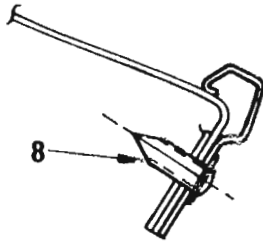
UTILITY
SECTION AZ - AZ



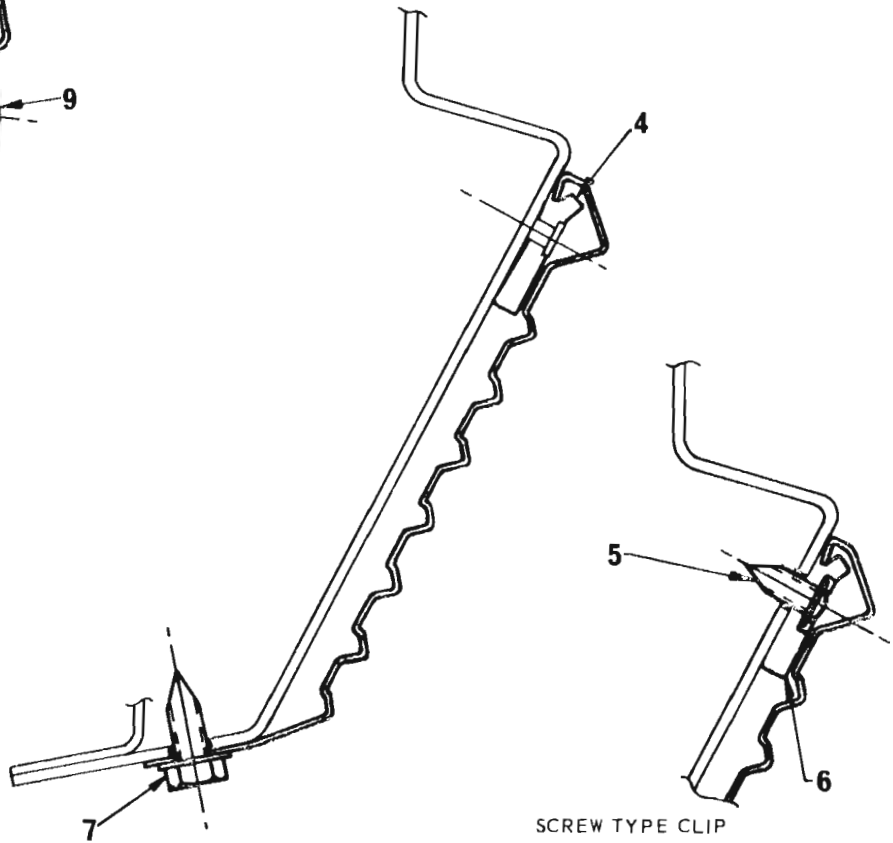
SCREW TYPE CLIP
SECTION BA - BA



SECTION BC - BC



SECTION BF - BF

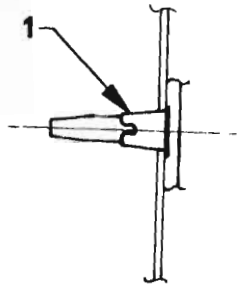


SECTION BE - BE

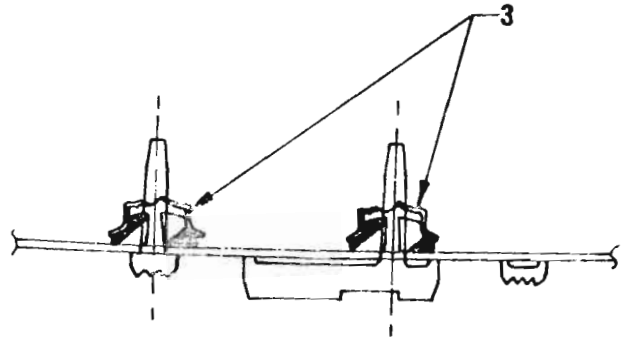
SCREW TYPE CLIP
SECTION BE - BE

CLIPS & SCREWS - BODY MOULDINGS

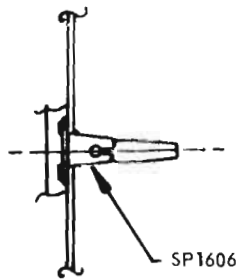
ILLUS. REF. NO.	PART NAME	GROUP	ILLUS. REF. NO.	PART NAME	GROUP
1.	STUD - Moulding to panel	12.116	6.	CLIP - Moulding (screw type)	8.304
2.	NUT - Moulding to panel	12.116	7.	SCREW - Hex. washer hd, No. 10 - 16 x 1/2" ..	8.304
3.	SCREW - Moulding to door	12.112	8.	SCREW - Rear wheel opening moulding	12.116
4.	CLIP - Moulding (stud type)	8.304	9.	SCREW - Moulding to fender	8.132
5.	SCREW - Rd. hd, washer c/rec. tap No.8 - 18 x 7/16"	8.304			



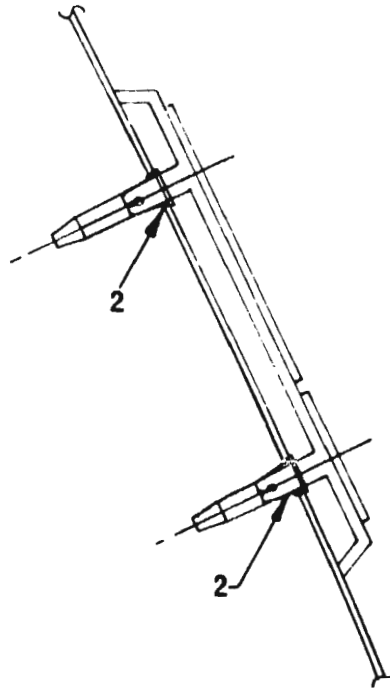
SECTION BG - BG



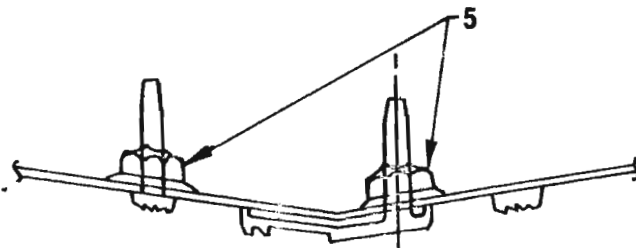
SECTION BJ - BJ



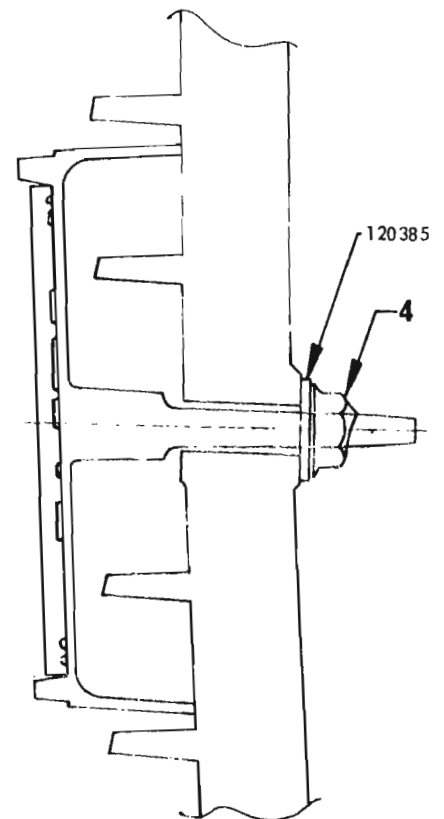
SECTION BL - BL



SECTION BH - BH



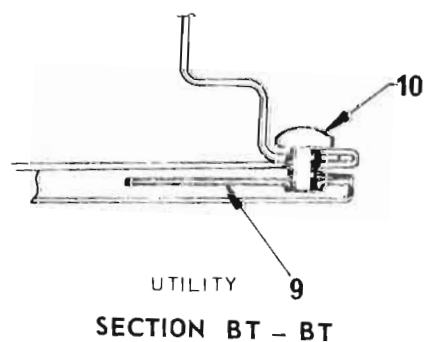
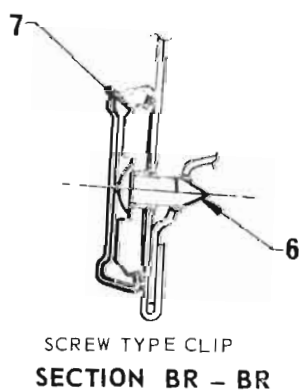
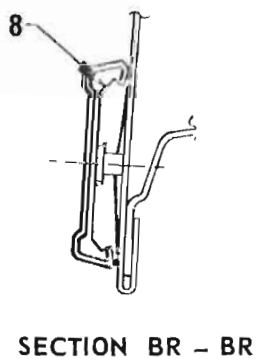
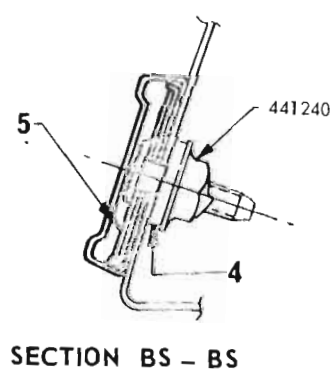
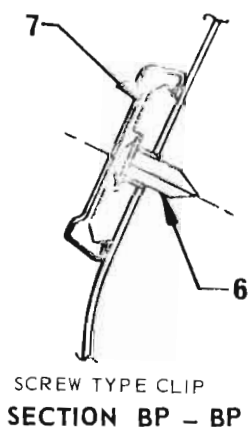
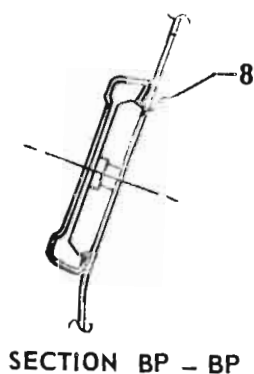
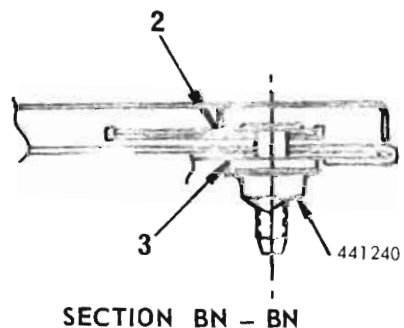
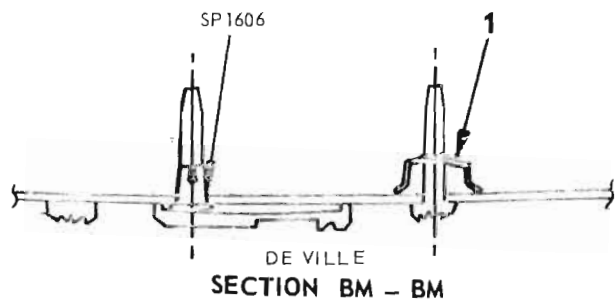
DE VILLE ONLY
SECTION BK - BK



EXC. STATESMAN
SECTION BK - BK

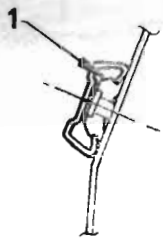
CLIPS & SCREWS - BODY MOULDINGS

ILLUS. REF. NO.	PART NAME	GROUP	ILLUS. REF. NO.	PART NAME	GROUP
1.	CLIP - Name plate to front fender	8.132	4.	NUT - Emblem	1.265
2.	CLIP - Emblem to panel	12.116	5.	NUT - Wreath & shield emblem to front end panel	1.265
3.	NUT & SEAL ASSY. - Emblem	12.116			



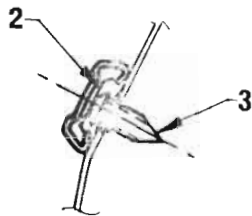
CLIPS & SCREWS - BODY MOULDINGS

ILLUS. REF. NO.	PART NAME	GROUP	ILLUS. REF. NO.	PART NAME	GROUP
1.	NUT & SEAL ASSY. - Wreath emblem	12.182	6.	SCREW - Moulding clip	12.182
2.	RETAINER - Deck lid moulding	12.182	7.	CLIP - Moulding (screw type)	12.182
3.	WASHER - Deck lid moulding	12.182	8.	CLIP - Moulding (stud type)	12.182
4.	WASHER - Retainer sealing	12.121	9.	PLATE - Moulding anchor	12.182
5.	RETAINER ASSEMBLY	12.121	10.	SCREW - Moulding	12.182

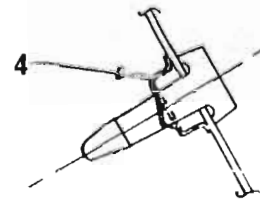


SECTION BU - BU

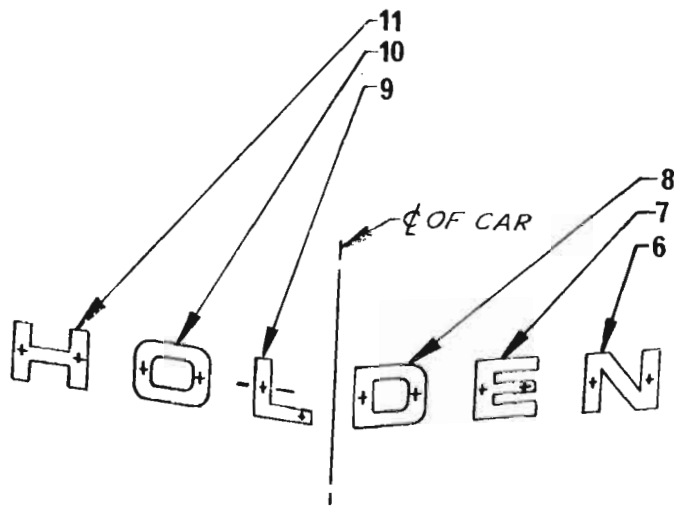
SCREW TYPE CLIP



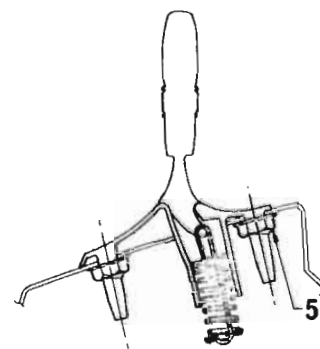
SECTION BU - BU



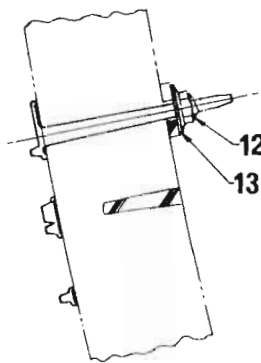
SECTION BV - BV



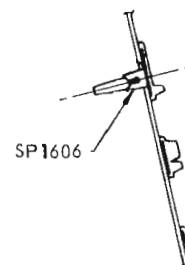
VIEW **D**



SECTION BW - BW



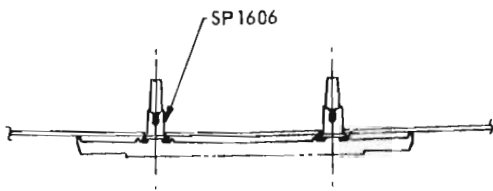
SECTION BX - BX



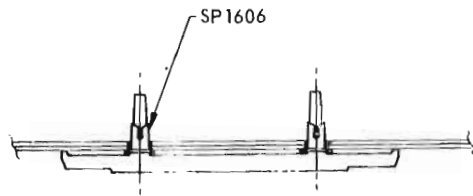
SECTION BZ - BZ

CLIPS & SCREWS - BODY MOULDINGS

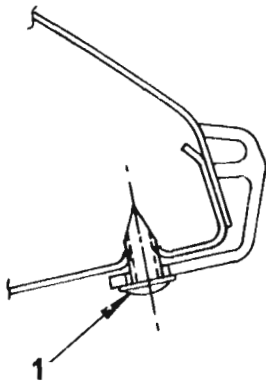
ILLUS. REF. NO.	PART NAME	GROUP	ILLUS. REF. NO.	PART NAME	GROUP
1.	CLIP - Moulding (stud type)	12.182	8.	LETTER "D"	1.265
2.	CLIP - Moulding - (screw type)	12.182	9.	LETTER "L"	1.265
3.	SCREW - Moulding clip	12.182	10.	LETTER "O"	1.265
4.	NUT - Letter to front end panel	1.265	11.	LETTER "H"	1.265
5.	NUT - Ornament base to front end panel	1.265	12.	NUT - Name plate	1.265
6.	LETTER "N"	1.265	13.	WASHER - Name plate	1.265
7.	LETTER "E"	1.265			



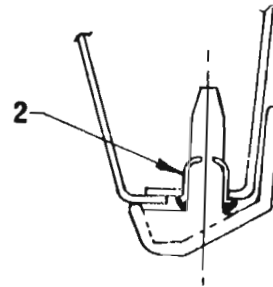
SECTION BY - BY



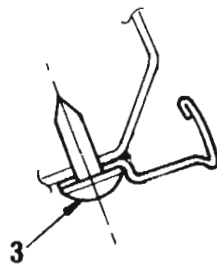
SECTION CA - CA



SECTION CB - CB



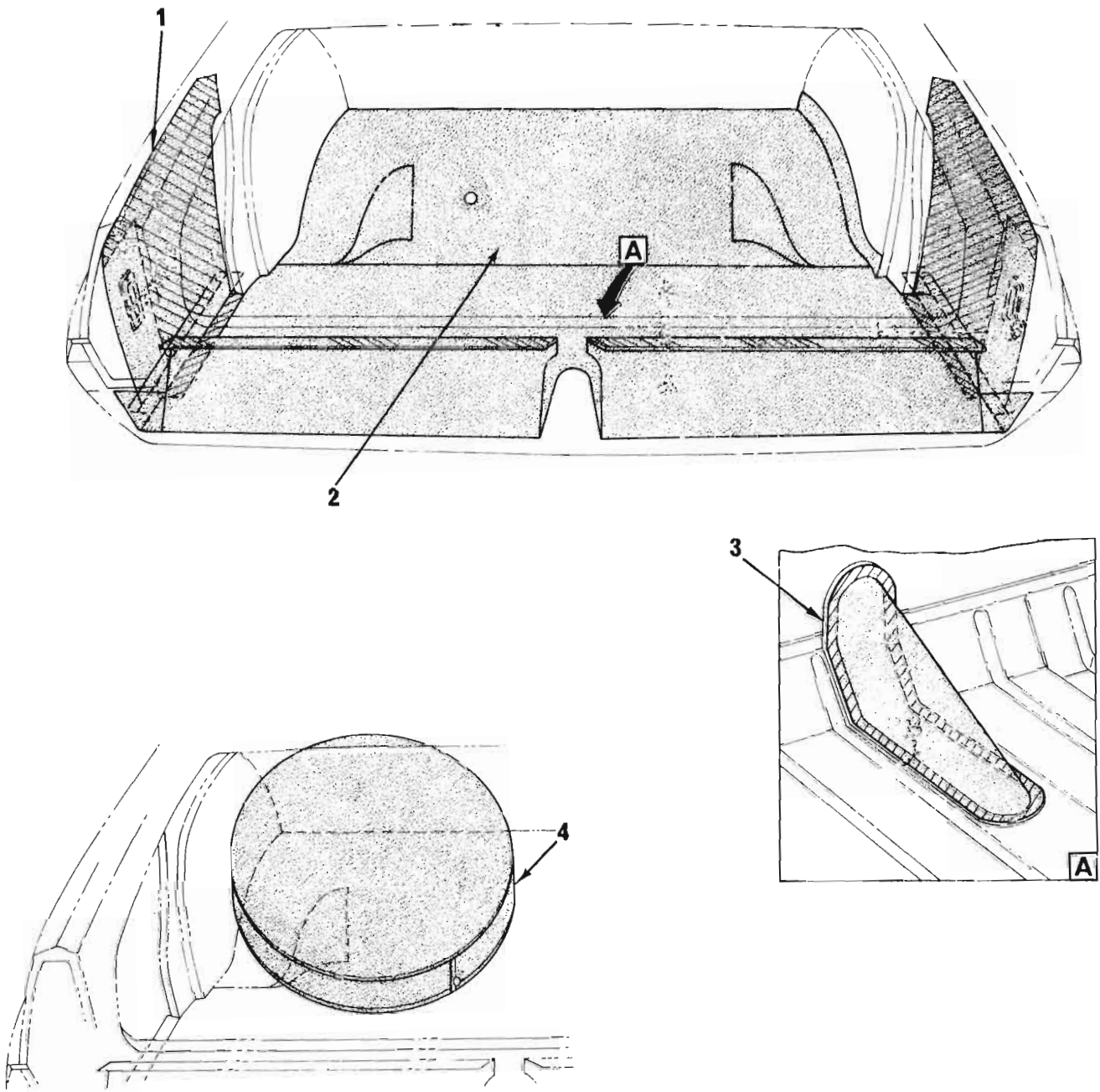
SECTION CD - CD



SECTION CE - CE

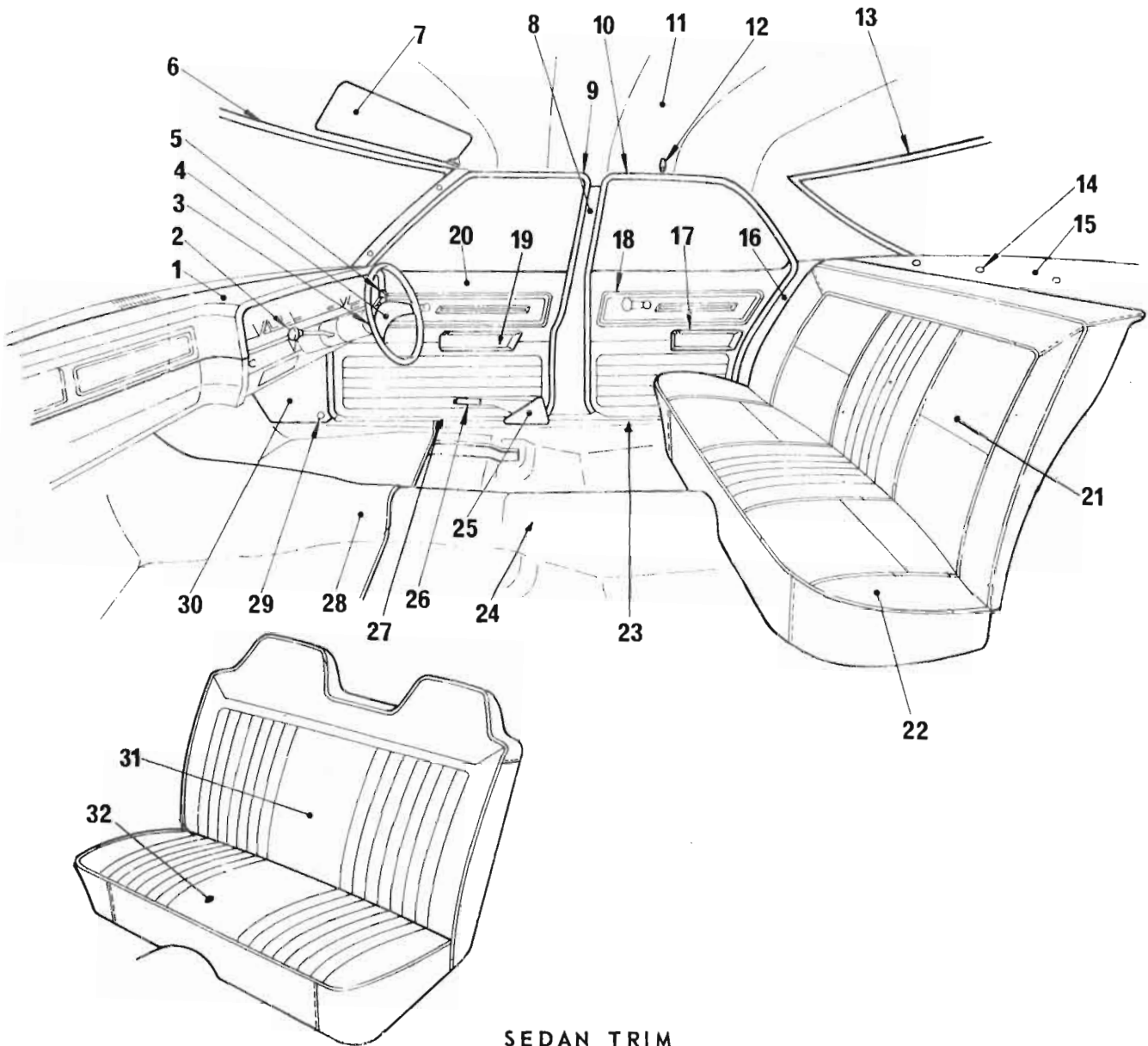
CLIPS & SCREWS - BODY MOULDINGS

ILLUS. REF. NO.	PART NAME	GROUP	ILLUS. REF. NO.	PART NAME	GROUP
1.	SCREW - Moulding to support	12.116	3.	SCREW - Gutter to body	12.811
2.	CLIP - Moulding to support	12.116			



CARPET, SPARE WHEEL COVER REAR COMPARTMENT

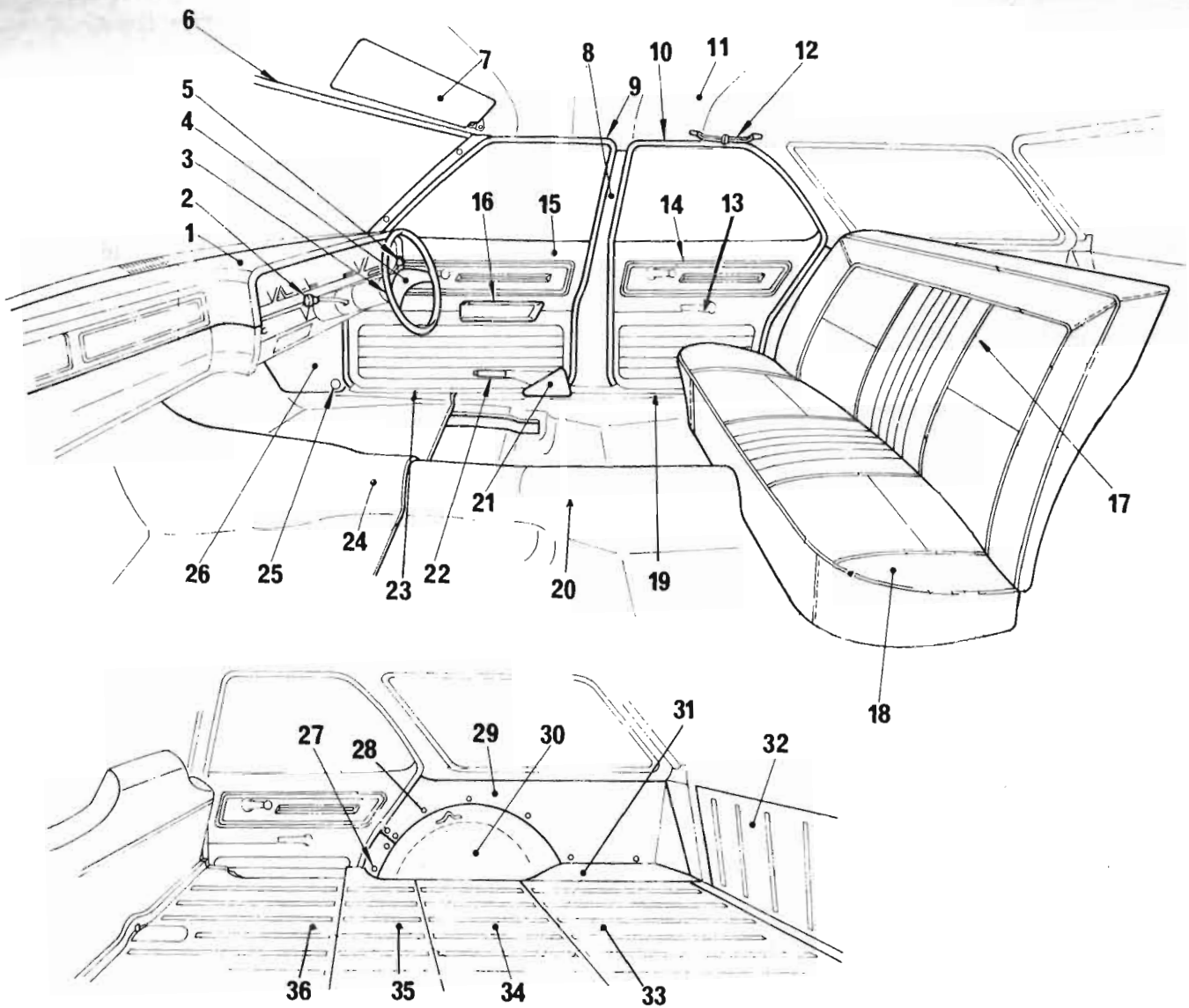
ILLUS. REF. NO.	PART NAME	GROUP	ILLUS. REF. NO.	PART NAME	GROUP
1.	CARPET - Side	15.294	3.	CARPET - Centre rear	15.294
2.	CARPET - Floor	15.294	4.	COVER ASSEMBLY - Spare wheel	15.222



SEDAN TRIM

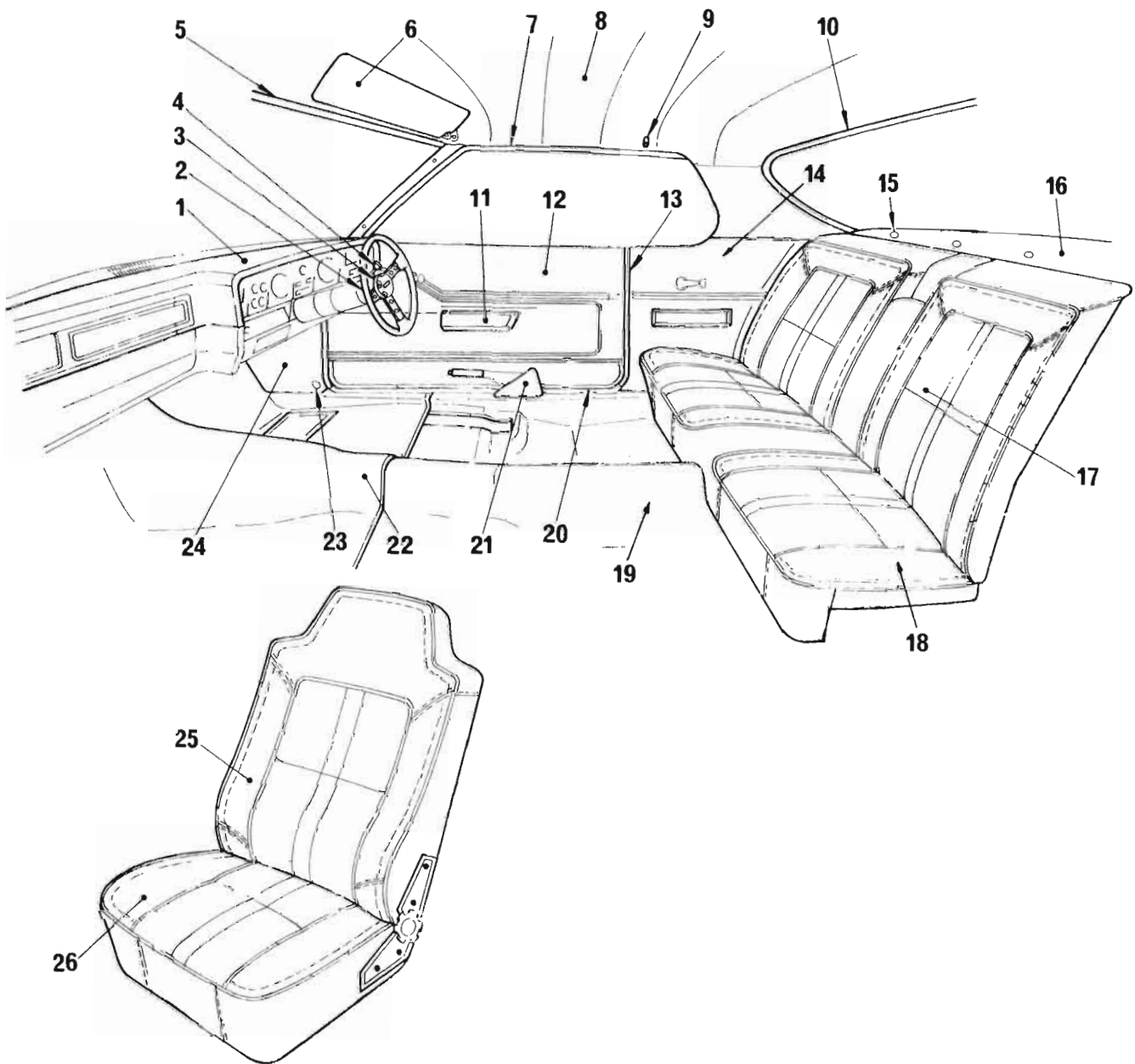
ILLUS. REF. NO.	PART NAME	GROUP	ILLUS. REF. NO.	PART NAME	GROUP
1.	PAD ASSY. - Instrument panel	14.655	17.	ARMREST ASSY. - Rear door	14.762
2.	KNOB - Gearshift lever	4.009	18.	TRIM ASSY. - Rear door	14.760
3.	WHEEL ASSY. - Steering	6.513	19.	ARMREST ASSY. - Front door	14.686
4.	BAR ASSY. - Horn actuating	2.830	20.	TRIM ASSY. - Front door	14.685
5.	KNOB - Turn signal lamp switch	2.897	21.	COVER ASSY. - Rear seat back	15.000
6.	LACE - Headlining trim front	14.650	22.	COVER ASSY. - Rear seat cushion	15.035
7.	SUN VISOR ASSEMBLY	10.203	23.	PLATE - Rear door scuff	11.179
8.	TRIM - Centre pillar	14.730	24.	MAT - Rear floor	15.306
9.	WINDLACE - Front door opening	15.520	25.	COVER - Hand brake lever	4.608
10.	WINDLACE - Rear door opening	15.520	26.	GRIP - Hand brake lever	4.592
11.	HEADLINING ASSEMBLY	14.640	27.	PLATE - Front door scuff	11.175
12.	HOOK - Coat	14.651	28.	MAT - Front floor	15.286
13.	LACE - Rear window finish	14.650	29.	FASTENER - Panel cowl side lower trim	14.630
14.	FASTENER - Package tray trim	15.024	30.	TRIM ASSY. - Panel cowl side lower	14.630
15.	TRIM - Package tray	15.024	31.	COVER ASSY. - Front seat back	14.800
16.	TRIM - Rear quarter side lower	15.100	32.	COVER ASSY. - Front seat cushion	14.880

"HJ" PARTS CATALOGUE



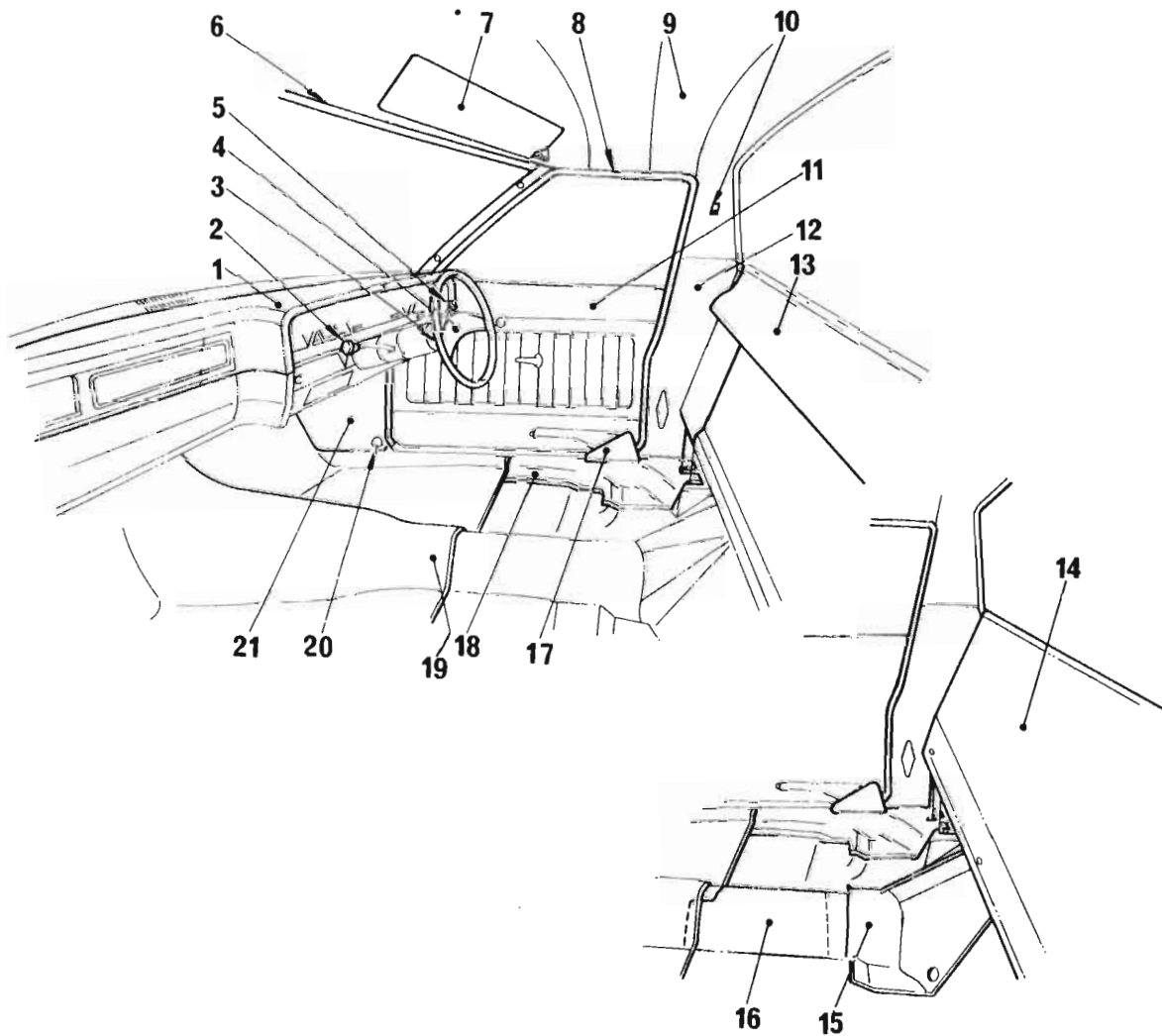
STATION WAGON TRIM

ILLUS. REF. NO.	PART NAME	GROUP	ILLUS. REF. NO.	PART NAME	GROUP
1.	PAD ASSY. - Instrument panel	14.655	19.	PLATE - Rear door scuff	11.179
2.	KNOB - Gearshift lever	4.009	20.	MAT - Rear floor	15.306
3.	WHEEL ASSY. - Steering	6.513	21.	COVER - Hand brake lever	4.608
4.	BAR ASSY. - Horn actuating	2.830	22.	GRIP - Hand brake lever	4.592
5.	KNOB - Turn signal lamp switch	2.897	23.	PLATE - Front door scuff	11.175
6.	LACE - Headlining trim front	14.650	24.	MAT - Front floor	15.286
7.	SUNVISOR ASSEMBLY	10.203	25.	FASTENER - Panel cowl side lower trim	14.630
8.	TRIM - Centre pillar	14.730	26.	TRIM ASSY. - Panel cowl side lower	14.630
9.	WINDLACE - Front door opening	15.520	27.	TRIM - Rear quarter side inner extension	15.100
10.	WINDLACE - Rear door opening	15.520	28.	FASTENER - Rear quarter side inner trim	15.100
11.	HEADLINING ASSEMBLY	14.640	29.	TRIM ASSY. - Rear quarter side inner	15.100
12.	HANDLE - Assist grip	15.390	30.	TRIM ASSY. - Wheelhouse	15.100
13.	HANDLE - Door remote control	10.512	31.	TRIM ASSY. - Tonneau floor side	15.308
14.	TRIM ASSY. - Rear door	14.760	32.	PANEL ASSY. - End gate trim	15.311
15.	TRIM ASSY. - Front door	14.685	33.	TRIM - Tonneau floor rear	15.308
16.	ARMREST ASSY - Front door	14.686	34.	TRIM - Tonneau floor front	15.308
17.	COVER ASSY. - Rear seat back	15.000	35.	TRIM - Tonneau floor front filler	15.308
18.	COVER ASSY. - Rear seat cushion	15.035	36.	TRIM ASSY. - Rear seat back	15.310



MONARO TRIM

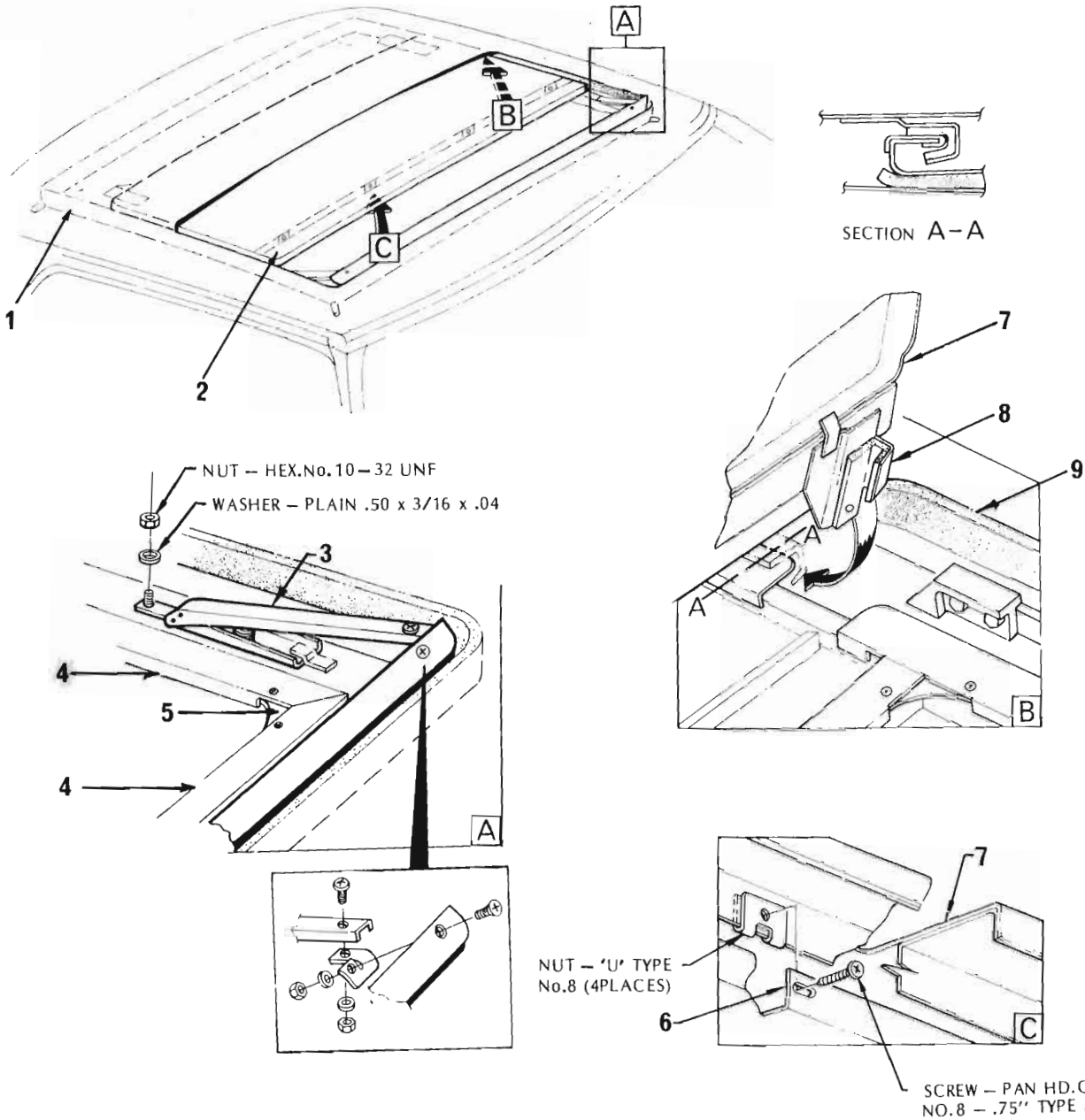
ILLUS. REF. NO.	PART NAME	GROUP	ILLUS. REF. NO.	PART NAME	GROUP
1.	PAD - Instrument panel	14.655	14.	TRIM ASSY. - Rear quarter	15.100
2.	WHEEL ASSY. - Steering	6.513	15.	FASTENER - Package tray trim	15.024
3.	EMBLEM & BUTTON ASSY.	2.820	16.	TRIM - Package tray	15.024
4.	KNOB - Turn signal lamp switch	2.897	17.	COVER ASSY. - Rear seat back	15.000
5.	LACE - Headlining trim front	14.650	18.	COVER ASSY. - Rear seat cushion	15.035
6.	SUN VISOR ASSY.	10.203	19.	CARPET - Rear floor	15.306
7.	WINDLACE - Door opening	15.520	20.	PLATE - Door scuff	11.175
8.	HEADLINING ASSY.	14.460	21.	COVER - Hand brake lever	4.608
9.	HOOK - Coat	14.651	22.	CARPET - Front floor	15.286
10.	LACE - Rear window finish	14.650	23.	FASTENER - Panel cowl side lower trim	14.630
11.	ARMREST ASSY. - Front door	14.686	24.	TRIM ASSY. - Panel cowl side lower	14.630
12.	TRIM ASSY. - Front door	14.685	25.	COVER ASSY. - Front seat back	14.800
13.	WINDLACE - Rear quarter opening	15.520	26.	COVER ASSY. - Front seat cushion.	14.880



BUCKET SEATS

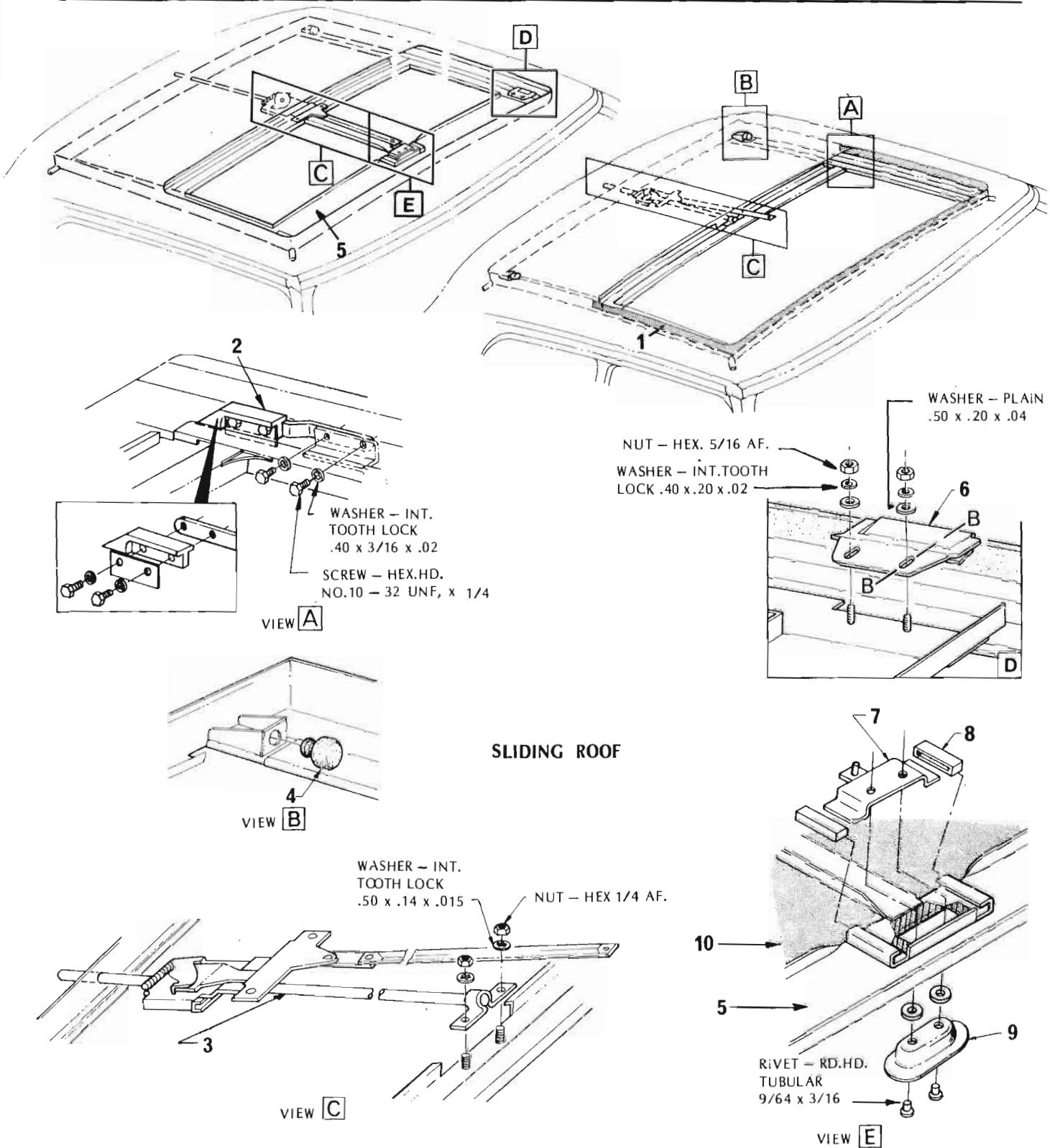
PANEL VAN, UTILITY, CHASSIS & CAB TRIM

ILLUS. REF. NO.,	PART NAME	GROUP	ILLUS. REF. NO.	PART NAME	GROUP
1.	PAD - Instrument panel	14.655	12.	TRIM ASSY. - Rear quarter lower	15.100
2.	KNOB - Gearshift lever	4.009	13.	TRIM ASSY. - Rear window to seat	15.024
3.	WHEEL ASSY. - Steering	6.513	14.	TRIM ASSY. - Seat back panel	15.025
4.	BAR ASSY. - Horn actuating	2.830	15.	TRIM ASSY. - Rear floor centre	15.306
5.	KNOB - Turn signal lamp switch	2.897	16.	MAT - Rear floor filler	15.306
6.	LACE - Headlining trim front	14.650	17.	COVER - Hand brake lever	4.608
7.	SUNVISOR ASSY.	10.203	18.	MAT - Rear floor	15.306
8.	WINDLACE - Front door opening	15.520	19.	MAT - Front floor	15.286
9.	HEADLINING ASSY.	14.640	20.	FASTENER - Panel cowl side lower trim	14.630
10.	HOOK - Seat belt storage	14.799	21.	TRIM ASSY. - Panel cowl side lower	14.630
11.	TRIM ASSY. - Front door	14.685			



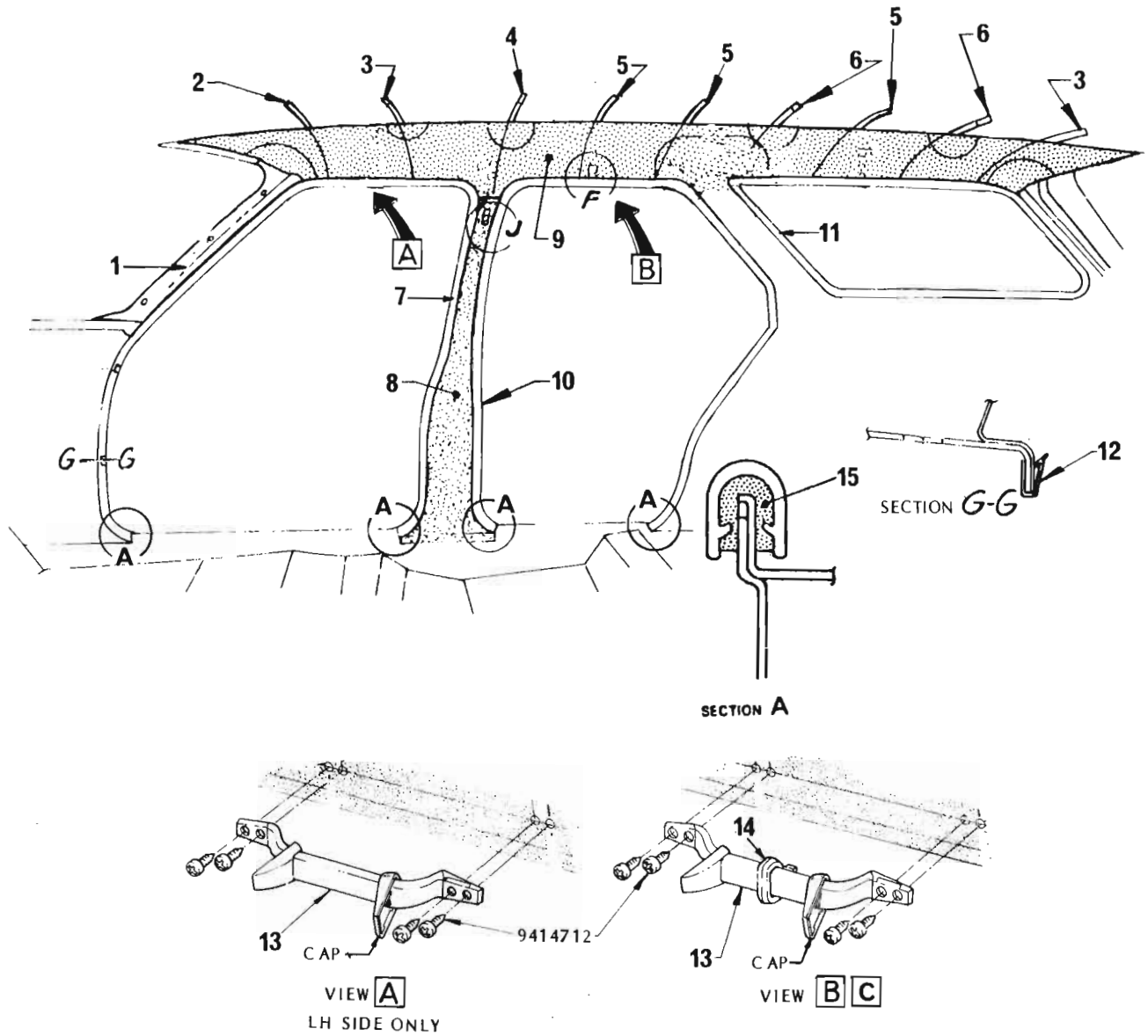
SLIDING ROOF

ILLUS. REF. NO.	PART NAME	GROUP
1.	WELDING PACKAGE	12.810
2.	PANEL - Sliding roof sliding (outer)	12.810
3.	DEFLECTOR ASSY. - Wind	12.810
4.	RETAINING STRIPS & CORNERS - Headlining	12.810
5.	FRAME ASSY. - Trim	12.810
6.	PANEL ASSY. - Canopy outer	12.810
8.	RUNNER - Trim frame	12.810
9.	SEAL - Canopy to roof	12.810



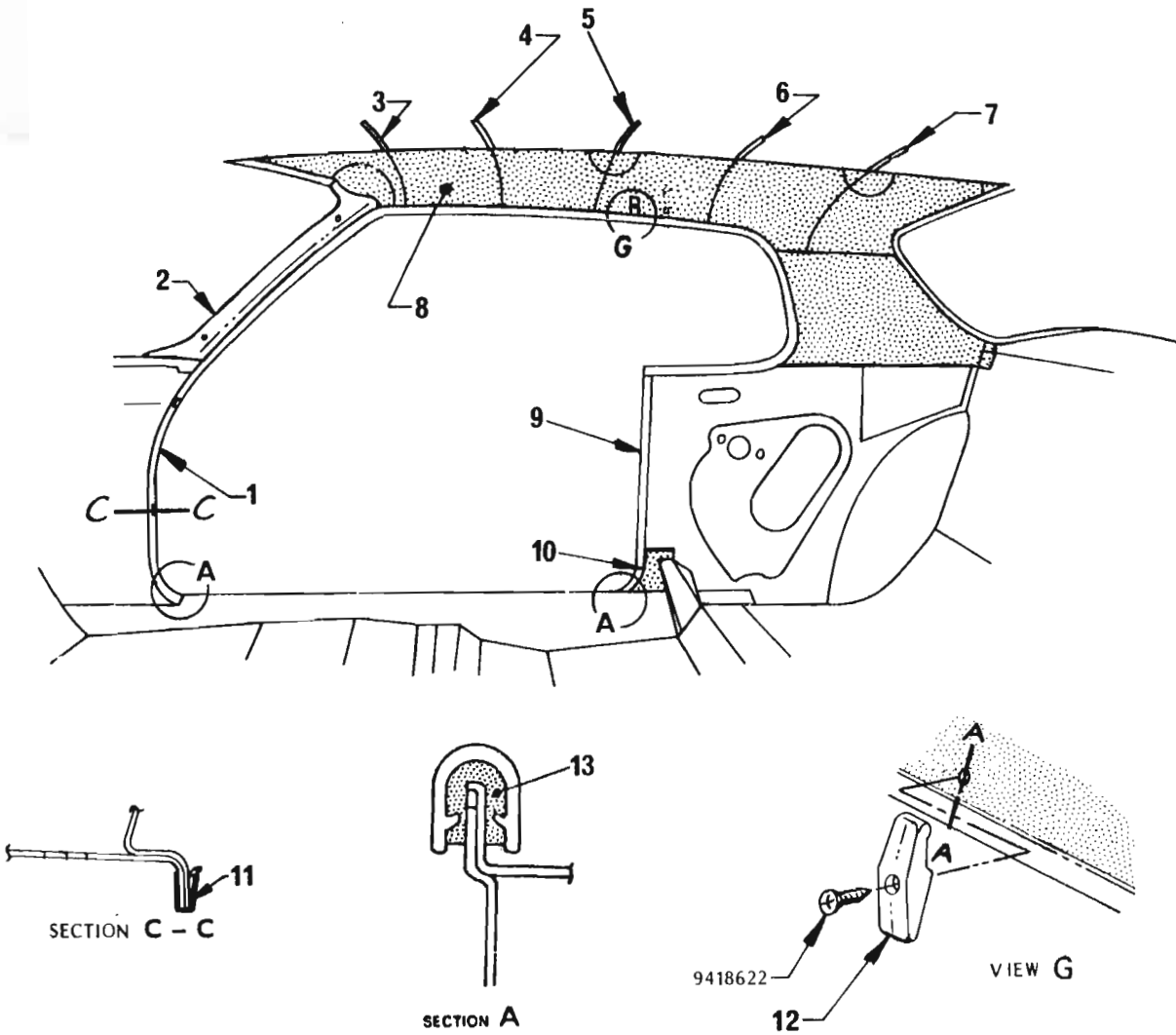
SLIDING ROOF

ILLUS. REF. NO.	PART NAME	GROUP	ILLUS. REF. NO.	PART NAME	GROUP
1.	SEAL - Canopy to roof	12.810	6.	RUNNER - Trim frame	12.810
2.	RAMP ASSEMBLY - Canopy	12.810	7.	SLIDE - Trim frame release	12.810
3.	LOCKING BAR & LOCK ASSEMBLY	12.810	8.	RUNNER - Trim frame release	12.810
4.	BUMPER	-	9.	HANDLE - Trim frame release	12.810
5.	FRAME ASSEMBLY - Trim	12.810	10.	TRIM - Sliding roof - inner	14.640



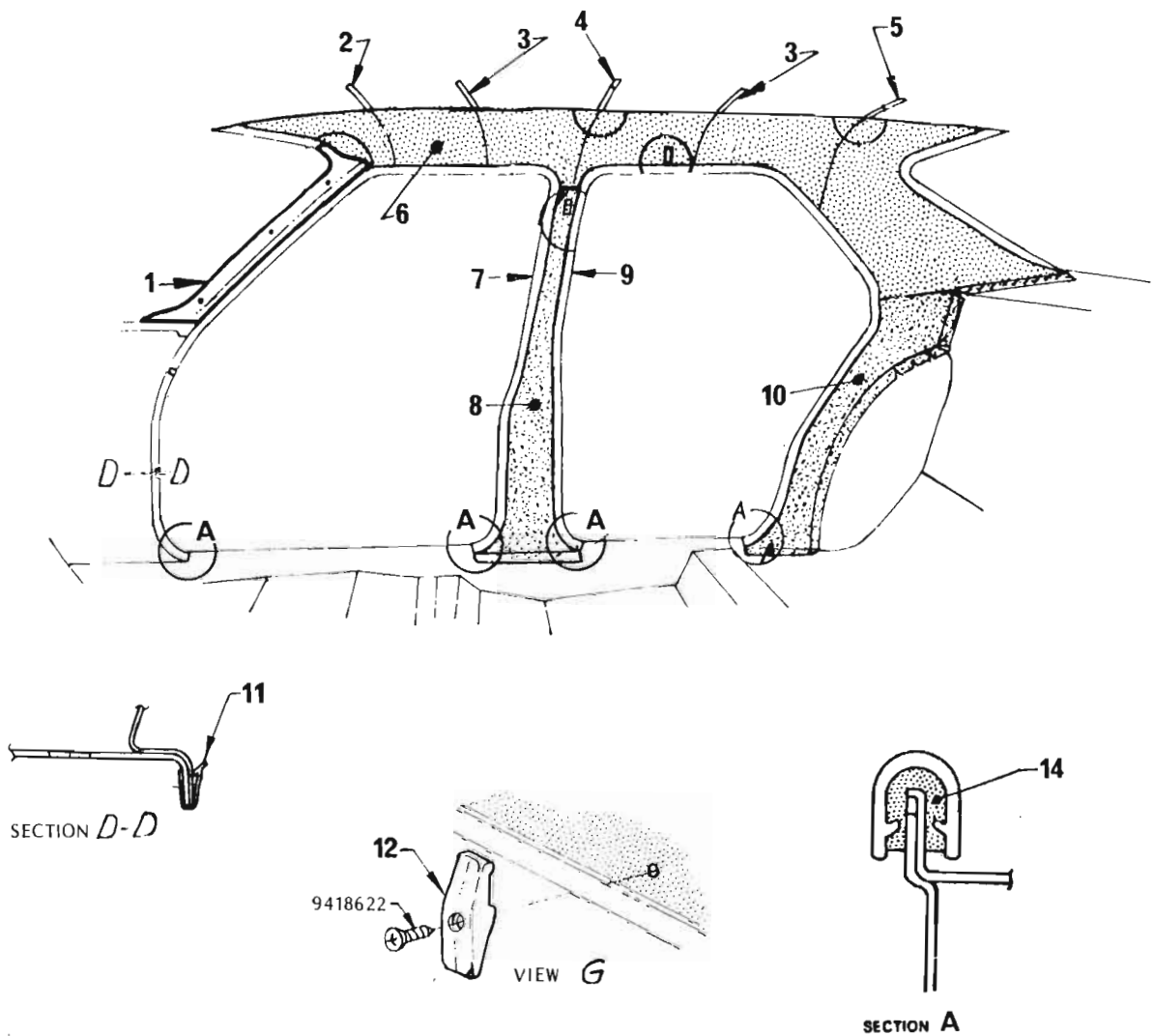
**HEADLINING, LISTING WIRES, WINDLACE & COAT HOOK
STATION WAGONS – BODY STYLE 35**

ILLUS. REF. NO.	PART NAME	GROUP	ILLUS. REF. NO.	PART NAME	GROUP
1.	PANEL – Front body pillar garnish	10.051	9.	HEADLINING	14.640
2.	WIRE – Headlining listing No. 1	12.955	10.	WINDLACE – Door opening – rear	15.520
3.	WIRE – Headlining listing Nos. 2 & 9	12.955	11.	CHANNEL – Side glass	11,015
4.	WIRE – Headlining listing No. 3	12.955	12.	CLIP – Windlace	15.520
5.	WIRE – Headlining listing No. 4,5 & 7	12.955	13.	HANDLE – Assist grip	15.390
6.	WIRE – Headlining listing Nos. 6 & 8	12.955	14.	HOOK – Coat	14.651
7.	WINDLACE – Door opening – front	15.520	15.	PAD – Door opening windlace	15.520
8.	TRIM – Centre Pillar	14.730			



HEADLINING, LISTING WIRES, WINDLACE & COAT HOOK
COUPES – BODY STYLE 37

ILLUS. REF. NO.	PART NAME	GROUP	ILLUS. REF. NO.	PART NAME	GROUP
1.	WINDLACE – Door opening – front	15.520	7.	WIRE – Headlining listing No. 5	12.955
2.	PANEL – Front body pillar garnish	10.051	8.	HEADLINING	14.640
3.	WIRE – Headlining listing No. 1	12.955	9.	WINDLACE – Rear quarter opening	15.520
4.	WIRE – Headlining listing No. 2	12.955	10.	TRIM – Rear quarter – lower	15.100
5.	WIRE – Headlining listing No. 3	12.955	11.	CLIP – Windlace	15.520
6.	WIRE – Headlining listing No. 4	12.955	12.	HOOK – Coat	14.651
			13.	PAD – Door opening windlace	15.520

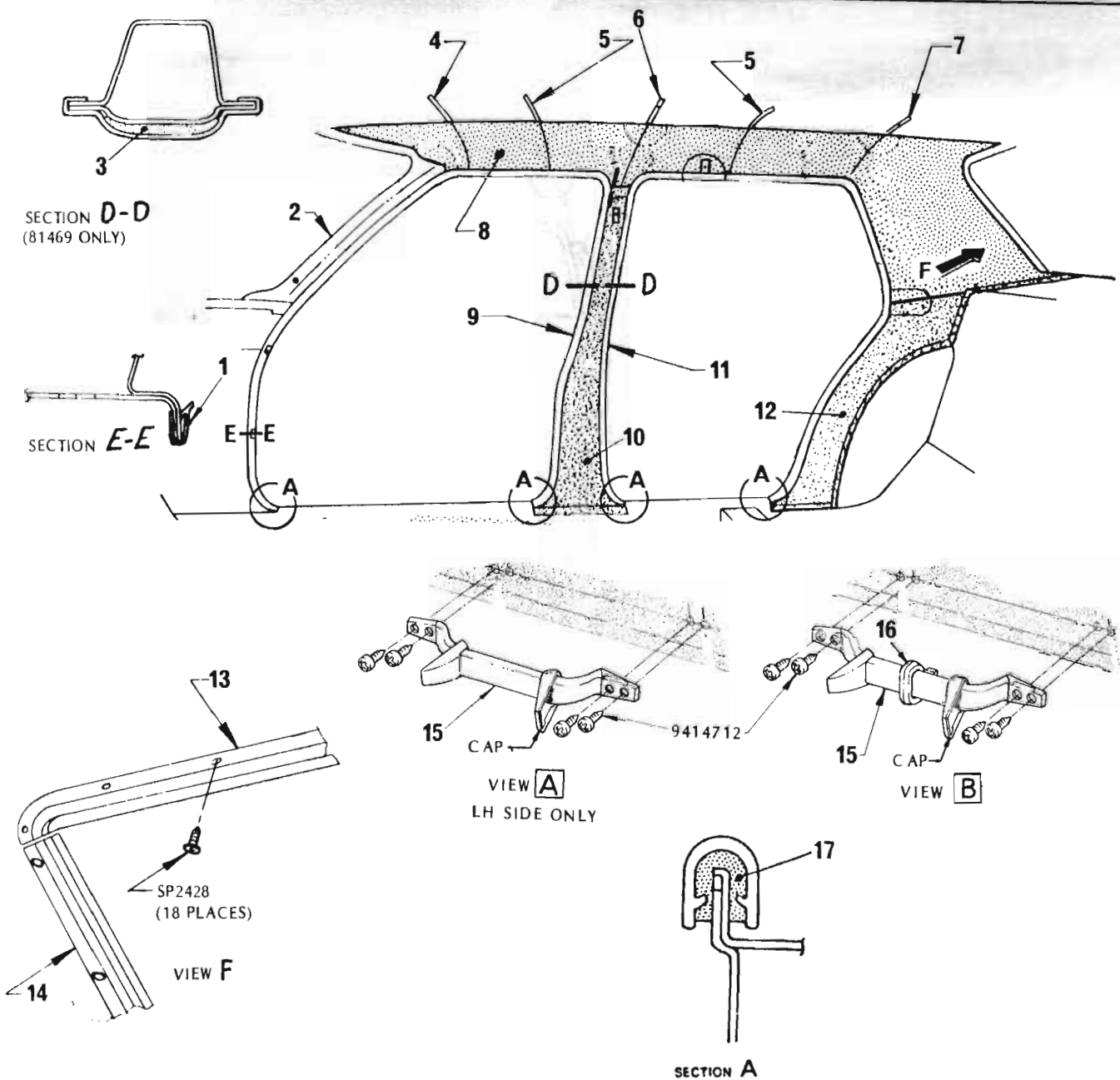


HEADLINING, LISTING WIRES, WINDLACE & COAT HOOK

SEDANS - BODY STYLE 69

Exc. STATESMAN

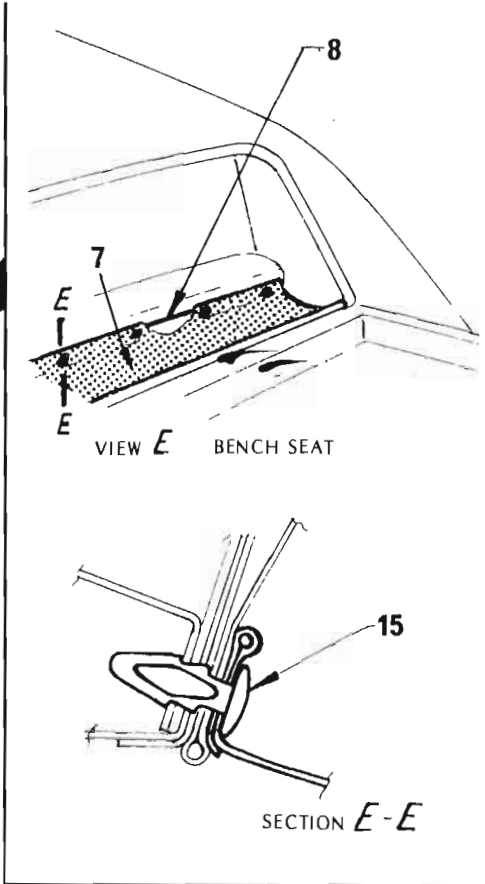
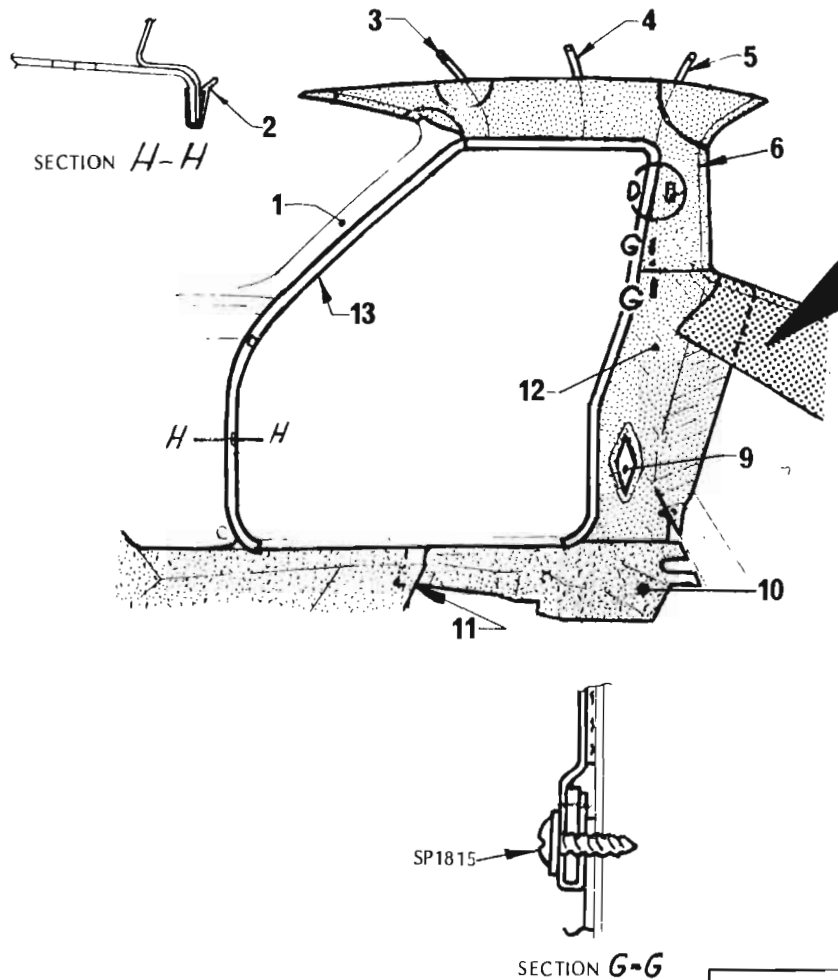
ILLUS. REF. NO.	PART NAME	GROUP	ILLUS. REF. NO.	PART NAME	GROUP
1.	PANEL - Front body pillar garnish	10.051	8.	TRIM - Centre pillar	14.730
2.	WIRE - Headlining listing No. 1	12.955	9.	WINDLACE - Door opening - rear	15.520
3.	WIRE - Headlining listing - Nos. 2 & 4 ..	12.955	10.	TRIM - Rear quarter side - lower	15.100
4.	WIRE - Headlining listing - No. 3	12.955	11.	CLIP - Windlace	15.520
5.	WIRE - Headlining listing - No. 5	12.955	12.	HOOK - Coat	14.651
6.	HEADLINING	14.640	13.	HOOK - Seat belt stowage	14.799
7.	WINDLACE - Door opening - front	15.520	14.	PAD - Door opening windlace	15.520



HEADLINING, LISTING WIRES, WINDLACE & COAT HOOK

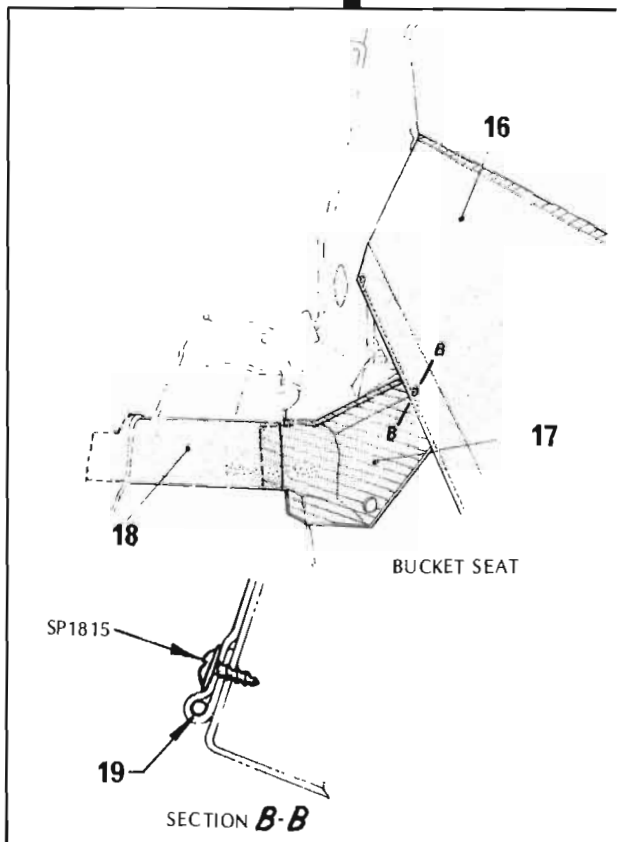
STATESMAN

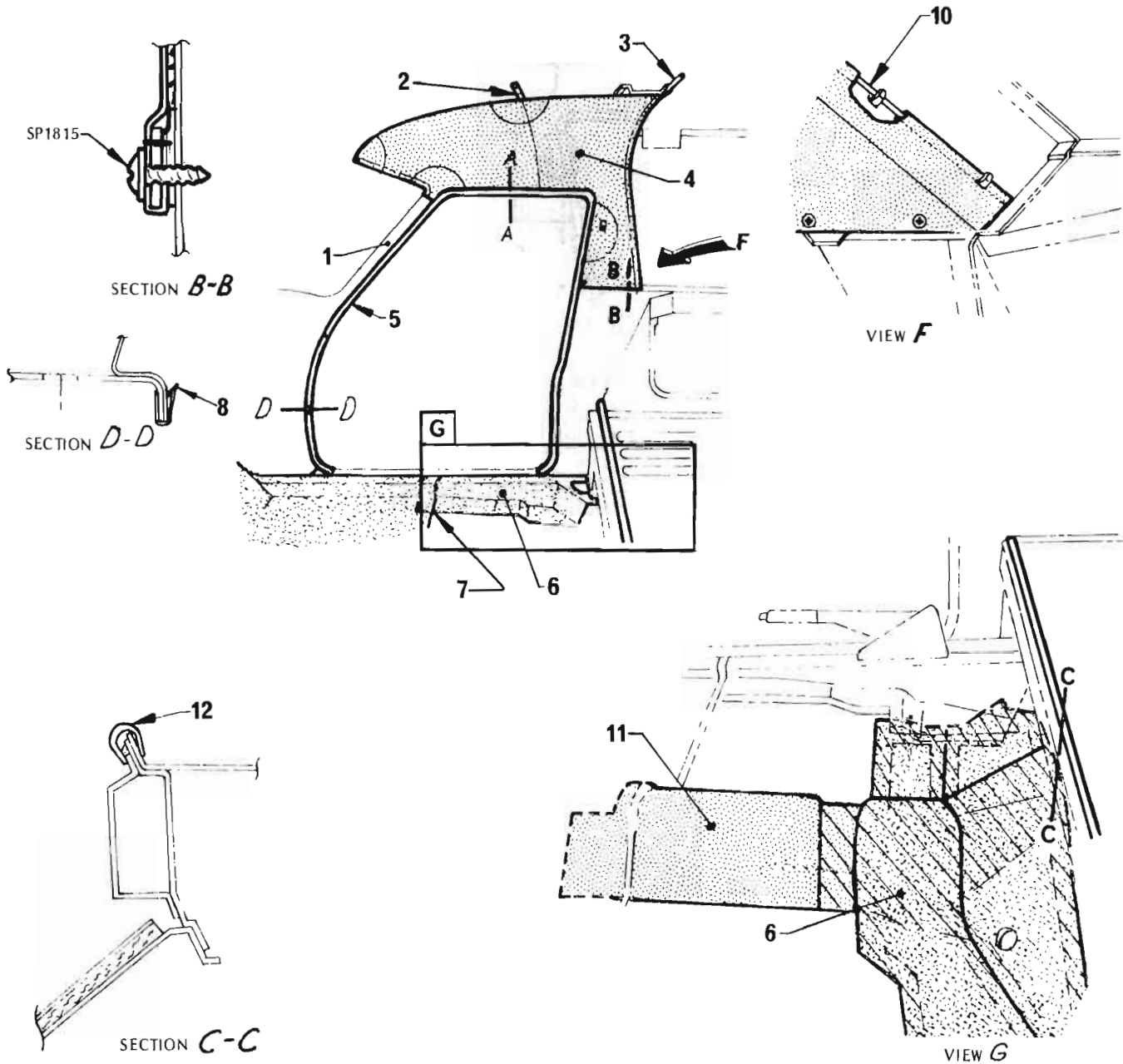
ILLUS. REF. NO.	PART NAME	GROUP	ILLUS. REF. NO.	PART NAME	GROUP
1.	CLIP - Windlace	15.520	10.	TRIM - Centre pillar	14.730
2.	PANEL - Front body pillar garnish	10.051	11.	WINDLACE - Door opening - rear	15.520
3.	PAD - Centre pillar trim	14.731	12.	TRIM - Rear quarter side - lower	15.100
4.	WIRE - Headlining listing No. 1	12.955	13.	RETAINER - Headlining trim rear upper	14.651
5.	WIRE - Headlining listing Nos. 2 & 4	12.955	14.	RETAINER - Headlining trim rear	14.651
6.	WIRE - Headlining listing No. 3	12.955	15.	HANDLE - Assist grip	15.390
7.	WIRE - Headlining listing No. 5	12.955	16.	HOOK - Coat	14.691
8.	HEADLINING	14.640	17.	PAD - Door opening windlace	15.520
9.	WINDLACE - Door opening - front	15.520			



**HEADLINING, LISTING WIRES & COAT HOOK
CHASSIS & CAB – BODY STYLE 60
UTILITY – BODY STYLE 80**

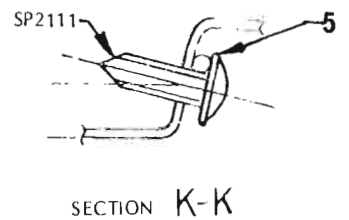
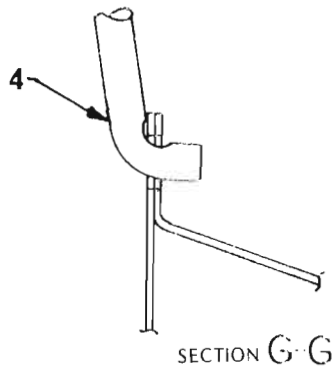
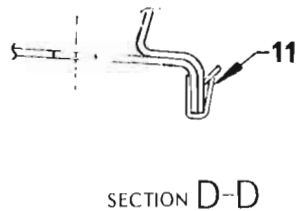
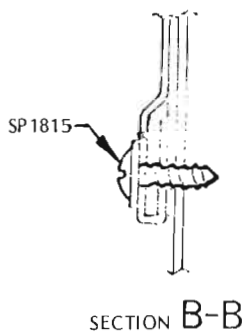
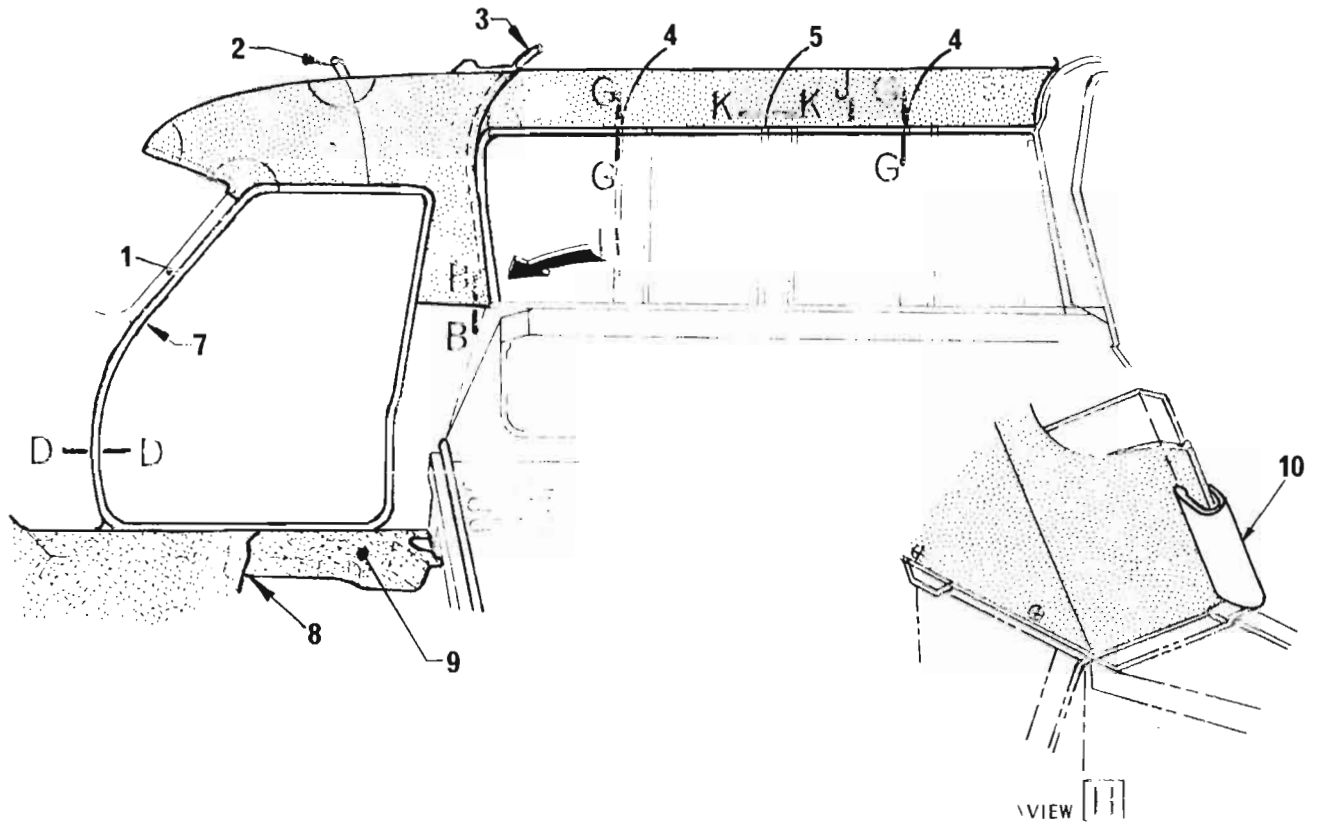
ILLUS. REF. NO.	PART NAME	GROUP
1.	PANEL – Front body pillar garnish	10.051
2.	CLIP – Windlace	15.520
3.	WIRE – Headlining listing No.1	12.955
4.	WIRE – Headlining listing No.2	12.955
5.	WIRE – Headlining listing No.3	12.955
6.	HEADLINING	14.640
7.	TRIM – Rear window to seat	15.024
8.	RETAINER – Rear window seat trim	15.024
9.	VALVE – Pressure relief	12.942
10.	MAT – Rear floor	15.306
11.	MAT – Front floor	15.286
12.	TRIM – Rear quarter lower	15.100
13.	WINDLACE – Door opening – front	15.520
15.	FASTENER – Rear window to seat trim	15.024
16.	TRIM – Seat back panel	15.025
17.	TRIM – Rear floor centre	15.306
18.	MAT – Rear floor filler	15.306
19.	RETAINER – Seat back panel	15.025





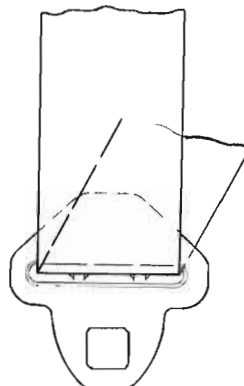
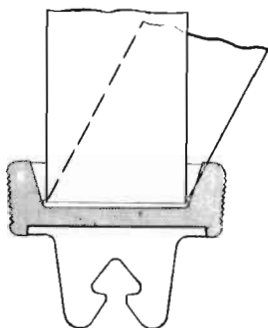
**HEADLINING, LISTING WIRES & COAT HOOK
PANEL VAN – BODY STYLE 70**

ILLUS. REF NO.	PART NAME	GROUP
1.	PANEL – Front body pillar garnish	10.051
2.	WIRE – Headlining listing No. 1	12.955
3.	WIRE – Headlining listing No. 2	12.955
4.	HEADLINING	14.640
5.	WINDLACE – Door opening front	15.520
6.	MAT – Rear floor	15.306
7.	MAT – Front floor	15.286
8.	CLIP – Windlace	15.520
10.	WIRE – Headlining listing – rear edge	12.955
11.	TRIM – Rear floor	15.306
12.	LACE – Front floor finishing	12.580



**FULL LENGTH HEADLINING, LISTING WIRES & WINDLACE
PANEL VAN — BODY STYLE 70**

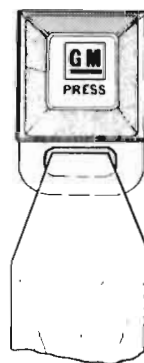
ILLUS. REF. NO.	PART NAME	GROUP	ILLUS. REF. NO.	PART NAME	GROUP
1.	PANEL — Front body pillar garnish	10.051	7.	WINDLACE — Door opening — front	15.520
2.	WIRE — Headlining listing No. 1	12.955	8.	MAT/CARPET — Front floor	15.286
3.	WIRE — Headlining listing No. 2	12.955	9.	MAT — Rear floor	15.306
4.	WIRE — Headlining listing Nos. 3 & 5	12.955	10.	LACE — Headlining trim side	14.650
5.	WIRE — Headlining listing No. 4	12.955	11.	CLIP — Windlace	15.520
6.	HEADLINING	14.640			



A

B

COOLDRIVE FITTINGS



A

B

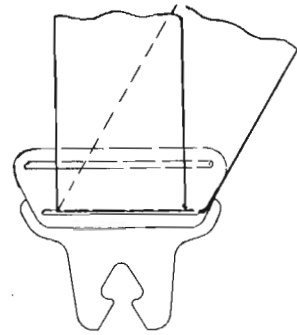
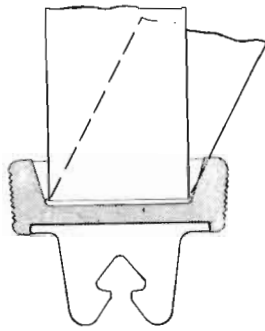
RAINSFORD FITTINGS

SEAT BELT IDENTIFICATION

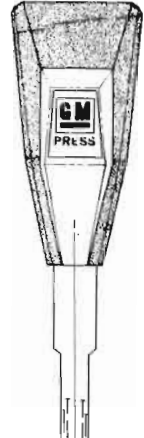
USED PRIOR TO JANUARY, 1975

NOTE: (A) FRONT SEAT RETRACTABLE BELTS, REFER GROUP 14.798

(B) REAR SEAT BELTS, REFER GROUP 15.040



A B
COOLDRIVE FITTINGS



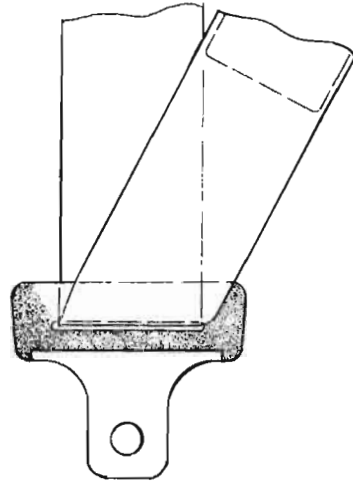
A B
RAINSFORD FITTINGS
ESSEM FITTINGS
KANGOL FITTINGS

SEAT BELT IDENTIFICATION

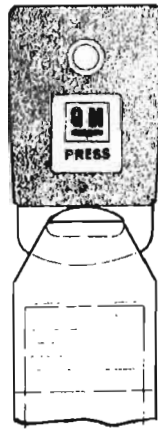
USE FROM JANUARY 1ST. 1975 (A.D.R.4C)

NOTE: (A) FRONT SEAT RETRACTABLE BELTS, REFER GROUP 14.798

(B) REAR SEAT BELTS, REFER GROUP 15.040



A



B

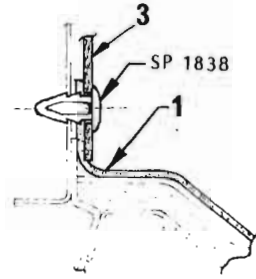
TRW FITTINGS

SEAT BELT IDENTIFICATION

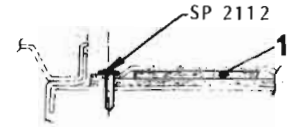
USE FROM JANUARY 1ST. 1975 (A.D.R.4C)

NOTE: (A) FRONT SEAT RETRACTABLE BELTS, REFER GROUP 14.798

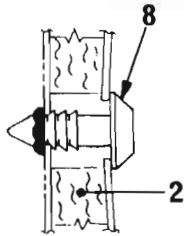
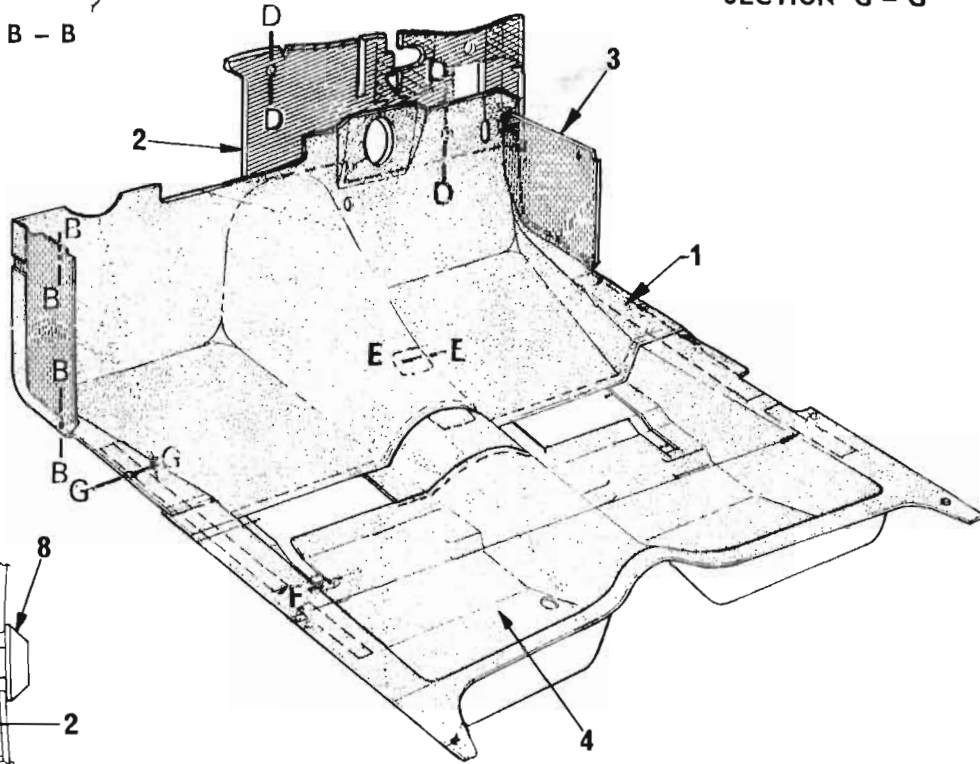
(B) REAR SEAT BELTS, REFER GROUP 15.040.



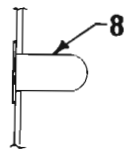
SECTION B - B



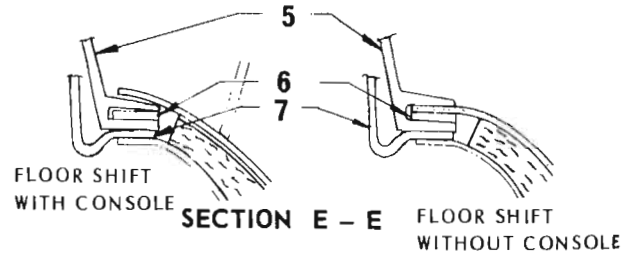
SECTION G - G



SECTION D - D
2 PLACES ALL MODELS
EXC. 60,70,80

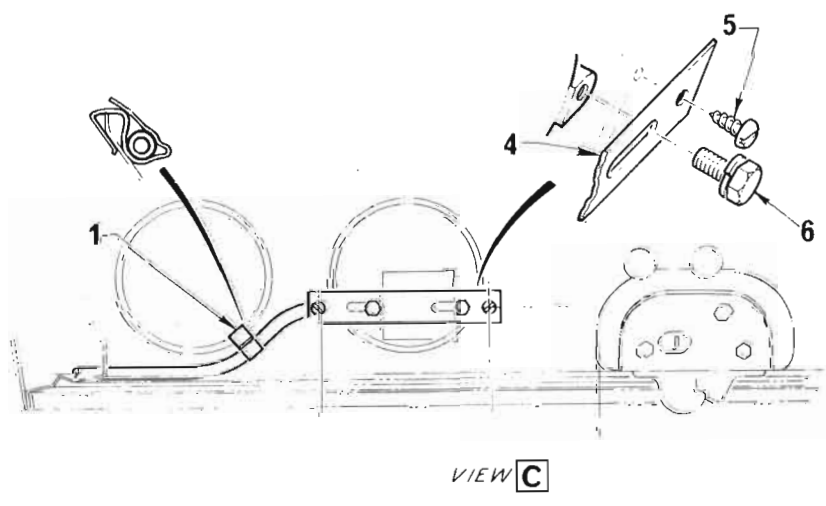
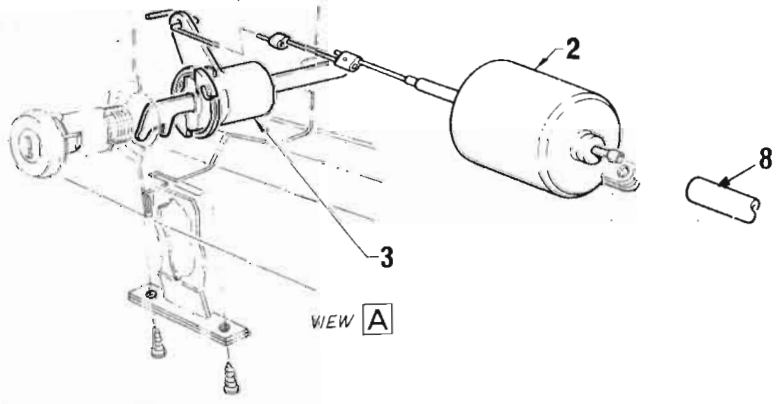
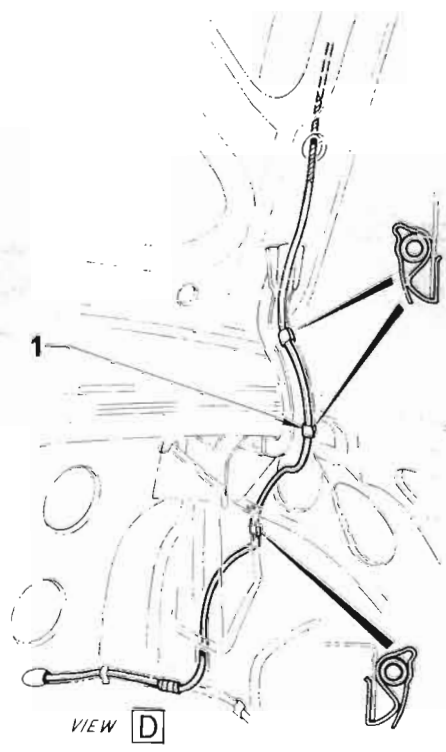
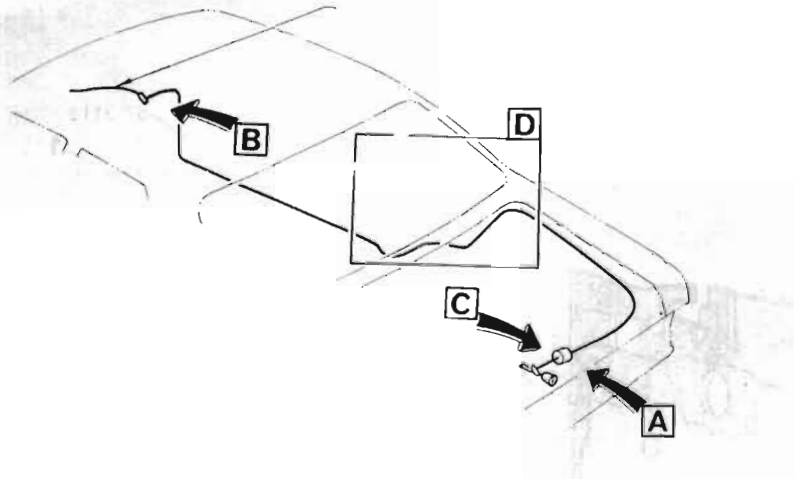


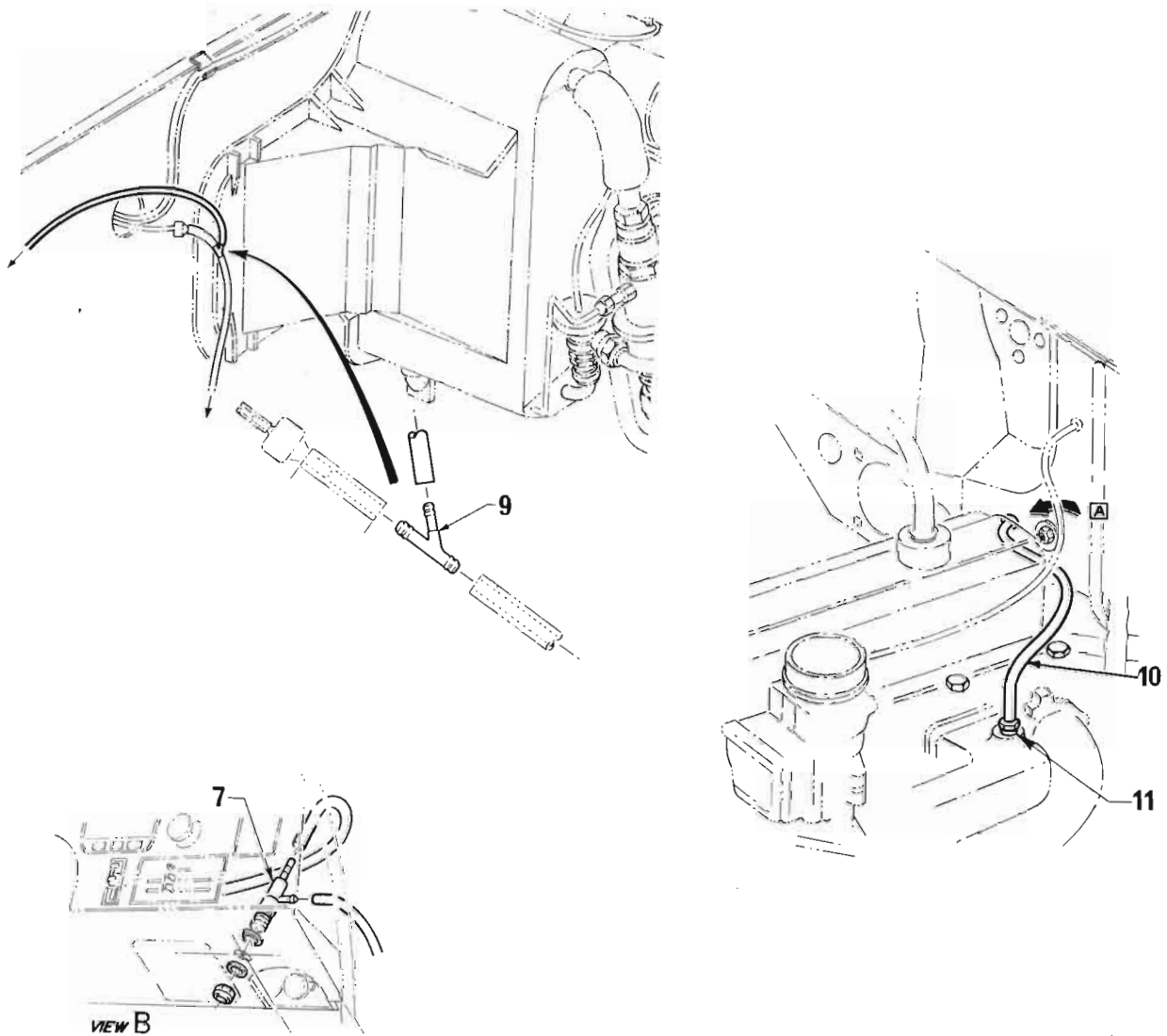
SECTION D - D
2 PLACES FOR 60,70,80



FLOOR MATS AND CARPET

ILLUS. REF. NO.	PART NAME	GROUP
1.	MAT/CARPET - Front floor	15.286
2.	INSULATOR - Dash panel	15.280
3.	TRIM - Cowl side panel	14.630
4.	MAT/CARPET - Rear floor	15.286
5.	BOOT - Gearshift control lever	4.015
6.	RETAINER - Gearshift control lever boot	4.015
7.	SEAL - Gearshift control lever	4.015
8.	FASTENER - Dash panel insulator	15.282

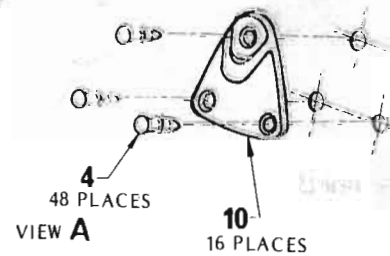
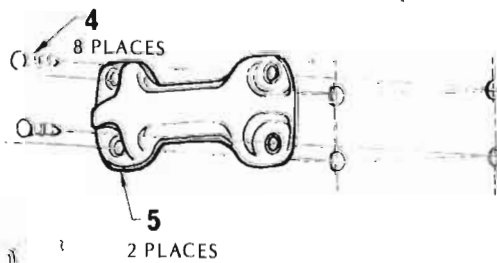
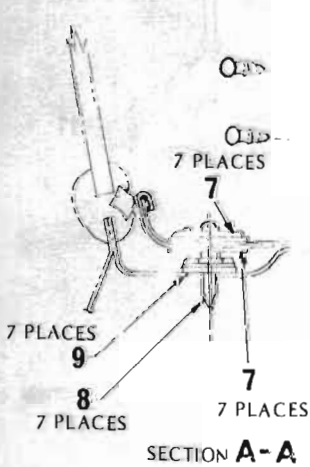
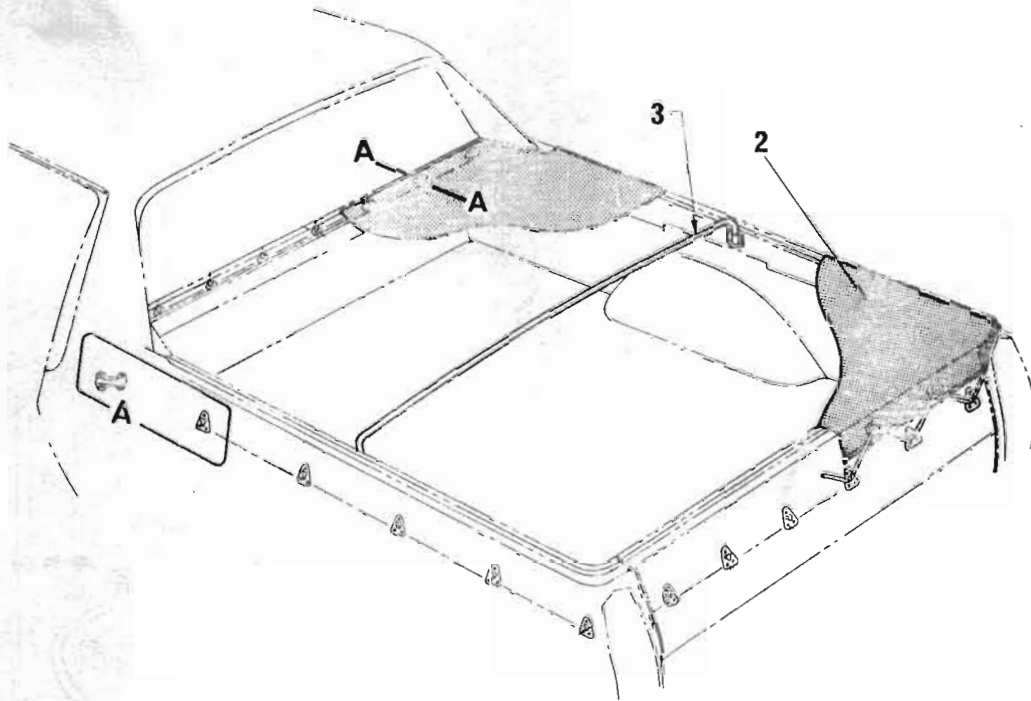




REAR COMPARTMENT LID LOCK

ILLUSTRATION ABOVE & OPPOSITE

ILLUS. REF. NO.	PART NAME	GROUP
1.	CLIP - Vacuum hose	12.243
2.	SOLENOID ASSEMBLY - Vacuum	12.243
3.	CLUTCH ASSY. - Vacuum lock	12.243
4.	PLATE - Vacuum solenoid mounting	12.243
5.	SCREW - Plate attaching	12.243
6.	SCREW - Solenoid attaching	12.243
7.	SWITCH ASSEMBLY - Vacuum	12.243
8.	HOSE - Solenoid attaching	12.243
9.	CONNECTOR - 3 way	12.243
10.	HOSE - Manifold attaching	12.243
11.	ADAPTOR - Vacuum pipe	3.265



TONNEAU COVER — BODY STYLE 80

ILLUS. REF. NO.	PART NAME	GROUP
1.	CORD — Lashing	12.196
2.	COVER — Tonneau	12.196
3.	SUPPORT — Cover	12.196
4.	PIN — Lashing hook	12.196
5.	CLEAT — Lashing	12.196
6.	SOCKET — Type 'D' fastener	12.196
7.	PLATE — Socket	12.196
8.	STUD — No. 10 x .38"	12.196
9.	WASHER — Stud insulating	12.196
10.	HOOK — Lashing	12.196

GROUP	DESCRIPTION	SIDE	PART No.	QTY.	BODY STYLE	M	N	P	Q	S	T
10.001	BODY ASSEMBLY – Complete										
	Current production body assemblies complete with trim will be supplied on a Firm Order basis.										
10.002	BODY SHELL – Less Doors and Deck Lid (In Prime)										
	BODY SHELL		9932644	1	35	X	X	X			
	BODY SHELL		9932645	1	37		X	X			
	BODY SHELL		9932646	1	37				X		
	BODY SHELL		9932649	1	60	X					
	BODY SHELL		9932642	1	69	X	X	X	X		
	BODY SHELL		9932643	1	69					X	X
	BODY SHELL		9932647	1	70	X					
	BODY SHELL		9932648	1	80	X	X				
10.027	GLASS – Windshield										
	GLASS – Armour Plate		2810347	1	35,60,69,70,80	X	X	X	X	X	
	GLASS – Laminated		2825815	1	35,60,69,70,80	X	X	X	X	X	
	GLASS – Laminated Tinted		2825822	1	35,60,69,70,80	X	X	X	X	X	X
	GLASS – Armour Plate		2810348	1	37		X	X	X		
	GLASS – Laminated		2825816	1	37		X	X	X		
	GLASS – Laminated Tinted		2825823	1	37		X	X	X		
10.051	PANEL – Front Body Pillar Garnish										
	PANEL	LH	9931047	1	35,60,69,70,80	X	X	X	X	X	X
	PANEL	RH	9931046	1	35,60,69,70,80	X	X	X	X	X	X
	PANEL	LH	9931049	1	37		X	X	X		
	PANEL	RH	9931048	1	37		X	X	X		
10.093	MOULDING – Windshield Reveal										
	MOULDING – Upper	LH	2811175	1	35,60,69,70,80	X	X	X	X	X	X
	MOULDING – Upper	RH	2811176	1	35,60,69,70,80	X	X	X	X	X	X
	MOULDING – Upper	LH	2813641	1	37		X	X	X		
	MOULDING – Upper	RH	2813642	1	37		X	X	X		
	MOULDING – Lower	LH	2811999	1	ALL	X	X	X	X	X	X
	MOULDING – Lower	RH	2812000	1	ALL	X	X	X	X	X	X
	MOULDING – Side	LH	2810357	1	35,60,69,70,80	X	X	X	X	X	X
	MOULDING – Side	RH	2810356	1	35,60,69,70,80	X	X	X	X	X	X
	MOULDING – Side	LH	2813643	1	37		X	X	X		
	MOULDING – Side	RH	2813644	1	37		X	X	X		
	CLIP – Upper Moulding to Roof (Stud Type)		8736585	6-8	ALL	X	X	X	X	X	X
	CLIP – Upper Moulding to Roof (Screw Type)		7434873	AR	ALL	X	X	X	X	X	X
	SCREW – Use with Clip No. 7434873		SP2192	AR	ALL	X	X	X	X	X	X
	CLIP – Lower Moulding to Front End (Stud Type)		8736585	10	ALL	X	X	X	X	X	X
	CLIP – Lower moulding to front end (Screw Type)		7434873	AR	ALL	X	X	X	X	X	X
	SCREW – Use with clip No. 7434873		SP2192	AR	ALL	X	X	X	X	X	X
	SCREW – Moulding retainer		SP2192	8	35,60,69,70,80	X	X		X	X	X
	SCREW – Moulding retainer		SP2192	2	37		X	X	X		
10.146	BLADE ASSEMBLY – Windshield Wiper										
	BLADE ASSEMBLY		2814770	2	ALL	X	X	X	X	X	X
	VERTEBRA & RUBBER INSERT		VS11834	2	ALL	X	X	X	X	X	X
10.147	ARM ASSEMBLY – Windshield Wiper										
	ARM ASSEMBLY		2815472	1	ALL	X	X	X	X	X	X
	ARM & ACTUATING LINK ASSY.		2815518	1	ALL	X	X	X	X	X	X
	CLIP – Lock		VS12250	1	ALL	X	X	X	X	X	X

"HJ" PARTS CATALOGUE

GROUP	DESCRIPTION	SIDE	PART No.	QTY.	BODY STYLE	M	N	P	Q	S	T
10.150 MOTOR ASSEMBLY – Windshield Wiper											
	MOTOR ASSEMBLY(Lucas)		2817695	1	ALL	X	X	X	X	X	X
	NOTE: Preslite Motor 2817696 and Lucas Motor 2817695 fitted optionally in production.										
	ARMATURE ASSEMBLY(Preslite)		VS11958	1	ALL	X	X	X	X	X	X
	BALL - Armature thrust(Preslite)		VS10285	1	ALL	X	X	X	X	X	X
	BOLT - Through(Preslite)		VS11957	2	ALL	X	X	X	X	X	X
	CONE - Armature thrust(Preslite)		7421381	1	ALL	X	X	X	X	X	X
	CRANK ASSEMBLY(Preslite)		VS11942	1	ALL	X	X	X	X	X	X
	FINGER - Earth(Preslite)		VS11950	1	ALL	X	X	X	X	X	X
	GEAR & SHAFT ASSEMBLY(Preslite)		VS11945	1	ALL	X	X	X	X	X	X
	HOUSING - Armature(Preslite)		VS11955	1	ALL	X	X	X	X	X	X
	HOUSING ASSEMBLY Gear(Preslite)		VS11959	1	ALL	X	X	X	X	X	X
	NUT - Crank retaining(Preslite)		7429033	1	ALL	X	X	X	X	X	X
	PAD - Armature thrust(Preslite)		VS10286	1	ALL	X	X	X	X	X	X
	PIN - Pump retaining(Preslite)		VS11953	2	ALL	X	X	X	X	X	X
	RING - Pump retaining pin(Preslite)		VS11943	2	ALL	X	X	X	X	X	X
	SCREW - Pump retaining(Preslite)		VS10280	2	ALL	X	X	X	X	X	X
	SCREW - Earth finger(Preslite)		VS11951	1	ALL	X	X	X	X	X	X
	SPRING - Pump retaining pin(Preslite)		VS11944	2	ALL	X	X	X	X	X	X
	STRAP - Earth(Preslite)		VS11941	1	ALL	X	X	X	X	X	X
	TERMINAL BLOCK ASSEMBLY(Preslite)		VS11947	1	ALL	X	X	X	X	X	X
	WASHER - Pump retaining screw, flat(Preslite)		VS11948	2	ALL	X	X	X	X	X	X
	WASHER - Pump ret. screw, dished(Preslite)		VS11949	2	ALL	X	X	X	X	X	X
	WASHER - Gear and shaft flat(Preslite)		7425272	2	ALL	X	X	X	X	X	X
	WASHER - Gear and shaft wave(Preslite)		7429031	1	ALL	X	X	X	X	X	X
	ARMATURE ASSEMBLY(Lucas)		VS11849	1	ALL	X	X	X	X	X	X
	BEARING SET - Commutator end(Lucas)		VS10657	1	ALL	X	X	X	X	X	X
	BEARING SET - Yoke(Lucas)		VS11848	1	ALL	X	X	X	X	X	X
	BRUSH GEAR(Lucas)		VS11843	1	ALL	X	X	X	X	X	X
	BRUSH SET(Lucas)		VS11844	1	ALL	X	X	X	X	X	X
	CONTACT - Earth(Lucas)		VS11859	1	ALL	X	X	X	X	X	X
	GEAR & SHAFT ASSEMBLY(Lucas)		VS11864	1	ALL	X	X	X	X	X	X
	CRANK ASSEMBLY(Lucas)		VS11865	1	ALL	X	X	X	X	X	X
	SCREW - Cover attaching(Lucas)		VS10562	4	ALL	X	X	X	X	X	X
	SCREW - Thrust(Lucas)		VS11852	1	ALL	X	X	X	X	X	X
	SPRING SET - Brush(Lucas)		VS11845	1	ALL	X	X	X	X	X	X
	STRAP - Earth(Lucas)		VS11862	1	ALL	X	X	X	X	X	X
	TERMINAL - Switch(Lucas)		VS11858	1	ALL	X	X	X	X	X	X
10.152 PLATE, SEAL, INSULATOR – Windshield Wiper Motor Mounting											
	PLATE - Seal Retainer		2815470	1	ALL	X	X	X	X	X	X
	SEAL - Motor to Dash Panel		2815469	1	ALL	X	X	X	X	X	X
	INSULATOR		7432748	3	ALL	X	X	X	X	X	X
	RETAINER - Insulator		7432326	3	ALL	X	X	X	X	X	X
10.159 LINK ASSEMBLY – Windshield Wiper											
	LINK & PIVOT ASSEMBLY	LH	2819601	1	ALL	X	X	X	X	X	X
		RH	2819600	1	ALL	X	X	X	X	X	X
	SCREW		SP2119	3	ALL	X	X	X	X	X	X
10.160 CLIP – Windshield Drive Link Retainer											
	CLIP		SP2383	1	ALL	X	X	X	X	X	X
10.161 SEAL – Windshield Wiper Pivot											
	SEAL		9933363	1	ALL	X	X	X	X	X	X
10.163 SWITCH ASSEMBLY – Windshield Wiper											
	SWITCH ASSEMBLY		9932586	1	ALL	X	X	X	X	X	X

BODY

"HJ" PARTS CATALOGUE

GROUP	DESCRIPTION	SIDE	PART No.	QTY.	BODY STYLE	M	N	P	Q	S	T
10.185 MIRROR ASSEMBLY – Rear Vision											
	MIRROR ASSEMBLY – Interior, Plain		2816950	1	35, 37, 69, 80	X	X				
	MIRROR ASSEMBLY – Interior, Plain		2816950	1	60, 70	X					
	MIRROR ASSEMBLY – Interior Anti Glare		7430042	1	35, 37, 69			X	X	X	X
	MIRROR ASSEMBLY – Interior Anti Glare		7430042	1	ALL	X	X				
	SCREW – Mirror Pivot		7432145	1	ALL	X	X	X	X	X	X
	MIRROR PACKAGE – Ext. LH Door mtg, Access.		2819324	1	Exc. 60	X	X	X	X	X	X
	MIRROR PACKAGE – Ext. RH door mtg		M37196	1	Exc. 60	X	X	X	X	X	X
	MIRROR – Exterior		2817539	1-2	Exc. 60	X	X	X	X		
	MIRROR PACKAGE – Ext. Remote Control		2822896	1	Exc. 60	X	X	X	X	X	X
	MIRROR – Exterior		2823480	2	60	X					
	REINFORCEMENT – Mirror		2823271	2	60	X					
10.187 SUPPORT – Rear Vision Mirror											
	SUPPORT – Interior Mirror		7434996	1	35, 69, 80	X	X	X	X	X	X
	SUPPORT – Interior Mirror		7434996	1	60, 70	X					
	SUPPORT – Interior Mirror		2813886	1	37		X	X	X		
	PLATE – Support Mounting		7434998	1	35, 37, 69, 80	X	X	X	X	X	X
	PLATE – Support Mounting		7434998	1	60, 70	X					
	SUPPORT – Exterior Mirror – Door Mounting	LH	2818021	1	Exc. 60	X	X	X	X		
		RH	2818020	1	Exc. 60	X	X	X	X		
	PAD – Exterior mirror – Door mounting	LH	2818023	1	Exc. 60	X	X	X	X		
		RH	2818024	1	Exc. 60	X	X	X	X		
	BRACKET – Mounting		2818022	1-2	Exc. 60	X	X	X	X		
	SCREW – Bracket to Door		SP2284	2-4	Exc. 60	X	X	X	X		
	SCREW – Support to Bracket		SP2209	1-2	Exc. 60	X	X	X	X		
	NUT – Door Bracket		2820823	1-2	Exc. 60	X	X	X	X		
	SUPPORT – Exterior Mirror	LH	2823493	1	60	X					
		RH	2823494	1	60	X					
	GASKET – Support		7439253	2	60	X					
	SCREW – Support		SP2212	4	60	X					
10.203 SUN VISOR ASSEMBLY											
	VISOR ASSEMBLY	(Grey) LH	2823213DR	1	ALL	X					
		RH	2823214DR	1	ALL	X					
	VISOR ASSEMBLY	(Chamois) LH	2823213DV	1	ALL	X					
		RH	2823214DV	1	ALL	X					
	VISOR ASSEMBLY	(Gazelle) LH	2823213DW	1	ALL	X					
		RH	2823214DW	1	ALL	X					
	VISOR ASSEMBLY	(Grey) LH	2823213DR	1	35, 69, 80		X				
		RH	2823214DR	1	35, 69, 80		X				
	VISOR ASSEMBLY	(Black) LH	2823213BA	1	35, 69, 80		X				
		RH	2823214BA	1	35, 69, 80		X				
	VISOR ASSEMBLY	(Chamois) LH	2823213DV	1	35, 69, 80		X				
		RH	2823214DV	1	35, 69, 80		X				
	VISOR ASSEMBLY	(Jade) LH	2823213DU	1	35, 69, 80		X				
		RH	2823214DU	1	35, 69, 80		X				
	VISOR ASSEMBLY	(Gazelle) LH	2823213DW	1	35, 69, 80		X				
		RH	2823214DW	1	35, 69, 80		X				
	VISOR ASSEMBLY	(Grey) LH	2823213DR	1	37		X	X	X		
		RH	2823214DR	1	37		X	X	X		
	VISOR ASSEMBLY	(Black) LH	2823213BA	1	37		X	X	X		
		RH	2823214BA	1	37		X	X	X		
	VISOR ASSEMBLY	(Chamois) LH	2823213DV	1	37		X	X	X		
		RH	2823214DV	1	37		X	X	X		
	VISOR ASSEMBLY	(Jade) LH	2823213DU	1	37		X	X	X		
		RH	2823214DU	1	37		X	X	X		
	VISOR ASSEMBLY	(Gazelle) LH	2823213DW	1	37		X	X	X		
		RH	2823214DW	1	37		X	X	X		
	VISOR ASSEMBLY	(Grey) LH	2823215DR	1	35, 69			X	X	X	X
		RH	2823216DR	1	35, 69			X	X	X	X
	VISOR ASSEMBLY	(Black) LH	2823215BA	1	35, 69			X	X	X	X
		RH	2823216BA	1	35, 69			X	X	X	X

"HJ" PARTS CATALOGUE

GROUP	DESCRIPTION	SIDE	PART No.	QTY.	BODY STYLE	M	N	P	Q	S	T
10.203 SUN VISOR ASSEMBLY (contd.)											
	VISOR ASSEMBLY(Chamois)	LH	2823215DV	1	35, 69			X	X	X	X
		RH	2823216DV	1	35, 69			X	X	X	X
	VISOR ASSEMBLY(Jade)	LH	2823215DU	1	35, 69			X	X	X	X
		RH	2823216DU	1	35, 69			X	X	X	X
	VISOR ASSEMBLY(Gazelle)	LH	2823215DW	1	35, 69			X	X	X	X
		RH	2823216DW	1	35, 69			X	X	X	X
10.219 SUPPORT – Sun Visor (contd.)											
	SUPPORT and PIVOT ASSY.	LH	2814463	1	ALL	X	X	X	X	X	X
		RH	2814462	1	ALL	X	X	X	X	X	X
	SCREW – Sun Visor to Support Pivot Assy.		159908	2	ALL	X	X	X	X	X	X
10.222 MIRROR PACKAGE – Instrument Panel Compartment Vanity											
	MIRROR PACKAGE		2823599	1	ALL	X	X	X	X	X	X
10.230 PANEL – Instrument											
	PANEL – Instrument		9931044	1	ALL	X	X	X	X	X	X
	PANEL – Inst. control mounting		9932430	1	ALL	X	X	X	X	X	X
	<i>PANEL – Taxi Equip Package</i>		<i>9935580</i>								
10.230 PANEL – Taxi equipment mounting											
	PANEL – Taxi equipment mounting		9933622	1	69	X	X				
	SUPPORT – Mounting panel front		9933974	1	69	X	X				
	SUPPORT – Mounting panel rear		9933975	1	69	X	X				
	BRACKET – Mounting		9933973	1	69	X	X				
	BRACKET – Vent control mounting		9933976	1	69	X	X				
	SUPPORT – Taximeter		9933977	2	69	X	X				
	BRACKET – Taximeter mounting		9933621	1	69	X	X				
10.252 COVER – Heater Control Opening											
	COVER – Dash panel – Export only		2812737	1	ALL	X	X	X	X	X	
	Note: Required when heater not fitted.										
10.260 COMPARTMENT & FACIA – Instrument panel											
	COMPARTMENT & FACIA(Black)		9932143BA	1	ALL	X	X	X	X	X	X
	COMPARTMENT & FACIA(Grey)		9932143DS	1	ALL	X	X	X	X	X	X
	COMPARTMENT & FACIA(Tan)		9932143DX	1	ALL	X	X	X	X	X	X
	COMPARTMENT & FACIA(Covert)		9932143DY	1	ALL	X	X	X	X	X	X
10.261 DOOR ASSEMBLY – Instrument Panel Compartment											
	DOOR ASSEMBLY(Grey)		9931054DS	1	ALL	X	X	X	X	X	X
	DOOR ASSEMBLY(Black)		9931054CY	1	ALL	X	X	X	X	X	X
	DOOR ASSEMBLY(Covert)		9931054DY	1	ALL	X	X	X	X	X	X
	DOOR ASSEMBLY(Tan)		9931054DX	1	ALL	X	X	X	X	X	X
10.262 HINGE ASSEMBLY – Instrument Panel Compartment Door											
	HINGE ASSY.	LH	9931059	1	ALL	X	X	X	X	X	X
		RH	9931058	1	ALL	X	X	X	X	X	X
	SCREW – Hex hd No. 10 – 24 x 1/2"		9423771	8	ALL	X	X	X	X	X	X
	RIVET		7431958	2	ALL	X	X	X	X	X	X
10.263 BUMPER – Instrument Panel Compartment Door											
	BUMPER – Door – 3/8" Head		7418993	2	ALL	X	X	X	X	X	X
	BUMPER – Hinge		7433103	2	ALL	X	X	X	X	X	X

BODY

"HJ" PARTS CATALOGUE

GROUP	DESCRIPTION	SIDE	PART No.	QTY.	BODY STYLE	M	N	P	Q	S	T
10.266 BARREL ASSEMBLY – Instrument Panel Compartment Door											
	BARREL ASSY. – Coded with keys		8786143	1	ALL	X	X	X	X	X	X
	BARREL ASSY. – Uncoded		9832569	1	ALL	X	X	X	X	X	X
	ESCUTCHEON – Lock Case		3922831	1	ALL	X	X	X	X	X	X
	CASE ASSEMBLY		3934137	1	ALL	X	X	X	X	X	X
10.268 STRIKER – Instrument Panel Compartment Door Lock											
	STRIKER		2811631	1	ALL	X	X	X	X	X	X
10.270 LAMP – Instrument Panel Compartment											
	SWITCH ASSEMBLY		1244006	1	ALL	X	X	X	X	X	X
	LEAD ASSY. – Feed		9935039	1	ALL	X	X	X	X	X	X
	LEAD ASSY. – Earth		9935040	1	ALL	X	X	X	X	X	X
	BODY – Connector		2962448	1	ALL	X	X	X	X	X	X
	CLIP – Lead to Cowl Panel		7426417	4	ALL	X	X	X	X	X	X
	BULB – 12-16V. 2 C.P.		9417863	1	ALL	X	X	X	X	X	X
	LAMP PACKAGE – Acc.		9935118	1	ALL	X	X				
10.307 GRILLE – Cowl Ventilator											
	GRILLE		2811482	1	ALL	X	X	X	X	X	X
	SCREW – Grille to Front End		SP1855	4	ALL	X	X	X	X	X	X
	SCREW – Grille & Lacing to Front End		SP1855	2	ALL	X	X	X	X	X	X
10.351 DOOR ASSEMBLY – Front less Trim											
	DOOR ASSY. – exc. Power Windows, Air Cond.	LH	9932951	1	35, 60, 69, 70, 80	X	X		X		
		RH	9932950	1	35, 60, 69, 70, 80	X	X		X		
	DOOR ASSY. – exc. Power Windows, Air Cond.	LH	9932953	1	35, 69			X		X	
		RH	9932952	1	35, 69			X		X	
	DOOR ASSY. – Power Windows exc. Air Cond.	LH	9932955	1	35, 69			X	X	X	
		RH	9932954	1	35, 69			X	X	X	
	DOOR ASSY.	LH	9932957	1	69						X
		RH	9932956	1	69						X
	DOOR ASSY. – exc. Power Windows, Air Cond.	LH	9932959	1	37		X		X		
		RH	9932958	1	37		X		X		
	DOOR ASSY. – exc. Power Windows, Air Cond.	LH	9932961	1	37			X			
		RH	9932960	1	37			X			
	DOOR ASSY. – Power Windows exc. Air Cond.	LH	9932963	1	37			X	X		
		RH	9932962	1	37			X	X		
10.373 DOOR ASSEMBLY – Rear less Trim											
	DOOR ASSY. – exc. Power Windows, Air Cond.	LH	2819413	1	35	X	X	X			
		RH	2819414	1	35	X	X	X			
	DOOR ASSY. – Power Windows exc. Air Cond.	LH	2819419	1	35			X			
		RH	2819420	1	35			X			
	DOOR ASSY. – exc. Power Windows, Air Cond.	LH	2819411	1	69	X	X	X	X		
		RH	2819412	1	69	X	X	X	X		
	DOOR ASSY. – Power Windows exc. Air Cond.	LH	2819417	1	69			X	X		
		RH	2819418	1	69			X	X		
	DOOR ASSY. – exc. Power Windows, Air Cond.	LH	2819415	1	69					X	
		RH	2819416	1	69					X	
	DOOR ASSY. – Power Windows exc. Air Cond.	LH	2819421	1	69					X	
		RH	2819422	1	69					X	
	DOOR ASSY.	LH	9932871	1	69						X
		RH	9932872	1	69						X
10.450 HINGE ASSEMBLY – Front Door Upper											
	HINGE ASSY.	LH	2812061	1	ALL	X	X	X	X	X	X
		RH	2812060	1	ALL	X	X	X	X	X	X
	PLATE – Anchor		2811167	2	ALL	X	X	X	X	X	X
	BOLT & WASHER ASSY.		SP2115	12	ALL	X	X	X	X	X	X

"HJ" PARTS CATALOGUE

GROUP	DESCRIPTION	SIDE	PART No.	QTY.	BODY STYLE	M	N	P	Q	S	T
10.454 HINGE ASSEMBLY – Front Door Lower											
	HINGE ASSY.	LH	2812063	1	ALL	X	X	X	X	X	X
		RH	2812062	1	ALL	X	X	X	X	X	X
	PLATE – Anchor		2811167	2	ALL	X	X	X	X	X	X
	BOLT & WASHER ASSY.		SP2115	12	ALL	X	X	X	X	X	X
10.456 HINGE ASSEMBLY – Rear Door Upper											
	HINGE ASSY.	LH	2812765	1	35, 69	X	X	X	X	X	X
		RH	2812766	1	35, 69	X	X	X	X	X	X
	PLATE Anchor		2811169	2	35, 69	X	X	X	X	X	X
	BOLT & WASHER ASSY.		SP2115	12	35, 69	X	X	X	X	X	X
10.460 HINGE ASSEMBLY – Rear Door Lower											
	HINGE ASSY.	LH	2812763	1	35, 69	X	X	X	X	X	X
		RH	2812764	1	35, 69	X	X	X	X	X	X
	PLATE Anchor		2811167	2	35, 69	X	X	X	X	X	X
	BOLT & WASHER ASSY.		SP2115	12	35, 69	X	X	X	X	X	X
10.466 PIN, BUSHING, ROLLER, LINK, SPRING – Door Hinge											
	PIN – Front Door Upper & Lower Hinge		2819164	4	ALL	X	X	X	X	X	X
	PIN – Rear Door Upper Hinge		2819165	2	35, 69	X	X	X	X	X	X
	PIN – Rear Door Lower Hinge		2819164	2	35, 69	X	X	X	X	X	X
	BUSHING – Front & Rear Door Upper & Lower Hinge		4150462	6 12	ALL	X	X	X	X	X	X
	BUSHING – Front & Rear Door Upper Hinge		4110660	2-4	ALL	X	X	X	X	X	X
	ROLLER – Front Door Upper Hinge Detent		9704188	2	ALL	X	X	X	X	X	X
	PIN – Front Door Upper Hinge Detent Roller		9704187	2	ALL	X	X	X	X	X	X
	LINK – Front Door Upper Hinge Detent		9704186	2	ALL	X	X	X	X	X	X
	RIVET – Front Door Upper Hinge Detent		2811601	2	ALL	X	X	X	X	X	X
	SPRING – Front Door Upper Hinge Detent		7432336	2	ALL	X	X	X	X	X	X
	ROLLER – Rear Door Lower Hinge Detent		9704188	2	35, 69	X	X	X	X	X	X
	PIN – Rear Door Lower Hinge Detent Roller		9704187	2	35, 69	X	X	X	X	X	X
	LINK – Rear Door Lower Hinge Detent		9704186	2	35, 69	X	X	X	X	X	X
	RIVET		2811601	2	35, 69	X	X	X	X	X	X
	SPRING – Rear Door Lower Hinge Detent		7432336	2	35, 69	X	X	X	X	X	X
	PIN – Front Door Hinge Stop		2811212	2	ALL	X	X	X	X	X	X
	PIN – Rear Door Hinge Stop		2811212	2	35, 69	X	X	X	X	X	X
10.470 LOCK ASSEMBLY – Front Door											
	LOCK ASSEMBLY	LH	9929617	1	35, 60, 69, 70, 80	X	X	X	X	X	X
		RH	9929618	1	35, 60, 69, 70, 80	X	X	X	X	X	X
	LOCK ASSEMBLY	LH	9929623	1	37		X	X	X		
		RH	9929624	1	37		X	X	X		
	SEAL – Door Lock Dust	LH	9929619	1	ALL	X	X	X	X	X	X
		RH	9929620	1	ALL	X	X	X	X	X	X
	SCREW & WASHER – ¼" – 20 x .50" Oval hd. cr. rec..		SP2350	6	ALL	X	X	X	X	X	X
10.473 LOCK ASSEMBLY – Rear Door											
	LOCK ASSEMBLY	LH	9929621	1	35, 69	X	X	X	X	X	X
		RH	9929622	1	35, 69	X	X	X	X	X	X
	SEAL – Door lock dust	LH	9929619	1	35, 69	X	X	X	X	X	X
		RH	9929620	1	35, 69	X	X	X	X	X	X
	SCREW & WASHER – ¼" – 20 x .50" Oval hd. cr. rec..		SP2350	6	35, 69	X	X	X	X	X	X
10.475 SPRING – Door Lock Overcentre											
	SPRING	LH	2813023	2-1	ALL	X	X	X	X	X	X
		RH	2813022	2-1	ALL	X	X	X	X	X	X
	SPRING – Actuating lever return	LH	2813029	2-1	ALL	X	X	X	X	X	X
		RH	2813028	2-1	ALL	X	X	X	X	X	X

BODY

"HJ" PARTS CATALOGUE

GROUP	DESCRIPTION	SIDE	PART No.	QTY.	BODY STYLE	M	N	P	Q	S	T
10.500 CONTROL ASSEMBLY – Door Lock Remote											
	CONTROL ASSY. – Front Door	LH	2815487	1	35, 60, 69, 70, 80	X	X	X	X	X	X
		RH	2815486	1	35, 60, 69, 70, 80	X	X	X	X	X	X
	CONTROL ASSY.	LH	2816893	1	37		X	X	X		
		RH	2816894	1	37		X	X	X		
	CONTROL ASSY. – Rear Door	LH	2815487	1	35, 69	X	X	X	X	X	X
		RH	2815486	1	35, 69	X	X	X	X	X	X
	BOLT & WASHER ASSY. – Hex. hd. ¼ – 20 x ½"		SP2219	6-12	35, 60, 69, 70, 80	X	X	X	X	X	X
	BOLT & WASHER ASSY. – Hex. hd. ¼ – 20 x ½"		SP2219	4	37		X	X	X		
10.506 ROD – Door Lock Remote Control											
	ROD – Connecting, Front		2814467	2	35, 60, 69, 70, 80	X	X	X	X	X	X
	ROD – Connecting		2817456	2	37		X	X	X		
	ROD – Connecting, Rear		2814695	2	35, 69	X	X	X	X	X	X
	SILENCER – Rod		7408725	2	37		X	X	X		
	CLIP – Rod Retaining		2811401	2-4	ALL	X	X	X	X	X	X
	CLIP – Rod to Lock & Remote Control		4576655	2-4	ALL	X	X	X	X	X	X
	CLIP – Anti-Rattle Rod to Door		4110664	2	37		X	X	X		
10.507 ROD – Door Lock to Lock Cylinder Connector											
	ROD – Front	LH	2815929	1	35, 60, 69, 70, 80	X	X	X	X	X	X
		RH	2815930	1	35, 60, 69, 70, 80	X	X	X	X	X	X
	ROD		2815956	2	37		X	X	X		
	CLIP – Rod to Lock Cylinder		4576655	2	ALL	X	X	X	X	X	X
	CLIP – Rod Retainer		2811401	2	ALL	X	X	X	X	X	X
10.512 HANDLE – Door Remote Control											
	HANDLE – Front (Without Arm Rests)		7435242	2	ALL	X					
	HANDLE – Front (With Arm Rests)	LH	2817043	1	ALL		X	X	X	X	X
		RH	2817044	1	ALL		X	X	X	X	X
	HANDLE – Rear (without Arm Rests)		7435242	2	35, 69	X	X	X			
	HANDLE – Rear (with Arm Rests)	LH	2817043	1	35, 69		X	X	X	X	X
		RH	2817044	1	35, 69		X	X	X	X	X
10.513 SPRING – Door Handle											
	SPRING – Handle Retainer, Front (Without Arm Rests)		4168122	2	ALL	X					
	SPRING – Handle Retainer, Rear (without Arm Rests)		4168122	2	35, 69	X	X	X			
10.515 PLATE – Inside Door Handle Bearing											
	PLATE – Front (Without Arm Rests)		7731353	8-4	ALL	X					
	PLATE – Rear (without Arm Rests)		7731353	8-4	35, 69	X	X	X			
10.516 GASKET, SPRING – Door Remote Control											
	GASKET		2815681	2-4	ALL	X	X	X	X	X	X
	SPRING – Front (Without Arm Rests)		7416898	2	ALL	X					
	SPRING – Rear (without Arm Rests)		7416898	2	35, 69	X	X	X			
10.527 HANDLE – Door Outside											
	HANDLE		2814620	2-4	ALL	X	X	X	X	X	X

"HJ" PARTS CATALOGUE

GROUP	DESCRIPTION	SIDE	PART No.	QTY.	BODY STYLE	M	N	P	Q	S	T
10.529 ROD, CLIP – Door Outside Handle											
	ROD - Front Handle to Lock Connector		2815265	2	35, 60, 69, 70, 80	X	X	X	X	X	X
	ROD - Handle to Lock Connector	LH	2817453	1	37		X	X	X		
		RH	2817452	1	37		X	X	X		
	ROD - Rear Handle to Lock Connector		2815266	2	35, 69	X	X	X	X	X	X
	CLIP - Handle to Lock Connector Rod	LH	2806911	1-2	ALL	X	X	X	X	X	X
		RH	2806912	1-2	ALL	X	X	X	X	X	X
	NUT - Rod Adjusting		2806603	2-4	ALL	X	X	X	X	X	X
10.550 BARREL ASSEMBLY – Door Locking											
	BARREL ASSY. - With Keys	LH	2816531	1	ALL	X	X	X	X	X	X
		RH	2816532	1	ALL	X	X	X	X	X	X
	SERVICE PACKAGE - Uncoded		M37124	2	ALL	X	X	X	X	X	X
	TUMBLER - No. 1 (Package of 100)		3901061	AR	ALL	X	X	X	X	X	X
	TUMBLER - No. 2 (Package of 100)		3901062	AR	ALL	X	X	X	X	X	X
	TUMBLER - No. 3 (Package of 100)		3901063	AR	ALL	X	X	X	X	X	X
	TUMBLER - No. 4 (Package of 100)		3901064	AR	ALL	X	X	X	X	X	X
	TUMBLER - No. 5 (Package of 100)		3901065	AR	ALL	X	X	X	X	X	X
	GASKET - Door Lock Cylinder		4587931	2	ALL	X	X	X	X	X	X
	PAWL		2815914	2	ALL	X	X	X	X	X	X
	CLIP - Pawl Retaining		7006092	2	ALL	X	X	X	X	X	X
10.553 RETAINER – Door Locking Barrel											
	RETAINER		4884405	2	ALL	X	X	X	X	X	X
10.556 LEVER & ROD CONNECTING – Door Inside Locking											
	ROD		2816984	2	37		X	X	X		
	CLIP - Rod to Lever		4576655	2	37		X	X	X		
	LEVER		7403873	2	37		X	X	X		
	BOLT - Locking Lever		7419196	2	37		X	X	X		
	ROD - Rear Door		2814694	2	35, 69	X	X	X	X	X	X
	CLIP - Anti-Rattle (Centre)		4110664	2	35, 69	X	X	X	X	X	X
	CLIP - Rod to Lever		4576655	2	35, 69	X	X	X	X	X	X
	LEVER - Rear Door		7403873	2	35, 69	X	X	X	X	X	X
	BOLT - Locking Lever		7419196	2	35, 69	X	X	X	X	X	X
10.559 KNOB – Door Inside Locking Rod											
	KNOB - Front		7434562	2	ALL	X	X				
	KNOB - Front		7434563	2	ALL			X	X	X	X
	KNOB - Rear		7434562	2	35, 69	X	X				
	KNOB - Rear		7434563	2	35, 69			X	X	X	X
	FERRULE		4839529	2-4	ALL	X	X	X	X	X	X
10.563 ROD – Door Inside Locking											
	ROD - Front	LH	2818413	1	35, 60, 69, 70, 80	X	X	X	X	X	X
		RH	2818414	1	35, 60, 69, 70, 80	X	X	X	X	X	X
	ROD		2816798	2	37		X	X	X		
	CLIP - Rod to Lever		2825090	2	37		X	X	X		
	ROD - Rear		2814574	2	35, 69	X	X	X	X	X	X
	CLIP		2825090	2	35, 69	X	X	X	X	X	X
	CLIP - Rod retainer, front & rear		2811401	2-4	ALL	X	X	X	X	X	X
10.569 STRIKER ASSEMBLY – Door Lock											
	STRIKER ASSY.		2824245	2-4	ALL	X	X	X	X	X	X

BODY

"HJ" PARTS CATALOGUE

GROUP	DESCRIPTION	SIDE	PART No.	QTY.	BODY STYLE	M	N	P	Q	S	T
10.571	PLATE, SPACER – Door Lock Striker										
	PLATE - Anchor		4465224	2-4	ALL	X	X	X	X	X	X
	RETAINER - Plate Front Door		2811165	2	35, 69	X	X	X	X	X	X
	SPACER - 1/16" thick		4469196	AR	ALL	X	X	X	X	X	X
	SPACER - 1/32" thick		4469197	AR	ALL	X	X	X	X	X	X
10.587	BUMPER – Door Pillar										
	BUMPER		2809447	2-4	ALL	X	X	X	X	X	X
10.681	GLASS – Front Door										
	GLASS - exc. Air Cond., Tinted	LH	9931757	1	35, 60, 69, 70, 80	X	X	X	X	X	
		RH	9931756	1	35, 60, 69, 70, 80	X	X	X	X	X	
	GLASS - Air Cond., Tinted	LH	9931805	1	35, 60, 69, 70, 80	X	X	X	X	X	X
		RH	9931806	1	35, 60, 69, 70, 80	X	X	X	X	X	X
	GLASS - exc. Air Cond., Tinted	LH	2817227	1	37		X	X	X		
		RH	2817228	1	37		X	X	X		
	GLASS - Air Cond., Tinted	LH	2822497	1	37		X	X	X		
		RH	2822498	1	37		X	X	X		
10.685	CHANNEL ASSEMBLY, PLATE ASSEMBLY – Front Door Glass Lifter										
	CHANNEL ASSY.	LH	9931759	1	35, 60, 69, 70, 80	X	X	X	X	X	X
		RH	9931760	1	35, 60, 69, 70, 80	X	X	X	X	X	X
	PLATE ASSY. - Lower Sash Front	LH	2817257	1	37		X	X	X		
		RH	2817256	1	37		X	X	X		
	BOLT - Lower Front Sash Plate to Glass		SP2064	4	37		X	X	X		
	WASHER - Lower Front Sash Plate to Glass		7436316	4	37		X	X	X		
	BUSHING - Lower Front Sash Plate to Glass		4491087	4	37		X	X	X		
	NUT - Lower Front Sash Plate to Glass Tee		4491088	4	37		X	X	X		
	PLATE ASSY. - Lower Sash Rear	LH	2817151	1	37		X	X	X		
		RH	2817150	1	37		X	X	X		
	BOLT - Lower Rear Sash Plate to Glass		SP2064	6	37		X	X	X		
	WASHER - Lower Rear Sash Plate to Glass		7436316	6	37		X	X	X		
	BUSHING - Lower Rear Sash Plate to Glass		4491087	6	37		X	X	X		
	NUT - Lower Rear Sash Plate to Glass Tee		4491088	6	37		X	X	X		
	FASTENER - Door Glass Bearing		7698786	4	37		X	X	X		
	CAP - Bearing Fastener		8737225	4	37		X	X	X		
10.694	WEATHERSTRIP – Door Opening										
	WEATHERSTRIP - Front	LH	2823805	1	35, 60, 69, 70, 80	X	X	X	X	X	X
		RH	2823806	1	35, 60, 69, 70, 80	X	X	X	X	X	X
	WEATHERSTRIP	LH	2817119	1	37		X	X	X		
		RH	2817118	1	37		X	X	X		
	RETAINER - Weatherstrip to Door		SP1710	10	37		X	X	X		
	WEATHERSTRIP - Rear		2815779	2	35		X	X	X		
	WEATHERSTRIP - Rear		2815632	2	69		X	X	X		
	WEATHERSTRIP - Rear		2816257	2	69					X	X
10.695	PLUG – Door Weatherstrip										
	PLUG - Weatherstrip attaching Sealing, Front Door		4770719	38	35, 60, 69, 70, 80	X	X	X	X	X	X
	PLUG - Weatherstrip attaching Sealing		4770719	42	37		X	X	X		
	PLUG - Weatherstrip attaching Sealing, Rear Door		4770719	34	35, 69		X	X	X	X	X
10.696	WEATHERSTRIP – Door Glass Channel Lifter										
	WEATHERSTRIP - Front		9931761	2	35, 60, 69, 70, 80	X	X	X	X	X	X
	WEATHERSTRIP - Rear		2812793	2	35, 69		X	X	X	X	X

"HJ" PARTS CATALOGUE

GROUP	DESCRIPTION	SIDE	PART No.	QTY.	BODY STYLE	M	N	P	Q	S	T
10.701	CHANNEL, RETAINER – Front Door Glass										
	CHANNEL – Glass Run		9931766	2	35,60,69,70,80	X	X	X	X	X	X
	RETAINER – Channel Rear	LH	2812987	1	35,60,69,70,80	X	X	X	X	X	X
		RH	2812988	1	35,60,69,70,80	X	X	X	X	X	X
10.702	CAM ASSEMBLY – Front Door Window Guide										
	CAM ASSY. – Front	LH	2817121	1	37		X	X	X		
		RH	2817120	1	37		X	X	X		
	CAM ASSY. – Rear	LH	2817123	1	37		X	X	X		
		RH	2817122	1	37		X	X	X		
	STUD – Cam to Door		7436867	4	37		X	X	X		
	NUT – Washer Type ¼" – 20		SP1991	4	37		X	X	X		
	BOLT & WASHER ASSY.		SP2219	8	37		X	X	X		
10.702	CAM ASSEMBLY – Rear Door Window Guide										
	CAM ASSY.	LH	2815069	1	35, 69	X	X	X	X	X	X
		RH	2815068	1	35, 69	X	X	X	X	X	X
	STUD – Cam to Door		7433032	2	35, 69	X	X	X	X	X	X
	NUT – Washer Type ¼" – 20		SP1991	2	35, 69	X	X	X	X	X	X
	BOLT & WASHER ASSY.		SP2219	4	35, 69	X	X	X	X	X	X
10.710	WEATHERSTRIP – Door Belt										
	WEATHERSTRIP – Front Door Inner	LH	9931771	1	35,60,69,70,80	X	X	X	X	X	X
		RH	9931772	1	35,60,69,70,80	X	X	X	X	X	X
	WEATHERSTRIP – Front Door Outer	LH	9931767	1	35,60,69,70,80	X	X	X	X	X	X
		RH	9931768	1	35,60,69,70,80	X	X	X	X	X	X
	WEATHERSTRIP – Inner		2816171	2	37		X	X	X		
	WEATHERSTRIP – Outer	LH	2817247	1	37		X	X	X		
		RH	2817246	1	37		X	X	X		
	WEATHERSTRIP – Rear Door Inner	LH	9931809	1	35, 69	X	X	X	X	X	X
		RH	9931810	1	35, 69	X	X	X	X	X	X
	WEATHERSTRIP – Rear Door Outer	LH	9931811	1	35, 69	X	X	X	X	X	X
		RH	9931812	1	35, 69	X	X	X	X	X	X
	STRIP ASSY. – Door Glass Anti-Rattle		2816461	4	37		X	X	X		
	BOLT & WASHER ASSY.		SP2219	4	37		X	X	X		
10.712	CLIP – Door Belt Weatherstrip										
	CLIP – Front		SP2457	16	35,60,69,70,80	X	X	X	X	X	X
	CLIP – Rear		SP2457	12	35, 69	X	X	X	X	X	X
10.716	BUMPER, PLATE, STOP – Front Door Glass										
	BUMPER		9929719	4	37		X	X	X		
	PLATE – Guide		2816505	4	37		X	X	X		
	STOP – Upper		2816549	4	37		X	X	X		
10.741	GLASS – Rear Door – Front										
	GLASS – exc. Air Cond., Tinted	LH	2812669	1	35	X	X	X			
		RH	2812668	1	35	X	X	X			
	GLASS – Air Cond., Tinted	LH	2822505	1	35	X	X	X			
		RH	2822504	1	35	X	X	X			
	GLASS – exc. Air Cond., Tinted	LH	2812207	1	69	X	X	X	X		
		RH	2812208	1	69	X	X	X	X		
	GLASS – Air Cond., Tinted	LH	2822501	1	69	X	X	X	X		
		RH	2822500	1	69	X	X	X	X		
	GLASS – exc. Air Cond., Tinted	LH	2812667	1	69					X	
		RH	2812666	1	69					X	
	GLASS – Air Cond., Tinted	LH	2822503	1	69					X	X
		RH	2822502	1	69					X	X

BODY

"HJ" PARTS CATALOGUE

GROUP	DESCRIPTION	SIDE	PART No.	QTY.	BODY STYLE	M	N	P	Q	S	T
10.747 CHANNEL ASSEMBLY – Rear Door Glass Lifter											
	CHANNEL ASSY.	LH	2813619	1	35, 69	X	X	X	X	X	X
		RH	2813618	1	35, 69	X	X	X	X	X	X
10.750 CHANNEL – Rear Door Glass											
	CHANNEL – Glass Run, Front		2812530	2	35, 69	X	X	X	X	X	X
	CHANNEL – Glass Run, Rear		2812529	2	35, 69	X	X	X	X	X	X
10.777 HARNESS ASSEMBLY – Console Wiring Power Operated Windows											
	HARNESS ASSEMBLY		9934426	1	69						X
	BODY – 4 way male connector		2973603	1	69						X
	BODY – 6 way female connector		6288538	5	69						X
	BODY – 6 way male connector		6288539	1	69						X
	BODY – Single female connector		6294142	1	69						X
	BODY & COVER ASSY. – Connector		8900332	1	69						X
	TERMINAL – Clip		2823409	8	69						X
	SWITCH ASSEMBLY		7735894	1	69						X
	SCREW – Switch to console		SP1815	2	69						X
	NUT – Switch to console screw		SP2521	2	69						X
	ESCUTCHEON – Switch		9933908	1	69						X
	SCREW – Escutcheon to console		SP2155	2	69						X
	NUT – Escutcheon to console screw		SP1870	2	69						X
10.777 HARNESS ASSEMBLY – Front Door Power Operated Windows											
	HARNESS ASSY.	LH	2817523	1	ALL			X	X	X	
		RH	9934416	1	ALL			X	X	X	
	HARNESS ASSEMBLY	LH	9934469	1	69						X
		RH	9934470	1	69						X
	SCREW – Harness		5297727	4	69			X	X	X	
	BODY – 4 way female connector		2962969	1	69						X
	BODY – Single Connector		2962448	1	ALL			X	X	X	X
	BODY – Female Terminal Connector		6288909	2	ALL			X	X	X	X
	BODY – Terminal Connector, three-way Male	RH	2973172	2	ALL			X	X	X	
	BODY – Panel Connector Double	RH	2962551	1	ALL			X	X	X	
	BODY – Terminal Connector, two-way		2962964	1	ALL			X	X	X	
	BODY – Terminal Connector, three-way Female		2962449	2	ALL			X	X	X	
	BODY ASSY. – Harness Connector	RH	2819015	1	ALL			X	X	X	
	BODY – Male Connector, Front Door Harness to Rear Door Harness		2962984	1	ALL			X	X	X	
	CONNECTOR BODY & COVER – Harness	LH	2977470	1	ALL			X	X	X	
	NUT – Connector Body to 4 Button Switch		8799792	1	ALL			X	X	X	
	CLIP – Harness to RH & LH Door Panel (Plastic)		7432906	4-3	ALL			X	X	X	X
	CLIP – Harness to Door (Special)		7413032	2	ALL			X	X	X	
	SLEEVE – Harness		2815949	2	ALL			X	X	X	
	SEAL – Sleeve Dust		2817555	2	ALL			X	X	X	
	SEAL – Harness		2817385	2	ALL			X	X	X	
	SWITCH ASSY. – One Button		9825442	1	ALL			X	X	X	
	SWITCH ASSY. – Four Button		9937141	1	ALL			X	X	X	
	CLIP – Switch		9722397	8	ALL			X	X	X	
	REINFORCEMENT – One Button Switch		8799901	1	ALL			X	X	X	
	REINFORCEMENT – Four Button Switch		9826809	1	ALL			X	X	X	
10.777 HARNESS ASSEMBLY – Rear Door Power Operated Windows											
	HARNESS ASSY.	LH	2817529	1	35, 69			X	X	X	
		RH	2817528	1	35, 69			X	X	X	
	HARNESS ASSEMBLY	LH	9934441	1	69						X
		RH	9935114	1	69						X
	BODY – Single Connector		2962448	1	35, 69				X	X	X
	BODY – Female Terminal Connector		6288909	2	35, 69			X	X	X	X
	CONNECTOR BODY & COVER ASSY.		2977470	2	35, 69			X	X	X	X
	CLIP – Special Control Harness to Door		7413032	4	35, 69			X	X	X	X

"HJ" PARTS CATALOGUE

GROUP	DESCRIPTION	SIDE	PART No.	QTY.	BODY STYLE	M	N	P	Q	S	T
10.777 HARNESS ASSEMBLY – Rear Door Power Operated Windows (contd.)											
	CLIP – Harness to Door		7418449	4	35, 69			X	X	X	
	SLEEVE – Harness		2815949	2	35, 69			X	X	X	X
	SEAL – Sleeve Dust		2817555	2	35, 69			X	X	X	X
	SWITCH ASSY.		9825442	2	35, 69			X	X	X	X
	REINFORCEMENT – Switch		8799901	2	35, 69			X	X	X	X
	SEAL – Switch Dust		7436318	2	35, 69			X	X	X	X
10.777 HARNESS ASSEMBLY – Rear Quarter Windows											
	HARNESS ASSY.	LH	2817525	1	37			X	X		
		RH	2817530	1	37			X	X		
	BODY – Female Terminal Conn.		6288909	2	37			X	X		
	CONNECTOR BODY & COVER ASSY.		2977470	2	37			X	X		
	SEAL – Harness		2817385	2	37			X	X		
	SWITCH ASSY.		9825442	2	37			X	X		
	REINFORCEMENT – Switch		8799901	2	37			X	X		
	SEAL – Switch dust		7436318	2	37			X	X		
10.777 RELAY, CIRCUIT BREAKER – Power Operated Windows											
	RELAY		2818403	1	ALL			X	X	X	
	BREAKER – Circuit		1476675	1	ALL			X	X	X	
	CLIP – Harness to Shroud Panel		SP2201	6	ALL			X	X	X	
	BODY – Relay to Fuse Panel Lead		2962448	2	ALL			X	X	X	
	LEAD ASSY. – Relay to Fuse Panel		2817475	1	ALL			X	X	X	
	LEAD ASSY. – Control to Fuse Panel		2817474	1	ALL			X	X	X	
10.783 REGULATOR ASSEMBLY – Front Door Window											
	REGULATOR ASSY. – exc Power Windows	LH	2813853	1	35, 60, 69, 70, 80	X	X	X	X	X	
		RH	2813854	1	35, 60, 69, 70, 80	X	X	X	X	X	
	REGULATOR ASSY. – Power Windows	LH	2815833	1	35, 69			X	X	X	X
		RH	2815832	1	35, 69			X	X	X	X
	REGULATOR ASSY. – exc. Power Windows	LH	2817401	1	37		X	X	X		
		RH	2817402	1	37		X	X	X		
	REGULATOR ASSY. – Power Windows	LH	2817467	1	37			X	X		
		RH	2817468	1	37			X	X		
	BOLT & WASHER ASSY. – Hex. hd. ¼ – 20 x .5"		SP2219	AR	ALL	X	X	X	X	X	X
	ROLLER		4158245	4	ALL	X	X	X	X	X	X
	PIN		4158246	4	ALL	X	X	X	X	X	X
	SPRING – Clutch exc. Power Windows		4157887	2	ALL	X	X	X	X	X	
	WASHER – Anti-Rattle exc. Power Windows		4171918	2	ALL	X	X	X	X	X	
	SPRING – Counter Balance		63737	2	35, 60, 69, 70, 80	X	X		X	X	X
	SPRING – Counter Balance		9703972	2	37		X	X	X		
	WASHER – Rubber exc. Power Windows		7413223	2	ALL	X	X	X	X	X	
	CAM ASSY. – Sliding		7432423	2	35, 60, 69, 70, 80	X	X	X	X	X	X
	CAM ASSY. – Sliding		2816372	2	37		X	X	X		
	BOLT & WASHER ASSY. – Hex. hd. ¼ – 20 x .5"		SP2219	AR	ALL	X	X	X	X	X	X
	WASHER		7429571	2	ALL	X	X	X	X	X	X
10.784 MOTOR ASSEMBLY – Front Door Windows (Power Operated Windows)											
	MOTOR ASSY.	LH	5045594	1	35, 69			X	X	X	X
		RH	5045593	1	35, 69			X	X	X	X
	MOTOR ASSY.	LH	5045586	1	37			X	X		
		RH	5045585	1	37			X	X		
	ARMATURE ASSY.		4909699	2	35, 69			X	X	X	X
	PINION PACKAGE		4919192	2	35, 69			X	X	X	X
	BRUSH HOLDER & CIRCUIT BREAKER ASSY.		4917191	2	35, 69			X	X	X	X
	BRUSH		4918916	2	35, 69			X	X	X	X

BODY

GROUP	DESCRIPTION	SIDE	PART No.	QTY.	BODY STYLE	M	N	P	Q	S	T
10.784 MOTOR ASSEMBLY – Front Door Windows (Power Operated Windows) (contd.)											
	SPRING - Brush		4904213	2	35, 69			X	X	X	X
	RING - Sealing		4916378	2	35, 69			X	X	X	X
	SCREW - Adjusting		4917377	2	35, 69			X	X	X	X
	BOLT - Tie		4916380	4	35, 69			X	X	X	X
	PLUG - Thrust		5098080	2	35, 69			X	X	X	X
10.791 REGULATOR ASSEMBLY – Rear Door Window											
	REGULATOR ASSY. - exc. Power Windows	LH	2813913	1	35, 69	X	X	X	X	X	
		RH	2813912	1	35, 69	X	X	X	X	X	
	REGULATOR ASSY. - Power Windows	LH	2815835	1	35, 69			X	X	X	X
		RH	2815834	1	35, 69			X	X	X	X
	BOLT & WASHER ASSY. - Hex. hd. ¼ - 20 x .5"		SP2219	AR	35, 69	X	X	X	X	X	X
	ROLLER		4158245	4	35, 69	X	X	X	X	X	X
	PIN		4158246	4	35, 69	X	X	X	X	X	X
	SPRING - Clutch exc. Power Windows		4157887	2	35, 69	X	X	X	X	X	
	WASHER - Anti-Rattle exc. Power Windows		4171918	2	35, 69	X	X	X	X	X	
	SPRING - Counter Balance		63737	2	35, 69	X	X	X	X	X	X
	WASHER - Rubber exc. Power Windows		7413223	2	35, 69	X	X	X	X	X	
	CAM ASSY. - Sliding		7436043	2	35, 69	X	X	X	X	X	X
	BOLT & WASHER ASSY. - Hex. hd. ¼ - 20 x .5"		SP2219	AR	35, 69	X	X	X	X	X	X
	WASHER		7429571	2	35, 69	X	X	X	X	X	X
10.792 MOTOR ASSEMBLY – Rear Door Windows (Power Operated Windows)											
	MOTOR ASSY.	LH	5045594	1	35, 69			X	X	X	X
		RH	5045593	1	35, 69			X	X	X	X
	ARMATURE ASSY.		4909699	2	35, 69			X	X	X	X
	PINION PACKAGE		4919192	2	35, 69			X	X	X	X
	BRUSH HOLDER & CIRCUIT BREAKER ASSY.		4917191	2	35, 69			X	X	X	X
	BRUSH		4918916	2	35, 69			X	X	X	X
	SPRING - Brush		4904213	2	35, 69			X	X	X	X
	RING - Sealing		4916378	2	35, 69			X	X	X	X
	SCREW - Adjusting		4917377	2	35, 69			X	X	X	X
	BOLT - Tie		4916380	4	35, 69			X	X	X	X
	PLUG - Thrust		5098080	2	35, 69			X	X	X	X
10.797 HANDLE ASSEMBLY – Door Window Regulator (exc. Power Windows)											
	HANDLE ASSY.		7435027	4-2	ALL	X	X	X	X	X	
	SPRING - Handle Retainer		4168122	4-2	ALL	X	X	X	X	X	
	PLATE - Handle Bearing		7731353	4-2	ALL	X	X	X	X	X	
10.806 SPRING – Window Regulator Handle Escutcheon											
	SPRING - exc. Power Windows		4566746	4-2	ALL	X	X	X	X	X	
10.822 WEATHERSTRIP – Rear Door Rear Glass											
	WEATHERSTRIP		2814382	2	35	X	X	X			
	WEATHERSTRIP		2814381	2	69	X	X	X	X		
	WEATHERSTRIP		2814383	2	69					X	X
10.827 GLASS – Rear Door Rear											
	GLASS - exc. Air Cond., Tinted	LH	2813769	1	35	X	X	X			
		RH	2813770	1	35	X	X	X			
	GLASS - Air Cond., Tinted	LH	2822517	1	35	X	X	X			
		RH	2822518	1	35	X	X	X			
	GLASS - Exc. Air Cond., Tinted	LH	2813767	1	69	X	X	X	X		
		RH	2813768	1	69	X	X	X	X		

"HJ" PARTS CATALOGUE

GROUP	DESCRIPTION	SIDE	PART No.	QTY.	BODY STYLE	M	N	P	Q	S	T
10.827 GLASS – Rear Door Rear (contd.)											
	GLASS - Air Cond., Tinted	LH	2822513	1	69	X	X	X	X		
		RH	2822514	1	69	X	X	X	X		
	GLASS - exc. Air Cond., Tinted	LH	2813771	1	69					X	
		RH	2813772	1	69					X	
	GLASS - Air Cond., Tinted	LH	2822515	1	69					X	X
		RH	2822516	1	69					X	X
10.829 CHANNEL – Rear Door Glass Division											
	CHANNEL	LH	2812785	1	35	X	X	X			
		RH	2812786	1	35	X	X	X			
	CHANNEL	LH	2812789	1	69	X	X	X	X		
		RH	2812790	1	69	X	X	X	X		
	CHANNEL	LH	2812787	1	69					X	X
		RH	2812788	1	69					X	X
	BOLT - Pan hd. No. 10 - 24 x $\frac{5}{16}$ "		SP2441	2	35, 69	X	X	X	X	X	X
	SCREW		SP2427	2	35, 69	X	X	X	X	X	X
	WASHER - Flat .2187 x .68 x .035		SP2122	2	35, 69	X	X	X	X	X	X

BODY

"HJ" PARTS CATALOGUE

GROUP	DESCRIPTION	SIDE	PART No.	QTY.	BODY STYLE	M	N	P	Q	S	T
11.007 CHANNEL, FILLER, PLATE & ROLLER ASSY., ROLLER, PIN – Rear Quarter Window Sash											
	CHANNEL – Front	LH	2816545	1	37		X	X	X		
		RH	2816544	1	37		X	X	X		
	FILLER Front		2816548	2	37		X	X	X		
	PLATE & ROLLER ASSY.	LH	2815795	1	37		X	X	X		
		RH	2815796	1	37		X	X	X		
	ROLLER – Upper		9709291	4	37		X	X	X		
	ROLLER ASSY. – Lower		7648823	2	37		X	X	X		
	PIN – Upper Roller		7791597	2	37		X	X	X		
	PIN – Upper Rear Roller		9709294	2	37		X	X	X		
	PIN – Lower Roller		4491090	2	37		X	X	X		
	BUSHING – Roller		4491087	6	37		X	X	X		
	NUT – Roller Tee		4491088	6	37		X	X	X		
	WASHER – Lower Roller (rubber)		2815804	2	37		X	X	X		
	WASHER – Lower Roller (steel)		4491086	2	37		X	X	X		
	SPRING – Roller Tension		2816016	2	37		X	X	X		
11.011 GLASS – Rear Quarter Window											
	GLASS – exc. Air Cond., Tinted	LH	2815107	1	35	X	X	X			
		RH	2815106	1	35	X	X	X			
	GLASS – Air Cond., Tinted	LH	2822525	1	35	X	X	X			
		RH	2822524	1	35	X	X	X			
	GLASS – exc. Air Cond., Tinted	LH	2815659	1	37		X	X	X		
		RH	2815658	1	37		X	X	X		
	GLASS – Air Cond., Tinted	LH	2822523	1	37		X	X	X		
		RH	2822522	1	37		X	X	X		
	GLASS – Front	LH	2805637	1	70	X					
		RH	2805636	1	70	X					
	GLASS – Rear	LH	2805639	1	70	X					
		RH	2805638	1	70	X					
11.012 STOP – Rear Quarter Window											
	STOP – Upper		7437276	2	37		X	X	X		
	STOP – Lower		2815792	2	37		X	X	X		
	BOLT & WASHER ASSY. – Hex. hd. ¼" – 20 x ½"		SP2219	4	37		X	X	X		
11.015 CHANNEL, WEATHERSTRIP – Rear Quarter Window											
	CHANNEL – Side Glass	LH	2815583	1	35	X	X	X			
		RH	2815582	1	35	X	X	X			
	WEATHERSTRIP – Window Front	LH	2816547	1	37		X	X	X		
		RH	2816546	1	37		X	X	X		
	WEATHERSTRIP – Quarter Belt Outer	LH	2816287	1	37		X	X	X		
		RH	2816288	1	37		X	X	X		
	SEAL – Lock Pillar Upper Corner	LH	2817245	1	37		X	X	X		
		RH	2817244	1	37		X	X	X		
	RETAINER – Window Glass Upper Front	LH	2817231	1	37		X	X	X		
		RH	2817232	1	37		X	X	X		
	RETAINER – Seal to Pillar		SP1710	4	37		X	X	X		
	WEATHERSEAL – Front glass		2805673	2	70	X					
	WEATHERSEAL – Rear glass		2805674	2	70	X					
	FILLER – Front		7382324	2	70	X					
	FILLER – Rear		7382325	2	70	X					

"HJ" PARTS CATALOGUE

GROUP	DESCRIPTION	SIDE	PART No.	QTY.	BODY STYLE	M	N	P	Q	S	T
11.015 WEATHERSTRIP, RETAINER – Door Opening & Rear Quarter Window											
	WEATHERSTRIP	LH	2816329	1	37		X	X	X		
		RH	2816330	1	37		X	X	X		
	RETAINER - Weatherstrip	LH	2816487	1	37		X	X	X		
		RH	2816488	1	37		X	X	X		
	SCREW - Retainer to Body		4436814	20	37		X	X	X		
	CLIP - Weatherstrip Retainer		7674311	2	37		X	X	X		
11.040 GUIDE, SUPPORT – Rear Quarter Window											
	GUIDE	LH	2815785	1	37		X	X	X		
		RH	2815786	1	37		X	X	X		
	SUPPORT - Guide Lower		2815720	2	37		X	X	X		
	STUD - Guide to Inner Panel		7433032	4	37		X	X	X		
	NUT - Guide to Inner Panel		SP1991	4	37		X	X	X		
	BOLT & WASHER ASSY. - Hex. hd. 1/4" - 20 x 1/2"		SP2219	4	37		X	X	X		
11.041 REGULATOR ASSEMBLY – Rear Quarter Window											
	REGULATOR ASSY. - exc. Power Windows	LH	2815791	1	37		X	X	X		
		RH	2815790	1	37		X	X	X		
	REGULATOR ASSY. - Power Windows	LH	2817399	1	37			X	X		
		RH	2817400	1	37			X	X		
	BOLT & WASHER ASSY. - Hex. hd. 1/4" - 20 x 1/2"		SP2219	6	37		X	X	X		
	SPRING - Regulator Clutch		4157887	2	37		X	X	X		
	SPRING - Counter Balance		63737	2	37		X	X	X		
	WASHER - Regulator Assy. (rubber)		7413223	2	37		X	X	X		
	WASHER - Regulator Assy. (steel)		4171918	2	37		X	X	X		
11.042 PIN, ROLLER – Rear Quarter Window Regulator											
	PIN		4158246	2	37		X	X	X		
	ROLLER		4158245	2	37		X	X	X		
11.043 MOTOR ASSEMBLY – Rear Quarter Windows (Power Operated windows)											
	MOTOR ASSY. - Fast Winder	LH	5045586	1	37			X	X		
		RH	5045585	1	37			X	X		
	PINION PACKAGE		4919192	2	37			X	X		
11.044 HANDLE ASSEMBLY – Rear Quarter Window Regulator (exc. Power windows)											
	HANDLE ASSY.		7435027	2	37		X	X	X		
	SPRING - Handle retaining		4168122	2	37		X	X	X		
	PLATE - Handle bearing		7731353	2	37		X	X	X		
11.045 SPRING – Rear Quarter Window Handle Escutcheon (exc. Power windows)											
	SPRING		4566746	2	37		X	X	X		
11.175 PLATE – Front Door Scuff											
	PLATE	LH	2811869	1	35,60,69,70,80	X	X				
		RH	2811870	1	35,60,69,70,80	X	X				
	PLATE - Extension	LH	2816651	1	60,70,80	X	X				
		RH	2816652	1	60,70,80	X	X				
	PLATE	LH	2811871	1	35,69			X	X	X	X
		RH	2811872	1	35,69			X	X	X	X

BODY

"HJ" PARTS CATALOGUE

GROUP	DESCRIPTION	SIDE	PART No.	QTY.	BODY STYLE	M	N	P	Q	S	T
11.175 PLATE – Front Door Scuff (contd.)											
	PLATE	LH	2811873	1	37		X				
		RH	2811874	1	37		X				
	PLATE	LH	2811875	1	37			X	X		
		RH	2811876	1	37			X	X		
	SCREW – Scuff plate		SP2471	14-10	ALL	X	X	X	X	X	X
11.179 PLATE – Rear Door Scuff											
	PLATE	LH	2811877	1	35, 69	X	X				
		RH	2811878	1	35, 69	X	X				
	PLATE	LH	2811879	1	35, 69			X	X	X	X
		RH	2811880	1	35, 69			X	X	X	X
	SCREW – Scuff plate		SP2471	8	35, 69	X	X	X	X	X	X
11.200 FRAME – Rear Window											
	FRAME		2812599	1	37		X	X	X		
	FRAME		2810245	1	69	X	X	X	X		
	FRAME		2810934	1	69					X	X
	FRAME		2816719	1	60, 80	X	X				
11.204 GLASS – Rear Window											
	GLASS – Exc. heated window		2811778	1	37		X	X	X		
	GLASS – Heated window		9933268	1	37		X	X	X		
	GLASS – Exc. Air Cond., Tinted, Heated Window		2809885	1	69	X	X	X	X		
	GLASS – Air Cond., Tinted exc. Heated Window		2822519	1	69	X	X	X	X		
	GLASS – Heated Window		9933267	1	69	X	X	X	X		
	GLASS – Exc. Air Cond., Tinted, Heated Window		2805921	1	69					X	
	GLASS – Air Cond., Tinted exc. Heated Window		2822520	1	69					X	
	GLASS – Heated Window		3428703	1	69					X	X
	GLASS – Exc. Air Cond.		2815685	1	60, 80	X	X				
	GLASS – Air Cond.		2822521	1	60, 80	X	X				
	<i>KIT – REAR WINDOW HEATED REPAIR</i>		<i>737554</i>								
11.204 GLASS – End Gate											
	GLASS – Exc. Air Cond., Tinted		2814362	1	35	X	X	X			
	GLASS – Air Cond., Tinted		2822526	1	35	X	X	X			
	GLASS – Exc. Air Cond.		7420405	1	70	X					
	GLASS – Air Cond.		2822527	1	70	X					
11.207 CHANNEL, RETAINER, WEATHERSTRIP – Rear Window and End Gate Glass											
	CHANNEL – End gate glass, upper		2814797	1	35	X	X	X			
	RETAINER – Upper channel	LH	2814567	1	35	X	X	X			
		RH	2814566	1	35	X	X	X			
	SCREW – Upper Channel Retainer		SP2248	12	35	X	X	X			
	CHANNEL – End gate glass lower	LH	2815325	1	35	X	X	X			
		RH	2815324	1	35	X	X	X			
	RETAINER – End gate glass, lower		2813887	2	35	X	X	X			
	BOLT & WASHER ASSY. – Hex. hd. 1/4" – 20 x .5"		SP2219	4	35	X	X	X			
	CHANNEL ASSY. – End gate glass lifter		2814371	1	35	X	X	X			
	LACE – End gate belt finishing		2814068	1	35	X	X	X			
	WEATHERSTRIP – End gate glass channel		2814286	1	35	X	X	X			
	CAM ASSY. – Lifter channel		7434382	2	35	X	X	X			
	BOLT & WASHER ASSY. – Hex. hd. 1/4" – 20 x .5"		SP2219	4	35	X	X	X			
	WEATHERSTRIP – Outer belt		2814479	1	35	X	X	X			
	CHANNEL – End gate glass		7420598	1	70	X					
	CHANNEL – Rear window glass		2816597	1	60, 80	X	X				

"HJ" PARTS CATALOGUE

GROUP	DESCRIPTION	SIDE	PART No.	QTY.	BODY STYLE	M	N	P	Q	S	T
11.208 MOULDING – Rear Window Reveal											
	MOULDING – Upper		2814682	1	37		X	X	X		
	MOULDING – Lower	LH	2814683	1	37		X	X	X		
		RH	2814684	1	37		X	X	X		
	CLIP – Moulding		7434693	2	37		X	X	X		
	MOULDING – Upper		2813983	1	69	X	X	X	X		
	MOULDING	LH	2813985	1	69	X	X	X	X		
		RH	2813984	1	69	X	X	X	X		
	MOULDING – Upper		2813943	1	69					X	X
	MOULDING – Lower		2813944	1	69					X	X
	MOULDING	LH	2813945	1	69					X	X
		RH	2813946	1	69					X	X
	EXTENSION – Lower moulding		2819992	1	37, 69	X	X	X	X		
	RETAINER – Moulding		2811948	8	37, 69	X	X	X	X		
	CLIP – Moulding		8736585	AR	37, 69	X	X	X	X	X	X
	SCREW – Moulding clip		SP2192	AR	37, 69	X	X	X	X	X	X
	INSERT – Upper		2817101	1	60, 80	X					
	INSERT – Lower		2817100	1	60, 80	X					
	INSERT – Upper		2817168	1	80		X				
	INSERT – Lower		2817167	1	80		X				
11.373 SPRING & FRAME ASSEMBLY – Front Seat											
	SPRING & FRAME ASSY. – (Bench seat)		9931726	1	35, 69	X	X				
	SPRING & FRAME ASSY. – (Bench seat)		2824254	1	60, 70, 80	X	X				
	SPRING & FRAME ASSY. – (Bench seat)		9931793	1	35			X			
	SPRING & FRAME ASSY. – (Bench seat)		9931791	1	69			X		X	
	FRAME ASSY. – Centre arm rest		2812462	1	35, 69			X		X	X
	PANEL – Centre arm rest		2812201	1	35, 69			X		X	X
	SPRING & FRAME ASSY. – Cushion (Bucket seat)		2824484	2	ALL	X	X	X	X	X	X
	FRAME ASSY. – Back (Bucket seat)		9937213	2	ALL	X	X	X	X	X	X
11.374 WIRE, CLIP – Front seat back											
	WIRE – Border support – (Bucket seat)		9930512	4	ALL	X	X	X	X	X	X
	CLIP – Back cover – (Bucket seat)		7100321	12	ALL	X	X	X	X	X	X
	CLIP – Bolster wire – (Bench seat)		7401768	6	35, 69			X		X	
11.388 ADJUSTER ASSEMBLY – Front Seat Recliner											
	ADJUSTER ASSY. – (Bucket seat reclining)	LH	9928305	1	35, 60, 69, 70, 80	X	X	X	X	X	X
		RH	9928306	1	35, 60, 69, 70, 80	X	X	X	X	X	X
	ADJUSTER ASSY. – (Bucket seat reclining)	LH	9928307	1	37		X	X	X		
		RH	9928308	1	37		X	X	X		
	SCREW – Adjuster to seat		SP2433	8	ALL	X	X	X	X	X	X
11.390 BAR ASSEMBLY – Front Seat Recliner											
	BAR ASSY. – Frame side cushion (Bucket seat reclining)	LH	2816471	2	ALL	X	X	X	X	X	X
		RH	2816472	2	ALL	X	X	X	X	X	X
11.392 ARM ASSEMBLY – Front Seat Reclining											
	ARM ASSY. – Left front seat	RH	9928309	1	ALL	X	X	X	X	X	X
	ARM ASSY. – Right front seat	LH	9928310	1	ALL	X	X	X	X	X	X
	SCREW – Arm to seat		SP2433	8	ALL	X	X	X	X	X	X
11.420 SPRING, WIRE, CLIP, RING – Front Seat Cushion											
	SPRING – Main (Bench seat)		9931944	10	35, 60, 69, 70, 80	X	X	X		X	
	SPRING – Centre (Bench seat)		9930234	3	35, 60, 69, 70, 80	X	X	X		X	
	SPRING – Main (Bucket seat reclining)		9930266	8	ALL	X	X	X	X	X	X
	CLIP – Cushion wire		7401768	AR	ALL	X	X	X	X	X	X
	RING – Hog		4556605	AR	ALL	X	X	X	X	X	X

BODY

"HJ" PARTS CATALOGUE

GROUP	DESCRIPTION	SIDE	PART No.	QTY.	BODY STYLE	M	N	P	Q	S	T
11.561 ADJUSTER ASSEMBLY – Front Seat (Fore & Aft movement)											
	ADJUSTER ASSY.	LH	2809581	2-1	ALL	X	X	X	X	X	X
		RH	2809580	2-1	ALL	X	X	X	X	X	X
	SUPPORT – Adjuster lever		2818466	2-1	ALL	X	X	X	X	X	X
11.581 SPRING – Front Seat Adjuster											
	SPRING – Assist		4304426	4-2	ALL	X	X	X	X	X	X
	SPRING – Remote control handle		2811724	2-1	ALL	X	X	X	X	X	X
	SPRING – Release lever		2811198	4-2	ALL	X	X	X	X	X	X
11.588 HANDLE – Front Seat Adjuster											
	HANDLE		2811361	2-1	ALL	X	X	X	X	X	X
	BOLT – Handle		2811258	2-1	ALL	X	X	X	X	X	X
	WASHER – Spring 3/16"		SP1328	2-1	ALL	X	X	X	X	X	X
11.589 WIRE ASSEMBLY, TENSIONER – Seat Adjuster											
	WIRE ASSY. – Long (Bench seat)		2811366	1	35,60,69,70,80	X	X	X		X	
	WIRE – Short (Bench seat)		2811253	1	35,60,69,70,80	X	X	X		X	
	TENSIONER – Auxiliary wire (Bench seat)		2811360	1	35,60,69,70,80	X	X	X		X	
	WIRE ASSY. – Long (Bucket seat)		2811255	2	ALL	X	X	X	X	X	X
	WIRE ASSY. – Short (Bucket seat)		2811253	2	ALL	X	X	X	X	X	X
11.610 SPRING & FRAME ASSEMBLY – Rear Seat Cushion											
	SPRING & FRAME ASSY.		2814807	1	35	X	X	X			
	SPRING & FRAME ASSY.		2816254	1	37		X	X	X		
	SPRING & FRAME ASSY.		2829974	1	69	X	X	X	X		
	SPRING & FRAME ASSY.		2814807	1	69					X	
	SPRING & FRAME ASSY.		9936444	1	69						X
	SPRING & FRAME ASSY. – Heavy duty		2829913	1	69	X	X				
11.611 SPRING, CLIP – Rear Seat Cushion											
	SPRING – Main		2814485	10	35	X	X	X			
	SPRING – Main		2815046	10	37		X	X	X		
	SPRING – Main		2829914	10	69	X	X	X	X		
	SPRING – Main		2814485	10	69					X	X
	SPRING – End		2815047	2	37		X	X	X		
	SPRING – End		2812456	2	35, 69	X	X	X	X	X	X
	SPRING – End inner		2814488	2	35	X	X	X			
	SPRING – End inner		2829917	2	69	X	X	X	X		
	SPRING – End inner		2814488	2	69					X	X
	SPRING – Intermediate		2814487	2	35	X	X	X			
	SPRING – Intermediate		2815007	4	37		X	X	X		
	SPRING – Intermediate		2829916	2	69	X	X	X	X		
	SPRING – Intermediate		2814487	2	69					X	X
	SPRING – Centre		2814486	3	35	X	X	X			
	SPRING – Centre		2815112	3	37		X	X	X		
	SPRING – Centre		2829915	3	69	X	X	X	X		
	SPRING – Centre		2814486	3	69					X	X
	SPRING – Cushion support (Heavy duty)		2829973	6	69	X	X				
	WIRE – Helical tie (Heavy duty)		2811847	3	69	X	X				
	RING – Hog		4556605	AR	35, 69	X	X	X	X	X	X
	CLIP – Cushion wire		7401768	AR	ALL	X	X	X	X	X	X
	SUPPORT – Spring		2822252	12	37		X	X	X		
11.628 SPRING & FRAME ASSEMBLY – Rear Seat Back											
	SPRING & FRAME ASSY.		2816132	1	35	X					
	SPRING & FRAME ASSY.		2816320	1	35		X				
	SPRING & FRAME ASSY.		2816108	1	35			X			
	SPRING & FRAME ASSY.		2816255	1	37		X	X	X		

"HJ" PARTS CATALOGUE

GROUP	DESCRIPTION	SIDE	PART No.	QTY.	BODY STYLE	M	N	P	Q	S	T
11.628	SPRING & FRAME ASSEMBLY – Rear Seat Back (contd.)										
	SPRING & FRAME ASSY.		2812615	1	69	X	X		X		
	SPRING & FRAME ASSY.		2812616	1	69			X			
	SPRING & FRAME ASSY.		2814786	1	69					X	
	SPRING & FRAME ASSY.		9936394	1	69						X
	SPRING & FRAME ASSY. - (Heavy duty)		2816349	1	69	X	X				
11.628	FRAME ASSY. – Centre Arm Rest – Rear Seat										
	FRAME ASSY.		2812462	1	35, 69			X		X	X
11.629	SPRING, WIRE, CLIP, RING – Rear Seat Back										
	SPRING – Main		2815485	12-8	35	X	X	X			
	SPRING – Main		2815257	8	37		X	X	X		
	SPRING – Main		2812975	12-8	69	X	X	X	X		X
	SPRING – Main		2814461	8	69					X	
	SPRING – Centre main		2815258	2	37		X	X	X		
	SPRING – Support		2815240	6	37		X	X	X		
	SPRING – Support		2811734	8-6	69	X	X	X	X		X
	SPRING – Support		2811439	6	69					X	
	SPRING – Intermediate		2815765	2	35	X	X	X			
	SPRING – Centre		2816402	4	35			X			
	SPRING – Centre		2815232	2	37		X	X	X		
	SPRING – Outer		2815153	2	35	X	X	X			
	SPRING – Outer		2809835	4	37		X	X	X		
	SPRING – Outer		2811735	4	69	X	X	X	X		X
	SPRING – Outer		2814441	4	69					X	
	WIRE – Helical tie (Heavy duty)		7419480	2	69	X	X				
	RING – Hog		4556605	AR	35, 37, 69	X	X	X	X	X	X
	CLIP – Cushion wire		7401768	AR	35, 37, 69	X	X	X	X	X	X
	WIRE – Upper border		2815616	1	35	X	X	X			
	WIRE – Lower border		2815615	1	35	X	X				
	WIRE – Centre border		2816413	1	35			X			
	WIRE – Centre lower border		2816405	1	35			X			
	WIRE – Lower border	LH	2816403	1	35			X			
		RH	2816404	1	35			X			
11.630	HINGE – Rear Seat Back										
	HINGE	LH	2815341	1	35	X	X	X			
		RH	2815342	1	35	X	X	X			
11.634	PLUNGER, HANDLE, PLATE, BRACKET – Rear Seat Back										
	PLUNGER ASSY. – Lock		2815293	2	35	X	X	X			
	HANDLE ASSY. – Lock		2815596	1	35	X	X	X			
	CLIP – Lock bar		7402119	2	35	X	X	X			
	SPRING – Lock bar		7407811	2	35	X	X	X			
	PLATE – Lock cover		7433086	1	35	X	X	X			
	RETAINER – Plunger	LH	2815503	1	35	X	X	X			
		RH	2815504	1	35	X	X	X			
	BRACKET – Stop		7433102	2	35	X	X	X			
	BUMPER – Stop bracket		7424249	2	35	X	X	X			
	BUMPER – Lock		7433103	2	35	X	X	X			
	BOLT – Stop bracket to bumper		7433104	2	35	X	X	X			
11.925	BASE, LEAD – Dome Lamp										
	BASE		2807099	1	35, 60, 69, 70, 80	X					
	BASE		2806962	1	35, 69, 80		X	X	X	X	X
	LEAD ASSY. – Exc. Taxi		2816582	1	35, 60, 69, 80	X	X				
	LEAD ASSY. – Taxi		2816797	1	69	X	X				
	LEAD ASSY		2824885	1	70	X					
	LEAD ASSY.		2816797	1	35, 69			X		X	X

BODY

GROUP	DESCRIPTION	SIDE	PART No.	QTY.	BODY STYLE	M	N	P	Q	S	T
11.925 BASE, LEAD – Dome Lamp (contd.)											
	LEAD ASSY		2825257	1	69						X
	LEAD ASSY. - Earth		2817464	1	35, 60, 69, 70, 80	X					
	BULB - 12 - 16V. 12 C.P.		9414045	1	35, 60, 69, 70, 80	X	X	X	X	X	X
	TERMINAL & CLIP ASSY		2823410	2	35, 69	X	X	X		X	X
	TERMINAL - Clip		2823409	2	exc. 37	X	X	X		X	X
11.928 LENS – Dome Lamp											
	LENS		2806963	1	35, 60, 69, 70, 80	X	X	X	X	X	X
11.940 LENS, REFLECTOR, LEAD ASSEMBLY, BULB – Quarter Lamp											
	LENS		2813866	2	37		X	X	X		
	LENS		2813866	2	69					X	
	LENS		8736868	2	69						X
	REFLECTOR		7731133	2	37		X	X	X		
	REFLECTOR		7731133	2	69					X	
	LEAD ASSY. - Feed		2817465	1	69					X	
	LEAD ASSY. - RH lamp to LH lamp		2817466	1	69					X	
	LEAD ASSY. - Feed		9935167	1	69						X
	LEAD ASSY. - Earth		9935168	1	69						X
	BULB - 12V. .5W - Festoon		SP1932	2	37, 69		X	X	X	X	X
	BULB - 12-16V., 15CP		455136	2	69						X
	TERMINAL & CLIP ASSY		2823410	2	69					X	
	TERMINAL - Clip		2823409	2	69					X	
11.950 SWITCH ASSEMBLY – Courtesy Light											
	BODY - Switch		2807323	4-2	ALL	X	X	X	X	X	X
	SPRING - Courtesy light switch		2807324	4-2	ALL	X	X	X	X	X	X
	PLUNGER - Courtesy light switch		2807325	4-2	ALL	X	X	X	X	X	X
	LEAD ASSY. - Courtesy light switch, Front door		9935036	1	35, 69, 80	X	X				
	CLIP - Lead to shroud panel		SP2236	2	35, 69, 80	X	X				
	LEAD ASSY. - Courtesy light switch, Rear door		2817459	1	35, 69	X	X	X	X		
	LEAD ASSY. - Courtesy lamp switch, Rear door	LH	2817511	1	69					X	
		RH	2825256	1	69					X	
	TERMINAL - Courtesy light switch, Rear door		2962447	1	69					X	
	HARNESS ASSY. - Footwell light		9935066	1	37		X	X	X		
	HARNESS ASSY. - Footwell light		9935066	1	35, 69			X	X	X	X
	SOCKET - Footwell light		7433411	1	37		X	X	X		
	SOCKET - Footwell light		7433411	1	35, 69			X	X	X	X
	SOCKET - Footwell light		9936420	1	37		X	X	X		
	SOCKET - Footwell light		9936420	1	35, 69			X	X	X	X
	NUT - Light to inst. panel		SP2521	2	37		X	X	X		
	NUT - Light to inst. panel		SP2521	2	35, 69			X	X	X	X
	TERMINAL - Footwell illumination		6294206	1	35, 37, 69		X	X	X	X	X
	BODY - Footwell illumination terminal		6294142	1	35, 37, 69		X	X	X	X	X
	GROMMET - Footwell illumination harness		7416288	4	35, 37, 69		X	X	X	X	X
	BULB - Footwell illumination		SP1467	2	35, 37, 69		X	X	X	X	X
	CLIP - Harness		7426417	AR	35, 37, 69		X	X	X	X	X
11.950 REFLECTOR, LENS – Door Courtesy & Warning Lamp											
	REFLECTOR ASSEMBLY		9819847	4	69						X
	NUT - Mounting		SP2539	8	69						X
	REFLECTOR		9825459	4	69						X
	LENS - Courtesy lamp		9819848	4	69						X
	LENS - Warning lamp		9819849	4	69						X
	CLIP - Support		9706334	8	69						X

"HJ" PARTS CATALOGUE

GROUP	DESCRIPTION	SIDE	PART No.	QTY.	BODY STYLE	M	N	P	Q	S	T
11.960	LAMP ASSEMBLY – Rear Compartment										
	BODY - Switch		2807323	1	37, 69	X	X	X	X	X	X
	SPRING		2807324	1	37, 69	X	X	X	X	X	X
	PLUNGER		2807325	1	37, 69	X	X	X	X	X	X
	BRACKET - Switch protecting		9929547	1	37, 69	X	X	X	X	X	X
	CLIP - Lead to rear quarter		7426417	2-1	37, 69	X	X	X	X		
	LEAD ASSY.		9934193	1	37			X	X		
	LEAD ASSY.		9934440	1	37		X				
	LEAD ASSY. - White back-up lens (optional export only)		9934439	1	37		X				
	BULB - 12-16V., 15 C.P.		455490	1	37, 69	X	X	X	X	X	X
	LAMP PACKAGE		9934435	1	37		X				
	LAMP PACKAGE		9934434	1	69	X	X				
	LAMP PACKAGE - White back up lens (optional export only)		9934434	1	37		X				

BODY

"HJ" PARTS CATALOGUE

GROUP	DESCRIPTION	SIDE	PART No.	QTY.	BODY STYLE	M	N	P	Q	S	T
12.010	PANEL – Instrument panel ash tray mounting										
	PANEL		9928479	1	ALL	X	X	X	X	X	X
12.012	LENS – Ash tray illumination										
	LENS		9937308	1	ALL	X	X	X	X	X	X
	NUT - Lens		SP1870	1	ALL	X	X	X	X	X	X
12.013	BODY ASSEMBLY – Instrument Panel Ash Tray										
	BODY ASSEMBLY		9931063	1	ALL	X	X	X	X	X	X
12.030	ASH TRAY ASSEMBLY										
	ASH TRAY ASSEMBLY - Front seat back (Bench Seat)		7431859	1	35, 69	X	X				
	ASH TRAY ASSEMBLY - Rear door arm rest		2825827	2	69			X		X	X
	ASH TRAY ASSEMBLY - Rear door arm rest (Power Windows).....		2825827	2	69				X		
	ASH TRAY ASSEMBLY - Console, seat separator		2825811	1	35, 37	X	X	X	X		
	ASH TRAY ASSEMBLY - Console, seat separator		2825811	1	69	X	X				
	ASH TRAY ASSEMBLY - Console, seat separator (exc. Power Windows).....		2825811	1	69				X		
	CLIP - Console, seat separator ash tray retaining		2820398	1	35, 37, 69	X	X	X	X		
12.075	MOULDING – Roof reveal										
	MOULDING - Side, front	LH	2814969	1	35		X	X			
		RH	2814970	1	35		X	X			
	MOULDING - Side, rear	LH	2815041	1	35		X	X			
		RH	2815042	1	35		X	X			
	MOULDING - Side	LH	2815229	1	37		X	X	X		
		RH	2815228	1	37		X	X	X		
	MOULDING - Side	LH	2814017	1	69		X	X	X		
		RH	2814018	1	69		X	X	X		
	MOULDING - Side	LH	2814019	1	69					X	X
		RH	2814020	1	69					X	X
	MOULDING - Side	LH	2819203	1	80		X				
		RH	2819202	1	80		X				
12.112	MOULDING – Front door										
	MOULDING - Belt	LH	2812929	1	35, 69			X	X	X	X
		RH	2812930	1	35, 69			X	X	X	X
	PLATE - Moulding anchor		2815551	2	35, 69			X	X	X	X
	SCREW - Anchor plate		190075	2	35, 69			X	X	X	X
	WASHER - Anchor plate		7432966	2	35, 69			X	X	X	X
	CLIP - Moulding (stud type)		7438659	12	35, 69			X	X	X	X
	CLIP - Moulding (screw type)		7433488	AR	35, 69			X	X	X	X
	MOULDING - Belt	LH	2812929	1	80		X				
		RH	2812930	1	80		X				
	PLATE - Moulding anchor		2815551	2	80		X				
	SCREW - Anchor plate		190075	2	80		X				
	WASHER - Anchor plate		7432966	2	80		X				
	CLIP - Moulding (stud type)		7438659	12	80		X				
	CLIP - Moulding (screw type)		7433488	AR	80		X				
	MOULDING - Front scalp	LH	2816921	1	69						X
		RH	2816920	1	69						X
	MOULDING - Rear scalp	LH	2816925	1	69						X
		RH	2816924	1	69						X
	MOULDING - Upper scalp	LH	2816923	1	69						X
		RH	2816922	1	69						X
	MOULDING - Belt	LH	2815075	1	37		X	X	X		
		RH	2815074	1	37		X	X	X		
	PLATE - Moulding anchor		2815551	2	37		X	X	X		
	SCREW - Anchor plate		190075	2	37		X	X	X		
	CLIP - Moulding		7433488	10	37		X	X	X		
	RETAINER - Moulding to door		7425671	4	37		X	X	X		
	MOULDING - Body side		9930888	2	35, 69		X	X		X	X

"HJ" PARTS CATALOGUE

GROUP	DESCRIPTION	SIDE	PART No.	QTY.	BODY STYLE	M	N	P	Q	S	T
12.112 MOULDING – Front door (contd.)											
	SCREW – Moulding to door		159240	4	35, 69		X	X		X	X
	WASHER – Moulding to door		446121	4	35, 69		X	X		X	X
	SCREW – Moulding to door		SP2495	10	35, 69		X	X		X	X
	MOULDING – Body side		9931145	2	37		X	X			
	SCREW – Moulding to door		159240	4	37		X	X			
	WASHER – Moulding to door		446121	4	37		X	X			
	SCREW – Moulding to door		SP2495	12	37		X	X			
	MOULDING – Body sideexc. sports option		9930888	2	80		X				
	SCREW – Moulding to doorexc. sports option		159240	4	80		X				
	WASHER – Moulding to doorexc. sports option		446121	4	80		X				
	SCREW – Moulding to doorexc. sports option		SP2495	10	80		X				
12.114 MOULDING – Rear door											
	MOULDING – Belt	LH	2813057	1	35, 69				X	X	X
		RH	2813058	1	35, 69				X	X	X
	PLATE – Moulding anchor		2815551	4	35, 69				X	X	X
	SCREW – Anchor plate		190075	4	35, 69				X	X	X
	WASHER – Anchor plate		7432966	4	35, 69				X	X	X
	CLIP – Moulding (stud type)		7438659	10	35, 69				X	X	X
	CLIP – Moulding (screw type)		7433488	AR	35, 69				X	X	X
	MOULDING – Front scalp	LH	2816927	1	69						X
		RH	2816926	1	69						X
	MOULDING – Rear scalp	LH	2816931	1	69						X
		RH	2816930	1	69						X
	MOULDING – Upper scalp	LH	2816929	1	69						X
		RH	2816928	1	69						X
	MOULDING ASSY – Body side	LH	9930889	2	35, 69		X	X		X	X
	RETAINER – Moulding to door		9930612	2	35, 69		X	X		X	X
	SCREW – Moulding to door		159240	2	35, 69		X	X		X	X
	WASHER – Moulding to door		446121	2	35, 69		X	X		X	X
	NUT – Moulding to door		SP2443	2	35, 69		X	X		X	X
	SCREW – Moulding to door		SP2495	8	35, 69		X	X		X	X
12.116 MOULDING, EMBLEM, NAME PLATE – Rear quarter panel											
	MOULDING – Upper reveal	LH	2815315	1	35	X	X				
		RH	2815314	1	35	X	X				
	MOULDING – Upper reveal	LH	2815311	1	35			X			
		RH	2815310	1	35			X			
	CLIP – Moulding (stud type)		7434693	12	35	X	X	X			
	CLIP – Moulding (screw type)		7434873	AR	35	X	X	X			
	SCREW – Moulding clip		SP2192	AR	35	X	X	X			
	MOULDING – Lower reveal	LH	2815313	1	35	X	X				
		RH	2815312	1	35	X	X				
	MOULDING – Lower reveal	LH	2815309	1	35			X			
		RH	2815308	1	35			X			
	CLIP – Moulding (stud type)		7434693	12	35	X	X	X			
	CLIP – Moulding (screw type)		7434873	AR	35	X	X	X			
	SCREW – Moulding clip		SP2192	AR	35	X	X	X			
	MOULDING – Tail lamp reveal		2815754	2	35	X					
	MOULDING – Tail lamp reveal		2815566	2	35		X	X			
	SCREW – Moulding to support		SP2127	4	35	X	X	X			
	CLIP – Moulding to support		3697750	8	35	X	X	X			
	MOULDING – Rear wheel opening	LH	9930609	1	35	X	X			X	
		RH	9930608	1	35	X	X			X	
	SCREW – Rear wheel opening moulding		SP2127	16	35	X	X	X			
	MOULDING – Quarter front	LH	2819169	1	35			X			
		RH	2819170	1	35			X			
	CLIP – Moulding (stud type)		7438659	6	35			X			
	CLIP – Moulding (screw type)		7433488	AR	35			X			
	SCREW – Moulding clip		161755	AR	35			X			
	MOULDING – Quarter (two tone)	LH	2816375	1	35	X	X	X			
		RH	2816376	1	35	X	X	X			

BODY

"HJ" PARTS CATALOGUE

GROUP	DESCRIPTION	SIDE	PART No.	QTY.	BODY STYLE	M	N	P	Q	S	T
12.116 MOULDING, EMBLEM, NAME PLATE – Rear quarter panel (contd.)											
	CLIP - Moulding (stud type)		7438659	2	35	X	X	X			
	CLIP - Moulding (screw type)		7433488	2	35	X	X	X			
	SCREW - Moulding clip		9425894	2	35	X	X	X			
	MOULDING ASSY - Body side	LH	9930892	2	35		X	X			
	SCREW - Moulding to panel		SP2427	2	35		X	X			
	NUT - Moulding to panel		SP2443	2	35		X	X			
	SCREW - Moulding to panel		SP2495	14	35		X	X			
	MOULDING - Belt	LH	2815997	1	37		X	X	X		
		RH	2815998	1	37		X	X	X		
	CLIP - Moulding		7433488	6	37		X	X	X		
	SCREW - Moulding clip		161755	10	37		X	X	X		
	SCREW - Moulding		161373	2	37		X	X	X		
	RETAINER - Moulding to panel		7425671	4	37		X	X	X		
	MOULDING - Upper (vinyl)	LH	9933729	1	37		X	X	X		
		RH	9933728	1	37		X	X	X		
	CLIP - Moulding (stud type)		2810747	6	37		X	X	X		
	CLIP - Moulding (screw type)		7433488	AR	37		X	X	X		
	SCREW - Moulding clip		161755	AR	37		X	X	X		
	MOULDING - Rear wheel opening	LH	2815653	1	37		X	X	X		
		RH	2815652	1	37		X	X	X		
	SCREW - Rear wheel opening moulding		SP2127	16	37		X	X	X		
	MOULDING ASSY - Body side	LH	9931144	2	37		X	X			
	SCREW - Moulding to panel		SP2427	2	37		X	X			
	NUT - Moulding to panel		SP2443	2	37		X	X			
	SCREW - Moulding to panel		SP2495	8	37		X	X			
	EMBLEM - Premier		9931348	2	37			X			
	CLIP - Emblem to panel		SP1606	4	37			X			
	TRANSFER - "GTS"		9933569	2	37				X		
	MOULDING - Rear wheel opening	LH	9930609	1	69	X	X	X	X		
		RH	9930608	1	69	X	X	X	X		
	MOULDING - Rear wheel opening	LH	2815653	1	69					X	X
		RH	2815652	1	69					X	X
	SCREW - Rear wheel opening moulding		SP2127	16	69	X	X	X	X	X	X
	MOULDING - Upper (two tone)	LH	2815211	1	69	X	X	X	X		
		RH	2815210	1	69	X	X	X	X		
	MOULDING - Upper (Vinyl)	LH	9933725	1	69	X	X	X	X		
		RH	9933724	1	69	X	X	X	X		
	MOULDING - Upper (vinyl)	LH	9933727	1	69					X	X
		RH	9933726	1	69					X	X
	CLIP - Moulding (vinyl, stud type)		2810747	6	69		X	X	X	X	X
	CLIP - Moulding (two tone, stud type)		7438659	6	69		X	X	X	X	X
	CLIP - Moulding (screw type)		7433488	AR	69		X	X	X	X	X
	SCREW - Moulding clip		161755	AR	69		X	X	X	X	X
	SCREW - Moulding		161340	2	69					X	X
	RETAINER - Moulding		2815300	2	69		X	X	X		
	BOLT - Moulding retainer		7430802	2	69		X	X	X		
	TRANSFER - GTS		9933569	2	69			X			
	EMBLEM - "Premier"		9931348	2	69			X			
	EMBLEM - Shield		2811703	2	69					X	
	EMBLEM - Wreath		2808122	2	69					X	
	PLATE - "Statesman" name		2810210	2	69					X	
	PLATE - "De Ville" name		2817117	2	69					X	
	NUT and SEAL ASSY. - Emblem and name plate		SP2176	AR	69					X	
	EMBLEM ASSEMBLY		9934100	2	69						X
	BEZEL - Emblem		9934098	2	69						X
	INSERT - "Caprice" emblem	LH	9934677	2	69						X
		RH	9934678	2	69						X
	CLIP - Emblem to panel		SP1606	4	69						X
	MOULDING ASSY - Body side	LH	9930890	2	69		X	X			
	SCREW - Moulding to panel		SP2427	2	69		X	X			
	NUT - Moulding to panel		SP2443	2	69		X	X			
	SCREW - Clip to panel		SP2495	10	69		X	X			
	MOULDING ASSY - Body side	LH	9930894	2	69					X	X

"HJ" PARTS CATALOGUE

GROUP	DESCRIPTION	SIDE	PART No.	QTY.	BODY STYLE	M	N	P	Q	S	T
12.116 MOULDING, EMBLEM, NAME PLATE – Rear quarter panel (contd.)											
	SCREW – Moulding to panel		SP2427	2	69					X	X
	NUT – Retainer to panel		SP2443	2	69					X	X
	SCREW – Clip to panel		SP2495	14	69					X	X
	MOULDING – Rear wheel opening	LH	2815653	1	70	X					
		RH	2815652	1	70	X					
	SCREW – Rear wheel opening moulding		SP2127	16	70	X					
	MOULDING – Tail lamp reveal		2815754	2	70	X					
	SCREW – Moulding to support		SP2127	4	70	X					
	CLIP – Moulding to support		3697750	8	70	X					
	TRANSFER – "Sandman" (black)		9932988	2	70	X					
	TRANSFER – "Sandman" (white)		9932987	2	70	X					
	MOULDING – Body side upper	LH	2819201	1	80		X				
		RH	2819200	1	80		X				
	CLIP – Moulding (stud type)		7438659	6	80		X				
	CLIP – Moulding (screw type)		7433488	AR	80		X				
	SCREW – Moulding clip		161755	AR	80		X				
	MOULDING – Rear wheel opening	LH	2815653	1	80	X	X				
		RH	2815652	1	80	X	X				
	SCREW – Rear wheel opening moulding		SP2127	16	80	X	X				
	MOULDING – Tail lamp reveal		2815754	2	80	X					
	MOULDING – Tail lamp reveal		2815566	2	80		X				
	SCREW – Moulding to support		SP2127	4	80	X	X				
	CLIP – Moulding to support		3697750	8	80	X	X				
	MOULDING ASSEMBLY – Body side exc. sports option	LH	9932573	1	80		X				
		RH	9932572	1	80		X				
	SCREW – Moulding to panel		SP2427	2	80		X				
	NUT – Moulding to panel		SP2495	20	80		X				
	SCREW – Moulding to panel		SP2443	2	80		X				
	TRANSFER – "Sandman" (Black)		9932988	2	80	X	X				
	TRANSFER – "Sandman" (white)		9932987	2	80	X	X				
12.121 MOULDING – Rear end panel											
	MOULDING	LH	9931565	1	37				X		
		RH	9931566	1	37				X		
	RETAINER ASSEMBLY		9930005	4	37				X		
	WASHER – Retainer sealing		7424387	4	37				X		
12.174 MOULDING – End gate glass opening reveal											
	MOULDING	LH	2815579	1	35	X	X	X			
		RH	2815580	1	35	X	X	X			
	MOULDING – Centre		2815581	1	35	X	X	X			
	CLIP – Moulding		2816116	AR	35	X	X	X			
	SCREW – Moulding		SP2127	AR	35	X	X	X			
12.176 MOULDING – End gate opening garnish											
	MOULDING	LH	2816021	1	35	X	X	X			
		RH	2816022	1	35	X	X	X			
	SCREW – Moulding		SP2429	10	35	X	X	X			
12.178 GATE ASSEMBLY – Upper end											
	GATE ASSEMBLY		2815840	1	70	X					
	PANEL – Outer		2815837	1	70	X					
12.179 GATE ASSEMBLY – Lower end											
	GATE ASSEMBLY		2816909	1	70	X					
	GATE ASSEMBLY		2816908	1	80	X	X				
	GATE ASSEMBLY – (Manual)		2814853	1	35	X	X				
	GATE ASSEMBLY – (Electric)		2814854	1	35		X	X			
	PANEL – End gate outer		2815327	1	70, 80	X	X				
	PANEL – End gate outer		2811807	1	35	X	X	X			

"HJ" PARTS CATALOGUE

GROUP	DESCRIPTION	SIDE	PART No.	QTY.	BODY STYLE	M	N	P	Q	S	T
12.180 COVER – Spare wheel compartment											
	COVER		2815467	1	35	X					
	COVER		2815468	1	35		X	X			
12.181 LID ASSEMBLY – Deck											
	LID ASSEMBLY		2813091	1	37, 69	X	X	X	X		
	LID ASSEMBLY		9930452	1	69					X	X
12.182 MOULDING, NAME PLATE, EMBLEM – Deck lid & end gate											
	MOULDING – End gate belt	LH	2814795	1	35	X	X	X			
		RH	2814796	1	35	X	X	X			
	MOULDING – End gate belt centre		2814794	1	35	X	X	X			
	CLIP – Moulding		2814046	8	35	X	X	X			
	SCREW – Moulding clip		7426400	8	35	X	X	X			
	SCREW – Moulding to end gate		SP2192	2	35	X	X	X			
	MOULDING – End gate centre (two tone)		2816316	1	35	X	X	X			
	PLATE – Moulding anchor (two tone)		2815551	2	35	X	X	X			
	WASHER – Moulding cup (two tone)		7432966	2	35	X	X	X			
	SCREW – Pan hd. cr. recess No. 6 – 20 x 5/16" (two tone)		190075	2	35	X	X	X			
	CLIP – Moulding (stud type), (two tone)		7438659	8	35	X	X	X			
	CLIP – Moulding (screw type), (two tone)		7433488	AR	35	X	X				
	SCREW – Moulding clip (two tone)		161755	AR	35	X	X				
	MOULDING – End gate lower		9932510	1	35		X				
	SCREW – Moulding to end gate		SP2495	8	35		X				
	WASHER – Lower moulding cup		7432966	2	35		X				
	SCREW – Moulding to end gate		159240	2	35		X				
	MOULDING – End gate lower		9931562	1	35				X		
	RETAINER – Lower moulding		9930005	2	35				X		
	WASHER – Lower moulding cup		7424387	2	35				X		
	CLIP – Moulding (stud type)		2811444	6	35				X		
	CLIP – Moulding (screw type)		2811459	AR	35				X		
	SCREW – Moulding clip		7426400	AR	35				X		
	PLATE – "Belmont" name		2814784	1	35	X					
	PLATE – "Kingswood" name		2814535	1	35		X				
	PLATE – Engine size name "4.2 litre"		9931459	1	35	X	X	X			
	PLATE – Engine size name "5 litre"		9931460	1	35	X	X	X			
	CLIP – Name plate retaining		SP1606	AR	35	X	X	X			
	MOULDING – Deck lid		9931564	1	37				X		
	CLIP – Moulding (stud type)		2811444	6	37				X		
	CLIP – Moulding (screw type)		2811459	AR	37				X		
	SCREW – Moulding clip		7426400	AR	37				X		
	WASHER – Deck lid moulding		7424387	2	37				X		
	RETAINER – Deck lid moulding		9930005	2	37				X		
	PLATE – "Monaro" name		2814805	1	37		X				
	PLATE – "Monaro LS" name		2817707	1	37			X			
	TRANSFER – "GTS"		9933569	1	37					X	
	PLATE – Engine size name – "4.2 Litre"		9931459	1	37		X	X	X		
	PLATE – Engine size name "5 litre"		9931460	1	37		X	X	X		
	CLIP – Name plate retaining		SP1606	AR	37		X	X	X		
	HANDLE PACKAGE – Deck lid lift (accessory)		7437015	1	37		X	X	X		
	MOULDING – Deck lid		9931563	1	69				X		
	CLIP – Moulding (stud type)		2811444	6	69				X		
	CLIP – Moulding (screw type)		2811459	AR	69				X		
	SCREW – Moulding clip		7426400	AR	69				X		
	WASHER – Deck lid moulding		7424387	2	69				X		
	RETAINER – Deck lid moulding		9930005	2	69				X		
	TRANSFER – "GTS"		9933569	1	69					X	
	PLATE – "Belmont" name		2814784	1	69	X					
	PLATE – "Kingswood" name		2814535	1	69		X				
	PLATE – "Statesman Caprice" name		9934161	1	69						X
	EMBLEM – Shield		2816346	1	69					X	
	EMBLEM – Wreath		2816345	1	69					X	
	NUT and SEAL ASSY. – Wreath emblem		SP2176	2	69					X	

"HJ" PARTS CATALOGUE

GROUP	DESCRIPTION	SIDE	PART No.	QTY.	BODY STYLE	M	N	P	Q	S	T
12.182 MOULDING, NAME PLATE, EMBLEM – Deck lid & end gate (contd.)											
	EMBLEM ASSEMBLY		9933902	1	69						X
	BEZEL - Emblem		9934099	1	69						X
	INSERT - "Caprice" emblem	LH	9934677	1	69						X
		RH	9934678	1	69						X
	PLATE - Engine size name - "4.2 Litre"		9931459	1	69	X	X	X	X	X	
	PLATE - Engine size name - "5 litre"		9931460	1	69	X	X	X	X		
	CLIP - Name plate and emblem retaining		SP 1606	AR	69	X	X	X	X	X	X
	HANDLE PACKAGE - Deck lid lift (accessory)		7437015	1	69	X	X	X	X	X	X
	MOULDING - Lower end gate exc. sports option		9932452	1	80		X				
	PLATE - Moulding anchor exc. sports option		7423350	2	80		X				
	CLIP - Moulding (stud type) exc. sports option		7438659	8	80		X				
	CLIP - Moulding (screw type) exc. sports option		7433488	AR	80		X				
	SCREW - Moulding clip exc. sports option		161755	AR	80		X				
	SCREW - Moulding exc. sports option		159572	2	80		X				
	PLATE - "Holden" name		9933763	1	70, 80	X					
	PLATE - "Kingswood" name		2814535	1	80		X				
	PLATE - Engine size name "4.2 Litre"		9931459	1	80		X				
	PLATE - Engine size name - "5 Litre"		9931460	1	80		X				
	CLIP - Name plate retaining		SP 1606	AR	70, 80	X	X				
12.184 HINGE ASSEMBLY, BRACKET, BRACE – Deck lid and end gate											
	HINGE - End gate section	LH	2814533	1	35	X	X	X			
		RH	2814532	1	35	X	X	X			
	HINGE - Body section	LH	7433817	1	35	X	X	X			
		RH	7433818	1	35	X	X	X			
	SCREW - End gate hinge to body		7430091	6	35	X	X	X			
	RIVET - End gate hinge		7425610	2	35	X	X	X			
	HINGE ASSEMBLY - Deck lid		2811523	2	37, 69	X	X	X	X	X	X
	BRACKET ASSEMBLY - Deck lid hinge mounting	LH	2811383	1	37, 69	X	X	X	X		
		RH	2811384	1	37, 69	X	X	X	X		
	BRACKET ASSEMBLY - Deck lid hinge mounting	LH	2813383	1	69					X	X
		RH	2813384	1	69					X	X
	BRACE - Deck lid hinge bracket		2812059	2	37, 69	X	X	X	X		
	BRACE - Deck lid hinge bracket		2811652	2	69					X	X
	HINGE ASSEMBLY - Upper end gate		7420837	2	70	X					
	BOLT and WASHER ASSY. - Hinge to end gate and body		SP2013	6-8	70	X					
	HINGE - Lower, end gate section		9937639	2	70, 80	X	X				
	HINGE - Lower, body section		9937640	2	70, 80	X	X				
	SCREW - Lower end gate hinge		7430091	4	70, 80	X	X				
	SCREW - Guide to lower end gate		7430091	6	70, 80	X	X				
12.186 PIN – Deck lid and end gate hinge											
	PIN - Deck lid		7408627	2	37, 69	X	X	X	X	X	X
	PIN - Upper end gate		7415999	2	70	X					
	PIN - Lower end gate		7376637	2	70, 80	X	X				
12.187 ROD – Deck lid and end gate torque											
	ROD - End gate		2814679	1	35	X	X	X			
	RETAINER - Torque rod to body		2814588	1	35	X	X	X			
	RETAINER - Torque rod to end gate		2814913	1	35	X	X	X			
	ROD - Deck lid	LH	2813387	1	37, 69	X	X	X	X	X	X
		RH	2813386	1	37, 69	X	X	X	X	X	X
12.195 STRIP – End gate and tonneau floor wear											
	STRIP - End gate (11 ³ / ₁₆ ")		7449661	1	35	X	X	X			
	STRIP - End gate (13")		7433854	6	35	X	X	X			
	STRIP - Tonneau front floor filler wear (11 ³ / ₁₆ ")		2815517	7	35	X	X	X			
	STRIP - Tonneau front floor wear (14 ¹ / ₁₆ ")		7433036	7	35	X	X	X			
	STRIP - Tonneau rear floor wear (26 ³ / ₁₆ ")		2815538	1	35	X	X	X			

BODY

"HJ" PARTS CATALOGUE

GROUP	DESCRIPTION	SIDE	PART No.	QTY.	BODY STYLE	M	N	P	Q	S	T
12.195 STRIP – End gate and tonneau floor wear (contd.)											
	STRIP - Tonneau rear floor wear (27")		2814781	6	35	X	X	X			
	STRIP - Tonneau front floor filler finish		7433090	1	35	X	X	X			
	STRIP - Tonneau front floor filler finish side	LH	2815369	1	35	X	X	X			
		RH	2815370	1	35	X	X	X			
	NUT - Barrel		7426194	AR	35	X	X	X			
12.196 COVER ASSEMBLY – Tonneau											
	COVER ASSEMBLY		2822331	1	80	X	X				
	CORD ASSEMBLY - Lashing		2822332	1	80	X	X				
	HOOK - Lashing		2816060	16	80	X	X				
	PIN - Lashing hook		2816058	56	80	X	X				
	CLEAT - Lashing		2816059	2	80	X	X				
	EYELET		SP2559	15	80	X	X				
	WASHER - Eyelet		SP2560	15	80	X	X				
	STUD - No. 10 x .38"		SP1535	7	80	X	X				
	WASHER - Stud insulating		862108	7	80	X	X				
	SOCKET - Type "D" fastener		SP2061	7	80	X	X				
	PLATE - Socket		SP2060	7	80	X	X				
	SUPPORT - Cover		2817390	1	80	X	X				
12.203 ARM ASSEMBLY – End gate limit											
	ARM ASSEMBLY	LH	7434369	1	35	X	X	X			
		RH	7434368	1	35	X	X	X			
	SCREW - Arm to end gate		7434580	6	35	X	X	X			
	SCREW - Arm to pillar		SP2064	6	35	X	X	X			
	ARM ASSEMBLY - Upper end gate hold open	LH	7420877	1	70	X					
		RH	7420876	1	70	X					
	WASHER - Upper inner, plastic		7417580	2	70	X					
	WASHER - Upper inner, rubber		7417270	2	70	X					
	WASHER - Upper inner, cup		7417272	2	70	X					
	SPACER - Upper inner		7417271	2	70	X					
	CABLE ASSEMBLY - Lower end gate limit		9937638	2	70, 80	X	X				
	BOLT - Lower end gate limit cable		7427392	2	70, 80	X	X				
12.207 SPRING – Upper end gate hold open arm											
	SPRING - Lever over centre	LH	4158117	1	70	X					
		RH	4158116	1	70	X					
12.212 BUMPER – Deck lid and end gate											
	BUMPER ASSEMBLY - Limit arm		7434570	4	35	X	X	X			
	BUMPER - Sliding glass channel cam		7431841	2	35	X	X	X			
	BUMPER - On striker		7417423	2	35	X	X	X			
	BUMPER ASSEMBLY - Deck lid		2809447	2	37, 69	X	X	X	X	X	X
	BUMPER ASSEMBLY - End gate		9937637	2	70, 80	X	X				
12.237 STRIKER, PLATE, SPACER – Deck lid and end gate lock											
	STRIKER - End gate lock	LH	7424919	1	35	X	X	X			
		RH	7424918	1	35	X	X	X			
	SCREW		7429826	6	35	X	X	X			
	SPACER - .06" thick		7426308	AR	35	X	X	X			
	SPACER - 1.25" thick		7426309	AR	35	X	X	X			
	PLATE - End gate striker tooth	LH	7424923	1	35	X	X	X			
		RH	7424922	1	35	X	X	X			
	PLATE - End gate striker adjusting upper		7424398	2	35	X	X	X			
	PLATE - End gate striker adjusting lower		4649282	2	35	X	X	X			
	PLATE - End gate striker anchor		7426738	2	35	X	X	X			
	RETAINER - End gate striker anchor plate		7439263	2	35	X	X	X			
	STRIKER - Deck lid lock		2810483	1	37, 69	X	X	X	X	X	X
	REINFORCEMENT ASSY. - Deck lid striker		2810916	1	37, 69	X	X	X	X	X	X
	PLATE - Upper end gate striker		7420418	2	70	X					

"HJ" PARTS CATALOGUE

GROUP	DESCRIPTION	SIDE	PART No.	QTY.	BODY STYLE	M	N	P	Q	S	T
12.237 STRIKER, PLATE, SPACER – Deck lid and end gate lock (contd.)											
	SPACER – Striker		7420492	AR	70	X					
	PLATE – Lower end gate striker	LH	2815969	1	70, 80	X	X				
		RH	2815970	1	70, 80	X	X				
	PLATE – Lower end gate striker anchor		7427288	2	70, 80	X	X				
	RETAINER – Lower end gate striker anchor plate		7427306	2	70, 80	X	X				
12.238 CATCH ASSY., HANDLE, RETAINER – Spare wheel compartment cover											
	CATCH ASSEMBLY		2815541	1	35	X	X	X			
	HANDLE – Catch		2815544	1	35	X	X	X			
	SCREW – Handle to catch, washer hd. No. 10 – 24		SP2056	1	35	X	X	X			
	RETAINER – Front		7433398	2	35	X	X	X			
12.240 BUMPER – End gate anti-rattle											
	BUMBER		7419355	2	70, 80	X	X				
12.241 ROD, PLUNGER, GUIDE, SPRING – End gate lock											
	ROD – Remote control		2814585	2	35	X	X	X			
	CLIP – Control rod to end gate anti-rattle		4576655	1	35	X	X	X			
	CLIP – Control rod to end gate lever		4576655	4	35	X	X	X			
	SILENCER – Remote control rod, right side		7408725	1	35	X	X	X			
	PLUNGER ASSY. – Upper end gate lock		7420419	2	70	X					
	GUIDE – Upper lock plunger		7407782	2	70	X					
	PLUNGER ASSY. – Lower end gate lock		7436018	2	70, 80	X	X				
	GUIDE – Lower lock plunger	LH	7418625	1	70, 80	X	X				
		RH	7418624	1	70, 80	X	X				
	SPRING – Lock bar		7407811	2-4	70, 80	X	X				
	CLIP – Lock bar		7402119	2-4	70, 80	X	X				
12.242 LOCK ASSEMBLY, CONTROL, SPRING, PLATE – Deck lid and end gate											
	LOCK ASSEMBLY – End gate	LH	7433977	1	35	X	X	X			
		RH	7433976	1	35	X	X	X			
	SPRING – End gate lock trip lever	LH	7424915	1	35	X	X	X			
		RH	7424914	1	35	X	X	X			
	SCREW & WASHER – ¼" – 20 x .50" oval hd. cr. rec.		SP2350	6	35	X	X	X			
	CONTROL ASSY. – End gate remote		7434260	1	35	X	X	X			
	LOCK ASSEMBLY – Deck lid		7421890	1	37, 69	X	X	X	X	X	X
	PLATE – Deck lid lock anchor		2810326	1	37, 69	X	X	X	X	X	X
	SCREW – Lock assy. to deck lid		SP2064	3	37, 69	X	X	X	X	X	X
	PLATE & ARM ASSY. – Upper end gate lock base		7413722	1	70	X					
	PLATE – Upper end gate locking		7413721	1	70	X					
	PLATE – End gate lock cover		7435941	1	70, 80	X	X				
	PLATE ASSY. – Lower end gate lock base		7436017	1	70, 80	X	X				
12.243 REAR COMPARTMENT LID LOCK RELEASE PACKAGE											
	PACKAGE		2824613	1	37, 69	X	X	X	X	X	X
	CONNECTOR – Vacuum pipe, Air Cond.		9930241	1	37, 69	X	X	X	X	X	X
12.247 HANDLE ASSEMBLY & COMPONENTS – End gate											
	HANDLE ASSY., LESS BARREL & KEY – Window regulator		7426873	1	35	X	X	X			
	HANDLE – Window regulator		7429199	1	35	X	X	X			
	CLIP – Handle hold open		7429682	1	35	X	X	X			
	RIVET – Oval hd. tubular ⅛" x ¼"		SP1143	1	35	X	X	X			
	PIN – Window regulator handle hinge		7426095	1	35	X	X	X			
	DRIVER – Window regulator handle		7430719	1	35	X	X	X			
	RING – Window regulator handle driver retainer		7426098	1	35	X	X	X			
	CLUTCH – Window regulator handle		7426101	1	35	X	X	X			

"HJ" PARTS CATALOGUE

GROUP	DESCRIPTION	SIDE	PART No.	QTY.	BODY STYLE	M	N	P	Q	S	T
12.247 HANDLE ASSEMBLY & COMPONENTS – End gate (contd.)											
	RING - Window regulator handle clutch retainer		7426103	1	35	X	X	X			
	WASHER - Window regulator handle spring		7426190	1	35	X	X	X			
	HANDLE - Remote control		7435141	1	35, 70, 80	X	X		X		
	HANDLE ASSY. - Upper end gate		7411267	1	70	X					
	FERRULE ASSY. - Upper end gate handle		7402384	1	70	X					
12.248 BARREL & KEY ASSEMBLY – Deck lid and end gate											
	BARREL & KEY ASSY. - Window regulator outer handle lock (coded) (manual)		2816620	1	35	X	X	X			
	LOCK SERVICE PACKAGE - Window regulator handle (uncoded) (manual)		M37123	1	35	X	X	X			
	PAWL - Window regulator lock cylinder (manual)		7426099	1	35	X	X	X			
	SPRING - Window regulator lock cylinder pawl (Manual)		7426100	1	35	X	X	X	X		
	BARREL, KEY & SWITCH ASSY. - Window switch (coded) (electric)		2816621	1	35		X	X			
	LOCK SERVICE PACKAGE - Window switch (uncoded) (electric)		M37126	1	35	X	X	X			
	RETAINER - Lock cylinder (electric)		5713260	1	35		X	X			
	BARREL & KEY ASSY. - Deck lid (coded)		2815103	1	37, 69	X	X	X	X	X	X
	LOCK SERVICE PACKAGE - Deck lid, (uncoded)		M37125	1	37, 69	X	X	X	X	X	X
	GASKET - Deck lid lock cylinder		4780518	1	37, 69	X	X	X	X	X	X
	RETAINER - Deck lid lock cylinder		7432669	1	37, 69	X	X	X	X	X	X
	GASKET - Lock cylinder retainer		7432672	1	37, 69	X	X	X	X	X	X
	SCREW - Retainer to inner panel		7426400	2	37, 69	X	X	X	X	X	X
	TUMBLER - No. 1 (Package of 100)		3901061	1	35, 37, 69	X	X	X	X	X	X
	TUMBLER - No. 2 (Package of 100)		3901062	1	35, 37, 69	X	X	X	X	X	X
	TUMBLER - No. 3 (Package of 100)		3901063	1	35, 37, 69	X	X	X	X	X	X
	TUMBLER - No. 4 (Package of 100)		3901064	1	35, 37, 69	X	X	X	X	X	X
	TUMBLER - No. 5 (Package of 100)		3901065	1	35, 37, 69	X	X	X	X	X	X
	BARREL & KEY ASSY. - End gate handle (coded)		2816712	1	70	X					
	PAWL - Upper end gate handle		7402366	1	70	X					
	SPRING - Upper end gate handle		7402364	1	70	X					
12.249 ESCUTCHEON, CLIP, GASKET – End gate											
	ESCUTCHEON - Window regulator handle (manual)		7426096	1	35	X	X	X			
	CLIP - Window regulator handle escutcheon (manual)		7426097	2	35	X	X	X			
	GASKET - Window regulator handle (manual)		7426875	1	35	X	X	X			
	ESCUTCHEON - Window lock cylinder (electric)		2816693	1	35		X	X			
	GASKET - Window lock cylinder escutcheon		7426879	1	35		X	X			
12.269 WEATHERSTRIP – Deck lid & end gate											
	WEATHERSTRIP - End gate		2814930	1	35	X	X	X			
	WEATHERSTRIP - Deck lid		2812216	1	37, 69	X	X	X	X	X	X
	WEATHERSTRIP - Upper end gate		2816148	1	70	X					
	WEATHERSTRIP - Lower end gate		2816489	1	70	X					
12.270 RETAINER – End gate weatherstrip											
	RETAINER		2813972	1	35	X	X	X			
	RETAINER - Side	LH	2813545	1	35	X	X	X			
		RH	2813544	1	35	X	X	X			
12.272 REGULATOR, SPRING, DRIVER – End gate window											
	REGULATOR - (manual)		7434610	1	35	X	X				
	SPRING - Regulator clutch (manual)		4157887	1	35	X	X	X			
	DRIVER - Regulator (manual)		7426453	1	35	X	X				
	REPAIR KIT - Regulator (manual)		7436921	1	35	X	X				
	REGULATOR - (electric)		7434634	1	35		X	X			

"HJ" PARTS CATALOGUE

GROUP	DESCRIPTION	SIDE	PART No.	QTY.	BODY STYLE	M	N	P	Q	S	T
12.272 REGULATOR, SPRING, DRIVER – End gate window (contd.)											
	PLATE & BUSHING ASSY. – Regulator sector (electric)		5718404	1	35		X	X			
	SPRING – Regulator centre balance		7426600	1	35	X	X	X			
	PIN – Regulator lift		4158246	2	35	X	X	X			
	ROLLER – Regulator		4158245	2	35	X	X	X			
	SCREW – Regulator to end gate		SP2219	4	35	X	X	X			
12.273 SUPPORT ASSEMBLY – End gate window regulator											
	SUPPORT ASSEMBLY		2814042	1	35	X	X	X			
12.275 SWITCH ASSEMBLY – End gate window (Electric)											
	SWITCH ASSY. – Window regulator instrument panel ..		9934436	1	35		X	X			
	SPRING – Window switch retaining		2816992	1	35		X	X			
	SWITCH ASSY. – Window winder safety		4493796	1	35		X	X			
12.276 BREAKER ASSEMBLY – End gate window circuit (Electric)											
	BREAKER ASSY.		1476675	1	35		X	X			
12.277 HARNESS ASSEMBLY, SLEEVE, CLIP – End gate window regulator (Electric)											
	HARNESS ASSY. – Centre		2817403	1	35		X	X			
	BODY – 2 way male connector		2977763	1	35		X	X			
	BODY – Male connector		2962984	1	35		X	X			
	HARNESS ASSY. – Rear		2814889	1	35		X	X			
	BODY – 3 way female terminal connector		2977673	1	35		X	X			
	BODY – 3 way female connector		2971627	1	35		X	X			
	BODY – Single connector		2962448	1	35		X	X			
	SLEEVE – Window harness		2817473	1	35		X	X			
	CLIP – Rear harness		7401651	3	35		X	X			
	CLIP – Rear harness		7432906	1	35		X	X			
	CLIP – Rear harness to regulator		7426387	1	35		X	X			
	CLIP – Rear harness to rear quarter panel		2815231	1	35		X	X			
	RELAY ASSEMBLY		2818403	1	35		X	X			
	LEAD ASSY. – Relay to fuse panel		2817475	1	35		X	X			
	BODY – Single connector		2962448	1	35		X	X			
	LEAD ASSY. – Control to fuse panel		2817474	1	35		X	X			
	LEAD ASSY. – End gate, side windows		2817476	1	35		X	X			
12.280 MOTOR ASSEMBLY – End gate window regulator (Electric)											
	MOTOR ASSEMBLY		5045365	1	35		X	X			
	ARMATURE		4917375	1	35		X	X			
	BOLT – Through		4916380	2	35		X	X			
	BRUSH		4918916	2	35		X	X			
	SPRING – Brush		4904213	2	35		X	X			
	BRUSH HOLDER & CIRCUIT BREAKAGE PKG.		4905337	1	35		X	X			
	GEAR & PINION PACKAGE		4913821	1	35		X	X			
	PLUG – Thrust		5098080	1	35		X	X			
	SCREW – Adjusting		4917377	1	35		X	X			
12.428 RAIL ASSEMBLY – Body side											
	RAIL	LH	2816141	1	70	X					
		RH	2816142	1	70	X					
	RAIL ASSEMBLY	LH	2816139	1	80	X	X				
		RH	2816140	1	80	X	X				

BODY

"HJ" PARTS CATALOGUE

GROUP	DESCRIPTION	SIDE	PART No.	QTY.	BODY STYLE	M	N	P	Q	S	T
12.491 PANEL ASSEMBLY, PILLAR ASSEMBLY – Centre & door lock striker											
	PANEL ASSY. – Centre pillar	LH	9932887	1	35, 69	X	X	X	X	X	X
		RH	9932886	1	35, 69	X	X	X	X	X	X
	PILLAR ASSY. – Door lock striker	LH	9932777	1	60, 70, 80	X	X				
		RH	9932776	1	60, 70, 80	X	X				
12.580 FLOOR – Tonneau											
	FLOOR		2814782	1	35	X					
	FLOOR		2814730	1	35		X	X			
	FLOOR – Front		2816121	1	70	X					
	FLOOR – Front		2816122	1	80	X	X				
	FLOOR – Centre		2816987	1	70, 80	X	X				
	FLOOR – Rear		2816988	1	70, 80	X	X				
	LACE – Front floor finishing		2815016BA	1	70	X					
12.581 HINGE ASSEMBLY – Tonneau floor front filler											
	HINGE ASSEMBLY		2815256	1	35	X	X	X			
12.582 FILLER – Tonneau floor front											
	FILLER		2822721	1	35	X					
	FILLER		2815301	1	35		X	X			
12.582 FILLER ASSY. – Tonneau floor front											
	TRIM Nos. 14V, 14X		2815885DR	1	35		X	X			
	TRIM Nos. 18V, 18X		2815885DT	1	35		X	X			
	TRIM Nos. 45V, 45X		2815885DU	1	35		X	X			
	TRIM Nos. 60V, 60X		2815885DV	1	35		X	X			
	TRIM Nos. 64V, 64X		2815885DW	1	35		X	X			
12.801 SEPARATOR, BRACKET, PAD ASSEMBLY – Front seat											
	SEPARATOR(M) Column Shift		9933035	1	37		X				
	SEPARATOR(A) Column Shift		9933035	1	35			X			
	SEPARATORColumn Shift		9933035	1	35, 69	X	X				
	SEPARATOR(M) Column Shift		9933036	1	69					X	
	SEPARATOR(A) Column Shift		9933036	1	69			X			
	SEPARATORColumn Shift		9933036	1	60, 70, 80	X	X				
	BRACKET – Separator mountingColumn Shift		9933031	AR	ALL	X	X	X		X	
	SCREW – Separator to front bracketColumn Shift		SP2165	1	ALL	X	X	X		X	
	PAD ASSY. – Separator arm rest		9933025	1	ALL	X	X	X	X	X	
12.802 HINGE – Front seat separator arm rest											
	HINGE – Assembly Column Shift		9933021	1	ALL	X	X	X		X	
12.803 COWL ASSEMBLY – Body front end											
	COWL ASSEMBLY		9931042	1	Exc. 37, 60	X	X	X	X	X	X
	COWL ASSEMBLY		9931043	1	37		X	X	X		
	COWL ASSEMBLY		9932017	1	60	X					
	PANEL ASSY. – Plenum chamber		2812048	1	ALL	X	X	X	X	X	X
	OUTLET ASSY. – Plenum chamber (exc. Air Cond)	LH	2814545	1	ALL	X	X	X	X	X	
		RH	2814544	1	ALL	X	X	X	X	X	
	SEAL – Plenum chamber outlet (Exc. Air Cond.)	LH	2823197	1	ALL	X	X	X	X	X	
		RH	2823196	1	ALL	X	X	X	X	X	X
	COVER – Heater opening (without heater)		2812737	1	ALL	X	X	X	X	X	
	PLUG – Dash sealing (nylon). (A)		SP2250	2	ALL	X	X	X	X	X	X
	SEAL – Dash panel (rubber), (A) 5 Litre Eng.		2819283	1	Exc. 60	X	X	X	X	X	X
	PLUG – Choke control hole in dash panel, 8 Cyl. Eng.		SP1495	1	ALL	X	X	X	X	X	X
	PLUG – Choke cable hole in facia, 8 cyl. eng.		SP1838BA	1	ALL	X	X	X	X	X	X

"HJ" PARTS CATALOGUE

GROUP	DESCRIPTION	SIDE	PART No.	QTY.	BODY STYLE	M	N	P	Q	S	T
12.804	PANEL ASSEMBLY – Dash										
	PANEL ASSEMBLY		9930942	1	ALL	X	X	X	X	X	X
12.805	PILLAR ASSEMBLY – Front body										
	PILLAR ASSEMBLY	LH	9932013	1	Exc. 37	X	X	X	X	X	X
		RH	9932014	1	Exc. 37	X	X	X	X	X	X
	PILLAR ASSEMBLY	LH	9932015	1	37		X	X	X		
		RH	9932016	1	37		X	X	X		
12.805	PANEL ASSEMBLY – Cowl top										
	PANEL ASSEMBLY		9931067	1	Exc. 60	X	X	X	X	X	X
	PANEL ASSEMBLY		9931069	1	60	X					
12.807	FRAME – Windshield										
	FRAME		2810346	1	Exc. 37	X	X	X	X	X	X
	FRAME		2812717	1	37		X	X	X		
12.810	PANEL – Roof										
	ROOF ASSEMBLY		2818203	1	35	X	X	X			
	ROOF ASSEMBLY		2818200	1	37		X	X	X		
	ROOF ASSEMBLY		2818201	1	69	X	X	X	X		
	ROOF ASSEMBLY		2818202	1	69					X	X
	ROOF ASSEMBLY		2820116	1	70	X					
	ROOF ASSEMBLY		2820115	1	60, 80	X	X				
12.810	INSULATOR – Roof										
	INSULATOR – Front		9936309	1	69						X
	INSULATOR – Rear		9936308	1	69						X
12.810	COVER – Roof panel										
	COVER ASSY. – Black vinyl		2820169CY	1	37		X	X	X		
	COVER ASSY. – Dove grey vinyl		2820169DR	1	37		X	X	X		
	COVER ASSY. – Chamois vinyl		2820169DV	1	37		X	X	X		
	COVER ASSY. – Gazelle vinyl		2820169DW	1	37		X	X	X		
	RETAINER – Roof panel cover	LH	2817657	1	37		X	X	X		
		RH	2817658	1	37		X	X	X		
	COVER ASSY. – Black vinyl		2819633CY	1	69	X	X	X	X		
	COVER ASSY. – Dove grey vinyl		2819633DR	1	69		X	X	X		
	COVER ASSY. – Chamois vinyl		2819633DV	1	69		X	X	X		
	COVER ASSY. – Gazelle		2819633DW	1	69		X	X	X		
	RETAINER – Roof panel cover	LH	2815847	1	69	X	X	X	X		
		RH	2815846	1	69	X	X	X	X		
	COVER ASSY. – Black vinyl		2820233CY	1	69					X	X
	COVER ASSY. – Dove grey vinyl		2820233DR	1	69					X	X
	COVER ASSY. – Chamois Vinyl		2820233DV	1	69					X	X
	COVER ASSY. – Gazelle		2820233DW	1	69					X	X
	RETAINER – Roof panel cover	LH	2815849	1	69					X	X
		RH	2815848	1	69					X	X
12.811	GUTTER – Roof drip										
	GUTTER – Side	LH	2812093	1	35	X	X	X			
		RH	2812092	1	35	X	X	X			
	GUTTER – Rear	LH	2813389	1	35	X	X	X			
		RH	2813388	1	35	X	X	X			
	GUTTER – Side	LH	2813397	1	37		X	X	X		
		RH	2813398	1	37		X	X	X		
	GUTTER – Side	LH	2810547	1	69	X	X	X	X		
		RH	2810546	1	69	X	X	X	X		

BODY

"HJ" PARTS CATALOGUE

GROUP	DESCRIPTION	SIDE	PART No.	QTY.	BODY STYLE	M	N	P	Q	S	T
12.811 GUTTER – Roof drip (contd.)											
	GUTTER – Side	LH	2811805	1	69					X	X
		RH	2811804	1	69					X	X
	GUTTER – Rear	LH	2812641	1	69		X				
		RH	2812640	1	69		X				
	GUTTER – Rear	LH	2812639	1	69			X	X	X	
		RH	2812638	1	69			X	X	X	
	GUTTER – Rear	LH	2812971	1	69					X	X
		RH	2812972	1	69					X	X
	SCREW – Gutter to quarter panel		SP2192	AR	69	X	X	X	X	X	X
	GUTTER – Side	LH	7427505	1	70	X					
		RH	7427504	1	70	X					
	GUTTER – Door opening	LH	2815727	1	70	X					
		RH	2815728	1	70	X					
	GUTTER – Door opening, front	LH	2816135	1	70	X					
		RH	2816136	1	70	X					
	GUTTER – Door opening, rear	LH	2816137	1	70	X					
		RH	2816138	1	70	X					
	SCREW – Gutter to body		SP2112	8	70	X					
	GUTTER – Side	LH	2816361	1	60, 80	X	X				
		RH	2816360	1	60, 80	X	X				
12.895 DOOR ASSEMBLY – Front less glass, trim & hardware											
	DOOR ASSEMBLY – Exc. Power Windows	LH	9932321	1	Exc. 37	X	X		X		
		RH	9932320	1	Exc. 37	X	X		X		
	DOOR ASSEMBLY – Exc. Power Windows	LH	9932319	1	35, 69			X		X	
		RH	9932318	1	35, 69			X		X	
	DOOR ASSEMBLY – Exc. Power Windows	LH	9932329	1	37		X		X		
		RH	9932328	1	37		X		X		
	DOOR ASSEMBLY – Exc. Power Windows	LH	9932767	1	37			X			
		RH	9932766	1	37			X			
	DOOR ASSEMBLY – Power Windows	LH	9932323	1	35, 69			X	X	X	X
		RH	9932322	1	35, 69				X		
		RH	9935224	1	35, 69			X		X	X
	DOOR ASSEMBLY – Power Windows	LH	9932765	1	37			X	X		
		RH	9932764	1	37				X		
		RH	9935234	1	37			X			
12.895 PANEL ASSEMBLY – Front door outer											
	PANEL ASSEMBLY	LH	2819409	1	Exc. 37	X	X	X	X	X	X
		RH	2819410	1	Exc. 37	X	X	X	X	X	X
	PANEL ASSEMBLY	LH	2812429	1	37		X	X	X		
		RH	2812430	1	37		X		X		
	PANEL ASSEMBLY	RH	9935236	1	37			X			
12.913 DOOR ASSEMBLY – Rear less glass, trim & hardware											
	DOOR ASSEMBLY – Exc. power windows	LH	2814453	1	35	X	X	X			
		RH	2814454	1	35	X	X	X			
	DOOR ASSEMBLY – Power windows	LH	2814455	1	35			X			
		RH	2814456	1	35			X			
	DOOR ASSEMBLY – Exc. power windows	LH	2814445	1	69	X	X	X	X		
		RH	2814446	1	69	X	X	X	X		
	DOOR ASSEMBLY – Exc. power windows	LH	2814449	1	69					X	
		RH	2814450	1	69					X	
	DOOR ASSEMBLY – Power windows	LH	2814447	1	69			X	X		
		RH	2814448	1	69			X	X		
	DOOR ASSEMBLY – Power windows	LH	2814451	1	69					X	X
		RH	2814452	1	69					X	X

"HJ" PARTS CATALOGUE

GROUP	DESCRIPTION	SIDE	PART No.	QTY.	BODY STYLE	M	N	P	Q	S	T
12.913	PANEL ASSEMBLY – Rear door outer										
	PANEL ASSEMBLY	LH	2819423	1	35, 69	X	X	X	X	X	X
		RH	2819424	1	35, 69	X	X	X	X	X	X
12.934	PANEL – Rocker										
	PANEL – Inner	LH	2809489	1	35	X	X	X			
		RH	2809488	1	35	X	X	X			
	PANEL – Outer	LH	2809815	1	35	X	X	X			
		RH	2809816	1	35	X	X	X			
	PANEL – Inner	LH	2809491	1	37		X	X	X		
		RH	2809490	1	37		X	X	X		
	PANEL – Outer	LH	2809817	1	37		X	X	X		
		RH	2809818	1	37		X	X	X		
	PANEL – Inner	LH	2809487	1	69	X	X	X			
		RH	2809486	1	69	X	X	X			
	PANEL – Outer	LH	2809813	1	69	X	X	X			
		RH	2809814	1	69	X	X	X			
	PANEL – Inner	LH	2809489	1	69					X	X
		RH	2809488	1	69					X	X
	PANEL – Outer	LH	2809815	1	69					X	X
		RH	2809816	1	69					X	X
	PANEL – Inner	LH	2816389	1	60	X					
		RH	2816388	1	60	X					
	PANEL – Outer	LH	2816449	1	60	X					
		RH	2816448	1	60	X					
	PANEL – Inner	LH	2809489	1	70, 80	X	X				
		RH	2809488	1	70, 80	X	X				
	PANEL – Outer	LH	2809815	1	70, 80	X	X				
		RH	2809816	1	70, 80	X	X				
12.940	PANEL, REINFORCEMENT, FILLER – Rear quarter outer										
	PANEL	LH	9930437	1	35	X	X	X			
		RH	9930438	1	35	X	X	X			
	REINFORCEMENT – Panel front	LH	9933607	1	35	X	X	X			
		RH	9933606	1	35	X	X	X			
	FILLER – Panel lower	LH	2814867	1	35	X	X	X			
		RH	2814868	1	35	X	X	X			
	FILLER – Panel upper	LH	2814929	1	35	X	X	X			
		RH	2814928	1	35	X	X	X			
	PANEL	LH	2811643	1	37		X	X	X		
		RH	2811642	1	37		X	X	X		
	REINFORCEMENT – Window opening	LH	2814443	1	37		X	X	X		
		RH	2814444	1	37		X	X	X		
	PANEL	LH	9929797	1	69	X	X	X	X		
		RH	9929796	1	69	X	X	X	X		
	PANEL	LH	9930433	1	69					X	X
		RH	9930434	1	69					X	X
	REINFORCEMENT – Panel front	LH	9933607	1	69	X	X	X	X	X	X
		RH	9933606	1	69	X	X	X	X	X	X
	PLATE – Panel seal	LH	2814235	1	69					X	X
		RH	2814236	1	69					X	X
12.940	SUPPORT – Tail lamp										
	SUPPORT – Tail Lamp	LH	9930523	1	69	X	X	X	X		
		RH	9930524	1	69	X	X	X	X		
	SUPPORT – Tail Lamp	LH	9930797	1	69					X	X
		RH	9930796	1	69					X	X

BODY

"HJ" PARTS CATALOGUE

GROUP	DESCRIPTION	SIDE	PART No.	QTY.	BODY STYLE	M	N	P	Q	S	T
12.941 PANEL ASSEMBLY – Rear quarter inner											
	PANEL ASSEMBLY	LH	9931407	1	35	X	X	X			
		RH	9931406	1	35	X	X	X			
	PANEL ASSEMBLY – Exc. power windows	LH	9932693	1	37		X	X	X		
		RH	9932694	1	37		X	X	X		
	PANEL ASSEMBLY – Power windows	LH	9932711	1	37			X	X		
		RH	9932712	1	37			X	X		
	COVER – Inner panel		2815230	2	37		X	X	X		
	BRACE – Body side to underbody	LH	2814787	1	37		X	X	X		
		RH	2814788	1	37		X	X	X		
	PANEL ASSEMBLY	LH	9931185	1	69	X	X	X	X		
		RH	9931184	1	69	X	X		X		
	PANEL ASSEMBLY	LH	9931405	1	69					X	
		RH	9931404	1	69					X	
	PANEL ASSEMBLY	LH	9936311	1	69						X
		RH	9936310	1	69						X
	PANEL ASSEMBLY – Upper Reading Lamp	LH	9935253	1	69						X
		RH	9935254	1	69						X
	BRACKET – Corner Lamp Support		9935158	2	69						X
12.942 PANEL ASSEMBLY, VALVE, GRILLE – Rear body lock pillar											
	PANEL ASSEMBLY	LH	9933603	1	35	X	X	X			
		RH	9933602	1	35	X	X	X			
	VALVE ASSY. – Pressure relief	LH	9933619	1	35	X	X	X			
		RH	9933618	1	35	X	X	X			
	SCREW – Valve assy. to quarter panel		7426400	4	35	X	X		X		
	GASKET – Relief Valve		9933754	2	35	X	X	X			
	GRILLE – Relief valve		2816126	2	35	X	X	X			
	NUT – Grille to trim panel		SP2175	4	35	X	X	X			
	PANEL ASSEMBLY	LH	2813897	1	37		X	X	X		
		RH	2813896	1	37		X	X	X		
	PANEL – Rear body pillar	LH	2814307	1	37		X	X	X		
		RH	2814308	1	37		X	X	X		
	VALVE ASSY. – Pressure relief		2815773	2	37		X	X	X		
	SCREW – Valve assy. to quarter panel		7426400	4	37		X	X	X		
	SEAL – Relief valve		2816248	2	37		X	X	X		
	GRILLE – Relief valve		2816126	2	37		X	X	X		
	PANEL ASSEMBLY	LH	9933611	1	69	X	X	X	X		
		RH	9933610	1	69	X	X	X	X		
	PANEL ASSEMBLY	LH	9933613	1	69					X	X
		RH	9933612	1	69					X	X
	VALVE ASSY. – Pressure relief	LH	9933619	1	69	X	X	X	X	X	X
		RH	9933618	1	69	X	X	X	X	X	X
	SCREW – Valve assy. to quarter panel		7426400	4	69	X	X	X	X	X	X
	GASKET – Relief valve		9933754	2	69	X	X	X	X	X	X
	VALVE ASSY. – Pressure relief		2815773	2	60, 70, 80	X	X				
	SCREW – Valve assy. to quarter panel		7426400	4	60, 70, 80	X	X				
	SEAL – Relief valve		2816248	2	60, 70, 80	X	X				
	VALVE – Body drain		2815909	2	60, 70, 80	X	X				
	GRILLE – Relief valve		2816126	2	60, 70, 80	X	X				
	SCREW – Grille to body		7426400	4	60, 70, 80	X	X				
12.944 PANEL – Wheelhouse											
	PANEL	LH	9929799	1	35	X	X	X			
		RH	9929800	1	35	X	X	X			
	PANEL	LH	2812945	1	37		X	X	X		
		RH	2812946	1	37		X	X	X		
	PANEL	LH	9929799	1	69	X	X	X	X		
		RH	9929798	1	69	X	X	X	X		
	PANEL	LH	2812945	1	69					X	X
		RH	2812946	1	69					X	X
	PANEL	LH	2810859	1	70, 80	X	X				
		RH	2810858	1	70, 80	X	X				

"HJ" PARTS CATALOGUE

GROUP	DESCRIPTION	SIDE	PART No.	QTY.	BODY STYLE	M	N	P	Q	S	T
12.948 PANEL, COVER, EXTENSION – Body side											
	PANEL – Outer	LH	2816043	1	60	X					
		RH	2816044	1	60	X					
	PANEL Inner front	LH	9932683	1	60	X					
		RH	9932684	1	60	X					
	PANEL – Inner rear	LH	2816397	1	60	X					
		RH	2816398	1	60	X					
	PANEL – Outer lower	LH	2814909	1	70	X					
		RH	2814910	1	70	X					
	PANEL – Outer upper	LH	2815647	1	70	X					
		RH	2815646	1	70	X					
	PANEL – Inner front	LH	9932793	1	70	X					
		RH	9932792	1	70	X					
	PANEL – Inner rear	LH	2816863	1	70	X					
		RH	2816862	1	70	X					
	COVER – Inner front	LH	2816641	1	70	X					
		RH	2816640	1	70	X					
	COVER – Inner rear	LH	2816640	1	70	X					
		RH	2816641	1	70	X					
	COVER – End gate body pillar lower		2817113	2	70	X					
	EXTENSION – Body side upper	LH	2816457	1	70	X					
		RH	2816456	1	70	X					
	PANEL – Outer	LH	2815479	1	80	X	X				
		RH	2815478	1	80	X	X				
	PANEL – Inner front	LH	9932683	1	80	X	X				
		RH	9932684	1	80	X	X				
	PANEL – Inner rear	LH	2816863	1	80	X	X				
		RH	2816862	1	80	X	X				
	COVER – Inner front	LH	2816641	1	80	X	X				
		RH	2816640	1	80	X	X				
	COVER – Inner rear	LH	2816640	1	80	X	X				
		RH	2816641	1	80	X	X				
	COVER – End gate body pillar		2817113	2	80	X	X				
	EXTENSION – Body side front	LH	2817165	1	80	X	X				
		RH	2817166	1	80	X	X				
12.950 PILLAR ASSEMBLY – Body side											
	PILLAR ASSY. – Upper		2816745	6	70	X					
12.951 PANEL ASSEMBLY, PILLAR ASSEMBLY – End gate body											
	PANEL ASSEMBLY – Inner	LH	2813571	1	35	X	X	X			
		RH	2813570	1	35	X	X	X			
	PANEL ASSEMBLY – Outer	LH	2813573	1	35	X	X	X			
		RH	2813572	1	35	X	X	X			
	PILLAR ASSEMBLY – Outer	LH	2816729	1	35	X	X	X			
		RH	2816728	1	35	X	X	X			
	PILLAR ASSEMBLY – Upper inner	LH	2816681	1	70	X					
		RH	2816682	1	70	X					
	PILLAR ASSEMBLY – Upper outer	LH	2816263	1	70	X					
		RH	2816262	1	70	X					
	PILLAR – Lower inner	LH	2817339	1	70	X					
		RH	2817340	1	70	X					
	PILLAR ASSEMBLY – Lower outer	LH	2816525	1	70	X					
		RH	2816524	1	70	X					
	PILLAR – Lower inner	LH	2817339	1	80	X	X				
		RH	2817340	1	80	X	X				
	PILLAR ASSEMBLY – Lower outer	LH	2816523	1	80	X	X				
		RH	2816522	1	80	X	X				

"HJ" PARTS CATALOGUE

GROUP	DESCRIPTION	SIDE	PART No.	QTY.	BODY STYLE	M	N	P	Q	S	T
12.952 BOW ASSEMBLY – Roof											
	BOW ASSEMBLY – Front		2812844	1	35	X	X	X			
	BOW ASSEMBLY – No. 2 & 3		2812936	2	35	X	X	X			
	BOW ASSEMBLY		2811783	1	37		X	X	X		
	BOW ASSEMBLY		2810263	1	69	X	X	X	X	X	X
	BOW ASSEMBLY – Front		2816587	1	70	X					
	BOW ASSEMBLY – Rear		7420831	1	70	X					
12.955 WIRE – Headlining listing											
	WIRE – No. 1		2813464	1	35	X	X	X			
	WIRE – Nos. 2 & 9		2813463	2	35	X	X	X			
	WIRE – No. 3		2813632	2	35	X	X	X			
	WIRE – Nos. 4, 5 & 7		2813465	3	35	X	X	X			
	WIRE – Nos. 6 & 8		2813633	2	35	X	X	X			
	WIRE – No. 1		2814674	1	37		X	X	X		
	WIRE – No. 2		2811204	1	37		X	X	X		
	WIRE – No. 3		7434067	1	37		X	X	X		
	WIRE – No. 4		2814673	1	37		X	X	X		
	WIRE – No. 5		2815104	1	37		X	X	X		
	WIRE – No. 1		2811827	1	69	X	X	X	X	X	X
	WIRE – Nos. 2 & 4		2811244	2	69	X	X	X	X	X	X
	WIRE – No. 3		2813632	2	69	X	X	X	X	X	X
	WIRE – No. 5		2811204	1	69	X	X	X	X		
	WIRE – No. 5		2812387	1	69					X	X
	WIRE – No. 1		2813465	1	70	X					
	WIRE – No. 2		2816850	1	70	X					
	WIRE – Rear edge		7435649	2	70	X					
	WIRE – No. 1		2811827	1	60, 80	X	X				
	WIRE – No. 2		2811244	1	60, 80	X	X				
	WIRE – No. 3		2813633	1	60, 80	X	X				
12.956 RAIL – Roof											
	RAIL – Side inner	LH	2811707	1	35	X	X	X			
		RH	2811708	1	35	X	X	X			
	RAIL ASSEMBLY – Rear		2811836	1	35	X	X	X			
	RAIL – Side inner	LH	9932749	1	37		X	X	X		
		RH	9932748	1	37		X	X	X		
	RAIL – Side inner	LH	2810421	1	69	X	X	X	X		
		RH	2810420	1	69	X	X	X	X		
	RAIL – Side inner	LH	2811639	1	69					X	X
		RH	2811638	1	69					X	X
	RAIL ASSEMBLY – Rear		7427495	1	70	X					
	RAIL – Side inner		2817552	2	60, 70, 80	X	X				
12.958 PANEL ASSEMBLY – Seat back											
	PANEL ASSEMBLY		2815896	1	60, 80	X	X				
12.958 REINFORCEMENT – Rear window lower											
	REINFORCEMENT		2816452	1	60	X					
12.966 PANEL – Rear end											
	PANEL ASSEMBLY		2813971	1	35	X	X	X			
	PANEL – Inner		2811174	1	37		X	X	X		
	PANEL ASSEMBLY – Outer		2813299	1	37		X	X	X		
	PANEL – Inner		9930555	1	69	X	X	X	X	X	X
	PANEL ASSEMBLY – Outer		9930698	1	69	X	X	X	X		
	PANEL ASSEMBLY – Outer		9930699	1	69					X	X
	PANEL ASSEMBLY – Inner		2817171	1	70, 80	X	X				
	PANEL – Outer		2815973	1	70, 80	X	X				

"HJ" PARTS CATALOGUE

GROUP	DESCRIPTION	SIDE	PART No.	QTY.	BODY STYLE	M	N	P	Q	S	T
12.966	DOOR, BRACKET, SPRING, PIN – Fuel tank filler										
	DOOR ASSEMBLY – Filler		2811713	1	37, 69	X	X	X	X	X	X
	BRACKET – Filler door		2811710	1	37, 69	X	X	X	X	X	X
	SPRING – Filler door		2811711	1	37, 69	X	X	X	X	X	X
	PIN – Filler door		3857018	1	37, 69	X	X	X	X	X	X
	BUMPER – Fuel tank filler door		7409209	2	37, 69	X	X	X	X	X	X
12.967	SPOILER ASSEMBLY – Rear Compartment Lid Air										
	SPOILER ASSEMBLY – Compartment Lid		9933848	1	37, 69	X	X	X	X		
	SPOILER ASSEMBLY – Quarter Outer	LH	9933849	1	37		X	X	X		
		RH	9933850	1	37		X	X	X		
	SPOILER ASSEMBLY – Quarter Outer	LH	9933851	1	69	X	X	X	X		
		RH	9933852	1	69	X	X	X	X		
	SPOILER PACKAGE		9935198	1	37		X	X	X		
	SPOILER PACKAGE		9935199	1	69	X	X	X	X		
12.971	PANEL ASSEMBLY – Rear compartment front										
	PANEL ASSEMBLY		2812949	1	37, 69	X	X	X	X		
	REINFORCEMENT	LH	2811985	1	37		X	X	X		
		RH	2811986	1	37		X	X	X		
	EXTENSION – Panel	LH	9932721	1	37		X	X	X		
		RH	9932722	1	37		X	X	X		
	EXTENSION – Panel	LH	9932719	1	69	X	X	X	X		
		RH	9932720	1	69	X	X	X	X		
	REINFORCEMENT	LH	9930557	1	69	X	X	X	X		
		RH	9930556	1	69	X	X	X	X		
	PANEL ASSEMBLY		2811881	1	69					X	X
	REINFORCEMENT	LH	9930559	1	69					X	X
		RH	9930558	1	69					X	X
	EXTENSION – Panel	LH	9930653	1	69					X	X
		RH	9930652	1	69					X	X
12.972	FLOOR PAN										
	PAN ASSY. – Front floor		2825573	1	35	X	X	X			
	PAN ASSY. – Centre floor		9932741	1	35	X	X	X			
	PAN ASSY. – Front floor		2825573	1	37		X	X	X		
	PAN ASSY. – Centre floor		9932739	1	37		X	X	X		
	PAN ASSY. – Front floor		2825573	1	69	X	X	X	X	X	X
	PAN ASSY. – Centre floor		9932740	1	69	X	X	X	X		
	PAN ASSY. – Centre floor		9932741	1	69					X	X
	PAN ASSY. – Front floor		2817726	1	60, 70, 80	X	X				
12.972	PLATE, PLUG, BRACE, COVER – Floor pan										
	PLATE Floor pan cover		7418525	8	35, 37, 69	X	X	X	X	X	X
	PLATE – Floor pan cover		7418525	4	60	X					
	PLATE – Floor pan cover		7418525	6	70, 80	X	X				
	CAP – Underbody sealing		7410830	1	ALL	X	X	X	X	X	X
	BRACE ASSEMBLY – Frame to floor pan	LH	2812013	1	ALL	X	X	X	X	X	X
		RH	2812014	1	ALL	X	X	X	X	X	X
	COVER – Floor pan, gearshift lever (M) – Floor shift		2820683	1	Exc. 37	X	X				
12.980	FRAME ASSEMBLY – Front end										
	FRAME ASSY.		9937208	1	Exc. 60	X	X	X	X	X	X
	FRAME ASSY.		9935227	1	60	X					
12.981	PAN – Rear floor										
	PAN ASSEMBLY		9932737	1	35	X	X	X			
	PAN ASSEMBLY		9932735	1	37, 69	X	X	X	X		
	PAN ASSEMBLY		9932736	1	69					X	X
	PAN		9932738	1	60, 70, 80	X	X				

BODY

"HJ" PARTS CATALOGUE

GROUP	DESCRIPTION	SIDE	PART No.	QTY.	BODY STYLE	M	N	P	Q	S	T
12.982 BAR, SIDE MEMBER – Frame & underbody											
	BAR ASSY. – Underbody No. 1 cross		2810337	1	35	X	X	X			
	BAR – Underbody No. 2 cross		2808873	1	35	X	X	X			
	BAR – Underbody No. 3 cross		2809957	1	35	X	X	X			
	EXTENSION – No. 3 cross bar		2815529	2	35	X	X	X			
	BAR – Tonneau floor No. 4 cross		2812230	1	35	X-	X	X			
	BAR – Tonneau floor rear cross		2814569	1	35	X	X	X			
	BAR ASSY. – Underbody No. 1 cross		2810337	1	37		X	X	X		
	BAR – Underbody No. 2 cross		2808873	1	37		X	X	X		
	BAR – Underbody No. 3 cross		2809957	1	37		X	X	X		
	BAR ASSY. – Underbody No. 1 cross		2810337	1	69	X	X	X	X	X	X
	BAR – Underbody No. 2 cross		2808873	1	69	X	X	X	X	X	X
	BAR – Underbody No. 3 cross		2809957	1	69	X	X	X	X	X	X
	BAR ASSY. – Underbody No. 1 cross		2820166	1	60, 70, 80	X	X				
	BAR ASSY. – Tonneau floor No. 1 cross		2817673	1	60	X					
	BAR ASSY. – Tonneau floor No. 1 cross		2816445	1	70, 80	X	X				
	BAR ASSY. – Tonneau floor No. 2 cross		2816073	1	70, 80	X	X				
	BAR – Tonneau floor No. 3 cross		2816714	1	70, 80	X	X				
	BRACE – Rear floor to tonneau floor cross bar		2816253	2	60, 70, 80	X	X				
	MEMBER ASSY. – Underbody side	LH	2808871	1	35	X	X	X			
		RH	9933072	1	35	X	X	X			
	MEMBER ASSY. – Underbody side	LH	2808869	1	37, 69	X	X	X	X		
		RH	2808870	1	37, 69	X	X	X	X		
	MEMBER ASSY. – Underbody side	LH	2810333	1	69					X	X
		RH	2810334	1	69					X	X
	MEMBER ASSY. – Trans. mounting cross, exc. (A) 5 Litre Eng.		2814616	1	35, 37, 69	X	X	X	X	X	X
	MEMBER ASSY. – Trans. mounting cross (A) 5 Litre Eng. MEMBER ASSY. – Trans. mounting cross (A) 5 Litre Eng.		9933895	1	35, 37, 69	X	X	X	X	X	X
			9934231	1	70, 80	X	X				
	NUT PLATE – Underbody, frame & tonneau floor		2809319	A.R.	ALL	X	X	X	X	X	X
12.984 BRACKET – Rear spring & shock absorber mounting											
	BRACKET	LH	2809247	1	35, 37, 69	X	X	X	X	X	X
		RH	2809248	1	35, 37, 69	X	X	X	X	X	X
12.986 SILL, SUPPORT, EXTENSION – Rear compartment floor											
	SILL Tonneau floor side	LH	2814825	1	35	X	X	X			
		RH	2814824	1	35	X	X	X			
	SUPPORT – Tonneau rear floor	LH	2817083	1	70, 80	X	X				
		RH	2817082	1	70, 80	X	X				
	EXTENSION – Tonneau rear floor	LH	2817035	1	70, 80	X	X				
		RH	2817036	1	70, 80	X	X				

"HJ" PARTS CATALOGUE

GROUP	DESCRIPTION	SIDE	PART No.	QTY.	BODY STYLE	M	N	P	Q	S	T
13.090	HARNESS ASSEMBLY – Body Wiring										
	HARNESS ASSY.		2816580	1	35	X	X	X			
	HARNESS ASSY.		2822140	1	37		X	X	X		
	HARNESS ASSY.		2816900	1	60	X					
	HARNESS ASSY.		9934363	1	69	X	X				
	HARNESS ASSY. – Taxi equip.		9934364	1	69	X	X				
	HARNESS ASSY.		9934364	1	69			X	X		
	HARNESS ASSY.		9934365	1	69					X	X
	HARNESS ASSY.		2816899	1	70, 80	X	X				
	HARNESS ASSY. – Rear		2815883	1	35	X	X	X			
	HARNESS ASSY. – Rear		2815881	1	37		X	X	X		
	HARNESS ASSY. – Rear, white back up lens, (optional export only)		2816725	1	37		X	X	X		
	HARNESS ASSY. – Rear		9934019	1	69	X	X	X	X		
	HARNESS ASSY. – Rear, white back-up lens Optional export only)		99340111	69	X	X	X	X			
	HARNESS ASSY. – Rear		9934020	1	69					X	X
	HARNESS ASSY. – Rear		2816859	1	60	X					
	HARNESS ASSY. – Rear		2816858	1	70, 80	X	X				
	HARNESS ASSY. – Rear, white back up lens, (optional export only)		9934013	1	69					X	X
	HARNESS ASSY. – Rear, white back up lens, (optional export only)		2816727	1	35, 70, 80	X	X	X			
	HARNESS ASSY. – Rear, side marker lamps		2816677	1	37		X	X	X		
	HARNESS ASSY. – Rear, side marker lamps, white back up lens, (optional export only)		2816678	1	35, 37, 70, 80	X	X	X	X		
	LEAD ASSY. – Stop lamp white back-up lens (optional export only)		2817867	1	35, 69, 70, 80	X	X	X	X	X	X
	BODY – Male Connector		2962984	1	35, 69, 70, 80	X	X	X	X	X	X
	BODY – 2 way male connector		9928643	1	ALL	X	X	X	X	X	X
	BODY – 3 way female connector		2962510	1	37		X	X	X		
	BODY – 3 way male connector		2973172	1	37		X	X	X		
	BODY – Rear, 3 way female connector		2973603	1	ALL	X	X	X	X	X	X
	BODY – 4 way female terminal connector		2962969	1	ALL	X	X	X	X	X	X
	BODY – Rear, 3 way male connector		2973172	2	60	X					
	BODY – Side marker lamp socket		5297797	1	37		X	X	X		
	BODY – Rear		5297797	1	35, 70, 80	X	X	X			
	SOCKET ASSY. – Single filament, back up lamp		2813745	2	37		X	X	X		
	SOCKET ASSY. – Double filament, stop and tail lamp ..		2813744	2	37		X	X	X		
	SOCKET ASSY. – Rear, B1 type		7429955	2	35, 70, 80	X	X	X			
	SOCKET ASSY. – Rear, C2 type		7429820	2	35, 70, 80	X	X	X			
	SOCKET ASSY. – Rear, B1 Type		2823821	2	69	X	X	X	X	X	X
	SOCKET ASSY. – Rear, C2 Type		8905102	2	69	X	X	X	X	X	X
	SPRING – Rear harness		2962243	1	37, 69	X	X	X	X		
13.092	CLIP – Body Wiring										
	CLIP – Body wiring harness		2823409	1	37		X	X	X		
	CLIP – Body wiring harness		7432906	AR	ALL	X	X	X	X	X	X
	CLIP – Body wiring harness to rocker panel		SP2191	3-2	Exc. 60	X	X	X	X		
	CLIP – Body wiring harness to under body		7413031	2-1	35, 37	X	X	X	X		
	CLIP – Body wiring harness to frame		SP1909	1	60	X					
	CLIP – Rear body harness to brake pipe		SP2226	4	60	X					
	CLIP – Body wiring harness to body side		7413031	4-2	35, 37	X	X	X	X		
	CLIP – Body wiring harness to tonneau floor		7426417	3	70, 80	X	X				
	CLIP – Body wiring harness to rear pillar		2973345	1	70, 80	X	X				
	CLIP – Rear body harness to rear cross bar		7175429	5	35	X	X	X			
	CLIP – Rear body to outer panel		7413032	3	69					X	X
	CLIP – Rear body harness to rear end inner panel		2815231	5	69					X	X
	CLIP – Side marker lamp harness to rear panel		2815231	AR	37, 69	X	X	X	X	X	X
	GROMMET – Body wiring harness		2817008	1	35, 37, 69, 70, 80	X	X	X	X	X	X
	GROMMET – Body wiring harness 1.38" O.D. x .30 I.D.		2816370	1-2	60, 70, 80	X	X				

BODY

"HJ" PARTS CATALOGUE

GROUP	DESCRIPTION	SIDE	PART No.	QTY.	BODY STYLE	M	N	P	Q	S	T
14.630	TRIM ASSEMBLY – Panel Cowl Side Lower										
	TRIM ASSEMBLY - Grey	LH	9933357DR	1	ALL	X	X	X	X		
		RH	9933356DR	1	ALL	X	X	X	X		
	TRIM ASSEMBLY - Black	LH	9933357BA	1	ALL	X	X	X	X		
		RH	9933356BA	1	ALL	X	X	X	X		
	TRIM ASSEMBLY - Jade	LH	9933357DU	1	ALL	X	X	X	X		
		RH	9933356DU	1	ALL	X	X	X	X		
	TRIM ASSEMBLY - Chamois	LH	9933357DV	1	ALL	X	X	X	X		
		RH	9933356DV	1	ALL	X	X	X	X		
	TRIM ASSEMBLY - Gazelle	LH	9933357DW	1	ALL	X	X	X	X		
		RH	9933356DW	1	ALL	X	X	X	X		
	TRIM ASSEMBLY - Grey	LH	9934037DR	1	ALL					X	X
		RH	9934036DR	1	ALL					X	X
	TRIM ASSEMBLY - Black	LH	9934037CY	1	ALL					X	X
		RH	9934036CY	1	ALL					X	X
	TRIM ASSEMBLY - Jade	LH	9934037DU	1	ALL					X	X
		RH	9934036DU	1	ALL					X	X
	TRIM ASSEMBLY - Chamois	LH	9934037DV	1	ALL					X	X
		RH	9934036DV	1	ALL					X	X
	TRIM ASSEMBLY - Gazelle	LH	9934037DW	1	ALL					X	X
		RH	9934036DW	1	ALL					X	X
14.630	FASTENER – Panel Cowl Side Lower Trim										
	FASTENER Grey		SP1838DR	4	ALL	X	X	X	X		
	FASTENER Black		SP1838BA	4	ALL	X	X	X	X		
	FASTENER - Jade		SP1838DU	4	ALL	X	X	X	X		
	FASTENER - Chamois		SP1838DV	4	ALL	X	X	X	X		
	FASTENER - Gazelle		SP1838DW	4	ALL	X	X	X	X		
14.640	HEADLINING ASSEMBLY										
	HEADLINING ASSEMBLY - Grey		2820520DR	1	35	X	X	X			
	HEADLINING ASSEMBLY - Black		2820520BA	1	35		X	X			
	HEADLINING ASSEMBLY - Jade		2820520DU	1	35		X	X			
	HEADLINING ASSEMBLY - Chamois		2820520DV	1	35	X	X	X			
	HEADLINING ASSEMBLY - Gazelle		2820520DW	1	35	X	X	X			
	HEADLINING ASSEMBLY - Grey		2820360DR	1	37		X	X	X		
	HEADLINING ASSEMBLY - Black		2820360BA	1	37		X	X	X		
	HEADLINING ASSEMBLY - Jade		2820360DU	1	37		X	X	X		
	HEADLINING ASSEMBLY - Chamois		2820360DV	1	37		X	X	X		
	HEADLINING ASSEMBLY - Gazelle		2820360DW	1	37		X	X	X		
	HEADLINING ASSEMBLY - Grey		2822224DR	1	60,80	X	X				
	HEADLINING ASSEMBLY - Black		2822224BA	1	80	X	X				
	HEADLINING ASSEMBLY - Jade		2822224DU	1	80	X	X				
	HEADLINING ASSEMBLY - Chamois		2822224DV	1	60,80	X	X				
	HEADLINING ASSEMBLY - Gazelle		2822224DW	1	60,80	X	X				
	HEADLINING ASSEMBLY - Grey		9929698DR	1	69	X	X	X	X		
	HEADLINING ASSEMBLY - Black		9929698BA	1	69		X	X	X		
	HEADLINING ASSEMBLY - Jade		9929698DU	1	69		X	X	X		
	HEADLINING ASSEMBLY - Chamois		9929698DV	1	69	X	X	X	X		
	HEADLINING ASSEMBLY - Gazelle		9929698DW	1	69	X	X	X	X		
	HEADLINING ASSEMBLY - Grey		9929699DR	1	69					X	
	HEADLINING ASSEMBLY - Black		9929699BA	1	69					X	
	HEADLINING ASSEMBLY - Jade		9929699DU	1	69					X	
	HEADLINING ASSEMBLY - Chamois		9929699DV	1	69					X	
	HEADLINING ASSEMBLY - Gazelle		9929699DW	1	69					X	
	HEADLINING ASSEMBLY - Grey		9936448DR	1	69						X
	HEADLINING ASSEMBLY - Black		9936448BA	1	69						X
	HEADLINING ASSEMBLY - Chamois		9936448DV	1	69						X
	HEADLINING ASSEMBLY - Grey		2822693DR	1	70	X					
	HEADLINING ASSEMBLY - Chamois		2822693DV	1	70	X					
	HEADLINING ASSEMBLY - Gazelle		2822693DW	1	70	X					

"HJ" PARTS CATALOGUE

GROUP	DESCRIPTION	SIDE	PART No.	QTY.	BODY STYLE	M	N	P	Q	S	T
14.641	PAD – Headlining Trim										
	PAD – Rear Trim		7437280	1	35	X	X	X			
	PAD – Side Trim		2820433	2	35	X	X	X			
	PAD – Side trim, (19½" long)		2822280	2	37		X	X			
	PAD Side trim, (27" long)		9931106	2	37		X	X			
	PAD – Side trim, exc. seat belts		2820433	2	37		X	X	X		
	PAD – Side trim		2822280	2	60,70,80	X	X				
	PAD – Side trim		2819241	2	69	X	X	X	X	X	X
	PAD – Rear quarter side upper		9936439	2	69						X
	PAD – Rear quarter side lower		9936440	2	69						X
14.650	LACE – Headlining Trim Front										
	LACE – Grey		2817718DS		35,60,69,70,80	X	X	X	X	X	X
	LACE – Black		2817718CY		35,60,69,70,80	X	X	X	X	X	X
	LACE – Covert		2817718DY		35,60,69,70,80	X	X	X	X	X	X
	LACE – Tan		2817718DX		35,60,69,70,80	X	X	X	X	X	X
	LACE – Grey		2817719DS		37		X	X	X		
	LACE – Black		2817719CY		37		X	X	X		
	LACE – Covert		2817719DY		37		X	X	X		
	LACE – Tan		2817719DX		37		X	X	X		
14.650	LACE – Rear Window Finish										
	LACE – Grey		2819693DR		37		X	X	X		
	LACE – Black		2819693BA		37		X	X	X		
	LACE – Jade		2819693DU		37		X	X	X		
	LACE – Chamois		2819693DV		37		X	X	X		
	LACE – Gazelle		2819693DW		37		X	X	X		
	LACE – Grey		2819694DR		69	X	X	X	X		
	LACE – Black		2819694BA		69		X	X	X		
	LACE – Jade		2819694DU		69		X	X	X		
	LACE – Chamois		2819694DV		69	X	X	X	X		
	LACE – Gazelle		2819694DW		69	X	X	X	X		
	LACE – Grey		2817661DR		69					X	X
	LACE – Black		2817661BA		69					X	X
	LACE – Jade		2817661DU		69					X	X
	LACE – Chamois		2817661DV		69					X	X
	LACE – Gazelle		2817661DW		69					X	X
14.651	RETAINER – Headlining Trim										
	RETAINER – Front		2811096	1	35,60,69,70,80	X	X	X	X	X	X
	RETAINER – Front		2813755	1	37		X	X	X		
	RETAINER – Rear	LH	2814813	1	37		X	X	X		
		RH	2814814	1	37		X	X	X		
	RETAINER – Rear	LH	2813037	1	69	X	X	X	X		
		RH	2813038	1	69	X	X	X	X		
	RETAINER – Rear	LH	2814171	1	69					X	X
		RH	2814172	1	69					X	X
	RETAINER – Rear upper		2814170	1	69					X	X
	SCREW – Rd. hd. washer face cr. recess tap tyre "AB" No. 8-18 x 375		SP2428	AR	ALL	X	X	X	X	X	X
14.651	HOOK – Coat (not used with assist handles)										
	HOOK – Grey		9928929DR	2	37, 69		X	X	X		
	HOOK – Black		9928929BA	2	37, 69		X	X	X		
	HOOK – Jade		9928929DU	2	37, 69		X	X	X		
	HOOK – Chamois		9928929DV	2	37, 69		X	X	X		
	HOOK – Gazelle		9928929DW	2	37, 69		X	X	X		
14.651	HOOK – Coat (Used with assist handles)										
	HOOK		99329802		35, 69		X	X	X	X	X

BODY

GROUP	DESCRIPTION	SIDE	PART No.	QTY.	BODY STYLE	M	N	P	Q	S	T
14.655	PAD ASSEMBLY – Instrument Panel (exc. Forced Air, Air Conditioning)										
	PAD ASSEMBLY – Grey		9931700DS	1	ALL	X	X				
	PAD ASSEMBLY – Black		9931700CY	1	ALL	X	X				
	PAD ASSEMBLY – Covert		9931700DY	1	ALL	X	X				
	PAD ASSEMBLY – Tan		9931700DX	1	ALL	X	X				
14.655	PAD ASSEMBLY – Instrument Panel (Forced Air, Air Conditioning)										
	PAD ASSEMBLY – Grey		9932141DS	1	ALL	X	X	X	X	X	X
	PAD ASSEMBLY – Black		9932141CY	1	ALL	X	X	X	X	X	X
	PAD ASSEMBLY – Covert		9932141DY	1	ALL	X	X	X	X	X	X
	PAD ASSEMBLY – Tan		9932141DX	1	ALL	X	X	X	X	X	X
	SCREW – Oval hd. cr. recess tap. tap. "AB" No. 10-16 x 1"		9426442	4	ALL	X	X	X	X	X	X
	CLIP – Pad to instrument panel		7377884	8	ALL	X	X	X	X	X	X
14.655	INSERT, NAME PLATE – Instrument Panel Pad										
	INSERT		9933171	1	ALL			X			
	INSERT – Grey		9933172DS	1	ALL					X	
	INSERT – Black		9933172CY	1	ALL					X	
	INSERT – Covert		9933172DY	1	ALL					X	
	INSERT – Tan		9933172DX	1	ALL					X	
	INSERT – Grey		9933173DS	1	ALL						X
	INSERT – Black		9933173CY	1	ALL						X
	INSERT – Covert		9933173DY	1	ALL						X
	RETAINER – Insert		9933174	2	ALL			X		X	X
	PLATE – "Monaro L.S." name		2818199	1	37			X			
	PLATE – "Premier" name		2817020	1	35, 69			X			
	PLATE – "GTS" name		9933175	1	ALL				X		
	PLATE – "De Ville" name		9933176	1	ALL					X	
	NUT – Name plate		SP1534	2	ALL			X	X	X	
14.685	TRIM ASSEMBLY – Front Door										
	TRIM Nos. 19V	LH	9933311CY	1	ALL	X					
		RH	9933310CY	1	ALL	X					
	TRIM Nos. 60V	LH	9933311DZ	1	ALL	X					
		RH	9933310DZ	1	ALL	X					
	TRIM Nos. 64V	LH	9933311EA	1	ALL	X					
		RH	9933310EA	1	ALL	X					
	TRIM Nos. 14V, 14X	LH	9933315DR	1	35, 69, 80		X				
		RH	9933314DR	1	35, 69, 80		X				
	TRIM Nos. 18V, 18X	LH	9933315DT	1	35, 69, 80		X				
		RH	9933314DT	1	35, 69, 80		X				
	TRIM Nos. 45V, 45X	LH	9933315DU	1	35, 69, 80		X				
		RH	9933314DU	1	35, 69, 80		X				
	TRIM Nos. 60V, 60X	LH	9933315DV	1	35, 69, 80		X				
		RH	9933314DV	1	35, 69, 80		X				
	TRIM Nos. 64V, 64X	LH	9933315DW	1	35, 69, 80		X				
		RH	9933314DW	1	35, 69, 80		X				
	TRIM Nos. 14V, 14X	LH	9933799DR	1	37		X				
		RH	9933798DR	1	37		X				
	TRIM Nos. 18V, 18X	LH	9933799DT	1	37		X				
		RH	9933798DT	1	37		X				
	TRIM Nos. 45V, 45X	LH	9933799DU	1	37		X				
		RH	9933798DU	1	37		X				
	TRIM Nos. 60V, 60X	LH	9933799DV	1	37		X				
		RH	9933798DV	1	37		X				
	TRIM Nos. 64V, 64X	LH	9933799DW	1	37		X				
		RH	9933798DW	1	37		X				
	TRIM Nos. 14V, 14X	LH	9933627DR	1	35, 69			X			
		RH	9933628DR	1	35, 69			X			
	TRIM Nos. 18V, 18X	LH	9933627DT	1	35, 69			X			
		RH	9933628DT	1	35, 69			X			

"HJ" PARTS CATALOGUE

GROUP	DESCRIPTION	SIDE	PART No.	QTY.	BODY STYLE	M	N	P	Q	S	T
14.685 TRIM ASSEMBLY – Front Door (contd.)											
	TRIM Nos. 45V, 45X	LH	9933627DU	1	35, 69			X			
		RH	9933628DU	1	35, 69			X			
	TRIM Nos. 60V, 60X	LH	9933627DV	1	35, 69			X			
		RH	9933628DV	1	35, 69			X			
	TRIM Nos. 64V, 64X	LH	9933627DW	1	35, 69			X			
		RH	9933628DW	1	35, 69			X			
	TRIM Nos. 14V, 14X	LH	9933801DR	1	37			X			
		RH	9933800DR	1	37			X			
	TRIM Nos. 18V, 18X	LH	9933801DT	1	37			X			
		RH	9933800DT	1	37			X			
	TRIM Nos. 45V, 45X	LH	9933801DU	1	37			X			
		RH	9933800DU	1	37			X			
	TRIM Nos. 60V, 60X	LH	9933801DV	1	37			X			
		RH	9933800DV	1	37			X			
	TRIM Nos. 64V, 64X	LH	9933801DW	1	37			X			
		RH	9933800DW	1	37			X			
	TRIM Nos. 14V, 14X	LH	9930527DR	1	37				X		
		RH	9930526DR	1	37				X		
	TRIM Nos. 18V, 18X	LH	9930527DT	1	37				X		
		RH	9930526DT	1	37				X		
	TRIM Nos. 45V, 45X	LH	9930527DU	1	37				X		
		RH	9930526DU	1	37				X		
	TRIM Nos. 60V, 60X	LH	9930527DV	1	37				X		
		RH	9930526DV	1	37				X		
	TRIM Nos. 64V, 64X	LH	9930527DW	1	37				X		
		RH	9930526DW	1	37				X		
	TRIM Nos. 14V, 14X	LH	9933629DR	1	69				X		
		RH	9933630DR	1	69				X		
	TRIM Nos. 18V, 18X	LH	9933629DT	1	69				X		
		RH	9933630DT	1	69				X		
	TRIM Nos. 45V, 45X	LH	9933629DU	1	69				X		
		RH	9933630DU	1	69				X		
	TRIM Nos. 60V, 60X	LH	9933629DV	1	69				X		
		RH	9933630DV	1	69				X		
	TRIM Nos. 64V, 64X	LH	9933629DW	1	69				X		
		RH	9933630DW	1	69				X		
	TRIM Nos. 14V, 14X	LH	9934315DR	1	69					X	
		RH	9934314DR	1	69					X	
	TRIM Nos. 18V, 18X	LH	9934315DT	1	69					X	
		RH	9934314DT	1	69					X	
	TRIM Nos. 45V, 45X	LH	9934315DU	1	69					X	
		RH	9934314DU	1	69					X	
	TRIM Nos. 60V, 60X	LH	9934315DV	1	69					X	
		RH	9934314DV	1	69					X	
	TRIM Nos. 64V, 64X	LH	9934315DW	1	69					X	
		RH	9934314DW	1	69					X	
	TRIM Nos. 14V	LH	9934409DR	1	69						X
		RH	9934408DR	1	69						X
	TRIM Nos. 19V, 19X	LH	9934409CY	1	69						X
		RH	9934408CY	1	69						X
	TRIM Nos. 60V	LH	9934409DV	1	69						X
		RH	9934408DV	1	69						X
	CLIP - Trim to door		7377884	AR	ALL	X	X	X	X	X	X
	CAP - Clip sealing		7410830	12-14	ALL	X	X	X	X	X	X
	SCREW - Trim to door		SP2248	2	ALL	X					
	RETAINER - Door trim		2814937	4	37		X	X	X		

BODY

"HJ" PARTS CATALOGUE

GROUP	DESCRIPTION	SIDE	PART No.	QTY.	BODY STYLE	M	N	P	Q	S	T
14.686 ARM REST ASSEMBLY – Front door (exc. Power Windows)											
	ARM REST ASSEMBLY - Black	LH	2816469BA	1	60, 69, 80	X					
		RH	2816470BA	1	60, 69, 80	X					
	ARM REST ASSEMBLY - Chamois	LH	2816469DV	1	60, 69, 80	X					
		RH	2816470DV	1	60, 69, 80	X					
	ARM REST ASSEMBLY - Gazelle	LH	2816469DW	1	60, 69, 80	X					
		RH	2816470DW	1	60, 69, 80	X					
	ARM REST ASSEMBLY - Grey	LH	2816469DR	1	ALL		X		X		
		RH	2816470DR	1	ALL		X		X		
	ARM REST ASSEMBLY - Black	LH	2816469BA	1	ALL		X		X		
		RH	2816470BA	1	ALL		X		X		
	ARM REST ASSEMBLY - Jade	LH	2816469DU	1	ALL		X		X		
		RH	2816470DU	1	ALL		X		X		
	ARM REST ASSEMBLY - Chamois	LH	2816469DV	1	ALL		X		X		
		RH	2816470DV	1	ALL		X		X		
	ARM REST ASSEMBLY - Gazelle	LH	2816469DW	1	ALL		X		X		
		RH	2816470DW	1	ALL		X		X		
14.686 ARM REST ASSEMBLY – Front Door (Power Windows)											
	ARM REST ASSEMBLY - Grey	LH	9931625DR	1	ALL				X		
		RH	9931626DR	1	ALL				X		
	ARM REST ASSEMBLY - Black	LH	9931625BA	1	ALL				X		
		RH	9931626BA	1	ALL				X		
	ARM REST ASSEMBLY - Jade	LH	9931625DU	1	ALL				X		
		RH	9931626DU	1	ALL				X		
	ARM REST ASSEMBLY - Chamois	LH	9931625DV	1	ALL				X		
		RH	9931626DV	1	ALL				X		
	ARM REST ASSEMBLY - Gazelle	LH	9931625DW	1	ALL				X		
		RH	9931626DW	1	ALL				X		
14.686 ARM REST ASSEMBLY – Front Door											
	ARM REST ASSEMBLY - Grey	LH	9931625DR	1	ALL			X		X	
		RH	9931626DR	1	ALL			X		X	
	ARM REST ASSEMBLY - Black	LH	9931625BA	1	ALL			X		X	
		RH	9931626BA	1	ALL			X		X	
	ARM REST ASSEMBLY - Jade	LH	9931625DU	1	ALL			X		X	
		RH	9931626DU	1	ALL			X		X	
	ARM REST ASSEMBLY - Chamois	LH	9931625DV	1	ALL			X		X	
		RH	9931626DV	1	ALL			X		X	
	ARM REST ASSEMBLY - Gazelle	LH	9931625DW	1	ALL			X		X	
		RH	9931626DW	1	ALL			X		X	
	ARM REST ASSEMBLY - Grey	LH	9934359DR	1	ALL						X
		RH	9934360DR	1	ALL						X
	ARM REST ASSEMBLY - Black	LH	9934359CY	1	ALL						X
		RH	9934360CY	1	ALL						X
	ARM REST ASSEMBLY - Chamois	LH	9934359DV	1	ALL						X
		RH	9934360DV	1	ALL						X
14.691 EMBLEM ASSEMBLY – Front Door Trim											
	EMBLEM ASSEMBLY		2818586	2	ALL					X	
	EMBLEM ASSEMBLY		9933245	2	ALL						X
14.694 SEAL – Front Door Inner Panel											
	SEAL - Material (24" x 18")		M36827	AR	ALL	X	X	X	X	X	X

"HJ" PARTS CATALOGUE

GROUP	DESCRIPTION	SIDE	PART No.	QTY.	BODY STYLE	M	N	P	Q	S	T
14.730	TRIM – Centre Pillar										
	TRIM Nos. 14V, 14X	LH	D215DR	1	35, 69		X	X	X	X	
		RH	D216DR	1	35, 69		X	X	X	X	
	TRIM Nos. 18V, 18X	LH	D215DT	1	35, 69		X	X	X	X	
		RH	D216DT	1	35, 69		X	X	X	X	
	TRIM Nos. 45V, 45X	LH	D215DU	1	35, 69		X	X	X	X	
		RH	D216DU	1	35, 69		X	X	X	X	
	TRIM Nos. 60V, 60X	LH	D215DV	1	35, 69		X	X	X	X	
		RH	D216DV	1	35, 69		X	X	X	X	
	TRIM Nos. 64V, 64X	LH	D215DW	1	35, 69		X	X	X	X	
		RH	D216DW	1	35, 69		X	X	X	X	
	TRIM Nos. 14V	LH	F705DR	1	69						X
		RH	F704DR	1	69						X
	TRIM Nos. 19V, 19X	LH	F705CY	1	69						X
		RH	F704CY	1	69						X
	TRIM Nos. 60V	LH	F705DV	1	69						X
		RH	F704DV	1	69						X
14.731	PAD – Centre Pillar Trim										
	PAD		9936438	2	69					X	X
14.760	TRIM ASSEMBLY – Rear Door										
	TRIM Nos. 19V	LH	9933313CY	1	35, 69	X					
		RH	9933312CY	1	ALL	X					
	TRIM Nos. 60V	LH	9933313DZ	1	35, 69	X					
		RH	9933312DZ	1	ALL	X					
	TRIM Nos. 64V	LH	9933313EA	1	35, 69	X					
		RH	9933312EA	1	ALL	X					
	TRIM Nos. 14V, 14X	LH	9933317DR	1	35, 69		X				
		RH	9933316DR	1	35, 69		X				
	TRIM Nos. 18V, 18X	LH	9933317DT	1	35, 69		X				
		RH	9933316DT	1	35, 69		X				
	TRIM Nos. 45V, 45X	LH	9933317DU	1	35, 69		X				
		RH	9933316DU	1	35, 69		X				
	TRIM Nos. 60V, 60X	LH	9933317DV	1	35, 69		X				
		RH	9933316DV	1	35, 69		X				
	TRIM Nos. 64V, 64X	LH	9933317DW	1	35, 69		X				
		RH	9933316DW	1	35, 69		X				
	TRIM Nos. 14V, 14X	LH	9933623DR	1	35, 69			X			
		RH	9933624DR	1	35, 69			X			
	TRIM Nos. 18V, 18X	LH	9933623DT	1	35, 69			X			
		RH	9933624DT	1	35, 69			X			
	TRIM Nos. 45V, 45X	LH	9933623DU	1	35, 69			X			
		RH	9933624DU	1	35, 69			X			
	TRIM Nos. 60V, 60X	LH	9933623DV	1	35, 69			X			
		RH	9933624DV	1	35, 69			X			
	TRIM Nos. 64V, 64X	LH	9933623DW	1	35, 69			X			
		RH	9933624DW	1	35, 69			X			
	TRIM Nos. 14V, 14X	LH	9933625DR	1	69				X		
		RH	9933626DR	1	69				X		
	TRIM Nos. 18V, 18X	LH	9933625DT	1	69				X		
		RH	9933626DT	1	69				X		
	TRIM Nos. 45V, 45X	LH	9933625DU	1	69				X		
		RH	9933626DU	1	69				X		
	TRIM Nos. 60V, 60X	LH	9933625DV	1	69				X		
		RH	9933626DV	1	69				X		
	TRIM Nos. 64V, 64X	LH	9933625DW	1	69				X		
		RH	9933626DW	1	69				X		
	TRIM Nos. 14V, 14X	LH	9934279DR	1	69					X	
		RH	9934280DR	1	69					X	
	TRIM Nos. 18V, 18X	LH	9934279DT	1	69					X	
		RH	9934280DT	1	69					X	

BODY

"HJ" PARTS CATALOGUE

GROUP	DESCRIPTION	SIDE	PART No.	QTY.	BODY STYLE	M	N	P	Q	S	T
14.760 TRIM ASSEMBLY – Rear Door (contd.)											
	TRIM Nos. 45V, 45X	LH	9934279DU	1	69					X	
		RH	9934280DU	1	69					X	
	TRIM Nos. 60V, 60X	LH	9934279DV	1	69					X	
		RH	9934280DV	1	69					X	
	TRIM Nos. 64V, 64X	LH	9934279DW	1	69					X	
		RH	9934280DW	1	69					X	
	TRIM Nos. 14V	LH	9934413DR	1	69						X
		RH	9934412DR	1	69						X
	TRIM Nos. 19V, 19X	LH	9934413CY	1	69						X
		RH	9934412CY	1	69						X
	TRIM Nos. 60V	LH	9934413DV	1	69						X
		RH	9934412DV	1	69						X
	CLIP – Trim to door		7377884	AR	35, 69	X	X	X	X	X	X
	CAP – Clip sealing		7410830	10	35, 69	X	X	X	X	X	X
14.762 ARM REST ASSEMBLY – Rear Door (exc. Power Windows)											
	ARM REST ASSEMBLY – Black	LH	2816939BA	1	69	X					
		RH	2816938BA	1	69	X					
	ARM REST ASSEMBLY – Chamois	LH	2816939DV	1	69	X					
		RH	2816938DV	1	69	X					
	ARM REST ASSEMBLY – Gazelle	LH	2816939DW	1	69	X					
		RH	2816938DW	1	69	X					
	ARM REST ASSEMBLY – Grey	LH	2816939DR	1	35, 69		X		X		
		RH	2816938DR	1	35, 69		X		X		
	ARM REST ASSEMBLY – Black	LH	2816939BA	1	35, 69		X		X		
		RH	2816938BA	1	35, 69		X		X		
	ARM REST ASSEMBLY – Jade	LH	2816939DU	1	35, 69		X		X		
		RH	2816938DU	1	35, 69		X		X		
	ARM REST ASSEMBLY – Chamois	LH	2816939DV		35, 69		X		X		
		RH	2816938DV	1	35, 69		X		X		
	ARM REST ASSEMBLY – Gazelle	LH	2816939DW	1	35, 69		X		X		
		RH	2816938DW	1	35, 69		X		X		
14.762 ARM REST ASSEMBLY – Rear Door (Power Windows)											
	ARM REST ASSEMBLY – Grey	LH	2829981DR	1	69				X		
		RH	2829982DR	1	69				X		
	ARM REST ASSEMBLY – Black	LH	2829981BA	1	69				X		
		RH	2829982BA	1	69				X		
	ARM REST ASSEMBLY – Jade	LH	2829981DU	1	69				X		
		RH	2829982DU	1	69				X		
	ARM REST ASSEMBLY – Chamois	LH	2829981DV	1	69				X		
		RH	2829982DV	1	69				X		
	ARM REST ASSEMBLY – Gazelle	LH	2829981DW	1	69				X		
		RH	2829982DW	1	69				X		
14.762 ARM REST ASSEMBLY – Rear Quarter, Rear Door											
	ARM REST ASSEMBLY – Grey		2816972DR	2	37		X	X	X		
	ARM REST ASSEMBLY – Black		2816972BA	2	37		X	X	X		
	ARM REST ASSEMBLY – Jade		2816972DU	2	37		X	X	X		
	ARM REST ASSEMBLY – Chamois		2816972DV	2	37		X	X	X		
	ARM REST ASSEMBLY – Gazelle		2816972DW	2	37		X	X	X		
	ARM REST ASSEMBLY – Grey	LH	2829981DR	1	69			X		X	
		RH	2829982DR	1	69			X		X	
	ARM REST ASSEMBLY – Black	LH	2829981BA	1	69			X		X	
		RH	2829982BA	1	69			X		X	
	ARM REST ASSEMBLY – Jade	LH	2829981DU	1	69			X		X	
		RH	2829982DU	1	69			X		X	
	ARM REST ASSEMBLY – Chamois	LH	2829981DV	1	69			X		X	
		RH	2829982DV	1	69			X		X	
	ARM REST ASSEMBLY – Gazelle	LH	2829981DW	1	69			X		X	
		RH	2829982DW	1	69			X		X	

"HJ" PARTS CATALOGUE

GROUP	DESCRIPTION	SIDE	PART No.	QTY.	BODY STYLE	M	N	P	Q	S	T
14.762	ARM REST ASSEMBLY – Rear Quarter, Rear Door (contd.)										
	ARM REST ASSEMBLY – Grey	LH	9934361DR	1	69						X
		RH	9934362DR	1	69						X
	ARM REST ASSEMBLY – Black	LH	9934361CY	1	69						X
		RH	9934362CY	1	69						X
	ARM REST ASSEMBLY – Chamois	LH	9934361DV	1	69						X
		RH	9934362DV	1	69						X
14.764	INSERT ASSEMBLY – Rear Door Trim										
	INSERT ASSEMBLY	LH	9934405	1	69						X
		RH	9934404	1	69						X
14.764	EMBLEM ASSEMBLY – Rear Door Trim										
	EMBLEM ASSEMBLY		9933245	2	69						X
14.768	SEAL – Rear Door Inner Panel										
	SEAL – Material (24" x 18")		M36827	AR	35, 69	X	X	X	X	X	X
14.796	SEAT ASSEMBLY – Front										
	CURRENT PRODUCTION FRONT SEAT ASSEMBLIES WILL BE SUPPLIED IN CURRENT PRODUCTION TRIM ON A FIRM ORDER BASIS.										
14.798	BELT ASSEMBLY – Front Seat – Lap & Shoulder (Bench seat – exc. Inertia type) (Cooldrive)										
	BELT ASSEMBLY – Black		9937059BA	2	35, 69	X	X				
	BELT ASSEMBLY – Black		9937060BA	2	60, 70, 80	X	X				
14.798	BELT ASSEMBLY – Front Seat – Lap & Shoulder (Bench seat – exc. Inertia type) (Rainsford)										
	BELT ASSEMBLY – Black		9937061BA	2	35, 69	X	X				
	BELT ASSEMBLY – Black		9937062BA	2	60, 70, 80	X	X				
14.798	BELT ASSEMBLY – Front Seat – Lap & Shoulder (Bucket seat – exc. Inertia type) (Cooldrive)										
	BELT ASSEMBLY – Black	LH	9937067BA	1	35, 69	X	X				
		RH	9937068BA	1	35, 69	X	X				
	BELT ASSEMBLY – Black	LH	9937069BA	1	60, 70, 80	X	X				
		RH	9937070BA	1	60, 70, 80	X	X				
14.798	BELT ASSEMBLY – Front Seat – Lap & shoulder (Bucket seat – exc. Inertia type) (Rainsford)										
	BELT ASSEMBLY – Black	LH	9937071BA	1	35, 69	X	X				
		RH	9937072BA	1	35, 69	X	X				
	BELT ASSEMBLY – Black	LH	9937073BA	1	60, 70, 80	X	X				
		RH	9937074BA	1	60, 70, 80	X	X				
14.798	BELT ASSEMBLY – Front Seat – Lap & Shoulder (Bench Seat – Inertia type) (Cooldrive)										
	BELT ASSEMBLY – Grey		9937086DS	2	35, 69	X	X	X			X
	BELT ASSEMBLY – Black		9937086BA	2	35, 69	X	X	X			X
	BELT ASSEMBLY – Covert		9937086DY	2	35, 69	X	X	X			X
	BELT ASSEMBLY – Tan		9937086DX	2	35, 69	X	X	X			X
14.798	BELT ASSEMBLY – Front Seat – Lap & Shoulder (Bench Seat – Inertia type) (Rainsford)										
	BELT ASSEMBLY – Grey		9937085DS	2	35, 69	X	X	X			X
	BELT ASSEMBLY – Black		9937085BA	2	35, 69	X	X	X			X
	BELT ASSEMBLY – Covert		9937085DY	2	35, 69	X	X	X			X
	BELT ASSEMBLY – Tan		9937085DX	2	35, 69	X	X	X			X

BODY

REFER 749 NASCO NEWS FOR SEAT BELT IDENTIFICATION

GROUP	DESCRIPTION	SIDE	PART No.	QTY.	BODY STYLE	M	N	P	Q	S	T
14.798	BELT ASSEMBLY – Front Seat – Lap & Shoulder (Bench Seat – Inertia type) (Repa.)										
	BELT ASSEMBLY - Grey		9937087DS	2	35, 69	X	X	X		X	
	BELT ASSEMBLY - Black		9937087BA	2	35, 69	X	X	X		X	
	BELT ASSEMBLY - Covert		9937087DY	2	35, 69	X	X	X		X	
	BELT ASSEMBLY - Tan		9937087DX	2	35, 69	X	X	X		X	
14.798	BELT ASSEMBLY – Front Seat – Lap & Shoulder (Bucket Seat – Inertia type) (Cooldrive)										
	BELT ASSEMBLY - Grey	LH	9937091DS	1	35, 69	X	X	X		X	
		RH	9937090DS	1	35, 69	X	X	X		X	
	BELT ASSEMBLY - Black	LH	9937091BA	1	35, 69	X	X	X		X	
		RH	9937090BA	1	35, 69	X	X	X		X	
	BELT ASSEMBLY - Covert	LH	9937091DY	1	35, 69	X	X	X		X	
		RH	9937090DY	1	35, 69	X	X	X		X	
	BELT ASSEMBLY - Tan	LH	9937091DX	1	35, 69	X	X	X		X	
		RH	9937090DX	1	35, 69	X	X	X		X	
	BELT ASSEMBLY - Grey	LH	9937097DS	1	37		X	X	X		
		RH	9937096DS	1	37		X	X	X		
	BELT ASSEMBLY - Black	LH	9937097BA	1	37		X	X	X		
		RH	9937096BA	1	37		X	X	X		
	BELT ASSEMBLY - Covert	LH	9937097DY	1	37		X	X	X		
		RH	9937096DY	1	37		X	X	X		
	BELT ASSEMBLY - Tan	LH	9937097DX	1	37		X	X	X		
		RH	9937096DX	1	37		X	X	X		
14.798	BELT ASSEMBLY – Front Seat – Lap & Shoulder (Bucket Seat – Inertia type) (Rainsford)										
	BELT ASSEMBLY - Grey	LH	9937089DS	1	35, 69	X	X	X		X	
		RH	9937088DS	1	35, 69	X	X	X		X	
	BELT ASSEMBLY - Black	LH	9937089BA	1	35, 69	X	X	X		X	
		RH	9937088BA	1	35, 69	X	X	X		X	
	BELT ASSEMBLY - Covert	LH	9937089DY	1	35, 69	X	X	X		X	
		RH	9937088DY	1	35, 69	X	X	X		X	
	BELT ASSEMBLY - Tan	LH	9937089DX	1	35, 69	X	X	X		X	
		RH	9937088DX	1	35, 69	X	X	X		X	
	BELT ASSEMBLY - Grey	LH	9937095DS	1	37		X	X	X		
		RH	9937094DS	1	37		X	X	X		
	BELT ASSEMBLY - Black	LH	9937095BA	1	37		X	X	X		
		RH	9937094BA	1	37		X	X	X		
	BELT ASSEMBLY - Covert	LH	9937095DY	1	37		X	X	X		
		RH	9937094DY	1	37		X	X	X		
	BELT ASSEMBLY - Tan	LH	9937095DX	1	37		X	X	X		
		RH	9937094DX	1	37		X	X	X		
14.798	BELT ASSEMBLY – Front Seat – Lap & Shoulder (Bucket Seat – Inertia type) (Repa.)										
	BELT ASSEMBLY - Grey	LH	9937093DS	1	35, 69	X	X	X		X	
		RH	9937092DS	1	35, 69	X	X	X		X	
	BELT ASSEMBLY - Black	LH	9937093BA	1	35, 69	X	X	X		X	
		RH	9937092BA	1	35, 69	X	X	X		X	
	BELT ASSEMBLY - Covert	LH	9937093DY	1	35, 69	X	X	X		X	
		RH	9937092DY	1	35, 69	X	X	X		X	
	BELT ASSEMBLY - Tan	LH	9937093DX	1	35, 69	X	X	X		X	
		RH	9937092DX	1	35, 69	X	X	X		X	
	BELT ASSEMBLY - Grey	LH	9937099DS	1	37		X	X	X		
		RH	9937098DS	1	37		X	X	X		
	BELT ASSEMBLY - Black	LH	9937099BA	1	37		X	X	X		
		RH	9937098BA	1	37		X	X	X		
	BELT ASSEMBLY - Covert	LH	9937099DY	1	37		X	X	X		
		RH	9937098DY	1	37		X	X	X		
	BELT ASSEMBLY - Tan	LH	9937099DX	1	37		X	X	X		
		RH	9937098DX	1	37		X	X	X		

"HJ" PARTS CATALOGUE

GROUP	DESCRIPTION	SIDE	PART No.	QTY.	BODY STYLE	M	N	P	Q	S	T
14.798	BELT ASSEMBLY – Front Seat – Centre Lap (Cooldrive)										
	BELT ASSEMBLY - Grey		9937063DS	1	35, 69	X	X	X		X	
	BELT ASSEMBLY - Black		9937063BA	1	35, 69	X	X	X		X	
	BELT ASSEMBLY - Covert		9937063DY	1	35, 69	X	X	X		X	
	BELT ASSEMBLY - Tan		9937063DX	1	35, 69	X	X	X		X	
	BELT ASSEMBLY - Black		9937064BA	1	60, 70, 80	X	X				
14.798	BELT ASSEMBLY – Front Seat – Centre Lap (Rainsford)										
	BELT ASSEMBLY - Grey		9937065DS	1	35, 69	X	X	X		X	
	BELT ASSEMBLY - Black		9937065BA	1	35, 69	X	X	X		X	
	BELT ASSEMBLY - Covert		9937065DY	1	35, 69	X	X	X		X	
	BELT ASSEMBLY - Tan		9937065DX	1	35, 69	X	X	X		X	
	BELT ASSEMBLY - Black		9937066BA	1	60, 70, 80	X	X				
14.798	SLEEVE – Front Seat Belt Protector										
	SLEEVE - Black		9932906BA	2	35,60,69,70,80	X	X				
14.799	HOOK – Front Seat Belt Stowage										
	HOOK - Black		9932905BA	2	35,60,69,70,80	X	X				
14.800	COVER ASSEMBLY – Front Seat Back (Bench Seat)										
	TRIM Nos. 19V		9932387CY	1	35, 69	X					
	TRIM Nos. 60V		9932387DZ	1	35, 69	X					
	TRIM Nos. 64V		9932387EA	1	35, 69	X					
	TRIM Nos. 19V		9932411CY	1	60, 70, 80	X					
	TRIM Nos. 60V		9932411DZ	1	60, 70, 80	X					
	TRIM Nos. 64V		9932411EA	1	60, 70, 80	X					
	TRIM Nos. 14V		9932409DR	1	80		X				
	TRIM Nos. 18V		9932409DT	1	80		X				
	TRIM Nos. 45V		9932409DU	1	80		X				
	TRIM Nos. 60V		9932409DV	1	80		X				
	TRIM Nos. 64V		9932409DW	1	80		X				
	TRIM Nos. 14V		9932390DR	1	35, 69		X				
	TRIM Nos. 18V		9932390DT	1	35, 69		X				
	TRIM Nos. 45V		9932390DU	1	35, 69		X				
	TRIM Nos. 60V		9932390DV	1	35, 69		X				
	TRIM Nos. 64V		9932390DW	1	35, 69		X				
	TRIM Nos. 14X		9932391DR	1	35, 69		X				
	TRIM Nos. 18X		9932391DT	1	35, 69		X				
	TRIM Nos. 45X		9932391DU	1	35, 69		X				
	TRIM Nos. 60X		9932391DV	1	35, 69		X				
	TRIM Nos. 64X		9932391DW	1	35, 69		X				
	TRIM Nos. 14V		9932394DR	1	35, 69			X		X	
	TRIM Nos. 18V		9932394DT	1	35, 69			X		X	
	TRIM Nos. 45V		9932394DU	1	35, 69			X		X	
	TRIM Nos. 60V		9932394DV	1	35, 69			X		X	
	TRIM Nos. 64V		9932394DW	1	35, 69			X		X	
	TRIM Nos. 14X		9932395DR	1	35, 69			X		X	
	TRIM Nos. 18X		9932395DT	1	35, 69			X		X	
	TRIM Nos. 45X		9932395DU	1	35, 69			X		X	
	TRIM Nos. 60X		9932395DV	1	35, 69			X		X	
	TRIM Nos. 64X		9932395DW	1	35, 69			X		X	
14.800	COVER ASSEMBLY – Front Seat Back (Bucket Seat)										
	TRIM Nos. 14V		9932398DR	2	35,60,69,70,80	X	X				
	TRIM Nos. 18V		9932398DT	2	35,60,69,70,80	X	X				
	TRIM Nos. 19V		9932398CY	2	35,60,69,70,80	X	X				
	TRIM Nos. 45V		9932398DU	2	35,60,69,70,80	X	X				
	TRIM Nos. 60V		9932398DV	2	35,60,69,70,80	X	X				
	TRIM Nos. 64V		9932398DW	2	35,60,69,70,80	X	X				
	TRIM Nos. 14X		9932399DR	2	35, 69		X				

BODY

"HJ" PARTS CATALOGUE

GROUP	DESCRIPTION	SIDE	PART No.	QTY.	BODY STYLE	M	N	P	Q	S	T
14.800 COVER ASSEMBLY – Front Seat Back (Bucket Seat) (contd.)											
	TRIM Nos. 18X		9932399DT	2	35, 69		X				
	TRIM Nos. 45X		9932399DU	2	35, 69		X				
	TRIM Nos. 60X		9932399DV	2	35, 69		X				
	TRIM Nos. 64X		9932399DW	2	35, 69		X				
	TRIM Nos. 14V		9932410DR	2	37		X				
	TRIM Nos. 18V		9932410DT	2	37		X				
	TRIM Nos. 45V		9932410DU	2	37		X				
	TRIM Nos. 60V		9932410DV	2	37		X				
	TRIM Nos. 64V		9932410DW	2	37		X				
	TRIM Nos. 14X		9932399DR	2	37		X				
	TRIM Nos. 18X		9932399DT	2	37		X				
	TRIM Nos. 45X		9932399DU	2	37		X				
	TRIM Nos. 60X		9932399DV	2	37		X				
	TRIM Nos. 64X		9932399DW	2	37		X				
	TRIM Nos. 14V		9932402DR	2	ALL			X		X	
	TRIM Nos. 18V		9932402DT	2	ALL			X		X	
	TRIM Nos. 45V		9932402DU	2	ALL			X		X	
	TRIM Nos. 60V		9932402DV	2	ALL			X		X	
	TRIM Nos. 64V		9932402DW	2	ALL			X		X	
	TRIM Nos. 14X		9932403DR	2	ALL			X		X	
	TRIM Nos. 18X		9932403DT	2	ALL			X		X	
	TRIM Nos. 45X		9932403DU	2	ALL			X		X	
	TRIM Nos. 60X		9932403DV	2	ALL			X		X	
	TRIM Nos. 64X		9932403DW	2	ALL			X		X	
	TRIM Nos. 14V		9932414DR	2	ALL				X		
	TRIM Nos. 18V		9932414DT	2	ALL				X		
	TRIM Nos. 45V		9932414DU	2	ALL				X		
	TRIM Nos. 60V		9932414DV	2	ALL				X		
	TRIM Nos. 64V		9932414DW	2	ALL				X		
	TRIM Nos. 14X		9932415DR	2	ALL				X		
	TRIM Nos. 18X		9932415DT	2	ALL				X		
	TRIM Nos. 45X		9932415DU	2	ALL				X		
	TRIM Nos. 60X		9932415DV	2	ALL				X		
	TRIM Nos. 64X		9932415DW	2	ALL				X		
	TRIM Nos. 14V		9932406DR	2	ALL						X
	TRIM Nos. 19V		9932406CY	2	ALL						X
	TRIM Nos. 60V		9932406DV	2	ALL						X
	TRIM Nos. 19X		9932407CY	2	ALL						X
14.800 FASTENER – Front Seat Back Cover to Frame											
	FASTENER – Grey		SP1838DR	AR	ALL	X	X	X	X	X	X
	FASTENER – Slate Black		SP1838DT	AR	ALL	X	X	X	X	X	X
	FASTENER – Black		SP1838CY	AR	ALL	X	X	X	X	X	X
	FASTENER – Jade		SP1838DU	AR	ALL	X	X	X	X	X	X
	FASTENER – Chamois		SP1838DV	AR	ALL	X	X	X	X	X	X
	FASTENER – Gazelle		SP1838DW	AR	ALL	X	X	X	X	X	X
14.801 COVER ASSEMBLY – Front Seat Back Arm Rest											
	TRIM Nos. 14V		9934506DR	1	35, 69			X		X	
	TRIM Nos. 18V		9934506DT	1	35, 69			X		X	
	TRIM Nos. 45V		9934506DU	1	35, 69			X		X	
	TRIM Nos. 60V		9934506DV	1	35, 69			X		X	
	TRIM Nos. 64V		9934506DW	1	35, 69			X		X	
	TRIM Nos. 14X		9934507DR	1	35, 69			X		X	
	TRIM Nos. 18X		9934507DT	1	35, 69			X		X	
	TRIM Nos. 45X		9934507DU	1	35, 69			X		X	
	TRIM Nos. 60X		9934507DV	1	35, 69			X		X	
	TRIM Nos. 64X		9934507DW	1	35, 69			X		X	

"HJ" PARTS CATALOGUE

GROUP	DESCRIPTION	SIDE	PART No.	QTY.	BODY STYLE	M	N	P	Q	S	T
14.801	TRIM – Front Seat Back Arm Rest Recess Lower										
	TRIM Nos. 14V, 14X		D456DR	1	35, 69			X		X	
	TRIM Nos. 18V, 18X		D456DT	1	35, 69			X		X	
	TRIM Nos. 45V, 45X		D456DU	1	35, 69			X		X	
	TRIM Nos. 60V, 60X		D456DV	1	35, 69			X		X	
	TRIM Nos. 64V, 64X		D456DW	1	35, 69			X		X	
14.802	PAD ASSEMBLY, INSULATOR ASSEMBLY – Front Seat Back										
	PAD ASSEMBLY – Bench seat, exc. centre armrest		9933570	1	ALL	X					
	PAD ASSEMBLY – Bench seat, exc. centre armrest		9931263	1	35, 69, 80		X				
	PAD ASSEMBLY – Bench seat with centre armrest		9931526	1	35, 69	X	X	X		X	
	PAD ASSEMBLY – Front seat back armrest		9935091	1	35, 69			X		X	
	PAD ASSEMBLY – Bucket seat		9931528	2	ALL	X	X	X	X	X	X
	INSULATOR ASSEMBLY – Bench seat		9929565	1	35, 60, 69, 70, 80	X	X				
	INSULATOR ASSEMBLY – Bench seat with centre armrest, Bucket seat		9932852	2	ALL	X	X	X	X	X	X
14.803	TRIM ASSEMBLY – Front Seat Back Rear (Bench Seat)										
	TRIM Nos. 14V, 14X		9933262DR	1	35, 69			X		X	
	TRIM Nos. 18V, 18X		9933262DT	1	35, 69			X		X	
	TRIM Nos. 45V, 45X		9933262DU	1	35, 69			X		X	
	TRIM Nos. 60V, 60X		9933262DV	1	35, 69			X		X	
	TRIM Nos. 64V, 64X		9933262DW	1	35, 69			X		X	
	CLIP – Trim		7437078	8	35, 69			X		X	
	CLIP – Trim		7377884	14	35, 69			X		X	
14.803	TRIM ASSEMBLY – Front Seat Back Rear (Bucket Seat)										
	TRIM Nos. 14V, 14X		9931419DR	2	35, 37, 60, 69, 80	X	X				
	TRIM Nos. 18V, 18X		9931419DT	2	35, 37, 60, 69, 80	X	X				
	TRIM Nos. 19V		9931419CY	2	35, 37, 60, 69, 80	X	X				
	TRIM Nos. 45V, 45X		9931419DU	2	35, 37, 60, 69, 80	X	X				
	TRIM Nos. 60V, 60X		9931419DV	2	35, 37, 60, 69, 80	X	X				
	TRIM Nos. 64V, 64X		9931419DW	2	35, 37, 60, 69, 80	X	X				
	TRIM Nos. 14V, 14X		9933239DR	2	ALL			X	X	X	
	TRIM Nos. 18V, 18X		9933239DT	2	ALL			X	X	X	
	TRIM Nos. 45V, 45X		9933239DU	2	ALL			X	X	X	
	TRIM Nos. 60V, 60X		9933239DV	2	ALL			X	X	X	
	TRIM Nos. 64V, 64X		9933239DW	2	ALL			X	X	X	
	TRIM Nos. 14V		9933580DR	2	ALL						X
	TRIM Nos. 19V, 19X		9933580CY	2	ALL						X
	TRIM Nos. 60V		9933580DV	2	ALL						X
	CLIP – Trim assy to frame		7377884	AR	35, 37, 60, 69, 80	X	X	X	X	X	
	RETAINER – Trim assy to frame		7433398	AR	35, 37, 60, 69, 80	X	X	X	X	X	X
14.804	COVER ASSEMBLY – Front Seat Back Rear Lower (Bench Seat)										
	TRIM Nos. 14V, 14X		9933634DR	1	35, 69			X		X	
	TRIM Nos. 18V, 18X		9933634DT	1	35, 69			X		X	
	TRIM Nos. 45V, 45X		9933634DU	1	35, 69			X		X	
	TRIM Nos. 60V, 60X		9933634DV	1	35, 69			X		X	
	TRIM Nos. 64V, 64X		9933634DW	1	35, 69			X		X	
14.818	STRIP – Seat Panel										
	STRIP – Rear seat back wear 18.32" long		2815515	6	35	X	X	X			
	STRIP – Rear seat back wear 10.92" long		2815516	1	35	X	X	X			
	STRIP – Rear seat back upper finish wear		2815917	1	35	X	X	X			
14.860	RETAINER – Front Seat Cushion Cover (Bucket Seat)										
	RETAINER		2819239	2	ALL	X	X	X	X	X	X

BODY

"HJ" PARTS CATALOGUE

GROUP	DESCRIPTION	SIDE	PART No.	QTY.	BODY STYLE	M	N	P	Q	S	T
14.880	COVER ASSEMBLY – Front Seat Cushion (Bench Seat)										
	TRIM Nos. 19V		9932386CY	1	ALL	X					
	TRIM Nos. 60V		9932386DZ	1	ALL	X					
	TRIM Nos. 64V		9932386EA	1	ALL	X					
	TRIM Nos. 14V		9932388DR	1	35, 69, 80		X				
	TRIM Nos. 18V		9932388DT	1	35, 69, 80		X				
	TRIM Nos. 45V		9932388DU	1	35, 69, 80		X				
	TRIM Nos. 60V		9932388DV	1	35, 69, 80		X				
	TRIM Nos. 64V		9932388DW	1	35, 69, 80		X				
	TRIM Nos. 14X		9932389DR	1	35, 69		X				
	TRIM Nos. 18X		9932389DT	1	35, 69		X				
	Trim Nos. 45X		9932389DU	1	35, 69		X				
	TRIM Nos. 60X		9932389DV	1	35, 69		X				
	TRIM Nos. 64X		9932389DW	1	35, 69		X				
	TRIM Nos. 14V		9932392DR	1	35, 69			X		X	
	TRIM Nos. 18V		9932392DT	1	35, 69			X		X	
	TRIM Nos. 45V		9932392DU	1	35, 69			X		X	
	TRIM Nos. 60V		9932392DV	1	35, 69			X		X	
	TRIM Nos. 64V		9932392DW	1	35, 69			X		X	
	TRIM Nos. 14X		9932393DR	1	35, 69			X		X	
	TRIM Nos. 18X		9932393DT	1	35, 69			X		X	
	TRIM Nos. 45X		9932393DU	1	35, 69			X		X	
	TRIM Nos. 60X		9932393DV	1	35, 69			X		X	
	TRIM Nos. 64X		9932393DW	1	35, 69			X		X	
14.880	COVER ASSEMBLY – Front seat cushion (Bucket Seat)										
	TRIM Nos. 14V		9932396DR	2	35, 60, 69, 70, 80	X	X				
	TRIM Nos. 18V		9932396DT	2	35, 60, 69, 70, 80	X	X				
	TRIM Nos. 19V		9932396CY	2	35, 60, 69, 70, 80	X	X				
	TRIM Nos. 45V		9932396DU	2	35, 60, 69, 70, 80	X	X				
	TRIM Nos. 60V		9932396DV	2	35, 60, 69, 70, 80	X	X				
	TRIM Nos. 64V		9932396DW	2	35, 60, 69, 70, 80	X	X				
	TRIM Nos. 14X		9932397DR	2	35, 69		X				
	TRIM Nos. 18X		9932397DT	2	35, 69		X				
	TRIM Nos. 45X		9932397DU	2	35, 69		X				
	TRIM Nos. 60X		9932397DV	2	35, 69		X				
	TRIM Nos. 64X		9932397DW	2	35, 69		X				
	TRIM Nos. 14V		9932408DR	2	37		X				
	TRIM Nos. 18V		9932408DT	2	37		X				
	TRIM Nos. 45V		9932408DU	2	37		X				
	TRIM Nos. 60V		9932408DV	2	37		X				
	TRIM Nos. 64V		9932408DW	2	37		X				
	TRIM Nos. 14X		9932397DR	2	37		X				
	TRIM Nos. 18X		9932397DT	2	37		X				
	TRIM Nos. 45X		9932397DU	2	37		X				
	TRIM Nos. 60X		9932397DV	2	37		X				
	TRIM Nos. 64X		9932397DW	2	37		X				
	TRIM Nos. 14V		9932400DR	2	ALL			X		X	
	TRIM Nos. 18V		9932400DT	2	ALL			X		X	
	TRIM Nos. 45V		9932400DU	2	ALL			X		X	
	TRIM Nos. 60V		9932400DV	2	ALL			X		X	
	TRIM Nos. 64V		9932400DW	2	ALL			X		X	
	TRIM Nos. 14X		9932401DR	2	ALL			X		X	
	TRIM Nos. 18X		9932401DT	2	ALL			X		X	
	TRIM Nos. 45X		9932401DU	2	ALL			X		X	
	TRIM Nos. 60X		9932401DV	2	ALL			X		X	
	TRIM Nos. 64X		9932401DW	2	ALL			X		X	
	TRIM Nos. 14V		9932412DR	2	ALL				X		
	TRIM Nos. 18V		9932412DT	2	ALL				X		
	TRIM Nos. 45V		9932412DU	2	ALL				X		
	TRIM Nos. 60V		9932412DV	2	ALL				X		
	TRIM Nos. 64V		9932412DW	2	ALL				X		
	TRIM Nos. 14X		9932413DR	2	ALL				X		
	TRIM Nos. 18X		9932413DT	2	ALL				X		

"HJ" PARTS CATALOGUE

GROUP	DESCRIPTION	SIDE	PART No.	QTY.	BODY STYLE	M	N	P	Q	S	T
14.880	COVER ASSEMBLY – Front seat cushion (Bucket Seat) (contd.)										
	TRIM Nos. 45X		9932413DU	2	ALL				X		
	TRIM Nos. 60X		9932413DV	2	ALL				X		
	TRIM Nos. 64X		9932413DW	2	ALL				X		
	TRIM Nos. 14V		9932404DR	2	ALL						X
	TRIM Nos. 19V		9932404CY	2	ALL						X
	TRIM Nos. 60V		9932404DV	2	ALL						X
	TRIM Nos. 19X		9932405CY	2	ALL						X
14.890	PAD ASSEMBLY – Front Seat Cushion										
	PAD ASSEMBLY - Bench seat, exc. centre arm rest		9933582	1	ALL	X					
	PAD ASSEMBLY - Bench seat exc. centre arm rest		9931025	1	35, 69, 80		X				
	PAD ASSEMBLY - Bench seat with centre arm rest		9931442	1	35, 69	X	X	X		X	
	PAD ASSEMBLY - Bucket seat		9931755	2	ALL	X	X	X	X	X	
14.925	PAD – Front Seat Head Restraint										
	PAD - Bench seat		9931600	2	35, 69	X	X	X		X	
	PAD - Bench seat		9933583	2	60, 70, 80	X	X				
	PAD - Bucket seat		9931547	2	ALL	X	X	X	X	X	X
14.998	BACK ASSEMBLY – Rear Seat										
	CURRENT PRODUCTION REAR SEAT BACK ASSEMBLIES WILL BE SUPPLIED IN CURRENT PRODUCTION TRIM ON A FIRM ORDER BASIS.										

"HJ" PARTS CATALOGUE

GROUP	DESCRIPTION	SIDE	PART No.	QTY.	BODY STYLE	M	N	P	Q	S	T
15.000	COVER ASSEMBLY – Rear Seat Back										
	TRIM Nos. 19V		(⁴⁹ 9933404CY	1	35	X					
	TRIM Nos. 60V		(⁴⁹ 9933404DZ	1	35	X					
	TRIM Nos. 64V		(⁴⁹ 9933404EA	1	35	X					
	TRIM Nos. 19V		(⁵⁰ 9933406CY	1	35	X					
	TRIM Nos. 60V		(⁵⁰ 9933406DV	1	35	X					
	TRIM Nos. 64V		(⁵⁰ 9933406DW	1	35	X					
	TRIM Nos. 14V		9933406DR	1	35		X				
	TRIM Nos. 18V		9933406DT	1	35		X				
	TRIM Nos. 45V		9933406DU	1	35		X				
	TRIM Nos. 60V		9933406DV	1	35		X				
	TRIM Nos. 64V		9933406DW	1	35		X				
	TRIM Nos. 14X		9933407DR	1	35		X				
	TRIM Nos. 18X		9933407DT	1	35		X				
	TRIM Nos. 45X		9933407DU	1	35		X				
	TRIM Nos. 60X		9933407DV	1	35		X				
	TRIM Nos. 64X		9933407DW	1	35		X				
	TRIM Nos. 14V		9933410DR	1	35			X			
	TRIM Nos. 18V		9933410DT	1	35			X			
	TRIM Nos. 45V		9933410DU	1	35			X			
	TRIM Nos. 60V		9933410DV	1	35			X			
	TRIM Nos. 64V		9933410DW	1	35			X			
	TRIM Nos. 14X		9933411DR	1	35			X			
	TRIM Nos. 18X		9933411DT	1	35			X			
	TRIM Nos. 45X		9933411DU	1	35			X			
	TRIM Nos. 60X		9933411DV	1	35			X			
	TRIM Nos. 64X		9933411DW	1	35			X			
	TRIM Nos. 14V		9933420DR	1	37		X				
	TRIM Nos. 18V		9933420DT	1	37		X				
	TRIM Nos. 45V		9933420DU	1	37		X				
	TRIM Nos. 60V		9933420DV	1	37		X				
	TRIM Nos. 64V		9933420DW	1	37		X				
	TRIM Nos. 14X		9933421DR	1	37		X				
	TRIM Nos. 18X		9933421DT	1	37		X				
	TRIM Nos. 45X		9933421DU	1	37		X				
	TRIM Nos. 60X		9933421DV	1	37		X				
	TRIM Nos. 64X		9933421DW	1	37		X				
	TRIM Nos. 14V		9933422DR	1	37			X			
	TRIM Nos. 18V		9933422DT	1	37			X			
	TRIM Nos. 45V		9933422DU	1	37			X			
	TRIM Nos. 60V		9933422DV	1	37			X			
	TRIM Nos. 64V		9933422DW	1	37			X			
	TRIM Nos. 14X		9933423DR	1	37			X			
	TRIM Nos. 18X		9933423DT	1	37			X			
	TRIM Nos. 45X		9933423DU	1	37			X			
	TRIM Nos. 60X		9933423DV	1	37			X			
	TRIM Nos. 64X		9933423DW	1	37			X			
	TRIM Nos. 14V		9933424DR	1	37				X		
	TRIM Nos. 18V		9933424DT	1	37				X		
	TRIM Nos. 45V		9933424DU	1	37				X		
	TRIM Nos. 60V		9933424DV	1	37				X		
	TRIM Nos. 64V		9933424DW	1	37				X		
	TRIM Nos. 14X		9933425DR	1	37				X		
	TRIM Nos. 18X		9933425DT	1	37				X		
	TRIM Nos. 45X		9933425DU	1	37				X		
	TRIM Nos. 60X		9933425DV	1	37				X		
	TRIM Nos. 64X		9933425DW	1	37				X		
	TRIM Nos. 19V		(⁴⁹ 9933405CY	1	69	X					
	TRIM Nos. 60V		(⁴⁹ 9933405DZ	1	69	X					
	TRIM Nos. 64V		(⁴⁹ 9933405EA	1	69	X					
	TRIM Nos. 19V		(⁵⁰ 9933408CY	1	69	X					
	TRIM Nos. 60V		(⁵⁰ 9933408DV	1	69	X					
	TRIM Nos. 64V		(⁵⁰ 9933408DW	1	69	X					

Note: (⁴⁹ Bench Seats.
(⁵⁰ Bucket Seats.

"HJ" PARTS CATALOGUE

GROUP	DESCRIPTION	SIDE	PART No.	QTY.	BODY STYLE	M	N	P	Q	S	T
15.000	COVER ASSEMBLY – Rear Seat Back (contd.)										
	TRIM Nos. 14V		9933408DR	1	69		X				
	TRIM Nos. 18V		9933408DT	1	69		X				
	TRIM Nos. 45V		9933408DU	1	69		X				
	TRIM Nos. 60V		9933408DV	1	69		X				
	TRIM Nos. 64V		9933408DW	1	69		X				
	TRIM Nos. 14X		9933409DR	1	69		X				
	TRIM Nos. 18X		9933409DT	1	69		X				
	TRIM Nos. 45X		9933409DU	1	69		X				
	TRIM Nos. 60X		9933409DV	1	69		X				
	TRIM Nos. 64X		9933409DW	1	69		X				
	TRIM Nos. 14V		9933412DR	1	69			X			
	TRIM Nos. 18V		9933412DT	1	69			X			
	TRIM Nos. 45V		9933412DU	1	69			X			
	TRIM Nos. 60V		9933412DV	1	69			X			
	TRIM Nos. 64V		9933412DW	1	69			X			
	TRIM Nos. 14X		9933413DR	1	69			X			
	TRIM Nos. 18X		9933413DT	1	69			X			
	TRIM Nos. 45X		9933413DU	1	69			X			
	TRIM Nos. 60X		9933413DV	1	69			X			
	TRIM Nos. 64X		9933413DW	1	69			X			
	TRIM Nos. 14V		9933416DR	1	69				X		
	TRIM Nos. 18V		9933416DT	1	69				X		
	TRIM Nos. 45V		9933416DU	1	69				X		
	TRIM Nos. 60V		9933416DV	1	69				X		
	TRIM Nos. 64V		9933416DW	1	69				X		
	TRIM Nos. 14X		9933417DR	1	69				X		
	TRIM Nos. 18X		9933417DT	1	69				X		
	TRIM Nos. 45X		9933417DU	1	69				X		
	TRIM Nos. 60X		9933417DV	1	69				X		
	TRIM Nos. 64X		9933417DW	1	69				X		
	TRIM Nos. 14V		9933414DR	1	69					X	
	TRIM Nos. 18V		9933414DT	1	69					X	
	TRIM Nos. 45V		9933414DU	1	69					X	
	TRIM Nos. 60V		9933414DV	1	69					X	
	TRIM Nos. 64V		9933414DW	1	69					X	
	TRIM Nos. 14X		9933415DR	1	69					X	
	TRIM Nos. 18X		9933415DT	1	69					X	
	TRIM Nos. 45X		9933415DU	1	69					X	
	TRIM Nos. 60X		9933415DV	1	69					X	
	TRIM Nos. 64X		9933415DW	1	69					X	
	TRIM Nos. 14V	LH	9933419DR	1	69						X
		RH	9933418DR	1	69						X
	TRIM Nos. 19V	LH	9933419CY	1	69						X
		RH	9933418CY	1	69						X
	TRIM Nos. 60V	LH	9933419DV	1	69						X
		RH	9933418DV	1	69						X
	TRIM Nos. 19X	LH	9936367CY	1	69						X
		RH	9936366CY	1	69						X
15.001	COVER ASSEMBLY – Rear Seat Back Arm Rest										
	TRIM Nos. 14V		9934509DR	1	35, 69			X		X	
	TRIM Nos. 18V		9934509DT	1	35, 69			X		X	
	TRIM Nos. 45V		9934509DU	1	35, 69			X		X	
	TRIM Nos. 60V		9934509DV	1	35, 69			X		X	
	TRIM Nos. 64V		9934509DW	1	35, 69			X		X	
	TRIM Nos. 14X		9934510DR	1	35, 69			X		X	
	TRIM Nos. 18X		9934510DT	1	35, 69			X		X	
	TRIM Nos. 45X		9934510DU	1	35, 69			X		X	
	TRIM Nos. 60X		9934510DV	1	35, 69			X		X	
	TRIM Nos. 64X		9934510DW	1	35, 69			X		X	
	TRIM Nos. 14V		9936374DR	1	69						X
	TRIM Nos. 19V		9936374CY	1	69						X

BODY

"HJ" PARTS CATALOGUE

GROUP	DESCRIPTION	SIDE	PART No.	QTY.	BODY STYLE	M	N	P	Q	S	T
15.001	COVER ASSEMBLY – Rear Seat Back Arm Rest (contd.)										
	TRIM Nos. 60V		9936374DV	1	69						X
	TRIM Nos. 19X		9936375CY	1	69						X
15.001	TRIM – Rear Seat Back Arm Rest Recess Lower										
	TRIM Nos. 14V, 14X		D456DR	1	35, 69			X		X	X
	TRIM Nos. 18V, 18X		D456DT	1	35, 69			X		X	X
	TRIM Nos. 19V		D456CY	1	35, 69			X		X	X
	TRIM Nos. 45V, 45X		D456DU	1	35, 69			X		X	X
	TRIM Nos. 60V, 60X		D456DV	1	35, 69			X		X	X
	TRIM Nos. 64V, 64X		D456DW	1	35, 69			X		X	X
15.001	TRIM ASSEMBLY – Rear Seat Back Centre										
	TRIM Nos. 14V		9936342DR	1	69						X
	TRIM Nos. 19V		9936342CY	1	69						X
	TRIM Nos. 60V		9936342DV	1	69						X
	TRIM Nos. 19X		9936343CY	1	69						X
15.002	PAD ASSEMBLY – Rear Seat Back										
	PAD ASSEMBLY – Rear seat back		9934079	1	35	X					
	PAD ASSEMBLY – Rear seat back		9934080	1	35		X				
	PAD ASSEMBLY – Rear seat back		9935165	1	35			X			
	PAD ASSEMBLY – Rear seat back		9935143	1	37		X	X	X		
	PAD ASSEMBLY – Rear seat back		9934077	1	69	X					
	PAD ASSEMBLY – Rear seat back		9934078	1	69		X				
	PAD ASSEMBLY – Rear seat back		9933813	1	69			X			
	PAD ASSEMBLY – Rear seat back		9935159	1	69				X		
	PAD ASSEMBLY – Rear seat back		9933812	1	69					X	
	PAD ASSEMBLY – Rear seat back	LH	9933815	1	69						X
	PAD ASSEMBLY – Rear seat back	RH	9933814	1	69						X
	PAD ASSEMBLY – Rear seat back arm rest		9934694	1	35, 69			X		X	
	PAD ASSEMBLY – Rear seat back arm rest		9933826	1	69						X
	PAD ASSEMBLY – Rear seat back centre upper		9935139	1	37		X	X	X		
	PAD ASSEMBLY – Rear seat back cover to frame		9936779	2	69						X
15.024	TRIM – Package Tray										
	TRIM ASSEMBLY – Grey		2819442DS	1	37		X	X	X		
	TRIM ASSEMBLY – Black		2819442CY	1	37		X	X	X		
	TRIM ASSEMBLY – Covert		2819442DY	1	37		X	X	X		
	TRIM ASSEMBLY – Tan		2819442DX	1	37		X	X	X		
	TRIM – Grey		2819890DS	1	69	X	X				
	TRIM – Black		2819890BA	1	69	X	X				
	TRIM – Covert		2819890DY	1	69	X	X				
	TRIM – Tan		2819890DX	1	69	X	X				
	TRIM ASSEMBLY – Grey		2819443DS	1	69			X	X		
	TRIM ASSEMBLY – Black		2819443CY	1	69			X	X		
	TRIM ASSEMBLY – Cover		2819443DY	1	69			X	X		
	TRIM ASSEMBLY – Tan		2819443DX	1	69			X	X		
	TRIM ASSEMBLY – Grey		2819441DS	1	69					X	
	TRIM ASSEMBLY – Black		2819441CY	1	69					X	
	TRIM ASSEMBLY – Covert		2819441DY	1	69					X	
	TRIM ASSEMBLY – Tan		2819441DX	1	69					X	
	TRIM ASSEMBLY – Grey		9936450DS	1	69						X
	TRIM ASSEMBLY – Black		9936450CY	1	69						X
	TRIM ASSEMBLY – Covert		9936450DY	1	69						X
15.024	FASTENER – Package Tray Trim										
	FASTENER – Grey		SP1838DS	4	37, 69	X	X	X	X	X	X
	FASTENER – Black		SP1838BA	4	37, 69	X	X	X	X	X	X
	FASTENER – Covert		SP1838DY	4	37, 69	X	X	X	X	X	X
	FASTENER – Tan		SP1838DX	4	37, 69	X	X	X	X	X	X

"HJ" PARTS CATALOGUE

GROUP	DESCRIPTION	SIDE	PART No.	QTY.	BODY STYLE	M	N	P	Q	S	T
15.024 TRIM ASSEMBLY – Rear Window to Seat (Bench Seat)											
	TRIM ASSEMBLY - Black		2820609BA	1	60, 80	X					
	TRIM ASSEMBLY - Beige		2820609DZ	1	60, 80	X					
	TRIM ASSEMBLY - Fawn		2820609EA	1	60, 80	X					
	TRIM ASSEMBLY - Grey		2820609DR	1	80		X				
	TRIM ASSEMBLY - Slate Black		2820609DT	1	80		X				
	TRIM ASSEMBLY - Jade		2820609DU	1	80		X				
	TRIM ASSEMBLY - Chamois		2820609DV	1	80		X				
	TRIM ASSEMBLY - Gazelle		2820609DW	1	80		X				
	RETAINER		2822281	1	60, 80	X	X				
15.024 FASTENER – Rear Window to Seat Trim											
	FASTENER - Grey		SP1838DR	6	60, 80	X	X				
	FASTENER - Black		SP1838BA	6	60, 80	X	X				
	FASTENER - Jade		SP1838DU	6	60, 80	X	X				
	FASTENER - Chamois		SP1838DV	6	60, 80	X	X				
	FASTENER - Gazelle		SP1838DW	6	60, 80	X	X				
15.025 TRIM ASSEMBLY – Seat Back Panel (Bucket Seat)											
	TRIM ASSEMBLY - Grey		2822351DR	1	60, 80	X	X				
	TRIM ASSEMBLY - Black		2822351CY	1	60, 80	X	X				
	TRIM ASSEMBLY - Jade		2822351DU	1	60, 80	X	X				
	TRIM ASSEMBLY - Chamois		2822351DV	1	60, 80	X	X				
	TRIM ASSEMBLY - Gazelle		2822351DW	1	60, 80	X	X				
	RETAINER		2822281	1	60, 80	X	X				
	SCREW		SP1815	3	60, 80	X	X				
15.033 CUSHION ASSEMBLY – Rear Seat											
CURRENT PRODUCTION REAR SEAT CUSHION ASSEMBLIES WILL BE SUPPLIED IN CURRENT PRODUCTION TRIM ON A FIRM ORDER BASIS											
15.035 COVER ASSEMBLY – Rear Seat Cushion											
	TRIM NOS. 19V		⁽⁴⁹⁾ 9933382CY	1	35	X					
	TRIM Nos. 60V		⁽⁴⁹⁾ 9933382DZ	1	35	X					
	TRIM Nos. 64V		⁽⁴⁹⁾ 9933382EA	1	35	X					
	TRIM Nos. 19V		⁽⁵⁰⁾ 9933384CY	1	35	X					
	TRIM Nos. 60V		⁽⁵⁰⁾ 9933384DV	1	35	X					
	TRIM Nos. 64V		⁽⁵⁰⁾ 9933384DW	1	35	X					
	TRIM Nos. 14V		9933384DR	1	35		X				
	TRIM Nos. 18V		9933384DT	1	35		X				
	TRIM Nos. 45V		9933384DU	1	35		X				
	TRIM Nos. 60V		9933384DV	1	35		X				
	TRIM Nos. 64V		9933384DW	1	35		X				
	TRIM Nos. 14X		9933385DR	1	35		X				
	TRIM Nos. 18X		9933385DT	1	35		X				
	TRIM Nos. 45X		9933385DU	1	35		X				
	TRIM Nos. 60X		9933385DV	1	35		X				
	TRIM Nos. 64X		9933385DW	1	35		X				
	TRIM Nos. 14V		9933392DR	1	35			X			
	TRIM Nos. 18V		9933392DT	1	35			X			
	TRIM Nos. 45V		9933392DU	1	35			X			
	TRIM Nos. 60V		9933392DV	1	35			X			
	TRIM Nos 64V		9933392DW	1	35			X			
	TRIM Nos. 14X		9933389DR	1	35			X			
	TRIM Nos. 18X		9933389DT	1	35			X			
	TRIM Nos. 45X		9933389DU	1	35			X			
	TRIM Nos. 60X		9933389DV	1	35			X			
	TRIM Nos. 64X		9933389DW	1	35			X			
Note: ⁽⁴⁹⁾ Bench Seats. ⁽⁵⁰⁾ Bucket Seats.											

BODY

"HJ" PARTS CATALOGUE

GROUP	DESCRIPTION	SIDE	PART No.	QTY.	BODY STYLE	M	N	P	Q	S	T
15.035 COVER ASSEMBLY – Rear Seat Cushion (contd.)											
	TRIM Nos. 14V		9933398DR	1	37		X				
	TRIM Nos. 18V		9933398DT	1	37		X				
	TRIM Nos. 45V		9933398DU	1	37		X				
	TRIM Nos. 60V		9933398DV	1	37		X				
	TRIM Nos. 64V		9933398DW	1	37		X				
	TRIM Nos. 14X		9933399DR	1	37		X				
	TRIM Nos. 18X		9933399DT	1	37		X				
	TRIM Nos. 45X		9933399DU	1	37		X				
	TRIM Nos. 60X		9933399DV	1	37		X				
	TRIM Nos. 64X		9933399DW	1	37		X				
	TRIM Nos. 14V		9933400DR	1	37			X			
	TRIM Nos. 18V		9933400DT	1	37			X			
	TRIM Nos. 45V		9933400DU	1	37			X			
	TRIM Nos. 60V		9933400DV	1	37			X			
	TRIM Nos. 64V		9933400DW	1	37			X			
	TRIM Nos. 14X		9933401DR	1	37			X			
	TRIM Nos. 18X		9933401DT	1	37			X			
	TRIM Nos. 45X		9933401DU	1	37			X			
	TRIM Nos. 60X		9933401DV	1	37			X			
	TRIM Nos. 64X		9933401DW	1	37			X			
	TRIM Nos. 14V		9933402DR	1	37				X		
	TRIM Nos. 18V		9933402DT	1	37				X		
	TRIM Nos. 45V		9933402DU	1	37				X		
	TRIM Nos. 60V		9933402DV	1	37				X		
	TRIM Nos. 64V		9933402DW	1	37				X		
	TRIM Nos. 14X		9933403DR	1	37				X		
	TRIM Nos. 18X		9933403DT	1	37				X		
	TRIM Nos. 45X		9933403DU	1	37				X		
	TRIM Nos. 60X		9933403DV	1	37				X		
	TRIM Nos. 64X		9933403DW	1	37				X		
	TRIM Nos. 19V		⁽⁴⁹⁾ 9933383CY	1	69	X					
	TRIM Nos. 60V		⁽⁴⁹⁾ 9933383DZ	1	69	X					
	TRIM Nos. 64V		⁽⁴⁹⁾ 9933383EA	1	69	X					
	TRIM Nos. 19V		⁽⁵⁰⁾ 9933386CY	1	69	X					
	TRIM Nos. 60V		⁽⁵⁰⁾ 9933386DV	1	69	X					
	TRIM Nos. 64V		⁽⁵⁰⁾ 9933386DW	1	69	X					
	TRIM Nos. 14V		9933386DR	1	69		X				
	TRIM Nos. 18V		9933386DT	1	69		X				
	TRIM Nos. 45V		9933386DU	1	69		X				
	TRIM Nos. 60V		9933386DV	1	69		X				
	TRIM Nos. 64V		9933386DW	1	69		X				
	TRIM Nos. 14X		9933387DR	1	69		X				
	TRIM Nos. 18X		9933387DT	1	69		X				
	TRIM Nos. 45X		9933387DU	1	69		X				
	TRIM Nos. 60X		9933387DV	1	69		X				
	TRIM Nos. 64X		9933387DW	1	69		X				
	TRIM Nos. 14V		9933390DR	1	69			X			
	TRIM Nos. 18V		9933390DT	1	69			X			
	TRIM Nos. 45V		9933390DU	1	69			X			
	TRIM Nos. 60V		9933390DV	1	69			X			
	TRIM Nos. 64V		9933390DW	1	69			X			
	TRIM Nos. 14X		9933391DR	1	69			X			
	TRIM Nos. 18X		9933391DT	1	69			X			
	TRIM Nos. 45X		9933391DU	1	69			X			
	TRIM Nos. 60X		9933391DV	1	69			X			
	TRIM Nos. 64X		9933391DW	1	69			X			
	TRIM Nos. 14V		9933394DR	1	69				X		
	TRIM Nos. 18V		9933394DT	1	69				X		
	TRIM Nos. 45V		9933394DU	1	69				X		
	TRIM Nos. 60V		9933394DV	1	69				X		
	TRIM Nos. 64V		9933394DW	1	69				X		
	TRIM Nos. 14X		9933395DR	1	69				X		

Note: ⁽⁴⁹⁾ Bench Seats.
⁽⁵⁰⁾ Bucket Seats.

"HJ" PARTS CATALOGUE

GROUP	DESCRIPTION	SIDE	PART No.	QTY.	BODY STYLE	M	N	P	Q	S	T
15.035 COVER ASSEMBLY – Rear Seat Cushion (contd.)											
	TRIM Nos. 18X		9933395DT	1	69				X		
	TRIM Nos. 45X		9933395DU	1	69				X		
	TRIM Nos. 60X		9933395DV	1	69				X		
	TRIM Nos. 64X		9933395DW	1	69				X		
	TRIM Nos. 14V		9933392DR	1	69					X	
	TRIM Nos. 18V		9933392DT	1	69					X	
	TRIM Nos. 45V		9933392DU	1	69					X	
	TRIM Nos. 60V		9933392DV	1	69					X	
	TRIM Nos. 64V		9933392DW	1	69					X	
	TRIM Nos. 14X		9933389DR	1	69					X	
	TRIM Nos. 18X		9933389DT	1	69					X	
	TRIM Nos. 45X		9933389DU	1	69					X	
	TRIM Nos. 60X		9933389DV	1	69					X	
	TRIM Nos. 64X		9933389DW	1	69					X	
	TRIM Nos. 14V		9933396DR	1	69						X
	TRIM Nos. 19V		9933396CY	1	69						X
	TRIM Nos. 60V		9933396DV	1	69						X
	TRIM Nos. 19X		9933397CY	1	69						X
15.036 PAD ASSEMBLY – Rear Seat Cushion											
	PAD ASSEMBLY		⁽⁴⁹⁾ 2817823	1	35	X					
	PAD ASSEMBLY		⁽⁵⁰⁾ 9934038	1	35	X					
	PAD ASSEMBLY		9934038	1	35		X				
	PAD ASSEMBLY		9934533	1	35			X			
	PAD ASSEMBLY		9934432	1	37		X		X		
	PAD ASSEMBLY		9934623	1	37			X			
	PAD ASSEMBLY - Exc Heavy Duty		⁽⁴⁹⁾ 2817823	1	69	X					
	PAD ASSEMBLY - Heavy Duty		⁽⁴⁹⁾ 9928665	1	69	X					
	PAD ASSEMBLY		⁽⁵⁰⁾ 9934038	1	69	X					
	PAD ASSEMBLY - Exc Heavy Duty		9934038	1	69		X				
	PAD ASSEMBLY - Heavy Duty		9936828	1	69		X				
	PAD ASSEMBLY		9935075	1	69			X			
	PAD ASSEMBLY		9934644	1	69				X		
	PAD ASSEMBLY		9934533	1	69					X	
	PAD ASSEMBLY		9933824	1	69						X
	PAD - Cushion spring		7414105	1	35, 37, 69	X	X	X	X	X	X
15.040 BELT – Rear Seat – Lap & Shoulder (Cooldrive)											
	BELT - Grey		9937077DS	2	35	X	X	X			
	BELT - Black		9937077BA	2	35	X	X	X			
	BELT - Covert		9937077DY	2	35	X	X	X			
	BELT - Tan		9937077DX	2	35	X	X	X			
	BELT - Grey		9937079DS	2	37		X	X	X		
	BELT - Black		9937079BA	2	37		X	X	X		
	BELT - Covert		9937079DY	2	37		X	X	X		
	BELT - Tan		9937079DX	2	37		X	X	X		
	BELT - Grey		9937075DS	2	69	X	X	X	X		
	BELT - Black		9937075BA	2	69	X	X	X	X		
	BELT - Covert		9937075DY	2	69	X	X	X	X		
	BELT - Tan		9937075DX	2	69	X	X	X	X		
	BELT - Grey		9937079DS	2	69					X	X
	BELT - Black		9937079BA	2	69					X	X
	BELT - Covert		9937079DY	2	69					X	X
	BELT - Tan		9937079DX	2	69					X	X
Note: ⁽⁴⁹⁾ Bench Seats. ⁽⁵⁰⁾ Bucket Seats.											

"HJ" PARTS CATALOGUE

GROUP	DESCRIPTION	SIDE	PART No.	QTY.	BODY STYLE	M	N	P	Q	S	T
15.040 BELT – Rear seat – Lap & shoulder (Rainsford)											
	BELT - Grey		9937078DS	2	35	X	X	X			
	BELT - Black		9937078BA	2	35	X	X	X			
	BELT - Covert		9937078DY	2	35	X	X	X			
	BELT - Tan		9937078DX	2	35	X	X	X			
	BELT - Grey		9937080DS	2	37		X	X	X		
	BELT - Black		9937080BA	2	37		X	X	X		
	BELT - Covert		9937080DY	2	37		X	X	X		
	BELT - Tan		9937080DX	2	37		X	X	X		
	BELT - Grey		9937075DS	2	69	X	X	X	X		
	BELT - Black		9937075BA	2	69	X	X	X	X		
	BELT - Covert		9937075DY	2	69	X	X	X	X		
	BELT - Tan		9937075DX	2	69	X	X	X	X		
	BELT - Grey		9937080DS	2	69					X	X
	BELT - Black		9937080BA	2	69					X	X
	BELT - Covert		9937080DY	2	69					X	X
	BELT - Tan		9937080DX	2	69					X	X
15.040 BELT – Rear seat – Centre lap (Cooldrive)											
	BELT - Grey		9937083DS	1	35, 37	X	X	X	X		
	BELT - Black		9937083BA	1	35, 37	X	X	X	X		
	BELT - Covert		9937083DY	1	35, 37	X	X	X	X		
	BELT - Tan		9937083DX	1	35, 37	X	X	X	X		
	BELT - Grey		9937081DS	1	69	X	X	X	X		
	BELT - Black		9937081BA	1	69	X	X	X	X		
	BELT - Covert		9937081DY	1	69	X	X	X	X		
	BELT - Tan		9937081DX	1	69	X	X	X	X		
	BELT - Grey		9937083DS	1	69					X	X
	BELT - Black		9937083BA	1	69					X	X
	BELT - Covert		9937083DY	1	69					X	X
	BELT - Tan		9937083DX	1	69					X	X
15.040 BELT – Rear seat – Centre lap (Rainsford)											
	BELT - Grey		9937084DS	1	35, 37	X	X	X	X		
	BELT - Black		9937084BA	1	35, 37	X	X	X	X		
	BELT - Covert		9937084DY	1	35, 37	X	X	X	X		
	BELT - Tan		9937084DX	1	35, 37	X	X	X	X		
	BELT - Grey		9937082DS	1	69	X	X	X	X		
	BELT - Black		9937082BA	1	69	X	X	X	X		
	BELT - Covert		9937082DY	1	69	X	X	X	X		
	BELT - Tan		9937082DX	1	69	X	X	X	X		
	BELT - Grey		9937084DS	1	69					X	X
	BELT - Black		9937084BA	1	69					X	X
	BELT - Covert		9937084DY	1	69					X	X
	BELT - Tan		9937084DX	1	69					X	X
15.040 SLEEVE – Rear seat belt protector											
	SLEEVE - Grey		9932906DS	2	35			X			
	SLEEVE - Black		9932906BA	2	35	X	X	X			
	SLEEVE - Covert		9932906DY	2	35			X			
	SLEEVE - Tan		9932906DX	2	35			X			
	SLEEVE - Grey		2823366DS	2	37			X			
	SLEEVE - Black		2823366BA	2	37			X			
	SLEEVE - Covert		2823366DY	2	37			X			
	SLEEVE - Tan		2823366DX	2	37			X			
	SLEEVE - Grey		2823366DS	2	69					X	X
	SLEEVE - Black		2823366BA	2	69					X	X
	SLEEVE - Covert		2823366DY	2	69					X	X
	SLEEVE - Tan		2823366DX	2	69					X	X

"HJ" PARTS CATALOGUE

GROUP	DESCRIPTION	SIDE	PART No.	QTY.	BODY STYLE	M	N	P	Q	S	T
15.042 HOOK – Rear Seat Belt Stowage											
	HOOK - Grey		9932905DS	2	35	X	X	X			
	HOOK - Black		9932905BA	2	35	X	X	X			
	HOOK - Covert		9932905DY	2	35	X	X	X			
	HOOK - Tan		9932905DX	2	35	X	X	X			
15.100 TRIM ASSEMBLY – Wheelhouse											
	TRIM Nos. 19V	LH	⁽⁴⁹⁾ 2820517BA	1	35	X					
		RH	⁽⁴⁹⁾ 2820518BA	1	35	X					
	TRIM Nos. 60V	LH	⁽⁴⁹⁾ 2820517DZ	1	35	X					
		RH	⁽⁴⁹⁾ 2820518DZ	1	35	X					
	TRIM Nos. 64V	LH	⁽⁴⁹⁾ 2820517EA	1	35	X					
		RH	⁽⁴⁹⁾ 2820518EA	1	35	X					
	TRIM Nos. 19V	LH	⁽⁵⁰⁾ 2820517BA	1	35	X					
		RH	⁽⁵⁰⁾ 2820518BA	1	35	X					
	TRIM Nos. 60V	LH	⁽⁵⁰⁾ 2820517DV	1	35	X					
		RH	⁽⁵⁰⁾ 2820518DV	1	35	X					
	TRIM Nos. 64V	LH	⁽⁵⁰⁾ 2820517DW	1	35	X					
		RH	⁽⁵⁰⁾ 2820518DW	1	35	X					
	TRIM Nos. 14V, 14X	LH	2820525DR	1	35		X	X			
		RH	2820524DR	1	35		X	X			
	TRIM Nos. 18V, 18X	LH	2820525DT	1	35		X	X			
		RH	2820524DT	1	35		X	X			
	TRIM Nos. 45V, 45X	LH	2820525DU	1	35		X	X			
		RH	2820524DU	1	35		X	X			
	TRIM Nos. 60V, 60X	LH	2820525DV	1	35		X	X			
		RH	2820524DV	1	35		X	X			
	TRIM Nos. 64V, 64X	LH	2820525DW	1	35		X	X			
		RH	2820524DW	1	35		X	X			
15.100 TRIM ASSEMBLY – Rear quarter side inner											
	TRIM Nos. 14V, 14X	LH	2817337DR	1	35	X	X				
		RH	2817338DR	1	35	X	X				
	TRIM Nos. 18V, 18X, 19V	LH	2817337BA	1	35	X	X				
		RH	2817338BA	1	35	X	X				
	TRIM Nos. 45V, 45X	LH	2817337DU	1	35	X	X				
		RH	2817338DU	1	35	X	X				
	TRIM Nos. 60V, 60X	LH	2817337DV	1	35	X	X				
		RH	2817338DV	1	35	X	X				
	TRIM Nos. 64V, 64X	LH	2817337DW	1	35	X	X				
		RH	2817338DW	1	35	X	X				
	TRIM Nos. 14V, 14X	LH	2818129DR	1	35				X		
		RH	2818130DR	1	35				X		
	TRIM Nos. 18V, 18X	LH	2818129DT	1	35				X		
		RH	2818130DT	1	35				X		
	TRIM Nos. 45V, 45X	LH	2818129DU	1	35				X		
		RH	2818130DU	1	35				X		
	TRIM Nos. 60V, 60X	LH	2818129DV	1	35				X		
		RH	2818130DV	1	35				X		
	TRIM Nos. 64V, 64X	LH	2818129DW	1	35				X		
		RH	2818130DW	1	35				X		
15.100 FASTENER – Rear Quarter Side Inner Trim											
	FASTENER - Grey		SP1838DR	14	35	X	X	X			
	FASTENER - Black		SP1838BA	14	35	X	X	X			
	FASTENER - Jade		SP1838DU	14	35	X	X	X			
	FASTENER - Chamois		SP1838DV	14	35	X	X	X			
	FASTENER - Gazelle		SP1838DW	14	35	X	X	X			
Note: ⁽⁴⁹⁾ Bench Seats. ⁽⁵⁰⁾ Bucket Seats.											

BODY

"HJ" PARTS CATALOGUE

GROUP	DESCRIPTION	SIDE	PART No.	QTY.	BODY STYLE	M	N	P	Q	S	T
15.100 TRIM – Rear Quarter Side Inner Extension											
	TRIM Nos. 14V, 14X	LH	9930931DR	1	35	X	X				
		RH	9930930DR	1	35	X	X				
	TRIM Nos. 18V, 18X, 19V	LH	9930931BA	1	35	X	X				
		RH	9930930BA	1	35	X	X				
	TRIM Nos. 45V, 45X	LH	9930931DU	1	35	X	X				
		RH	9930930DU	1	35	X	X				
	TRIM Nos. 60V, 60X	LH	9930931DV	1	35	X	X				
		RH	9930930DV	1	35	X	X				
	TRIM Nos. 64V, 64X	LH	9930931DW	1	35	X	X				
		RH	9930930DW	1	35	X	X				
	TRIM Nos. 14V, 14X	LH	2817471DR	1	35				X		
		RH	2817472DR	1	35				X		
	TRIM Nos. 18V, 18X	LH	2817471DT	1	35				X		
		RH	2817472DT	1	35				X		
	TRIM Nos. 45V, 45X	LH	2817471DU	1	35				X		
		RH	2817472DU	1	35				X		
	TRIM Nos. 60V, 60X	LH	2817471DV	1	35				X		
		RH	2817472DV	1	35				X		
	TRIM Nos. 64V, 64X	LH	2817471DW	1	35				X		
		RH	2817472DW	1	35				X		
15.100 FASTENER – Rear quarter side inner extension trim											
	FASTENER – Grey		SP1838DR	4	35	X	X	X			
	FASTENER – Black		SP1838BA	4	35	X	X	X			
	FASTENER – Jade		SP1838DU	4	35	X	X	X			
	FASTENER – Chamois		SP1838DV	4	35	X	X	X			
	FASTENER – Gazelle		SP1838DW	4	35	X	X	X			
15.100 TRIM ASSEMBLY – Rear Quarter											
	TRIM Nos. 14V, 14X	LH	9933803DR	1	37		X	X	X		
		RH	9933802DR	1	37		X	X	X		
	TRIM Nos. 18V, 18X	LH	9933803DT	1	37		X	X	X		
		RH	9933802DT	1	37		X	X	X		
	TRIM Nos. 45V, 45X	LH	9933803DU	1	37		X	X	X		
		RH	9933802DU	1	37		X	X	X		
	TRIM Nos. 60V, 60X	LH	9933803DV	1	37		X	X	X		
		RH	9933802DV	1	37		X	X	X		
	TRIM Nos. 64V, 64X	LH	9933803DW	1	37		X	X	X		
		RH	9933802DW	1	37		X	X	X		
	CLIP - Trim		7377884	6-8	37		X	X	X		
	CAP - Clip		7410830	4	37		X	X	X		
15.100 TRIM – Rear Quarter Lower											
	TRIM Nos. 14V, 14X	LH	D889DR	1	37		X	X	X		
		RH	D888DR	1	37		X	X	X		
	TRIM Nos. 18V, 18X	LH	D889DT	1	37		X	X	X		
		RH	D888DT	1	37		X	X	X		
	TRIM Nos. 45V, 45X	LH	D889DU	1	37		X	X	X		
		RH	D888DU	1	37		X	X	X		
	TRIM Nos. 60V, 60X	LH	D889DV	1	37		X	X	X		
		RH	D888DV	1	37		X	X	X		
	TRIM Nos. 64V, 64X	LH	D889DW	1	37		X	X	X		
		RH	D888DW	1	37		X	X	X		
	TRIM Nos. 19V	LH	(⁴⁹ D471BA	1	60, 80	X					
		RH	(⁴⁹ D470BA	1	60, 80	X					
	TRIM Nos. 60V	LH	(⁴⁹ D471DZ	1	60, 80	X					
		RH	(⁴⁹ D470DZ	1	60, 80	X					
	TRIM Nos. 64V	LH	(⁴⁹ D471EA	1	60, 80	X					
		RH	(⁴⁹ D470EA	1	60, 80	X					

Note: (⁴⁹ Bench Seats.

"HJ" PARTS CATALOGUE

GROUP	DESCRIPTION	SIDE	PART No.	QTY.	BODY STYLE	M	N	P	Q	S	T
15.100 TRIM – Rear Quarter Lower (contd.)											
	TRIM Nos. 19V	LH	(⁶⁰ D471BA	1	60, 80	X					
		RH	(⁶⁰ D470BA	1	60, 80	X					
	TRIM Nos. 60V	LH	(⁶⁰ D471DV	1	60, 80	X					
		RH	(⁶⁰ D470DV	1	60, 80	X					
	TRIM Nos. 64V	LH	(⁶⁰ D471DW	1	60, 80	X					
		RH	(⁶⁰ D470DW	1	60, 80	X					
	TRIM Nos. 14V	LH	D471DR	1	80		X				
		RH	D470DR	1	80		X				
	TRIM Nos. 18V	LH	D471DT	1	80		X				
		RH	D470DT	1	80		X				
	TRIM Nos. 45V	LH	D471DU	1	80		X				
		RH	D470DU	1	80		X				
	TRIM Nos. 60V	LH	D471DV	1	80		X				
		RH	D470DV	1	80		X				
	TRIM Nos. 64V	LH	D471DW	1	80		X				
		RH	D470DW	1	80		X				
15.100 TRIM – Rear Quarter Side Lower											
	TRIM Nos. 19V	LH	(⁴⁹ E409BA	1	69	X					
		RH	(⁴⁹ E408BA	1	69	X					
	TRIM Nos. 60V	LH	(⁴⁹ E409DZ	1	69	X					
		RH	(⁴⁹ E408DZ	1	69	X					
	TRIM Nos. 64V	LH	(⁴⁹ E409EA	1	69	X					
		RH	(⁴⁹ E408EA	1	69	X					
	TRIM Nos. 19V	LH	(⁶⁰ E409BA	1	69	X					
		RH	(⁶⁰ E408BA	1	69	X					
	TRIM Nos. 60V	LH	(⁶⁰ E409DV	1	69	X					
		RH	(⁶⁰ E408DV	1	69	X					
	TRIM Nos. 64V	LH	(⁶⁰ E409DW	1	69	X					
		RH	(⁶⁰ E408DW	1	69	X					
	TRIM Nos. 14V, 14X	LH	E409DR	1	69		X	X	X		
		RH	E408DR	1	69		X	X	X		
	TRIM Nos. 18V, 18X	LH	E409DT	1	69		X	X	X		
		RH	E408DT	1	69		X	X	X		
	TRIM Nos. 45V, 45X	LH	E409DU	1	69		X	X	X		
		RH	E408DU	1	69		X	X	X		
	TRIM Nos. 60V, 60X	LH	E409DV	1	69		X	X	X		
		RH	E408DV	1	69		X	X	X		
	TRIM Nos. 64V, 64X	LH	E409DW	1	69		X	X	X		
		RH	E408DW	1	69		X	X	X		
	TRIM Nos. 14V, 14X	LH	E411DR	1	69					X	
		RH	E410DR	1	69					X	
	TRIM Nos. 18V, 18X	LH	E411DT	1	69					X	
		RH	E410DT	1	69					X	
	TRIM Nos. 45V, 45X	LH	E411DU	1	69					X	
		RH	E410DU	1	69					X	
	TRIM Nos. 60V, 60X	LH	E411DV	1	69					X	
		RH	E410DV	1	69					X	
	TRIM Nos. 64V, 64X	LH	E411DW	1	69					X	
		RH	E410DW	1	69					X	
	TRIM Nos. 14V	LH	9937371DR	1	69						X
		RH	9937372DR	1	69						X
	TRIM Nos. 19V, 19X	LH	9937371CY	1	69						X
		RH	9937372CY	1	69						X
	TRIM Nos. 60V	LH	9937371DV	1	69						X
		RH	9937372DV	1	69						X

Note: (⁴⁹ Bench Seats.
(⁶⁰ Bucket Seats.

"HJ" PARTS CATALOGUE

GROUP	DESCRIPTION	SIDE	PART No.	QTY.	BODY STYLE	M	N	P	Q	S	T
15.101	RETAINER – Wheelhouse & rear quarter trim										
	RETAINER	LH	2815401	1	35	X	X	X			
		RH	2815400	1	35	X	X	X			
	RETAINER		2814937	4	37		X	X	X		
15.222	COVER ASSEMBLY – Spare Wheel										
	COVER ASSEMBLY		2820510	1	37			X			
	COVER ASSEMBLY		2820510	1	69					X	
	COVER ASSEMBLY		9936368	1	69						X
	STUD - Fastener clinch type "A"		SP1226	1	37			X			
	STUD - Fastener clinch type "A"		SP1226	1	69					X	X
	SOCKET - Fastener type "A"		SP1018	1	37			X			
	SOCKET - Fastener type "A"		SP1018	1	69					X	X
	BUTTON - 1/4" Barrel fastener type "A"		SP1020	1	37			X			
	BUTTON - 1/4" Barrel fastener type "A"		SP1020	1	69					X	X
	EYELET - 1/4" Barrel fastener type "A"		SP1238	1	37			X			
	EYELET - 1/4" Barrel fastener type "A"		SP1238	1	69					X	X
15.280	INSULATOR – Dash Panel										
	INSULATOR		9933034	1	ALL	X	X	X	X	X	X
15.282	FASTENER – Dash Panel Insulator										
	FASTENER		3730562	2	ALL	X	X	X	X	X	X
15.286	MAT – Front Floor (exc. Heavy Duty)										
	MAT - Grey		2814973DS	1	ALL	X	X				
	MAT - Black		2814973BA	1	ALL	X	X				
	MAT - Jade		2814973DU	1	ALL	X	X				
	MAT - Covert		2814973DY	1	ALL	X	X				
	MAT - Tan		2814973DX	1	ALL	X	X				
15.286	MAT – Front Floor (Heavy Duty)										
	MAT - Grey		2814981DS	1	69	X	X				
	MAT - Black		2814981BA	1	69	X	X				
	MAT - Jade		2814981DU	1	69	X	X				
	MAT - Covert		2814981DY	1	69	X	X				
	MAT - Tan		2814981DX	1	69	X	X				
15.286	CARPET – Front Floor										
	CARPET - Grey		2814982DS	1	35, 37, 69		X	X	X		
	CARPET - Black		2814982BA	1	ALL	X	X	X	X		
	CARPET - Jade		2814982DU	1	35, 37, 69		X	X	X		
	CARPET - Covert		2814982DY	1	35, 37, 69		X	X	X		
	CARPET - Tan		2814982DX	1	35, 37, 69		X	X	X		
	CARPET - Grey		2814983DS	1	69					X	X
	CARPET - Black		2814983BA	1	69					X	X
	CARPET - Jade		2814983DU	1	69					X	X
	CARPET - Covert		2814983DY	1	69					X	X
	CARPET - Tan		2814983DX	1	69					X	X
15.288	ARM REST ASSEMBLY – Front seat separator										
	TRIM Nos. 14V		9933911DS	1	69						X
	TRIM Nos. 19V, 19X		9933911CY	1	69						X
	TRIM Nos. 60V		9933911DY	1	69						X

"HJ" PARTS CATALOGUE

GROUP	DESCRIPTION	SIDE	PART No.	QTY.	BODY STYLE	M	N	P	Q	S	T
15.289 COVER ASSEMBLY – Front Seat Separator Pad											
	TRIM Nos. 14V, 14X		9933029DR	1	ALL	X	X	X	X	X	
	TRIM Nos. 18V, 18X		9933029DT	1	ALL	X	X	X	X	X	
	TRIM Nos. 19V		9933029CY	1	ALL	X	X	X	X	X	
	TRIM Nos. 45V, 45X		9933029DU	1	ALL	X	X	X	X	X	
	TRIM Nos. 60V, 60X		9933029DV	1	ALL	X	X	X	X	X	
	TRIM Nos. 64V, 64X		9933029DW	1	ALL	X	X	X	X	X	
15.290 HOUSING, BRACKET – Transmission Console											
	HOUSING		9933020	1	35, 37, 69, 70, 80	X	X				
	HOUSING		9933020	1	35, 37			X			
	HOUSING - Exc. power windows		9933020	1	ALL				X		
	HOUSING		9933037	1	69			X		X	
	HOUSING - Power windows		9933037	1	69				X		
	HOUSING - Trim Nos. 14V		9933033DS	1	69						X
	HOUSING - Trim Nos. 19V, 19X		9933033CY	1	69						X
	HOUSING - Trim Nos. 60V		9933033DY	1	69						X
	BRACKET - Front mounting		9933191	1	35, 37, 69, 70, 80	X	X	X	X	X	X
	BRACKET - Mounting		9933031	1-2	35, 37, 69, 70, 80	X	X	X	X	X	X
	SCREW - Front mounting bracket		SP2111	2	35, 37, 69, 70, 80	X	X	X	X	X	X
	SCREW - Mounting bracket		SP2055	2	35, 37, 69, 70, 80	X	X	X	X	X	X
15.291 CARPET – Console Compartment											
	CARPET - Front		D145	1	35, 37, 69, 70, 80	X	X	X	X	X	
	CARPET - Rear		F250	1	35, 37, 69, 70, 80	X	X	X	X	X	
	CARPET - Front		E767	1	69						X
	CARPET - Rear		9934262	1	69						X
15.292 LID ASSEMBLY, SPRING, BUMPER, HINGE – Transmission Control Housing											
	LID ASSEMBLY		2816801	1	35, 37, 69, 70, 80	X	X				
	LID ASSEMBLY		2829783	1	ALL			X		X	
	LID ASSEMBLY		9928866	1	ALL				X		
	SPRING - Hold open		2822287	1	35, 37, 69, 70, 80	X	X	X	X	X	
	BUMPER - Lid		7438383	1	35, 37, 69, 70, 80	X	X	X	X	X	
	RETAINER - Lid		2816966	2	35, 37, 69, 70, 80	X	X	X	X	X	
	HINGE ASSEMBLY		9933021	1	35, 37, 69, 70, 80	X	X	X	X	X	X
15.293 COVER, INSERT – Transmission Control Housing											
	COVER - Manual		2817277	1	35, 37, 69, 70, 80	X	X				
	COVER - Manual		9928996	1	69			X		X	
	COVER - Manual		9928997	1	ALL				X		
	COVER - Automatic		9933682	1	35, 37, 69, 70, 80	X	X				
	COVER - Automatic		9930120	1	ALL			X		X	
	COVER - Automatic		9932550	1	ALL				X		
	INSERT - Manual gearshift pattern		2818184	1	35, 37, 69, 70, 80	X	X	X	X	X	
	COVER - Housing		9933756	1	69						X
	RETAINER - Cover		9933907	1	69						X
	SCREW - Cover, No. 8 - 18 x 1.375"		SP2368	1	69						X
	SCREW - Cover, No. 8 - 18 x .62"		SP2431	2	69						X
	NUT - Cover		SP1870	3	69						X
	COVER - Console		9933905	1	69						X
	BRACKET - Cover attaching		9934030	1	69						X
	SCREW - Cover, No. 8 - 18 x 5/8"		SP2155	2	69						X
	NUT - Cover to console front		SP1870	1	69						X
	NUT - Cover to console rear		SP1733	1	69						X
	PLATE - Cover side		9933906	1	69						X
	SCREW - Side plate, No. 8 - 18 x 5/8"		SP2155	2	69						X
	NUT - Side plate		SP1870	2	69						X

BODY

"HJ" PARTS CATALOGUE

GROUP	DESCRIPTION	SIDE	PART No.	QTY.	BODY STYLE	M	N	P	Q	S	T
15.294 MAT, CARPET – Luggage Compartment Floor											
	MAT		2815698	1	37, 69	X	X	X	X		
	CARPET		2816944	1	69					X	X
	CARPET – Left side		D859	1	69					X	X
	CARPET – Right side		D858	1	69					X	X
	CARPET – Centre rear		2824896	1	69					X	X
15.306 MAT – Rear Floor (exc. Heavy Duty)											
	MAT – Grey		2814975DS	1	35	X	X				
	MAT – Black		2814975BA	1	35	X	X				
	MAT – Jade		2814975DU	1	35	X	X				
	MAT – Covert		2814975DY	1	35	X	X				
	MAT – Tan		2814975DX	1	35	X	X				
	MAT – Grey		2814974DS	1	69	X	X				
	MAT – Black		2814974BA	1	69	X	X				
	MAT – Jade		2814974DU	1	69	X	X				
	MAT – Covert		2814974DY	1	69	X	X				
	MAT – Tan		2814974DX	1	69	X	X				
15.306 MAT – Rear Floor (Heavy Duty)											
	MAT – Grey		2814980DS	1	69	X	X				
	MAT – Black		2814980BA	1	69	X	X				
	MAT – Jade		2814980DU	1	69	X	X				
	MAT – Covert		2814980DY	1	69	X	X				
	MAT – Tan		2814980DX	1	69	X	X				
15.306 CARPET – Rear Floor											
	CARPET – Grey		2814985DS	1	35				X		
	CARPET – Black		2814985BA	1	35				X		
	CARPET – Jade		2814985DU	1	35				X		
	CARPET – Covert		2814985DY	1	35				X		
	CARPET – Tan		2814985DX	1	35				X		
	CARPET – Grey		9933913DS	1	37		X	X	X		
	CARPET – Black		9933913BA	1	37		X	X	X		
	CARPET – Jade		9933913DU	1	37		X	X	X		
	CARPET – Covert		9933913DY	1	37		X	X	X		
	CARPET – Tan		9933913DX	1	37		X	X	X		
	CARPET – Grey		2814984DS	1	69				X	X	
	CARPET – Black		2814984BA	1	69				X	X	
	CARPET – Jade		2814984DU	1	69				X	X	
	CARPET – Covert		2814984DY	1	69				X	X	
	CARPET – Tan		2814984DX	1	69				X	X	
	CARPET – Grey		2814986DS	1	69					X	X
	CARPET – Black		2814986BA	1	69					X	X
	CARPET – Jade		2814986DU	1	69					X	X
	CARPET – Covert		2814986DY	1	69					X	X
	CARPET – Tan		2814986DX	1	69					X	X
15.306 MAT – Rear Floor											
	MAT – Grey	LH	2822465DS	1	60, 70, 80	X	X				
		RH	2822464DS	1	60, 70, 80	X	X				
	MAT – Black	LH	2822465BA	1	60, 70, 80	X	X				
		RH	2822464BA	1	60, 70, 80	X	X				
	MAT – Jade	LH	2822465DU	1	60, 70, 80	X	X				
		RH	2822464DU	1	60, 70, 80	X	X				
	MAT – Covert	LH	2822465DY	1	60, 70, 80	X	X				
		RH	2822464DY	1	60, 70, 80	X	X				
	MAT – Tan	LH	2822465DX	1	60, 70, 80	X	X				
		RH	2822464DX	1	60, 70, 80	X	X				

"HJ" PARTS CATALOGUE

GROUP	DESCRIPTION	SIDE	PART No.	QTY.	BODY STYLE	M	N	P	Q	S	T
15.306	TRIM ASSEMBLY – Rear Floor Centre										
	TRIM ASSEMBLY – Grey		2822644DS	1	60, 80	X	X				
	TRIM ASSEMBLY – Black		2822644CY	1	60, 80	X	X				
	TRIM ASSEMBLY – Jade		2822644DU	1	60, 80	X	X				
	TRIM ASSEMBLY – Covert		2822644DY	1	60, 80	X	X				
	TRIM ASSEMBLY – Tan		2822644DX	1	60, 80	X	X				
15.306	TRIM ASSEMBLY – Rear Floor										
	TRIM ASSEMBLY		2822700	1	70	X					
15.308	TRIM – Tonneau Floor Front Filler										
	TRIM Nos. 14V, 14X	LH	E785DR	1	35		X	X			
		RH	D032DR	1	35		X	X			
	TRIM Nos. 18V, 18X	LH	E785DT	1	35		X	X			
		RH	D032DT	1	35		X	X			
	TRIM Nos. 45V, 45X	LH	E785DU	1	35		X	X			
		RH	D032DU	1	35		X	X			
	TRIM Nos. 60V, 60X	LH	E785DV	1	35		X	X			
		RH	D032DV	1	35		X	X			
	TRIM Nos. 64V, 64X	LH	E785DW	1	35		X	X			
		RH	D032DW	1	35		X	X			
15.308	TRIM – Tonneau Floor Front										
	TRIM Nos. 14V, 14X		D035DR	1	35		X	X			
	TRIM Nos. 18V, 18X		D035DT	1	35		X	X			
	TRIM Nos. 45V, 45X		D035DU	1	35		X	X			
	TRIM Nos. 60V, 60X		D035DV	1	35		X	X			
	TRIM Nos. 64V, 64X		D035DW	1	35		X	X			
15.308	TRIM ASSEMBLY – Tonneau Floor Side										
	TRIM Nos. 14V, 14X	LH	2820523DR	1	35		X	X			
		RH	2820522DR	1	35		X	X			
	TRIM Nos. 18V, 18X	LH	2820523DT	1	35		X	X			
		RH	2820522DT	1	35		X	X			
	TRIM Nos. 45V, 45X	LH	2820523DU	1	35		X	X			
		RH	2820522DU	1	35		X	X			
	TRIM Nos. 60V, 60X	LH	2820523DV	1	35		X	X			
		RH	2820522DV	1	35		X	X			
	TRIM Nos. 64V, 64X	LH	2820523DW	1	35		X	X			
		RH	2820522DW	1	35		X	X			
15.308	TRIM – Tonneau Floor Rear										
	TRIM Nos. 14V, 14X		D036DR	1	35		X	X			
	TRIM Nos. 18V, 18X		D036DT	1	35		X	X			
	TRIM Nos. 45V, 45X		D036DU	1	35		X	X			
	TRIM Nos. 60V, 60X		D036DV	1	35		X	X			
	TRIM Nos. 64V, 64X		D036DW	1	35		X	X			
15.310	TRIM ASSEMBLY – Rear Seat Back										
	TRIM Nos. 19V		⁽⁵⁰⁾ 2818785CY	1	35	X					
	TRIM Nos. 60V		⁽⁵⁰⁾ 2818785DV	1	35	X					
	TRIM Nos. 64V		⁽⁵⁰⁾ 2818785DW	1	35	X					
	TRIM Nos. 14V, 14X		2818785DR	1	35		X	X			
	TRIM Nos. 18V, 18X		2818785DT	1	35		X	X			
	TRIM Nos. 45V, 45X		2818785DU	1	35		X	X			
	TRIM Nos. 60V, 60X		2818785DV	1	35		X	X			
	TRIM Nos. 64V, 64X		2818785DW	1	35		X	X			

Note: ⁽⁵⁰⁾ Bucket Seats.

"HJ" PARTS CATALOGUE

GROUP	DESCRIPTION	SIDE	PART No.	QTY.	BODY STYLE	M	N	P	Q	S	T
15.311	TRIM – End Gate Panel										
	TRIM Nos. 14V, 14X		A075DR	1	35		X	X			
	TRIM Nos. 18V, 18X		A075DT	1	35		X	X			
	TRIM Nos. 45V, 45X		A075DU	1	35		X	X			
	TRIM Nos. 60V, 60X		A075DV	1	35		X	X			
	TRIM Nos. 64V, 64X		A075DW	1	35		X	X			
15.311	PANEL ASSEMBLY – End Gate Trim										
	TRIM Nos. 14V, 14X		7434209DR	1	35		X	X			
	TRIM Nos. 18V, 18X		7434209DT	1	35		X	X			
	TRIM Nos. 45V, 45X		7434209DU	1	35		X	X			
	TRIM Nos. 60V, 60X		7434209DV	1	35		X	X			
	TRIM Nos. 64V, 64X		7434209DW	1	35		X	X			
15.311	PANEL – End Gate Trim										
	PANEL		7434122	1	35	X	X	X			
15.313	SEAL – End Gate Trim Panel										
	SEAL		7427777	1	35	X	X	X			
15.390	HANDLE – Assist Grip										
	HANDLE – Grey		9933162DR	3	35, 69		X	X	X	X	X
	HANDLE – Black		9933162BA	3	35, 69		X	X	X	X	X
	HANDLE – Jade		9933162DU	3	35, 69		X	X	X	X	X
	HANDLE – Chamois		9933162DV	3	35, 69		X	X	X	X	X
	HANDLE – Gazelle		9933162DW	3	35, 69		X	X	X	X	X
15.492	DEADENER – Sound, Floor Pan										
	DEADENER – Floor pan 20" x 15"		M36770	AR	ALL	X	X	X	X	X	X
15.520	WINDLACE – Front Door Opening										
	TRIM Nos. 14V, 14X		2816647DR	2	35, 69	X	X	X	X	X	X
	TRIM Nos. 18V, 18X, 19V, 19X		2816647BA	2	35, 69	X	X	X	X	X	X
	TRIM Nos. 45V, 45X		2816647DU	2	35, 69	X	X	X	X	X	X
	TRIM Nos. 60V, 60X		2816647DV	2	35, 69	X	X	X	X	X	X
	TRIM Nos. 64V, 64X		2816647DW	2	35, 69	X	X	X	X	X	X
	TRIM Nos. 14V, 14X	LH	2816649DR	1	37		X	X	X		
		RH	2816648DR	1	37		X	X	X		
	TRIM Nos. 18V, 18X	LH	2816649BA	1	37		X	X	X		
		RH	2816648BA	1	37		X	X	X		
	TRIM Nos. 45V, 45X	LH	2816649DU	1	37		X	X	X		
		RH	2816648DU	1	37		X	X	X		
	TRIM Nos. 60V, 60X	LH	2816649DV	1	37		X	X	X		
		RH	2816648DV	1	37		X	X	X		
	TRIM Nos. 64V, 64X	LH	2816649DW	1	37		X	X	X		
		RH	2816648DW	1	37		X	X	X		
	TRIM Nos. 19V		2823076BA	2	60, 70, 80	X					
	TRIM Nos. 60V		2823076DV	2	60, 70, 80	X					
	TRIM Nos. 64V		2823076DW	2	60, 70, 80	X					
	TRIM Nos. 14V, 14X		2816647DR	2	80		X				
	TRIM Nos. 18V, 18X		2816647BA	2	80		X				
	TRIM Nos. 45V, 45X		2816647DU	2	80		X				
	TRIM Nos. 60V, 60X		2816647DV	2	80		X				
	TRIM Nos. 64V, 64X		2816647DW	2	80		X				
	CLIP		7100321	4	ALL	X	X	X	X	X	X

"HJ" PARTS CATALOGUE

GROUP	DESCRIPTION	SIDE	PART No.	QTY.	BODY STYLE	M	N	P	Q	S	T
15.520	WINDLACE – Rear Door Opening										
	TRIM Nos. 14V, 14X		2816647DR	2	35	X	X	X			
	TRIM Nos. 18V, 18X, 19V		2816647BA	2	35	X	X	X			
	TRIM Nos. 45V, 45X		2816647DU	2	35	X	X	X			
	TRIM Nos. 60V, 60X		2816647DV	2	35	X	X	X			
	TRIM Nos. 64V, 64X		2816647DW	2	35	X	X	X			
	TRIM Nos. 14V, 14X		2816645DR	2	69	X	X	X	X		
	TRIM Nos. 18V, 18X, 19V		2816645BA	2	69	X	X	X	X		
	TRIM Nos. 45V, 45X		2816645DU	2	69	X	X	X	X		
	TRIM Nos. 60V, 60X		2816645DV	2	69	X	X	X	X		
	TRIM Nos. 64V, 64X		2816645DW	2	69	X	X	X	X		
	TRIM Nos. 14V, 14X		2816647DR	2	69					X	X
	TRIM Nos. 18V, 18X, 19V, 19X		2816647BA	2	69					X	X
	TRIM Nos. 45V, 45X		2816647DU	2	69					X	X
	TRIM Nos. 60V, 60X		2816647DV	2	69					X	X
	TRIM Nos. 64V, 64X		2816647DW	2	69					X	X
15.520	WINDLACE – Rear Quarter Opening										
	TRIM Nos. 14V, 14X		2823579DR		37		X	X	X		
	TRIM Nos. 18V, 18X		2823579BA	2	37		X	X	X		
	TRIM Nos. 45V, 45X		2823579DU	2	37		X	X	X		
	TRIM Nos. 60V, 60X		2823579DV	2	37		X	X	X		
	TRIM Nos. 64V, 64X		2823579DW	2	37		X	X	X		

BODY

PART No.	GROUP	PART No.	GROUP	PART No.	GROUP	PART No.	GROUP	PART No.	GROUP
A075DR	15.311	D889DU	15.100	M37124	10.550	SP1535	8.987	SP1763	3.288
A075DT	15.311	D889DV	15.100	M37125	12.248	SP1535	12.196	SP1763	3.900
A075DU	15.311	D889DW	15.100	M37126	12.248	SP1543	8.948	SP1763	8.914
A075DV	15.311	E408BA	15.100	M37137	2.374	SP1548	1.270	SP1768	8.977
A075DW	15.311	E408DR	15.100	M37187	4.667	SP1548	2.333	SP1769	8.920
D032DR	15.308	E408DT	15.100	M37195	7.503	SP1548	7.828	SP1771	8.900
D032DT	15.308	E408DU	15.100	M37196	10.185	SP1548	8.079	SP1774	8.950
D032DU	15.308	E408DV	15.100	M37247	9.662	SP1548	8.143	SP1775	8.900
D032DW	15.308	E408DW	15.100	M37461	9.662	SP1548	8.921	SP1776	8.921
D035DR	15.308	E408DZ	15.100	M37463	9.662	SP1557	8.948	SP1778	2.342
D035DT	15.308	E408EA	15.100	PF10	1.835	SP1566	1.723	SP1778	2.555
D035DU	15.308	E409BA	15.100	SP1003	8.928	SP1566	8.900	SP1778	8.950
D035DV	15.308	E409DR	15.100	SP1004	1.166	SP1572	1.166	SP1779	2.555
D035DW	15.308	E409DT	15.100	SP1004	8.948	SP1572	8.948	SP1779	8.798
D036DR	15.308	E409DU	15.100	SP1017	8.987	SP1574	8.950	SP1779	8.950
D036DT	15.308	E409DV	15.100	SP1018	8.987	SP1581	6.670	SP1795	8.950
D036DU	15.308	E409DW	15.100	SP1018	15.222	SP1585	8.921	SP1796	8.950
D036DV	15.308	E409DZ	15.100	SP1020	8.987	SP1605	3.159	SP1798	8.900
D036DW	15.308	E409EA	15.100	SP1020	15.222	SP1605	8.948	SP1807	4.035
D145	15.291	E410DR	15.100	SP1050	8.930	SP1606	8.132	SP1807	8.929
D215DR	14.730	E410DT	15.100	SP1053	8.903	SP1606	8.949	SP1812	0.033
D215DT	14.730	E410DU	15.100	SP1107	8.929	SP1606	12.116	SP1812	8.970
D215DU	14.730	E410DV	15.100	SP1109	9.779	SP1606	12.182	SP1815	8.977
D215DV	14.730	E410DW	15.100	SP1143	8.967	SP1609	3.003	SP1815	10.777
D215DW	14.730	E411DR	15.100	SP1143	12.247	SP1609	8.948	SP1815	15.025
D216DR	14.730	E411DT	15.100	SP1226	8.987	SP1610	3.260	SP1816	8.917
D216DT	14.730	E411DU	15.100	SP1226	15.222	SP1610	8.948	SP1820	8.929
D216DU	14.730	E411DV	15.100	SP1238	8.987	SP1610	9.220	SP1824	8.977
D216DV	14.730	E411DW	15.100	SP1238	15.222	SP1610	9.779	SP1825	8.942
D216DW	14.730	E767	15.291	SP1279	8.903	SP1612	8.929	SP1836	4.685
D456CY	15.001	E785DR	15.308	SP1328	3.430	SP1648	0.033	SP1836	7.347
D456DR	14.801	E785DT	15.308	SP1328	8.928	SP1649	0.033	SP1836	8.950
D456DR	15.001	E785DU	15.308	SP1328	11.588	SP1649	0.553	SP1837	8.950
D456DT	14.801	E785DV	15.308	SP1330	7.370	SP1652	0.033	SP1838BA	8.112
D456DT	15.001	E785DW	15.308	SP1330	8.918	SP1652	8.929	SP1838BA	8.154
D456DU	14.801	F250	15.291	SP1344	8.967	SP1665	8.918	SP1838BA	12.803
D456DU	15.001	F704CY	14.730	SP1352	3.410	SP1672	8.910	SP1838BA	14.630
D456DV	14.801	F704DR	14.730	SP1352	8.920	SP1676	7.347	SP1838BA	15.024
D456DV	15.001	F704DV	14.730	SP1357	8.929	SP1676	8.956	SP1838BA	15.100
D456DW	14.801	F705CY	14.730	SP1364	8.954	SP1696	8.906	SP1838BK	14.630
D456DW	15.001	F705DR	14.730	SP1387	8.967	SP1701	8.948	SP1838BL	14.630
D470BA	15.100	F705DV	14.730	SP1390	8.929	SP1701	9.220	SP1838CA	14.630
D470DR	15.100	M33106	8.984	SP1425	8.948	SP1701	9.779	SP1838CB	14.630
D470DT	15.100	M33112	8.984	SP1438	8.929	SP1708	8.915	SP1838CD	14.630
D470DU	15.100	M35270	9.662	SP1445	4.040	SP1710	10.694	SP1838CE	14.630
D470DV	15.100	M35821	0.449	SP1445	8.929	SP1710	11.015	SP1838CH	14.630
D470DW	15.100	M36770	15.492	SP1450	4.662	SP1717	8.951	SP1838CJ	14.630
D470DZ	15.100	M36815	4.177	SP1450	4.700	SP1722	8.956	SP1838CY	14.800
D470EA	15.100	M36827	14.694	SP1450	8.942	SP1724	3.910	SP1838DA	14.630
D471BA	15.100	M36827	14.768	SP1467	8.991	SP1724	8.907	SP1838DB	14.630
D471DR	15.100	M37015	8.823	SP1467	11.950	SP1725	8.948	SP1838DE	14.630
D471DT	15.100	M37016	8.823	SP1470	8.929	SP1730	8.942	SP1838DG	14.630
D471DU	15.100	M37017	8.823	SP1477	8.991	SP1733	2.515	SP1838DR	14.630
D471DV	15.100	M37018	8.823	SP1486	8.931	SP1733	2.728	SP1838DR	14.800
D471DW	15.100	M37019	8.823	SP1490	8.977	SP1733	8.921	SP1838DR	15.024
D471DZ	15.100	M37042	8.800	SP1493	8.929	SP1733	15.293	SP1838DR	15.100
D471EA	15.100	M37043	8.800	SP1495	12.803	SP1735	8.950	SP1838DS	15.024
D858	15.294	M37080	7.828	SP1507	8.929	SP1747	8.921	SP1838DT	14.800
D859	15.294	M37081	7.828	SP1515	8.967	SP1750	2.515	SP1838DU	14.630
D888DR	15.100	M37085	9.662	SP1528	4.040	SP1750	8.921	SP1838DU	14.800
D888DT	15.100	M37107	3.705	SP1528	8.929	SP1754	8.942	SP1838DU	15.024
D888DU	15.100	M37108	3.705	SP1533	1.426	SP1756	8.942	SP1838DU	15.100
D888DV	15.100	M37109	3.705	SP1533	8.900	SP1757	8.929	SP1838DV	14.630
D888DW	15.100	M37115	9.662	SP1534	4.015	SP1758	8.948	SP1838DV	14.800
D889DR	15.100	M37118	8.823	SP1534	8.921	SP1762	9.262	SP1838DV	15.024
D889DT	15.100	M37123	12.248	SP1534	14.655	SP1762	9.779	SP1838DV	15.100

"HJ" PARTS CATALOGUE

PART No.	GROUP	PART No.	GROUP	PART No.	GROUP	PART No.	GROUP	PART No.	GROUP
SP1838DW	14.630	SP1979	8.929	SP2069	8.900	SP2165	8.977	SP2240	4.040
SP1838DW	14.800	SP1982	8.956	SP2070	8.900	SP2165	12.801	SP2240	4.681
SP1838DW	15.024	SP1982	9.778	SP2071	8.900	SP2168	8.910	SP2240	7.535
SP1838DW	15.100	SP1989	7.243	SP2073	8.900	SP2172	8.977	SP2240	8.977
SP1838DX	15.024	SP1989	7.370	SP2077	8.900	SP2175	8.921	SP2241	8.977
SP1838DY	15.024	SP1989	8.918	SP2078	7.828	SP2175	12.942	SP2242	8.977
SP1843	3.415	SP1991	8.915	SP2078	8.900	SP2176	12.116	SP2246	2.728
SP1854	8.921	SP1991	10.702	SP2079	8.900	SP2176	12.182	SP2246	8.977
SP1855	8.977	SP1991	11.040	SP2083	8.900	SP2178	8.929	SP2248	8.977
SP1855	10.307	SP1994	8.900	SP2089	4.680	SP2184	8.900	SP2248	11.207
SP1860	1.265	SP1995	2.679	SP2089	8.900	SP2186	8.900	SP2248	14.685
SP1860	8.929	SP1995	8.921	SP2090	4.680	SP2187	8.918	SP2249	2.820
SP1861	8.929	SP2005	7.632	SP2090	8.900	SP2191	13.092	SP2249	8.975
SP1863	8.967	SP2005	8.903	SP2091	8.915	SP2192	8.977	SP2250	12.803
SP1865	8.948	SP2013	8.900	SP2092	8.977	SP2192	10.093	SP2251	8.977
SP1867	2.731	SP2013	12.184	SP2093	8.900	SP2192	11.208	SP2256	8.304
SP1867	8.977	SP2014	8.900	SP2094	4.311	SP2192	12.116	SP2256	8.977
SP1868	1.762	SP2018	8.906	SP2094	8.939	SP2192	12.182	SP2265	8.900
SP1868	8.950	SP2019	8.921	SP2095	3.003	SP2192	12.811	SP2267	8.920
SP1870	2.515	SP2024	4.010	SP2095	8.950	SP2195	8.900	SP2270	8.977
SP1870	10.777	SP2024	4.015	SP2097	8.929	SP2201	8.950	SP2274	8.900
SP1870	12.012	SP2024	8.921	SP2101	2.481	SP2201	10.777	SP2279	8.900
SP1870	15.293	SP2027	8.900	SP2103	2.515	SP2202	8.977	SP2280	8.900
SP1876	8.921	SP2028	8.900	SP2103	8.991	SP2203	4.040	SP2281	8.967
SP1877	8.929	SP2029	8.900	SP2107	6.606	SP2206	4.040	SP2282	4.685
SP1879	7.371	SP2030	8.900	SP2107	8.900	SP2206	8.967	SP2284	8.977
SP1879	8.948	SP2031	8.900	SP2108	7.836	SP2207	9.262	SP2284	10.187
SP1882	8.929	SP2034	2.728	SP2108	8.900	SP2207	9.280	SP2291	7.632
SP1884	8.977	SP2035	8.900	SP2111	8.977	SP2209	8.909	SP2291	8.903
SP1884	9.778	SP2039	2.682	SP2111	15.290	SP2209	10.187	SP2294	4.610
SP1885	4.342	SP2039	8.977	SP2112	8.977	SP2211	4.015	SP2297	4.636
SP1885	8.950	SP2040	8.900	SP2112	12.811	SP2211	8.900	SP2297	8.900
SP1890	8.918	SP2044	8.910	SP2113	6.521	SP2212	10.187	SP2305	8.910
SP1891	7.370	SP2045	8.910	SP2113	8.929	SP2215	2.728	SP2316	8.967
SP1891	8.918	SP2047	8.900	SP2115	8.900	SP2215	8.921	SP2319	2.188
SP1896	8.908	SP2048	8.956	SP2115	10.450	SP2216	4.015	SP2319	8.900
SP1897	8.900	SP2048	9.220	SP2115	10.454	SP2219	0.659	SP2321	8.900
SP1897	8.910	SP2049	8.956	SP2115	10.456	SP2219	8.900	SP2321	9.190
SP1899	7.836	SP2049	9.220	SP2115	10.460	SP2219	10.500	SP2323	2.515
SP1899	8.929	SP2050	1.266	SP2117	6.524	SP2219	10.702	SP2323	6.518
SP1900	2.585	SP2050	8.126	SP2119	8.900	SP2219	10.710	SP2323	8.977
SP1900	2.679	SP2050	8.143	SP2119	10.159	SP2219	10.783	SP2326	8.956
SP1900	8.918	SP2050	8.921	SP2122	8.929	SP2219	10.791	SP2327	7.632
SP1903	8.991	SP2052	8.950	SP2122	10.829	SP2219	11.012	SP2327	8.903
SP1904	8.820	SP2055	1.270	SP2125	8.900	SP2219	11.040	SP2333	7.852
SP1904	8.821	SP2055	2.333	SP2127	8.132	SP2219	11.041	SP2333	8.903
SP1904	8.950	SP2055	7.020	SP2127	8.977	SP2219	11.207	SP2334	8.950
SP1905	8.950	SP2055	8.079	SP2127	12.116	SP2219	12.272	SP2335	9.787
SP1909	4.685	SP2055	8.085	SP2127	12.174	SP2220	8.918	SP2338	7.633
SP1909	13.092	SP2055	8.143	SP2130	8.977	SP2222	6.524	SP2338	8.920
SP1919	8.920	SP2055	8.900	SP2134	4.826	SP2222	8.918	SP2343	7.003
SP1932	8.991	SP2055	15.290	SP2134	8.956	SP2223	8.923	SP2345	8.903
SP1932	11.940	SP2056	8.143	SP2139	0.683	SP2225	2.555	SP2350	8.909
SP1948	8.977	SP2056	8.900	SP2139	4.003	SP2225	4.055	SP2350	10.470
SP1956	8.928	SP2056	12.238	SP2139	4.133	SP2226	13.092	SP2350	10.473
SP1957	8.900	SP2060	8.987	SP2139	8.900	SP2227	7.020	SP2350	12.242
SP1961	8.977	SP2060	12.196	SP2141	4.105	SP2227	8.900	SP2357	3.159
SP1962	8.950	SP2061	8.987	SP2144	2.815	SP2230	9.169	SP2357	3.202
SP1968	7.020	SP2061	12.196	SP2144	8.900	SP2235	4.686	SP2357	8.950
SP1968	8.929	SP2064	8.900	SP2149	0.839	SP2235	8.963	SP2359	4.685
SP1974	6.672	SP2064	10.685	SP2149	8.923	SP2236	4.055	SP2365	7.852
SP1974	8.948	SP2064	12.203	SP2150	8.929	SP2236	11.950	SP2365	8.903
SP1975	0.553	SP2064	12.242	SP2153	8.900	SP2238	0.852	SP2367	3.202
SP1976	3.902	SP2065	8.900	SP2155	8.909	SP2238	8.942	SP2367	8.950
SP1976	8.900	SP2067	8.900	SP2155	10.777	SP2239	0.852	SP2368	8.977
SP1979	6.508	SP2068	8.900	SP2155	15.293	SP2239	8.942	SP2368	15.293

NUMERICAL INDEX

PART No.	GROUP	PART No.	GROUP	PART No.	GROUP	PART No.	GROUP	PART No.	GROUP
SP2370	2.728	SP2508	6.896	VS10467	3.758	VS10894	3.791	VS11426	6.585
SP2370	8.977	SP2508	8.900	VS10468	3.758	VS10895	3.792	VS11427	6.585
SP2372	8.915	SP2511	8.126	VS10472	3.793	VS10897	3.788	VS11428	6.840
SP2372	9.262	SP2511	8.900	VS10517	3.781	VS10899	3.793	VS11429	6.830
SP2381	1.219	SP2514	2.681	VS10518	3.759	VS10906	3.737	VS11430	6.586
SP2381	8.900	SP2514	8.977	VS10519	3.760	VS10907	3.737	VS11737	2.389
SP2382	1.219	SP2515	2.515	VS10520	3.734	VS10910	3.731	VS11738	2.389
SP2382	8.956	SP2515	8.977	VS10522	3.729	VS10911	3.731	VS11763	2.316
SP2383	10.160	SP2518	2.810	VS10523	3.748	VS10912	3.797	VS11765	2.280
SP2384	1.219	SP2519	3.159	VS10526	3.767	VS10914	3.796	VS11767	2.306
SP2388	4.233	SP2521	8.921	VS10527	3.760	VS10915	3.798	VS11771	2.307
SP2388	8.975	SP2521	10.777	VS10528	3.779	VS10916	3.778	VS11773	2.298
SP2411	1.266	SP2521	11.950	VS10529	3.779	VS10917	3.799	VS11776	2.297
SP2411	8.900	SP2525	8.075	VS10530	3.764	VS10922	3.748	VS11789	4.686
SP2423	8.950	SP2536	7.796	VS10562	10.150	VS10971	2.049	VS11795	3.793
SP2427	8.977	SP2538	7.529	VS10576	4.907	VS10972	2.085	VS11797	3.795
SP2427	10.829	SP2539	11.950	VS10577	4.903	VS10973	2.085	VS11799	3.789
SP2427	12.116	SP2552	2.589	VS10578	4.907	VS10974	3.779	VS11800	3.792
SP2428	8.977	SP2555	2.555	VS10579	4.908	VS10982	2.393	VS11801	3.764
SP2428	14.651	SP2555	8.950	VS10604	5.548	VS10982	2.410	VS11802	3.764
SP2429	8.977	SP2559	12.196	VS10606	5.548	VS10986	2.389	VS11803	3.763
SP2429	12.176	SP2560	12.196	VS10608	5.555	VS10988	2.381	VS11812	3.736
SP2430	8.977	SP2561	0.837	VS10657	10.150	VS10992	2.385	VS11813	3.735
SP2431	2.728	SP2561	4.636	VS10686	8.800	VS11002	2.410	VS11814	3.735
SP2431	8.977	VS10202	2.372	VS10806	3.913	VS11038	3.748	VS11815	3.734
SP2431	15.293	VS10204	2.381	VS10812	2.052	VS11086	2.102	VS11818	3.788
SP2432	8.977	VS10205	2.388	VS10813	2.108	VS11087	2.102	VS11834	10.146
SP2433	8.900	VS10206	2.388	VS10814	2.108	VS11089	2.080	VS11843	10.150
SP2433	11.388	VS10210	2.364	VS10815	2.086	VS11090	2.102	VS11844	10.150
SP2433	11.392	VS10211	2.381	VS10816	2.087	VS11091	2.077	VS11845	10.150
SP2440	1.266	VS10215	2.100	VS10817	2.087	VS11092	2.077	VS11848	10.150
SP2440	8.126	VS10269	2.389	VS10818	2.087	VS11094	2.279	VS11849	10.150
SP2440	8.900	VS10277	8.798	VS10819	2.087	VS11146	2.085	VS11852	10.150
SP2441	8.900	VS10280	10.150	VS10820	2.087	VS11151	3.778	VS11858	10.150
SP2441	10.829	VS10285	10.150	VS10821	2.087	VS11161	4.907	VS11859	10.150
SP2442	8.931	VS10286	10.150	VS10822	2.100	VS11279	6.803	VS11862	10.150
SP2443	8.132	VS10305	2.400	VS10823	2.100	VS11288	6.856	VS11864	10.150
SP2443	12.114	VS10306	2.381	VS10824	2.100	VS11289	6.855	VS11865	10.150
SP2443	12.116	VS10369	5.517	VS10826	2.096	VS11290	6.855	VS11870	8.798
SP2452	5.382	VS10370	5.542	VS10828	2.083	VS11292	6.585	VS11871	2.067
SP2452	6.168	VS10371	5.511	VS10831	2.077	VS11321	3.748	VS11872	2.087
SP2452	8.900	VS10372	5.518	VS10832	2.077	VS11322	3.748	VS11873	2.087
SP2453	9.262	VS10373	5.511	VS10841	2.362	VS11354	2.085	VS11874	2.083
SP2454	8.950	VS10374	5.543	VS10842	2.362	VS11360	5.555	VS11875	2.051
SP2456	2.679	VS10375	5.543	VS10843	2.362	VS11361	5.548	VS11876	2.052
SP2456	8.977	VS10392	5.510	VS10844	2.362	VS11368	6.530	VS11877	2.053
SP2457	10.712	VS10393	5.527	VS10845	2.393	VS11378	6.551	VS11878	2.052
SP2459	4.019	VS10432	3.755	VS10846	2.393	VS11380	6.850	VS11879	2.108
SP2459	4.020	VS10433	3.749	VS10849	2.372	VS11390	6.822	VS11881	2.087
SP2459	4.040	VS10437	3.729	VS10853	2.389	VS11391	6.822	VS11882	2.087
SP2471	11.175	VS10439	3.797	VS10854	2.381	VS11393	6.807	VS11883	2.085
SP2471	11.179	VS10440	3.797	VS10855	2.379	VS11395	6.586	VS11885	2.101
SP2482	6.670	VS10442	3.796	VS10856	2.385	VS11395	6.809	VS11887	2.041
SP2483	8.900	VS10443	3.771	VS10857	2.385	VS11396	6.807	VS11888	2.041
SP2485	8.931	VS10444	3.798	VS10858	2.384	VS11397	6.807	VS11911	3.758
SP2495	8.132	VS10445	3.773	VS10861	2.385	VS11398	6.586	VS11918	4.667
SP2495	8.977	VS10446	3.776	VS10863	2.385	VS11400	6.579	VS11926	4.666
SP2495	12.112	VS10447	3.779	VS10865	2.382	VS11401	6.585	VS11927	4.668
SP2495	12.114	VS10448	3.779	VS10866	2.367	VS11413	6.830	VS11928	5.020
SP2495	12.116	VS10456	3.799	VS10867	2.367	VS11414	6.803	VS11933	4.908
SP2495	12.182	VS10457	3.799	VS10868	2.368	VS11417	6.803	VS11934	9.779
SP2496	8.929	VS10458	3.799	VS10869	2.410	VS11419	6.786	VS11935	9.779
SP2504	4.035	VS10460	3.789	VS10870	2.410	VS11421	6.552	VS11936	9.779
SP2504	8.942	VS10461	3.763	VS10883	3.757	VS11422	6.552	VS11937	9.779
SP2506	2.515	VS10463	3.792	VS10886	5.510	VS11424	6.527	VS11938	9.779
SP2506	8.921	VS10464	3.780	VS10893	3.799	VS11425	6.856	VS11939	9.779

"HJ" PARTS CATALOGUE

PART No.	GROUP	PART No.	GROUP	PART No.	GROUP	PART No.	GROUP	PART No.	GROUP
VS11940	9.779	VS12129	8.798	VS12313	2.586	VS12540	3.753	103385	8.938
VS11941	10.150	VS12130	8.798	VS12319	2.305	VS12541	3.731	103386	8.938
VS11942	10.150	VS12131	8.798	VS12320	2.307	VS12542	3.731	103565	8.940
VS11943	10.150	VS12132	8.798	VS12321	2.279	VS12544	3.725	103868	8.971
VS11944	10.150	VS12133	8.798	VS12322	2.297	VS12545	3.725	104251	8.967
VS11945	10.150	VS12134	8.798	VS12323	2.289	VS12546	3.724	105616	8.923
VS11946	8.798	VS12135	8.798	VS12324	2.289	VS12547	3.725	106285	5.400
VS11947	10.150	VS12136	8.798	VS12325	2.289	VS12548	3.725	106285	8.900
VS11948	10.150	VS12137	8.798	VS12326	2.291	VS12549	3.783	106331	8.900
VS11949	10.150	VS12138	8.798	VS12327	2.285	VS12550	3.752	106495	8.931
VS11950	10.150	VS12139	8.798	VS12328	2.310	VS12551	3.727	106751	0.728
VS11951	10.150	VS12140	8.798	VS12329	2.500	VS12552	3.727	106751	0.736
VS11953	10.150	VS12142	5.555	VS12330	2.279	VS12553	3.734	106751	8.960
VS11955	10.150	VS12149	4.906	VS12332	6.526	VS12554	3.731	106973	5.539
VS11957	10.150	VS12177	5.517	VS12333	2.585	VS12555	3.731	106973	8.900
VS11958	10.150	VS12178	5.542	VS12334	2.585	VS12556	3.741	107285	8.967
VS11959	10.150	VS12179	5.511	VS12335	2.585	VS12557	3.731	107762	8.938
VS11964	2.043	VS12180	5.518	VS12338	2.305	VS12558	2.279	108580	8.931
VS11965	2.049	VS12181	5.511	VS12340	2.410	VS12559	2.310	108586	8.900
VS11969	2.108	VS12182	5.543	VS12343	2.381	VS12560	2.279	108597	8.900
VS11970	2.052	VS12183	5.543	VS12345	2.372	VS12561	2.289	111285	8.967
VS11971	2.063	VS12184	5.527	VS12346	2.400	VS12562	2.316	113897	4.103
VS11973	2.102	VS12193	2.381	VS12347	2.362	VS12583	6.524	113897	5.400
VS11986	9.779	VS12194	2.682	VS12348	2.362	VS12599	5.018	113897	8.955
VS11987	9.779	VS12195	2.684	VS12351	2.389	VS12600	5.020	114468	4.226
VS11988	9.779	VS12196	8.798	VS12352	2.385	VS12610	5.527	114468	8.939
VS11989	9.779	VS12197	8.798	VS12374	2.310	VS12628	4.668	114494	8.916
VS11992	4.342	VS12198	8.798	VS12376	2.279	VS12635	4.666	114496	8.916
VS12007	5.510	VS12199	8.798	VS12377	2.500	VS12636	4.667	114497	8.916
VS12008	5.510	VS12200	8.798	VS12378	2.297	VS12640	5.018	114502	8.916
VS12012	2.381	VS12201	8.798	VS12379	2.286	VS12641	3.757	114605	8.932
VS12019	2.289	VS12202	8.798	VS12380	2.289	VS12642	3.752	114627	8.963
VS12020	2.289	VS12203	8.798	VS12381	2.500	VS12643	4.902	114628	8.963
VS12023	2.285	VS12204	8.798	VS12393	3.757	VS12646	4.342	114942	8.915
VS12026	2.316	VS12205	8.798	VS12394	3.754	VS12647	4.342	115658	8.900
VS12027	2.307	VS12206	8.798	VS12395	3.754	VS12649	4.342	116341	8.963
VS12028	2.315	VS12207	8.798	VS12396	3.765	VS12651	4.907	116493	8.900
VS12038	2.291	VS12208	8.798	VS12455	6.550	VS12651	5.018	117212	8.917
VS12040	2.291	VS12217	7.640	VS12456	7.640	VS12718	3.752	117461	8.900
VS12044	9.779	VS12250	10.147	VS12457	7.640	43T	2.270	117557	8.967
VS12046	9.779	VS12262	2.590	VS12458	7.640	44T	2.270	118773	8.929
VS12047	9.779	VS12263	2.586	VS12466	3.725	45T	2.270	118776	8.929
VS12048	9.779	VS12264	2.586	VS12467	3.725	32DV	15.308	119117	8.938
VS12049	9.779	VS12265	2.589	VS12468	3.724	430G	2.332	119254	8.917
VS12050	9.779	VS12266	2.590	VS12470	3.765	456H	2.332	119981	8.938
VS12051	9.779	VS12274	7.505	VS12472	3.754	12214	8.900	120214	8.931
VS12052	9.779	VS12275	7.505	VS12473	3.754	43468	7.243	120217	8.931
VS12053	9.779	VS12276	7.505	VS12475	3.749	63737	10.783	120228	8.900
VS12054	9.779	VS12277	7.505	VS12476	3.749	63737	10.791	120229	8.900
VS12056	9.779	VS12278	7.505	VS12477	3.748	63737	11.041	120233	8.900
VS12057	9.779	VS12279	7.505	VS12487	3.727	100123	8.900	120361	8.915
VS12058	9.779	VS12280	7.505	VS12488	3.731	100134	8.900	120367	8.915
VS12061	3.791	VS12281	7.505	VS12489	3.741	100136	8.900	120368	8.915
VS12080	2.049	VS12282	7.505	VS12490	3.729	100161	8.900	120369	8.915
VS12081	2.077	VS12283	7.505	VS12491	3.734	102634	8.915	120375	3.430
VS12083	2.316	VS12284	7.505	VS12500	2.102	102635	8.915	120375	8.915
VS12084	2.307	VS12285	7.505	VS12505	3.767	102647	8.917	120376	8.915
VS12085	2.307	VS12286	7.505	VS12506	3.767	102648	8.917	120377	8.915
VS12088	2.289	VS12287	7.505	VS12529	2.305	103026	8.915	120378	8.915
VS12089	2.289	VS12288	7.505	VS12530	2.307	103320	8.931	120379	8.931
VS12090	2.310	VS12289	7.505	VS12532	2.297	103321	8.931	120380	8.931
VS12091	2.289	VS12290	7.505	VS12533	2.289	103322	8.931	120382	8.931
VS12092	2.307	VS12291	7.505	VS12535	2.291	103329	8.931	120383	8.931
VS12096	4.265	VS12292	7.505	VS12536	2.500	103339	8.929	120384	8.931
VS12121	3.795	VS12293	7.505	VS12537	3.748	103373	8.938	120385	8.929
VS12128	8.798	VS12312	2.589	VS12539	3.731	103374	8.938	120386	8.929

NUMERICAL INDEX

"HJ" PARTS CATALOGUE

PART No.	GROUP	PART No.	GROUP	PART No.	GROUP	PART No.	GROUP	PART No.	GROUP
120388	8.929	123841	8.900	144811	8.977	162688	8.977	186309	8.900
120389	8.929	124094	8.900	145027	4.040	162696	8.977	186412	8.977
120391	8.929	124824	8.916	145027	4.041	162701	8.977	186493	8.900
120392	8.929	124829	8.916	145027	8.918	162703	8.977	186619	8.900
120393	8.929	124920	8.916	145189	8.977	163024	8.977	186634	8.900
120394	8.929	124925	8.916	145193	8.977	163098	8.977	187119	8.931
120395	8.929	124939	6.234	145475	4.128	163158	8.977	187343	8.963
120423	8.932	124939	8.916	145475	8.963	163160	8.977	187375	6.843
120426	8.900	125233	8.917	145496	8.921	163162	8.977	187375	8.907
120487	8.963	125250	8.917	147458	8.975	163210	8.977	188154	8.900
120488	8.963	125706	8.977	147489	4.311	163401	8.977	188712	8.910
120520	8.950	126774	8.906	147489	8.899	163404	8.977	189301	8.900
120613	8.916	127968	8.900	147514	8.921	163450	8.977	189302	8.900
120614	8.915	128270	8.977	147672	8.910	163467	8.977	189304	8.900
120619	8.923	131015	8.929	148148	4.294	169162	0.830	189305	8.900
120622	8.915	131099	8.931	154005	8.907	169162	8.899	189334	8.900
120638	8.931	131181	8.931	154061	8.907	171041	8.977	189335	8.900
120647	8.900	131183	8.931	155937	8.908	178378	8.932	189342	8.900
120677	8.900	131954	8.907	156417	8.908	179816	8.900	190075	8.977
120687	8.907	132100	8.907	156544	8.908	179817	8.900	190075	12.112
120706	8.900	132859	8.977	157057	8.909	179818	8.900	190075	12.114
120741	8.900	132908	8.906	157716	8.913	179819	8.900	190075	12.182
120834	8.900	133822	8.908	159240	8.910	179822	8.900	190338	8.963
120854	8.900	134512	8.932	159240	12.112	179826	8.900	190863	8.963
120918	8.900	134530	8.915	159240	12.114	179838	8.900	191522	8.967
121224	8.938	134551	8.915	159240	12.182	179841	8.900	191875	8.910
121358	8.915	134568	8.915	159336	8.910	179842	8.900	191879	8.910
121574	8.931	134794	8.967	159572	8.910	179843	8.900	191983	8.908
121615	8.900	135629	8.932	159572	12.182	179850	8.900	191985	8.910
121637	8.931	136669	8.967	159577	8.910	179866	8.900	192347	8.900
121661	8.900	136857	8.932	159592	8.910	180015	8.900	215723	0.837
121744	8.931	137159	8.938	159675	8.910	180016	8.900	215723	4.636
121752	8.932	137396	8.963	159908	8.910	180073	8.900	215723	8.900
121752	9.778	137397	8.963	159908	10.219	180075	8.900	220425	8.900
121753	8.932	137398	8.963	159920	8.910	180079	8.900	220426	8.900
121797	8.900	137399	8.963	159947	8.910	180080	8.900	221154	8.977
121841	8.931	137404	8.963	159952	8.910	180081	8.900	224255	8.900
121867	8.900	137406	8.963	159967	8.977	180116	4.156	266800	6.844
121887	8.900	137414	8.963	160505	8.910	180116	8.900	271501	8.915
121926	8.900	137508	8.915	160515	8.910	180119	8.900	271505	8.915
121999	8.900	137509	8.915	160536	8.910	180120	8.900	271506	8.915
122017	4.040	137871	8.967	160539	8.910	180121	8.900	272233	8.915
122017	8.900	138479	8.932	160541	8.910	180122	8.900	272312	8.917
122022	8.900	138485	8.932	160548	8.910	180123	8.900	272733	8.921
122027	8.900	138489	8.932	161340	8.977	180124	8.900	272846	4.931
122104	8.900	138530	8.932	161340	12.116	180125	8.900	272846	8.948
122119	8.900	138538	8.932	161373	8.977	180126	8.900	272847	3.003
122126	8.900	138542	8.932	161373	12.116	180132	8.900	272847	8.948
122138	8.900	138617	8.932	161439	8.977	180137	8.900	273330	8.921
122145	8.900	138740	8.971	161752	8.977	180138	8.900	273445	8.977
122150	8.900	140239	8.930	161755	8.977	180144	8.900	273446	8.977
122181	8.900	140240	8.930	161755	12.116	180145	8.900	273708	8.977
122246	8.900	141149	8.939	161755	12.182	180157	8.900	273807	8.918
122253	8.900	141192	0.206	161790	8.977	180162	8.900	274244	1.516
122267	8.900	141192	8.939	161801	8.977	181116	8.900	274244	8.955
122273	8.900	141202	0.736	161860	8.977	181385	5.400	274430	8.900
122279	8.900	141202	8.939	161869	8.977	181385	8.900	274517	8.929
122340	8.900	141216	0.033	161871	8.977	181408	8.900	274613	4.226
122354	8.900	141216	0.206	161892	8.977	181595	8.900	274672	8.900
122459	8.900	141216	8.939	161895	8.977	181596	8.900	274762	8.977
123316	8.900	142220	8.977	161901	8.977	181608	8.900	274865	8.929
123435	8.900	142456	8.991	162113	8.977	181643	8.900	381909	6.168
123450	8.900	142953	8.940	162292	8.977	181645	6.524	384220	6.176
123520	8.900	143343	8.963	162296	8.977	181645	8.900	402410	6.176
123540	8.900	144542	0.728	162397	8.977	181669	8.900	412562	0.649
123774	8.900	144542	8.960	162474	8.977	181671	8.900	423335	8.900

PART No.	GROUP	PART No.	GROUP	PART No.	GROUP	PART No.	GROUP	PART No.	GROUP
423345	8.900	454905	8.900	1521953	3.913	2806385	0.094	2809319	12.982
425224	8.963	454906	8.900	1521985	3.902	2806386	0.094	2809324	6.168
425348	8.900	454922	8.900	1522046	3.922	2806388	0.094	2809325	6.168
426663	8.938	454924	8.900	1522199	3.925	2806389	0.094	2809447	10.587
426706	8.938	454943	8.900	1523093	3.920	2806390	0.094	2809447	12.212
431534	8.928	454975	8.900	1523094	3.903	2806399	0.616	2809457	4.412
432750	8.975	455105	8.941	1523099	3.929	2806400	0.616	2809480	6.103
435611	8.900	455136	8.991	1533669	1.762	2806521	4.035	2809481	6.103
436567	8.910	455136	11.940	1846722	2.895	2806603	10.529	2809486	12.934
436732	8.910	455404	8.977	1964784	2.895	2806691	0.413	2809487	12.934
440502	1.266	455481	4.016	1964785	2.895	2806758	3.003	2809488	12.934
440502	8.900	455481	4.040	1967685	2.895	2806776	8.800	2809489	12.934
441239	8.921	455481	8.941	1997037	2.459	2806877	6.606	2809490	12.934
441240	1.268	455490	8.991	1998981	9.280	2806911	10.529	2809491	12.934
441240	8.921	455490	11.960	2692449	2.555	2806912	10.529	2809580	11.561
442689	8.910	455862	8.941	2805057	4.133	2806962	11.925	2809581	11.561
443770	8.939	455980	7.852	2805059	4.133	2806963	11.928	2809593	3.001
443874	8.900	455980	8.903	2805347	1.153	2807098	5.382	2809594	3.001
444612	8.971	456632	8.900	2805402	3.720	2807098	6.170	2809600	4.316
444613	4.103	456722	8.939	2805461	3.720	2807099	11.925	2809607	7.020
444613	8.971	456785	8.975	2805499	4.009	2807236	2.361	2809727	4.304
444619	8.971	457007	8.900	2805510	6.164	2807323	11.950	2809789	1.426
444625	8.971	476737	4.681	2805636	11.011	2807323	11.960	2809791	1.656
444782	8.971	476737	4.826	2805637	11.011	2807324	11.950	2809794	1.516
444788	8.971	483084	5.803	2805638	11.011	2807324	11.960	2809813	12.934
444819	0.033	513975	1.453	2805639	11.011	2807325	11.950	2809814	12.934
444819	8.971	513975	4.195	2805673	11.015	2807325	11.960	2809815	12.934
446121	8.929	528574	4.337	2805674	11.015	2807752	2.424	2809816	12.934
446121	12.112	591022	4.358	2805716	5.382	2807897	4.017	2809817	12.934
446121	12.114	599119	2.424	2805728	6.164	2807914	3.726	2809818	12.934
446130	8.929	599119	3.159	2805794	0.423	2808035	3.417	2809835	11.629
446152	1.266	599119	3.202	2805795	0.443	2808122	12.116	2809885	11.204
446152	8.929	599119	4.685	2805921	11.204	2808124	5.510	2809917	3.796
446161	8.929	838029	0.310	2806368	0.096	2808133	3.796	2809918	3.796
446188	8.929	838538	0.033	2806368	0.099	2808136	3.720	2809920	3.797
446212	8.929	858388	2.447	2806368	0.101	2808164	3.261	2809921	3.796
446354	8.929	858388	4.054	2806368	0.103	2808182	3.925	2809922	3.796
446363	8.929	862108	12.196	2806369	0.096	2808183	3.901	2809928	3.159
446548	8.929	907257	9.181	2806369	0.099	2808189	1.062	2809932	3.159
446680	8.910	994259	9.667	2806369	0.101	2808258	9.640	2809933	3.159
446716	8.921	1018694	2.370	2806369	0.103	2808656	5.813	2809934	4.279
449809	8.977	1131046	9.170	2806370	0.096	2808752	4.685	2809937	3.796
449813	8.977	1138041	9.170	2806370	0.099	2808856	7.020	2809957	12.982
451401	8.915	1194360	1.609	2806370	0.101	2808857	7.020	2810034	6.803
451580	8.913	1199080	1.609	2806370	0.103	2808869	12.982	2810036	6.850
451790	8.977	1239465	1.123	2806372	0.096	2808870	12.982	2810038	6.855
453566	8.899	1239469	1.123	2806372	0.099	2808871	12.982	2810043	6.786
453570	4.226	1244006	10.270	2806372	0.101	2808873	12.982	2810210	12.116
453570	8.899	1359270	4.337	2806372	0.103	2808985	6.870	2810214	7.536
453571	8.899	1359272	4.337	2806373	0.096	2808988	7.242	2810245	11.200
453593	8.899	1359273	4.337	2806373	0.099	2809014	5.504	2810254	6.807
453670	5.518	1359319	4.338	2806373	0.101	2809015	5.504	2810255	6.809
453670	8.941	1362215	4.337	2806373	0.103	2809100	3.410	2810257	6.830
453676	8.941	1363951	4.223	2806374	0.096	2809107	6.232	2810258	6.852
454293	8.900	1367656	4.019	2806374	0.099	2809115	6.111	2810259	6.852
454466	8.900	1367656	4.020	2806374	0.101	2809189	7.545	2810263	12.952
454512	1.643	1367656	4.040	2806374	0.103	2809219	6.164	2810326	12.242
454512	8.941	1368774	4.055	2806375	0.106	2809235	5.395	2810329	7.865
454563	8.941	1373122	4.337	2806376	0.106	2809247	12.984	2810333	12.982
454649	8.975	1476675	10.777	2806377	0.106	2809248	12.984	2810334	12.982
454774	8.900	1476675	12.276	2806379	0.106	2809280	6.859	2810337	12.982
454782	8.910	1485553	9.281	2806380	0.106	2809281	6.859	2810346	12.807
454848	8.900	1497889	1.265	2806381	0.106	2809284	1.426	2810347	10.027
454864	8.900	1497894	1.265	2806382	0.616	2809290	4.309	2810348	10.027
454869	8.900	1497970	1.265	2806383	0.616	2809294	1.656	2810356	10.093
454885	8.900	1521708	3.931	2806384	0.094	2809297	1.516	2810357	10.093

"HJ" PARTS CATALOGUE

PART No.	GROUP	PART No.	GROUP	PART No.	GROUP	PART No.	GROUP	PART No.	GROUP
2810367	2.041	2811327	4.030	2811776	2.682	2812072	4.826	2812640	12.811
2810379	4.700	2811328	4.030	2811777	2.682	2812082	4.035	2812641	12.811
2810381	4.826	2811329	4.030	2811778	11.204	2812083	2.239	2812666	10.741
2810382	4.829	2811342	4.015	2811779	2.679	2812092	12.811	2812667	10.741
2810383	4.829	2811344	4.015	2811780	2.679	2812093	12.811	2812668	10.741
2810384	4.829	2811360	11.589	2811781	2.679	2812095	6.163	2812669	10.741
2810385	4.829	2811361	11.588	2811782	2.679	2812096	6.163	2812671	8.079
2810388	4.826	2811364	4.081	2811783	12.952	2812097	6.163	2812717	12.807
2810394	3.003	2811366	11.589	2811792	0.095	2812101	5.387	2812733	9.785
2810395	3.003	2811383	12.184	2811792	0.098	2812102	5.816	2812734	9.785
2810420	12.956	2811384	12.184	2811792	0.100	2812103	5.822	2812737	10.252
2810421	12.956	2811397	0.629	2811792	0.102	2812104	5.816	2812737	12.803
2810440	7.241	2811398	0.629	2811797	4.265	2812109	5.387	2812763	10.460
2810483	12.237	2811399	0.629	2811804	12.811	2812128	3.796	2812764	10.460
2810496	4.829	2811400	0.629	2811805	12.811	2812161	1.219	2812765	10.456
2810499	4.226	2811401	10.506	2811807	12.179	2812172	1.219	2812766	10.456
2810513	4.826	2811401	10.507	2811817	9.127	2812173	0.269	2812785	10.829
2810519	3.159	2811401	10.563	2811819	5.387	2812174	0.269	2812786	10.829
2810537	4.265	2811402	0.629	2811827	12.955	2812180	1.219	2812787	10.829
2810538	4.265	2811403	0.629	2811836	12.956	2812201	11.373	2812788	10.829
2810539	6.234	2811404	0.629	2811847	11.611	2812207	10.741	2812789	10.829
2810546	12.811	2811405	0.629	2811852	3.609	2812208	10.741	2812790	10.829
2810547	12.811	2811439	11.629	2811853	3.609	2812209	1.159	2812793	10.696
2810692	0.289	2811444	12.182	2811857	8.036	2812211	8.009	2812811	2.188
2810696	4.834	2811459	12.182	2811858	3.706	2812216	12.269	2812844	12.952
2810747	12.116	2811471	4.265	2811859	3.706	2812230	12.982	2812928	4.931
2810771	7.240	2811482	10.307	2811864	9.127	2812233	7.014	2812929	12.112
2810775	6.008	2811523	12.184	2811869	11.175	2812234	7.112	2812930	12.112
2810776	6.008	2811531	0.643	2811870	11.175	2812252	4.040	2812936	12.952
2810820	6.508	2811532	0.643	2811871	11.175	2812254	4.040	2812945	12.944
2810848	7.241	2811533	0.643	2811872	11.175	2812255	4.040	2812946	12.944
2810858	12.944	2811534	0.643	2811873	11.175	2812255	4.041	2812949	12.971
2810859	12.944	2811536	0.643	2811874	11.175	2812256	4.016	2812971	12.811
2810916	12.237	2811537	0.643	2811875	11.175	2812268	1.270	2812972	12.811
2810932	4.003	2811601	10.466	2811876	11.175	2812270	1.159	2812975	11.629
2810934	11.200	2811603	8.036	2811877	11.179	2812325	7.118	2812987	10.701
2811024	4.035	2811604	8.036	2811878	11.179	2812347	0.629	2812988	10.701
2811032	4.045	2811625	3.720	2811879	11.179	2812348	0.629	2813022	10.475
2811054	1.071	2811626	3.720	2811880	11.179	2812349	0.629	2813023	10.475
2811056	0.289	2811627	3.720	2811881	12.971	2812350	0.629	2813028	10.475
2811057	0.289	2811631	10.268	2811882	3.609	2812387	12.955	2813029	10.475
2811059	1.429	2811638	12.956	2811883	3.705	2812397	9.171	2813033	3.720
2811061	0.536	2811639	12.956	2811891	2.277	2812398	9.171	2813037	14.651
2811096	14.651	2811642	12.940	2811892	2.277	2812399	9.171	2813038	14.651
2811165	10.571	2811643	12.940	2811893	2.317	2812400	9.171	2813057	12.114
2811167	10.450	2811644	1.516	2811918	8.015	2812401	9.171	2813058	12.114
2811167	10.454	2811648	4.650	2811919	8.015	2812402	0.027	2813065	2.679
2811167	10.460	2811649	4.650	2811920	8.081	2812427	1.066	2813066	2.679
2811169	10.456	2811650	4.651	2811924	2.188	2812429	12.895	2813067	2.680
2811174	12.966	2811651	4.651	2811931	0.333	2812430	12.895	2813068	2.682
2811175	10.093	2811652	12.184	2811932	0.426	2812442	5.395	2813069	2.682
2811176	10.093	2811680	1.659	2811933	0.429	2812456	11.611	2813070	2.684
2811196	4.005	2811703	12.116	2811948	11.208	2812459	1.062	2813091	12.181
2811197	4.127	2811707	12.956	2811985	12.971	2812461	0.673	2813155	5.529
2811198	11.581	2811708	12.956	2811986	12.971	2812462	11.373	2813156	5.529
2811204	12.955	2811710	12.966	2811999	10.093	2812462	11.628	2813164	6.524
2811212	10.466	2811711	12.966	2812000	10.093	2812529	10.750	2813229	5.809
2811213	5.382	2811713	12.966	2812013	12.972	2812530	10.750	2813295	9.779
2811244	12.955	2811724	11.581	2812014	12.972	2812599	11.200	2813299	12.966
2811253	11.589	2811734	11.629	2812046	3.796	2812605	5.387	2813301	9.779
2811255	11.589	2811735	11.629	2812048	12.803	2812615	11.628	2813317	9.262
2811258	11.588	2811742	6.758	2812059	12.184	2812616	11.628	2813317	9.779
2811259	3.270	2811771	2.679	2812060	10.450	2812617	5.510	2813322	9.779
2811261	5.382	2811772	2.680	2812061	10.450	2812618	5.510	2813323	9.779
2811262	5.382	2811774	2.684	2812062	10.454	2812638	12.811	2813325	9.779
2811316	7.370	2811775	2.682	2812063	10.454	2812639	12.811	2813372	0.616

"HJ" PARTS CATALOGUE

PART No.	GROUP	PART No.	GROUP	PART No.	GROUP	PART No.	GROUP	PART No.	GROUP
2813373	0.616	2813686	2.684	2814060	2.333	2814535	8.132	2814814	14.651
2813378	0.616	2813687	2.684	2814064	2.555	2814535	12.182	2814815	9.275
2813379	0.616	2813725	6.760	2814068	11.207	2814544	12.803	2814824	12.986
2813383	12.184	2813743	0.027	2814128	2.317	2814545	12.803	2814825	12.986
2813384	12.184	2813744	13.090	2814145	2.342	2814566	11.207	2814838	9.171
2813385	2.447	2813745	13.090	2814150	2.341	2814567	11.207	2814839	9.171
2813386	12.187	2813746	2.680	2814170	14.651	2814569	12.982	2814840	2.317
2813387	12.187	2813755	14.651	2814171	14.651	2814573	8.132	2814841	9.171
2813388	12.811	2813767	10.827	2814172	14.651	2814574	10.563	2814844	9.171
2813389	12.811	2813768	10.827	2814173	9.190	2814585	12.241	2814845	1.066
2813397	12.811	2813769	10.827	2814211	2.726	2814588	12.187	2814853	12.179
2813398	12.811	2813770	10.827	2814212	2.726	2814603	2.481	2814854	12.179
2813463	12.955	2813771	10.827	2814235	12.940	2814603	9.778	2814867	12.940
2813464	12.955	2813772	10.827	2814236	12.940	2814608	5.001	2814868	12.940
2813465	12.955	2813838	8.079	2814270	3.609	2814609	5.001	2814877	4.212
2813489	4.418	2813853	10.783	2814286	11.207	2814616	12.982	2814887	4.030
2813490	4.395	2813854	10.783	2814287	5.441	2814618	12.982	2814888	9.779
2813491	4.415	2813866	11.940	2814288	4.265	2814620	10.527	2814889	12.277
2813492	4.415	2813871	4.595	2814293	4.265	2814673	12.955	2814892	9.779
2813493	4.403	2813875	4.595	2814294	4.265	2814674	12.955	2814897	9.779
2813496	4.421	2813876	4.594	2814295	4.265	2814679	12.187	2814903	9.779
2813497	4.421	2813877	4.594	2814307	12.942	2814682	11.208	2814909	12.948
2813500	4.418	2813878	4.594	2814308	12.942	2814683	11.208	2814910	12.948
2813501	4.311	2813883	4.596	2814312	4.265	2814684	11.208	2814913	12.187
2813504	4.317	2813884	4.596	2814337	5.441	2814689	7.013	2814924	2.481
2813506	4.303	2813886	10.187	2814338	5.441	2814694	10.556	2814925	4.625
2813507	4.318	2813887	11.207	2814339	5.441	2814695	10.506	2814928	12.940
2813511	4.311	2813896	12.942	2814340	5.441	2814701	2.897	2814929	12.940
2813513	4.317	2813897	12.942	2814348	7.516	2814702BA	2.897	2814930	12.269
2813514	4.309	2813898	2.682	2814362	11.204	2814702DS	2.897	2814936	9.787
2813515	4.380	2813899	2.682	2814371	11.207	2814702DX	2.897	2814937	14.685
2813517	4.419	2813907	2.555	2814381	10.822	2814702DY	2.897	2814937	15.101
2813519	4.432	2813912	10.791	2814382	10.822	2814721	5.001	2814941	4.010
2813520	4.309	2813913	10.791	2814383	10.822	2814722	5.001	2814951	9.778
2813521	4.311	2813919	2.679	2814397	9.263	2814723	5.150	2814958	5.460
2813522	4.419	2813920	2.679	2814398	9.263	2814728	2.728	2814959	5.460
2813525	4.418	2813927	4.594	2814440	6.606	2814730	12.580	2814960	5.460
2813527	4.311	2813943	11.208	2814441	11.629	2814734	4.625	2814961	5.460
2813531	0.659	2813944	11.208	2814442	6.606	2814736	4.639	2814962	5.460
2813532	0.659	2813945	11.208	2814443	12.940	2814737	0.830	2814963	5.460
2813535	0.659	2813946	11.208	2814444	12.940	2814737	0.831	2814964	5.460
2813536	0.659	2813961	4.019	2814445	12.913	2814737	4.626	2814969	12.075
2813544	12.270	2813961	4.020	2814446	12.913	2814738	0.683	2814970	12.075
2813545	12.270	2813971	12.966	2814447	12.913	2814739	9.171	2814973BA	15.286
2813550	2.195	2813972	12.270	2814448	12.913	2814753	0.206	2814973DS	15.286
2813553	6.518	2813983	11.208	2814449	12.913	2814770	10.146	2814973DU	15.286
2813559BA	4.009	2813984	11.208	2814450	12.913	2814771	0.027	2814973DX	15.286
2813559DS	4.009	2813985	11.208	2814451	12.913	2814781	12.195	2814973DY	15.286
2813559DX	4.009	2814014	8.154	2814452	12.913	2814782	12.580	2814974BA	15.306
2813559DY	4.009	2814017	12.075	2814453	12.913	2814784	8.132	2814974DS	15.306
2813570	12.951	2814018	12.075	2814454	12.913	2814784	12.182	2814974DU	15.306
2813571	12.951	2814019	12.075	2814455	12.913	2814786	11.628	2814974DX	15.306
2813572	12.951	2814020	12.075	2814456	12.913	2814787	12.941	2814974DY	15.306
2813573	12.951	2814030	4.019	2814461	11.629	2814788	12.941	2814975BA	15.306
2813618	10.747	2814030	4.020	2814462	10.219	2814794	12.182	2814975DS	15.306
2813619	10.747	2814030	4.040	2814463	10.219	2814795	12.182	2814975DU	15.306
2813632	12.955	2814031	4.019	2814467	10.506	2814796	12.182	2814975DX	15.306
2813633	12.955	2814031	4.020	2814479	11.207	2814797	11.207	2814975DY	15.306
2813641	10.093	2814031	4.040	2814480	4.437	2814798	3.900	2814980BA	15.306
2813642	10.093	2814033	4.019	2814481	4.433	2814805	8.132	2814980DS	15.306
2813643	10.093	2814033	4.020	2814485	11.611	2814805	12.182	2814980DU	15.306
2813644	10.093	2814033	4.040	2814486	11.611	2814806	4.030	2814980DX	15.306
2813652	3.001	2814042	12.273	2814487	11.611	2814807	11.610	2814980DY	15.306
2813664	3.003	2814046	12.182	2814488	11.611	2814808	6.524	2814981BA	15.286
2813684	2.682	2814047	3.451	2814532	12.184	2814810	6.524	2814981DS	15.286
2813685	2.682	2814059	2.333	2814533	12.184	2814813	14.651	2814981DU	15.286

NUMERICAL INDEX

PART No.	GROUP	PART No.	GROUP	PART No.	GROUP	PART No.	GROUP	PART No.	GROUP
2814981DX	15.286	2815209DU	4.608	2815522	3.163	2815837	12.178	2816230	5.858
2814981DY	15.286	2815209DX	4.608	2815529	12.982	2815840	12.178	2816248	12.942
2814982BA	15.286	2815209DY	4.608	2815532	2.555	2815846	12.810	2816253	12.982
2814982DS	15.286	2815210	12.116	2815538	12.195	2815847	12.810	2816254	11.610
2814982DU	15.286	2815211	12.116	2815541	12.238	2815848	12.810	2816255	11.628
2814982DX	15.286	2815222	4.054	2815544	12.238	2815849	12.810	2816257	10.694
2814982DY	15.286	2815228	12.075	2815551	12.112	2815873	2.041	2816262	12.951
2814983BA	15.286	2815229	12.075	2815551	12.114	2815881	13.090	2816263	12.951
2814983DS	15.286	2815230	12.941	2815551	12.182	2815883	13.090	2816275	4.685
2814983DU	15.286	2815231	12.277	2815566	12.116	2815885DR	12.582	2816277	4.685
2814983DX	15.286	2815231	13.092	2815574	3.710	2815885DT	12.582	2816278	4.680
2814983DY	15.286	2815232	11.629	2815575	3.710	2815885DU	12.582	2816279	4.680
2814984BA	15.306	2815240	11.629	2815579	12.174	2815885DV	12.582	2816280	4.681
2814984DS	15.306	2815246	3.787	2815580	12.174	2815885DW	12.582	2816282	4.685
2814984DU	15.306	2815256	12.581	2815581	12.174	2815887	1.652	2816285	4.681
2814984DX	15.306	2815257	11.629	2815582	11.015	2815888	1.653	2816287	11.015
2814984DY	15.306	2815258	11.629	2815583	11.015	2815892	9.644	2816288	11.015
2814985BA	15.306	2815265	10.529	2815585	0.659	2815893	9.644	2816297	8.798
2814985DS	15.306	2815266	10.529	2815586	0.659	2815896	12.958	2816298	8.798
2814985DU	15.306	2815269	1.429	2815587	0.659	2815909	12.942	2816311	2.822
2814985DX	15.306	2815271	2.697	2815596	11.634	2815914	10.550	2816312	2.822
2814985DY	15.306	2815285	3.609	2815615	11.629	2815915	3.451	2816316	12.182
2814986BA	15.306	2815290	2.810	2815616	11.629	2815916	3.451	2816320	11.628
2814986DS	15.306	2815292	3.001	2815632	10.694	2815917	14.818	2816329	11.015
2814986DU	15.306	2815293	11.634	2815638	9.262	2815929	10.507	2816330	11.015
2814986DX	15.306	2815300	12.116	2815643	9.217	2815930	10.507	2816345	12.182
2814986DY	15.306	2815301	12.582	2815646	12.948	2815949	10.777	2816346	12.182
2815007	11.611	2815308	12.116	2815647	12.948	2815952	2.555	2816349	11.628
2815016BA	12.580	2815309	12.116	2815652	12.116	2815952	4.038	2816360	12.811
2815018	9.220	2815310	12.116	2815653	12.116	2815956	10.507	2816361	12.811
2815041	12.075	2815311	12.116	2815658	11.011	2815969	12.237	2816370	13.092
2815042	12.075	2815312	12.116	2815659	11.011	2815970	12.237	2816372	10.783
2815046	11.611	2815313	12.116	2815664	8.304	2815972	8.304	2816375	12.116
2815047	11.611	2815314	12.116	2815665	8.304	2815973	12.966	2816376	12.116
2815068	10.702	2815315	12.116	2815665CLP	8.304	2815997	12.116	2816386BA	14.630
2815069	10.702	2815324	11.207	2815666	8.304	2815998	12.116	2816386BK	14.630
2815074	12.112	2815325	11.207	2815667	8.304	2816014	8.304	2816386BL	14.630
2815075	12.112	2815327	12.179	2815681	10.516	2816016	11.007	2816386CA	14.630
2815080	6.524	2815341	11.630	2815685	11.204	2816021	12.176	2816386CB	14.630
2815081	6.524	2815342	11.630	2815698	15.294	2816022	12.176	2816386CD	14.630
2815102	1.659	2815354	6.508	2815701	9.169	2816032	0.852	2816386CE	14.630
2815103	12.248	2815355	6.524	2815702	9.275	2816034	7.370	2816386CH	14.630
2815104	12.955	2815357	4.700	2815703	9.169	2816043	12.948	2816386CJ	14.630
2815106	11.011	2815369	12.195	2815704	9.169	2816044	12.948	2816386DA	14.630
2815107	11.011	2815370	12.195	2815709	9.169	2816049	9.171	2816386DB	14.630
2815109	4.826	2815381	0.852	2815712	9.275	2816058	12.196	2816386DD	14.630
2815112	11.611	2815400	15.101	2815720	11.040	2816059	12.196	2816386DE	14.630
2815125	6.606	2815401	15.101	2815723	7.241	2816060	12.196	2816386DG	14.630
2815126	6.606	2815467	12.180	2815727	12.811	2816073	12.982	2816387BA	14.630
2815127	6.606	2815468	12.180	2815728	12.811	2816083	7.012	2816387BK	14.630
2815128	6.606	2815469	10.152	2815754	12.116	2816108	11.628	2816387BL	14.630
2815130	6.606	2815470	10.152	2815765	11.629	2816116	12.174	2816387CA	14.630
2815131	6.606	2815472	10.147	2815773	12.942	2816121	12.580	2816387CB	14.630
2815138	0.027	2815478	12.948	2815779	10.694	2816122	12.580	2816387CD	14.630
2815153	11.629	2815479	12.948	2815785	11.040	2816126	12.942	2816387CE	14.630
2815162	5.803	2815485	11.629	2815786	11.040	2816132	11.628	2816387CH	14.630
2815185	4.826	2815486	10.500	2815790	11.041	2816135	12.811	2816387CJ	14.630
2815186	4.826	2815487	10.500	2815791	11.041	2816136	12.811	2816387DA	14.630
2815187	4.829	2815494	8.153	2815792	11.012	2816137	12.811	2816387DB	14.630
2815188	4.829	2815495	8.153	2815795	11.007	2816138	12.811	2816387DD	14.630
2815189	4.829	2815503	11.634	2815796	11.007	2816139	12.428	2816387DE	14.630
2815190	4.829	2815504	11.634	2815804	11.007	2816140	12.428	2816387DG	14.630
2815193	7.370	2815515	14.818	2815832	10.783	2816141	12.428	2816388	12.934
2815207	3.260	2815516	14.818	2815833	10.783	2816142	12.428	2816389	12.934
2815209BA	4.608	2815517	12.195	2815834	10.791	2816148	12.269	2816392	2.679
2815209DS	4.608	2815518	10.147	2815835	10.791	2816171	10.710	2816393	2.679

PART No.	GROUP	PART No.	GROUP	PART No.	GROUP	PART No.	GROUP	PART No.	GROUP
2816394	2.679	2816620	12.248	2816908	12.179	2817121	10.702	2817468	10.783
2816395	2.679	2816621	12.248	2816909	12.179	2817122	10.702	2817471DR	15.100
2816397	12.948	2816639	7.013	2816919	7.865	2817123	10.702	2817471DT	15.100
2816398	12.948	2816640	12.948	2816920	12.112	2817133	4.040	2817471DU	15.100
2816402	11.629	2816641	12.948	2816921	12.112	2817149	0.683	2817471DV	15.100
2816403	11.629	2816645BA	15.520	2816922	12.112	2817150	10.685	2817471DW	15.100
2816404	11.629	2816645DR	15.520	2816923	12.112	2817151	10.685	2817472DR	15.100
2816405	11.629	2816645DU	15.520	2816924	12.112	2817154	4.685	2817472DT	15.100
2816413	11.629	2816645DV	15.520	2816925	12.112	2817155	2.714	2817472DU	15.100
2816414	6.850	2816645DW	15.520	2816926	12.114	2817162	4.006	2817472DV	15.100
2816415	6.508	2816647BA	15.520	2816927	12.114	2817163	4.010	2817472DW	15.100
2816417	6.524	2816647DR	15.520	2816928	12.114	2817164	6.513	2817473	12.277
2816419	4.177	2816647DU	15.520	2816929	12.114	2817165	12.948	2817474	10.777
2816422	4.177	2816647DV	15.520	2816930	12.114	2817166	12.948	2817474	12.277
2816423	4.177	2816647DW	15.520	2816931	12.114	2817167	11.208	2817475	10.777
2816427	4.158	2816648BA	15.520	2816938BA	14.762	2817168	11.208	2817475	12.277
2816428	4.158	2816648DR	15.520	2816938DR	14.762	2817170	4.342	2817476	12.277
2816429	4.187	2816648DU	15.520	2816938DU	14.762	2817171	12.966	2817511	11.950
2816433	4.158	2816648DV	15.520	2816938DV	14.762	2817174	7.630	2817523	10.777
2816435	4.177	2816648DW	15.520	2816938DW	14.762	2817218	4.040	2817525	10.777
2816438	4.177	2816649BA	15.520	2816939BA	14.762	2817227	10.681	2817528	10.777
2816441	4.177	2816649DR	15.520	2816939DR	14.762	2817228	10.681	2817529	10.777
2816442	4.177	2816649DU	15.520	2816939DU	14.762	2817231	11.015	2817530	10.777
2816445	12.982	2816649DV	15.520	2816939DV	14.762	2817232	11.015	2817531	2.714
2816448	12.934	2816649DW	15.520	2816939DW	14.762	2817244	11.015	2817532	2.714
2816449	12.934	2816651	11.175	2816944	15.294	2817245	11.015	2817539	10.185
2816452	12.958	2816652	11.175	2816950	10.185	2817246	10.710	2817550	9.211
2816456	12.948	2816677	13.090	2816961	7.347	2817247	10.710	2817552	12.956
2816457	12.948	2816678	13.090	2816966	15.292	2817256	10.685	2817555	10.777
2816461	10.710	2816679	4.685	2816967	4.015	2817257	10.685	2817581	0.094
2816469BA	14.686	2816681	12.951	2816972BA	14.762	2817261	8.820	2817582	0.094
2816469DR	14.686	2816682	12.951	2816972DR	14.762	2817265	9.779	2817583	0.094
2816469DU	14.686	2816690	0.852	2816972DU	14.762	2817266	2.705	2817585	0.094
2816469DV	14.686	2816693	12.249	2816972DV	14.762	2817276	4.015	2817586	0.094
2816469DW	14.686	2816712	12.248	2816972DW	14.762	2817277	15.293	2817587	0.094
2816470BA	14.686	2816714	12.982	2816975	7.347	2817322	5.871	2817588	0.096
2816470DR	14.686	2816719	11.200	2816983	7.831	2817337BA	15.100	2817588	0.099
2816470DU	14.686	2816720	0.830	2816984	10.556	2817337DR	15.100	2817588	0.101
2816470DV	14.686	2816725	13.090	2816985	4.015	2817337DU	15.100	2817588	0.103
2816470DW	14.686	2816727	13.090	2816987	12.580	2817337DV	15.100	2817589	0.096
2816471	11.390	2816728	12.951	2816988	12.580	2817337DW	15.100	2817589	0.099
2816472	11.390	2816729	12.951	2816992	9.662	2817338BA	15.100	2817589	0.101
2816487	11.015	2816745	12.950	2816992	9.778	2817338DR	15.100	2817589	0.103
2816488	11.015	2816753	0.206	2816992	12.275	2817338DU	15.100	2817590	0.096
2816489	12.269	2816766	0.830	2817008	13.092	2817338DV	15.100	2817590	0.099
2816491	4.158	2816796	0.830	2817018	4.040	2817338DW	15.100	2817590	0.101
2816505	10.716	2816797	11.925	2817020	14.655	2817339	12.951	2817590	0.103
2816507	4.177	2816798	10.563	2817021	0.852	2817340	12.951	2817592	0.096
2816522	12.951	2816801	15.292	2817027	4.006	2817360	4.294	2817592	0.099
2816523	12.951	2816812	0.844	2817028	4.006	2817385	10.777	2817592	0.101
2816524	12.951	2816850	12.955	2817035	12.986	2817390	12.196	2817592	0.103
2816525	12.951	2816851	0.839	2817036	12.986	2817399	11.041	2817593	0.096
2816531	10.550	2816858	13.090	2817043	10.512	2817400	11.041	2817593	0.099
2816532	10.550	2816859	13.090	2817044	10.512	2817401	10.783	2817593	0.101
2816542	0.787	2816860	4.931	2817074	4.006	2817402	10.783	2817593	0.103
2816544	11.007	2816862	12.948	2817077	0.852	2817403	12.277	2817594	0.096
2816545	11.007	2816863	12.948	2817082	12.986	2817409	9.262	2817594	0.099
2816546	11.015	2816881	9.779	2817083	12.986	2817426	4.686	2817594	0.101
2816547	11.015	2816882	4.265	2817097	4.016	2817452	10.529	2817594	0.103
2816548	11.007	2816884	8.304	2817100	11.208	2817453	10.529	2817595	0.106
2816549	10.716	2816885	8.304	2817101	11.208	2817456	10.506	2817596	0.106
2816574	4.081	2816892	2.824	2817113	12.948	2817459	11.950	2817597	0.106
2816580	13.090	2816893	10.500	2817117	12.116	2817464	11.925	2817599	0.106
2816582	11.925	2816894	10.500	2817118	10.694	2817465	11.940	2817600	0.106
2816587	12.952	2816899	13.090	2817119	10.694	2817466	11.940	2817601	0.106
2816597	11.207	2816900	13.090	2817120	10.702	2817467	10.783	2817627	4.279

“HJ” PARTS CATALOGUE

PART No.	GROUP	PART No.	GROUP	PART No.	GROUP	PART No.	GROUP	PART No.	GROUP
2817629	4.279	2818038	4.256	2818586	14.691	2819409	12.895	2819526	0.629
2817631	4.265	2818092	5.545	2818587	8.798	2819410	12.895	2819527	0.629
2817632	4.265	2818093	5.546	2818628	9.280	2819411	10.373	2819528	0.629
2817633	4.265	2818094	6.758	2818632	9.262	2819412	10.373	2819529	0.629
2817634	4.265	2818095	6.758	2818633	9.262	2819413	10.373	2819576	7.020
2817657	12.810	2818096	6.758	2818641	9.211	2819414	10.373	2819577	7.020
2817658	12.810	2818115	1.219	2818642	9.262	2819415	10.373	2819589	3.704
2817661BA	14.650	2818116	1.219	2818652	4.015	2819416	10.373	2819590	3.704
2817661DR	14.650	2818117	1.219	2818692	9.280	2819417	10.373	2819591	3.704
2817661DU	14.650	2818118	1.219	2818693	9.262	2819418	10.373	2819593	3.265
2817661DV	14.650	2818119	1.219	2818694	9.262	2819419	10.373	2819593	4.205
2817661DW	14.650	2818124	1.219	2818697	9.262	2819420	10.373	2819595	7.020
2817673	12.982	2818125	1.219	2818731	9.199	2819421	10.373	2819600	10.159
2817695	10.150	2818129DR	15.100	2818739	9.662	2819422	10.373	2819601	10.159
2817707	8.132	2818129DT	15.100	2818785CY	15.310	2819423	12.913	2819605	4.054
2817707	12.182	2818129DU	15.100	2818785DR	15.310	2819424	12.913	2819631	7.020
2817718CY	14.650	2818129DV	15.100	2818785DT	15.310	2819426	9.628	2819633CY	12.810
2817718DS	14.650	2818129DW	15.100	2818785DU	15.310	2819427	9.628	2819633DR	12.810
2817718DX	14.650	2818130DR	15.100	2818785DV	15.310	2819428	9.628	2819633DV	12.810
2817718DY	14.650	2818130DT	15.100	2818785DW	15.310	2819429	9.628	2819633DW	12.810
2817719CY	14.650	2818130DU	15.100	2818819	9.170	2819430	9.628	2819660	9.628
2817719DS	14.650	2818130DV	15.100	2818853	6.897	2819431	9.628	2819661	9.628
2817719DX	14.650	2818130DW	15.100	2818894	2.679	2819441CY	15.024	2819662	9.628
2817719DY	14.650	2818151	5.586	2818897	3.798	2819441DS	15.024	2819693BA	14.650
2817726	12.972	2818154	9.220	2818911	9.220	2819441DX	15.024	2819693DR	14.650
2817736	4.009	2818184	15.293	2818929	0.519	2819441DY	15.024	2819693DU	14.650
2817737	4.009	2818188	3.609	2818984	9.276	2819442CY	15.024	2819693DV	14.650
2817738	5.002	2818189	3.609	2818985	9.276	2819442DS	15.024	2819693DW	14.650
2817774	4.003	2818190	3.705	2819001	4.030	2819442DX	15.024	2819694BA	14.650
2817775	4.003	2818191	3.705	2819015	10.777	2819442DY	15.024	2819694DR	14.650
2817779	4.003	2818195	4.041	2819022	2.041	2819443CY	15.024	2819694DU	14.650
2817811	2.665	2818198	3.710	2819075	4.055	2819443DS	15.024	2819694DV	14.650
2817812	2.665	2818199	14.655	2819098	0.643	2819443DX	15.024	2819694DW	14.650
2817813	2.705	2818200	12.810	2819099	0.643	2819443DY	15.024	2819696	0.643
2817823	15.036	2818201	12.810	2819100	0.643	2819454	0.269	2819697	0.643
2817866	2.697	2818202	12.810	2819101	0.643	2819457	0.269	2819698	0.643
2817867	13.090	2818203	12.810	2819164	10.466	2819458	0.289	2819699	0.643
2817874	4.342	2818214	9.280	2819165	10.466	2819462	0.095	2819712	5.809
2817876	9.169	2818326	7.345	2819169	12.116	2819462	0.098	2819714	5.017
2817877	9.169	2818329	7.345	2819170	12.116	2819462	0.100	2819718	5.017
2817878	9.217	2818345	7.240	2819177	9.281	2819462	0.102	2819720	5.017
2817879	6.670	2818388	9.215	2819178	9.281	2819465	0.095	2819724	5.017
2817884	2.361	2818390	4.103	2819179	9.281	2819465	0.098	2819726	5.018
2817915	9.278	2818403	10.777	2819181	9.281	2819465	0.100	2819727	5.018
2817917	3.001	2818403	12.277	2819184	7.020	2819465	0.102	2819728	5.018
2817923	3.003	2818405	2.694	2819186	9.662	2819472	1.429	2819729	5.018
2817925	3.001	2818406	3.706	2819187	9.662	2819473	1.159	2819770	1.762
2817926	3.001	2818413	10.563	2819188	9.662	2819474	1.159	2819771	2.270
2817928	3.001	2818414	10.563	2819189	9.662	2819505	0.629	2819802	7.640
2817929	3.001	2818456	9.779	2819190	9.662	2819506	0.629	2819807	4.054
2817932	3.001	2818466	11.561	2819191	9.662	2819507	0.629	2819814	6.605
2817933	3.001	2818476	6.361	2819200	12.116	2819508	0.629	2819819	9.644
2817934	3.001	2818477	6.361	2819201	12.116	2819509	0.629	2819855	4.081
2817935	3.001	2818478	6.361	2819202	12.075	2819510	0.629	2819856	4.081
2817999	9.280	2818480	6.361	2819203	12.075	2819511	0.629	2819857	9.600
2818000	9.280	2818481	6.361	2819239	14.860	2819512	0.629	2819858	9.600
2818001	9.262	2818482	6.361	2819241	14.641	2819513	0.629	2819859	9.600
2818002	9.262	2818485	7.503	2819259	7.003	2819514	0.629	2819861	9.600
2818003	9.262	2818487	7.503	2819263	7.003	2819515	0.629	2819890BA	15.024
2818020	10.187	2818500	7.345	2819264	7.003	2819519	0.629	2819890DS	15.024
2818021	10.187	2818506	4.700	2819278	9.278	2819520	0.629	2819890DX	15.024
2818022	10.187	2818538	4.006	2819283	12.803	2819521	0.629	2819890DY	15.024
2818023	10.187	2818539	4.040	2819324	10.185	2819522	0.629	2819936	7.345
2818024	10.187	2818540	4.041	2819332	7.020	2819523	0.629	2819937	7.345
2818028	7.020	2818541	4.040	2819375	4.006	2819524	0.629	2819950	4.655
2818029	7.020	2818544	4.040	2819377	2.041	2819525	0.629	2819992	11.208

"HJ" PARTS CATALOGUE

PART No.	GROUP	PART No.	GROUP	PART No.	GROUP	PART No.	GROUP	PART No.	GROUP
2820035	3.003	2820281	2.700	2820518DW	15.100	2820778	4.265	2822480	4.680
2820037	3.003	2820284	4.038	2820518DZ	15.100	2820816	1.251	2822485	8.800
2820052	3.003	2820285	4.038	2820518EA	15.100	2820823	10.187	2822488	3.003
2820053	3.024	2820286	4.038	2820519	3.028	2820830	3.260	2822489	3.003
2820054	3.001	2820294	7.112	2820520BA	14.640	2820830	9.779	2822490	3.003
2820055	3.003	2820295	7.112	2820520CA	14.640	2820844	2.424	2822491	3.003
2820056	3.024	2820311	4.055	2820520CB	14.640	2820848	9.220	2822497	10.681
2820057	3.024	2820345	5.517	2820520CD	14.640	2820857	4.256	2822498	10.681
2820058	3.003	2820346	9.620	2820520CE	14.640	2820888	4.233	2822499	8.055
2820060	3.001	2820347	9.620	2820520CG	14.640	2820889	4.265	2822500	10.741
2820063	0.852	2820352	9.620	2820520CJ	14.640	2820892	9.779	2822501	10.741
2820066	0.852	2820353	9.620	2820520DA	14.640	2820899	3.701	2822502	10.741
2820067	0.852	2820354	3.704	2820520DB	14.640	2820903	7.523	2822503	10.741
2820068	0.852	2820360BA	14.640	2820520DC	14.640	2820930	0.423	2822504	10.741
2820071	0.852	2820360CA	14.640	2820520DE	14.640	2820995	4.158	2822505	10.741
2820072	0.852	2820360CB	14.640	2820520DF	14.640	2820996	6.020	2822510	0.830
2820087	7.118	2820360CD	14.640	2820520DG	14.640	2820997	6.020	2822513	10.827
2820095	1.219	2820360CE	14.640	2820520DR	14.640	2821867	9.195	2822514	10.827
2820096	1.219	2820360CG	14.640	2820520DU	14.640	2822013	3.710	2822515	10.827
2820097	1.219	2820360DR	14.640	2820520DV	14.640	2822032	3.158	2822516	10.827
2820098	1.219	2820360DU	14.640	2820520DW	14.640	2822055	9.171	2822517	10.827
2820099	1.219	2820360DV	14.640	2820522DR	15.308	2822065	4.177	2822518	10.827
2820101	1.219	2820360DW	14.640	2820522DT	15.308	2822078	6.896	2822519	11.204
2820102	1.219	2820371	5.858	2820522DU	15.308	2822091	4.040	2822520	11.204
2820103	1.219	2820379BA	14.630	2820522DV	15.308	2822093	4.041	2822521	11.204
2820110	4.265	2820379CA	14.630	2820522DW	15.308	2822140	13.090	2822522	11.011
2820111	2.361	2820379CG	14.630	2820523DR	15.308	2822149	3.158	2822523	11.011
2820115	12.810	2820379CJ	14.630	2820523DT	15.308	2822163	4.006	2822524	11.011
2820116	12.810	2820379CY	14.630	2820523DU	15.308	2822224BA	14.640	2822525	11.011
2820166	12.982	2820379DD	14.630	2820523DV	15.308	2822224DR	14.640	2822526	11.204
2820169CY	12.810	2820379DD	14.630	2820523DW	15.308	2822224DU	14.640	2822527	11.204
2820169DR	12.810	2820379DG	14.630	2820524DR	15.100	2822224DV	14.640	2822563	4.902
2820169DV	12.810	2820380BA	14.630	2820524DT	15.100	2822224DW	14.640	2822598	6.361
2820169DW	12.810	2820380CA	14.630	2820524DU	15.100	2822252	11.611	2822599	6.361
2820172	9.280	2820380CG	14.630	2820524DV	15.100	2822253	4.265	2822600	6.361
2820196	1.219	2820380CJ	14.630	2820524DW	15.100	2822256	9.779	2822601	6.361
2820197	1.219	2820380CY	14.630	2820525DR	15.100	2822269	3.003	2822614	2.819
2820198	1.219	2820380DB	14.630	2820525DT	15.100	2822280	14.641	2822620	9.275
2820199	1.219	2820380DD	14.630	2820525DU	15.100	2822281	15.024	2822621	9.220
2820200	9.620	2820380DG	14.630	2820525DV	15.100	2822281	15.025	2822621	9.779
2820201	9.620	2820382	9.644	2820525DW	15.100	2822287	15.292	2822622	9.220
2820205	5.420	2820392	9.656	2820527	3.705	2822300	3.003	2822622	9.779
2820206	5.420	2820398	12.030	2820528	4.433	2822318	9.779	2822623	9.220
2820209	2.485	2820426	7.535	2820530	5.110	2822329	3.159	2822623	9.779
2820210	3.609	2820429	2.725	2820531	5.110	2822331	12.196	2822624	9.220
2820212	3.705	2820433	14.641	2820549	2.342	2822332	12.196	2822625	9.220
2820213	4.005	2820455	3.705	2820609BA	15.024	2822340	7.632	2822625	9.779
2820214	4.005	2820471	3.260	2820609DR	15.024	2822348	3.001	2822626	9.281
2820230	4.256	2820472	3.260	2820609DT	15.024	2822349	3.001	2822627	9.281
2820232	4.256	2820473	3.260	2820609DU	15.024	2822350	3.001	2822644CY	15.306
2820233CY	12.810	2820478	3.609	2820609DV	15.024	2822351CY	15.025	2822644DS	15.306
2820233DR	12.810	2820480	1.064	2820609DW	15.024	2822351DR	15.025	2822644DU	15.306
2820233DV	12.810	2820482	3.609	2820609DZ	15.024	2822351DU	15.025	2822644DX	15.306
2820233DW	12.810	2820504	2.270	2820609EA	15.024	2822351DV	15.025	2822644DY	15.306
2820240	0.852	2820505	2.270	2820670	7.345	2822351DW	15.025	2822647	7.503
2820241	0.852	2820510	15.222	2820671	7.345	2822353	9.665	2822668	8.013
2820246	3.159	2820512	7.516	2820682	4.030	2822464BA	15.306	2822679	9.220
2820259BA	4.592	2820513	9.280	2820683	12.972	2822464DS	15.306	2822679	9.779
2820259DS	4.592	2820516	5.387	2820687	7.345	2822464DU	15.306	2822693DR	14.640
2820259DU	4.592	2820517BA	15.100	2820688	7.345	2822464DX	15.306	2822693DV	14.640
2820259DX	4.592	2820517DV	15.100	2820694	4.421	2822464DY	15.306	2822693DW	14.640
2820259DY	4.592	2820517DW	15.100	2820696	4.415	2822465BA	15.306	2822700	15.306
2820260	9.664	2820517DZ	15.100	2820727	3.265	2822465DS	15.306	2822708	9.220
2820271	4.829	2820517EA	15.100	2820727	4.931	2822465DU	15.306	2822709	9.220
2820272	9.658	2820518BA	15.100	2820743	4.265	2822465DX	15.306	2822709	9.779
2820277	9.658	2820518DV	15.100	2820777	4.265	2822465DY	15.306	2822710	9.220

NUMERICAL INDEX

PART No.	GROUP	PART No.	GROUP	PART No.	GROUP	PART No.	GROUP	PART No.	GROUP
2822711	9.220	2823273	9.680	2823933	9.644	2825171	7.012	2825869	3.265
2822721	12.582	2823360	7.524	2823973	9.262	2825172	7.003	2825882	0.519
2822733C	9.684	2823366BA	15.040	2823981	1.108	2825173	7.003	2825904	5.813
2822733TN	9.684	2823366DS	15.040	2823988	1.069	2825174	7.016	2825954	3.720
2822734C	9.684	2823366DX	15.040	2823991	1.270	2825175	7.016	2825988	4.430
2822734TN	9.684	2823366DY	15.040	2824011	9.644	2825179	8.820	2829783	15.292
2822755	8.823	2823374	7.632	2824013	9.644	2825180	8.820	2829795	4.103
2822766	4.902	2823393	3.710	2824038	3.110	2825184	4.265	2829913	11.610
2822768	4.902	2823408	9.680	2824074	2.555	2825250	6.103	2829914	11.611
2822798	2.270	2823409	10.777	2824076	2.555	2825251	6.103	2829915	11.611
2822856	9.668	2823409	11.925	2824144	4.829	2825256	11.950	2829916	11.611
2822857	9.668	2823409	11.940	2824245	10.569	2825257	11.925	2829917	11.611
2822858	9.668	2823409	13.092	2824254	11.373	2825271	3.731	2829925	6.326
2822870	4.040	2823410	11.925	2824255	2.585	2825280	7.345	2829973	11.611
2822871	4.040	2823410	11.940	2824280	1.064	2825280	8.823	2829974	11.610
2822872	4.040	2823413	4.625	2824303	4.279	2825287	1.265	2829981BA	14.762
2822873	4.040	2823470	7.016	2824307	6.895	2825288	1.265	2829981DR	14.762
2822874	4.040	2823473	7.831	2824345	6.307	2825289	1.265	2829981DU	14.762
2822896	10.185	2823480	10.185	2824362	4.649	2825290	1.265	2829981DV	14.762
2822913	8.130	2823492	9.680	2824384	9.644	2825291	1.265	2829981DW	14.762
2822914	8.130	2823493	10.187	2824391	2.728	2825292	1.265	2829982BA	14.762
2822916	4.680	2823494	10.187	2824451	4.265	2825293	2.728	2829982DR	14.762
2822917	4.006	2823499	8.823	2824453	4.265	2825309	1.266	2829982DU	14.762
2822918	7.503	2823512	5.871	2824463	3.705	2825323CY	2.830	2829982DV	14.762
2822919	7.503	2823546	7.836	2824464	3.705	2825323DS	2.830	2829982DW	14.762
2822920	9.616	2823547	7.836	2824484	11.373	2825323DX	2.830	2962243	4.055
2822921	9.616	2823548	7.836	2824526	6.307	2825323DY	2.830	2962243	13.090
2822924	4.591	2823549	7.836	2824541	1.073	2825325	3.701	2962447	11.950
2822933	4.103	2823557	2.585	2824553	1.069	2825388	2.822	2962448	2.555
2822944	4.196	2823558	2.585	2824609	4.015	2825480	2.275	2962448	4.055
2822947	3.260	2823559	1.266	2824613	12.243	2825518	4.006	2962448	9.276
2822948	3.260	2823579BA	15.520	2824649	6.758	2825519	4.006	2962448	10.270
2823058	3.003	2823579DR	15.520	2824700	4.685	2825523	2.830	2962448	10.777
2823076BA	15.520	2823579DU	15.520	2824711	4.685	2825526	9.644	2962448	12.277
2823076DV	15.520	2823579DV	15.520	2824718	6.524	2825528	4.009	2962449	2.555
2823076DW	15.520	2823579DW	15.520	2824731	7.347	2825536	8.154	2962449	2.694
2823082	5.855	2823586	3.710	2824740	7.503	2825541	5.855	2962449	10.777
2823091	2.895	2823587	3.710	2824741	7.503	2825542	5.420	2962510	13.090
2823098	5.871	2823588	3.710	2824742	7.345	2825558CY	2.830	2962551	2.555
2823196	12.803	28235991	10.222	2824743	7.345	2825558DS	2.830	2962551	10.777
2823197	12.803	2823630	3.003	2824768	7.518	2825558DX	2.830	2962674	2.258
2823213BA	10.203	2823630	3.202	2824769	7.518	2825558DY	2.830	2962679	2.555
2823213DR	10.203	2823652	5.803	2824784	5.803	2825573	12.972	2962679	4.055
2823213DU	10.203	2823661	2.727	2824813	5.387	2825609	9.190	2962910	2.555
2823213DV	10.203	2823664	7.016	2824871	9.684	2825620	2.555	2962964	2.596
2823213DW	10.203	2823665	7.016	2824872	9.684	2825622	3.705	2962964	10.777
2823214BA	10.203	2823666	7.016	2824873	9.684	2825634	7.535	2962965	2.555
2823214DR	10.203	2823667	4.223	2824884	9.644	2825635	5.395	2962967	2.555
2823214DU	10.203	2823679	1.265	2824885	11.925	2825652	5.395	2962967	4.055
2823214DV	10.203	2823680	1.265	2824886	9.644	2825687	6.670	2962967	9.276
2823214DW	10.203	2823681	1.265	2824896	15.294	2825700	8.154	2962969	2.555
2823215BA	10.203	2823682	1.265	2824950	9.778	2825748	6.361	2962969	10.777
2823215DR	10.203	2823683	1.265	2824954	2.342	2825749	6.361	2962969	13.090
2823215DU	10.203	2823684	1.265	2824955	2.341	2825750	6.361	2962984	2.596
2823215DV	10.203	2823750	9.276	2824959	9.662	2825751	7.503	2962984	2.697
2823215DW	10.203	2823803	4.651	2824999	3.003	2825752	7.503	2962984	10.777
2823216BA	10.203	2823805	10.694	2825000	3.003	2825753	7.503	2962984	12.277
2823216DR	10.203	2823806	10.694	2825019	2.274	2825773	6.518	2962984	13.090
2823216DU	10.203	2823821	13.090	2825077	7.020	2825774	6.518	2965073	9.276
2823216DV	10.203	2823839	1.064	2825090	10.563	2825784	8.800	2965736	2.251
2823216DW	10.203	2823840	1.064	2825091	4.279	2825811	12.030	2965987	2.258
2823265	8.800	2823841	1.064	2825091	4.294	2825815	10.027	2971627	12.277
2823266	8.800	2823849	5.816	2825167	7.003	2825816	10.027	2973172	10.777
2823270	9.680	2823850	0.269	2825168	7.003	2825822	10.027	2973172	13.090
2823271	10.185	2823851	0.269	2825169	7.014	2825823	10.027	2973345	13.092
2823272	9.680	2823884	9.680	2825170	7.013	2825827	12.030	2973407	2.555

"HJ" PARTS CATALOGUE

PART No.	GROUP	PART No.	GROUP	PART No.	GROUP	PART No.	GROUP	PART No.	GROUP
2973407	9.276	3790864	1.658	3901063	12.248	4556605	11.611	5258043	4.166
2973431	2.697	3792359	9.170	3901064	2.188	4556605	11.629	5258046	4.129
2973431	4.055	3793825	9.220	3901064	10.550	4566746	10.806	5258054	4.177
2973603	10.777	3798256	0.831	3901064	12.248	4566746	11.045	5258055	4.177
2973603	13.090	3798256	4.626	3901065	2.188	4576655	10.506	5258057	4.163
2977253	9.778	3799830	4.156	3901065	10.550	4576655	10.507	5258058	4.163
2977417	2.251	3805921	4.256	3901065	12.248	4576655	10.556	5258062	4.294
2977470	10.777	3814026	3.603	3903539	8.918	4576655	12.241	5258065	4.177
2977673	12.277	3820840	4.104	3903539	9.190	4587931	10.550	5258066	4.177
2977763	4.055	3824475	6.655	3905449	4.133	4649282	12.237	5258076	4.295
2977763	12.277	3829058	1.762	3909982	3.459	4770719	10.695	5258082	4.294
2984164	2.555	3829086	3.275	3911068	0.303	4780518	12.248	5258087	4.177
2984169	2.555	3829139	4.195	3911670	9.180	4839529	10.559	5258090	4.129
2984528	9.778	3835215	8.800	3919812	3.403	4849850	9.275	5258091	4.129
3004686	9.779	3835487	3.275	3922831	10.266	4884405	10.553	5258093	4.128
3011293	9.779	3835665	1.516	3924414	3.430	4904213	10.784	5258094	4.128
3015545	9.215	3835946	0.209	3925749	9.220	4904213	10.792	5258095	4.153
3016305	9.211	3836540	8.800	3927791	1.064	4904213	12.280	5258100	4.127
3017086	9.213	3836710	3.275	3932255	4.317	4905337	12.280	5258106	4.127
3027062	9.215	3836755	0.308	3934137	10.266	4909699	10.784	5258109	4.166
3027134	9.215	3837115	1.610	3934260	8.009	4909699	10.792	5258112	4.166
3140600	9.220	3840818	9.220	3937781	1.050	4913821	12.280	5258116	4.128
3140852	9.220	3843020	9.220	3942672	9.199	4916378	10.784	5258119	4.226
3147463	9.213	3843698	3.028	3947772	1.064	4916378	10.792	5258121	4.128
3150822	9.262	3845648	6.660	3974420	4.133	4916380	10.784	5258124	4.164
3427059	9.779	3848255	6.660	3979727	9.275	4916380	10.792	5258128	4.158
3427100	9.190	3850525	4.156	3980267	0.209	4916380	12.280	5258129	4.158
3428703	11.204	3850581	9.171	3987936	4.354	4917191	10.784	5258130	4.224
3697750	12.116	3850591	3.028	4110660	10.466	4917191	10.792	5258132	4.128
3702366	1.609	3857018	12.966	4110664	10.506	4917375	12.280	5258137	4.158
3706737	9.170	3861040	7.371	4110664	10.556	4917377	10.784	5258140	4.226
3707189	4.412	3871649	4.317	4150462	10.466	4917377	10.792	5258141	4.195
3708408	3.403	3883891	9.220	4157887	10.783	4917377	12.280	5258143	4.226
3710497	4.128	3884574	3.726	4157887	10.791	4918916	10.784	5258145	4.265
3711176	0.309	3888457	9.180	4157887	11.041	4918916	10.792	5258149	4.279
3713379	0.027	3891794	9.262	4157887	12.272	4918916	12.280	5258158	4.103
3714792	5.545	3894701	5.537	4158116	12.207	4919192	10.784	5258159	4.127
3717682	4.317	3894702	5.537	4158117	12.207	4919192	10.792	5258160	4.265
3719206	3.900	3894703	5.537	4158245	10.783	4919192	11.043	5258161	4.226
3730562	15.282	3894704	5.537	4158245	10.791	4960538	9.215	5258166	4.040
3736406	0.683	3894705	5.537	4158245	11.042	5045365	12.280	5258166	4.226
3748710	9.281	3894706	5.537	4158245	12.272	5045585	10.784	5258179	4.265
3749084	0.852	3894707	5.537	4158246	10.783	5045585	11.043	5258180	4.265
3749084	4.020	3894708	5.537	4158246	10.791	5045586	10.784	5258181	4.265
3749084	4.035	3894709	5.537	4158246	11.042	5045586	11.043	5258183	4.228
3749084	4.040	3894710	5.537	4158246	12.272	5045593	10.784	5258185	4.233
3749086	1.246	3894711	5.537	4168122	10.513	5045593	10.792	5258186	4.228
3750685	3.163	3894712	5.537	4168122	10.797	5045594	10.784	5258190	4.251
3752901	5.545	3894713	5.537	4168122	11.044	5045594	10.792	5258191	4.103
3760716	9.281	3894714	5.537	4171918	10.783	5098080	10.784	5258193	4.265
3770112	4.830	3894715	5.537	4171918	10.791	5098080	10.792	5258199	4.318
3770598	2.414	3894716	5.537	4171918	11.041	5098080	12.280	5258202	4.129
3774937	3.107	3894717	5.537	4304426	11.581	5232795	0.459	5258203	4.129
3775050	4.376	3894718	5.537	4403686	8.977	5257956	5.531	5258204	4.129
3775052	4.376	3894719	5.537	4436814	11.015	5258002	4.166	5258205	4.129
3775061	4.428	3895904	9.281	4465224	10.571	5258004	4.166	5258206	4.129
3775063	4.423	3895976	9.220	4469196	10.571	5258005	4.166	5258207	4.129
3775089	4.382	3896934	0.309	4469197	10.571	5258017	4.163	5258212	4.265
3784609	4.226	3901061	2.188	4491086	11.007	5258019	4.163	5258213	4.265
3784834	0.626	3901061	10.550	4491087	10.685	5258021	4.189	5258216	4.265
3786275	3.163	3901061	12.248	4491087	11.007	5258025	4.163	5258219	4.226
3787240	4.103	3901062	2.188	4491088	10.685	5258035	4.163	5258240	4.265
3788444	1.429	3901062	10.550	4491088	11.007	5258038	4.165	5258243	4.265
3789860	0.033	3901062	12.248	4491090	11.007	5258039	4.165	5258244	4.265
3789860	0.553	3901063	2.188	4493796	12.275	5258041	4.166	5258253	4.279
3789898	3.273	3901063	10.550	4556605	11.420	5258042	4.166	5258275	0.683

NUMERICAL INDEX

"HJ" PARTS CATALOGUE

PART No.	GROUP	PART No.	GROUP	PART No.	GROUP	PART No.	GROUP	PART No.	GROUP
5258276	0.683	5455481	4.667	5910745	9.213	7029912	3.763	7382325	11.015
5258284	4.163	5455487	4.669	5910775	9.170	7030677	3.735	7400144	8.077
5258285	4.163	5460195	4.654	5914719	9.188	7031105	3.763	7400162	4.352
5258286	4.294	5462635	4.654	5914730	9.180	7031231	3.791	7400181	4.103
5258289	4.166	5462637	4.657	6255523	0.626	7031925	3.799	7400181	5.400
5258293	4.156	5462642	4.657	6255641	4.133	7031976	3.754	7400256	4.317
5258323	4.166	5463805	4.251	6256437	4.764	7031977	3.754	7400256	5.400
5258329	4.256	5464418	4.653	6256636	2.362	7032324	3.776	7400279	5.543
5258333	4.265	5464424	4.655	6257880	4.294	7032508	3.787	7400280	5.542
5258338	4.265	5467356	4.656	6270078	1.123	7033747	3.772	7400948	4.040
5258338	4.279	5574397	1.837	6288538	10.777	7033751	3.771	7401111	1.154
5258339	4.212	5575416	1.837	6288539	10.777	7034320	3.806	7401296	0.033
5258340	4.265	5592046	3.906	6288890	2.555	7034356	3.787	7401304	0.683
5258342	4.256	5592850	3.902	6288909	10.777	7034522	3.806	7401651	12.277
5258344	4.226	5592851	3.921	6294016	9.276	7034845	3.806	7401662	2.714
5258350	4.153	5592852	3.921	6294142	9.778	7034849	3.806	7401768	11.374
5258351	4.158	5593301	3.902	6294142	10.777	7034903	3.788	7401768	11.420
5258366	4.294	5593404	3.904	6294142	11.950	7034975	3.787	7401768	11.611
5258383	4.256	5593866	3.909	6294206	11.950	7035130	3.771	7401768	11.629
5258443	4.265	5623374	3.909	6294288	2.555	7035344	3.780	7402029	0.870
5258484	4.317	5651393	3.787	6294643	2.555	7035523	3.735	7402119	11.634
5258493	4.337	5666683	6.527	6413700	3.925	7035772	3.735	7402119	12.241
5258494	4.337	5666693	6.530	6413712	3.922	7035790	3.748	7402364	12.248
5258509	4.265	5666887	6.842	6413724	3.926	7036019	3.788	7402366	12.248
5258528	4.163	5666888	6.843	6413726	3.926	7036067	3.798	7402384	12.247
5258543	4.166	5667628	6.861	6414278	3.921	7036425	3.764	7403873	10.556
5258545	4.177	5671921	6.524	6414391	3.921	7036430	3.789	7405107	3.767
5258547	4.256	5675186	6.524	6415453	3.902	7036430	3.791	7405109	3.751
5258553	4.177	5679626	6.168	6416345	3.910	7036565	3.724	7405112	3.773
5258554	4.177	5679629	6.168	6416623	3.920	7036741	3.725	7405118	3.789
5258555	4.177	5686837	4.177	6420265	3.410	7036743	3.748	7405120	3.792
5258563	4.233	5687898	6.614	6421976	1.762	7037314	3.779	7405121	3.792
5258564	4.233	5688011	6.610	6424440	3.415	7037316	3.773	7405122	3.791
5258566	4.233	5688014	6.609	6424450	3.415	7037317	3.775	7405124	3.791
5258569	4.228	5688015	6.635	6424498	3.415	7037319	3.762	7405125	3.791
5258572	4.233	5688034	6.612	6424750	3.415	7037337	3.778	7405131	3.757
5258578	4.265	5688035	6.674	6437741	4.224	7038167	3.799	7405133	3.778
5258579	4.265	5688037	6.612	6482655	4.038	7038239	3.799	7405136	3.784
5258581	4.265	5688043	6.612	6484435	3.415	7038964	3.763	7405138	3.783
5258582	4.265	5688044	6.609	6485974	3.410	7038967	3.799	7405139	3.787
5258584	4.265	5688047	6.610	6486638	3.415	7039168	3.725	7405140	3.778
5258586	4.226	5688049	6.674	6550835	9.175	7039188	3.725	7405140	3.783
5258600	4.265	5688109	6.635	6555320	9.188	7040691	3.778	7405141	3.778
5258805	4.265	5689351	6.630	6555328	9.175	7041300	3.725	7405144	3.756
5258807	4.265	5689352	6.630	6555329	9.181	7042457	3.741	7405145	3.784
5258850	4.226	5689357	6.608	6555330	9.175	7043634	3.735	7405146	3.757
5258939	4.226	5689358	6.612	6555338	9.181	7045823	3.735	7405147	3.772
5258989	4.163	5689359	6.612	6555384	9.181	7048028	3.780	7405153	3.783
5258990	4.163	5689388	6.614	6555385	9.170	7077093	2.333	7405156	3.775
5259609	4.177	5689546	6.606	7002117	3.760	7084112	7.243	7405158	3.767
5259666	4.233	5690732	6.524	7002121	3.734	7100321	11.374	7405159	3.784
5259667	4.128	5690857	6.611	7003176	3.734	7100321	15.520	7405160	3.782
5289527	2.258	5690858	6.610	7005109	3.798	7117579	8.991	7405162	3.787
5290441	2.258	5690977	6.524	7005109	3.799	7139364	2.384	7405165	3.729
5297727	10.777	5693014	6.635	7006092	10.550	7175429	2.555	7405165	3.789
5297797	4.055	5693027	6.870	7011479	3.742	7175429	13.092	7405166	3.763
5297797	13.090	5693552	6.168	7014699	3.763	7187392	9.779	7405166	3.795
5452315	4.653	5694191	6.521	7026138	3.783	7308858	9.275	7405167	3.763
5452322	4.652	5696245	6.606	7026339	3.799	7308915	9.779	7405167	3.795
5452519	4.656	5697702	6.861	7027270	3.798	7376637	12.186	7405170	3.775
5452520	4.655	5699251	6.524	7029087	3.765	7377884	14.655	7405562	2.370
5453620	4.654	5699603	6.521	7029849	3.760	7377884	14.685	7405590	2.083
5454797	5.158	5713260	12.248	7029862	3.810	7377884	14.760	7405604	2.108
5454798	5.158	5718404	12.272	7029866	3.789	7377884	14.803	7405613	2.372
5455298	4.667	5887997	9.170	7029899	3.737	7377884	15.100	7405614	2.372
5455421	4.669	5910594	9.198	7029900	3.737	7382324	11.015	7405615	2.372

"HJ" PARTS CATALOGUE

PART No.	GROUP	PART No.	GROUP	PART No.	GROUP	PART No.	GROUP	PART No.	GROUP
7405633	2.316	7415519	9.787	7420175	0.297	7423203	7.852	7425039	8.800
7405638	2.410	7415559	8.085	7420176	0.297	7423279	5.529	7425228	8.800
7405645	2.102	7415654	4.685	7420177	0.297	7423284	1.153	7425229	8.800
7405703	2.280	7415943	3.900	7420240	3.763	7423304	5.188	7425230	8.800
7405705	2.279	7415999	12.186	7420244	3.764	7423305	3.202	7425234	8.800
7405754	5.019	7416237	2.487	7420254	3.797	7423350	12.182	7425272	10.150
7406004	0.683	7416288	2.705	7420311	0.666	7423454	2.239	7425330	8.800
7406032	8.798	7416288	11.950	7420312	0.669	7423483	1.453	7425360	8.800
7406323	2.387	7416898	10.516	7420335	3.771	7423483	4.195	7425610	12.184
7406323	2.500	7417028	8.800	7420336	4.205	7423613	1.643	7425653	5.460
7406618	2.063	7417270	12.203	7420345	0.033	7423613	2.374	7425671	12.112
7406701	3.771	7417271	12.203	7420405	11.204	7423616	0.536	7425671	12.116
7406742	2.385	7417272	12.203	7420418	12.237	7423694	1.071	7425931	5.504
7406788	4.931	7417423	12.212	7420419	12.241	7423709	3.003	7426095	12.247
7406835	2.108	7417478	2.892	7420476	2.333	7424068	8.024	7426096	12.249
7406859	2.100	7417490	1.611	7420483	3.028	7424161	3.028	7426097	12.249
7406900	2.387	7417580	12.203	7420492	12.237	7424162	3.028	7426098	12.247
7406900	2.500	7417652	4.045	7420598	11.207	7424198	2.824	7426099	12.248
7407400	5.539	7417652	4.046	7420687	3.901	7424218	3.008	7426100	12.248
7407782	12.241	7417652	4.050	7420688	3.925	7424249	8.024	7426101	12.247
7407811	11.634	7417686	4.265	7420715	4.666	7424249	11.634	7426103	12.247
7407811	12.241	7418439	4.035	7420762	5.151	7424387	2.670	7426133	3.403
7408094	5.460	7418439	4.040	7420798	0.649	7424387	7.796	7426138	3.403
7408095	5.460	7418449	10.777	7420831	12.952	7424387	12.121	7426190	12.247
7408096	5.460	7418525	12.972	7420837	12.184	7424387	12.182	7426194	12.195
7408097	5.460	7418544	4.610	7420847	2.087	7424398	12.237	7426211	3.201
7408098	5.460	7418548	5.387	7420850	2.306	7424550	3.763	7426303	9.743
7408099	5.460	7418624	12.241	7420853	2.298	7424551	3.780	7426308	12.237
7408100	5.460	7418625	12.241	7420876	12.203	7424555	3.779	7426309	12.237
7408627	12.186	7418802	4.610	7420877	12.203	7424617	3.731	7426356	8.798
7408725	10.506	7418929	4.610	7421049	4.081	7424617	3.781	7426387	7.347
7408725	12.241	7418993	10.263	7421214	0.636	7424618	3.731	7426387	12.277
7409058	6.830	7419016	3.003	7421381	10.150	7424618	3.781	7426400	12.182
7409160	0.798	7419064	1.928	7421475	5.504	7424631	2.087	7426400	12.248
7409209	2.670	7419196	10.556	7421634	5.531	7424633	2.096	7426400	12.942
7409209	7.796	7419355	12.240	7421642	5.536	7424644	2.049	7426417	9.778
7409209	12.966	7419480	11.629	7421643	5.536	7424645	2.049	7426417	10.270
7409643	3.521	7419667	3.403	7421645	5.484	7424647	2.083	7426417	11.950
7410046	4.680	7419668	3.403	7421646	5.484	7424648	2.108	7426417	11.960
7410794	5.043	7420001	1.429	7421647	5.506	7424649	2.108	7426417	13.092
7410830	12.972	7420004	0.207	7421648	5.469	7424652	2.043	7426453	12.272
7410830	14.685	7420011	1.658	7421649	5.545	7424653	2.086	7426584	3.932
7410830	14.760	7420016	1.724	7421650	5.537	7424657	2.067	7426600	12.272
7410830	15.100	7420017	1.654	7421651	5.545	7424660	2.051	7426738	12.237
7411267	12.247	7420025	0.728	7421664	5.453	7424661	2.053	7426772	5.107
7411849	4.662	7420026	0.738	7421668	5.545	7424665	2.063	7426773	5.107
7411921	5.517	7420034	0.519	7421671	5.447	7424666	2.077	7426774	5.103
7412113	8.798	7420066	1.073	7421672	5.447	7424669	2.100	7426775	5.103
7413031	2.555	7420068	1.109	7421673	5.506	7424678	2.102	7426776	5.103
7413031	13.092	7420069	1.079	7421673	9.171	7424679	2.102	7426777	5.103
7413032	10.777	7420070	1.069	7421719	5.504	7424685	2.316	7426778	5.103
7413032	13.092	7420071	0.296	7421765	3.112	7424746	2.372	7426802	3.028
7413223	10.783	7420072	0.297	7421813	5.505	7424749	2.387	7426873	12.247
7413223	10.791	7420073	0.303	7421827	1.268	7424753	2.382	7426874	8.800
7413223	11.041	7420086	0.623	7421853	1.835	7424757	2.500	7426875	12.249
7413370	9.276	7420106	0.056	7421877	0.449	7424765	3.003	7426879	12.249
7413400	5.858	7420114	0.666	7421890	12.242	7424836	5.110	7426909	1.611
7413406	6.311	7420118	0.669	7421939	2.414	7424840	8.024	7426937	1.723
7413409	6.313	7420124	0.439	7422512	8.800	7424849	8.143	7427288	12.237
7413721	12.242	7420128	0.679	7422731	5.545	7424850	8.143	7427306	12.237
7413722	12.242	7420137	0.293	7422733	5.546	7424914	12.242	7427343	3.783
7414105	15.036	7420138	0.269	7422734	5.586	7424915	12.242	7427392	12.203
7414906	3.275	7420151	3.273	7422739	3.410	7424918	12.237	7427418	0.748
7414969	2.555	7420172	0.296	7422779	2.170	7424919	12.237	7427495	12.956
7414969	9.275	7420173	0.296	7422780	2.170	7424922	12.237	7427504	12.811
7415204	5.387	7420174	0.296	7422907	2.170	7424923	12.237	7427505	12.811

"HJ" PARTS CATALOGUE

PART No.	GROUP	PART No.	GROUP	PART No.	GROUP	PART No.	GROUP	PART No.	GROUP
7427625	1.516	7430431	0.103	7432326	10.152	7433767	4.318	7434726	0.623
7427731	0.296	7430432	0.096	7432336	10.466	7433768	4.317	7434728	0.636
7427732	0.297	7430432	0.099	7432423	10.783	7433769	4.109	7434732	1.643
7427738	0.206	7430432	0.101	7432638	5.510	7433771	4.105	7434734	1.429
7427764	1.219	7430432	0.103	7432662	6.020	7433772	4.311	7434735	1.429
7427765	1.219	7430434	0.096	7432669	12.248	7433773	4.311	7434738	0.308
7427774	1.219	7430434	0.099	7432672	12.248	7433774	4.304	7434739	0.669
7427777	15.313	7430434	0.101	7432748	10.152	7433775	4.303	7434740	1.658
7427807	4.040	7430434	0.103	7432888	2.737	7433776	4.423	7434741	3.932
7427808	4.040	7430435	0.096	7432889	2.729	7433793	0.797	7434749	1.079
7427962	5.555	7430435	0.099	7432906	2.555	7433794	0.797	7434755	1.659
7428031	0.277	7430435	0.101	7432906	10.777	7433806	3.260	7434757	0.736
7428552	0.844	7430435	0.103	7432906	12.277	7433806	9.220	7434758	3.900
7428705	2.096	7430436	0.096	7432906	13.092	7433806	9.779	7434759	0.728
7428707	2.096	7430436	0.099	7432933	2.737	7433817	12.184	7434767	0.296
7428968	2.367	7430436	0.101	7432966	12.112	7433818	12.184	7434768	0.297
7428969	2.382	7430436	0.103	7432966	12.114	7433830	4.395	7434778	0.669
7428970	2.393	7430437	0.106	7432966	12.182	7433854	12.195	7434795	1.154
7428972	2.385	7430438	0.106	7433003	2.555	7433868	4.430	7434800	0.666
7428980	2.388	7430439	0.106	7433005	2.731	7433869	4.309	7434806	2.727
7428982	2.368	7430441	0.106	7433016	5.026	7433871	4.403	7434808	0.293
7429031	10.150	7430442	0.106	7433017	5.105	7433895	0.796	7434809	0.293
7429033	10.150	7430443	0.106	7433018	5.105	7433896	0.798	7434809	6.508
7429199	12.247	7430444	0.616	7433019	5.105	7433915	5.041	7434810	0.293
7429241	8.800	7430445	0.616	7433020	8.076	7433927	4.311	7434812	0.289
7429243	8.800	7430446	0.616	7433032	10.702	7433928	4.423	7434814	0.296
7429381	0.861	7430448	0.616	7433032	11.040	7433929	4.408	7434815	0.296
7429459	1.252	7430449	0.616	7433036	12.195	7433973	8.798	7434816	0.296
7429464	3.288	7430450	0.616	7433086	11.634	7433976	12.242	7434817	0.296
7429473	0.289	7430451	0.616	7433090	12.195	7433977	12.242	7434818	0.297
7429476	3.275	7430452	0.616	7433102	11.634	7433986	4.433	7434819	0.297
7429514	3.601	7430453	0.616	7433103	10.263	7433998	4.317	7434820	0.297
7429519	0.603	7430454	0.616	7433103	11.634	7434050	9.779	7434821	0.297
7429521	3.270	7430496	3.270	7433104	11.634	7434067	12.955	7434848	1.654
7429532	3.611	7430621	6.524	7433120	2.727	7434071	8.798	7434849	1.724
7429539	3.610	7430719	12.247	7433121	5.149	7434122	15.311	7434855	2.362
7429551	4.007	7430789	7.633	7433122	5.149	7434165	2.333	7434859	1.656
7429571	10.783	7430790	7.632	7433130	5.111	7434209DR	15.311	7434861	0.429
7429571	10.791	7430802	12.116	7433131	5.111	7434209DT	15.311	7434870	0.333
7429682	12.247	7430865	1.069	7433139	4.652	7434209DU	15.311	7434871	0.519
7429774	0.533	7430869	5.504	7433162	4.652	7434209DV	15.311	7434873	10.093
7429820	13.090	7430870	5.504	7433172	4.675	7434209DW	15.311	7434873	12.116
7429826	12.237	7430871	5.504	7433250	1.762	7434210	3.163	7434874	1.835
7429955	13.090	7430917	4.342	7433264	4.017	7434211	3.163	7434932	1.723
7429966	4.382	7430921	4.338	7433352	6.518	7434224	0.659	7434946	1.653
7429999	4.355	7430922	0.736	7433398	12.238	7434260	12.242	7434961	4.653
7430042	10.185	7430967	4.337	7433398	14.803	7434266	4.342	7434978	4.383
7430091	12.184	7430968	4.337	7433411	11.950	7434307	4.421	7434979	3.270
7430096	0.679	7430969	4.337	7433488	12.112	7434308	4.418	7434980	3.270
7430099	0.796	7430970	4.337	7433488	12.114	7434312	4.685	7434981	2.361
7430136	4.309	7430972	4.337	7433488	12.116	7434368	12.203	7434996	10.187
7430270	0.289	7431087	2.170	7433488	12.182	7434369	12.203	7434998	10.187
7430402	0.094	7431248	6.524	7433631	1.453	7434382	11.207	7435003	3.163
7430403	0.094	7431380	4.625	7433631	4.195	7434452	4.342	7435027	10.797
7430404	0.094	7431533	0.673	7433633	1.453	7434465	2.697	7435027	11.044
7430406	0.094	7431746	0.736	7433633	4.195	7434510	4.931	7435043	4.384
7430407	0.094	7431756	3.616	7433691	3.726	7434562	10.559	7435044	4.380
7430408	0.094	7431757	3.616	7433701	0.830	7434563	10.559	7435045	4.380
7430410	2.274	7431841	12.212	7433701	4.625	7434570	12.212	7435047	4.384
7430430	0.096	7431859	12.030	7433702	4.625	7434580	12.203	7435071	3.270
7430430	0.099	7431958	10.262	7433716	5.055	7434610	12.272	7435105	2.170
7430430	0.101	7431992	3.616	7433737	3.616	7434634	12.272	7435107	0.533
7430430	0.103	7431993	3.616	7433737	3.706	7434693	11.208	7435140	3.270
7430431	0.096	7432145	10.185	7433738	3.616	7434693	12.116	7435141	12.247
7430431	0.099	7432147	5.026	7433738	3.706	7434699	0.736	7435153	5.508
7430431	0.101	7432236	4.081	7433753	5.056	7434717	0.207	7435189	1.062

"HJ" PARTS CATALOGUE

PART No.	GROUP	PART No.	GROUP	PART No.	GROUP	PART No.	GROUP	PART No.	GROUP
7435242	10.512	7437269	0.748	7439906	9.632	7804412	2.195	8623302	4.169
7435250	0.533	7437276	11.012	7439930	4.017	7804413	6.518	8623303	4.169
7435295	0.659	7437280	14.641	7440470	2.170	7804771	6.521	8623304	4.169
7435375	4.625	7437284	0.852	7441302	1.803	7805700	6.524	8623305	4.169
7435382	5.505	7437291	3.275	7441715	3.003	7805950	2.188	8623306	4.169
7435386	5.586	7437296	3.410	7446262	8.910	7806046	2.195	8623311	4.337
7435393	0.683	7437297	3.403	7447111	2.726	7807271	6.524	8623368	4.226
7435396	1.659	7437298	3.410	7448437	2.737	7807934	6.608	8623422	4.226
7435397	2.041	7437317	4.337	7448550	8.800	7808099	6.524	8623430	4.242
7435413	9.640	7437355	6.898	7448551	8.800	7808195	6.617	8623437	4.162
7435450	0.603	7437372	0.666	7448553	8.800	7809226	6.624	8623483	4.163
7435456	0.210	7437392	5.529	7448554	8.800	7810333	6.614	8623489	4.233
7435458	0.659	7437450	3.275	7448624	0.795	7811617	6.673	8623507	4.265
7435546	5.510	7437489	0.852	7448829	0.056	7812724	6.605	8623563	4.265
7435617	0.636	7437547	3.415	7448884	4.040	7813462	6.612	8623583	4.265
7435646	0.683	7437569	8.077	7449079	2.824	7930601	9.280	8623592	4.265
7435649	12.955	7437583	7.347	7449209	1.063	7935830	9.275	8623653	4.127
7435667	7.020	7437584	7.347	7449215	5.529	7950671	3.927	8623653	4.229
7435825	3.601	7437585	7.347	7449218	5.529	7950756	3.910	8623654	4.233
7435833	1.609	7437586	7.347	7449283	5.382	8526387	9.213	8623664	4.247
7435914	6.321	7437623	3.415	7449355	5.543	8526398	9.220	8623666	4.246
7435941	12.242	7437644	7.347	7449382	5.528	8526645	9.220	8623714	4.275
7436017	12.242	7437776	2.737	7449383	5.526	8611710	4.103	8623741	4.265
7436018	12.241	7437825	6.822	7449389	5.542	8611710	4.265	8623744	4.241
7436026	3.601	7437892	9.275	7449396	1.652	8616504	4.318	8623788	4.265
7436029	0.308	7438035	5.527	7449397	1.653	8620318	4.294	8623842	4.180
7436043	10.791	7438087	0.277	7449470	5.545	8622045	4.265	8623849	4.163
7436174	0.795	7438089	4.665	7449472	5.545	8623037	4.294	8623851	4.163
7436220	3.616	7438090	4.665	7449489	5.510	8623039	4.226	8623917	4.166
7436220	3.706	7438110	2.041	7449490	5.510	8623041	4.295	8623920	4.159
7436221	3.616	7438128	1.109	7449495	4.352	8623042	4.294	8623921	4.159
7436222	3.616	7438144	5.510	7449496	4.422	8623056	4.275	8623922	4.187
7436254	2.892	7438159	4.670	7449498	4.003	8623056	4.282	8623924	4.256
7436278	6.655	7438308	4.665	7449499	4.005	8623078	4.226	8623940	4.226
7436291	4.625	7438309	4.665	7449509	5.536	8623078	4.265	8623941	4.103
7436293	4.625	7438310	4.665	7449532	5.447	8623104	4.164	8623942	4.162
7436316	10.685	7438311	4.665	7449533	5.447	8623105	4.164	8623943	4.176
7436318	10.777	7438367	4.668	7449535	5.484	8623112	4.164	8623944	4.161
7436379	1.066	7438376	7.347	7449536	5.484	8623117	4.168	8623944	4.226
7436461	6.606	7438383	15.292	7449561	4.133	8623120	4.167	8623945	4.168
7436617	1.426	7438390	4.668	7449562	4.133	8623122	4.163	8623964	4.156
7436618	1.426	7438425	4.670	7449585	2.170	8623123	4.251	8623978	4.226
7436618	4.010	7438477	0.277	7449627	5.506	8623131	4.229	8623979	4.005
7436629	0.886	7438527	4.383	7449661	12.195	8623143	4.166	8623983	4.265
7436630	0.886	7438537	4.040	7449737	5.398	8623145	4.164	8624009	4.162
7436633	0.861	7438562	1.762	7449801	5.399	8623146	4.164	8624016	4.166
7436634	0.861	7438646	5.111	7449858	5.453	8623148	4.162	8624073	4.164
7436713	2.424	7438659	12.112	7449859	5.469	8623148	4.226	8624091	4.294
7436736	5.529	7438659	12.114	7449861	5.460	8623149	4.164	8624101	4.164
7436752	2.239	7438659	12.116	7449910	2.555	8623150	4.163	8624136	4.241
7436758	0.426	7438659	12.182	7648823	11.007	8623151	4.163	8624138	4.241
7436769	3.430	7438806	5.529	7674311	11.015	8623152	4.163	8624139	4.241
7436867	10.702	7438910	8.800	7698786	10.685	8623153	4.164	8624140	4.241
7436921	12.272	7438960	0.289	7731133	11.940	8623155	4.251	8624141	4.241
7437015	12.182	7438983	1.219	7731353	10.515	8623157	4.248	8624196	4.164
7437019	5.045	7438985	1.219	7731353	10.797	8623174	4.241	8624199	4.163
7437055	4.383	7439027	0.886	7731353	11.044	8623177	4.161	8624256	4.246
7437068	7.020	7439076	4.665	7735894	10.777	8623202	4.187	8624336	4.279
7437069	0.679	7439077	4.665	7791597	11.007	8623232	4.275	8624482	4.265
7437078	14.803	7439253	10.187	7800269	6.521	8623262	4.256	8624709	4.318
7437128	0.844	7439263	12.237	7800580	6.521	8623263	4.256	8624772	4.123
7437137	0.797	7439491	1.610	7802916	6.524	8623292	4.226	8624781	4.164
7437138	0.797	7439584	1.762	7803432	6.524	8623295	4.265	8624783	4.162
7437199	3.610	7439585	1.745	7803464	6.524	8623298	4.265	8624908	4.169
7437267	7.370	7439693	0.679	7803820	6.635	8623300	4.169	8624976	4.294
7437268	7.370	7439863	2.727	7804410	2.195	8623301	4.169	8625197	4.163

NUMERICAL INDEX

"HJ" PARTS CATALOGUE

PART No.	GROUP	PART No.	GROUP	PART No.	GROUP	PART No.	GROUP	PART No.	GROUP
8625221	4.172	8627677	4.226	9416197	8.977	9422297	6.896	9436643	8.913
8625401	4.176	8627831	4.256	9416367	0.679	9422297	8.917	9677326	9.667
8625402	4.176	8627858	4.003	9416367	8.910	9422299	6.168	9703972	10.783
8625403	4.176	8627883	4.265	9416642	8.977	9422299	7.370	9704186	10.466
8625404	4.176	8736585	10.093	9416643	8.977	9422299	8.918	9704187	10.466
8625405	4.176	8736585	11.208	9417098	8.929	9422301	5.382	9704188	10.466
8625406	4.176	8736868	11.940	9417325	8.977	9422301	6.168	9706334	11.950
8625422	4.128	8737225	10.685	9417373	8.929	9422301	8.918	9709291	11.007
8625428	4.224	8786143	10.266	9417408	8.977	9422836	8.921	9709294	11.007
8625514	4.166	8799792	10.777	9417504	8.941	9423551	8.977	9722397	10.777
8625544	4.265	8799901	10.777	9417730	5.875	9423771	10.262	9774413	4.337
8625546	4.265	8900332	10.777	9417793	8.929	9423842	0.429	9788982	1.064
8625571	0.683	8900460	2.555	9417863	2.679	9423842	0.683	9819847	11.950
8625571	4.226	8905102	13.090	9417863	2.714	9423842	4.226	9819848	11.950
8625648	4.226	8909393	4.055	9417863	4.038	9423842	8.900	9819849	11.950
8625652	4.265	8958619	4.128	9417863	8.991	9425111	8.304	9825442	10.777
8625657	4.177	9409107	8.900	9417863	10.270	9425111	8.977	9825459	11.950
8625717	4.164	9411027	8.984	9417866	2.585	9425450	8.975	9826809	10.777
8625718	4.164	9411372	8.900	9417866	2.679	9425507	8.977	9832569	10.266
8625736	4.172	9411397	8.900	9417866	8.991	9425763	8.977	9928305	11.388
8625766	4.195	9411529	8.977	9417867	2.679	9425894	12.116	9928306	11.388
8625769	4.224	9411532	8.977	9417867	8.991	9426332	2.481	9928307	11.388
8625773	4.294	9411535	8.977	9417891	8.984	9426332	8.965	9928308	11.388
8625814	4.167	9411652	8.977	9417892	8.984	9426333	2.481	9928309	11.392
8625816	4.169	9412978	4.233	9418302	8.916	9426333	8.965	9928310	11.392
8625859	4.175	9413497	8.900	9418304	8.929	9426333	9.778	9928311	8.112
8625893	4.317	9413523	4.241	9418622	8.977	9426333	9.779	9928338	3.417
8625902	4.226	9413531	0.679	9418693	1.265	9426341	2.481	9928341	3.417
8625905	4.005	9413531	8.900	9418693	8.921	9426341	8.965	9928342	3.417
8625913	4.175	9413576	8.900	9418712	8.908	9426378	2.830	9928351	2.815
8625954	4.226	9413586	8.977	9418794	8.977	9426378	8.977	9928398	3.430
8625955	4.226	9413976	8.918	9418894	8.910	9426422	8.977	9928399	3.430
8625957	4.175	9414045	8.991	9418931	8.915	9426442	14.655	9928479	12.010
8625967	4.003	9414045	11.925	9419143	8.915	9426487	8.977	9928490	9.210
8625976	4.265	9414106	8.929	9419234	8.929	9426506	8.977	9928492	9.169
8625990	4.162	9414193	4.422	9419264	8.929	9426936	8.910	9928493	9.169
8626112	4.176	9414320	8.929	9419330	8.977	9427182	0.683	9928571	4.658
8626173	4.176	9414521	4.279	9419342	8.900	9427182	8.900	9928577	5.816
8626252	4.265	9414521	8.941	9419378	8.970	9427636	8.900	9928643	2.555
8626281	4.226	9414711	8.977	9419609	8.977	9427637	8.900	9928643	2.895
8626309	4.226	9414712	8.977	9419633	8.977	9427638	8.900	9928643	13.090
8626372	4.176	9414713	8.977	9419938	8.923	9427658	8.900	9928644	2.555
8626632	4.128	9414714	8.977	9419999	8.900	9427685	8.900	9928658	3.459
8626785	4.317	9414715	8.977	9420096	5.536	9427686	8.900	9928659	3.430
8626807	4.159	9414722	8.977	9420234	7.831	9427729	8.900	9928665	15.036
8626816	4.162	9414723	8.977	9420234	8.921	9427813	8.900	9928684	3.265
8626878	4.228	9414724	8.910	9420453	8.977	9427959	8.900	9928699	1.745
8626879	4.228	9414725	8.977	9420519	8.900	9427960	8.900	9928722	3.260
8626881	4.233	9414742	8.977	9420737	8.941	9427961	0.033	9928753	4.658
8626883	4.228	9414811	8.900	9420821	8.915	9427961	8.970	9928754	7.640
8626884	4.228	9414920	8.929	9420831	8.900	9428163	8.900	9928779	9.281
8626901	4.317	9415191	8.977	9420908	8.977	9428168	8.977	9928795	4.230
8626902	4.241	9415236	8.941	9421089	8.929	9428353	8.977	9928800	1.203
8626931	4.196	9415250	1.265	9421137	8.977	9428498	8.900	9928844	4.006
8626938	4.166	9415250	8.921	9421330	2.515	9428643	8.900	9928845	4.006
8626953	4.103	9415491	8.977	9421330	2.585	9428647	8.977	9928866	15.292
8627152	4.242	9415794	8.900	9421330	4.038	9428787	3.780	9928884	9.169
8627153	4.242	9415795	8.900	9421330	8.991	9428813	8.929	9928895	3.003
8627334	4.167	9415813	8.900	9421744	1.723	9429003	8.977	9928904	9.276
8627385	4.164	9415818	8.900	9421744	8.970	9429662	8.929	9928905	4.659
8627442	4.256	9415820	0.830	9422037	8.977	9430452	8.900	9928908	2.684
8627453	4.175	9415820	8.900	9422176	8.977	9430454	8.900	9928929BA	14.651
8627509	4.248	9416046	8.921	9422277	8.915	9432096	8.900	9928929DR	14.651
8627566	4.104	9416089	8.977	9422280	8.918	9432483	8.900	9928929DU	14.651
8627627	4.166	9416128	8.929	9422286	6.163	9433975	8.977	9928929DV	14.651
8627650	4.265	9416136	8.977	9422286	8.918	9434026	8.910	9928929DW	14.651

"HJ" PARTS CATALOGUE

PART No.	GROUP	PART No.	GROUP	PART No.	GROUP	PART No.	GROUP	PART No.	GROUP
9928961	4.337	9929988	1.265	9930555	12.966	9930942	12.804	9931528	14.802
9928996	15.293	9930005	12.121	9930556	12.971	9930949	8.132	9931547	14.925
9928997	15.293	9930005	12.182	9930557	12.971	9930950	8.132	9931562	12.182
9929041	0.027	9930035	4.226	9930558	12.971	9930999	5.803	9931563	12.182
9929042	0.027	9930061	4.009	9930559	12.971	9931001	1.266	9931564	12.182
9929051	4.007	9930070	4.128	9930562	3.726	9931002	1.266	9931565	12.121
9929053	4.007	9930083	3.001	9930585	3.725	9931003	1.266	9931566	12.121
9929095	9.661	9930084	3.001	9930586	3.725	9931025	14.890	9931570	1.219
9929162	0.137	9930085	3.001	9930587	3.725	9931040	7.831	9931600	14.925
9929199	3.107	9930120	15.293	9930588	3.725	9931041	7.831	9931604	2.728
9929200	3.107	9930146	7.831	9930599	3.201	9931042	12.803	9931605	2.728
9929238	3.430	9930147	7.831	9930600	3.201	9931043	12.803	9931610	5.382
9929239	3.459	9930164	4.009	9930601	3.201	9931044	10.230	9931620	1.219
9929261	3.609	9930165	3.001	9930603	7.831	9931046	10.051	9931621	1.219
9929262	3.705	9930189	3.265	9930604	7.831	9931047	10.051	9931625BA	14.686
9929265	5.441	9930190	3.265	9930608	12.116	9931048	10.051	9931625DR	14.686
9929279	4.226	9930192	3.265	9930609	12.116	9931049	10.051	9931625DU	14.686
9929281	3.430	9930194	3.265	9930612	12.114	9931052	9.779	9931625DV	14.686
9929516	4.019	9930196	3.265	9930616	4.015	9931053	9.779	9931625DW	14.686
9929517	4.020	9930197	3.265	9930631	9.171	9931054CY	10.261	9931626BA	14.686
9929518	4.046	9930222	7.831	9930652	12.971	9931054DS	10.261	9931626DR	14.686
9929519	4.050	9930234	11.420	9930653	12.971	9931054DX	10.261	9931626DU	14.686
9929528	4.904	9930241	12.243	9930685	7.831	9931054DY	10.261	9931626DV	14.686
9929529	4.904	9930266	11.420	9930698	12.966	9931055	9.779	9931626DW	14.686
9929547	11.960	9930269	3.451	9930699	12.966	9931058	10.262	9931634	6.233
9929565	14.802	9930280CY	9.680	9930700	5.441	9931059	10.262	9931639	1.219
9929587	4.040	9930280DR	9.680	9930730CL	9.684	9931063	12.013	9931640	0.388
9929617	10.470	9930280DV	9.680	9930730TN	9.684	9931065	9.779	9931641	0.388
9929618	10.470	9930280DW	9.680	9930737	3.163	9931067	12.805	9931643	0.388
9929619	10.470	9930285CY	9.680	9930738	3.159	9931069	12.805	9931644	0.388
9929619	10.473	9930285DR	9.680	9930777	7.831	9931106	14.641	9931658	2.684
9929620	10.470	9930285DV	9.680	9930796	12.940	9931144	12.116	9931664	2.317
9929620	10.473	9930285DW	9.680	9930797	12.940	9931145	12.112	9931665	2.277
9929621	10.473	9930308	2.424	9930830	0.001	9931184	12.941	9931667	6.233
9929622	10.473	9930353	4.128	9930831	0.001	9931185	12.941	9931673	4.686
9929623	10.470	9930366	7.505	9930878	8.130	9931194	7.831	9931679	1.219
9929624	10.470	9930368	7.505	9930879	8.130	9931197	0.646	9931680	1.219
9929681	4.265	9930433	12.940	9930880	8.130	9931198	0.646	9931699	1.219
9929698BA	14.640	9930434	12.940	9930881	8.130	9931252	3.003	9931700CY	14.655
9929698DR	14.640	9930437	12.940	9930887	8.132	9931262	0.388	9931700DS	14.655
9929698DU	14.640	9930438	12.940	9930888	12.112	9931263	14.802	9931700DX	14.655
9929698DV	14.640	9930439	7.831	9930889	12.114	9931274	0.679	9931700DY	14.655
9929698DW	14.640	9930452	12.181	9930890	12.116	9931340	7.836	9931704	1.219
9929699BA	14.640	9930461	6.524	9930892	12.116	9931341	7.836	9931726	11.373
9929699DR	14.640	9930472	0.027	9930894	12.116	9931348	12.116	9931747	6.168
9929699DU	14.640	9930491	9.662	9930909	4.356	9931349CL	9.684	9931748	6.168
9929699DV	14.640	9930512	11.374	9930910	4.356	9931349TN	9.684	9931755	14.890
9929699DW	14.640	9930514	4.650	9930921	4.351	9931398	7.836	9931756	10.681
9929712	0.799	9930515	4.650	9930922	4.351	9931399	7.836	9931757	10.681
9929719	10.716	9930519	4.653	9930923	4.351	9931400	2.820	9931759	10.685
9929721	3.107	9930523	12.940	9930924	4.351	9931404	12.941	9931760	10.685
9929722	3.107	9930524	12.940	9930925	4.351	9931405	12.941	9931761	10.696
9929775	3.430	9930526DR	14.685	9930927BA	6.513	9931406	12.941	9931766	10.701
9929776	3.430	9930526DT	14.685	9930927DS	6.513	9931407	12.941	9931767	10.710
9929784	3.028	9930526DU	14.685	9930927DX	6.513	9931419CY	14.803	9931768	10.710
9929796	12.940	9930526DV	14.685	9930927DY	6.513	9931419DR	14.803	9931771	10.710
9929797	12.940	9930526DW	14.685	9930930BA	15.100	9931419DT	14.803	9931772	10.710
9929798	12.944	9930527DR	14.685	9930930DR	15.100	9931419DU	14.803	9931778	4.205
9929799	12.944	9930527DT	14.685	9930930DU	15.100	9931419DV	14.803	9931779	4.205
9929800	12.944	9930527DU	14.685	9930930DV	15.100	9931419DW	14.803	9931788	1.268
9929832	3.003	9930527DV	14.685	9930930DW	15.100	9931442	14.890	9931789	1.268
9929854	3.265	9930527DW	14.685	9930931BA	15.100	9931459	12.182	9931791	11.373
9929899	5.010	9930535	2.275	9930931DR	15.100	9931460	12.182	9931793	11.373
9929900	5.010	9930537	2.275	9930931DU	15.100	9931463	3.725	9931805	10.681
9929907	4.686	9930541	7.836	9930931DV	15.100	9931464	3.725	9931806	10.681
9929974	5.441	9930542	7.836	9930931DW	15.100	9931526	14.802	9931809	10.710

NUMERICAL INDEX

"HJ" PARTS CATALOGUE

PART No.	GROUP	PART No.	GROUP	PART No.	GROUP	PART No.	GROUP	PART No.	GROUP
9931810	10.710	9932111	2.682	9932390DR	14.800	9932402DW	14.800	9932434	2.515
9931811	10.710	9932141CY	14.655	9932390DT	14.800	9932403DR	14.800	9932435	2.515
9931812	10.710	9932141DS	14.655	9932390DU	14.800	9932403DT	14.800	9932436	2.515
9931823	3.704	9932141DX	14.655	9932390DV	14.800	9932403DU	14.800	9932437	2.515
9931824	3.704	9932141DY	14.655	9932390DW	14.800	9932403DV	14.800	9932438	2.515
9931878	6.168	9932142CY	2.515	9932391DR	14.800	9932403DW	14.800	9932439	4.342
9931879	6.168	9932142DS	2.515	9932391DT	14.800	9932404CY	14.880	9932440	9.262
9931888	3.003	9932142DX	2.515	9932391DU	14.800	9932404DR	14.880	9932441	4.342
9931889	3.003	9932142DY	2.515	9932391DV	14.800	9932404DV	14.880	9932442	1.803
9931891	3.003	9932143BA	10.260	9932391DW	14.800	9932405CY	14.880	9932443	0.277
9931892	4.128	9932143CY	2.515	9932392DR	14.880	9932406CY	14.800	9932444	2.515
9931893	4.128	9932143DS	2.515	9932392DT	14.880	9932406DR	14.800	9932449	2.251
9931894	7.836	9932143DS	10.260	9932392DU	14.880	9932406DV	14.800	9932450	2.251
9931895	7.836	9932143DX	2.515	9932392DV	14.880	9932407CY	14.800	9932452	12.182
9931896	4.128	9932143DX	10.260	9932392DW	14.880	9932408DR	14.880	9932510	12.182
9931897	1.265	9932143DY	2.515	9932393DR	14.880	9932408DT	14.880	9932545	4.265
9931929BA	6.513	9932143DY	10.260	9932393DT	14.880	9932408DU	14.880	9932546	4.265
9931929DS	6.513	9932145	9.787	9932393DU	14.880	9932408DV	14.880	9932550	15.293
9931929DX	6.513	9932146	9.787	9932393DV	14.880	9932408DW	14.880	9932551	9.600
9931929DY	6.513	9932148	9.262	9932393DR	14.880	9932409DR	14.800	9932558	5.858
9931944	11.420	9932148	9.779	9932394DW	14.800	9932409DT	14.800	9932570	9.620
9931959	3.001	9932151	7.836	9932394DT	14.800	9932409DU	14.800	9932572	12.116
9931960	3.001	9932152	7.836	9932394DU	14.800	9932409DV	14.800	9932573	12.116
9931961	3.001	9932157	7.865	9932394DV	14.800	9932409DW	14.800	9932586	10.163
9931969	3.003	9932158	7.865	9932394DW	14.800	9932410DR	14.800	9932614	1.265
9931970	3.003	9932167	8.821	9932395DR	14.800	9932410DT	14.800	9932642	10.002
9931973	3.003	9932185	1.762	9932395DT	14.800	9932410DU	14.800	9932643	10.002
9931974	3.003	9932216	2.682	9932395DU	14.800	9932410DV	14.800	9932644	10.002
9931975	3.003	9932217	2.682	9932395DV	14.800	9932410DW	14.800	9932645	10.002
9931976	1.268	9932218	2.681	9932395DW	14.800	9932411CY	14.800	9932646	10.002
9931980	3.003	9932232	1.762	9932396CY	14.880	9932411DZ	14.800	9932647	10.002
9931981	4.902	9932266	0.386	9932396DR	14.880	9932411EA	14.800	9932648	10.002
9932003	1.268	9932275	2.728	9932396DT	14.880	9932412DR	14.880	9932649	10.002
9932004	1.268	9932288	9.620	9932396DU	14.880	9932412DT	14.880	9932679	1.266
9932007	1.268	9932289	9.620	9932396DV	14.880	9932412DU	14.880	9932683	12.948
9932008	1.268	9932296	1.762	9932396DW	14.880	9932412DV	14.880	9932684	12.948
9932010	1.265	9932304	4.045	9932397DR	14.880	9932412DW	14.880	9932690	5.382
9932011	2.728	9932305	4.045	9932397DT	14.880	9932413DR	14.880	9932692	8.000
9932013	12.805	9932306	4.035	9932397DU	14.880	9932413DT	14.880	9932693	12.941
9932014	12.805	9932307	4.035	9932397DV	14.880	9932413DU	14.880	9932694	12.941
9932015	12.805	9932318	12.895	9932397DW	14.880	9932413DV	14.880	9932705CY	2.515
9932016	12.805	9932319	12.895	9932398CY	14.800	9932413DW	14.880	9932705DS	2.515
9932017	12.803	9932320	12.895	9932398DR	14.800	9932414DR	14.800	9932705DX	2.515
9932052	1.270	9932321	12.895	9932398DT	14.800	9932414DT	14.800	9932705DY	2.515
9932053	1.270	9932322	12.895	9932398DU	14.800	9932414DU	14.800	9932711	12.941
9932055	1.270	9932323	12.895	9932398DV	14.800	9932414DV	14.800	9932712	12.941
9932056	1.270	9932328	12.895	9932398DW	14.800	9932414DW	14.800	9932719	12.971
9932059	7.524	9932329	12.895	9932399DR	14.800	9932415DR	14.800	9932720	12.971
9932090	2.684	9932377	1.265	9932399DT	14.800	9932415DT	14.800	9932721	12.971
9932092	2.679	9932380	8.820	9932399DU	14.800	9932415DU	14.800	9932722	12.971
9932093	2.679	9932386CY	14.880	9932399DV	14.800	9932415DV	14.800	9932735	12.981
9932094	2.681	9932386DZ	14.880	9932399DW	14.800	9932415DW	14.800	9932736	12.981
9932095	2.681	9932386EA	14.880	9932400DR	14.880	9932416	2.515	9932737	12.981
9932096	2.682	9932387CY	14.800	9932400DT	14.880	9932417	2.515	9932738	12.981
9932097	2.682	9932387DZ	14.800	9932400DU	14.880	9932418	2.515	9932739	12.972
9932098	2.682	9932387EA	14.800	9932400DV	14.880	9932419	2.515	9932740	12.972
9932099	2.682	9932388DR	14.880	9932400DW	14.880	9932421	2.515	9932741	12.972
9932100	2.679	9932388DT	14.880	9932401DR	14.880	9932423	2.515	9932748	12.956
9932101	2.679	9932388DU	14.880	9932401DT	14.880	9932424	2.515	9932749	12.956
9932102	2.684	9932388DV	14.880	9932401DU	14.880	9932425	2.515	9932764	12.895
9932103	2.684	9932388DW	14.880	9932401DV	14.880	9932426	2.515	9932765	12.895
9932106	2.679	9932389DR	14.880	9932401DW	14.880	9932428	2.515	9932766	12.895
9932107	2.679	9932389DT	14.880	9932402DR	14.800	9932430	10.230	9932767	12.895
9932108	2.679	9932389DU	14.880	9932402DT	14.800	9932431	2.515	9932776	12.491
9932109	2.679	9932389DV	14.880	9932402DU	14.800	9932432	2.515	9932777	12.491
9932110	2.682	9932389DW	14.880	9932402DV	14.800	9932433	2.515	9932792	12.948

"HJ" PARTS CATALOGUE

PART No.	GROUP	PART No.	GROUP	PART No.	GROUP	PART No.	GROUP	PART No.	GROUP
9932793	12.948	9933034	15.280	9933313EA	14.760	9933389DW	15.035	9933406CY	15.000
9932800	7.242	9933035	12.801	9933314DR	14.685	9933390DR	15.035	9933406DR	15.000
9932801	7.242	9933036	12.801	9933314DT	14.685	9933390DT	15.035	9933406DT	15.000
9932802	7.242	9933037	15.290	9933314DU	14.685	9933390DU	15.035	9933406DU	15.000
9932810	6.168	9933059	2.515	9933314DV	14.685	9933390DV	15.035	9933406DV	15.000
9932824	0.646	9933060	2.515	9933314DW	14.685	9933390DW	15.035	9933406DW	15.000
9932828	0.646	9933072	12.982	9933315DR	14.685	9933391DR	15.035	9933407DR	15.000
9932833	0.646	9933075	9.608	9933315DT	14.685	9933391DT	15.035	9933407DT	15.000
9932837	0.646	9933085	1.266	9933315DU	14.685	9933391DU	15.035	9933407DU	15.000
9932852	14.802	9933086	1.266	9933315DV	14.685	9933391DV	15.035	9933407DV	15.000
9932863	2.520	9933106	5.858	9933315DW	14.685	9933391DW	15.035	9933407DW	15.000
9932871	10.373	9933107	5.858	9933316DR	14.760	9933392DR	15.035	9933408CY	15.000
9932872	10.373	9933123	8.823	9933316DT	14.760	9933392DT	15.035	9933408DR	15.000
9932874	0.386	9933124	8.823	9933316DU	14.760	9933392DU	15.035	9933408DT	15.000
9932886	12.491	9933162BA	15.390	9933316DV	14.760	9933392DV	15.035	9933408DU	15.000
9932887	12.491	9933162DR	15.390	9933316DW	14.760	9933392DW	15.035	9933408DV	15.000
9932905BA	14.799	9933162DU	15.390	9933317DR	14.760	9933394DR	15.035	9933408DW	15.000
9932905BA	15.042	9933162DV	15.390	9933317DT	14.760	9933394DT	15.035	9933409DR	15.000
9932905DS	15.042	9933162DW	15.390	9933317DU	14.760	9933394DU	15.035	9933409DT	15.000
9932905DX	15.042	9933171	14.655	9933317DV	14.760	9933394DV	15.035	9933409DU	15.000
9932905DY	15.042	9933172CY	14.655	9933317DW	14.760	9933394DW	15.035	9933409DV	15.000
9932906BA	14.798	9933172DS	14.655	9933332	9.779	9933395DR	15.035	9933409DW	15.000
9932906BA	15.040	9933172DX	14.655	9933356BA	14.630	9933395DT	15.035	9933410DR	15.000
9932906DS	15.040	9933172DY	14.655	9933356DR	14.630	9933395DU	15.035	9933410DT	15.000
9932906DX	15.040	9933173CY	14.655	9933356DU	14.630	9933395DV	15.035	9933410DU	15.000
9932906DY	15.040	9933173DS	14.655	9933356DV	14.630	9933395DW	15.035	9933410DV	15.000
9932915	9.779	9933173DY	14.655	9933356DW	14.630	9933396CY	15.035	9933410DW	15.000
9932950	10.351	9933174	14.655	9933357BA	14.630	9933396DR	15.035	9933411DR	15.000
9932951	10.351	9933175	14.655	9933357DR	14.630	9933396DV	15.035	9933411DT	15.000
9932952	10.351	9933176	14.655	9933357DU	14.630	9933397CY	15.035	9933411DU	15.000
9932953	10.351	9933189	0.386	9933357DV	14.630	9933398DR	15.035	9933411DV	15.000
9932954	10.351	9933191	15.290	9933357DW	14.630	9933398DT	15.035	9933411DW	15.000
9932955	10.351	9933216	1.265	9933363	10.161	9933398DU	15.035	9933412DR	15.000
9932956	10.351	9933233	5.010	9933374	9.779	9933398DV	15.035	9933412DT	15.000
9932957	10.351	9933234	5.010	9933382CY	15.035	9933398DW	15.035	9933412DU	15.000
9932958	10.351	9933239DR	14.803	9933382DZ	15.035	9933399DR	15.035	9933412DV	15.000
9932959	10.351	9933239DT	14.803	9933382EA	15.035	9933399DT	15.035	9933412DW	15.000
9932960	10.351	9933239DU	14.803	9933383CY	15.035	9933399DU	15.035	9933413DR	15.000
9932961	10.351	9933239DV	14.803	9933383DZ	15.035	9933399DV	15.035	9933413DT	15.000
9932962	10.351	9933239DW	14.803	9933383EA	15.035	9933399DW	15.035	9933413DU	15.000
9932963	10.351	9933241	7.828	9933384CY	15.035	9933400DR	15.035	9933413DV	15.000
9932964	6.020	9933242	7.828	9933384DR	15.035	9933400DT	15.035	9933413DW	15.000
9932965	6.020	9933243	7.828	9933384DT	15.035	9933400DU	15.035	9933414DR	15.000
9932966	6.020	9933245	14.691	9933384DU	15.035	9933400DV	15.035	9933414DT	15.000
99329802	14.651	9933245	14.764	9933384DV	15.035	9933400DW	15.035	9933414DU	15.000
9932986	8.075	9933257	9.779	9933384DW	15.035	9933401DR	15.035	9933414DV	15.000
9932987	12.116	9933262DR	14.803	9933385DR	15.035	9933401DT	15.035	9933414DW	15.000
9932988	12.116	9933262DT	14.803	9933385DT	15.035	9933401DU	15.035	9933415DR	15.000
9932993	2.682	9933262DU	14.803	9933385DU	15.035	9933401DV	15.035	9933415DT	15.000
9932994	2.682	9933262DV	14.803	9933385DV	15.035	9933401DW	15.035	9933415DU	15.000
9932997	1.268	9933262DW	14.803	9933385DW	15.035	9933402DR	15.035	9933415DV	15.000
9933020	15.290	9933267	11.204	9933386CY	15.035	9933402DT	15.035	9933415DW	15.000
9933021	12.802	9933268	11.204	9933386DR	15.035	9933402DU	15.035	9933416DR	15.000
9933021	15.292	9933303	9.779	9933386DT	15.035	9933402DV	15.035	9933416DT	15.000
9933025	12.801	9933305	7.828	9933386DU	15.035	9933402DW	15.035	9933416DU	15.000
9933029CY	15.289	9933310CY	14.685	9933386DV	15.035	9933403DR	15.035	9933416DV	15.000
9933029DR	15.289	9933310DZ	14.685	9933386DW	15.035	9933403DT	15.035	9933416DW	15.000
9933029DT	15.289	9933310EA	14.685	9933387DR	15.035	9933403DU	15.035	9933417DR	15.000
9933029DU	15.289	9933311CY	14.685	9933387DT	15.035	9933403DV	15.035	9933417DT	15.000
9933029DV	15.289	9933311DZ	14.685	9933387DU	15.035	9933403DW	15.035	9933417DU	15.000
9933029DW	15.289	9933311EA	14.685	9933387DV	15.035	9933404CY	15.000	9933417DV	15.000
9933031	12.801	9933312CY	14.760	9933387DW	15.035	9933404DZ	15.000	9933417DW	15.000
9933031	15.290	9933312DZ	14.760	9933389DR	15.035	9933404EA	15.000	9933418CY	15.000
9933033CY	15.290	9933312EA	14.760	9933389DT	15.035	9933405CY	15.000	9933418DR	15.000
9933033DS	15.290	9933313CY	14.760	9933389DU	15.035	9933405DZ	15.000	9933418DU	15.000
9933033DY	15.290	9933313DZ	14.760	9933389DV	15.035	9933405EA	15.000	9933418DV	15.000

"HJ" PARTS CATALOGUE

PART No.	GROUP	PART No.	GROUP	PART No.	GROUP	PART No.	GROUP	PART No.	GROUP
9933419DR	15.000	9933625DT	14.760	9933763	12.182	9933902	12.182	9934162	1.265
9933419DV	15.000	9933625DU	14.760	9933775	2.486	9933905	15.293	9934166	6.508
9933420DR	15.000	9933625DV	14.760	9933776	2.726	9933906	15.293	9934167	5.812
9933420DT	15.000	9933625DW	14.760	9933777	2.726	9933907	15.293	9934168	6.508
9933420DU	15.000	9933626DR	14.760	9933798DR	14.685	9933908	10.777	9934169	3.410
9933420DV	15.000	9933626DT	14.760	9933798DT	14.685	9933909	9.709	9934170	6.508
9933420DW	15.000	9933626DU	14.760	9933798DU	14.685	9933910	9.709	9934171	6.508
9933421DR	15.000	9933626DV	14.760	9933798DV	14.685	9933911CY	15.288	9934174	6.518
9933421DT	15.000	9933626DW	14.760	9933798DW	14.685	9933911DS	15.288	9934175	6.758
9933421DU	15.000	9933627DR	14.685	9933799DR	14.685	9933911DY	15.288	9934177	3.609
9933421DV	15.000	9933627DT	14.685	9933799DT	14.685	9933913BA	15.306	9934178	6.518
9933421DW	15.000	9933627DU	14.685	9933799DU	14.685	9933913DS	15.306	9934179	4.018
9933422DR	15.000	9933627DV	14.685	9933799DV	14.685	9933913DU	15.306	9934180	6.758
9933422DT	15.000	9933627DW	14.685	9933799DW	14.685	9933913DX	15.306	9934181	6.758
9933422DU	15.000	9933628DR	14.685	9933800DR	14.685	9933913DY	15.306	9934182	9.662
9933422DV	15.000	9933628DT	14.685	9933800DT	14.685	9933922	9.779	9934184	4.342
9933422DW	15.000	9933628DU	14.685	9933800DU	14.685	9933933	3.521	9934187	4.038
9933423DR	15.000	9933628DV	14.685	9933800DV	14.685	9933951	3.459	9934188	4.038
9933423DT	15.000	9933628DW	14.685	9933800DW	14.685	9933973	10.230	9934190	2.810
9933423DU	15.000	9933629DR	14.685	9933801DR	14.685	9933974	10.230	9934193	11.960
9933423DV	15.000	9933629DT	14.685	9933801DT	14.685	9933975	10.230	9934195	9.779
9933423DW	15.000	9933629DU	14.685	9933801DU	14.685	9933976	10.230	9934196	9.779
9933424DR	15.000	9933629DV	14.685	9933801DV	14.685	9933977	10.230	9934197	9.278
9933424DT	15.000	9933629DW	14.685	9933801DW	14.685	9934008	8.126	9934199	9.278
9933424DU	15.000	9933630DR	14.685	9933802DR	15.100	9934009	8.126	9934208	9.217
9933424DV	15.000	9933630DT	14.685	9933802DT	15.100	9934010	8.126	9934215	1.265
9933424DW	15.000	9933630DU	14.685	9933802DU	15.100	99340111	13.090	9934217	1.265
9933425DR	15.000	9933630DV	14.685	9933802DV	15.100	9934013	13.090	9934218	7.831
9933425DT	15.000	9933630DW	14.685	9933802DW	15.100	9934019	13.090	9934220	5.858
9933425DU	15.000	9933634DR	14.804	9933803DR	15.100	9934020	13.090	9934231	12.982
9933425DV	15.000	9933634DT	14.804	9933803DT	15.100	9934023	9.672	9934233	9.779
9933425DW	15.000	9933634DU	14.804	9933803DU	15.100	9934027	6.168	9934234	9.262
9933435	0.724	9933634DV	14.804	9933803DV	15.100	9934030	15.293	9934244	4.128
9933549	3.430	9933634DW	14.804	9933803DW	15.100	9934036CY	14.630	9934245	4.128
9933550	3.430	9933635	2.810	9933812	15.002	9934036DR	14.630	9934262	15.291
9933569	12.116	9933636	4.038	9933813	15.002	9934036DU	14.630	9934264	9.170
9933569	12.182	9933647	4.038	9933814	15.002	9934036DV	14.630	9934271	9.779
9933570	14.802	9933648	4.038	9933815	15.002	9934036DW	14.630	9934272	9.779
9933580CY	14.803	9933649	4.038	9933817	9.662	9934037CY	14.630	9934273	9.779
9933580DR	14.803	9933650	4.038	9933824	15.036	9934037DR	14.630	9934274	9.779
9933580DV	14.803	9933651	4.038	9933826	15.002	9934037DU	14.630	9934277	4.040
9933582	14.890	9933652	4.038	9933839	3.459	9934037DV	14.630	9934279DR	14.760
9933583	14.925	9933653	4.038	9933846	8.126	9934037DW	14.630	9934279DT	14.760
9933602	12.942	9933654	4.038	9933847	8.126	9934038	15.036	9934279DU	14.760
9933603	12.942	9933670	9.779	9933848	12.967	9934050	2.515	9934279DV	14.760
9933606	12.940	9933671	9.278	9933849	12.967	9934063	2.515	9934279DW	14.760
9933607	12.940	9933672	5.441	9933850	12.967	9934064	2.515	9934280DR	14.760
9933610	12.942	9933673	5.441	9933851	12.967	9934077	15.002	9934280DT	14.760
9933611	12.942	9933681	4.038	9933852	12.967	9934078	15.002	9934280DU	14.760
9933612	12.942	9933682	15.293	9933867	9.709	9934079	15.002	9934280DV	14.760
9933613	12.942	9933719	8.823	9933872	2.515	9934080	15.002	9934280DW	14.760
9933618	12.942	9933724	12.116	9933873	3.402	9934083	2.555	9934314DR	14.685
9933619	12.942	9933725	12.116	9933874	3.402	9934084	2.555	9934314DT	14.685
9933621	10.230	9933726	12.116	9933879	9.262	9934085	2.555	9934314DU	14.685
9933622	10.230	9933727	12.116	9933879	9.779	9934086	2.555	9934314DV	14.685
9933623DR	14.760	9933728	12.116	9933886CY	2.830	9934092	9.278	9934314DW	14.685
9933623DT	14.760	9933729	12.116	9933886DS	2.830	9934093	9.779	9934315DR	14.685
9933623DU	14.760	9933745	4.018	9933886DX	2.830	9934094	9.779	9934315DT	14.685
9933623DV	14.760	9933746	4.018	9933886DY	2.830	9934098	12.116	9934315DU	14.685
9933623DW	14.760	9933747	4.018	9933888CY	2.830	9934099	12.182	9934315DV	14.685
9933624DR	14.760	9933749	4.019	9933888DS	2.830	9934100	12.116	9934315DW	14.685
9933624DT	14.760	9933750	6.524	9933888DY	2.830	9934116	2.515	9934321	4.040
9933624DU	14.760	9933751	6.518	9933890	2.810	9934117	2.515	9934347	4.205
9933624DV	14.760	9933754	12.942	9933891	2.810	9934125	1.159	9934359CY	14.686
9933624DW	14.760	9933756	15.293	9933892	2.822	9934126	9.779	9934359DR	14.686
9933625DR	14.760	9933763	8.132	9933895	12.982	9934161	12.182	9934359DV	14.686

"HJ" PARTS CATALOGUE

PART No.	GROUP	PART No.	GROUP	PART No.	GROUP	PART No.	GROUP	PART No.	GROUP
9934360CY	14.686	9934507DW	14.801	9935167	11.940	9936658	4.685	9937070BA	14.798
9934360DR	14.686	9934509DR	15.001	9935168	11.940	9936659	4.685	9937071BA	14.798
9934360DV	14.686	9934509DT	15.001	9935195	6.518	9936674	2.239	9937072BA	14.798
9934361CY	14.762	9934509DU	15.001	9935198	12.967	9936753	2.585	9937073BA	14.798
9934361DR	14.762	9934509DV	15.001	9935199	12.967	9936754	2.585	9937074BA	14.798
9934361DV	14.762	9934509DW	15.001	9935200	8.126	9936755	2.586	9937075BA	15.040
9934362CY	14.762	9934510DR	15.001	9935203	3.402	9936756	2.586	9937075DS	15.040
9934362DR	14.762	9934510DT	15.001	9935205	3.158	9936761	2.596	9937075DX	15.040
9934362DV	14.762	9934510DU	15.001	9935214	4.685	9936762	2.589	9937075DY	15.040
9934363	13.090	9934510DV	15.001	9935215	4.685	9936763	2.589	9937077BA	15.040
9934364	13.090	9934510DW	15.001	9935216	4.685	9936764	2.589	9937077DS	15.040
9934365	13.090	9934519	9.662	9935217	4.685	9936765	2.589	9937077DX	15.040
9934370	2.555	9934521	2.188	9935218	4.685	9936775	7.828	9937077DY	15.040
9934372	8.085	9934533	15.036	9935220	9.215	9936779	15.002	9937078BA	15.040
9934373	8.085	9934536	2.555	9935224	12.895	9936811	0.666	9937078DS	15.040
9934374	8.085	9934537	2.555	9935227	12.980	9936828	15.036	9937078DX	15.040
9934384	9.278	9934587	2.188	9935234	12.895	9936859	0.033	9937078DY	15.040
9934385	9.779	9934607	7.831	9935236	12.895	9936860	0.033	9937079BA	15.040
9934386	9.779	9934609	1.266	9935253	12.941	9936861	0.033	9937079DS	15.040
9934387	1.265	9934610	1.265	9935254	12.941	9936862	0.033	9937079DX	15.040
9934389	4.040	9934611	1.265	9935256	9.662	9936865	0.033	9937079DY	15.040
9934404	14.764	9934612	1.265	9936308	12.810	9936866	0.033	9937080BA	15.040
9934405	14.764	9934613	1.265	9936309	12.810	9936869	0.033	9937080DS	15.040
9934408CY	14.685	9934614	1.265	9936310	12.941	9936870	0.033	9937080DX	15.040
9934408DR	14.685	9934615	1.265	9936311	12.941	9936871	0.033	9937080DY	15.040
9934408DV	14.685	9934619	2.555	9936342CY	15.001	9936872	0.033	9937081BA	15.040
9934409CY	14.685	9934620	2.555	9936342DR	15.001	9936874	0.033	9937081DS	15.040
9934409DR	14.685	9934623	15.036	9936342DV	15.001	9936876	0.033	9937081DX	15.040
9934409DV	14.685	9934625	5.871	9936343CY	15.001	9936879	7.828	9937081DY	15.040
9934412CY	14.760	9934644	15.036	9936346	3.159	9936897	2.555	9937082BA	15.040
9934412DR	14.760	9934675	3.402	9936349	9.709	9936899	8.820	9937082DS	15.040
9934412DV	14.760	9934677	1.265	9936366CY	15.000	9936905	4.003	9937082DX	15.040
9934413CY	14.760	9934677	12.116	9936367CY	15.000	9936912	4.685	9937082DY	15.040
9934413DR	14.760	9934677	12.182	9936368	15.222	9936913	4.685	9937083BA	15.040
9934413DV	14.760	9934678	1.265	9936374CY	15.001	9936914	4.685	9937083DS	15.040
9934416	10.777	9934678	12.116	9936374DR	15.001	9936915	4.685	9937083DX	15.040
9934422	3.609	9934678	12.182	9936374DV	15.001	9936923	3.158	9937083DY	15.040
9934423	3.609	9934685	7.828	9936375CY	15.001	9936924	3.158	9937084BA	15.040
9934424	3.609	9934686	7.828	9936385	9.170	9936925	3.159	9937084DS	15.040
9934425	3.609	9934691	9.190	9936394	11.628	9936926	3.159	9937084DX	15.040
9934426	10.777	9934694	15.002	9936412	1.266	9936927	3.159	9937084DY	15.040
9934432	15.036	9934901	2.555	9936413	1.266	9936928	4.003	9937085BA	14.798
9934433	9.662	9934926	9.262	9936420	2.714	9936929	4.003	9937085DS	14.798
9934434	11.960	9934939	2.555	9936420	11.950	9936935	4.038	9937085DX	14.798
9934435	11.960	9934941	1.066	9936429	9.666	9937023	3.158	9937085DY	14.798
9934436	12.275	9934951	4.040	9936436	0.861	9937026	4.003	9937086BA	14.798
9934438	9.778	9935024	3.402	9936438	14.731	9937027	4.003	9937086DS	14.798
9934439	11.960	9935027	1.762	9936439	14.641	9937029	4.003	9937086DX	14.798
9934440	11.960	9935033	9.662	9936440	14.641	9937030	4.003	9937086DY	14.798
9934441	10.777	9935034	9.662	9936444	11.610	9937059BA	14.798	9937087BA	14.798
9934445	9.709	9935036	11.950	9936448BA	14.640	9937060BA	14.798	9937087DS	14.798
9934448	2.555	9935039	10.270	9936448DR	14.640	9937061BA	14.798	9937087DX	14.798
9934449	2.555	9935040	10.270	9936448DV	14.640	9937062BA	14.798	9937087DY	14.798
9934463	9.262	9935055	9.662	9936450CY	15.024	9937063BA	14.798	9937088BA	14.798
9934469	10.777	9935060	4.625	9936450DS	15.024	9937063DS	14.798	9937088DS	14.798
9934470	10.777	9935066	11.950	9936450DY	15.024	9937063DX	14.798	9937088DX	14.798
9934501	3.609	9935075	15.036	9936451	4.003	9937063DY	14.798	9937088DY	14.798
9934506DR	14.801	9935091	14.802	9936469CLR	9.684	9937064BA	14.798	9937089BA	14.798
9934506DT	14.801	9935114	10.777	9936469TNT	9.684	9937065BA	14.798	9937089DS	14.798
9934506DU	14.801	9935115	2.481	9936470CLR	9.684	9937065DS	14.798	9937089DX	14.798
9934506DV	14.801	9935118	10.270	9936470TNT	9.684	9937065DX	14.798	9937089DY	14.798
9934506DW	14.801	9935139	15.002	9936510	2.727	9937065DY	14.798	9937090BA	14.798
9934507DR	14.801	9935143	15.002	9936512	2.590	9937066BA	14.798	9937090DS	14.798
9934507DT	14.801	9935158	12.941	9936583	3.705	9937067BA	14.798	9937090DX	14.798
9934507DU	14.801	9935159	15.002	9936630	5.529	9937068BA	14.798	9937090DY	14.798
9934507DV	14.801	9935165	15.002	9936649	9.779	9937069BA	14.798	9937091BA	14.798

NUMERICAL INDEX

"HJ" PARTS CATALOGUE

PART No.	GROUP	PART No.	GROUP	PART No.	GROUP	PART No.	GROUP	PART No.	GROUP
9937091DS	14.798	9937098BA	14.798	9937219	9.779	9937631	9.648		
9937091DX	14.798	9937098DS	14.798	9937221	0.629	9937637	12.212		
9937091DY	14.798	9937098DX	14.798	9937223	0.629	9937638	12.203		
9937092BA	14.798	9937098DY	14.798	9937225	0.629	9937639	12.184		
9937092DS	14.798	9937099BA	14.798	9937227	0.629	9937640	12.184		
9937092DX	14.798	9937099DS	14.798	9937229	0.629	9937770	9.779		
9937092DY	14.798	9937099DX	14.798	9937231	0.629	9937869	0.033		
9937093BA	14.798	9937099DY	14.798	9937236	7.347	9937870	0.033		
9937093DS	14.798	9937102	8.823	9937267	0.105	9937871	0.033		
9937093DX	14.798	9937103	8.823	9937268	0.105	9937872	0.033		
9937093DY	14.798	9937117	9.276	9937275	2.341	9937873	0.033		
9937094BA	14.798	9937141	10.777	9937291	1.270	9937874	0.033		
9937094DS	14.798	9937145	0.886	9937295	6.761	9937924	0.105		
9937094DX	14.798	9937147	4.685	9937308	12.012	9938007	0.033		
9937094DY	14.798	9937148	4.685	9937309	9.709	9938008	0.033		
9937095BA	14.798	9937161	8.000	9937371CY	15.100	9938139	7.345		
9937095DS	14.798	9937167	4.040	9937371DR	15.100	9938140	7.345		
9937095DX	14.798	9937168	0.646	9937371DV	15.100	9938141	7.345		
9937095DY	14.798	9937188	7.003	9937372CY	15.100	9938142	7.345		
9937096BA	14.798	9937189	7.003	9937372DR	15.100	9938284	8.820		
9937096DS	14.798	9937191	7.003	9937372DV	15.100	17050639	3.727		
9937096DX	14.798	9937192	7.003	9937383	3.791	17050640	3.727		
9937096DY	14.798	9937193	7.003	9937419	2.731	17050641	3.725		
9937097BA	14.798	9937208	12.980	9937522	9.779	17050642	3.725		
9937097DS	14.798	9937212	7.003	9937523	9.779				
9937097DX	14.798	9937213	11.373	9937562	9.632				
9937097DY	14.798								

A decorative border with a repeating floral pattern surrounds the text.

Warranty

REPLACEMENT PARTS & ACCESSORIES

Should any defect in material or workmanship develop within the period of this Warranty, in any Part or Accessory purchased from GM Parts and Accessories, such Part or Accessory will be repaired or replaced without cost through the source from which the Part or Accessory was purchased.

This Warranty is valid for ninety days from the date of fitment of the Part or Accessory to the vehicle or for the first 6500 kilometres after installation of such Part or Accessory, whichever termination is first reached.

When a Replacement Part or Accessory is found to be defective within ninety days or 6500 kilometres after fitment, and is replaced outside the new Car Warranty period GM Parts and Accessories will accept labour charges involved in replacing the Part or Accessory at the current Warranty labour rate. Removal and replacement times set out in the Service Department Standard Time Manual are to be used in calculating the labour charges.

Labour will not be allowed for replacing a faulty Part or Accessory which is sold over the counter and fitted by other than a GM Dealer or Distributor.

IMPORTANT: The Warranty which accompanies General Motors-Holden's Cars and Trucks becomes null and void when Parts not made or sold by GM Parts and Accessories, Division of General Motors-Holden's Pty. Limited, are used for replacement of original equipment.