



20 YEARS of
HOLDEN
 PRODUCTION



48

FJ

FE

FC

FB

EK

EJ

EH

HD

HR



A "HOLDEN" PUBLICATION

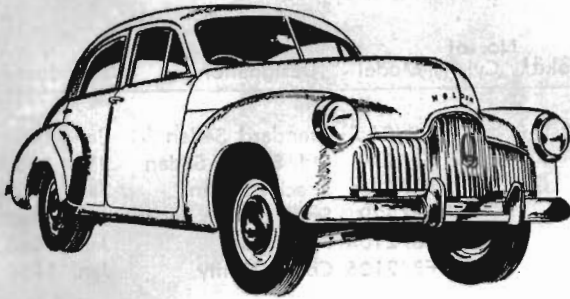
PARTS CATALOGUE



IDENTIFICATION

"48" & "50" SERIES

**RIGHT HAND DRIVE: SYNCHROMESH TRANSMISSION:
6 VOLT ELECTRIC SYSTEM: COMMENCING ENG. No. 1001**



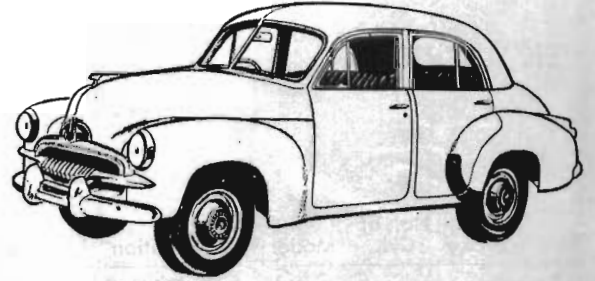
Bore	Stroke	No. of Cyl.	Model	Designation	Introduced
3"	3.1/8"	6	48/215	Sedan	Nov. 1948
			48/217	Business Sedan	July 1953
			50/2106	Coupe Utility	Jan. 1951

"FJ" SERIES

**RIGHT HAND DRIVE: SYNCHROMESH TRANSMISSION:
6 VOLT ELECTRIC SYSTEM: COMMENCING ENG. No. 121694**

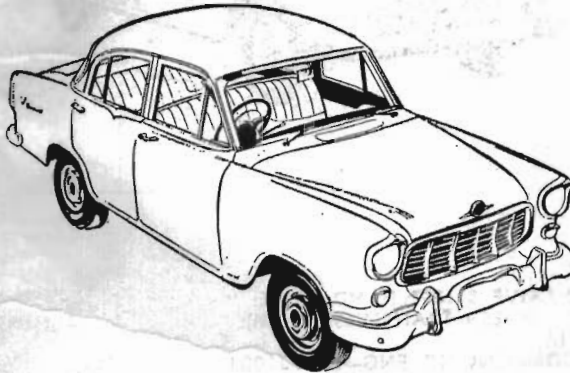
NOTE: Commencing at Engine No. U283384, FJ Engine Numbers were prefixed by the letter "U".

Bore	Stroke	No. of Cyl.	Model	Designation	Introduced
3"	3.1/8"	6	FJ/215	Standard Sedan	Oct. 1953
			FJ/217	Business Sedan	Oct. 1953
			FJ/225	Special Sedan	Oct. 1953
			FJ/2104	Panel Van	Dec. 1953
			FJ/2106	Coupe Utility	Oct. 1953



"FE" SERIES

**RIGHT HAND DRIVE: SYNCHROMESH TRANSMISSION:
12 VOLT ELECTRIC SYSTEM: COMMENCING ENG. No. L283373**



Bore	Stroke	No. of Cyl.	Model	Designation	Introduced
3"	3.1/8"	6	FE/215	Standard Sedan	July 1956
			FE/217	Business Sedan	July 1956
			FE/219	Std. Station Sedan	Mar. 1957
			FE/225	Special Sedan	July 1956
			FE/229	Spec. Station Sedan	Mar. 1957
			FE/2104	Panel Van	May 1957
			FE/2106	Coupe Utility	Feb. 1957

"FC" SERIES

**RIGHT HAND DRIVE: SYNCHROMESH TRANSMISSION:
12 VOLT ELECTRIC SYSTEM. ENGINE NUMBER CARRIED
THROUGH FROM "FE" WITHOUT A DEFINED BREAK**

Bore	Stroke	No. of Cyl.	Model	Designation	Introduced
3"	3.1/8"	6	FC/215	Standard Sedan	May 1958
			FC/217	Business Sedan	May 1958
			FC/219	Std. Station Sedan	May 1958
			FC/225	Special Sedan	May 1958
			FC/229	Spec. Station Sedan	May 1958
			FC/2104	Panel Van	May 1958
			FC/2106	Coupe Utility	May 1958



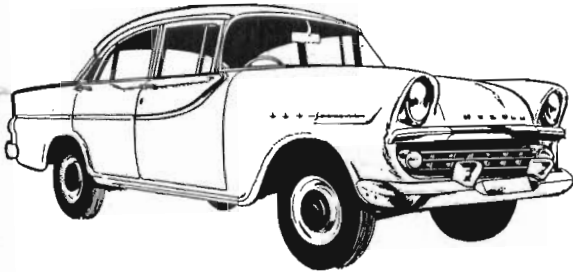


HOLDEN

MASTER PARTS CATALOGUE

"FB" SERIES

**PRODUCED IN RIGHT HAND DRIVE & LEFT HAND DRIVE:
SYNCHROMESH TRANSMISSION:
12 VOLT ELECTRIC SYSTEM: COMMENCING ENG. No. B1001**



Bore	Stroke	No. of Cyl.	Model	Designation	Introduced
3.1/16"	3.1/8"	6	FB/215	Standard Sedan	Jan. 1960
			FB/219	Std. Station Sedan	Jan. 1960
			FB/225	Special Sedan	Jan. 1960
			FB/229	Spec. Station Sedan	Jan. 1960
			FB/2104	Panel Van	Jan. 1960
			FB/2106	Coupe Utility	Jan. 1960

"EK" SERIES

**PRODUCED IN RIGHT HAND DRIVE & LEFT HAND DRIVE:
SYNCHROMESH TRANSMISSION (M):
HYDRA-MATIC TRANSMISSION (A)
12 VOLT ELECTRIC SYSTEM: COMMENCING ENG. No. B175814**

Bore	Stroke	No. of Cyl.	Model	Designation	Introduced
3.1/16"	3.1/8"	6	EK/215	Standard Sedan	May 1961
			EK/219	Std. Station Sedan	May 1961
			EK/225	Special Sedan	May 1961
			EK/229	Spec. Station Sedan	May 1961
			EK/2104	Panel Van	May 1961
			EK/2106	Coupe Utility	May 1961



"EJ" SERIES

**PRODUCED IN RIGHT HAND DRIVE & LEFT HAND DRIVE:
SYNCHROMESH TRANSMISSION (M):
HYDRA-MATIC TRANSMISSION (A)
12 VOLT ELECTRIC SYSTEM: COMMENCING ENG. No. J1001**



Bore	Stroke	No. of Cyl.	Model	Designation	Introduced
3.1/16"	3.1/8"	6	EJ/215	Standard Sedan	July 1962
			EJ/219	Std. Station Sedan	July 1962
			EJ/225	Special Sedan	July 1962
			EJ/229	Spec. Station Sedan	July 1962
			EJ/235	Premier Sedan	July 1962
			EJ/2104	Panel Van	Jan. 1963
			EJ/2106	Coupe Utility	Jan. 1963

HOLDEN

MASTER PARTS CATALOGUE

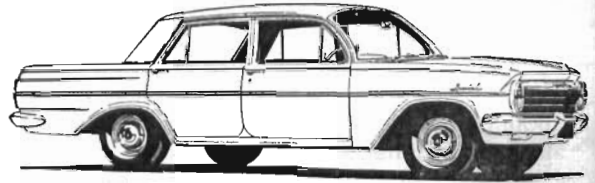


"EH" SERIES -

PRODUCED IN RIGHT HAND DRIVE & LEFT HAND DRIVE:
 SYNCHROMESH TRANSMISSION (M):
 HYDRA-MATIC TRANSMISSION (A)
 12 VOLT ELECTRIC SYSTEM: COMMENCING ENG. No. 1001

Engine Specifications:

Capacity	Bore	Stroke	No. of Cyl.	Comp. Ratio	Eng. No. Prefix
149 cu. ins.	3-1/4"	3.00"	6	8.8:1	H
149 cu. ins.	3-1/4"	3.00"	6	7.7:1	Y
179 cu. ins.	3-9/16"	3.00"	6	8.8:1	M



Model Designations	EH/215 Standard Sedan	EH/219 Standard Station Sedan	Introduced August 1963
	EH/225 Special Sedan	EH/229 Special Station Sedan	
	EH/235 Premier Sedan	EH/239 Premier Station Sedan	
	EH/2104 Panel Van	EH/2106 Coupe Utility	

"HD" SERIES

PRODUCED IN RIGHT HAND DRIVE & LEFT HAND DRIVE:
 SYNCHROMESH TRANSMISSION (M):
 POWERGLIDE TRANSMISSION (A)
 12 VOLT ELECTRIC SYSTEM: COMMENCING ENG. No. 1001

Engine Specifications:



Capacity	Bore	Stroke	No. of Cyl.	Comp. Ratio	Eng. No. Prefix
149 cu. ins.	3-1/4"	3.00"	6	8.8:1	149D
149 cu. ins.	3-1/4"	3.00"	6	7.7:1	149E
179 cu. ins.	3-9/16"	3.00"	6	8.8:1	179F
"X2" 179 cu. ins.	3-9/16"	3.00"	6	8.8:1	179X

Model Designations	HD/215 Standard Sedan	Introduced Feb. 1965	HD/219 Standard Station Sedan	Introduced Feb. 1965
	HD/225 Special Sedan	Feb. 1965	HD/229 Special Station Sedan	Feb. 1965
	HD/235 Premier Sedan	Feb. 1965	HD/239 Premier Station Sedan	Feb. 1965
	HD/2104 Panel Van	July 1965	HD/2106 Coupe Utility	July 1965

"HR" SERIES

PRODUCED IN RIGHT HAND DRIVE & LEFT HAND DRIVE:
 SYNCHROMESH TRANSMISSION (M):
 POWERGLIDE TRANSMISSION (A)
 12 VOLT ELECTRIC SYSTEM: COMMENCING ENG. No. 1001

Engine Specifications:

Capacity	Bore	Stroke	No. of Cyl.	Comp. Ratio	Eng. No. Prefix
161 cu. ins.	3-3/8"	3.00"	6	8.2:1	161W
161 cu. ins.	3-3/8"	3.00"	6	9.2:1	161R
186 cu. ins.	3-5/8"	3.00"	6	9.2:1	186A
"X2" 186 cu. ins.	3-5/8"	3.00"	6	9.2:1	186K
Twin manual choke carburettors to Eng. No. 186K 162700					

"S" 186 cu. ins. 3-5/8" 3.00" 6 9.2:1 186K
 Single automatic choke two barrel carburettor from Eng. No. 186K 162701.



Model Designations	HR/215 Standard Sedan	HR/219 Standard Station Sedan	April 1966 Introduced
	HR/225 Special Sedan	HR/229 Special Station Sedan	
	HR/235 Premier Sedan	HR/239 Premier Station Sedan	
	HR/2104 Panel Van	HR/2106 Coupe Utility	



HOLDEN

MASTER PARTS CATALOGUE

DESIGN MODIFICATION

The Holden is assembled by General Motors-Holden's Pty. Ltd. at Manufacturing Plants in the five Mainland States, but certain Component Assembly operations are restricted to specific Plants.

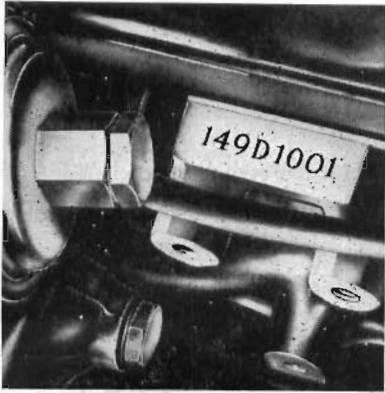
Design Modifications affecting interchangeability of Parts are, throughout this Catalogue, identified by quoting the appropriate Serial Number, Body Number, Tag Number or Engine Number of the Vehicles affected, or alternatively describing identifiable points of difference.

The significance of the Prefixes and/or Suffixes used is defined in the following chart which sets out the location of and assembly functions carried out in each plant, together with the Identifying Symbol.

LOCATION	ASSEMBLY FUNCTION PERFORMED	SYMBOL USED TO IDENTIFY PLANT OF MANUFACTURE
South Australia	Body Assembly	Body Number, after Sept. 1956 incorporates Letter "A"
	Vehicle Assembly	Vehicle Serial Number incorporates Letter "A"
Queensland	Vehicle Assembly	Vehicle Serial Number incorporates Letter "B"
Victoria	Engine Assembly	Engine Numbers are stamped in numerical sequence. Refer Vehicle Identification Chart on preceding pages for Prefix Letter data.
	Body Assembly	Body Number Incorporates Letter "M"
	Vehicle Assembly	Vehicle Serial Number incorporates Letter "M"
Western Australia	Vehicle Assembly	Vehicle Serial Number incorporates Letter "P"
New South Wales	Body Assembly	Body Number Incorporates Letter "S"
	Vehicle Assembly	Vehicle Serial Number incorporates Letter "S"



UNIT SERIAL NUMBER LOCATION



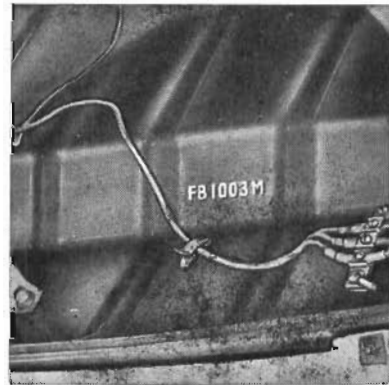
ENGINE NUMBER

ON PAD ON RIGHT HAND
 SIDE OF ENGINE

VEHICLE SERIAL NUMBER

"48"—"EH" Series.

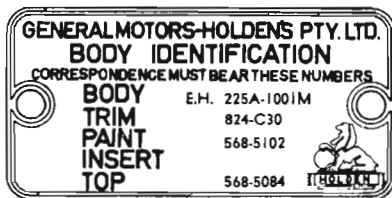
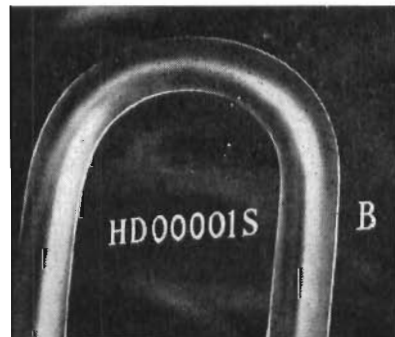
"48," "50" & "FJ" Series,
 front R.H. side member except
 vehicles produced between Dec.,
 1950, and Aug., 1953, which had
 Serial No. on L.H. front door pillar.
 "FE" Series, upper L.H. fender skirt.
 "FC", "FB", "EK", "EJ", "EH" Series,
 upper R.H. fender skirt.



"HD" Series.

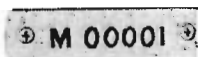
"HR" Series.

In centre of dash panel. First suffix
 letter identifies Body Assembly
 Plant. Second suffix letter identifies
 Vehicle Assembly Plant.



BODY, PAINT AND TRIM NUMBER

ON DASH PANEL



TAG NUMBER

ON DASH PANEL ADJACENT TO
 BODY NUMBER PLATE



HOLDEN

MASTER PARTS CATALOGUE

INTERIOR TRIM

All items of trim are identified by a hyphenated part number consisting of a basic number which identifies the item and a suffix which identifies the colour.

e.g., Basic No. Suffix Complete No.
 7418601 978 7418601-978

TO INTERPRET:

1. Determine the model and trim number from the plate attached to the dash beneath the engine hood.
2. Where a Basic Part No. suffixed by an asterisk (*) is listed, it indicates that all Trim Nos. in the description column are serviced, and the Basic Part No. must be suffixed by the desired Trim No.

TRIM NUMBER CHART

NOTE:—"Colour" in this chart identifies the colour of the trim on seat cushions and backs.

TRIM No.	COLOUR	TRIM No.	COLOUR	TRIM No.	COLOUR	TRIM No.	COLOUR
404	Matador Red	566	Lagoon Green	669	Dravo Green	804	Seal Grey
406	Field Green	568	Fall Red & Parchment Ivory	670	Mesa Tan	810	Mephisto Red
420	Blue Green			673	Fall Red	811	Gnome Blue
421	Blue Green	569	Caliph Red & Parchment Ivory	674	Comet Blue	812	Floral Green
426	Luxor Blue & Cosmos Grey			675	Cool Green	813	Beech Brown
426A	Luxor Blue & Cosmos Grey	571	Summit Blue & Cosmos Grey	676	Fall Red	814	Seal Grey
		572	Persian Turquoise & Parchment Ivory	677	Comet Blue	815	Mephisto & Chianti Red
426B	Luxor Blue & Cosmos Grey			678	Cool Green		
		573	Persian Turquoise & Dolphin Green	679	Fall Red	816	Dragoon & Jockey Blue
465	Fall Red & Parchment Ivory	575	Peacock Green & Dolphin Green	680	Comet Blue		
466	Caliph Red & Parchment Ivory	576	Tasman Green & Egret Ivory	681	Cool Green	817	Genoa & Fuji Turquoise
467	Summit Blue & Cosmos Grey	577	Sheath Brown & Sandalwood Beige	682	Fall Red		
468	Persian Turquoise & Parchment Ivory	578	Morocco Tan & Egret Ivory	683	Comet Blue	818	Amulet & Scarab Green
469	Italian Green & Lymph Green	582	Fall Red	684	Cool Green	819	Inca & Totem Tan
470	Peacock Green & Dolphin Green	596	Taurus Red	685	Fall Red	820	Mawson & Penguin Grey
471	Tasman Green & Egret Ivory	597	Sky Blue	686	Comet Blue	821	Mephisto & Chianti Red
472	Sheath Brown & Sandalwood Beige	598	Lagoon Green	687	Cool Green	822	Dragoon & Jockey Blue
473	Morocco Tan & Egret Ivory	627	Fall Red & Black	703	Fall Red & Parchment Ivory	823	Genoa & Fuji Turquoise
474	Cobweb Grey & Parchment Ivory	629	Riff Red & Black	704	Summit Blue & Cosmos Grey	824	Amulet & Scarab Green
475	Black & Toucan Yellow	630	Viscount Blue & Black	705	Persian Turquoise & Dolphin Green	825	Inca & Totem Tan
477	Taurus Red	632	Venetian Turquoise & Black	706	Italian Green & Lymph Green	826	Mawson & Penguin Grey
478	Sky Blue	633	Danube Green & Black	707	Peacock Green & Dolphin Green	827	Mephisto Red
479	Lagoon Green	635	Mesa Tan & Black	708	Tasman Green & Egret Ivory	828	Gnome Blue
484	Taurus Red	637	Black & Turkish Ivory	709	Cobweb Grey & Parchment Ivory	829	Floral Green
486	Lagoon Green	638	Fall Red	710	Black & Toucan Yellow	830	Beech Brown
488	Copper Brown	639	Riff Red	711	Summit Blue & Cosmos Grey	831	Seal Grey
503	Taurus Red	640	Peasant Blue	712	Persian Turquoise & Parchment Ivory	832	Mephisto Red
504	Sky Blue	642	Dravo Green	713	Tasman Green & Egret Ivory	833	Gnome Blue
505	Lagoon Green	643	Mesa Tan	717	Persian Turquoise & Parchment Ivory	834	Floral Green
506	Taurus Red	644	Fall Red	718	Sheath Brown & Sandalwood Beige	835	Beech Brown
507	Sky Blue	646	Dravo Green	727	Sheath Brown & Sandalwood Beige	836	Seal Grey
508	Lagoon Green	648	Fall Red	728	Fall Red & Parchment Ivory	838	Fall Red & Parchment Ivory
519	Horizon Blue	649	Peasant Blue			839	Viscount Blue & Florida Blue
520	Field Green	650	Dravo Green	729	Summit Blue & Cosmos Grey	839A	Viscount Blue & Florida Blue
524	Blue Green	651	Mesa Tan	730	Persian Turquoise & Parchment Ivory	840	Viscount Blue & Parchment Ivory
526	Matador Red	652	Fall Red			840A	Viscount Blue & Parchment Ivory
528	Field Green	653	Peasant Blue	731	Peacock Green & Dolphin Green	841	Venetian Turquoise & Parchment Ivory
529	Blue Green	654	Dravo Green	732	Morocco Tan & Egret Ivory		
532	Matador Red	655	Mesa Tan	736	Fall Red	842	Danube Green & Dolphin Green
533	Horizon Blue	656	Fall Red & Black	737	Comet Blue	843	Danube Green & Turkish Ivory
535	Blue Green	658	Riff Red & Black	738	Cool Green		
539	Luxor Blue & Cosmos Grey	659	Viscount Blue & Black	800	Mephisto Red	844	Mesa Tan & Parchment Ivory
		661	Venetian Turquoise & Black	801	Gnome Blue		
545	Persian Turquoise & Dolphin Green	662	Danube Green & Black	802	Floral Green		
557	Taurus Red	664	Mesa Tan & Black	803	Beech Brown		
558	Sky Blue	666	Black & Turkish Ivory				
559	Lagoon Green	667	Fall Red				
564	Taurus Red	668	Peasant Blue				
565	Sky Blue						

HOLDEN

MASTER PARTS CATALOGUE



TRIM No.	COLOUR	TRIM No.	COLOUR	TRIM No.	COLOUR	TRIM No.	COLOUR
845	Mesa Tan & Turkish Ivory	942	Mawson & Handsel Grey	1021	Rose Coral & Barossa Maroon with Stardust Grey	B11	Heather Rose & Vintage Crimson with Feathertop Grey
846	Fall Red & Black	954	Mephisto Red & Madison Grey			B12	Saxe & Columbine Blue with Feathertop Grey
847	Riff Red & Black	955	Gnome Blue & Madison Grey	1022	Viscount & Zenith Blue with Stardust Grey	B13	Monaco & Geisha Turquoise with Feathertop Grey
848	Black & Turkish Ivory	956	Floral Green & Madison Grey	1023	Mosaic & Jewel Turquoise with Stardust Grey	B14	Porcelain & Triton Green with Feathertop Grey
849	Fall Red & Parchment Ivory	959	Mephisto Red & Madison Grey	1024	Valley & Kentucky Green with Stardust Grey	B15	Harlequin & Curio Green with Feathertop Grey
850	Viscount Blue & Florida Blue	960	Gnome Blue & Madison Grey	1025	Rose Coral & Barossa Maroon with Stardust Grey	B16	Aztec Gold & Jamboree Brown with Feathertop Grey
851	Viscount Blue & Parchment Ivory	961	Floral Green & Madison Grey	1026	Viscount & Zenith Blue with Stardust Grey	B17	Alligator & Elephant Grey with Feathertop Grey
852	Venetian Turquoise & Parchment Ivory	964	Grenadier Red & Athens Grey	1027	Mosaic & Jewel Turquoise with Stardust Grey	B18	Garney & Bolero Red with Feathertop Grey
853	Danube Green & Dolphin Green	965	Rose Coral & Barossa Maroon	1028	Valley & Kentucky Green with Stardust Grey	B19	Heather Rose & Vintage Crimson with Feathertop Grey
854	Danube Green & Turkish Ivory	966	Viscount & Zenith Blue	1029	Mephisto Red & Madison Grey	B20	Saxe & Columbine Blue with Feathertop Grey
855	Mesa Tan & Parchment Ivory	967	Mosaic & Jewel Turquoise	1030	Gnome Blue & Madison Grey	B21	Monaco & Geisha Turquoise with Feathertop Grey
856	Mesa Tan & Turkish Ivory	968	Valley & Kentucky Green	1031	Floral Green & Madison Grey	B22	Porcelain & Triton Green with Feathertop Grey
857	Riff Red & Black	969	Golden & Leonora Tan	1032	Seal & Madison Grey	B23	Harlequin & Curio Green with Feathertop Grey
858	Black & Turkish Ivory	970	Mawson & Athens Grey	1033	Mephisto Red & Madison Grey	B24	Aztec Gold & Jamboree Brown with Feathertop Grey
859	Viscount Blue & Black	971	Grenadier Red & Athens Grey	1034	Gnome Blue & Madison Grey	B25	Alligator & Elephant Grey with Feathertop Grey
860	Fall Red & Black	972	Rose Coral & Barossa Maroon	1035	Floral Green & Madison Grey	B26	Astoria & Waldorf Red
883	Mephisto & Chianti Red with Stardust Grey Bolsters	973	Viscount & Zenith Blue	1036	Seal & Madison Grey	B27	Merle & Pagoda Blue
884	Dragoon & Jockey Blue with Stardust Grey Bolsters	974	Mosaic & Jewel Turquoise	1037	Grenadier Red	B28	Akron & Vagabond Green
885	Genoa & Fuji Turquoise with Stardust Grey Bolsters	975	Valley & Kentucky Green	1045	Rose Coral & Athens Grey	B29	Samoan Tan & Vaucluse Brown
886	Amulet & Scarab Green with Stardust Grey Bolsters	976	Golden & Leonora Tan	1047	Mosaic Turquoise & Athens Grey	B58	Bolero Red
887	Inca & Totem Tan with Stardust Grey Bolsters	977	Mawson & Athens Grey	1049	Rose Coral & Athens Grey	B60	Columbine Blue
888	Mawson & Penguin Grey with Stardust Grey Bolsters	978	Mephisto Red & Madison Grey	1051	Mosaic Turquoise & Athens Grey	B61	Geisha Turquoise
889	Mephisto & Chianti Red with Stardust Grey Bolsters	979	Gnome Blue & Madison Grey	1053	Rose Coral & Barossa Maroon	B62	Triton Green
890	Dragoon & Jockey Blue with Stardust Grey Bolsters	980	Floral Green & Madison Grey	1071	Viscount & Zenith Blue with Stardust Grey	B63	Curio Green
891	Genoa & Fuji Turquoise with Stardust Grey Bolsters	982	Seal & Madison Grey	1072	Mosaic & Jewel Turquoise with Stardust Grey	B65	Elephant Grey
892	Amulet & Scarab Green with Stardust Grey Bolsters	983	Mephisto Red & Madison Grey	1073	Valley & Kentucky Green with Stardust Grey	B66	Bolero Red
893	Inca & Totem Tan with Stardust Grey Bolsters	984	Gnome Blue & Madison Grey	A93	Bolero Red	B68	Columbine Blue
894	Mawson & Penguin Grey with Stardust Grey Bolsters	985	Floral Green & Madison Grey	A95	Columbine Blue	B69	Geisha Turquoise
941	Mephisto & Handsel Red	987	Seal & Madison Grey	A96	Geisha Turquoise	B70	Triton Green
		1011	Mephisto & Chianti Red	A97	Triton Green	B71	Curio Green
		1012	Dragoon & Jockey Blue	A98	Curio Green	B73	Elephant Grey
		1013	Amulet & Scarab Green	B01	Elephant Grey	C02	Bolero Red & Madison Grey
		1014	Inca & Totem Tan	B02	Bolero Red	C03	Madison & Elephant Grey
		1015	Mawson & Penguin Grey	B04	Columbine Blue	C04	Bolero Red & Madison Grey
		1016	Mephisto & Chianti Red	B05	Geisha Turquoise	C05	Madison & Elephant Grey
		1017	Dragoon & Jockey Blue	B06	Triton Green		
		1018	Amulet & Scarab Green	B07	Curio Green		
		1019	Inca & Totem Tan	B09	Elephant Grey		
		1020	Mawson & Penguin Grey	B10	Garnet & Bolero Red with Feathertop Grey		



HOLDEN

MASTER PARTS CATALOGUE

TRIM No.	COLOUR	TRIM No.	COLOUR	TRIM No.	COLOUR	TRIM No.	COLOUR
C16	Bolero Red	C79	Waldorf Red	E06	Triton Green	E71	Bone
C17	Columbine Blue	C80	Samoan Tan	E07	Elephant Grey	E72	Black
C19	Triton Green	C81	Bone	E20	Mephisto Red	E73	Mephisto Red
C20	Palais Green	C82	Melville Grey	E21	Mephisto Red	E74	Dover Blue
C22	Elephant Grey	D38	Bolero Red	E22	Mephisto & Garnet Red	E75	Opera Green
C23	Bolero Red	D39	Calais Blue	E23	Mephisto & Garnet Red	E76	Copra Fawn
C24	Columbine Blue	D40	Alaskan Aqua	E24	Mephisto Red	E78	Mephisto Red
C26	Triton Green	D41	Ballet Green	E25	Mephisto Red	E79	Dover Blue
C27	Palais Green	D42	Valsand Fawn	E29	Columbine Blue	E80	Opera Green
C29	Elephant Grey	D46	Bolero Red	E30	Triton Green	E81	Copra Fawn
C30	Garnet & Bolero Red	D47	Calais Blue	E31	Columbine Blue	E96	Columbine Blue
C31	Saxe & Columbine Blue	D48	Alaskan Aqua	E32	Triton Green	E97	Contessa Blue
C32	Gem & Tiara Turquoise	D49	Valsand Fawn	E35	Black	E98	Florantine Green
C33	Porcelain & Triton Green	D54	Bolero & Garnet Red	E36	Black	E99	Triton Green
C34	Cabaret & Palais Green	D55	Contessa & Sceptre Blue	E43	Mephisto Red	F01	Columbine Blue
C35	Aztec Gold & Jamboree Brown	D56	Arcadian & Diana Aqua	E44	Dover Blue	F02	Contessa Blue
C36	Alligator & Elephant Grey	D57	Florantine & Cabaret Green	E45	Opera Green	F03	Florantine Green
C37	Garnet & Bolero Red	D58	Cocos & Pitcairn Fawn	E46	Copra Fawn	F04	Triton Green
C38	Saxe & Columbine Blue	D59	Salient & Gossamer Grey	E49	Mephisto Red	F05	Astoria Red
C39	Gem & Tiara Turquoise	D60	Bolero & Garnet Red	E50	Dover Blue	F06	Samoan Tan
C40	Porcelain & Triton Green	D61	Contessa & Sceptre Blue	E51	Opera Green	F07	Bone
C41	Cabaret & Palais Green	D62	Arcadian & Diana Aqua	E52	Copra Fawn	F08	Black
C42	Aztec Gold & Jamboree Brown	D63	Florantine & Cabaret Green	E55	Dante & Mephisto Red	F09	Astoria Red
C43	Alligator & Elephant Grey	D64	Cocos & Pitcairn Fawn	E56	Dover & Calais Blue	F10	Samoan Tan
C44	Waldorf Red	D65	Salient & Gossamer Grey	E57	Dawson & Alaskan Aqua	F11	Bone
C45	Samoan Tan	D66	Astoria Red	E58	Opera & Ballet Green	F12	Black
C46	Bone	D67	Samoan Tan	E59	Copra & Valsand Fawn	F40	Goya Red
C47	Melville Grey	D70	Astoria Red	E60	Dante & Mephisto Red	F41	Paloma Blue
C48	Bolero Red	D71	Samoan Tan	E61	Dover & Calais Blue	F42	Honey Fawn
C49	Columbine Blue	D72	Bone	E62	Dawson & Alaskan Aqua	F43	Goya Red
C51	Triton Green	D99	Columbine Blue	E63	Opera & Ballet Green	F44	Paloma Blue
C52	Palais Green	E01	Triton Green	E64	Copra & Valsand Fawn	F45	Honey Fawn
C54	Elephant Grey	E02	Elephant Grey	E65	Astoria Red	F46	Goya Red
C55	Bolero Red	E05	Columbine Blue	E66	Samoan Tan	F47	Paloma Blue
C56	Columbine Blue			E67	Bone	F48	Honey Fawn
C58	Triton Green			E68	Black	F49	Goya Red
C59	Palais Green			E69	Astoria Red	F50	Paloma Blue
C61	Elephant Grey			E70	Samoan Tan	F51	Honey Fawn
						F52	Black
						F53	Black
						F54	Black
						F55	Black
						F60	Goya Red
						F61	Paloma Blue
						F62	Goya Red
						F63	Paloma Blue
						F64	Goya Red
						F65	Paloma Blue
						F66	Goya Red
						F67	Paloma Blue

NOTES

HOLDEN

MASTER PARTS CATALOGUE



Description	Group	Description	Group
ABUTMENT—Brake Booster Control Cylinder	4.906	BAFFLE—Brake Main Cylinder Cap	4.651
ACTUATOR—Trans Parking Brake	4.294	BAFFLE—Carburettor Float Chamber	3.776
ADAPTOR—Brake Booster Control	4.904	BAFFLE—Clutch Main Cylinder Cap	0.907
ADAPTOR—Brake Vacuum Hose	4.931	BAFFLE—Radiator Grille	1.286
ADAPTOR—Demister Hose	9.779	BAFFLE—Trans Rear Bearing Housing	4.318
ADAPTOR—Horn Actuating	2.824	BAG ASSEMBLY—Tool	8.821
ADAPTOR—Oil Cooler Inlet Pipe	4.128	BAIL—Fuel Pump Bowl	3.906
ADAPTOR—Oil Filter	1.835	BALANCER—Crankshaft	0.659
ADAPTOR—Steering Gear Hydraulic Valve	6.550	BALL—Carburettor Pump Check	3.760
ADAPTOR—Trans Modulator Pipe	4.205	BALL—Dist. Breaker Plate	2.385
ADAPTOR KIT—Steering Gear Hydraulic	6.550	BALL—Speedometer Worm Thrust	4.339
ADHESIVE—Plastic	8.800	BALL—Steel	8.899
ADHESIVE—P.V.C.	8.800	BALL—Steering Gear	6.844
ADJUSTER ASSEMBLY—Front Seat	11.561	BALL—Valve Rocker Arm	0.429
ADJUSTER—Hair Spring	4.339	BALL—Windshield Wiper Motor	10.150
ADJUSTER—Steering Gear Lash	6.822	BALL—Wiper Motor Thrust	10.150
ADJUSTER—Steerg. Gear Worm Brg.	6.830	BALL JOINT ASSEMBLY—Control Arm	6.168
AIR CLEANER—Heavy Duty	Access.	BALL STUD KIT—Steering Gear Hyd. Valve	6.551
AIR CLEANER—Oil Bath	Access.	BAND—Gearshift Damper	4.017
AIR CLEANER and SILENCER	3.402	BAND—Generator Com. Cover	2.299
AIR HORN ASSEMBLY—Carburettor	3.763	BAND—Starter Motor Com. End	2.070
AMMETER	2.515	BAND—Transmission Brake	4.251
ANCHORAGE ASSEMBLY—Radiator	1.270	BAR—Acc. Cross Shaft Adjusting	3.430
ANCHOR—Battery Mounting Bolt	2.333	BAR—Air Horn Reinforcing	3.763
ANCHOR—Hand Brake Cable	4.820	BAR—Bumper Face	7.831
ANCHOR—Hood Catch Control Rod	8.077	BAR—Bumper Secondary	7.836
ANTENNA—Radio	Access.	BAR—Cross	12.982
ANTI-FREEZE	8.800	BAR—Fender Grille	8.132
ANTI-RATTLER—End Gate	12.240	BAR—Hood Grille	8.049
ANTI-RATTLER—End Gate Glass	12.216	BAR—Horn Actuating	2.830
ANTI-RATTLER—Rear License Plate	2.670	BAR—Radiator Grille	1.268
ANTI-RATTLER—Steering Shaft	6.524	BAR—Starter Solenoid Switch Contact	2.102
ANTISQUEAK—Front Fender	8.161	BAR—Throttle Rod Adjusting	3.430
ANTISQUEAK—Rad. Grille Baffle	1.286	BAR—Tow	Access.
ANTISQUEAK—Rear Fender	8.205	BAR—Underbody Rear Cross	12.981
ARM—Control	6.168	BAR—Wiper Motor Kicker	10.150
ARM—Distributor Adjusting	2.414	BAR ASSEMBLY—Underbody	12.982
ARM—End Gate Hold Open	12.203	BARREL & KEY—Spare Wheel Comp. Door	12.248
ARM—End Gate Limit	12.203	BARREL and KEY ASSEMBLY—Deck Lid	12.248
ARM—Fuel Pump Rocker	3.920	BARREL and KEY ASSEMBLY—Door Locking	10.550
ARM—Generator Brush	2.291	BARREL and KEY ASSEMBLY—End Gate	12.248
ARM—Pitman	6.859	BARREL and KEY ASSEMBLY—Spare Wheel Comp. Door	12.248
ARM—Shock Absorber	7.375	BASE—Dome Lamp	11.925
ARM—Steering	6.103	BASE—Front Door Arm Rest	14.687
ARM—Steering Connecting Rod Idler	6.895	BASE—Rear Door Arm Rest	14.763
ARM—Valve Rocker	0.333	BASE—Tail and stop lamp	2.679
ARM—Windshield Wiper	10.147	BASE—Turn Signal Lamp	2.599
ARM—Windshield Wiper Motor Crank	10.150	BATTERY	2.332
ARM—Windshield Wiper Motor Drive Crank	10.157	BEARING—Acc. Cross Shaft	3.431
ARM—Wiper Motor Park Contact	10.150	BEARING—Axle Shaft	5.855
ARMATURE—End Gate Window Motor	12.280	BEARING—Camshaft Front	0.539
ARMATURE—Generator	2.279	BEARING—Camshaft Front Int.	0.543
ARMATURE—Starter Motor	2.043	BEARING—Camshaft Thrust	0.533
ARMATURE—Starter Solenoid Switch	2.102	BEARING—Carb. Torsion Rod	3.430
ARMATURE—Windshield Wiper Motor	10.150	BEARING—Clutch Gear	4.355
ARM REST—Front Door	14.686	BEARING—Clutch Throwout	0.799
ARM REST—Rear Door	14.762	BEARING—Connecting Rod	0.616
ARM REST—Rear Seat Centre	14.998	BEARING—Countershaft	4.422
ASH TRAY—Front Seat Back	12.030	BEARING—Crankshaft Centre	0.101
AXLE ASSEMBLY—Rear	5.386	BEARING—Crankshaft Clutch Pilot	0.649
AXLE SHAFT ASSEMBLY—Rear	5.42C	BEARING—Crankshaft Front	0.096
BACK ASSEMBLY—Rear Seat	14.998	BEARING—Crankshaft Front Int.	0.099
BACK—Tail and Stop Lamp	2.679	BEARING—Crankshaft Rear	0.106



HOLDEN

MASTER PARTS CATALOGUE

BEARING—Crankshaft Rear Int.	0.103	BODY—Rear Comp. Lamp Switch	11.960
BEARING—Differential Side	5.536	BODY—Rear License Lamp	2.700
BEARING—Distributor Breaker Plate	2.385	BODY—Shell	10.002
BEARING—First Speed Gear	4.419	BODY—Shock Absorber	7.345
BEARING—Front Wheel, Inner	6.311	BODY—Tail and Stop Lamp	2.679
BEARING—Front Wheel, Outer	6.313	BODY—Terminal Connector Protector	2.555
BEARING—Generator Drive End	2.306	BODY—Trans Governor Support	4.256
BEARING—Generator Slip Ring End	2.298	BODY—Water Pump	1.073
BEARING—Heater	9.779	BODY—Windshield Wiper Terminal	10.163
BEARING—King Pin Thrust	6.210	BOLT—Battery Mounting	2.333
BEARING—Low Sun Gear Thrust	4.177	BOLT—Brake Backing Plate	5.002
BEARING—Main Shaft Front	4.352	BOLT—Brake Booster Non-return Valve	4.904
BEARING—Main Shaft Rear	4.408	BOLT—Brake Booster Vac. Cyl. Clamp Plate	4.908
BEARING—Pinion Front	5.447	BOLT—Brake Main Cylinder Outlet	4.661
BEARING—Pinion Rear	5.484	BOLT—Bumper Face Bar	7.852
BEARING—Steering Shaft Upper	6.521	BOLT—Clutch	0.870
BEARING—Transmission Driven Torus	4.156	BOLT—Connecting Rod	0.623
BEARING—Transmission Front Cover to Torus Cover	4.123	BOLT—Control Arm Shaft	6.172
BEARING—Trans Output Shaft	4.408	BOLT—Cowl Ventilator	10.335
BEARING—Transmission Rear	4.408	BOLT—Crankcase Front Cover	0.206
BEARING—Transmission Torus Thrust	4.155	BOLT—Crankshaft Bearing Cap	0.056
BEARING—Windshield Wiper Armature	10.150	BOLT—Cylinder Head	0.293
BEARING—Windshield Wiper Link	10.159	BOLT—Dash Brace to Front End	12.982
BEARING—Wiper Motor	10.150	BOLT—Deck Lid Bumper	12.212
BEARING—Worm Thrust	6.530	BOLT—Deck Lid Lock	12.242
BEARING KIT—Camshaft	0.536	BOLT—Deck Lid Lock Striker	12.237
BEARING SET—Crankshaft	0.094	BOLT—Differential Carrier	5.506
BEARING SET—Connecting Rod	0.616	BOLT—Differential Carrier to Housing	5.387
BEARING UNIT—Crankshaft Centre	0.101	BOLT—Door Inside Locking Lever	10.556
BELT—Fan and Generator	1.066	BOLT—End Gate Bumper	7.852
BELT—Front Seat	14.798	BOLT—End Gate Lock	12.242
BELT—Power Steering	6.660	BOLT—End Gate Window Motor	12.280
BELT—Seat	Access.	BOLT—Fillister Head	8.907
BELT—Steering Gear Hyd. Pump Drive	6.660	BOLT—Flat Head	8.908
BELT and HOSE KIT—Fan and Radiator	1.067	BOLT—Flywheel	0.669
BEZEL—Fuel Gauge	3.109	BOLT—Front End Underbody	12.980
BEZEL—Speedometer Head	4.339	BOLT—Front Seat Adjuster	11.561
BEZEL—Tell-tale Assembly	2.516	BOLT—Front Suspension Mounting	6.008
BLADE ASSEMBLY—Fan	1.064	BOLT—Generator Through	2.316
BLADE ASSEMBLY—Windshield Wiper	10.146	BOLT—Hexagon head	8.900
BLEEDER—Carburettor High Speed	3.751	BOLT—Hex. Socket Head	8.901
BLEEDER—Carburettor Idle Air	3.744	BOLT—Hood Bumper	8.024
BLOCK—Cylinder	0.033	BOLT—Hood Catch Lock Plate	8.085
BLOCK—Diff. Side Gear Spring	5.511	BOLT—Hood Hinge	8.016
BLOCK—Horn Connector	2.859	BOLT—Lower Control Arm	6.174
BLOCK—Terminal	2.483	BOLT—Manifold	3.275
BOARD—Instrument panel radio grille	10.256	BOLT—Oval Head	8.909
BOARD—Rear Compartment Floor	12.580	BOLT—Pan head	8.910
BODY ASSEMBLY	10.001	BOLT—Radiator Grille	1.269
BODY ASSEMBLY—Brake Main Cylinder	4.650	BOLT—Radiator Mounting	1.221
BODY ASSEMBLY—Brake Wheel Cylinder	4.665	BOLT—Rear Door Locking Lever	10.556
BODY ASSEMBLY—Carburettor Main	3.748	BOLT—Rear Spring Centre	7.506
BODY ASSEMBLY—Clutch Main Cylinder	0.902	BOLT—Ring Gear	5.531
BODY ASSEMBLY—Oil Pump	1.653	BOLT—Round Head	8.906
BODY ASSEMBLY—Turn Signal Indicator	2.893	BOLT—Round Head Carriage	8.903
BODY ASSEMBLY—Turn Signal Lamp	2.586	BOLT—Spare Wheel Clamp ..	7.632
BODY—Body Wiring Terminal Connector	13.090	BOLT—Spare Wheel Mounting ..	7.632
BODY—Brake Booster Control	4.904	BOLT—Starter Motor Housing	2.077
BODY—Carburettor Throttle	3.727	BOLT—Starter Motor Through	2.077
BODY—Courtesy Light Switch	11.950	BOLT—Starter Solenoid Switch	2.102
BODY—End Gate Window Regulator Harness	12.277	BOLT—Steering Arm	6.106
BODY—Fuel Pump	3.902	BOLT—Steering Gear Hyd. Valve	6.550
BODY—Hand Brake Warning Lamp	4.610	BOLT—Steering Knuckle Support Clamp	6.023
BODY—Hand Brake Warning Lamp Switch ..	4.610	BOLT—Thermostat Housing	1.251
BODY—Headlamp	2.726	BOLT—Trans. Case Front Cover	4.123
BODY—Inst. Panel Ash Trav	12.013	BOLT—Trans Converter to Drive Plate ..	4.156
BODY—Inst. Panel Comp. Lamp Switch	10.270	BOLT—Transmission Governor	4.256
BODY—Parking and Turn Signal Lamp	2.586	BOLT—Transmission Oil Passage Plate ..	4.123

HOLDEN

MASTER PARTS CATALOGUE



BOLT—Transmission Rear Bearing Sleeve	4.408	BRACKET—Ignition Coil	2.170
BOLT—Transmission Torus	4.155	BRACKET—Instrument Carrier Mntg.	9.743
BOLT—Truss Head	8.913	BRACKET—Instrument Panel to Pillar	12.805
BOLT—Upper Control Arm	6.164	BRACKET—Jack Support	12.936
BOLT—Valve Push Rod Cover	0.449	BRACKET—Plenum Chamber Control	9.787
BOLT—Wheel Hub	5.812	BRACKET—Power Plant Mounting	6.008
BOLT—Windshield Wiper Motor	10.150	BRACKET—Radio Grille Cover	10.256
BOLT KIT—Rear Spring Mounting	7.529	BRACKET—Rear Compartment Lamp	11.960
BOOSTER—Brake Vacuum Servo	4.902	BRACKET—Rear License Lamp	2.705
BOOT—Brake Main Cylinder	4.659	BRACKET—Rear License Plate Mounting	2.670
BOOT—Brake Wheel Cylinder	4.670	BRACKET—Rear Seat Back	11.634
BOOT—Gearshift Lever	4.015	BRACKET—Rear Shock Absorber Mounting	12.984
BOOT—Spark Plug Insulating	2.258	BRACKET—Rear Spring Front Hanger	7.112
BOOT—Starter Solenoid Switch	2.102	BRACKET—Rear Spring Rear Hanger	7.118
BOW ASSEMBLY—Roof	12.952	BRACKET—Reflex Marker	2.689
BOWL—Fuel Pump	3.903	BRACKET—Relay Lever Support	4.040
BRACE ASSEMBLY—Body Side	12.491	BRACKET—Seat Adjuster Wire Support	11.589
BRACE—Back Panel Floor	12.966	BRACKET—Shock Absorber Mounting	7.370
BRACE—Deck Lid Hinge Bracket	12.184	BRACKET—Spare Wheel	7.629
BRACE—Front Fender	8.144	BRACKET—Starter Solenoid Switch	2.102
BRACE—Generator	2.317	BRACKET—Starter Switch Mounting	2.100
BRACE—Hood	8.022	BRACKET—Steering Column	6.760
BRACE—Instrument Panel	6.761	BRACKET—Steering Gear Hydraulic Cylinder	6.575
BRACE—Radiator Grille	1.266	BRACKET—Steering Gear Hyd. Hose Clip	6.672
BRACE—Radiator Grille Reinforcement	1.270	BRACKET—Steering Gear Hydraulic Pump Mounting	6.606
BRACE—Rear Comp. Front Panel to Floor Pan	12.971	BRACKET—Tail Pipe Support	3.710
BRACE—Rear Comp. Gutter to Floor	12.966	BRACKET—Tail Pipe Support	3.712
BRACE—Rear Fender	8.212	BRACKET—Throttle Control Adjusting	3.430
BRACE—Rocker Panel	12.935	BRACKET—Throttle Relay Lever Support	4.040
BRACE—Steering Column	6.761	BRACKET—Transmission Oil Filler Tube	4.133
BRACE AND HANDLE ASSY.—Cowl Ventilator	10.335	BRACKET—Transmission Parking Brake	4.290
BRACKET—Accelerator Pedal	3.451	BRACKET—Vacuum Control Pull Rod	2.413
BRACKET—Accelerator Spring	3.459	BRACKET—Windshield Washer Pump	8.798
BRACKET—Back-up Lamp Switch	2.697	BRAKE—Power	Access
BRACKET—Brake Booster Mounting	4.901	BREAKER—End Gate Window Regulator Circuit	12.276
BRACKET—Brake Hose	4.681	BREATHER—Axle Housing	5.387
BRACKET—Brake Main Cylinder	4.648	BREATHER—Transmission	4.104
BRACKET—Carburettor Automatic Choke Heat Pipe	3.720	BRIDGE—Air Cleaner	3.403
BRACKET—Carburettor Dashpot	3.733	BRUSH—Distributor Cap	2.370
BRACKET—Clutch Countershaft Mntg.	0.852	BRUSH—End Gate Window Motor	12.280
BRACKET—Console	12.800	BRUSH—Generator	2.285
BRACKET—Deck Lid Bumper	12.213	BRUSH—Windshield Wiper Motor	10.150
BRACKET—Deck Lid Hinge	12.184	BRUSH and LEAD—Horn Contact	2.819
BRACKET—Dist. Weight Spring	2.390	BRUSH HOLDER & CIRCUIT BREAKER—End Gate Window Motor	12.280
BRACKET—End Gate Bumper	12.213	BRUSH PLATE—Generator	2.291
BRACKET—End Gate Cable	12.206	BRUSH SET—Generator	2.285
BRACKET—End Gate Limit Arm	12.206	BRUSH SET—Starter Motor	2.051
BRACKET—End Gate Lock	12.242	BRUSH, SPRING & TERMINAL SET—Generator	2.285
BRACKET—Engine Mounting	0.027	BUFFER—Starter Motor Drive	2.087
BRACKET—Exhaust Pipe Support	3.616	BULB	8.991
BRACKET—Front Cross Member	6.008	BULB—Dome Lamp	11.925
BRACKET—Front Door Glass Run Channel Retainer	10.701	BULB—Headlamp	2.725
BRACKET—Front Stabiliser Shaft	7.242	BULB—Indicator Light	2.515
BRACKET—Fuse Panel	2.481	BULB—Instrument Panel	9.743
BRACKET—Gearshift Cross Shaft	4.019	BULB—Parking Brake Warning	4.610
BRACKET—Generator Adjusting	2.317	BULB—Parking and Turn Signal Lamp	2.585
BRACKET—Generator Mounting	2.277	BULB—Parking and Turn Signal Lamp	2.586
BRACKET—Hand Brake Cable	4.829	BULB—Rear License Lamp	2.714
BRACKET—Hand Brake Cable Anchor	4.829	BULB—Tail and Stop Lamp	2.679
BRACKET—Hand Brake Intermediate Lever	4.797	BULB—Transmission Control Dial	4.038
BRACKET—Hand Brake Mounting	4.606	BULB—Turn Signal Indicator	2.893
BRACKET—Hand Brake Sheave	4.700	BULB HOLDER—Turn Signal Lamp	2.596
BRACKET—Headlamp Mounting Ring	2.736	BUMPER—Battery Mounting	2.333
BRACKET—Hood Catch Control Rod	8.077	BUMPER—Body Pillar Door	10.587
BRACKET—Hood Link	8.015	BUMPER—Brake Pedal	4.625
BRACKET—Horn Mounting	2.845		



HOLDEN

MASTER PARTS CATALOGUE

BUMPER—Clutch Pedal	0.830	BUTTON—Horn Ring	2.820
BUMPER—Control Arm	6.176	BUTTON—Horn Switch	2.830
BUMPER—Deck Lid	12.212	BUTTON—Inst. Panel Comp. Door Catch	10.266
BUMPER—Door Check Link	10.614	BUTTON—Rear Seat Back Trim	15.000
BUMPER—Door Lock Striker	10.587	BUTTON—Throttle Floor Pan Detent	4.040
BUMPER—End Gate	12.212	BUTTON—Windshield Washer Pump	10.150
BUMPER—End Gate	12.240	CABLE and CASING—Speedometer	4.342
BUMPER—Front Bumper Stone Shield	7.868	CABLE—Back-up Lamp	2.697
BUMPER—Fuel Filler Door	12.944	CABLE—Battery Ground	2.341
BUMPER—Hood	8.024	CABLE—Demister Control	9.779
BUMPER—Instrument Panel Compt. Door	10.263	CABLE—End Gate Limit	12.203
BUMPER—Licence Plate	2.670	CABLE—Generator Ground	2.555
BUMPER—License Plate Mounting	7.796	CABLE—Hand Brake	4.826
BUMPER—Radiator Grille	1.268	CABLE—Heater Control	9.779
BUMPER—Rear Axle	7.535	CABLE—Plenum Chamber Control	9.787
BUMPER—Steering Knuckle	6.176	CABLE—Speedometer	4.342
BUMPER—Upper Control Arm	6.176	CABLE—Starter	2.342
BUSHING—Brake Adjuster	5.103	CABLE—Windshield Washer	8.798
BUSHING—Brake Booster Output Cylinder	4.905	CALIPER ASSEMBLY—Brake	5.010
BUSHING—Brake Pedal	4.626	CAM—Carburettor Fast Idle	3.735
BUSHING—Carburettor Choke Shaft	3.791	CAM—Distributor	2.381
BUSHING—Clutch Lever Spring	0.844	CAM—End Gate Glass Lifter Channel	11.207
BUSHING—Clutch Overcentre Spring	0.844	CAM—Fuel Gauge Tank Unit	3.107
BUSHING—Clutch Pedal	0.831	CAM—Shock Absorber	7.372
BUSHING—Connecting Rod	0.613	CAM—Transmission Shifter Shaft	4.308
BUSHING—Dist. Terminal Stud	2.401	CAM—Windshield Wiper Pump Actuating	10.150
BUSHING—Door Hinge	10.464	CAMSHAFT	0.519
BUSHING—Door Outside Handle Push Button	10.529	CAP—Acc. Cross Shaft Bearing	3.431
BUSHING—End Gate Hinge	12.185	CAP—Brake Bleeder Valve	4.666
BUSHING—Front Propeller Shaft	4.317	CAP—Brake Main Cylinder Filler	4.651
BUSHING—Front Stabilizer	7.243	CAP—Clutch Main Cylinder Filler	0.907
BUSHING—Fuel Pump Rocker Arm	3.920	CAP—Crankshaft Centre Bearing	0.100
BUSHING—Gearshift Anti-rattle	4.017	CAP—Crankshaft Front Bearing	0.095
BUSHING—Gearshift Control Lever	4.017	CAP—Crankshaft Front Int. Bearing	0.098
BUSHING—Gearshift Control Support	4.018	CAP—Crankshaft Rear Bearing	0.105
BUSHING—Gearshift Inter. Lever	4.019	CAP—Crankshaft Rear Int. Bearing	0.102
BUSHING—Generator Brush Plate	2.291	CAP—Distributor	2.367
BUSHING—Generator End Frame	2.298	CAP—Door Locking Barrel	10.550
BUSHING—Generator Heat Sink Stud	2.289	CAP—Front Door Trim Clip	14.685
BUSHING—King Pin	6.021	CAP—Fuel Gauge Protector	3.111
BUSHING—Lighting Switch	2.487	CAP—Fuel Tank Filler	3.028
BUSHING—Low Sun Gear	4.177	CAP—Fuel Tank Filler Locking	Access
BUSHING—Lower Control Arm. Inner	6.170	CAP—Horn Button	2.817
BUSHING—Lower Control Arm. Outer	6.174	CAP—Oil Filler	1.516
BUSHING—Oil Pressure Switch	1.803	CAP—Radiator	1.203
BUSHING—Pipe Reducing	8.963	CAP—Rear Door Trim Clip	14.760
BUSHING—Rear Spring	7.524	CAP—Starter Motor Armature	2.063
BUSHING—Shock Absorber Body	7.377	CAP—Steering Column Bracket	6.760
BUSHING—Shock Absorber Mounting	7.370	CAP—Steering Gear Hydraulic Pump Reservoir	6.635
BUSHING—Speedometer Head	4.339	CAP—Tail and Stop Lamp Socket Dust Seal	2.679
BUSHING—Starter Brush Holder Insul.	2.052	CAP—Trans. Brake Anchor Screw	4.251
BUSHING—Starter Drive	2.087	CAP—Transmission Breather Screw	4.104
BUSHING—Starter Motor	2.083	CAP—Underbody Sealing	12.980
BUSHING—Starter Solenoid Switch	2.102	CAP—Valve Spring	0.309
BUSHING—Starter Switch to Motor	2.101	CAP—Wheel Cylinder Bleeder Valve	4.666
BUSHING—Steering Con. Rod Idler Lever	6.897	CAP—Wheel Hub	5.858
BUSHING—Steering Gear Pitman Shaft	6.786	CAP—Windshield Wiper Blade Retaining	10.146
BUSHING—Transmission Case	4.103	CAP—Wiper Motor Shaft Sealing	10.150
BUSHING—Transmission Clutch Drum	4.158	CARBURETTOR ASSEMBLY	3.725
BUSHING—Transmission Governor Support	4.256	CARD—Power Steering Instruction	8.823
BUSHING—Trans. Rear Bearing Housing	4.317	CARPET ASSEMBLY—Front Floor	15.286
BUSHING—T.V. Relay Lever	4.040	CARPET ASSEMBLY—Rear Floor	15.306
BUSHING—Upper Control Arm	6.164	CARRIER—Instrument	9.743
BUSHING—Valve Rocker Arm	0.334	CARRIER—Speedo Head Pinion	4.339
BUSHING—Windshield Wiper Motor	10.150	CARRIER—Water Bag	Access.
BUSHING & SLEEVE ASSEMBLY—Trans, Rear Brg. Ret	4.408	CARRIER and CAP—Differential	5.505
BUTTON—C.V. Handle Locking	10.664	CARRIER ASSEMBLY—Transmission Front Planet	4.161
BUTTON—Door Outside Handle Push	10.529	CARRIER ASSEMBLY—Transmission Rear Planet	4.177
BUTTON—Front Seat Back Trim	14.800	CASE and COIL—Starter Solenoid Switch	2.102
		CASE—Differential	5.510

HOLDEN

MASTER PARTS CATALOGUE



CASE—Door Locking Barrel	10.550	CLIP—Brake Pad Retaining	5.020
CASE—Instrument	3.108	CLIP—Brake Pipe	4.685
CASE—Instrument Panel Door Lock	10.266	CLIP—Brake Servo Hose	4.931
CASE—Speedometer Head	4.339	CLIP—Carburettor Automatic Choke Heat Pipe	3.720
CASE—Transmission and Clutch	4.103	CLIP—Carburettor Pump Link	3.783
CASE SET—Travel	Access.	CLIP—Carburettor Strainer Screen	3.787
CASING—Speedometer Cable	4.342	CLIP—Centre Pillar Trim	14.730
CATCH—Hood Safety	8.036	CLIP—Choke Control Anti-rattle	3.521
CATCH—Instrument Panel Compt. Door	10.268	CLIP—Clutch and Brake Pipes	0.929
CEMENT—Neoprene Rubber	8.800	CLIP—Clutch Cylinder Hose	0.930
CHAMBER ASSEMBLY—Plenum	12.803	CLIP—Clutch Over-centre Spring Anti-rattle	0.847
CHANNEL—Door Window Glass Run	10.829	CLIP—Cowl Ventilator Handle Knob	10.313
CHANNEL—End Gate Glass	11.207	CLIP—Cowl Ventilator Moulding	10.308
CHANNEL—Front Door Glass	10.701	CLIP—Deck Lid Name Plate	12.183
CHANNEL—Front Door Glass Division	10.686	CLIP—Distributor Lever Spring	2.384
CHANNEL—Front Door Glass Lifter	10.685	CLIP—Dist. Weight Retaining	2.388
CHANNEL—Front Door Glass Run	10.686	CLIP—Door Belt Weather Strip	10.712
CHANNEL—Rear Door Glass	10.759	CLIP—Door Control Con. Rod Anti-rattle	10.556
CHANNEL—Rear Door Glass Division	10.829	CLIP—Door Control Link Anti-rattle	10.506
CHANNEL—Rear Door Glass Lifter	10.747	CLIP—Door Glass Run Channel	10.701
CHANNEL—Rear Quarter Side Glass	11.015	CLIP—Door Glass Run Channel	10.759
CHANNEL—Rear Window Glass	11.207	CLIP—Door Hinge Hold Open	10.608
CHANNEL—Windshield Glass	10.092	CLIP—Door Inside Locking Rod	10.563
CHECK—Inst. Panel Comp. Door	10.264	CLIP—Door Locking Barrel	10.550
CIRCLIP—Brake Booster Control Cylinder	4.906	CLIP—End Gate Control Rod	12.241
CIRCLIP—Brake Booster Output Cylinder	4.905	CLIP—End Gate Name Plate	12.183
CIRCLIP—Distributor Cam	2.381	CLIP—End Gate Plunger Rod	12.241
CIRCLIP—Gearshift Lever Pivot Pin	4.007	CLIP—End Gate Regulator Escutcheon	12.249
CIRCLIP—Gearshift Selector Pivot Pin	4.022	CLIP—End Gate Window Fuse	12.277
CIRCLIP—Generator Drive End	2.307	CLIP—End Gate Window Handle	12.247
CIRCLIP—Windshield Wiper Motor	10.150	CLIP—End Gate Window Regulator Harness	12.277
CIRCUIT BREAKER—End Gate Window Regulator	12.276	CLIP—End Gate Window Regulator Lead	12.276
CIRCUIT BREAKER—Wiper Motor	10.150	CLIP—Front Door Belt Moulding	12.112
CLAMP—Air Cleaner	3.403	CLIP—Front Door Ext. Moulding	12.112
CLAMP—Ball Joint Seal	6.168	CLIP—Front Door Trim	14.685
CLAMP—Demister Cable	9.779	CLIP—Front Fender Moulding	8.132
CLAMP—Distributor	2.414	CLIP—Front Fender Seal	8.154
CLAMP—Engine Breather Hose	1.762	CLIP—Front Seat Adjuster	11.589
CLAMP—Exhaust Pipe	3.616	CLIP—Front Seat Back Spring	11.374
CLAMP—Fuel Hose	3.163	CLIP—Front Seat Cushion Spring	11.420
CLAMP—Hand Brake Cable	4.820	CLIP—Fuel Pipe	3.202
CLAMP—Heater Hose	9.779	CLIP—Fuse	2.481
CLAMP—Horn Wire	2.859	CLIP—Gearshift Control Shaft Spring	4.017
CLAMP—Hose	1.166	CLIP—Hand Brake Cable	4.591
CLAMP—Hose	8.948	CLIP—Hand Brake Lever Retainer	5.158
CLAMP—Instrument Carrier	9.743	CLIP—Heater Knob Retaining	9.779
CLAMP—Manifold	3.273	CLIP—Hood Catch Control Rod	8.077
CLAMP—Manifold Hose	3.260	CLIP—Hood Emblem	8.055
CLAMP—Muffler Front	3.704	CLIP—Hood Grille Bar Insert	8.055
CLAMP—Muffler Rear	3.706	CLIP—Hood Ledge Lacing	9.127
CLAMP—Plenum Chamber Cable	9.787	CLIP—Hood Letter	8.040
CLAMP—Radiator Grille Emblem	1.265	CLIP—Hood Support	8.013
CLAMP—Spare Wheel	7.629	CLIP—Instrument Panel Moulding	10.252
CLAMP—Steering Column	6.760	CLIP—Instrument Panel Name Plate	10.261
CLAMP—Steering Gear Ball Guide	6.843	CLIP—Pipe or Cable	8.950
CLAMP—Steering Gear Hose	6.672	CLIP—Pressure Valve Cover	0.686
CLAMP—Steering Gear Hyd. Valve	6.551	CLIP—Rear Door Ext. Moulding	12.114
CLAMP—Steering Tie Rod	6.234	CLIP—Rear Door Trim	14.760
CLAMP—Tail Pipe Front	3.710	CLIP—Rear Quarter Moulding	12.116
CLAMP—Tail Pipe Rear	3.712	CLIP—Rear Seat Back Spring	11.629
CLAMP—Tail and Stop Lamp Lens Mounting	2.683	CLIP—Rear Seat Cushion Spring	11.611
CLAMP KIT—Tail Pipe	3.706	CLIP—Rear Spring Leaf	7.513
CLEANER—Air	Access.	CLIP—Rear Window Reveal Moulding	11.209
CLEANER—Air	3.402	CLIP—Spare Wheel Compt. Cover	12.238
CLEVIS—Brake Main Cylinder Rod	4.662	CLIP—Speedometer Cable	4.342
CLEVIS—Clutch Main Cylinder Push Rod	0.920	CLIP—Steering Gear Hose	6.672
CLEVIS—Hand Brake Cable	4.826	CLIP—Throttle Control Rod	3.430
CLIP—Accelerator Rod	3.430	CLIP—Throttle Valve Control Rod	4.040
CLIP—Body Wiring	13.092	CLIP—Transmission Breather Pipe	4.104
CLIP—Brake Booster Valve Retaining	4.907	CLIP—Transmission Oil Cooler Pipe	4.128
CLIP—Brake Hose	4.681	CLIP—Tubular Lock	8.949
		CLIP—Turn Signal Switch Cable	2.895
		CLIP—Windshield Reveal Moulding	10.096
		CLIP—Windshield Washer Hose	8.798



HOLDEN

MASTER PARTS CATALOGUE

CLIP—Windshield Wiper Fuse Holder	10.163	COVER—Body Side Brace	12.491
CLIP—Windshield Wiper Link	10.160	COVER—Carburettor Thermostat	3.796
CLIP—Wiper Motor Cable	10.150	COVER—Clutch Housing	0.679
CLIP—Wiring Harness	2.555	COVER—Clutch and Trans. Case	0.679
CLUTCH—End Gate Handle	12.247	COVER—Clutch Inspection Hole	0.686
CLUTCH ASSEMBLY—Transmission	4.158	COVER—Clutch Pedal Insulator	0.830
COCK—Drain	8.951	COVER—Converter Housing	0.679
COCK—Radiator Drain	1.229	COVER—Cowl Ventilator	10.307
COIL—Generator Field	2.310	COVER—Crankcase Front End	0.206
COIL—Ignition	2.170	COVER—Door Lock Striker Pillar	12.491
COIL—Starter Motor Field	2.049	COVER—End Gate Cable	12.203
COIL—Windshield Wiper Motor	10.150	COVER—Floor Pan Detent Spring	4.040
COIL—Wiper Motor Field	10.150	COVER—Flywheel Housing	0.679
COLLAR—Brake Booster Diaphragm	4.908	COVER—Front Door Scuff Plate	11.175
COLLAR—Gearshift Control Shaft	4.021	COVER—Front Seat Back	14.800
COLLAR—Generator Bearing	2.307	COVER—Front Seat Cushion	14.880
COLLAR—Generator Drive End	2.307	COVER—Front Wheel Hub Bearing	5.858
COLLAR—Speedometer Head	4.339	COVER—Fuel Pump	3.910
COLLAR—Starter Retaining Ring	2.096	COVER—Gear Shift Lever	4.015
COMMUTATOR—Windshield Wiper Motor	10.150	COVER—Generator Brush Gear	2.299
COMPARTMENT—Console	12.801	COVER—Gen. Com. End Frame	2.300
COMPARTMENT ASSEMBLY—Fuel Filler Cap	12.944	COVER—Generator Slip Ring End	2.297
COMPARTMENT ASSEMBLY—Instrument Panel	10.260	COVER—Inst. Panel Radio Grille	10.256
CONDENSER ASSEMBLY—Distributor	2.393	COVER—Luggage Compartment Floor	15.294
CONDUIT—Choke	3.521	COVER—Oil Filter	1.840
CONE—Differential Side Bearing	5.536	COVER—Oil Pump	1.723
CONE—Pinion Front Bearing	5.447	COVER—Oil Pump Screen	1.660
CONE—Pinion Rear Bearing	5.484	COVER—Pressure Regulator Valve Access Hole	0.686
CONE—Synchronising	4.383	COVER—Rear Door Scuff Plate	11.179
CONE—Transmission Reverse Clutch	4.189	COVER—Rear Seat Back	15.000
CONE—Windshield Wiper Motor	10.150	COVER—Rear Seat Back Arm Rest	15.001
CONNECTOR—Brake Pipe	4.686	COVER—Rear Seat Back Retainer	11.634
CONNECTOR—Brake Shoe Guide Spring	5.041	COVER—Rear Seat Cushion	15.035
CONNECTOR—Carburettor Choke Wire	3.791	COVER—Rear Window Reveal Moulding	11.208
CONNECTOR—Clutch Main Cylinder	0.927	COVER—Relay Link Spacer	6.883
CONNECTOR—Fuel Gauge Dash Unit	3.108	COVER—Roof Fabric	12.810
CONNECTOR—Fuel Pipe	3.163	COVER—Roof Side Rail	12.808
CONNECTOR—Generator Terminal	2.313	COVER—Shock Absorber	7.362
CONNECTOR—Heater	9.779	COVER—Spare Wheel Compartment	12.180
CONNECTOR—Horn Button	2.819	COVER—Starter Motor Com. End	2.070
CONNECTOR—Inlet Manifold Water	3.260	COVER—Starter Solenoid Switch	2.102
CONNECTOR—Pipe	8.963	COVER—Starter Switch Connector	2.101
CONNECTOR—Starter Motor Switch	2.101	COVER—Steering Column Jacket	6.518
CONNECTOR—Steering Gear Hyd. Cyl. Pipe	6.576	COVER—Steering Column Toe Pan Seal	6.758
CONNECTOR—Steering Gear Hyd. Valve Pipe	6.551	COVER—Steering Con. Rod Ball Seat Spacer	6.883
CONNECTOR—Valve Rocker Oil	1.928	COVER—Steering Con. Rod Ball Socket Dust	6.886
CONSOLE ASSEMBLY	12.801	COVER—Steering Gear Housing Side	6.807
CONTACT—Horn Button	2.819	COVER—Steering Gear Hyd. Valve Dust	6.554
CONTACT BAR—Starter Solenoid Switch	2.102	COVER—Tail and Stop Lamp Lens	2.681
CONTACT SET—Current Regulator	2.504	COVER—Tail Lamp Access. Hole	12.948
CONTACT SET—Distributor	2.384	COVER—Timing Gear	0.206
CONTACT SET—Voltage Regulator	2.504	COVER—Tonneau	12.196
CONTACT SET—Windshield Wiper Motor	10.150	COVER—Transmission	4.105
CONTACT and CABLE—Horn	2.859	COVER—Transmission Case Front	4.123
CONTACT AND SPRING ASSY.—Horn Connector	2.819	COVER—Trans. Control Pointer	4.038
CONTROL—Choke	3.521	COVER—Transmission Coupling Exhaust Valve	4.155
CONTROL—Door Remote	10.500	COVER—Transmission Floor	12.557
CONTROL—Windshield Wiper	10.163	COVER—Trans. Low Servo	4.212
CONTROL ASSEMBLY—End Gate Lock	12.242	COVER—Transmission Oil Passage	4.317
CONVERSION PACKAGE—Radio	Access.	COVER—Trans. Oil Pump	4.226
CONVERTOR ASSEMBLY—Transmission	4.156	COVER—Transmission Rear Bearing	4.317
CORE ASSEMBLY—Radiator	1.219	COVER—Turn Signal Switch	2.895
COUNTERSHAFT ASSEMBLY—Clutch	0.852	COVER—Valve Push Rod	0.439
COUPLING ASSEMBLY—Carburettor	3.430	COVER—Valve Rocker	0.386
COVER—Acc. Cross Shaft Bearing	3.431	COVER—Voltage and Current Reg.	2.501
COVER—Air Cleaner	3.410	COVER—Windshield Reveal Moulding	10.093
COVER—Brake Adjusting Hole	5.188	COVER—Windshield Weatherseal	10.054
COVER—Brake Booster Bleeder Screw	4.905	COVER—Windshield Wiper Motor	10.150
COVER—Brake Booster Filter Element	4.903	COVER—Wiper Motor Commutator End	10.150
COVER—Brake Booster Vac. Cyl. End	4.908	COVER—Wiper Motor Gear and Centre Shaft	10.150
COVER—Brake Pedal Insulator	4.625	COVER—Wiper Motor Gear Box	10.150
COVER—Brake Wheel Cylinder	4.674		

HOLDEN

MASTER PARTS CATALOGUE



COVER—Wiper Motor Terminal	10.150	DIFFERENTIAL and CARRIER ASSEMBLY	5.504
COVER and BRUSH—Wiper Motor	10.150	DIODE—Generator	2.287
COVER & PIPE—Brake Booster Valve Chest	4.907	DISC—Brake	5.809
COVER and PRESSURE PLATE ASSEMBLY—Clutch	0.861	DISC—Heater Control	9.779
COVER and VALVE—Wiper Motor Pump	10.150	DISC—Plenum Chamber Control Spring	9.787
COVER ASSY—Wiper Motor Drive Shaft	10.150	DISC—Speedo. Head Indicator	4.339
COVER KIT—Oil Pump	1.723	DISC—Starter Com. End Buffer	2.084
COWL ASSEMBLY—Body Front End	12.803	DISC—Starter End Bearing	2.077
COWL VENTILATOR ASSEMBLY	10.307	DISC—Starter Solenoid Switch	2.102
CRANK—Transmission Shifter	4.301	DISC—Wiper Motor Armature	10.150
CRANKSHAFT	0.646	DISC—Wiper Motor Contact	10.150
CROSS MEMBER—Underbody	12.982	DISTRIBUTOR ASSEMBLY	2.361
CUP—Brake Main Cylinder Piston	4.654	DOOR ASSEMBLY—Front	10.351
CUP—Brake Shoe Guide Spring	5.042	DOOR ASSEMBLY—Fuel Filler	12.944
CUP—Brake Wheel Cylinder	4.667	DOOR ASSEMBLY—Headlamp	2.728
CUP—Clutch Actuating Cyl. Piston	0.937	DOOR ASSEMBLY—Instrument Panel Compt.	10.261
CUP—Clutch Main Cylinder Piston	0.911	DOOR ASSEMBLY—Rear	10.373
CUP—Clutch Main Cyl. Piston Sec.	0.912	DOOR ASSEMBLY—Spare Wheel Compartment	12.180
CUP—Differential Side Bearing	5.536	DRAIN TUBE—Cowl Ventilator	10.344
CUP—Distributor Grease	2.364	DRAIN TUBE—Door	10.352
CUP—Floor Pan Detent Spring	4.040	DRAUGHTSTRIP	15.520
CUP—Gearshift Anti-Rattle Spring	4.017	DRIVE ASSEMBLY—Starter Motor	2.086
CUP—Generator Drive End Bearing	2.307	DRIVE ASSEMBLY—Windshield Wiper Aux. ..	10.150
CUP—Pinion Front Bearing	5.447	DRIVER—End Gate Handle	12.247
CUP—Pinion Rear Bearing	5.484	DRIVER—End Gate Window Regulator	12.272
CUP—Speedo Head Speed	4.339	DRUM—Brake	5.809
CUP—Starter Drive Retaining Ring	2.087	DRUM—Trans. Clutch	4.158
CUP—Throttle Floor Pan Detent	4.040	DUAL HORN PACKAGE	Access.
CUSHION—Door Check Link	10.613	DUAL TAIL LAMP PACKAGE	Access.
CUSHION—Rear Seat	15.033	DUCT—Demister	9.779
CUSHION—Transmission Pressure Regulator ..	4.216	DUST COVER KIT—Steering Gear Hyd. Valve	6.554
CYLINDER—Brake Booster Vacuum	4.908	DUST DEFLECTOR—Upper End Gate	Access.
CYLINDER—Brake Main	4.650	ECCENTRIC—Upper Control Arm	6.164
CYLINDER—Brake Wheel	4.665	ELBOW—Brake Booster Connecting	4.907
CYLINDER—Clutch actuating	0.934	ELBOW—Brake Vacuum Hose	4.931
CYLINDER—Clutch Main	0.902	ELBOW—Pipe	8.963
CYLINDER—Steering Gear Hydraulic	6.576	ELEMENT—Air Cleaner	3.410
CYLINDER ASSEMBLY—Ignition Switch	2.188	ELEMENT—Cigarette Lighter	9.709
CYLINDER BLOCK	0.033	ELEMENT—Steering Gear Hydraulic Pump Filter ..	6.630
CYLINDER HEAD ASSEMBLY	0.269	ELEMENT & SEAL—Brake Booster Filter	4.903
DAMPER ASSEMBLY	0.666	EMBLEM—Air Cleaner	3.410
DAMPER KIT—Gearshift	4.017	EMBLEM—Deck Lid	12.182
DASHPOT—Carburettor	3.733	EMBLEM—Front Fender	8.132
DEADENER—Floor Panel	15.492	EMBLEM—Hood Grille	8.055
DEADENER—Sound	15.492	EMBLEM—Rad. Grille	1.265
DEFLECTOR—Brake Drum Oil	5.815	EMBLEM—Rear Quarter	12.116
DEFLECTOR—End Gate Dust	Access.	END PARTS KIT—Steering Gear Hyd. Cyl.	6.576
DEFLECTOR—Front Door Vent Water	10.670	ENGINE ASSEMBLY	0.000
DEFLECTOR—Front Door Water	10.674	ENGINE UNIT—Oil Gauge	1.803
DEFLECTOR—Front Hub	6.323	ENGINE UNIT—Temperature Gauge	0.277
DEMISTER—Windshield	9.750	EQUALISER—Hand Brake Cable	4.764
DIAL—Choke Control	3.522	ESCUTCHEON—Choke Control	3.522
DIAL—Choke and Wiper	3.522	ESCUTCHEON—Cigarette Lighter	9.743
DIAL—Direction Signal Warning Light	2.516	ESCUTCHEON—Deck Lid Lock	12.249
DIAL—Fuel Gauge	3.109	ESCUTCHEON—End Gate Push Button	12.249
DIAL—Ignition Lock Indicator	2.198	ESCUTCHEON—End Gate Window Regulator	12.249
DIAL—Light and Ignition	2.488	ESCUTCHEON—Inst. Panel Comp. Door Catch Button	10.267
DIAL—Light Switch	2.488	ESCUTCHEON—Instrument Panel Radio	10.256
DIAL—Speedometer Head	4.339	ESCUTCHEON—Light and Ignition Switch ..	2.488
DIAL—Tell-tale Assembly	2.516	ESCUTCHEON—Lighting Switch Control	2.486
DIAL—Transmission Control Indicator	4.038	ESCUTCHEON—Plenum Chamber Control	9.787
DIAL—Windshield Wiper Control	10.164	ESCUTCHEON—Rear Seat Wear Strip	14.818
DIAPHRAGM—Brake Booster	4.908	ESCUTCHEON—Wiper Control Knob	10.166
DIAPHRAGM—Brake Booster Control Valve ..	4.906	EXPANDER—Clutch Actuating Cyl. Seal	0.938
DIAPHRAGM—Carburettor Choke Kick	3.799	EXTENSION ASSEMBLY—Hood Grille	8.049
DIAPHRAGM—Fuel Pump	3.925		
DIAPHRAGM—Wiper Motor Thrust	10.150		
DIAPHRAGM KIT—Fuel Pump	3.925		



HOLDEN

MASTER PARTS CATALOGUE

EXTENSION—Back Panel	12.966	FRAME—Front Door Window	11.075
EXTENSION—Body Side Panel	12.948	FRAME—Generator Commutator End ..	2.297
EXTENSION—End Gate Pillar	12.951	FRAME—Generator Drive End	2.305
EXTENSION—Exhaust	Access.	FRAME—Number Plate	Access.
EXTENSION—Floor Pan Rear	12.986	FRAME—Rear Door Window	11.089
EXTENSION—Front Fender Lower Front ..	8.130	FRAME—Rear Window	11.200
EXTENSION—Front Floor Mat	15.287	FRAME—Speedometer Head	4.339
EXTENSION—Fuel Tank Filler Pipe	3.003	FRAME—Starter Motor Com. End	2.067
EXTENSION—Hand Brake Intermediate Lever		FRAME—Windshield Wiper Motor	10.150
Spring	4.792	FRAME AND GLASS—Front Door Ventilator ..	10.656
EXTENSION—Package Tray	12.971	FRAME ASSEMBLY	12.980
EXTENSION—Radiator Side Support	1.270	FRAME ASSEMBLY—Front Seat	11.373
EXTENSION—Rear Compt. Floor Pan	12.986	FRAME ASSEMBLY—Rear Seat Back	11.628
EXTENSION—Rear Qtr. Inner Panel	12.941	FRAME ASSEMBLY—Rear Seat Cushion	11.610
EXTENSION—Rear Qtr. Outer Panel	12.940	FRAME ASSEMBLY—Windshield	12.807
EXTENSION—Rear Window Frame	11.200	FRONT SUSPENSION ASSEMBLY	6.007
EXTENSION—Roof Side Rail	12.956	FUSE	2.481
EXTENSION—Seat Back Panel	12.958	FUSE	2.485
EXTENSION—Underbody Cross Bar	12.982	FUSE	2.555
EXTENSION—Wheelhouse Outer Panel	12.944	FUSE	8.965
EYELET	8.954	FUSE—Windshield Wiper	10.163
FACING—Rear Seat Back Top	15.003	GASKET—Air Cleaner	3.410
FAN—Generator	2.274	GASKET—Air Cleaner Body	3.410
FASTENER—Console Lid	12.801	GASKET—Axle Housing	5.508
FASTENER—Cowl Side Trim	14.630	GASKET—Axle Housing Plug	5.400
FASTENER—Curtain	8.987	GASKET—Brake Booster Adaptor	4.904
FASTENER—Dash Insulator	15.282	GASKET—Brake Booster Clamping Plate	4.908
FASTENER—Dash Mat	15.282	GASKET—Brake Booster Cylinder Cover	4.908
FASTENER—Instrument Panel Outer Pad	14.655	GASKET—Brake Booster Valve Bolt	4.904
FASTENER—Rear Quarter Trim	15.100	GASKET—Brake Booster Valve Chest	4.907
FASTENER—Rear Seat Arm Rest Trim	15.001	GASKET—Brake Drum Oil Deflector	5.819
FASTENER—Rear Seat Back Shelf Trim	15.024	GASKET—Brake Main Cylinder Cap	4.651
FELT—Distributor Cam	2.364	GASKET—Brake Main Cylinder Head Nut	4.652
FELT—Windshield Wiper Motor	10.150	GASKET—Brake Main Cylinder Outlet	4.661
FENDER ASSEMBLY—Front	8.130	GASKET—Brake Pedal Insulator Cover	4.625
FENDER ASSEMBLY—Rear	8.203	GASKET—Carburettor Air Horn	3.765
FERRULE—Deck Lid Handle	12.247	GASKET—Carburettor By-pass Jet	3.757
FERRULE—End Gate Handle	12.247	GASKET—Carb. Check Valve Plug	3.784
FIELD—Speedometer Head	4.339	GASKET—Carburettor Flange	3.726
FIELD—Windshield Wiper Motor	10.150	GASKET—Carburettor Heat Insulating	3.726
FILLER—Door Glass Channel Lifter	10.696	GASKET—Carburettor Main Body	3.749
FILLER—End Gate Glass	11.207	GASKET—Carb. Main Metering Jet Plug	3.756
FILLER—Front Door Vent Glass W/Strip ..	10.652	GASKET—Carb. Needle Valve Seat	3.772
FILLER—Package Tray	12.971	GASKET—Carburettor Power Jet	3.757
FILLER—Rear Quarter Outer Panel	12.940	GASKET—Carburettor Pump Jet	3.757
FILLER—Rear Window Glass	11.207	GASKET—Carburettor Pump Nozzle	3.758
FILLER—Windshield Weatherseal	10.092	GASKET—Carburettor Thermostat Cover	3.796
FILTER—Brake Booster	4.903	GASKET—Clutch Bearing Guide	0.805
FILTER—Steering Gear Hydraulic Pump	6.630	GASKET—Clutch Gear Retainer	4.358
FILTER—Windshield Washer	8.798	GASKET—Clutch Housing Cover	0.680
FILTER ASSEMBLY—Oil	1.835	GASKET—Clutch Main Cylinder Cap	0.907
FILTER KIT—Oil	Access.	GASKET—Converter Housing	0.684
FITTING—Lubrication	8.984	GASKET—Cowl Ventilator	10.331
FITTING—Steering Gear Hyd. Cyl. Grease ..	6.576	GASKET—Crankcase Front End Cover ..	0.207
FITTING—Steering Gear Hyd. Valve Grease ..	6.551	GASKET—Cylinder Head	0.289
FITTING—Steering Gear Hydraulic Valve Hose ..	6.673	GASKET—Cyl. Head Water Outlet	1.154
FIXING PIECE—Generator Terminal	2.313	GASKET—Deck Lid Emblem	12.183
FLANGE—Differential Pinion	5.545	GASKET—Deck Lid Lock Cylinder	12.248
FLANGE—Exhaust Pipe Packing	3.610	GASKET—Deck Lid Lock Escutcheon	12.249
FLAP—Heater By-pass	9.779	GASKET—Diff. Carrier to Housing Bolt	5.387
FLASHER ASSEMBLY—Turn Signal	2.892	GASKET—Distributor	2.362
FLOAT and LEVER ASSEMBLY—Carburettor ..	3.773	GASKET—Door Locking Barrel	10.550
FLOOR—Tonneau	12.580	GASKET—Door Outside Handle	10.538
FLUID—Brake	8.800	GASKET—Door Remote Control	10.516
FLYWHEEL	0.666	GASKET—End Gate Handle	12.247
FORK—Clutch	0.795	GASKET—End Gate Lock Escutcheon	12.249
		GASKET—End Gate Push Button Escutcheon ..	12.249
		GASKET—End Gate Regulator Handle	12.249
		GASKET—Front Cover Plate	0.005
		GASKET—Front Prop. Shaft Housing	4.318
		GASKET—Front Wheel Grease Retainer	6.323



GASKET—Fuel Gauge	3.109	GASKET—Voltage Reg. Cover	2.502
GASKET—Fuel Gauge Tank Unit	3.112	GASKET—Water Pump	1.079
GASKET—Fuel Pump Bowl	3.904	GASKET—Water Pump Cover	1.114
GASKET—Fuel Pump Cover	3.910	GASKET—Windshield Washer Twin Jet	8.798
GASKET—Fuel Pump Flange	3.932	GASKET—Windshield Wiper Control Stem	10.163
GASKET—Fuel Pump Oil Seal	3.902	GASKET—Windshield Wiper Cover	10.150
GASKET—Fuel Pump Valve	3.913	GASKET—Windshield Wiper Motor	10.150
GASKET—Fuel Gauge Tank Unit	3.112	GASKET—Windshield Wiper Motor Mounting	10.152
GASKET—Fuel Tank Filler Cap	3.029	GASKET—Windshield Wiper Pivot Shaft	10.159
GASKET—Fuel Tank Filler Pipe	3.008	GASKET KIT—Carburettor	3.724
GASKET—Headlamp Door Seal	2.735	GASKET KIT—Transmission	4.005
GASKET—Headlamp Lens	2.735	GASKET KIT—Water Pump	1.071
GASKET—Headlamp Mounting	2.722	GASKET SET—Cylinder Head	0.289
GASKET—Inlet to Exhaust Manifold	3.272	GASKET SET—Engine Overhaul	0.001
GASKET—Inlet Manifold Water Connector	3.261	GASKET SET—Manifold	3.270
GASKET—License Plate Mounting Bolt	2.670	GASKET UNIT—Oil Pan	1.429
GASKET—Manifold	3.270	GATE—Transmission Control Selector	4.016
GASKET—Oil Filler Cap	1.517	GATE ASSEMBLY—Lower End	12.179
GASKET—Oil Filter	1.837	GATE ASSEMBLY—Upper End	12.178
GASKET—Oil Pan Drain Plug	1.453	GAUGE—Oil Pressure	1.803
GASKET—Oil Pump Cover	1.724	GAUGE—Temperature	1.148
GASKET—Oil Pump to Block	1.654	GAUGE ASSEMBLY—Fuel, Dash Unit	3.108
GASKET—Parking Lamp Lens	2.590	GAUGE ASSEMBLY—Fuel, Tank Unit	3.107
GASKET—Radiator Cap	1.206	GEAR—Camshaft	0.736
GASKET—Rear Axle Housing Plug	5.400	GEAR—Crankshaft	0.728
GASKET—Rear Brake Oil Deflector	5.819	GEAR—Clutch	4.351
GASKET—Rear Vision Mirror	10.185	GEAR—Counter	4.421
GASKET—Round Closed	8.955	GEAR—Differential Side	5.528
GASKET—Selector Shaft Retainer	4.301	GEAR—Distributor	2.374
GASKET—Shock Absorber Cover	7.363	GEAR—First and Reverse Sliding	4.417
GASKET—Shock Absorber Filler Plug	7.403	GEAR—First Speed	4.418
GASKET—Shock Absorber Valve Nut	7.398	GEAR—Flywheel Ring	0.673
GASKET—Spark Plug	2.270	GEAR—Main Shaft Second Speed	4.395
GASKET—Speedometer Head	4.339	GEAR—Oil Pump (Set)	1.659
GASKET—Starter Solenoid Switch	2.102	GEAR—Reverse Idler	4.430
GASKET—Steering Column Toe Pan Seal	6.758	GEAR—Speedometer Drive	4.337
GASKET—Strg. Gear Hsg. Side Cover	6.809	GEAR—Speedometer Driven	4.337
GASKET—Steering Gear Hyd. Valve	6.554	GEAR—Speedometer Head	4.339
GASKET—Tail Lamp Mounting	2.660	GEAR—Third Speed	4.415
GASKET—Tail and Stop Lamp Base	2.679	GEAR—Trans. Front Unit Internal	4.158
GASKET—Tail & Stop Lamp Lens	2.684	GEAR—Transmission Front Unit Sun	4.159
GASKET—Tail and Stop Lamp Outlook Lens	2.686	GEAR—Trans. Planet Input	4.177
GASKET—Tell-tale Assembly	2.516	GEAR—Transmission Rear Unit Internal	4.187
GASKET—Thermostat Housing	1.252	GEAR—Trans. Rear Unit Sun	4.172
GASKET—Timing Gear Cover	0.207	GEAR—Trans. Reverse Ring	4.187
GASKET—Transmission Coupling Exhaust Valve	4.155	GEAR—Windshield Wiper Motor	10.150
GASKET—Transmission Cover	4.109	GEAR—Wiper Motor	10.150
GASKET—Transmission Drain Plug	4.103	GEAR ASSEMBLY—Low Sun Clutch	4.158
GASKET—Transmission Front Cover	4.124	GEAR ASSEMBLY—Steering	6.508
GASKET—Trans. Governor	4.256	GEAR AND PINION ASSY.—Differential	5.529
GASKET—Trans. Low Servo Cover	4.212	GEAR AND SHAFT—Pitman	6.850
GASKET—Trans. Modulator	4.265	GEAR BOX—Wiper Motor	10.150
GASKET—Transmission Oil Pan	4.196	GEAR KIT—Camshaft	0.736
GASKET—Trans. Oil Pan Plug	4.195	GEAR KIT—Oil Pump Drive	1.643
GASKET—Transmission Oil Passage Plate to Cover	4.124	GEAR PACKAGE—Distributor	2.374
GASKET—Trans. Oil Pump	4.226	GEAR & PINION PACKAGE—End Gate Window Motor	12.280
GASKET—Trans. Oil Pump to Converter	4.227	GEAR SET—Differential	5.527
GASKET—Trans. Oil Suction Screen	4.223	GEAR SET—Oil Pump	1.659
GASKET—Transmission Rear Bearing Retainer	4.318	GEAR UNIT—Speedometer Drive	4.337
GASKET—Transmission to Clutch Housing	4.004	GENERATOR ASSEMBLY	2.275
GASKET—Transmission Torus Cover	4.155	GENERATOR and REGULATOR (Heavy Duty)	Access.
GASKET—Trans. Upper Valve Body Plate	4.265	GLAND—Shock Absorber Shaft	7.373
GASKET—Trans. Valve Plate	4.265	GLASS—End Gate	11.204
GASKET—Turn Signal and Back-up Lamp	2.699	GLASS—Front Door Rear	10.681
GASKET—Turn Signal Lamp Base	2.599	GLASS—Front Door Ventilator	10.658
GASKET—Turn Signal Lamp Lens	2.590	GLASS—Fuel Gauge	3.109
GASKET—Valve Push Rod Cover	0.443		
GASKET—Valve Rocker Cover	0.423		



HOLDEN

MASTER PARTS CATALOGUE

GLASS—Rear Door Front	10.741	GUIDE—Inlet Valve	0.283
GLASS—Rear Door Rear	10.827	GUIDE—Speedo Driven Gear	4.337
GLASS—Rear Quarter Side	11.011	GUIDE—Starter Motor Pinion	2.087
GLASS—Rear Window	11.204	GUIDE—Steering Gear Ball Return	6.842
GLASS—Speedometer Head	4.339	GUIDE—Throttle Valve Control Rod	4.040
GLASS—Tell-tale Assembly	2.516	GUIDE—Trans. Lock and Range Selector	4.279
GLASS—Windshield	10.027	GUSSET—Battery Mounting	2.333
GOVERNOR ASSEMBLY—Transmission	4.256	GUSSET—Wheelhouse	12.944
GREASE—Molybdenum Disulphate	8.800	GUTTER—Front Fender Drip	8.130
GREASE—Molycue	8.800	GUTTER—Roof Drip	12.811
GREASE—Rubber	8.800	HANDLE—Deck Lid	12.247
GREASE CUP—Distributor	2.364	HANDLE—Door Outside	10.527
GRILLE—Console Trim	12.801	HANDLE—Door Pull-To	10.511
GRILLE—Cowl Ventilator	10.307	HANDLE—Door Remote Control	10.512
GRILLE—Instrument Panel Radio	10.256	HANDLE—Door Window Regulator	10.797
GRILLE—Radiator	1.266	HANDLE—End Gate	12.247
GROMMET	8.956	HANDLE—Front Door Ventilator	10.664
GROMMET—Accelerator Rod	3.430	HANDLE—Front Seat Adjuster	11.588
GROMMET—Body Wiring	13.092	HANDLE—Fuel Tank Cap	3.028
GROMMET—Brake Booster	4.904	HANDLE—Hand Brake	4.592
GROMMET—Choke Control	3.521	HANDLE—Lifting Jack	8.820
GROMMET—Clutch Actuating Cylinder	0.930	HANDLE—Wheel Nut Wrench	8.821
GROMMET—End Gate Hinge	12.269	HANDLE AND BRACKET ASSY.—Hand Brake	4.591
GROMMET—Fuel Hose	3.163	HANDLE PACKAGE—Deck Lid	Access.
GROMMET—Fuel Pipe	3.158	HANDLE PACKAGE—Door Pull-to	Access.
GROMMET—Fuel Tank Filler Pipe	3.008	HANDRAIL PACKAGE	Access.
GROMMET—Hand Brake Cable	4.827	HARNESS—Back-up Lamp Wiring	2.697
GROMMET—Hand Brake Cable	4.834	HARNESS—End Gate Window Regulator	12.277
GROMMET—Hand Brake Pull Rod	4.834	HARNESS—Hand Brake Warning Lamp	4.610
GROMMET—Heater Hose	9.779	HARNESS—Horn	2.815
GROMMET—Hood Catch Control Rod	8.076	HARNESS—Rear Compartment Lamp Switch	11.960
GROMMET—License Lamp Wire	2.561	HARNESS—Rear License Lamp	2.714
GROMMET—License Plate Mounting	2.670	HARNESS—Trailer Wiring	Acc/H
GROMMET—Rear License Lamp	2.705	HARNESS ASSEMBLY—Body Wiring	13.090
GROMMET—Rear License Lamp Bracket	2.705	HARNESS ASSEMBLY—Headlamp Wiring	2.750
GROMMET—Shock Absorber Mounting	7.370	HARNESS ASSEMBLY—Main Wiring	2.555
GROMMET—Speedometer Cable	4.342	HARNESS ASSEMBLY—Windshield Wiper Control	10.163
GROMMET—Speedometer Head	4.339	HEAD ASSEMBLY—Cylinder	0.269
GROMMET—Starter Switch Cable Outlet	2.101	HEAD ASSEMBLY—Speedometer	4.339
GROMMET—Steering Column Mtg. Bracket	6.760	HEADLAMP ASSEMBLY	2.725
GROMMET—Steering Column Shield	6.760	HEADLINING ASSEMBLY	14.640
GROMMET—Steering Gear Hydraulic Cylinder	6.581	HEATER—Car	Access.
GROMMET—Throttle Valve Relay Lever	4.040	HEATER—Car	9.750
GROMMET—Turn Signal Lamp	2.561	HEATER—Car	9.779
GROMMET—Valve Cover to Block Vent	1.745	HINGE—Console Lid	12.802
GROMMET—Windshield Washer Hose Aperture	12.803	HINGE—Plenum Chamber Door	9.786
GROMMET—Windshield Wiper Control	10.163	HINGE—Rear Seat Back	11.630
GROMMET—Windshield Wiper Link	10.159	HINGE—Rear Seat Cushion	11.614
GROMMET—Windshield Wiper Motor	10.150	HINGE ASSEMBLY—Deck Lid	12.184
GROMMET—Windshield Wiper Motor Mounting	10.152	HINGE ASSEMBLY—End Gate	12.184
GROMMET—Wiper Motor Cable	10.150	HINGE ASSEMBLY—Front Door, Lower	10.454
GROMMET—Wiring	2.561	HINGE ASSEMBLY—Front Door, Upper	10.450
GUARD—Bumper	Access.	HINGE ASSEMBLY—Hood	8.015
GUARD—Bumper	7.828	HINGE ASSEMBLY—Inst. Panel Compt. Door	10.262
GUARD—Front License Plate	7.799	HINGE ASSEMBLY—Rear Door, Lower	10.460
GUARD—Front Seat Adjuster	14.860	HINGE ASSEMBLY—Rear Door, Upper	10.456
GUARD—Fuel Tank Stone	Access.	HOG RING—Front Seat Back Spring	11.374
GUARD—Headlamp	Access.	HOG RING—Front Seat Cushion Spring	11.420
GUARD—Power Steering Hose	6.672	HOG RING—Rear Seat Back Spring	11.629
GUARD—Rear License Plate	7.828	HOG RING—Rear Seat Cushion Spring	11.611
GUARD—Seat Adjuster	14.860	HOLDER—Carburettor Choke Tube	3.795
GUARD—Steering Gear Hydraulic Hose	6.672	HOLDER—Generator Brush	2.291
GUIDE—Brake Booster Valve Chest Lever	4.907	HOLDER—Starter Motor Brush	2.052
GUIDE—Clutch Bearing	0.804	HOLDER—Turn Signal Lamp Bulb	2.596
GUIDE—Deck Lid Lock	12.242	HOLDER—Windshield Wiper Motor Brush	10.150
GUIDE—End Gate Lock Plunger	12.241	HOOD—Instrument	9.743
GUIDE—Exhaust Valve	0.286	HOOK—Coat	14.651
GUIDE—Hand Brake Pull Rod	4.592	HORN—Dual Package	Access.

HOLDEN

MASTER PARTS CATALOGUE



HORN—High Note	Access.	INSULATOR—Front Seat Cushion	14.890
HORN ASSEMBLY	2.810	INSULATOR—Front Spring	6.364
HORN ASSEMBLY—Carburettor Air	3.763	INSULATOR—Front Stabiliser Shaft	7.242
HOSE—Brake	4.680	INSULATOR—Fuel Gauge Dash Unit	3.108
HOSE—Brake Vacuum Servo	4.931	INSULATOR—Gearshift Control Rod	4.019
HOSE—Carburettor Automatic Choke Heat	3.720	INSULATOR—Gearshift Selector Rod	4.020
HOSE—Carburettor Choke Vacuum	3.799	INSULATOR—Generator	2.313
HOSE—Clutch	0.930	INSULATOR—Generator Slip Ring	2.297
HOSE—Demister	9.779	INSULATOR—Horn Contact	2.819
HOSE—Engine Breather	1.762	INSULATOR—Instrument Carrier	9.743
HOSE—Fuel Line Flexible	3.163	INSULATOR—Muffler	3.704
HOSE—Fuel Tank Filler	3.003	INSULATOR—Power Plant	0.027
HOSE—Fuel Tank Vent	3.003	INSULATOR—Rear Seat Back	15.002
HOSE—Hand Brake Cable	4.827	INSULATOR—Rear Seat Cushion	15.036
HOSE—Heater	9.779	INSULATOR—Rear Spring	7.545
HOSE—Inlet Manifold	3.260	INSULATOR—Starter Field Coil	2.049
HOSE—Radiator	1.159	INSULATOR—Starter Solenoid Switch	2.102
HOSE—Rear Cross Bar Drain	10.997	INSULATOR—Steering Column	6.760
HOSE—Steering Gear Pump to Valve	6.670	INSULATOR—Tail Pipe Front Support	3.710
HOSE—Steering Gear Valve to Cylinder	6.671	INSULATOR—Tail Pipe Rear Support	3.712
HOSE—Tonneau Floor Drain	10.997	INSULATOR—Transmission Control Rod	4.040
HOSE—Transmission Oil Cooler	4.128	INSULATOR—Transmission Support	4.081
HOSE—Windshield Washer	8.798	INSULATOR—Turn Signal Indicator	2.894
HOSE—Windshield Wiper	10.155	INSULATOR—Valve Rocker Cover	0.390
HOUSING—Clutch	0.683	INSULATOR—Windshield Wiper Motor	10.150
HOUSING—Converter	0.683	JACK ASSEMBLY—Lifting	8.820
HOUSING—Distributor	2.362	JAR—Windshield Washer	8.798
HOUSING—End Gate Lock Bolt	12.242	JAW—Tail Pipe Clamp	3.710
HOUSING—Flywheel	0.683	JET—Carburettor Main Discharge	3.754
HOUSING—Front Propeller Shaft	4.317	JET—Carburettor Main Metering	3.754
HOUSING—Rear Axle	5.387	JET—Carb. Power	3.757
HOUSING—Starter Motor Drive	2.085	JET—Carb. Pump By-pass	3.757
HOUSING—Starter Solenoid Switch	2.102	JEWEL ASSEMBLY—Speedometer Head	4.339
HOUSING—Steering Gear	6.803	JOURNAL ASSEMBLY—Universal Joint	5.548
HOUSING—Steering Gear Hydraulic Pump	6.608	JUNCTION—Heater Hose	8.798
HOUSING—Tail and Stop Lamp	2.680	KEY—Axle Shaft	5.423
HOUSING—Thermostat	1.251	KEY—Generator Rotor	2.279
HOUSING—Trans. Rear Bearing	4.317	KEY—Steering Gear Hydraulic Pump Shaft	6.614
HOUSING—Windshield Wiper Motor	10.150	KEY—Steering Gear Hyd. Valve	6.551
HOUSING—Windshield Washer Pump	10.150	KEY—Transmission Centre Support	4.162
HOUSING—Windshield Wiper Motor Slide Valve	10.150	KEY—Transmission Cone Stop	4.189
HUB—Front Wheel	6.307	KEY—Trans. Synchro. Clutch	4.384
HUB—Rear Wheel	5.806	KEY—Valve Stem	0.310
HUB—Trans. Clutch	4.158	KEY—Woodruff	8.960
HUB—Trans. Synchro. Clutch	4.380	KICKER—Windshield Wiper Motor	10.150
HUB—Water Pump and Fan Pulley	1.063	KIT—Ball Joint Seal & Clamp	6.168
HUB and DRUM ASSEMBLY—Front Wheel	6.307	KIT—Belt and Hose	1.067
HUB and DRUM ASSEMBLY—Rear Wheel	5.806	KIT—Brake Caliper Seal	4.667
IMPELLER—Water Pump	1.109	KIT—Brake Hose Spring	4.681
INDICATOR—Oil Level	1.516	KIT—Brake Lining	5.018
INDICATOR—Transmission Control	4.038	KIT—Brake Main Cylinder Repair	4.649
INDICATOR—Trans. Oil Level	4.133	KIT—Brake Vacuum Booster Repair	4.902
INHIBITOR—Radiator	8.800	KIT—Brake Wheel Cylinder Repair	4.665
INLET—Oil Pump	1.739	KIT—Camshaft Bearing	0.536
INSERT—Hood Emblem	8.055	KIT—Camshaft Gear	0.736
INSERT—Hood Grille Bar	8.055	KIT—Carburettor Gasket	3.724
INSERT—Parking and Turn Signal Lamp	2.670	KIT—Carburettor Pump Link Repair	3.783
INSERT—Radiator Grille Emblem	1.265	KIT—Carburettor Repair	3.725
INSTRUMENT ASSEMBLY—Combined	2.515	KIT—Clutch Actuating Cyl. Repair	0.934
INSTRUMENT PACKAGE—Combined	Access.	KIT—Clutch Countershaft Repair	0.852
INSULATION—Starter Brush Holder	2.052	KIT—Clutch Main Cylinder Repair	0.902
INSULATOR—Brake Pedal	4.625	KIT—Connecting Rod Bearing	0.616
INSULATOR—Carburettor Heat	3.726	KIT—Crankshaft Bearing	0.094
INSULATOR—Clutch Pedal	0.830	KIT—Cylinder Head Gasket	0.289
INSULATOR—Dash	15.280	KIT—Differential Gear	5.527
INSULATOR—Engine	0.027	KIT—Distributor Contact	2.384
INSULATOR—Front Cross Member	6.008	KIT—Distributor Gear	2.374
INSULATOR—Front Seat Back	14.802		



HOLDEN

MASTER PARTS CATALOGUE

KIT—Door Outside Handle Repair	10.529	KNOB—Rear Seat Back	11.634
KIT—Engine Overhaul Gasket	0.001	KNOB—Turn Signal Lamp Switch	2.897
KIT—Front Door Vent Handle Repair	10.664	KNOB—Windshield Wiper Control	10.164
KIT—Front Stabiliser Stud	7.240	KNUCKLE—Steering	6.020
KIT—Fuel Pump Diaphragm	3.925	LABEL—Generator Warning	8.823
KIT—Fuel Pump Repair	3.901	LACING—Hood Ledge	9.127
KIT—Gearshift Control Repair	4.018	LACQUER—Regulator Sealing	8.800
KIT—Gearshift Damper	4.017	LAMP—Front Turn Signal	2.585
KIT—Gearshift Lower Control Repair	4.019	LAMP—Hand Brake Warning	Access.
KIT—Gearshift Selector Lever Repair	4.302	LAMP—Hand Brake Warning	4.610
KIT—Gearshift Upper Control Repair	4.018	LAMP—Inst. Panel Compartment	Access.
KIT—Generator Brush	2.285	LAMP—Inst. Panel Compartment	10,270
KIT—Generator Brush Sprng	2.286	LAMP—Luggage Compartment	Access.
KIT—Generator Commutator End Frame	2.297	LAMP ASSY—Backing	Access.
KIT—Generator Sundry Parts	2.315	LAMP ASSEMBLY—Dome	11.925
KIT—King Pin Replacement	6.203	LAMP ASSEMBLY—Head	2.725
KIT—Lower Control Arm Pivot Pin	6.174	LAMP ASSEMBLY—Rear Compartment	11.960
KIT—Oil Pan Gasket	1.429	LAMP ASSEMBLY—Rear License	2.700
KIT—Oil Pump Cover	1.723	LAMP ASSEMBLY—Tail and Stop	2.679
KIT—Oil Pump Drive Gear	1.643	LATCH—Windshield Wiper Blade Retaining	10.146
KIT—Piston Ring	0.643	LEAD—Back-up Lamp	2.697
KIT—Power Brake Service	Access.	LEAD—Cigar Lighter	9.709
KIT—Radiator Strap & Bracket	1.219	LEAD—Courtesy Light Switch	11.950
KIT—Rear Spring Mounting Stud	7.529	LEAD—Distributor Terminal	2.400
KIT—Rear Spring Shackle	7.523	LEAD—End Gate Window Regulator	12.276
KIT—Spark Plug	2.270	LEAD—End Gate Window Relay	12.277
KIT—Spark Plug Wire	2.239	LEAD—Instrument Panel Compartment Lamp	10.270
KIT—Speedometer Cable	4.342	LEAD—Parking Lamp	2.596
KIT—Stabiliser Spacer Stud	7.240	LEAD—Starter Motor Brush	2.055
KIT—Steering Con Rod Idler Lever	6.895	LEAD—Stop Light Switch	13.090
KIT—Steering Con Rod Idler Lever Support	6.896	LEAD—Windshield Washer	8.798
KIT—Steering Connecting Rod Repair	6.870	LEAD—Windshield Washer Pump	10.150
KIT—Steering Gear Hyd. Cyl. End Parts	6.576	LEAD—Windshield Wiper Motor	10.150
KIT—Stg. Gear Hyd. Cyl. Piston Rod Seal & Wiper	6.576	LEAD ASSEMBLY—Horn	2.810
KIT—Steering Gear Hydraulic Pump Rotor	6.610	LEAD ASSEMBLY—Tail and Stop Lamp	2.694
KIT—Steering Gear Hydraulic Pump Seal	6.609	LEAF—Rear Spring	7.505
KIT—Steering Gear Hydraulic Pump Vane	6.610	LENS—Back-up Lamp	2.697
KIT—Stg. Gear Hyd. Valve	6.550	LENS—Dome Lamp	11.928
KIT—Stg. Gear Hyd. Valve Ball Stud	6.551	LENS—Gen., Temp. & Oil Cluster	2.515
KIT—Stg. Gear Hyd. Valve Dust Cover	6.554	LENS—Hand Brake Warning Lamp	4.610
KIT—Stg. Gear Hyd. Valve Shaft	6.560	LENS—Headlamp	2.727
KIT—Tail Pipe Clamp	3.706	LENS—Parking Lamp	2.589
KIT—Transmission Gasket	4.005	LENS—Rear Comp. Illuminating	2.687
KIT—Transmission Overhaul	4.003	LENS—Rear License Lamp	2.709
KIT—Transmission Repair	4.003	LENS—Reflex	2.689
KIT—Universal Joint Repair	5.548	LENS—Tail and Stop Lamp	2.682
KIT—Upper Control Arm Pivot Pin	6.164	LENS—Tail and Stop Lamp Outlook	2.685
KIT—Valve Rocker Replacement	0.353	LENS—Turn Signal Indicator	2.893
KIT—Water Jacket Core Plug	0.033	LENS—Turn Signal Lamp	2.589
KIT—Water Pump Gasket	1.071	LENS—Turn Signal Lamp	2.698
KIT—Water Pump Repair	1.071	LENS and REFLECTOR ASSEMBLY— Headlamp	2.727
KIT—Windshield Wiper Motor Repair	10.150	LETTER—Deck Lid	12.182
KIT—Wiper Motor Sundry Parts	10.150	LETTER—End Gate	12.182
KNOB—Courtesy Light Switch	11.950	LETTER—Hood Name	8.039
KNOB—Cowl Ventilator Handle	10.313	LETTER—Radiator Grille	1.268
KNOB—Door Locking Rod	10.559	LEVER—Accelerator	3.430
KNOB—End Gate Arm	12.207	LEVER—Accelerator Cross Shaft	3.431
KNOB—End Gate Window Control	12.275	LEVER—Brake Adjuster	5.103
KNOB—Front Seat Adjuster	11.588	LEVER—Brake Booster Valve Chest Rocking	4.907
KNOB—Gearshift Lever	4.009	LEVER—Carburettor Actuating Torsion	3.732
KNOB—Heater Control	9.779	LEVER—Carburettor Choke	3.791
KNOB—Heater Switch	9.779	LEVER—Carburettor Fast Idle	3.792
KNOB—Plenum Chamber Control Lever	9.787	LEVER—Carburettor Fast Idle Cam	3.735
		LEVER—Carburettor Pump	3.780
		LEVER—Carburettor Thermostat	3.797
		LEVER—Carburettor Throttle	3.731
		LEVER—Clutch	0.795

HOLDEN

MASTER PARTS CATALOGUE



LEVER—Clutch Pedal Shaft	0.833	LOCK—Brake Shoe Pin	5.057
LEVER—Clutch Pedal Spring	0.846	LOCK—Deck Lid	12.242
LEVER—Demister	9.779	LOCK—Differential Bearing Adj. Nut	5.539
LEVER—Distributor Breaker	2.384	LOCK—End Gate	12.242
LEVER—End Gate Lock	12.242	LOCK—Front Door	10.470
LEVER—First and Second Speed Inter. Shifter	4.314	LOCK—Gear Shift	Access
LEVER—Gearshift	4.006	LOCK—Hood	8.079
LEVER—Gearshift Control	4.019	LOCK—Hood Package	Access
LEVER—Gearshift Cross Shaft	4.019	LOCK—Ignition Switch	2.188
LEVER—Gearshift Intermediate	4.019	LOCK—Instrument Panel Door	10.266
LEVER—Gearshift Selector	4.019	LOCK—Rear Door	10.473
LEVER—Hand Brake	4.591	LOCK—Rear Seat Back	11.634
LEVER—Hand Brake Actuating	5.149	LOCK—Spare Wheel Compartment	12.242
LEVER—Hand Brake Intermediate	4.792	LOCK—Steering	Access.
LEVER—Heater Control	9.779	LOCK BAR—Front Seat Adjuster	11.573
LEVER—Plenum Chamber Control	9.787	LOCK PLATE—Starter Brush Holder	2.052
LEVER—Rear Door Inside Locking	10.556	LOCK AND KEY ASSY.—Spare Wheel Comp. Door	12.248
LEVER—Reverse Inter. Shifter	4.316	LUG—Windshield Wiper Motor	10.150
LEVER—Selector Cross Shaft	4.020	MAGNET—Chip Collector	4.103
LEVER—Selector Shaft Control	4.050	MAGNET—Speedometer Head	4.339
LEVER—Shifter	4.046	MAIN SHAFT—Transmission	4.403
LEVER—Starter Motor Shift	2.108	MANIFOLD—Exhaust	3.601
LEVER—Steering Con. Rod Idler	6.895	MANIFOLD—Inlet	3.265
LEVER—Third and Fourth Speed Inter. Shifter	4.315	MANUAL—Owner	8.823
LEVER—Throttle Valve Control Relay	4.040	MANUAL—Workshop	8.823
LEVER—Transmission Control	4.006	MASK—Fuel Gauge	3.109
LEVER—Transmission Detent	4.279	MASK—Speedometer Head	4.339
LEVER—Transmission External Manual	4.041	MASK—Tell-tale Assembly	2.516
LEVER—Trans. Parking Lock and Range Selector	4.279	MAT—Cargo Compartment	Access.
LEVER—Transmission Selector	4.302	MAT—Front Floor	15.286
LEVER—Transmission Selector External	4.050	MAT—Lower End Gate	Access.
LEVER—Transmission Shift	4.301	MAT—Luggage Compartment Floor	15.294
LEVER—Transmission Shifter	4.046	MAT—Rear Floor	15.306
LEVER—Transmission Throttle Valve Inner	4.278	MEMBER—Frame Mounting	12.972
LEVER—Transmission Throttle Valve Outer	4.286	MEMBER—Frame Side	12.980
LEVER—Turn Signal Lamp Switch	2.897	MEMBER—Front Suspension Cross	6.008
LEVER—Windshield Washer Pump	10.150	MEMBER—Front Tie	12.982
LEVER—Windshield Wiper Motor	10.150	MEMBER—Rear Floor Cross	12.982
LEVER & ROLLER ASSEMBLY—Trans. Detent	4.279	MEMBER—Underbody Cross	12.982
LEVER and SHAFT—Carburettor Thermostat	3.797	MEMBER ASSEMBLY—Front Floor Pan	12.972
LID—Console	12.801	MEMBER ASSEMBLY—Underbody side	12.982
LID—Inst. Panel Ash Tray	12.010	MIRROR ASSEMBLY—Rear Vision	Access.
LID ASSEMBLY—Deck	12.181	MIRROR ASSEMBLY—Rear Vision	10.185
LIFTER ASSEMBLY—Hydraulic Valve	0.459	MIRROR—Fender Mounting	Access.
LIGHTER—Cigarette	Access.	MIRROR—Glare Proof	Access.
LIGHTER—Cigarette	9.709	MIRROR—Sun Visor Vanity	Access.
LINER—Front Prop. Shaft Housing	4.317	MODULATOR—Trans. Vacuum	4.265
LINER—Rear Spring	7.504	MOTOR—End Gate Window Regulator	12.280
LINING SET—Brake Shoe	5.018	MOTOR—Heater Fan	9.779
LINK—Brake Adjuster	5.105	MOTOR ASSEMBLY—Starter	2.041
LINK—Brake Shoe	5.036	MOTOR ASSEMBLY—Windshield Wiper	10.150
LINK—Brake Wheel Cylinder	4.675	MOULDING—Body Sill	Access.
LINK—Carburettor Pump	3.783	MOULDING—Centre Pillar	12.113
LINK—Cowl Ventilator	10.335	MOULDING—Console	12.801
LINK—Door Check	10.606	MOULDING—Cowl Ventilator Grille	10.308
LINK—Door Remote Control	10.506	MOULDING—Deck Lid	12.182
LINK—Fuel Pump	3.931	MOULDING—End Gate	12.182
LINK—Shock Absorber	7.355	MOULDING—End Gate Opening Garnish	12.176
LINK—Starter Shift Lever	2.113	MOULDING—End Gate Opening Reveal	12.174
LINK—Starter Solenoid Switch	2.102	MOULDING—Front Door Belt	12.112
LINK—Throttle Valve Control	4.040	MOULDING—Front Door Exterior	12.112
LINK—Transmission Brake Band	4.253	MOULDING—Front Door Trim	14.691
LINK—Transmission Manual Control	4.265	MOULDING—Front Fender	8.132
LINK—Transmission Throttle Valve	4.278	MOULDING—Front Seat Panel	14.818
LINK—Windshield Wiper Motor	10.150	MOULDING—Head Lining Trim	14.651
LINK—Windshield Wiper Motor	10.159	MOULDING—Hood Grille	8.049
LINKAGE ASSEMBLY—Rear Door Inside Locking	10.556	MOULDING—Instrument Panel	10.252



HOLDEN

MASTER PARTS CATALOGUE

MOULDING—Instrument Panel Door	10.261	NUT—Front Fender	8.143
MOULDING—Lower End Gate Trim	15.314	NUT—Front Fender Name Plate	8.132
MOULDING—Quarter Panel Belt	12.116	NUT—Front Stabiliser Stud	7.243
MOULDING—Rad. Grille	1.268	NUT—Fuel Pump Bail	3.907
MOULDING—Rear Body Lock Pillar Garnish	14.770	NUT—Generator Armature	2.280
MOULDING—Rear Door Belt	12.114	NUT—Generator Heat Sink Stud	2.289
MOULDING—Rear Door Exterior	12.114	NUT—Generator Rotor	2.280
MOULDING—Rear Door Trim	14.764	NUT—Generator Term Stud	2.313
MOULDING—Rear End	12.121	NUT—Headlamp Beam Adjusting Screw	2.737
MOULDING—Rear Quarter	12.116	NUT—Headlamp Mounting	2.725
MOULDING—Rear Quarter Inner Trim Panel	15.102	NUT—Headlamp Rim	2.729
MOULDING—Rear Wheel Opening	12.116	NUT—Heater Valve Spire	9.779
MOULDING—Rear Window Division	11.216	NUT—Hexagon	8.915
MOULDING—Rear Window Reveal	11.208	NUT—Hexagon Jam	8.916
MOULDING—Rocker Outer Panel	8.304	NUT—Hexagon Self-locking	8.918
MOULDING—Roof Rail	12.075	NUT—Hexagon Slotted	8.917
MOULDING—Roof Side	12.075	NUT—Hood Letter and Name Plate	8.040
MOULDING—Windshield Garnish	10.051	NUT—Ignition Switch Lock	2.198
MOULDING—Windshield Reveal	10.093	NUT—Instrument Panel Compartment	10.260
MOULDING PACKAGE—Body Sill	Access.	NUT—Lower Control Arm	6.174
MOUNTING—Accelerator Pedal	3.451	NUT—Pipe	8.963
MOUNTING—Engine	0.027	NUT—Pitman Arm Shaft	6.861
MOUNTING—Front Suspension Cross Memb.	6.008	NUT—Rad. Grille	1.269
MOUNTING—Hand Brake Cable	4.820	NUT—Rad. Grille Baffle	1.286
MOUNTING—Transmission Support	4.081	NUT—Rear Axle Shaft	5.421
MUD FLAP SET	Access.	NUT—Rear Quarter Trim	15.100
MUFFLER ASSEMBLY	3.701	NUT—Shock Absorber Mounting	7.370
MULTIPLIER ASSEMBLY—Transmission Torque	4.157	NUT—Spare Wheel	7.633
NAME PLATE—Deck Lid	12.182	NUT—Speedometer Head	4.339
NAME PLATE—End Gate	12.182	NUT—Square	8.923
NAME PLATE—Front Door Trim	14.691	NUT—Stamped	8.921
NAME PLATE—Front Fender	8.132	NUT—Starter Brush Holder Screw	2.052
NAME PLATE—Instrument Panel Door	10.261	NUT—Starter Housing Bolt	2.077
NAME PLATE—Rear Quarter	12.116	NUT—Starter Motor Armature	2.043
NIPPLE—Brake Vacuum Hose	4.931	NUT—Starter Shift Lever Screw	2.108
NIPPLE—Coil Insulating	2.258	NUT—Starter Solenoid Switch	2.102
NIPPLE—Dist. Cap Insulating	2.258	NUT—Steering Gear Hyd. Pump Pulley	6.655
NIPPLE—Heater	9.779	NUT—Steering Gear Hyd. Valve	6.551
NIPPLE—Inlet Manifold Hose	3.260	NUT—Steering Gear Worm Adjuster	6.830
NIPPLE—Lubrication	8.984	NUT—Steering Tie Rod	6.234
NOZZLE—Carburettor Pump	3.758	NUT—Stop Light Switch	2.447
NOZZLE—Demister	9.779	NUT—Trans. Brake Band	4.251
NOZZLE—Timing Gear Oil	0.748	NUT—Transmission Selector Lever	4.302
NOZZLE—Windshield Washer	8.798	NUT—Transmission Shifter Lever	4.301
NUT—Air Cleaner Wing	3.410	NUT—Trans. T.V. Spring Adjusting	4.265
NUT—Barrel	8.924	NUT—Upper Control Arm Bolt	6.164
NUT—Battery Mounting	2.333	NUT—Valve Rocker Adj. Screw	0.429
NUT—Brake Adjusting	5.111	NUT—Valve Rocker Cover	0.416
NUT—Brake Main Cylinder Head	4.652	NUT—Wheel Hub Bolt	5.813
NUT—Carb. Choke Tube Holder	3.795	NUT—Windshield Wiper Control	10.151
NUT—Carb. Fast Idle Lever Attaching	3.792	NUT—Windshield Wiper Motor	10.150
NUT—Carburettor Idle Vent Valve	3.764	NUT—Windshield Wiper Pivot Shaft	10.159
NUT—Carburettor Pump Lever	3.781	NUT—Wing	8.920
NUT—Carburettor Thermostat Lever	3.797	'O' RING—Brake Booster	4.905
NUT—Choke Control	3.521	"O" RING—Choke Control	3.521
NUT—Clutch Fork Adjusting	0.839	"O" RING—Rear Wheel Bearing	5.822
NUT—Clutch Lever Stud	0.796	"O" RING—Speedometer Driven Gear	4.338
NUT—Connecting Rod	0.626	"O" RING—Steering Column	6.758
NUT—Console Compartment	12.801	"O" RING—Transmission Manual Shaft	4.282
NUT—Deck Lid Name	12.183	"O" RING—Transmission Oil Filler Tube	4.133
NUT—Differential Bearing Adj.	5.537	"O" RING—Transmission Oil Pump	4.226
NUT—Differential Pinion Flange	5.545	"O" RING—Transmission Oil Strainer	4.223
NUT—Distributor Cam	2.381	"O" RING—Transmission Pressure Regulator	4.216
NUT—Dist. Terminal Stud	2.400	"O" RING—Transmission Selector	4.302
NUT—Floating	8.925	"O" RING—Transmission Shifter	4.301

HOLDEN

MASTER PARTS CATALOGUE



"O" RING—Transmission Shifter Shaft	4.309	PANEL—Front Seat Side Extension	14.866
ODOMETER—Speedometer Head	4.339	PANEL—Fuse	2.481
ODOMETER CARRIER—Speedometer Head	4.339	PANEL—Headlamp Mounting	8.130
OIL—Radiator	8.800	PANEL—Hood	8.000
OIL GAUGE ENGINE UNIT	1.803	PANEL—Instrument	10.230
OIL LEVEL INDICATOR—Engine	1.516	PANEL—Instrument Carrier	9.743
OILER—Generator	2.301	PANEL—Lower End Gate Trim	15.311
ORNAMENT—Front Fender	Access.	PANEL—Luggage Comp. Front Trim	15.224
ORNAMENT—Front Fender	8.132	PANEL—Luggage Compartment Trim	15.222
ORNAMENT—Hood	Access.	PANEL—Package Tray	12.971
ORNAMENT—Hood	8.055	PANEL—Package Tray Trim	15.024
ORNAMENT—Rear Fender	12.118	PANEL—Plenum Chamber Cover	9.786
ORNAMENT—Steering Wheel Hub	2.820	PANEL—Quarter	12.940
OUTLET—Cyl. Head Water	1.153	PANEL—Quarter Inner	12.941
OUTLET—Demister	9.779	PANEL—Radiator Grille, Lower	1.263
OVERHAUL KIT—Transmission	4.003	PANEL—Radiator Grille, Upper	1.268
		PANEL—Rear Body Lock Pillar	12.942
PACKING—Exhaust Pipe	3.611	PANEL—Rear Compartment Front	12.971
PACKING—Shock Absorber Shaft	7.373	PANEL—Rear Compartment Front Trim	15.224
PACKING—Steering Gear Pitman Shaft	6.855	PANEL—Rear Door	12.913
PAD—Accelerator Pedal	Access	PANEL—Rear Quarter Inner	12.941
PAD—Brake Pedal	4.625	PANEL—Rear Quarter Outer	12.940
PAD—Clutch Pedal	0.830	PANEL—Rear Quarter Pillar	12.942
PAD—Console	15.286	PANEL—Rear Quarter Trim	15.100
PAD—Front Body Pillar	14.655	PANEL—Rear Seat Back Shelf	15.024
PAD—Front Door Arm Rest	14.686	PANEL—Rocker	12.934
PAD—Front Seat Back	14.802	PANEL—Roof	12.810
PAD—Front Seat Cushion	14.890	PANEL—Seat Back	12.958
PAD—Generator Bearing Felt	2.301	PANEL—Tail Lamp Mounting	12.940
PAD—Hood Inner Panel	8.009	PANEL—Toe and Dash	12.804
PAD—Instrument Panel	14.655	PANEL—Turn Signal Indicator	2.893
PAD—Rear Door Arm Rest	14.762	PANEL—Upper End Gate	12.178
PAD—Rear Seat Back	15.002	PANEL—Weatherstrip Inner Retainer	12.956
PAD—Rear Seat Back Arm Rest	15.002	PANEL—Wheelhouse	12.944
PAD—Rear Seat Cushion	15.036	PANEL—Wheelhouse Extension	12.944
PAD—Windshield Wiper Motor Thrust	10.150	PANEL—Windshield Header	12.807
PAD SET—Brake	5.018	PANEL ASSEMBLY—Console	12.800
PAN—Engine Front Splash	8.112	PANEL ASSEMBLY—Package Tray	12.958
PAN—Engine Oil	1.426	PARTITION—Luggage Compartment	15.224
PAN—Floor	12.972	PARTS KIT—Hyd. Steering Cylinder	6.576
PAN—Rear Compartment Floor	12.981	PAWL—Door Locking Barrel	10.550
PAN—Transmission Oil	4.195	PAWL—End Gate Handle	12.248
PAN ASSEMBLY—Front Floor	12.972	PAWL—End Gate Lock Cylinder	12.248
PANEL—Ash Tray Door	12.010	PAWL—Hand Brake Ratchet	4.595
PANEL—Back	12.966	PAWL & LEVER—Transmission Parking Brake	4.294
PANEL—Body Side	12.948	PEDAL—Accelerator	3.451
PANEL—Centre Pillar Filler	12.491	PEDAL—Brake	4.625
PANEL—Console Trim	12.801	PEDAL—Clutch	0.830
PANEL—Cowl Side Trim	14.630	PILLAR—Body Side Panel	12.950
PANEL—Cowl Top	12.805	PILLAR—Centre	12.491
PANEL—Dash	12.804	PILLAR—Door Lock Striker	12.491
PANEL—Door Lock Striker Plate	12.491	PILLAR—End Gate Body	12.951
PANEL—End Gate	12.178	PILLAR—Front Body	12.805
PANEL—End Gate	12.179	PILLAR—Rear Quarter	12.942
PANEL—End Gate Body Pillar	12.951	PIN—Ash Tray Hinge	12.014
PANEL—End Gate Pillar Drip	12.951	PIN—Brake Anchor	5.055
PANEL—End Gate Trim	15.311	PIN—Brake Main Cylinder Rod Clevis	4.662
PANEL—Facia	9.743	PIN—Brake Pad Retaining	5.020
PANEL—Front Door	12.895	PIN—Brake Shoe Hold Down	5.041
PANEL—Front Door Lock Cover	10.471	PIN—Brake Shoe Link	5.034
PANEL—Front Fender Front	8.130	PIN—Carburettor Choke Rod	3.798
PANEL—Front Seat	14.860	PIN—Carb. Fast Idle Cam	3.736
		PIN—Carb. Fast Idle Rod	3.793



HOLDEN

MASTER PARTS CATALOGUE

PIN—Carb. Float Fulcrum	3.775	PIPE—Fuel Tank Filler	3.003
PIN—Carburettor Pump Piston	3.778	PIPE—Fuel Tank Vent	3.003
PIN—Carburettor Pump Rod	3.782	PIPE—Muffler Tail	3.705
PIN—Clutch Link	0.839	PIPE—Oil	1.519
PIN—Clutch Main Cylinder Rod Clevis	0.921	PIPE—Oil Cooler	4.128
PIN—Console Lid Hinge	12.802	PIPE—Oil Filter	1.840
PIN—Cotter	8.938	PIPE—Radiator Overflow	1.219
PIN—Damper to Flywheel	0.666	PIPE—Spark Control	2.424
PIN—Deck Lid Hinge	12.186	PIPE—Transmission Oil Cooler	4.128
PIN—Differential Pinion Shaft	5.518	PIPE—Trans. Vacuum Modulator	4.205
PIN—Distributor Gear	2.379	PIPE—Vacuum Pump	3.201
PIN—Door Hinge	10.466	PISTON—Brake Booster Control Cylinder	4.906
PIN—Dowel	8.939	PISTON—Brake Booster Output Cylinder	4.905
PIN—End Gate Handle	12.247	PISTON—Brake Booster Vac. Cylinder	4.908
PIN—End Gate Hinge	12.186	PISTON—Brake Main Cylinder	4.653
PIN—Flywheel	0.674	PISTON—Brake Wheel Cylinder	4.668
PIN—Flywheel Dowel	0.683	PISTON—Carburettor Pump	3.778
PIN—Front Door Vent. Handle Retainer	10.664	PISTON—Carburettor Vacuum Power	3.788
PIN—Fuel Pump Rocker Arm	3.921	PISTON—Clutch Actuating Cylinder	0.936
PIN—Gearshift Inter. Lever Shaft	4.019	PISTON—Clutch Main Cylinder	0.910
PIN—Gearshift Lever Pivot	4.007	PISTON—Shock Absorber	7.352
PIN—Gearshift Lever Pivot	4.025	PISTON—Transmission Accumulator	4.228
PIN—Gearshift Selector Lever Pivot	4.019	PISTON—Transmission Clutch	4.166
PIN—Gearshift Selector Lever Pivot	4.022	PISTON—Transmission Servo	4.228
PIN—Gearshift Selector Lever Pivot	4.045	PISTON ASSEMBLY	0.629
PIN—Groove	8.940	PISTON ROD SEAL & WIPER KIT—Strg. Gear Hyd. Cyl.	6.576
PIN—Hand Brake Cable Clevis	4.823	PIVOT—Demister Lever	9.779
PIN—Hand Brake Cable Equaliser	4.764	PIVOT—Front Door Ventilator	10.669
PIN—Hand Brake Handle	4.592	PIVOT—Gearshift Selector Lever	4.019
PIN—Hand Brake Inter. Lever	4.792	PIVOT—Hand Brake Lever Adjusting	5.158
PIN—Hand Brake Lever	5.158	PIVOT—Hand Brake Sheave	4.700
PIN—Hand Brake Pull Rod Guide	4.592	PIVOT—Windshield Wiper Link	10.159
PIN—Hand Brake Pull Rod Stop	4.597	PIVOT PIN KIT—Lower Control Arm	6.174
PIN—King	6.203	PIVOT PIN KIT—Upper Control Arm	6.164
PIN—King Pin Lock	6.216	PIVOT and LINK—Windshield Wiper	10.159
PIN—Piston	0.636	PLATE—Acc. Cross Shaft Bearing	3.431
PIN—Reverse Inter. Lever Pivot	4.316	PLATE—Brake Adj. Lever Pivot	5.103
PIN—Shifter Yoke Guide	4.305	PLATE—Brake Anchor	5.075
PIN—Shock Absorber Mounting	7.370	PLATE—Brake Backing	5.001
PIN—Spare Wheel Clamp Bolt	7.632	PLATE—Brake Backing Plate Lock	5.002
PIN—Speedo Driven Gear Guide	4.337	PLATE—Brake Booster Vac. Cyl. Clamping	4.908
PIN—Speedometer Head	4.339	PLATE—Brake Booster Vac. Cyl. Sleeve	4.908
PIN—Spring	8.941	PLATE—Brake Pedal Shaft Lock	4.635
PIN—Starter Brush Holder	2.054	PLATE—Brake Pedal Spring Anchor	4.640
PIN—Starter Com. End Dowel	2.054	PLATE—Brake Shoe Guide	5.045
PIN—Starter Drive End Dowel	2.054	PLATE—Bumper Guard Mounting	7.829
PIN—Starter Shift Lever	2.108	PLATE—Camshaft Thrust	0.533
PIN—Steering Gear Hydraulic Pump	6.608	PLATE—Centre Pillar Scuff	11.178
PIN—Taper	8.940	PLATE—Clutch	0.886
PIN—Throttle Valve Control Link	4.040	PLATE—Clutch Cylinder Aperture Cover	12.803
PIN—Trans. Accumulator Piston	4.230	PLATE—Clutch Fork Ball Guide	0.825
PIN—Transmission Brake Band	4.253	PLATE—Clutch Fork Seal	0.797
PIN—Transmission Dowel	4.003	PLATE—Clutch Pedal Return Spring Anchor	0.845
PIN—Trans. Downshift Timing Valve	4.265	PLATE—Clutch Shaft Lock	0.834
PIN—Transmission Oil Pump	4.226	PLATE—Deck Lid and End Gate Moulding	12.183
PIN—Transmission Parking Brake Pawl	4.294	PLATE—Deck Lid Lock Striker	12.237
PIN—Transmission Piston	4.230	PLATE—Differential Pinion Flange Screw	5.546
PIN—Trans. Pump Priming Valve	4.226	PLATE—Distributor Breaker	2.385
PIN—Transmission Shifter Shaft	4.309	PLATE—Distributor Weight	2.390
PIN—Transmission Valve Body	4.265	PLATE—Distributor Weight Damping	2.390
PINION—Differential	5.526	PLATE—Door Hold Open	10.606
PINION—Speedometer Head	4.339	PLATE—Door Inside Handle	10.515
PINION—Transmission Rear Planet	4.177	PLATE—Door Lock Striker	10.571
PIPE—Brake	4.685	PLATE—Door Paint Protection	Access.
PIPE—Carburettor Automatic Choke Heat	3.720	PLATE—Door Scuff	11.178
PIPE—Carburettor Fuel	3.201	PLATE—End Gate Anti-rattler	12.240
PIPE—Clutch Main Cylinder	0.929	PLATE—End Gate Anti-rattler Cover	12.240
PIPE—Exhaust	3.609		
PIPE—Fuel	3.158		

HOLDEN

MASTER PARTS CATALOGUE



PLATE—End Gate Arm Retainer	12.205	PLATE—Steering Gear Hydraulic Pump	6.612
PLATE—End Gate Hinge	12.184	PLATE—Tail and Stop Lamp Lens Mounting	2.683
PLATE—End Gate Lock	12.242	PLATE—Tail Lamp Mounting	12.940
PLATE—End Gate Lock Cover	12.242	PLATE—Transmission Channel	4.265
PLATE—End Gate Lock Striker	12.237	PLATE—Transmission Clutch	4.163
PLATE—End Gate Paint Protection	Access.	PLATE—Transmission Name	4.003
PLATE—End Gate Regulator Sector	12.272	PLATE—Transmission Oil Passage Cover	4.123
PLATE—Engine Front Cover	0.004	PLATE—Trans. Planet Shaft	4.177
PLATE—Engine Mounting Lock	0.027	PLATE—Valve Rocker Shaft Locating	0.366
PLATE—Floor Pan Cover	12.980	PLATE—Water Pump Cover	1.113
PLATE—Front Cross Member Skid	Access.	PLATE—Windshield Washer Pump	10.150
PLATE—Front Door Division Channel Wear	10.686	PLATE—Windshield Wiper Motor	10.150
PLATE—Front Door Division Scalp	10.686	PLATE—Windshield Wiper Motor Terminal	10.150
PLATE—Front Door Ext. Moulding	12.112	PLATE—Windshield Wiper Mounting	10.150
PLATE—Front Door Lower Hinge	10.454	PLATE—Windshield Wiper Mounting Support	10.152
PLATE—Front Door Moulding Anchor	12.112	PLATE—Windshield Wiper Retainer	10.158
PLATE—Front Door Scuff	11.175	PLATE ASSY.—Starter Brush Holder	2.052
PLATE—Front Door Upper Hinge	10.450	PLIERS	8.821
PLATE—Front Fender Name	8.132	PLUG—Axle Housing	5.400
PLATE—Front Seat Adjuster Anchor	11.595	PLUG—Belt Plate Sealing	12.980
PLATE—Front Seat Back Trim Button	14.800	PLUG—Body Wiring Harness	13.090
PLATE—Generator Drive End	2.305	PLUG—Brake Adjusting Nut	5.111
PLATE—Generator D.E. Bearing	2.307	PLUG—Brake Booster Control Cylinder	4.906
PLATE—Generator Heat Sink Stud	2.289	PLUG—Button	8.973
PLATE—Generator Slip Ring End	2.298	PLUG—Camshaft Rear Bearing	0.553
PLATE—Generator Terminal	2.313	PLUG—Carburettor Bleeder Channel	3.744
PLATE—Hood Catch Lower	8.080	PLUG—Carburettor Body	3.767
PLATE—Hood Name	8.039	PLUG—Carburettor Metering Jet	3.755
PLATE—Horn Bracket Mounting	2.845	PLUG—Carburettor Pump Check Valve	3.784
PLATE—Horn Ring Ornament	2.831	PLUG—Cigarette Lighter Aperture	9.743
PLATE—Inlet and Exhaust Manifold	3.272	PLUG—Cylinder Block	0.033
PLATE—Inside Door Handle	10.515	PLUG—Cylinder Block Oil	1.928
PLATE—Inst. Panel Comp. Door Opening	10.267	PLUG—Cylinder Head	0.269
PLATE—Instrument Panel Door Lock	10.268	PLUG—Door Weatherstrip	10.695
PLATE—Instrument Panel Lamp Socket Mounting	9.743	PLUG—End Gate Window Motor	12.280
PLATE—Instrument Panel Name	10.261	PLUG—Expansion	8.970
PLATE—Instrument Panel Radio Control Finish	10.256	PLUG—Floor Pan	12.980
PLATE—Instrument Panel Trim	10.252	PLUG—Fuel Pump Rocker Arm Pin	3.921
PLATE—License Plate Mounting	7.800	PLUG—Heater Hose Aperture	12.803
PLATE—Paint Protection	Access.	PLUG—Hyd. Stg. Cylinder	6.581
PLATE—Pedal Shaft Lock	0.834	PLUG—Instrument Carrier	9.743
PLATE—Radio Control Finish	10.260	PLUG—Oil Header	1.928
PLATE—Rear Axle Bearing Retainer	5.816	PLUG—Oil Pan Drain	1.453
PLATE—Rear Door Div. Channel Scalp	10.829	PLUG—Oil Pressure Regulator Spring	1.611
PLATE—Rear Door Ext. Moulding	12.114	PLUG—Pipe	8.971
PLATE—Rear Door Moulding Anchor	12.114	PLUG—Seat Belt Anchor Sealing	12.491
PLATE—Rear Door Scuff	11.179	PLUG—Shifter Shaft Lock Ball	4.311
PLATE—Rear End Moulding	12.121	PLUG—Shock Absorber Piston Screw	7.352
PLATE—Rear Quarter Moulding	12.116	PLUG—Spark	2.270
PLATE—Rear Quarter Name	12.116	PLUG—Speedometer Head	4.339
PLATE—Rear Seat Back Stop	11.632	PLUG—Steering Connecting Rod	6.881
PLATE—Rear Seat Back Support	11.632	PLUG—Steering Con Rod Ball Seat	6.883
PLATE—Rear Seat Back Trim Button	15.000	PLUG—Steering Con. Rod, Inner	6.885
PLATE—Rear Seat Cushion Support	11.612	PLUG—Steering Connecting Rod Safety	6.882
PLATE—Rear Seat Cushion Trim	15.037	PLUG—Stg. Gear Hyd. Cylinder End	6.581
PLATE—Rear Spring and Shock Absorber Mounting	7.518	PLUG—Stg. Gear Hyd. Valve Ball Adj.	6.560
PLATE—Rocker Panel Moulding Anchor	8.304	PLUG—Steering Knuckle Expansion	6.223
PLATE—Seat Adjuster Anchor	11.595	PLUG—Transmission Case	4.103
PLATE—Shock Absorber Access. Hole	12.981	PLUG—Transmission Drain	4.103
PLATE—Shock Absorber Mounting	7.370	PLUG—Transmission Governor	4.256
PLATE—Solenoid Seal	2.101	PLUG—Transmission Line Boost	4.216
PLATE—Solenoid Switch Terminal	2.102	PLUG—Transmission Oil Pan Drain	4.195
PLATE—Spare Wheel Comp. Door Lock Striker	12.238	PLUG—Transmission Oil Pump	4.226
PLATE—Speedometer Field	4.339	PLUG—Transmission Pressure Regulator	4.216
		PLUG—Transmission Shifter Shaft	4.309
		PLUG—Transmission Valve Body	4.265
		PLUG—Underbody	12.980



HOLDEN

MASTER PARTS CATALOGUE

PLUG—Valve Rocker Shaft	0.356	REINFORCEMENT—Front Bumper Bar Mounting	12.982
PLUG—Valve Rocker Shaft Oil	1.928	REINFORCEMENT—Front Seat Adjuster	11.595
PLUG—Water Jacket Cylinder	0.033	REINFORCEMENT—Headlamp Mounting	8.130
PLUG—Water Jacket Cylinder Head	0.269	REINFORCEMENT—Radiator Grille Bar	1.266
PLUG—Wheelhouse Sealing	12.944	REINFORCEMENT—Rear Axle Bearing Retainer	5.816
PLUG—Windshield Wiper Motor	10.150	REINFORCEMENT—Rear Body Lock Pillar	12.942
PLUG KIT — Water Jacket Cor	0.033	REINFORCEMENT—Rear Floor Pan	12.981
PLUNGER—Cigar Lighter	9.709	REINFORCEMENT—Rocker Panel	12.934
PLUNGER—Courtesy Light Switch	11.950	REINFORCEMENT—Side Rail to Pillar Facing	12.956
PLUNGER—End Gate Lock	12.241	REINFORCEMENT—Spare Wheel Clamp	12.981
PLUNGER—Hand Brake Warning Lamp	4.610	REINFORCEMENT—Spare Wheel Mounting	12.981
PLUNGER—Hood Catch	8.085	REINFORCEMENT—Steering Gear Hydraulic Cylinder Bracket	6.575
PLUNGER—Instrument Panel Compartment Lamp Switch	10.270	REINFORCEMENT—Tail Pipe Rear Insulator	3.712
PLUNGER—Oil Pressure Reg.	1.609	REINFORCEMENT—Timing Gear Cover	0.206
PLUNGER—Rear Compartment Lamp Switch	11.960	REINFORCEMENT—Tonneau Floor Longitudinal	12.195
PLUNGER—Starter Solenoid Switch	2.102	REINFORCEMENT—Underbody	7.118
PLUNGER—Transmission Manual Detent	4.265	REINFORCEMENT—Valve Rocker Cover	0.413
PLUNGER—Trans. Modulator	4.265	RELAY—End Gate Window	12.277
PLUNGER—Windshield Washer Pump	10.150	RELAY—Horn	2.815
PLUNGER—Windshield Wiper Motor	10.150	RELAY ASSEMBLY—Starter Solenoid Switch	2.102
POCKET—Spare Wheel	12.981	REPAIR KIT—Brake Main Cylinder	4.649
POINT and SUPPORT—Distributor	2.384	REPAIR KIT—Brake Vacuum Booster	4.902
POINTER—Speedometer Head	4.339	REPAIR KIT—Brake Wheel Cylinder	4.665
POINTER—Transmission Control Indicator	4.038	REPAIR KIT—Carburettor	3.725
PROPELLER SHAFT ASSEMBLY	5.441	REPAIR KIT—Carburettor Pump Link	3.783
PROTECTOR—Fuel Tank Vent Pipe	3.003	REPAIR KIT—Clutch actuating cylinder	0.934
PROTECTOR—Headlamp Parking Bulb	2.740	REPAIR KIT—Clutch Countershaft	0.852
PROTECTOR—Windshield	Acc/P	REPAIR KIT—Clutch Main Cylinder	0.902
PULL ROD—Starter Solenoid Switch	2.102	REPAIR KIT—Door Outside Handle	10.529
PULLEY—Steering Gear Hydraulic Pump	6.655	REPAIR KIT—Front Door Vent. Handle	10.664
PULLEY—Water Pump and Fan	1.062	REPAIR KIT—Fuel Pump	3.901
PULLEY and FAN—Generator	2.274	REPAIR KIT—Gearshift Control	4.018
PUMP—Steering Gear Hydraulic	6.605	REPAIR KIT—Gearshift Lower Control	4.019
PUMP ASSEMBLY—Engine Oil	1.652	REPAIR KIT—Gearshift Selector Lever	4.302
PUMP ASSEMBLY—Fuel	3.900	REPAIR KIT—Gearshift Upper Control	4.018
PUMP ASSEMBLY—Transmission Oil	4.226	REPAIR KIT—King Pin	6.203
PUMP ASSEMBLY—Water	1.069	REPAIR KIT—Steering Connecting Rod	6.870
PUMP ASSEMBLY—Windshield Washer	8.798	REPAIR KIT—Stg. Gear Hyd. Valve	6.550
PUMP ASSEMBLY—Windshield Wiper Washer	10.150	REPAIR KIT—Transmission	4.003
PUSH ROD and CONTACT—Starter Solenoid Switch	2.102	REPAIR KIT—Universal Joint	5.548
RACE—Transmission Front Bearing	4.129	REPAIR KIT—Water Pump	1.071
RACE—Worm Thrust Bearing	6.527	REPAIR KIT—Windshield Wiper Motor	10.150
RADIATOR ASSEMBLY	1.219	RESERVOIR—Brake Main Cylinder	4.650
RADIATOR ASSEMBLY—Heater	9.779	RESERVOIR—Clutch Main Cylinder	0.906
RADIATOR SERVICE SET	1.219	RESERVOIR—Steering Gear Hydraulic Pump	6.635
RADIATOR STRAP AND BRACKET KIT	1.219	RESERVOIR—Windshield Washer	8.798
RADIO	Access	RESISTANCE—Voltage Regulator	2.503
RAIL—Rope	Access	RESISTOR—Heater Motor	9.779
RAIL ASSEMBLY—Body Side	12.428	RESISTOR—Wiper Motor	10.150
RAIL ASSEMBLY—Roof	12.956	RESONATOR	3.701
REAR AXLE ASSEMBLY	5.386	RETAINER—Battery	2.333
REAR BUMPER GUARD	Access.	RETAINER—Brake Booster Control Cylinder	4.906
REDUCER—Carburettor Pump	3.778	RETAINER—Brake Shoe Guide Spring	5.042
REFLECTOR—Headlamp	2.734	RETAINER—Carburettor Choke Diaphragm Rod	3.799
REFLECTOR—Reflex	2.689	RETAINER—Carburettor Fast Idle Rod	3.793
REGULATOR—End Gate Window	12.272	RETAINER—Clutch Countershaft Spring	0.851
REGULATOR—Front Door Window	10.783	RETAINER—Clutch Gear	4.356
REGULATOR—Rear Door Window	10.791	RETAINER—Clutch Lever Ball Stud	0.823
REGULATOR—Voltage and Current	2.500	RETAINER—Clutch Pedal Return Spring	0.845
REINFORCEMENT—Back Panel	12.966	RETAINER—Console Moulding	12.801
REINFORCEMENT—Brake Main Cylinder	4.650	RETAINER—Deck Lid Lock	12.248
REINFORCEMENT—Bumper Face Bar Flange	7.831	RETAINER—Deck Lid Lock Tumbler Spring	12.248
REINFORCEMENT—End Gate Hinge	12.184	RETAINER—Deck Lid Moulding	12.183
		RETAINER—Dist. Breaker Plate Ball	2.385



RETAINER—Distributor Clamp	2.414	RETAINER—Rear Axle Bumper	7.536
RETAINER—Door Belt Weatherstrip	10.712	RETAINER—Rear Bumper Bar Body Seal	7.833
RETAINER—Door Check Link	10.613	RETAINER—Rear Compartment Floor	12.580
RETAINER—Door Locking Barrel	10.553	RETAINER—Rear Door Glass Division Channel	10.829
RETAINER—Door Lock Striker Pillar Trim	14.651	RETAINER—Rear Door Glass Run Channel	10.759
RETAINER—Door Locking Barrel Tumbler Spring	10.550	RETAINER—Rear Door Moulding	12.114
RETAINER—Door Outside Handle	10.551	RETAINER—Rear Door Trim Moulding	14.764
RETAINER—Door Outside Handle Push Button	10.529	RETAINER—Rear End Moulding	12.075
RETAINER—Door Weatherstrip	10.695	RETAINER—Rear End Moulding	12.121
RETAINER—End Gate Arm	12.205	RETAINER—Rear License Lamp Socket	2.714
RETAINER—End Gate Belt Weatherstrip	11.210	RETAINER—Rear Quarter Moulding	12.116
RETAINER—End Gate Cable	12.203	RETAINER—Rear Quarter Trim	15.101
RETAINER—End Gate Glass Anti-rattler	12.216	RETAINER—Rear Seat Back	11.634
RETAINER—End Gate Glass Channel	11.207	RETAINER—Rear Spring Insulator	7.552
RETAINER—End Gate Handle	12.250	RETAINER—Rear Window Division Moulding	11.216
RETAINER—End Gate Lock Cylinder	12.248	RETAINER—Reflex Lens	2.689
RETAINER—End Gate Moulding	12.183	RETAINER—Relay Lever Bush	4.040
RETAINER—End Gate Push Button	12.249	RETAINER—Rocker Panel Moulding	8.304
RETAINER—End gate seal	12.270	RETAINER—Roof Side Moulding	12.075
RETAINER—End Gate Striker Plate	12.237	RETAINER—Seat Adjuster Spring	11.582
RETAINER—End Gate Torque Rod	12.187	RETAINER—Selector Shaft	4.301
RETAINER—End Gate Weatherstrip	12.270	RETAINER—Shock Absorber Mounting Bushing	7.370
RETAINER—End Gate Weatherstrip	12.966	RETAINER—Shock Absorber Valve	7.348
RETAINER—Exhaust Pipe Bracket Bush	3.616	RETAINER—Spare Wheel Compt. Cover	12.238
RETAINER—Fabric Roof Cover	12.810	RETAINER—Spare Wheel Lock Tumbler	12.248
RETAINER—First and Reverse Shifter Shaft	4.309	RETAINER—Spare Wheel Lock Tumbler Spring	12.248
RETAINER—Front Door Glass Division Channel	10.686	RETAINER—Speedometer Cable	4.342
RETAINER—Front Door Glass Run Channel	10.701	RETAINER—Speedometer Cable End	4.343
RETAINER—Front Door Moulding	12.112	RETAINER—Speedometer Head	4.339
RETAINER—Front Door Trim Moulding	14.691	RETAINER—Speedometer Head Spindle	4.339
RETAINER—Front Fender Moulding	8.132	RETAINER—Starter Armature Washer	2.063
RETAINER—Front seat adjuster	11.561	RETAINER—Starter Solenoid Switch	2.102
RETAINER—Front Seat Cushion Cover Side	14.860	RETAINER—Steering Column "O" Ring	6.758
RETAINER—Front Seat Cushion Side	14.860	RETAINER—Steering Column Toe Pan Seal	6.758
RETAINER—Front Seat Panel Moulding	14.818	RETAINER—Steering Gear Pitman Shaft Packing	6.856
RETAINER—Front stabilizer Bushing	7.243	RETAINER—Tail and Stop Lamp Lens	2.681
RETAINER—Front Suspension Mounting	6.008	RETAINER—Transmission Centre Support Spring	4.162
RETAINER—Front Wheel Grease	6.323	RETAINER—Transmission Control Dial	4.038
RETAINER—Fuel Pump Diaphragm Spring	3.927	RETAINER—Transmission Control Valve	4.265
RETAINER—Fuel Pump Screen	3.929	RETAINER—Trans. Converter	4.156
RETAINER—Fuel Pump Seal	3.902	RETAINER—Transmission Detent Plunger	4.265
RETAINER—Fuel Pump Valve	3.916	RETAINER—Trans. Detent Roller	4.279
RETAINER—Gearshift Control Indicator	4.038	RETAINER—Trans. Detent Spring	4.279
RETAINER—Gearshift Control Lever	4.019	RETAINER—Transmission Governor Plug	4.256
RETAINER—Gearshift Lever Boot	4.015	RETAINER—Transmission Manual Shaft	4.282
RETAINER—Gearshift Pivot Pin	4.025	RETAINER—Transmission Piston Release Spring	4.189
RETAINER—Generator Bearing Felt	2.307	RETAINER—Transmission Rear Bearing	4.317
RETAINER—Generator Felt Pad	2.301	RETAINER—Transmission Selector	4.301
RETAINER—Governor Valve Plug	4.256	RETAINER—Transmission Servo Spring	4.233
RETAINER—Headlining	14.651	RETAINER—Universal Joint Journal Seal	5.560
RETAINER—Hood Catch Spring	8.085	RETAINER—Valve Lifter Plunger	0.459
RETAINER—Hood Emblem Insert	8.055	RETAINER—Water Pump Bearing	1.112
RETAINER—Hood Grille Bar	8.049	RETAINER—Wheelhouse Trim	15.101
RETAINER—Hood Ledge Lacing	9.127	RETAINER—Windshield Wiper Link	10.160
RETAINER—Hood Panel Silencer	8.009	RETAINER—Windshield Wiper Link Bearing	10.159
RETAINER—Hood to Rad. Support Seal	8.010	RETAINER—Windshield Wiper Motor	10.150
RETAINER—Ignition Lock Tumbler Spring	2.188	RIM—Dome Lamp	11.928
RETAINER—Instrument Panel Door Knob	10.267	RIM—Headlamp	2.728
RETAINER—Lower End Gate Trim	15.312	RIM—Light Unit Seating	2.726
RETAINER—Oil Pressure Reg. Spring	1.611	RIM—Tail and Stop Lamp Lens	2.681
RETAINER—Oil Pump Screen	1.662	RIM—Turn Signal Lamp	2.589
RETAINER—Piston Pin	0.636	RIM—Turn Signal and Back-up Lamp	2.696
RETAINER—Pitman Shaft Packing	6.856	RING—Brake Main Cylinder Lock	4.656
RETAINER—Quarter Trim	14.651	RING—Brake Main Cylinder Boot Lock	4.660
RETAINER—Rear Axle Bearing	5.816	RING—Camshaft Gear Spacing	0.738



HOLDEN

MASTER PARTS CATALOGUE

RING—Clutch Actuating Cylinder	0.935	RIVET—Windshield Wiper Motor	10.150
RING—Clutch Gear Bearing Lock	4.376	ROD—Accelerator	3.431
RING—Clutch Main Cylinder Lock	0.914	ROD—Accelerator Cross Shaft	3.430
RING—Door Outside Handle Push Button	10.529	ROD—Air Cleaner	3.403
RING—End Gate Handle	12.247	ROD—Brake Booster Push	4.905
RING—Exciter Diode Terminal	2.287	ROD—Brake Main Cylinder Push	4.658
RING—Front Seat Cushion Spring	11.420	ROD—Carburettor Choke	3.798
RING—Gearshift Inter. Lever Snap	4.019	ROD—Carburettor Choke Diaphragm	3.799
RING—Gearshift Lever Finger Snap	4.007	ROD—Carburettor Fast Idle	3.793
RING—Gearshift Selector Lever Sealing	4.022	ROD—Carburettor Pump	3.782
RING—Generator Drive End	2.307	ROD—Carburettor Restrictor	3.753
RING—Handbrake Cable Retaining	4.591	ROD—Carburettor Torsion	3.430
RING—Headlamp Mounting	2.726	ROD—Clutch Countershaft	0.839
RING—Headlamp Retaining	2.731	ROD—Clutch Fork Operating	0.839
RING—Horn Blowing	2.830	ROD—Clutch Lever	0.839
RING—Hyd. Stg. Cylinder	6.581	ROD—Clutch Main Cylinder Push	0.918
RING—Main Shaft Lock	4.412	ROD—Connecting	0.603
RING—Rear Axle Bearing Retainer	5.816	ROD—Deck Lid Hinge Torque	12.187
RING—Rear License Lamp Ground	2.714	ROD—Demister Control	9.779
RING—Rear Seat Cushion Hog	11.611	ROD—Door Control Connecting	10.556
RING—Rear Wheel Bearing "O"	5.822	ROD—Door Inside Locking	10.563
RING—Spark Plug Wire Retaining	2.253	ROD—Door Remote Control	10.506
RING—Speedo Driven Gear Seal	4.338	ROD—End Gate Control	12.241
RING—Speedometer Head Field	4.339	ROD—End Gate Torque	12.187
RING—Starter Armature Retaining	2.096	ROD—Front Seat Adjuster	11.589
RING—Starter Drive Retaining Spring	2.087	ROD—Gearshift Control	4.019
RING—Starter Pinion Guide Spring	2.087	ROD—Gearshift Cross Shaft	4.019
RING—Starter Pinion Stop Retaining	2.096	ROD—Gearshift Selector	4.020
RING—Stg. Gear Hyd. Cyl. End Plug	6.581	ROD—Heat Control Lever	9.779
RING—Stg. Gear Hyd. Cylinder Rod Seal	6.581	ROD—Hood Catch Control	8.075
RING—Steering Gear Hydraulic Pump	6.609	ROD—Lighting Switch	2.486
RING—Steering Gear Hydraulic Pump	6.611	ROD—Rear Door Inside Locking	10.556
RING—Steering Gear Hydraulic Pump Shaft	6.616	ROD—Selector Cross Shaft	4.020
RING—Synchro. Cone Retainer	4.381	ROD—Starter Solenoid Pull	2.102
RING—Transmission Control Valve	4.265	ROD—Steering Connecting	6.870
RING—Trans. Detent Roller	4.279	ROD—Steering Tie	6.230
RING—Transmission Front to Rear Planet Carrier	4.128	ROD—Throttle Control	3.430
RING—Trans. Governor Shaft	4.259	ROD—Throttle Valve Control	4.040
RING—Trans. Governor Weight	4.256	ROD—Transmission Control	4.040
RING—Trans. Hydraulic Modulator	4.265	ROD—Trans. Servo Piston	4.230
RING—Transmission Mainshaft Front	4.353	ROD—Valve Push	0.426
RING—Transmission Manual Shaft	4.282	ROD—Volume Restrictor	3.753
RING—Transmission Oil Seal	4.127	ROLLER & LEVER ASSEMBLY—Trans. Detent	4.279
RING—Transmission Parking Brake Snap	4.290	ROOF ASSEMBLY	12.810
RING—Trans. Pressure Regulator	4.265	ROTOR—Distributor	2.382
RING—Transmission Rear Bearing Retainer	4.128	ROTOR—Generator	2.279
RING—Transmission Reverse Blocker Valve	4.128	ROTOR—Heater	9.779
RING—Transmission Reverse Clutch	4.128	ROTOR—Steering Gear Hydraulic Pump	6.610
RING—Transmission Selector	4.301	ROTOR—Water Pump	1.109
RING—Transmission Servo Piston	4.128	ROTOR KIT—Stg. Gear Hyd. Pump	6.610
RING—Transmission Third & Fourth Clutch Sleeve	4.385	SCREEN—Body Side Ventilator	12.949
RING—Transmission Throttle Valve Lever	4.278	SCREEN—Carburettor Pump Strainer	3.787
RING—Trans. T.V. Retainer	4.265	SCREEN—Fuel Pump	3.929
RING—Transmission Torus to Mainshaft	4.128	SCREEN—Governor Feed Line	4.317
RING—Turn Signal Lamp Sliding	2.590	SCREEN—Oil Pump	1.656
RING—Universal Joint Bearing Snap	5.586	SCREEN—Radiator Insect	Access.
RING—Wheel Trim	5.871	SCREEN—Trans. Governor Valve	4.256
RING—Windshield Wiper Motor	10.150	SCREEN—Trans. Oil	4.224
RING GEAR and PINION ASSEMBLY	5.529	SCREEN—Trans. T.V. Feed	4.265
RING SET—Piston	0.643	SCREEN CLEAN—Windshield	Access.
RINGS—Instrument Panel Trim	Access.	SCREW—Axle Housing Breather	5.387
RINGS—Wheel Trim	Access.	SCREW—Brake Booster Filter Cover	4.903
RIVET	8.967	SCREW—Brake Booster Vac. Cyl. Cover	4.908
RIVET—Brake Lining	5.019	SCREW—Brake Booster Valve Chest Cover	4.907
RIVET—Brake Wheel Cylinder Cover Spring	4.678	SCREW—Brake Booster Valve Chest Guide	4.907
RIVET—Door Hinge Hold Open Spring	10.608	SCREW—Brake Shoe Adjusting	5.110
RIVET—Front Door Ventilator	10.669	SCREW—Brake Wheel Cylinder Adj.	4.675
RIVET—Generator Brush Holder	2.291	SCREW—Carburettor Air Horn	3.763
RIVET—Hand Brake Lever	4.597	SCREW—Carburettor Choke Diaphragm	3.799
RIVET—Hood Safety Catch	8.036	SCREW—Carb. Choke Tube Holder	3.795
RIVET—Starter Solenoid Switch	2.102	SCREW—Carb. Choke Valve	3.789
		SCREW—Carb. Choke Wire Clamp	3.791

HOLDEN

MASTER PARTS CATALOGUE



SCREW—Carburettor Dashpot Bracket	3.733	SCREW—Trans. Brake Band	4.251
SCREW—Carburettor Fast Idle	3.737	SCREW—Transmission Breather	4.104
SCREW—Carb. Main Body	3.748	SCREW—Transmission Control Valve	4.265
SCREW—Carburettor Pump Lever	3.781	SCREW—Transmission Coupling Exhaust Valve	4.155
SCREW—Carburettor Pump Nozzle	3.759	SCREW—Transmission Detent Lever	4.279
SCREW—Carb. Slow Idle Adj.	3.734	SCREW—Trans. Governor	4.256
SCREW—Carburettor Thermostat Cover	3.796	SCREW—Trans. Planet Shaft	4.177
SCREW—Carburettor Throttle Valve	3.729	SCREW—Transmission Throttle Lever	4.278
SCREW—Courtesy Light Switch	11.950	SCREW—Transmission Throttle Valve Bore	4.265
SCREW—Differential Pinion Flange	5.546	SCREW—Turn Signal Lamp Switch	2.895
SCREW—Differential Pinion Shaft Lock	5.518	SCREW—Vacuum Control Pull Rod Bracket	2.413
SCREW—Dist. Breaker Plate	2.385	SCREW—Valve Rocker Arm Adjuster	0.429
SCREW—Distributor Cap Spring Support	2.369	SCREW—Valve Rocker Shaft	0.349
SCREW—Distributor Cam	2.381	SCREW—Voltage Reg. Cover	2.502
SCREW—Distributor Condenser	2.393	SCREW—Voltage Reg. Terminal	2.511
SCREW—Distributor Contact	2.387	SCREW—Windshield Washer Pump	10.150
SCREW—Distributor Lever Spring	2.387	SCREW—Windshield Wiper Knob	10.164
SCREW—Distributor Terminal	2.400	SCREW—Windshield Wiper Motor	10.150
SCREW—Dist. Vacuum Control	2.410	SCREWDRIVER	8.821
SCREW—Distributor Weight Spring Bracket	2.390	SEAL—Brake Booster Control Valve	4.906
SCREW—Door Lock, Striker	10.569	SEAL—Brake Booster Cylinder Piston	4.908
SCREW—End Gate Window Motor	12.280	SEAL—Brake Booster Output Cylinder Piston	4.905
SCREW—Engine Splash Pan	8.112	SEAL—Brake Booster Push Rod	4.905
SCREW—Front Door Lock	10.470	SEAL—Brake Main Cylinder	4.650
SCREW—Front Fender	8.143	SEAL—Brake Main Cylinder Push Rod	4.659
SCREW—Fuel Pump Body	3.910	SEAL—Clutch Actuating Cylinder	0.935
SCREW—Fuel Pump Seal Retainer	3.902	SEAL—Clutch Countershaft	0.851
SCREW—Fuel Pump Valve Plate	3.917	SEAL—Clutch Fork	0.797
SCREW—Fuel Tank to Underbody	3.001	SEAL—Clutch Main Cylinder	0.904
SCREW—Generator Band	2.299	SEAL—Clutch Main Cylinder Push Rod	0.924
SCREW—Generator Brush Lead	2.285	SEAL—Control Arm	6.166
SCREW—Generator Brush Plate	2.291	SEAL—Crankcase Front End Cover Oil	0.209
SCREW—Generator Drive End Plate	2.307	SEAL—Crankshaft Rear Bearing Oil	0.137
SCREW—Generator Frame	2.276	SEAL—Deck Lid Name	12.183
SCREW—Generator Pole Shoe	2.311	SEAL—Dimmer Switch	2.459
SCREW—Headlamp Beam Adjusting	2.737	SEAL—Distributor	2.362
SCREW—Headlamp Beam Pivot	2.737	SEAL—End Gate	12.269
SCREW—Headlamp Door	2.729	SEAL—End Gate Trim	15.313
SCREW—Headlamp Mounting Ring	2.736	SEAL—Front Door Inner Panel	14.694
SCREW—Headlamp Reflector Retaining	2.726	SEAL—Front Door Trim	14.694
SCREW—Horn Actuating Bar	2.830	SEAL—Front Fender	8.154
SCREW—Light Unit Retaining	2.726	SEAL—Front Propeller Shaft	4.317
SCREW—Oil Pump Set	1.672	SEAL—Front Wheel Bearing	6.326
SCREW—Pinion Bearing Lock Sleeve	5.452	SEAL—Fuel Gauge Tank Unit	3.112
SCREW—Plenum Chamber Control Lever	9.787	SEAL—Fuel Pump	3.902
SCREW—Rad. Grille	1.269	SEAL—Fuel Tank Filler Neck	3.008
SCREW—Rad. Grille Baffle	1.286	SEAL—Generator Slip Ring End Bearing	2.298
SCREW—Rear Door Lock	10.473	SEAL—Hand Brake Cable	4.820
SCREW—Rear Vision Mirror	10.185	SEAL—Headlamp Door Dust	2.735
SCREW—Reverse Inter. Lever Shifter	4.316	SEAL—Headlining	14.641
SCREW—Ring Gear	5.531	SEAL—Heater	9.779
SCREW—Set	8.975	SEAL—Hood Ledge Front Pillar	9.127
SCREW—Sheet Metal	8.977	SEAL—Hood to Radiator Support	8.010
SCREW—Shifter Lever Set	4.311	SEAL—Hyd. Stg. Cylinder	6.581
SCREW—Shifter Shaft Lock	4.309	SEAL—Instrument Panel Carrier Mounting	9.743
SCREW—Shifter Yoke Set	4.311	SEAL—Oil Pan End	1.429
SCREW—Solenoid Switch Attaching	2.100	SEAL—Parking Lamp Lens	2.590
SCREW—Speedometer Head	4.339	SEAL—Parking and Turn Signal Lamp Socket	2.596
SCREW—Starter Brush Holder	2.052	SEAL—Pitman Arm Ball Joint	6.886
SCREW—Starter Brush Lead	2.055	SEAL—Plenum Chamber Door	9.786
SCREW—Starter Com. End Cover	2.070	SEAL—Push Rod Cover Bolt	0.449
SCREW—Starter Pole Shoe	2.077	SEAL—Radiator Side Support	1.272
SCREW—Starter Shift Lever	2.108	SEAL—Rear Axle Oil	5.822
SCREW—Starter Solenoid Switch	2.102	SEAL—Rear Axle Pinion Oil	5.469
SCREW—Terminal Block	2.483	SEAL—Rear Brake Oil Deflector	5.815
SCREW—Throttle Detent Retainer	4.040	SEAL—Rear Bumper to Body	7.833
SCREW—Throttle Floor Pan Detent	4.040	SEAL—Rear Door Inner Panel	14.768
		SEAL—Rear Door Trim	14.768
		SEAL—Reflex Lens	2.689
		SEAL—Selector Lever	4.302
		SEAL—Selector Shaft	4.313



HOLDEN

MASTER PARTS CATALOGUE

SEAL—Shock Absorber Shaft	7.373	SEAT—Trans. Rev. Clutch Spring	4.189
SEAL—Solenoid	2.101	SEAT—Valve Rocker Sleeve Spring	1.928
SEAL—Spare Wheel Compartment Door	12.269	SERVICE ACCESSORIES—Maintenance	8.800
SEAL—Speedo Driven Gear	4.338	SERVICE SET—Radiator	1.219
SEAL—Starter Com. End Cover	2.070	SHACKLE SET—Rear Spring	7.523
SEAL—Steering Column Toe Pan	6.758	SHADE—Venetian	Access.
SEAL—Steering Connecting Rod	6.886	SHADE—Windshield Sun	Access.
SEAL—Steering Con. Rod Idler Lever	6.898	SHAFT—Accelerator Cross	3.431
SEAL—Stg. Gear Hyd. Cylinder Ball Stud	6.581	SHAFT—Brake Pedal	4.634
SEAL—Stg. Gear Hyd. Cylinder Rod	6.581	SHAFT—Carburettor Choke	3.791
SEAL—Steering Gear Hydraulic Pump	6.609	SHAFT—Carburettor Throttle	3.731
SEAL—Steering Gear Hydraulic Pump	6.612	SHAFT—Clutch and Brake Pedal	0.833
SEAL—Steering Gear Hydraulic Pump	6.674	SHAFT—Counter Gear	4.428
SEAL—Steering Gear Hydraulic Pump Drive Shaft	6.617	SHAFT—Differential Pinion	5.517
SEAL—Steering Gear Hydraulic Pump Reservoir	6.635	SHAFT—Distributor	2.372
SEAL—Stg. Gear Hyd. Valve	6.551	SHAFT—First and Reverse Shifter	4.309
SEAL—Steering Tie Rod Socket	6.111	SHAFT—Front Stabiliser	7.241
SEAL—Tail Lamp Mounting	2.660	SHAFT—Gearshift Control	4.007
SEAL—Tail and Stop Lamp	2.684	SHAFT—Gearshift Cross	4.019
SEAL—Timing Gear Cover Oil	0.209	SHAFT—Gearshift Inter. Lever Pivot	4.019
SEAL—Transmission Case Cover Bolt	4.123	SHAFT—Lower Control Arm	6.169
SEAL—Transmission Centre Case to Support	4.162	SHAFT—Oil Pump Driven Gear	1.658
SEAL—Transmission Clutch Gear	4.370	SHAFT—Propeller	5.441
SEAL—Transmission Clutch Piston	4.166	SHAFT—Rear Axle	5.420
SEAL—Trans. Low Servo Cover	4.212	SHAFT—Reverse Idler Gear	4.433
SEAL—Transmission Oil Pump	4.226	SHAFT—Second and Third Shifter	4.309
SEAL—Trans. Parking Lock and Range Selector Shaft	4.282	SHAFT—Selector Cross	4.020
SEAL—Transmission Rear Bearing Retainer	4.318	SHAFT—Selector Lever	4.302
SEAL—Transmission Reverse Clutch	4.166	SHAFT—Shock Absorber	7.375
SEAL—Trans. Throttle Valve Lever	4.278	SHAFT—Speedometer Head	4.339
SEAL—Transmission Throttle Valve Shaft	4.282	SHAFT—Steering	6.524
SEAL—Turn Signal Lamp Lens	2.590	SHAFT—Steering Gear Hydraulic Pump Drive	6.614
SEAL—Turn Signal and Back-up Lamp	2.699	SHAFT—Stg. Gear Hyd. Valve	6.560
SEAL—Universal Joint Journal	5.560	SHAFT—Steering Gear Pitman	6.850
SEAL—Valve Push Rod Cover	0.454	SHAFT—Trans. Governor	4.259
SEAL—Valve Rocker Oil Connector	1.928	SHAFT—Transmission Input	4.153
SEAL—Valve Stem Oil	0.308	SHAFT—Transmission Main (Hydra-Matic)	4.172
SEAL—Water Pump	1.123	SHAFT—Transmission Main (Manual)	4.403
SEAL—Windshield Wiper Motor	10.152	SHAFT—Transmission Manual	4.282
SEAL—Windshield Wiper Motor Mounting	10.152	SHAFT—Transmission Parking Brake	4.290
SEAL—Windshield Wiper Pivot	10.161	SHAFT—Trans. Parking Brake Pawl	4.294
SEAL KIT—Ball Joint	6.168	SHAFT—Trans. Planet Pinion	4.177
SEAL KIT—Brake Caliper	4.667	SHAFT—Transmission Selector	4.301
SEAL KIT—Hyd. Stg. Cylinder	6.576	SHAFT—Transmission Shifter Yoke	4.309
SEAL KIT—Stg. Gear Hyd. Pump	6.609	SHAFT—Upper Control Arm	6.164
SEAL KIT—Stg. Gear Hyd. Valve	6.550	SHAFT—Valve Rocker	0.353
SEAL KIT—Heater Hose Connection	1.069	SHAFT—Windshield Wiper Motor	10.150
SEALED BEAM UNIT—Headlamp	2.727	SHAFT and BEARING—Water Pump	1.108
SEALER—Mastic	8.800	SHAFT and LEVER—Carburettor Choke	3.791
SEALER—Neutral Plastic	8.800	SHAFT KIT—Stg. Gear Hyd. Valve	6.560
SEALER—Non-hardening	8.800	SHEAVE—Hand Brake Cable	4.700
SEALER—Underbody	8.800	SHELF—Parcel	Access.
SEALER—Windshield	8.800	SHELL—Heater	9.779
SEALER STRIP—Front Fender	8.154	SHIELD—Body Side Panel Gravel	12.115
SEALING COMPOUND—Crankshaft	8.800	SHIELD—Brake	5.001
SEAT—Front	14.796	SHIELD—Brake Caliper	5.011
SEAT—Fuel Pump Bowl	3.905	SHIELD—Bumper Stone	7.870
SEAT—Fuel Pump Diaphragm Spring	3.927	SHIELD—Fuel Pipe	3.158
SEAT—Starter Pinion Guide Spring	2.087	SHIELD—Generator D. E. Bearing	2.307
SEAT—Steering Connecting Rod Ball	6.874	SHIELD—Instrument Panel	9.743
SEAT—Stg. Gear Hyd. Cylinder Ball Stud	6.581	SHIELD—Rear Bumper Stone	12.966
SEAT—Stg. Gear Hyd. Cylinder Spring	6.581	SHIELD—Rear Door Gravel	12.115
SEAT—Steering Shaft Upper Bearing	6.526	SHIELD—Rear Fender	Access.
SEAT—Trans. Clutch Spring	4.158	SHIELD—Rear Fender Gravel	8.214
		SHIELD—Rear License Lamp	2.702
		SHIELD—Rear Quarter Gravel	Access.
		SHIELD—Rear Quarter Gravel	12.115
		SHIELD—Rear Wheel	Access.

HOLDEN

MASTER PARTS CATALOGUE



SHIELD—Selector Shaft Dust	4.311	SLINGER—Windshield Wiper Motor	10.150
SHIELD—Steering Column	6.760	SOCKET—Body Wiring Lamp	13.090
SHIELD—Universal Joint Dust	5.560	SOCKET—Handbrake Warning Lamp	4.610
SHIELD—Valve Stem Seal	0.308	SOCKET—Instrument Panel Compartment Lamp	10.270
SHIELD—Wiper Motor Arm	10.153	SOCKET—Rear Compartment Lamp	11.960
SHIELD ASSEMBLY—Starter Motor Heat	2.040	SOCKET ASSEMBLY—Headlamp Bulb	2.750
SHIM—Clutch Gear Bearing	4.355	SOCKET ASSEMBLY—Main Wiring	2.555
SHIM—Control Arm Shaft	6.163	SOCKET ASSEMBLY—Steering Tie Rod	6.233
SHIM—Differential Side Gear	5.543	SOCKET ASSEMBLY—Tail and Stop Lamp	2.694
SHIM—Distributor Breaker Lever	2.384	SOCKET AND LEAD—Parking Lamp	2.596
SHIM—Distributor Cam	2.381	SOCKET & LEAD—Transmission Indicator Lamp	4.038
SHIM—Distributor Shaft	2.372	SOCKET AND LEAD—Turn Signal Lamp	2.596
SHIM—Front Door Lower Hinge	10.454	SOCKET & WIRE ASSEMBLY—Rear License Lamp	2.714
SHIM—Front door Upper Hinge	10.450	SOLENOID—Windshield Washer Pump	10.150
SHIM—Front Spring	6.364	SOLENOID—Windshield Wiper Motor	10.150
SHIM—Front Suspension Cross Member	6.008	SPACER—Back Panel	12.966
SHIM—Gearshift Lever	4.026	SPACER—Brake Anchor Plate	5.075
SHIM—Hood Hinge	8.015	SPACER—Brake Booster Output Cylinder	4.905
SHIM—King Pin Thrust Bearing	6.214	SPACER—Bumper Bar	7.865
SHIM—Pinion Bearing	5.460	SPACER—Carburettor Main Body	3.748
SHIM—Pinion Locating	5.460	SPACER—Deck Lid Handle	12.247
SHIM—Radiator Support	1.270	SPACER—Deck Lid Lock Striker	12.237
SHIM—Starter Motor Armature	2.063	SPACER—Demister Lever	9.779
SHIM—Starter Solenoid Switch	2.102	SPACER—Door Lock Striker	10.571
SHIM—Steering Gear	6.509	SPACER—Door Remote Control Handle	10.515
SHIM—Steering Gear Lash Adjuster	6.828	SPACER—End Gate Lock Striker	12.237
SHIM UNIT—Crankshaft Bearing	0.153	SPACER—Facia Panel	9.743
SHOCK ABSORBER ASSEMBLY	7.345	SPACER—Front Fender Skirt	8.154
SHOE—End Gate Anti-rattler	12.240	SPACER—Front Seat Adjuster	11.561
SHOE—Starter Motor Brake	2.063	SPACER—Front Seat Back Top	14.802
SHOE—Starter Motor Pole	2.047	SPACER—Front Seat Moulding	14.818
SHOE—Windshield Wiper Motor	10.150	SPACER—Front Suspension Cross Member	6.008
SHOE and LINING ASSEMBLY—Brake	5.017	SPACER—Fuel Pump Link	3.931
SHORT MOTOR	0.033	SPACER—Fuel Pump Rocker Arm	3.920
SHROUD—Generator Terminal	2.313	SPACER—Generator Drive End Bearing	2.307
SHROUD—Steering Wheel	2.830	SPACER—Hand Brake Intermediate Lever	4.792
SILENCER—Door Control Connecting Rod	10.556	SPACER—Headlamp Body	2.726
SILENCER—Door Control Link	10.506	SPACER—Headlamp Mounting Ring	2.726
SILENCER—Door Locking Rod	10.563	SPACER—Hood Hinge	8.015
SILENCER—End Gate Control Rod	12.241	SPACER—Horn Contact Support	2.822
SILENCER—Hood Panel	8.009	SPACER—Horn Ring Mounting	2.830
SILL—Tonneau Floor Side	12.986	SPACER—Horn Switch	2.824
SINK—Generator Heat	2.289	SPACER—Hyd. Stg. Cylinder	6.575
SKIRT—Front Fender	8.153	SPACER—Pinion Bearing	5.453
SLEEVE—Brake Booster Valve Chest Pipe	4.908	SPACER—Radiator Grille Name Plate	1.265
SLEEVE—Differential Side Bearing	5.537	SPACER—Rear Quarter Moulding	12.116
SLEEVE—Floor Pan Detent Spring	4.040	SPACER—Rear Seat Back	15.002
SLEEVE—Gearshift Control Tube Yoke Pin	4.007	SPACER—Rear Spring Mounting	7.530
SLEEVE—Horn Wire	2.561	SPACER—Spare Wheel Door Lock	12.242
SLEEVE—Inlet Manifold	3.292	SPACER—Speedometer Head	4.339
SLEEVE—Lighting Switch	2.485	SPACER—Steering Con. Rod Ball Seat	6.883
SLEEVE—Pipe	8.963	SPACER—Steering Gear Hydraulic Cylinder	6.575
SLEEVE—Starter Switch Connector	2.101	SPACER—Steering Gear Hydraulic Pump Stud	6.606
SLEEVE—Throttle Valve Relay Lever	4.040	SPACER—Stg. Gear Hyd. Valve	6.554
SLEEVE—Trans. Modulator Pipe	4.205	SPACER—Stg. Gear Hyd. Valve Seal Clamp	6.551
SLEEVE—Transmission Third & Fourth Clutch	4.385	SPACER—Tail Pipe Insulator	3.710
SLEEVE—T.V. Travel Adjusting	4.265	SPACER—Transmission Accumulator Piston	4.228
SLEEVE—Valve Rocker Oil	1.928	SPACER—Transmission Channel Plate	4.265
SLEEVE—Window Winder Circuit Breaker	12.276	SPACER—Transmission Parking Brake	4.294
SLEEVE—Windshield Wiper Motor Insulating	10.150	SPACER—Trans. Throttle Valve Shaft	4.282
SLEEVE & BUSHING—Transmission Rear Bearing	4.408	SPACER—Transmission Valve Body	4.265
SLIDE—Windshield Washer Pump	10.150	SPACER—Wheel Brake Cylinder	4.671
SLINGER—Clutch Gear Bearing Oil	4.374	SPACER—Windshield Wiper Motor	10.150
SLINGER—Differential Pinion Flange	5.545	SPACER—Windshield Wiper Pivot Shaft	10.159
SLINGER—Timing Gear Cover Oil	0.210	SPACER & SEAL KIT—Stg. Gear Hyd. Valve	6.551
SLINGER—Universal Joint Yoke	5.555	SPARK PLUG	2.270
SLINGER—Water Pump	1.078	SPEAKER—Radio Rear Seat	Access.
		SPEED CUP—Speedometer Head	4.339
		SPIRE NUT—Heater Valve	9.779



HOLDEN

MASTER PARTS CATALOGUE

SPRING—Accelerator	3.459	SPRING—Front Seat Adjuster	11.581
SPRING—Accelerator Rod Anti-rattle	3.431	SPRING—Front Seat Back	11.374
SPRING—Acc. Torsion Rod Anti-rattle	3.430	SPRING—Front Seat Cushion	11.420
SPRING—Brake Adjuster	5.107	SPRING—Fuel Filler Door Hinge	12.944
SPRING—Brake Booster Control Cylinder	4.906	SPRING—Fuel Pump Diaphragm	3.927
SPRING—Brake Booster Output Cylinder	4.905	SPRING—Fuel Pump Rocker Arm	3.922
SPRING—Brake Booster Vac. Cyl. Piston	4.908	SPRING—Gearshift Anti-Rattle	4.017
SPRING—Brake Booster Valve	4.907	SPRING—Gearshift Control Shaft	4.017
SPRING—Brake Booster Valve Chest Horse-shoe ..	4.907	SPRING—Gearshift Damper	4.017
SPRING—Brake Hose	4.681	SPRING—Gearshift Lever Pivot Pin	4.026
SPRING—Brake Hose Yoke	4.681	SPRING—Gear Shift Tube Return	4.017
SPRING—Brake Main Cylinder Piston	4.655	SPRING—Generator Brush	2.286
SPRING—Brake Pedal Retaining	4.636	SPRING—Hand Brake Cable	4.827
SPRING—Brake Pedal Return	4.639	SPRING—Hand Brake Cable Anti-rattle	4.827
SPRING—Brake Shoe Guide	5.043	SPRING—Hand Brake Intermediate Lever	4.792
SPRING—Brake Shoe Hold Down Pin	5.043	SPRING—Hand Brake Lever Link	4.597
SPRING—Brake Shoe Retractor	5.026	SPRING—Hand Brake Lever Strut	5.151
SPRING—Brake Wheel Cylinder Cover Lock	4.678	SPRING—Hand Brake Pawl	4.595
SPRING—Brake Wheel Cylinder Cup	4.669	SPRING—Hand Brake Ratchet	4.595
SPRING—Carburettor Choke Lever	3.791	SPRING—Hand Brake Warning Lamp Switch	4.610
SPRING—Carburettor Float Fulcrum Pin	3.775	SPRING—Headlamp Beam Adj. Screw	2.737
SPRING—Carb. Idle Needle Valve	3.742	SPRING—Headlamp Bulb Protector Retaining	2.740
SPRING—Carburettor Idle Vent Valve	3.764	SPRING—Headlamp Door Seal	2.746
SPRING—Carburettor Pump Bottom	3.779	SPRING—Headlamp Lens Retainer	2.730
SPRING—Carburettor Pump Duration	3.779	SPRING—Headlamp Light Unit Rim	2.737
SPRING—Carburettor Pump Stem	3.779	SPRING—Headlamp Reflector Retaining	2.726
SPRING—Carb. Slow Idle Adj.	3.734	SPRING—Heater Control Lever	9.779
SPRING—Clutch Actuating Cylinder	0.938	SPRING—Hood Catch	8.085
SPRING—Clutch and Brake Pedal Retaining	0.837	SPRING—Hood Catch Lock Plate	8.081
SPRING—Clutch Cover	0.844	SPRING—Hood Hinge	8.013
SPRING—Clutch Fork Ball Retainer	0.823	SPRING—Hood Lock Release Lever	8.085
SPRING—Clutch Fork Plate	0.798	SPRING—Hood Safety Catch	8.036
SPRING—Clutch Fork Return	0.844	SPRING—Horn Actuating Bar	2.859
SPRING—Clutch Hose Yoke	0.930	SPRING—Horn Button Mounting	2.821
SPRING—Clutch Lever	0.844	SPRING—Horn Switch Contact	2.823
SPRING—Clutch Main Cylinder Piston	0.913	SPRING—Hyd. Stg. Cylinder Ball Stud	6.581
SPRING—Clutch Pedal	0.844	SPRING—Ignition Lock Tumbler	2.188
SPRING—Courtesy Light Switch	11.950	SPRING—Instrument Panel Compartment Lamp Switch	10.270
SPRING—Cowl Ventilator	10.335	SPRING—Light Unit Retaining	2.726
SPRING—C.V. Handle Button	10.664	SPRING—Oil Pressure Regulator	1.610
SPRING—Deck Lid Hinge	12.186	SPRING—Pitman Gear Control	6.852
SPRING—Deck Lid Lock Tumbler	12.248	SPRING—Rear	7.503
SPRING—Diff. Side Gear Pre-load	5.511	SPRING—Rear Compartment Lamp Switch	11.960
SPRING—Distributor Cap	2.368	SPRING—Rear Door Window Reg. Clutch	10.791
SPRING—Distributor Weight	2.389	SPRING—Rear License Plate	2.670
SPRING—Door Handle Retaining	10.513	SPRING—Rear Seat Back	11.629
SPRING—Door Hinge Hold Open	10.608	SPRING—Rear Seat Back Lock	11.634
SPRING—Door Hold Open	10.606	SPRING—Rear Seat Back Retainer	11.634
SPRING—Door Lock	10.475	SPRING—Rear Seat Cushion	11.611
SPRING—Door Locking Barrel Tumbler	10.550	SPRING—Retainer	8.934
SPRING—Door Outside Handle Push Button	10.529	SPRING—Rocker Arm Retainer	0.378
SPRING—Door Remote Control	10.500	SPRING—Rocker Arm Tension	0.377
SPRING—Door Remote Control Handle Escutcheon ..	10.516	SPRING—Selector Return	4.017
SPRING—End Gate Anti-rattler Shoe	12.240	SPRING—Shifter Shaft Lock Ball	4.311
SPRING—End Gate Arm	12.207	SPRING—Shock Absorber Valve	7.348
SPRING—End Gate Handle	12.248	SPRING—Spare Wheel Clamp Bolt	7.632
SPRING—End Gate Lock	12.242	SPRING—Starter Armature Brake	2.063
SPRING—End Gate Lock Cylinder	12.248	SPRING—Starter Drive Cushioning	2.087
SPRING—End Gate Plunger	12.241	SPRING—Starter Motor Brush	2.053
SPRING—End Gate Window Motor	12.280	SPRING—Starter Pinion	2.087
SPRING—End Gate Window Regulator	12.272	SPRING—Starter Pinion Guide	2.087
SPRING—Exhaust Manifold Valve	3.641	SPRING—Starter Shift Lever	2.108
SPRING—Floor Pan Detent	4.040	SPRING—Starter Solenoid Switch	2.102
SPRING—Front	6.361	SPRING—Steering Conn. Rod Ball Seat	6.876
SPRING—Front Brake Hose	4.681	SPRING—Steering Conn. Rod Ball Socket Dust Cover	6.888

HOLDEN

MASTER PARTS CATALOGUE



SPRING—Steering Conn. Rod Idler Lever	6.899	STRIP—Tail Lamp Lens Mounting	2.683
SPRING—Stg. Gear Hyd. Cylinder Ball Seat	6.581	STRIP—Tonneau Floor Board Wear	12.195
SPRING—Steering Gear Hydraulic Pump	6.612	STRIP—Turn Signal Cover Earth	2.895
SPRING—Stg. Gear Hyd. Valve Ball Seat	6.560	STRIP—Wheel Shield Plastic Insulating	Access.
SPRING—Steering Shaft Upper Bearing	6.526	STRUT—Brake Main Cylinder	4.648
SPRING—Steering Wheel Hub Ornament	2.821	STRUT—Hand Brake Actuating Lever	5.150
SPRING—Synchronising Cone	4.383	STRUT—Trans. Brake Band	4.253
SPRING—Tail and Stop Lamp Glass	2.691	STUD	8.914
SPRING—Tail and Stop Lamp Socket	2.694	STUD—Brake Backing Plate	5.002
SPRING—Throttle Control Rod	3.430	STUD—Carburettor to Manifold	3.288
SPRING—Throttle Detent	4.040	STUD—Clutch Fork Ball	0.796
SPRING—Throttle Floor Pan Detent	4.040	STUD—Clutch Lever	0.796
SPRING—Throttle Valve Return	4.040	STUD—Deck Lid Hinge Spring	12.186
SPRING—Transmission Accumulator	4.233	STUD—Distributor Terminal	2.400
SPRING—Transmission Centre Support	4.162	STUD—End Gate Arm	12.203
SPRING—Transmission Clutch Release	4.164	STUD—Fender Grille Attaching	8.132
SPRING—Transmission Coupling Exhaust Valve	4.155	STUD—Front Door Glass Channel	10.686
SPRING—Trans. Detent Roller	4.279	STUD—Front Stabiliser	7.240
SPRING—Trans. Governor	4.256	STUD—Generator Heat Sink	2.289
SPRING—Transmission Manual Detent	4.265	STUD—Generator Mounting	2.277
SPRING—Transmission Oil Pressure Relief	4.106	STUD—Generator Terminal	2.313
SPRING—Transmission Oil Pump	4.226	STUD—Heater Mounting	9.779
SPRING—Transmission Parking Brake	4.295	STUD—Hood Emblem	8.055
SPRING—Transmission Regulator Valve	4.216	STUD—Manifold	3.275
SPRING—Transmission Reverse Blocker	4.290	STUD—Radiator Mounting	1.221
SPRING—Transmission Reverse Clutch	4.189	STUD—Rear Door Division Channel	10.829
SPRING—Trans. Selector Return	4.017	STUD—Rear Spring Mounting	7.529
SPRING—Transmission Selector Ring Thrust	4.301	STUD—Spare Wheel Compartment Door	12.238
SPRING—Transmission Servo	4.233	STUD—Speedometer Head	4.339
SPRING—Trans. Servo Piston Apply	4.228	STUD—Starter Motor Terminal	2.077
SPRING—Trans. Servo Piston Return	4.233	STUD—Starter Shift Lever	2.108
SPRING—Turn Signal Lamp Switch	2.895	STUD—Steering Connecting Rod Idler Arm	6.895
SPRING—Valve	0.303	STUD—Stg. Gear Hyd. Cylinder Mounting Ball	6.581
SPRING—Valve Rocker Shaft	0.376	STUD—Steering Gear Hydraulic Pump Mounting	6.606
SPRING—Valve Rocker Shaft Sleeve	1.928	STUD—Tail and Stop Lamp Housing	2.680
SPRING—Window Regulator Handle Escutcheon	10.806	STUD—Tail and Stop Lamp Rim	2.681
SPRING—Windshield Washer Pump	10.150	STUD—Throttle Valve Relay Lever	4.040
SPRING—Windshield Wiper Motor	10.150	STUD—Valve Rocker Arm	0.429
SPRING AND FRAME ASSY.—Front Seat	11.373	STUD—Valve Rocker Shaft	0.413
SPRING and FRAME ASSEMBLY—Front Seat Back	11.373	STUD KIT—Front Stabiliser	7.240
SPRING and FRAME ASSEMBLY—Rear Seat	11.628	SUIT CASE SET	Access.
SPRING and FRAME ASSEMBLY—Rear Seat	11.610	SUNDRY PARTS SET—Generator	2.315
SPRING CONVERSION PACKAGE	Access.	SUNDRY PARTS SET—Starter Motor	2.080
SPRING SET—Generator Brush	2.286	SUNDRY PARTS SET—Wiper Motor	10.150
SPRING SET—Spare Wheel Lock Tumbler	12.248	SUNSHADE ASSY.—Windshield	Access.
STAR—Front Fender	8.132	SUN VISOR ASSEMBLY	10.203
STATOR—Generator	2.310	SUPPORT—Accelerator Cross Shaft	3.431
STEERING—Power	Access	SUPPORT—Battery Mounting	2.333
STEERING GEAR ASSEMBLY	6.508	SUPPORT—Body Side Panel	12.944
STEM—Brake Booster Control Valve	4.906	SUPPORT—Carburettor Torsion Rod Bearing	3.430
STEM—Carburettor Idle Vent Valve	3.764	SUPPORT—Deck Lid Hinge Bracket	12.184
STOP—Starter Motor Pinion	2.096	SUPPORT—Deck Lid Lock Striker	12.237
STOP—Transmission Line Boost Plug	4.216	SUPPORT—Distributor Cap Spring	2.369
STRAINER—Fuel Tank Riser Pipe	3.110	SUPPORT—Dome Lamp Clip	11.925
STRAINER—Transmission Oil	4.224	SUPPORT—Door Check Link	10.606
STRAP—Battery Ground	2.341	SUPPORT—End Gate Bumper	12.213
STRAP—Console Lid	15.286	SUPPORT—End Gate Window Regulator	12.273
STRAP—Engine Ground	2.348	SUPPORT—Engine	0.027
STRAP—Radiator	1.219	SUPPORT—Exhaust Pipe	3.616
STRAP ASSY—Assist Grip	15.390	SUPPORT—Front Door Ventilator Handle	10.660
STRIKER ASSEMBLY—Door Lock	10.569	SUPPORT—Front Seat Moulding	14.818
STRIKER—Deck Lid Lock	12.237	SUPPORT—Front Seat Panel	14.860
STRIKER—Inst. Panel Door Lock	10.268	SUPPORT—Front Seat Side Panel	14.862
STRIP—Centre Pillar Protector	12.491	SUPPORT—Gearshift Control	4.018
STRIP—End Gate Wear	12.195	SUPPORT—Gearshift Selector Lever	4.022
STRIP—Heater By-pass Flap	9.779	SUPPORT—Hand Brake Cable	4.829
STRIP—Rear License Lamp Ground	2.714	SUPPORT—Hood	8.012
STRIP—Rear Seat Back Wear	14.818		
STRIP—Rear Seat Cushion Wear	14.818		



HOLDEN

MASTER PARTS CATALOGUE

SUPPORT—Hood Catch Control Rod	8.077	TERMINAL—Windshield Wiper Motor	10.150
SUPPORT—Horn Contact	2.822	TERMINAL—Wiper Motor	10.150
SUPPORT—Muffler Front	3.704	THERMOSTAT—Exhaust Manifold Valve	3.640
SUPPORT—Oil Filter	1.840	THERMOSTAT ASSEMBLY	1.246
SUPPORT—Power Plant	0.027	THERMOTRON—See Circuit Breaker	10.150
SUPPORT—Power Plant Mounting	6.008	THROWER—Generator Drive End	2.307
SUPPORT—Radiator	1.270	TIE MEMBER—Frame Front	12.982
SUPPORT—Radiator Grille Bar	1.268	TORUS ASSEMBLY—Transmission	4.156
SUPPORT—Rear Seat Cushion	11.613	TRACK and LOCK BAR—Front Seat Adj.	11.561
SUPPORT—Rear Spring Front Hanger Bracket	7.112	TRANSFER—Identification and Information	0.388
SUPPORT—Rear Vision Mirror	10.187	TRANSFER—Power Steering Caution	8.823
SUPPORT—Rocker Panel	12.935	TRANSFER—Valve Rocker Cover	0.388
SUPPORT—Speedo. Head Dial	4.339	TRANSMISSION ASSEMBLY	4.003
SUPPORT—Steering Con. Rod Idler Lever	6.896	TRAY ASSEMBLY—Package	12.958
SUPPORT—Steering Gear Hydraulic Pump Mounting	6.606	TRIM—Console	15.286
SUPPORT—Steering Knuckle	6.023	TRIM—Cowl Side	14.630
SUPPORT—Sun Visor	10.219	TRIM—Lower End Gate	15.311
SUPPORT—Tail Lamp	12.940	TRIM—Package Tray	15.024
SUPPORT—Tail Pipe Front	3.710	TRIM—Rear Seat Back Arm Rest	15.001
SUPPORT—Tail Pipe Rear	3.712	TRIM—Rear Seat Back Rear	15.310
SUPPORT—Tonneau Cover	12.196	TRIM—Rear Seat Back Shelf	15.024
SUPPORT—Transmission Case Centre	4.162	TRIM—Rear Seat Cushion Bottom	15.309
SUPPORT—Upper Control Arm	6.008	TRIM—Rear Seat Top Back Centre	15.001
SUPPORT—Valve Rocker Shaft	0.349	TRIM—Rear Window Lower	15.026
SUPPORT—Voltage Regulator Contact	2.504	TRIM—Spare Wheel Compartment Cover	15.308
SUPPORT KIT—Steering Con. Rod Idler Lever	6.896	TRIM—Tonneau Floor	15.308
SUPPORT and SPINDLE—Front Door Ventilator Handle	10.660	TRIM ASSEMBLY—Front Door	14.685
SWITCH—Back Up Lamp	2.697	TRIM ASSEMBLY—Rear Compartment Side	15.222
SWITCH—Courtesy Light	11.950	TRIM ASSEMBLY—Rear Door	14.760
SWITCH—Dimmer	2.459	TRIM ASSEMBLY—Rear Quarter	15.100
SWITCH—Dome Lamp	11.935	TRIM ASSEMBLY—Rear Seat Back Shelf	15.024
SWITCH—End Gate Window Regulator	12.275	TRIM ASSEMBLY—Side Quarter	15.100
SWITCH—Front Door Courtesy Light	Access.	TRIM ASSEMBLY—Wheelhouse	15.100
SWITCH—Heater	9.779	TRIM RING—Instrument Panel	9.743
SWITCH—Ignition and Starting	2.188	TRUNNION—Gearshift Control Rod	4.019
SWITCH—Instrument Panel Compartment Lamp	10.270	TRUNNION—Gearshift Selector Lever	4.019
SWITCH—Lighting	2.485	TRUNNION—Gearshift Selector Rod	4.020
SWITCH—Neutral Starting Safety	4.054	TRUNNION—Hood Catch Control Rod	8.077
SWITCH—Oil Pressure	1.803	TRUNNION—Throttle Control Rod	3.430
SWITCH—Starter Motor Push	2.100	TRUNNION—Throttle Control Rod	4.040
SWITCH—Starter Solenoid	2.100	TRUNNION—Transmission Control Rod	4.040
SWITCH—Stop Lamp	2.447	TUBE—Carb. Air Horn Vent.	3.763
SWITCH—Tail Lamp	2.450	TUBE—Carburettor Idle	3.752
SWITCH—Thermo. Tell-Tale	0.277	TUBE—Door Drain	10.352
SWITCH—Turn Signal Lamp	2.895	TUBE—Engine Breather	1.762
SWITCH—Windshield Washer Pump	10.150	TUBE—Fuel Filler Compartment Drain	12.944
SWITCH—Windshield Wiper	10.163	TUBE—Gearshift Control	4.007
SWITCH and LEAD—Horn Contact	2.819	TUBE—Oil Level Indicator	1.516
TAG—Lubrication Identification	5.400	TUBE—Oil Pump inlet	1.739
TANK ASSEMBLY—Fuel	3.001	TUBE—Plenum Chamber Drain	9.785
TAPE—Regulator Sealing	8.800	TUBE—Shock Absorber Air	7.347
TAPPET—Valve	0.459	TUBE—Steering Tie Rod	6.232
TEE—Oil Filter	1.840	TUBE—Transmission Oil Filler	4.133
TEE—Pipe	8.963	TUBE—Trans. Servo Apply Pressure	4.265
TELL-TALE ASSEMBLY	2.515	TUMBLER—Deck Lid Lock	12.249
TEMPERATURE GAUGE ENGINE UNIT	0.277	TUMBLER—Door Locking Barrel	10.550
TERMINAL—Body Wiring	13.090	TUMBLER—Ignition Lock	2.188
TERMINAL—Fuel Gauge Dash Unit	3.108	TUMBLER—Spare Wheel Lock	12.248
TERMINAL—Generator	2.313	TURN SIGNAL PACKAGE	Access
TERMINAL—Spark Plug Wire	2.257	"U" BOLT—Gearshift Lever Lock	Acc/L
TERMINAL—Starter Field	2.077	"U" BOLT—Muffler to Tail Pipe	3.706
		"U" BOLT—Oil Filter	1.840
		"U" BOLT—Rear Spring	7.516

HOLDEN

MASTER PARTS CATALOGUE



"U" BOLT—Universal Joint	5.586	WASHER—Deck Lid Moulding Sealing	12.183
UNION—Pipe	8.963	WASHER—Deck Lid Name Plate	12.183
VACUUM CONTROL—Distributor	2.410	WASHER—Demister	9.779
VALANCE—Front Bumper	1.263	WASHER—Differential Housing to Carrier Bolt	5.387
VALVE—Brake Booster Non-return	4.904	WASHER—Diff. Pinion Flange	5.545
VALVE—Brake Booster Valve Chest	4.907	WASHER—Differential Pinion Thrust	5.542
VALVE—Brake Main Cylinder	4.657	WASHER—Diff. Side Gear Thrust	5.543
VALVE—Brake Wheel Cylinder Bleeder	4.666	WASHER—Dist. Breaker Plate	2.385
VALVE—Carburettor Choke	3.789	WASHER—Distributor Cam	2.381
VALVE—Carb. Float Needle	3.771	WASHER—Dist. Cap Support Screw	2.369
VALVE—Carburettor Idle Needle	3.741	WASHER—Distributor Shaft	2.372
VALVE—Carburettor Idle Vent	3.764	WASHER—Dist. Terminal Stud	2.400
VALVE—Carb. Pump Check	3.784	WASHER—Distributor Weight	2.388
VALVE—Carburettor Throttle	3.729	WASHER—Distributor Weight Bracket Screw	2.390
VALVE—Clutch Actuating Cylinder Bleeder	0.940	WASHER—Door Check Link	10.606
VALVE—Crankcase Ventilator	1.762	WASHER—Door Outside Handle Push Button	10.529
VALVE—Exhaust	0.297	WASHER—End Gate Handle	12.247
VALVE—Fuel Pump	3.909	WASHER—End Gate Hinge	12.184
VALVE—Heater	9.779	WASHER—End Gate Name Plate	12.183
VALVE—Heater Control	9.779	WASHER—Exhaust Pipe Bracket	3.616
VALVE—Inlet	0.296	WASHER—Filler Pipe to Cap Compartment	3.003
VALVE—Oil Pressure Regulator	1.609	WASHER—Finish	8.930
VALVE—Shock Absorber	7.346	WASHER—Flat	8.929
VALVE—Steering Gear Hydraulic	6.550	WASHER—Front Cross Member Insulator	6.008
VALVE—Steering Gear Hydraulic Pump Control	6.624	WASHER—Front Door Moulding	12.112
VALVE—Transmission Coupling Exhaust	4.155	WASHER—Front Door Window Regulator	10.783
VALVE—Transmission Coupling Feed Limit	4.226	WASHER—Front Fender	8.143
VALVE—Trans. Governor	4.256	WASHER—Fuel Pump Body Screw	3.910
VALVE—Transmission Manual Control	4.265	WASHER—Fuel Pump Link	3.931
VALVE—Trans. Oil Pump	4.226	WASHER—Fuel Pump Rocker Arm Pin	3.921
VALVE—Transmission Pressure Regulator	4.216	WASHER—Fuel Pump Seal	3.902
VALVE—Transmission Reverse Blocker	4.290	WASHER—Gearshift Control Rod	4.019
VALVE—Trans. Timing	4.265	WASHER—Gearshift Lever Anti-Rattle	4.026
VALVE—Trans. Vacuum Modulator	4.265	WASHER—Gearshift Lever Grip	4.008
VALVE—Windshield Wiper Motor	10.150	WASHER—Gearshift Lever Pivot Pin	4.007
VALVE ASSEMBLY—Brake Main Cyl. Check	4.657	WASHER—Gearshift Selector	4.020
VALVE ASSEMBLY—Oil Filter	1.837	WASHER—Generator Armature	2.280
VALVE BODY ASSEMBLY—Transmission Oil Control	4.265	WASHER—Generator Bearing Felt	2.307
VALVE KIT—Stg. Gear Hydraulic	6.550	WASHER—Generator Brush Holder	2.291
VALVE PACKAGE—Transmission Coupling Signal	4.265	WASHER—Generator Brush Plate	2.291
VANE—Steering Gear Hydraulic Pump	6.610	WASHER—Generator D. E. Bearing	2.307
VENTILATOR ASSEMBLY—Cowl	10.307	WASHER—Generator Frame Screw	2.276
VENTILATOR ASSEMBLY—Cylinder Block	1.762	WASHER—Generator Heat Sink Stud	2.289
VENTILATOR ASSEMBLY—Front Door	10.650	WASHER—Generator Rotor	2.280
VENT ASSEMBLY—Transmission	4.104	WASHER—Generator Stud	2.313
VERTEBRAE—Windshield Wiper Blade	10.146	WASHER—Generator Terminal	2.313
VOLUTE BOX—Heater	9.779	WASHER—Generator Through Bolt	2.316
WALLET—Owner's Manual	8.822	WASHER—Hand Brake Lever	5.158
WASHER—Axle Shaft	5.422	WASHER—Hand Brake Lever Strut	5.151
WASHER—Brake Booster Clamping Plate Bolt	4.908	WASHER—Headlamp Beam Adj. Screw	2.737
WASHER—Brake Booster Output Cylinder	4.905	WASHER—Heater Control	9.779
WASHER—Brake Hose	4.680	WASHER—Hood Grille Emblem	8.055
WASHER—Brake Main Cylinder Valve Seat	4.657	WASHER—Hood Hinge	8.015
WASHER—Brake Pedal Retaining	4.636	WASHER—Hydra-matic Name Plate Sealing	12.183
WASHER—Brake Pedal Return Spring	4.662	WASHER—Hyd. Steering Cylinder	6.581
WASHER—Bumper Fibre	7.852	WASHER—Lock	8.931
WASHER—Carb. Choke Tube Holder	3.795	WASHER—Mainshaft Spacer	4.419
WASHER—Carb. Fast Idle Lever	3.792	WASHER—Main Shaft Thrust	4.398
WASHER—Carburettor Idle Vent	3.764	WASHER—Manifold to Head	3.276
WASHER—Carburettor Pump Duration Spring	3.779	WASHER—Oil Pump Thrust	1.666
WASHER—Carburettor Pump Lever	3.781	WASHER—Pinion Flange Nut	5.545
WASHER—Carburettor Thermostat Cover Screw	3.796	WASHER—Plenum Chamber Control	9.787
WASHER—Choke Control	3.521	WASHER—Plenum Chamber Lever Retaining	9.787
WASHER—Clutch & Brake Pedal Retaining	0.837	WASHER—Rear Door Moulding	12.114
WASHER—Clutch Main Cylinder Hose	0.930	WASHER—Rear Door Window Regulator	10.791
WASHER—Clutch Main Cylinder Pipe	0.929	WASHER—Rear End Moulding	12.121
WASHER—Control Rod	4.040	WASHER—Rear License Plate	2.670
WASHER—Counter Shaft	4.423	WASHER—Rear Quarter Moulding Sealing	12.116
		WASHER—Rear Vision Mirror Friction	10.185

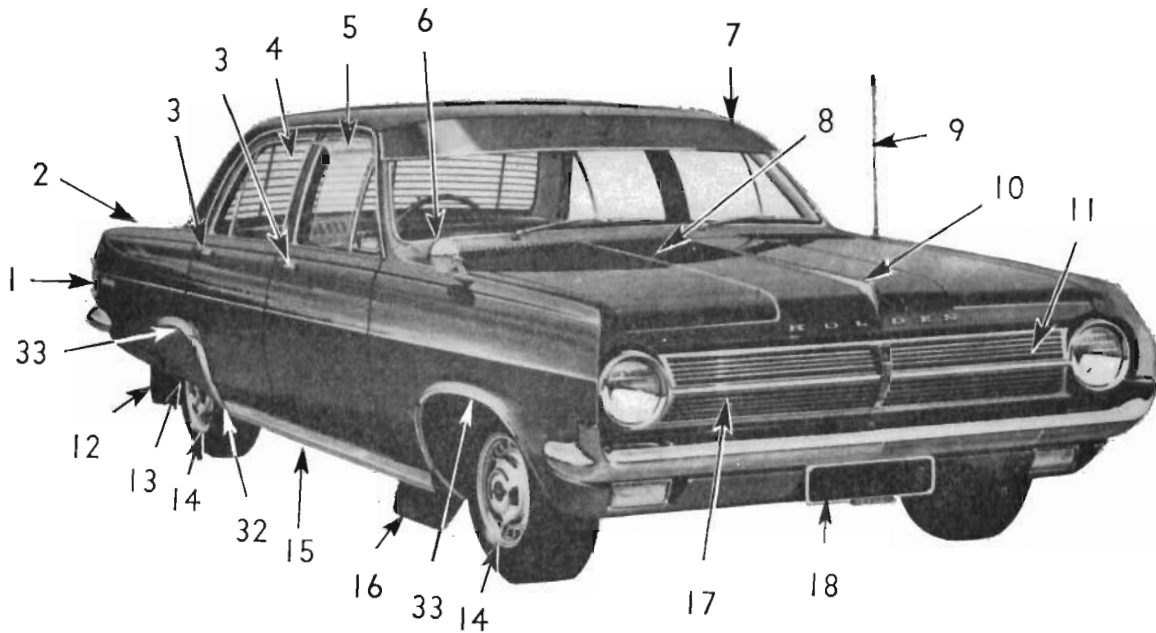


HOLDEN

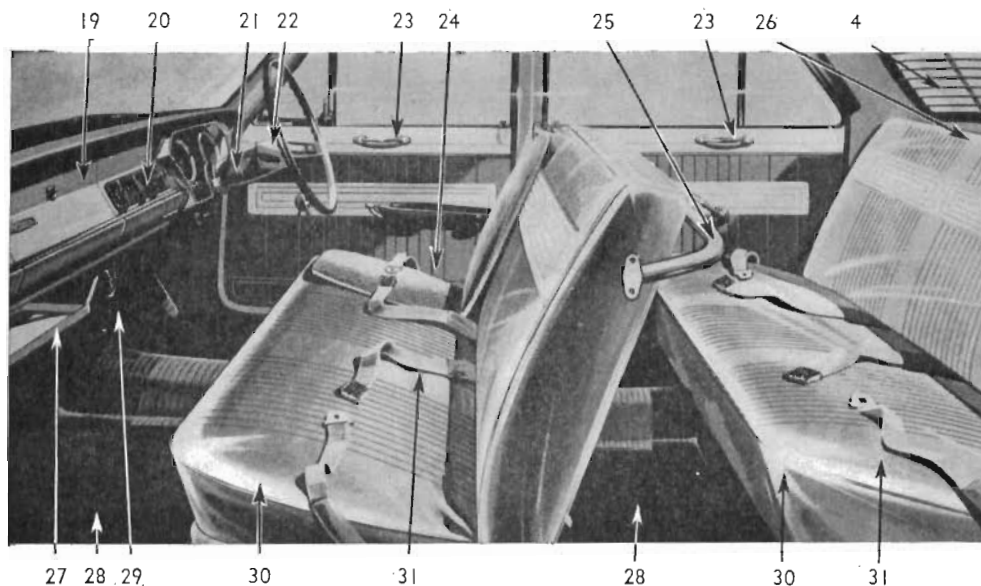
MASTER PARTS CATALOGUE

WASHER—Reverse Idler Gear	4.432	WEATHERSTRIP—Door Opening	10.694
WASHER—Rocker Arm Spacer	3.920	WEATHERSTRIP—End Gate	12.269
WASHER—Rocker Panel Moulding	8.304	WEATHERSTRIP—End Gate Glass	11.207
WASHER—Rubber	8.933	WEATHERSTRIP—End Gate Glass Channel	11.207
WASHER—Sealing to Fender	8.132	WEATHERSTRIP—Front Door Glass Div.	10.686
WASHER—Selector Lever	4.302	WEATHERSTRIP—Front Door Vent. Glass	10.652
WASHER—Shakeproof	8.932	WEATHERSTRIP—Rear Door Rear Glass	10.822
WASHER—Shifter Shaft Lock Screw	4.309	WEATHERSTRIP—Spare Wheel Comp. Door	12.269
WASHER—Shock Absorber Mounting	7.370	WEDGE—End Gate Anti-rattler	12.240
WASHER—Speedometer Head	4.339	WEDGE—Windshield Wiper Motor Thrust	10.150
WASHER—Spring	8.928	WEIGHT—Distributor	2.388
WASHER—Starter Brush Holder	2.052	WEIGHT—Trans. Governor	4.256
WASHER—Starter Brush Lead	2.055	WHEEL—Speedometer Head	4.339
WASHER—Starter Housing Bolt	2.077	WHEEL—Steering	6.513
WASHER—Starter Motor Armature	2.063	WHEEL—Windshield Wiper Motor Pump	10.150
WASHER—Starter Motor Armature Nut	2.043	WHEEL ASSEMBLY—Road	5.803
WASHER—Starter Shift Lever Screw	2.113	WHEEL TRIM RING PACKAGE	Access.
WASHER—Starter Solenoid Switch	2.102	WHEELHOUSE ASSEMBLY	12.944
WASHER—Starter Switch to Motor	2.101	WICK—Distributor	2.364
WASHER—Starter Thrust	2.096	WICK—Generator Oil	2.301
WASHER—Starter Terminal Stud	2.059	WICK—Speedometer Head Oil	4.339
WASHER—Steering Gear Hydraulic Cylinder Rod	6.581	WINDCORD	15.520
WASHER—Stg. Gear Hyd. Valve Shaft	6.554	WINDLACE ASSEMBLY	15.520
WASHER—Stg. Knuckle Spindle Nut	6.321	WINDOW—Tell-tale	2.516
WASHER—Tail and Stop Lamp Socket	2.694	WINDSHIELD WASHER	Access.
WASHER—Throttle Control Rod Anti-rattle	4.040	WINDSHIELD WIPER	Access
WASHER—Trans. Case Cover Bolt	4.123	WINDSHIELD WIPER	10.150
WASHER—Transmission Clutch Gear Bearing	4.374	WING ASSEMBLY—Tail Lamp	2.680
WASHER—Transmission Control Rod	4.040	WIPER—Windshield	Access
WASHER—Transmission Selector Lever	4.302	WIPER—Windshield	10.150
WASHER—Transmission Servo Spring	4.233	WIRE—Front Seat Adjuster	11.589
WASHER—Transmission Shifter Lever	4.301	WIRE—Front Seat Cushion	11.420
WASHER—Transmission Thrust	4.129	WIRE—Headlining Listing Support	12.955
WASHER—Universal Joint Trunnion	5.560	WIRE ASSEMBLY—Helical Tie	11.374
WASHER—Windshield	Access.	WIRE ASSEMBLY—Helical Tie	11.420
WASHER—Windshield Washer Pump	10.150	WIRE ASSEMBLY—Helical Tie	11.610
WASHER—Windshield Wiper Motor	10.150	WIRE ASSEMBLY—Helical Tie	11.628
WASHER—W/shield Wiper Pivot Shaft	10.159	WIRE UNIT—Spark Plug and Dist.	2.239
WASHER—Windshield Wiper Switch Ground	10.163	WORM—Speedometer Head	4.339
WASHER & RING KIT—Universal Joint	5.548	WRENCH—Open End	8.821
WEATHERSEAL—Rear Window Glass	11.207	WRENCH—Wheel Nut and Spark Plug ..	8.821
WEATHERSEAL—Windshield	10.092	YOKE—Clutch Over-centre Spring	0.848
WEATHERSEAL—Windshield Centre	10.054	YOKE—First and Reverse Shifter	4.304
WEATHERSHIELD	Access.	YOKE—First & Second Shifter	4.303
WEATHERSTRIP—Deck Lid	12.269	YOKE—Reverse Shifter	4.304
WEATHERSTRIP—Door Belt	10.710	YOKE—Second and Third Shifter	4.303
WEATHERSTRIP—Door Dust	10.694	YOKE—Third & Fourth Shifter	4.303
WEATHERSTRIP—Door Glass	10.696	YOKE—Universal Joint	5.555
		YOKE and FIELD COIL—Windshield Wiper Motor	10.150

NOTES



- | | | |
|---------------------------|----------------------------------|--------------------------------|
| 1. LAMP—Back-up | 11. HORN—High note | 22. LOCK—Steering with sleeve |
| 2. LAMP—Rear compartment | 12. MUD DEFLECTOR | 23. HANDLES—Door pull-to |
| 3. PLATE—Paint protection | 13. SHIELD—Rear wheel | 24. CUSHION—Coolaride |
| 4. SHADE—Venetian | 14. RING—Wheel trim | 25. HAND RAIL |
| 5. WEATHERSHIELD | 15. MOULDING—Body sill | 26. RADIO REAR SEAT SPEAKER |
| 6. MIRROR—Rear vision | 16. MUD DEFLECTOR | 27. SHELF—Parcel |
| 7. SHADE—Windshield sun | 17. SCREEN—Radiator insect | 28. MAT—Rubber |
| 8. WINDSHIELD WASHER | 18. FRAME—Number plate | 29. HEATER—Car |
| 9. RADIO—"Air Chief" | 19. LAMP—Inst. panel compartment | 30. COVERS—Seat |
| 10. ORNAMENT—Hood | 20. RADIO—"Air Chief" | 31. BELT—Seat |
| | 21. LOCK—Gear shift lever | 32. SHIELD—Rear quarter gravel |
| | | 33. MOULDING—Wheel opening |





HOLDEN

MASTER PARTS CATALOGUE

ACCESSORIES

DESIGNED FOR HOLDEN

Description	Model	Part No.
BAR—Tow		
Bar—Less tongue	FE sedans, FC sedans FB sedans, EK sedans	M35573
Bar—Less tongue	FE station sedans, FC station sedans FB station sedans, EK station sedans	M35575
Bar—Less tongue	FE panel vans, FE utility FC panel vans, FC utility FB panel vans, FB utility EK panel vans, EK utility	M35571
Tongue—Painted	FE, FC, FB, EK Ramshorn downwards	M35425
Tongue—Chrome plated	FE, FC, FB, EK Ramshorn downwards Ramshorn upwards	M35425C.P. M35849C.P.
Bar—Less tongue	EJ sedans, EJ station sedans EH sedans, EH station sedans	M35578
Bar—Less tongue	EJ panel vans, EJ utility EH panel vans, EH utility	7426675
Tongue—Painted	EJ, EH Ramshorn downwards	M35424
Tongue—Chrome plated	EJ, EH Ramshorn downwards Ramshorn upwards	M35424C.P. M35850C.P.
Tongue—Extended—Painted	EJ, EH Ramshorn downwards	M35454
Tongue—Extended—Chrome plated	EJ, EH Ramshorn downwards	M35454C.P.
Bar—Less tongue	HD sedans, HD station sedans HR sedans, HR station sedans	7428520
Tongue—Painted	HD sedans, HD station sedans HR sedans, HR station sedans Ramshorn downwards	M35567
Tongue—Chrome plated	HD sedans, HD station sedans HR sedans, HR station sedans Ramshorn downwards Ramshorn upwards	M35567C.P. M35851C.P.
Tongue—Extended—Painted	HD sedans, HD station sedans HR sedans, HR station sedans Ramshorn downwards	M35752
Tongue—Extended—Chrome plated	HD sedans, HD station sedans HR sedans, HR station sedans Ramshorn downwards	M35752C.P.
Bar—Less tongue	HD panel vans, HD utility HR panel vans, HR utility	7428993
Tongue—Painted	HD panel vans, HD utility HR panel vans, HR utility Ramshorn downwards	M35582
Tongue—Chrome plated	HD panel vans, HD utility HR panel vans, HR utility Ramshorn downwards Ramshorn upwards	M35582C.P. M35852C.P.
Bar—Front parking	HD, HR	7431941
BELT—Seat		
Front—Lap and shoulder—Black buckle	EJ sedans, EJ station sedans EH sedans, EH station sedans	7424012
Rear—Lap—Black buckle	EJ sedans, EJ station sedans EH sedans, EH station sedans	7424021
Front—Lap	HD, HR	7427827

HOLDEN

MASTER PARTS CATALOGUE



BELT—Seat (Cont'd.)

Front—Lap and shoulder—Red	HD	7433759-E55
Front—Lap and shoulder—Blue	HD	7433759-E56
Front—Lap and shoulder—Green	HD	7433759-E58
Front—Lap and shoulder—Fawn	HD	7433759-E59
Front—Lap and shoulder—Aqua	HD	7433759-E57
Front—Lap and shoulder—Tan	HD	7433759-E66
Front—Lap and shoulder—Bone	HD	7433759-E67
Front—Lap and shoulder—Black	HD	7433759-E68
Rear—Lap—Red		
HD—Red trim		
HR—Trim Nos. E43, E49, E55, E60, E65, E69, F05, F09, F40, F43, F46, F49, F60, F62, F64, F66	HD sedans, HD station sedans HR sedans, HR station sedans	7433761-E55
Rear—Lap—Blue		
HD—Blue Trim		
HR—Trim Nos. E44, E50, E56, E61, F41, F44, F47, F50, F61, F63, F65, F67	HD sedans, HD station sedans HR sedans, HR station sedans	7433761-E56
Rear—Lap—Green		
HD—Green trim		
HR—Trim Nos. E45, E51, E58, E63	HD sedans, HD station sedans HR sedans, HR station sedans	7433761-E58
Rear—Lap—Fawn		
HD—Fawn trim		
HR—Trim Nos. E46, E52, E59, E64	HD sedans, HD station sedans HR sedans, HR station sedans	7433761-E59
Rear—Lap—Aqua		
HD—Aqua trim		
HR—Trim Nos. E57, E62	HD sedans, HD station sedans HR sedans, HR station sedans	7433761-E57
Rear—Lap—Tan		
HD—Tan trim		
HR—Trim Nos. E66, E70, F06, F10	HD sedans, HD station sedans HR sedans, HR station sedans	7433761-E66
Rear—Lap—Bone		
HD—Bone trim		
HR—Trim Nos. E67, E71, F07, F11	HD sedans, HD station sedans HR sedans, HR station sedans	7433761-E67
Rear—Lap—Black		
HD—Black trim		
HR—Trim Nos. E68, E72, F08, F12, F52, F53, F54, F55	HD sedans, HD station sedans HR sedans, HR station sedans	7433761-E68
Rear—Lap—Pony tan		
Trim Nos. F42, F45, F48, F51	HR sedans, HR station sedans	7433761-F42

BRAKE—Power

Brake package	ALL	7427595
Installation Kit	48, 50, FJ, FE, FC	7427666
Installation Kit	FB, EK	RIGHT HAND DRIVE 7427667
Installation Kit	EJ	RIGHT HAND DRIVE 7427669
Installation Kit	EH	RIGHT HAND DRIVE 7427596
Installation kit	HD, HR	RIGHT HAND DRIVE LEFT HAND DRIVE 7430832 7430831
Service kit—power chamber	48, 50, FJ, FE, FC, FB, EK, EJ, EH	*7406670
Service kit—slave cylinder section	48, 50, FJ, FE, FC, FB, EJ, EK, EH	*7406671
Service kit—control valve section	48, 50, FJ, FE, FC, FB, EK, EJ, EH	*7406672
Service kit—check valve section	48, 50, FJ, FE, FC, FB, EK, EJ, EH	*7406673
Repair Kit—major	ALL	**7427599
Repair Kit—minor	ALL	**7427600
Elbow—Power brake vacuum hose manifold	EH	7406788
Valve—Power brake vacuum check	HR	VS10570

*For servicing Power Brake Package Part No. 7425372

**For servicing Power Brake Package Part No. 7427595



HOLDEN

MASTER PARTS CATALOGUE

CAP—

Fuel tank filler locking—side lock	48, 50, FJ, FE, FC, FB, EK	7422007
Fuel tank filler locking—centre lock	48, 50, FJ, FE, FC, FB, EK, EJ	7406882
Fuel tank filler locking—self locking	48, 50, FJ, FE, FC, FB, EK, EJ	988270
Fuel tank filler locking—chrome finish	EH sedans, EH station sedans	7423055
Fuel tank filler locking—chrome finish	HD, HR	7420483
Fuel tank filler locking—prime finish	HD, HR	7420765

CARRIER—

Water Bag	48, 50, FJ, FE, FC, FB, EK, EJ, EH	7420484
Water Bag	HD	7438292

CASE—

Travel set	HD, HR	7427636
Hat	HD, HR	7427637

CLEANER—Oil Bath Air and Heavy Duty

Air Cleaner Package	48, 50, FJ, FE, FC, FB, EK	7425365
Air cleaner package	EJ	7422029
Air Cleaner Package—Heavy duty	EJ, EH, HD exc. X2 Eng., HR exc. X2, S Eng	7426311

For service components refer groups 2.342-3.726

DEFLECTOR—

Upper end gate dust package	EJ station sedans	
	EH station sedans	7406253
Upper end gate dust package—Non-adjustable	EJ station sedans	
	EH station sedans	7420869
End gate dust package	HD station sedans, HR station sedans ..	7429275

EXTENSION—

Exhaust—Screw on type	FE, FC, FB, EK, EJ, EH	7421638
Exhaust—Push on type	FE exc. station sedans	
	FC exc. station sedans	
	FB exc. station sedans	
	EK exc. station sedans	
	EJ, EH	7419445
Exhaust—Push on type	FE station sedans	
	FC station sedans	
	FB station sedans	
	EK station sedans	7425348
Exhaust—Screw on type	HD, exc. stations sedans	†7421638

† Not suitable X2 Engine.

FILTER KIT—Oil and Components

Kit—replacement element type	(A.C. 48, 50, FJ, FE, FC, FB, EK, EJ	7406603
------------------------------------	--------------------------------------------	---------

For service components refer groups 1.835-1.840

HOLDEN

MASTER PARTS CATALOGUE



FILTER PACKAGE—Engine Breather

Filter package	EJ	7423784
----------------------	----------	---------

FRAME—

Number plate—easifit	ALL	M31957
----------------------------	-----------	--------

GENERATOR—Heavy Duty and Components—

Generator & regulator package—Diode Rectified	EH	7428802
--------------------------------------------------------	----------	---------

For service components refer groups 1.066-2.555

GUARD—

Bumper package, front (Pair)	HD, HR	7431580
Bumper, front (Single)	HD, HR	7431577
Bumper package, rear (Pair)	HD exc. panel van & utility	7431581
Bumper, rear (Single)	HD exc. panel van & utility	7431578
Bumper package, rear (Pair)	HR sedans	7431582
Bumper, rear (Single)	HR sedans	7431579
Headlamp package	HD, HR	7433949

HANDLE—

Door pull—to package	48, 50, FJ, FE, FC, FB, EK, EJ, EH	7406810
Door pull—to package	HD, HR	7427153
Door pull—to single	HD, HR	7412938
Deck lid package	EH/215, EH/225	7427214
Deck lid package	HR/225, HR/235	7437015

HANDRAIL PACKAGE

HD sedans, HD station sedans HR sedans, HR station sedans	7426911
--------------------------------------------------------------------	---------

HARNES ASSEMBLY—

Trailer wiring—Complete	HD HR panel vans, HR utility	7433652
Trailer wiring—Complete	HR sedans, HR station sedans	7433653
Trailer wiring—Complete	Universal	7433491
Trailer wiring—Vehicle section	HD HR panel vans, HR utility	7433473
Trailer wiring—Vehicle section	HR sedans, HR station sedans	7433483
Trailer wiring—Vehicle section	Universal	7433492
Trailer wiring—Trailer section	ALL	7433474

HEATER—

Heater package—motorless	FB, EK	7422438
--------------------------------	--------------	---------



HOLDEN

MASTER PARTS CATALOGUE

HEATER—(Cont'd.).

Demister package—motorless heater	EJ exc. EJ/235	7420460
Heater and demister package—Motorless	EH exc. EH/235, EH/239	7420709
Demister package—Motorless heater	EH exc. EH/235, EH/239	7420460
Heater—Fresh air and demister	HD exc. HD/235, HD/239	
	HR exc. HR/235, HR/239	†7427229
Conversion package—Fresh air heater and demister	HD exc. HD/235, HD/239	
	HR exc. HR/235, HR/239	
	LEFT HAND DRIVE	7430345
Heater and demister package—Motorless	HD exc. HD/235, HD/239	
	HR exc. HR/235, HR/239	
	RIGHT HAND DRIVE	*7427668
Heater package—Motorless	HD exc. HD/235, HD/239	
	HR exc. HR/235, HR/239	
	RIGHT HAND DRIVE	*7427704
Demister package—Motorless heater	HD exc. HD/235, HD/239	
	HR exc. HR/235, HR/239	
	RIGHT HAND DRIVE	7427670

*Except HD X2 Engine.

†Conversion package 7430345 required to adapt heater to Left Hand Drive specification.
For service components refer groups 9.750-9.779

HORN—Dual and high note

High note package	FE, FC	7406622
High note package	FB, EK	7413631
High note package	EJ exc. EJ/235, EH exc. EH/235, EH/239	7419132
High note package	HD exc. HD/235, HD/239	7420325
High note package	HR exc. HR/235, HR/239	7431383

For service components refer groups 2.810-2.845

INSTRUMENT—

Combined instrument package (British units)	HD exc. X2 Eng., HR exc. X2, S Eng.	7429681
---------------------------------------------	-------------------------------------	---------

LAMP—

Back-up package	EJ (M)	RIGHT HAND DRIVE	7423026
Back-up package	EH (M)	RIGHT HAND DRIVE	7423026
		LEFT HAND DRIVE	7423025
Switch assembly	FE, FC, FB, EK (M), EJ (M), EH (M)		
		RIGHT HAND DRIVE	7412265
		LEFT HAND DRIVE	7406897
Harness assembly—front	EJ (M), EH (M)		7418918
Back-up package	HD (M) exc. HD/235 (M), HD/239 (M)		
	HR (M) exc. HR/235 (M), HR/239 (M)		
		RIGHT HAND DRIVE	7420800
Switch assembly	HD (M) exc. HD/235 (M), HD/239 (M)		
	HR (M) exc. HR/235 (M), HR/239 (M)		
		RIGHT HAND DRIVE	7412265
		LEFT HAND DRIVE	7406897
Dual tail lamp package	FJ/225		M31345
Hand brake warning package	HD exc. HD/235, HD/239		
	HR exc. HR/235, HR/239		7427127
Bulb—12-16 volt 2 c.p. miniature flashing	HD exc. HD/235, HD/239		
	HR exc. HR/235, HR/239		9412348

HOLDEN

MASTER PARTS CATALOGUE



LAMP—(Cont'd.)

Instrument panel compartment	HD exc. HD/235, HD/239 HR exc. HR/235, HR/239	RIGHT HAND DRIVE	7427231
Rear compartment package	HD standard sedans, HD special sedans HR standard sedans, HR special sedans		7427097
Bulb—12-16 volt 15 c.p.	HD standard sedans, HD special sedans HR standard sedans, HR special sedans		455490

LIGHTER—

Cigarette	FE, FC		7406008
Cigarette	FB, EK	RIGHT HAND DRIVE	7414173
Cigarette	EJ, EH	RIGHT HAND DRIVE LEFT HAND DRIVE	7425260 7418889
Cigarette	HD, HR		7427698

For service components refer group 9.709

LOCK—

Steering (Padlock type)	48, 50, FJ		M30566
Steering (Padlock type)	FE, FC		7406151
Gear shift lever	FE, FC, FB, EK		7406861
Bolt—Shear	FE, FC, FB, EK		M33046
Bolt—Locating shear	FE, FC, FB, EK		M33047
Gear shift lever	EJ, EH		7425488
Bolt—Shear	EJ, EH		M33562
Bolt—Locating shear	EJ, EH		M33563
Gear shift lever	HD, HR		7428842
"U" Bolt	HD, HR		M35531
Nut—Shear	HD, HR		M35455
Hood package	FB		7425153

MAT—

Cargo compartment	HD station sedans, HR station sedans	7427806
-------------------	--------------------------------------	---------

MIRROR—

Rear vision (Door mounting)	48, 50, FJ	7404690
Rear vision (Fender mounting LH)	48, 50, FJ, FE, FC, FB, EK, EJ	M31933
Rear vision (Fender mounting RH)	48, 50, FJ, FE, FC, FB, EK, EJ	M31934
Rear vision (External round shielded)	FB, EK, EJ, EH	7425501
Rear vision (Glareproof external)	48, 50, FJ, FE, FC, FB, EK, EJ, EH	LH7384469 RH7384468
Rear vision (External)	HD, HR	LH7427161 RH7427108
Rear vision (External round hooded)	HD, HR	7428079
Rear vision (External round)	HD, HR	7428078
Rear vision (Glareproof internal)	FB, EK, EJ exc. EJ/235 EH exc. EH/235, EH/239 HD exc. HD/235, HD/239 HR exc. HR/235, HR/239	7430042
Rear vision (Glareproof external)	FB, EK	7406654
Rear vision (External round)	48, 50, FJ, FE, FC, FB, EK, EJ, EH	7424369
Weathershield mounted	ALL	M35500



HOLDEN

MASTER PARTS CATALOGUE

MOULDING—

Body sill	EJ sedans, EJ station sedans EH sedans, EH station sedans	LH7422445 RH7422446
Rocker outer panel package	HD exc. HD/235, HD/239 HR exc. HR/235, HR/239	7420545
Front fender wheel opening package	HD exc. HD/235, HD/239 HR exc. HR/235, HR/239	7428813
Rear quarter wheel opening package	HD exc. HD/235, HD/239 HR exc. HR/235, HR/239	7428814

MUD DEFLECTOR SET—

Front fender	FE, FC, FB, EK	7406592
Front fender (single)	FE, FC, FB, EK	LH7406587 RH7406586
Rear fender	FE, FC, FB, EK	7406221
Front fender	EJ, EH	7425394
Front fender (single)	EJ, EH	LH7425393 RH7425392
Rear fender	EJ, EH	7424801
Rear Fender (single)	EJ, EH	7425469
Support—Rear fender mud deflector	EJ, EH	LH7424743 RH7424742
Front fender package	HD, HR	7420230
Front fender (Single)	HD, HR	LH7427301 RH7427300
Rear fender package	HD, HR	7427205
Rear fender (Single)	HD, HR	7427202
Support—Front fender mud deflector, front	HD, HR	7427299
Support—Front fender mud deflector, centre	HD, HR	7427298
Support—Front fender mud deflector, rear	HD, HR	7427297
Spacer—Front fender mud deflector	HD, HR	7420425

ORNAMENT—

Hood	EH	7422930
Front fender	EH exc. EH/235, EH/239	7422219
Hood	HD, HR	7428035

PAD—Accelerator pedal—

Pad	FB	7425041
Pad	EK	RIGHT HAND DRIVE 7425041

PLATE—

Front door paint protection package	FE, FC, FB, EK	7406614
Rear door paint protection package	FE sedans, FE station sedans FC sedans, FC station sedans FB sedans, FB station sedans EK sedans, EK station sedans	7406616
Front and rear door paint protection package	EJ, EH	7422338
Upper end gate paint protection	EJ station sedans EH station sedans	7412655
Front and rear door paint protection package	HD, HR	7428846

HOLDEN

MASTER PARTS CATALOGUE



PROTECTOR—

Windshield—Clear	EJ, EH	7433297Clr
Windshield—Tinted	EJ, EH	7433297Tin
Windshield—Clear	HD, HR	7433298Clr
Windshield—Tinted	HD, HR	7433298Tin

RADIO—

"Air Chief" manual control	48, 50, FJ	7406758
"Air Chief" basic receiver—push button	FE, FC, FB, EK	7426319
Installation kit	FE, FC	7426321
Installation kit	FB, EK	7426322
"Air Chief" basic receiver—Manual control—11 transistor	EJ, EH	7448424
"Air Chief" basic receiver—Push button—11 transistor	EJ, EH	7448423
"Air Chief" basic receiver—Manual control—6 transistor	EJ, EH	7448426
"Air Chief" basic receiver—Push button—6 transistor	EJ, EH	7448425
Installation kit	EJ, EH	M35872
"Air Chief"—Manual control—11 transistor	HD, HR	7434062
"Air Chief"—Manual control—6 transistor	HD, HR	7435520
Escutcheon insert	HR/235, HR/239	7432317
Conversion package	HD, HR	LEFT HAND DRIVE 7427931
"Air Chief"—Push button—11 transistor	HD, HR	7433114
"Air Chief"—Push button—6 transistor	HD, HR	7435521
Escutcheon insert	HR/235, HR/239	7432317
Conversion package	HD, HR	LEFT HAND DRIVE 7427931
Antenna	FE, FC, FB, EK, EJ, EH	7436108
Antenna package	FB, EK, EJ, EH	7419906
Antenna package	HD, HR	7429301
Antenna—Lock with lead in	FE, FC, FB, EK, EJ, EH, HD, HR	M35877
Speaker—rear seat package	FB sedans, EK sedans, EJ sedans, EH sedans, HD sedans, HR sedans	7426963
Receiver assembly—Portable—12 volt	Universal	7440314
Speaker package—Portable	Universal	M35347
Cradle—Portable	Universal	M35348

RAIL—

Rope	EJ utility, EH utility	7420235
Rope	HD utility, HR utility	7430785

RINGS—

Wheel trim (White wall—set)	FE, FC, FB, EK, EJ, EH	7421837
Wheel trim (White wall—single)	FE, FC, FB, EK, EJ, EH	7421441
Wheel trim (Fiesta—single)	FE, FC, FB, EK, EJ, EH	7425216



HOLDEN

MASTER PARTS CATALOGUE

RING—Cont'd.)

Wheel trim (Chrome—rubber insulated set)	FE, FC, FB, EK, EJ EH exc. EH/235, EH/239	7419894
Wheel trim (Chrome—rubber insulated single)	FE, FC, FB, EK, EJ EH exc. EH/235, EH/239	7427148
Wheel trim (Chrome—rubber insulated set)	HD exc. HD/235, HD/239 HR panel van, HR utility	7427876
Wheel trim (Chrome—rubber insulated single)	HD exc. HD/235, HD/239 HR panel van, HR utility	7427256
Wheel trim (set)	HR exc. panel van, utility	7431353
Wheel trim (single)	HR exc. panel van, utility	7431309
Hub cap removing tool	FE, FC, FB, EK, EJ exc. EJ/235	7406866

SCREEN—

Radiator insect—external	EH	7426972
Radiator insect—internal	HD, HR	7430746
Radiator insect—external	HR	7433982

SHADE—

Venetian	FE sedans, FC sedans	7413920
Venetian	FB sedans, EK sedans	7406757
Venetian	EH sedans	7426304
Venetian	EJ utility, EH utility	7421718
Venetian	HD sedans	7428844
Venetian	HR sedans	7432157
Venetian—Rear quarter side	HD station sedans, HR station sedans	7428793
Venetian	HD utility, HR utility	7429415
Windshield sun (De luxe)	FE, FC	7406181
Windshield sun—Panel only	FB, EK	7406878
Small parts set—Suit 7406878 panel	FB, EK	M33035
Windshield sun—Bracket package (single)	FB sedans, EK sedans	7425325
Windshield sun—Bracket package (single)	FB station sedans, EK station sedans	7425326
Windshield sun—Bracket package (single)	FB panel vans, EK panel vans	7425327
Windshield sun—Bracket package (single)	FB utility, EK utility	7425328
Windshield sun	EJ exc. EJ panel vans	7421826
Windshield sun	EH sedans, EH station sedans	7426251
Windshield sun	EH utility	7421826
Windshield sun	HD exc. HD panel vans HR exc. HR panel vans	7427221
Windshield sun—expanded metal	HD exc. HD panel vans HR exc. HR panel vans	7430205
Windshield sun—expanded metal	HD panel vans, HR panel vans	7428367

HOLDEN

MASTER PARTS CATALOGUE



SHADE—(Cont'd.)

Windshield sun—Black vinyl	HD sedans, HD station sedans HR sedans, HR station sedans	7432431
Windshield sun—White vinyl	HD sedans, HD station sedans HR sedans, HR station sedans	7432430
Bracket—Black vinyl	HD sedans, HD station sedans HR sedans, HR station sedans	M35829
Bracket—White vinyl	HD sedans, HD station sedans HR sedans, HR station sedans	M35828

SHELF—

Parcel	EJ, EH	RIGHT HAND DRIVE	7425190
Parcel	HD, HR	RIGHT HAND DRIVE	7427244

SHIELD—

Rear wheel set	FE, FC FB panel van, FB utility EK panel van, EK utility	7406588
Rear wheel set	FB sedans, FB station sedans EK sedans, EK station sedans	7406884
Rear wheel	FB sedans, FB station sedans EK sedans, EK station sedans	LH7406909 RH7406908
Rear wheel set	EJ, EH	7421725
Rear quarter gravel package	EH	7423985
Rear wheel set	HD, HR	7429407
Rear wheel	HD, HR	LH M35601 RH M35602 M35668
Strip—Plastic insulating	HD, HR	
Rear quarter gravel package	HD exc. premier models HR exc. premier models	7429104

SPRING CONVERSION PACKAGE—

Rear heavy duty	FE/215, FE/225, FC/215, FC/225	7406393
Rear heavy duty	EJ sedans, EH sedans	7419562
Rear heavy duty	HD, HR	7427877

STEERING—Power

Kit—Mounting stud end	EJ	7426275
Kit—Cylinder seal	EJ	7426274
KIT—Valve seal	EJ	7426273
Kit—Ball stud	EJ	7426272
Kit—Cylinder rod end	EJ	7426271



HOLDEN

MASTER PARTS CATALOGUE

SWITCH—

Front door courtesy lamp package	EJ/215, EJ/219, EJ/2104, EJ/2106 EH/215, EH/219, EH/2104, EH/2106 HD/215, HD/219, HD/2104, HD/2106 HR/215, HR/219, HR/2104, HR/2106	RIGHT HAND DRIVE 7419338 LEFT HAND DRIVE 7419337
----------------------------------------	----------------------------------------------------------------------------------------------------------------------------------------------	-----------------------------------------------------

TURN SIGNAL EQUIPMENT—

Turn signal package	FE exc. FE/225, FE/229	7406042
Turn signal package	FC exc. FC/225, FC/229	7406238
Turn signal package	FB/215, FB/219 EK/215, EK/219 RIGHT HAND DRIVE	7417727
Turn signal package	FB panel van, FB utility EK panel van, EK utility RIGHT HAND DRIVE	7417728
Switch Assembly	FB panel van, FB utility EK panel van, EK utility RIGHT HAND DRIVE	7409516
Screw—Lever pivot	FB panel van, FB utility EK panel van, EK utility RIGHT HAND DRIVE	7413160

WEATHERSHIELD—Door Mounting

One piece—Clear—Fluted shade	FE exc. utility FC exc. utility	7406624Clr
One piece—Green—Fluted shade	FE exc. utility FC exc. utility	7406624Grn
One piece—Clear—Fluted shade	FE utility, FC utility	7406682Clr
One piece—Green—Fluted shade	FE utility, FC utility	7406682Grn
One piece—Clear	FB sedans, FB station sedans EK sedans, EK station sedans	LH7406913Clr
One piece—Green	FB sedans, FB station sedans EK sedans, EK station sedans	RH7406880Grn
One piece—Clear—Fluted shade	FB sedans, FB station sedans EK sedans, EK station sedans	RH7425030Clr
One piece—Green—Fluted shade	FB sedans, FB station sedans EK sedans, EK station sedans	RH7425030Grn
One piece—Green	FB panel van, FB utility EK panel van, EK utility	LH7425179Grn
One piece—Clear—Fluted shade	EJ, EH	RH7422340Clr
One piece—Blue—Fluted shade	EJ, EH	RH7422340Blue
One piece—Green—Fluted shade	EJ, EH	RH7422340Grn
One piece—Clear—Unfluted	EJ, EH	RH7426906Clr
One piece—Tinted—Unfluted	EJ, EH	LHM35294Tin RH7426906Tin

HOLDEN

MASTER PARTS CATALOGUE



WEATHERSHIELD—Door Mounting (Cont'd.)

One piece—Clear	HD, HR Vic., S.A., W.A., Tas.	LH7429611Clr RH7429612Clr
	N.S.W., Qld.	LH7430027Clr RH7430028Clr
One piece—Tinted	HD, HR Vic., S.A., W.A., Tas.	LH7429611Tin RH7429612Tin
	N.S.W., Qld.	LH7430027Tin RH7430028Tin

WINDSHIELD WASHER—

Screen—clean package—vacuum operated	FB	RIGHT HAND DRIVE	7414175
Screen—clean package—vacuum operated	EK	RIGHT HAND DRIVE	7419028
Screen—clean package—foot operated	EJ exc. EJ/235	RIGHT HAND DRIVE	7421798
Screen—clean package—electric	EJ exc. EJ/235		7422054
Screen—clean package—electric	EH exc. EH/235, EH/239		7423295
Lead assembly—conversion	HD exc. HD/235, HD/239 HR(A) exc. HR/235, HR/239	LEFT HAND DRIVE	7422994
Screen—clean package—demand type	HD exc. HD/235, HD/239 HR exc. HR/235, HR/239		*7427702
Cable assembly	HD exc. HD/235, HD/239 HR exc. HR/235, HR/239		7427957
Windshield washer—hand operated	HD exc. HD/235, HD/239 HR exc. HR/235, HR/239	RIGHT HAND DRIVE	7430104

For service components refer group 8.798

*When using 7427702 on Left Hand Drive vehicles, Cable Assembly Part No. 7427957 must also be used.

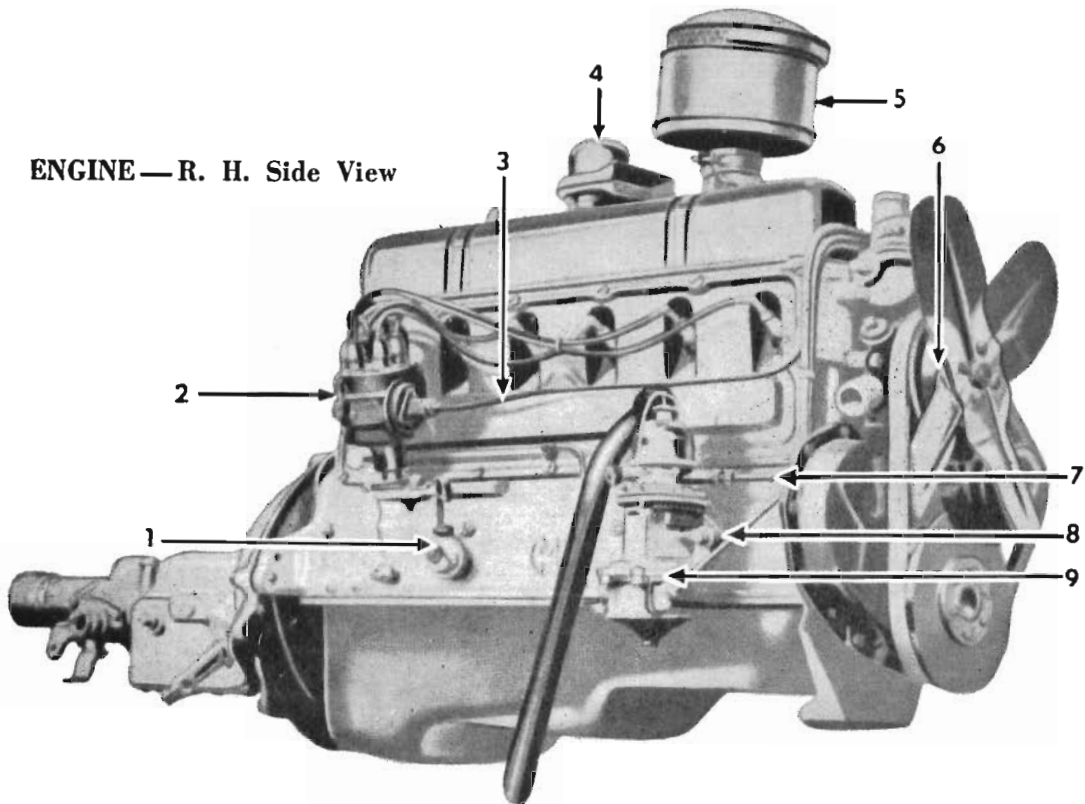
WINDSHIELD WIPER—Electric

Wiper package	FE, FC, FB	7418909
---------------	------------	---------

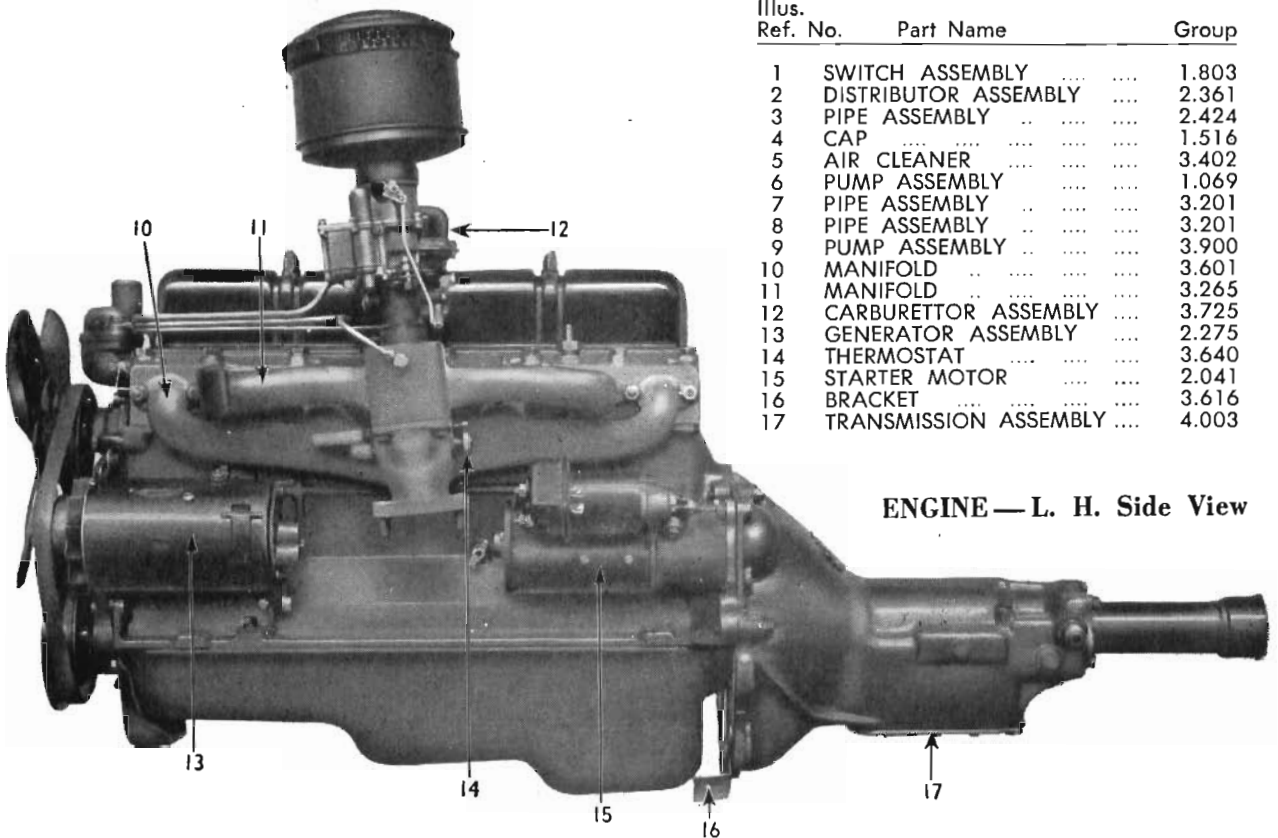
For service components refer group 10.150



ENGINE—R. H. Side View



Illus. Ref. No.	Part Name	Group
1	SWITCH ASSEMBLY	1.803
2	DISTRIBUTOR ASSEMBLY	2.361
3	PIPE ASSEMBLY	2.424
4	CAP	1.516
5	AIR CLEANER	3.402
6	PUMP ASSEMBLY	1.069
7	PIPE ASSEMBLY	3.201
8	PIPE ASSEMBLY	3.201
9	PUMP ASSEMBLY	3.900
10	MANIFOLD	3.601
11	MANIFOLD	3.265
12	CARBURETTOR ASSEMBLY	3.725
13	GENERATOR ASSEMBLY	2.275
14	THERMOSTAT	3.640
15	STARTER MOTOR	2.041
16	BRACKET	3.616
17	TRANSMISSION ASSEMBLY	4.003

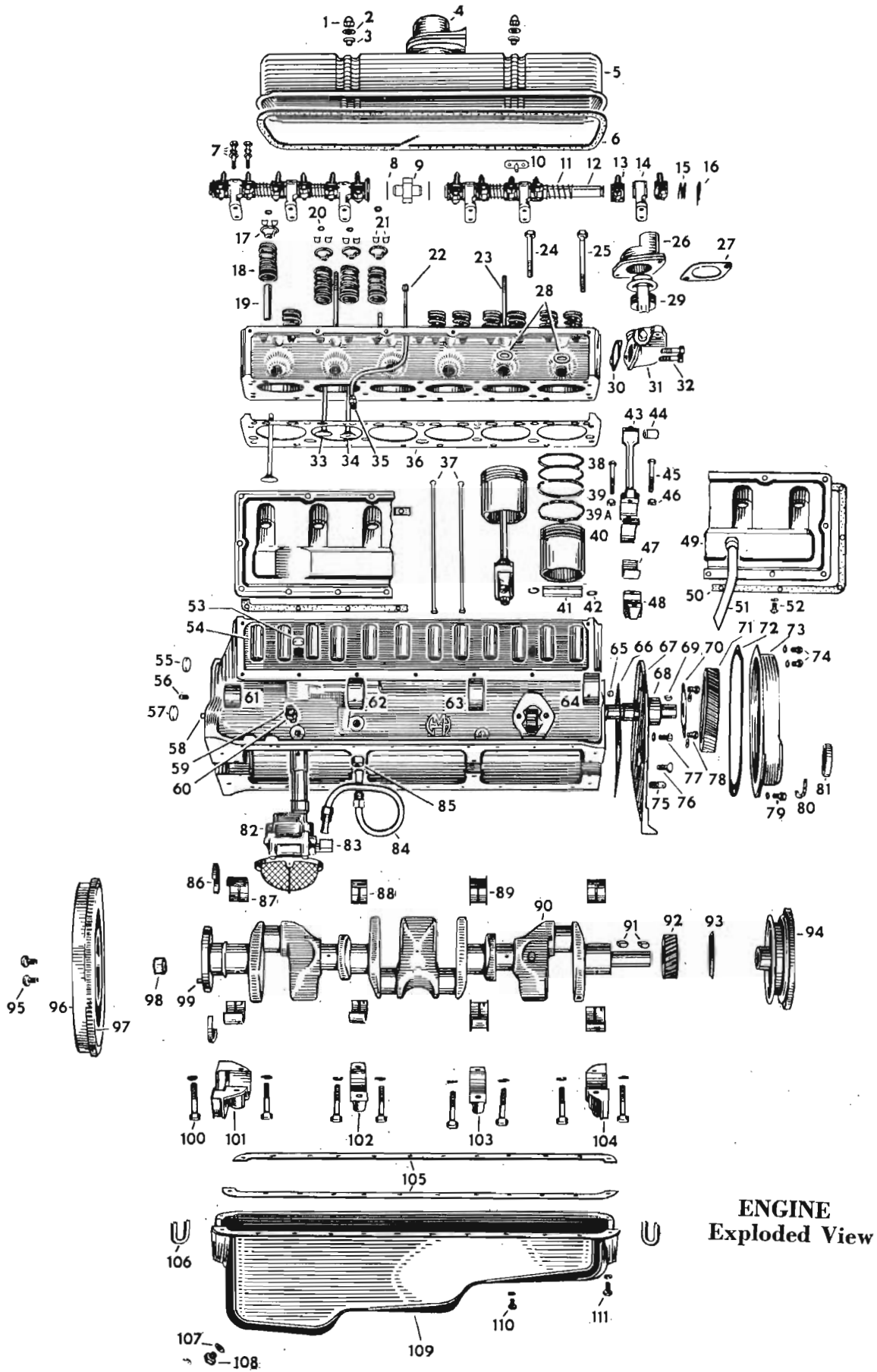


ENGINE—L. H. Side View



HOLDEN

MASTER PARTS CATALOGUE



ENGINE
Exploded View

HOLDEN

MASTER PARTS CATALOGUE



ENGINE Exploded View

(ILLUSTRATION OPPOSITE)

Illus. Ref. No.	Part Name	Group	Illus. Ref. No.	Part Name	Group
1.	Nut ..	0.416	57.	Plug	0.553
2.	Washer ..	0.390	58.	Pin ..	4.003
3.	Insulator ..	0.390	59.	Screw	1.672
4.	Cap Assembly	1.516	60.	Nut	1.672
5.	Cover	0.386	61.	Bearing ..	Refer 0.536
6.	Gasket	0.423	62.	Bearing ..	Refer 0.536
7.	Bolt	0.349	63.	Bearing ..	0.543
8.	Seal	1.928	64.	Bearing ..	0.539
9.	Connector	1.928	65.	Plug	1.928
10.	Plate Assembly	0.366	66.	Gasket	0.005
11.	Spring	0.376	67.	Plate	0.004
12.	Shaft and Plug Assembly	0.353	68.	Camshaft	0.519
13.	Arm and Bushing Assembly	0.333	69.	Key	0.736
14.	Support ..	0.349	70.	Plate	0.533
15.	Spring	0.377	71.	Gear	0.736
16.	Spring	0.378	72.	Gasket	0.207
17.	Cap	0.309	73.	Cover	0.206
18.	Spring	0.303	74.	Bolt	0.206
19.	Guide	0.283/0.286	75.	Nozzle	0.748
20.	Seal	0.308	76.	Screw	0.004
21.	Key	0.310	77.	Bolt	0.004
22.	Pipe Assembly — Block to rocker	1.519	78.	Bolt and Washer	0.533
23.	Stud	0.413	79.	Bolt	0.206
24.	Bolt	0.293	80.	Reinforcement	0.206
25.	Bolt	0.293	81.	Seal	0.209
26.	Outlet	1.153	82.	Oil Pump Assembly	1.652
27.	Gasket	1.154	83.	Elbow	1.519
28.	Seal	0.454	84.	Pipe Assembly — Oil delivery	1.519
29.	Thermostat Assembly	1.246	85.	Connector	1.519
30.	Gasket	1.252	86.	Seal	0.137
31.	Housing ..	1.251	87.	Bearing Unit ..	0.096/0.106
32.	Bolt	1.251	88.	Bearing Unit ..	0.103
33.	Valve	0.296	89.	Bearing Unit ..	0.099
34.	Valve	0.297	90.	Crankshaft	0.646
35.	Connector	1.519	91.	Key	0.659/0.728
36.	Gasket	0.289	92.	Gear	0.728
37.	Rod	0.426	93.	Slinger	0.210
38.	Ring	Refer 0.643	94.	Balancer Assembly	0.659
39.	Ring	Refer 0.643	95.	Bolt	0.669
39A.	Ring	Refer 0.643	96.	Flywheel Assembly	0.666
40.	Piston	0.629	97.	Gear	0.673
41.	Pin ..	0.636	98.	Bearing ..	0.649
42.	Retainer ..	0.636	99.	Pin ..	0.674
43.	Rod	Refer 0.603	100.	Bolt	0.056
44.	Bushing ..	0.613	101.	Cap	0.105
45.	Bolt	0.623	102.	Cap	0.102
46.	Nut	0.626	103.	Cap	0.098
47.	Bearing Unit	0.616	104.	Cap	0.095
48.	Cap	Refer 0.603	105.	Gasket Set	1.429
49.	Cover Assembly	0.439	106.	Seal	1.429
50.	Gasket	0.443	107.	Gasket	1.453
51.	Tube Assembly	1.762	108.	Plug	1.453
52.	Bolt and Washer	0.449	109.	Pan Assembly	1.426
53.	Plug	0.033	110.	Bolt and Washer	1.426
54.	Tappet Assembly	0.459	111.	Bolt	1.426
55.	Plug	0.033			
56.	Plug	1.928			

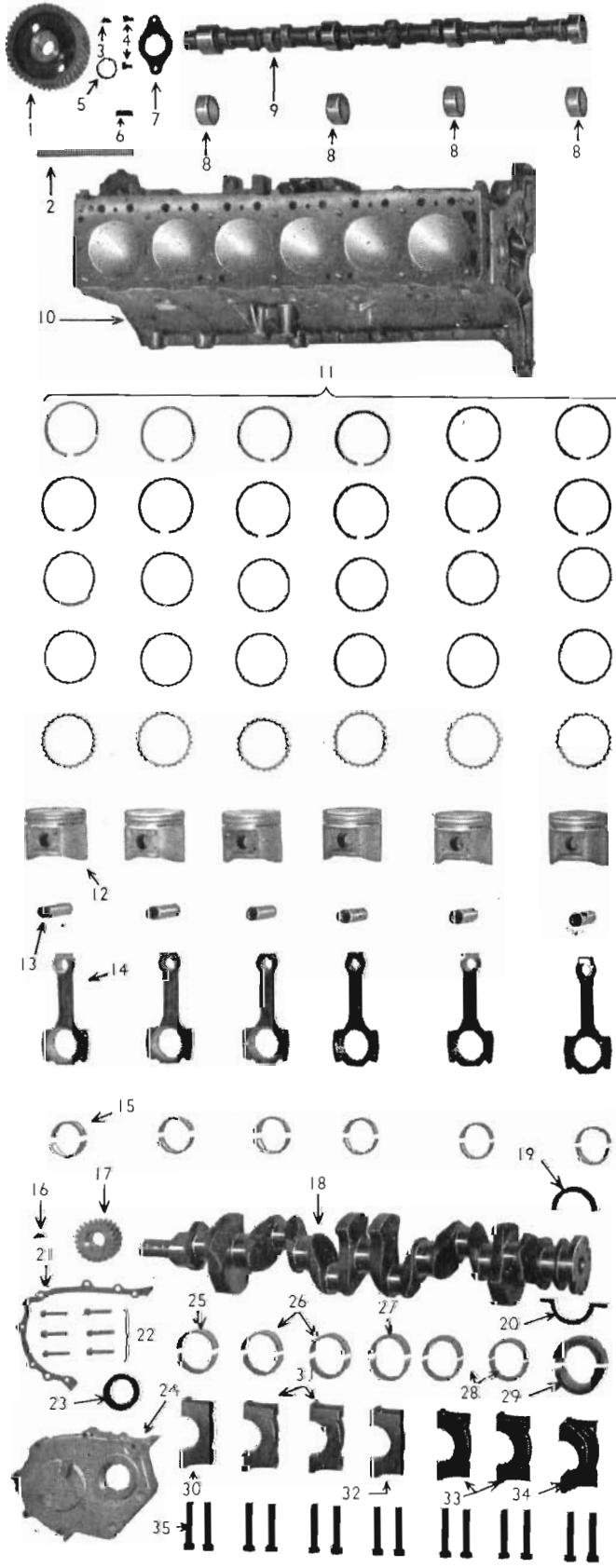


HOLDEN

MASTER PARTS CATALOGUE

CYLINDER BLOCK

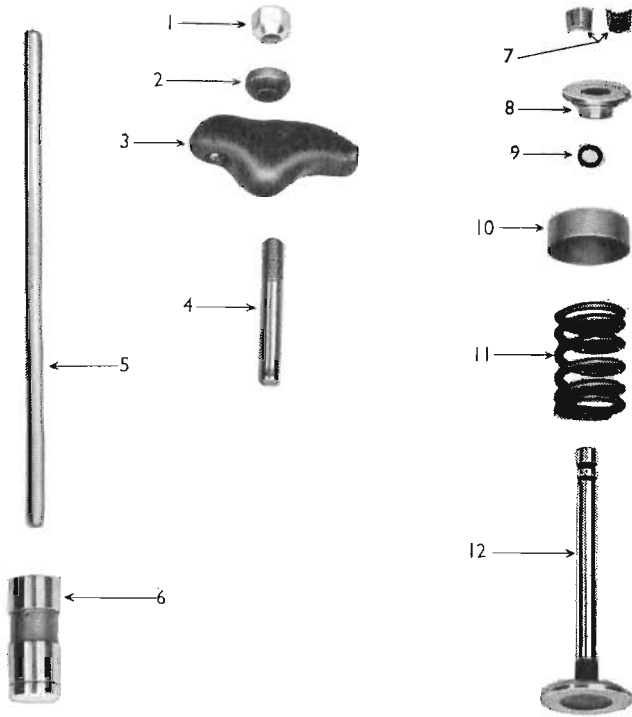
Note: The items illustrated constitute a Short Motor.



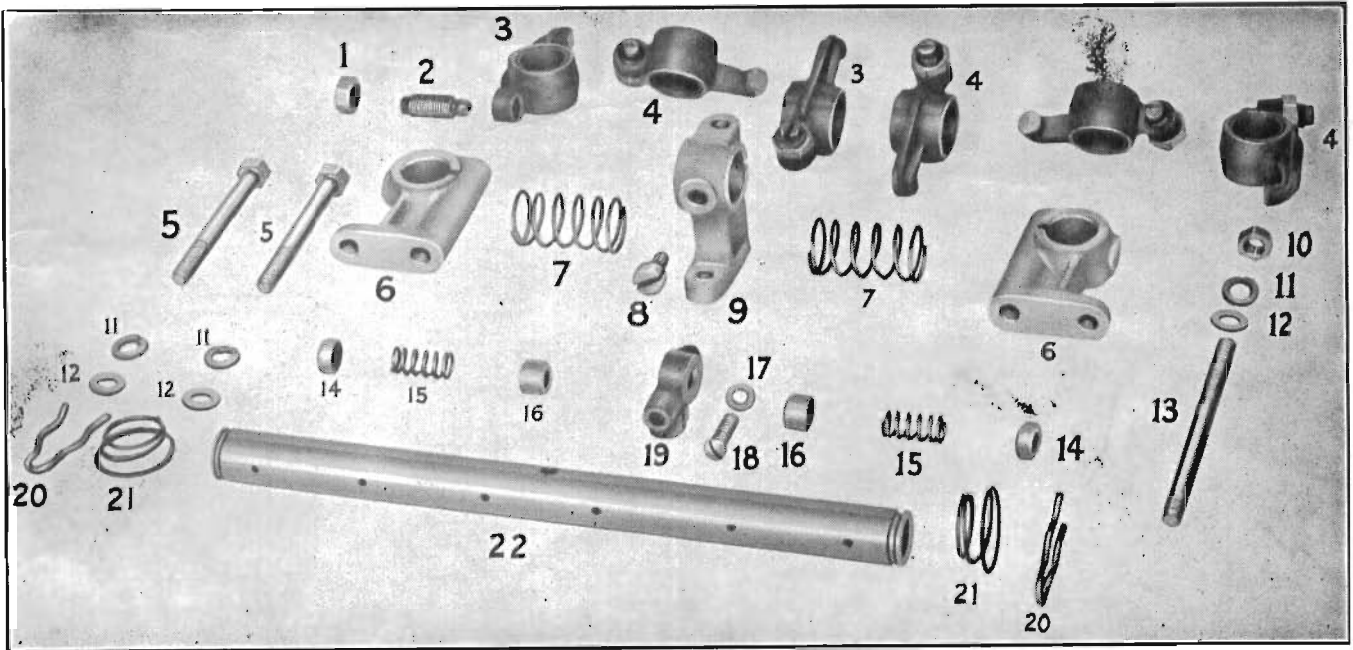
Illus. Ref. No.	Part Name	Group
1.	GEAR—Camshaft	0.736
2.	TUBE—Oil level indicator	1.516
3.	KEY	0.736
4.	SCREW	0.533
5.	RING—Camshaft gear spacing	0.738
6.	NOZZLE—Timing gear oil	0.748
7.	BEARING—Camshaft thrust	0.533
8.	BEARING SET—Camshaft	0.536
9.	CAMSHAFT	0.519
10.	BLOCK ASSEMBLY	0.033
11.	RING SET—Piston	0.643
12.	PISTON AND PIN ASSEMBLY	0.629
13.	PIN—Piston	0.636
14.	ROD ASSEMBLY—Connecting	0.603
15.	BEARING—Connecting rod	0.616
16.	KEY	0.728
17.	GEAR—Crankshaft	0.728
18.	CRANKSHAFT	0.646
19.	SEAL—Upper	0.137
20.	SEAL—Lower	0.137
21.	GASKET—Front end cover	0.207
22.	BOLT—Front end cover	0.206
23.	SEAL—Front end cover	0.209
24.	COVER—Front end	0.206
25.	BEARING—Front	0.096
26.	BEARING—Front intermediate	0.099
27.	BEARING—Centre	0.101
28.	BEARING—Rear intermediate	0.103
29.	BEARING—Rear	0.106
30.	CAP—Front bearing	0.095
31.	CAP—Front intermediate bearing	0.098
32.	CAP—Centre bearing	0.100
33.	CAP—Rear intermediate bearing	0.102
34.	CAP—Rear bearing	0.105
35.	BOLT—Bearing cap	0.056



VALVE OPERATING MECHANISM



Illus. Ref. No.	Part Name	Group
1.	NUT	0.429
2.	BALL	0.429
3.	ARM	0.333
4.	STUD	0.429
5.	ROD	0.426
6.	LIFTER ASSEMBLY	0.459
7.	KEY	0.310
8.	CAP	0.309
9.	SEAL	0.308
10.	SHIELD	0.308
11.	SPRING	0.303
12.	VALVE	0.296/0.297



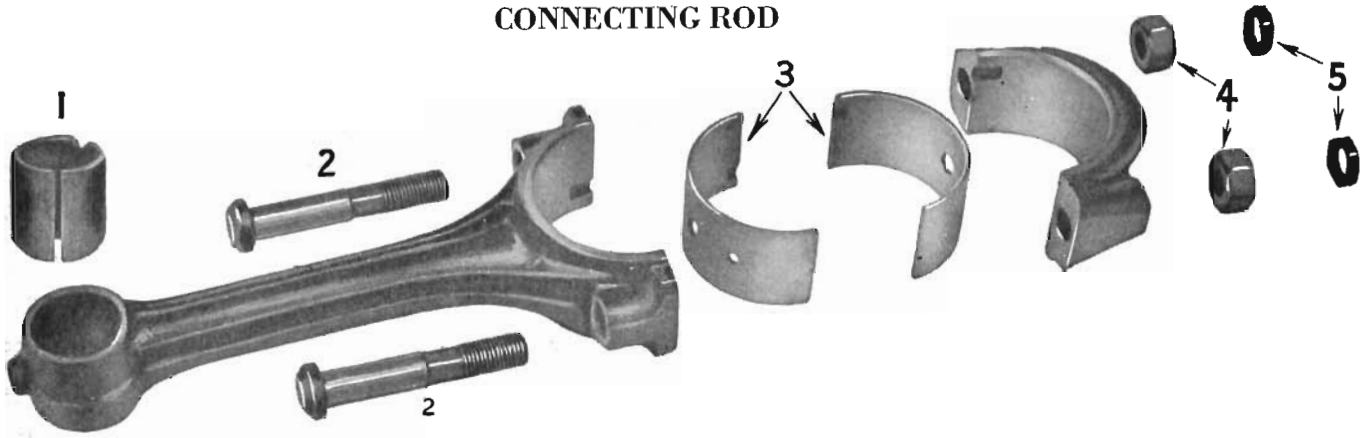
Illus. Ref. No.	Part Name	Group	Illus. Ref. No.	Part Name	Group
1.	NUT	0.429	12.	WASHER	0.349/0.413
2.	SCREW	0.429	13.	STUD	0.413
3.	ARM AND BUSHING ASSEMBLY	0.333	14.	SEAT	1.928
4.	ARM AND BUSHING ASSEMBLY	0.333	15.	SPRING	1.928
5.	BOLT	0.349	16.	SEAT	1.928
6.	SUPPORT	0.349	17.	WASHER	1.928
7.	SPRING	0.376	18.	SCREW	1.928
8.	SCREW	0.349	19.	CONNECTOR	1.928
9.	SUPPORT	0.349	20.	SPRING	0.378
10.	NUT	0.413	21.	SPRING	0.377
11.	WASHER	0.349/0.413	22.	SHAFT AND PLUG ASSEMBLY	0.353



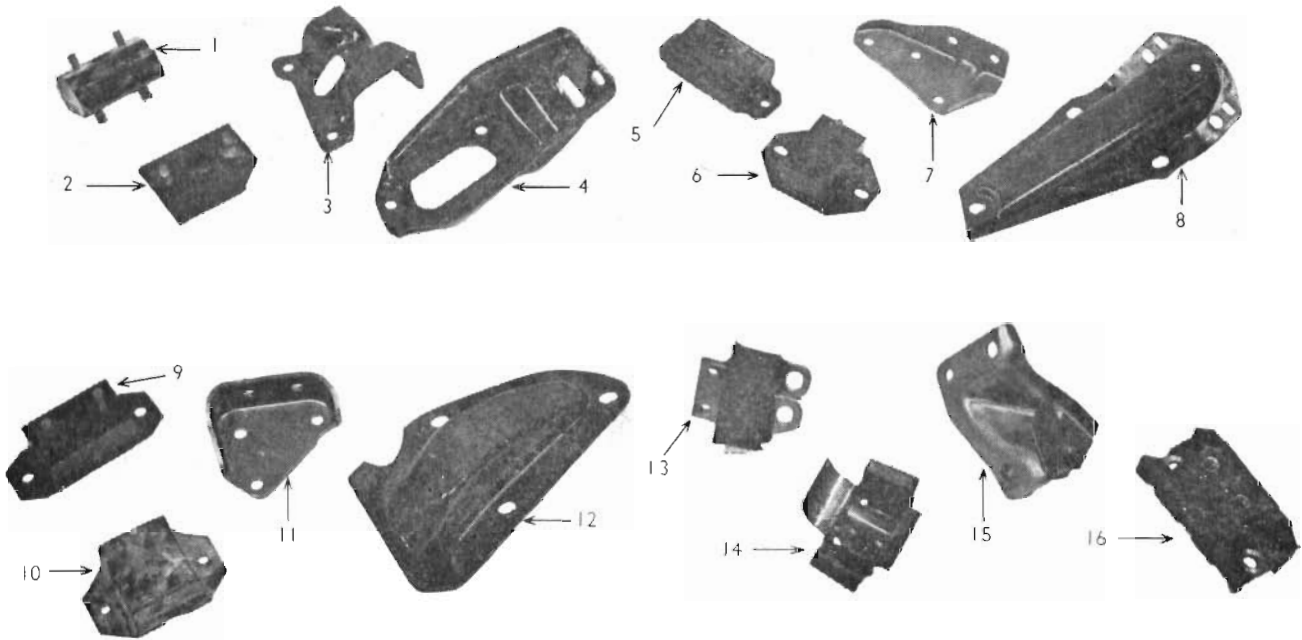
HOLDEN

MASTER PARTS CATALOGUE

CONNECTING ROD

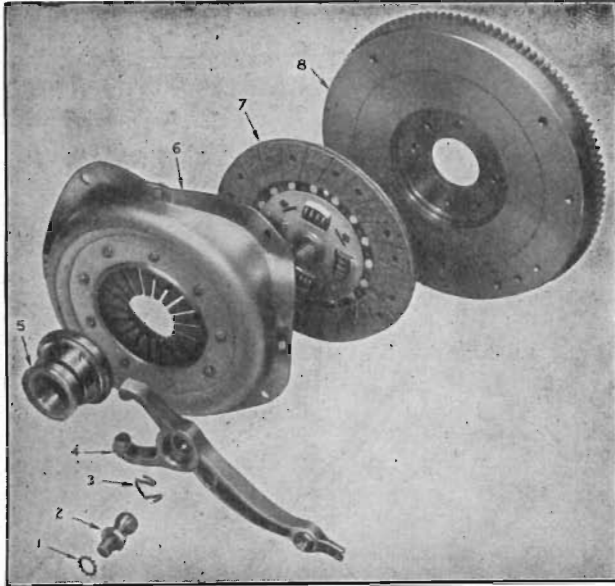


Illus. Ref. No.	Part Name	Group	Illus. Ref. No.	Part Name	Group
1.	BUSHING	0.613	4.	NUT	0.626
2.	BOLT	0.623	5.	NUT	0.626
3.	BEARING UNIT	0.616			



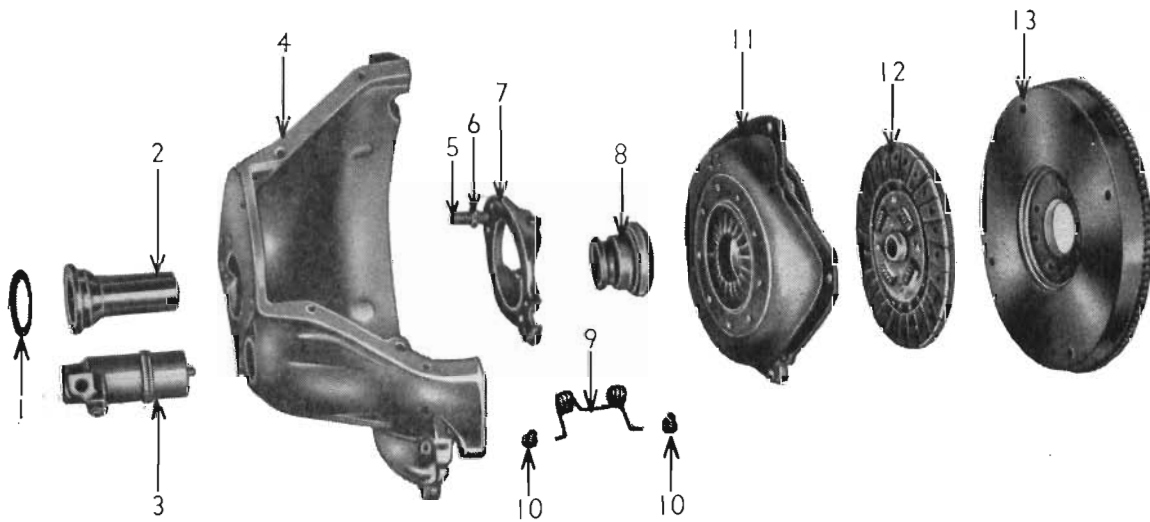
POWER PLANT MOUNTING

Illus. Ref. No.	Part Name	Group	Illus. Ref. No.	Part Name	Group
1.	SUPPORT—Front	0.027	9.	SUPPORT—Front	0.027
2.	INSULATOR—Rear	0.027	10.	INSULATOR—Rear support	0.027
3.	BRACKET—Rear	0.027	11.	BRACKET—Rear support	0.027
4.	BRACKET—Rear frame	0.027	12.	BRACKET—Rear mounting	0.027
5.	SUPPORT—Front	0.027	13.	SUPPORT—Front	0.027
6.	INSULATOR—Rear support	0.027	14.	BRACKET—Front mounting	6.008
7.	BRACKET—Rear support	0.027	15.	BRACKET—Front mounting	0.027
8.	BRACKET—Rear frame	0.027	16.	INSULATOR—Transmission	4.081



CLUTCH and FLYWHEEL

Illus. Ref. No.	Part Name	Group
1.	WASHER	0.796
2.	STUD	0.796
3.	SPRING	0.823
4.	FORK	0.795
5.	BEARING ASSEMBLY	0.799
6.	COVER AND PRESSURE PLATE ASSEMBLY	0.861
7.	PLATE ASSEMBLY	0.886
8.	FLYWHEEL AND RING GEAR ASSEMBLY	0.666



CLUTCH, CLUTCH HOUSING and FLYWHEEL

Illus. Ref. No.	Part Name	Group	Illus. Ref. No.	Part Name	Group
1.	WASHER—Spring	0.804	8.	BEARING ASSEMBLY	0.799
2.	GUIDE—Clutch bearing	0.804	9.	SPRING—Lever assist.	0.844
3.	CYLINDER ASSEMBLY—Actuating	0.934	10.	BUSHING—Lever assist. spring	0.844
4.	HOUSING—Clutch	0.683	11.	COVER AND PRESSURE PLATE ASSEMBLY	0.861
5.	STUD—Clutch ball	0.796	12.	PLATE ASSEMBLY	0.886
6.	NUT—Clutch ball stud	0.796	13.	FLYWHEEL AND RING GEAR ASSEMBLY	0.666
7.	LEVER ASSEMBLY	0.795			

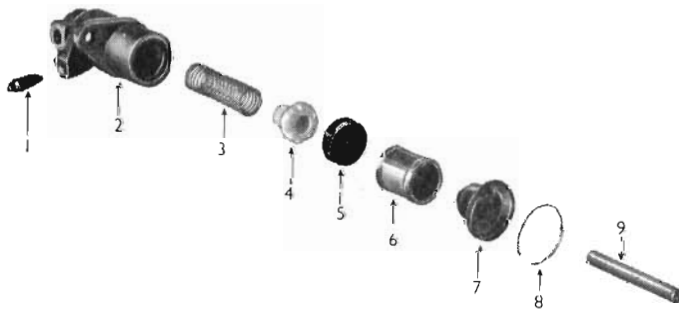
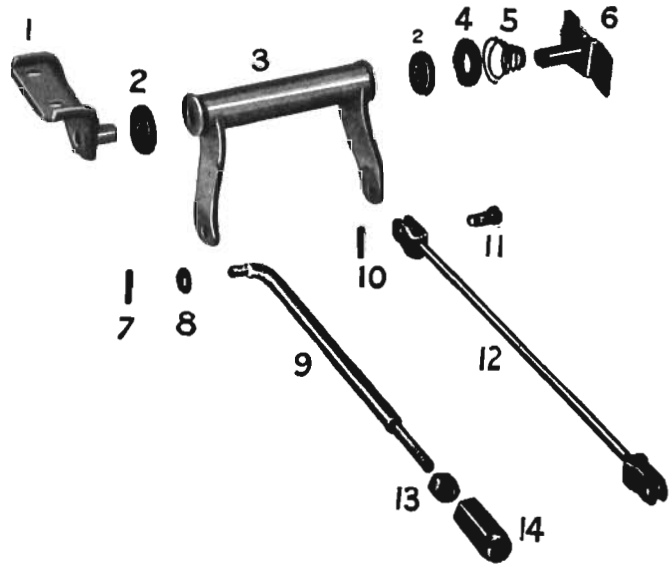


HOLDEN

MASTER PARTS CATALOGUE

CLUTCH COUNTERSHAFT

Illus. Ref. No.	Part Name	Group
1.	BRACKET ASSEMBLY—Inner	0.852
2.	SEAL	0.851
3.	COUNTERSHAFT ASSEMBLY	0.852
4.	RETAINER	0.851
5.	SPRING	0.851
6.	BRACKET ASSEMBLY—Outer	0.852
7.	PIN	0.839
8.	WASHER	0.839
9.	ROD	0.839
10.	PIN	0.839
11.	PIN	0.839
12.	LINK ASSEMBLY	N.L.A.
13.	NUT—Jam	0.839
14.	NUT—Adjusting	0.839

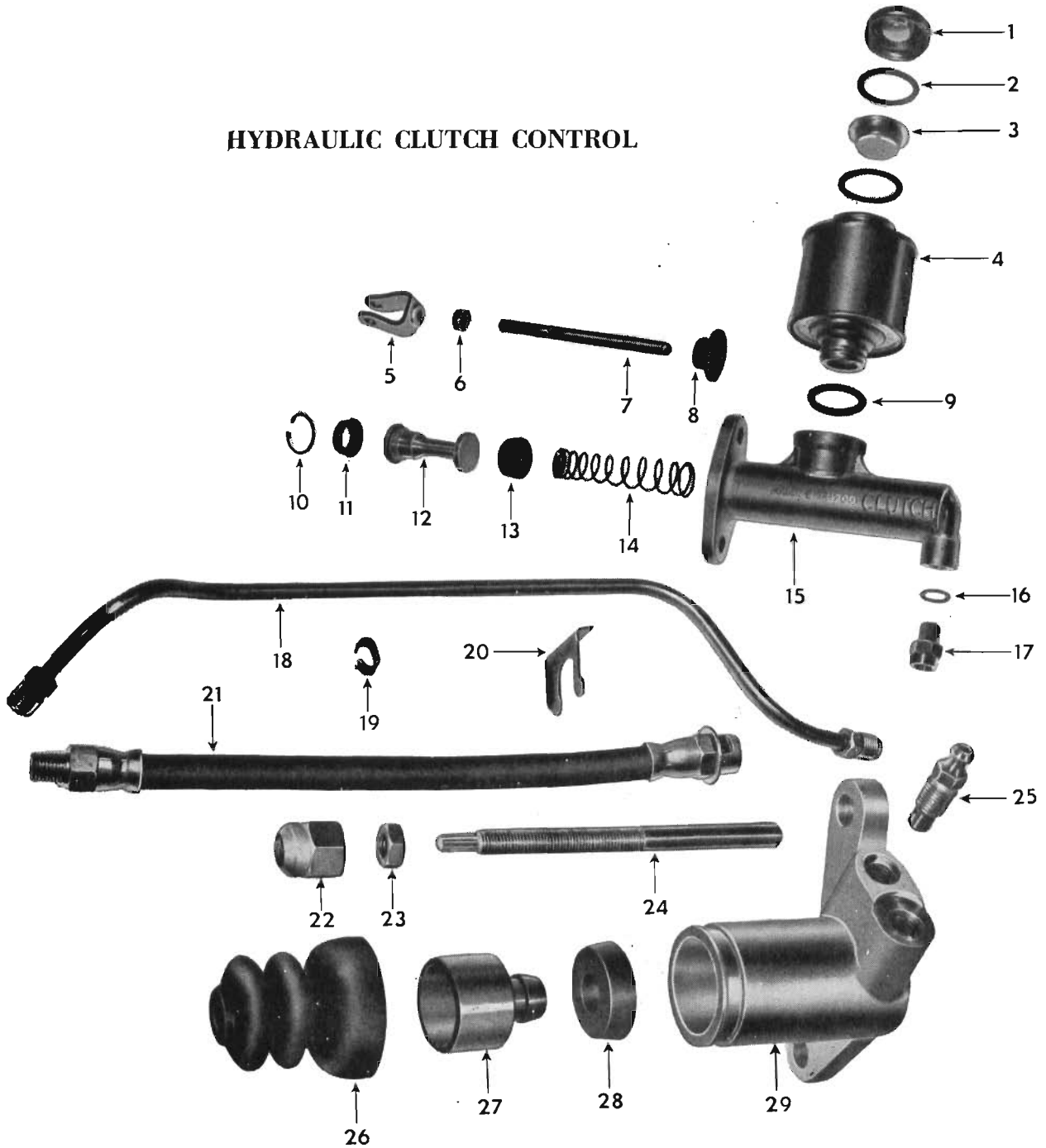


CLUTCH ACTUATING CYLINDER

Illus. Ref. No.	Part Name	Group
1.	VALVE—Bleeder	0.940
2.	BODY	N.S.S.
3.	SPRING	0.938
4.	EXPANDER	0.938
5.	CUP	0.937
6.	PISTON	0.936
7.	SEAL	0.935
8.	RING—Seal retaining	0.935
9.	ROD—Lever push	0.839



HYDRAULIC CLUTCH CONTROL

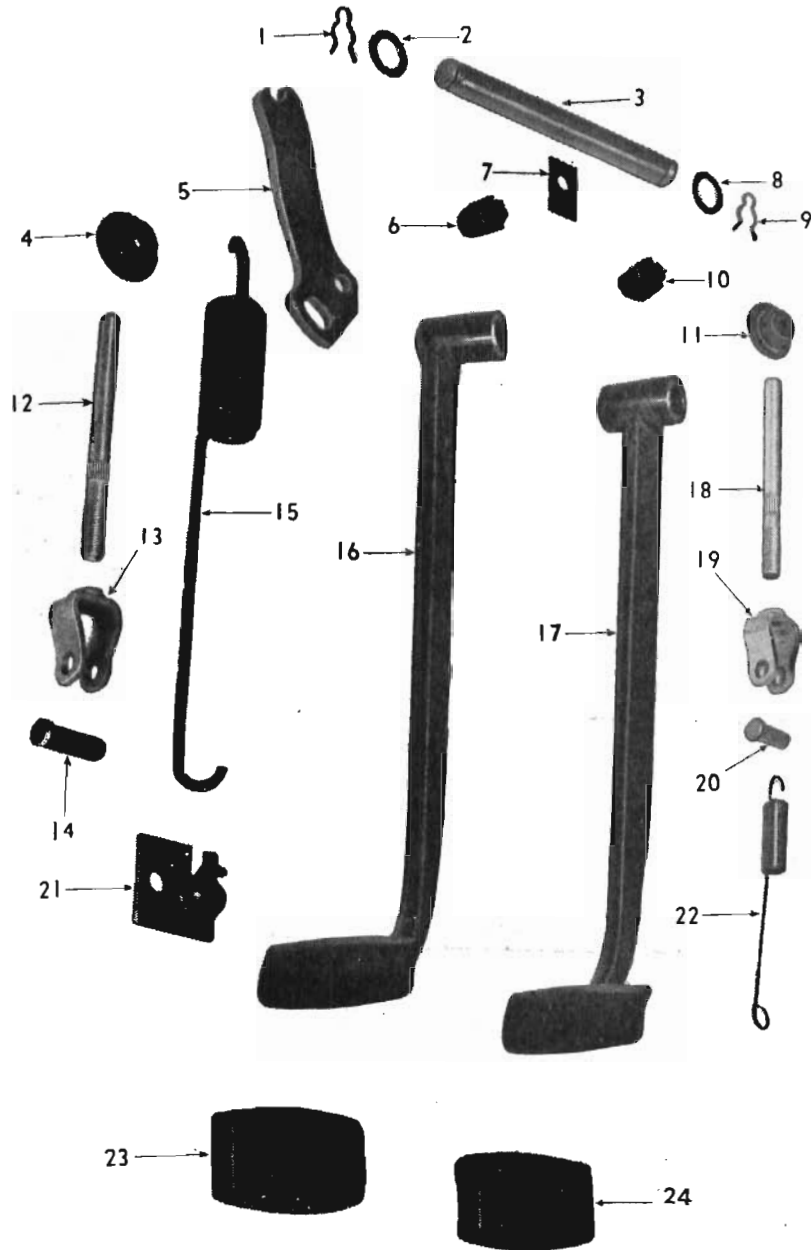


Illus. Ref. No.	Part Name	Group	Illus. Ref. No.	Part Name	Group
1.	CAP	0.907	16.	WASHER	0.929
2.	GASKET	0.907	17.	CONNECTOR	0.927
3.	BAFFLE	0.907	18.	PIPE	0.929
4.	RESERVOIR	0.906	19.	CLIP	0.929
5.	CLEVIS	0.920	20.	SPRING	0.930
6.	NUT	0.918	21.	HOSE	0.930
7.	ROD	0.918	22.	NUT—Adjusting	0.839
8.	SEAL	0.924	23.	NUT—Jam	0.839
9.	SEAL	0.904	24.	ROD	0.839
10.	RING	0.914	25.	VALVE	0.940
11.	CUP	0.912	26.	SEAL	0.935
12.	PISTON	0.910	27.	PISTON	0.936
13.	CUP	0.911	28.	CUP	0.937
14.	SPRING	0.913	29.	BODY	N.S.S.
15.	BODY	0.902			



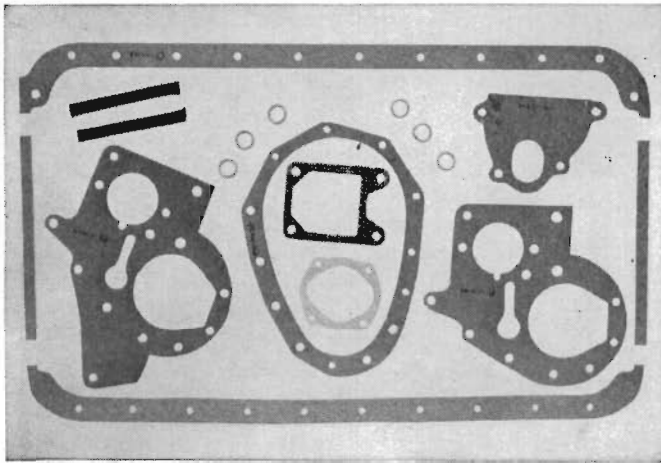
HOLDEN

MASTER PARTS CATALOGUE

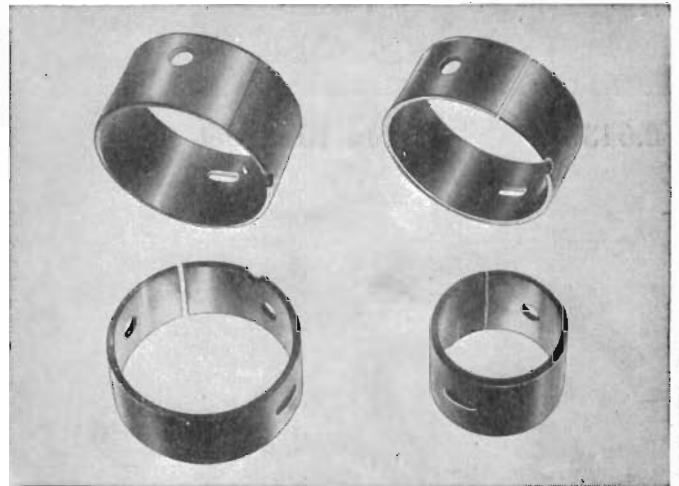


CLUTCH AND BRAKE PEDALS

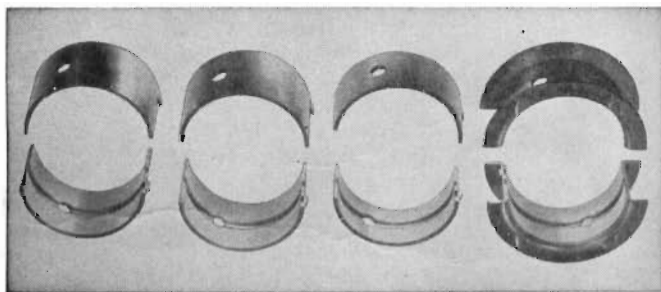
Illus. Ref. No.	Part Name	Group	Illus. Ref. No.	Part Name	Group
1	SPRING ..	0.837/4.636	13.	CLEVIS ..	0.920
2	WASHER ..	0.837/4.636	14.	PIN	0.921
3	SHAFT	0.833/4.634	15.	SPRING—Pedal return ..	0.844
4	SEAL	0.924	16.	PEDAL	0.830
5	LEVER	0.846	17.	PEDAL	4.625
6	BUMPER	0.830	18.	ROD	4.658
7	PLATE	0.834/4.635	19.	CLEVIS ..	4.662
8	WASHER	0.837/4.636	20.	PIN	4.662
9	SPRING ..	0.837/4.636	21.	PLATE	0.845
10	BUMPER	4.625	22.	SPRING ..	4.639
11	SEAL	4.659	23.	PAD	0.830
12	ROD	0.918	24.	PAD	4.625



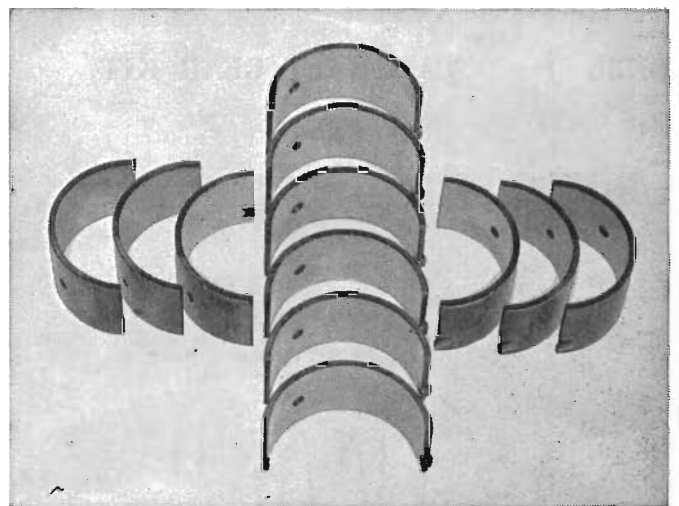
**0.001 Engine Overhaul Gasket Set—
Supplementary**



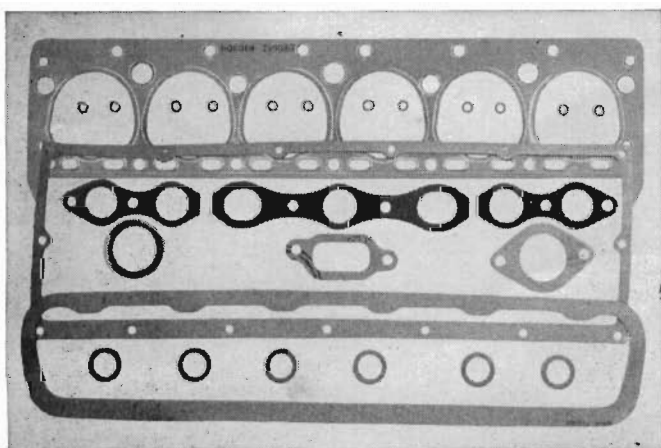
0.536 Camshaft Bearing Set



0.094 Crankshaft Bearing Set



0.616 Connecting Rod Bearing Set

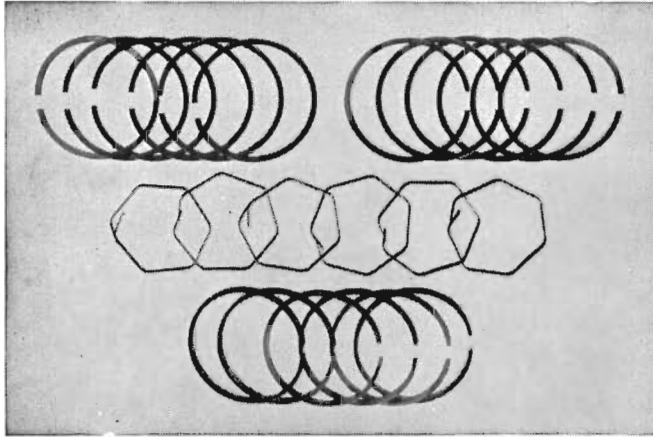


0.289 Cylinder Head Gasket Set

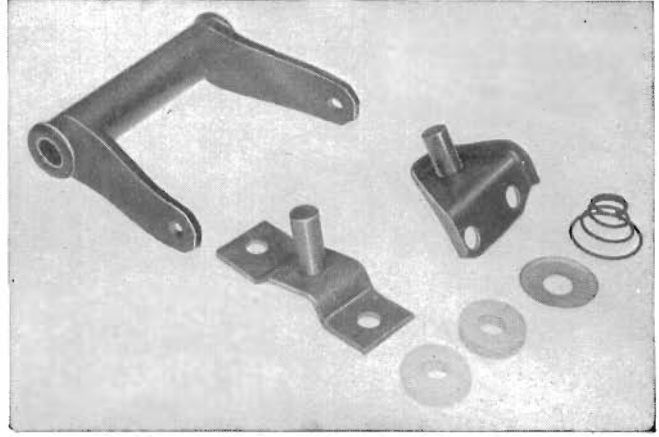


HOLDEN

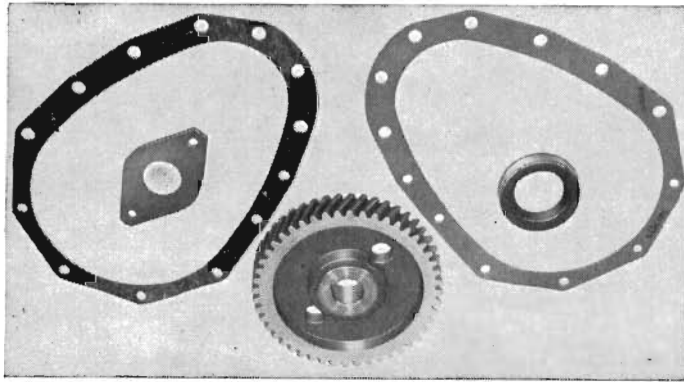
MASTER PARTS CATALOGUE



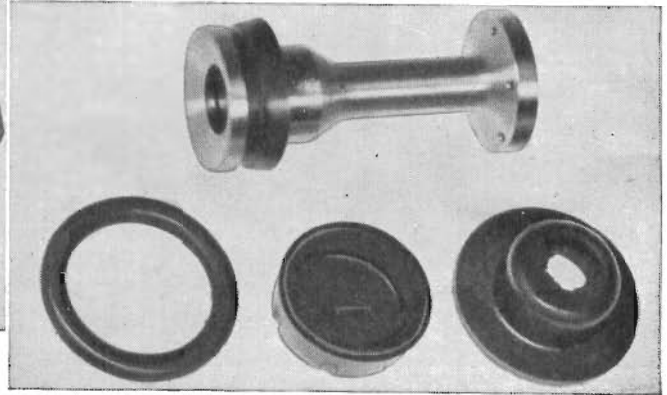
0.643 **Piston Ring Set**



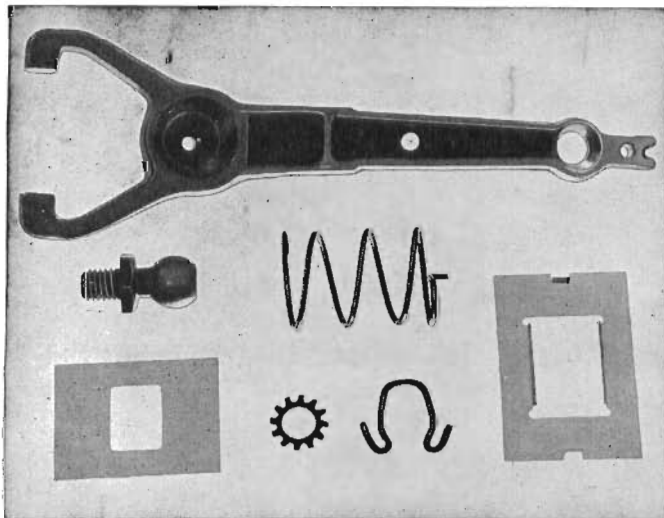
0.852 **Clutch Countershaft
Repair Kit**



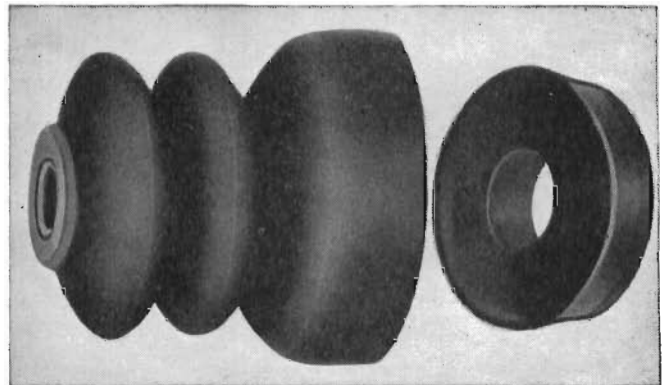
0.736 **CAMSHAFT GEAR KIT**



0.902 **Clutch Main Cylinder
Repair Kit**



0.795 **Clutch Release Repair Kit**



0.934 **Clutch Actuating Cylinder
Repair Kit**

HOLDEN

MASTER PARTS CATALOGUE



Group	Description	Model	Part No.	Qty.
0.000 ENGINE ASSEMBLY				
Current production Engine Assemblies will be supplied on a firm order basis.				
0.001 GASKET SET—Engine overhaul				
SUPPLEMENTARY	48, 50, FJ, FE, FC, FB, EK, EJ	7425334	1
SUPPLEMENTARY	EH, HD exc. X2 Eng.		
		HR exc. X2, S Eng.	7423389	1
SUPPLEMENTARY	HD X2 Eng., HR X2, S Eng.	7430052	1
The above gasket set contains, in conjunction with the appropriate Cylinder Head Gasket Set (Group 0.289), all gaskets necessary for a complete engine overhaul.				
0.004 PLATE—Engine front cover				
PLATE	48, 50, FJ	7412004	1
PLATE	FE, FC, FB	7412006	1
PLATE	EK	7418742	1
PLATE	EJ	7416374	1
BOLT—Hex. hd. 5/16" — 18 x 3/4"	48, 50, FJ, FE, FC, FB, EK, EJ	100121	A.R.
SCREW—Flat hd. sl. mach. 5/16"—18 x 5/8"	48, 50, FJ, FE, FC, FB, EK, EJ	133822	A.R.
WASHER—Spring lock 5/16" medium	48, 50, FJ, FE, FC, FB, EK, EJ	103320	A.R.
0.005 GASKET—Engine front cover plate				
GASKET	48, 50, FJ	7412003	1
GASKET	FE, FC, FB, EK, EJ	7418762	1
0.027 SUPPORT, INSULATOR, BRACKET—Power plant mounting				
SUPPORT ASSEMBLY, front	48, 50, FJ	7402671	1
NUT—Light hex. 5/16"—24	48, 50, FJ	120368	4
WASHER—Spring lock 5/16" medium	48, 50, FJ	120214	4
INSULATOR ASSEMBLY—rear	48, 50, FJ	7402682	2
NUT—Light hex. 5/16"—24	48, 50, FJ	120368	4
WASHER—Spring lock 5/16" medium	48, 50, FJ	120214	4
BOLT—Hex. hd. 3/8"—24 x 3/4"	48, 50, FJ	123520	2
WASHER—Spring lock 3/8" medium	48, 50, FJ	120382	2
WASHER—Plain 7/16" x 1" x .083"	48, 50, FJ	120388	2
BRACKET—Rear, L.H.	48, 50, FJ	7402689	1
BRACKET—Rear, R.H.	48, 50, FJ	7402690	1
BOLT—Hex. hd. 3/8"—16 x 3/4"	48, 50, FJ	122119	4
WASHER—Spring lock 3/8" medium	48, 50, FJ	120382	4
BRACKET—Rear frame, L.H.	48, 50, FJ	7402665	1
BRACKET—Rear frame, R.H.	48, 50, FJ	7402664	1
BOLT—Hex. hd. 3/8"—24 x 3/4"	48, 50, FJ	123520	6
NUT—Light hex. 3/8"—24	48, 50, FJ	120369	6
WASHER—Spring lock 3/8" medium	48, 50, FJ	120382	6
SUPPORT ASSEMBLY—Front (5/16" studs, 5/16" holes)	FE, FC FB S.A. up to Ser. No. 8602A Qld. up to Ser. No. 12048B Vic. up to Ser. No. 25342M W.A. up to Ser. No. 7294P N.S.W. up to Ser. No. 30042S	7409883	1
SUPPORT ASSEMBLY—Front (5/16" studs, 3/8" holes)	FE, FC FB S.A. up to Ser. No. 8602A Qld. up to Ser. No. 12048B Vic. up to Ser. No. 25342M W.A. up to Ser. No. 7294P N.S.W. up to Ser. No. 30042S	*7422566	1

*Necessary to use when Short Motor Assembly Part No. 7425513 is fitted.



HOLDEN

MASTER PARTS CATALOGUE

0.027 SUPPORT, INSULATOR, BRACKET—Power Plant Mounting (cont'd)

SUPPORT ASSEMBLY—Front (3/8" studs, 5/16" holes)	FB S.A. from Ser. No. 8603A Qld. from Ser. No. 12049B Vic. from Ser. No. 25343M W.A. from Ser. No. 7295P N.S.W. from Ser. No. 30043S		
	EK	7415882	1
SUPPORT ASSEMBLY—Front (3/8" studs, 3/8" holes)	FB S.A. from Ser. No. 8603A Qld. from Ser. No. 12049B Vic. from Ser. No. 25343M W.A. from Ser. No. 7295P N.S.W. from Ser. No. 30043S		
	EK	*7422564	1
NUT—Hex. 3/8"—24	FB S.A. from Ser. No. 8603A Qld. from Ser. No. 12049B Vic. from Ser. No. 25343M W.A. from Ser. No. 7295P N.S.W. from Ser. No. 30043S		
	EK	120369	2
WASHER—Spring lock 3/8", heavy	FB S.A. from Ser. No. 8603A Qld. from Ser. No. 12049B Vic. from Ser. No. 25343M W.A. from Ser. No. 7295P N.S.W. from Ser. No. 30043S		
	EK	131099	2
BOLT—Hex. hd. 5/16"—24 x 1"	FE, FC, FB, EK	121661	2
NUT—Hex. 5/16"—24	FE, FC, FB, EK	120368	A.R.
WASHER—Spring lock 5/16" medium	FE, FC, FB, EK	120214	A.R.
INSULATOR ASSEMBLY—Rear support	FE, FC, FB, EK (M)	7409885	2
INSULATOR ASSEMBLY—Rear support	EK (A)	7417858	2
BOLT—Hex. hd. 5/16"—24 x 3/4"	FE, FC, FB, EK	120741	4
NUT—Hex. 5/16"—24	FE, FC, FB, EK	120368	8
WASHER—Spring lock 5/16" medium	FE, FC, FB, EK	120214	8
PLATE—5/16" lock	FE, FC, FB, EK (M)	7409889	4
BRACKET—Rear support	FE, FC, FB, EK (M)	LH7414743	1
		RH7414742	1
BOLT—Hex. hd. 3/8"—16 x 7/8"	FE, FC, FB, EK (M)	122126	2
BOLT—Hex. hd. 3/8"—16 x 1 3/4"	FE, FC, FB, EK (M)	SP1339	2
WASHER—Spring lock 3/8" medium	FE, FC, FB, EK (M)	120382	4
BRACKET—Rear support	EK (A)	LH7417859	1
		RH7417860	1
BOLT—Hex. hd. 3/8"—16 x 2"	EK (A)	SP1478	1
WASHER—Spring lock 3/8" medium	EK (A)	120382	5
BRACKET—Rear frame L.H.	FE, FC, FB, EK	7409051	1
BRACKET—Rear frame R.H.	FE, FC, FB, EK	7409050	1
BOLT—Hex. hd. 3/8"—24 x 3 3/4"	FE, FC, FB, EK	125926	4
WASHER—Plain 25/64" x 3/4" x .083"	FE, FC, FB, EK	SP1357	8
BOLT—Hex. hd. 3/8"—24 x 3/4"	FE, FC, FB, EK	123520	2
WASHER—Spring lock 3/8" heavy	FE, FC, FB, EK	131099	2
SUPPORT ASSEMBLY—Front	EJ	7416273	1
BOLT—Hex. hd. 3/8"—24 x 7/8"	EJ	120758	2
WASHER—Spring lock 3/8" medium	EJ	120382	4
WASHER—Plain 25/64" x 3/4" x .083"	EJ	SP1357	2
NUT—Hex. 3/8"—24	EJ	120369	2
INSULATOR ASSEMBLY—Rear support	EJ	7416269	2
BOLT—Hex. hd. 5/16"—24 x 3/4"	EJ	120741	4
WASHER—Spring lock 5/16" medium	EJ	120214	8
NUT—Hex. 5/16"—24	EJ	120368	8

* Necessary to use when Short Motor Assembly 7425513 is fitted.

HOLDEN

MASTER PARTS CATALOGUE



0.027 SUPPORT, INSULATOR, BRACKET—Power plant mounting (Cont'd)

BRACKET—Rear support	EJ	LH7418329	1
		RH7418330	1
BOLT—Hex. hd. 3/8"—16 x 1"	EJ	120233	6
WASHER—Spring lock 3/8" medium	EJ	120382	6
BRACKET ASSEMBLY—Rear mounting	EJ	RIGHT HAND DRIVE LH7409713	1
		RH7421068	1
BOLT—Hex. hd. 3/8"—24 x 4"	EJ	126167	2
BOLT—Hex. hd. 3/8"—24 x 3-1/2"	EJ	127968	2
BOLT—Hex. 3/8"—24 x 7/8"	EJ	120758	2
WASHER—Plain 25/64" x 3/4" x .083"	EJ	SP1357	9
WASHER—Spring lock 3/8" heavy	EJ	131099	3
SUPPORT ASSEMBLY—Front	EH, HD, HR	7426884	2
BOLT—Hex. hd. 5/16"—24 x 1"	EH, HD, HR	181608	4
NUT—Hex. 5/16"—24	EH, HD, HR	120368	4
WASHER—Spring lock 5/16"—medium	EH, HD, HR	120214	4
BOLT—Hex. hd. 7/16"—14 x 2.7/8"	EH, HD, HR	111600	2
WASHER—Plain 15/32" x 59/64" x .065"	EH, HD, HR	120395	4
WASHER—Spring lock 7/16"—medium	EH, HD, HR	120383	2
NUT—Hex. 7/16"—14	EH, HD, HR	271501	2
BRACKET ASSEMBLY—Front mounting	EH, HD, HR	LH7427365	1
		RH7427366	1
BOLT—Hex. hd. 3/8"—16 x 11/16"	EH	179836	4
BOLT—Hex. hd. 7/16"—14 x 7/8"	EH	179857	2

0.033 CYLINDER BLOCK ASSEMBLY

COMPLETE—(Short Motor)	FE, FC, FB, EK, EJ	7425513	1
COMPLETE—(Short Motor)	EH 149 Eng.	7423098	1
COMPLETE—(Short Motor)	EH 179 Eng.	7423479	1
COMPLETE—(Short Motor)	HD (M) 149 Eng.	7430308	1
COMPLETE—(Short Motor)	HD (A) 149 Eng.	7430307	1
COMPLETE—(Short Motor)	HD (M) 179 exc. X2 Eng.	7430306	1
COMPLETE—(Short Motor)	HD (A) 179 exc. X2 Eng.	7430305	1
COMPLETE—(Short Motor)	HD (M) X2 Eng.	7430310	1
COMPLETE—(Short Motor)	HD (A) X2 Eng.	7430309	1
COMPLETE—(Short Motor)	HR (M) 161 Eng. 3 speed trans.	7430308	1
COMPLETE—(Short Motor)	HR (M) 161 Eng. 4 speed trans.	7431644	1
COMPLETE—(Short Motor)	HR (A) 161 Eng.	7430307	1
COMPLETE—(Short Motor)	HR (M) 186 exc. X2, S Eng. 3 speed trans.	7430306	1
COMPLETE—(Short Motor)	HR (M) 186 exc. X2, S Eng. 4 speed trans.	7431643	1
COMPLETE—(Short Motor)	HR (A) 186 exc. X2, S Eng.	7430305	1
COMPLETE—(Short Motor)	HR (M) X2, S Eng. 3 speed trans.	7430310	1
COMPLETE—(Short Motor)	HR (M) S Eng. 4 speed trans.	7431645	1
COMPLETE—(Short Motor)	HR (A) X2, S Eng.	7430309	1
Includes: Crankshaft, Camshaft, Timing Gears, Pistons, Piston Rings, Piston Pins, Connecting Rods, Front Cover.			
FITTED	48, 50, FJ, FE, FC, FB, EK, EJ	#7425333	1
FITTED	EH 149 Eng., HD 149 Eng.	7430232	1
FITTED	EH 179 Eng., HD 179 Eng.	7430230	1
FITTED	HR 161 Eng.	7430232	1
FITTED	HR 186 Eng.	7430230	1
Includes: Pistons, Rings and Pins.			

#When fitting to 48, 50, or FJ Series, it is necessary to use 1—7412004 Plate, 1—7412003 Gasket, 1—122045 Bolt.
When fitting to FE, FC, or FB Series, it is necessary to use 1—7418742 Plate, 1—7418762 Gasket, 1—100121 Bolt.



HOLDEN

MASTER PARTS CATALOGUE

0.033 CYLINDER BLOCK ASSEMBLY (Cont'd.)

COCK—Drain, Type 'C'	48, 50, FJ, FE, FC, FB, EK, EJ	114981	1
PLUG KIT—Water jacket core	48, 50, FJ, FE, FC	7425263	1
PLUG KIT—Water jacket core	FB, EK, EJ	7425264	1
PLUG—Water Jacket Core 1-1/4"	48, 50, FJ, FE, FC, FB, EK, EJ EH 179 Eng., HD 179 Eng., HR	7401296	A.R.
PLUG—Water Jacket Core 1-5/8"	48 from Engine No. 37832 50 from Engine No. 37832 FJ, FE, FC, FB, EK, EJ, EH, HD, HR	838538	A.R.
PLUG—Water Jacket Core, rear	EH, HD, HR	3789860	1
PLUG—Water Jacket Core Cup 1-9/32"	48, 50, FJ, FE, FC, FB, EK, EJ EH 179 Eng., HD 179 Eng., HR	SP1652	A.R.
PLUG—Water Jacket Core Cup 1-11/16"	48 from Engine No. 37832 50 from Engine No. 37832 FJ, FE, FC, FB, EK, EJ, EH, HD, HR	SP1648	A.R.
PLUG—Water Jacket Core Cup 2-1/16"	EH, HD, HR	SP1649	1
COCK—Drain	EH, HD	SP1526	1
COCK—Drain	HR	SP1717	1
PIN—Dowel, Cylinder Head & Crankcase Front Cover	EH, HD, HR	141216	4

0.056 BOLT—Crankshaft Bearing Cap

BOLT	48, 50, FJ, FE, FC, FB	7400920	8
BOLT—Front and rear cap	EK, EJ	7418794	4
BOLT—Front int. and rear int. cap	EK, EJ	7417079	4
WASHER—Spring lock 7/16" medium	48, 50, FJ, FE, FC, FB, EK, EJ	103322	8
BOLT	EH, HD, HR	7420106	14

0.094 BEARING SET—Crankshaft

STANDARD	48, 50, FJ, FE, FC, FB, EK, EJ	7405738	1
(.002" U/S)	48, 50, FJ, FE, FC, FB, EK, EJ	7405739	1
(.010" U/S)	48, 50, FJ, FE, FC, FB, EK, EJ	7405740	1
(.020" U/S)	48, 50, FJ, FE, FC, FB, EK, EJ	7405741	1
(.030" U/S)	48, 50, FJ, FE, FC, FB, EK, EJ	7405742	1
(SEMI-FINISHED)	48, 50, FJ, FE, FC, FB, EK, EJ	M32623	1
STANDARD	EH, HD exc. X2 Eng.	7423599	1
.001" U/S.	EH, HD exc. X2 Eng.	7423600	1
.002" U/S.	EH, HD exc. X2 Eng.	7423601	1
.009" U/S.	EH, HD exc. X2 Eng.	7427241	1
.010" U/S.	EH, HD exc. X2 Eng.	7423602	1
.020" U/S.	EH, HD exc. X2 Eng.	7423603	1
.030" U/S.	EH, HD exc. X2 Eng.	7430408	1
STANDARD	HD X2 Eng., HR X2, S Eng.	7429350	1
.001" U/S.	HD X2 Eng., HR X2, S Eng.	7429380	1
.010" U/S.	HD X2 Eng., HR X2, S Eng.	7429114	1
.020" U/S.	HD X2 Eng., HR X2, S Eng.	7429115	1
.030" U/S.	HD X2 Eng., HR X2, S Eng.	7429116	1
STANDARD	HR exc. X2, S Eng.	7430402	1
.001" U/S.	HR exc. X2, S Eng.	7430403	1
.002" U/S.	HR exc. X2, S Eng.	7430404	1
.009" U/S.	HR exc. X2, S Eng.	7430405	1
.010" U/S.	HR exc. X2, S Eng.	7430406	1
.020" U/S.	HR exc. X2, S Eng.	7430407	1
.030" U/S.	HR exc. X2, S Eng.	7430408	1

0.095 CAP—Crankshaft Front Bearing

CAP	48, 50, FJ, FE, FC, FB, EK, EJ	#7425331	1
CAP	EH, HD, HR	7425919	1

#When fitting to 48, 50, FJ, FE, FC, FB it is necessary to use 2—7418794 Bolt.



0.096 BEARING UNIT—Crankshaft Front

STANDARD	48, 50, FJ, FE, FC, FB, EK, EJ	7405010	1
(.001" U/S)	48, 50, FJ, FE, FC, FB, EK, EJ	7420539	1
(.002" U/S)	48, 50, FJ, FE, FC, FB, EK, EJ	7405256	1
(.010" U/S)	48, 50, FJ, FE, FC, FB, EK, EJ	7405013	1
(.020" U/S)	48, 50, FJ, FE, FC, FB, EK, EJ	7405014	1
(.030" U/S)	48, 50, FJ, FE, FC, FB, EK, EJ	7405015	1
STANDARD	EH, HD exc. X2 Eng.	7423592	1
.001" U/S.	EH, HD exc. X2 Eng.	7423593	1
.002" U/S.	EH, HD exc. X2 Eng.	7423595	1
.009" U/S.	EH, HD exc. X2 Eng.	7427239	1
.010" U/S.	EH, HD exc. X2 Eng.	7430434	1
.020" U/S.	EH, HD exc. X2 Eng.	7430435	1
.030" U/S.	EH, HD exc. X2 Eng.	7423598	1
STANDARD	HD X2 Eng., HR X2, S Eng.	7429351	1
.001" U/S.	HD X2 Eng., HR X2, S Eng.	7429378	1
.010" U/S.	HD X2 Eng., HR X2, S Eng.	7429108	1
.020" U/S.	HD X2 Eng., HR X2, S Eng.	7429109	1
.030" U/S.	HD X2 Eng., HR X2, S Eng.	7429110	1
STANDARD	HR exc. X2, S Eng.	7430430	1
.001" U/S.	HR exc. X2, S Eng.	7430431	1
.002" U/S.	HR exc. X2, S Eng.	7430432	1
.009" U/S.	HR exc. X2, S Eng.	7430433	1
.010" U/S.	HR exc. X2, S Eng.	7430434	1
.020" U/S.	HR exc. X2, S Eng.	7430435	1
.030" U/S.	HR exc. X2, S Eng.	7430436	1

0.098 CAP—Crankshaft Front Intermediate Bearing

CAP	48, 50, FJ, FE, FC, FB, EK, EJ	#7425054	1
CAP	EH, HD, HR	7425919	2

#When fitting to 48, 50, FJ, FE, FC, FB it is necessary to use 2—7417079 Bolt.

0.099 BEARING UNIT—Crankshaft Front Intermediate

STANDARD	48, 50, FJ, FE, FC, FB, EK, EJ	7405011	1
(.001" U/S)	48, 50, FJ, FE, FC, FB, EK, EJ	7420541	1
(.002" U/S)	48, 50, FJ, FE, FC, FB, EK, EJ	7405258	1
(.020" U/S)	48, 50, FJ, FE, FC, FB, EK, EJ	7405017	1
STANDARD	EH, HD exc. X2 Eng.	7423592	2
(.001" U/S)	EH, HD exc. X2 Eng.	7423593	2
(.002" U/S)	EH, HD exc. X2 Eng.	7423595	2
(.009" U/S)	EH, HD exc. X2 Eng.	7427239	2
(.010" U/S)	EH, HD exc. X2 Eng.	7430434	2
(.020" U/S)	EH, HD exc. X2 Eng.	7430435	2
(.030" U/S)	EH, HD exc. X2 Eng.	7423598	2
STANDARD	HD X2 Eng., HR X2, S Eng.	7429351	2
.001" U/S.	HD X2 Eng., HR X2, S Eng.	7429378	2
.010" U/S.	HD X2 Eng., HR X2, S Eng.	7429108	2
.020" U/S.	HD X2 Eng., HR X2, S Eng.	7429109	2
.030" U/S.	HD X2 Eng., HR X2, S Eng.	7429110	2
STANDARD	HR exc. X2, S Eng.	7430430	2
.001" U/S.	HR exc. X2, S Eng.	7430431	2
.002" U/S.	HR exc. X2, S Eng.	7430432	2
.009" U/S.	HR exc. X2, S Eng.	7430433	2
.010" U/S.	HR exc. X2, S Eng.	7430434	2
.020" U/S.	HR exc. X2, S Eng.	7430435	2
.030" U/S.	HR exc. X2, S Eng.	7430436	2

0.100 CAP—Crankshaft Centre Bearing

CAP	EH, HD, HR	7425919	1
-----	------------	---------	---



HOLDEN

MASTER PARTS CATALOGUE

0.101 BEARING UNIT—Crankshaft Centre

STANDARD	EH, HD exc. X2 Eng.	7423592	1
(.001" U/S)	EH, HD exc. X2 Eng.	7423593	1
(.002" U/S)	EH, HD exc. X2 Eng.	7423595	1
(.009" U/S)	EH, HD exc. X2 Eng.	7427239	1
(.010" U/S)	EH, HD exc. X2 Eng.	7430434	1
(.020" U/S)	EH, HD exc. X2 Eng.	7430435	1
(.030" U/S)	EH, HD exc. X2 Eng.	7423598	1
STANDARD	HD X2 Eng., HR X2, S Eng.	7429351	1
.001" U/S.	HD X2 Eng., HR X2, S Eng.	7429378	1
.010" U/S.	HD X2 Eng., HR X2, S Eng.	7429108	1
.020" U/S.	HD X2 Eng., HR X2, S Eng.	7429109	1
.030" U/S.	HD X2 Eng., HR X2, S Eng.	7429110	1
STANDARD	HR exc. X2, S Eng.	7430430	1
.001" U/S.	HR exc. X2, S Eng.	7430431	1
.002" U/S.	HR exc. X2, S Eng.	7430432	1
.009" U/S.	HR exc. X2, S Eng.	7430433	1
.010" U/S.	HR exc. X2, S Eng.	7430434	1
.020" U/S.	HR exc. X2, S Eng.	7430435	1
.030" U/S.	HR exc. X2, S Eng.	7430436	1

0.102 CAP—Crankshaft Rear Intermediate Bearing

CAP	48, 50, FJ, FE, FC, FB, EK, EJ	#7425053	1
CAP	EH, HD, HR	7425919	2

#When fitting to 48, 50, FJ, FE, FC, FB it is necessary to use 2—7417079 Bolt.

0.103 BEARING UNIT—Crankshaft Rear Intermediate

STANDARD	48, 50, FJ, FE, FC, FB, EK, EJ	7405012	1
(.001" U/S)	48, 50, FJ, FE, FC, FB, EK, EJ	7420543	1
(.002" U/S)	48, 50, FJ, FE, FC, FB, EK, EJ	7405260	1
(.010" U/S)	48, 50, FJ, FE, FC, FB, EK, EJ	7405019	1
(.020" U/S)	48, 50, FJ, FE, FC, FB, EK, EJ	7405020	1
STANDARD	EH, HD exc. X2 Eng.	7423592	2
(.001" U/S)	EH, HD exc. X2 Eng.	7423593	2
(.002" U/S)	EH, HD exc. X2 Eng.	7423595	2
(.009" U/S)	EH, HD exc. X2 Eng.	7427239	2
(.010" U/S)	EH, HD exc. X2 Eng.	7430434	2
(.020" U/S)	EH, HD exc. X2 Eng.	7430435	2
(.030" U/S)	EH, HD exc. X2 Eng.	7423598	2
STANDARD	HD X2 Eng., HR X2, S Eng.	7429351	2
.001" U/S.	HD X2 Eng., HR X2, S Eng.	7429378	2
.010" U/S.	HD X2 Eng., HR X2, S Eng.	7429108	2
.020" U/S.	HD X2 Eng., HR X2, S Eng.	7429109	2
.030" U/S.	HD X2 Eng., HR X2, S Eng.	7429110	2
STANDARD	HR exc. X2, S Eng.	7430430	2
.001" U/S.	HR exc. X2, S Eng.	7430431	2
.002" U/S.	HR exc. X2, S Eng.	7430432	2
.009" U/S.	HR exc. X2, S Eng.	7430433	2
.010" U/S.	HR exc. X2, S Eng.	7430434	2
.020" U/S.	HR exc. X2, S Eng.	7430435	2
.030" U/S.	HR exc. X2, S Eng.	7430436	2

0.105 CAP—Crankshaft Rear Bearing

CAP	48, 50, FJ, FE, FC, FB, EK, EJ	#7425332	1
CAP	EH, HD, HR	7425907	1

When fitting to 48, 50, FJ, FE, FC, FB It is necessary to use 2—7418794 Bolt.



0.106 BEARING UNIT—Crankshaft Rear

STANDARD	48, 50, FJ, FE, FC, FB, EK, EJ	7405010	1
(.001" U/S)	48, 50, FJ, FE, FC, FB, EK, EJ	7420539	1
(.002" U/S)	48, 50, FJ, FE, FC, FB, EK, EJ	7405256	1
(.010" U/S)	48, 50, FJ, FE, FC, FB, EK, EJ	7405013	1
(.020" U/S)	48, 50, FJ, FE, FC, FB, EK, EJ	7405014	1
(.030" U/S)	48, 50, FJ, FE, FC, FB, EK, EJ	7405015	1
STANDARD	EH, HD exc. X2 Eng.	7423605	1
(.001" U/S)	EH, HD exc. X2 Eng.	7423594	1
(.002" U/S)	EH, HD exc. X2 Eng.	7423606	1
(.009" U/S)	EH, HD exc. X2 Eng.	7427240	1
(.010" U/S)	EH, HD exc. X2 Eng.	7423607	1
(.020" U/S)	EH, HD exc. X2 Eng.	7423608	1
(.030" U/S)	EH, HD exc. X2 Eng.	7423609	1
STANDARD	HD X2 Eng., HR X2, S Eng.	7429352	1
.001" U/S.	HD X2 Eng., HR X2, S Eng.	7429379	1
.010" U/S.	HD X2 Eng., HR X2, S Eng.	7429111	1
.020" U/S.	HD X2 Eng., HR X2, S Eng.	7429112	1
.030" U/S.	HD X2 Eng., HR X2, S Eng.	7429113	1
STANDARD	HR exc. X2, S Eng.	7430437	1
.001" U/S.	HR exc. X2, S Eng.	7430438	1
.002" U/S.	HR exc. X2, S Eng.	7430439	1
.009" U/S.	HR exc. X2, S Eng.	7430440	1
.010" U/S.	HR exc. X2, S Eng.	7430441	1
.020" U/S.	HR exc. X2, S Eng.	7430442	1
.030" U/S.	HR exc. X2, S Eng.	7430443	1

0.137 SEAL—Crankshaft Rear Bearing Oil

SEAL	48, 50, FJ, FE, FC, FB, EK, EJ	7401298	2
SEAL PACKAGE	EH, HD, HR	7423615	1
SEAL—Upper	EH, HD, HR	3788430	1
SEAL—Lower	EH, HD, HR	3788429	1

0.153 SHIM UNIT—Crankshaft Bearing

SHIM UNIT—Front, Centre and Intermediate	EH, HD, HR	7425780	12
SHIM UNIT—Rear	EH, HD, HR	7425781	2

0.206 COVER—Timing Gear, Crankcase

COVER	48, 50, FJ, FE, FC, FB, EK, EJ	7418790	1
REINFORCEMENT	48, 50, FJ, FE, FC, FB, EK, EJ	7418792	1
BOLT—Hex. hd. 5/16"—18 x .91"	48, 50, FJ, FE, FC, FB, EK, EJ	SP1480	A.R.
WASHER—Spring lock 5/16" medium	48, 50, FJ, FE, FC, FB, EK, EJ	103320	A.R.
BOLT—Hex. hd. 1/4"—20 x 1/2"	48, 50, FJ, FE, FC, FB, EK, EJ	120706	A.R.
WASHER—Spring lock 1/4" medium	48, 50, FJ, FE, FC, FB, EK, EJ	SP1502	A.R.
SCREW—Rd. hd. sl. mach. 1/4"—20 x 5/16"	48, 50, FJ, FE, FC, FB, EK, EJ	113953	5
COVER ASSEMBLY	EH, HD, HR	7427341	1
BOLT—Cover	EH, HD, HR	7427738	6

0.207 GASKET—Timing Gear, Crankcase Cover

GASKET SET	48, 50, FJ, FE, FC, FB, EK, EJ	7425189	1
GASKET	EH, HD, HR	7420004	1

0.209 SEAL—Timing Gear and Crankcase Cover Oil

SEAL	48, 50, FJ, FE, FC, FB, EK, EJ	7412742	1
SEAL—Dual lip (Optional Service)	48, 50, FJ, FE, FC, FB, EK, EJ	7426199	1
SEAL	EH, HD, HR	3835946	1

0.210 SLINGER—Timing Gear Cover Oil

SLINGER	48, 50, FJ, FE, FC, FB, EK, EJ	7401309	1
---------	--------------------------------	---------	---



HOLDEN

MASTER PARTS CATALOGUE

0.269 HEAD AND VALVE GUIDE ASSEMBLY—Cylinder

COMPLETE	48, 50, FJ, FE, FC, FB, EK, EJ	#7406681	1
INCLUDES: Valves, Valve Springs, Caps and Keys			
HEAD (With Valve Guides)	FJ from Engine No. U283384		
	FE, FC, FB, EK, EJ	7406680	1
COMPLETE	EH 149 Eng., HD 149 Eng. 8.8:1 C.R.	7431501	1
COMPLETE	EH 179 Eng., HD 179 Eng. exc. X2 Eng.		
	EH 149 Eng., HD 149 Eng. 7.7:1 C.R.	7431502	1
COMPLETE	HD X2 Eng.	7431500	1
HEAD & STUD ASSEMBLY	EH 149 Eng., HD 149 Eng. 8.8:1 C.R.	7429771	1
HEAD & STUD ASSEMBLY	EH 179 Eng., HD 179 Eng. 8.8:1 C.R.		
	EH 149 Eng., HD 149 Eng. 7.7:1 C.R.	7429770	1
COMPLETE	HR 161 Eng. 9.2:1 C.R.	7429488	1
COMPLETE	HR 186 exc. X2, S Eng.		
	HR 161 Eng. 8.2:1 C.R.	7429474	1
COMPLETE	HR X2, S Eng.	7430226	1
HEAD & STUD ASSEMBLY	HR 161 Eng. 9.2:1 C.R.	7430268	1
HEAD & STUD ASSEMBLY	HR 186 Eng. 9.2:1 C.R.		
	HR 161 Eng. 8.2:1 C.R.	7430267	1
PLUG—Water jacket core 1-1/4"	48 up to Engine No. 37831		
	50 up to Engine No. 37831	7401296	1
PLUG—Water jacket core cup 1-9/32"	48 up to Eng. No. 37831		
	50 up to Eng. No. 37831	SP1652	1
PLUG—Water jacket core 1-5/8"	48 from Engine No. 37832		
	50 from Engine No. 37832		
	FJ, FE, FC, FB, EK, EJ	838538	1
PLUG—Water jacket core cup 1-11/16"	48 from Eng. No. 37832		
	50 from Eng. No. 37832		
	FJ, FE, FC, FB, EK, EJ	SP1648	1
PLUG—Water jacket core 3/4"	EH, HD, HR	7420138	3
PLUG—Water jacket core cup 13/16"	EH, HD, HR	SP1650	3
PLUG—Square hd. pipe 1/2"	FB, EK, EJ, EH, HD, HR	103868	1

#NOTE:—Depending upon the octane rating of the fuel used it may be necessary to retard the spark from the standard setting on 48, 50 or FJ up to Engine No. 283372 to eliminate detonation.
When fitting to 48, 50 or FJ up to Eng. No. 178123 it is necessary to use 12—7408422 Push Rod.

0.277 SWITCH—Thermo Tell Tale

TEMPERATURE GAUGE—Engine Unit

IN CYLINDER HEAD	48, 50, FJ		
	FE up to Engine No. L388857	7406994	1
IN CYLINDER HEAD	FE from Engine No. L388858		
	FC, FB, EK, EJ, EH	7406993	1
SWITCH—Thermo tell-tale	HD exc. X2 Eng.	7425571	1
TEMPERATURE GAUGE—Engine unit	HD X2 Eng., HR X2, S Eng.	7429180	1
SWITCH—Thermo tell-tale	HR exc. X2, S Eng.	7428031	1

0.283 GUIDE—Inlet Valve

GUIDE	48, 50, FJ, FE, FC, FB, EK, EJ	7405041	6
-------------	--------------------------------------	---------	---

0.286 GUIDE—Exhaust Valve

GUIDE	48, 50, FJ, FE, FC, FB, EK, EJ	7405041	6
-------------	--------------------------------------	---------	---

0.289 GASKET SET, GASKET—Cylinder Head

GASKET SET	48, 50, FJ, FE, FC, FB, EK, EJ	7406493	1
GASKET SET (less head gasket)	48, 50, FJ, FE, FC, FB, EK, EJ	7406711	1
GASKET SET	EH 149 Eng., HD 149 Eng.	7426305	1
GASKET SET	EH 179 Eng., HD 179 Eng.	7426306	1
GASKET SET	HR 161 Eng.	7430269	1
GASKET SET	HR 186 Eng.	7430270	1
GASKET	48, 50, FJ, FE, FC, FB, EK, EJ	7414667	1
GASKET—Special Service—Enlarged rear water ports	48, 50, FJ, FE, FC, FB, EK, EJ	7424869	1
GASKET	EH 149 Eng., HD 149 Eng.	7425993	1
GASKET	EH 179 Eng., HD 179 Eng.	7425994	1
GASKET	HR 161 Eng.	7429472	1
GASKET	HR 186 Eng.	7429473	1



0.293 BOLT—Cylinder Head

LONG	48, 50, FJ, FE, FC, FB, EK, EJ	7401119	7
SHORT	48, 50, FJ, FE, FC, FB, EK, EJ	7401120	8
BOLT	EH, HD, HR	7420137	14

0.296 VALVE—Inlet

VALVE	48, 50, FJ up to Engine No. 178123	7401248	6
VALVE	FJ, Engine Nos. 178124-283372	7408420	6
VALVE	FJ from Engine No. U283384		
	FE, FC, FB, EK, EJ	7409296	6
VALVE—Standard	EH, HD, HR	7420071	6
VALVE—.0015" O/S	EH, HD, HR	7427731	6
VALVE—.003" O/S	EH, HD, HR	7420172	6
VALVE—.015" O/S	EH, HD, HR	7420173	6
VALVE—.030" O/S	EH, HD, HR	7420174	6

0.297 VALVE—Exhaust

VALVE	48, 50, FJ up to Eng. No. 178123	7401249	6
VALVE	FJ from Eng. No. 178124		
	FE, FC, FB, EK, EJ	7408421	6
VALVE—Standard	EH, HD exc. X2 Eng., HR exc. X2, S Eng.	7420072	6
VALVE—.0015" O/S	EH, HD exc. X2 Eng., HR exc. X2, S Eng.	7427732	6
VALVE—.003" O/S	EH, HD exc. X2 Eng., HR exc. X2, S Eng.	7420175	6
VALVE—.015" O/S	EH, HD exc. X2 Eng., HR exc. X2, S Eng.	7420176	6
VALVE—.030" O/S	EH, HD exc. X2 Eng., HR exc. X2, S Eng.	7420177	6
VALVE—Standard	HD X2 Eng., HR X2, S Eng.	7430177	6
VALVE—.0015" O/S	HD X2 Eng., HR X2, S Eng.	7430178	6
VALVE—.003" O/S	HD X2 Eng., HR X2, S Eng.	7430179	6
VALVE—.015" O/S	HD X2 Eng., HR X2, S Eng.	7430180	6
VALVE—.030" O/S	HD X2 Eng., HR X2, S Eng.	7430181	6

0.303 SPRING—Valve

SPRING	48, 50, FJ, FE, FC, FB, EK, EJ	7400688	12
SPRING	EH, HD, HR	7420073	12

0.308 SEAL, SHIELD—Valve Stem

SEAL	FJ from Eng. No. 178124		
	FE, FC, FB, EK, EJ, EH, HD, HR	3835333	12
SHIELD	EH, HD, HR	3836755	12

0.309 CAP—Valve spring

CAP	48, 50, FJ, FE, FC, FB, EK, EJ	3835392	1
CAP	EH, HD, HR	3711176	12

0.310 KEY—Valve stem

KEY	ALL	838029	24
-----	-----	--------	----

0.333 ARM AND BUSHING ASSEMBLY—Valve rocker

L.H.	48, 50, FJ up to Eng. No. 197343	7400557	6
R.H.	48, 50, FJ up to Eng. No. 197343	7400558	6
L.H.	FJ from Eng. No. 197344		
	FE, FC, FB, EK, EJ	7409671	6
R.H.	FJ from Eng. No. 197344		
	FE, FC, FB, EK, EJ	7409670	6
ARM	EH, HD, HR	7420056	12

0.334 BUSHING—Valve rocker arm

BUSHING	48, 50, FJ, FE, FC, FB, EK, EJ	7409398	12
---------	--------------------------------	---------	----



HOLDEN

MASTER PARTS CATALOGUE

0.349 SUPPORT, SCREW—Valve rocker shaft

SUPPORT—Plain	48, 50, FJ, FE, FC, FB, EK, EJ	*7412823	4
SUPPORT—Locating	48, 50, FJ, FE, FC, FB, EK, EJ	**7412818	2
BOLT—Hex. hd. 5/16"—18 x 7/8"	48, 50, FJ		
	FE up to Eng. No. L426903	120229	6
BOLT—Hex. hd. 5/16"—18 x 31/8"	48, 50, FJ, FE, FC, FB, EK, EJ	117102	A.R.
WASHER—Spring lock 5/16" medium	48, 50, FJ, FE, FC, FB, EK, EJ	103320	10
WASHER—Plain 11/32" x 11/16" x .065"	48, 50, FJ, FE, FC, FB, EK, EJ	103340	A.R.
SCREW—Locating	48, 50, FJ		
	FE up to Engine No. L426903	7400568	2
WASHER—Spring lock 5/16" medium	48, 50, FJ		
	FE up to Engine No. L426903	103320	2

* When fitting to 48, 50, FJ or FE models up to Engine No. L426903 it is necessary to use Bolt Part No. 117102 in lieu of Bolt Part No. 120229.

**When fitting to 48, 50, FJ or FE models up to Engine No. L426903, it is necessary to use Bolt Part No. 117102 in lieu of Bolt Part No. 120229, also Plate and Pin Assy. Part No. 7412821 in lieu of Screw Part No. 7400568, Washer Part No. 103320 and 2 Washer Part No. 103340.

0.353 SHAFT AND PLUG ASSEMBLY—Valve rocker

SHAFT ASSY—Front c/with arms & supports	FJ from Eng. No. 197344		
	FE, FC, FB, EK, EJ	7412855	1
SHAFT ASSY—Rear c/with arms & supports	FJ from Eng. No. 197344		
	FE, FC, FB, EK, EJ	7412856	1
SHAFT ASSEMBLY	FJ from Eng. No. 197344		
	FE, FC, FB, EK, EJ	7412822	2

0.356 PLUG—Valve rocker shaft

PLUG	48, 50, FJ, FE, FC, FB, EK, EJ	7400556	2
------	--------------------------------	---------	---

0.366 PLATE AND PIN ASSEMBLY—Valve rocker shaft locating

PLATE AND PIN ASSEMBLY	FE from Engine No. L426904		
	FC, FB, EK, EJ	7412821	2

0.376 SPRING—Valve rocker shaft

SPRING	48, 50, FJ, FE, FC, FB, EK, EJ	7400569	4
--------	--------------------------------	---------	---

0.377 SPRING—Valve rocker arm tension

SPRING	48, 50, FJ, FE, FC, FB, EK, EJ	7400564	4
--------	--------------------------------	---------	---

0.378 SPRING—Valve rocker arm retainer

SPRING	48, 50, FJ, FE, FC, FB, EK, EJ	7400565	4
--------	--------------------------------	---------	---

0.386 COVER—Valve rocker

COVER	48, 50, FJ, FE, FC, FB, EK, EJ	7411304	1
COVER	EH, HD, HR	7427335	1
SCREW—Hex. hd. mach. 1/4"—20 x 1/2"	EH, HD, HR	9414811	8

0.388 TRANSFER—Valve rocker cover

TRANSFER—Engine oil requirement instruction	EH, HD exc. X2 Eng., HR exc. X2, S Eng.	7426927	1
TRANSFER—Engine capacity identification	EH 149 Eng., HD 149 Eng. 8.8:1 C.R.	7426928	1
TRANSFER—Engine capacity identification	EH 149 Eng., HD 149 Eng. 7.7:1 C.R.	7426929	1
TRANSFER—Engine capacity identification	EH 179 Eng., HD 179 exc. X2 Eng.	7426930	1
TRANSFER—Engine oil requirement instruction	HD X2 Eng., HR X2, S Eng.	7429288	1
TRANSFER—Engine capacity identification	HD X2 Eng.	7429289	1
TRANSFER—Engine capacity identification	HR 161 Eng. 9.2:1 C.R.	7432150	1
TRANSFER—Engine capacity identification	HR 161 Eng. 8.2:1 C.R.	7432149	1
TRANSFER—Engine capacity identification	HR 186 exc. X2 Eng.	7432151	1
TRANSFER—Engine capacity identification	HR X2 Eng.	7432152	1
TRANSFER—Engine capacity identification	HR S Eng.	7435330	1

HOLDEN

MASTER PARTS CATALOGUE



0.390 INSULATOR—Valve rocker cover

INSULATOR	48, 50, FJ, FE, FC, FB, EK, EJ	7400857	2
WASHER—Plain 3/8" x 7/8" x .083"	48, 50, FJ, FE, FC, FB, EK, EJ	446363	2

0.413 STUD, REINFORCEMENT—Valve rocker cover

STUD	48, 50, FJ, FE, FC, FB, EK, EJ	7401349	2
WASHER—Spring lock 5/16" medium	48, 50, FJ, FE, FC, FB, EK, EJ	103320	2
WASHER—Plain 11/32" x 11/16" x .065"	48, 50, FJ, FE, FC, FB, EK, EJ	103340	2
NUT—Light hex. 5/16"—24	48, 50, FJ, FE, FC, FB, EK, EJ	103025	2
REINFORCEMENT	EH, HD, HR	3836659	8

0.416 NUT—Valve rocker cover

NUT	48, 50, EJ, FE, FC, FB, EK, EJ	7401126	2
-----	--------------------------------	---------	---

0.423 GASKET—Valve rocker cover

GASKET	48, 50, FJ, FE, FC, FB, EK, EJ	7411305	1
GASKET	EH, HD, HR	7427337	1

0.426 ROD—Valve push

ROD	48, 50, FJ up to Eng. No. 178123	7401247	12
ROD	FJ from Eng. No. 178124		
ROD	FE, FC, FB up to Eng. No. B65279	7408422	12
ROD	FB from Eng. No. B65280		
ROD	EK, EJ	7416291	12
ROD	EH, HD, HR	7429562	12

0.429 SCREW, NUT, STUD, BALL—Valve rocker arm adjusting

SCREW	48, 50, FJ, FE, FC, FB, EK, EJ	7400562	12
NUT—Special Jam	48, 50, FJ, FE, FC, FB, EK, EJ	7400563	12
STUD—Standard	EH, HD, HR	7420057	12
STUD—.003" O/S	EH, HD, HR	7426226	12
STUD—.013" O/S	EH, HD, HR	7426227	12
BALL	EH, HD, HR	3744340	12
NUT	EH, HD, HR	3744341	12

0.439 COVER ASSEMBLY—Valve push rod

COVER ASSEMBLY	48, 50, FJ	7406919	1
COVER ASSEMBLY	FE, FC, FB, EK, EJ	7419957	1
COVER ASSEMBLY	EH, HD, HR	7420124	2

0.443 GASKET—Valve push rod cover

GASKET	48, 50, FJ, FE, FC, FB, EK, EJ	7415894	1
GASKET	EH, HD, HR	7420125	2

0.449 BOLT AND LOCKWASHER ASSEMBLY—Valve push rod cover

BOLT AND LOCKWASHER ASSEMBLY	48, 50, FJ, FE, FC, FB, EK, EJ	SP1672	A.R.
BOLT—Special	FE, FC, FB, EK, EJ	7410689	3
WASHER—Ext. tooth lock 1/4"	FE, FC, FB, EK, EJ	114604	3
BOLT & SEAL ASSEMBLY	EH, HD, HR	7421877	6
SEAL	EH, HD, HR	M35821	6

0.454 SEAL—Valve push rod cover

SEAL	48, 50, FJ, FE, FC, FB, EK, EJ	7401140	6
------	--------------------------------	---------	---

0.459 TAPPET ASSEMBLY—Valve

LIFTER ASSEMBLY—Hydraulic Valve

TAPPET ASSEMBLY	48, 50, FJ, FE, FC		
TAPPET ASSEMBLY	FB up to Eng. No. B65279	7408493	12
TAPPET ASSEMBLY	FB from Eng. No. B65280		
LIFTER ASSEMBLY	EK, EJ	7416292	12
RETAINER—Lifter plunger	EH, HD, HR	5231475	12
RETAINER—Lifter plunger	EH, HD, HR	5231369	12



HOLDEN

MASTER PARTS CATALOGUE

0.519 CAMSHAFT

CAMSHAFT	48, 50, FJ up to Eng. No. 197343	7400531	1
CAMSHAFT	FJ from Eng. No. 197344		
	FE, FC, FB, EK, EJ	7412838	1
CAMSHAFT	EH, HD exc. X2 Eng.,		
	HR exc. X2, S Eng.	7420034	1
CAMSHAFT	HD X2 Eng., HR X2, S Eng.	7428531	1

0.533 PLATE, BEARING—Camshaft thrust

PLATE	48, 50, FJ, FE, FC, FB, EK, EJ	7415937	1
BOLT—Hex. hd. 1/4"—20 x 3/4"	48, 50, FJ, FE, FC, FB, EK, EJ	100109	2
WASHER—Ext. tooth lock 1/4"	48, 50, FJ, FE, FC, FB, EK, EJ	114604	2
BEARING	EH, HD, HR	7429774	1
SCREW—Pan hd. cr. rec. mach. 1/4"—20 x 1/2" with internal tooth lock washer	EH, HD, HR	188712	2

0.536 BEARING SET—Camshaft

BEARING SET—Semi-finished	48, 50, FJ, FE, FC, FB, EK, EJ	7405753	1
BEARING SET—Standard	48, 50, FJ, FE, FC, FB, EK, EJ	M32624	1
BEARING SET—.005" U/S	48, 50, FJ, FE, FC, FB, EK, EJ	M32638	1
BEARING SET—.010" U/S	48, 50, FJ, FE, FC, FB, EK, EJ	M32639	1
BEARING SET—Semi-finished	EH, HD, HR	7423616	1

0.539 BEARING—Camshaft front

BEARING	48, 50, FJ, FE, FC, FB, EK, EJ	7400875	1
---------	--------------------------------	---------	---

0.543 BEARING—Camshaft front intermediate

BEARING	48, 50, FJ, FE, FC, FB, EK, EJ	7400876	1
---------	--------------------------------	---------	---

0.553 PLUG—Camshaft Rear Bearing

PLUG—1-3/8"	48, 50, FJ, FE, FC, FB, EK, EJ	7401295	1
PLUG	EH, HD, HR	3789860	1
PLUG—Cup 2-1/16"	EH, HD, HR	SP1649	1

0.603 ROD ASSEMBLY—Connecting

ROD ASSEMBLY	48, 50, FJ, FE, FC, FB, EK, EJ	7400592	6
ROD ASSEMBLY	EH, HD, HR	7429519	6

0.613 BUSHING—Connecting Rod

BUSHING	48, 50, FJ, FE, FC, FB, EK, EJ	7400596	6
---------	--------------------------------	---------	---

0.616 BEARING SET, BEARING UNIT—Connecting Rod

BEARING SET - (Standard)	48, 50, FJ up to Eng. No. 171097	7406272	1
BEARING SET—(.002" U/S)	48, 50, FJ up to Eng. No. 171097	7406273	1
BEARING SET—(.010" U/S)	48, 50, FJ up to Eng. No. 171097	7406274	1
BEARING SET—(.020" U/S)	48, 50, FJ up to Eng. No. 171097	7406275	1
BEARING SET—(.030" U/S)	48, 50, FJ up to Eng. No. 171097	7406276	1
BEARING UNIT - (Standard)	48, 50, FJ up to Eng. No. 171097	7405034	6
BEARING UNIT—(.002" U/S)	48, 50, FJ up to Eng. No. 171097	7405254	6
BEARING UNIT—(.010" U/S)	48, 50, FJ up to Eng. No. 171097	7405035	6
BEARING UNIT—(.020" U/S)	48, 50, FJ up to Eng. No. 171097	7405037	6



0.616 BEARING SET, BEARING UNIT—Connecting Rod (Cont'd.)

BEARING SET - (Standard)	FJ from Eng. No. 171098 FE, FC, FB, EK, EJ	7406267	1
BEARING SET—(.001" U/S)	FJ from Eng. No. 171098 FE, FC, FB, EK, EJ	7427086	1
BEARING SET—(.002" U/S)	FJ from Eng. No. 171098 FE, FC, FB, EK, EJ	7406268	1
BEARING SET—(.010" U/S)	FJ from Eng. No. 171098 FE, FC, FB, EK, EJ	7406269	1
BEARING SET—(.020" U/S)	FJ from Eng. No. 171098 FE, FC, FB, EK, EJ	7406270	1
BEARING SET—(.030" U/S)	FJ from Eng. No. 171098 FE, FC, FB, EK, EJ	7406271	1
BEARING UNIT - (Standard)	FJ from Eng. No. 171098 FE, FC, FB, EK, EJ	7405905	6
BEARING UNIT—(.001" U/S)	FJ from Eng. No. 171098 FE, FC, FB, EK, EJ	7427085	6
BEARING UNIT—(.002" U/S)	FJ from Eng. No. 171098 FE, FC, FB, EK, EJ	7405906	6
BEARING UNIT—(.010" U/S)	FJ from Eng. No. 171098 FE, FC, FB, EK, EJ	7405908	6
BEARING UNIT—(.020" U/S)	FJ from Eng. No. 171098 FE, FC, FB, EK, EJ	7405910	6
BEARING UNIT—(.030" U/S)	FJ from Eng. No. 171098 FE, FC, FB, EK, EJ	7405912	6
BEARING SET—(Standard)	EH, HD exc. X2 Eng.	7423569	1
BEARING SET—(.001" U/S)	EH, HD exc. X2 Eng.	7423570	1
BEARING SET—(.002" U/S)	EH, HD exc. X2 Eng.	7423571	1
BEARING SET—(.010" U/S)	EH, HD exc. X2 Eng.	7423572	1
BEARING SET—(.020" U/S)	EH, HD exc. X2 Eng.	7430454	1
BEARING UNIT—(Standard)	EH, HD exc. X2 Eng.	7423564	6
BEARING UNIT—(.001" U/S)	EH, HD exc. X2 Eng.	7423565	6
BEARING UNIT—(.002" U/S)	EH, HD exc. X2 Eng.	7423566	6
BEARING UNIT—(.009" U/S)	EH, HD exc. X2 Eng.	7427242	6
BEARING UNIT—(.010" U/S)	EH, HD exc. X2 Eng.	7423567	6
BEARING UNIT—(.020" U/S)	EH, HD exc. X2 Eng.	7430449	6
BEARING SET—(Standard)	HR exc. X2, S Eng.	7430450	1
BEARING SET—(.001" U/S)	HR exc. X2, S Eng.	7430451	1
BEARING SET—(.002" U/S)	HR exc. X2, S Eng.	7430452	1
BEARING SET—(.010" U/S)	HR exc. X2, S Eng.	7430453	1
BEARING SET—(.020" U/S)	HR exc. X2, S Eng.	7430454	1
BEARING UNIT—(Standard)	HR exc. X2, S Eng.	7430444	6
BEARING UNIT—(.001" U/S)	HR exc. X2, S Eng.	7430445	6
BEARING UNIT—(.002" U/S)	HR exc. X2, S Eng.	7430446	6
BEARING UNIT—(.009" U/S)	HR exc. X2, S Eng.	7430447	6
BEARING UNIT—(.010" U/S)	HR exc. X2, S Eng.	7430448	6
BEARING UNIT—(.020" U/S)	HR exc. X2, S Eng.	7430449	6
BEARING SET—(Standard)	HD X2 Eng., HR X2, S Eng.	7429376	1
BEARING SET—(.001" U/S)	HD X2 Eng., HR X2, S Eng.	7429729	1
BEARING SET—(.010" U/S)	HD X2 Eng., HR X2, S Eng.	7429119	1
BEARING SET—(.020" U/S)	HD X2 Eng., HR X2, S Eng.	7429120	1
BEARING UNIT—(Standard)	HD X2 Eng., HR X2, S Eng.	7429377	6
BEARING UNIT—(.001" U/S)	HD X2 Eng., HR X2, S Eng.	7429728	6
BEARING UNIT—(.010" U/S)	HD X2 Eng., HR X2, S Eng.	7429117	6
BEARING UNIT—(.020" U/S)	HD X2 Eng., HR X2, S Eng.	7429118	6

0.623 BOLT—Connecting Rod

BOLT	48, 50, FJ, FE, FC, FB, EK, EJ	7410398	12
BOLT	EH, HD, HR	7420086	12



HOLDEN

MASTER PARTS CATALOGUE

0.626 NUT—Connecting Rod

SPECIAL—1/2" across flats	48, 50, FJ, FE, FC, FB, EK, EJ	3784834	12
STAMPED—Type "B" 11/32"—24	48, 50, FJ, FE, FC, FB, EK	*441272	12
NUT—Special	EH, HD, HR	6255523	12
*Stamped (Pal) Nut must be used with Connecting Rod Nut 9/16" across flats.										

0.629 PISTON AND PIN ASSEMBLY

(STANDARD)	48, 50, FJ, FE, FC	7405761	6
(.003" o/s)	48, 50, FJ, FE, FC	7405762	6
(.020" o/s)	48, 50, FJ, FE, FC	7405764	6
(.030" o/s)	48, 50, FJ, FE, FC	7405765	6
(STANDARD) Opt. service 4 ring type	48, 50, FJ, FE, FC	M31434	6
(.020" o/s) Opt. service 4 ring type	48, 50, FJ, FE, FC	M31436	6
(SEMI-FINISHED) Opt. service 4 ring type	48, 50, FJ, FE, FC	M31405	6
(STANDARD)	FB, EK, EJ	7406476	6
(.001" o/s)	FB, EK, EJ	7427419	6
(.002" o/s)	FB, EK, EJ	7427420	6
(.003" o/s)	FB, EK, EJ	7406470	6
(.020" o/s)	FB, EK, EJ	7406472	6
(.030" o/s)	FB, EK, EJ	7406473	6
(.040" o/s)	FB, EK, EJ	7406474	6
(SEMI-FINISHED)	FB, EK, EJ	7406475	6
(STANDARD) Opt. service 4 ring type	FB, EK, EJ	M32518	6
(.020" o/s) Opt. service 4 ring type	FB, EK, EJ	M32520	6
(.030" o/s) Opt. service 4 ring type	FB, EK, EJ	M32521	6
(.040" o/s) Opt. service 4 ring type	FB, EK, EJ	M32522	6
(SEMI-FINISHED) Opt. service 4 ring type	FB, EK, EJ	M32523	6
(STANDARD)	EH 149 Eng., HD 149 Eng.	7424725	6
(STANDARD)—High limit	EH 149 Eng., HD 149 Eng.	7424726	6
(.001" o/s)	EH 149 Eng., HD 149 Eng.	7420280	6
(.002" o/s)	EH 149 Eng., HD 149 Eng.	7420282	6
(.020" o/s)	EH 149 Eng., HD 149 Eng.	7424506	6
(.030" o/s)	EH 149 Eng., HD 149 Eng.	7424507	6
(.040" o/s)	EH 149 Eng., HD 149 Eng.	7424508	6
(STANDARD)	EH 179 Eng., HD 179 Eng.	7424727	6
(STANDARD)—High limit	EH 179 Eng., HD 179 Eng.	7424728	6
(.001" o/s)	EH 179 Eng., HD 179 Eng.	7420281	6
(.002" o/s)	EH 179 Eng., HD 179 Eng.	7420283	6
(.020" o/s)	EH 179 Eng., HD 179 Eng.	7424511	6
(.030" o/s)	EH 179 Eng., HD 179 Eng.	7424512	6
(.040" o/s)	EH 179 Eng., HD 179 Eng.	7424513	6
(STANDARD)	HR 161 Eng.	7430518	6
(STANDARD)—High limit	HR 161 Eng.	7430519	6
(.001" o/s)	HR 161 Eng.	7430516	6
(.002" o/s)	HR 161 Eng.	7430517	6
(.020" o/s)	HR 161 Eng.	7430513	6
(.030" o/s)	HR 161 Eng.	7430514	6
(.040" o/s)	HR 161 Eng.	7430515	6
(STANDARD)	HR 186 Eng.	7430511	6
(STANDARD)—High limit	HR 186 Eng.	7430512	6
(.001" o/s)	HR 186 Eng.	7430509	6
(.002" o/s)	HR 186 Eng.	7430510	6
(.020" o/s)	HR 186 Eng.	7430506	6
(.030" o/s)	HR 186 Eng.	7430507	6
(.040" o/s)	HR 186 Eng.	7430508	6

HOLDEN

MASTER PARTS CATALOGUE



0.636 PIN, RETAINER—Piston

PIN - (STANDARD)	48, 50, FJ, FE, FC, FB, EK, EJ	7400601	6
PIN—(.003" o/s)	48, 50, FJ, FE, FC, FB, EK, EJ	7405032	6
PIN—(.005" o/s)	48, 50, FJ, FE, FC, FB, EK, EJ	7405033	6
RETAINER	48, 50, FJ, FE, FC	7400602	12
RETAINER	FB, EK, EJ	7412852	12
PIN	EH, HD, HR	7421214	6

0.643 RING SET—Piston

(STANDARD)	48, 50, FJ, FE, FC	7405856	1
(.020" o/s)	48, 50, FJ, FE, FC	7405858	1
(.030" o/s)	48, 50, FJ, FE, FC	7405859	1
(.040" o/s)	48, 50, FJ, FE, FC	7405860	1
(STANDARD)—Super "X"	48, 50, FJ, FE, FC	M31781	1
(.020" o/s)—Super "X"	48, 50, FJ, FE, FC	M31782	1
(.030" o/s)—Super "X"	48, 50, FJ, FE, FC	M31814	1
(STANDARD)—Perfect circle	48, 50, FJ, FE, FC	M32844	1
(.020" o/s)—Perfect circle	48, 50, FJ, FE, FC	M32844-20	1
(.030" o/s)—Perfect circle	48, 50, FJ, FE, FC	M32844-30	1
(STANDARD)—Super "X", Opt. service 4 ring type	48, 50, FJ, FE, FC	M31863	1
(.020" o/s)—Super "X", Opt. service 4 ring type	48, 50, FJ, FE, FC	M31863-20	1
(.030" o/s)—Super "X", Opt. service 4 ring type	48, 50, FJ, FE, FC	M31863-30	1
(STANDARD)—Perfect circle, Opt. service 4 ring type (2 in 1)	48, 50, FJ, FE, FC	M32846	1
(.020" o/s)—Perfect circle, Opt. service 4 ring type (2 in 1)	48, 50, FJ, FE, FC	M32846-20	1
(STANDARD)	FB, EK, EJ	7421818	1
(.020" o/s)	FB, EK, EJ	7421819	1
(.030" o/s)	FB, EK, EJ	7421820	1
(.040" o/s)	FB, EK, EJ	7421821	1
(STANDARD)—Super "X"	FB, EK, EJ	M32416	1
(.020" o/s)—Super "X"	FB, EK, EJ	M32417	1
(.030" o/s)—Super "X"	FB, EK, EJ	M32418	1
(.040" o/s)—Super "X"	FB, EK, EJ	M32419	1
(STANDARD)—Perfect circle	FB, EK, EJ	M32845	1
(.020" o/s)—Perfect circle	FB, EK, EJ	M32845-20	1
(.030" o/s)—Perfect circle	FB, EK, EJ	M32845-30	1
(.040" o/s)—Perfect circle	FB, EK, EJ	M32845-40	1
(STANDARD) Opt. service 4 ring type	FB, EK, EJ	M32514	1
(.020" o/s) Opt. service 4 ring type	FB, EK, EJ	M32515	1
(.030" o/s) Opt. service 4 ring type	FB, EK, EJ	M32516	1
(.040" o/s) Opt. service 4 ring type	FB, EK, EJ	M32517	1
(STANDARD)—Super "X", Opt. service 4 ring type	FB, EK, EJ	M32735	1
(.030" o/s)—Super "X", Opt. service 4 ring type	FB, EK, EJ	M32812	1
(STANDARD)—Perfect circle, Opt. service 4 ring type	FB, EK, EJ	M33161	1
(STANDARD)	EH 149 Eng., HD 149 Eng.	7426008	1
(.020" o/s)	EH 149 Eng., HD 149 Eng.	7424025	1
(.030" o/s)	EH 149 Eng., HD 149 Eng.	7424026	1
(.040" o/s)	EH 149 Eng., HD 149 Eng.	7424027	1
(STANDARD)	EH 179 Eng., HD 179 Eng.	7426009	1
(.020" o/s)	EH 179 Eng., HD 179 Eng.	7424028	1
(.030" o/s)	EH 179 Eng., HD 179 Eng.	7424029	1
(.040" o/s)	EH 179 Eng., HD 179 Eng.	7424030	1



HOLDEN

MASTER PARTS CATALOGUE

0.643 RING SET—Piston (Cont'd.)

(STANDARD)	HR 161 Eng.	7430265	1
(.020" o/s)	HR 161 Eng.	7430298	1
(.030" o/s)	HR 161 Eng.	7430296	1
(.040" o/s)	HR 161 Eng.	7430297	1
(STANDARD)	HR 186 Eng.	7430263	1
(.020" o/s)	HR 186 Eng.	7430316	1
(.030" o/s)	HR 186 Eng.	7430317	1
(.040" o/s)	HR 186 Eng.	7430318	1

0.646 CRANKSHAFT

CRANKSHAFT	48, 50, FJ, FE, FC, FB, EK, EJ	7410677	1
CRANKSHAFT	EH, HD (M)		
CRANKSHAFT	HR (M) 3 speed trans. X2, S Eng.	7420147	1
CRANKSHAFT	HR (M) 3 speed trans. exc. X2, S Eng.	*7431329	1
CRANKSHAFT	HR (M) 4 speed trans. exc. S Eng.	7434301	1
CRANKSHAFT	HR (M) 4 speed trans. S Eng.	7434178	1
CRANKSHAFT	HD (A), HR (A), X2, S Eng.	7422505	1
CRANKSHAFT	HR (A) exc. X2, S Eng.	*7431327	1

*Note:—Balancer Part No. 7434220 must also be fitted.

0.649 BEARING ASSEMBLY—Crankshaft Clutch Pilot SLEEVE—Converter Pilot

BEARING (Bronze)	ALL (M)	412562	1
SLEEVE	HD (A), HR (A)	7420798	1

0.659 BALANCER ASSEMBLY—Crankshaft

BALANCER ASSEMBLY	48, 50, FJ	7401305	1
BALANCER ASSEMBLY	FE, FC, FB, EK, EJ	7408676	1
BALANCER ASSEMBLY	EH, HD	7434224	1
BALANCER ASSEMBLY	HR	7434220	1
KEY—Woodruff 3/16" x 3/4"	ALL	106751	1

0.666 FLYWHEEL & RING GEAR ASSEMBLY, DAMPER ASSEMBLY

FLYWHEEL & RING GEAR ASSEMBLY	48, 50, FJ up to Eng. No. 283372	7400650	1
FLYWHEEL & RING GEAR ASSEMBLY	FJ from Eng. No. U283384		
FLYWHEEL & RING GEAR ASSEMBLY	FE, FC, FB, EK (M), EJ (M)	7409867	1
FLYWHEEL & RING GEAR ASSEMBLY	EH (M), HD (M), HR (M)	7420114	1
FLYWHEEL & RING GEAR ASSEMBLY	EK (A), EJ (A)	7416749	1
FLYWHEEL & RING GEAR ASSEMBLY	EH (A)	7420115	1
FLYWHEEL & RING GEAR ASSEMBLY	HD (A), HR (A)	7420311	1
DAMPER ASSEMBLY	EK (A), EJ (A)	8622759	1
DAMPER ASSEMBLY	EH (A)	8622677	1
BOLT—Hex. hd. 5/16"—18 x 3/4"	EK (A), EJ (A), EH (A)	100121	6
WASHER—Spring lock 5/16" medium	EK (A), EJ (A), EH (A)	103320	6
PIN—Damper to flywheel	EK (A), EJ (A), EH (A)	8619594	2

0.669 BOLT, LOCK—Flywheel to Crankshaft

BOLT	48, 50, FJ, FE, FC, FB, EK, EJ	7401107	4
LOCK	48, 50, FJ, FE, FC	7401306	2
BOLT	EH, HD (M), HR (M)	7420118	6
BOLT	HD (A), HR (A)	7420312	6

HOLDEN

MASTER PARTS CATALOGUE



0.673 GEAR—Flywheel Ring

GEAR	48, 50, FJ up to Eng. No. 283372	7400649	1
GEAR	FJ from Eng. No. U283384		
	FE, FC, FB, EK (M), EJ (M)	7409868	1
GEAR	EK (A), EJ (A)	7418546	1
GEAR	EH, HD (M)	7430378	1
GEAR	HR (M)	7431533	1

0.674 PIN—Flywheel to Crankshaft

PIN	48, 50, FJ, FE, FC, FB, EK, EJ	7401304	A.R.
-----------	--------------------------------	---------	------

0.679 COVER ASSEMBLY—Clutch and Transmission Case, Flywheel housing, Converter housing

UPPER	48, 50, FJ, FE, FC, FB, EK, EJ	7403294	1
LOWER	48, 50, FJ, FE, FC, FB, EK (M)	7414741	1
LOWER	EK (A), EJ (A)	7417861	1
BOLT—Auto hex. hd. 1/4"—20 x 1/2"	48, 50, FJ, FE, FC, FB, EK, EJ (A)	120706	A.R.
BOLT—Hex. hd. 1/4"—20 — 5/8"	FB, EK	120854	2
WASHER—Spring lock 1/4"—Medium	48, 50, FJ, FE, FC, FB, EK, EJ (A)	120380	A.R.
COVER—Front	EJ (M)	7417625	1
COVER—Lower	EJ (M) RIGHT HAND DRIVE	7417624	1
	LEFT HAND DRIVE	7417916	1
BOLT AND LOCK WASHER ASSEMBLY	EJ (M)	SP1672	4-2
COVER—Upper	EH, HD, HR	7420128	1
COVER—Front	EH (M) 149 Eng. up to Eng. No. 81520	7420110	1
BOLT—Hex. hd. 3/8"—16 x 1/2"	EH (M) 149 Eng. up to Eng. No. 81520	121852	4
WASHER—Spring lock 3/8"—Medium	EH (M) 149 Eng. up to Eng. No. 81520	120382	4
COVER—Lower	EH (M) 149 Eng. up to Eng. No. 81520	7417916	1
BOLT—Hex. hd. 3/8"—16 x 3/4"	EH (M) 149 Eng. up to Eng. No. 81520 RIGHT HAND DRIVE	122119	2
WASHER—Spring lock 3/8"—Medium	EH (M) 149 Eng. up to Eng. No. 81520 RIGHT HAND DRIVE	120382	2
COVER ASSEMBLY—Lower	EH (M) 149 Eng. from Eng. No. 81521 EH (M) 179 Eng.	7424224	1
COVER ASSEMBLY—Lower	HD (M), HR (M), 3 speed trans.	7429887	1
COVER ASSEMBLY—Lower	HR (M) 4 speed trans.	7430096	1
SCREW—Pan hd. sl. mach. 5/16"—18 x 1/2" with lock washer	EH (M) 149 Eng. from Eng. No. 81521 EH (M) 179 Eng., HD (M), HR (M) RIGHT HAND DRIVE	442689	4-2
BOLT—Hex. hd. 5/16"—18 x 1"	EH (M), HD (M), HR (M) 3 speed trans. LEFT HAND DRIVE	122017	4
WASHER—Spring lock 5/16"—Medium	EH (M), HD (M), HR (M) 3 speed trans. LEFT HAND DRIVE	120214	4
SCREW—Pan hd. sl. mach. 5/16"—18 x 1/2" with lock washer	HR (M) 4 speed trans. LEFT HAND DRIVE	442689	2
BOLT AND LOCK WASHER ASSEMBLY	EH (M)	SP1672	2-4
BOLT AND LOCK WASHER ASSEMBLY	HD (M), HR (M)	SP1672	4
COVER—Lower	EH (A)	7420111	1
BOLT—Hex. hd. 1/4"—20 x 1/2"	EH (A)	120706	2
WASHER—Spring lock 1/4"—Medium	EH (A)	120380	2
BOLT—Hex. hd. 3/8"—16 x 3/4"	EH (A)	122119	2
WASHER—Spring lock 3/8"—Medium	EH (A)	120382	2
COVER—Converter housing, lower	HD (A), HR (A)	7420264	1
BOLT and LOCK WASHER ASSEMBLY	HD (A), HR (A)	SP1672	5



HOLDEN

MASTER PARTS CATALOGUE

0.680 GASKET—Clutch Housing Cover

GASKET	EH (M) 149 Eng. from Eng. No. 81521		
	EH (M) 179 Eng., HD (M)		
	HR (M) 3 speed trans.	7420231	1

0.683 HOUSING—Clutch, Flywheel, Converter

HOUSING—Flywheel	EK (A), EJ (A)	7416746	1
HOUSING—Flywheel	EH (A)	7423421	1
HOUSING—Converter	HD (A), HR (A)	7420263	1
HOUSING—Clutch	EJ (M)	RIGHT HAND DRIVE LEFT HAND DRIVE	7417623 7418747
HOUSING—Clutch	EH (M) 149 Eng. up to Eng. No. 81520	7421035	1
HOUSING—Clutch	EH (M) 149 Eng. from Eng. No. 81521		
	EH (M) 179 Eng., HD (M)		
HOUSING—Clutch	HR (M) 3 speed trans.	7424221	1
	HR (M) 4 speed trans.	7435394	1
BOLT—Hex. hd. 7/16"—14 x 2"	EK (A), EJ, EH, HD, HR	179866	4-3
WASHER—Spring lock 7/16" medium	EK (A), EJ, EH, HD, HR	120383	4
STUD—Housing to cylinder block	HD, HR	RIGHT HAND DRIVE	7426393
STUD—Housing to cylinder block	HD (M), HD (A) exc. X2 Eng. HR (M), HR (A) exc. X2, S Eng.	LEFT HAND DRIVE	7426393
STUD—Housing to cylinder block	HD (A) X2 Eng. HR (A) X2, S Eng.	7429809	1
BOLT—Flanged hex. hd. 5/16"—18 x 1-7/8"	HD (A), HR (A)	9419999	7
WASHER—Housing to transmission	HD (A), HR (A)	7420941	7
PIN—Dowel	EK (A), EJ, EH, HD, HR	7401304	2
PIN—Dowel (Oversize)	EK (A), EJ, EH, HD, HR	7406004	2

0.684 GASKET—Converter housing

GASKET	HD (A), HR (A)	7420360	1
--------------	----------------------	---------	---

0.686 COVER—Clutch Inspection Hole, Pressure Regulator Valve

COVER—Clutch inspection	48, 50, FJ, FE, FC, FB, EK (M)	7401299	1
BOLT and LOCKWASHER ASSEMBLY	48, 50, FJ, FE, FC, FB, EK (M)	SP1672	2
COVER—Pressure valve	EK (A), EJ (A), EH (A)	7417783	2
CLIP—Pressure valve cover	EK (A), EJ (A), EH (A)	7417782	2

0.728 GEAR—Crankshaft

GEAR	48, 50, FJ, FE, FC, FB, EK, EJ	7401136	1
GEAR	EH, HD, HR	7420025	1
KEY—Woodruff 3/16" x 3/4"	ALL	106751	1

0.736 GEAR KIT, GEAR—Camshaft

GEAR KIT	48, 50, FJ, FE, FC, FB, EK, EJ	7406808	1
GEAR KIT—Contains dual lip seal	48, 50, FJ, FE, FC, FB, EK, EJ	7427076	1
GEAR KIT	EH, HD, HR	7431746	1
GEAR	48, 50, FJ, FE, FC, FB, EK, EJ	7414360	1
GEAR	EH, HD, HR	7430922	1
KEY—Woodruff 3/16" x 3/4"	ALL	106751	1

HOLDEN

MASTER PARTS CATALOGUE



0.738 RING—Camshaft Gear Spacing

RING	EH, HD, HR	7420026	1
------------	------------------	---------	---

0.748 NOZZLE—Timing gear oil

NOZZLE	48, 50, FJ, FE, FC, FB, EK, EJ	7401336	1
NOZZLE—7/32" shank	EH	7420185	1
NOZZLE—5/16" shank	EH, HD, HR	7427418	1

0.795 FORK UNIT, FORK, LEVER—Clutch

REPAIR KIT—Clutch release fork (Fork Unit)	48, 50, FJ, FE, FC, FB, EK (M)	7405897	1
FORK	FJ from Eng. No. 259055 FE, FC, FB, EK (M)	7408491	1
LEVER & BALL STUD ASSEMBLY	EJ (M), EH (M), HD (M) HR (M) 3 speed trans.	7417637	1
LEVER ASSEMBLY	EJ (M), EH (M), HD (M) HR (M) 3 speed trans.	7417638	1
LEVER	HR (M) 4 speed trans.	7429891	1

0.796 STUD, NUT—Clutch ball

STUD	48, 50, FJ, FE, FC, FB, EK (M)	7400475	1
WASHER—External Tooth Lock 7/16"	48, 50, FJ, FE, FC, FB, EK (M)	114607	1
STUD	EJ (M), EH (M), HD (M) HR (M) 3 speed trans.	7417641	1
NUT—Clutch ball stud	EJ (M), EH (M), HD (M) HR (M) 3 speed trans.	7417643	1
STUD	HR (M) 4 speed trans.	7430099	1

0.797 PLATE—Clutch fork seal

PLATE	48, 50, FJ up to Eng. No. 259054	7400473	1
PLATE	FJ from Eng. No. 259055 FE, FC, FB, EK (M)	7409161	1
SEAL	HR (M) 4 speed trans.	7430095	1

0.798 SPRING—Clutch fork seal plate

SPRING	48, 50, FJ up to Eng. No. 259054	7400474	1
SPRING	FJ from Eng. No. 259055 FE, FC, FB, EK (M)	7409160	1

0.799 BEARING ASSEMBLY—Clutch throwout

BEARING ASSEMBLY	ALL (M)	CT22	1
------------------------	---------------	------	---



HOLDEN

MASTER PARTS CATALOGUE

0.804 GUIDE—Clutch bearing

GUIDE	EJ (M), EH (M), HD (M) HR (M) 3 speed trans.	7417644	1
WASHER—Spring	EJ (M), EH (M), HD (M) HR (M) 3 speed trans.	7417645	1
GUIDE	HR (M) 4 speed trans.	668534	1

0.805 GASKET—Clutch bearing guide

GASKET	HR (M) 4 speed trans.	668601	1
--------------	----------------------------	--------	---

0.823 SPRING, RETAINER—Clutch ball

SPRING	48, 50, FJ up to Eng. No. 259054	838987	1
SPRING	FJ from Eng. No. 259055 FE, FC, FB, EK (M)	7409163	1
RETAINER	EJ (M), EH (M), HD (M) HR (M) 3 speed trans.	7417642	1
RIVET—Flat hd. solid, 3/16" x 1/4"	EJ (M), EH (M), HD (M) HR (M) 3 speed trans.	104233	1
SPRING	HR (M) 4 speed trans.	7428552	1

0.825 PLATE—Clutch fork guide

PLATE	48, 50, FJ up to Eng. No. 259054	7400471	1
PLATE	FJ from Eng. No. 259055 FE, FC, FB, EK (M)	7409162	1

0.830 PEDAL, PAD, COVER, INSULATOR, BUMPER—Clutch

PEDAL ASSEMBLY	48, 50, FJ	7400695	1	
PAD	48, 50, FJ	7400720	1	
SCREW—Pan hd. sl. tap. type "A" 14—10 x 5/8"	48, 50, FJ	144817	4	
GASKET—Pedal Insulator Cover	48, 50, FJ	7402733	1	
INSULATOR—Felt	48, 50, FJ	7401631	1	
SPRING—Insulator Retainer	48, 50, FJ	7402711	1	
BUMPER	48, 50, FJ	7402548	1	
PEDAL ASSEMBLY	FE, FC	7409247	1	
PEDAL ASSEMBLY	FB, EK (M)	RIGHT HAND DRIVE LEFT HAND DRIVE	7412125 7415695	1 1
PAD	FE, FC, FB, EK (M)	7409878	1	
BUMPER	FE, FC, FB, EK (M)	7409749	1	
PEDAL ASSEMBLY	EJ (M), EH (M)	RIGHT HAND DRIVE LEFT HAND DRIVE	7417626 7417918	1 1
PAD—Clutch pedal	EJ (M), EH (M)	7415749	1	
PEDAL ASSEMBLY	HD (M)	RIGHT HAND DRIVE LEFT HAND DRIVE	7423975 7424438	1 1
PAD—Clutch pedal	HD (M)	7424091	1	
BUMPER—Clutch pedal	EJ (M), EH (M), HD (M)	7409749	1	
PEDAL ASSEMBLY	HR (M)	RIGHT HAND DRIVE LEFT HAND DRIVE	7431137 7430351	1 1
PAD—Clutch pedal	HR (M)	7424091	1	
BUMPER—Clutch pedal	HR (M)	RIGHT HAND DRIVE LEFT HAND DRIVE	7431380 7409749	1 1

HOLDEN

MASTER PARTS CATALOGUE



0.831 BUSHING—Clutch pedal

BUSHING	48, 50, FJ	7400811	2
BUSHING	FE, FC, FB, EK (M), EJ (M), EH (M), HD (M), HR (M)	7409244	1

0.833 LEVER, SHAFT—Clutch and brake pedal

LEVER	48, 50, FJ	7400697	1
KEY—Woodruff 1/8" x 1/2"	48, 50, FJ	106749	1
NUT—Light hex. 1/4"—28	48, 50, FJ	120367	1
WASHER—Spring Lock 1/4" Medium	48, 50, FJ	120380	1
SHAFT	FE, FC, FB, EK (M)	7409933	1
SHAFT	EJ (M), EH (M), HD (M), HR (M) RIGHT HAND DRIVE	7415758	1
	LEFT HAND DRIVE	7419217	1

0.834 PLATE—Clutch shaft lock

PLATE	FE, FC, FB, EK (M), EJ (M), EH (M), HD (M), HR (M)	7409934	1
BOLT—Hex. hd. 5/16"—24 x 5/8"	FE, FC, FB, EK (M), EJ (M), EH (M)	123473	1
BOLT—Hex. hd. 5/16"—18 x 5/8"	HD (M), HR (M)	120228	1
WASHER—Spring lock 5/16" medium	FE, FC, FB, EK (M), EJ (M), EH (M), HD (M), HR (M)	120214	1

0.837 WASHER, SPRING—Clutch pedal retaining

WASHER	FE, FC, FB, EK (M)	7409936	1
SPRING	FE, FC, FB, EK (M)	7411804	1

0.839 ROD, LINK—Clutch countershaft & operating

ROD—Countershaft to Yoke	48, 50, FJ	7400716	1
ROD—Countershaft to Yoke	48, 50, FJ	#7406649	1
NUT—Light hex. 3/8"—24	48, 50, FJ	120369	1
WASHER—Plain 11/32" x 11/16" x .065"	48, 50, FJ	120393	1
NUT—Fork adjusting	48, 50, FJ	7400717	1
PIN—Clevis Special	48, 50, FJ	7400701	2
PIN—Cotter 3/32" x 1/2"	48, 50, FJ	103372	2
ROD—Fork operating	FE, FC, FB, EK (M)	7409949	1
NUT—Fork Adjusting	FE, FC, FB, EK (M)	7409950	1
NUT—Hex. jam 5/16"—24	FE, FC, FB, EK (M)	124920	1
ROD—Lever push	EJ (M), EH (M), HD (M) HR (M) 3 speed trans.	7417634	1
ROD—Fork operating	HR (M) 4 speed trans.	7409949	1
NUT—Fork adjusting	HR (M) 4 speed trans.	7409950	1
NUT—Hex. jam 5/16"—24	HR (M) 4 speed trans.	124920	1

To enable clutch adjustment on vehicles with worn linkage.



HOLDEN

MASTER PARTS CATALOGUE

0.844 SPRING—Clutch return

SPRING—Pedal return	48, 50, FJ	7400743	1
SPRING—Pedal return	FE, FC, FB	7410145	1
SPRING—Fork return	FE, FC, FB, EK (M)	7410218	1
SPRING—Pedal return	EK (M)	7418484	1
SPRING—Clutch pedal return	EJ (M), EH (M)	7415762	1
SPRING—Clutch pedal return	HD (M)	7424059	1
SPRING—Clutch lever assist.	EJ (M), EH (M), HD (M) HR (M) 3 speed trans.	7417646	1
BUSHING—Clutch lever assist. spring	EJ (M), EH (M), HD (M) HR (M) 3 speed trans.	7417647	1
SPRING—Clutch lever return	HR (M) 4speed trans.	7429766	1
SPRING—Clutch over-centre	HR (M) 3 speed trans.	7432972	1
SPRING—Clutch over-centre	HR (M) 4 speed trans.	7430363	1
BUSHING—Clutch over-centre spring	HR (M)	7430357	1

0.845 PLATE, RETAINER—Clutch pedal return spring anchor

PLATE	FE, FC	7410146	1
PLATE	EJ (M), EH (M)	7418068	1
RETAINER	HD (M)	7431394	1

0.846 LEVER—Clutch pedal return spring

LEVER	FE, FC	7410144	1
BOLT—Hex. hd. 3/8"—24 x 3/4"	FE, FC	123520	2
WASHER—Spring lock 3/8" medium	FE, FC	120382	2
WASHER—Plain 13/32" x 13/16" x .065"	FE, FC	120394	1

0.847 SHAFT—Clutch over-centre spring

SHAFT	HR (M)	RIGHT HAND DRIVE	7431208	1
		LEFT HAND DRIVE	7430348	1
CLIP—Anti-rattle	HR (M)		7429228	1

0.848 YOKE—Clutch over-centre spring

YOKE ASSEMBLY—Inner	HR (M)	7430346	1
YOKE ASSEMBLY—Outer	HR (M)	7430347	1

0.851 SEAL, RETAINER—Clutch countershaft

SEAL	48, 50, FJ	7400709	2
RETAINER—Spring	48, 50, FJ	7400710	1

0.852 COUNTERSHAFT, REPAIR KIT, COUNTERSHAFT BRACKET—Clutch

COUNTERSHAFT ASSEMBLY	48, 50, FJ	7400702	1
REPAIR KIT—Countershaft	48, 50, FJ	7406462	1
BRACKET ASSEMBLY—Mounting inner	48, 50, FJ	7400712	1
BOLT—Auto. hex. hd. 3/8"—16 x 5/8"	48, 50, FJ	122104	2
WASHER—Spring lock 3/8" Medium	48, 50, FJ	120382	2
BRACKET ASSEMBLY—Mounting, outer	48, 50, FJ	7400706	1
BOLT—Auto. hex. hd. 3/8"—24 x 3/4"	48, 50, FJ	123520	2
NUT—Hex. 3/8"—24	48, 50, FJ	103026	2
WASHER—Spring lock 3/8" Medium	48, 50, FJ	103321	2
WASHER—Plain 7/16" x 1" x .083"	48, 50, FJ	120388	2



0.861 COVER and PRESSURE PLATE ASSEMBLY—Clutch

(Includes Diaphragm Spring)	48, 50, FJ, FE, FC, FB, EK (M), EJ (M) ..	7400338	1
(Includes Diaphragm Spring)	EH (M), HD (M), HR (M)	†7429381	1

†When fitting to EH(M) up to Eng. No. 258731, HD(M) up to Eng. No. 51687, it is necessary to use Driven Plate Part No. 7429386.

0.870 BOLT—Clutch to flywheel

BOLT	ALL (M)	7402029	4
WASHER—Spring lock 3/8" Medium	ALL (M)	103321	4

0.886 PLATE ASSEMBLY—Clutch driven

PLATE ASSEMBLY—8" diameter	48, 50, FJ, FE, FC, FB, EK (M), EJ (M) EH (M) 149 Eng. up to Eng. No. 258731 HD (M) 149 Eng. up to Eng. No. 51687	7422559	1
PLATE ASSEMBLY—8" diameter	EH (M) 179 Eng. up to Eng. No. 258731 HD (M) 179 Eng. up to Eng. No. 51687	7425874	1
PLATE ASSEMBLY—8.6" diameter	EH (M) from Eng. No. 258732 HD (M) from Eng. No. 51688		
	HR (M) 3 speed trans.	††7429386	1
PLATE ASSEMBLY—Heavy duty	HR (M) 3 speed trans.	7435897	1
PLATE ASSEMBLY	HR (M) 4 speed trans.	7430022	1

††Necessary to use in lieu of Part Nos. 7422559 or 7425874 when replacing original Cover and Pressure Plate with Part No. 7429381.

0.902 CYLINDER ASSEMBLY, BODY, REPAIR KIT—Clutch master cyl.

CYLINDER ASSEMBLY	FE, FC, FB, EK (M), EJ (M), EH (M) HD (M), HR (M)	7426666	1
BOLT—Hex. hd. 3/8"—24 x 1-1/8"	FE, FC, FB, EK (M), EJ (M), EH (M)	123534	2
BOLT—Hex hd. 3/8"—16 x 1-1/8"	HD (M), HR (M)	122138	2
WASHER—Int. tooth lock 3/8"	FE, FC, FB, EK (M), EJ (M), EH (M), HD (M), HR (M)	138542	2
BODY—Suit metal reservoir cylinder	FE, FC, FB, EK (M), EJ (M), EH (M), HD (M), HR (M)	7412001	1
BODY—Suit plastic reservoir cylinder	HD (M), HR (M)	7426553	1
REPAIR KIT—With piston	FE, FC, FB, EK (M), EJ (M), EH (M), HD (M), HR (M)	7430185	1
REPAIR KIT—Less piston	FE, FC, FB, EK (M), EJ (M), EH (M), HD (M), HR (M)	7430184	1

0.904 SEAL—Reservoir to clutch master cylinder

SEAL	FE, FC, FB, EK (M), EJ (M), EH (M), HD (M), HR (M)	7429828	1
------------	-------------------------------------------------------------	---------	---

0.906 RESERVOIR—Clutch master cylinder

RESERVOIR—Metal	FE, FC, FB, EK (M), EJ (M), EH (M), HD (M), HR (M)	7411112	1
RESERVOIR—Plastic	HD (M), HR (M)	7426555	1



HOLDEN

MASTER PARTS CATALOGUE

0.907 CAP—Clutch master cylinder reservoir

CAP—Suit metal reservoir cylinder	FE, FC, FB, EK (M), EJ (M), EH (M), HD (M), HR (M)	7414875	1
GASKET—Suit metal reservoir cylinder	FE, FC, FB, EK (M), EJ (M), EH (M), HD (M), HR (M)	7409895	A.R.
BAFFLE	FE, FC	7411139	A.R.
CAP—Suit plastic reservoir cylinder	HD (M), HR (M)	7426554	1

0.910 PISTON—Clutch master cylinder

PISTON	FE, FC, FB, EK (M), EJ (M), EH (M), HD (M), HR (M)	7409929	1
----------------	---------------------------------------------------------------	---------	---

0.911 CUP—Clutch master cylinder piston

CUP	FE, FC, FB, EK (M), EJ (M), EH (M), HD (M), HR (M)	7404734	1
-------------	---------------------------------------------------------------	---------	---

0.912 CUP—Clutch master cylinder piston secondary

CUP	FE, FC, FB, EK (M), EJ (M), EH (M), HD (M), HR (M)	7404736	1
-------------	---------------------------------------------------------------	---------	---

0.913 SPRING ASSEMBLY—Clutch master cylinder

SPRING ASSEMBLY	FE, FC, FB, EK (M), EJ (M), EH (M), HD (M), HR (M)	7400663	1
-------------------------	---------------------------------------------------------------	---------	---

0.914 RING—Clutch master cylinder lock

RING	FE, FC, FB, EK (M), EJ (M), EH (M), HD (M), HR (M)	7400673	1
--------------	---------------------------------------------------------------	---------	---

0.918 ROD—Clutch master cylinder push

ROD	FE, FC	7409931	1
ROD	FB, EK (M)	7412863	1
ROD	EJ (M), EH (M), HD (M), HR (M)	7415760	1
NUT—Light hex. jam 3/8"—24	FE, FC, FB, EK (M), EJ (M), EH (M), HD (M), HR (M)	124925	1

0.920 CLEVIS—Clutch master cylinder push rod

CLEVIS	EJ (M), EH (M), HD (M), HR (M)	7415761	1
----------------	----------------------------------------	---------	---

0.921 PIN—Clutch master cylinder push rod clevis

PIN	EJ (M), EH (M), HD (M), HR (M)	SP1450	1
PIN—Cotter 3/32" x 3/4"	EJ (M), EH (M), HD (M), HR (M)	103373	1
WASHER—Return spring	EJ (M), EH (M), HD (M), HR (M)	7411849	1

HOLDEN

MASTER PARTS CATALOGUE



0.924 SEAL—Clutch master cylinder push rod

SEAL	FE, FC, FB, EK (M), EJ (M), EH (M), HD (M), HR (M)	7409932	1
------------	-------------------------------------------------------------	---------	---

0.927 CONNECTOR—Clutch master cylinder

CONNECTOR	FE, FC, FB, EK (M), EJ (M), EH (M) HD (M), HR (M)	7410766	1
-----------------	------------------------------------------------------------	---------	---

0.929 PIPE ASSEMBLY—Clutch master cylinder

PIPE ASSEMBLY—To hose	FE, FC	7410469	1
PIPE ASSEMBLY—To hose	FB, EK (M) RIGHT HAND DRIVE	7419182	1
	LEFT HAND DRIVE	7415832	1
CLIP—Clutch and brake pipes	FE, FC, FB, EK (M)		
	RIGHT HAND DRIVE	7410019	1
	LEFT HAND DRIVE	7401216	1
CLIP—Clutch and brake pipes to dash panel	FB, EK (M) LEFT HAND DRIVE	7415676	2
SCREW—Pan hd. cr. rec. mach. 1/4"—28 x 1/2"	FB, EK (M) LEFT HAND DRIVE	191879	2
WASHER—Spring lock 1/4" medium	FB, EK (M) LEFT HAND DRIVE	120380	2
PIPE ASSEMBLY	EJ (M), EH (M) RIGHT HAND DRIVE	7417627	1
PIPE ASSEMBLY	HD (M), HR (M) 3 speed trans.		
	RIGHT HAND DRIVE	7428346	1
	LEFT HAND DRIVE	7428347	1
PIPE ASSEMBLY	HR (M) 4 speed trans.		
	RIGHT HAND DRIVE	7431138	1
	LEFT HAND DRIVE	7429677	1
WASHER—Special to body assembly	FE, FC, FB, EK (M), EJ (M), EH (M), HD (M), HR (M)	7401727	1

0.930 HOSE, GROMMET, WASHER—Clutch actuating cylinder

HOSE ASSEMBLY	FE, FC, FB, EK (M)	7409951	1
HOSE ASSEMBLY	EJ (M), EH (M)	7417628	1
WASHER—Hose to actuating cylinder	FE, FC, FB, EK (M), EJ (M), EH (M)	7401727	1
SPRING—Yoke	FE, FC, FB, EK (M), EJ (M), EH (M)	476737	1
GROMMET	HD (M), HR (M) 3 speed trans.	SP1640	1
CLIP—Special 5/16"	HR (M) 4 speed trans.	7431590	1
WASHER	HD (M), HR (M)	7401727	1

0.934 CYLINDER ASSEMBLY, REPAIR KIT—Clutch actuating

CYLINDER ASSEMBLY	FE, FC, FB, EK (M)	7409952	1
NUT—Hex. 3/8"—16	FE, FC, FB, EK (M)	120377	2
WASHER—Int. tooth lock 3/8"	FE, FC, FB, EK (M)	138542	2
REPAIR KIT	FE, FC, FB, EK (M)	7406164	1
CYLINDER ASSEMBLY	EJ (M), EH (M), 149 Eng. up to Eng. No. 81520	7417629	1
CYLINDER ASSEMBLY	EH (M) 149 Eng. from Eng. No. 81521 EH (M) 179 Eng., HD (M) HR (M) 3 speed trans.	7424374	1
REPAIR KIT	EJ (M), EH (M), HD (M) HR (M) 3 speed trans.	7425514	1



HOLDEN

MASTER PARTS CATALOGUE

0.934 CYLINDER ASSEMBLY, REPAIR KIT—Clutch actuating (Cont'd.)

CYLINDER ASSEMBLY	HR (M) 4 speed trans.	7429741	1
BOLT—Hex. hd. 3/8"—16 x 7/8" .. .	HR (M) 4 speed trans.	122126	2
WASHER—Int. tooth lock 3/8" .. .	HR (M) 4 speed trans.	138542	2
REPAIR KIT	HR (M) 4 speed trans.	7406164	1
BRACKET—Cylinder	HR (M) 4 speed trans.	7429637	1
BOLT—Hex. hd. 5/16"—18 x 1" .. .	HR (M) 4 speed trans.	180079	2
WASHER—Spring lock 5/16"—Medium .. .	HR (M) 4 speed trans.	120214	2

0.935 SEAL, RING—Clutch actuating cylinder

SEAL	FE, FC, FB, EK (M) .. .	7409965	1
SEAL	EJ (M), EH (M), HD (M) HR (M) 3 speed trans.	7417635	1
RING—Seal retaining	EJ (M), EH (M), HD (M) HR (M) 3 speed trans.	7417636	1
SEAL	HR (M) 4 speed trans.	7409965	1

0.936 PISTON—Clutch actuating cylinder

PISTON	FE, FC, FB, EK (M) .. .	7409966	1
PISTON	EJ (M), EH (M), HD (M) HR (M) 3 speed trans.	7417631	1
PISTON	HR (M) 4 speed trans.	7409966	1

0.937 CUP—Clutch actuating cylinder piston

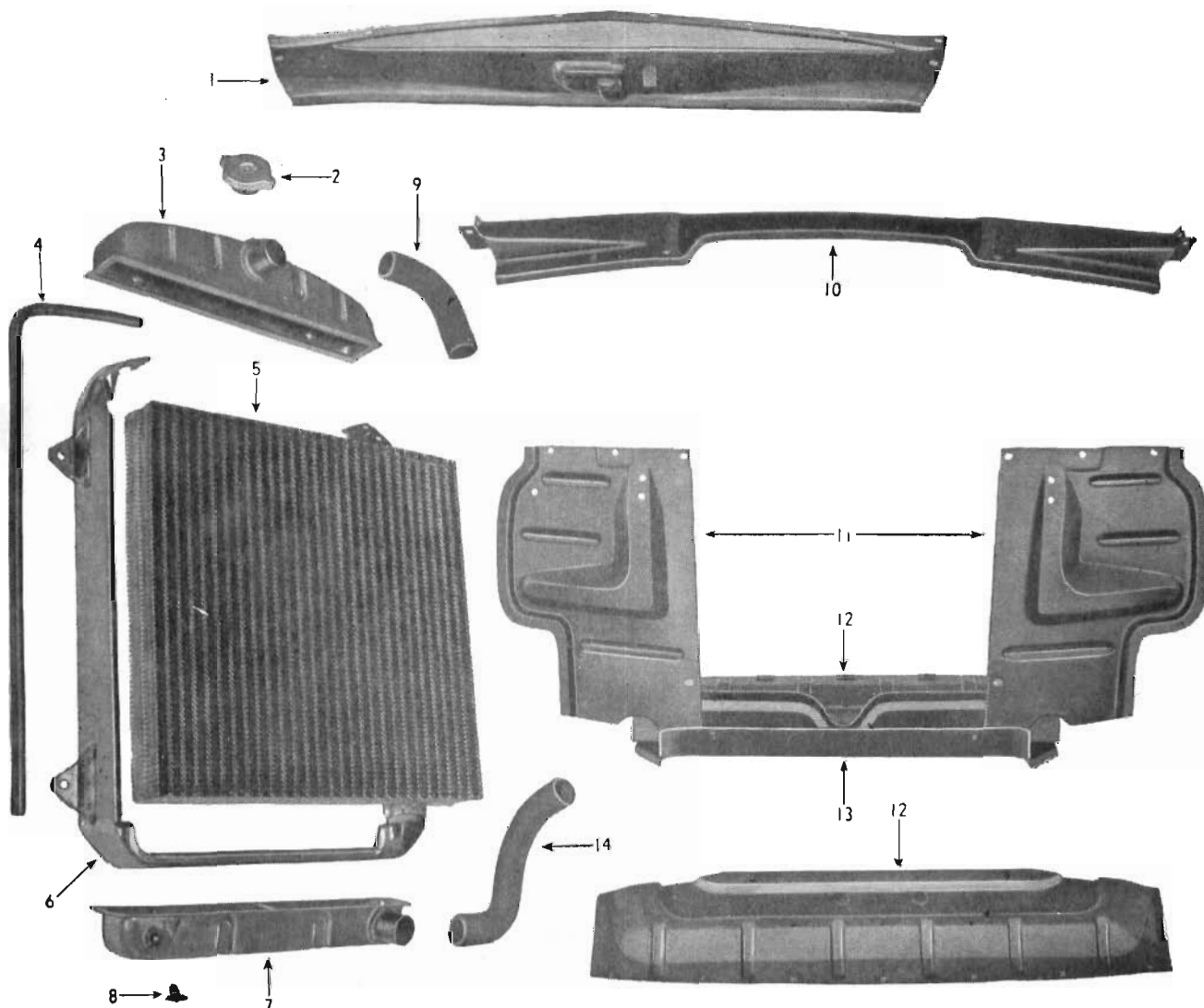
CUP	FE, FC, FB, EK (M) .. .	7409968	1
CUP	EJ (M), EH (M), HD (M) HR (M) 3 speed trans.	5455298	1
CUP	HR (M) 4 speed trans.	7409968	1

0.938 EXPANDER, SPRING—Clutch actuating cylinder cup

EXPANDER	EJ (M), EH (M), HD (M) HR (M) 3 speed trans.	7417632	1
SPRING	EJ (M), EH (M), HD (M) HR (M) 3 speed trans.	7417633	1

0.940 VALVE—Clutch actuating cylinder bleeder

VALVE	FE, FC, FB, EK (M), EJ (M), EH (M) HD (M), HR (M) .. .	7400169	1
---------------	-----------------------------------------------------------	---------	---



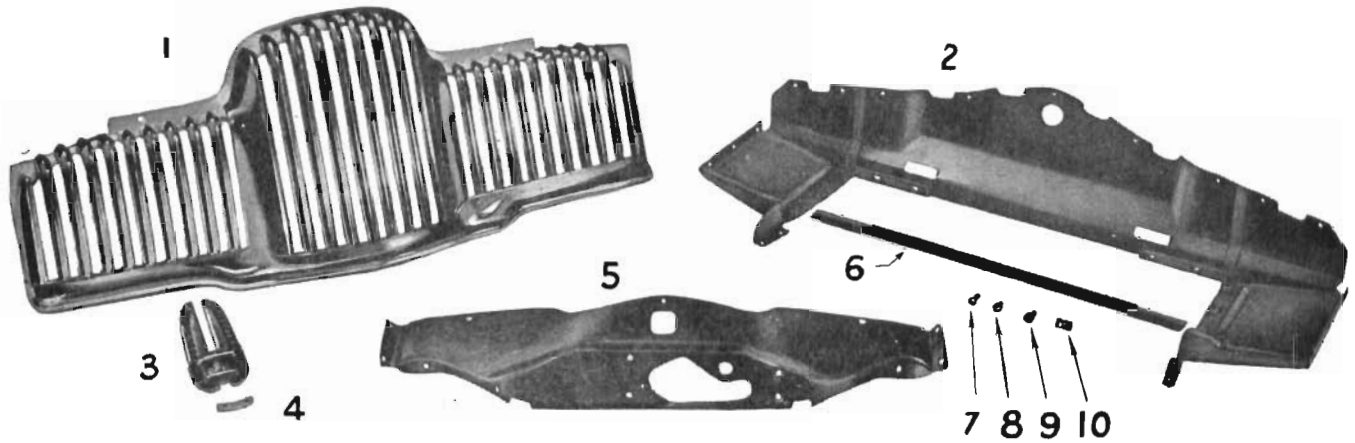
RADIATOR CORE and BAFFLES

Illus. Ref. No.	Part Name	Group	Illus. Ref. No.	Part Name	Group		
1	BAFFLE—Upper	1.286	5	CORE ASSEMBLY (Element)	1.219		
2	CAP	1.203	6	STRAP AND BRACKET KIT	1.219		
3			8	COCK	1.229		
4	RADIATOR ASSEMBLY	1.219	9	HOSE—Upper (Inlet)	1.159		
5			10	SUPPORT—Upper	1.270		
6			SUPPORT ASSEMBLY	1.270	11	SUPPORT—Side	1.270
7					12	BAFFLE—Lower	1.286
3	13	TIE MEMBER ASSEMBLY—Front			12.982		
4	SERVICE SET	1.219	14	HOSE—Lower (Outlet)	1.159		
6							
7							
4	PIPE—Overflow	1.219					



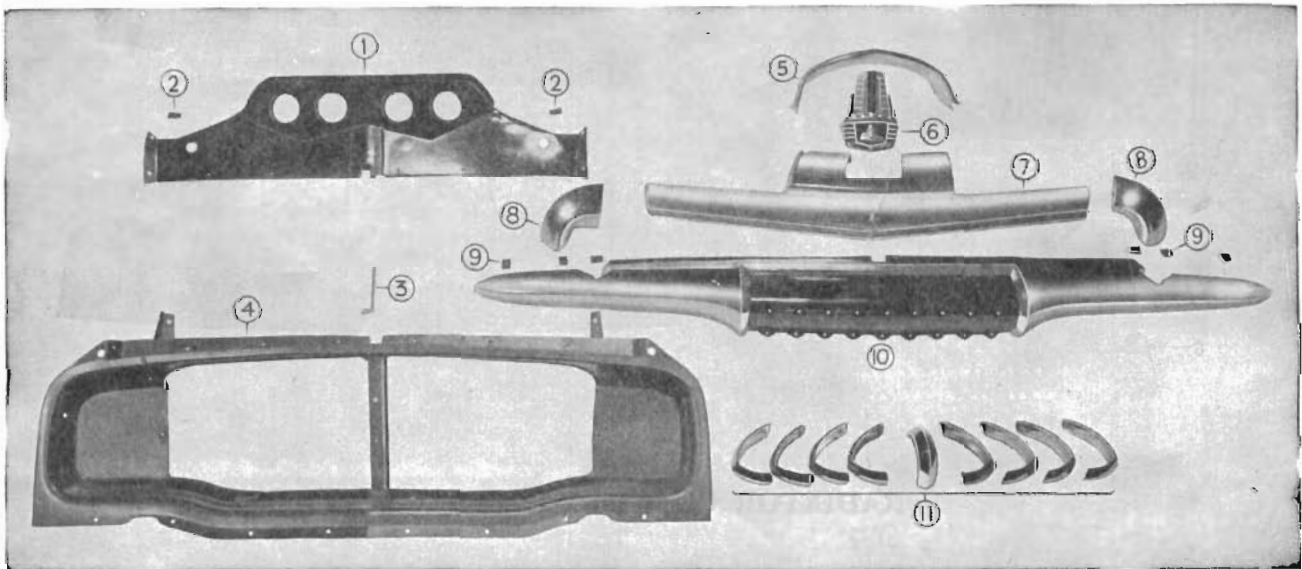
HOLDEN

MASTER PARTS CATALOGUE



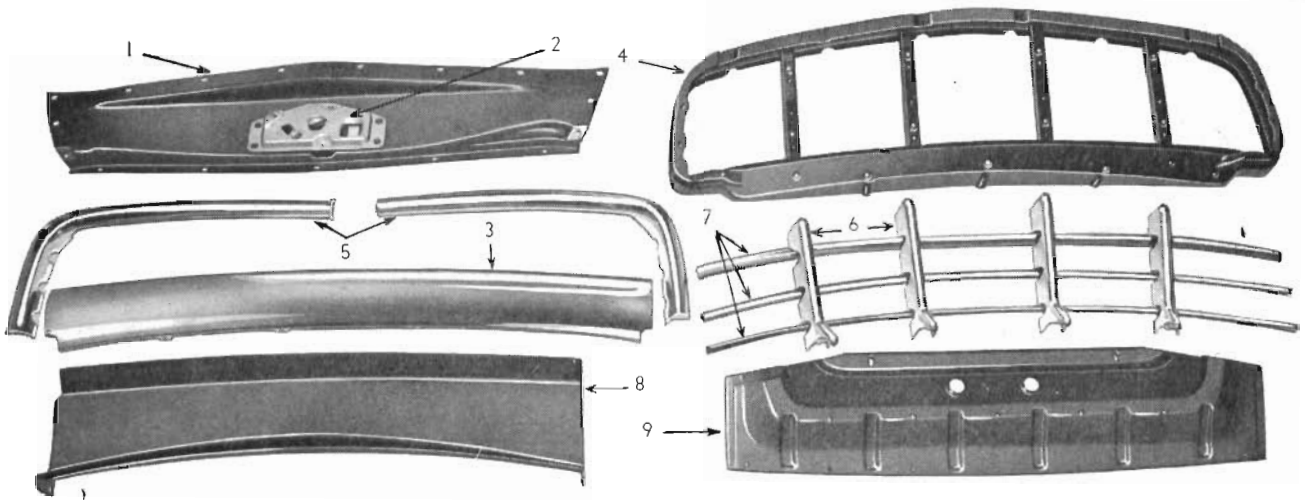
RADIATOR GRILLE (48 & 50 Series)

Illus. Ref. No.	Part Name	Group	Illus. Ref. No.	Part Name	Group
1.	GRILLE ASSEMBLY	1.266	6.	ANTI-SQUEAK	1.286
2.	BAFFLE ASSEMBLY—Lower	1.286	7.	SCREW	1.269/1.286
3.	EMBLEM ASSEMBLY	1.265	8.	SCREW	1.269
4.	STRAP	1.265	9.	SCREW	1.269/1.286
5.	BAFFLE ASSEMBLY—Upper	1.286	10.	NUT	1.269/1.286



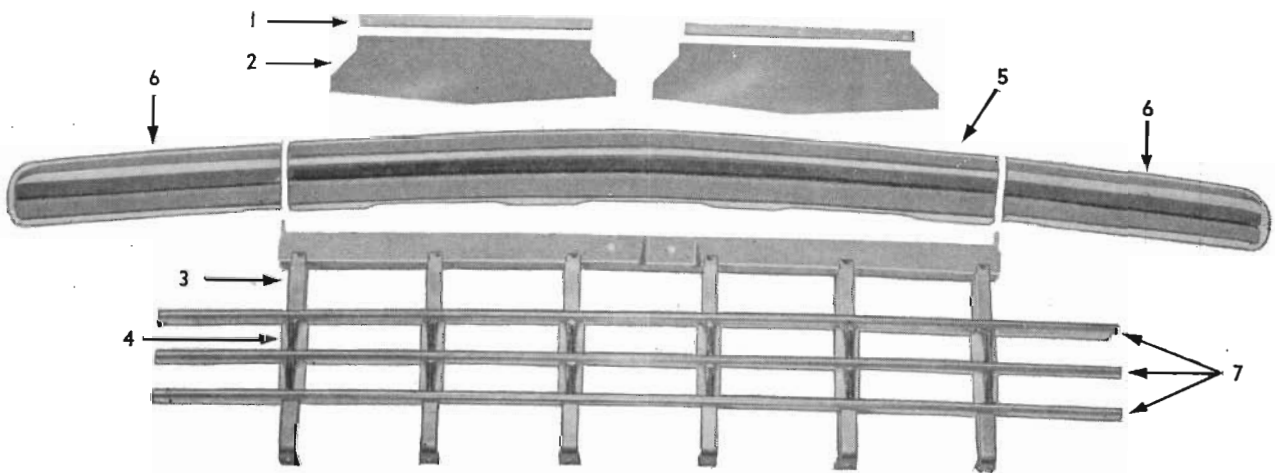
RADIATOR GRILLE (FJ Series)

Illus. Ref. No.	Part Name	Group	Illus. Ref. No.	Part Name	Group
1.	BAFFLE ASSEMBLY—Upper	1.286	7.	BAR AND EXTENSION ASSEMBLY	8.049
2.	NUT	1.286	8.	BAR, CORNER	1.268
3.	SUPPORT	1.268	9.	NUT	1.269
4.	BAFFLE ASSEMBLY—Lower	1.286	10.	BAR	1.268
5.	MOULDING	8.049	11.	MOULDING	1.268
6.	EMBLEM ASSEMBLY	8.055			



RADIATOR GRILLE (Typical FE & FC Series)

Illus. Ref. No.	Part Name	Group	Illus. Ref. No.	Part Name	Group
1.	BAFFLE—Upper	1.286	5.	BAR — Surround	1.268
2.	LOCK	8.079	6.	BAR — Vertical	1.268
3.	BAR—Horizontal lower	1.268	7.	BAR — Horizontal	1.268
4.	REINFORCEMENT	1.266	8.	PANEL	1.263
			9.	BAFFLE—Lower	1.286



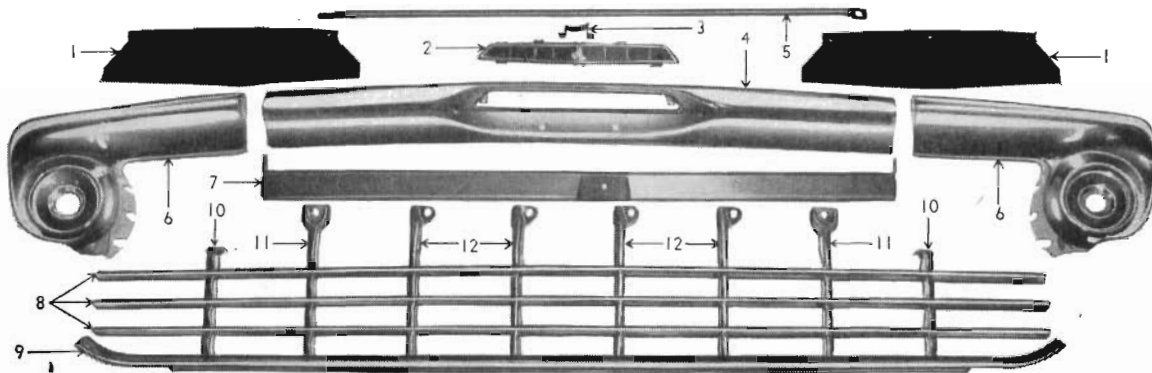
RADIATOR GRILLE (FB Series)

Illus. Ref. No.	Part Name	Group	Illus. Ref. No.	Part Name	Group
1.	RETAINER	8.010	5.	BAR ASSEMBLY	8.049
2.	SEAL	8.010	6.	BAR—Fender Grille	8.132
3.	REINFORCEMENT	1.266	7.	BAR—Horizontal	1.268
4.	BAR—Vertical	1.268			



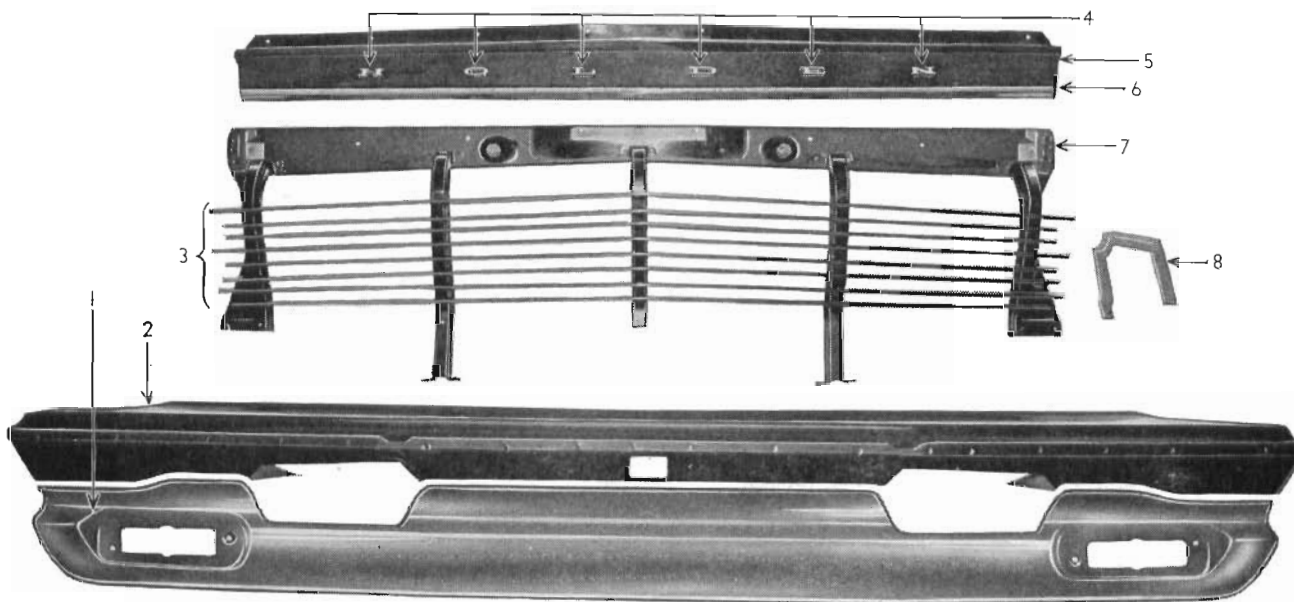
HOLDEN

MASTER PARTS CATALOGUE



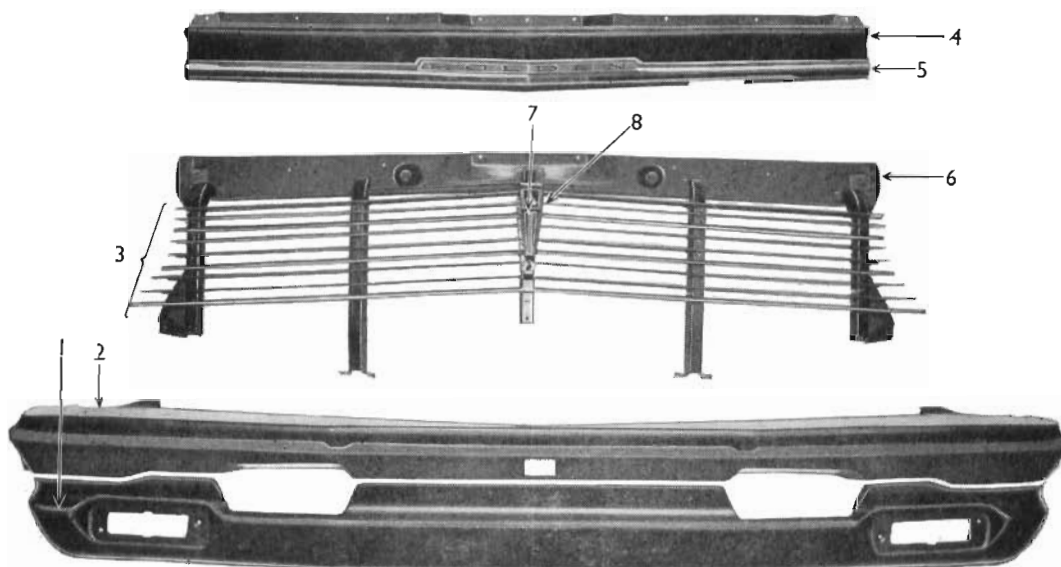
RADIATOR GRILLE (E.K. Series)

Illus. Ref. No.	Part Name	Group	Illus. Ref. No.	Part Name	Group
1.	SEAL	8.010	7.	REINFORCEMENT	1.266
2.	INSERT	8.055	8.	BAR—Horizontal	1.268
3.	CLIP	8.055	9.	BAR—Horizontal lower	1.268
4.	BAR ASSEMBLY	8.049	10.	BAR—Vertical outer	1.268
5.	BRACE	1.266	11.	BAR—Vertical intermediate	1.268
6.	BAR—Fender grille	8.132	12.	BAR—Vertical inner	1.268



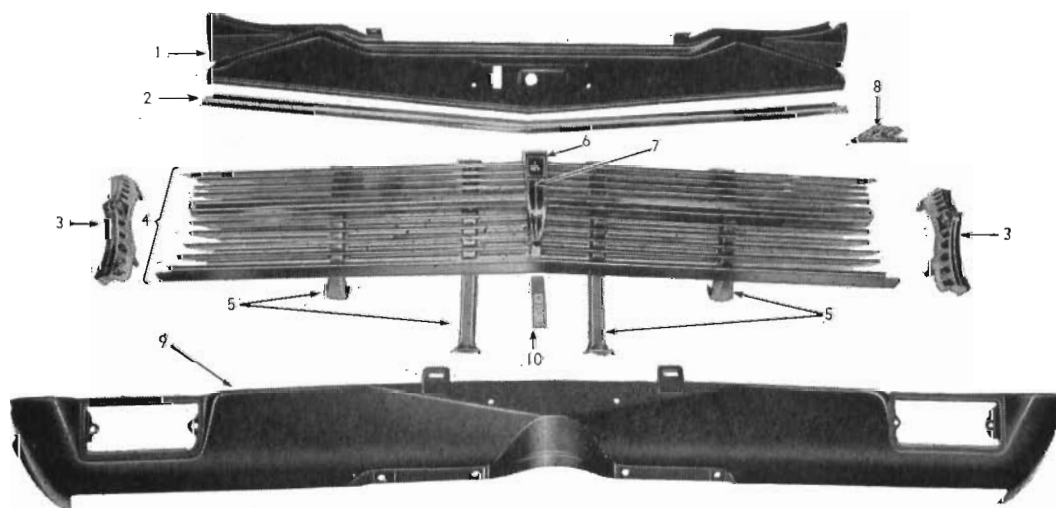
RADIATOR GRILLE (EJ Series)

Illus. Ref. No.	Part No.	Group	Illus. Ref. No.	Part No.	Group
1/2/5/7.	PANEL & REINFORCEMENT ASSEMBLY	1.268	5.	PANEL—Upper	1.268
1/2.	PANEL—Lower	1.263	6.	MOULDING—Upper panel	1.268
1.	VALANCE—Front bumper bar	1.263	7.	REINFORCEMENT ASSEMBLY	1.266
3.	BAR	1.268	8.	SEAL—Radiator side support	1.272
4.	LETTER	1.268			



RADIATOR GRILLE (EH Series)

Illus. Ref. No.	Part Name	Group	Illus. Ref. No.	Part Name	Group
1.	VALANCE—Front bumper bar	1.263	3.	BAR	1.268
1.	PANEL—Lower	1.263	4.	PANEL—Upper	1.268
2.			5.	MOULDING—Upper panel	1.268
1.	PANEL & REINFORCEMENT ASSY.	1.268	6.	REINFORCEMENT ASSEMBLY	1.266
2.			7.	INSERT—Emblem	1.265
4.			8.	EMBLEM	1.265



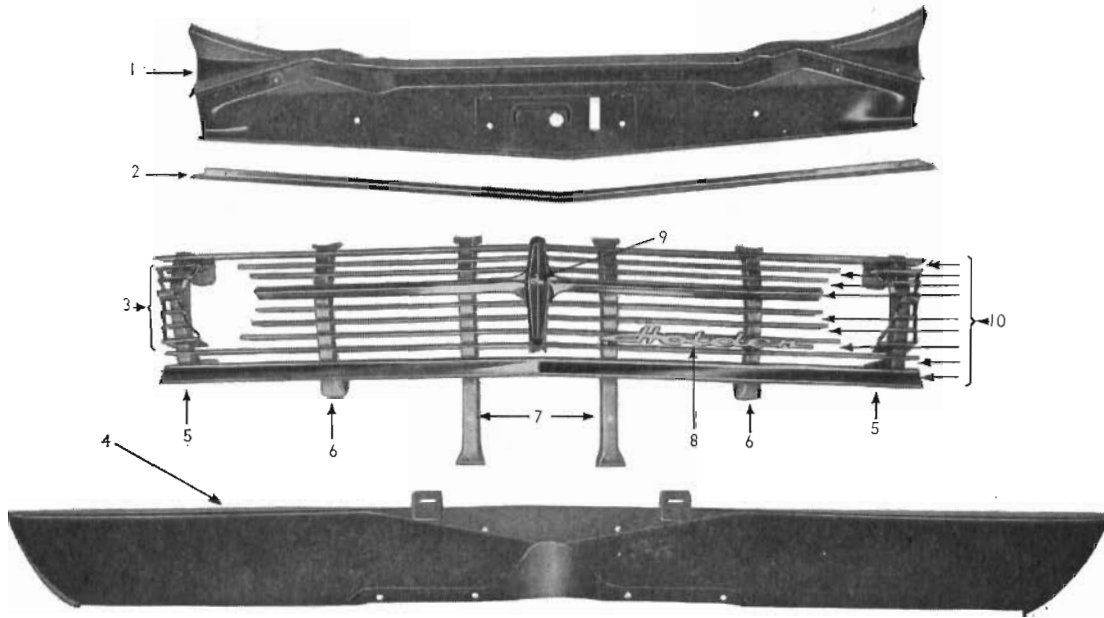
RADIATOR GRILLE (HD Series)

Illus. Ref. No.	Part Name	Group	Illus. Ref. No.	Part Name	Group
1.	PANEL—Upper	1.268	6.	EMBLEM	1.265
2.	MOULDING—Upper panel	1.268	7.	INSERT—Emblem	1.265
3.	BAR—Vertical	1.268	8.	PLATE—X2 Name	1.265
4.	BAR—Horizontal	1.268	9.	VALANCE	1.263
5.	SUPPORT	1.266	10.	CLAMP	1.265



HOLDEN

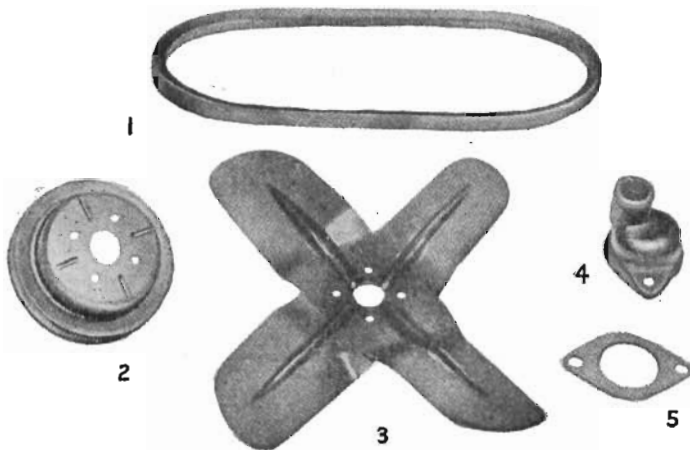
MASTER PARTS CATALOGUE



RADIATOR GRILLE (HR Series)

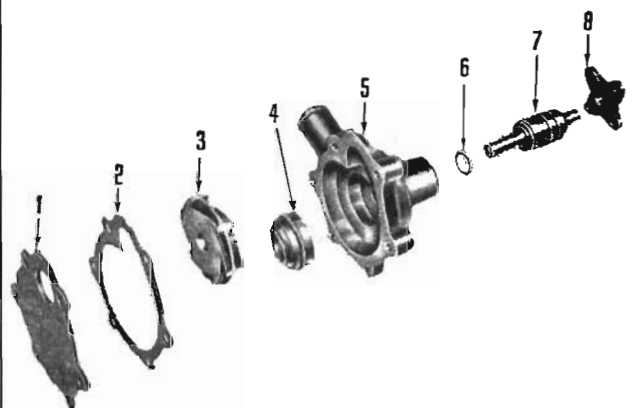
Illus. Ref. No.	Part Name	Group	Illus. Ref. No.	Part Name	Group
1.	PANEL—Upper	1.268	6.	SUPPORT—Outer	1.266
2.	MOULDING—Upper panel	1.268	7.	SUPPORT—Inner	1.266
3.	EXTENSION—Grille	1.268	8.	PLATE—Name	1.265
4.	VALANCE	1.263	9.	INSERT	1.265
5.	SUPPORT—Extension	1.266	10.	BAR—Horizontal	1.268

FAN BELT and WATER OUTLET

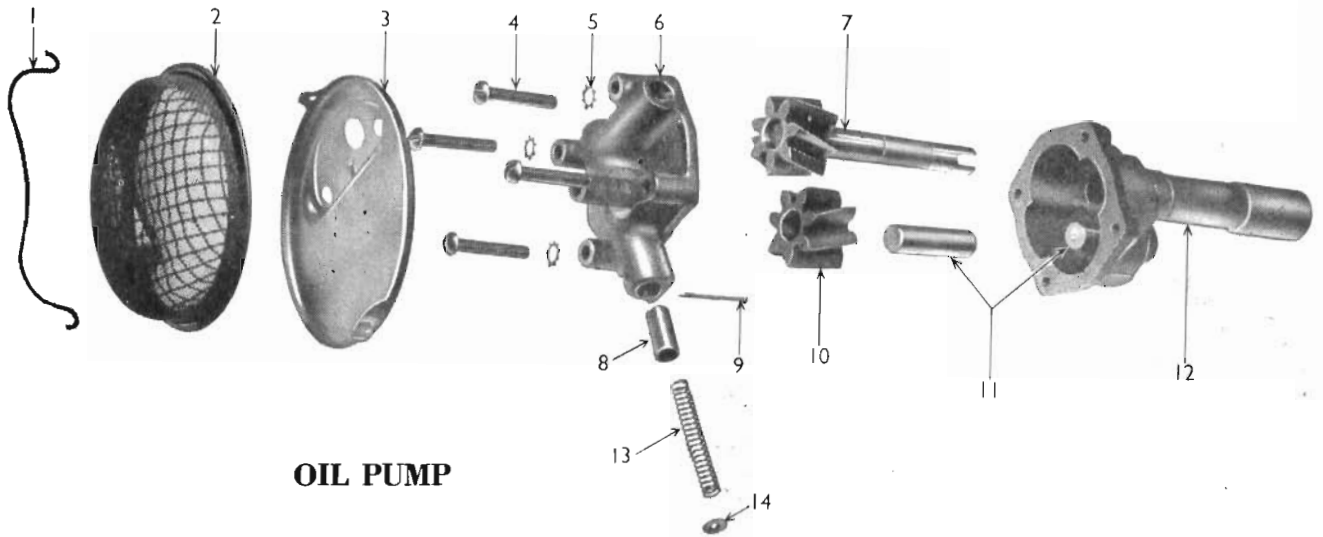


Illus. Ref. No.	Part Name	Group
1.	BELT	1.066
2.	PULLEY	1.062
3.	BLADE ASSEMBLY	1.064
4.	OUTLET	1.153
5.	GASKET	1.154

WATER PUMP

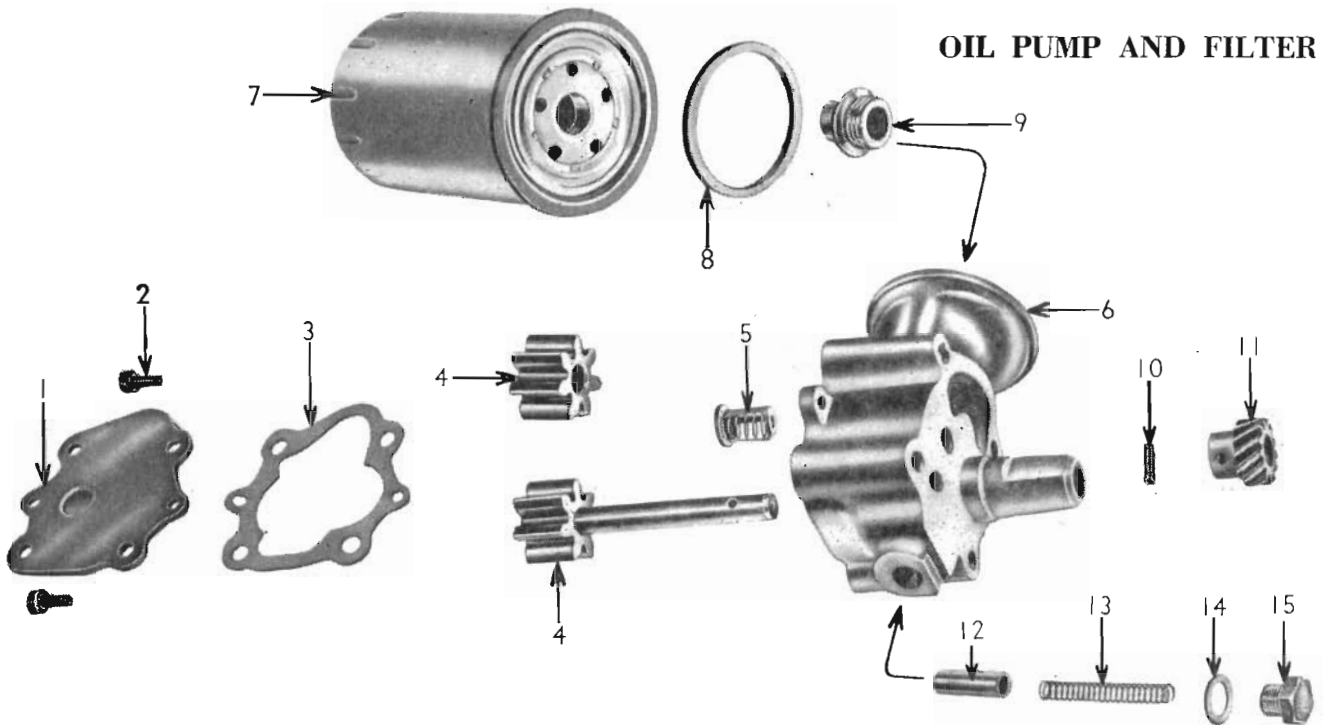


Illus. Ref. No.	Part Name	Group
1.	PLATE	1.113
2.	GASKET	1.114
3.	IMPELLER	1.109
4.	SEAL ASSEMBLY	1.123
5.	BODY	N.S.S.
6.	SLINGER	1.078
7.	SHAFT AND BEARING ASSEMBLY	1.108
8.	HUB	1.063



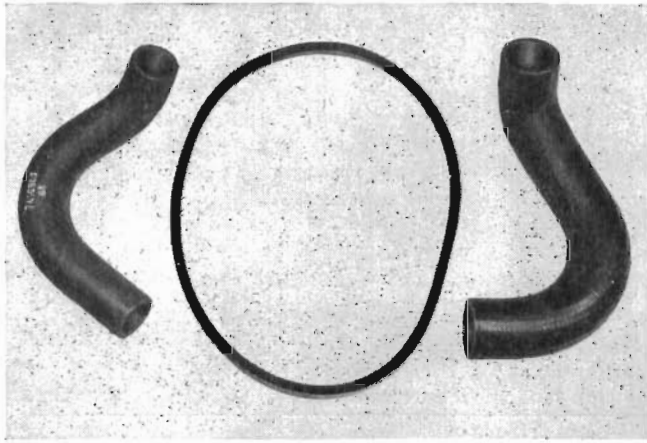
OIL PUMP

Illus. Ref. No.	Part Name	Group	Illus. Ref. No.	Part Name	Group
1.	RETAINER	1.662	8.	PLUNGER	1.609
2.	SCREEN	1.656	9.	PIN	1.611
3.	COVER	1.660	11.	SHAFT	1.658
4.	SCREW	1.660/1.723	12.	BODY	N.S.S.
5.	WASHER	1.660/1.723	13.	SPRING	1.610
6.	COVER	1.723	14.	RETAINER	1.611
7. } 10. }	GEAR SET	1.659			

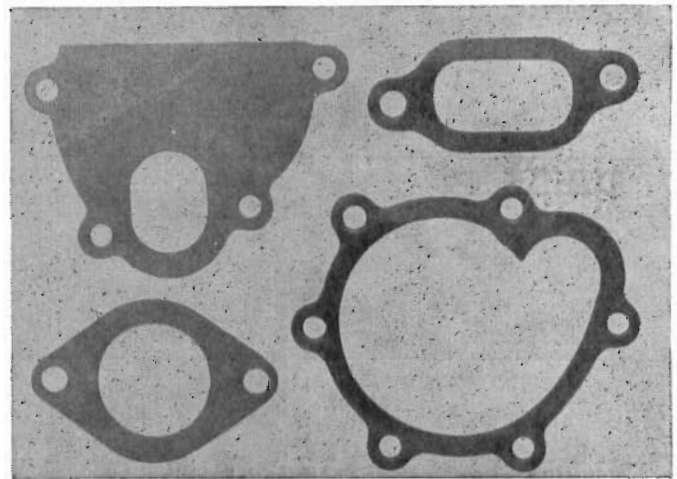


OIL PUMP AND FILTER

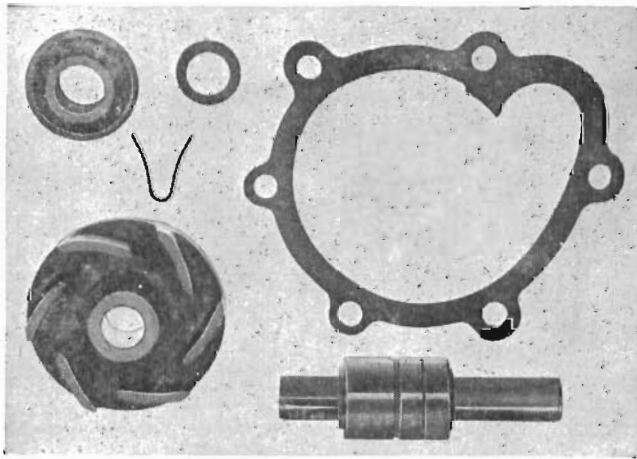
Illus. Ref. No.	Part Name	Group	Illus. Ref. No.	Part Name	Group
1.	COVER	1.723	9.	ADAPTOR	1.835
2.	SCREW	1.723	10.	PIN	1.643
3.	GASKET	1.724	10/11.	GEAR KIT	1.643
4.	GEAR SET	1.659	12.	VALVE	1.609
5.	VALVE ASSEMBLY—Bypass	1.837	13.	SPRING	1.610
6.	BODY ASSEMBLY	1.653	14.	GASKET	1.611
7.	FILTER ASSEMBLY	1.835	15.	PLUG	1.611
8.	GASKET	1.837			



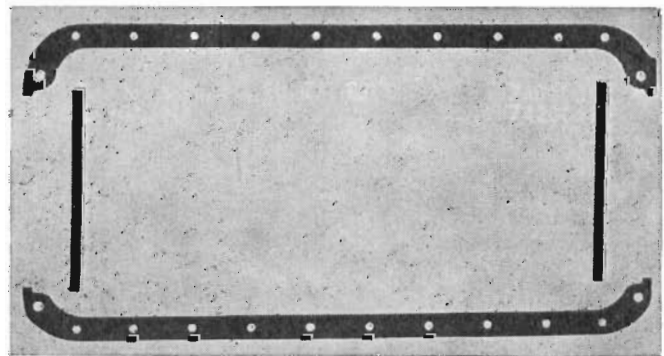
1.067 Belt and Hose Kit



1.071 Water Pump Gasket Kit



1.071 Water Pump Repair Kit



1.429 Oil Pan Gasket Unit

HOLDEN

MASTER PARTS CATALOGUE



Group	Description	Model	Part No.	Qty.
1.062 PULLEY—Water pump and fan				
PULLEY	48, 50, FJ	7402775	1
PULLEY	FE, FC, FB, EK, EJ	7408665	1
PULLEY	EH exc. Power Steering HD exc. Power Steering HR exc. Power Steering	#7428454	1
PULLEY—Pump, fan and steering	EH Power steering HD Power Steering HR Power Steering	#7428455	1
<p>#When fitting either a replacement Pulley or Pump Assembly to "EH" Series it is necessary to determine the correct position of the Hub on the Pump Shaft.</p>				
1.063 HUB—Water pump and fan pulley				
HUB	48, 50, FJ, FE, FC, FB, EK, EJ	7401011	1
HUB	EH, HD, HR	3836771	1
1.064 BLADE ASSEMBLY—Fan				
BLADE ASSEMBLY	48, 50, FJ, FE, FC	7407853	1
BLADE ASSEMBLY	FB, EK, EJ	7413296	1
BOLT—Auto hex. hd. 1/4"—28 x 1/2"	48, 50, FJ, FE, FC, FB, EK, EJ	113698	4
WASHER—Spring lock 1/4" Medium	48, 50, FJ, FE, FC, FB, EK, EJ	103319	4
BLADE ASSEMBLY	EH exc. Power steering	7421430	1
BLADE ASSEMBLY	EH Power steering	7426987	1
BLADE ASSEMBLY	HD exc. Power steering, X2 Eng. HR exc. Power steering, X2, S Eng.	7437388	1
BLADE ASSEMBLY	HD Power steering, exc. X2 Eng. HR Power steering, exc. X2, S Eng.	7428485	1
BOLT—Hex. hd. 5/16"—24 x 7/8"	EH, HD exc. X2 Eng. HR exc. X2, S Eng.	181596	4
WASHER—Spring lock 5/16"—Medium	EH, HD exc. X2 Eng. HR exc. X2, S Eng.	120214	4
BLADE ASSEMBLY	HD X2 Eng. exc. Power steering	7429827	1
BLADE ASSEMBLY	HD X2 Eng. Power steering	7430722	1
BLADE ASSEMBLY	HR X2 Eng. exc. Power steering	7432234	1
BLADE ASSEMBLY	HR X2 Eng. Power steering	7432233	1
BLADE ASSEMBLY	HR S Eng. exc. Power steering	7429827	1
BLADE ASSEMBLY	HR S Eng. Power steering	7430722	1
BOLT—Hex. hd. 5/16"—24 x 7/8"	HD X2 Eng., HR X2, S Eng.	182688	4
WASHER—Spring lock 5/16"—Medium	HD X2 Eng., HR X2, S Eng.	116120	4
1.066 BELT—Fan and generator				
BELT	48, 50, FJ	7401211	1
BELT	FE, FC, FB, EK, EJ, EH exc. Diode rect. generator	7419411	1
BELT	FE, FC, FB, EK, EJ equipped with Bosch Heavy Duty Generator	7406372	1
BELT	EH Diode rect. generator	7424263	1
BELT	HD, HR	7427822	1
1.067—BELT AND HOSE KIT—Fan and radiator				
BELT and HOSE KIT	EK (A)	M33570	1



HOLDEN

MASTER PARTS CATALOGUE

1.069 PUMP ASSEMBLY—Water

PUMP ASSEMBLY	48, 50, FJ, FE, FC, FB, EK, EJ	7414523	1
BOLT—Auto hex. hd. 5/16"—18 x 1.1/2"	48, 50, FJ, FE, FC, FB, EK, EJ	100124	3
BOLT—Auto hex. hd. 5/16"—18 x 1.5/8"	48, 50, FJ, FE, FC, FB, EK, EJ	108587	1
WASHER—Spring lock 5/16" Medium	48, 50, FJ, FE, FC, FB, EK, EJ	103320	4
PLUG—Sq. hd. pipe 3/8"	48, 50, FJ, FE, FC	103867	A.R.
PLUG—Sq. hd. pipe 1/2"	FB, EK, EJ	103868	1
PUMP ASSEMBLY	EH, HD exc. X2 Eng., HR	#7428456	1
PUMP ASSEMBLY	HD X2 Eng.	7428741	1
BOLT—Hex. hd. 5/16"—18 x 1.1/8"	EH, HD, HR	179819	1
WASHER—Spring lock 5/16"—Medium	EH, HD, HR	103320	1
BOLT & WASHER	EH, HD, HR	7420070	2
SEAL KIT—Heater hose connection	EH, HD, HR	7430865	1

#When fitting either a replacement Pulley or Pump Assembly to "EH" Series it is necessary to determine the correct position of the Hub on the Pump Shaft.

1.071 REPAIR KIT, GASKET KIT—Water pump

REPAIR KIT	48, 50, FJ, FE, FC, FB, EK, EJ	7405058	1
REPAIR KIT	EH, HD, HR	7423694	1
GASKET KIT	HR	7430497	1

1.073 BODY—Water pump

BODY	EH, HD, HR	7420066	1
------	------------	---------	---

1.078 SLINGER—Water pump

SLINGER	48, 50, FJ, FE, FC, FB, EK, EJ	7401005	1
---------	--------------------------------	---------	---

1.079 GASKET—Water pump to block

GASKET	48, 50, FJ, FE, FC, FB, EK, EJ	7401014	1
GASKET	EH, HD, HR	7420069	1

1.108 SHAFT AND BEARING ASSEMBLY—Water pump

SHAFT AND BEARING ASSEMBLY	48, 50, FJ, FE, FC, FB, EK, EJ	N885140	1
SHAFT AND BEARING ASSEMBLY	EH, HD, HR	7420067	1

1.109 IMPELLER, ROTOR—Water pump

IMPELLER	48, 50, FJ, FE, FC, FB, EK, EJ	7401008	1
ROTOR	EH, HD, HR	7420068	1

1.112 RETAINER—Water pump bearing

RETAINER	48 up to Eng. No. 114010		
	50 up to Eng. No. 114010	7401006	1

1.113 PLATE—Water pump cover

PLATE	48, 50, FJ, FE, FC, FB, EK, EJ	7401012	1
-------	--------------------------------	---------	---



1.114 GASKET—Water pump cover

GASKET	48, 50, FJ, FE, FC, FB, EK, EJ	7401013	1
--------------	--------------------------------------	---------	---

1.123 SEAL ASSEMBLY—Water pump

SEAL ASSEMBLY	48, 50, FJ, FE, FC, FB, EK, EJ	7404691	1
SEAL ASSEMBLY	EH, HD, HR	7429339	1

1.148 GAUGE—Temperature

GAUGE—(British Units)—Fahrenheit	HD X2 Eng., HR X2, S Eng.	VS10156	1
GAUGE—(Metric Units)—Centigrade	HD X2 Eng., HR X2, S Eng.	VS10183	1

1.153 OUTLET—Cylinder head water

OUTLET	48, 50, FJ, FE, FC, FB, EK	7401191	1
OUTLET	EJ, EH, HR Power steering	7417209	1
OUTLET	HD, HR exc. Power steering	7423284	1
BOLT—Auto hex. hd. 3/8"—16 x 1 1/8"	ALL	106331	2-1
BOLT—Hex. hd. 3/8"—16 x 1-3/4"	HD, HR exc. Power steering	100137	1
WASHER—Spring lock 3/8" Medium	ALL	103321	2

1.154 GASKET—Cylinder head water outlet

GASKET	ALL	7401111	1
--------------	-----------	---------	---

1.159 HOSE—Radiator

INLET	48, 50, FJ, FE, FC, FB, EK (M) exc. FB, EK (M) with Heavy Duty Rad.	7412831	1
INLET	EK (A) FB, EK (M) with Heavy Duty Rad.	7418082	1
INLET	EJ, EH	7416662	1
INLET	HD, HR exc. Power steering	7423136	1
INLET	HR Power steering	7431525	1
OUTLET—Lower	48, 50	7401313	1
OUTLET—Upper	48, 50	7401314	1
OUTLET—With spring	48, 50, FJ	*M31031	1
OUTLET—With spring	FE, FC, FB, EK	7406515	1
OUTLET—With spring	EJ	7419258	1
OUTLET—With spring	EH 149 Eng.	7423444	1
OUTLET—With spring	EH 179 Eng.	7423445	1
OUTLET—With spring	HD, HR	7420304	1

*Replaces 2 straight hoses and curved pipe fitted as original equipment on 48 & 50 models.

1.166 CLAMP—Hose

1 5/8" Diameter	ALL	*SP1004	A.R
1 7/8" Diameter (Outlet)	EH	272861	2
1.88" Diameter (Outlet)	HD, HR	SP1572	2

*Inlet only on EH, HD Models.



HOLDEN

MASTER PARTS CATALOGUE

1.203 CAP—Radiator pressure

CAP (4 lbs. pressure)	48, 50, FJ		
CAP (7 lbs. pressure)	FE up to Engine No. L388857	7403308	1
CAP (13 lbs. pressure)	FE from Engine No. L388858		
	FC, FB, EK, EJ, EH	7386167	1
	HD, HR	850559	1

1.206 GASKET—Radiator pressure cap

GASKET	48, 50, FJ, FE, FC, FB, EK, EJ	7403321	1
--------------	--------------------------------------	---------	---

1.219 RADIATOR ASSEMBLY, CORE, SERVICE SET

RADIATOR ASSEMBLY (Includes core, tank & anchorage)	48, 50, FJ	7407963*	1
CORE ASSEMBLY—Radiator (element only)	48, 50, FJ	7400960	1
SERVICE SET	48, 50, FJ	7405818	1
TANK ASSEMBLY—Top (less overflow pipe)	48, 50, FJ	7400963A	1
TANK ASSEMBLY—Bottom	48, 50, FJ	7400968	1
NECK—Filler	48, 50, FJ	7400965	1
RADIATOR ASSEMBLY (Includes core, tanks & anchorage) ..	FE, FC, FB, EK (M)		
	exc. FB, EK (M) Heavy Duty	7409838	1
CORE ASSEMBLY—Radiator (Element only)	FE, FC, FB, EK (M)		
	exc. FB, EK (M) Heavy Duty	7405976	1
SERVICE SET	FE, FC, FB, EK (M)		
	exc. FB, EK (M) Heavy Duty	7405975	1
STRAP & BRACKET KIT	FE, FC, FB, EK (M)		
	exc. FB, EK (M) Heavy Duty	7406399	1
RADIATOR PACKAGE—Complete conversion set	FB, EK (M) Heavy Duty	7425500	1
RADIATOR ASSEMBLY (includes core, tanks and anchorage)	EK (A)	7419553	1
CORE ASSEMBLY—Radiator (Element only) ..	EK (A)		
	FB, EK (M) Heavy Duty	7425244	1
STRAP & BRACKET KIT ..	EK (A)		
	FB, EK (M) Heavy Duty	7425246	1
SERVICE SET ..	EK (A)	7425245	1
COOLER ASSEMBLY—Oil	EK (A)	7418131	1
RADIATOR ASSEMBLY—(Includes core, tank & anchorage) ..	EJ (M) exc. Heavy Duty	7416663	1
RADIATOR ASSEMBLY—(Includes core, tank & anchorage) ..	EJ (M) Heavy Duty	7417175	1
RADIATOR ASSEMBLY—(Includes core, tank & anchorage) ..	EJ (A)	7418483	1
CORE ASSEMBLY—Radiator (Element only)	EJ (M) exc. Heavy Duty	7419243	1
CORE ASSEMBLY—Radiator (Element only)	EJ (A)		
	EJ (M) Heavy Duty	7419246	1
SERVICE SET	EJ (M)	7419241	1
SERVICE SET	EJ (A)	7419244	1
COOLER ASSEMBLY—Oil	EJ (A)	7418131	1
STRAP & BRACKET KIT	EJ	7419245	1
RADIATOR ASSEMBLY—(Includes Core, Tank & Anchorage)	EH (M) 149 Eng.	†7421358	1
RADIATOR ASSEMBLY—(Includes Core, Tank & Anchorage)	EH (M) 179 Eng.	7422567	1
RADIATOR ASSEMBLY—(Includes Core, Tank & Anchorage)	EH (A) 149 Eng.	†7421360	1
RADIATOR ASSEMBLY—(Includes Core, Tank & Anchorage)	EH (A) 179 Eng.	7422568	1
CORE ASSEMBLY—Radiator (Element only)	EH (M) 149 Eng.	†7419243	1
CORE ASSEMBLY—Radiator (Element only)	EH (M) 179 Eng.	7426348	1
CORE ASSEMBLY—Radiator (Element only)	EH (A) 149 Eng. ..	†7419246	1
CORE ASSEMBLY—Radiator (Element only)	EH (A) 179 Eng.	7423478	1
SERVICE SET	EH (M) 149 Eng.	†7423557	1
SERVICE SET	EH (M) 179 Eng.	7425624	1
SERVICE SET	EH (A) 149 Eng.	†7423558	1
COOLER ASSEMBLY—Oil	EH (A) 149 Eng.	7418131	1
SERVICE SET	EH (A) 179 Eng.	7423559	1
COOLER ASSEMBLY—Oil	EH (A) 179 Eng. ...	7422650	1
STRAP & BRACKET KIT	EH 149 Eng.	7423505	1
STRAP & BRACKET KIT	EH 179 Eng.	7423506	1
PIPE—Overflow	FE, FC, FB, EK, EJ, EH	7425218	1

* WHEN FITTING TO 48 AND 50 MODELS IT IS NECESSARY TO USE 4—7407967 STUD.

†Comparable 179 or 186 Engine components may be used as Heavy Duty.



1.219 RADIATOR ASSEMBLY, CORE, SERVICE SET (Cont'd.)

RADIATOR ASSEMBLY—(Includes core, tank and anchorage)	HD (M) 149 Eng., HR (M) 161 Eng.	†7423170	1
RADIATOR ASSEMBLY—(Includes core, tank and anchorage)	HD (M) 179 Eng., HR (M) 186 Eng.	7424611	1
RADIATOR ASSEMBLY—(Includes core, tank and anchorage) (Heavy Duty)	HD (M) 179 Eng., HR (M) 186 Eng.	7428567	1
RADIATOR ASSEMBLY—(Includes core, tank and anchorage)	HD (A) 149 Eng., HR (A) 161 Eng.	†7423201	1
RADIATOR ASSEMBLY—(Includes core, tank and anchorage)	HD (A) 179 Eng., HR (A) 186 Eng.	7424076	1
RADIATOR ASSEMBLY—(Includes core, tank and anchorage) (Heavy Duty)	HD (A) 179 Eng., HR (A) 186 Eng.	7429621	1
CORE ASSEMBLY—Radiator (Element only)	HD (M) 149 Eng. HR (M) 161 Eng.	†7427765	1
CORE ASSEMBLY—Radiator (Element only)	HD (A) 149 Eng., HD (M) 179 Eng. HR (A) 161 Eng., HR (M) 186 Eng.	†7427764	1
CORE ASSEMBLY—Radiator (Element only)	HD (A) 179 Eng., HR (A) 186 Eng.	7427762	1
CORE ASSEMBLY—Radiator (Element only) (Heavy Duty)	HD (M) 179 Eng., HR (M) 186 Eng.	7427762	1
CORE ASSEMBLY—Radiator (Element only) (Heavy Duty) ..	HD (A) 179 Eng., HR (A) 186 Eng.	7429624	1
SERVICE SET	HD (M), HR (M) ..	7420389	1
SERVICE SET	HD (A), HR (A) ..	7420391	1
SERVICE SET (Heavy Duty)	HD (A), HR (A) ..	7429623	1
COOLER ASSEMBLY—Oil	HD (A), HR (A) ..	7418131	1
STRAP & BRACKET KIT	HD, HR ..	7420390	1
STRAP & BRACKET KIT (Heavy Duty)	HD (A), HR (A) ..	7429622	1
PIPE—Overflow	HD, HR ..	7425218	1

†Comparable 179 or 186 components may be used as Heavy Duty.

1.221 BOLT, STUD—Radiator mounting

BOLT—Auto hex. hd. 5/16"—24 x 5/8" ..	48, 50 ..	123473	6
STUD ASSEMBLY ..	FJ ..	7407967	4
BOLT—Hex. hd. 5/16"—24 x 3/4" ..	FE, FC, FB, EK, EJ, EH ..	120741	A.R.
BOLT—Hex. hd. 5/16"—24 x 1" ..	EK (A) ..	121661	2
BOLT—Hex. hd. 5/16"—18 x 1" ..	HD, HR ..	180079	2
NUT—Light hex. 5/16"—24 ..	48, 50, FJ, FE, FC, FB, EK ..	120368	A.R.
NUT—Spring 5/16"—18 ..	HD, HR ..	SP1585	2
WASHER—Plain 3/8" x 7/8" x .083" ..	48, 50, FJ, FE, FC, FB, EK, EJ, EH ..	446363	A.R.
WASHER—Plain 11/32" x 3/4" x .075" ..	HD, HR ..	SP1390	2
WASHER—Spring lock 5/16" Medium ..	ALL ..	120214	A.R.

1.229 COCK—Radiator drain

COCK—1/8"—27 P.T.F.	48, 50, FJ, FE, FC, FB, EK, EJ (M), EH (M), HD (M), HR (M) ..	114981	1
COCK—1/4"—18 P.T.F.	EK (A), EJ (A), EH (A), HD (A) ..	SP1314	1
COCK—1/4"—18 ..	HR (A) ..	SP1717	1

1.246 THERMOSTAT ASSEMBLY

THERMOSTAT ASSEMBLY ..	48, 50, FJ, FE, FC, FB, EK, EJ ..	1572288	1
THERMOSTAT ASSEMBLY ..	EH, HD, HR exc. S Eng.	3749085	1
THERMOSTAT ASSEMBLY ..	EH, HD, HD ..	*3749086	1
THERMOSTAT ASSEMBLY ..	HR (M) S Eng.	3749086	1
THERMOSTAT ASSEMBLY ..	HR (A) S Eng.	3749085	1

*For use in low temperature areas only.



HOLDEN

MASTER PARTS CATALOGUE

1.251 HOUSING—Thermostat

HOUSING	FB, EK, EJ	7414666	1
HOUSING	EH, HD	7420089	1
HOUSING	HR	7429460	1
BOLT—Hex. hd. 3/8"—16 x 1 1/8"	48, 50, FJ, FE, FC, FB, EK, EJ, EH, HD	106331	A.R.
BOLT—Mounting	FE, FC, FB, EK, EJ, EH, HD	7409260	A.R.
BOLT—Hex. hd. 3/8"—16 x 1-3/4"	HR	100137	1
BOLT—Hex. hd. 3/8"—16 x 1-1/4"	HR	100135	2-1
BOLT—Hex. hd. 3/8"—16 x 1-3/8"	HR Power steering	122150	1
WASHER—Spring lock 3/8" Medium	ALL	103321	2-3
PLUG—Sq. hd. pipe 3/8"	48, 50, FJ, FE, FC	103867	A.R.

1.252 GASKET—Thermostat Housing

GASKET	48, 50, FJ, FE, FC, FB, EK, EJ	7401194	1
GASKET	EH, HD	7420090	1
GASKET	HR	7429459	1

1.263 PANEL ASSEMBLY—Radiator grille, lower

PANEL ASSEMBLY	FE, FC	7409589	1
PANEL	EJ	7415422	1
PANEL	EH	7421762	1
VALANCE—Front bumper bar	EJ, EH	7421263	1
VALANCE—Front bumper bar	HD	7423563	1
VALANCE—Front bumper bar	HR	7428073	1
BOLT—Hex. hd. 5/16"—18 x 3/4"	HD, HR	180077	12-6
WASHER—Plain 11/32" x 3/4" x .075"	HD, HR	SP1390	12-6
WASHER—Spring lock 5/16"—Medium	HD, HR	120214	12-6
NUT—Hex. 5/16"—18	HD	120376	6

1.265 EMBLEM ASSEMBLY—Radiator Grille

STRAP	48, 50	7402764	2
EMBLEM—Radiator grille	EH	7421624	1
SCREW—Hex. hd. tap No. 10—24 x 1/2"	EH	9414324	1
WASHER—Plain, Type "A" 7/32" x 1/2" x .049"	EH	120391	1
INSERT—Radiator grille emblem	EH	7422097	1
NUT—Flat spring 1/8"	EH	SP1534	2
EMBLEM—Radiator grille	HD	7425825	1
SCREW—Hex. hd. types "D", "T", "F" or "G"			
No. 10—24 x 1/2"	HD	448623	1
INSERT—Radiator grille emblem	HD	7425826	1
NUT—Flat type spring 1/8"	HD	SP1534	2
CLAMP—Emblem attaching	HD	7425827	1
PLATE—"X2" name	HD X2 Eng.	7429211	1
BRACKET—Plate attaching	HD X2 Eng.	7429220	1
BOLT—Hex. hd. No. 8—32 x 1-1/4"	HD X2 Eng.	9415767	1
WASHER—Spring lock No. 8—Medium	HD X2 Eng.	121841	1
INSERT—Grille emblem	HR	7430876	1
NUT—Flat spring type 1/8"	HR	SP1534	2
PLATE—Grille name	HR	7428991	1
SCREW—Oval hd. cr. rec. tap. No. 6—18 x 1-1/2"	HR	SP1646	2
SPACER—Name plate	HR	7432472	2



1.266 GRILLE, REINFORCEMENT, SUPPORT—Radiator and Grille Bar

GRILLE ASSEMBLY	48, 50	7401692	1
REINFORCEMENT ASSEMBLY—Grille bar	FE	7411324	1
REINFORCEMENT ASSEMBLY—Grille bar	FC	7411435	1
RETAINER—Grille bar	FC	LH7400585	1
		RH7400584	1
REINFORCEMENT ASSEMBLY—Grille	FB	7412798	1
REINFORCEMENT ASSEMBLY—Grille	EK	7416819	1
BRACE—Grille, front	EK (A)		
	FB, EK (M) with Heavy Duty Rad.	7418813	1
BRACE—Grille, rear	EK (A)		
	FB, EK (M) with Heavy Duty Rad.	7418814	1
REINFORCEMENT ASSEMBLY	EJ	7415970	1
REINFORCEMENT ASSEMBLY	EH	7421679	1
RIVET—Truss hd. semi tubular 3/16" x 3/16"	EJ, EH	136868	11
BRACE ASSEMBLY	EJ, EH	7417439	1
SCREW—Hex. hd. tap. type "C" 1/4"—28 x 3/4"	EJ, EH	171041	16
WASHER—Plain 17/64" x 3/4" x .075"	EJ, EH	SP1107	16
WASHER—Spring lock 1/4" medium	EJ, EH	120380	16
SUPPORT—Grille bar, inner	HD	LH7425751	1
		RH7425750	1
SUPPORT—Grille bar, outer	HD	LH7425819	1
		RH7425820	1
SUPPORT—Grille bar, inner	HR	LH7428459	1
		RH7428460	1
SUPPORT—Grille bar, outer	HR	LH7428461	1
		RH7428462	1
SUPPORT—Grille extension	HR	LH7430987	1
		RH7430986	1

1.268 BAR, SUPPORT, MOULDING, BUMPER, PANEL, LETTER—Radiator Grille

BAR—Horizontal, lower	48, 50	7401715	1
BAR—Vertical, centre	48, 50	7403463	7
BAR—Vertical, main	48, 50	LH7401697	1
BAR—Vertical, inner	48, 50	7403464	12
BAR—Vertical, intermediate inner	48, 50	7401706	4
BAR—Vertical, intermediate outer	48, 50	7401707	2
BAR—Vertical, outer	48, 50	RH7401988	1
BAR	FJ	7404000	1
BAR—Corner, L.H.	FJ	7404075	1
BAR—Corner, R.H.	FJ	7404074	1
SUPPORT—Bar	FJ	7404027	1
MOULDING—Bar, centre	FJ	7404003	1
MOULDING—Bar, Outer, L.H.	FJ	7404001	4
MOULDING—Bar, Outer, R.H.	FJ	7404002	4
BUMPER—To stone shield	FJ	7402190	3
BAR—Horizontal, upper No. 1	FE	7411263	1
BAR—Horizontal, No. 2	FE	7411262	1
BAR—Horizontal, No. 3	FE	7411261	1
BAR—Horizontal, No. 4	FE	7411260	1
BAR—Horizontal, Nos. 5 and 6	FE	7411259	2
BAR—Vertical, centre	FE	7410546	1
BAR—Vertical, inner L.H.	FE	7410545	1
BAR—Vertical, inner R.H.	FE	7410544	1
BAR—Vertical, outer L.H.	FE	7410543	1
BAR—Vertical, outer R.H.	FE	7410542	1
SCREW—Hex. hd. Type "G" No. 10—24 x 1/2"	FE	9414324	10
BAR—Surround L.H.	FE	7409697	1
BAR—Surround R.H.	FE	7409696	1
NUT—Hex. mach. screw No. 10—24	FE	120361	A.R.
WASHER—Spring lock No. 10 medium	FE	120217	A.R.
SCREW—Hex. hd. tap. Type "G" No. 10—24 x 1/2"	FE	9414324	16



HOLDEN

MASTER PARTS CATALOGUE

1.268 BAR, SUPPORT, MOULDING, BUMPER, PANEL, LETTER—Radiator grille (Cont'd.)

BAR—Horizontal, No. 1—(plated)	FC	7411681	1
BAR—Horizontal, No. 2—(plated)	FC	7411682	1
BAR—Horizontal, upper No. 3—(plated)	FC	7411683	1
BAR—Horizontal, lower—(plated)	FC	7411657	1
BAR—Vertical, inner—(plated)	FC	7411686	2
BAR—Vertical, outer—(plated)	FC	LH7411689	1
		RH7411688	1
BAR—Surround—(plated)	FC	LH7411781	1
		RH7411780	1
BAR—Horizontal, No. 1—(paint finish)	FC/2104, FC/2106	7413713	1
BAR—Horizontal, No. 2—(paint finish)	FC/2104, FC/2106	7413714	1
BAR—Horizontal, upper No. 3—(paint finish)	FC/2104, FC/2106	7413715	1
BAR—Vertical, outer—(paint finish)	FC/2104, FC/2106	LH7413711	1
		RH7413710	1
BAR—Surround—(paint finish)	FC/2104, FC/2106	LH7413709	1
		RH7413708	1
SCREW—Hex. hd. tap. No. 10-24 x 1/2"	FC	9414324	24
WASHER—Plain 7/32" x 1/2" x .049"	FC	120391	A.R.
BAR—Horizontal	FB	7412607	3
BAR—Vertical	FB/225, FB/229	7414171	12
SCREW—Hex. hd. tap. No. 10-24 x 1/2"	FB/225, FB/229	9414324	12
BAR—Horizontal	EK	7416154	3
BAR—Horizontal, lower	EK	7416155	1
BAR—Vertical, inner	EK	7416607	4
BAR—Vertical, intermediate	EK	7416608	2
BAR—Vertical, outer	EK	7416609	2
BAR—Radiator grille, Nos. 1 & 4	EJ	7421247	2
BAR—Radiator grille, Nos. 2 & 3	EJ	7421248	2
BAR—Radiator grille, No. 5	EJ	7421249	1
BAR—Radiator grille, No. 6	EJ	7421250	1
BAR—Radiator grille, No. 7	EJ	7421251	1
BAR—Radiator grille, No. 8 (lower)	EJ	7421252	1
PANEL & REINFORCEMENT ASSEMBLY	EJ	7426942	1
PANEL—Radiator grille (upper)	EJ	7421254	1
RIVET—Truss hd. semi tubular 3/16" x 3/16"	EJ	136868	8
MOULDING—Radiator grille, upper panel	EJ	7421217	1
RETAINER—Moulding	EJ	7421244	8
LETTER—"H"	EJ	7415341	1
LETTER—"O"	EJ	7415342	1
LETTER—"L"	EJ	7415343	1
LETTER—"D"	EJ	7415344	1
LETTER—"E"	EJ	7415345	1
LETTER—"N"	EJ	7415346	1
CLIP—Name letter attaching	EJ	4635016	12
BAR—Radiator grille Nos. 1 & 2	EH	7421708	2
BAR—Radiator grille No. 3	EH	7421713	1
BAR—Radiator grille No. 4	EH	7421709	1
BAR—Radiator grille No. 5	EH	7421710	1
BAR—Radiator grille No. 6	EH	7421714	1
BAR—Radiator grille No. 7	EH	7421711	1
BAR—Radiator grille No. 8	EH	7421712	1
BAR—Radiator grille No. 9 (Lower)	EH	7421769	1
PANEL & REINFORCEMENT ASSEMBLY	EH	7427281	1
PANEL—Radiator grille (Upper)	EH	7421992	1
RIVET—Truss hd. semi tubular 3/16" x 3/16"	EH	136868	8
MOULDING—Radiator grille upper panel	EH	7422091	1
NUT—Stamped No. 10—24, type "G"	EH	441240	4
MOULDING—Grille upper panel	HD	7427220	1
RIVET—Oval hd. tubular 1/8" x 5/32"	HD	SP1344	5
BAR—Horizontal Nos. 1 & 8	HD	7425633	2
BAR—Horizontal Nos. 2, 3, 4, 6, 7	HD	7425634	5
BAR—Horizontal No. 5—Centre	HD	7425823	1
BAR—Horizontal No. 9	HD	7425635	1
BAR—Horizontal No. 10—Lower	HD	7425636	1
BAR—Vertical	HD	LH7425821	1
		RH7425822	1



1.268 BAR, SUPPORT, MOULDING, BUMPER, PANEL, LETTER—Radiator grille (Cont'd.)

BAR—Horizontal No. 1	HR	7428400	1
BAR—Horizontal Nos. 2 & 7	HR	7428401	2
BAR—Horizontal Nos. 3 & 6	HR	7428402	2
BAR & EMBLEM—Horizontal No. 4	HR	7430875	1
SCREW—Hex. hd. tap. No. 10—24 x 1/2"	HR	448623	4
WASHER—Plain 7/32" x 1/2" x .049"	HR	120391	4
BAR—Horizontal No. 5	HR	7428403	1
BAR—Horizontal No. 8	HR	7428404	1
BAR—Horizontal No. 9	HR	7428405	1
EXTENSION—Grille	HR	LH7431093	1
		RH7431092	1
MOULDING—Grille upper panel	HR	7428336	1
RIVET—Oval hd. tubular 1/8" x 5/32"	HR	SP1344	5

1.269 ATTACHING PARTS—Radiator grille

SCREW—Grille to lwr. & side baffle hex. hd. tapp. 1/2"	48, 50	7400075	8
SCREW—Grille to lwr. & side baffle pan hd. sl. tap. 3/8"	48, 50	7403037	9
SCREW—Pan. hd. sl. tapp. "A" No. 14-10 x 1/2"	48, 50	221154	2
NUT—Grille and baffle spiral	48, 50, FJ	7402851	A.R.
NUT—Grille bar to lwr. baffle anchor No. 14—10 (J type)	FJ	3664889	3
NUT—Grille to fender anchor No. 14—10 (J type)	FJ	3664889	4
WASHER—Plain 5/16" x 3/4" x .065"	FJ	120386	6
SCREW—Grille bar to lwr. baffle (hex. hd. tapp. 1/2")	FJ	7400075	3
SCREW—Grille to fender (hex. hd. tapp. 1/2")	FJ	7400075	4
SCREW—Hex. hd. tapp. type "A" No. 10—12 x 3/8"	FJ	178781	4
WASHER—Plain 7/32" x 7/16" x .049"	FJ	446161	4
NUT—Hex. jam 1/4"—20	FJ	124818	2
WASHER—Plain 9/32" x 5/8" x .065"	FJ	120392	2
SCREW—Hex. hd. machine No. 10—24 x 1/2"	FJ	443874	19
WASHER—Ext. tooth lock No. 10	FJ	138479	19
SCREW—Pan hd. sl. tapp. type "A" No. 14—10 x 5/8"	FJ	144817	14
SCREW—Grille to frame (hex. hd. tapping 1/2")	FJ	7400075	A.R.
SCREW—Baffle and support	FE, FC	7400075	A.R.
WASHER—Plain 17/64" x 3/4" x .075"	FE, FC	SP1107	A.R.
NUT—Anchor No. 14-10 (J type)	FC	3664889	10
SCREW—Hex. hd. tap. Type "C", 1/4"—28 x 3/4"	FB, EK	171041	A.R.
WASHER—Plain 17/64" x 3/4" x .075"	FB, EK	SP1107	A.R.
WASHER—Spring lock, 1/4" medium	FB, EK	120380	A.R.
BOLT—Hex. hd. 5/16"—18 x 3/4"	HD, HR	180077	6-10
WASHER—Plain 11/32" x 3/4" x .075"	HD, HR	SP1390	10
WASHER—Spring lock 5/16"—Medium	HD, HR	120214	10
NUT—5/16"—18 "J" type	HD, HR	SP1548	4-8
NUT—Hex. 5/16"—18	HD	120376	4

1.270 ANCHORAGE ASSEMBLY, SUPPORT—Radiator core

ANCHORAGE ASSEMBLY	48, 50, FJ	7407964*	1
NUT—Spiral	48, 50, FJ	7402851	8
SUPPORT ASSEMBLY—Lower and side	FE, FC	7409990	1
SUPPORT—Upper	FE, FC	7409174	1
SUPPORT—Side L.H.	FE, FC	7409171	1
SUPPORT—Side R.H.	FE, FC	7409170	1
BOLT—Hex. hd. 5/16"—18 x 5/8"	FE, FC	120228	2
WASHER—Plain 11/32" x 11/16" x .065"	FE, FC	120393	2
WASHER—Spring lock 5/16" medium	FE, FC	120214	2

*When fitting to 48 and 50 Models it is necessary to use 4—7407967 Stud.



HOLDEN

MASTER PARTS CATALOGUE

1.270 ANCHORAGE ASSEMBLY, SUPPORT—Radiator core (Cont'd.).

SUPPORT ASSEMBLY—Lower and side	FB, EK (M) exc. with Heavy Duty Rad.	7414386	1
SUPPORT ASSEMBLY—Lower and side	EK (A)		
	FB, EK (M) with Heavy Duty Rad.	7418479	1
SUPPORT ASSEMBLY—Upper	FB, EK	7412143	1
SCREW—Hex. hd. tap. Type "C", 1/4"—28 x 3/4"	FB, EK	171041	8
WASHER—Spring lock, 1/4" medium	FB, EK	120380	8
WASHER—Plain, 17/64, x 3/4" x .075"	FB, EK	SP1107	4
BOLT—Hex. hd. 5/16"—24 x 1"	FB, EK	121661	2
NUT—Hex. 5/16"—24	FB, EK	120368	2
WASHER—Spring lock 5/16" medium	FB, EK	120214	2
WASHER—Plain 11/32" x 11/16" x .065"	FB, EK	120393	2
SUPPORT ASSEMBLY—Side	FB, EK (M) exc. with Heavy Duty Rad.	LH7412685	1
	RH7412684		1
SUPPORT ASSEMBLY—Side	EK (A)		
	FB, EK (M) with Heavy Duty Rad.	LH7418019	1
	RH7418018		1
BRACE ASSY.—Upper support to grille reinforcement	FB, EK	7401583	1
BOLT—Hex. hd. 5/16"—24 x 3/4"	FB, EK	120741	A.R.
BOLT—Hex. hd. 5/16"—24 x 7/8"	EK	120213	2
WASHER—Spring lock 5/16" medium	FB, EK	120214	4
WASHER—Plain 11/32" x 11/16" x .065"	FB, EK	120393	6
NUT—Hex. 5/16"—24	FB, EK	120368	4
SUPPORT ASSEMBLY—Lower and side	EJ	7425387	1
SUPPORT—Upper	EJ	7415516	1
SCREW—Hex. hd. tap. type "C" 1/4"—28 x 3/4"	EJ	171041	8
WASHER—Plain, 17/64" x 3/4" x .075"	EJ	SP1107	10
WASHER—Spring lock, 1/4" medium	EJ	120380	10
BOLT—Hex. hd. 1/4"—28 x 9/16"	EJ	123325	2
NUT—Hex. 1/4"—28	EJ	120367	2
SUPPORT—Radiator side	EJ	LH7416313	1
	RH7416312		1
SUPPORT	EH	7422905	1
SUPPORT—Upper	EH	7422180	1
SCREW—Hex. hd. tap. type "C" 1/4"—28 x 3/4"	EH	171041	6
WASHER—Plain, 17/64" x 3/4" x .075"	EH	SP1107	8
WASHER—Spring lock, 1/4"—Medium	EH	120380	8
BOLT—Hex. hd. 1/4"—28 x 9/16"	EH	123325	2
NUT—Hex. 1/4"—28	EH	120367	2
SUPPORT—Radiator side	EH	LH7422175	1
	RH7422174		1
BOLT—Hex. hd. 5/16"—24 x 3/4"	EH	120741	1
WASHER—Plain, type "A" 3/8" x 7/8" x .083"	EH	446363	1
WASHER—Spring lock 5/16"—Medium	EH	120214	1
EXTENSION ASSEMBLY—Radiator side support	EH 149 Eng.	7422178	1
BOLT—Hex. hd. 5/16"—24 x 3/4"	EH 149 Eng.	120741	2
WASHER—Plain, type "A" 3/8" x 7/8" x .083"	EH 149 Eng.	446363	2
WASHER—Spring lock 5/16"—Medium	EH 149 Eng.	120214	2
SCREW—Hex. hd. tap. type "C" 1/4"—28 x 3/4"	EH 149 Eng.	171041	2
WASHER—Spring lock 1/4"—Medium	EH 149 Eng.	120380	2
SUPPORT	HD	7406792	1
SUPPORT	HR	7429411	1
SUPPORT—Upper	HD, HR	7423991	1
BOLT—Hex. hd. 5/16"—18 x 3/4"	HD, HR	180077	2
WASHER—Plain 11/32" x 3/4" x .075"	HD, HR	SP1390	4
WASHER—Spring lock 5/16"—Medium	HD, HR	120214	6
NUT—5/16"—18 "J" type	HD, HR	SP1548	6
BOLT—Hex. hd. 5/16"—18 x 1"	HD, HR	180079	6
NUT—Spring 5/16"—18	HD, HR	SP1585	2
SUPPORT—Radiator side	HD	LH7424425	1
	RH7424424		1
	LH7429423		1
	RH7429424		1
SUPPORT—Radiator side	HR		

HOLDEN

MASTER PARTS CATALOGUE



1.272 SEAL—Radiator side support

SEAL	EJ, EH	7421318	2
------------	--------------	---------	---

1.286 BAFFLE ASSEMBLY—Radiator grille

UPPER	48, 50	7400285	1
SCREW—Pan hd. sl. tapp. Type "A" No. 14—10 x 1/2"	48, 50	221154	13
WASHER—Plain 5/16" x 3/4" x .065"	48, 50	120386	4
LOWER AND SIDES	48, 50	7403341	1
SCREW—To fender skirt and radiator support	48, 50	7401980	A.R.
UPPER	FJ	7404008	1
NUT—to fender anchor (No. 14-10 J type)	FJ	3664889	2
LOWER	FJ	7404081	1
UPPER	FE, FC	7409168	1
NUT—to fender anchor (No. 14—10 J type)	FE, FC	3664889	2
LOWER	FE, FC	7409046	1
NUT—Spiral	FE, FC	7402851	7
LOWER	FB, EK	7412584	1

1.426 PAN ASSEMBLY—Oil

PAN ASSEMBLY	48, 50, FJ, FE, FC, FB, EK	7409864	1
PAN ASSEMBLY	EJ	7419018	1
BOLT—Auto hex. hd. 5/16"—18 x 5/8"	48, 50, FJ, FE, FC, FB, EK, EJ	106324	4
WASHER—Spring lock 5/16" Medium	48, 50, FJ, FE, FC, FB, EK, EJ	103320	4
BOLT AND LOCKWASHER ASSEMBLY	48, 50, FJ, FE, FC, FB, EK, EJ	SP1672	19
BAFFLE—Oil pan	48, 50, FJ up to Eng. No. 240143	7409654*	1
PAN ASSEMBLY	EH	7420022	1
PAN ASSEMBLY	HD, HR	7424686	1
SCREW & LOCK WASHER ASSEMBLY	EH, HD, HR	SP1533	4
SCREW—Hex. hd. mach. 1/4"—20 x 1/2" with external tooth lock washer	EH, HD, HR	423335	22

* TO BE FITTED WHEN NECESSARY TO OBIVIATE EXCESSIVE OIL SURGE UPON APPLICATION OF BRAKES.

1.429 GASKET UNIT—Oil pan

GASKET UNIT	48, 50, FJ, FE, FC, FB, EK, EJ	7405057	1
SEAL—Oil pan end	48, 50, FJ, FE, FC, FB, EK, EJ	7401021	2
GASKET UNIT	EH, HD, HR	7423373	1
SEAL—Oil pan front	EH, HD, HR	7420001	1
SEAL—Oil pan rear	EH, HD, HR	3788444	1

1.453 PLUG—Oil pan drain

PLUG & GASKET ASSEMBLY	ALL	7423483	1
GASKET	48, 50, FJ, FE, FC, FB, EK, EJ	7417490	1
GASKET—Drain plug	EH, HD, HR	513975	1
PLUG & GASKET ASSY.—Oversize 9/16"—18	ALL	7433631	1
GASKET—9/16"	ALL	7433633	1



HOLDEN

MASTER PARTS CATALOGUE

1.516 CAP, INDICATOR—Oil

CAP ASSEMBLY—Oil filler	48, 50, FJ, FE, FC, FB, EK, EJ .. .	7419503	1
INDICATOR ASSEMBLY—Oil level .. .	FE, FC, FB, EK .. .	7410305	1
INDICATOR ASSEMBLY—Oil level .. .	EJ .. .	7415679	1
TUBE—Oil level indicator .. .	EJ .. .	7415681	1
CAP ASSEMBLY—Oil filler .. .	EH, HD, HR exc. X2, S Eng. .. .	7422035	1
CAP ASSEMBLY—Oil filler .. .	HR X2 Eng. .. .	7432247	1
CAP ASSEMBLY—Oil filler .. .	HR S Eng. .. .	7435374	1
INDICATOR ASSEMBLY—Oil level .. .	EH, HD, HR .. .	7427624	1
TUBE—Oil level indicator .. .	EH, HD, HR .. .	7427625	1

1.517 GASKET—Oil filler cap

GASKET .. .	48, 50, FJ, FE, FC, FB, EK, EJ .. .	7400233	1
GASKET .. .	EH, HD, HR .. .	7425615	1

1.519 PIPE ASSEMBLY—Oil

PIPE ASSEMBLY—Oil delivery .. .	48, 50, FJ, FE, FC, FB, EK, EJ .. .	7402444	1
CONNECTOR—Inverted flared tube 7/16" .. .	48, 50, FJ, FE, FC, FB, EK, EJ .. .	SP1039	1
ELBOW—90° inverted flared tube 7/16" .. .	48, 50, FJ, FE, FC, FB, EK, EJ .. .	SP1496	1
PIPE ASSEMBLY—Cylinder block to valve rockers .. .	48, 50, FJ, FE, FC, FB, EK, EJ .. .	7402946	1
NUT—Inverted flared tube 3/16" .. .	48, 50, FJ, FE, FC, FB, EK, EJ .. .	137396	2
CONNECTOR—Inverted flared tube 3/16" .. .	48, 50, FJ, FE, FC, FB, EK, EJ .. .	137404	1

1.609 PLUNGER, VALVE—Oil pressure regulator

PLUNGER .. .	48, 50, FJ up to Eng. No. 197343 .. .	7400892	1
PLUNGER .. .	FJ from Eng. No. 197344 FE, FC, FB, EK, EJ .. .	7409390	1
VALVE .. .	EH, HD, HR .. .	3702366	1
PIN—Groove 3/32" x 5/8" type "A" .. .	EH, HD, HR .. .	142953	1

1.610 SPRING—Oil pressure regulator

SPRING .. .	48, 50, FJ up to Eng. No. 197343 .. .	7400893	1
SPRING .. .	FJ from Eng. No. 197344 FE, FC, FB, EK, EJ .. .	3702367	1
SPRING .. .	EH, HD, HR .. .	3837115	1

1.611 RETAINER, PLUG—Oil pressure regulator spring

RETAINER .. .	FJ from Eng. No. 197344 FE, FC, FB, EK, EJ .. .	3701564	1
PIN COTTER—3/32" x 1" .. .	FJ from Eng. No. 197344 FE, FC, FB, EK, EJ .. .	103374	1
PLUG .. .	EH, HD, HR .. .	7426909	1
GASKET .. .	EH, HD, HR .. .	7417490	1

1.643 GEAR KIT—Oil pump drive

GEAR KIT .. .	EH, HD, HR .. .	7423613	1
PIN—Slotted spring 3/16" x 3/4" .. .	EH, HD, HR .. .	454512	1



1.652 PUMP ASSEMBLY—Oil

PUMP ASSEMBLY	48, 50, FJ, FE, FC, FB, EK, EJ	7419021	1
PUMP ASSEMBLY	EH, HD, HR	7422562	1
BOLT—Hex. hd. 5/16"—18 x 2-13/16"	EH, HD, HR	SP1567	4
WASHER—Spring lock 5/16"—Medium	EH, HD, HR	103320	4

1.653 BODY ASSEMBLY—Oil pump

BODY ASSEMBLY	EH, HD, HR	7420010	1
---------------	------------	---------	---

1.654 GASKET—Oil pump to block

GASKET	EH, HD, HR	7420017	1
--------	------------	---------	---

1.656 SCREEN ASSEMBLY—Oil pump with pipe

SCREEN ASSEMBLY	FJ from Eng. No. 197344 FE, FC, FB, EK, EJ	7408708	1
SCREEN ASSEMBLY	EH	7420035	1
SCREEN ASSEMBLY	HD, HR	7424363	1
CONNECTOR—Inverted flared tube 1/2"	EH, HD, HR	425224	1
BOLT—Hex. hd. 1/4"—20 x 1/2"	EH, HD, HR	106972	1
WASHER—Spring lock 1/4"—Medium	EH, HD, HR	103319	1

1.658 SHAFT—Oil pump driven gear

SHAFT	48, 50, FJ, FE, FC, FB, EK, EJ	7400888	1
SHAFT	EH, HD, HR	7420011	1

1.659 GEAR SET—Oil pump

GEAR SET—(Helical cut)	48, 50, FJ, FE, FC, FB, EK, EJ	7405904	1
GEAR SET	EH, HD, HR	7423482	1

1.660 COVER—Oil pump screen

COVER	48, 50, FJ up to Eng. No. 197343	7400896	1
COVER	FJ from Eng. No. 197344 FE, FC, FB, EK	7409391	1
COVER	EJ	7419017	1
SCREW—Rd. hd. sl. machine 1/4"—20 x 1 1/2"	48, 50, FJ, FE, FC, FB, EK, EJ	113963	2
WASHER—Ext. tooth lock 1/4"	48, 50, FJ, FE, FC, FB, EK, EJ	114604	2

1.662 RETAINER—Oil pump screen

RETAINER	48, 50, FJ up to Eng. No. 197343	7400901	1
RETAINER	FJ from Eng. No. 197344 FE, FC, FB, EK, EJ	7408712	1

1.666 WASHER—Oil pump thrust

WASHER	48, 50, FJ, FE, FC, FB, EK, EJ	7400884	1
--------	--------------------------------	---------	---



HOLDEN

MASTER PARTS CATALOGUE

1.672 SCREW—Oil pump set

SCREW	48, 50, FJ, FE, FC, FB, EK, EJ	7400903	1
NUT—Light hex. jam 7/16"—14	48, 50, FJ, FE, FC, FB, EK, EJ	114504	1

1.723 COVER—Oil pump

COVER	FJ from Eng. No. 197344 FE, FC, FB, EK, EJ	7409388	1
SCREW—Rd. hd. sl. machine 1/4"—20 x 1 1/2"	48, 50, FJ, FE, FC, FB, EK, EJ	113963	2
WASHER—External tooth lock 1/4"	48, 50, FJ, FE, FC, FB, EK, EJ	114604	2
PIN—Groove type "B" 3/32" x 1/2"	FJ from Eng. No. 197344 FE, FC, FB, EK, EJ	442905	1
COVER KIT	EH, HD, HR	7423614	1
COVER	EH, HD, HR	7426937	1
SCREW—Hex. hd. mach. 1/4"—20 x 11/16" with spring lock washer	EH, HD, HR	SP1566	2

1.724 GASKET—Oil pump cover

GASKET	48, 50, FJ up to Eng. No. 197343	7400895	1
GASKET	EH, HD, HR	7420016	1

1.739 INLET, TUBE—Oil pump

TUBE	FJ from Eng. No. 197344 FE, FC, FB, EK, EJ	7409399	1
------	-----------------------------------------------	---------	---

1.745 GROMMET—Valve cover to block vent

GROMMET	EH, HD, HR	7427227	1
---------	------------	---------	---

1.762 TUBE ASSEMBLY, VENTILATOR ASSEMBLY—Engine breather

TUBE ASSEMBLY	48, 50, FJ, FE, FC, FB, EK	7412358	1
TUBE ASSEMBLY	EJ exc. EJ (M) South Africa	7421218	1
TUBE ASSEMBLY	EJ (M) South Africa only	7422213	1
WASHER—Spring lock 1/4" Medium	48, 50, FJ, FE, FC, FB, EK, EJ	103319	1
VENTILATOR ASSEMBLY	EH, HD exc. Power Steering HR exc. S Eng., Power Steering	*7424173	1
VENTILATOR ASSEMBLY	HD Power Steering HR Power Steering exc. S Eng.	*7428022	1
BOLT—Hex. hd. 1/4"—20 x 7/16"	EH, HD, HR exc. S Eng.	*121804	1
WASHER—Plain, type "A" 9/32" x 5/8" x .065"	EH, HD, HR exc. S Eng.	*120392	1
VALVE ASSEMBLY—Ventilator	HR	**6419565	1
HOSE—Breather	HR exc. S Eng.	**7433354	1
HOSE—Breather	HR S Eng.	**7434120	1
CLAMP—Breather hose	HR	**3829058	2
ADAPTOR—Rocker cover	EH, HD, HR	7423902	1

*Except Positive Crankcase Ventilation.

**With Positive Crankcase Ventilation.



1.803 SWITCH ASSEMBLY—Oil Pressure Tell-Tale

ENGINE UNIT—Oil Gauge GAUGE—Oil Pressure

SWITCH ASSEMBLY	48, 50, FJ up to Eng. No. 173092	†7419530	1
BUSHING—Reducing (switch to block)	48, 50, FJ up to Eng. No. 173092	SP1005	1
SWITCH ASSEMBLY	FJ from Eng. No. 173093		
		FE, FC, FB, EK	7419533	1
SWITCH ASSEMBLY	EJ, EH, HD exc. X2 Eng.		
		HR exc. X2, S Eng.	7418881	1
ENGINE UNIT—Oil gauge	HD X2 Eng., HR X2, S Eng.	7429181	1
GAUGE—Oil pressure (British Units) P.S.I.	HD X2 Eng., HR X2, S Eng.	VS10155	1
GAUGE—Oil pressure (Metric Units)	HD X2 Eng., HR X2, S Eng.	VS10184	1

†Reducing Bushing Part No. SP1005 to be discarded when fitting switch Part No. 7419530.

1.835 FILTER ASSEMBLY—Oil

FILTER KIT—Replacement element type (A.C.)	48, 50, FJ, FE, FC, FB, EK, EJ	7406603	1
ELEMENT—Replacement (A.C.)	48, 50, FJ, FE, FC, FB, EK, EJ	7961457	1
ELEMENT—Replacement (A.C.)	48, 50, FJ, suit 7405214 filter kit	ZR1	1
ELEMENT—Replacement (Fram)	48, 50, FJ, suit 7405426 filter kit	7405460	1
ELEMENT—Replacement (Fram)	FE, FC	7405460	1
FILTER ASSEMBLY	EH, HD, HR	7428256	1
ADAPTOR	EH, HD, HR	7421853	1

1.837 VALVE ASSEMBLY, GASKET—Oil filter

VALVE ASSEMBLY—By-pass	EH, HD, HR	5575416	1
GASKET	EH, HD, HR	5574397	1

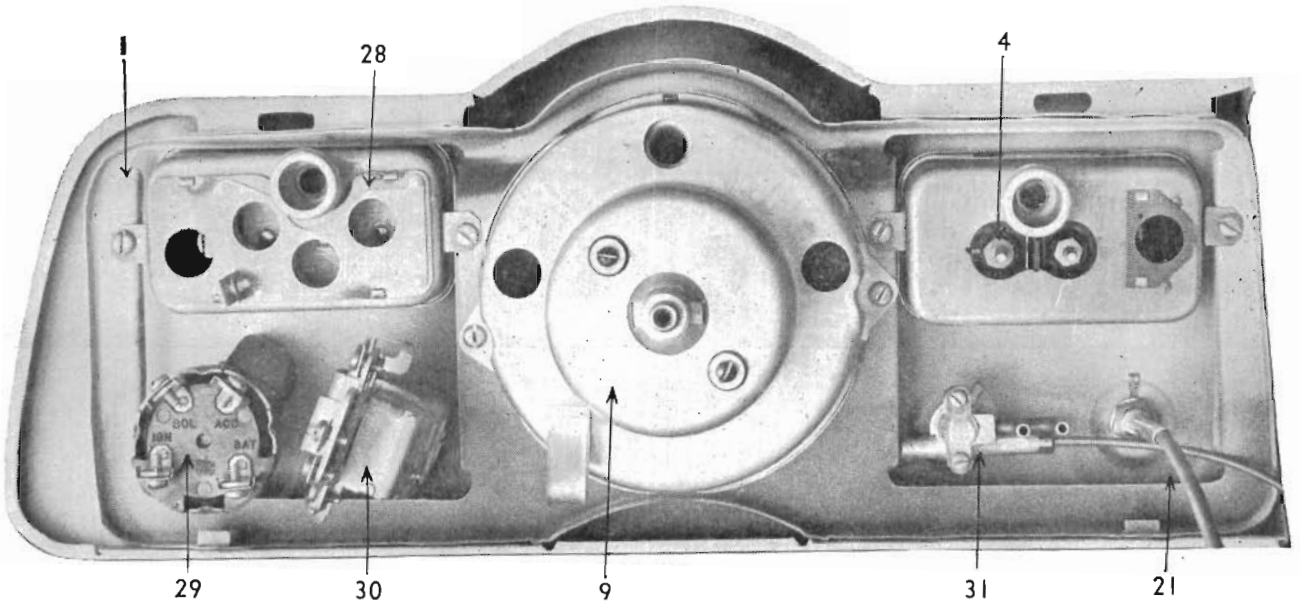
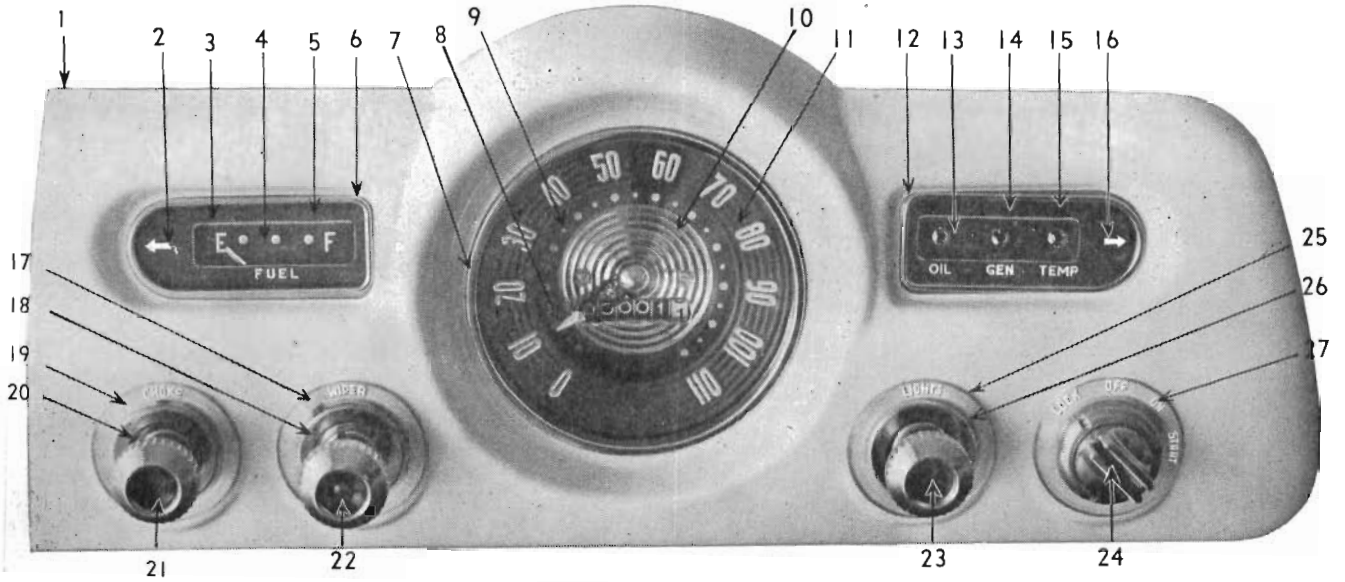
1.840 PIPE, TEE, "U" BOLT, SUPPORT, COVER—Oil filter

PIPE—Inlet (A.C.)	48, 50, FJ, FE, FC, FB, EK, EJ	7414075	1
PIPE—Outlet (A.C.)	48, 50, FJ, FE, FC, FB, EK, EJ	7414076	1
ELBOW—Inverted flared tube 1/4" (A.C.)	48, 50, FJ, FE, FC, FB, EK, EJ	SP1424	1
CONNECTOR—Inverted flared tube 1/4" (A.C.)	48, 50, FJ, FE, FC, FB, EK, EJ	137405	1
TEE—Threaded sleeve tube 1/4" (A.C.)	48, 50, FJ, FE, FC, FB, EK, EJ	7414084	1
"U" BOLT (A.C.)	48, 50, FJ, FE, FC, FB, EK, EJ	7406015	1
SUPPORT ASSEMBLY (A.C.)	48, 50, FJ, FE, FC, FB, EK, EJ	7406018	1
COVER (A.C.)	48, 50, FJ, FE, FC, FB, EK, EJ	1531074	1
PIPE—Outlet (Brass) (A.C. & Fram)	48, 50, FJ	*7405430	1
SLEEVE—Large hex. thread 1/4" (A.C. & Fram)	48, 50, FJ	*157236	1
NUT—"U" type spring No. 12 A (A.C. & Fram)	48, 50, FJ	*SP1214	1
BUSHING—Pipe reducing 1/4"—1/8" (A.C. & Fram)	48, 50, FJ	*SP1005	1
PIPE—Inlet (Fram)	FE, FC	7406391	1
PIPE—Outlet (Fram)	FE, FC	7406392	1
CONNECTOR—Inverted flared tube 1/4" (Fram)	FE, FC	137405	1
SUPPORT ASSEMBLY (Fram)	FE, FC	7406018	1

*Suit Filter Kits part number 7405214, 7405426.

HOLDEN

MASTER PARTS CATALOGUE



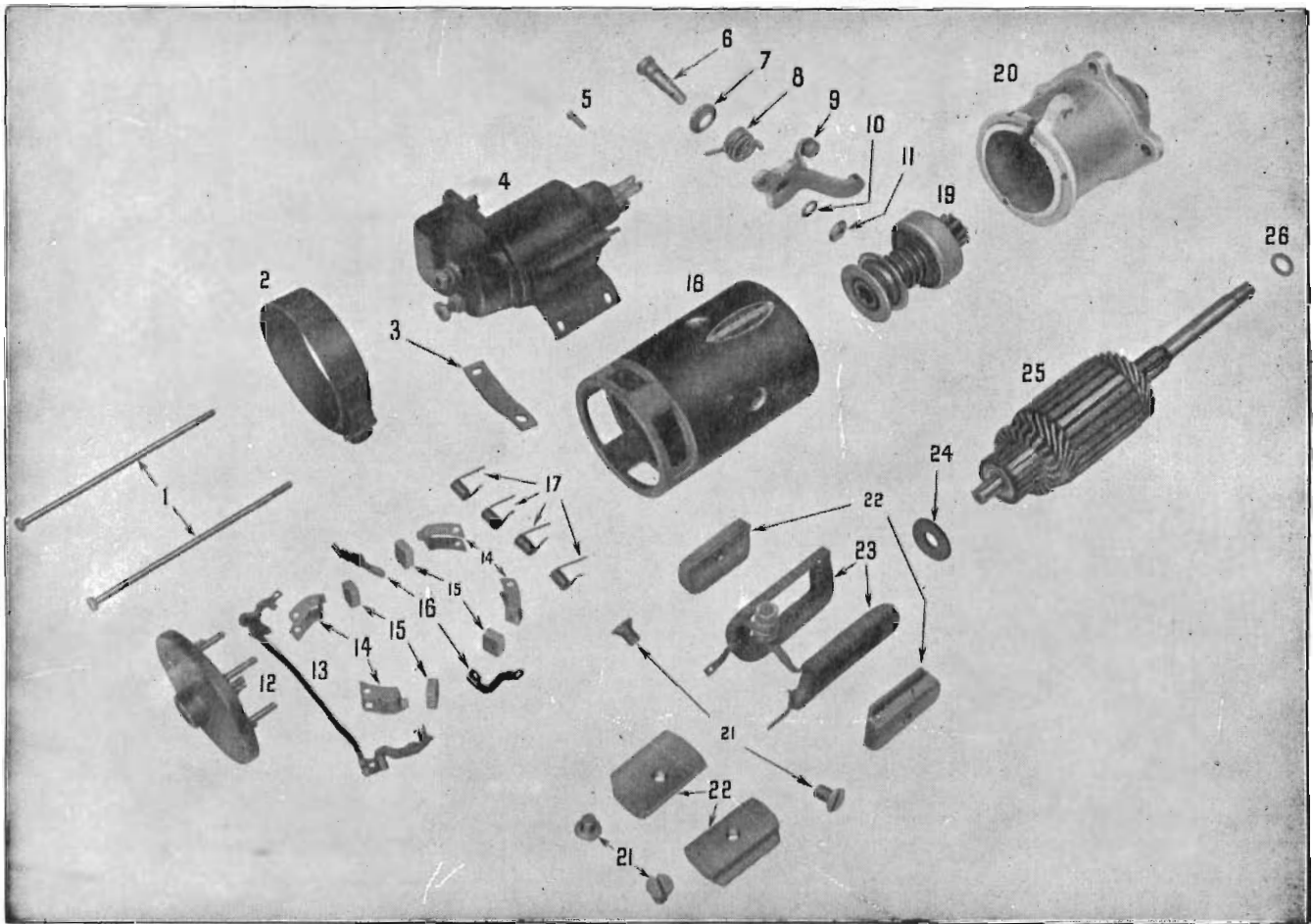
INSTRUMENT PANEL and INSTRUMENTS

Illus. Ref. No.	Part Name	Group	Illus. Ref. No.	Part Name	Group
1.	PANEL ASSEMBLY ..	9.743	17.	DIAL ..	10.164
2.	DIAL ..	3.109	18.	ESCUTCHEON ..	10.166
3.	GLASS ..	3.109	19.	DIAL ..	3.522
4.	GAUGE ASSEMBLY ..	3.108	20.	ESCUTCHEON ..	3.522
5.	MASK ..	3.109	21.	CONTROL ASSEMBLY ..	3.521
6.	BEZEL ..	3.109	22.	KNOB ..	10.164
7.	BEZEL ..	4.339	23.	ROD ASSEMBLY ..	2.486
8.	POINTER ..	4.339	24.	CYLINDER ASSEMBLY ..	2.188
9.	HEAD ASSEMBLY ..	4.339	25.	DIAL ..	2.488
10.	DIAL—Centre ..	4.339	26.	ESCUTCHEON ..	2.486
11.	DIAL—Sub ..	4.339	27.	DIAL ..	2.198
12.	BEZEL ..	2.516	28.	TELL TALE ASSEMBLY ..	2.515
13.	DIAL—Tell tale ..	2.516	29.	SWITCH ASSEMBLY ..	2.188
14.	GLASS ..	2.516	30.	SWITCH ASSEMBLY ..	2.485
15.	MASK ..	2.516	31.	CONTROL ASSEMBLY ..	10.163
16.	DIAL—Direction Signal ..	2.516			



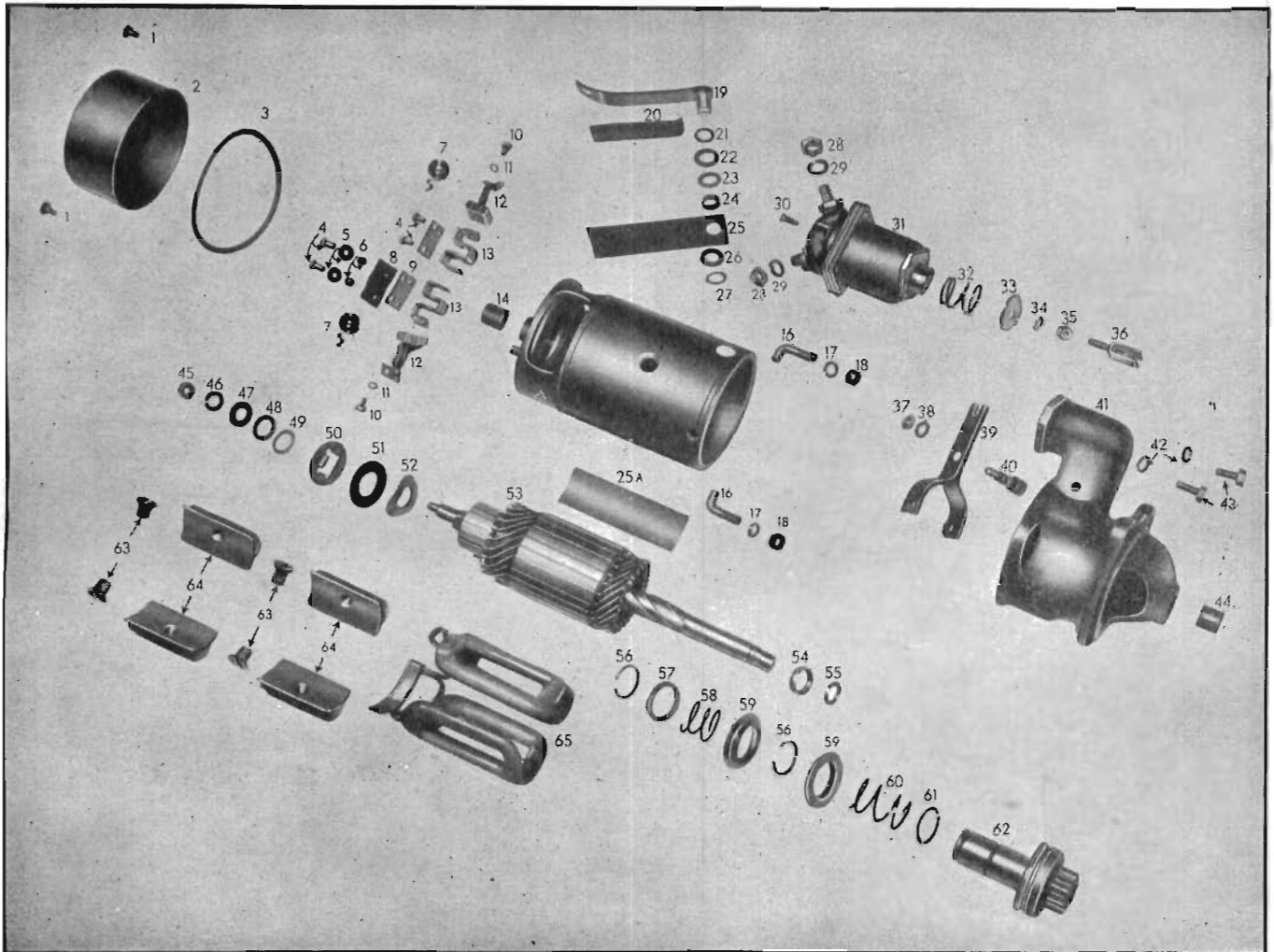
HOLDEN

MASTER PARTS CATALOGUE



STARTER MOTOR (Delco-Remy)

Illus. Ref. No.	Part Name	Group	Illus. Ref. No.	Part Name	Group
1.	BOLT	2.077	14.	HOLDER	2.052
2.	BAND	2.070	15.	BRUSH SET	2.051
3.	CONNECTOR	2.101	16.	LEAD	2.055
4.	SWITCH	2.100	17.	SPRING	2.053
5.	PIN	2.108	18.	FRAME	N.S.S.
6.	STUD	2.108	19.	DRIVE ASSEMBLY	2.086
7.	SUPPORT	2.111	20.	HOUSING	2.085
8.	SPRING	2.108	21.	SCREW	2.077
9.	LEVER ASSEMBLY	2.108	22.	SHOE	2.047
10.	WASHER	2.108	23.	COIL ASSEMBLY	2.049
11.	NUT	2.108	24.	WASHER	2.063
12.	FRAME	2.067	25.	ARMATURE	2.043
13.	LEAD	2.055	26.	WASHER	2.096



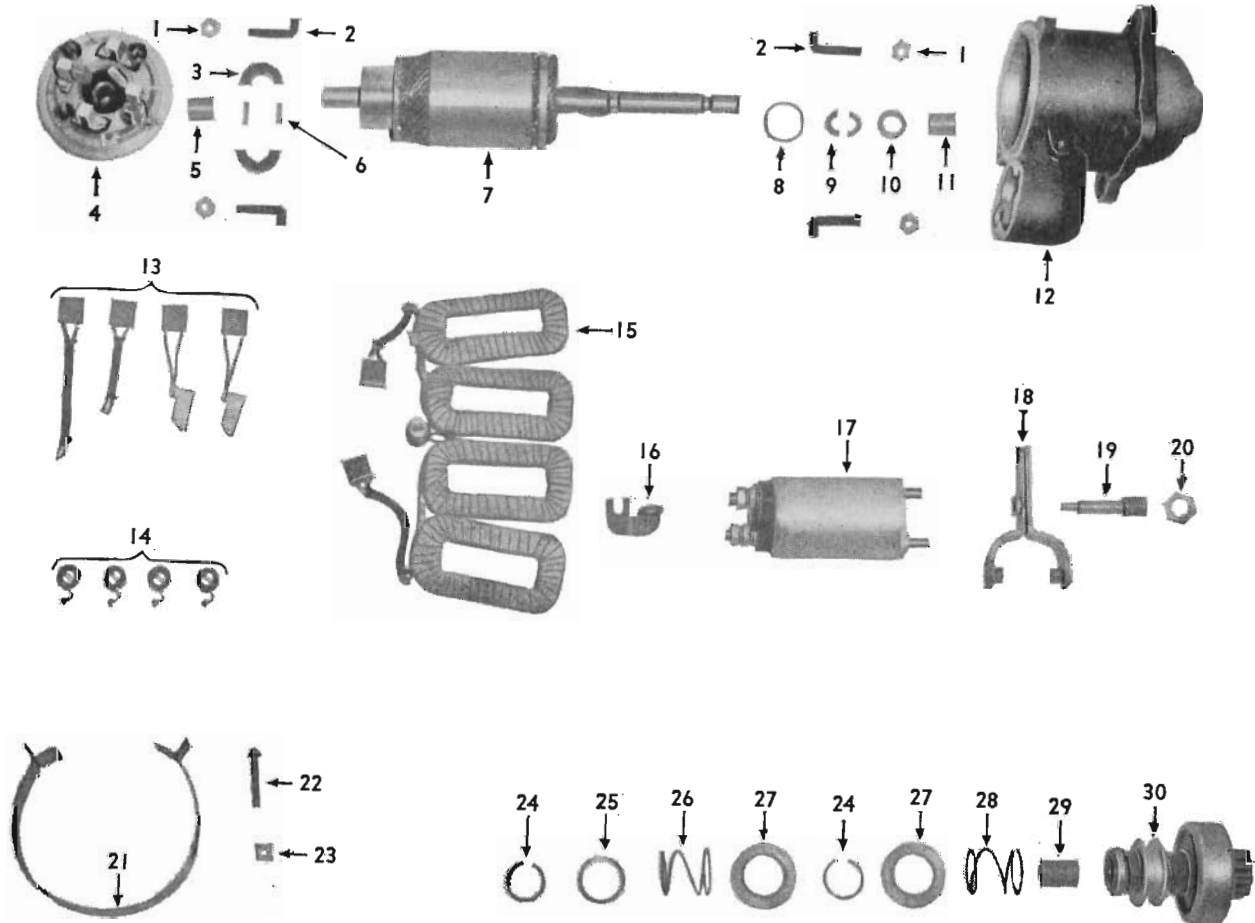
STARTER MOTOR (Bosch)

Illus. Ref. No.	Part Name	Group	Illus. Ref. No.	Part Name	Group	Illus. Ref. No.	Part Name	Group
1.	SCREW	2.070	23.	WASHER	2.101	44.	BUSHING	2.083
2.	COVER	2.070	24.	BUSH	2.101	45.	NUT	2.043
3.	SEAL	2.070	25.	INSULATOR	2.049	46.	WASHER	2.043
4.	SCREW	2.052	25A.	INSULATOR	2.049	47.	WASHER	2.043
5.	WASHER	2.052	26.	WASHER	2.101	48.	SHIM	2.063
6.	BUSH	2.052	27.	WASHER	2.101	49.	WASHER—Insulating	2.063
7.	SPRING	2.053	28.	NUT	2.102	50.	RETAINER	2.063
8.	INSULATION	2.052	29.	WASHER	2.102	51.	WASHER	2.063
9.	LOCK PLATE	2.052	30.	SCREW	2.102	52.	SPRING	2.063
10.	SCREW	2.055	31.	SWITCH	2.100	53.	ARMATURE	2.043
11.	WASHER	2.055	32.	SPRING	2.102	54.	STOP	2.096
12.	BRUSH SET	2.051	33.	RETAINER	2.102	55.	RING	2.096
13.	HOLDER	2.052	34.	WASHER	2.102	56.	RING	2.087
14.	BUSHING	2.083	35.	NUT	2.102	57.	SEAT	2.087
15.	FRAME	N.S.S.	36.	PULL ROD	2.102	58.	SPRING—Rear	2.087
16.	BOLT	2.077	37.	NUT	2.108	59.	GUIDE	2.087
17.	WASHER	2.077	38.	WASHER	2.108	60.	SPRING—Front	2.087
18.	NUT	2.077	39.	LEVER ASSEMBLY	2.108	61.	SPACER	2.087
19.	CONNECTOR ASSEMBLY	2.101	40.	SCREW	2.108	62.	DRIVE ASSEMBLY	2.086
20.	INSULATING SLEEVE	2.101	41.	HOUSING	2.085	63.	SCREW	2.077
21.	WASHER	2.101	42.	WASHER	2.100	64.	SHOE	2.047
22.	WASHER	2.101	43.	SCREW	2.100	65.	COIL ASSEMBLY	2.049



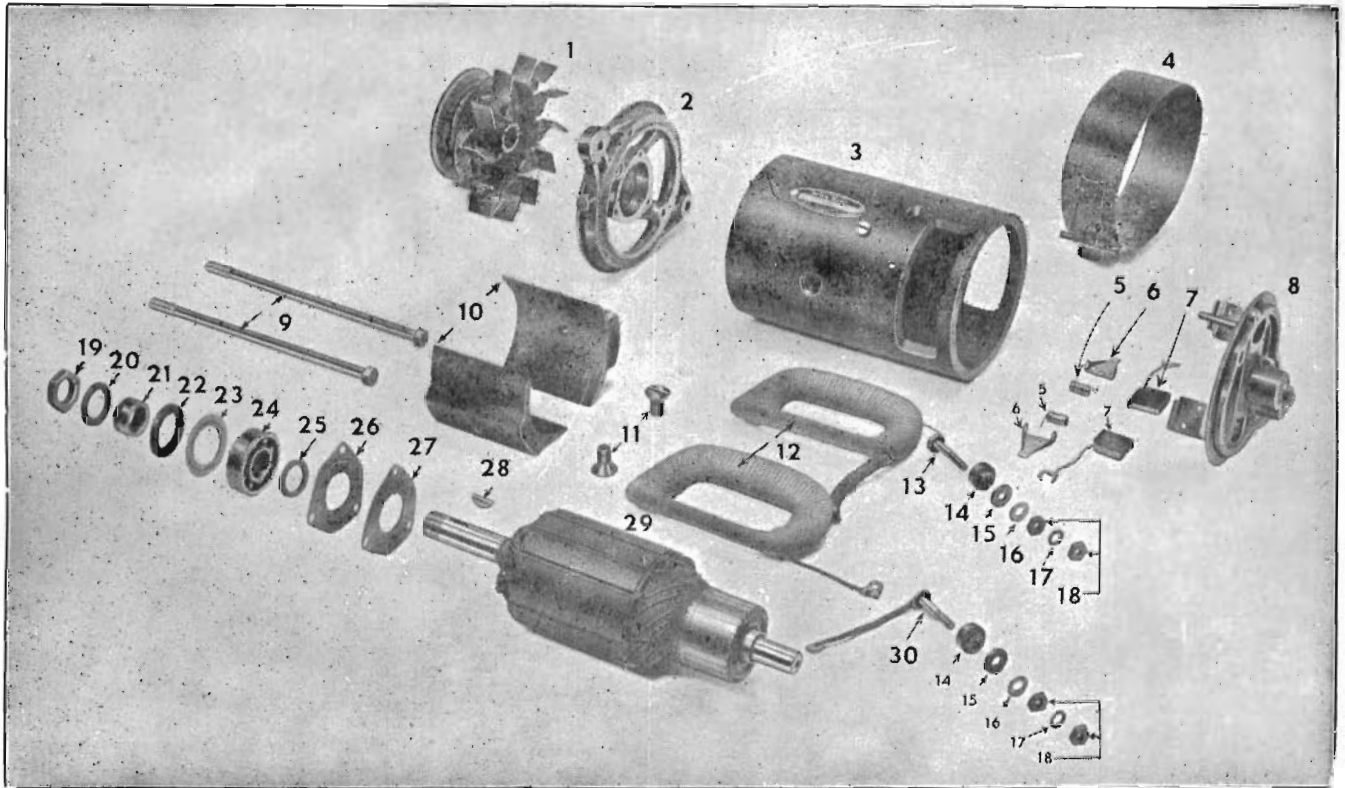
HOLDEN

MASTER PARTS CATALOGUE



STARTER MOTOR (Lucas)

Illus. Ref. No.	Part Name	Group	Illus. Ref. No.	Part Name	Group
1.	NUT	2.077	16.	CONNECTOR ..	2.101
2.	STUD	2.077	17.	SWITCH ASSEMBLY—Solenoid	2.100
3.	SHOE—Brake	2.063	18.	LEVER ASSEMBLY ..	2.108
4.	FRAME	2.067	19.	BOLT	2.108
5.	BUSHING	2.083	20.	NUT	2.108
6.	SPRING—Brake shoe	2.063	21.	BAND	2.070
7.	ARMATURE	2.043	22.	SCREW	2.070
8.	COLLAR—Retaining ring	2.096	23.	NUT	2.070
9.	RING—Armature retaining	2.096	24.	RING	2.087
10.	WASHER—End thrust	2.096	25.	CUP	2.087
11.	BUSHING	2.083	26.	SPRING—Drive cushioning	2.087
12.	HOUSING	2.085	27.	BUSHING—Drive operating	2.087
13.	BRUSH SET	2.051	28.	SPRING—Pinion engaging	2.087
14.	SPRING SET	2.053	29.	BUSHING—Drive bearing	2.087
15.	COIL ASSEMBLY	2.049	30.	DRIVE ASSEMBLY ..	2.086



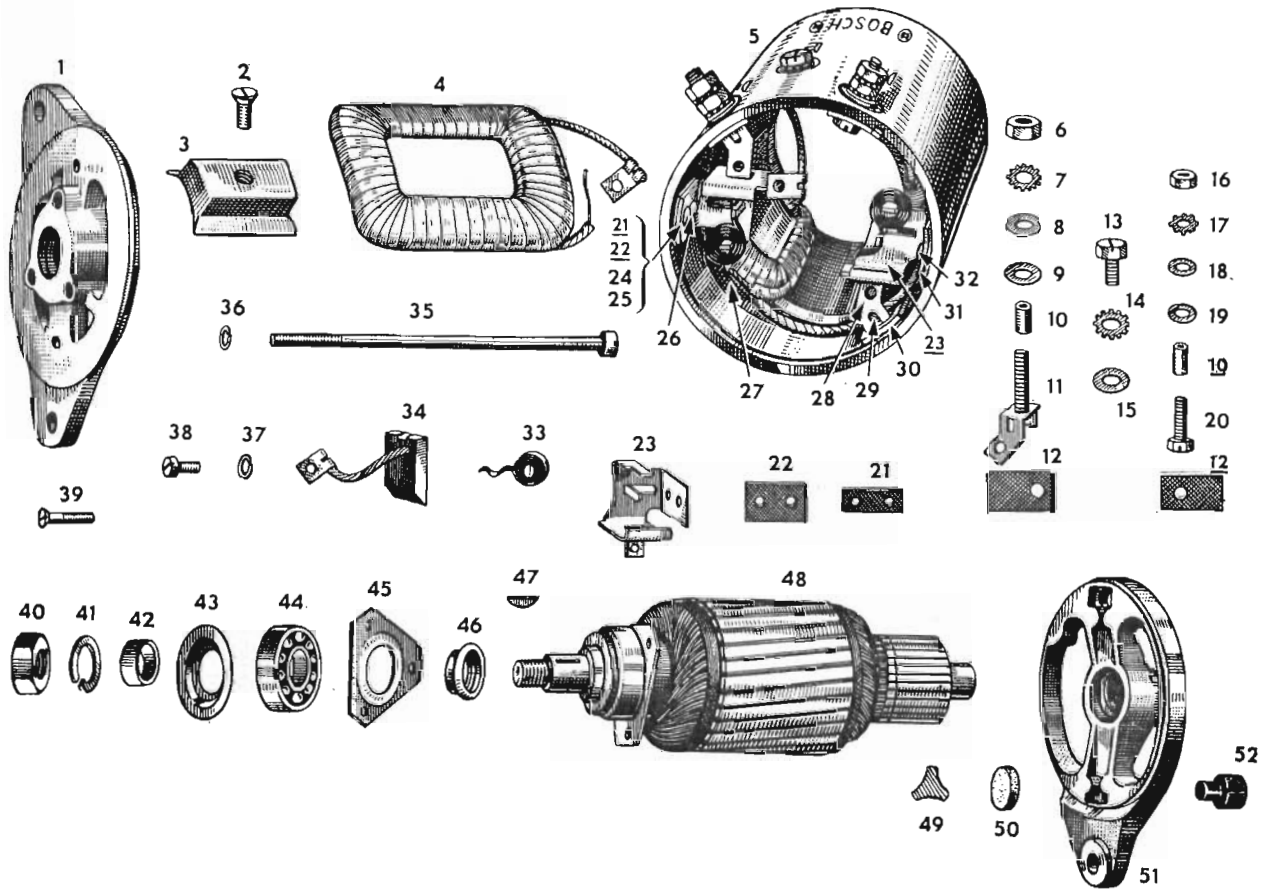
GENERATOR (Delco-Remy)

Illus. Ref. No.	Part Name	Group	Illus. Ref. No.	Part Name	Group
1.	PULLEY AND FAN ASSEMBLY	2.274	16.	WASHER	2.313
2.	FRAME	2.305	17.	WASHER	2.313
3.	FRAME	N.S.S.	18.	NUT	2.313
4.	BAND	2.299	19.	NUT	2.280
5.	SPRING	2.286	20.	WASHER	2.280
6.	ARM	2.291	21.	COLLAR	2.307
7.	BRUSH	2.285	22.	WASHER	2.307
8.	FRAME	2.297	23.	RETAINER	2.307
9.	BOLT	2.316	24.	BEARING	2.306
10.	SHOE	2.311	25.	WASHER	2.307
11.	SCREW	2.311	26.	GASKET	2.307
12.	COIL UNIT	2.310	27.	PLATE	2.307
13.	STUD & INSULATOR	2.313	28.	KEY	2.279
14.			29.	ARMATURE	2.279
15.	WASHER	2.313	30.	LEAD	2.313



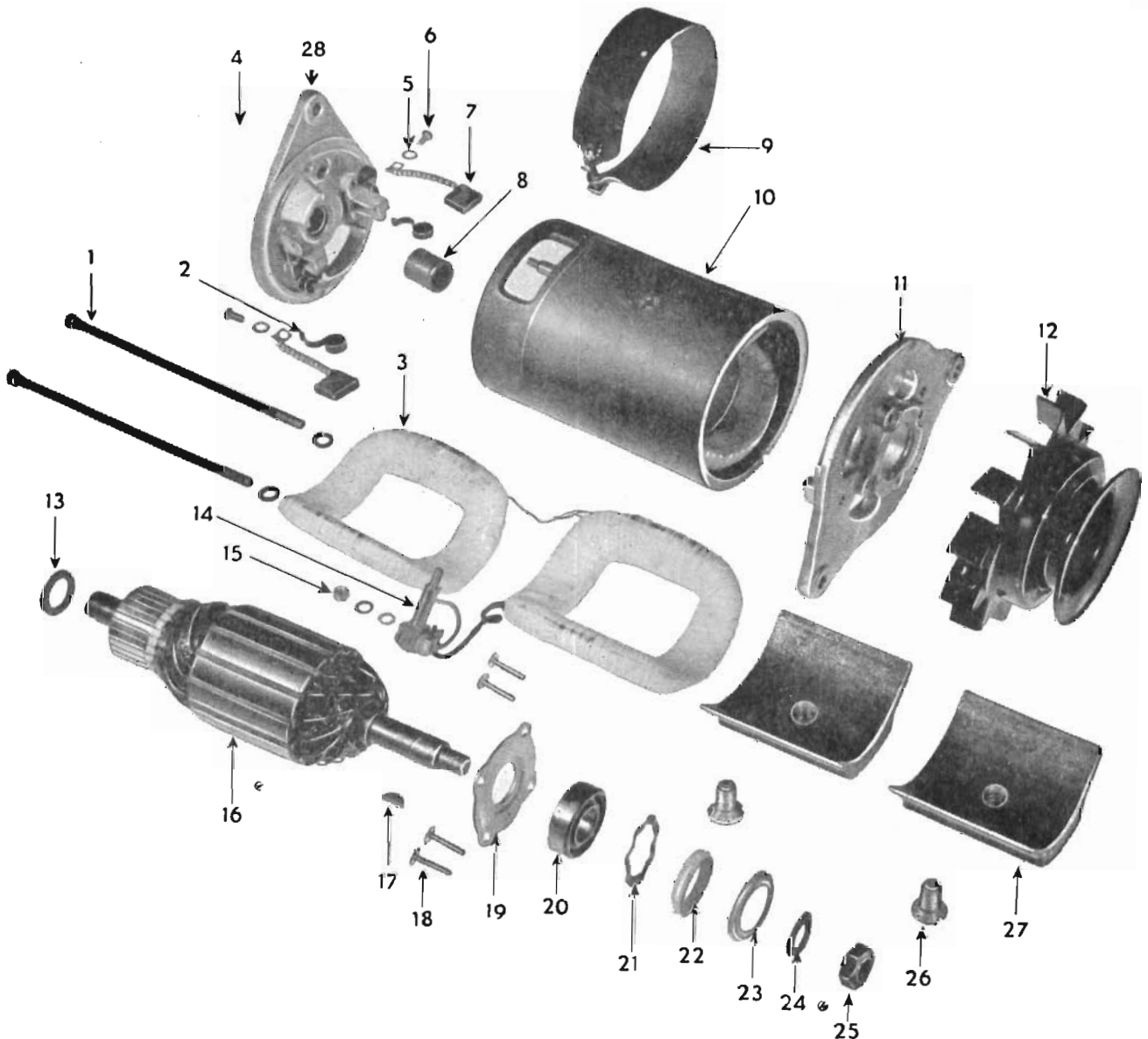
HOLDEN

MASTER PARTS CATALOGUE



GENERATOR (Bosch)

Illus. Ref. No.	Part Name	Group	Illus. Ref. No.	Part Name	Group
1.	FRAME	2.305	27.	INSULATOR—Coil lead	2.313
2.	SCREW	2.311	28.	CONNECTOR—Neg. lead	N.S.S.
3.	SHOE	2.311	29.	RIVET—Connector	N.S.S.
4.	COIL	2.310	30.	PLATE—Con. spacer	N.S.S.
5.	FRAME	N.S.S.	31.	PLATE—Neg. brush spacer	2.291
6.	NUT—Positive stud	2.313	32.	RIVET—Neg. brush holder	2.291
7.	WASHER—Stud lock	2.313	33.	SPRING—Brush	2.286
8.	WASHER—Stud plain	2.313	34.	BRUSH	2.285
9.	WASHER—Stud insul.	2.313	35.	BOLT—Through	2.316
10.	BUSH—Insulating	2.313	36.	WASHER—Bolt lock	2.316
11.	STUD—Positive	2.313	37.	WASHER—Screw lock	2.285
12.	INSULATOR—Inner	2.313	38.	SCREW—Lead	2.285
13.	SCREW—Negative	2.313	39.	SCREW—Ret. plate	2.307
14.	WASHER—Stud lock	2.313	40.	NUT—Armature	2.280
15.	WASHER—Stud plain	2.313	41.	WASHER—Nut lock	2.280
16.	NUT—Field stud	2.313	42.	COLLAR—Spacer	2.307
17.	WASHER—Stud lock	2.313	43.	SHIELD—Bearing	2.307
18.	WASHER—Stud plain	2.313	44.	BEARING—Drive end	2.306
19.	WASHER—Stud insul.	2.313	45.	PLATE—Retainer	2.307
20.	STUD—Field	2.313	46.	THROWER	2.307
21.	WASHER—Insulating	2.291	47.	KEY—Armature	2.279
22.	PLATE—Pos. brush ins.	2.291	48.	ARMATURE	2.279
23.	HOLDER—Brush	2.291	49.	RETAINER—Pad	2.301
24.	BUSH—Insulating	2.291	50.	PAD—Felt	2.301
25.	WASHER—Small plain	2.291	51.	FRAME	2.297
26.	RIVET—Brush holder	2.291	52.	OILER	2.301



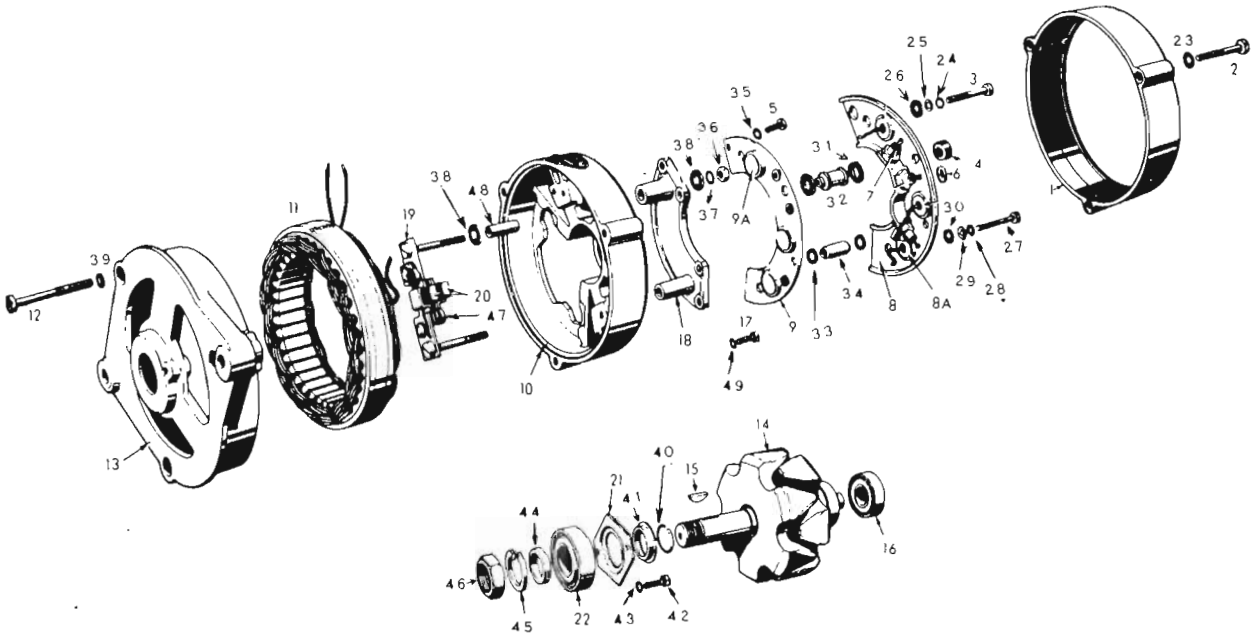
GENERATOR (Lucas)

Illus. Ref. No.	Part Name	Group	Illus. Ref. No.	Part Name	Group
1.	BOLT	2.316	5.	} Components of Sundry Parts Kit	2.315
2.	SPRING	2.286	6.		
3.	COIL	2.310	15.		
7.	BRUSH	2.285	17.		
8.	BUSHING	2.298	18.		
9.	BAND	2.299	22.		
11.	FRAME	2.305	24.	} Not Serviced Separately	
12.	PULLEY AND FAN ASSEMBLY	2.274	25.		
14.	TERMINAL ASSEMBLY	2.313	26.		
16.	ARMATURE	2.279	4.		
17.	KEY	2.279	10.		
18.	RIVET	2.307	13.		
20.	BEARING	2.306	19.		
21.	WASHER—Felt retaining, corrugated	2.307	23.		
25.	NUT	2.280	27.		
28.	FRAME	2.297			



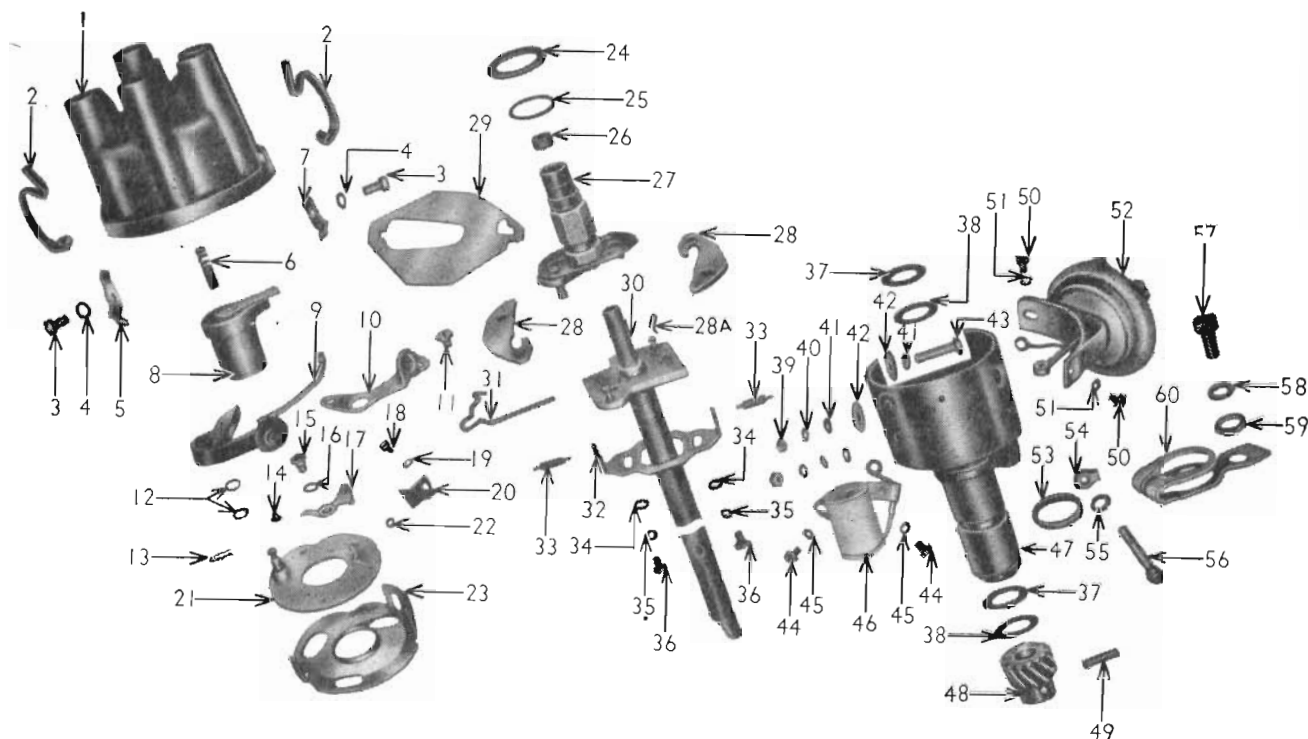
HOLDEN

MASTER PARTS CATALOGUE



GENERATOR (Diode Rectified)

Illus. Ref. No.	Part Name	Group	Illus. Ref. No.	Part Name	Group
1	COVER—Slip ring end plate	2.297	25	WASHER—Flat	2.289
2	BOLT—Through, slip ring cover	2.316	26	WASHER—Insulating	2.289
3	BOLT—Heat sink	2.289	27	BOLT—Heat sink	2.289
4	CAP—Insulating	2.289	28	WASHER—Lock	2.289
5	BOLT—Heat sink	2.289	29	WASHER—Flat	2.289
6	WASHER—Exciter diode insulating	2.287	30	WASHER—Insulating	2.289
7	DIODE—Exciter	2.287	31	WASHER—Spacer insulating	2.289
8	SINK—Heat, positive	2.289	32	SPACER—Insulating	2.289
8a	DIODE—Positive	2.287	33	WASHER—Insulating	2.289
9	SINK—Heat, negative	2.289	34	SPACER—Insulating	2.289
9a	DIODE—Negative	2.287	35	WASHER—Lock	2.289
10	PLATE—Slip ring end	2.298	36	NUT—Terminal	2.313
11	STATOR	2.310	37	WASHER—Lock	2.313
12	BOLT—Through	2.316	38	WASHER—Brush plate insulating	2.291
13	PLATE—Drive End	2.305	39	WASHER—Lock	2.316
14	ROTOR	2.279	40	CIRCLIP	2.307
15	KEY	2.279	41	RING—Splash	2.307
16	BEARING—Slip ring end	2.298	42	SCREW—Cover plate	2.307
17	SCREW—Brush plate	2.291	43	WASHER—Lock	2.307
18	BRUSH PLATE ASSEMBLY	2.291	44	SPACER—Bearing	2.307
19	BRUSH HOLDER ASSEMBLY	2.291	45	WASHER—Lock	2.280
20	BRUSH SET	2.285	46	NUT—Rotor	2.280
21	PLATE—Bearing cover	2.307	47	SPRING—Brush	2.286
22	BEARING—Drive end	2.306	48	BUSH—Brush plate insulating	2.291
23	WASHER—Lock	2.316	49	WASHER—Lock	2.291
24	WASHER—Lock	2.289			



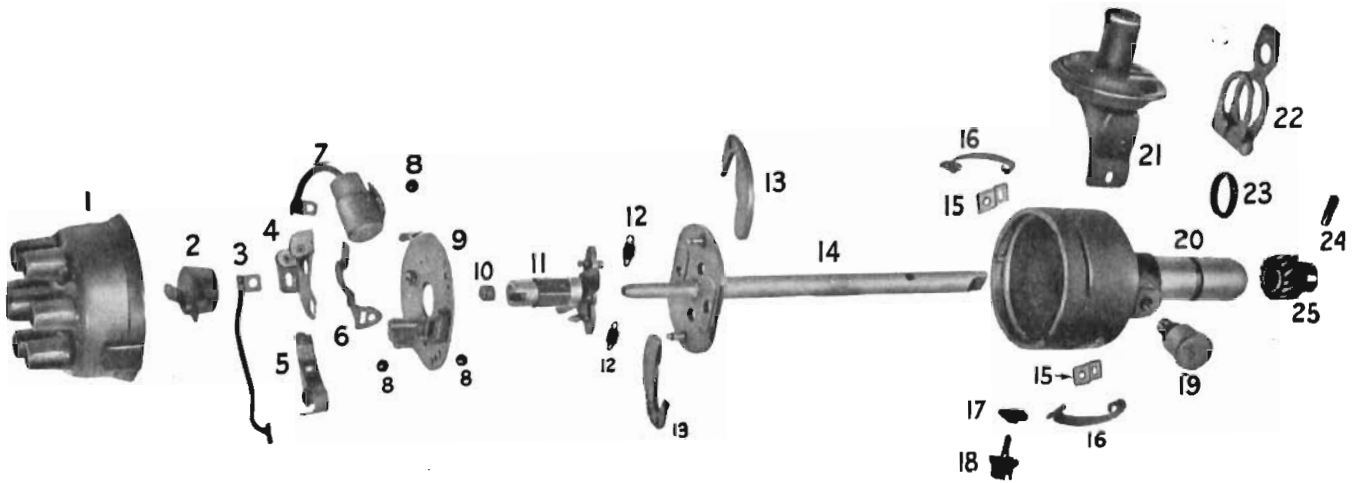
DISTRIBUTOR (Bosch)

Illus. Ref. No.	Part Name	Group	Illus. Ref. No.	Part Name	Group	Illus. Ref. No.	Part Name	Group
1.	CAP ASSEMBLY	2.367	22.	BALL	2.385	42.	WASHER	2.400
2.	SPRING	2.368	23.	BREAKER PLATE AND SUPPORT ASSEMBLY	2.385	43.	STUD	2.400
3.	SCREW	2.369/2.385	24.	WASHER	2.381	44.	SCREW	2.393
4.	WASHER	2.369/2.385	25.	SHIM	2.381	45.	WASHER	2.393
5.	SUPPORT	2.369	26.	FELT	2.364	46.	CONDENSER & BRACKET ASSEMBLY	2.393
6.	BRUSH ASSEMBLY	2.370	27.	CAM ASSEMBLY	2.381	47.	HOUSING	2.362
7.	SUPPORT	2.369	28.	WEIGHT	2.388	48.	GEAR	2.374
8.	ROTOR	2.382	28A.	CLIP	2.388	49.	PIN	2.379
9. } 10. }	CONTACT SET	2.384	29.	PLATE—Weight damping	2.390	50.	SCREW	2.410
11.	SCREW	2.387	30.	SHAFT ASSEMBLY	2.372	51.	WASHER	2.410
12.	SHIM	2.384	31.	CLIP	2.388	52.	VACUUM CONTROL ASSEMBLY	2.410
13.	CLIP	2.384	32.	BRACKET	2.390	53.	SEAL	2.362
14.	SCREW	2.387	33.	SPRING	2.389	54. } 55. }	Serviced only as part of ILLUST. 60 ARM ASSEMBLY	2.414
15.	SCREW	2.413	34.	WASHER	2.390	56.		
16.	WASHER	2.413	35.	WASHER	2.390	57.	BOLT	2.414
17.	BRACKET ASSEMBLY	2.413	36.	SCREW	2.390	58.	WASHER	2.414
18.	SCREW	2.385	37.	WASHER	2.372	59.	WASHER	2.414
19.	WASHER	2.385	38.	SHIM	2.372	60.	ARM ASSEMBLY	2.414
20.	RETAINER	2.385	39.	NUT	2.400			
21.	BREAKER PLATE AND SUPPORT ASSEMBLY	2.385	40.	WASHER	2.400			
			41.	WASHER	2.400			



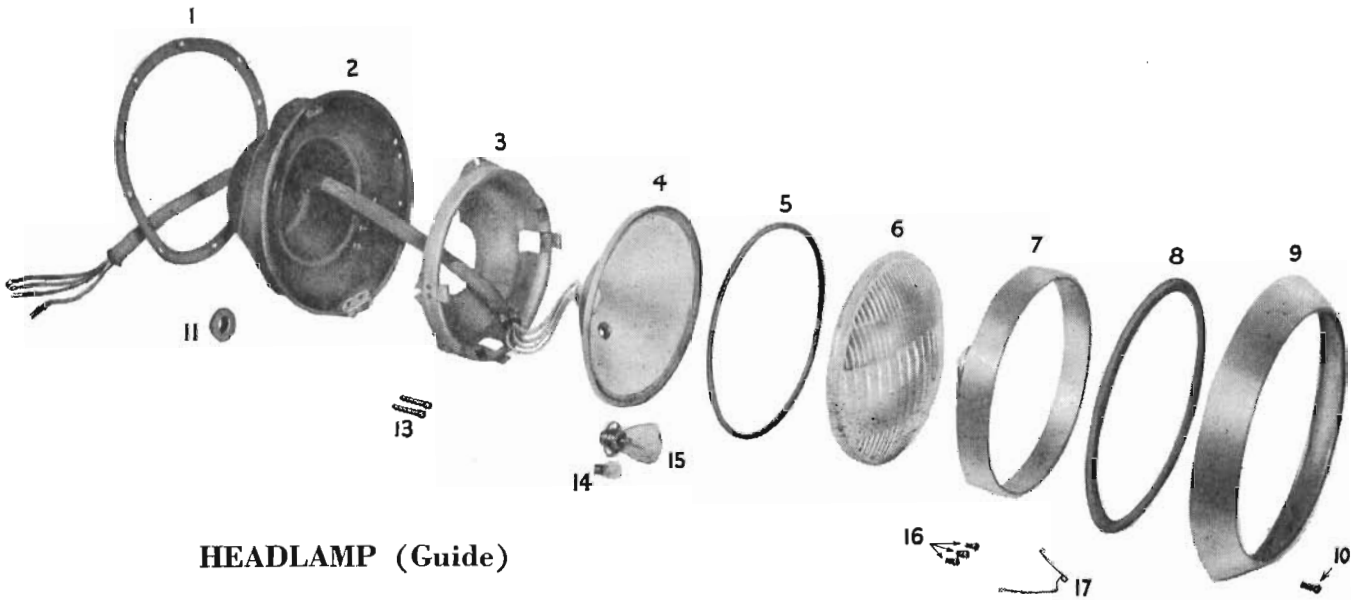
HOLDEN

MASTER PARTS CATALOGUE



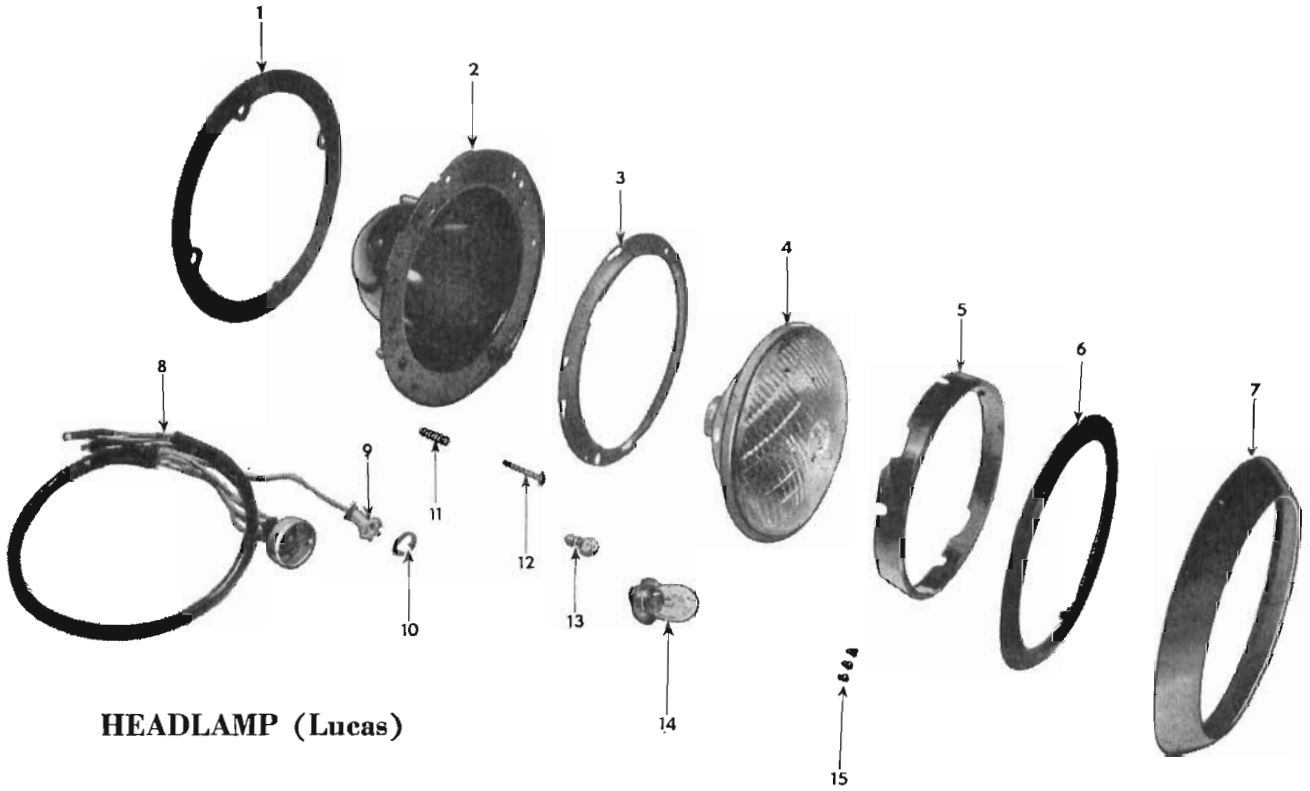
DISTRIBUTOR (Delco-Remy)

Illus. Ref. No.	Part Name	Group	Illus. Ref. No.	Part Name	Group
1.	CAP	2.367	13.	WEIGHT	2.388
2.	ROTOR	2.382	14.	SHAFT	2.372
3.	LEAD	2.400	15.	SUPPORT	2.369
4.	POINT AND SUPPORT	2.384	16.	SPRING	2.368
5.	LEVER	2.384	17.	BUSHING	2.401
6.	LEAD	2.400	18.	STUD AND BUSHING	2.400
7.	CONDENSER	2.393	19.	CUP	2.364
8.	BALL	2.385	20.	HOUSING	2.362
9.	PLATE	2.385	21.	VACUUM CONTROL ASSEMBLY	2.410
10.	WICK	2.364	22.	ARM ASSEMBLY	2.414
11.	CAM	2.381	23.	SEAL	2.362
12.	SPRING	2.389	24.	PIN	2.379
			25.	GEAR	2.374



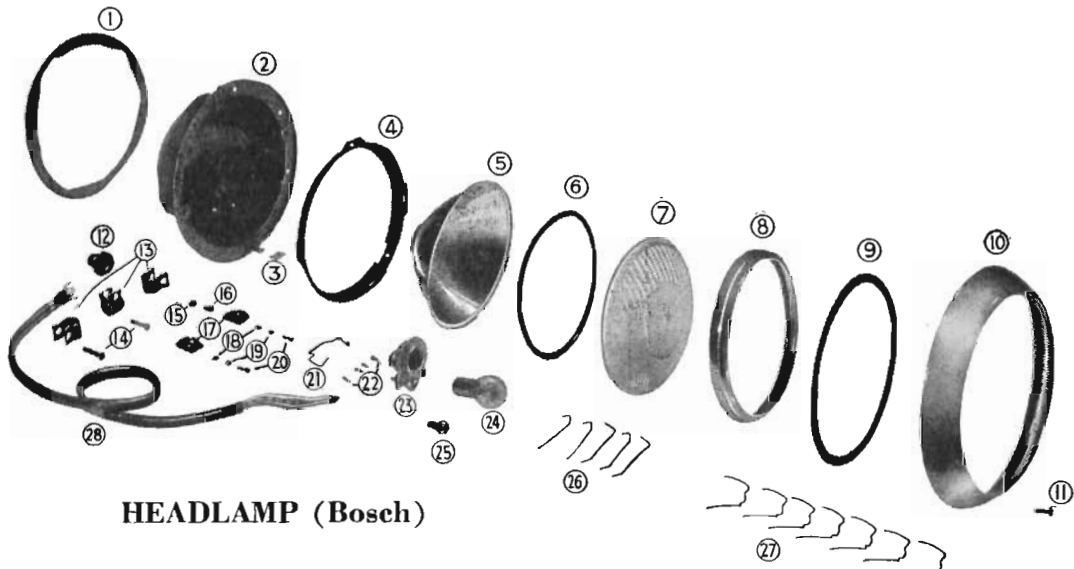
HEADLAMP (Guide)

1.	GASKET	2.722	9.	DOOR ASSEMBLY	2.728
2.	BODY ASSEMBLY	2.726	10.	SCREW	2.729
3.	RING ASSEMBLY	2.726	11.	GROMMET	2.561
4.	REFLECTOR AND WIRING ASSEMBLY	2.734	13.	SCREW	2.737
5.	GASKET	2.735	14.	BULB	2.725
6.	LENS	2.727	15.	BULB	2.725
7.	RING	2.731	16.	SCREW	2.736
8.	GASKET	2.735	17.	SPRING	2.730



HEADLAMP (Lucas)

1. GASKET	2.722	5. RING	2.731	10. SEAL	Removed
2. BODY ASSEMBLY	2.726	6. SEAL	2.735	11. SPRING	2.737
3. RING	2.726	7. DOOR ASSEMBLY	2.728	12. SCREW	2.737
4. LENS AND REFLECTOR ASSEMBLY	2.727	8. HARNESS ASSEMBLY	2.750	13. BULB	2.725
		9. SOCKET ASSEMBLY	2.750	14. BULB	2.725
				15. SCREW	2.736



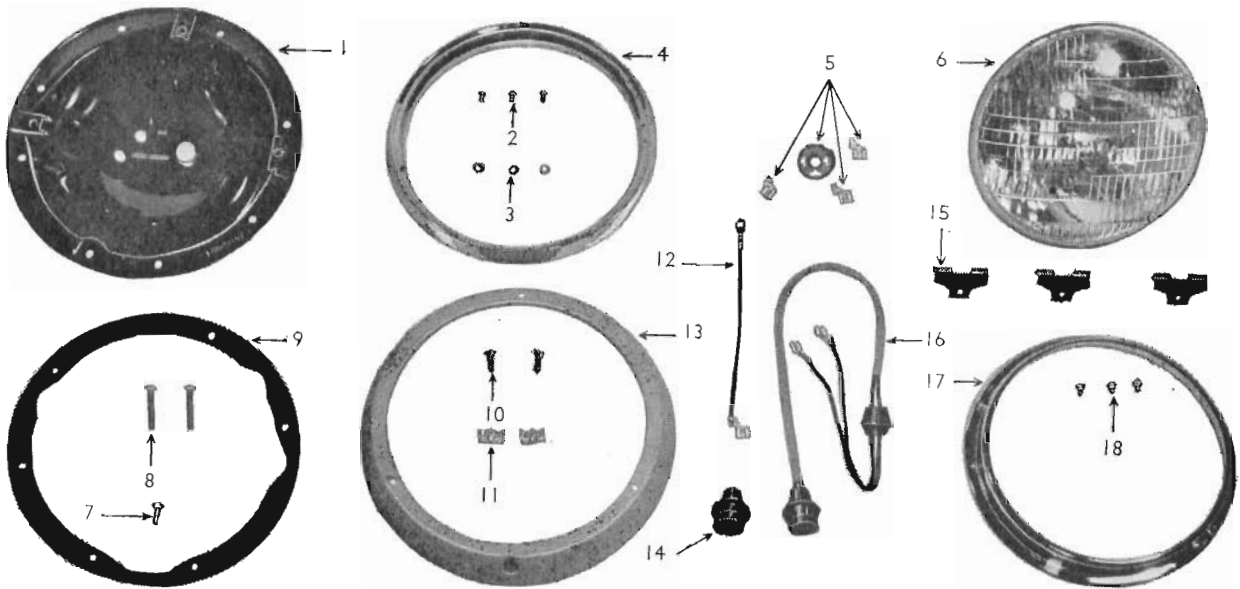
HEADLAMP (Bosch)

1. GASKET	2.722	11. SCREW	2.729	20. SCREW	2.726
2. BODY ASSEMBLY	2.726	12. GROMMET	2.750	21. CLIP	2.750
3. NUT	2.729	13. SPRING	2.726	22. SCREW	2.750
4. RING	2.726	14. SCREW	2.737	23. SOCKET	2.750
5. REFLECTOR	2.734	15. NUT	2.736	24. BULB	2.725
6. GASKET	2.735	16. SCREW	2.736	25. BULB	2.725
7. LENS	2.727	17. CLAMP	2.726	26. SPRING	2.730
8. RING	2.731	18. NUT	2.726	27. SPRING	2.746
9. SEAL	2.735	19. SPACER	"DELETED"	28. HARNESS ASSEMBLY	2.750
10. DOOR	2.728				



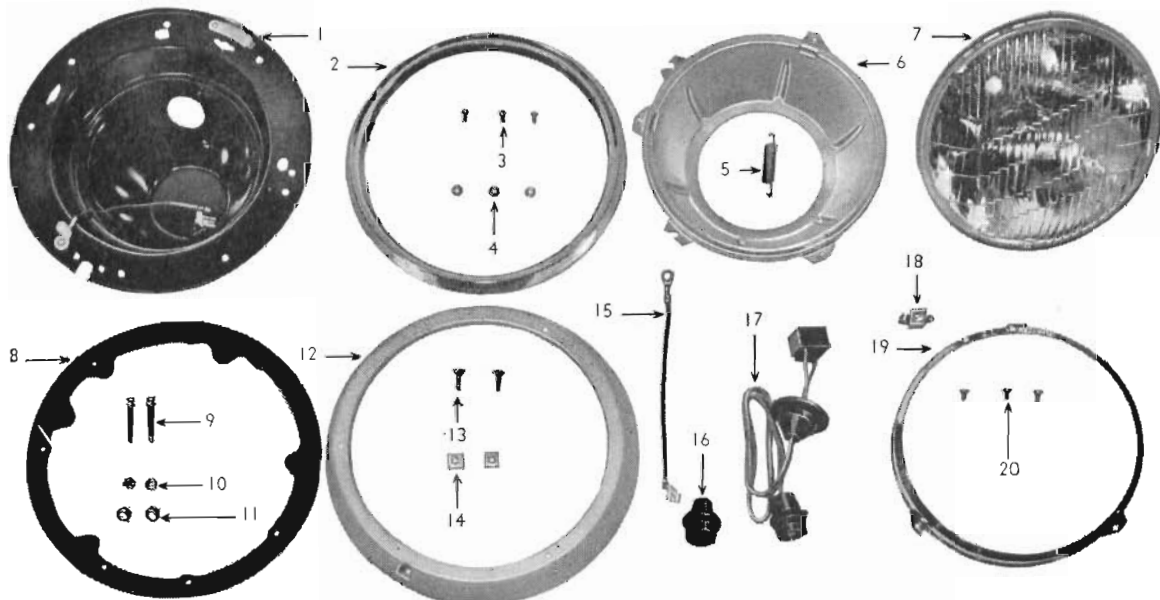
HOLDEN

MASTER PARTS CATALOGUE



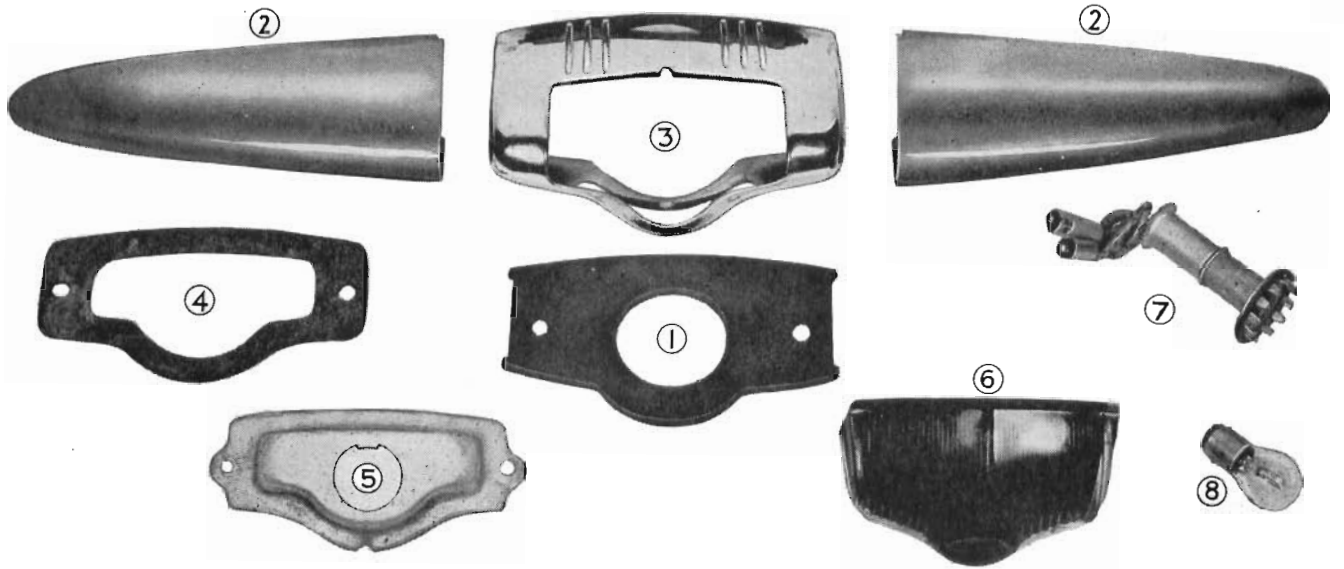
HEADLAMP (Bosch Sealed Beam)

Illus. Ref. No.	Part Name	Group	Illus. Ref. No.	Part Name	Group
1.	BODY ASSEMBLY	2.726	10.	SCREW—Rim	2.728
2.	SCREW—Rim ornament	2.728	11.	NUT—Rim retaining	2.729
3.	WASHER—Plain	2.728	12.	LEAD ASSEMBLY—Earth	2.750
4.	ORNAMENT	2.728	13.	RIM—Headlamp	2.728
5.	SOCKET ASSEMBLY	2.750	14.	GROMMET—2 way connector	2.750
6.	SEALED BEAM UNIT	2.727	15.	SPRING—Light unit retaining	2.726
7.	SCREW—Beam pivot	2.737	16.	HARNES ASSEMBLY	2.750
8.	SCREW—Beam adjusting	2.737	17.	RING—Light unit retaining	2.731
9.	GASKET—Mounting	2.722	18.	SCREW—Light unit retaining	2.726



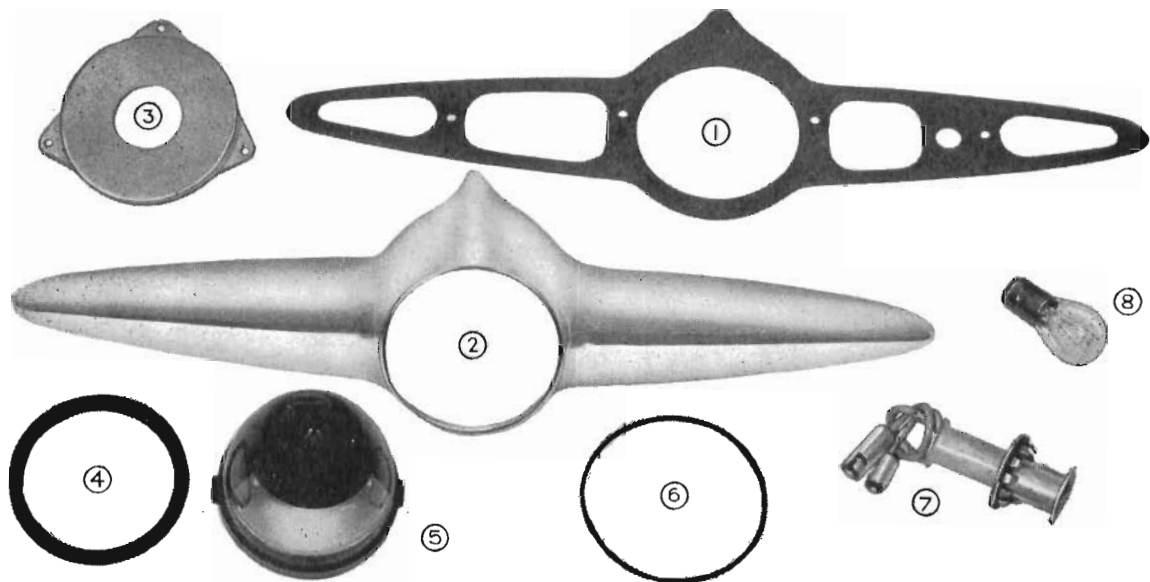
HEADLAMP (Lucas Sealed Beam)

1.	BODY ASSEMBLY	2.726	11.	HOUSING—Beam adj. screw nut	2.737
2.	ORNAMENT	2.728	12.	RIM—Headlamp	2.728
3.	SCREW—Rim ornament	2.728	13.	SCREW—Rim	2.728
4.	WASHER—Plain	2.728	14.	NUT—Rim retaining	2.729
5.	SPRING—Seating rim	2.737	15.	LEAD ASSEMBLY—Earth	2.750
6.	RIM—Light unit seating	2.726	16.	GROMMET—2 way connector	2.750
7.	SEALED BEAM UNIT	2.727	17.	HARNES ASSEMBLY	2.750
8.	GASKET—Mounting	2.722	18.	BRACKET—Mounting ring	2.736
9.	SCREW—Beam adjusting	2.737	19.	RING—Light unit retaining	2.731
10.	NUT—Beam adj. screw	2.737	20.	SCREW—Retaining ring	2.736



TAIL LAMP (48 Series Sedans)

Illus. Ref. No.	Part Name	Group	Illus. Ref. No.	Part Name	Group
1.	GASKET	2.660	5.	CUP	N.L.A.
2.	WING	2.680	6.	LENS	2.682
3.	COVER	2.681	7.	SOCKET ASSEMBLY	2.694
4.	GASKET	2.684	8.	BULB	2.679



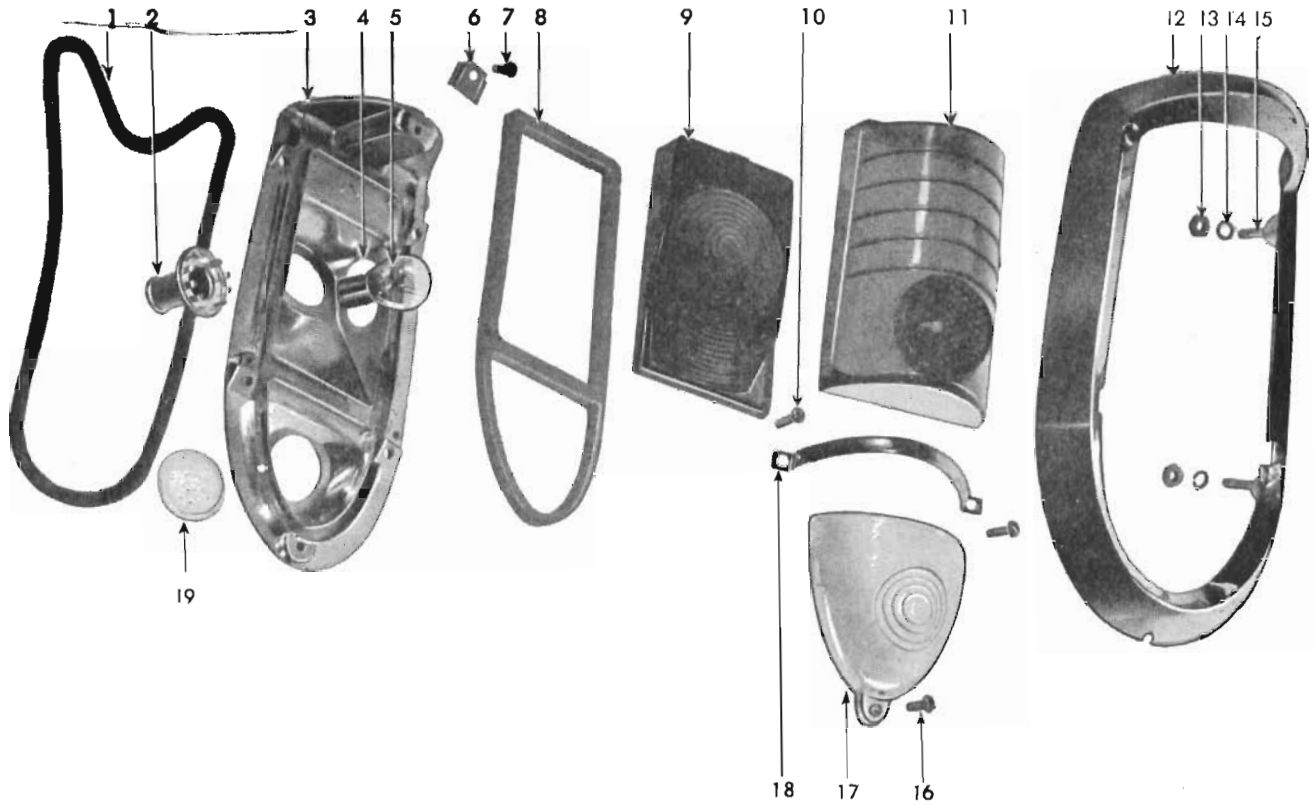
TAIL LAMP (FJ Sedans)

Illus. Ref. No.	Part Name	Group	Illus. Ref. No.	Part Name	Group
1.	GASKET	2.660	5.	LENS	2.682
2.	BODY	2.679	6.	GASKET	2.684
3.	PLATE	2.694	7.	SOCKET ASSEMBLY	2.694
4.	GASKET	2.694	8.	BULB	2.679



HOLDEN

MASTER PARTS CATALOGUE

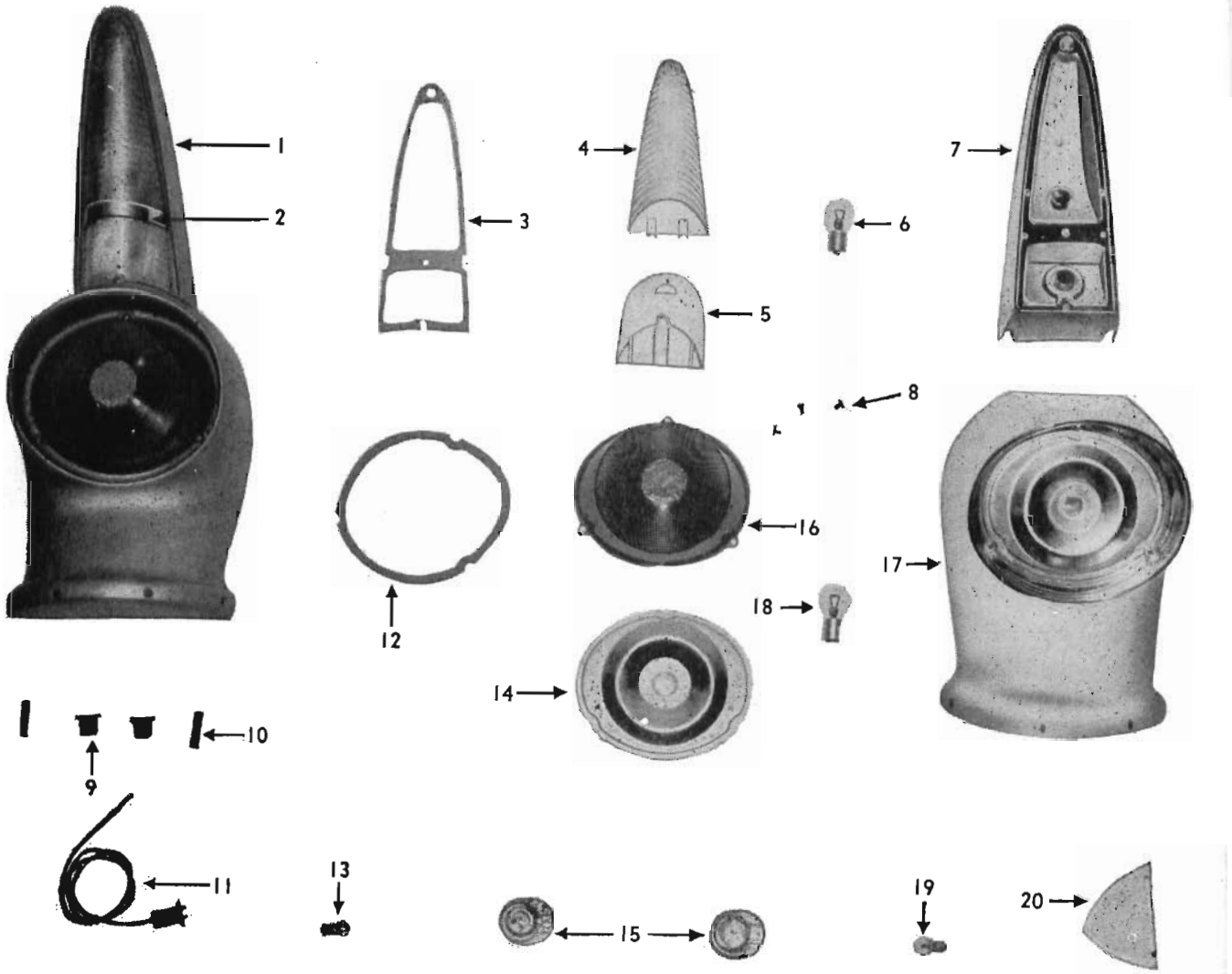


TAIL LAMP

(FE & FC Series)

(FB Coupe Utility and Panel Van)
(EK Coupe Utility and Panel Van)

Illus. Ref. No.	Part Name	Group	Illus. Ref. No.	Part Name	Group
1.	GASKET	2.660	11.	LENS	2.682
2.	SOCKET	2.694	12.	RIM	2.681
3.	BASE	2.679	13.	NUT	2.679
4.	LENS	2.687	14.	WASHER	2.679
5.	BULB	2.679	15.	STUD	2.681
6.	PLATE	2.683	16.	SCREW	2.697
7.	SCREW	2.683	17.	LENS	2.697
8.	GASKET	2.679	18.	STRIP	2.683
9.	LENS — Inner	2.682	19.	PLUG	2.679
10.	SCREW	2.683			



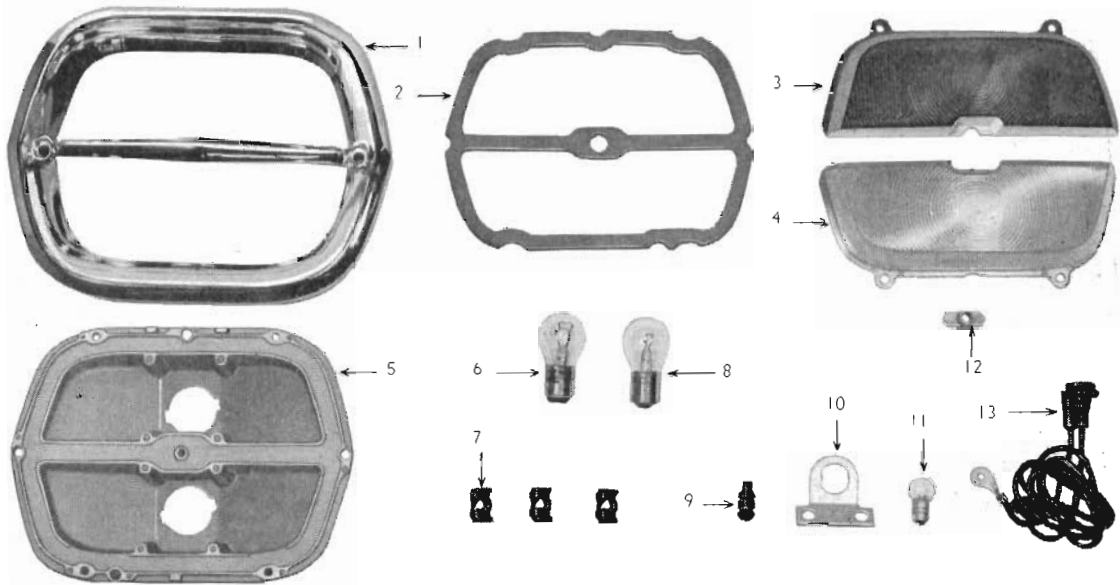
TAIL LAMP — LICENCE LAMP
(FB Series Sedan and Station Sedan)
(EK Series Sedan and Station Sedan)

Illus. Ref. No.	Part Name.	Group.	Illus. Ref. No.	Part Name.	Group.
1.	LAMP ASSEMBLY	2.679	11.	SOCKET and WIRE	2.714
2.	CLAMP	2.683	12.	SEAL	2.684
3.	SEAL	2.699	13.	BULB	2.700
4.	LENS—Turn signal lamp	2.698	14.	BACK	2.679
5.	LENS—Back-up lamp	2.697	15.	BODY and LENS	2.700
6.	BULB	2.679	16.	LENS	2.682
7.	HOUSING—Upper	2.680	17.	HOUSING—Lower	2.680
8.	RIVET	2.680	18.	BULB	2.679
9.	CAP—Dust seal	2.679	19.	BULB	2.714
10.	STUD	2.679	20.	SHIELD	2.702



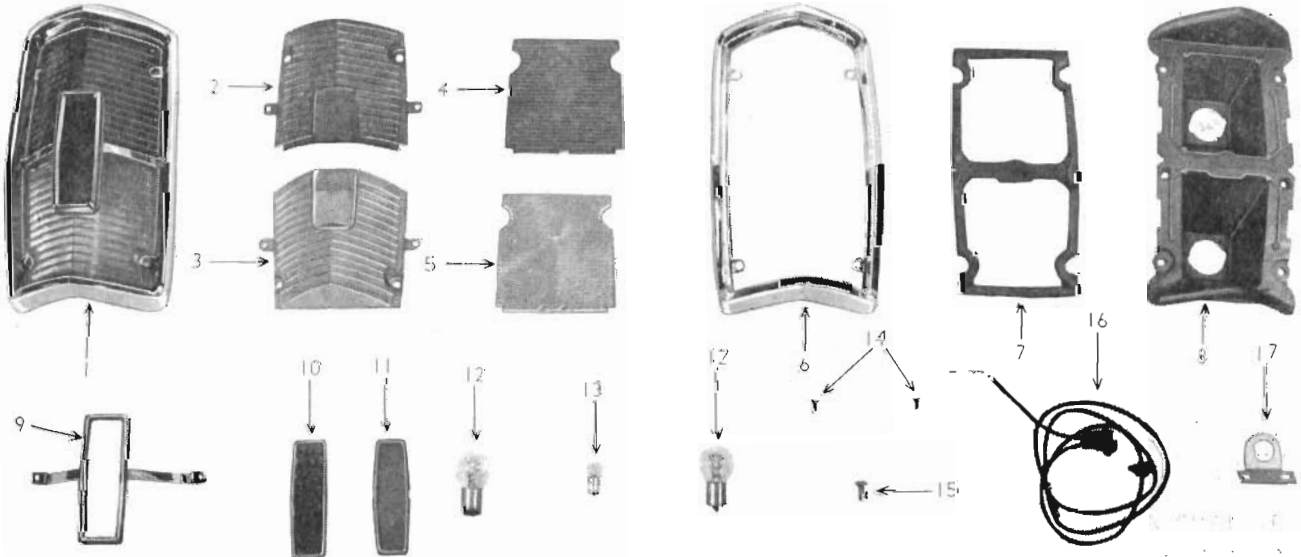
HOLDEN

MASTER PARTS CATALOGUE



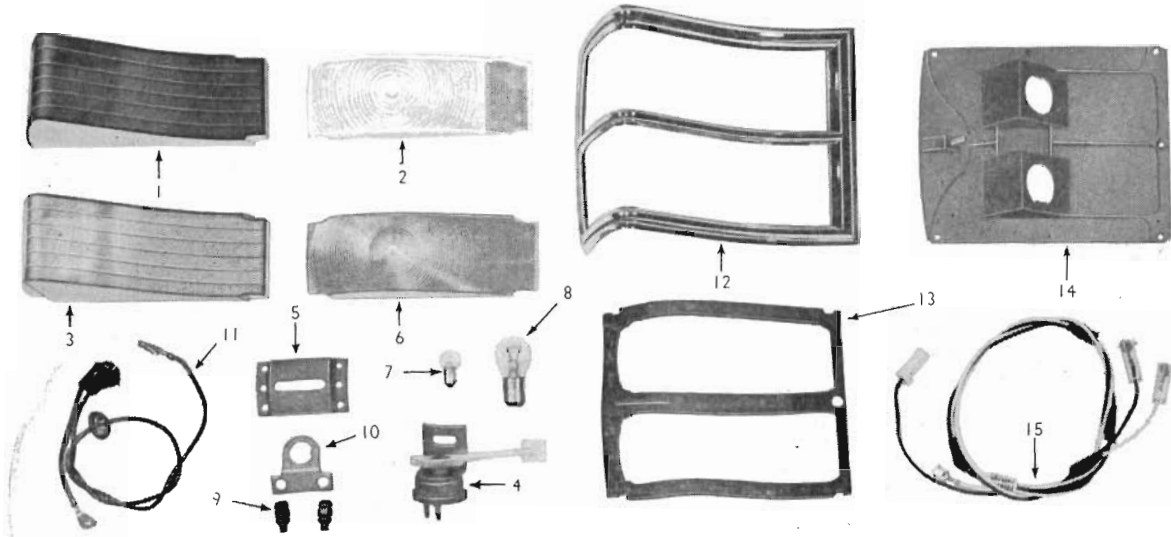
TAIL LAMP - LICENCE LAMP
(EJ Series, EH Coupe Utility and Panel Van)

Illus. Ref. No.	Part Name	Group	Illus. Ref. No.	Part Name	Group
1.	RIM	2.681	8.	BULB	2.679
2.	GASKET	2.684	9.	GROMMET	2.705
3.	LENS—Red	2.682	10.	BRACKET	2.705
4.	LENS—Amber	2.698	11.	BULB	2.714
5.	BASE	2.679	12.	CLAMP	2.683
6.	BULB	2.679	13.	HARNESS ASSEMBLY	2.714
7.	NUT—Mounting	2.679			



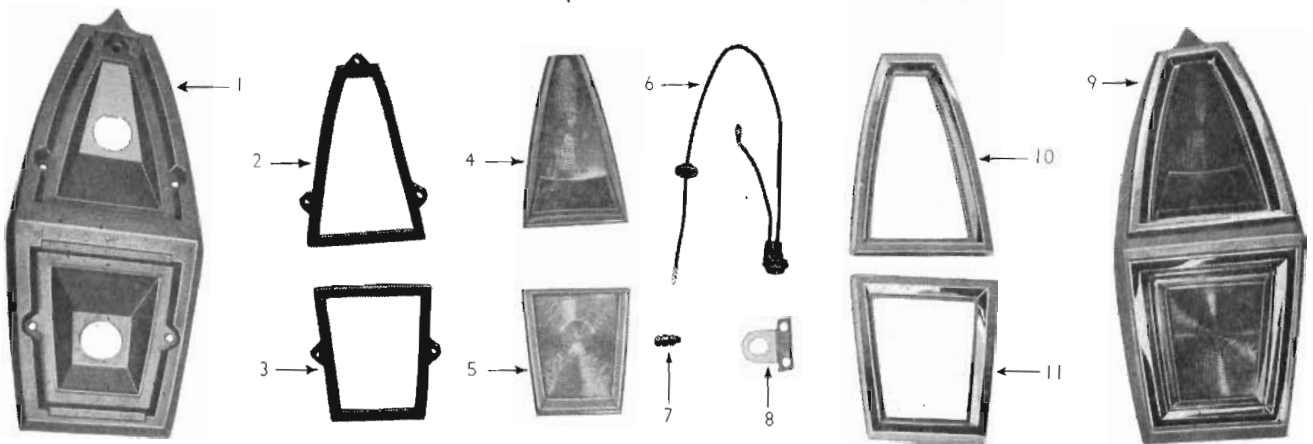
TAIL LAMP — LICENCE LAMP
(EH Series Sedan and Station Sedan)

Illus. Ref. No.	Part Name	Group	Illus. Ref. No.	Part Name	Group
1.	RIM AND LENS	2.681	10.	LENS	2.689
2.	LENS—Outer, red	2.682	11.	SEAL	2.689
3.	LENS—Outer, amber	2.698	12.	BULB	2.679
4.	LENS—Inner, red	2.682	13.	BULB	2.714
5.	LENS—Inner, amber	2.698	14.	SCREW	2.682
6.	RIM	2.681	15.	SCREW	2.681
7.	GASKET	2.684	16.	HARNESS	2.714
8.	BASE	2.679	17.	BRACKET	2.705
9.	RETAINER	2.689			



TAIL LAMP — LICENCE LAMP
(HD Series, HR Coupe Utility & Panel Van)

Illus. Ref. No.	Part Name	Group	Illus. Ref. No.	Part Name	Group
1.	LENS—Outer	2.682	9.	GROMMET	2.705
2.	LENS—Inner	2.682	10.	BRACKET	2.705
3.	LENS—Outer	2.698	11.	HARNESS ASSEMBLY	2.714
4.	SWITCH ASSY.—Back up lamp	2.697	12.	RIM	2.681
5.	BRACKET	2.697	13.	GASKET	2.684
6.	LENS—Inner	2.698	14.	BASE	2.679
7.	BULB	2.679	15.	CABLE ASSY.—Back up lamp	2.697
8.	BULB	2.679			



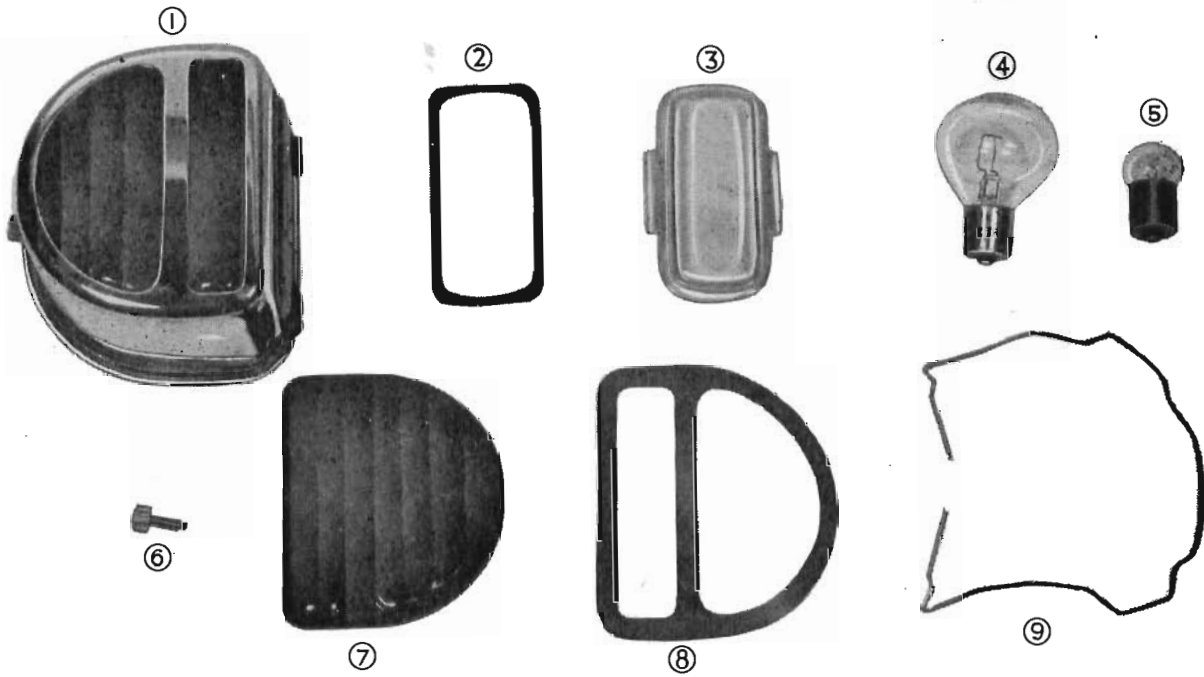
TAIL LAMP — LICENCE LAMP
(HR Series, Sedan & Station Sedan)

Illus. Ref. No.	Part Name	Group	Illus. Ref. No.	Part Name	Group
1.	BODY	2.679	6.	HARNESS ASSEMBLY	2.714
2.	GASKET	2.684	7.	GROMMET	2.705
3.	GASKET	2.699	8.	BRACKET	2.705
4.	LENS	2.682	9.	LAMP ASSEMBLY	2.679
5.	LENS	2.698	10.	RIM	2.681
			11.	RIM	2.696



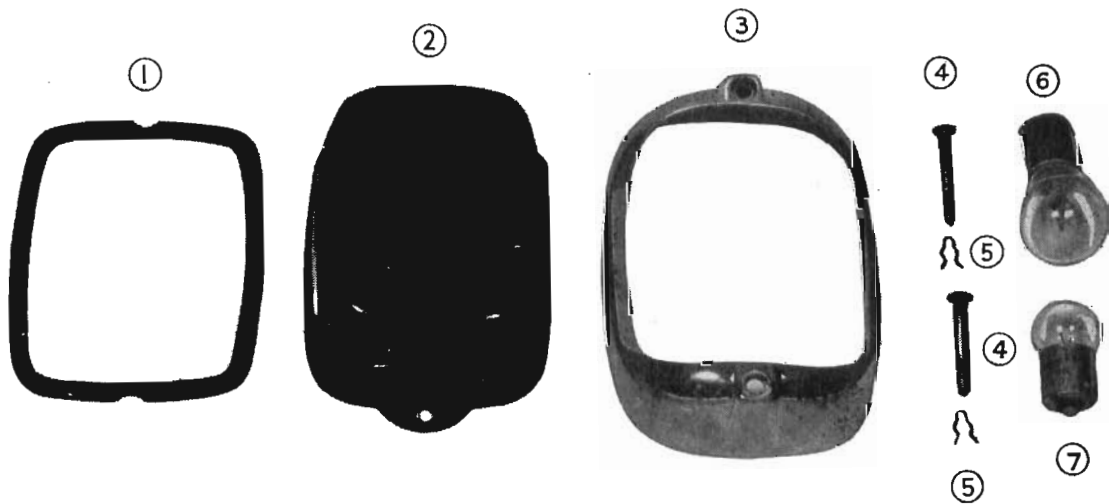
HOLDEN

MASTER PARTS CATALOGUE



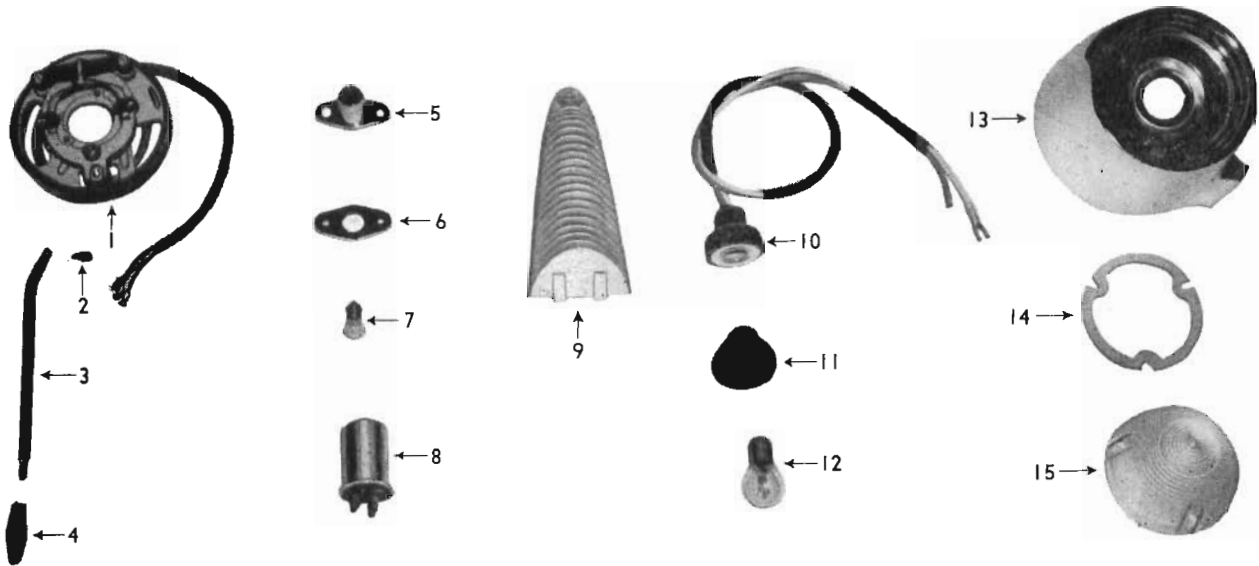
TAIL LAMP (Coupe Utility and Panel Van) (Lucas)

Illus. Ref. No.	Part Name	Group	Illus. Ref. No.	Part Name	Group
1.	LAMP ASSEMBLY	2.679	6.	SCREW	Removed
2.	GASKET	2.686	7.	LENS	2.682
3.	LENS	2.685	8.	GASKET	2.684
4.	BULB	2.679	9.	SPRING	2.691
5.	BULB	2.679			



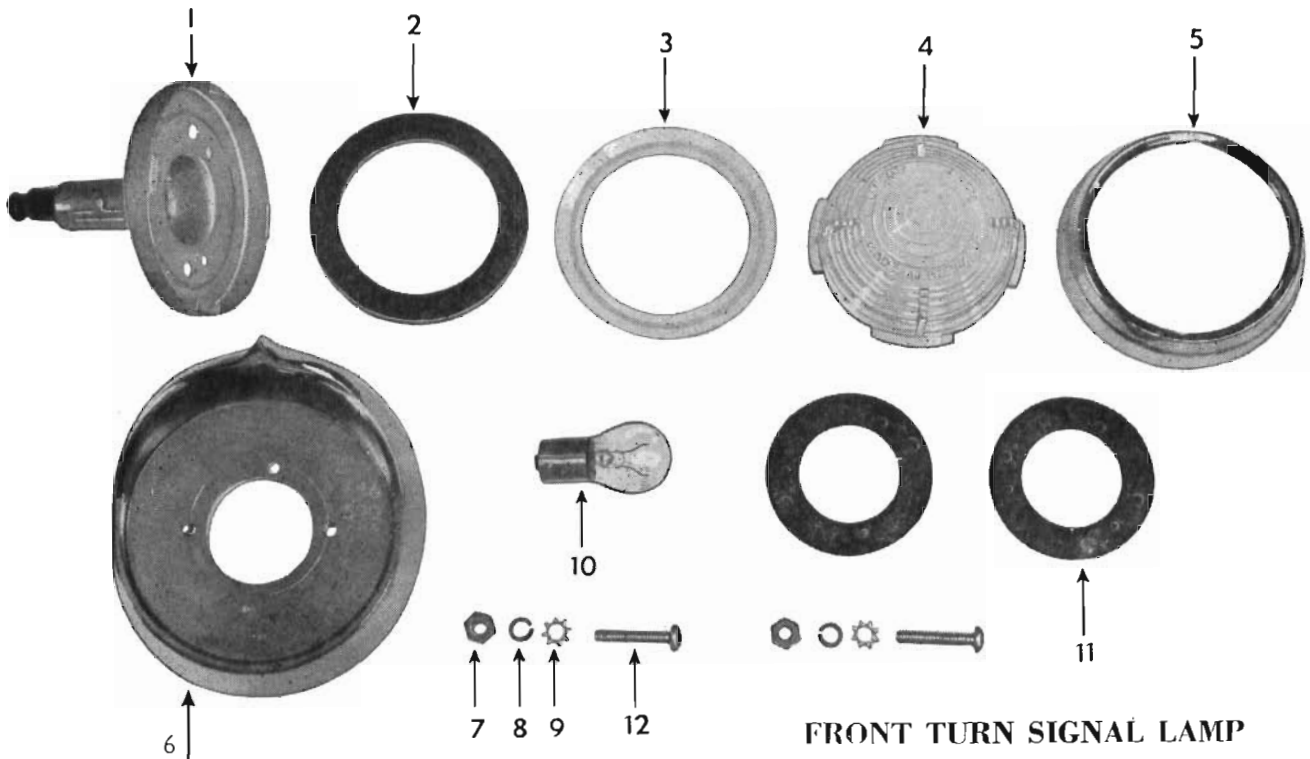
TAIL LAMP (Coupe Utility and Panel Van) (Stokes)

Illus. Ref. No.	Part Name	Group	Illus. Ref. No.	Part Name	Group
1.	GASKET	2.684	5.	CIRCLIP	2.681
2.	LENS	2.682	6.	BULB	2.679
3.	RETAINER	2.681	7.	BULB	2.679
4.	SCREW	2.681			



TURN SIGNAL LAMP

Illus. Ref. No.	Part Name	Group	Illus. Ref. No.	Part Name	Group
1.	SWITCH ASSEMBLY	2.895	9.	LENS	2.698
2.	SCREW—Special	2.895	10.	SOCKET and LEAD ASSEMBLY	2.596
3.	LEVER	2.897	11.	SEAL	2.596
4.	KNOB	2.897	12.	BULB	2.586
5.	BODY ASSEMBLY	2.893	13.	BODY ASSEMBLY	2.586
6.	INSULATOR	2.894	14.	SEAL	2.590
7.	BULB	2.893	15.	LENS	2.589
8.	FLASHER ASSEMBLY	2.892			



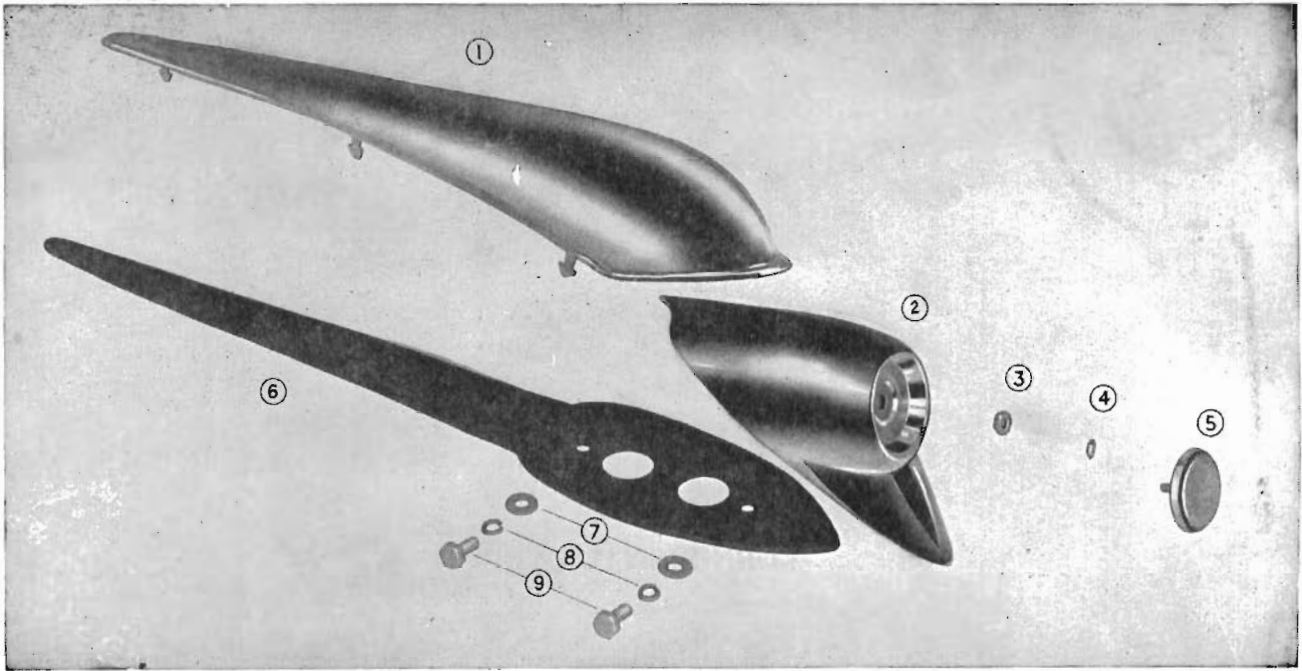
FRONT TURN SIGNAL LAMP

1.	BODY	2.586	5.	RIM	2.589	9.	WASHER	2.585
2.	GASKET	2.590	6.	BASE	2.599	10.	BULB	2.585
3.	RING	2.590	7.	NUT	2.585	11.	GASKET	2.599
4.	LENS	2.589	8.	WASHER	2.585	12.	SCREW	2.585



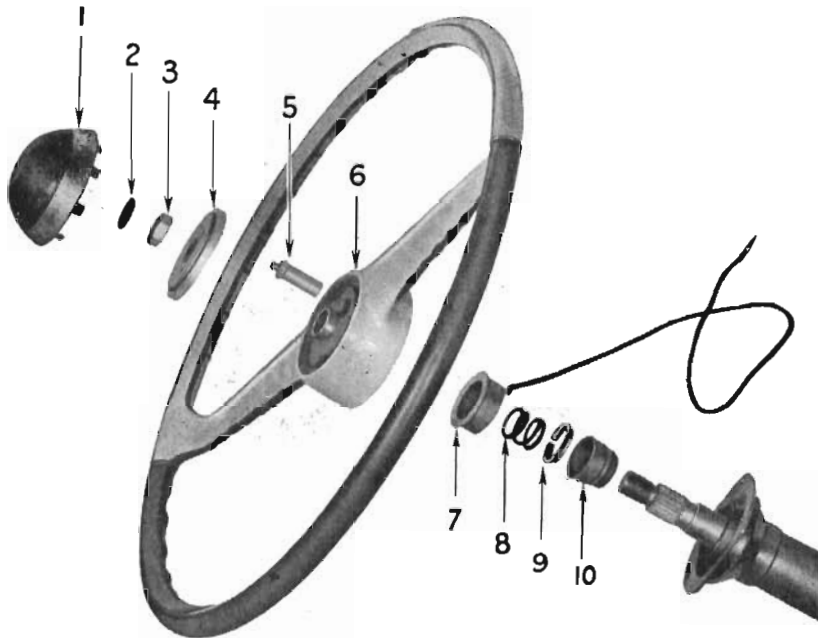
HOLDEN

MASTER PARTS CATALOGUE



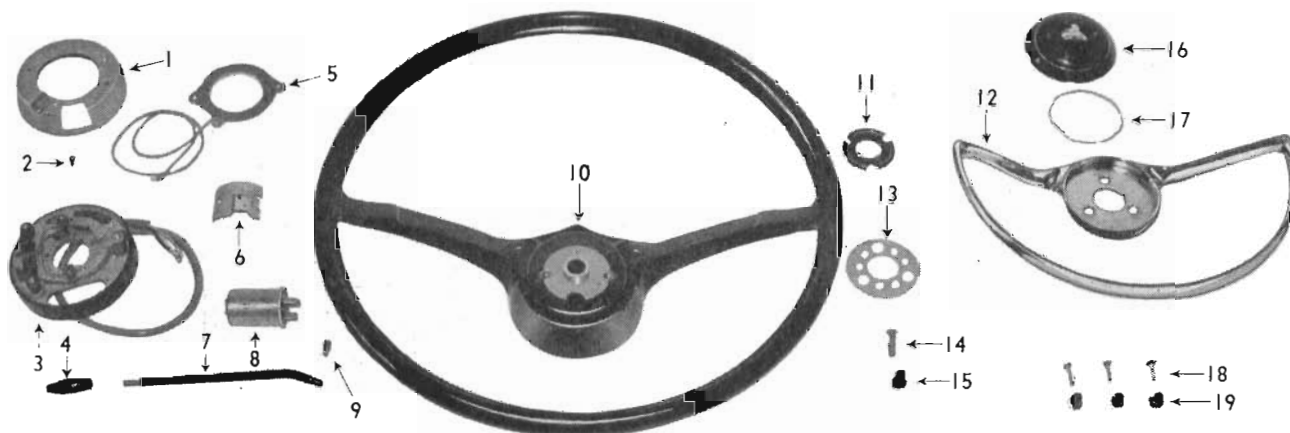
REFLEX MARKER

1. ORNAMENT	12.118	6. GASKET	12.118
2. BRACKET	2.689	7. WASHER	2.689
3. NUT	2.689	8. WASHER	2.689
4. WASHER	2.689	9. BOLT	2.689
5. REFLECTOR	2.689		



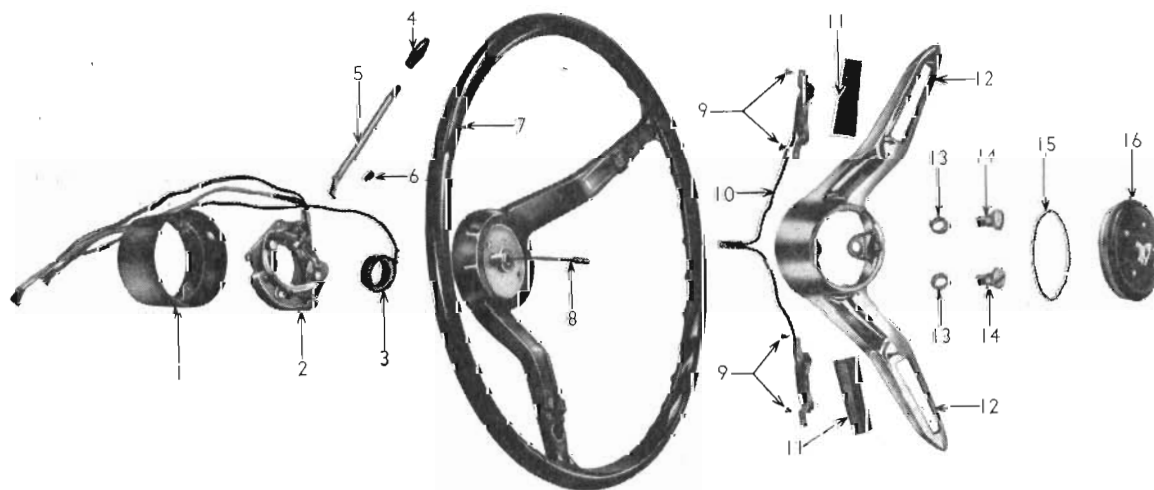
Illus. Ref. No.	Part Name	Group
1.	CAP ASSEMBLY	2.817
2.	NUT	6.513
3.	NUT	6.513
4.	CONTACT ASSEMBLY	2.819
5.	CONNECTOR ASSEMBLY	2.819
6.	WHEEL ASSEMBLY	6.513
7.	CONTACT AND CABLE ASSEMBLY	2.859
8.	SPRING	6.526
9.	SEAT	6.526
10.	BEARING ASSEMBLY	6.521

STEERING WHEEL AND HORN BUTTON



STEERING WHEEL, TURN SIGNAL SWITCH and LEVER

Illus. Ref. No.	Part Name	Group	Illus. Ref. No.	Part Name	Group
1.	SUPPORT	2.822	10.	WHEEL ASSEMBLY—Steering	6.513
2.	SCREW	2.822	11.	SPACER	2.824
3.	SWITCH ASSEMBLY	2.895	12.	RING	2.830
4.	KNOB	2.897	13.	SPRING	2.823
5.	CONTACT & CABLE ASSEMBLY	2.859	14.	CONTACT & SPRING ASSEMBLY	2.819
6.	CLAMP	2.859	15.	INSULATOR	2.819
7.	LEVER	2.897	16.	BUTTON	2.820
8.	FLASHER ASSEMBLY	2.892	17.	SPRING	2.821
9.	SCREW—Special	2.895	18.	SCREW	2.830
			19.	SPACER	2.830



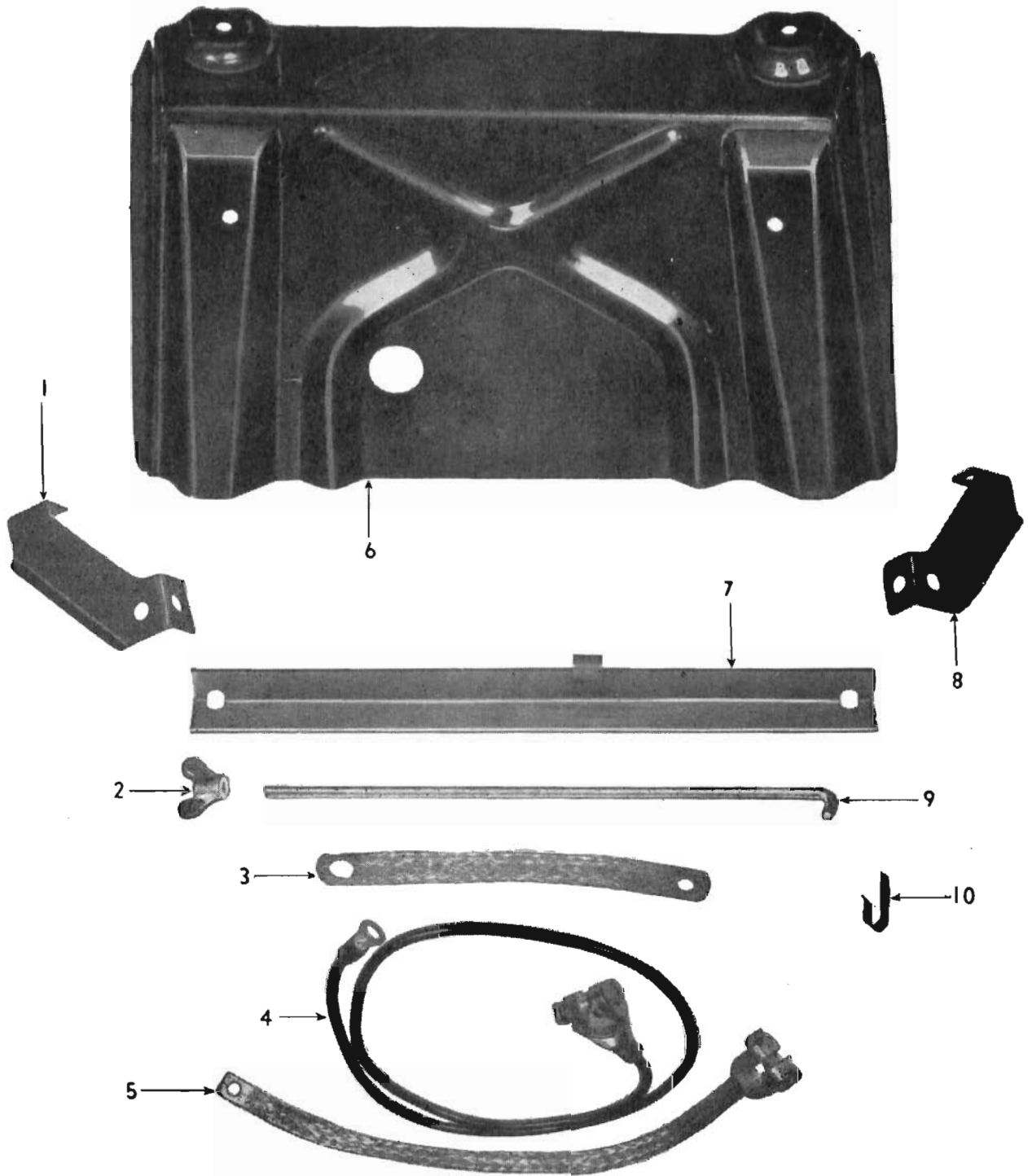
STEERING WHEEL, TURN SIGNAL SWITCH, HORN BUTTON

Illus. Ref. No.	Part Name	Group	Illus. Ref. No.	Part Name	Group
1.	COVER—Turn signal lamp switch	2.895	9.	SCREW	2.819
2.	SWITCH ASSY.—Turn signal lamp	2.895	10.	SWITCH & LEAD ASSEMBLY	2.819
3.	CONTACT & CABLE—Horn	2.859	11.	BUTTON—Horn switch	2.830
4.	KNOB—Turn signal lamp switch	2.897	12.	SHROUD—Steering wheel	2.830
5.	LEVER—Turn signal lamp switch	2.897	13.	SPRING—Steering wheel shroud mounting	2.830
6.	SCREW	2.895	14.	SCREW—Special	2.830
7.	WHEEL ASSEMBLY—Steering	6.513	15.	SPRING—Ornament mounting	2.821
8.	BRUSH & LEAD ASSEMBLY	2.819	16.	ORNAMENT—Steering wheel hub	2.820



HOLDEN

MASTER PARTS CATALOGUE



BATTERY RETAINER and CABLES

Illus. Ref. No.	Part Name	Group	Illus. Ref. No.	Part Name	Group
1	ANCHOR	2.333	6	SUPPORT	2.333
2	NUT—Wing	2.333	7	RETAINER ASSEMBLY	2.333
3	STRAP	2.348	8	ANCHOR	2.333
4	CABLE	2.342	9	BOLT—Mounting	2.333
5	STRAP	2.341	10	CLIP	2.342



ELECTRICAL COMPONENTS

Illus. Ref. No.	Part Name	Group	Illus. Ref. No.	Part Name	Group
1	REGULATOR ASSEMBLY	2.500	7	SOCKET & WIRE ASSEMBLY	2.714
2	HARNES ASSEMBLY	2.555	8	BRACKET	2.845
3	COIL ASSEMBLY	2.170	9	FLASHER ASSEMBLY	2.892
4	BRACKET	2.170	10	SWITCH ASSEMBLY	2.459
5	BLOCK ASSEMBLY	2.483	11	SWITCH ASSEMBLY	2.447
6	HORN ASSEMBLY	2.810	12	SEAL	N.L.A.



HOLDEN

MASTER PARTS CATALOGUE



2962243



2962447
2965142



2962448



2962449



2962508



2962551



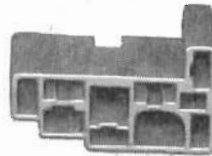
2962566



2962752



2962910



2962944



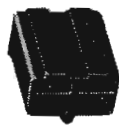
2962964



2962965



2962967



2962969



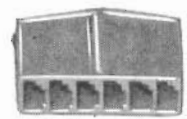
2962971



2962984



2965017



2965018



2965117



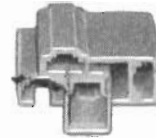
2965332



2965333



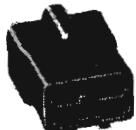
2965429



2965829



2971627



2973603



2977673



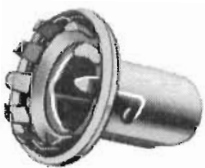
2984169



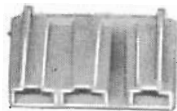
5297797



7401622



7406060
7409962



7409138



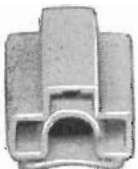
7414145



7416343
7416347



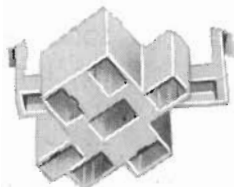
7417883



7418064



7418077



7422474



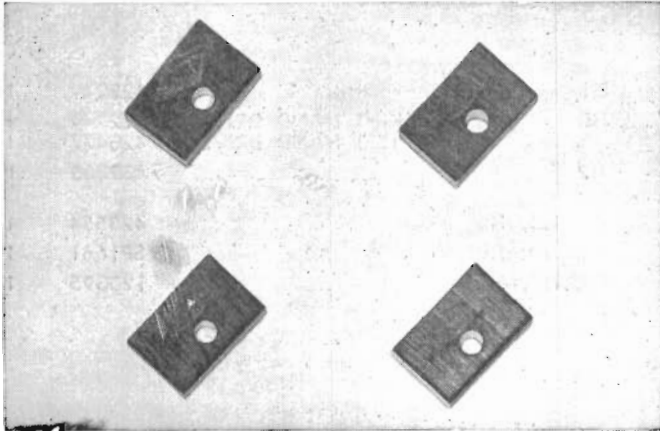
7424519



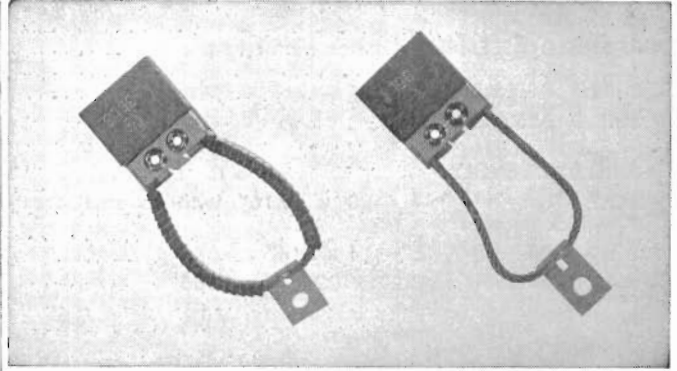
7424520



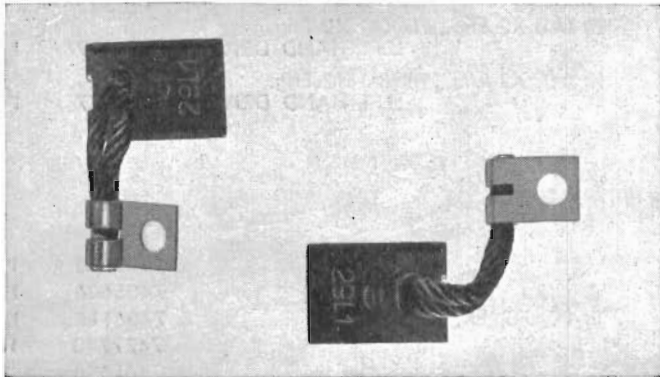
7426918



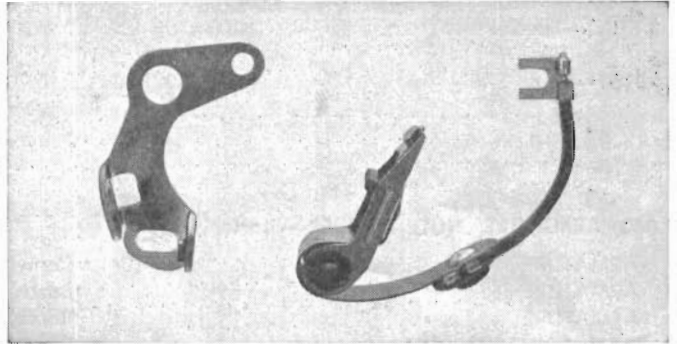
2.051 Starter Motor Brush Set (Delco-Remy)



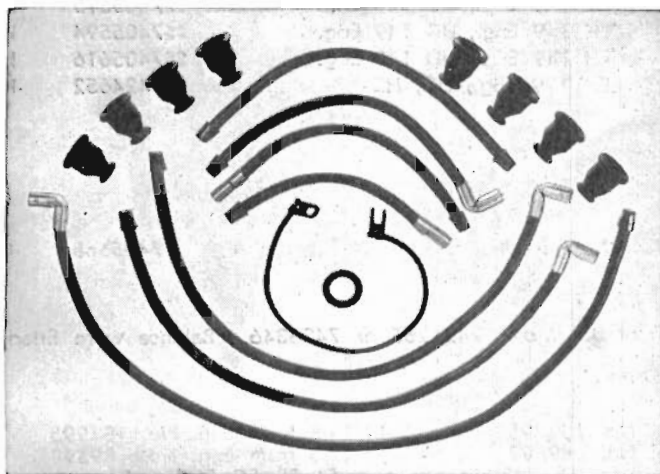
2.285 Generator Brush Set (Bosch)



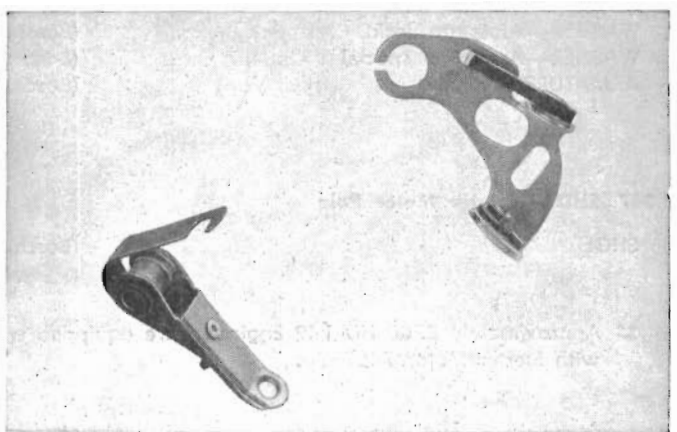
2.051 Starter Motor Brush Set (Bosch)



2.384 Distributor Contact Set (Bosch)



2.239 Spark Plug and Distributor Wire Unit



2.384 Distributor Contact Set (Delco-Remy)



HOLDEN

MASTER PARTS CATALOGUE

Group	Description	Model	Part No.	Qty.
2.040 SHIELD ASSEMBLY—Starter motor heat				
SHIELD ASSEMBLY	EH	7422249	1
SHIELD ASSEMBLY	HD	7422249	1
			RIGHT HAND DRIVE	
			LEFT HAND DRIVE	
			7420477	1
SHIELD ASSEMBLY	HR	7432365	1
BOLT—Hex. hd. 1/4"—20 x 7/16" with external tooth lock washer	EH, HD, HR	423554	1
BOLT—Hex. hd. 7/16"—14 x 3/4"	EH, HD, HR	SP1661	1
WASHER—Plain, 15/32" x 29/64" x .065"	EH, HD, HR	120395	1

2.041 MOTOR ASSEMBLY—Starter

MOTOR ASSEMBLY (Delco-Remy)	*	1109601	1
MOTOR ASSEMBLY (Bosch)	FE, FC, FB, EK, EJ	7414409	1
MOTOR ASSEMBLY (Lucas)	FB, EK	7414410	1
MOTOR ASSEMBLY (Bosch)	EH 149 Eng.	7421255	1
MOTOR ASSEMBLY (Lucas)	EH 149 Eng.	7426346	1
MOTOR ASSEMBLY (Bosch)	EH 179 Eng., HD, HR	7431089	1
BOLT—Hex. hd. 3/8"—16 x 1 1/8"	ALL	122138	A.R.
WASHER—Spring lock 3/8"—Medium	ALL	120382	A.R.
STUD—Special	HD (A), X2 Eng., HR (A) X2 Eng.		
		LEFT HAND DRIVE	7429817	1
NUT—Hex. 3/8"—16	HD (A), X2 Eng., HR (A) X2 Eng.		
		LEFT HAND DRIVE	120377	1

2.043 ARMATURE, NUT, WASHER—Starter Motor

ARMATURE (Delco-Remy)	*	1909253	1
ARMATURE (Bosch)	**	7405606	1
ARMATURE (Bosch)	FE, FC, FB, EK, EJ	7406115	1
SHIM & WASHER KIT—Armature (Bosch)	***	7427740	1
NUT—Armature (Bosch)	***	7405595	1
WASHER—Armature lock (Bosch)	***	7405594	1
WASHER—Armature special (Bosch)	***	7405616	1
ARMATURE (Lucas)	FB, EK	7406849	1
ARMATURE (Bosch)	EH 149 Eng., HD 149 Eng.	##7424632	1
ARMATURE (Lucas)	EH 149 Eng., HD 149 Eng.	##7428710	1
NUT—Armature (Bosch)	EH 149 Eng., HD 149 Eng.	##7405595	1
WASHER—Armature lock (Bosch)	EH 149 Eng., HD 149 Eng.	##7405594	1
WASHER—Armature special (Bosch)	EH 149 Eng., HD 149 Eng.	##7405616	1
ARMATURE (Bosch)	EH 179 Eng., HD, HR	##7424652	1

2.047 SHOE—Starter Motor Pole

SHOE (Bosch)	***	7405568	4
------	---------------	-----	---------	---

Approximately 2700 HD 149 Engines were equipped with Starter Motor 7421255 or 7426346. Balance were fitted with Starter Motor 7422326.

* 48 up to Eng. No. 104994
50 up to Eng. No. 89597

** 48 from Eng. No. 104995
50 from Eng. No. 89598
FJ

*** 48 from Eng. No. 104995
50 from Eng. No. 89598
FJ, FE, FC, FB, EK, EJ

HOLDEN

MASTER PARTS CATALOGUE



2.049 COIL ASSEMBLY, INSULATOR—Starter Motor Field

COIL ASSEMBLY—L.H.	(Delco-Remy)	*	1909246	1
COIL ASSEMBLY—R.H.	(Delco-Remy)	*	1909245	1
COIL ASSEMBLY—2 brush starter	(Bosch)	**	7405567	1
COIL ASSEMBLY—4 brush starter	(Bosch)	**	7419412	1
COIL ASSEMBLY	(Bosch)	FE, FC ..	7406104	1
COIL ASSEMBLY	(Bosch)	FB, EK, EJ ..	7406737	1
INSULATOR—Strip, lower	(Bosch)	FB, EK, EJ ..	7406732	1
INSULATOR—Strip, upper	(Bosch)	***	#7405577	1
COIL ASSEMBLY	(Lucas)	FB, EK ..	7406852	1
COIL ASSEMBLY	(Bosch)	EH 149 Eng., HD 149 Eng.	#7406737	1
INSULATOR—Strip, lower	(Bosch)	EH 149 Eng., HD 149 Eng.	#7406732	1
INSULATOR—Strip, upper	(Bosch)	EH 149 Eng., HD 149 Eng.	#7405577	1
COIL ASSEMBLY	(Lucas)	EH 149 Eng., HD 149 Eng.	#7428714	1
COIL ASSEMBLY	(Bosch)	EH 179 Eng., HD, HR ..	#7424642	1
INSULATOR—Field coil to housing	(Bosch)	EH 179 Eng., HD, HR ..	#7424644	1
INSULATOR—Field coil to pole shoe ..	(Bosch)	EH 179 Eng., HD, HR ..	#7424645	1

#Suit 2 brush starter on 48, 50, FJ models equipped with Bosch starter motor.

2.051 BRUSH SET—Starter Motor

BRUSH SET	(Delco-Remy)	*	7405088	1
BRUSH SET—2 brush starter	(Bosch)	48 from Eng. No. 104995 50 from Eng. No. 89598 FJ	7421882	1
BRUSH SET—4 brush starter	(Bosch)	48, 50, FJ ..	7419414	1
BRUSH SET	(Bosch)	FE, FC ..	M35530	1
BRUSH SET	(Bosch)	FB, EK, EJ ..	7406709	1
BRUSH SET	(Lucas)	FB, EK ..	7406831	1
BRUSH SET	(Bosch)	EH 149 Eng., HR 149 Eng.	#7426988	1
BRUSH SET	(Lucas)	EH 149 Eng., HR 149 Eng.	#7406831	1
BRUSH SET	(Bosch)	EH 179 Eng., HD, HR ..	#7424660	1

2.052 HOLDER—Starter Motor Brush

HOLDER	(Delco-Remy)	*	810226	4
HOLDER—2 brush starter	(Bosch)	**	7405580	2
HOLDER—4 brush starter	(Bosch)	**	7406107	4
INSULATION	(Bosch)	***	7406109	1-2
LOCK PLATE	(Bosch)	***	7405581	1-2
HOLDER	(Bosch)	FE, FC, FB, EK, EJ ..	7406107	2-4
PLATE—Lead connection	(Bosch)	FE, FC, FB, EK, EJ ..	7406108	2-4
SCREW—Attaching	(Bosch)	***	†7405583	4-8
NUT—Screw	(Bosch)	***	†7405587	4-8
WASHER—Screw lock	(Bosch)	***	†7405586	4-8
BUSH—Insulating	(Bosch)	***	†7405584	2-4
WASHER—Insulating	(Bosch)	***	†7405585	2-4
WASHER—Plain	(Bosch)	***	†7405524	2-4

† Brush holder rivet replaced in service by Screw, Nut, Bush and Washers. Part No. 7405584, 7405585 and 7405524 are to be used on positive brush holder only.

Approximately 2700 HD 149 Engines were equipped with Starter Motor 7421255 or 7426346. Balance were fitted with Starter Motor 7422326.

* 48 up to Eng. No. 104994
50 up to Eng. No. 89597

** 48 from Eng. No. 104995
50 from Eng. No. 89598
FJ

*** 48 from Eng. No. 104995
50 from Eng. No. 89598
FJ, FE, FC, FB, EK, EJ



HOLDEN

MASTER PARTS CATALOGUE

2.052 HOLDER—Starter Motor Brush (Cont'd.)

HOLDER	(Bosch)	EH 149 Eng., HD 149 Eng.	##7406107	4
SCREW—Attaching	(Bosch)	EH 149 Eng., HD 149 Eng.	##7405583†	8
NUT—Screw	(Bosch)	EH 149 Eng., HD 149 Eng.	##7405587†	8
WASHER—Screw lock	(Bosch)	EH 149 Eng., HD 149 Eng.	##7405586†	8
BUSH—Insulator	(Bosch)	EH 149 Eng., HD 149 Eng.	##7405584†	4
WASHER—Insulator	(Bosch)	EH 149 Eng., HD 149 Eng.	##7405585†	4
WASHER—Plain	(Bosch)	EH 149 Eng., HD 149 Eng.	##7405524†	4
INSULATION	(Bosch)	EH 149 Eng., HD 149 Eng.	##7406109	2
PLATE—Lock	(Bosch)	EH 149 Eng., HD 149 Eng.	##7405581	2
PLATE—Lead connection	(Bosch)	EH 149 Eng., HD 149 Eng.	##7406108	4
PLATE ASSEMBLY—Brush holder	(Bosch)	EH 179 Eng., HD, HR	##7424659	1
SCREW—Brush plate attaching	(Bosch)	EH 179 Eng., HD, HR	##7424759	2
WASHER—Screw lock	(Bosch)	EH 179 Eng., HD, HR	##7406618	2

†NOTE Brush holder rivet replaced in service by Screw, Nut, Bush and Washers. Part Nos. 7405584, 7405585 and 7405524 are to be used on positive brush holder only.

2.053 SPRING—Starter Motor Brush

SPRING	(Delco-Remy)	*	1881835	4
SPRING—2 brush starter	(Bosch)	**	7405589	2
SPRING—4 brush starter	(Bosch)	**	7406110	4
SPRING	(Bosch)	FE, FC, FB, EK, EJ	7406110	2-4
SPRING SET	(Lucas)	FB, EK	7425038	1
SPRING	(Bosch)	EH 149 Eng., HD 149 Eng.	##7406110	4
SPRING SET	(Lucas)	EH 149 Eng., HD 149 Eng.	##7425038	1
SPRING	(Bosch)	EH 179 Eng., HD, HR	##7424661	4

2.054 PIN—Starter Motor

DRIVE END DOWEL	(Delco-Remy)	*	809593	1
BRUSH HOLDER STOP—(With insulation)	(Delco-Remy)	*	812015	2

2.055 LEAD—Starter Motor Brush

FIELD	(Delco-Remy)	*	1909251	1
WASHER—Spring lock No. 6—Medium	(Delco-Remy)	*	131044	2
GROUND	(Delco-Remy)	*	1930694	2
WASHER—Spring lock No. 8—Medium	(Delco-Remy)	*	121841	2
WASHER—Spring lock No. 6—Medium	(Delco-Remy)	*	131044	4
SCREW—Brush lead connecting	(Bosch)	**	7424759	2
SCREW—Brush lead connecting	(Bosch)	FE, FC, FB, EK, EJ	7406111	2-4
WASHER—Connecting screw lock	(Bosch)	***	7406323	A.R.
WASHER—Positive brush lead	(Bosch)	FE, FC, FB, EK, EJ	7406900	1-2
SCREW—Brush lead connecting	(Bosch)	EH 149 Eng., HD 149 Eng.	##7406111	4
WASHER—Connecting screw lock	(Bosch)	EH 149 Eng., HD 149 Eng.	##7406323	4
WASHER—Positive brush lead	(Bosch)	EH 149 Eng., HD 149 Eng.	##7406900	2

2.059 WASHER—Starter Motor Terminal Stud

WASHER—(1/2" O.D.)	(Delco-Remy)	*	1881866	2
--------------------	--------------	---	---------	---

Approximately 2700 HD 149 Engines were equipped with Starter Motor 7421255 or 7426346. Balance were fitted with Starter Motor 7422326.

* 48 up to Eng. No. 104994
50 up to Eng. No. 89597

** 48 from Eng. No. 104995
50 from Eng. No. 89598
FJ

*** 48 from Eng. No. 104995
50 from Eng. No. 89598
FJ, FE, FC, FB, EK, EJ



2.063 WASHER, RETAINER, SPRING, SHIM, SHOE, CAP—Starter Motor Armature and Brake

WASHER—Brake	(Delco-Remy)	*	1909263	1
WASHER—Brake Fibre	(Bosch)	***	7405611	1
WASHER—Insulating	(Bosch)	***	7405612	1
RETAINER—Brake thrust washer	(Bosch)	***	7405610	1
SPRING—Brake	(Bosch)	***	7405609	1
SHIM—End play adjusting 0.1 MM	(Bosch)	***	7405613	A.R.
SHIM—End play adjusting 0.2 MM	(Bosch)	***	7405615	A.R.
SHIM—End play adjusting 0.3 MM	(Bosch)	***	7405614	A.R.
SHOE—Brake	(Lucas)	FB, EK	7406845	2
SPRING—Brake shoe	(Lucas)	FB, EK	7406846	2
WASHER—Brake fibre	(Bosch)	EH 149 Eng., HD 149 Eng.	##7405611	1
WASHER—Insulating	(Bosch)	EH 149 Eng., HD 149 Eng.	##7405612	1
RETAINER—Brake thrust washer	(Bosch)	EH 149 Eng., HD 149 Eng.	##7405610	1
SPRING—Brake	(Bosch)	EH 149 Eng., HD 149 Eng.	##7405609	1
SHOE—Brake	(Lucas)	EH 149 Eng., HD 149 Eng.	##7406845	2
SPRING—Brake shoe	(Lucas)	EH 149 Eng., HD 149 Eng.	##7406846	2
WASHER—C.E. thrust, rubber	(Lucas)	EH 149 Eng., HD 149 Eng.	##7428708	1
WASHER—C.E. thrust, fibre	(Lucas)	EH 149 Eng., HD 149 Eng.	##7428709	1
CAP—Bearing	(Bosch)	EH 179 Eng., HD, HR	##7424665	1
RETAINER—Armature	(Bosch)	EH 179 Eng., HD, HR	##7424664	1
WASHER—Armature	(Bosch)	EH 179 Eng., HD, HR	##7424655	1
WASHER—Armature insulator	(Bosch)	EH 179 Eng., HD, HR	##7424656	1
WASHER—C.E. bearing rubber	(Bosch)	EH 179 Eng., HD, HR	##7424662	1
SHIM—End play adjusting 0.1 mm	(Bosch)	EH, HD, HR	7405613	A.R.
SHIM—End play adjusting 0.2 mm	(Bosch)	EH, HD, HR	7405615	A.R.
SHIM—End play adjusting 0.3 mm	(Bosch)	EH, HD, HR	7405614	A.R.
SHIM—End play adjusting 0.8 mm	(Bosch)	EH 179 Eng., HD, HR	##7424663	A.R.

2.067 FRAME—Starter Motor Commutator End

FRAME	(Delco-Remy)	*	1910247	1
FRAME	(Lucas)	FB, EK	7406832	1
FRAME	(Lucas)	EH 149 Eng., HD 149 Eng.	##7428696	1
FRAME ASSEMBLY	(Bosch)	EH 179 Eng., HD, HR	##7424657	1

2.070 BAND, COVER—Starter Motor Commutator End

COVER	(Bosch)	***	7405617	1
SCREW	(Bosch)	***	7405619	2
SEAL	(Bosch)	***	7405618	1
BAND	(Lucas)	FB, EK	7406830	1
SCREW—Band	(Lucas)	FB, EK	6315722	1
NUT—Band screw	(Lucas)	FB, EK	7406819	1
COVER	(Bosch)	EH 149 Eng., HD 149 Eng.	##7405617	1
SCREW	(Bosch)	EH 149 Eng., HD 149 Eng.	##7405619	2
SEAL	(Bosch)	EH 149 Eng., HD 149 Eng.	##7405618	1
BAND	(Lucas)	EH 149 Eng., HD 149 Eng.	##7428694	1
SCREW—Band	(Lucas)	EH 149 Eng., HD 149 Eng.	##7428695	1

2.077 SCREW, STUD, BOLT, TERMINAL—Starter Motor

STUD—Terminal	(Delco-Remy)	*	1881865	1
WASHER—Spring lock 5/16"—Medium	(Delco-Remy)	*	120214	4
BOLT—Through	(Delco-Remy)	*	1909136	2

Approximately 2700 HD 149 Engines were equipped with Starter Motor 7421255 or 7426346. Balance were fitted with Starter Motor 7422326.

* 48 up to Eng. No. 104994
50 up to Eng. No. 89597

*** 48 from Eng. No. 104995
50 from Eng. No. 89598
FJ, FE, FC, FB, EK, EJ



HOLDEN

MASTER PARTS CATALOGUE

2.077 SCREW, STUD, BOLT, TERMINAL—Starter Motor (Cont'd.)

SCREW—Pole shoe	(Bosch)	***	7405569	4
BOLT—Housing attaching	(Bosch)	***	7405593	2
NUT—Housing attaching bolt	(Bosch)	***	7405595	2
WASHER—Housing attaching bolt lock	(Bosch)	***	7405594	2
BOLT—Housing and frame attaching	(Lucas)	FB, EK	7406858	4
TERMINAL—Field	(Lucas)	FB, EK	7406851	1
SCREW—Pole shoe	(Bosch)	EH, HD, HR	7405569	4
BOLT—Housing attaching	(Bosch)	EH 149 Eng., HD 149 Eng.	##7405593	2
NUT—Housing attaching bolt	(Bosch)	EH 149 Eng., HD 149 Eng.	##7405595	2
WASHER—Housing attaching bolt lock	(Bosch)	EH 149 Eng., HD 149 Eng.	##7405594	2
BOLT—Drive end	(Lucas)	EH 149 Eng., HD 149 Eng.	##7428704	2
BOLT—Commutator end frame	(Lucas)	EH 149 Eng., HD 149 Eng.	##7406858	2
TERMINAL—Field	(Lucas)	EH 149 Eng., HD 149 Eng.	##7406851	1
BOLT—Through	(Bosch)	EH 179 Eng., HD, HR	##7424666	2
WASHER—Through bolt	(Bosch)	EH 179 Eng., HD, HR	##7424667	2

2.080 SUNDRY PARTS SET—Starter Motor

SUNDRY PARTS SET	(Lucas)	FB, EK	7406860	1
------------------	---------	--------	---------	---

2.083 BUSHING—Starter Motor

DRIVE END	(Delco-Remy)	•	1839345	1
COMMUTATOR END FRAME	(Delco-Remy)	•	1839345	1
DRIVE END	(Bosch)	***	7406113	1
DRIVE END—(U/S)	(Bosch)	***	7406398	1
COMMUTATOR END FRAME	(Bosch)	***	7405590	1
COMMUTATOR END FRAME—(U/S)	(Bosch)	***	7406397	1
DRIVE AND COMMUTATOR END FRAME	(Lucas)	FB, EK	1019863	2
DRIVE END	(Bosch)	EH 149 Eng., HD 149 Eng.	##7424628	1
DRIVE END	(Lucas)	EH 149 Eng., HD 149 Eng.	##7428703	1
COMMUTATOR END FRAME	(Lucas)	EH 149 Eng., HD 149 Eng.	##6339605	1
DRIVE END	(Bosch)	EH 179 Eng., HD, HR	##7424647	1
COMMUTATOR END FRAME	(Bosch)	EH, HD, HR	7405590	1

2.084 DISC—Commutator End Buffer

DISC	(Bosch)	***	7406741	1
DISC	(Bosch)	EH 149 Eng., HD 149 Eng.	##7406741	1

2.085 HOUSING—Starter Motor Drive With Bushing

HOUSING	(Bosch)	**	7405591	1
HOUSING	(Bosch)	FE, FC	7406112	1
HOUSING	(Bosch)	FB, EK, EJ	7406901	1
HOUSING	(Lucas)	FB, EK	7406843	1
HOUSING	(Bosch)	EH 149 Eng., HD 149 Eng.	##7424627	1
HOUSING	(Lucas)	EH 149 Eng., HD 149 Eng.	##7428702	1
HOUSING	(Bosch)	EH 179 Eng., HD, HR	##7424646	1

2.086 DRIVE ASSEMBLY—Starter Motor

DRIVE ASSEMBLY	(Delco-Remy)	•	183789	1
DRIVE ASSEMBLY	(Bosch)	***	7425321	1
DRIVE ASSEMBLY	(Lucas)	FB, EK	7406836	1
DRIVE ASSEMBLY	(Bosch)	EH 149 Eng., HD 149 Eng.	##7424630	1
DRIVE ASSEMBLY	(Lucas)	EH 149 Eng., HD 149 Eng.	##7428698	1
DRIVE ASSEMBLY	(Bosch)	EH 179 Eng., HD, HR	##7424653	1

Approximately 2700 HD 149 Engines were equipped with Starter Motor 7421255 or 7426346. Balance were fitted with Starter Motor 7422326.

* 48 up to Eng. No. 104994
50 up to Eng. No. 89597

** 48 from Eng. No. 104995
50 from Eng. No. 89598
FJ

*** 48 from Eng. No. 104995
50 from Eng. No. 89598
FJ, FE, FC, FB, EK, EJ



2.087 SPRING, SEAT, RING, SPACER, BUSHING—Starter Motor Pinion

SPRING—Front	(Bosch)	**	7406114	1
SPRING—Front (Drive branded DGT15L14Z)	(Bosch)	FE, FC, FB, EK, EJ	7406114	1
SPRING—Rear (Drive branded DGT15L14Z)	(Bosch)	***	7405599	1
SPRING—Front (Drive branded ALGT31L7Z)	(Bosch)	***	7425457	1
SPRING—Rear (Drive branded ALGT31L7Z)	(Bosch)	***	7425458	1
SEAT—Spring	(Bosch)	***	7405600	1
RING—Seat Spring Retainer	(Bosch)	***	7405601	2
GUIDE—Starter Motor Pinion (Drive branded ALGT31L7Z)	(Bosch)	***	7425456	2
SPRING—Pinion engaging	(Lucas)	FB, EK	7406841	1
RING—Spring retaining	(Lucas)	FB, EK	7406837	2
BUSHING—Drive bearing	(Lucas)	FB, EK	7406842	1
BUSHING—Drive operating	(Lucas)	FB, EK	7405840	2
BUSHING—Drive assembly	(Bosch)	EH, HD, HR	7424631	2
BUFFER—Drive assembly	(Bosch)	EH 179 Eng., HD, HR	##7420847	1
BUSHING—Drive bearing	(Lucas)	EH 149 Eng., HD 149 Eng.	##7428701	1
SPRING—Pinion	(Lucas)	EH 149 Eng., HD 149 Eng.	##7428700	1
RING—Spring retaining	(Lucas)	EH 149 Eng., HD 149 Eng.	##7406837	2
COLLAR—Drive	(Lucas)	EH 149 Eng., HD 149 Eng.	##7428699	1

2.096 WASHER, STOP, RING, COLLAR—Starter Motor

WASHER—Drive End Thrust	(Delco-Remy)	*	1828023	1
STOP—Pinion Assembly	(Bosch)	***	7406116	1
RING—Pinion Stop Retainer	(Bosch)	***	7405608	1
WASHER—Drive end thrust	(Lucas)	FB, EK	7406844	1
RING—Armature retaining	(Lucas)	FB, EK	7406848	2
COLLAR—Retaining ring	(Lucas)	FB, EK	7406847	1
STOP—Pinion assembly	(Bosch)	EH, HD, HR	7424633	1
RING—Retaining	(Bosch)	EH, HD, HR	7424654	1
WASHER—Drive end	(Lucas)	EH 149 Eng., HD 149 Eng.	##7428705	1
COLLAR—Drive end	(Lucas)	EH 149 Eng., HD 149 Eng.	##7428706	1
RING—Retaining	(Lucas)	EH 149 Eng., HD 149 Eng.	##7428707	2

2.100 SWITCH ASSEMBLY, BRACKET—Starter

SWITCH ASSEMBLY—Push		48, 50, FJ	1996009	1
NUT—Hex. Machine Screw No. 6—32		48, 50, FJ	134530	1
SOLENOID	(Delco-Remy)	•	1118130	1
SOLENOID	(Bosch)	**	7405620	1
SOLENOID	(Bosch)	FE, FC, FB, EK, EJ	7406117	1
SCREW—Switch Attaching	(Bosch)	***	7405621	2
WASHER—Lock	(Bosch)	***	7406316	2
SOLENOID	(Lucas)	FB, EK	7406853	1
SOLENOID	(Bosch)	EH 149 Eng., HD 149 Eng.	##7424635	1
SCREW—Switch attaching	(Bosch)	EH 149 Eng., HD 149 Eng.	##7405621	2
WASHER—Lock	(Bosch)	EH 149 Eng., HD 149 Eng.	##7406316	2
SOLENOID	(Lucas)	EH 149 Eng., HD 149 Eng.	##7428712	1
SOLENOID	(Bosch)	EH 179 Eng., HD, HR	##VS10215	1
SCREW—Switch attaching	(Bosch)	EH 179 Eng., HD, HR	##7424669	2

Approximately 2700 HD 149 Engines were equipped with Starter Motor 7421255 or 7426346. Balance were fitted with Starter Motor 7422326.

* 48 up to Eng. No. 104994
50 up to Eng. No. 89597

** 48 from Eng. No. 104995
50 from Eng. No. 89598
FJ

*** 48 from Eng. No. 104995
50 from Eng. No. 89598
FJ, FE, FC, FB, EK, EJ



HOLDEN

MASTER PARTS CATALOGUE

2.101 CONNECTOR, COVER—Starter Switch to Motor

CONNECTOR	(Delco-Remy)	*	1909260	1
CONNECTOR ASSEMBLY—4 brush starter	(Bosch)	**	7405570	1
CONNECTOR ASSEMBLY—2 brush starter	(Bosch)	**	7406105	4
BUSH—Insulating	(Bosch)	***	7406106	1
CONNECTOR ASSEMBLY	(Bosch)	FE, FC, FB, EK, EJ	7406105	1
INSULATING SLEEVE	(Bosch)	***	7405579	1
WASHER—Lock	(Bosch)	***	7405571	1
WASHER—Insulated 1.5 MM thick	(Bosch)	***	7406656	2
WASHER—Insulated 17 MM	(Bosch)	***	7405575	1
WASHER—Plain	(Bosch)	***	7405576	1
CONNECTOR	(Lucas)	FB, EK	7406850	1
CONNECTOR ASSEMBLY	(Bosch)	EH 149 Eng., HD 149 Eng.	##7424626	1
INSULATING SLEEVE	(Bosch)	EH 149 Eng., HD 149 Eng.	##7405579	1
WASHER—Lock	(Bosch)	EH 149 Eng., HD 149 Eng.	##7405571	1
WASHER—Insulated	(Bosch)	EH 149 Eng., HD 149 Eng.	##7406656	2
BUSH—Insulating	(Bosch)	EH 149 Eng., HD 149 Eng.	##7406106	1
WASHER—Insulated	(Bosch)	EH 149 Eng., HD 149 Eng.	##7405575	1
WASHER—Plain	(Bosch)	EH 149 Eng., HD 149 Eng.	##7405576	1
CONNECTOR	(Lucas)	EH 149 Eng., HD 149 Eng.	##7428711	1
PLATE—Solenoid seal	(Bosch)	EH 179 Eng., HD, HR	##7424651	1
SEAL—Solenoid	(Bosch)	EH 179 Eng., HD, HR	##7424650	1
GROMMET—Cable outlet	(Bosch)	EH 179 Eng., HD, HR	##7424643	1

2.102 STARTER SWITCH (SOLENOID) COMPONENTS

BOOT	(Delco-Remy)	*	1884732	1
GASKET	(Delco-Remy)	*	1913997	1
INSULATOR—Terminal Screw	(Delco-Remy)	*	1884728	1
LINK AND SCREW	(Delco-Remy)	*	1873700	1
PUSH ROD AND CONTACT ASSEMBLY	(Delco-Remy)	*	1853325	1
SCREW—Terminal	(Delco-Remy)	*	1884729	2
SPRING	(Delco-Remy)	*	1853342	1
SWITCH BRACKET ASSEMBLY—Contact Support	(Delco-Remy)	*	1884723	1
WASHER—Terminal Screw insulation	(Delco-Remy)	*	1884727	4
ARMATURE	(Bosch)	***	7406119	1
BOLT—Contact—Long	(Bosch)	***	7405640	1
BOLT—Contact—Short	(Bosch)	***	7405641	1
BUSH—Armature	(Bosch)	***	7405634	1
CONTACT KIT	(Bosch)	***	7427739	1
CONTACT BAR	(Bosch)	***	7405635	1
COVER—With Contact Bolts	(Bosch)	**	7405639	1
COVER—With Contact Bolts	(Bosch)	FE, FC, FB, EK, EJ	7406120	1
CUP WASHER	(Bosch)	***	7405637	1
DISC—Spring	(Bosch)	***	7405638	1
HOUSING—With Core and Winding	(Bosch)	**	7405622	1
HOUSING—With core and winding	(Bosch)	FE, FC, FB, EK, EJ	7406118	1
NUT—Contact Bolt	(Bosch)	***	7405645	3
NUT—Pull Rod	(Bosch)	***	7405604	1
PLATE—Terminal intermediate	(Bosch)	FB, EK, EJ	7406740	1
PULL ROD	(Bosch)	***	7405630	1
RIVET—Body	(Bosch)	**	7405652	4
RIVET—Body	(Bosch)	FE, FC, FB, EK, EJ	7406121	4
SCREW	(Bosch)	48 from Eng. No. 104995 50 from Eng. No. 89598		
		FJ, FE, FC	7405651	1
SCREW—Terminal	(Bosch)	FB, EK, EJ	7406739	1

Approximately 2700 HD 149 Engines were equipped with Starter Motor 7421255 or 7426346. Balance were fitted with Starter Motor 7422326.

* 48 up to Eng. No. 104994
50 up to Eng. No. 89597

** 48 from Eng. No. 104995
50 from Eng. No. 89598
FJ

*** 48 from Eng. No. 104995
50 from Eng. No. 89598
FJ, FE, FC, FB, EK, EJ



2.102 STARTER SWITCH (SOLENOID) COMPONENTS (Cont'd.)

SHIM—Armature	(Bosch)	***	7405631	A.R.
SPRING—Armature	(Bosch)	***	7405626	1
SPRING—Armature Return	(Bosch)	***	7405632	1
WASHER—Contact Bolt—Insulated	(Bosch)	***	7405642	2
WASHER—Contact Bolt—Insulated 2 MM	(Bosch)	***	7405647	2
WASHER—Contact Bolt—Insulated 0.2 MM	(Bosch)	***	7405648	A.R.
WASHER—Contact Bolt—Insulated 0.5 MM	(Bosch)	***	7405649	A.R.
WASHER—Contact Bolt—Insulated Internal	(Bosch)	***	7405650	2
WASHER—Contact Bolt Lock	(Bosch)	***	7406736	3
WASHER—Contact Bolt Lock	(Bosch)	***	7405646	1
WASHER—Contact Bolt—Plain	(Bosch)	***	7405643	2
WASHER—Armature Return Spring Stop	(Bosch)	***	7405633	1
WASHER—Insulating	(Bosch)	***	7424639	1
WASHER—Pull rod lock	(Bosch)			
		48 from Eng. No. 104995		
		50 from Eng. No. 89598		
		FJ, FE, FC	7405628	1
WASHER—Pull Rod Lock	(Bosch)	FB, EK, EJ	7406316	1
WASHER—Core	(Bosch)	***	7405624	1
WASHER—Housing	(Bosch)	***	7405623	A.R.
WASHER—Terminal screw lock	(Bosch)	FB, EK, EJ	7406323	1
NUT—Terminal	(Lucas)	FB, EK	7406854	4
SCREW—Terminal base	(Lucas)	FB, EK	7406856	1
ARMATURE	(Bosch)	EH 149 Eng., HD 149 Eng.	##7406119	1
BOLT—Contact, long	(Bosch)	EH 149 Eng., HD 149 Eng.	##7405640	1
BOLT—Contact, short	(Bosch)	EH 149 Eng., HD 149 Eng.	##7405641	1
BUSH—Armature	(Bosch)	EH 149 Eng., HD 149 Eng.	##7405634	1
CONTACT KIT	(Bosch)	EH 149 Eng., HD 149 Eng.	##7427739	1
CONTACT BAR	(Bosch)	EH 149 Eng., HD 149 Eng.	##7405635	1
COVER—With connecting bolts	(Bosch)	EH 149 Eng., HD 149 Eng.	##7424640	1
WASHER—Cup	(Bosch)	EH 149 Eng., HD 149 Eng.	##7405637	1
DISC—Spring	(Bosch)	EH 149 Eng., HD 149 Eng.	##7405638	1
NUT—Contact bolt	(Bosch)	EH 149 Eng., HD 149 Eng.	##7405645	3
NUT—Pull rod	(Bosch)	EH 149 Eng., HD 149 Eng.	##7405604	1
PLATE—Terminal intermediate	(Bosch)	EH 149 Eng., HD 149 Eng.	##7406740	1
PULL ROD	(Bosch)	EH 149 Eng., HD 149 Eng.	##7405630	1
RIVET—Body	(Bosch)	EH 149 Eng., HD 149 Eng.	##7406121	4
SCREW—Terminal	(Bosch)	EH 149 Eng., HD 149 Eng.	##7406739	1
SHIM—Armature	(Bosch)	EH 149 Eng., HD 149 Eng.	##7405631	A.R.
SPRING—Armature	(Bosch)	EH 149 Eng., HD 149 Eng.	##7405626	1
SPRING—Armature retaining	(Bosch)	EH 149 Eng., HD 149 Eng.	##7405632	1
WASHER—Contact bolt—insulated	(Bosch)	EH 149 Eng., HD 149 Eng.	##7405642	2
WASHER—Contact bolt—insulated 2 mm	(Bosch)	EH 149 Eng., HD 149 Eng.	##7405647	2
WASHER—Contact bolt—insulated 0.2 mm	(Bosch)	EH 149 Eng., HD 149 Eng.	##7405648	A.R.
WASHER—Contact bolt—insulated 0.5 mm	(Bosch)	EH 149 Eng., HD 149 Eng.	##7405649	A.R.
WASHER—Contact bolt—insulated internal	(Bosch)	EH 149 Eng., HD 149 Eng.	##7405650	2
WASHER—Contact bolt	(Bosch)	EH 149 Eng., HD 149 Eng.	##7406736	3
WASHER—Contact bolt lock	(Bosch)	EH 149 Eng., HD 149 Eng.	##7405646	1
WASHER—Contact bolt, plain	(Bosch)	EH 149 Eng., HD 149 Eng.	##7405643	2
WASHER—Insulating	(Bosch)	EH 149 Eng., HD 149 Eng.	##7424639	1
WASHER—Pull rod lock	(Bosch)	EH 149 Eng., HD 149 Eng.	##7406316	1
WASHER—Core	(Bosch)	EH 149 Eng., HD 149 Eng.	##7405624	1
WASHER—Housing	(Bosch)	EH 149 Eng., HD 149 Eng.	##7405623	A.R.
WASHER—Armature return spring stop	(Bosch)	EH 149 Eng., HD 149 Eng.	##7405633	1
WASHER—Terminal screw lock	(Bosch)	EH 149 Eng., HD 149 Eng.	##7406323	1
WASHER—Switch housing 0.6 mm	(Bosch)	EH 149 Eng., HD 149 Eng.	##7424637	A.R.
WASHER—Switch housing 0.8 mm	(Bosch)	EH 149 Eng., HD 149 Eng.	##7424638	A.R.

Approximately 2700 HR 149 Engines were equipped with Starter Motor 7421255 or 7426346. Balance were fitted with Starter Motor 7422326.

*** 48 from Eng. No. 104995
50 from Eng. No. 89598
FJ, FE, FC, FB, EK, EJ



HOLDEN

MASTER PARTS CATALOGUE

2.102 STARTER SWITCH (SOLENOID) COMPONENTS (Cont'd.)

NUT—Terminal	(Lucas)	EH 149 Eng., HD 149 Eng.	##7428713	2
BOLT—Contact, long	(Bosch)	EH 179 Eng., HD, HR	##7405640	1
BUSH—Insulating	(Bosch)	EH 179 Eng., HD, HR	##7405634	1
COVER ASSEMBLY—Switch	(Bosch)	EH 179 Eng., HD, HR	##VS10257	1
GASKET—Contact bolt	(Bosch)	EH 179 Eng., HD, HR	##7424683	2
GASKET—Solenoid 0.5 mm	(Bosch)	EH 179 Eng., HD, HR	##7424678	A.R.
GASKET—Solenoid 1 mm	(Bosch)	EH 179 Eng., HD, HR	##7424679	A.R.
NUT—Contact bolt	(Bosch)	EH 179 Eng., HD, HR	##7405645	A.R.
PLATE—Solenoid contact	(Bosch)	EH 179 Eng., HD, HR	##7424674	1
PLATE—Terminal lock	(Bosch)	EH 179 Eng., HD, HR	##7424671	1
PLUNGER ASSEMBLY—Armature	(Bosch)	EH 179 Eng., HD, HR	##7424672	1
SCREW—Cover attaching	(Bosch)	EH 179 Eng., HD, HR	##7424684	2
SCREW—Terminal	(Bosch)	EH 179 Eng., HD, HR	##7424670	1
SPRING—Contact pressure	(Bosch)	EH 179 Eng., HD, HR	##7405632	1
SPRING—Plunger return	(Bosch)	EH 179 Eng., HD, HR	##7424673	1
TERMINAL—Female	(Bosch)	EH 179 Eng., HD, HR	##2965142	1
WASHER—Contact bolt	(Bosch)	EH 179 Eng., HD, HR	##7406736	A.R.
WASHER—Plunger	(Bosch)	EH 179 Eng., HD, HR	##7405631	1
WASHER—Solenoid insulating	(Bosch)	EH 179 Eng., HD, HR	##7424675	1
WASHER—Solenoid plunger	(Bosch)	EH 179 Eng., HD, HR	##7405637	1
WASHER—Solenoid plunger retainer	(Bosch)	EH 179 Eng., HD, HR	##7405638	1
WASHER—Switch cover screw	(Bosch)	EH 179 Eng., HD, HR	##7424685	2

2.108 LEVER, SPRING, STUD—Starter Motor Shift

LEVER ASSEMBLY	(Delco-Remy)	•	1909261	1
SPRING—Lever	(Delco-Remy)	•	1909852	1
PIN—Lever to Link	(Delco-Remy)	•	1853305	1
STUD	(Delco-Remy)	•	1848796	1
WASHER—Spring lock 3/8"—Light	(Delco-Remy)	•	120381	1
LEVER ASSEMBLY	(Bosch)	***	7405602	1
SCREW	(Bosch)	***	7405603	1
NUT	(Bosch)	***	7405604	1
WASHER—Lock	(Bosch)	***	7406316	1
LEVER ASSEMBLY	(Lucas)	FB, EK	7406833	1
BOLT—Eccentric pivot	(Lucas)	FB, EK	7406834	1
LEVER ASSEMBLY	(Bosch)	EH 149 Eng., HD 149 Eng.	##7405602	1
SCREW	(Bosch)	EH 149 Eng., HD 149 Eng.	##7405603	1
LEVER ASSEMBLY	(Lucas)	EH 149 Eng., HD 149 Eng.	##7428697	1
BOLT—Eccentric pivot	(Lucas)	EH 149 Eng., HD 149 Eng.	##7406834	1
LEVER ASSEMBLY	(Bosch)	EH 179 Eng., HD, HR	##7424648	1
SCREW	(Bosch)	EH 179 Eng., HD, HR	##7424649	1
NUT	(Bosch)	EH, HD, HR	7405604	1
WASHER—Lock	(Bosch)	EH, HD, HR	7406316	1

2.113 LINK AND SCREW ASSEMBLY—Starter Motor Shift Lever

LINK AND SCREW ASSEMBLY	(Delco-Remy)	•	1873700	1
-------------------------	--------------	---	---------	---

Approximately 2700 HD 149 Engines were equipped with Starter Motor 7421255 or 7426346. Balance were fitted with Starter Motor 7422326.

*48 up to Eng No. 104994
50 up to Eng. No. 89597

*** 48 from Eng. No. 104995
50 from Eng. No. 89598
FJ, FE, FC, FB, EK, EJ



2.170 COIL ASSEMBLY, BRACKET—Ignition

COIL ASSEMBLY	(Lucas)	48, 50, FJ	7406983	1
BRACKET—Coil mounting	(Lucas)	48, 50, FJ	7425152	1
WASHER—Plain 9/32" x 5/8" x .065"		48, 50, FJ	120392	2
COIL—Fluid filled	(Lucas)	FE, FC, FB, EK, EJ	#7406400	1
BRACKET	(Lucas)	FE, FC, FB, EK, EJ	7425461	1
COIL	(Bosch)	FE, FC, FB, EK, EJ	#7425772	1
BRACKET—Suit Coil Part No. 7406641	(Bosch)	FE, FC, FB, EK, EJ	7425462	1
BRACKET—Suit Coil Part No. 7425772	(Bosch)	FE, FC, FB, EK, EJ	7425771	1
COIL ASSEMBLY—12 volt	(Bosch)	EH, HD, HR	7422779	1
BRACKET—Ignition coil	(Bosch)	EH, HD, HR	7422780	1
COIL ASSEMBLY—12 volt	(Lucas)	EH, HD, HR	7431087	1
BRACKET—Ignition coil	(Lucas)	EH, HD, HR	7422907	1
BOLT—Hex. hd. 3/8"—16 x 5/8"		EH, HD, HR	122104	1
WASHER—Spring lock 3/8"		EH, HD, HR	120382	1
WASHER—Plain 13/32" x 13/16" x .065"		EH (M), HD (M), HR (M)	120394	1

Optional service.

2.188 LOCK ASSEMBLY—Ignition Switch

(With Keys)		48, 50, FJ	7405095	1
CLIP—Wiring to Instrument Panel (1/16")		48, 50, FJ	432682	1
SWITCH ASSEMBLY—Ignition and starting		FE, FC, FB, EK	7414965	1
SWITCH ASSEMBLY—Ignition and starting		EJ	7410632	1
SWITCH ASSEMBLY—Ignition and starting		EH	7421200	1
SWITCH ASSEMBLY—Ignition and starting		HD, HR	7424302	1
CYLINDER ASSEMBLY—(Coded with keys)		FE, FC, FB, EK, EJ, EH, HD, HR	3769726	1
CYLINDER ASSEMBLY—(Uncoded)		FE, FC, FB, EK, EJ, EH	3772085	1
CYLINDER ASSEMBLY—(Uncoded)		HD, HR	601846	1
TUMBLER—Copper "C"		FE, FC, FB, EK, EJ, EH, HD, HR	601256	A.R.
TUMBLER—Nickel "N"		FE, FC, FB, EK, EJ, EH, HD, HR	601257	A.R.
TUMBLER—Black "B"		FE, FC, FB, EK, EJ, EH, HD, HR	601258	A.R.
TUMBLER—Yellow "Y"		FE, FC, FB, EK, EJ, EH, HD, HR	601259	A.R.
SPRING—Tumbler		FE, FC, FB, EK, EJ, EH, HD, HR	601260	6
RETAINER—Tumbler spring		FE, FC, FB, EK, EJ, EH, HD, HR	601261	1

2.198 DIAL, NUT—Ignition switch

NUT—To instrument panel		48, 50, FJ	7403081	1
DIAL—Indicator		FE	3701070	1
DIAL		FB S.A. up to Ser. No. 5080A Qld. up to Ser. No. 7198B Vic. up to Ser. No. 13864M W.A. up to Ser. No. 4581P N.S.W. up to Ser. No. 17145S	7412081	1
DIAL		FB S.A. from Ser. No. 5081A Qld. from Ser. No. 7199B Vic. from Ser. No. 13865M W.A. from Ser. No. 4582P N.S.W. from Ser. No. 17146S		
NUT—Switch mounting		EK	7416006	1
NUT—Switch mounting		FE, FC, FB, EK	7414318	1
NUT—Switch mounting		EJ, EH	7419939	1
NUT—Switch mounting		HD, HR	7412667	1

2.239 WIRE UNIT—Spark Plug and Distributor

WIRE UNIT		48, 50, FJ, FE, FC, FB, EK	7406567	1
WIRE UNIT—TVRS		48, 50, FJ, FE, FC, FB, EK, EJ	7425366	1
WIRE UNIT—TVRS		EH, HD, HR	7423454	1
WIRE UNIT—Copper wire		EH, HD, HR	7436752	1



HOLDEN

MASTER PARTS CATALOGUE

2.253 RING—Spark Plug Wire Retainer

RING	48, 50, FJ, FE, FC, FB, EK, EJ	7401167	1
------	--------------------------------	---------	---

2.257 TERMINAL—Spark Plug Wire

TERMINAL 90°	48, 50, FJ up to Eng. No. 283372	7401267	4
TERMINAL	48, 50, FJ, FE, FC	7403052	A.R.

2.258 NIPPLE, BOOT—Spark Plug Wire Insulating

NIPPLE—Dist. cap insulating	ALL	5289527	A.R.
NIPPLE—Coil insulating	EH, HD, HR	5290441	1
BOOT—Spark plug	EH, HD, HR	2962674	6

2.270 PLUG ASSEMBLY—Spark

(14 MM)	48, 50, FJ up to Eng. No. 297552	C44	6
(14 MM)	FJ from Eng. No. 297553		
	FE, FC, FB, EK, EJ	46	6
PACKAGE (Set of 6 No. 46)	FJ from Engine No. 297553		
	FE, FC, FB, EK, EJ	7406812	1
(14 MM) Optional Service	48, 50, FJ, FE, FC, FB, EK, EJ	48	6
PACKAGE (Set of 6 No. 48—Optional Service)	48, 50, FJ, FE, FC, FB, EK, EJ	7406582	1
(14 MM)	EH, HD	44XLH	6
PACKAGE (Set of 6 No. 44XLH)	EH, HD	7423436	1
(14 MM)	HR	C44NS	6
PACKAGE (Set of 6 No. C44NS)	HR	7433327	1
(14 MM) Optional for high speed driving	HD exc. X2 Eng., HR exc. X2, S Eng.	C43N	6
(14 MM) Optional for low speed driving	HD exc. X2 Eng., HR exc. X2, S Eng.	45N	6
(14 MM) Optional for high speed driving	HD X2 Eng., HR X2, S Eng.	C42N	1
GASKET	ALL	SP1105	6

2.274 PULLEY AND FAN ASSEMBLY—Generator

PULLEY AND FAN ASSEMBLY	48, 50, FJ	7400263	1
PULLEY AND FAN ASSEMBLY	FE, FC, FB, EK	7409293	1
PULLEY AND FAN	FE, FC, FB, EK Heavy duty gen.	7406602	1
PULLEY AND FAN ASSEMBLY	EJ	7416373	1
PULLEY AND FAN	EJ Heavy duty gen.	†7422875	1
PULLEY ASSEMBLY	EH exc. Diode rectified gen.	7422914	1
FAN	EH exc. Diode rectified gen.	7422917	1
PULLEY ASSEMBLY	EH Diode rectified gen., HD, HR	7430409	1
FAN	EH Diode rectified gen.	3843346	1
FAN	HD, HR	7430410	1

† Generator type LJ/GJM240/12/1900R24

2.275 GENERATOR ASSEMBLY

GENERATOR ASSEMBLY	(Bosch)	**	7404945	1
GENERATOR ASSEMBLY	(Lucas)	FE up to Engine No. L386732	7409972	1
GENERATOR ASSEMBLY	(Bosch)	FE from Engine No. L386733		
		FC, FB, EK	7409691	1
GENERATOR ASSEMBLY	(Lucas)	FB, EK	7414487	1
GENERATOR ASSEMBLY	(Lucas)	EJ, EH	7416630	1
GENERATOR ASSEMBLY	(Bosch)	EH exc. Diode rectified	7417178	1
GENERATOR ASSEMBLY	(Bosch)	EJ, EH Heavy duty	††7423937	1
GENERATOR & REGULATOR PACKAGE	(Bosch)	EH Diode rectified	7428802	1
GENERATOR ASSEMBLY—LJ/DK 1/35 A14V4	(Bosch)	EH Diode rectified,		
		HD, HR	7435359	1
GENERATOR ASSEMBLY	(Lucas)	HD, HR	7434691	1

†† Generator type LJ/GG240/12/2000FR26

When fitting to "EJ" Series it is necessary to use 1 each 7416373 Pulley and Fan, 7416201 Bracket.

** 48 from Eng. No. 104995
50 from Eng. No. 89598
FJ



2.275 GENERATOR ASSEMBLY—(Cont'd.)

BOLT—Hex. hd. 5/16"—18 x 1 5/8"
BOLT—Hex. hd. 5/16"—24 x 7/8"
BOLT—Hex. hd. 5/16"—24 x 7/8"
BOLT—Hex. hd. 5/16"—18 x 7/8"
BOLT—Hex. hd. 5/16"—24 x 1 1/4"
WASHER—Plain 3/8" x 7/8" x .083"
WASHER—Plain 11/32" x 11/16" x .065"
WASHER—Spring Lock 5/16"—Heavy
WASHER—Spring Lock 5/16"—Medium
NUT—Light hex. 5/16"—18
NUT—Hex. Lock Type "EA" 5/16"—24
BOLT—Hex. hd. 3/8"—24 x 3-1/4"
BOLT—Hex. hd. 3/8"—24 x 3 1/2"
NUT—Hex. lock type "EA" 3/8"—24

FJ from Eng. No. U283384	122045	1
FE, FC, FB, EK	120213	1
EJ	106280	1
EH, HD, HR	120229	1
EH exc. Diode rectified	100015	2
48, 50, FJ up to Eng. No. 283372, EH, HD, HR	446363	A.R.
FJ from Eng. No. U283384		
FE, FC, FB, EK, EJ, EH	120393	A.R.
48, 50, FJ, FE, FC, FB, EK, EJ	120638	2
EH, HD, HR	120214	1
48, 50, FJ, FE, FC, FB, EK, EJ	120376	A.R.
EH exc. Diode rectified	274558	2
EH Diode rectified, HD, HR	103672	1
HD, HR	100033	1
EH Diode rectified, HD, HR	9413243	1

2.276 SCREW—Generator Frame

SCREW	(Bosch)	**	7405673	1
WASHER—Plain	(Bosch)	**	7405669	1
WASHER—Lock	(Bosch)	**	7406316	1

2.277 BRACKET, STUD—Generator mounting

BRACKET
BRACKET
BRACKET
BRACKET
BOLT—Auto hex. hd. 3/8"—16 x 3/4"
WASHER—Spring lock 3/8"—Heavy
BRACKET
BRACKET
BOLT—Hex. hd. 3/8"—16 x 7/8"
BOLT—Hex. hd. 3/8"—16 x 1-1/8"
WASHER—Spring lock 3/8"—Medium
STUD
STUD	(Bosch)

48, 50, FJ	7400261	1
FE, FC, FB, EK	7409708	1
EJ	7416201	1
FE, FC, FB, EK, EJ Heavy duty gen.	†7422384	1
48, 50, FJ, FE, FC, FB, EK, EJ	100133	1
48, 50, FJ, FE, FC, FB, EK, EJ	108580	1
EH exc. Diode rectified gen.	7413849	1
EH Diode rectified gen.		
HD, HR	7429932	1
EH, HD, HR	106330	A.R.
EH Diode rectified gen.		
HD, HR	106331	1
EH, HD, HR	103321	2
FE, FC, FB, EK, EJ	7409987	1
FE, FC, FB, EK, EJ Heavy duty gen.	†7406358	1

2.279 ARMATURE, ROTOR—Generator

ARMATURE	(Delco-Remy)	*	1909224	1	
KEY—Woodruff	(Delco-Remy)	*	124545	1	
ARMATURE	(Bosch)	**	7405695	1	
KEY—Woodruff	(Bosch)	**	7405705	1	
ARMATURE	(Lucas)		FE up to Engine No. L386732	7095441	1
KEY—Woodruff	(Lucas)		FE up to Engine No. L386732	106749	1
ARMATURE	(Bosch)		FE from Engine No. L386733		
ARMATURE	(Bosch)		FC, FB, EK	7406317	1
KEY—Woodruff	(Bosch)		FE, FC, FB, EK, EJ Heavy duty gen.	†7406600	1
ARMATURE	(Lucas)		FE from Engine No. L386733		
KEY—Woodruff	(Lucas)		FC, FB, EK, EJ	7405705	1
ARMATURE	(Lucas)		FB, EK	7095441	1
ARMATURE	(Lucas)		FB, EK	106749	1
ARMATURE	(Lucas)		EJ, EH	7421738	1
ARMATURE	(Lucas)		EJ Heavy duty gen.	7425799	1
ARMATURE	(Bosch)		EH exc. Diode rectified	7423465	1
ROTOR	(Bosch)		EH Diode rectified, HD, HR	7420852	1
ROTOR—Suit generator 7428083	(Lucas)		HD, HR	7429003	1
ROTOR—Suit generator 7434692	(Lucas)		HD, HR	VS10406	1
KEY—Woodruff			EH, HD, HR	7405705	1
CONVERSION KIT—Suit generator 7428083	(Lucas)		HD, HR	VS10569	1

* 48 up to Eng. No. 104994
50 up to Eng. No. 89597

** 48 from Eng. No. 104995
50 from Eng. No. 89598
FJ

† Generator type LJ/GJM240/12/1900R24



HOLDEN

MASTER PARTS CATALOGUE

2.280 NUT, WASHER—Generator armature

NUT	(Delco-Remy)	*	1915172	1
NUT	(Bosch)	**	7405703	1
WASHER—Lock	(Bosch)	**	7405704	1
NUT	(Lucas)	FE up to Engine No. L386732	7080183	1
NUT	(Bosch)	***	7406320	1
WASHER—Lock	(Bosch)	***	7406321	1
NUT	(Bosch)	FE, FC, FB, EK, EJ Heavy duty gen.	†7405703	1
WASHER—Lock	(Bosch)	FE, FC, FB, EK, EJ Heavy duty gen.	†7405704	1
NUT	(Lucas)	FB, EK	7080183	1
NUT	(Lucas)	EJ, EH	7421735	1
WASHER	(Lucas)	EJ, EH	7405704	1
NUT	(Lucas)	EJ Heavy duty gen.	7080183	1
NUT	(Bosch)	EH exc. Diode rectified	7423470	1
WASHER—Lock	(Bosch)	EH exc. Diode rectified	7406321	1
NUT	EH Diode rectified,
.....	HD, HR	7405703	1
WASHER—Lock	EH Diode rectified,
.....	HD, HR	7405704	1

2.285 BRUSH, BRUSH SET—Generator

BRUSH	(Delco-Remy)	*	1878209	2
BRUSH SET	(Bosch)	**	7405751	1
SCREW—Lead connecting	(Bosch)	**	7405692	2
WASHER—Lock	(Bosch)	**	7406323	2
BRUSH SET	(Lucas)	FE up to Engine No. L386732	7075657	1
BRUSH SET	(Bosch)	FE, FC, FB, EK	7406554	1
BRUSH SET	(Bosch)	FE, FC, FB, EK, EJ Heavy duty gen.	†7423710	1
SCREW—Lead connecting	(Bosch)	FE, FC, FB, EK, EJ	7405692	2
WASHER—Lock	(Bosch)	FE, FC, EB, EK, EJ	7406323	2
BRUSH SET	(Lucas)	FB, EK	7406820	1
BRUSH SET	(Lucas)	EJ, EH	7421730	1
BRUSH SET	(Lucas)	EJ Heavy duty gen.	7425793	1
BRUSH SET	(Bosch)	EH exc. Diode rectified	7423472	1
SCREW—Terminal connecting	(Bosch)	EH exc. Diode rectified	7423474	2
SCREW—Terminal connecting	(Bosch)	EH exc. Diode rectified	7406111	1
WASHER—Lock	(Bosch)	EH exc. Diode rectified	7406323	3
BRUSH SET	(Bosch)	EH Diode rectified,
.....	HD, HR	7420857	1
BRUSH SET—Suit generators	HR	VS10542	1
7435359, 7437782	(Bosch)	HD, HR	7429016	1
BRUSH, SPRING & TERMINAL SET	(Lucas)

2.286 SPRING, SPRING SET—Generator brush

SPRING	(Delco-Remy)	*	1878184	2
SPRING	(Bosch)	**	7405687	2
SPRING SET	(Lucas)	FE up to Engine No. L386732	1039530	1
SPRING	(Bosch)	***	7406307	2
SPRING	(Bosch)	FE, FC, FB, EK, EJ Heavy duty gen.	†7405687	2
SPRING SET	(Lucas)	FB, EK	7406822	1
SPRING SET	(Lucas)	EJ, EH	6343102	1
SPRING SET	(Lucas)	EJ Heavy duty gen.	7425796	1
SPRING	(Bosch)	EH exc. Diode rectified	7423473	2
SPRING	(Bosch)	EH Diode rectified,
.....	HD, HR	7420885	2

* 48 up to Eng. No. 104994
50 up to Eng. No. 89597

** 48 from Eng. No. 104995
50 from Eng. No. 89598
FJ

*** FE from Eng. No. L386733
FC, FB, EK

† Generator type LJ/GJM 240/12/1900R24



2.287 DIODE—Generator

DIODE—Exciter	(Bosch)	EH Diode rectified, HD, HR	VS10014	3
DIODE—Positive	(Bosch)	EH Diode rectified, HD, HR	VS10006	3
DIODE—Negative	(Bosch)	EH Diode rectified, HD, HR	VS10016	3
WASHER—Exciter diode insulating	(Bosch)	EH Diode rectified, HD, HR	VS10015	3
RING—Exciter diode terminal	(Bosch)	EH Diode rectified, HD, HR	VS10024	3
DIODE—Exciter	(Lucas)	HD, HR	7429013	3
DIODE—Positive	(Lucas)	HD, HR	7429012	3
DIODE—Negative	(Lucas)	HD, HR	7429011	3
NUT—Exciter diode	(Lucas)	HD, HR	7429014	3
DIODE—Positive, suit generators 7435359, 7437782	(Bosch)	HR	VS10546	3
DIODE—Negative, suit generators 7435359, 7437782	(Bosch)	HR	VS10543	3

2.289 SINK—Heat and components

SINK—Heat, positive	(Bosch)	EH Diode rectified	#7420854	1
SINK—Heat, negative	(Bosch)	EH Diode rectified	#7420855	1
BOLT—Heat sink	(Bosch)	EH Diode rectified	#VS10007	1
WASHER—Insulating	(Bosch)	EH Diode rectified	#VS10008	1
WASHER—Lock	(Bosch)	EH Diode rectified	#7406743	1
WASHER—Flat	(Bosch)	EH Diode rectified	#VS10009	1
BOLT—Heat sink	(Bosch)	EH Diode rectified	#VS10021	3
WASHER—Insulating	(Bosch)	EH Diode rectified	#VS10022	3
WASHER—Lock	(Bosch)	EH Diode rectified	#7406323	3
WASHER—Flat	(Bosch)	EH Diode rectified	#7406900	3
CAP—Insulating	(Bosch)	EH Diode rectified	#VS10023	1
SPACER—Insulating	(Bosch)	EH Diode rectified	#VS10019	1
SPACER—Insulating	(Bosch)	EH Diode rectified	#VS10017	3
WASHER—Spacer insulating	(Bosch)	EH Diode rectified	#VS10020	2
WASHER—Spacer insulating	(Bosch)	EH Diode rectified	#VS10018	6
BOLT—Heat sink	(Bosch)	EH Diode rectified	#VS10034	1
WASHER—Lock	(Bosch)	EH Diode rectified	#VS10035	1
SCREW—Heat sink	(Bosch)	EH Diode rectified	#VS10010	1
WASHER—Lock	(Bosch)	EH Diode rectified	#7406618	1
NUT—Hex.	(Bosch)	EH Diode rectified	#VS10011	1
WASHER—Insulating	(Bosch)	EH Diode rectified	#VS10028	1
SINK—Heat, positive	(Bosch)	EH Diode rectified, HD, HR	##VS10005	1
SINK—Heat, negative	(Bosch)	EH Diode rectified, HD, HR	##VS10033	1
STUD—Heat sink	(Bosch)	EH Diode rectified, HD, HR	##VS10039	1
STUD—Heat sink	(Bosch)	EH Diode rectified, HD, HR	##VS10041	3
BUSH—Stud insulating	(Bosch)	EH Diode rectified, HD, HR	##VS10040	1
BUSH—Stud insulating	(Bosch)	EH Diode rectified, HD, HR	##VS10042	3
WASHER—Stud insulating	(Bosch)	EH Diode rectified, HD, HR	##VS10028	2
WASHER—Stud lock	(Bosch)	EH Diode rectified, HD, HR	##VS10035	6
WASHER—Stud insulating	(Bosch)	EH Diode rectified, HD, HR	##VS10022	6
PLATE—Stud securing	(Bosch)	EH Diode rectified, HD, HR	##VS10044	1

Generator Type LJ/DK 1/35 A14 V2

Generator Type LJ/DK 1/35 A14 V4



HOLDEN

MASTER PARTS CATALOGUE

2.289 SINK—Heat and components (Cont'd.)

NUT—Stud back	(Bosch)	EH Diode rectified, HD, HR	##VS10045	1
WASHER—Stud lock	(Bosch)	EH Diode rectified, HD, HR	##7406618	1
NUT—Stud terminal	(Bosch)	EH Diode rectified, HD, HR	##VS10047	1
NUT—Stud	(Bosch)	EH Diode rectified, HD, HR	##VS10012	1
WASHER—Stud lock	(Bosch)	EH Diode rectified, HD, HR	##7405664	1
NUT—Stud	(Bosch)	EH Diode rectified, HD, HR	##VS10043	3
SINK—Heat, exciter	(Lucas)	HD, HR	7429010	1
SINK—Heat, positive	(Lucas)	HD, HR	7429009	1
SINK—Heat, negative	(Lucas)	HD, HR	7429008	1
SINK—Heat, positive, suit generators 7435359, 7437782	(Bosch)	HR	VS10545	1
SINK—Heat, exciter, suit generators 7435359, 7437782	(Bosch)	HR	VS10547	1
SUNDRY PARTS SET—Heat sink mounting, suit generators 7435359, 7437782	(Bosch)	HR	VS10537	1

2.291 ARM, HOLDER—Generator Brush

ARM	(Delco-Remy)	*	1944373	2
RIVET	(Bosch)	**	7405680	4
BUSH—Insulating	(Bosch)	**	7405681	2
WASHER—Insulating small	(Bosch)	**	7405683	2
HOLDER	(Bosch)	***	7406297	2
PLATE—Neg. brush holder spacer	(Bosch)	***	7406299	1
PLATE—Pos. brush holder insulating	(Bosch)	***	7406300	1
RIVET—Neg. brush holder	(Bosch)	***	7406301	2
RIVET—Pos. brush holder	(Bosch)	***	7406302	2
BUSH—Insulating	(Bosch)	***	7406303	2
WASHER—Insulating	(Bosch)	***	7406304	2
RIVET	(Bosch)	FE, FC, FB, EK, EJ Heavy duty gen.	†7405680	4
BUSH—Insulating	(Bosch)	FE, FC, FB, EK, EJ Heavy duty gen.	†7405681	2
WASHER—Insulating small	(Bosch)	FE, FC, FB, EK, EJ Heavy duty gen.	†7405683	2
BRUSH HOLDER ASSEMBLY	(Bosch)	EH Diode rectified	##7420856	1
BRUSH PLATE ASSEMBLY	(Bosch)	EH Diode rectified	##VS10025	1
BUSH—Brush plate insulating	(Bosch)	EH Diode rectified	##VS10030	1
BRUSH HOLDER ASSEMBLY	(Bosch)	EH Diode rectified, HD, HR	##VS10027	1
BRUSH PLATE ASSEMBLY	(Bosch)	EH Diode rectified, HD, HR	##VS10026	1
BUSH—Brush plate insulating	(Bosch)	EH Diode rectified, HD, HR	##SV10031	1
WASHER—Brush plate insulating	(Bosch)	EH Diode rectified, HD, HR	VS10028	2-1
WASHER—Brush plate insulating	(Bosch)	EH Diode rectified, HD, HR	##VS10029	1

* Generator type LJ/DK 1/35 A14 V2

† Generator type LJ/GJM/240/12/1900R24

** Generator type LJ/DK 1/35 A14 V4

* 48 up to Eng. No. 104994
50 up to Eng. No. 89597

** 48 from Eng. No. 104995
50 from Eng. No. 89598
FJ

*** FE from Eng. No. L386733
FC, FB, EK

HOLDEN

MASTER PARTS CATALOGUE



2.291 ARM, HOLDER—Generator Brush (Cont'd.)

SCREW—Brush plate	(Bosch)	EH Diode rectified, HD, HR	VS10002	4
WASHER—Lock	(Bosch)	EH Diode rectified, HD, HR	VS10035	4
BRUSH HOLDER & TERMINAL ASSY.—Suit generator 7428083	(Lucas)	HD, HR	7429015	1
BRUSH HOLDER & TERMINAL ASSY.—Suit generator 7434692	(Lucas)	HD, HR	VS10409	1
BRUSH PLATE ASSEMBLY—Suit generators 7435359, 7437782	(Bosch)	HR	VS10541	1

2.297 FRAME—Generator Commutator End

COVER, HOUSING—Generator Slip Ring End Plate

(With Bushing)	(Delco-Remy)	*	1913989	1
(With Bushing)	(Bosch)	**	7405677	1
(With Bushing)	(Lucas)	FE up to Engine No. L386732	7095437	1
(With Bushing)	(Bosch)	***	7406311	1
(With Bushing)	(Bosch)	FE, FC, FB, EK, EJ Heavy duty gen.	†7406597	1
(With Bushing)	(Lucas)	FB, EK	7406821	1
(With Bushing)	(Lucas)	EJ, EH	7421731	1
(With Bushing)	(Lucas)	EJ Heavy duty gen.	7425794	1
FRAME KIT	(Bosch)	EH Heavy duty gen.	††7413020	1
(With Bushing)	(Bosch)	EH exc. Diode rectified	7423471	1
COVER	(Bosch)	EH Diode rectified	#7420858	1
COVER	(Bosch)	EH Diode rectified, HD, HR	#VS10036	1
COVER	(Lucas)	HD, HR	7429004	1
PLATE—Suit generator 7434692	(Lucas)	HD, HR	VS10407	1
INSULATOR—Bearing, suit generator 7434692	(Lucas)	HD, HR	VS10435	1
COVER—Suit generators 7435359, 7437782	(Bosch)	HR	VS10544	1
HOUSING—Suit generators 7435359, 7437782	(Bosch)	HR	VS10540	1

2.298 BUSHING—Generator Commutator End Frame

PLATE, BEARING—Generator Slip Ring End

BUSHING	(Delco-Remy)	*	812823	1
BUSHING	(Bosch)	**	7405678	1
BUSHING—(U/S)	(Bosch)	**	7406395	1
BUSHING	(Lucas)	FE up to Eng. No. L386732	7095439	1
BUSHING	(Bosch)	***	7406312	1
BUSHING	(Bosch)	FE, FC, FB, EK, EJ Heavy duty gen.	†7405678	1
BUSHING	(Lucas)	FB, EK, EJ, EH	7095439	1
BUSHING	(Lucas)	EJ Heavy duty gen.	7425795	1
BEARING	(Bosch)	EH Heavy duty gen.	††3202	1
RING—Bearing intermediate	(Bosch)	EH Heavy duty gen.	††7426964	1
RING—Bearing splash	(Bosch)	EH Heavy duty gen.	††7426965	1
WASHER—Bearing undulating	(Bosch)	EH Heavy duty gen.	††7426967	1
BUSHING	(Bosch)	EH exc. Diode rectified	7406312	1
PLATE	(Bosch)	EH Diode rectified	#7420851	1
PLATE	(Bosch)	EH Diode rectified, HD, HR	#VS10003	1
BEARING	(Bosch)	EH Diode rectified, HD, HR	7420853	1

* 48 up to Eng. No. 104994
50 up to Eng. No. 89597

** 48 from Eng. No. 104995
50 from Eng. No. 89598
FJ

*** FE from Eng. No. L386733
FC, FB, EK

† Generator type LJ/GJM240/12/1900R24

Generator type LJ/DK 1/35 A14 V2

†† Generator type LJ/GG240/12/2000FR26

#† Generator type LJ/DK 1/35 A14 V4



HOLDEN

MASTER PARTS CATALOGUE

2.298 BUSHING—Generator Commutator End Frame (Cont'd.) PLATE, BEARING—Generator Slip Ring End (Cont'd.)

PLATE—Suit generator 7428083 (Lucas)	HD, HR	7429005	1
BEARING—Needle roller, suit generator 7428083 (Lucas)	HD, HR	7429006	1
SEAL—Bearing, suit generator 7428083 (Lucas)	HD, HR	7429007	1
BEARING—Ball, suit generator 7428083 (Lucas)	HD, HR	VS10408	1

2.299 BAND—Generator Commutator Cover COVER—Generator Brush Gear

BAND (Delco-Remy)	*	816340	1
BAND (Bosch)	**	7405693	1
SCREW (Bosch)	**	7405694	1
BAND (Bosch)	FE, FC, FB, EK, EJ Heavy duty gen.	#7405693	1
SCREW (Bosch)	FE, FC, FB, EK, EJ Heavy duty gen.	#7405694	1
BAND (Lucas)	FE up to Engine No. L386732	7079419	1
SCREW (Lucas)	FE up to Engine No. L386732	6315722	1
NUT (Lucas)	FE up to Engine No. L386732	7406819	1
BAND (Lucas)	FB, EK, EJ, EH	7406818	1
BAND (Lucas)	EJ Heavy duty gen.	7425792	1
SCREW (Lucas)	FB, EK, EJ, EH	6315722	1
NUT (Lucas)	FB, EK	7406819	1
COVER (Bosch)	EH exc. Diode rectified	7423477	2

2.300 COVER—Generator Commutator End Frame

COVER (Bosch)	**	7405690	1
GASKET—Cover (Bosch)	**	7405691	1
SCREW—Cover (Bosch)	**	7405692	3
WASHER—Lock (Bosch)	**	7406323	3
COVER (Bosch)	FE, FC, FB, EK, EJ Heavy duty gen.	#7405690	1
GASKET—Cover (Bosch)	FE, FC, FB, EK, EJ Heavy duty gen.	#7405691	1
SCREW—Cover (Bosch)	FE, FC, FB, EK, EJ Heavy duty gen.	#7405692	3
WASHER—Lock (Bosch)	FE, FC, FB, EK, EJ Heavy duty gen.	#7406323	3

2.301 OILER, WICK, PLUG—Generator

OILER—Drive end (Delco-Remy)	*	125609	1
WICK—Commutator end oil (Delco-Remy)	*	1947350	1
LUBRICATOR—Commutator end (Bosch)	**	7405688	1
WICK—Commutator end oil (Bosch)	**	7405689	1
PAD—Felt (Bosch)	FE from Engine No. L386733	†7406313	2
RETAINER—Felt pad (Bosch)	FE from Engine No. L386733	†7406314	1
OILER—Commutator end (Bosch)	***	††7406429	1
LUBRICATOR—Commutator end (Bosch)	FE, FC, FB, EK, EJ Heavy duty gen.	#7405688	1
WICK—Commutator end oil (Bosch)	FE, FC, FB, EK, EJ Heavy duty gen.	#7405689	1
OILER (Lucas)	EJ, EH	7421732	1
OILER (Bosch)	EH exc. Diode rectified	7423475	1
PAD—Bearing felt (Bosch)	EH exc. Diode rectified	7423476	1
RETAINER—Felt pad (Bosch)	EH exc. Diode rectified	7406314	1

†For service of generators without oiler.

††For service of generators with oiler.

* 48 up to Eng. No. 104994
50 up to Eng. No. 89597

** 48 from Eng. No. 104995
50 from Eng. No. 89598
FJ

*** FE from Eng. No. L386733
FC, FB, EK

Generator type LJ/GJM 240/12/1900R24



2.303 WASHER—Generator End Thrust

WASHER	(Lucas)	EJ, EH	7421740	1
--------	---------	--------	---------	---

2.305 FRAME, PLATE—Generator Drive End

FRAME	(Delco-Remy)	*	1910404	1
FRAME	(Lucas)	FE up to Engine No. L386732	7095438	1
FRAME	(Bosch)	***	7406310	1
FRAME	(Lucas)	FB, EK	7406823	1
FRAME	(Lucas)	EJ, EH	7421733	1
FRAME	(Lucas)	EJ Heavy duty gen.	†7425797	1
FRAME	(Bosch)	EH exc. Diode rectified	7423464	1
PLATE	(Bosch)	EH Diode rectified,		
		HD, HR	7420849	1
PLATE	(Lucas)	HD, HR	7428997	1
PLATE—Suit generators 7435359, 7437782	(Bosch)	HR	VS10539	1

2.306 BEARING—Generator Drive End

BEARING	(Delco-Remy & Bosch)	48, 50, FJ	3203	1
BEARING	(Lucas)	FE up to Eng. No. L386732	3202	1
BEARING	(Bosch)	***	3203	1
BEARING	(Lucas)	FB, EK, EJ, EH	3202	1
BEARING		EH exc. Diode rectified	3203	1
BEARING	(Bosch & Lucas)	EH Diode rectified,		
		HD, HR	7420850	1

2.307 PLATE, COLLAR, WASHER, RETAINER, SHIELD, THROWER, RIVET—Generator Drive End

PLATE—Bearing retainer	(Delco-Remy)	*	1911263	1
COLLAR—Metal spacer	(Delco-Remy)	*	817224	1
WASHER—Felt	(Delco-Remy)	*	809961	1
RETAINER—Felt washer	(Delco-Remy)	*	819104	1
WASHER—Metal spacer	(Delco-Remy)	*	809945	1
PLATE—Bearing retainer	(Bosch)	**	7405697	1
SCREW—Retainer plate	(Bosch)	**	7405702	3
COLLAR—Spacer	(Bosch)	**	7405701	1
SHIELD—Bearing, outer	(Bosch)	**	7405700	1
SHIELD—Bearing, inner	(Bosch)	**	7405698	1
THROWER	(Bosch)	**	7405696	1
RIVET—Retainer plate	(Lucas)	FE up to Engine No. L386732	7079996	4
PLATE—Bearing retainer	(Bosch)	***	7405697	1
SCREW—Retainer plate	(Bosch)	***	7405702	3
COLLAR—Spacer	(Bosch)	***	7406319	1
SHIELD—Bearing, outer	(Bosch)	***	7406318	1
THROWER	(Bosch)	***	7405696	1
PLATE—Bearing retainer	(Bosch)	FE, FC, FB, EK, EJ Heavy duty gen.	†7405697	1
SCREW—Retainer plate	(Bosch)	FE, FC, FB, EK, EJ Heavy duty gen.	†7405702	3
SHIELD—Bearing, outer	(Bosch)	FE, FC, FB, EK, EJ Heavy duty gen.	†7405700	1
SHIELD—Bearing, inner	(Bosch)	FE, FC, FB, EK, EJ Heavy duty gen.	†7405698	1
THROWER	(Bosch)	FE, FC, FB, EK, EJ Heavy duty gen.	†7405696	1

* 48 up to Eng. No. 104994
50 up to Eng. No. 89597

** 48 from Eng. No. 104995
50 from Eng. No. 89598
FJ

*** FE from Eng. No. L386733
FC, FB, EK

† Generator type LJ/GJM 240/12/1900R24



HOLDEN

MASTER PARTS CATALOGUE

2.307 PLATE, COLLAR, WASHER, RETAINER, SHIELD, THROWER, RIVET—Generator Drive End (Cont'd.)

PLATE—Bearing retainer	(Lucas)	FB, EK	7406824	1
WASHER—Felt retaining corrugated	(Lucas)	FB, EK, EJ	7406826	1
PLATE—Bearing retainer	(Lucas)	EJ, EH	7421734	1
CUP—Bearing collar retainer	(Lucas)	EJ, EH	7421737	1
COLLAR—Armature bearing split	(Lucas)	EJ, EH	7421739	1
RIVET—Retainer plate	(Lucas)	EJ, EH	7425798	4
PLATE—Bearing retainer	(Bosch)	EH exc. Diode rectified	7423468	1
SCREW—Retainer plate	(Bosch)	EH exc. Diode rectified	7423781	2
COLLAR—Spacer	(Bosch)	EH exc. Diode rectified	7406319	1
SHEILD—Bearing, outer	(Bosch)	EH exc. Diode rectified	7406318	1
RING—Retaining	(Bosch)	EH exc. Diode rectified	7423466	1
THROWER	(Bosch)	EH exc. Diode rectified	7423467	1
WASHER—Lock	(Bosch)	EH exc. Diode rectified	7406323	2
PLATE—Bearing cover	(Bosch)	EH Diode rectified, HD, HR	7423468	1
SCREW—Cover plate	(Bosch)	EH Diode rectified, HD, HR	VS10002	2
WASHER—Lock	(Bosch)	EH Diode rectified, HD, HR	7406323	2
SPACER—Bearing	(Bosch)	EH Diode rectified, HD, HR	VS10001	1
RING—Splash	(Bosch)	EH Diode rectified, HD, HR	7423467	1
CIRCLIP	(Bosch)	EH Diode rectified, HD, HR	7423466	1
PLATE—Bearing retainer	(Lucas)	HD, HR	7428998	1
RING—Bearing retainer	(Lucas)	HD, HR	7429002	1
COLLAR—Distance	(Lucas)	HD, HR	7429001	1
WASHER—Bearing felt	(Lucas)	HD, HR	7428999	1
RETAINER—Bearing felt washer	(Lucas)	HD, HR	7429000	1
SUNDRY PARTS SET—Bearing cover plate, suit generators 7435359, 7437783	(Bosch)	HR	VS10536	1

2.310 COIL, STATOR—Generator Field

COIL UNIT	(Delco-Remy)	*	1909221	1
WASHER—Spring lock 1/4"—Medium	(Delco-Remy)	*	103319	1
COIL—L.H.	(Bosch)	**	7405654	1
COIL—R.H.	(Bosch)	**	7405653	1
COIL UNIT	(Lucas)	FE up to Engine No. L386732	7075663	1
COIL—No. 1	(Bosch)	***	7405281	1
COIL—No. 2	(Bosch)	***	7405282	1
COIL—No. 1	(Bosch)	FE, FC, FB, EK, EJ Heavy duty gen.	†7406594	1
COIL—No. 2	(Bosch)	FE, FC, FB, EK, EJ Heavy duty gen.	†7406595	1
COIL UNIT	(Lucas)	FB, EK	7406827	1
COIL UNIT	(Lucas)	EJ, EH	7421741	1
COIL UNIT	(Lucas)	EJ Heavy duty gen.	7425800	1
COIL—No. 1	(Bosch)	EH exc. Diode rectified	7423453	1
COIL—No. 2	(Bosch)	EH exc. Diode rectified	7423458	1
STATOR	(Bosch)	EH Diode rectified, HD, HR	7420848	1
STATOR	(Lucas)	HD, HR	7429017	1
STATOR—Suit generators 7435359, 7437782	(Bosch)	HR	VS10538	1

* 48 up to Eng. No. 104994
50 up to Eng. No. 89597

** 48 from Eng. No. 104995
50 from Eng. No. 89598
FJ

*** FE from Eng. No. L386733
FC, FB, EK

† Generator type LJ/GJM240/12/1900R24

HOLDEN

MASTER PARTS CATALOGUE



2.311 SCREW—Generator Pole Shoe

SCREW	(Bosch)	**	7405656	2
SCREW	(Bosch)	***	7405265	2
SCREW	(Bosch)		FE, FC, FB, EK, EJ Heavy duty gen.	†7405656	2
SCREW	(Bosch)		EH exc. Diode rectified	7405265	2

2.313 STUD, LEAD, BUSH, INSULATOR, WASHER—Generator Terminal

WASHER—Stud insulator	(Delco-Remy)	*	1858753	2
WASHER—Plain	(Delco-Remy)	*	1881409	2
WASHER—Stud lock	(Delco-Remy)	*	1914579	1
STUD—Positive	(Bosch)	**	7405658	1
STUD—Field	(Bosch)	**	7405667	1
NUT—Positive stud	(Bosch)	**	7405665	2
NUT—Field stud	(Bosch)	**	7405672	2
INSULATOR—Inner	(Bosch)	**	7405659	2
WASHER—Positive stud insulating outer	(Bosch)	**	7405662	3
WASHER—Field stud plain	(Bosch)	**	7405669	1
WASHER—Positive stud lock	(Bosch)	**	7405664	2
WASHER—Field stud lock	(Bosch)	**	7405671	2
TERMINAL ASSEMBLY	(Lucas)		FE up to Eng. No. L386732	7406326	1
STUD—Positive	(Bosch)	***	7406234	1
STUD—Field	(Bosch)	***	7406294	1
SCREW—Negative	(Bosch)	***	7406296	1
NUT—Positive Stud	(Bosch)	***	7405665	2
NUT—Field stud	(Bosch)	***	7405672	2
WASHER—Positive stud insulating outer	(Bosch)	***	7405662	3
WASHER—Field stud plain	(Bosch)	***	7405669	1
WASHER—Positive & negative stud lock	(Bosch)	***	7405664	3
WASHER—Field stud lock	(Bosch)	***	7405671	2
STUD—Positive	(Bosch)		FE, FC, FB, EK, EJ Heavy duty gen.	†7405658	1
STUD—Field	(Bosch)		FE, FC, FB, EK, EJ Heavy duty gen.	†7405667	1
NUT—Positive stud	(Bosch)		FE, FC, FB, EK, EJ Heavy duty gen.	†7405665	2
NUT—Field stud	(Bosch)		FE, FC, FB, EK, EJ Heavy duty gen.	†7405672	2
INSULATOR—Inner	(Bosch)		FE, FC, FB, EK, EJ Heavy duty gen.	†7405659	2
WASHER—Positive stud insulating outer	(Bosch)		FE, FC, FB, EK, EJ Heavy duty gen.	†7405662	3
WASHER—Field stud plain	(Bosch)		FE, FC, FB, EK, EJ Heavy duty gen.	†7405669	1
WASHER—Positive stud lock	(Bosch)		FE, FC, FB, EK, EJ Heavy duty gen.	†7405664	2
WASHER—Field stud lock	(Bosch)		FE, FC, FB, EK, EJ Heavy duty gen.	†7405671	2
TERMINAL—Main	(Lucas)		FB, EK, EJ, EH	7406828	1
SCREW—Main terminal strap	(Lucas)		EJ, EH	7421746	1
STRAP—Main terminal	(Lucas)		EJ, EH	7421745	1
PLATE—Terminal insulation	(Lucas)		EJ, EH	7425804	1
BUSHING—Main terminal insulation	(Lucas)		EJ, EH	7421743	1
BUSHING—Field terminal insulation	(Lucas)		EJ, EH	7421742	1
TERMINAL—Main	(Lucas)		EJ Heavy duty gen.	7425803	1
TERMINAL—Field	(Lucas)		EJ Heavy duty gen.	7425801	1
PLATE—Terminal insulation	(Lucas)		EJ Heavy duty gen.	7425804	1
BUSHING—Field terminal insulation	(Lucas)		EJ Heavy duty gen.	7425802	1
NUT—Field stud	(Bosch)		EH exc. Diode rectified	7405672	2
NUT—Positive stud	(Bosch)		EH exc. Diode rectified	7405665	2
SCREW—Field terminal	(Bosch)		EH exc. Diode rectified	7423461	1
SCREW—Negative	(Bosch)		EH exc. Diode rectified	7406296	1
SCREW & CONNECTOR ASSEMBLY	(Bosch)		EH exc. Diode rectified	7423460	1
TERMINAL PARTS SET	(Bosch)		EH exc. Diode rectified	7423459	1
WASHER—Field stud insulating outer	(Bosch)		EH exc. Diode rectified	7405662	2
WASHER—Screw lock	(Bosch)		EH exc. Diode rectified	7406618	2

*48 up to Eng. No. 104994
50 up to Eng. No. 89597

**48 from Eng. No. 104995
50 from Eng. No. 89598
FJ

***FE from Eng. No. L386733
FC, FB, EK

† Generator type LJ/GJM240/12/1900R24



HOLDEN

MASTER PARTS CATALOGUE

2.313 STUD, LEAD, BUSH, INSULATOR, WASHER—Generator, terminal (cont'd)

NUT—Terminal	(Bosch)	EH Diode rectified	##VS10011	4
PLATE—Insulating	(Bosch)	EH Diode rectified, HD, HR	##VS10050	1
CONNECTOR with CABLE	(Bosch)	EH Diode rectified, HD, HR	##VS10052	1
CONNECTOR—Flat pin	(Bosch)	EH Diode rectified, HD, HR	##VS10048	1
FIXING PIECE	(Bosch)	EH Diode rectified, HD, HR	##VS10049	1
NUT—Terminal connection	(Bosch)	EH Diode rectified, HD, HR	##VS10012	2
NUT—Terminal back	(Bosch)	EH Diode rectified, HD, HR	##VS10038	1
NUT—Terminal	(Bosch)	EH Diode rectified, HD, HR	##VS10051	1
WASHER—Lock	(Bosch)	EH Diode rectified, HD, HR	7406618	4
SHROUD—Terminals, suit generator 7428083	(Lucas)	HD, HR	VS10411	1
SHROUD—Terminals, suit generator 7434692	(Lucas)	HD, HR	VS10410	1

2.314 CAPACITOR—Generator Interference Suppressor

CAPACITOR	(Bosch)	EH Diode Rectified	7428360	1
-----------	-------	---------	--------------------	-------	---------	---

2.315 SUNDRY PARTS SET—Generator

SUNDRY PARTS SET	(Lucas)	FE up to Eng. No. L386732	7095442	1
SUNDRY PARTS SET	(Lucas)	FB, EK	7406932	1
SUNDRY PARTS SET	(Lucas)	EJ, EH	7421747	1
SUNDRY PARTS SET	(Lucas)	EJ Heavy duty gen.	7425806	1
SUNDRY PART SET	(Lucas)	HD, HR	7429018	1

2.316 BOLT—Generator Through

BOLT	(Delco-Remy)	*	1849779	2
WASHER—Spring lock 5/16"	(Delco-Remy)	*	120638	2
BOLT	(Bosch)	**	7405676	2
WASHER—Lock	(Bosch)	**	7406736	2
BOLT	(Lucas)	FE up to Eng. No. L386732	7075664	2
BOLT	(Bosch)	***	7406315	2
WASHER—Lock	(Bosch)	***	7406316	2
BOLT	(Bosch)	FE, FC, FB, EK, EJ Heavy duty gen.	†7405676	2
WASHER—Lock	(Bosch)	FE, FC, FB, EK, EJ Heavy duty gen.	†7406736	2
BOLT	(Lucas)	FB, EK	7075664	2
BOLT	(Lucas)	EJ, EH	7422279	2
BOLT	(Lucas)	EJ Heavy duty gen.	7425805	2
BOLT	(Bosch)	EH exc. Diode rectified	7406315	2
WASHER—Lock	(Bosch)	EH exc. Diode rectified	7406316	2

* 48 up to Eng. No. 104994
50 up to Eng. No. 89597

** 48 from Eng. No. 104995
50 from Eng. No. 89598
FJ

*** FE from Eng. No. L386733
FC, FB, EK

Generator type LJ/DK 1/35 A14 V2

Generator type LJ/DK 1/35 A14 V4

† Generator type LJ/GJM240/12/1900R24

HOLDEN

MASTER PARTS CATALOGUE



2.316 BOLT—Generator Through (Cont'd.)

BOLT—Slip ring cover	(Bosch)	EH Diode rectified	#VS10037	3
BOLT	(Bosch)	EH Diode rectified, HD, HR	VS10004	3-6
WASHER—Lock, slip ring end	(Bosch)	EH Diode rectified, HD, HR	7406618	3
WASHER—Lock, drive end	(Bosch)	EH Diode rectified, HD, HR	7424685	3
BOLT	(Lucas)	HD, HR	7428996	2
BOLT—Suit generators 7435359, 7437782	(Bosch)	HR	VS10548	3
WASHER—Through bolt, suit generators 7435359, 7437782	(Bosch)	HR	7405633	3

Generator type LJ/DK 1/35 A14 V2

2.317 BRACKET, BRACE—Generator Adjusting

BRACKET		48, 50, FJ	7400262	1
BRACKET		FE, FC, FB, EK, EJ	7409989	1
BRACKET	(Bosch)	FE, FC, FB, EK, EJ Heavy duty gen.	†7400262	1
BOLT—Hex. hd. 5/16"—18 x 3/4"		48, 50, FJ, FE, FC, FB, EK, EJ	100121	1
WASHER—Spring lock 5/16"—Medium		48, 50, FJ, FE, FC, FB, EK, EJ	120214	1
WASHER—Plain 3/8" x 7/8" x .083"		48, 50, FJ, FE, FC, FB, EK, EJ	446363	1
BRACE—Generator		EH exc. Diode rectified	7420144	1
BRACE—Generator		EH Diode rectified, HD, HR	7423817	1
BOLT—Hex. hd. 5/16"—18 x 1-1/8"		EH, HD, HR	179819	1
WASHER—Spring lock 5/16"—Medium		EH, HD, HR	103320	1

2.332 BATTERY

BATTERY		48/215, 50, FJ exc. FJ/217	6HD11	1
BATTERY		48/217, FJ/217	6HD13	1
BATTERY		FE exc. FE/217		
		FC exc. FE/217	12HD7S	1
BATTERY		FE/217, FC/217, FB, EK	12HD9P	1
BATTERY		FB Heavy Duty		
		EK Heavy Duty	12HD90	1
BATTERY		EJ, EH, HD, HR	12HD9M	1
BATTERY		EJ Heavy Duty		
		EH Heavy Duty		
		HD Heavy Duty, HR Heavy Duty	12HD9P	1
BATTERY—2 way radio equipment		FE, FC, FB, EK, EJ, EH, HD, HR	12HD90(RT)	1

2.333 RETAINER, SUPPORT, BOLT, ANCHOR—Battery

RETAINER		48/215, 50		
		FJ, exc. FJ/217	7401181	1
WASHER—Spring lock 5/16" Medium		48, 50, FJ	120214	2
RETAINER ASSEMBLY		FE exc. FE/217, FC exc. FC/217	7409568	1
RETAINER ASSEMBLY		FE/217, FC/217	7409564	1
SUPPORT—Mounting		FE, FC	7412238	1
BOLT—Hex. hd. 1/4"—20 x 11/16" w/lock washer		FE, FC	SP1566	6
NUT—Hex. 1/4"—20		FE, FC	120375	6
WASHER—Plain 9/32" x 5/8" x .065"		FE, FC	120392	6
WASHER—Spring lock 1/4" medium		FE, FC	120380	6
BOLT—Mounting		FE, FC	7409563	2
NUT—Wing 1/4"—20		FE, FC	7077093	2



HOLDEN

MASTER PARTS CATALOGUE

2.333 RETAINER, SUPPORT, BOLT, ANCHOR—Battery (Cont)

ANCHOR—Mounting bolt, front	FE, FC	7410633	1
ANCHOR—Mounting bolt, rear	FE, FC	7410634	1
RETAINER	FB, EK	7412875	1
SUPPORT—Mounting	FB, EK	7412569	1
BOLT—Hex. hd. 1/4"—20 x 1/2"	FB, EK	120706	5
NUT—Hex. 1/4"—20	FB, EK	120375	5
WASHER—Spring lock 1/4"—Medium	FB, EK	120380	5
BOLT—Mounting	FB, EK	7412866	2
NUT—Wing 1/4"—20	FB, EK	7077093	2
BUMPER—Mounting	FB, EK	7413226	2
GUSSET—Mounting support—Front	FB, EK	7412570	1
GUSSET—Mounting support—Rear	FB, EK	7412571	1
SUPPORT ASSEMBLY—Mounting	EJ	7418644	1
BOLT—Hex. hd. 1/4"—28 x 1/2"	EJ	123316	5
WASHER—Spring lock, 1/4"—medium	EJ	120380	5
NUT—Hex. 1/4"—28	EJ	120367	5
CLAMP—Mounting	EJ	7418647	1
BOLT—Hex. hd. 5/16"—24 x 3/4"	EJ	120741	1
WASHER—Plain, type 'A' 3/8" x 7/8" x .083"	EJ	446363	1
GUSSET—Mounting support	EJ	7418643	1
SUPPORT ASSEMBLY—Mounting	EH	7426662	1
BOLT—Hex. hd. 1/4"—28 x 1/2"	EH	123316	5
WASHER—Spring lock 1/4"—Medium	EH	120380	5
NUT—Hex. 1/4"—28	EH	120367	3
RETAINER	EH	7412875	1
BOLT—Mounting	EH	7412866	A.R.
BOLT—Mounting eye	EH	7420308	1
BOLT—Hex. hd. 1/4"—28 x 3/4"	EH	123450	1
WASHER—Plain 17/64" x 5/8" x .049"	EH	446188	1
NUT—Wing, 1/4"—20	EH	7077093	2
BUMPER—Mounting	EH	7413226	2
GUSSET—Mounting support	EH	7418643	1
BRACKET—Stop	EH	7419278	1
BOLT—Hex. hd. 1/4"—28 x 1/2"	EH	123316	1
WASHER—Spring lock 1/4"—Medium	EH	120380	1
NUT—Hex. 1/4"—28	EH	120367	1
SUPPORT ASSEMBLY—Mounting	HD, HR	7423904	1
BOLT—Hex. hd. 1/4"—28 x 1/2"	HD, HR	123316	6
WASHER—Spring lock 1/4"—Medium	HD, HR	120380	6
WASHER—Plain type "A" 17/64" x 5/8" x .049"	HD, HR	446188	2
NUT—Hex. 1/4"—28	HD, HR	120367	6
RETAINER	HD	7420482	1
PLATE—Retainer lock	HD	7420476	2
RETAINER	HR	7434165	1
RETAINER PACKAGE—Standard battery	HR	7436181	1
RETAINER PACKAGE—Heavy duty battery	HR	7436182	1
PLATE—Retainer lock—(Rubber covered retainer)	HR	7431127	2
PLATE—Retainer lock—(Plastic retainer)	HR	7420476	2
BOLT—Mounting, standard battery, 7.12", (Plastic retainer)	HD, HR	7434163	2
BOLT—Mounting, heavy duty battery, 7.80", (Plastic retainer)	HD, HR	7434164	2
NUT—Wing 1/4"—20	HD, HR	7077093	2
GUSSET—Mounting support, front	HD, HR	7423908	1
GUSSET—Mounting support, rear	HD, HR	7423907	1



2.341 STRAP ASSEMBLY, CABLE ASSEMBLY—Battery Ground.

STRAP ASSEMBLY	48, 50, FJ	7401170	1
BOLT—Auto. hex. hd. 5/16"—24 x 3/4"	48, 50, FJ	120741	1
CABLE ASSEMBLY	FE, FC, FB	#7414982	1
CABLE ASSEMBLY	EK, EJ, EH, HD	#7418509	1
BOLT—(Thermostat housing)	FE, FC, FB, EK, EJ, EH, HD	7409260	1
NUT—Light hex. 5/16"—24	48, 50, FJ, FE, FC, FB, EK, EJ, EH, HD	120368	1
WASHER—Plain 11/32" x 11/16" x .065"	48, 50, FJ, FE, FC, FB, EK, EJ, EH, HD	120393	1
WASHER—Spring lock 5/16" medium	48, 50, FJ, FE, FC, FB, EK, EJ, EH, HD	120214	1
CABLE ASSEMBLY	HR	7430918	1
BOLT—Fill. hd. cr. rec. 3/8"—16 x 5/8"	HR exc. Power Steering	154061	1
NUT—Hex. 3/8"—24	HR Power Steering	120369	1
WASHER—Ext. tooth lock 3/8"	HR	138489	1

#Note: Cables Part Nos. 7414982 and 7418509 optional for service

2.342 CABLE ASSEMBLY—Starter

CABLE ASSEMBLY	48, 50, FJ	7401168	1
CLIP—Starter cable to dash (1/2" x 13/32")	48, 50, FJ	186533	1
CABLE ASSEMBLY	FE, FC, FB	RIGHT HAND DRIVE #7409635	1
		LEFT HAND DRIVE 7416627	1
CABLE ASSEMBLY	EK	RIGHT HAND DRIVE #7419536	1
CLIP—Starter cable to frame	FE, FC	7401856	1
CLIP—Starter cable to frame	FB, EK	RIGHT HAND DRIVE 127753	1
		LEFT HAND DRIVE 7401856	1
CABLE ASSEMBLY	EJ, EH	7419536	1
CABLE ASSEMBLY	EJ Oil bath air cleaner	7421971	1
CLIP—Starter cable to frame	EJ, EH	7413031	1
CABLE ASSEMBLY	HD exc. X2 Eng.	7426478	1
CABLE ASSEMBLY	HD X2 Eng.	7429294	1
CABLE ASSEMBLY	HR exc. X2, S Eng.	RIGHT HAND DRIVE 7431272	1
		LEFT HAND DRIVE 7426478	1
CABLE ASSEMBLY	HR X2, S Eng.	RIGHT HAND DRIVE 7431271	1
		LEFT HAND DRIVE 7429294	1
CLIP—Cable to fender	HR	RIGHT HAND DRIVE 7428542	1
		LEFT HAND DRIVE SP1583	1

#Note: Cables Part Nos. 7409635 and 7419536 optional for service.

2.348 STRAP—Engine Ground

STRAP	48, 50, FJ	7401161	1
BOLT—Auto. hex. hd. 5/16"—24 x 5/8"	48, 50, FJ	123473	1
NUT—Light hex. 5/16"—24	48, 50, FJ	120368	1
WASHER—Plain 15/32" x 59/64" x .065"	48, 50, FJ	120395	1
WASHER—Plain 11/32" x 11/16" x .065"	48, 50, FJ	120393	1

2.361 DISTRIBUTOR ASSEMBLY

DISTRIBUTOR ASSEMBLY—(VJU6AR17)	(Bosch)	48, 50, FJ up to Eng. No. 283372	7404930	1
DISTRIBUTOR ASSEMBLY—(VJU6BR53)	(Bosch)	FJ from Eng. No. U283384		
		FE, FC	7425140	1
DISTRIBUTOR ASSEMBLY—(VJU6BR50)	(Bosch)	FB, EK	7417802	1
DISTRIBUTOR ASSEMBLY—(VJU6BR54)	(Bosch)	EJ	7415689	1
DISTRIBUTOR ASSEMBLY	(Bosch)	EH, HD exc. X2 Eng.	7430759	1
DISTRIBUTOR ASSEMBLY	(Lucas)	EH, HD exc. X2 Eng.	7421185	1
DISTRIBUTOR ASSEMBLY—(U-ZV/PDU6R2MS)	(Bosch)	HD X2 Eng.	7428535	1
DISTRIBUTOR ASSEMBLY—(0 231158003)	(Bosch)	HR	7429068	1
DISTRIBUTOR ASSEMBLY	(Lucas)	HR	7429148	1



HOLDEN

MASTER PARTS CATALOGUE

2.362 HOUSING—Distributor

HOUSING—(Dist. 7404930, 7410386, 7402892)	(Bosch)	48 from Eng. No. 104995 50 from Eng. No. 89598 FJ, FE, FC, FB EK up to Eng. No. B193190	7405513	1
HOUSING—(Dist. 7417802, 7425140, 7415689)	(Bosch)	FJ, FE, FC, FB, EK, EJ	7425341	1
SEAL		48, 50, FJ, FE, FC, FB, EK, EJ	7400140	1
HOUSING	(Bosch)	EH, HD exc. X2 Eng., HR	VS10201	1
HOUSING	(Lucas)	EH, HD exc. X2 Eng.	7428983	1
HOUSING	(Bosch)	HD X2 Eng.	VS10141	1
HOUSING	(Lucas)	HR	VS10308	1
GASKET		EH, HD, HR	6256636	1

2.364 GREASE CUP, WICK—Distributor

CUP	(Delco-Remy)	48 up to Eng. No. 104994 50 up to Eng. No. 89597	805579	1
CUP and COVER ASSEMBLY	(Bosch)	48 from Eng. No. 104995 50 from Eng. No. 89598 FJ, FE, FC, FB EK up to Eng. No. B193190	*7405844	1
WICK	(Bosch)	48 from Eng. No. 104995 50 from Eng. No. 89598 FJ, FE, FC, FB, EK, EJ, EH, HD	7406078	A.R
(Dist. 7409430, 7410386, 7402892, 7425140, 7417802, 7415689, 7421198, 7428535)				
WICK—(Dist. 7430759, 7429068)	(Bosch)	EH, HD exc. X2 Eng., HR	VS10210	1
WICK	(Lucas)	EH, HD exc. X2 Eng., HR	VS10382	1

* NOTE:—To fit 7405844 to Distributor Assembly (Bosch) with untapped 8 MM hole in housing, tap this hole to 10 x 1 Metric thread.

2.367 CAP—Distributor

CAP	(Delco-Remy)	48 up to Eng. No. 104994 50 up to Eng. No. 89597	824735	1
CAP	(Bosch)	48 from Eng. No. 104995 50 from Eng. No. 89598 FJ up to Eng. No. 283372	7405561	1
CAP	(Bosch)	FJ from Eng. No. U283384 FE, FC, FB, EK, EJ	7406087	1
CAP	(Bosch)	EH, HD, HR	7424754	1
CAP	(Lucas)	EH, HD exc. X2 Eng., HR	7428968	1

2.368 SPRING—Distributor Cap

SPRING—Attaching	(Bosch)	48 from Eng. No. 104995 50 from Eng. No. 89598 FJ, FE, FC, FB, EK, EJ	7406088†	2
SPRING	(Lucas)	EH, HD exc. X2 Eng., HR	7428982	2

† When fitting to 48 from Eng. No. 104995, 50 from Eng. No. 89598 or FJ up to Eng. No. 283372, it is necessary to use:—
1—7406089 Support
1—7406090 Support



2.369 SUPPORT—Distributor Cap Spring

SUPPORT	(Delco-Remy)	48 up to Eng. No. 104994		
		50 up to Eng. No. 89597	1847289	2
WASHER—Spring lock No. 8—Med.	(Delco-Remy)	48 up to Eng. No. 104994		
		50 up to Eng. No. 89597	121841	2
SUPPORT—Spring attaching—without lug	(Bosch)	48 from Eng. No. 104995		
		50 from Eng. No. 89598		
		FJ, FE, FC, FB, EK, EJ	7406089†	1
SUPPORT—Spring locating—with lug	(Bosch)	48 from Eng. No. 104995		
		50 from Eng. No. 89598		
		FJ, FE, FC, FB, EK, EJ	7406090††	1
SCREW—Support	(Bosch)	48 from Eng. No. 104995		
		50 from Eng. No. 89598		
		FJ, FE, FC, FB, EK, EJ	7406083	2
WASHER—Screw lock	(Bosch)	48 from Eng. No. 104995		
		50 from Eng. No. 89598		
		FJ, FE, FC, FB, EK, EJ	7406323	2
SUPPORT and SPRING—Without lug	(Bosch)	EH, HD, HR	7424755	1
SUPPORT and SPRING—With lug	(Bosch)	EH, HD, HR	7424756	1
SCREW—Support	(Bosch)	EH, HD, HR	7424757	2
WASHER—Screw lock	(Bosch)	EH, HD, HR	7406323	2

† When fitting to 48 from Eng. No. 104995, 50 from Eng. No. 89598 or FJ up to Eng. No. 283372, it is necessary to use:—

2—7406088 Spring
1—7406090 Support

†† When fitting to 48 from Eng. No. 104995, 50 from Eng. No. 89598, or FJ up to Eng. No. 283372, it is necessary to use:—

2 - 7406088 spring
1 - 7406089 support

2.370 BRUSH—Distributor Cap

BRUSH ASSEMBLY	(Bosch)	48 from Eng. No. 104995		
		50 from Eng. No. 89598		
		FJ, FE, FC, FB, EK, EJ, EH, HD, HR	7405562	1
BRUSH ASSEMBLY	(Lucas)	EH, HD exc. X2 Eng., HR	1018694	1

2.372 SHAFT—Distributor With Weight Plate

SHAFT (Distributor Models 1110215, 1813091, 1813472)	(Delco-Remy)	48 up to Eng. No. 84261		
		50 up to Eng. No. 84261	1813092	1
SHAFT (Distributor Model 1110228)	(Delco-Remy)	48 Eng. No. 84262—104994		
		50 Eng. No. 84262—89597	1922884	1
SHAFT	(Bosch)	48 from Eng. No. 104995		
		50 from Eng. No. 89598		
		FJ up to Eng. No. 283372	7405521	1
SHAFT—(Dist. 7410386)	(Bosch)	FJ from Eng. No. U283384		
		FE, FC	7406066	1
SHAFT—(Dist. 7425140)	(Bosch)	FJ from Eng. No. U283384		
		FE, FC	7425345	1
SHAFT	(Bosch)	FB		
		EK up to Eng. No. B193190	7406744	1
SHAFT	(Bosch)	EK from Eng. No. B193191		
		EJ	7425344	1
SHAFT—(Dist. 7421198)	(Bosch)	EH, HD exc. X2 Eng.	7423782	1
SHAFT—(Dist. 7430759, 7429068)	(Bosch)	EH, HD exc. X2 Eng., HR	VS10202	1
SHAFT	(Bosch)	HD X2 Eng.	VS10142	1
WASHER—Thrust Fibre, upper	(Bosch)	48 from Eng. No. 104995		
		50 from Eng. No. 89598		
		FJ, FE, FC, FB, EK, EJ	7405530	1
WASHER—Thrust Fibre, lower	(Bosch)	48 from Eng. No. 104995		
		50 from Eng. No. 89598		
		FJ, FE, FC, FB, EK, EJ	7406073	1



HOLDEN

MASTER PARTS CATALOGUE

2.372 SHAFT—Distributor With Weight Plate (Cont'd.)

WASHER—Thrust Fibre—upper and lower (Bosch)	EH, HD, HR	7424746	2
SHIM—Thrust 0.1 MM, upper (Bosch)	48 from Eng. No. 104995 50 from Eng. No. 89598 FJ, FE, FC, FB, EK, EJ, EH, HD, HR	*7405532	A.R.
SHIM—Thrust 0.2 MM, upper (Bosch)	48 from Eng. No. 104995 50 from Eng. No. 89598 FJ, FE, FC, FB, EK, EJ, EH, HD, HR	*7405531	A.R.
SHIM—Thrust 0.1 MM, lower (Bosch)	FJ from Eng. No. U283384 FE, FC, FB, EK, EJ	7406124	A.R.
SHIM—Thrust 0.2 MM, lower (Bosch)	FJ from Eng. No. U283384 FE, FC, FB, EK, EJ	7406125	A.R.
SHIM—Thrust 0.3 MM, upper and lower (Bosch)	EH, HD, HR	7424747	A.R.
SHAFT (Lucas)	EH, HD exc. X2 Eng., HR	7428979	1
SPACER—Nylon (Lucas)	EH, HD exc. X2 Eng., HR	VS10381	1
WASHER—Thrust 0.028" (Lucas)	EH, HD exc. X2 Eng., HR	VS10380	1
WASHER—Thrust 0.010" (Lucas)	EH, HD exc. X2 Eng., HR	VS10379	A.R.
WASHER—Thrust 0.007" (Lucas)	EH, HD exc. X2 Eng., HR	VS10378	A.R.

* Upper and Lower on EH, HD, HR Models only.

2.374 GEAR—Distributor

GEAR (Delco-Remy)	48 up to Eng. No. 104994 50 up to Eng. No. 89597	1865180	1
GEAR (Bosch)	48 from Eng. No. 104995 50 from Eng. No. 89598 FJ, FE, FC, FB, EK, EJ	7405538	1
GEAR PACKAGE	EH, HD, HR	7423613	1

2.379 PIN—Distributor Gear

PIN (Delco-Remy)	48 up to Eng. No. 104994 50 up to Eng. No. 89597	1857502	1
PIN— (Bosch)	48 from Eng. No. 104995 50 from Eng. No. 89598 FJ, FE, FC, FB, EK, EJ	7406079	1
PIN—Slotted spring 3/16" x 3/4"	EH, HD, HR	454512	1

2.381 CAM—Distributor

CAM (Delco-Remy) (Distributor Model 1110215)	#	1871574	1
CAM (Delco-Remy) (Distributor Model 1813091)	##	1912025	1
CAM (Delco-Remy) (Distributor Model 1813472)	48 Eng. No. 77250—84261 50 Eng. No. 77250—84261	1912025	1
CAM (Bosch)	48 from Eng. No. 104995 50 from Eng. No. 89598 FJ up to Eng. No. 283372	7405536	1
CAM (Bosch)	FJ from Eng. No. U283384 FE, FC	7406077	1
CAM (Bosch)	FB, EK, EJ	7406748	1

48 up to Eng. No. 77249 when fitted with Distributor Model 1110215.
50 up to Eng. No. 77249 when fitted with Distributor Model 1110215

48 up to Eng. No. 77249 when fitted with Distributor Model 1813091.
50 up to Eng. No. 77249 when fitted with Distributor Model 1813091.

HOLDEN

MASTER PARTS CATALOGUE



2.381 CAM—Distributor (Cont'd.)

CAM—(Dist. 7421198)	(Bosch)	EH, HD exc. X2 Eng.	7424745	1
CAM	(Bosch)	HD X2 Eng.	VS10145	1
WASHER—Cam thrust, fibre	(Bosch)	48 from Eng. No. 104995 50 from Eng. No. 89598 FJ, FE, FC, FB, EK, EJ, EH, HD	7405533	1
SHIM—Cam thrust 0.5 MM (17.2 x 21.2)	(Bosch)	48 from Eng. No. 104995 50 from Eng. No. 89598 FJ, FE, FC, FB, EK, EJ, EH, HD	7405534	A.R.
SHIM—Cam thrust 1.0 MM	(Bosch)	FJ from Eng. No. U283384 FE, FC, FB, EK, EJ, EH, HD	7406075	A.R.
CAM—(Dist. 7430759)	(Bosch)	EH, HD exc. X2 Eng.	VS10209	1
CAM	(Bosch)	HR	VS10270	1
RING—Cam spacer (Dist. 7430759, 7429068)	(Bosch)	EH, HD exc. X2 Eng., HR	VS10211	1
WASHER—Cam ret. (Dist. 7430759, 7429068)	(Bosch)	EH, HD exc. X2 Eng., HR	VS10203	1
CIRCLIP—Cam ret. (Dist. 7430759, 7429068)	(Bosch)	EH, HD exc. X2 Eng., HR	VS10204	1
CAM	(Lucas)	EH, HD exc. X2 Eng.	7428975	1
CAM	(Lucas)	HR	VS10306	1
NUT—Cam retaining	(Lucas)	EH, HD exc. X2 Eng., HR	7428976	1
WASHER—Cam retaining nut	(Lucas)	EH, HD exc. X2 Eng., HR	7428977	1
SCREW—Cam	(Lucas)	EH, HD exc. X2 Eng., HR	7428978	1

2.382 ROTOR—Distributor

ROTOR	(Delco-Remy)	48 up to Eng. No. 104994 50 up to Eng. No. 89597	820445	1
ROTOR	(Bosch)	48 from Eng. No. 104995 50 from Eng. No. 89598 FJ up to Eng. No. 283372	7405560	1
ROTOR	(Bosch)	FJ from Eng. No. U283384 FE, FC, FB, EK, EJ	7406086	1
ROTOR	(Bosch)	EH, HD, HR	7424753	1
ROTOR	(Lucas)	EH, HD exc. X2 Eng., HR	7428969	1

2.384 CONTACT SET, POINT, LEVER—Distributor

CONTACT SET	(Delco-Remy)	48 up to Eng. No. 104994 50 up to Eng. No. 89597	1916636	1
POINT AND SUPPORT—Breaker	(Delco-Remy)	48 up to Eng. No. 104994 50 up to Eng. No. 89597	1871865	1
LEVER—Breaker	(Delco-Remy)	48 up to Eng. No. 104994 50 up to Eng. No. 89597	813238	1
CONTACT SET	(Bosch)	48 from Eng. No. 104995 50 from Eng. No. 89598 FJ, FE, FC, FB, EK, EJ, EH, HD, HR	7426989	1
SCREW, WASHER & SHIM KIT	(Bosch)	48 from Eng. No. 104995 50 from Eng. No. 89598 FJ, FE, FC, FB, EK, EJ	7427741	1
SHIM—Breaker lever adj. 0.05 MM	(Bosch)	48 from Eng. No. 104995 50 from Eng. No. 89598 FJ, FE, FC, FB, EK	7405547	A.R.
SHIM—Breaker lever adj. 0.1 MM	(Bosch)	48 from Eng. No. 104995 50 from Eng. No. 89598 FJ, FE, FC, FB, EK, EJ, EH, HD, HR	7405546	A.R.
SHIM—Breaker lever adj. 0.2 MM	(Bosch)	48 from Eng. No. 104995 50 from Eng. No. 89598 FJ, FE, FC, FB, EK, EJ, EH, HD, HR	7405545	A.R.
CLIP—Spring	(Bosch)	48 from Eng. No. 104995 50 from Eng. No. 89598 FJ, FE, FC, FB, EK, EJ, EH, HD, HR	7405548	1
CONTACT SET	(Lucas)	EH, HD exc. X2 Eng., HR	7139364	1



HOLDEN

MASTER PARTS CATALOGUE

2.385 PLATE—Distributor Breaker

PLATE PACKAGE (Incl. moulded brgs.) ... (Delco-Remy)	48 up to Eng. No. 84261		
(Distributor Models 1110215, 1813091, 1813472)	50 up to Eng. No. 84261	1914449	1
PLATE ASSEMBLY (complete) ... (Delco-Remy)	48 Eng. No. 84262—104994		
(Distributor Model 1110228)	50 Eng. No. 84262—89597	1931086	1
PLATE AND SUPPORT ASSEMBLY ... (Delco-Remy)	48 Eng. No. 84262—104994		
(Distributor Model 1110228)	50 Eng. No. 84262—89597	1915300	1
BEARING—Breaker plate, moulded ... (Delco-Remy)	48 Eng. No. 77250—84261		
(Distributor Model 1813472)	50 Eng. No. 77250—84261	1914347	3
PLATE AND SUPPORT ASSEMBLY ... (Bosch)	48 from Eng. No. 104995		
	50 from Eng. No. 89598		
	FJ, FE, FC, FB, EK, EJ	7405540	1
PLATE & SUPPORT ASSEMBLY ... (Bosch)	EH, HD, HR	7424748	1
SCREW—Plate support ... (Bosch)	48 from Eng. No. 104995		
	50 from Eng. No. 89598		
	FJ, FE, FC, FB, EK, EJ	7406083	2
SCREW—Plate Support ... (Bosch)	EH, HD, HR	7424757	2
WASHER—Support screw lock ... (Bosch)	48 from Eng. No. 104995		
	50 from Eng. No. 89598		
	FJ, FE, FC, FB, EK, EJ, EH, HD, HR	7406323	2
BALL—Plate retaining ... (Bosch)	48 from Eng. No. 104995		
	50 from Eng. No. 89598		
	FJ, FE, FC, FB, EK, EJ, EH, HD, HR	7406742	1
RETAINER—Plate ball ... (Bosch)	48 from Eng. No. 104995		
	50 from Eng. No. 89598		
	FJ, FE, FC, FB, EK, EJ, EH, HD, HR	7405550	1
SCREW—Ball retainer ... (Bosch)	48 from Eng. No. 104995		
	50 from Eng. No. 89598		
	FJ, FE, FC, FB, EK, EJ, EH, HD, HR	7405551	1
WASHER—Ball retainer screw lock ... (Bosch)	48 from Eng. No. 104995		
	50 from Eng. No. 89598		
	FJ, FE, FC, FB, EK, EJ, EH, HD, HR	7406743	1
PLATE—Breaker base ... (Lucas)	EH, HD exc. X2 Eng., HR	7428971	1
PLATE—Breaker bearing ... (Lucas)	EH, HD exc. X2 Eng., HR	7428972	1
SCREW—Plate fixing ... (Lucas)	EH, HD exc. X2 Eng., HR	7428973	3

2.387 SCREW—Distributor

SCREW—Contact adjusting ... (Delco-Remy)	48 up to Eng. No. 104994		
	50 up to Eng. No. 89597	816784	1
SCREW—Breaker lever spring ... (Delco-Remy)	48 up to Eng. No. 104994		
	50 up to Eng. No. 89597	455957	1
SCREW—Contact adjusting ... (Bosch)	48 from Eng. No. 104995		
	50 from Eng. No. 89598		
	FJ, FE, FC, FB, EK, EJ	7405543	1
SCREW—Contact attaching ... (Bosch)	48 from Eng. No. 104995		
	50 from Eng. No. 89598		
	FJ, FE, FC, FB, EK, EJ	7405542	1
SCREW—Contact breaker ... (Bosch)	EH, HD, HR	7424749	1
WASHER—Plain ... (Bosch)	EH, HD, HR	7406900	1
WASHER—Screw lock ... (Bosch)	EH, HD, HR	7406323	1
SCREW—Contact breaker ... (Lucas)	EH, HD exc. X2 Eng., HR	VS10383	1

2.388 WEIGHT—Distributor

WEIGHT ... (Delco-Remy)	48 up to Eng. No. 104994		
	50 up to Eng. No. 89597	1880902	2
WEIGHT ... (Bosch)	48 from Eng. No. 104995		
	50 from Eng. No. 89598		
	FJ up to Eng. No. 283372	7405526	2
WASHER—Fibre ... (Bosch)	48 from Eng. No. 104995		
	50 from Eng. No. 89598		
	FJ up to Eng. No. 283372	7406070	2
CLIP—Weight retaining ... (Bosch)	48 from Eng. No. 104995		
	50 from Eng. No. 89598		
	FJ, FE, FC	7406071	2



2.388 WEIGHT—Distributor (Cont'd.)

CLIP—Weight retaining	(Bosch)	FB, EK, EJ	7406745	2
WEIGHT ASSEMBLY	(Bosch)	FJ from Eng. No. U283384 FE, FC	7406069	1
WEIGHT	(Bosch)	FJ from Eng. No. U283384 FE, FC	7406068	1
WEIGHT	(Bosch)	FB, EK, EJ	7406746	2
WASHER—Weight fibre	(Bosch)	FJ from Eng. No. U283384 FE, FC, FB, EK, EJ	7406070	2
WEIGHT—(Dist. 7421198)	(Bosch)	EH, HD exc. X2 Eng.	7423783	2
CLIP—Weight retaining—(Dist. 7421198)	(Bosch)	EH, HD exc. X2 Eng.	7406071	2
WEIGHT	(Bosch)	HD X2 Eng.	VS10143	2
CLIP—Weight retaining	(Bosch)	HD X2 Eng.	7406745	2
WASHER—Weight fibre	(Bosch)	EH, HD	7406070	2
WEIGHT—(Dist. 7430759, 7429068)	(Bosch)	EH, HD exc. X2 Eng., HR	VS10205	2
WASHER—Spacer (Dist. 7430759, 7429068)	(Bosch)	EH, HD exc. X2 Eng., HR	VS10206	2
CIRCLIP—Weight (Dist. 7430759, 7429068)	(Bosch)	EH, HD exc. X2 Eng., HR	VS10207	2
WEIGHT	(Lucas)	EH, HD exc. X2 Eng., HR	7428980	2

2.389 SPRING—Distributor Weight

SPRING	(Delco-Remy)	48 up to Eng. No. 104994 50 up to Eng. No. 89597	1884931	2
SPRING—(Single attaching coil each end)	(Bosch)	48 from Eng. No. 104995 50 from Eng. No. 89598 FJ up to Eng. No. 283372	7405528	1
SPRING—(Double attaching coil one end)	(Bosch)	48 from Eng. No. 104995 50 from Eng. No. 89598 FJ up to Eng. No. 283372	7405529	1
SPRING	(Bosch)	FJ from Eng. No. U283384 FE, FC	7406072	2
SPRING	(Bosch)	FB, EK, EJ	7406747	2
SPRING—(Dist. 7421198)	(Bosch)	EH, HD, exc. X2 Eng.	7424744	2
SPRING SET—(Dist. 7430759)	(Bosch)	EH, HD exc. X2 Eng.	VS10208	1
SPRING	(Bosch)	HD X2 Eng.	VS10144	2
SPRING SET	(Lucas)	EH, HD exc. X2 Eng.	7428981	1
SPRING SET	(Bosch)	HR	VS10269	1
SPRING SET	(Lucas)	HR	VS10307	1

2.390 PLATE, BRACKET—Distributor Weight

PLATE—Weight hold down (Suit 1813091, 1813472 & 1110228 Distributors)	(Delco-Remy)	48 up to Eng. No. 104994 50 up to Eng. No. 89597	1885557	1
BRACKET—Weight spring	(Bosch)	48 from Eng. No. 104995 50 from Eng. No. 89598 FJ, FE, FC, FB, EK, EJ	7405522	1
SCREW—Weight spring bracket	(Bosch)	48 from Eng. No. 104995 50 from Eng. No. 89598 FJ, FE, FC, FB, EK, EJ	7405523	2
WASHER—Weight spring bracket screw—plain	(Bosch)	48 from Eng. No. 104995 50 from Eng. No. 89598 FJ, FE, FC, FB, EK, EJ	7405524	2
PLATE—Weight damping (Fibre)	(Bosch)	48 from Eng. No. 104995 50 from Eng. No. 89598 FJ, FE, FC, FB, EK, EJ	7406067	1
PLATE—Weight damping (Dist. 7421198, 7428535)	(Bosch)	EH, HD	7406067	1



HOLDEN

MASTER PARTS CATALOGUE

2.393 CONDENSER AND BRACKET ASSEMBLY—Distributor

CONDENSER & BRACKET ASSEMBLY (Delco-Remy)	48 up to Eng. No. 104994 50 up to Eng. No. 89597	1869704	1
SCREW—Rd. hd. sl. No. 8—3/16"	(Delco-Remy)	48 up to Eng. No. 104994 50 up to Eng. No. 89597	141547	1
WASHER—Spring lock No. 8—Medium	.. (Delco-Remy)	48 up to Eng. No. 104994 50 up to Eng. No. 89597	121841	1
BRACKET (Delco-Remy)	48 up to Eng. No. 104994 50 up to Eng. No. 89597	1869573	1
CONDENSER & BRACKET ASSEMBLY	.. (Bosch)	48 from Eng. No. 104995 50 from Eng. No. 89598 FJ up to Eng. No. 283372	7405514	1
CONDENSER & BRACKET ASSEMBLY (Bosch)	FJ from Eng. No. U283384 FE, FC, FB, EK, EJ	7406062	1
SCREW—Attaching (Bosch)	48 from Eng. No. 104995 50 from Eng. No. 89598 FJ, FE, FC, FB, EK, EJ	7406063	2
WASHER—Screw lock (Bosch)	48 from Eng. No. 104995 50 from Eng. No. 89598 FJ, FE, FC, FB, EK, EJ	7406323	2
CONDENSER (Bosch)	EH, HD, HR	7423779	1
CLIP—Fixing (Bosch)	EH, HD, HR	7423780	1
SCREW—Attaching (Bosch)	EH, HD, HR	7423781	1
WASHER—Screw lock (Bosch)	EH, HD, HR	7406323	1
CONDENSER (Lucas)	EH, HD exc. X2 Eng., HR	7428970	1
SCREW—Attaching (Lucas)	EH, HD exc. X2 Eng., HR	VS10384	1

2.400 STUD, WASHER, LEAD—Distributor Terminal

STUD AND BUSHING (Delco-Remy)	48 up to Eng. No. 84261 50 up to Eng. No. 84261	1853625	1
(Distributor Models 1110215, 1813091, 1813472)					
STUD (Delco-Remy)	48 Eng. No. 84262—104994 50 Eng. No. 84262—89597	1847647	1
(Distributor Model 1110228)					
WASHER—Spring lock No. 8—Medium	.. (Delco-Remy)	48 up to Eng. No. 104994 50 up to Eng. No. 89597	121841	2
LEAD—Terminal (Delco-Remy)	48 up to Eng. No. 104994 50 up to Eng. No. 89597	1865978	1
LEAD—Ground (Delco-Remy)	48 up to Eng. No. 104994 50 up to Eng. No. 89597	1879140	1
WASHER—Spring lock No. 6—Medium	.. (Delco-Remy)	48 up to Eng. No. 104994 50 up to Eng. No. 89597	131044	1
STUD (Bosch)	48 from Eng. No. 104995 50 from Eng. No. 89598 FJ, FE, FC, FB, EK, EJ	7406084	1
NUT (Bosch)	48 from Eng. No. 104995 50 from Eng. No. 89598 FJ, FE, FC, FB, EK, EJ	7406085	2
WASHER—Terminal insulating (Bosch)	48 from Eng. No. 104995 50 from Eng. No. 89598 FJ, FE, FC, FB, EK, EJ	7405558	2
WASHER—Terminal lock (Bosch)	48 from Eng. No. 104995 50 from Eng. No. 89598 FJ, FE, FC, FB, EK, EJ	7406323	2
LEAD—To coil—(Dist. 7421198, 7428535) (Bosch)	EH, HD	7424751	1
LEAD—To coil—(Dist. 7430759, 7429068) (Bosch)	EH, HD exc. X2 Eng., HR	VS10212	1
CLIP—Lead retaining—(Dist. 7430759, 7429068)	(Bosch)	EH, HD exc. X2 Eng., HR	VS10213	1
SCREW—Lead attaching (Bosch)	EH, HD, HR	7424759	1
LEAD—Ground (Lucas)	EH, HD exc. X2 Eng., HR	7139640	1
LEAD—To coil (Lucas)	EH, HD exc. X2 Eng., HR	7428974	1

HOLDEN

MASTER PARTS CATALOGUE



2.401 BUSHING—Distributor Terminal Stud

BUSHING—Insulation	(Delco-Remy)	48 up to Eng. No. 84261		
(Distributor Models 1110215, 1813091, 1813472)		50 up to Eng. No. 84261	1865985	1
BUSHING—Insulation	(Delco-Remy)	48 Eng. No. 84262—104994		
(Distributor Model 1110228)		50 Eng. No. 84262—89597	1914141	1
BUSHING	(Delco-Remy)	48 Eng. No. 84262—104994		
(Distributor Model 1110228)		50 Eng. No. 84262—89597	1914142	1

2.410 VACUUM CONTROL ASSEMBLY—Distributor

VACUUM CONTROL ASSEMBLY	(Delco-Remy)	48 up to Eng. No. 104994		
		50 up to Eng. No. 89597	1116040	1
WASHER—Spring lock No. 10—Medium	(Delco-Remy)	48 up to Eng. No. 104994		
		50 up to Eng. No. 89597	120217	2
VACUUM CONTROL ASSEMBLY	(Bosch)	48 from Eng. No. 104995		
		50 from Eng. No. 89598		
		FJ, FE, FC, FB, EK	7405566	1
VACUUM CONTROL ASSEMBLY	(Bosch)	EJ	7419352	1
SCREW—Attaching	(Bosch)	48 from Eng. No. 104995		
		50 from Eng. No. 89598		
		FJ, FE, FC, FB, EK, EJ	7406063	2
WASHER—Screw lock	(Bosch)	48 from Eng. No. 104995		
		50 from Eng. No. 89598		
		FJ, FE, FC, FB, EK, EJ	7406618	2

VACUUM CONTROL ASSY. (Dist. 7421198, 7428535)	(Bosch)	EH, HD	7424758	1
VACUUM CONTROL ASSY. (Dist. 7430759)	(Bosch)	EH, HD exc. X2 Eng.	VS10249	1
VACUUM CONTROL ASSY.	(Bosch)	HR	VS10271	1
SCREW—Attaching	(Bosch)	EH, HD, HR	7424759	1-2
SCREW—Attaching	(Bosch)	EH, HD	7423781	1
WASHER—Screw lock	(Bosch)	EH, HD, HR	7406323	2
NUT	(Bosch)	EH, HD	7405804	1
VACUUM CONTROL ASSEMBLY	(Lucas)	EH, HD exc. X2 Eng.	7428966	1
VACUUM CONTROL ASSEMBLY	(Lucas)	HR	VS10304	1
SCREW—Attaching	(Lucas)	EH, HD exc. X2 Eng., HR	7428967	1

2.413 BRACKET ASSEMBLY—Vacuum Control Pull Rod Attaching

BRACKET ASSEMBLY	(Bosch)	48 from Eng. No. 104995		
		50 from Eng. No. 89598		
		FJ, FE, FC, FB, EK, EJ	7405554	1
SCREW—Pull rod bracket	(Bosch)	48 from Eng. No. 104995		
		50 from Eng. No. 89598		
		FJ, FE, FC, FB, EK, EJ	7424759	1
WASHER—Screw lock	(Bosch)	48 from Eng. No. 104995		
		50 from Eng. No. 89598		
		FJ, FE, FC, FB, EK, EJ	7406323	1

2.414 ARM ASSEMBLY—Distributor Adjusting CLAMP, RETAINER—Distributor

ARM ASSEMBLY		48, 50, FJ, FE, FC, FB, EK, EJ	7400439	1
BOLT—Hex. hd. 5/16"—18 x 3/4"		48, 50, FJ, FE, FC, FB, EK, EJ	100121	1
WASHER—Spring lock 5/16"—Medium		48, 50, FJ, FE, FC, FB, EK, EJ	120214	1
WASHER—Plain 11/32" x 11/16" x .065"		48, 50, FJ, FE, FC, FB, EK, EJ	120393	1
CLAMP		EH, HD, HR	7421939	1
RETAINER—Clamp		EH, HD, HR	3770598	1
BOLT—Hex. hd. 3/8"—16 x 1-1/8"		EH, HD, HR	179840	1



HOLDEN

MASTER PARTS CATALOGUE

2.424 PIPE ASSEMBLY—Spark Control

PIPE ASSEMBLY	48, 50, FJ up to Eng. No. 283372	7402821	1
PIPE ASSEMBLY	FJ from Eng. No. U283384 FE, FC, FB, EK	7409945	1
PIPE ASSEMBLY	EJ	7415562	1
PIPE ASSEMBLY	EH, HD exc. X2 Eng. HR exc. X2, S Eng.	7426212	1
PIPE ASSEMBLY	HD X2 Eng., HR X2 Eng.	7428532	1
PIPE ASSEMBLY	HR S Eng.	7433861	1
NUT—Inv. flared tube 3/16"	ALL	137396	A.R.
CONNECTOR—Inverted flared tube 3/16"	ALL	137404	1
PIPE—Flexible	EJ	7415563	1
PIPE—Flexible	EH, HD, HR	7421070	1
HOSE	HR S Eng.	7433897	1

2.447 SWITCH ASSEMBLY—Stop Lamp

SWITCH ASSEMBLY—(Hydraulic)	48, 50 FJ S.A. up to Ser. No. 3950A Qld. up to Ser. No. 5397B Vic. up to Ser. No. 9465M W.A. up to Ser. No. 3138P N.S.W. up to Ser. No. 4/10864S	1997725	1
SWITCH ASSEMBLY—(Mechanical)	FJ S.A. from Ser. No. 3951A Qld. from Ser. No. 5398B Vic. from Ser. No. 9466M W.A. from Ser. No. 3139P N.S.W. from Ser. No. 4/10865S ..	1997913	1
WASHER—Spring lock No. 10—Medium	FJ S.A. from Ser. No. 3951A Qld. from Ser. No. 5398B Vic. from Ser. No. 9466M W.A. from Ser. No. 3139P N.S.W. from Ser. No. 4/10865S ..	120217	2
SWITCH ASSEMBLY	FE, FC, FB, EK, EJ, EH, HD, HR	7419748	1
NUT—Switch attaching	FE, FC, FB, EK, EJ, EH, HD, HR	858388	2

2.450 SWITCH ASSEMBLY—Tail Lamp

SWITCH ASSEMBLY—Push pull	50	†M31722	1
---------------------------------	----------	---------	---

† When required by State Vehicle Regulations

2.459 SWITCH ASSEMBLY—Dimmer

SWITCH ASSEMBLY	48, 50, FJ	7400724	1
WASHER—Spring lock No. 10—Medium	48, 50, FJ	120217	2
SWITCH ASSEMBLY	FE, FC, FB, EK(M) RIGHT HAND DRIVE	7410106	1
SCREW—Rd. hd. sl. machine 1/4"—20 x 5/16"	FE, FC, FB, EK(M) RIGHT HAND DRIVE	113953	2
WASHER—Spring lock 1/4"—medium	FE, FC, FB, EK(M) RIGHT HAND DRIVE	120380	2
SWITCH ASSEMBLY	FB, EK(M) .. LEFT HAND DRIVE	1997028	1
SCREW—Pan hd. cr. rec. tap. Type "A" No. 14—10 x 3/4"	FB, EK(M) .. LEFT HAND DRIVE	144824	2
WASHER—Spring lock 1/4"—medium	FB .. LEFT HAND DRIVE	120380	2
SWITCH ASSEMBLY	EK(A), EJ, EH, HD, HR	1997028	1
SCREW—Pan hd. cr. rec. tap. Type "A" No. 14—10 x 3/4"	EK(A), EJ, EH	144824	2
SCREW—Pan hd. sl. tap. Type "A" No. 14—10 x 1/2"	HD, HR	221154	2



2.481 PANEL ASSEMBLY—Fuse

FUSE—15 amps.	FB, EK	120151	A.R.
PANEL ASSEMBLY	EJ	7426866	1
WASHER—Spring lock, No. 10—medium	EJ	120217	1
PANEL ASSEMBLY	EH	7422473	1
PANEL ASSEMBLY (Not equipped back-up lamp)	HD/215(M), HD/219(M), HD/2104(M), HD2106(M), HR/215(M), HR/219(M), HR/2104(M), HR/2106(M)	7426860	1
PANEL ASSEMBLY (Not equipped back-up lamp)	HD/225(M), HD/229(M) HR/225(M), HR/229(M)	7426933	1
PANEL ASSEMBLY	HD/235(M), HD/239(M), HD(A)	7429633	1
PANEL ASSEMBLY (Equipped back-up lamp)	HR/215, HR/219, HR/2104, HR/2106	7433295	1
PANEL ASSEMBLY (Equipped back-up lamp)	HR/225, HR/229, HR/235, HR/239	7426933	1
BRACKET—Panel mounting	HD, HR	7426752	1
SCREW—Hex. hd. sl. tap. type "A" No. 10—12 x 1/2"	EH, HD, HR	443547	1
FUSE—15 amp.	EJ, EH, HD, HR	120151	A.R.
FUSE—3 amp.	EJ	445635	1
FUSE—1-1/2 amp.	EH, HD	432640	1
FUSE—2 amp.	HD, HR	148086	1
FUSE—25 amp.	EJ, EH, HD, HR	455844	1
CLIP & TERMINAL ASSEMBLY—Fuse holder	EJ, EH	7418077	A.R.
CLIP & TERMINAL ASSEMBLY—Fuse holder	HD, HR	7424520	A.R.
CLIP & TWO WAY TERMINAL ASSEMBLY—Fuse holder	HD, HR	7424519	A.R.

2.483 BLOCK ASSEMBLY—Terminal

BLOCK ASSEMBLY	48, 50, FJ, FE, FC, FB, EK	7410073	2
WASHER—Plain 7/32" x 1/2" x .049"	48, 50, FJ, FE, FC, FB, EK	120391	2
SCREW—Terminal block	48, 50, FJ, FE, FC, FB, EK	1864099	6
CLIP—Connector block lock	48, 50, FJ	1874777	6
BLOCK ASSEMBLY	EH Diode rectified generator	7410073	1
SCREW—Pan hd. sl. tap. type "A" No. 10—12 x 5/8"	EH Diode rectified generator	142611	2
SCREW—Terminal block	EH Diode rectified generator	1864099	6
COVER—Terminal	EH Diode rectified generator	7426641	1

2.485 SWITCH ASSEMBLY—Lighting

SWITCH ASSEMBLY	48, 50, FJ	7401182	1
FUSE—15 amp.	48, 50, FJ	SP1022	1
SWITCH ASSEMBLY	FE, FC, FB, EK	7411964	1
SLEEVE—Anti-rattle	FE, FC, FB, EK	7411963	1
SWITCH ASSEMBLY	EJ, EH, HD	7419496	1
SWITCH ASSEMBLY	HR	7430631	1

2.486 ROD ASSEMBLY, ESCUTCHEON—Lighting Switch Control

ROD ASSEMBLY	FJ/225	7404462	1
ROD ASSEMBLY	FE, FC	7409184	1
ESCUTCHEON	FE	7409190	1
ROD ASSEMBLY	FB, EK	7412082	1
ROD ASSEMBLY	EJ, EH	7416761	1
ESCUTCHEON—Lighting switch control	EJ, EH	7418025	1
ROD ASSEMBLY	HD	7426002	1
ROD ASSEMBLY	HR	7429122	1



HOLDEN

MASTER PARTS CATALOGUE

2.487 BUSHING ASSEMBLY—Lighting Switch

BUSHING ASSEMBLY	48, 50, FJ, FE, FC, FB, EK	1878884	1
BUSHING ASSEMBLY	EJ, EH, HD, HR	7416237	1

2.488 DIAL, ESCUTCHEON—Light and Ignition Switch

DIAL	FE	7409185	1
DIAL—Light and ignition	FC	7411872	1
DIAL	FB, EK	7412080	1
ESCUTCHEON	HD/215, HD/219, HD/2104, HD/2106 HR/215, HR/219, HR/2104, HR/2106		
	RIGHT HAND DRIVE	7429506	1
	LEFT HAND DRIVE	7429505	1
ESCUTCHEON	HD/225, HD/229, HD/235, HD/239		
	RIGHT HAND DRIVE	7425930	1
	LEFT HAND DRIVE	7425929	1
ESCUTCHEON	HR/225, HR/229		
	RIGHT HAND DRIVE	7428808	1
	LEFT HAND DRIVE	7428807	1
ESCUTCHEON	HR/235, HR/239		
	RIGHT HAND DRIVE	7429690	1
NUT—Stamped, type "M", 1/8"	HD, HR	9415250	2

2.500 REGULATOR ASSEMBLY—Voltage & Current

REGULATOR ASSEMBLY	(Delco-Remy)	48 up to Eng. No. 104994 50 up to Eng. No. 89597	1118872	1
REGULATOR ASSEMBLY	(Bosch)	48 from Eng. No. 104995 50 from Eng. No. 89598 FJ	7404931	1
GROMMET	(Bosch)	48 from Eng. No. 104995 50 from Eng. No. 89598 FJ	7405898	2
SCREW—Rd. hd. sl. tapp. type "A" No. 14-10 x 3/4" ..		48, 50	144744	3
SCREW—Rd. hd. sl. machine 1/4"—28 x 5/8"		48, 50, FJ	143317	3
REGULATOR ASSEMBLY	(Lucas)	FE up to Eng. No. L386732	7414814	1
REGULATOR ASSEMBLY	(Bosch)	FE from Eng. No. L386733 FC, FB, EK	7409693	1
REGULATOR ASSEMBLY	(Bosch)	FE, FC, FB, EK, EJ Heavy duty gen.	†7406357	1
GROMMET	(Bosch)	FE from Eng. No. L386733 FC, FB, EK, EJ	7405898	3
SCREW—Rd. hd. sl. tapp. type "A" No. 14—10 x 1"		FE, FC	144759	3
REGULATOR ASSEMBLY	(Lucas)	FB, EK	7414814	1
REGULATOR ASSEMBLY	(Lucas)	EJ, EH	7416326	1
REGULATOR ASSEMBLY	(Lucas)	EJ Heavy duty gen.	7422102	1
SCREW—Pan hd. cr. rec. tap. type "C" 1/4"—28 x 3/4"		EJ, EH	164602	3
GROMMET ASSEMBLY—Regulator mounting	(Lucas)	EJ, EH	7133031	3
REGULATOR ASSEMBLY	(Bosch)	EJ, EH Heavy duty gen.	††7423936	1
REGULATOR ASSEMBLY	(Bosch)	EH exc. Diode rectified generator	7417355	1
SCREW—Pan hd. cr. rec. tap. type "C" 1/4"—28 x 3/4"		EH exc. Diode rectified generator	164602	3
GROMMET ASSEMBLY—Regulator mounting	(Bosch)	EH exc. Diode rectified generator	7405898	3
REGULATOR ASSEMBLY	(Bosch)	EH Diode rectified generator	7430880	1
SCREW—Pan hd. cr. rec. tap. type "A" No. 12—11 x 1/2"		EH Diode rectified generator	162003	2
REGULATOR ASSEMBLY	(Bosch)	HD, HR	7430879	1
REGULATOR ASSEMBLY	(Lucas)	HD, HR	7428408	1
SCREW—Pan hd. cr. rec. tap. type "A" No. 12—11 x 1/2"		HD, HR	162003	2

† Generator type LJ/GJM240/12/1900R24

†† Generator type LJ/GG240/12/2000FR26



2.501 COVER—Voltage & Current Regulator

COVER	(Bosch)	48 from Eng. No. 104995 50 from Eng. No. 89598 FJ, FE, FC, FB, EK, EJ	7422997	1
COVER	(Lucas)	FE up to Eng. No. L386732	7127376	1
COVER	(Lucas)	FB, EK, EJ, EH	7406816	1
COVER	(Lucas)	EJ Heavy duty gen.	7425786	1
COVER	(Bosch)	EH exc. Diode rectified generator	7422997	1

2.502 SCREW, GASKET—Voltage & Current Regulator Cover

SCREW	(Bosch)	48 from Eng. No. 104995 50 from Eng. No. 89598 FJ FE from Eng. No. L386733 FC, FB, EK	7405709	2
WASHER—Lock	(Bosch)	48 from Eng. No. 104995 50 from Eng. No. 89598 FJ FE from Eng. No. L386733 FC, FB, EK	7406323	2
GASKET	(Bosch)	48 from Eng. No. 104995 50 from Eng. No. 89598 FJ FE from Eng. No. L386733 FC, FB, EK	7405708	1
GASKET	(Lucas)	FB, EK	6332721	1
GASKET	(Lucas)	EJ, EH	7421748	1
GASKET	(Lucas)	EJ Heavy duty gen.	7425807	1
SCREW	(Lucas)	FB, EK, EJ	6332720	2
GASKET	(Bosch)	EH exc. Diode rectified generator	7405708	1
SCREW	(Bosch)	EH exc. Diode rectified generator	7405709	2
WASHER—Screw lock	(Bosch)	EH exc. Diode rectified generator	7406323	2

2.503 RESISTANCE ASSEMBLY—Generator Regulator

RESISTANCE ASSEMBLY	(Lucas)	FE up to Eng. No. L386732		
RESISTANCE—Voltage regulator	(Bosch)	FB, EK, EJ, EH	6332722	1
RESISTANCE—Current regulator	(Bosch)	FE, FC, FB, EK	VS10385	1
RESISTANCE—Compensating	(Bosch)	FE, FC, FB, EK	VS10386	1
RESISTANCE ASSEMBLY—40 ohms	(Lucas)	EJ Heavy duty gen.	VS10388	1
RESISTANCE ASSEMBLY—55 ohms	(Lucas)	EJ Heavy duty gen.	7425788	1
RESISTANCE—Voltage regulator	(Bosch)	EH exc Diode rectified gen.	7425787	1
RESISTANCE—Current regulator	(Bosch)	EH exc. Diode rectified gen.	7430225	1
RESISTANCE—Compensating	(Bosch)	EH exc. Diode rectified gen.	VS10387	1
RIVET—Mushroom hd. 2 mm. x 3.5 mm.	(Bosch)	FE, FC, FB, EK, EH	VS10388	1
RIVET—Rd. hd. 2.6 mm. x 6 mm.	(Bosch)	FE, FC, FB, EK, EH	VS10390	A.R.
RIVET—Rd. hd. 3.5 mm. x 6 mm.	(Bosch)	FE, FC, FB, EK, EH	VS10389	A.R.
		FE, FC, FB, EK, EH	VS10391	A.R.

2.504 SUPPORT, CONTACT SET—Voltage and Current Regulator

SUPPORT—Voltage contact	(Delco-Remy)	48 up to Eng. No. 104994 50 up to Eng. No. 89597	7406756	1
CONTACT SET—Voltage regulator	(Bosch)	48 from Eng. No. 104995 50 from Eng. No. 89598 FJ	7427109	1
CONTACT SET—Current regulator	(Bosch)	48 from Eng. No. 104995 50 from Eng. No. 89598 FJ	7427110	1
CONTACT SET—Cut out	(Bosch)	48 from Eng. No. 104995 50 from Eng. No. 89598 FJ	7427111	1



HOLDEN

MASTER PARTS CATALOGUE

2.504 SUPPORT, CONTACT SET—Voltage & Current Regulator (Cont'd.)

CONTACT SET—Voltage regulator (Bosch)	FE, FC, FB, EK	7427112	1
CONTACT SET—Current regulator (Bosch)	FE, FC, FB, EK	7427113	1
CONTACT SET—Cut out (Bosch)	FE, FC, FB, EK	7427114	1
CONTACT SET—Voltage regulator (Lucas)	FB, EK	7406817	1
CONTACT SET—Current regulator (Lucas)	FB, EK	6328254	1
CONTACT SET—Cut out (Lucas)	EJ, EH	7421749	1
CONTACT SET—Voltage regulator (Lucas)	EJ, EH	7421750	1
CONTACT SET—Current regulator (Lucas)	EJ, EH	7421751	1
CONTACT SET—Cut out (Lucas)	EJ Heavy duty gen.	7425789	1
CONTACT SET—Voltage regulator (Lucas)	EJ Heavy duty gen.	7425790	1
CONTACT SET—Current regulator (Lucas)	EJ Heavy duty gen.	7425791	1
CONTACT SET—Voltage regulator (Bosch)	EH exc. Diode rectified generator	7430734	1
CONTACT SET—Current regulator (Bosch)	EH exc. Diode rectified generator	VS10366	1
CONTACT SET—Cut-out (Bosch)	EH exc. Diode rectified generator	VS10367	1

2.511 SCREW—Voltage & Current Regulator Terminal

SCREW (Bosch)	48 from Eng. No. 104995 50 from Eng. No. 89598 FJ	7405711	3
SCREW (Bosch)	FE from Eng. No. L386733 FC, FB, EK	7405711	3
WASHER (Bosch)	FE from Eng. No. L386733 FC, FB, EK	7406618	3
SCREW (Bosch)	EH exc. Diode rectified generator	7405711	3
WASHER—Screw lock (Bosch)	EH exc. Diode rectified generator	7406618	3

2.515 TELL TALE ASSEMBLY, LENS, AMMETER—Generator, Temperature and Oil Cluster

BULB—Indicator light 1 CP	48, 50, FJ	115273	3
(Thermo, oil and charge indicator cluster)	FE, FC	7220382	1
SCREW—Pan hd. sl. tapp. type "B" No. 8—18 x 3/8"	FE, FC	111688	2
BULB—Indicator and turn signal light 12—16V 2 CP	FE, FC	127934	3-5
(Thermo, oil and charge indicator cluster) (A.C.)	FB	7220682	1
(Thermo, oil and charge indicator cluster) (V.D.O.)	FB, EK	7418688	1
(Thermo, oil and charge indicator cluster) (V.D.O.)	EJ, EH	7419152	1
SCREW—Rd. hd. cr. rec. tap. Type "T" No. 8—32 x 7/16"	FB, EK, EJ, EH	9415505	2
BULB—Indicator light 12-16V 2 CP	FB, EK, EJ, EH	127934	3
LENS (A.C.)	HD exc. X2 Eng., HR exc. X2, S Eng.	7963500	1
INSTRUMENT ASSEMBLY—(British Units) (V.D.O.)	HD X2 Eng., HR X2, S Eng.	7429162	1
INSTRUMENT ASSEMBLY—(Metric Units) (V.D.O.)	HD X2 Eng., HR X2, S Eng.	7429804	1
AMMETER (V.D.O.)	HD X2 Eng., HR X2, S Eng.	VS10154	1
NUT—Hex. No. 10—32	HD X2 Eng., HR X2, S Eng.	120614	2
WASHER—Spring lock No. 10	HD X2 Eng., HR X2, S Eng.	131183	2
WASHER—Flat 13/64" x 15/32" x .049"	HD X2 Eng., HR X2, S Eng.	446152	2
BULB—Indicator light 12—16V 2 CP	HD X2 Eng., HR X2, S Eng.	127934	1
SCREW—Rd. hd. cr. rec. tap. Type "A" No. 8—15 x 3/4"	HD X2 Eng.	179338	2
SCREW—Pan hd. cr. rec. tap. No. 8—15 x 1/2"	HR X2, S Eng.	161860	2

2.516 BEZEL, DIAL, GASKET, GLASS, MASK—Tell Tale Assembly

GLASS	FE, FC	7220394	1
MASK	FE, FC	7220377	1
BEZEL (A.C.)	FB	7220750	1
BEZEL (A.C.)	EJ, EH	7220750	1
DIAL (A.C.)	EJ, EH	7963200	1
MASK (A.C.)	EJ, EH	7963202	1
RETAINER—Mask (A.C.)	EJ, EH	7963199	1
BEZEL (V.D.O.)	EJ, EH	7421924	1
DIAL (V.D.O.)	EJ, EH	7421926	1
WINDOW (Stewart Warner)	HD exc. X2 Eng., HR exc. X2, S Eng.	VS10219	1
DIAL (V.D.O.)	HD X2 Eng., HR X2, S Eng.	VS10191	1
MASK (V.D.O.)	HD X2 Eng., HR X2, S Eng.	VS10192	1

HOLDEN

MASTER PARTS CATALOGUE



2.555 HARNESS ASSEMBLY—Main Wiring

HARNESS ASSEMBLY	48 up to Eng. No. 104994 50 up to Eng. No. 89597	7401442	1
SOCKET ASSEMBLY—Wire insulated	48 up to Eng. No. 104994 50 up to Eng. No. 89597	5291875	3
SOCKET ASSEMBLY—Wire	48 up to Eng. No. 104994 50 up to Eng. No. 89597	1881708	5
HARNESS ASSEMBLY	48 from Eng. No. 104995 50 from Eng. No. 89598 FJ up to Eng. No. 173092	7407077	1
CLIP—Headlamp wires to rad. support 5/16"	48, 50, FJ	127753	2
HARNESS ASSEMBLY	FE, exc. FE/225, FE/229 FC, exc. FC/225, FC/229	7411960	1
HARNESS ASSEMBLY	FE/225, FE/229, FC/225, FC/229	7411961	1
SCREW—Pan hd. sl. mach. No. 6—32 x 1"	FE/225, FE/229, FC/225, FC/229	436669	1
WASHER—Plain 5/32" x 3/8" x .049"	FE/225, FE/229, FC/225, FC/229	131014	1
WASHER—Spring lock No. 6—medium	FE/225, FE/229, FC/225, FC/229	131044	1
NUT—Hex. mach. screw No. 6—32	FE/225, FE/229, FC/225, FC/229	134530	1
CONNECTOR ASSEMBLY—Turn signal switch terminal	FE/225, FE/229, FC/225, FC/229	7412529	1
CLIP—Fuse holder mounting to instrument panel	FE/225, FE/229, FC/225, FC/229	7410110	1
FUSE—15 Amps	FE, FC	120151	A.R.
CLIP—Fuse holder mounting to front fender skirt	FE, FC	7410220	1
CLIP—Spring—To fuse mounting bracket	FE, FC	7121060	A.R.
CLIP—Main wiring harness	FE, FC	7401856	5
CLIP—To front fender skirts and floor pan	FE, FC	7403683	6
CLIP—To dash panel	FE, FC	7410212	1
CLIP—To instrument panel reinforcement	FE, FC	7410651	1
CABLE ASSEMBLY—Generator to regulator ground	FE, FC	7406915	1
TERMINAL—Generator ground cable	FE, FC	7413529	2
HARNESS ASSEMBLY	FB/215 up to Eng. No. B130021 FB/219 up to Eng. No. B130021 FB/2104 up to Eng. No. B130021 FB/2106 up to Eng. No. B130021 RIGHT HAND DRIVE	*7413488	1
HARNESS ASSEMBLY	FB/215 up to Eng. No. B130021 FB/219 up to Eng. No. B130021 FB/2104 up to Eng. No. B130021 FB/2106 up to Eng. No. B130021 RIGHT HAND DRIVE	**7415587	1
HARNESS ASSEMBLY	FB/215 from Eng. No. B130022 FB/219 from Eng. No. B130022 FB/2104 from Eng. No. B130022 FB/2106 from Eng. No. B130022 EK/215, EK/219, EK/2104, EK/2106 RIGHT HAND DRIVE	*7416637	1
HARNESS ASSEMBLY	FB/215 from Eng. No. B130022 FB/219 from Eng. No. B130022 FB/2104 from Eng. No. B130022 FB/2106 from Eng. No. B130022 EK/215(M), EK/219(M), EK/2104(M), EK/2106(M) RIGHT HAND DRIVE	**7416639	1
HARNESS ASSEMBLY	FB/225 up to Eng. No. B130021 FB/229 up to Eng. No. B130021 RIGHT HAND DRIVE LEFT HAND DRIVE	7413489 7417542	1 1

*Required for vehicles without factory assembled direction signal equipment.

**Required for vehicles with factory assembled direction signal equipment.



HOLDEN

MASTER PARTS CATALOGUE

2.555 HARNESS ASSEMBLY—Main Wiring (Cont'd.).

HARNESS ASSEMBLY	FB/225 from Eng. No. B130022 FB/229 from Eng. No. B130022 EK/225(M), EK/229(M)
	RIGHT HAND DRIVE 7416638 1
HARNESS ASSEMBLY	EK(A) RIGHT HAND DRIVE 7419397 1
SCREW—Pan. hd. sl. mach. No. 6—32 x 1"	FB 436669 A.R.
WASHER—Plain 5/32" x 3/8" x .049	FB/225, FB/229 131014 A.R.
WASHER—Spring lock No. 6 medium	FB 131044 A.R.
NUT—Hex. No. 6—32	FB 134530 A.R.
WASHER—Plain .16" x 1/2" x .047"	FB SP1340 A.R.
TERMINAL—Generator ground cable	FB up to Eng. No. B130021 7413529 2
BODY—Terminal connector protector (Single)	FB, EK 2962448 A.R.
BODY—Terminal connector protector (Double)	FB, EK 2962551 1
BODY—3 way female connector	FB, EK LEFT HAND DRIVE 2962449 1
TERMINAL—Spring type	FB, EK 2962447 A.R.
CLIP—Wiring harness to engine	FB, EK 7414620 1
CLIP—Thermo switch lead to engine	FB, EK 7414620 1
WASHER—Plain 1/4" x 9/16" x .049"	FB, EK 120385 2
CLIP—To dash panel and stg. column cover	FB, EK 7413031 4
CLIP—To stg. column and dash brace	FB RIGHT HAND DRIVE 7412953 1
CLIP—To upper cowl panel	FB, EK 7412954 A.R.
CLIP—To front fender skirts	FB, EK 7413032 2
CLIP—To front fender skirts	FB, EK SP1378 7
CLIP—To instrument panel	FB, EK LEFT HAND DRIVE 7413370 1
HARNESS ASSEMBLY	EJ/215(M), EJ/219(M), EJ/2104(M), EJ/2106(M)
	RIGHT HAND DRIVE 7418899 1
HARNESS ASSEMBLY	EJ/225(M), EJ/229(M)
	RIGHT HAND DRIVE 7417876 1
HARNESS ASSEMBLY	EJ/215(A), EJ/219(A), EJ/225(A), EJ/229(A), EJ/2104(A), EJ/2106(A)
	RIGHT HAND DRIVE 7417877 1
HARNESS ASSEMBLY	EJ/235 7419716 1
HARNESS ASSEMBLY	EJ(M) LEFT HAND DRIVE 7418127 1
HARNESS ASSEMBLY	EH/215(M), EH/219(M), EH/2104(M), EH/2106(M)
	RIGHT HAND DRIVE 7421599 1
HARNESS ASSEMBLY	EH/225(M), EH/229(M), EH/235(M), EH/239(M) RIGHT HAND DRIVE 7421600 1
HARNESS ASSEMBLY	EH/215(A), EH/219(A), EH/225(A), EH/229(A), EH/2104(A), EH/2106(A)
	RIGHT HAND DRIVE 7421601 1
HARNESS ASSEMBLY	EH/235(A), EH/239(A)
	RIGHT HAND DRIVE 7421602 1
HARNESS ASSEMBLY	EH(M) LEFT HAND DRIVE 7421561 1
HARNESS ASSEMBLY	EH(A) LEFT HAND DRIVE 7421562 1
LEAD—Generator to starter motor	EH Diode rectified generator #7426707 1
CABLE—Regulator to terminal block	EH Diode rectified generator #7426706 1
LEAD—Generator to starter motor	EH Diode rectified generator ##7428878 1
CABLE—Regulator to terminal block	EH Diode rectified generator ##7428879 1
CLIP—Wiring harness to engine	EJ 7414620 1
WASHER—Plain, 1/4"—9/16" x .049"	EJ 120385 1
CLIP—Wiring to dash panel	EJ, EH 7413032 1-2
CLIP—To dash panel	EJ 7413031 3
CLIP—Wiring harness to dash panel	EJ, EH 7418066 1
CLIP—Harness to pipe	EJ 7418096 2
CLIP—Parking & turn signal leads	EJ, EH 7414620 2
CLIP—To instrument panel reinforcement	EJ, EH LEFT HAND DRIVE 7413370 2-1
CLIP—To valve rocker cover	EH 7413032 3
# Generator Type LJ/DK 1/35 A14 V2.	## Generator Type LJ/DK 1/35 A14 V4.

HOLDEN

MASTER PARTS CATALOGUE



2.555 HARNESS ASSEMBLY—Main Wiring (Cont'd.)

RETAINER—Adjustable	EJ, EH	7418069	A.R.
CLIP—Push in type	EJ, EH	SP1498	7
FUSE—25 amp.	EJ, EH	455844	1
BODY—Terminal, 2 way female	EJ, EH	2962971	A.R.
BODY—Terminal, 2 way panel	EJ (A)	2962967	1
BODY—Terminal, button contact single	EJ, EH	2962965	1
BODY—Terminal, flasher	EJ, EH	2962910	1
BODY—Terminal, 8 way female	EJ, EH	2962566	1
BODY—Terminal, 3 way panel	EJ, EH	7409138	1
BODY—Terminal, flasher	EJ, EH	7418064	2
BODY—Terminal, 4 way line	EJ, EH	7417883	1
BODY—Terminal, lamp socket	EJ, EH	5297797	A.R.
BODY—Terminal, light switch	EJ, EH	2962944	1
BODY—Terminal, 4 way female	EJ	2965829	1
BODY—Terminal, ignition switch female	EH	7422474	1
SOCKET ASSEMBLY—Lamp	EJ, EH	7401662	A.k.
SPRING—Lamp socket	EJ, EH	2962243	A.R.
TERMINAL—Male	EJ, EH	2965429	A.R.
TERMINAL—Spring type	EJ, EH	2962447	A.R.
HARNESS ASSEMBLY	HD/215(M), HD/219(M), HD/2104(M), HD/2106(M) RIGHT HAND DRIVE	7426823	1
HARNESS ASSEMBLY	HD/225(M), HD/229(M), HD/235(M), HD/239(M) RIGHT HAND DRIVE	7426824	1
HARNESS ASSEMBLY	HD/215(A) HD/219(A), HD/2104(A), HD/2106(A) RIGHT HAND DRIVE	7426825	1
HARNESS ASSEMBLY	HD/225(A), HD/229(A), HD/235(A), HD/239(A) RIGHT HAND DRIVE	7426826	1
HARNESS ASSEMBLY	HD(M) LEFT HAND DRIVE	7424342	1
HARNESS ASSEMBLY	HD(A) LEFT HAND DRIVE	7424343	1
HARNESS ASSEMBLY	HR/215(M), HR/219(M), HR/2104(M), HR/2106(M) exc. X2, S Eng. RIGHT HAND DRIVE	7434341	1
HARNESS ASSEMBLY	HR/225(M), HR/229(M), HR/235(M), HR/239(M) exc. X2, S Eng. RIGHT HAND DRIVE	7434342	1
HARNESS ASSEMBLY	HR/215(A), HR/219(A), HR/2104(A), HR/2106(A) exc. X2, S Eng. RIGHT HAND DRIVE	7434343	1
HARNESS ASSEMBLY	HR/225(A), HR/229(A), HR/235(A), HR/239(A) exc. X2, S Eng. RIGHT HAND DRIVE	7434344	1
HARNESS ASSEMBLY	HR(M) X2 Eng. RIGHT HAND DRIVE	7430751	1
HARNESS ASSEMBLY	HR(A) X2 Eng. RIGHT HAND DRIVE	7430752	1
HARNESS ASSEMBLY	HR(M) S Eng. RIGHT HAND DRIVE	7434347	1
HARNESS ASSEMBLY	HR(A) S Eng. RIGHT HAND DRIVE	7434348	1
HARNESS ASSEMBLY	HR(M) LEFT HAND DRIVE	7434345	1
HARNESS ASSEMBLY	HR(A) LEFT HAND DRIVE	7434346	1
CABLE ASSEMBLY—Ammeter	HD X2 Eng.	7429295	1
CABLE ASSEMBLY—Ammeter	HR X2, S Eng. LEFT HAND DRIVE	7429295	1
CLIP—Wiring to dash panel	HD, HR	7413032	A.R.
CLIP—Wiring harness to dash panel	HD, HR	7418066	1
CLIP—Wiring harness to dash panel	HD	SP1583	1
CLIP—Wiring harness to dash panel	HD, HR LEFT HAND DRIVE	7410212	1
CLIP—Wiring harness to front fender skirt	HD, HR	7428542	7-9
CLIP—Parking and turn signal lamp leads	HD	7428542	2
CLIP—Harness to underbody	HD, HR	7426387	5
CLIP—Wiring harness to pillar bracket	HD, HR LEFT HAND DRIVE	SP1579	1
CLIP—To instrument panel reinforcement	HD/225, HD/229, HD/235, HD/239 HR/225, HR/229, HR/235, HR/239	7410360	3
CLIP—To instrument panel reinforcement	HD, HR LEFT HAND DRIVE	7410651	3



HOLDEN

MASTER PARTS CATALOGUE

2.555 HARNESS ASSEMBLY—Main Wiring (Cont'd.)

CLIP—To valve rocker cover	HD, HR	7413032	3
CLIP—Main wiring harness	HD(M), HR(M)	2962752	A.R.
FUSE—25 amp.	HD, HR	455844	1
BODY—Terminal, 2 way panel	HD, HR	7426918	1-2
BODY—Terminal, 2 way	HD	2962964	2
BODY—Terminal, panel (short)	HD, HR	2962448	A.R.
BODY—Terminal, thermo gauge	HD, HR	2962551	A.R.
BODY—Terminal, 3 way female	HD/235, HD/239	2962449	A.R.
BODY—Terminal, pin grip series 3 female	HD/239, HR/239	2977673	1
BODY—Terminal, 3 way female	HD/239, HR/239	2971627	1
BODY—Terminal, 2 way panel	HD, HR	2962967	A.R.
BODY—Terminal, button contact single	HD	2962965	A.R.
BODY—Terminal, flasher	HD, HR	2962910	A.R.
BODY—Terminal, 8 way female	HD, HR	2962566	A.R.
BODY—Terminal, 8 way female	HR	2984169	1
BODY—Terminal, flasher	HD, HR	7418064	A.R.
BODY—Terminal, 4 way line	HD, HR	7417883	A.R.
BODY—Terminal, 4 way female	HR(M)	2962969	1
BODY—Terminal, lamp socket	HD, HR	5297797	A.R.
BODY—Terminal, light switch	HD	2962944	A.R.
BODY—Terminal, ignition switch female	HD, HR	7422474	A.R.
SOCKET ASSEMBLY—Lamp	HD, HR	7401662	A.R.
SPRING—Lamp socket	HD, HR	2962243	A.R.
SOCKET ASSEMBLY—Parking & turn signal lamp	HR	7404060	2
SPRING—Parking & turn signal lamp socket	HR	7402293	2
WASHER—Parking & turn signal lamp socket	HR	7409961	2
TERMINAL—Male	HD, HR	2965429	A.R.
TERMINAL—Spring type	HD, HR	2962447	A.R.

2.561 GROMMET—Wiring

MAIN WIRING—Through cowl panel 1 11/16"	48, 50, FJ	7403709	1	
MAIN WIRING—Through cowl panel 1 5/16"	48, 50, FJ	7403710	1	
HEADLAMP WIRES—Through fender skirt	48, 50, FJ	SP1092	2	
HORN WIRING	48, 50, FJ	7403710	1	
HORN WIRE CLAMP	FE, FC	7409515	1	
TURN SIGNAL LAMP LEAD—Through front fender skirts	FE, FC	7410356	2	
HORN WIRE—Through radiator support 1/4"	FE, FC	SP1346	1	
LICENSE LAMP WIRE—Through rear end panel	FE, exc. FE/2104, FE/2106 FC, exc. FC/2104, FC/2106	7410356	1	
MAIN WIRING	FB, EK	7412952	1	
HORN WIRE CLAMP	FB, exc. FB/225, FB/229 EK, exc. EK/225, EK/229	*7409515	1	
SLEEVE—Horn wire	FB/225, FB/229, EK/225, EK/229	**7412714	1	
PARKING LAMP & HORN WIRE—Thru rad. support	FB, EK	SP1404	2	
LICENSE LAMP WIRE—Through rear end panel	FB, exc. FB/2104, FB/2106 EK, exc. EK/2104, EK/2106	7418703	2	
LICENSE LAMP WIRE—Through bumper face bar	FB/219, FB/229, EK/219, EK/229	7410356	2	
LICENSE LAMP WIRE	EJ/2104, EJ/2106, EH/2104, EH/2106	7418703	2	
MAIN WIRING	HD, HR	RIGHT HAND DRIVE LEFT HAND DRIVE	7426086 7402477	1 1
LICENSE LAMP WIRE	HD, HR	7418703	1-2	
HARNESS THROUGH FENDER SKIRT	HD	SP1563	2	
HARNESS THROUGH FENDER SKIRT	HR	SP1722	2	

*Required for vehicles without factory assembled direction signal equipment.

**Also required for FB/215, FB/219, FB/2104, FB/2106, EK/215, EK/219, EK/2104, EK/2106 with factory assembled direction signal equipment.

HOLDEN

MASTER PARTS CATALOGUE



2.585 LAMP ASSEMBLY—Front Turn Signal

LAMP PACKAGE	FE/225, FE/229	7410516	2
SCREW—Pan hd. sl. No. 10—24 x 1"	FE/225, FE/229	9407614	4
NUT—Hex. machine screw No. 10—24	FE/225, FE/225	120361	4
WASHER—Spring lock No. 10—medium	FE/225, FE/229	120217	4
WASHER—External tooth lock No. 10	FE/225, FE/229	138479	4
BULB—12-16 Volt 32CP	FE/225, FE/229	454646	2
LAMP ASSEMBLY—White lens	EJ, EH	7421182	2
LAMP ASSEMBLY	HD	LH7424797	1
		RH7424798	1
WASHER—Plain, type "A" 13/64" x 15/32" x .049"	EJ, EH, HD	446152	6-4
WASHER—Spring lock No. 10—light	EJ, EH, HD	131183	6-4
NUT—Hex. mach. screw No. 10—24	EJ, EH, HD	120361	6-4
BULB—12-16 Volt. 32-4 C.P.	EJ, EH, HD	454645	2

2.586 BODY ASSEMBLY—Turn Signal Lamp, Parking Lamp

BODY ASSEMBLY	FE/225, FE/229	7406208	2
BODY ASSEMBLY	FC, exc. FC/2104, S.A. up to Ser. No. 4268A Qld. up to Ser. No. 5432B Vic. up to Ser. No. 11184M W.A. up to Ser. No. 3064P N.S.W. up to Ser. No. 11272S FC/2106 S.A. up to Ser. No. 4268A Qld. up to Ser. No. 5432B Vic. up to Ser. No. 11421M W.A. up to Ser. No. 3068P N.S.W. up to Ser. No. 11322S L.H. 7411913 R.H. 7411914		1 1
BODY ASSEMBLY	FC/2104 S.A. up to Ser. No. 4268A Qld. up to Ser. No. 5432B Vic. up to Ser. No. 11184M W.A. up to Ser. No. 3064P N.S.W. up to Ser. No. 11272S FC/2106 S.A. up to Ser. No. 4268A Qld. up to Ser. No. 5432B Vic. up to Ser. No. 11421M W.A. up to Ser. No. 3068P N.S.W. up to Ser. No. 11322S L.H. 7413687 R.H. 7413686		1 1 6 6 6 2 2 1 1
NUT—Hex. No. 10—24	FC	120361	6
WASHER—Spring lock No. 10 light	FC	131183	6
WASHER—Plain 7/32" x 1/2" x .049"	FC	120391	6
BULB—12-16 Volt 4CP	FC, exc. FC/225, FC/229	142450	2
BULB—12-16 Volt 32-4 CP	FC/225, FC/229	454645	2
BODY ASSEMBLY	FB	LH7414153 RH7414152	1 1
NUT—Hex. No. 10—24	FB	120361	6
WASHER—Spring lock No. 10 light	FB	131183	6
WASHER—Plain 13/64" x 15/32" x .049"	FB	446152	6
BULB—12-16 Volt 4 CP	FB, exc. FB/225, FB/229 EK, exc. EK/225, EK/229	*142450	2
BULB—12-16 Volt 32-4 CP	FB/225, FB/229, EK/225, EK/229	**454645	2
BODY ASSEMBLY	EJ, EH	7421181	2
BODY ASSEMBLY	HD	LH7424763 RH7424762	1 1

*Required for vehicles without factory assembled direction signal equipment.

**Also required for FB/215, FB/219, FB/2104, FB/2106, EK/215, EK/219, EK/2104, EK/2106 with factory assembled direction signal equipment.



HOLDEN

MASTER PARTS CATALOGUE

2.586 BODY ASSEMBLY—Turn Signal Lamp, Parking Lamp (Cont'd.)

BODY ASSEMBLY	HR exc. HR/235, HR/239	LH7429171	1
		RH7429172	1
BODY ASSEMBLY	HR/235, HR/239	LH7428557	1
		RH7428556	1
NUT—Hex. No. 10—24	HR	120361	6
WASHER—Plain 13/64" x 15/32" x .049"	HR	446152	6
WASHER—Spring lock No. 10	HR	131183	6
BULB—12-16 Volt 32-4 C.P.	HR	9417867	2

2.589 RIM, LENS—Turn Signal Lamp, Parking Lamp

RIM	FE/225, FE/229	7406205	2
LENS	FE/225, FE/229	7406206	2
LENS	FC	LH7411915	1
		RH7411916	1
LENS	FB, EK	7414142	2
SCREW—Rd. hd. cr. rec. mach. No. 8—32 x 5/8"	FC, FB, EK	444468	A.R.
LENS—White	EJ, EH	7421159	2
SCREW—Rd. hd. cr. rec. mach. No. 8—32 x 3/8"	EJ, EH	451969	4
LENS	HD	7424578	2
SCREW—Rd. hd. cr. rec. mach. No. 8—32 x 1/2"	HD	274328	4
LENS	HR exc. HR/235, HR/239	7430608	2
LENS	HR/235, HR/239	7428732	2

2.590 GASKET, RING, SEAL—Turn Signal Lamp Lens, Parking Lamp Lens

GASKET	FE/225, FE/229	7406207	2
RING—Sliding	FE/225, FE/229	7406210	2
GASKET	FC	7411939	2
SEAL	FB, EK	7414143	2
GASKET	EJ, EH	7421158	2
GASKET	HD	7424579	2
SEAL	HR	7428797	2

2.591 INSERT—Parking & Turn Signal Lamp

INSERT	HR/235, HR/239	7430610	2
--------	----------------	---------	---

2.596 BULB HOLDER, LEAD—Turn Signal Lamp, Parking Lamp

BULB HOLDER	FE/225, FE/229	7406209	2
LEAD	FC, exc. FC/225, FC/229	7411823	2
LEAD	FC/225, FC/229	7411825	2
SOCKET AND LEAD ASSEMBLY	FB/225, FB/229	**7417452	2
SOCKET AND LEAD ASSEMBLY	EK, exc. EK/225, EK/229	*7417451	2
SOCKET AND LEAD ASSEMBLY	EK/225, EK/229	#7417452	2
SEAL—Socket	FB, exc. FB/225, FB/229		
	EK, exc. EK/225, EK/229	*7414144	2
SEAL—Socket	FB/225, FB/229	**7415185	2
SEAL—Socket	EK/225, EK/229	#7415185	2
SOCKET and LEAD ASSEMBLY	EJ, EH	7416542	2
SEAL	EJ, EH	7416236	2

*Required for vehicles without factory assembled direction signal equipment.

**Also required for FB/215, FB/219, FB/2104, FB/2106 with factory assembled direction signal equipment.

#Also required for EK/215, EK/219, EK/2104, EK/2106 with factory assembled direction signal equipment.

2.599 BASE, GASKET—Turn Signal Lamp

BASE	FE/225, FE/229	7410517	2
GASKET—Base	FE/225, FE/229	7411917	4

HOLDEN

MASTER PARTS CATALOGUE



2.660 GASKET, SEAL—Tail and Stop Lamp Mounting

GASKET	48	7401648	1
GASKET	FJ/215, FJ/217, FJ/225	7404042	1
GASKET	FE, FC	7410446	2
GASKET	FB/2104, FB/2106, EK/2104, EK/2106	7410446	2

2.670 BUMPER, GROMMET, BRACKET, GASKET—Rear Licence Plate Mounting

GROMMET	48, FJ/215, FJ/217, FJ/225	7401650	4
NUT—Hex. machine screw No. 10-32	48, FJ/215, FJ/217, FJ/225	120614	4
WASHER—Spring lock No. 10—Medium	48, FJ/215, FJ/217, FJ/225	120217	4
WASHER—Plain 7/32" x 1/2" x .049"	48, 50, FJ	120391	A.R.
SCREW—Pan hd. sl. tapp No. 10-12 x 3/8"	50, FJ/2104, FJ/2106	127933	4
BRACKET	FE, exc. FE/2104, FE/2106 FC, exc. FC/2104, FC/2106	7409266	1
BUMPER	FE, exc. FE/2104, FE/2106 FC, exc. FC/2104, FC/2106 FB/219, FB/229 EK/219, EK/229	7409209	2
SPACER	FB/215, FB/225, EK/215, EK/225	7416276	2
SCREW—Rd. hd. sl. mach. No. 10—32 x 7/8"	FB/215, FB/225, EK/215, EK/225	132919	2
NUT—Hex. No. 10—32	FE, FC, FB, EK	120614	2
WASHER—Spring lock No. 10 medium	FE, FC, FB, EK	120217	2
WASHER—Plain 7/32" x 1/2" x .049"	FE, FC, FB, EK	120391	2
BUMPER	EJ exc. EJ/2104, EJ/2106 EH exc. EH/2104, EH/2106	7427353	2
SCREW—Rd. hd. sl. mach. No. 10—32 x 1/2"	EJ, EH	132908	2
WASHER—Spring lock No. 10—medium	EJ, EH	120217	2
SCREW—Rd. hd. sl. tap. No. 10—12 x 1/2"	EH exc. EH/2104, EH/2106	125591	2
WASHER—Plain 7/32" x 1/2" x .049"	EJ/2104, EJ/2106, EH/2104, EH/2106	120391	1
NUT—Hex. No. 10—32	EJ/2104, EJ/2106, EH/2104, EH/2106	120614	2
BUMPER	HD	7427353	2
SCREW—Rd. hd. sl. tap. type "A" No. 10—12 x 1/2"	HD exc. HD/2104, HD/2106	125591	2
SCREW—Rd. hd. sl. mach. No. 10—32 x 1/2"	HD/2104, HD/2106	132908	2
WASHER—Spring lock No. 10—Medium	HD	120217	2
WASHER—Plain 7/32" x 1/2" x .049"	HD	120391	2
NUT—Hex. No. 10—32	HD	120614	2
WASHER—Rubber	HD	7424387	2
BRACKET	HR exc. HR/2104, HR/2106	7429695	1
SCREW—Pan hd. cr. rec. mach. 1/4"—20 x 1-3/4"	HR exc. HR/2104, HR/2106	160586	2
NUT—Hex. lock 1/4"—20	HR exc. HR/2104, HR/2106	SP1728	2
WASHER	HR exc. HR/2104, HR/2106	7417272	2
SPRING	HR exc. HR/2104, HR/2106	7429739	2
ANTI-RATTLER	HR exc. HR/2104, HR/2106	7429715	1
SCREW—Rd. hd. sl. mach. No. 10—32 x 1/2"	HR	132908	2
WASHER—Spring lock No. 10—Medium	HR	120217	2
WASHER—Plain 7/32" x 1/2" x .049"	HR	120391	2
NUT—Hex. No. 10—32	HR	120614	2
WASHER—Rubber	HR/2104, HR/2106	7424387	2



HOLDEN

MASTER PARTS CATALOGUE

2.679 LAMP ASSEMBLY, BULB, BODY—Tail and Stop

BULB—6-8 Volt 21-3 CP	48, FJ/215, FJ/217, FJ/225	145416	1
BODY	FJ/215, FJ/217, FJ/225	7404041	1
STUD—Lamp to deck lid	48	7402283	2
NUT—Hex. machine screw No. 10—24	48, FJ/215, FJ/217, FJ/225	120361	A.R.
WASHER—Ext. tooth lock No. 10	48, FJ/215, FJ/217, FJ/225	138479	A.R.
WASHER—Plain 7/32" x 1/2" x .049"	48, FJ/215, FJ/217, FJ/225	120391	A.R.
LAMP ASSEMBLY	50, FJ/2104, FJ/2106	7407369	1
BULB—6-8 Volt 6 CP	50, FJ/2104, FJ/2106	142306	1
BULB—6-8 Volt 21 CP single filament	50, FJ/2104, FJ/2106	103642	1
LAMP ASSEMBLY—(Plated—White back-up lens)	FE FC/215 { S.A. up to Ser. No. 16267A FC/217 { Qld. up to Ser. No. 23080B FC/219 { Vic. up to Ser. No. 56206M FC/225 { W.A. up to Ser. No. 12136P FC/229 { N.S.W. up to Ser. No. 58630S	7409958	2
LAMP ASSEMBLY—(Plated—Amber turn signal lens)	FC/215 { S.A. from Ser. No. 16268A FC/217 { Qld. from Ser. No. 23081B FC/219 { Vic. from Ser. No. 56207A FC/225 { W.A. from Ser. No. 12137P FC/229 { N.S.W. from Ser. No. 58631S	7415009	2
LAMP ASSEMBLY—(Painted—White back-up lens)	FC/2104 { S.A. up to Ser. No. 15859A FC/2106 { Qld. up to Ser. No. 23032B Vic. up to Ser. No. 53867M W.A. up to Ser. No. 12243P N.S.W. up to Ser. No. 57206S	7413690	2
LAMP ASSEMBLY—(Painted—Amber turn signal lens)	FC/2104 { S.A. from Ser. No. 15860A FC/2106 { Qld. from Ser. No. 23033B Vic. from Ser. No. 53868M W.A. from Ser. No. 12244P N.S.W. from Ser. No. 57207S		
NUT—Hex. machine screw No. 10—24	FB/2104, FB/2106 EK/2104, EK/2106	7414544	2
WASHER—Spring lock No. 10—medium	FE, FC FB/2104, FB/2106 EK/2104, EK/2106	120361	8
BULB—12-16 Volt 32-4 CP	FE, FC FB/2104, FB/2106 EK/2104, EK/2106	120217	8
BULB—12-16 Volt 32 CP	FE, FC FB/2104, FB/2106 EK/2104, EK/2106	454645	2
BASE	FC/225 { S.A. from Ser. No. 16268A FC/229 { Qld. from Ser. No. 23081B Vic. from Ser. No. 56207M W.A. from Ser. No. 12137P N.S.W. from Ser. No. 58631S	454646	2
GASKET—Base	FE, FC FB/2104, FB/2106 EK/2104, EK/2106	7410529	2
LAMP ASSEMBLY—(Amber turn signal lens)	FE, FC FB/2104, FB/2106 EK/2104, EK/2106	7410448	2
LAMP ASSEMBLY—(Red turn signal lens)	FB/215, FB/219 EK/215, EK/219	7421243	2
LAMP ASSEMBLY—(Amber turn signal lens)	FB/215, EK/215 LEFT HAND DRIVE	7416610	2
LAMP ASSEMBLY—(Red turn signal lens)	FB/225, FB/229 EK/225, EK/229	7417212	2
BULB—12-16 Volt 32 CP	FB/225, FB/229 EK/225, EK/229 LEFT HAND DRIVE	7416611	2
BULB—12-16 Volt 32-4 CP	FB/225, FB/229 EK/225, EK/229	*454646	2
	FB, EK	454645	2

*Also required for FB/215, FB/219, FB/2104, FB/2106, EK/215, EK/219, EK/2104, EK/2106 with factory assembled direction signal equipment.

**Not required when factory assembled direction signal equipment fitted.

HOLDEN

MASTER PARTS CATALOGUE



2.679 LAMP ASSEMBLY, BULB, BODY—Tail and Stop (Cont'd.)

SCREW—Hex. hd. mach. 5/16"—18 x 3/4" header point	FB, exc. FB/2104, FB/2106		
STUD—Lamp to quarter panel	EK, exc. EK/2104, EK/2106	9413371	6
NUT—Hex. 5/16"—18	FB, exc. FB/2104, FB/2106	7414815	4
WASHER—Spring lock 5/16" medium	EK, exc. EK/2104, EK/2106	120376	4
WASHER—Plain 11/32" x 11/16" x .065"	FB, exc. FB/2104, FB/2106	120214	10
BACK ASSEMBLY	EK, exc. EK/2104, EK/2106	120393	10
CAP—Socket dust seal	FB, exc. FB/2104, FB/2106	7406871	2
BASE—Rear lamp	EK, exc. EK/2104, EK/2106	7412794	4-2
SCREW—Fill. hd. cr. rec. tap. type "A" No. 10—12 x 5/8"	EJ, EH/2104, EH/2106	7415070	2
SCREW—Fill. hd. cr. rec. mach. No. 10—32 x 1/2"	EJ, EH/2104, EH/2106	178985	2
WASHER—Spring lock No. 10—medium	EJ, EH/2104, EH/2106	153421	2
NUT—Tail lamp mounting	EJ, EH/2104, EH/2106	120217	2
BASE—Rear lamp	EJ, EH/2104, EH/2106	7415887	6
BULB—12-16 Volt. 32-4 C.P.	EH exc. EH/2104, EH/2106	7419560	2
BULB—12-16 Volt. 32 C.P.	EJ, EH	454645	2
LAMP ASSEMBLY	EJ, EH	454646	2
	HD, HR/2104, HR/2106	LH7426339	1
		RH7426340	1
LAMP ASSEMBLY—White back-up lens (Optional export only)	HD, HR/2104, HR/2106	LH7427733	1
		RH7427734	1
WASHER—Plain, type "A" 13/64" x 15/32" x .049"	HD, HR/2104, HR/2106	446152	6
WASHER—Spring lock No. 10—light	HD, HR/2104, HR/2106	131183	6
NUT—Hex. machine screw No. 10—24	HD, HR/2104, HR/2106	120361	6
BASE ASSEMBLY	HD, HR/2104, HR/2106	7424985	2
BULB—12-16 Volt. 32-4 C.P.	HD	454645	2
BULB—12-16 Volt. 32 C.P.	HD	454646	2
BULB—12-16 Volt. 32 C.P. (Optional Export only)	HD, HR	142456	2
LAMP ASSEMBLY	HR/215, HR/225, HR/235	7428548	2
LAMP ASSEMBLY—White back-up lens (Optional export only)	HR/215, HR/225, HR/235	7428549	2
LAMP ASSEMBLY	HR/219, HR/229, HR/239	7428550	2
LAMP ASSEMBLY—White back-up lens (Optional export only)	HR/219, HR/229, HR/239	7428551	2
WASHER—Plain 15/64" x 17/32" x .049"	HR exc. HR/2104, HR/2106	446170	8
WASHER—Spring lock No. 12	HR exc. HR/2104, HR/2106	131184	8
NUT—Hex. No. 12	HR exc. HR/2104, HR/2106	121743	8
BODY	HR/215, HR/225, HR/235	7429163	2
BODY	HR/219, HR/229, HR/239	7429319	2
BULB—12-16 Volt 32-4 C.P.	HR	9417867	2
BULB—12-16 Volt 32 C.P.	HR	9417866	2

2.680 WING ASSEMBLY, HOUSING ASSEMBLY—Tail and Stop Lamp

L.H.	48	7402491	1
R.H.	48	7402492	1
NUT—Hex. machine screw No. 10-24	48	120361	4
WASHER—Spring lock No. 10—Medium	48	120217	4
WASHER—Plain 7/32" x 1/2" x .049"	48	120391	4
HOUSING—Upper	FB/215, FB/219, EK/215, EK/219	7406931	2
HOUSING—Lower	FB/215, FB/219, EK/215, EK/219	7406930	2
HOUSING—Upper	FB/225, FB/229, EK/225, EK/229	7406929	2
HOUSING—Lower	FB/225, FB/229, EK/225, EK/229	7406928	2
RIVET	FB, exc. FB/2104, FB/2106		
	EK, exc. EK/2104, EK/2106	SP1413	6



HOLDEN

MASTER PARTS CATALOGUE

2.681 COVER, RETAINER, RIM—Tail and Stop Lamp Lens

COVER	48	7402250	1
RETAINER	**	7407372	1
SCREW—Retainer to body	**	7407618	2
CIRCLIP—Retaining screw	**	7407374	A.R.
RIM	FE, FC, exc. FC/2104, FC/2106	7410449	2
RIM	FC/2104, FC/2106, FB/2104, FB/2106 EK/2104, EK/2106	7413693	2
STUD—Rim to body	FE, FC, FB/2104, FB/2106 EK/2104, EK/2106	7410444	8
RIM	EJ, EH/2104, EH/2106	7419192	2
SCREW—Oval hd. cr. rec. tap. type "A" No. 10—12 x 1-1/2"	EJ, EH/2104, EH/2106	SP1518	4
RIM & LENS	EH exc. EH/2104, EH/2106	7419557	2
SCREW—Rd. hd. cr. rec. mach. No. 10—32 x 7/8"	EH exc. EH/2104, EH/2106	SP1630	8
RIM	EH exc. EH/2104, EH/2106	7419558	2
RIM ASSEMBLY	HD, HR/2104, HR/2106	LH7425811 RH7425812	1 1
SCREW—Flat hd. cr. rec. tap. type "BT" No. 8—18 x 5/8"	HD, HR/2104, HR/2106	9413546	2
SCREW—Pan hd. cr. rec. tap. type "BT" No. 8—18 x 1/2"	HD, HR/2104, HR/2106	273708	4
RIM	HR exc. HR/2104, HR/2106	7429247	2
SCREW—Pan hd. cr. rec. tap. No. 8—32 x 9/16"	HR exc. HR/2104, HR/2106	9424842	6

2.682 LENS—Tail and Stop Lamp

LENS	48	5937870	1
LENS	FJ/215, FJ/217, FJ/225	7404043	1
LENS	*	1032897	1
LENS	**	7407371	1
LENS	FE, FC, FB/2104, FB/2106 EK/2104, EK/2106	7410527	2
LENS—Inner	FE, FC, FB/2104, FB/2106 EK/2104, EK/2106	7410528	2
LENS	FB, exc. FB/2104, FB/2106 EK, exc. EK/2104, EK/2106	7417213	2
SCREW—Rd. hd. cr. rec. mach. No. 8—32 x 3/8"	FB, exc. FB/2104, FB/2106 EK, exc. EK/2104, EK/2106	451969	6
LENS	EJ, EH/2104, EH/2106	7415072	2
LENS—Inner	EH exc. EH/2104, EH/2106	7422541	2
LENS—Outer	EH exc. EH/2104, EH/2106	7419561	2
SCREW—Flat hd. cr. rec. tap. type "T" No. 5—40 x 5/16"	EH exc. EH/2104, EH/2106	SP1538	A.R.
LENS—Inner	HD, HR/2104, HR/2106	7426229	2
LENS—Outer	HD, HR/2104, HR/2106	LH7426181 RH7426180	1 1
LENS	HR exc. HR/2104, HR/2106	7429023	2

* 50

FJ/2104 S.A. from Ser. No. 14639A
Vic. from Ser. No. 34663M
W.A. from Ser. No. 10117P
FJ/2106 S.A. exc. Ser. No. 1806A—14638A
Qld. up to Ser. No. 1768B
Vic. exc. Ser. No. 1031M—34662M
W.A. exc. Ser. No. 1206P—10116P
N.S.W. up to Ser. No. 3/3688S

**FJ/2104 S.A. up to Ser. No. 14638A
Qld.

Vic. up to Ser. No. 34662M
W.A. up to Ser. No. 10116P
N.S.W.

FJ/2106 S.A. Ser. No. 1806A—14638A
Qld. from Ser. No. 1769B
Vic. Ser. No. 1031M—34662M
W.A. Ser. No. 1206P—10116P
N.S.W. from Ser. No. 3/3689S

HOLDEN

MASTER PARTS CATALOGUE



2.683 PLATE, STRIP, CLAMP—Tail and Stop Lamp Lens Mounting

PLATE	FE, FC, FB/2104, FB/2106		
SCREW—Rd. hd. sl. mach. No. 8—32 x 7/16"	EK/2104, EK/2106	7410445	2
STRIP—Lens mounting	FE, FC, FB/2104, FB/2106		
SCREW—Rd. hd. sl. mach. No. 8—32 x 3/8"	EK/2104, EK/2106	132756	2
CLAMP—Lens mounting	FE, FC, FB/2104, FB/2106		
SCREW—Rd. hd. sl. mach. No. 8—32 x 3/8"	EK/2104, EK/2106	7410459	2
CLAMP—Lens mounting	FE, FC, FB/2104, FB/2106		
SCREW—Rd. hd. cr. rec. mach. No. 8—32 x 2 1/4"	EK/2104, EK/2106	121832	4
CLAMP—Lens mounting	FB, exc. FB/2104, FB/2106		
SCREW—Rd. hd. cr. rec. mach. No. 8—32 x 2 1/4"	EK, exc. EK/2104, EK/2106	7412782	2
CLAMP—Lens mounting	FB, exc. FB/2104, FB/2106		
SCREW—Rd. hd. cr. rec. mach. No. 10—24 x 5/8"	EK, exc. EK/2104, EK/2106	274384	2
	EJ, EH/2104, EH/2106	7416583	2
	EJ, EH/2104, EH/2106	155118	2

2.684 GASKET, SEAL—Tail and Stop Lamp Lens

GASKET	48	7402282	1
GASKET	FJ/215, FJ/217, FJ/225	7404059	1
GASKET	(Lucas)	7405336	1
SEAL	FB, exc. FB/2104, FB/2106		
GASKET	EK, exc. EK/2104, EK/2106	7412295	2
GASKET	EJ, EH/2104, EH/2106	7415071	2
GASKET	EH exc. EH/2104, EH/2106	7419559	2
GASKET	HD, HR/2104, HR/2106	7425542	2
GASKET	HR exc. HR/2104, HR/2106	7428913	2

2.685 LENS—Tail and Stop Lamp Outlook

LENS	(Lucas) *	7405338	1
------------	-----------	---------	---

2.686 GASKET—Tail and Stop Lamp Outlook Lens

GASKET	(Lucas) *	7405340	1
--------------	-----------	---------	---

2.687 LENS—Rear Compartment Illuminating

LENS	FE, FC, FB/2104, FB/2106		
	EK/2104, EK/2106	7410530	4

2.689 REFLECTOR ASSEMBLY, LENS, RETAINER, SEAL—Reflex.

HOLDER—Reflector	48, 50, FJ, exc. FJ/225	7404678	2
REFLECTOR	48, 50, FJ	7407072	2
NUT—Hex. machine screw No. 10-32	48, 50, FJ	120614	2
BRACKET—Reflex marker, L.H.	FJ/225	7404039	1
BRACKET—Reflex marker, R.H.	FJ/225	7404038	1
BOLT—Auto. hex. hd. 1/4"—28 x 5/8"	FJ/225	456059	4
WASHER—Plain 9/32" x 5/8" x .065"	FJ/225	120392	4
WASHER—Spring lock 1/4"—Medium	FJ/225	120380	4
LENS	EH exc. EH/2104, EH/2106	7422544	2
RETAINER	EH exc. EH/2104, EH/2106	7418248	2
SCREW—Flat hd. cr. rec. tap. No. 5—40 x 5/16"	EH exc. EH/2104, EH/2106	SP1538	A.R.
SEAL	EH exc. EH/2104, EH/2106	7418247	2

2.691 SPRING—Tail and Stop Lamp Glass Fixing

SPRING	(Lucas) *	7405335	1
--------------	-----------	---------	---

*50

- FJ/2104 S.A. from Ser. No. 14639A
- Vic. from Ser. No. 34663M
- W.A. from Ser. No. 10117P
- FJ/2106 S.A. exc. Ser. No. 1806A—14638A
- Qld. up to Ser. No. 1768B
- Vic. exc. Ser. No. 1031M—34662M
- W.A. exc. Ser. No. 1206P—10116P
- N.S.W. up to Ser. No. 3/3688S



HOLDEN

MASTER PARTS CATALOGUE

2.694 SOCKET AND WIRE ASSEMBLY—Tail and Stop Lamp

SOCKET AND WIRE ASSEMBLY	48	7402290	1
PLATE	FJ/215, FJ/217, FJ/225	7404062	1
GASKET—Plate	FJ/215, FJ/217, FJ/225	7404061	1
SOCKET	FE, FC, FB/2104, FB/2106 EK/2104, EK/2106	7409962	2
SPRING	FE, FC, FB/2104, FB/2106 EK/2104, EK/2106	7402293	2
WASHER	FE, FC, FB/2104, FB/2106 EK/2104, EK/2106	7409961	2
LEAD ASSEMBLY—(Optional export only)	HD	7427983	2
LEAD ASSEMBLY—(Optional export only)	HR(A) RIGHT HAND DRIVE	7427983	2

2.696 RIM—Turn Signal and Back-up Lamp

RIM	HR exc. HR/2104, HR/2106	7429248	2
-----	--------------------------	---------	---

2.697 LENS, SWITCH, BRACKET, HARNESS—Back-up Lamp

LENS—White	FE, FC	7410447	2
SCREW—Rd. hd. sl. mach. No. 8—32 x 7/16"	FE, FC	132756	2
LENS	FB, exc. FB/2104, FB/2106 EK, exc. EK/2104, EK/2106	7412290	2
SCREW—Rd. hd. cr. rec. mach. No. 8—32 x 2 1/4"	FB, exc. FB/2104, FB/2106 EK, exc. EK/2104, EK/2106	274384	2
LENS—White (Optional export only)	EJ, EH/2104, EH/2106	7417251	2
LENS—Inner, White (Optional export only)	EH exc. EH/2104, EH/2106	7425623	2
LENS—Outer, White (Optional export only)	EH exc. EH/2104, EH/2106	7422774	2
SCREW—Flat hd. cr. rec. tap. type "T" No. 5—40 x 5/16"	EH exc. EH/2104, EH/2106	SP1538	4
LENS—Inner, white (Optional export only)	HD, HR/2104, HR/2106	7427737	2
LENS—Outer, White (Optional export only)	HD, HR/2104, HR/2106	LH7426489 RH7426490	1 1
LENS—White (Optional export only)	HR exc. HR/2104, HR/2106	7429022	2
SWITCH	EH/235(M), EH/239(M), HD/235(M), HD/239(M), HR(M) 3 speed trans. RIGHT HAND DRIVE LEFT HAND DRIVE	7412265 7406897	1 1
BOLT—Rd. hd. sq. neck 1/4"—20 x 3/4"	EH/235(M), EH/239(M), HD/235(M), HD/239(M), HR(M) 3 speed trans.	120518	1
WASHER—Int. tooth lock 1/4"	EH/235(M), EH/239(M), HD/235(M), HD/239(M), HR(M) 3 speed trans.	120423	1
WASHER—Plain 1/4" x 9/16" x .049"	EH/235(M), EH/239(M), HD/235(M), HD/239(M), HR(M) 3 speed trans.	120385	1
NUT—Hex. 1/4"—20	EH/235(M), EH/239(M), HD/235(M), HD/239(M), HR(M) 3 speed trans.	120375	1
BRACKET—Switch	EH/235(M), EH/239(M), HD/235(M), HD/239(M), HR(M) 3 speed trans.	7414992	1
SCREW—Pan hd. cr. rec. tap No. 8—18 x 5/16"	EH/235(M), EH/239(M), HD/235(M), HD/239(M), HR(M) 3 speed trans.	9412033	3
HARNESS—Wiring, front	EH/235(M) EH/239(M)	7418918	1
CABLE ASSEMBLY—(Use with wound field type wiper motor)	HD/235(M), HD/239(M) HR(M) 3 speed trans.	7414709	1
CABLE ASSEMBLY—White back-up lens (Optional export only)	HD/215, HD/225, HD/235	7427724	1
CABLE ASSEMBLY—White back-up lens (Optional export only)	HD/219, HD/229, HD/239	7427725	1



2.697 LENS, SWITCH, BRACKET, HARNESS—Back-up Lamp (Cont'd.)

CABLE ASSEMBLY—(Optional export only)	HR/215, HR/225, HR/235	7430998	1
CABLE ASSEMBLY—(Optional export only)	HR/219, HR/229, HR/239	7430999	1
CABLE ASSEMBLY—Rear—White back-up lens (Optional export only)	HD/2104, HD/2106, HR/2104, HR/2106	7427726	1
LEAD—Rear—White back-up lens (Optional export only)	HD/2104, HD/2106, HR/2104, HR/2106	7427727	1
SWITCH	HR(M) 4 speed trans.	7430383	1
BOLT—Hex. hd. 8 x 1.5 m.m. P x 1/2"	HR(M) 4 speed trans.	SP1691	2
WASHER—Flat 21/64" x 1/2" x .024"	HR(M) 4 speed trans.	SP1694	2
CABLE ASSEMBLY	HR(M) 4 speed trans.		
	RIGHT HAND DRIVE	7434349	1
	LEFT HAND DRIVE	7434350	1

2.698 LENS—Turn Signal Lamp, Rear

LENS—Amber	FC, FB/2104, FB/2106, EK/2104, EK/2106	7414545	2
SCREW—Rd. hd. sl. mach. No. 8—32 x 7/16"	FC, FB/2104, FB/2106, EK/2104, EK/2106	132756	2
LENS—Amber	FB, exc. FB/2104, FB/2106 EK, exc. EK/2104, EK/2106	7412289	2
SCREW—Rd. hd. cr. rec. mach. No. 8—32 x 3/8"	FB, exc. FB/2104, FB/2106 EK, exc. EK/2104, EK/2106	451969	2
LENS—Amber	EJ, EH/2104, EH/2106	7415073	2
LENS—Inner, Amber	EH exc. EH/2104, EH/2106	7422543	2
LENS—Outer, Amber	EH exc. EH/2104, EH/2106	7422542	2
SCREW—Flat hd. cr. rec. tap. type "T" No. 5—40 x 5/16"	EH exc. EH/2104, EH/2106	SP1538	A.R.
LENS—Inner, Amber	HD, HR/2104, HR/2106	7426230	2
LENS—Outer, Amber	HD, HR/2104, HR/2106	LH7426231 RH7426232	1 1
LENS	HR exc. HR/2104, HR/2106	7429021	2

2.699 SEAL—Turn Signal and Back-up Lamp

SEAL	FB, exc. FB/2104, FB/2106 EK, exc. EK/2104, EK/2106	7412291	2
GASKET	HR exc. HR/2104, HR/2106	7428912	2

2.700 LAMP ASSEMBLY—Rear Licence

BODY AND LENS	FB/215, FB/225, EK/215, EK/225	7416062	2
SCREW—Pan. hd. cr. rec. tap. Type "B" No. 8—18 x 3/8"	FB/215, FB/225, EK/215, EK/225	163160	2
BULB—12-16 Volt 2 CP	FB/215, FB/225, EK/215, EK/225	273157	2

2.702 SHIELD—Rear Licence Lamp

SHIELD	FB/219, FB/229, EK/219, EK/229	LH7413243 RH7413242	1 1
SCREW—Pan. hd. cr. rec. tap. Type "B" No. 8—18 x 3/8"	FB/219, FB/229, EK/219, EK/229	163160	2
SHIELD	HD/2104, HD/2106, HR/2104, HR/2106	7427289	1



HOLDEN

MASTER PARTS CATALOGUE

2.705 BRACKET, GROMMET—Rear Licence Lamp

GROMMET	FE, exc. FE/2104, FE/2106		
	FC, exc. FC/2104, FC/2106	7411847	2
GROMMET	FB/219, FB/229, EK/219, EK/229	7413340	4
BRACKET	EJ exc. EJ/2104, EJ/2106		
	EH exc. EH/2104, EH/2106		
	HD exc. HD/2104, HD/2106		
	HR exc. HR/2104, HR/2106	7416287	1
GROMMET	EJ exc. EJ/2104, EJ/2106		
	EH exc. EH/2104, EH/2106		
	HD exc. HD/2104, HD/2106		
	HR exc. HR/2104, HR/2106	7416288	2

2.714 SOCKET AND WIRE, BULB, STRIP—Rear Licence Lamp

SOCKET AND WIRE ASSEMBLY	FE, exc. FE/2104, FE/2106		
	FC, exc. FC/2104, FC/2106	7409121	1
RETAINER	FE, exc. FE/2104, FE/2106		
	FC, exc. FC/2104, FC/2106	7409855	1
STRIP—Ground	FE, exc. FE/2104, FE/2106		
	FC, exc. FC/2104, FC/2106	7411848	1
BULB—12-16 Volt 6 Watt	FE, FC	7076726	1
SOCKET AND WIRE ASSEMBLY	FB/219, FB/229, EK/219, EK/229	LH7409121	1
RETAINER	FB/219, FB/229, EK/219, EK/229	7409855	2
STRIP—Ground	FB/219, FB/229, EK/219, EK/229	7411848	2
BULB—12-16 Volt 6 Watt	FB/219, FB/229, FB/2104, FB/2106		
	EK/219, EK/229, EK/2104, EK/2106	7076726	2-1
HARNESS ASSEMBLY	EJ exc. EJ/2104, EJ/2106		
	EH exc. EH/2104, EH/2106		
	RIGHT HAND DRIVE	7421178	1
HARNESS ASSEMBLY	HD/215, HD/225, HD/235	7426215	1
HARNESS ASSEMBLY	HD/219, HD/229, HD/239	7431818	1
SCREW—Pan hd. cr. rec. tap. type "B" No. 8—18 x 3/8"	EJ exc. EJ/2104, EJ/2106		
	EH exc. EH/2104, EH/2106		
	HD exc. HD/2104, HD/2106	163160	1
	EJ exc. EJ/2104, EJ/2106		
	EH exc. EH/2104, EH/2106		
	HD exc. HD/2104, HD/2106	127934	1
SOCKET AND WIRE ASSEMBLY	EJ/2104, EJ/2106, EH/2104, EH/2106		
	HD/2104, HD/2106, HR/2104, HR/2106	7418697	1
BULB—12-16 Volt 6 Watt	EJ/2104, EJ/2106, EH/2104, EH/2106		
	HD/2104, HD/2106, HR/2104, HR/2106	SP1467	1
CLIP—Fastener	HD/2104, HD/2106, HR/2104, HR/2106	SP1608	1
SCREW—Pan hd. sl. tap. No. 10—16 x 1/2"	HD/2104, HD/2106, HR/2104, HR/2106	145193	1
	HR/215, HR/225, HR/235	7431728	1
	HR/219, HR/229, HR/239	7431729	1
	HR exc. HR/2104, HR/2106	163160	1
	HR exc. HR/2104, HR/2106	9417863	1

2.722 GASKET—Headlamp Mounting

GASKET	(Guide)	48, 50	7401439	2	
GASKET	(Lucas)	48, 50, FJ	7405493	2	
GASKET	(Bosch)	FJ	7405781	2	
GASKET	(Lucas)	FE/215, FE/217, FE/225	7409352	2	
GASKET	(Bosch)	FE/219, FE/229, FE/2104, FE/2106	##7409355	2	
GASKET	(Lucas)	FC, FB, EK	RIGHT HAND DRIVE	7409352	2
GASKET	(Bosch)	FC, FB, EK	RIGHT HAND DRIVE	7409355	2
GASKET	(Lucas)	EJ, EH		7421755	2
GASKET	(Bosch)	EJ, EH	RIGHT HAND DRIVE	7423107	2



2.725 HEADLAMP ASSEMBLY

HEADLAMP ASSEMBLY	(Guide)	48, 50		925756	2
BULB—6-8 Volt 50-32 C.P., D.C.	(Guide)	48, 50		2530	2
HEADLAMP ASSEMBLY	(Lucas)	48, 50, FJ		7404532	2
BULB—6-8 Volt 45-35 Watt, D.C.	(Lucas)	48, 50, FJ		7405479	2
HEADLAMP ASSEMBLY	(Bosch)	FJ		7407946	2
BULB—6-8 Volt 45-40 Watt D.C. Assymmetric	(Bosch)	FJ		7406883	2
BULB—6-8 Volt 2 C.P., S.C.		48, 50, FJ		125588	2
HEADLAMP ASSEMBLY—Less rim	(Lucas)	FE/215, FE/217, FE/225		7409197	2
BULB—12-16 Volt 42-36 Watt	(Lucas)	FE/215, FE/217, FE/225		7091897	2
BULB—12-16 Volt 45-40 Watt	(Bosch)	FE/219, FE/229, FE2104, FE/2106	##	7414645	2
BULB—12-16 Volt 2 C.P.		FE		127934	2
HEADLAMP ASSEMBLY—Less rim	(Lucas)	FC		7411799	2
BULB—12-16 Volt 42-36 Watt	(Lucas)	FC		7091897	2
HEADLAMP ASSEMBLY—Less rim	(Bosch)	FC		7411799	2
BULB—12-16 Volt 45-40 Watt	(Bosch)	FC		7414645	2
HEADLAMP ASSEMBLY—Less rim	(Lucas)	FB, EK	RIGHT HAND DRIVE	7412739	2
BULB—12-16 Volt 42-36 Watt	(Lucas)	FB, EK	RIGHT HAND DRIVE	7091897	2
HEADLAMP ASSEMBLY—Less rim	(Bosch)	FB, EK	RIGHT HAND DRIVE	7412739	2
BULB—12-16 Volt 45-40 Watt	(Bosch)	FB, EK	RIGHT HAND DRIVE	7414645	2
HEADLAMP ASSEMBLY—Less rim	(Lucas)	EJ, EH	RIGHT HAND DRIVE LEFT HAND DRIVE	7416692 7417485	2 2
HEADLAMP ASSEMBLY—Less rim	(Bosch)	EJ, EH	RIGHT HAND DRIVE	7416692	2
HEADLAMP ASSEMBLY—Less rim	(Lucas)	HD, HR	RIGHT HAND DRIVE LEFT HAND DRIVE	7423498 7424463	2 2
HEADLAMP ASSEMBLY—Yellow bulb (Optional export only)	(Lucas)	EJ, EH	LEFT HAND DRIVE	7427319	2
HEADLAMP ASSEMBLY—Yellow bulb (Optional export only)	(Lucas)	HD, HR	LEFT HAND DRIVE	7429638	2
BULB—12 Volt, 45-40 Watt, yellow (Optional export only)		EJ, EH, HD, HR	LEFT HAND DRIVE	7427321	2
SCREW—Pan hd. cr. rec. tapp. No. 10-12 x 1/2"		ALL		161895	A.R.
NUT—Headlamp mounting		ALL		7415887	A.R.
SCREW—Rd. hd. sl. mach. No. 10—No. 32 x 1/2"		EJ, EH		455713	2
WASHER—Spring lock No. 10		EJ, EH		453288	2

2.726 BODY ASSEMBLY, MOUNTING RING—Headlamp

BODY ASSEMBLY	(Guide)	48, 50		5937072	2
BODY ASSEMBLY	(Lucas)	48, 50, FJ		7405503	2
RING—Mounting	(Lucas)	48, 50, FJ		7405498	2
SPACER—Mounting ring	(Lucas)	48, 50, FJ		7405499	4
BODY ASSEMBLY	(Bosch)	FJ		7405783	2
RING—Mounting	(Bosch)	FJ		7405807	2
SPRING—Mounting ring screw	(Bosch)	FJ		7405801	6
SCREW—Locking spring clamp	(Bosch)	FJ		7405803	4
NUT—Locking spring clamp screw	(Bosch)	FJ		7405804	4
CLAMP—Locking spring	(Bosch)	FJ		7405802	4
BODY ASSEMBLY	(Lucas)	FE/215, FE/217, FE/225		7406040	2
SPACER—Body	(Lucas)	FE/215, FE/217, FE/225		7405499	4
RING—Mounting	(Lucas)	FE/215, FE/217, FE/225		7405498	2
BODY ASSEMBLY	(Bosch)	FE/219, FE/229, FE/2104, FE/2106	##	7406241	2
SPRING—Reflector retaining	(Bosch)	FE/219, FE/229, FE/2104, FE/2106	##	7406249	6
SCREW—Reflector retaining spring	(Bosch)	FE/219, FE/229, FE/2104, FE/2106	##	7406250	6
BODY ASSEMBLY	(Lucas)	FC		7406040	2
SPACER—Body	(Lucas)	FC		7405499	4
RING—Mounting	(Lucas)	FC		7405498	2
BODY ASSEMBLY	(Bosch)	FC		7406241	2
SPRING—Reflector retaining	(Bosch)	FC		7406249	6
SCREW—Reflector retaining spring	(Bosch)	FC		7406250	6

The first 600 (approximately) FE/2106 Utilities assembled in Victoria and 96 FE/2106 Utilities assembled in Western Australia were equipped with Lucas Headlamps Part No. 7409197.



HOLDEN

MASTER PARTS CATALOGUE

2.726 BODY ASSEMBLY, MOUNTING—Headlamp (Cont'd.)

BODY ASSEMBLY	(Lucas)	FB, EK	RIGHT HAND DRIVE	7406868	2
RING—Mounting	(Lucas)	FB, EK	RIGHT HAND DRIVE	7405498	2
BODY ASSEMBLY	(Bosch)	FB, EK	RIGHT HAND DRIVE	7406703	2
SPRING—Reflector retaining	(Bosch)	FB, EK	RIGHT HAND DRIVE	7406249	6
SCREW—Reflector retaining spring	(Bosch)	FB, EK	RIGHT HAND DRIVE	7406250	6
BODY ASSEMBLY	(Lucas)	EJ, EH		7421759	2
RIM—Light unit seating	(Lucas)	EJ, EH		7426745	2
BODY ASSEMBLY	(Bosch)	EJ, EH	RIGHT HAND DRIVE	7422041	2
SCREW—Light unit retaining	(Bosch)	EJ, EH	RIGHT HAND DRIVE	7406250	6
SPRING—Light unit retaining	(Bosch)	EJ, EH	RIGHT HAND DRIVE	7406249	6
BODY ASSEMBLY	(Lucas)	HD, HR		7427767	2
RIM—Light unit seating	(Lucas)	HD, HR		7426745	2

2.727 LENS, LENS AND REFLECTOR ASSEMBLY, SEALED BEAM UNIT—Headlamp.

LENS	(Guide)	48, 50		5930411	2
LENS AND REFLECTOR ASSEMBLY	(Lucas)	48, 50, FJ		7405488	2
LENS	(Bosch)	FJ		7405794	2
LENS AND REFLECTOR ASSEMBLY	(Lucas)	FE/215, FE/217, FE/225		7405488	2
LENS AND REFLECTOR ASSEMBLY	(Bosch)	FE/219, FE/229, FE/2104, FE/2106	##	7406246	2
LENS AND REFLECTOR ASSEMBLY	(Lucas)	FC, FB, EK	RIGHT HAND DRIVE	7406426	2
LENS AND REFLECTOR ASSEMBLY	(Bosch)	FC, FB, EK	RIGHT HAND DRIVE	7406551	2
SEALED BEAM UNIT—Headlamp		FB, EK, EJ, EH, HD, HR	LEFT HAND DRIVE	5956007	2
SEALED BEAM UNIT—Headlamp	(Lucas)	EJ, EH, HD, HR	RIGHT HAND DRIVE	7419529	2
SEALED BEAM UNIT—Headlamp (Branded Guide)	(Bosch)	EJ, EH, HD, HR	RIGHT HAND DRIVE	5956009	2
LENS AND REFLECTOR ASSEMBLY—Yellow bulb lamp (Optional export only)		EJ, EH, HD, HR	LEFT HAND DRIVE	7427320	2

The first 600 (approximately) FE/2106 Utilities assembled in Victoria and 96 FE/2106 Utilities assembled in Western Australia were equipped with Lucas Headlamps Part No. 7409197.

2.728 DOOR ASSEMBLY, RIM—Headlamp

DOOR ASSEMBLY	(Guide)	48, 50		5936738	2
DOOR ASSEMBLY	(Lucas)	48, 50, FJ		7405489	2
DOOR ASSEMBLY	(Bosch)	FJ		7405784	2
RIM		FE		7410521	2
RIM		FC exc. FC/2104, FC/2106		7410521	2
RIM		FC/2104, FC/2106		7413683	2
RIM—(Painted)		FB, exc. FB/225, FB/229 EK, exc. EK/225, EK/229		7412691	2
RIM—(Plated)		FB/225, FB/229, EK/225, EK/229 EK/2104, EK/2106		7402415	2
RIM and ORNAMENT		EJ, EH		7421111	2
SCREW—Oval hd. cr. rec. tap. type "A" No. 8—15 x 3/8"		EJ, EH		SP1520	4
RIM		EJ, EH		7421109	2
ORNAMENT—Headlamp rim		EJ, EH		7421110	2
SCREW—Headlamp rim ornament		EJ, EH		SP1523	6
WASHER—Plain, 5/32" x 5/16" x .035"		EJ, EH		446121	6
RIM		HD		LH7429745	1
				RH7429746	1
SCREW—Oval hd. cr. rec. tap. type "A" No. 8—15 x 5/8"		HD		SP1641	4
RIM		HR		LH7429155	1
				RH7429156	1
SCREW—Pan hd. cr. rec. tap. No. 8—15 x 9/16"		HR		SP1702	4



2.729 SCREW, NUT—Headlamp Door

SCREW	(Guide)	48, 50	131966	2
SCREW—Pan hd. sl. tapp. Type "A" No. 8	(Guide)	48, 50	450521	2
SCREW—Pan hd. sl. tapp. type "A" No. 8	(Lucas)	48, 50, FJ	450521	2
NUT—U type speed No. 8A	(Lucas)	48, 50, FJ	SP1276	2
SCREW	(Bosch)	FJ	7405787	2
NUT	(Bosch)	FJ	7405789	2
SCREW—Pan hd. sl. tap. Type "A" No. 8—15 x 1"		FE, FC	144838	4
NUT—U type speed No. 8		FE, FC	SP1326	4
SCREW—Pan. hd. sl. tap. Type "A" No. 8—15 x 5/8"		FB, EK	451815	6
NUT—Rim retaining	(Lucas)	FB, EK	RIGHT HAND DRIVE	6313801 6
NUT—Rim retaining	(Bosch)	FB, EK, EJ, EH	RIGHT HAND DRIVE	7406813 A.R.
NUT—Rim retaining	(Lucas)	EJ, EH, HD, HR		6313801 4

2.730 SPRING—Headlamp Lens Retaining

SPRING	(Guide)	48, 50	924568	10
SPRING	(Bosch)	FJ	7405792	10

2.731 RING—Headlamp Retaining

RING	(Guide)	48, 50	924534	2
RING	(Lucas)	48, 50, FJ	7405500	2
RING	(Bosch)	FJ	7405796	2
RING—Lens retaining	(Lucas)	FE/215, FE/219, FE/225	7405500	2
RING—Lens retaining	(Bosch)	FE/219, FE/229, FE/2104, FE/2106	##7406244	2
RING—Lens retaining	(Lucas)	FC	7405500	2
RING—Lens retaining	(Bosch)	FC, FB, EK	RIGHT HAND DRIVE	7406244 2
RING—Lens retaining	(Lucas)	FB, EK	RIGHT HAND DRIVE	7111311 2
RING—Sealed beam unit retaining	(Lucas)	EJ, EH, HD, HR		7426744 2
RING—Sealed beam unit retaining	(Bosch)	EJ, EH	RIGHT HAND DRIVE	7406244 2

2.734 REFLECTOR, CLIP—Headlamp

REFLECTOR AND WIRING ASSEMBLY	(Guide)	48, 50	5936790	2
REFLECTOR ASSEMBLY	(Bosch)	FJ	7405795	2

2.735 GASKET, SEAL—Headlamp

GASKET—Lens	(Guide)	48, 50	5930408	2
GASKET—Door Seal	(Guide)	48, 50	5930594	2
SEAL—Door dust	(Lucas)	48, 50, FJ	7405490	2
GASKET—Lens	(Bosch)	FJ	7405793	2
SEAL—Door dust	(Bosch)	FJ	7405785	2
SEAL—Door dust	(Lucas)	FE/215, FE/217, FE/225	7410522	2
SEAL—Door dust	(Bosch)	FE/219, FE/229, FE/2104, FE/2106	##7409956	2
SEAL—Door dust	(Lucas)	FC	7410522	2
SEAL—Door dust	(Bosch)	FC	7409956	2
SEAL—Dust		FB, EK	7412743	2

The first 600 (approximately) FE/2106 Utilities assembled in Victoria and 96 FE/2106 Utilities assembled in Western Australia were equipped with Lucas Headlamps Part No. 7409197.



HOLDEN

MASTER PARTS CATALOGUE

2.736 SCREW, BRACKET—Headlamp Mounting Ring

SCREW	(Guide)	48, 50	924552	6
SCREW	(Lucas)	48, 50, FJ	144791	6
SCREW—Pivot	(Bosch)	FJ	7405798	2
NUT—Pivot screw	(Bosch)	FJ	7405800	2
SCREW	(Lucas)	FE/215, FE/217, FE/225	144791	6
SCREW	(Lucas)	FC, FB, EK	RIGHT HAND DRIVE	144791	6
SCREW	(Lucas)	EJ, EH, HD, HR	7104224	6
BRACKET	(Lucas)	EJ, EH	7421752	2

2.737 SCREW—Headlamp Beam Adjusting

SCREW	(Guide)	48, 50	924561	4
SCREW	(Lucas)	48, 50, FJ	7405501	6
SPRING—Adjusting screw	(Lucas)	48, 50, FJ	7405496	6
WASHER—Adjusting screw cup	(Lucas)	48, 50, FJ	7405497	6
SCREW	(Bosch)	FJ	7405799	4
SCREW	(Lucas)	FE/215, FE/217, FE/225	7405501	6
SPRING—Adjusting screw	(Lucas)	FE/215, FE/217, FE/225	7405496	6
SCREW	(Bosch)	FE/219, FE/229, FE/2104, FE/2106	##7406242	4	
SCREW—Beam pivot	(Bosch)	FE/219, FE/229, FE/2104, FE/2106	##7406243	2	
SCREW	(Lucas)	FC, FB, EK	RIGHT HAND DRIVE	7405501	6
SPRING—Adjusting screw	(Lucas)	FC, FB, EK	RIGHT HAND DRIVE	7405496	6
SCREW	(Lucas)	FB, EK	LEFT HAND DRIVE	7425148	4
SCREW	(Bosch)	FC, FB, EK	RIGHT HAND DRIVE	7406242	4
SCREW—Beam pivot	(Bosch)	FC, FB, EK	RIGHT HAND DRIVE	7406243	2
SCREW	(Lucas)	EJ, EH	7421757	4
NUT	(Lucas)	EJ, EH	7421863	4
HOUSING	(Lucas)	EJ, EH	7421758	4
SPRING—Light unit seating rim	(Lucas)	EJ, EH	7421756	2
SCREW—Headlamp beam adjusting	(Bosch)	EJ, EH	RIGHT HAND DRIVE	7406242	4
SCREW—Headlamp beam pivot	(Bosch)	EJ, EH	RIGHT HAND DRIVE	7406243	2
SCREW	(Lucas)	HD, HR	7421757	4
NUT	(Lucas)	HD, HR	7426753	4
SPRING—Light unit seating rim	(Lucas)	HD, HR	7426748	2

2.740 PROTECTOR—Headlamp Parking Bulb

PROTECTOR	(Bosch)	FE/219, FE/229, FE/2104, FE/2106	## 7406247	2
SPRING—Protector retaining	(Bosch)	FE/219, FE/229, FE/2104, FE/2106	## 7406248	2

2.746 SPRING—Headlamp Door Dust Seal Retaining

SPRING—Bottom	(Guide)	48, 50	5939791	A.R.
SPRING	(Bosch)	FJ	7405786	14

2.750 HARNESS ASSEMBLY—Headlamp Wiring

HARNESS ASSEMBLY—With sockets	(Lucas)	48, 50, FJ	7405492	2
SOCKET ASSEMBLY—Parking lamp bulb	(Lucas)	48, 50, FJ	7405491	2
HARNESS ASSEMBLY	(Bosch)	FJ	7405797	2
SOCKET ASSEMBLY—H. & P. lamp bulbs	(Bosch)	FJ	7405790	2
CLIP—Bulb socket retaining	(Bosch)	FJ	7405806	2
SCREW—Socket terminal (4 M.M.)	(Bosch)	FJ	7405791	8
HARNESS ASSEMBLY—With main bulb holder	(Lucas)	FE/215, FE/217, FE/225	7406041	2
SOCKET ASSEMBLY—Parking lamp bulb	(Lucas)	FE/215, FE/217, FE/225	7405491	2
HARNESS ASSEMBLY—	(Bosch)	FE/219, FE/229, FE/2104, FE/2106	## 7406254	2	
SOCKET ASSEMBLY—H. & P. lamp bulbs	(Bosch)	FE/219, FE/229, FE/2104, FE/2106	## 7406251	2	
CLIP—Bulb socket retaining	(Bosch)	FE/219, FE/229, FE/2104, FE/2106	## 7405806	2	
SCREW—Socket terminal (4 M.M.)	(Bosch)	FE/219, FE/229, FE/2104, FE/2106	## 7405791	8	

The first 600 (approximately) FE/2106 Utilities assembled in Victoria and 96 FE/2106 Utilities assembled in Western Australia were equipped with Lucas Headlamps Part No. 7409197.

HOLDEN

MASTER PARTS CATALOGUE



2.750 HARNESS ASSEMBLY—Headlamp Wiring (Cont'd.)

HARNESS ASSEMBLY—With main bulb holder	(Lucas)	FC, FB, EK	RIGHT HAND DRIVE	7406425	2
HARNESS ASSEMBLY	(Bosch)	FC, FB, EK	RIGHT HAND DRIVE	7406553	2
SOCKET ASSEMBLY—Bulb	(Bosch)	FC, FB, EK	RIGHT HAND DRIVE	7406552	2
CLIP—Bulb socket retaining	(Bosch)	FC, FB, EK	RIGHT HAND DRIVE	7405806	2
SCREW—Socket terminal (4 M.M.)	(Bosch)	FC, FB, EK	RIGHT HAND DRIVE	7405791	8
HARNESS ASSEMBLY	(Lucas)	EJ, EH		7421761	2
LEAD ASSEMBLY—Earth	(Lucas)	EJ, EH		7421760	2
GROMMET—2 way connector		EJ, EH		7416540	2
HARNESS ASSEMBLY	(Bosch)	EJ, EH	RIGHT HAND DRIVE	7422040	2
SOCKET ASSEMBLY	(Bosch)	EJ, EH	RIGHT HAND DRIVE	7422039	2
LEAD ASSEMBLY—Earth	(Bosch)	EJ, EH	RIGHT HAND DRIVE	7422042	2

2.810 HORN ASSEMBLY

HORN ASSEMBLY		48, 50, FJ		7401146	1
HORN ASSEMBLY—Low note		FE			
		FC	S.A. up to Ser. No. 8082A Qld. up to Ser. No. 11475B Vic. up to Ser. No. 25089M W.A. up to Ser. No. 6700P N.S.W. up to Ser. No. 26468S	7406195	1
HORN ASSEMBLY—Low Note		FC	S.A. from Ser. No. 8083A Qld. from Ser. No. 11476B Vic. from Ser. No. 25090M W.A. from Ser. No. 6701P N.S.W. from Ser. No. 26469S	7406620	1
HORN ASSEMBLY—High note package		FE, FC		7406622	1
HORN AND BRACKET ASSEMBLY—Low note		FB, EK		7412989	1
BOLT—Hex. hd. 5/16"—24 x 3/4"		FB, EK		120741	1
NUT—Hex. 5/16"—24		FB, EK		120368	1
WASHER—Spring lock 5/16" medium		FB, EK		120214	1
HORN ASSEMBLY—High note package		FB, EK		7413631	1
HORN ASSEMBLY—Low note		EJ, EH, HD		7421321	1
BOLT—Hex. hd. 5/16"—24 x 5/8"		EJ, EH		123473	2
BOLT—Hex. hd. 5/16"—18 x 5/8"		EJ, EH, HD		120228	2
WASHER—Spring lock, 5/16"—medium		EJ, EH, HD		120214	2
WASHER—Plain, type "A" 11/32" x 11/16" x .065"		EJ		120393	2
HORN ASSEMBLY—High note		EJ/235, EH/235, EH/239		7421226	1
BOLT—Hex. hd. 1/4"—28 x 5/8"		EJ/235, EH/235, EH/239		456059	2
NUT—Hex. 1/4"—28		EJ/235, EH/235, EH/239		120367	2
WASHER—Spring lock, 1/4"—medium		EJ/235, EH/235, EH/239		120380	2
LEAD ASSEMBLY—Low note horn earth		EJ/235, EH/235, EH/239		*7421370	1
HORN ASSEMBLY—High note package		EJ exc. EJ/235 EH exc. EH/235, EH/239		7419132	1
HORN ASSEMBLY—High note		HD/235, HD/239		7412146	1
BOLT—Hex. hd. 5/16"—18 x 3/4"		HD/235, HD/239		180077	2
WASHER—External tooth lock 5/16"		HD/235, HD/239		138485	2
LEAD ASSEMBLY—Low note horn earth		HD/235, HD/239		*7421370	1
HORN ASSEMBLY—High note package		HD exc. HD/235, HD/239		7420325	1
HORN ASSEMBLY—Low note	(R.V.B.)	HR exc. HR/235, HR/239		7431280	1
HORN ASSEMBLY—Low note	(R.V.B.)	HR/235, HR/239		7431819	1
HORN ASSEMBLY—Low note	(Lucas)	HR		7435041	1
BOLT—Hex. hd. 5/16"—18 x 5/8"		HR		120228	2
WASHER—Spring lock, 5/16"—medium		HR		120214	2
HORN ASSEMBLY—High note	(R.V.B.)	HR/235, HR/239		7431820	1
HORN ASSEMBLY—High note	(Lucas)	HR/235, HR/239		7435040	1
BOLT—Hex. hd., 5/16"—18 x 3/4"		HR/235, HR/239		180077	2
WASHER—Spring lock, 5/16"—medium		HR/235, HR/239		120214	2
HORN ASSEMBLY—High note package	(R.V.B.)	HR exc. HR/235, HR/239		7431383	1
LEAD ASSEMBLY—High note horn		HR		7431365	1

*Note. Must be used when fitting Low Note Horn Part No. 7421321.



HOLDEN

MASTER PARTS CATALOGUE

2.815 RELAY, HARNESS—Horn

RELAY	EJ/235, EH/235, EH/239, HD/235, HD/239	7419039	1
WASHER—Plain, 7/32" x 7/16" x .049"	EJ/235, EH/235, EH/239, HD/235, HD/239	446161	2
SCREW—Pan hd. cr. rec. tap. type "A" No. 10—12 x 1/2"	EJ/235, EH/235, EH/239, HD/235, HD/239	161895	2
HARNESS ASSEMBLY	EJ/235, EH/235, EH/239, HD/235, HD/239	7421369	1

2.817 CAP ASSEMBLY—Horn Button

CAP ASSEMBLY	48, 50, FJ	7402300	1
--------------------	------------------	---------	---

2.819 CONTACT, CONNECTOR, SWITCH & LEAD, BRUSH & LEAD—Horn Button

CONTACT ASSEMBLY	48, 50, FJ	7402195	1
CONNECTOR ASSEMBLY	48, 50, FJ	7402202	1
CONTACT AND SPRING ASSEMBLY	FE, FC, FB, EK	7421726	1
INSULATOR	FE, FC, FB, EK	7409520	1
CONTACT—Horn connector	FE, FC, FB, EK	†7421142	1
BRUSH—Horn connector	FE, FC, FB, EK	†7421143	1
SPRING—Horn connector	FE, FC, FB, EK	†7408211	1
SWITCH AND LEAD ASSEMBLY	EJ, EH	7422318	1
SCREW—Flat hd. cr. rec. mach. No. 6—32 x 1/4"	EJ, EH	155830	4
BRUSH AND LEAD ASSEMBLY	EJ, EH	7422319	1
CONTACT ASSEMBLY	HD, HR	7426495	1
NUT—Lock	HD, HR	7424319	1

†Component of 7421726 Horn contact package.

2.820 BUTTON, ORNAMENT—Horn Ring and Steering Wheel Hub

BUTTON	FE, FC	7409517	1
BUTTON	FB, EK	7414363	1
ORNAMENT	EJ, EH	7416882	1
ORNAMENT	HD/235, HD/239, HR/235, HR/239	7426492	1

2.821 SPRING, PLATE—Horn Button, Ornament and Arm

SPRING	FE, FC, FB, EK	6651017	1
SPRING	EJ, EH	7417612	1
PLATE	HD/235, HD/239, HR/235, HR/239	7426494	1
SCREW—Rd. hd. cr. rec. tap. type "T" No. 6—32 x 3/16"	HD/235, HD/239	SP1565	2
SCREW—Pan hd. cr. rec. tap. No. 6—32 x 3/16"	HR/235, HR/239	9427350	2

2.822 SUPPORT, SPACER—Horn Contact

SUPPORT	FE, FC, FB, EK	7409521	1
SCREW—Support to turn signal switch	FE/225, FE/229, FC/225, FC/229 FB/225, FB/229, EK/225, EK/229	**7405523	1
SCREW—Support to turn signal switch	FB/2104, FB/2106 EK/2104, EK/2106	#7405523	1

**Also required for FB/215, FB/219, EK/215, EK/219, with factory assembled direction signal equipment.

#Required when factory assembled direction signal equipment fitted.

HOLDEN

MASTER PARTS CATALOGUE



2.822 SUPPORT, SPACER—Horn Contact (Cont'd.)

SCREW—Support to spacer	FE, exc. FE/225, FE/229 FC, exc. FC/225, FC/229 FB, exc. FB/225, FB/229 EK, exc. EK/225, EK/229		
WASHER—Spring lock No. 6—medium	FE, FC, FB, EK	††421885	1
SPACER—Contact support	FE, exc. FE/225, FE/229 FC, exc. FC/225, FC/229 FB, exc. FB/225, FB/229 EK, exc. EK/225, EK/229	131044	1
SCREW—Rd. hd. sl. mach. No. 8—32 x 5/16"	FE, exc. FE/225, FE/229 FC, exc. FC/225, FC/229 FB, exc. FB/225, FB/229 EK, exc. EK/225, EK/229	††7409513	1
WASHER—Spring lock No. 8 medium	FE, exc. FE/225, FE/229 FC, exc. FC/225, FC/229 FB, exc. FB/225, FB/229 EK, exc. EK/225, EK/229	††121749	3
	FE, exc. FE/225, FE/229 FC, exc. FC/225, FC/229 FB, exc. FB/225, FB/229 EK, exc. EK/225, EK/229	††121841	3

††Required for vehicle without factory assembled direction signal equipment.

2.823 SPRING—Horn Switch Contact

SPRING	FE, FC, FB, EK	6651169	1
--------------	----------------	---------	---

2.824 SPACER—Horn Switch

ADAPTOR—Horn Actuating

SPACER	FE, FC, FB, EK	6651070	1
ADAPTOR	HD, HR	7424197	1

2.830 RING, SPACER, BUTTON—Horn Blowing and Actuating SHROUD—Steering Wheel

RING	FE, FC	7413761	1
RING	FB, EK	7412551	1
SPACER—Ring mounting	FE, FC, FB, EK	*6660410	3
SPACER—Ring mounting	FE, FC, FB, EK	*6651170	3
SPACER—Ring mounting	FE, FC, FB, EK	*6660409	3
SPACER—Ring mounting	FE, FC, FB, EK	*6661163	3
SCREW—Pan hd. cr. rec. mach. No. 6—32 x 5/8"	FE, FC, FB, EK	159341	3
WASHER—Plain 5/32" x 5/16" x .035"	FE, FC, FB, EK	446121	3
SHROUD	EJ, EH	7416772	1
SCREW—Special, 5/16"—18	EJ, EH	7418268	2
PAD—Shroud anti-rattle rubber	EJ, EH	M35237	2
BUTTON—Horn switch	EJ exc. EJ/235, EH exc. EH/235, EH/239	7416782	2
BUTTON—Horn switch	EJ/235, EH/235, EH/239	7419812	2
SPRING—Steering wheel shroud mounting	EJ, EH	7418267	2
BAR—Horn actuating	HD exc. HD/235, HD/239 HR exc. HR/235, HR/239	7424196	1
RING—Horn actuating	HD/235, HD/239	7424303	1
RING—Horn actuating	HR/235, HR/239	7429703	1
SCREW—Pan hd. cr. rec. tap. type "T" No. 10—24 x 3/8"	HD, HR	9417639	2
SCREW—Pan hd. cr. rec. mach. No. 10—24 x 3/8"	HR	159908	2
WASHER—Plain, type "A" 7/32" x 1/2" x .049"	HD, HR	120391	2
SPRING—Bar mounting	HD, HR	7424321	3
SCREW—Bar mounting	HD, HR	7424198	3

*Selective Fit.



HOLDEN

MASTER PARTS CATALOGUE

2.845 BRACKET, PLATE—Horn Mounting

BRACKET ASSEMBLY	FJ	7404497	1
BOLT—Auto. hex. hd. 1/4"—20 x 11/16" w/lock washer	48, 50, FJ	SP1566	2
NUT—Hex. 1/4"—20	48, 50, FJ	120375	2
WASHER—Spring lock 1/4"—Medium	48, 50, FJ	120380	2
BRACKET ASSEMBLY—Dual horn	48, 50, FJ	LH7405391	1
		RH7405390	1
BRACKET ASSEMBLY	*	7406196	1
BOLT—Hex. hd. 1/4"—28 x 3/4"	*	123450	2
NUT—Hex. 1/4"—28	*	120367	2
WASHER—Int. tooth lock 1/4"	*	120423	2
BRACKET—Mounting support	FE, FC	7409741	1
BRACKET—Mounting support, high note horn	FE, FC	7409742	1
BOLT—Hex. hd. 5/16"—18 x 5/8"	FE, FC	120228	2-4
NUT—Hex. 5/16"—18	FE, FC	120376	2-4
WASHER—Plain 11/32" x 11/16" x .065"	FE, FC	120393	2-4
WASHER—Spring lock 5/16"—medium	FE, FC	120214	2-4
PLATE—Horn bracket mounting	EJ/235, EH/235, EH/239	7419131	2
BRACKET—High note horn mounting	EJ/235, EH/235, EH/239	7421239	1
BOLT—Hex. hd. 1/4"—28 x 5/8"	EJ/235, EH/235, EH/239	456059	3
WASHER—Plain, 17/64" x 5/8" x .049"	EJ/235, EH/235, EH/239	446188	3
WASHER—Spring lock 1/4"—medium	EJ/235, EH/235, EH/239	120380	3
NUT—Hex. 1/4"—28	EJ/235, EH/235, EH/239	120367	3

*FE

FC S.A. up to Ser. No. 8082A
 Qld. up to Ser. No. 11475B
 Vic. up to Ser. No. 25089M
 W.A. up to Ser. No. 6700P
 N.S.W. up to Ser. No. 26468S

2.859 CONTACT AND CABLE, BLOCK—Horn

CONTACT AND CABLE ASSEMBLY	48, 50, FJ	7400634	1
BLOCK ASSEMBLY—Connector	48, 50, FJ	7401319	1
CLIP—Connector block lock	48, 50, FJ	1874777	2
SCREW—Connector block terminal	48, 50, FJ	1864099	2
CONTACT AND CABLE ASSEMBLY	FE, FC	7409522	1
CONTACT AND CABLE ASSEMBLY	FB, EK	7412712	1
CONTACT AND CABLE—Horn	EJ, EH, HD, HR	7427456	1
CLAMP—Steering gear jacket horn wire	EJ, EH, HD, HR	7418120	1
SCREW—Rd. hd. cr. rec. tap. type "B" No. 10—16 x 1/4"	EJ, EH, HD	186441	1
SCREW—Pan hd. cr. rec. tap. type "B" No. 10—16 x 1/4"	HR	426314	1

2.892 FLASHER ASSEMBLY—Turn Signal

FLASHER ASSEMBLY	FE/225, FE/229, FC/225, FC/229 FB/225, FB/229, EK/225, EK/229	##7415398	1
CLIP—Flasher	FB/225, FB/229, EK/225, EK/229	##7417478	1
FLASHER ASSEMBLY	EJ, EH, HD	7415398	1
FLASHER ASSEMBLY	HR	7429585	1

##Also required for FB/215, FB/219, FB/2104, FB/2106, EK/215, EK/219, EK/2104, EK/2106 with factory assembled direction signal equipment.



2.893 BODY, PANEL—Turn Signal Indicator

BODY ASSEMBLY	FB/225, FB/229, EK/225, EK/229	##7412958	2
WASHER—Plain 3/16" x 3/8" x .049"	FB/225, FB/229, EK/225, EK/229	##446143	4
SCREW—Rd. hd. cr. rec. tap. Type "T" No. 8—32 x 7/16"	FB/225, FB/229, EK/225, EK/229	##9415505	4
BULB—Turn signal indicator 12-16 Volt 2 CP	FB/225, FB/229, EK/225, EK/229	##127934	2
PANEL ASSEMBLY	EJ	7418095	1
PANEL ASSEMBLY	EH	7423865	1
LENS—Indicator	EJ, EH	LH7422521 RH7422520	1 1
LENS—Indicator	HD	7426502	2
LENS & HOUSING—(Suit one piece panel)	HD	7427393	2
BULB—12-16 Volt. 2 C.P.	EJ, EH, HD	127934	2
LENS & HOUSING	HR	7427393	2
BULB—12-16 Volt. 2 C.P.	HR	9417863	2

2.894 INSULATOR—Turn Signal Indicator Lamp

INSULATOR	FB/225, FB/229, EK/225, EK/229	##7412962	2
-----------------	-------------------------------------	-----------	---

2.895 SWITCH ASSEMBLY—Turn Signal Lamp

SWITCH ASSEMBLY	FE/225, FE/229, FC/225, FC/229	7409516	1
SWITCH ASSEMBLY	FB/225, FB/229 EK/225 (M), EK/229 (M)	†7412955	1
SWITCH ASSEMBLY	FB/2104, FB/2106 EK/2104, EK/2106	7409516	1
SWITCH ASSEMBLY	EK (A)	RIGHT HAND DRIVE 7417743	1
SCREW—Fillister hd. sl. No. 8—32 x 7/16"	FE/225, FE/229, FC/225, FC/229 FB/225, FB/229, EK/225, EK/229	##131966	3
WASHER—Spring lock No. 8—medium	FE/225, FE/229, FC/225, FC/229 FB/225, FB/229, EK/225, EK/229	##121841	3
SCREW—Special	FE/225, FE/229, FC/225, FC/229	7413160	1
SCREW—Special	FB/225, FB/229, EK/225, EK/229	†7414365	1
SCREW—Special	FB/2104, FB/2106 EK/2104, EK/2106	7413160	1
SPRING—Pawl	FE/225, FE/229, FC/225, FC/229	7406345	1
CLIP—Cable retaining spring	FE/225, FE/229, FC/225, FC/229 FB/225, FB/229, EK/225, EK/229	##7406344	1
SWITCH ASSEMBLY	EJ, EH	7410421	1
COVER—Turn signal lamp switch	EJ (M), EH (M)	7415184	1
COVER—Turn signal lamp switch, aluminium	EJ (A), EH (A)	LEFT HAND DRIVE 7418501	1
COVER—Turn signal lamp switch, natural plastic	EJ (A), EH (A)	RIGHT HAND DRIVE ##7420259	1
STRIP—Earthing	EJ (A), EH (A)	RIGHT HAND DRIVE ††7417799	1
SCREW—Fill. hd. sl. mach. No. 8—32 x 1/2"	EJ, EH	131970	3
WASHER—Spring lock, No. 8—medium	EJ, EH	121841	3
SCREW—Pan hd. cr. rec. mach. No. 8—32 x 3/8"	EJ, EH	159582	1

†Also required for FB/215, FB/219, EK/215 (M), EK/219 (M) with factory assembled direction signal equipment.

††Use with covers 7427134, 7420259.

#Required when factory assembled direction signal equipment fitted.

Also required for FB/215, FB/219, FB/2104, FB/2106, EK/215, EK/219, EK/2104, EK/2106 with factory assembled direction signal equipment.

When fitting as a replacement for aluminium cover it is necessary to use Earthing Strip Part No. 7417799.



HOLDEN

MASTER PARTS CATALOGUE

2.895 SWITCH ASSEMBLY—Turn Signal Lamp (Cont'd.)

SWITCH ASSEMBLY	HD, HR	7410421	1
COVER—Turn signal lamp switch	HD (M), HR (M)	7426042	1
COVER—Turn signal lamp switch, black	HD (A), HR (A) RIGHT HAND DRIVE	7427395	1
COVER—Turn signal lamp switch, natural	HD/225 (A), HD/229 (A), HD/235 (A), HD/239 (A), HR/225 (A), HR/229 (A), HR/235 (A), HR/239 (A) RIGHT HAND DRIVE	7420259	1
COVER—Turn signal lamp switch	HD (A), HR (A) LEFT HAND DRIVE	7418501	1
SCREW—Fill. hd. sl. mach. No. 8—32 x 1/2"	HD	131970	3
SCREW—Fill. hd. cr. rec. mach. No. 8—32 x 1/2"	HR	153138	3
WASHER—Spring lock No. 8—Medium	HD, HR	121841	3
SCREW—Pan hd. cr. rec. mach. No. 8—32 x 3/8"	HD, HR	159582	1
WASHER—Spring lock No. 8—Medium	HD, HR	121841	1
STRIP—Earthing	HD (A), HR (A) RIGHT HAND DRIVE	7417799	1
SPRING—Pawl	EJ, EH, HD, HR	VS10405	1

2.897 LEVER AND KNOB—Turn Signal Lamp Switch

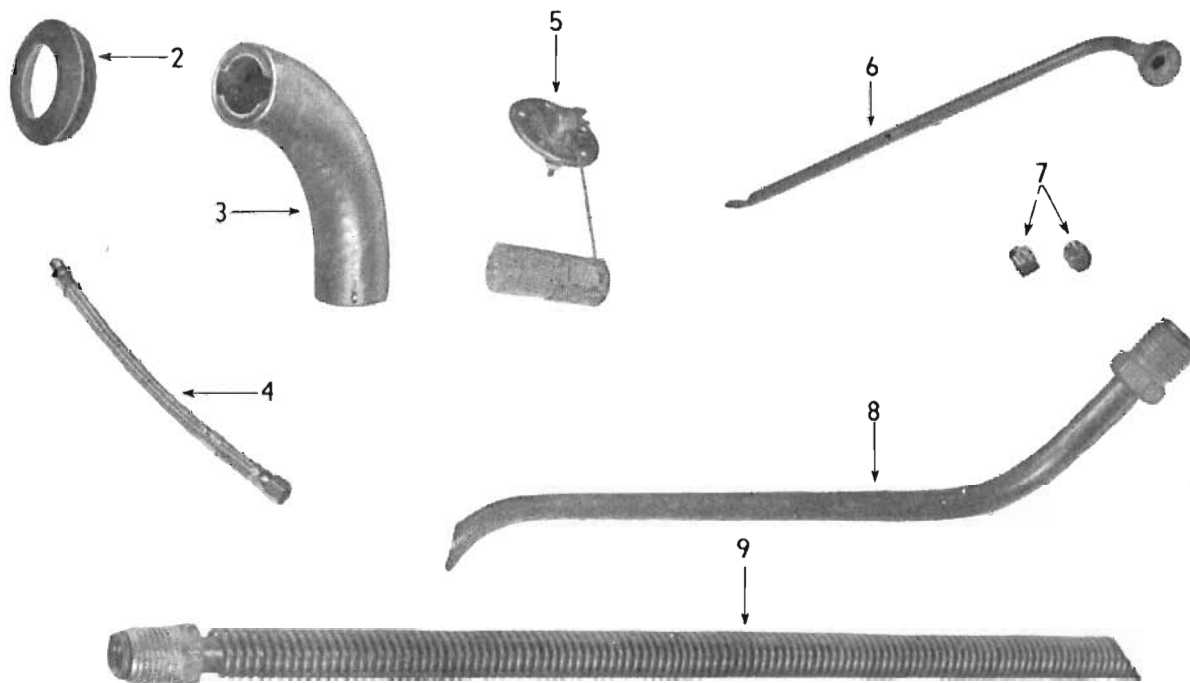
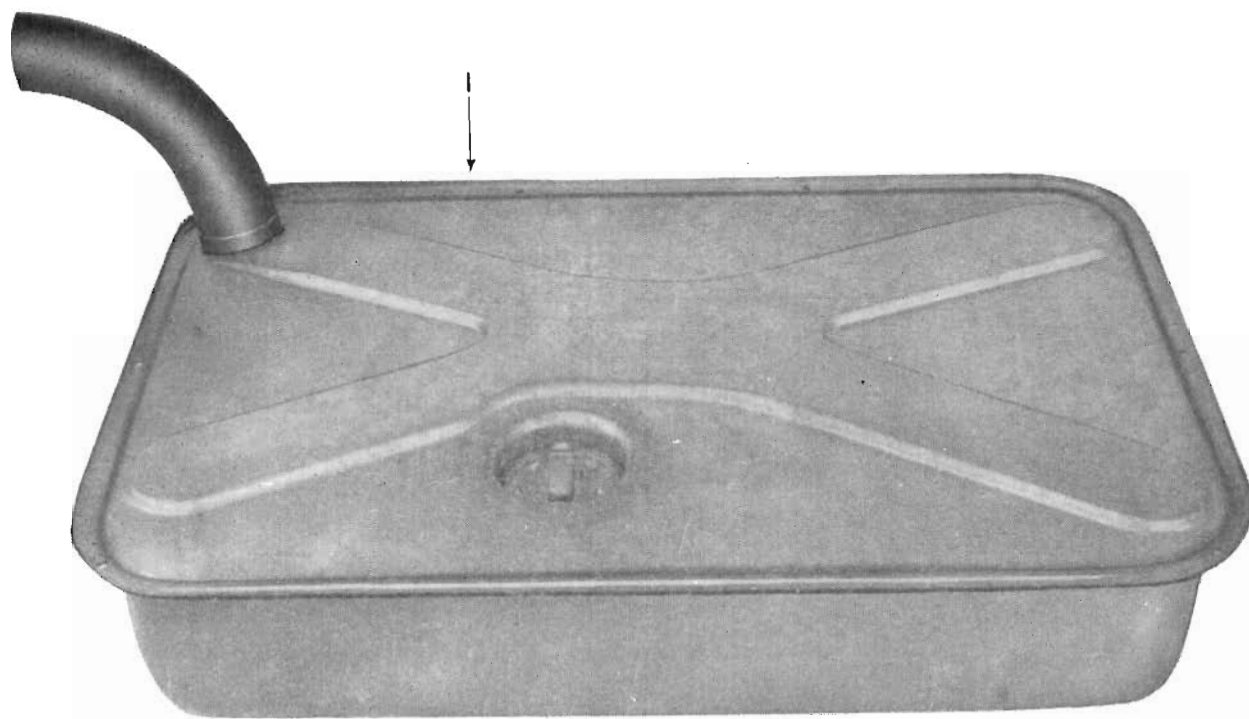
LEVER	FE/225, FE/229, FC/225, FC/229	*7413159	1
KNOB	FE/225, FE/229, FC/225, FC/229	7410391	1
LEVER	FB/225, FB/229, EK/225, EK/229	##7412566	1
KNOB	FB/225, FB/229, EK/225, EK/229	##7412567	1
LEVER	EJ, EH	7424078	1
KNOB	EJ exc. EJ/235, EH exc. EH/235, EH/239	7421028	1
KNOB	EJ/235, EH/235, EH/239	7419814	1
LEVER	HD, HR	7424078	1
KNOB	HD, HR	7424079	1
KNOB—Trim Nos. D68, D72	HD/235, HD/239	7428271	1

* When fitting to

FE/225 FE/229	{	S.A. up to Ser. No. 12859A
		Qld. up to Ser. No. 16573B
		Vic. up to Ser. No. 40204M
		W.A. up to Ser. No. 8906P
		N.S.W. up to Ser. No. 45261S

it is necessary to use 1 only 7413160 Screw

Also required for FB/215, FB/219, FB/2104, FB/2106, EK/215, EK/219, EK/2104, EK/2106 with factory assembled direction signal equipment.



FUEL TANK and PIPES

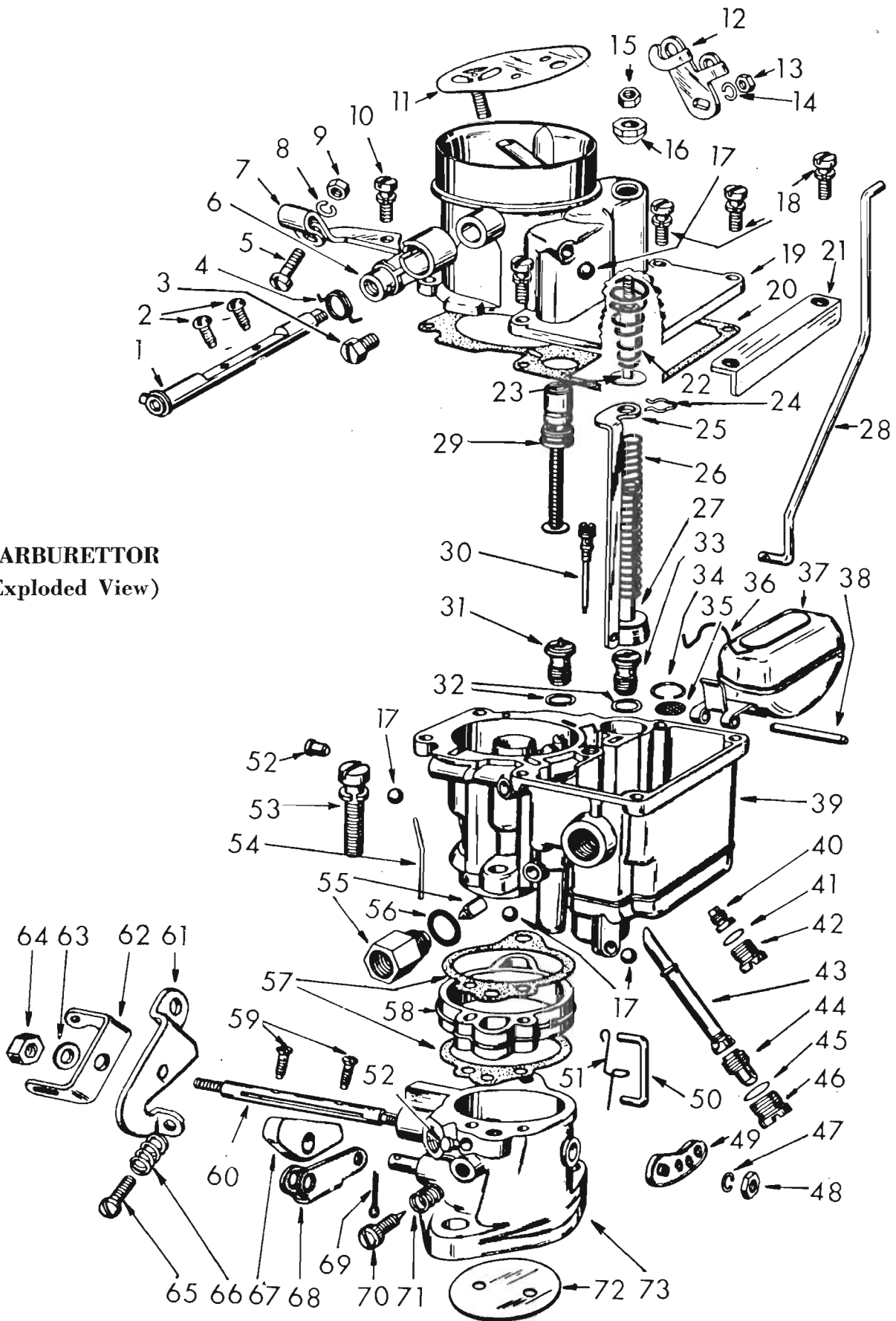
Illus. Ref. No.	Part Name	Group	Illus. Ref. No.	Part Name	Group
1	TANK ASSEMBLY	3.001	6	PIPE ASSEMBLY—Riser	3.158
2	GROMMET	3.008	7	PIPE FITTINGS	3.202
3	PIPE ASSEMBLY	3.003	8	PIPE ASSEMBLY	3.158
4	HOSE ASSEMBLY	3.163	9	PIPE ASSEMBLY	3.158
5	GAUGE ASSEMBLY	3.107			



HOLDEN

MASTER PARTS CATALOGUE

CARBURETTOR
(Exploded View)





CARBURETTOR

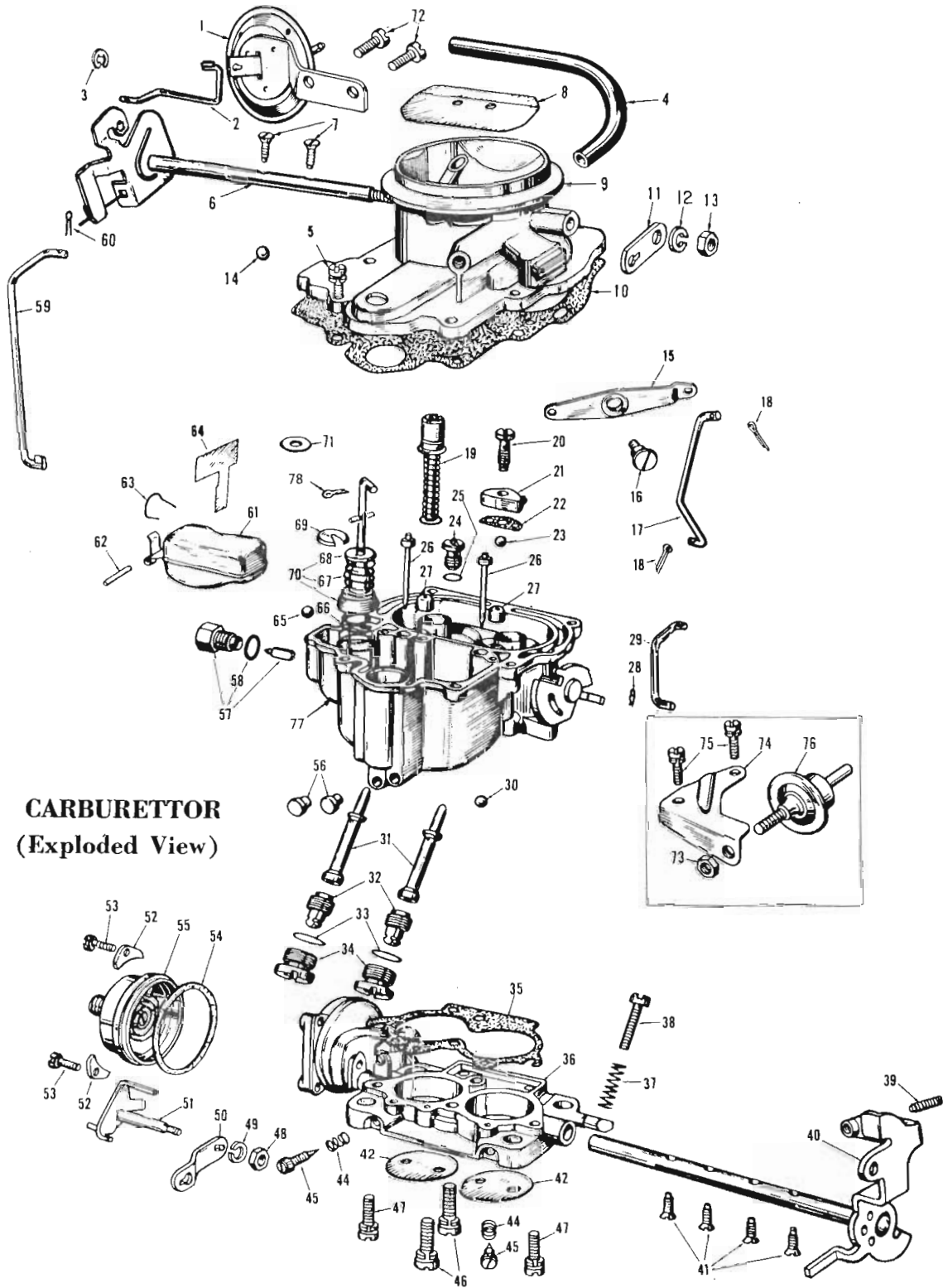
(ILLUSTRATION OPPOSITE)

Illus. Ref. No.	Part Name	Group	Illus. Ref. No.	Part Name	Group
1.	SHAFT AND LEVER ASSEMBLY	3.791	38.	PIN	3.775
2.	SCREW	3.789	39.	BODY ASSEMBLY	3.748
3.	SCREW	3.791	40.	VALVE ASSEMBLY	3.784
4.	SPRING	3.791	41.	GASKET	3.784
5.	SCREW	3.795	42.	PLUG	3.784
6.	LEVER ASSEMBLY	3.791	43.	JET—Main discharge	3.754
7.	HOLDER ASSEMBLY	3.795	44.	JET—Main metering	3.754
8.	WASHER	3.795	45.	GASKET	3.756
9.	NUT	3.795	46.	PLUG	3.755
10.	SCREW AND LOCK WASHER	3.795	47.	WASHER	3.781
11.	VALVE ASSEMBLY	3.789	48.	NUT	3.781
12.	LEVER	3.792	49.	LEVER	3.780
13.	NUT	3.792	50.	LINK	3.783
14.	WASHER	3.792	51.	CLIP	3.783
15.	NUT	3.764	52.	PLUG	3.767
16.	VALVE	3.764	53.	SCREW AND LOCK WASHER	3.748
17.	PLUG	3.767	54.	ROD	3.753
18.	SCREW AND LOCK WASHER	3.763	55.	VALVE AND SEAT ASSEMBLY	3.771
19.	AIR HORN ASSEMBLY	3.763	56.	GASKET	3.772
20.	GASKET	3.765	57.	GASKET	3.749
21.	BAR—Reinforcing	3.763	58.	SPACER	3.748
22.	SPRING	3.764	59.	SCREW	3.729
23.	STEM	3.764	60.	SHAFT	3.731
24.	PIN	3.778	61.	LEVER	3.731
25.	ROD	3.782	62.	LEVER	3.732
26.	SPRING	3.779	63.	WASHER	3.731
27.	PISTON AND STEM ASSEMBLY	3.778	64.	NUT	3.731
28.	ROD	3.793	65.	SCREW	3.734
29.	PISTON ASSEMBLY	3.788	66.	SPRING	3.734
30.	TUBE	3.752	67.	CAM	3.735
31.	JET—Power by-pass	3.757	68.	LEVER	3.735
32.	GASKET	3.757	69.	PIN	3.736
33.	JET—Pump by-pass	3.757	70.	VALVE	3.741
34.	CLIP	3.787	71.	SPRING	3.742
35.	SCREEN	3.787	72.	VALVE	3.729
36.	SPRING	3.775	73.	BODY ASSEMBLY	3.727
37.	FLOAT AND LEVER ASSEMBLY	3.773			



HOLDEN

MASTER PARTS CATALOGUE



HOLDEN

MASTER PARTS CATALOGUE



CARBURETTOR — TWO BARREL TYPE

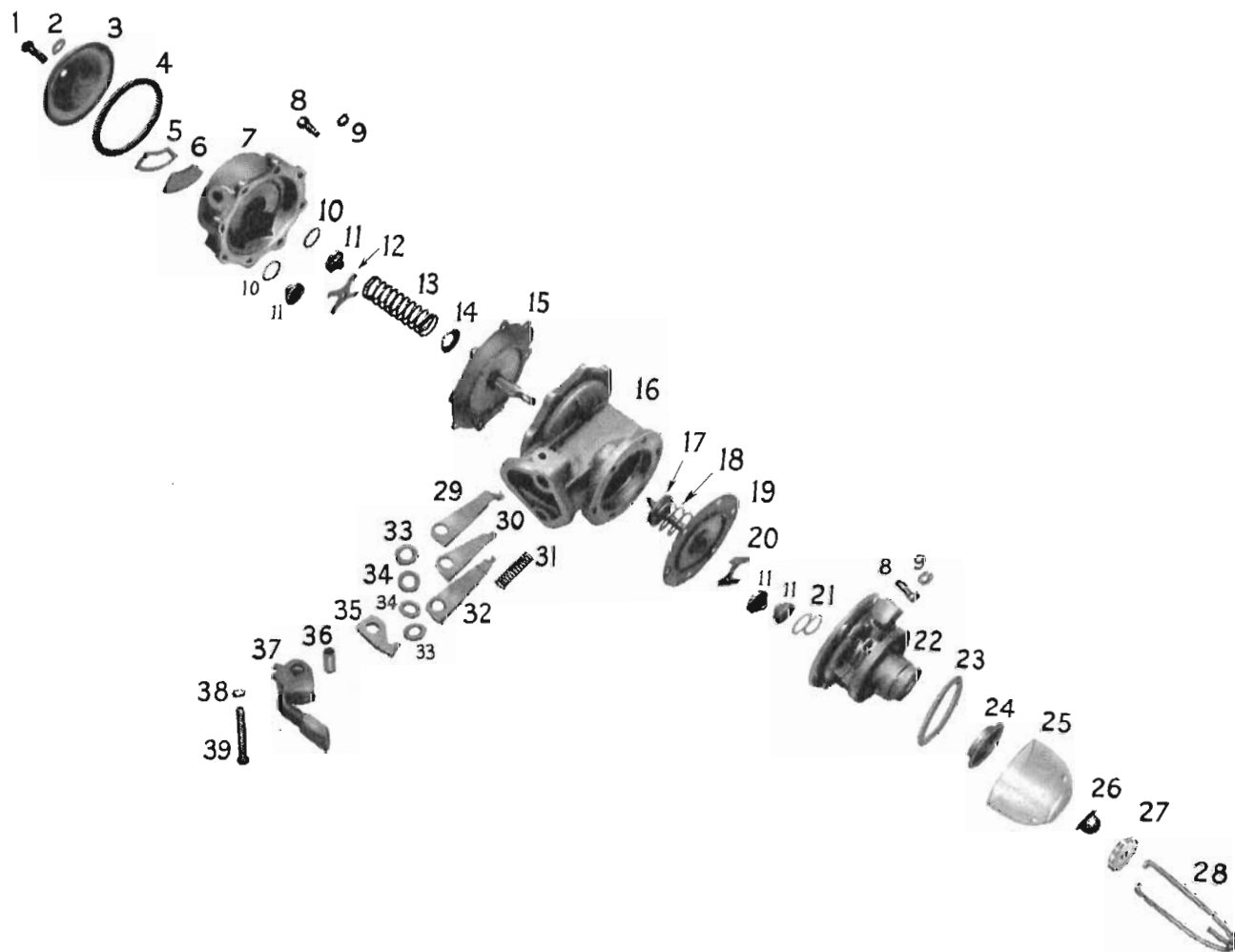
(ILLUSTRATION OPPOSITE)

Illus. Ref. No.	Part Name	Group	Illus. Ref. No.	Part Name	Group
1.	DIAPHRAGM ASSEMBLY—Choke kick	3.799	40.	LEVER & SHAFT—Throttle	3.731
2.	ROD—Choke kick	3.799	41.	SCREW—Throttle valve	3.729
3.	RETAINER—Choke kick rod	3.799	42.	VALVE—Throttle	3.729
4.	HOSE—Vacuum	3.799	44.	SPRING—Idle needle valve	3.742
5.	SCREW & LOCKWASHER—Air horn	3.763	45.	VALVE—Idle needle	3.741
6.	SHAFT & LEVER—Choke	3.791	46.	SCREW & LOCKWASHER—Main body	3.748
7.	SCREW—Choke valve	3.789	47.	SCREW & LOCKWASHER—Main body	3.748
8.	VALVE—Choke	3.789	48.	NUT—Thermostat lever	3.797
9.	AIR HORN ASSEMBLY	3.763	49.	WASHER—Spring lock	3.797
10.	GASKET—Air horn	3.765	50.	LEVER—Thermostat	3.797
11.	LEVER—Fast idle	3.792	51.	LEVER & SHAFT—Thermostat	3.797
12.	WASHER—Spring lock	3.792	52.	WASHER—Thermostat cover	3.796
13.	NUT—Lever	3.792	53.	SCREW—Thermostat cover	3.796
14.	PLUG—Lead ball	3.767	54.	GASKET—Thermostat cover	3.796
15.	LEVER—Pump	3.780	55.	COVER ASSEMBLY—Thermostat	3.796
16.	SCREW—Pump lever	3.781	56.	PLUG—Main body channel	3.767
17.	ROD—Pump	3.783	57.	VALVE & SEAT ASSEMBLY—Float	3.771
18.	PIN—Cotter	3.783	58.	GASKET—Float needle seat	3.772
19.	PISTON—Vacuum power	3.788	59.	ROD—Choke	3.798
20.	SCREW—Pump nozzle	3.759	60.	PIN—Cotter	3.798
21.	NOZZLE—Pump	3.758	61.	FLOAT & LEVER ASSEMBLY	3.773
22.	GASKET—Pump nozzle	3.758	62.	PIN—Float fulcrum	3.775
23.	BALL—Pump outlet check	3.760	63.	SPRING—Fulcrum pin	3.775
24.	JET—Power by-pass	3.757	64.	BAFFLE—Float chamber	3.776
25.	GASKET—Power by-pass jet	3.757	65.	BALL—Pump inlet check	3.760
26.	TUBE—Idle	3.752	66.	SPRING—Pump bottom	3.779
27.	BLEEDER—High speed	3.751	67.	SPRING—Pump duration	3.779
28.	RETAINER—Fast idle rod	3.793	68.	WASHER—Duration spring retainer	3.779
29.	ROD—Fast idle	3.793	69.	WASHER—Duration spring clip	3.779
30.	PLUG—Lead ball	3.767	70.	PISTON ASSEMBLY—Pump	3.778
31.	JET—Main discharge	3.754	71.	WASHER—Idle vent	3.764
32.	JET—Main metering	3.754	72.	SCREW—Diaphragm attaching	3.799
33.	GASKET—Metering jet plug	3.756	73.	NUT—Dashpot	3.733
34.	PLUG—Main metering jet	3.755	74.	BRACKET—Dashpot	3.733
35.	GASKET—Main body	3.749	75.	SCREW & LOCKWASHER—Dashpot	3.733
36.	BODY ASSEMBLY—Throttle	3.727	76.	DASHPOT	3.733
37.	SPRING—Slow idle screw	3.734	77.	BODY ASSEMBLY—Main	3.748
38.	SCREW—Slow idle	3.734	78.	PIN—Cotter	3.778
39.	SCREW—Fast idle	3.737			



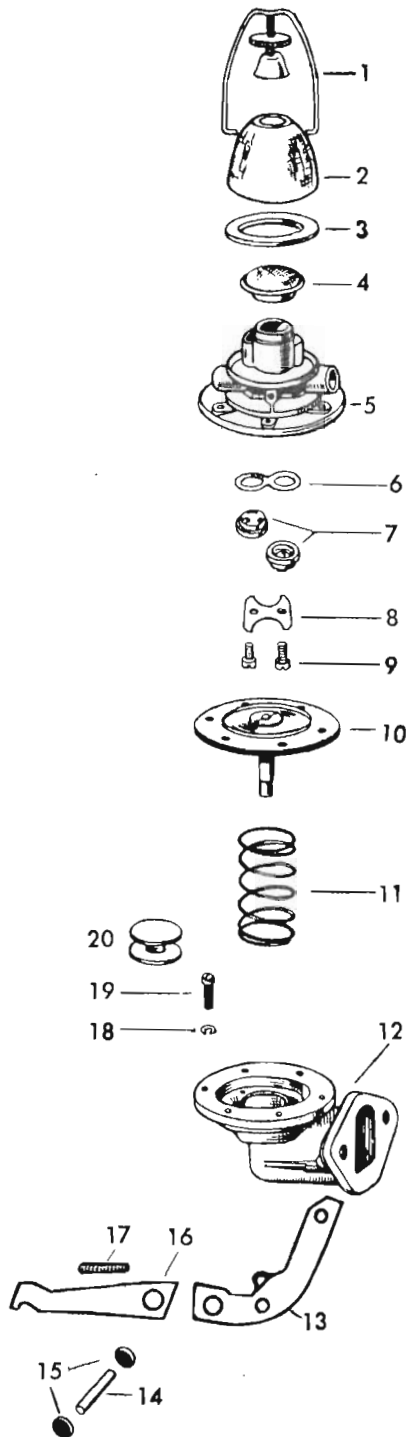
HOLDEN

MASTER PARTS CATALOGUE



FUEL PUMP

Illus. Ref. No.	Part Name	Group	Illus. Ref. No.	Part Name	Group
1.	SCREW	3.910	21.	GASKET	3.913
2.	GASKET	3.910	22.	COVER	3.910
3.	COVER	3.910	23.	GASKET	3.904
4.	GASKET	3.910	24.	SCREEN ASSEMBLY	3.929
5.	RETAINER	3.929	25.	BOWL	3.903
6.	SCREEN	3.929	26.	SEAT	3.905
7.	BODY	3.902	27.	NUT	3.907
8.	SCREW	3.910	28.	BAIL AND SCREW	3.906
9.	WASHER	3.910	29.	LINK	3.931
10.	GASKET	3.913	30.	LINK	3.931
11.	VALVE AND CAGE ASSEMBLY	3.909	31.	SPRING	3.922
12.	RETAINER	3.916	32.	LINK	3.931
13.	SPRING	3.927	33.	WASHER	3.931
14.	SEAT	3.927	34.	SPACER	3.920
15.	DIAPHRAGM AND PULL ROD ASSEMBLY	3.925	35.	SPACER	3.931
16.	BODY AND OIL SEAL ASSEMBLY	3.902	36.	BUSHING	3.920
17.	RETAINER	3.927	37.	ARM	3.920
18.	SPRING	3.927	38.	WASHER	3.921
19.	DIAPHRAGM AND PULL ROD ASSEMBLY	3.925	39.	PIN	3.921
20.	RETAINER	3.916			



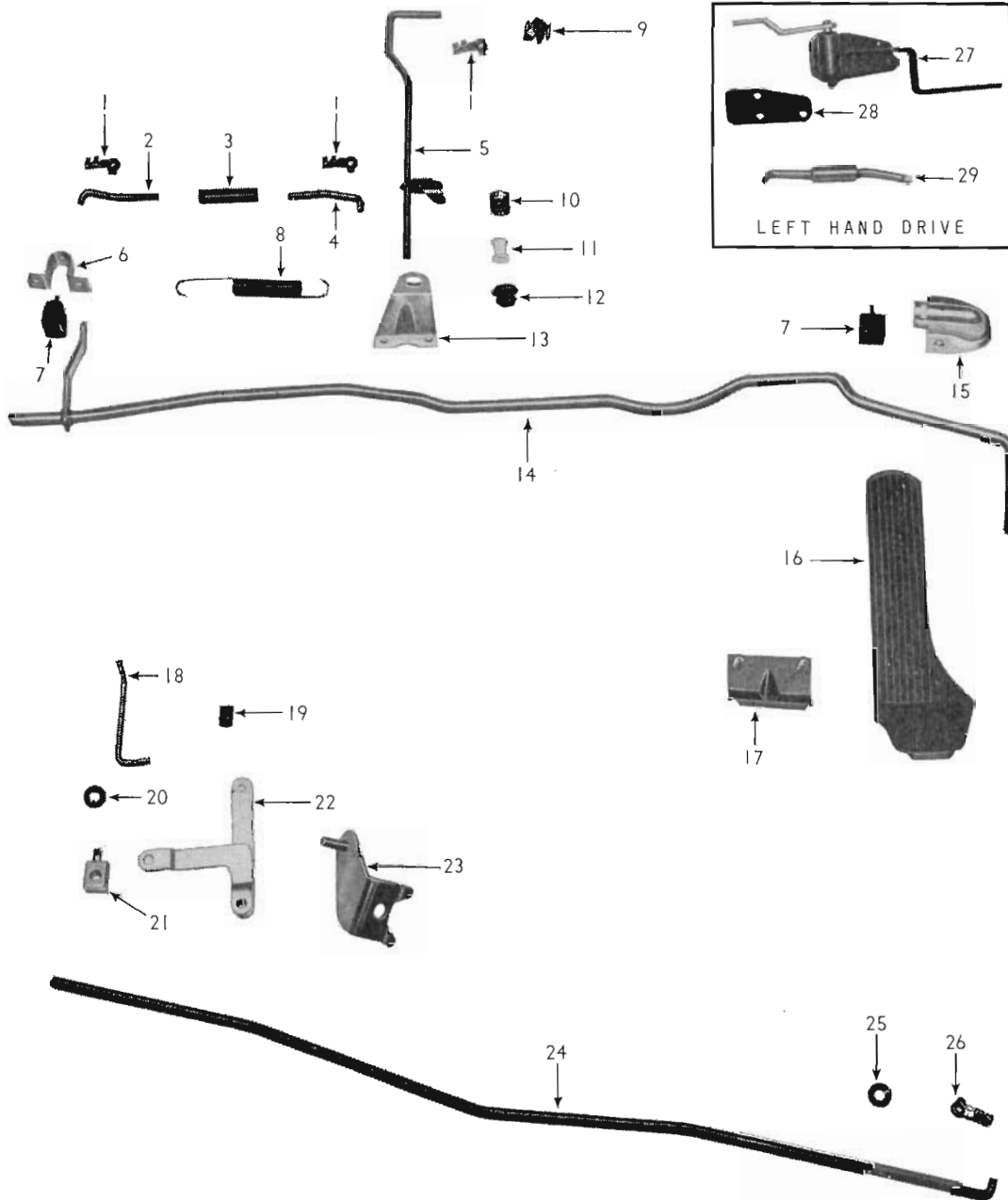
FUEL PUMP

Illus. Ref. No.	Part Name	Group
1.	BAIL AND SCREW	3.906
2.	BOWL	3.903
3.	GASKET	3.904
4.	SCREEN ASSEMBLY	3.929
5.	COVER	3.910
6.	GASKET	3.913
7.	VALVE AND CAGE ASSEMBLY	3.909
8.	RETAINER	3.916
9.	SCREW	3.917
10.	DIAPHRAGM & PULL ROD ASSEMBLY	3.925
11.	SPRING	3.927
12.	BODY	3.902
13.	ARM	3.920
14.	PIN	3.921
15.	PLUG	3.921
16.	LINK	3.931
17.	SPRING	3.922
18.	WASHER	3.910
19.	SCREW	3.910
20.	SEAL	3.902



HOLDEN

MASTER PARTS CATALOGUE

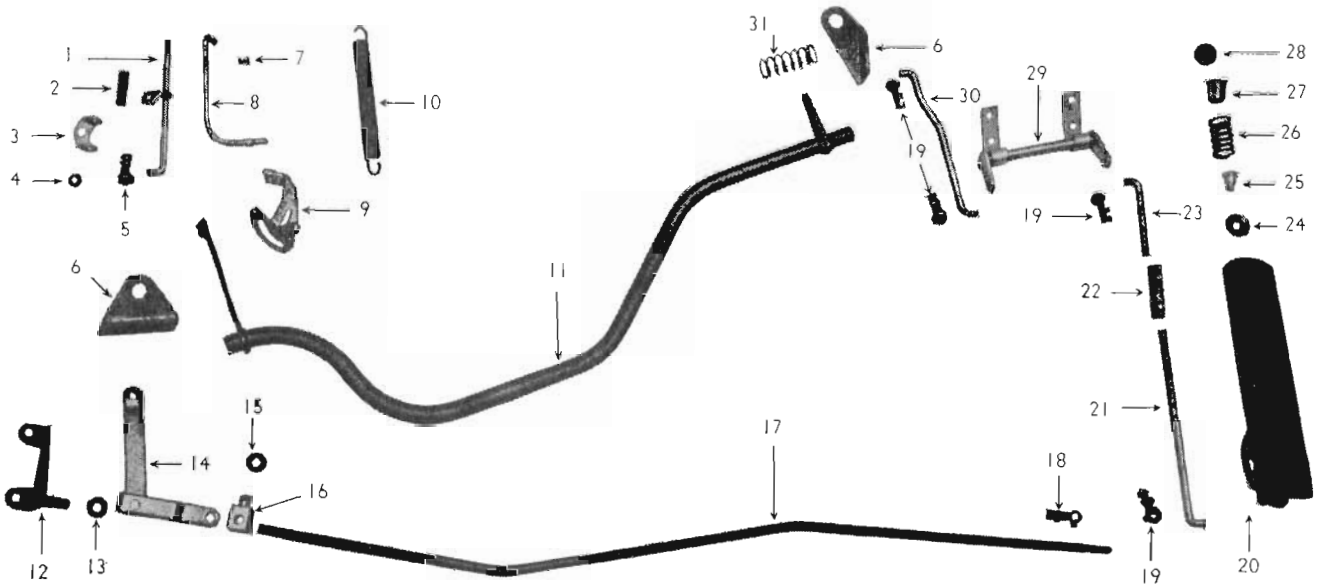


THROTTLE CONTROL

Illus. Ref. No.	Part Name	Group	Illus. Ref. No.	Part Name	Group
1	CLIP—Rod end spring	3.430	16	PEDAL ASSEMBLY	3.451
2	ROD—Lower push	3.430	17	BRACKET ASSEMBLY	3.451
3	BAR—Adjusting	3.430	18	ROD—T.V. upper	4.040
4	ROD—Upper push	3.430	19	CLIP—Anti-rattle	4.040
5	ROD—Torsion	3.430	20	WASHER—Anti-rattle	4.040
6	CAP—Bearing retainer	3.431	21	TRUNNION—T.V. rod	4.040
7	BEARING—Cross shaft	3.431	22	LEVER ASSEMBLY	4.040
8	SPRING	3.459	23	BRACKET—Lever pivot	4.040
9	COUPLING ASSEMBLY—Carburettor	3.430	24	ROD—T.V. lower	4.040
10	SPRING—Anti-rattle	3.430	25	WASHER—Anti-rattle	4.040
11	BEARING—Torsion rod	3.430	26	CLIP—Rod end spring	4.040
12	SUPPORT—Torsion rod bearing	3.430	27	CROSS SHAFT & BEARING	3.431
13	SUPPORT—Bearing to cowl	3.430	28	PLATE—Bearing cover	3.431
14	SHAFT ASSEMBLY—Cross	3.431	29	ROD—Accelerator push	3.430
15	COVER—Bearing retainer	3.431			

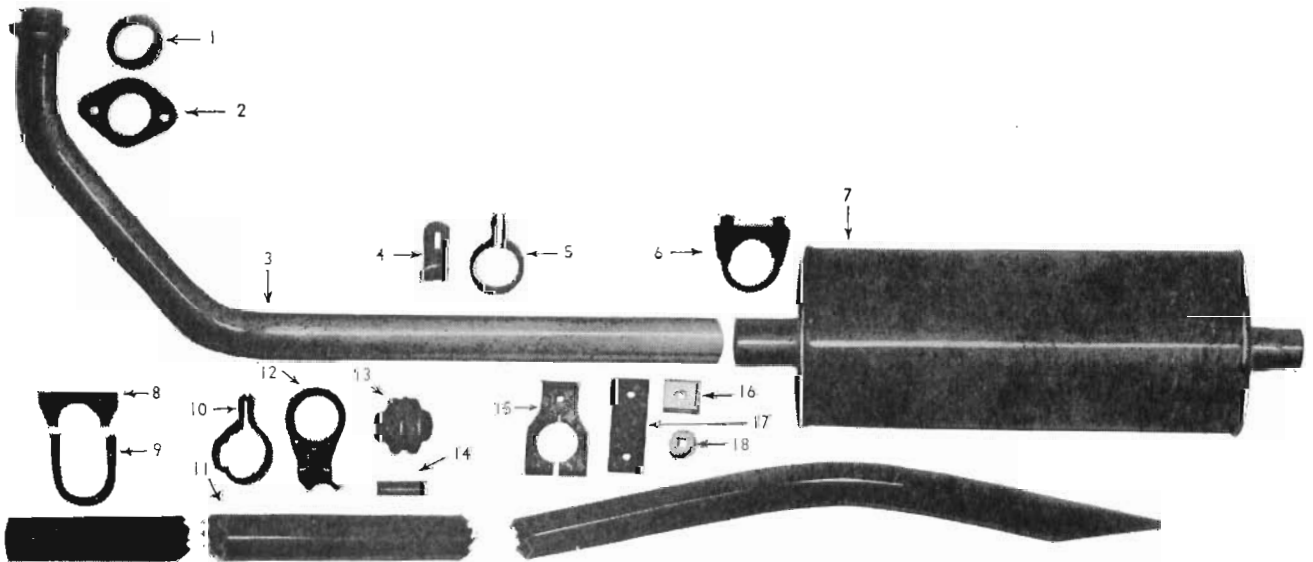
HOLDEN

MASTER PARTS CATALOGUE



THROTTLE CONTROL

Illus. Ref. No.	Part Name	Group	Illus. Ref. No.	Part Name	Group	Illus. Ref. No.	Part Name	Group
1.	ROD—T.V. upper	4.040	12.	BRACKET—Relay lever support	4.040	21.	ROD—Lower cross shaft	3.430
2.	SPRING—Throttle detent	4.040	13.	WASHER—Anti-rattle	4.040	22.	BAR—Adjusting	3.430
3.	GUIDE—T.V. control rod	4.040	14.	LEVER—T.V. control relay	4.040	23.	ROD—Lower cross shaft	3.430
4.	WASHER—Anti-rattle	4.040	15.	WASHER—Trunnion anti-rattle	4.040	24.	CUP—Floor pan detent	4.040
5.	CLIP—Rod end spring	4.040	16.	TRUNNION—Control rod	4.040	25.	SCREW—Floor pan detent	4.040
6.	SUPPORT—Cross shaft	3.431	17.	ROD—T.V. control, lower	4.040	26.	SPRING—Floor pan detent	4.040
7.	SPRING—Anti-rattle	3.430	18.	CLIP—Rod end spring	4.040	27.	RETAINER—Detent	4.040
8.	ROD—Throttle, upper	3.430	19.	CLIP—Rod end spring	3.430	28.	BUTTON—Detent	4.040
9.	BRACKET—Adjusting	3.430	20.	PEDAL—Accelerator	3.451	29.	SHAFT—Lower cross	3.431
10.	SPRING—Accelerator	3.459				30.	ROD—Upper cross shaft	3.430
11.	SHAFT—Upper cross	3.431				31.	SPRING—Anti-rattle	3.431



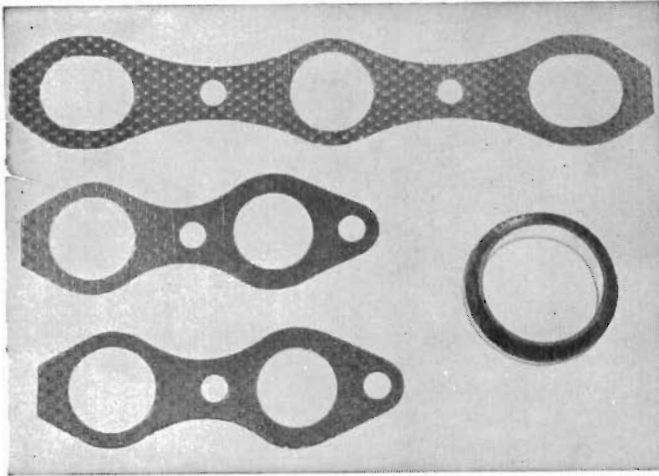
EXHAUST SYSTEM

Illus. Ref. No.	Part Name	Group	Illus. Ref. No.	Part Name	Group
1.	PACKING	3.611	10.	CLAMP	3.710
2.	FLANGE	3.610	11.	PIPE	3.705
3.	PIPE ASSEMBLY	3.609	12.	SUPPORT	3.710
4.	BRACKET	3.616	13.	INSULATOR	3.710
5.	CLAMP	3.616	14.	SPACER	3.710
6.	CLAMP AND "U" BOLT	3.704	15.	SUPPORT	3.712
7.	MUFFLER ASSEMBLY	3.701	16.	REINFORCEMENT	3.712
8.	CLAMP	3.706	17.	INSULATOR	3.712
9.	"U" BOLT	3.706	18.	WASHER	3.712

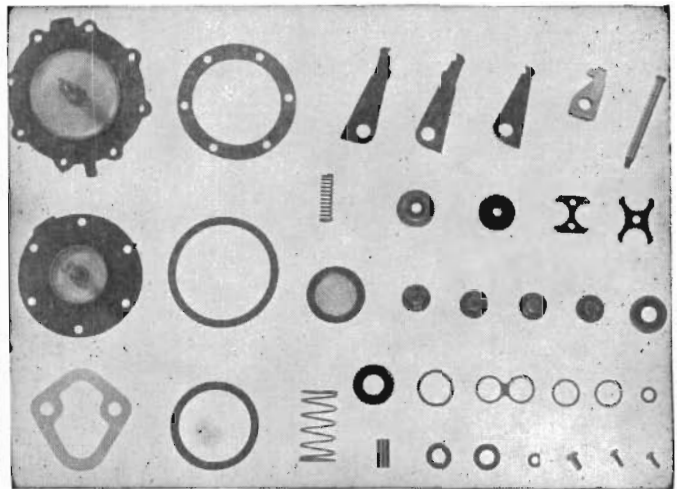


HOLDEN

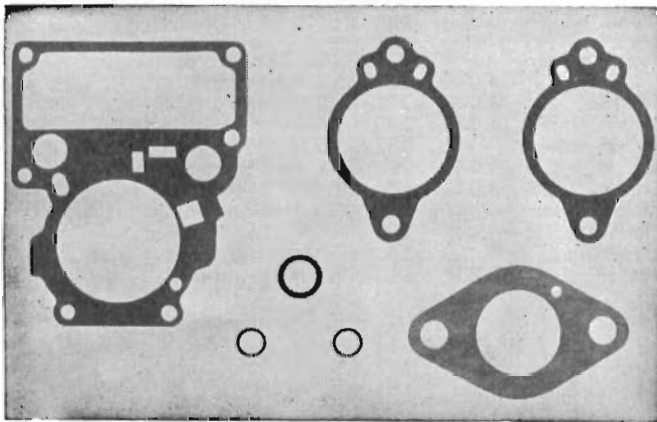
MASTER PARTS CATALOGUE



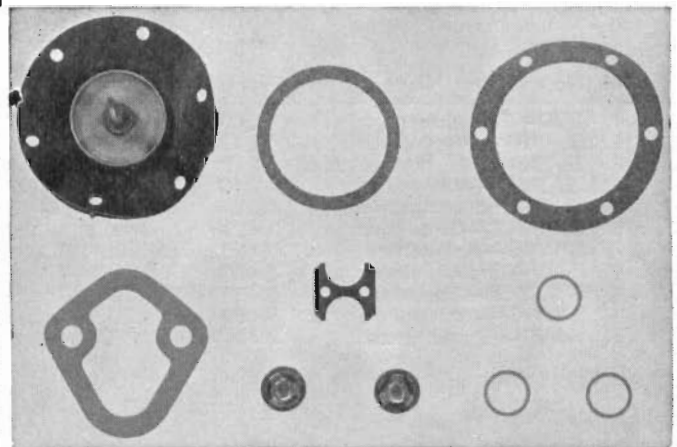
3.270 Manifold Gasket Set



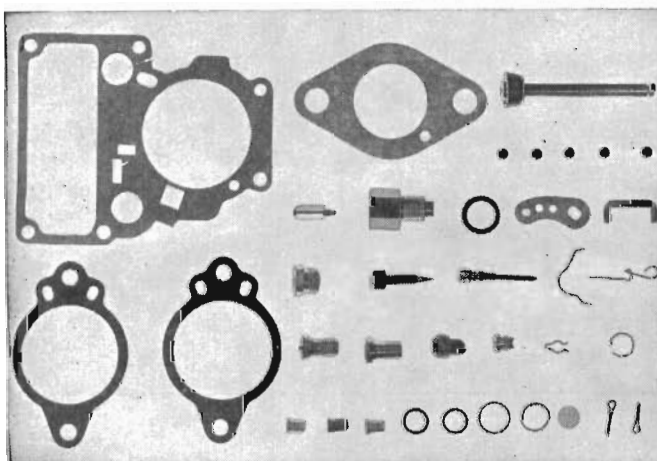
3.901 Fuel and Vacuum Pump Repair Kit



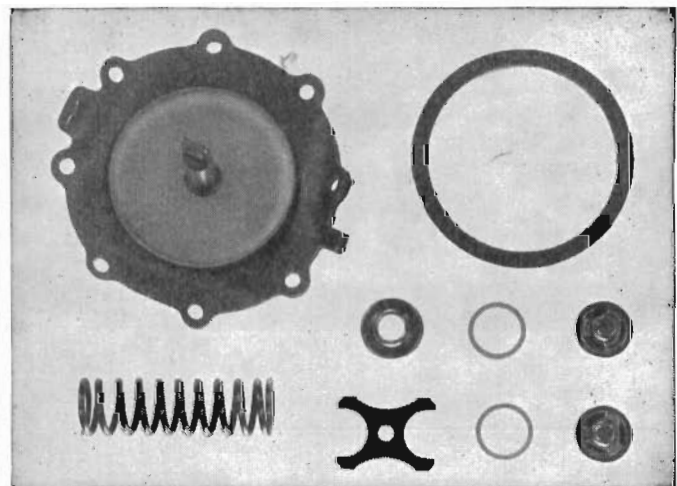
3.724 Carburettor Gasket Kit



3.925 Fuel and Vacuum Pump Diaphragm Kit (Fuel Section)



3.725 Carburettor Repair Kit



3.925 Fuel and Vacuum Pump Diaphragm Kit (Vacuum Section)

HOLDEN

MASTER PARTS CATALOGUE



Group	Description	Model	Part No.	Qty.
3.001 TANK ASSEMBLY—Fuel				
TANK ASSEMBLY		FE/215, FE/217, FE/225 FC/215, FC/217, FC/225	7408645	1
TANK ASSEMBLY		FB/215, FB/225, EK/215, EK/225	7412109	1
SCREW—Pan hd. cross recess tapp.		48, 50, FJ FE/215, FE/217, FE/225 FC/215, FC/217, FC/225 FB/215, FB/225, EK/215, EK/225	161895	A.R.
TANK ASSEMBLY		FE/219, FE/229, FE/2104, FE/2106 FC/219, FC/229, FC/2104, FC/2106	7410635	1
TANK ASSEMBLY		FB/219, FB/229, EK/219, EK/229	7413251	1
TANK ASSEMBLY		FB/2104, FB/2106, EK/2104, EK/2106	7410635	1
SCREW—Tank to underbody		FE/219, FE/229, FE/2104, FE/2106 FC/219, FC/229, FC/2104, FC/2106 FB/219, FB/229, FB/2104, FB/2106 EK/219, EK/229, EK/2104, EK/2106	7401980	12
WASHER—Plain 5/16" x 3/4" x .065"		FE/219, FE/229, FE/2104, FE/2106 FC/219, FC/229, FC/2104, FC/2106 FB/219, FB/229, FB/2104, FB/2106 EK/219, EK/229, EK/2104, EK/2106	120386	12
TANK ASSEMBLY		EJ	7415192	1
TANK ASSEMBLY		EH	7423851	1
SCREW—Pan hd. cr. rec. mach. 1/4"—28 x 1/2" with lock washer		EJ, EH	450986	12
TANK ASSEMBLY		HD, HR	7433434	1
SCREW—Pan hd. cr. rec. mach. 1/4"—20 x 1/2" with external tooth lock washer		HD, HR	191985	14
PLUG—Hex. hd. pipe 1/8"		ALL	444613	1
3.003 PIPE ASSEMBLY—Fuel Tank Filler				
PIPE ASSEMBLY		FE/215, FE/217, FE/225 FC/215, FC/217, FC/225	7408638	1
PIPE ASSEMBLY		FE/219, FE/229, FE/2104, FE/2106 FC/219, FC/229, FC/2104, FC/2106 FB/2104, FB/2106, EK/2104, EK/2106	7410641	1
PIPE ASSEMBLY		FB/215, FB/225, EK/215, EK/225	7412108	1
PIPE ASSEMBLY		FB/219, FB/229, EK/219, EK/229	7413252	1
PIPE ASSEMBLY—Filler		EJ	7415792	1
SCREW—Hex. hd. tap. type "C" 1/4"—28 x 3/4"		EJ	171041	1
NUT—"U" type, 1/4"		EJ	SP1501	1
HOSE—Fuel tank filler neck		EJ	7423139	1
CLAMP—Hose		EJ	SP1543	2
EXTENSION ASSEMBLY—Fuel tank filler pipe		EJ	7419077	1
PIPE—Fuel tank vent		EJ	7418936	1
PROTECTOR—Fuel tank vent pipe		EJ	7419749	1
PROTECTOR—Fuel tank vent pipe		EJ/215, EJ/225, EJ/235	7415891	1
SCREW—Pan hd. sl. tap. type "B" No. 10—16 x 3/8"		EJ/215, EJ/225, EJ/235	145189	2
HOSE—Fuel tank vent		EJ	7419016	2
CLAMP—Hose, fuel tank vent pipe		EJ	272847	4
WASHER—Fibre, filler pipe to cap compartment		EJ	7419103	1
HOSE—Filler neck		EH	7423709	1
CLAMP—Hose, filler neck—2-9/16" preset		EH	SP1609	2
PIPE ASSEMBLY—Filler		EH/215, EH/225, EH/235	7420833	1
PIPE ASSEMBLY—Filler		EH/219, EH/229, EH/239	7427445	1
PIPE ASSEMBLY—Filler		EH/2104, EH/2106	7427446	1
SCREW—Pan hd. cr. rec. tap. type "A" No. 10—12 x 1/2"		EH	161895	3
WASHER—Plain, type "A" 7/32" x 7/16" x .049"		EH	446161	3



HOLDEN

MASTER PARTS CATALOGUE

3.003 PIPE ASSEMBLY—Fuel Tank Filler (Cont'd.)

PIPE—Fuel tank vent intermediate, 7/16" dia.	EH	7422511	1
PIPE—Fuel tank vent intermediate, 1/4" dia.	EH	7422509	1
PIPE—Fuel tank vent lower, 1/4" dia.	EH	7422510	1
PROTECTOR—Fuel tank vent pipe	EH	7419749	1
PROTECTOR—Fuel tank vent pipe	EH/215, EH/225, EH/235	7415891	1
SCREW—Pan. hd. sl. tap. type "B" No. 10—16 x 3/8"	EH/215, EH/225, EH/235	145189	2
HOSE—Fuel tank vent, 1-13/16" long	EH	7419016	2
HOSE—Fuel tank vent, 1.80" long	EH	7422682	1
HOSE—Fuel tank vent, 2-1/2" long	EH	7422683	1
CLAMP—Hose, fuel tank vent pipe	EH	272847	4
CLIP—Fuel tank vent pipe	EH	7422601	2
GROMMET—Fuel tank vent, lower pipe	EH	SP1087	1
HOSE—Filler neck	HD, HR	7423709	1-2
CLAMP—Hose, filler neck	HD, HR	SP1543	2-4
PIPE ASSEMBLY—Filler	HD/215, HD/225, HD/235 HR/215, HR/225, HR/235	7424212	1
PIPE ASSEMBLY—Filler, upper	HD/219, HD/229, HD/239, HD/2104, HD/2106, HR/219, HR/229, HR/239 HR/2104, HR/2106	7424214	1
PIPE ASSEMBLY—Filler, lower	HD/219, HD/229, HD/239, HD/2104, HD/2106, HR/219, HR/229, HR/239 HR/2104, HR/2106	7427801	1
SCREW—Pan hd. cr. rec. type "A" No. 6—18 x 3/8"	HD, HR	161790	4
WASHER—Plain .156" x .312" x .03"	HD, HR	SP1360	4
PIPE—Fuel tank vent intermediate, 1/2" dia.	HD, HR	7424841	1
PIPE—Fuel tank vent intermediate, 1/4" dia.	HD, HR	7424842	1
PIPE—Fuel tank vent lower, 1/4" dia.	HD, HR	7430974	1
HOSE—Fuel tank vent, 1-13/16" long	HD, HR	7419016	2
HOSE—Fuel tank vent, 1.80" long	HD, HR	7422682	2
CLAMP—Hose, fuel tank vent pipe	HD, HR	272847	4
CLIP—Lower vent pipe to underbody	HD, HR	7424924	1
CLIP—Vent pipes to filler pipe	HD, HR	7424848	1
CLIP—Vent pipe to fuel tank	HR	7430973	1
GROMMET—Fuel tank vent, lower pipe	HD, HR	7424217	1

3.008 GROMMET, SEAL, GASKET—Fuel Tank Filler Pipe

GROMMET	48, 50, FJ	7400740	1
GROMMET	FE, FC, FB, EK	7409955	1-2
SEAL	EJ	3745830	2
GASKET	EH	7422728	1
GASKET	HD, HR	7424218	1

3.028 CAP ASSEMBLY—Fuel Tank Filler

CAP ASSEMBLY	48, 50, FJ, FE, FC, FB, EK	7405087	1
CAP ASSEMBLY	EJ	7419773	1
CAP ASSEMBLY—Locking—Side lock	48, 50, FJ, FE, FC, FB, EK	7422007	1
CAP ASSEMBLY—Locking—Centre lock	48, 50, FJ, FE, FC, FB, EK, EJ	7406882	1
CAP ASSEMBLY—Locking—Self locking	48, 50, FJ, FE, FC, FB, EK, EJ	988270	1
CAP ASSEMBLY—With handle—Plated finish	EH exc. EH/2104, EH/2106	7426239	1
CAP ASSEMBLY—Locking—Plated finish	EH exc. EH/2104, EH/2106	7423055	1
CAP ASSEMBLY—With handle—Plated finish	EH/2104, EH/2106	7426238	1
CAP—Less handle—Prime finish	EH exc. EH/2104, EH/2106	7422574	1
CAP—Less handle—Prime finish	EH/2104, EH/2106	7422575	1
HANDLE—Fuel tank cap—Prime finish	EH exc. EH/235, EH/239	7422576	1
HANDLE—Fuel tank cap—Satin finish	EH/235, EH/239	7426235	1
CAP ASSEMBLY—With handle—Plated finish	HD, HR	7420489	1
CAP ASSEMBLY—Locking—Plated finish	HD, HR	7420483	1
CAP ASSEMBLY—Less handle—Prime finish	HD, HR	7424161	1
CAP ASSEMBLY—Locking—Prime finish	HD, HR	7420765	1
HANDLE—Fuel tank cap—Prime finish	HD exc. HD/235, HD/239 HR exc. HR/235, HR/239	7426802	1
HANDLE—Fuel tank cap—Plated finish	HD/235, HD/239, HR/235, HR/239	7424162	1
SCREW—Pan hd. cr. rec. tap. type "B" No. 10—16 x 3/8"	EH, HD, HR	163210	1



3.029 GASKET—Fuel Tank Filler Cap

GASKET	48, 50, FJ, FE, FC, FB, EK, EJ	7400866	1
--------	--------------------------------	---------	---

3.107 GAUGE ASSEMBLY—Fuel—Tank Unit

GAUGE ASSEMBLY	48, 50, FJ FE/215, FE/217, FE/225 FC/215, FC/217, FC/225 FB/215, FB/225, EK/215, EK/225	1516943	1
GAUGE ASSEMBLY	FE/219, FE/229, FE/2104, FE/2106 FC/219, FC/229, FC/2104, FC/2106 FB/219, FB/229, FB/2104, FB/2106 EK/219, EK/229, EK/2104, EK/2106	7410645	1
SCREW—Rd. hd. sl. machine No. 10-32 x 7/16"	48, 50, FJ, FE, FC, FB, EK	132903	5
GASKET—Annular 3/16"	48, 50, FJ, FE, FC, FB, EK	SP1078	5
NUT—Hex. machine screw No. 10-32	48, 50, FJ, FE, FC, FB, EK	120614	1
WASHER—Spring lock No. 10—Medium	48, 50, FJ, FE, FC, FB, EK	120217	1
GAUGE ASSEMBLY	EJ, EH	7415290	1
GAUGE ASSEMBLY	HD, HR	7424477	1
CAM—Fuel gauge tank unit retainer	EJ, EH, HD, HR	3774937	1

3.108 GAUGE ASSEMBLY—Fuel—Dash and Tell-Tale Unit

GAUGE ASSEMBLY	48, 50, FJ	1576849	1
NUT—Hex. machine screw No. 10-32	48, 50	120614	A.R.
WASHER—Spring lock No. 10—Medium	48, 50	120217	A.R.
GAUGE ASSEMBLY	FE, FC	7228150	1
SCREW—Pan hd. sl. tap. Type "B" No. 8—18 x 3/8"	FE, FC	111688	2
NUT—Hex. machine screw No. 8-32	48, 50, FJ, FE, FC	120622	A.R.
WASHER—Spring lock No. 8—Medium	48, 50, FJ, FE, FC	121841	A.R.
GAUGE ASSEMBLY	FB	7228503	1
GAUGE ASSEMBLY (V.D.O.)	FB, EK	7418689	1
SCREW—Rd. hd. cr. rec. tap. type "T" No. 8—32 x 7/16"	FB, EK	9415505	2
GAUGE ASSEMBLY (V.D.O.)	EJ, EH	7419151	1
SCREW—Rd. hd. cr. rec. tap. type "T" No. 8—32 x 7/16"	EJ, EH	9415505	2
WASHER—Lock, No. 10—medium	EJ, EH	114648	2
NUT—Hex. No. 10—32—machine screw	EJ, EH	120614	2
GAUGE and TELL TALE ASSEMBLY (V.D.O.)	HD exc. X2 Eng., HR exc. X2, S Eng.	7434305	1
CASE—Instrument assembly (V.D.O.)	HD exc. X2 Eng., HR exc. X2, S Eng.	VS10057	1
GAUGE ASSEMBLY (V.D.O.)	HD X2 Eng., HR X2, S Eng.	VS10157	1
GAUGE ASSEMBLY (A.C.)	HD exc. X2 Eng., HR exc. X2, S Eng.	7967116	1
CASE—Instrument assembly (A.C.)	HD exc. X2 Eng., HR exc. X2, S Eng.	7963516	1
INSULATOR—Terminal (A.C.)	HD exc. X2 Eng., HR exc. X2, S Eng.	7967130	2
CONNECTOR—Blade (A.C.)	HD exc. X2 Eng., HR exc. X2, S Eng.	7967131	2
GAUGE ASSEMBLY (Stewart Warner)	HD exc. X2 Eng., HR exc. X2, S Eng.	VS10222	1
CASE—Instrument (Stewart Warner)	HD exc. X2 Eng., HR exc. X2, S Eng.	VS10024	1
TERMINAL (Stewart Warner)	HD exc. X2 Eng., HR exc. X2, S Eng.	VS10226	2
INSULATOR—Terminal (Stewart Warner)	HD exc. X2 Eng., HR exc. X2, S Eng.	VS10225	2
NUT—Hex. No. 10—32 (Stewart Warner)	HD exc. X2 Eng., HR exc. X2, S Eng.	112432	2
WASHER—Ext. tooth lock No. 10 (Stewart Warner)	HD exc. X2 Eng., HR exc. X2, S Eng.	138479	2
SCREW—Pan hd. cr. rec. tap. type "A" No. 8—15 x 3/4"	HD exc. X2 Eng.	179338	2
SCREW—Pan hd. cr. rec. tap. No. 8—15 x 1/2"	HR exc. X2, S Eng.	161860	2

3.109 BEZEL, DIAL, GASKET, GLASS, MASK—Fuel Gauge

GLASS	FE, FC	7228160	1
MASK	FE, FC	7220377	1
BEZEL (A.C.)	FB	7220750	1
DIAL (A.C.)	FB	7228585	1
BEZEL (A.C.)	EJ, EH	7220750	1
DIAL (A.C.)	EJ, EH	7228875	1
MASK (A.C.)	EJ, EH	7963199	1
BEZEL (V.D.O.)	EJ, EH	7421924	1
DIAL (V.D.O.)	EJ, EH	7421925	1



HOLDEN

MASTER PARTS CATALOGUE

3.109 BEZEL, DIAL, GASKET, GLASS, MASK—Fuel Gauge (Cont'd.)

BEZEL	(A.C.)	HD exc. X2 Eng., HR exc. X2, S Eng.	7962946	1
DIAL	(A.C.)	HD exc. X2 Eng., HR exc. X2, S Eng.	7963506	1
MASK	(A.C.)	HD exc. X2 Eng., HR exc. X2, S Eng.	7963609	1
BEZEL	(V.D.O.)	HD exc. X2 Eng., HR exc. X2, S Eng.	VS10053	1
DIAL	(V.D.O.)	HD exc. X2 Eng., HR exc. X2, S Eng.	VS10054	1
MASK	(V.D.O.)	HD exc. X2 Eng., HR exc. X2, S Eng.	VS10055	1
BEZEL	(Stewart Warner)	HD exc. X2 Eng., HR exc. X2, S Eng.	VS10077	1
GASKET—Bezel	(Stewart Warner)	HD exc. X2 Eng., HR exc. X2, S Eng.	VS10078	1
RING—Mask	(Stewart Warner)	HD exc. X2 Eng., HR exc. X2, S Eng.	VS10080	1
MASK	(Stewart Warner)	HD exc. X2 Eng., HR exc. X2, S Eng.	VS10218	1
DIAL	(Stewart Warner)	HD exc. X2 Eng., HR exc. X2, S Eng.	VS10217	1
BAFFLE—Light	(Stewart Warner)	HD exc. X2 Eng., HR exc. X2, S Eng.	VS10221	1
SEAL—Light Baffle	(Stewart Warner)	HD exc. X2 Eng., HR exc. X2, S Eng.	VS10223	1

3.110 STRAINER—Fuel Tank Riser Pipe

STRAINER ASSEMBLY	EJ, EH, HD, HR	3717026	1
-------------------	-------	----------------	---------	---

3.111 CAP—Fuel Gauge Protector

CAP	48, FJ/215, FJ/217, FJ/225 FE, FC, FB, EK	7400825	1
CAP	EJ/215, EJ/225, EJ/235	7416209	1
CAP	EH/215, EH/225, EH/235	7425958	1

3.112 GASKET, SEAL—Fuel Gauge Tank Unit

GASKET	48, 50, FJ, FE, FC, FB, EK	7400739	1
SEAL	EJ, EH, HD, HR	7421765	1

3.158 PIPE ASSEMBLY—Fuel

FUEL TANK TO PUMP—Front	48, FJ/215, FJ/217, FJ/225	7407033	1
FUEL TANK TO PUMP—Rear	48, FJ/215, FJ/217, FJ/225	7407035	1
FUEL TANK TO PUMP	50, FJ/2104, FJ/2106	7407068	1
FUEL RISER	FE/219, FE/229, FE/2104, FE/2106 FC/219, FC/229, FC/2104, FC/2106 FB/219, FB/229, FB/2104, FB/2106 EK/219, EK/229, EK/2104, EK/2106	7410643	1
FUEL TANK TO PUMP—Front	FE, FC, FB, EK	7410034	1
FUEL TANK TO PUMP—Rear	FE/215, FE/217, FE/225 FC/215, FC/217, FC/225 FB/215, FB/225, EK/215, EK/225	7409511	1
FUEL TANK TO PUMP—Rear	FE/219, FE/229, FE/2104, FE/2106 FC/219, FC/229, FC/2104, FC/2106 FB/219, FB/229, FB/2104, FB/2106 EK/219, EK/229, EK/2104, EK/2106	7410920	1
PIPE ASSEMBLY—Fuel tank to pump, rear	EJ, EH	7419792	1
PIPE ASSEMBLY—Fuel tank to pump, front	EJ, EH	7419791	1
SHIELD—Fuel pipe	EJ, EH	7415659	1
PIPE ASSEMBLY—Fuel tank to pump, rear	HD, HR	7425651	1
PIPE ASSEMBLY—Fuel tank to pump, front	HD, HR	7425650	1
SHIELD—Fuel pipe	HD, HR	7425662	1
GROMMET—Rear pipe	HD, HR	7424217	1



3.163 HOSE ASSEMBLY—Fuel Line to Pump

(FLEXIBLE)	48		
		{ S.A. up to Ser. No. 2251A	
	FJ/215	{ Qld. up to Ser. No. B2740	
	FJ/217	{ Vic. up to Ser. No. 6778M	
	FJ/225	{ W.A. up to Ser. No. 2192P	
		{ NSW. up to Ser. No. 4/4567S	
	FJ/2104	{ S.A. up to Ser. No. 2210A	
		{ Qld. up to Ser. No. B2534	
		{ Vic. up to Ser. No. 4253M	
	FJ/2106	{ W.A. up to Ser. No. 1868P	
		{ N.S.W. up to Ser. No. 4/4547S	
HOSE—Fuel, front	FE, FC, FB, EK		7411043 1
HOSE—Fuel, rear	EJ		7419900 1
HOSE—Fuel, front	EJ		7415658 1
HOSE—Fuel, rear	EH, HD, HR		7421698 1
HOSE—Fuel, rear	EH		7415658 1
HOSE—Fuel, rear	HD, HR		7425652 1
CLAMP—Hose, flat strip	EJ, EH, HD, HR		3786275 4
CONNECTOR—Hose to fuel pump	EJ, EH, HD, HR		3750685 1
GROMMET—Fuel hose	EH exc. EH/2104, EH/2106		7426789 1

3.201 PIPE ASSEMBLY

CARBURETTOR FUEL	48, 50, FJ up to Eng. No. 283372	7402819	1
VACUUM PUMP TO MANIFOLD	48, 50, FJ up to Eng. No. 283372	7402823	1
VACUUM PUMP TO WIPER HOSE	48, 50, FJ	7402825	1
CARBURETTOR FUEL	FJ from Eng. No. U283384		
	FE up to Eng. No. L327358	7409943	1
VACUUM PUMP TO MANIFOLD	FJ from Eng. No. U283384		
	FE up to Eng. No. L327358	7409939	1
VACUUM PUMP TO WIPER HOSE	FE up to Eng. No. L327358	7409941	1
CARBURETTOR FUEL	FE from Eng. No. L327359		
	FC, FB, EK up to Eng. No. B207489	*7411793	1
VACUUM PUMP TO MANIFOLD	FE from Eng. No. L327359		
	FC, FB	7411789	1
VACUUM PUMP TO WIPER HOSE	FE from Eng. No. L327359		
	FC, FB	7411787	1
CARBURETTOR FUEL	EK from Eng. No. B207490	**7418488	1
CARBURETTOR FUEL	EJ	7415590	1
CARBURETTOR FUEL	EH, HD exc. X2 Eng.		
	HR exc. X2, S Eng.	7426211	1
	HR S Eng.	7433847	1
CARBURETTOR FUEL	HD X2 Eng., HR X2 Eng.	7429684	1
FUEL PUMP TO TEE CONNECTOR	HD X2 Eng., HR X2 Eng.	7429683	1
PIPE AND TEE CONNECTOR—Front carburettor	HD X2 Eng., HR X2 Eng.	7429685	1
TEE CONNECTOR TO REAR CARBURETTOR	HD X2 Eng., HR X2 Eng.	7429685	1

*Used in conjunction with Fuel Pump Assemblies 7950314 (Modified version) and Part No. 7950625 on first 31,675 (approximate) EK units.

**Used in conjunction with Fuel Pump Assembly Part No. 7950606 after first 31,675 (approximate) EK units.

3.202 PIPE FITTINGS

CLIP—Vacuum tubes to engine	48, 50, FJ, FE, FC, FB	7414620	A.R.
CLIP—Carburettor fuel pipe and vacuum pump to manifold pipe	48, 50, FJ, FE, FC, FB	7401217	1
CLIP—Carburettor fuel pipe to spark control pipe	EK	7418469	1
CLIP—Spark control pipe to vacuum pump to manifold pipe	48, 50, FJ, FE, FC	7401216	A.R.
CLIP—Fuel and brake pipes underbody (1/4" x 5/16")	48, 50, FJ, FE, FC	177926	A.R.
CLIP—Pipe to rear floor pan (Type "A" 5/16")	48, FJ/215, FJ/217, FJ/225	115269	A.R.
CLIP—Fuel and brake pipes to No. 1 crossmember	FE, FC, FB, EK	7410038	1
CLIP—Pipe to side member (Type "A" 5/16")	FE, FC, FB, EK	115269	1
WASHER—Plain 1/4" x 9/16" x .049"	FB, EK	120385	A.R.
CLIP—Fuel and brake pipes underbody (3/16" x 5/16")	FB, EK	SP1410	3



3.202 PIPE FITTINGS (Cont'd.)

CLIP—Fuel tank to pump pipe	EJ	RIGHT HAND DRIVE	7419587	1
CLIP—Fuel pipe to brake pipe	EJ (M), EH (M)	RIGHT HAND DRIVE	7419574	1
CLIP—Fuel pipe to underbody	EJ, EH		7415653	5
CLIP—Fuel pipe to rocker inner panel, front	EJ, EH		192111	1
CLIP—Fuel pipe to rocker inner panel, rear	EJ, EH		SP1574	1
CLIP—Carburettor fuel pipe	EJ		7417210	1
CLIP—Fuel pipe to brace	EJ (A)	RIGHT HAND DRIVE	7413032	1
CLIP—Fuel pipe to brace	EJ	LEFT HAND DRIVE	7413032	1
CLIP—Carburettor fuel pipe	EH		7421020	1
CLIP—Carburettor fuel pipe	EH		7426213	1
CLIP—Carburettor fuel pipe to spark control	EH		599119	2
CLIP—Fuel pipe to brake pipe	HD, HR		599119	3
CLIP—Fuel pipe to underbody	HD, HR		7415653	1
CLIP—Fuel pipe to fender skirt	HD, HR		7415653	1
CLIP—Fuel pipe to rocker inner panel, type "D" 3/16" x 5/16"	HD, HR		SP1410	2
CLIP—Fuel pipe to rocker inner panel	HD		192111	1
CLIP—Fuel pipe to front body pillar brace, type "B" 5/16"	HD, HR		192111	1
CLIP—Carburettor fuel pipe	HD, HR exc. Power steering		7423305	1
CLIP—Carburettor fuel pipe	HR Power steering		7426213	1
CLIP—Carburettor fuel pipe to spark control	HD, HR		599119	2
ELBOW—Inv. flared tube 90° (pipe to carb.)	48, 50, FJ up to Eng. No. 283372		137422	1
ELBOW—Inv. flared tube 90° (pipe to fuel pump)	48, 50, FJ, FE, FC, FB		SP1008	A.R.
ELBOW—Inv. flared tube 45°—5/16" (pipe to fuel pump)	ALL		116341	1
CONNECTOR—Inv. flared tube 5/16"	48, 50, FJ, FE, FC, FB, EK		137406	A.R.
CONNECTOR—Inv. flared tube 1/4"	FE from Eng. No. L327359 FC, FB		137405	2
UNION—Inverted flared tube 5/16"	48, FJ/215, FJ/217, FJ/225 FE, FC, FB, EK, EJ, EH, HD, HR		137414	1

3.260 CONNECTOR, HOSE, NIPPLE—Inlet manifold water

CONNECTOR	HD X2 Eng., HR X2 Eng.		7428492	2
STUD—1/4" x 1"	HD X2 Eng., HR X2 Eng.		147716	4
WASHER—Internal tooth lock 1/4"	HD X2 Eng., HR X2 Eng.		120423	4
NUT—Hex. 1/4"—28	HD X2 Eng., HR X2 Eng.		SP1655	4
HOSE—Inlet	HD X2 Eng.		7428497	1
HOSE—Outlet	HD X2 Eng.		7417082	1
CONNECTOR—Hose	HD/235 X2 Eng., HD/239 X2 Eng.		7428620	1
CLAMP—Hose	HD X2 Eng.		SP1610	4-6
NIPPLE—Hose	HD X2 Eng. exc. HD/235, HD/239		7415042	1
HOSE	HR exc. X2, S Eng., Power steering		7429468	2
HOSE—Inlet	HR X2 Eng. exc. Power steering		7430216	1
HOSE—Outlet	HR X2 Eng. exc. Power steering		7430217	1
HOSE—Inlet	HR S Eng. exc. Power steering		7433805	1
HOSE—Outlet	HR S Eng. exc. Power steering		7433804	1
HOSE—Inlet	HR Power steering exc. X2, S Eng.		7429788	1
HOSE—Outlet	HR Power steering exc. X2, S Eng.		7429789	1
HOSE—Inlet	HR X2 Eng. Power steering		7431883	1
HOSE—Outlet	HR X2 Eng. Power steering		7431884	1
HOSE—Inlet	HR S Eng. Power steering		7434167	1
HOSE—Outlet	HR S Eng. Power steering		7434168	1
CLIP—Hose	HR S Eng.		7433806	1
CLIP—Hose to battery carrier	HR Power steering		7429812	A.R.
CLAMP—Hose	HR		SP1610	4

3.261 GASKET—Inlet manifold water connector

GASKET	HD X2 Eng., HR X2 Eng.		7428491	2
--------	------------------------	--	---------	---



3.265 MANIFOLD—INLET

MANIFOLD	48, 50, FJ, FE, FC, FB, EK, EJ	*7408826	1
BOLT—Auto. hex. hd. 5/16"—18 x 7/8"	48, 50, FJ, FE, FC, FB, EK, EJ	120229	A.R.
BOLT—Hex. hd. 5/16"—18 x 1"	EK (A)	122017	2
PLUG—Hex. hd. 1/8" pipe	EK, EJ	444613	1
MANIFOLD	EH (M) 149 Eng.	7427398	1
MANIFOLD	EH (A) 149 Eng.	7421563	1
MANIFOLD	HD 149 Eng.	7427398	1
MANIFOLD	EH 179 Eng., HD 179 exc. X2 Eng.	7427396	1
MANIFOLD	HD X2 Eng.	7428490	1
STUD—3/8" x 3-5/8"	EH	9420809	1
STUD—3/8"—16—24 x 3.66"	HD exc. X2 Eng.	SP1568	1
MANIFOLD—Except positive ventilator system	HR (M) 161 Eng.	7429486	1
MANIFOLD—With positive ventilator system	HR (M) 161 Eng.	7432924	1
MANIFOLD—Except positive ventilator system	HR (A) 161 Eng.	7429490	1
MANIFOLD—With positive ventilator system	HR (A) 161 Eng.	7432239	1
MANIFOLD—Except positive ventilator system	HR (M) 186 exc. X2, S Eng.	7429467	1
MANIFOLD—With positive ventilator system	HR (M) 186 Eng.	7432923	1
MANIFOLD—Except positive ventilator system	HR (A) 186 exc. X2, S Eng.	7429491	1
MANIFOLD—With positive ventilator system	HR (A) 186 Eng.	7432237	1
MANIFOLD	HR X2 Eng.	7428490	1
MANIFOLD	HR (M) S Eng.	7433689	1
MANIFOLD	HR (A) S Eng.	7433690	1
PLUG—Auto hex. hd. 1/4" PTF short (plain)	EH, HD (M) X2 Eng.		
	HR (M) X2, S Eng.	444819	1
PLUG—Auto hex. hd. 1/4" PTF short (C. or Z.)	HD (M) exc. X2 Eng., HR (M) exc. X2 Eng.	444818	1
PLUG—Auto hex. hd. 3/8" NPTF	HR S Eng.	444625	1
PLUG—Expansion	HR exc. X2, S Eng.	9419378	2
TUBE—Vacuum hose fitting, with positive ventilator system	HR exc. X2, S Eng.	7433250	1

* When fitting to 48, 50 & FJ models up to Eng. No. 283372 it will be necessary to reform the fuel pipes and air cleaner brace. The thread length of 7400430 throttle control upper rod must be 2 1/4".

3.270 GASKET SET, GASKET—Manifold

GASKET SET	48, 50, FJ, FE, FC, FB, EK, EJ	7405059	1
GASKET	EH, HD	7420104	1
GASKET SET	HR exc. X2, S Eng.	7430496	1
GASKET	HR	7429521	1

3.272 GASKET, PLATE—Inlet to exhaust manifold

GASKET	48, 50, FJ, FE, FC, FB, EK, EJ	7401133	1
GASKET—Inlet to exhaust	EH, HD exc. X2 Eng.	7425873	1
PLATE—Inlet to exhaust	EH, HD exc. X2 Eng.	7425872	1

3.273 CLAMP—Manifold

CLAMP	48, 50, FJ, FE, FC, FB, EK, EJ	7401114	4
CLAMP—Small	EH, HD exc. X2 Eng.		
	HR exc. X2, S Eng.	7420151	4
CLAMP—Large	EH, HD exc. X2 Eng.		
	HR exc. X2, S Eng.	3789898	2
CLAMP—Small	HD X2 Eng., HR X2, S Eng.	7429277	4
CLAMP—Large	HD X2 Eng., HR X2, S Eng.	7429278	2



HOLDEN

MASTER PARTS CATALOGUE

3.275 STUD—Inlet & Exhaust Manifold

STUD—To cylinder head 1 9/16"	48, 50, FJ, FE, FC, FB, EK, EJ	7401317	A.R.
BOLT—Hex. hd. 3/8"—16 x 1 1/8"	FJ from Eng. No. 198419 FE, FC, FB, EK, EJ	106331	2
BOLT—Hex. hd. 3/8"—16 x 1 3/8"	48, 50, FJ, FE, FC, FB, EK, EJ	106332	4
STUD—Exhaust pipe to manifold	48, 50, FJ, FE, FC, FB, EK, EJ	7402899	2
NUT—Light hex. (brass) 3/8"—16	48, 50, FJ, FE, FC, FB, EK, EJ	115772	A.R.
STUD—Inlet and exhaust manifold	EH, HD, HR	7429476	2-4
STUD—Manifold locating	EH, HD, HR	3835487	2
STUD—Exhaust pipe to manifold	EH, HD, HR	7414906	2-4
NUT—Exhaust pipe to manifold	EH, HD, HR	3671946	2-4
BOLT—Hex. hd. 3/8"—16 x 1"	EH, HD exc. X2 Eng.	100134	2
BOLT—Hex. hd. 3/8"—16 x 1-1/2"	EH, HD exc. X2 Eng. HR exc. X2, S Eng.	179843	4-2
BOLT—Hex. hd. 3/8"—16 x 1-1/8"	EH (M)	106331	A.R.
NUT—Hex. 3/8"—24	EH, HD exc. X2 Eng. HR exc. X2, S Eng.	103026	3-4
BOLT—Hex. hd. 3/8"—16 x 1"	HD X2 Eng., HR X2, S Eng.	181116	2
NUT—Hex. 3/8"—24	HD X2 Eng., HR X2, S Eng.	114942	4

3.276 WASHER—Inlet & Exhaust Manifold to Cylinder Head

WASHER	48, 50, FJ, FE, FC, FB, EK, EJ	7401324	4
--------------	--------------------------------------	---------	---

3.288 STUD—Carburettor to Manifold

STUD	48, 50, FJ up to Eng. No. 283372	7400428	2
STUD	FJ from Eng. No. U283384 FE, FC, FB, EK, EJ	7409153	2
NUT—Light thick hex. 5/16"—24	48, 50, FJ, FE, FC, FB, EK, EJ	143416	2
STUD	EH, HD, HR X2 Eng.	7420204	2-3
STUD	HR exc. X2, S Eng.	7429464	2
STUD—5/16" x 1.54"	HR S Eng.	SP1763	4
STUD—Rear carburettor to manifold	HD X2 Eng., HR X2 Eng.	7428505	1
NUT—Thick hex. 3/8"—24	EH, HD	120369	A.R.
NUT—Hex. 5/16"—24	HR S Eng.	120368	4
WASHER—Rear carburettor to manifold	HD X2 Eng., HR X2 Eng.	120382	1

3.292 SLEEVE—Inlet Manifold

SLEEVE	48, 50, FJ, FE, FC, FB, EK, EJ	7401321	3
--------------	--------------------------------------	---------	---

3.402 AIR CLEANER AND SILENCER ASSEMBLY

AIR CLEANER AND SILENCER ASSEMBLY	48, 50, FJ, FE, FC, FB, EK	7414593	1
AIR CLEANER ASSEMBLY—Oil bath	48, 50, FJ, FE, FC, FB, EK	7425365	1
AIR CLEANER AND SILENCER ASSEMBLY	EJ	7411778	1
AIR CLEANER ASSEMBLY—Oil bath	EJ	7422029	1
AIR CLEANER AND SILENCER ASSEMBLY	EH, HD exc. X2 Eng. HR exc. X2, S Eng.	7422737	1
AIR CLEANER AND ROD ASSEMBLY	HD X2 Eng.	7428508	1
AIR CLEANER ASSEMBLY—Dual element	EJ, EH, HD exc. X2 Eng., HR exc. X2 S Eng.	7426311	1
AIR CLEANER AND ROD ASSEMBLY	HR X2 Eng.	7432246	1
AIR CLEANER ASSEMBLY	HR S Eng.	7432758	1

HOLDEN

MASTER PARTS CATALOGUE



3.403 RETAINER, PLATE, ROD, CLAMP—Air cleaner

RETAINER	7402510	1	
ROD	EJ, EH, HD exc. X2 Eng. HR exc. X2, S Eng.	7419668	1
ROD	HD X2 Eng., HR X2 Eng.	7429281	2
CLAMP	EJ, EH, HD, HR exc. S Eng.	7419667	1
CLAMP	HD X2 Eng., HR X2 Eng.	7428514	1
WASHER—Plain, type "A" 1/4"—narrow	EJ, EH, HD, HR exc. S Eng.	9414320	1-2
BRIDGE	HR S Eng.	7433660	1
GASKET—Air cleaner to carburettor	HR S Eng.	3708408	1

3.410 ELEMENT, COVER, NUT—Air Cleaner & Silencer

ELEMENT—6" O.D.	°	1528440	1
TOP COVER ..	*	1544807	1
WING NUT ..	*	1526021	1
ELEMENT	**	1573511	1
TOP COVER ASSEMBLY	**	1527723	1
GASKET—Top cover	**	1527724	1
WING NUT—Top cover	**	1527211	1
ELEMENT AND TOP COVER ASSEMBLY	#	1544765	1
GASKET	#	1544375	1
ELEMENT—Paper ..	FC, FB, EK, EJ	7414198	1
ELEMENT—Paper ..	FC, FB, EK, EJ, EH, HD exc. X2 Eng. HR exc. X2 Eng.	†7422739	1
NUT—Wing 1/4"—20	FC, FB, EK, EJ, EH, HD exc. X2 Eng. HR exc. X2, S Eng.	SP1352	1
NUT—Wing 1/4"—20	HR S Eng.	SP1769	1
ELEMENT—Foam rubber	HD X2 Eng., HR X2 Eng.	7426139	1
CLIP—Cover	HD X2 Eng.	7429296	3
CLIP—Cover	HR X2 Eng.	7432436	3
EMBLEM	HD X2 Eng., HR X2 Eng.	7429283	1
GASKET—Body ..	HD X2 Eng., HR X2 Eng.	7430536	1
ELEMENT—Oil bath cleaner	48, 50, FJ, FE, FC, FB, EK	7955922	1
GASKET—Oil bath cleaner—3-1/2" dia.	48, 50, FJ, FE, FC, FB, EK	1573510	1
GASKET—Oil bath cleaner—26" long	48, 50, FJ, FE, FC, FB, EK	1579931	1
ELEMENT—Paper—Dual element cleaner	EJ, EH, HD exc. X2 Eng. HR exc. X2, S Eng.	7414198	1
ELEMENT—Foam rubber—Dual element cleaner	EJ, EH, HD exc. X2 Eng. HR exc. X2, S Eng.	7426139	1
COVER ASSY.—Dual element cleaner ..	EJ, EH, HD exc. X2 Eng. HR exc. X2, S Eng.	7426135	1
CLIP—Cover—Dual element cleaner	EJ, EH, HD exc. X2 Eng. HR exc. X2, S Eng.	7426148	3

† Heavy duty on FC, FB, EK, EJ.

Continued

* 48, 50

FJ S.A. up to Ser. No. 4969A
Qld. up to Ser. No. B6806
Vic. up to Ser. No. M11958
W.A. up to Ser. No. P3689
N.S.W. up to Ser. No. 4/S12007

** FJ S.A. from Ser. No. 4970A up to Eng. No. 283372
Qld. from Ser. No. B6807 up to Eng. No. 283372
Vic. from Ser. No. M11959 up to Eng. No. 283372
W.A. from Ser. No. P3690 up to Eng. No. 283372
N.S.W. from Ser. No. 4/S12008 up to Eng. No. 283372

FJ from Eng. No. U283384

FE

FC S.A. up to Ser. No. 15517A
Qld. up to Ser. No. 22001B
Vic. up to Ser. No. 52825M
W.A. up to Ser. No. 11763P
N.S.W. up to Ser. No. 56060S



HOLDEN

MASTER PARTS CATALOGUE

3.430 COMPONENTS—Throttle Control Linkage

ROD—Upper	48, 50, FJ	7400430	1
	FE up to Eng. No. L438175		
CLIP—Upper rod end spring, L.H.	48, 50, FJ	7403387	1
	FE up to Eng. No. L438175		
TRUNNION	48, 50, FJ	7400420	1
	FE up to Eng. No. L438175		
ROD—Upper	FE from Eng. No. L438176		
	FC, FB, EK (M)	7413987	1
ROD—Upper	EK (A)	7417810	1
PIN—Cotter 1/16" x 7/16"	FE from Eng. No. L438176		
	FC, FB, EK	137133	2
WASHER—Plain 7/32" x 1/2" x .049"	48, 50, FJ, FE, FC, FB, EK	120391	A.R.
SPRING—Anti-rattle	48, 50, FJ, FE, FC, FB, EK	7400429	A.R.
BRACKET—Adjusting	FE from Eng. No. L438176		
	FC, FB, EK	7413986	1
BOLT—Hex. hd. 1/4"—28 x 5/8"	FE from Eng. No. L438176		
	FC, FB, EK	456059	1
WASHER—Plain 9/32" x 5/8" x .065"	FE from Eng. No. L438176		
	FC, FB, EK	120392	1
WASHER—Spring lock 1/4" medium	FE from Eng. No. L438176		
	FC, FB, EK	120380	1
ROD—Lower	48, 50, FJ	7400419	1
CLIP—Lower rod end spring, R.H.	48, 50, FJ	7403054	2
ROD—Accelerator lower cross shaft	FE, FC, FB, EK (M)		
	RIGHT HAND DRIVE	7409607	1
ROD—Accelerator lower cross shaft, short	EK (A)	7418754	1
NUT—Hex. 1/4"—28	EK (A)	120613	1
ROD—Accelerator lower cross shaft, long	EK (A)	7418755	1
BAR—Adjusting	EK (A)	7418757	1
ROD—Accelerator upper cross shaft	FE, FC, FB, EK	7409608	1
CLIP—Rod end spring	FE, FC, FB, EK	7403054	A.R.
LEVER ASSEMBLY—Accelerator pedal to con. rod	EJ, EH	7418987	1
	LEFT HAND DRIVE	7418978	1
		120394	1
WASHER—Plain, type "A" 13/32" x 13/16" x .065"	EJ, EH	7423511	1
WASHER—Lever anti-rattle spring	EJ, EH	7418991	1
ROD—Accelerator connecting through cowl panel	EJ, EH	7403387	1
CLIP—Rod end spring, left hand	EJ, EH	7403054	1
CLIP—Rod end spring, right hand	EJ, EH	7423523	1
SPRING—Anti-rattle	EJ, EH	7418945	1
ROD—Accelerator connecting through cowl panel	EJ, EH	7403054	1
CLIP—Rod end spring, right hand	EH	7403054	1
WASHER—Plain 9/32" x 5/8" x .065"	EJ, EH	120392	1
PIN—Cotter 1/16" x 7/16"	EJ, EH	137133	1
WASHER—Plain, 9/32" x 5/8" x .065"	EJ, EH	120392	1
NUT—Hex. 1/4"—20	EJ, EH	120375	2
GROMMET—Accelerator connecting rod	EJ, EH	7408343	1
LEVER ASSY.—Accelerator cross shaft to upper rod	EJ	RIGHT HAND DRIVE	##7425990
LEVER ASSY.—Accelerator cross shaft to upper rod	EH	RIGHT HAND DRIVE	7421034
BOLT—Hex. hd. 5/16"—24 x 3/4"	EJ, EH	RIGHT HAND DRIVE	120741
WASHER—Spring lock, 5/16"—medium	EJ, EH	RIGHT HAND DRIVE	120214
WASHER—Plain, type "A" 11/32" x 11/16" x .065"	EJ, EH	RIGHT HAND DRIVE	120393
ROD—Throttle control, upper	EJ (M)	RIGHT HAND DRIVE	#7413987
ROD—Throttle control, upper	EJ (A)	RIGHT HAND DRIVE	#7414300
ROD—Throttle control, upper	EJ (M)	RIGHT HAND DRIVE	##7425987
ROD—Throttle control, upper	EJ (A)	RIGHT HAND DRIVE	##7425991
ROD—Throttle control, upper	EJ (M)	LEFT HAND DRIVE	7413987
ROD—Throttle control, upper	EJ (A)	LEFT HAND DRIVE	7414300
ROD—Throttle control, upper	EH (M)	RIGHT HAND DRIVE	7426153
		LEFT HAND DRIVE	7423690
ROD—Throttle control, upper	EH (A)	RIGHT HAND DRIVE	7426154
PIN—Cotter, 1/16" x 7/16"	EJ, EH		137133
WASHER—Plain, 7/32" x 7/16" x .049"	EJ, EH		446161
SPRING—Anti-rattle, coil	EJ, EH		7400429
SPRING—Anti-rattle	EJ, EH		2-1
		RIGHT HAND DRIVE	##7425986

#Lever assembly with 7/32" diameter hole for upper rod.
##Lever assembly with 7/32" x 7/8" slot for upper rod.



3.430 COMPONENTS—Throttle Control Linkage (Cont'd.)

ROD—Accelerator lower push	HD exc. X2 Eng.	RIGHT HAND DRIVE	7426499	1
ROD—Accelerator lower push	HD X2 Eng.	RIGHT HAND DRIVE	7428611	1
		LEFT HAND DRIVE	7429759	1
ROD—Accelerator upper push	HD	RIGHT HAND DRIVE	7426498	1
ROD—Accelerator upper push	HD X2 Eng.	LEFT HAND DRIVE	7429760	1
NUT—Hex. jam 1/4"—28	HD	RIGHT HAND DRIVE	120613	1
NUT—Hex. jam 1/4"—28	HD X2 Eng.	LEFT HAND DRIVE	120613	1
BAR—Adjusting	HD	RIGHT HAND DRIVE	7418757	1
BAR—Adjusting	HD X2 Eng.	LEFT HAND DRIVE	7418757	1
ROD—Accelerator push	HD exc. X2 Eng.	LEFT HAND DRIVE	7418733	1
ROD—Accelerator lower push	HR	RIGHT HAND DRIVE	7430101	1
ROD—Accelerator upper push	HR	RIGHT HAND DRIVE	7430055	1
ROD—Accelerator push	HR	LEFT HAND DRIVE	7430821	1
NUT—Hex. jam 1/4"—28	HR		120613	1
BAR—Adjusting	HR		7418757	1
CLIP—Rod end spring, left hand	HD, HR		7403387	1
CLIP—Rod end spring, right hand	HD, HR		7403054	2
ROD ASSEMBLY—Carburettor actuating torsion	HD exc. X2 Eng., HR exc. X2, S Eng.	RIGHT HAND DRIVE	7426836	1
		LEFT HAND DRIVE	7424359	1
ROD—Carburettor actuating torsion	HD (M) X2 Eng., HR (M) X2 Eng.		7428526	1
ROD—Carburettor actuating torsion	HD (A) X2 Eng., HR (A) X2 Eng.		7430161	1
SPRING—Torsion rod anti-rattle	HD (A) X2 Eng.		7430165	1
WASHER—Plain, 9/32" x 5/8" x .065"	HD X2 Eng.		120392	2
WASHER—Spring, 1/4"	HD X2 Eng.		SP1327	2
PIN—Cotter, 1/16" x 7/16"	HD X2 Eng.		137133	2
BEARING—Torsion rod	HD, HR exc. S Eng.		7426821	1
SUPPORT—Torsion rod bearing	HD, HR exc. S Eng.		7426820	1
SUPPORT—Torsion rod bearing to cowl	HD, HR		7420236	1
SCREW—Pan hd. cr. rec. mach. 1/4"—20 x 1/2" with lockwasher	HD, HR		191985	2
SPRING—Throttle control anti-rattle	HD, HR exc. X2, S Eng.		7428865	1
SPRING—Throttle control anti-rattle	HR (A) X2 Eng.		7430165	1
COUPLING ASSEMBLY—Carburettor	HD X2 Eng., HR X2 Eng.		6366301	1
ROD—Carburettor actuating, upper	HR S Eng.		7433851	1
ROD—Carburettor actuating, lower	HR S Eng.		7433852	1
NUT—Hex. jam, 1/4"—28	HR S Eng.		120613	1
BAR—Adjusting	HR S Eng.		7418757	1
CLIP—Rod end spring, left hand	HR S Eng.		7403387	1
CLIP—Rod end spring, right hand	HR S Eng.		7403054	1
LEVER—Carburettor throttle	HR S Eng.		7433846	1
NUT—Hex. 1/4"—28	HR S Eng.		120367	1
WASHER—Spring lock, 1/4"	HR S Eng.		120380	1
SCREW—Flat hd. sl. mach., 1/4"—28 x 9/16"	HR S Eng.		SP1777	1

3.431 ROD ASSEMBLY, SHAFT ASSEMBLY, BRACKET, LEVER—Accelerator

ROD ASSEMBLY	48, 50, FJ	7400422	1	
BOLT—Auto. hex. hd. 1/4"—28 x 1/2"	48, 50, FJ	123316	4	
WASHER—Spring lock, 1/4"—Medium	48, 50, FJ	120380	4	
SHAFT ASSEMBLY—Lower cross	FE, FC, FB, EK	RIGHT HAND DRIVE	7409602	1



HOLDEN

MASTER PARTS CATALOGUE

3.431 ROD ASSEMBLY, SHAFT ASSEMBLY, BRACKET, LEVER—Accelerator (Cont'd.).

SHAFT ASSEMBLY—Upper cross	*		#7413984	1
SUPPORT—Upper cross shaft	*		LH 7409612	1
			RH 7409613	1
SPRING—Anti-rattle	*		7403057	1
SHAFT ASSEMBLY—Upper cross	**	RIGHT HAND DRIVE	7414869	1
SUPPORT—Upper cross shaft	**	RIGHT HAND DRIVE	LH7414873	1
			RH7414872	1
SPRING—Anti-rattle	**	RIGHT HAND DRIVE	7414890	1
SHAFT ASSEMBLY—Upper cross	EK (A)	RIGHT HAND DRIVE	7413984	1
SUPPORT—Upper cross shaft	EK (A)	RIGHT HAND DRIVE	LH7409612	1
			RH7409613	1
SPRING—Anti-rattle	EK (A)	RIGHT HAND DRIVE	7403057	1
SUPPORT—Cross shaft	FB, EK	LEFT HAND DRIVE	LH7414873	1
			RH7414872	1
SPRING—Anti-rattle	FB, EK	LEFT HAND DRIVE	7414890	1
BRACKET ASSEMBLY—Throttle control lower rod	EK (A)	LEFT HAND DRIVE	7418911	1
WASHER—Plain 9/32" x 5/8" x .065"	EK (A)	LEFT HAND DRIVE	120392	1
PIN—Cotter 1/16" x 7/16"	EK (A)	LEFT HAND DRIVE	137133	1
RIVET—Flat hd. solid 1/4" x 1/2"	EK (A)	LEFT HAND DRIVE	104249	1
WASHER—Spring lock 1/4" medium	FE, FC, FB, EK		120380	8
BRACKET—Accelerator cross shaft, left side	EJ, EH	RIGHT HAND DRIVE	7409819	1
BRACKET—Accelerator cross shaft, outer	EJ, EH	LEFT HAND DRIVE	7415263	1
SCREW—Pan hd. cr. rec. mach. 1/4"—28 x 1/2"	EJ, EH		191879	2
WASHER—Spring lock, 1/4"—Medium	EJ, EH		120380	2
SHAFT ASSEMBLY—Accelerator cross	EJ (M), EH (M)	RIGHT HAND DRIVE	7408893	1
SHAFT ASSEMBLY—Accelerator cross	EJ (A), EH (A)	RIGHT HAND DRIVE	7418943	1
SHAFT ASSEMBLY—Accelerator cross	EH up to Eng. No. 81520			
		LEFT HAND DRIVE	7421062	1
SHAFT ASSEMBLY—Accelerator cross	EH from Eng. No. 81521			
		LEFT HAND DRIVE	7420252	1
SCREW—Pan hd. cr. rec. mach. 1/4"—28 x 1/2"	EJ, EH		191879	2
WASHER—Spring lock, 1/4"—Medium	EJ, EH		120380	2
SCREW—Hex. hd. mach. 1/4"—20 x 1-1/4"	EJ, EH	RIGHT HAND DRIVE	9415800	1
NUT—Hex. 1/4"—20	EJ, EH	RIGHT HAND DRIVE	120375	1
BRACKET ASSEMBLY—Throttle control lower rod	EJ, EH	LEFT HAND DRIVE	7418911	1
WASHER—Plain, type "A" 9/32" x 5/8" x .065"	EJ, EH	LEFT HAND DRIVE	120392	1
PIN—Cotter, 1/16" x 7/16" plated	EJ, EH	LEFT HAND DRIVE	137133	1
SHAFT ASSEMBLY—Accelerator cross	HD	RIGHT HAND DRIVE	7426831	1
SHAFT ASSEMBLY—Accelerator cross	HR exc. S Eng.	RIGHT HAND DRIVE	7430130	1
SHAFT ASSEMBLY—Accelerator cross	HR S Eng.	RIGHT HAND DRIVE	7433848	1
BEARING—Accelerator cross shaft	HD HR exc. S. Eng.			
		RIGHT HAND DRIVE	7424478	2
BEARING—Accelerator cross shaft	HR S Eng.	RIGHT HAND DRIVE	7436467	1
CAP—Cross shaft bearing retainer L.H.	HD, HR	RIGHT HAND DRIVE	7424385	1
COVER—Cross shaft bearing retainer R.H.	HD, HR	RIGHT HAND DRIVE	7424417	1
SCREW—Pan hd. cr. rec. mach. 1/4"—20 x 1/2" with lock washer	HD, HR	RIGHT HAND DRIVE	191985	4
SHAFT AND BEARING ASSY—Accelerator cross	HD exc. X2 Eng.			
		LEFT HAND DRIVE	7414024	1
SHAFT AND BEARING ASSY—Accelerator cross	HD X2 Eng.			
	HR exc. S Eng.	LEFT HAND DRIVE	7429756	1
SHAFT AND BEARING ASSY.—Accelerator cross	HR S Eng.	LEFT HAND DRIVE	7434293	1

* FE

FC S.A. up to Ser. No. 14450A
Qld. up to Ser. No. 20572B
Vic. up to Ser. No. 47886M
W.A. up to Ser. No. 10888P
N.S.W. up to Ser. No. 50422S

When fitting to FE up to Eng. No. L438175 it is necessary to use:—

1 - 7413986 Bracket, 1 - 456059 Bolt, 1 - 120392 Washer, 1 - 120380 Washer, 1 - 7413987 Rod, 4 - 120391 Washer, 2 - 137133 Pin.

**FC S.A. from Ser. No. 14451A
Qld. from Ser. No. 20573B
Vic. from Ser. No. 47887M
W.A. from Ser. No. 10889P
N.S.W. from Ser. No. 50423S
FB, EK (M)



3.431 ROD ASSEMBLY, SHAFT ASSEMBLY, BRACKET, LEVER—Accelerator (Cont'd.)

PLATE—Cross shaft bearing cover	HD HR	LEFT HAND DRIVE	7424358	1
SCREW—Hex. hd. mach. 1/4"—20 x 1-1/2"	HD, HR	LEFT HAND DRIVE	9415802	3
WASHER—Spring lock 1/4"—Medium	HD, HR	LEFT HAND DRIVE	120380	3
NUT—Hex. 1/4"—20	HD, HR	LEFT HAND DRIVE	120375	3

3.451 PEDAL ASSEMBLY—Accelerator

PEDAL ASSEMBLY	48, 50, FJ, FE, FC, FB, EK		7400411	1
BOLT—Auto. hex. hd. 1/4"—28 x 1/2"	48, 50, FJ, FE, FC, FB, EK		123316	2
WASHER—Spring lock 1/4"—Medium	48, 50, FJ, FE, FC, FB, EK		120380	2
PEDAL ASSEMBLY	EJ, EH, HD, HR		7408183	1
MOUNTING PLATE & STUD ASSEMBLY—Pedal	EJ, EH	RIGHT HAND DRIVE	7415211	1
MOUNTING PLATE & STUD ASSEMBLY—Pedal	EJ (M), EH (M)	LEFT HAND DRIVE	7415211	1
BRACKET ASSEMBLY—Pedal	HD, HR	RIGHT HAND DRIVE	7424208	1
		LEFT HAND DRIVE	7425940	1

3.459 SPRING—Accelerator

SPRING	48, 50, FJ, FE, FC, FB, EK (M), EJ (M), EH (M)		7401153	1
SPRING	EK (A), EJ (A), EH (A)		7418448	1
SPRING—5" overall	HD exc. X2 Eng.		7426839	1
SPRING—4" overall	HD exc. X2 Eng.	LEFT HAND DRIVE	7424357	1
SPRING	HR exc. X2, S Eng.	RIGHT HAND DRIVE	7426839	1
SPRING	HR (M) exc. X2, S Eng.	LEFT HAND DRIVE	7424357	1
SPRING	HR (A) exc. X2, S Eng.	LEFT HAND DRIVE	7426839	1
SPRING	HD (M) X2 Eng., HR (M) X2 Eng.		7428525	1
SPRING	HD (A) X2 Eng., HR (A) X2 Eng.		7430169	1
SPRING	HR S Eng.		7434004	1
BRACKET—Acc. spring, on carburettor	HD (A), HR (A) exc. S Eng.		7430160	1

3.521 CONTROL ASSEMBLY—Choke

CONTROL ASSEMBLY	48, 50, FJ, exc. FJ/225		7404029	1
CONTROL ASSEMBLY	FJ/225		7404464	1
CONTROL ASSEMBLY	FE, FC		7409186	1
CONTROL ASSEMBLY	FB, EK	RIGHT HAND DRIVE	7412860	1
NUT—Light hex. jam 3/8"—24	48, 50, FJ, FE, FC, FB, EK		124925	1
WASHER—Spring lock 3/8" Light	48, 50, FJ, FE, FC, FB, EK		120381	1
GROMMET—Control and wiper hose	48, 50, FJ		7402869	1
GROMMET—Choke control	FB, EK	RIGHT HAND DRIVE	7412940	1
CLIP—Control to speedometer cable	FE, FC		7401216	1
CLIP—Anti-rattle	FB, EK		7416564	1
CONTROL ASSEMBLY	EJ, EH	RIGHT HAND DRIVE	7416762	1
NUT—Hex. jam 3/8"—24	EJ, EH		124925	1
WASHER—Spring lock, 3/8"—light	EJ, EH		120381	1
GROMMET—Choke cable	EJ (M), EH (M)	RIGHT HAND DRIVE	7417486	1
GROMMET—Choke control & speedometer cable	EJ (A), EH (A)	RIGHT HAND DRIVE	7417483	1
GROMMET—Choke control & speedometer cable	EJ (M), EH (M)	LEFT HAND DRIVE	7417483	1
GROMMET—Choke cable	EJ (A), EH (A)	LEFT HAND DRIVE	7417486	1



HOLDEN

MASTER PARTS CATALOGUE

3.521 CONTROL ASSEMBLY—Choke (Cont'd.)

CONTROL ASSEMBLY	HD exc. X2 Eng., HR exc. X2, S Eng.	7424817	1
CONTROL ASSEMBLY	HD X2 Eng., HR X2 Eng.	7428506	1
NUT—Control to instrument panel	HD, HR exc. S. Eng.	7416683	1
GROMMET—Choke control	HD, HR exc. S. Eng.	7426221	1
"O" RING—Choke control	HD	7426222	1
"O" RING—Choke control—One piece panel	HD, HR exc. S. Eng.	7430136	1
WASHER—Choke control to instrument panel	HD, HR exc. S. Eng.	7426223	1
CONDUIT—Choke	HD X2 Eng., HR X2 Eng.	7428507	1

3.522 DIAL, ESCUTCHEON—Choke control

DIAL	FE	7409187	1
ESCUTCHEON	FE	7409190	1
DIAL—Choke and wiper	FC	7411871	1
DIAL—Choke	FB, EK	7412079	1
ESCUTCHEON	EJ, EH	7418025	1

3.601 MANIFOLD ASSEMBLY—Exhaust

MANIFOLD ASSEMBLY	48, 50, FJ, FE, FC, FB, EK, EJ	7401320	1
MANIFOLD ASSEMBLY	EH, HD exc. X2 Eng.	7420122	1
MANIFOLD ASSEMBLY—Front	HD X2 Eng., HR X2 Eng.	7428493	1
MANIFOLD ASSEMBLY—Rear	HD X2 Eng., HR X2, S. Eng. up to Eng. No. 186K171369	7428495	1
MANIFOLD ASSEMBLY—Front	HR S. Eng.	7433655	1
MANIFOLD ASSEMBLY—Rear	HR S. Eng. from Eng. No. 186K171370	7430583	1
MANIFOLD ASSEMBLY	HR exc. X2, S. Eng.	7429514	1

3.603 TUBE—Exhaust Manifold Choke Heat

TUBE	HR S. Eng.	7433657	1
----------------	----------------------	---------	---

3.609 PIPE ASSEMBLY—Exhaust

PIPE ASSEMBLY	48, 50 FJ S.A. up to Ser. No. 8532A Qld. up to Ser. No. B11824 Vic. up to Ser. No. M22115 W.A. up to Ser. No. P6473 N.S.W. up to Ser. No. 5/2386S	7401479	1
PIPE ASSEMBLY	FJ S.A. from Ser. No. 8533A Qld. from Ser. No. B11825 Vic. from Ser. No. M22116 W.A. from Ser. No. P6474 N.S.W. from Ser. No. 5/2387S	7408464	1
PIPE ASSEMBLY	FE, FC, FB RIGHT HAND DRIVE	7409732	1
PIPE ASSEMBLY	EK	7417592	1
PIPE ASSEMBLY	EJ (M)	7415627	1
PIPE ASSEMBLY	EJ (A)	7417757	1
PIPE ASSEMBLY	EH (M) RIGHT HAND DRIVE	7421402	1
PIPE ASSEMBLY	EH (M) 149 Eng. up to Eng. No. 81520 LEFT HAND DRIVE	7421402	1
PIPE ASSEMBLY	EH (M) 149 Eng. from Eng. No. 81521 179 Eng. LEFT HAND DRIVE	7424880	1
PIPE ASSEMBLY	EH (A)	7421371	1



3.609 PIPE ASSEMBLY—Exhaust (Cont'd.).

PIPE ASSEMBLY	HD exc. X2 Eng.	7423701	1
PIPE ASSEMBLY—Front	HD X2 Eng.	7428540	1
PIPE ASSEMBLY—Rear	HD X2 Eng.	7428541	1
PIPE ASSEMBLY	HR exc. X2, S Eng.	7429540	1
PIPE ASSEMBLY	HR X2, S Eng. up to Eng. No. 186K171369	7432587	1
PIPE ASSEMBLY	HR S Eng. from Eng. No. 186K171370	7430735	1

3.610 FLANGE—Exhaust Pipe Packing

FLANGE	FE, FC, FB, EK, EJ	7401482	1
FLANGE	EH, HD	3791086	1-2
FLANGE	HR exc. X2, S Eng.	7429539	1

3.611 PACKING—Exhaust Pipe

PACKING	48, 50, FJ, FE, FC, FB, EK, EJ, EH, HD	7401483	1-2
PACKING	HR exc. X2, S Eng.	7429532	1
PACKING	HR X2, S Eng.	7401483	2

3.616 CLAMP, BRACKET—Exhaust Pipe

CLAMP	48, 50, FJ, FE, FC, FB	7401484	1	
BOLT—Auto. hex. hd. 5/16"—24 x 1"	48, 50, FJ, FE, FC, FB	121661	1	
NUT—Light hex. 5/16"—24	48, 50, FJ, FE, FC, FB	120368	1	
WASHER—Spring lock 5/16"—Medium	48, 50, FJ, FE, FC, FB	120214	1	
BRACKET—Support (on lower clutch cover)	48, 50, FJ	M35098	1	
BRACKET—Support	FE, FC, FB	RIGHT HAND DRIVE	7411388	1
WASHER—Special	FE, FC, FB	RIGHT HAND DRIVE	7413368	1
BOLT—Hex. hd. 5/16"—24 x 3/4"	FE, FC, FB	RIGHT HAND DRIVE	120741	1
NUT—Hex. 5/16"—24	FE, FC, FB	RIGHT HAND DRIVE	120368	1
WASHER—Plain 11/32" x 11/16" x .065"	FE, FC, FB	RIGHT HAND DRIVE	120393	1
WASHER—Spring lock 5/16"—Medium	FE, FC, FB	RIGHT HAND DRIVE	120214	1
BRACKET	FB	LEFT HAND DRIVE	7415189	1
BOLT—Hex. hd. 5/16"—24 x 1"	FB	LEFT HAND DRIVE	121661	1
NUT—Hex. 5/16"—24	FB	LEFT HAND DRIVE	120368	1
WASHER—Plain 11/32" x 11/16" x .065"	FB	LEFT HAND DRIVE	120393	1
WASHER—Spring lock 5/16"—Medium	FB	LEFT HAND DRIVE	120214	1
CLAMP	EK	7416754	1	
BOLT—Hex. hd. 5/16"—24 x 1-1/8"	EK	123499	1	
WASHER—Spring lock 5/16"—Medium	EK	120214	1	
WASHER—Plain .34" x .76" x .105"	EK	SP1470	2	
NUT—Hex. 5/16"—24	EK	120368	1	
BRACKET—Support	EK (M)	7417585	1	
BOLT—Hex. hd. 5/16"—24 x 7/8"	EK (M)	120213	1	
WASHER—Spring lock 5/16"—Medium	EK (M)	120214	1	
WASHER—Plain 11/32" x 11/16" x .065"	EK (M)	120393	1	
NUT—Hex. 5/16"—24	EK (M)	120368	1	
BRACKET—Support, upper	EK (A)	7418780	1	
BOLT—Hex. hd. 3/8"—16 x 1 3/4"	EK (A)	SP1339	1	
WASHER—Spring lock 3/8" medium	EK (A)	120382	1	
NUT—Hex. 3/8"—16	EK (A)	120377	1	
RETAINER—Bush	EK (A)	7418776	2	
BUSH—Upper to lower bracket	EK (A)	7084112	2	
RETAINER—Upper to lower bracket	EK (A)	43468	2	
BRACKET ASSEMBLY—Support, lower	EK (A)	7418777	1	
NUT—Hex. Jam 3/8"—24	EK (A)	114494	1	
NUT—Upper to lower bracket	EK (A)	43469	1	
BRACKET—Support, adjusting	EK (A)	7418778	1	
BOLT—Hex. hd. 3/8"—24 x 7/8"	EK (A)	120758	1	
WASHER—Spring lock 3/8" medium	EK (A)	120382	1	
NUT—Hex. 3/8"—24	EK (A)	120369	1	



HOLDEN

MASTER PARTS CATALOGUE

3.616 CLAMP, BRACKET—Exhaust Pipe (Cont'd.).

CLAMP	EJ (M), EH (M)	7416754	1
BRACKET—Exhaust pipe support	EJ (M), EH (M)	7418086	1
BOLT—Hex. hd. 5/16"—24 x 1"	EJ (M), EH (M)	121661	1
WASHER—Spring lock, 5/16"—medium	EJ (M), EH (M)	120214	1
NUT—Hex. 5/16"—24	EJ (M), EH (M)	120368	1
BRACKET—Exhaust pipe support, upper	EJ (M), EH (M) 149 Eng. up to Eng. No. 81520	7418085	1
BRACKET—Exhaust pipe support, upper	EH (M) 149 Eng. from Eng. No. 81521 EH (M) 179 Eng.		
	RIGHT HAND DRIVE	7424695	1
	LEFT HAND DRIVE	7420699	1
BOLT—Hex. hd. 3/8"—16 x 7/8"	EJ (M), EH (M)	122126	1
WASHER—Spring lock, 3/8"—medium	EJ (M), EH (M)	120382	1
WASHER—Special, exhaust pipe	EJ (M), EH (M)	7413368	2
BOLT—Hex. hd. 5/16"—24 x 1-1/8"	EJ (M), EH (M)	123499	1
WASHER—Plain, .34" x .76" x .105"	EJ (M), EH (M)	SP1470	2
CLAMP—Exhaust pipe	EJ (A), EH (A)	7417759	1
SUPPORT—Exhaust pipe	EJ (A), EH (A)	7417761	1
BOLT—Hex. hd. 5/16"—24 x 1-1/4"	EJ (A), EH (A)	123774	1
WASHER—Plain, .34" x .76" x .105"	EJ (A), EH (A)	SP1470	1
NUT—Hex. 3/8"—16	EJ (A), EH (A)	120377	1
WASHER—Spring lock 3/8"—medium	EJ (A), EH (A)	120382	1
WASHER—Spring lock 5/16"—medium	EJ, EH	120214	1
NUT—Hex. 5/16"—24	EJ, EH	120368	1
CLAMP	HD	7426392	1
SPACER—Clamp	HD Power Steering	7428182	1
BRACKET—Exhaust pipe support	HD exc. Power Steering, X2 Eng.	7426390	1
BRACKET—Exhaust pipe support	HD Power Steering exc. X2 Eng.	7427674	1
BRACKET—Exhaust pipe support	HD X2 Eng.	7428543	1
BOLT—Hex. hd. 5/16"—24 x 7/8"	HD	120213	A.R.
WASHER—Spring lock 5/16"—Medium	HD	120214	A.R.
NUT—Hex. 5/16"—24	HD	120368	A.R.
BOLT—Hex. hd. 5/16"—24 x 1-1/8"	HD exc. Power Steering	123499	A.R.
WASHER—Plain .34" x .76" x .105"	HD exc. Power Steering	SP1470	A.R.
BOLT—Hex. hd. 5/16"—24 x 1"	HD Power Steering	121661	1
WASHER—Special, exhaust pipe	HD exc. Power Steering	7413368	1
BRACKET—Exhaust pipe support, upper	HD	7426391	1
NUT—Hex. 3/8"—16	HD (A)	120377	1
WASHER—Spring lock 3/8"—Medium	HD (A)	120382	1
CLAMP	HR exc. X2, S Eng.	7428561	1
CLAMP	HR X2, S Eng.	7416754	1
SPACER—Clamp	HR Power Steering exc. X2, S Eng.	7428182	1
BRACKET—Exhaust pipe support	HR exc. Power Steering, X2, S Eng.	7429534	1
BRACKET—Exhaust pipe support	HR Power Steering exc. X2, S Eng.	7427674	1
BRACKET—Exhaust pipe support	HR X2, S Eng.	7430777	1
BOLT—Hex. hd. 5/16"—24 x 7/8"	HR	120213	1
WASHER—Spring lock 5/16"—Medium	HR	120214	1
NUT—Hex. 5/16"—24	HR	120368	1
BOLT—Hex. hd. 5/16"—24 x 1-1/4"	HR exc. Power Steering	123774	1
WASHER—Plain, .34" x .76" x .105"	HR exc. Power Steering	SP1470	2
BOLT—Hex. hd. 5/16"—24 x 1"	HR Power Steering	121661	1
WASHER—Special exhaust pipe	HR exc. Power Steering	7413368	1
BRACKET—Exhaust pipe support, upper	HR exc. X2, S Eng.	7426391	1
BRACKET—Exhaust pipe support, upper	HR X2, S Eng.	7430778	1
NUT—Hex. 3/8"—16	HR	120377	1
WASHER—Spring lock, 3/8"—Medium	HR	120382	1



3.640 THERMOSTAT—Exhaust Manifold Valve

THERMOSTAT	48, 50, FJ, FE, FC, FB, EK, EJ	7411802	1
THERMOSTAT	EH, HD exc. X2 Eng.	7420205	1

3.641 SPRING—Exhaust Manifold Valve

SPRING—Anti-rattle	FE from Eng. No. L390771 FC, FB, EK, EJ	7412541	1
--------------------	--------------------------------------------	---------	---

3.701 MUFFLER ASSEMBLY, RESONATOR ASSEMBLY

MUFFLER ASSEMBLY	48, 50, FJ	7404687	1
MUFFLER ASSEMBLY—Heavy duty	48, 50, FJ	M35287	1
MUFFLER ASSEMBLY	FE, FC, FB, EK	7405972	1
MUFFLER ASSEMBLY—Heavy duty	FE, FC, FB, EK	M35288	1
MUFFLER ASSEMBLY—Sports type	FE, FC, FB, EK	M35939	1
MUFFLER ASSEMBLY	EJ (M), EH	7425511	1
MUFFLER ASSEMBLY	EJ (A)	7419259	1
MUFFLER ASSEMBLY—Sports type with chrome tail pipe	EJ, EH	M35940	1
RESONATOR ASSEMBLY	EJ, EH	7434844	1
MUFFLER ASSEMBLY	HD exc. X2 Eng.	7420387	1
RESONATOR ASSEMBLY	HD exc. X2 Eng.	7434844	1
MUFFLER ASSEMBLY	HD X2 Eng.	7429393	1
RESONATOR ASSEMBLY	HD X2 Eng.	7429737	1
MUFFLER ASSEMBLY	HR exc. X2, S Eng.	7430498	1
RESONATOR ASSEMBLY	HR exc. X2, S Eng.	7430499	1
MUFFLER ASSEMBLY	HR X2, S Eng.	7430867	1
RESONATOR ASSEMBLY	HR X2, S Eng.	7431187	1

3.704 SUPPORT, CLAMP, INSULATOR—Muffler Front

SUPPORT	•	7403356	1
BOLT—Auto. hex. hd. 5/16"—24 x 1"	48, 50, FJ	121661	2
NUT—Light hex. 5/16"—24	48, 50, FJ	120368	2
WASHER—Spring lock 5/16"—Medium	48, 50, FJ	120214	2
CLAMP	48, 50, FJ	7403355	1
BOLT—Auto. hex. hd. 5/16"—24 x 7/8"	48, 50, FJ	120213	2
NUT—Light hex. 5/16"—24	48, 50, FJ	120368	2
WASHER—Spring lock 5/16"—Medium	48, 50, FJ	120214	2
INSULATOR	48, 50, FJ	7403354	2
BOLT—Auto. hex. hd. 5/16"—24 x 1"	48, 50, FJ	121661	2
NUT—Light hex. 5/16"—24	48, 50, FJ	120368	2
WASHER—Spring lock 5/16"—Medium	48, 50, FJ	120214	2
REINFORCEMENT—Insulator	48, 50, FJ	7409726	4
CLAMP AND "U" BOLT ASSEMBLY	FE, FC, FB, EK, EJ, EH, HD	7406169	1-2
CLAMP AND "U" BOLT ASSEMBLY	HR exc. X2, S Eng.	7406169	1
CLAMP AND "U" BOLT ASSEMBLY	HR X2, S Eng.	M30976	1

- *48 S.A. up to Ser. No. 9073A
Qld. up to Ser. No. B11660
Vic. up to Ser. No. M28225
W.A. up to Ser. No. P6568
N.S.W. up to Ser. No. 53/S2223
- 50 S.A. up to Ser. No. 2317A
Qld. up to Ser. No. B3448
Vic. up to Ser. No. M5392
W.A. up to Ser. No. P2104
N.S.W. up to Ser. No. 53/S1396



HOLDEN

MASTER PARTS CATALOGUE

3.705 PIPE—Muffler Tail

PIPE	48, FJ	7407309	1
PIPE	50	7401491	1
PIPE	FE/215, FE/217, FE/225 FC/215, FC/217, FC/225	7409733	1
PIPE	FE/219, FE/229, FE/2104, FE/2106 FC/219, FC/229, FC/2104, FC/2106 FB/2104, FB/2106	7410480	1
PIPE	FB/215, FB/225 RIGHT HAND DRIVE LEFT HAND DRIVE	7412071 7415710	1 1
PIPE	FB/219, FB/229 RIGHT HAND DRIVE LEFT HAND DRIVE	7413369 7415906	1 1
PIPE	EK/215, EK/225	7417589	1
PIPE	EK/219, EK/229	7417588	1
PIPE	EK/2104, EK/2106	7417587	1
PIPE—Front tail—1st type EH (M)	EJ (M), EH (M)	*7415631	1
PIPE—Front tail	EJ (A)	7418206	1
PIPE—Front tail—1st type	EH (A)	*7421282	1
PIPE—Rear tail—1st type EH	EJ, EH	*7416444	1
PIPE—Front tail—2nd type	EH (M)	*7427249	1
PIPE—Front tail—2nd type	EH (A)	*7427411	1
PIPE—Rear tail—2nd type	EH	*7427406	1
PIPE—Extended tail	EJ, EH	M35861	1
PIPE—Front tail	HD exc. X2 Eng.	7426644	1
PIPE—Front tail	HD X2 Eng.	7428616	1
PIPE—Rear tail	HD/215, HD/225, HD/235 exc. X2 Eng.	7423204	1
PIPE—Rear tail	HD/2104, HD/2106 exc. X2 Eng.	7428131	1
PIPE—Rear tail	HD/215, HD/225, HD/235 HD/2104, HD/2106 X2 Eng.	7428560 M35920	1 1
PIPE—Extended tail	HD/215, HD/225, HD/235		
PIPE—Rear tail	HD/219, HD/229, HD/239 exc. X2 Eng.	7428355	1
PIPE—Rear tail	HD/219, HD/229, HD/239 X2 Eng.	7428796	1
PIPE—Extended tail	HD/219, HD/229, HD/239	M35921	1
PIPE—Front tail	HR exc. X2, S Eng.	7429535	1
PIPE—Front tail	HR X2, S Eng.	7430962	1
PIPE—Rear tail	HR/215, HR/225 HR/235 exc. X2, S Eng.	7429558	1
PIPE—Rear tail—1-3/4" dia.	HR/215(M), HR/225(M), HR/235(M), X2, S Eng.	7430964	1
PIPE—Rear tail—1-1/2" dia.	HR/215(A), HR/225(A), HR/235(A), X2, S Eng.	7432291 M35922	1 1
PIPE—Extended tail	HR/215, HR/225, HR/235		
PIPE—Rear tail	HR/219, HR/229, HR/239, HR/2104, HR/2106 exc. X2, S Eng.	7428355	1
PIPE—Rear tail	HR/219, HR/229, HR/239, HR/2104, HR/2106 X2, S Eng.	7431096	1
PIPE—Extended tail	HR/219, HR/229, HR/239	M35923	1

* On "EH" Series, Front and Rear Tail Pipes must be used in conjunction with the corresponding 1st or 2nd type. When replacing both pipes it is recommended that the 2nd type be fitted.

3.706 CLAMP, INSULATOR, "U" BOLT—Muffler Rear

CLAMP—Support	48, 50, FJ	7402585	1
BOLT—Hex. hd. 5/16"—24 x 7/8"	48, 50, FJ	120213	2
NUT—Light hex. 5/16"—24	48, 50, FJ	120368	2
WASHER—Spring lock 5/16"—Medium	48, 50, FJ	120214	2
INSULATOR	48, 50, FJ	7403354	2
BOLT—Auto. hex. hd. 5/16"—24 x 1"	48, 50, FJ	121661	2
NUT—Light hex. 5/16"—24	48, 50, FJ	120368	2
WASHER—Spring lock 5/16"—Medium	48, 50, FJ	120214	2
REINFORCEMENT—Insulator	48, 50, FJ	7409726	4



3.706 CLAMP, INSULATOR, "U" BOLT—Muffler Rear (Cont'd.).

CLAMP KIT	FE, FC, FB, EK	7425262	1
CLAMP	FE, FC, FB, EK	7409728	1
"U" BOLT	FE, FC, FB, EK	7409729	1
CLAMP and "U" BOLT PACKAGE—Muffler	EJ, EH	7422147	1
CLAMP—Muffler to tail pipe	EJ, EH	7421297	2
"U" BOLT—Muffler to tail pipe clamp	EJ, EH	7421296	2
NUT—Hex. 5/16"—24	FE, FC, FB, EK, EJ, EH	120368	A.R.
WASHER—Spring lock 5/16"—medium	FE, FC, FB, EK, EJ, EH	120214	A.R.
CLAMP and "U" BOLT PACKAGE—Muffler	HD exc. X2 Eng.	7427835	2
CLAMP—Muffler to tail pipe	HD exc. X2 Eng.	7421297	2
CLAMP and "U" BOLT PACKAGE—Muffler	HD X2 Eng., HR X2, S Eng.	7429714	2
CLAMP—Muffler to tail pipe	HD X2 Eng., HR X2, S Eng.	7428533	2
"U" BOLT—Muffler to tail pipe clamp	HD exc. X2 Eng.	7427071	2
"U" BOLT—Muffler to tail pipe clamp	HD X2 Eng., HR X2, S Eng.	7428625	2
CLAMP—Muffler to tail pipe	HR exc. X2, S Eng.	7405970	2
"U" BOLT—Muffler to tail pipe clamp	HR exc. X2, S Eng.	7429537	2
NUT—Hex. 5/16"—24	HD, HR	120368	4
WASHER—Spring lock 5/16"—Medium	HD, HR	120214	4
WASHER—Flat .34" x .76" x .105"	HR	SP1470	4

3.710 SUPPORT, INSULATOR, SPACER, CLAMP, JAW—Tail Pipe

SUPPORT	FE, FC, FB, EK	7409721	2-1
BOLT—Hex. hd. 5/16"—24 x 2 1/4"	FE, FC, FB, EK	124088	2-1
NUT—Hex. 5/16"—24	FE, FC, FB, EK	120368	2-1
WASHER—Spring lock 5/16"—medium	FE, FC, FB, EK	120214	2-1
INSULATOR—Front support	FE, FC, FB, EK	7409724	2-1
SPACER—Insulator	FE, FC, FB, EK	7409723	2-1
CLAMP	FE, FC, FB	7417584	2-1
BOLT—Hex. hd. 5/16"—24 x 7/8"	FE, FC, FB	120213	2-1
NUT—Hex. 5/16"—24	FE, FC, FB	120368	2-1
WASHER—Spring lock 5/16"—medium	FE, FC, FB	120214	2-1
CLAMP	EK	7417584	1
BOLT—Hex. hd. 5/16"—24 x 1 1/8"	EK	123499	1
WASHER—Plain .34" x .76" x .105"	EK	SP1470	2
WASHER—Spring lock 5/16" medium	EK	120214	1
NUT—Hex. 5/16"—24	EK	120368	1
SUPPORT—Tail pipe, front	EJ, EH	7419403	1
BOLT—Hex. hd. 5/16"—24 x 3/4"	EJ, EH	120741	1
WASHER—Spring lock, 5/16"—medium	EJ, EH	120214	1
NUT—Hex. 5/16"—24	EJ, EH	120368	1
INSULATOR—Tail pipe front support	EJ, EH	7409724	1
BOLT—Hex. hd. 5/16"—24 x 2-1/2"	EJ, EH	124094	1
WASHER—Spring lock, 5/16"—medium	EJ, EH	120214	1
NUT—Hex. 5/16"—24	EJ, EH	120368	1
SPACER—Tail pipe front support insulator	EJ, EH	7409723	1
JAW—Tail pipe clamp, upper	EJ, EH	7419402	1
JAW—Tail pipe clamp, lower	EJ, EH	7419401	1
BOLT—Hex. hd. 5/16"—24 x 2-1/2"	EJ, EH	124094	1
WASHER—Spring lock, 5/16"—medium	EJ, EH	120214	1
NUT—Hex. 5/16"—24—light	EJ, EH	120368	1
SUPPORT—Tail pipe, front	HD, HR	7426647	1
CLAMP AND "U" BOLT ASSEMBLY	H ² exc. X2, S Eng.	7427835	1
CLAMP—Tail pipe	HD exc. X2 Eng.	7426540	1
CLAMP—Tail pipe	HR exc. X2, S Eng.	7429563	1
CLAMP—Tail pipe	HD X2 Eng., HR X2, S Eng.	7428561	1
BOLT—Hex. hd. 5/16"—24 x 1-1/8"	HD	123499	1
BOLT—Hex. hd. 5/16"—24 x 1-1/4"	HR	123774	1
BOLT—Hex. hd. 5/16"—24 x 1"	HR	121661	2
WASHER—Plain .34" x .76" x .105"	HD, HR	SP1470	2-4
WASHER—Spring lock 5/16"—Medium	HD, HR	120214	1-2
NUT—Hex. 5/16"—24	HD, HR	120368	1-2
INSULATOR—Tail pipe front support	HD, HR	7409724	1
BOLT—Hex. hd. 5/16"—18 x 2-3/8"	HD, HR	9420975	1
WASHER—Spring lock 5/16"—Medium	HD, HR	120214	1
SPACER—Tail pipe front support insulator	HD, HR	7409723	1
BRACKET ASSEMBLY—Tail pipe front support	HD, HR	7426642	1



HOLDEN

MASTER PARTS CATALOGUE

3.712 SUPPORT, INSULATOR, REINFORCEMENT, CLAMP, BRACKET—Tail Pipe Rear

SUPPORT	FE, FC, FB, EK	RIGHT HAND DRIVE	7409725	1
BOLT—Hex. hd. 5/16"—24 x 2 1/2"	FE, FC, FB, EK	RIGHT HAND DRIVE	124094	1
NUT—Hex. 5/16"—24	FE, FC, FB, EK	RIGHT HAND DRIVE	120368	1
WASHER—Plain 11/32" x 11/16" x .065"	FE, FC, FB, EK	RIGHT HAND DRIVE	120393	2
INSULATOR—Rear support	FE, FC, FB, EK	RIGHT HAND DRIVE	7409727	1
BOLT—Hex. hd. 5/16"—24 x 7/8"	FE, FC, FB, EK	RIGHT HAND DRIVE	120213	A.R.
NUT—Hex. 5/16"—24	FE, FC, FB, EK	RIGHT HAND DRIVE	120368	A.R.
WASHER—Spring lock 5/16"—medium	FE, FC, FB, EK	RIGHT HAND DRIVE	120214	A.R.
REINFORCEMENT—Insulator	FE, FC, FB, EK	RIGHT HAND DRIVE	7409726	1
BOLT—Rd. hd. sq. neck 5/16"—18 x 7/8"	FE/215, FE/217, FE/225 FC/215, FC/217, FC/225 FB/215, FB/225	RIGHT HAND DRIVE	126353	1
BOLT—Rd. hd. sq. neck 5/16"—18 x 1"	EK/215, EK/225	RIGHT HAND DRIVE	126358	1
NUT—Hex. 5/16"—18	FE/215, FE/217, FE/225 FC/215, FC/217, FC/225 FB/215, FB/225, EK/215, EK/225	RIGHT HAND DRIVE	120376	1
WASHER—Spring lock 5/16"—medium	FE/215, FE/217, FE/225 FC/215, FC/217, FC/225 FB/215, FB/225, EK/215, EK/225	RIGHT HAND DRIVE	120214	1
BOLT—Hex. hd. 5/16"—24 x 7/8"	FE/219, FE/229, FE/2104, FE/2106 FC/219, FC/229, FC/2104, FC/2106 FB/219, FB/229, FB/2104, FB/2106 EK/219, EK/229, EK/2104, EK/2106	RIGHT HAND DRIVE	120213	1
NUT—Hex. 5/16"—24	FE/219, FE/229, FE/2104, FE/2106 FC/219, FC/229, FC/2104, FC/2106 FB/219, FB/229, FB/2104, FB/2106 EK/219, EK/229, EK/2104, EK/2106	RIGHT HAND DRIVE	120368	1
WASHER—Spring lock 5/16" medium	FE/219, FE/229, FE/2104, FE/2106 FC/219, FC/229, FC/2104, FC/2106 FB/219, FB/229, FB/2104, FB/2106 EK/219, EK/229, EK/2104, EK/2106	RIGHT HAND DRIVE	120214	1
SUPPORT	EK	LEFT HAND DRIVE	7409725	1
BOLT—Hex. hd. 5/16"—24 x 2-1/2"	EK	LEFT HAND DRIVE	124094	1
NUT—Hex. 5/16"—24	EK	LEFT HAND DRIVE	120368	1
WASHER—Plain 11/32" x 11/16" x .065"	EK	LEFT HAND DRIVE	120393	2
INSULATOR—Rear support	EK	LEFT HAND DRIVE	7409727	1
BOLT—Hex. hd. 5/16"—24 x 7/8"	EK	LEFT HAND DRIVE	120213	1
NUT—Hex. 5/16"—24	EK	LEFT HAND DRIVE	120368	1
WASHER—Spring lock 5/16"—medium	EK	LEFT HAND DRIVE	120214	1
REINFORCEMENT—Insulator	EK	LEFT HAND DRIVE	7409726	1
BOLT—Rd. hd. sq. neck 5/16"—18 x 1"	EK/215, EK/225	LEFT HAND DRIVE	126358	1
NUT—Hex. 5/16"—18	EK/215, EK/225	LEFT HAND DRIVE	120376	1
WASHER—Spring lock 5/16"—medium	EK/215, EK/225	LEFT HAND DRIVE	120214	1
BOLT—Hex. hd. 5/16"—24 x 7/8"	EK/229	LEFT HAND DRIVE	120213	1
NUT—Hex. 5/16"—24	EK/229	LEFT HAND DRIVE	120368	1
WASHER—Spring lock 5/16"—medium	EK/229	LEFT HAND DRIVE	120214	1
CLAMP—Tail pipe	EJ, EH		7417584	1
BOLT—Hex. hd. 5/16"—24 x 1-1/8"	EJ, EH		123499	1
WASHER—Plain, .34" x .76" x .105"	EJ, EH		SP1470	2
WASHER—Spring lock, 5/16"—medium	EJ, EH		120214	1
NUT—Hex. 5/16"—24	EJ, EH		120368	1
BRACKET—Tail pipe rear support, upper	EJ, EH		7419448	1
BRACKET—Tail pipe rear support, lower	EJ, EH		7419449	1
BOLT—Hex. hd. 5/16"—24 x 1"	EJ, EH		121661	2
WASHER—Spring lock, 5/16"—medium	EJ, EH		120214	2
NUT—Hex. 5/16"—24—light	EJ, EH		120368	2
INSULATOR—Tail pipe rear support	EJ, EH		7419405	1
REINFORCEMENT—Tail pipe rear support insulator	EJ, EH		7419406	2



3.712 SUPPORT, INSULATOR, REINFORCEMENT, CLAMP, BRACKET—Tail pipe rear (Cont'd.)

CLAMP—Tail pipe	HD/215, HD/225, HD/235, HD/2104, HD/2106 exc. X2 Eng.	7426646	1
CLAMP—Tail pipe	HD/215, HD/225, HD/235 HD/2104, HD/2106 X2 Eng.	7428622	1
CLAMP—Tail pipe	HD/219, HD/229, HD/239 exc. X2 Eng.	7428363	1
CLAMP—Tail pipe	HD/219, HD/229, HD/239 X2 Eng.	7428787	1
BOLT—Hex. hd. 5/16"—24 x 1-1/8"	HD	123499	1
WASHER—Plain, .34" x .76" x .105"	HD	SP1470	2
WASHER—Spring lock 5/16"—Medium	HD	120214	1
NUT—Hex. 5/16"—24	HD	120368	1
BRACKET—Tail pipe rear support, upper	HD	7426809	1
BOLT—Hex. hd. 5/16"—18 x 5/8"	HD	120228	2
WASHER—Spring lock 5/16"—Medium	HD	120214	2
INSULATOR—Tail pipe rear support	HD/215, HD/225, HD/235, HD/2104, HD/2106 exc. X2 Eng.	7419405	1
INSULATOR—Tail pipe rear support	HD/215, HD/225, HD/235 HD/2104, HD/2106 X2 Eng.	7428563	1
INSULATOR—Tail pipe rear support	HD/219, HD/229, HD/239	7419405	1
BOLT—Hex. hd. 5/16"—24 x 1-1/4"	HD	123774	2
WASHER—Spring lock 5/16"—Medium	HD	120214	2
NUT—Hex. 5/16"—24	HD	120368	2
REINFORCEMENT—Tail pipe rear support insulator	HD	7419406	2
CLAMP—Tail pipe	HR/215, HR/225 HR/235 exc. X2, S Eng.	7429567	1
CLAMP—Tail pipe (1-3/4" pipe)	HR/215(M), HR/225(M), HR/235(M), X2, S Eng.	7431207	1
CLAMP—Tail pipe (1½" pipe)	HR/215(A), HR/225(A), HR/235(A) X2, S Eng.	7432290	1
CLAMP—Tail pipe	HR/219, HR/229, HR/239, HR/2104, HR/2106 exc. X2, S Eng.	7428363	1
CLAMP—Tail pipe	HR/219, HR/229, HR/239, HR/2104, HR/2106 X2, S Eng.	7432776	1
BOLT—Hex. hd. 5/16"—24 x 1-5/8"	HR/215, HR/225, HR/235	123792	1
BOLT—Hex. hd. 5/16"—24 x 1-1/8"	HR/219, HR/229, HR/239, HR/2104, HR/2106	123499	1
WASHER—Plain .34" x .76" x .105"	HR	SP1470	1-2
WASHER—Spring lock 5/16"—Medium	HR	120214	1
NUT—Hex. 5/16"—24	HR	120368	1
SUPPORT—Rear tail pipe	HR/215, HR/225, HR/235	7429569	1
BOLT—Hex. hd. 5/16"—24 x 5/8"	HR/215, HR/225, HR/235	123473	1
NUT—Hex. 5/16"—24	HR/215, HR/225, HR/235	120368	1
WASHER—Spring lock, 5/16"—Medium	HR/215, HR/225, HR/235	120214	1
BRACKET—Rear tail pipe support upper	HR/219, HR/229, HR/239, HR/2104, HR/2106	7426809	1
BOLT—Hex. hd. 5/16"—18 x 5/8"	HR/219, HR/229, HR/239, HR/2104, HR/2106	120228	2
WASHER—Spring lock, 5/16"—Medium	HR/219, HR/229, HR/239, HR/2104, HR/2106	120214	2
INSULATOR—Tail pipe rear support	HR/215, HR/225, HR/235	7429566	1
INSULATOR—Tail pipe rear support	HR/219, HR/229, HR/239, HR/2104, HR/2106	7419405	1
BOLT—Hex. hd. 5/16"—24 x 1-1/4"	HR	123774	1-2
WASHER—Spring lock, 5/16"—Medium	HR	120214	1-2
NUT—Hex. 5/16"—24	HR	120368	1-2
SPACER—Tail pipe rear insulator	HR/215, HR/225, HR/235	7429565	1
REINFORCEMENT—Tail pipe rear support insulator	HR	7419406	1-2



HOLDEN

MASTER PARTS CATALOGUE

3.720 PIPE, HOSE, BRACKET—Automatic Choke Heat

PIPE ASSEMBLY—Upper	HR S Eng.	7433858	1
PIPE—Lower	HR S Eng.	7433859	1
HOSE—Lower	HR S Eng.	7433860	1
BRACKET—Lower heat pipe support	HR S Eng.	7434077	1
CLIP—Lower pipe to bracket	HR S Eng.	SP1774	1

3.724 GASKET KIT—Carburettor

GASKET KIT	48, 50, FJ, FE, FC, FB, EK, EJ	7405179	1
GASKET KIT	EH 149 Eng., HD 149 Eng., HD X2 Eng., HR 161 Eng. HR X2 Eng.	7424290	1-2
GASKET KIT	EH 179 Eng., HD 179 exc. X2 Eng. HR 186 exc. X2, S Eng.	7424535	1
GASKET KIT	HR S Eng.	7438608	1
GASKET KIT—Economy carburettor	HD 179 exc. X2 Eng. HR 186 exc. X2, S Eng.	7424290	1

3.725 CARBURETTOR ASSEMBLY, REPAIR KIT

CARBURETTOR ASSEMBLY	48, 50, FJ	7402765	1
CARBURETTOR ASSEMBLY	FE, FC, FB, EK (M), EJ (M)	7412264	1
CARBURETTOR ASSEMBLY	EK (A), EJ (A)	7418661	1
NUT—Thick hex. 5/16"—24	48, 50, FJ, FE, FC, FB, EK, EJ	143416	2
CARBURETTOR ASSEMBLY	EH 149 Eng., HD 149 Eng. HR (A) 161 Eng.	7426784	1
CARBURETTOR ASSEMBLY	EH 179 Eng., HD 179 exc. X2 Eng. HR (A) 186 exc. X2, S Eng.	7426904	1
CARBURETTOR ASSEMBLY—Economy	HD 149 Eng., HR 161 Eng.	7430100	1
CARBURETTOR ASSEMBLY—Economy	HD 179 exc. X2 Eng. HR 186 exc. X2, S Eng.	7430107	1
CARBURETTOR ASSEMBLY	HR (M) 161 Eng.	7431861	1
CARBURETTOR ASSEMBLY	HR (M) 186 exc. X2, S Eng.	7431862	1
CARBURETTOR ASSEMBLY—Front	HD X2 Eng., HR (A) X2 Eng.	7428498	1
CARBURETTOR ASSEMBLY—Rear	HD X2 Eng., HR (A) X2 Eng.	7428502	1
CARBURETTOR ASSEMBLY—Front	HR (M) X2 Eng.	7432512	1
CARBURETTOR ASSEMBLY—Rear	HR (M) X2 Eng.	7432513	1
CARBURETTOR ASSEMBLY	HR (M) S Eng.	7432636	1
CARBURETTOR ASSEMBLY	HR (A) S Eng.	7432635	1
NUT—Hex. 3/8"—24—light (thick)	EH, HD exc. X2 Eng. HR exc. X2, S Eng.	120369	2
NUT—Hex. 5/16"—24—light	HR S Eng.	120368	4
NUT—Hex. 3/8"—24	HD X2 Eng., HR X2 Eng.	SP1656	4
PLUG—Auto hex. hd. pipe 1/8" NPTF	HD X2 Eng., HR X2 Eng.	444612	1
REPAIR KIT—Rebuild	48, 50, FJ	7424282	1
REPAIR KIT—Rebuild	FE, FC, FB, EK (M), EJ (M)	7424283	1
REPAIR KIT—Rebuild	EK (A), EJ (A)	7424284	1
REPAIR KIT—Major overhaul	48, 50, FJ	7405285	1
REPAIR KIT—Major overhaul	FE, FC, FB, EK, EJ	7406879	1
REPAIR KIT—Major overhaul	EH 149 Eng., HD 149 Eng. HR 161 Eng.	7430071	1
REPAIR KIT—Major overhaul	EH 179 Eng.	7424577	1
REPAIR KIT—Major overhaul	HD 179 exc. X2 Eng. HR 186 exc. X2, S Eng.	7430399	1



3.725 CARBURETTOR ASSEMBLY, REPAIR KIT (Cont'd.)

REPAIR KIT—Major overhaul—Economy carb.	HD 149 Eng., HR 161 Eng.	VS10187	1
REPAIR KIT—Major overhaul—Economy carb.	HD 179 exc. X2 Eng. HR 186 exc. X2, S Eng.	7430071	1
REPAIR KIT	HR S Eng.	M35945	1
REPAIR KIT—Major overhaul—Front carb.	HD X2 Eng., HR X2 Eng.	VS10146	1
REPAIR KIT—Major overhaul—Rear carb.	HD X2 Eng., HR X2 Eng.	VS10147	1
REPAIR KIT—Minor overhaul	48, 50, FJ	7425197	1
REPAIR KIT—Minor overhaul	FE, FC, FB, EK, EJ	7425198	1
REPAIR KIT—Minor overhaul	EH 149 Eng., HD 149 Eng. HR 161 Eng.	7424574	1
REPAIR KIT—Minor overhaul	EH 179 Eng., HD 179 exc. X2 Eng. HR186 exc. X2, S Eng.	7424575	1
REPAIR KIT—Minor overhaul—Economy carb.	HD 179 exc. X2 Eng. HR 186 exc. X2, S Eng.	7424574	1
REPAIR KIT—Minor overhaul	HD X2 Eng., HR X2 Eng.	VS10148	2

3.726 INSULATOR, GASKET—Carburettor Heat and Flange

INSULATOR ASSEMBLY—Heat	48, 50, FJ up to Eng. No. 283372	7400134	1
INSULATOR ASSEMBLY—Heat	FJ from Eng. No. U283384 FE, FC, FB, EK, EJ	7409234	1
INSULATOR ASSEMBLY—Heat—Oil bath cleaner	EJ	7421995	1
GASKET—Flange	48, 50, FJ, FE, FC, FB, EK, EJ	7405279	1
GASKET—Heat insulating	EH 149 Eng., HD 149 Eng., HD X2 Eng., HR X2 Eng.	7420678	1-2
GASKET—Flange	EH 149 Eng., HD 149 Eng., HD X2 Eng., HR 161 Eng., HR X2 Eng.	7424566	1-2
GASKET—Heat insulating	EH 179 Eng., HD 179 exc. X2 Eng.	7420679	1
GASKET—Flange	EH 179 Eng., HD 179 exc. X2 Eng. HR 186 exc. X2, S Eng.	7424567	1
GASKET—Heat insulating—Economy carb.	HD 179 exc. X2 Eng.	7420678	1
GASKET—Flange—Economy carb.	HD 179 exc. X2 Eng. HR 186 exc. X2, S Eng.	7424566	1
GASKET	HR S Eng.	7433691	1

3.727 BODY ASSEMBLY—Carburettor Throttle

BODY ASSEMBLY	48, 50, FJ, FE, FC, FB, EK, EJ	7405253	1
BODY ASSEMBLY	EH 149 Eng., HD 149 Eng. HR (A) 161 Eng.	7428167	1
BODY ASSEMBLY	EH 179 Eng., HD 179 exc. X2 Eng. HR (A) 186 exc. X2, S Eng.	7428168	1
BODY ASSEMBLY	HR (M) 161 Eng.	VS10309	1
BODY ASSEMBLY	HR (M) 186 exc. X2, S Eng.	VS10310	1
BODY ASSEMBLY—Economy carb.	HD 179 exc. X2 Eng., HR 161 Eng. HR 186 exc. X2, S Eng.	7428167	1
BODY ASSEMBLY—Front carburettor	HD X2 Eng., HR (A) X2 Eng.	VS10149	1
BODY ASSEMBLY—Rear carburettor	HD X2 Eng., HR (A) X2 Eng.	VS10150	1
BODY ASSEMBLY—Front carburettor	HR (M) X2 Eng.	VS10312	1
BODY ASSEMBLY—Rear carburettor	HR (M) X2 Eng.	VS10313	1
BODY ASSEMBLY	HR (M) S Eng.	VS10473	1
BODY ASSEMBLY	HR (A) S Eng.	VS10453	1



HOLDEN

MASTER PARTS CATALOGUE

3.729 VALVE—Carburettor Throttle

VALVE	48, 50, FJ, FE, FC, FB, EK, EJ EH 149 Eng., HD 149 Eng., HD X2 Eng., HR 161 Eng. HR X2 Eng.	7405173	1-2
VALVE	EH 179 Eng., HD 179 exc. X2 Eng. HR 186 exc. X2, S Eng.	7424556	1
VALVE—Economy carburettor	HD 179 exc. X2 Eng. HR 186 exc. X2, S Eng.	7405173	1
SCREW—Valve attaching	ALL exc. HR S Eng.	7405165	2-4
VALVE	HR S Eng.	VS10437	2
SCREW—Valve attaching	HR S Eng.	VS10522	4

3.731 LEVER AND SHAFT—Carburettor Throttle

LEVER AND SHAFT—Standard	48, 50, FJ, FE, FC, FB, EK, EJ	7405248	1
LEVER AND SHAFT—.005" o/s.	48, 50, FJ, FE, FC, FB, EK, EJ	7425403	1
LEVER	EH	7424559	1
SHAFT	EH	7424619	1
SHAFT—.005" o/s.	EH	VS10250	1
LEVER	HD exc. X2 Eng., HR exc. X2, S Eng.	7424559	1
SHAFT	HD exc. X2 Eng., HR exc. X2, S Eng.	7428169	1
SHAFT—.005" o/s.	HD exc. X2 Eng., HR exc. X2, S Eng.	VS10251	1
NUT	EH, HD exc. X2 Eng. HR exc. X2, S Eng.	7424617	1
WASHER	EH, HD exc. X2 Eng. HR exc. X2, S Eng.	7424618	1
LEVER and SHAFT ASSEMBLY—Front carb.	HD X2 Eng., HR X2 Eng.	VS10151	1
SHAFT and PUMP LEVER ASSEMBLY—Rear carb.	HD X2 Eng., HR X2 Eng.	VS10152	1
LEVER—Throttle—Rear carburettor	HD X2 Eng., HR X2 Eng.	VS10153	1
LEVER and SHAFT	HR S Eng.	VS10436	1

3.732 LEVER—Carburettor actuating torsion

LEVER	HD exc. X2 Eng., HR exc. X2, S Eng.	7428170	1
-------------	-------------------------------------	---------	---

3.733 DASHPOT, BRACKET—Carburettor

DASHPOT	HR S Eng.	VS10451	1
NUT—Hex. jam 5/16"—24	HR S Eng.	124920	1
BRACKET—Dashpot	HR S Eng.	VS10450	1
SCREW and LOCK WASHER	HR S Eng.	7405167	2

3.734 SCREW, SPRING—Carburettor Slow Idle Adjusting

SCREW	48, 50, FJ, FE, FC, FB, EK, EJ EH 149 Eng., HD 149 Eng., HD X2 Eng., HR 161 Eng. HR X2 Eng.	7405164	1-2
SCREW	EH 179 Eng., HD 179 exc. X2 Eng. HR 186 exc. X2, S Eng.	7424554	1
SCREW—Economy carb.	HD 179 exc. X2 Eng. HR 186 exc. X2, S Eng.	7405164	1
SPRING	ALL exc. HR S Eng.	7405172	1-2
SCREW	HR S Eng.	VS10520	1
SPRING	HR S Eng.	VS10474	1



3.735 CAM, LEVER—Carburettor Fast Idle

CAM	48, 50, FJ, FE, FC, FB, EK, EJ	7405250	1
LEVER	48, 50, FJ, FE, FC, FB, EK, EJ	7405249	1
CAM	EH, HD, HR exc. S Eng.	VS10248	1-2
LEVER	EH, HD, HR exc. S Eng.	7424560	1-2

3.736 PIN—Carburettor Fast Idle Cam

PIN	ALL exc. HR S Eng.	7405111	1-2
PIN—Lever cotter (ext. prong)	ALL exc. HR S Eng.	7405140	1-2

3.737 SCREW—Fast Idle

SCREW	HR S Eng.	VS10521	1
-------	-----------	---------	---

3.741 VALVE—Carburettor Idle Needle

VALVE	ALL	7405174	1-2
-------	-----	---------	-----

3.742 SPRING—Carburettor Idle Needle Valve

SPRING	ALL exc. HR S Eng.	7405171	1-2
SPRING	HR S Eng.	VS10438	2

3.744 BLEEDER, PLUG—Carburettor Idle Air

BLEEDER (No. 52)	48, 50, FJ, FE, FC, FB, EK, EJ EH 149 Eng., HD X2 Eng. HR X2 Eng.	7405108	1
BLEEDER (No. 53)	EH 149 Eng., HD 149 Eng., HR 161 Eng.	VS10075	1
BLEEDER	EH 179 Eng., HD 179 exc. X2 Eng. HR 186 exc. X2, S Eng.	7420491	1
BLEEDER (No. 52)—Economy carb.	HD 149 Eng., HR 161 Eng.	7405108	1
PLUG—Bleeder channel	ALL exc. HR S Eng.	7405110	1-2

3.748 BODY ASSEMBLY—Carburettor Main

BODY ASSEMBLY	48, 50, FJ, FE, FC, FB, EK, EJ	7405175	1
BODY ASSEMBLY	EH 149 Eng.	*7424557	1
BODY ASSEMBLY	EH 149 Eng., HD 149 Eng. HD X2 Eng., HR 161 Eng. HR X2 Eng.	**7420245	1-2
BODY ASSEMBLY	EH 179 Eng.	*7424558	1
BODY ASSEMBLY	EH 179 Eng., HD 179 exc. X2 Eng. HR 186 exc. X2, S Eng.	**7420246	1
BODY ASSEMBLY—Economy carb.	HD 149 Eng., HR 161 Eng.	VS10188	1
BODY ASSEMBLY—Economy carb.	HD 179 exc. X2 Eng. HR 186 exc. X2, S Eng.	7420245	1
SCREW AND LOCKWASHER—Body attaching	ALL exc. HR S Eng.	7405163	2-4
SPACER—Insulating	ALL exc. HR S Eng.	7405168	1-2
BODY ASSEMBLY	HR S Eng.	VS10452	1
SCREW AND LOCKWASHER	HR S Eng.	VS10523	2
SCREW AND LOCKWASHER	HR S Eng.	7405167	2

*Piston Part No. 7406080 Group 3.788 must be used with these bodies.

**Piston Part No. 7420249 Group 3.788 must be used with these bodies.



HOLDEN

MASTER PARTS CATALOGUE

3.749 GASKET—Carburettor Main Body

GASKET	ALL exc. HR S Eng.	7405143	2-4
GASKET	HR S Eng.	VS10433	1

3.751 BLEEDER—Carburettor High Speed

BLEEDER	48, 50, FJ, FE, FC, FB, EK, EJ EH 149 Eng., HD, HR	7405109	1-2
BLEEDER	EH 179 Eng.	7424547	1

3.752 TUBE—Carburettor Idle

TUBE (No. 70)	48, 50, FJ, FE, FC, FB, EK, EJ, EH	7405135	1
TUBE (No. 68)	EH, HD, HR exc. S Eng.	VS10074	1-2
TUBE	HR S Eng.	VS10470	2
CONVERSION PACKAGE	EH 149 Eng.	7429177	1
CONVERSION PACKAGE	EH 179 Eng.	7429178	1

3.753 ROD—Volume Restrictor

ROD	EH, HD, HR exc. S Eng.	7420258	1-2
ROD	HR S Eng.	M35948	1

3.754 JET, MAIN DISCHARGE—MAIN METERING—Carburettor

JET—Main metering (.050)	48, 50, FJ	7403431	1
JET—Main metering (.051)	48, 50, FJ, FE, FC, FB, EK, EJ	7405264	1
JET—Main discharge	48, 50, FJ, FE, FC, FB, EK, EJ	7400370	1
JET—Main metering (.055)	EH 149 Eng., HD 149 Eng., HD X2 Eng., HR 161 Eng. HR X2 Eng.	7420388	1-2
JET—Main metering (.053)	EH 149 Eng., HR 161 Eng.	*7420385	1
JET—Main metering (.051)	EH 149 Eng., HR 161 Eng.	**7405264	1
JET—Main metering (.059)	EH 179 Eng., HD 179 exc. X2 Eng.	7420412	1
JET—Main metering (.058)	EH 179 Eng., HD 179 exc. X2 Eng. HR 186 exc. X2, S Eng.	VS10185	1
JET—Main metering (.057)	EH 179 Eng.	*7424569	1
JET—Main metering (.055)	EH 179 Eng.	**7420388	1
JET—Main metering (.051)—Economy carb.	HD 149 Eng., HR 161 Eng.	7405264	1
JET—Main metering (.055)—Economy carb.	HD 179 exc. X2 Eng. HR 186 exc. X2, S Eng.	7420388	1
JET—Main discharge (28-30)	EH, HD, HR exc. S Eng.	7400370	1-2
JET—Main metering (.053")	HR S Eng.	VS10533	2
JET—Main metering (.051")	HR S Eng.	*VS10534	2
JET—Main metering (.049")	HR S Eng.	**VS10535	2
JET—Main discharge	HR S Eng.	VS10532	2

*High altitude 4000-8000 ft. **High altitude 8000-12,000 ft.

3.755 PLUG—Carburettor Main Metering Jet

PLUG	ALL exc. HR S Eng.	7405157	1-2
PLUG	HR S Eng.	VS10432	2

3.756 GASKET—Carburettor Metering Jet Plug

GASKET	ALL	7405144	1-2
--------	-----	---------	-----



3.757 JET ASSEMBLY—Carburettor Pump By-Pass, Power By-Pass

PUMP BY-PASS (No. 56)	ALL exc. HR S Eng.	7405131	1-2
POWER BY-PASS	48, 50, FJ, FE, FC, FB, EK, EJ	7406899	1
POWER BY-PASS (No. 57)	EH 149 Eng.	7424564	1
POWER BY-PASS (No. 56)	EH 149 Eng., HD 149 Eng., HD X2 Eng., HR 161 Eng. HR X2 Eng.	7420490	1-2
POWER BY-PASS (No. 55)	EH 179 Eng., HD 179 exc. X2 Eng. HR 186 exc. X2, S Eng.	7420747	1
POWER BY-PASS (No. 54)	EH 179 Eng.	7424565	1
POWER BY-PASS (No. 65)—Economy carb.	HD 149 Eng., HR 161 Eng.	7406899	1
POWER BY-PASS (No. 56)—Economy carb.	HD 179 exc. X2 Eng. HR 186 exc. X2, S Eng.	7420490	1
POWER BY-PASS	HR S Eng.	VS10469	1
GASKET—Pump and power by-pass jet	ALL	7405146	2-4

3.758 NOZZLE, GASKET—Carburettor Pump

NOZZLE	HR S Eng.	VS10467	1
GASKET	HR S Eng.	VS10468	1

3.759 SCREW—Carburettor Pump Nozzle

SCREW	HR S Eng.	VS10518	1
-------------	----------------	---------	---

3.760 BALL—Carburettor Pump Check

BALL—Inlet	HR S Eng.	VS10527	1
BALL—Outlet	HR S Eng.	VS10519	1

3.763 AIR HORN ASSEMBLY—Carburettor

AIR HORN ASSEMBLY	48, 50, FJ, FE, FC, FB, EK, EJ	7405154	1
SCREW AND LOCKWASHER—Air horn attaching	48, 50, FJ, FE, FC, FB, EK, EJ	7405166	5
TUBE—Vent	48, 50, FJ, FE, FC, FB, EK, EJ	7405114	1
AIR HORN ASSEMBLY	EH, HD, HR exc. S Eng.	7424552	1-2
BAR—Air horn reinforcing	EH, HD, HR exc. S Eng.	7420240	1-2
SCREW AND LOCK WASHER—Air horn attaching, long	EH, HD, HR exc. S Eng.	7405167	2-4
SCREW AND LOCK WASHER—Air horn attaching, short	EH, HD, HR exc. S Eng.	7405166	3-6
TUBE—Vent	EH, HD, HR exc. S Eng.	7424550	1-2
AIR HORN ASSEMBLY	HR S Eng.	VS10461	1
SCREW AND LOCK WASHER—Air horn attaching	HR S Eng.	7405166	4

3.764 VALVE ASSEMBLY—Carburettor Idle Vent

VALVE	EH, HD, HR exc. S Eng.	7420242	1-2
STEM	EH, HD, HR exc. S Eng.	7420243	1-2
SPRING—Stem	EH, HD, HR exc. S Eng.	7420244	1-2
NUT—Stem lock	EH, HD, HR exc. S Eng.	7420254	1-2
WASHER	HR S Eng.	VS10530	1

3.765 GASKET—Carburettor Air Horn

GASKET	ALL exc. HR S Eng.	7405148	1-2
GASKET	HR S Eng.	VS10462	1



HOLDEN

MASTER PARTS CATALOGUE

3.767 PLUG—Carburettor

PLUG—Main body channel	ALL exc. HR S Eng.	7405158	2-4
PLUG—Throttle body channel	ALL exc. HR S Eng.	7405158	1-2
PLUG—Main body channel	HR S Eng.	VS10526	2
PLUG—Lead ball	ALL	7405107	A.R.

3.771 VALVE ASSEMBLY—Carburettor Float Needle

VALVE AND SEAT ASSEMBLY	48, 50, FJ	7405155	1
VALVE AND SEAT ASSEMBLY	FE, FC, FB, EK, EJ, EH, HD HR exc. S Eng.	7406701	1-2
VALVE AND SEAT ASSEMBLY—Heavy duty	FE, FC, FB, EK, EJ, EH, HD HR exc. S Eng.	7420335	1-2
VALVE AND SEAT ASSEMBLY	HR S Eng.	VS10443	1

3.772 GASKET—Carburettor Float Needle Valve Seat

GASKET	ALL	7405147	1-2
--------	-----	---------	-----

3.773 FLOAT AND LEVER ASSEMBLY—Carburettor

FLOAT AND LEVER ASSEMBLY	ALL exc. HR S Eng.	7405112	1-2
FLOAT AND LEVER ASSEMBLY	HR S Eng.	VS10445	1

3.774 GAUGE—Carburettor Float Level

GAUGE	HR S Eng.	VS10582	1
-------	-----------	---------	---

3.775 PIN, SPRING—Carburettor Float Fulcrum

PIN	ALL	7405156	1-2
SPRING—Fulcrum pin	ALL	7405170	1-2

3.776 BAFFLE—Carburettor Float Chamber

BAFFLE	HR S Eng.	VS10446	1
--------	-----------	---------	---

3.778 PISTON AND STEM, REDUCER—Carburettor Pump

PISTON AND STEM ASSEMBLY	ALL exc. HR S Eng.	7405133	1-2
PIN—Pump stem cotter	ALL exc. HR S Eng.	7405141	1-2
REDUCER	48, 50, FJ, FE, FC, FB, EK, EJ	7405106	1
PISTON ASSEMBLY	HR S Eng.	VS10449	1
PIN—Cotter	HR S Eng.	7405140	1

3.779 SPRING—Carburettor Pump Stem

SPRING	48, 50, FJ, FE, FC, FB, EK(M), EJ(M)	7405169	1
SPRING	EK(A), EJ(A)	7425236	1
SPRING	EH, HD, HR exc. S Eng.	7424555	1-2
SPRING—Duration	HR S Eng.	VS10448	1
WASHER—Duration spring retainer	HR S Eng.	VS10528	1
WASHER—Duration spring clip	HR S Eng.	VS10529	1
SPRING—Bottom	HR S Eng.	VS10447	1



3.780 LEVER—Carburettor Pump

LEVER	48, 50, FJ, FE, FC, FB, EK, EJ	7405151	1
LEVER	EH, HD, HR exc. S Eng.	7424551	1-2
LEVER	HR S Eng.	VS10464	1

3.781 NUT, WASHER—Carburettor Pump Lever Attaching

NUT	48, 50, FJ, FE, FC, FB, EK, EJ	7405128	1
WASHER	48, 50, FJ, FE, FC, FB, EK, EJ	7405121	1
NUT	EH, HD, HR exc. S Eng.	7424617	1-2
WASHER	EH, HD, HR exc. S Eng.	7424618	1-2
SCREW	HR S Eng.	VS10517	1

3.782 ROD—Carburettor Pump

ROD	ALL exc. HR S Eng.	7405160	1-2
-----------	-------------------------	---------	-----

3.783 LINK, ROD—Carburettor Pump

LINK	ALL exc. HR S Eng.	7405153	1-2
CLIP—Spring	ALL exc. HR S Eng.	7405138	1-2
REPAIR KIT	48, 50, FJ, FE, FC, FB, EK, EJ	7427342	1
REPAIR KIT	EH, HD, HR exc. S Eng.	7427343	1-2
ROD	HR S Eng.	VS10465	1
PIN—Cotter	HR S Eng.	7405140	2

3.784 VALVE ASSEMBLY, PLUG—Carburettor Pump Check

VALVE ASSEMBLY—With ball	ALL exc. HR S Eng.	7405136	1-2
PLUG—Check valve	ALL exc. HR S Eng.	7405159	1-2
GASKET—Plug	ALL exc. HR S Eng.	7405145	1-2

3.787 SCREEN—Carburettor Pump Strainer

SCREEN	ALL exc. HR S Eng.	7405162	1-2
CLIP—Strainer screen	ALL exc. HR S Eng.	7405139	1-2

3.788 PISTON ASSEMBLY—Carburettor Vacuum Power

PISTON ASSEMBLY	48, 50, FJ, FE, FC, FB, EK, EJ, EH	*7406080	1
PISTON ASSEMBLY	EH	**7420249	1
PISTON ASSEMBLY	HD, HR exc. S Eng.	7420249	1-2
PISTON ASSEMBLY—Economy carb.	HD, HR exc. S Eng.	VS10189	1
PISTON ASSEMBLY	HR S Eng.	VS10466	1

*On "EH" Series must be used with Carb. Assy. Part Nos. 7421339, 7422385 and Body Assy. Part Nos. 7424557, 7424558.
 **Must be used with Carb. Assy. Part Nos. 7406452, 7406453 and Body Assy. Part Nos. 7420245, 7420246.

3.789 VALVE ASSEMBLY—Carburettor Choke

VALVE ASSEMBLY	ALL exc. HR S Eng.	7405116	1-2
SCREW—Valve attaching	ALL exc. HR S Eng.	7405118	2-4
VALVE ASSEMBLY	HR S Eng.	VS10460	1
SCREW—Valve attaching	HR S Eng.	7405165	2



HOLDEN

MASTER PARTS CATALOGUE

3.791 SHAFT, LEVER, BUSHING, CONNECTOR—Carburettor Choke

SHAFT AND LEVER ASSEMBLY	ALL exc. HR S Eng.	7405117	1-2
BUSHING—Choke shaft	48, 50, FJ, FE, FC, FB, EK, EJ	7405113	1
SPRING—Choke lever	ALL exc. HR S Eng.	7405125	1-2
LEVER ASSEMBLY	ALL exc. HR S Eng.	7405122	1-2
SCREW—Wire clamp	ALL exc. HR S Eng.	7405124	1-2
CONNECTOR—Choke wire	48, 50, FJ, FE, FC, FB, EK, EJ	7405123	1
SHAFT AND LEVER ASSEMBLY	HR S Eng.	VS10459	1

3.792 LEVER—Carburettor Fast Idle

LEVER	48, 50, FJ, FE, FC, FB, EK, EJ	7405119	1
LEVER	EH, HD, HR exc. S Eng.	7424548	1-2
LEVER	HR S Eng.	VS10463	1
NUT—Lever attaching	ALL	7405120	1-2
WASHER—Lever attaching nut	ALL exc. HR S Eng.	7405121	1-2
WASHER—Spring lock No. 10	HR S Eng.	131183	1

3.793 ROD—Carburettor Fast Idle

ROD	48, 50, FJ, FE, FC, FB, EK, EJ	7405161	1
PIN—Cotter	48, 50, FJ, FE, FC, FB, EK, EJ	7405140	1
ROD	EH, HD, HR exc. S Eng.	7424553	1-2
PIN—Cotter	EH, HD, HR exc. S Eng.	7405140	2-4
ROD	HR S Eng.	VS10472	1
RETAINER—Rod	HR S Eng.	VS10471	1

3.795 HOLDER ASSEMBLY—Carburettor Choke Tube

HOLDER ASSEMBLY	ALL exc. HR S Eng.	7405247	1-2
SCREW AND LOCKWASHER—Holder attaching	ALL exc. HR S Eng.	7405167	1-2
SCREW—Clamp	ALL exc. HR S Eng.	7405127	1-2
NUT—Clamp screw	ALL exc. HR S Eng.	7405128	1-2
WASHER—Clamp screw	ALL exc. HR S Eng.	7405121	1-2

3.796 COVER, GASKET—Carburettor Thermostat

COVER ASSEMBLY	HR S Eng.	VS10442	1
SCREW—Cover	HR S Eng.	VS10525	3
WASHER—Cover screw	HR S Eng.	VS10524	3
GASKET—Cover	HR S Eng.	VS10441	1

3.797 LEVER AND SHAFT ASSEMBLY—Carburettor Thermostat

LEVER AND SHAFT ASSEMBLY	HR S Eng.	VS10440	1
LEVER	HR S Eng.	VS10439	1
WASHER—Spring lock No. 6	HR S Eng.	131044	1
NUT—Lever attaching	HR S Eng.	7420254	1

3.798 ROD—Carburettor Choke

ROD	HR S Eng.	VS10444	1
PIN—Cotter	HR S Eng.	VS10454	1



3.799 DIAPHRAGM, ROD, HOSE—Carburettor Choke Kick

DIAPHRAGM	HR S Eng.	VS10455	1
SCREW—Diaphragm attaching	HR S Eng.	VS10531	2
ROD ASSEMBLY	HR S Eng.	VS10456	1
RETAINER—Rod	HR S Eng.	VS10457	1
HOSE—Vacuum	HR S Eng.	VS10458	1

3.900 PUMP ASSEMBLY—Fuel

PUMP ASSEMBLY	48, 50, FJ, FE, FC, FB	*7950314	1
PUMP ASSEMBLY	EK, EJ, EH	**7415943	1
PUMP ASSEMBLY	HD, HR	7415943	1
BOLT—Hex. hd. 5/16"—18 x 1-7/8"	FE from Eng. No. L327359 FC, FB EK up to Eng. No. B207489	122058	2
BOLT—Hex. hd. 5/16"—18 x 1"	EK from Eng. No. B207490 EJ	122017	2
WASHER—Spring lock 5/16"—Medium	48, 50, FJ, FE, FC, FB, EK, EJ	120214	2
SCREW AND LOCK WASHER ASSEMBLY	EH, HD, HR	3719206	2
PLUG—Sl. hd. 1/8"—27	EK up to Eng. No. B181449	103883	2

*When fitting to 48 or 50 up to Eng. No. 16000 it is necessary to rework the opening in the crankcase, to accommodate the wider stamped rocker arm, to the dimensions specified in Fig. 1.

Also 2 Bolts Part No. 122058 required.

**EK Series ORIGINAL EQUIPMENT fuel pumps were Part No. 7950314 (modified) up to Eng. No. B181449 Part No. 7950625 Eng. No. B181450—B207489 Part No. 7950606 from Eng. No. B207490 Part No. 7415943 together with 2 Part No. 122017 Bolts is replacement pump for 7950314 (modified), 7950625 and 7950606.

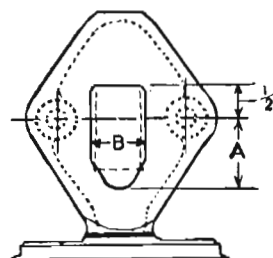


FIG. 1.

- A. Originally 15/16 in changed to 1-3/16 in
- B. Originally 3/4 in. changed to 7/8 in.

3.901 REPAIR KIT—Fuel Pump

REPAIR KIT	48, 50, FJ FE up to Eng. No. L327358	5591844	1
REPAIR KIT	FE from Eng. No. L327359 FC, FB EK up to Eng. No. B181449	7950399	1
REPAIR KIT	EK Eng. No. B181450-B207489	7950634	1
REPAIR KIT	EK from Eng. No. B207490 EJ, EH, HD, HR	7420687	1

3.902 BODY, OIL SEAL—Fuel Pump

BODY (Vacuum Section)	48, 50, FJ FE up to Eng. No. L327358	1524668	1
BODY & OIL SEAL ASSEMBLY—(Fuel Section)	48, 50, FJ FE up to Eng. No. L327358	1524795	1
SEAL ASSEMBLY—(Vacuum Section)	48, 50, FJ FE up to Eng. No. L327358	1523122	1
GASKET—Seal (Vacuum Section)	48, 50, FJ FE up to Eng. No. L327358	1523120	1
BODY (Vacuum section)	FE from Eng. No. L327359 FC, FB EK up to Eng. No. B181449	1524768	1



HOLDEN

MASTER PARTS CATALOGUE

3.902 BODY, OIL SEAL—Fuel Pump (Cont'd.)

BODY AND OIL SEAL ASSEMBLY (Fuel section)	FE from Eng. No. L327359 FC, FB			
SEAL ASSEMBLY (Vacuum section)	EK up to Eng. No. B181449	7950315	1	
	FE from Eng. No. L327359 FC, FB			
RETAINER—Seal (Vacuum section)	EK up to Eng. No. B181449	7950132	1	
	FE from Eng. No. L327359 FC, FB			
SCREW—Retainer (Vacuum section)	EK up to Eng. No. B181449	7950090	1	
	FE from Eng. No. L327359 FC, FB			
WASHER—Retainer (Vacuum section)	EK up to Eng. No. B181449	131883	2	
	FE from Eng. No. L327359 FC, FB	7950118	1	
SEAL (Fuel Section)	48, 50, FJ, FE, FC, FB			
RETAINER—Seal (Fuel Section)	EK up to Eng. No. B207489	5592331	1	
	48, 50, FJ, FE, FC, FB			
BODY	EK up to Eng. No. B207489	5592332	1	
SEAL	EK from Eng. No. B207490	5592850	1	
WASHER—Seal	EJ, EH, HD, HR	5593301	1	
	EK from Eng. No. B207490	1521985	1	
	EJ, EH, HD, HR			

3.903 BOWL—Fuel Pump

GLASS—(Fuel Section)	ALL	1523094	1	
----------------------------	-----------	---------	---	--

3.904 GASKET—Fuel Pump Bowl

CORK—(Fuel Section)	48, 50, FJ			
	FE up to Eng. No. L327358	1523096	1	
NEOPRENE—(Fuel Section)	FE from Eng. No. L327359 FC, FB, EK, EJ, EH, HD, HR	5593404	1	

3.905 SEAT—Fuel Pump Bowl

(FUEL SECTION)	ALL	854005	1	
----------------------	-----------	--------	---	--

3.906 BAIL & SCREW—Fuel Pump

WITH NUT & SEAT (Fuel section)	ALL	5592046	1	
--------------------------------------	-----------	---------	---	--

3.907 NUT—Fuel Pump Bail

(FUEL SECTION)	ALL	855763	1	
----------------------	-----------	--------	---	--

3.909 VALVE AND CAGE ASSEMBLY—Fuel Pump

(FUEL & VACUUM SECTIONS)	48, 50, FJ, FE, FC, FB, EK, EJ	5591860	A.R.	
FUEL	EH, HD, HR	5593866	2	



3.910 COVER—Fuel Pump

COVER—(Vacuum Section)	48, 50, FJ		
	FE up to Eng. No. L327358	1537195	1
GASKET—Cover (Vacuum Section)	48, 50, FJ		
	FE up to Eng. No. L327358	1523801	1
GASKET—Cover screw (Vacuum Section)	48, 50, FJ		
	FE up to Eng. No. L327358	1521476	1
COVER—(Fuel Section)	48, 50, FJ, FE, FC, FB, EK, EJ	1524492	1
SCREW—Body (Fuel & Vacuum Sections)	48, 50, FJ, FE, FC, FB, EK, EJ	855493	A.R.
WASHER—Body screw lock (Fuel & Vacuum Sections)	48, 50, FJ, FE, FC, FB, EK, EJ	114648	A.R.
COVER	EH, HD, HR	7950756	1
SCREW—Body (With 7950606 Fuel Pump)	EH	855493	6
WASHER—Body screw lock (With 7950606 Fuel Pump)	EH	114648	6
SCREW & WASHER—(With 7415943 Fuel Pump)	EH, HD, HR	SP1724	6

3.913 GASKET—Fuel Pump Valve and Cage

(FUEL SECTION)	48, 50, FJ, FE, FC, FB, EK, EJ	1537404	1
(VACUUM SECTION)	48, 50, FJ, FE, FC, FB	1521953	2
(FUEL SECTION)—Suit pump with valve retainer	EH	1537404	1
(FUEL SECTION)—Suit pump with staked in valves	EH, HD, HR	1521953	2

3.916 RETAINER—Fuel Pump Valve and Cage

(VACUUM SECTION)	48, 50, FJ		
	FE up to Eng. No. L327358	1523664	1
(FUEL SECTION)	48, 50, FJ, FE, FC, FB, EK, EJ	1521956	1
(FUEL SECTION)—With 7950606 Fuel Pump	EH	1521956	A.R.

3.917 SCREW—Fuel Pump Valve Plate

(VACUUM SECTION)	48, 50, FJ		
	FE up to Eng. No. L327358	132900	1
(FUEL SECTION)	48, 50, FJ, FE, FC, FB, EK, EJ	132696	2
(FUEL SECTION)—With 7950606 Fuel Pump	EH	132696	A.R.

3.920 ARM, BUSHING, SPACER—Fuel Pump Rocker

ARM—Rocker (forged type)	48 up to Eng. No. 21000		
	50 up to Eng. No. 21000	5621573	1
ARM—Rocker (stamped type)	48 from Eng. No. 21001		
	50 from Eng. No. 21001		
	FJ		
	FE up to Eng. No. L327358	1524777	1
ARM—Rocker	FE from Eng. No. L327359		
	FC, FB		
	EK up to Eng. No. B207489	7950313	1
BUSHING—Rocker arm pin	48, 50, FJ, FE, FC, FB		
	EK up to Eng. No. B207489	1524674	1
SPACER—Rocker arm	48, 50, FJ, FE, FC, FB		
	EK up to Eng. No. B207489	5590392	2
WASHER—Rocker arm spacer	EK Eng. No. B181450-B207489	7950345	2
ARM—Rocker	EK from Eng. No. B207490		
	EJ, EH, HD, HR	1523093	1



HOLDEN

MASTER PARTS CATALOGUE

3.921 PIN, WASHER—Fuel Pump Rocker Arm

PIN	48, 50, FJ, FE, FC, FB		
WASHER—Pin	EK up to Eng. No. B207489	1524830	1
	48, 50, FJ, FE, FC, FB		
	EK up to Eng. No. B207489	1524810	2
PIN	EK from Eng. No. B207490		
	EJ, EH, HD, HR	5592851	1
PLUG	EK from Eng. No. B207490		
	EJ, EH, HD, HR	5592852	2

3.922 SPRING—Fuel Pump Rocker Arm

SPRING	48, 50, FJ, FE, FC, FB		
	EK up to Eng. No. B207489	1524652	1
SPRING	EK from Eng. No. B207490		
	EJ, EH, HD, HR	1522046	1

3.925 DIAPHRAGM KIT, DIAPHRAGM ASSEMBLY—Fuel Pump

DIAPHRAGM KIT (Vacuum Section)	48, 50, FJ		
	FE up to Eng. No. L327358	5591738	1
DIAPHRAGM & PULL ROD ASSEMBLY (Vacuum Section)	48, 50, FJ		
	FE up to Eng. No. L327358	5590382	1
DIAPHRAGM KIT (Vacuum section)	FE from Eng. No. L327359		
	FC, FB		
	EK up to Eng. No. B181449	7950398	1
DIAPHRAGM & PULL ROD ASSEMBLY (Vacuum section)	FE from Eng. No. L327359		
	FC, FB		
	EK up to Eng. No. B181449	1524763	1
DIAPHRAGM KIT (Fuel Section)	48, 50, FJ, FE, FC, FB		
	EK up to Eng. No. B181449	5591843	1
DIAPHRAGM & PULL ROD ASSEMBLY (Fuel Section)	48, 50, FJ, FE, FC, FB		
	EK up to Eng. No. B181449	5590375	1
DIAPHRAGM KIT	EK Eng. No. B181450-B207489	7950633	1
DIAPHRAGM & PULL ROD ASSEMBLY	EK Eng. No. B181450-B207489	5590375	1
DIAPHRAGM KIT	EK from Eng. No. B207490		
	EJ, EH, HD, HR	7420688	1
DIAPHRAGM & PULL ROD ASSEMBLY	EK from Eng. No. B207490		
	EJ, EH, HD, HR	1522199	1

3.927 SPRING, SEAT, RETAINER—Fuel Pump Diaphragm

SPRING (Fuel Section)	48, 50, FJ, FE, FC, FB		
	EK up to Eng. No. B207489	5590400	1
SPRING (Vacuum Section)	48, 50, FJ, FE, FC, FB	5590533	1
SEAT—Diaphragm spring (Vacuum Section)	48, 50, FJ, FE, FC, FB	1523805	1
RETAINER—Diaphragm spring (Fuel Section)	48, 50, FJ, FE, FC, FB		
	EK up to Eng. No. B207489	1523259	1
SPRING	EK from Eng. No. B207490		
	EJ, EH, HD, HR	7950671	1

3.929 SCREEN, RETAINER—Fuel Pump

SCREEN (Vacuum Section)	48, 50, FJ		
	FE up to Eng. No. L327358	1524669	1
RETAINER—Screen (Vacuum Section)	48, 50, FJ		
	FE up to Eng. No. L327358	1523803	1
SCREEN ASSEMBLY (Fuel Section)	ALL	1523099	1

HOLDEN

MASTER PARTS CATALOGUE



3.931 LINK, WASHER, SPACER—Fuel Pump

LINK (Fuel Section)	48, 50, FJ, FE, FC, FB		
	EK up to Eng. No. B207489	1521906	1
LINK—R.H. (Vacuum Section)	48, 50, FJ, FE, FC, FB		
	EK up to Eng. No. B181449	1524677	1
LINK—L.H. (Vacuum Section)	48, 50, FJ, FE, FC, FB		
	EK up to Eng. No. B181449	1524679	1
WASHER—Link spacer	48, 50, FJ, FE, FC, FB		
	EK up to Eng. No. B207489	1523043	2
SPACER—Link	48, 50, FJ, FE, FC, FB		
	EK up to Eng. No. B207489	1524651	1
LINK	EK from Eng. No. B207490		
	EJ, EH, HD, HR	1521708	1

3.932 GASKET—Fuel Pump Flange

GASKET	48, 50, FJ, FE, FC, FB, EK, EJ	7400435	1
GASKET	EH, HD, HR	7426584	1

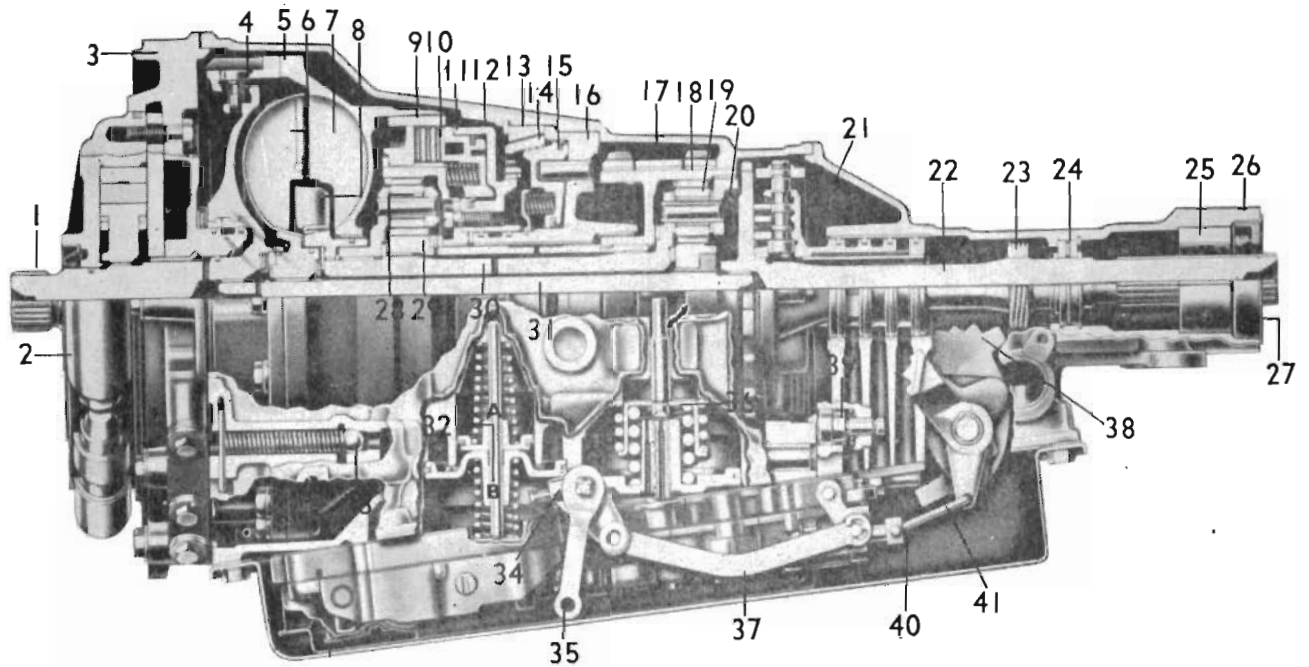
NOTES



HOLDEN
MASTER PARTS CATALOGUE

NOTES

A series of horizontal lines providing space for notes.



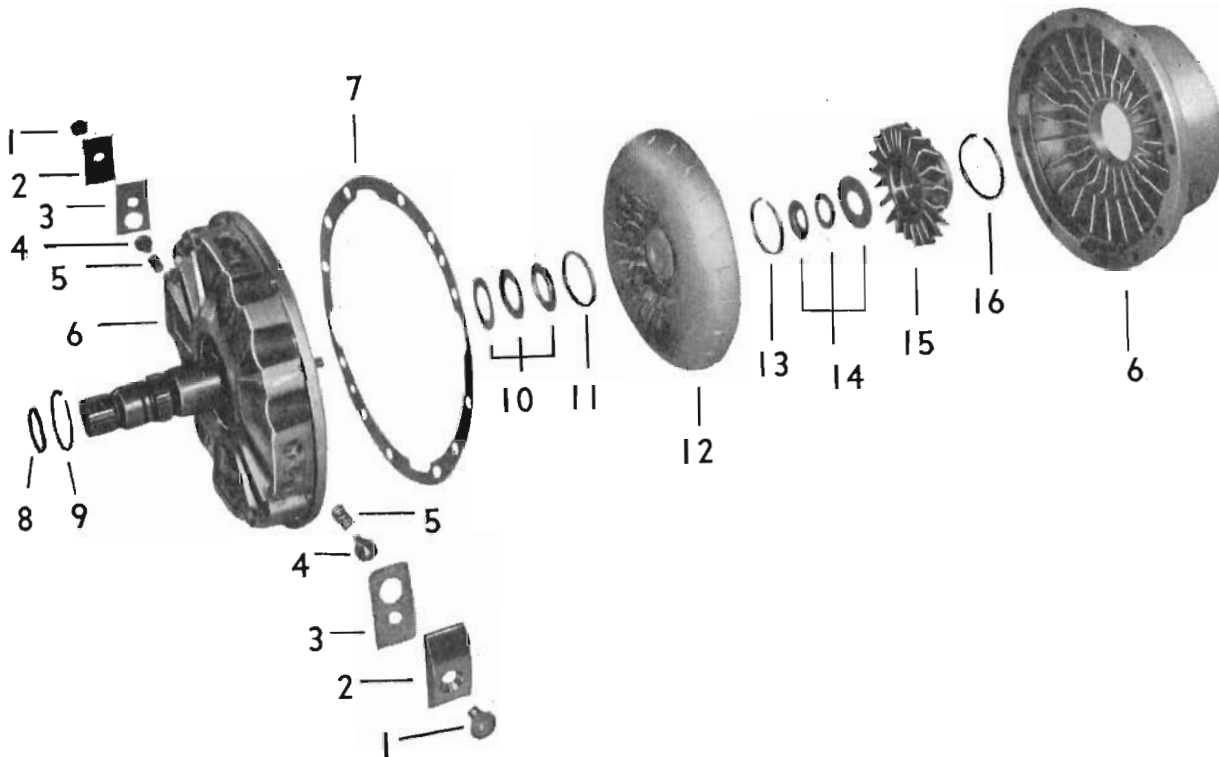
TRANSMISSION ASSEMBLY (Hydra-matic)

Illus. Ref. No.	Part Name	Group	Illus. Ref. No.	Part Name	Group
1/5/7	TORUS ASSEMBLY—Drive with cover	4.156	22/19/30	CARRIER ASSEMBLY—Rear planet with shaft	4.177
2	PUMP ASSEMBLY—Oil	4.226	23	GEAR—Speedometer drive	4.337
3	COVER—Case front	4.123	24	BEARING PACKAGE—Retainer thrust	4.408
4	VALVE—Coupling exhaust	4.155	25	SLEEVE & BUSHING ASSEMBLY	4.408
5/1/7	TORUS ASSEMBLY—Drive with cover	4.156	26	RETAINER—Rear bearing	4.317
6	TORUS ASSEMBLY—Driven	4.156	27	SEAL—Rear bearing retainer	4.318
7/1/5	TORUS ASSEMBLY—Drive with cover	4.156	28	CARRIER ASSEMBLY—Front planet	4.161
8	MULTIPLIER ASSEMBLY—Torus torque	4.157	29	GEAR—Front unit sun	4.159
9/12	GEAR & FRONT CLUTCH HOUSING— Front internal	4.158	30/19/22	CARRIER ASSEMBLY—Rear planet with shaft	4.177
10	PLATE—Clutch	4.163	31	SHAFT—Main	4.172
11	PISTON—Front clutch	4.166	32 (A)	PISTON—Accumulator, upper	4.228
12/9	GEAR & FRONT CLUTCH HOUSING— Front internal	4.158	32 (B)	PISTON—Accumulator, lower	4.228
13	CONE—Reverse clutch stationary	4.189	33	BALL—Oil pressure relief	4.106
14	CONE—Reverse clutch	4.189	34	LEVER—Front inner throttle valve	4.278
15	PISTON—Reverse clutch	4.166	35	LEVER—Outer throttle valve	4.286
16	SUPPORT ASSEMBLY—Case centre	4.162	36	SERVO ASSEMBLY—Serviced in components.	
17	BAND ASSEMBLY—Brake	4.251	37	LINK—Inner throttle valve lever	4.278
18	GEAR—Rear unit, internal	4.187	38	LEVER—Inside manual and detent shift	4.279
19/22/30	CARRIER ASSEMBLY—Rear planet with shaft	4.177	39	VALVE—Reverse blocker	4.290
20	GEAR—Rear sun	4.172	40	VALVE—Manual control	4.265
21	GOVERNOR ASSEMBLY	4.256	41	LINK—Manual valve	4.265



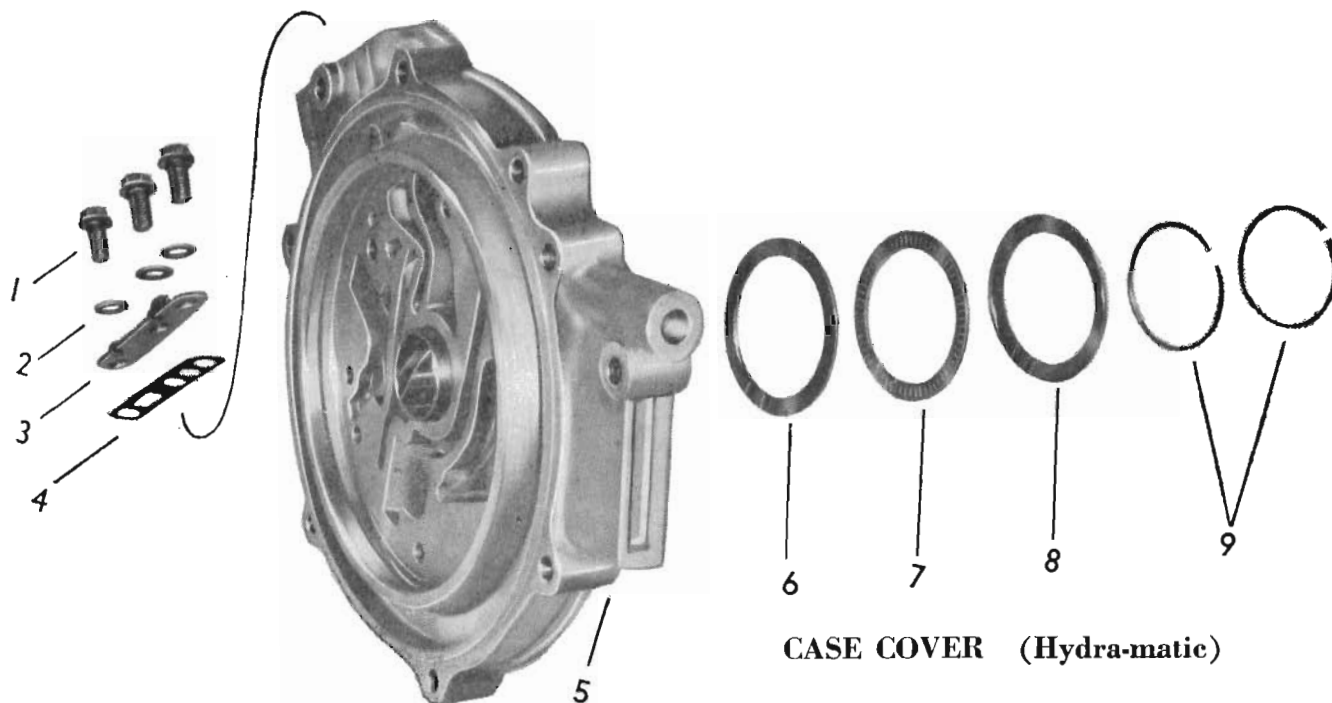
HOLDEN

MASTER PARTS CATALOGUE



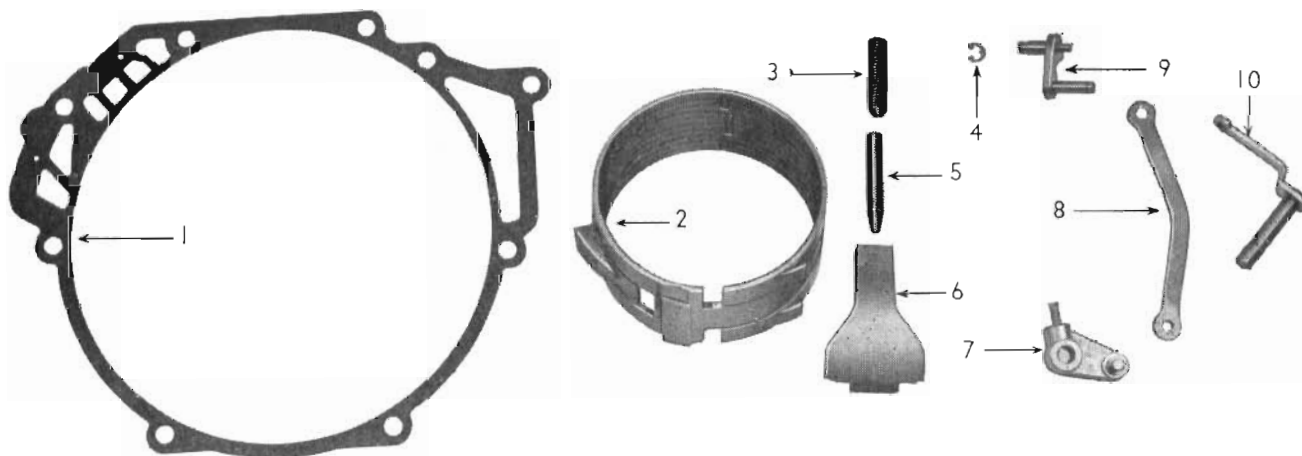
FLUID COUPLING (Hydra-matic)

Illus. Ref. No.	Part Name	Group	Illus. Ref. No.	Part Name	Group
1.	SCREW—Coupling exhaust valve cover	4.155	10.	BEARING PACKAGE—Torus cover to driven torus thrust	4.155
2.	COVER—Coupling exhaust valve	4.155	11.	RING—Front unit driven torus front oil seal	4.127
3.	GASKET—Coupling exhaust valve	4.155	12.	TORUS ASSEMBLY—Driven	4.156
4.	VALVE—Coupling exhaust	4.155	13.	RING—Front unit driven torus rear oil seal	4.127
5.	SPRING—Coupling exhaust valve	4.155	14.	BEARING PACKAGE—Driven torus to planet carrier thrust	4.156
6.	TORUS ASSEMBLY—Drive with cover	4.156	15.	MULTIPLIER ASSEMBLY—Torque	4.157
7.	GASKET—Torus cover to drive torus	4.155	16.	RING—Torque multiplier oil seal	4.127
8.	RING—Front unit torus cover oil seal	4.127			
9.	RING—Front unit torus cover oil seal	4.127			



CASE COVER (Hydra-matic)

Illus. Ref. No.	Part Name	Group	Illus. Ref. No.	Part Name	Group
1.	BOLT—Cover plate	4.123	5.	COVER	4.123
2.	SEAL—Cover plate bolt	4.123	6.	RACE—Bearing selective	4.129
3.	PLATE—Oil passage cover	4.123	7.	BEARING PACKAGE	4.123
4.	GASKET—Oil passage plate to cover	4.124	8.		
			9.	RING—Case front cover oil seal	4.127



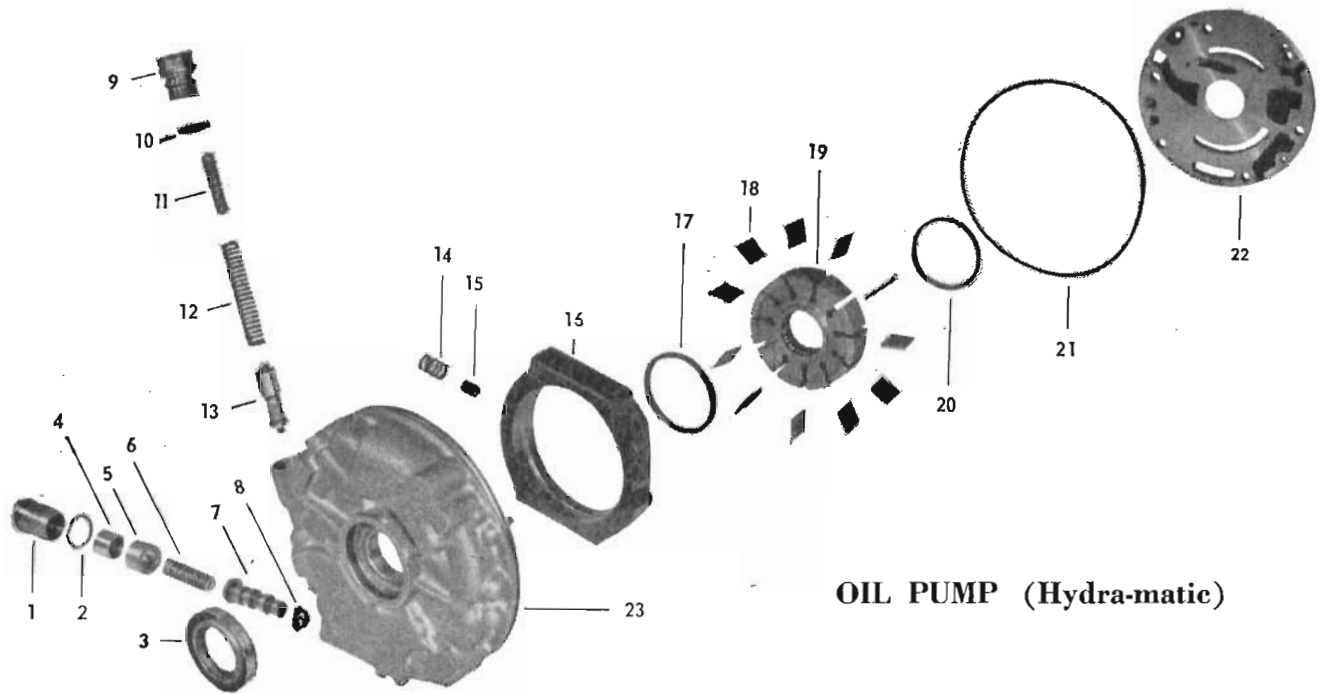
GASKET, BAND, T.V. LEVER (Hydra-matic)

Illus. Ref. No.	Part Name	Group	Illus. Ref. No.	Part Name	Group
1.	GASKET—Front cover	4.124	6.	LINK—Brake, band	4.253
2.	BAND ASSEMBLY—Brake	4.251	7.	LEVER—T.V. front	4.278
3.	SCREW—Brake band	4.251	8.	LINK—T.V. lever	4.278
4.	RING—T.V. lever link ret.	4.278	9.	LEVER & SHAFT—Rear	4.278
5.	PIN—Brake, band	4.253	10.	LEVER ASSEMBLY—T.V. outer	4.286



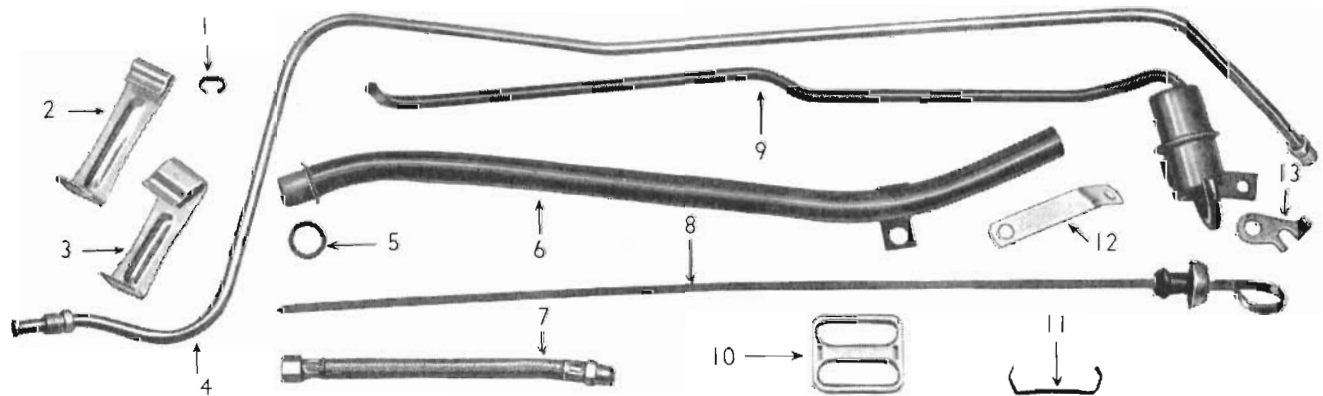
HOLDEN

MASTER PARTS CATALOGUE



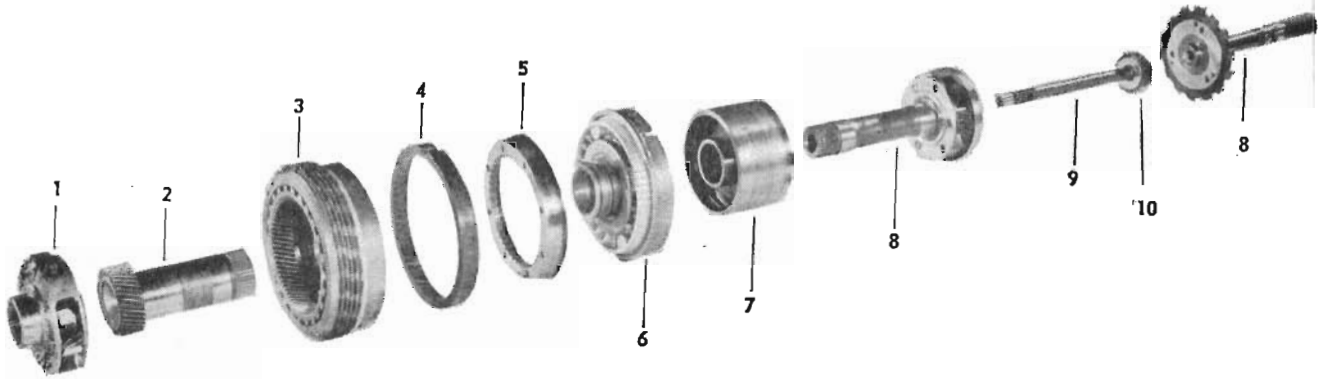
OIL PUMP (Hydra-matic)

Illus. Ref. No.	Part Name	Group	Illus. Ref. No.	Part Name	Group
1.	PLUG—Pressure regulator	4.216	13.	VALVE—Coupling feed limit	4.226
2.	"O" RING—Pressure regulator plug	4.216	14.	SPRING—Pump priming	4.226
3.	SEAL ASSEMBLY—Pump body front	4.226	15.	SPRING—Pump buffer	4.226
4.	PLUG—Line boost	4.216	16.	SLIDE	N.S.S.
5.	STOP—Line boost plug	4.216	17.	RING—Vane guide	N.S.S.
6.	SPRING—Regulator valve	4.216	18.	VANE	N.S.S.
7.	VALVE & CUSHION—Pressure regulator	4.216	19.	ROTOR	N.S.S.
8.	CUSHION—Pressure regulator valve	4.216	20.	RING—Vane guide	N.S.S.
9.	PLUG PACKAGE—Coupling feed limit valve	4.226	21.	"O" RING—Pump to case cover	4.226
10.	SEAL—Coupling feed limit valve plug	4.226	22.	COVER	N.S.S.
11.	PIN—Coupling feed limit valve	4.226	23.	BODY	N.S.S.
12.	SPRING—Coupling feed limit valve plug	4.226			



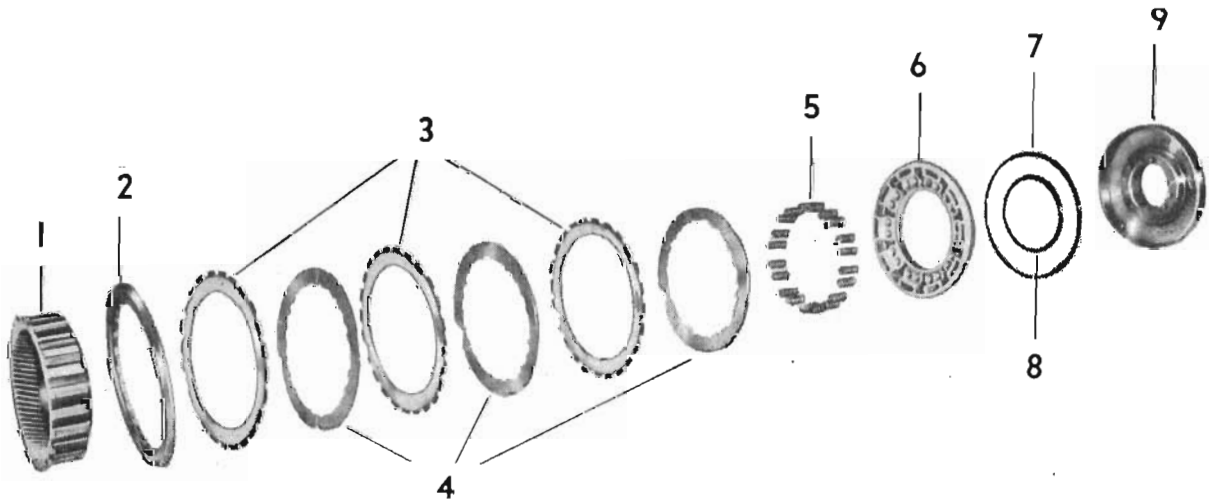
BREATHER, HOSE, PIPE, INDICATOR, COVER (Automatic)

Illus. Ref. No.	Part Name	Group	Illus. Ref. No.	Part Name	Group
1.	CLIP—Inlet to outlet pipe	4.128	7.	HOSE—Oil cooler	4.128
2.	CLIP—Inlet pipe to block	4.128	8.	INDICATOR—Oil level	4.133
3.	CLIP—Inlet and outlet pipe to block	4.128	9.	BREATHER ASSEMBLY	4.104
4.	PIPE—Oil cooler	4.128	10.	COVER—Pressure valve	0.686
5.	"O" RING—Tube to case	4.133	11.	CLIP—Pressure valve cover	0.686
6.	TUBE ASSEMBLY—Oil filler	4.133	12.	CLIP—Breather pipe	4.104



PLANETARY UNITS (Hydra-matic)

Illus. Ref. No.	Part Name	Group	Illus. Ref. No.	Part Name	Group
1.	CARRIER ASSEMBLY—Front planet	4.161	6.	SUPPORT ASSY.—Serviced in components	
2.	GEAR—Front unit sun	4.159	7.	GEAR—Rear unit internal	4.187
3.	GEAR ASSY.—Serviced in components		8.	CARRIER ASSY.—Complete with output shaft	4.177
4.	CONE—Reverse stationary (Plastic)	4.189	9.	SHAFT—Main, less sun gear	4.172
5.	CONE—Reverse (Metal)	4.189	10.	GEAR—Rear sun with damper	4.172



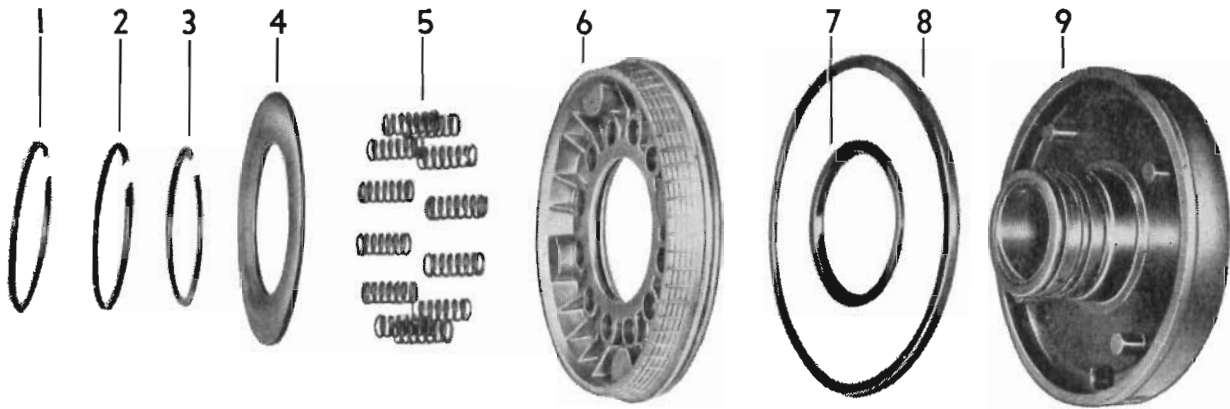
FRONT INTERNAL GEAR and CLUTCH (Hydra-matic)

Illus. Ref. No.	Part Name	Group	Illus. Ref. No.	Part Name	Group
1.}	GEAR & FRONT CLUTCH HOUSING	4.158	5.	SPRING	4.164
9.}			6.	PISTON—Front	4.164
2.	PLATE—Clutch backing	4.163	7.}	SEAL PACKAGE—Front piston	4.166
3.	PLATE—Drive with facings	4.163	8.}		
4.	PLATE—Driven	4.163	9.}	GEAR & FRONT CLUTCH HOUSING	4.158
			1.}		



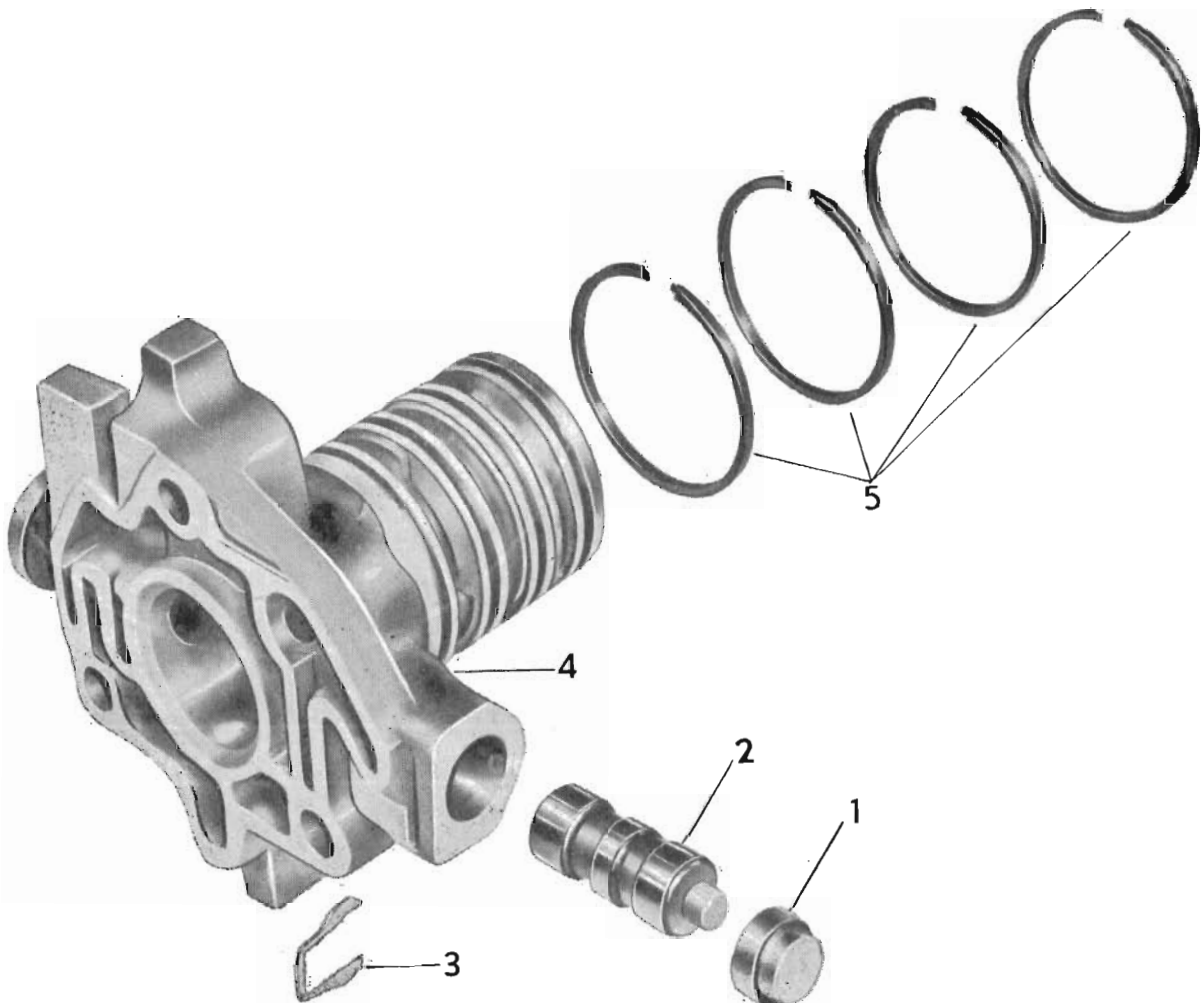
HOLDEN

MASTER PARTS CATALOGUE



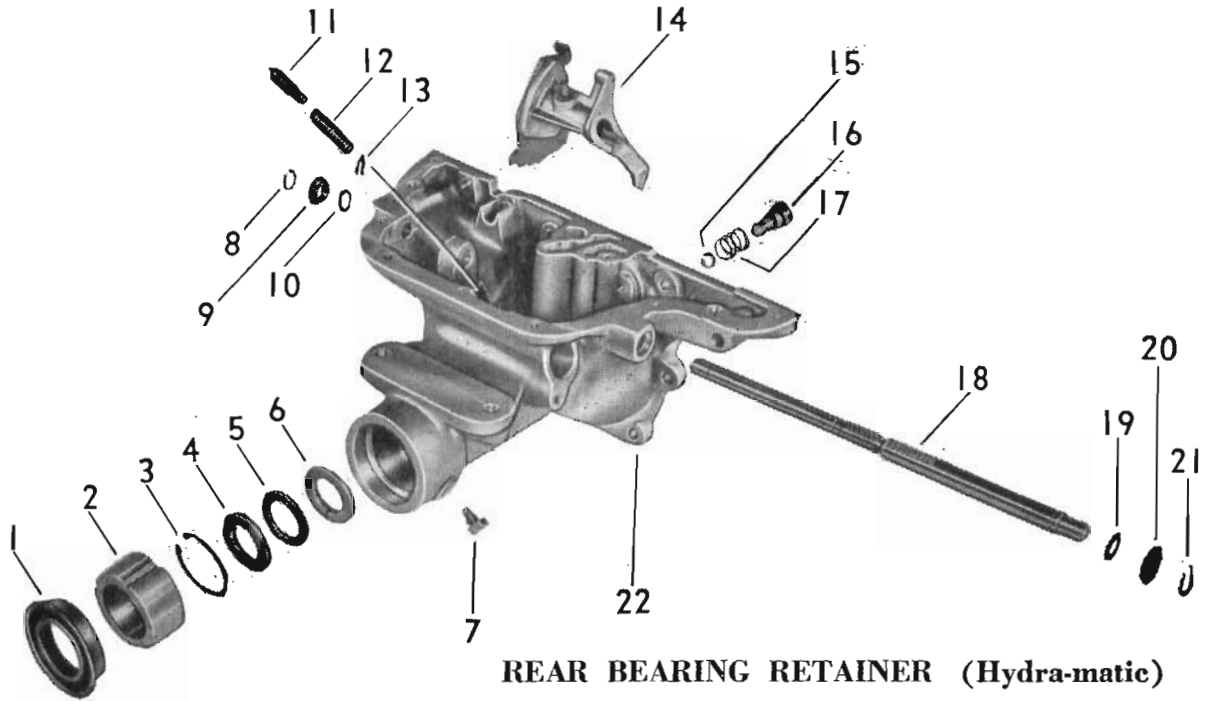
CASE CENTRE SUPPORT ASSEMBLY (Hydra-matic)

Illus. Ref. No.	Part Name	Group	Illus. Ref. No.	Part Name	Group
1.	RING—Case centre support oil seal	4.127	5.	SPRING—Reverse clutch release	4.189
2.	RING—Case centre support oil seal	4.127	6.	PISTON—Reverse clutch	4.166
3.	RING—Rev. clutch release spring ret.	4.128	7.	SEAL PACKAGE—Reverse clutch	4.166
4.	RETAINER—Piston release spring	4.189	8.		
			9.	SUPPORT ASSEMBLY—Case centre	4.162



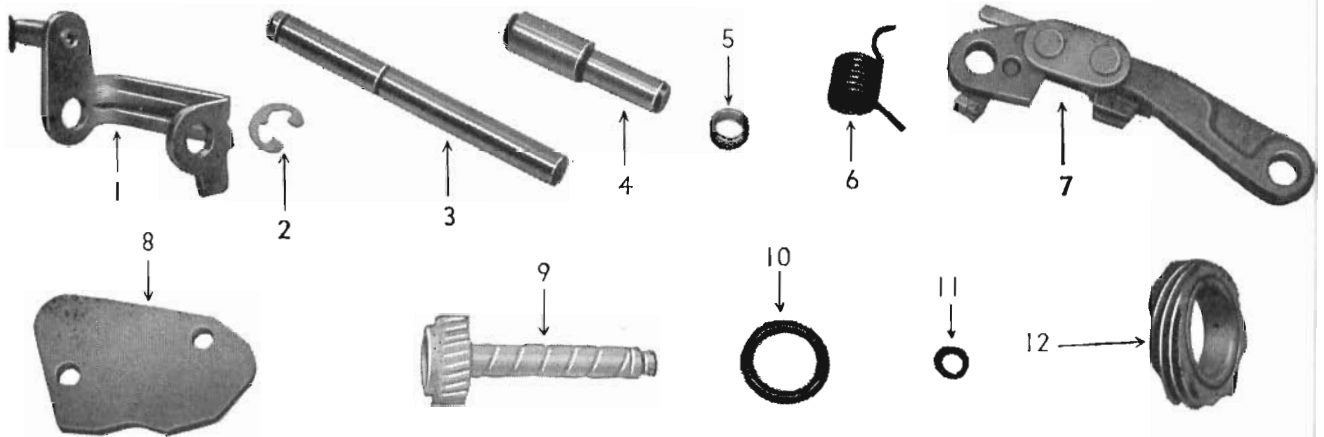
GOVERNOR (Hydra-matic)

Illus. Ref. No.	Part Name	Group	Illus. Ref. No.	Part Name	Group
1.	PLUG—G2 valve	4.256	3.	RETAINER—G2 valve plug	4.256
2.	VALVE—G2	N.S.S.	4.	BODY	N.S.S.
			5.	RING—Governor oil seal	4.127



REAR BEARING RETAINER (Hydra-matic)

Illus. Ref. No.	Part Name	Group	Illus. Ref. No.	Part Name	Group
1.	SEAL	4.318	12.	SPRING—Manual detent plunger	4.265
2.	SLEEVE & BUSHING ASSEMBLY	4.408	13.	RETAINER—Detent plunger (hair pin type)	4.265
3.	RING—Rear bearing to retainer snap	4.128	14.	LEVER ASSEMBLY—Inside manual & detent	4.279
4.	BEARING PACKAGE—Retainer thrust	4.408	15.	RING—Reverse blocker valve "C"	4.128
5.			16.	VALVE—Reverse blocker	4.290
6.			17.	SPRING—Reverse blocker	4.290
7.	BOLT—Sleeve retainer	4.408	18.	SHAFT—Manual	4.282
8.	RING—Manual shaft retaining snap	4.282	19.	"O" RING—Manual shaft	4.282
9.	RETAINER—Manual shaft seal	4.282	20.	RETAINER—Manual shaft seal	4.282
10.	"O" RING—Manual shaft	4.282	21.	RING—Manual shaft retaining snap	4.282
11.	PLUNGER—Manual detent	4.265	22.	RETAINER	4.317



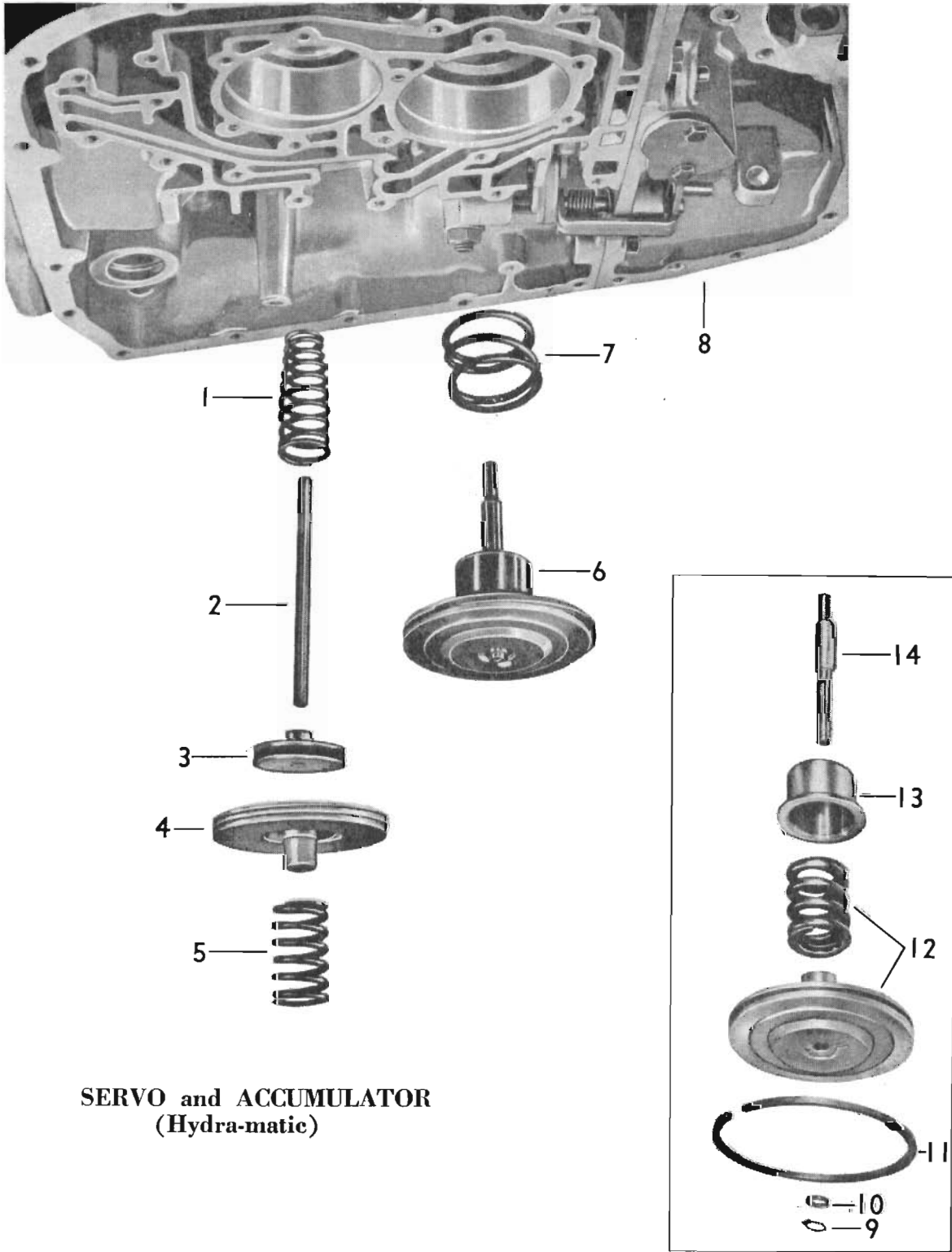
PARKING BRAKE, SPEEDOMETER GEARS (Hydra-matic)

Illus. Ref. No.	Part Name	Group	Illus. Ref. No.	Part Name	Group		
1.	BRACKET ASSEMBLY—Parking brake	4.290	8.	COVER—Oil passage	4.317		
2.	RING—Retaining snap	4.290	9.	GEAR PACKAGE—Driven	4.337		
3.	SHAFT—Parking bracket pivot	4.290	10.			"O" RING—Driven gear	4.338
4.	PIN—Pawl pivot	4.294	11.			"O" RING—Driven gear	4.338
5.	SPACER—Pawl pivot pin	4.294	12.	GEAR—Speedometer drive	4.337		
6.	SPRING—Parking brake bracket	4.295					
7.	PAWL & LEVER ASSEMBLY	4.294					



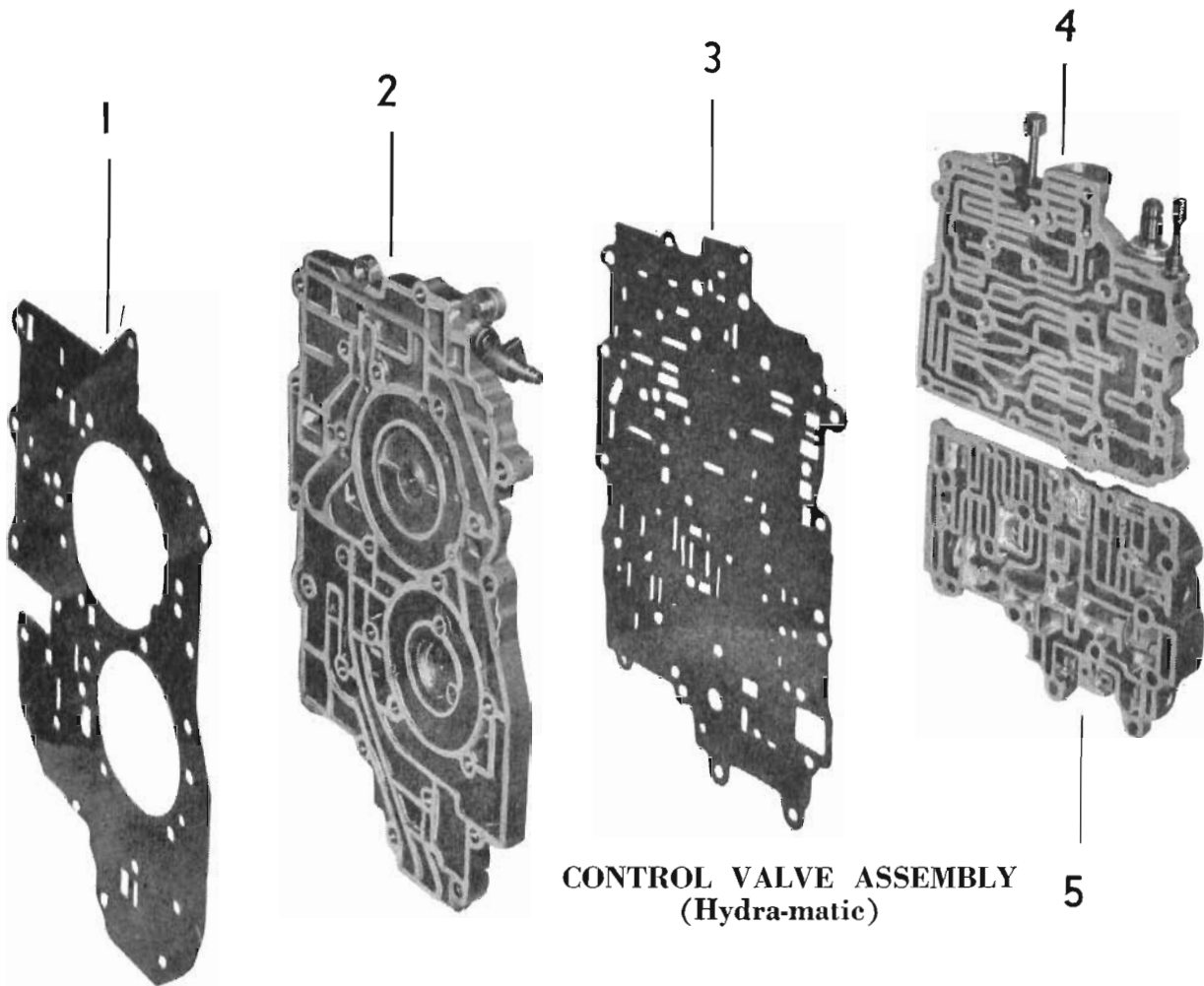
HOLDEN

MASTER PARTS CATALOGUE



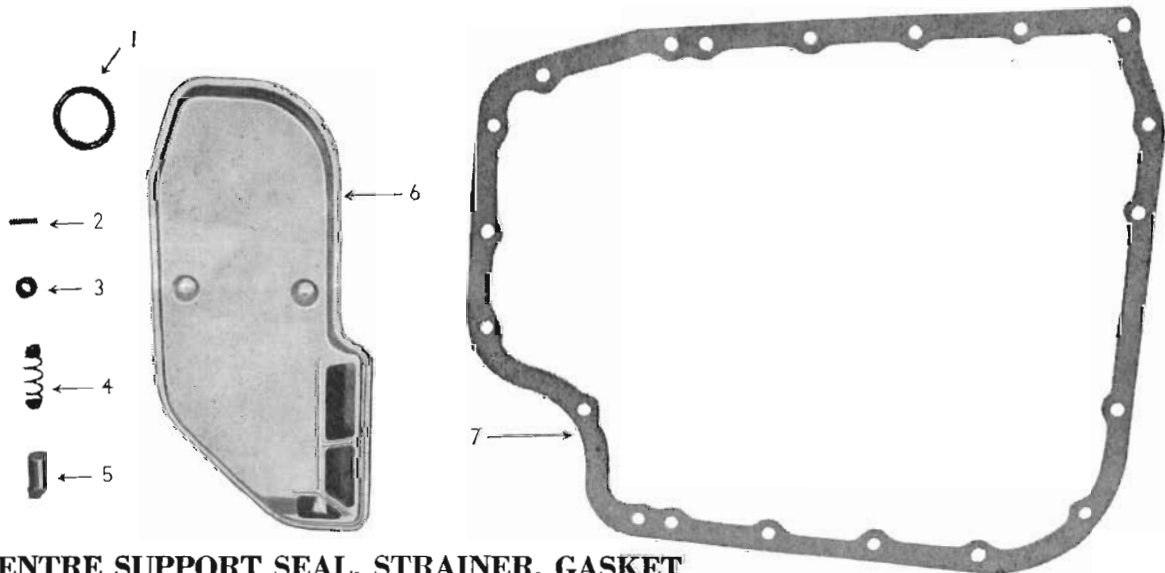
**SERVO and ACCUMULATOR
(Hydra-matic)**

Illus. Ref. No.	Part Name	Group	Illus. Ref. No.	Part Name	Group
1.	SPRING—Accumulator, upper	4.233	7.	SPRING—Servo release	4.233
2.	PIN—Accumulator piston	4.230	8.	CASE ASSEMBLY	4.103
3.	PISTON—Accumulator, upper	4.228	9.	RING—Servo piston snap	4.128
4.	PISTON—Accumulator, lower	4.228	10.	WASHER—Piston retaining, plain	4.233
	RING—Accumulator lower piston	4.127	11.	RING—Servo piston oil seal	4.127
5.	SPRING—Accumulator, lower	4.233	12.	PISTON & SPRING PACKAGE—Servo apply	4.228
6.	PISTON ASSEMBLY—Refer 9-14.		13.	RETAINER—Servo inner spring	4.233
			14.	PIN—Servo band apply piston	4.230



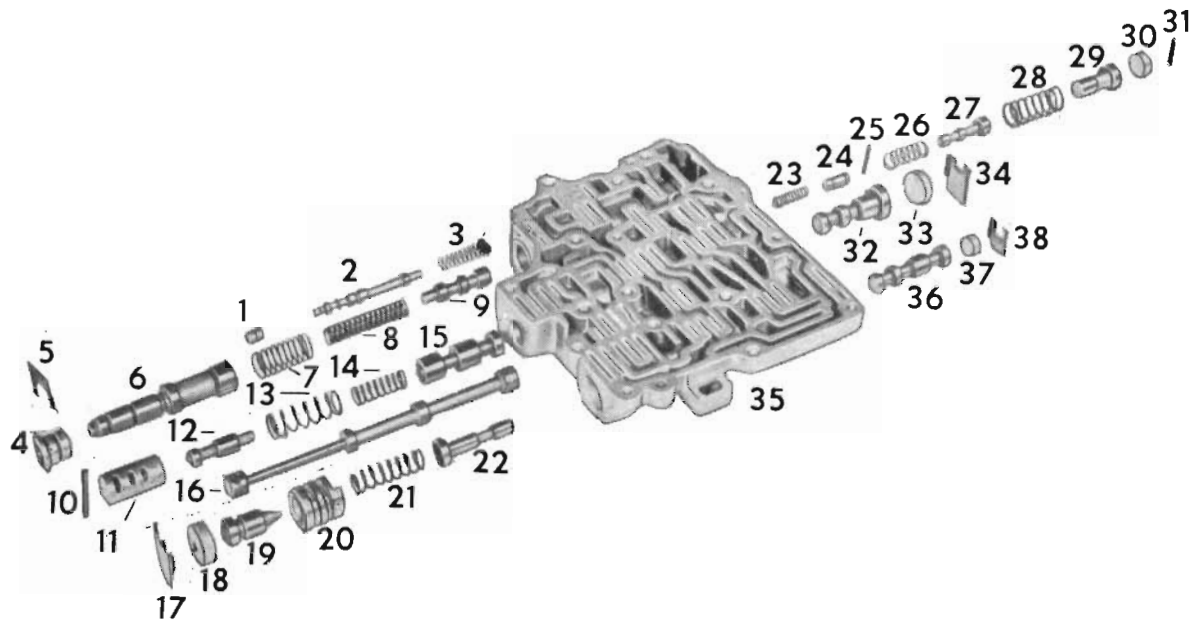
CONTROL VALVE ASSEMBLY
(Hydra-matic) 5

1. SPACER—Channel plate	4.265	4. VALVE BODY ASSEMBLY—Primary	4.265
2. PLATE—Channel	4.265	5. VALVE BODY ASSEMBLY—Secondary	4.265
3. SPACER—Valve body	4.265		



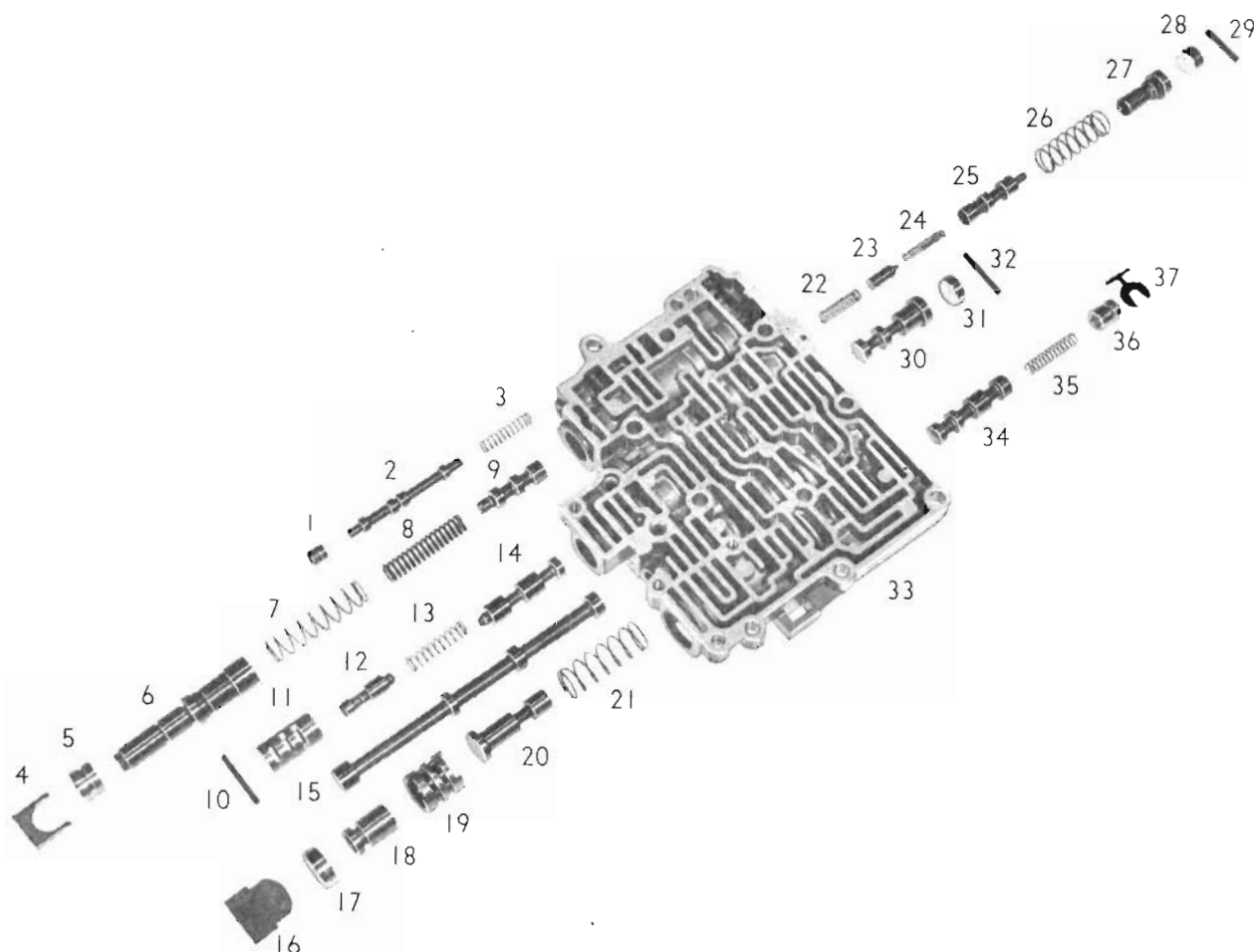
CENTRE SUPPORT SEAL, STRAINER, GASKET

1. "O" RING—Oil strainer	4.223	5. KEY—Centre support	4.162
2. RETAINER—Spring	4.162	6. STRAINER—Oil	4.224
3. SEAL—Case to support	4.162	7. GASKET—Oil pan	4.196
4. SPRING—Case to support	4.162		



PRIMARY VALVE BODY-H561 TRANSMISSION (Hydra-matic)

Illus. Ref. No.	Part Name	Group	Illus. Ref. No.	Part Name	Group
1.	SLEEVE—Throttle valve	N.S.S.	20.	BUSH—2-3 throttle valve	N.S.S.
2.	VALVE—Detent	N.S.S.	21.	SPRING—2-3 throttle valve	N.S.S.
3.	SPRING—Detent valve	N.S.S.	22.	VALVE—2-3 shift	N.S.S.
4.	BUSH—Apply valve	N.S.S.	23.	SPRING—Limit valve	N.S.S.
5.	RETAINER—Apply valve bush	4.265	24.	VALVE—Compensator limit	N.S.S.
6.	VALVE—Band apply	N.S.S.	25.	PIN—Valve bore plug retainer	4.265
7.	SPRING—Apply valve	N.S.S.	26.	SPRING—Primary compensator valve	N.S.S.
8.	SPRING—Throttle valve	N.S.S.	27.	VALVE—Primary compensator	N.S.S.
9.	VALVE—Throttle	N.S.S.	28.	SPRING—Secondary compensator valve	N.S.S.
10.	PIN—Valve bore plug retainer	4.265	29.	VALVE—Secondary compensator	N.S.S.
11.	BUSH—1-2 throttle valve	N.S.S.	30.	PLUG—Compensator valve bore	4.265
12.	VALVE—1-2 throttle	N.S.S.	31.	PIN—Compensator valve plug retainer	4.265
13.	SPRING—1-2 shift valve	N.S.S.	32.	VALVE—1-2 governor	N.S.S.
14.	SPRING—1-2 throttle valve	N.S.S.	33.	PLUG—1-2 governor valve bore	4.265
15.	VALVE—1-2 shift	N.S.S.	34.	RETAINER—1-2 governor valve	4.265
16.	VALVE—Manual control	4.265	35.	BODY—Use body assembly	4.265
17.	RETAINER—2-3 throttle valve	4.265	36.	VALVE—2-3 governor	N.S.S.
18.	PLUG—2-3 throttle valve bore	4.265	37.	PLUG—2-3 governor valve bore	4.265
19.	VALVE—2-3 throttle	N.S.S.	38.	RETAINER—2-3 governor valve	4.265



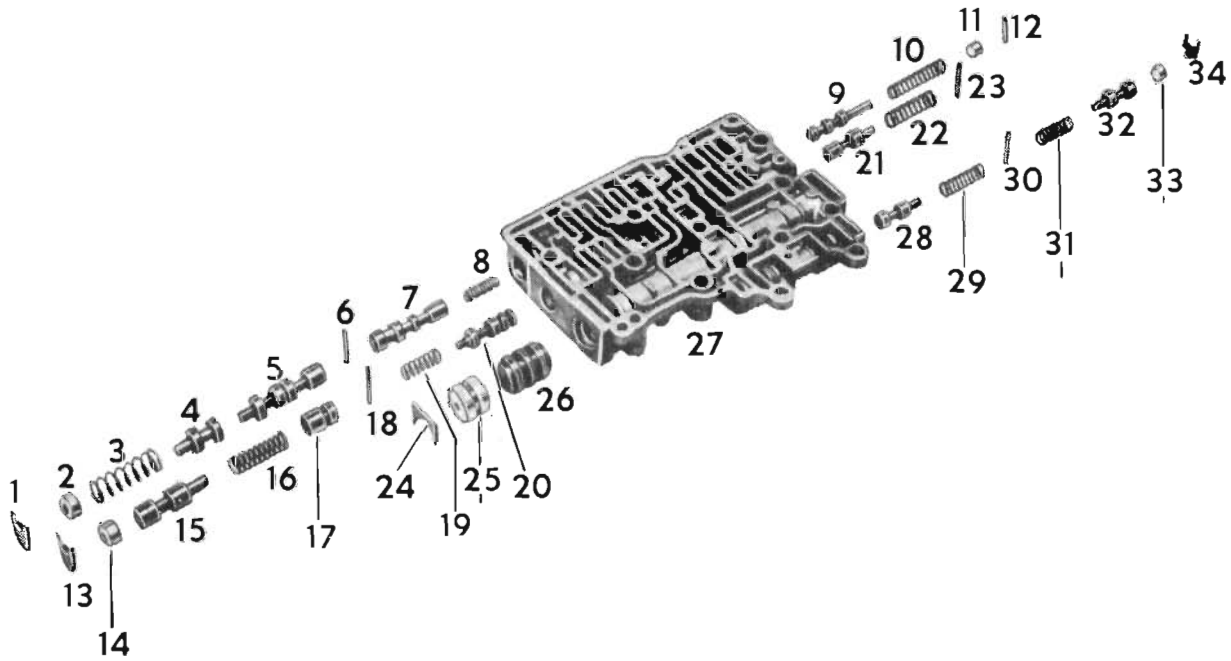
PRIMARY VALVE BODY — H562 TRANSMISSION (Hydra-matic)

Illus. Ref. No.	Part Name	Group	Illus. Ref. No.	Part Name	Group
1.	SLEEVE—Throttle valve travel adjusting	4.265	20.	VALVE—3-4 shift	N.S.S.
2.	VALVE—Detent	N.S.S.	21.	SPRING—3-4 shift valve	N.S.S.
3.	SPRING—Detent valve	N.S.S.	22.	SPRING—Limit valve	N.S.S.
4.	RETAINER—Band apply bushing	4.265	23.	VALVE—Compensator limit	N.S.S.
5.	BUSH—Apply valve	N.S.S.	24.	SPRING—Primary compensator valve	N.S.S.
6.	VALVE—Band apply	N.S.S.	25.	VALVE—Primary compensator	N.S.S.
7.	SPRING—Apply valve	N.S.S.	26.	SPRING—Secondary compensator valve	N.S.S.
8.	SPRING—Throttle valve	N.S.S.	27.	VALVE—Secondary compensator	N.S.S.
9.	VALVE—Throttle	N.S.S.	28.	PLUG—Compensator valve bore	4.265
10.	PIN—Valve bore plug retainer	4.265	29.	PIN—Valve bore plug retainer	4.265
11.	BUSH—2-3 throttle valve	N.S.S.	30.	VALVE—2-3 governor	N.S.S.
12.	VALVE—2-3 throttle	N.S.S.	31.	PLUG—2-3 governor valve bore	4.265
13.	SPRING—2-3 throttle valve	N.S.S.	32.	PIN—Valve bore plug retainer	4.265
14.	VALVE—2-3 shift	N.S.S.	33.	BODY—Use body assembly	4.265
15.	VALVE—Manual control	4.265	34.	VALVE—3-4 governor	N.S.S.
16.	RETAINER—3-4 throttle valve	4.265	35.	SPRING—3-4 governor valve	N.S.S.
17.	PLUG—3-4 throttle valve bore	4.265	36.	PLUG—3-4 governor valve bore	N.S.S.
18.	VALVE—3-4 throttle	N.S.S.	37.	RETAINER—3-4 governor valve	4.265
19.	BUSH—3-4 throttle valve	N.S.S.			



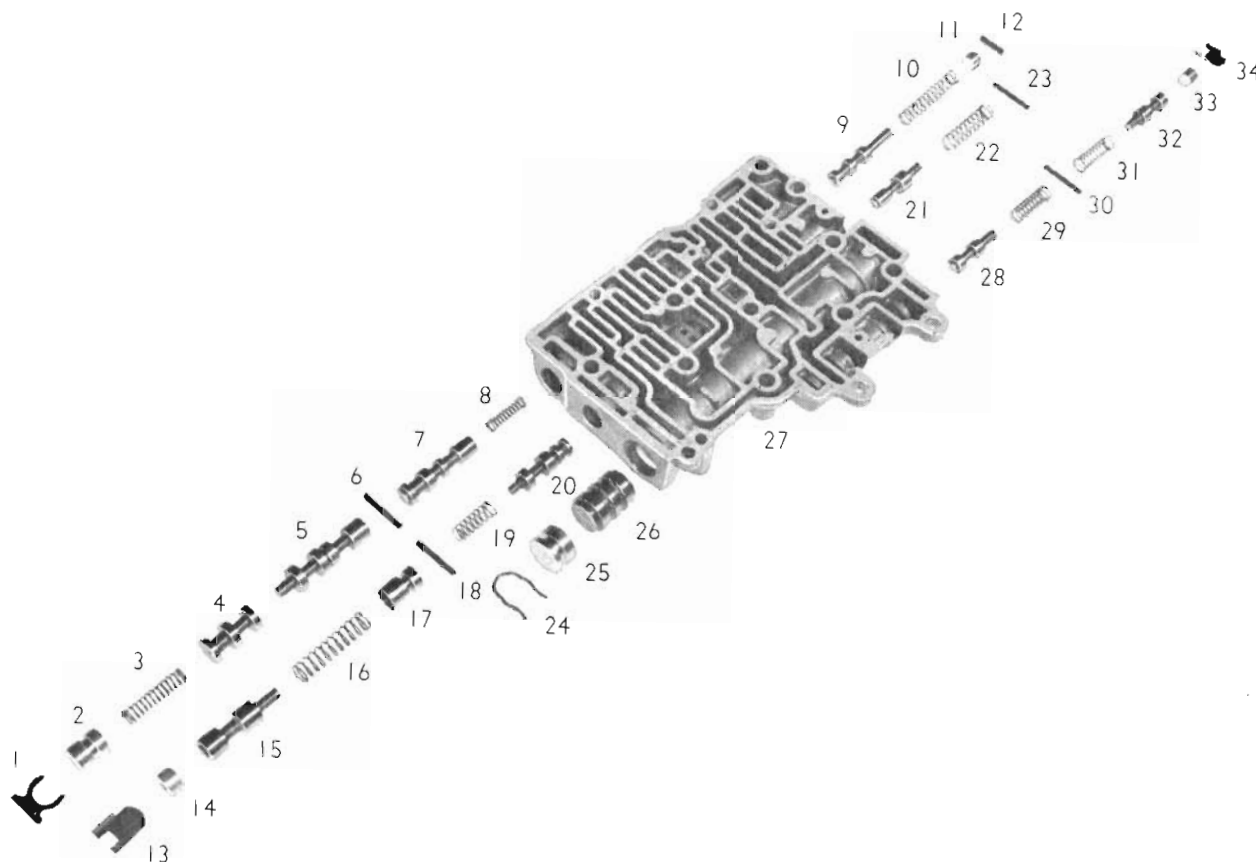
HOLDEN

MASTER PARTS CATALOGUE



SECONDARY VALVE BODY-H561 TRANSMISSION (Hydra-matic)

Illus. Ref. No.	Part Name	Group	Illus. Ref. No.	Part Name	Group
1. }					
2. }					
3. }	VALVE PACKAGE—Coupling signal	4.265			
4. }					
1.	RETAINER—Coupling timing valve bore plug	4.265	18.	PIN—Valve bore plug retainer	4.265
2.	PLUG—Coupling timing valve bore	4.265	19.	SPRING—Band release timing valve	N.S.S.
3.	SPRING—Coupling signal valve	N.S.S.	20.	VALVE—Band release timing	N.S.S.
4.	VALVE—Coupling signal	N.S.S.	21.	VALVE—Pressure drop	N.S.S.
5.	VALVE—Coupling timing	N.S.S.	22.	SPRING—Pressure drop valve	N.S.S.
6.	PIN—Valve bore plug retainer	4.265	23.	PIN—Valve bore plug retainer	4.265
7.	VALVE—Pressure boost	N.S.S.	24.	RETAINER—Band release accumulator valve	4.265
8.	SPRING—Pressure boost valve	N.S.S.	25.	PLUG—Accumulator valve bore	4.265
9.	VALVE—2-3 boost	N.S.S.	26.	VALVE—Band release accumulator	N.S.S.
10.	SPRING—2-3 boost valve	N.S.S.	27.	BODY—Use body assembly	4.265
11.	PLUG—2-3 boost valve bore	4.265	28.	VALVE—Front clutch exhaust	N.S.S.
12.	PIN—2-3 boost valve retainer	4.265	29.	SPRING—Front clutch exhaust valve	N.S.S.
13.	RETAINER—Low throttle control valve	4.265	30.	PIN—Valve bore plug retainer	4.265
14.	PLUG—Low throttle control valve bore	4.265	31.	SPRING—2-1 downshift valve	N.S.S.
15.	VALVE—Low throttle control	N.S.S.	32.	VALVE—2-1 downshift	N.S.S.
16.	SPRING—Low throttle control valve	N.S.S.	33.	PLUG—2-1 downshift valve bore	4.265
17.	PLUG—Band release timing valve bore	4.265	34.	RETAINER—2-1 downshift valve	4.265



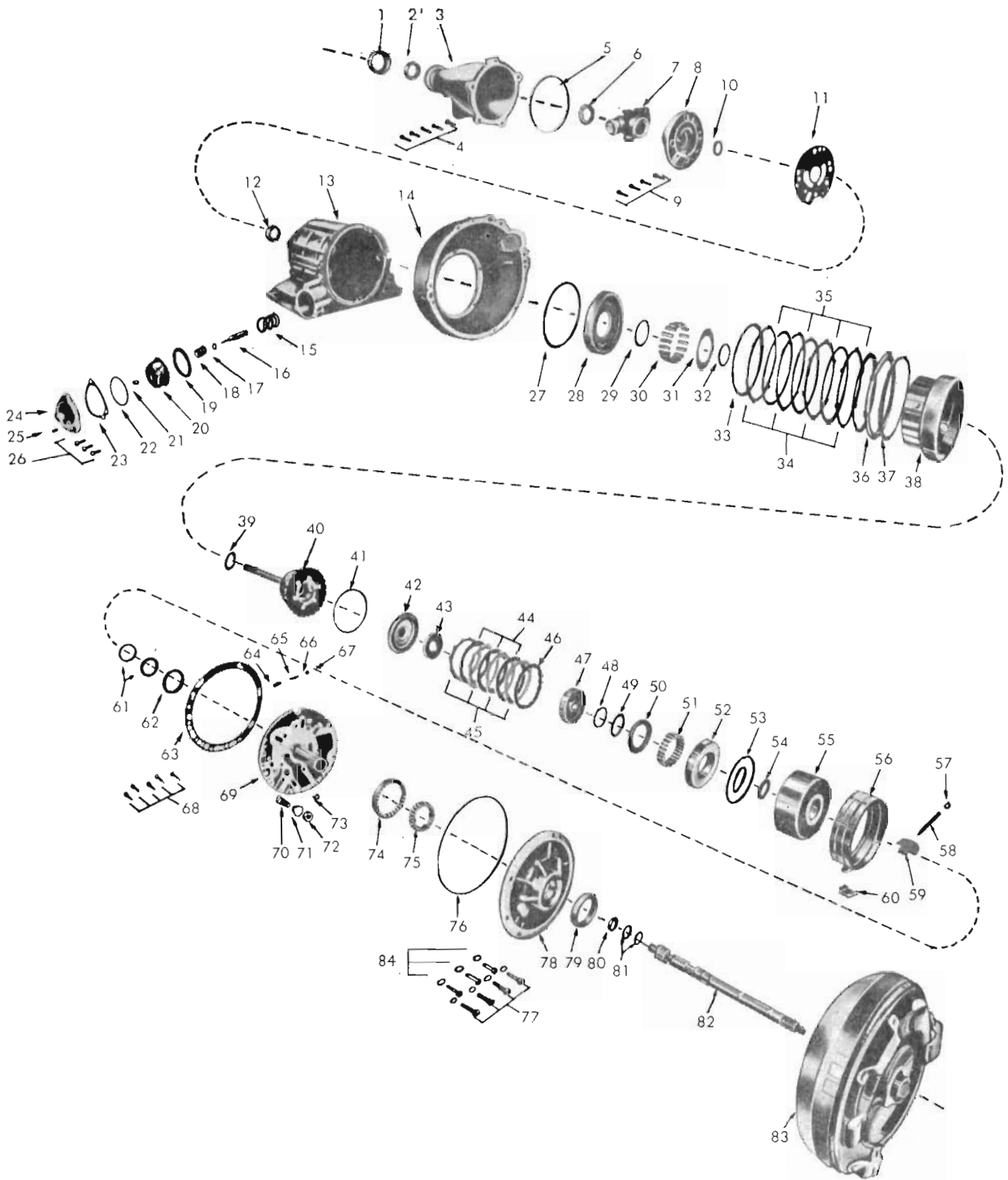
SECONDARY VALVE BODY — H562 TRANSMISSION (Hydra-matic)

Illus. Ref. No.	Part Name	Group	Illus. Ref. No.	Part Name	Group
1.	} VALVE PACKAGE—Coupling signal	4.265	16.	SPRING—Low throttle control valve	N.S.S.
2.			17.	PLUG—Band release timing valve bore	4.265
3.			18.	PIN—Valve bore plug retainer	4.265
4.			19.	SPRING—Band release timing valve	N.S.S.
1.	RETAINER—Coupling timing valve	4.265	20.	VALVE—Band release timing	N.S.S.
2.	PLUG—Coupling timing valve bore	N.S.S.	21.	VALVE—Pressure drop	N.S.S.
3.	SPRING—Coupling signal valve	N.S.S.	22.	SPRING—Pressure drop valve	N.S.S.
4.	VALVE—Coupling signal	N.S.S.	23.	PIN—Valve bore plug retainer	4.265
5.	VALVE—Coupling timing	N.S.S.	24.	RETAINER—Band release accumulator valve	4.265
6.	PIN—Valve bore plug retainer	4.265	25.	PLUG—Accumulator valve bore	4.265
7.	VALVE—Pressure boost	N.S.S.	26.	VALVE—Band release accumulator	N.S.S.
8.	SPRING—Pressure boost valve	N.S.S.	27.	BODY—Use body assembly	4.265
9.	VALVE—3-4 boost	N.S.S.	28.	VALVE—Front clutch exhaust	N.S.S.
10.	SPRING—3-4 boost valve bore	N.S.S.	29.	SPRING—Front clutch exhaust valve	N.S.S.
11.	PLUG—3-4 boost valve bore	4.265	30.	PIN—Valve bore plug retainer	4.265
12.	PIN—3-4 boost valve retainer	4.265	31.	SPRING—3-2 downshift valve	N.S.S.
13.	RETAINER—Low throttle control valve	4.265	32.	VALVE—3-2 downshift	N.S.S.
14.	PLUG—Low throttle control valve bore	4.265	33.	PLUG—3-2 downshift valve bore	4.265
15.	VALVE—Low throttle control	N.S.S.	34.	RETAINER—3-2 downshift valve	4.265



HOLDEN

MASTER PARTS CATALOGUE



TRANSMISSION ASSEMBLY (Powerglide)



TRANSMISSION ASSEMBLY (Powerglide)

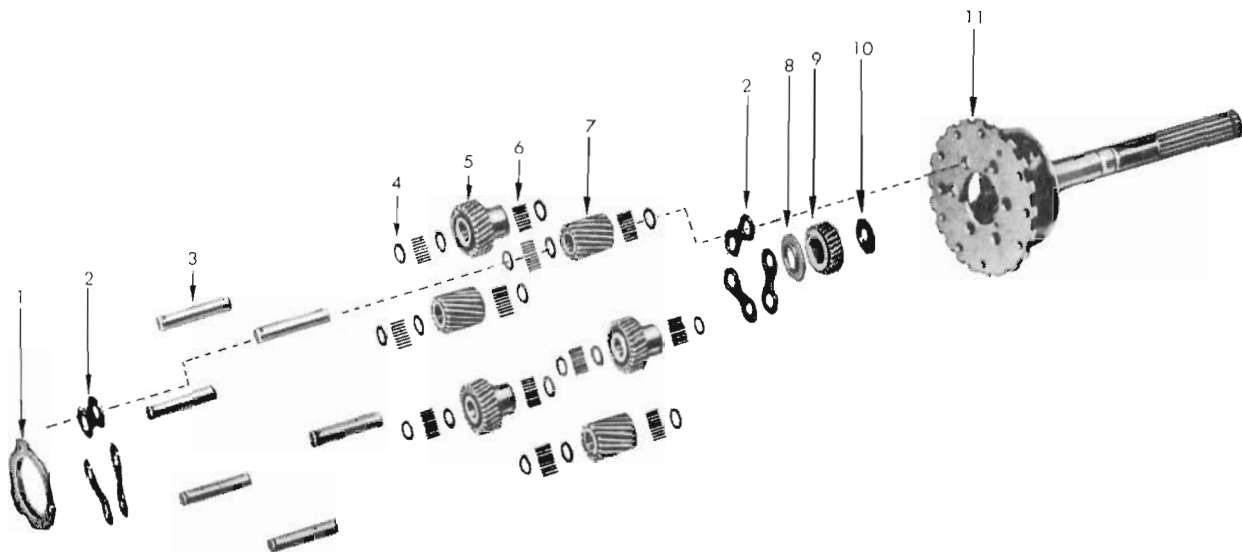
(ILLUSTRATION OPPOSITE)

Illus. Ref. No.	Part Name	Group	Illus. Ref. No.	Part Name	Group
1	SEAL ASSEMBLY	4.318	42	GEAR ASSEMBLY—Low sun clutch	4.158
2	BUSHING—Housing	4.317	43	WASHER—Clutch hub rear thrust	4.129
3	HOUSING—Rear bearing	4.317	44	PLATE—Forward clutch drive	4.163
4	BOLT	4.317	45	PLATE—Forward clutch driven	4.163
5	SEAL—Housing to case	4.318	46	SPRING—Clutch cushion	4.164
6	GEAR—Speedometer drive	4.337	47	HUB—Clutch	4.158
7	GOVERNOR ASSEMBLY	4.256	48	WASHER—Clutch hub front thrust	4.129
8	BODY ASSEMBLY—Support	4.256	49	RING—Clutch spring snap	4.128
9	BOLT	4.256	50	SEAT—Clutch spring	4.158
10	BUSHING—Support body	4.256	51	SPRING—Clutch	4.164
11	GASKET—Support body	4.256	52	PISTON—Clutch	4.166
12	BUSHING	4.103	53	SEAL UNIT—Clutch piston	4.166
13	CASE ASSEMBLY	4.103	54	BUSHING—Clutch drum	4.158
14	HOUSING—Converter	0.683	55	DRUM ASSEMBLY—Clutch	4.158
15	SPRING—Servo piston	4.233	56	BAND ASSEMBLY	4.251
16	ROD—Servo piston	4.230	57	NUT—Anchor adjusting screw	4.251
17	WASHER—Piston apply spring	4.233	58	SCREW—Anchor adjusting	4.251
18	SPRING—Piston apply	4.228	59	STRUT ASSEMBLY—Anchor	4.253
19	RING—Servo piston	4.127	60	STRUT ASSEMBLY—Apply	4.253
20	PISTON	4.228	61	RING—Clutch drum oil seal	4.127
21	RETAINER—Servo spring	4.233	62	WASHER—Clutch drum thrust	4.129
22	SEAL—Servo cover	4.212	63	GASKET—Body	4.226
23	GASKET—Servo cover	4.212	64/65/66	VALVE—Priming	4.226
24	COVER	4.212	67	PIN—Pump priming valve retainer	4.226
25	PLUG	4.212	68	BOLT	4.226
26	BOLT	4.212	69	COVER ASSEMBLY—With stator shaft	4.226
27/29	SEAL UNIT—Reverse clutch piston	4.166	70/71/72	VALVE—Oil cooler by-pass	4.226
28	PISTON—Reverse clutch	4.166	73	VALVE—Down shift timing	4.226
29/27	SEAL UNIT—Reverse clutch piston	4.166	74/75/78	BODY & GEARS—Oil pump	4.226
30	SPRING—Piston return	4.189	75/74/78	BODY & GEARS—Oil pump	4.226
31	SEAT—Piston return spring	4.189	76	SEAL—Oil pump	4.226
32	RING—Rev. clutch piston ret. spring snap	4.128	77	BOLT	0.683
33	SPRING—Reverse clutch cushion	4.164	78/74/75	BODY & GEARS—Oil pump	4.226
34	PLATE—Reverse clutch reaction	4.163	79	SEAL—Pump body oil	4.226
35	PLATE—Reverse clutch drive	4.163	80	BUSHING—Low sun gear	4.177
36	PLATE—Reverse clutch pressure	4.163	81	RING—Input shaft oil seal	4.127
37	RING—Reverse clutch pack snap	4.128	82	SHAFT—Input	4.153
38	GEAR—Reverse ring	4.187	83	CONVERTER ASSEMBLY	4.156
39	BEARING ASSEMBLY—Output shaft	4.408	84	WASHER—Housing to transmission	0.683
40	CARRIER ASSEMBLY—Planet	4.177			
41	RING—Clutch flange retainer	4.128			



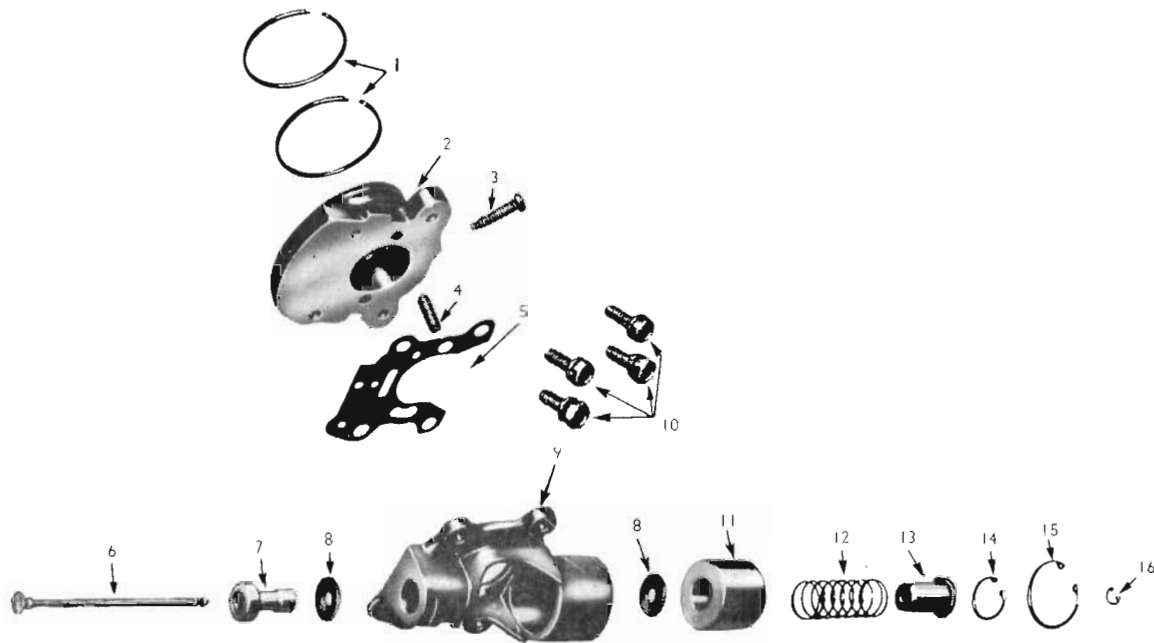
HOLDEN

MASTER PARTS CATALOGUE



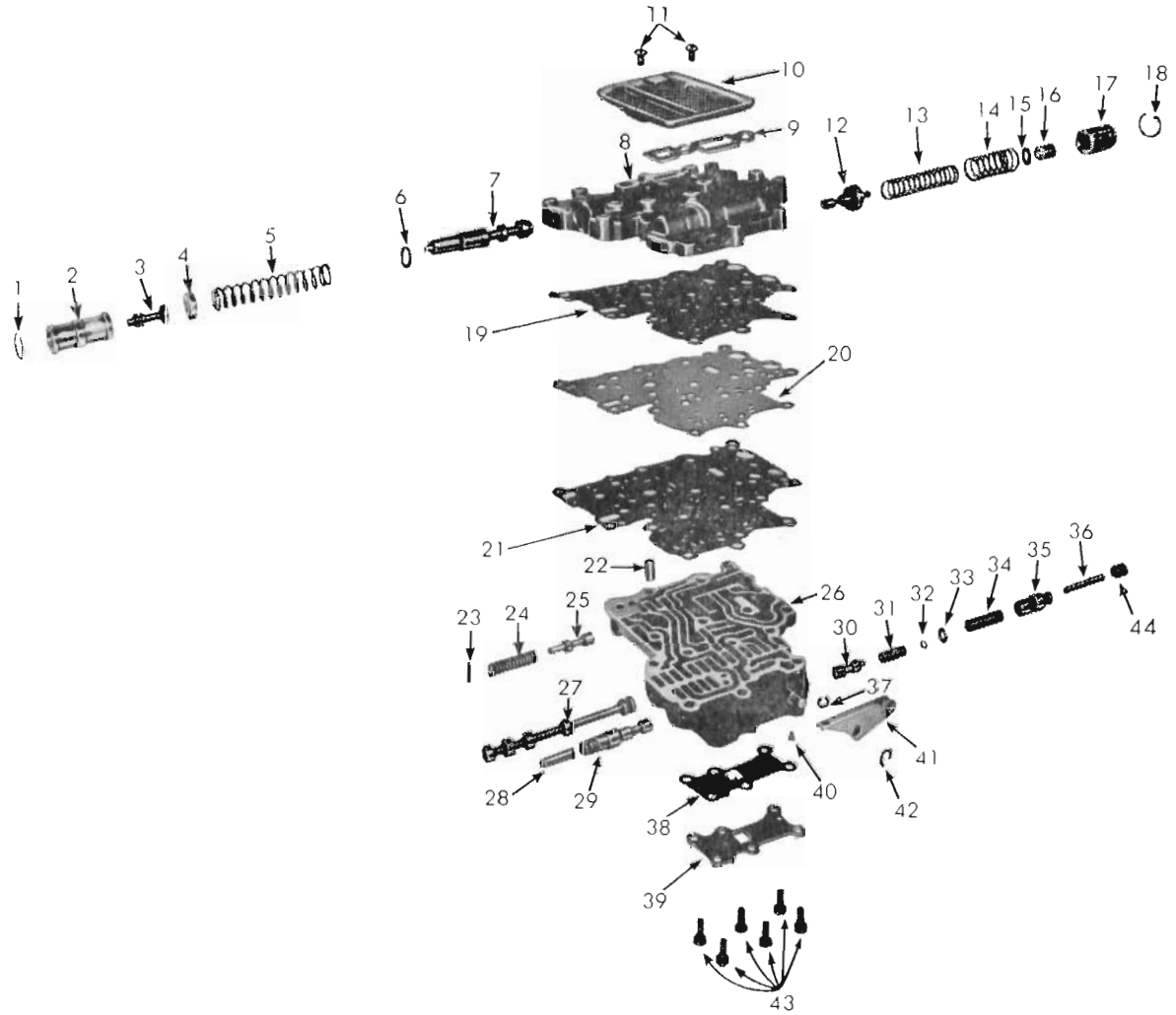
PLANET CARRIER (Powerglide)

Illus. Ref. No.	Part Name	Group	Illus. Ref. No.	Part Name	Group
1	PLATE—Pinion shaft lock	4.177	7	PINION—Long	4.177
2	WASHER—Pinion thrust	4.177	8	BEARING ASSY.—Low sun gear thrust	4.177
3	SHAFT—Pinion	4.177	9	GEAR—Input sun	4.177
4	SPACER—Pinion needle bearing	4.177	10	WASHER—Input sun gear thrust	4.177
5	PINION—Short	4.177	1-11 inc.	CARRIER ASSEMBLY	4.177
6	BEARING—Pinion needle	4.177			



GOVERNOR (Powerglide)

Illus. Ref. No.	Part Name	Group	Illus. Ref. No.	Part Name	Group
1	RING—Hub oil seal	4.127	9	BODY	N.S.S.
2	HUB	N.S.S.	10	BOLT—Body to hub	4.256
3	SCREW—Hub drive	4.256	11	WEIGHT ASSEMBLY	4.256
4	SCREEN	4.256	12		
5	GASKET	4.256	13		
6	SHAFT	4.259	14	RING—Weight retainer, inner	4.256
7	VALVE	4.256	15	RING—Weight retainer, outer	4.256
8	SPRING—Damping	4.256	16	RING—Shaft retainer	4.259



VALVE BODY (Powerglide)

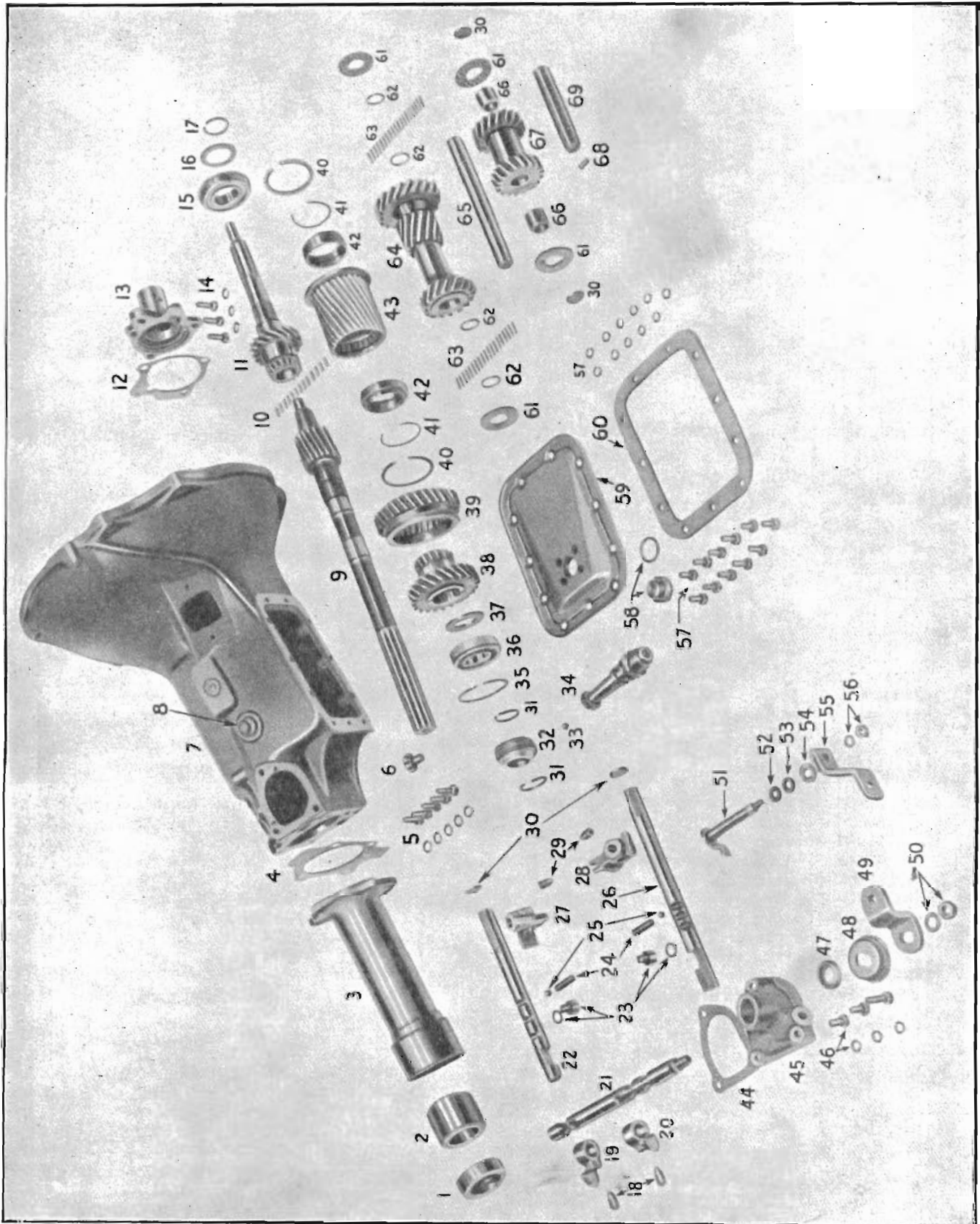
Illus. Ref. No.	Part Name	Group	Illus. Ref. No.	Part Name	Group
1	RING—Hydraulic modulator valve snap	4.265	23	PIN—Downshift timing valve stop	4.265
2	SLEEVE—Booster valve	N.S.S.	24	SPRING—High speed downshift timing	N.S.S.
3	VALVE—Booster	N.S.S.	25	VALVE—High speed downshift timing	N.S.S.
4	RETAINER—Pressure regulator spring	N.S.S.	26	BODY—Use body assy. upper valve	4.265
5	SPRING—Pressure regulator	4.265	27	VALVE—Manual	4.265
6	RING—Pressure regulator spring seat	4.265	28	PLUNGER—Modulator	4.265
7	VALVE—Pressure regulator	N.S.S.	29	VALVE—Vacuum modulator	4.265
8	BODY—Use body assy. lower valve	4.265	30	VALVE—Throttle	N.S.S.
9	GASKET—Suction screen	4.223	31	SPRING—Throttle valve	N.S.S.
10	SCREEN ASSEMBLY	4.224	32	SEAT—Throttle valve spring	N.S.S.
11	SCREW—Screen attaching	4.224	33	WASHER—T.V. spring reg. guide	N.S.S.
12	VALVE—Low & drive	N.S.S.	34	SPRING—Detent valve	N.S.S.
13	SPRING—Low & drive valve inner	N.S.S.	35	VALVE—Detent	N.S.S.
14	SPRING—Low & drive valve outer	N.S.S.	36	REGULATOR—T.V. spring	N.S.S.
15	SEAT—Spring	N.S.S.	37	RING—Throttle valve retainer	4.265
16	VALVE—Low & drive regulator	N.S.S.	38	GASKET—Upper valve body plate	4.265
17	SLEEVE & CAP—Low & drive reg. valve	N.S.S.	39	PLATE—Upper valve body	N.S.S.
18	RING—Snap	N.S.S.	40	STUD—Detent valve & spring ret.	N.S.S.
19	GASKET—Plate	4.265	41	ROLLER & LEVER ASSY—Detent	4.279
20	PLATE—Transfer	4.265	42	RING—Roller retainer	4.279
21	GASKET—Plate	4.265	43	BOLT	4.265
22	SCREEN—Throttle valve feed	4.265	44	NUT—T.V. spring adjusting	4.265



HOLDEN

MASTER PARTS CATALOGUE

TRANSMISSION CASE and GEARS (Synchro-mesh)





TRANSMISSION CASE and GEARS (Synchro-mesh)

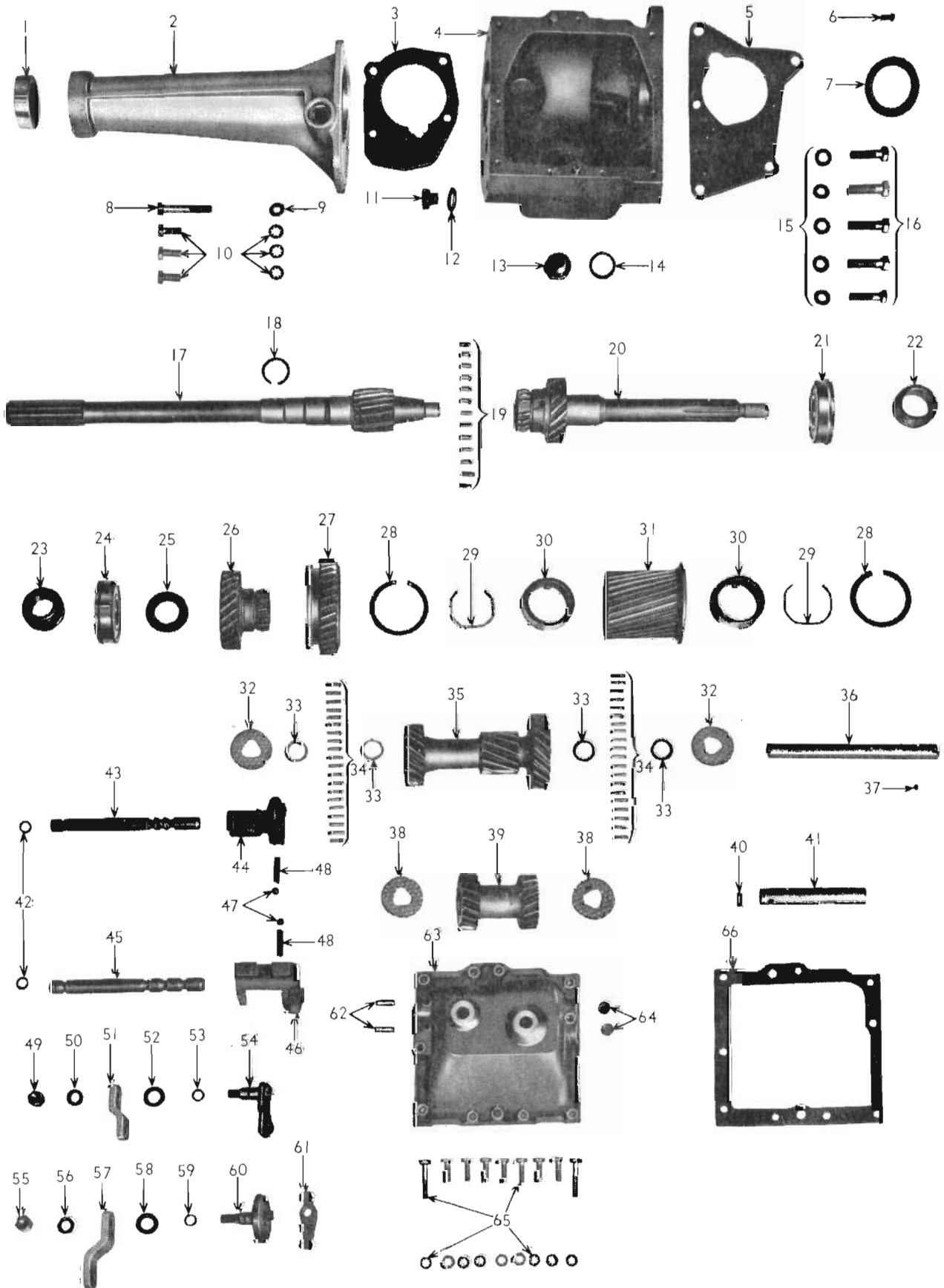
(ILLUSTRATION OPPOSITE)

Illus. Ref. No.	Part Name	Group	Illus. Ref. No.	Part Name	Group
1.	SEAL	4.317	36.	BEARING ASSEMBLY	4.408
2.	BUSHING ASSEMBLY	4.317	37.	WASHER	4.398
3.	HOUSING & BUSHING ASSEMBLY	4.317	38.	GEAR	4.395
4.	GASKET	4.318	39.	GEAR	4.417
5.	BOLT—WASHER	4.317	40.	RING	4.381
6.	SCREW—CAP	4.104	41.	SPRING	4.383
7.	CASE ASSEMBLY	4.103	42.	CONE	4.383
8.	PLUG	4.103	43/9.	MAIN SHAFT UNIT ASSEMBLY	4.403
9.	SHAFT	4.403	44.	GASKET	4.301
10.	ROLLER	4.352	45.	RETAINER	4.301
11.	GEAR	4.351	46.	BOLT—WASHER	4.301
12.	GASKET	4.358	47.	SEAL	4.313
13.	RETAINER	4.356	48.	SHIELD	4.313
14.	BOLT—WASHER	4.356	49.	LEVER	4.046
15.	BEARING	4.355	50.	WASHER—NUT	4.301
16.	SLINGER	4.374	51.	SHAFT ASSEMBLY	4.302
17.	RING	4.376	52.	WASHER	4.302
18.]			53.	SEAL	4.302
19.]			54.	WASHER	4.302
20.]	SHAFT & LEVER ASSEMBLY	4.301	55.	LEVER	4.050
21.]			56.	WASHER—NUT	4.302
22.	SHAFT	4.309	57.	BOLT—WASHER	4.105
23.	SCREW—WASHER	4.309	58.	PLUG—GASKET	4.105
24.	SPRING	4.311	59.	COVER ASSEMBLY	4.105
25.	BALL	4.311	60.	GASKET	4.109
26.	SHAFT	4.309	61.	WASHER	4.423/4.432
27.	YOKE	4.304	62.	WASHER	4.423
28.	YOKE	4.303	63.	ROLLER	4.422
29.	SCREW	4.311	64.	GEAR	4.421
30.	PLUG	4.103	65.	SHAFT	4.428
31.	RING	4.412	66.	BUSH	N.S.S.
32.	GEAR UNIT	4.337	67.	GEAR ASSEMBLY	4.430
33.	BALL	4.337	68.	PIN	4.433
34.	GEAR UNIT	4.337	69.	SHAFT	4.433
35.	RING	4.412			



HOLDEN

MASTER PARTS CATALOGUE





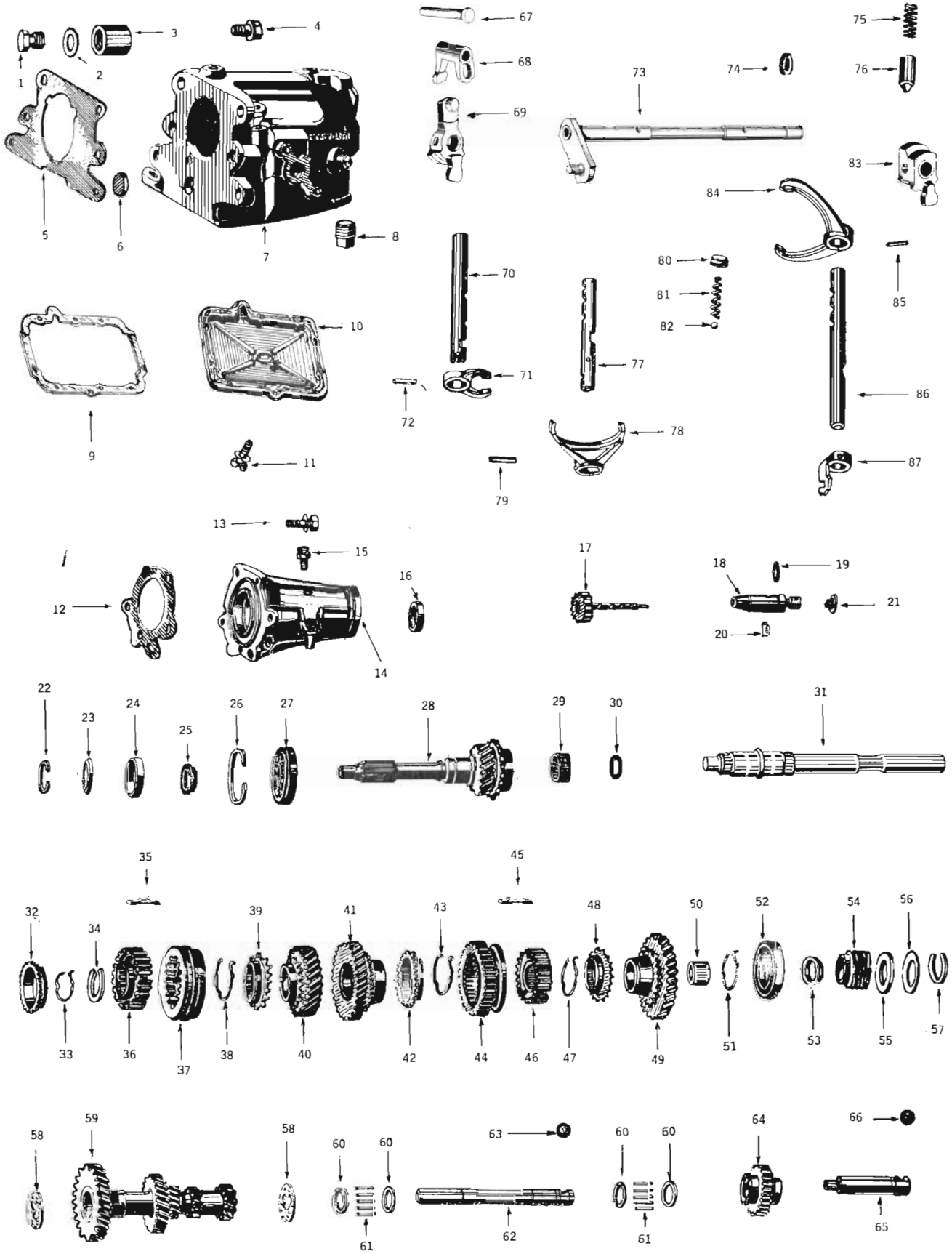
TRANSMISSION CASE and GEARS (Synchro-Mesh) — 3 speed. (ILLUSTRATION OPPOSITE)

Illus. Ref. No.	Part Name	Group	Illus. Ref. No.	Part Name	Group
1.	SEAL	4.317	34.	BEARING—Roller	4.422
2.	HOUSING ASSEMBLY	4.317	35.	GEAR—Counter	4.421
3.	GASKET	4.318	36.	SHAFT—Counter gear	4.428
4.	CASE ASSEMBLY	4.103	37.	BALL	4.428
5.	GASKET	4.004	38.	WASHER—Thrust	4.432
6.	SCREW	4.355	39.	GEAR ASSEMBLY—Reverse idler	4.430
7.	WASHER—Spring	0.804	40.	PIN	4.433
8.	BOLT	4.317	41.	SHAFT—Reverse idler	4.433
9.	WASHER—Special	4.317	42.	"O" RING—Shifter shaft	4.309
10.	BOLT & LOCK WASHER	4.317	43.	SHAFT—Sec. and third shifter	4.309
11.	PLUG—Drain	4.103	44.	YOKE—Sec. and third shifter	4.303
12.	GASKET—Drain plug	4.103	45.	SHAFT—First and rev. shifter	4.309
13.	PLUG—Filler	4.103	46.	YOKE—First and rev. shifter	4.304
14.	GASKET—Filler plug	4.103	47.	BALL—Shaft lock	4.311
15.	WASHER	4.003	48.	SPRING—Lock ball	4.311
16.	BOLT	4.003	49.	NUT—Special	4.302
17.	SHAFT	4.403	50.	WASHER—Spring lock	4.302
18.	RING—Mainshaft lock	4.412	51.	LEVER—Selector control	4.050
19.	BEARING—Roller	4.352	52.	WASHER—Special spring	4.302
20.	GEAR—Clutch	4.351	53.	"O" RING	4.302
21.	BEARING	4.355	54.	LEVER ASSEMBLY—Selector	4.302
22.	RETAINER—Bearing	4.356	55.	NUT—Special	4.301
23.	GEAR—Speedometer drive	4.337	56.	WASHER—Spring lock	4.301
24.	BEARING ASSEMBLY	4.408	57.	LEVER—Shifter	4.046
25.	WASHER—Thrust	4.398	58.	WASHER—Special spring	4.301
26.	GEAR—Second speed	4.395	59.	"O" RING	4.301
27.	GEAR—First and rev. sliding	4.417	60.	CRANK ASSEMBLY—Shifter	4.301
28.	RING—Cone retaining	4.381	61.	LEVER—Shift internal	4.301
29.	SPRING—Cone energising	4.383	62.	PIN—Shifter shaft lock	4.309
30.	CONE—Friction	4.383	63.	COVER	4.105
31/17.	MAIN SHAFT UNIT ASSEMBLY	4.403	64.	PLUG—Retaining	4.309
32.	WASHER—Thrust	4.423	65.	SCREW AND LOCK WASHER	4.105
33.	WASHER—Needle bearing	4.423	66.	GASKET—Cover	4.109



HOLDEN

MASTER PARTS CATALOGUE





TRANSMISSION CASE and GEARS

Synchro mesh — 4 speed.

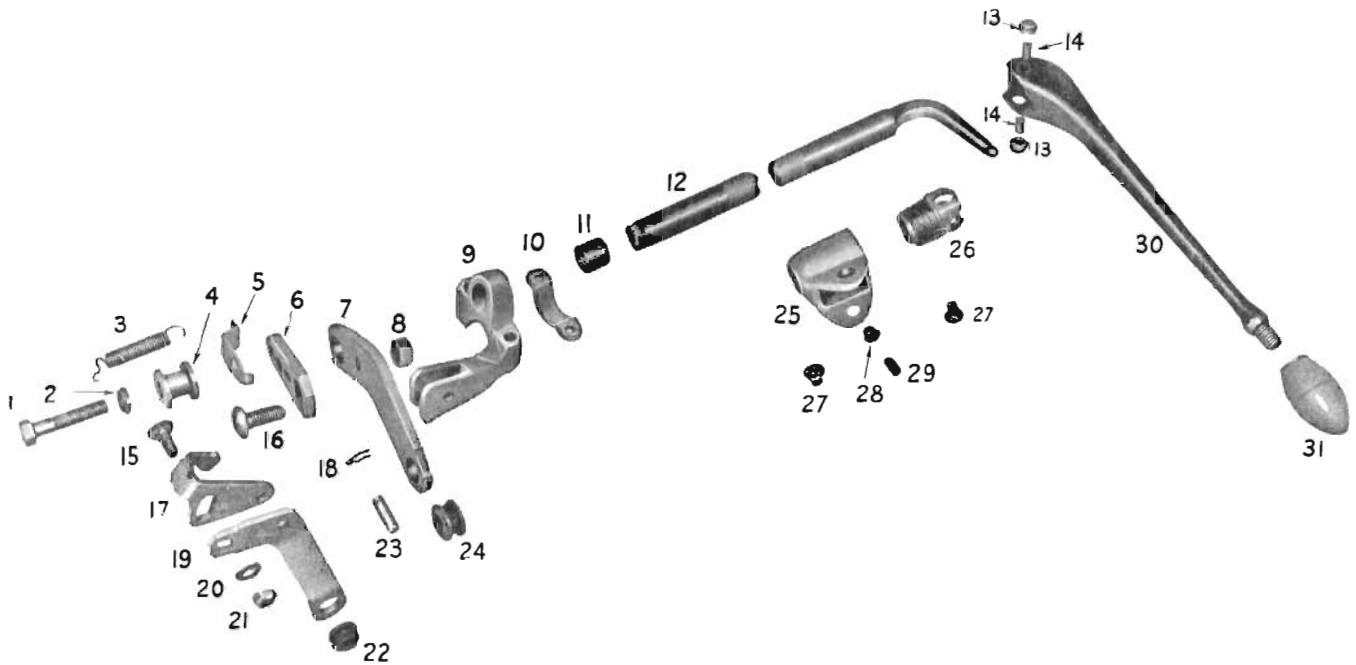
(ILLUSTRATION OPPOSITE)

Illus. Ref. No.	Part Name	Group	Illus. Ref. No.	Part Name	Group
1.	PLUG—Screw	4.103	45.	KEY—1st & 2nd speed synchro clutch	4.384
2.	RING—Sealing	4.103	46.	HUB—1st & 2nd speed sliding gear	4.380
3.	PLUG—Shift shaft cap	4.103	47.	SPRING—1st speed synchronizing	4.383
4.	BOLT	4.003	48.	CONE—1st speed synchronizing	4.383
5.	GASKET	4.004	49.	GEAR—1st speed	4.418
6.	PLUG—Expansion	4.103	50.	BEARING—1st speed gear	4.418
7.	CASE	4.103	51.	RING—Mainshaft lock	4.412
8.	PLUG—Square head	4.103	52.	BEARING—Mainshaft rear	4.408
9.	GASKET	4.109	53.	WASHER—Mainshaft spacer	4.419
10.	COVER	4.105	54.	GEAR—Speedo drive	4.337
11.	SCREW	4.105	55.	WASHER—Speedo drive gear	4.337
12.	GASKET	4.318	56.	WASHER—Speedo drive gear spring	4.337
13.	BOLT	4.317	57.	RING—Speedo drive gear snap	4.337
14.	HOUSING	4.317	58.	WASHER—Countershaft thrust	4.423
15.	BREATHER	4.104	59.	GEAR—Counter	4.421
16.	SEAL—Housing oil	4.317	60.	WASHER—Needle roller bearing	4.423
17.	GEAR—Driven	4.337	61.	NEEDLE ROLLER—Countershaft	4.422
18.	GUIDE—Driven gear	4.337	62.	SHAFT—Counter gear	4.428
19.	RING—Guide seal	4.338	63.	BALL—Counter gear shaft	4.428
20.	PIN—Guide	4.337	64.	GEAR—Reverse idler	4.430
21.	SEAL—Guide	4.338	65.	SHAFT—Reverse idler gear	4.433
22.	RING—Bearing lock	4.376	66.	BALL—Reverse Idler Gear Shaft	4.433
23.	WASHER—Bearing oil deflector	4.374	67.	PIN—Lever pivot	4.316
24.	RING—Bearing Oil Deflector	4.374	68.	LEVER—Reverse intermediate shifter	4.316
25.	RING—Clutch gear seal	4.370	69.	LEVER—3rd & 4th speed inter. shifter	4.315
26.	RING—Bearing snap	4.355	70.	SHAFT—Reverse selector	4.309
27.	BEARING—Clutch gear	4.355	71.	YOKE—Reverse shifter	4.304
28.	GEAR—Clutch	4.351	72.	PIN—Reverse shifter yoke	4.304
29.	BEARING—Mainshaft front	4.352	73.	SHAFT—Selector with lever	4.301
30.	RING—Mainshaft front	4.353	74.	SEAL—Selector shaft	4.313
31.	SHAFT—Main	4.403	75.	SPRING—Reverse shifter plunger	4.316
32.	CONE—4th speed synchronizing	4.383	76.	PLUNGER—Reverse shifter lever lock	4.316
33.	SPRING—4th speed synchronizing	4.383	77.	SHAFT—3rd & 4th speed selector	4.309
34.	RING—Sleeve snap	4.385	78.	YOKE—3rd & 4th speed shifter	4.303
35.	KEY—3rd & 4th speed syn. clutch	4.384	79.	PIN—3rd & 4th speed shifter yoke	4.303
36.	HUB—3rd & 4th speed syn. sleeve	4.380	80.	PLUG—Selector lock spring	4.311
37.	SLEEVE—Synchronizing clutch	4.385	81.	SPRING—Selector lock	4.311
38.	SPRING—3rd speed synchronizing	4.383	82.	BALL—Selector lock	4.311
39.	CONE—3rd speed synchronizing	4.383	83.	LEVER—1st & 2nd speed intermediate shifter	4.314
40.	GEAR—3rd speed	4.415	84.	YOKE—1st & 2nd speed shifter	4.303
41.	GEAR—2nd speed	4.395	85.	PIN—1st & 2nd speed shifter yoke	4.303
42.	CONE—2nd speed synchronizing	4.383	86.	SHAFT—1st & 2nd speed selector	4.309
43.	SPRING—2nd speed synchronizing	4.383	87.	CAM—1st & 2nd speed	4.308
44.	GEAR—1st & 2nd speed sliding	4.417			



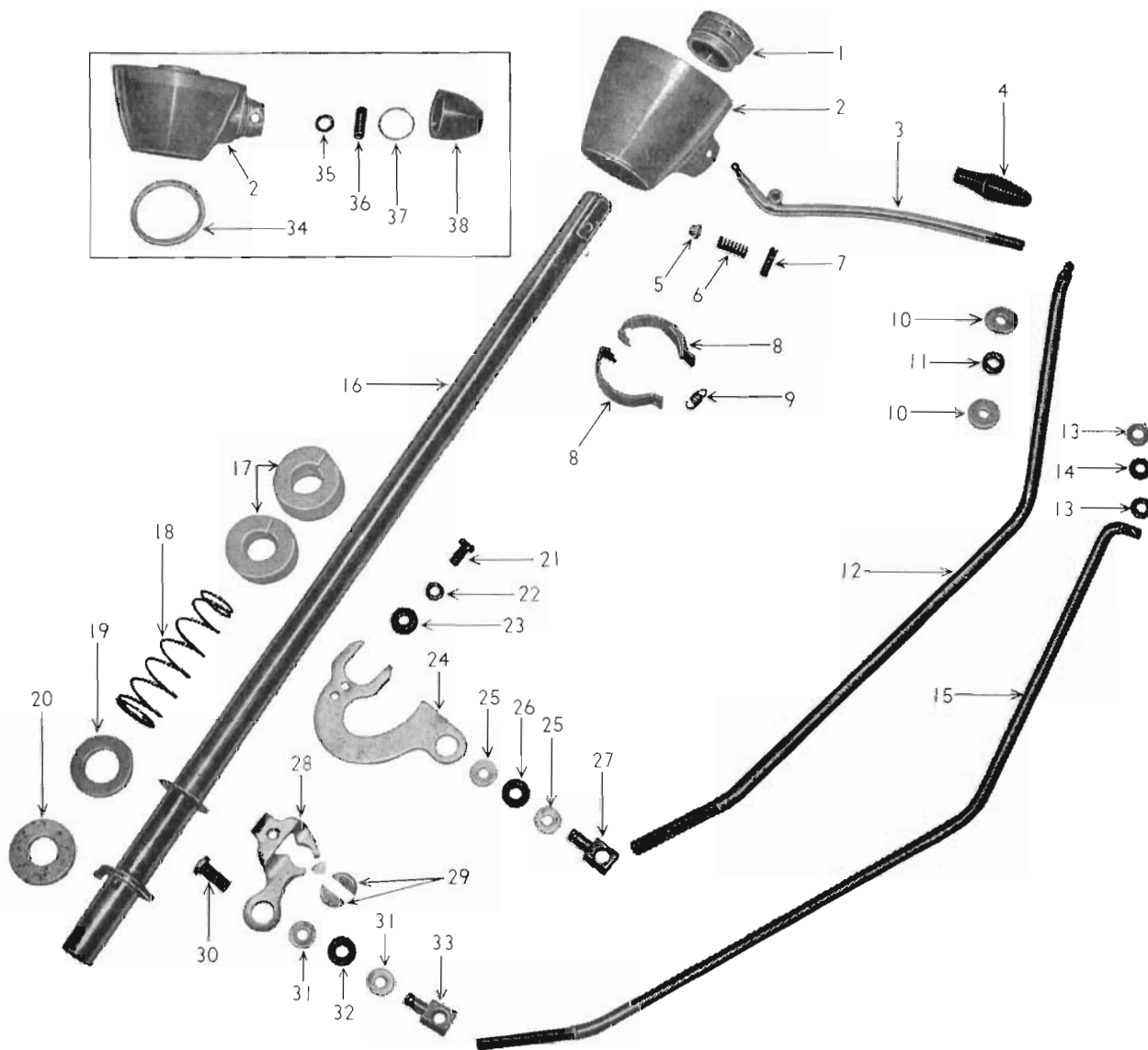
HOLDEN

MASTER PARTS CATALOGUE



GEAR SHIFT CONTROL

Illus. Ref. No.	Part Name	Group	Illus. Ref. No.	Part Name	Group
1.	BOLT	4.021	17.	LEVER—Selector Control	4.019
2.	WASHER	4.021	18.	SPRING	4.045
3.	SPRING—Control Shaft Return	4.017	19.	LEVER—Selector Control Idler	4.019
4.	COLLAR	4.021	20.	WASHER	4.019
5.	CLIP	4.017	21.	NUT	4.019
6.	LEVER—Control Shaft	4.019	22.	INSULATOR	4.020
7.	LEVER—Control Shaft Idler	4.019	23.	PIN	4.045
8.	NUT	4.019	24.	INSULATOR	4.019
9.	SUPPORT ASSEMBLY	4.018	25.	SUPPORT	4.018
10.	CAP	N.L.A.	26.	BEARING	4.018
11.	BUSHING	4.018	27.	SCREW	4.018
12.	SHAFT	4.007	28.	CUP	4.017
13.	PIN	4.025	29.	SPRING—Anti-rattle	4.017
14.	SPRING	4.026	30.	LEVER	4.006
15.	BOLT	4.019	31.	KNOB	4.009
16.	BOLT	4.019			



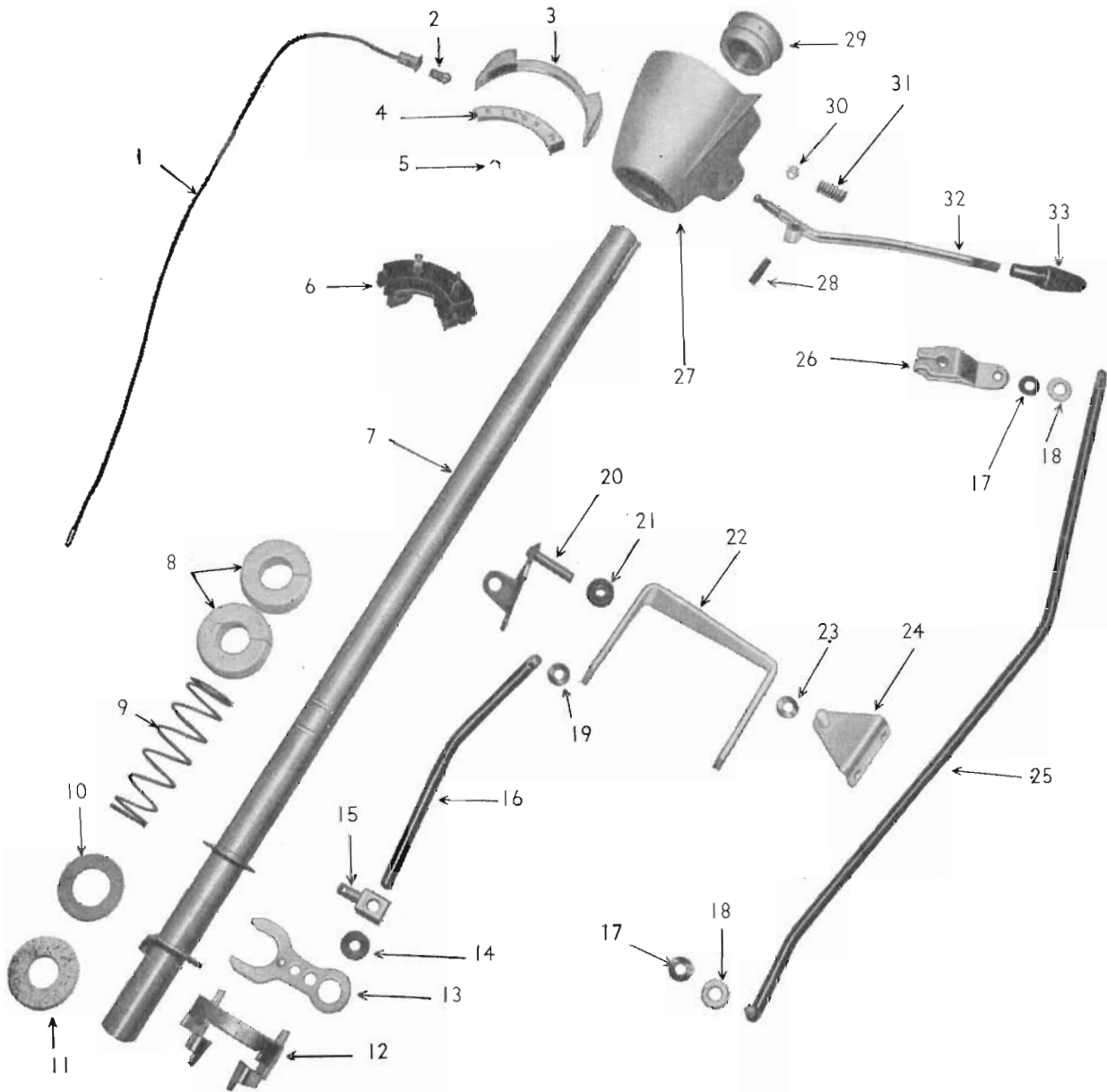
GEARSHIFT CONTROL — (M) Synchromesh

Illus. Ref. No.	Part Name	Group	Illus. Ref. No.	Part Name	Group
1.	SUPPORT—Control lever bearing	4.018	20.	SEAL—Lower	6.758
2.	SUPPORT—Control lever	4.018	21.	BOLT—Hex. hd.	4.019
3.	LEVER	4.006	22.	WASHER—Spring lock	4.019
4.	KNOB	4.009	23.	RETAINER—Lower lever	4.019
5.	BUSH—Lever anti-rattle	4.017	24.	LEVER—Gearshift lower	4.019
6.	SPRING—Lever anti-rattle	4.017	25.	WASHER—Special	4.019
7.	PIN—Spring	4.007	26.	INSULATOR—Control rod	4.019
8.	BAND ASSEMBLY—Damper	4.017	27.	TRUNNION—Control rod	4.019
9.	SPRING—Damper band	4.017	28.	LEVER—Steering column selector	4.019
10.	WASHER—Plain	4.019	29.	TRUNNION—Selector lever	4.019
11.	INSULATOR—Shifter lever	4.046	30.	PIN—Selector lever pivot	4.019
12.	ROD—Gearshift control	4.019	31.	WASHER—Special	4.020
13.	WASHER—Plain	4.020	32.	INSULATOR—Selector rod	4.020
14.	WASHER—Anti-rattle	4.020	33.	TRUNNION—Selector rod	4.020
15.	ROD—Gearshift selector	4.020	34.	BUSHING—Control lever support	4.018
16.	TUBE ASSEMBLY	4.007	35.	WASHER—Spring	4.025
17.	SEAL—Upper	6.758	36.	PIN—Pivot	4.025
18.	SPRING—Tube return	4.017	37.	RETAINER—Pivot pin	4.025
19.	RETAINER	6.758	38.	COVER—Gearshift lever	4.015



HOLDEN

MASTER PARTS CATALOGUE



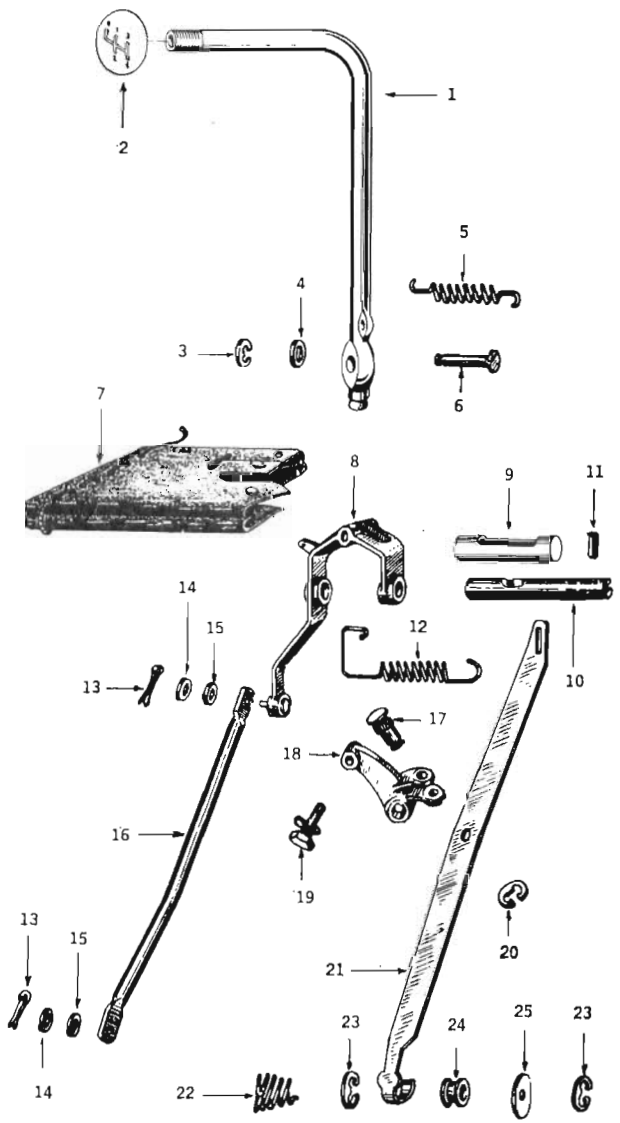
TRANSMISSION CONTROL (A) AUTOMATIC

Illus. Ref. No.	Part Name	Group	Illus. Ref. No.	Part Name	Group
1.	SOCKET & LEAD—Indicator lamp	4.038	18.	WASHER—Control rod special	4.040
2.	BULB	4.038	19.	WASHER—Lever anti-rattle	4.040
3.	RETAINER—Dial	4.038	20.	BRACKET—Relay lever to frame	4.040
4.	DIAL & FILTER	4.038	21.	BUSHING—Relay lever	4.040
5.	INDICATOR	4.038	22.	LEVER—Relay	4.040
6.	SWITCH—Neutral starting safety	4.054	23.	WASHER—Lever, anti-rattle	4.040
7.	TUBE ASSEMBLY	4.007	24.	BRACKET—Relay lever to engine	4.040
8.	SEAL—Column jacket, upper	6.758	25.	ROD—Trans. control, lower	4.040
9.	SPRING—Tube return	4.017	26.	LEVER—Trans. external manual	4.041
10.	RETAINER—Jacket lower seal	6.758	27.	SUPPORT—Control lever	4.018
11.	SEAL—Column jacket, lower	6.758	28.	PIN—Spring	4.007
12.	GATE—Trans. control selector	4.016	29.	SUPPORT—Control lever bearing	4.018
13.	LEVER—Gearshift, lower	4.019	30.	BUSHING—Lever anti-rattle	4.017
14.	INSULATOR—Control rod	4.040	31.	SPRING—Lever anti-rattle	4.017
15.	TRUNNION—Control rod	4.040	32.	LEVER—Gearshift	4.006
16.	ROD—Trans. control, upper	4.040	33.	KNOB—Gearshift, lever	4.009
17.	WASHER—Control rod anti-rattle	4.040			

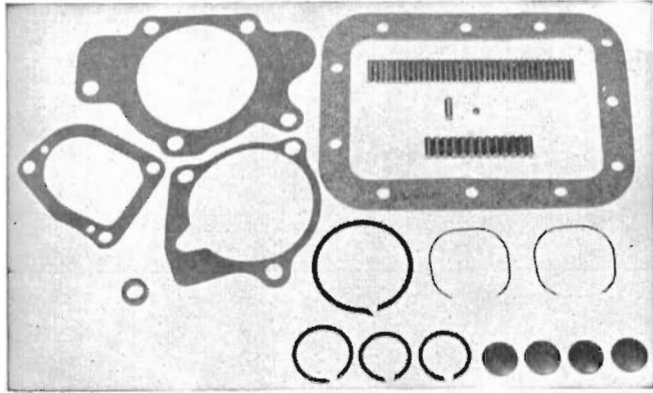


TRANSMISSION CONTROL (4 Speed Floor Shift)

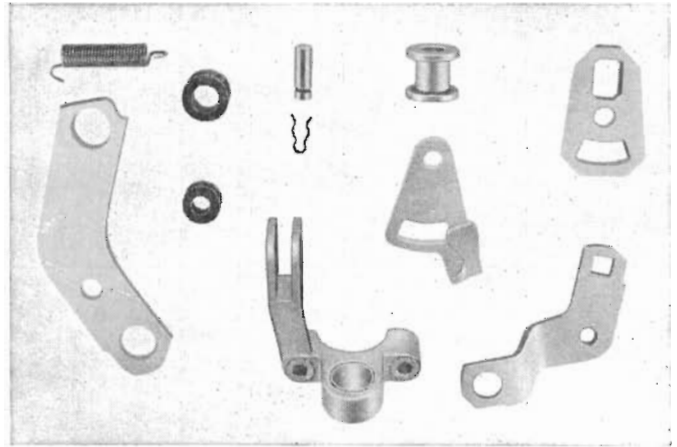
Illus. Ref. No.	Part Name	Group	Ref. No. Illus.	Part Name	Group
--------------------	-----------	-------	--------------------	-----------	-------



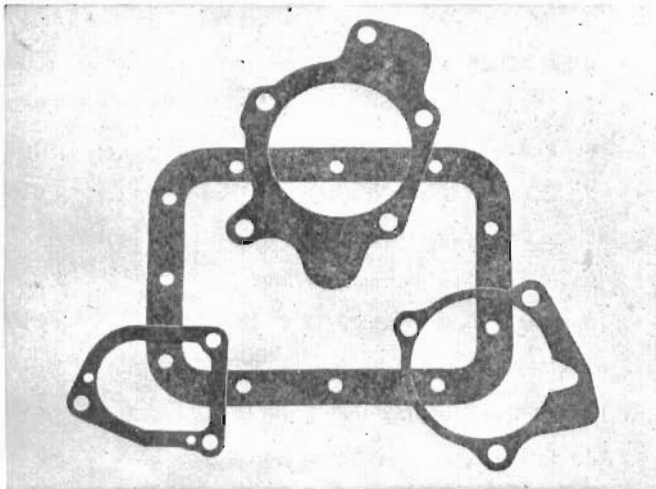
- | | | |
|-----|---------------------------------|-------|
| 1. | LEVER—Gearshift control | 4.006 |
| 2. | KNOB—Gearshift control | 4.009 |
| 3. | CIRCLIP—Pivot pin | 4.007 |
| 4. | WASHER—Pivot pin tension | 4.007 |
| 5. | SPRING—Lever to inter. lever | 4.017 |
| 6. | PIN—Lever pivot | 4.007 |
| 7. | COVER—Gearshift control | 4.015 |
| 8. | LEVER—Shift intermediate | 4.019 |
| 9. | BUSHING—Intermediate lever | 4.019 |
| 10. | SHAFT—Intermediate lever pivot | 4.019 |
| 11. | PIN—Intermediate lever shaft | 4.019 |
| 12. | SPRING—Intermediate lever pull | 4.017 |
| 13. | PIN—Cotter | 4.019 |
| 14. | WASHER—Plain | 4.019 |
| 15. | WASHER—Tension | 4.019 |
| 16. | ROD—Gearshift control | 4.019 |
| 17. | PIN—Selector lever pivot | 4.022 |
| 18. | SUPPORT—Selector lever | 4.022 |
| 19. | BOLT & LOCKWASHER—Lever support | 4.022 |
| 20. | CIRCLIP—Lever pivot pin | 4.022 |
| 21. | LEVER—Selector | 4.020 |
| 22. | SPRING—Selector ring thrust | 4.301 |
| 23. | CIRCLIP—Selector shaft | 4.301 |
| 24. | RING—Selector shaft | 4.301 |
| 25. | WASHER—Selector shaft spring | 4.301 |



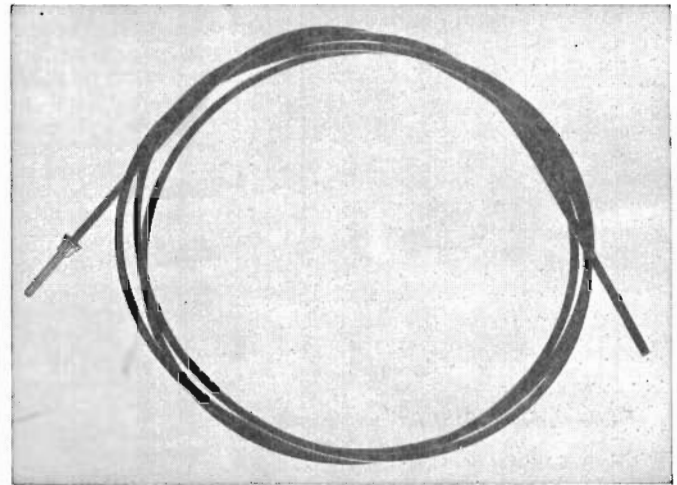
4.003 **Transmission Repair Kit**



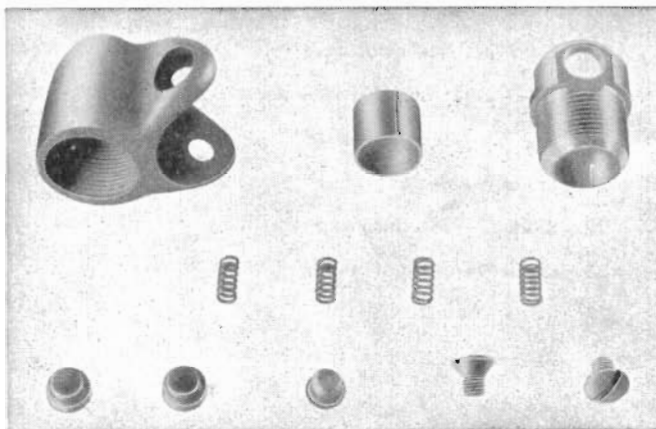
4.019 **Gearshift Lower Control Repair Kit**



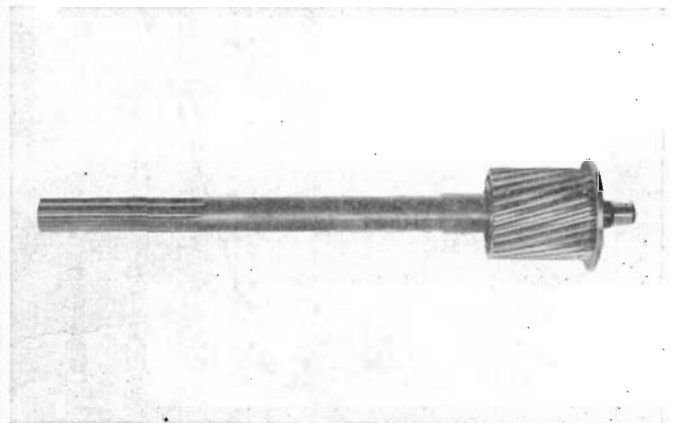
4.005 **Transmission Gasket Kit**



4.342 **Speedometer Cable Kit**



4.018 **Gearshift Upper Control Repair Kit**



4.403 **Main Shaft Unit Assembly**

HOLDEN

MASTER PARTS CATALOGUE



Group	Description	Model	Part No.	Qty.
4.003 TRANSMISSION ASSEMBLY, OVERHAUL KIT, REPAIR KIT				
	TRANSMISSION ASSEMBLY	FE, FC, FB, EK (M) RIGHT HAND DRIVE	7412705	1
	BOLT—Hex. hd. 7/16"—14 x 2"	48, 50, FJ, FE, FC, FB, EK (M)	179866	4
	WASHER—Spring lock 7/16"—Medium	48, 50, FJ, FE, FC, FB, EK (M)	120383	4
	OVERHAUL KIT	48, 50, FJ, FE, FC	7430864	1
	OVERHAUL KIT	FB, EK (M)	*7430373	1
	REPAIR KIT	48, 50, FJ, FE, FC, FB, EK, (M)	7427800	1
	TRANSMISSION ASSEMBLY	EJ (M)	RIGHT HAND DRIVE 7417914	1
	TRANSMISSION ASSEMBLY	EH (M) 149 Eng. up to Eng. No. 81520 RIGHT HAND DRIVE LEFT HAND DRIVE	7423274 7423273	1 1
	TRANSMISSION ASSEMBLY—3 speed	EH (M) 149 Eng. from Eng. No. 81521 EH (M) 179 Eng., HD (M), HR (M) RIGHT HAND DRIVE LEFT HAND DRIVE	7429918 7429923	1 1
	BOLT—Hex. hd. 3/8"—16 x 1-3/8"	EJ (M), EH (M), HD (M) HR (M) 3 speed trans.	179842	3-4
	BOLT—Hex. hd. 3/8"—16 x 1-1/2"	EH (M), HD (M) HR (M) 3 speed trans.	179843	1
	WASHER—Spring lock, 3/8"—medium	EJ (M), EH (M), HD (M) HR (M) 3 speed trans.	120382	4
	BOLT—Hex. hd. 5/16"—18 x 1-1/4"	EJ (M), EH (M), HD (M) HR (M) 3 speed trans.	186624	1
	WASHER—Plain, 5/16"	EJ (M), EH (M), HD (M) HR (M) 3 speed trans.	7417621	1
	SCREW—Pan hd. sl. mach. No. 10—24 x 1/4"	EJ (M), EH (M), HD (M) HR (M) 3 speed trans.	436567	1
	OVERHAUL KIT	EJ (M) EH (M) 149 Eng. up to Eng. No. 81520	7430374	1
	REPAIR KIT	EJ (M) EH (M) 149 Eng. up to Eng. No. 81520	7427125	1
	OVERHAUL KIT	EH (M) 149 Eng. from Eng. No. 81521 EH (M) 179 Eng., HD (M) HR (M) 3 speed trans.	7430375	1
	REPAIR KIT	EH (M) 149 Eng. from Eng. No. 81521 EH (M) 179 Eng., HD (M) HR (M) 3 speed trans.	7429673	1
	PIN—Transmission to engine dowel	48, 50, FJ, FE, FC, FB, EK (M), EJ (M), EH (M)	7401304	2
	PIN—Transmission to engine dowel (oversize)	48, 50, FJ, FE, FC, FB, EK (M), EJ (M), EH (M)	7406004	2
	TRANSMISSION ASSEMBLY	HD (A), HR (A) RIGHT HAND DRIVE	7420946	1
	TRANSMISSION ASSEMBLY	HD (A) exc. X2 Eng. HR (A) exc. X2, S Eng. LEFT HAND DRIVE	7420946	1
	TRANSMISSION ASSEMBLY	HD (A) X2 Eng., HR (A) X2, S Eng. LEFT HAND DRIVE	7430088	1
	BOLT—Hex. hd. 3/8"—16 x 2 1/4"	EK (A), EJ (A), EH (A)	179848	7
	REPAIR KIT	EK (A), EJ (A), EH (A)	8621952	1
	PLATE—Name	EK (A), EJ (A)	8618811	1
	SCREW—Rd. hd. drive No. 2 x 3/16"	EK (A), EJ (A)	8622361	1
	TRANSMISSION ASSEMBLY—4 speed	HR (M)	7430916	1
	BOLT—Hex. hd. 3/8"—16 x 1-3/8"	HR (M) 4 speed trans.	122150	3
	BOLT—Hex. hd. 3/8"—16 x 1-1/8"	HR (M) 4 speed trans.	122138	1
	WASHER—Spring lock 3/8"—medium	HR (M) 4 speed trans.	120382	4

*When fitting to 48, 50, FJ, FE or FC models it is necessary to ensure that the Mainshaft Part No. 7400127 is machined to accommodate the double row bearing lock ring. All current Mainshafts are suitably machined.



HOLDEN

MASTER PARTS CATALOGUE

4.004 GASKET—Transmission case to clutch housing

GASKET	EJ (M)		
		EH (M) 149 Eng. up to Eng. No. 81520	7427278	1
GASKET	EH (M) 149 Eng. from Eng. No. 81521		
		EH (M) 179 Eng., HD (M)		
		HR (M) 3 speed trans.	7424298	1
GASKET	HR (M) 4 speed trans.	702288	1

4.005 GASKET KIT—Transmission

GASKET KIT	48, 50, FJ, FE, FC, FB, EK (M)	7405896	1
GASKET KIT	EJ (M)		
		EH (M) 149 Eng. up to Eng. No. 81520	7427332	1
GASKET KIT	EH (M) 149 Eng. from Eng. No. 81521		
		EH (M) 179 Eng., HD (M)		
		HR (M) 3 speed trans.	7426898	1
GASKET KIT	HD (A), HR (A) RIGHT HAND DRIVE	7448531	1
GASKET KIT	HD (A) exc. X2 Eng.		
		HR (A) exc. X2, S Eng.		
		LEFT HAND DRIVE	7448531	1

4.006 LEVER—Gearshift

LEVER	48, 50, FJ	7400922	1
LEVER	FE, FC	7409767	1
LEVER	FB, EK (M)	7412557	1
LEVER ASSEMBLY	EK (A)	7417780	1
WASHER—Plain 1/4" x 1/2" x .063"	EK (A)	9414320	1
LEVER	EJ (M), EH (M)	7416695	1
LEVER	EJ (A), EH (A)	7416758	1
LEVER	HD (A), HR (A)	7423261	1
LEVER	HD (M), HR (M) 3 speed trans.		
		RIGHT HAND DRIVE	7432202	1
		LEFT HAND DRIVE	7432201	1
LEVER	HR (M) 4 speed trans.		
		RIGHT HAND DRIVE	7430137	1
		LEFT HAND DRIVE	7434539	1

4.007 SHAFT, TUBE ASSEMBLY—Gearshift Control

SHAFT	48, 50, FJ	7400932	1
TUBE ASSEMBLY	FE, FC	#7414257	1
PIN—Control tube yoke	*	6649871	1
WASHER—Spring 1/4"	*	SP1327	1
PIN—Control tube yoke	**	7414191	1
SLEEVE—Control tube yoke pin	**	7414192	1
TUBE ASSEMBLY	FB		
		RIGHT HAND DRIVE	#7418344	1
		LEFT HAND DRIVE	#7418875	1

* FE S.A. up to Ser. No. 16430A
 Qld up to Ser. No. 20221B
 Vic. up to Ser. No. 50881M
 W.A. up to Ser. No. 11175P
 N.S.W. up to Ser. No. 53442S

When fitting to FE S.A. up to Ser. No. 16430A
 Qld up to Ser. No. 20221B
 Vic. up to Ser. No. 50881M
 W.A. up to Ser. No. 11175P
 N.S.W. up to Ser. No. 53442S
 it is necessary to use 1—7414191 Pin
 1—7414192 Sleeve

** FE S.A. from Ser. No. 16431A
 Qld from Ser. No. 20222B
 Vic. from Ser. No. 50882M
 W.A. from Ser. No. 11176P
 N.S.W. from Ser. No. 53443S
 FC

When fitting it is necessary to use
 1—7418341 Bush.



4.007 SHAFT, TUBE ASSEMBLY—Gearshift Control (Cont'd.)

TUBE ASSEMBLY	EK (M)	RIGHT HAND DRIVE	7418876	1
		LEFT HAND DRIVE	7418875	1
TUBE ASSEMBLY	EK (A)	RIGHT HAND DRIVE	7418848	1
PIN—Spring Type "A" 1/4" x 1"	FB, EK		456299	1
TUBE ASSEMBLY	EJ (M), EH (M), HD (M), HR (M)	RIGHT HAND DRIVE	7416566	1
		LEFT HAND DRIVE	7416831	1
TUBE ASSEMBLY	EJ (A), EH (A)	RIGHT HAND DRIVE	7418272	1
		LEFT HAND DRIVE	7418271	1
TUBE ASSEMBLY	HD (A), HR (A)	RIGHT HAND DRIVE	7423208	1
		LEFT HAND DRIVE	7423209	1
PIN—Slotted spring 1/4" x 1-1/8"	EJ, EH		453670	1
PIN—Solid	EH, HD, HR exc. HR (M) 4 speed trans.		7429551	1
WASHER—Plain, 1/4"—narrow	EJ (A), EH (A), HD (A), HR (A)		9414320	1
PIN—Lever pivot	HR (M) 4 speed trans.		738700	1
WASHER—Tension	HR (M) 4 speed trans.		N42011	1
CIRCLIP—Pivot pin	HR (M) 4 speed trans.		N51532	1
RING—Gearshift lever finger snap	HR (M) 4 speed trans.		N57501	1

4.008 WASHER—Gearshift Lever Grip

WASHER	48, 50, FJ		7401212	1
--------------	------------------	--	---------	---

4.009 KNOB—Gearshift Lever

KNOB	48, 50, FJ exc. FJ/225		7400923	1
KNOB	FJ/225		7404446	1
KNOB	FE, FC		7409766	1
KNOB	FB, EK (M)		7412560	1
KNOB	EK (A)		7418175	1
KNOB	EJ (M), EH (M), exc. EH/235, EH/239		7421027	1
KNOB	EJ (A) exc. EJ/235, EH (A) exc. EH/235, EH/239		7421026	1
KNOB	EJ/235, EH/235 (A), EH/239 (A)		7419778	1
KNOB	EH/235 (M), EH/239 (M)		7426021	1
KNOB	HD (M) exc. HD/235, HD/239		7423438	1
KNOB	HR (M) 3 speed trans.		7430003	1
KNOB	HR (M) 4 speed trans.		7423262	1
KNOB	HD (A) exc. HD/235, HD/239, HR (A)		7423438	1
KNOB—Trim Nos. D66, D67, D70, D71	HD/235 (M), HD/239 (M)		7428370	1
KNOB—Trim Nos. D68, D72	HD/235 (M), HD/239 (M)		7428370	1
KNOB—Trim Nos. D66, D67, D70, D71	HD/235 (A), HD/239 (A)		7423262	1
KNOB—Trim Nos. D68, D72	HD/235 (A), HD/239 (A)		7428371	1

4.015 COVER—Gearshift Lever

COVER	FE, FC		6649854	1
COVER ASSEMBLY—Gearshift control	HR (M) 4 speed trans.		761530	1
BOOT—Floor pan	HR (M) 4 speed trans.		7430247	1
RETAINER—Floor pan boot	HR (M) 4 speed trans.		7430249	1
SCREW—Pan hd. cr. rec. tap. No. 8—18 x 1/2"	HR (M) 4 speed trans.		7428243	4
BOOT—Console	HR/235(M), HR/239(M)	4 speed trans.	7430248	1
RETAINER—Console boot	HR/235(M), HR/239(M)	4 speed trans.	7430250	1
SCREW—Pan hd. cr. rec. tap. No. 8—18 x 1/2"	HR/235(M), HR/239(M)	4 speed trans.	7428243	4



HOLDEN

MASTER PARTS CATALOGUE

4.016 GATE—Transmission Control Selector

GATE	EK (A), EJ (A), EH (A)		
	RIGHT HAND DRIVE	7419676	1
	LEFT HAND DRIVE	7419675	1
GATE	HD (A), HR (A)		
	RIGHT HAND DRIVE	7420302	1
	LEFT HAND DRIVE	7420301	1
BOLT—Hex. hd. 1/4"—28 x 9/16"	EK (A), EJ (A), EH (A), HD (A), HR (A)	123325	2
WASHER—Plain 9/32" x 5/8" x .065"	EK (A), EJ (A), EH (A)	120392	2
WASHER—Spring lock 1/4" medium	EK (A), EJ (A), EH (A), HD (A), HR (A)	120380	2

4.017 SPRING, CLIP, CUP, BUSH—Gearshift

SPRING—Control shaft return	48, 50, FJ	7400945	1
CLIP—Control shaft return spring	48, 50, FJ	7400939	1
SPRING—Anti-rattle	48, 50, FJ	7400925	2
CUP—Anti-rattle spring	48, 50, FJ	7400926	1
SPRING—Lever anti-rattle	FE, FC	7409271	1
SPRING—Lever anti-rattle	FB, EK, EJ, EH, HD		
	HR exc. HR (M) 4 speed trans.	7412559	1
SPRING—Tube return	FE, FC, FB, EK, EJ, EH (A), HD (A), HR (A)		
	EH (M) 149 Eng. up to Eng. No. 81520	7409281	1
	EH (M) 149 Eng. from Eng. No. 81521		
	EH (M) 179 Eng.	7420809	1
SPRING—Selector return—4" overall	EH (M), HD (M)	7429427	1
SPRING—Selector return—5-1/2" overall	HD (M), HR (M) 3 speed trans.	7431896	1
BUSH—Lever anti-rattle	FB, EK, EJ, EH, HD		
	HR exc. HR (M) 4 speed trans.	7418341	1
BAND ASSEMBLY—Damper	FB, EK (M)	LH7419095	1
		RH7419094	1
SPRING—Damper	FB, EK (M)	7419057	1
SPRING—Gearshift level to shift intermediate lever	HR (M) 4 speed trans.	738829	1
SPRING—Gearshift intermediate lever pull	HR (M) 4 speed trans.	761625	1

4.018 REPAIR KIT, SUPPORT, CAP, BUSHING—Gearshift Control

REPAIR KIT—Gearshift upper control	48, 50, FJ	7406277	1
SUPPORT—Upper	48, 50, FJ	7400924	1
SCREW—Oval hd. sl. mach. 1/4"—28 x 3/8"	48, 50, FJ	438203	2
WASHER—Countersunk ext. tooth lock 1/4"	48, 50, FJ	114616	2
SUPPORT ASSEMBLY—Lower	48, 50, FJ	7400933	1
BOLT—Auto. hex. hd. 1/4"—28 x 1 1/8"	48, 50, FJ	123467	2
BUSHING—Lower support	48, 50, FJ	7400935	1
SUPPORT—Control lever	FE, FC	7409267	1
BUSHING—Control lever support	FE, FC	*7410881	1
SUPPORT—Control lever	FB, EK (M)	7412561	1
SUPPORT—Control lever bearing	FE, FC, FB, EK		
	RIGHT HAND DRIVE	7409292	1
	LEFT HAND DRIVE	7415699	1
BOLT—Hex. hd. 1/4"—20 x 5/16" with lock washer	FE, FC, FB, EK	423332	3
SUPPORT AND POINTER PACKAGE	EK (A)	7419784	1
SUPPORT—Control lever	EK (A) S.A. from Serial No. 7233A.		
	QLD. from Serial No. 9105B.		
	VIC. from Serial No. 18122M.		
	W.A. from Serial No. 6108P.		
	N.S.W. from Serial No. 22352S.		
	RIGHT HAND DRIVE	7419638	1
SUPPORT—Control lever	EJ (M), EH (M), HD (M)		
	HR (M) 3 speed trans.	7416704	1

* Only suitable for fitment to Supports Part No. 7409267 which have a 2.280" diameter hole in base.

HOLDEN

MASTER PARTS CATALOGUE



4.018 REPAIR KIT, SUPPORT, CAP, BUSHING—Gearshift Control (Cont'd.).

SUPPORT—Control lever	EJ (A), EH (A), HD (A), HR (A)	7418314	1
	RIGHT HAND DRIVE	7418315	1
	LEFT HAND DRIVE		
SUPPORT—Control lever bearing	EJ, EH, HD, HR	7415190	1
SCREW—Hex. hd. mach. 1/4"—20 x 5/16" with ext. tooth lock washer	EJ, EH, HD, HR	423332	3-2
SCREW—Headless sl. set 1/4"—20 x 3/4"	HR (M) 4 speed trans.	190134	1
WASHER—External tooth lock 1/4"	HR (M) 4 speed trans.	121753	1
NUT—Hex. jam 1/4"—20	HR (M) 4 speed trans.	124818	1

4.019 REPAIR KIT, LEVER, ROD, INSULATOR, PIVOT, TRUNNION—Gearshift Control

REPAIR KIT—Gearshift lower control	48, 50, FJ	7406609	1
LEVER—Control shaft	48, 50, FJ	7400938	1
BOLT—Rd. hd. carriage 3/8"—16 x 1"	48, 50, FJ	120915	1
NUT—Light hex. 3/8"—16	48, 50, FJ	120377	1
WASHER—Spring lock 3/8" heavy	48, 50, FJ	131099	1
LEVER—Control shaft idler	48, 50, FJ	7400937	1
LEVER—Selector control	48, 50, FJ	7400942	1
NUT—Light hex. 5/16"—18	48, 50, FJ	120376	1
WASHER—Spring lock 5/16"—heavy	48, 50, FJ	120638	1
LEVER—Selector control idler	48, 50, FJ	7400943	1
ROD—Control	48, 50, FJ	7400946	1
WASHER—Plain 11/32" x 11/16" x .065"	48, 50, FJ	120393	2
PIN—Cotter 1/8" x 5/8"	48, 50, FJ	426663	2
INSULATOR—Control rod	48, 50, FJ	7400947	1
WASHER—Control rod special	48, 50, FJ	7400948	2
WASHER—Control rod anti-rattle	48, 50, FJ	7400949	1
LEVER—Steering column selector	FE, FC	# 7414648	1
PIVOT ASSEMBLY—Selector lever	FE, FC	7409283	1
BOLT—Hex. hd. 1/4"—28 x 9/16"	FE, FC	123325	2
WASHER—Ext. tooth lock 1/4"	FE, FC	121753	2
LEVER—Gearshift, lower	*	7409277	1
BOLT—Hex. hd. 1/4"—28 x 1/2"	*	113698	1
WASHER—Spring lock 1/4"—medium	*	120380	1
WASHER—Spring 7/16"	*	SP1328	1
WASHER—Plain 13/32" x 13/16" x .065"	*	120394	1
ROD—Control	FE, FC, FB, EK (M)		
	RIGHT HAND DRIVE	7409287	1
	LEFT HAND DRIVE	7415836	1
NUT—Hex. 7/16"—20	FE, FC, FB, EK (M)	271506	2
PIN—Cotter 1/8" x 5/8"	FE, FC, FB, EK (M)	426663	1
WASHER—Plain, .344" x 1" x .059"	FE, FC, FB, EK (M)	SP1500	2
WASHER—Control rod anti-rattle	FE, FC, FB, EK (M)	7400949	1
TRUNNION—Control rod	FE, FC, FB, EK (M)	7409288	1
PIN—Cotter 1/8" x 5/8"	FE, FC, FB, EK (M)	426663	1
WASHER—Control rod special	FE, FC, FB, EK (M)	7400948	2
INSULATOR—Control rod	FE, FC, FB, EK (M)	7409698	1
LEVER—Gearshift lower	**	RIGHT HAND DRIVE	7414650
BOLT—Hex. hd. 5/16"—24 x 5/8"	**	RIGHT HAND DRIVE	106279
WASHER—Spring lock 5/16" medium	**	RIGHT HAND DRIVE	103320
WASHER—Lower lever to tube collar	**	RIGHT HAND DRIVE	7414654
TRUNNION—Steering column selector lever	**	RIGHT HAND DRIVE	7420296

* FE
 FC S.A. up to Ser. No. 16963A
 Qld. up to Ser. No. 24676B
 Vic. up to Ser. No. 56744M
 W.A. up to Ser. No. 13188P
 N.S.W. up to Ser. No. 61526S

When fitting 7414648 as a replacement for original lever on FE, FC series up to Serial No. quoted above, it is necessary to use 2-7414649 Trunnion.

** FC S.A. from Ser. No. 16964A
 Qld. from Ser. No. 24677B
 Vic. from Ser. No. 56745M
 W.A. from Ser. No. 13189P
 N.S.W. from Ser. No. 61527S
 FB



HOLDEN

MASTER PARTS CATALOGUE

4.019 REPAIR KIT, LEVER, ROD, INSULATOR, PIVOT, TRUNNION—Gearshift Control (Cont.)

LEVER—Gearshift lower	FB	LEFT HAND DRIVE	7415696	1
BOLT—Hex. hd. 5/16"—24 x 5/8"	FB	LEFT HAND DRIVE	106279	1
WASHER—Spring lock 5/16" medium	FB	LEFT HAND DRIVE	103320	1
RETAINER—Lower lever	FB	LEFT HAND DRIVE	7417172	1
TRUNNION—Steering column selector lever	FB	LEFT HAND DRIVE	7414649	2
LEVER—Steering column selector	FB, EK (M)	RIGHT HAND DRIVE	7415016	1
PIN—Selector lever pivot	FB, EK (M)		7414652	1
NUT—Hex. jam 3/8"—24	FB, EK (M)		124925	1
WASHER—Internal tooth lock 3/8"	FB, EK (M)		138542	1
LEVER—Gearshift lower	EK (M)	RIGHT HAND DRIVE	7418274	1
		LEFT HAND DRIVE	7418877	1
BOLT—Hex. hd. 5/16"—24 x 5/8"	EK (M)		106279	1
WASHER—Spring lock 5/16" medium	EK (M)		103320	1
RETAINER—Lower lever	EK (M)		7417172	1
TRUNNION—Steering column selector lever	EK (M)	RIGHT HAND DRIVE	7420296	1
		LEFT HAND DRIVE	7414649	2
LEVER—Gearshift lower	EK (A)		7418846	1
BOLT—Hex. hd. 5/16"—24 x 5/8"	EK (A)		106279	1
WASHER—Spring lock 5/16" medium	EK (A)		103320	1
RETAINER—Lower lever	EK (A)		7417172	1
LEVER—Gearshift, lower	EJ (M), EH (M), HD (M)			
	HR (M) 3 speed trans.			
		RIGHT HAND DRIVE	7418274	1
		LEFT HAND DRIVE	7416826	1
LEVER—Gearshift, lower	EJ (A), EH (A), HD (A), HR (A)		7418846	1
RETAINER—Lower lever	EJ, EH, HD			
	HR exc. HR (M) 4 speed trans.		7417172	1
BOLT—Hex. hd. 5/16"—24 x 5/8"	EJ, EH, HD			
	HR exc. HR (M) 4 speed trans.		106279	1
WASHER—Spring lock, 5/16"—medium	EJ, EH, HD			
	HR exc. HR (M) 4 speed trans.		103320	1
LEVER—Steering column selector	EJ (M), EH (M), HD (M)			
	HR (M) 3 speed trans.			
		RIGHT HAND DRIVE	7415016	1
		LEFT HAND DRIVE	7416830	1
BOLT—Hex. hd. 1/4"—28 x 9/16"	EJ (M), EH (M), HD (M)			
	HR (M) 3 speed trans.			
		LEFT HAND DRIVE	123325	2
WASHER—External tooth lock 1/4"	EJ (M), EH (M), HD (M)			
	HR (M) 3 speed trans.			
		LEFT HAND DRIVE	121753	2
TRUNNION—Steering column selector lever	EJ (M), EH (M), HD (M)			
	HR (M) 3 speed trans.			
		RIGHT HAND DRIVE	7420296	1
		LEFT HAND DRIVE	7414649	2
PIN—Steering column selector lever pivot	EJ (M), EH (M), HD (M)			
	HR (M) 3 speed trans.			
		RIGHT HAND DRIVE	7414652	1
NUT—Hex. jam, 3/8"—24	EJ (M), EH (M), HD (M)			
	HR (M) 3 speed trans.			
		RIGHT HAND DRIVE	124925	1
WASHER—Internal tooth lock 3/8"	EJ (M), EH (M), HD (M)			
	HR (M) 3 speed trans.			
		RIGHT HAND DRIVE	138542	1
ROD—Gearshift control	EJ (M)			
	EH (M) 149 Eng. up to Eng. No. 81520			
		RIGHT HAND DRIVE	7417648	1
		LEFT HAND DRIVE	7417920	1
ROD—Gearshift control	EH (M) 149 Eng. from Eng. No. 81521			
	179 Eng.	RIGHT HAND DRIVE	7424929	1
		LEFT HAND DRIVE	7425813	1
ROD—Gearshift control	HD (M), HR (M) 3 speed trans.			
		RIGHT HAND DRIVE	7424464	1
		LEFT HAND DRIVE	7426520	1



4.019 REPAIR KIT, LEVER, ROD, INSULATOR, PIVOT, TRUNNION—Gearshift Control

WASHER—Plain, 11/32" x 11/16" x .065"	EJ (M), EH (M), HD (M) HR (M) 3 speed trans.	120393	2
NUT—Hex. 3/8"—24	EJ (M), EH (M), HD (M) HR (M) 3 speed trans.	120369	2
PIN—Cotter 1/8" x 5/8"	EJ (M), EH (M), HD (M) HR (M) 3 speed trans.	426663	1
WASHER—Anti-rattle	EJ (M), EH (M), HD (M) HR (M) 3 speed trans.	7400949	1
TRUNNION—Gearshift control rod	EJ (M), EH (M), HD (M) HR (M) 3 speed trans.	7410279	1
PIN—Cotter, 1/8" x 5/8"	EJ (M), EH (M), HD (M) HR (M) 3 speed trans.	426663	1
WASHER—Special	EJ (M), EH (M), HD (M) HR (M) 3 speed trans.	7400948	2
INSULATOR—Gearshift control rod	EJ (M), EH (M), HD (M) HR (M) 3 speed trans.	7409698	1
ROD—Gearshift cross shaft	EJ (M) EH (M) 149 Eng. up to Eng. No. 81520 LEFT HAND DRIVE	7417932	1
ROD—Gearshift cross shaft	EH (M) 149 Eng. from Eng. No. 81521 EH (M) 179 Eng., HD (M) HR (M) 3 speed trans. LEFT HAND DRIVE	7425904	1
WASHER—Plain, 11/32" x 11/16" x .065"	EJ (M), EH (M), HD (M) HR (M) 3 speed trans. LEFT HAND DRIVE	120393	4
PIN—Cotter, 1/8" x 5/8"	EJ (M), EH (M), HD (M) HR (M) 3 speed trans. LEFT HAND DRIVE	426663	2
WASHER—Rod anti-rattle	EJ (M), EH (M), HD (M) HR (M) 3 speed trans. LEFT HAND DRIVE	7400949	2
LEVER—Gearshift cross shaft	EJ (M) EH (M) 149 Eng. up to Eng. No. 81520 LEFT HAND DRIVE	7417653	1
LEVER—Gearshift cross shaft	EH (M) 149 Eng. from Eng. No. 81521 EH (M) 179 Eng., HD (M) HR (M) 3 speed trans. LEFT HAND DRIVE	7417923	1
SHAFT ASSEMBLY—Gearshift cross	EJ (M) EH (M) 149 Eng. up to Eng. No. 81520 LEFT HAND DRIVE	7417928	1
SHAFT ASSEMBLY—Gearshift cross	EH (M) 149 Eng. from Eng. No. 81521 EH (M) 179 Eng. LEFT HAND DRIVE	7425870	1
SHAFT ASSEMBLY—Gearshift cross	HD (M), HR (M) 3 speed trans. LEFT HAND DRIVE	7426331	1
NUT—Special	EJ (M), EH (M), HD (M) HR (M) 3 speed trans. LEFT HAND DRIVE	7417652	1
WASHER—Special spring	EJ (M), EH (M), HD (M) HR (M) 3 speed trans. LEFT HAND DRIVE	7415827	1
WASHER—Spring lock, 11/32"—medium	EJ (M), EH (M), HD (M) HR (M) 3 speed trans. LEFT HAND DRIVE	SP1486	1
BRACKET ASSEMBLY—Cross shaft mounting	EJ (M) EH (M) 149 Eng. up to Eng. No. 81520 LEFT HAND DRIVE	7417917	1
WASHER—Plain, type "A" 3/8" x 7/8" x .065"	EJ (M) EH (M) 149 Eng. up to Eng. No. 81520 LEFT HAND DRIVE	446363	2
WASHER—Spring lock, 3/8"—medium	EJ (M) EH (M) 149 Eng. up to Eng. No. 81520 LEFT HAND DRIVE	120382	2



HOLDEN

MASTER PARTS CATALOGUE

4.019 REPAIR KIT, LEVER, ROD, INSULATOR, PIVOT, TRUNNION—Gearshift Control (Cont'd.).

BRACKET ASSEMBLY—Gearshift cross shaft mounting	EH (M) 149 Eng. from Eng. No. 81521 EH (M) 179 Eng., HD (M) HR (M) 3 speed trans.		
	LEFT HAND DRIVE	7425739	1
BOLT—Hex. hd. 5/16"—18 x 1"	EH (M) 149 Eng. from Eng. No. 81521 EH (M) 179 Eng., HD (M) HR (M) 3 speed trans.		
	LEFT HAND DRIVE	122017	2
WASHER—Spring, lock 5/16"—medium	EH (M) 149 Eng. from Eng. No. 81521 EH (M) 179 Eng., HD (M) HR (M) 3 speed trans.		
	LEFT HAND DRIVE	120214	2
BRACKET ASSEMBLY—Selector cross shaft mounting	EH (M) 149 Eng. from Eng. No. 81521 EH (M) 179 Eng., HD (M) HR (M) 3 speed trans.		
	LEFT HAND DRIVE	7425737	1
BOLT—Hex. hd. 5/16"—18 x 1"	EH (M) 149 Eng. from Eng. No. 81521 EH (M) 179 Eng., HD (M) HR (M) 3 speed trans.		
	LEFT HAND DRIVE	122017	2
WASHER—Spring lock 5/16"—medium	EH (M) 149 Eng. from Eng. No. 81521 EH (M) 179 Eng., HD (M) HR (M) 3 speed trans.		
	LEFT HAND DRIVE	120214	2
LEVER—Shift intermediate	HR (M) 4 speed trans.	761501	1
RING—Lever snap	HR (M) 4 speed trans.	N60731	1
BUSHING—Intermediate lever	HR (M) 4 speed trans.	761602	1
SHAFT—Intermediate lever pivot	HR (M) 4 speed trans.	7430073	1
PIN—Straight 5 x 16 m.m.	HR (M) 4 speed trans.	N55650	1
ROD—Gearshift control	HR (M) 4 speed trans.	7430108	1
WASHER—Tension	HR (M) 4 speed trans.	N42011	2
WASHER—Plain	HR (M) 4 speed trans.	N20611	2
PIN—Cotter 3 x 18 m.m.	HR (M) 4 speed trans.	N10050	2

4.020 ROD, INSULATOR, TRUNNION, LEVER, SHAFT—Gearshift Selector

ROD	48, 50, FJ	7400950	1
WASHER—Anti-rattle	48, 50, FJ	7400949	1
WASHER—Plain 11/32" x 11/16" x .065"	48, 50, FJ	120393	4
PIN—Cotter 1/8" x 5/8"	48, 50, FJ	426663	2
INSULATOR—Rod	48, 50, FJ	7400951	1
ROD	FE, FC, FB, EK (M) RIGHT HAND DRIVE	7410280	1
NUT—Hex. 3/8"—24	FE, FC, FB, EK (M)	120369	2
PIN—Cotter 1/8" x 5/8"	FE, FC, FB, EK (M)	426663	1
WASHER—Plain 11/32" x 11/16" x .065"	FE, FC, FB, EK (M)	120393	2
WASHER—Anti-rattle	FE, FC, FB, EK (M)	7400949	1
TRUNNION—Selector rod	FE, FC, FB, EK (M)	7410279	1
PIN—Cotter 1/8" x 5/8"	FE, FC, FB, EK (M)	107763	1
WASHER—Selector rod special	FE, FC, FB, EK (M)	7400948	2
INSULATOR—Selector rod	FE, FC, FB, EK (M)	7409698	1
ROD	EJ (M), EH (M) RIGHT HAND DRIVE	7417649	1
ROD	HD (M), HR (M) 3 speed trans. RIGHT HAND DRIVE LEFT HAND DRIVE	7424465 7426536	1 1
PIN—Cotter, 1/8" x 5/8"	EJ (M), EH (M), HD (M) HR (M) 3 speed trans.	426663	1
WASHER—Plain, 11/32" x 11/16" x .065"	EJ (M), EH (M), HD (M) HR (M) 3 speed trans.	120393	2
NUT—Hex. 3/8"—24	EJ (M), EH (M), HD (M) HR (M) 3 speed trans.	120369	2



4.020 ROD, INSULATOR, TRUNNION, LEVER, SHAFT—Gearshift Selector (Cont'd.)

WASHER—Anti-rattle	EJ (M), EH (M), HD (M) HR (M) 3 speed trans.	7400949	1
TRUNNION—Gearshift selector rod	EJ (M), EH (M), HD (M) HR (M) 3 speed trans.	7410279	1
PIN—Cotter, 1/8" x 5/8"	EJ (M), EH (M), HD (M) HR (M) 3 speed trans.	426663	1
WASHER—Selector rod, special	EJ (M), EH (M), HD (M) HR (M) 3 speed trans.	7400948	2
INSULATOR—Selector rod	EJ (M), EH (M), HD (M) HR (M) 3 speed trans.	7409698	1
LEVER—Selector cross shaft	EJ (M), EH (M), HD (M) HR (M) 3 speed trans. LEFT HAND DRIVE	7417653	1
NUT—Special	EJ (M), EH (M), HD (M) HR (M) 3 speed trans. LEFT HAND DRIVE	7417652	1
WASHER—Special spring	EJ (M), EH (M), HD (M) HR (M) 3 speed trans. LEFT HAND DRIVE	7415827	1
WASHER—Spring lock, 11/32"—medium	EJ (M), EH (M), HD (M) HR (M) 3 speed trans. LEFT HAND DRIVE	SP1486	1
SHAFT ASSEMBLY—Selector cross	EJ (M) EH (M) 149 Eng. up to Eng. No. 81520 LEFT HAND DRIVE	7417925	1
SHAFT ASSEMBLY—Selector cross	EH (M) 149 Eng. from Eng. No. 81521 EH (M) 179 Eng., HD (M) HR (M) 3 speed trans. LEFT HAND DRIVE	7425617	1
ROD—Selector cross shaft	EJ (M) EH (M) 149 Eng. up to Eng. No. 81520 LEFT HAND DRIVE	7417931	1
ROD—Selector cross shaft	EH (M) 149 Eng. from Eng. No. 81521 EH (M) 179 Eng., HD (M) HR (M) 3 speed trans. LEFT HAND DRIVE	7425894	1
WASHER—Plain, 11/32" x 11/16" x .065"	EJ (M), EH (M), HD (M) HR (M) 3 speed trans. LEFT HAND DRIVE	120393	4
PIN—Cotter, 1/8" x 5/8"	EJ (M), EH (M), HD (M) HR (M) 3 speed trans. LEFT HAND DRIVE	426663	2
WASHER—Rod anti-rattle	EJ (M), EH (M), HD (M) HR (M) 3 speed trans. LEFT HAND DRIVE	7400949	2
LEVER—Selector	HR (M) 4 speed trans.	761100	1

4.021 COLLAR—Gearshift Control Shaft Selector

COLLAR	48, 50, FJ	7400940	1
BOLT—Hex. hd. 3/8"—24 x 1 3/4"	48, 50, FJ	120668	1
WASHER—Spring lock 3/8" heavy	48, 50, FJ	131099	1
WASHER—Collar to shaft	48, 50, FJ	7400941	1

4.022 SUPPORT—Gearshift Selector Lever

SUPPORT	HR (M) 4 speed trans.	761400	1
BOLT—Hex. hd. with lock washer 8 x 30 m.m.	HR (M) 4 speed trans.	N52931	2
BOLT—Hex. hd. 8 x 10 m.m.	HR (M) 4 speed trans.	N42711	1
RING—Sealing 8.2 x 11.9 m.m.	HR (M) 4 speed trans.	N31500	1
PIN—Selector lever pivot	HR (M) 4 speed trans.	761350	1
CIRCLIP—Pivot pin	HR (M) 4 speed trans.	N51532	1



HOLDEN

MASTER PARTS CATALOGUE

4.025 PIN, RETAINER—Gearshift Lever Pivot

PIN	48, 50, FJ	7400929	2
PIN	FE, FC	6649852	1
WASHER—Spring 7/16"	FE, FC	SP1328	1
RETAINER—Pivot pin	FE, FC	6649853	1

4.026 SPRING, WASHER—Gearshift Lever

SPRING—Pivot pin	48, 50, FJ	7400928	2
WASHER—Anti-rattle	48, 50, FJ	7400930	1
SHIM	48, 50, FJ	501301	A.R.

4.038 INDICATOR, DIAL, RETAINER, SOCKET & LEAD, POINTER—Transmission control.

INDICATOR	*	7418833	1
DIAL and FILTER ASSEMBLY	EK (A)	7418740	1
POINTER	**	7419640	1
COVER—Pointer	**	7419642	1
SCREW—Oval hd. cr. rec. tap. Type T No. 8—32 x 5/16" ..	**	9418232	2
PLATE—Pointer nut	**	7419641	1
SCREW—Oval hd. cr. rec. tap. Type T No. 8—32 x 5/16"	EK (A)	9416676	2
BULB—Miniature 12-16 volt 0.1 amp	EK (A)	SP1477	1
DIAL and FILTER ASSEMBLY	EJ (A), EH (A) RIGHT HAND DRIVE	7418728	1
	LEFT HAND DRIVE	7418727	1
DIAL and FILTER ASSEMBLY	HD (A), HR (A) RIGHT HAND DRIVE	7420352	1
	LEFT HAND DRIVE	7420353	1
RETAINER—Dial	EJ (A), EH (A)	7419603	1
RETAINER—Dial	HD (A)	7424292	1
RETAINER—Dial	HR (A)	7429435	1
SCREW—Oval hd. cr. rec. tap. Type T No. 8—32 x 5/16" ..	EJ (A), EH (A), HD (A), HR (A)	9416676	2
SOCKET and LEAD ASSEMBLY—Indicator lamp	EJ (A), EH (A), HD (A), HR (A)	7418576	1
BULB—Miniature 12-16 volt 0.1 amp	EJ (A), EH (A), HD (A), HR (A)	SP1477	1
POINTER	EJ (A), EH (A), HD (A), HR (A)	7425644	1
COVER—Pointer	EJ (A), EH (A), HD (A), HR (A)	7419642	1
SCREW—Oval hd. cr. rec. tap. Type T No. 8—32 x 5/16" ..	EJ (A), EH (A), HD (A), HR (A)	9418232	2

* EK (A) S.A. up to Serial No. 7232A.
 QLD. up to Serial No. 9104B.
 VIC. up to Serial No. 18121M.
 W.A. up to Serial No. 6107P.
 N.S.W. up to Serial No. 22351S.

** EK (A) S.A. from Serial No. 7233A.
 QLD. from Serial No. 9105B.
 VIC. from Serial No. 18122M.
 W.A. from Serial No. 6108P.
 N.S.W. from Serial No. 22352S.

4.040 DETENT ASSEMBLY—Throttle

ROD, TRUNNION, INSULATOR, LEVER, BRACKET—Throttle control

BUTTON—Throttle floor pan detent ..	EK (A)	7418336	1
CUP—Throttle floor pan detent ..	EK (A)	7418334	1
SPRING—Throttle floor pan detent ..	EK (A)	7418447	1
SCREW—Throttle floor pan detent ..	EK (A)	7418347	1
GUIDE ASSEMBLY—Throttle valve control rod ..	EK (A)	7417855	1
RIVET—Flat hd. solid 3/16" x 7/16" ..	EK (A)	114990	1
WASHER—Plain 7/32" x 1/2" x .049" ..	EK (A)	120391	1
PIN—Cotter 1/16" x 7/16" ..	EK (A)	137133	1
WASHER—Control rod anti-rattle ..	EK (A)	7417809	1
SPRING—Throttle detent ..	EK (A)	7418213	1
ROD ASSEMBLY—Throttle valve control upper ..	EK (A)	7417856	1
WASHER—Plain 9/32" x 5/8" x .065" ..	EK (A)	120392	1
PIN—Cotter 1/16" x 7/16" ..	EK (A)	137133	1
CLIP—Rod end spring ..	EK (A)	7403387	1



4.040 DETENT ASSEMBLY—Throttle

ROD, TRUNNION, INSULATOR LEVER, BRACKET—Throttle control (Cont'd.)

BRACKET ASSEMBLY—Relay lever support	EK (A)	7417813	1
BOLT—Hex. hd. 5/16"—18 x 1"	EK (A)	122017	1
LEVER—Throttle valve control relay	EK (A)	7417777	1
WASHER—Plain 11/32" x 11/16" x .065"	EK (A)	120393	1
PIN—Cotter 1/8" x 5/8"	EK (A)	426663	1
WASHER—Lever anti-rattle	EK (A)	7400949	1
TRUNNION—Throttle control rod	EK (A)	7417776	1
WASHER—Plain 11/32" x 11/16" x .065"	EK (A)	120393	1
PIN—Cotter 1/8" x 5/8"	EK (A)	426663	1
WASHER—Trunnion anti-rattle	EK (A)	7400949	1
ROD—Throttle valve control lower	EK (A)	7417771	1
NUT—Hex. 5/16"—24	EK (A)	120368	1
CLIP—Rod end spring	EK (A)	7403054	1
ROD—Transmission control upper	EK (A)	RIGHT HAND DRIVE	7419054
NUT—Hex. 3/8"—24	EK (A)	120369	2
PIN—Cotter 1/8" x 5/8"	EK (A)	426663	1
WASHER—Plain 11/32" x 11/16" x .065"	EK (A)	120393	2
WASHER—Control rod special	EK (A)	7400948	2
WASHER—Control rod anti-rattle	EK (A)	7400949	1
TRUNNION—Control rod	EK (A)	7410279	1
INSULATOR—Control rod	EK (A)	7418439	1
LEVER ASSEMBLY—Relay	EK (A)	RIGHT HAND DRIVE	7419050
WASHER—Plain 11/32" x 11/16" x .065"	EK (A)	120393	1
PIN—Cotter 1/8" x 5/8"	EK (A)	426663	1
WASHER—Lever anti-rattle	EK (A)	7400949	2
BUSHING—Relay lever	EK (A)	7419056	1
BRACKET ASSEMBLY—Relay lever to frame	EK (A)	RIGHT HAND DRIVE	7419020
BRACKET ASSEMBLY—Relay lever to engine	EK (A)	RIGHT HAND DRIVE	7419051
BOLT—Hex. hd. 3/8"—16 x 5/8"	EK (A)	RIGHT HAND DRIVE	122104
ROD—Transmission control lower	EK (A)	RIGHT HAND DRIVE	7419055
WASHER—Plain 11/32" x 11/16" x .065"	EK (A)	120393	4
PIN—Cotter 1/8" x 5/8"	EK (A)	426663	1
WASHER—Control rod anti-rattle	EK (A)	7400949	2
COVER—Throttle floor pan detent spring	EJ (A)	7418949	1
SLEEVE—Throttle floor pan detent spring	EJ (A)	7418950	1
CUP ASSY.—Throttle floor pan detent spring	EJ (A)	7418952	1
SPRING—Throttle floor pan detent	EJ (A)	7418948	1
ROD ASSY.—Throttle valve control, upper	EJ (A)	7417856	1
WASHER—Plain Type 'A' 9/32" x 5/8" x .065"	EJ (A)	120392	1
PIN—Cotter, 1/16" x 7/16"	EJ (A)	137133	1
CLIP—Rod end spring	EJ (A)	7403387	1
GUIDE ASSY.—Throttle valve control rod	EJ (A)	7417855	1
WASHER—Plain, 7/32" x 1/2" x .049"	EJ (A)	120391	1
PIN—Cotter, 1/16" x 7/16"	EJ (A)	137133	1
RIVET—Flat hd. small solid, 3/16" x 7/16"	EJ (A)	114990	1
WASHER—Control rod anti-rattle	EJ (A)	7417809	1
SPRING—Throttle detent	EJ (A)	7418213	1
BRACKET ASSY.—Relay lever support	EJ (A)	7417813	1
BOLT—Hex. hd 5/16"—18 x 1"	EJ (A)	122017	2
LEVER—Throttle valve control relay	EJ (A)	7417777	1
WASHER—Plain, Type 'A' 11/32" x 11/16" x .065"	EJ (A)	120393	1
PIN—Cotter, 1/8" x 5/8"	EJ (A)	426663	1
TRUNNION—Throttle control rod	EJ (A)	7417776	1
WASHER—Plain, Type 'A' 11/32" x 11/16" x .065"	EJ (A)	120393	1
PIN—Cotter, 1/8" x 5/8"	EJ (A)	426663	1
ROD—Throttle valve control, lower	EJ (A)	7419223	1
NUT—Hex. 5/16"—24	EJ (A)	120368	2
ROD—Transmission control, upper	EJ (A)	RIGHT HAND DRIVE	7419219
PIN—Cotter, 1/8" x 5/8"	EJ (A)	426663	1
WASHER—Plain, 11/32" x 11/16" x .065"	EJ (A)	120393	2
NUT—Hex. 3/8"—24	EJ (A)	120369	2
WASHER—Control rod, special	EJ (A)	7400948	2
WASHER—Control rod anti-rattle	EJ (A)	7400949	1



HOLDEN

MASTER PARTS CATALOGUE

4.040 DETENT ASSEMBLY—Throttle ROD, TRUNNION, INSULATOR, LEVER, BRACKET—Throttle control (Cont'd.)

TRUNNION—Control rod	EJ (A)	7410279	1	
PIN—Cotter, 1/8" x 5/8"	EJ (A)	426663	1	
INSULATOR—Transmission control rod	EJ (A)	7418439	1	
LEVER—Relay	EJ (A)	RIGHT HAND DRIVE	7419240	1
WASHER—Plain, 11/32" x 11/16" x .065"	EJ (A)	120393	2	
PIN—Cotter, 1/8" x 5/8"	EJ (A)	426663	1	
BUSHING—Relay lever	EJ (A)	7419056	2	
BRACKET ASSY.—Relay lever to steering gear housing	EJ (A)	RIGHT HAND DRIVE	7419225	1
BOLT—Hex. hd., 5/16"—18 x 7/8"	EJ (A)	RIGHT HAND DRIVE	120229	1
WASHER—Spring lock, 5/16"—medium	EJ (A)	RIGHT HAND DRIVE	120214	1
NUT—Hex. 5/16"—18	EJ (A)	RIGHT HAND DRIVE	120376	1
BRACKET ASSY.—Relay lever to engine	EJ (A)	RIGHT HAND DRIVE	7419256	1
BOLT—Hex. hd. 3/8"—16 x 5/8"	EJ (A)	RIGHT HAND DRIVE	122104	2
WASHER—Spring lock, 3/8"—medium	EJ (A)	RIGHT HAND DRIVE	120382	2
ROD—Transmission control, lower	EJ (A)	RIGHT HAND DRIVE	7419218	1
WASHER—Plain, Type 'A' 11/32" x 11/16" x .065"	EJ (A)	120393	4	
PIN—Cotter, 1/8" x 5/8"	EJ (A)	426663	1	
WASHER—Rod, anti-rattle	EJ (A)	7400949	2	
ROD ASSEMBLY—Throttle valve control, upper	EH (A)	7421331	1	
WASHER—Plain, type "A" 9/32" x 5/8" x .065"	EH (A)	120392	1	
PIN—Cotter 1/16" x 7/16"	EH (A)	137133	1	
CLIP—Rod end spring	EH (A)	7403054	1	
GUIDE ASSEMBLY—Throttle valve control rod	EH (A)	7417855	1	
WASHER—Plain, 7/32" x 1/2" x .049"	EH (A)	120391	1	
PIN—Cotter, 1/16" x 7/16"	EH (A)	137133	1	
RIVET—Flat hd. small solid, 3/16" x 7/16"	EH (A)	114990	1	
WASHER—Control rod anti-rattle	EH (A)	7417809	1	
SPRING—Throttle detent	EH (A)	7418213	1	
LEVER—Throttle valve control relay	EH (A)	7421332	1	
WASHER—Plain, type "A" 11/32" x 11/16" x .065"	EH (A)	120393	1	
PIN—Cotter, 1/8" x 5/8"	EH (A)	426663	2	
TRUNNION—Throttle control rod	EH (A)	7417776	1	
WASHER—Plain, type "A" 11/32" x 11/16" x .065"	EH (A)	120393	1	
PIN—Cotter, 1/8" x 5/8"	EH (A)	426663	1	
ROD—Throttle valve control, lower	EH (A)	7421333	1	
NUT—Hex. 5/16"—24	EH (A)	120368	2	
CLIP—Rod end spring	EH (A)	7403054	1	
ROD—Transmission control, upper	EH (A)	RIGHT HAND DRIVE	7421280	1
PIN—Cotter, 1/8" x 5/8"	EH (A)	426663	1	
WASHER—Plain, 11/32" x 11/16" x .065"	EH (A)	120393	2	
NUT—Hex. 3/8"—24	EH (A)	120369	2	
WASHER—Control rod, special	EH (A)	7400948	2	
WASHER—Control rod anti-rattle	EH (A)	7400949	1	
TRUNNION—Control rod	EH (A)	7410279	1	
PIN—Cotter, 1/8" x 5/8"	EH (A)	426663	1	
INSULATOR—Transmission control rod	EH (A)	7418439	1	
LEVER—Relay	EH (A)	RIGHT HAND DRIVE	7421268	1
		LEFT HAND DRIVE	7421204	1
WASHER—Plain, 11/32" x 11/16" x .065"	EH (A)	120393	1	
PIN—Cotter, 1/8" x 5/8"	EH (A)	426663	1	
BRACKET—Relay lever to transmission	EH (A)	7421203	1	
BOLT—Hex. hd. 3/8"—16 x 3/4"	EH (A)	122119	2	
WASHER—Spring lock 3/8"—Medium	EH (A)	120382	2	
GROMMET and SLEEVE ASSEMBLY—Relay lever	EH (A) (1st type)	7419056	2	
RETAINER—Relay lever grommet, "U"	EH (A) (1st type)	7426903	1	
GROMMET—Relay lever	EH (A) (2nd type)	7427807	2	
SLEEVE—Relay lever grommet	EH (A) (2nd type)	7427808	1	
BUSHING—Relay lever grommet	EH (A) (2nd type)	7427809	1	
STUD—Relay lever	EH (A)	7421278	1	
WASHER—Spring lock 5/16"—Medium	EH (A)	120214	1	
ROD—Transmission control, lower	EH (A)	RIGHT HAND DRIVE	7421279	1
		LEFT HAND DRIVE	7421277	1
WASHER—Plain, type "A" 11/32" x 11/16" x .065"	EH (A)	426663	1	
PIN—Cotter, 1/8" x 5/8"	EH (A)	107763	2	
WASHER—Rod, anti-rattle	EH (A)	7400949	2	



4.040 DETENT ASSEMBLY—Throttle

ROD, TRUNNION, INSULATOR, LEVER, BRACKET—Throttle control (Cont'd.).

ROD ASSEMBLY—Throttle valve control, upper	HD (A) exc. X2 Eng.	7420487	1	
ROD ASSEMBLY—Throttle valve control, upper	HR (A) exc. X2, S Eng.	7430489	1	
ROD ASSEMBLY—Throttle valve control, upper	HD (A) X2 Eng., HR (A) X2 Eng.	7428629	1	
WASHER—Plain type "A" 7/32" x 1/2" x .049"	HD (A), HR (A) exc. S Eng.	120391	2	
CLIP—Anti-rattle	HD (A), HR (A) exc. S Eng.	7420844	2	
BRACKET ASSY.—Throttle valve relay lever pivot	HD (A) X2 Eng., HR (A) X2 Eng.	7428608	1	
LEVER ASSY.—Throttle valve rod relay with spring support	HD (A)	7430669	1	
LEVER ASSEMBLY—Throttle valve rod relay	HR (A) exc. X2, S Eng.	7431593	1	
LEVER ASSEMBLY—Throttle valve rod relay	HD (A) X2 Eng., HR (A) X2 Eng.	7428619	1	
WASHER—Plain type "A" 11/32" x 11/16" x .065"	HD (A), HR (A) exc. S Eng.	120393	1	
PIN—Cotter, 1/8" x 5/8"	HD (A), HR (A) exc. S Eng.	426663	1	
WASHER—Lever assembly to pivot, anti-rattle	HD (A), HR (A) exc. S Eng.	7400949	1	
TRUNNION—Throttle valve control rod	HD (A), HR (A) exc. S Eng.	7417776	1	
WASHER—Plain type "A" 11/32" x 11/16" x .065"	HD (A), HR (A) exc. S Eng.	120393	1	
PIN—Cotter, 1/8" x 5/8"	HD (A), HR (A) exc. S Eng.	426663	1	
WASHER—Trunnion to relay lever anti-rattle	HD (A), HR (A) exc. S Eng.	7400949	1	
ROD—Throttle valve control, lower	HD (A) exc. X2 Eng., HR (A) exc. X2, S Eng.	RIGHT HAND DRIVE	7428984	1
ROD—Throttle valve control, lower	HD (A) X2 Eng., HR (A) X2 Eng. RIGHT HAND DRIVE	7428615	1	
ROD—Throttle valve control, lower	HD (A) exc. X2 Eng. LEFT HAND DRIVE	7420337	1	
ROD—Throttle valve control, lower	HD (A) X2 Eng. LEFT HAND DRIVE	7430418	1	
ROD—Throttle valve control, lower	HR (A) exc. X2, S Eng. LEFT HAND DRIVE	7431597	1	
ROD—Throttle valve control, lower	HR (A) X2 Eng. LEFT HAND DRIVE	7430850	1	
NUT—Hex. 5/16"—24	HD (A), HR (A) exc. S Eng.	120368	2	
ROD ASSEMBLY—Throttle valve control	HR (A) S Eng. RIGHT HAND DRIVE	7433853	1	
	LEFT HAND DRIVE	7434292	1	
CLIP—Rod end spring	HD (A), HR (A)	7403054	1-2	
ROD—Transmission control, upper	HD (A), HR (A) RIGHT HAND DRIVE	7420321	1	
ROD—Transmission control, upper	HD (A) exc. X2 Eng., HR (A) exc. X2, S Eng.	LEFT HAND DRIVE	7420470	1
ROD—Transmission control, upper	HD (A) X2 Eng., HR (A) X2, S Eng. LEFT HAND DRIVE	7429790	1	
PIN—Cotter, 1/8" x 5/8"	HD (A), HR (A)	426663	1	
WASHER—Plain, type "A" 11/32" x 11/16" x .065"	HD (A), HR (A)	120393	2	
NUT—Hex. 3/8" x 24	HD (A), HR (A)	120369	2	
WASHER—Control rod, special	HD (A), HR (A)	7400948	2	
WASHER—Control rod, anti-rattle	HD (A), HR (A)	7400949	1	
TRUNNION—Control rod	HD (A), HR (A)	7410279	1	
PIN—Cotter, 1/8" x 5/8"	HD (A), HR (A)	426663	1	
INSULATOR—Transmission control rod	HD (A), HR (A)	7418439	1	
LEVER—Relay	HD (A), HR (A) RIGHT HAND DRIVE	7420320	1	
LEVER—Relay	HD (A) exc. X2 Eng., HR (A) exc. X2, S Eng.	LEFT HAND DRIVE	7420469	1
LEVER—Relay	HD (A) X2 Eng., HR (A) X2, S Eng. LEFT HAND DRIVE	7429815	1	
WASHER—Plain, type "A" 11/32" x 11/16" x .065"	HD (A), HR (A)	120369	1	
PIN—Cotter, 1/8" x 5/8"	HD (A), HR (A)	426663	1	
PIVOT—Relay lever	HR (A) exc. X2, S Eng.	7429465	1	
BRACKET—Relay lever to transmission	HD (A), HR (A) RIGHT HAND DRIVE	7420366	1	
BRACKET—Relay lever to transmission	HD (A) exc. X2 Eng., HR (A) exc. X2, S Eng.	LEFT HAND DRIVE	7420366	1
BRACKET—Relay lever to transmission	HD (A) X2 Eng., HR (A) X2, S Eng. LEFT HAND DRIVE	7429816	1	
BOLT—Hex. hd. 5/16"—18 x 3/4"	HD (A), HR (A)	122007	3	
WASHER—Spring lock 5/16"—Medium	HD (A), HR (A)	120214	3	



HOLDEN

MASTER PARTS CATALOGUE

4.040 DETENT ASSEMBLY—Throttle (Cont'd.)

ROD, TRUNNION, INSULATOR, LEVER, BRACKET—Throttle control (Cont'd.)

STUD—Relay lever	HD (A), HR (A)	LEFT HAND DRIVE	7421278	1
WASHER—Spring lock 5/16"—Medium	HD (A), HR (A)	LEFT HAND DRIVE	120214	1
NUT—Hex. 5/16"—18	HD (A), HR (A)	LEFT HAND DRIVE	120376	1
BUSHING—Relay lever	HD (A), HR (A)		7427809	1
SLEEVE—Relay lever	HD (A), HR (A)		7427808	1
GROMMET—Relay lever	HD (A), HR (A)		7427807	2
LINK—Transmission control, lower	HD (A), HR (A)	RIGHT HAND DRIVE	7420323	1
LINK—Transmission control, lower	HD (A) exc. X2 Eng., S Eng.	HR (A) exc. X2 LEFT HAND DRIVE	7420323	1
ROD—Transmission control, lower	HD (A) X2 Eng., HR (A) X2, S Eng.	LEFT HAND DRIVE	7429813	1
WASHER—Plain 11/32" x 11/16" x .065"	HD (A) X2 Eng., HR (A) X2, S Eng.	LEFT HAND DRIVE	120393	4
PIN—Cotter, 1/8" x 5/8"	HD (A), HR (A)		426663	1-2
PIN—Transmission control link	HD (A), HR (A)	RIGHT HAND DRIVE	7420324	2
PIN—Transmission control link	HD (A) exc. X2 Eng., S Eng.	HR (A) exc. X2, LEFT HAND DRIVE	7420324	2
WASHER—Anti-rattle	HD (A), HR (A)		7400949	2
SPRING—Return	HD (A) exc. X2 Eng., S Eng.	HR (A) exc. X2, S Eng.	7426839	1

4.041 LEVER—Transmission external manual

LEVER	EK (A), EJ (A), EH (A)	RIGHT HAND DRIVE	7416838	1
		LEFT HAND DRIVE	7417825	1
BOLT—Hex. hd. 1/4"—28 x 1"	EK (A), EJ (A), EH (A)		123461	1
WASHER—Plain 9/32" x 5/8" x .065"	EK (A), EJ (A), EH (A)		120392	1
WASHER—Spring lock 1/4" medium	EK (A), EJ (A), EH (A)		120380	1
NUT—Hex 1/4"—28	EK (A), EJ (A), EH (A)		120367	1
LEVER and SHAFT ASSEMBLY	HD (A), HR (A)	RIGHT HAND DRIVE	7420931	1
LEVER and SHAFT ASSEMBLY	HD (A) exc. X2 Eng., S Eng.	HR (A) exc. X2, LEFT HAND DRIVE	7420931	1
LEVER and SHAFT ASSEMBLY	HD (A), X2 Eng., HR (A) X2, S Eng.	LEFT HAND DRIVE	7429947	1

4.045 PIN—Gearshift Selector Lever Pivot

PIN	48, 50, FJ		7400944	1
SPRING—Retainer 1/4"	48, 50, FJ		148148	1

4.046 LEVER, INSULATOR—Shifter

LEVER	48, 50, FJ		7400178	1
LEVER	FE, FC, FB, EK (M)		*7419060	1
INSULATOR—Shifter lever	FB from Eng. No. B169038			
	EK (M)		7419061	1
LEVER	EJ (M), EH (M), HD (M)			
	HR (M) 3 speed trans.			
		RIGHT HAND DRIVE	7424466	1
		LEFT HAND DRIVE	7417923	1

* When fitting to FE, FC or FB up to Eng. No. B169037, it is necessary to use 1—7419061 insulator.



4.050 LEVER—Selector Shaft Control

LEVER	48, 50, FJ	7400177	1
LEVER	FE, FC, FB, EK (M)		
	RIGHT HAND DRIVE	7409290	1
	LEFT HAND DRIVE	7415810	1
LEVER ASSEMBLY—Selector relay	FB, EK (M) ..	LEFT HAND DRIVE	7415811
WASHER—Special spring	FB, EK (M) ..	LEFT HAND DRIVE	7415827
WASHER—Internal tooth lock 5/16"	FB, EK (M) ..	LEFT HAND DRIVE	115548
LEVER	EJ (M), EH (M), HD (M)		
	HR (M) 3 speed trans.		
	RIGHT HAND DRIVE	7417650	1
	LEFT HAND DRIVE	7417933	1
WASHER—Spring lock, 11/32"—medium	EJ (M), EH (M), HD (M)		
	HR (M) 3 speed trans.	SP1486	1

4.054 SWITCH ASSEMBLY—Neutral starting safety

SWITCH ASSEMBLY	EK (A), EJ (A), EH (A)	7417342	1
SWITCH ASSEMBLY	HD (A), HR (A)	7420346	1
SCREW—Pan hd. cr. rec. tap Type "B" No. 10—16 x 3/8" ..	EK (A), EJ (A), EH (A), HD (A), HR (A)	163210	2

4.081 INSULATOR—Transmission support

INSULATOR	EH (M) exc. EH/2104, EH/2106		
	HD (M) exc. HD/2104, HD/2106		
	HR (M) 3 speed trans. exc.		
	HR/2104, HR/2106		
	HR (A) exc. HR/2104, HR/2106	7425734	1
INSULATOR	EH (A), EH/2104 (M), EH/2106 (M),		
	HD (A), HD/2104 (M), HD/2106 (M)		
	HR/2104 (M) 3 speed trans.		
	HR/2106 (M) 3 speed trans.		
	HR/2104 (A), HR/2106 (A)	7426005	1
INSULATOR	HR (M) 4 speed trans.	7432228	1
BOLT—Hex. hd. 7/16"—14 x 1-1/8"	EH, HD, HR, exc. 4 speed trans.	122260	2
BOLT—Hex. socket hd. cap 3/8"—16 x 7/8"	HR (M) 4 speed trans.	9425450	2
WASHER—Spring lock 3/8"—medium	HR (M) 4 speed trans.	120382	2
BOLT—Hex. hd. 7/16"—14 x 2-1/4"	EH (M) exc. EH/2104 (M), EH/2106 (M)		
	HD (M), HR (M)	122314	2
BOLT—Hex. hd. 7/16"—14 x 7/8"	EH (A), EH/2104 (M), EH/2106 (M)		
	HD (A), HR (A)	122246	2
WASHER—Spring lock 7/16"—Medium	EH, HD, HR	120383	4-2
SPACER—Mounting bolt	EH, HD, HR	7421049	1

4.103 CASE ASSEMBLY—Transmission

CASE ASSEMBLY	48, 50, FJ up to Eng. No. 283372	7400124	1
CASE ASSEMBLY	FJ from Eng. No. U283384		
	FE, FC, FB, EK (M)		
	RIGHT HAND DRIVE	7409979	1
	LEFT HAND DRIVE	7415700	1
PLUG—Filler 1/2" pipe	48, 50, FJ, FE, FC, FB, EK (M)	103868	1
COVER—Selector shaft	48 up to Eng. No. 70779		
	50 up to Eng. No. 70779	7400199	1
PLUG—Expansion 3/4"	48, 50, FJ, FE, FC, FB, EK (M)	103892	A.R.



HOLDEN

MASTER PARTS CATALOGUE

4.103 CASE ASSEMBLY—Transmission (Cont'd.).

CASE ASSEMBLY	EJ (M)		
	EH (M) 149 Eng. up to Eng. No. 81520	7420406	1
CASE & MAGNET ASSEMBLY	EH (M) 149 Eng. from Eng. No. 81521		
	EH (M) 179 Eng., HD (M)		
	HR (M) 3 speed trans.	7429917	1
PLUG—Transmission filler, 3/4"—16	EJ (M), EH (M), HD (M)		
	HR (M) 3 speed trans.	7400181	1
GASKET—Annular 3/4", Trans. case filler plug	EJ (M), EH (M), HD (M)		
	HR (M) 3 speed trans.	113897	1
PLUG & GASKET—Transmission drain, 1/2"—20	EJ (M)	7423483	1
GASKET—Transmission cover drain plug	EJ (M)	7417490	1
BOLT—Hex. hd. 1/2"—20 x 1-3/8"	EH (M), HD (M)		
	HR (M) 3 speed trans.	123879	1
GASKET—Transmission cover drain plug	EH (M), HD (M)		
	HR (M) 3 speed trans.	7422033	1
CASE	HR (M) 4 speed trans.	702067	1
PLUG—Expansion 20 m.m.	HR (M) 4 speed trans.	606553	1
PLUG—Shift shaft cup	HR (M) 4 speed trans.	702251	1
PLUG—Transmission filler sq. hd. 18 x 1.5 m.m.	HR (M) 4 speed trans.	N30000	1
PLUG—Screw 14 x 1.5 m.m.	HR (M) 4 speed trans.	N16290	1
RING—Sealing 14.2 x 17.9 x 1.5 m.m.	HR (M) 4 speed trans.	N16280	1
PLUG—Sq. hd. conical 14 x 1.5 m.m.	HR (M) 4 speed trans.	N21500	1
MAGNET—Chip collector	HD (M), HR (M)	3787240	1
CASE ASSEMBLY	EK (A), EJ (A), EH (A)	8620931	1
PLUG—Hex. hd. 1/8"—27	EK (A), EJ (A), EH (A)	444612	2
CASE ASSEMBLY	HD (A), HR (A)	1828926	1
BUSHING	HD (A), HR (A)	3789009	1
PLUG—Hex. hd. 1/8"	HD (A), HR (A)	444613	3

4.104 BREATHER ASSEMBLY, VENT ASSEMBLY—Transmission

SCREW	48, 50, FJ, FE, FC, FB, EK (M)	7400188	1
CAP	48, 50, FJ, FE, FC, FB, EK (M)	7400189	1
BREATHER ASSEMBLY	EK (A)	7417772	1
BREATHER ASSEMBLY	EJ (A)	7419750	1
BREATHER ASSEMBLY	EH (A)	7421319	1
CLIP—Breather pipe	EK (A), EJ (A), EH (A)	8620591	1
VENT ASSEMBLY	HD (A), HR (A)	3820840	1
BREATHER—(Optional in production)	HR (M) 4 speed trans.	724750	1
BREATHER—(Optional in production)	HR (M) 4 speed trans.	724752	1

4.105 COVER ASSEMBLY—Transmission

COVER ASSEMBLY	48, 50, FJ, FE, FC, FB, EK (M)	*7400217	1
BOLT—Hex. hd. 1/4"—20 x 9/16"	48, 50, FJ, FE, FC, FB, EK (M)	117461	11
WASHER—Spring lock 1/4"—Medium	48, 50, FJ, FE, FC, FB, EK (M)	103319	11
PLUG—Drain 3/4"—16	48, 50, FJ, FE		
	FC up to Eng. No. L584116	7400181	1
GASKET—Annular 3/4"	48, 50, FJ, FE		
	FC up to Eng. No. L584116	113897	1
PLUG & GASKET—Drain 1/2"—20	FC from Eng. No. L584117		
	FB, EK (M)	7423483	1
GASKET—1/2"	FC from Eng. No. L584117		
	FB, EK (M)	7417490	1

* When fitting to 48, 50, FJ, FE, FC up to Eng. No. L584116 it is necessary to use 1-7400298 Plug, 1-7410345 Gasket.



4.105 COVER ASSEMBLY—Transmission (Cont'd.)

COVER ASSEMBLY	EJ (M) EH (M) 149 Eng. up to Eng. No. 81520		
	RIGHT HAND DRIVE	†7417667	1
	LEFT HAND DRIVE	7417940	1
COVER	EJ (M) EH (M) 149 Eng. up to Eng. No. 81520	†7417668	1
COVER	EH (M) 149 Eng. from Eng. No. 81521		
	EH (M) 179 Eng., HD (M)		
	HR (M) 3 speed trans.	††7429943	1
SCREW—Hex. hd. mach. 1/4"—20 x 1-1/4" with lock washer	EJ (M), EH (M), HD (M) HR (M) 3 speed trans.	425103	2
SCREW—Hex. hd. mach. 1/4"—20 x 3/4" with lock washer	EJ (M), EH (M), HD (M) HR (M) 3 speed trans.	425099	7
PIN—Dowel, 5/16" x 3/4"	EJ (M), EH (M), HD (M) HR (M) 3 speed trans.	443770	2
COVER	HR (M) 4 speed trans.	730111	1
SCREW—Oval hd. with lock washer 6 x 12 m.m.	HR (M) 4 speed trans.	N47171	10

†Approximately 200 EH (M) 149 units of Eng. No. prior to 81520 were manufactured equipped with Cover Casting No. 7422389. Parts catalogued for vehicles from Eng. No. 81521 must be used to service these units.

††When fitting to EH (M) 149 Eng. from Eng. No. 81521, EH (M) 179 Eng., HD (M) with transmission Serial No. prefixed by letter "D" the following parts must be used. RIGHT HAND DRIVE ÷ 1 Part No. 7430981 Crank, 1 Part No. 7430979 Lever. LEFT HAND DRIVE ÷ 1 Part No. 7430982 Crank, 1 Part No. 7430980 Lever.

4.106 SPRING—Transmission oil pressure relief

SPRING	EK (A), EJ (A)	8620645	1
BALL—.437" Diameter	EK (A), EJ (A)	147491	1
PIN—Taper No. 0 x 1½"	EK (A), EJ (A)	103566	1

4.109 GASKET—Transmission Cover

GASKET	48, 50, FJ, FE, FC, FB, EK (M)	7400197	1
GASKET	EJ (M), EH (M), HD (M) HR (M) 3 speed trans.	7417682	1
GASKET	HR (M) 4 speed trans.	730890	1

4.123 COVER, PLATE, BEARING, BOLT—Transmission case front.

COVER	EK (A), EJ (A), EH (A)	8620941	1
PLATE—Oil passage cover	EK (A), EJ (A), EH (A)	8619549	1
BEARING PACKAGE—Frt. cover to torus cover	EK (A), EJ (A), EH (A)	8620909	1
BOLT—Cover plate 3/8"—16 x 3/4"	EK (A), EJ (A), EH (A)	8619544	3
BOLT—Lock hd. 5/16"—18 x 1.31"	EK (A), EJ (A), EH (A)	*9417555	6
WASHER—Plain 5/16"	EK (A), EJ (A), EH (A)	8621622	6
BOLT—Hex. hd. 3/8"—16 x 1-5/8"	EK (A), EJ (A), EH (A)	179844	2
STUD—Transmission case cover	EJ (A), EH (A)	7417788	1

* Washer Part No. 8621622 must be used with Bolt Part No. 9417555.

4.124 GASKET—Transmission case front cover and plate

GASKET—Front cover to case	EK (A), EJ (A), EH (A)	8621015	1
GASKET—Oil passage plate to cover	EK (A), EJ (A), EH (A)	8619548	1



HOLDEN

MASTER PARTS CATALOGUE

4.127 RING—Transmission oil seal (Metal)

RING—Accumulator lower piston (2-3/4" O.D.)	EK (A), EJ (A), EH (A)	8616048	1
RING—Case centre support (2-5/16" O.D.)	EK (A), EJ (A), EH (A)	8621075	2
RING—Case front cover (2-5/8" O.D.)	EK (A), EJ (A), EH (A)	8620809	2
RING—Frt. unit driven torus rear (1-53/64" O.D.)	EK (A), EJ (A), EH (A)	8621028	1
RING—Frt. unit driven torus front (1-11/16" O.D.)	EK (A), EJ (A), EH (A)	8619610	1
RING—Frt. unit torus cover (1-13/64" O.D.)	EK (A), EJ (A), EH (A)	8619591	1
RING—Frt. unit torus cover (1-5/8" O.D.)	EK (A), EJ (A), EH (A)	8620402	1
RING—Governor (1-13/16" O.D.)	EK (A), EJ (A), EH (A)	8621870	4
RING—Servo piston (3-1/8" O.D.)	EK (A), EJ (A), EH (A)	8621113	1
RING—Torque multiplier (2-5/32" O.D.)	EK (A), EJ (A), EH (A)	8620817	1
RING—Low servo piston	HD (A), HR (A)	3789084	1
RING—Clutch drum oil seal, 2" O.D.	HD (A), HR (A)	3689808	2
RING—Input shaft oil seal	HD (A), HR (A)	3814099	2
RING—Governor hub oil seal	HD (A), HR (A)	3823274	2
KIT—Oil seal ring	HD (A), HR (A)	7448647	1

4.128 HOSE, PIPE—Transmission oil cooler

RING—Transmission retainer and snap

PIPE ASSEMBLY—Oil cooler inlet	EK (A)	7417869	1
PIPE ASSEMBLY—Oil cooler outlet	EK (A)	7417867	1
PIPE ASSEMBLY—Oil cooler inlet	EJ (A)	7419785	1
PIPE ASSEMBLY—Oil cooler outlet	EJ (A)	7419786	1
PIPE ASSEMBLY—Oil cooler inlet	EH (A)	7427376	1
ADAPTOR—Oil cooler inlet pipe	EH (A)	7427499	A.R.
PIPE ASSEMBLY—Oil cooler outlet	EH (A)	7421344	1
PIPE ASSEMBLY—Oil cooler inlet	HD (A), HR (A)	7420267	1
PIPE ASSEMBLY—Oil cooler outlet	HD (A), HR (A)	7420268	1
HOSE ASSEMBLY—Oil cooler	EK (A), EJ (A), EH (A), HD (A), HR (A)	7418774	2
CONNECTOR—Inverted flared tube 5/16"	EK (A), EJ (A) EH (A) exc. EH/235 (A), EH/239 (A), HD (A)	137406	2
CONNECTOR—Inverted flared tube 5/16"	HR (A)	145475	2
ELBOW—Inverted flared tube 45°—5/16" (1/8" NPTF)	EH/235 (A), EH/239 (A)	116341	2
ELBOW—Inverted flared tube 5/16"—90°	EK (A), EJ (A), EH (A)	143343	2
CLIP—Inlet pipe to cylinder block	EK (A), EJ (A)	7418746	1
CLIP—Inlet to outlet pipe	EK (A), EJ (A), EH (A), HD (A), HR (A)	3710497	2
CLIP—Inlet pipe	EH (A), HD (A), HR (A)	7421343	1
CLIP—Outlet pipe	EH (A), HD (A), HR (A)	7421342	1
RING—Frt. to rear planet carrier snap (1-9/32" I.D.)	EK (A), EJ (A), EH (A)	8621331	1
RING—Frt. unit driven torus to mainshaft	EK (A), EJ (A), EH (A)	8620522	1
RING—Rear bearing to retainer snap	EK (A), EJ (A), EH (A)	8621497	1
RING—Rear bearing to shaft snap (29/32" I.D.)	EK (A), EJ (A), EH (A)	8621277	1
RING—Rear unit run gear to mainshaft	EK (A), EJ (A), EH (A)	#8620522	1
RING—Reverse blocker valve "C" (9/32" I.D.)	EK (A), EJ (A), EH (A)	8621459	1
RING—Rev. clutch stat. cone to case snap (6-11/16" I.D.)	EK (A), EJ (A), EH (A)	8621068	1
RING—Rev. clutch release spring ret. snap (2-3/8" I.D.)	EK (A), EJ (A), EH (A)	8621065	1
RING—Servo piston snap (.250" dia.)	EK (A), EJ (A), EH (A)	8622249	1
RING—Reverse clutch pack snap	HD (A), HR (A)	3796576	1
RING—Clutch flange retainer	HD (A), HR (A)	3779911	1
RING—Clutch spring snap	HD (A), HR (A)	3779908	1
RING—Reverse clutch piston retainer spring snap	HD (A), HR (A)	6255698	1

Required H562, H563 Transmission.



4.129 WASHER, RACE—Transmission thrust

WASHER—Frt. sun gear to carrier (bronze)	EK (A), EJ (A), EH (A)	8621288	1
WASHER—Frt. sun gear to int. gear (bronze)	EK (A), EJ (A), EH (A)	8621269	1
WASHER—Frt. sun gear to int. gear (steel back)	EK (A), EJ (A), EH (A)	8621059	2
WASHER—Rear int. gear to carrier (bronze)	EK (A), EJ (A), EH (A)	8621077	1
WASHER—Rear sun gear to carrier (bronze)	EK (A), EJ (A), EH (A)	8621085	1
WASHER—Frt. int. gear to case support	EK (A), EJ (A), EH (A)	8621581	1
RACE—Front unit bearing (.027"—.029" bright)	EK (A), EJ (A), EH (A)	*8620697	1
RACE—Front unit bearing (.036"—.038" copper)	EK (A), EJ (A), EH (A)	*8620698	1
RACE—Front unit bearing (.045"—.047" black)	EK (A), EJ (A), EH (A)	*8620699	1
RACE—Front unit bearing (.054"—.056" bright with flat edges)	EK (A), EJ (A), EH (A)	*8620700	1
WASHER—Clutch hub front thrust	HD (A), HR (A)	3783285	1
WASHER—Clutch hub rear thrust	HD (A), HR (A)	3783286	1
WASHER—Clutch drum thrust (.061")	HD (A), HR (A)	*3845835	1
WASHER—Clutch drum thrust (.078")	HD (A), HR (A)	*3845836	1
WASHER—Clutch drum thrust (.092")	HD (A), HR (A)	*3845837	1
WASHER—Clutch drum thrust (.106")	HD (A), HR (A)	*3845838	1

* Selective fit

4.133 TUBE, BRACKET, INDICATOR, "O" RING—Transmission oil

TUBE ASSEMBLY—Oil filler	EK (A), EJ (A)	7422880	1
BRACKET—Tube to engine	EK (A), EJ (A) up to Eng. No. J97048	7418828	1
BOLT—Hex. hd. 1/4"—20 x 1/2"	EK (A), EJ (A) up to Eng. No. J97048	120706	1
WASHER—Spring lock 1/4" medium	EK (A), EJ (A) up to Eng. No. J97048	120380	1
WASHER—Plain 9/32" x 5/8" x .065"	EK (A), EJ (A) up to Eng. No. J97048	120392	1
NUT—Hex. 1/4"—20	EK (A), EJ (A) up to Eng. No. J97048	120375	1
INDICATOR ASSEMBLY—Oil level	EK (A), EJ (A) up to Eng. No. J97048	7417866	1
TUBE ASSEMBLY—Oil filler	EH (A)	7421461	1
INDICATOR ASSEMBLY—Oil level	EJ (A) from Eng. No. J97049		
"O" RING—Tube to case	EH (A)	7421462	1
TUBE ASSEMBLY—Oil filler	EK (A), EJ (A), EH (A)	8617747	1
INDICATOR ASSEMBLY—Oil level	HD (A), HR (A)	7420265	1
"O" RING—Tube to case	HD (A), HR (A)	7420266	1
	HD (A), HR (A)	6255641	1

4.153 SHAFT—Transmission input

SHAFT	HD (A), HR (A)	7420928	1
-------------	----------------------	---------	---

4.155 VALVE, COVER, GASKET, SPRING, BEARING, BOLT—Trans. front unit torus

VALVE—Coupling exhaust	EK (A), EJ (A), EH (A)	#8616407	2-1
VALVE—Coupling centrifugal exhaust	EK (A) from Transmission Ser. No. FH561-27905.		
	EJ (A), EH (A)	8621586	1
COVER PACKAGE—Coupling exhaust valve	EK (A), EJ (A), EH (A)	8620964	1
GASKET—Torus cover to drive torus (steel)	EK (A), EJ (A), EH (A)	8621032	1
GASKET—Coupling exhaust valve	EK (A), EJ (A), EH (A)	8620367	2
SPRING—Coupling exhaust valve	EK (A), EJ (A), EH (A)	#8616406	2-1
SPRING—Coupling centrifugal exhaust valve	EK (A) from Transmission Ser. No. FH561-27905.		
	EJ (A), EH (A)	8621587	1
BEARING PACKAGE—Torus cover to driven torus thrust	EK (A), EJ (A), EH (A)	8620910	1
BOLT—Torus cover to drive torus	EK (A), EJ (A), EH (A)	8620313	12
SCREW—Coupling exhaust valve cover 5/16"—18 x 5/8"	EK (A), EJ (A), EH (A)	8620365	2

Two each used up to Transmission Serial No. FH561-27904. One each used from Transmission Serial No. FH561-27905.



HOLDEN

MASTER PARTS CATALOGUE

4.156 TORUS ASSEMBLY—Transmission front unit

CONVERTOR ASSEMBLY—Transmission

TORUS ASSEMBLY—Drive with cover	EK (A), EJ (A), EH (A)	8621907	1
TORUS ASSEMBLY—Driven	EK (A), EJ (A), EH (A)	8620940	1
BEARING PACKAGE—Driven torus to planet carrier thrust	EK (A), EJ (A), EH (A)	8620933	1
CONVERTER ASSEMBLY	HD (A), HR (A)	7420901	1
RETAINER ASSEMBLY	HD (A), HR (A)	6257011	3
BOLT—Converter to drive plate	HD (A), HR (A)	74.0312	3

4.157 MULTIPLIER ASSEMBLY—Torus torque

MULTIPLIER ASSEMBLY	EK (A), EJ (A), EH (A)	8620982	1
---------------------	------------------------	---------	---

4.158 GEAR ASSEMBLY, HUB, DRUM, CLUTCH, BUSHING—Transmission

GEAR & FRONT CLUTCH HOUSING—Front unit internal	EK (A), EJ (A)	†8621428	1
GEAR & FRONT CLUTCH HOUSING—Front unit internal	EJ (A), EH (A)	††8622063	1
BOLT—Hex. hd. 5/16"—18 x 3/4" self locking	EK (A), EJ (A), EH (A)	9408991	4
GEAR ASSEMBLY—Low sun clutch	HD (A), HR (A)	3854333	1
HUB—Clutch	HD (A), HR (A)	3792701	1
DRUM ASSEMBLY—Clutch	HD (A), HR (A)	3844252	1
CLUTCH ASSEMBLY	HD (A), HR (A)	3862233	1
BUSHING—Clutch drum	HD (A), HR (A)	3840760	1
SEAT—Clutch spring	HD (A), HR (A)	3789072	1
BALL—.1875" Dia.	HD (A), HR (A)	169066	1

4.159 GEAR—Front unit sun

GEAR	EK (A), EJ (A)	†8621435	1
GEAR	EJ (A), EH (A)	††8622020	1

4.161 CARRIER ASSEMBLY—Front planet

CARRIER ASSEMBLY	EK (A), EJ (A)	†8621577	1
CARRIER ASSEMBLY	EJ (A), EH (A)	††8622017	1

4.162 SUPPORT, KEY, SEAL, SPRING, RETAINER—Transmission centre

SUPPORT ASSEMBLY—Case centre	EK (A), EJ (A), EH (A)	8621069	1
KEY—Centre support	EK (A), EJ (A), EH (A)	8621074	1
SEAL—Case to support (in case)	EK (A), EJ (A), EH (A)	8619722	2
SPRING—Case to support positioning (in case)	EK (A), EJ (A), EH (A)	8621121	2
RETAINER—Support positioning spring (in case)	EK (A), EJ (A)	8621396	2
RETAINER—Support positioning spring (in case)	EH (A)	8622704	2

4.163 PLATE—Clutch drive and driven

PLATE—Clutch drive with facings	EK (A), EJ (A), EH (A)	8622292	3-4
PLATE—Clutch driven	EK (A), EJ (A), EH (A)	8621042	3-4
PLATE—Clutch backing	EK (A), EJ (A)	8621471	1
PLATE—Clutch backing	EH (A)	8620751	1
PLATE—Forward clutch drive	HD (A), HR (A)	3895781	3
PLATE—Forward clutch driven	HD (A), HR (A)	3783287	4
PLATE—Reverse clutch drive	HD (A), HR (A)	3895782	4
PLATE—Reverse clutch reaction	HD (A), HR (A)	3799210	4
PLATE—Reverse clutch pressure	HD (A), HR (A)	6257025	1

† Required for H561, H562 Transmission.

†† Required for H563 Transmission.



4.164 SPRING—Clutch release

SPRING	EK (A), EJ (A), EH (A)	8621047	20
SPRING—Clutch	HD (A), HR (A)	3783288	24
SPRING—Clutch cushion	HD (A), HR (A)	3862232	1
SPRING—Reverse clutch cushion	HD (A), HR (A)	3845858	1

4.166 PISTON, SEAL—Clutch

PISTON—Front	EK (A), EJ (A), EH (A)	8621043	1
PISTON—Reverse clutch	EK (A), EJ (A), EH (A)	8621328	1
SEAL PACKAGE—Front piston	EK (A), EJ (A), EH (A)	8620935	1
SEAL PACKAGE—Reverse clutch	EK (A), EJ (A), EH (A)	8620936	1
PISTON—Clutch	HD (A), HR (A)	3844205	1
PISTON—Reverse clutch	HD (A), HR (A)	3845857	1
SEAL UNIT—Clutch piston	HD (A), HR (A)	3794123	1
SEAL UNIT—Reverse clutch piston	HD (A), HR (A)	3799008	1

4.172 SHAFT—Main

GEAR—Rear unit sun

SHAFT—Less sun gear	EK (A)	#8621025	1
GEAR—Rear sun with damper	EK (A)	#8621086	1
SHAFT—Less sun gear.	EK (A), EJ (A), EH (A)	###8621574	1
GEAR—Rear sun	EK (A), EJ (A)	##8621576	1
GEAR—Rear sun	EJ (A), EH (A)	††8622114	1

4.177 CARRIER ASSEMBLY and COMPONENTS—Planet

CARRIER ASSEMBLY—Complete with output shaft	EK (A), EJ (A)	†8620829	1
PINION PACKAGE—Rear planet carrier	EK (A), EJ (A)	†8620984	1
CARRIER ASSEMBLY—Complete with output shaft	EJ (A), EH (A)	††8622126	1
PINION PACKAGE—Rear planet carrier	EJ (A), EH (A)	††8622936	1
CARRIER ASSEMBLY—Planet	HD (A), HR (A)	3841573	1
PLATE—Planet pinion shaft lock	HD (A), HR (A)	3694428	1
SCREW—Pinion shaft lock plate	HD (A), HR (A)	3694432	3
PINION—Short	HD (A), HR (A)	3790163	3
PINION—Long	HD (A), HR (A)	3790164	3
SHAFT—Pinion	HD (A), HR (A)	3694427	6
GEAR—Input sun	HD (A), HR (A)	3833350	1
BEARING ASSEMBLY—Low sun gear thrust	HD (A), HR (A)	3771838	1
BUSHING—Low sun gear	HD (A), HR (A)	3755411	1
BEARING—Pinion needle	HD (A), HR (A)	7450410	240
SPACER—Pinion needle bearing	HD (A), HR (A)	3790162	18
BUSHING—Output shaft	HD (A), HR (A)	3789034	1
WASHER—Input sun gear thrust	HD (A), HR (A)	3689834	1
WASHER—Pinion thrust	HD (A), HR (A)	3790777	6

4.187 GEAR—Rear unit internal, reverse ring

GEAR	EK (A), EJ (A)	†8621262	1
GEAR	EJ (A), EH (A)	††8622134	1
GEAR	HD (A), HR (A)	3790168	1

† Required H561, H562 Transmission.

†† Required H563 Transmission.

#Required for H561 Transmission.

##Required for H562 Transmission.

###Required for H562, H563 Transmission.



HOLDEN

MASTER PARTS CATALOGUE

4.189 CONE, KEY, SPRING, RETAINER—Reverse clutch

CONE—(Metal)	EK (A), EJ (A), EH (A) .. .	8621066	1
KEY—Stationary cone stop .. .	EK (A) .. .	#8619660	1
CONE and KEY—Stationary .. .	EK (A), EJ (A), EH (A) .. .	8621583	1
SPRING—Reverse clutch release .. .	EK (A), EJ (A), EH (A) .. .	8621063	12
RETAINER—Piston release spring .. .	EK (A), EJ (A), EH (A) .. .	8621064	1
SPRING—Piston return .. .	HD (A), HR (A) .. .	3789061	17
SEAT—Piston return spring .. .	HD (A), HR (A) .. .	3789062	1

#Required for H561 Transmission.

4.195 PAN—Transmission oil

PAN .. .	EK (A), EJ (A), EH (A) .. .	8621220	1
BOLT—Hex. hd. 5/16"—18 x 5/8" w/washer .. .	EK (A), EJ (A), EH (A) .. .	8620721	20
PLUG & GASKET—Drain .. .	EK (A), EJ (A), EH (A) .. .	1307238	1
PAN .. .	HD (A), HR (A) .. .	3789146	1
SCREW—Oil pan .. .	HD (A), HR (A) .. .	3829139	14
SCREW—Drain .. .	HD (A), HR (A) .. .	3779764	1
GASKET—Drain screw .. .	HD (A), HR (A) .. .	513975	1

4.196 GASKET—Transmission oil pan

GASKET .. .	EK (A), EJ (A), EH (A) .. .	8621219	1
GASKET .. .	HD (A), HR (A) .. .	3789148	1

4.205 PIPE ASSEMBLY—Vacuum modulator

PIPE ASSEMBLY .. .	HD (A) exc. X2 Eng. .. .	7420333	1
PIPE ASSEMBLY .. .	HD (A) X2 Eng., HR (A) .. .	7428914	1
CLIP—Modulator pipe .. .	HD (A), HR (A) .. .	7420334	1
SLEEVE—Modulator pipe .. .	HD (A), HR (A) .. .	7420336	1
ADAPTOR—Modulator pipe .. .	HD (A) X2 Eng., HR (A) .. .	7428936	1
BUSHING—Reducing pipe, 1/4" x 1/8" .. .	HD (A) exc. X2 Eng. .. .	SP1005	1
ELBOW—Inverted flared tube, 90°—3/16" .. .	HD (A) exc. X2 Eng. .. .	137420	1

4.212 COVER—Transmission low servo

COVER .. .	HD (A), HR (A) .. .	3789085	1
GASKET—Servo cover .. .	HD (A), HR (A) .. .	3789086	1
SEAL—Servo cover .. .	HD (A), HR (A) .. .	3789087	1
BOLT—Hex. hd. 3/8"—16 x 7/8" .. .	HD (A), HR (A) .. .	106330	3
PLUG—Hex. hd. pipe 1/8" .. .	HD (A), HR (A) .. .	444613	1

4.216 VALVE, SPRING, PLUG, "O" RING, CUSHION, STOP—Oil pressure regulator

VALVE & CUSHION—Pressure regulator .. .	EK (A), EJ (A), EH (A) .. .	8619573	1
SPRING—Regulator valve .. .	EK (A), EJ (A), EH (A) .. .	8620743	1
PLUG—Pressure regulator .. .	EK (A), EJ (A), EH (A) .. .	8619567	1
PLUG—Line boost (Low pressure with "V" groove on end) .. .	EK (A), EJ (A), EH (A) .. .	*8620471	1
PLUG—Line boost (Medium pressure with bead on end) .. .	EK (A), EJ (A), EH (A) .. .	*8620472	1
PLUG—Line boost (High pressure with plain end) .. .	EK (A), EJ (A) .. .	*8620473	1
"O" RING—Pressure regulator plug .. .	EK (A), EJ (A), EH (A) .. .	8615856	1
CUSHION—Pressure regulator valve .. .	EK (A), EJ (A), EH (A) .. .	8622026	1
STOP—Line boost plug .. .	EK (A), EJ (A), EH (A) .. .	8619571	1

* Selective fit



4.223 "O" RING—Transmission oil strainer

GASKET—Transmission oil pump suction screen

"O" RING—Strainer to case (1-1/4" I.D.)	EK (A), EJ (A), EH (A)	8622032	1
GASKET	HD (A), HR (A)	3795990	1

4.224 STRAINER—Transmission oil pan

SCREEN ASSEMBLY—Transmission oil pump

STRAINER	EK (A), EJ (A), EH (A)	8621218	1
SCREEN ASSEMBLY	HD (A), HR (A)	3849968	1
SCREW—Pan hd. sl. mach. 1/4"—20 x 3/8"	HD (A), HR (A)	9417726	2

4.226 PUMP ASSEMBLY—Oil and components

PUMP ASSEMBLY	EK (A), EJ (A), EH (A)	8620930	1
SCREW—Rd. hd. 1/4"—20 x .56"	EK (A), EJ (A), EH (A)	113971	1
VALVE—Coupling feed limit	EK (A), EJ (A), EH (A)	8621462	1
SPRING—Coupling feed limit valve plug	EK (A), EJ (A), EH (A)	8620504	1
SPRING—Pump buffer	EK (A), EJ (A), EH (A)	8615898	1
SPRING—Pump priming	EK (A), EJ (A), EH (A)	8615899	1
PLUG PACKAGE—Coupling feed limit valve	EK (A), EJ (A), EH (A)	8620907	1
PIN—Coupling feed limit valve	EK (A), EJ (A), EH (A)	8619564	1
SEAL ASSEMBLY—Pump body, front	EK (A), EJ (A), EH (A)	8619560	1
"O" RING—Pump to case cover (6-1/2")	EK (A), EJ (A), EH (A)	8621507	1
SEAL—Coupling feed limit valve plug	EK (A), EJ (A), EH (A)	8619568	1
BODY & GEARS ASSEMBLY	HD (A), HR (A)	1828927	1
COVER ASSEMBLY—With stator shaft	HD (A), HR (A)	7420938	1
BOLT—Hex. hd. lock 5/16"—18 x 1-1/8"	HD (A), HR (A)	193940	5
GASKET—Body	HD (A), HR (A)	3789022	1
SEAL—Oil pump	HD (A), HR (A)	3798153	1
SEAL—Pump body oil	HD (A), HR (A)	3865924	1
VALVE—Priming	HD (A), HR (A)	3798159	1
PIN—Priming valve retainer	HD (A), HR (A)	274795	1
VALVE—Oil cooler by-pass	HD (A), HR (A)	3872464	1
VALVE—Downshift timing	HD (A), HR (A)	3830128	1

4.227 GASKET—Converter housing to front oil pump

GASKET	HD (A), HR (A)	7420961	1
--------	----------------	---------	---

4.228 PISTON—Servo and accumulator

PISTON & SPRING PACKAGE—Servo apply	EK (A), EJ (A), EH (A)	8621985	1
PISTON and RING—Accumulator upper	EK (A), EJ (A), EH (A)	8621977	1
PISTON—Accumulator lower	EK (A), EJ (A), EH (A)	8621321	1
SPACER—Accumulator piston	EK (A), EJ (A), EH (A)	8620628	1
PISTON	HD (A), HR (A)	3846173	1
SPRING—Piston apply	HD (A), HR (A)	3846166	1

4.230 PIN, ROD—Servo and accumulator piston

PIN—Servo band apply piston	EK (A), EJ (A), EH (A)	8621112	1
PIN—Accumulator piston	EK (A), EJ (A), EH (A)	8622199	1
ROD—Low servo piston	HD (A), HR (A)	3846168	1



HOLDEN

MASTER PARTS CATALOGUE

4.233 SPRING, RETAINER—Servo and accumulator piston

SPRING—Servo release	EK (A), EJ (A), EH (A)	8621116	1
SPRING—Accumulator lower	EK (A), EJ (A)	8619717	1
SPRING—Accumulator lower	EH (A)	8621807	1
SPRING—Accumulator upper	EK (A)	#8621232	1
SPRING—Accumulator, upper	EK (A), EJ (A), EH (A)	###8621840	1
RETAINER—Servo inner spring	EK (A), EJ (A), EH (A)	8620536	1
WASHER—Spring retaining, plain	EK (A), EJ (A), EH (A)	8621236	1
SPRING—Servo piston	HD (A), HR (A)	3815914	1
RETAINER—Servo spring	HD (A), HR (A)	3713624	1
WASHER—Piston apply spring	HD (A), HR (A)	3702807	1

4.251 BAND ASSEMBLY—Transmission brake

BAND ASSEMBLY	EK (A), EJ (A), EH (A)	8621258	1
SCREW—Hex. socket 7/16"—14 x 1-3/4"	EK (A), EJ (A), EH (A)	222543	1
NUT—Hex. 7/16"—14	EK (A), EJ (A), EH (A)	272120	1
BAND ASSEMBLY	HD (A), HR (A)	5462561	1
SCREW—Anchor adjusting	HD (A), HR (A)	3789089	1
NUT—Anchor adjusting screw	HD (A), HR (A)	3840137	1
CAP—Anchor adjusting screw	HD (A), HR (A)	3814712	1

4.253 LINK, PIN, STRUT—Transmission brake band

LINK	EK (A), EJ (A), EH (A)	8621109	1
PIN	EK (A), EJ (A), EH (A)	8621108	1
STRUT ASSEMBLY—Apply	HD (A), HR (A)	3713613	1
STRUT ASSEMBLY—Anchor	HD (A), HR (A)	3789088	1

4.256 GOVERNOR ASSEMBLY and COMPONENTS

GOVERNOR ASSEMBLY	EK (A)	#8622904	1
GOVERNOR ASSEMBLY	EK (A), EJ (A)	###8622347	1
GOVERNOR ASSEMBLY	EH (A)	8622346	1
RETAINER—G.2 valve plug	EK (A), EJ (A), EH (A)	8621099	1
PLUG—G.2 valve	EK (A), EJ (A), EH (A)	8621098	1
BOLT—5/16"—18 x 1.70"	EK (A), EJ (A), EH (A)	8621395	3-2
BOLT—5/16"—18 x 1.35"	EJ (A), EH (A)	††8622137	1
BOLT—5/16"—18 x .82"	EJ (A), EH (A)	††8622362	1
GOVERNOR ASSEMBLY	HD (A), HR (A)	3850510	1
SCREW—Body to hub	HD (A), HR (A)	3805921	4
GASKET	HD (A), HR (A)	3818935	1
SCREW—Hub drive	HD (A), HR (A)	3789048	1
VALVE	HD (A), HR (A)	3850516	1
WEIGHT ASSEMBLY	HD (A), HR (A)	3850512	1
SPRING—Damping	HD (A), HR (A)	3815089	2
SCREEN ASSEMBLY—Valve	HD (A), HR (A)	3848365	1
RING—Weight retainer, inner	HD (A), HR (A)	9414875	1
RING—Weight retainer, outer	HD (A), HR (A)	9412980	1
BODY ASSEMBLY—Support	HD (A), HR (A)	7420935	1
GASKET—Support body	HD (A), HR (A)	7420934	1
BOLT—Hex. hd. 5/16"—18 x 1-1/4"	HD (A), HR (A)	100123	4
BUSHING—Support body	HD (A), HR (A)	3789877	1

4.259 SHAFT, RING—Governor connecting

SHAFT	HD (A), HR (A)	3850517	1
RING—Shaft retainer	HD (A), HR (A)	3798068	1

Required for H561 Transmission.

Required for H562, H563 Transmission.

†† Required for H563 Transmission.



4.265 VALVE BODY ASSEMBLY—Oil control and components

VALVE BODY ASSEMBLY—Primary	EK (A)	#8620952	1
SCREW—Fill hd. No. 10—24 x 1.38"	EK (A)	#8619082	1
VALVE BODY ASSEMBLY—Secondary	EK (A)	#8620998	1
SCREW—Fill hd. No. 10—24 x 1-1/4"	EK (A)	#8619089	1
BALL—.1875" Dia.	EK (A)	#169066	2
BALL—.25" Dia.	EK (A)	#169108	3
BOLT—Hex. hd. 1/4"—20 x 2"	EK (A)	#8621652	14
BOLT—Hex. hd. 1/4"—20 x 1.38"	EK (A)	#106322	4
BOLT—Hex. hd. 1/4"—20 x 1-1/2"	EK (A)	#179801	4
SPACER—Valve body	EK (A)	#8620881	1
PLATE—Channel	EK (A)	#8620682	1
SCREW—Fill hd. No. 10—24 x 7/8"	EK (A)	#8620574	2
SCREW—Fill hd. No. 10—24 x 1"	EK (A)	#8619086	3
SCREW—Flat. hd. No. 10—24 x 7/8"	EK (A)	#9415601	1
SPACER—Channel plate	EK (A)	#8621188	1
VALVE—Manual control	EK (A)	#8621206	1
LINK—Manual valve	EK (A)	#8621238	1
PIN—Valve bore plug ret. (1/8" x 61/64")	EK (A)	#8621169	6
PIN—Comp. valve plug ret. (1/8" x 1-1/8")	EK (A)	#8619866	1
PIN—2-3 boost valve ret. (5/32" x 5/8")	EK (A)	#8620575	1
PLUG—Accumulator valve bore	EK (A)	#8621178	1
PLUG—Band release timing valve bore	EK (A)	#8621175	1
PLUG—Compensator valve bore	EK (A)	#8620384	1
PLUG—Coupling timing valve bore	EK (A) up to Ser. No. FH561-3160	#8621179	1
PLUG—Low throttle control valve bore	EK (A)	#8620585	1
PLUG—1-2 governor valve bore	EK (A)	#8620587	1
PLUG—2-1 downshift valve bore	EK (A)	#8621174	1
PLUG—2-3 boost valve bore	EK (A)	#8621174	1
PLUG—2-3 governor valve bore	EK (A)	#8620383	1
PLUG—2-3 throttle valve bore	EK (A)	#8619771	1
PLUNGER—Manual detent	EK (A)	#8620689	1
RETAINER—Band apply bushing	EK (A)	#8621230	1
RETAINER—Band release accumulator valve	EK (A)	#8620781	1
RETAINER—Coupling timing valve	EK (A) up to Ser. No. FH561-3160	#8621183	1
RETAINER—Coupling timing valve	EK (A) from Ser. No. FH561-3161	#8620766	1
RETAINER—Low throttle control valve	EK (A)	#8621415	1
RETAINER—1-2 governor valve	EK (A)	#8621418	1
RETAINER—2-1 downshift valve	EK (A)	#8621184	1
RETAINER—2-3 governor valve	EK (A)	#8621416	1
RETAINER—2-3 throttle valve	EK (A)	#8621417	1
RING—1-2 governor valve retainer	EK (A)	#9416713	1
SPRING—Manual detent plunger	EK (A)	#8621133	1
RETAINER—Detent plunger (hairpin type)	EK (A)	#8616557	1
SCREW—Throttle valve adjusting	EK (A)	#8621185	1
SCREW—Throttle valve bore	EK (A)	#8621235	1
VALVE PACKAGE—Coupling signal	EK (A)	#8620989	1
VALVE BODY ASSEMBLY—Primary	EK (A), EJ (A), EH (A)	##8621927	1
SCREW—Fill. hd. No. 10—24 x 1.38"	EK (A), EJ (A), EH (A)	##8619082	1
VALVE BODY ASSEMBLY—Secondary	EK (A), EJ (A)	##8621928	1
VALVE BODY ASSEMBLY—Secondary	EH (A)	8622934	1
SCREW—Fill. hd. No. 10—24 x 1-1/4"	EK (A), EJ (A), EH (A)	##8619089	1
BALL—.1875" Dia.	EK (A), EJ (A), EH (A)	##169066	2
BALL—.25" Dia.	EK (A), EJ (A), EH (A)	##169108	3
BOLT—Hex. hd. 1/4"—20 x 2"	EK (A), EJ (A), EH (A)	##8621652	14
BOLT—Hex. hd. 1/4"—20 x 1.38"	EK (A), EJ (A), EH (A)	##106322	4
BOLT—Hex. hd. 1/4"—20 x 1-1/2"	EK (A), EJ (A), EH (A)	##179801	4
SPACER—Valve body	EK (A), EJ (A), EH (A)	##8621721	1

#Required for H561 Transmission.
##Required for H562, H563 Transmission.



HOLDEN

MASTER PARTS CATALOGUE

4.265 VALVE BODY ASSEMBLY—Oil control and components (Cont'd.)

PLATE—Channel	EK (A), EJ (A), EH (A)	##8621692	1
SCREW—Fill. hd. No. 10—24 x 7/8"	EK (A), EJ (A), EH (A)	##8620574	2
SCREW—Fill. hd. No. 10—24 x 1"	EK (A), EJ (A), EH (A)	##8619086	3
SCREW—Flat hd. No. 10—24 x 7/8"	EK (A), EJ (A), EH (A)	##9415601	1
SPACER—Channel Plate	EK (A), EJ (A), EH (A)	##8621188	1
VALVE—Manual control	EK (A), EJ (A), EH (A)	##8621206	1
LINK—Manual valve	EK (A), EJ (A), EH (A)	##8621238	1
PIN—Valve bore plug retainer (1/8" x 61/64")	EK (A), EJ (A), EH (A)	##8621169	5
PIN—Valve bore plug retainer (1/8" x 1-1/8")	EK (A), EJ (A), EH (A)	##8619866	2
PIN—3—4 boost valve retainer (5/32" x 5/8")	EK (A), EJ (A), EH (A)	##8620575	1
PLUG—Accumulator valve bore	EK (A), EJ (A), EH (A)	##8621178	1
PLUG—Band release timing valve bore	EK (A), EJ (A), EH (A)	##8621175	1
PLUG—Compensator valve bore	EK (A), EJ (A), EH (A)	##8620384	1
PLUG—3—2 downshift valve bore	EK (A), EJ (A), EH (A)	##8621174	1
PLUG—3—4 boost valve bore	EK (A), EJ (A), EH (A)	##8621174	1
PLUG—Low throttle control valve bore	EK (A), EJ (A), EH (A)	##8620383	1
PLUG—3—4 throttle valve bore	EK (A), EJ (A), EH (A)	##8619771	1
PLUG—2-3 governor valve bore	EK (A), EJ (A), EH (A)	##8622010	1
PLUNGER—Manual detent	EK (A), EJ (A), EH (A)	##8620689	1
RETAINER—Band apply bushing	EK (A), EJ (A), EH (A)	##8621230	1
RETAINER—Band release accumulator valve	EK (A), EJ (A), EH (A)	##8620781	1
RETAINER—Coupling timing valve	EK (A), EJ (A), EH (A)	##8620766	1
RETAINER—Low throttle control valve	EK (A), EJ (A), EH (A)	##8621415	1
RETAINER—3—2 downshift valve	EK (A), EJ (A), EH (A)	##8621184	1
RETAINER—3—4 governor valve	EK (A), EJ (A), EH (A)	##8621416	1
RETAINER—3—4 throttle valve	EK (A), EJ (A), EH (A)	##8620344	1
RING—2—3 governor valve retainer	EK (A), EJ (A), EH (A)	##9416713	1
SPRING—Manual detent plunger	EK (A), EJ (A), EH (A)	##8621133	1
RETAINER—Detent plunger (hairpin type)	EK (A), EJ (A), EH (A)	##8616557	1
SCREW—Throttle valve adjusting	EK (A), EJ (A), EH (A)	##8621185	1
SCREW—Throttle valve bore	EK (A), EJ (A), EH (A)	##8621235	1
SLEEVE—T.V. travel adj. (2 "V" grooves)	EK (A), EJ (A), EH (A)	##8620526*	1
SLEEVE—T.V. travel adj. ("V" groove at centre)	EK (A), EJ (A), EH (A)	##8620527*	1
SLEEVE—T.V. travel adj. ("V" groove at end)	EK (A), EJ (A), EH (A)	##8620528*	1
SLEEVE—T.V. travel adj. (no grooves)	EK (A), EJ (A), EH (A)	##8620529*	1
VALVE PACKAGE—Coupling signal	EK (A), EJ (A)	##8620989	1
BODY ASSEMBLY—Complete	HD (A), HR (A)	7420943	1
BODY ASSEMBLY—Upper valve	HD (A), HR (A)	3850524	1
BODY ASSEMBLY—Lower valve	HD (A), HR (A)	3847858	1
BOLT—Hex. hd. 1/4"—20 x 1/2"	HD (A), HR (A)	106972	6
BOLT—Hex. hd. 5/16"—18 x 1-5/8"	HD (A), HR (A)	179823	6
PLATE—Transfer	HD (A), HR (A)	7420926	1
GASKET—Transfer plate	HD (A), HR (A)	7420925	2
GASKET—Upper valve body plate	HD (A), HR (A)	3840329	1
MODULATOR ASSEMBLY—Vacuum	HD (A), HR (A)	3905488	1
GASKET—Modulator	HD (A), HR (A)	6257218	1
PLUNGER—Modulator	HD (A), HR (A)	3830311	1
VALVE—Vacuum modulator	HD (A), HR (A)	3847870	1
VALVE—Manual	HD (A), HR (A)	3789121	1
RING—Hydraulic modulator valve snap	HD (A), HR (A)	274613	1
RING—Pressure regulator spring seat	HD (A), HR (A)	3744352	1
NUT—T.V. spring adjusting	HD (A), HR (A)	3767300	1
PIN—Downshift timing valve stop	HD (A), HR (A)	274795	1
RING—Throttle valve retainer	HD (A), HR (A)	9416713	1
SCREEN—Throttle valve feed	HD (A), HR (A)	3846834	1
TUBE—Servo apply pressure	HD (A), HR (A)	3795898	1
BOLT—Hex. hd. 5/16"—18 x 1-3/8"	HD (A), HR (A)	179821	15
BOLT—Hex. hd. 5/16"—18 x 3/4"	HD (A), HR (A)	179816	1
BALL—1/8" diameter	HD (A), HR (A)	453566	7

* Selective fit.

##Required for H562, H563 Transmission.



4.278 LEVER, LINK—Transmission throttle valve inner

LEVER—Front	EK (A), EJ (A), EH (A)	8621409	1
LEVER & SHAFT—Rear	EK (A), EJ (A), EH (A)	8621151	1
LINK—Throttle valve lever	EK (A), EJ (A), EH (A)	8621157	1
RING—Throttle valve lever link ret.	EK (A), EJ (A), EH (A)	9416713	2
SCREW—Front lever	EK (A), EJ (A), EH (A)	8621412	1
LEVER	HD (A), HR (A)	3789138	1
SEAL—Control shaft	HD (A), HR (A)	3727391	1
BOLT—Hex. socket hd. 1/4"—20 x 1-1/16"	HD (A), HR (A)	9418470	1
NUT—Square machine screw 1/4"—20	HD (A), HR (A)	114380	1
WASHER—External tooth lock 1/4"	HD (A), HR (A)	114604	1

4.279 LEVER, ROLLER, RING, SPRING, RETAINER—Manual and detent shift

LEVER ASSEMBLY—Inside	EK (A), EJ (A), EH (A)	8621480	1
SCREW—Inner lever	EK (A), EJ (A), EH (A)	8621484	1
ROLLER and LEVER ASSEMBLY	HD (A), HR (A)	3789118	1
RING—Roller retainer	HD (A), HR (A)	274560	1
SPRING—Roller	HD (A), HR (A)	3839320	1
RETAINER—Roller spring	HD (A), HR (A)	3789117	1
LEVER ASSEMBLY—Parking lock & range selector, inner	HD (A), HR (A)	3824051	1
GUIDE—Inner lever	HD (A), HR (A)	3813591	1
BOLT—Hex. hd. 5/16"—18 x 3/4"	HD (A), HR (A)	179816	1
BOLT—Hex. socket hd. 1/4"—20 x 1-1/16"	HD (A), HR (A)	9418470	1
NUT—Sq. mach. screw 1/4"—20	HD (A), HR (A)	114380	1
WASHER—External tooth lock 1/4"	HD (A), HR (A)	114604	1

4.282 SHAFT, "O" RING, RETAINER, RING—Transmission manual SEAL & SPACER PACKAGE—Throttle valve shaft

SHAFT—Manual	EK (A), EJ (A), EH (A)	8620502	1
"O" RING—Manual shaft	EK (A), EJ (A), EH (A)	8621158	1
"O" RING—Manual shaft	EK (A), EJ (A), EH (A)	8621496	1
RETAINER—Manual shaft seal	EK (A), EJ (A), EH (A)	8621498	1
RETAINER—Manual shaft seal	EK (A), EJ (A), EH (A)	8621499	1
RING—Manual shaft retaining snap	EK (A), EJ (A), EH (A)	274270	1
RING—Manual shaft retaining snap	EK (A), EJ (A), EH (A)	274844	1
SEAL & SPACER—Throttle valve shaft	EK (A), EJ (A), EH (A)	8620937	1
SPACER—T.V. shaft (chamfered inside diameter)	EK (A), EJ (A), EH (A)	8621792	1
SEAL—Parking lock and range selector shaft oil	HD (A), HR (A)	3789137	1

4.286 LEVER—Transmission throttle valve outer

LEVER ASSEMBLY	EK (A), EJ (A), EH (A)	8622313	1
LEVER ASSEMBLY	HD (A), HR (A)	7420930	1
WASHER	HD (A), HR (A)	3748445	1

4.290 BRACKET, SHAFT, VALVE, SPRING—Trans. parking brake and reverse shifter BRACKET, RING—Trans. parking, brake lock reaction

BRACKET ASSEMBLY—Parking brake	EK (A), EJ (A), EH (A)	8621266	1
RING—Retaining snap	EK (A), EJ (A), EH (A)	9413183	2
SHAFT—Parking bracket pivot	EK (A), EJ (A), EH (A)	8621128	1
VALVE—Reverse blocker	EK (A), EJ (A), EH (A)	8621132	1
SPRING—Reverse blocker	EK (A), EJ (A), EH (A)	8621131	1
BRACKET—Parking brake	HD (A), HR (A)	3789127	1
RING—Pawl shaft retainer	HD (A), HR (A)	3750532	1
BOLT—Hex. hd. 5/16"—18 x 7/8"	HD (A), HR (A)	120229	2



HOLDEN

MASTER PARTS CATALOGUE

4.294 PAWL, PIN, SPACER—Transmission parking brake bracket ACTUATOR, SHAFT, PAWL—Transmission parking brake lock

PAWL & LEVER ASSEMBLY	EK (A), EJ (A), EH (A)	*8621584	1
PIN—Pawl pivot	EK (A), EJ (A), EH (A)	8621127	1
SPACER—Pawl pivot pin	EK (A), EJ (A), EH (A)	8619151	1
ACTUATOR ASSEMBLY	HD (A), HR (A)	3789142	1
SHAFT—Pawl	HD (A), HR (A)	3789130	1
PAWL	HD (A), HR (A)	3815199	1
RING—Actuator to inner level	HD (A), HR (A)	6257880	1

* Must be used with 8621592 spring.

4.295 SPRING—Transmission parking brake bracket, pawl disengaging

SPRING—Brake bracket	EK (A), EJ (A), EH (A)	#8621130	1
SPRING—Brake bracket	EK (A), EJ (A), EH (A)	##8621592	1
SPRING—Pawl disengaging	HD (A), HR (A)	3821953	1

#Must be used with 8621122 Pawl and lever

##Must be used with 8621584 Pawl and lever.

4.301 SHAFT, RETAINER, GASKET—Transmission Selector CRANK, "O" RING, LEVER—Transmission Shifter.

SHAFT ASSEMBLY	48, 50, FJ, FE, FC, FB, EK (M) RIGHT HAND DRIVE	7415640	1
NUT—Light hex. 3/8"—24	48, 50, FJ, FE, FC, FB, EK (M)	120369	1
WASHER—Spring lock 3/8"—Medium	48, 50, FJ, FE, FC, FB, EK (M)	120382	1
RETAINER—Selector shaft	48, 50, FJ, FE, FC, FB, EK (M) RIGHT HAND DRIVE	7400192	1
	LEFT HAND DRIVE	7415812	1
BOLT—Auto hex. hd. 1/4"—20 x 9/16"	48, 50, FJ, FE, FC, FB, EK (M)	117461	2
BOLT—Auto hex. hd. 1/4"—20 x 1 1/16"	48, 50, FJ, FE, FC, FB, EK (M)	SP1011	1
WASHER—Spring lock 1/4"—Medium	48, 50, FJ, FE, FC, FB, EK (M)	103319	3
GASKET—Retainer	48, 50, FJ, FE, FC, FB, EK (M)	7400206	1
CRANK ASSEMBLY—Shifter	EJ (M) EH (M) 149 Eng. up to Eng. No. 81520 RIGHT HAND DRIVE	7417672	1
CRANK ASSEMBLY—Shifter	EH (M) 149 Eng. from Eng. No. 81521 EH (M) 179 Eng., HD (M) with trans. Serial No. prefixed by "D" RIGHT HAND DRIVE	7424467	1
CRANK ASSEMBLY—Shifter	EJ (M), EH (M), HD (M) with trans. Serial No. prefixed by "D" LEFT HAND DRIVE	7417935	1
CRANK ASSEMBLY—Shifter	HD (M) with trans. Serial No. prefixed by "H" HR (M) 3 speed trans. RIGHT HAND DRIVE	7430981	1
	LEFT HAND DRIVE	7430982	1
WASHER—Special spring	EJ (M), EH (M), HD (M) HR (M) 3 speed trans.	7415827	1
NUT—Special	EJ (M), EH (M), HD (M) HR (M) 3 speed trans.	7417652	1
WASHER—Spring lock 11/32"—medium	EJ (M), EH (M), HD (M) HR (M) 3 speed trans.	SP1486	1
"O" RING	EJ (M), EH (M), HD (M) HR (M) 3 speed trans.	7417675	1
LEVER—Shift internal	EJ (M), EH (M), HD (M) HR (M) 3 speed trans.	7417676	1



4.301 SHAFT, RETAINER GASKET—Transmission Selector (Cont'd.).

CRANK, "O" RING, LEVER—Transmission Shifter (Cont'd.).

SHAFT—Selector with lever	HR (M) 4 speed trans.	732375	1
RING—Selector	HR (M) 4 speed trans.	761175	1
SPRING—Selector ring thrust	HR (M) 4 speed trans.	761300	1
WASHER—Spring	HR (M) 4 speed trans.	761325	1
CIRCLIP—Selector shaft	HR (M) 4 speed trans.	N52501	2

4.302 REPAIR KIT, SHAFT, WASHER, SEAL—Selector lever

LEVER, "O" RING—Transmission Selector.

REPAIR KIT	48, 50, FJ	7406608	1
SHAFT ASSEMBLY	48, 50, FJ, FE, FC, FB, EK (M)	7400204	1
WASHER—Spring lock 1/4"—Medium	48, 50, FJ, FE, FC, FB, EK (M)	120380	1
NUT—Light hex. 1/4"—28	48, 50, FJ, FE, FC, FB, EK (M)	120367	1
WASHER—Spring	48, 50, FJ, FE, FC, FB, EK (M)	7400257	1
SEAL	48, 50, FJ, FE, FC, FB, EK (M)	7400255	1
WASHER—Plain 25/64" x 3/4" x .059"	48, 50, FJ, FE, FC, FB, EK (M)	SP1225	1
LEVER ASSEMBLY	EJ (M), EH (M), HD (M) with trans. Serial No. prefixed by "D"		
	RIGHT HAND DRIVE	7417669	1
	LEFT HAND DRIVE	7417934	1
LEVER ASSEMBLY	HD (M) with trans. Serial No. prefixed by "H"		
	HR (M) 3 speed trans.		
	RIGHT HAND DRIVE	7430979	1
	LEFT HAND DRIVE	7430980	1
WASHER—Special spring	EJ (M), EH (M), HD (M) HR (M) 3 speed trans.	7415827	1
NUT—Special	EJ (M), EH (M), HD (M) HR (M) 3 speed trans.	7417652	1
WASHER—Spring lock 11/32"—Medium	EJ (M), EH (M), HD (M) HR (M) 3 speed trans.	SP1486	1
"O" RING	EJ (M), EH (M), HD (M) HR (M) 3 speed trans.	7417675	1

4.303 YOKE—Second & Third Shifter, First & Second Shifter, Third & Fourth Shifter

YOKE	48, 50, FJ, FE, FC, FB, EK (M)	7400213	1
YOKE KIT	EJ (M), EH (M), HD (M) with trans. Serial No. prefixed by "D"	7437600	1
YOKE	EJ (M), EH (M), HD (M) HR (M) 3 speed trans.	*7430721	1
YOKE—First and second shifter	HR (M) 4 speed trans.	734134	1
PIN—Spiral 5.5 x 24 m.m.	HR (M) 4 speed trans.	N54211	1
YOKE—Third and fourth shifter	HR (M) 4 speed trans.	734183	1
PIN—Spiral 5.5 x 24 m.m.	HR (M) 4 speed trans.	N54211	1

* When fitting to EJ (M), EH (M), HD (M) with trans. Serial No. prefixed by "D" it is necessary to use 1 each Spring Part No. 7430733 and Ball Part No. 453592.



HOLDEN

MASTER PARTS CATALOGUE

4.304 YOKE—First and Reverse Shifter

YOKE	48, 40, FJ, FE, FC, FB, EK (M)	7400214	1
YOKE	EJ (M)		
	EH (M) 149 Eng. up to Eng. No. 81520	7419424	1
YOKE	EH (M) 149 Eng. from Eng. No. 81521		
	EH (M) 179 Eng., HD (M) with		
	trans. Serial No. prefixed by "D"	7422399	1
YOKE SERVICE KIT	EH (M) 149 Eng. from Eng. No. 81521		
	EH (M) 179 Eng., HD (M) with		
	trans. Serial No. prefixed by "D"	7431970	1
YOKE	HD (M) with trans. Serial No.		
	prefixed by "H"		
	HR (M) 3 speed trans.	7430620	1
YOKE—Reverse shifter	HR (M) 4 speed trans.	734032	1
PIN—Spiral 5.5 x 24 m.m.	HR (M) 4 speed trans.	N54211	1

4.305 PIN—Shifter Yoke Guide

PIN	48, 50, FJ, FE, FC, FB, EK (M)	7400175	2
-----------	--------------------------------------	---------	---

4.308 CAM—First and Second Speed Shifter Shaft

CAM	HR (M) 4 speed trans.	732282	1
PIN—Spiral 5.5 x 24 m.m.	HR (M) 4 speed trans.	N54211	1

4.309 SHAFT, SCREW, WASHER, PIN, PLUG, "O" RING—Shifter.

SHAFT—First & reverse speed ..	48, 50, FJ, FE, FC, FB, EK (M) ..	7400215	1
SHAFT—Second & third speed ..	48, '50, FJ, FE, FC, FB, EK (M) ..	7400216	1
SCREW—Lock—Recess hex. hd. .	48, 50, FJ, FE, FC, FB, EK (M) ..	7400182	2
WASHER—Lock screw	48, 50, FJ, FE, FC, FB, EK (M) ..	7400256	2
SHAFT—First and reverse speed ..	EJ (M)		
	EH (M) 149 Eng. up to Eng. No. 81520	7417680	1
SHAFT—First and reverse speed ..	EH (M) 149 Eng. from Eng. No. 81521		
	EH (M) 179 Eng., HD (M) with		
	trans. Serial No. prefixed by "D"	7422396	1
SHAFT—Second and third speed ..	EJ (M), EH (M), HD (M) with		
	trans. Serial No. prefixed by "D"	7417681	1
SHAFT—First and reverse speed ..	HD (M) with trans. Serial No.		
	prefixed by "H"		
	HR (M) 3 speed trans.	7430599	1
SHAFT—Second and third speed ..	HD (M) with trans. Serial No.		
	prefixed by "H"		
	HR (M) 3 speed trans.	7430600	1
RETAINER—First and reverse shaft ..	HD (M) with trans. Serial No.		
	prefixed by "H"		
	HR (M) 3 speed trans.	7430769	1
PIN—Shifter shaft lock	EJ (M), EH (M), HD (M)		
	HR (M) 3 speed trans.	7421340	2
PLUG—Retaining	EJ (M), EH (M), HD (M)		
	HR (M) 3 speed trans.	7417913	2
"O" RING	EJ (M), EH (M), HD (M)		
	HR (M) 3 speed trans.	7417675	2
SHAFT—First and second speed ..	HR (M) 4 speed trans.	732035	1
SHAFT—Third and fourth speed ..	HR (M) 4 speed trans.	732082	1
SHAFT—Reverse	HR (M) 4 speed trans.	732129	1



4.311 SPRING—Shifter Shaft Lock Ball

SPRING	48, 50, FJ, FE, FC, FB, EK (M)	7400148	2
BALL—5/16" diameter	48, 50, FJ, FE, FC, FB, EK (M)	453591	2
SCREW—Shifter yoke & lever set	48, 50, FJ, FE, FC, FB, EK (M)	1301275	A.R.
SPRING	EJ (M), EH (M), HD (M) with trans. Serial No. prefixed by "D"	7417679	2
BALL—9/32" diameter	EJ (M), EH (M), HD (M) with trans. Serial No. prefixed by "D"	453590	2
SPRING	HD (M) with trans. Serial No. prefixed by "H"		
BALL—11/32" diameter	HR (M) 3 speed trans.	7430733	2
SPRING	HD (M) with trans. Serial No. prefixed by "H"		
BALL—8 m.m.	HR (M) 3 speed trans.	453592	2
PLUG	HR (M) 4 speed trans.	734368	3
THRUST PIECE—Reverse interlock spring	HR (M) 4 speed trans.	N11286	3
	HR (M) 4 speed trans.	734604	2
	HR (M) 4 speed trans.	734576	1

4.313 SHIELD, SEAL—Selector Shaft

SHIELD—Dust	48, 50, FJ, FE, FC, FB, EK (M) RIGHT HAND DRIVE	7400259	1
SEAL	48, 50, FJ, FE, FC, FB, EK (M) RIGHT HAND DRIVE	7403035	1
SEAL	HR (M) 4 speed trans.	732227	1

4.314 LEVER—First and Second Speed Intermediate Shifter

LEVER	HR (M) 4 speed trans.	732189	1
PIN—Spiral 5.5 m.m. x 24 m.m.	HR (M) 4 speed trans.	N54211	1

4.315 LEVER—Third and Fourth Speed Intermediate Shifter

LEVER	HR (M) 4 speed trans.	732196	1
PIN—Spiral 5.5 m.m. x 24 m.m.	HR (M) 4 speed trans.	N54211	1

4.316 LEVER—Reverse Speed Intermediate Shifter

LEVER	HR (M) 4 speed trans.	732195	1
PLUNGER—Lever lock	HR (M) 4 speed trans.	732252	1
PIN—Lever pivot	HR (M) 4 speed trans.	732311	1
SPRING—Plunger	HR (M) 4 speed trans.	734364	1

4.317 HOUSING, BUSHING, SEAL—Front Propellor Shaft RETAINER, COVER—Transmission Rear Bearing

HOUSING & BUSHING ASSEMBLY	48, 50, FJ, FE, FC, FB, EK (M)	7408347	1
BOLT—Auto. hex. hd. 5/16"—18 x 3/4"	*	100121	5
BOLT—Auto hex. hd. 5/16"—18 x 7/8"	**	120229	5
WASHER—Spring lock 5/16"—Medium	48, 50, FJ, FE, FC, FB, EK (M)	103320	5
BUSHING ASSEMBLY	*	7400402	1
SEAL	48, 50, FJ, FE, FC, FB, EK (M)	7400408	1

* 48, 50
FJ S.A. up to Ser. No. 8532A
Qld. up to Ser. No. B11824
Vic. up to Ser. No. M22115
W.A. up to Ser. No. P6473
N.S.W. up to Ser. No. 5/2386S

** FJ S.A. from Ser. No. 8533A
Qld. from Ser. No. B11825
Vic. from Ser. No. M22116
W.A. from Ser. No. P6474
N.S.W. from Ser. No. 5/2387S
FE, FC, FB, EK (M)



HOLDEN

MASTER PARTS CATALOGUE

4.317 HOUSING, BUSHING, SEAL—Front Propellor Shaft (Cont'd.). RETAINER, COVER—Transmission Rear Bearing (Cont'd.).

HOUSING ASSEMBLY	EJ (M)	7417619	1
BOLT—Hex. hd. mach. 5/16"—18 x 7/8" with lock washer	EJ (M)	425337	3
BOLT—Hex. hd. 5/16"—18 x 2"	EJ (M)	122065	1
HOUSING ASSEMBLY	EH (M) 149 Eng. up to Eng. No. 81520	7429652	1
HOUSING ASSEMBLY	EH (M) 149 Eng. from Eng. No. 81521		
	EH (M) 179 Eng., HD (M)		
	HR (M) 3 speed trans.	7429232	1
BOLT—Hex. hd. mach. 5/16"—18 x 1-1/8" with lock washer	EH (M) 149 Eng., up to Eng. No. 81520	425339	3
BOLT—Hex. hd. mach. 3/8"—16 x 1-1/4" with internal tooth lock washer	EH (M) 149 Eng. from Eng. No. 81521		
	EH (M) 179 Eng., HD (M)		
	HR (M) 3 speed trans.	425349	3
BOLT—Hex. hd. 5/16"—18 x 2"	EH (M), HD (M)		
	HR (M) 3 speed trans.	122065	1
WASHER—Special 5/16"—plain	EJ (M), EH (M)	7417621	1
WASHER—Special 5/16"—plain—copper	EH (M), HD (M)		
	HR (M) 3 speed trans.	7427424	1
SEAL—Front prop. shaft housing	EJ (M), EH (M), HD (M)		
	HR (M) 3 speed trans.	7400408	1
LINER—Front prop. shaft housing	ALL (M) 3 speed trans.	7429814	1
HOUSING	HR (M) 4 speed trans.	724186	1
BOLT—Hex. hd. 8 x 25 m.m.	HR (M) 4 speed trans.	N48332	5
SEAL—Housing oil	HR (M) 4 speed trans.	724508	1
RETAINER—Rear bearing	EK (A), EJ (A), EH (A)	8621491	1
BOLT—Hex. hd. 1/4"—20 x 3/4"	EK (A), EJ (A), EH (A)	100109	2
BOLT—Hex. hd. 3/8"—16 x 1-1/8"	EK (A), EJ (A), EH (A)	106331	7
COVER—Oil passage	EK (A), EJ (A), EH (A)	8621138	1
SCREEN ASSEMBLY—Governor feed line	EK (A) from Transmission Serial No. FH561-12150.		
	EJ (A), EH (A)	8620852	1
HOUSING—Rear bearing	HD (A), HR (A)	1828269	1
BUSHING—Housing	HD (A), HR (A)	3717682	1
BOLT—Hex. hd. 3/8"—16 x 1-3/8"	HD (A), HR (A)	179842	5

4.318 GASKET—Front Propeller Shaft Housing GASKET, SEAL—Transmission Rear Bearing Retainer

GASKET—Front propeller shaft housing	48, 50, FJ, FE, FC, FB, EK (M)	7400401	1
GASKET—Front propeller shaft housing	EJ (M)	7417622	1
GASKET—Front propeller shaft housing	EH (M) 149 Eng. up to Eng. No. 81520	7429718	1
GASKET—Front propeller shaft housing	EH (M) 149 Eng. from Eng. No. 81521		
	EH (M) 179 Eng., HD (M)		
	HR (M) 3 speed trans.	7429338	1
GASKET—Front propeller shaft housing	HR (M) 4 speed trans.	724532	1
GASKET—Rear bearing retainer	EK (A), EJ (A), EH (A)	8621141	1
SEAL—Rear bearing retainer	EK (A), EJ (A), EH (A)	8621142	1
SEAL—Housing to case	HD (A), HR (A)	3789056	1
SEAL ASSEMBLY—Housing oil	HD (A), HR (A)	3871649	1
BAFFLE—Oil drain back	HD (A), HR (A)	3816920	1
SEAL KIT—Rear bearing housing	HD (A), HR (A)	7448533	1



4.337 GEAR UNIT—Speedometer Drive and Driven

GEAR UNIT	48, 50, FJ	7405060	1
GEAR UNIT	FE, FC, FB, EK (M)	7405945	1
BALL—3/16" diameter	48, 50, FJ, FE, FC, FB, EK (M)	453587	1
GEAR—Speedo driven	EJ (M)	7417687	1
GEAR—Speedo drive	EJ (M)	7417684	1
GEAR—Drive	EK (A), EJ (A)	8621476	1
GEAR—Speedo driven	EK (A), EJ (A)	7417773	1
GEAR—Speedo driven	EH (M), HD 3.36 : 1 A.R.	7423041	1
GEAR—Speedo driven	EH (M) 3.55 : 1 A.R. HR (M) 3.36 : 1 A.R. 3 speed trans. HR (A) 3.36 : 1 A.R.	7423042	1
GEAR—Speedo driven	EH, HD 3.89 : 1 A.R. HR (M) 3.89 : 1 A.R. 3 speed trans. HR (A) 3.89 : 1 A.R.	7429341	1
GEAR—Speedo driven	HD 3.55 : 1 A.R. HR (M) 3.55 : 1 A.R. 3 speed trans. HR (A) 3.55 : 1 A.R.	7427984	1
GEAR—Speedo drive	EH (M), HD (M) HR (M) 3 speed trans.	7422996	1
GEAR—Speedo driven	HR (M) 3.36 : 1 A.R. 4 speed trans.	7430622	1
GEAR—Speedo driven	HR (M) 3.55 : 1 A.R. 4 speed trans.	7430623	1
GUIDE—Driven gear	HR (M) 4 speed trans.	7430619	1
PIN—Driven gear guide	HR (M) 4 speed trans.	724800	1
GEAR—Speedo drive	HR (M) 4 speed trans.	722027	1
BALL—5 m.m.	HR (M) 4 speed trans.	N11053	1
WASHER—Drive gear 30 x 48 x 4 m.m.	HR (M) 4 speed trans.	722276	1
WASHER—Drive gear spring 30 x 48 x 0.8 m.m.	HR (M) 4 speed trans.	722151	1
RING—Drive gear snap	HR (M) 4 speed trans.	714275	1
GEAR—Speedo driven	EH (A) 3.36 : 1 A.R.	7424057	1
GEAR—Speedo driven	EH (A) 3.55 : 1 A.R.	7424058	1
GEAR—Speedo drive	EH (A)	8622671	1
GEAR—Speedo drive	HD (A), HR (A)	7420923	1

4.338 "O" RING—Speedometer Driven Gear

"O" RING—1/4" x 1/16"	EK (A), EJ, EH, HD, HR (A) HR (M) 3 speed trans.	7416700	1
"O" RING—3/4" x 1/8"	EK (A), EJ (A), EH (A)	7411173	1
"O" RING—11/16" x 3/32"	EJ (M), EH (M), HD, HR (A) HR (M) 3 speed trans.	7417686	1
RING—Guide seal	HR (M) 4 speed trans.	724550	1
SEAL—Guide	HR (M) 4 speed trans.	724551	1



HOLDEN

MASTER PARTS CATALOGUE

4.339 SPEEDOMETER HEAD AND COMPONENTS

HEAD ASSEMBLY	48, 50, FJ	*1577872	1
SCREW—Pan head sl. machine No. 10-24 x 5/16"	48, 50, FJ	436729	4
BULB—Indicator light, 6-8 Volt 1 C.P.	48, 50, FJ	115273	1
HEAD ASSEMBLY—Miles per hour	FE, FC	7229318	1
HEAD ASSEMBLY—Miles per hour	FB, EK	#7416278	1
HEAD ASSEMBLY—Kilos per hour	FB, EK	7961719	1
HEAD ASSEMBLY—Miles per hour	EJ	##7419150	1
HEAD ASSEMBLY—Kilos per hour	EJ	**7421617	1
HEAD ASSEMBLY—Miles per hour	EH	†7421618	1
HEAD ASSEMBLY—Kilos per hour	EH	7421617	1
HEAD ASSEMBLY—Miles per hour	HD, HR	††7423553	1
HEAD ASSEMBLY—Kilos per hour	HD, HR	7420255	1
SCREW—Pan hd. sl. tapp. Type "B" No. 8—18 x 3/8"	FE, FC	111688	2
SCREW—Rd. hd. cr. rec. tap Type "T" No. 8—32 x 3/8"	FB, EK, EJ, EH	274565	2
SCREW—Pan hd. cr. rec. tap Type "T" No. 8—15 x 3/4"	HD	179338	2
SCREW—Pan hd. cr. rec. tap No. 8—15 x 1/2"	HR	161860	2
WASHER—Plain 3/16" x 3/8" x .049"	FE, FC, FB, EK, EJ, EH	446143	2
BULB—Indicator light, 12-16 Volt 1 C.P.	FE, FC, FB, EK, EJ, EH, HD	131282	1
BULB—Indicator light, 12-16 Volt .7 C.P.	HR	274004	1

* Speedometer head No. 1577872 replaces head Nos. 1568718 and 1577652 as an assembly. For identification purposes all heads have the assembly No. stamped on the case.

**Speedometer head Part No. 7421617 replaces speedometer head Part No. 7419515 as an assembly.

#Speedometer head Part No. 7416278 (V.D.O.) replaces speedometer head Part No. 7229808 (A.C.) as an assembly.

##Speedometer heads Part No. 7419150 (V.D.O.) and Part No. 7962273 (A.C.), calibrated in Miles Per Hour, fitted optionally in production.

†NOTE: Speedometer Heads Part No. 7421618 (V.D.O.) and Part No. 7962513 (AC), calibrated in Miles Per Hour, fitted optionally in production.

††Speedometer Heads Part No. 7423553 (V.D.O.), 7428479 (Stewart Warner) and Part No. 7970012 (A.C.), calibrated in Miles Per Hour, fitted optionally in production.

HOLDEN

MASTER PARTS CATALOGUE



4.339 SPEEDOMETER HEAD AND COMPONENTS

COMPONENTS	HEAD NO. 1568718	HEAD NO. 1577652	HEAD NO. 1577872	HEAD NO. 7229318
BEZEL	1582550
BUSHING—Frame	868428	1577665	1577665
BUSHING—Second worm retainer	868142	868142	868142	868142
CARRIER—Odometer pinion	868154	868154	868154
CASE	1577688
COLLAR—First worm	868968
COLLAR—Odometer wheel retaining	1577384	1577384	1577384
CUP—Jewel plate	1577650
CUP—Speed	1568695	1577661	1577661	1577661
DIAL	1577658	1577658
DIAL—Beam indicator	7220066	1581085
DIAL—Centre	1582553
DIAL—Sub.	1581392
FRAME—Main	1586162	7962494	7962494	7962494
GASKET—Case	1577666	1577666
GASKET—Mounting	1568724
GEAR—Intermediate	868143	868143	868143
GLASS	1577667	1577667	1577667	1581390
ODOMETER	1568686	7970073	7970073	7970073
PINION—Fourth	868171	869203	869203	869203
PINION—Odometer transfer	848285	848285	848285
PLATE—Field	868134	868134	868134
PLATE—Jewel	1577659
PLUG—Oil wick sealing	845163	845163	845163	845163
POINTER	1577654	1577654	1577654	1581394
RETAINER—Odometer shaft	869461	869461	869461	869461
RETAINER—Pinion carrier	868135
SCREW—Dial	869969	869969
SCREW—Field plate	131954	131954	131954
SCREW—Frame to case	131966	131954	131966	131966
SCREW—Jewel plate	868140	868140	868140	868140
SHAFT—Odometer	1577381
SPACER—Case	1577664	1577664
SPACER—Screw and grommet mounting	1566449
SPRING—Jewel screw lock	868752
STUD—Intermediate gear	868157	868157	868157
WASHER—First worm collar thrust	1562651
WASHER—First worm retaining	869642	869642
WASHER—First worm thrust	868141	868141	868141	868141
WASHER—Frame to case (paper)	868081
WASHER—Frame thrust	869643	869643
WASHER—Odometer thrust	847698	847698	847698
WASHER—Second worm thrust	7229604	7229604	7229604	7229604
WASHER—Spindle thrust	868132	868132	868132	868132
WHEEL—Decimal figure	1560353
WHEEL AND SHAFT—Decimal figure	860020	7229056	7229056
WICK—Oil	860020	7962484	860020	860020
WORM AND MAGNET—First	7962484	7962484
WORM—Second	868121	868121	868121	868121
WORM—Third	868123	868123	868123	868123



HOLDEN

MASTER PARTS CATALOGUE

4.339 SPEEDOMETER HEAD AND COMPONENTS (Contd.)

COMPONENTS	Head No. 7229808	Head No. 7416278	Head No. 7419150
ADJUSTER—Hair spring	1568692		
BALL—Second worm shaft thrust		7425094	7425094
BEARING—Third worm and gear swivel		7425077	7425077
BEARING ASSEMBLY—Third worm and gear swivel			7421944
BEZEL	1582550		7421953
BUSHING—Frame	1577665		
BUSHING—Second worm retainer	868142		
CARRIER—Odometer pinion	868154		
CASE		7425078	7421945
COLLAR—Odometer wheel retaining	1577384		
CUP—Jewel indicator spindle		7425095	7421952
CUP—Speed	7229553	7425074	7421942
DIAL	7229807	7425103	7421959
DIAL—Inner	7229957	7425079	7421946
DISC—Warning light	1581085	7425102	
DISC ASSEMBLY—indicator	7229952	7425083	
FRAME—Main	7962494	VS10179	VS10179
GASKET—Case	1577666		
GEAR—First		7425072	7421941
GEAR—Second and third		7425086	7425086
GEAR—Intermediate	868143		
LENS—High beam ind. lamp			7421958
MAGNET & SPINDLE ASSEMBLY		7425076	7421943
MASK—Inner dial			7422151
NUT—Frame lock—18 m.m. 1.5 m.m. pitch		7425088	7425088
NUT—Frame lock—5/8"—18		VS10180	VS10180
ODOMETER	7970073	7425080	7421947
PIN—Hair spring lock		7425109	7425109
PIN—Jewel cup lock		7425110	
PIN—Pointer stop			7421962
PINION—Fourth	869203		
PINION—Odometer transfer	848285	7425100	7425100
PLATE—Field	868134		
PLATE—Jewel	1577659		
PLATE—Jewel indicator spindle		7425081	7421948
PLUG—Oil wick sealing	845163		
POINTER			7421949
RETAINER—Dial	7229951		
RETAINER—Drive spindle		7425071	7425071
RETAINER—Odometer shaft	869461		
RING—Field		7425073	7425073
SCREW—Dial	869969	7425111	7425111
SCREW—Dial retainer	131966		
SCREW—Drive spindle housing		7425107	7425107
SCREW—Field Plate	131954		
SCREW—Jewel plate	868140	7425105	7421961
SCREW—Swivel bearing		7425106	7425106
SHAFT—Second worm			7425087
SHAFT—Second worm and first gear			7421954
SHAFT—Third worm		7425089	7421950
SHAFT—Odometer figure wheel		7425084	7425084
SHAFT—Odometer transfer pinion		7425085	7425085
SPACER—Case	1577664		
SPACER—Jewel plate		7425092	
SPRING—Hair		7425098	7421955
STUD—Intermediate gear	868157		
SUPPORT—Dial	7229954	7425082	
TUBE—High beam indicator lamp			7421960
WASHER—First worm retaining	869642		
WASHER—First worm thrust	868141		
WASHER—Frame thrust	869643		
WASHER—Main frame lock nut		7425091	7425091
WASHER—Odometer thrust	847698		
WASHER—Second worm thrust	7229604		
WASHER—Special slotted		7425093	7425093
WASHER—Swivel plate screw		7425090	7421951
WASHER—Spindle thrust	868132	7425108	7425108
WEIGHT—Balance	7961722		
WHEEL—Decimal figure		7425101	7421957
WHEEL—Total figure		7425099	7421956
WHEEL AND SHAFT—Decimal figure	7229056		
WICK—Oil	860020		
WORM ASSEMBLY—First	7962479		
WORM—Second		7425087	
WORM—Third	868123		

HOLDEN

MASTER PARTS CATALOGUE



4.339 SPEEDOMETER HEAD AND COMPONENTS (Cont'd.)

COMPONENTS	Head No. 7419515	Head No. 7421617	Head No. 7421618
BALL—Second worm shaft thrust	7425094	7425094	7425094
BEARING—Third worm and gear swivel	7425077	7425077	7425077
BEARING ASSEMBLY—Third worm and gear swivel			7421944
BEZEL—Speedometer	7421953	7421953	7421953
CASE	7421945	7421945	7421945
CUP—Jewel speedo ind. spindle	7421952	7421952	7421952
Cup—Speed	7421942	7421942	7421942
DIAL	7422155	7425966	7425967
DIAL—Inner	7421946	7421946	7421946
FRAME—Main	VS10179	VS10179	VS10179
GEAR—First	7421941	7421941	7421941
GEAR—Second	7422153	7422153	
GEAR—Second and third			7425086
GEAR—Third	7422150	7422150	
LENS—High beam ind. lamp	7421958	7421958	7421958
MAGNET & SPINDLE ASSEMBLY	7421943	7421943	7421943
MASK	7422151	7422151	7422151
NUT—Frame lock—18 m.m. 1.5 m.m. pitch	7425088	7425088	7425088
NUT—Frame lock—5/8"—18	VS10180	VS10180	VS10180
ODOMETER ASSEMBLY			7421947
PIN—Hair spring lock	7425109	7425109	7425109
PIN—Pointer stop	7421962	7421962	7421962
PINION—Odometer transfer	7425100	7425100	7425100
PLATE—Jewel	7421948	7421948	7421948
POINTER	7421949	7421949	7421949
RETAINER—Drive spindle	7425071	7425071	7425071
RING—Field	7425073	7425073	7425073
SCREW—Dial	7425111	7425111	7425111
SCREW—Drive spindle housing	7425107	7425107	7425107
SCREW—Jewel plate	7421961	7421961	7421961
SCREW—Swivel bearing	7425106	7425106	7425106
SHAFT—Second worm	7422154	7422154	7425087
SHAFT—Second worm and first gear	7422158	7422158	7421954
SHAFT—Third Worm			7421950
SHAFT—Odometer figure wheel	7425084	7425084	7425084
SHAFT—Odometer transfer pinion	7425085	7425085	7425085
SPRING—Hair	7421955	7426403	7426403
TUBE—High beam ind. lamp	7421960	7421960	7421960
WASHER—Spindle thrust	7425108	7425108	7425108
WASHER—Main frame lock nut	7425091	7425091	7425091
WASHER—Special slotted	7425093	7425093	7425093
WASHER—Swivel plate screw	7421951	7421951	7421951
WHEEL—Decimal figure	7421957	7421957	7421957
WHEEL—Total figure	7421956	7421956	7421956



HOLDEN

MASTER PARTS CATALOGUE

4.339 SPEEDOMETER HEAD AND COMPONENTS (Cont'd.)

COMPONENTS	Head No. 7961719	Head No. 7962273	Head No. 7962513
ADJUSTER—Hair spring	1568692	1568692	1568692
BEZEL—Speedometer	1582550
BUSHING—Frame	1577665	1577665	1577665
BUSHING—Second worm retainer	868142	868142	868142
CARRIER—Odometer pinion	868154	868154
CASE	7962405	7962405
COLLAR—Odometer wheel retaining	1577384	1577384	1577384
CUP—Speed	7229553	7229631	7229631
DIAL	7962394	7962751
DIAL—Inner	7961996	7962402	7962755
DISC ASSEMBLY—Speed indicator	7229952
FRAME—Main	7962494	7962494	7962494
GASKET—Case	1577666	1577666	1577666
GEAR—Intermediate	868143
MASK	7962395	7962395
ODOMETER ASSEMBLY	7970073	7970073	7970073
PINION—Fourth	869203	869203	869203
PINION—Odometer transfer	848285	848285	848285
PLATE—Field	868134	868134	868134
PLATE—Jewel	1577659	1577659	1577659
PLUG—Oil wick sealing	845163	845163
POINTER	7962399	7962399
RETAINER—Dial	7229951
RETAINER—Odometer shaft	869461	869461	869461
SCREW—Dial	869969	869969	869969
SCREW—Dial retainer	131966	131966	131966
SCREW—Field plate	131954	131954	121716
SCREW—Jewel plate	868140	868140	868140
SPACER—Case	1577664	1577664	1577664
STUD—Intermediate gear	868157
SUPPORT—Dial	7229954
WASHER—First worm retaining	869642	869642	869642
WASHER—First worm thrust	868141	868141
WASHER—Frame thrust	869643	869643	869643
WASHER—Odometer thrust	847698	847698	847698
WASHER—Second worm thrust	7229604	7229604	7229604
WASHER—Spindle thrust	868132	868132	868132
WHEEL and SHAFT—Decimal figure	7229056	7229056	7229056
WICK—Oil	860020	860020
WORM ASSEMBLY—First	7962479	7962484	7962484
WORM—Second	7961614	7961613	7961613
WORM—Third	868124	868123	868123

HOLDEN

MASTER PARTS CATALOGUE



4.339 SPEEDOMETER HEAD and COMPONENTS (Cont'd.) COMPONENTS

	Head No. 7420255	Head No. 7423553	Head No. 7970012
BALL—Second worm shaft thrust	7425094	7425094
BEARING—Third worm and gear swivel	7425077	7425077
BEARING ASSEMBLY—Third worm and gear swivel	VS10062	VS10070
BEZEL	VS10053	VS10053	7962946
BUSHING—Frame	1577665
BUSHING—Second worm retainer	868142
CAP	VS10069	VS10069
CARRIER—Odometer pinion	868154
CASE	VS10073	VS10073	7962952
COLLAR—Odometer wheel retaining	1577384
CUP—Jewel indicator spindle	7425095	7425095
CUP—Speed	7425074	7425074	1577774
DIAL	VS10058	VS10064	7962949
DIAL—Inner	VS10059	VS10066	7962971
DISC—Warning light	1581085
FRAME—Main	VS10179	VS10179	7962494
GASKET—Case	VS10063	VS10063	1577666
GEAR—First	7425072	7425072
GEAR—Second	7422153
GEAR—Second and third	7425086
GEAR—Third	7422150
GEAR—Intermediate	868143
MAGNET and SPINDLE ASSEMBLY	7425076	7425076	7962484
NEST	VS10056	VS10056
NUT—Frame lock—5/8"—18	VS10180	VS10180
ODOMETER ASSEMBLY	VS10060	VS10072	1577868
PIN—Hair spring lock	7425109	7425109
PIN—Pointer stop	VS10067	VS10067
PINON—Odometer transfer	7425100	7425100	848285
PLATE—Field	7229292
PLATE—Jewel	7421948	7421948	1577659
POINTER	VS10065	VS10065	7962969
RETAINER—Dial	7962950
RETAINER—Drive spindle	7425071	7425071
RETAINER—Odometer shaft	869461
RING—Field	7425073	7425073
SCREW—Dial	869969
SCREW—Dial retainer	131966
SCREW—Drive spindle housing	7425107	7425107
SCREW—Field plate	121716
SCREW—Jewel plate	7425105	7425105	868140
SCREW—Swivel bearing	7425106	7425106
SHAFT—Second worm	7422154	7425087
SHAFT—Second worm and first gear	VS10061	VS10071
SHAFT—Third worm	VS10032	7425089
SHAFT—Odometer figure wheel	7425084	7425084
SHAFT—Odometer transfer pinion	7425085	7425085
SPACER—Case	1577664
SPRING—Hair	VS10068	VS10068
STUD—Intermediate gear	868157
TUBE—Light	7962148
WASHER—First worm retaining	869642
WASHER—Frame thrust	869643
WASHER—Main frame lock nut	7425091	7425091
WASHER—Odometer thrust	847698
WASHER—Second worm thrust	7229604
WASHER—Special slotted	7425093	7425093
WASHER—Swivel plate screw	7425090	7425090
WASHER—Spindle thrust	7425108	7425108	868132
WHEEL—Decimal figure	7425101	7425101
WHEEL—Total figure	7425099	7425099
WHEEL and SHAFT—Decimal figure	7229056
WORM—Second	7961613
WORM—Third	868123
WORM—Fourth	7962900



HOLDEN

MASTER PARTS CATALOGUE

4.339 SPEEDOMETER HEAD AND COMPONENTS (Cont'd.)

COMPONENTS	Head No. 7428479
BEZEL	VS10077
BUSHING—First worm shaft	VS10097
CASE	VS10103
CLIP—Odometer retainer	VS10085
CUP—Jewel	VS10090
CUP—Speed	VS10093
DIAL	VS10079
DIAL—Inner	VS10083
EYELET—3/16"	VS10105
FRAME	VS10216
GASKET—Bezel	VS10078
GASKET—Case	VS10107
GROMMET—3/16"	VS10104
HOUSING—Drive spindle	VS10099
LENS—High beam ind. lamp	VS10140
MAGNET & SPINDLE ASSEMBLY	VS10095
MASK	VS10080
ODOMETER ASSEMBLY	VS10084
PIN—Hair spring	VS10086
PLATE—Jewel	VS10091
POINTER	VS10081
REGULATOR—Hair spring	VS10089
RETAINER—Drive spindle	VS10101
RIVET—Inner dial	VS10082
SCREW—Pan hd. sl. tap No. 4—24 x 5/16"	VS10227
SCREW—Pan hd. cr. rec. mach. No. 8—32 x 5/16"	159577
SHAFT—First worm	VS10098
SHAFT—Second worm	VS10094
SPEED UNIT ASSEMBLY	VS10106
SPRING—Hair	VS10087
TUBE—High beam ind. lamp	VS10102
WASHER—Spindle thrust, inner	VS10096
WASHER—Spindle thrust, outer	VS10100
WASHER—Needle thrust	VS10092

HOLDEN

MASTER PARTS CATALOGUE



4.342 CABLE AND CASING—Speedometer

CABLE AND CASING	48, 50, FJ	7404033	1
CASING	48, 50, FJ	7405342	1
CABLE KIT	48, 50, FJ	7405341	1
CABLE AND CASING	FE, FC	7409978	1
CASING	FE, FC	7405950	1
CABLE KIT	FE, FC	7405951	1
GROMMET—Speedo cable and choke control	FE, FC	7409796	1
CLIP—Cable to floor pan	FE, FC	7413031	1
CLIP—Cable attaching	48, 50, FJ, FE, FC	7410212	1
CABLE AND CASING	FB, EK (M)	RIGHT HAND DRIVE LEFT HAND DRIVE	7412932 7415849
CASING	FB, EK (M)	RIGHT HAND DRIVE	7406814
CABLE KIT	FB, EK (M)	RIGHT HAND DRIVE LEFT HAND DRIVE	7406815 7425070
CABLE AND CASING	EK (A)	RIGHT HAND DRIVE	7417770
CASING	EK (A)	RIGHT HAND DRIVE	7425450
CABLE KIT	EK (A)	RIGHT HAND DRIVE LEFT HAND DRIVE	7425452 7425453
RETAINER—Cable, drive end	EK (A)		7417424
CLIP—Cable to master cylinder reservoir	FB, EK (M)	RIGHT HAND DRIVE	7414401
CLIP—Cable to floor pan	FB, EK		7413031
CLIP—Cable to frame brace	FB, EK		SP1378
CABLE AND CASING	EJ (M), EH (M)	RIGHT HAND DRIVE LEFT HAND DRIVE	7417685 7417481
CASING	EJ (M), EH (M)	RIGHT HAND DRIVE LEFT HAND DRIVE	7421526 7421525
CABLE KIT	EJ (M), EH (M)	RIGHT HAND DRIVE LEFT HAND DRIVE	7421522 7421521
CABLE AND CASING	EJ (A), EH (A)	RIGHT HAND DRIVE LEFT HAND DRIVE	7418651 7418731
CASING	EJ (A), EH (A)	RIGHT HAND DRIVE	7421528
CABLE KIT	EJ (A), EH (A)	RIGHT HAND DRIVE LEFT HAND DRIVE	7421524 7421523
BOLT—Hex. hd. 1/4"—28 x 7/16"	EJ, EH		123308
WASHER—Spring lock, 1/4"—light	EJ, EH		121637
GROMMET—Speedo cable and choke control	EJ (A), EH (A)	RIGHT HAND DRIVE	7417483
GROMMET—Speedo cable and choke control	EJ (M), EH (M)	LEFT HAND DRIVE	7417483
RETAINER—Cable drive end	EJ (A), EH (A)		7417424
BOLT—Pan hd. sl. mach. 1/4"—20 x 1/2"	EJ (A), EH (A)		443507
WASHER—Spring lock, 1/4"—medium	EJ (A), EH (A)		120380
CLIP—Cable to front body pillar brace	EJ (M)	RIGHT HAND DRIVE	7419574
CLIP—Cable to front body pillar brace	EH (M)	RIGHT HAND DRIVE	SP1546
CLIP—Cable to front body pillar brace	EJ (A), EH (A)	LEFT HAND DRIVE	7413032
CABLE and CASING	HD (M), HR (M)	3 speed trans. RIGHT HAND DRIVE LEFT HAND DRIVE	7430787 7431222
Cable and CASING	HR (M)	4 speed trans. RIGHT HAND DRIVE LEFT HAND DRIVE	7430648 7430647
CASING	HD (M), HR (M)	3 speed trans. RIGHT HAND DRIVE LEFT HAND DRIVE	VS10194 VS10196
CASING	HR (M)	4 speed trans. RIGHT HAND DRIVE LEFT HAND DRIVE	VS10198 VS10197
CABLE KIT	HD (M), HR (M)	3 speed trans. RIGHT HAND DRIVE LEFT HAND DRIVE	7429096 7429098
CABLE KIT	HD (M), HR (M)	4 speed trans. RIGHT HAND DRIVE LEFT HAND DRIVE	VS10200 VS10199



HOLDEN

MASTER PARTS CATALOGUE

4.342 CABLE AND CASING—Speedometer (Cont'd.).

CABLE and CASING	HD (A), HR (A) RIGHT HAND DRIVE	7431219	1
	LEFT HAND DRIVE	7431221	1
CASING	HD (A), HR (A) RIGHT HAND DRIVE	VS10193	1
	LEFT HAND DRIVE	VS10195	1
CABLE KIT	HD (A), HR (A) RIGHT HAND DRIVE	7429092	1
	LEFT HAND DRIVE	7429094	1
GROMMET—Speedo cable	HD, HR	7424982	1
RETAINER—Cable drive end	HD (A), HR (A)	7417424	1
BOLT—Hex. hd. sl. mach. 1/4"—20 x 1/2"	HD (A), HR (A)	9415794	1
WASHER—Spring lock 1/4"—Medium	HD (A), HR (A)	120380	1
CLIP—Cable	HD, HR	7426287	1
CLIP—Cable to dash panel	HD, HR LEFT HAND DRIVE	7413032	1

4.351 GEAR—Clutch

GEAR	48, 50, FJ, FE, FC, FB, EK (M)	7410410	1
GEAR	EJ (M), EH (M), HD (M) with trans. Serial No. prefixed by "D"	7423269	1
GEAR	HD (M) with trans. Serial No. prefixed by "H"		
GEAR	HR (M) 3 speed trans.	7429950	1
	HR (M) 4 speed trans.	712072	1

4.352 BEARING—Main Shaft Front

NEEDLE ROLLER	ALL (M) 3 speed trans.	7400162	13
BEARING PACKAGE	ALL (M) 3 speed trans.	7427678	1
BEARING ASSEMBLY—Needle	HR (M) 4 speed trans.	720178	1

4.353 RING—Mainshaft Front

RING	HR (M) 4 speed trans.	716251	1
------	-----------------------	--------	---

4.355 BEARING, SHIM—Clutch gear

BEARING	48, 50, FJ, FE, FC, FB, EK (M), EJ (M) EH (M), HD (M)	N954413	1
BEARING—Sealed	EJ (M), EH (M), HD (M) HR (M) 3 speed trans.	†7428955	1
SHIM—Outer lock ring .005"	EJ (M)	7426710	A.R.
SHIM—Outer lock ring .015"	EJ (M)	7426711	A.R.
SCREW—Bearing retaining No. 10—24 x 1/4"	EJ (M), EH (M), HD (M) HR (M) 3 speed trans.	436567	1
BEARING	HR (M) 4 speed trans.	714011	1
RING—Bearing snap	HR (M) 4 speed trans.	N57020	1

†Bearing 7428955 must not be used with unvented Clutch Gear.

4.356 RETAINER—Clutch Gear and Bearing

RETAINER—Gear	48, 50, FJ, FE, FC, FB, EK (M)	7400242	1
BOLT—Auto. hex. hd. 5/16"—18 x 7/8"	48, 50, FJ, FE, FC, FB, EK (M)	120229	3
WASHER—Spring lock 5/16"—Medium	48, 50, FJ, FE, FC, FB, EK (M)	103320	3
RETAINER—Bearing	EJ (M), EH (M), HD (M) HR (M) 3 speed trans.	7417663	1



4.358 GASKET—Clutch Gear Retainer

GASKET	48, 50, FJ, FE, FC, FB, EK (M)	7400240	1
--------------	--------------------------------------	---------	---

4.370 SEAL—Clutch Gear

SEAL	HR (M) 4 speed trans.	714302	1
------------	----------------------------	--------	---

4.374 SLINGER, WASHER—Clutch Gear Bearing Oil

SLINGER	48, 50, FJ, FE, FC, FB, EK (M)	7400226	1
WASHER—Deflector	HR (M) 4 speed trans.	714057	1
RING—Deflector 30 x 44 x 6 m.m.	HR (M) 4 speed trans.	714076	1

4.376 RING—Clutch Gear Bearing Lock

RING—(.062")	48, 50, FJ, FE, FC, FB, EK (M)	*7400305	1
RING—(.0643")	48, 50, FJ, FE, FC, FB, EK (M)	*7400306	1
RING—(.0666")	48, 50, FJ, FE, FC, FB, EK (M)	*7400307	1
RING—(.069")	48, 50, FJ, FE, FC, FB, EK (M)	*7400308	1
RING	HR (M) 4 speed trans.	714275	1

* Selective fit.

4.380 HUB—Synchronizing Clutch

HUB—First and second sliding gear	HR (M) 4 speed trans.	718159	1
HUB—Third and fourth sliding gear	HR (M) 4 speed trans.	718454	1

4.381 RING—Synchronising Cone Retaining

RING	ALL (M) 3 speed trans.	7400230	2
------------	-----------------------------	---------	---

4.383 CONE, SPRING—Synchronising

CONE—Friction	ALL (M) 3 speed trans.	7400128	2
SPRING—Cone energising	ALL (M) 3 speed trans.	7400223	2
CONE—First and second speed	HR (M) 4 speed trans.	718909	2
CONE—Third and fourth speed	HR (M) 4 speed trans.	718904	2
SPRING—First and second speed	HR (M) 4 speed trans.	718934	2
SPRING—Third and fourth speed	HR (M) 4 speed trans.	718933	2

4.384 KEY—Synchronizing Clutch

KEY—First and second speed	HR (M) 4 speed trans.	734133	3
KEY—Third and fourth speed	HR (M) 4 speed trans.	734182	3

4.385 SLEEVE—Third and Fourth Clutch

SLEEVE	HR (M) 4 speed trans.	718381	1
RING—Sleeve snap	HR (M) 4 speed trans.	718753	1



HOLDEN

MASTER PARTS CATALOGUE

4.395 GEAR—Main Shaft Second Speed

GEAR	48, 50, FJ, FE, FC, FB, EK (M), EJ (M) EH (M), HD (M) with trans. Serial No. prefixed by "D"	7423268	1
GEAR	HD (M) with trans. Serial No. prefixed by "H"		
GEAR	HR (M) 3 speed trans.	7429949	1
GEAR	HR (M) 4 speed trans.	718647	1

4.398 WASHER—Main Shaft Thrust

WASHER	ALL (M)	7400222	1
--------	---------	---------	---

4.403 MAIN SHAFT—Transmission

MAIN SHAFT UNIT ASSEMBLY	48, 50, FJ, FE, FC, FB, EK (M)	#7413028	1
MAIN SHAFT—With front propeller shaft (integral)	48, 50, FJ, FE, FC, FB, EK (M)	7400127	1
MAIN SHAFT UNIT ASSEMBLY	EJ (M), EH (M), HD (M) with trans. Serial No. prefixed by "D"	#7413029	1
MAIN SHAFT—With front propeller shaft (integral)	EJ (M), EH (M), HD (M) with trans. Serial No. prefixed by "D"	7417658	1
MAIN SHAFT UNIT ASSEMBLY	HD (M) with trans. Serial No. prefixed by "H"		
	HR (M) 3 speed trans.	#7430068	1
MAIN SHAFT—With front propeller shaft (integral)	HD (M) with trans. Serial No. prefixed by "H"		
	HR (M) 3 speed trans.	7429941	1
MAIN SHAFT	HR (M) 4 speed trans.	716042	1

Main Shaft Unit Assembly consists of "factory matched" Main Shaft and Second and Third Speed Synchronising Clutch.

4.408 BEARING ASSEMBLY—Main Shaft Rear

SLEEVE & BUSHING, BEARING, BOLT—Rear Bearing Retainer

BEARING ASSEMBLY	48, 50, FJ, FE, FC	N954412	1
BEARING ASSEMBLY (Double Row)	FB, EK (M)	*7406231	1
BEARING ASSEMBLY	EJ (M), EH (M), HD (M)	7417661	1
BEARING ASSEMBLY—Sealed	EH (M), HD (M)		
	HR (M) 3 speed trans.	**7428954	1
BEARING ASSEMBLY	HR (M) 4 speed trans.	720016	1
SLEEVE & BUSHING ASSEMBLY	EK (A), EJ (A), EH (A)	8621493	1
BEARING PACKAGE—Retainer thrust	EK (A), EJ (A), EH (A)	8620942	1
BOLT—Sleeve retaining	EK (A), EJ (A), EH (A)	8620302	1
BEARING ASSEMBLY—Output shaft	HD (A), HR (A)	3742922	1

* When fitting to 48, 50, FJ, FE or FC models as optional service double row bearing it is necessary to ensure that the Mainshaft Part No. 7400127 is machined to accommodate the double row bearing lock ring. All current Mainshafts are suitably machined.

**When fitting Transmission Case and Front Propeller Shaft Housing must be suitably vented.

4.412 RING—Main Shaft Lock

RING	ALL (M) 3 speed trans.	7400158	2-1
RING—Bearing lock	48, 50, FJ, FE, FC, FB, EK (M)	7400129	1
RING—Snap 1.9—1.925 m.m. Bright	HR (M) 4 speed trans.	*720091	1
RING—Snap 1.926—1.950 m.m. Blue	HR (M) 4 speed trans.	*720092	1
RING—Snap 1.951—1.975 m.m. Black	HR (M) 4 speed trans.	*720093	1
RING—Snap 1.976—2.000 m.m. Brown	HR (M) 4 speed trans.	*720094	1

* Selective fit.



4.415 GEAR—Third Speed

GEAR	HR (M) 4 speed trans.	718284	1
------------	----------------------------	--------	---

4.417 GEAR—First and Reverse Sliding

GEAR	48, 50, FJ, FE, FC, FB, EK (M) EJ (M) EH (M) 149 Eng. up to Eng. No. 81520	7426604	1
GEAR	EH (M) 149 Eng. from Eng. No. 81521 EH (M) 179 Eng., HD (M)		
	HR (M) 3 speed trans.	7421591	1
GEAR—First and second speed	HR (M) 4 speed trans.	718058	1

4.418 GEAR—First Speed

GEAR	HR (M) 4 speed trans.	718338	1
------------	----------------------------	--------	---

4.419 BEARING—First Speed Gear

BEARING—Needle	HR (M) 4 speed trans.	716350	1
WASHER—Mainshaft spacer 30 x 46 x 8.25 m.m.	HR (M) 4 speed trans.	716104	1

4.421 GEAR—Counter

GEAR	48, 50, FJ, FE, FC, FB, EK (M)	7419117	1
GEAR	EJ (M) EH (M) 149 Eng. up to Eng. No. 81520	†7423270	1
GEAR	EH (M) 149 Eng. from Eng. No. 81521 EH (M) 179 Eng., HD (M)		
	HR (M) 3 speed trans.	7424794	1
GEAR	HR (M) 4 speed trans.	708079	1

†Approximately 200 EH (M) 149 units of Eng. No. prior to 81520 were manufactured equipped with Counter Gear Part No. 7424794.

4.422 BEARING—Counter Shaft

NEEDLE ROLLER	48, 50, FJ, FE, FC, FB, EK (M), EJ (M) EH (M) 149 Eng. up to Eng. No. 81520	†7400225	38-40
BEARING PACKAGE—Needle roller	48, 50, FJ, FE, FC, FB, EK (M)	7427676	1
BEARING PACKAGE—Needle roller	EJ (M) EH (M) 149 Eng. up to Eng. No. 81520	†7427677	1
BEARING PACKAGE—Needle roller	EH (M) 149 Eng. from Eng. No. 81521 EH (M) 179 Eng., HD (M)		
	HR (M) 3 speed trans.	7427812	1
NEEDLE ROLLER	HR (M) 4 speed trans.	712150	48

†Approximately 200 EH (M) 149 units of Eng. No. prior to 81520 were manufactured equipped with Counter Gear Part No. 7424794 which uses 3/4" Needle Roller Part No. 7422395, Bearing Package Part No. 7427812



HOLDEN

MASTER PARTS CATALOGUE

4.423 WASHER—Countershaft

WASHER—Thrust	48, 50, FJ, FE, FC, FB, EK (M)	7400200	2
WASHER—Needle roller bearing	48, 50, FJ, FE, FC, FB, EK (M)	7400198	4
WASHER—Thrust	EJ (M)			
		EH (M) 149 Eng. up to Eng. No. 81520		7421633	2
WASHER—Thrust	EH (M) 149 Eng. from Eng. No. 81521			
		EH (M) 179 Eng., HD (M)			
		HR (M) 3 speed trans.	7422394	2
WASHER—Needle roller bearing	EJ (M)			
		EH (M) 149 Eng. up to Eng. No. 81520		7421632	4
WASHER—Thrust	HR (M) 4 speed trans.	708282	2
WASHER—Needle roller bearing	HR (M) 4 speed trans.	712200	4

4.428 SHAFT—Counter Gear

SHAFT	48, 50, FJ, FE, FC, FB, EK (M)	7400227	1
SHAFT	EJ (M), EH (M), HD (M)			
		HR (M) 3 speed trans.	7421476	1
BALL—3/16" Diameter	ALL (M) 3 speed trans.	453587	1
SHAFT	HR (M) 4 speed trans.	710016	1
BALL—6 m.m. Diameter	HR (M) 4 speed trans.	N11168	1

4.430 GEAR ASSEMBLY—Reverse Idler, With Bushings

GEAR ASSEMBLY	ALL (M) 3 speed trans.	7421593	1
GEAR ASSEMBLY	HR (M) 4 speed trans.	704025	1

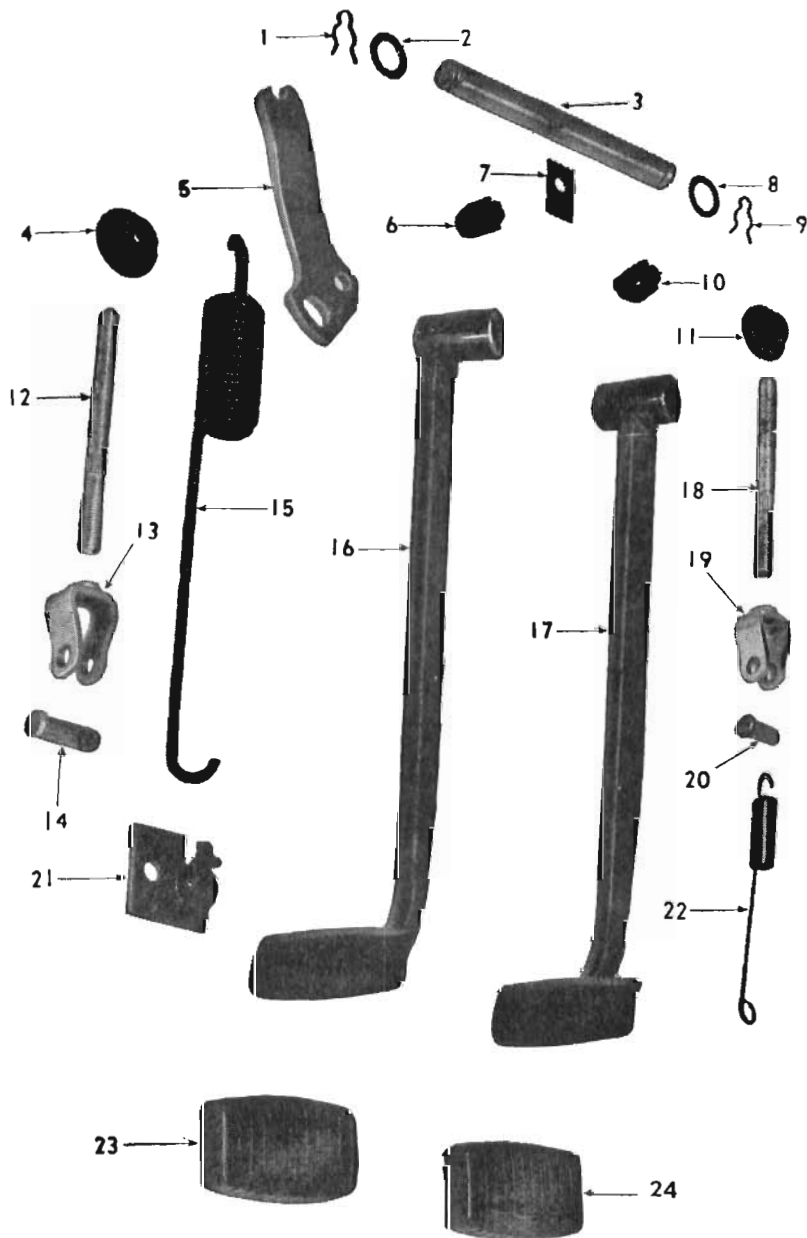
4.432 WASHER—Reverse Idler Gear Thrust

WASHER	ALL (M) 3 speed trans.	7400200	2
--------	-------	------------------------	-------	---------	---

4.433 SHAFT—Reverse Idler

SHAFT	ALL (M) 3 speed trans.	7400194	1
PIN—Groove type "A" 3/16" x 1/2"	ALL (M) 3 speed trans.	107317	1
SHAFT	HR (M) 4 speed trans.	706015	1
BALL—6 m.m. Diameter	HR (M) 4 speed trans.	N11168	1

NOTES



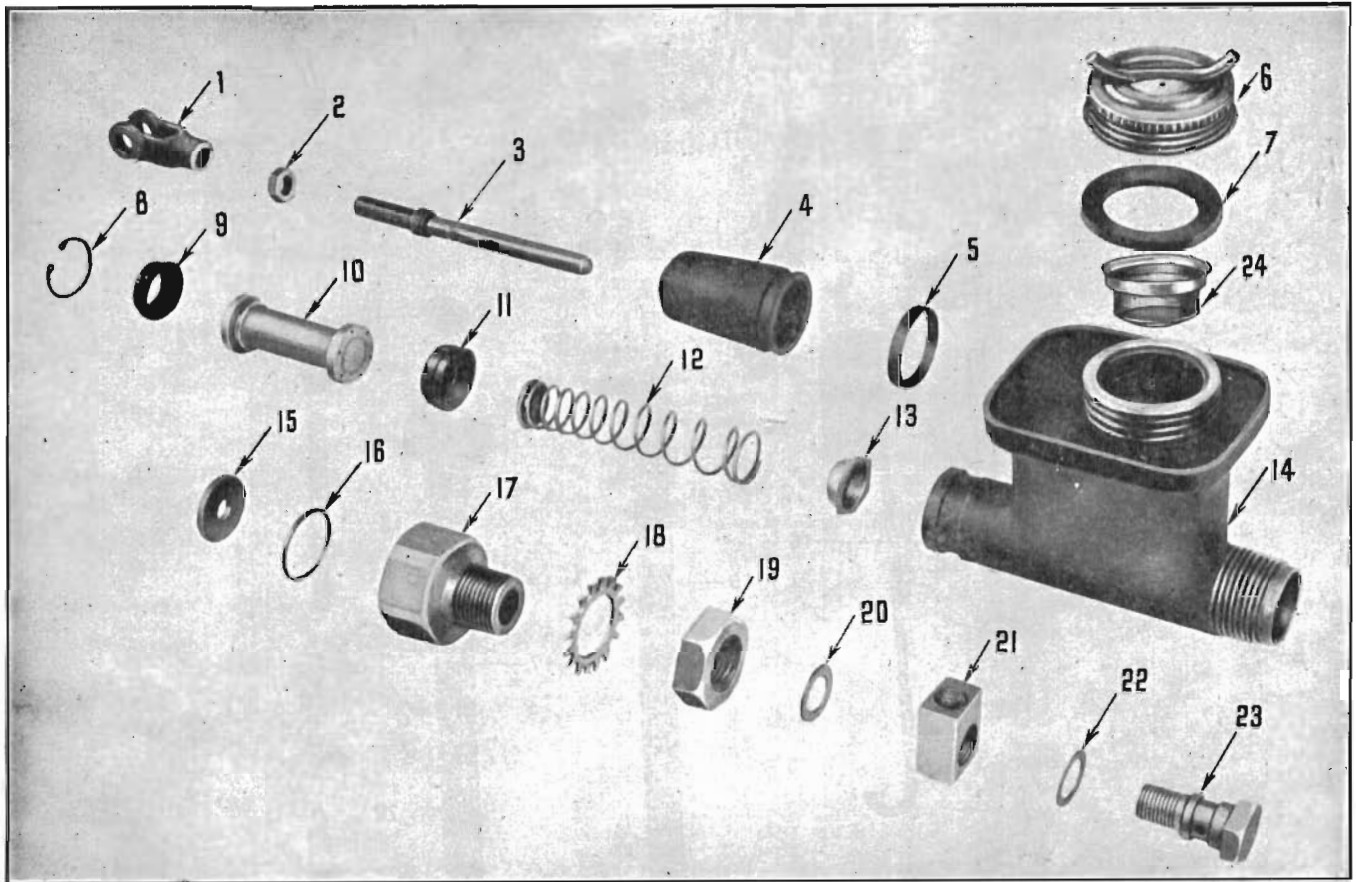
CLUTCH AND BRAKE PEDALS

Illus. Ref. No.	Part Name	Group	Illus. Ref. No.	Part Name	Group
1	SPRING	0.837/4.636	13	CLEVIS	0.920
2	WASHER	0.837/4.636	14	PIN	0.921
3	SHAFT	0.833/4.634	15	SPRING—Pedal return	0.844
4	SEAL	0.924	16	PEDAL	0.830
5	LEVER	0.846	17	PEDAL	4.625
6	BUMPER	0.830	18	ROD	4.658
7	PLATE	0.834/4.635	19	CLEVIS	4.662
8	WASHER	0.837/4.636	20	PIN	4.662
9	SPRING	0.837/4.636	21	PLATE	0.845
10	BUMPER	4.625	22	SPRING	4.639
11	SEAL	4.659	23	PAD	0.830
12	ROD	0.918	24	PAD	4.625



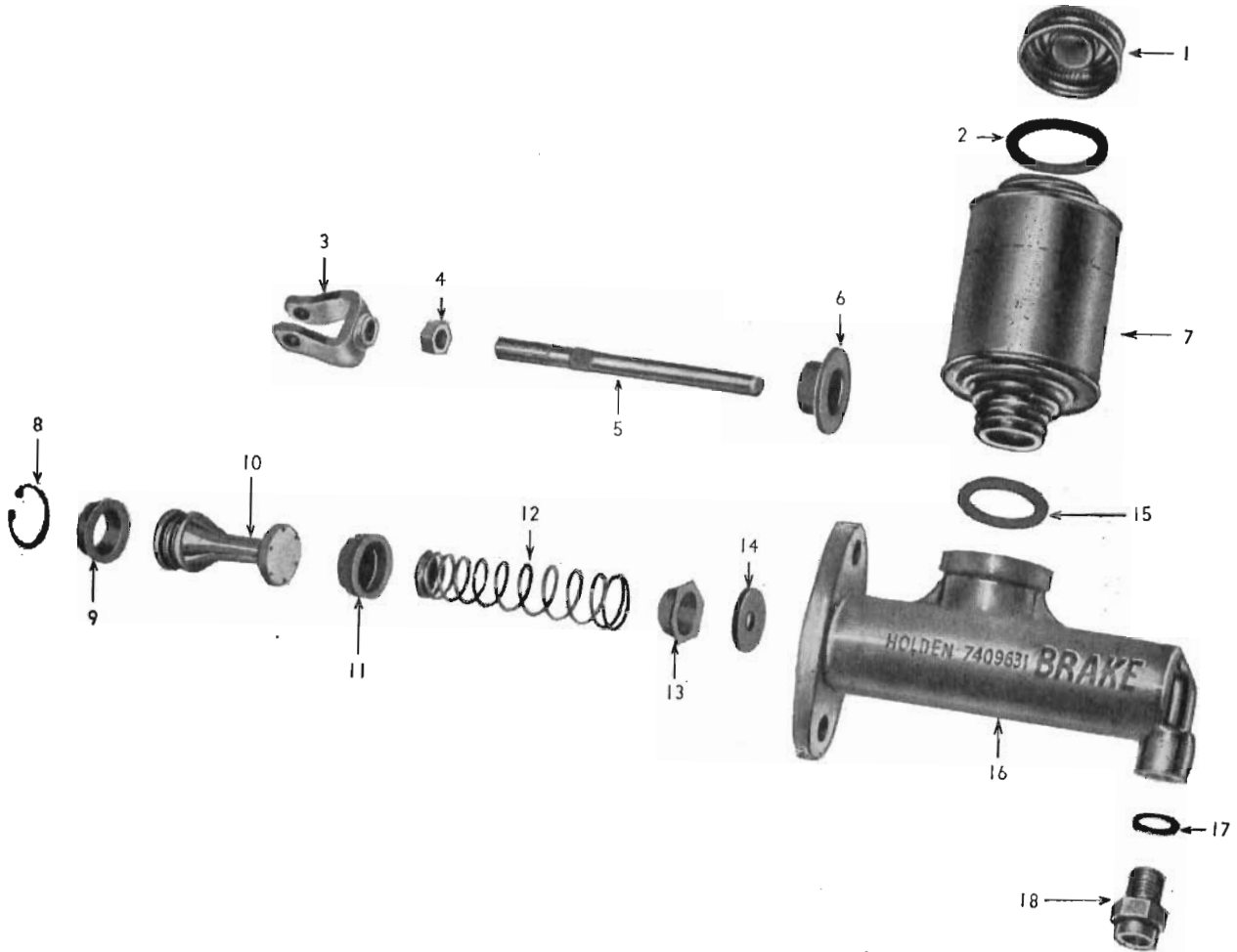
HOLDEN

MASTER PARTS CATALOGUE



BRAKE MAIN CYLINDER

Illus. Ref. No.	Part Name	Group	Illus. Ref. No.	Part Name	Group
1.	CLEVIS	4.662	13.	VALVE ASSEMBLY	4.657
2.	NUT	4.662	14.	BODY AND RESERVOIR ASSEMBLY	4.650
3.	ROD	4.658	15.	WASHER	4.657
4.	BOOT	4.659	16.	GASKET	4.652
5.	RING	4.660	17.	NUT	4.652
6.	CAP ASSEMBLY	4.651	18.	WASHER	4.648
7.	GASKET	4.651	19.	NUT	4.648
8.	RING	4.656	20.	GASKET	4.661
9.	CUP	4.654	21.	CONNECTOR	4.686
10.	PISTON ASSEMBLY	4.653	22.	GASKET	4.661
11.	CUP	4.654	23.	BOLT	4.661
12.	SPRING ASSEMBLY	4.655	24.	BAFFLE ASSEMBLY	4.651



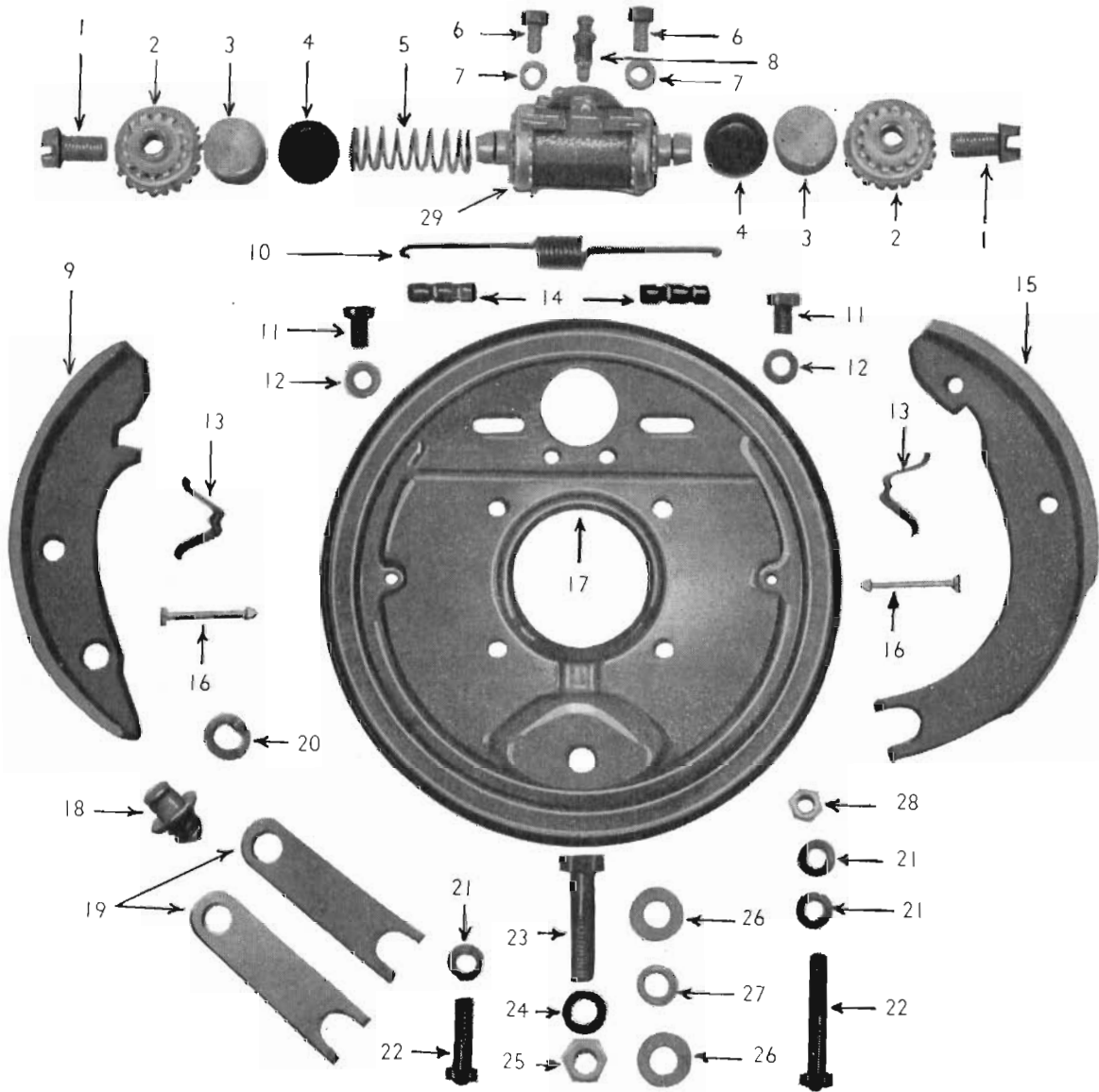
BRAKE MAIN CYLINDER

Illus. Ref. No.	Part Name	Group	Illus. Ref. No.	Part Name	Group
1.	CAP	4.651	10.	PISTON	4.653
2.	GASKET	4.651	11.	CUP	4.654
3.	CLEVIS	4.662	12.	SPRING	4.655
4.	NUT	4.658	13.	VALVE ASSEMBLY	4.657
5.	ROD	4.658	14.	WASHER	4.657
6.	SEAL	4.659	15.	SEAL	4.650
7.	RESERVOIR	4.650	16.	BODY	4.650
8.	RING	4.656	17.	WASHER	4.686
9.	CUP—Secondary	4.654	18.	CONNECTOR	4.686



HOLDEN

MASTER PARTS CATALOGUE

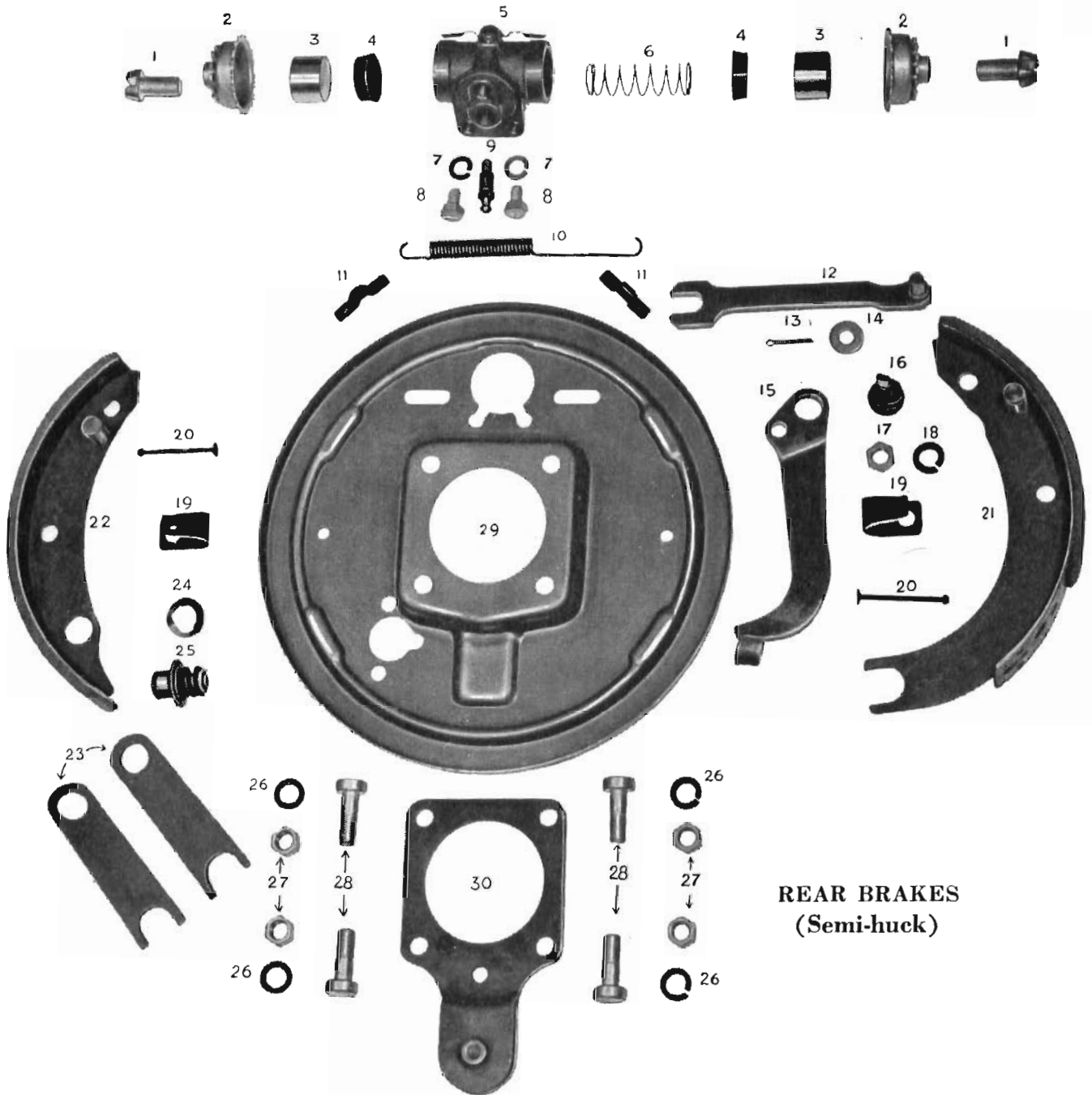


FRONT BRAKES (Semi-huck)

Illus. Ref. No.	Part Name	Group	Illus. Ref. No.	Part Name	Group
1.	SCREW	4.675	15.	SHOE & LINING ASSEMBLY—Secondary	5.017
2.	COVER ASSEMBLY	4.674	16.	CONNECTOR	5.041
3.	PISTON	4.668	17.	PLATE ASSEMBLY	5.001
4.	CUP	4.667	18.	PIN ASSEMBLY	5.034
5.	SPRING	4.669	19.	LINK	5.036
6.	BOLT	4.665	20.	LOCK	5.057
7.	WASHER	4.665	21.	WASHER	6.106
8.	VALVE	4.666	22.	BOLT	6.106
9.	SHOE & LINING ASSEMBLY—Primary	5.017	23.	BOLT	5.075
10.	SPRING	5.026	24.	WASHER	5.075
11.	BOLT	5.002	25.	NUT	5.075
12.	WASHER	5.002	26.	WASHER	5.075
13.	SPRING	5.043	27.	SPACER	5.075
14.	COVER	5.188	28.	NUT	6.106
			29.	CYLINDER ASSEMBLY	4.665

HOLDEN

MASTER PARTS CATALOGUE



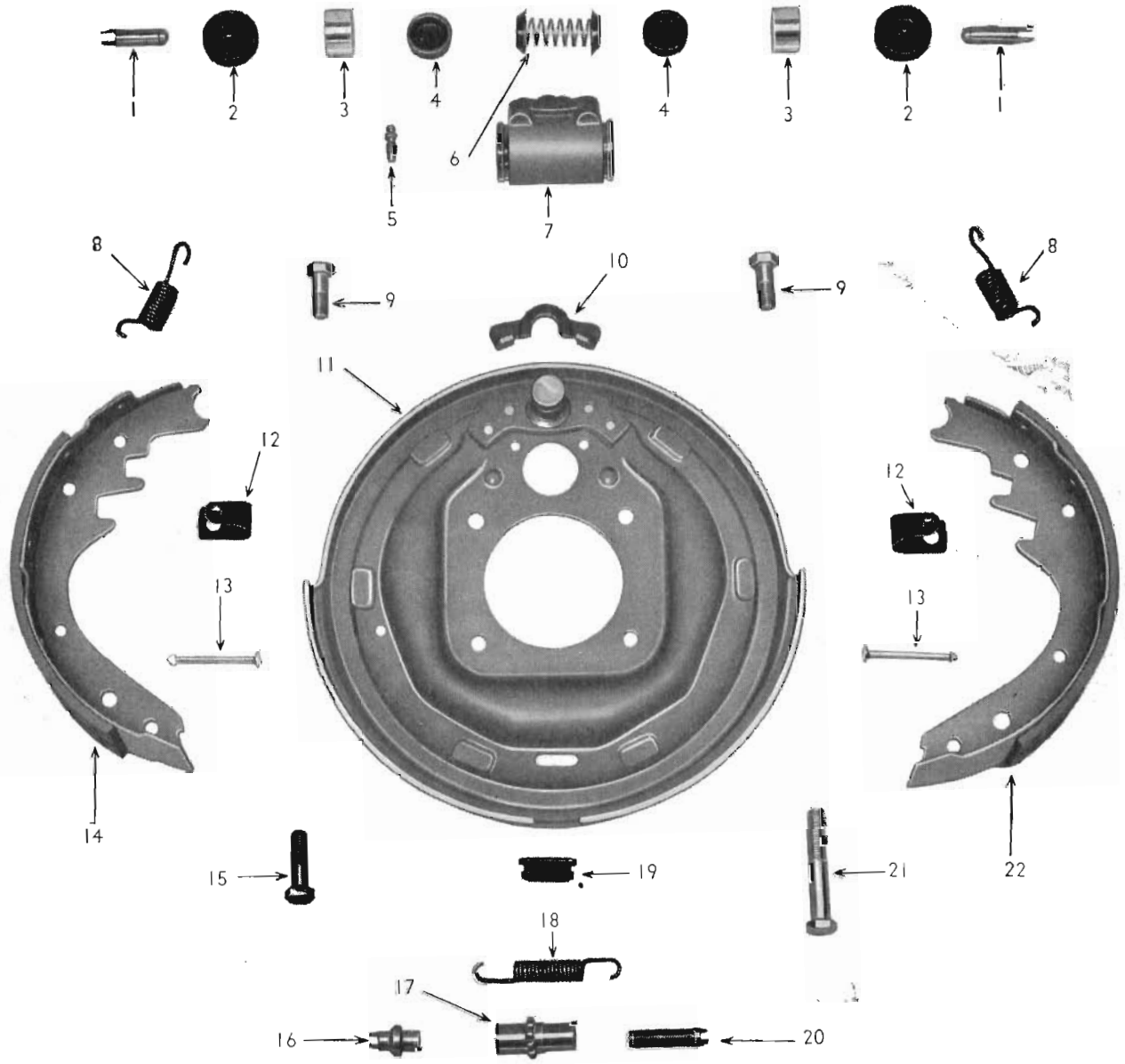
REAR BRAKES (Semi-huck)

Illus. Ref. No.	Part Name	Group	Illus. Ref. No.	Part Name	Group
1	SCREW	4.675	16	PIVOT	5.158
2	COVER ASSEMBLY	4.674	17	NUT	5.158
3	PISTON	4.668	18	WASHER	5.158
4	CUP	4.667	19	SPRING	5.043
5	BODY ASSEMBLY	4.665	20	CONNECTOR	5.041
6	SPRING	4.669	21	SHOE AND LINING ASSEMBLY—Sec.	5.017
7	WASHER	4.665	22	SHOE AND LINING ASSEMBLY—Prim.	5.017
8	BOLT	4.665	23	LINK	5.036
9	VALVE	4.666	24	LOCK	5.057
10	SPRING	5.026	25	PIN ASSEMBLY	5.034
11	COVER	5.188	26	WASHER	5.002
12	STRUT	5.150	27	NUT	5.002
13	PIN	5.150	28	BOLT	5.002
14	WASHER	5.150	29	PLATE	5.001
15	LEVER	5.149	30	PLATE ASSEMBLY	5.075



HOLDEN

MASTER PARTS CATALOGUE

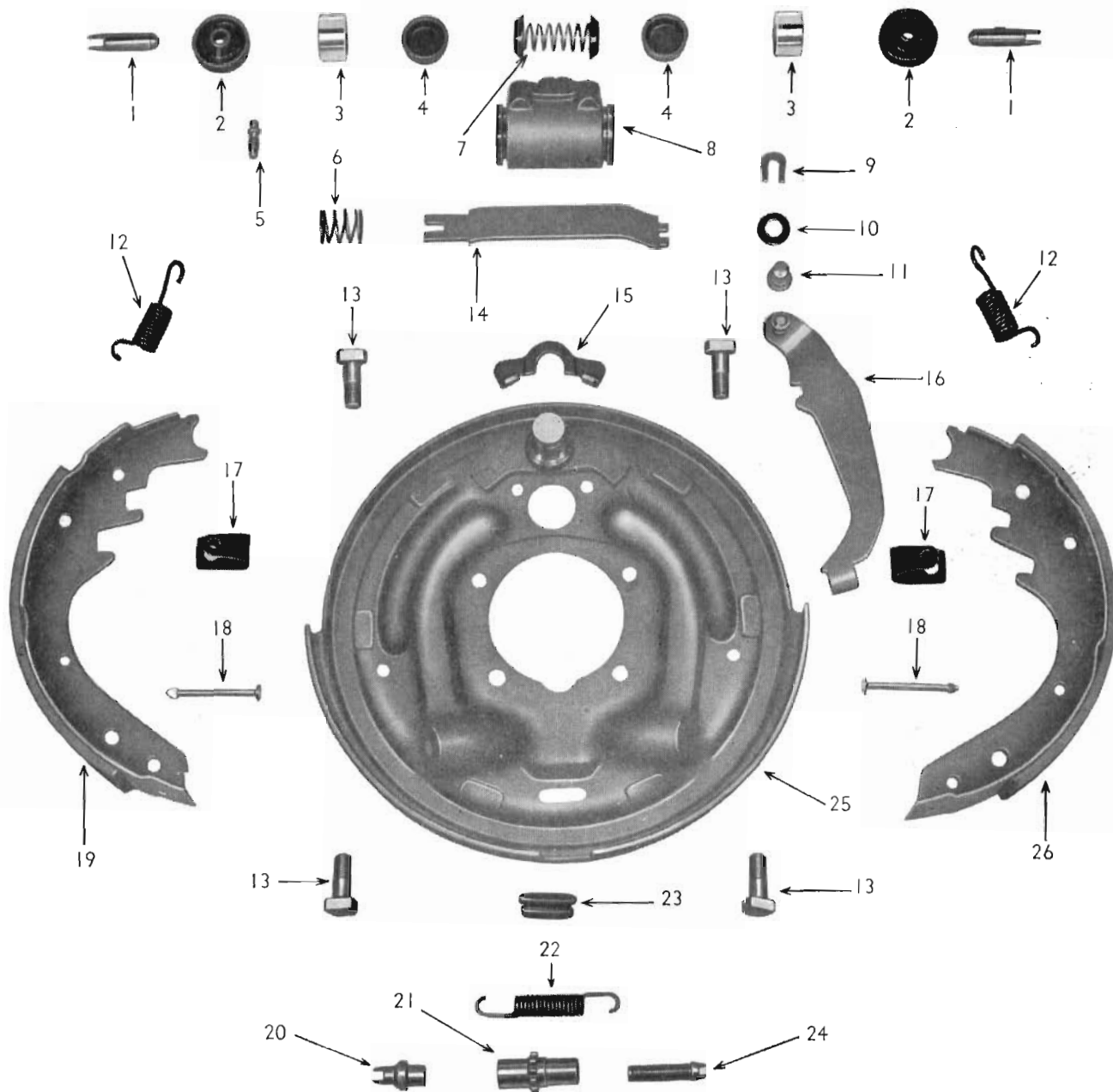


FRONT BRAKES (Duo-Servo)

Illus. Ref. No.	Part Name	Group	Illus. Ref. No.	Part Name	Group
1.	LINK—Connecting	4.675	12.	SPRING—Hold down pin	5.043
2.	BOOT	4.670	13.	PIN—Shoe hold down	5.041
3.	PISTON	4.668	14.	SHOE AND LINING—Primary	5.017
4.	CUP	4.667	15.	BOLT—Steering arm	6.106
5.	VALVE—Bleeder	4.666	16.	PLUG—Adjusting	5.111
6.	SPRING	4.669	17.	NUT—Adjusting	5.111
7.	BODY	4.665	18.	SPRING—Adjusting nut	5.026
8.	SPRING—Retractor	5.026	19.	COVER—Adjusting hole	5.188
9.	BOLT—Backing plate	5.002	20.	SCREW—Adjusting	5.110
10.	PLATE—Guide	5.045	21.	BOLT—Steering arm	6.106
11.	PLATE—Backing	5.001	22.	SHOE AND LINING—Secondary	5.017

HOLDEN

MASTER PARTS CATALOGUE



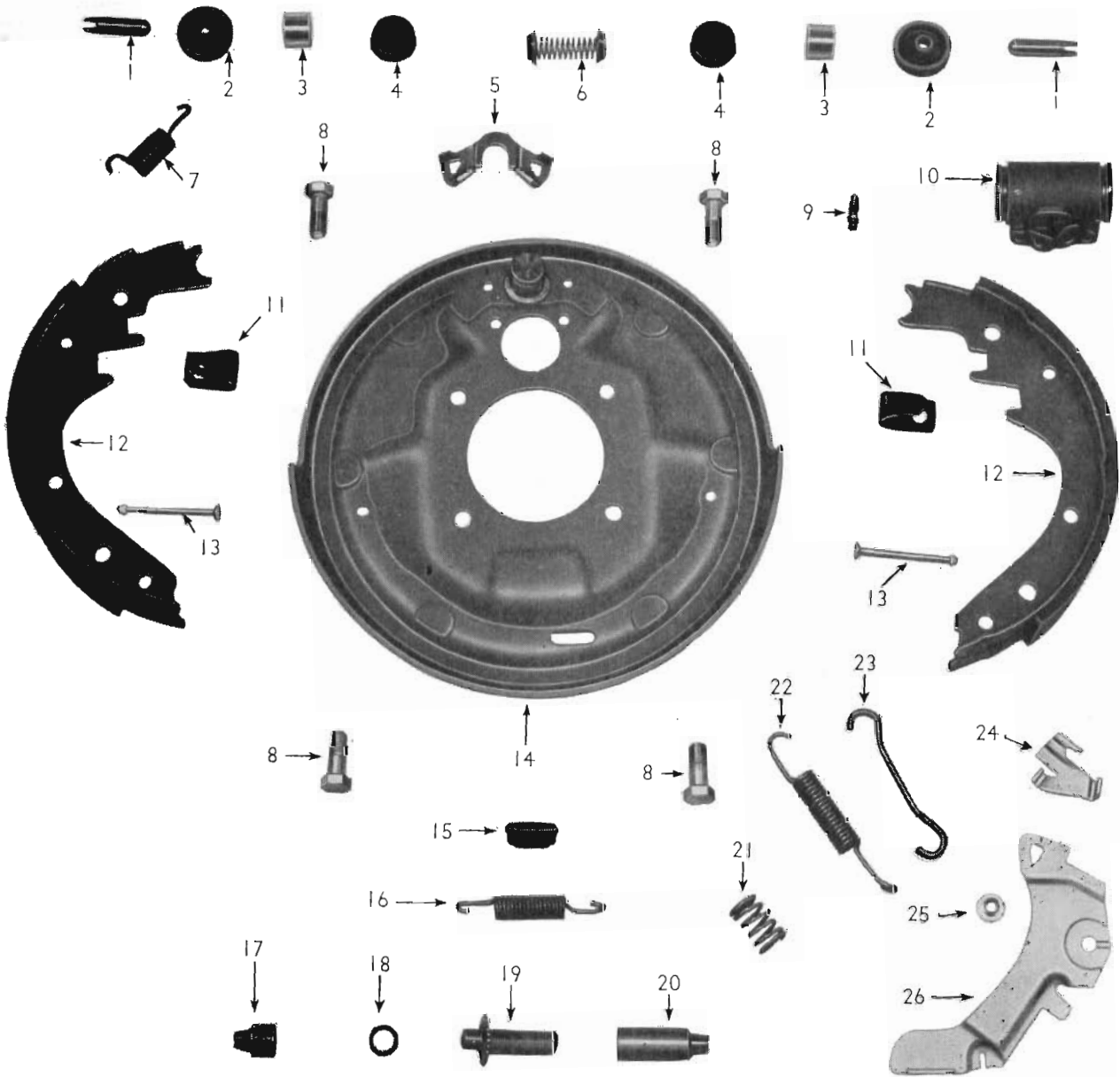
REAR BRAKES (Duo-Servo)

Illus. Ref. No.	Part Name	Group	Illus. Ref. No.	Part Name	Group
1.	LINK—Connecting	4.675	14.	STRUT	5.150
2.	BOOT	4.670	15.	PLATE—Guide	5.045
3.	PISTON	4.668	16.	LEVER	5.149
4.	CUP	4.667	17.	SPRING—Hold down pin	5.043
5.	VALVE—Bleeder	4.666	18.	PIN—Shoe hold down	5.041
6.	SPRING—Strut	5.151	19.	SHOE & LINING—Primary	5.017
7.	SPRING	4.669	20.	PLUG—Adjusting	5.111
8.	BODY	4.665	21.	NUT—Adjusting	5.111
9.	CLIP—Lever retainer	5.158	22.	SPRING—Adjusting nut	5.026
10.	WASHER—Lever to shoe	5.158	23.	COVER—Adjusting hole	5.188
11.	PIN—Lever	5.158	24.	SCREW—Adjusting	5.110
12.	SPRING—Retractor	5.026	25.	PLATE—Backing	5.001
13.	BOLT—Backing plate	5.002	26.	SHOE & LINING—Secondary	5.017



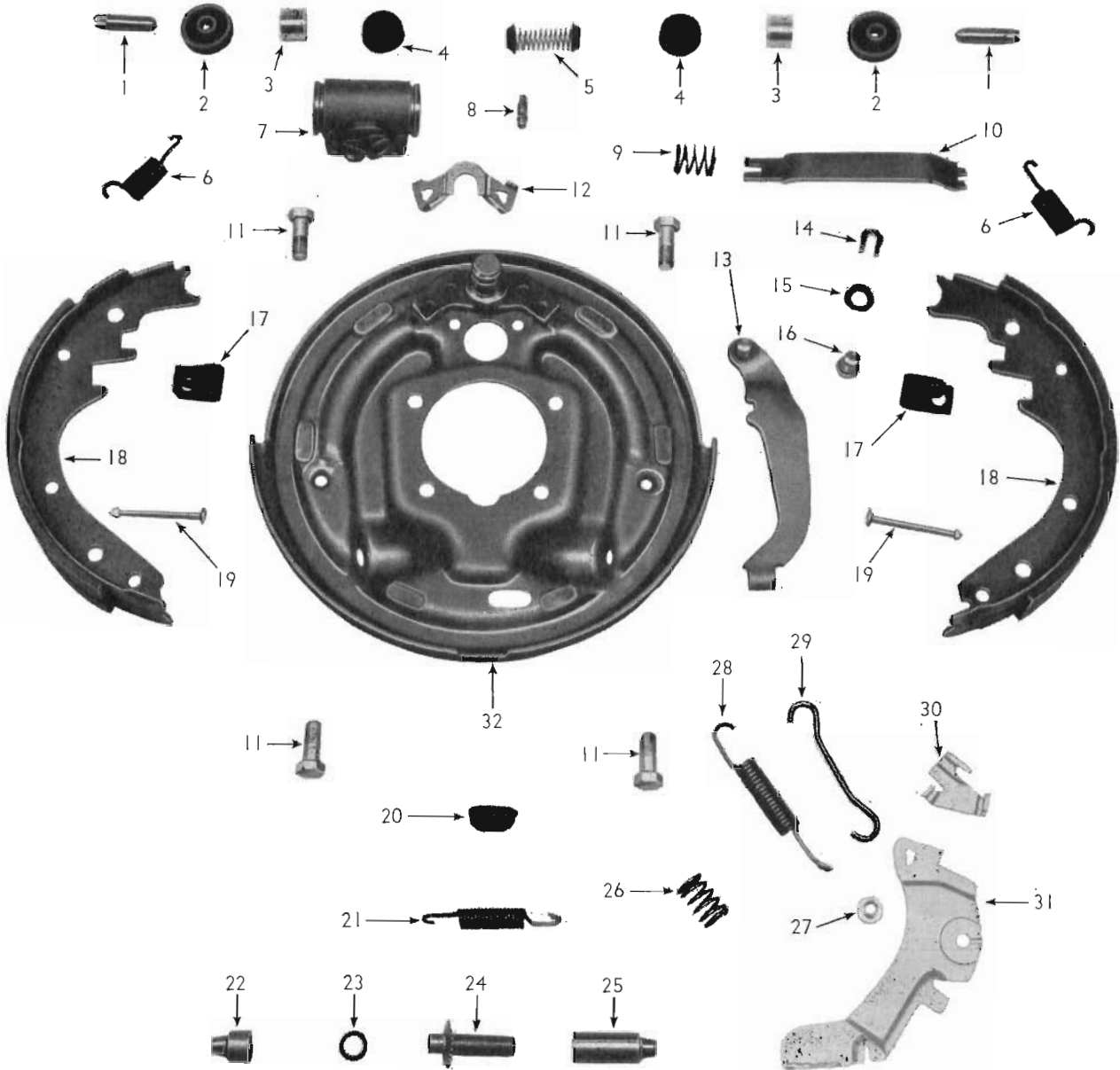
HOLDEN

MASTER PARTS CATALOGUE



FRONT BRAKES (Duo-Servo Self Adjusting)

Illus. Ref. No.	Part Name	Group	Illus. Ref. No.	Part Name	Group
1.	LINK—Connecting	4.675	14.	PLATE—Backing	5.001
2.	BOOT	4.670	15.	COVER—Adjusting hole	5.188
3.	PISTON	4.668	16.	SPRING—Adjusting nut	5.026
4.	CUP	4.667	17.	PLUG—Adjusting	5.111
5.	PLATE—Guide	5.045	18.	WASHER—Adjusting screw	5.110
6.	SPRING	4.669	19.	SCREW—Adjusting	5.110
7.	SPRING—Retractor	5.026	20.	NUT—Adjusting	5.111
8.	BOLT—Backing plate	5.002	21.	SPRING—Adjuster return	5.107
9.	VALVE—Bleeder	4.666	22.	SPRING—Adjuster overload	5.107
10.	BODY	4.665	23.	LINK	5.105
11.	SPRING—Hold down pin	5.043	24.	PLATE—Lever pivot	5.103
12.	SHOE AND LINING	5.017	25.	BUSHING	5.103
13.	PIN—Shoe hold down	5.041	26.	LEVER	5.103



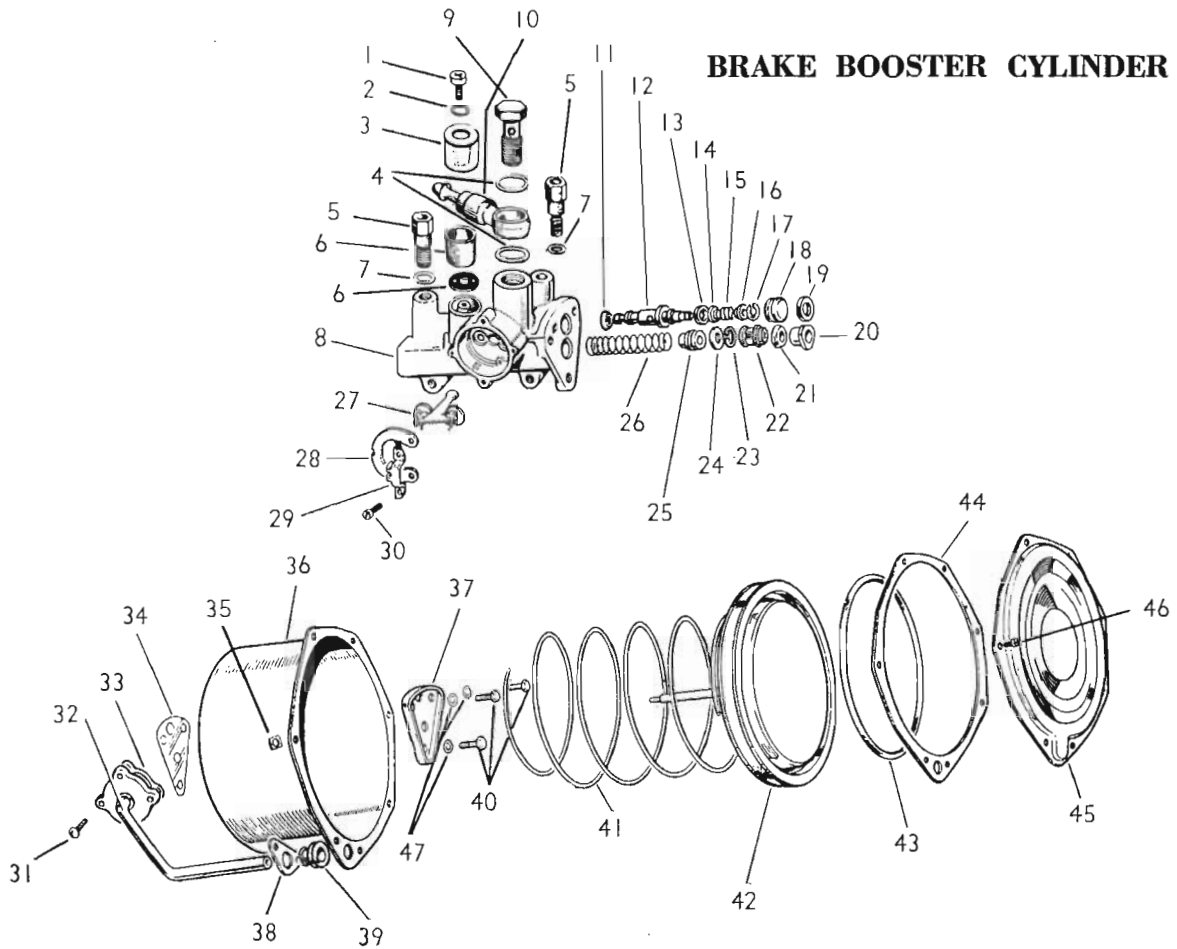
REAR BRAKES (Duo-Servo Self Adjusting)

Illus. Ref. No.	Part Name	Group	Illus. Ref. No.	Part Name	Group
1.	LINK—Connecting	4.675	17.	SPRING—Hold down pin	5.043
2.	BOOT	4.670	18.	SHOE AND LINING	5.017
3.	PISTON	4.668	19.	PIN—Shoe hold down	5.041
4.	CUP	4.667	20.	COVER—Adjusting hole	5.188
5.	SPRING	4.669	21.	SPRING—Adjusting nut	5.026
6.	SPRING—Retractor	5.026	22.	PLUG—Adjusting	5.111
7.	BODY	4.665	23.	WASHER—Adjusting screw	5.110
8.	VALVE—Bleeder	4.666	24.	SCREW—Adjusting	5.110
9.	SPRING—Strut	5.151	25.	NUT—Adjusting	5.111
10.	STRUT	5.150	26.	SPRING—Adjuster return	5.107
11.	BOLT—Backing plate	5.002	27.	BUSHING	5.103
12.	PLATE—Guide	5.045	28.	SPRING—Adjuster overload	5.107
13.	LEVER	5.149	29.	LINK	5.105
14.	CLIP—Lever retainer	5.158	30.	PLATE—Lever pivot	5.103
15.	WASHER—Lever to shoe	5.158	31.	LEVER	5.103
16.	PIN—Lever	5.158	32.	PLATE—Backing	5.001



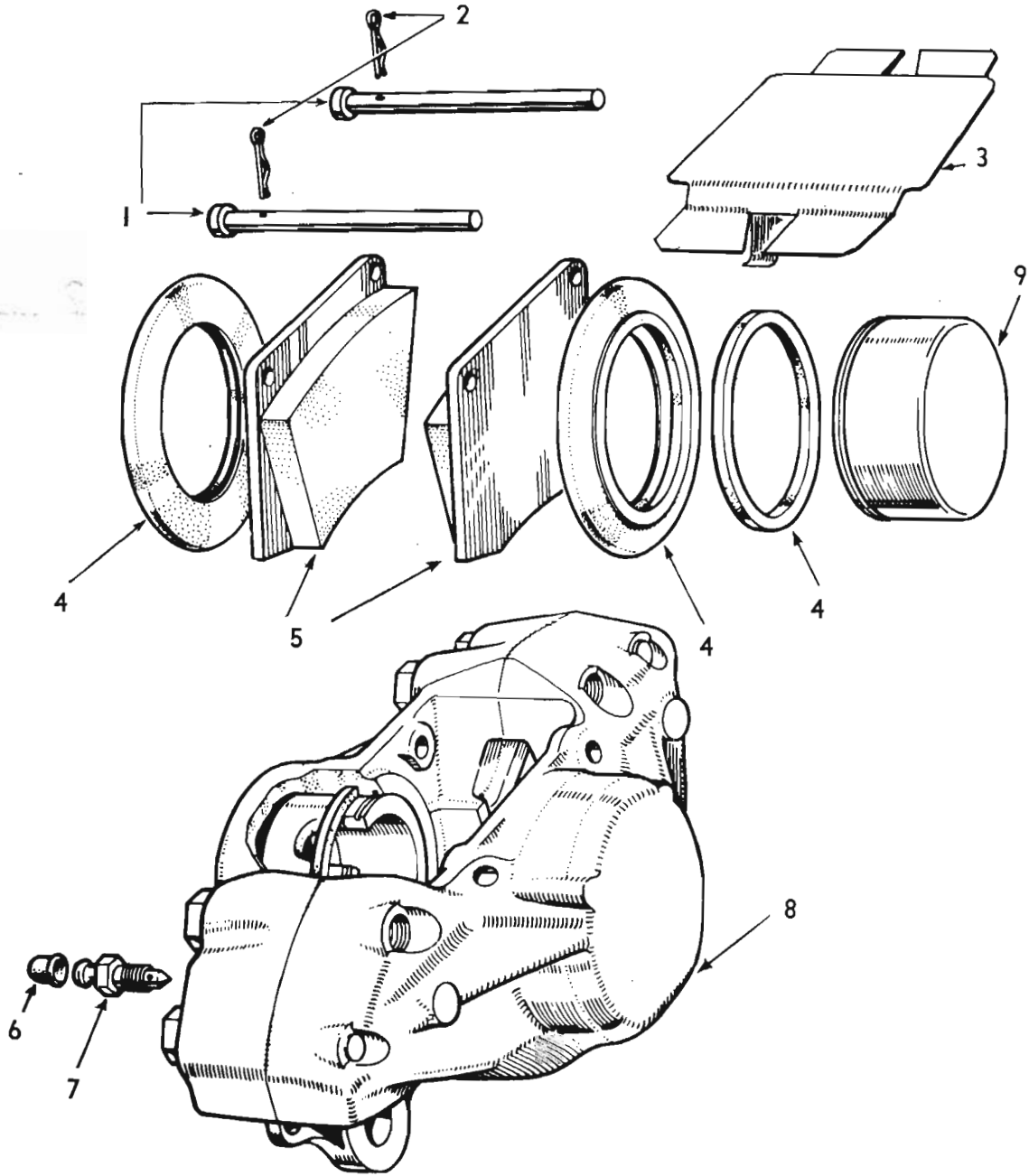
HOLDEN

MASTER PARTS CATALOGUE



BRAKE BOOSTER CYLINDER

Illus. Ref. No.	Part Name	Group	Illus. Ref. No.	Part Name	Group
1	SCREW	4.903	29	GUIDE—Rocking lever	4.907
2	WASHER	4.903	30	SCREW—Lever guide	4.907
3	COVER	4.903	31	SCREW—Cover	4.907
4	GASKET—Non-return valve bolt	4.904	32	COVER & PIPE ASSEMBLY	4.907
5	ADAPTOR	4.904	33	GASKET—Valve chest cover	4.907
6	ELEMENT & SEAL	4.903	34	GASKET—Body	4.908
7	GASKET—Adaptor	4.904	35	NUT	4.908
8	BODY	4.904	36	CYLINDER	4.908
9	BOLT—Non-return valve	4.904	37	PLATE—Clamping	4.908
10	VALVE—Non-return	4.904	38	PLATE—Sealing sleeve retainer	4.908
11	SEAL—Control piston	4.906	39	SLEEVE	4.908
12	PISTON	4.906	40	BOLT	4.908
13	SEAL—Control piston	4.906	41	SPRING—Piston	4.908
14	ABUTMENT	4.906	42	PISTON	4.908
15	SPRING	4.906	43	SEAL	4.908
16	RETAINER	4.906	44	GASKET—End cover	4.908
17	CIRCLIP	4.906	45	COVER—End	4.908
18	PLUG	4.906	46	SCREW	4.908
19	SEAL	4.906	47	WASHER	4.908
20	BUSH	4.905	11		
21	SEAL—Piston rod gland	4.905	13		
22	SPACER	4.905	19		
23	CIRCLIP	4.905	21		
24	WASHER—Stop	4.905	23		
25	PISTON	4.905	25	COMPONENTS OF REPAIR KIT	4.902
26	SPRING	4.905	33		
27	LEVER	4.907	34		
	VALVE	4.907	39		
	CLIP—Valve retaining	4.907	43		
	SPRING—Valve	4.907	44		
28	SPRING—Horse shoe	4.907	47		



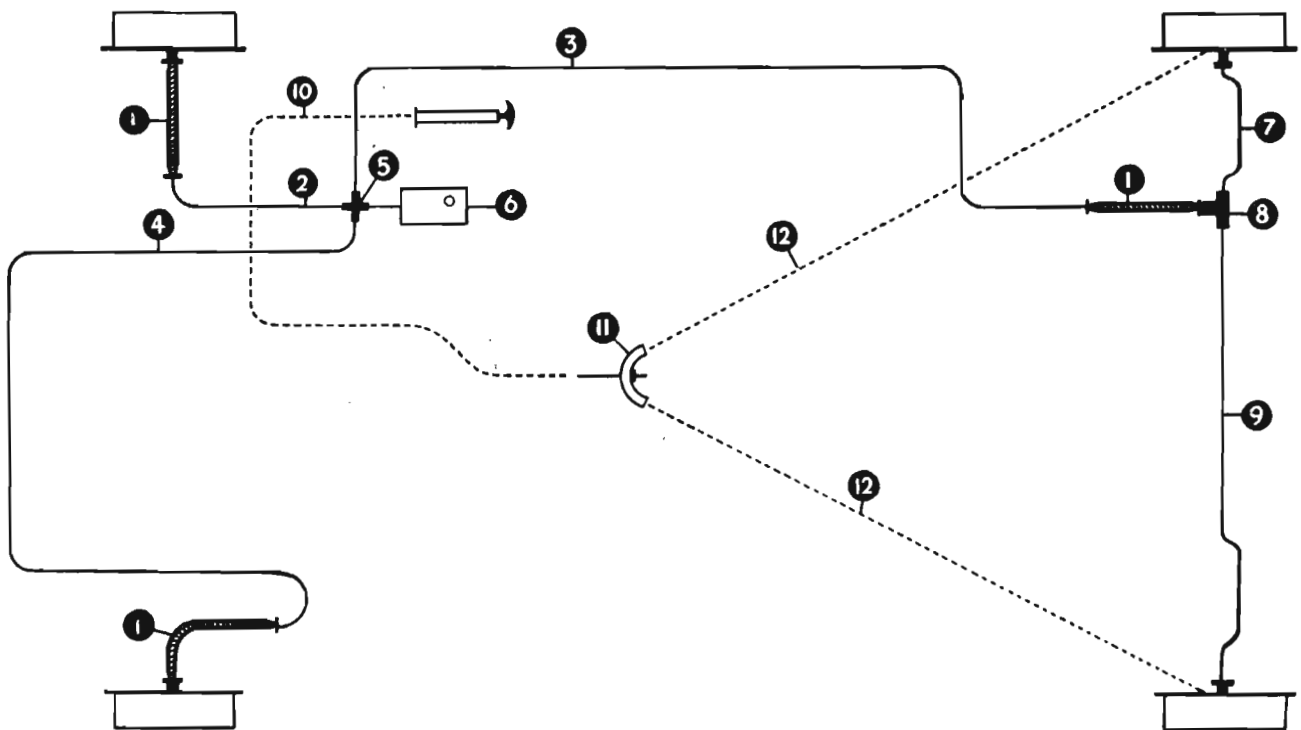
BRAKE CALIPER ASSEMBLY

Illus. Ref. No.	Part Name	Group
1	PIN	5.020
2	CLIP	5.020
3	SHIELD	5.011
4	SEAL KIT	4.667
5	PAD SET	5.018
6	CAP—Bleeder valve	4.666
7	VALVE—Bleeder	4.666
8	CALIPER ASSEMBLY	5.010
9	PISTON	4.668



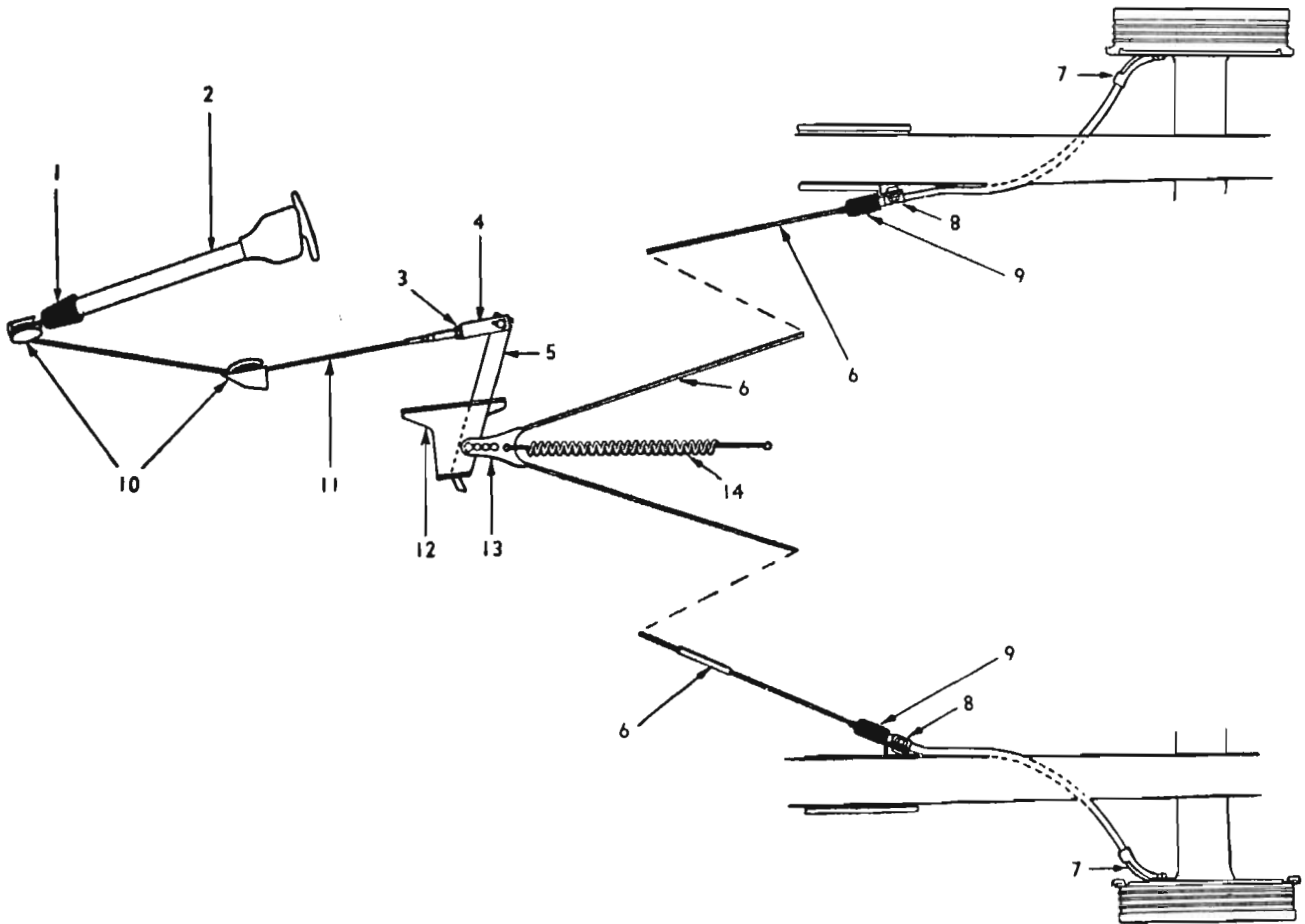
HOLDEN

MASTER PARTS CATALOGUE



TYPICAL BRAKE LAYOUT

Illus. Ref. No.	Part Name	Group	Illus. Ref. No.	Part Name	Group
1.	HOSE	4.680	7.	PIPE ASSEMBLY	4.685
2.	PIPE ASSEMBLY	4.685	8.	CONNECTOR (3-way)	4.686
3.	PIPE ASSEMBLY	4.685	9.	PIPE ASSEMBLY	4.685
4.	PIPE ASSEMBLY	4.685	10.	CABLE—H.B. FRONT	4.826
5.	CONNECTOR (4-way)	4.686	11.	EQUALIZER	4.764
6.	CYLINDER ASSEMBLY—MAIN	4.650	12.	CABLE—H.B. REAR	4.826



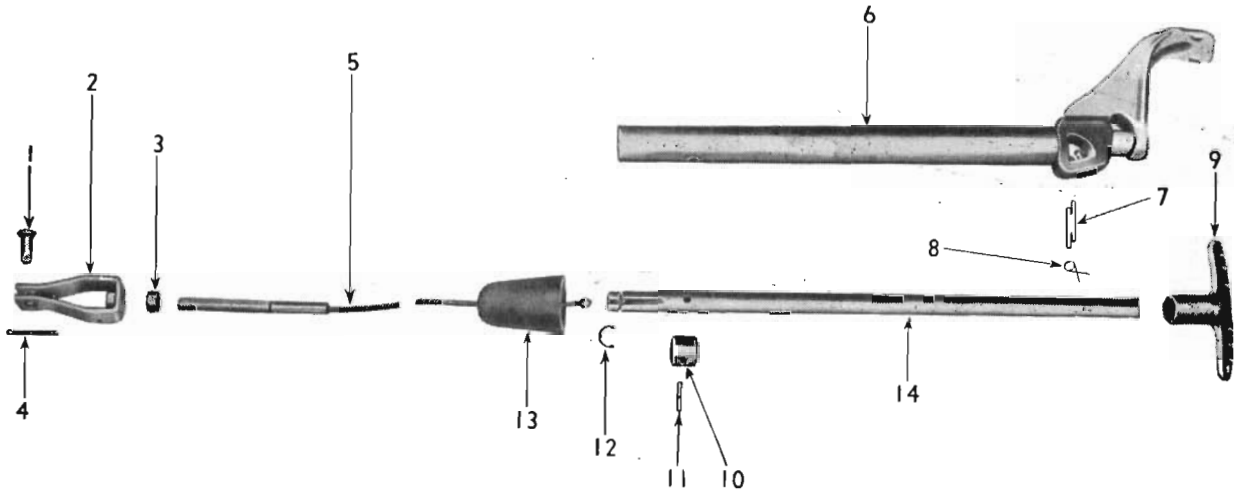
TYPICAL HAND BRAKE LAYOUT

Illus. Ref. No.	Part Name	Group	Illus. Ref. No.	Part Name	Group
1.	GROMMET	4.834	8.	CLAMP	4.820
2.	HANDLE & BRACKET ASSY.	4.591	9.	SEAL	N.S.S.
3.	NUT	4.826	10.	SHEAVE	4.700
4.	CLEVIS	4.826	11.	CABLE	4.826
5.	LEVER	4.792	12.	MEMBER ASSY—UNDERBODY No. 1 CROSS	12.982
6.	CABLE	4.826	13.	EQUALISER	4.764
7.	ANCHOR	4.820	14.	SPRING	4.792



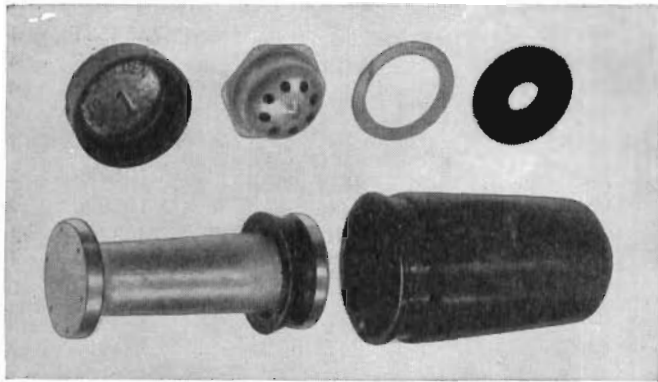
HOLDEN

MASTER PARTS CATALOGUE

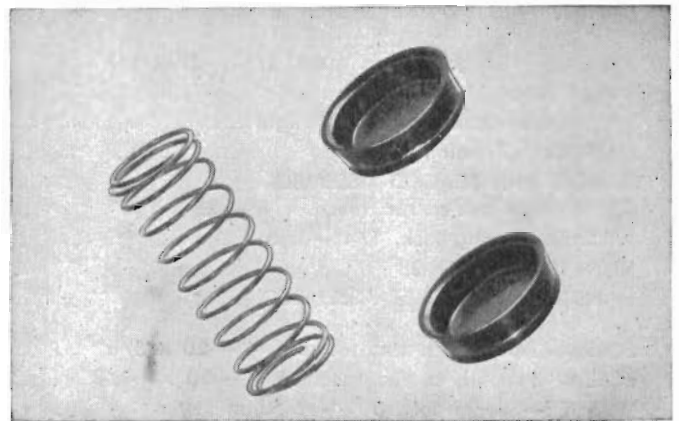


HAND BRAKE HANDLE

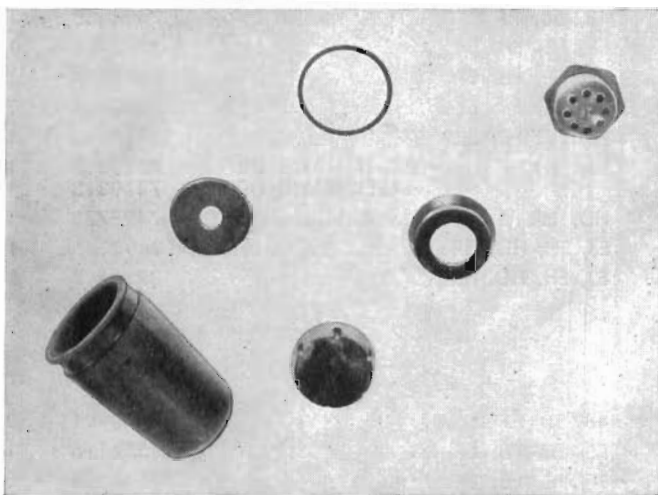
Illus. Ref. No.	Part Name.	Group.	Illus. Ref. No.	Part Name	Group
1.	PIN—Cable to inter lever	4.823	8.	SPRING	4.595
2.	CLEVIS	4.826	9.	HANDLE	4.592
3.	NUT	4.823	10.	GUIDE	4.592
4.	PIN—Cotter	4.823	11.	PIN	4.592
5.	CABLE	4.826	12.	CLIP	4.591
6.	BRACKET	N.S.S.	13.	GROMMET	4.834
7.	PAWL	4.595	14.	SHAFT	N.S.S.



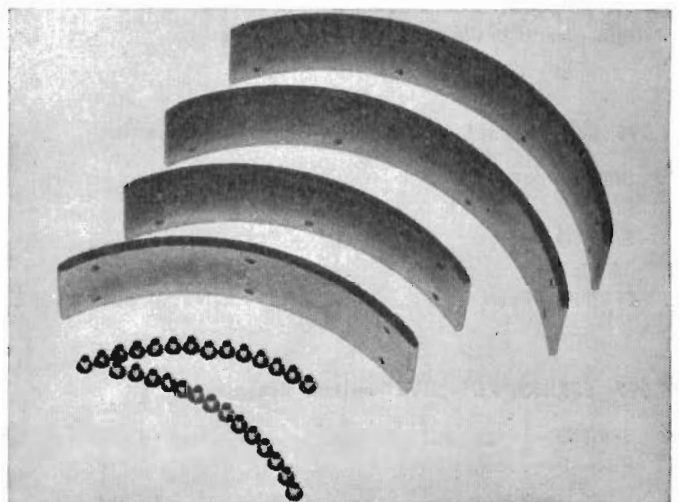
4.649 Brake Main Cylinder Repair Kit



4.665 Brake Wheel Cylinder Repair Kit



4.649 Brake Main Cylinder Repair Kit



5.018 Brake Lining Set



HOLDEN

MASTER PARTS CATALOGUE

Group	Description	Model	Part No.	Qty.	
4.591 LEVER AND HANDLE ASSEMBLY—Hand Brake					
	LEVER AND HANDLE ASSEMBLY	48, 50, FJ	7404531	1	
	BOLT—Auto. hex. hd. 1/4"—28 x 1/2"	48, 50, FJ	113698	4	
	NUT—Light hex. 1/4"—28	48, 50, FJ	103024	4	
	WASHER—Spring lock 1/4"—medium	48, 50, FJ	103319	4	
	HANDLE AND BRACKET ASSEMBLY	FE, FC	7409481	1	
	BOLT—Hex. hd. 5/16"—24 x 5/8"	FE, FC	106279	2	
	NUT—Hex. 5/16"—24	FE, FC	103025	2	
	HANDLE AND BRACKET ASSEMBLY	FB, EK	RIGHT HAND DRIVE LEFT HAND DRIVE	7403704 7415630	1 1
	SCREW—Rd. hd. cr. rec. mach. 1/4"—28 x 1/2"	FB, EK	443707	3	
	NUT—Hex. 1/4"—28	FB, EK	120367	3	
	WASHER—Spring lock 1/4" light	FB, EK	121637	3	
	CLIP—Cable retaining	FE, FC, FB, EK	516198	1	
	HANDLE AND BRACKET ASSEMBLY	EJ, EH	RIGHT HAND DRIVE	7415738	1
	SCREW—Pan hd. cr. rec. mach. 1/4"—28 x 1/2"	EJ, EH	191879	2	
	WASHER—Spring lock, 1/4"—light	EJ, EH	121637	2	
	NUT—Hex. 1/4"—28	EJ, EH	120367	2	
	HANDLE and BRACKET ASSEMBLY	HD, HR	RIGHT HAND DRIVE LEFT HAND DRIVE	7426394 7426395	1 1
	SCREW—Pan hd. cr. rec. mach. 1/4"—20 x 5/8"	HD, HR	160536	2	
	SCREW—Pan hd. cr. rec. mach. 1/4"—20 x 1-1/8"	HD, HR	457022	1	
	WASHER—Spring lock 1/4"—Medium	HD, HR	120380	3	
	NUT—Hex. 1/4"—20	HD, HR	120375	3	
4.592 HANDLE ASSEMBLY, GUIDE—Hand Brake					
	HANDLE ASSEMBLY	48, 50, FJ	7404445	1	
	HANDLE ASSEMBLY	FE, FC, FB, EK	3703425	1	
	PIN—Groove 5/32" x 3/4" Type "A"	FE, FC, FB, EK	3692346	1	
	GUIDE—Pull rod	FE, FC, FB, EK	7409486	1	
	PIN—Pull rod guide	FE, FC, FB, EK	3715812	1	
	HANDLE ASSEMBLY	EJ, EH	RIGHT HAND DRIVE LEFT HAND DRIVE	7419312 7419313	1 1
	HANDLE ASSEMBLY	HD, HR	7425773	1	
	PIN—Special groove 5/32 x 3/8"	EJ, EH, HD, HR	3692346	1	
	PIN—Hand brake lever guide	EJ, EH, HD, HR	3715812	1	
4.595 COLLAR, SPRING, PAWL—Hand Brake Ratchet					
	SPRING	48, 50, FJ	7400991	2	
	PAWL	FE, FC, FB, EK	516196	1	
	SPRING—Pawl	FE, FC, FB, EK	516228	1	
	PAWL	EJ, EH, HD, HR	7415746	1	
	SPRING—Pawl	EJ, EH, HD, HR	516228	1	
4.597 SPRING, PIN, RIVET—Hand Brake					
	SPRING—Lever link	48, 50, FJ	7401494	1	
	PIN—Pull rod stop	48, 50, FJ	7400995	1	
4.606 BRACKET ASSEMBLY—Hand Brake Mounting					
	BRACKET ASSEMBLY—(To instrument panel)	48, 50, FJ	7400985	1	



4.610 LAMP—Hand Brake Warning

LENS—Warning lamp (A.C.)	HD, HR	7963518	1
LENS—Warning lamp (Stewart Warner)	HD, HR	VS10220	1
BODY—Switch	EJ/235, EH/235, EH/239, HD/235, HD/239, HR/235, HR/239 ..	7418802	1
SPRING—Switch	EJ/235, EH/235, EH/239, HD/235, HD/239, HR/235, HR/239 ..	7418544	1
PLUNGER—Switch	EJ/235, EH/235, EH/239, HD/235, HD/239, HR/235, HR/239 ..	7418929	1
SOCKET	EJ/235, EH/235, EH/239	7418934	1
HARNES	EJ/235, EH/235, EH/239	7419293	1
CABLE ASSEMBLY	HD/235, HD/239, HR/235, HR/239 ..	7414706	1
BULB—12-16 Volt 2 C.P. miniature flashing	EJ/235, EH/235, EH/239, HD/235, HD/239, HR/235, HR/239 ..	9412348	1

4.625 PEDAL, PAD, INSULATOR, BUMPER—Brake

PEDAL ASSEMBLY	48, 50, FJ	7400722	1
PAD	48, 50, FJ	7400720	1
GASKET—Pedal insulator cover	48, 50, FJ	7402733	1
INSULATOR—Felt	48, 50, FJ	7401631	1
SPRING—Insulator retainer	48, 50, FJ	7402711	1
BUMPER	48, 50, FJ	7402548	1
PEDAL ASSEMBLY	FE, FC	7409240	1
PEDAL ASSEMBLY	FB, EK (M) .. RIGHT HAND DRIVE	7412606	1
PEDAL ASSEMBLY	EK (A) .. RIGHT HAND DRIVE	7417839	1
PAD	FE, FC, FB, EK (M)	7409878	1
PAD	EK (A)	7417838	1
BUMPER	FE, FC, FB, EK	7409749	1
PEDAL ASSEMBLY	EJ (M), EH (M) RIGHT HAND DRIVE	7415754	1
	LEFT HAND DRIVE	7415755	1
PEDAL ASSEMBLY	EJ (A), EH (A) RIGHT HAND DRIVE	7418522	1
PAD—Brake pedal	EJ (M), EH (M)	7415749	1
PAD—Brake pedal	EJ (A), EH (A)	7417838	1
BUMPER—Brake pedal	EJ, EH	7409749	1
PEDAL ASSEMBLY	HD (M), HR (M) RIGHT HAND DRIVE	7424434	1
	LEFT HAND DRIVE	7424440	1
PEDAL ASSEMBLY	HD (A), HR (A) RIGHT HAND DRIVE	7424436	1
	LEFT HAND DRIVE	7424442	1
PAD—Brake pedal	HD (M), HR (M)	7424091	1
PAD—Brake pedal	HD (A), HR (A)	7424168	1
BUMPER—Brake pedal	HD	7409749	1
BUMPER—Brake pedal	HR RIGHT HAND DRIVE	7431380	1
	LEFT HAND DRIVE	7409749	1

4.626 BUSHING—Brake Pedal

BUSHING	48, 50, FJ	7400811	2
BUSHING	FE, FC, FB, EK, EJ, EH, HD, HR	7409244	1

4.634 SHAFT—Brake Pedal

SHAFT	48, 50, FJ	7400726	1
SHAFT	FE, FC, FB, EK (M)	7409933	1
SHAFT	EK (A)	7417835	1
SHAFT	EJ (M), EH (M), HD (M), HR (M) RIGHT HAND DRIVE	7415758	1
SHAFT	EJ (A), EH (A), HD (A), HR (A) RIGHT HAND DRIVE	7418524	1
SHAFT	EJ, EH, HD, HR LEFT HAND DRIVE	7419217	1



HOLDEN

MASTER PARTS CATALOGUE

4.635 PLATE—Brake Shaft Lock

PLATE	EK, EJ, EH, HD, HR	7409934	1
BOLT—Hex. hd. 5/16"—24 x 5/8"	EK, EJ, EH	123473	1
BOLT—Hex. hd. 5/16"—18 x 5/8"	HD, HR	120228	1
WASHER—Spring lock 5/16" medium	EK, EJ, EH, HD, HR	120214	1

4.636 WASHER, SPRING—Brake Pedal Retaining

WASHER	FE, FC, FB, EK	7409936	1
SPRING	FE, FC, FB, EK	7411804	1
WASHER	EJ (M), EH (M), HD (M), HR (M)	7409936	1
WASHER	EJ (A), EH (A), HD (A), HR (A) LEFT HAND DRIVE	7409936	1
SPRING	EJ (M), EH (M), HD (M), HR (M)	7411804	1
SPRING	EJ (A), EH (A), HD (A), HR (A) LEFT HAND DRIVE	7411804	1
WASHER—Plain	EJ, EH, HD, HR LEFT HAND DRIVE	SP1532	1

4.639 SPRING—Brake Pedal Return

SPRING	48, 50, FJ	7402745	1
SPRING	FE, FC	7411850	1
SPRING	FB, EK	7412807	1
SPRING	EJ, EH	7415762	1
SPRING	HD, HR	7424059	1

4.640 PLATE—Brake Pedal Return Spring Anchor

PLATE	EJ (A), EH (A) RIGHT HAND DRIVE	7419214	1
	LEFT HAND DRIVE	7418068	1

4.649 REPAIR KIT—Brake Main Cylinder

REPAIR KIT—(With piston)	48, 50, FJ	7405853	1
REPAIR KIT—(Less piston)	48, 50, FJ	7405082	1
REPAIR KIT—(With piston)	FE, FC, FB, EK, EJ, EH, HD, HR	7430222	1
REPAIR KIT—(Less piston)	FE, FC, FB, EK, EJ, EH, HD, HR	7430221	1
REPAIR KIT—(With piston)—Suit plastic res. cyl.	HD—Disc Brakes, HR—Disc Brakes	7430185	1
REPAIR KIT—(Less piston)—Suit plastic res. cyl.	HD—Disc Brakes, HR—Disc Brakes	7430184	1

4.650 CYLINDER ASSEMBLY, BODY AND RESERVOIR—Brake main

CYLINDER ASSEMBLY	48, 50, FJ up to Eng. No. 136884	7405826	1
CYLINDER ASSEMBLY	FJ from Eng. No. 136885	7404458	1
BODY AND RESERVOIR ASSEMBLY	48, 50, FJ	7404459	1
CYLINDER ASSEMBLY	FE, FC, FB, EK RIGHT HAND DRIVE	7426664	1
BOLT—Hex. hd. 3/8"—24 x 1 1/4"	FE, FC, FB, EK	121615	2
WASHER—Int. tooth lock 3/8"	FE, FC, FB, EK	138542	2
BODY	FE, FC, FB, EK	7423384	1
CYLINDER ASSEMBLY	EJ, EH, HD, HR	7426664	1
CYLINDER ASSEMBLY—Plastic reservoir	HD—Disc Brakes, HR—Disc Brakes	7427570	1
BOLT—Hex. hd. 3/8"—24 x 1-1/4"	EJ	121615	2
BOLT—Hex. hd. 3/8"—24 x 1-1/8"	EH	123534	2
BOLT—Hex. hd. 3/8"—16 x 1-1/8"	HD, HR	122138	2
WASHER—Internal tooth lock, 3/8"	EJ, EH, HD, HR	138542	2
REINFORCEMENT	EJ, EH	7423330	1
BODY—Suit metal reservoir cylinder	EJ, EH, HD, HR	7423384	1
BODY—Suit plastic reservoir cylinder	HD, HR	7426556	1
BODY—Suit plastic reservoir cylinder	HD—Disc Brakes, HR—Disc Brakes	7428228	1
RESERVOIR—Metal	FE, FC, FB, EK, EJ, EH, HD, HR	7411112	1
RESERVOIR—Plastic	HD, HR	7426555	1
SEAL—Reservoir to body	FE, FC, FB, EK, EJ, EH, HD, HR	7429828	1



4.651 CAP, GASKET, BAFFLE—Brake main cylinder		
CAP ASSEMBLY—Filler	48, 50, FJ	7404466 1
GASKET—Filler cap	48, 50, FJ up to Eng. No. 136884	7401263 1
GASKET—Filler cap	FJ from Eng. No. 136885	7404467 1
BAFFLE ASSEMBLY—Cap	48, 50, FJ up to Eng. No. 136884	7404264 1
CAP—Filler—Suit metal reservoir cylinder	FE, FC, FB, EK, EJ, EH, HD, HR	7414875 1
GASKET—Filler cap—Suit metal reservoir cylinder	FE, FC, FB, EK, EJ, EH, HD, HR	7409895 A.R.
BAFFLE—Cap	FE, FC	7411139 A.R.
CAP—Filler—Suit plastic reservoir cylinder	HD, HR	7426554 1
4.652 NUT, GASKET—Brake Main Cylinder Head		
NUT	FJ from Eng. No. 136885	7408013 1
NUT—Light hex. jam 7/8"—14	48, 50, FJ	219754 1
WASHER—Ext. tooth lock 7/8"	48, 50, FJ	138511 1
GASKET—Head nut	48, 50, FJ	7400672 1
4.653 PISTON ASSEMBLY—Brake Main Cylinder		
PISTON ASSEMBLY	48, 50, FJ	7400659 1
PISTON	FE, FC, FB, EK, EJ, EH, HD, HR	7409929 1
4.654 CUP—Brake Main Cylinder Piston		
CUP	ALL	7404734 1
CUP—(Secondary)	ALL	7404736 1
4.655 SPRING ASSEMBLY—Brake Main Cylinder Piston		
SPRING ASSEMBLY	ALL	7400663 1
4.656 RING—Brake Main Cylinder Lock		
RING	ALL	7400673 1
4.657 VALVE ASSEMBLY, WASHER—Brake Main Cylinder Check		
VALVE ASSEMBLY	ALL	5453711 1
WASHER—Valve seat	ALL	7404738 1
4.658 ROD—Brake Main Cylinder Push		
ROD	48, 50, FJ	7400674 1
ROD	FE, FC	7409931 1
ROD	FB, EK	7412863 1
ROD	EJ, EH, HD, HR	7415760 1
NUT—Light hex. jam 3/8"—24	ALL	124925 1
4.659 BOOT, SEAL—Brake Main Cylinder Push Rod		
BOOT	48, 50, FJ	7400676 1
SEAL	FE, FC, FB, EK, EJ, EH, HD, HR	7409932 1
4.660 RING—Brake Main Cylinder Boot Lock		
RING	48, 50, FJ	7400677 1
4.661 BOLT, GASKET—Brake Main Cylinder Outlet Connector		
BOLT	48, 50, FJ up to Eng. No. 136884	7401732 1
GASKET—Inner	48, 50, FJ up to Eng. No. 136884	7401733 1
GASKET—Outer	48, 50, FJ up to Eng. No. 136884	7401734 1
4.662 CLEVIS, PIN—Brake Main Cylinder Rod End		
PIN—.84"	48, 50, FJ	7401242 1
WASHER—Return spring	FE, FC, FB, EK	7411849 1
CLEVIS	EJ, EH, HD	RIGHT HAND DRIVE 7415761 1
CLEVIS	EJ (M), EH (M), HD	LEFT HAND DRIVE 7415761 1
CLEVIS	HR	7415761 1
PIN—Clevis, .375" x 1.06"	EJ, EH, HD, HR	SP1450 1
PIN—Cotter, 3/32" x 3/4"	EJ, EH, HD, HR	103373 1
WASHER—Return spring	EJ, EH, HD, HR	7411849 1



HOLDEN

MASTER PARTS CATALOGUE

4.665 CYLINDER ASSEMBLY, BODY, REPAIR KIT—Wheel Brake

CYLINDER ASSEMBLY—Front, L.H.	48, 50, FJ, FE, FC, FB, EK ..	7400153	1
CYLINDER ASSEMBLY—Front, R.H.	48, 50, FJ, FE, FC, FB, EK ..	7400154	1
CYLINDER ASSEMBLY—Rear	48, 50, FJ, FE, FC	7400155	2
CYLINDER ASSEMBLY—Rear	FB, EK	7412731	2
BOLT—Hex. hd. 5/16"—18 x 5/8" ..	48, 50, FJ, FE, FC, FB, EK ..	120228	8
WASHER—Spring lock 5/16"—medium ..	48, 50, FJ, FE, FC, FB, EK ..	120214	8
BODY ASSEMBLY—Front, L.H.	48, 50, FJ, FE, FC, FB, EK ..	7405075	1
BODY ASSEMBLY—Front, R.H.	48, 50, FJ, FE, FC, FB, EK ..	7405076	1
BODY ASSEMBLY—Rear	48, 50, FJ, FE, FC	7405074	2
BODY ASSEMBLY—Rear	FB, EK	7406435	2
REPAIR KIT—Front	48, 50, FJ, FE, FC, FB, EK ..	7405084	2
REPAIR KIT—Rear	48, 50, FJ, FE, FC	7405081	2
REPAIR KIT—Rear	FB, EK	7406439	2
CYLINDER ASSEMBLY—Front	EJ, EH	*LH7420815	1
CYLINDER ASSEMBLY—Front	EJ, EH	*RH7420816	1
CYLINDER ASSEMBLY—Front	EH/2104, EH/2106, HD, HR	**LH7424689	1
CYLINDER ASSEMBLY—Rear	EJ, EH, HD, HR	**RH7424690	1
CYLINDER ASSEMBLY—Rear	HD—Disc Brakes, HR—Disc Brakes ..	7420771	2
BOLT—Hex. hd. 1/4"—20 x 7/16" ..	HD—Disc Brakes, HR—Disc Brakes ..	7412419	2
WASHER—Spring lock, 1/4"—medium ..	EJ, EH, HD, HR	180015	8
BODY—Front	EJ, EH, HD, HR	120380	8
BODY—Front	EJ, EH	*LH7420803	1
BODY—Front	EJ, EH	*RH7420804	1
BODY—Rear	EH/2104, EH/2106, HD, HR	**LH7424687	1
BODY—Rear	EH/2104, EH/2106, HD, HR	**RH7424688	1
BODY—Rear	EJ, EH, HD, HR	7420714	2
BODY—Rear	HD—Disc Brakes, HR—Disc Brakes ..	7412418	2
REPAIR KIT—Front	EJ, EH	*7419525	2
REPAIR KIT—Front	EH/2104, EH/2106, HD, HR	**7427933	2
REPAIR KIT—Rear	EJ, EH, HD, HR	7419526	2
REPAIR KIT—Rear	HD—Disc Brakes, HR—Disc Brakes ..	7427929	2

4.666 VALVE—Wheel Brake Cylinder Bleeder

FRONT AND REAR	48, 50, FJ, FE, FC, FB, EK ..	7400169	4
FRONT AND REAR	EJ, EH, HD, HR	7420715	4
FRONT	HD—Disc Brakes, HR—Disc Brakes ..	VS10116	2
CAP—Front valve	HD—Disc Brakes, HR—Disc Brakes ..	VS10117	2

4.667 CUP—Wheel Brake Cylinder

FRONT—Standard	48, 50, FJ, FE, FC, FB, EK ..	7404728	4
FRONT—.007" o/s.	48, 50, FJ, FE, FC, FB, EK ..	M33466	4
REAR—Standard	48, 50, FJ, FE, FC	7404726	4
REAR—.007" o/s.	48, 50, FJ, FE, FC	M33465	4
REAR—Standard	FB, EK	7403036	4
REAR—.007" o/s.	FB, EK	M33464	4
FRONT—Standard	EJ, EH	*7403036	4
FRONT—Standard	EH/2104, EH/2106, HD, HR	**7404726	4
FRONT—.007" o/s.	EJ, EH	*M33464	4
FRONT—.007" o/s.	EH/2104, EH/2106, HD, HR	**M33465	4
SEAL KIT—Front caliper	HD—Disc Brakes, HR—Disc Brakes ..	VS10109	1
REAR	EJ, EH, HD, HR	7420760	4
REAR—.007" o/s.	EJ, EH, HD, HR	M35603	4
REAR	HD—Disc Brake, HR—Disc Brakes ..	7412147	2

*On EH/2104, EH/2106 applicable to units with 1-3/4" Brakes.

**Suit EH/2104, EH/2106 equipped with 2-1/4" Brakes.

HOLDEN

MASTER PARTS CATALOGUE



4.668 PISTON—Wheel Brake Cylinder

FRONT	48, 50, FJ, FE, FC, FB, EK	7400167	4
REAR	48, 50, FJ, FE, FC	7400166	4
REAR	FB, EK	7403190	4
FRONT	EJ, EH	*231334	4
FRONT	EH/2104, EH/2106, HD, HR	**1409125	4
FRONT	HD—Disc Brakes, HR—Disc Brakes	VS10113	4
REAR	EJ, EH, HD, HR	7420776	4
REAR	HD—Disc Brakes, HR—Disc Brakes	7412148	4

4.669 SPRING—Wheel Brake Cylinder Cup

FRONT	48, 50, FJ, FE, FC, FB, EK	7400170	2
REAR	48, 50, FJ, FE, FC	7400171	2
REAR	FB, EK	7403082	2
FRONT	EJ, EH	*7420812	2
FRONT	EH/2104, EH/2106, HD, HR	**7420746	2
REAR	EJ, EH, HD, HR	7420775	2

4.670 BOOT—Wheel Brake Cylinder

FRONT	EJ, EH, HD, HR	7420732	4
REAR	EJ, EH, HD, HR	7420773	4
REAR	HD—Disc Brakes, HR—Disc Brakes	7412404	4

4.671 SPACER—Wheel Brake Cylinder Cup

SPACER—Rear	HD—Disc Brakes, HR—Disc Brakes	7412378	2
-------------------	--------------------------------------	---------	---

4.674 COVER ASSEMBLY—Wheel Brake Cylinder

FRONT	48, 50, FJ, FE, FC, FB, EK	7400163	4
REAR	48, 50, FJ, FE, FC, FB, EK	7400159	4

4.675 SCREW—Wheel Brake Cylinder Adjusting

LINK—Wheel Brake Cylinder Connecting

SCREW—Front and Rear	48, 50, FJ, FE, FC, FB, EK	7400161	8
LINK—Front and rear	EJ, EH, HD, HR	7420743	8

4.678 SPRING—Wheel brake cylinder cover lock

SPRING	48, 50, FJ, FE, FC, FB, EK	7400176	4
RIVET	48, 50, FJ, FE, FC, FB, EK	7400238	4

4.680 HOSE, WASHER—Brake

HOSE	48, 50, FJ, FE, FC	7410776	3
HOSE	FB, EK	7412729	3
WASHER—Front brake hose	48, 50, FJ, FE, FC, FB, EK	7401727	2
HOSE	EJ, EH	*7419386	3
HOSE	EH/2104, EH/2106, HD, HR	**7427510	3
HOSE—Front	HD—Disc Brakes, HR—Disc Brakes	7426375	2
WASHER—Front brake hose to wheel cylinder	EJ, EH, HD, HR	7410046	2

*On EH/2104, EH/2106 applicable to units with 1-3/4" Brakes.

**Suit EH/2104, EH/2106 equipped with 2-1/4" Brakes.



HOLDEN

MASTER PARTS CATALOGUE

4.681 BRACKET ASSEMBLY, SPRING—Brake hose

BRACKET—Rear brake hose	EJ, EH	7415686	1
BRACKET—Rear brake hose	HD, HR	7422982	1
SPRING KIT—Front brake hose retainer	EH, HD, HR	7428918	1
SPRING—Front brake hose retainer	EH, HD, HR	7428873	2
CLIP—Front brake hose	EH, HD, HR	7428872	2
SPRING—Yoke	ALL	476737	A.R.

4.685 PIPE ASSEMBLY, CLIP—Brake

PIPE ASSEMBLY—Main cyl. to tee connector	48, 50, FJ up to Eng. No. 136884	7401596	1
PIPE ASSEMBLY—Main cyl. to tee connector	FJ from Eng. No. 136885 up to S.A. Ser. No. 3950A Qld. Ser. No. 5397B Vic. Ser. No. 9465M W.A. Ser. No. 3138P N.S.W. Ser. No. 4/10864S	7404468	1
PIPE ASSEMBLY—Main cyl. to tee connector	FJ S.A. from Ser. No. 3951A Qld. from Ser. No. 5398B Vic. from Ser. No. 9466M W.A. from Ser. No. 3139P N.S.W. from Ser. No. 4/10865S	7408161	1
PIPE ASSEMBLY—Main cyl. to tee connector	FE, FC	7410406	1
PIPE ASSEMBLY—Main cyl. to tee connector	FB, EK	RIGHT HAND DRIVE 7412723	1
PIPE ASSEMBLY—Tee conn. to left front hose	48, 50, FJ	7408165	1
PIPE ASSEMBLY—Tee conn. to left front hose	FE, FC	7410411	1
PIPE ASSEMBLY—Tee conn. to left front hose	FB, EK	RIGHT HAND DRIVE 7412710	1
PIPE ASSEMBLY—Tee conn. to right front hose	48, 50, FJ S.A. up to Ser. No. 3950A Qld. up to Ser. No. 5397B Vic. up to Ser. No. 9465M W.A. up to Ser. No. 3138P N.S.W. up to Ser. No. 4/10864S	7401601	1
PIPE ASSEMBLY—Tee conn. to right front hose	FJ S.A. from Ser. No. 3951A Qld. from Ser. No. 5398B Vic. from Ser. No. 9466M W.A. from Ser. No. 3139P N.S.W. from Ser. No. 4/10865S	7408163	1
PIPE ASSEMBLY—Tee conn. to right front hose	FE, FC	7410408	1
PIPE ASSEMBLY—Tee conn. to right front hose	FB, EK	7412713	1
PIPE ASSEMBLY—Tee conn. to rear hose	48, FJ/215 { S.A. up to Ser. No. 3950A FJ/217 { Qld. up Ser. No. 5397B FJ/225 { Vic. up to Ser. No. 9465M W.A. up to Ser. No. 3138P N.S.W. up to Ser. No. 4/10864S	7401609	1
PIPE ASSEMBLY—Tee conn. to rear hose	FJ/215 { S.A. from Ser. No. 3951A up to Ser. No. 8532A FJ/217 { Qld. from Ser. No. 5398B up to Ser. No. 11824B FJ/225 { Vic. from Ser. No. 9466M up to Ser. No. 22115M W.A. from Ser. No. 3139P up to Ser. No. 6473P N.S.W. from Ser. No. 4/10865S up to Ser. No. 5/2386S	7408067	1
PIPE ASSEMBLY—Tee conn. to rear hose	FJ/215 { S.A. from Ser. No. 8533A FJ/217 { Qld. from Ser. No. 11825B FJ/225 { Vic. from Ser. No. 22116M W.A. from Ser. No. 6474P N.S.W. from Ser. No. 5/2387S	7408546	1
PIPE ASSEMBLY—Tee conn. to rear hose	50, FJ/2104 { S.A. up to Ser. No. 3950A FJ/2106 { Qld. up Ser. No. 5397B Vic. up to Ser. No. 9465M W.A. up to Ser. No. 3138P N.S.W. up to Ser. No. 4/10864S	7403717	1

HOLDEN

MASTER PARTS CATALOGUE



4.685 PIPE ASSEMBLY, CLIP—Brake (Cont'd.)

PIPE ASSEMBLY—Tee conn. to rear hose	FJ/2104 FJ/2106	{ S.A. from Ser. No. 3951A up to Ser. No. 8532A Qld. from Ser. No. 5398B up to Ser. No. 11824B Vic. from Ser. No. 9466M up to Ser. No. 22115M W.A. from Ser. No. 3139P up to Ser. No. 6473P N.S.W. from Ser. No. 4/10865S up to Ser. No. 5/2386S	7408171	1
PIPE ASSEMBLY—Tee conn. to rear hose	FJ/2104 FJ/2106	{ S.A. from Ser. No. 8533A Qld. from Ser. No. 11825B Vic. from Ser. No. 22116M W.A. from Ser. No. 6474P N.S.W. from Ser. No. 5/2387S	7408548	1
PIPE ASSEMBLY—Tee conn. to rear hose	FE, FC/215, FC/217, FC/225		7410404	1
PIPE ASSEMBLY—Tee conn. to rear hose	FC/219, FC/229, FC/2104, FC/2106		7414968	1
PIPE ASSEMBLY—Tee conn. to rear hose	FB/215, FB/225, EK/215, EK/225		7412721	1
PIPE ASSEMBLY—Tee conn. to rear hose	FB/219, FB/229, FB/2104, FB/2106 EK/219, EK/229, EK/2104, EK/2106		7414967	1
PIPE ASSY—Axle housing tee conn. to left rear brake	48, 50, FJ S.A. up to Ser. No. 8532A Qld. up to Ser. No. 11824B Vic. up to Ser. No. 22115M W.A. up to Ser. No. 6473P N.S.W. up to Ser. No. 5/2386S		7407110	1
PIPE ASSY—Axle housing tee conn. to left rear brake	FJ S.A. from Ser. No. 8533A Qld. from Ser. No. 11825B Vic. from Ser. No. 22116M W.A. from Ser. No. 6474P N.S.W. from Ser. No. 5/2387S		7408451	1
PIPE ASSY—Axle housing tee conn. to left rear brake	FE, FC		7409874	1
PIPE ASSY—Axle housing tee conn. to left rear brake	FB, EK		7412717	1
PIPE ASSY—Axle housing tee conn. to right rear brake	48, 50, FJ S.A. up to Ser. No. 8532A Qld. up to Ser. No. 11824B Vic. up to Ser. No. 22115M W.A. up to Ser. No. 6473P N.S.W. up to Ser. No. 5/2386S		7401616	1
PIPE ASSY—Axle housing tee conn. to right rear brake	FJ S.A. from Ser. No. 8533A Qld. from Ser. No. 11825B Vic. from Ser. No. 22116M W.A. from Ser. No. 6474P N.S.W. from Ser. No. 5/2387S		7408467	1
PIPE ASSY—Axle housing tee conn. to right rear brake	FE, FC		7409872	1
PIPE ASSY—Axle housing tee conn. to right rear brake	FB, EK		7412715	1
CLIP—Pipe to underbody	48, FJ/215, FJ/217, FJ/225		7402730	2
CLIP—Brake and clutch pipes	FE, FC, FB, EK (M) RIGHT HAND DRIVE LEFT HAND DRIVE		7410019 7401216	1 1
CLIP—Pipe to No. 1 cross-member	FE, FC, FB, EK		7410038	1
CLIP—Pipe underbody 1/4" & 5/16"	48, 50, FJ, FE, FC		177926	A.R.
CLIP—Pipe underbody 3/16" and 5/16"	FB, EK		SP1410	3
CLIP—Front tie member	48, 50, FJ, FE, FC		432686	A.R.
CLIP—Front side member	FB, EK		432682	1
CLIP—Rear axle housing	48, 50, FJ, FE, FC, FB, EK		414797	A.R.



HOLDEN

MASTER PARTS CATALOGUE

4.685 PIPE ASSEMBLY, CLIP—Brake (Contd.)

PIPE ASSY—Main cylinder to 3 way connector	EJ, EH	RIGHT HAND DRIVE	7415652	1
PIPE ASSY—R.H. 3 way connector to L.H. 3 way connector	EJ, EH	RIGHT HAND DRIVE	7415648	1
PIPE ASSY—R.H. 3 way connector to right front hose	EJ	RIGHT HAND DRIVE	7415647	1
PIPE ASSY—L.H. 3 way connector to left front hose	EJ	RIGHT HAND DRIVE	7415646	1
PIPE ASSY—R.H. 3 way connector to right front hose	EH	RIGHT HAND DRIVE	7421356	1
PIPE ASSY—L.H. 3 way connector to left front hose	EH	RIGHT HAND DRIVE	7425816	1
PIPE ASSY—L.H. 3 way connector to left front hose	EH Power Steering	RIGHT HAND DRIVE	7427091	1
PIPE ASSY—Main cylinder to 4 way connector	EJ, EH	LEFT HAND DRIVE	7415772	1
PIPE ASSY—4 way connector to left front brake	EJ, EH	LEFT HAND DRIVE	7419252	1
PIPE ASSY—Connector to rear brake hose	EJ, EH		7415649	1
PIPE ASSY—Axle housing tee connector to left rear brake	EJ, EH		7419315	1
PIPE ASSY—Axle housing tee connector to right rear brake	EJ, EH		7419314	1
CLIP—Pipe underbody, type 'B' 3/16"	EJ, EH		SP1506	2
CLIP—Brake pipes to underbody	EJ, EH		7415653	2
CLIP—Brake pipe to rear axle housing	EJ, EH		7415654	2
PIPE ASSEMBLY—Main cylinder to 4 way connector	HD, HR	RIGHT HAND DRIVE	7425920	1
PIPE ASSEMBLY—Main cylinder to booster (Girling)	HD—Disc Brakes, HR—Disc Brakes	RIGHT HAND DRIVE	7406735	1
PIPE ASSEMBLY—Booster to 4 way connector (Girling)	HD—Disc Brakes, HR—Disc Brakes	RIGHT HAND DRIVE	7406761	1
PIPE ASSEMBLY—Main cylinder to booster (P.B.R.)	HR—Disc Brakes	RIGHT HAND DRIVE	7433798	1
PIPE ASSEMBLY—Booster to 4 way connector (P.B.R.)	HR—Disc Brakes	RIGHT HAND DRIVE	7433799	1
PIPE ASSEMBLY—4 way connector to left frt. hose	HD, HR	RIGHT HAND DRIVE	7425922	1
PIPE ASSEMBLY—4 way connector to right frt. hose	HD, HR	RIGHT HAND DRIVE	7425921	1
PIPE ASSEMBLY—Main cylinder to 3 way connector	HD, HR	LEFT HAND DRIVE	7425925	1
PIPE ASSEMBLY—Main cylinder to booster (Girling)	HD—Disc Brakes, HR—Disc Brakes	LEFT HAND DRIVE	7428871	1
PIPE ASSEMBLY—Booster to 3 way connector (Girling)	HD—Disc Brakes, HR—Disc Brakes	LEFT HAND DRIVE	7428868	1
PIPE ASSEMBLY—Main cylinder to booster (P.B.R.)	HR—Disc Brakes	LEFT HAND DRIVE	7433950	1
PIPE ASSEMBLY—Booster to 3 way connector (P.B.R.)	HR—Disc Brakes	LEFT HAND DRIVE	7433951	1
CLIP—Pipe attaching (P.B.R.)	HR—Disc Brakes		7410019	1
CLIP—Pipe to dash panel	HD—Disc Brakes, HR—Disc Brakes	LEFT HAND DRIVE	7415676	2
SCREW—Pan. hd. cr. rec. tap. No. 14—10 x 5/8"	HD—Disc Brakes, HR—Disc Brakes	LEFT HAND DRIVE	162074	2
WASHER—Ext. tooth lock 1/4"	HD—Disc Brakes, HR—Disc Brakes	LEFT HAND DRIVE	121753	2
PIPE ASSY—R.H. 3 way connector to L.H. 3 way conn.	HD, HR	LEFT HAND DRIVE	7425924	1
PIPE ASSY—R.H. 3 way connector to right front hose	HD, HR	LEFT HAND DRIVE	7425918	1
PIPE ASSY—L.H. 3 way connector to left front hose	HD, HR	LEFT HAND DRIVE	7425905	1
PIPE ASSY—Front hose to caliper	HD—Disc Brakes, HR—Disc Brakes	LH7427459	1	
		RH7427460	1	
PIPE ASSEMBLY—Connector to rear brake hose	HD, HR		7425923	1
PIPE ASSEMBLY—Axle housing tee connector to left rear brake	HD, HR		7423288	1
PIPE ASSEMBLY—Axle housing tee connector to right rear brake	HD, HR		7423289	1
CLIP—Brake pipe to underbody	HD, HR		7415653	1
CLIP—Brake pipe to rear axle housing	HD, HR		7415654	2



4.686 CONNECTOR, SPRING—Brake pipe

CONNECTOR—Main cylinder outlet	48, 50, FJ up to Eng. No. 136884	7401595	1
CONNECTOR ASSEMBLY—Front and rear—4 way	*	7401598	1
BOLT—Auto hex. head 5/16"—24 x 5/8"	*	123473	1
NUT—Light hex. 5/16"—24	*	120368	1
WASHER—Spring lock 5/16" medium	*	120214	1
SPRING—Four-way pipe connector	FJ S.A. from Ser. No. 3951A Qld. from Ser. No. 5398B Vic. from Ser. No. 9466M W.A. from Ser. No. 3139P N.S.W. from Ser. No. 4/10865S	476737	1
CONNECTOR—Axle housing—3 way	48, 50, FJ S.A. up to Ser. No. 8532A Qld. up to Ser. No. 11824B Vic. up to Ser. No. 22115M W.A. up to Ser. No. 6473P N.S.W. up to Ser. No. 5/2386S	7401614	1
SPRING—Rear brake pipe connector	48, 50, FJ	476737	1
CONNECTOR—Main cylinder outlet	FE, FC, FB, EK	7410766	1
WASHER—Outlet connector	FE, FC, FB, EK	7401727	1
SPRING—Rear brake pipe connector	FE, FC, FB, EK	476737	A.R.
CONNECTOR ASSEMBLY—Front and rear—4-way	FE, FC	7411137	1
WASHER—Spring lock 5/16"—medium	FE, FC	120214	1
CONNECTOR—Axle housing—3-way	FE, FC	7410952	1
CONNECTOR—Front and rear—4 way	FB, EK	RIGHT HAND DRIVE	7412720
BOLT—Hex. hd. 5/16"—18 x 5/8"	FB, EK	120228	1
WASHER—Spring lock 5/16" medium	FB, EK	120214	1
CONNECTOR—Axle housing—3 way	FB, EK	7412730	1
CONNECTOR—Main cylinder outlet	EJ, EH	7410766	1
WASHER—Brake master cylinder connector	EJ, EH	7401727	1
CONNECTOR—Brake pipe 3 way	EJ, EH	RIGHT HAND DRIVE	LH7418955
		RH7418954	1
CONNECTOR—Brake pipe 4 way	EJ, EH	LEFT HAND DRIVE	7415771
SCREW—Pan hd. cr. rec. mach. 1/4"—28 x 1"	EJ, EH	191880	2-1
WASHER—Spring lock, 1/4"—light	EJ, EH	121637	2-1
CONNECTOR—Rear brake pipe tee	EJ, EH	7416705	1
CONNECTOR—Main cylinder outlet	HD, HR	7410766	1
WASHER—Brake master cylinder connector	HD, HR	7401727	1
CONNECTOR—Brake pipe 4 way	HD, HR	RIGHT HAND DRIVE	7415771
CONNECTOR—Brake pipe 3 way	HD, HR	LEFT HAND DRIVE	LH7418955
		RH7418954	1
SCREW—Hex. hd. cr. rec. mach. 1/4"—20 x 1"	HD, HR	9415798	2-1
WASHER—Spring lock 1/4"—light	HD, HR	121637	2-1
CONNECTOR—Rear brake pipe tee	HD, HR	7423276	1
* 48, 50			
FJ S.A. up to Ser. No. 3950A			
Qld. up to Ser. No. 5397B			
Vic. up to Ser. No. 9465M			
W.A. up to Ser. No. 3138P			
N.S.W. up to Ser. No. 4/10864S			

4.700 SHEAVE, PIVOT, BRACKET—Hand Brake Cable

SHEAVE	FE, FC, FB, EK	7409495	2
PIVOT—Sheave	FE, FC, FB, EK	7409497	1
WASHER—Plain 11/32" x 11/16" x .065"	FE, FC, FB, EK	103340	2
WASHER—Spring lock 5/16"—medium	FE, FC, FB, EK	120214	1



HOLDEN

MASTER PARTS CATALOGUE

4.700 SHEAVE, PIVOT, BRACKET—Hand Brake Cable (Cont'd.)

BRACKET ASSEMBLY—Sheave mounting	FE, FC, FB, EK (M)		
	RIGHT HAND DRIVE	7409496	1
BOLT—Hex. hd. 1/4"—20 x 9/16"	FE S.A. up to Ser. No. 3722A		
	Qld. up to Ser. No. 4872B		
	Vic. up to Ser. No. 16987M		
	W.A. up to Ser. No. 2956P		
	N.S.W. up to Ser. No. 10692S	117461	2
NUT—Hex. 1/4"—20	FE S.A. up to Ser. No. 3722A		
	Qld. up to Ser. No. 4872B		
	Vic. up to Ser. No. 16987M		
	W.A. up to Ser. No. 2956P		
	N.S.W. up to Ser. No. 10692S	120375	1
BOLT—Hex. hd. 1/4"—28 x 9/16"	FE S.A. from Ser. No. 3723A		
	Qld. from Ser. No. 4873B		
	Vic. from Ser. No. 16988M		
	W.A. from Ser. No. 2957P		
	N.S.W. from Ser. No. 10693S		
NUT—Hex. 1/4"—28	FC, FB, EK	RIGHT HAND DRIVE	123225
	FE S.A. from Ser. No. 3723A		
	Qld. from Ser. No. 4873B		
	Vic. from Ser. No. 16988M		
	W.A. from Ser. No. 2957P		
	N.S.W. from Ser. No. 10693S		
WASHER—Spring lock 1/4"—medium	FC, FB, EK	RIGHT HAND DRIVE	120367
SHEAVE	FE, FC, FB, EK	RIGHT HAND DRIVE	120380
WASHER—Plain, 11/32" x 11/16" x .065"	EJ, EH		7409495
PIN—Cotter, 3/32" x 3/4"	EJ, EH		103340
PIN—Clevis, .312" x .92"	EJ, EH		103373
BRACKET ASSEMBLY—Sheave mounting	EJ, EH		SP1448
	EJ, EH	RIGHT HAND DRIVE	7415388
		LEFT HAND DRIVE	7415387
SHEAVE	HD, HR		7409495
RETAINER—Sheave	HD, HR		7428960
PIN—Cotter, 3/32" x 3/4"	HD, HR		103373
BRACKET ASSY—Handbrake cable sheave mounting	HD, HR	RIGHT HAND DRIVE	7426626
		LEFT HAND DRIVE	7426627
SCREW—Pan hd. cr. rec. mach. 5/16"—18 x 5/8"	HD, HR		160684
WASHER—Spring lock 5/16"—light	HD, HR		120379

4.764 EQUALIZER—Hand Brake Cable

EQUALIZER	FE, FC, FB, EK		7409494	1
PIN—Clevis 5/16" Equalizer to inter. lever	FE, FC, FB, EK		502725	1
EQUALIZER	EJ, EH		7409465	1
EQUALIZER	HD, HR		7409494	1

4.792 LEVER, SPRING, EXTENSION, SPACER—Hand Brake Intermediate

LEVER	FE, FC, FB, EK		7409492	1
SPRING—Lever	FE, FC, FB, EK		7409493	1
EXTENSION—Spring	EK (A)	RIGHT HAND DRIVE	7417831	1
LEVER	EJ, EH		7419305	1
WASHER—Plain, type 'A' 11/32" x 11/16" x .065"	EJ, EH		103340	1
PIN—Clevis, 5/16"	EJ, EH		502725	1
PIN—Cotter, 3/32" x 3/4"	EJ, EH		103373	1
SPRING—Hand brake cable equaliser	EJ, EH		7409541	1
SPACER—Lever mounting	EH		7421444	1
LEVER	HD, HR	RIGHT HAND DRIVE	7427434	1
		LEFT HAND DRIVE	7428236	1
PIN—Clevis, 5/16"	HD, HR		502725	1
PIN—Cotter, 3/32" x 3/4"	HD, HR		103373	1
SPRING—Lever	HD, HR		7409493	1
EXTENSION—Spring	HD, HR		7426381	1
SPRING—Anti-rattle	HD, HR		7431754	1



4.797 BRACKET—Hand brake intermediate lever

BRACKET—Cable front anchor	EJ	7419932	1
BRACKET—Cable front anchor	EH	RIGHT HAND DRIVE 7421442	1
		LEFT HAND DRIVE 7421443	1
BOLT—Hex. hd. 5/16"—18 x 5/8"	EH	120228	1
WASHER—Spring lock 5/16"—Medium	EH	120214	1
BRACKET ASSY—Hand brake int. lever support	EJ, EH	RIGHT HAND DRIVE 7419880	1
		LEFT HAND DRIVE 7419879	1
BOLT—Hex. hd. 3/8"—24 x 3-3/8"	EH	112753	1
WASHER—Spring lock 3/8"—Heavy	EH	131099	1
BRACKET—Cable front anchor	HD, HR	RIGHT HAND DRIVE 7425892	1
		LEFT HAND DRIVE 7428390	1
BOLT—Hex. hd. 5/16"—18 x 5/8"	HD, HR	120228	2
WASHER—Spring lock 5/16"—Medium	HD, HR	120214	2
BRACKET ASSY—Hand brake int. lever support	HD, HR	RIGHT HAND DRIVE 7424998	1
		LEFT HAND DRIVE 7428269	1

4.820 ANCHOR, SEAL, CLAMP, MOUNTING—Hand Brake Cable

ANCHOR—Rear cable	48 S.A. from Ser. No. 7592A		
	Qld. from Ser. No. B9381		
	Vic. from Ser. No. M22743		
	W.A. from Ser. No. P5541		
	N.S.W. from Ser. No. 52/S12649		
	50 S.A. from Ser. No. 1790A		
	Qld. from Ser. No. B2537		
	Vic. from Ser. No. M3565		
	W.A. from Ser. No. P1673		
	N.S.W. from Ser. No. 52/S3843		
	FJ up to Eng. No. 136884	7404943	2
BOLT—Auto hex. hd. 5/16"—24 x 5/8"	48, 50, FJ up to Eng. No. 136884	106279	4
NUT—Light hex. 5/16"—24	48, 50, FJ up to Eng. No. 136884	103025	4
WASHER—Int. tooth lock 5/16"	48, 50, FJ up to Eng. No. 136884	115548	4
ANCHOR—Rear cable L.H.	FE, FC, FB, EK	7409653	1
ANCHOR—Rear cable R.H.	FE, FC, FB, EK	7409652	1
BOLT—Hex. hd. 5/16"—24 x 5/8"	FE, FC, FB, EK	123473	4
NUT—Hex. 5/16"—24	FE, FC, FB, EK	103320	4
WASHER—Spring lock 5/16"—medium	FE, FC, FB, EK	103025	4
CLAMP—Rear cable	FE, FC, FB, EK	7409650	2
BOLT—Hex. hd. 5/16"—24 x 5/8"	FE, FC, FB, EK	123473	2
WASHER—Spring lock 5/16"—medium	FE, FC, FB, EK	103320	2
SEAL—Rear cable (axle housing)	FE, FC, FB, EK	7409651	2
MOUNTING—Rear cable front anchor	EJ, EH	LH7419307	1
		RH7419308	1
CLAMP—Hand brake cable to underbody	EJ, EH	7419309	3
WASHER—Spring lock, 3/8"	EJ, EH	120382	3

4.823 PIN—Hand Brake Cable Clevis

PIN	48, 50, FJ	3688960	1
PIN—Cable to intermediate lever	FE, FC, FB, EK, EJ, EH	3688960	1
PIN—Cotter, special 5/16"	EJ, EH	103373	1

4.826 CABLE ASSEMBLY—Hand Brake

FRONT	48, 50, FJ	7402242	1
CLIP—Cable to side member—3/8"	48, 50, FJ	145411	1
NUT—Light hex. 5/16"—24	48, 50, FJ	120368	2
WASHER—Spring lock 5/16"—medium	48, 50, FJ	120214	1
REAR	48, 50, FJ up to Eng. No. 136884	# 7404940	1

7405486 Replacement Kit which includes 7404940 cable must be used on 48 Models when replacing the original cable.



HOLDEN

MASTER PARTS CATALOGUE

4.826 CABLE ASSEMBLY—Hand Brake (Cont'd.)

REPLACEMENT KIT—Rear
REAR
BOLT—Auto. hex. hd. 5/16"—24 x 5/8"
NUT—Light hex. 5/16"—24
WASHER—Int. tooth lock 5/16"
FRONT
FRONT
NUT—Hex. 5/16"—24
BOLT—Hex. 1/4"—20 x 5/8"
WASHER—Spring lock 1/4"—medium
CLEVIS ASSEMBLY—Intermediate lever
REAR
REAR
FRONT
INTERMEDIATE
NUT—Hex. 5/16"—24
SPRING—Yoke
CABLE ASSEMBLY—Hand brake rear
CABLE ASSEMBLY—Hand brake rear
FRONT
CLIP—Fastener type "B" 3/8"
PIN—Cotter, 1/8" x 1-1/4"
NUT—Front cable adjuster
CABLE ASSEMBLY—Hand brake rear
CABLE ASSEMBLY—Hand brake rear
FRONT
SPRING—Yoke

48	S.A. up to Ser. No. 7591A		
	Qld. up to Ser. No. B9380		
	Vic. up to Ser. No. M22742		
	W.A. up to Ser. No. P5440		
	N.S.W. up to Ser. No. 2/S12648 #	7405486	1
FJ	from Eng. No. 136885	7407823	1
FJ	from Eng. No. 136885	106279	4
FJ	from Eng. No. 136885	103025	4
FJ	from Eng. No. 136885	115548	4
FE, FC, FB, EK (M)			
	RIGHT HAND DRIVE	7409487	1
	LEFT HAND DRIVE	7415839	1
EK (A)			
	RIGHT HAND DRIVE	7417828	1
	LEFT HAND DRIVE	7417840	1
FE, FC, FB, EK	RIGHT HAND DRIVE	120368	1
EK (A)	LEFT HAND DRIVE	120854	2
EK (A)	LEFT HAND DRIVE	120380	2
FE, FC, FB, EK		7411313	1
FE, FC, FB, EK (M)		7409623	1
EK (A)		7417827	1
EJ, EH		7415735	1
EJ, EH		7410681	1
EJ, EH		120368	2
EJ, EH		476737	1
EJ, EH		*7419364	1
EH/2104, EH/2106		**7428775	1
HD, HR	RIGHT HAND DRIVE	7429735	1
	LEFT HAND DRIVE	7429734	1
HD, HR	RIGHT HAND DRIVE	145411	1
HD, HR	LEFT HAND DRIVE	120123	1
HD, HR		7420772	1
HD exc. HD/2104, HD/2106			
HR exc. HR/2104, HR/2106		7425871	1
HD/2104, HD/2106, HR/2104, HR/2106		7428098	1
HD, HR		476737	4

7405486 Replacement Kit which includes 7404940 cable must be used on 48 Models when replacing the original cable.

*On EH/2104, EH/2106 applicable to units with 1-3/4" Brakes.

**Suit EH/2104, EH/2106 equipped with 2-1/4" Brakes.

4.827 HOSE, GROMMET, SPRING—Hand Brake Front Cable

HOSE—Cable Rear end
GROMMET—Cable rear end
SPRING—Anti-rattle

48, 50, FJ	7401285	1
48, 50, FJ	117959	1
EJ	7422655	1

4.829 SUPPORT ASSEMBLY, BRACKET—Hand Brake Cable

SUPPORT ASSEMBLY—Front cable guide bracket
BOLT—Auto. hex. hd. 5/16"—24 x 2-1/4"
WASHER—Spring lock 5/16"—medium
WASHER—Plain 3/8" x 7/8" x .083"
NUT—Light hex. 5/16"—24
GROMMET—Guide bracket

48, 50, FJ	7402736	1
48, 50, FJ	124088	4
48, 50, FJ	120214	4
48, 50, FJ	446363	4
48, 50, FJ	120368	4

48	S.A. up to Ser. No. 7591A		
	Qld. up to Ser. No. B9380		
	Vic. up to Ser. No. M22742		
	W.A. up to Ser. No. P5449		
	N.S.W. up to Ser. No. 52/S12648		
50	S.A. up to Ser. No. 1789A		
	Qld. up to Ser. No. B2536		
	Vic. up to Ser. No. M3564		
	W.A. up to Ser. No. P1672		
	N.S.W. up to Ser. No. 2/S3842	SP1098	2

HOLDEN

MASTER PARTS CATALOGUE



4.829 SUPPORT ASSEMBLY, BRACKET—Hand Brake Cable (Cont'd.)

BRACKET—Rear cable guide, L.H.	•	7404951	1
BRACKET—Rear cable guide, R.H.	•	7404950	1
BOLT—Auto. hex. hd. 5/16"—24 x 3/4"	•	120741	2
NUT—Light hex. 5/16"—24	•	120368	2
WASHER—Spring lock 5/16"—medium	•	120214	2
BRACKET—Rear cable anchor	HD, HR	7425755	2

* 48 S.A. from Ser. No. 7592A to 9073A
 Qld. from Ser. no. B9381 to B11660
 Vic. from Ser. No. M22743 to M28225
 W.A. from Ser. No. P5441 to P6568
 N.S.W. from Ser. No. 52/S12649 to 53/S2223

4.834 GROMMET—Hand Brake Cable Through Dash

GROMMET	48, 50, FJ	7401916	1
GROMMET—Hand brake handle dash	FE, FC, FB, EK	7409488	1
GROMMET—Pull rod	EJ, EH	7415747	1
GROMMET—Pull rod	HD, HR	7426406	1

4.901 BRACKET—Brake Booster Mounting

BRACKET	(Girling)	HD—Disc Brakes, HR—Disc Brakes	7406734	1
BRACKET	(P.B.R.)	HR—Disc Brakes	7433941	1
SUPPORT	(P.B.R.)	HR—Disc Brakes	7435171	1
BOLT—Hex. hd. 5/16"—18 x 5/8"		HD—Disc Brakes, HR—Disc Brakes	120228	3
WASHER—Plain 5/16" x 7/8" x .063"		HD—Disc Brakes, HR—Disc Brakes	274865	3
WASHER—Spring lock 5/16" light		HD—Disc Brakes, HR—Disc Brakes	120379	3
NUT—Hex. 5/16"—18		HD—Disc Brakes, HR—Disc Brakes	120376	3

4.902 BOOSTER—Brake Vacuum Servo

BOOSTER	(Girling)	HD—Disc Brakes, HR—Disc Brakes	7426203	1
BOLT—Hex. hd. 3/8"—24 x 3/4"	(Girling)	HD—Disc Brakes, HR—Disc Brakes	123520	3
WASHER—Spring lock 3/8" light	(Girling)	HD—Disc Brakes, HR—Disc Brakes	120381	3
REPAIR KIT—Booster	(Girling)	HD—Disc Brakes, HR—Disc Brakes	VS10108	1
GREASE—Rubber 1/2 oz. tube	(Girling)	HD—Disc Brakes, HR—Disc Brakes	VS10515	A.R.
GREASE—Molycule 1/2 oz. tube	(Girling)	HD—Disc Brakes, HR—Disc Brakes	VS10516	A.R.
BOOSTER	(P.B.R.)	HR—Disc Brakes	7433728	1
NUT—Hex. 5/16"—24	(P.B.R.)	HR—Disc Brakes	120368	2
WASHER—Spring lock 5/16" medium	(P.B.R.)	HR—Disc Brakes	120214	2
REPAIR KIT—Major overhaul	(P.B.R.)	HR—Disc Brakes	7435203	1
REPAIR KIT—Minor overhaul	(P.B.R.)	HR—Disc Brakes	7435204	1

4.903 ELEMENT & SEAL, COVER—Brake Booster Filter

ELEMENT & SEAL	(Girling)	HD—Disc Brakes, HR—Disc Brakes	VS10110	1
COVER—Element	(Girling)	HD—Disc Brakes, HR—Disc Brakes	VS10325	1
SCREW—Cover	(Girling)	HD—Disc Brakes, HR—Disc Brakes	VS10328	1
WASHER—Cover screw	(Girling)	HD—Disc Brakes, HR—Disc Brakes	VS10327	1
FILTER	(P.B.R.)	HR—Disc Brakes	VS10426	1

4.904 BODY, VALVE, BOLT, ADAPTOR—Brake Booster Control

BODY	(Girling)	HD—Disc Brakes, HR—Disc Brakes	VS10349	1
VALVE—Non-return	(Girling)	HD—Disc Brakes, HR—Disc Brakes	VS10320	1
BOLT—Non-return valve	(Girling)	HD—Disc Brakes, HR—Disc Brakes	VS10321	1
GASKET—Non-return valve bolt	(Girling)	HD—Disc Brakes, HR—Disc Brakes	VS10322	2
ADAPTOR	(Girling)	HD—Disc Brakes, HR—Disc Brakes	VS10323	2
GASKET—Adaptor	(Girling)	HD—Disc Brakes, HR—Disc Brakes	VS10324	2
BODY	(P.B.R.)	HR—Disc Brakes	VS10568	1
GROMMET	(P.B.R.)	HR—Disc Brakes	VS10416	1



HOLDEN

MASTER PARTS CATALOGUE

4.905 SPRING, WASHER, CIRCLIP, SPACER, BUSH, ROD, PISTON, SEAL—Brake Booster Output Cylinder

SPRING (Girling)	HD—Disc Brakes, HR—Disc Brakes	VS10345	1
WASHER—Stop (Girling)	HD—Disc Brakes, HR—Disc Brakes	VS10346	1
CIRCLIP (Girling)	HD—Disc Brakes, HR—Disc Brakes	VS10350	1
SPACER (Girling)	HD—Disc Brakes, HR—Disc Brakes	VS10347	1
BUSH (Girling)	HD—Disc Brakes, HR—Disc Brakes	VS10348	1
PISTON (Girling)	HD—Disc Brakes, HR—Disc Brakes	VS10502	1
SEAL—Piston (Girling)	HD—Disc Brakes, HR—Disc Brakes	VS10503	1
SEAL—Gland (Girling)	HD—Disc Brakes, HR—Disc Brakes	VS10504	1
ROD ASSEMBLY—Push (P.B.R.)	HR—Disc Brakes	VS10419	1
SEAL ASSEMBLY—Push rod (P.B.R.)	HR—Disc Brakes	VS10429	1
SEAL—Push rod (P.B.R.)	HR—Disc Brakes	VS10415	1
PISTON (P.B.R.)	HR—Disc Brakes	VS10420	1
SEAL—Piston (P.B.R.)	HR—Disc Brakes	VS10414	1
"O" RING (P.B.R.)	HR—Disc Brakes	VS10412	1
COVER—Bleeder screw (P.B.R.)	HR—Disc Brakes	VS10413	1

4.906 PISTON, ABUTMENT, SPRING, RETAINER, CIRCLIP, PLUG, DIAPHRAGM, RETAINER—Brake Booster Control Cylinder

PISTON (Girling)	HD—Disc Brakes, HR—Disc Brakes	VS10314	1
ABUTMENT (Girling)	HD—Disc Brakes, HR—Disc Brakes	VS10315	1
SPRING (Girling)	HD—Disc Brakes, HR—Disc Brakes	VS10316	1
RETAINER (Girling)	HD—Disc Brakes, HR—Disc Brakes	VS10317	1
CIRCLIP (Girling)	HD—Disc Brakes, HR—Disc Brakes	VS10318	1
PLUG (Girling)	HD—Disc Brakes, HR—Disc Brakes	VS10319	1
SEAL—Piston .375" diameter (Girling)	HD—Disc Brakes, HR—Disc Brakes	VS10506	1
SEAL—Piston .625" diameter (Girling)	HD—Disc Brakes, HR—Disc Brakes	VS10507	1
SEAL—Plug (Girling)	HD—Disc Brakes, HR—Disc Brakes	VS10508	1
PISTON & SEAL—Valve (P.B.R.)	HR—Disc Brakes	VS10417	1
SPRING—Valve (P.B.R.)	HR—Disc Brakes	VS10425	1
DIAPHRAGM—Valve (P.B.R.)	HR—Disc Brakes	VS10424	1
STEM—Valve (P.B.R.)	HR—Disc Brakes	VS10422	1
SEAL—Valve (P.B.R.)	HR—Disc Brakes	VS10418	1
RETAINER—Poppet (P.B.R.)	HR—Disc Brakes	VS10423	1

4.907 COVER, GUIDE, SPRING, LEVER, VALVE, CLIP ELBOW—Brake Booster Valve Chest

COVER & PIPE ASSEMBLY (Girling)	HD—Disc Brakes, HR—Disc Brakes	VS10344	1
GASKET—Cover (Girling)	HD—Disc Brakes, HR—Disc Brakes	VS10509	1
SCREW—Cover (Girling)	HD—Disc Brakes, HR—Disc Brakes	VS10328	4
WASHER—Cover screw (Girling)	HD—Disc Brakes, HR—Disc Brakes	VS10351	4
GUIDE—Rocking lever (Girling)	HD—Disc Brakes, HR—Disc Brakes	VS10341	1
SCREW—Lever guide (Girling)	HD—Disc Brakes, HR—Disc Brakes	VS10328	2
SPRING—Horse shoe (Girling)	HD—Disc Brakes, HR—Disc Brakes	VS10343	1
LEVER—Rocking (Girling)	HD—Disc Brakes, HR—Disc Brakes	VS10338	1
VALVE (Girling)	HD—Disc Brakes, HR—Disc Brakes	VS10339	2
CLIP—Valve retaining (Girling)	HD—Disc Brakes, HR—Disc Brakes	VS10340	2
SPRING—Valve (Girling)	HD—Disc Brakes, HR—Disc Brakes	VS10342	2
ELBOW—Connecting (P.B.R.)	HR—Disc Brakes	VS10428	1

HOLDEN

MASTER PARTS CATALOGUE



4.908 CYLINDER, PLATE, SPRING, PISTON, COVER, DIAPHRAGM, COLLAR—Brake Booster Vacuum Cylinder

CYLINDER	(Girling)	HD—Disc Brakes, HR—Disc Brakes	VS10330	1
SCREW	(Girling)	HD—Disc Brakes, HR—Disc Brakes	VS10328	8
NUT	(Girling)	HD—Disc Brakes, HR—Disc Brakes	VS10337	8
PLATE—Sealing sleeve retainer	(Girling)	HD—Disc Brakes, HR—Disc Brakes	VS10336	1
SLEEVE—Valve chest pipe sealing	(Girling)	HD—Disc Brakes, HR—Disc Brakes	VS10514	1
PLATE—Clamping	(Girling)	HD—Disc Brakes, HR—Disc Brakes	VS10331	1
GASKET—Clamping plate	(Girling)	HD—Disc Brakes, HR—Disc Brakes	VS10510	1
BOLT—Clamping plate	(Girling)	HD—Disc Brakes, HR—Disc Brakes	VS10332	3
WASHER—Clamping plate bolt	(Girling)	HD—Disc Brakes, HR—Disc Brakes	VS10511	3
SPRING—Piston	(Girling)	HD—Disc Brakes, HR—Disc Brakes	VS10333	1
PISTON	(Girling)	HD—Disc Brakes, HR—Disc Brakes	VS10334	1
SEAL—Piston	(Girling)	HD—Disc Brakes, HR—Disc Brakes	VS10512	1
COVER—End	(Girling)	HD—Disc Brakes, HR—Disc Brakes	VS10335	1
GASKET—End cover	(Girling)	HD—Disc Brakes, HR—Disc Brakes	VS10513	1
DIAPHRAGM	(P.B.R.)	HR—Disc Brakes	VS10421	1
COLLAR—Diaphragm	(P.B.R.)	HR—Disc Brakes	VS10427	1

4.931 HOSE, ELBOW, ADAPTOR, NIPPLE—Brake Vacuum Servo

HOSE		HD exc. X2 Eng.—Disc Brakes	7406787	1
HOSE	(Girling)	HD X2 Eng.—Disc Brakes HR—Disc Brakes	7430183	1
HOSE	(P.B.R.)	HR—Disc Brakes	7434736	1
CLAMP—Hose		HD—Disc Brakes, HR—Disc Brakes	272846	2
CLIP—Hose strap		HD—Disc Brakes, HR—Disc Brakes	7406790	1
ELBOW—Manifold		HD (M)—Disc Brakes HR (M)—Disc Brakes	7406788	1
ADAPTOR—Manifold tee		HD (A)—Disc Brakes, HR (A) Disc Brakes	7428387	1
NIPPLE—Hose		HD (A)—Disc Brakes, HR (A) Disc Brakes	7428280	1

5.001 PLATE ASSEMBLY—Brake Backing

FRONT		48, 50, FJ up to Eng. No. 136884	7400316	2
REAR, L.H.		48, 50, FJ up to Eng. No. 136884	7400349	1
REAR, R.H.		48, 50, FJ up to Eng. No. 136884	7400348	1
FRONT		FJ from Eng. No. 136885	7407944	2
REAR, L.H.		FJ from Eng. No. 136885	7407831	1
REAR, R.H.		FJ from Eng. No. 136885	7407832	1
FRONT		FE, FC	7409064	2
REAR L.H.		FE, FC	7409075	1
REAR R.H.		FE, FC	7409074	1
FRONT		FB, EK	7412416	2
REAR		FB, EK	LH7412415	1
			RH7412414	1
FRONT		EJ, EH	*7420752	2
FRONT		EH/2104, EH/2106, HD—King Pin Suspension	**LH7427429	1
			**RH7427430	1
FRONT		HD—Ball Joint Suspension, HR	LH7426811	1
			RH7426812	1
SHIELD—Front brake		HD—Disc Brakes, HR—Disc Brakes	LH7424255	1
			RH7424256	1
SCREW—Pan hd. cr. rec. mach. 1/4"—28 x 1/2"		HD—Disc Brakes, HR—Disc Brakes	191879	4
WASHER—Spring lock 1/4" medium		HD—Disc Brakes, HR—Disc Brakes	120380	4
REAR		EJ, EH	*LH7420753	1
			*RH7420754	1
REAR		EH/2104, EH/2106	**LH7428095	1
			**RH7428094	1

*On EH/2104, EH/2106 applicable to units with 1-3/4" Brakes.

**Suit EH/2104, EH/2106 equipped with 2-1/4" Brakes.



HOLDEN

MASTER PARTS CATALOGUE

5.001 PLATE ASSEMBLY—Brake Backing (Cont'd.)

REAR	HD exc. HD/2104, HD/2106	LH7425941	1
	HR exc. HR/2104, HR/2106	RH7425942	1
REAR	HD/2104, HD/2106	LH7428095	1
	HR/2104, HR/2106	RH7428094	1

5.002 STUD, BOLT—Brake Backing Plate Mounting

STUD—Front, long	48, 50, FJ	7400347	4
STUD—Front, short	48, 50, FJ	7400346	4
NUT—Light hex. 3/8"—24	48, 50, FJ	120369	12
WASHER—Spring lock 3/8"—medium	48, 50, FJ	120382	16
BOLT—Rear to axle housing flange	48, 50, FJ	7400828	8
WASHER—Plain 13/32" x 13/16" x .065"	48, 50, FJ up to Eng. No. 136884	120394	8
WASHER—Spring lock 3/8"—medium	48, 50, FJ	120382	8
NUT—Light hex. 3/8"—24	48, 50, FJ	120369	8
BOLT—Front, hex. hd. 3/8"—24 x 9/16"	FE, FC, FB, EK	123389	4
WASHER—Spring lock 3/8"	FE, FC, FB, EK	103321	4
BOLT—Rear to axle housing	FE, FC, FB, EK	7409081	8
WASHER—Spring lock 3/8"	FE, FC, FB, EK	120382	8
NUT—Hex. 3/8"—24	FE, FC, FB, EK	120369	8
BOLT—Front brake backing plate	EJ, EH, HD—King Pin Susp.	7419351	4
WASHER—Spring lock, 3/8"—medium	EJ, EH, HD—King Pin Susp.	103321	4
NUT—Hex. 3/8"—24	EJ, EH, HD—King Pin Susp.	225854	4
PLATE—Backing plate bolt lock	HD—Ball Joint Suspension, HR	7423746	2
BOLT—Hex. hd. 1/2"—20 x 2-1/2"	HD—Ball Joint Suspension	455029	2
BOLT—Hex. hd. 1/2"—20 x 2-1/2"	HR	455017	2
BOLT—Rear brake backing plate	EJ, EH, HD, HR	7420788	8
WASHER—Spring lock, 3/8"—medium	EJ, EH, HD, HR	103321	8
NUT—Hex. 3/8"—24	EJ, EH, HD, HR	103026	8

5.010 CALIPER ASSEMBLY—Brake

CALIPER ASSEMBLY	HD—Disc Brakes, HR—Disc Brakes	LH7426201	1
		RH7426200	1
BOLT—Hex. hd. 7/16"—20 x 1-3/8"	HD—Disc Brakes, HR—Disc Brakes	181669	4
WASHER—Spring lock, 7/16"—medium	HD—Disc Brakes, HR—Disc Brakes	103322	4

5.011 SHIELD—Caliper Splash

SHIELD	HD—Disc Brakes, HR—Disc Brakes	7429659	2
--------------	--------------------------------------	---------	---

5.017 SHOE and LINING ASSEMBLY—Brake

SHOE AND LINING SET—Front—Bonded	48, 50, FJ	7420563	1
SHOE AND LINING SET—Front—Bonded .030" o/s	48, 50, FJ	7427640	1
FRONT—Primary	48, 50, FJ	7400324	2
FRONT—Secondary	48, 50, FJ	7400336	2
SHOE AND LINING SET—Rear—Bonded	48, 50, FJ up to Eng. No. 136884	7420563	1
SHOE AND LINING SET—Rear—Bonded .030" o/s	48, 50, FJ up to Eng. No. 136884	7427640	1
REAR—Primary	48, 50, FJ up to Eng. No. 136884	7400324	2
REAR—Secondary	48, 50, FJ up to Eng. No. 136884	7400336	2
SHOE AND LINING SET—Rear—Bonded	FJ from Eng. No. 136885	7420568	1
SHOE AND LINING SET—Rear—Bonded .030" o/s	FJ from Eng. No. 136885	7427645	1
REAR—Primary L.H.	FJ from Eng. No. 136885	7407273	1
REAR—Secondary R.H. ..	FJ from Eng. No. 136885	7407298	1
SHOE AND LINING SET—(2 wheels)	FE, FC	7425357	2
SHOE AND LINING SET—(2 wheels)—Bonded	FE, FC	7420573	2
SHOE AND LINING SET—(2 wheels)—Bonded .030" o/s	FE, FC	7427650	2
PRIMARY	FE, FC	7408941	4
SECONDARY	FE, FC	7408951	4
SHOE AND LINING SET—(2 wheels)—Bonded	FB, EK	7420576	2
SHOE AND LINING SET—(2 wheels)—Bonded .030" o/s	FB, EK	7427653	2
PRIMARY	FB, EK	7412405	4
SECONDARY	FB, EK	7412406	4

HOLDEN

MASTER PARTS CATALOGUE



5.017 SHOE AND LINING ASSEMBLY—Brake (Cont'd.)

SHOE AND LINING SET—(2 wheels)—Bonded	EJ, EH	*7420890	2
SHOE AND LINING SET—(2 wheels)—Bonded .030" o/s ..	EJ, EH	*7427658	2
PRIMARY	EJ, EH	*7420818	4
SECONDARY	EJ, EH	*7420820	4
SHOE AND LINING SET—(2 wheels)—Bonded, Primary (Heavy Duty)	EJ, EH	*M35461	2
SHOE AND LINING SET—(2 wheels)—Bonded	EH/2104, EH/2106	**7427911	2
PRIMARY	EH/2104, EH/2106	**7423232	4
SECONDARY	EH/2104, EH/2106	**7423237	4
SHOE AND LINING SET—Front, bonded	HD, HR	7427911	1
SHOE AND LINING SET—Front, bonded .030" o/s.	HR	7427920	1
FRONT—Primary	HD, HR	7423232	2
FRONT—Secondary	HD, HR	7423237	2
SHOE AND LINING SET—Rear, bonded	HD exc. HD/2104, HD/2106	7427916	1
SHOE AND LINING SET—Rear, bonded .030" o/s.	HR exc. HR/2104, HR/2106	7427925	1
REAR—Primary	HR exc. HR/2104, HR/2106	7425884	2
REAR—Secondary	HD exc. HD/2104, HD/2106	7425885	2
SHOE AND LINING SET—Rear, bonded	HD exc. HD/2104, HD/2106	7425884	2
REAR—Primary	HR exc. HR/2104, HR/2106	7425885	2
REAR—Secondary	HD Disc Brakes exc. HD/2104, HD/2106, HR Disc Brakes exc. HR/2104, HR/2106	7430194	1
REAR—Primary	HD Disc Brakes exc. HD/2104, HD/2106, HR Disc Brakes exc. HR/2104, HR/2106	7412422	2
REAR—Secondary	HD Disc Brakes exc. HD/2104, HD/2106, HR Disc Brakes exc. HR/2104, HR/2106	7412421	2
SHOE AND LINING SET—Rear, bonded	HD/2104, HD/2106	7427911	1
SHOE AND LINING SET—Rear, bonded .030" o/s.	HR/2104, HR/2106	7427920	1
REAR—Primary	HD/2104, HD/2106	7423232	2
REAR—Secondary	HR/2104, HR/2106	7423237	2
SHOE AND LINING SET—Rear, bonded	HD/2104, HD/2106 Disc Brakes	7430195	1
REAR—Primary	HR/2104, HR/2106 Disc Brakes	7428126	2
REAR—Secondary	HD/2104, HD/2106 Disc Brakes	7428125	2

5.018 LINING SET—Brake

LINING SET—(2 wheels)	48, 50, FJ, FE, FC	7405333	2
LINING SET—Primary (4 wheels)	48, 50, FJ, FE, FC	7425183	1
LINING SET—(2 wheels)	FB, EK	7406434	2
LINING SET—Primary (4 wheels)	FB, EK	7425184	1
LINING SET—(2 wheels)	EJ, EH	*7419522	2
LINING SET—Heavy duty (2 wheels)	EJ, EH	*7420599	2
LINING SET—Oversize (2 wheels)	EJ, EH	*7419573	2
LINING SET—Primary (4 wheels)	EJ, EH	*7419523	1
LINING SET—Secondary (4 wheels)	EJ, EH	*7419524	1
LINING SET—(2 wheels)	EH/2104, EH/2106	**7427904	2
LINING SET—Primary (4 wheels)	EH/2104, EH/2106	**7429630	1
LINING SET—Secondary (4 wheels)	EH/2104, EH/2106	**7429631	1

*On EH/2104, EH/2106 applicable to units with 1-3/4" Brakes.

**Suit EH/2104, EH/2106 equipped with 2-1/4" Brakes.



HOLDEN

MASTER PARTS CATALOGUE

5.018 LINING SET—Brake (Cont'd.)

LINING SET—Front (2 wheels)	HD, HR	7427904	1
LINING SET—Rear (2 wheels)	HD exc. HD/2104, HD/2106 HR exc. HR/2104, HR/2106	7427905	1
LINING SET—Primary (4 wheels)	HD exc. HD/2104, HD/2106 HR exc. HR/2104, HR/2106	7429628	1
LINING SET—Secondary (4 wheels)	HD exc. HD/2104, HD/2106 HR exc. HR/2104, HR/2106	7429629	1
LINING SET—Rear (2 wheels)	HD/2104, HD/2106 HR/2104, HR/2106	7427904	1
LINING SET—Primary (4 wheels)	HD/2104, HD/2106 HR/2104, HR/2106	7429630	1
PAD SET—Front	HD—Disc Brakes, HR—Disc Brakes	VS10111	1

5.019 RIVET—Brake Lining

RIVET	ALL	7405754	56-72
-------------	-----------	---------	-------

5.020 CLIP, PIN—Brake Pad Retaining

CLIP	HD—Disc Brakes, HR—Disc Brakes	VS10115	4
PIN	HD—Disc Brakes, HR—Disc Brakes	VS10114	4

5.026 SPRING—Brake Shoe Retractor

SPRING	48, 50, FJ	7408304	4
SPRING—Front shoe	FE, FC, FB, EK	7416274	2
SPRING—Rear shoe	FE, FC, FB, EK	7416275	2
SPRING—Brake shoe retractor	EJ, EH	*7420737	8
SPRING—Brake adjusting nut	EJ, EH	*7420731	4
SPRING—Brake shoe retractor	EH/2104, EH/2106, HD, HR	**7426770	8
SPRING—Brake adjusting nut	EH/2104, EH/2106, HD, HR	**7426769	4

5.034 PIN ASSEMBLY—Brake Shoe Link

PIN ASSEMBLY	48, 50, FJ, FE, FC, FB, EK	7400330	4
--------------------	----------------------------------	---------	---

5.036 LINK—Brake Shoe

LINK	48, 50, FJ, FE, FC, FB, EK	7400329	8
------------	----------------------------------	---------	---

5.041 CONNECTOR—Brake Shoe Guide Spring

PIN—Brake Shoe Hold Down

CONNECTOR	48, 50, FJ, FE, FC, FB, EK	7400344	8
PIN	EJ, EH	*7419361	8
PIN	EH/2104, EH/2106, HD, HR	**7423578	8

5.043 SPRING—Brake shoe hold down pin

SPRING	ALL	7410794	8-4
SPRING	EH/2104, EH/2106, HD, HR	**7426771	4
WASHER—Plain 5/16" x 3/4" x .065" rear shoes	48, 50, FJ	# 120386	8

Required when Spring Part No. 7410794 used on 48, 50 or FJ model Rear Brake Shoes.

*On EH/2104, EH/2106 applicable to units with 1-3/4" Brakes.

**Suit EH/2104, EH/2106 equipped with 2-1/4" Brakes.



5.045 PLATE—Brake shoe guide

PLATE	EJ, EH	*7420736	4
PLATE	EH/2104, EH/2106	**7426783	4
PLATE—Front	HD—King Pin Suspension	7426783	2
PLATE—Front	HD—Ball Joint Suspension, HR	7426808	2
PLATE—Rear	HD, HR	7426783	2

5.055 PIN—Front Brake Anchor

PIN	HD—Ball Joint Suspension, HR	7423242	2
-----------	------------------------------------	---------	---

5.057 LOCK—Brake Shoe Pin

LOCK	48, 50, FJ, FE, FC, FB, EK	7400335	4
------------	----------------------------------	---------	---

5.075 PLATE ASSEMBLY, SPACER—Brake Anchor

PLATE ASSEMBLY—Front	48, 50, FJ	7400320	2
PLATE ASSEMBLY—Rear	48, 50, FJ up to Eng. No. 136884	7400350	2
PLATE ASSEMBLY—Rear	FE, FC, FB, EK	7409080	2
SPACER—Front	FE, FC, FB, EK	7409006	2
BOLT—Hex. hd. 1/2"—20 x 2 1/8"	FE, FC, FB, EK	186333	2
NUT—Hex. 1/2"—20	FE, FC, FB, EK	120371	2

5.103 LEVER, PLATE, BUSH—Brake Adjuster

LEVER	EH/2104, EH/2106, HD, HR	**LH7426775	2
		**RH7426776	2
PLATE—Lever pivot	EH/2104, EH/2106, HD, HR	**LH7426777	2
		**RH7426778	2
BUSHING	EH/2104, EH/2106, HD, HR	**7426774	4

5.105 LINK—Brake Adjuster

LINK—Green, 3.20" selective fit	EH/2104, EH/2106, HD, HR	**7426780	4
LINK—Black, 3.26" selective fit	EH/2104, EH/2106, HD, HR	**7426781	4
LINK—Red, 3.32" selective fit	EH/2104, EH/2106, HD, HR	**7426782	4
LINK—Yellow, 3.40" selective fit	EH/2104, EH/2106, HD, HR	**7430233	4

5.107 SPRING—Brake Adjuster

OVERLOAD	EH/2104, EH/2106, HD, HR	**7426772	4
RETURN	EH/2104, EH/2106, HD, HR	**7426773	4

5.110 SCREW, WASHER—Brake adjusting

SCREW	EJ, EH	*7420728	4
SCREW	EH/2104, EH/2106, HD, HR	**LH7426787	2
		**RH7426788	2
WASHER	EH/2104, EH/2106, HD, HR	**7424836	4

*On EH/2104, EH/2106 applicable to units with 1-3/4" Brakes.

**Suit EH/2104, EH/2106 equipped with 2-1/4" Brakes.



HOLDEN

MASTER PARTS CATALOGUE

5.111 NUT, PLUG—Brake adjusting

NUT	EJ, EH	*7420729	4
PLUG	EJ, EH	*7420730	4
NUT	EH/2104, EH/2106, HD, HR	**LH7424835 **RH7426790	2 2
PLUG	EH/2104, EH/2106, HD, HR	**7424834	4

5.149 LEVER—Hand Brake Actuating

LEVER—L.H.	48, 50, FJ up to Eng. No. 136884	7402949	1
LEVER—R.H.	48, 50, FJ up to Eng. No. 136884	7402950	1
LEVER AND PIVOT ASSEMBLY—L.H.	FE, FC, FB, EK	7408943	1
LEVER AND PIVOT ASSEMBLY—R.H.	FE, FC, FB, EK	7408942	1
NUT—Hex. 5/16"—24	FE, FC, FB, EK	120368	2
WASHER—Spring lock 5/16"—medium	FE, FC, FB, EK	120379	2
LEVER	EJ, EH, HD, HR	LH7420807 RH7420808	1 1

5.150 STRUT—Hand Brake Actuating Lever

STRUT, L.H.	48, 50, FJ up to Eng. No. 136884	7400357	1
STRUT, R.H.	48, 50, FJ up to Eng. No. 136884	7400356	1
WASHER—Plain 13/32" x 13/16" x .065"	48, 50, FJ up to Eng. No. 136884	120394	4
STRUT—L.H.	FJ from Eng. No. 136885	7407363	1
STRUT—R.H.	FJ from Eng. No. 136885	7407364	1
STRUT—L.H.	FE, FC, FB, EK	7408945	1
STRUT—R.H.	FE, FC, FB, EK	7408946	1
PIN—Cotter 3/32" x 3/4"	FE, FC, FB, EK	121222	2
STRUT	EJ, EH, HD, HR	7420795	2

5.151 WASHER, SPRING—Hand Brake Lever Strut

WASHER	48, 50, FJ up to Eng. No. 136884		
	FE, FC, FB, EK	7400355	2
SPRING	EJ, EH, HD, HR	7420762	2

5.158 PIVOT, PIN—Hand Brake Lever Adjusting

PIVOT	48, 50, FJ up to Eng. No. 136884	7400354	2
PIVOT	FJ from Eng. No. 136885	7407308	2
NUT—Light hex. jam 3/8"—24	48, 50, FJ	124925	2
WASHER—Spring lock 3/8"—medium	48, 50, FJ	120382	2
PIN	EJ, EH, HD, HR	7420779	2
CLIP—Lever retainer	EJ, EH, HD, HR	5454798	2
WASHER—Lever to secondary shoe	EJ, EH, HD, HR	5454797	2

5.188 COVER—Brake Adjusting Hole

COVER	48, 50, FJ, FE, FC, FB, EK	7410036	8
COVER	EJ, EH	†7410036	4-2
COVER	EH/2104, EH/2106	††7423304	2
COVER—Front	HD—King Pin Suspension	7410036	2
COVER—Front	HD—Ball Joint Suspension, HR	7423304	2
COVER—Rear	HD, HR	7423304	2

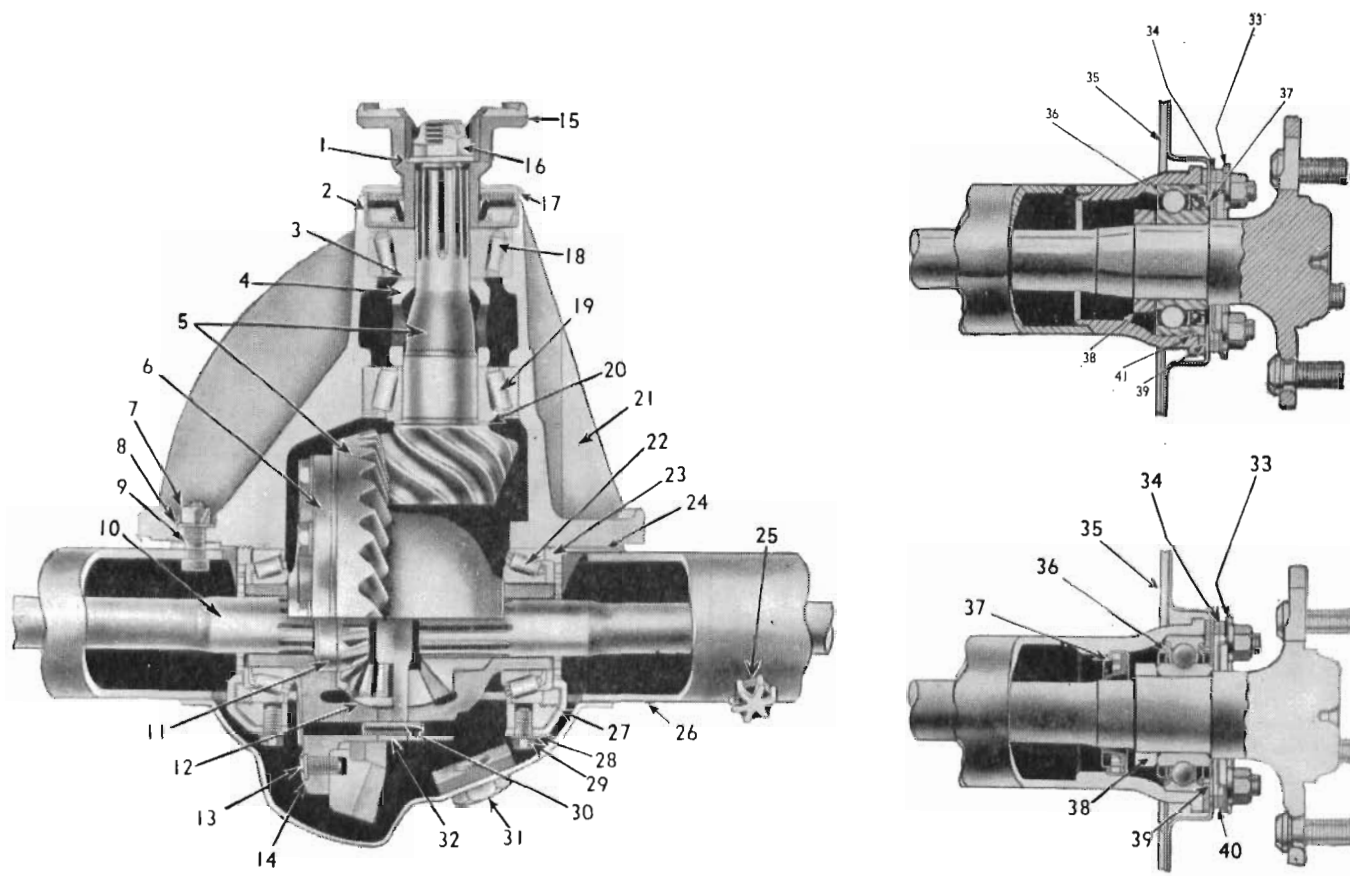
*On EH/2104, EH/2106 applicable to units with 1-3/4" Brakes.

**Suit EH/2104, EH/2106 equipped with 2-1/4" Brakes.

†EH Front and Rear equipped with 1-3/4" Brakes.

Front only EH/2104, EH/2106 equipped with 2-1/4" Brakes.

††Rear only EH/2104, EH/2106 equipped with 2-1/4" Brakes.



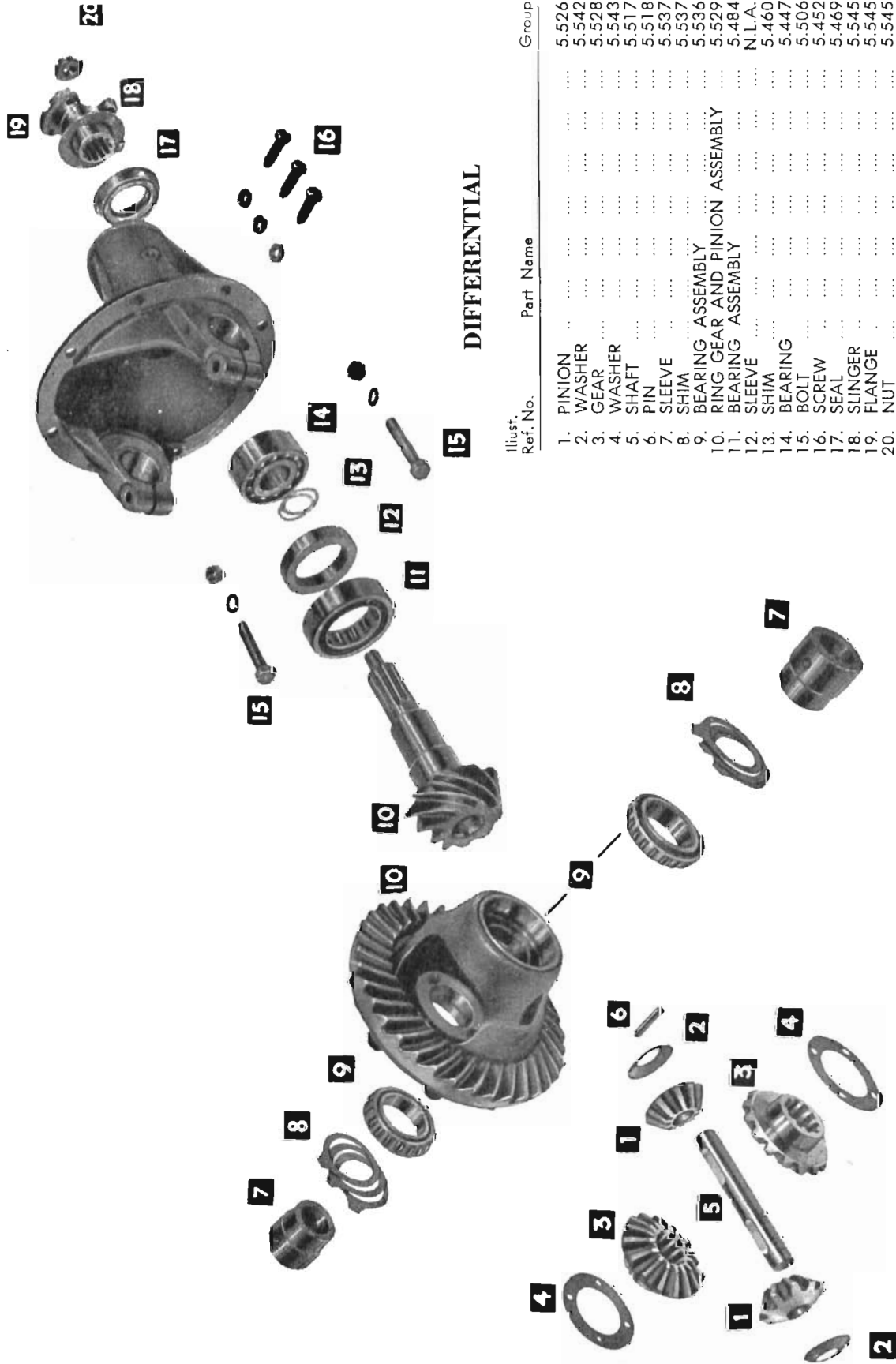
REAR AXLE ASSEMBLY

Illus. Ref. No.	Part Name	Group	Illus. Ref. No.	Part Name	Group
1.	WASHER	5.545	21.	CARRIER & CAP. ASSY.	5.505
2.	SEAL	5.469	22.	BEARING	5.536
3.	SHIM—Bearing preload	5.460	23.	NUT	5.537
4.	SPACER	5.453	24.	GASKET	5.508
5.	RING GEAR & PINION	5.529	25.	BREATHER ASSEMBLY	5.387
6.	CASE	5.510	26.	HOUSING ASSEMBLY	5.387
7.	NUT	5.387	27.	LOCK	5.539
8.	WASHER	5.387	28.	WASHER	5.539
9.	BOLT	5.387	29.	BOLT	5.539
10.	SHAFT	5.420	30.	PIN	5.518
11.	GEAR	5.528	31.	PLUG	5.400
11/12.	GEAR SET	5.527	32.	SHAFT	5.517
12.	PINION	5.526	33.	DEFLECTOR	5.815
13.	BOLT	5.531	34.	PLATE—Anchor	5.075
14.	WASHER	5.531	35.	PLATE—Backing	5.001
15.	FLANGE	5.545	36.	BEARING	5.855
16.	NUT	5.545	37.	SEAL	5.822
17.	SLINGER	5.545	38.	RING	5.816
18.	BEARING	5.447	39.	PLATE	5.816
19.	BEARING	5.484	40.	GASKET	5.819
20.	SHIM—Locating	5.460	41.	"O" RING	5.822



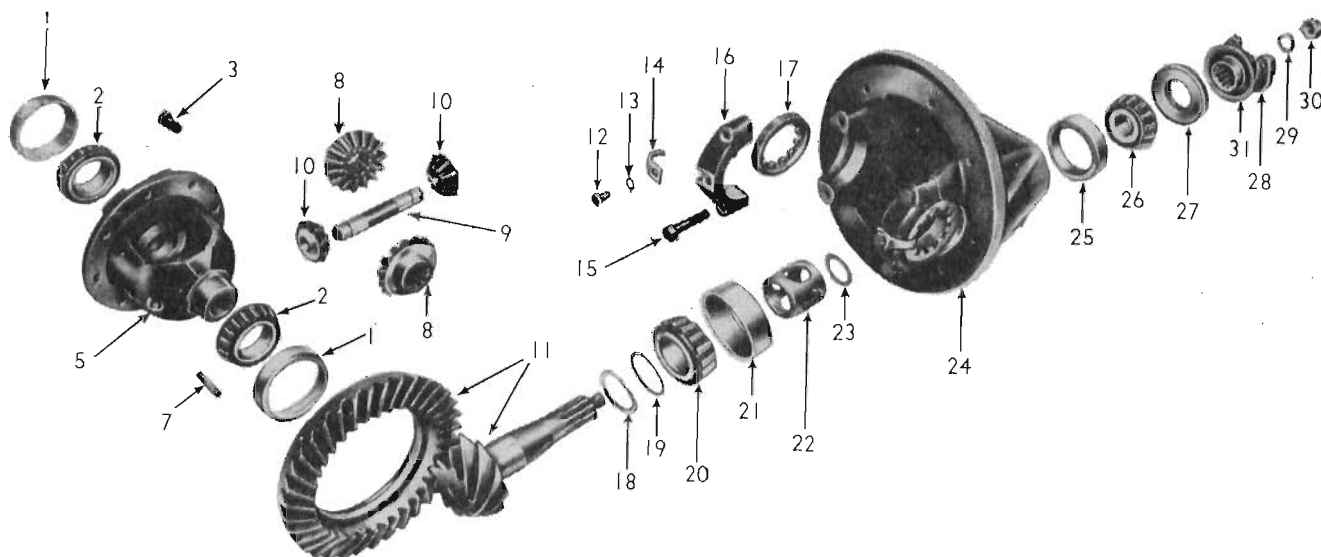
HOLDEN

MASTER PARTS CATALOGUE



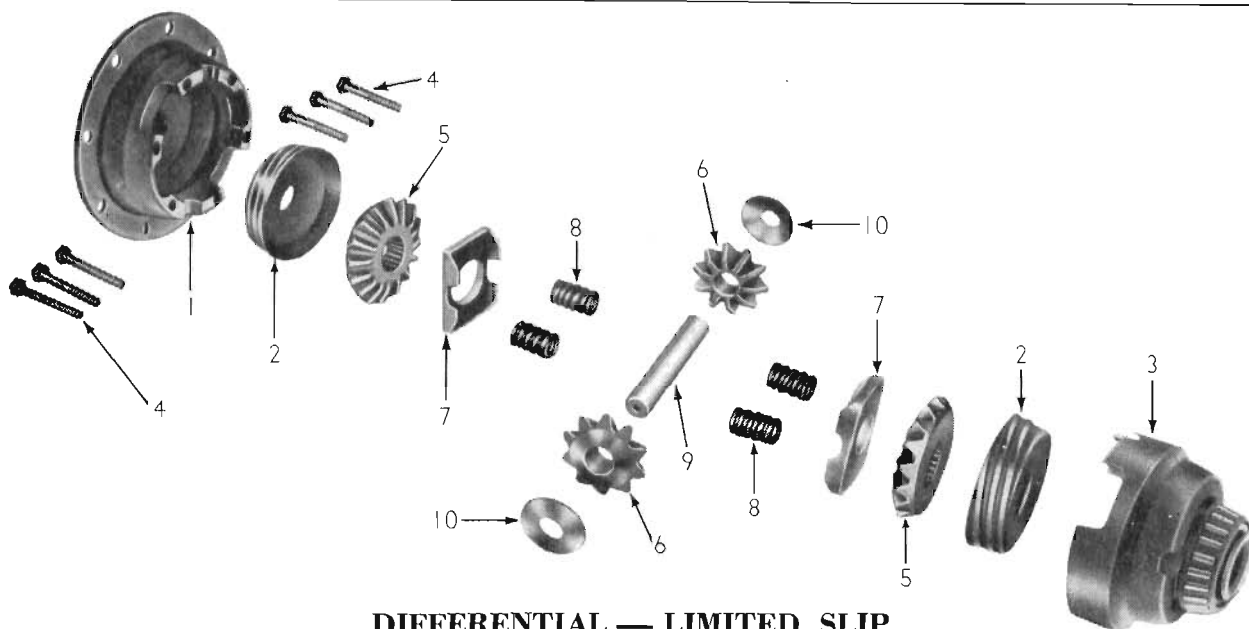
DIFFERENTIAL

Illustr. Ref. No.	Part Name	Group
1.	PINION	5.526
2.	WASHER	5.542
3.	GEAR	5.528
4.	WASHER	5.543
5.	SHAFT	5.517
6.	PIN	5.518
7.	SLEEVE	5.537
8.	SHIM	5.537
9.	BEARING ASSEMBLY	5.536
10.	RING GEAR AND PINION ASSEMBLY	5.529
11.	BEARING ASSEMBLY	5.484
12.	SLEEVE	N.L.A.
13.	SHIM	5.460
14.	BEARING	5.447
15.	BOLT	5.506
16.	SCREW	5.452
17.	SEAL	5.469
18.	SLINGER	5.545
19.	FLANGE	5.545
20.	NUT	5.545



DIFFERENTIAL

Illus. Ref. No.	Part Name	Group	Illus. Ref. No.	Part Name	Group	Illus. Ref. No.	Part Name	Group
1.	CUP	5.536	11.	GEAR AND PINION	5.529	21.	CUP	5.484
2.	CONE	5.536	12.	SCREW	5.539	22.	SPACER	5.453
3.	BOLT	5.531	13.	WASHER	5.539	23.	SHIM—Preload	5.460
5.	CASE	5.510	14.	LOCK	5.539	24.	CARRIER	5.505
7.	PIN	5.518	15.	BOLT	5.506	25.	CUP	5.447
8.	GEAR	5.528	16.	CAP	N.S.S.	26.	CONE	5.447
8/10.	GEAR SET	5.527	17.	NUT	5.537	27.	SEAL	5.469
9.	SHAFT	5.517	18.	SHIM—Locating	5.460	28.	FLANGE	5.545
10.	PINION	5.526	19.	SHIM—Locating	5.460	29.	WASHER	5.545
10/8.	GEAR SET	5.527	20.	CONE	5.484	30.	NUT	5.545
						31.	SLINGER	5.545



DIFFERENTIAL — LIMITED SLIP

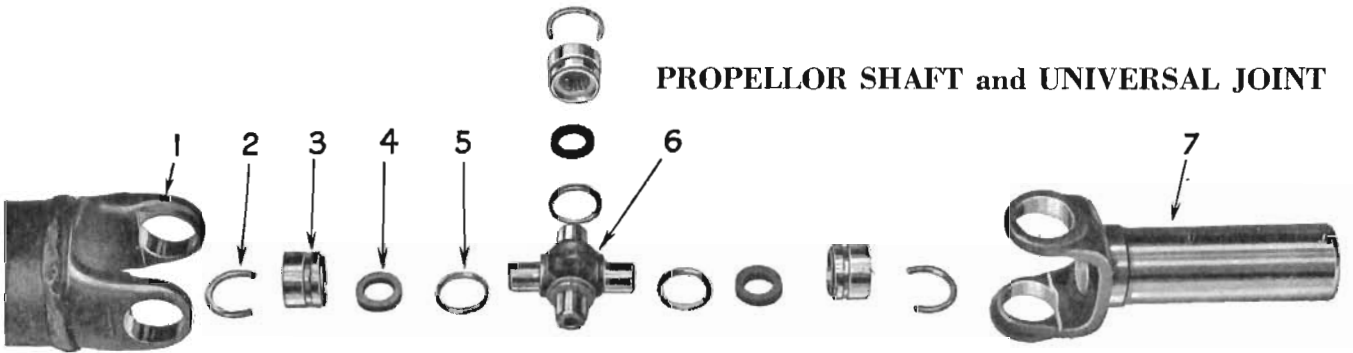
Illus. Ref. No.	Part Name	Group	Illus. Ref. No.	Part Name	Group
1/2/3/4	CASE ASSEMBLY	5.510	8	SPRING	5.511
4	BOLT	5.510	9	SHAFT	5.517
5/6	GEAR SET	5.527	10	WASHER	5.542
7	BLOCK	5.511	N.I.	SHIM	5.543



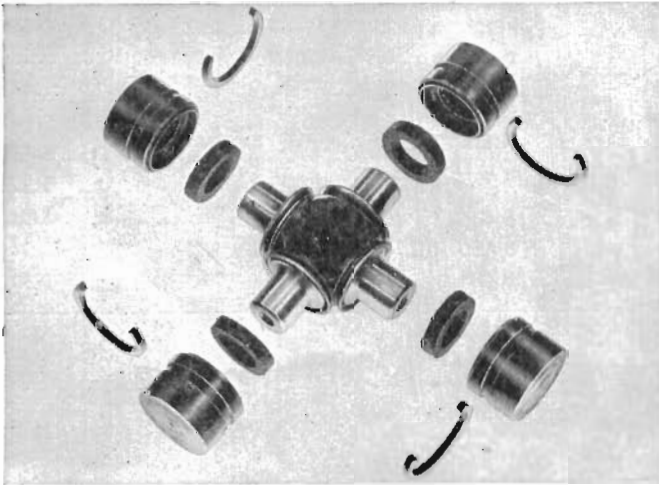
HOLDEN

MASTER PARTS CATALOGUE

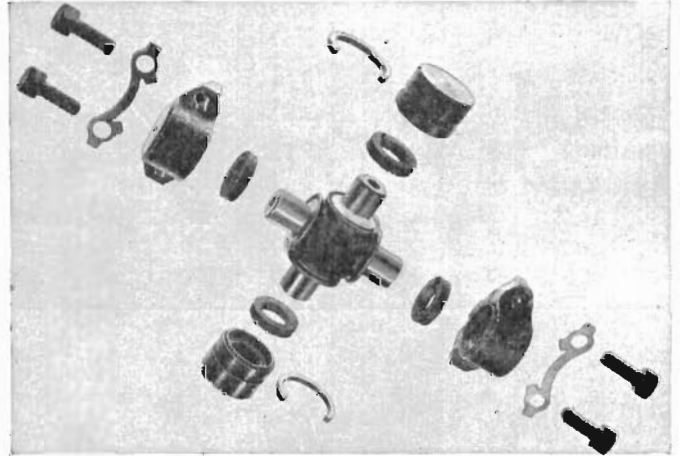
PROPELLOR SHAFT and UNIVERSAL JOINT



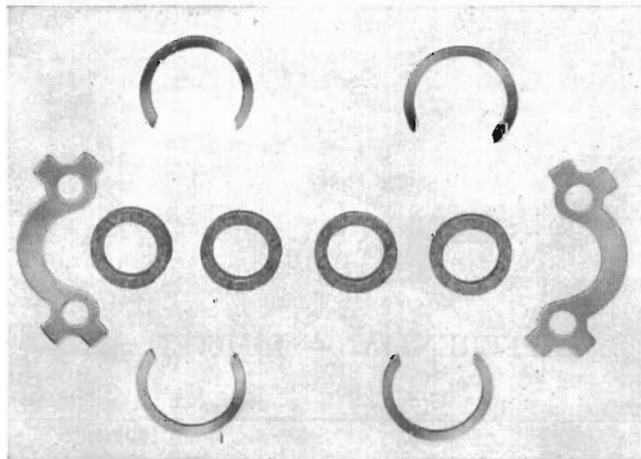
Illus. Ref. No.	Part Name	Group	Illus. Ref. No.	Part Name	Group
1.	SHAFT ASSEMBLY	5.441	5.	SHIELD	5.560
2.	RING	5.586	7.	YOKE ASSEMBLY—Front Sleeve	5.555
3.	} JOURNAL ASSEMBLY, REPAIR KIT	5.548			
4.					
5.					
6.					
4.	WASHER	5.560			



5.548 Universal Joint Repair Kit (Front)



5.548 Universal Joint Repair Kit (Rear)



5.548 WASHER AND RING KIT

HOLDEN

MASTER PARTS CATALOGUE



Group	Description	Model	Part No.	Qty.
5.386 REAR AXLE ASSEMBLY				
CURRENT PRODUCTION REAR AXLE ASSEMBLIES WILL BE SUPPLIED ON A FIRM ORDER BASIS.				
5.387 HOUSING ASSEMBLY—Rear Axle				
HOUSING ASSEMBLY		48 S.A. from Ser. No. 9074A Qld. from Ser. No. B11661 Vic. from Ser. No. M28226 W.A. from Ser. No. P6569 N.S.W. from Ser. No. 53/S2224		
		50 S.A. from Ser. No. 2318A Qld. from Ser. No. B3449 Vic. from Ser. No. M5393 W.A. from Ser. No. P2105 N.S.W. from Ser. No. 53/S1397		
		FJ up to Eng. No. 136884	7407137	1
HOUSING ASSEMBLY		FJ from Eng. No. 136885 up to:— S.A. Ser. No. 8532A Qld. Ser. No. B11824 Vic. Ser. No. M22115 W.A. Ser. No. P6473 N.S.W. Ser. No. 5/2386S	7407411	1
HOUSING ASSEMBLY		FE, FC	7408974	1
HOUSING ASSEMBLY		FB, EK	7419540	1
BOLT—Differential carrier to housing		48, 50, FJ, FE, FC, FB, EK	348402	A.R.
NUT—hex. 3/8"—24		48, 50, FJ, FE, FC, FB, EK	103026	A.R.
WASHER—spring lock 3/8" medium		48, 50, FJ, FE, FC, FB, EK	103321	A.R.
BREATHER ASSEMBLY		48, 50, FJ, FE, FC, FB, EK	7415204	1
HOUSING ASSEMBLY		EJ, EH	7419324	1
HOUSING ASSEMBLY		HD, HR	7423193	1
BOLT—Axle housing		EJ, EH, HD, HR	348402	7
GASKET		EJ, EH	7422546	7
WASHER—Aluminium		EJ, EH, HD, HR	7418548	7
NUT—Hex. 3/8"—24		EJ, EH, HD, HR	103026	7-6
NUT—Hex. 3/8"—24		HD, HR	SP1708	1
WASHER—Spring lock 3/8"—medium		EJ, EH, HD, HR	103321	7
BREATHER ASSEMBLY		EJ, EH, HD, HR	7415204	1
5.400 PLUG—Axle housing				
PLUG—Filler		ALL	7400181	1
GASKET—Annular 3/4"		ALL	113897	1
PLUG—Drain		48, 50, FJ up to Eng. No. 136884	7423483	1
GASKET		48, 50, FJ up to Eng. No. 136884	7410345	1
PLUG—Drain (Bolt—Hex. hd. 3/8"—24 x 7/8")		FJ from Eng. No. 136885 FE, FC, FB, EK, EJ, EH, HD, HR	106285	1
GASKET—Annular 3/8"		FJ from Eng. No. 136885 FE, FC, FB, EK, EJ, EH, HD, HR	105451	1
TAG—Lubrication identification		HR—Limited slip diff.	7432280	1
5.420 SHAFT—Rear Axle				
SHAFT		48, 50, FJ up to Eng. No. 136884	7400289	2
SHAFT		FJ from Eng. No. 136885	7407409	2
SHAFT		FE, FC	7406280	2
SHAFT		FB, EK	7419543	2
SHAFT		EJ, EH, HD, HR	7419737	2



HOLDEN

MASTER PARTS CATALOGUE

5.421 NUT—Rear Axle Shaft

NUT 48, 50, FJ 7404787 2

5.422 WASHER—Axle Shaft

WASHER 48, 50, FJ 7400748 2

5.423 KEY—Axle Shaft

KEY 48, 50, FJ 7400749 2

5.441 SHAFT ASSEMBLY—Propeller

WITH JOINTS 48, 50, FJ 7400168 1
 WITH JOINTS FE, FC, FB, EK (M) 7408445 1
 WITH JOINTS EK (A) 7416924 1
 WITH JOINTS EJ (M) 7408954 1
 WITH JOINTS EJ (A) 7418545 1
 WITH JOINTS EH (M) 149 Eng. 7422735 1
 WITH JOINTS EH (M) 179 Eng. 7422762 1
 WITH JOINTS EH (A) 7422736 1
 WITH JOINTS HD (M) exc. X2 Eng.
 HR (M) 3 speed trans. exc. X2, S Eng. 7424615 1
 WITH JOINTS HD (M) X2 Eng.
 HR (M) 3 speed trans. X2, S Eng. 7423747 1
 WITH JOINTS HR (M) 4 speed trans. 7429902 1
 WITH JOINTS HD (A), HR (A) 7420397 1
 WITH JOINTS—With grease nipples HD (M) exc. X2 Eng.
 HR (M) 3 speed trans. exc. X2, S Eng. 7429944 1
 WITH JOINTS—With grease nipples HD (M) X2 Eng.
 HR (M) 3 speed trans. X2, S Eng. 7429945 1
 WITH JOINTS—With grease nipples HD (A), HR (A) 7429946 1

5.447 BEARING—Pinion Front

(DOUBLE ROW) 48, 50, FJ up to Eng. No. 136884 954377 1
 CUP FJ from Eng. No. 136885
 FE, FC, FB, EK, EJ 7407388 1
 CONE FJ from Eng. No. 136885
 FE, FC, FB, EK, EJ 7407389 1
 CUP 48, 50, FJ, FE, FC, FB, EK, EJ †7421671 1
 CONE 48, 50, FJ, FE, FC, FB, EK, EJ †7421672 1
 CUP EH, HD, HR 7421671 1
 CONE EH, HD, HR 7421672 1

5.452 SCREW—Pinion Bearing Lock Sleeve

SCREW 48, 50, FJ up to Eng. No. 136884 7400268 3
 NUT—Light hexagon jam 3/8"—24 48, 50, FJ up to Eng. No. 136884 114494 3

5.453 SPACER—Pinion Bearing

SPACER FJ from Eng. No. 136885
 FE, FC, FB, EK, EJ 7407772 1
 SPACER 48, 50, FJ, FE, FC, FB, EK, EJ †7421664 1
 SPACER EH, HD, HR 7421664 1

†Suit Service Replacement Differential and Carrier Assembly 7425551, 7425556, 7421720.



5.460 SHIM—Pinion

BEARING—.012"	48, 50, FJ up to Eng. No. 136884	7401663	A.R.
BEARING—.014"	48, 50, FJ up to Eng. No. 136884	7401664	A.R.
BEARING—.015"	48, 50, FJ up to Eng. No. 136884	7401665	A.R.
BEARING—.018"	48, 50, FJ up to Eng. No. 136884	7401666	A.R.
BEARING—Preload .005"	FJ from Eng. No. 136885 FE, FC, FB, EK, EJ	7407732	A.R.
BEARING—Preload .006"	FJ from Eng. No. 136885 FE, FC, FB, EK, EJ	7407733	A.R.
BEARING—Preload .007"	FJ from Eng. No. 136885 FE, FC, FB, EK, EJ	7407734	A.R.
BEARING—Preload .008"	FJ from Eng. No. 136885 FE, FC, FB, EK, EJ	7407735	A.R.
BEARING—Preload .009"	FJ from Eng. No. 136885 FE, FC, FB, EK, EJ	7407736	A.R.
BEARING—Preload .010"	FJ from Eng. No. 136885 FE, FC, FB, EK, EJ	7407737	A.R.
BEARING—Preload .020"	FJ from Eng. No. 136885 FE, FC, FB, EK, EJ	7407738	A.R.
BEARING—Preload .030"	FJ from Eng. No. 136885 FE, FC, FB, EK, EJ	7407739	A.R.
BEARING—Preload	48, 50, FJ, FE, FC, FB, EK, EJ	†7425653	A.R.
BEARING—Preload	EH, HD, HR	7425653	A.R.
LOCATING—.005"	FJ from Eng. No. 136885 FE, FC, FB, EK, EJ, EH, HD, HR	7408094	A.R.
LOCATING—.006"	FJ from Eng. No. 136885 FE, FC, FB, EK, EJ, EH, HD, HR	7408095	A.R.
LOCATING—.007"	FJ from Eng. No. 136885 FE, FC, FB, EK, EJ, EH, HD, HR	7408096	A.R.
LOCATING—.008"	FJ from Eng. No. 136885 FE, FC, FB, EK, EJ, EH, HD, HR	7408097	A.R.
LOCATING—.009"	FJ from Eng. No. 136885 FE, FC, FB, EK, EJ, EH, HD, HR	7408098	A.R.
LOCATING—.010"	FJ from Eng. No. 136885 FE, FC, FB, EK, EJ, EH, HD, HR	7408099	A.R.
LOCATING—.015"	FJ from Eng. No. 136885 FE, FC, FB, EK, EJ, EH, HD, HR	7408100	A.R.
LOCATING—.005"	48, 50, FJ, FE, FC, FB, EK, EJ	†7408094	A.R.
LOCATING—.006"	48, 50, FJ, FE, FC, FB, EK, EJ	†7408095	A.R.
LOCATING—.007"	48, 50, FJ, FE, FC, FB, EK, EJ	†7408096	A.R.
LOCATING—.008"	48, 50, FJ, FE, FC, FB, EK, EJ	†7408097	A.R.
LOCATING—.009"	48, 50, FJ, FE, FC, FB, EK, EJ	†7408098	A.R.
LOCATING—.010"	48, 50, FJ, FE, FC, FB, EK, EJ	†7408099	A.R.
LOCATING—.015"	48, 50, FJ, FE, FC, FB, EK, EJ	†7408100	A.R.

5.469 SEAL—Rear Axle Pinion Oil

SEAL	48, 50, FJ up to Eng. No. 136884	7400272	1
SEAL	FJ from Eng. No. 136885	7407392	1
SEAL	FE, FC, FB, EK, EJ	7408403	1
SEAL	48, 50, FJ, FE, FC, FB, EK, EJ	†7421648	1
SEAL	EH, HD, HR	7421648	1

5.484 BEARING ASSEMBLY—Pinion Rear

ROLLER—(Hyatt 1306 TS)	48, 50, FJ up to Eng. No. 136884	178851	1
CUP	FJ from Eng. No. 136885 FE, FC, FB, EK, EJ	7407385	1
CONE	FJ from Eng. No. 136885 FE, FC, FB, EK, EJ	7407386	1
CUP	48, 50, FJ, FE, FC, FB, EK, EJ	†7421645	1
CONE	48, 50, FJ, FE, FC, FB, EK, EJ	†7421646	1
CUP	EH, HD, HR	7421645	1
CONE	EH, HD, HR	7421646	1

†Suit Service Replacement Differential and Carrier Assembly 7425551, 7425556, 7421720.



HOLDEN

MASTER PARTS CATALOGUE

5.504 DIFFERENTIAL AND CARRIER ASSEMBLY

SERVICE REPLACEMENT DIFFERENTIAL AND CARRIER ASSEMBLY Identified by two dots of YELLOW paint on slinger	48, 50, FJ	#7425551	1
SERVICE REPLACEMENT DIFFERENTIAL AND CARRIER ASSEMBLY Identified by two dots of BLUE paint on slinger	48, 50, FJ	#7425556	1
SERVICE REPLACEMENT DIFFERENTIAL AND CARRIER ASSEMBLY Identified by two dots of GREEN paint on slinger	FE, FC, FB, EK, EJ	7421720	1
DIFFERENTIAL & CARRIER ASSEMBLY	EH, HD, HR 3.36 : 1 A.R.	7421719	1
DIFFERENTIAL & CARRIER ASSEMBLY	EH, HD, HR 3.55 : 1 A.R.	7421475	1
DIFFERENTIAL & CARRIER ASSEMBLY	EH, HD, HR 3.89 : 1 A.R.	7425931	1
DIFFERENTIAL & CARRIER ASSEMBLY	HR 3.36 : 1 A.R. Limited slip	7430869	1
DIFFERENTIAL & CARRIER ASSEMBLY	HR 3.55 : 1 A.R. Limited slip	7430870	1
DIFFERENTIAL & CARRIER ASSEMBLY	HR 3.89 : 1 A.R. Limited slip	7430871	1

#Universal joint retainer ring grooves in bearings.

##Universal joint retainer ring grooves in flange.

5.505 CARRIER AND CAP ASSEMBLY—Differential

CARRIER AND CAP ASSEMBLY	FJ from Eng. No. 136885	7407368	1
CARRIER AND CAP ASSEMBLY	FE, FC, FB, EK, EJ	7408407	1
CARRIER AND CAP ASSEMBLY	48, 50, FJ, FE, FC, FB, EK, EJ	†7421813	1
CARRIER AND CAP ASSEMBLY	EH, HD, HR	7421813	1

5.506 BOLT—Differential Carrier

BOLT	48, 50, FJ up to Eng. No. 136884	7400868	2
NUT—Hexagon 3/8"—24	48, 50, FJ up to Eng. No. 136884	103026	2
WASHER—Spring lock 3/8" medium	48, 50, FJ up to Eng. No. 136884	103321	2
BOLT—Cap to carrier	FJ from Eng. No. 136885		
	FE, FC, FB, EK, EJ	7407367	4
BOLT—Cap to carrier, long	48, 50, FJ, FE, FC, FB, EK, EJ	†7421647	2
BOLT—Cap to carrier, short	48, 50, FJ, FE, FC, FB, EK, EJ	†7421673	2
BOLT—Cap to carrier, long	EH, HD, HR	7421647	2
BOLT—Cap to carrier, short	EH, HD, HR	7421673	2

5.508 GASKET—Axle Housing to Differential Carrier

GASKET	ALL	7400692	1
--------	-----	---------	---

5.510 CASE—Differential

CASE	FJ from Eng. No. 136885		
	FE, FC, FB, EK, EJ	*7411920	1
CASE	48, 50, FJ, FE, FC, FB, EK, EJ	†7421667	1
CASE	EH, HD, HR	7421667	1
CASE ASSEMBLY—Complete with side bearings & internal components	HR Limited slip diff.	7432638	1
CASE ASSEMBLY	HR Limited slip diff.	VS10392	1
BOLT—Hex. hd. 5/16"—18 x 2"	HR Limited slip diff.	454864	6
WASHER—Spring lock 5/16"	HR Limited slip diff.	103320	6

*When fitting to FJ from Eng. No. 136885 up to

S.A. Ser. No. 14500A
Qld. Ser. No. 20402B
Vic. Ser. No. 40153M
W.A. Ser. No. 10410P
N.S.W. Ser. No. 5/19166S

it is necessary to use—

1—7411921 Shaft
1—453670 Pin
2—7408430 Pinion
2—7408431 Gear

When fitting to FJ S.A. from Ser. No. 14501A
Qld. from Ser. No. 20403B
Vic. from Ser. No. 40154M
W.A. from Ser. No. 10411P
N.S.W. from Ser. No. 5/19167S

FE S.A. up to Ser. No. 7335A
Qld. up to Ser. No. 9600B
Vic. up to Ser. No. 20485M
W.A. up to Ser. No. 5056P
N.S.W. up to Ser. No. 20715S

it is necessary to use
1—7411921 Shaft
1—453670 Pin

† Suit Service Replacement Differential and Carrier Assembly 7425551, 7425556, 7421720.

HOLDEN

MASTER PARTS CATALOGUE



5.511 SPRING, BLOCK—Differential Side Gear

SPRING—Preload	HR Limited slip diff.	VS10371	4
BLOCK—Preload spring	HR Limited slip diff.	VS10373	2

5.517 SHAFT—Differential Pinion

SHAFT	FJ from Eng. No. 136885		
	FE S.A. up to Ser. No. 7335A		
	Qld. up to Ser. No. 9600B		
	Vic. up to Ser. No. 20485M		
	W.A. up to Ser. No. 5056P		
	N.S.W. up to Ser. No. 20715S	7407398	1
SHAFT	FE S.A. from Ser. No. 7336A		
	Qld. from Ser. No. 9601B		
	Vic. from Ser. No. 20486M		
	W.A. from Ser. No. 5057P		
	N.S.W. from Ser. No. 20716S		
SHAFT	FC, FB, EK, EJ, EH, HD, HR	7411921	1
SHAFT	48, 50, FJ, FE, FC, FB, EK, EJ	†7411921	1
SHAFT	HR Limited slip diff.	VS10369	1

5.518 PIN, SCREW—Differential Pinion Shaft Lock

PIN	48, 50, FJ up to Eng. No. 136884	7400283	1
SCREW	FJ from Eng. No. 136885		
	FE S.A. up to Ser. No. 7335A		
	Qld. up to Ser. No. 9600B		
	Vic. up to Ser. No. 20485M		
	W.A. up to Ser. No. 5056P		
	N.S.W. up to Ser. No. 20715S	7407399	1
WASHER—Spring lock ¼" heavy	FJ from Eng. No. 136885		
	FE S.A. up to Ser. No. 7335A		
	Qld. up to Ser. No. 9600B		
	Vic. up to Ser. No. 20485M		
	W.A. up to Ser. No. 5056P		
	N.S.W. up to Ser. No. 20715S	108578	1
PIN—Spring 1/4" x 1 1/8"	FE S.A. from Ser. No. 7336A		
	Qld. from Ser. No. 9601B		
	Vic. from Ser. No. 20486M		
	W.A. from Ser. No. 5057P		
	N.S.W. from Ser. No. 20716S		
	FC, FB, EK, EJ, EH, HD, HR	453670	1
PIN—Spring 1/4" x 1-1/8"	48, 50, FJ, FE, FC, FB, EK, EJ	†453670	1
PIN	HR Limited slip diff.	VS10372	1

5.526 PINION—Differential

PINION	FJ S.A. from Ser. No. 14501A		
	Qld. from Ser. No. 20403B		
	Vic. from Ser. No. 40154M		
	W.A. from Ser. No. 10411P		
	N.S.W. from Ser. No. 5/19167S		
	FE, FC, FB, EK, EJ	7408430	2

5.527 GEAR SET—Differential

GEAR SET (2 Side Gears, 2 Pinions)	48, 50, FJ, FE, FC, FB, EK, EJ	†7427664	1
GEAR SET (2 Side Gears, 2 Pinions)	EH, HD, HR	7427664	1
GEAR SET (2 Side Gears, 2 Pinions)	HR Limited slip diff.	VS10393	1

†Suit Service Replacement Differential and Carrier Assembly 7425551, 7425556, 7421720.



HOLDEN

MASTER PARTS CATALOGUE

5.528 GEAR—Differential side

GEAR	FJ S.A. from Ser. No. 14501A Qld. from Ser. No. 20403B Vic. from Ser. No. 40154M W.A. from Ser. No. 10411P N.S.W. from Ser. No. 5/19167S		
	FE, FC, FB, EK, EJ	7408431	2

5.529 RING GEAR AND PINION ASSEMBLY

RING GEAR AND PINION ASSEMBLY	FJ from Eng. No. 136885	7406082	1
RING GEAR AND PINION ASSEMBLY	FE, FC, FB, EK, EJ	7406081	1
RING GEAR AND PINION ASSEMBLY	48, 50, FJ	††7425554	1
RING GEAR AND PINION ASSEMBLY	48, 50, FJ	†††7425555	1
RING GEAR AND PINION ASSEMBLY	FE, FC, FB, EK, EJ	**7425555	1
RING GEAR AND PINION ASSEMBLY	EH, HD, HR 3.36 : 1 A.R.	7423278	1
RING GEAR AND PINION ASSEMBLY	EH, HD, HR 3.55 : 1 A.R.	7423279	1
RING GEAR AND PINION ASSEMBLY	EH, HD, HR 3.89 : 1 A.R.	7425555	1

††Suit Differential and Carrier Assembly 7425551.

†††Suit Differential and Carrier Assembly 7425556.

**Suit Differential and Carrier Assembly 7421720.

5.531 BOLT—Ring Gear

BOLT	FJ from Eng. No. 136885 FE, FC, FB, EK, EJ	7407397	8
WASHER—Int. tooth lock 3/8"	FJ from Eng. No. 136885 FE, FC, FB, EK	115549	8
BOLT	48, 50, FJ, FE, FC, FB, EK, EJ	†7421634	8
BOLT	EH, HD, HR	7421634	8

5.536 BEARING ASSEMBLY—Differential Side

BEARING	48, 50, FJ up to Eng. No. 136884	7405831	2
CUP	FJ from Eng. No. 136885 FE, FC, FB, EK, EJ	7407382	2
CONE	FJ from Eng. No. 136885 FE, FC, FB, EK, EJ	7407383	2
CUP	48, 50, FJ, FE, FC, FB, EK, EJ	†7421642	2
CONE	48, 50, FJ, FE, FC, FB, EK, EJ	†7421643	2
CUP	EH, HD, HR	7421642	2
CONE	EH, HD, HR	7421643	2

5.537 SLEEVE, ADJUSTING NUT—Differential Side Bearing

SLEEVE—Bearing support	48, 50, FJ up to Eng. No. 136884	7400284	2
SHIM—.020"	48, 50, FJ up to Eng. No. 136884	7404695	A.R.
SHIM—.009"	48, 50, FJ up to Eng. No. 136884	7404697	A.R.
SHIM—.006"	48, 50, FJ up to Eng. No. 136884	7404700	A.R.
SHIM—.005"	48, 50, FJ up to Eng. No. 136884	7404701	A.R.
NUT	FJ from Eng. No. 136885 FE, FC, FB, EK, EJ	7407366	2
NUT	48, 50, FJ, FE, FC, FB, EK, EJ	†7421650	2
NUT	EH, HD, HR	7421650	2

†Suit Service Replacement Differential and Carrier Assembly 7425551, 7425556, 7421720.



5.539 LOCK—Differential Side Bearing Adjusting Nut

LOCK	FJ from Eng. No. 136885		
	FE, FC, FB, EK, EJ, EH, HD, HR	7407400	2
BOLT—Hex. hd. 5/16"—18 x 1/2"	FJ from Eng. No. 136885		
	FE, FC, FB, EK, EJ, EH, HD, HR	106973	2
WASHER—Ext. tooth lock 5/16"	FJ from Eng. No. 136885		
	FE, FC, FB, EK, EJ, EH, HD, HR	114605	2
LOCK	48, 50, FJ, FE, FC, FB, EK, EJ	†7407400	2
BOLT—Hex. hd. 5/16"—18 x 1/2"	48, 50, FJ, FE, FC, FB, EK, EJ	†106973	2
WASHER—Ext. tooth lock 5/16"	48, 50, FJ, FE, FC, FB, EK, EJ	†114605	2
† Suit Service Replacement Differential and Carrier Assembly 7425551, 7425556, 7421720.			

5.542 WASHER—Differential Pinion Thrust

WASHER	48, 50, FJ up to Eng. No. 136884	7400280	2
WASHER	HR Limited slip diff.	VS10370	2

5.543 WASHER, SHIM—Differential Side Gear Thrust

WASHER	48, 50, FJ up to Eng. No. 136884	7400279	2
SHIM—.005"	HR Limited slip diff.	VS10374	A.R.
SHIM—.010"	HR Limited slip diff.	VS10375	A.R.

5.545 FLANGE, SLINGER, NUT—Differential Pinion

FLANGE	48, 50, FJ up to Eng. No. 136884	7400437	1
SLINGER—Pinion flange	48, 50, FJ up to Eng. No. 136884	7400273	1
FLANGE ASSEMBLY	FJ from Eng. No. 136885	7407393	1
SLINGER—Pinion flange	FJ from Eng. No. 136885	7407395	1
NUT—Flange retaining	FJ from Eng. No. 136885	7407774	1
WASHER—Flange nut	FJ from Eng. No. 136885	7407773	1
FLANGE ASSEMBLY	FE, FC, FB, EK, EJ	7419583	1
SLINGER—Pinion flange	FE, FC, FB, EK, EJ	7408404	1
NUT—Flange retaining	FE, FC, FB, EK, EJ	7411158	1
WASHER—Flange nut	FE, FC, FB, EK, EJ	7408402	1
FLANGE ASSEMBLY	48, 50, FJ	††7424711	1
FLANGE ASSEMBLY	48, 50, FJ	†††7422731	1
FLANGE ASSEMBLY	FE, FC, FB, EK, EJ	**7421665	1
SLINGER—Pinion flange	48, 50, FJ, FE, FC, FB, EK, EJ	†7421668	1
NUT—Flange retaining	48, 50, FJ	††7424713	1
NUT—Flange retaining	48, 50, FJ	†††7421651	1
NUT—Flange retaining	FE, FC, FB, EK, EJ	**7421651	1
WASHER—Flange nut	48, 50, FJ	†††7421649	1
WASHER—Flange nut	FE, FC, FB, EK, EJ	**7421649	1
FLANGE ASSEMBLY	EH, HD, HR	7422731	1
SLINGER—Pinion flange	EH, HD, HR	7421668	1
NUT—Flange retaining	EH, HD, HR	7421651	1
WASHER—Flange nut	EH, HD, HR	7421649	1

5.546 SCREW, PLATE—Differential Pinion Flange

SCREW—Flange to U/joint	48, 50, FJ, FE, FC, FB, EK, EJ	7400397	4
PLATE—Screw lock	48, 50, FJ, FE, FC, FB, EK, EJ	7419577	2
PLATE—Lock	EH, HD, HR	7422733	2

††Suit Differential and Carrier Assembly 7425551.

†††Suit Differential and Carrier Assembly 7425556.

**Suit Differential and Carrier Assembly 7421720.



HOLDEN

MASTER PARTS CATALOGUE

5.548 REPAIR KIT—Universal Joint

FRONT	ALL	#7405065	1
FRONT—With grease nipple	ALL	#7421879	1
FRONT—Heavy duty	ALL	#7430649	1
FRONT	50, FJ, FE, FC	##7084449	1
REAR	48, 50, FJ	#7405066	1
REAR—With grease nipple	48, 50, FJ	#7421880	1
REAR	FE, FC, FB, EK, EJ	#7425515	1
REAR—With grease nipple	FE, FC, FB, EK, EJ	#7421881	1
REAR	50, FJ, FE, FC	##7084449	1
NIPPLE—Grease (suit 7084449)	50, FJ, FE, FC	M33143	2
REAR	48, 50, FJ	††7423286	1
REAR—With grease nipple	48, 50, FJ	††7423287	1
REAR—Heavy duty	48, 50, FJ	††7430650	1
REAR	48, 50, FJ	†††7425553	1
REAR	EH, HD, HR	7423286	1
REAR—With grease nipple	EH, HD, HR	7423287	1
REAR—Heavy duty	EH, HD, HR	7430650	1
WASHER & RING KIT—Front (.58" I.D. washer)	ALL	#M35472	1
WASHER & RING KIT	50, FJ, FE, FC	##M35471	2
WASHER & RING KIT—Rear (.58" I.D. washer)	48, 50, FJ, FE, FC, FB, EK, EJ	#M35473	1
WASHER & RING KIT—Rear	48, 50, FJ	††M35474	1
WASHER & RING KIT—Rear	48, 50, FJ	†††M35475	1
WASHER & RING KIT—Rear	EH, HD, HR	M35474	1

†† Suit Differential and Carrier Assembly 7425551.
 ††† Suit Differential and Carrier Assembly 7425556.

5.555 YOKE, SLINGER—Universal Joint

YOKE ASSEMBLY—Front, sleeve	ALL (M) 3 speed trans.	#7400405	1
YOKE ASSEMBLY—Front, sleeve	HR (M) 4 speed trans.	7427962	1
YOKE ASSEMBLY—Front, sleeve	50, FJ, FE, FC	##7405716	1
YOKE ASSEMBLY—Front, sleeve (ground surface 3.72")	EK (A)	7419362	1
YOKE ASSEMBLY—Front, sleeve (ground surface 3.45")	EK (A), EJ (A)	7421678	1
YOKE ASSEMBLY—Front sleeve	EH (A)	7424098	1
YOKE ASSEMBLY—Front sleeve	HD (A), HR (A)	7427962	1
YOKE—Rear flange	50, FJ	##7405717	1
YOKE—Rear flange	FE, FC	##7405882	1

5.560—WASHER, SHIELD—Universal Joint

WASHER—Cork, I.D., .52" x 11/64"	48, 50, FJ, FE, FC, FB	#7400391	8
WASHER—Cork, I.D., .58" x 11/64"	ALL	#7406784	8
WASHER—Cork	50, FJ, FE, FC	##1041407	8
SHIELD—Cork washer, I.D. .80", O.D. .97"	ALL	#7400392	8
SHIELD—Cork washer	50, FJ, FE, FC	##1038899	8

5.586 RING, "U" BOLT—Universal Joint

RING	ALL	#7400393	6-8
RING	50, FJ, FE, FC	##1038906	8
"U" BOLT	48, 50, FJ	***7422734	2
NUT	48, 50, FJ	***137508	4
"U" BOLT—Rear	EH, HD, HR	7422734	2
NUT—Hex. 1/4"—28, thick	EH, HD, HR	137508	4

***Suit Differential and Carrier Assembly 7425551 and 7425556.

Retainer ring grooves in bearings.

Retainer ring grooves in flange.



5.803 WHEEL ASSEMBLY—Road

WHEEL ASSEMBLY	48, 50, FJ	7410394	5
WHEEL ASSEMBLY	FE, FC, FB EK exc. EK/2104, EK/2106 EJ exc. EJ/2104, EJ/2106 EH exc. EH/2104, EH/2106	7408888	5
WHEEL ASSEMBLY	EK/2104, EK/2106, EJ/2104, EJ/2106 EH/2104, EH/2106	†7419194	5
WHEEL ASSEMBLY	EH/2104, EH/2106	††7423700	5
WHEEL ASSEMBLY	HD exc. HD/2104, HD/2106	7423241	5
WHEEL ASSEMBLY	HR exc. HR/2104, HR/2106	7431265	5
WHEEL ASSEMBLY	HD/2104, HD/2106 HR/2104, HR/2106	7423700	5
WHEEL ASSEMBLY—Heavy duty	HD, HR	7428468	5

5.806 HUB & DRUM ASSEMBLY, HUB—Rear Wheel

HUB & DRUM ASSEMBLY	48, 50, FJ	7400381	2
HUB	48, 50, FJ	*7400382	2

*When fitted, maximum eccentricity of Brake Drum must not exceed .002".

5.809 DRUM ASSEMBLY, DISC—Brake

DRUM ASSEMBLY—(Semi-finished)	48, 50, FJ	**7400224	4
DRUM ASSEMBLY	FE, FC	7408918	4
DRUM ASSEMBLY	FB, EK	7418311	4
DRUM ASSEMBLY	EJ, EH	†7420723	4
DRUM ASSEMBLY	EH/2104, EH/2106	††7427937	4
DRUM ASSEMBLY—Front	HD, HR	7427937	2
DRUM ASSEMBLY—Rear	HD exc. HD/2104, HD/2106 HR exc. HR/2104, HR/2106	7424784	2
DRUM ASSEMBLY—Rear—Heavy duty	HR/215, HR/225	7436683	2
DRUM ASSEMBLY—Rear	HD/2104, HD/2106 HR/2104, HR/2106	7427937	2
DISC	HD—Disc Brakes, HR—Disc Brakes	7413021	2

**This drum must be honed to 8.995"/9.005" after assembly to hub. Maximum eccentricity must not exceed .002".

5.812 BOLT—Wheel Hub

BOLT—Front and rear	48, 50, FJ	7400112	20
BOLT—Front	*	7409015	10
BOLT—Rear	*	7410132	10
BOLT—Front and rear	**	7409015	20

* FE S.A. up to Ser. No. 16885A
Qld.
Vic. up to Ser. No. 52452M
W.A.
N.S.W. up to Ser. No. 53358S

** FE S.A. from Ser. No. 16886A
Vic. from Ser. No. 52453M
N.S.W. from Ser. No. 53359S
FC, FB, EK, EJ, EH, HD, HR

†On EH/2104, EH/2106 applicable to units with 1-3/4" Brakes.

††Suit EH/2104, EH/2106 equipped with 2-1/4" Brakes.



HOLDEN

MASTER PARTS CATALOGUE

5.813 NUT—Wheel Hub Bolt

NUT	48, 50	7400113	20
NUT	FJ, FE, FC, FB, EK, EJ, EH, HD, HR	7407655	20

5.815 DEFLECTOR, SEAL—Rear Brake Oil

DEFLECTOR	48, 50, FJ up to Eng. No. 136884	7400358	2
DEFLECTOR	FJ from Eng. No. 136885	7407836	2
DEFLECTOR	FE, FC, FB, EK	7409076	2
SEAL—Deflector	FB, EK	7417701	2

5.816 PLATE, RING, REINFORCEMENT—Rear Axle Bearing Retainer

PLATE	FE, FC, FB, EK	7409011	4
RING	FE, FC, FB, EK	7424793	2
RETAINER	EJ, EH, HD, HR	7420712	2
RING	EJ, EH, HD, HR	7424793	2
REINFORCEMENT—.104" thick	EJ, EH, HD, HR	7420711	2
REINFORCEMENT—.120" thick	EJ, EH, HD, HR	7438607	2

5.819 GASKET—Rear Brake Oil Deflector

GASKET	48, 50, FJ up to Eng. No. 136884	7400747	2
GASKET	FJ from Eng. No. 136885	7407837	2
GASKET	FE, FC	7409078	2
GASKET	EJ, EH, HD, HR	7420713	2

5.822 SEAL—Rear Axle Oil

SEAL	48, 50, FJ	7400297	2
SEAL	FE, FC	7409877	2
"O" RING	FE, FC	###7406583	2
SEAL KIT—Oil	FB, EK	7426428	2
SEAL	FB, EK	3714713	2
"O" RING	FB, EK	7415353	2
SEAL—Inner	EK	*7409877	2
SEAL	EJ, EH, HD, HR	7419736	2
SEAL—Outer	EJ, EH, HD, HR	3714713	2
"O" RING	EJ, EH, HD, HR	7415353	2

Special Service

* For fitment to vehicles originally so equipped or to FB and EK Series when both Rear Axle Housing Part. No. 7419540 and Rear Axle Shaft Part. No. 7419543 are fitted.

5.855 BEARING ASSEMBLY—Axle Shaft

BEARING ASSEMBLY	48, 50, FJ up to Eng. No. 136884	954185	2
BEARING ASSEMBLY	FJ. from Eng. No. 136885		
	FE, FC	N954555	2
BEARING PACKAGE	FB, EK, EJ, EH, HD, HR	7406719	2

HOLDEN

MASTER PARTS CATALOGUE



5.858 CAP, COVER—Wheel Hub

CAP—Hub	48, 50	7400386	4
CAP—Hub	FJ	7403984	4
CAP—Hub	FE, FC	7410004	4
CAP—Hub	FB	7412987	4
CAP—Hub	EK	7415966	4
CAP—Hub	EJ	7416682	4
CAP—Hub	EH	7422778	4
CAP—Hub	HD	7422782	4
CAP—Hub	HR	7430032	4
COVER—Front wheel bearing	***	7400110	2
COVER—Front wheel bearing	****	7413400	2

*** 48, 50, FJ

FE S.A. up to Ser. No. 14198A
 Qld 215 up to Ser. No. 17542B
 also 17943B—18159B
 217 up to Ser. No. 18085B
 219, 229, 2104, 2106
 up to Ser. No. 17620B
 225 up to Ser. No. 17341B
 also 17514B—17705B
 Vic. up to Ser. No. 43428M
 W.A. up to Ser. No. 9496P
 N.S.W. up to Ser. No. 44271S

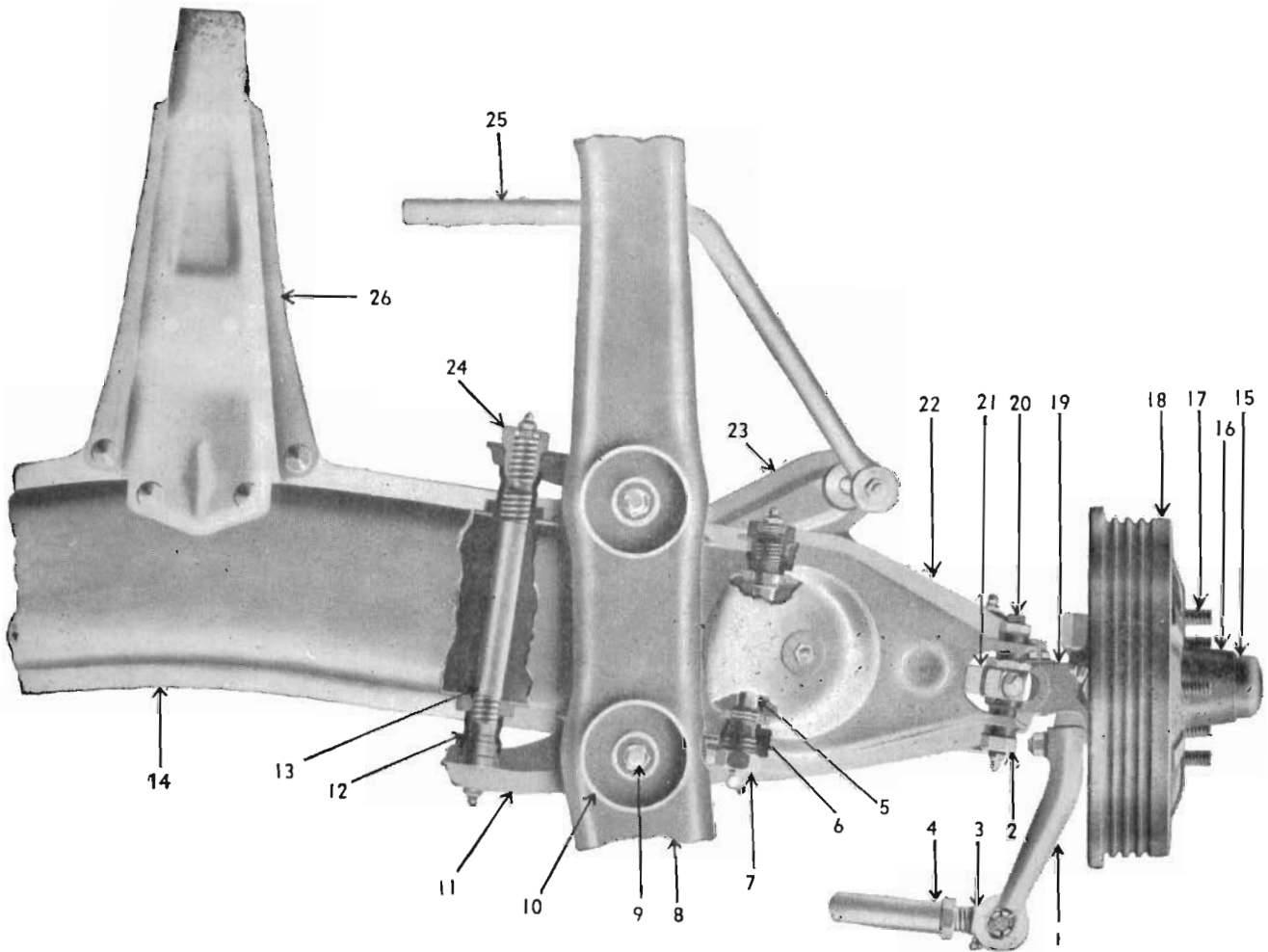
**** FE S.A. from Ser. No. 14199A

Qld 215 from Ser. No. 17543B
 exc. 17943B—18159B
 217 from Ser. No. 18086B
 219, 229, 2104, 2106
 from Ser. No. 17621B
 225 from Ser. No. 17342B
 exc. 17514B—17705B
 Vic. from Ser. No. 43429M
 W.A. from Ser. No. 9497P
 N.S.W. from Ser. No. 44272S
 FC, FB, EK, EJ, EH, HD, HR

5.871 RING—Wheel trim

RING	EJ/235	7406865	5
RING—Aluminium	EH/235, EH/239	7425323	4
RING—Chrome plated steel	EH/235, EH/239	7427148	4
RING—Chrome plated steel	HD/235, HD/239	7427256	4
RING	HR/235, HR/239	7431309	4

NOTES



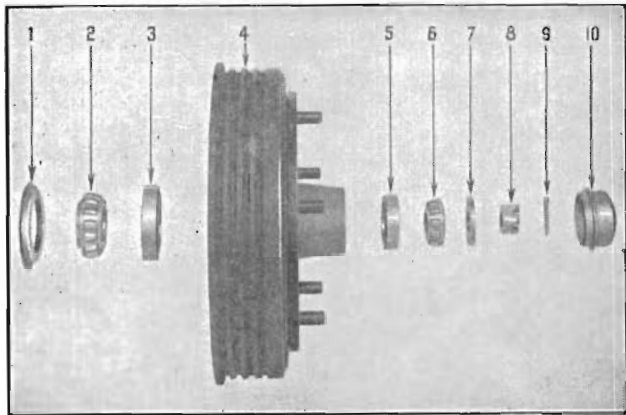
FRONT SUSPENSION AND CROSS MEMBER

Illus. Ref. No.	Part Name	Group	Illus. Ref. No.	Part Name	Group
1.	ARM	6.103	14.	MEMBER ASSEMBLY	6.008
2.	ECCENTRIC	6.164	15.	COVER	5.858
3.	SOCKET ASSEMBLY	6.233	16.	HUB	6.307
4.	TUBE	6.232	17.	BOLT	5.812
5.	SHAFT—Inner	6.164	18.	DRUM	5.809
6.	SEAL—Upper inner	6.166	19.	KNUCKLE	6.020
7.	BUSHING—Inner	6.164	20.	BOLT—Outer	6.164
8.	SIDE MEMBER ASSY.	12.980	21.	SUPPORT	6.023
9.	BOLT	6.008	22.	ARM ASSEMBLY—Upper	6.168
10.	RETAINER	6.008	23.	ARM ASSEMBLY—Lower	6.168
11.	ARM ASSEMBLY—Lower	6.168	24.	BUSHING	6.170
12.	SEAL—Lower inner	6.166	25.	SHAFT	7.241
13.	SHAFT	6.169	26.	SUPPORT ASSEMBLY	6.008



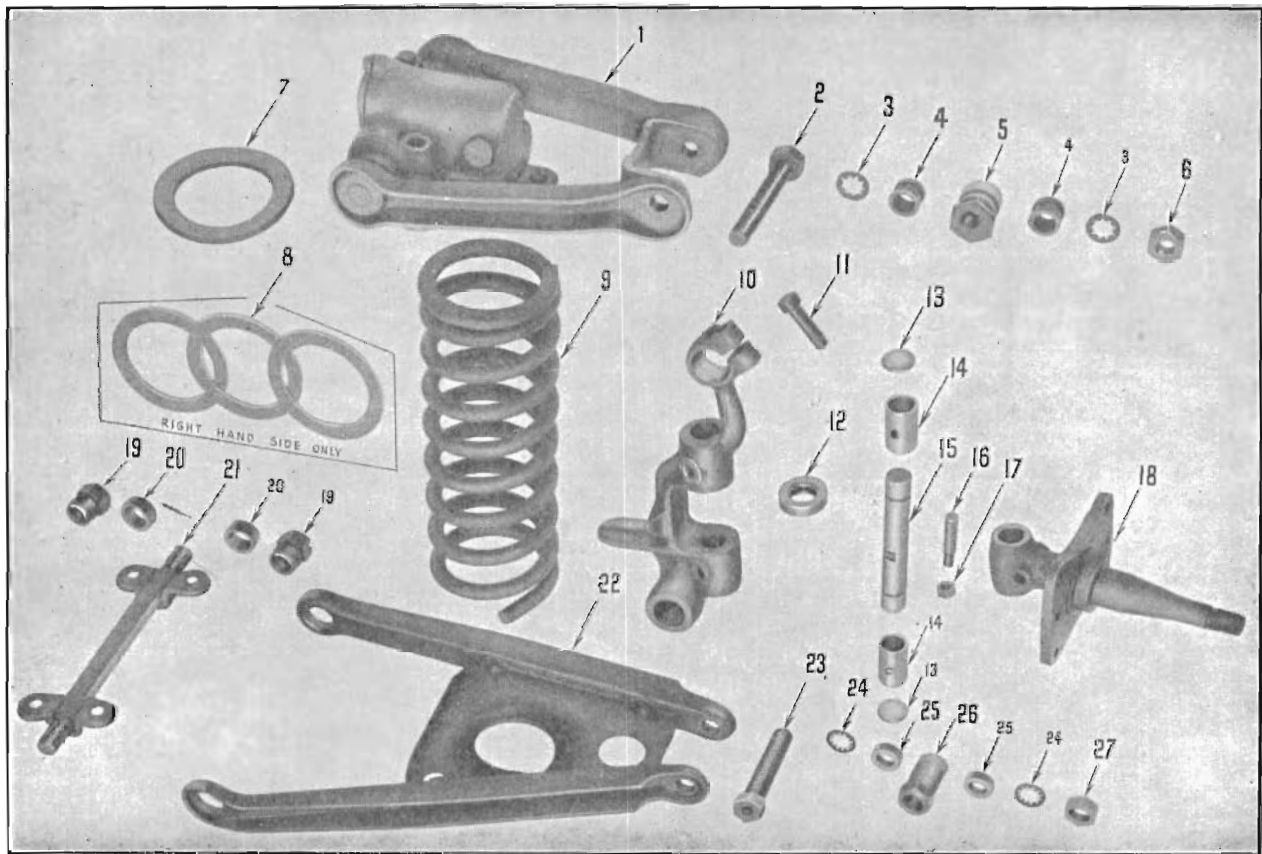
HOLDEN

MASTER PARTS CATALOGUE



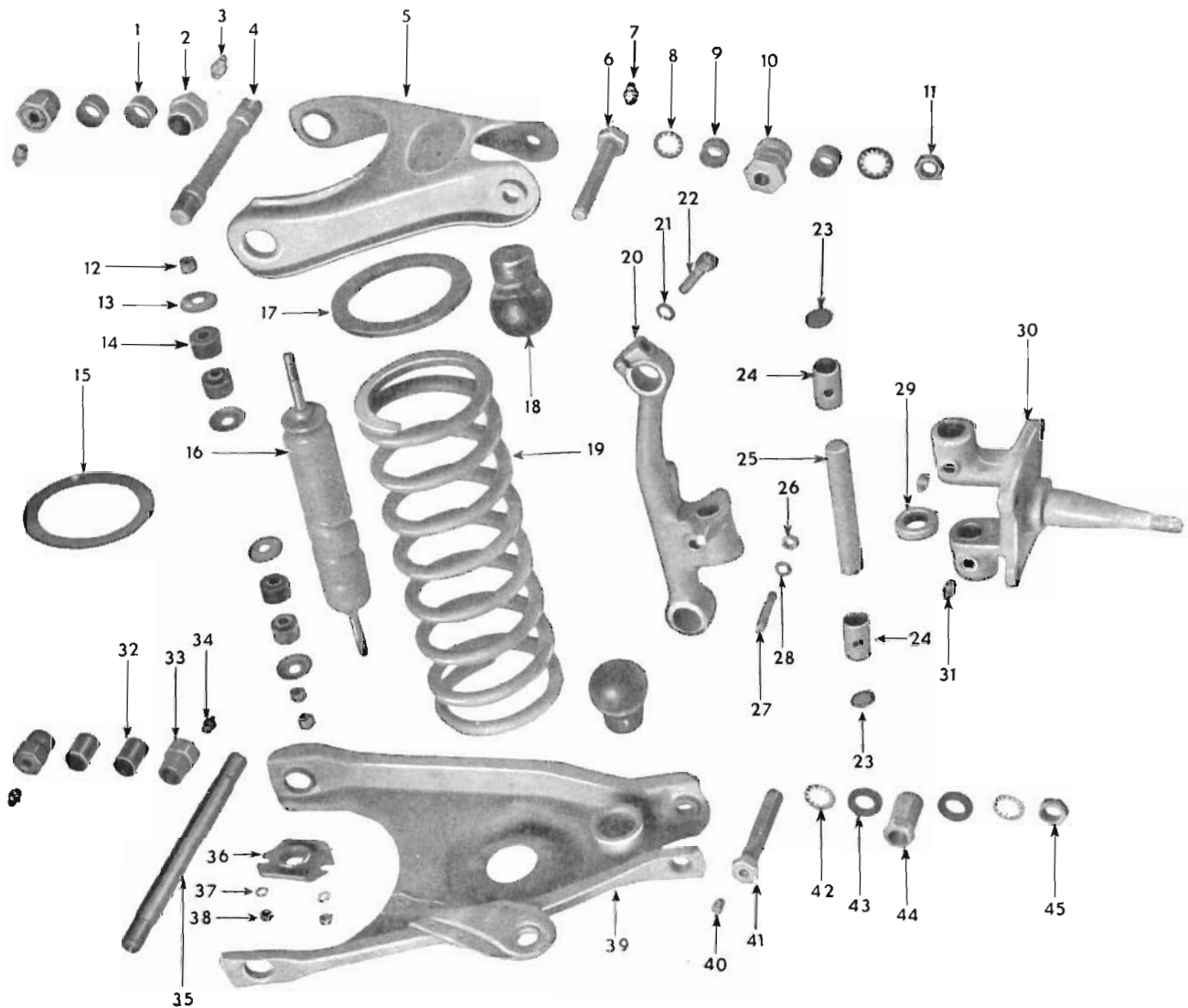
FRONT HUB and DRUM

Illus. Ref. No.	Part Name	Group
1.	SEAL ASSEMBLY	6.326
2.	BEARING ASSEMBLY	6.311
3.	BEARING ASSEMBLY	6.311
4.	HUB AND DRUM ASSEMBLY	6.307
5.	BEARING ASSEMBLY	6.313
6.	BEARING ASSEMBLY	6.313
7.	WASHER	6.321
8.	NUT	6.020
9.	PIN	6.020
10.	COVER	5.858



FRONT SUSPENSION (Parallel Cylinder Shock Absorbers)

Illus. Ref. No.	Part Name	Group	Illus. Ref. No.	Part Name	Group
1.	SHOCK ABSORBER ASSEMBLY	7.345	15.	PIN	6.203
2.	BOLT	6.164	16.	PIN	6.216
3.	WASHER	6.164	17.	NUT	6.216
4.	SEAL—Upper Outer	6.166	18.	KNUCKLE	6.020
5.	ECCENTRIC	6.164	19.	BUSHING ASSEMBLY	6.170
6.	NUT	6.164	20.	SEAL—Lower Inner	6.166
7.	INSULATOR	6.364	21.	SHAFT	6.169
8.	SHIM	6.364	22.	ARM AND SEAT ASSEMBLY	6.168
9.	SPRING	6.361	23.	BOLT	6.174
10.	SUPPORT ASSEMBLY	6.023	24.	WASHER	6.174
11.	BOLT	6.023	25.	SEAL—Lower Outer	6.166
12.	BEARING	6.210	26.	BUSHING	6.174
13.	PLUG	6.223	27.	NUT	6.174
14.	BUSHING	6.021			



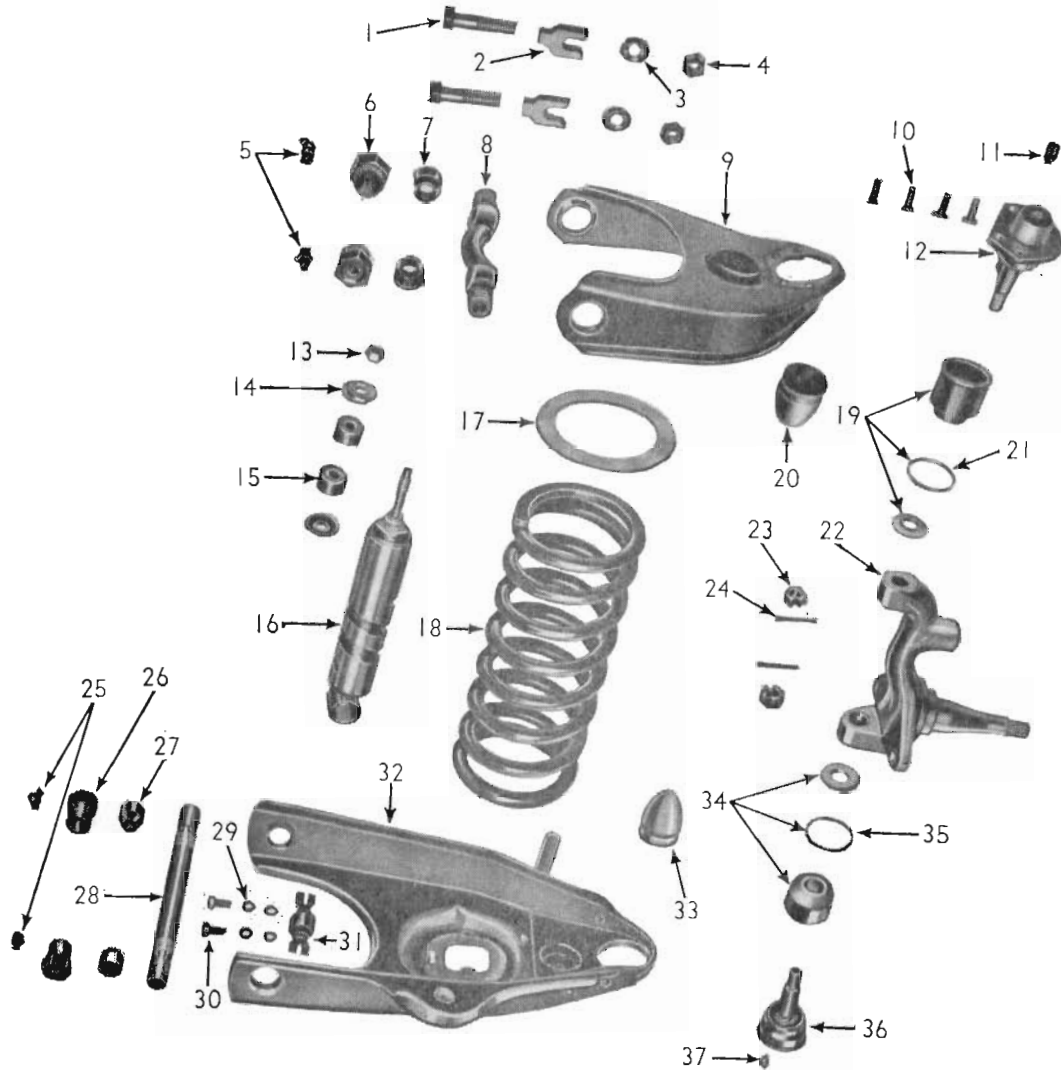
FRONT SUSPENSION (Tubular Shock Absorbers)

Illus. Ref. No.	Part Name	Group	Illus. Ref. No.	Part Name	Group
1.	SEAL—Upper inner	6.166	24.	BUSHING	6.021
2.	BUSH — Inner	6.164	25.	PIN	6.203
3.	FITTING — Lubrication	6.164	26.	NUT	6.216
4.	SHAFT — Inner	6.164	27.	PIN	6.216
5.	ARM ASSEMBLY	6.168	28.	WASHER	6.216
6.	BOLT — Outer	6.164	29.	BEARING	6.210
7.	FITTING — Lubrication	6.164	30.	KNUCKLE	6.020
8.	WASHER	6.164	31.	FITTING — Lubrication	6.020
9.	SEAL—Upper outer	6.166	32.	SEAL—Lower inner	6.166
10.	ECCENTRIC	6.164	33.	BUSHING	6.170
11.	NUT	6.164	34.	FITTING — Lubrication	6.170
12.	NUT	7.370	35.	SHAFT	6.169
13.	RETAINER	7.370	36.	PLATE ASSEMBLY	7.370
14.	BUSHING	7.370	37.	WASHER	7.370
15.	SHIM	6.364	38.	NUT	7.370
16.	SHOCK ABSORBER ASSEMBLY	7.345	39.	ARM ASSEMBLY	6.168
17.	INSULATOR	6.364	40.	FITTING — Lubrication	6.174
18.	BUMPER	6.176	41.	BOLT	6.174
19.	SPRING	6.361	42.	WASHER	6.174
20.	SUPPORT ASSEMBLY	6.023	43.	SEAL —Lower outer	6.166
21.	WASHER	6.023	44.	BUSHING	6.174
22.	BOLT	6.023	45.	NUT	6.174
23.	PLUG	6.223			



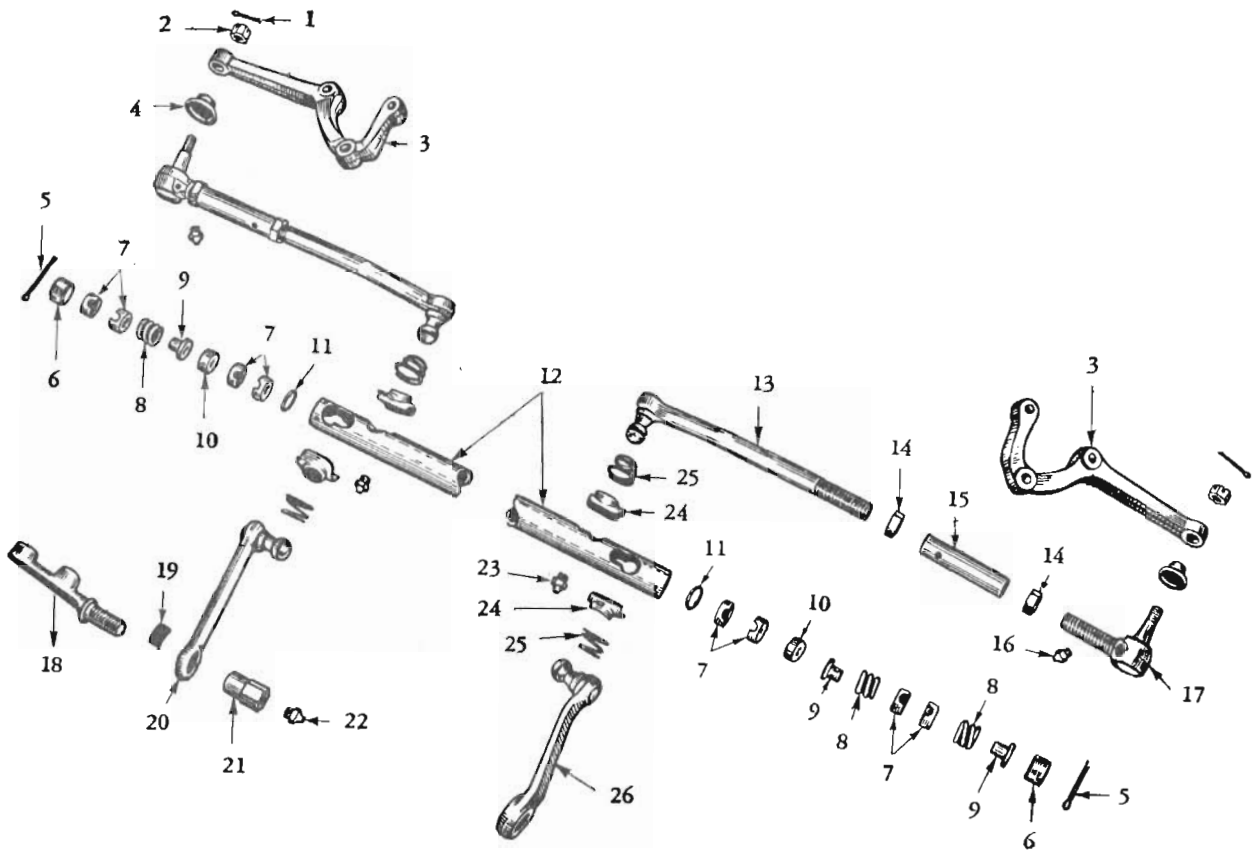
HOLLEN

MASTER PARTS CATALOGUE



FRONT SUSPENSION Ball Joint

Illus. Ref. No.	Part Name	Group	Illus. Ref. No.	Part Name	Group
1	BOLT	6.164	20	BUMPER	6.176
2	SHIM	6.163	21	CLAMP—Upper seal	6.168
3	WASHER	6.164	22	KNUCKLE	6.020
4	NUT	6.164	23	NUT—Upper ball joint	6.168
5	FITTING—Lubrication	6.164	24	PIN—Cotter	6.168
6	BUSHING	6.164	25	FITTING—Lubrication	6.170
7	SEAL	6.166	26	BUSHING	6.170
8	SHAFT	6.164	27	SEAL	6.166
9	ARM ASSEMBLY—Upper	6.168	28	SHAFT	6.169
10	BOLT	6.168	29	WASHER	7.370
11	FITTING—Lubrication	6.168	30	BOLT	7.370
12	BALL JOINT ASSEMBLY—Upper	6.168	31	PIN—Shock absorber mounting	7.370
13	NUT	7.370	32	ARM ASSEMBLY—Lower	6.168
14	RETAINER	7.370	33	BUMPER	6.176
15	BUSHING	7.370	34	SEAL & CLAMP KIT—Lower	6.168
16	SHOCK ABSORBER ASSEMBLY	7.345	35	CLAMP—Lower seal	6.168
17	INSULATOR	6.364	36	BALL JOINT ASSEMBLY—Lower	6.168
18	SPRING	6.361	37	FITTING—Lubrication	6.168
19	SEAL & CLAMP KIT—Upper	6.168			



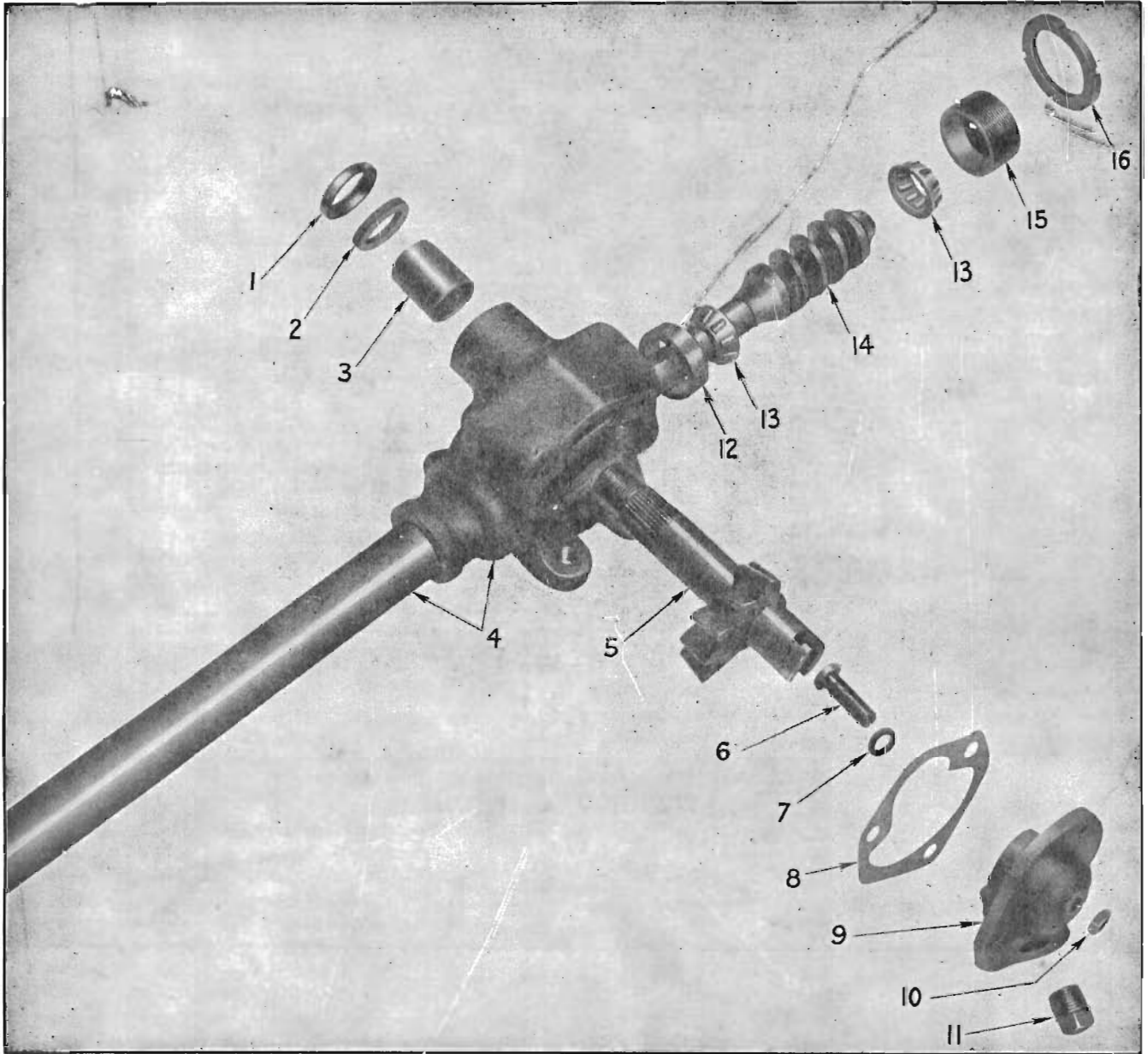
STEERING CONTROL

Illus. Ref. No.	Part Name	Group	Illus. Ref. No.	Part Name	Group
1.	PIN—Cotter	6.233	14.	NUT	6.234
2.	NUT	6.233	15.	TUBE	6.232
3.	ARM	6.103	16.	FITTING	6.233
4.	SEAL	6.111	17.	SOCKET ASSEMBLY	6.233
5.	PIN—Cotter	6.881	18.	SUPPORT	6.896
6.	PLUG	6.881	19.	SEAL	6.898
7.	SEAT	6.874	20.	LEVER ASSEMBLY	6.895
8.	SPRING	6.876	21.	BUSHING	6.897
9.	PLUG	6.882	22.	FITTING	6.897
10.	COVER	6.883	23.	FITTING	6.870
11.	PLUG	6.885	24.	COVER	6.886
12.	ROD	6.870	25.	SPRING	6.888
13.	ROD ASSEMBLY	6.230	26.	ARM	6.859



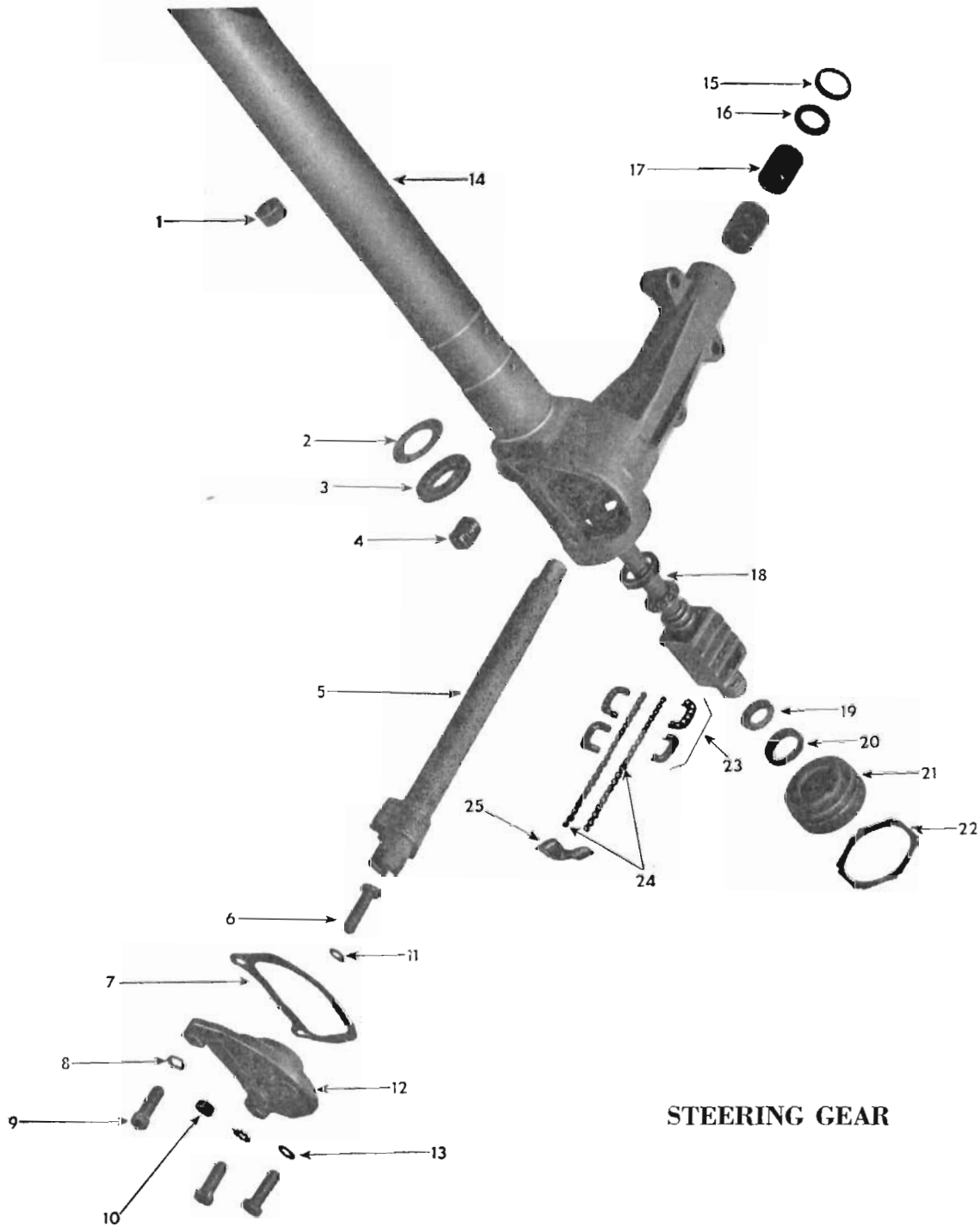
HOLDEN

MASTER PARTS CATALOGUE



STEERING GEAR

Illus. Ref. No.	Part Name	Group	Illus. Ref. No.	Part Name	Group
1.	RETAINER	6.856	9.	COVER ASSEMBLY	6.807
2.	PACKING	6.855	10.	NUT	6.822
3.	BUSHING	6.786	11.	PLUG	6.807
4.	HOUSING ASSEMBLY	6.803	12.	RACE	6.527
5.	GEAR AND SHAFT	6.850	13.	BEARING	6.530
6.	ADJUSTER	6.822	14.	STEERING SHAFT	6.524
7.	SHIM	6.828	15.	ADJUSTER	6.830
8.	GASKET	6.809	16.	NUT	6.830



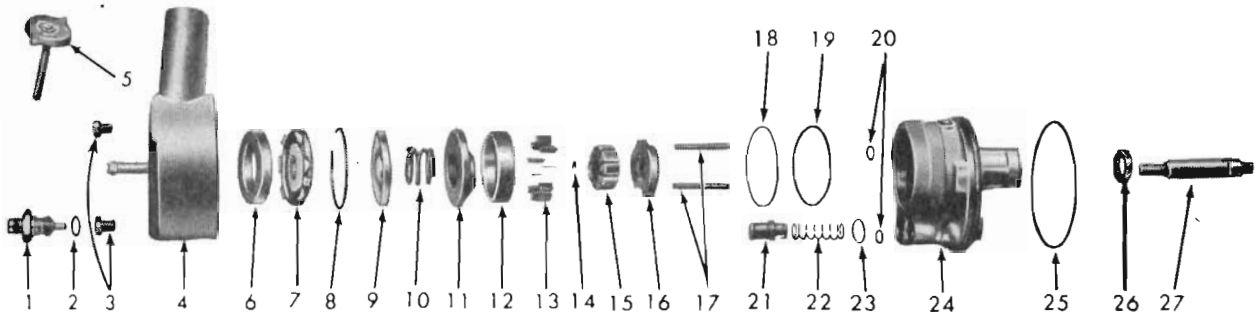
STEERING GEAR

Illus. Ref. No.	Part Name	Group	Illus. Ref. No.	Part Name	Group
1.	ANTI-RATTLER	6.524	14.	HOUSING AND JACKET ASSEMBLY	6.803
2.	RETAINER	6.758	15.	RETAINER	6.856
3.	SEAL	6.758	16.	PACKING	6.855
4.	PLUG	6.508	17.	BUSHING	6.786
5.	GEAR AND SHAFT	6.850	18.	SHAFT ASSEMBLY	6.524
6.	ADJUSTER	6.822	19.	BEARING	6.530
7.	GASKET	6.809	20.	RACE	6.527
8.	WASHER	6.807	21.	ADJUSTER	6.830
9.	BOLT	6.807	22.	NUT	6.830
10.	NUT	6.822	23.	GUIDE	6.842
11.	SHIM	6.828	24.	BALL	6.844
12.	COVER ASSEMBLY	6.807	25.	CLAMP	6.843
13.	GASKET	6.807			



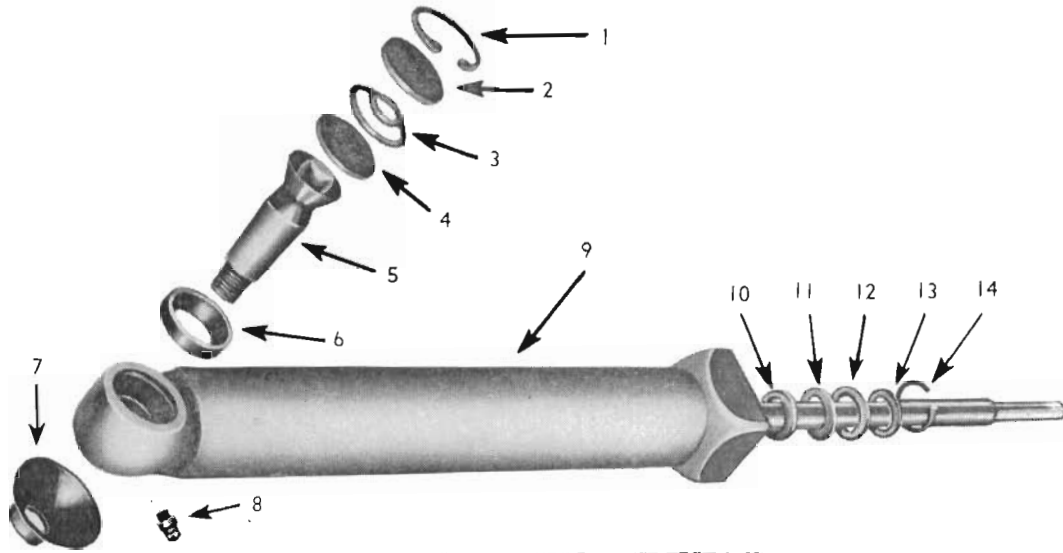
HOLDEN

MASTER PARTS CATALOGUE



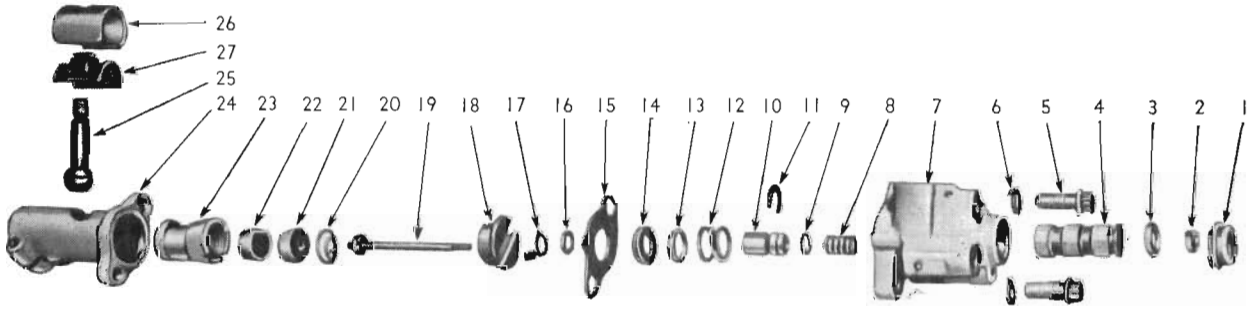
POWER STEERING PUMP

Illus. Ref. No.	Part Name	Group	Illus. Ref. No.	Part Name	Group		
1	FITTING ASSEMBLY—Hose	6.673	12	ROTOR KIT	6.610		
2	SEAL	6.674	13				
2			15				
18	SEAL KIT	6.609	13			VANE KIT	6.610
19						14	RING—Retainer
20				15	ROTOR	6.610	
23			16	PLATE—Thrust	6.612		
25			17	PIN—Dowel	6.608		
3	STUD—Mounting	6.606	18	SEAL—"O" Ring	6.612		
4	RESERVOIR ASSEMBLY	6.635	19	SEAL—"O" Ring	6.612		
5	CAP ASSEMBLY	6.635	20	SEAL—Reservoir bolt	6.635		
6	ELEMENT—Filter	6.630	21	VALVE ASSEMBLY	6.624		
6/7	FILTER ASSEMBLY	6.630	22	SPRING—Flow control	6.612		
8	RING—End plate ret.	6.609	23	SEAL—"O" Ring	6.674		
9	PLATE—Pump end	6.612	24	HOUSING ASSEMBLY	6.608		
10	SPRING—Pressure plate	6.612	25	SEAL—"O" Ring	6.635		
11	PLATE—Pressure	6.612	26	SEAL	6.617		
12	RING	6.611	27	SHAFT	6.614		



POWER STEERING CYLINDER

Illus. Ref. No.	Part Name	Group	Illus. Ref. No.	Part Name	Group	
1	RING—Plug retaining	6.581	6	SEAT—Ball	6.581	
1	END PARTS KIT	6.576	7	SEAL—Ball stud	6.581	
2				8	FITTING—Grease	6.576
3				9	CYLINDER ASSEMBLY	6.576
4			10	PISTON ROD SEAL & WIPER KIT	6.576	
6		11				
8		12				
2	PLUG—End	6.581	13			
3	SPRING—Ball seat	6.581	14	RING—Seal retaining	6.581	
4	SEAT—Spring	6.581				
5	STUD—Ball	6.581				



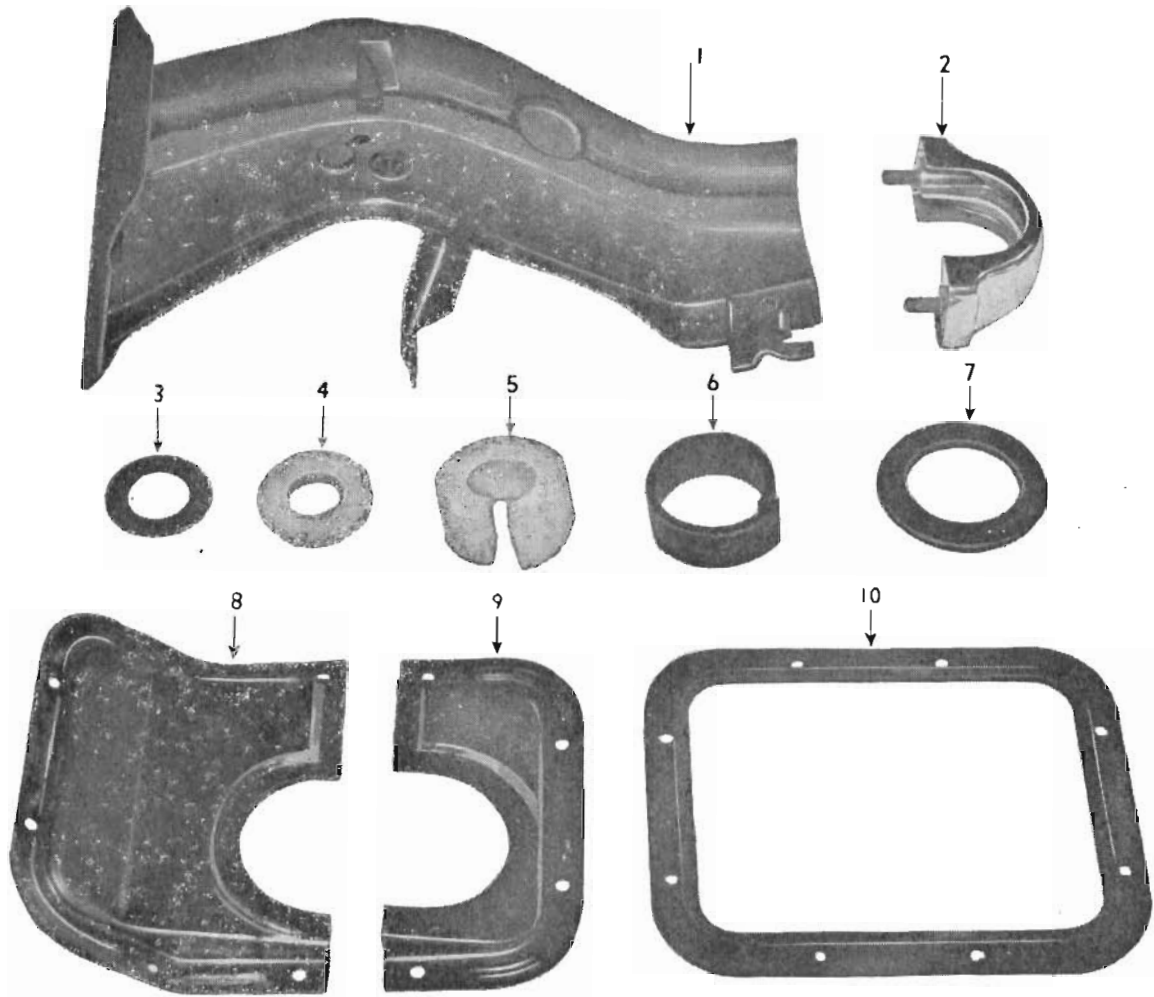
POWER STEERING VALVE AND ADAPTOR

Illus. Ref. No.	Part Name	Group	Illus. Ref. No.	Part Name	Group
1	COVER—Dust	6.554	5	BOLT—Mounting	6.550
1/2	DUST COVER & LOCK NUT KIT	6.554	6	WASHER—Spring lock	6.550
2	SEAL & WASHER KIT	6.550	15	SPACER—Annulus	6.554
3			16	WASHER—Valve shaft	6.554
9			17	KEY	6.551
14			18	PLUG—Ball adjuster	6.560
2	VALVE PARTS KIT	6.550	19/20	VALVE SHAFT & SPRING KIT	6.560
3			20	SPRING—Ball seat	6.560
4			20	ADAPTOR PARTS KIT	6.550
7			21		
8			22		
9			25		
10			26		
11			27	ADAPTOR & SLEEVE KIT	6.550
12			23		
13			24		
14	26				
16	27	26/27	SEAL & CLAMP KIT	6.551	



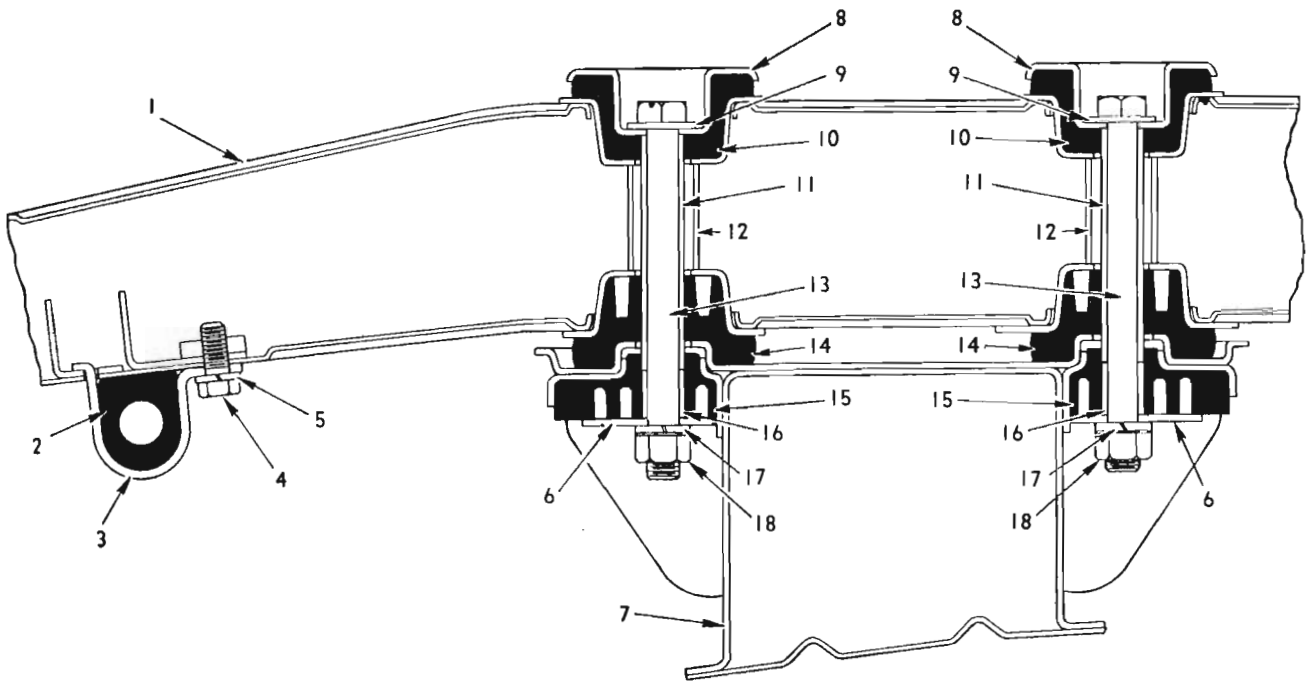
HOLDEN

MASTER PARTS CATALOGUE



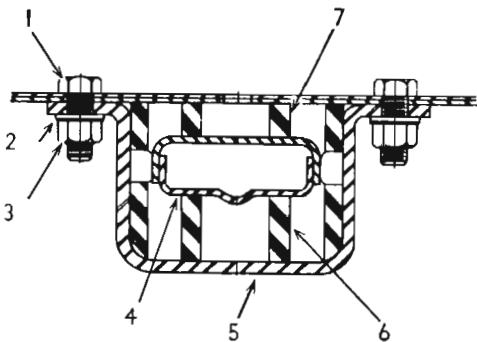
STEERING COLUMN BRACKET AND COVERS

Illus. Ref. No	Part Name	Group	Illus. Ref. No.	Part Name	Group
1	BRACE ASSEMBLY	6.761	6	INSULATOR	6.760
2	BRACKET ASSEMBLY	6.760	7	GROMMET	6.760
3	RETAINER—Lower Seal	6.758	8	COVER—Lower	6.758
4	SEAL—Lower	6.758	9	COVER—Upper	6.758
5	SEAL—Upper	6.758	10	GASKET—Cover	6.758



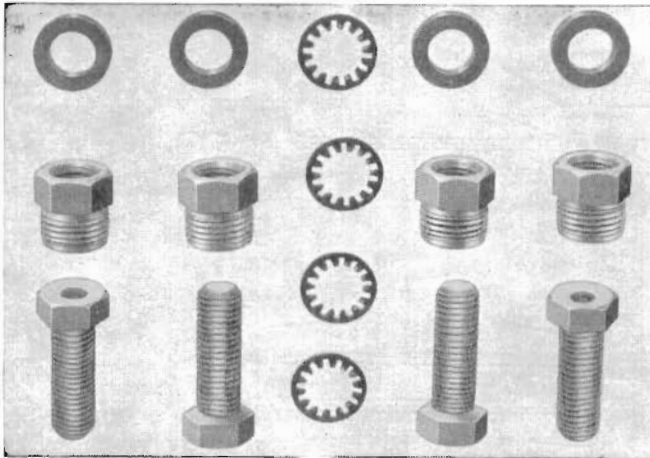
FRONT CROSS MEMBER MOUNTING

Illus. Ref. No.	Part Name	Group	Illus. Ref. No.	Part Name	Group
1.	SIDE MEMBER ASSY.	12.980	10.	MOUNTING—Upper	6.008
2.	INSULATOR	7.242	11.	SPACER—Mounting	6.008
3.	BRACKET	7.242	12.	SPACER	N.S.S.
4.	BOLT	7.242	13.	BOLT	6.008
5.	WASHER	7.242	14.	MOUNTING—Lower	6.008
6.	WASHER—Insulator	6.008	15.	INSULATOR	6.008
7.	MEMBER ASSEMBLY	6.008	16.	SHIM	6.008
8.	RETAINER	6.008	17.	WASHER	6.008
9.	WASHER	6.008	18.	NUT	6.008

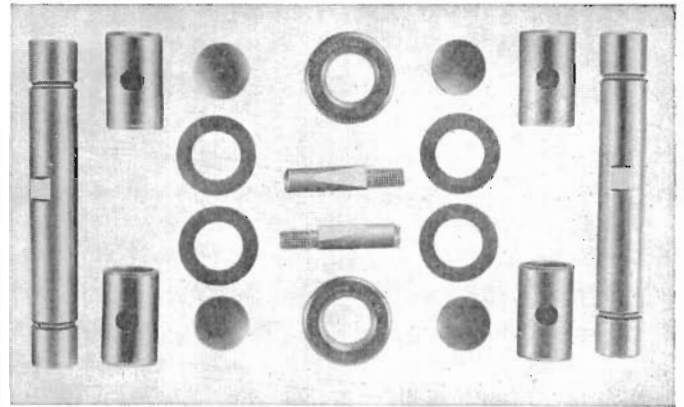


FRONT CROSS MEMBER MOUNTING

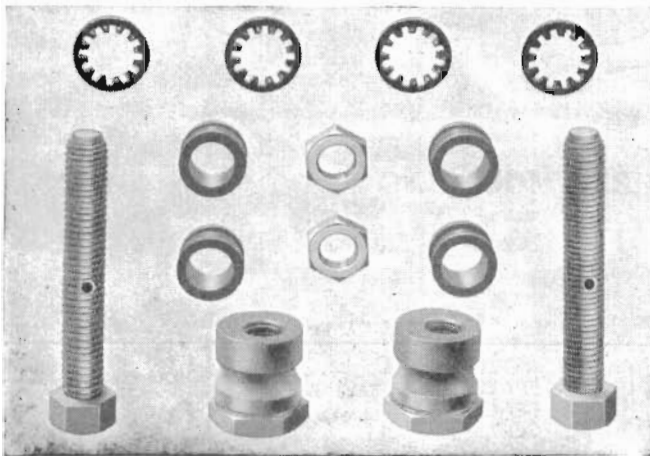
Illus. Ref. No.	Part Name	Group
1.	BOLT	6.008
2.	WASHER	6.008
3.	NUT	6.008
4.	SUPPORT—Power Plant Mounting	6.008
5.	BRACKET—Mounting Support	6.008
6.	INSULATOR—Lower	6.008
7.	INSULATOR—Upper	6.008



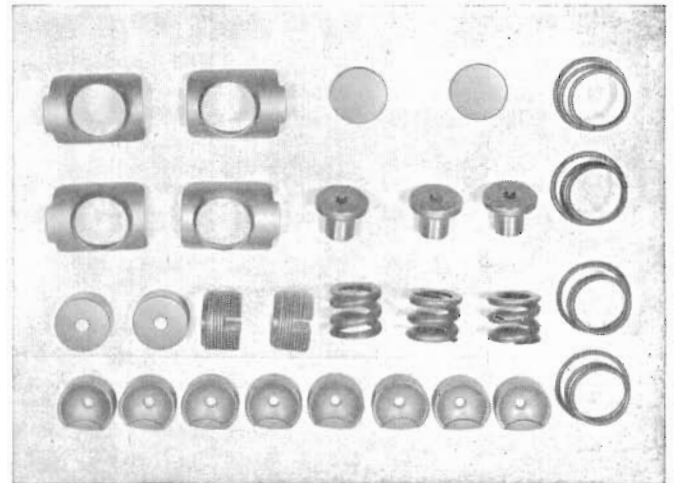
6.164 Upper Control Arm Pivot Pin Replacement Kit (Inner)



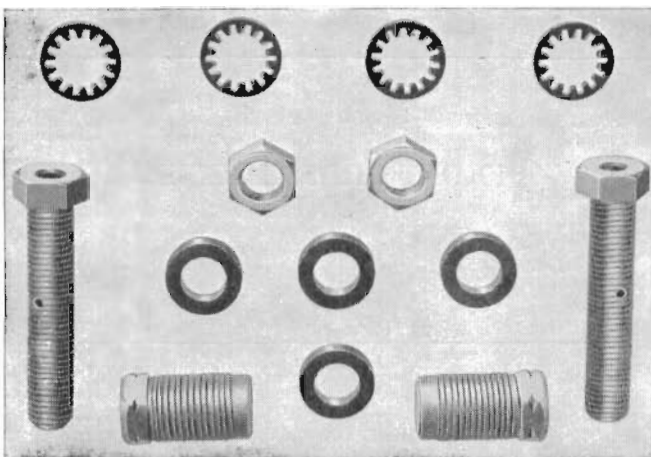
6.203 King Pin Replacement Kit



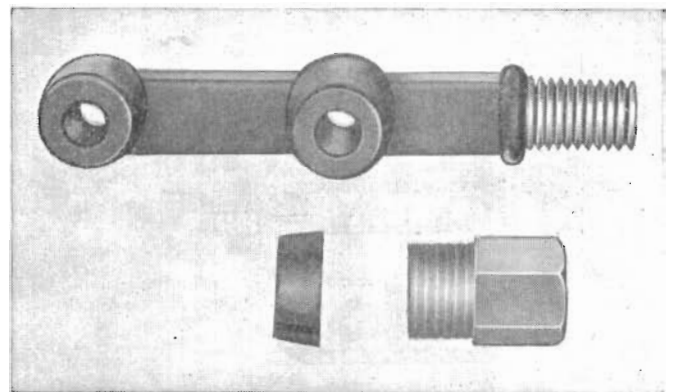
6.164 Upper Control Arm Pivot Pin Replacement Kit (Outer)



6.870 Steering Connecting Rod Repair Kit



6.174 Lower Control Arm Pivot Pin Replacement Kit (Outer)



6.896 Steering Connecting Rod Idler Lever Support Kit

HOLDEN

MASTER PARTS CATALOGUE



Group	Description	Model	Part No.	Qty.
6.007 FRONT SUSPENSION ASSEMBLY				
CURRENT PRODUCTION FRONT SUSPENSION ASSEMBLIES WILL BE SUPPLIED ON A FIRM ORDER BASIS.				
6.008 MEMBER, BOLT, SHIM, MOUNTING, SPACER, INSULATOR—Front Suspension Cross				
MEMBER		48 S.A. up to Ser. No. 9073A Qld. up to Ser. No. B11660 Vic. up to Ser. No. M28225 W.A. up to Ser. No. P6568 N.S.W. up to Ser. No. 53/S2223		
		50 S.A. up to Ser. No. 2317A Qld. up to Ser. No. B3448 Vic. up to Ser. No. M5392 W.A. up to Ser. No. P2104 N.S.W. up to Ser. No. 3/S1396	7405506	
MEMBER		48 S.A. from Ser. No. 9074A Qld. from Ser. No. B11661 Vic. from Ser. No. M28226 W.A. from Ser. No. P6569 N.S.W. from Ser. No. 53/S2224		
		50 S.A. from Ser. No. 2318A Qld. from Ser. No. B3449 Vic. from Ser. No. M5393 W.A. from Ser. No. P2105 N.S.W. from Ser. No. 53/S1397		
		FJ	7407155	1
BOLT—Member mounting		48, 50, FJ	7400122	A R
BOLT—Member mounting, rear		**	7409595	2
NUT—Light hex. 7/16"—20		48, 50, FJ	103027	4
WASHER—Spring lock 7/16"—medium		48, 50, FJ	103322	4
SHIM—Member mounting		48, 50, FJ	7402332	A R
MOUNTING—Lower		*	7400118	4
BOLT—Member mounting, rear		*	7405875	2
MOUNTING—Lower		**	7408658	2
MOUNTING—Upper		48, 50, FJ	7400121	4
MEMBER ASSEMBLY		FE, FC	***7425215	1
MEMBER ASSEMBLY		FB, EK	***7425185	1
BOLT—Hex. hd. 3/8"—24 x 1"		FE, FC, FB, EK	120647	2
NUT—Hex. 3/8"—24		FE, FC, FB, EK	120369	2
WASHER—Spring lock 3/8"		FE, FC, FB, EK	120382	2
BOLT—Hex. hd. 1/2"—20 x 5 1/2" member to frame		FE, FC, FB, EK	126037	4
NUT—Hex. 1/2"—20		FE, FC, FB, EK	120371	4
WASHER—Spring lock 1/2"—medium		FE, FC, FB, EK	120384	4
SPACER—Frame mounting, front		FE, FC, FB, EK	7421702	2
SPACER—Frame mounting, rear		FE, FC, FB, EK	7422314	2
WASHER—Plain 1/2" x 1" x .063"		FE, FC, FB, EK	9415084	A.R.
SHIM—Frame mounting spacer .60"		FE, FC, FB, EK	7411841	A.R.
SHIM—Frame mounting spacer .66"		FE, FC, FB, EK	7411840	A.R.
SHIM—Frame mounting spacer .72"		FE, FC, FB, EK	7411839	A.R.
SHIM—Frame mounting spacer .78"		FE, FC, FB, EK	7411838	A.R.

* 48, 50
FJ S.A. up to Ser. No. 5030A
Qld. up to Ser. No. B6431
Vic. up to Ser. No. 12285M
W.A. up to Ser. No. P3520
N.S.W. up to Ser. No. 4/S12637

**FJ S.A. from Ser. No. 5031A
Qld. from Ser. No. B6432
Vic. from Ser. No. 12286M
W.A. from Ser. No. P3521
N.S.W. from Ser. No. 4/S12638

***When fitting it is necessary to use Power Plant Mounting Front Support Part No. 7415882 or 7422564 (3/8" studs).



HOLDEN

MASTER PARTS CATALOGUE

6.008 MEMBER, BOLT, SHIM, MOUNTING, SPACER, INSULATOR—Front suspension Cross (Contd.)

MOUNTING—Lower	FE, FC, FB, EK	#7414929	4
MOUNTING—Upper	FE, FC, FB, EK	7409073	4
RETAINER—Mounting	FE, FC, FB, EK	7408939	4
INSULATOR—Mounting	FE, FC, FB, EK	7411440	4
WASHER—Mounting insulator	FE, FC, FB, EK	7411441	4
SUPPORT ASSEMBLY—Power plant mounting (3 1/4" deep)	FE, FC, FB	##7408935	1
SUPPORT ASSEMBLY—Power plant mounting (4 1/4" deep)	FE, FC, FB, EK	##7418850	1
RIVET—Button hd. solid 5/16" x 21/32"	FE, FC, FB, EK	SP1387	2
RIVET—Button hd. solid 5/16" x 3/4"	FE, FC, FB, EK	SP1715	2
BRACKET—Mounting support	FE, FC, FB, EK	7408938	1
INSULATOR—Mounting support, one piece	FE, FC, FB, EK	7423392	1
MEMBER ASSEMBLY	EJ	7425508	1
BOLT—Hex. hd. 3/8"—24 x 1"	EJ	120647	2
NUT—Hex. 3/8"—24	EJ	120369	2
WASHER—Spring lock, 3/8"—medium	EJ	120382	2
BOLT—Hex. hd. 1/2"—20 x 5-1/2"	EJ	126037	4
NUT—Hex. 1/2"—20	EJ	120371	4
WASHER—Spring lock, 1/2"—medium	EJ	120384	4
SPACER—Frame mounting front	EJ	7421702	2
SPACER—Frame mounting rear	EJ	7422314	2
WASHER—Plain, 1/2" x 1" x .063"	EJ	9415084	A.R.
SHIM—Frame mounting spacer .60"	EJ	7411841	A.R.
SHIM—Frame mounting spacer .66"	EJ	7411840	A.R.
SHIM—Frame mounting spacer .78"	EJ	7411838	A.R.
MOUNTING—Frame to front cross member, lower	EJ	7414929	4
MOUNTING—Frame to front cross member, upper	EJ	7409073	4
RETAINER—Front cross member mounting	EJ	7408939	4
INSULATOR—Frame to front cross member mounting	EJ	7411440	4
WASHER—Special	EJ	7411441	4
SUPPORT ASSEMBLY—Power plant mounting	EJ	7416743	1
RIVET—Button hd. solid, 5/16" x 21/32"	EJ	SP1387	2
RIVET—Button hd. solid, 5/16" x 3/4"	EJ	SP1715	2
BRACKET—Front cross member & power plant mounting support	EJ	7408938	1
INSULATOR—Front cross member & power plant mounting support—One piece	EJ	7423392	1
MEMBER ASSEMBLY	EH	†7423443	1
MEMBER ASSEMBLY	EH/2104, EH/2106	††7429708	1
BOLT—Hex. hd. 3/8"—24 x 1"	EH	120647	2
NUT—Hex. 3/8"—24	EH	120369	2
WASHER—Spring lock 3/8"—medium	EH	120382	2
BOLT—Hex. hd. 1/2"—20 x 5"	EH	126038	4
NUT—Hex. 1/2"—20	EH	120371	4
WASHER—Spring lock 1/2"—medium	EH	120384	4
SPACER—Front cross member mounting	EH	7426476	4
MOUNTING—Frame to front cross member, lower	EH	7429303	4
MOUNTING—Frame to front cross member, upper	EH	7426479	4
RETAINER—Front cross member mounting	EH	7424295	4
INSULATOR—Frame to front cross member mounting	EH	7411440	4
WASHER—Special	EH	7426477	4
SUPPORT ASSEMBLY—Power plant mounting	EH	7421446	1
RIVET—Button hd. solid, 5/16" x 21/32"	EH	SP1387	2
RIVET—Button hd. solid, 5/16" x 3/4"	EH	SP1715	2
BRACKET—Front cross member & power plant mounting support	EH	7408938	1
BRACKET ASSEMBLY—Power plant front mounting	EH	RH7421452	1
INSULATOR—Front cross member & power plant mounting support	EH	7423392	1

#When replacing on FE, FC series it is recommended that a set of 4-7414929 Mountings be fitted.

†On EH/2104, EH/2106 applicable to units with 1-3/4" Brakes.

††Suit EH/2104, EH/2106 equipped with 2-1/4" Brakes.

When fitting 7408935 (3-1/4" deep) or 7418850 (4-1/4" deep) it is necessary to use Power Plant Mounting front Support Part No. 7415882 or 7422564 (3/8" studs).

HOLDEN

MASTER PARTS CATALOGUE



6.008 MEMBER, BOLT, SHIM, MOUNTING, SPACER, INSULATOR—Front Suspension Cross (Cont'd.)

MEMBER ASSEMBLY	HD King Pin Suspension	7427593	1
MEMBER ASSEMBLY	HD Ball Joint Suspension, HR	7427965	1
BOLT—Hex. hd. 1/2"—20 x 5"	HD, HR	126038	4
WASHER—Spring lock 1/2"—medium	HD, HR	120384	4
NUT—Hex. 1/2"—20	HD, HR	120371	4
BOLT—Hex. hd. 3/8"—24 x 5-3/4"	HD, HR	173050	1
WASHER—Spring lock 3/8"—medium	HD, HR	120382	1
WASHER—Plain 7/16" x 1-3/8" x .083"	HD, HR	446477	1
WASHER—Plain 7/16" x 1 x .083"	HD, HR	120388	1
NUT—Hex. 3/8"—24	HD, HR	120369	1
SPACER—Front cross member, front	HD, HR	7426863	1
SPACER—Front cross member mounting	HD, HR	7426476	4
MOUNTING—Frame to front cross member, lower	HD, HR	7429303	4
MOUNTING—Frame to front cross member, upper	HD, HR	7426479	4
RETAINER—Front cross member mounting	HD King Pin Suspension	7424295	4
RETAINER—Front cross member mounting	HD Ball Joint Suspension, HR	7420434	4
INSULATOR—Front cross member, front	HD, HR	7426746	2
RETAINER—Front cross member front insulator	HD, HR	7426865	2
WASHER—Special	HD, HR	7426477	4
SUPPORT ASSY—Front cross member to tie member	HD, HR	7426810	1
RIVET—Button hd. solid, 5/16" x 3/4"	HD, HR	SP1715	4
BRACKET ASSEMBLY—Power plant front mounting	HD King Pin Suspension	LH7420895	1
		RH7420896	1
BRACKET ASSEMBLY—Power plant front mounting	HD Ball Joint Suspension, HR	LH7424995	1
		RH7424996	1

6.020 KNUCKLE—Steering

KNUCKLE	48, 50, FJ	LH7400103	1
		RH7400102	1
KNUCKLE	*	LH7408869	1
		RH7408870	1
KNUCKLE	**	LH7413415	1
		RH7413416	1
KNUCKLE	FB, EK	LH7412477	1
		RH7412476	1
KNUCKLE	EJ, EH, HD King Pin Suspension	LH7419359	1
		RH7419360	1
KNUCKLE	HD Ball Joint Suspension, HR	7423809	2
KNUCKLE	HD Disc Brakes, HR Disc Brakes	LH7426019	1
		RH7426020	1
FITTING—Type "C" straight lubrication 1/8"	FE, FC, FB, EK, EJ, EH, HD King Pin Suspension	M33112	4
NUT—Slotted light hex. 5/8"—18	ALL	102649	2
PIN—Cotter 1/8" x 1"	ALL	103385	2

* FE S.A. up to Ser. No. 14198A
 Qld 215 up to Ser. No. 17542B
 also 17943B—18159B
 217 up to Ser. No. 18085B
 219, 229, 2104, 2106
 up to Ser. No. 17620B
 225 up to Ser. No. 17341B
 also 17514B—17705B
 Vic. up to Ser. No. 43428M
 W.A. up to Ser. No. 9496P
 N.S.W. up to Ser. No. 44271S

** FE S.A. from Ser. No. 14199A
 Qld 215 from Ser. No. 17543B
 exc. 17943B—18159B
 217 from Ser. No. 18086B
 219, 229, 2104, 2106
 from Ser. No. 17621B
 225 from Ser. No. 17342B
 exc. 17514B—17705B
 Vic. from Ser. No. 43429M
 W.A. from Ser. No. 9497P
 N.S.W. from Ser. No. 44272S
 FC

6.021 BUSHING—King Pin

BUSHING	48, 50, FJ, FE, FC	7400105	4
BUSHING	FB, EK, EJ, EH, HD King Pin Susp.	7412451	4



HOLDEN

MASTER PARTS CATALOGUE

6.023 SUPPORT ASSEMBLY—Steering Knuckle

SUPPORT ASSEMBLY—L.H.	48, 50, FJ	7400145	1
SUPPORT ASSEMBLY—R.H.	48, 50, FJ	7400146	1
FITTING—Type "C" straight lubrication 1/8"	48, 50, FJ	M33112	4
SUPPORT ASSEMBLY—L.H.	FE, FC ..	7408871	1
SUPPORT ASSEMBLY—R.H.	FE, FC ..	7408872	1
SUPPORT	FB, EK, EJ, EH, HD King Pin Susp.	LH7414895	1
		RH7414896	1
BOLT—Clamp	48, 50, FJ, FE, FC, FB, EK, EJ, EH HD King Pin Suspension ..	7402896	2
WASHER—Spring lock 3/8"—medium	48, 50, FJ, FE, FC, FB, EK, EJ, EH HD King Pin Suspension ..	103321	2

6.103 ARM—Steering

ARM—L.H.	48, 50, FJ	7400187	1
ARM—R.H.	48, 50, FJ	7400186	1
ARM—L.H.	FE, FC, FB, EK ..	7408875	1
ARM—R.H.	FE, FC, FB, EK ..	7408876	1
ARM	EJ, EH, HD King Pin Suspension ..	LH7429157	1
		RH7429158	1
ARM	HD Ball Joint Suspension, HR ..	LH7423653	1
		RH7423654	1

6.106 BOLT—Steering Arm to Knuckle

BOLT	48, 50, FJ	7408703	2
SCREW—Square head	48, 50, FJ S.A. up to Ser. No. 8532A Qld. up to Ser. No. B11824 Vic. up to Ser. No. M22115 W.A. up to Ser. No. P6473 N.S.W. up to Ser. No. 5/2386S ..	102454	2
NUT—Jam 3/8"—16	48, 50, FJ S.A. up to Ser. No. 8532A Qld. up to Ser. No. B11824 Vic. up to Ser. No. M22115 W.A. up to Ser. No. P6473 N.S.W. up to Ser. No. 5/2386S ..	114503	2
BOLT	FE, FC, FB, EK, EJ, EH, HD King Pin Suspension ..	7408921	2
BOLT—Hex. hd. 3/8"—24 x 2 1/4"	FE, FC, FB, EK ..	181380	2
BOLT—Hex. hd. 3/8"—24 x 2.38"	EJ, EH ..	†SP1658	2
BOLT—Hex. hd. 3/8"—24 x 2.38"	EH/2104, EH/2106, HD King Pin Suspension ..	††SP1658	2
NUT—Hex. 3/8"—24	FE, FC, FB, EK, EJ, EH ..	†120369	2
NUT—Hex. 3/8"—24	EH/2104, EH/2106, HD King Pin Suspension ..	††225854	2
WASHER—Spring lock 3/8"—medium	48, 50, FJ, FE, FC, FB, EK, EJ, EH, HD King Pin Suspension ..	103321	A.R.
BOLT—Hex. hd. 7/16"—20 x 2-3/8"	HD Ball Joint Suspension, HR ..	191174	4
BOLT—Hex. hd. 7/16"—20 x 1-3/4"	HD Disc Brakes, HR Disc Brakes ..	181672	4
NUT—Hex. 7/16"—20	HD Ball Joint Suspension, HR ..	271506	4
WASHER—Spring lock 7/16"—medium	HD Ball Joint Suspension, HR ..	103322	8
† On EH/2104, EH/2106 applicable to units with 1-3/4" Brakes.			
†† Suit EH/2104, EH/2106 equipped with 2-1/4" Brakes.			

6.111 SEAL—Steering Tie Rod Ball Socket Dust

SEAL	48, 50, FJ, FE, FC, FB, EJ, EK, EH ..	7400850	2
SEAL	HD, HR ..	7423762	4

6.163 SHIM—Upper Control Arm Shaft

SHIM—.030"	HD Ball Joint Suspension, HR ..	3751282	A.R.
SHIM—.060"	HD Ball Joint Suspension, HR ..	3751284	A.R.
SHIM—.120"	HD Ball Joint Suspension, HR ..	3751348	A.R.



6.164 PIN KIT, SHAFT UNIT, BOLT, ECCENTRIC, BUSHING—Upper Control Arm

PIVOT PIN REPLACEMENT KIT—Outer (Full Set)	48, 50, FJ, FE, FC	7406727	1
PIVOT PIN REPLACEMENT KIT—Outer (Half Set)	48, 50, FJ, FE, FC	7406007	2
PIVOT PIN REPLACEMENT KIT—Outer (Full Set)	FB, EK, EJ, EH, HD King Pin Susp.	7406725	1
PIVOT PIN REPLACEMENT KIT—Outer (Half Set)	FB, EK, EJ, EH, HD King Pin Susp.	7406443	2
PIVOT PIN REPLACEMENT KIT—Inner (Full Set)	**	7406728	1
PIVOT PIN REPLACEMENT KIT—Inner (Half Set)	**	7405752	2
BOLT—Inner	**	7407169	4
WASHER—Int. tooth lock 11/16"	**	141706	4
FITTING—Type "C" elbow lubrication 90°—1/8"	**	M33118	4
BUSHING—Inner	**	7406780	4
SHAFT AND BUSH UNIT—Inner .004" O/S	FE, FC, FB, EK, EJ, EH	†7405933	2
SHAFT—Inner	FE, FC, FB, EK, EJ, EH	†7408966	2
SHAFT—Inner, .004" O/S	FE, FC, FB, EK, EJ, EH	†7406003	2
BUSHING—Inner	FE, FC, FB, EK, EJ, EH	†7408965	4
BUSHING—Inner, .004" O/S	FE, FC, FB, EK, EJ, EH	†7406257	4
SHAFT AND BUSH UNIT—Inner .004" O/S	EH/2104, EH/2106 HD King Pin Suspension	††7429139	2
SHAFT—Inner	EH/2104, EH/2106 HD King Pin Suspension	††7427966	2
SHAFT—Inner, .004" O/S	EH/2104, EH/2106 HD King Pin Suspension	††7429140	2
SHAFT—Inner	HD Ball Joint Suspension, HR	7424177	2
BOLT—Hex. hd. 7/16"—20 x 2"	HD Ball Joint Suspension, HR	181674	4
NUT—Hex. lock 7/16"—20	HD Ball Joint Suspension, HR	9413955	4
WASHER—Plain 15/32" x 59/64" x .065"	HD Ball Joint Suspension, HR	120395	4
BUSHING—Inner	EH/2104, EH/2106 HD, HR	††7427788	4
BUSHING—Inner, .004" O/S	EH/2104, EH/2106 HD, HR	††7429143	4
FITTING—Type "C" elbow, lubrication 45° x 1/8"	FE, FC, FB, EK, EJ, EH, HD, HR	271283	A.R.
FITTING—Type "C" straight lubrication 1/8"	FB, EK, EJ, EH, HD, HR	M33112	2
BOLT—Outer	48, 50, FJ, FE, FC	7402817	2
NUT—Outer bolt	48, 50, FJ, FE, FC	7410690	2
WASHER—Int. tooth lock 9/16"	48, 50, FJ, FE, FC	115552	4
FITTING—Type "C" straight lubrication 1/8"	48, 50, FJ, FE, FC	M33112	2
ECCENTRIC	48, 50, FJ, FE, FC	7406781	2
BOLT—Outer	FB, EK, EJ, EH, HD King Pin Susp.	7412452	2
NUT—Outer bolt	FB, EK, EJ, EH, HD King Pin Susp.	7412459	2
WASHER—Int. tooth lock 5/8"	FB, EK, EJ, EH, HD King Pin Susp.	115553	4
FITTING—Type "C" straight, lubrication, 1/8"	FB, EK, EJ, EH, HD King Pin Susp.	M33112	2
ECCENTRIC	FB, EK, EJ, EH, HD King Pin Susp.	7406934	2

6.166 SEAL—Control Arm

UPPER—Outer	48, 50, FJ, FE, FC	7402842	4
UPPER—Outer	FB, EK, EJ, EH, HD King Pin Susp.	7402137	4
UPPER—Inner	**	7400099	4
UPPER—Inner	FE, FC, FB, EK, EJ, EH, HD King Pin Suspension	7408962	4
LOWER—Outer	48, 50, FJ, FE, FC, FB, EK, EJ, EH HD King Pin Suspension	7400099	4
LOWER—Inner	48, 50, FJ	7408962	4
LOWER—Inner	FE, FC, FB, EK, EJ, EH, HD King Pin Suspension	7408957	4
UPPER and LOWER	HD Ball Joint Suspension, HR	7425627	8

**48 S.A. from Ser. No. 9074A

Qld. from Ser. No. B11661

Vic. from Ser. No. M28226

W.A. from Ser. No. P6569

N.S.W. from Ser. No. 53/S2224

50 S.A. from Ser. No. 2318A

Qld. from Ser. No. B3449

Vic. from Ser. No. M5393

W.A. from Ser. No. P2105

N.S.W. from Ser. No. 53/S1397

FJ

† On EH/2104, EH/2106 applicable to units with 1-3/4" Brakes.

††Suit EH/2104, EH/2106 equipped with 2-1/4" Brakes



HOLDEN

MASTER PARTS CATALOGUE

6.168 ARM ASSEMBLY, BALL JOINT—Control

ARM & SEAT ASSEMBLY—Lower control, L.H.	48, 50, FJ	7407159	1
ARM & SEAT ASSEMBLY—Lower control, R.H.	48, 50, FJ	7407160	1
ARM ASSEMBLY—Upper control, L.H.	**	7407157	1
ARM ASSEMBLY—Upper control, R.H.	**	7407158	1
ARM ASSEMBLY—Lower control, L.H.	FE, FC	#7410685	1
ARM ASSEMBLY—Lower control, R.H.	FE, FC	#7410686	1
ARM ASSEMBLY—Upper control	FE, FC	#7408890	2
ARM ASSEMBLY—Lower control	FB, EK, EJ, EH	#LH7417153†	1
		#RH7417152†	1
ARM ASSEMBLY—Upper control	FB, EK, EJ, EH	#7417151†	2
ARM ASSEMBLY—Lower control	EH/2104, EH/2106		
	HD King Pin Suspension	LH7427997††	1
		RH7427996††	1
ARM ASSEMBLY—Upper control	EH/2104, EH/2106		
	HD King Pin Suspension	7428000††	2
ARM & BALL JOINT ASSY.—Upper control	HD Ball Joint Suspension, HR	LH7426677	1
		RH7426676	1
BALL JOINT ASSY.—Upper control	HD Ball Joint Suspension, HR	7430900	2
BOLT—Hex. hd. 1/4"—28 x 7/8"	HD Ball Joint Suspension, HR	454848	8
NUT—Hex. lock 1/4"—28	HD Ball Joint Suspension, HR	9413976	8
NUT—Hex. slotted 1/2"—20	HD Ball Joint Suspension, HR	102647	2
PIN—Cotter 1/8" x 1"	HD Ball Joint Suspension, HR	103385	2
SEAL & CLAMP KIT—Upper ball joint	HD Ball Joint Suspension, HR	5679626	2
CLAMP—Upper ball joint seal	HD Ball Joint Suspension, HR	5679627	2
FITTING—Lubrication 90°—1/4" x 28	HD Ball Joint Suspension, HR	9417892	2
ARM & BALL JOINT ASSY.—Lower control	HD Ball Joint Suspension	LH7424977	1
		RH7424978	1
ARM & BALL JOINT ASSY.—Lower control	HR	LH7432101	1
		RH7432100	1
BALL JOINT ASSY.—Lower control	HD Ball Joint Suspension, HR	5693552	2
NUT—Hex. slotted 9/16"—18	HD Ball Joint Suspension, HR	102648	2
PIN—Cotter 1/8" x 1"	HD Ball Joint Suspension, HR	103385	2
SEAL & CLAMP KIT—Lower ball joint	HD Ball Joint Suspension, HR	5679629	2
CLAMP—Lower ball joint seal	HD Ball Joint Suspension, HR	5679630	2
FITTING—Lubrication 45°—1/4" x 28	HD Ball Joint Suspension, HR	9417891	2

‡ Bumper Part. No. 7417149 must be used when fitting these arms.

6.169 SHAFT, SHAFT AND BUSH UNIT—Lower Control Arm

SHAFT—L.H.	48, 50, FJ	7405221	1
SHAFT—R.H.	48, 50, FJ	7405222	1
SHAFT AND BUSH UNIT—.004" O/S	FE, FC, FB, EK, EJ, EH	7406261†	2
SHAFT	FE, FC, FB, EK, EJ, EH	7408961†	2
SHAFT—.004" O/S	FE, FC, FB, EK, EJ, EH	7406002†	2
SHAFT AND BUSH UNIT—.004" O/S	EH/2104, EH/2106		
	HD, HR	7429141††	2
SHAFT	EH/2104, EH/2106		
	HD, HR	7427967††	2
SHAFT—.004" O/S	EH/2104, EH/2106		
	HD, HR	7429142††	2

6.170 BUSHING ASSEMBLY—Lower Control Arm

BUSHING ASSEMBLY—Inner	48, 50, FJ	7400091	4
FITTING—Type "C" elbow lubrication 90°—1/8"	48, 50, FJ	M33118	2
BUSHING—Inner	FE, FC, FB, EK, EJ, EH	7408958†	4
BUSHING—Inner .004" O/S	FE, FC, FB, EK, EJ, EH	7406258†	4
BUSHING—Inner	EH/2104, EH/2106		
	HD, HR	7428002††	4
BUSHING—Inner, .004" O/S	EH/2104, EH/2106		
	HD, HR	7429145††	4
FITTING—Type "C" elbow lubrication 45° x 1/8"	FB, EK, EJ, EH, HD, HR	271283	2
FITTING—Type "C" straight lubrication 1/8"	ALL	M33112 A.R.	

**48 S.A. from Ser. No. 9074A
 Qld. from Ser. No. B11661
 Vic. from Ser. No. M28226
 W.A. from Ser. No. P6569
 N.S.W. from Ser. No. 53/S2224
 50 S.A. from Ser. No. 2318A
 Qld. from Ser. No. B3449
 Vic. from Ser. No. M5393
 W.A. from Ser. No. P2105
 N.S.W. from Ser. No. 53/S1397

FJ

† On EH/2104, EH/2106 applicable to units with 1-3/4" Brakes.

††Suit EH/2104, EH/2106 equipped with 2-1/4" Brakes.



6.172 BOLT—Control Arm Shaft

BOLT—To front cross member	48, 50, FJ	7403043	8
NUT—Light hex. 3/8"—24	48, 50, FJ	103026	8
WASHER—Spring lock 3/8"—medium	48, 50, FJ	103321	8

6.174 PIN KIT, BOLT, BUSHING—Lower Control Arm

PIVOT PIN REPLACEMENT KIT—Outer (Full Set)	48, 50, FJ, FE, FC, FB, EK, EJ, EH, HD King Pin Suspension	7406726	1
PIVOT PIN REPLACEMENT KIT—Outer (Half Set)	48, 50, FJ, FE, FC, FB, EK, EJ, EH, HD King Pin Suspension	7405931	2
BUSHING—Outer	48, 50, FJ, FE, FC, FB, EK, EJ, EH, HD King Pin Suspension	7406782	2
BOLT—Outer	48, 50, FJ, FE, FC, FB, EK, EJ, EH, HD King Pin Suspension	7400097	2
FITTING—Type "C" straight lub. 1/8"	48, 50, FJ, FE, FC, FB, EK, EJ, EH, HD King Pin Suspension	M33112	2
WASHER—Int. tooth lock 11/16"	48, 50, FJ, FE, FC, FB, EK, EJ, EH, HD King Pin Suspension	141706	4
NUT—Outer	48, 50, FJ, FE, FC, FB, EK, EJ, EH, HD King Pin Suspension	7400098	2

6.176 BUMPER—Steering Knuckle and Control Arm

BUMPER ASSEMBLY—Steering knuckle	48 S.A. up to Ser. No. 5887A Qld. up to Ser. No. B7534 Vic. up to Ser. No. M17607 W.A. up to Ser. No. P4528 N.S.W. up to Ser. No. 51/S7364 50 S.A. up to Ser. No. 1310A Qld. up to Ser. No. B1672 Vic. up to Ser. No. M2975 W.A. up to Ser. No. P1336 N.S.W. up to Ser. No. 51/S2414	L.H. 7402793 R.H. 7402792	1 1
BUMPER ASSEMBLY—Steering knuckle	48 S.A. from Ser. No. 5888A Qld. from Ser. No. B7535 Vic. from Ser. No. M17608 W.A. from Ser. No. P4529 N.S.W. from Ser. No. 51/S7365 50 S.A. from Ser. No. 1311A Qld. from Ser. No. B1673 Vic. from Ser. No. M2976 W.A. from Ser. No. P1337 N.S.W. from Ser. No. 51/S2415		
BUMPER ASSEMBLY—Steering knuckle	FJ S.A. up to Ser. No. 8532A Qld. up to Ser. No. B11824 Vic. up to Ser. No. M22115 W.A. up to Ser. No. P6473 N.S.W. up to Ser. No. 5/2386S	7404092	2
BUMPER ASSEMBLY—Steering knuckle	FJ S.A. from Ser. No. 8533A Qld. from Ser. No. B11825 Vic. from Ser. No. M22116 W.A. from Ser. No. P6474 N.S.W. from Ser. No. 5/2387S	7408814	2
NUT—Light hex. 5/16"—24	48, 50, FJ	103025	2
WASHER—Spring lock 5/16"—medium	48, 50, FJ	103320	2
BUMPER—Upper control arm	48, 50, FJ	7400130	4
BUMPER—Control arm	FE, FC		
BUMPER—Control arm	FB/215 } S.A. up to Ser. No. 14416A FB/225 } Qld. up to Ser. No. 19709B } Vic. up to Ser. No. 45969M } W.A. up to Ser. No. 11660P } N.S.W. up to Ser. No. 50437S		
BUMPER—Control arm	FB/219 } S.A. up to Ser. No. 14411A FB/229 } Qld. up to Ser. No. 19674B FB/2104 } Vic. up to Ser. No. 45969M FB/2106 } W.A. up to Ser. No. 11620P } N.S.W. up to Ser. No. 50469S	7408968	4
BUMPER—Control arm	FB/215 } S.A. from Ser. No. 14417A FB/225 } Qld. from Ser. No. 19710B } Vic. from Ser. No. 45970M } W.A. from Ser. No. 11661P } N.S.W. from Ser. No. 50438S		
BUMPER—Control arm	FB/219 } S.A. from Ser. No. 14412A FB/229 } Qld. from Ser. No. 19675B FB/2104 } Vic. from Ser. No. 45970M FB/2106 } W.A. from Ser. No. 11621P } N.S.W. from Ser. No. 50470S		
BUMPER—Control arm	EK, EJ, EH, HD King Pin Suspension ..	7417149	4
BUMPER—Control arm	HD Ball Joint Suspension, HR	7423550	4



HOLDEN

MASTER PARTS CATALOGUE

6.203 REPLACEMENT KIT, PIN—King

REPLACEMENT KIT	48, 50, FJ, FE, FC	7405149	1
REPLACEMENT KIT .003" o/s	48, 50, FJ, FE, FC	7406658	1
REPLACEMENT KIT .005" o/s	48, 50, FJ, FE, FC	7406660	1
PIN	48, 50, FJ, FE, FC	7400106	2
PIN .003" o/s	48, 50, FJ, FE, FC	7406659	2
PIN .005" o/s	48, 50, FJ, FE, FC	7406661	2
REPLACEMENT KIT	FB, EK, EJ, EH, HD King Pin Susp.	7406440	1
REPLACEMENT KIT .003" o/s	FB, EK, EJ, EH, HD King Pin Susp.	7406754	1
REPLACEMENT KIT .005" o/s	FB, EK, EJ, EH, HD King Pin Susp.	7406755	1
PIN	FB, EK, EJ, EH, HD King Pin Susp.	7412457	2
PIN .003" o/s	FB, EK, EJ, EH, HD King Pin Susp.	7406752	2
PIN .005" o/s	FB, EK, EJ, EH, HD King Pin Susp.	7406753	2

6.210 BEARING—King Pin Thrust

BEARING	48, 50, FJ, FE, FC	7400107	2
BEARING—Oversize	48, 50, FJ, FE, FC	7406662	2
BEARING	FB, EK, EJ, EH, HD King Pin Susp.	7412469	2
BEARING—Oversize	FB, EK, EJ, EH, HD King Pin Susp.	7406751	2

6.214 SHIM—King Pin Thrust Bearing

SHIM—.003"	48, 50, FJ, FE, FC	7412136	A.R.
SHIM—.005"	48, 50, FJ, FE, FC	7406010	A.R.
SHIM—.003"	FB, EK, EJ, EH, HD King Pin Susp.	7402014	A.R.
SHIM—.005"	FB, EK, EJ, EH, HD King Pin Susp.	7402020	A.R.

6.216 PIN—King Pin Lock

PIN	48, 50, FJ, FE, FC, FB, EK, EJ, EH, HD King Pin Suspension	7400975	2
NUT—Light hex. 5/16"—24	48, 50, FJ, FE, FC, FB, EK, EJ, EH, HD King Pin Suspension	103025	2
WASHER—Spring lock 5/16"—medium	48, 50, FJ, FE, FC, FB, EK, EJ, EH, HD King Pin Suspension	103320	2

6.223 PLUG—Steering Knuckle Expansion

PLUG 7/8"	48, 50, FJ, FE, FC	7400138	4
PLUG	FB, EK, EJ, EH, HD King Pin Susp.	7413543	4

6.230 ROD & BALL ASSEMBLY—Tie

ROD & BALL ASSEMBLY	FE, FC, FB, EK	7409092	2
ROD & BALL ASSEMBLY	EJ, EH	7408874	2
ROD	EH Power Steering	7426728	2
ROD & BALL ASSEMBLY	HD, HR	7423760	2
ROD & BALL ASSEMBLY—11/16" thread	HD Power Steering		
	HR Power Steering	LH7428219	1
		RH7428218	1
ROD & BALL ASSEMBLY—15/16" thread	HR Power Steering	RH7436016	1

6.232 TUBE—Steering Tie Rod

TUBE	48, 50, FJ, FE, FC, FB, EK, EJ, EH, HD, HR	7408203	2
TUBE—11/16" thread	HD Power Steering		
	HR Power Steering	7427671	2-1
TUBE—Reducing 15/16"—11/16"	HR Power Steering	7433576	1

6.233 SOCKET ASSEMBLY—Steering Tie Rod Ball

SOCKET ASSEMBLY—L.H.	48, 50, FJ, FE, FC, FB, EK, EJ, EH	7400847	1
SOCKET ASSEMBLY—R.H.	48, 50, FJ, FE, FC, FB, EK, EJ, EH	7400848	1
SOCKET ASSEMBLY	HD, HR	LH7427027	1
		RH7427028	1
NUT—Slotted light thick hex. 1/2"—20	ALL	119254	2
NUT—Slotted hex. 1/2"—20. R.H. end	HD Power Steering		
	HR Power Steering	102647	1
PIN—Cotter, 1/8" x 1"	ALL	103385	2
FITTING—Type "C" straight lub. 3/4"	ALL	M33106	2-1
FITTING—Type "C" or "D" elbow lubrication, 90° x 1/4"	HD Power Steering		
	HR Power Steering	9411032	1

HOLDEN

MASTER PARTS CATALOGUE



6.234 CLAMP—Steering Tie Rod Tube

CLAMP	48, 50, FJ S.A. up to Ser. No. 8532A Qld. up to Ser. No. B11824 Vic. up to Ser. No. M22115 W.A. up to Ser. No. P6473 N.S.W. up to Ser. No. 5/2386S	7400858	4
BOLT—Auto. hex. hd. 5/16"—24 x 1 1/4" .. .	48, 50, FJ S.A. up to Ser. No. 8532A Qld. up to Ser. No. B11824 Vic. up to Ser. No. M22115 W.A. up to Ser. No. P6473 N.S.W. up to Ser. No. 5/2386S	100015	4
NUT—Light hex. 5/16"—24 .. .	48, 50, FJ S.A. up to Ser. No. 8532A Qld. up to Ser. No. B11824 Vic. up to Ser. No. M22115 W.A. up to Ser. No. P6473 N.S.W. up to Ser. No. 5/2386S	103025	4
WASHER—Spring lock 5/16"—medium .. .	48, 50, FJ S.A. up to Ser. No. 8532A Qld. up to Ser. No. B11824 Vic. up to Ser. No. M22115 W.A. up to Ser. No. P6473 N.S.W. up to Ser. No. 5/2386S	103320	4
NUT—Special, 11/16" L.H. thread .. .	FJ S.A. from Ser. No. 8533A Qld. from Ser. No. B11825 Vic. from Ser. No. M22116 W.A. from Ser. No. P6474 N.S.W. from Ser. No. 5/2387S FE, FC, FB, EK, EJ, EH, HD, HR	7408651	2-1
NUT—Special, 15/16" L.H. thread .. .	HR Power Steering	7433575	1
NUT—Special, R.H. thread .. .	FJ S.A. from Ser. No. 8533A Qld. from Ser. No. B11825 Vic. from Ser. No. M22116 W.A. from Ser. No. P6474 N.S.W. from Ser. No. 5/2387S FE, FC, FB, EK, EJ, EH, HD, HR	7408652	2

6.307 HUB AND DRUM ASSEMBLY, HUB—Front Wheel

HUB AND DRUM ASSEMBLY .. .	48, 50, FJ	7405062	2
HUB .. .	48, 50, FJ	# 7400104	2
HUB .. .	FE S.A. up to Ser. No. 14198A Qld 215 up to Ser. No. 17542B also 17943B—18159B 217 up to Ser. No. 18085B 219, 229, 2104, 2106 up to Ser. No. 17620B 225 up to Ser. No. 17341B also 17514B—17705B Vic. up to Ser. No. 43428M W.A. up to Ser. No. 9496P N.S.W. up to Ser. No. 44271S	7406279	2
HUB .. .	**	7406382	2
HUB .. .	HD Disc Brakes, HR Disc Brakes	7428406	2
SCREW—Flat hd. cr. rec. mach. 3/8"—24 x 1-1/4" .. .	HD Disc Brakes, HR Disc Brakes	440005	10
WASHER—Csk. ext. tooth lock 3/8" .. .	HD Disc Brakes, HR Disc Brakes	138617	10

** FE S.A. from Ser. No. 14199A
Qld 215 from Ser. No. 17543B
exc. 17943B—18159B
217 from Ser. No. 18086B
219, 229, 2104, 2106
from Ser. No. 17621B
225 from Ser. No. 17342B
exc. 17514B—17705B
Vic. from Ser. No. 43429M
W.A. from Ser. No. 9497P
N.S.W. from Ser. No. 44272S
FC, FB, EK, EJ, EH, HD, HR

When fitted, maximum eccentricity of Brake Drum must not exceed .002".



HOLDEN

MASTER PARTS CATALOGUE

6.311 BEARING ASSEMBLY—Front Wheel, Inner

BEARING ASSEMBLY	*	7408849	2
BEARING ASSEMBLY	**	7413406	2

6.313 BEARING ASSEMBLY—Front Wheel, Outer

BEARING ASSEMBLY	*	7408852	2
BEARING ASSEMBLY	**	7413409	2

6.321 WASHER—Steering Knuckle Spindle Nut

WASHER	ALL	7400111	2
--------------	-----	---------	---

6.323 RETAINER, GASKET, DEFLECTOR—Front Wheel Grease

RETAINER	EJ, EH, HD King pin suspension	7420769	2
GASKET—Front grease retainer	EJ, EH	†7420770	2
DEFLECTOR—Front hub	HD Disc Brakes, HR Disc Brakes	7429138	2

†On EH/2104, EH/2106 applicable to units with 1-3/4" Brakes.

6.326 SEAL ASSEMBLY—Front Wheel Bearing

SEAL ASSEMBLY	*	7400312	2
SEAL ASSEMBLY—Metal with felt insert	**	7413404	2
SEAL ASSEMBLY—Rubber covered metal	HR	7437125	2

6.361 SPRING—Front

SPRING	48, 50, FJ/215 { S.A. up to Ser. No. 8532A FJ/217 { Qld. up to Ser. No. B11824 FJ/225 { Vic. up to Ser. No. M22115 W.A. up to Ser. No. P6473 N.S.W. up to Ser. No. 5/2386S FJ/2104, FJ/2106	7400183	2
SPRING	FJ/215 { S.A. from Ser. No. 8533A FJ/217 { Qld. from Ser. No. B11825 FJ/225 { Vic. from Ser. No. M22116 W.A. from Ser. No. P6474 N.S.W. from Ser. No. 5/2387S	7408815	2
SPRING	FE/215, FE/217, FE/225 FC/215, FC/217, FC/225	7408860	2
SPRING	FE/219, FE/229, FE/2104, FE/2106 FC/219, FC/229, FC/2104, FC/2106	7410727	2
SPRING	EK/215, EK/225	7419137	2
SPRING	FB/219, FB/229, FB/2104, FB/2106 EK/219, EK/229, EK/2104, EK/2106 EJ/219, EJ/229, EJ/2104, EJ/2106 EH/219, EH/229, EH/239, EH/2104, EH/2106, HD King Pin Suspension	7419138	2
SPRING	FB/215, FB/225, EJ/215, EJ/225, EJ/235, EH/215, EH/225, EH/235	7412465	2
SPRING—Heavy duty	HD King Pin Suspension	7423585	2
SPRING	HD Ball Joint Suspension	7423585	2
SPRING—Heavy duty	HD Ball Joint Suspension	7429150	2
SPRING	HR exc. HR/2104, HR/2106	7430665	2
SPRING—Heavy duty	HR exc. HR/2104, HR/2106	7430666	2
SPRING	HR/2104, HR/2106	7423585	2
SPRING—Heavy duty	HR/2104, HR/2106	7429150	2

* 48, 50, FJ
FE S.A. up to Ser. No. 14198A
Qld 215 up to Ser. No. 17542B
also 17943B—18159B
217 up to Ser. No. 18085B
219, 229, 2104, 2106
up to Ser. No. 17620B
225 up to Ser. No. 17341B
also 17514B—17705B
Vic. up to Ser. No. 43428M
W.A. up to Ser. No. 9496P
N.S.W. up to Ser. No. 44271S

** FE S.A. from Ser. No. 14199A
Qld 215 from Ser. No. 17543B
exc. 17943B—18159B
217 from Ser. No. 18086B
219, 229, 2104, 2106
from Ser. No. 17621B
225 from Ser. No. 17342B
exc. 17514B—17705B
Vic. from Ser. No. 43429M
W.A. from Ser. No. 9497P
N.S.W. from Ser. No. 44272S
FC, FB, EK, EJ, EH, HD, HR



6.364 INSULATOR, SHIM—Front Spring

INSULATOR	48, 50, FJ	7400380	2
SHIM	48, 50, FJ	7402613	A.R.
INSULATOR	FE, FC	7408971	2
SHIM	FE, FC	7408970	A.R.
INSULATOR—Flat	FB, EK (M), EJ (M), EH (M), HD, HR	7401998	A.R.
INSULATOR—Dished	HR	7437666	A.R.
INSULATOR—.22" thick	EK (A), EJ (A), EH (A)	7418196	2
INSULATOR—.31" thick	EH (A), HD (A), HR (A)	7429151	2

6.508 STEERING GEAR ASSEMBLY

STEERING GEAR AND TRANSMISSION CONTROL ASSY.	EK (A)	LEFT HAND DRIVE	7419136	1
STEERING GEAR ASSEMBLY	FB, EK (M)	RIGHT HAND DRIVE	7412543	1
BOLT—Hex. hd. 3/8"—24 x 6 1/2"	FE, FC, FB, EK		180770	1
BOLT—Hex. hd. 3/8"—24 x 5 1/4"	FE, FC, FB, EK		189336	1
BOLT—Hex. hd. 3/8"—24 x 5"	FE, FC, FB, EK		189335	1
WASHER—Ext. tooth lock 3/8"	FE, FC, FB, EK		114606	3
NUT—Hex. 3/8"—24 heavy	FE, FC, FB, EK		451401	3
WASHER—Plain 13/32" x 13/16" x .065"	FE, FC, FB, EK		120394	3
PLUG—Square head pipe 1/2"—14	FE, FC, FB,		103868	1
PLUG—Hex. hd. special 1/2"—13	FE, FC, FB, EK		7415339	1
STEERING GEAR AND GEAR SHIFT CONTROL ASSY.	EJ (M), EH (M)	RIGHT HAND DRIVE	7429625	1
STEERING GEAR ASSEMBLY	EJ (M)	RIGHT HAND DRIVE	7422658	1
		LEFT HAND DRIVE	7422657	1
STEERING GEAR ASSEMBLY	EJ (A)	RIGHT HAND DRIVE	7418574	1
STEERING GEAR AND GEAR SHIFT CONTROL ASSY.	EH (A)	LEFT HAND DRIVE	7424259	1
STEERING GEAR ASSEMBLY	EH (M)	RIGHT HAND DRIVE	7422658	1
		LEFT HAND DRIVE	7422657	1
STEERING GEAR ASSEMBLY	EH (A)	RIGHT HAND DRIVE	7422660	1
BOLT—Hex. hd. 3/8"—24 x 5-1/4"	EJ, EH		189336	2
WASHER—External tooth lock 3/8"	EJ, EH		114606	2
WASHER—Plain, 13/32" x 13/16" x .065"	EJ, EH		120394	2
NUT—Hex. 3/8"—24	EJ, EH		451401	2
STEERING GEAR & GEAR SHIFT CONTROL ASSEMBLY	HD (M), HR (M) 3 speed trans.	RIGHT HAND DRIVE	7423198	1
		LEFT HAND DRIVE	7423197	1
STEERING GEAR & GEAR SHIFT CONTROL ASSEMBLY	HD (A), HR (A)	RIGHT HAND DRIVE	7427990	1
		LEFT HAND DRIVE	7427991	1
STEERING GEAR ASSEMBLY	HD (M), HR (M) 3 speed trans.	RIGHT HAND DRIVE	7425965	1
		LEFT HAND DRIVE	7425964	1
STEERING GEAR ASSEMBLY	HR (M) 4 speed trans.	RIGHT HAND DRIVE	7429416	1
		LEFT HAND DRIVE	7429523	1
STEERING GEAR ASSEMBLY	HD (A), HR (A)	RIGHT HAND DRIVE	7425970	1
		LEFT HAND DRIVE	7425969	1
BOLT—Hex. hd. 3/8"—24 x 5-1/4"	HD, HR		189336	2
WASHER—External tooth lock	HD, HR		114606	2
WASHER—Plain, .385" x 1" x .105"	HD, HR		SP1612	2
NUT—Hex. 3/8"—24—heavy	HD, HR		451401	2

6.509 SHIM—Steering Gear

SHIM—Front	48, 50, FJ	7403055	A.R.
SHIM	FE, FC, FB, EK	7410400	A.R.



HOLDEN

MASTER PARTS CATALOGUE

6.513 WHEEL ASSEMBLY—Steering

WHEEL ASSEMBLY	48, 50, FJ	7401586	1
WHEEL ASSEMBLY	FE, FC	7409601	1
WHEEL ASSEMBLY	FB, EK	7412550	1
	RIGHT HAND DRIVE	7415719	1
	LEFT HAND DRIVE		
WHEEL ASSEMBLY	EJ exc. EJ/235, EH exc. EH/235, EH/239	7416773	1
	RIGHT HAND DRIVE		
WHEEL ASSEMBLY	EJ/235, EH/235, EH/239	7419777	1
	RIGHT HAND DRIVE		
WHEEL ASSEMBLY	EJ, EH exc. EH/235, EH/239	7417224	1
	LEFT HAND DRIVE		
WHEEL ASSEMBLY—Black	HD/215, HD/219, HD/2104, HD/2106 HR/215, HR/219, HR/2104, HR/2106	7428321	1
WHEEL ASSEMBLY—Trim Nos. D54, D60, E22, E23, E55, E60	HD/225, HD/229, HR/225, HR/229	7428328	1
WHEEL ASSEMBLY—Trim Nos. D55, D61, E56, E61	HD/225, HD/229, HR/225, HR/229	7428323	1
WHEEL ASSEMBLY—Trim Nos. D56, D62, E57, E62	HD/225, HD/229, HR/225, HR/229	7428325	1
WHEEL ASSEMBLY—Trim Nos. D57, D63, E58, E63	HD/225, HD/229, HR/225, HR/229	7428324	1
WHEEL ASSEMBLY—Trim Nos. D58, D64, E59, E64	HD/225, HD/229, HR/225, HR/229	7428326	1
WHEEL ASSEMBLY—Trim Nos. D59, D65	HD/225, HD/229	7428327	1
WHEEL ASSEMBLY—Trim Nos. D66, D70, E65, E69, F05, F09	HD/235, HD/239, HR/235, HR/239	7428329	1
	RIGHT HAND DRIVE	7428319	1
	LEFT HAND DRIVE		
WHEEL ASSEMBLY—Trim Nos. D67, D71	HD/235, HD/239	7428330	1
	RIGHT HAND DRIVE	7428331	1
	LEFT HAND DRIVE		
WHEEL ASSEMBLY—Trim Nos. D68, D72	HD/235, HD/239	7428334	1
	RIGHT HAND DRIVE	7428310	1
	LEFT HAND DRIVE		
WHEEL ASSEMBLY—Trim Nos. E35, E36, E68, E72, F08, F12, F52, F53, F54, F55	HD/235, HD/239, HR/235, HR/239	7428332	1
	RIGHT HAND DRIVE	7428333	1
	LEFT HAND DRIVE		
WHEEL ASSEMBLY—Trim Nos. E66, E70, F06, F10	HR/235, HR/239	7428338	1
	RIGHT HAND DRIVE	7428339	1
	LEFT HAND DRIVE		
WHEEL ASSEMBLY—Trim Nos. E67, E71, F07, F11	HR/235, HR/239	7428334	1
	RIGHT HAND DRIVE	7428335	1
	LEFT HAND DRIVE		
WHEEL ASSEMBLY—Trim Nos. F40, F43, F46, F49, F60, F62, F64, F66	HR/235, HR/239	7434680	1
	RIGHT HAND DRIVE	7434683	1
	LEFT HAND DRIVE		
WHEEL ASSEMBLY—Trim Nos. F41, F44, F47, F50, F61, F63, F65, F67	HR/235, HR/239	7434681	1
	RIGHT HAND DRIVE	7434684	1
	LEFT HAND DRIVE		
WHEEL ASSEMBLY—Trim Nos. F42, F45, F48, F51	HR/235, HR/239	7434682	1
	RIGHT HAND DRIVE	7434685	1
	LEFT HAND DRIVE		
NUT—Stamped type "B" ½"—20	ALL	147514	1
NUT—Light hex. jam ½"—20	ALL	114496	1

6.518 COVER—Steering Column Jacket Upper

COVER	HR (M) 4 speed trans.	7429392	1
-------	-----------------------	---------	---

6.521 BEARING ASSEMBLY—Steering Shaft Upper

BEARING ASSEMBLY	FE, FC, FB, EK, EJ, EH, HD, HR	7410388	1
------------------	--------------------------------	---------	---



6.524 SHAFT ASSEMBLY—Steering

SHAFT ASSEMBLY—With ball nut	FE, FC	7423147	1	
ANTI-RATTLER—Steering shaft	FE, FC	7409227	1	
SHAFT ASSEMBLY—With ball nut	FB, EK	RIGHT HAND DRIVE LEFT HAND DRIVE	7423148 7423150	1 1
SHAFT ASSEMBLY—With ball nut	EJ, EH, HD	HR exc. HR (M) 4 speed trans.		
		RIGHT HAND DRIVE	7422600	1
		LEFT HAND DRIVE	7422624	1
SHAFT ASSEMBLY—With ball nut	HR (M) 4 speed trans.	RIGHT HAND DRIVE LEFT HAND DRIVE	7429648 7429649	1 1

6.526 SPRING, SEAT—Steering Shaft Upper Bearing

SPRING	48, 50, FJ	7400638	1
SPRING	FE, FC, FB, EK, EJ, EH, HD, HR	7410219	1
SEAT—Spring	ALL	7400998	1

6.527 RACE—Worm Thrust Bearing

RACE	48, 50, FJ	437298	1
RACE	FE, FC, FB, EK, EJ, EH, HD, HR	5666683	2

6.530 BEARING—Worm Thrust

BEARING—Roller	48, 50, FJ	437299	2
BEARING	FE, FC, FB, EK, EJ, EH, HD, HR	5666693	2

6.550 VALVE ASSY.—Steering Gear Hydraulic

VALVE & ADAPTOR ASSY.	EH Power Steering	5692990	1
BOLT—Hex. hd. 3/8"—16 x 1-1/4"	EH Power Steering	122145	1
WASHER—Spring lock 3/8"—medium	EH Power Steering	120382	1
ADAPTOR ASSEMBLY	EH Power Steering	5693002	1
ADAPTOR & PLUG ASSEMBLY	EH Power Steering	5693003	1
ADAPTOR & SLEEVE KIT	EH Power Steering	5693004	1
ADAPTOR PARTS KIT	EH Power Steering	5691150	1
VALVE PARTS KIT	EH Power Steering	5688501	1
BOLT—Valve mounting	EH Power Steering	5682459	2
WASHER—Spring lock 3/8" medium	EH Power Steering	103321	2
SEAL & WASHER KIT	EH Power Steering	5687997	1
VALVE PARTS KIT	HD, HR Power Steering	5688501	1
BOLT—Valve mounting	HD, HR Power Steering	5682459	2
WASHER—Spring lock 3/8"—medium	HD, HR Power Steering	103321	2
SEAL & WASHER KIT	HD, HR Power Steering	5687997	1

6.551 BALL STUD SEAL KIT, KEY, GREASE FITTING, CONNECTOR—Steering Gear Hydraulic Valve

BALL STUD SEAL & CLAMP KIT	EH Power Steering	5691690	1
CLAMP—Adaptor seal	HD, HR Power Steering	7428231	1
SCREW—Hex. hd. 1/4"—28 x 1-1/2"	HD, HR Power Steering	100004	1
SPACER—Clamp seal	HD Power Steering	7429754	1
BALL STUD SEAL & CLAMP KIT	HD, HR Power Steering	5691690	1
CLIP—Double pipe	HD, HR Power Steering	7431188	1
NUT—Lock	EH, HD, HR Power Steering	5689156	1
KEY—Plug to sleeve	EH, HD, HR Power Steering	5686218	1
FITTING—Grease	EH, HD, HR Power Steering	9411027	1
CONNECTOR—Inverted flared tube 1/4"	EH, HD, HR Power Steering	5681757	3
CONNECTOR—Inverted flared tube 3/8"	EH, HD, HR Power Steering	5682044	1



HOLDEN

MASTER PARTS CATALOGUE

6.554 DUST COVER KIT, SPACER, WASHER—Steering Gear Hydraulic Valve

DUST COVER & LOCK NUT KIT	EH, HD, HR Power Steering	5687996	1
COVER—Dust	EH, HD, HR Power Steering	5687559	1
SPACER—Annulus	EH, HD, HR Power Steering	5685469	1
GASKET—Annulus spacer	EH, HD, HR Power Steering	5691581	1
WASHER—Valve shaft	EH, HD, HR Power Steering	5687011	1

6.560 SHAFT KIT, SPRING, PLUG—Steering Gear Hydraulic Valve

VALVE SHAFT & BALL SEAT SPRING KIT	EH, HD, HR Power Steering	5687998	1
NUT—Lock	HD, HR Power Steering	5689156	1
SPRING—Ball seat	EH, HD, HR Power Steering	5687733	1
PLUG—Ball adjuster	EH, HD, HR Power Steering	5691747	1

6.575 BRACKET, REINFORCEMENT, SPACER—Hydraulic Steering Cylinder

BRACKET—Cylinder mounting	EH Power Steering	7420682	1
BRACKET ASSEMBLY—Cylinder mounting	HD exc. X2 Eng. Power Steering HR exc. X2, S Eng. Power Steering	7420884	1
BRACKET ASSEMBLY—Cylinder mounting	HD X2 Eng. Power Steering HR X2, S Eng. Power Steering	7430653	1
WASHER—Spring lock 3/8"—medium	HD, HR Power Steering	120382	2
WASHER—Plain 13/32" x 13/16" x .065	HD, HR Power Steering	120394	2
NUT—Hex. 3/8"—24	HD, HR Power Steering	120369	2
BOLT—Hex. hd. 3/8"—24 x 4-1/2"	HD, HR Power Steering	189334	1
NUT—Hex. 3/8"—24	HD, HR Power Steering	125233	1
PIN—Cotter 3/32" x 1"	HD, HR Power Steering	103374	1
REINFORCEMENT—Mounting bracket	EH Power Steering	7427154	1
REINFORCEMENT—Mounting bracket	HD Power Steering	7420763	1
REINFORCEMENT—Mounting bracket	HD, HR Power Steering	7430368	1
REINFORCEMENT—Actuator mounting bracket	HD, HR Power Steering	7431308	1
SPACER—3/8" x 1/2" x 59/64"	EH, HD, HR Power Steering	7426721	1
SPACER—13/32" x 5/8" x 7/64"	EH, HD, HR Power Steering	7426712	1

6.576 CYLINDER ASSY.—Steering Gear Hydraulic

CYLINDER ASSY.	EH, HD, HR Power Steering	5691110	1
NUT—Hex. slotted 1/2"—20	EH, HD, HR Power Steering	102647	1
PIN—Cotter 1/8" x 1"	EH, HD, HR Power Steering	103385	1
CONNECTOR—Inverted flared 1/4"	EH, HD, HR Power Steering	5681757	2-1
FITTING—Grease	EH, HD, HR Power Steering	9411027	1
END PARTS KIT	EH, HD, HR Power Steering	5691207	1
PISTON ROD SEAL & WIPER KIT	EH, HD, HR Power Steering	5686382	1

6.581 WASHER, GROMMET—Hydraulic Steering Cylinder Piston Rod

GROMMET—Cylinder to frame bracket	EH, HD, HR Power Steering	3709452	1-2
SEAL—"O" Ring	EH, HD, HR Power Steering	5691199	1
RING—Seal retaining	EH, HD, HR Power Steering	5685393	1
STUD—Cylinder mounting ball	EH, HD, HR Power Steering	5685382	1
SEAT—Ball	EH, HD, HR Power Steering	264936	1
SEAL—Ball stud	EH, HD, HR Power Steering	5690942	1
SEAT—Spring	EH, HD, HR Power Steering	264937	1
SPRING—Ball seat	EH, HD, HR Power Steering	5684403	1
PLUG—End	EH, HD, HR Power Steering	5691201	1
RING—End plug retaining	EH, HD, HR Power Steering	5691200	1



6.605 PUMP ASSY.—Steering Gear Hydraulic

PUMP ASSEMBLY	EH Power Steering		
	HD exc. X2 Eng. Power Steering		
	HR exc. X2 Eng. Power Steering	5693554	1
PUMP ASSEMBLY	HD X2 Eng. Power Steering		
	HR X2 Eng. Power Steering	5698007	1
BOLT—Hex. hd. 3/8"—16 x 1-1/4"	EH, HD Power Steering	122145	1
BOLT—Hex. hd. 3/8"—16 x 3/4"	EH, HD Power Steering	122119	1
BOLT—Hex. hd. 3/8"—16 x 1-3/8"	HR Power Steering	122150	2
WASHER—Spring lock 3/8"—medium	EH, HD, HR Power Steering	120382	3
WASHER—Plain 13/32" x 13/16"	EH, HD, HR Power Steering	120394	1
NUT—Hex. 3/8"—16	EH, HD, HR Power Steering	120377	1

6.606 BRACKET, SUPPORT, STUD, SPACER—Steering Gear Hydraulic Pump Mounting

BRACKET—Front	EH Power Steering	7426995	1
BRACKET—Rear	EH Power Steering	7426994	1
BRACKET—Front	HD Power Steering	7427970	1
BRACKET—Rear	HD Power Steering	7427971	1
BOLT—Hex. hd. 3/8"—16 x 1"	HD Power Steering	120233	1
NUT—Hex. 3/8"—24	EH, HD Power Steering	120369	1
WASHER—Spring lock 3/8"—medium	EH, HD Power Steering	120382	2
WASHER—Plain 13/32" x 13/16" x .065"	EH, HD Power Steering	120394	1
SUPPORT	EH, HD Power Steering	7426723	1
BOLT—Hex. hd. 3/8"—16 x 7/8"	EH, HD Power Steering	122126	1
WASHER—Spring lock 3/8"—medium	EH, HD Power Steering	120382	1
STUD—Pump mounting	EH, HD Power Steering	5689546	1
BOLT—Hex. hd. 3/8"—16 x 3/4"—Pump mounting	EH, HD Power Steering	179837	1
SPACER—Pump mounting stud	EH, HD Power Steering	5688981	1
SPACER—Front bracket	EH, HD Power Steering	7426993	1
SPACER—Pump support	EH, HD Power Steering	7420802	1
BRACKET—Front	HR Power Steering	7429787	1
BRACKET—Rear	HR Power Steering	7427971	1
SUPPORT—Pump mounting	HR Power Steering	7429811	1
SPACER—Pump support	HR Power Steering	7429829	1
BOLT—Pump mounting support	HR Power Steering	7431589	1
BOLT—Hex. hd. 3/8"—16 x 1-3/8"	HR Power Steering	122150	1
BOLT—Hex. hd. 3/8"—24 x 3-3/4"	HR Power Steering	125926	1
NUT—Hex. 3/8"—24	HR Power Steering	120369	2
WASHER—Spring lock 3/8"—medium	HR Power Steering	120382	4
WASHER—Plain 13/32" x 13/16" x .065"	HR Power Steering	120394	1
SPACER—Pump mounting	HR Power Steering	7430470	1
STUD—Pump mounting	HR Power Steering	5689546	1
BOLT—Reservoir	HR Power Steering	5696245	1

6.608 HOUSING, PIN—Steering Gear Hydraulic Pump

HOUSING ASSY. (Casting No. 5692885)	EH, HD, HR Power Steering	5692883	1
HOUSING ASSY. (Casting No. 5698119)	HR Power Steering	5698116	1
PIN—Ring dowel 3/16" x 1-13/16"	EH, HD, HR Power Steering	5689357	2

6.609 SEAL KIT, RING—Steering Gear Hydraulic Pump

SEAL KIT	EH, HD, HR Power Steering	5688044	1
RING—End plate retaining—3" O.D.	EH, HD, HR Power Steering	5688014	1

6.610 ROTOR KIT, VANE KIT, ROTOR—Steering Gear Hydraulic Pump

ROTOR KIT—(1 rotor, 10 vanes, 1 ring)	EH, HD, HR Power Steering	5690858	1
VANE KIT—(10 vanes)	EH, HD, HR Power Steering	5688047	1
ROTOR	EH, HD, HR Power Steering	5688011	1



HOLDEN

MASTER PARTS CATALOGUE

6.611 RING—Steering Gear Hydraulic Pump

RING EH, HD, HR Power Steering 5690857 1

6.612 PLATE, SPRING, SEAL—Steering Gear Hydraulic Pump

PLATE—Thrust—19/32" hole EH, HD, HR Power Steering 5688027 1
 PLATE—Thrust—9/16" hole HR Power Steering 5698121 1
 PLATE—Pressure—17/32" thick EH, HD, HR Power Steering 5688043 1
 PLATE—Pump end—2-25/32" dia. EH, HD, HR Power Steering 5689358 1
 SPRING—Flow control EH, HD, HR Power Steering 5688037 1
 SPRING—Pressure plate EH, HD, HR Power Steering 5689359 1
 SEAL—"O" Ring end and pressure plate EH, HD, HR Power Steering 5688034 2

6.614 SHAFT, KEY—Steering Gear Hydraulic Pump Drive

SHAFT—Drive—1 1/16" diameter EH, HD, HR Power Steering 5691606 1
 SHAFT—Drive—3/4" diameter HR Power Steering 5698115 1
 KEY—Drive shaft EH, HD, HR Power Steering 106749 1

6.616 RING—Hydraulic Pump Drive Shaft Retainer

RING EH, HD, HR Power Steering 5691053 1

6.617 SEAL—Steering Gear Hydraulic Pump Drive Shaft

SEAL—1-1/4" outside diameter EH, HD, HR Power Steering 5688020 1
 SEAL—1-5/16" outside diameter HR Power Steering 5686644 1

6.624 VALVE ASSY.—Steering Gear Hydraulic Pump Control

VALVE ASSY. EH, HD, HR Power Steering 5689989 1

6.630 FILTER ASSY., ELEMENT—Hydraulic Steering Pump

FILTER ASSY. EH, HD, HR Power Steering 5689351 1
 ELEMENT—Filter EH, HD, HR Power Steering 5689352 1

6.635 RESERVOIR, SEAL—Steering Gear Hydraulic Pump

RESERVOIR ASSY. EH Power Steering
 HD exc. X2 Eng. Power Steering
 HR exc. X2 Eng. Power Steering 5693014 1
 RESERVOIR ASSY. HD X2 Eng. Power Steering
 HR X2 Eng. Power Steering 5698018 1
 CAP ASSY. EH, HD, HR Power Steering 5690846 1
 SEAL—"O" Ring 4-1/2" I.D. EH, HD, HR Power Steering 5688015 1
 SEAL—Reservoir bolt 29/64" I.D. EH, HD, HR Power Steering 5688109 2



6.655 PULLEY, NUT—Steering Gear Hydraulic Pump

PULLEY ASSY.	EH, HD, HR Power Steering ...	7426724	1
NUT—Hex. jam 9/16"—18	EH, HD, HR Power Steering ...	3779346	1

6.660 BELT—Steering Gear Hydraulic Pump Drive

BELT—Use with 5-3/4" diameter pulley	EH Power Steering	7426716	1
BELT—Use with 5-1/4" diameter pulley	EH, HD, HR Power Steering	7427760	1

6.670 HOSE ASSEMBLY—Steering Pump to Valve

HOSE ASSEMBLY—Pressure	EH Power Steering	7414361	1
HOSE ASSEMBLY—Return	EH Power Steering	7414329	1
HOSE ASSEMBLY—Pressure	HD, HR Power Steering	7432179	1
HOSE ASSEMBLY—Return	HD exc. X2 Eng. Power Steering		
	HR exc. X2, S Eng. Power Steering	7428067	1
HOSE ASSEMBLY—Return	HD X2 Eng. Power Steering		
	HR X2, S Eng. Power Steering	7430720	1

6.671 HOSE ASSEMBLY—Steering Valve to Cylinder

HOSE ASSEMBLY	EH Power Steering	7414258	2
HOSE ASSEMBLY—Rubber section 7-3/4"	HD Power Steering	7427968	1
HOSE ASSEMBLY—Retracting	HD, HR Power Steering	*7431111	1
HOSE ASSEMBLY—Extending	HD, HR Power Steering	*7431112	1

6.672 CLAMP, CLIP—Hydraulic Steering Pump Hose

CLAMP—Return hose to pump—5/8"	EH Power Steering	111602	1
CLIP—Hoses to cross member	EH Power Steering	7413232	2
CLIP—Hose strap	EH Power Steering	7406790	1
SCREW—Hex. hd. tap. 1/4"—28 x 3/4"	EH Power Steering	171041	2
WASHER—Spring lock 3/8"—medium	EH Power Steering	120380	2
WASHER—Plain 17/64" x 3/4" x .075"	EH Power Steering	SP1107	2
CLAMP—Return hose to pump—5/8"	HD, HR Power Steering	111602	1
CLIP—Steering valve to cylinder hose, single	HD Power Steering	7430985	2
CLIP—Steering valve to cylinder hose, double	HD, HR Power Steering	7428122	1
CLIP—Steering valve to cylinder hose, double	HD, HR Power Steering	*7430975	1
GUARD—Hose	HD, HR Power Steering	7431200	1
CLIP—Hose strap 1/4" wide	HD X2 Eng. Power Steering	SP1581	1
BRACKET—Hose clip (front engine mounting)	HD, HR Power Steering	7427945	2
BRACKET—Hose clip (steering housing)	HD, HR Power Steering	7428066	1
CLIP—Hose	HD, HR Power Steering	7427944	3
BOLT—Hex. hd. 1/4"—28 x 1/2"	HD, HR Power Steering	123316	3
WASHER—Spring lock 1/4"—Medium	HD, HR Power Steering	120380	3
NUT—Hex. 1/4"—28	HD, HR Power Steering	120367	3

6.673 FITTING ASSY.—Steering Gear Hydraulic Valve Hose

FITTING ASSY.	EH, HD, HR Power Steering ...	5692841	1
--------------------	-------------------------------	---------	---

6.674 SEAL—Steering Gear Hydraulic Valve Hose and Fitting

SEAL—Pump outlet fitting—Rectangular section	EH, HD, HR Power Steering	5688049	1
SEAL—Pump outlet fitting—"O" Ring	EH, HD, HR Power Steering	5688035	1

*For use on vehicles equipped with Hose Guard Part No. 7431200.



HOLDEN

MASTER PARTS CATALOGUE

6.758 COVER ASSEMBLY, SEAL—Steering Column

COVER—Column opening, upper	FE, FC, FB, EK	RIGHT HAND DRIVE	7409128	1
SCREW—Hex. hd. tapp. type "A" No. 10—12 x 1/2"	FE, FC, FB, EK		444267	4
COVER ASSEMBLY—Column opening, lower	FE, FC, FB, EK	RIGHT HAND DRIVE	7419387	1
SCREW—Hex. hd. tapp. type "A" No. 10—12 x 1/2"	FE, FC, FB, EK		444267	4
GASKET—Column opening cover	FE, FC, FB, EK		7409579	1
SEAL—Column jacket, upper	FE, FC, FB, EK		7409278	2
SEAL—Column jacket, lower	FE, FC, FB, EK		7409279	1
RETAINER—Jacket lower seal	FE, FC, FB, EK		7409280	1
COVER—Steering column opening	EJ, EH	RIGHT HAND DRIVE	7416526	1
		LEFT HAND DRIVE	7416527	1
WASHER—Spring lock, 1/4"—medium	EJ, EH		120380	8
COVER—Steering column opening	HD, HR		7423195	1
SCREW—Pan hd. sl. mach. 1/4"—20 x 1/2"	HD, HR		443507	7
WASHER—Spring lock 1/4"—Medium	HD, HR		120380	7
SEAL—Steering column jacket, upper	EJ, EH, HD			
	HR exc. HR (M) 4 speed trans.		7409278	2
"O" RING—1" x 1/8"	EJ, EH, HD			
	HR exc. HR (M) 4 speed trans.		7415674	1
RETAINER—"O" Ring seal	EJ, EH, HD			
	HR exc. HR (M) 4 speed trans.		7421080	1
SEAL ASSEMBLY	HR (M) 4 speed trans.		7428547	1
RETAINER—Seal	HR (M) 4 speed trans.		7421080	1

6.760 BRACKET, CAP, INSULATOR, SHIELD, GROMMET — Steering Column

SHIELD	48, 50, FJ		7401587	1
SCREW—Pan hd. cr. rec. tapp. type "B" No. 10—16 x 3/8"	48, 50, FJ		163209	3
GROMMET—Shield	48, 50, FJ		7401594	1
BRACKET ASSEMBLY—Mounting	FE, FC		7409574	1
INSULATOR	FE, FC		7409599	1
BRACKET ASSEMBLY—Mounting	FB, EK		7412618	1
NUT—Hex. 5/16"—24	FB, EK		103025	2
WASHER—Spring lock 5/16" medium	FB, EK		103320	2
INSULATOR	FB, EK		7412620	1
GROMMET	FE, FC, FB, EK		7409672	1
CLAMP	EJ, EH		7415337	1
SCREW—Pan hd. cr. rec. mach. 5/16"—24 x 3/4"	EJ, EH		191887	2
WASHER—Spring lock, 5/16"—medium	EJ, EH		120214	2
SCREW—Flat hd. rec. mach. No. 10—32 x 1/2"	EJ, EH		156009	2
WASHER—Spring lock, No. 10—medium	EJ, EH		120217	2
NUT—Hex. mach. screw No. 10—32	EJ, EH		120614	2
INSULATOR	EJ, EH		7415338	1
GROMMET	EJ, EH		7419006	1
CLAMP	HD, HR		7423911	1
SCREW—Pan hd. cr. rec. mach. 5/16"—18 x 1-1/2"	HD, HR		160731	2
WASHER—Spring lock 5/16"—Medium	HD, HR		120214	2
WASHER—Plain 11/32" x 11/16" x .065"	HD, HR		120393	1
NUT—Hex. 5/16"—18	HD, HR		120376	1
INSULATOR	HD, HR		7423910	1
GROMMET	HD, HR		7419006	1

6.761 BRACE—Steering Column to Dash, Instrument Panel to Dash

BRACE ASSEMBLY	FB, EK	RIGHT HAND DRIVE	7412806	1
BRACE ASSEMBLY	FB, EK (M)	LEFT HAND DRIVE	7415537	1
BRACE ASSEMBLY	EK (A)	LEFT HAND DRIVE	7417821	1
SCREW—Truss hd. cr. rec. mach. No. 10—32 x 5/8" with ext. tooth lock washer	FE, FC, FB, EK		274413	4
BRACE ASSEMBLY	EJ (M), EH (M)	RIGHT HAND DRIVE	7423320	1
BRACE ASSEMBLY	EJ (A), EH (A)	RIGHT HAND DRIVE	7423319	1
BRACE ASSEMBLY	EJ, EH	LEFT HAND DRIVE	7423337	1
SCREW—Pan hd. cr. rec. mach. 5/16"—24 x 1/2"	EJ, EH		439459	1
WASHER—Spring lock, 5/16"—medium	EJ, EH		120214	1
SCREW—Pan hd. cr. rec. mach. 1/4"—28 x 1/2"	EJ, EH		191879	1
WASHER—Spring lock, 1/4"—medium	EJ, EH		120380	1

HOLDEN

MASTER PARTS CATALOGUE



6.761 BRACE—Steering Column to Dash, Instrument Panel to Dash (Cont'd.).

BRACE ASSEMBLY	HD	RIGHT HAND DRIVE	7431104	1
		LEFT HAND DRIVE	7424147	1
BRACE ASSEMBLY	HR	RIGHT HAND DRIVE	7431104	1
		LEFT HAND DRIVE	7430360	1
SCREW—Pan hd. cr. rec. mach. 5/16"—18 x 1-1/4"	HD, HR		160722	1
BOLT—Hex. hd. 5/16"—18 x 1/2"	HD, HR		120834	1
WASHER—Spring lock 5/16"—Medium	HD, HR		120214	2
BOLT—Hex. hd. 3/8"—16 x 1/2"	HD (A), HR (A)		121852	2
WASHER—Internal tooth lock 3/8"	HD (A), HR (A)		138542	2
CLIP—Front floor mat	HD, HR		7426815	2

6.786 BUSHING—Steering Gear Housing Pitman Shaft

BUSHING	48, 50, FJ		7400607	1
BUSHING	FE, FC, FB, EK, EJ, EH, HD, HR		7409213	2

6.803 HOUSING ASSEMBLY—Steering Gear

HOUSING ASSEMBLY—With bushing (incl. mast jacket)	48, 50, FJ		7400605	1
HOUSING AND JACKET ASSEMBLY	FE, FC		7406867	1
HOUSING AND JACKET ASSEMBLY	FB, EK (M)	RIGHT HAND DRIVE	7412544	1
HOUSING AND JACKET ASSEMBLY	EK (A)	RIGHT HAND DRIVE	7417784	1
HOUSING AND JACKET ASSEMBLY	EJ (M), EH (M)	RIGHT HAND DRIVE	7416568	1
		LEFT HAND DRIVE	7416834	1
HOUSING AND JACKET ASSEMBLY	EJ (A), EH (A)	RIGHT HAND DRIVE	7418278	1
HOUSING AND JACKET ASSEMBLY	HD (M), HR (M)	3 speed trans.		
		RIGHT HAND DRIVE	7423172	1
		LEFT HAND DRIVE	7423173	1
HOUSING AND JACKET ASSEMBLY	HR (M)	4 speed trans.		
		RIGHT HAND DRIVE	7429405	1
		LEFT HAND DRIVE	7429406	1
HOUSING AND JACKET ASSEMBLY	HD (A), HR (A)	RIGHT HAND DRIVE	7423174	1
		LEFT HAND DRIVE	7423175	1

6.807 COVER ASSEMBLY—Steering Gear Housing

COVER ASSEMBLY—With bushing	48, 50, FJ		7400611	1
WASHER—Spring lock 5/16"—medium	48, 50, FJ		103320	3
PLUG—Steering gear filler	48, 50, FJ		103867	1
COVER ASSEMBLY	FE, FC, FB, EK		7409215	1
BOLT—Hex. hd. 3/8"—16 x 1 1/8"	FE, FC, FB, EK		106331	3
WASHER—Ext. tooth lock 3/8"	FE, FC, FB, EK		138489	2
GASKET—Annular 3/8"	FC, FC, FB, EK		105451	1
COVER ASSEMBLY	EJ, EH, HD, HR		7415403	1
BOLT—Hex. hd. 3/8"—16 x 1 1/16"	EJ, EH, HD, HR		122111	3
WASHER—Spring lock, 3/8"—medium	EJ, EH, HD, HR		103321	3

6.809 GASKET—Steering Gear Housing Cover

GASKET	48, 50, FJ		7400999	1
GASKET	FE, FC, FB, EK		7409226	1
GASKET	EJ, EH, HD, HR		7417968	1



HOLDEN

MASTER PARTS CATALOGUE

6.822 ADJUSTER—Steering Gear Lash

ADJUSTER	48, 50, FJ	7400620	1
ADJUSTER	FE, FC, FB, EK	7409212	1
ADJUSTER	EJ, EH, HD, HR	7415420	1
NUT—Light hex. 3/8"—24	ALL	114494	1

6.828 SHIM—Steering Gear Lash Adjuster

SHIM - (.066")	48, 50, FJ, FE, FC, FB, EK	7402319	A.R.
SHIM - (.067")	48, 50, FJ, FE, FC, FB, EK	7402316	A.R.
SHIM - (.068")	48, 50, FJ, FE, FC, FB, EK	7402317	A.R.
SHIM - (.069")	48, 50, FJ, FE, FC, FB, EK	7409571	A.R.
SHIM - (.070")	48, 50, FJ, FE, FC, FB, EK	7406157	A.R.
SHIM - (.072")	48, 50, FJ, FE, FC, FB, EK	7406158	A.R.
SHIM - (.074")	48, 50, FJ, FE, FC, FB, EK	7406159	A.R.

6.830 ADJUSTER, NUT—Steering Gear Worm Bearing

ADJUSTER	48, 50, FJ	7400617	1
NUT—Adjuster lock	48, 50, FJ	7400618	1
ADJUSTER	FE, FC, FB, EK, EJ, EH, HD, HR	7409402	1
NUT—Adjuster lock	FE, FC, FB, EK, EJ, EH, HD, HR	7409058	1

6.842 GUIDE—Steering Gear Ball Return

GUIDE	FE, FC, FB, EK, EJ		
GUIDE	FE, FC, FB, EK, EJ	RIGHT HAND DRIVE	*5666887 4
GUIDE	EH, HD, HR	RIGHT HAND DRIVE	**5672804 4
		LEFT HAND DRIVE	**5672776 4
		RIGHT HAND DRIVE	5672804 4
		LEFT HAND DRIVE	5672776 4

6.843 CLAMP—Steering Gear Ball Return Guide

CLAMP	FE, FC, FB, EK, EJ	RIGHT HAND DRIVE	*5666888 1
CLAMP	FE, FC, FB, EK, EJ	RIGHT HAND DRIVE	**5674273 1
		LEFT HAND DRIVE	**5674112 1
SCREW—Clamp guide	FE, FC, FB, EK, EJ		**5674113 3
CLAMP	EH, HD, HR	RIGHT HAND DRIVE	5674273 1
		LEFT HAND DRIVE	5674112 1
SCREW—Clamp guide	EH, HD, HR		5674113 3

6.844 BALL—Steering Gear

BALL	FE, FC, FB, EK, EJ, EH, HD, HR	266800	54-50
------------	--------------------------------------	--------	-------

*Suit Steering Gear with 54 Part No. 266800 balls.

**Suit Steering Gear with 50 Part No. 266800 balls.

HOLDEN

MASTER PARTS CATALOGUE



6.850 GEAR AND SHAFT—Pitman

GEAR AND SHAFT	48, 50, FJ	# 7403453	1
GEAR AND SHAFT	FE, FC, FB, EK	RIGHT HAND DRIVE	7409201
		LEFT HAND DRIVE	7415718
GEAR AND SHAFT	EJ, EH, HD, HR	RIGHT HAND DRIVE	7415421
		LEFT HAND DRIVE	7416840

On 48 and 50 models replacement of individual parts must not be attempted. Replacement must be made on a basis of one 7403451 Shaft, together with one 7403453 Gear and Shaft.

6.852 SPRING—Pitman Gear Control

SPRING	HD, HR	7431807	1
SEAT—Spring	HR	RIGHT HAND DRIVE	#7433023

Approximately 21,000 vehicles equipped with this seat.

6.855 PACKING—Steering Gear Pitman Shaft

PACKING	ALL	7400608	1
---------------	-----------	---------	---

6.856 RETAINER—Steering Gear Pitman Shaft Packing

RETAINER	ALL	7400609	1
----------------	-----------	---------	---

6.859 ARM ASSEMBLY—Pitman

ARM ASSEMBLY	48, 50, FJ	7400625	1
ARM ASSEMBLY	FE, FC, FB, EK, EJ, EH	7409072	1
ARM	EH Power Steering	7426730	1
NUT—Hex. slotted 1/2"—20	EH Power Steering	102647	1
PIN—Cotter 1/8" x 1"	EH Power Steering	103385	1
ARM ASSEMBLY	HD exc. Power Steering		
	HR exc. Power Steering	7423770	1
NUT—Hex. slotted 1/2"—20 (thick)	HD exc. Power Steering		
	HR exc. Power Steering	119254	1
ARM ASSEMBLY	HD, HR Power Steering	7427673	1
NUT—Hex. slotted 1/2"—20	HD, HR Power Steering	102647	1
PIN—Cotter 1/8" x 1"	HD, HR Power Steering	103385	1

6.861 NUT—Pitman Arm to Shaft

NUT	ALL	7401000	1
WASHER—Spring lock 3/4"—medium	ALL	131046	1

6.870 ROD, REPAIR KIT—Steering Connecting

ROD	48, 50, FJ	7408783	1
ROD	FE, FC, FB, EK, EJ, EH	RIGHT HAND DRIVE	7409097
		LEFT HAND DRIVE	7415720
FITTING—Type 'C' straight lubrication 1/8"	48, 50, FJ, FE, FC, FB, EK, EJ, EH	M33112	2
REPAIR KIT—Connecting rod	48, 50, FJ	7425265	1
REPAIR KIT—Connecting rod	FE, FC, FB, EK, EJ, EH	7425261	1



HOLDEN

MASTER PARTS CATALOGUE

6.870 ROD, REPAIR KIT—Steering Connecting (Cont'd.).

ROD	EH Power Steering	7426713	1
FITTING—Straight lubrication 1/4"	EH Power Steering	M33106	2
NUT—Hex. slotted 1/2"—20	EH Power Steering	119254	2
PIN—Cotter 3/32" x 1"	EH Power Steering	103374	2
ROD ASSEMBLY	HD exc. Power Steering		
	HR exc. Power Steering		
	RIGHT HAND DRIVE	7423838	1
	LEFT HAND DRIVE	7423953	1
ROD ASSEMBLY	HD, HR Power Steering	7428153	1
FITTING—Type "C" straight lubrication 1/4"—28	HD, HR	M33106	1

6.874 SEAT—Steering Connecting Rod Ball

SEAT	48, 50, FJ, FE, FC, FB, EK, EJ, EH ..	264946	8
------------	---------------------------------------	--------	---

6.876 SPRING—Steering Connecting Rod Ball Seat

SPRING	48, 50, FJ, FE, FC, FB, EK, EJ, EH ..	7409099	A.R.
--------------	---------------------------------------	---------	------

6.881 PLUG—Steering Connecting Rod

PLUG	48, 50, FJ, FE, FC, FB, EK, EJ, EH ..	7400834	2
PIN—Cotter 5/32" x 1 1/4"	48, 50, FJ, FE, FC, FB, EK, EJ, EH ..	103399	2

6.882 PLUG—Steering Connecting Rod Safety

PLUG	48, 50, FJ, FE, FC, FB, EK, EJ, EH ..	7409098	A.R.
------------	---------------------------------------	---------	------

6.883 SPACER, COVER—Steering Connecting Rod Ball Seat

SPACER—Long	48, 50, FJ	7400837	1
SPACER—Short	48, 50, FJ	7400953	1
COVER—Spacer	48, 50, FJ, FE, FC, FB, EK, EJ, EH ..	265516	2

6.885 PLUG—Steering connecting rod, inner

PLUG—Inner	48, 50, FJ, FE, FC, FB, EK, EJ, EH ..	7400832	2
------------------	---------------------------------------	---------	---

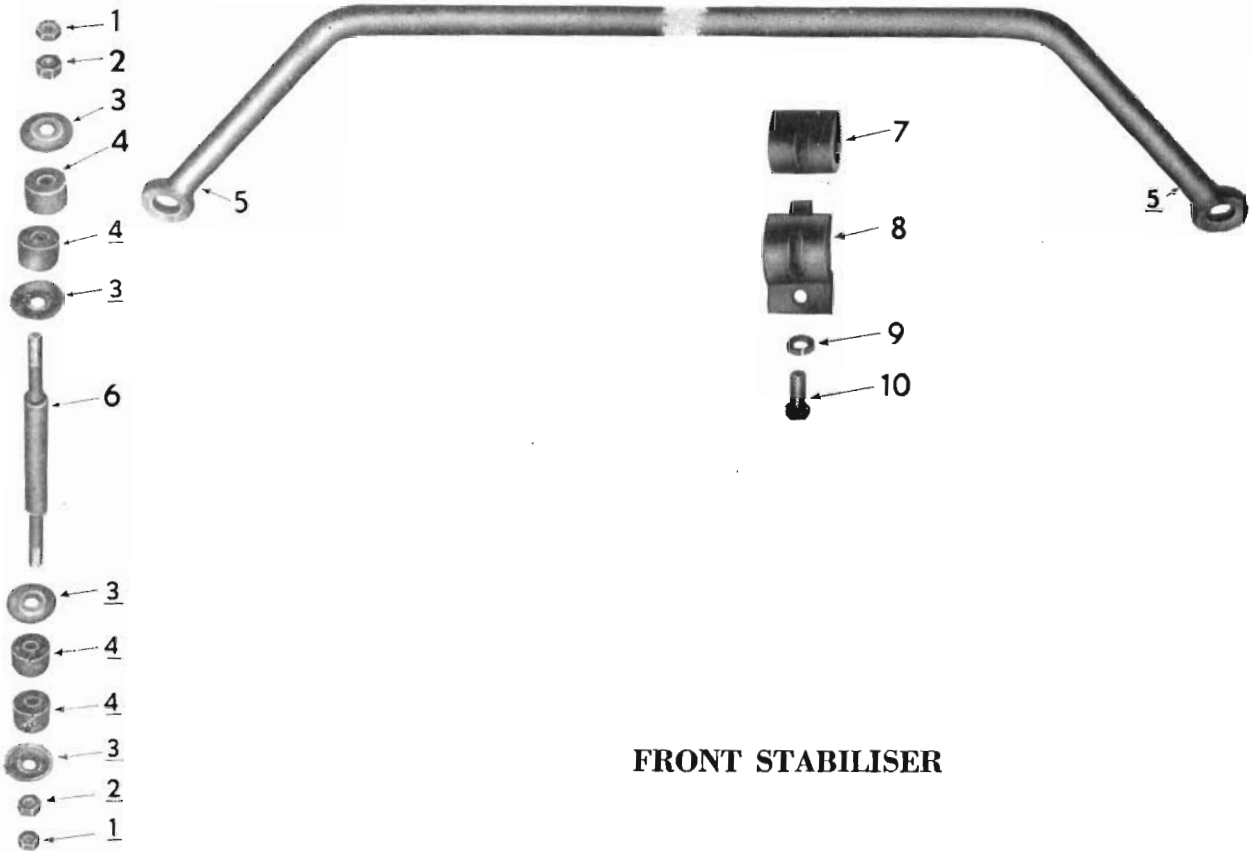
6.886 COVER, SEAL—Steering Connecting Rod Ball Socket Dust

SEAL—Pitman Arm Ball Joint

COVER—Socket dust	48, 50, FJ, FE, FC, FB, EK, EJ, EH ..	7410821	4
SEAL—Socket dust	FE, FC, FB, EK	LH7419509	1
		RH7419508	1
SEAL—Ball joint	HD, HR	7423767	1

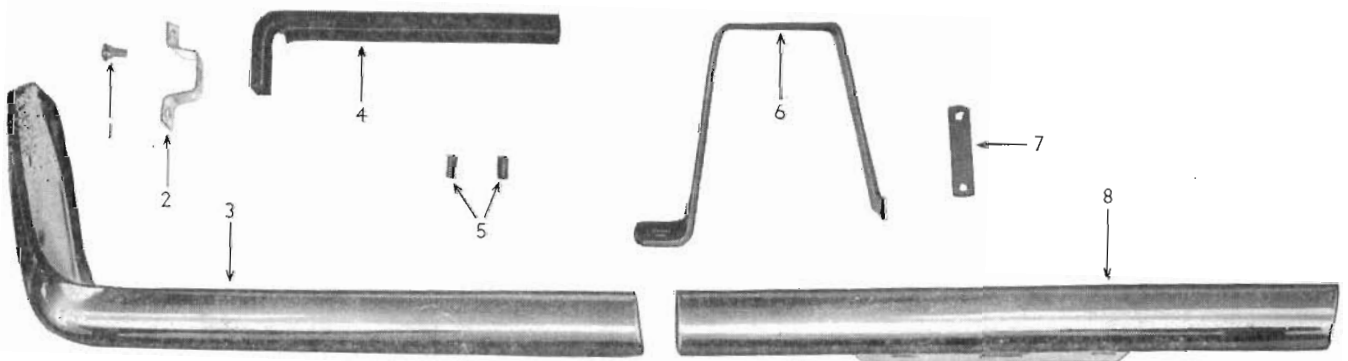
6.888 SPRING—Steering Connecting Rod Ball Socket Dust Cover

SPRING	48, 50, FJ, FE, FC, FB, EK, EJ, EH ..	7400839	4
--------------	---------------------------------------	---------	---



FRONT STABILISER

Illus. Ref. No.	Part Name	Group	Illus. Ref. No.	Part Name	Group
1.	NUT	7.243	6.	STUD	7.240
2.	NUT	7.243	7.	INSULATOR	7.242
3.	RETAINER	7.243	8.	BRACKET	7.242
4.	BUSH	7.243	9.	WASHER	7.242
5.	SHAFT	7.241	10.	BOLT	7.242



BUMPER BARS

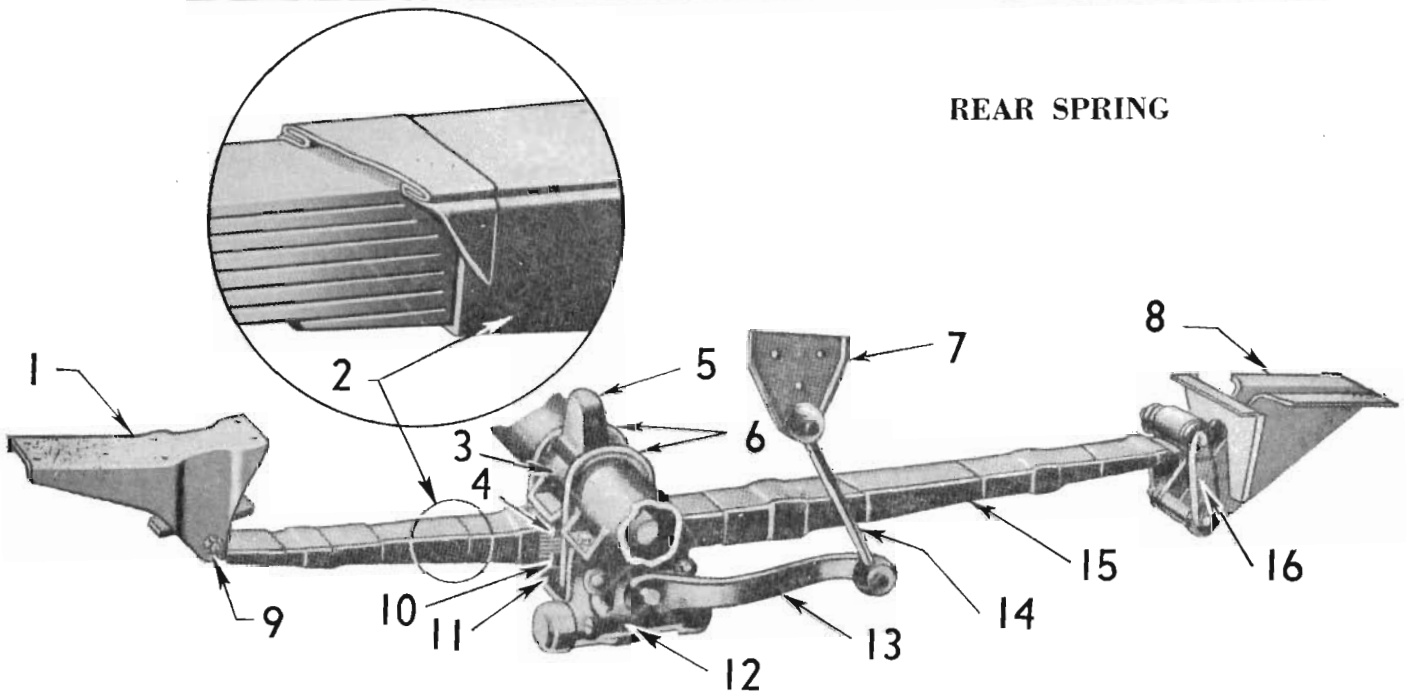
Illus. Ref. No.	Part Name	Group	Illus. Ref. No.	Part Name	Group
1.	BOLT—Face, bar	7.852	5.	SPACER—Outer	7.865
2.	SPACER	7.865	6.	BAR—Inner	7.836
3.	BAR—End	7.831	7.	REINFORCEMENT	7.831
4.	BAR—Outer	7.836	8.	BAR—Centre	7.831



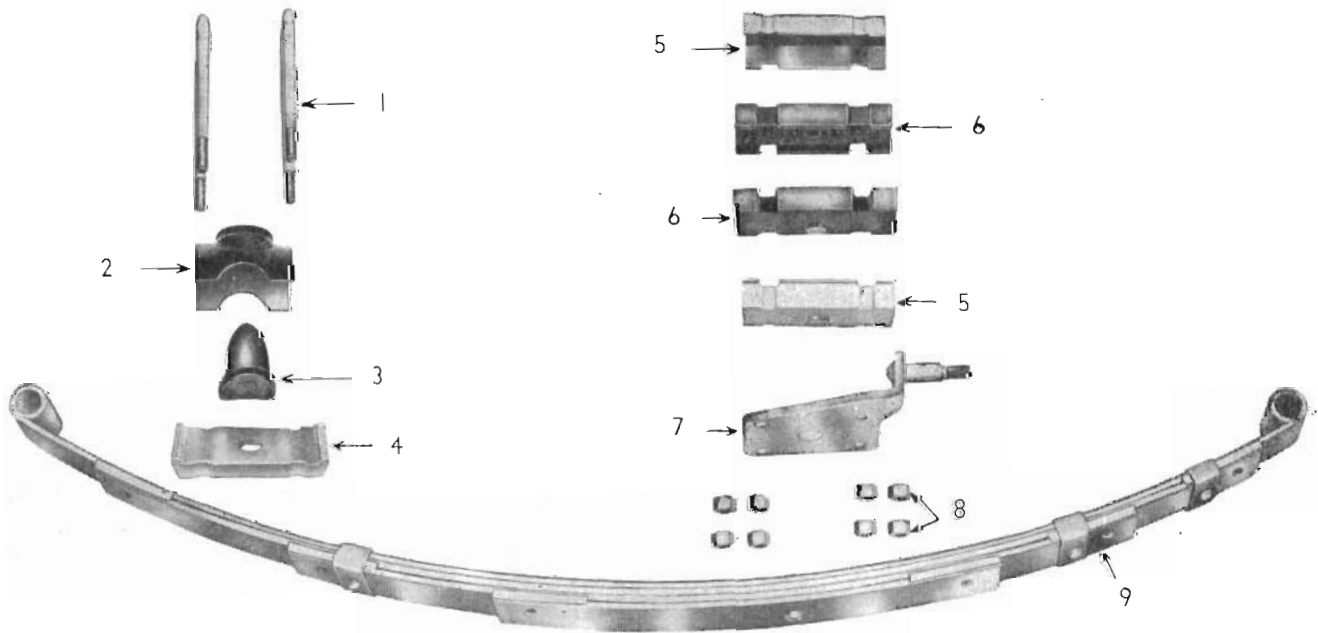
HOLDEN

MASTER PARTS CATALOGUE

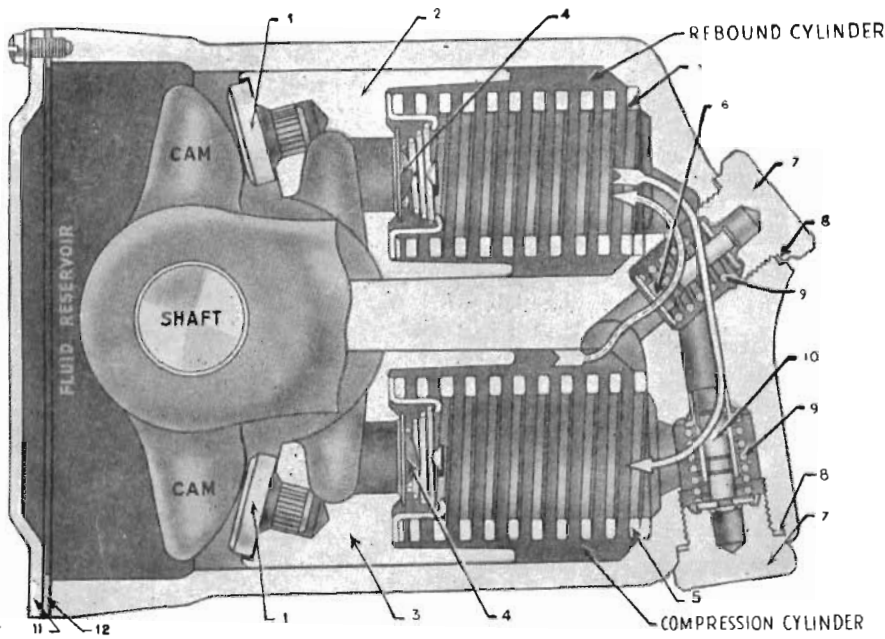
REAR SPRING



Illus. Ref. No.	Part Name	Group	Illus. Ref. No.	Part Name	Group
1.	BRACKET ASSEMBLY	7.112	9.	STUD	7.529
2.	NOT SERVICED SEPARATELY		10.	INSULATOR	7.545
3.	RETAINER	7.536	11.	PLATE	7.518
4.	RETAINER	7.552	12.	SHOCK ABSORBER ASSEMBLY	7.345
5.	BUMPER	7.535	13.	ARM AND SHAFT ASSEMBLY	7.375
6.	"U" BOLT	7.516	14.	LINK ASSEMBLY	7.355
7.	NOT SERVICED SEPARATELY		15.	SPRING AND COVER ASSEMBLY	7.503
8.	BRACKET ASSEMBLY	7.111	16.	SHACKLE SET	7.523



Illus. Ref. No.	Part Name	Group	Illus. Ref. No.	Part Name	Group
1.	"U" BOLT	7.516	6.	INSULATOR	7.545
2.	RETAINER	7.536	7.	PLATE ASSEMBLY	7.518
3.	BUMPER	7.535	8.	NUT	7.516
4.	SPACER	7.530	9.	SPRING ASSEMBLY	7.503
5.	RETAINER	7.552			

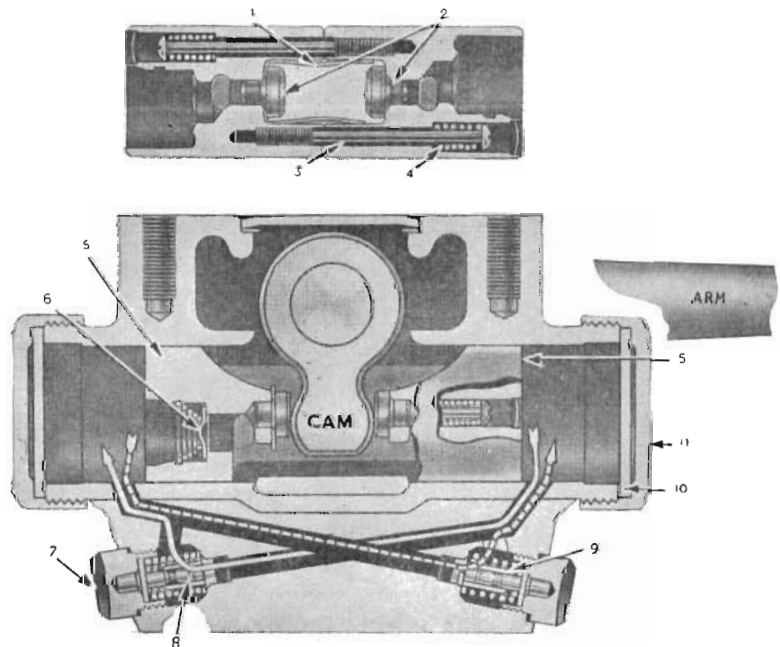


FRONT SHOCK ABSORBER

Illus. Ref. No.	Part Name	Group
1	BUTTON	7.352
2	PISTON—Rebound	7.352
3	PISTON—Compression	7.352
4	VALVE—Intake	7.346
5	SPRING	7.353
6	VALVE—Compression	7.346
7	NUT	7.351
8	GASKET	7.398
9	SPRING	N.S.S.
10	VALVE—Rebound	7.346
11	COVER	7.362
12	GASKET	7.363

REAR SHOCK ABSORBER

Illus. Ref. No.	Part Name	Group
1	SPRING	N.S.S.
2	BUTTON	7.352
3	SCREW	7.352
4	SPRING	7.353
5	PISTON	7.352
6	VALVE—Intake	7.346
7	NUT	7.351
8	VALVE—Rebound	7.346
9	VALVE—Compression	7.346
10	GASKET	7.363
11	CAP	7.362



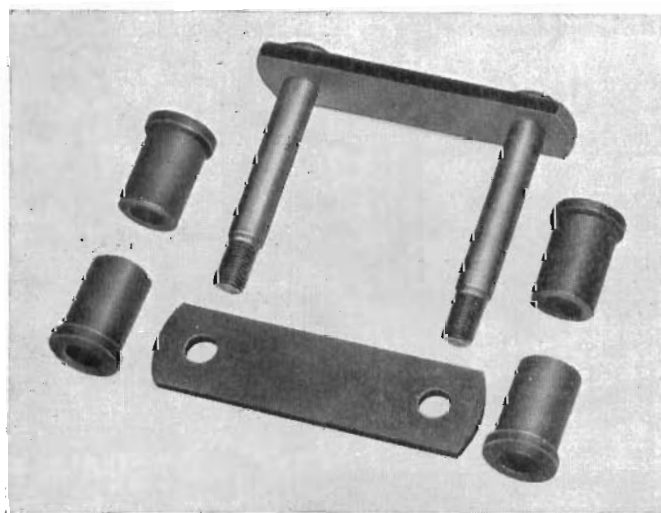
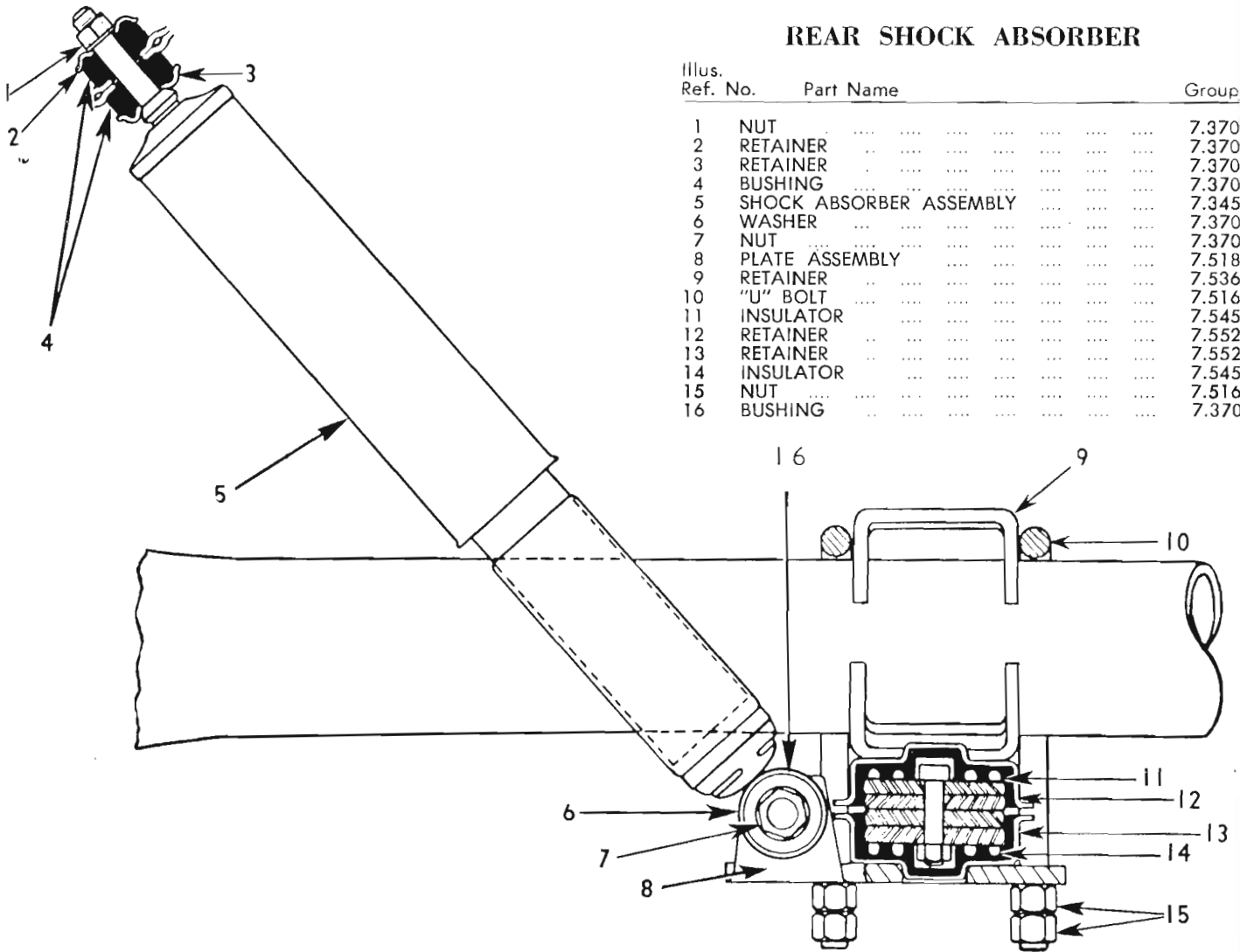


HOLDEN

MASTER PARTS CATALOGUE

REAR SHOCK ABSORBER

Illus. Ref. No.	Part Name	Group
1	NUT	7.370
2	RETAINER	7.370
3	RETAINER	7.370
4	BUSHING	7.370
5	SHOCK ABSORBER ASSEMBLY	7.345
6	WASHER	7.370
7	NUT	7.370
8	PLATE ASSEMBLY	7.518
9	RETAINER	7.536
10	"U" BOLT	7.516
11	INSULATOR	7.545
12	RETAINER	7.552
13	RETAINER	7.552
14	INSULATOR	7.545
15	NUT	7.516
16	BUSHING	7.370



7.523

Shackle Set

HOLDEN

MASTER PARTS CATALOGUE



Group	Description	Model	Part No.	Qty.
7.112 BRACKET, SUPPORT—Rear Spring Front Hanger				
BRACKET ASSEMBLY		48 S.A. from Ser. No. 9074A Qld. from Ser. No. B11661 Vic. from Ser. No. M28226 W.A. from Ser. No. P6569 N.S.W. from Ser. No. 53/S2224 FJ/215, FJ/217, FJ/225	LH 7407043	1
SUPPORT—Hanger bracket		48 S.A. from Ser. No. 9074A Qld. from Ser. No. B11661 Vic. from Ser. No. M28226 W.A. from Ser. No. P6569 N.S.W. from Ser. No. 53/S2224 FJ/215, FJ/217, FJ/225	LH 7407041	1
BRACKET ASSEMBLY—Inner		FE, FC	LH 7408989 RH 7408988	1 1
BRACKET ASSEMBLY—Outer		FE, FC	7408990	2
BRACKET ASSEMBLY—Inner		FB, EK	LH 7412285 RH 7412286	1 1
BRACKET ASSEMBLY—Outer		FB, EK	7412284	2
BRACKET ASSEMBLY		EJ, EH	LH7414841 RH7414840	1 1
BRACKET ASSEMBLY		HD, HR	LH7423359 RH7423358	1 1
RIVET—Button hd. 5/16" x 21/32"		EJ, EH, HD, HR	SP1387	12
7.118 BRACKET ASSEMBLY—Rear Spring Rear Hanger				
BRACKET		FE, FC	7408987	2
BRACKET		FB, EK	7412396	2
BRACKET		EJ exc. EJ/2104, EJ/2106 EH exc. EH/2104, EH/2106	LH7414817 RH7414816	1 1
BRACKET		EJ/2104, EJ/2106, EH/2104, EH/2106	LH7419201 RH7419202	1 1
BRACKET ASSEMBLY		HD, HR	LH7423189 RH7423188	1 1
RIVET—Button hd. 5/16" x 21/32"		EJ, EH, HD, HR	SP1387	12
7.240 REPAIR KIT, STUD—Front Stabilizer Spacer				
REPAIR KIT		FE, FC, FB, EK, EJ, EH, HD, HR	7406634	1
STUD		FE, FC, FB, EK, EJ, EH, HD, HR	7410672	2
7.241 SHAFT—Front Stabilizer				
SHAFT		FE, FC	7410673	1
SHAFT		FB, EK	7412474	1
SHAFT		EJ, EH	7415150	1
SHAFT		HD King Pin Suspension	7421074	1
SHAFT		HD Ball Joint Suspension, HR	7423581	1
7.242 BRACKET, INSULATOR—Front Stabilizer Shaft				
BRACKET		FE, FC, FB, EK, EJ, EH	7410668	2
BRACKET		HD, HR	7424373	2
BOLT—Hex. hd. 3/8"—16 x 7/8"		FE, FC, FB, EK	122126	2
BOLT—Hex. hd. 3/8"—24 x 1"		EJ, EH	120647	2
BOLT—Hex. hd. 3/8"—16 x 1"		HD, HR	120233	2
WASHER—Spring lock 3/8"—medium		FE, FC, FB, EK, EJ, EH, HD, HR	103321	2
INSULATOR		FE, FC, FB, EK, EJ, EH, HD, HR	7410667	2
7.243 BUSH, RETAINER, NUT—Front Stabilizer				
BUSH		FE, FC, FB, EK, EJ, EH, HD, HR	7084112	8
RETAINER		FE, FC, FB, EK, EJ, EH, HD, HR	43468	8
NUT		FE, FC, FB, EK, EJ, EH, HD, HR	43469	4
NUT—Hex. jam 3/8"—24		FE, FC, FB, EK, EJ, EH, HD, HR	114494	4



HOLDEN

MASTER PARTS CATALOGUE

7.345 SHOCK ABSORBER ASSEMBLY, BODY, REPAIR KIT

CONVERSION PACKAGE—Front	*	M33409	1
NUT—Light hex. 7/16"—20	*	103027	6
WASHER—Spring lock 7/16"—medium	*	103322	6
PLUG—Rear shock abs. exp. small—1" O.D.	*	7401419	2
PLUG—Rear shock abs. exp. large—2" O.D.	*	7401420	2
BODY—Rear shock absorber, R.H.	*	7402542	1
CONVERSION PACKAGE—Rear	#	7406507	1
SHOCK ABSORBER ASSEMBLY—Front	**	7405722	2
SHOCK ABSORBER ASSEMBLY—Rear	**	7405723	2
SHOCK ABSORBER ASSEMBLY—Front	***	7405930	2
SHOCK ABSORBER ASSEMBLY—Rear	***	7405919	2
SHOCK ABSORBER ASSEMBLY—Rear—Heavy Duty	***	M35465	2
SHOCK ABSORBER ASSEMBLY—Front	FE, FC	7405930	2
SHOCK ABSORBER ASSEMBLY—Rear	FE, FC	7405929	2
SHOCK ABSORBER ASSEMBLY—Rear—Heavy Duty	FE, FC	M35465	2
SHOCK ABSORBER ASSEMBLY—Front	FB, EK, EJ, EH	7406693	2
SHOCK ABSORBER ASSEMBLY—Rear	FB, EK, EJ, EH	7406684	2
SHOCK ABSORBER ASSEMBLY—Front	HD, HR	7429889	2
SHOCK ABSORBER ASSEMBLY—Rear	HD, HR	7427880	2
SHOCK ABSORBER ASSEMBLY—Rear—Heavy Duty	FB, EK	7426671	2
SHOCK ABSORBER ASSEMBLY—Rear—Heavy Duty	EJ, EH, HD, HR	7429620	2
SHOCK ABSORBER PACKAGE—Rear—Super Lift	HR	7437654	1
SHOCK ABSORBER ASSEMBLY—Rear—Super Lift	HR	LH3186837	1
		RH3186838	1

7.346 VALVE ASSEMBLY—Shock Absorber

VALVE ASSEMBLY—Front intake	*	7401363	4
VALVE ASSEMBLY—Front relief, rebound	*	7402611	2
VALVE—Rear intake	*	7401365	4
VALVE ASSEMBLY—Rear relief, compression	*	7402611	2
VALVE ASSEMBLY—Rear relief, rebound	*	7401376	2

7.347 TUBE and COMPONENTS—Super Lift Shock Absorber

TUBE—Inflation	HR/215, HR/225, HR/235	7437581	1
TUBE—Inflation	HR/219, HR/229, HR/239		
	HR/2104, HR/2106	7437582	1
TUBE—Interconnection	HR	7437580	1
CLAMP—Hose 2.38" diameter	HR	SP1879	2
INSERT—Air tube	HR	7437644	4
SLEEVE—Ball 3/16"	HR	120488	4
NUT—Ball sleeve tube	HR	120487	4
GROMMET—.19" diameter	HR	SP1676	1
CLIP—Closer No. 3, 3/16" diameter	HR	120520	2

48 Series only up to Ser No. (*) below.

* 48 S.A. up to Ser. No. 9073A
 Qld. up to Ser. No. B11660
 Vic. up to Ser. No. M28225
 W.A. up to Ser. No. P6568
 N.S.W. up to Ser. No. 53/S2223
 50 S.A. up to Ser. No. 2317A
 Qld. up to Ser. No. B3448
 Vic. up to Ser. No. M5392
 W.A. up to Ser. No. P2104
 N.S.W. up to Ser. No. 53/S1396

** 48 S.A. from Ser. No. 9074A
 Qld. from Ser. No. B11661
 Vic. from Ser. No. M28226
 W.A. from Ser. No. P6569
 N.S.W. from Ser. No. 53/S2224
 50 S.A. from Ser. No. 2318A
 Qld. from Ser. No. B3449
 Vic. from Ser. No. M5393
 W.A. from Ser. No. P2105
 N.S.W. from Ser. No. 53/S1397
 FJ S.A. up to Ser. No. 8532A
 Qld. up to Ser. No. B11824
 Vic. up to Ser. No. M22115
 W.A. up to Ser. No. P6473
 N.S.W. up to Ser. No. 5/S2386

*** FJ S.A. from Ser. No. 8533A
 Qld. from Ser. No. B11825
 Vic. from Ser. No. M22116
 W.A. from Ser. No. P6474
 N.S.W. from Ser. No. 5/S2387

HOLDEN

MASTER PARTS CATALOGUE



7.347 TUBE and COMPONENTS—Super Lift Shock Absorber (Cont'd.).

CLIP—Air tube to underbody	HR	7426387	1
STEM—Valve	HR	7437583	1
CORE—Valve	HR	7437586	1
CAP—Valve	HR	7437585	1
WASHER—Internal tooth lock 5/16"	HR	138538	1
NUT—Valve stem to rear end panel	HR	7437584	1

7.348 SPRING, RETAINER—Shock Absorber Valve

SPRING—Rear intake valve	*	7401366	4
RETAINER	*	7402849	4

7.352 PISTON ASSEMBLY—Shock Absorber

PISTON ASSEMBLY—Front, compression	*	7401358	2
PISTON ASSEMBLY—Front, rebound	*	7401361	2
PISTON ASSEMBLY—Rear	*	7405072	2
PLUG—Rear, piston screw	*	7401404	4

7.355 LINK ASSEMBLY—Shock Absorber

LINK ASSEMBLY—Rear	*	7403094	2
NUT—Light hex. 3/8"—24	*	120369	4
WASHER—Spring lock 3/8"—medium	*	120382	4

7.363 GASKET—Shock Absorber Cover

GASKET—Front	*	7401392	2
--------------	---	---------	---

7.370 PLATE, BRACKET, BUSHING, RETAINER—Shock Absorber Mounting

PLATE—Front Shock absorber mounting	**	7407165	2
BOLT—Hex. hd. 5/16"—24 x 5/8"	**	123473	2
PLATE—Front Shock absorber mounting	***	7408710	2
BOLT—Hex. hd. 5/16"—24 x 5/8"	***	123473	2

* 48 S.A. up to Ser. No. 9073A
 Qld. up to Ser. No. B11660
 Vic. up to Ser. No. M28225
 W.A. up to Ser. No. P6568
 N.S.W. up to Ser. No. 53/S2223

50 S.A. up to Ser. No. 2317A
 Qld. up to Ser. No. B3448
 Vic. up to Ser. No. M5392
 W.A. up to Ser. No. P2104
 N.S.W. up to Ser. No. 53/S1396

** 48 S.A. from Ser. No. 9074A
 Qld. from Ser. No. B11661
 Vic. from Ser. No. M28226
 W.A. from Ser. No. P6569
 N.S.W. from Ser. No. 53/S2224

50 S.A. from Ser. No. 2318A
 Qld. from Ser. No. B3449
 Vic. from Ser. No. M5393
 W.A. from Ser. No. P2105
 N.S.W. from Ser. No. 53/S1397

FJ S.A. up to Ser. No. 8532A
 Qld. up to Ser. No. B11824
 Vic. up to Ser. No. M22115
 W.A. up to Ser. No. P6473
 N.S.W. up to Ser. No. 5/S2386

*** FJ S.A. from Ser. No. 8533A
 Qld. from Ser. No. B11825
 Vic. from Ser. No. M22116
 W.A. from Ser. No. P6474
 N.S.W. from Ser. No. 5/S2387



HOLDEN

MASTER PARTS CATALOGUE

7.370 PLATE, BRACKET, BUSHING, RETAINER—Shock absorber mounting (Contd.)

PLATE ASSEMBLY—Front shock absorber mounting	FE, FC	7411469	2
NUT—Hex. 5/16"—24 light	FE, FC	120368	4
WASHER—Spring lock 5/16"—light	48 S.A. from Ser. No. 9074A Qld. from Ser. No. B11661 Vic. from Ser. No. M28226 W.A. from Ser. No. P6569 N.S.W. from Ser. No. 53/S2224		
	50 S.A. from Ser. No. 2318A Qld. from Ser. No. B3449 Vic. from Ser. No. M5393 W.A. from Ser. No. P2105 N.S.W. from Ser. No. 53/S1397		
	FJ, FE, FC	120379	A.R.
BRACKET—Rear shock abs. mounting	FJ/2104 { S.A. from Ser. No. 8533A Qld. from Ser. No. B11825 Vic. from Ser. No. M22116 W.A. from Ser. No. P6474 NSW from Ser. No. 5/2387S	7408437	2
BOLT—Hex. hd. 3/8"—24 x 1"	FJ/2104 { S.A. from Ser. No. 8533A Qld. from Ser. No. B11825 Vic. from Ser. No. M22116 W.A. from Ser. No. P6474 NSW from Ser. No. 5/2387S	120647	4
NUT—Hex. 3/8"—24	FJ/2104 { S.A. from Ser. No. 8533A Qld. from Ser. No. B11825 Vic. from Ser. No. M22116 W.A. from Ser. No. P6474 NSW from Ser. No. 5/2387S	120369	4
RETAINER—Shock absorber bushing	48 S.A. from Ser. No. 9074A Qld. from Ser. No. B11661 Vic. from Ser. No. M28226 W.A. from Ser. No. P6569 N.S.W. from Ser. No. 53/S2224		
	50 S.A. from Ser. No. 2318A Qld. from Ser. No. B3449 Vic. from Ser. No. M5393 W.A. from Ser. No. P2105 N.S.W. from Ser. No. 53/S1397		
	FJ, FE, FC	43468	A.R.
BUSHING—Shock absorber mounting (rubber) (plain)	48 S.A. from Ser. No. 9074A Qld. from Ser. No. B11661 Vic. from Ser. No. M28226 W.A. from Ser. No. P6569 N.S.W. from Ser. No. 53/S2224		
	50 S.A. from Ser. No. 2318A Qld. from Ser. No. B3449 Vic. from Ser. No. M5393 W.A. from Ser. No. P2105 N.S.W. from Ser. No. 53/S1397		
	FJ, FE, FC	7084112	A.R.
BUSHING—Shock absorber mounting (rubber) (stepped)	***	7410362	6
GROMMET—Rear shock absorber mounting	***	3735334	4
WASHER—Rear shock absorber mounting	***	328936	2
* 48 S.A. up to Ser. No. 9073A Qld. up to Ser. No. B11660 Vic. up to Ser. No. M28225 W.A. up to Ser. No. P6568 N.S.W. up to Ser. No. 53/S2223	** 48 S.A. from Ser. No. 9074A Qld. from Ser. No. B11661 Vic. from Ser. No. M28226 W.A. from Ser. No. P6569 NSW from Ser. No. 53/S2224	*** FJ S.A. from Ser. No. 8533A Qld. from Ser. No. B11825 Vic. from Ser. No. M22116 W.A. from Ser. No. P6474 N.S.W. from Ser. No. 5/S2387	
50 S.A. up to Ser. No. 2317A Qld. up to Ser. No. B3448 Vic. up to Ser. No. M5392 W.A. up to Ser. No. P2104 NSW up to Ser. No. 53/S1396	50 S.A. from Ser. No. 2318A Qld. from Ser. No. B3449 Vic. from Ser. No. M5393 W.A. from Ser. No. P2105 NSW from Ser. No. 53/S1397	FE, FC	
	FJ S.A. up to Ser. No. 8532A Qld. up to Ser. No. B11824 Vic. up to Ser. No. M22115 W.A. up to Ser. No. P6473 NSW up to Ser. No. 5/S2386		

HOLDEN

MASTER PARTS CATALOGUE



7.370 PLATE, BRACKET, BUSHING, RETAINER—Shock Absorber Mounting (Cont'd.).

NUT—Shock absorber mounting	48 S.A. from Ser. No. 9074A Qld. from Ser. No. B11661 Vic. from Ser. No. M28226 W.A. from Ser. No. P6569 N.S.W. from Ser. No. 53/S2224		
	50 S.A. from Ser. No. 2318A Qld. from Ser. No. B3449 Vic. from Ser. No. M5393 W.A. from Ser. No. P2105 N.S.W. from Ser. No. 53/S1397		
	FJ, FE, FC	43469	A.R.
NUT—Rear shock absorber mounting (1/2"—20)	***	7410738	2
WASHER—Spring lock 1/2" heavy	***	103329	2
WASHER—Plain 9/16" x 1 1/4" x .109"	***	446230	2
PIN ASSEMBLY—Front shock absorber mounting	FB, EK, EJ, EH, HD, HR	7401621	2
WASHER—Front shock absorber to lower control arm	FB, EK, EJ, EH, HD, HR	7401605	4
BOLT—Hex. hd. 5/16"—24 x 3/4"	FB, EK, EJ, EH, HD King Pin Susp.	120741	4
BOLT—Hex. hd. 5/16"—18 x 3/4"	HD Ball Joint Suspension, HR	122007	4
WASHER—Spring lock 5/16" medium	FB, EK, EJ, EH, HD, HR	103320	4
BUSHING—Front shock absorber to member (rubber) (plain)	FB, EK, EJ, EH, HD, HR	7084112	2
BUSHING—Front shock absorber to member (rubber) (stepped)	FB, EK, EJ, EH, HD, HR	7410362	2
NUT—Front shock absorber to member	FB, EK, EJ, EH, HD, HR	43469	2
RETAINER—Front shock absorber to member	FB, EK, EJ, EH, HD, HR	43468	4
GROMMET—Rear shock absorber to bracket, 11/16" long ..	FB, EK, EJ, EH, HD, HR	3735334	4
NUT—Rear shock absorber to bracket	FB, EK, EJ, EH, HD, HR	7410738	2
WASHER—Rear shock absorber to bracket	FB, EK, EJ, EH	†328936	A.R.
WASHER—Plain 9/16" x 1 1/4" x .109"	FB, EK, EJ, EH, HD, HR	446230	2
WASHER—Spring lock 1/2" heavy	FB, EK, EJ, EH, HD, HR	103329	2
BUSHING—Rear shock absorber to underbody (rubber) (plain)	FB, EK, EJ, EH, HD, HR	7084112	2
BUSHING—Rear shock absorber to underbody (rubber) (stepped)	FB, EK, EJ, EH, HD, HR	7410362	2
NUT—Rear shock absorber to underbody	FB, EK, EJ, EH, HD, HR	43469	2
RETAINER—Rear shock absorber to underbody	FB, EK, EJ, EH, HD, HR	43468	4
NUT—Hexagon jam 3/8"—24 light	HR	114494	4
SPACER—Shock absorber mounting	HR	††7437725	2
NUT—Hex. self locking 3/8"—24	HR	††SP1330	2
BUSHING—Shock absorber to underbody (rubber) (plain) ..	HR	††7084112	2
BUSHING—Shock absorber to underbody (rubber) (stepped) ..	HR	††7410362	2
RETAINER—Shock absorber to underbody	HR	††43468	2

† Not required when Grommet Part No. 3735334 is fitted.

†† For use with Super Lift Shock Absorber.

* 48 S.A. up to Ser. No. 9073A
Qld. up to Ser. No. B11660
Vic. up to Ser. No. M28225
W.A. up to Ser. No. P6568
N.S.W. up to Ser. No. 53/S2223
50 S.A. up to Ser. No. 2317A
Qld. up to Ser. No. B3448
Vic. up to Ser. No. M5392
W.A. up to Ser. No. P2104
N.S.W. up to Ser. No. 53/S1396

** 48 S.A. from Ser. No. 9074A
Qld. from Ser. No. B11661
Vic. from Ser. No. M28226
W.A. from Ser. No. P6569
N.S.W. from Ser. No. 53/S2224
50 S.A. from Ser. No. 2318A
Qld. from Ser. No. B3449
Vic. from Ser. No. M5393
W.A. from Ser. No. P2105
N.S.W. from Ser. No. 53/S1397
FJ S.A. up to Ser. No. 8532A
Qld. up to Ser. No. B11824
Vic. up to Ser. No. M22115
W.A. up to Ser. No. P6473
N.S.W. up to Ser. No. 5/S2386

*** FJ S.A. from Ser. No. 8532A
Qld. from Ser. No. B11825
Vic. from Ser. No. M22116
W.A. from Ser. No. P6474
N.S.W. from Ser. No. 5/S2387
FE, FC



HOLDEN

MASTER PARTS CATALOGUE

7.371 SHIELD—Rear Shock Absorber (Super Lift)

SHIELD HR 3861040 2

7.372 CAM—Shock Absorber

CAM—Rear piston actuating * 7401406 2

7.373 GLAND, PACKING, SEAL—Shock Absorber Shaft

GLAND—Rear packing * 7401416 2
 PACKING—Front (large) * 7401372 2
 PACKING—Front (small) * 7401375 2
 PACKING—Rear * 7401417 2
 SEAL—Front (large) * 7401371 2
 SEAL—Front (small) * 7401374 2
 SEAL—Rear * 7401418 2
 RETAINER—Front seal (small) * 7401373 2

7.375 ARM, SHAFT, ARM & SHAFT ASSEMBLY—Shock Absorber

SHAFT—Rear .003" O/S * 7406101 2
 ARM & SHAFT ASSEMBLY—Rear * 7401396 2

7.377 BUSHING—Shock Absorber Body

BUSHING—Front (large) * 7401357 2
 BUSHING—Front (small) * 7401356 2

7.398 GASKET—Shock Absorber Relief Valve Nut

GASKET—Front * 7401387 4

7.403 GASKET—Shock Absorber Filler Plug

GASKET * 7401389 4

- * 48 S.A. up to Ser. No. 9073A
 Qld. up to Ser. No. B11660
 Vic. up to Ser. No. M28225
 W.A. up to Ser. No. P6f68
 N.S.W. up to Ser. No. 53/S2223
- 50 S.A. up to Ser. No. 2317A
 Qld. up to Ser. No. B3448
 Vic. up to Ser. No. M5392
 W.A. up to Ser. No. P2104
 N.S.W. up to Ser. No. 53/S1396



7.503 SPRING ASSEMBLY—Rear

SPRING ASSEMBLY—1½" wide	48/215 S.A. up to Ser. No. 9073A Qld. up to Ser. No. B11660 Vic. up to Ser. No. M28225 W.A. up to Ser. No. P6568 NSW up to Ser. No. 53/S2223	7404954	2
Spring and cover assembly which was fitted as original equipment, has been superseded by 7404954.			
SPRING ASSEMBLY—2¼" wide	48/215 S.A. from Ser. No. 9074A Qld. from Ser. No. B11661 Vic. from Ser. No. M28226 W.A. from Ser. No. P6569 NSW from Ser. No. 53/S2224	7404990	2
SPRING ASSEMBLY—2¼" wide	FJ/215, FJ/225	7408122	2
SPRING ASSEMBLY—2¼" wide	50 S.A. from Ser. No. 2318A Qld. from Ser. No. B3449 Vic. from Ser. No. M5393 W.A. from Ser. No. P2105 NSW from Ser. No. 53/S1397		
	48/217 FJ/217 S.A. up to Ser. No. 7567A Qld. up to Ser. No. B10219 Vic. up to Ser. No. M18759 W.A. up to Ser. No. P5466 NSW up to Ser. No. 4/S18743		
	FJ/2104 FJ/2106	7407181	2
SPRING ASSY	FE/215, FE/225, FC/215, FC/225	7408979	2
SPRING ASSY	FE/217, FC/217	7410654	2
SPRING ASSY	FE/219, FE/229, FC/219, FC/229	7410842	2
SPRING ASSY	FE/2104, FE/2106, FC/2104, FC/2106	7410843	2
SPRING ASSY	FB/215, FB/225, EK/215, EK/225	7412383	2
SPRING ASSY	FB/219, FB/229, EK/219, EK/229	7412386	2
SPRING ASSY	FB/2104, FB/2106, EK/2104, EK/2106	7419193	2
SPRING ASSY	EJ/215, EJ/225, EJ/235 EH/215, EH/225, EH/235	7409207	2
SPRING ASSY	EJ/219, EJ/229 EH/219, EH/229, EH/239	7410264	2
SPRING ASSY	EJ/2104, EJ/2106, EH/2104, EH/2106	7410281	2
SPRING ASSY	HD/215, HD/225, HD/235	7427282	2
SPRING ASSY—Heavy duty	HD/215, HD/225, HD/235	7429936	2
SPRING ASSY	HD/219, HD/229, HD/239	7427283	2
SPRING ASSY—Heavy duty	HD/219, HD/229	7427284	2
SPRING ASSY	HD/2104, HD/2106	7427284	2
SPRING ASSY	HR/215, HR/225, HR/235	7430667	2
SPRING ASSY—Heavy duty	HR/215, HR/225, HR/235	7427282	2
SPRING ASSY	HR/219, HR/229, HR/239	7431183	2
SPRING ASSY—Heavy duty	HR/219, HR/229	7431184	2
SPRING ASSY	HR/2104, HR/2106	7427284	2

7.504 LINER—Rear spring

LINER	*	7404955	12-16
LINER	**	7404991	12
LINER	FE, FC, FB, EK, EJ, EH, HD, HR	7429208	8-12
LINER—1-1/2" Dia. Teflon—Special Service	FE, FC, FB, EK, EJ, EH, HD, HR	7427404	8-12

* 48 S.A. up to Ser. No. 9073A
Qld. up to Ser. No. B11660
Vic. up to Ser. No. M28225
W.A. up to Ser. No. P6568
N.S.W. up to Ser. No. 53/S2223
50 S.A. up to Ser. No. 2317A
Qld. up to Ser. No. B3448
Vic. up to Ser. No. M5392
W.A. up to Ser. No. P2104
N.S.W. up to Ser. No. 53/S1396

** 48 S.A. from Ser. No. 9074A
Qld. from Ser. No. B11661
Vic. from Ser. No. M28226
W.A. from Ser. No. P6569
N.S.W. from Ser. No. 53/S2224
50 S.A. from Ser. No. 2318A
Qld. from Ser. No. B3449
Vic. from Ser. No. M5393
W.A. from Ser. No. P2105
N.S.W. from Ser. No. 53/S1397
FJ



HOLDEN

MASTER PARTS CATALOGUE

7.505 REAR SPRING LEAF CHART

Spring Assy.	No. 1	No. 2	No. 3	No. 4	No. 5	No. 6	No. 7	No. 8	No. 9	No. 10
7404954	7407078	7407079	7407080#	7407084		7407086#	7407089	7407090		
7404990	7407083		7407114#	7407117						
7407108	7407206	7407207								
7407181	7407277	7407280#	7407281	7407284#						
7408122	7408123	7408124#		7408130						
7408979	7405987	7405988#	7405990#	7405993						
7409108	7408123			7408130						
7409207	7419294	7419295#	7419470#	7419473#						
7410264	7419294	7419296#	7419471#	7419474	7419476					
7410281	7419294	7419297#	7419472#	7419475	7419477#	7419478				
7410654	7405987	7405988#								
7410842	7405987	7406373#	7406374#	7406375	7406376					
7410843	7405987			7405995		7405997				
7412383	7406450	7406447#	7406448#	7406449						
7412386	7406450	7406704#	7406772		7406774#	7406724				
7419193	7406450	7406455#	7406456#	7406458	7406459#					
7427282	7419294	7419295#	7419470#	7419473#						
7427283	7419294	7419296#	7419471#	7419474	7419476					
7427284	7419294	7419297#	7419472#	7419475	7419477#	7419478				
7430667	7419294	7419295#	7419470#	7419473#						
7431183	7419294	7419296#	7419471#	7419474	7419476					
7431184	7419294	7419297#	7419472#	7419475	7419477#	7419478				

#With clips

7.506 BOLT—Centre—Rear spring

BOLT	48/215	S.A. up to Ser. No. 9073A Qld. up to Ser. No. B11660 Vic. up to Ser. No. M28225 W.A. up to Ser. No. P6568 NSW up to Ser. No. 53/S2223	7407091	2
BOLT	48/215	S.A. from Ser. No. 9074A Qld. from Ser. No. B11661 Vic. from Ser. No. M28226 W.A. from Ser. No. P6569 NSW from Ser. No. 53/S2224	7407118	2
BOLT	50	S.A. up to Ser. No. 2317A Qld. up to Ser. No. B3448 Vic. up to Ser. No. M5392 W.A. up to Ser. No. P2104 N.S.W. up to Ser. No. 53/S1396	7407243	2
BOLT	50	S.A. from Ser. No. 2318A Qld. from Ser. No. B3449 Vic. from Ser. No. M5393 W.A. from Ser. No. P2105 NSW from Ser. No. 53/S1397		
	48/217			
	FJ/217	S.A. up to Ser. No. 7567A Qld. up to Ser. No. B10219 Vic. up to Ser. No. M18759 W.A. up to Ser. No. P5466 NSW up to Ser. No. 4/S18743		
	FJ/2104			
	FJ/2106		7407286	2
BOLT	FJ/217	S.A. from Ser. No. 7568A Qld. from Ser. No. B10220 Vic. from Ser. No. M18760 W.A. from Ser. No. P5467 NSW from Ser. No. 4/S18744		
	FJ/215			
	FJ/225		7408131	2



7.506 BOLT—Centre—Rear spring (Cont'd.)

BOLT	FE/215, FE/225, FC/215, FC/225	7406451	2
BOLT	FB/215, FB/225, EK/215, EK/225 FE/217, FE/219, FE/229 FC/217, FC/219, FC/229 EJ/219, EJ/229, EH/219, EH/229, EH/239	7419495	2
BOLT	FE/2104, FE/2106, FC/2104, FC/2106	7406180	2
BOLT	FB/219, FB/229, EK/219, EK/229	7406802	2
BOLT	FB/2104, FB/2106, EK/2104, EK/2106	7406460	2
BOLT	EJ/215, EJ/225, EJ/235 EH/215, EH/225, EH/235	7406451	2
BOLT	EJ/2104, EJ/2106, EH/2104, EH/2106	7419497	2
BOLT	HD/215, HD/225, HD/235 HR/215, HR/225, HR/235	7427883	2
BOLT	HD/219, HD/229, HD/239 HR/219, HR/229, HR/239	7427884	2
BOLT—Heavy duty spring	HD/219, HD/229, HR/219, HR/229	7427885	2
BOLT	HD/2104, HD/2106 HR/2104, HR/2106	7427885	2

7.513 REAR SPRING LEAF CLIP CHART

Spring Assy.	On Leaf #	Clip No.	On Leaf #	Clip No.
7404954	3	7407233	6	7407238
7407108	3	7407233	6	7407238

7.516 "U" BOLT—Rear spring

"U" BOLT (7/16"—20 thread)	48/215	S.A. up to Ser. No. 9073A Qld. up to Ser. No. B11660 Vic. up to Ser. No. M28225 W.A. up to Ser. No. P6568 NSW up to Ser. No. 53/S2223	7429713	4
"U" BOLT (7/16"—20 thread)	50	S.A. up to Ser. No. 2317A Qld. up to Ser. No. B3448 Vic. up to Ser. No. M5392 W.A. up to Ser. No. P2104 NSW up to Ser. No. 53/S1396	7429713	4
"U" BOLT (7/16"—20 thread)	48/215	S.A. from Ser. No. 9074A Qld. from Ser. No. B11661 Vic. from Ser. No. M28226 W.A. from Ser. No. P6569 NSW from Ser. No. 53/S2224		
	FJ/217	S.A. from Ser. No. 7568A Qld. from Ser. No. B10220 Vic. from Ser. No. M18760 W.A. from Ser. No. P5467 NSW from Ser. No. 4/S18744		
	FJ/215, FJ/225		7429713	4
"U" BOLT (7/16"—20 thread)	50	S.A. from Ser. No. 2318A Qld. from Ser. No. B3449 Vic. from Ser. No. M5393 W.A. from Ser. No. P2105 NSW from Ser. No. 53/S1397		
	48/217			
	FJ/217	S.A. up to Ser. No. 7567A Qld. up to Ser. No. B10219 Vic. up to Ser. No. M18759 W.A. up to Ser. No. P5466 NSW up to Ser. No. 4/S18743		
	FJ/2104	{ S.A. up to Ser. No. 8532A Qld. up to Ser. No. B11824		
	FJ/2106	{ Vic. up to Ser. No. M22115 W.A. up to Ser. No. P6473 NSW up to Ser. No. 5/2386S	7429713	4



HOLDEN

MASTER PARTS CATALOGUE

7.516 "U" BOLT—Rear spring (Cont'd.)

"U" BOLT (7/16"—20 thread)	FJ/2104	S.A. from Ser. No. 8533A Qld. from Ser. No. B11825 Vic. from Ser. No. M22116 W.A. from Ser. No. P6474 NSW from Ser. No. 5/23875	7429713	4
	FJ/2106			
"U" BOLT (7/16"—20 thread)	FE/215, FE/225, FC/215, FC/225 FB/215, FB/225, EK/215, EK/225		7429810	4
"U" BOLT (7/16"—20 thread)	FE/217, FE/219, FE/229 FC/217, FC/219, FC/229 FB/2104, FB/2106, EK/2104, EK/2106		7429810	4
"U" BOLT (7/16"—20 thread)	FE/2104, FE/2106, FC/2104, FC/2106 FB/219, FB/229, EK/219, EK/229		7429810	4
"U" BOLT	EJ, EH		7429713	4
"U" BOLT	HD		7430744	4
NUT—Light thick hex. 7/16"—20	48, 50, FJ		*106637	A.R.
NUT—Light thick hex. 3/8"—24	48, 50, FJ		*115287	A.R.
NUT—Thick hex. 7/16"—20	FE, FC, FB, EK, EJ, EH		272231	16
NUT—Thick hex. 7/16"—20	HD		272233	16
WASHER—Spring lock 7/16"—medium	HD		120383	8

* Due to a change in thread size on "U" Bolts part No. 7407182 it is necessary to ascertain if part No. 106637 7/16"—20 nut or part No. 115287 3/8"—24 nut is required.

7.518 PLATE—Rear spring and shock absorber mounting.

PLATE—Rear spring mounting	48	S.A. up to Ser. No. 9073A Qld. up to Ser. No. B11660 Vic. up to Ser. No. M28225 W.A. up to Ser. No. P6568 NSW up to Ser. No. 53/S2223			
	50	S.A. up to Ser. No. 2317A Qld. up to Ser. No. B3448 Vic. up to Ser. No. M5392 W.A. up to Ser. No. P2104 NSW up to Ser. No. 53/S1396	7400368	2	
PLATE—Rear spring & shock abs. mounting	48	S.A. from Ser. No. 9074A Qld. from Ser. No. B11661 Vic. from Ser. No. M28226 W.A. from Ser. No. P6569 NSW from Ser. No. 53/S2224			
	50	S.A. from Ser. No. 2318A Qld. from Ser. No. B3449 Vic. from Ser. No. M5393 W.A. from Ser. No. P2105 NSW from Ser. No. 53/S1397			
	FJ	S.A. up to Ser. No. 8532A Qld. up to Ser. No. B11824 Vic. up to Ser. No. M22115 W.A. up to Ser. No. P6473 NSW up to Ser. No. 5/2386S	RH7407142	1	
PLATE ASSY.—Rear spring & shock abs. mounting	FJ/215	S.A. from Ser. No. 8533A Qld. from Ser. No. B11825 Vic. from Ser. No. M22116 W.A. from Ser. No. P6474 NSW from Ser. No. 5/2387S	LH 7427361	1	
	FJ/217				
	FJ/225			RH 7427362	1

HOLDEN

MASTER PARTS CATALOGUE



7.518 PLATE—Rear spring and shock absorber mounting (Cont'd.)

PLATE ASSY.—Rear spring & shock abs. mounting				
	FJ/2104	S.A. from Ser. No. 8533A Qld. from Ser. No. B11825 Vic. from Ser. No. M22116 W.A. from Ser. No. P6474 N.S.W. from Ser. No.		
	FJ/2106		5/2387S	LH 7408439 1 RH 7408438 1
PLATE—Rear spring & shock abs. mounting	FE, FC		LH 7408999 1 RH 7408998 1	
PLATE—Rear spring & shock abs. mounting	FB, EK		LH 7412449 1 RH 7412450 1	
PLATE—Rear spring & shock abs. mounting	EJ, EH		#LH7427361 1 #RH7427362 1	
PLATE	HD, HR		LH7427173 1 RH7427172 1	
BOLT—Hex. hd. 7/16"—20 x 1-3/4"	HD exc. HD/2104, HD/2106		100041 8	
BOLT—Hex. hd. 7/16"—20 x 1-1/4"	HD/2104, HD/2106		123841 8	
BOLT—Hex. hd. 7/16"—20 x 1-1/8"	HR/215, HR/225, HR/235		181667 8	
BOLT—Hex. hd. 7/16"—20 x 1-1/4"	HR/219, HR/229, HR/239, HR/2104, HR/2106		181668 8	
WASHER—Spring lock 7/16"—Medium	HD, HR		120383 8	
NUT—Hex. thick 7/16"—20	HD, HR		272233 8	

#When fitting use Grommet Part. No. 3735334 and discard Washer Part No. 328936.

7.523 SHACKLE SET—Rear Spring

SHACKLE SET	**		7405519 2
SHACKLE SET	FE, FC		7405948 2
SHACKLE SET	FB, EK, EJ, EH, HD, HR		7431254 2
NUT—Sl. light hex., 7/16"—20	48, 50, FJ		121728 A.R.
NUT—Hex. 7/16"—20	ALL		271505 A.R.
WASHER—Spring lock 7/16"—medium	ALL		103322 A.R.

7.524 BUSHING—Rear spring

BUSHING	*		7400362 12
BUSHING	**		7086726 12
BUSHING	FE, FC		7408981 12
BUSHING	FB, EK		7431118 12
BUSHING—Front	EJ, EH, HD, HR		7409204 2
BUSHING—Rear	EJ, EH, HD, HR		7412439 8

7.529 STUD KIT, STUD—Rear spring mounting

STUD KIT—Rear spring Mounting	*		7406122 2
STUD	*		7400363 2
STUD KIT—Rear spring Mounting	**		7406123 2
STUD	**		7407055 2
STUD KIT—Rear spring mounting	FE, FC		7405949 2
STUD	FE, FC		7408986 2
STUD KIT—Rear spring mounting	FB, EK		7406441 2
STUD	FB, EK		7412402 2
NUT—Slotted light hex. 7/16"—20	48, 50, FJ		121728 A.R.
NUT—Hex. 7/16"—20	48, 50, FJ, FE, FC, FB, EK		271505 A.R.
WASHER—Spring lock 7/16"—medium	48, 50, FJ, FE, FC, FB, EK		103322 A.R.

* 48 S.A. up to Ser. No. 9073A
Qld. up to Ser. No. B11660
Vic. up to Ser. No. M28225
W.A. up to Ser. No. P6568
N.S.W. up to Ser. No. 53/S2223
50 S.A. up to Ser. No. 2317A
Qld. up to Ser. No. B3448
Vic. up to Ser. No. M5392
W.A. up to Ser. No. P2104
N.S.W. up to Ser. No. 53/S1396

** 48 S.A. from Ser. No. 9074A
Qld. from Ser. No. B11661
Vic. from Ser. No. M28226
W.A. from Ser. No. P6569
N.S.W. from Ser. No. 53/S2224
50 S.A. from Ser. No. 2318A
Qld. from Ser. No. B3449
Vic. from Ser. No. M5393
W.A. from Ser. No. P2105
N.S.W. from Ser. No. 53/S1397

FJ



HOLDEN

MASTER PARTS CATALOGUE

7.529 STUD KIT, STUD—Rear spring mounting (Cont'd.)

STUD KIT	EJ, EH, HD, HR	7425504	2
STUD	EJ, EH, HD, HR	7424468	2
NUT—Hex. 1/2"—20	EJ, EH	120371	A.R.
WASHER—Spring lock, 1/2"	EJ, EH	103323	A.R.
NUT—Hex. 7/16"—20	EJ, EH, HD, HR	271505	A.R.
WASHER—Spring lock 7/16"—medium	EJ, EH, HD, HR	103322	A.R.

7.530 SPACER—Rear spring mounting

SPACER	EJ/215, EJ/225, EJ/235	7421418	2
SPACER—Plastic	HD exc. HD/2104, HD/2106	7430866	2
PACKER—Steel 1/2" thick	HD exc. HD/2104, HD/2106	7431128	4
SPACER—Steel 3/16" thick	HD/219, HD/229, HD/239, HD/2104, HD/2106, HR/219, HR/229, HR/239, HR/2104, HR/2106	7427210	4

7.535 BUMPER—Rear axle

BUMPER	48/215	7400366	2
BUMPER	48/217, 50, FJ	7403740	2
BUMPER	FE, FC, FB, EK	7408977	2
BUMPER	EJ, EH	7409206	2
BUMPER	HD, HR	7427206	2

7.536 RETAINER—Rear axle bumper

RETAINER	48, 50, FJ	7407062	2
RETAINER	FE, FC, FB, EK	7408978	2
BOLT—Hex. hd. 5/16"—18 x 3/4"	FE, FC, FB, EK	100121	4
WASHER—Spring lock 5/16"—medium	FE, FC, FB, EK	103320	4
RETAINER	EJ, EH	7409205	2
RETAINER	HD, HR	7427207	2

7.545 INSULATOR—Rear spring

INSULATOR	*	7400364	4
INSULATOR	**	7407064	4
INSULATOR	FE, FC	7412592	4
INSULATOR	FB exc. FB/2104, FB/2106 EK, exc. EK/2104, EK/2106 EJ, exc. EJ/2104, EJ/2106 EH exc. EH/2104, EH/2106	7412388	4
INSULATOR	FB/2104, FB/2106, EK/2104, EK/2106 EJ/2104, EJ/2106, EH/2104, EH/2106	7414876	4
INSULATOR	HD exc. HD/2104, HD/2106 HR exc. HR/2104, HR/2106	7427212	4
INSULATOR—Heavy duty spring	HD/219, HD/229, HR/219, HR/229 ..	7427167	4
INSULATOR	HD/2104, HD/2106 HR/2104, HR/2106	7427167	4

7.552 RETAINER—Rear spring insulator

RETAINER	**	7407063	4
RETAINER	FE, FC	7412593	4
RETAINER	FB exc. FB/2104, FB/2106 EK exc. EK/2104, EK/2106 EJ exc. EJ/2104, EJ/2106 EH exc. EH/2104, EH/2106	7412389	4
RETAINER	FB/2104, FB/2106, EK/2104, EK/2106 EJ/2104, EJ/2106, EH/2104, EH/2106 ..	7414877	4

* 48 S.A. up to Ser. No. 9073A
Qld. up to Ser. No. B11660
Vic. up to Ser. No. M28225
W.A. up to Ser. No. P6568
N.S.W. up to Ser. No. 53/S2223
50 S.A. up to Ser. No. 2317A
Qld. up to Ser. No. B3448
Vic. up to Ser. No. M5392
W.A. up to Ser. No. P2104
N.S.W. up to Ser. No. 53/S1396

** 48 S.A. from Ser. No. 9074A
Qld. from Ser. No. B11661
Vic. from Ser. No. M28226
W.A. from Ser. No. P6569
N.S.W. from Ser. No. 53/S2224
50 S.A. from Ser. No. 2318A
Qld. from Ser. No. B3449
Vic. from Ser. No. M5393
W.A. from Ser. No. P2105
N.S.W. from Ser. No. 53/S1397

FJ

HOLDEN

MASTER PARTS CATALOGUE



7.629 CLAMP, BRACKET, REINFORCEMENT—Spare wheel

CLAMP—Spare wheel	48, FJ/215, FJ/217, FJ/225 FE/219, FE/229, FC/219, FC/229 FB/219, FB/229, EK/219, EK/229	7401691	1
CLAMP—Spare wheel	50, FJ/2104, FJ/2106	7404054	1
CLAMP—Spare wheel	FE/215, FE/217, FE/225 FC/215, FC/217, FC/225 FB/215, FB/225, EK/215, EK/225	7408632	1
PIN—Cotter 2 1/8" x 3/16"	FE/215, FE/217, FE/225 FC/215, FC/217, FC/225 FB/215, FB/225, EK/215, EK/225	SP1350	1
CLAMP—Spare wheel	FE/2104, FE/2106, FC/2104, FC/2106 FB/2104, FB/2106, EK/2104, EK/2106	7410071	1
BRACKET	EJ exc. EJ/2104, EJ/2106 EH exc. EH/2104, EH/2106	7419251	1
CLAMP	EJ/2104, EJ/2106, EH/2104, EH/2106	7418276	1
BRACKET	HD/219, HD/229, HD/239 HR/219, HR/229, HR/239	7419251	1
CLAMP	HD/215, HD/225, HD/235, HD/2104, HD/2106 HR/215, HR/225, HR/235, HR/2104, HR/2106	7418276	1

7.632 BOLT, PIN, SPRING, STUD—Spare wheel clamp

BOLT	48, FJ/215, FJ/217, FJ/225 FE/219, FE/229, FC/219, FC/229 FB/219, FB/229, EK/219, EK/229	7401577	1
PIN—Clamp bolt	48, FJ/215, FJ/217, FJ/225 FE/219, FE/229, FC/219, FC/229 FB/219, FB/229, EK/219, EK/229	7402596	1
SPRING—Clamp bolt	48, FJ/215, FJ/217, FJ/225	7402599	1
BOLT—Clamp	FE/215, FE/217, FE/225 FC/215, FC/217, FC/225 FB/215, FB/225, EK/215, EK/225	7408634	1
PIN—Cotter 1 1/8" x 3/16"	FE/215, FE/217, FE/225 FC/215, FC/217, FC/225 FB/215, FB/225, EK/215, EK/225	SP1351	1
SPRING—Clamp	FE/215, FE/217, FE/225 FC/215, FC/217, FC/225 FB/215, FB/225, EK/215, EK/225	7408633	1
BOLT—Clamp	FE/2104, FE/2106, FC/2104, FC/2106 FB/2104, FB/2106, EK/2104, EK/2106	7410353	1
SPRING—Clamp bolt	FE/219, FE/229, FC/219, FC/229 FB/219, FB/229, EK/219, EK/229	7410680	1
STUD	EJ exc. EJ/2104, EJ/2106 EH exc. EH/2104, EH/2106	7423545	1
NUT—Hex. 3/8"—24	EJ exc. EJ/2104, EJ/2106 EH exc. EH/2104, EH/2106	120369	1
BOLT	EJ/2104, EJ/2106, EH/2104, EH/2106, HD/2104, HD/2106 HR/2104, HR/2106	7410353	1
BOLT	HD/215, HD/225, HD/235 HR/215, HR/225, HR/235	7425726	1
STUD	HD/219, HD/229, HD/239 HR/219, HR/229, HR/239	7431299	1
NUT—Hex. 3/8"—24	HD/219, HD/229, HD/239 HR/219, HR/229, HR/239	120369	1

7.633 NUT—Spare wheel

NUT—Clamp bolt	48	7402614	1
NUT—Clamp	50, FJ/2104, FJ/2106	7403670	1
NUT—Wheel attaching	FJ FE, exc. FE/2104, FE/2106 FC, exc. FC/2104, FC/2106 FB, exc. FB/2104, FB/2106 EK exc. EK/2104, EK/2106 EJ exc. EJ/2104, EJ/2106 EH exc. EH/2104, EH/2106 HD/219, HD/229, HD/239 HR/219, HR/229, HR/239	7407655	1



HOLDEN

MASTER PARTS CATALOGUE

7.796 BUMPER—Front License Plate Mounting

BUMPER	FB, EK	7409209	2
BUMPER	EJ, EH	7421273	2
SCREW—Rd. hd. sl. mach. No. 10—32 x 1/2"	FB, EK, EJ, EH	132908	2
NUT—Hex. No. 10—32	FB, EK	120614	2
NUT—Floating No. 10—32	EJ, EH	SP1544	2
BUMPER	HD, HR	7427353	2
SCREW—Rd. hd. sl. mach. No. 10—32 x 1/2"	HD, HR	132908	2
WASHER—Plain, type "A" 7/32 x 1/2" x .049"	HD, HR	120391	2
WASHER—Spring lock No. 10—Medium	HD, HR	120217	2
NUT—Hex. No. 10—32	HD, HR	120614	2

7.799 GUARD ASSEMBLY—Front License Plate

GUARD ASSEMBLY	FE/225, FE/229	7409228	1
NUT—Hex. 5/16"—18	FE/225, FE/229	120376	2
WASHER—Spring lock 5/16"—medium	FE/225, FE/229	120214	2
WASHER—Plain 11/32" x 11/16" x .065"	FE/225, FE/229	120393	2

7.800 PLATE—License plate mounting

PLATE	HD, HR	7424568	2
-------------	--------------	---------	---

7.814 GUARD ASSEMBLY—Rear License Plate

GUARD ASSEMBLY	FE, exc. FE/2104, FE/2106 FC, exc. FC/2104, FC/2106	7409228	1
NUT—Hex. 5/16"—18	FE, exc. FE/2104, FE/2106 FC, exc. FC/2104, FC/2106	120376	2
WASHER—Spring lock 5/16"—medium	FE, exc. FE/2104, FE/2106 FC, exc. FC/2104, FC/2106	120214	2
WASHER—Plain 11/32" x 11/16" x .065"	FE, exc. FE/2104, FE/2106 FC, exc. FC/2104, FC/2106	120393	2

7.828 GUARD ASSEMBLY—Bumper

FRONT R.H.	*	7402716	1
FRONT L.H.	**	7404153	1
FRONT R.H.	**	7404152	1
REAR	48 S.A. from Ser. No. 8955A Qld. from Ser. No. B11566 Vic. from Ser. No. M27907 W.A. from Ser. No. P6496 NSW from Ser. No. 53/S2191 FJ/215, FJ/217, FJ/225	LH 7404155 RH 7404154	1 1
FRONT	FE, FC	7408734	2
REAR	FE, exc. FE/2104, FE/2106 FC, exc. FC/2104, FC/2106	7408734	2
NUT—Light hex. 7/16"—14	48, 50, FJ	124573	4-2
NUT—Hex. 7/16"—14	FE, FC	271501	4-2
WASHER—Plain 15/32" x 59/64" x .065"	48, 50, FJ, FE, FC	120395	4-2
WASHER—Spring lock 7/16" medium	48, 50, FJ, FE, FC	120383	4-2

* 48 S.A. up to Ser. No. 8954A
Qld. up to Ser. No. B11565
Vic. up to Ser. No. M27906
W.A. up to Ser. No. P6495
N.S.W. up to Ser. No. 53/S2190
50 S.A. up to Ser. No. 2221A
Qld. up to Ser. No. B3376
Vic. up to Ser. No. M5251
W.A. up to Ser. No. P2104
N.S.W. up to Ser. No. 53/S1371

** 48 S.A. from Ser. No. 8955A
Qld. from Ser. No. B11566
Vic. from Ser. No. M27907
W.A. from Ser. No. P6496
N.S.W. from Ser. No. 53/S2191
50 S.A. from Ser. No. 2222A
Qld. from Ser. No. B3377
Vic. from Ser. No. M5252
W.A. from Ser. No. P2105
N.S.W. from Ser. No. 53/S1372
FJ

HOLDEN

MASTER PARTS CATALOGUE



7.828 GUARD ASSEMBLY—Bumper (Cont'd.)

FRONT	FB	7412612	2
FRONT	EK	LH 7418787	1
		RH 7418786	1
BOLT—Hex. hd. 5/16"—24 x 5/8"	FB, EK	181593	4
WASHER—Spring lock 5/16" medium	FB, EK	120214	4
WASHER—Plain 11/32" x 11/16" x .065"	FB, EK	120393	4
REAR	FB/215, FB/225	LH 7412609	1
		RH 7412608	1
REAR	EK/215, EK/225	LH 7415135	1
		RH 7415134	1
BOLT—Hex. hd. 5/16"—24 x 5/8"	FB/215, FB/225, EK/215, EK/225	181593	4
WASHER—Spring lock 5/16" medium	FB/215, FB/225, EK/215, EK/225	120214	4
WASHER—Plain 11/32" x 11/16" x .065"	FB/215, FB/225, EK/215, EK/225	120393	4
REAR	FB/219, FB/229, EK/219, EK/229	LH 7413343	1
		RH 7413344	1
NUT—Hex. 5/16"—18	FB/219, FB/229, EK/219, EK/229	120376	2
WASHER—Spring lock 5/16" medium	FB/219, FB/229, EK/219, EK/229	120214	2
WASHER—Plain 11/32" x 11/16" x .065"	FB/219, FB/229, EK/219, EK/229	120393	2
FRONT	EJ		
	EH exc. EH/2104, EH/2106	LH7415779	1
		RH7415780	1
REAR	EJ/235, EH/235	LH7415780	1
		RH7415779	1

7.829 PLATE—Bumper guard mounting

PLATE—Front	EK	LH 7418783	1
		RH 7418782	1
PLATE—Rear	EK/215, EK/225	LH 7418783	1
		RH 7418782	1
NUT—Hex. 5/16"—18	EK	120376	4-2
WASHER—Spring lock 5/16" medium	EK	120214	4-2
WASHER—Plain 11/32" x 11/16" x .065"	EK	120393	4-2

7.831 BAR—Bumper face

FRONT	48, 50, FJ	7404215	1
END—Front R.H.	FE, FC	7408744	1
CENTRE—Front	FE, FC	7408731	1
END—Rear L.H.	FE, exc. FE/2104, FE/2106 FC, exc. FC/2104, FC/2106	7408733	1
END—Rear R.H.	FE, exc. FE/2104, FE/2106 FC, exc. FC/2104, FC/2106	7408732	1
CENTRE—Rear	FE, exc. FE/2104, FE/2106 FC, exc. FC/2104, FC/2106	7408731	1
RIVET—Flat hd. small solid 5/16" x 1"	FE, exc. FE/2104, FE/2106 FC, exc. FC/2104, FC/2106	SP1385	8
END—Rear L.H.	FE/2104, FE/2106, FC/2104, FC/2106	7410473	1
END—Rear R.H.	FE/2104, FE/2106, FC/2104, FC/2106	7410472	1
END—Front	FB, EK	LH 7412903	1
		RH 7412902	1
CENTRE—Front	FB	7401687	1
CENTRE—Front	EK	7418788	1
BOLT—Hex. hd. 3/8"—24 x 1"	FB, EK	181637	4
NUT—Hex. 3/8"—24	FB, EK	120369	4
WASHER—Spring lock 3/8" medlum	FB, EK	120382	4
END—Rear	FB/215, FB/225, EK/215, EK/225	LH 7401685	1
		RH 7401686	1
CENTRE—Rear	FB/215, FB/225	7401687	1
CENTRE—Rear	EK/215, EK/225	7418788	1



HOLDEN

MASTER PARTS CATALOGUE

7.831 BAR—Bumper Face (Cont'd.).

END—Rear	FB/219, FB/229, EK/219, EK/229	LH 7401681	1
		RH 7401682	1
CENTRE—Rear	FB/219, FB/229, EK/219, EK/229	7401683	1
BOLT—Hex. hd. 3/8"—24 x 1"	FB, exc. FB/2104, FB/2106		
	EK, exc. EK/2104, EK/2106	181637	4
NUT—Hex. 3/8"—24	FB, exc. FB/2104, FB/2106		
	EK, exc. EK/2104, EK/2106	120369	4
WASHER—Spring lock 3/8" medium	FB, exc. FB/2104, FB/2106		
	EK, exc. EK/2104, EK/2106	120382	4
STRIP—Protector	FB/219, FB/229, EK/219, EK/229	7415348	2
END—Rear	FB/2104, FB/2106, EK/2104, EK/2106		
		LH 7410473	1
		RH 7410472	1
REINFORCEMENT—Centre face flange	FB, EK	7401407	4-2
END—Front	EJ, EH	LH7415463	1
		RH7415462	1
CENTRE—Front	EJ, EH	7415429	1
BOLT—Hex. hd. 5/16"—24 x 1"	EJ, EH	181608	4
WASHER—Spring lock, 5/16"—medium	EJ, EH	120214	4
NUT—Hex. 5/16"—24	EJ, EH	120368	4
END—Rear	EJ exc. EJ/2104, EJ/2106	LH7410195	1
		RH7410194	1
CENTRE—Rear	EJ exc. EJ/2104, EJ/2106	7410247	1
BOLT—Hex. hd. 5/16"—24 x 7/8"	EJ/215, EJ/219, EJ/225, EJ/229	181596	4
BOLT—Hex. hd. 5/16"—24 x 1"	EJ/235	181608	4
WASHER—Spring lock, 5/16"—medium	EJ exc. EJ/2104, EJ/2106	120214	4
NUT—Hex. 5/16"—24	EJ exc. EJ/2104, EJ/2106	120368	4
END—Rear	EH exc. EH/2104, EH/2106	LH7422143	1
		RH7422144	1
CENTRE—Rear	EH exc. EH/2104, EH/2106	7421825	1
BOLT—Hex. hd. 5/16"—24 x 7/8"	EH/215, EH/219, EH/225, EH/229,		
	EH/239	181596	4
BOLT—Hex. hd. 5/16"—24 x 1"	EH/235	181608	4
WASHER—Spring lock 5/16"—medium	EH exc. EH/2104, EH/2106	120214	4
NUT—Hex. 5/16"—24	EH exc. EH/2104, EH/2106	120368	4
FILLER—Rear centre	EJ exc. EJ/2104, EJ/2106		
	EH exc. EH/2104, EJ/2106	LH7421197	1
		RH7421196	1
RIVET—Oval hd. tubular 1/8" x 7/32"	EJ exc. EJ/2104, EJ/2106	191522	4
END—Rear	EJ/2104, EJ/2106, EH/2104, EH/2106	LH7418323	1
		RH7418324	1
REINFORCEMENT—Flange	EJ, EH	7410263	4-2
END—Front	HD	LH7424055	1
		RH7424054	1
END—Front	HR	LH7430881	1
		RH7430882	1
CENTRE—Front	HD, HR	7423785	1
BOLT—Hex. hd. 5/16"—18 x 3/4"	HD, HR	180077	6
WASHER—Spring lock 5/16"—Medium	HD, HR	120214	6
NUT—Hex. 5/16"—18	HD, HR	120376	2
REINFORCEMENT—Front flange	HD, HR	7424101	2
END—Rear	HD exc. HD/2104, HD/2106	LH7423841	1
		RH7423840	1
CENTRE—Rear	HD/215, HD/225, HD/235	7423310	1
CENTRE—Rear	HD/219, HD/229, HD/239	7424741	1
BOLT—Hex. hd. 5/16"—18 x 3/4"	HD exc. HD/2104, HD/2106	180077	4
WASHER—Spring lock 5/16"—Medium	HD exc. HD/2104, HD/2106	120214	4
REINFORCEMENT—Rear flange	HD exc. HD/2104, HD/2106	7423202	2
END—Rear	HD/2104, HD/2106	LH7427359	1
		RH7427360	1

HOLDEN

MASTER PARTS CATALOGUE



7.831 BAR—Bumper Face (Cont'd.)

END—Rear	HR exc. HR/2104, HR/2106	LH7428647 RH7428648	1 1
CENTRE—Rear	HR exc. HR/2104, HR/2106	7428225	1
REINFORCEMENT—Rear flange	HR exc. HR/2104, HR/2106	7428682	2
END—Rear	HR/2104, HR/2106	LH7427359 RH7427360	1 1
BOLT—Hex. hd. 5/16"—18 x 3/4"	HR	180077	4
WASHER—Spring lock 5/16" medium	HR	120214	4

7.833 SEAL, RETAINER—Rear Bumper Bar Body

SEAL	FE, exc. FE/2104, FE/2106 FC, exc. FC/2104, FC/2106	LH 7411557	1
RETAINER—Seal	FE, exc. FE/2104, FE/2106 FC, exc. FC/2104, FC/2106	LH7411555 RH 7411556	1 1
SEAL	FE/2104, FE/2106, FC/2104, FC/2106 FB/2104, FB/2106, EK/2104, EK/2106	LH 7411769	1
SEAL—Centre	FB, exc. FB/2104, FB/2106 EK, exc. EK/2104, EK/2106	7412788	1
SEAL	FB, exc. FB/2104, FB/2106 EK, exc. EK/2104, EK/2106	LH 7412789 RH 7412790	1 1
RETAINER—Seal	FB, exc. FB/2104, FB/2106 EK, exc. EK/2104, EK/2106	7412791	1
SCREW—Pan hd. sl. tap. Type "B" No. 6—20 x 3/8"	FB, exc. FB/2104, FB/2106 EK, exc. EK/2104, EK/2106	145186	6

7.836 BAR ASSEMBLY—Bumper secondary

FRONT L.H.	48, 50, FJ	7402721	1
FRONT R.H.	48, 50, FJ	7402722	1
REAR L.H.	48, FJ/215, FJ/217, FJ/225	7402713	1
REAR R.H.	48, FJ/215, FJ/217, FJ/225	7402714	1
NUT—Light hex. 3/8"—24	48, 50, FJ	120369	8-4
WASHER—Spring lock 3/8" medium	48, 50, FJ	120382	8-4
WASHER—Plain 7/16" x 1" x .083"	48, FJ/215, FJ/217, FJ/225	120388	4
FRONT—Inner L.H.	FE, FC	7408749	1
FRONT—Inner R.H.	FE, FC	7408748	1
FRONT—Outer L.H.	FE, FC	7408751	1
FRONT—Outer R.H.	FE, FC	7408750	1
BOLT—Hex. hd. 3/8"—16 x 7/8"	FE, FC	122126	2
BOLT—Hex. hd. 3/8"—16 x 3"	FE, FC	122207	2
NUT—Hex. 3/8"—16	FE, FC	120377	4
WASHER—Spring lock 3/8"—medium	FE, FC	120382	8
REAR—L.H.	FE, exc. FE/2104, FE/2106 FC, exc. FC/2104, FC/2106	7408739	1
REAR—R.H.	FE, exc. FE/2104, FE/2106 FC, exc. FC/2104, FC/2106	7408738	1
REAR—L.H.	FE/2104, FE/2106, FC/2104, FC/2106	7410475	1
REAR—R.H.	FE/2104, FE/2106, FC/2104, FC/2106	7410474	1
BOLT—Hex. hd. 3/8"—24 x 1 1/8"	FE, FC	181638	4
WASHER—Spring lock 3/8"—medium	FE, FC	120382	4
FRONT—Inner	FB, EK	LH 7412605 RH 7412604	1 1
FRONT—Outer	FB, EK	LH 7412727 RH 7412726	1 1
BOLT—Hex. hd. 3/8"—24 x 7/8"	FB, EK	181636	4
BOLT—Hex. hd. 3/8"—24 x 3"	FB, EK	181652	2
NUT—Hex. 3/8"—24	FB, EK	120369	4
WASHER—Spring lock 3/8" medium	FB, EK	120382	6



HOLDEN

MASTER PARTS CATALOGUE

7.836 BAR ASSEMBLY—Bumper Secondary (Cont'd.)

REAR	FB, exc. FB/2104, FB/2106 EK, exc. EK/2104, EK/2106	LH 7402161 RH 7402162	1 1
REAR	FB/2104, FB/2106 EK/2104, EK/2106	LH 7410475 RH 7410474	1 1
BOLT—Hex. hd. 3/8"—24 x 1 1/8"	FB, EK	181638	4
WASHER—Spring lock 3/8" medium	FB, EK	120382	4
FRONT—Inner	EJ, EH	LH7415625 RH7415626	1 1
FRONT—Outer	EJ, EH	7421192	2
BOLT—Hex. hd. 5/16"—24 x 3/4"	EJ, EH	181595	2
WASHER—Spring lock, 5/16"—medium	EJ, EH	120214	2
WASHER—Plain, .3438" x 1" x .075"	EJ, EH	SP1445	2
BOLT—Hex. hd. 3/8"—24 x 3/4"	EJ, EH	181635	4
WASHER—Spring lock 3/8"—light	EJ, EH	120381	4
WASHER—Plain, 13/32" x 13/16" x .065"	EJ, EH	120394	4
BOLT—Hex. hd. 1/4"—28 x 1-3/8"	EJ, EH	181574	4
WASHER—Spring lock, 1/4"—medium	EJ, EH	120380	4
WASHER—Plain, 17/64" x 3/4" x .075"	EJ, EH	SP1107	4
REAR ASSEMBLY—(Inner and outer)	EJ exc. EJ/2104, EJ/2106	LH7421329 RH7421328	1 1
REAR—Inner	EJ exc. EJ/2104, EJ/2106	LH7418843 RH7418844	1 1
REAR—Outer	EJ exc. EJ/2104, EJ/2106	LH7410233 RH7410234	1 1
RIVET—Button hd. solid 1/4" x 3/4"	EJ exc. EJ/2104, EJ/2106	104083	2
BOLT—Hex. hd. 5/16"—24 x 3/4"	EJ exc. EJ/2104, EJ/2106	181595	2
WASHER—Plain, 11/32" x 11/16" x .065"	EJ exc. EJ/2104, EJ/2106	120393	2
WASHER—Spring lock, 5/16"—medium	EJ exc. EJ/2104, EJ/2106	120214	2
NUT—Hex. 5/16"—24	EJ exc. EJ/2104, EJ/2106	120368	2
BOLT—Hex. hd. 3/8"—24 x 3-3/4"	EJ exc. EJ/2104, EJ/2106	189330	4
WASHER—Plain, type "A" 13/32" x 13/16" x .065"	EJ exc. EJ/2104, EJ/2106	120394	3
WASHER—Spring lock, 3/8"—medium	EJ exc. EJ/2104, EJ/2106	120382	4
NUT—Hex. 3/8"—24	EJ exc. EJ/2104, EJ/2106	120369	4
Rear—Inner	EH exc. EH/2104, EH/2106	LH7422095 RH7422094	1 1
REAR—Outer	EH exc. EH/2104, EH/2106	LH7422093 RH7422092	1 1
RIVET—Button hd. solid 1/4" x 3/4"	EH exc. EH/2104, EH/2106	104083	2
BOLT—Hex. hd. 5/16"—24 x 3/4"	EH exc. EH/2104, EH/2106	181595	2
WASHER—Plain, 11/32" x 11/16" x .065"	EH exc. EH/2104, EH/2106	120393	2
WASHER—Spring lock, 5/16"—medium	EH exc. EH/2104, EH/2106	120214	2
NUT—Hex. 5/16"—24	EH exc. EH/2104, EH/2106	120368	2
BOLT—Hex. hd. 3/8"—24 x 3-3/4"	EH exc. EH/2104, EH/2106	189330	4
WASHER—Plain, type "A" 13/32" x 13/16" x .065"	EH exc. EH/2104, EH/2106	120394	3
WASHER—Spring lock, 3/8"—medium	EH exc. EH/2104, EH/2106	120382	4
NUT—Hex. 3/8" x 24	EH exc. EH/2104, EH/2106	120369	4
REAR—Inner	EJ/2104, EJ/2106, EH/2104, EH/2106	LH7418353 RH7418352	1 1
REAR—Outer	EJ/2104, EJ/2106, EH/2104, EH/2106	LH7418679 RH7418680	1 1
BOLT—Hex. hd. 3/8"—24 x 3-1/2"	EJ/2104, EJ/2106, EH/2104, EH/2106	187044	4
WASHER—Plain, 13/32" x 13/16" x .065"	EJ/2104, EJ/2106, EH/2104, EH/2106	120394	3
WASHER—Spring lock, 3/8"—medium	EJ/2104, EJ/2106, EH/2104, EH/2106	120382	4
NUT—Hex. 3/8"—24	EJ/2104, EJ/2106, EH/2104, EH/2106	120369	4
BOLT—Hex. hd. 5/16"—24 x 3/4"	EJ/2104, EJ/2106, EH/2104, EH/2106	181595	2
WASHER—Spring lock, 5/16"—medium	EJ/2104, EJ/2106, EH/2104, EH/2106	120214	2
SCREW—Hex. hd. tap. type "C" 1/4"—28 x 3/4"	EJ/2104, EJ/2106, EH/2104, EH/2106	171041	2
WASHER—Plain, 17/64" x 3/4" x .075"	EJ/2104, EJ/2106, EH/2104, EH/2106	SP1107	2
WASHER—Spring lock, 1/4"—medium	EJ/2104, EJ/2106, EH/2104, EH/2106	120380	2

HOLDEN

MASTER PARTS CATALOGUE



7.836 BAR ASSEMBLY—Bumper Secondary (Cont'd.)

FRONT	HD, HR	LH7424313	1
		RH7424314	1
BOLT—Hex. hd. 5/16"—18 x 3/4"	HD, HR	180077	6
WASHER—Spring lock 5/16"—Medium	HD, HR	120214	6
WASHER—Plain 11/32" x 3/4" x .075"	HD, HR	SP1390	6
REAR	HD/215, HD/225, HD/235	LH7424607	1
		RH7424608	1
REAR	HD/219, HD/229, HD/239	LH7424609	1
		RH7424610	1
REAR	HR exc. HR/2104, HR/2106	LH7428421	1
		RH7428420	1
REAR	HD/2104, HD/2106		
	HR/2104, HR2106	7420371	2
BOLT—Hex. hd. 5/16"—18 x 3/4"	HD, HR	180077	2-4
BOLT—Hex. hd. 5/16"—18 x 2-3/4"	HD, HR/2104, HR/2106	180112	4
BOLT—Hex. hd. 5/16"—18 x 3-3/4"	HR/215, HR/225, HR/235	189297	4
BOLT—Hex. hd. 5/16"—18 x 3"	HR/219, HR/229, HR/239	180113	4
WASHER—Spring lock 5/16"—Medium	HD, HR	120214	6
WASHER—Rear bumper bar to rear quarter	HD, HR	3713379	2
WASHER—Plain 11/32" x 3/4" x .075"	HD, HR	SP1390	4

7.852 BOLT—Bumper face bar

BOLT	48, 50, FJ	7413638	4-2
NUT—Light hex. 7/16"—14	48, 50, FJ	124573	4-2
WASHER—Plain 15/32" x 59/64" x .065"	48, 50, FJ	120395	4-2
WASHER—Spring lock 7/16" medium	48, 50, FJ	120383	4-2
BOLT—Rear bar	FE/2104, FE/2106, FC/2104, FC/2106	7410478	2
NUT—Hex. 5/16"—18	FE/2104, FE/2106, FC/2104, FC/2106	120376	2
WASHER—Spring lock 5/16"—medium	FE/2104, FE/2106, FC/2104, FC/2106	120214	2
BOLT—Rd. hd. short sq. neck 7/16"—14 x .88"	FE, FC	7413453	2
NUT—Hex. 7/16"—14	FE, FC	271501	2
WASHER—Plain 15/32" x 59/64" x .065"	FE, FC	120395	2
WASHER—Spring lock 7/16"—medium	FE, FC	120383	2
BOLT—Rd. hd. carriage 5/16"—18 x 1 5/8"	FE, FC	7413452	2
NUT—Hex. 5/16"—18	FE, FC	120376	2
WASHER—Spring lock 5/16"—medium	FE, FC	120214	2
BOLT—Rd. hd. sq. neck 5/16"—18 x 2"	FE, exc. FE/2104, FE/2106		
	FC, exc. FC/2104, FC/2106	7413449	2
NUT—Hex. 5/16"—18	FE, exc. FE/2104, FE/2106		
	FC, exc. FC/2104, FC/2106	120376	2
WASHER—Spring lock 5/16"—medium	FE, exc. FE/2104, FE/2106		
	FC, exc. FC/2104, FC/2106	120214	2
BOLT—Rd. hd. sq. neck 5/16"—18 x 2 1/4"	FE/2104, FE/2106, FC/2104, FC/2106	7413448	2
NUT—Hex. 5/16"—18	FE/2104, FE/2106, FC/2104, FC/2106	120376	4
WASHER—Spring lock 5/16"—medium	FE/2104, FE/2106, FC/2104, FC/2106	120214	4
BOLT—Front bar	FB, EK	7410427	4
NUT—Hex. 5/16"—18	FB, EK	120376	4
WASHER—Spring lock 5/16" medium	FB, EK	120214	4
WASHER—Plain 11/32" x 11/16" x .065"	FB, EK	120393	4
BOLT—Rear bar	FB, exc. FB/2104, FB/2106		
	EK, exc. EK/2104, EK/2106	7413638	2
NUT—Hex. 7/16"—14	FB, exc. FB/2104, FB/2106		
	EK, exc. EK/2104, EK/2106	271501	2
WASHER—Spring lock 7/16" medium	FB, exc. FB/2104, FB/2106		
	EK, exc. EK/2104, EK/2106	120383	2
WASHER—Plain 15/32" x 59/64" x .065"	FB, exc. FB/2104, FB/2106		
	EK, exc. EK/2104, EK/2106	120395	2
BOLT—Rear bar	FB, exc. FB/2104, FB/2106		
	EK, exc. EK/2104, EK/2106	7415329	2
NUT—Hex. 5/16"—18	FB, exc. FB/2104, FB/2106		
	EK, exc. EK/2104, EK/2106	120376	2
WASHER—Spring lock 5/16" medium	FB, exc. FB/2104, FB/2106		
	EK, exc. EK/2104, EK/2106	120214	2



HOLDEN

MASTER PARTS CATALOGUE

7.852 BOLT—Bumper face bar (Cont'd)

BOLT—Rear bar (end gate bumper)	FB/2104, FB/2106, EK/2104, EK/2106	7410478	2
BOLT—Rear bar	FB/2104, FB/2106, EK/2104, EK/2106	7413448	2
NUT—Hex. 5/16"—18	FB/2104, FB/2106, EK/2104, EK/2106	120376	4
WASHER—Spring lock 5/16" medium	FB/2104, FB/2106, EK/2104, EK/2106	120214	4
BOLT	EJ, EH	7410427	A.R.
NUT—5/16"—18	EJ, EH	120376	A.R.
WASHER—Plain, 11/32" x 11/16" x .065"	EJ, EH	120393	A.R.
WASHER—Spring lock, 5/16"—medium	EJ, EH	120214	A.R.
BOLT—Rear bar (end gate bumper)	EJ/2104, EJ/2106, EH/2104, EH/2106 HD/2104, HD/2106 HR/2104, HR/2106	7410478	2
NUT—Hex. 5/16"—18	EJ/2104, EJ/2106, EH/2104, EH/2106 HD/2104, HD/2106 HR/2104, HR/2106	120376	2
WASHER—Spring lock, 5/16"—medium	EJ/2104, EJ/2106, EH/2104, EH/2106 HD/2104, HD/2106 HR/2104, HR/2106	120214	2
WASHER—Plain, 11/32" x 11/16" x .065"	EJ/2104, EJ/2106, EH/2104, EH/2106 HD/2104, HD/2106 HR/2104, HR/2106	120393	2
BOLT	HD, HR	7423203	10
WASHER—Plain, type "A" 9/32" x 5/8" x .065"	HD, HR	120392	10
WASHER—Spring lock 1/4"—Medium	HD, HR	120380	10
WASHER—Fibre	HR exc. HR/2104, HR/2106	7433943	4
NUT—Hex. 1/4"—20	HD, HR	120375	10

7.865 SPACER—Bumper Bar

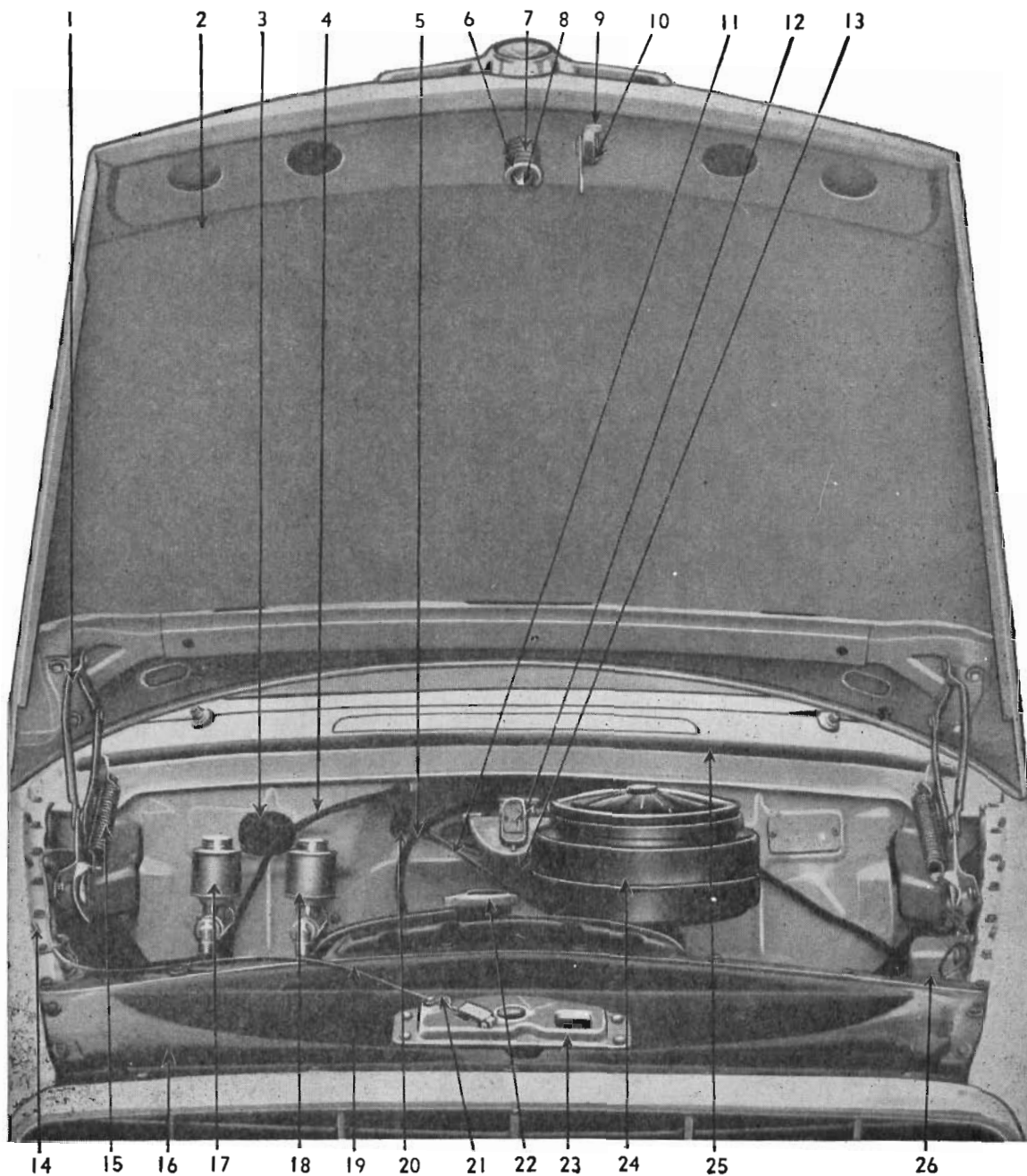
FRONT	FE, FC	7408742	2
REAR—Inner	FE, FC	7410523	2
REAR—Outer	FE, FC	7410476	2
FRONT	FB, EK	7415010	2
REAR—Outer	FB, exc. FB/2104, FB/2106 EK, exc. EK/2104, EK/2106	7408742	2
REAR—Outer	FB/2104, FB/2106, EK/2104, EK/2106	7410476	2
REAR—Inner	FB/2104, FB/2106, EK/2104, EK/2106	7410523	2
FRONT	EJ, EH	7421233	2
FRONT—Outer	EJ, EH	7418539	4
REAR	EJ exc. EJ/2104, EJ/2106	LH7421295 RH7421294	1 1
REAR	EH exc. EH/2104, EH/2106	LH7422171 RH7422172	1 1
REAR	EJ/2104, EJ/2106, EH/2104, EH/2106	LH7415179 RH7415180	1 1
FRONT	HD	LH7427135 RH7427136	1 1
REAR	HD, HR/2104, HR/2106	7424193	2
FRONT	HR	LH7430893 RH7430894	1 1
REAR	HR exc. HR/2104, HR/2106	LH7428901 RH7428900	1 1

7.868 BUMPER—Front bumper stone shield

BUMPER	48, 50, FJ	7402189	4
--------------	------------------	---------	---

HOLDEN

MASTER PARTS CATALOGUE



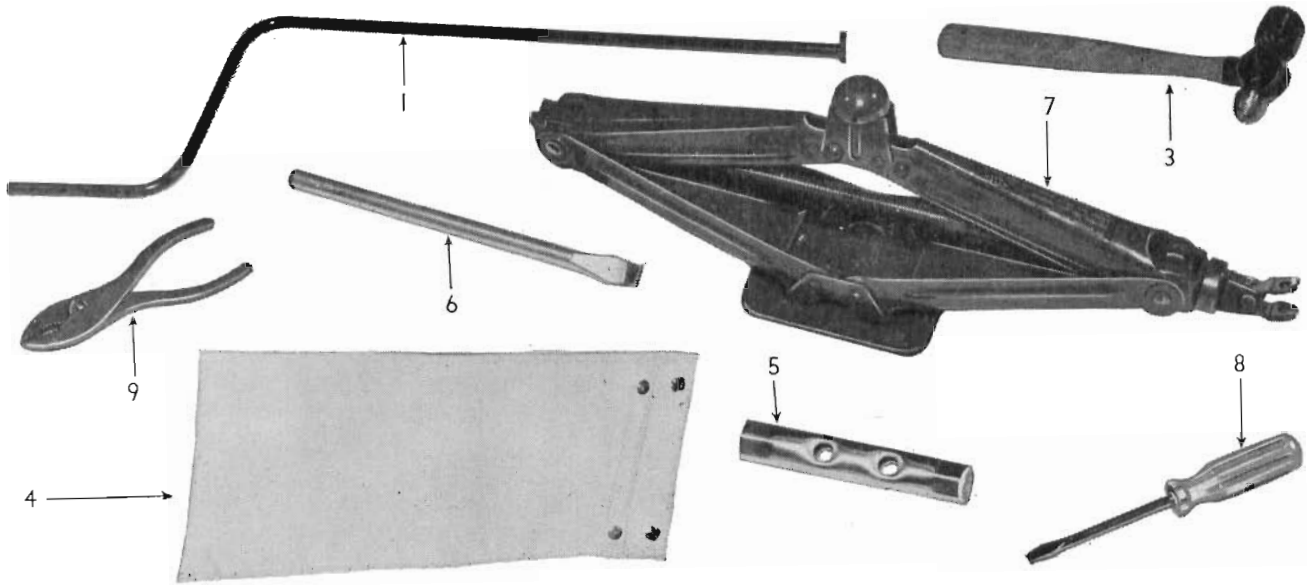
HOOD

Illus. Ref. No.	Part Name	Group	Illus. Ref. No.	Part Name	Group
1.	HINGE ASSEMBLY	8.015	14.	BUMPER	8.024
2.	PANEL ASSEMBLY	8.000	15.	SPRING	8.013
3.	GROMMET	2.561	16.	BAFFLE	1.286
4.	HARNESS ASSEMBLY	2.555	17.	CYLINDER ASSEMBLY	4.650
5.	HOSE	10.155	18.	CYLINDER ASSEMBLY	0.902
6.	RETAINER	8.085	19.	ROD ASSEMBLY	8.075
7.	SPRING	8.085	20.	GROMMET	4.342
8.	BOLT	8.085	21.	CLIP	8.075
9.	CATCH	8.036	22.	CAP	1.203
10.	SPRING	8.036	23.	LOCK ASSEMBLY	8.079
11.	CONTROL ASSEMBLY	3.521	24.	AIR CLEANER ASSEMBLY	3.402
12.	MOTOR ASSEMBLY	10.150	25.	LACING	9.127
13.	CABLE ASSEMBLY	4.342	26.	REGULATOR ASSEMBLY	2.500



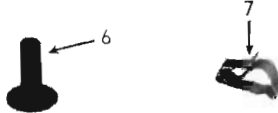
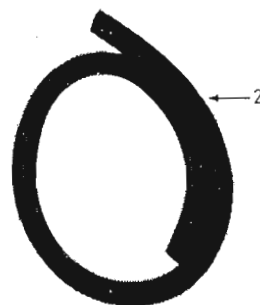
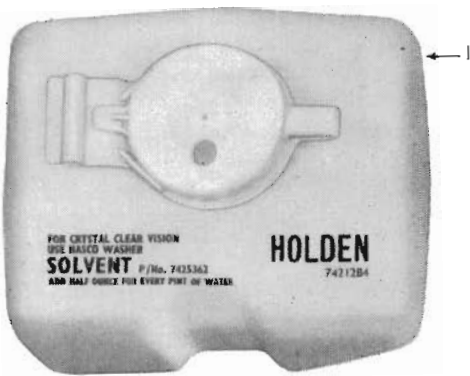
HOLDEN

MASTER PARTS CATALOGUE



TOOLS

Illus. Ref. No.	Part Name	Group	Illus. Ref. No.	Part Name	Group
1	HANDLE ASSEMBLY	8.820	6	HANDLE	8.821
3	HAMMER	N.L.A.	7	JACK ASSEMBLY	8.820
4	BAG ASSEMBLY	8.821	8	SCREWDRIVER	8.821
5	WRENCH—Wheel Nut and Spark Plug	8.821	9	PLIERS	8.821



WINDSHIELD WASHER

Illus. Ref. No.	Part Name	Group	Illus. Ref. No.	Part Name	Group
1	JAR	8.798	5	GASKET	8.798
2	HOSE	8.798	6	FILTER	8.798
3	HOSE	8.798	7	CLIP—Hose	8.798
4	NOZZLE	8.798			

HOLDEN

MASTER PARTS CATALOGUE



Group	Description	Model	Part No.	Qty.
8.000 PANEL ASSEMBLY—Hood				
	PANEL ASSEMBLY	FE	7409751	1
	PANEL ASSEMBLY	FC	7411006	1
	PANEL ASSEMBLY	FB, EK	7412950	1
	PANEL ASSEMBLY	EJ	7422452	1
	PANEL ASSEMBLY	EH	7422904	1
	PANEL ASSEMBLY	HD	7412901	1
	PANEL ASSEMBLY	HR	7429410	1
8.009 SILENCER, RETAINER—Hood Panel				
	SILENCER	EK (A)	7418852	1
	RETAINER—Silencer	EK (A)	7418853	1
	SILENCER	EJ (A)	7421869	1
	PLATE—Silencer attaching	EJ (A)	7424204	2
	SCREW—Pan hd. sl. tap. Type "A", No. 10—12 x 3/4"	EJ (A)	128151	2
	WIRE—Hood silencer retaining	EJ (A)	7423057	A.R.
	RETAINER—Silencer wire, side	EJ (A)	7423983	A.R.
	RETAINER—Silencer wire, rear	EJ (A)	7423984	A.R.
	PAD—Hood inner panel silencer	EJ	7423164	16
	PAD—Hood inner panel silencer	EH, HD, HR	7416073	A.R.
	PAD—Hood inner panel silencer	HD, HR	7423164	A.R.
8.010 SEAL, RETAINER—Hood to Radiator Support				
	SEAL	FB, EK	7402419	2
	RETAINER	FB, EK	7413482	2
	SCREW—Pan hd. sl. tap, Type "A", No. 6—18 x 1/2"	FB, EK	125672	6
	CLIP—Seal	EK	4649455	6
8.012 SUPPORT—Hood				
	SUPPORT	48, 50, FJ	7403114	1
	WASHER—Plain 9/32" x 5/8" x .065"	48, 50, FJ	120392	1
8.013 CLIP, SPRING—Hood Support and Hinge				
	CLIP—Hood support	48, 50, FJ	7403115	1
	SCREW—Pan hd. sl. tapp. type "A" No. 8—18 x 3/8"	48, 50, FJ	128270	2
	SPRING—Hood hinge	FE, FC	7410533	2
	SPRING—Hood hinge, 1-1/2" O.D.	FB, EK, EJ, EH, HD, HR	7422743	2
8.015 HINGE, BRACKET ASSEMBLY—Hood				
	HINGE ASSEMBLY—L.H.	48, 50, FJ	7403109	1
	HINGE ASSEMBLY—R.H.	48, 50, FJ	7403108	1
	BOLT—Auto. hex. hd. 5/16"—24 x 3/4"	48, 50, FJ	120741	6
	WASHER—Spring lock 5/16"—medium	48, 50, FJ	120214	6
	WASHER—Plain 3/8" x 7/8" x .083"	48, 50, FJ	446363	6
	BRACKET ASSEMBLY—Hinge link L.H.	48, 50, FJ	7404473	1
	BRACKET ASSEMBLY—Hinge link R.H.	48, 50, FJ	7404474	1
	SCREW—Pan. hd. sl. tapp. type "B" No. 10—16 x 3/8"	48, 50, FJ	145189	4
	BOLT—Hex. hd. 5/16"—24 x 11/16"	48, 50, FJ	123480	4
	WASHER—Spring lock 5/16"—medium	48, 50, FJ	120214	4
	WASHER—Plain 3/8" x 7/8" x .083"	48, 50, FJ	446363	4
	HINGE ASSEMBLY—L.H.	FE, FC	7409417	1
	HINGE ASSEMBLY—R.H.	FE, FC	7409416	1
	HINGE ASSEMBLY	FB, EK	LH7412309	1
			RH7412308	1
	BOLT—Hex. hd. 5/16"—24 x 1"	FE, FC, FB, EK	121661	4
	BOLT—Hex. hd. 5/16"—24 x 3/4"	FE, FC, FB, EK	120741	6
	WASHER—Spring lock 5/16"—medium	FE, FC, FB, EK	120214	10
	WASHER—Plain 11/32" x 11/16" x .065"	FE, FC, FB, EK	120393	6
	WASHER—3/8" hinge to hood	FE, FC, FB, EK	3713379	4
	SHIM—Hinge to cowl	FB, EK	3711834	A.R.



HOLDEN

MASTER PARTS CATALOGUE

8.015 HINGE, BRACKET ASSEMBLY—Hood (Cont'd.)

HINGE ASSEMBLY	EJ, EH	LH7415367	1
		RH7415368	1
BOLT—Hex. hd. 5/16"—24 x 3/4" ..	EJ, EH	120741	6
BOLT—Hex. hd. 5/16"—24 x 7/8" ..	EJ, EH	120213	4
WASHER—Spring lock, 5/16"—medium ..	EJ, EH	120214	10
WASHER—Plain, 11/32" x 11/16" x .065"	EJ, EH	120393	6
SPACER ASSEMBLY—Hood hinge to fender skirt	EJ, EH	7415530	2
WASHER—Special, 3/8"—hinge to hood ..	EJ, EH	3713379	4
SHIM—Hood hinge to cowl	EJ, EH	3711834	A.R.
HINGE ASSEMBLY	HD, HR	LH7423943	1
		RH7423944	1
BOLT—Hex. hd. 5/16"—18 x 3/4"	HD, HR	180077	6
BOLT—Hex. hd. 5/16"—18 x 7/8"	HD, HR	120229	4
WASHER—Plain 11/32" x 3/4" x .075"	HD, HR	SP1390	6
WASHER—Spring lock 5/16"—Medium	HD, HR	120214	10
SPACER ASSEMBLY—Hood hinge to fender skirt	HD, HR	LH7420211	1
		RH7420212	1
WASHER—Special, 3/8"—hinge to hood	HD, HR	3713379	4
SHIM—Hood hinge to cowl	HD, HR	3711834	A.R.

8.016 BOLT—Hood Hinge to Hood

BOLT	48, 50, FJ	7401953	4
------------	------------------	---------	---

8.022 BRACE—Hood Cross

BRACE ASSEMBLY	FB, EK	7414752	1
BOLT—Hex. hd., 5/16"—24 x 3/4"	FB, EK	120741	4
WASHER—Spring lock, 5/16", medium ..	FB, EK	120214	4
WASHER—Plain 11/32 x 11/16" x .065"	FB, EK	120393	2

8.024 BUMPER—Hood

BUMPER—Hood to radiator grille	48, 50	7402190	7
BUMPER—Hood to fender	48, 50	7402189	6
BUMPER—Hood to fender	FJ	7402189	10
BUMPER—Hood to fender and grille	FE, FC	7409193	9
BUMPER—Hood to fender	FB, EK	7412156	4
BUMPER—Hood to grille	FB, EK, EJ, EH	7412636	2
BUMPER—Hood to fender skirt	EJ, EH	7402561	4
BOLT—Grille bumper	FB, EK, EJ, EH	7412637	2
NUT—Hex., 1/4"—28	FB, EK, EJ, EH	120367	2
BUMPER—Hood to fender skirt, triangular ..	HD, HR	7424840	4
BUMPER—Hood to fender skirt, round	HD, HR	7424249	2
BOLT—Bumper to fender skirt	HD, HR	7424068	2
NUT—Hex. jam 5/16"—18	HD, HR	124824	2

8.036 CATCH, SPRING—Hood Safety

SPRING—Safety catch	48, 50	7401518	1
RIVET—Catch to upper plate	48, 50	SP1168	1
CATCH	FJ	7403989	1
CATCH	FE, FC	7409256	1
RIVET—Oval hd. tubular 1/4" x 1 1/8"	FE, FC	SP1168	1
SPRING—Safety catch	FJ, FE, FC	7404006	1
CATCH	FB, EK	7412064	1
SPRING—Safety catch	FB, EK	3721677	1
RIVET	FB, EK	7412068	2
CATCH	EJ, EH, HD, HR	7409256	1
PIN—Hood safety catch	EJ, EH, HD, HR	7421659	1
WASHER—Plain, 13/64" x 15/32" x .049"	EJ, EH, HD, HR	446152	1
SPRING—Safety catch	EJ, EH, HD, HR	7404006	1

HOLDEN

MASTER PARTS CATALOGUE



8.039 LETTER, PLATE—Hood Name

LETTER "O"	48, 50	7403201	1
LETTER "L"	48, 50	7403200	1
LETTER "D"	48, 50	7403197	1
LETTER "E"	48, 50	7403199	1
LETTER "N"	48, 50	7403202	1
PLATE ASSEMBLY (Holden)	FJ	7404511	2
LETTER "H"	FC	7411806	1
LETTER "O"	FC	7411807	1
LETTER "L"	FC	7411808	1
LETTER "D"	FC	7411809	1
LETTER "E"	FC	7411810	1
LETTER "N"	FC	7411811	1
LETTER "H"	FB, EK	7412316	1
LETTER "O"	FB, EK	7412317	1
LETTER "L"	FB, EK	7412318	1
LETTER "D"	FB, EK	7412319	1
LETTER "E"	FB, EK	7412320	1
LETTER "N"	FB, EK	7412321	1
LETTER "H"	HD	7424032	1
LETTER "O"	HD	7424033	1
LETTER "L"	HD	7424034	1
LETTER "D"	HD	7424035	1
LETTER "E"	HD	7424036	1
LETTER "N"	HD	7424037	1

8.040 NUT, CLIP—Hood Letter and Name Plate

NUT—Letter to hood panel	48, 50	445194	6
NUT—Name plate to hood panel	FJ	445194	6
CLIP—Letter retaining, 1/8" tubular	FC, FB, EK	SP1345	A.R.
CLIP—Letter retaining	HD	4635016	12

8.049 BAR & EXTENSION, MOULDING—Hood Grille

BAR & EXTENSION ASSEMBLY	FJ	7408282	1
SCREW—Hex. hd. tap. type "A" No. 10—12 x 1/2"	FJ	444267	6
MOULDING	FJ	7404022	1
BAR ASSEMBLY	FB	7412298	1
SCREW—Hex. hd. tap., Type "C", 1/4"—28 x 3/4"	FB	171041	4
WASHER—Spring lock, 1/4", medium	FB	120380	4
WASHER—Plain, 17/64" x 3/4" x .075"	FB	SP1107	4
BAR ASSEMBLY	EK	7416420	1
NUT—Hex. mach. screw No. 10—24	EK	120361	4
WASHER—Spring lock No. 10 light	EK	131183	4

8.055 EMBLEM, ORNAMENT, MOULDING—Hood

EMBLEM ASSEMBLY—Hood grille	FJ	7404130	1
RIVET—Csk. hd. tubular 1/8" x 3/16"	FJ	SP1223	2
SCREW—Hex. hd. machine No. 10—24 x 1/2"	FJ	443874	2
WASHER—Ext. tooth lock No. 10	FJ	138479	2
WASHER—Special cup	FJ	7404135	1
EMBLEM AND STUD ASSEMBLY	FE	7409411	1
NUT—Hex. No. 10—24 U.N.C.	FE	SP1372	2
CLIP—Emblem attaching (tubular) 1/8" stud	FE	3697750	2
INSERT—Emblem	FE	7409414	1
RETAINER—Emblem insert	FE	7411622	2
NUT—Stamped type "G" No. 10—24	FE	446063	2
INSERT—Grille bar	EK	7416423	1
CLIP—Insert retainer	EK	7416424	3
SCREW—Pan hd. cr. rec. tap. Type "T", No. 6—32 x 1/4"	EK	274571	6



HOLDEN

MASTER PARTS CATALOGUE

8.055 EMBLEM, ORNAMENT, MOULDING—Hood (Cont'd.)

EMBLEM	EJ	7421184	1
STUD—Hood emblem	EJ	7409413	1
MOULDING	EJ	7422356	2
SCREW—Pan hd. cr. rec. tap. type "A" No. 4—24 x 1/4"	EJ	161752	4
SCREW—Flat hd. cr. rec. tap. type "A" No. 4—24 x 1/4"	EJ	161340	2
RETAINER—Moulding	EJ	7422906	4
STUD—Hood ornament	EJ/235	7409413	1
NUT—Stamped No. 10—24 x 3/4"	EJ/235	446063	4

8.075 ROD ASSEMBLY—Hood Catch Control

ROD ASSEMBLY	48, 50, FJ	7404437	1
ROD ASSEMBLY	FE, FC	7409625	1
ROD ASSEMBLY	EK	7418887	1
NUT—Light hex. jam 3/8"—24	48, 50, FJ, FE, FC, EK	114494	1
WASHER—Int. tooth lock 3/8"	48, 50, FJ, FE, FC, EK	138542	1
CLIP—Closed No. 3—3/16" dia.	FE, FC	120520	3
BOLT—Pan hd. cr. rec. mach. No. 10—32 x 1/2"	EK	160046	1
NUT—Hex. mach. screw No. 10—32	EK	120614	1
WASHER—Spring lock No. 10 medium	EK	120217	1
ROD ASSEMBLY	EJ, EH	7416091	1
ROD ASSEMBLY	HD, HR	7425939	1
NUT—Hex. jam, 3/8"—24—light	EJ, EH, HD, HR	114494	1
WASHER—Internal tooth lock, 3/8"	EJ, EH, HD, HR	138542	1
CLIP—Speed	EJ, EH, HD, HR	SP1446	1

8.076 GROMMET—Hood Catch Control Rod

GROMMET	EJ, EH, HD, HR	7416068	1-2
---------------	----------------------	---------	-----

8.077 BRACKET, SUPPORT, ANCHOR, TRUNNION, CLIP—Hood Catch Control Rod

BRACKET—Instrument panel	48, 50, FJ	7402193	1
NUT—Light hex. 1/4"—20	48, 50, FJ	120375	1
WASHER—Spring lock 1/4"—medium	48, 50, FJ	103319	i
CLIP—Front end frame (3/16" and 3/16")	48, 50, FJ	145539	A.R.
CLIP—Front end frame (closed 3/16" dia.)	FJ	120520	1
CLIP—Tube	48, 50, FJ	7401875	1
CLIP—Tube	FE, FC	7409263	1
SCREW—Rd. hd. sl. tapp. type "A" No. 10—12 x 1/4"	48, 50, FJ, FE, FC	125591	1
ANCHOR	48, 50, FJ, FE, FC	7400144	1
SCREW—Fill. hd. sl. machine No. 8—32 x 1/4"	48, 50, FJ, FE, FC	131954	1
BRACKET	EK	7418886	1
BOLT—Pan hd. cr. rec. mach. No. 10—32 x 1/2"	EK	160046	2
NUT—Hex. mach. screw No. 10—32	EK	120614	2
WASHER—Spring lock No. 10 medium	EK	120217	2
WASHER—Plain 7/32" x 1/2" x .049"	EK	120391	2
SUPPORT	EK	7418893	1
CLIP—Rod retaining	EK	7415519	1
CLIP—Rod to hood brace	EK	7418888	1
BRACKET	EJ, EH	7416013	1
SCREW—Pan hd. cr. rec. mach. No. 10—32 x 1/2"	EJ, EH	160046	2
WASHER—Spring lock, No. 10—medium	EJ, EH	120217	2
WASHER—Plain, type "A" 7/32 x 1/2" x .049"	EJ, EH	120391	2
NUT—Hex. machine screw No. 10—32	EJ, EH	120614	2
ANCHOR	EJ, EH	7400144	1
SCREW—Fillister hd. sl. mach. No. 8—32 x 1/4"	EJ, EH	131954	1
CLIP—Hood lock control rod retainer	EJ, EH	7415519	2

HOLDEN

MASTER PARTS CATALOGUE



8.077 BRACKET, SUPPORT, ANCHOR, TRUNNION, CLIP—Hood Catch Control Rod (Cont'd.)

BRACKET	HD, HR	7425957	1
BOLT—Pan hd. cr. rec. mach 1/4"—20 x 5/8"	HD, HR	160536	2
WASHER—Plain, type "A" 9/32" x 5/8" x .065"	HD, HR	120392	2
WASHER—Spring lock 1/4"—Medium	HD, HR	120380	2
NUT—Hex. 1/4"—20	HD, HR	120375	2
ANCHOR	HD, HR	7400144	1
SCREW—Fill. hd. sl. mach. No. 8—32 x 1/4"	HD, HR	131954	1
CLIP—Hood lock control rod retainer	HD, HR	7415519	2

8.079 LOCK ASSEMBLY—Hood

LOCK ASSEMBLY	FE, FC	7409301	1
SCREW—Rd. hd. cr. rec. mach. 1/4"—28 x 1/2" with lock washer	FE, FC	451978	4
WASHER—Plain 5/16" x 3/4" x .065"	FE, FC	120386	4
LOCK ASSEMBLY	FB, EK	7419211	1
BOLT—Hex. hd., 5/16"—24 x 3/4"	FB, EK	120741	3
WASHER—Spring lock, 5/16", medium	FB, EK	120214	3
WASHER—Plain, 11/32" x 11/16" x .065"	FB, EK	120393	3
LOCK ASSEMBLY	EJ, EH	7415515	1
SCREW—Rd. hd. cr. rec. mach. 1/4"—28 x 1/2"	EJ, EH	443707	4
WASHER—Plain, 5/16" x 3/4" x .065"	EJ, EH	120386	4
WASHER—Spring lock, 1/4"—medium	EJ, EH	120380	4
RIVET—Special	EJ, EH	7409261	1
RETAINER—Hood lock to radiator grille nut	EJ, EH	7415938	2
LOCK ASSEMBLY	HD, HR	7423342	1
BOLT—Rd. hd. cr. rec. mach 5/16"—18 x 3/4"	HD	155413	4
BOLT—Pan hd. cr. rec. 5/16"—18 x 3/4"	HR	160688	4
WASHER—Plain 11/32" x 3/4" x .075"	HD, HR	SP1390	4
WASHER—Spring lock 5/16"—Medium	HD, HR	120214	4
NUT—5/16"—18 "J" type	HD, HR	SP1548	2
RIVET—Special	HD, HR	7409261	1

8.080 PLATE ASSEMBLY—Hood Catch Lower

PLATE ASSEMBLY	48, 50, FJ	7400143	1
SCREW—Rd. hd. sl. machine 1/4"—28 x 5/8"	48, 50, FJ	143317	4
WASHER—Plain 5/16" x 3/4" x .065"	48, 50, FJ	120386	4
WASHER—Spring lock 1/4"—medium	48, 50, FJ	120380	4

8.081 SPRING—Hood Catch Lock Plate

SPRING	48, 50, FJ	7400139	1
SPRING	FE, FC, EJ, EH, HD, HR	7409299	1

8.085 SPRING, RETAINER, BOLT, PLUNGER—Hood Catch

SPRING	FE, FC	7424228	1
RETAINER—Spring	48, 50, FJ, FE, FC	7401522	1
BOLT—Lock plate	48, 50, FJ, FE, FC	7401520	1
NUT—Light Hex. 1/2"—20	48, 50, FJ	120371	1
NUT—Hex. jam 1/2"—20	FE, FC	124934	1
SPRING—Lock catch	FB, EK	3722413	1
SPRING—Release lever	FB, EK	3710922	1
SPRING—7 R.H. Coils, 3-1/4" high	EJ, EH, HD, HR	7424228	1
RETAINER—Spring	EJ, EH, HD, HR	7401522	1
PLUNGER	EJ, EH, HD, HR	7415559	1
NUT—Hex. jam, 1/2"—20	EJ, EH, HD, HR	124934	1

8.112 PAN—Engine Front Splash

PAN	48, 50, FJ	7402830	1
PAN—L.H.	FE, FC, FB, EK	7410009	1
PAN—R.H.	FE, FC, FB, EK	7410010	1
SCREW—Splash pan to frame	48, 50, FJ, FE, FC	7400075	4
WASHER—Plain 5/16" x 3/4" x .065"	48, 50, FJ	120386	4



HOLDEN

MASTER PARTS CATALOGUE

8.112 PAN—Engine Front Splash (Cont'd.)

PAN	EJ	LH7416197	1
				RH7416196	1
PAN	EH	LH7416197	1
				RH7422684	1
SCREW	EJ, EH	171041	6
WASHER—Spring lock, 1/4"—medium	EJ, EH	120380	6
PAN	HD, HR	7424782	1
BOLT—Hex. hd. 5/16"—18 x 3/4"	HD, HR	180077	8
WASHER—Plain 11/32" x 3/4" x .075"	HD, HR	SP1390	4
WASHER—Spring lock 5/16"—Medium	HD, HR	120214	8
NUT—5/16"—18 "J" type	HD, HR	SP1548	4

8.130 FENDER ASSEMBLY—Front

L.H.	48, 50	7401743	1
R.H.	48, 50	7401744	1
L.H.	FJ	7404095	1
R.H.	FJ	7404096	1
FENDER ASSEMBLY	FE, FC	LH 7409637	1
				RH 7409638	1
PANEL—Front	FE, FC	LH 7408823	1
				RH 7408822	1
GUTTER—Drip	FE, FC	7401438	1
PANEL—Headlamp mounting	FE, FC	7408663	2
PANEL—Headlamp mounting with fender section	FE, FC	7428224	2
REINFORCEMENT—Front fender support	FE, FC	7411965	2
FENDER ASSEMBLY	FB	LH7419779	1
				RH7419780	1
EXTENSION—Lower front	FB	LH 7403601	1
				RH 7403600	1
FENDER ASSEMBLY	EK	LH7426001	1
				RH7426000	1
EXTENSION—Lower front	EK	LH 7416811	1
				RH 7416810	1
PANEL—Lower front	FB, EK	LH7412485	1
				RH 7412484	1
PANEL—Headlamp mounting	FB, EK	7412486	2
GUTTER—Drip	FB, EK	7408111	2
FENDER ASSEMBLY	EJ, EH	LH7421771	1
				RH7421770	1
PANEL ASSEMBLY—Inner front	EJ, EH	RH7416948	1
FENDER ASSEMBLY	HD	LH7423379	1
				RH7423378	1
EXTENSION—Front	HD	LH7424331	1
				RH7424330	1
FENDER ASSEMBLY	HR	LH7428133	1
				RH7428132	1
EXTENSION—Front	HR	LH7428211	1
				RH7428210	1
PANEL ASSEMBLY—Inner	HD, HR	LH7425723	1
				RH7425722	1

8.132 NAME PLATE, MOULDING, BAR, ORNAMENT, EMBLEM, LETTER—Front Fender

PLATE—Name	FE exc. FE/225, FE/229	7411568	2
WASHER—Sealing to fender	FE exc. FE/225, FE/229	7410127	10
NUT—Name plate	FE exc. FE/225, FE/229	4615081	10
MOULDING—L.H.	FE/225, FE/229	7410067	1
MOULDING—R.H.	FE/225, FE/229	7410066	1
CLIP—Moulding	FE/225, FE/229	SP1407	12
SCREW—Hex. hd. mach. No. 10—24 x 5/16"	FE/225, FE/229	456857	12

HOLDEN

MASTER PARTS CATALOGUE



8.132 NAME PLATE, MOULDING, BAR, ORNAMENT, EMBLEM, LETTER—Front Fender (Cont'd.)

MOULDING	FC, exc. FC/225, FC/229	LH 7404705	1
		RH 7404704	1
WASHER—Sealing to fender	FC, exc. FC/225, FC/229	7410127	10
NUT—Moulding	FC, exc. FC/225, FC/229	4615081	10
MOULDING	FC/225, FC/229	LH 7411359	1
		RH 7411360	1
CLIP—Moulding	FC/225, FC/229	SP1407	12
SCREW—Hex. hd. mach. No. 10—24 x 5/16"	FC/225, FC/229	456857	12
BAR—Fender grille	FB	LH 7402403	1
		RH 7402402	1
WASHER—Spring lock, 1/4", medium	FB	120380	6
SCREW—Hex. hd. tap., Type "C", 1/4"—28 x 3/4"	FB	171041	6
WASHER—Plain, 17/64" x 3/4" x .075"	FB	SP1107	6
MOULDING	FB exc. FB/225, FB/229	LH 7412661	1
		RH 7412662	1
RETAINER ASSEMBLY—Moulding	FB exc. FB/225, FB/229	7412660	8
NUT—Stamped, Type "G", No. 10-24	FB exc. FB/225, FB/229	446063	8
WASHER—Sealing to fender	FB exc. FB/225, FB/229	7412134	8
PLATE—Name	FB/225, FB/229	7411928	2
ORNAMENT—Star	FB/225, FB/229	7414203	6
WASHER—Sealing to fender	FB/225, FB/229	7412350	18
NUT—Special spring, 3/32"	FB/225, FB/229	3712864	18
BAR—Fender grille	EK	LH 7416439	1
		RH 7416438	1
STUD—Attaching	EK	7417208	2
SCREW—Hex. hd. tap., No. 10—24 x 1/2"	EK	448623	6
WASHER—Spring lock No. 10 light	EK	131183	8
WASHER—Plain, .20" x .62" x .075"	EK	SP1464	8
NUT—Hex. mach. screw No. 10—24	EK	120361	2
MOULDING	EK, exc. EK/225, EK/229	LH 7412661	1
		RH 7412662	1
MOULDING	EK/225, EK/229	LH 7415857	1
		RH 7415856	1
RETAINER ASSEMBLY—Moulding	EK	7412660	8
NUT—Stamped, Type "G", No. 10—24	EK	446063	8
WASHER—Sealing to fender	EK	7412134	8-10
PLATE—Name	EK/225, EK/229	7416947	2
CLIP—Attaching	EK/225, EK/229	4635016	4
NUT—Stamped, Type "G", No. 10—24	EK/225, EK/229	446063	2
ORNAMENT	EK/225, EK/229	LH 7417409	3
		RH 7417410	3
WASHER—Sealing to fender	EK/225, EK/229	7412350	4
CLIP—Attaching	EK/225, EK/229	4635016	6
MOULDING—Front	EJ	LH7421215	1
		RH7421216	1
WASHER—Sealing	EJ	7414611	4
NUT—Stamped type "M", 1/8" dia. stud	EJ	9415250	4
MOULDING—Side	EJ/225, EJ/229, EJ/235	LH7415601	1
		RH7415600	1
WASHER—Sealing	EJ/225, EJ/229, EJ/235	7414611	2
SCREW—Special	EJ/225, EJ/229, EJ/235	SP1426	2
NUT—Stamped No. 6—32, type "G"	EJ/225, EJ/229, EJ/235	273286	2
PLATE—Fender moulding anchor	EJ/225, EJ/229, EJ/235	7415610	2
SCREW—Pan hd. sl. mach. No. 8—32 x 1/4"	EJ/225, EJ/229, EJ/235	159572	2
RETAINER ASSEMBLY—Moulding	EJ/225, EJ/229, EJ/235	7412660	4
WASHER—Sealing	EJ/225, EJ/229, EJ/235	7412134	4
NUT—Stamped type "G" No. 10—24 x 1/2"	EJ/225, EJ/229, EJ/235	441240	4
NAME PLATE	EJ/225, EJ/229,	7416418	2
WASHER—Sealing	EJ/225, EJ/229	7414611	8
NUT—Stamped type "M", 1/8"	EJ/225, EJ/229	9415250	8



GOLDEN

MASTER PARTS CATALOGUE

8.132 NAME PLATE, MOULDING, BAR, ORNAMENT, EMBLEM, LETTER—Front Fender (Cont'd.)

NAME PLATE	EJ/235	7422526	2
WASHER—Sealing	EJ/235	7414611	4
NUT—Stamped type "M", 1/8"	EJ/235	9415250	4
MOULDING—Side	EH/225, EH/229, EH/235, EH/239	LH7421927	1
		RH7421928	1
WASHER—Sealing	EH/225, EH/229, EH/235, EH/239	7414611	2
SCREW—Special	EH/225, EH/229, EH/235, EH/239	SP1426	2
NUT—Stamped No. 6-32, type "G"	EH/225, EH/229, EH/235, EH/239	273286	2
PLATE—Fender moulding anchor	EH/225, EH/229, EH/235, EH/239	7421833	2
SCREW—Pan. hd. cr. mach. No. 8—32 x 3/16"	EH/225, EH/229, EH/235, EH/239	159549	2
RETAINER ASSEMBLY—Moulding	EH/225, EH/229, EH/235, EH/239	7421827	8
WASHER—Sealing	EH/225, EH/229, EH/235, EH/239	7402365	8
NUT—Stamped, type "G", No. 10—24 x 1/2"	EH/225, EH/229, EH/235, EH/239	441240	8
NAME PLATE	EH/225, EH/229	7416418	2
WASHER—Sealing	EH/225, EH/229	7414611	8
NUT—Stamped type "M", 1/8"	EH/225, EH/229	9415250	8
ORNAMENT	EH/235, EH/239	LH7421867	1
		RH7421868	1
NUT—Stamped type "M", 3/16"	EH/235, EH/239	9418693	6
WASHER—Sealing	EH/235, EH/239	7412134	6
NAME PLATE	EH/239	7422526	2
WASHER—Sealing	EH/239	7414611	4
NUT—Stamped type "M", 1/8"	EH/239	9415250	4
EMBLEM	HD/235, HD/239	7426378	2
EMBLEM	HR/235, HR/239	7429069	2
LETTER "P"	HD/235, HD/239, HR/235, HR/239	7426377	2
NAME PLATE	HD/235, HD/239, HR/235, HR/239	7426376	2
NUT—Stamped 1/8" dia., type "M"	HD/235, HD/239, HR/235, HR/239	9415250	10
WASHER—Sealing	HD/235, HD/239, HR/235, HR/239	7414611	10
MOULDING—Wheel opening	HD/235, HD/239, HR/235, HR/239	LH7426443	1
		RH7426442	1
SCREW—Rd. hd. tap. No. 8—15 x 1/2"	HD/235, HD/239, HR/235, HR/239	7426400	14
SCREW—Oval hd. cr. rec. tap. type, "A" No. 8—15 x 1/2"	HD/235, HD/239, HR/235, HR/239	273399	4
RETAINER—Moulding	HD/235, HD/239, HR/235, HR/239	7426401	14
MOULDING	HR/225, HR/229	7430797	2
PLATE—Moulding anchor	HR/225, HR/229	7430803	2
NUT—Stamped No. 6—32	HR/225, HR/229	272733	2
RETAINER—Moulding	HR/225, HR/229	7428740	2
NUT—Stamped No. 6—32	HR/225, HR/229	272733	2
RETAINER—Moulding	HR/225, HR/229	7430602	10
SCREW—Pan hd. cr. rec. tap. No. 4—24 x 1/4"	HR/225, HR/229	161752	10
PLATE—"Special" name	HR/225, HR/229	7428255	2
NUT—Stamped 1/8"	HR/225, HR/229	9415250	6
WASHER—Sealing	HR/225, HR/229	7414611	6
PLATE—"X2" name	HR X2 Eng.	7429210	2
NUT—Stamped 1/8"	HR X2 Eng.	9415250	2
CLIP—Tubular 1/8"	HR X2 Eng.	SP1606	2
WASHER—Sealing	HR X2 Eng.	7414611	2
PLATE—"186 S" name	HR S Eng.	7434591	2
NUT—Stamped 1/8"	HR S Eng.	9415250	4
WASHER—Sealing	HR S Eng.	7414611	4

8.143 FRONT FENDER ATTACHING PARTS

SCREW—To front pillar	48, 50, FJ	7401980	8
WASHER—Plain 17/64" x 3/4" x .075"	48, 50, FJ	SP1107	8
SCREW—To pillar lower	48, 50, FJ	7401980	2
WASHER—Plain 17/64" x 3/4" x .075"	48, 50, FJ	SP1107	2
SCREW—Skirt to pillar inner panel	48, 50, FJ	7400075	4
WASHER—Plain 5/16" x 3/4" x .065"	48, 50, FJ	120386	4
SCREW—To skirt	48, 50, FJ	7400075	14
WASHER—Plain 17/64" x 3/4" x .075"	48, 50, FJ	SP1107	14
SCREW—To radiator grille	48, 50, FJ	7400075	6
WASHER—Plain 5/16" x 3/4" x .065"	48, 50	120386	6
NUT—Spiral	48, 50, FJ	7402851	A.R.



8.143 FRONT FENDER ATTACHING PARTS (Cont'd.).

SCREW—Fender attaching	FE, FC	7400075	A.R.
WASHER—Plain, 17/64" x 3/4" x .075"	FE, FC	SP1107	A.R.
NUT—Anchor No. 14—10 "J" type	FE	3664889	8
NUT—Spiral	FE, FC	7402851	23
BOLT—Hex. hd. 1/4"—28 x 11/16"	FE, FC	123442	4
SCREW—Hex. hd. tapp. type "D" 1/4"—28 x 7/8"	FE, FC	172445	6
WASHER—Spring lock 1/4"—medium	FE, FC	120380	10
WASHER—Plain, 17/64" x 3/4" x .075"	FE, FC	SP1107	10
NUT—Floating 1/4"—28	FE, FC	SP1373	4
SCREW—Hex. hd. tap., Type "C", 1/4"—28 x 1"	FB, EK	171099	8
SCREW—Hex. hd. tap., Type "C", 1/4"—28 x 3/4"	FB, EK	171041	26
WASHER—Spring lock, 1/4", medium	FB, EK	120380	34
WASHER—Plain, 17/64" x 3/4" x .075"	FB, EK	SP1107	A.R.
NUT—Floating, 1/4"—28	FB	SP1373	4
NUT—Hex. 1/4"—28	EK	120367	4
WASHER—To front pillar, cup	FB, EK	7414899	8
WASHER—To front pillar, rubber	FB, EK	7414900	8
SCREW—Hex. hd. tap. type "C" 1/4"—28 x 3/4"	EJ, EH	171041	32
WASHER—Plain, 17/64" x 3/4" x .075"	EJ, EH	SP1107	32
WASHER—Spring lock, 1/4"—medium	EJ, EH	120380	38
SCREW—Hex. hd. tap. type "C" 5/16"—24 x 3/4"	EJ, EH	171114	2
WASHER—Spring lock, 5/16"—medium	EJ, EH	120214	2
SCREW—Hex. hd. tap. type "C" 1/4"—28 x 1"	EJ, EH	171099	6
NUT—Hex. 1/4"—28	EJ, EH	120367	10
WASHER—To front pillar cup	EJ, EH	7414899	6
WASHER—To front pillar, rubber	EJ, EH	7414900	6
WASHER—Special 3/8" fender to body pillar	EJ, EH	3713379	2
BOLT—Hex. hd. 5/16"—18 x 1"—Black	HD	SP1675	4
BOLT—Hex. hd. 5/16"—18 x 1"	HD, HR	180079	46
WASHER—Plain 11/32" x 3/4" x .075"	HD, HR	SP1390	26
WASHER—Spring lock 5/16"—Medium	HD, HR	120214	50
NUT—5/16"—18 "J" type	HD, HR	SP1548	44
NUT—Hex. 5/16"—18	HD, HR	120376	6
WASHER—To front pillar cup	HD, HR	7424850	6
WASHER—To front pillar rubber	HD, HR	7424849	6
WASHER—Fender to pillar	HD, HR	3713379	2
WASHER—Fender to skirt	HD, HR	3713379	16

8.144 BRACE—Front Fender

BRACE	48, 50, FJ	7402187	2
BOLT—Auto. hex. hd. 1/4"—20 x 11/16 w/lock washer	48, 50, FJ	SP1566	2
NUT—Hex. machine screw 1/4"—20	48, 50, FJ	134551	4
WASHER—Spring lock 1/4"—medium	48, 50, FJ	120380	4
WASHER—Plain 5/16" x 3/4" x .065"	48, 50, FJ	120386	2
BRACE—L.H.	FE, FC	7411389	1
BRACE—R.H.	FE, FC	7411390	1
BOLT—Hex. hd. 1/4"—28 x 9/16"	FE, FC	123325	4
WASHER—Spring lock 1/4"—medium	FE, FC	120380	4
BRACE	FB, EK	LH 7402475	1
		RH 7402476	1
BRACE—Bumper to fender skirt	FB, EK	LH 7414785	1
		RH 7414786	1
BRACE	EJ, EH	7416009	2
BOLT—Hex. hd. 1/4"—28 x 9/16"	EJ, EH	123325	4
WASHER—Spring lock, 1/4"—medium	EJ, EH	120380	4
NUT—Hex. jam, 1/4"—28	EJ, EH	120367	2



HOLDEN

MASTER PARTS CATALOGUE

8.153 SKIRT—Front Fender

SKIRT	FE, FC	LH7409165	1	
		RH7409164	1	
SKIRT	FB, EK	RIGHT HAND DRIVE	LH7412599	1
SKIRT ASSEMBLY	EJ, EH	LH7426665	1	
		RH7415914	1	
SKIRT ASSEMBLY	HD	LH7424273	1	
		RH7424274	1	
SKIRT ASSEMBLY	HR	LH7428163	1	
		RH7428164	1	

8.154 SEAL—Front Fender

SKIRT TO DASH	48, 50, FJ	7402891	2
REAR CORNER	48, 50, FJ	7402893	2
FENDER TO COWL	FB, EK	7412689	2
SKIRT TO COWL	FB, EK	7412690	2
SEAL—Front fender skirt to front body pillar	EJ, EH	7416419	2
SEAL—Front fender to cowl	EJ, EH	LH7416587	1
		RH7416588	1
SEAL—Front fender inner panel to body	HD, HR	7425544	2
CLIP—Seal attaching	HD, HR	7426417	24
SEALER STRIP—Front fender to radiator panel	EJ, EH, HD, HR	7422512	A.R.
SPACER—Front fender skirt sealing	EJ, EH, HD, HR	7419568	2

8.161 ANTISQUEAK—Front Fender

FENDER TO GRILLE—L.H.	FE, FC	7410013	1
FENDER TO GRILLE—R.H.	FE, FC	7410012	1
FENDER TO PILLAR	FB, EK	LH 7412849	1
		RH 7412848	1
FENDER TO SKIRT	FB, EK	LH 7412641	1
		RH 7412640	1

8.203 FENDER ASSEMBLY—Rear

L.H.	48, FJ/215, FJ/217, FJ/225	7408091	1
R.H.	48, FJ/215, FJ/217, FJ/225	7408090	1

8.205 ANTISQUEAK—Rear Fender

FENDER—To body, upper	48, FJ/215, FJ/217, FJ/225	7400762	2
-----------------------------	----------------------------------	---------	---

8.206 REAR FENDER ATTACHING PARTS

SCREW—Fender to body	48, FJ/215, FJ/217, FJ/225	7400075	16
SCREW—Oval hd. tapp. type "A" No. 14—10 x 5/8"	48, FJ/215, FJ/217, FJ/225	144890	12
NUT—Hex. machine screw 1/4"—20	48, FJ/215, FJ/217, FJ/225	134551	2
WASHER—Spring lock 1/4"—medium	48, FJ/215, FJ/217, FJ/225	120380	2
WASHER—Plain 5/16" x 3/4" x .065"	48, FJ/215, FJ/217, FJ/225	120386	20

8.212 BRACE—Rear Fender

BRACE	48, FJ/215, FJ/217, FJ/225	7400756	2
BOLT—Auto. hex. hd. 1/4"—20 x 11/16 w/lock washer	48, FJ/215, FJ/217, FJ/225	SP1566	2
NUT—Hex. machine screw 1/4"—20	48, FJ/215, FJ/217, FJ/225	134551	4
WASHER—Spring lock 1/4"—medium	48, FJ/215, FJ/217, FJ/225	120380	4
WASHER—Plain 5/16" x 3/4" x .065"	48, FJ/215, FJ/217, FJ/225	120386	4

8.214 SHIELD ASSEMBLY—Rear Fender Gravel

L.H.	48, FJ/215, FJ/217, FJ/225	7402747	1
-----------	----------------------------------	---------	---

8.304 MOULDING, PLATE ASSEMBLY, RETAINER—Rocker outer panel

MOULDING	HD/235, HD/239, HR/235, HR/239	LH7426437	1
		RH7426436	1
NUT—Hex. jam 1/4"—20	HD/235, HD/239, HR/235, HR/239	124818	4
WASHER—Spring lock 1/4"—light	HD/235, HD/239, HR/235, HR/239	121637	4
PLATE ASSEMBLY—Moulding anchor	HD/235, HD/239, HR/235, HR/239	LH7426847	2
		RH7426848	2
RETAINER—Moulding	HD/235, HD/239, HR/235, HR/239	7426852	10
WASHER—Moulding, cup	HD/235, HD/239, HR/235, HR/239	7414899	4
WASHER—Moulding, sealing	HD/235, HD/239, HR/235, HR/239	7410128	4
WASHER—Moulding, rubber	HD/235, HD/239, HR/235, HR/239	7414900	4

HOLDEN

MASTER PARTS CATALOGUE



8.798 WINDSHIELD WASHER COMPONENTS

NOZZLE ASSEMBLY	FE, FC	*7406027	1	
NOZZLE ASSEMBLY	FB	*7406569	1	
ROD ASSEMBLY—Valve push	FE, FC, FB	*7406025	1	
SPRING—Push rod	FE, FC, FB	*7406026	1	
HOSE—30" long	FB	RIGHT HAND DRIVE	*7406556	1
JAR & BRACKET ASSEMBLY	FE, FC, FB, EK (M)	RIGHT HAND DRIVE	**7406690	1
FILTER ASSEMBLY	FE, FC, FB, EK (M)	RIGHT HAND DRIVE	**7406694	1
PUMP ASSEMBLY	FE, FC, FB, EK (M)	RIGHT HAND DRIVE	**7406700	1
DIAPHRAGM	FE, FC, FB, EK (M)	RIGHT HAND DRIVE	**M33130	1
HOSE—48" long	EK (M)	RIGHT HAND DRIVE	**7385814	1
MOTOR & PUMP ASSEMBLY	FB, EK	†7423340	1	
NOZZLE ASSEMBLY	FB, EK	†7421873	1	
SWITCH & LEAD ASSEMBLY	FB, EK	†7421872	1	
ADAPTER—Hose to manifold	EK	*7419425	1	
HOSE—40½" long	EK	*7418984	1	
HOSE	EK	RIGHT HAND DRIVE	*7419427	1
NOZZLE ASSEMBLY	EK	*7419027	1	
ROD ASSEMBLY—Valve push	EK	*7418870	1	
VALVE & BRACKET ASSEMBLY	EK	*7418869	1	
BODY—Male connector	EJ exc. EJ/235			
	EH exc. EH/235, EH/239	RIGHT HAND DRIVE	**2962984	1
ELBOW—Hose	EJ exc. EJ/235			
	EH exc. EH/235, EH/239	RIGHT HAND DRIVE	**7421792	1
ELBOW & VALVE ASSEMBLY—Hose	EJ exc. EJ/235			
	EH exc. EH/235, EH/239	RIGHT HAND DRIVE	**M35651	1
HOSE—12" long	EJ exc. EJ/235	RIGHT HAND DRIVE	**7425188	1
HOSE—5½" long	EH exc. EH/235, EH/239	RIGHT HAND DRIVE	**7426356	1
HOSE—14" long	EJ exc. EJ/235			
	EH exc. EH/235, EH/239	RIGHT HAND DRIVE	**7421796	1
HOSE—8" long	EJ exc. EJ/235			
	EH exc. EH/235, EH/239	RIGHT HAND DRIVE	**7421795	1
HOSE—26½" long	EJ exc. EJ/235			
	EH exc. EH/235, EH/239	RIGHT HAND DRIVE	**7421794	1
JAR & FILTER ASSEMBLY	EJ exc. EJ/235			
	EH exc. EH/235, EH/239	RIGHT HAND DRIVE	**7422047	1
NOZZLE ASSEMBLY	EJ exc. EJ/235	RIGHT HAND DRIVE	**7447264	1
NOZZLE ASSEMBLY	EH exc. EH/235, EH/239	RIGHT HAND DRIVE	**7424338	1
GASKET—Nozzle	EH exc. EH/235, EH/239	RIGHT HAND DRIVE	**7422522	1
PUMP ASSEMBLY	EJ exc. EJ/235			
	EH exc. EH/235, EH/239	RIGHT HAND DRIVE	**7421455	1
TEE—Vacuum line connector	EJ exc. EJ/235		**7406028	1
TEE—Vacuum line connector	EH exc. EH/235, EH/239	RIGHT HAND DRIVE	**7426318	1

* Vacuum Operated Washer.
† Electric Operated Washer.

** Foot Operated Washer.



HOLDEN

MASTER PARTS CATALOGUE

8.798 WINDSHIELD WASHER COMPONENTS (Cont'd.)

BODY—Panel connector—single	EH exc. EH/235, EH/239	†2962448	1
BODY—Panel connector—double	EH exc. EH/235, EH/239	†2962551	1
HOSE—8½" long	EJ exc. EJ/235		
	EH exc. EH/235, EH/239	†7422221	1
HOSE—35" long	EJ exc. EJ/235	†7406031	1
HOSE—30" long	EH exc. EH/235, EH/239	†7406556	1
JAR ASSEMBLY	EJ exc. EJ/235		
	EH exc. EH/235, EH/239	†7422220	1
LEAD ASSEMBLY	EH exc. EH/235, EH/239	†7423285	1
MOTOR & PUMP ASSEMBLY	EJ exc. EJ/235	†7422025	1
MOTOR & PUMP ASSEMBLY	EH exc. EH/235, EH/239	†7423340	1
NOZZLE ASSEMBLY	EJ exc. EJ/235	†7421969	1
NOZZLE ASSEMBLY—Twin jet	EH exc. EH/235, EH/239	†7424338	1
NOZZLE ASSEMBLY—Twin jet	EH exc. EH/235, EH/239	†7427156	1
GASKET—Nozzle	EH exc. EH/235, EH/239	†7422522	1
JAR ASSEMBLY	EJ/235	7422220	1
FILTER ASSEMBLY	EJ/235	7406694	1
NOZZLE ASSEMBLY	EJ/235	7421287	1
HOSE—36 in. long	EJ/235	7421285	1
HOSE—22 in. long	EJ/235	7406032	1
CLIP—Hose	EJ/235	7410651	4
JAR & FILTER ASSEMBLY	EH/235, EH/239	7422220	1
FILTER ASSEMBLY	EH/235, EH/239	7406694	1
NOZZLE ASSEMBLY—Twin jet	EH/235, EH/239	7424338	1
GASKET—Twin jet	EH/235, EH/239	7422522	1
SCREW—Pan Hd. sl. type "A" No. 6—18 x 3/8"	EH/235, EH/239	128273	2
WASHER—Plain, type "A" 5/32" x 5/16" x .035"	EH/235, EH/239	446121	2
HOSE—24" long	EH/235, EH/239	7420225	1
HOSE—36" long	EH/235, EH/239	7421285	1
HOSE—12" long	EH/235, EH/239	7425188	1
CLIP—Hose	EH/235, EH/239	7413370	2
GROMMET—1/4"	EH/235, EH/239	SP1602	1
LEAD ASSEMBLY	HD		
	RIGHT HAND DRIVE	#7414703	1
	LEFT HAND DRIVE	#7422994	1
LEAD ASSEMBLY—32-1/2" long	HR (A)	RIGHT HAND DRIVE	#7414703
LEAD ASSEMBLY—42-1/2" long	HR (A)	LEFT HAND DRIVE	#7422994
LEAD ASSEMBLY	HR (A)		#7430913
CABLE ASSEMBLY	HR (M)	RIGHT HAND DRIVE	#7430912
		LEFT HAND DRIVE	#7431136
RESERVOIR ASSEMBLY	HD, HR		#7426923
NOZZLE ASSEMBLY	HD, HR		#7426872
SCREW—Rd. hd. cr. rec. tap. type "A" No. 6—18 x 1"	HD, HR		#161606
SCREW—Pan hd. cr. rec. tap. No. 6—18 x 3/8"	HR		#161790
HOSE—17" long	HD, HR		#7406698
HOSE—20" long	HD, HR		#7402062
HOSE—24-1/2" long	HD, HR		#7406030
HOSE—30" long	HD		#7406556
GROMMET	HD, HR		#7412113
GROMMET	HD, HR		#SP1602
CABLE ASSEMBLY	HD exc. HD/235, HD/239		
	RIGHT HAND DRIVE	††7427958	1
	LEFT HAND DRIVE	††7427957	1
MOTOR & PUMP ASSEMBLY	HD exc. HD/235, HD/239	††7423340	1
HOSE—5½" long	HD exc. HD/235, HD/239	††7426356	1
HOSE—14" long	HD exc. HD/235, HD/239	††7427934	1
HOSE—17" long	HD exc. HD/235, HD/239	††7406698	1
HOSE—24-1/2" long	HD exc. HD/235, HD/239	††7406030	1
TEE—Hose connector	HD exc. HD/235, HD/239	††7427756	1
RESERVOIR ASSEMBLY	HD exc. HD/235, HD/239	††7426923	1
NOZZLE ASSEMBLY	HD exc. HD/235, HD/239	††7426872	2
GROMMET	HD exc. HD/235, HD/239	††SP1602	1

† Electric Operated Washer.

†† Electric Demand Type Washer. # Electric Automatic Type Washer.

HOLDEN

MASTER PARTS CATALOGUE



8.798 WINDSHIELD WASHER COMPONENTS (Cont'd.)

CABLE ASSEMBLY	HR exc. HR/235, HR/239 RIGHT HAND DRIVE ††7427958	1
MOTOR & PUMP ASSEMBLY	HR exc. HR/235, HR/239 RIGHT HAND DRIVE ††7423340	1
HOSE—5-1/2" long	HR exc. HR/235, HR/239 RIGHT HAND DRIVE ††7426356	1
HOSE—14" long	HR exc. HR/235, HR/239 RIGHT HAND DRIVE ††7427934	1
HOSE—17" long	HR exc. HR/235, HR/239 RIGHT HAND DRIVE ††7406698	1
HOSE—28" long	HR exc. HR/235, HR/239 RIGHT HAND DRIVE ††7421793	1
TEE—Hose connector	HR exc. HR/235, HR/239 RIGHT HAND DRIVE ††7427756	1
RESERVOIR ASSEMBLY	HR exc. HR/235, HR/239 RIGHT HAND DRIVE ††7426923	1
NOZZLE ASSEMBLY	HR exc. HR/235, HR/239 RIGHT HAND DRIVE ††7426872	2
GROMMET	HR exc. HR/235, HR/239 RIGHT HAND DRIVE ††SP1602	1
PUMP ASSEMBLY	HD exc. HD/235, HD/239 HR exc. HR/235, HR/239 RIGHT HAND DRIVE ##7430105	1
BRACKET—Pump mounting	HD exc. HD/235, HD/239 HR exc. HR/235, HR/239 RIGHT HAND DRIVE ##7430106	1
SCREW—Pan. hd. cr. rec. tap. No. 10—12 x 1/2"	HD exc. HD/235, HD/239 HR exc. HR/235, HR/239 RIGHT HAND DRIVE ##161895	2
WASHER—Ext. tooth lock No. 10	HD exc. HD/235, HD/239 HR exc. HR/235, HR/239 RIGHT HAND DRIVE ##138479	2
RESERVOIR ASSEMBLY	HD exc. HD/235, HD/239 HR exc. HR/235, HR/239 RIGHT HAND DRIVE ##7426923	1
NOZZLE ASSEMBLY	HD exc. HD/235, HD/239 HR exc. HR/235, HR/239 RIGHT HAND DRIVE ##7426872	2
SCREW—Rd. hd. cr. rec. tap. No. 6—18 x 1"	HD exc. HD/235, HD/239 HR exc. HR/235, HR/239 RIGHT HAND DRIVE ##161606	2
HOSE—12" long	HD exc. HD/235, HD/239 HR exc. HR/235, HR/239 RIGHT HAND DRIVE ##7425188	1
HOSE—20" long	HD exc. HD/235, HD/239 HR exc. HR/235, HR/239 RIGHT HAND DRIVE ##7428634	1
HOSE—24-1/2" long	HD exc. HD/235, HD/239 HR exc. HR/235, HR/239 RIGHT HAND DRIVE ##7406030	1
HOSE—28" long	HD exc. HD/235, HD/239 HR exc. HR/235, HR/239 RIGHT HAND DRIVE ##7421793	1
JUNCTION—Hose connector	HD exc. HD/235, HD/239 HR exc. HR/235, HR/239 RIGHT HAND DRIVE ##7428720	1
CLIP	HD exc. HD/235, HD/239 HR exc. HR/235, HR/239 RIGHT HAND DRIVE ##7410212	1
GROMMET	HD exc. HD/235, HD/239 HR exc. HR/235, HR/239 RIGHT HAND DRIVE ##SP1602	1

††Electric Demand Type Washer

Hand Operated Type Washer



HOLDEN

MASTER PARTS CATALOGUE

8.800 SERVICE ACCESSORIES—Maintenance

ADHESIVE—Plastic—1 Pint (N107)	FB, EK, EJ, EH, HD, HR	7425228	A.R.
ADHESIVE—P.V.C.—1 Pint (N103)	FB, EK, EJ, EH, HD, HR	7425230	A.R.
ANTI-FREEZE—2 Pint can	ALL	7425039	A.R.
ANTI-FREEZE—4 Gallon can	ALL	7425040	A.R.
CEMENT—Neoprene—6 ozs. (FS1098)	FB, EK, EJ, EH, HD, HR	7425229	A.R.
FLUID—Heavy duty brake—10 oz.	ALL	7423030	A.R.
FLUID—Heavy duty brake—1 pint	ALL	7423029	A.R.
FLUID—Heavy duty brake—1 quart	ALL	7423028	A.R.
FLUID—Heavy duty brake—4 gallon	ALL	7423027	A.R.
FLUID—Heavy duty brake—4 gallon—External cap	ALL	7420232	A.R.
FLUID—Windshield washer	ALL	7425362	A.R.
GREASE—Molycue—1/2 oz. tube	(Girling) HR—Disc Brakes	VS10516	A.R.
GREASE—Rubber—1/2 oz. tube	(Girling) HR—Disc Brakes	VS10515	A.R.
INHIBITOR—Radiator, 8 oz. bottle	EH, HD, HR	7426874	A.R.
LACQUER—Regulator sealing—2 oz. pack	EH, HD, HR	VS10076	A.R.
OIL—Radiator—8oz. bottle	EH, HD, HR	7406714	A.R.
OIL—Radiator—4 oz. bottle	ALL	7406133	A.R.
OIL—Diode rectified generator, silicone	EH, HD, HR	7429241	A.R.
SEALER—Prestik No. 14, non-hardening, black—5 strips (7418084)	FB, EK, EJ, EH, HD, HR	7425330	A.R.
SEALER—Prestik, non-hardening, grey—10 strips (No. 14)	FB, EK, EJ, EH, HD, HR	7425231	A.R.
SEALER—Underbody—1 quart (7402277)	FC, FB, EK, EJ, EH	7425234	A.R.
SEALER—Mastic—1 lb. 3 ozs. (FS1150)	FC, FB, EK, EJ, EH, HD, HR	7425227	A.R.
SEALER—Non-hardening—1½ lb. (N202)	ALL	7438910	A.R.
SEALER—Non-hardening—2½ lb. (N202)	ALL	7425360	A.R.
SEALING COMPOUND—Crankshaft rear bearing cap—1/2 pint	EK, EJ, EH, HD, HR	3835215	A.R.
TAPE—Regulator sealing (50' roll)	EH, HD, HR	7429243	A.R.

8.820 JACK and HANDLE ASSEMBLY

JACK & HANDLE ASSEMBLY—Lifting (Mechanical)	48, 50, FJ, FE/219, FE/229, FE/2104, FE/2106 FC/219, FC/229, FC/2104, FC/2106 FB/219, FB/229, FB/2104, FB/2106 EK/219, EK/229, EK/2104, EK/2106 EJ/219, EJ/229, EJ/2104, EJ/2106 EH/219, EH/229, EH/239, EH/2104 EH/2106 HD/219, HD/229, HD/239, HD/2104, HD/2106 HR/219, HR/229, HR/239, HR/2104, HR/2106	7429903	1
HANDLE ASSEMBLY	48, 50, FJ, FE/219, FE/229, FE/2104, FE/2106 FC/219, FC/229, FC/2104, FC/2106 FB/219, FB/229, FB/2104, FB/2106 EK/219, EK/229, EK/2104, EK/2106 EJ/219, EJ/229, EJ/2104, EJ/2106 EH/219, EH/229, EH/239, EH/2104 EH/2106 HD/219, HD/229, HD/239, HD/2104, HD/2106 HR/219, HR/229, HR/239, HR/2104, HR/2106	7400970	1
JACK & HANDLE ASSEMBLY—Lifting	FE/215, FE/217, FE/225 FC/215, FC/217, FC/225 FB/215, FB/225, EK/215, EK/225 EJ/215, EJ/225, EJ/235 EH/215, EH/225, EH/235 HD/215, HD/225, HD/235 HR/215, HR/225, HR/235	7425060	1

HOLDEN

MASTER PARTS CATALOGUE



8.820 JACK and HANDLE ASSEMBLY (Cont'd.)

HANDLE ASSEMBLY	FE/215, FE/217, FE/225		
	FC/215	{ S.A. up to Ser. No. 8564A Qld. up to Ser. No. 12571B Vic. up to Ser. No. 25843M W.A. up to Ser. No. 7831P N.S.W. up to Ser. No. 26468S 7409734	1
	FC/217		
	FC/225		
HANDLE ASSEMBLY—Crank type	FC/215	{ S.A. from Ser. No. 8565A Qld. from Ser. No. 12572B Vic. from Ser. No. 25844M W.A. from Ser. No. 7832P N.S.W. from Ser. No. 26469S	
	FC/217		
	FC/225		
	FB/215, FB/225		7414428 1
HANDLE ASSEMBLY—Ratchet type	FB/215, FB/225, EK/215, EK/225		
	EJ/215, EJ/225, EJ/235		
	EH/215, EH/225, EH/235		
	HD/215, HD/225, HD/235		
	HR/215, HR/225, HR/235		7416590 1

8.821 TOOLS

BAG ASSEMBLY—Envelope type	48, 50, FJ, FE, FC, FB, EK, EJ, EH, HD	7407255	1
BAG ASSEMBLY	HD, HR	7431257	1
PLIERS—6" combination	ALL	7407596	1
SCREWDRIVER—4"	ALL	7403166	1
WRENCH—Wheel nut and spark plug	48, 50	7400974	1
WRENCH—Wheel nut and spark plug	FJ, FE, FC, FB, EK, EJ, EH, HD, HR	7407646	1
HANDLE—Wheel nut wrench/Hub cap remover	ALL	7422193	1
WRENCH—Wheel nut	HR	7438234	1

8.822 WALLET—Owner's Manual

WALLET	FB, EK, EJ, EH, HD	7418495	1
--------------	--------------------------	---------	---

8.823 MANUAL—Owner, Workshop

OWNER	FC	7413540	1
OWNER	FB	7413541	1
OWNER	EK	7411121	1
OWNER—Supplement	EK (A)	7417441	1
OWNER	EJ	7411172	1
OWNER	EH	7422883	1
OWNER	HD King Pin Suspension	7426855	1
OWNER	HD Ball Joint Suspension	7429279	1
OWNER	HR	*7429446	1
OWNER	HR	**7436772	1
WORKSHOP	48, 50	M31369	1
WORKSHOP	FJ	M31374	1
WORKSHOP—Abridged	FJ	M35661	1
WORKSHOP	FE, FC	M32590	1
WORKSHOP	FB	M32614	1
WORKSHOP	EK	M33099	1
WORKSHOP	EJ, EH	M35676	1
WORKSHOP—Hydra-Matic transmission H562	EK, EJ	M33381	1
WORKSHOP	HD	M35401	1
WORKSHOP	HR	M35611	1
WORKSHOP—Powerglide transmission	HD, HR	M35529	1
ADJUSTMENT GUIDE	HR	M35698	1
CARD—Power steering instruction	EH, HD, HR	7428294	A.R.
TRANSFER—Power steering caution	EH, HD, HR	7428344	A.R.
LABEL—Generator warning	EH Diode rect. generator		
	HD	7427936	A.R.
LABEL—Radiator and generator warning	HD, HR	7430670	1
LABEL—Limited slip differential warning	HR Limited slip diff.	7434182	A.R.

* For vehicles NOT equipped with Positive Crankcase Ventilation.

** For vehicles equipped WITH Positive Crankcase Ventilation.



HOLDEN

MASTER PARTS CATALOGUE

8.899 BALL—Steel



5 mm.	N11053
6 mm.	N11168
8 mm.	N11286
1/8" Carbon steel (comm. A1)	453566
3/16" Carbon steel (comm. B.)	169066
3/16" Carbon steel (comm. A2)	453587
1/4" Carbon steel (comm. B.)	169108
9/32" Carbon steel (comm. A2)	453590
5/16" Carbon steel (comm. A2)	453591
11/32" Carbon steel (comm. A2) ..	453592
7/16" Carbon steel (comm. A.)	147491

8.900 BOLT—Hexagon head



8 x 1.25 mm. P x 1/2"	SP1691
8 x 10 mm.	N42711
8 x 25 mm.	N48332
8 x 30 mm	N52931
No. 6—32 x 3/8" slotted	451692
No. 8—32 x 3/8" slotted	455957
No. 8—32 x 1-1/4"	9415767
No. 10—24 x 5/16"	456857
No. 10—24 x 1/2"	443874
No. 10—24 x 5/8"	440502
No. 10—32 x 1/2"	431942
1/4"—20 x 5/16", with lock washer ..	423332
1/4"—20 x 3/8" (Cad. or zinc)	9415792
1/4"—20 x 3/8" with lock washer	423553
1/4"—20 x 7/16"	121533
1/4"—20 x 7/16"	121804
1/4"—20 x 7/16"	180015
1/4"—20 x 7/16" with lock washer	423554
1/4"—20 x 1/2"	9414811
1/4"—20 x 1/2"	106972
1/4"—20 x 1/2"	120706
1/4"—20 x 1/2"	9415794
1/4"—20 x 1/2" with lock washer	423335
1/4"—20 x 9/16"	117461
1/4"—20 x 9/16"	9415795
1/4"—20 x 9/16" with lock washer ..	186493
1/4"—20 x 11/16", with lock washer ..	SP1566
1/4"—20 x 3/4" (plain)	100109
1/4"—20 x 3/4" with lock washer	425099
1/4"—20 x 1"	121900
1/4"—20 x 1"	9415798
1/4"—20 x 1-1/16"	9418470
1/4"—20 x 1-1/4" with lock washer	425103
1/4"—20 x 1-1/4"	9415800
1/4"—20 x 1.38"	106322
1/4"—20 x 1 1/2"	179801
1/4"—20 x 1-1/2"	9415802
1/4"—28 x 7/16"	123308
1/4"—28 x 1/2" (cad. or zinc)	123316
1/4"—28 x 1/2" (plain)	113698
1/4"—28 x 9/16"	123325
1/4"—28 x 5/8" (plain)	106274
1/4"—28 x 5/8" (cad. or zinc)	456059
1/4"—28 x 11/16"	123442

8.900 BOLT—Hexagon head (continued)

1/4"—28 x 3/4"	123450
1/4"—28 x 3/4"	9415858
1/4"—28 x 7/8"	454848
1/4"—28 x 1"	9415860
1/4"—28 x 1" (cad. or zinc)	123461
1/4"—28 x 1 1/8"	123467
1/4"—28 x 1-3/8"	181574
1/4"—28 x 1-1/2"	100004
5/16"—18 x 1/2" (plain)	106973
5/16"—18 x 1/2" (cad. or zinc.)	120834
5/16"—18 x 5/8"	180075
5/16"—18 x 5/8"	106324
5/16"—18 x 5/8" (cad. or zinc)	120228
5/16"—18 x 11/16" (cad. or zinc)	121999
5/16"—18 x 3/4"	100121
5/16"—18 x 3/4"	179816
5/16"—18 x 3/4"	122007
5/16"—18 x 3/4"	180077
5/16"—18 x 3/4" self locking	9408991
5/16"—18 x 3/4", header point ..	9413371
5/16"—18 x 7/8"	120229
5/16"—18 x 7/8" with lock washer	425337
5/16"—18 x .91" ..	SP1480
5/16"—18 x 1" (cad. or zinc)	122017
5/16"—18 x 1" ..	180079
5/16"—18 x 1" Black	SP1675
5/16"—18 x 1-1/8"	106326
5/16"—18 x 1-1/8"	179819
5/16"—18 x 1-1/8"	193940
5/16"—18 x 1-1/8", with lock washer ..	425339
5/16"—18 x 1-1/4"	100123
5/16"—18 x 1-1/4"	180081
5/16"—18 x 1-1/4"	186624
5/16"—18 x 1.31"	9417555
5/16"—18 x 1-3/8"	179821
5/16"—18 x 1 1/2"	100124
5/16"—18 x 1 5/8"	108587
5/16"—18 x 1 5/8" (cad. or zinc)	122045
5/16"—18 x 1-5/8"	179823
5/16"—18 x 1 7/8"	122058
5/16"—18 x 1-7/8"	9419999
5/16"—18 x 2" ..	122065
5/16"—18 x 2"	454864
5/16"—18 x 2-3/8"	9420975
5/16"—18 x 2-3/4"	180112
5/16"—18 x 2-13/16"	SP1567
5/16"—18 x 3"	180113
5/16"—18 x 3 1/8"	117102
5/16"—18 x 3-3/4"	189297
5/16"—24 x 5/8" (plain)	106279
5/16"—24 x 5/8" (cad. or zinc)	123473
5/16"—24 x 5/8" (cad. or zinc) ..	181593
5/16"—24 x 11/16"	123480
5/16"—24 x 3/4" (cad. or zinc)	120741
5/16"—24 x 3/4"	181595
5/16"—24 x 7/8"	106280
5/16"—24 x 7/8"	120213
5/16"—24 x 7/8"	181596
5/16"—24 x 7/8" Phos. coat	182688
5/16"—24 x 1"	100014
5/16"—24 x 1"	121661
5/16"—24 x 1"	181608
5/16"—24 x 1 1/8"	123499
5/16"—24 x 1 1/8" with lock washer ..	425593


8.900 BOLT—Hexagon head (Cont'd.)

5/16"—24 x 1 1/4"	100015
5/16"—24 x 1-1/4"	123774
5/16"—24 x 1-1/4"	9415829
5/16"—24 x 1-5/8"	123792
5/16"—24 x 2 1/4"	124088
5/16"—24 x 2 1/2"	124094
3/8"—16 x 1/2"	121852
3/8"—16 x 5/8"	122104
3/8"—16 x 1 1/16"	117463
3/8"—16 x 1 1/16"	122111
3/8"—16 x 1 1/16"	179836
3/8"—16 x 3/4"	179837
3/8"—16 x 3/4" (plain)	100133
3/8"—16 x 3/4" (cad. or zinc)	122119
3/8"—16 x 7/8"	106330
3/8"—16 x 7/8"	122126
3/8"—16 x 1"	100134
3/8"—16 x 1"	120233
3/8"—16 x 1"	181116
3/8"—16 x 1 1/8 (plain)	106331
3/8"—16 x 1 1/8 (cad. or zinc)	122138
3/8"—16 x 1-1/8"	179840
3/8"—16 x 1-1/4"	100135
3/8"—16 x 1-1/4"	122145
3/8"—16 x 1-1/4" with lock washer	425349
3/8"—16 x 1 3/8"	106332
3/8"—16 x 1-3/8"	122150
3/8"—16 x 1 3/8"	179842
3/8"—16 x 1-1/2"	179843
3/8"—16 x 1 5/8"	179844
3/8"—16 x 1 3/4"	SP1339
3/8"—16 x 1-3/4"	100137
3/8"—16 x 2"	SP1478
3/8"—16 x 2 1/4"	179848
3/8"—16 x 3"	122207
3/8"—24 x 1/2"	123382
3/8"—24 x 9/16"	123389
3/8"—24 x 3/4"	123520
3/8"—24 x 3/4"	181635
3/8"—24 x 7/8"	106285
3/8"—24 x 7/8" (cad. or zinc)	181636
3/8"—24 x 7/8" (cad. or zinc)	120758
3/8"—24 x 1"	120647
3/8"—24 x 1" (cad. or zinc)	181637
3/8"—24 x 1 1/8"	181638
3/8"—24 x 1-1/8"	123534
3/8"—24 x 1 1/4"	121615
3/8"—24 x 1 3/4"	120668
3/8"—24 x 2 1/4" (plain)	181380
3/8"—24 x 2.38"	SP1658
3/8"—24 x 3"	181652
3/8"—24 x 3-1/4"	103672
3/8"—24 x 3-3/8"	112753
3/8"—24 x 3-1/2"	100033
3/8"—24 x 3 1/2"	127968
3/8"—24 x 3 1/2"	187044
3/8"—24 x 3 3/4"	125926
3/8"—24 x 3 3/4"	189330
3/8"—24 x 4"	189331
3/8"—24 x 4"	126167
3/8"—24 x 4"	SP1681
3/8"—24 x 4 1/2"	127810
3/8"—24 x 4-1/2"	189334

8.900 BOLT—Hexagon head (Cont'd.)

3/8"—24 x 5"	189335
3/8"—24 x 5 1/4"	189336
3/8"—24 x 5-3/4"	173050
3/8"—24 x 6 1/2"	180770
7/16"—14 x 1/2"	121859
7/16"—14 x 3/4"	SP1661
7/16"—14 x 7/8"	122246
7/16"—14 x 7/8"	179857
7/16"—14 x 1-1/8"	122260
7/16"—14 x 2"	179866
7/16"—14 x 2-1/4"	122314
7/16"—14 x 2-7/8"	111600
7/16"—20 x 1-1/8"	123572
7/16"—20 x 1-1/8"	181667
7/16"—20 x 1-1/4"	181668
7/16"—20 x 1-1/4"	123841
7/16"—20 x 1-3/8"	181669
7/16"—20 x 1-3/4"	100041
7/16"—20 x 1-3/4"	181672
7/16"—20 x 2"	181674
7/16"—20 x 2-3/8"	191174
1/2"—20 x 1-1/8"	123614
1/2"—20 x 1-3/8"	123879
1/2"—20 x 2 1/8"	186333
1/2"—20 x 2-1/2"	455017
1/2"—20 x 2-1/2"	455029
1/2"—20 x 5"	126038
1/2"—20 x 5 1/2"	126037

8.901 BOLT—Hexagon socket head

3/8"—16 x 7/8"	9425450
----------------------	---------

8.903 BOLT—Round head carriage


1/4"—20 x 3/4"	120518
5/16"—18 x 7/8"	126353
5/16"—18 x 1"	126358
3/8"—16 x 1"	120915
7/16"—14 x 3"	126749
7/16"—14 x 3 1/2"	126759
7/16"—14 x 3-3/4"	126764

8.906 BOLT—Round head


No. 6—32 x 3/8" (slotted)	132696
No. 6—40 x 1" (slotted)	421885
No. 8—32 x 3/16" (slotted)	141547
No. 8—32 x 5/16" (slotted)	121749
No. 8—32 x 3/8" (cr. rec.)	451969
No. 8—32 x 3/8" (slotted)	121832
No. 8—32 x 7/16" (slotted)	132756
No. 8—32 x 1/2" (cr. recess)	274328
No. 8—32 x 5/8" (cr. rec.)	444468
No. 8—32 x 2 1/4" (cr. rec.)	274384



HOLDEN

MASTER PARTS CATALOGUE

8.906 BOLT—Round head (continued)

No. 10—24 x 1/4" (slotted)	132821
No. 10—24 x 5/16" (cr. rec.)	435827
No. 10—24 x 3/8" (sl.) plain	110499
No. 10—24 x 3/8" (slotted) with ext. tooth lockwasher	228354
No. 10—24 x 1/2" (slotted)	110500
No. 10—24 x 1/2" (slotted)	436732
No. 10—24 x 5/8" (cr. recess)	155118
No. 10—32 x 3/8" (slotted)	132900
No. 10—32 x 3/8" (cr. recess)	187000
No. 10—32 x 7/16" (slotted)	132903
No. 10—32 x 1/2" (slotted)	132908
No. 10—32 x 1/2" (slotted) (Cad)	455713
No. 10—32 x 7/8" (slotted)	132919
No. 10—32 x 7/8" (cr. rec.) cone pt.	SP1630
No. 10—32 x .94" (slotted)	SP1375
1/4"—20 x 5/16" (slotted)	113953
1/4"—20 x 9/16" (slotted)	113971
1/4"—20 x 1 1/4" (cross recess)	155363
1/4"—20 x 1 3/8" (slotted)	274916
1/4"—20 x 1 1/2" (slotted)	113963
1/4"—28 x 3/8" (slotted)	189120
1/4"—28 x 3/8" (slotted) with ext. tooth lockwasher	424633
1/4"—28 x 1/2" (slotted) with ext. tooth lockwasher	424635
1/4"—28 x 1/2" (cr. rec.)	443707
1/4"—28 x 1/2" (cr. rec.) with ext. tooth lockwasher	451978
1/4"—28 x 5/8" (slotted)	143317
1/4"—28 x 5/8" (slotted), with ext. tooth lockwasher	424636
1/4"—28 x 3/4" (slotted), with ext. tooth lockwasher	424637
1/4"—28 x 1-1/4" (slotted)	422420
5/16"—18 x 3/4" (cr. recess)	155413

8.908 BOLT—Flat head



No. 6—32 x 1/4" (cr. recess)	155830
No. 10—24 x 5/16" (cr. recess)	155924
No. 10—24 x 3/4" (slotted)	120620
No. 10—24 x 3/4" (cr. recess)	155945
No. 10—24 x 7/8"	9415601
No. 10—32 x 1/2" (cr. recess)	156009
1/4"—20 x 1/2" (sl.) (cad. or zinc)	133767
1/4"—20 x 5/8" (cr. recess) with c/sk. ext. tooth lock washer	191983
1/4"—20 x 1" (slotted)	120657
1/4"—20 x 1" (slotted)	133778
1/4"—28 x 9/16" (slotted) (cad. or zinc)	SP1777
1/4"—28 x 5/8" (cr. recess) with lock washer	441112
1/4"—28 x 3/4" (slotted) with ext. tooth lockwasher	273462
1/4"—28 x 7/8" (cr. recess)	427207
1/4"—28 x 1" (slotted) with ext. tooth lockwasher	9413522
5/16"—18 x 5/8" (slotted)	133822
5/16"—18 x 5/8" (cross recess)	156417
5/16"—18 x 3/4" (slotted)	114663
5/16"—18 x 3/4" (cr. recess)	156431
5/16"—24 x 1/2" (cr. recess)	191902
5/16"—24 x 5/8" (slotted)	173642
5/16"—24 x 3/4" (slotted)	193224
5/16"—24 x 3/4" (slotted) with c/sk. ext. tooth lockwasher	273467
5/16"—24 x 7/8" (slotted)	131267
5/16"—24 x 7/8" (cross recess)	191720
3/8"—24 x 1-1/4" (cross recess)	440005

8.907 BOLT—Fillister head



No. 6—32 x 1/4" (slotted)	131883
No. 8—32 x 1/4" (slotted)	131954
No. 8—32 x 1/4" (slotted phos. coated)	121716
No. 8—32 x 7/16" (slotted)	131966
No. 8—32 x 1/2" slotted	131970
No. 8—32 x 1/2" (cr. recess)	153138
No. 10—24 x 1/2" (slotted)	132042
No. 10—24 x 1/2" (sl.) (cad. or zinc)	120687
No. 10—32 x 1/2" (cr. recess)	153421
1/4"—20 x 7/16" (cr. rec.) with ext. tooth lockwasher	431577
1/4"—20 x 9/16" (cr. recess) with ext. tooth lockwasher	431791
3/8"—16 x 5/8"	154061

8.909 BOLT—Oval head



6 x 12 mm. with spring washer	N47171
No. 8—32 x 1/2" (cr. recess)	156770
No. 10—24 x 1/2"	156963
No. 10—24 x 5/8" (cr. rec.)	148109
No. 10—24 x 3/4" (cr. rec.)	SP1468
1/4"—20 x 3/4" (cr. recess) with ext. tooth lock washer	446580
1/4"—28 x 3/8" (slotted)	438203
1/4"—28 x 5/8" (cr. recess) with lock washer	9418028
1/4"—28 x 3/4" (cr. recess)	191931
5/16"—24 x 1 1/4" (cross recess)	455292



8.910 BOLT—Pan head



No. 6—32 x 1/4" (slotted)	193257
No. 6—32 x 1/2" (cross recess)	159336
No. 6—32 x 5/8" (cross recess)	159341
No. 6—32 x 1" (slotted)	436669
No. 8—32 x 3/16" (cross recess)	159549
No. 8—32 x 1/4" (slotted)	436691
No. 8—32 x 1/4 (cross recess)	159572
No. 8—32 x 5/16" (cross recess)	159577
No. 8—32 x 3/8" (cr. recess)	159582
No. 8—32 x 3/8" (slotted)	436693
No. 8—32 x 1/2" (cr. recess)	159592
No. 10—24 x 1/4" (slotted)	436567
No. 10—24 x 5/16" (cr. recess)	159858
No. 10—24 x 5/16" (slotted)	436729
No. 10—24 x 3/8" (cr. recess)	159908
No. 10—24 x 1/2" (cr. recess) with ext. tooth lock washer	273513
No. 10—24 x 1" (cross recess)	9407614
No. 10—32 x 7/16" (cr. recess)	160041
No. 10—32 x 1/2" (slotted)	436750
No. 10—32 x 1/2" (cross recess)	160046
No. 10—32 x 1/2" (cr. recess) with lock washer	191680
No. 12—24 x 5/8" (cr recess)	160284
1/4"—20 x 3/8" (cr. recess)	160505
1/4"—20 x 3/8" (cr. rec.) with ext. tooth lockwasher	191984
1/4"—20 x 3/8" (slotted)	9417726
1/4"—20 x 7/16" with ext. tooth lock washer	SP1672
1/4"—20 x 1/2" (cr. rec.)	160515
1/4"—20 x 1/2" (cr. recess) with ext. tooth lock washer	191985
1/4"—20 x 1/2" (slotted)	443507
1/4"—20 x 1/2" (cr. recess)	456868
1/4"—20 x 1/2" (cr. recess)	9416367
1/4"—20 x 1/2" (cross recess) with lock washer	188712
1/4"—20 x 5/8" (cr. rec.)	160536
1/4"—20 x 3/4" (cr. recess)	160541
1/4"—20 x 1" (cr. recess)	160556
1/4"—20 x 1-1/8" (cr. recess)	457022
1/4"—20 x 1-3/4" (cr. recess)	160586
1/4"—28 x 1/2" (cr. recess)	191879
1/4"—28 x 1/2" (cr. recess) with lock washer	450986
1/4"—28 x 1" (cr. recess)	191880
5/16"—18 x 1/2" with lock washer	442689
5/16"—18 x 5/8" (cr. recess)	160684
5/16"—18 x 3/4" (cr. recess)	160688
5/16"—18 x 1-1/4" (cr. recess)	160722
5/16"—18 x 1-1/2" (cr. recess)	160731
5/16"—24 x 1/2" (cr. recess)	439459
5/16"—24 x 11/16" (cr. recess)	439461
5/16"—24 x 3/4" (cr. recess)	191887

8.913 BOLT—Truss head



No. 10—32 x 5/8" (cr. rec.) with ext. tooth lockwasher	274413
1/4"—20 x 1/2" (cr. recess)	157716

8.914 STUD

1/4" x 1"	144716
3/8"—16—24 x 3-5/8"	9420809
3/8"—16, 3/8"—24 x 3.66"	SP1568

8.915 NUT—Hexagon



No. 6—32 Machine screw	134530
No. 8—32 Machine screw	120622
No. 10—24 Machine screw	120361
No. 10—24 N.C.	SP1372
No.10—32 Machine screw	120614
No. 10—32	112432
No. 12—24 Machine screw	121743
1/4"—20 Machine screw	134551
1/4"—20 Light (cad. or zinc)	120375
1/4"—28	SP1655
1/4"—28	120613
1/4"—28 Light (plain)	103024
1/4"—28 Light (cad. or zinc)	120367
1/4"—28 Thick	137508
5/16"—18 Machine screw	134556
5/16"—18 Light	120376
5/16"—24 Light (plain)	103025
5/16"—24 Light (cad. or zinc)	120368
5/16"—24 Light (thick)	143416
3/8"—16 Light	120377
3/8"—16 Light (brass)	115772
3/8"—24	103026
3/8"—24	SP1708
3/8"—24 Light	120369
3/8"—24 Light (thick)	115287
3/8"—24	225854
3/8"—24 (Bright cad.)	SP1656
3/8"—24 (Phos. coat)	114942
3/8"—24 Heavy	451401
7/16"—14	271501
7/16"—14 Light	124573
7/16"—20	271505
7/16"—20 (cad. or zinc.)	271506
7/16"—20 Light	103027
7/16"—20 Light (thick)	106637
7/16"—20 Thick	272231
7/16"—20 Thick	272233
1/2"—20 Light	120371



HOLDEN

MASTER PARTS CATALOGUE

8.916 NUT—Hexagon jam



1/4"—20	124818
1/4"—20 Heavy	193232
5/16"—18	124824
5/16"—24 Light	124920
3/8"—16 Light	114503
3/8"—24 Light (plain)	114494
3/8"—24 Light (cad. or zinc)	124925
7/16"—14	272120
1/2"—20	124934
1/2"—20 Light	114496
7/8"—14 Light	219754

8.917 NUT—Hexagon slotted



3/8"—24	125233
7/16"—20 Light	121728
1/2"—20 Light (thick)	119254
1/2"—20	102647
9/16"—18	102648
5/8"—18 Light	102649

8.918 NUT—Hexagon self locking



1/4"—20 washer insert	SP1728
1/4"—28	9413976
1/4"—28	SP1229
5/16"—24	274558
3/8"—24	9413243
3/8"—24	SP1330
7/16"—20	9413955

8.920 NUT—Wing



1/4"—20 (steel)	SP1352
1/4"—20 (brass)	SP1769

8.921 NUT—Stamped



No. 6—32 Type "AC"	441251
No. 6—32 Type "G"	272733
No. 6—32 Type "G"	273286
No. 6—32 Type "R"	145485
No. 8A—Type "U"	SP1276
No. 8—Type "U"	SP1326
No. 10—24 Type "G"	441240
No. 10—24 Type "G"	446063
No. 10—24 x 3/4" Type "G"	446059
No. 10—24 Type "DO"	273330
No. 10—24 Type "DO"	441239
No. 12A—Type "U"	SP1214
3/32" stud—Push on—Type "A"	445155
1/8" Type "A"	SP1534
1/8" Type "M"	9415250
1/8" Stud—Push on	445194
3/16" Type "M"	9418693
1/4" Type "U"	SP1501
5/16"—18 Type "J"	SP1548
5/16"—18 Type "J"	SP1585
11/32"—24 Type "B"	441272
1/2"—20 Type "B"	147514

8.923 NUT—Square



No. 10—32	103101
1/4"—20 Machine screw	114380

8.924 NUT—Barrel



No. 6—32 x 15/32"	140595
-------------------	-------	--------

HOLDEN

MASTER PARTS CATALOGUE



8.925 NUT—Floating

No. 10—32	SP1544
1/4"—28	SP1373

8.928 WASHER—Spring



8.4 x 16 x 0.3 mm.	N42011
1/4"	SP1003
1/4"	SP1327
.380"—.385"	431534
7/16"	SP1328

8.929 WASHER—Flat



No. 8	9414106
No. 12	9417497
8.4 x 15 x 0.8 mm.	N20611
.156" x .312" x .03"	SP1360
.16" x 1/2" x .047"	SP1340
5/32" x 5/16" x .035"	446121
5/32" x 3/8" x .049"	131014
3/16" x 3/8" x .049"	446143
3/16" x 7/16" x .049"	131015
13/64" x 15/32" x .049"	446152
7/32" x 7/16" x .049"	446161
7/32" x 1/2" x .049" (cad. or zinc)	120391
15/64" x 17/32" x .049"	446170
1/4" x 1/2" x .063"	9414320
1/4" x 9/16" x .049"	SP1449
1/4" x 9/16" x .049"	120385
.256" x 1/2" x .036"	SP1622
17/64" x 5/8" x .049"	446188
17/64" x 3/4" x .075"	SP1107
9/32" x 5/8" x .065"	103339
9/32" x 5/8" x .065"	120392
5/16" x 3/4" x .065" (cad-zinc)	120386
5/16" x 7/8" x .063"	274865
21/64" x 1/2" x .024"	SP1694
.34" x .76" x .105"	SP1470
.34" x .88" x .09"	SP1455
.34" x 1" x .075"	SP1445
.344" x 1" x .059"	SP1500
11/32" x 11/16" x .065"	103340
11/32" x 11/16" x .065" (cad. or zinc)	120393
11/32" x 11/16" x .120"	SP1482
11/32" x 3/4" x .075"	SP1390
3/8" x 3/4" x .063"	274517
3/8" x 3/4" x .065"	446548
3/8" x 7/8" x .083"	446363

8.929 WASHER—Flat (Cont'd.)

.385" x 1" x .105"	SP1612
25/64" x 3/4" x .059"	SP1225
25/64" x 3/4" x .083"	SP1357
13/32" x 13/16" x .065" (plain)	103341
13/32" x 13/16" x .065" (cad-zinc)	120394
7/16" x 1" x .083" (cad-zinc)	120388
7/16" x 1-3/8" x .083"	446477
15/32" x 59/64" x .065"	120395
1/2" x 1" x .063"	9415084
9/16" x 1 1/4" x .109"	446230
.653" x 1.25" x .072	SP1532

8.930 WASHER—Finish



No. 6	140239
No. 6 (phosphate coated)	140250
No. 8 (cad. or zinc)	140240
No. 10	140241
No. 10 (bright nickel)	SP1462

8.931 WASHER—Lock



No. 6 Light	131181
No. 6 Medium	131044
No. 8 Medium (cad. or zinc)	121841
No. 10	453288
No. 10 Light	131183
No. 10 Medium (black enamel)	114648
No. 10 Medium (cad. or zinc)	120217
No. 12	131184
1/4" Light	121637
1/4" Medium (plain)	103319
1/4" Medium (cad. or zinc)	120380
1/4" Heavy	108578
5/16" Light (cad. or zinc)	120379
5/16" Medium (plain)	103320
5/16" Medium (cad. or zinc)	120214
5/16" Medium (phos. coat)	116120
5/16" Heavy (cad. or zinc)	120638
5/16" Heavy (plain)	108579
11/32" Medium	SP1486
3/8" Light (cad. or zinc)	120381
3/8" Medium (plain)	103321
3/8" Medium (cad. or zinc)	120382
3/8" Heavy (plain)	108580
3/8" Heavy (cad. or zinc)	131099



HOLDEN

MASTER PARTS CATALOGUE

8.931 WASHER—Lock (Cont'd.)

7/16" Medium (plain)	103322
7/16" Medium (cad. or zinc)	120383
1/2" Medium	103323
1/2" Medium	120384
1/2" Heavy	103329
3/4" Medium	131046

8.932 WASHER—Shakeproof



No. 6 Ext. tooth	138473
No. 8 Csk. ext. tooth	138593
No. 10 Ext. tooth (cad or zinc)	138479
No. 10 Csk. ext. tooth	138597
No. 12 Int. tooth cup	431535
1/4" Ext. tooth (plain)	114604
1/4" Ext. tooth (cad or zinc)	121753
1/4" Int. tooth (plain)	115547
1/4" Int. tooth (cad or zinc)	120423
1/4" Csk. ext. tooth (plain)	114616
1/4" Csk. ext. tooth (cad-zinc)	138604
1/4" Csk. int. tooth	SP1267
1/4" Int. tooth	120423
5/16" Ext. tooth	138485
5/16" Ext. tooth (medium)	114605
5/16" Int. tooth	115548
5/16" Csk. ext. tooth (cad-zinc)	134512
5/16" Int. tooth	138538
3/8" Ext. tooth	138489
3/8" Ext. tooth (cad.-zinc)	114606
3/8" Int. tooth (plain)	115549
3/8" Int. tooth (cad or zinc)	138542
3/8" Csk. ext. tooth	138617
7/16" Ext. tooth	114607
1/2" Int. tooth	138549
9/16" Int. tooth	115552
5/8" Ext. tooth	114609
5/8" Int. tooth	115553
11/16" Int. tooth	141706
7/8" Ext. tooth	138511

8.933 WASHER—Rubber

.200" x .750" x 9/32"	431551
-----------------------------	--------

8.934 SPRING—Retainer



3/32" dia. shaft	148145
1/4" dia. shaft	148148

8.938 PIN—Cotter



3 x 18 mm.	N10050
1/16" x 7/16"	137133
3/32" x 1/2" (plain)	103372
3/32" x 1/2" (cad or zinc)	119117
3/32" x 3/4"	103373
3/32" x 1"	103374
1/8" x 5/8" (cad or zinc)	426663
1/8" x 1"	103385
1/8" x 1-1/4"	120123
5/32" x 1 3/4"	103399
3/16" x 1 1/8"	SP1351
3/16" x 2 1/8"	SP1350

8.939 PIN—Dowel



5 x 16 mm.	N55650
1/8" x 3/4"	274795
5/16" x 9/16"	141216
5/16" x 3/4"	443770

8.940 PIN—Groove, Taper



No. 0 x 1 1/2"	103566
3/32" x 1/2"	442905
3/32" x 5/8"	142953
3/16" x 1/2"	107317

8.941 PIN—Spring

5.5 x 24 mm. spiral	N54211
3/32" x 3/8"	456724
3/32" x 1/2" Type "A"	455105
3/16" x 3/4"	454512
1/4" x 1"	456299
1/4" x 1 1/8"	453670

8.948 CLAMP—Hose

5/8" Type "B"	111602
11/16"	272846
.75" Type "E"	272847
.88"	SP1611
.94"	SP1657
.97"	SP1701
1.03"	SP1610
1 5/8"	SP1004
1-7/8"	272861
2"—2 3/4"	SP1543
2.38"	SP1879
2-9/16" preset	SP1609



8.949 CLIP—Lock

1/8" rectangular	SP1392
1/8" tubular to mount in 5/32" hole	SP1345
1/8" tubular to mount in 3/16" hole	SP1606
3/16" tubular	SP1343

8.950 CLIP—Pipe or Cable



1/16" Type "M"	432682
1/8" Type "M"	432686
3/16" Type "B"	SP1506
3/16" x 3/16" Type "F"	145539
3/16" x 5/16", Type "D"	SP1410
3/16" Closed No. 3	120520
1/4" x 5/16" Type "D"	177926
9/32" x 3/8"	SP1579
5/16" Type "A"	115269
5/16" Type "B"	127753
5/16" Type "B"	SP1574
5/16" Type "B"	192111
5/16" x 5/16" Type "G"	SP1546
5/16" x 2-9/64"	SP1583
3/8" Type "B"	145411
1/2" x 13/32" Type "D"	186533

8.951 COCK—Drain



1/8" 27 P.T.F.	114981
1/4"—18 P.T.F.	SP1314
1/4"—18	SP1717
1/4"—18	SP1526

8.954 EYELET

Coned	SP1364
5/16" Type "A"	SP1443

8.955 GASKET—Round closed



8.2 x 11.9 mm.	N31500
14.2 x 17.9 x 1.5 mm.	N16280
3/16" Annular	SP1078
3/8" Annular	105451
3/4" Annular	113897
14 m.m.	SP1105

8.956 GROMMET



No. 3	117959
.19"	SP1676
1/4"	SP1087
1/4"	SP1602
1/4" x 5/8"	SP1346
.35"	SP1404
1/2"	SP1092
1-1/16"	SP1563

8.960 KEY—Woodruff



1/8" x 1/2"	106749
1/8" x 5/8"	124545
3/16" x 3/4"	106751

8.963 FITTINGS—Tube and pipe



Reducing Bushing	Connector	Elbow	Nut
BUSH—Pipe reducing 1/4"—1/8"			SP1005
CONNECTOR—Inv. flared 3/16"			137404
CONNECTOR—Inv. flared 1/4"			137405
CONNECTOR—Inv. flared 5/16"			137406
CONNECTOR—Inv. flared 5/16" (steel)			145475
CONNECTOR—Inv. flared 7/16"			SP1039
CONNECTOR—Inv. flared 1/2"			425224
ELBOW—Inv. flared 3/16"—90°			137420
ELBOW—Inv. flared 1/4"—90°			SP1424



HOLDEN

MASTER PARTS CATALOGUE

8.963 FITTINGS—Tube and Pipe (Cont'd.)

ELBOW—Inv. flared 1/4"—90°	SP1008
ELBOW—Inv. flared 5/16"—45°	116341
ELBOW—Inv. flared 5/16"—90°	137422
ELBOW—Inv. flared 5/16"—90° (1/4" N.P.T.F.)	143343
ELBOW—Inv. flared 7/16"—90°	SP1496
NUT—Ball sleeve tube 3/16"	120847
NUT—Inv. flared 3/16"	137396
SLEEVE—Ball 3/16"	120488
UNION—Inv. flared 5/16"	137414

8.965 FUSE



1-1/2 amp.	432640
2 amp.	148086
3 amp.	445635
7 1/2 amp	455107
15 amp	SP1022
15 amp, Type AGC	120151
25 amp, Type 3AG or AGC	455844

8.967 RIVET



Button hd. solid 1/4" x 3/4"	104083
Button hd. solid 5/16" x 21/32"	SP1387
Button hd. solid 5/16" x 3/4"	SP1715
Csk. hd. solid .093" x .22"	SP1324
Csk. hd. solid .093" x .22"	SP1515
Csk. hd. tubular 1/8" x 3/16"	SP1223
Csk. hd. tubular 1/8" x 7/32"	SP1007
Flat hd. solid 3/16" x 1/4"	104233
Flat hd. solid 3/16" x 7/16"	114990
Flat hd. solid 1/4" x 1/2"	104249
Flat hd. solid 5/16" x 1"	SP1385
Oval hd. tubular 1/8" x 5/32"	SP1344
Oval hd. tubular 1/8" x 3/16"	107285
Oval hd. tubular 1/8" x 7/32"	191522
Oval hd. tubular 1/8" x 1/4"	SP1143
Oval hd. tubular 9/64" x 3/16"	109964
Oval hd. tubular 3/16" x 5/8"	273542
Oval hd. tubular 1/4" x 1 1/8"	SP1168
Oval hd. split 9/64" x 3/4"	136669
Truss hd. semi-tubular 3/16" x 3/16"	136868
Truss hd. semi-tubular 3/16" x 1/4"	121646
Truss hd. semi-tubular 3/16" x 1/2"	137871

8.970 PLUG—Expansion



3/4"	103892
------	--------

8.971 PLUG—Pipe



14 x 1.5 mm. hex. hd.	N16290
14 x 1.5 mm. sq. hd. conical	N21500
18 x 1.5 mm. sq. hd.	N30000
1/8" Hex. hd.	444613
1/8"—27 Sl. hd.	103883
1/8"—27 Hex. hd.	444612
1/4" Hex. hd. (plain)	444818
1/4"—18 Sl. hd.	103884
3/8"—18 Hex. hd	444625
3/8" Sq. hd.	103867
3/8" Sq. socket	444792
1/2" Sq. hd.	103868

8.973 PLUG—Button



1/2"	SP1540
1"	142091

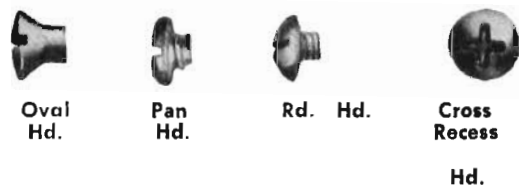
8.975 SCREW—Set



No. 6—32 x 1/8" cup point hex. socket	147458
No. 8—32 x 3/16" cone point hex. socket	454649
No. 10—24 x 5/16" Hex. socket phosphate coated	455700
1/4"—20 x 3/4" cone point slotted	190134
3/8"—16 x 3/4" Sq. hd.	102454
7/16"—14 x 1 3/4" hex. socket	222543

8.976 SCREW—Wood

No. 6—18 x 1/2"	148726
No. 10—13 x 1/2" Flat hd. cr. recess	148971


8.977 SCREW—Sheet metal


(flat head)	
No. 4—24 x 1/4" cr. rec. Type "A"	161340
No. 5—40 x 5/16" cr. rec. Type "T"	SP1538
No. 6—18 x 3/8" cr. rec. Type "A"	161370
No. 6—18 x 1/2" cr. rec. type "A"	161373
No. 8—15 x 1/2" sl. type "A"	137145
No. 8—15 x 1/2" cr. rec. Type "A"	161416
No. 8—15 x 5/8" cr. rec. Type "BT"	9413546
No. 10—12 x 5/8" cr. rec. type "A"	161439
No. 10—16 x 1/2" cr. rec. Type "B"	162683
No. 10—16 x 5/8" cr. rec. Type "B"	162688
No. 10—16 x 7/8" cr. rec. Type "B"	162696
No. 10—16 x 1" cr. rec. Type "B"	162701
No. 10—16 x 1" sl. type "B"	145087
No. 10—16 x 1-1/4" cr. rec.	162703

(fillister head)	
No. 10—12 x 5/8" cr. rec. Type "A"	178985

(oval head)	
No. 4—24 x 3/8" sl. type "B"	191284
No. 4—24 x 3/8" cr. rec. type "A"	SP1473
No. 4—24 x 1/2" cr. rec. type "A"	162128
No. 4—24 x 5/8" cr. rec. type "A"	SP1452
No. 4—24 x 3/4" cr. rec. type "A"	188133
No. 6—18 x 3/8" cr. rec. type "A"	162233
No. 6—18 x 1/2" cr. rec. type "A"	162247
No. 6—18 x 1/2" cr. rec. type "A", phosphate coated	443824
No. 6—18 x 5/8" cr. rec. type "A"	162292
No. 6—18 x 1" cr. rec. type "A"	162300
No. 6—18 x 1" cr. rec. type "B"	163418
No. 6—18 x 1-1/2" cr. rec. type "A"	SP1646
No. 6—20 x 3/8" cr. rec. type "B"	163401
No. 6—20 x 1/2" cr. rec. type "B"	163404
No. 8—15 x 3/8" cr. rec. type "A"	SP1520
No. 8—15 x 1/2" cr. rec. type "A" chrome plated	148545
No. 8—15 x 1/2" sl. type "A"	142220

8.977 SCREW—Sheet metal (Cont'd.)
OVAL HEAD—(Cont'd.)

No. 8—15 x 1/2" cr. rec. type "A" stain- less steel	273399
No. 8—15 x 5/8" cr. rec. type "A"	SP1641
No. 8—15 x 5/8" cr. rec. Type "A"	162397
No. 8—15 x 5/8" cr. rec. type "A"	162400
No. 8—15 x 7/8" cr. rec. type "A"	162404
No. 8—15 x 1" cr. rec. type "A"	162407
No. 8—15 x 1 1/2" cr. rec. type "A"	162418
No. 8—18 x 1/2" cr. rec. type "B"	163443
No. 8—18 x 3/4" cr. rec. type "B"	163450
No. 8—32 x 5/16" cr. rec. type "T"	9416676
No. 8—32 x 5/16" cr. rec. type "T"	9418232
No. 10—12 x 1/2" cr. rec. type "A"	162453
No. 10—12 x 3/4" cr. rec. type "A"	162462
No. 10—12 x 3/4" cr. rec. type "A" phosphate coated	187482
No. 10—12 x 1 1/2" cr. rec. type "A" ..	SP1518
No. 10—16 x 3/8" cr. rec. type "B"	163464
No. 10—16 x 3/8" cr. rec. type "B"	163465
No. 10—16 x 1/2" cr. rec. type "B"	163467
No. 10—16 x 5/8" cr. rec. type "B"	163471
No. 14—10 x 5/8" sl. type "A"	144890

(hex. head)	
No. 8—15 x 3/4" slotted type "A"	SP1519
No. 10—12 x 1/2" sl. type "A"	443547
No. 10—12 x 3/8" Type "A"	178781
No. 10—12 x 1/2" Type "A"	444267
No. 10—16 x 3/8" Type "B"	271137
No. 10—24 x 1/2" Types "D", "T", "F" or "G"	448623
No. 10—24 x 1/2"	9414324
1/4"—20 x 7/8" type "D"	172445
1/4"—28 x 3/4", Type "C"	171041
1/4"—28 x 1", Type "C"	171099
5/16"—24 x 3/4" type "C"	171114
3/8"—24 x 3/4", Type "D"	172493

(pan head)	
No. 4—24 x 3/16" cr. rec. type "B"	9415583
No. 4—24 x 1/4" sl. type "A"	144789
No. 4—24 x 1/4" sl. type "B"	145173
No. 4—24 x 1/4" cr. rec. type "A"	161752
No. 4—24 x 1/4" cr. rec. type "B"	163024
No. 4—24 x 3/8" sl. type "B"	441197
No. 6—18 x 1/4" sl. type "A"	144791
No. 6—18 x 3/8" cr. rec. type "A"	161790
No. 6—18 x 3/8" cr. rec. type "A" phosphate coated	186412
No. 6—18 x 3/8" sl., type "A"	128273
No. 6—18 x 1/2" cr. rec. type "A"	161798
No. 6—18 x 1/2", sl., Type "A"	125672
No. 6—18 x 5/8" cr. rec. Type "A"	161801
No. 6—18 x 3/4" cr. rec. Type "A"	161807



HOLDEN

MASTER PARTS CATALOGUE

8.977 SCREW—Sheet metal (Cont'd.)

(pan head—Cont'd.)

No. 6—20 x 5/16" cr. rec. type "B"	190075
No. 6—20 x 3/8" cr. rec. type "B"	163098
No. 6—20 x 3/8", sl., Type "B"	145186
No. 6—20 x 1/2" cr. rec. type "B"	163102
No. 6—20 x 5/8" cr. rec. type "B"	163105
No. 6—24 x 1/4", cr. rec., Type "A"	SP1441
No. 6—32 x 3/16" cr. rec.	9427350
No. 6—32 x 1/4" cr. rec. Type "T"	274571
No. 7—19 x 1/2" sl. type "B"	145192
No. 8—15 x 7/16" sl. type "A"	450521
No. 8—15 x 1/2" cr. rec. type "A"	161860
No. 8—15 x 1/2" sl. type "A"	120790
No. 8—15 x 9/16" cr. rec. type "A"	SP1702
No. 8—15 x 5/8" cr. rec.	161869
No. 8—15 x 5/8", sl. type "A"	451815
No. 8—15 x 3/4" sl. type "A"	116410
No. 8—15 x 3/4" cr. rec. (cad)	SP1662
No. 8—15 x 3/4" cr. rec. type "A"	179338
No. 8—15 x 3/4" cr. rec.	161871
No. 8—15 x 1" cr. rec. type "A"	161878
No. 8—15 x 1" sl. type "A"	144838
No. 8—18 x 1/4" cr. rec. type "B"	9420908
No. 8—18 x 5/16" sl. type "B"	145183
No. 8—18 x 5/16" cr. rec.	9412033
No. 8—18 x 3/8" cr. rec. type "A"	163158
No. 8—18 x 3/8" cr. rec. type "T"	9411532
No. 8—18 x 3/8", cr. rec. type "B"	163160
No. 8—18 x 3/8" sl. type "A"	128270
No. 8—18 x 3/8" sl. type "B"	111688
No. 8—18 x 1/2", cr. rec. type "B"	163162
No. 8—18 x 1/2" cr. rec. type "BT"	273708
No. 8—18 x 1" cr. rec. type "B"	163200
No. 8—32 x 1/2" cr. rec. type "T"	449813
No. 8—32 x 9/16" cr. rec. type "T"	9424842
No. 10—12 x 1/2" sl. type "A"	144811
No. 10—12 x 1/2" cr. rec. Type "A"	161895
No. 10—12 x 5/8" sl. type "A"	142611
No. 10—12 x 3/4" sl.	128151
No. 10—12 x 7/8" sl. type "A"	144831
No. 10—16 x 1/4" cr. rec. type "B"	426314
No. 10—16 x 3/8" sl. type "A"	127933
No. 10—16 x 3/8" cr. rec. type "A"	94 11535
No. 10—16 x 3/8" sl. type "B"	145189
No. 10—16 x 3/8" cr. rec. Type "B"	163209
No. 10—16 x 3/8" cr. rec. type "B" cad. or zinc.	163210
No. 10—16 x 1/2" sl. type "B"	145193
No. 10—24 x 3/8" cr. rec. type "T"	9417639
No. 12—11 x 1/2" cr. rec. type "A"	162003
No. 14—10 x 1/2" sl. type "A"	221154
No. 14—10 x 5/8" sl. type "A"	144817
No. 14—10 x 5/8" cr. rec.	162074
No. 14—10 x 3/4" sl. type "A"	144824
No. 14—10 x 2" cr. rec. type "A"	162113
1/4"—28 x 3/4" cr. rec. type "C"	164602

(round head)

No. 6—18 x 1/2" sl. type "A"	127853
No. 6—18 x 1" cr. rec. type "A"	161606
No. 6—20 x 3/8" cr. rec. type "BT"	273866
No. 6—32 x 3/16" cr. rec. type "T"	SP1565
No. 8—15 x 1/2" cr. rec. type "A"	SP1490

8.977 SCREW—Sheet metal (Cont'd.)

(round head—Cont'd.)

No. 8—15 x 5/8" cr. rec.	161631
No. 8—32 x 7/16" cr. rec. type "T"	9415505
No. 10—12 x 1/2" sl. type "A"	125591
No. 10—16 x 1/4" cr. rec. type "B"	186441
No. 14—10 x 5/8" sl. type "A"	144736
No. 14—10 x 3/4" sl. type "A"	144744
No. 14—10 x 1" sl. type "A"	144759
No. 14—10 x 1 3/4" sl. type "A"	144778
No. 14—10 x 2" cr. rec. type "A"	161745

8.984 FITTING—Lubrication



1/8" Straight type "C"	M33112
1/8" Elbow 45° type "C"	271283
1/8" Elbow 90° type "C"	M33118
1/4" Straight type "C"	M33106
1/4" Elbow—90° type "C" or "D"	9411032
1/4" Straight x 1/2"	9411027
1/4"—28 Elbow 45°	9417891
1/4"—28 Elbow 90°	9417892

8.987 FASTENER—Curtain



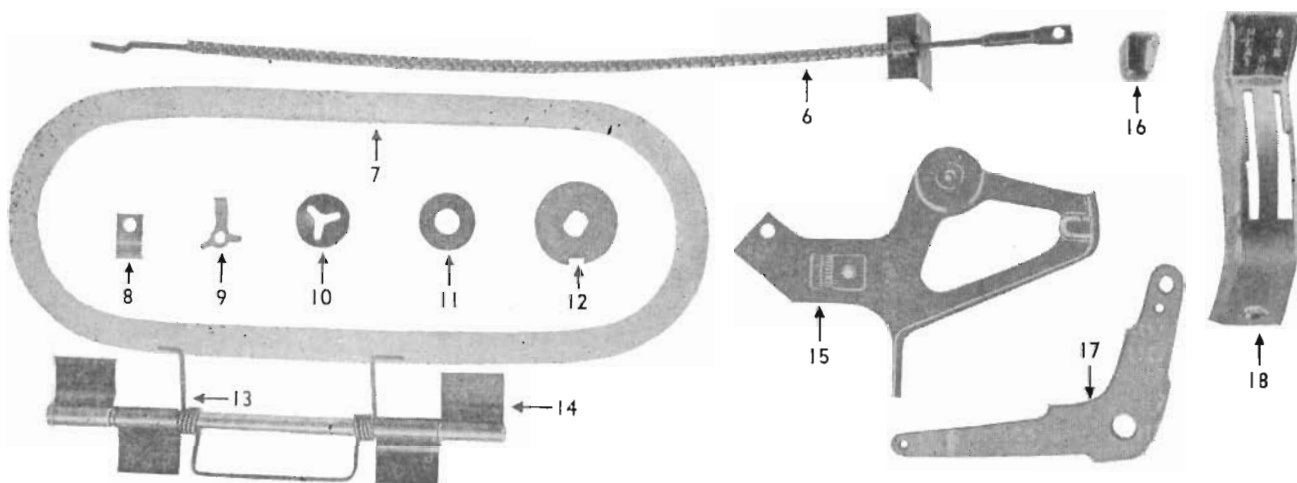
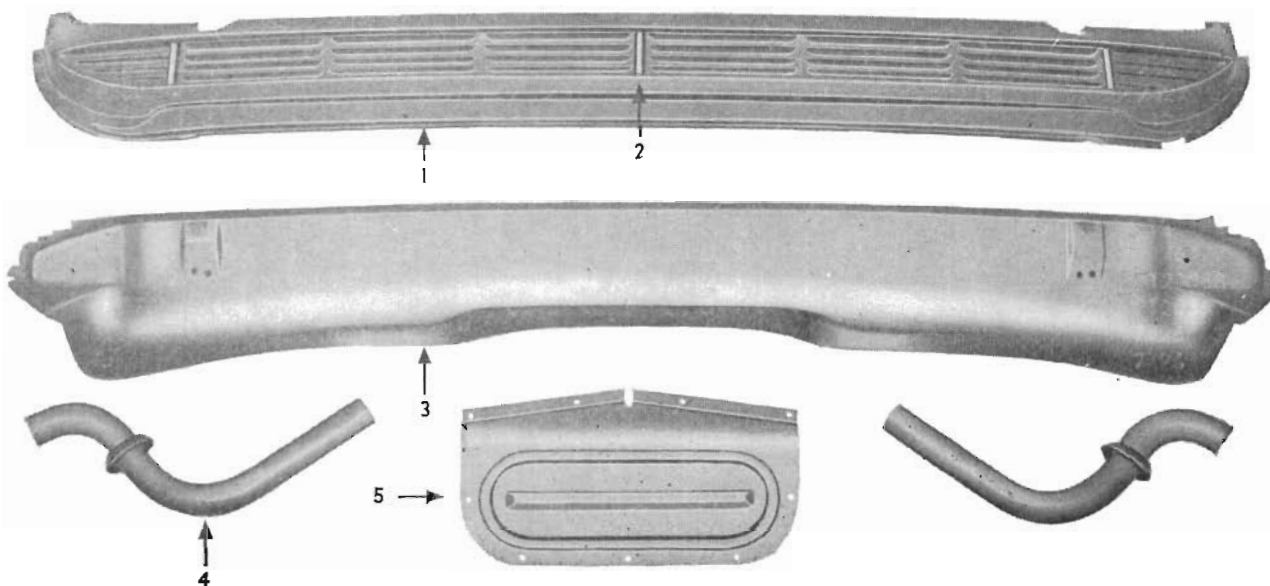
No. 8 x 3/8" Type "A" Stud-fastener tapping	SP1017
No. 8 x 3/8" Type "D" Stud-fastener tapping	SP1077
No. 8 x 3/8" Type "D" Double stud- fastener tapping	SP1393
No. 10 x .38" self tapping	SP1535
SOCKET—Fastener type "A"	SP1018
SOCKET—Fastener type "D"	105167
PLATE—Fastener type "D"	105169
ADJUSTABLE	SP1380



8.991 BULB



6—8V. 1 c.p.—s.c.	115273
6—8V. 2 c.p.—s.c.	125588
6—8V. 6 c.p.—s.c.	142306
6—8V. 21 c.p.—s.c.	103642
6—8V. 21—3 c.p.—d.c.	145416
6—8V. 50—32 c.p.—d.c.	2530
12—16V., 0.1 Amp.	SP1477
12—16V., .7 c.p.—s.c.	274004
12—16V. 1 c.p.—s.c.	131282
12—16V. 2 c.p.—s.c.	127934
12—16V. 2 c.p.—s.c.	273157
12—16V., 2 c.p.—s.c.	9417863
12—16V. 2 c.p.—s.c. min. flash ..	9412348
12—16V. 2 watt miniature ..	SP1459
12—16V. 4 c.p.—s.c.	142450
12—16V. 6 watt—s.c.	SP1467
12—16V. 12 c.p.—s.c.	142454
12—16V. 12 c.p.—festoon ..	9414045
12—16V. 15 c.p.—d.c.	455136
12—16V. 15 c.p.—s.c.	455490
12—16V. 21 c.p.—s.c.	142456
12—16V. 32 c.p.—s.c.	454646
12—16V., 32 c.p.—s.c.	9417866
12—16V. 32—4 c.p.—d.c.	454645
12—16V., 32—4 c.p.—d.c.	9417867



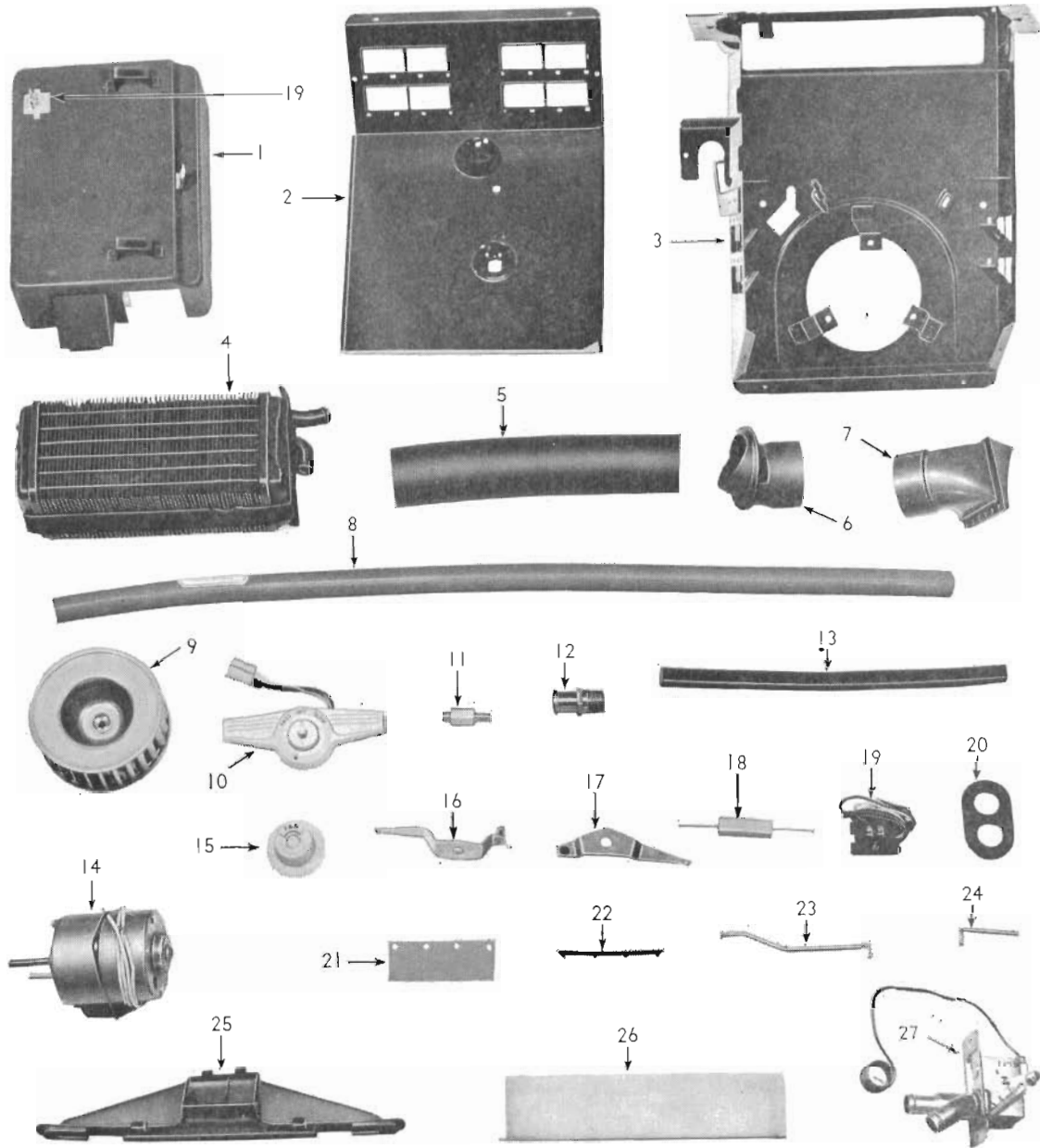
PLENUM CHAMBER AND CONTROL

Illus Ref. No.	Part Name.	Group.	Illus. Ref. No.	Part Name.	Group.
1.	VENTILATOR ASSEMBLY	10.307	10.	DISC—Control spring	9.787
2.	PILLAR	10.307	11.	WASHER—Control friction	9.787
3.	CHAMBER—Plenum	12.803	12.	WASHER—Special flat	9.787
4.	TUBE—Drain	9.785	13.	SPRING	N.L.S.
5.	PANEL—Chamber cover	9.786	14.	HINGE and SPRING ASSY.	9.786
6.	CABLE ASSEMBLY	9.787	15.	BRACKET	9.787
7.	SEAL	9.786	16.	KNOB	9.787
8.	CLAMP	9.787	17.	LEVER	9.787
9.	WASHER—Lever retaining	9.787	18.	ESCUTCHEON	9.787



HOLDEN

MASTER PARTS CATALOGUE



HEATER and DEMISTER

Illus. Ref. No.	Part Name	Group	Illus. Ref. No.	Part Name	Group
1.	VOLUTE BOX	9.779	15.	KNOB	9.779
2.	COVER—Rear	9.779	16.	LEVER ASSY.—Demister control	9.779
3.	SHELL & BRACKET ASSY.	9.779	17.	LEVER ASSY.—Heat control	9.779
4.	RADIATOR	9.779	18.	RESISTOR	9.779
5.	HOSE—Demister	9.779	19.	CONNECTOR—3 way male	9.779
6.	ADAPTOR—Hose to plenum chamber	9.779	20.	GROMMET	9.779
7.	DEMISTER OFFTAKE	9.779	21.	FLAP—By-pass	9.779
8.	HOSE	9.779	22.	STRIP—Flap retaining	9.779
9.	ROTOR	9.779	23.	ROD—Heat control lever	9.779
10.	SWITCH	9.779	24.	ROD—Demister control lever	9.779
11.	STUD	9.779	25.	NOZZLE—Demister	9.779
12.	NIPPLE	9.779	26.	VALVE ASSY.—Recirculating flap	9.779
13.	SEAL—To plenum chamber	9.779	27.	VALVE ASSY.—Heater control	9.779
14.	MOTOR	9.779			

HOLDEN

MASTER PARTS CATALOGUE



Group	Description	Model	Part No.	Qty.
9.127 SEAL, LACING—Hood Ledge				
	SEAL—Front Pillar	48, 50, FJ	7402354	2
	SCREW—Pan hd. cross recess tapping type "B" No. 10—16 x 3/8"	48, 50, FJ	163210	4
	LACING	FE, FC	7409480	1
	LACING	FB, EK	7412515	1
	SCREW—Pan hd. cr. rec. tap. type "A" No. 10—12 x 1/4"	FB, EK	161895	2
	WASHER—Plain 7/32" x 7/16" x .049"	FB, EK	446161	2
	CLIP—Lacing	FE, FC, FB, EK	4649455	A.R.
	LACING	EJ	7415340	1
	CLIP—Lacing	EJ	4649455	8
	LACING	EH	7422276	1
	LACING	HD, HR	7423860	1
	RETAINER—Lacing	HD, HR	7424178	1
	SCREW—Rd. hd. wa. face tap. type "A" No. 8—15 x 1/2"	HD, HR	SP1490	2
9.709 LIGHTER ASSEMBLY—Cigar				
	LIGHTER ASSEMBLY	FJ/225	M30118	1
	CLIP—Lead	FJ/225	7401651	1
	LIGHTER PACKAGE (Accessory)	FE, FC	7406008	1
	LIGHTER PACKAGE (Accessory)	FB, EK	RIGHT HAND DRIVE 7414173	1
	LIGHTER ASSEMBLY (Milled Knob)	FE/225, FE/229, FC/225, FC/229 FB/225, FB/229, EK/225, EK/229	7415041	1
	LIGHTER ASSEMBLY (Cuno)	EK/225, EK/229	7418702	1
	PLUNGER ASSEMBLY (Plain knob)	FE/225, FE/229, FC/225, FC/229, FB/225, FB/229	*7406926	1
	ELEMENT (Plain knob)	FE/225, FE/229, FC/225, FC/229, FB/225, FB/229	7406925	1
	PLUNGER ASSEMBLY (Milled knob)	FE/225, FE/229, FC/225, FC/229, FB/225, FB/229	*7406927	1
	PLUNGER ASSEMBLY (Cuno)	EK/225, EK/229	7425506	1
	ELEMENT (Cuno)	EK/225, EK/229	7425505	1
	SOCKET ASSEMBLY (Cuno)	EK/225, EK/229	7425507	1
	LIGHTER PACKAGE (Accessory)	EJ, EH	RIGHT HAND DRIVE 7425260 LEFT HAND DRIVE 7418889	1
	LIGHTER ASSEMBLY (Cuno)	EJ/225, EJ/229, EJ/235 EH/225, EH/229, EH/235, EH/239	7418889	1
	PLUNGER AND KNOB ASSEMBLY (Cuno)	EJ/225, EJ/229, EJ/235 EH/225, EH/229, EH/235, EH/239	7419774	1
	PLUNGER AND KNOB ASSEMBLY (Casco)	EJ/225, EJ/229, EJ/235 EH/225, EH/229, EH/235, EH/239	7419775	1
	LEAD ASSEMBLY	EJ/225, EJ/229, EJ/235 EH/225, EH/229, EH/235, EH/239	RIGHT HAND DRIVE 7417425	1
	LIGHTER PACKAGE (Accessory)	HD, HR	7427698	1
	LIGHTER ASSEMBLY (Cuno)	HD, HR	7426159	1
	PLUNGER AND KNOB ASSEMBLY (Cuno)	HD, HR	7429079	1
	PLUNGER AND KNOB ASSEMBLY (Casco)	HD, HR	7429077	1
	LEAD ASSEMBLY	HD, HR	RIGHT HAND DRIVE 7425574	1

*Extreme care must be exercised to ensure that the correct type replacement Plunger Assembly is supplied, otherwise serious damage or injury could result.



HOLDEN

MASTER PARTS CATALOGUE

9.743 CARRIER, SEAL, BRACKET, TRIM RING, HOOD—Instrument Panel

BULB—Instrument lighting—2 C.P.	48, 50, FJ	125588	4
TRIM RING PACKAGE (Set of 3)	FJ/225	M30575	1
PANEL ASSEMBLY—Carrier	FE	7409991	1
PANEL ASSEMBLY—Carrier	FC	7411890	1
SCREW—Rd. hd. sl. mach. 1/4"—20 x 1 3/8"	FE, FC	274916	2
WASHER—Spring lock 1/4" light	FE, FC	121637	2
BULB—12-16V. 2 c.p. Instrument lighting	FE, FC	127934	4
SHIELD—Instrument panel	FC	7411019	1
SCREW—Rd. hd. cr. rec. tap. Type "BT" No. 6—20 x 3/8"	FC	273866	4
CARRIER	FB, ex. FB/225, FB/229		
	RIGHT HAND DRIVE	7413250	1
CARRIER	FB/225, FB/229	RIGHT HAND DRIVE	7412759
SCREW—Oval hd. cr. rec. mach. No. 10—24 x 5/8"	FB	RIGHT HAND DRIVE	148109
CARRIER (Plated)	EK	RIGHT HAND DRIVE	7416477
SCREW—Oval hd. cr. rec. mach. No. 10—24 x 3/4"	EK	RIGHT HAND DRIVE	SP1468
PLUG—Instrument carrier	FB, exc. FB/225, FB/229		
	EK, exc. EK/225, EK/229		
	RIGHT HAND DRIVE	#7413354	2
CLIP—Push on 1/8" stud	FB, exc. FB/225, FB/229		
	EK, exc. EK/225, EK/229		
	RIGHT HAND DRIVE	#SP1408	2
CLAMP—Fuel gauge and telltale ..	FB, EK ..	7413185	4
SCREW—Rd. hd. cr. rec. tap. Type "T", No. 8—32 x 7/16"	FB, EK ..	9415505	4
BULB—12-16V. 2 c.p. instrument lighting	FB, EK ..	127934	4
INSULATOR—Instrument carrier	FB, EK ..	RIGHT HAND DRIVE	7419126
INSULATOR—Instrument carrier	FB, EK ..	RIGHT HAND DRIVE	7419125
INSULATOR—Instrument carrier	FB, EK ..	RIGHT HAND DRIVE	7419128
	LEFT HAND DRIVE	7419127	4
CARRIER	EJ, EH ..	7417751	1
SCREW—Oval hd. cr. rec. mach. No. 10—24 x 3/4"	EJ, EH ..	SP1468	2
SCREW—Pan hd. cr. rec. mach. No. 10—32 x 1/2"	EJ, EH ..	160046	2
WASHER—Plain, 7/32" x 1/2" x .049"	EJ, EH ..	120391	2
WASHER—Spring lock, No. 10—medium ..	EJ, EH ..	120217	2
HOOD	EJ, EH ..	RIGHT HAND DRIVE	7417750
		LEFT HAND DRIVE	7417749
BOLT—Hex. hd. No. 10—24 x 1/2"	EJ, EH ..	443874	2
SCREW—Hex. hd. mach. No. 10—24 x 5/8"	EJ, EH ..	440502	1
WASHER—Spring lock, No. 10—medium ..	EJ, EH ..	120217	3
CLIP—Hood attaching	EJ, EH ..	3697750	2
CLAMP—Fuel gauge and tell tale	EJ, EH ..	7413185	4
SCREW—Rd. hd. cr. rec. tap. Type "T", No. 8—32 x 7/16"	EJ, EH ..	9415505	4
BULB—12-16 Volt 2 c.p.	EJ, EH ..	127934	4
PLUG—Cigar lighter aperture	EJ/215, EJ/219, EJ/2104, EJ/2106		
	EH/215, EH/219, EH/2104, EH/2106	7417048	1
CARRIER & FACIA PANEL—(One piece)	HD	7427302	1
SPACER—(Suit one piece panel)	HD/225, HD/229, HD/235, HD/239 ..	7430521	1
PANEL—Facia	HD/215, HD/219, HD/2104, HD/2106	7429522	1
PANEL—Facia	HD/225, HD/229, HD/235, HD/239 ..	7426030	1
SCREW—Pan. hd. cr. rec. tap. type "A" No. 8—15 x 3/4"	HD	179338	2
ESCUTCHEON—Lighter	HD/215, HD/219, HD/2104, HD/2106		
	RIGHT HAND DRIVE	7429510	1
	LEFT HAND DRIVE	7429509	1
ESCUTCHEON—Lighter	HD/225, HD/229, HD/235, HD/239		
	RIGHT HAND DRIVE	7425927	1
	LEFT HAND DRIVE	7426582	1
NUT—Stamped 1/8" diameter, type "M"	HD	9415250	2
BULB—12-16 Volt 2 c.p.	HD	127934	4
PLUG—Cigar lighter aperture	HD/215, HD/219, HD/2104, HD/2106	7426303	1

#Not required when factory assembled direction signal equipment fitted.

HOLDEN

MASTER PARTS CATALOGUE



9.743 CARRIER, SEAL, BRACKET, TRIM RING, HOOD—Instrument panel (Cont'd.)

CARRIER & FACIA PANEL	HR/215, HR/219, HR/2104, HR/2106 exc. S Eng.	7429614	1
CARRIER & FACIA PANEL	HR/215, HR/219, HR/2104, HR/2106 S Eng.	7434001	1
CARRIER & FACIA PANEL	HR/225, HR/229 exc. S Eng.	7427394	1
CARRIER & FACIA PANEL	HR/225, HR/229 S Eng.	7434002	1
SCREW—Pan hd. cr. rec. tap No. 8—15 x 3/4"	HR exc. HR/235, HR/239	SP1662	2
CARRIER & FACIA PANEL—With insert	HR/235, HR/239 exc. S Eng.	7429686	1
CARRIER & FACIA PANEL—With insert	HR/235, HR/239 S Eng.	7434000	1
SCREW—Pan hd. cr. rec. tap No. 8—15 x 3/4"	HR/235, HR/239	179338	2
SPACER	HR	7430521	1
ESCUTCHEON—Lighter	HR/215, HR/219, HR/2104, HR/2106 RIGHT HAND DRIVE LEFT HAND DRIVE	7429510 7429509	1 1
ESCUTCHEON—Lighter	HR/225, HR/229 RIGHT HAND DRIVE LEFT HAND DRIVE	7428810 7428809	1 1
ESCUTCHEON—Lighter	HR/235, HR/239 RIGHT HAND DRIVE LEFT HAND DRIVE	7429688 7429687	1 1
NUT—Stamped 1/8"	HR	9415250	2
BULB—12-16 Volt 2 c.p.	HR	9417863	4
PLUG—Cigar lighter aperture	HR/215, HR/219, HR/2104, HR/2106	7426303	1
PLUG—Choke control hose	HR S Eng.	7433796	1
NUT—Stamped No. 10—24	HR S Eng.	441239	1
WASHER—Flat No. 12	HR S Eng.	9417497	1

9.750 HEATER AND DEMISTER ASSEMBLY

DEMISTER PACKAGE—Motorless (Accessory)	EJ exc. EJ/235	7420460	1
HEATER & DEMISTER PACKAGE—Motorless (Accessory)	EH exc. EH/235, EH/239	7420709	1
DEMISTER PACKAGE—Motorless (Accessory)	EH exc. EH/235, EH/239	7420460	1
HEATER & DEMISTER PACKAGE—Fresh air (Accessory)	HD exc. HD/235, HD/239 HR exc. HR/235, HR/239	†7427229	1
CONVERSION PACKAGE—Fresh air (accessory)	HD exc. HD/235, HD/239 HR exc. HR/235, HR/239 LEFT HAND DRIVE	7430345	1
HEATER & DEMISTER PACKAGE—Motorless (Accessory)	HD exc. HD/235, HD/239 HR exc. HR/235, HR/239 RIGHT HAND DRIVE	*7427668	1
HEATER PACKAGE—Motorless (Accessory)	HD exc. HD/235, HD/239 HR exc. HR/235, HR/239 RIGHT HAND DRIVE	*7427704	1
DEMISTER PACKAGE—Motorless (Accessory)	HD exc. HD/235, HD/239 HR exc. HR/235, HR/239 RIGHT HAND DRIVE	7427670	1

†Conversion package 7430345 required to adapt heater to Left Hand Drive specification.

*Except HD X2 Engine.



HOLDEN

MASTER PARTS CATALOGUE

9.779 HEATER AND DEMISTER COMPONENTS

CONNECTOR—Hose "Smith"	FE	7406342	1
SWITCH—Rheostat "Smith"	FE	7406343	1
VALVE ASSEMBLY—Control "Smith"	FE	7406341	1
SWITCH—Rheostat "Preslite"	FE, FC	7406636	1
BUTTON—Tufting	FB, EK	#SP1376	1
CLAMP—Hose	FB, EK	#SP1610	4
CLIP—Knob retaining	FB, EK	#7421224	1
FAN ASSEMBLY	FB, EK	#7423126	1
HOSE—Demister 15½"	FB, EK	#7415048	1
HOSE—Demister 36"	FB, EK	#7415047	1
HOSE—Heater 1-3/4"	FB, EK	#7423138	1
HOSE—Heater 28"	FB, EK	#7417082	1
HOSE—Heater 55"	FB, EK	#7417083	1
KNOB—Control lever	FB, EK	#7412986	1
KNOB—Switch	FB, EK	#7423127	1
LEVER—Hot water control	FB, EK	#7414680	1
MOTOR—Fan	FB, EK	#7423124	1
NIPPLE—Hose	FB, EK	#7415042	2
RADIATOR ASSEMBLY	FB, EK	#7423132	1
RESISTOR—Motor	FB, EK	#7423137	1
ROD—Hot water control lever	FB, EK	#7414681	1
SCREW—Control lever knob	FB, EK	#454649	1
BOLT—Hex. hd. No. 10—24 x 1/2"	FB, EK	#443874	1
STRAP—Demister hose support	FB, EK	#7415052	1
SWITCH & ESCUTCHEON ASSEMBLY	FB, EK	#7423128	1
VOLUTE & TRAY ASSEMBLY	FB, EK	#7423125	1
VALVE ASSEMBLY—Control	FB, EK	#7414629	1
RADIATOR ASSEMBLY	FB, EK	*7422439	1
GROMMET—Heater hose	FB, EK	*7422440	1
HOSE—Heater 28"	FB, EK	*7422442	1
HOSE—Heater 61½"	FB, EK	*7422443	1
NIPPLE—Heater	FB, EK	*7422441	1
VALVE ASSEMBLY—Control	FB, EK	*7422444	1

Suit Fresh Air and Recirculating Heater.

* Suit Motorless Heater.

HOLDEN

MASTER PARTS CATALOGUE



9.779 HEATER AND DEMISTER COMPONENTS (Cont'd.)

KNOB—Control lever	EJ, EH	#7416860	2
SCREW—Hex. socket set No. 8—32 x 3/16"	EJ, EH	#454649	2
WASHER—Friction	EJ	#7412972	4
WASHER—Friction	EH	#7424715	3
WASHER—Special flat	EJ, EH	#7412971	1
DISC—Spring	EJ, EH	#7412973	2-1
LEVER ASSEMBLY—Heat control	EJ, EH	#7418704	1
ROD—Heat control lever	EJ, EH	#7418706	1
VALVE ASSEMBLY—Heater control	EJ, EH	#7418696	1
HOSE—Heater, 31"	EJ	#7419299	1
HOSE—Heater, 39"	EJ	#7419300	1
HOSE—Heater, 33"	EH	#7422766	1
HOSE—Heater, 42-1/2"	EH	#7422767	1
CLIP—Heater hose	EH	#SP1581	1
SPRING—Heater hose	EH	#7420229	1
GROMMET—Heater hose	EJ, EH	#7414636	1
NIPPLE—Heater hose	EJ, EH	#7415042	2-1
CLAMP—Heater hose	EJ, EH	#SP1610	4
SWITCH ASSEMBLY—Heater fan	EJ exc. EJ/235		
	EH exc. EH/235, EH/239	#7422902	1
	EJ/235, EH/235, EH/239	#7421222	1
SWITCH ASSEMBLY—Heater fan	EJ exc. EJ/235		
	EH exc. EH/235, EH/239	#7423032	1
	EJ/235, EH/235, EH/239	#7421223	1
KNOB—Heater switch	EJ, EH	#7421224	1
CLIP—Heater knob retaining	EJ	#7424053	1
BRACKET—Demister control lever pivot retainer	EJ	#7421211	1
LEVER & TRUN. ASSEMBLY—Demister control	EJ	#120361	1
NUT—Hex. No. 10—24	EH	#7424716	1
LEVER & TRUN. ASSEMBLY—Demister control	EH	#443874	1
BOLT—Hex. hd. No. 10—24 x 1/2"	EJ, EH	#7424781	2
SPRING—Demister control rod	EJ, EH	#7421210	1
ROD—Demister control lever	EJ	#7421104	1
PIVOT—Demister control lever	EJ	#7421208	2
SPACER—Demister control lever	EJ, EH	#7414903	1
WASHER—Retaining	EJ, EH	#7419303	2
HOSE—Demister	EJ, EH	LH#7419395	1
ADAPTOR—Demister hose to plenum chamber		RH#7419396	1
NOZZLE—Demister	EJ, EH	LH#7418709	1
		RH#7418708	1
STUD—Heater mounting	EJ, EH	#7421212	1
MOTOR—Heater fan	EJ, EH	#7422886	1
RADIATOR ASSEMBLY—Heater	EJ, EH	#7422887	1
RESISTOR—Heater motor	EJ, EH	#7422890	1
ROTOR ASSEMBLY—Heater	EJ, EH	#7422891	1
FLAP—Heater by-pass	EJ, EH	#7422892	1
STRIP—Heater by-pass flap retaining	EJ, EH	#7422893	1
SEAL—Heater to plenum chamber	EJ, EH	#7422895	1
SPIRE NUT—Heater valve	EJ, EH	#7422896	1
BEARING—Heater recirculating flap valve	EJ, EH	#7422897	1
VALVE ASSEMBLY—Heater recirculating flap	EJ, EH	#7422898	1
SHELL & BRACKET ASSEMBLY—Heater	EJ, EH	#7422899	1
VOLUTE BOX—Heater	EJ exc. EJ/235		
	EH exc. EH/235, EH/239	#7422903	1
	EJ/235, EH/235, EH/239	#7422900	1
	EJ/235, EH/235, EH/239	#7422901	1
VOLUTE BOX—Heater	EJ, EH	#SP1519	2
CONNECTOR ASSEMBLY—Heater 3 way male	EJ, EH	#120706	2
SCREW—Hex. hd. sl. tap. type "A" No. 8—15 x 3/4"	EJ, EH	#120392	2
BOLT—Hex. hd. 1/4"—20 x 1/2"	EJ, EH	#120380	2
WASHER—Plain, 9/32" x 5/8" x .065"	EJ, EH	#120375	2
WASHER—Spring lock, 1/4"—medium	EJ, EH	#120394	1
NUT—Hex. 1/4"—20	EJ, EH	#120393	1
WASHER—Plain, 13/32" x 13/16" x .065"	EJ, EH	#120394	1
WASHER—Plain, 11/32" x 11/16" x .065"	EJ, EH	#120393	1
WASHER—Spring lock 5/16"—medium	EJ, EH	#120214	1
NUT—Hex. 5/16"—18	EJ, EH	#120376	1

Suit Fresh Air Heater.



HOLDEN

MASTER PARTS CATALOGUE

9.779 HEATER AND DEMISTER COMPONENTS (Cont'd.)

RADIATOR ASSEMBLY	EJ exc. EJ/235		
SCREW—Pan hd. cr. rec. tap. No. 8—15 x 5/8"	EH exc. EH/235, EH/239	*7420459	1
WASHER—Plain 7/16" x 1" x .083"	EJ exc. EJ/235		
BOLT—Hex. hd. No. 10—24 x 1/2"	EH exc. EH/235, EH/239	*161869	2
KNOB—Control arm	EJ exc. EJ/235		
SCREW—Hex. socket set No. 8—32 x 3/16"	EH exc. EH/235, EH/239	*120388	1
WASHER—Friction	EJ exc. EJ/235		
WASHER—Special flat	EH exc. EH/235, EH/239	*443874	1
DISC—Spring	EJ exc. EJ/235		
WASHER—Retaining	EH exc. EH/235, EH/239	*7416860	1
GROMMET—Heater hose	EJ exc. EJ/235		
GROMMET—Heater hose	EH exc. EH/235, EH/239	*454649	1
HOSE—Heater 33"	EJ exc. EJ/235		
HOSE—Heater 48 1/2"	EH exc. EH/235, EH/239	*7412972	2
HOSE—Heater 1/2"—5/8" x 48 1/2"	EJ exc. EJ/235		
CLAMP—Hose .88" dia.	EH exc. EH/235, EH/239	*7412971	1
CLAMP—Hose 1.03" dia.	EJ exc. EJ/235		
CLIP—Hose support	EH exc. EH/235, EH/239	*7412973	1
CLIP—Strap .25" wide	EJ exc. EJ/235		
NIPPLE—Heater	EH exc. EH/235, EH/239	*7414903	1
VALVE ASSEMBLY—Control	EJ exc. EJ/235		
VALVE ASSEMBLY—Control	EH exc. EH/235, EH/239	*7422440	1
VALVE—Control	EJ exc. EJ/235		
TRUNNION—Valve	EH exc. EH/235, EH/239	*7420721	1
SCREW—Hex hd. sl. No. 6—32 x 3/8"	EJ exc. EJ/235		
WASHER—Plain 1/4" x 1/2" x .036"	EH exc. EH/235, EH/239	*7422479	1
CABLE—Heater control	EJ exc. EJ/235		
CABLE—Heater control	EH exc. EH/235, EH/239	*7422480	1
SCREW—Hex. hd. No. 10—24 x 5/8"	EJ exc. EJ/235		
WASHER—Spring lock No. 10—light	EH exc. EH/235, EH/239	*7420726	1
NUT—Hex. No. 10—24	EJ exc. EJ/235		
LEVER—Heater control	EH exc. EH/235, EH/239	*SP1611	A.R.
NOZZLE—Demister	EJ exc. EJ/235		
ADAPTOR—Demister hose—Rubber	EH exc. EH/235, EH/239	*SP1610	A.R.
ADAPTOR—Demister hose—Steel	EJ exc. EJ/235		
HOSE—Demister	EH exc. EH/235, EH/239	*7422602	1
HOSE—Demister 16 1/2"	EJ exc. EJ/235		
STRIP—Hose adaptor attaching	EH exc. EH/235, EH/239	*SP1581	1
	EJ exc. EJ/235		
	EH exc. EH/235, EH/239	*7422441	1
	EJ exc. EJ/235		
	EH exc. EH/235, EH/239	*7422476	1
	EJ exc. EJ/235		
	EH exc. EH/235, EH/239	*7420720	1
	EJ exc. EJ/235		
	EH exc. EH/235, EH/239	*7389977	1
	EJ exc. EJ/235		
	EH exc. EH/235, EH/239	*7427715	1
	EJ exc. EJ/235		
	EH exc. EH/235, EH/239	*451692	1
	EJ exc. EJ/235		
	EH exc. EH/235, EH/239	*SP1622	1
	EJ exc. EJ/235		
	EH exc. EH/235, EH/239	*7422556	1
	EJ exc. EJ/235		
	EH exc. EH/235, EH/239	*7426250	1
	EJ exc. EJ/235		
	EH exc. EH/235, EH/239	*440502	1
	EJ exc. EJ/235		
	EH exc. EH/235, EH/239	*131183	1
	EJ exc. EJ/235		
	EH exc. EH/235, EH/239	*120361	1
	EJ exc. EJ/235		
	EH exc. EH/235, EH/239	*7422557	1
	EJ exc. EJ/235		
	EH exc. EH/235, EH/239	LH*7418709	1
		RH*7418708	1
	EJ exc. EJ/235		
	EH exc. EH/235, EH/239	LH*7419395	1
		RH*7419396	1
	EJ exc. EJ/235		
	EH exc. EH/235, EH/239	*7423922	2
	EJ exc. EJ/235		
	EH exc. EH/235, EH/239	*7423924	2
	EJ exc. EJ/235		
	EH exc. EH/235, EH/239	*M35408	2
	EJ exc. EJ/235		
	EH exc. EH/235, EH/239	*7423923	2

* Suit Motorless Heater.

HOLDEN

MASTER PARTS CATALOGUE



9.779 HEATER AND DEMISTER COMPONENTS (Cont'd.)

KNOB—Control lever	HD, HR	#7424139	2
LEVER AND KNOB ASSY.—Control	HD, HR	LH#7427323	1
		RH#7427324	1
VALVE ASSY—Control (Automatic. Suit heater 7427229)	HD, HR	#7420228	1
VALVE ASSY—Control (Manual. Suit heater 7430387)	HD, HR	#7430204	1
HOSE—Heater 12½"	HD, HR	#7427006	1
HOSE—Heater 39"	HD, HR	#7419300	1
GROMMET—Heater hose	HD, HR	#7424809	1
NIPPLE—Heater hose	HD, HR	#7415042	1
TEE CONNECTOR—Hose	HD X2 Eng.	#7428620	2
CLAMP—Hose .94"	HD, HR	#SP1657	3
CLAMP—Hose 1.03"	HD	#SP1610	A.R.
CLAMP—Hose .97"	HR	#SP1701	A.R.
CLIP—Strap .25" wide	HD, HR	#SP1581	2
SWITCH AND ESCUTCHEON ASSEMBLY	HD exc. HD/235, HD/239		
	HR	#VS10175‡	1
BASE—Switch mounting	HD exc. HD/235, HD/239		
	HR	#VS10176‡	1
SWITCH AND ESCUTCHEON ASSEMBLY	HD/235, HD/239, HR/235, HR/239	#7426954	1
SCREW—Pan hd. cr. rec. tap. No. 10—16 x 3/8"	HD/235, HD/239, HR/235, HR/239	#9411535	2
KNOB—Heater switch	HD, HR	#7426953	1
CLIP—Heater knob retaining	HD, HR	#7421224	1
CLAMP—Switch to console, long, 1"	HD/235, HD/239, HR/235, HR/239	#7427008	1
CLAMP—Switch to console, short, 3/4"	HD/235, HD/239, HR/235, HR/239	#7427009	1
SPRING—Control lever	HD, HR	#7426924	1
CABLE—Heater control (35". Suit heater 7427229)	HD, HR	RIGHT HAND DRIVE #7427015	1
CABLE—Heater control (48". Suit heater 7430387)	HD, HR	RIGHT HAND DRIVE #M35622	1
CABLE—Heater control	HD, HR	LEFT HAND DRIVE #7427684	1
CABLE—Demister control	HD, HR	RIGHT HAND DRIVE #7427016	1
		LEFT HAND DRIVE #7427685	1
CLAMP—Cable control	HD, HR	#7424623	2
BOLT—Hex. hd. 1/4"—20 x 3/8"	HD, HR	#9415792	2
WASHER—Spring lock 1/4" light	HD, HR	#121637	2
DUCT—Demister	HD, HR	LH#7427013	1
		RH#7427014	1
OUTLET—Demister	HD, HR	LH#7427011	1
		RH#7427012	1
SCREW—Hex. hd. tap. No. 8—15 x 3/4"	HD	#SP1519	6
SCREW—Pan hd. cr. rec. tap. No. 8—15 x 3/4"	HR	#161871	6
WASHER—Plain 11/32" x 11/16" x .065"	HD, HR	#120393	2
NUT—Hex. 5/16"—18	HD, HR	#120376	2
BEARING—Recirculating flap valve	HD, HR	#7422897	1
BOLT—Cup hd. sq. neck 5/16"—18 x 1-1/2"	HD, HR	#VS10178	1
CONNECTOR—3 way male	HD/235, HD/239, HR/235, HR/239	#VS10160	1
COVER—Rear	HD, HR	#VS10174	1
FLAP—By pass	HD, HR	#7422892	1
GROMMET—Valve capillary	HD, HR	#VS10165	1
HOSE—Elbow	HD, HR	#VS10164	1
LEVER—Switch control	HD, HR	#VS10169	1
MOTOR—Heater fan	HD, HR	#7422886	1
PLATE—Demister switch contact	HD, HR	#VS10168	1
RADIATOR ASSEMBLY	HD, HR	#VS10163	1
RESISTOR—Heater motor	HD, HR	#7422890	1
ROD—Valve linkage	HD, HR	#VS10162	1
ROTOR ASSEMBLY—Heater	HD, HR	#VS10167	1
SHELL ASSEMBLY—Heater	HD, HR	#VS10161	1
SPACER—Bolt rear retaining	HD, HR	#VS10177	1
SPINDLE—Operating	HD, HR	#VS10172	1
SPRING—Flap valve	HD, HR	#VS10171	1
STRIP—Heater by pass flap retaining	HD, HR	#7422893	1
VALVE ASSEMBLY—Heater recirculating flap	HD, HR	#VS10170	1
VOLUTE BOX—Heater	HD exc. HD/235, HD/239		
	HR	#VS10159‡	1
VOLUTE BOX—Heater	HD/235, HD/239, HR/235, HR/239	#VS10158	1
WIRE AND TUBE ASSY.—By pass	HD, HR	#VS10173	1

Suit Fresh Air Heater.

‡Required with Bench Type Seat on HR/235, HR/239.



HOLDEN

MASTER PARTS CATALOGUE

9.779 HEATER AND DEMISTER COMPONENTS (Cont'd.)

RADIATOR ASSEMBLY	HD exc. HD/235, HD/239 HR exc. HR/235, HR/239 RIGHT HAND DRIVE *7427714	1
GROMMET—Heater hose	HD exc. HD/235, HD/239 HR exc. HR/235, HR/239 RIGHT HAND DRIVE *7420721	1
HOSE—Heater 20"	HD exc. HD/235, HD/239 HR exc. HR/235, HR/239 RIGHT HAND DRIVE *7427943	1
HOSE—Heater 55½"	HD exc. HD/235, HD/239 HR exc. HR/235, HR/239 RIGHT HAND DRIVE †*7427758	1
HOSE—Heater 40"	HD X2 Eng. exc. HD/235, HD/239 RIGHT HAND DRIVE *7429179	1
CLAMP—Hose .88" dia.	HD exc. HD/235, HD/239 HR exc. HR/235, HR/239 RIGHT HAND DRIVE *SP1611	3
CLAMP—Hose 1.03" dia.	HD exc. HD/235, HD/239 RIGHT HAND DRIVE *SP1610	A.R.
CLIP—Strap .25" wide	HD exc. HD/235, HD/239 HR exc. HR/235, HR/239 RIGHT HAND DRIVE *SP1581	2-1
VALVE ASSEMBLY—Control	HD exc. HD/235, HD/239 HR exc. HR/235, HR/239 RIGHT HAND DRIVE †*7430204	1
VALVE ASSEMBLY—Control	HD X2 Eng. exc. HD/235, HD/239 RIGHT HAND DRIVE *7429045	1
TRUNNION—Valve	HD exc. HD/235, HD/239 HR exc. HR/235, HR/239 RIGHT HAND DRIVE †*7427715	1
SCREW—Hex. hd. sl. No. 6—32 x 3/8"	HD exc. HD/235, HD/239 HR exc. HR/235, HR/239 RIGHT HAND DRIVE †*451692	1
WASHER—Plain 1/4" x 1/2" x .036"	HD exc. HD/235, HD/239 HR exc. HR/235, HR/239 RIGHT HAND DRIVE †*SP1622	1
CABLE—Heater control	HD exc. HD/235, HD/239 HR exc. HR/235, HR/239 RIGHT HAND DRIVE *7431256	1
CLIP—Cable to plenum chamber	HD exc. HD/235, HD/239 HR exc. HR/235, HR/239 RIGHT HAND DRIVE *SP1619	1
SCREW—Pan hd. cr. rec. tap. No. 8—15 x 5/8"	HD exc. HD/235, HD/239 HR exc. HR/235, HR/239 RIGHT HAND DRIVE *161869	1
LEVER & KNOB ASSEMBLY—Control	HD exc. HD/235, HD/239 HR exc. HR/235, HR/239 RIGHT HAND DRIVE *7427323	1
KNOB—Control lever	HD exc. HD/235, HD/239 HR exc. HR/235, HR/239 RIGHT HAND DRIVE *7424139	1
SPRING—Control lever	HD exc. HD/235, HD/239 HR exc. HR/235, HR/239 RIGHT HAND DRIVE *7426924	1
PLATE—Control lever spring anchor	HD exc. HD/235, HD/239 HR exc. HR/235, HR/239 RIGHT HAND DRIVE *7427680	1
CLAMP—Cable control	HD exc. HD/235, HD/239 HR exc. HR/235, HR/239 RIGHT HAND DRIVE *7424623	1
BOLT—Hex. hd. 1/4"—20 x 3/8"	HD exc. HD/235, HD/239 HR exc. HR/235, HR/239 RIGHT HAND DRIVE *9415792	1
WASHER—Spring lock 1/4" light	HD exc. HD/235, HD/239 HR exc. HR/235, HR/239 RIGHT HAND DRIVE *121637	1

*Suit Motorless Heater.

†Except HD X2 Engine.

HOLDEN

MASTER PARTS CATALOGUE



9.779 HEATER AND DEMISTER COMPONENTS (Cont'd.)

TEE CONNECTOR—Hose	HD X2 Eng. exc. HD/235, HD/239 RIGHT HAND DRIVE	*7428620	1
HOSE—Demister 17-1/4"	HD exc. HD/235, HD/239 HR exc. HR/235, HR/239 RIGHT HAND DRIVE	*7427836	1
HOSE—Demister 8-3/4"	HD exc. HD/235, HD/239 HR exc. HR/235, HR/239 RIGHT HAND DRIVE	*7427837	1
ADAPTOR—Demister hose	HD exc. HD/235, HD/239 HR exc. HR/235, HR/239 RIGHT HAND DRIVE	*7427942	1
SLEEVE—Demister hose	HD exc. HD/235, HD/239 HR exc. HR/235, HR/239 RIGHT HAND DRIVE	*7427988	2
OUTLET—Demister	HD exc. HD/235, HD/239 HR exc. HR/235, HR/239 RIGHT HAND DRIVE	LH*7427011 RH*7427012	1 1

* Suit Motorless Heater.

9.785 TUBE—Plenum Chamber Drain

TUBE	FB, EK, EJ, EH, HD, HR	7412594	2
------	------------------------	---------	---

9.786 PANEL, SEAL, HINGE—Plenum Chamber

PANEL—Chamber cover	FB, EK	7408102	1	
SCREW—Pan hd. cr. rec. tap. Type "A" No. 8—18 x 3/8"	FB, EK	9411532	9	
SEAL—Door	FB, EK	7401688	1	
PANEL—Chamber cover	EJ, EH	7415169	1	
PANEL—Chamber cover	HD, HR	RIGHT HAND DRIVE LEFT HAND DRIVE	7427413 7430031	1 1
SCREW—Pan hd. cr. rec. tap. type "A" No. 8—18 x 3/8"	EJ, EH, HD, HR	9411532	A.R.	
SEAL—Plenum chamber door	EJ, EH	7401688	1	
SEAL—Plenum chamber door	HD, HR	7423424	1	
HINGE ASSEMBLY—Plenum chamber door	EJ, EH, HD, HR	7415166	1	

9.787 KNOB, ESCUTCHEON, LEVER, BRACKET, CABLE—Plenum Chamber Control

KNOB—Control lever	FB, EK	7412986	1
SCREW—Hex. socket set No. 8—32 x 3/16"	FB, EK	454649	1
ESCUTCHEON	FB, EK	7412982	1
SCREW—Oval hd. cr. rec. mach. No. 10—24 x 5/8"	FB, EK	148109	1
LEVER	FB, EK	7412988	1
BOLT—Hex. hd. No. 10—24 x 1/2"	FB, EK	443874	1
WASHER—Lever retaining	FB, EK	7414903	1
BRACKET—Control mounting	FB, EK	7412985	1
SCREW—Hex. hd. mach. No. 10—24 x 5/8"	FB, EK	440502	1
WASHER—Plain 13/64" x 15/32" x .049"	FB, EK	446152	1
WASHER—Spring lock No. 10, light	FB, EK	131183	1
DISC—Control spring	FB, EK	7412973	1
WASHER—Special flat	FB, EK	7412971	1
WASHER—Control friction	FB, EK	7412972	2
CABLE ASSEMBLY—Door control	FB, EK	7404703	1
SCREW—Pan hd. cr. rec. tap. Type "A" No. 8—18 x 3/8"	FB, EK	9411532	1
CLAMP—Cable	FB, EK	7412716	1
BOLT—Hex. hd. No. 10—24 x 1/2"	FB, EK	443874	1
WASHER—Spring lock No. 10, light	FB, EK	131183	1



HOLDEN

MASTER PARTS CATALOGUE

9.787 KNOB, ESCUTCHEON, LEVER, BRACKET, CABLE—Plenum Chamber Control (Cont'd.)

KNOB—Control lever	EJ, EH	7416860	1	
SCREW—Set, cone point hex. socket No. 8—32 x 3/16"	EJ, EH	454649	1	
ESCUTCHEON	EJ, EH	7416911	1	
SCREW—Pan hd. cr. rec. tap. type "A" No. 8—18 x 3/8"	EJ, EH	163158	2	
LEVER	EJ, EH	7416910	1	
BOLT—Hex. hd. No. 10—24 x 1/2"	EJ, EH	443874	1	
WASHER—Lever retaining ..	EJ, EH	7414903	1	
BRACKET—Control mounting	EJ, EH	*7424717	1	
SCREW—Pan hd. cr. rec. mach. No. 10—32 x 1/2" ..	EJ, EH	160046	2	
WASHER—Plain 7/16" x 1" x .083"	EJ	120388	1	
WASHER—Spring lock, No. 10—medium ..	EJ, EH	120217	2	
DISC—Control spring ..	EJ, EH	7412973	1	
WASHER—Special flat ..	EJ, EH	7412971	1	
WASHER—Control friction ..	EJ, EH	7412972	2	
CABLE ASSEMBLY—Door control	EJ, EH	7416908	1	
SCREW—Pan hd. cr. rec. tap. type "A" No. 8—18 x 3/8"	EJ, EH	9411532	1	
CLAMP—Cable ..	EJ, EH	7412716	1	
BOLT—Hex. hd. No. 10—24 x 1/2" ..	EJ, EH	443874	1	
WASHER—Spring lock, No. 10—light ..	EJ, EH	131183	1	
KNOB—Control ..	HD, HR	7424139	1	
ESCUTCHEON	HD, HR	7424136	1	
LEVER—Control ..	HD, HR	7424138	1	
SCREW—Control lever to bracket	HD, HR	7427246	1	
WASHER—Control lever to bracket	HD, HR	7427228	1	
WASHER—Control retaining	HD, HR	7427245	1	
DISC—Control spring ..	HD, HR	7412973	1	
WASHER—Control friction ..	HD, HR	7412972	2	
CABLE ASSEMBLY—Door control	HD, HR	RIGHT HAND DRIVE LEFT HAND DRIVE	7431517 7426429	1 1
SCREW—Pan hd. cr. rec. tap. type "A" No. 8—18 x 3/8"	HD, HR	9411532	1	
FASTENER—Control cable to brace	HD, HR	7426483	1	
CLAMP—Control cable	HD, HR	7424623	1	
BOLT—Hex. hd. 1/4"—20 x 3/8"	HD, HR	9415792	1	
WASHER—Spring lock 1/4"—light ..	HD, HR	121637	1	
SCREW—Flat hd. cr. rec. tap. type "A" No. 8—15 x 1/2"	HD, HR	161416	3	

* When fitting to "EJ" Series it is necessary to use 1 — 120388 Washer.

NOTES



BODY PARTS INDEX

10.001 - 10.002

*Body Assembly
 Shell*

10.027 - 10.219

*Windshield Glass
 Weatherstrip
 Moulding
 Wiper
 Rear Vision Mirror
 Sun Visor*

10.230 - 10.344

*Instrument Panel
 Radio Grille
 Comp. Door
 Cowl Ventilator*

10.351 - 10.614

*Door Assemblies
 Hinges
 Locks
 Remote Controls
 Handles
 Locking Devices
 Strikers
 Check Links*

10.650 - 11.210

*Door Ventilators
 Water Deflectors
 Glasses
 Glass Channels
 Dust Strips
 Window Regulators
 Regulator Handles
 Scuff Plates
 Window Frames
 Quarter Glasses
 Glass Channels
 Rear Window Frames
 Glasses*

11.373 - 11.898

*Seat Frames
 Springs
 Adjusters
 Hinges
 Stop Plates
 Hand Rail*

11.925 - 12.048

*Dome Lamp
 Courtesy Light Switch
 Ash Tray*

12.075 - 12.176

Exterior Mouldings

12.178 - 12.280

*End Gate
 Hinges
 Controls
 Spare Wheel Comp. Door
 Deck Lid
 Hinges
 Tonneau Wear Strip
 Cover*

12.428 - 12.805

*Side Rail
 Centre Pillar
 Trains. Floor Cover
 Plenum Chamber
 Cowl Assembly
 Console*

12.807 - 12.951

*Panel - Windshield Header
 Front Pillar
 Roof
 Door
 Rocker
 Quarter
 Wheelhouse
 Side
 Pillar - Side Panel
 End Gate*

12.952 - 12.975

*Roof Bow
 Listing Wire
 Roof Rail
 Package Tray
 Back Panel
 Partition Assembly
 Rear Comp. Front Panel
 Underbody
 Floor Pan*

12.980 - 12.986

*Frame Assembly
 Side Member
 Front Tie Member
 Rear Comp. Floor Pan
 Underbody Cross Member
 Shock Abs. Mount. Panel*

13.090 - 13.092

Body Wiring

14.630 - 14.770

*Trim - Cowl Side Panel
 Doors
 Pillars
 Headlining
 Arm Rest
 Door Trim Mouldings
 Seals
 Lock Pillar Mouldings*

14.796 - 15.049

*Seat Assemblies
 Covers
 Cushions
 Pads
 Insulators
 Mouldings
 Wear Strips
 Side Panels
 Valances
 Panel - Package Tray
 Seat Riser Kick*

15.100 - 15.224

*Trim - Rear Quarter
 Side Quarter
 Wheelhouse
 Luggage Comp.
 Luggage Comp. Partition*

15.280 - 15.520

*Dash Insulator
 Mats
 Carpets
 Floor Side Trim Panel
 Panel Deadener
 Assist Grip
 Windlace*

11

12

13

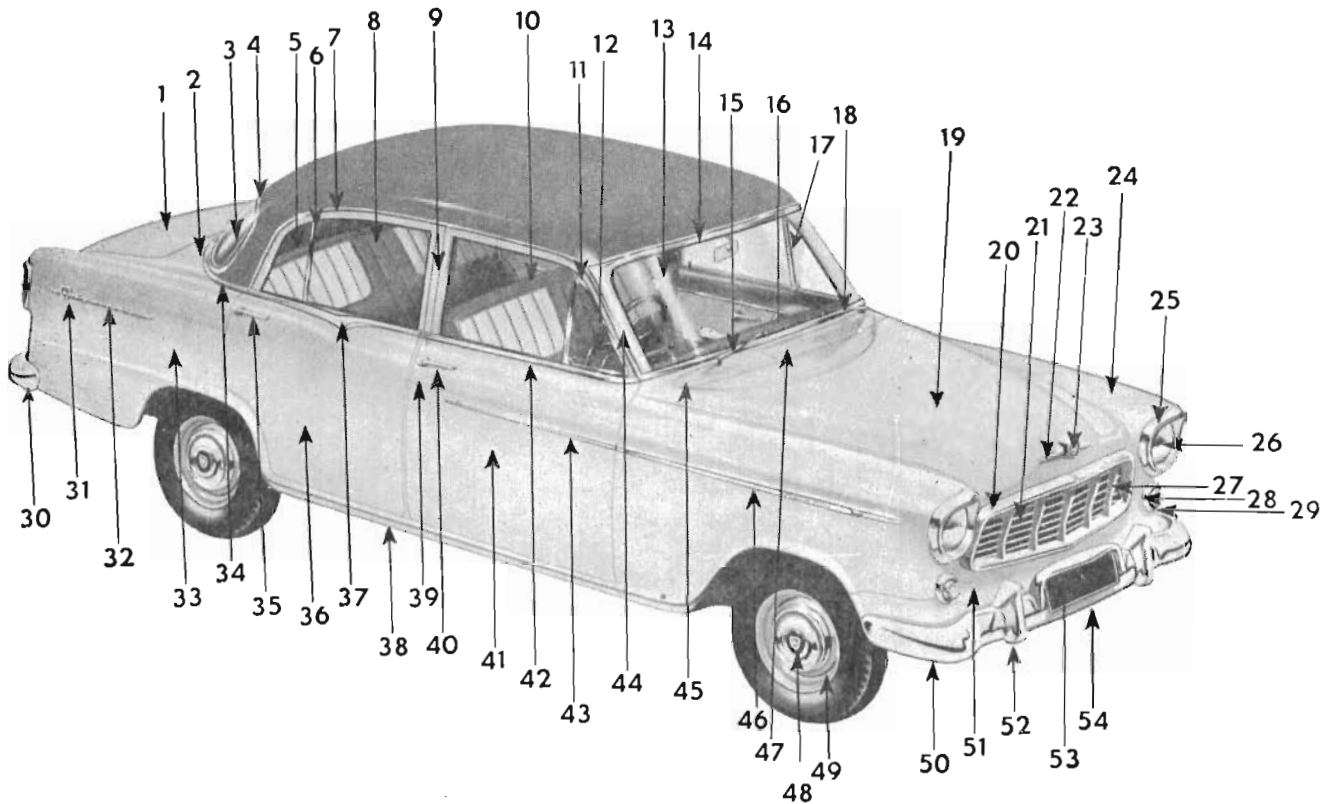
14

15



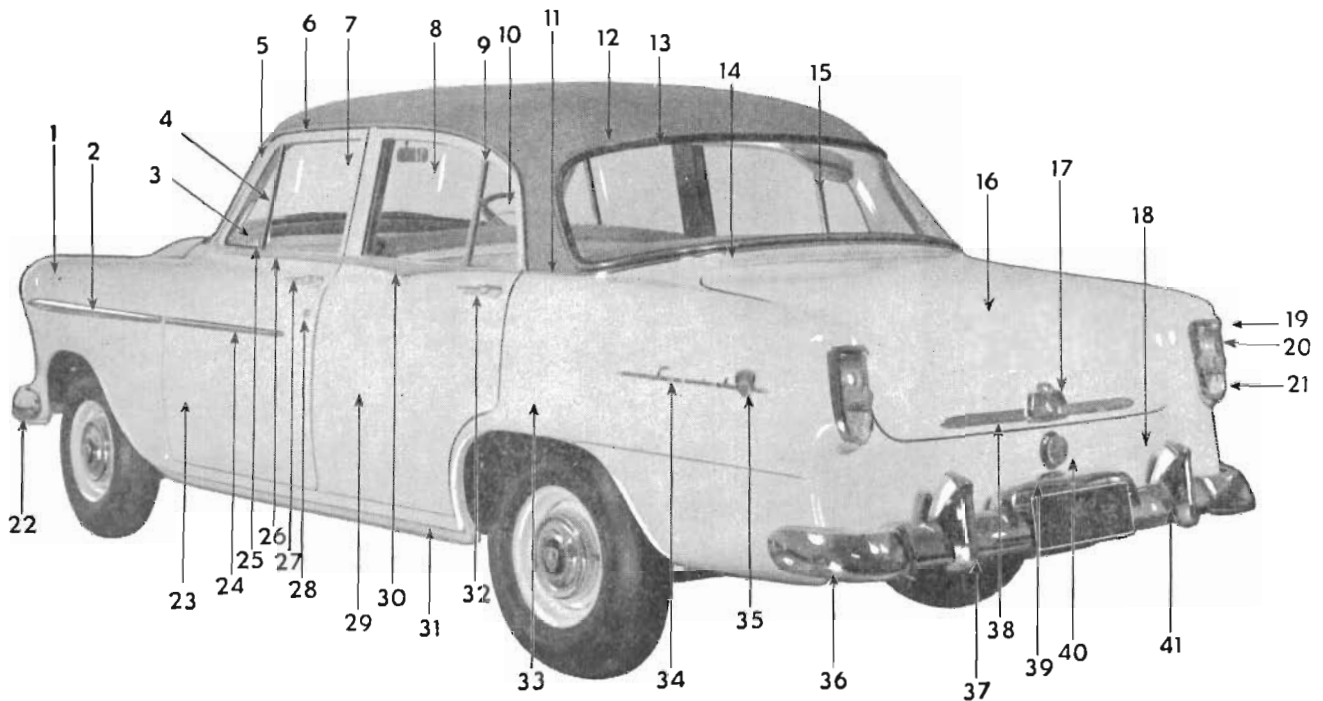
HOLDEN

MASTER PARTS CATALOGUE



EXTERIOR BODY PARTS (Front View)

Illus. Ref. No.	Part Name	Group	Illus. Ref. No.	Part Name	Group
1.	LID ASSEMBLY	12.181	29.	LENS	2.589
2.	PANEL ASSEMBLY	12.971	30.	BAR — End	7.831
3.	GLASS	11.204	31.	EMBLEM ASSEMBLY	12.116
4.	MOULDING	11.208	32.	PLATE — Name	12.116
5.	GLASS	10.827	33.	PANEL	12.940
6.	CHANNEL	10.829	34.	MOULDING	12.116
7.	MOULDING	12.075	35.	HANDLE	10.527
8.	GLASS	10.741	36.	DOOR ASSEMBLY	10.373
9.	PANEL ASSEMBLY	12.491		PANEL ASSEMBLY	12.913
10.	GLASS	10.681	37.	MOULDING	12.114
11.	DEFLECTOR	10.674	38.	PANEL	12.934
12.	GLASS	10.658	39.	BARREL ASSEMBLY	10.550
13.	GLASS	10.027	40.	HANDLE	10.527
14.	MOULDING	10.093	41.	DOOR ASSEMBLY	10.351
15.	ARM ASSEMBLY	10.147		PANEL ASSEMBLY	12.895
16.	BLADE ASSEMBLY	10.146	42.	MOULDING — Belt	12.112
17.	CHANNEL	10.686	43.	MOULDING — Lower	12.112
18.	MOULDING	10.093	44.	MOULDING	10.093
19.	PANEL ASSEMBLY	8.000	45.	PANEL ASSEMBLY — Top	12.805
20.	BAR — Surround	1.268	46.	MOULDING	8.132
21.	BAR — Horizontal	1.268	47.	COVER ASSEMBLY	10.307
22.	EMBLEM ASSEMBLY	8.055	48.	CAP	5.858
23.	INSERT	8.055	49.	WHEEL	5.803
24.	FENDER	8.130	50.	BAR — End	7.831
25.	RIM	2.728	51.	PANEL ASSEMBLY	1.263
26.	LENS	2.727	52.	GUARD ASSEMBLY	7.828
27.	BAR — Vertical	1.268	53.	GUARD ASSEMBLY	7.799
28.	RIM	2.589	54.	BAR — Centre	7.831



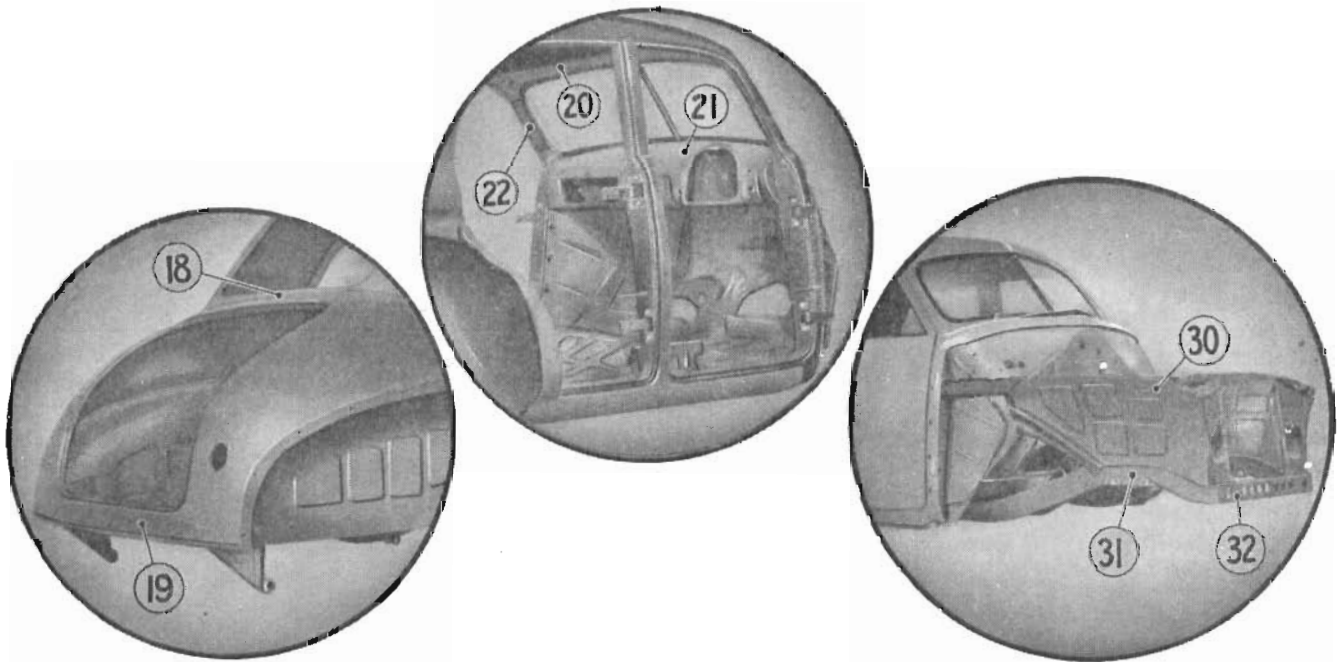
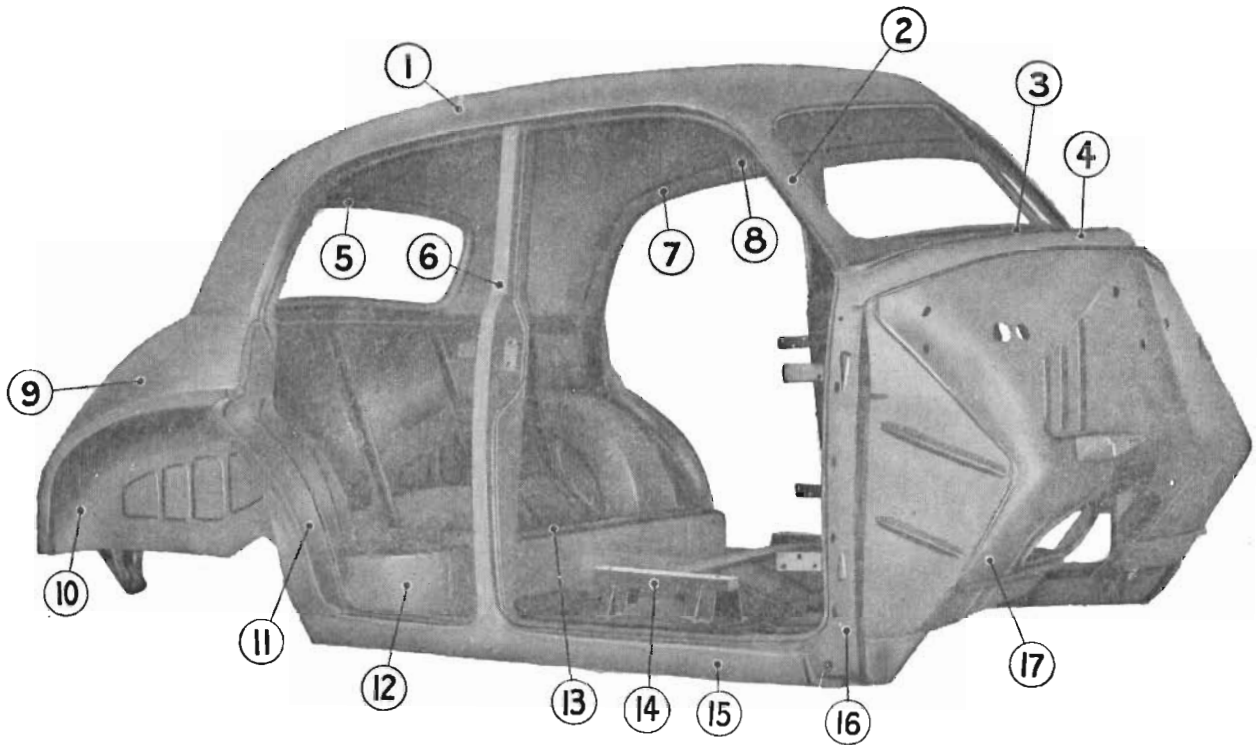
EXTERIOR BODY PARTS (Rear View)

Illus. Ref. No.	Part Name	Group	Illus. Ref. No.	Part Name	Group
1.	FENDER ASSEMBLY	8.130	23.	DOOR ASSEMBLY	10.351
2.	MOULDING	8.132		PANEL ASSEMBLY	12.895
3.	GLASS	10.658	24.	MOULDING — Lower	12.112
4.	CHANNEL	10.686	25.	VENTILATOR ASSEMBLY	10.650
5.	DEFLECTOR	10.674	26.	MOULDING — Belt	12.112
6.	MOULDING	12.075	27.	HANDLE	10.527
7.	GLASS	10.681	28.	BARREL	10.550
8.	GLASS	10.741	29.	DOOR ASSEMBLY	10.373
9.	CHANNEL	10.829		PANEL ASSEMBLY	12.913
10.	GLASS	10.827	30.	MOULDING	12.114
11.	MOULDING — Belt	12.116	31.	PANEL	12.934
12.	MOULDING	11.208	32.	HANDLE	10.527
13.	CHANNEL	11.207	33.	PANEL ASSEMBLY	12.940
14.	PANEL	12.971	34.	PLATE — Name	12.116
15.	GLASS	11.204	35.	EMBLEM ASSEMBLY	12.116
16.	LID ASSEMBLY	12.181	36.	BAR — End	7.831
17.	EMBLEM ASSEMBLY	12.182	37.	GUARD	7.828
18.	PANEL	12.966	38.	NAME PLATE	12.182
19.	RIM	2.681	39.	GUARD	7.814
20.	LENS	2.682	40.	CAP	3.028
21.	LENS	2.697	41.	BAR — Centre	7.831
22.	BAR — End	7.831			



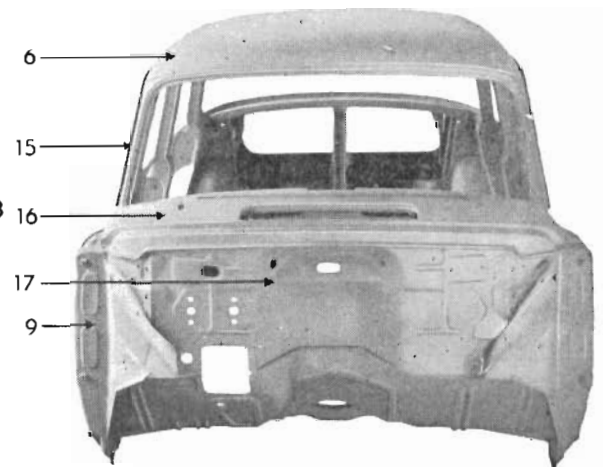
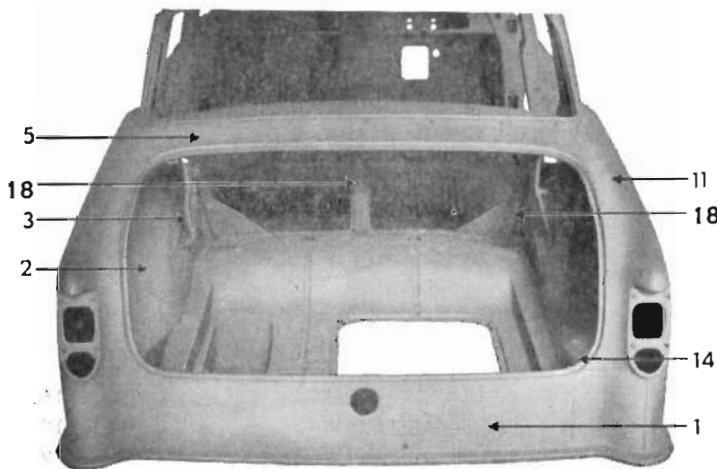
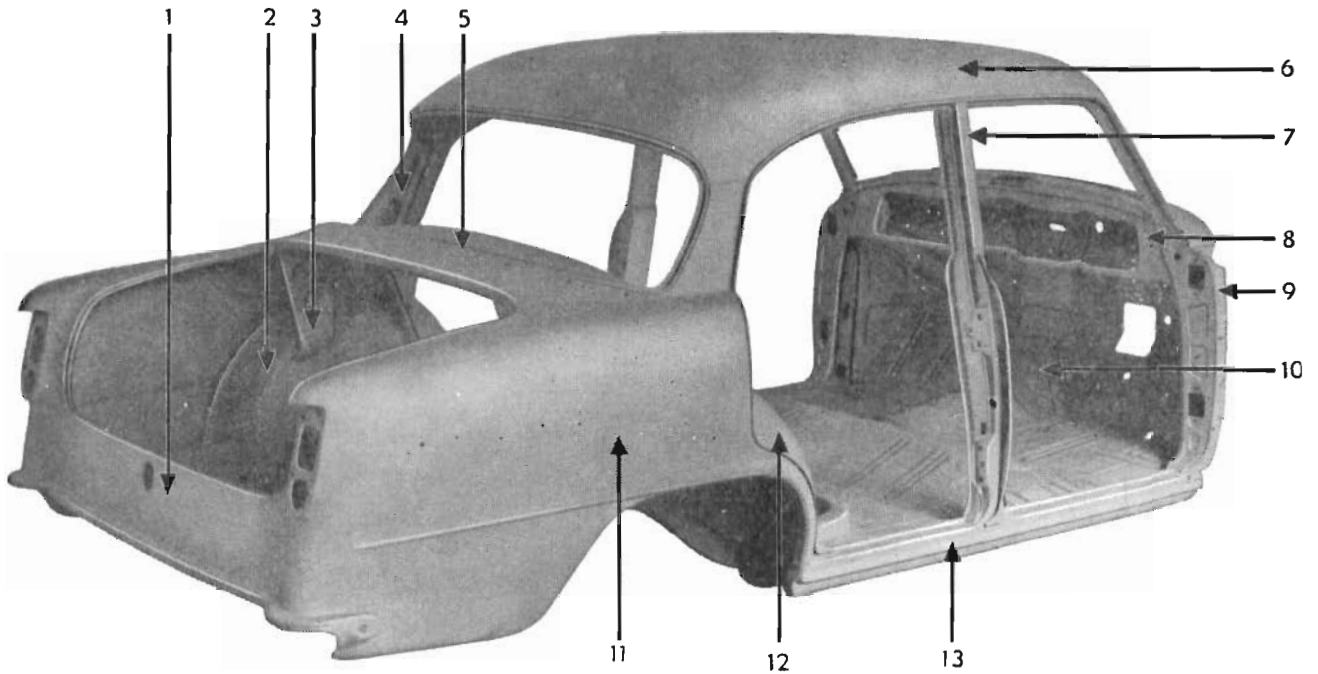
HOLDEN

MASTER PARTS CATALOGUE



BODY SHELL and PANELS

Illus. Ref. No.	Part Name	Group	Illus. Ref. No.	Part Name	Group
1	PANEL ASSEMBLY	12.810	14	SUPPORT	N.S.S.
2	PANEL	12.808	15	PANEL	12.934
3	COVER ASSEMBLY	10.307	16	PILLAR ASSEMBLY	12.805
4	PANEL AND GUTTER ASSEMBLY	12.805	17	COWL ASSEMBLY	12.803
5	FRAME	11.200	18	PANEL—Upper	12.966
6	PILLAR ASSEMBLY	12.491	19	PANEL—Lower	12.966
7	RAIL ASSEMBLY	12.956	20	PANEL ASSEMBLY	12.807
8	BOW ASSEMBLY	12.952	21	PANEL ASSEMBLY	10.230
9	PANEL ASSEMBLY	12.940	22	PANEL	12.808
10	PANEL ASSEMBLY	12.940	30	SKIRT	8.153
11	PILLAR ASSEMBLY	12.942	31	SIDE MEMBER ASSEMBLY	12.980
12	PANEL	N.L.A.	32	TIE MEMBER	12.982
13	UNDERBODY ASSEMBLY	12.972			



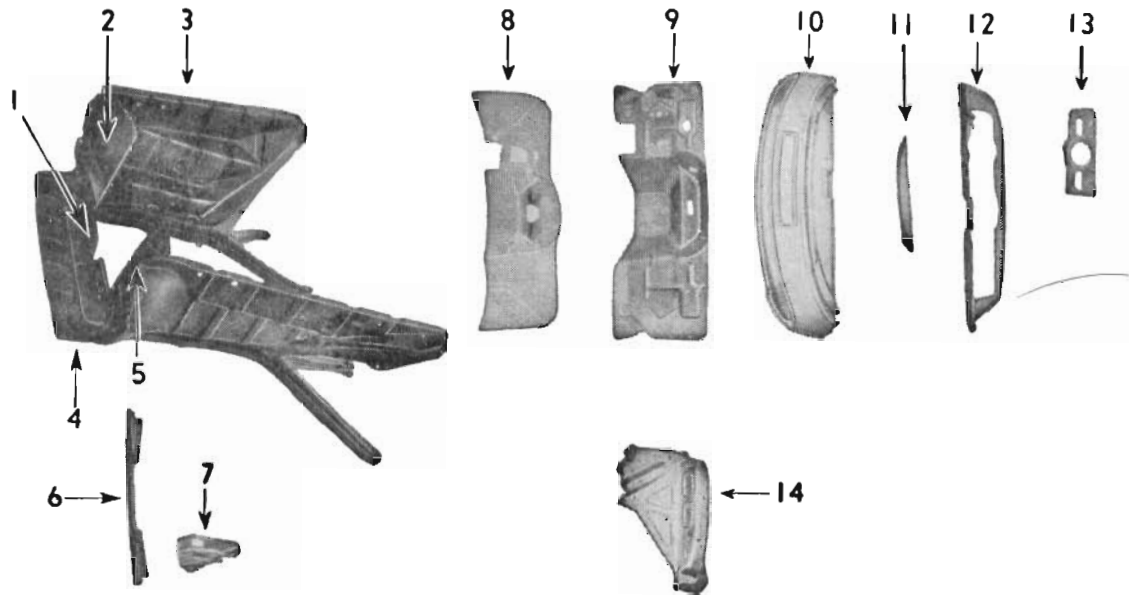
BODY SHELL AND PANELS

Illus. Ref. No.	Part Name	Group	Illus. Ref. No.	Part Name	Group
1.	PANEL	12.966	10.	COVER ASSEMBLY	12.557
2.	PANEL ASSEMBLY	12.944	11.	PANEL ASSEMBLY	12.940
3.	BRACKET ASSEMBLY	12.184	12.	PANEL ASSEMBLY	12.942
4.	PANEL ASSEMBLY	12.941	13.	PANEL	12.934
5.	PANEL ASSEMBLY	12.971	14.	EXTENSION	12.986
6.	PANEL ASSEMBLY	12.810	15.	COVER	12.808
7.	PANEL ASSEMBLY	12.491	16.	PANEL ASSEMBLY — Top	12.805
8.	PANEL ASSEMBLY	10.230	17.	PANEL ASSEMBLY	12.804
9.	PANEL ASSEMBLY — Lower	12.805	18.	BRACE ASSEMBLY	12.971



HOLDEN

MASTER PARTS CATALOGUE

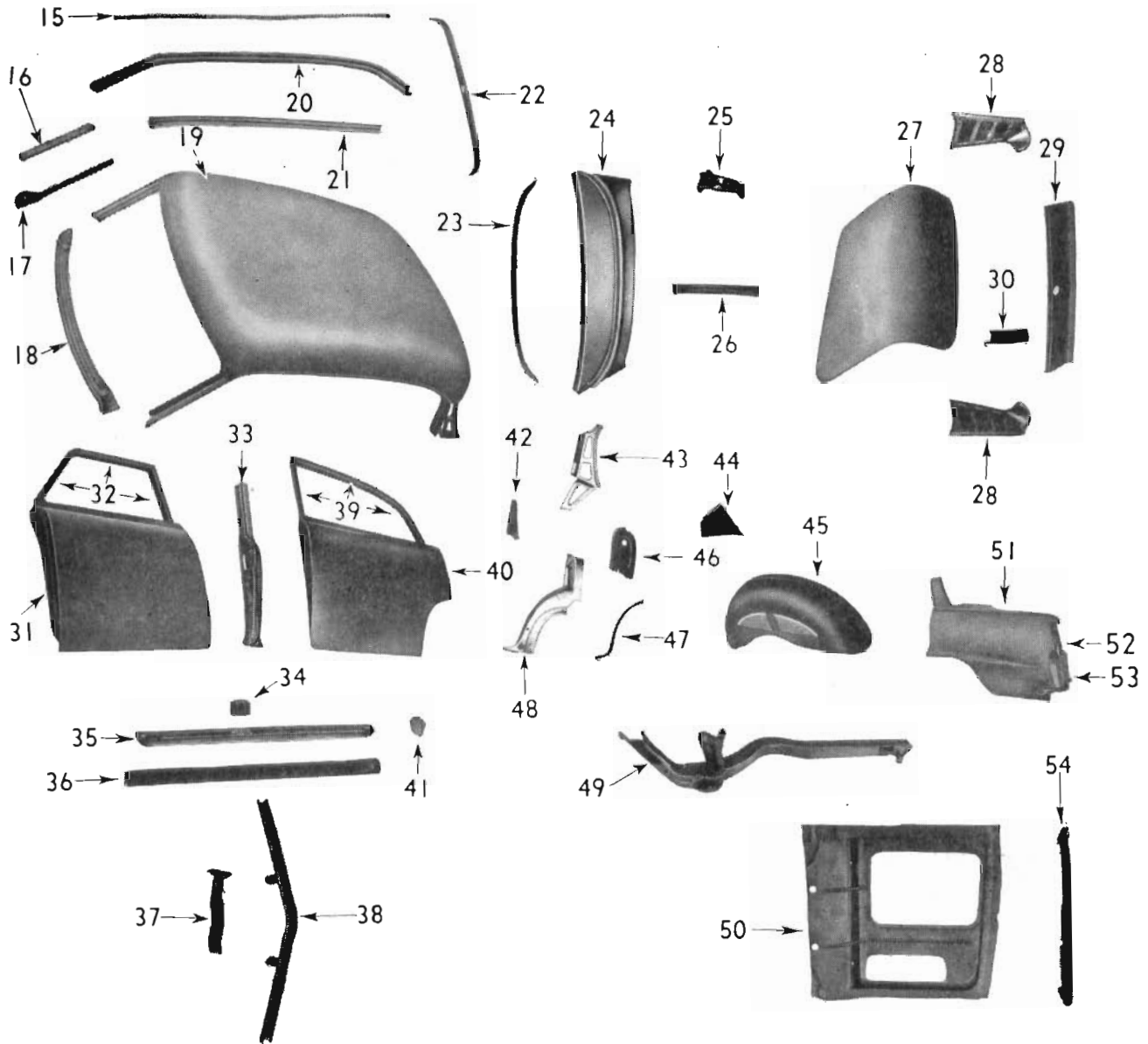


BODY PANELS — SEDAN

Illus. Ref. No.	Part Name	Group	Illus. Ref. No.	Part Name	Group
1}	FRAME ASSEMBLY	12.980	8	INSULATOR ASSEMBLY	15.280
2}			9	PANEL ASSEMBLY	12.804
3}			10	PANEL ASSEMBLY—Top	12.805
4}	SUPPORT ASSEMBLY	1.270	11	REINFORCEMENT	12.804
5}			12	PANEL ASSEMBLY	10.230
1}			13	PANEL ASSEMBLY—Carrier	9.743
2}			14	PANEL ASSEMBLY—Lower	12.805
4}			15	RETAINER	14.651
5}	16	COVER	12.808		
1	TIE MEMBER ASSEMBLY	12.982	17	REINFORCEMENT—Pillar facing	12.956
2	SUPPORT—Side	1.270	18	FRAME ASSY—Inner upper	12.807
3	SIDE MEMBER ASSEMBLY	12.980	19	PANEL ASSEMBLY	12.810
	SKIRT—Front fender	8.153	20	RAIL ASSEMBLY	12.956
4	BAFFLE—Lower	1.286	21	REINFORCEMENT—Side rail	12.956
5	SUPPORT—Side	1.270	22	BOW	12.952
6	SUPPORT—Upper	1.270	23	FRAME	11.200
7	PAN	8.112	24	PANEL ASSEMBLY	12.971
			25	BRACKET ASSEMBLY	12.184

HOLDEN

MASTER PARTS CATALOGUE

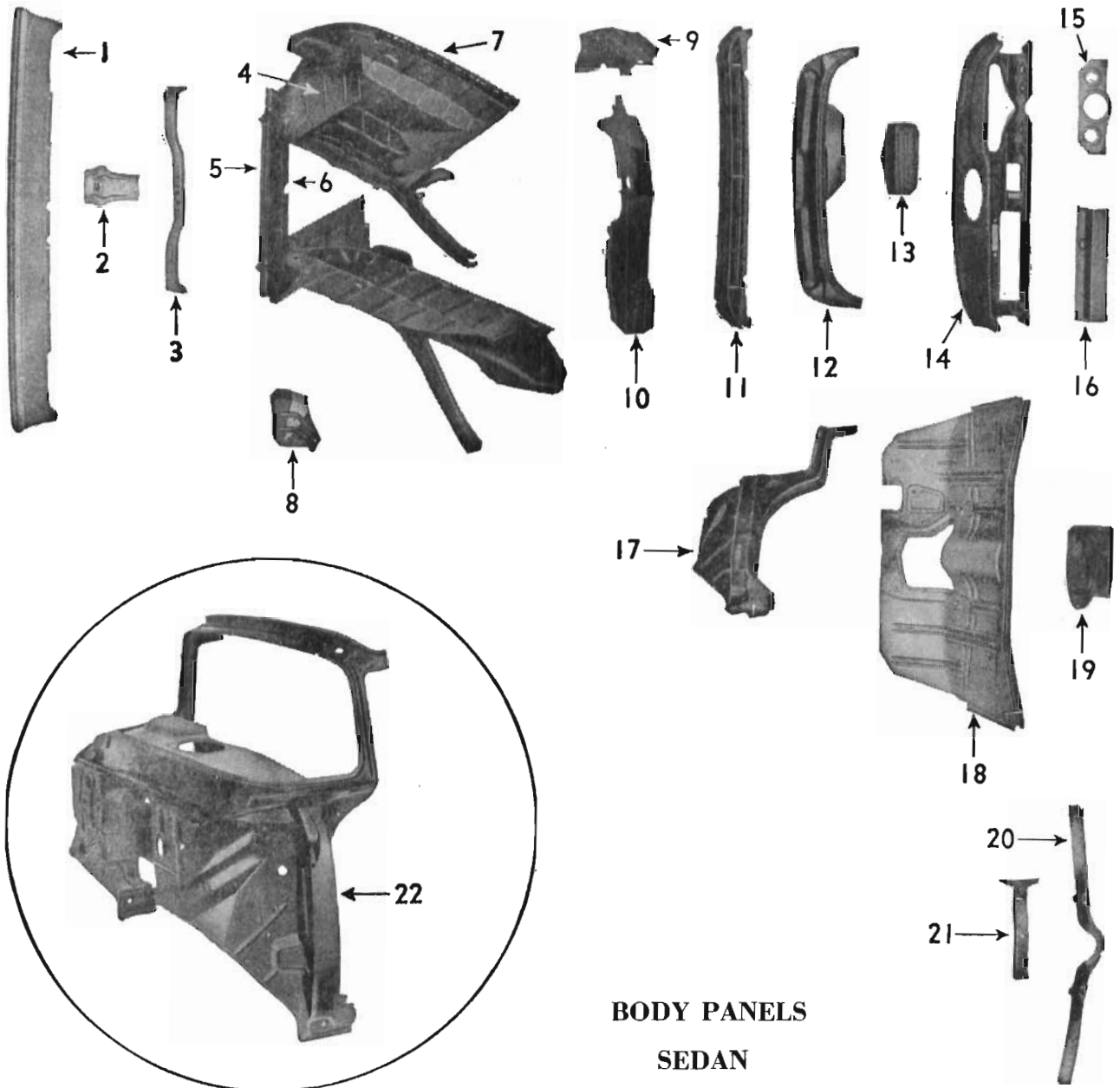


Illus. Ref. No.	Part Name	Group	Illus. Ref. No.	Part Name	Group
26	BRACE ASSEMBLY	12.971	41	FILLER	12.934
27	LID ASSEMBLY	12.181	42	REINFORCEMENT—Pillar to rear qtr.	12.942
28	EXTENSION	12.986	43	PANEL ASSEMBLY	12.941
29	PANEL	12.966	44	EXTENSION	12.941
30	BRACE	12.966	45	PANEL ASSEMBLY	12.944
31	PANEL ASSEMBLY	12.895	46	REINFORCEMENT—Lock pillar	12.942
	PANEL—Outer	12.895	47	RETAINER	10.695
32	FRAME ASSEMBLY	11.075	48	PANEL ASSEMBLY	12.942
33	PILLAR ASSEMBLY	12.491	49	MEMBER ASSY.—U/body side	12.982
34	REINFORCEMENT	12.934	50	PAN	12.981
35	PANEL—Outer	12.934	51	PANEL ASSEMBLY	12.940
36	PANEL—Inner	12.934	52		
37	MEMBER ASSY.—U/body No. 1 cross	12.982	53		
38	BAR ASSY.—Floor pan No. 1 cross	12.982	52	PLATE—Tail lamp mtg.	12.940
39	FRAME ASSEMBLY	11.089	53	EXTENSION	12.940
40	PANEL ASSEMBLY	12.913	54	BAR—Rear cross	12.982
	PANEL—Outer	12.913			



HOLDEN

MASTER PARTS CATALOGUE



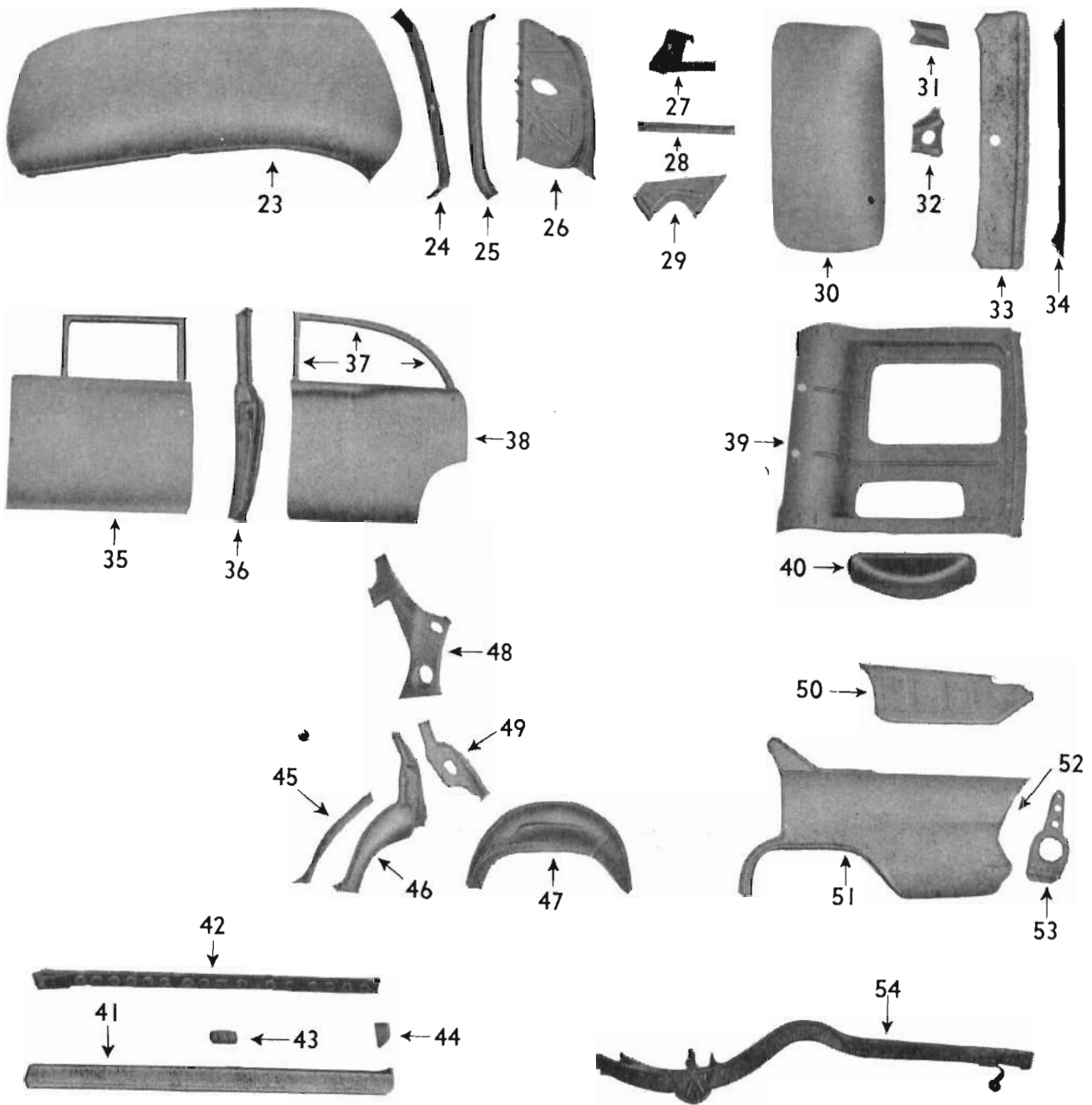
BODY PANELS SEDAN

Illus. Ref. No.	Part Name	Group
1	SHIELD	7.870
2	BRACE ASSEMBLY	1.270
3	SUPPORT—Upper	1.270
4, 5, 6, 7	FRAME ASSEMBLY	12.980
4, 5, 6	SUPPORT ASSEMBLY	1.270
4	SUPPORT—Side	1.270
5	BAFFLE—Lower	1.286
6	TIE MEMBER	12.982
7	SIDE MEMBER ASSEMBLY	12.980
6	SKIRT—Front fender	8.153
8	PAN	8.112

Illus. Ref. No.	Part Name	Group
9	INSULATOR ASSEMBLY	15.280
10	INSULATOR ASSEMBLY	15.280
11	VENTILATOR ASSEMBLY	10.307
12	CHAMBER—Plenum	12.803
13	PANEL—Plenum chamber cover	9.786
14	PANEL	10.230
15	CARRIER	9.743
16	DOOR ASSEMBLY	10.261
17	PILLAR ASSEMBLY	12.805
18	PAN ASSEMBLY	12.972
19	COVER ASSEMBLY	12.557
20	BAR ASSY.—Floor pan No. 1 cross	12.982
21	MEMBER ASSY.—U/body No. 1 cross	12.982
22	COWL ASSEMBLY	12.803

HOLDEN

MASTER PARTS CATALOGUE



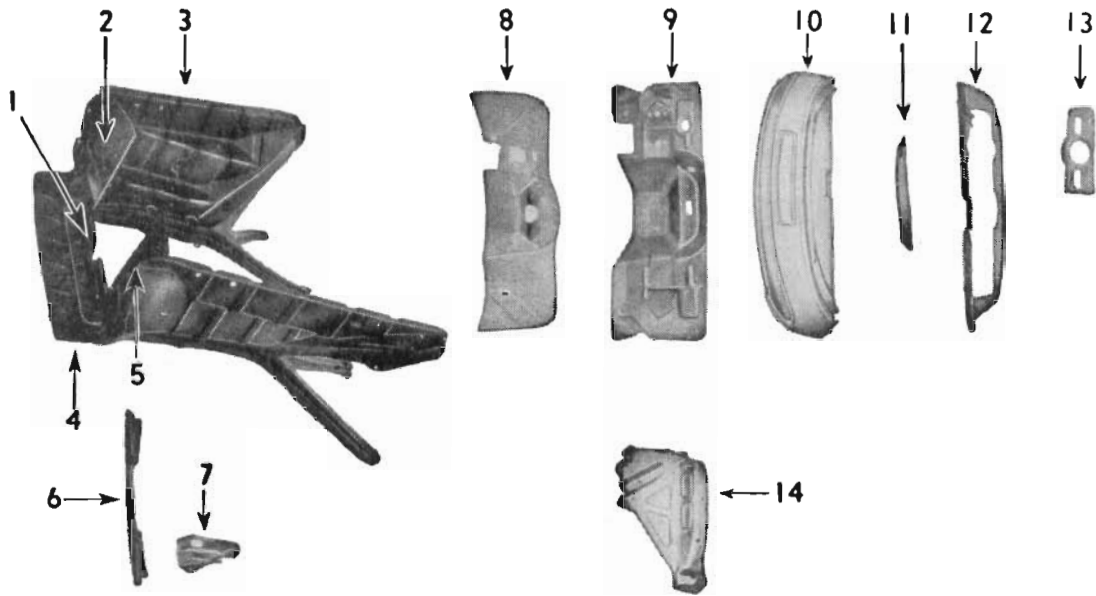
23	PANEL ASSEMBLY	12.810
24	BOW ASSEMBLY	12.952
25	FRAME	11.200
26	PANEL ASSEMBLY	12.971
27	BRACKET ASSEMBLY	12.184
28	BRACE	12.971
29	BRACE ASSEMBLY	12.971
30	LID ASSEMBLY	12.181
31	BRACE	12.966
32	SUPPORT ASSEMBLY	12.237
33	PANEL	12.966
34	BAR—Rear cross	12.982
35	PANEL ASSEMBLY	12.895
	PANEL—Outer	12.895
36	PILLAR ASSEMBLY	12.491
	STRIP—Protector	12.491
37	FRAME ASSEMBLY	11.089
38	PANEL ASSEMBLY	12.913
	PANEL—Outer	12.913

39	PAN ASSEMBLY	12.981
40	POCKET	12.981
41	PANEL—Outer	12.934
42	PANEL—Inner	12.934
43	REINFORCEMENT	12.934
44	FILLER	12.934
45	EXTENSION	12.941
46	PANEL ASSEMBLY	12.942
47	PANEL ASSEMBLY	12.944
48	PANEL ASSEMBLY	12.941
49	REINFORCEMENT	12.942
50	EXTENSION	12.986
51			
52	PANEL ASSEMBLY	12.940
53			
52	EXTENSION	12.940
53	PANEL—Tail lamp mounting	12.940
54	MEMBER ASSY.—U/body side	12.982



HOLDEN

MASTER PARTS CATALOGUE

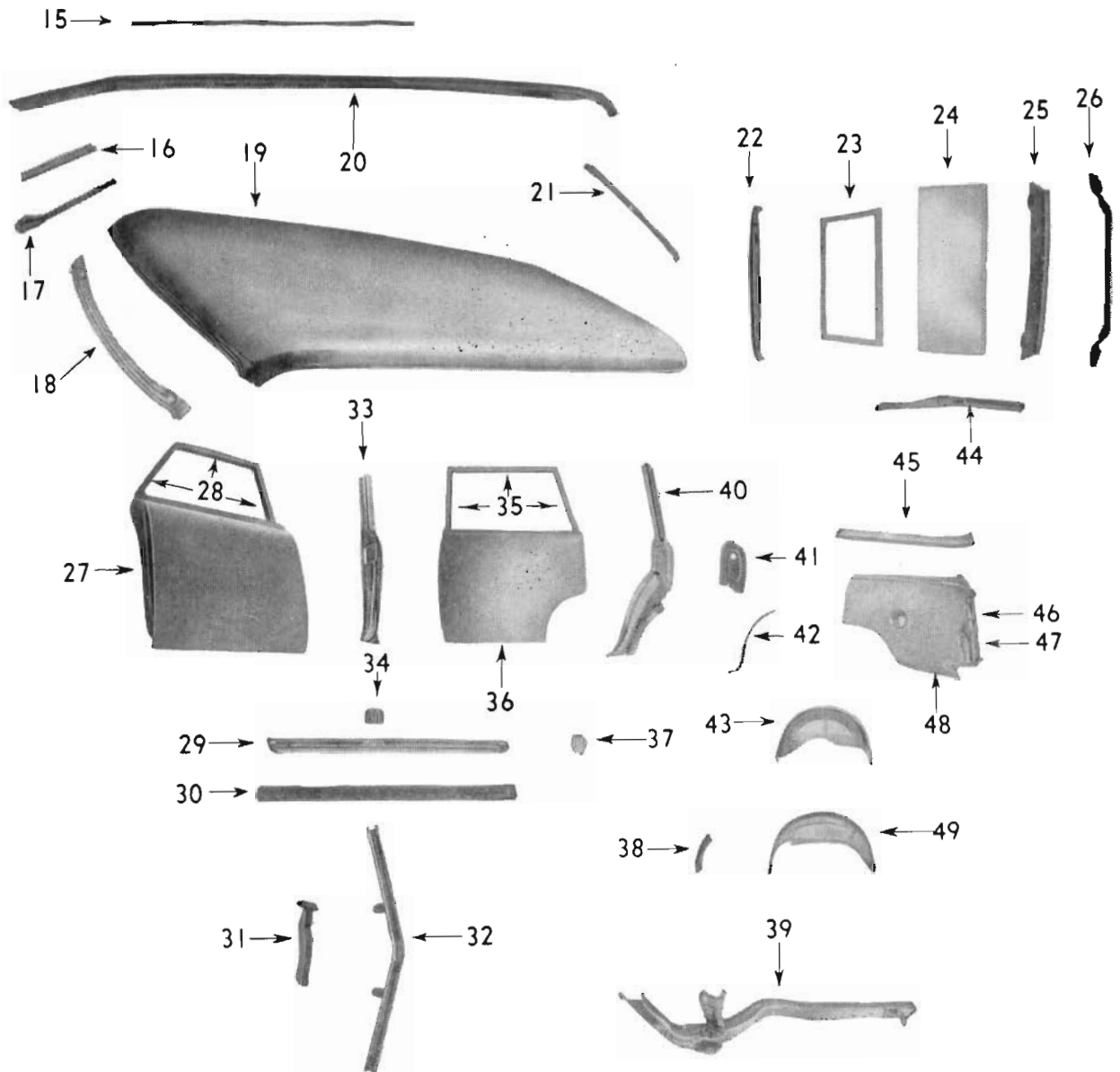


BODY PANELS — STATION SEDAN

Illus. Ref. No.	Part Name	Group	Illus. Ref. No.	Part Name	Group
1	FRAME ASSEMBLY	12.980	7	PAN	8.112
2			8	INSULATOR ASSEMBLY	15.280
3			9	PANEL ASSEMBLY	12.804
4			10	PANEL ASSEMBLY—Top	12.805
5			11	REINFORCEMENT	12.804
1	SUPPORT ASSEMBLY	1.270	12	PANEL ASSEMBLY	10.230
2			13	PANEL ASSEMBLY—Carrier	9.743
4			14	PANEL ASSEMBLY—Lower	12.805
5			15	RETAINER	14.651
6			16	COVER	12.808
1	TIE MEMBER ASSEMBLY	12.982	17	REINFORCEMENT—Pillar facing	12.956
2	SUPPORT—Side	1.270	18	FRAME ASSY—Inner upper	12.807
3	SIDE MEMBER ASSEMBLY	12.980	19	PANEL ASSEMBLY	12.810
	SKIRT—Front fender	8.153	20	RAIL ASSEMBLY	12.956
4	BAFFLE—Lower	1.286	21	BOW	12.952
5	SUPPORT—Side	1.270	22	RAIL ASSEMBLY—Rear	12.956
6	SUPPORT—Upper	1.270	23	GATE ASSEMBLY	12.178

HOLDEN

MASTER PARTS CATALOGUE

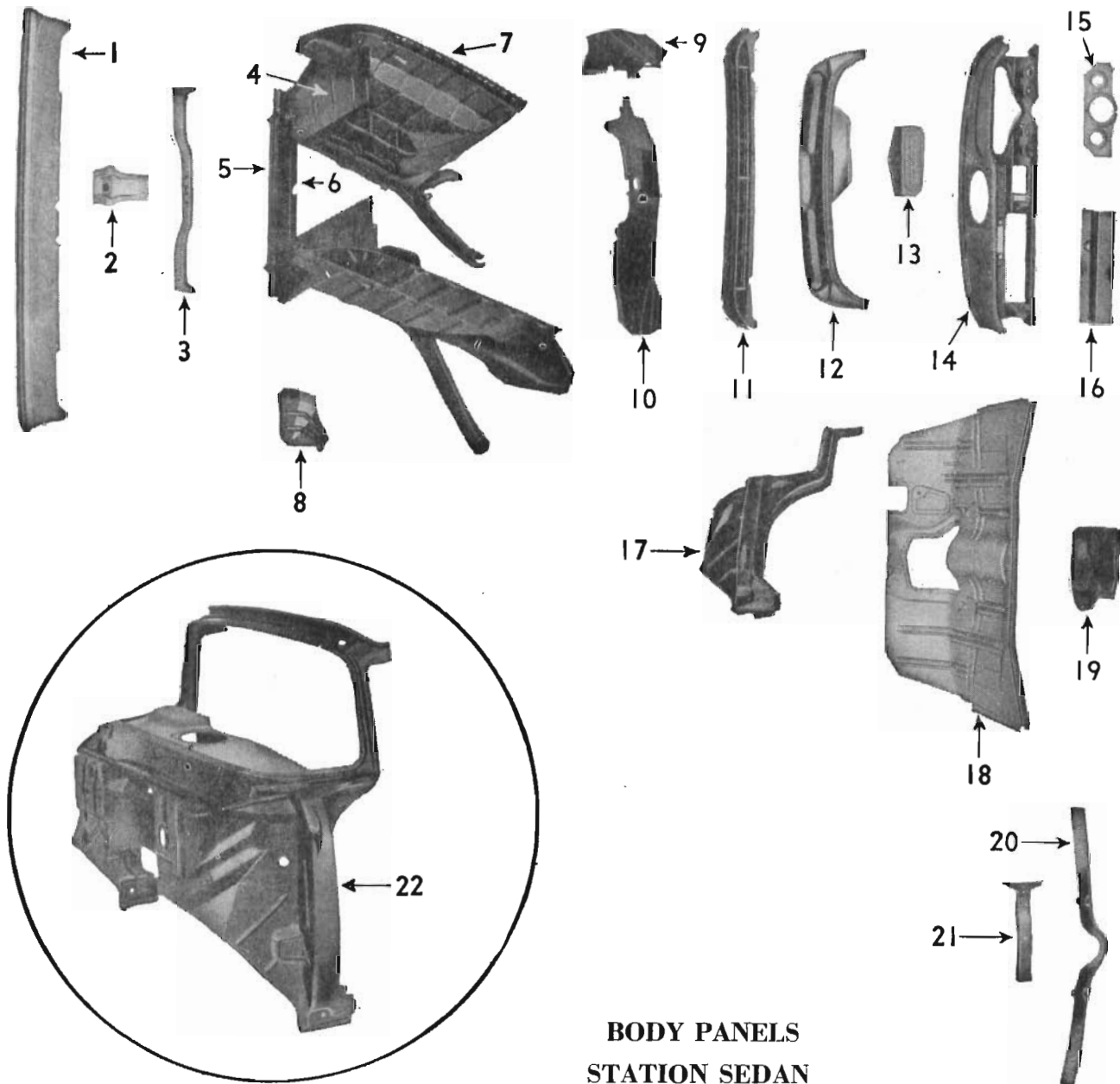


Illus. Ref. No.	Part Name	Group	Illus. Ref. No.	Part Name	Group
23	PANEL—Outer	12.178	36	PANEL—Outer	12.913
24	GATE ASSEMBLY	12.179	37	FILLER	12.934
	PANEL—Outer	12.179	38	EXTENSION	12.944
25	PANEL	12.966	39	MEMBER ASSY.—U/body side	12.982
26	MEMBER—U/body rear cross	12.982	40	PANEL ASSEMBLY	12.942
27	PANEL ASSEMBLY	12.895	41	REINFORCEMENT—Lock pillar	12.942
	PANEL—Outer	12.895	42	RETAINER	10.695
28	FRAME ASSEMBLY	11.075	43	PANEL—Inner	12.944
29	PANEL—Outer	12.934	44	PILLAR ASSEMBLY	12.951
30	PANEL—Inner	12.934	45	RAIL ASSEMBLY	12.428
31	MEMBER ASSY.—U/body No. 1 cross	12.982	46	PANEL ASSEMBLY	12.940
32	BAR ASSY.—Floor pan No. 1 cross	12.982	47		
33	PILLAR ASSEMBLY	12.491	48	PLATE—Tail lamp mtg.	12.940
34	REINFORCEMENT	12.934	49	EXTENSION	12.940
35	FRAME ASSEMBLY	11.089		PANEL—Outer	12.944
36	PANEL ASSEMBLY	12.913			



HOLDEN

MASTER PARTS CATALOGUE



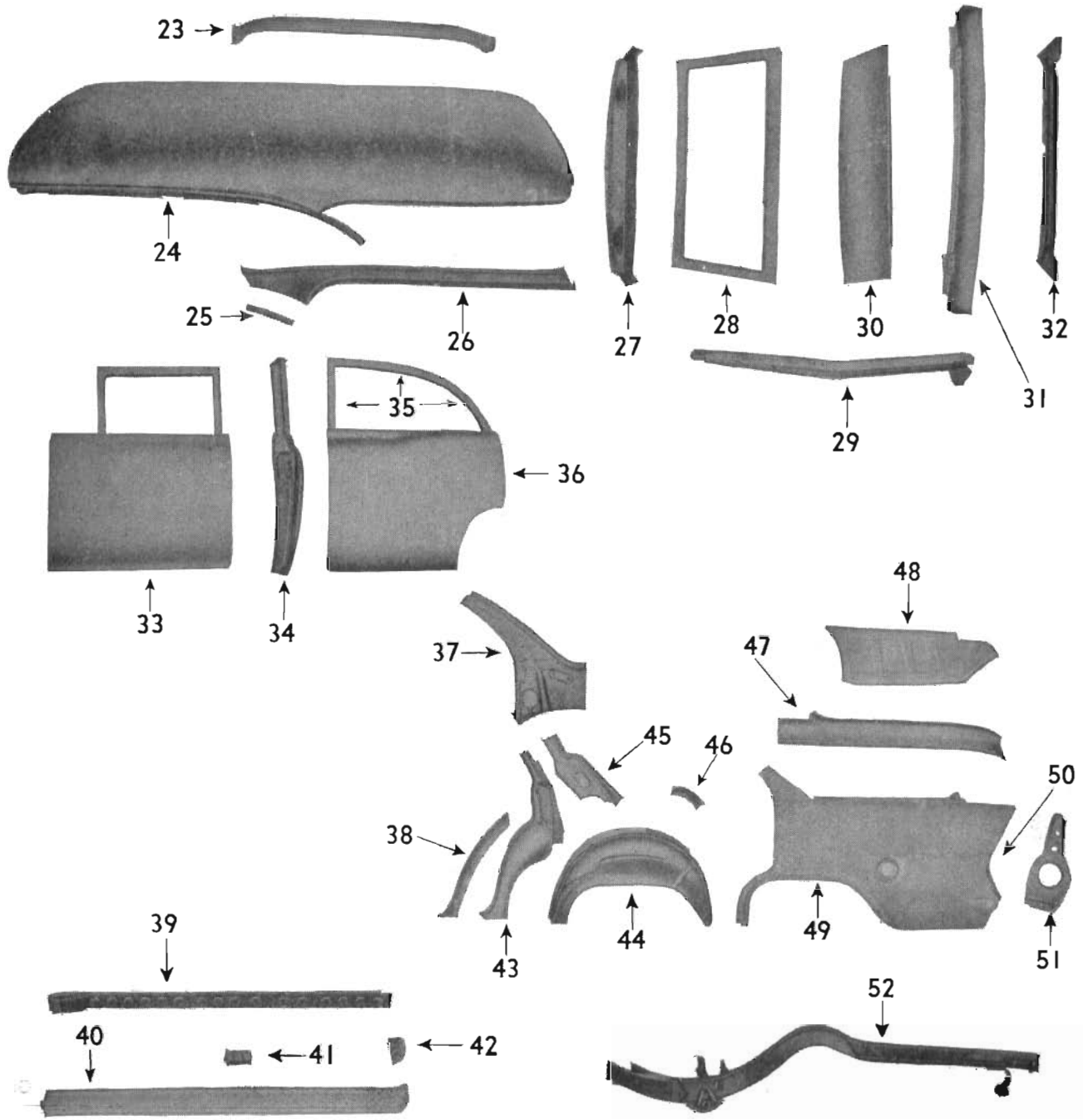
BODY PANELS STATION SEDAN

Illus. Ref. No.	Part Name	Group
1	SHIELD	7.870
2	BRACE ASSEMBLY	1.270
3	SUPPORT—Upper	1.270
4	FRAME ASSEMBLY	12.980
5		
6		
7	SUPPORT ASSEMBLY	1.270
4		
5	SUPPORT—Side	1.270
6	BAFFLE—Lower	1.286
7	TIE MEMBER	12.982
8	SIDE MEMBER ASSEMBLY	12.980
9	SKIRT—Front fender	8.153

Illus. Ref. No.	Part Name	Group
8	PAN	8.112
9	INSULATOR ASSEMBLY	15.280
10	INSULATOR ASSEMBLY	15.280
11	VENTILATOR ASSEMBLY	10.307
12	CHAMBER—Plenum	12.803
13	PANEL—Plenum chamber cover	9.786
14	PANEL	10.230
15	CARRIER	9.743
16	DOOR ASSEMBLY	10.261
17	PILLAR ASSEMBLY	12.805
18	PAN ASSEMBLY	12.972
19	COVER ASSEMBLY	12.557
20	BAR ASSY.—Floor pan No. 1 cross	12.982
21	MEMBER ASSY.—U/body No. 1 cross	12.982
22	COWL ASSEMBLY	12.803

HOLDEN

MASTER PARTS CATALOGUE



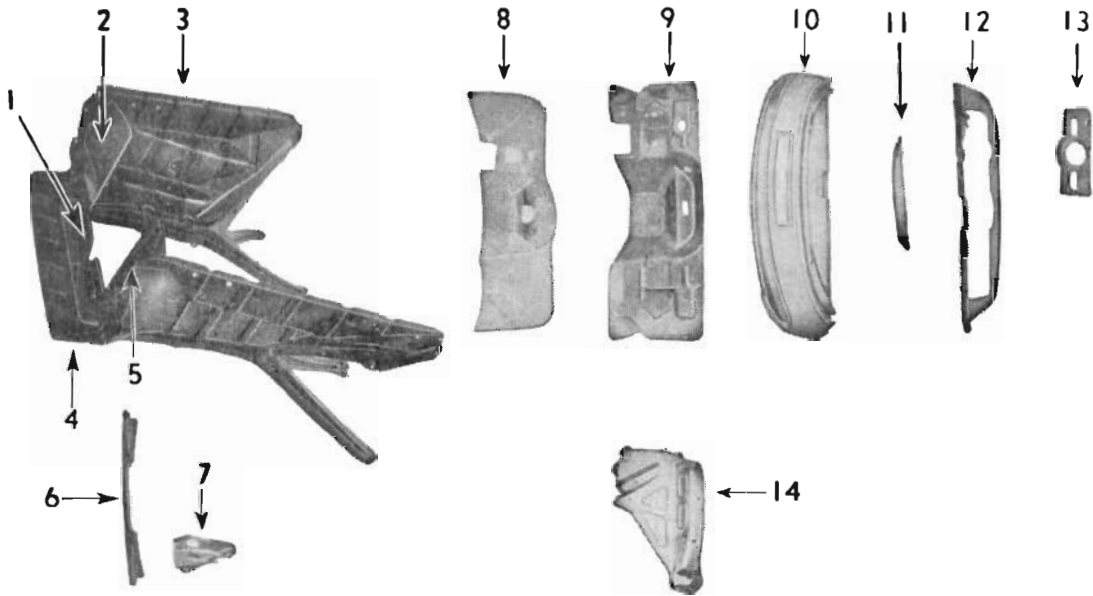
23	BOW ASSEMBLY	12.952
24	PANEL ASSEMBLY	12.810
25	EXTENSION—Side rear rail reinf.	12.956
26	RAIL—Side rear	12.956
27	RAIL ASSEMBLY—Rear	12.956
28	GATE ASSEMBLY	12.178
	PANEL—Outer	12.178
29	PILLAR ASSEMBLY	12.951
30	GATE ASSEMBLY	12.179
	PANEL—Outer	12.179
31	PANEL	12.966
32	MEMBER—U/body rear cross	12.982
33	PANEL ASSEMBLY	12.895
	PANEL—Outer	12.895
34	PILLAR ASSEMBLY	12.491
	STRIP—Protector	12.491
35	FRAME ASSEMBLY	11.089
36	PANEL ASSEMBLY	12.913
	PANEL—Outer	12.913

37	PANEL ASSEMBLY	12.941
38	EXTENSION	12.941
39	PANEL—Inner	12.934
40	PANEL—Outer	12.934
41	REINFORCEMENT	12.934
42	FILLER	12.934
43	PANEL ASSEMBLY	12.942
44	PANEL ASSEMBLY	12.944
45	REINFORCEMENT	12.942
46	SUPPORT	12.944
47	RAIL	12.428
48	EXTENSION	12.986
49	} PANEL ASSEMBLY	12.940
50		
51	EXTENSION	12.940
51	PANEL—Tail lamp mounting	12.940
52	MEMBER ASSY.—U/body side	12.982



HOLDEN

MASTER PARTS CATALOGUE

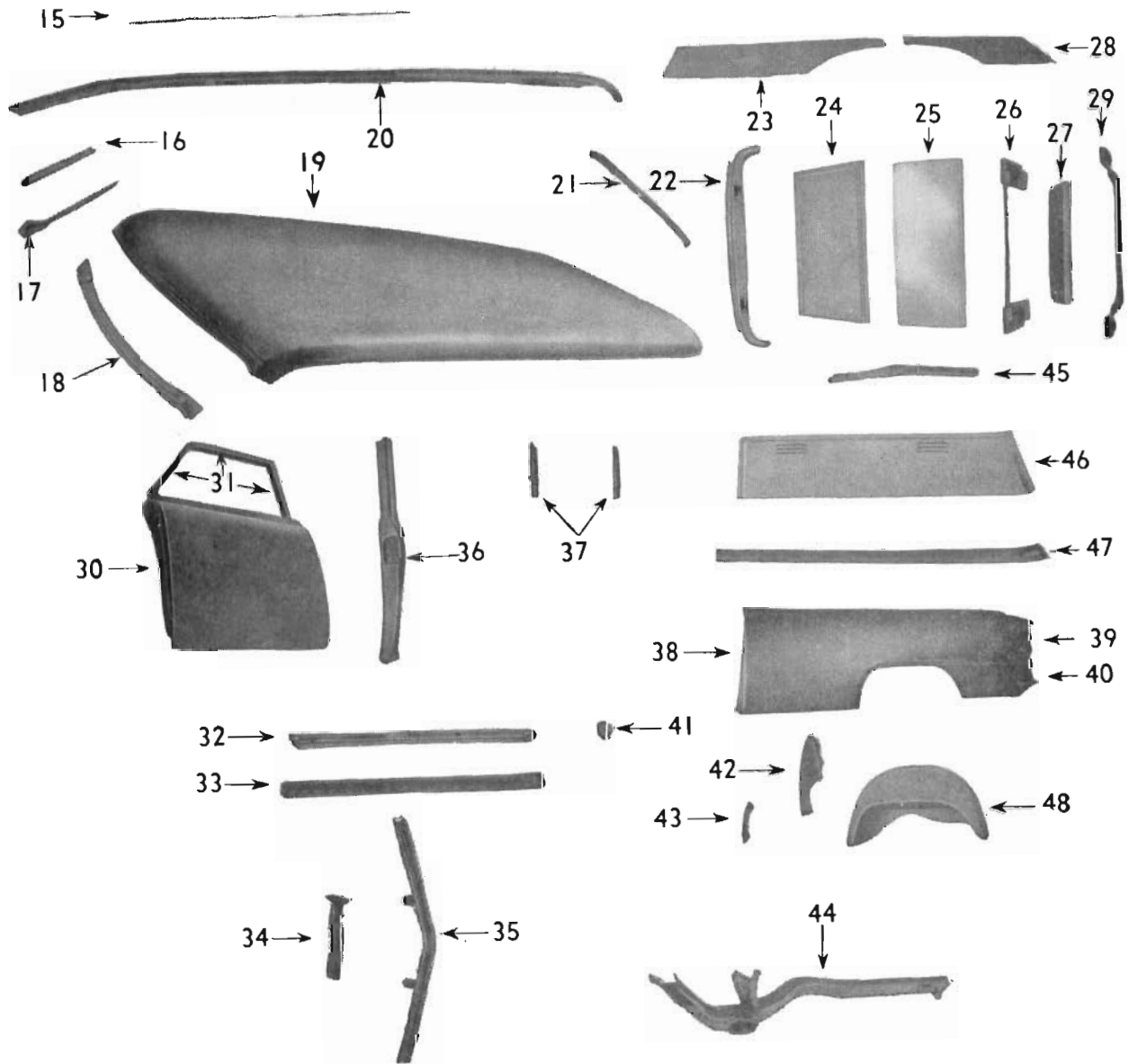


BODY PANELS — PANEL VAN

Illus. Ref. No.	Part Name	Group	Illus. Ref. No.	Part Name	Group
1	FRAME ASSEMBLY	12.980	7	PAN	8.112
2			8	INSULATOR ASSEMBLY	15.280
3			9	PANEL ASSEMBLY	12.804
4			10	PANEL ASSEMBLY—Top	12.805
5			11	REINFORCEMENT	12.804
1	SUPPORT ASSEMBLY	1.270	12	PANEL ASSEMBLY	10.230
2			13	PANEL ASSEMBLY—Carrier	9.743
4			14	PANEL ASSEMBLY—Lower	12.805
5			15	RETAINER	14.651
5			16	COVER	12.808
1	TIE MEMBER ASSEMBLY	12.982	17	REINFORCEMENT—Pillar facing	12.956
2	SUPPORT—Side	1.270	18	FRAME ASSY—Inner upper	12.807
3	SIDE MEMBER ASSEMBLY	12.980	19	PANEL ASSEMBLY	12.810
	SKIRT—Front fender	8.153	20	RAIL ASSEMBLY	12.956
4	BAFFLE—Lower	1.286	21	BOW	12.952
5	SUPPORT—Side	1.270	22	RAIL ASSEMBLY—Rear	12.956
6	SUPPORT—Upper	1.270	23	PANEL—Inner front	12.948

HOLDEN

MASTER PARTS CATALOGUE

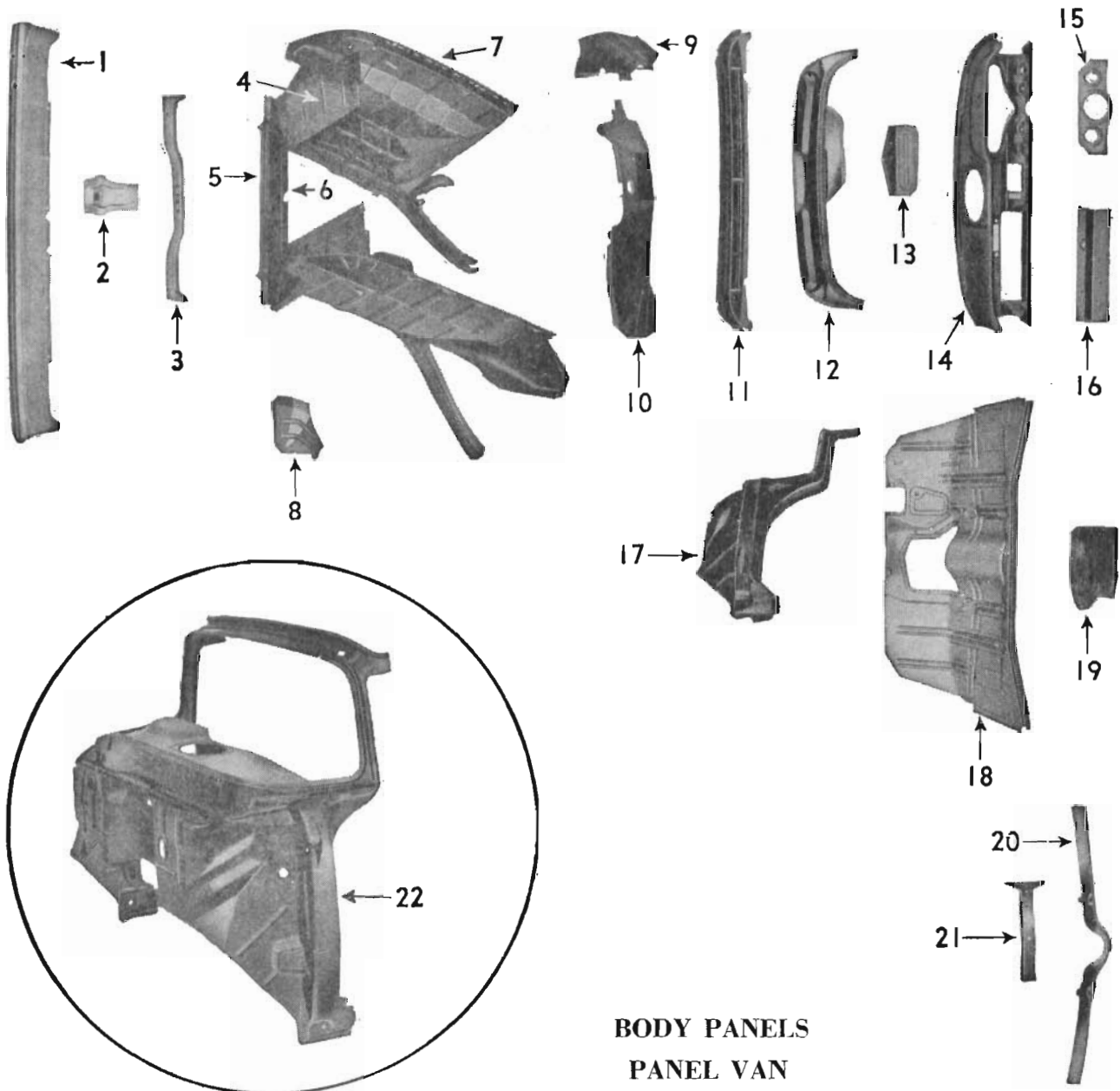


Illus. Ref. No.	Part Name	Group	Illus. Ref. No.	Part Name	Group
24	GATE ASSEMBLY	12.178	36	PANEL ASSEMBLY	12.491
	PANEL—Outer	12.178	37	PILLAR ASSEMBLY	12.950
25	GATE ASSEMBLY	12.179	38	PANEL ASSY.—Outer lower	12.948
	PANEL—Outer	12.179	39		
26	PANEL	12.966	40	PLATE—fail lamp mtg.	12.940
27	DOOR ASSEMBLY	12.180	40	EXTENSION—Outer lower	12.948
28	PANEL—Inner rear	12.948	41	FILLER	12.934
29	MEMBER—U/body rear cross	12.982	42	BRACE	12.935
30	PANEL ASSEMBLY	12.895	43	EXTENSION	12.944
	PANEL—Outer	12.895	44	MEMBER ASSY.—U/body side	12.982
31	FRAME ASSEMBLY	11.075	45	PILLAR ASSEMBLY	12.951
32	PANEL—Outer	12.934	46	PANEL—Outer upper	12.948
33	PANEL—Inner	12.934	47	RAIL ASSEMBLY	12.428
34	MEMBER ASSY.—U/body No. 1 cross	12.982	48	PANEL ASSEMBLY	12.944
35	BAR ASSY.—Floor pan No. 1 cross	12.982			



HOLDEN

MASTER PARTS CATALOGUE



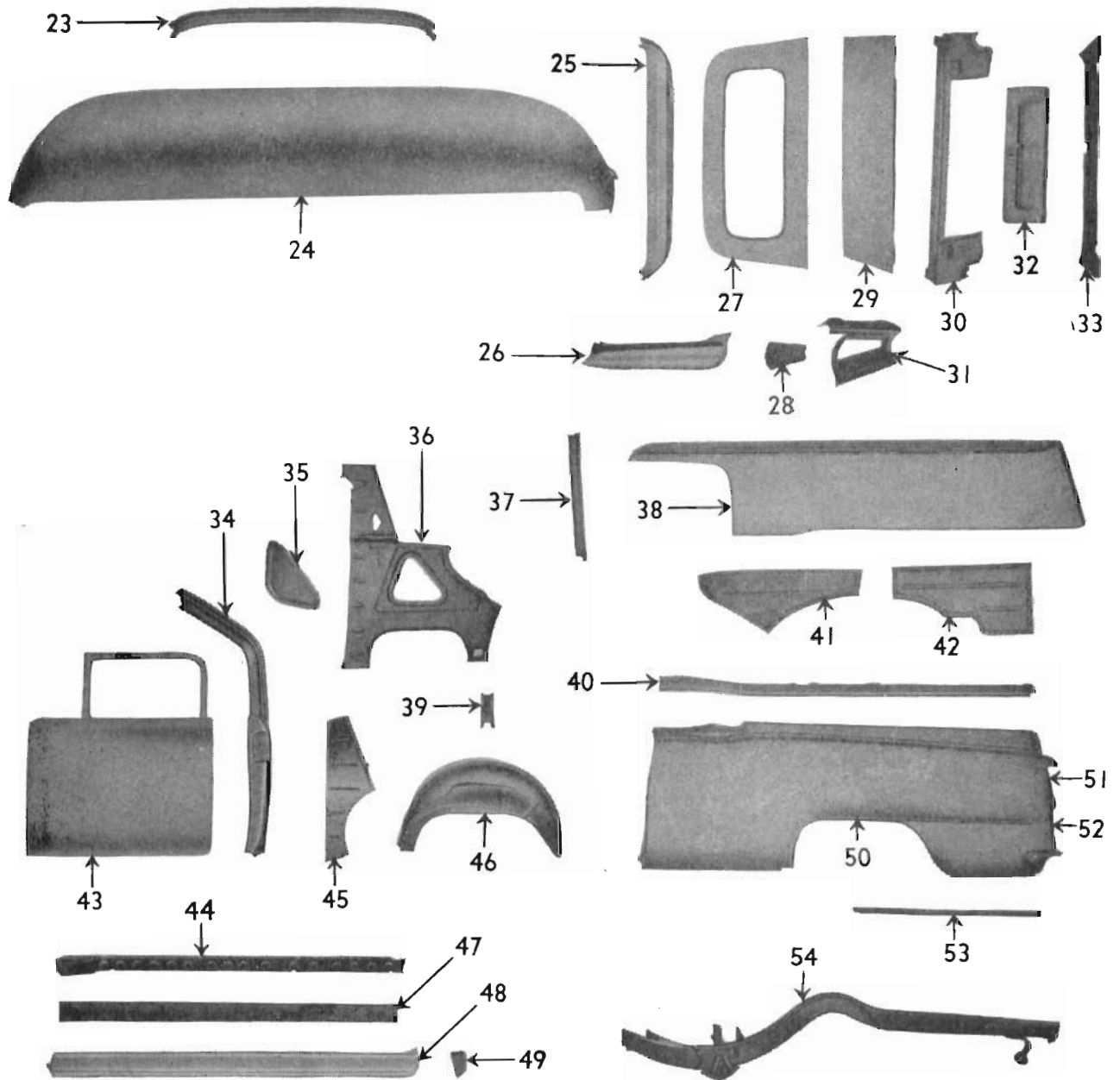
BODY PANELS PANEL VAN

Illus. Ref. No.	Part Name	Group
1	SHIELD	7.870
2	BRACE ASSEMBLY	1.270
3	SUPPORT—Upper	1.270
4 5 6 7	FRAME ASSEMBLY	12.980
4 5 6	SUPPORT ASSEMBLY	1.270
4	SUPPORT—Side	1.270
5	BAFFLE—Lower	1.286
6	TIE MEMBER	12.982
7	SIDE MEMBER ASSEMBLY	12.980
	SKIRT—Front fender	8.153

Illus. Ref. No.	Part Name	Group
8	PAN	8.112
9	INSULATOR ASSEMBLY	15.280
10	INSULATOR ASSEMBLY	15.280
11	VENTILATOR ASSEMBLY	10.307
12	CHAMBER—Plenum	12.803
13	PANEL—Plenum chamber cover	9.786
14	PANEL	10.230
15	CARRIER	9.743
16	DOOR ASSEMBLY	10.261
17	PILLAR ASSEMBLY	12.805
18	PAN ASSEMBLY	12.972
19	COVER ASSEMBLY	12.557
20	BAR ASSY.—Floor pan No. 1 cross	12.982
21	MEMBER ASSY.—U/body No. 1 cross	12.982
22	COWL ASSEMBLY	12.803

HOLDEN

MASTER PARTS CATALOGUE



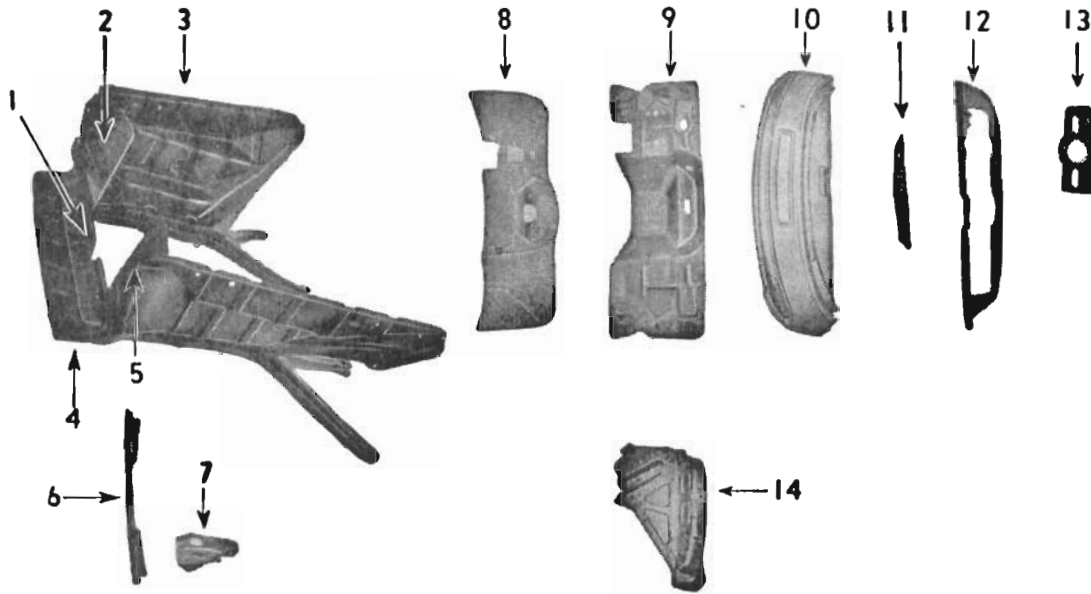
23	BOW ASSEMBLY	12.952
24	PANEL ASSEMBLY	12.810
25	RAIL ASSEMBLY—Rear	12.956
26	PILLAR ASSEMBLY—Upper	12.951
27	GATE ASSEMBLY	12.178
	PANEL—Outer	12.178
28	COVER	12.948
29	GATE ASSEMBLY	12.179
	PANEL—Outer	12.179
30	PANEL ASSEMBLY	12.966
31	PILLAR ASSEMBLY—Lower	12.951
32	DOOR ASSEMBLY	12.180
33	MEMBER—U/body rear cross	12.982
34	PILLAR & ROOF RAIL ASSEMBLY	12.491
35	COVER—Lock striker plate	12.491
36	BRACE ASSEMBLY	12.491
37	PILLAR ASSEMBLY	12.950
38	PANEL—Outer upper	12.948

39	REINFORCEMENT	12.428
40	RAIL	12.428
41	PANEL—Inner front	12.948
42	PANEL—Inner rear	12.948
43	PANEL ASSEMBLY	12.895
	PANEL—Outer	12.895
44	PANEL ASSEMBLY—Inner	12.934
45	BRACE	12.935
46	PANEL ASSEMBLY—Wheelhouse	12.944
47	REINFORCEMENT	12.934
48	PANEL—Outer	12.934
49	FILLER	12.934
50	PANEL ASSY.—Outer lower	12.948
51		
51	PLATE—Tail lamp mounting	12.940
52	EXTENSION	12.948
53	SEAL—Tonneau sill	12.987
54	MEMBER ASSY.—U/body side	12.982



HOLDEN

MASTER PARTS CATALOGUE

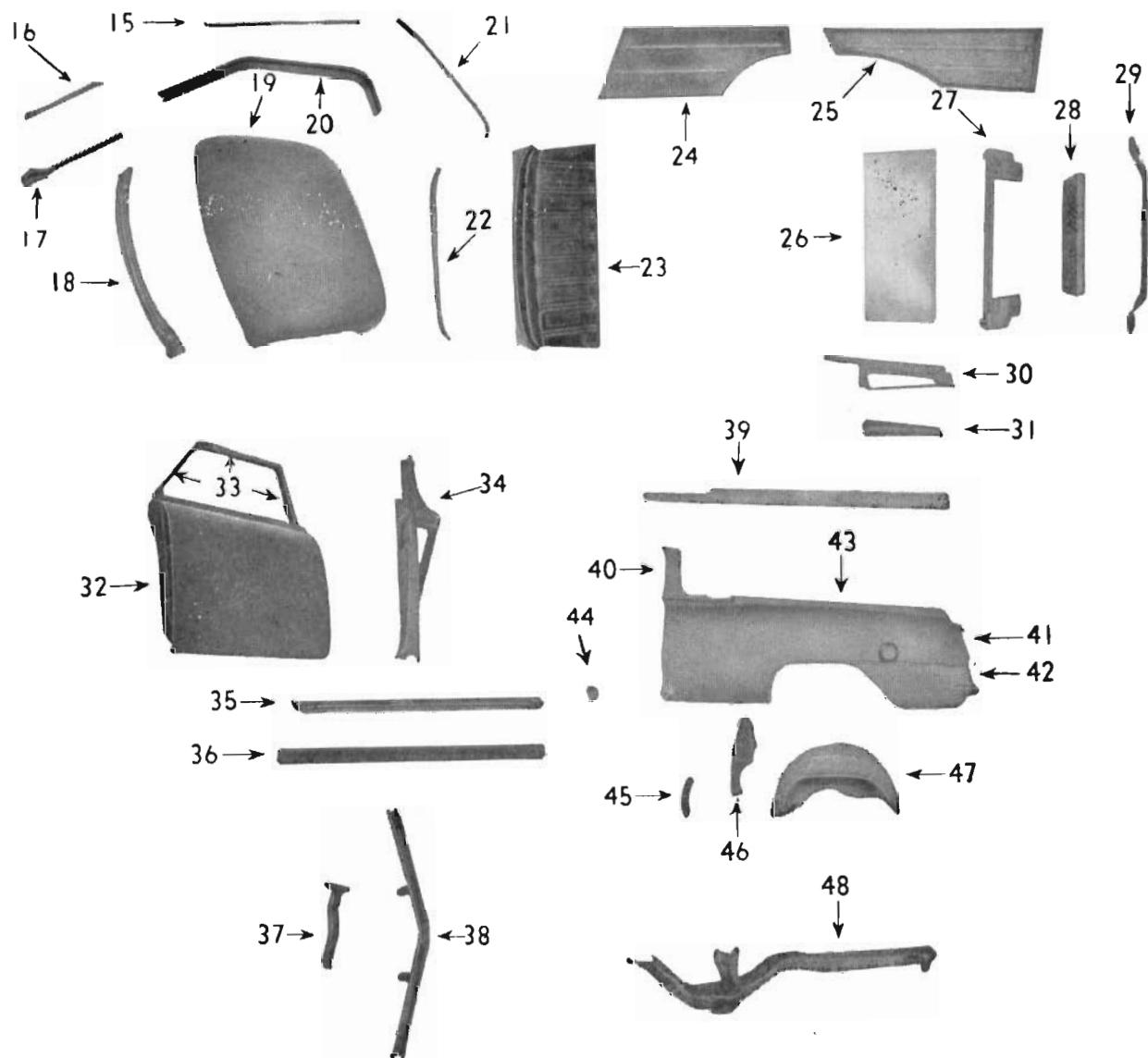


BODY PANELS — COUPE UTILITY

Illus. Ref. No.	Part Name	Group	Illus. Ref. No.	Part Name	Group
1	FRAME ASSEMBLY	12.980	7	PAN	8.112
2			8	INSULATOR ASSEMBLY	15.280
3			9	PANEL ASSEMBLY	12.804
4			10	PANEL ASSEMBLY—Top	12.805
5			11	REINFORCEMENT	12.804
1	SUPPORT ASSEMBLY	1.270	12	PANEL ASSEMBLY	10.230
2			13	PANEL ASSEMBLY—Carrier	9.743
4			14	PANEL ASSEMBLY—Lower	12.805
5			15	RETAINER	14.651
4			16	COVER	12.808
1	TIE MEMBER ASSEMBLY	12.982	17	REINFORCEMENT—Pillar facing	12.956
2	SUPPORT—Side	1.270	18	FRAME ASSY—Inner upper	12.807
3	SIDE MEMBER ASSEMBLY	12.980	19	PANEL ASSEMBLY	12.810
	SKIRT—Front fender	8.153	20	RAIL ASSEMBLY	12.956
4	BAFFLE—Lower	1.286	21	BOW	12.952
5	SUPPORT—Side	1.270	22	FRAME	11.200
6	SUPPORT—Upper	1.270	23	PANEL ASSEMBLY	12.958

HOLDEN

MASTER PARTS CATALOGUE

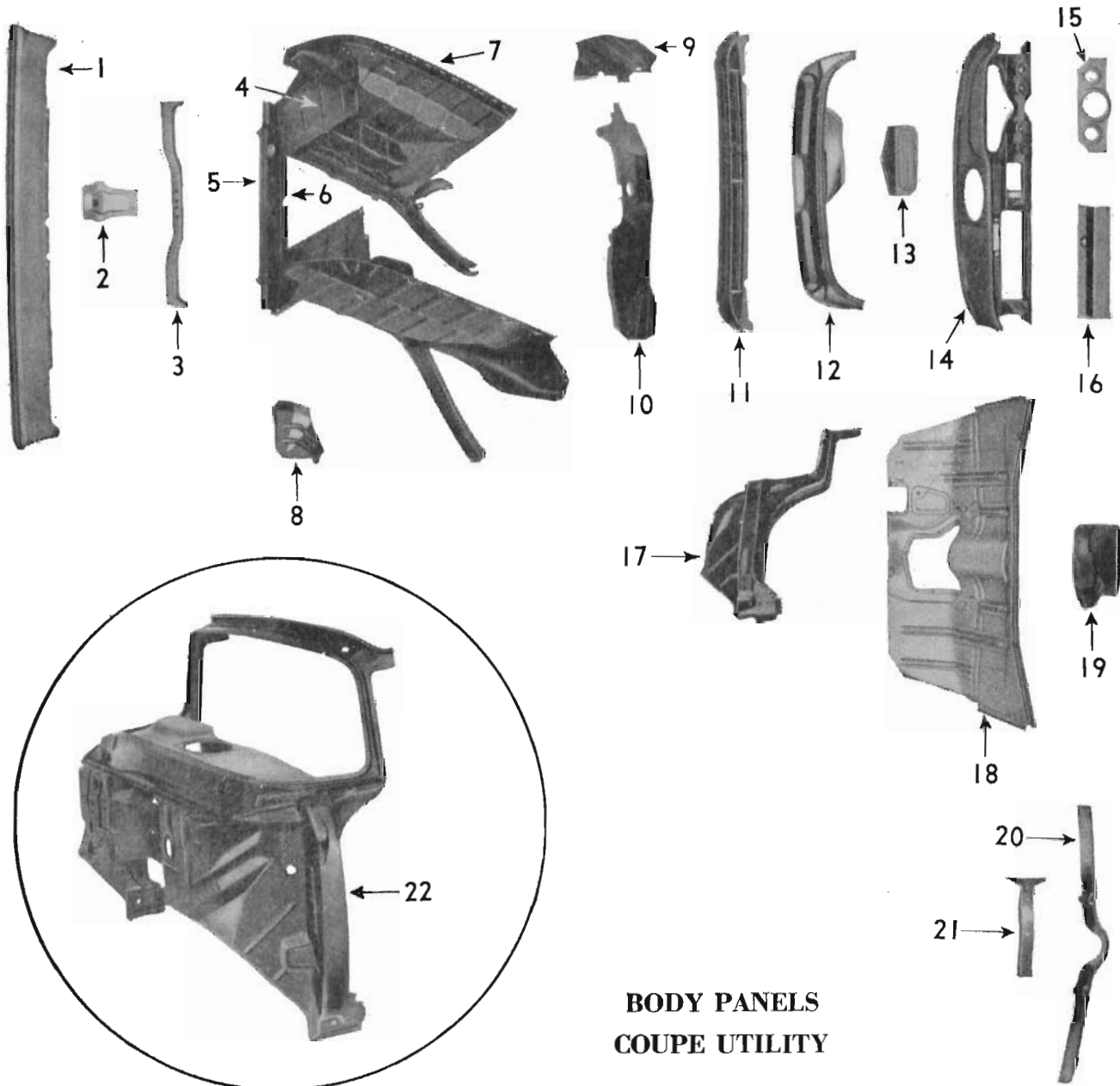


Illus. Ref. No.	Part Name	Group	Illus. Ref. No.	Part Name	Group
24	PANEL—Inner front	12.948	38	BAR ASSY—Floor pan No. 1 cross	12.982
25	PANEL—Inner rear	12.948	39	RAIL ASSEMBLY	12.428
26	GATE ASSEMBLY	12.179	40	PANEL—Outer	12.948
	PANEL—Outer	12.179	41		
27	PANEL	12.966	42		
28	DOOR ASSEMBLY	12.180	43	PANEL—Outer upper	12.948
29	MEMBER—U/body rear cross	12.982	41	PLATE—Tail lamp mtg.	12.940
30	PILLAR ASSEMBLY	12.951	42	EXTENSION—Outer panel	12.948
31	COVER—Tail lamp hole	12.948	44	FILLER	12.934
32	PANEL ASSEMBLY	12.895	45	EXTENSION	12.944
	PANEL—Outer	12.895	46	BRACE	12.935
33	FRAME ASSEMBLY	11.075	47	PANEL ASSEMBLY	12.944
34	PANEL ASSEMBLY	12.491	48	MEMBER ASSY.—U/body side	12.982
35	PANEL—Outer	12.934			
36	PANEL—Inner	12.934			
37	MEMBER ASSY.—U/body No. 1 cross	12.982			



HOLDEN

MASTER PARTS CATALOGUE



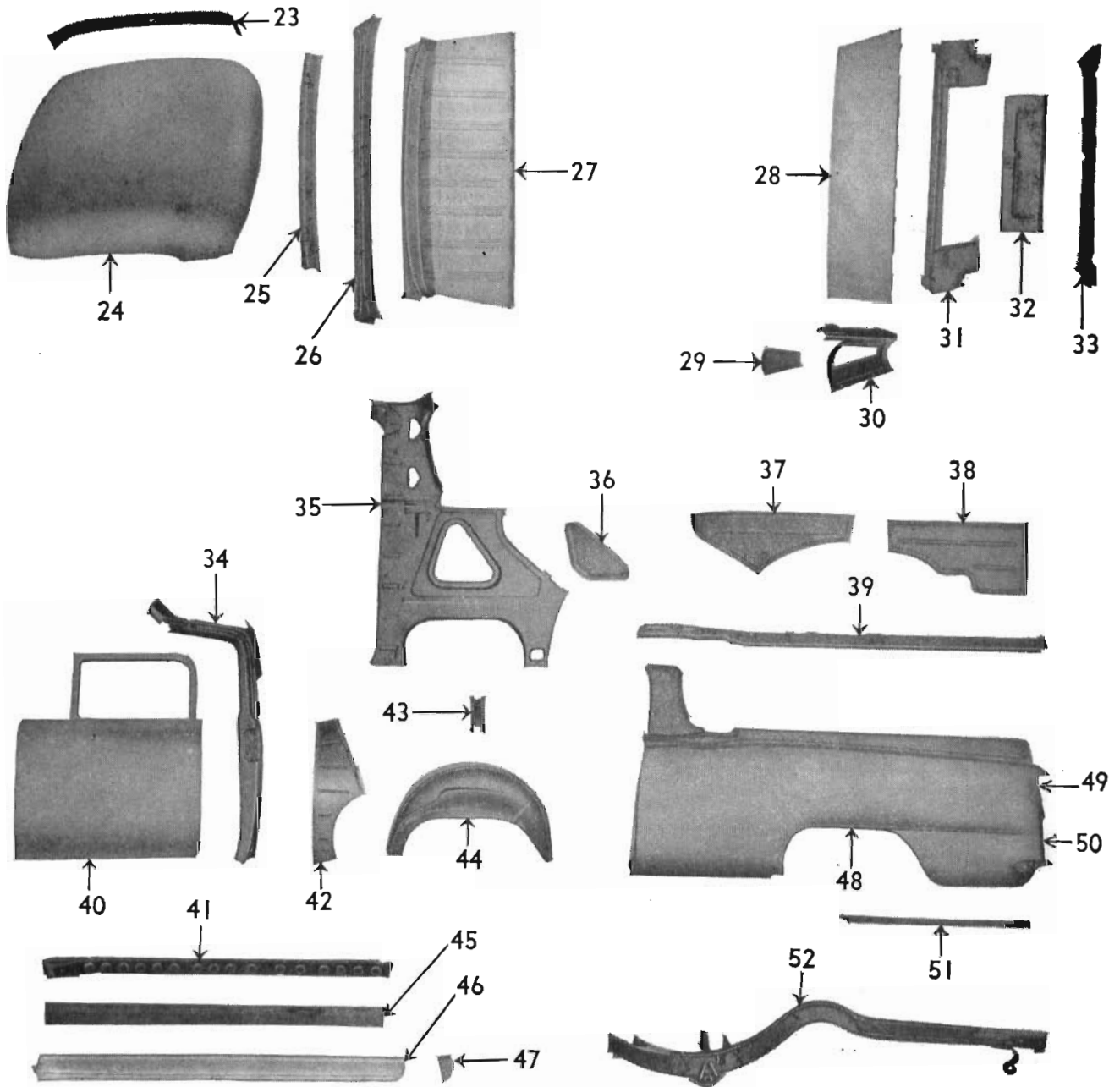
BODY PANELS COUPE UTILITY

Illus. Ref. No.	Part Name	Group
1	SHIELD	7.870
2	BRACE ASSEMBLY	1.270
3	SUPPORT—Upper	1.270
4	FRAME ASSEMBLY	12.980
5		
6		
7		
4	SUPPORT ASSEMBLY	1.270
5		
6	SUPPORT—Side	1.270
4	BAFFLE—Lower	1.286
6	TIE MEMBER	12.982
7	SIDE MEMBER ASSEMBLY	12.980
	SKIRT—Front fender	8.153
8	PAN	8.112
9	INSULATOR ASSEMBLY	15.280

Illus. Ref. No.	Part Name	Group
10	INSULATOR ASSEMBLY	15.280
11	VENTILATOR ASSEMBLY	10.307
12	CHAMBER—Plenum	12.803
13	PANEL—Plenum chamber cover	9.786
14	PANEL	10.230
15	CARRIER	9.743
16	DOOR ASSEMBLY	10.261
17	PILLAR ASSEMBLY	12.805
18	PAN ASSEMBLY	12.972
19	COVER ASSEMBLY	12.557
20	BAR ASSY.—Floor pan No. 1 cross	12.982
21	MEMBER ASSY.—U/body No. 1 cross	12.982
22	COWL ASSEMBLY	12.803
23	BOW ASSEMBLY	12.952
24	PANEL ASSEMBLY	12.810

HOLDEN

MASTER PARTS CATALOGUE



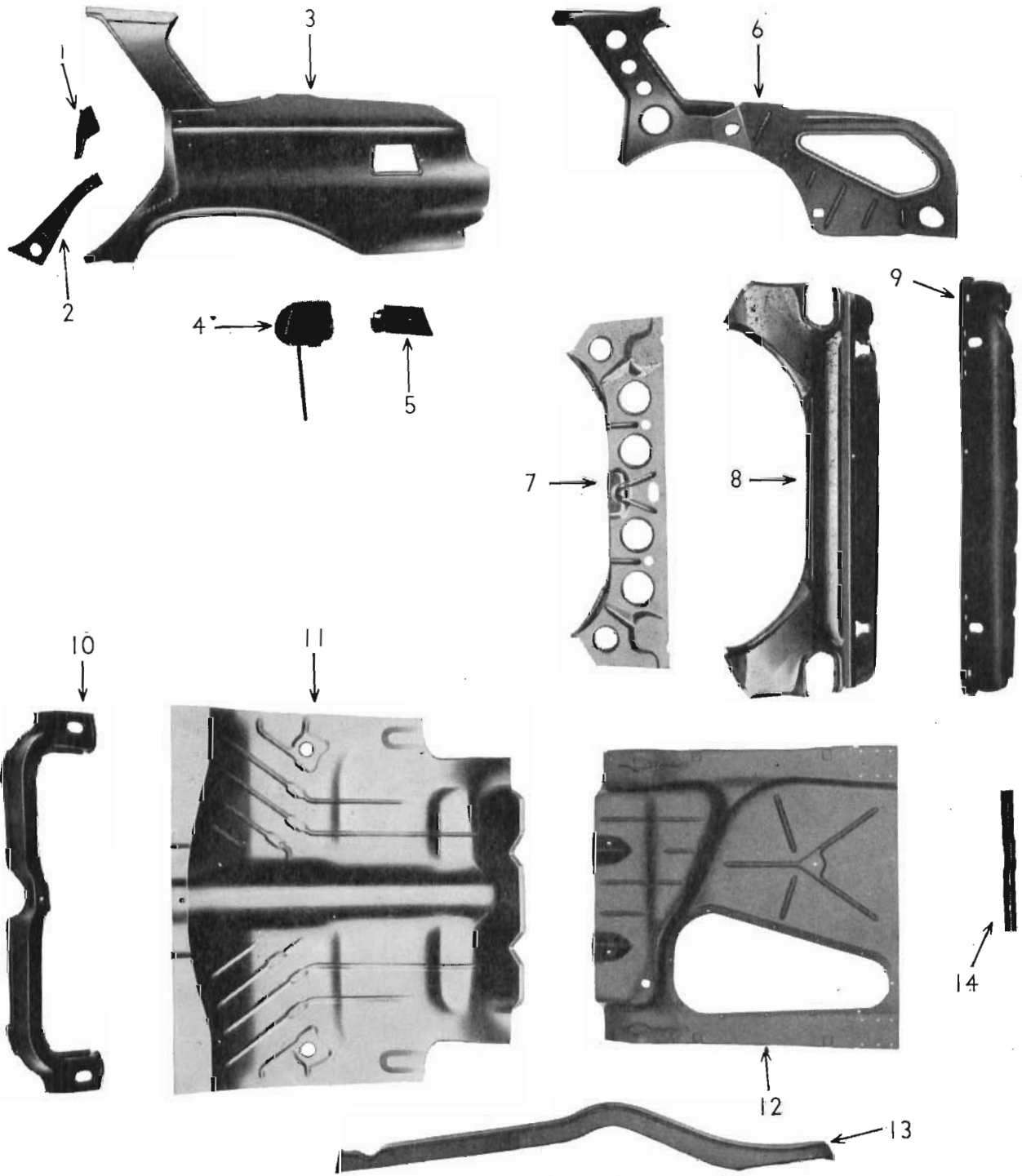
Illus. Ref. No.	Part Name	Group
25	FRAME	11.200
26	PANEL	12.971
27	PANEL	12.958
28	GATE ASSEMBLY	12.179
	PANEL—Outer	12.179
29	COVER	12.948
30	PILLAR ASSEMBLY—Lower	12.951
31	PANEL ASSEMBLY	12.966
32	DOOR ASSEMBLY	12.180
33	MEMBER—U/body rear cross	12.982
34	PILLAR & ROOF RAIL ASSEMBLY	12.491
35	BRACE ASSEMBLY	12.491
36	COVER—Lock striker plate	12.491
37	PANEL—Inner front	12.948
38	PANEL—Inner rear	12.948

Illus. Ref. No.	Part Name	Group
39	RAIL ASSEMBLY	12.428
40	PANEL ASSEMBLY	12.895
	PANEL—Outer	12.895
41	PANEL ASSEMBLY—Inner	12.934
42	BRACE	12.935
43	REINFORCEMENT	12.428
44	PANEL ASSEMBLY—Wheelhouse	12.944
45	REINFORCEMENT	12.934
46	PANEL—Outer	12.934
47	FILLER	12.934
48	PANEL ASSEMBLY—Outer	12.948
49		
49	PANEL—Tail lamp mounting	12.940
50	EXTENSION	12.948
51	SEAL—Tonneau sill	12.987
52	MEMBER ASSY.—U/body side	12.982



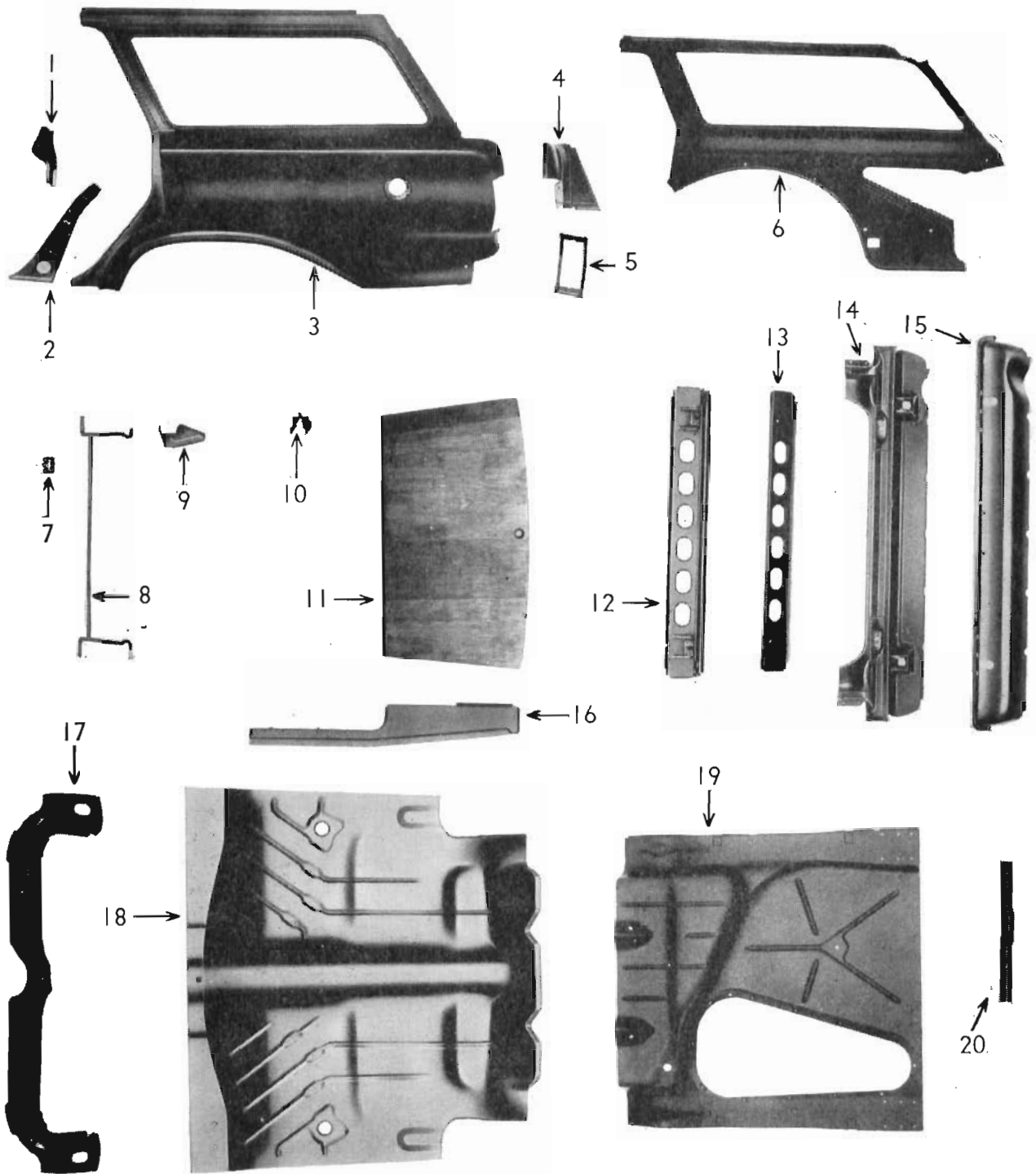
HOLDEN

MASTER PARTS CATALOGUE



BODY PANELS — SEDAN REAR END

Illus. Ref. No.	Part Name	Group	Illus. Ref. No.	Part Name	Group
1.	EXTENSION—Outer panel	12.940	8.	PANEL ASSEMBLY—Outer	12.966
2.	PANEL ASSEMBLY—Lower	12.941	9.	PANEL ASSEMBLY—Outer lower	12.966
3.	PANEL ASSEMBLY—Outer	12.940	10.	BAR ASSY—Underbody No. 2 cross	12.982
4.	COMPARTMENT ASSY.—Fuel filler cap	12.944	11.	PAN ASSY—Centre floor	12.972
5.	DOOR ASSEMBLY—Fuel filler	12.944	12.	PAN—Rear compartment floor	12.981
6.	PANEL ASSEMBLY—Inner	12.941	13.	MEMBER—Underbody side	12.982
7.	PANEL ASSEMBLY—Inner	12.966	14.	REINFORCEMENT	12.981



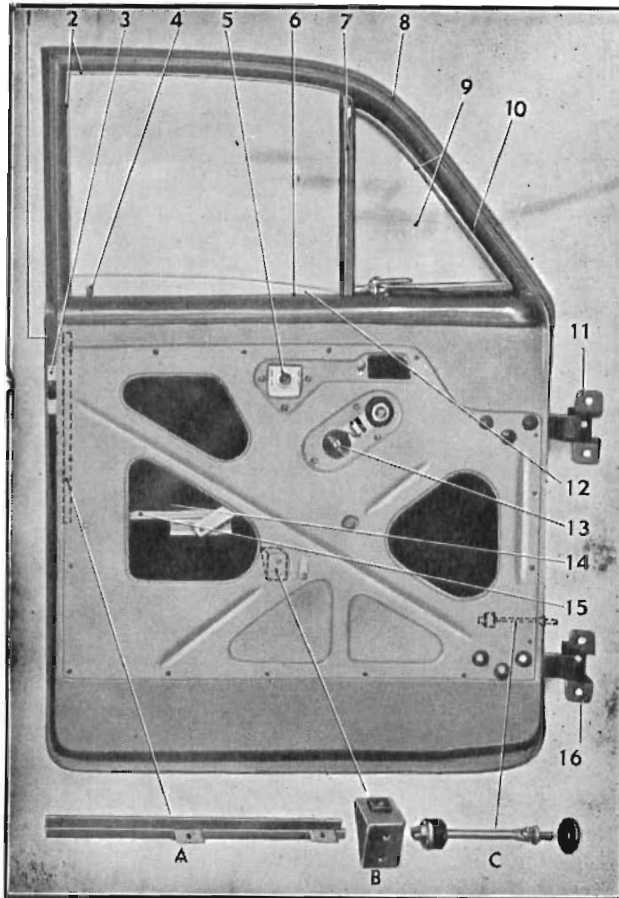
BODY PANELS — STATION SEDAN REAR END

Illus. Ref. No.	Part Name	Group	Illus. Ref. No.	Part Name	Group
1.	EXTENSION—Outer panel	12.940	11.	COVER—Spare wheel compartment	12.180
2.	PANEL ASSEMBLY—Lower	12.941	12.	BAR ASSY—Tonneau floor rear cross	12.982
3.	PANEL ASSEMBLY—Outer	12.940	13.	PANEL ASSEMBLY—Inner	12.966
4.	EXTENSION—Outer panel, rear	12.940	14.	PANEL ASSEMBLY—Outer	12.966
5.	PLATE—Tail lamp mounting	12.940	15.	PANEL ASSEMBLY—Outer lower	12.966
6.	PANEL ASSEMBLY—Inner	12.941	16.	SILL—Tonneau floor side	12.986
7.	HINGE—Cushion section	11.614	17.	BAR ASSY—Underbody No. 2 cross	12.982
8.	LINK ASSEMBLY—Cushion hinge	11.614	18.	PAN ASSY—Centre floor	12.972
9.	HINGE—Body section	11.614	19.	PAN—Rear compartment floor	12.981
10.	SUPPORT—Rear seat cushion	11.613	20.	REINFORCEMENT	12.981



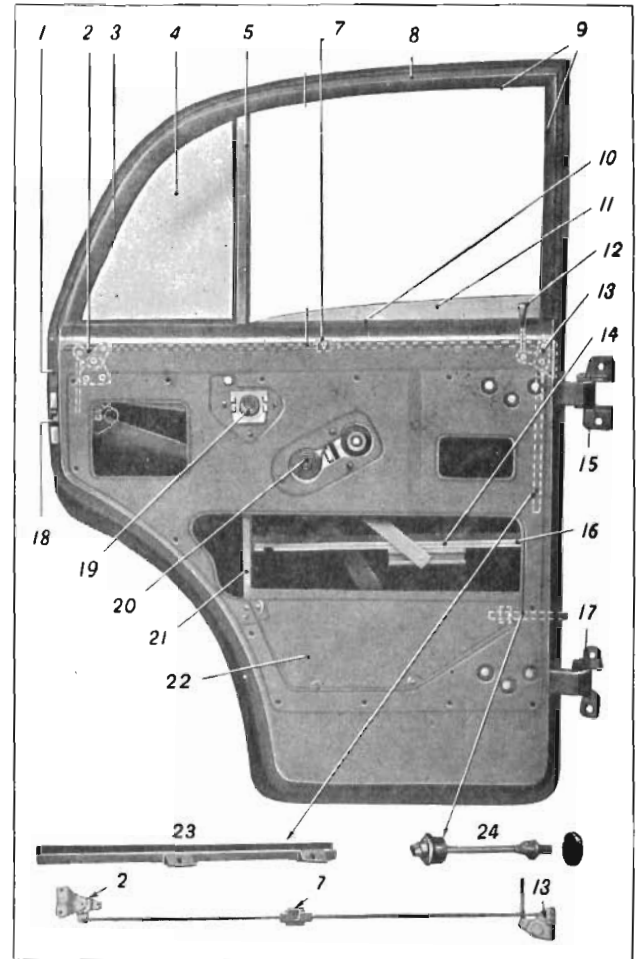
HOLDEN

MASTER PARTS CATALOGUE



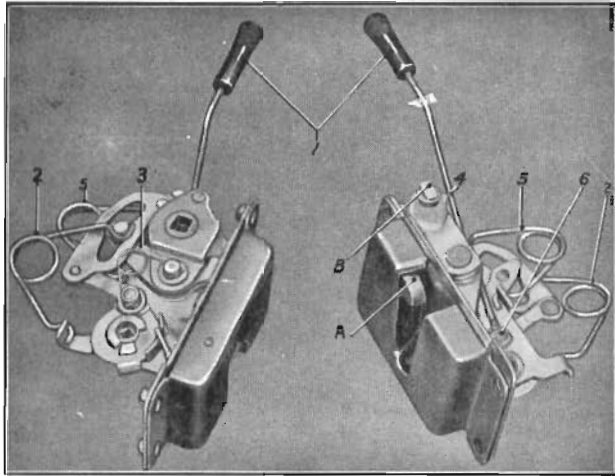
FRONT DOOR

Illus. Ref. No.	Part Name	Group
A.	RETAINER ASSEMBLY	10.701
B.	BUMPER	10.716
C.	LINK ASSEMBLY	10.606
1.	PANEL ASSEMBLY	10.471
2.	CHANNEL	10.701
3.	LOCK ASSEMBLY	10.470
4.	KNOB	10.559
5.	CONTROL AND LINK ASSEMBLY	10.500
6.	WEATHERSTRIP	10.710
7.	RETAINER ASSEMBLY	10.686
8.	FRAME ASSEMBLY	11.075
9.	VENTILATOR ASSEMBLY	10.650
10.	WEATHERSTRIP	10.652
11.	HINGE ASSEMBLY	10.450
12.	GLASS	10.681
13.	REGULATOR ASSEMBLY	10.783
14.	WEATHERSTRIP	10.696
15.	CHANNEL ASSEMBLY	10.685
16.	HINGE ASSEMBLY	10.454



REAR DOOR

Illus. Ref. No.	Part Name	Group
1.	PANEL ASSY.	10.474
2.	BRACKET AND LEVER ASSY.	10.565
3.	WEATHERSTRIP	10.822
4.	GLASS	10.827
5.	RETAINER ASSY.	10.829
7.	CLIP	10.556
8.	FRAME ASSY.	11.089
9.	CHANNEL	10.759
10.	WEATHERSTRIP	10.710
11.	GLASS	10.741
12.	KNOB	10.559
13.	LINKAGE ASSY.	10.556
14.	CHANNEL ASSY.	10.747
15.	HINGE ASSY.	10.456
16.	WEATHERSTRIP	10.696
17.	HINGE ASSY.	10.460
18.	LOCK ASSY.	10.473
19.	CONTROL AND LINK ASSY.	10.500
20.	REGULATOR ASSY.	10.791
21.	RETAINER ASSY.	10.829
22.	BUMPER ASSY.	N.L.A.
23.	RETAINER ASSY.	10.759
24.	LINK ASSY.	10.606

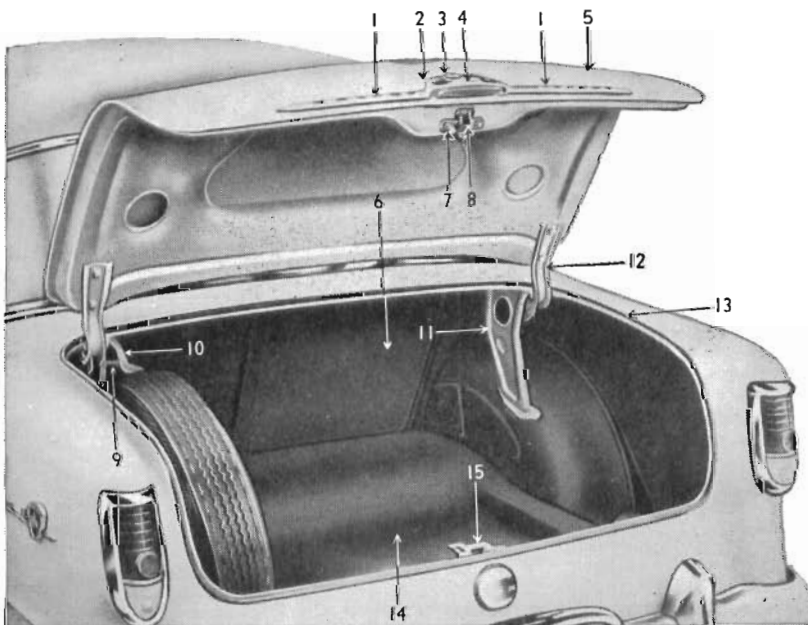
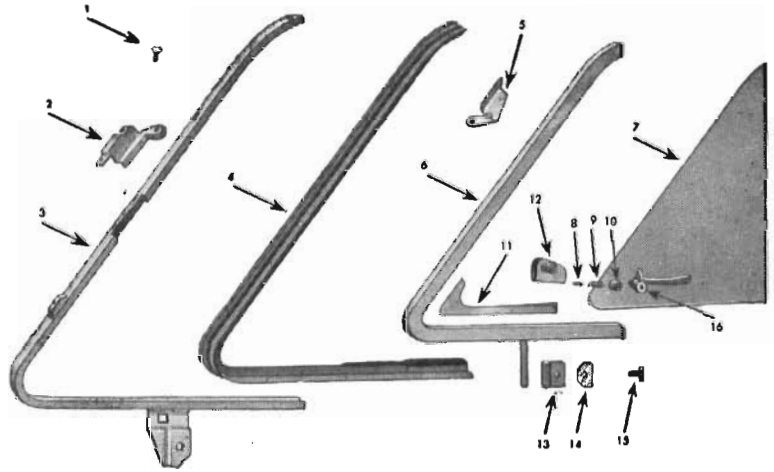


DOOR LOCK

Illus. Ref. No.	Part Name	Group
1.	KNOB	10.559
2.	SPRING	10.475
3.	SPRING	10.475
4.	ROD	10.563
5.	SPRING	10.475
6.	RIVET	10.563

VENTILATOR ASSEMBLY

Illus. Ref. No.	Part Name	Group
1.	RIVET	10.669
2.	PIVOT	10.669
3.	CHANNEL	N.S.S.
4.	WEATHERSTRIP	10.652
5.	PIVOT	10.669
6.	CHANNEL	N.S.S.
7.	GLASS	10.658
8.	PIN	10.664
9.	SPRING	10.664
10.	BUTTON	10.664
11.	DEFLECTOR	10.670
12.	SUPPORT	10.660
13.	CLAMP	10.668
14.	RETAINER	10.668
15.	SCREW	10.668
16.	HANDLE	10.664



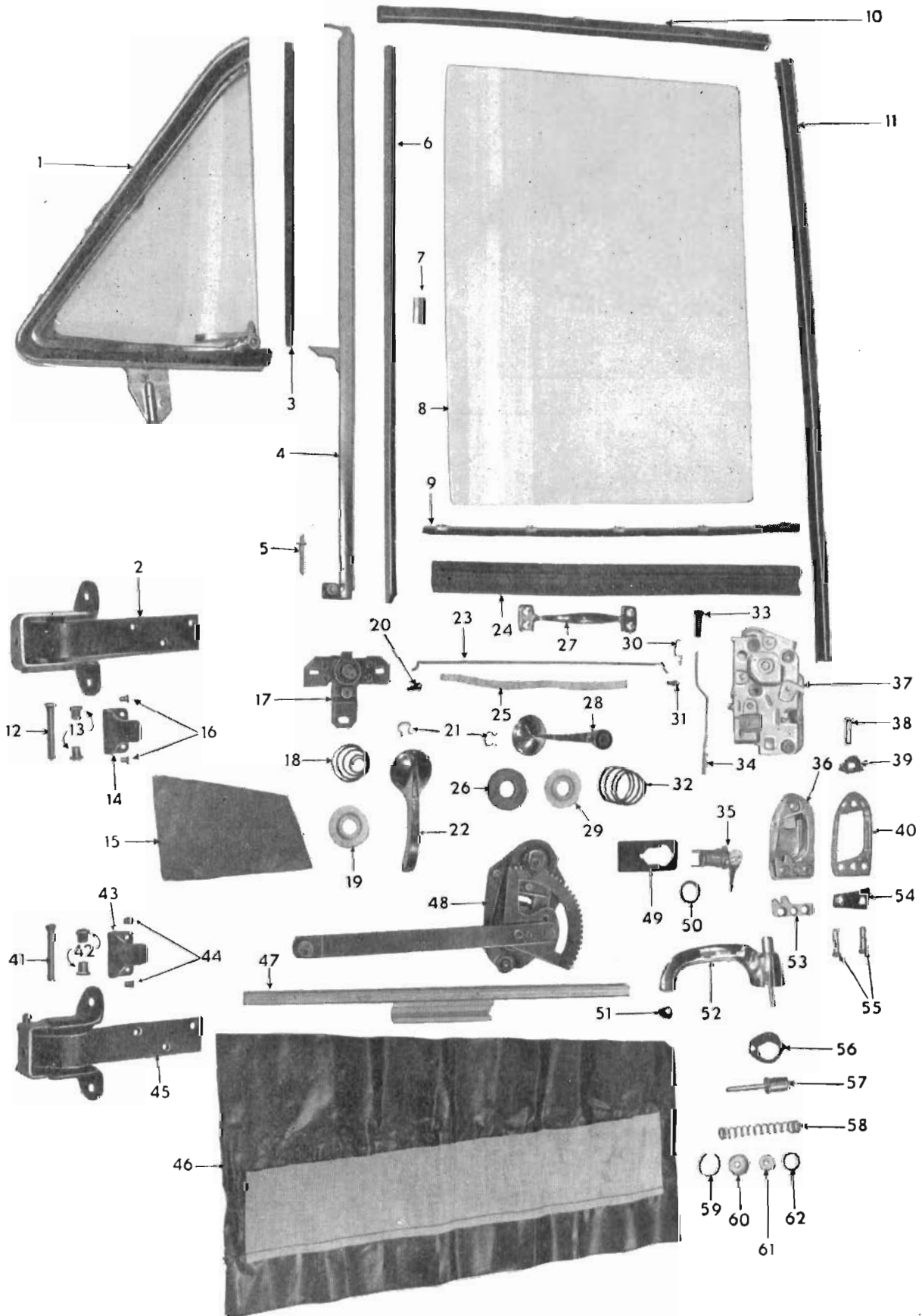
DECK LID

Illus. Ref. No.	Part Name	Group
1.	NAME PLATE	12.182
2.	EMBLEM	12.182
3.	BARREL ASSEMBLY	12.248
4.	INSERT—Emblem	12.182
5.	LID ASSEMBLY	12.181
6.	PANEL	15.224
7.	GUIDE	12.242
8.	LOCK ASSEMBLY	12.242
9.	SPRING	7.632
10.	CLAMP	7.629
11.	BRACKET ASSEMBLY	12.184
12.	HINGE ASSEMBLY	12.184
13.	WEATHERSTRIP	12.269
14.	MAT	15.294
15.	PLATE—Striker	12.237



HOLDEN

MASTER PARTS CATALOGUE





FRONT DOOR HARDWARE LAYOUT

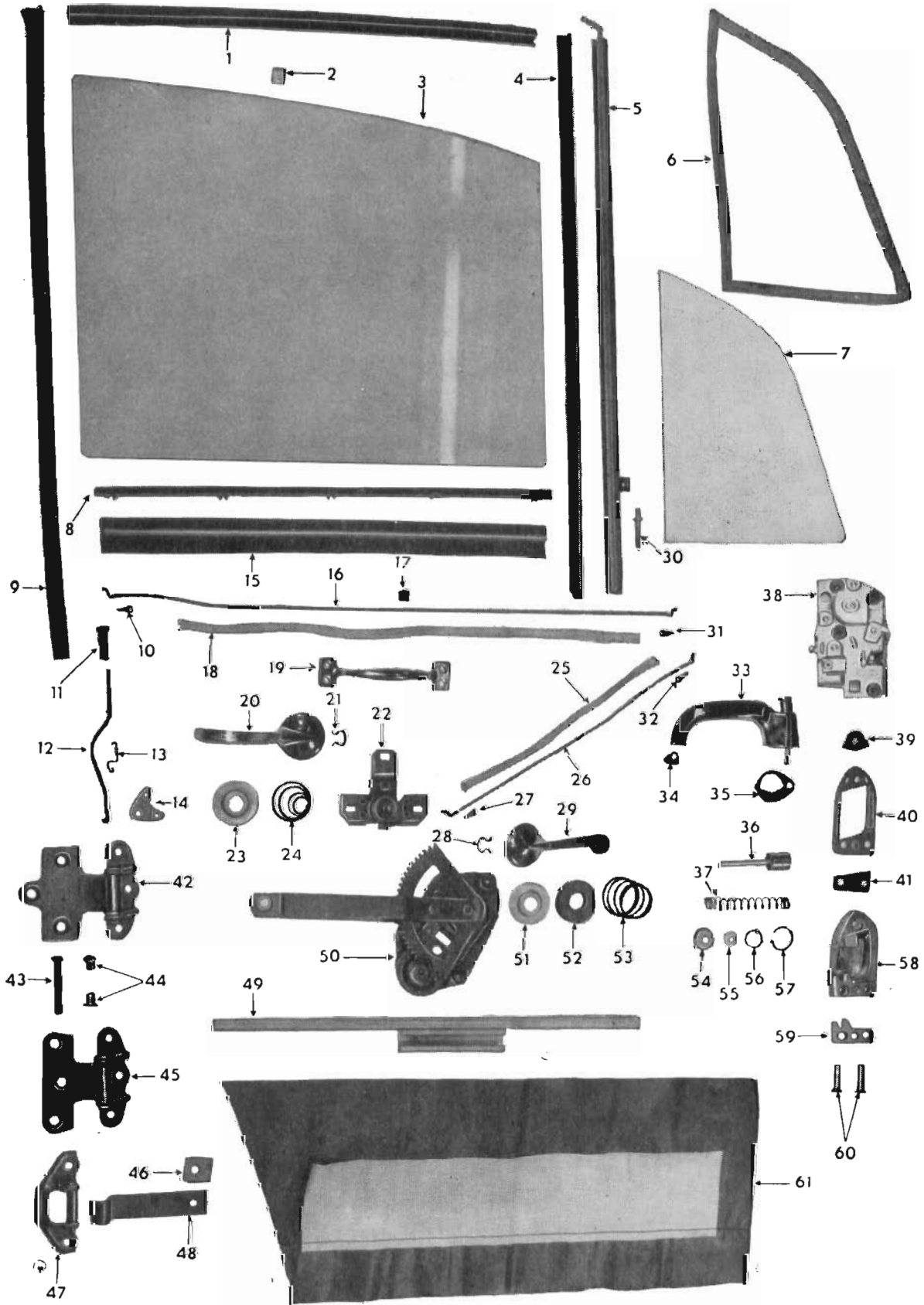
(ILLUSTRATION OPPOSITE)

Illus. Ref. No.	Part Name	Group	Illus. Ref. No.	Part Name	Group
1	VENTILATOR ASSEMBLY	10.650	32	SPRING	10.806
2	HINGE ASSEMBLY	10.450	33	KNOB	10.559
3	WEATHERSTRIP	10.686	34	ROD	10.563
4	CHANNEL ASSEMBLY—Division	10.686	35	BARREL ASSEMBLY	10.550
5	STUD	10.686	36	STRIKER ASSEMBLY	10.569
6	CHANNEL—Run	10.686	37	LOCK ASSEMBLY	10.470
7	PLATE—Wear	10.686	38	SCREW	10.569
8	GLASS	10.681	39	PLATE—Adjusting, upper	10.571
9	WEATHERSTRIP	10.710	40	SPACER	10.571
10	CHANNEL—Upper	10.701	41	PIN	10.466
11	CHANNEL—Rear	10.701	42	BUSHING	10.464
12	PIN	10.466	43	SPRING	10.608
13	BUSHING	10.464	44	RIVET	10.608
14	SPRING	10.608	45	HINGE ASSEMBLY	10.454
15	SEAL	14.694	46	SEAL ASSEMBLY	14.694
16	RIVET	10.608	47	CHANNEL ASSEMBLY	10.685
17	CONTROL ASSEMBLY	10.500	48	REGULATOR ASSEMBLY	10.783
18	SPRING	10.516	49	RETAINER	10.553
19	PLATE	10.515	50	GASKET	10.550
20	CLIP	10.506	51	GASKET—Small	10.538
21	SPRING	10.513	52	HANDLE	10.527
22	HANDLE	10.512	53	PLATE—Tooth	10.571
23	ROD	10.506	54	PLATE—Adjusting, lower	10.571
24	WEATHERSTRIP	10.696	55	SCREW	10.569
25	SILENCER	10.506	56	GASKET—Large	10.538
26	WASHER	10.783	57	BUTTON	10.529
27	HANDLE	10.511	58	SPRING	10.529
28	HANDLE	10.797	59	RETAINER	10.529
29	PLATE	10.515	60	WASHER	10.529
30	CLIP	10.563	61	BUSHING	10.529
31	CLIP	10.506	62	RING	10.529



HOLDEN

MASTER PARTS CATALOGUE





REAR DOOR HARDWARE LAYOUT

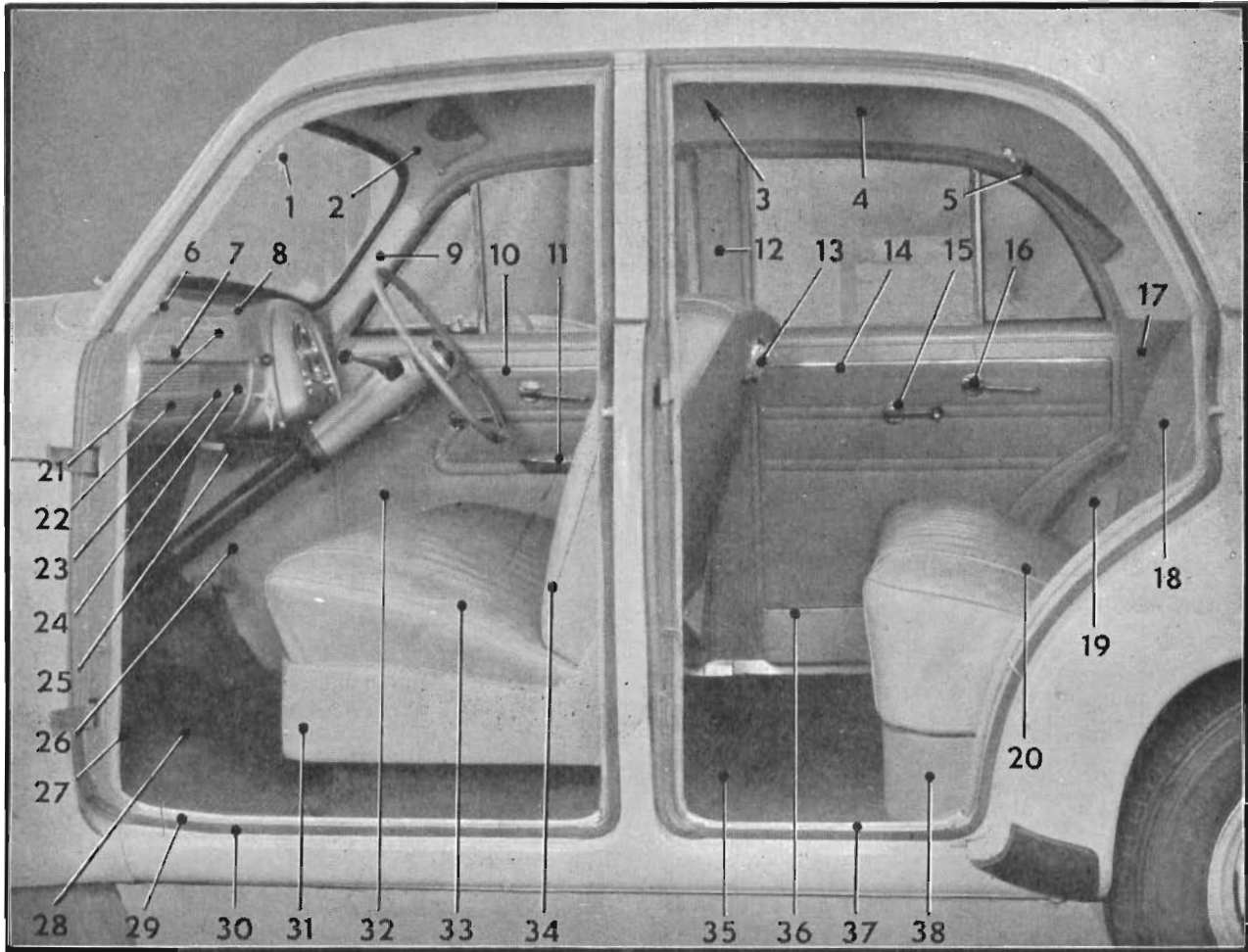
(ILLUSTRATION OPPOSITE)

Illus. Ref. No.	Part Name	Group	Illus. Ref. No.	Part Name	Group
1	CHANNEL—Upper	10.759	32	CLIP	10.506
2	CLIP	10.759	33	HANDLE	10.527
3	GLASS	10.741	34	GASKET—Small	10.538
4	CHANNEL—Run	10.829	35	GASKET—Large	10.538
5	CHANNEL ASSEMBLY—Division	10.829	36	BUTTON	10.529
6	WEATHERSTRIP	10.822	37	SPRING	10.529
7	GLASS	10.827	38	LOCK ASSEMBLY	10.473
8	WEATHERSTRIP	10.710	39	PLATE—Adjusting, upper	10.571
9	CHANNEL—Front	10.759	40	SPACER	10.571
10	CLIP	10.556	41	PLATE—Adjusting, lower	10.571
11	KNOB	10.559	42	HINGE ASSEMBLY	10.456
12	ROD	10.563	43	PIN	10.466
13	CLIP	10.563	44	BUSHING	10.464
14	LEVER	10.556	45	HINGE ASSEMBLY	10.460
15	WEATHERSTRIP	10.696	46	WASHER	10.606
16	ROD	10.556	47	SUPPORT ASSEMBLY	10.606
17	CLIP	10.556	48	LINK	10.606
18	SILENCER	10.556	49	CHANNEL ASSEMBLY	10.747
19	HANDLE	10.511	50	REGULATOR ASSEMBLY	10.791
20	HANDLE	10.512	51	PLATE	10.515
21	SPRING	10.513	52	WASHER	10.791
22	CONTROL ASSEMBLY	10.500	53	SPRING	10.806
23	PLATE	10.515	54	WASHER	10.529
24	SPRING	10.516	55	BUSHING	10.529
25	SILENCER	10.506	56	RING	10.529
26	ROD	10.506	57	RETAINER	10.529
27	CLIP	10.506	58	STRIKER ASSEMBLY	10.569
28	SPRING	10.513	59	PLATE—Tooth	10.571
29	HANDLE	10.797	60	SCREW	10.569
30	STUD	10.829	61	SEAL ASSEMBLY	14.768
31	CLIP	10.556			



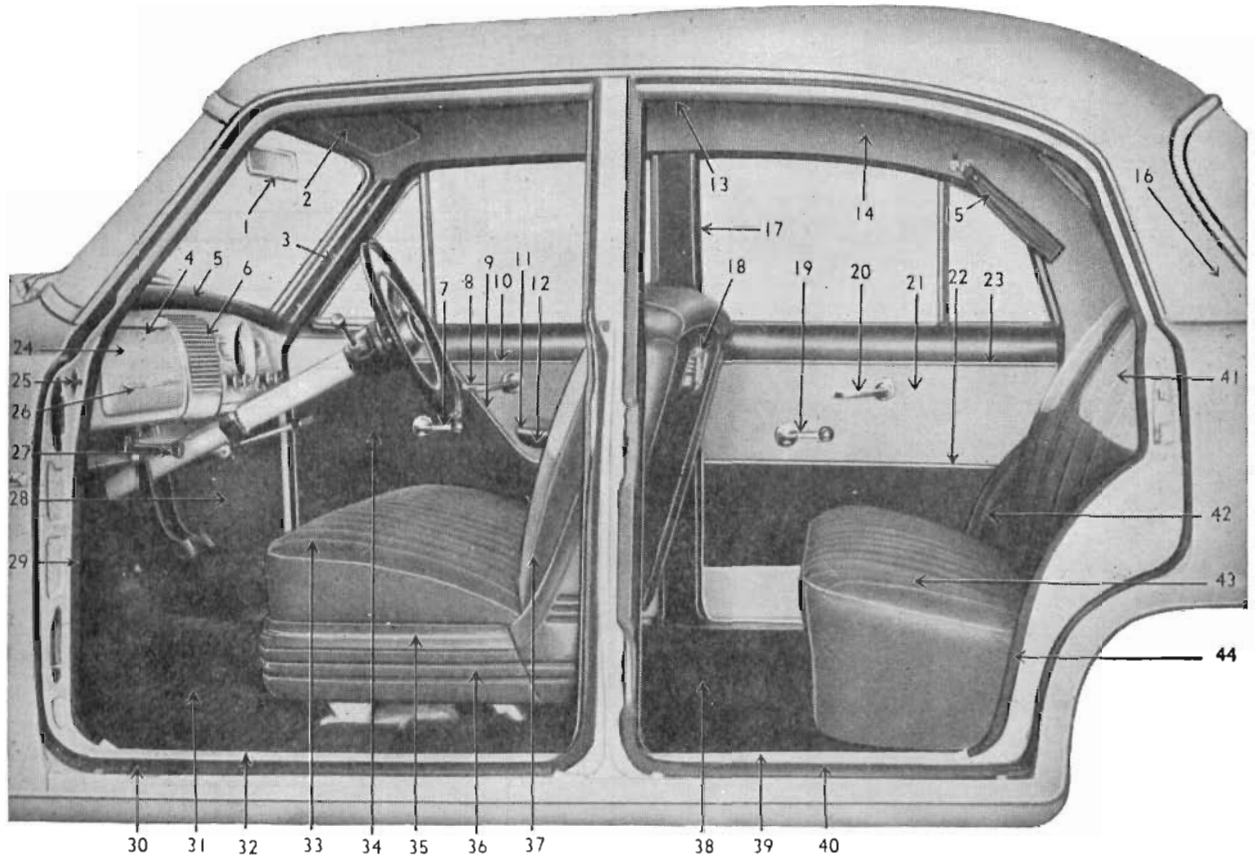
HOLDEN

MASTER PARTS CATALOGUE



INTERIOR BODY PARTS

Illus. Ref. No.	Part Name	Group	Illus. Ref. No.	Part Name	Group
1	MIRROR	10.185	20	COVER ASSEMBLY	15.035
2	SUN VISOR ASSEMBLY	10.203	21	PLATE	10.256
3	LAMP ASSEMBLY	11.925	22	DOOR AND HINGE ASSEMBLY	10.261
4	HEADLINING ASSEMBLY	14.640	23	GRILLE	10.256
5	STRAP ASSEMBLY	15.390	24	ASH TRAY ASSEMBLY	12.009
6	LIGHTER ASSEMBLY	9.709	25	KNOB	10.313
7	CATCH ASSEMBLY	10.268	26	TRIM ASSEMBLY	14.630
8	CONTROL ASSEMBLY	10.163	27	WINDLACE ASSEMBLY	15.520
9	TRIM ASSEMBLY	14.650	28	MAT	15.286
10	MOULDING	14.691	29	PLATE	11.175
11	ARM REST ASSEMBLY	14.686	30	WEATHERSTRIP	10.694
12	TRIM ASSEMBLY	14.730	31	VALANCE ASSEMBLY	14.860
13	ASH TRAY ASSEMBLY	12.030	32	TRIM ASSEMBLY	14.685
14	MOULDING	14.764	33	COVER ASSEMBLY	14.880
15	HANDLE	10.797	34	COVER ASSEMBLY	14.800
16	HANDLE	10.512	35	CARPET ASSEMBLY	15.306
17	TRIM ASSEMBLY—Rear qtr. upper	15.100	36	MOULDING	14.764
18	COVER ASSEMBLY	15.000	37	PLATE	11.179
19	TRIM ASSEMBLY—Wheelhouse	15.100	38	COVER	N.L.A.



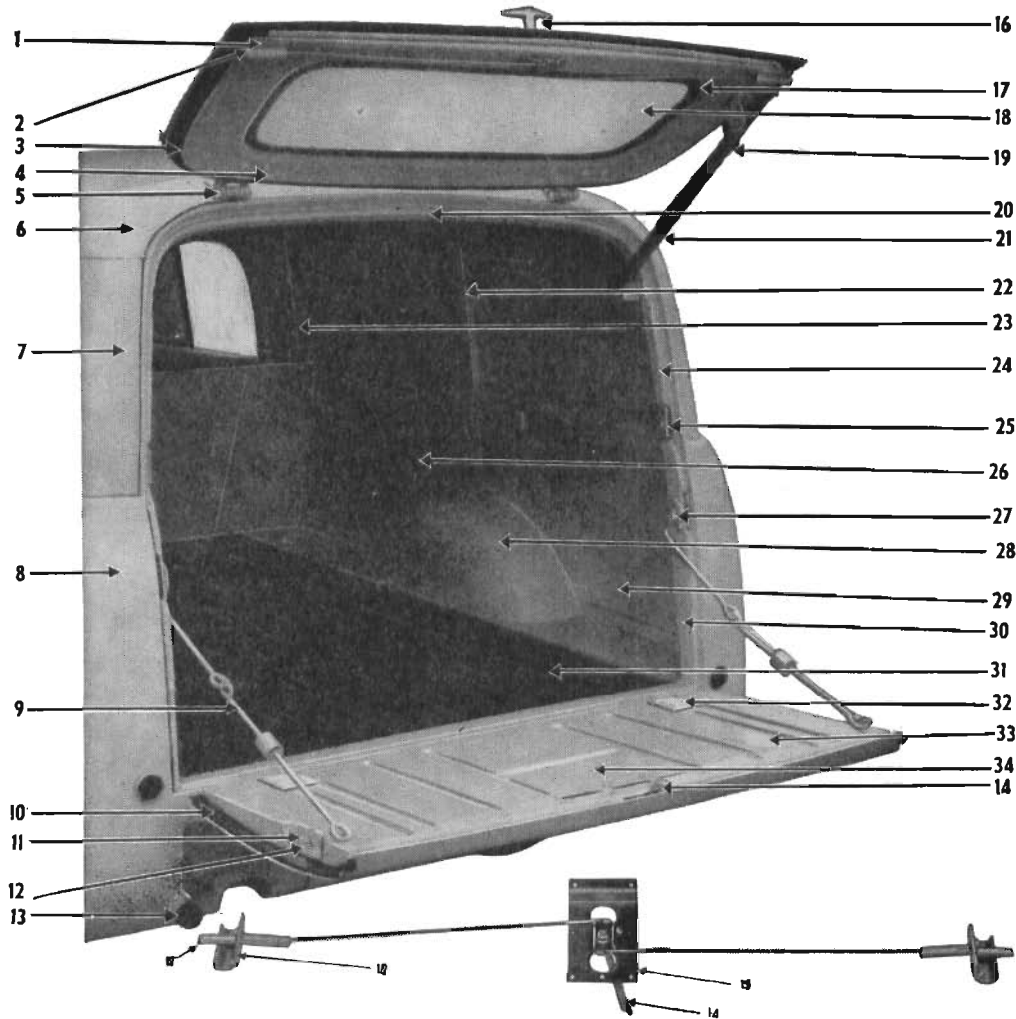
INTERIOR BODY PARTS

Ilus. Ref. No.	Part Name	Group	Ilus. Ref. No.	Part Name	Group
1.	MIRROR ASSEMBLY	10.185	23.	MOULDING	14.764
2.	SUN VISOR	10.203	24.	DOOR ASSEMBLY	10.261
3.	MOULDING	10.051	25.	SWITCH ASSEMBLY	11.950
4.	LOCK ASSEMBLY	10.266	26.	MOULDING	10.261
5.	ASH TRAY LID	12.010	27.	KNOB	10.313
6.	GRILLE	10.256	28.	PANEL—Trim	14.630
7.	HANDLE	10.797	29.	WINDCORD	15.520
8.	HANDLE	10.512	30.	WEATHERSTRIP	10.694
9.	MOULDING	14.691	31.	MAT ASSEMBLY	15.286
10.	MOULDING	14.691	32.	PLATE	11.175
11.	MOULDING	14.688	33.	COVER ASSEMBLY	14.880
12.	ARM REST	14.686	34.	TRIM ASSEMBLY	14.685
13.	LAMP ASSEMBLY	11.925	35.	MOULDING	14.818
14.	HEADLINING	14.640	36.	PANEL ASSEMBLY	14.860
15.	STRAP ASSEMBLY	15.390	37.	COVER ASSEMBLY	14.800
16.	TRIM ASSEMBLY	15.024	38.	MAT ASSEMBLY	15.306
17.	DRAUGHT STRIP	15.520	39.	PLATE	11.179
18.	ASH TRAY	12.030	40.	WEATHERSTRIP	10.694
19.	HANDLE	10.797	41.	COVER ASSEMBLY	15.000
20.	HANDLE	10.512	42.	TRIM ASSEMBLY	15.100
21.	TRIM ASSEMBLY	14.760	43.	COVER ASSEMBLY	15.035
22.	MOULDING	14.764	44.	WIND CORD	15.520



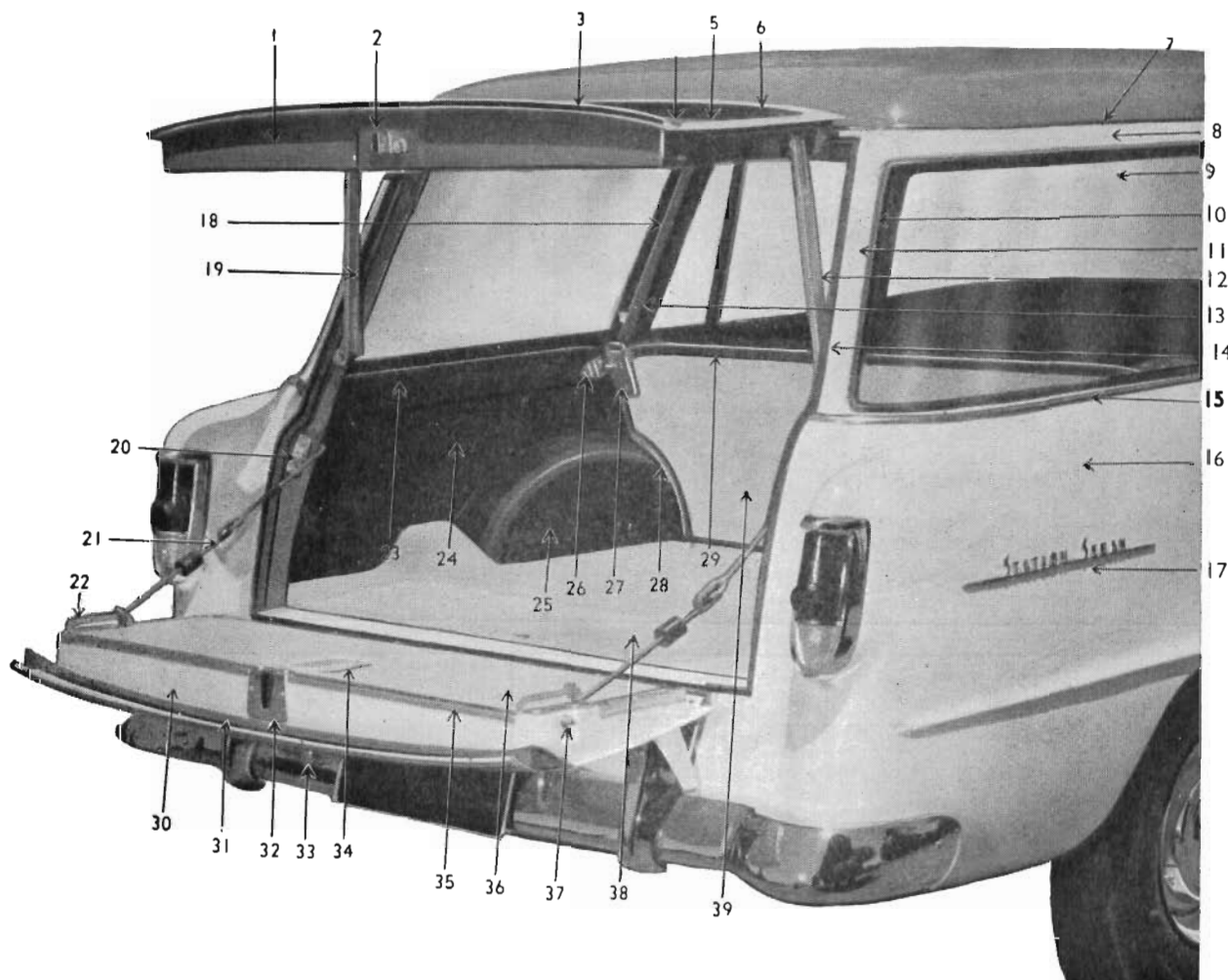
HOLDEN

MASTER PARTS CATALOGUE



REAR END — COMMERCIAL BODIES

Illus. Ref. No.	Part Name	Group	Illus. Ref. No.	Part Name	Group
1	GUIDE	12.241	18	GLASS	11.204
2	PLUNGER ASSEMBLY	12.241	19	ARM—Inner	12.203
3	WEATHERSTRIP	12.269	20	RAIL	12.956
4	GATE ASSEMBLY	12.178	21	ARM—Outer	12.203
5	HINGE	12.184	22	PILLAR—Upper rear	12.950
6	PANEL—Roof	12.810	23	PILLAR—Upper front	12.950
7	PANEL—Side, upper	12.948	24	RAIL ASSEMBLY	12.956
8	PANEL—Side, lower	12.948	25	PLATE—Striker, upper	12.237
9	ARM ASSEMBLY	12.203	26	PANEL—Front inner	12.948
10	WEATHERSTRIP	12.269	27	PLATE—Striker lower	12.237
11	PLUNGER ASSEMBLY	12.241	28	PANEL—Wheelhouse	12.944
12	GUIDE	12.241	29	PANEL—Rear inner	12.948
13	BUMPER	12.212	30	PILLAR ASSEMBLY—Lower	12.951
14	HANDLE	12.247	31	STRIP—Wear	12.195
15	LOCK ASSEMBLY	12.242	32	HINGE	12.184
16	HANDLE	12.247	33	GATE ASSEMBLY	12.179
17	WEATHERSEAL	11.207	34	PLATE	12.242



REAR END — STATION SEDAN

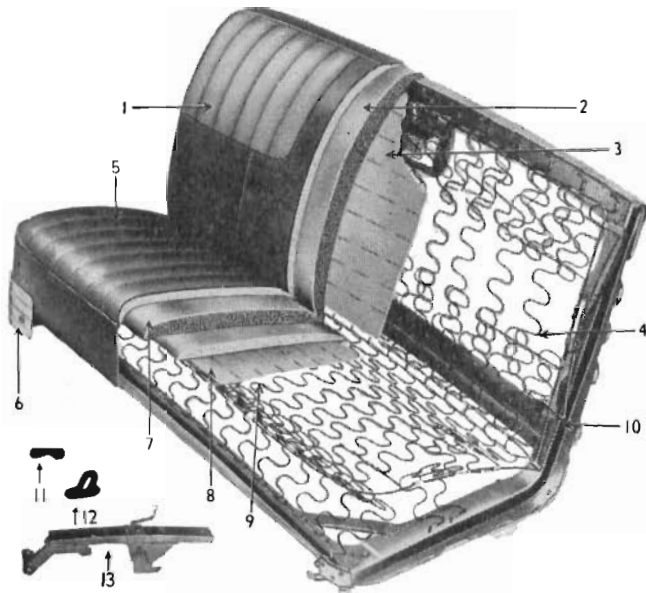
Illus. Ref. No.	Part Name	Group	Illus. Ref. No.	Part Name	Group
1.	GATE ASSEMBLY	12.178	21.	ARM ASSEMBLY	12.203
2.	WEDGE	12.240	22.	BRACKET	12.206
3.	SEAL	12.269	23.	RAIL ASSEMBLY	12.428
5.	GLASS	11.204	24.	TRIM ASSEMBLY	15.100
6.	CHANNEL	11.207	25.	PANEL	12.944
7.	MOULDING	12.075	26.	COVER	11.634
8.	RAIL ASSEMBLY	12.956	27.	PLATE ASSEMBLY	11.632
9.	GLASS	11.011	28.	STRIP	14.818
10.	CHANNEL	11.015	29.	STRIP	14.818
11.	PILLAR ASSEMBLY	12.951	30.	GATE ASSEMBLY	12.179
12.	ARM ASSEMBLY	12.203	31.	WEATHERSTRIP	12.269
13.	MOULDING	14.770	32.	PLATE—Anti-rattle cover	12.240
14.	WEATHERSTRIP	12.269	33.	HANDLE	12.247
15.	MOULDING	12.116	34.	PLATE	12.242
16.	PANEL ASSEMBLY	12.940	35.	STRIP	12.195
17.	PLATE—Name	12.116	36.	TRIM	15.311
18.	PANEL ASSEMBLY	12.942	37.	PLUNGER ASSEMBLY	12.241
19.	KNOB	12.207	38.	TRIM ASSEMBLY	15.308
20.	PLATE	12.237	39.	TRIM ASSEMBLY	15.310



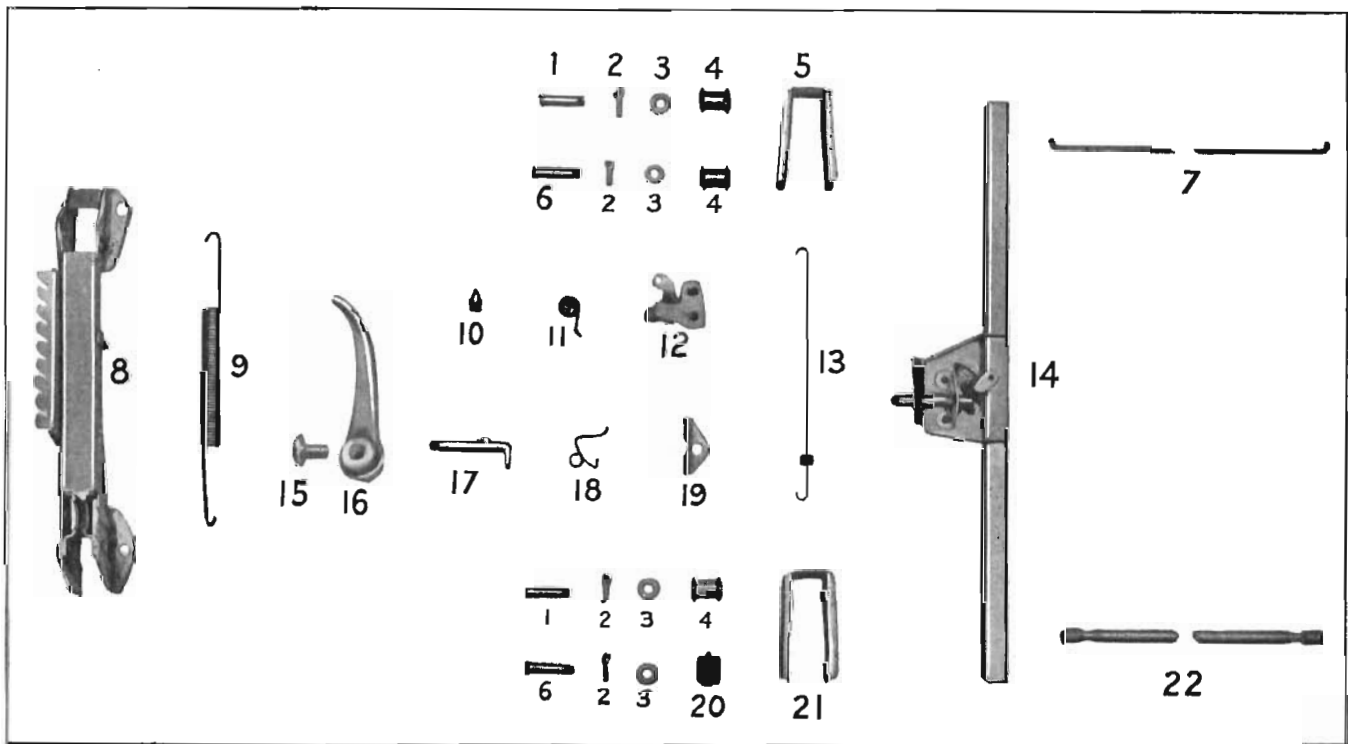
HOLDEN

MASTER PARTS CATALOGUE

FRONT SEAT ASSEMBLY

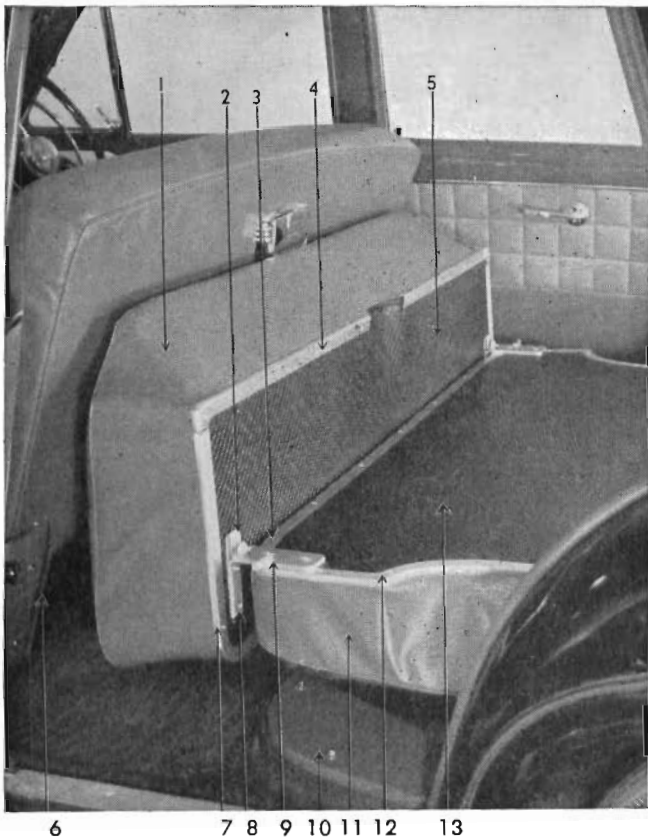


Illus. Ref. No.	Part Name	Group
1.	COVER ASSEMBLY	14.800
2.	PAD ASSEMBLY	14.802
3.	INSULATOR ASSY.	14.802
4.	SPRING	11.374
5.	COVER ASSEMBLY	14.880
6.	PANEL ASSEMBLY	14.860
7.	PAD ASSEMBLY	14.890
8.	INSULATOR ASSY.	14.890
9.	SPRING	11.420
10.	FRAME ASSEMBLY	11.373
11.	SPACER—Rear	11.561
12.	SPACER—Front	11.561
13.	ADJUSTER ASSEMBLY	11.561



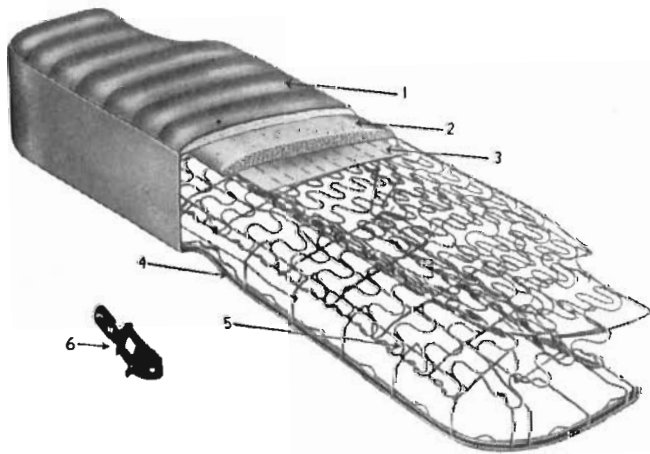
FRONT SEAT ADJUSTER

Illus. Ref. No.	Part Name	Group	Illus. Ref. No.	Part Name	Group
1.	PIN	11.563	12.	LOCK BAR	11.573
2.	PIN	11.563	13.	SPRING	11.581
3.	WASHER	11.563	14.	TRACK AND LOCK BAR ASSEMBLY	11.561
4.	ROLLER	Removed	15.	SCREW	11.588
5.	RETAINER	Removed	16.	HANDLE	11.588
6.	PIN	11.563	17.	ROD	11.589
7.	ROD	11.589	18.	SPRING	11.581
8.	BRACKET ASSEMBLY	N.L.A.	19.	SUPPORT	11.589
9.	SPRING	11.581	20.	GEAR	11.593
10.	STUD	11.573	21.	RETAINER	11.593
11.	SPRING	11.581	22.	ROD ASSEMBLY	11.561



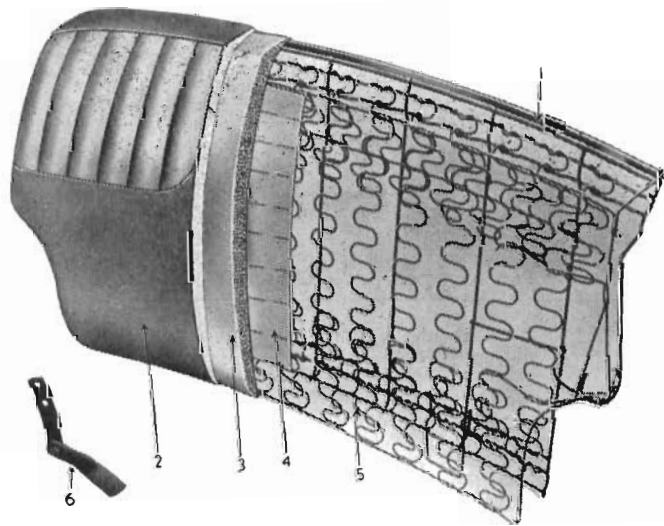
REAR SEAT CUSHION AND BACK (Folding)

Illus. Ref. No.	Part Name	Group
1.	COVER ASSEMBLY	15.035
2.	SPRING—Retainer	11.634
3.	STRIP	14.818
4.	STRIP	14.818
5.	TRIM ASSEMBLY	15.309
6.	EXTENSION	14.866
7.	STRIP	14.818
8.	RETAINER (Down position)	11.634
9.	PLATE ASSEMBLY	11.632
10.	PLATE	11.612
11.	COVER ASSEMBLY	15.000
12.	STRIP	14.818
13.	TRIM	15.316



REAR SEAT CUSHION

Illus. Ref. No.	Part Name	Group
1.	COVER ASSEMBLY	15.035
2.	PAD ASSEMBLY	15.036
3.	INSULATOR ASSY.	15.036
4.	FRAME ASSEMBLY	11.610
5.	SPRING	11.611
6.	HINGE ASSEMBLY	11.614



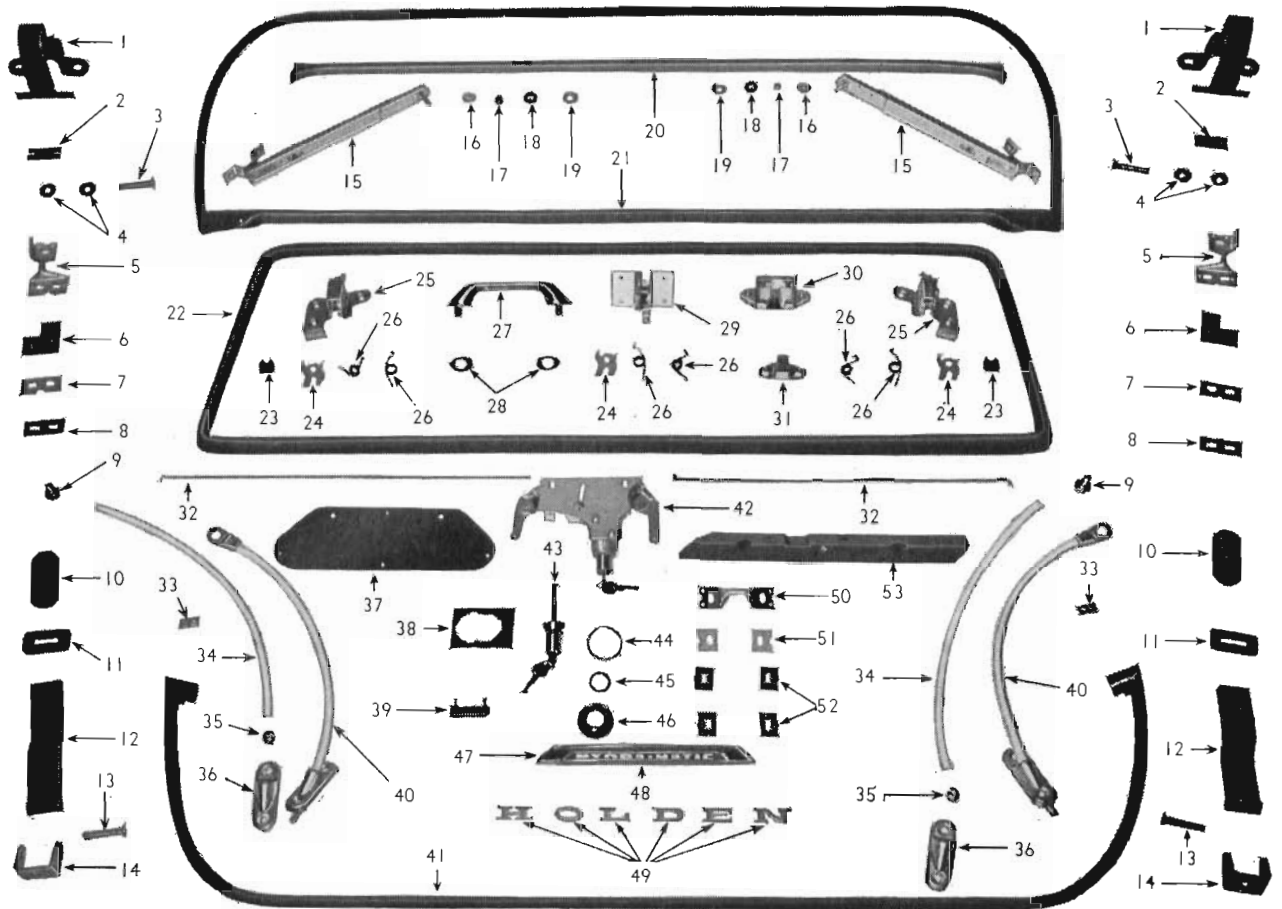
REAR SEAT BACK

Illus. Ref. No.	Part Name	Group
1.	FRAME ASSEMBLY	11.628
2.	COVER ASSEMBLY	15.000
3.	PAD ASSEMBLY	15.002
4.	INSULATOR ASSY.	15.002
5.	SPRING	11.629
6.	HINGE ASSEMBLY	11.630



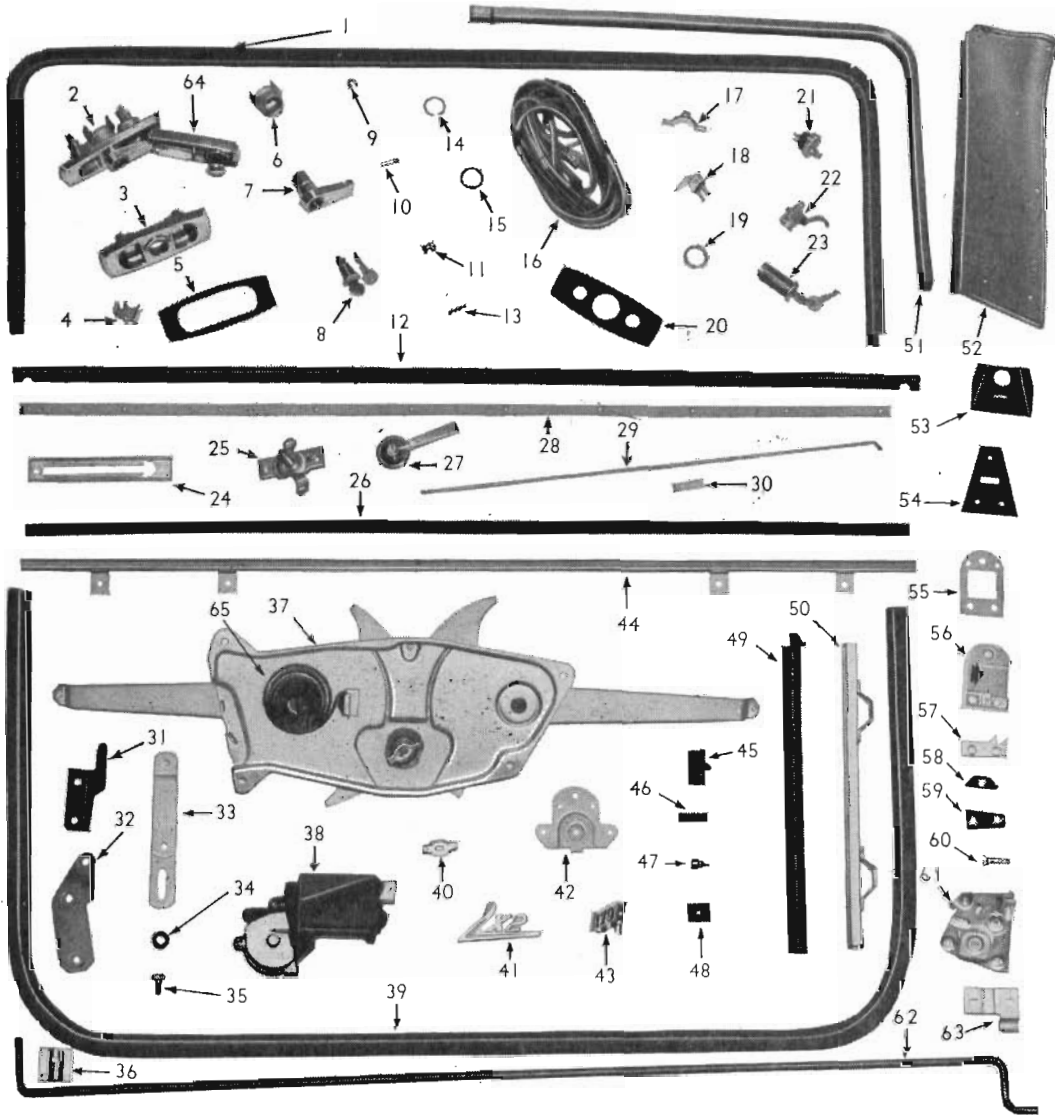
HOLDEN

MASTER PARTS CATALOGUE



END GATE HARDWARE LAYOUT

Illus. Ref. No.	Part Name	Group	Illus. Ref. No.	Part Name	Group	Illus. Ref. No.	Part Name	Group
1.	HINGE ASSY—Upper	12.184	20.	WEATHERSTRIP—Upper inner	12.269	38.	RETAINER—Escutcheon	12.249
2.	PLATE—Hinge anchor	12.184	21.	WEATHERSTRIP—Upper outer	12.269	39.	BUMPER—Upper gate	12.212
3.	PIN—Upper hinge	12.186	22.	CHANNEL—Glass	11.207	40.	CABLE ASSY—Limit	12.203
4.	WASHER—Upper hinge	12.184	23.	BUMPER—Lower gate	12.212	41.	WEATHERSTRIP—Lower	12.269
5.	PLATE—Lower striker	12.237	24.	BOLT—Lock centre	12.242	42.	CONTROL ASSY—Push button	12.242
6.	PLATE—Striker anchor	12.237	25.	LOCK—Lower gate	12.242	43.	BARREL & KEY ASSY.	12.248
7.	SPACER—Striker	12.237	26.	SPRING—Lock	12.242	44.	GASKET—Escutcheon	12.249
8.	PLATE—Striker adjusting	12.237	27.	HANDLE—Upper gate	12.247	45.	GASKET—Lock cylinder	12.249
9.	BOLT—End gate cable	12.203	28.	GASKET—Handle	12.247	46.	ESCUTCHEON—Push button	12.249
10.	PLATE—Hinge cover	12.184	29.	LOCK—Upper gate	12.242	47.	PLATE ASSY—Hydra-Matic	12.182
11.	GROMMET—Hinge	12.269	30.	ANTI-RATTLE ASSY	12.240	48.	INSERT—Hydra-Matic	12.182
12.	HINGE—Gate section	12.184	31.	WEDGE	12.240	49.	LETTER—Name	12.182
13.	PIN—Lower hinge	12.186	32.	ROD—Remote control	12.241	50.	PLATE—Upper gate striker	12.237
14.	HINGE—Body section	12.184	33.	RETAINER—Weatherstrip	12.270	51.	SPACER—Striker	12.237
15.	ARM ASSY—Hold open	12.203	34.	COVER—Cable	12.203	52.	PLATE—Striker adjusting	12.237
16.	WASHER—Plastic	12.203	35.	RETAINER—Cable	12.203	53.	BRACKET—Control mounting	12.242
17.	SPACER	12.203	36.	BRACKET—Cable	12.206			
18.	WASHER—Rubber	12.203	37.	PLATE—Cover	12.242			
19.	WASHER—Cup	12.203						



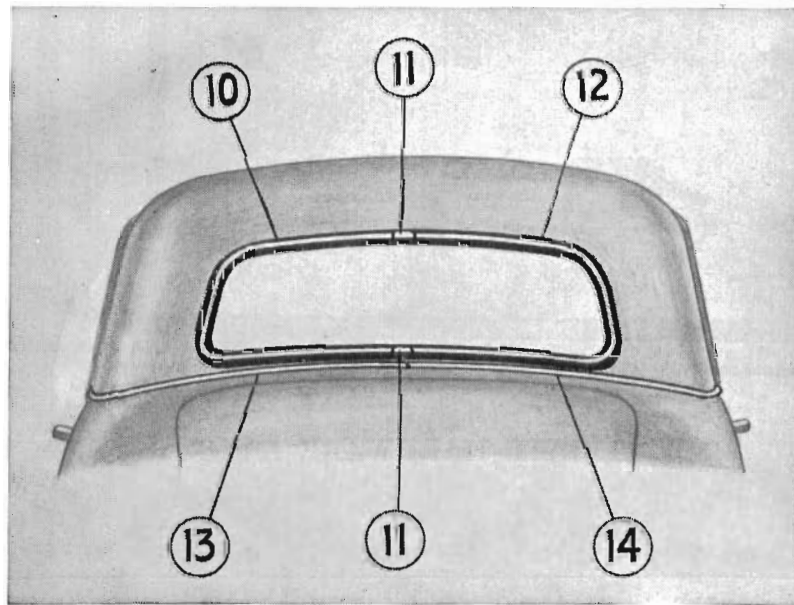
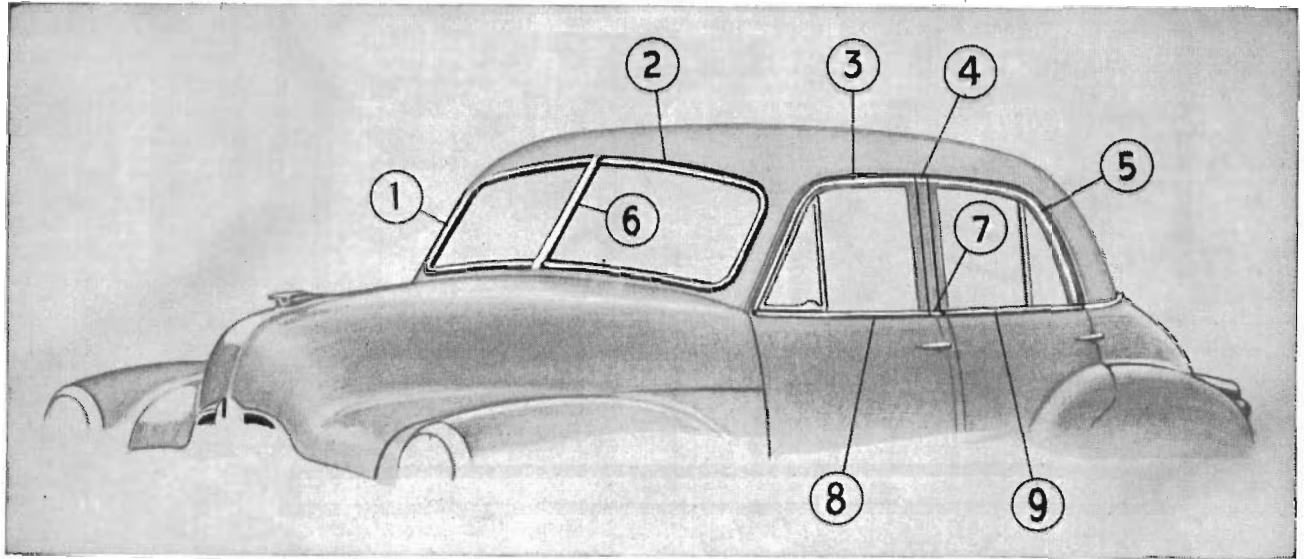
END GATE HARDWARE LAYOUT

Illus. Ref. No.	Part Name	Group	Illus. Ref. No.	Part Name	Group	Illus. Ref. No.	Part Name	Group
1.	CHANNEL—Upper	11.207	23.	BARREL, KEY & SWITCH	12.248	44.	CHANNEL—Glass lifter	11.207
2.	HANDLE ASSY—Less barrel	12.247	24.	CAM—Lifter channel	11.207	45.	BUMPER—Body pillar	12.212
3.	ESCUTCHEON	12.249	25.	CONTROL ASSY.—Remote	12.242	46.	BUMPER—Upper stop	12.212
4.	CLIP	12.249	26.	WEATHERSTRIP—Lifter channel	11.207	47.	BUMPER—Lower stop	12.212
5.	GASKET	12.249	27.	HANDLE—Remote control	12.247	48.	BUMPER—End gate	12.212
6.	CLUTCH	12.247	28.	RETAINER—Weatherstrip	11.210	49.	CHANNEL—Lower	11.207
7.	DRIVER	12.247	29.	ROD—Remote control	12.241	50.	RETAINER—Lower channel	11.207
8.	BARREL & KEY	12.248	30.	SILENCER	12.241	51.	RETAINER—Upper channel	11.207
9.	RING—Clutch retainer	12.247	31.	HINGE—Gate section	12.184	52.	MOULDING—Garnish	12.176
10.	PIN—Handle hinge	12.247	32.	HINGE—Body section	12.184	53.	RETAINER—Anchor plate	12.237
11.	PAWL	12.248	33.	ARM ASSEMBLY	12.203	54.	PLATE—Anchor	12.237
12.	WEATHERSTRIP	11.207	34.	WASHER	12.203	55.	SPACER—Striker	12.237
13.	SPRING—Pawl	12.248	35.	BOLT	12.203	56.	STRIKER	12.237
14.	RING—Driver retainer	12.247	36.	RETAINER—Rod to gate	12.187	57.	PLATE—Tooth	12.237
15.	WASHER—Handle spring	12.247	37.	REGULATOR	12.272	58.	PLATE—Adjusting, upper	12.237
16.	HARNES ASSY.	12.277	38.	MOTOR ASSY.	12.280	59.	PLATE—Adjusting, lower	12.237
17.	KNOB—Window control	12.247	39.	WEATHERSTRIP	12.269	60.	SCREW	12.237
18.	BREAKER ASSY.—Circuit	12.276	40.	DRIVER—Regulator	12.272	61.	LOCK ASSY.	12.242
19.	RETAINER—Lock cylinder	12.248	41.	PLATE—Name	12.182	62.	ROD—Torque	12.187
20.	GASKET	12.249	42.	PLATE—Sector bushing	12.272	63.	RETAINER—Rod to body	12.187
21.	SWITCH ASSY.—Inst panel	12.275	43.	PLATE—Name	12.182	64.	HANDLE—Regulator	12.247
22.	SWITCH ASSY.—Safety	12.275				65.	SPRING—Centre balance	12.272



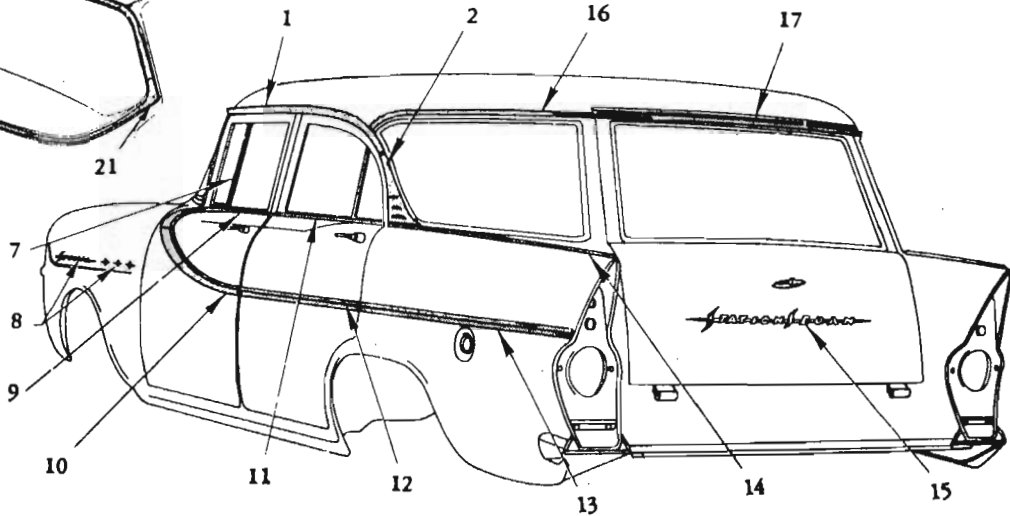
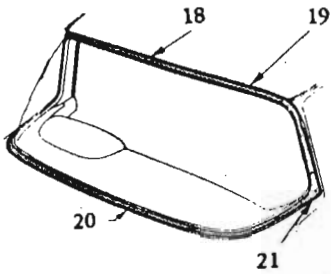
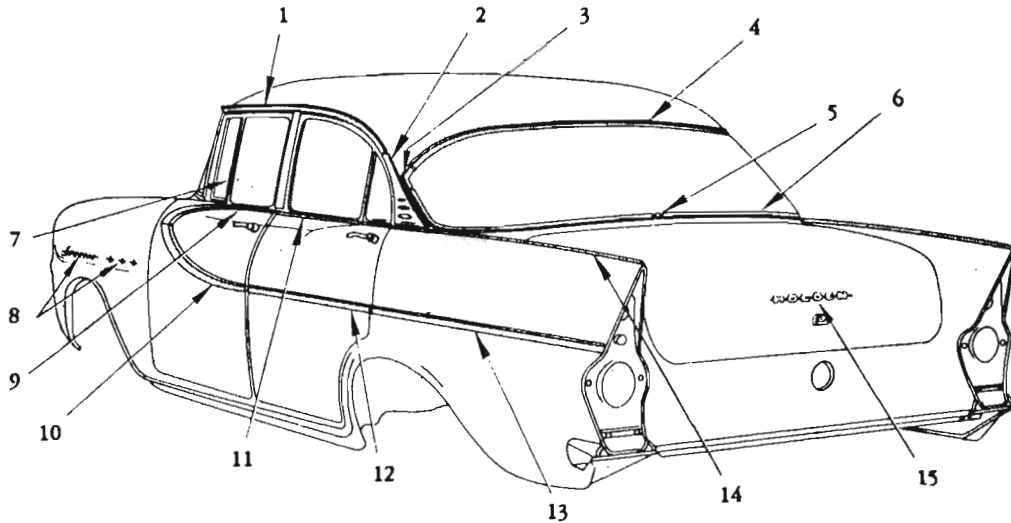
HOLDEN

MASTER PARTS CATALOGUE



BODY MOULDINGS

Illus. Ref. No.	Part Name	Group	Illus. Ref. No.	Part Name	Group
1.	MOULDING	10.093	8.	MOULDING	12.112
2.	MOULDING	10.093	9.	MOULDING	12.114
3.	MOULDING	12.112	10.	MOULDING	11.208
4.	MOULDING	12.113	11.	COVER	11.208
5.	MOULDING	12.114	12.	MOULDING	11.208
6.	COVER	10.054	13.	MOULDING	12.116
7.	MOULDING	12.113	14.	MOULDING	12.116



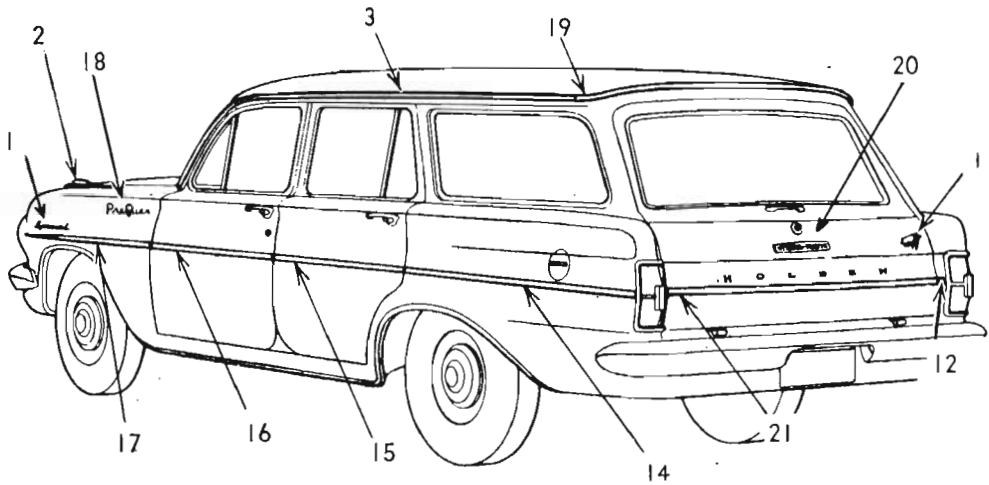
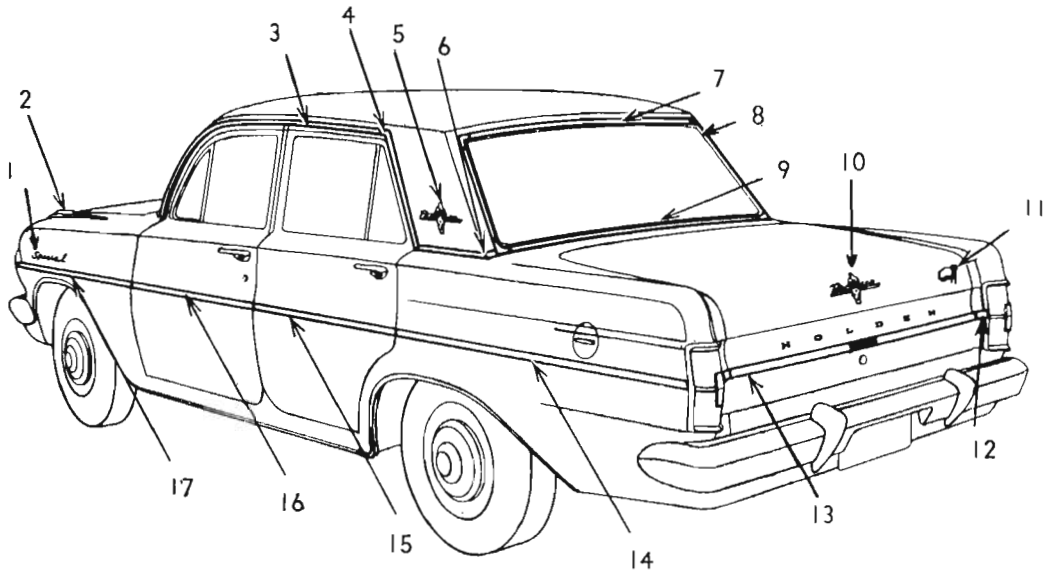
BODY MOULDINGS

Illus. Ref. No.	Part Name	Group	Illus. Ref. No.	Part Name	Group
1.	MOULDING—Roof side reveal	12.075	11.	MOULDING—Upper	12.114
2.	MOULDING—Side upper	12.116	12.	MOULDING—Lower	12.114
3.	MOULDING—Upper corner	11.208	13.	MOULDING—Lower	12.116
4.	MOULDING—Upper	11.208	14.	MOULDING—Crown	12.116
5.	COVER—Centre junction	11.208	15.	NAME PLATE	12.182
6.	MOULDING—Lower	11.208	16.	MOULDING—Roof side	12.075
7.	PLATE—Scalp	10.686	17.	MOULDING—Upper end gate	12.182
8.	PLATE—Name	8.132	18.	COVER—Centre junction	10.093
	ORNAMENT—Side star	8.132	19.	MOULDING—Upper	10.093
9.	MOULDING—Upper	12.112	20.	MOULDING—Lower	10.093
10.	MOULDING—Lower	12.112	21.	MOULDING—Lower corner	10.093



HOLDEN

MASTER PARTS CATALOGUE

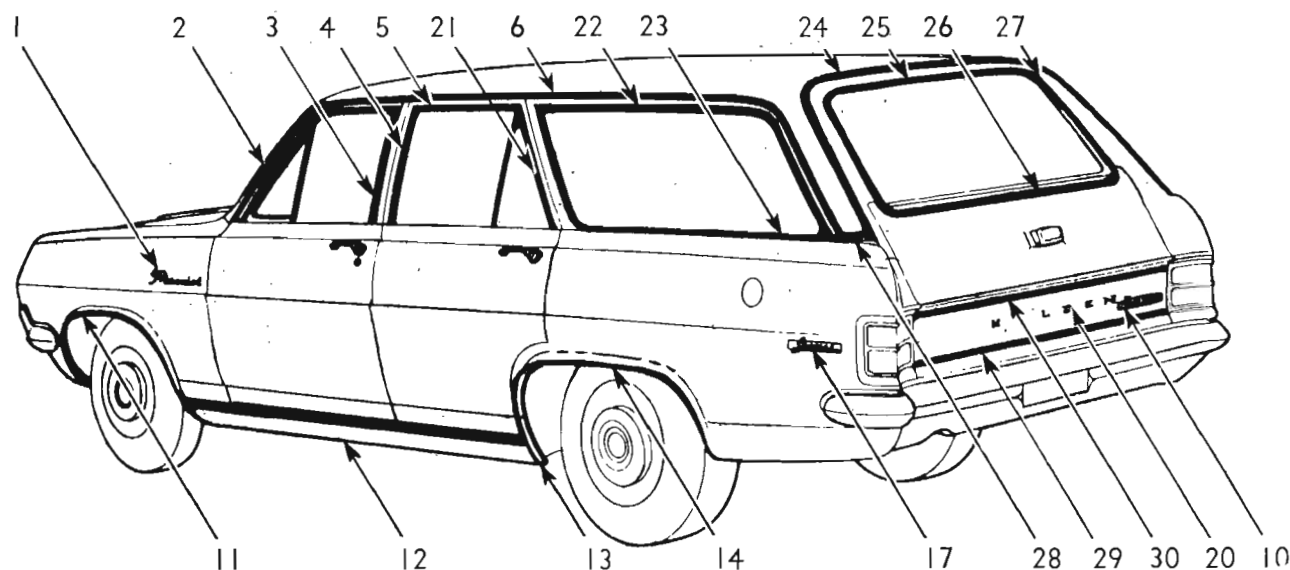
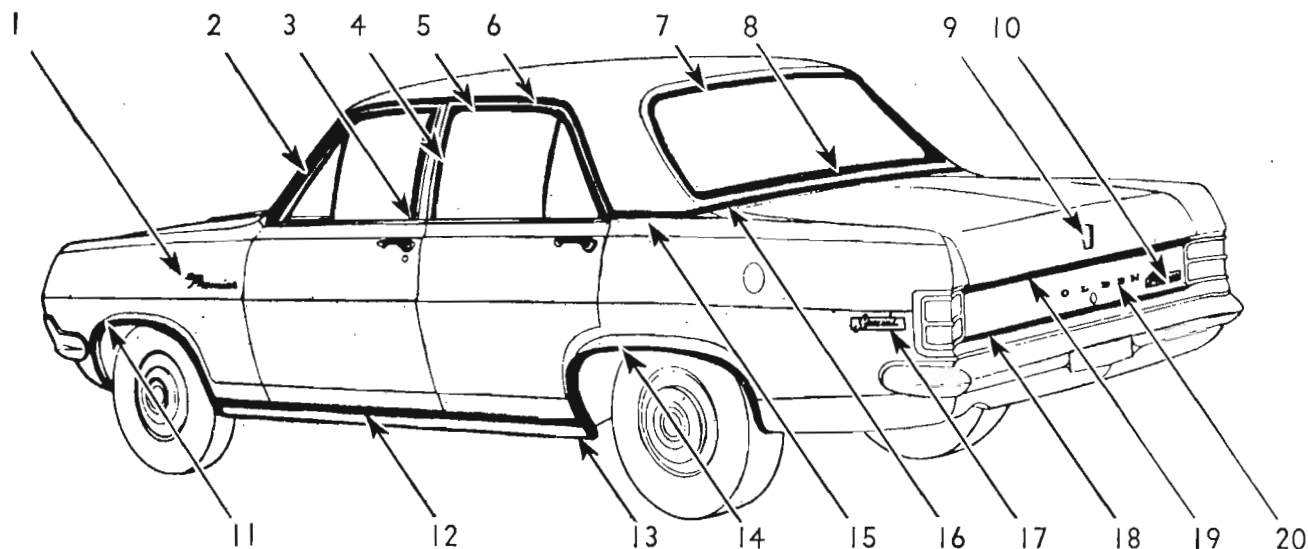


BODY MOULDINGS

Illus. Ref. No.	Part Name	Group	Illus. Ref. No.	Part Name	Group
1.	NAME PLATE	8.132	12.	MOULDING—Rear	12.116
2.	ORNAMENT	8.132	13.	MOULDING—Deck lid	12.182
3.	MOULDING—Side	12.075	14.	MOULDING—Rear quarter	12.116
4.	GUTTER—Rear	12.811	15.	MOULDING—Rear door	12.114
5.	PLATE—Name	12.116	16.	MOULDING—Front door	12.112
6.	MOULDING—Belt	12.116	17.	MOULDING—Front fender	8.132
7.	MOULDING—Upper	11.208	18.	NAME PLATE	8.132
8.	MOULDING—Side	11.208	19.	MOULDING—Rear	12.075
9.	MOULDING—Lower	11.208	20.	PLATE—Hydra-Matic	12.182
10.	PLATE—Name	12.182	21.	MOULDING—End gate	12.182
11.	PLATE—Name "179"	12.182			

HOLDEN

MASTER PARTS CATALOGUE



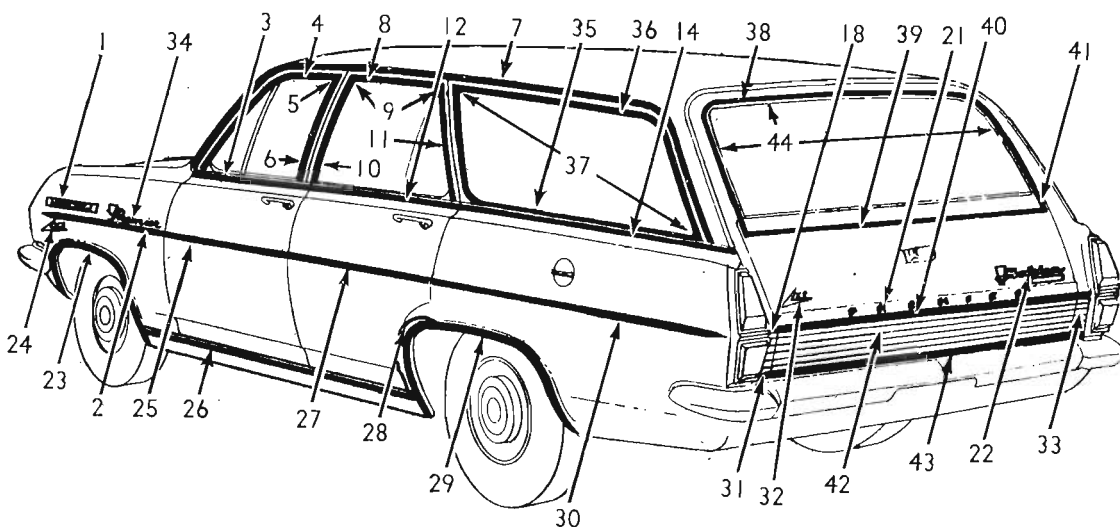
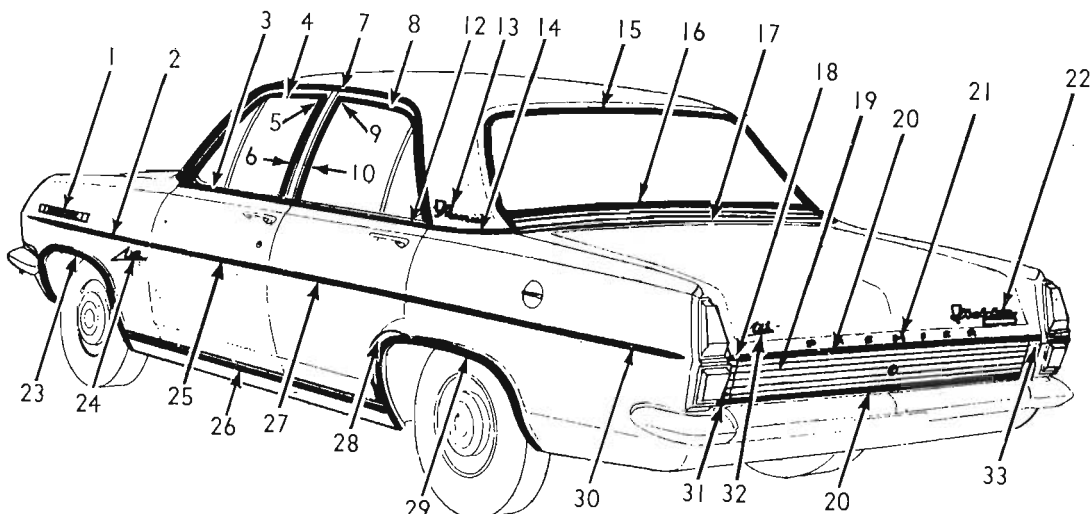
BODY MOULDINGS

Illus. Ref. No.	Part Name	Group	Illus. Ref. No.	Part Name	Group
1.	NAME PLATE	8.132	16.	MOULDING—Rear compartment front	12.116
2.	MOULDING—Reveal	12.112	17.	NAME PLATE	12.116
3.	MOULDING—Vertical reveal	12.112	18.	MOULDING—Lower	12.182
4.	MOULDING—Vertical reveal	12.114	19.	MOULDING—Upper	12.182
5.	MOULDING—Reveal	12.114	20.	LETTER	12.182
6.	MOULDING—Reveal	12.075	21.	MOULDING—Rear reveal	12.114
7.	MOULDING—Upper	11.208	22.	MOULDING—Upper reveal	12.116
8.	MOULDING—Lower	11.208	23.	MOULDING—Lower reveal	12.116
9.	EMBLEM	12.182	24.	MOULDING—Rear end	12.075
	INSERT	12.182	25.	MOULDING—Centre	12.174
10.	NAME PLATE	12.182	26.	MOULDING—Belt	12.182
11.	MOULDING	8.132	27.	MOULDING—Outer	12.174
12.	MOULDING	8.304	28.	MOULDING—Belt	12.116
13.	SHIELD—Gravel	12.115	29.	MOULDING—Lower	12.182
14.	MOULDING—Wheel opening	12.116	30.	MOULDING—Centre	12.182
15.	MOULDING—Rear quarter	12.116			



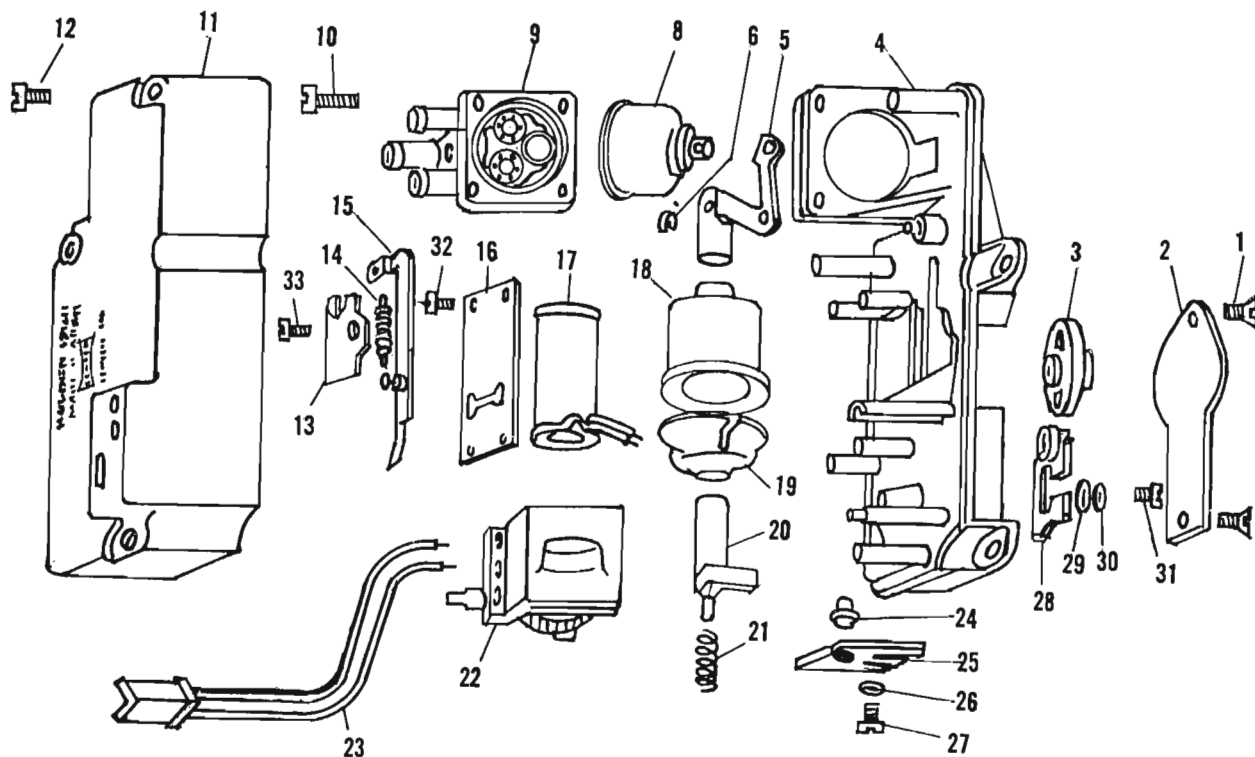
HOLDEN

MASTER PARTS CATALOGUE



BODY MOULDINGS

Illus. Ref. No.	Part Name	Group	Illus. Ref. No.	Part Name	Group
1	NAME PLATE	8.132	23	MOULDING—Wheel opening	8.132
2	MOULDING—Front fender	8.132	24	PLATE—"X2" name	8.132
3	MOULDING—Belt	12.112	25	MOULDING—Side	12.112
4	MOULDING—Reveal	12.112	26	MOULDING	8.304
5	MOULDING—Corner reveal	12.112	27	MOULDING—Side	12.114
6	MOULDING—Vertical reveal	12.112	28	SHIELD—Gravel	12.115
7	MOULDING—Side	12.075	29	MOULDING—Wheel opening	12.116
8	MOULDING—Reveal	12.114	30	MOULDING—Side	12.116
9	MOULDING—Corner reveal	12.114	31	MOULDING—Rear lower	12.116
10	MOULDING—Vertical reveal	12.114	32	PLATE—"X2" name	12.182
11	MOULDING—Rear reveal	12.114	33	PANEL—Rear extension trim	12.116
12	MOULDING—Belt	12.114	34	NAME PLATE	8.132
13	NAME PLATE	12.116	35	MOULDING—Lower reveal	12.116
14	MOULDING—Belt	12.116	36	MOULDING—Upper reveal	12.116
15	MOULDING—Upper reveal	11.208	37	MOULDING—Corner reveal	12.116
16	MOULDING—Lower reveal	11.208	38	MOULDING—Reveal	12.174
17	MOULDING—Rear comp. front	12.116	39	MOULDING—Belt	12.182
18	MOULDING—Rear upper	12.116	40	MOULDING—Centre	12.182
19	PANEL—Deck lid trim	12.182	41	MOULDING—Belt side	12.182
20	MOULDING—Deck lid	12.182	42	PANEL—Trim	12.182
21	LETTER	12.182	43	MOULDING—Lower	12.182
22	NAME PLATE	12.182	44	MOULDING ASSY—Inner (Painted)	12.174



WINDSHIELD WASHER PUMP ASSEMBLY

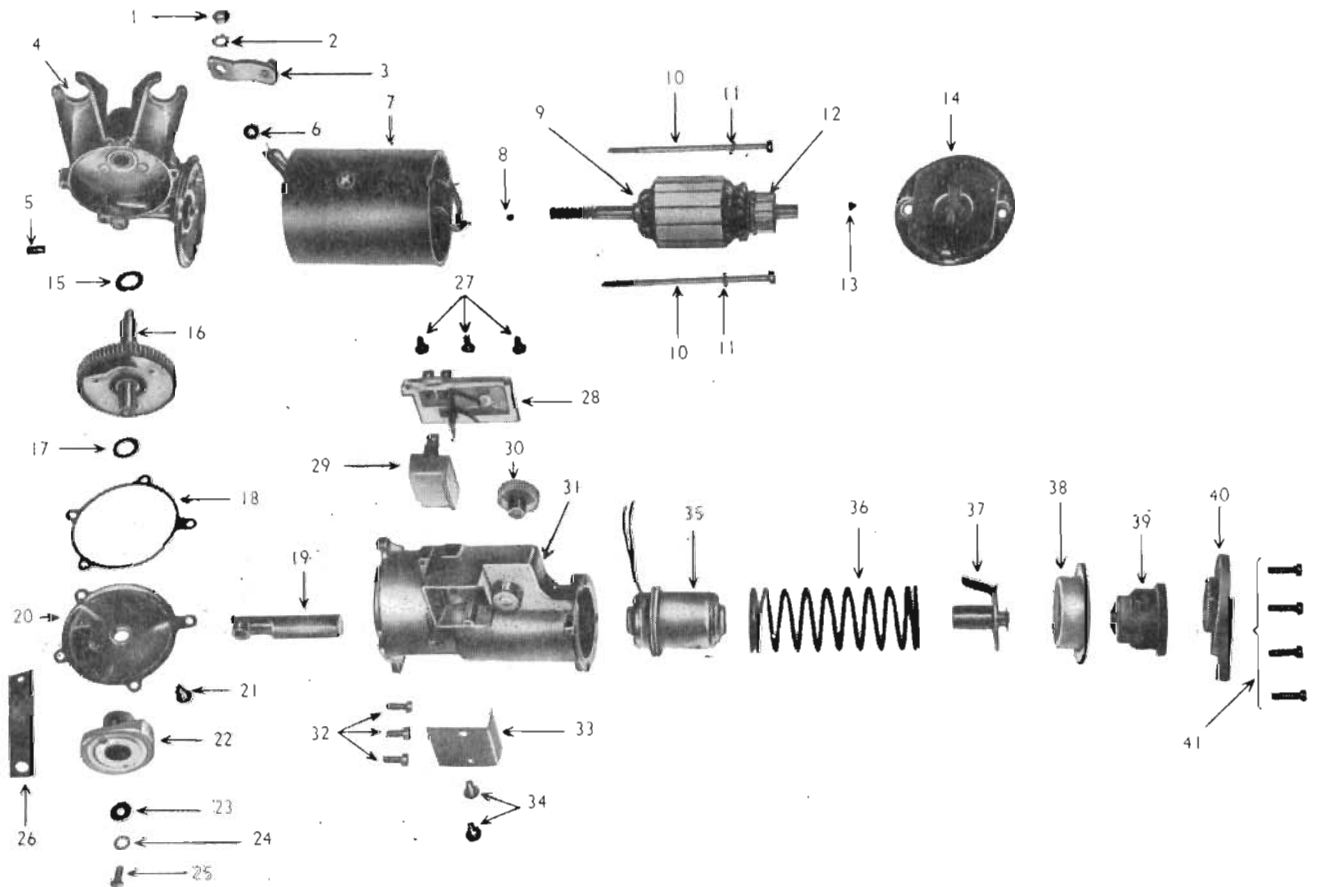
Illus. Ref. No.	Part Name	Group
1.	SCREW—Cam cover plate	10.150
2.	PLATE—Cam cover	10.150
3.	CAM	10.150
4.	HOUSING ASSEMBLY	10.150
5.	PLUNGER ASSEMBLY—Pump	10.150
6.	CIRCLIP	10.150
8.	DIAPHRAGM	10.150
9.	COVER ASSEMBLY—Valve	10.150
10.	SCREW—Pump housing	10.150
11.	COVER	10.150
12.	SCREW—Cover	10.150
13.	PLATE—Timing clamp	10.150
14.	SPRING—Pawl tension	10.150
15.	LEVER ASSEMBLY—Timing	10.150
16.	PLATE—Solenoid clamp	10.150

Illus. Ref. No.	Part Name	Group
17/18/19.	SOLENOID ASSEMBLY—Pump	10.150
20.	PLUNGER ASSEMBLY—Motor	10.150
21.	SPRING—Plunger	10.150
22.	SWITCH ASSEMBLY—Timing	10.150
23.	LEAD ASSEMBLY	10.150
24.	BUSHING—Guide	10.150
25.	PLATE—Guide	10.150
26.	WASHER—Guide plate screw lock	10.150
27.	SCREW—Guide plate	10.150
28.	SLIDE ASSEMBLY—Cam	10.150
29.	WASHER—Cam slide fibre	10.150
30.	WASHER—Cam slide flat	10.150
31.	SCREW—Cam slide	10.150
32.	SCREW—Solenoid clamp plate	10.150
33.	SCREW—Timing clamp plate	10.150



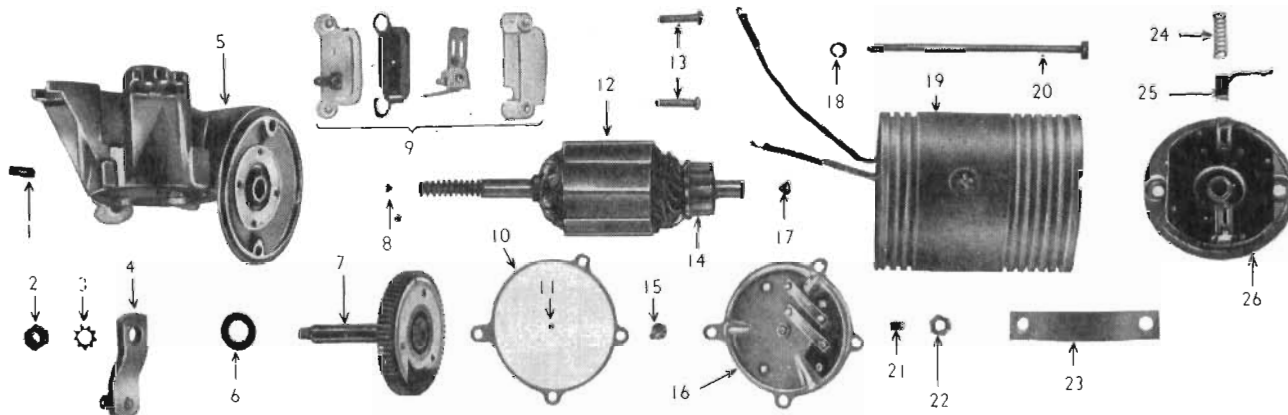
HOLDEN

MASTER PARTS CATALOGUE



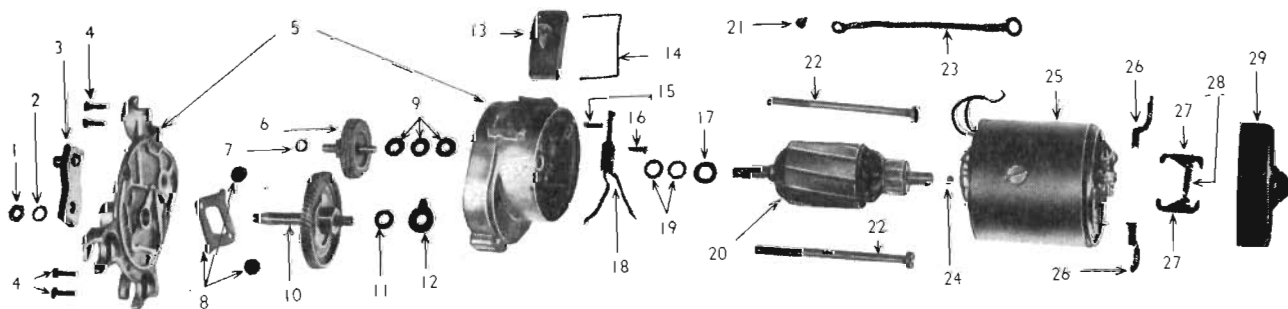
WINDSHIELD WIPER MOTOR and WASHER

Illus. Ref. No.	Part Name	Group	Illus. Ref. No.	Part Name	Group
1.	NUT—Cross shaft crank	10.150	22.	CAM ASSEMBLY—Pump actuating	10.150
2.	WASHER—Crank lock	10.150	23.	WASHER—Pump cam retainer screw	10.150
3.	ARM—Crank	10.150	24.	WASHER—Pump cam retaining screw lock	10.150
4.	HOUSING ASSEMBLY—Gear and cross shaft	10.150	25.	SCREW—Pump cam retainer	10.150
5.	SCREW—Armature adjusting	10.150	26.	LEAD—Earth	10.150
6.	GROMMET—Cable	10.150	27.	SCREW—Cover plate and contact	10.150
7.	FIELD AND HOUSING ASSEMBLY	10.150	28.	PLATE AND CONTACT ASSEMBLY — Cover	10.150
8.	CONE—Armature thrust, worm end	10.150	29.	CIRCUIT BREAKER PACKAGE	10.150
9.	ARMATURE	10.150	30.	WHEEL ASSEMBLY—Pump timing ratchet	10.150
10.	BOLT—Through	10.150	31.	HOUSING ASSEMBLY—Pump	10.150
11.	WASHER—Through bolt lock	10.150	32.	SCREW—Pump housing	10.150
12.	COMMUTATOR ASSEMBLY	10.150	33.	COVER—Terminal connection	10.150
13.	CONE—Armature thrust	10.150	34.	SCREW—Terminal connection cover	10.150
14.	COVER AND BRUSH ASSEMBLY—End	10.150	35.	SOLENOID ASSEMBLY—Pump	10.150
15.	WASHER—Gear and cross shaft spacer	10.150	36.	SPRING—Pump return	10.150
16.	SHAFT ASSEMBLY—Gear and cross	10.150	37.	PLUNGER AND RATCHET SPRING ASSY.—Pump	10.150
17.	WASHER—Gear and cross shaft thrust	10.150	38.	RING—Pump spacer	10.150
18.	GASKET—Gear and cross shaft cover	10.150	39.	DIAPHRAGM	10.150
19.	PLUNGER ASSEMBLY — Pump cam follower	10.150	40.	COVER AND VALVE ASSY.—Pump	10.150
20.	COVER ASSEMBLY — Gear and cross shaft	10.150	41.	SCREW—Pump cover and valve assy.	10.150
21.	SCREW—Gear and cross shaft cover	10.150			



WINDSHIELD WIPER MOTOR (PRESLITE)

Illus. Ref. No.	Part Name	Group	Illus. Ref. No.	Part Name	Group
1.	SCREW—Armature adjusting	10.150	14.	COMMUTATOR ASSEMBLY	10.150
2.	NUT—Cross shaft crank	10.150	15.	SCREW—Gear & cross shaft cover	10.150
3.	WASHER—Crank lock	10.150	16.	COVER ASSY.—Gear & cross shaft	10.150
4.	ARM—Crank	10.150	17.	CONE—Armature thrust, com. end	10.150
5.	HOUSING ASSY.—Gear and cross shaft	10.150	18.	WASHER—Through bolt lock	10.150
6.	WASHER—Gear & cross shaft spacer	10.150	19.	FIELD & HOUSING ASSY.	10.150
7.	SHAFT ASSY.—Gear & cross	10.150	20.	BOLT—Through	10.150
8.	CONE—Armature thrust, worm end	10.150	21.	SCREW—Gear & cross shaft adj.	10.150
9.	CIRCUIT BREAKER ASSEMBLY	10.150	22.	NUT—Adjusting screw	10.150
10.	GASKET—Gear & cross shaft cover	10.150	23.	LEAD—Earth	10.150
11.	BALL—Thrust	10.150	24.	SPRING—Brush	10.150
12.	ARMATURE	10.150	25.	BRUSH	10.150
13.	SCREW—Circuit breaker attaching	10.150	26.	COVER & BRUSH ASSY.—End	10.150



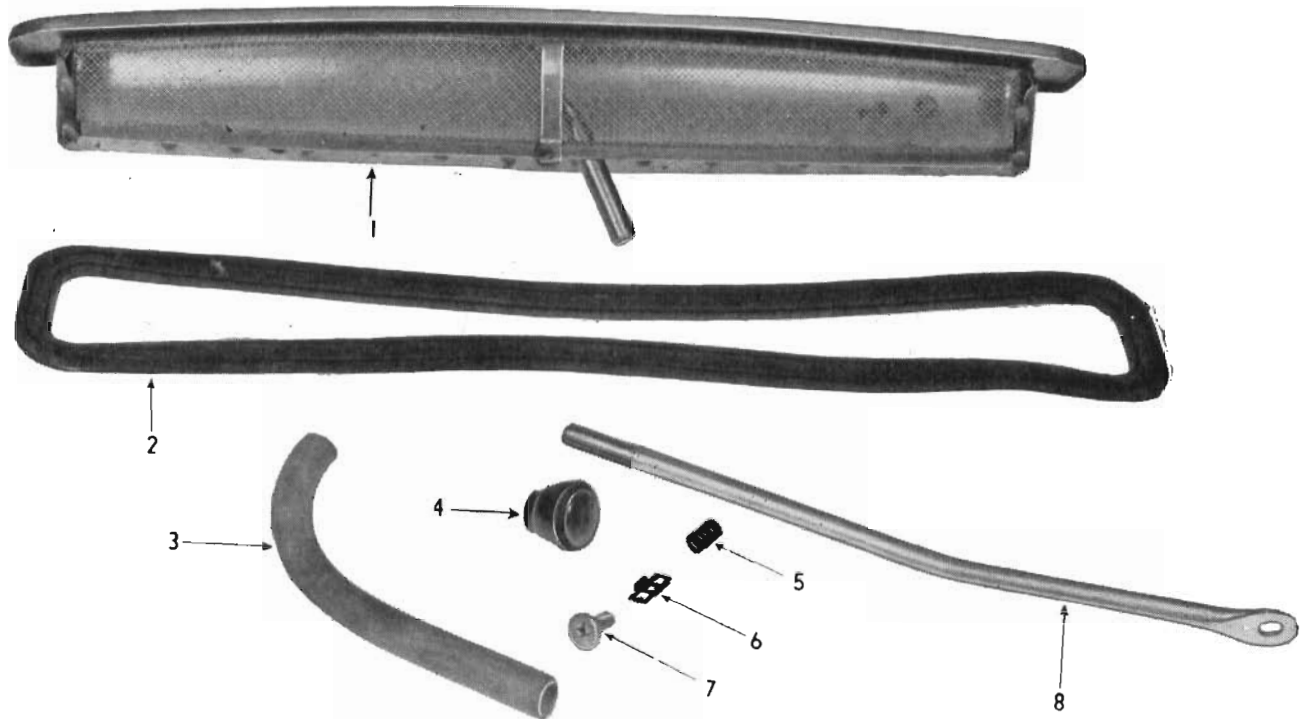
WINDSHIELD WIPER MOTOR (BOSCH)

Illus. Ref. No.	Part Name	Group	Illus. Ref. No.	Part Name	Group
1.	NUT—Cross shaft crank	10.150	15.	PIN—Contact actuating	10.150
2.	WASHER—Crank lock	10.150	16.	SCREW—Contact attaching	10.150
3.	ARM—Crank	10.150	17.	WASHER—Armature fibre	10.150
4.	SCREW—Gear housing cover attach.	10.150	18.	CONTACT SET	10.150
5.	HOUSING AND COVER ASSY.—Gear	10.150	19.	WASHER—Armature shim	10.150
6.	GEAR—Intermediate	10.150	20.	ARMATURE	10.150
7.	WASHER—Int. gear shim (5.05 x 8.2)	10.150	21.	SCREW—Earth lead attaching	10.150
8.	PLATE—Pressure with brake shoes	10.150	22.	BOLT—Through	10.150
9.	WASHER—Int. gear shim (5.05 x 13)	10.150	23.	LEAD—Earth	10.150
10.	GEAR & SHAFT ASSY.	10.150	24.	BALL—Thrust	10.150
11.	WASHER—Crank gear and shaft	10.150	25.	FIELD AND HOUSING ASSY.	10.150
12.	WASHER—Crank gear and shaft, tongued	10.150	26.	BRUSH	10.150
13.	PLATE—Terminal	10.150	27.	LEVER—Brush pressure	10.150
14.	CLIP—Wire	10.150	28.	SPRING—Brush	10.150
			29.	PLATE—Commutator end	10.150



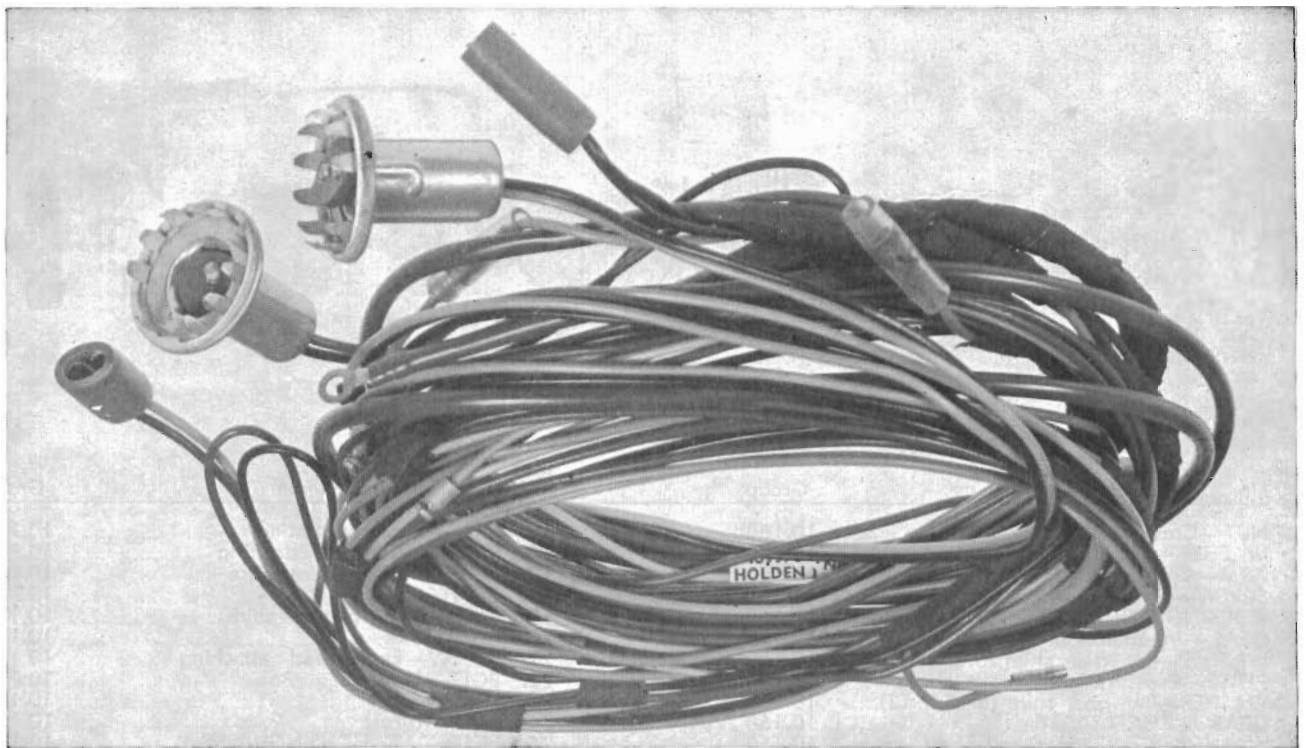
HOLDEN

MASTER PARTS CATALOGUE



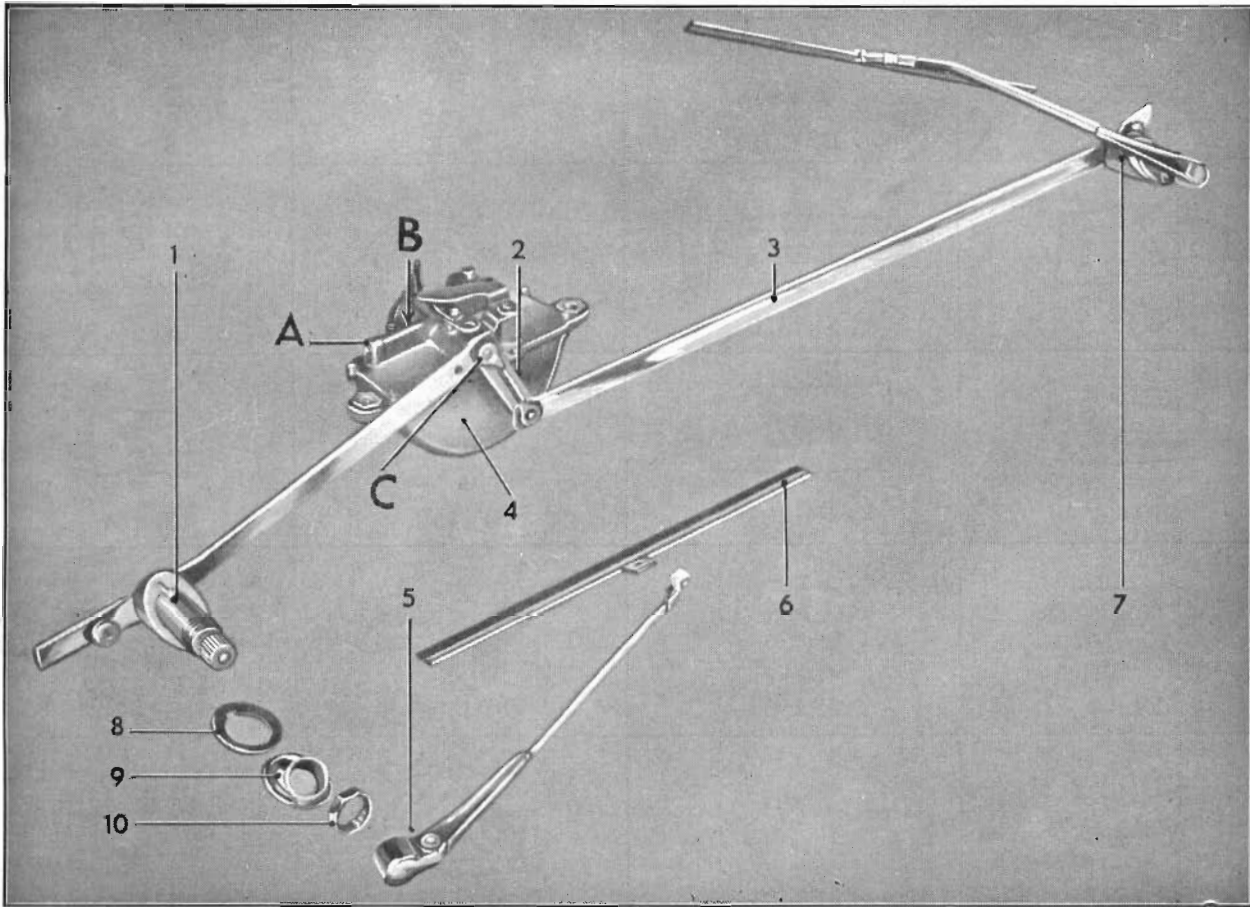
COWL VENTILATOR

1	COVER ASSEMBLY	10.307	5	SPRING	10.335
2	GASKET	10.331	6	CLIP	10.313
3	DRAIN TUBE	10.344	7	BOLT	10.335
4	KNOB	10.313	8	LINK—Lower	10.335



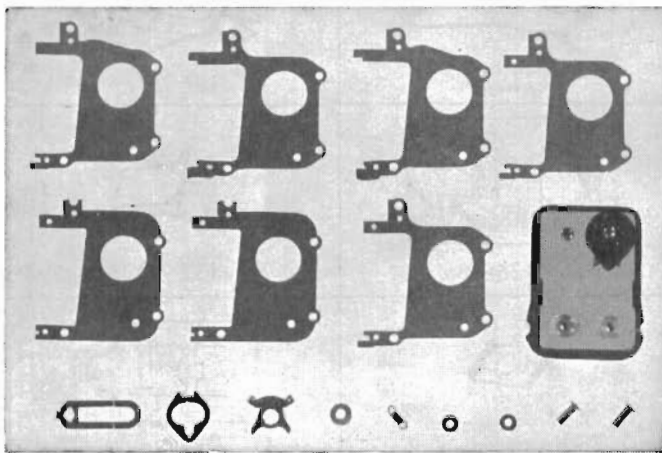
BODY WIRING HARNESS

HARNESS ASSEMBLY	13.090
------------------	-------	--------

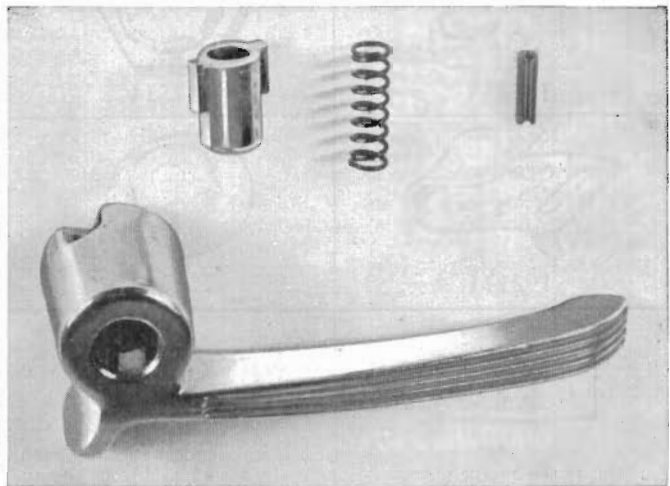


WINDSHIELD WIPER

Illus. Ref. No.	Part Name	Group	Illus. Ref. No.	Part Name	Group
1.	PIVOT AND CONNECTOR LINK ASSEMBLY	10.159	6.	BLADE ASSEMBLY	10.146
2.	PLATE AND SPRING ASSEMBLY	10.158	7.	ARM ASSEMBLY	10.147
3.	PIVOT AND CONNECTOR LINK ASSEMBLY	10.159	8.	WASHER	10.159
4.	MOTOR ASSEMBLY	10.150	9.	SPACER	10.159
5.	ARM ASSEMBLY	10.147	10.	NUT	10.159



10.150 Windshield Wiper Motor Repair Kit






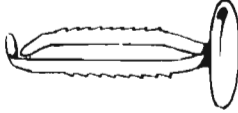

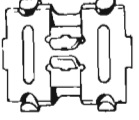











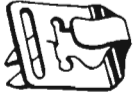




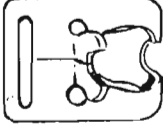





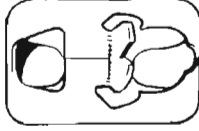







10.664 Front Door Ventilator Handle Repair Kit



HOLDEN

MASTER PARTS CATALOGUE




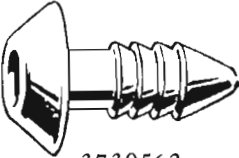


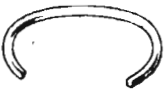
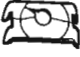









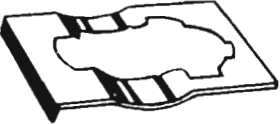




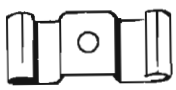

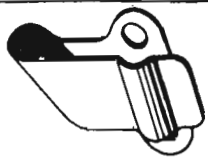

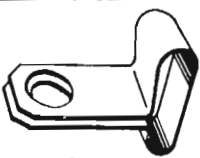



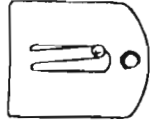




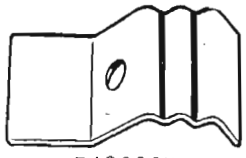
			
SP1214	SP1276	SP1343	SP1345
			
SP1378	SP1380	SP1392	SP1405
			
SP1407	SP1408	SP1410	SP1446
			
SP1501	SP1503	SP1506	SP1546
			
SP1583	SP1606	SP1695	115269
			
120520	127753	144533	145411
			
145539	147514	177926	186533
			
192111	272733	432662	432682
			
445155	445194	1874777	3664889

MISCELLANEOUS CLIPS, FASTENERS, RETAINERS.

HOLDEN

MASTER PARTS CATALOGUE





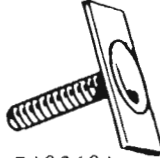















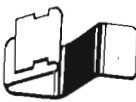


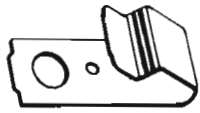
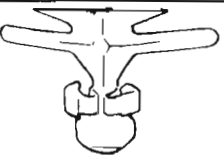



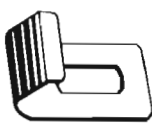
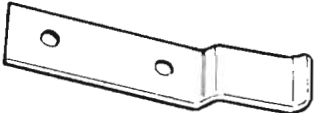
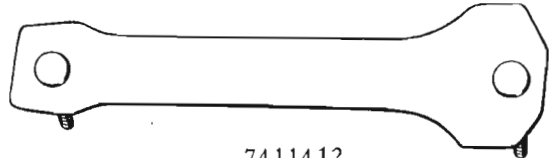

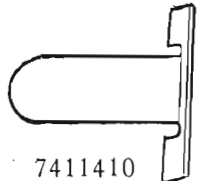

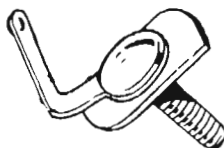
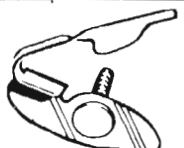
 3697750	 3710497	 3712864	 3730562
 3829006	 4110664	 4556605	 4558184
 4561802	 4562113	 4576655	 4609429
 4615081	 4635016	 4637217	 4649455
 4662070	 4749157	 4785334	 7093853
 7100321	 7121060	 7134149	 7377884
 7401196	 7401216	 7401217	 7401256
 7401538	 7401651	 7401726	 7401768
 7401856	 7401875	 7402118RH - 7402119LH	 7402227

MISCELLANEOUS CLIPS, FASTENERS, RETAINERS.



HOLDEN

MASTER PARTS CATALOGUE















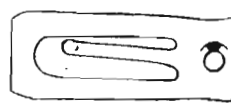






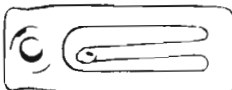




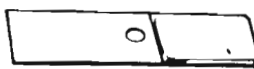









 7402337	 7402517	 7402604	 7402851
 7402854	 7402864	 7403054	 7403387
 7403683	 7403978	 7403979	 7405550
 7406344	 7407457	 7409263	 7410019
 7410038	 7410063	 7410110	 7410196
 7410212	 7410220	 7410293	 7410360
 7410389	 7410651	 7410817	 7410818
 7411412		 7411415	
 7411410	 7411417	 7412625	 7412660

MISCELLANEOUS CLIPS, FASTENERS, RETAINERS.

HOLDEN

MASTER PARTS CATALOGUE




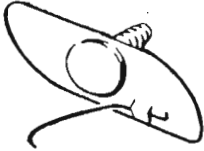
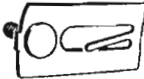




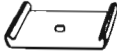
















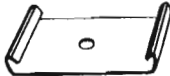


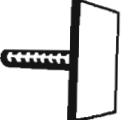



 7412867	 7412868	 7412869	 7412953
 7412954	 7413024	 7413031	 7413032
 7413278	 7413370	 7413545	 7414334
 7414336	 7414620	 7414907	 7414908
 7415210	 7415464	 7415519	 7415610
 7415612	 7416106	 7416428RH - 7416429LH	 7416494
 7416845	 7417172	 7417298	 7417709
 7417953	 7417954	 7418066	 7418449
 7419086	 7419250	 7419653	 7419664

MISCELLANEOUS CLIPS, FASTENERS, RETAINERS.



HOLDEN

MASTER PARTS CATALOGUE

 7421156	 7421827	 7421831	 7421833
 7422922	 7423350	 7423351	 7424201
 7425654	 7425671	 7426097	 7426109
 7426171	 7426194	 7426387	 7426401
 7426417	 7426847LH - 7426848RH		 7426852
 7426859	 7428542	 7428740	 7428925
 7430520	 7430602	 7430603	 7430803
 7430805	 7430895	 7432025	 9415250

MISCELLANEOUS CLIPS, FASTENERS, RETAINERS.

HOLDEN

MASTER PARTS CATALOGUE



Group	Description	Model	Part No.	Qty.
10.002 BODY SHELL—(In prime)				
	LESS END GATE	EH/2106 (M) RIGHT HAND DRIVE	7422691	1
	LESS DECK LID	HD/215, HD/225, HD/235 RIGHT HAND DRIVE	7420549	1
	LESS END GATES	HD/219, HD/229, HD/239 RIGHT HAND DRIVE	7420617	1
	LESS DECK LID	HR/215	7429830	1
	LESS END GATE	HR/219	7429831	1
	LESS DECK LID	HR/225	7429832	1
	LESS END GATE	HR/229	7429833	1
	LESS DECK LID	HR/235	7429834	1
	LESS END GATES	HD/2104, HR/2104 RIGHT HAND DRIVE	7428046	1
	LESS END GATE	HD/2106, HR/2106 RIGHT HAND DRIVE	7428052	1
	NOTE: Body Shells do not include doors.			
10.027 GLASS—Windshield				
	GLASS	48, 50, FJ	7401747	2
	GLASS	FE, FC	7408608	1
	GLASS—Armour plate	FB, EK	7411926	1
	GLASS—Laminated safety	FB, EK	7416521	1
	GLASS—Armour plate	EJ, EH	7426486	1
	GLASS—Armour plate tinted	EJ, EH	7426500	1
	GLASS—Laminated safety	EJ, EH	7418478	1
	GLASS—Armour plate	HD, HR	7426488	1
	GLASS—Armour plate tinted	HD, HR	7420534	1
	GLASS—Laminated safety	HD, HR	7420683	1
	GLASS—Laminated safety tinted	HD, HR	7431124	1
10.051 MOULDING—Windshield Garnish				
	L.H.	FE, FC	7409619	1
	R.H.	FE, FC	7409620	1
	SCREW—Oval hd. cr. rec. tap. Type "A" No. 8—15 x 1/2"	FE, FC	148545	6
10.054 WEATHERSEAL, COVER, GROMMET—Windshield centre				
	WEATHERSEAL ASSEMBLY	48, 50, FJ	7402312	1
	COVER—Weatherseal	48, 50, FJ exc. FJ/225	7400622	1
	COVER—Weatherseal	FJ/225	7407531	1
10.092 WEATHERSEAL, FILLER, CHANNEL—Windshield				
	WEATHERSEAL	48, 50, FJ exc. FJ/225	7402308	1
	WEATHERSEAL	FJ/225	7407509	1
	FILLER—Weatherseal, centre	48, 50, FJ	7402320	1
	FILLER—Weatherseal, outer	48, 50, FJ exc. FJ/225	7402321	1
	FILLER—Weatherseal, outer	FJ/225	7407476	1
	CHANNEL	FE, exc. FE/225, FE/229 FC, exc. FC/225, FC/229	7412093	1
	CHANNEL	FE/225, FE/229, FC/225, FC/229	7413385	1
	CHANNEL	FB, EK	7412339	1
	CHANNEL	EJ, EH	7416530	1
	CHANNEL	HD/215, HD/219, HD/2104, HD/2106 HR/215, HR/219, HR/2104, HR/2106	7428239	1
	FILLER—Channel	HD/215, HD/219, HD/2104, HD/2106 HR/215, HR/219, HR/2104, HR/2106	7431967	1
	CHANNEL	HD/225, HD/229, HD/235, HD/239 HR/225, HR/229, HR/235, HR/239 ..	7423455	1



HOLDEN

MASTER PARTS CATALOGUE

10.093 MOULDING—Windshield reveal

L.H.	FJ/225	7407483	1
R.H.	FJ/225	7407482	1
UPPER	FE/225, FE/229, FC/225, FC/229	7409500	1
LOWER	FE/225, FE/229, FC/225, FC/229	7409501	1
L.H.	FE/225, FE/229, FC/225, FC/229	7409503	1
R.H.	FE/225, FE/229, FC/225, FC/229	7409502	1
SCREW—Oval hd. cr. rec. Type "A" No. 4—24 x 1/2"	FE/225, FE/229, FC/225, FC/229	162128	4
UPPER (Painted)	FB, exc. FB/225, FB/229		
	EK, exc. EK/225, EK/229	LH7414721	1
		RH7414722	1
SCREW—Oval hd. cr. rec. tap. Type "A" No. 4—24 x 3/4"	FB, exc. FB/225, FB/229		
	EK, exc. EK/225, EK/229	188133	2
LOWER (Painted)	FB, exc. FB/225, FB/229		
	EK, exc. EK/225, EK/229	7414715	1
LOWER CORNER (Painted)	FB, exc. FB/225, FB/229		
	EK, exc. EK/225, EK/229	7414719	2
SCREW—Oval hd. cr. rec. tap., Type "A", No. 4—24 x 5/8"	FB, exc. FB/225, FB/229		
	EK, exc. EK/225, EK/229	SP1452	2
COVER—Centre junction (Painted)	FB, exc. FB/225, FB/229		
	EK, exc. EK/225, EK/229	7414714	1
UPPER (Plated)	FB/225, FB/229, EK/225, EK/229,		
	EK/2104, EK/2106	LH7412537	1
		RH7412536	1
SCREW—Oval hd. cr. rec. tap. Type "A" No. 4—24 x 3/4"	FB/225, FB/229, EK/225, EK/229,		
	EK/2104, EK/2106	188133	2
LOWER (Plated)	FB/225, FB/229, EK/225, EK/229,		
	EK/2104, EK/2106	7412533	1
LOWER CORNER (Plated)	FB/225, FB/229, EK/225, EK/229,		
	EK/2104, EK/2106	7403526	2
SCREW—Oval hd. cr. rec. tap. type "A", No. 4—24 x 5/8"	FB/225, FB/229, EK/225, EK/229,		
	EK/2104, EK/2106	SP1452	2
COVER—Centre junction (Plated)	FB/225, FB/229, EK/225, EK/229,		
	EK/2104, EK/2106	7404702	1
UPPER	EJ, EH	7415408	1
UPPER CORNER	EJ, EH	LH7415415	1
		RH7415414	1
		SP1473	2
SCREW—Oval hd. cr. rec. tap. type "A" No. 4—24 x 3/8"	EJ, EH		
LOWER	EJ, EH	7415409	1
LOWER CORNER	EJ, EH	LH7415413	1
		RH7415412	1
		SP1452	2
SCREW—Oval hd. cr. rec. tap. type "A", No. 4—24 x 5/8"	EJ, EH		
SIDE	EJ, EH	LH7415411	1
		RH7415410	1
SPACER—Lower corner moulding	EJ, EH	7416494	2
MOULDING	HD/225, HD/229, HD/235, HD/239		
	HR/225, HR/229, HR/235, HR/239	LH7423457	1
		RH7423456	1
COVER—Centre junction	HD/225, HD/229, HD/235, HD/239		
	HR/225, HR/229, HR/235, HR/239	7423346	2

10.096 CLIP—Windshield reveal moulding retainer

CLIP	FJ/225	7093853	20
------	--------	---------	----

10.146 BLADE ASSEMBLY—Windshield wiper

BLADE ASSEMBLY	48, 50, FJ	M32582	2
BLADE ASSEMBLY	FE, FC	1162176	2
BLADE ASSEMBLY	FB, EK	7414525	2
BLADE ASSEMBLY	EJ	7417479	2
BLADE ASSEMBLY	EH, HD, HR	7422498	2
VERTEBRAE & RUBBER INSERT	FE, FC	561268	2
VERTEBRAE & RUBBER INSERT	FB, EK, EJ	7406809	2
VERTEBRAE AND RUBBER INSERT	EH, HD, HR	7424722	2
RUBBER INSERT (Pair)	FE, FC, FB, EK, EJ	M35119	1
CAP—Blade retaining	FE, FC, FB, EK, EJ	7406340	4
LATCH—Blade retaining	EH, HD, HR	7424723	4

HOLDEN

MASTER PARTS CATALOGUE



10.147 ARM ASSEMBLY—Windshield wiper

L.H.	48, 50, FJ	7402399	1
R.H.	48, 50, FJ	7402400	1
L.H.	FE, FC	7410933	1
R.H.	FE, FC	7410934	1
ARM ASSEMBLY	FB	LH 7413239	1
		RH 7413238	1
ARM ASSEMBLY	EK	LH 7418831	1
		RH 7418832	1
ARM ASSEMBLY	EJ	RIGHT HAND DRIVE 7417463	2
		LEFT HAND DRIVE 7417489	2
ARM ASSEMBLY	EH	RIGHT HAND DRIVE 7422499	2
		LEFT HAND DRIVE 7422500	2
ARM ASSEMBLY	HD, HR	7424376	2

10.150 MOTOR ASSEMBLY, REPAIR KIT—Windshield wiper and pump

MOTOR ASSEMBLY	48, 50, FJ	7401877	1
PLATE—Windshield wiper motor kicker	48, 50, FJ	7405881	1
REPAIR KIT—Windshield wiper motor	48, 50, FJ	7405376	1
MOTOR ASSEMBLY	FE, FC, FB	7415040	1
SCREW—Rd. hd. sl. mach. No. 10—32 x 1/2"	FE, FC, FB	132908	2
WASHER—Spring lock No. 10—medium	FE, FC, FB	120217	2
REPAIR KIT (for wiper motors made in U.S.A.)	FE	7406127	1
REPAIR KIT (for wiper motors made in England & Australia)	FE, FC, FB	7406128	1
DRIVE ASSEMBLY—Auxiliary	FE, FC	7413843	1
DRIVE ASSEMBLY—Auxiliary	FB	7402871	1
SCREW—Rd. hd. sl. mach. No. 10—32 x .94"	FE, FC, FB	SP1375	2
WASHER—Plain 13/64" x 15/32" x .049"	FE, FC, FB	446152	2
WASHER—Ext. tooth lock No. 10	FE, FC, FB	138479	2
VALVE—Wiper motor	FE, FC, FB	7406359	1
HOUSING—Slide valve	FE, FC, FB	7406437	1
VALVE—Slide	FE, FC, FB	7406612	1
BAR—Kicker operating	FE, FC, FB	7406360	1
KICKER ASSEMBLY	FE, FC, FB	7406361	1
GASKET—Cover	FE, FC, FB	7406362	1
MOTOR ASSEMBLY—Package—Electric	FE, FC, FB	7418909	1
PLATE—Mounting (S.W.F. or Preslite)	EK	7418356	1
MOTOR ASSEMBLY (A.C.—Delco)	EK	7957063	1
SCREW—Hex. hd. mach. 1/4"—28 x 1"	EK	9415860	2
WASHER—Plain, 17/64" x 5/8" x .049"	EK	446188	2
WASHER—Spring lock 1/4" medium	EK	120380	2
SCREW—Flat hd. 1/4"—28 x 5/8" with lock washer	EK	443505	3
MOTOR ASSEMBLY (Preslite)	EJ exc. EJ/235	RIGHT HAND DRIVE 7417504	1
MOTOR ASSEMBLY (Bosch)	EJ exc. EJ/235	RIGHT HAND DRIVE 7418118	1
MOTOR and PUMP ASSEMBLY (Preslite)	EJ/235	7426220	1
MOTOR ASSEMBLY (Preslite)	EH exc. EH/235, EH/239	RIGHT HAND DRIVE 7421457	1
		LEFT HAND DRIVE 7421458	1
MOTOR ASSEMBLY (Lucas)	EH exc. EH/235, EH/239	RIGHT HAND DRIVE 7423868	1
		LEFT HAND DRIVE 7423887	1
MOTOR AND PUMP ASSEMBLY (Preslite)	EH/235, EH/239	RIGHT HAND DRIVE 7426220	1
MOTOR ASSEMBLY—Wound type field (Preslite)	HD, HR (A)	7424237	1
MOTOR ASSEMBLY—Wound type field (Lucas)	HD, HR (A)	7427755	1
MOTOR ASSEMBLY—Permanent magnet type field (Preslite)	HR (A)	7430776	1
MOTOR ASSEMBLY—Permanent magnet type field (Lucas)	HR (A)	7434202	1
MOTOR ASSEMBLY (Preslite)	HR (M)	7430776	1
WASHER—Plain, type "A" 17/64" x 5/8" x .049"	EJ, EH, HD, HR	446188	3
WASHER—Spring lock, 1/4"—medium	EJ, EH, HD, HR	120380	3
PUMP ASSEMBLY (Preslite)	HD/235, HD/239	7420684	1
PUMP ASSEMBLY (Preslite)	HR	7430911	1
PUMP ASSEMBLY (Trico)	HR	7434146	1
SCREW—Pan. hd. cr. rec. tap. No. 8—32 x 1/2"	HD/235, HD/239, HR	449813	3
SEAL—Pump to motor dust	HR	7420685	A.R.
PUMP and SCREEN ASSEMBLY	HR/215, HR/219, HR/2104, HR/2106	7434328	1
LEAD ASSEMBLY—Pump	HR/215, HR/219, HR/2104, HR/2106	7437750	1



HOLDEN

MASTER PARTS CATALOGUE

10.150 MOTOR ASSEMBLY, REPAIR KIT—Windshield Wiper and Pump (Cont'd.)

COMPONENTS	MOTOR ASSY. No. 7417504	MOTOR ASSY. No. 7418118	MOTOR ASSY. No. 7418243	MOTOR ASSY. No. 7418244
ARM—Crank	7421377	7419989	7419990	7421378
ARMATURE	7425281	7419973	7419973	7425281
BALL—Thrust	7425274			7425274
BEARING—Armature		7419964	7419964	
BOLT—Through	7425289	7419996	7419996	7425289
BRUSH	7425286	7419998	7419998	7425286
CAP—Crankshaft sealing		7419992	7419992	
CIRCUIT BREAKER ASSEMBLY	7421385			7421385
CLIP—Wire		7419997	7419997	
COIL—Field series		7419979	7419979	
COIL—Field shunt		7419980	7419980	
COMMUTATOR ASSEMBLY	7425283			7425283
CONE—Armature thrust, commutator end	7425285			7425285
CONTACT SET		7419971	7419971	
COVER ASSEMBLY—Gear & cross shaft	7421383			7421383
COVER & BRUSH ASSEMBLY—End	7425282			7425282
DISC—Armature end thrust		7419982	7419982	
FIELD AND HOUSING ASSEMBLY	7421384	7419975	7419975	7421384
GASKET—Gear and cross shaft cover	7421387			7421387
GEAR—Intermediate		7419984	7419984	
GEAR AND SHAFT ASSEMBLY		7419985	7419985	
HOLDER—Brush		7419974	7419974	
HOUSING ASSEMBLY—Gear and cross shaft	7421379			7421379
HOUSING AND COVER ASSEMBLY—Gear		7419963	7419963	
LEAD—Earth	7421386			7421386
LEVER—Brush pressure		7419994	7419994	
LINK—Brush spring insulating		7419995	7419995	
NUT—Cross shaft crank		7421012	7421012	
PLATE—Commutator end		7419981	7419981	
PLATE—Safety		7422031	7422031	
SCREW—Armature adjusting	7421380			7421380
SCREW—Circuit breaker attaching	7421388			7421388
SCREW—Gear and cross shaft cover	7425279			7425279
SCREW—Gear and cross shaft adjusting	7425275			7425275
SHAFT ASSEMBLY—Gear and cross	7421382			7421382
SLEEVE—Brush lead insulating		7419999	7419999	
SPRING—Brush	7425287	7419993	7419993	7425287
WASHER—Armature shim 0.1 mm.		7421002	7421002	
WASHER—Gear and cross shaft spacer	7425272			7425272
WASHER—Armature thrust	7425284*			7425284*
WASHER—Crank gear and shaft felt		7419991	7419991	
WASHER—Crank lock	7419511			7419511
WASHER—Gear and cross shaft cover screw, lock	7425278			7425278
WASHER—Through bolt lock	7425288			7425288

*Use only when required.

HOLDEN

MASTER PARTS CATALOGUE



10.150 MOTOR ASSEMBLY, REPAIR KIT—Windshield Wiper and Pump (Cont'd.)

MOTOR ASSEMBLY

COMPONENTS	(Preslite)	(S.W.F.)	7418909	7421457	7421458
	7418354	7418354			
ARM—Crank	7421390	7425268	7425481	7422823	7422824
ARMATURE	7425281	7425281	7425281	7426649	7426649
BALL—Thrust		7425274	7425274	7425274	7425274
BOLT—Through	7425289	7425289	7425289	7425289	7425289
BRUSH	7425286	7425286	7425286	7425286	7425286
BUSHING—Connecting arm			7418342		
CIRCUIT BREAKER ASSEMBLY			7425468	7422283	7422283
COMMUTATOR ASSEMBLY	7425283	7425283		7425283	7425283
CONE—Armature thrust, commutator end	7425285	7425285	7425285	7425285	7425285
COVER ASSEMBLY—Gear and cross shaft	7425277	7425277	7425277	7421383	7421383
COVER AND BRUSH ASSEMBLY—End	7420433	7420433	7422280	7420433	7420433
FIELD AND HOUSING ASSEMBLY	7425280	7425280		7420161	7420161
FIELD, HOUSING AND RESISTOR PACKAGE				7420184	7420184
GASKET—Gear and cross shaft cover	7425294	7425294	7425294	7421387	7421387
GROMMET—Cable			7425465		
HOUSING ASSEMBLY—Gear and cross shaft	7421389	7425270	7425270	7421379	7421379
HOUSING ASSEMBLY—Transmission			7425464		
INSULATOR—Terminal plate	7425291	7425291			
LEAD—Earth				7421386	7421386
NUT—Cross shaft crank		7425266	7425266		
PLATE ASSEMBLY—Terminal	7425290	7425290			
PLUG—Vacuum hose			7418904		
RESISTOR				7420162	7420162
SCREW—Armature adjusting	7421380	7425271	7425271	7421380	7421380
SCREW—Circuit breaker attaching				7421388	7421388
SCREW—Gear and cross shaft cover	7425279	7425279	7425279	7425279	7425279
SCREW—Gear and cross shaft adjusting	7425275	7425275	7425275	7425275	7425275
SHAFT ASSEMBLY—Gear and cross	7421391	7425273		7426648	7426648
SPRING—Brush	7425287	7425287	7425287	7425287	7425287
WASHER—Gear and cross shaft spacer	7425272	7425272	7425272	7425272	7425272
WASHER—Armature thrust	7425284*	7425284*	7425284*	7425284*	7425284*
WASHER—Gear and cross shaft cover screw lock	7425278	7425278	7425278	7425278	7425278
WASHER—Cross shaft crank lock	7419511	7419511	7419511	7419511	7419511
WASHER—Through bolt lock	7425288	7425288	7425288	7425288	7425288

* Use only when required.



HOLDEN

MASTER PARTS CATALOGUE

10.150 MOTOR ASSEMBLY, REPAIR KIT—Windshield Wiper and Pump (Cont'd.)

COMPONENTS.	M O T O R A S S E M B L Y					
	7421283	7424237	7426220	7426521	7430776	7957063
ARM—Crank	7422823	7429032	7422823	7422824	VS10272	7957153
ARMATURE	7425281	7429034	7426649	7426649	VS10283	7225824
BALL—Thrust					VS10285	7957152
BOLT—Through	7425289	7425289	7425289	7425289	VS10284	
BRUSH	7425286	7425286	7425286	7425286	VS10282	7225639
BUSH—Armature						7225784
BUSH—Cross shaft						7956143
CAM ASSY.—Pump actuating	7422295		7422295	7422295		
CAP—Gear and cross shaft protector		7429026			7429026	
CIRCUIT BREAKER ASSEMBLY	7422299	7429025	7422299	7422299		7225861
COIL—Field, 3 lead						7225752
COIL—Field, 4 lead						7957065
COMMUTATOR ASSEMBLY	7425283		7425283	7425283		
CONE—Armature thrust, com. end	7425285	7425285	7425285	7425285		
COVER—Commutator end						7956959
COVER—Cross shaft, plastic		7429030			7429030	
COVER—Terminal connection	7422285		7422285	7422285		
COVER ASSY.—Gear and cross shaft	7422286	7429027	7422286	7422286	VS10279	
COVER AND BRUSH ASSY.—End	7420433	7420433	7420433	7420433		
COVER AND VALVE ASSY.—Pump	7422302		7422302	7422302		
DIAPHRAGM	7422304		7422304	7422304		
FIELD ASSEMBLY—With coils						7957163
FIELD, HOUSING & RESISTOR PACKAGE	7420184	7420184	7420184	7420184		
FIELD AND HOUSING ASSEMBLY	7420161	7420161	7420161	7420161	VS10287	
GASKET—Gear and cross shaft cover	7421387	7429028	7421387	7421387	VS10278	
GROMMET—Cable	7425465		7425465	7425465		
HOUSING ASSY.—Gear & cross shaft	7421379	7429024	7421379	7421379	VS10273	
HOUSING ASSEMBLY—Pump	7422308		7422308	7422308		
LEAD—Earth	7421386	7421386	7421386	7421386	VS10274	7957033
NUT—Clamp, flanged		7429033			7429033	
NUT—Pump wheel spring screw lock	7427218					
PAD—Armature thrust					VS10286	
PLATE ASSEMBLY—Brush						7225863
PLATE ASSEMBLY—Switch						7957055
PLATE & CONTACT ASSY.—Cover	7422298		7422298	7422298		
PLUNGER ASSY.—Pump cam follower	7422291		7422291	7422291		
PLUNGER & RATCHET SPRING—Pump	7422305		7422305	7422305		
RESISTOR	7420162	7420162	7420162	7420162		
RETAINER—Parking spring						7956386
RING—Pump spacer	7422303		7422303	7422303		
SCREW—Armature adjusting	7421380	7421380	7421380	7421380		
SCREW—Gear and cross shaft cover	7425279	7425279	7425279	7425279	VS10280	
SCREW—Terminal connection cover	7422284		7422284	7422284		
SCREW—Pump cam retaining	7422292		7422292	7422292		
SCREW—Cover plate and contact	7425279		7425279	7425279		
SCREW—Pump cover and valve assy.	7427219		7427219	7427219		
SCREW—Pump housing	7425279		7425279	7425279		
SCREW—Terminal block					VS10277	
SHAFT ASSEMBLY—Gear and cross	7422287	7429029	7426650	7426650	VS10275	7956550
SOLENOID ASSEMBLY—Pump	7422307		7422307	7422307		

HOLDEN

MASTER PARTS CATALOGUE



10.150 MOTOR ASSEMBLY, REPAIR KIT—Windshield Wiper and Pump (Cont'd.)

COMPONENTS.	MOTOR ASSEMBLY					
	7421283	7424237	7426220	7426521	7430776	7957063
SPRING—Brush	7425287	7425287	7425287	7425287	VS10281	7225880
SPRING—Pump ratchet wheel stop ..	7422301	7422301	7422301
SPRING—Pump return	7422306	7422306	7422306
SPRING AND CONTACT—Parking	7225871
TERMINAL BLOCK ASSEMBLY	VS10276
WASHER—Armature, fabric	7224413
WASHER—Armature shim, metal	7224722
WASHER—Armature spacer	7425272	7425272
WASHER—Armature thrust	7425284*	7425284*	7425284*
WASHER—Cross shaft crank lock	7419511	7419511	7419511
WASHER—G. & cr. sh. cov. screw lock	7425278	7425278	7425278	7425278
WASHER—Gear and cross shaft spacer	7425272	7429031	7425272	7425272	7429031
WASHER—Pump housing screw lock	7425278	7425278	7425278
WASHER—Through bolt lock ..	7425288	7425288	7425288	7425288	7425288
WEDGE—Cross shaft adjusting thrust	7422309	7422309	7422309
WHEEL ASSY.—Pump timing ratchet	7422300	7422300	7422300

* Use only when required.

COMPONENTS	MOTOR ASSY.	MOTOR ASSY.	MOTOR ASSY.	MOTOR ASSY.
	7423868	7423887	7427755	7434202
ARM—Crank	7428949	VS10566
ARM—Park contact	7425853	7425853
ARMATURE	7425848	7425848	7428942	VS10556
BEARING SET—Commutator end	7425844	7425844	7425844
BEARING SET—Drive end	7425850	7425850	7428938
BEARING SET—Yoke	VS10555
BOLT—Through ..	7425842	7425842	7428937	VS10551
BRUSH SET	7425845	7425845	7425845	VS10553
BUSHING—Gear box	VS10560
CAP—Shaft dust	7428952
CIRCUIT BREAKER ASSEMBLY	7425847	7425847	7425847	VS10559
CLIP—Cable	7428941
COIL—Field ..	7425849	7425849	7428939
COVER—Commutator end	7425843	7425843	7425843
COVER—Drive shaft	VS10567
COVER—Gear box	7425852	7425852	7428946	VS10561
DISC ASSEMBLY—Contact	7428951
GEAR—Brush	VS10552
GEAR—Driven	7428948
GEAR BOX ASSEMBLY—Less cover	7425851	7430490
GROMMET—Cable	7428940
NUT—Armature thrust screw	7428554	7428554	7428554
NUT—Crank	7428950	7428950
RIVET—Park contact arm	7425854	7425854
SCREW—Armature thrust	7428943	VS10557
SCREW—Gear box cover	7425855	7425855	7425855	VS10562
SCREW—Gear box cover (Flat hd.)	VS10563
SHAFT—Gear and cross	VS10565
SHAFT, PLATE & CONTACT ASSEMBLY	7428947
SPRING SET—Brush	7425846	7425846	7425846	VS10554
STRAP—Earth	VS10564
SUNDRY PARTS SET	7425856	7425856	7428953
TERMINAL ASSEMBLY	7428944	VS10558



HOLDEN

MASTER PARTS CATALOGUE

10.150 MOTOR ASSEMBLY, REPAIR KIT—Windshield Wiper and Pump (Cont'd.)

COMPONENTS	PUMP ASSY. 7420684	PUMP ASSY. 7430911
BUSHING—Guide	VS10135	VS10135
CAM	VS10119	VS10119
CIRCLIP	7425480	7425480
COVER	VS10125	VS10300
COVER ASSEMBLY—Valve	VS10124	VS10124
DIAPHRAGM	VS10181	VS10181
HOUSING ASSEMBLY	VS10120	VS10120
LEAD ASSEMBLY	VS10134	VS10302
LEVER ASSEMBLY—Timing	VS10129	VS10129
PLATE—Cam cover	VS10118	VS10118
PLATE—Guide	VS10136	VS10136
PLATE—Solenoid clamp	VS10130	VS10130
PLATE—Timing clamp	VS10128	VS10128
PLUNGER ASSEMBLY—Motor	VS10131	VS10131
PLUNGER ASSEMBLY—Pump	VS10122	VS10122
SCREW—Cam cover plate	191284	191284
SCREW—Cam slide	145173	145173
SCREW—Cover	145173	145173
SCREW—Guide plate	441197	441197
SCREW—Pump housing	145192	145192
SCREW—Solenoid clamp plate	145173	145173
SCREW—Timing clamp plate	145173	145173
SEAL—Terminal		VS10303
SLIDE ASSEMBLY—Cam	VS10138	VS10138
SOLENOID ASSEMBLY—Pump	7422307	7422307
SPRING—Plunger	VS10132	VS10132
SPRING—Pawl tension	VS10182	VS10182
SWITCH ASSEMBLY—Timing	VS10133	VS10301
WASHER—Cam slide fibre	VS10121	VS10121
WASHER—Cam slide flat	VS10139	VS10139
WASHER—Guide plate screw lock	VS10137	VS10137

10.151 NUT—Windshield Wiper Control

NUT	FE, FC, FB, EK	7417533	1
NUT	EJ, EH, HD, HR	7416683	1

10.152 GASKET, GROMMET, SEAL—Windshield Wiper Motor Mounting

GROMMET ASSEMBLY	EK	7418908	2
SEAL	EK	7418364	1
GROMMET ASSEMBLY	EJ, EH, HD, HR	7418908	3
SEAL	EJ, EH	7416304	1
PLATE—Seal support	EJ, EH	7416305	1
SEAL	HD, HR	7425782	1

10.153 SHIELD—Windshield Wiper Motor Arm

SHIELD	HD, HR	7426735	1
BOLT—Pan. hd. cr. rec. No. 10—24 x 3/8"	HD, HR	159908	1
WASHER—Spring lock No. 10—Medium	HD, HR	120217	1
WASHER—Spring lock 1/4"—Medium	HD, HR	120380	1

10.155 HOSE—Windshield Wiper

HOSE	48, 50, FJ	7401156	1
HOSE	FE, FC, FB	7410340	1

10.157 ARM ASSEMBLY—Windshield Wiper Motor Drive Crank

ARM AND PIN ASSEMBLY	EK	7418363	1
----------------------	----	---------	---

10.158 PLATE—Windshield Wiper Retainer

PLATE & SPRING ASSEMBLY	48, 50, FJ	7402401	1
PLATE—Arm retainer	FE, FC, FB	7410257	2
WASHER—Plain, 1/4" x 9/16" x .049"	FB	SPT449	2

HOLDEN

MASTER PARTS CATALOGUE



10.159 PIVOT & CONNECTOR LINK ASSEMBLY—Windshield wiper

L.H.	48, 50, FJ	7402405	1
R.H.	48, 50, FJ	7402404	1
SPACER—Pivot shaft	48, 50, FJ	7401883	2
WASHER—Pivot shaft	48, 50, FJ	7401886	2
PIVOT & CONNECTOR LINK ASSEMBLY	FE, FC ..	LH 7413589	1
		RH 7413588	1
SPACER—Pivot shaft	FE, FC ..	7413862	2
WASHER—Pivot shaft ..	FE, FC ..	7410250	2
PIVOT & CONNECTOR LINK ASSEMBLY	FB	LH 7412895	1
		RH 7412894	1
SPACER—Pivot shaft	FB	7402944	2
GROMMET—Link	48, 50, FJ, FE, FC, FB	7418903	2
PIVOT & CONNECTOR LINK ASSEMBLY	EK	LH 7418365	1
		RH 7418366	1
BUSHING—Connector link ..	EK	7418342	2
SPACER—Pivot shaft	EK	7418773	2
GASKET—Pivot Shaft	FB, EK ..	7402966	2
NUT—Pivot shaft	48, 50, FJ, FE, FC, FB, EK	7401887	2
PIVOT and LINK ASSEMBLY	EJ	RIGHT HAND DRIVE	7416300
		LEFT HAND DRIVE	7426563
BOLT—Hex. hd. 1/4"—20 x 11/16" w/lock washer ..	EJ	SP1566	2
WASHER—Spring lock, 1/4"—medium	EJ	120380	2
WASHER—Plain, 17/64" x 5/8" x .049"	EJ	446188	2
LINK ASSEMBLY—Drive with ball studs	EJ	RIGHT HAND DRIVE	7424732
		LEFT HAND DRIVE	7424735
PIVOT ASSEMBLY—Drive link	EJ	RIGHT HAND DRIVE	*7424730
LINK ASSEMBLY—Driven ..	EJ	**7424734	1
RETAINER—Ball socket bearing (Sheet steel)	EJ	**7416126	2
PIVOT ASSEMBLY—Drive link	EJ	**7424731	1
BEARING—Ball socket (Plastic) ..	EJ	7416125	2
PIVOT ASSEMBLY—Driven link ..	EJ	7416113	1
BOLT—Hex. hd. 1/4"—20 x 11/16" w/lock washer ..	EJ	SP1566	2
WASHER—Spring lock, 1/4"—medium	EJ	120380	2
WASHER—Plain, 17/64" x 5/8" x .049"	EJ	446188	2
PIVOT AND LINK ASSEMBLY	EH	RIGHT HAND DRIVE	7426562
		LEFT HAND DRIVE	7426563
BOLT—Hex. hd. 1/4"—20 x 11/16" w/lock washer ..	EH	SP1566	2
WASHER—Spring lock 1/4"—medium	EH	120380	2
WASHER—Plain, 17/64" x 5/8" x .049"	EH	446188	2
LINK ASSEMBLY—Drive with ball studs	EH	RIGHT HAND DRIVE	7426756
		LEFT HAND DRIVE	7426755
LINK ASSEMBLY—Driven ..	EH	7426757	1
RETAINER—Ball socket bearing ..	EH	7426759	2
BEARING—Ball socket ..	EH	7426758	2
PIVOT ASSY.—Drive link ..	EH	7426754	1
PIVOT ASSEMBLY—Driven link ..	EH	7416113	1
BOLT—Hex. hd. 1/4"—20 x 11/16" w/lock washer ..	EH	SP1566	2
WASHER—Spring lock 1/4"—medium	EH	120380	2
WASHER—Plain, 17/64" x 5/8" x .049"	EH	446188	2
LINK ASSEMBLY—Drive ..	HD, HR (A)	RIGHT HAND DRIVE	7425625
LINK ASSEMBLY—Drive ..	HR (M)	RIGHT HAND DRIVE	7432273
LINK ASSEMBLY—Drive ..	HD, HR	LEFT HAND DRIVE	7412142
LINK ASSEMBLY—Driven ..	HD, HR	7425626	1
PIVOT ASSEMBLY—Drive link ..	HD, HR	RIGHT HAND DRIVE	7425778
		LEFT HAND DRIVE	7412634
PIVOT ASSEMBLY—Driven link ..	HD, HR	7425779	1
BOLT—Hex. hd. 1/4"—20 x 5/8" w/lock washer	HD, HR	186493	2

*Required for Pivot & Link Assembly, equipped with Spring Steel Ball Socket Bearing Retainers which clip into formed recesses on the Links.

**Required for Pivot & Link Assembly equipped with Sheet Steel Ball Socket Bearing Retainers having 4 lugs which crimp onto the Links.



HOLDEN

MASTER PARTS CATALOGUE

10.160 RETAINER, CLIP—Windshield Wiper Drive Link

RETAINER—Link to motor	EK, EJ, EH	4905636	1
RETAINER—Link to pivot	EJ, EH	4905636	1
CLIP—Retainer	HD, HR	7425608	4

10.161 SEAL—Windshield Wiper Pivot

SEAL	HD, HR	7425727	2
------	--------	---------	---

10.163 CONTROL ASSEMBLY, GASKET, SWITCH, HARNESS—Windshield Wiper

CONTROL ASSEMBLY	48, 50, FJ	7402410	1
WASHER—Int. tooth lock 3/8"	48, 50, FJ	138542	1
CONTROL ASSEMBLY	FE, FC	7413590	1
CONTROL ASSEMBLY	FB	7412613	1
GROMMET—Control	FE, FC, FB	7409795	1
CLIP—Control to steering column brace	FB	7401651	1
SWITCH ASSEMBLY—Electric wiper	FE, FC, FB	7425467	1
SWITCH ASSEMBLY	EK	1993563	1
WASHER—Switch ground	EK	7418437	1
HARNESS ASSEMBLY	EK	7418331	1
BODY—Terminal connector protector	EK	2962448	1
CLIP—Fuse holder mounting	EK	7418449	1
FUSE—7½" Amp.	EK	455107	1
SWITCH ASSEMBLY	EJ exc. EJ/235	7416886	1
WASHER—Internal tooth lock, 1/2"	EJ	138549	1
SWITCH ASSEMBLY—2 speed	EJ/235	1993527	1
SWITCH ASSEMBLY	EH	7421516	1
WASHER—Internal tooth lock 1/2"	EH	138549	1
SWITCH ASSEMBLY—Wound type field motor	HD, HR (A)	7425680	1
SWITCH ASSEMBLY—Permanent magnet type field motor	HR (A)	7430798	1
SWITCH ASSEMBLY	HR (M)	7430798	1
WASHER—Switch	HD, HR	7425677	1

10.164 DIAL, KNOB—Windshield Wiper Control

DIAL	FE	7409189	1
KNOB ASSEMBLY	FE, FC	7409188	1
DIAL	FB, EK	7412078	1
KNOB ASSEMBLY	FB, EK	7412809	1
SCREW—Set	FB, EK	1933247	1
KNOB ASSEMBLY	EJ, EH	7416760	1
KNOB ASSEMBLY	HD, HR	7425568	1
SCREW	HD, HR	7425569	1

10.166 ESCUTCHEON—Windshield Wiper Control Knob

ESCUTCHEON	FE	7409190	1
ESCUTCHEON	EJ, EH	7418025	1

10.185 MIRROR ASSEMBLY—Rear Vision

INTERIOR	48, 50, FJ exc. FJ/2104	7407607	1
EXTERIOR	50, FJ/2104, FJ/2106	7404690	1
INTERIOR	FE, exc. FE/2104		
	FC, exc. FC/2104	7384556	1
EXTERIOR	FE/2104, FE/2106, FC/2104, FC/2106	7384468	1
INTERIOR	FB, exc. FB/2104		
	EK, exc. EK/2104	7422528	1
WASHER—Friction	FB, exc. FB/2104		
	EK, exc. EK/2104	7421161	A.R.
SCREW—Oval hd. cr. rec. mach., No. 10—24 x 1/2"	FB, exc. FB/2104	156963	1
EXTERIOR	FB/2104, FB/2106, EK/2104, EK/2106	RH7406654	1
		LH7384469	1
SCREW—Flat hd. sl. mach., 1/4"—20 x 1/2"	FB/2104, FB/2106, EK/2104, EK/2106	133767	1
WASHER—Csk. ext. tooth lock, 1/4"	FB/2104, FB/2106, EK/2104, EK/2106	138604	1
GASKET	FB/2104, FB/2106, EK/2104, EK/2106	7414256	1
INTERIOR PACKAGE	FB/2104, FB/2106, EK/2104, EK/2106	7406988	1

HOLDEN

MASTER PARTS CATALOGUE



10.185 MIRROR ASSEMBLY—Rear vision (Cont'd.)

INTERIOR	EJ/215, EJ/219, EJ/225, EJ/229, EH/215, EH/219, EH/225, EH/229, HD/215, HD/219, HD/225, HD/229, HR/215, HR/219, HR/225, HR/229, HR/2106	7417096	1
INTERIOR	EJ/235, EH/235, EH/239, HD/235, HD/239, HR/235, HR/239 ..	7430042	1
SCREW—Sl. hd. (Suit 7430234 support)	HD, HR	7432145	1
WASHER—Friction	EJ/215, EJ/219, EJ/225, EJ/229, EH/215, EH/219, EH/225, EH/229, HD/215, HD/219, HD/225, HD/229 ..	7421161	1
EXTERIOR	EJ/2104, EJ/2106, EH/2104, EH/2106	LH7384469	1
WASHER—Internal tooth lock 5/16" ..		RH7384468	1
INTERIOR PACKAGE		138538	2
EXTERIOR	EJ/2104, EJ/2106, EH/2104, EH/2106	7425454	1
GASKET	HD/2104, HD/2106, HR	7414744	1
INTERIOR PACKAGE	HD/2104, HD/2106, HR	7414256	1
	HD/2104, HD/2106		
	HR/2104, HR/2106	7427753	1

10.187 SUPPORT—Rear vision mirror

SUPPORT—Interior mirror	FE, exc. FE/2104		
SCREW—Oval hd. cr. rec. tap. Type "A" No. 10—12 x 3/4"	FC, exc. FC/2104	7408242	1
SUPPORT—Interior mirror	FE, exc. FE/2104		
SCREW—Oval hd. cr. rec. tap. Type "A" No. 10—12 x 3/4"	FC, exc. FC/2104	162462	2
SUPPORT—Interior mirror	FB, exc. FB/2104		
SCREW—Oval hd. cr. rec. tap. Type "A" No. 10—12 x 3/4"	EK, exc. EK/2104	7412349	1
SUPPORT—Interior mirror	FB, exc. FB/2104		
SUPPORT—Interior mirror	EK, exc. EK/2104	162462	3
SCREW—Oval hd. cr. rec. tap. type "A" No. 10—12 x 1/2"	EJ, exc. EJ/2104, EJ/2106		
SUPPORT—Exterior mirror	EH, exc. EH/2104, EH/2106	7416398	1
SCREW—Pan. hd. sl. mach. 1/4"—20 x 1/2"	HD, HR	7430234	1
WASHER—Spring lock 1/4"—light	EJ, exc. EJ/2104, EJ/2106		
	EH, exc. EH/2104, EH/2106,		
	HD, HR	162453	3
	HD/2104, HD/2106, HR	LH7426917	1
		RH7426916	1
	HD/2104, HD/2106, HR	443507	1
	HD/2104, HD/2106, HR	121637	1

10.203 SUN VISOR ASSEMBLY

48, 50, FJ	}	SIMPLON GREEN P.V.C.	L.H. M32155	1
		CANYON BEIGE P.V.C.	L.H. M32157	1
FJ	}	TRIM NOS. 504, 507	LH 7409897-467	1
			RH 7409898-467	1
FE	}	TRIM NOS. 465, 568, 728	LH 7409897-465	1
			RH 7409898-465	1
FC	}	TRIM NOS. 467, 571, 704, 711, 729	LH 7409897-467	1
			RH 7409898-467	1
FC	}	TRIM NOS. 582, 703	LH 7409897-582	1
			RH 7409898-582	1
FC	}	TRIM NOS. 627, 629, 637, 638, 639, 644, 648, 652, 656, 658, 666, 667, 838, 846, 847, 848, 849, 857, 858, 860 ..	LH 7409897-637	1
			RH 7409898-637	1
FC	}	TRIM NOS. 630, 640, 649, 653, 659, 668, 839, 840, 850, 851, 859 ..	LH 7409897-630	1
			RH 7409898-630	1
FC	}	TRIM NOS. 632, 633, 642, 646, 650, 654, 661, 662, 669, 841, 842, 843, 852, 853, 854 ..	LH 7409897-633	1
		TRIM NOS. 635, 643, 651, 655, 664, 670, 844, 845, 855, 856 ..	LH 7409897-635	1
			RH 7409898-635	1
			RH M32152	1



HOLDEN

MASTER PARTS CATALOGUE

10.203 SUN VISOR ASSEMBLY (Contd.)

SUN VISOR—Less support	FB, EK	7401444	2
SCREW—Oval hd. cr. rec. type "A" No. 10-12 x 3/4"	48, 50, FJ, FE, FC, FB, EK	162462	6
SUN VISOR ASSEMBLY—Less support	EJ exc. EJ/235	7419153-B10	2
SUN VISOR ASSY. TRIM No. B26	EJ/235	7419153-B10	2
SUN VISOR ASSY. TRIM No. B27	EJ/235	LH7410731-B27	1
		RH7419153-B27	1
SUN VISOR ASSY. TRIM No. B28	EJ/235	7419153-B28	2
SUN VISOR ASSY. TRIM No. B29	EJ/235	7419153-B29	2
SUN VISOR ASSEMBLY	EH exc. EH/235, EH/239	7419153-B10	2
SUN VISOR ASSEMBLY—Trim Nos. C44, C47, C79, C82	EH/235, EH/239	7419153-B10	2
SUN VISOR ASSEMBLY—Trim Nos. C45, C46, C80, C81	EH/235, EH/239	LH7410731-C45	1
		RH7419153-C45	1
SUN VISOR—Less support	HD exc. HD/235, HD/239	7419153-D54	2-1
SUN VISOR—Less support—Trim Nos. D66, D70, E35, E36	HD/235, HD/239	7419153-D54	2
SUN VISOR—Less support—Trim Nos. D67, D68, D71, D72	HD/235, HD/239	7419153-D67	2
SUN VISOR—Less support	HR exc. HR/235, HR/239	7419153-D54	2-1
SUN VISOR—Less support—Trim Nos. E65, E68, E69, E72, F05, F08, F09, F12	HR/235, HR/239	7419153-D54	2
SUN VISOR—Less support—Trim Nos. E66, E67, E70, E71, F06, F07, F10, F11	HR/235, HR/239	7419153-D67	2
SUN VISOR—Less support—Padded type	HR exc. HR/235, HR/239	LH7434159-E55	1
		RH7434160-E55	1
SUN VISOR—Less support—Padded type			
Trim Nos. E65, E68, E69, E72, F05, F08, F09, F12, F60, F61, F62, F63, F64, F65, F66, F67	HR/235, HR/239	LH7434159-E55	1
		RH7434160-E55	1
SUN VISOR—Less support—Padded type			
Trim Nos. E66, E67, E70, E71, F06, F07, F10, F11	HR/235, HR/239	LH7434159-E66	1
		RH7434160-E66	1
SUN VISOR—Less support—Padded type			
Trim Nos. F40, F43, F46, F49	HR/235, HR/239	LH7434159-F40	1
		RH7434160-F40	1
SUN VISOR—Less support—Padded type			
Trim Nos. F41, F44, F47, F50	HR/235, HR/239	LH7434159-F41	1
		RH7434160-F41	1
SUN VISOR—Less support—Padded type			
Trim Nos. F42, F45, F48, F51	HR/235, HR/239	LH7434159-F42	1
		RH7434160-F42	1
SUN VISOR—Less support—Padded type			
Trim Nos. F52, F53, F54, F55	HR/235, HR/239	LH7434159-F52	1
		RH7434160-F52	1
SCREW—Oval hd. cr. rec. tap. type "B" No. 10—16 x 1/2"	EJ, EH, HD, HR	163467	6-3



10.219 SUPPORT—Sun Visor (Cont'd.)

SHAFT and SUPPORT	FJ/215 S.A. from Body No. 13868		
	NSW from Body No. S5473		
	FJ/217 S.A. from Body No. 3553		
	NSW from Body No. S3193		
	FJ/225 S.A. from Body No. 36754		
	NSW from Body No. S18049		
	FJ/2104 from Body No. 2533		
	FJ/2106 S.A. from Body No. 17445		
	N.S.W. from Body No. S8376		
	FE, FC	LH 7409905	1
		RH 7409906	1
SUPPORT AND PIVOT ASSEMBLY	FB, EK	7412503	2
SCREW—Fill hd. sl. mach., No. 10—24 x 1/2"	FB, EK	120687	2
SUPPORT and PIVOT	EJ, EH	LH7410729	1
		RH7410730	1
SUPPORT and PIVOT	HD, HR	LH7427779	1
		RH7427778	1
SCREW—Fillister hd. sl. mach. No. 10—24 x 1/2"	EJ, EH, HD, HR	120687	2

10.230 PANEL ASSEMBLY—Instrument

(LESS DOOR & CARRIER)	FE, FC	7409755	1
(LESS DOOR & CARRIER)	FB, EK	RIGHT HAND DRIVE	7412949
(LESS DOOR AND CARRIER)	EJ/215, EJ/219, EJ/2104, EJ/2106	RIGHT HAND DRIVE	7417055
		LEFT HAND DRIVE	7417941
(LESS DOOR AND CARRIER)	EJ/225, EJ/229	RIGHT HAND DRIVE	7417058
(LESS DOOR AND CARRIER)	EJ/235		7419599
(LESS DOOR AND CARRIER)	EH/215, EH/219, EH/2104, EH/2106	RIGHT HAND DRIVE	7422196
		LEFT HAND DRIVE	7422205
(LESS DOOR AND CARRIER)	EH/225, EH/229	RIGHT HAND DRIVE	7422199
		LEFT HAND DRIVE	7422208
(LESS DOOR AND CARRIER)	EH/235, EH/239	RIGHT HAND DRIVE	7422202
		LEFT HAND DRIVE	7427583
(LESS DOOR AND CARRIER)	HD, HR	RIGHT HAND DRIVE	7423730
		LEFT HAND DRIVE	7423732

10.252 PLATE, MOULDING—Instrument Panel Trim

PLATE—Centre	FB/225, FB/229	RIGHT HAND DRIVE	7414155	1
PLATE	FB/225, FB/229	RIGHT HAND DRIVE	LH7413071	1
			RH7413072	1
PLATE—Centre	EK/225, EK/229	RIGHT HAND DRIVE	7416649	1
PLATE	EK/225, EK/229	RIGHT HAND DRIVE	LH7416647	1
			RH7416646	1
SCREW—Pan hd. cr. rec. tap., Type "A", No. 6—18 x 3/8"	FB/225, FB/229, EK/225, EK/229	RIGHT HAND DRIVE	161790	2
MOULDING—Centre	EJ/215, EJ/219, EJ/2104, EJ/2106			
	EH/215, EH/219, EH/2104, EH/2106	RIGHT HAND DRIVE	7417072	1
MOULDING—Centre	EJ/225, EJ/229, EJ/235			
	EH/225, EH/229, EH/235, EH/239	RIGHT HAND DRIVE	7417073	1
MOULDING—Left side	EJ/225, EJ/229, EJ/235			
	EH/225, EH/229, EH/235, EH/239	RIGHT HAND DRIVE	7417069	1
MOULDING—Right side	EJ	RIGHT HAND DRIVE	7417068	1
MOULDING—Right side	EH	RIGHT HAND DRIVE	7419713	1
MOULDING—Centre	EJ	LEFT HAND DRIVE	7417074	1
MOULDING—Centre	EH	LEFT HAND DRIVE	7419714	1
MOULDING	EJ, EH	LEFT HAND DRIVE	LH7417071	1
			RH7417070	1
MOULDING—Centre	HD/225, HD/229, HD/235, HD/239			
	HR/235, HR/239 ..	7424420	1	
MOULDING—Corner	HD/225, HD/229, HD/235, HD/239			
	HR/235, HR/239 ..	LH7424421	1	
		RH7424422	1	
CLIP—Moulding	EJ, EH, HD, HR	7416845	A.R.	



HOLDEN

MASTER PARTS CATALOGUE

10.256 GRILLE, PLATE, RETAINER, ESCUTCHEON—Instrument panel radio

GRILLE	48, 50, FJ	7404229	1	
SCREW—Pan hd. sl. tap. type "A" No. 8—15 x 1/2" .. .	48, 50, FJ	120790	3	
PLATE—Control finish	48, 50, FJ	7404463	1	
SCREW—Rd. hd. sl. mach. No. 10—24 x 3/8" .. .	48, 50, FJ	110499	2	
WASHER—Plate and retainer	48, 50, FJ	7403218	2	
GRILLE ASSEMBLY	FE, FC	7411372	1	
SCREW—Pan hd. cr. rec. 1/4"—20 x 3/8" with lock washer	FE, FC	191984	2	
NUT—Hex. 1/4"—20	FE, FC	120375	2	
WASHER—Ext. tooth lock 1/4"	FE, FC	121753	2	
COVER—Grille	FE, FC	7409759	1	
CLIP—Tubular lock—3/16"	FE, FC	SP1343	2	
BRACKET—Grille cover	FE, FC	7409760	1	
SCREW—Rd. hd. sl. mach. No. 10—24 x 3/8" with lock washer	FE, FC	228354	2	
BOARD—Grille	FE, FC	7409737	1	
NUT—Hex. No. 10—24	FE, FC	120361	4	
WASHER—Plain 13/64" x 15/32" x .049"	FE, FC	446152	4	
GRILLE	FB, EK	RIGHT HAND DRIVE	7412907	1
SCREW—Oval hd. cr. rec. tap., Type "A", No. 6—18 x 1/2"	FB, EK	RIGHT HAND DRIVE	443824	4
PLATE—Control finish	FB, exc. FB/225, FB/229			
	EK, exc. EK/225, EK/229			
	RIGHT HAND DRIVE	7402348	1	
PLATE—Control finish	FB/225, FB/229	RIGHT HAND DRIVE	7412974	1
PLATE—Control finish	EK/225, EK/229	RIGHT HAND DRIVE	7416648	1
GRILLE ASSEMBLY	EJ, EH		7418854	1
NUT—Stamped, type "G" No. 10—24	EJ, EH		441240	4
PLATE—Control finish	EJ/215, EJ/219, EJ/2104, EJ/2106			
	EH/215, EH/219, EH/2104, EH/2106			
	RIGHT HAND DRIVE	7417030	1	
PLATE—Control finish	EJ/225, EJ/229, EJ/235			
	EH/225, EH/229, EH/235, EH/239			
	RIGHT HAND DRIVE	7417276	1	
PLATE—Control finish	EJ, EH	LEFT HAND DRIVE	7417276	1
ESCUTCHEON	HD/215, HD/219, HD/2104, HD/2106			
	HR/215, HR/219, HR/2104, HR/2106			
	RIGHT HAND DRIVE	7429508	1	
	LEFT HAND DRIVE	7429507	1	
ESCUTCHEON	HD/225, HD/229, HD/235, HD/239			
	RIGHT HAND DRIVE	7425928	1	
	LEFT HAND DRIVE	7426583	1	
ESCUTCHEON	HR/225, HR/229	RIGHT HAND DRIVE	7428812	1
	LEFT HAND DRIVE	7428811	1	
ESCUTCHEON	HR/235, HR/239	RIGHT HAND DRIVE	7429692	1
	LEFT HAND DRIVE	7429691	1	
NUT—Stamped 1/8"—Type "M"	HD, HR		9415250	2

10.260 COMPARTMENT ASSEMBLY—Instrument panel

SCREW—Flat hd. sl. tap. "A" No. 8—15 x 1/2" .. .	48, 50, FJ	137145	6	
COMPARTMENT ASSEMBLY	FE, FC	7409800	1	
COMPARTMENT ASSEMBLY	FB, EK	RIGHT HAND DRIVE	7413007	1
SCREW—Pan hd. cr. rec. tap. Type "A" No. 8—15 x 1/2"	FE, FC, FB, EK	161860	5	
NUT—Compartment box	48, 50, FJ, FE, FC, FB, EK .. .	4558184	5	
COMPARTMENT ASSEMBLY	EJ, EH	RIGHT HAND DRIVE	7419229	1
SCREW—Pan hd. cr. rec. tap. type "A" No. 8—15 x 1/2"	EJ, EH	161860	2	
WASHER—Finish, No. 6	EJ, EH	140239	4	
SCREW—Oval hd. cr. rec. tap. type "B" No. 6—20 x 1/2"	EJ, EH	163404	3	
SCREW—Oval hd. cr. rec. tap. type "A" No. 6—18 x 3/8"	EJ, EH	162233	1	
NUT—Instrument panel compartment box	EJ, EH	4558184	2	
COMPARTMENT ASSEMBLY	HD, HR	7426176	1	
SCREW—Pan hd. cr. rec. tap. type "A" No. 8—15 x 1/2"	HD, HR	161860	2	
NUT—Instrument panel compartment box	HD, HR	4558184	2	

HOLDEN

MASTER PARTS CATALOGUE



10.261 DOOR ASSEMBLY, NAME PLATE, MOULDING—Instrument Panel Compartment

DOOR AND HINGE ASSEMBLY	48, 50, FJ exc. FJ/225	7403363	1
DOOR AND HINGE ASSEMBLY	FJ/225	7404216	1
SCREW—Pan hd. sl. tap. type "B" No. 8—18 x 5/16"	48, 50, FJ	145183	8
DOOR ASSEMBLY	FE, FC	7410059	1
PLATE—Door name	FE/225	7410061	1
PLATE—Door name	FE/229, FC/229	7410626	1
CLIP—Tubular lock 1/8" stud	FE	SP1345	3
CLIP—Rectangular lock 1/8" stud	FE, FC	SP1392	3
DOOR ASSEMBLY	FB		
	EK, RIGHT HAND DRIVE	7412909	1
PLATE—Door name	EK/225, EK/229	7416912	1
CLIP—Name plate	EK/225, EK/229	4635016	2
DOOR ASSEMBLY	EJ, EH RIGHT HAND DRIVE	7416215	1
PLATE—Name	EJ/225, EJ/229, EH/225, EH/229	7417252	1
CLIP—Name plate	EJ/225, EJ/229, EH/225, EH/229	4635016	3
DOOR ASSEMBLY	HD/215, HD/219, HD/2104, HD/2106	7425860	1
DOOR ASSEMBLY	HD/225, HD/229, HD/235, HD/239	7425861	1
PLATE—Name "Special"	HD/225, HD/229	7425670	1
PLATE—Name "Premier"	HD/235, HD/239	7425669	1
CLIP—Name plate	HD/225, HD/229, HD/235, HD/239	4635016	2
MOULDING—Door	HD/225/HD/229, HD/235, HD/239	7424419	1
CLIP—Moulding	HD/225, HD/229, HD/235, HD/239	7416845	3
DOOR ASSEMBLY	HR/215, HR/219, HR/2104, HR/2106	7425860	1
DOOR ASSEMBLY	HR/225, HR/229	7430505	1
DOOR ASSEMBLY	HR/235, HR/239	7425861	1
PLATE—Name "Special"	HR/225, HR/229	7430501	1
PLATE—Name "Premier"	HR/235, HR/239	7430500	1
CLIP—Name plate	HR/225, HR/229, HR/235, HR/239	4635016	2
MOULDING	HR/235, HR/239	7424419	1
CLIP—Moulding	HR/235, HR/239	7416845	3

10.262 HINGE ASSEMBLY—Instrument panel compartment door

HINGE ASSEMBLY—L.H.	FE, FC	7409781	1
HINGE ASSEMBLY—R.H.	FE, FC	7409780	1
WASHER—Plain 3/16" x 7/16" x .049"	FE, FC	131015	4
HINGE ASSEMBLY	FB, EK	7412870	1
SCREW—Pan hd. cr. rec. tap., Type "A", No. 8—18 x 3/8"	FB, EK	9411532	4
SCREW—Pan hd. cr. rec. tap., Type "B", No. 8—18 x 1/2"	FB, EK	163162	3
WASHER—Plain, 3/16" x 7/16" x .049"	FB, EK	131015	7
WASHER—Spring lock, No. 8, medium	FB, EK	121841	3
HINGE ASSEMBLY	EJ, EH	LH7409001	1
		RH7409002	1
BOLT—Pan hd. cr. rec. mach. No. 10—32 x 3/8"	EJ, EH	160046	4
WASHER—Spring lock, No. 10—medium	EJ, EH	120217	4
WASHER—Plain, type "A" 7/32" x 1/2" x .049"	EJ, EH	120391	4
HINGE ASSEMBLY	HD, HR	7424706	1
SCREW—Pan hd. cr. rec. tap. Type "A" No. 8—18 x 3/8"	HD, HR	9411532	3
SCREW—Pan hd. cr. rec. tap. type "B" No. 8—18 x 1/2"	HD, HR	163162	3
WASHER—Plain 3/16" x 7/16" x .049"	HD, HR	131015	6



HOLDEN

MASTER PARTS CATALOGUE

10.263 BUMPER—Instrument Panel Compartment Door

DOME—(On panel)	48, 50, FJ, FB, EK	7403533	2
FLAT—(On hinge)	48, 50, FJ	7403382	2
CONE—(On panel)	FE, FC	7409774	2
FLAT—(On hinge)	FE, FC, FB, EK	7409865	2
DOME—(On panel)	EJ, EH	7419109	1
DOME—(On panel)	EJ, EH	7419108	1
FLAT—(On hinge)	EJ, EH	7415902	2
DOME—(On panel)	HD, HR	7403533	2
FLAT—(On hinge)	HD, HR	7409865	2

10.264 CHECK—Instrument Panel Compartment Door

CHECK	FB, EK	LH7412969	1
		RH7412970	1
WASHER—Spring lock, No. 10, light	FB, EK	131183	4
CHECK	HD, HR	LH7425865	1
		RH7425864	1
SCREW—Pan hd. cr. rec. mach. No. 10—24 x 3/8"	HD, HR	159908	4
WASHER—Spring lock No. 10 medium	HD, HR	120217	4

10.266 BUTTON, LOCK—Instrument Panel Compartment Door Catch

BUTTON	FJ	7404161	1
LOCK ASSEMBLY—Coded with case	FE, FC, FB, EK, EJ, EH, HD, HR	85172	1
LOCK ASSEMBLY—Coded	FE, FC, FB, EK, EJ, EH, HD, HR	85053	1
LOCK ASSEMBLY—Uncoded	FE, FC, FB, EK, EJ, EH, HD, HR	75173	1
CASE AND PLUNGER ASSEMBLY	FE, FC, FB, EK, EJ, EH, HD, HR	4099315	1

10.267 ESCUTCHEON, RETAINER—Instrument Panel Comp. Door Button and Lock

ESCUTCHEON	48, 50	7403370	1
ESCUTCHEON	FJ exc. FJ/225	7404457	1
ESCUTCHEON	FJ/225	7404067	1
RETAINER	FE, FC, FB, EK, EJ, EH	7409892	1
SCREW—Pan hd. cr. rec. mach. with lock washer	FE, FC, FB, EK, EJ, EH	4598910	1
PLATE—Door opening	EJ, EH	7422932	1
RETAINER	HD, HR	7425866	1
SCREW—Pan hd. cr. rec. mach. with lock washer	HD, HR	4598910	1

10.268 CATCH ASSEMBLY, STRIKER—Instrument Panel Compartment Door

CATCH—(On door)	48, 50, FJ	7403534	1
SCREW—Pan hd. sl. tap. type "B" No. 8—18 x 5/16"	48, 50, FJ	145183	2
STRIKER—Lock	FE, FC	7409754	1
STRIKER—Lock	FB, EK	7412850	1
STRIKER—Lock	EJ, EH	7409005	1
SCREW—Pan hd. cr. rec. tap., Type "A", No. 8—18 x 3/8"	FB, EK, EJ, EH	9411532	2
WASHER—Plain, 3/16" x 7/16" x .049"	FB, EK, EJ, EH	131015	2
STRIKER—Lock	HD, HR	7425867	1
PLATE—Lock striker	HD, HR	7426150	1
SCREW—Oval hd. cr. rec. mach. No. 8—32 x 1/2"	HD, HR	156770	2

10.270 LAMP—Instrument Panel Compartment

BODY—Switch	EJ/235, EH/235, EH/239		
	HD/235, HD/239, HR/235, HR/239	7418802	1
SPRING—Switch	EJ/235, EH/235, EH/239		
	HD/235, HD/239, HR/235, HR/239	7418544	1
BULB—12-16 Volt 2 C.P.	EJ/235, EH/235, EH/239		
	HD/235, HD/239	273157	1
PLUNGER—Switch	EJ/235, EH/235, EH/239	7418972	1
BRACKET	EJ/235, EH/235, EH/239	7418101	1
CLIP—Wire	EJ/235, EH/235, EH/239	7413370	1
PLUNGER—Switch	HD/235, HD/239, HR/235, HR/239	7418729	1
SOCKET—Bulb holder	HD/235, HD/239, HR/235, HR/239	7426912	1
SOCKET & LEAD	HD/235, HD/239, HR/235, HR/239		
	RIGHT HAND DRIVE	7426926	1
	LEFT HAND DRIVE	7427457	1
CLIP—Wire	HD/235, HD/239, HR/235, HR/239		
	LEFT HAND DRIVE	7410651	1
BULB—12-16 Volt 2 C.P.	HR/235, HR/239	9417863	1

HOLDEN

MASTER PARTS CATALOGUE



10.307 COVER ASSEMBLY, VENTILATOR—Cowl

GRILLE—Cowl ventilator

BOLT—Cover to gutter support	48, 50, FJ	7402852	4
NUT—Hex. mach. screw No. 10—24	48, 50, FJ	120361	4
COVER ASSEMBLY	FE, FC	7409841	1
NUT—Hex. mach. screw No. 10—32	FE, FC	120614	4
VENTILATOR ASSEMBLY	FB	7425359	1
VENTILATOR ASSEMBLY	EK	7416135	1
SCREW—Pan hd. cr. rec. tap. Type "A", No. 8—18 x 3/8"	FB	9411532	15
WASHER—Plain, 3/16" x 3/8" x .049"	FB	446143	15
SCREW—Pan hd. cr. rec. tap. Type "A", No. 4—24 x 1/4"	FB, EK	161752	12
SCREW—Rd. hd. cr. rec. tap. Type "A", No. 8—15 x 1/2"	EK	SP1490	15
GRILLE	EJ	RIGHT HAND DRIVE LH7415277	1
		RH7415272	1
		LEFT HAND DRIVE RH7415276	1
GRILLE	EH	RIGHT HAND DRIVE 7422238	1
		LEFT HAND DRIVE 7422237	1
SCREW—Pan. hd. cr. rec. tap. type "A" No. 6—18 x 5/8"	EH	161801	6
SCREW—Rd. hd. cr. rec. tap. type "A" No. 8—15 x 1/2"	EH	SP1490	7
GRILLE	HD, HR	LH7424449	1
		RH7424448	1
SCREW—Pan hd. cr. rec. tap. type "A" No. 6—18 x 3/4"	HD, HR	161807	4
SCREW—Pan hd. cr. rec. tap. type "A" No. 8—15 x 1/2"	HD, HR	SP1490	6

10.308 MOULDING—Cowl ventilator grille

MOULDING	EJ	LH7415275	1
		RH7415274	1
CLIP—Moulding	EJ	7419250	12

10.313 KNOB, CLIP—Cowl ventilator handle

KNOB	48, 50, FJ, FE, FC	7404426	1
CLIP	48, 50, FJ, FE, FC	7402864	1

10.331 GASKET—Cowl ventilator

GASKET	48, 50, FJ	7401730	1
GASKET	FE, FC	7409556	1

10.335 LINK, SPRING, BOLT—Cowl Ventilator

SPRING—Control handle	48, 50, FJ	7401974	1
BOLT—Upper to lower link	48, 50, FJ	7402852	1
NUT—Hex. mach. screw no. 10—24	48, 50, FJ	120361	1
LINK—Ventilator, lower	FE, FC	7409572	1
SPRING—Control handle	FE, FC	7401974	1
BOLT—Lower link to control handle	FE, FC	7402156	1
NUT—Hex. 1/4"—20	FE, FC	120375	1
WASHER—Ext. tooth lock 1/4"	FE, FC	121753	1
BALL—5/16" Diameter	FE, FC	169110	1
WASHER—Anti-rattle	FE, FC	7401979	1

10.344 DRAIN TUBE—Cowl Ventilator Gutter

DRAIN TUBE	48, 50, FJ	7402505	1
DRAIN TUBE	FE, FC	7409586	1

10.351 DOOR ASSEMBLY—Front Less Trim

DOOR ASSEMBLY	EJ, EH	LEFT HAND DRIVE LH7425419	1
	HD/215, HD/219, HD/2104, HD/2106		
DOOR ASSEMBLY		RIGHT HAND DRIVE LH7430851	1
		RH7430852	1



HOLDEN

MASTER PARTS CATALOGUE

10.351 DOOR ASSEMBLY—Front Less Trim (Cont'd.)

DOOR ASSEMBLY	HR/215, HR/219, HR/2104, HR/2106		
	RIGHT HAND DRIVE	LH7430851	1
		RH7430852	1
	LEFT HAND DRIVE	LH7430853	1
		RH7430854	1
DOOR ASSEMBLY	HR/225, HR/229	LH7430851	1
		RH7430854	1
DOOR ASSEMBLY	HR/235, HR/239	LH7430705	1
		RH7430706	1

10.352 TUBE—Door Drain

TUBE	FB, EK	7416774	2
------	--------	---------	---

10.373 DOOR ASSEMBLY—Rear, less trim

DOOR ASSEMBLY	EJ/235	RH7419680	1
DOOR ASSEMBLY	EH/235	LH7422717	1
DOOR ASSEMBLY	HD/215	LH7420603	1
		RH7430856	1
DOOR ASSEMBLY	HD/219	LH7420605	1
DOOR ASSEMBLY	HR/215, HR/225	LH7430855	1
		RH7430856	1
DOOR ASSEMBLY	HR/219, HR/229	LH7430857	1
		RH7430858	1
DOOR ASSEMBLY	HR/235	LH7430711	1
		RH7430712	1
DOOR ASSEMBLY	HR/239	LH7430713	1
		RH7430714	1

10.450 HINGE ASSEMBLY—Front door, upper

HINGE ASSEMBLY—L.H.	FE, FC	7408573	1
HINGE ASSEMBLY—R.H.	FE, FC	7408572	1
BOLT—Hex. hd. 5/16"—24 x 7/8"	FE, FC	120213	6
WASHER—Spring lock 5/16"—medium	FE, FC	103320	6
SCREW—Flat hd. sl. mach. 5/16"—24 x 3/4"	FE, FC	193224	6
WASHER—Csk. ext. tooth lock 5/16"	FE, FC	134512	6
HINGE ASSEMBLY	FB, EK	LH 7401667	1
		RH 7401668	1
BOLT—Hex. hd. 5/16"—24 x 7/8"	FB, EK	120213	10
BOLT—Hex. hd. 5/16"—24 x 5/8"	FB, EK	123473	4
WASHER—Spring lock 5/16"—heavy	FB, EK	108579	14
WASHER—3/8" special	FB, EK	3713379	4
HINGE ASSEMBLY	EJ, EH	LH7415493	1
		RH7415494	1
BOLT—Hex. hd. 5/16"—24 x 3/4"	EJ, EH	120741	14
WASHER—Spring lock, 5/16"—medium	EJ, EH	108579	14
WASHER—Plain, .34" x .88" x .09"	EJ, EH	SP1455	6
SHIM—Body half	EJ, EH	7415896	A.R.
HINGE ASSEMBLY	HD, HR	7423113	2
BOLT—Hex. hd. 5/16"—18 x 3/4"	HD, HR	180077	6
BOLT—Hex. hd. 5/16"—18 x 1"	HD, HR	180079	8
WASHER—Spring lock 5/16"—heavy	HD, HR	108579	14
PLATE—Hinge	HD, HR	7424264	2
SHIM—Body half	HD, HR	7415896	A.R.

HOLDEN

MASTER PARTS CATALOGUE



10.454 HINGE ASSEMBLY—Front door, lower

HINGE ASSEMBLY—L.H.	FE, FC	7408575	1
HINGE ASSEMBLY—R.H.	FE, FC	7408574	1
BOLT—Hex. hd. 5/16"—24 x 7/8"	FE, FC	120213	6
WASHER—Spring lock 5/16"—medium	FE, FC	103320	6
SCREW—Flat hd. sl. mach. 5/16"—24 x 3/4" ..	FE, FC	193224	6
WASHER—Csk. ext. tooth lock 5/16"	FE, FC	134512	6
HINGE ASSEMBLY	FB, EK	LH 7412511	1
		RH 7412512	1
BOLT—Hex. hd. 5/16"—24 x 7/8"	FB, EK	120213	10
BOLT—Hex. hd. 5/16"—24 x 5/8"	FB, EK	123473	4
WASHER—Spring lock 5/16"—heavy	FB, EK	108579	14
WASHER—3/8" special	FB, EK	3713379	4
HINGE ASSEMBLY	EJ, EH	7415533	2
BOLT—Hex. hd. 5/16"—24 x 3/4"	EJ, EH	120741	14
WASHER—Spring lock, 5/16"—medium	EJ, EH	108579	14
WASHER—Plain, .34" x .88" x .09"	EJ, EH	SP1455	6
SHIM—Body half	EJ, EH	7415895	A.R.
HINGE ASSEMBLY	HD, HR	7423118	2
BOLT—Hex. hd. 5/16"—18 x 3/4"	HD, HR	180077	6
BOLT—Hex. hd. 5/16"—18 x 1"	HD, HR	180079	8
WASHER—Spring lock 5/16"—heavy	HD, HR	108579	14
PLATE—Hinge	HD, HR	7424264	2
SHIM—Body half	HD, HR	7423309	A.R.

10.456 HINGE ASSEMBLY—Rear door, upper

HINGE ASSEMBLY	FE exc. FE/2104, FE/2106 FC exc. FC/2104, FC/2106 FB exc. FB/2104, FB/2106 EK exc. EK/2104, EK/2106	7408764	2
BOLT—Hex. hd. 5/16"—24 x 3/4" ..	FE exc. FE/2104, FE/2106 FC exc. FC/2104, FC/2106 FB exc. FB/2104, FB/2106 EK exc. EK/2104, EK/2106	120741	6
WASHER—Spring lock 5/16"—heavy	FE exc. FE/2104, FE/2106 FC exc. FC/2104, FC/2106 FB exc. FB/2104, FB/2106 EK exc. EK/2104, EK/2106	108579	6
SCREW—Flat hd. sl. mach. 5/16"—24 x 3/4" ..	FE exc. FE/2104, FE/2106 FC exc. FC/2104, FC/2106 FB exc. FB/2104, FB/2106 EK exc. EK/2104, EK/2106	193224	6
WASHER—Csk. ext. tooth lock 5/16"	FE exc. FE/2104, FE/2106 FC exc. FC/2104, FC/2106 FB exc. FB/2104, FB/2106 EK exc. EK/2104, EK/2106	134512	6
HINGE ASSEMBLY	EJ, exc. EJ/2104, EJ/2106 EH exc. EH/2104, EH/2106	7415278	2
BOLT—Hex. hd. 5/16"—24 x 7/8"	EJ, exc. EJ/2104, EJ/2106 EH, exc. EH/2104, EH/2106	120213	4
WASHER—Spring lock, 5/16"—heavy	EJ, exc. EJ/2104, EJ/2106 EH, exc. EH/2104, EH/2106	108579	4
WASHER—Plain, .34" x .88" x .09"	EJ, exc. EJ/2104, EJ/2106 EH, exc. EH/2104, EH/2106	SP1455	4
SCREW—Flat hd. cr. rec. mach. 5/16"—24 x 7/8" ..	EJ, exc. EJ/2104, EJ/2106 EH, exc. EH/2104, EH/2106	191720	6
WASHER—Cks. external tooth lock, 5/16" ..	EJ, exc. EJ/2104, EJ/2106 EH, exc. EH/2104, EH/2106	134512	6
HINGE ASSEMBLY	HD exc. HD/2104, HD/2106 HR exc. HR/2104, HR/2106	LH7423939 RH7423940	1 1
BOLT—Flat hd. cr. rec. 5/16"—18 x 3/4"	HD exc. HD/2104, HD/2106 HR exc. HR/2104, HR/2106	7430091	4
WASHER—Csk. ext. tooth lock 5/16"	HD exc. HD/2104, HD/2106 HR exc. HR/2104, HR/2106	134512	4
BOLT—Hex. hd. 5/16"—18 x 1"	HD exc. HD/2104, HD/2106 HR exc. HR/2104, HR/2106	180079	6
WASHER—Spring lock 5/16"—heavy	HD exc. HD/2104, HD/2106 HR exc. HR/2104, HR/2106	108579	6



10.460 HINGE ASSEMBLY—Rear door, lower

HINGE ASSEMBLY	48, FJ/215, FJ/217, FJ/225	7401031	2
BOLT—Hex. hd. 5/16"—24 x 5/8"	48, FJ/215, FJ/217, FJ/225	106279	6
WASHER—Ext. tooth lock 5/16"	48, FJ/215, FJ/217, FJ/225	138485	6
SCREW—Flat hd. sl. mach. 5/16"—24 x 3/4" with lock washer	48, FJ/215, FJ/217, FJ/225	273467	4
WASHER—Csk. ext. tooth lock 1/4"	48, FJ/215, FJ/217, FJ/225	114616	2
HINGE ASSEMBLY	FE exc. FE/2104, FE/2106 FC exc. FC/2104, FC/2106 FB exc. FB/2104, FB/2106 EK exc. EK/2104, EK/2106	7408765	2
BOLT—Hex. hd. 5/16"—24 x 1/2"	FE exc. FE/2104, FE/2106 FC exc. FC/2104, FC/2106 FB exc. FB/2104, FB/2106 EK exc. EK/2104, EK/2106	120741	6
WASHER—Spring lock 5/16"—heavy	FE exc. FE/2104, FE/2106 FC exc. FC/2104, FC/2106 FB exc. FB/2104, FB/2106 EK exc. EK/2104, EK/2106	108579	6
SCREW—Flat hd. sl. mach. 5/16"—24 x 3/4"	FE exc. FE/2104, FE/2106 FC exc. FC/2104, FC/2106 FB exc. FB/2104, FB/2106 EK exc. EK/2104, EK/2106	193224	6
WASHER—Csk. ext. tooth lock 5/16"	FE exc. FE/2104, FE/2106 FC exc. FC/2104, FC/2106 FB exc. FB/2104, FB/2106 EK exc. EK/2104, EK/2106	134512	6
HINGE ASSEMBLY	EJ, exc. EJ/2104, EJ/2106 EH, exc. EH/2104, EH/2106	7415282	2
BOLT—Hex. hd. mach. 5/16"—24 x 1-1/4"	EJ, exc. EJ/2104, EJ/2106 EH, exc. EH/2104, EH/2106	9415829	6
BOLT—Flat hd. cr. rec. mach. 5/16"—24 x 7/8"	EJ, exc. EJ/2104, EJ/2106 EH, exc. EH/2104, EH/2106	191720	6
WASHER—Spring lock, 5/16"—heavy	EJ, exc. EJ/2104, EJ/2106 EH, exc. EH/2104, EH/2106	108579	6
WASHER—Csk. external tooth lock, 5/16"	EJ, exc. EJ/2104, EJ/2106 EH, exc. EH/2104, EH/2106	134512	6
HINGE ASSEMBLY	HD exc. HD/2104, HD/2106 HR exc. HR/2104, HR/2106	7423848	2
BOLT—Hex. hd. 5/16"—18 x 1-1/4"	HD exc. HD/2104, HD/2106 HR exc. HR/2104, HR/2106	180081	6
BOLT—Flat hd. cr. rec. 5/16"—18 x 3/4"	HD exc. HD/2104, HD/2106 HR exc. HR/2104, HR/2106	7430091	6
WASHER—Spring lock 5/16"—heavy	HD exc. HD/2104, HD/2106 HR exc. HR/2104, HR/2106	108579	6
WASHER—Csk. ext. tooth lock 5/16"	HD exc. HD/2104, HD/2106 HR exc. HR/2104, HR/2106	134512	6

10.464 BUSHING—Door hinge

BUSHING	ALL	7400033	16-8
---------	-----	---------	------

10.466 PIN—Door hinge

PIN	48, 50, FJ	7400043	8-4
PIN	FE, FC, FB, EK	7408335	8-4
PIN—Front door	EJ, EH, HD, HR	7408335	4
PIN—Rear door upper hinge	EJ, exc. EJ/2104, EJ/2106 EH, exc. EH/2104, EH/2106	4301327	2
PIN—Rear door lower hinge—1-1/8" Link to body half	EJ, exc. EJ/2104, EJ/2106 EH, exc. EH/2104, EH/2106 HD exc. HD/2104, HD/2106 HR exc. HR/2104, HR/2106	4155208	4
PIN—Rear door lower hinge—9/16" link to body half	EJ, exc. EJ/2104, EJ/2106 EH, exc. EH/2104, EH/2106 HD exc. HD/2104, HD/2106 HR exc. HR/2104, HR/2106	4155196	4
PIN—Rear door lower hinge—3-1/2"	EJ, exc. EJ/2104, EJ/2106 EH, exc. EH/2104, EH/2106 HD exc. HD/2104, HD/2106 HR exc. HR/2104, HR/2106	4239526	2
PIN—Rear door upper hinge	HD exc. HD/2104, HD/2106 HR exc. HR/2104, HR/2106	4306523	2

HOLDEN

MASTER PARTS CATALOGUE



10.470 LOCK ASSEMBLY—Front door

L.H.	48, 50, FJ	7400003	1
R.H.	48, 50, FJ	7400002	1
SCREW—Flat hd. sl. mach. ¼" —20 x 1"	48, 50, FJ	120657	8
WASHER—Csk. ext. tooth lock ¼"	48, 50, FJ	138604	8
L.H.	FE, FC, FB, EK	4664955	1
R.H.	FE, FC, FB, EK	4664954	1
SCREW—Oval hd. cr. rec. mach. with lock washer	FE, FC, FB, EK	4604625	8
LOCK ASSEMBLY	EJ, EH	LH7417123	1
		RH7417124	1
LOCK ASSEMBLY	HD, HR	LH7424525	1
		RH7424524	1
SCREW—Oval hd. cr. rec. mach. with lock washer	EJ, EH, HD, HR	4604625	6

10.471 PANEL ASSEMBLY—Front door lock cover

L.H.	48, 50, FJ	7401775	1
-----------	------------------	---------	---

10.473 LOCK ASSEMBLY—Rear door

L.H.	48 S.A. up to Body No. 29932	7400003	1
R.H.	48 S.A. up to Body No. 29932	7400002	1
L.H.	48 S.A. from Body No. 29933 N.S.W. from Body No. S 1	FJ/215, FJ/217, FJ/225	7403887
R.H.	48 S.A. from Body No. 29933 N.S.W. from Body No. S 1	FJ/215, FJ/217, FJ/225	7403886
			1
SCREW—Flat hd. sl. mach. ¼" —20 x 1"	48, FJ/215, FJ/217, FJ/225	120657	8
WASHER—Csk. ext. tooth lock ¼"	48, FJ/215, FJ/217, FJ/225	138604	8
L.H.	FE exc. FE/2104, FE/2106 FC exc. FC/2104, FC/2106 FB exc. FB/2104, FB/2106 EK exc. EK/2104, EK/2106	4664957	1
R.H.	FE exc. FE/2104, FE/2106 FC exc. FC/2104, FC/2106 FB exc. FB/2104, FB/2106 EK exc. EK/2104, EK/2106	4664956	1
SCREW—Oval hd. cr. rec. mach. with lock washer	FE exc. FE/2104, FE/2106 FC exc. FC/2104, FC/2106 FB exc. FB/2104, FB/2106 EK exc. EK/2104, EK/2106	4604625	8
LOCK ASSEMBLY	EJ, exc. EJ/2104, EJ/2106 EH, exc. EH/2104, EH/2106	LH7417163	1
		RH7417162	1
LOCK ASSEMBLY	HD exc. HD/2104, HD/2106 HR exc. HR/2104, HR/2106	LH7424527	1
		RH7424526	1
SCREW—Oval hd. cr. rec. mach. with lock washer	EJ, exc. EJ/2104, EJ/2106 EH, exc. EH/2104, EH/2106 HD exc. HD/2104, HD/2106 HR exc. HR/2104, HR/2106	4604625	6

10.475 SPRING—Door lock

DOOR LOCK HANDLE & STRIKER RETURN, L.H.	48, 50, FJ	7403251	4-2
DOOR LOCK HANDLE & STRIKER RETURN, R.H.	48, 50, FJ	7403252	4-2
DOOR LOCK ANTI-RATTLER SHOE RETURN	48, 50, FJ	7400025	4-2
DETENT and PUSH BUTTON LEVER	FE, FC, FB, EK, EJ, EH	LH4154145	2-1
		RH4154144	2-1
DETENT and PUSH BUTTON LEVER	HD, HR	LH7426397	2-1
		RH7426398	2-1
BELLCRANK OVERCENTRE	FE, FC, FB, EK, EJ, EH, HD, HR	LH4158735	2-1
		RH4158734	2-1
FREE WHEELING SELECTOR—Rear	FE exc. FE/2104, FE/2106 FC exc. FC/2104, FC/2106 FB exc. FB/2104, FB/2106 EK, exc. EK/2104, EK/2106 EJ, exc. EJ/2104, EJ/2106 EH, exc. EH/2104, EH/2106 HD exc. HD/2104, HD/2106 HR exc. HR/2104, HR/2106	LH4154197	1
		RH4154196	1



HOLDEN

MASTER PARTS CATALOGUE

10.476 BOLT, LEVER—Door lock

BOLT ASSEMBLY—L.H.	48, 50, FJ	7400013	2-1
BOLT ASSEMBLY—R.H.	48, 50, FJ	7400012	2-1
LEVER ASSEMBLY—Remote control, L.H.	48, 50, FJ	7400821	2-1
LEVER ASSEMBLY—Remote control, R.H.	48, 50, FJ	7400820	2-1
RIVET—7/16" Diameter head	48, 50, FJ	7400024	4-2

10.500 CONTROL AND LINK ASSEMBLY, SPRING—Door remote control

CONTROL & LINK ASSEMBLY—Front L.H.	48, 50, FJ	7402933	1
SCREW—Rd. hd. sl. mach. No. 10—24 x 3/8"	48, 50, FJ	228354	6
CONTROL ASSEMBLY—L.H.	FE, FC, FB, EK	7408365	2-1
CONTROL ASSEMBLY—R.H.	FE, FC, FB, EK	7408364	2-1
SCREW—Thin fill hd. cr. rec. mach. 1/4"—20 x 9/16"	FE, FC, FB, EK	431791	12-6
CONTROL ASSEMBLY	EJ, EH, HD, HR	LH7416893	2-1
		RH7416892	2-1
SCREW—Pan hd. cr. rec. mach. 1/4"—20 x 1/2"	EJ, EH, HD, HR	456868	12-6
WASHER—Spring lock, 1/4"—medium	EJ, EH, HD, HR	120380	12-6
WASHER—Plain, type "A" 9/32" x 5/8" x .065"	EJ, EH, HD, HR	120392	12-6

10.506 LINK—Door remote control

LINK—Front	48, 50, FJ	7401779	2
WASHER—Link to control lever anti-rattle	48, 50, FJ	7401979	4-2
ROD—Connecting, front	FE, FC, FB, EK	7408423	2
ROD—Connecting, rear	FE exc. FE/2104, FE/2106 FC exc. FC/2104, FC/2106 FB exc. FB/2104, FB/2106 EK exc. EK/2104, EK/2106	LH 7408533 RH 7408532	1 1
SILENCER—Connecting rod, front	FE, FC, FB, EK	7408725	2
CLIP—Anti-rattler	FE, FC, FB, EK	4576655	8-4
ROD—Connecting, front	EJ, EH	7408423	2
ROD—Connecting, rear	EJ, exc. EJ/2104, EJ/2106 EH, exc. EH/2104, EH/2106	7416902	2
CLIP—Anti-rattler	EJ, EH	4576655	8-4
ROD—Connecting, front	HD, HR	7424818	2
ROD—Connecting, rear	HD exc. HD/2104, HD/2106 HR exc. HR/2104, HR/2106	7416902	2
CLIP—Anti-rattler	HD, HR	4576655	8-4

10.511 HANDLE— Door pull-to

HANDLE	48/217, FJ/217, FE/217, FC/217	7407430	4
SCREW—Oval hd. cr. rec. tapp. No. 8—15 x 1/2"	48/217, FJ/217, FE/217, FC/217	148545	16
WASHER—C/sk. ext. tooth lock No. 8	48/217, FJ/217, FE/217, FC/217	138523	16

10.512 HANDLE—Door remote control

HANDLE	48, 50, FJ	7402459	4-2
HANDLE	FE, FC, FB, EK	4615399	4-2
HANDLE—Front	EJ/215, EJ/219, EJ/2104, EJ/2106	4615399	2
HANDLE—Front	EJ/225, EJ/229, EJ/235	LH7417517 RH7417518	1 1
HANDLE—Rear	EJ/215, EJ/219, EJ/225, EJ/229	4615399	2
HANDLE—Rear	EJ/235	LH7417517 RH7417518	1 1
HANDLE—Front	EH/215, EH/219, EH/2104, EH/2106	4615399	2
HANDLE—Front	EH/225, EH/229, EH/235, EH/239	LH7423685 RH7423684	1 1
HANDLE—Rear	EH/215, EH/219, EH/225, EH/229	4615399	2
HANDLE—Rear	EH/239	4615399	2
HANDLE—Rear	EH/235	LH7423685 RH7423684	1 1



10.512 HANDLE—Door remote control (Cont'd)

HANDLE—Front	HD/215, HD/219, HD/2104, HD/2106 HR/215, HR/219, HR/2104, HR/2106	4615399	2
HANDLE—Front	HD/225, HD/229, HD/235, HD/239 HR/225, HR/229, HR/235, HR/239	LH7426511 RH7426510	1 1
HANDLE—Rear	HD/215, HD/219, HD/225, HD/229, HD/239, HR/215, HR/219, HR/225	4615399	2
HANDLE—Rear	HD/235, HR/235	LH7426511 RH7426510	1 1

10.513 SPRING—Door Handle Retaining

SPRING—Handle retaining	FE, FC, FB, EK, EJ, EH, HD, HR	4168122	8-4
-------------------------	--------------------------------	---------	-----

10.515 PLATE—Inside Door Handle

PLATE	FE, FC, FB, EK, EJ, EH, HD, HR	4615270	8-4
-------	--------------------------------	---------	-----

10.516 SPACER, SPRING, GASKET—Door Remote Control Handle Escutcheon

SPACER	48, 50, FJ	7402661	8-4
SPRING	FE, FC, FB, EK	4078002	4-2
GASKET	EJ, EH, HD, HR	7416899	4-2
SPRING	EJ, EH, HD, HR	7416898	4-2

10.527 HANDLE—Door outside

HANDLE	48, 50, FJ	7402237	4-2
HANDLE—Front L.H.	FE, FC, FB, EK	7408785	1
HANDLE—Front R.H.	FE, FC, FB, EK	7408786	1
HANDLE—Rear	FE exc. FE/2104, FE/2106 FC exc. FC/2104, FC/2106 FB exc. FB/2104, FB/2106 EK exc. EK/2104, EK/2106	LH 7408787 RH 7408788	1 1
SCREW & LOCK WASHER—Handle retaining	FE, FC, FB, EK	M33564	8-4
HANDLE	EJ, EH	LH7421129 RH7421130	2-1 2-1
SCREW—Hex. hd. mach. 1/4"—20 x 1/2"	EJ, EH	9415794	8-4
WASHER—Spring lock, 1/4"—medium	EJ, EH	120380	8-4
HANDLE	HD, HR	LH7424081 RH7424082	2-1 2-1
SCREW—Hex. hd. mach. 1/4"—20 x 9/16"	HD, HR	9415795	8-4
WASHER—Spring lock 1/4"—medium	HD, HR	120380	8-4

10.529 REPAIR KIT, BUTTON, BUSHING, RING, SPRING, WASHER, RETAINER—Door Outside Handle

REPAIR KIT—Front handle	FE, FC, FB, EK	7425310	2
REPAIR KIT—Rear Handle	FE exc. FE/2104, FE/2106 FC exc. FC/2104, FC/2106 FB exc. FB/2104, FB/2106 EK exc. EK/2104, EK/2106	7425311	2
BUTTON—Front, push	FE, FC, FB, EK	7408801	2
BUTTON—Rear, push	FE exc. FE/2104, FE/2106 FC exc. FC/2104, FC/2106 FB exc. FB/2104, FB/2106 EK exc. EK/2104, EK/2106	7408802	2
BUSHING—Push button	FE, FC, FB, EK	4156398	4-2
RING—Push button sealing	FE, FC, FB, EK	4168356	4-2
SPRING—Push button	FE, FC, FB, EK	4154727	4-2
WASHER—Push button stop	FE, FC, FB, EK	4154717	4-2
RETAINER—Push button washer spring	FE, FC, FB, EK	4168353	4-2
REPAIR KIT—Push button	EJ, EH	7425259	4-2
BUTTON—Push	EJ, EH	7421133	4-2
REPAIR KIT—Push button	HD, HR	7420509	4-2
BUTTON—Push	HD, HR	7424087	4-2
RING—Push button sealing	EJ, EH, HD, HR	4156548	4-2
SPRING—Push button	EJ, EH, HD, HR	7414400	4-2
WASHER—Push button stop	EJ, EH, HD, HR	7421136	4-2



HOLDEN

MASTER PARTS CATALOGUE

10.538 GASKET—Door Outside Handle

GASKET—Large	FE, FC, FB, EK	7408793	4-2
GASKET—Small	FE, FC, FB, EK	7408794	4-2
GASKET—Large	EJ, EH	7421137	4-2
GASKET—Small	EJ, EH	7421138	4-2
GASKET—Large	HD, HR	7424086	4-2
GASKET—Small	HD, HR	7424085	4-2

10.550 BARREL ASSEMBLY—Door locking, with keys

BARREL ASSEMBLY	48, 50, FJ	7405094	A.R.
BARREL ASSEMBLY	FE, FC, FB, EK, EJ, EH	LH7408501	A.R.
		RH7408500	A.R.
SERVICE PACKAGE—(Uncoded)	FE, FC, FB, EK, EJ, EH	3775427	A.R.
BARREL ASSEMBLY	HD, HR	LH7425631	A.R.
		RH7425630	A.R.
SERVICE PACKAGE—(Uncoded)	HD, HR	601063	A.R.
GASKET	FE, FC, FB, EK, EJ, EH, HD, HR	4587931	2-1
TUMBLER—Copper "C"	FE, FC, FB, EK, EJ, EH, HD, HR	601256	A.R.
TUMBLER—Nickel "N"	FE, FC, FB, EK, EJ, EH, HD, HR	601257	A.R.
TUMBLER—Black "B"	FE, FC, FB, EK, EJ, EH, HD, HR	601258	A.R.
TUMBLER—Yellow "Y"	FE, FC, FB, EK, EJ, EH, HD, HR	601259	A.R.
SPRING—Tumbler	FE, FC, FB, EK, EJ, EH, HD, HR	601260	A.R.
RETAINER—Tumbler spring	FE, FC, FB, EK, EJ, EH, HD, HR	601261	A.R.
CLIP—Spring (3 arm)	FE, FC, FB, EK, EJ, EH, HD, HR	32596	A.R.
CASE—Lock	FE, FC, FB, EK, EJ, EH, HD, HR	81221	A.R.
CAP—Case	FE, FC, FB, EK, EJ, EH, HD, HR	32353	A.R.
PAWL	FE, FC, FB, EK, EJ, EH, HD, HR	32652	A.R.

10.551 RETAINER—Door outside handle

RETAINER	48, 50, FJ	7401118	4-2
----------	------------	---------	-----

10.553 RETAINER—Door outside locking barrel

RETAINER	FE, FC, FB, EK, EJ, EH	7408666	A.R.
RETAINER	HD, HR	7424200	A.R.

10.556 LINKAGE ASSEMBLY—Rear door inside locking

R.H.	48 S.A. from Body No. 29933 N.S.W. from Body No. S 1	FJ/215, FJ/217, FJ/225	7403884	1
SCREW—Rd. hd. sl. mach. No. 10—24 x 3/8" w/ext. tooth l/washer	48 S.A. from Body No. 29933 N.S.W. from Body No. S 1	FJ/215, FJ/217, FJ/225	228354	4
CLIP—Centre bracket anti-rattle	48 S.A. from Body No. 29933 N.S.W. from Body No. S 1	FJ/215, FJ/217, FJ/225	4110664	2
ROD—Lock control connecting	FE exc. FE/2104, FE/2106 FC exc. FC/2104, FC/2106 FB exc. FB/2104, FB/2106 EK exc. EK/2104, EK/2106		7408535	2
CLIP—Anti-rattle	FE exc. FE/2104, FE/2106 FC exc. FC/2104, FC/2106 FB exc. FB/2104, FB/2106 EK exc. EK/2104, EK/2106		4110664	2
CLIP—Anti-rattle	FE exc. FE/2104, FE/2106 FC exc. FC/2104, FC/2106 FB exc. FB/2104, FB/2106 EK exc. EK/2104, EK/2106		4576655	4

HOLDEN

MASTER PARTS CATALOGUE



10.556 LINKAGE ASSEMBLY—Rear door inside locking (Cont'd.)

LEVER—Rear door locking	FE exc. FE/2104, FE/2106 FC exc. FC/2104, FC/2106 FB exc. FB/2104, FB/2106 EK exc. EK/2104, EK/2106	7403873	2
WASHER—Spring .380" I.D.	FE exc. FE/2104, FE/2106 FC exc. FC/2104, FC/2106 FB exc. FB/2104, FB/2106 EK exc. EK/2104, EK/2106	431534	2
BOLT—Locking lever, rear door	FE exc. FE/2104, FE/2106 FC exc. FC/2104, FC/2106 FB exc. FB/2104, FB/2106 EK exc. EK/2104, EK/2106	7402156	2
WASHER—Spring .380" I.D.	FE exc. FE/2104, FE/2106 FC exc. FC/2104, FC/2106 FB exc. FB/2104, FB/2106 EK exc. EK/2104, EK/2106	431534	2
ROD—Lock control connecting	EJ, exc. EJ/2104, EJ/2106 EH, exc. EH/2104, EH/2106	7416903	2
ROD—Lock control connecting	HD exc. HD/2104, HD/2106 HR exc. HR/2104, HR/2106	7424820	2
SILENCER	EJ, exc. EJ/2104, EJ/2106 EH, exc. EH/2104, EH/2106 HD exc. HD/2104, HD/2106 HR exc. HR/2104, HR/2106	7403875	2
CLIP—Anti-rattle	EJ, exc. EJ/2104, EJ/2106 EH, exc. EH/2104, EH/2106 HD exc. HD/2104, HD/2106 HR exc. HR/2104, HR/2106	4110664	2
CLIP—Anti-rattle	EJ, exc. EJ/2104, EJ/2106 EH, exc. EH/2104, EH/2106 HD exc. HD/2104, HD/2106 HR exc. HR/2104, HR/2106	4576655	2
CLIP—Connecting rod to lock, rear door	EJ, exc. EJ/2104, EJ/2106 EH, exc. EH/2104, EH/2106 HD exc. HD/2104, HD/2106 HR exc. HR/2104, HR/2106	4637217	2
LEVER—Rear	EJ, exc. EJ/2104, EJ/2106 EH, exc. EH/2104, EH/2106 HD exc. HD/2104, HD/2106 HR exc. HR/2104, HR/2106	7403873	2
WASHER—Spring, .380"—.385"	EJ, exc. EJ/2104, EJ/2106 EH, exc. EH/2104, EH/2106 HD exc. HD/2104, HD/2106 HR exc. HR/2104, HR/2106	431534	2
BOLT—Locking lever, rear door	EJ, exc. EJ/2104, EJ/2106 EH, exc. EH/2104, EH/2106 HD exc. HD/2104, HD/2106 HR exc. HR/2104, HR/2106	7419196	2
WASHER—Spring lock, 1/4"—medium	EJ, exc. EJ/2104, EJ/2106 EH, exc. EH/2104, EH/2106 HD exc. HD/2104, HD/2106 HR exc. HR/2104, HR/2106	120380	2
NUT—Hex. 1/4"—20	EJ, exc. EJ/2104, EJ/2106 EH, exc. EH/2104, EH/2106 HD exc. HD/2104, HD/2106 HR exc. HR/2104, HR/2106	120375	2

10.559 KNOB—Door lock inside locking rod

KNOB	48, 50, FJ, FE, FC, FB, EK, EJ, EH, HD, HR	7408415	4-2
KNOB—Chrome—Trim Nos. E35, E36, E68, E72, F08, F12, F52, F53, F54, F55	HD/235, HD/239, HR/235, HR/239	7430024	4



HOLDEN

MASTER PARTS CATALOGUE

10.563 ROD—Door inside locking

FRONT R.H.	48, 50, FJ ..	7400918	1
REAR R.H.	48 S.A. up to Body No. 29932 ..	7400918	1
FRONT L.H.	FE, FC, FB, EK	7408409	1
FRONT R.H.	FE, FC, FB, EK	7408410	1
REAR	FE exc. FE/2104, FE/2106		
	FC exc. FC/2104, FC/2106		
	FB exc. FB/2104, FB/2106		
	EK exc. EK/2104, EK/2106	LH 7408531	1
		RH 7408530	1
CLIP	FE, FC, FB, EK	4637217	4-2
ROD—Front	EJ, EH	LH7416901	1
		RH7416900	1
ROD—Rear	EJ, exc. EJ/2104, EJ/2106		
	EH, exc. EH/2104, EH/2106	LH7417027	1
		RH7417026	1
ROD—Front	HD, HR	LH7424257	1
		RH7424258	1
ROD—Rear	HD exc. HD/2104, HD/2106		
	HR exc. HR/2104, HR/2106	7424819	2
CLIP—Locking rod	EJ, EH, HD, HR	4637217	4-2

10.569 STRIKER ASSEMBLY—Door lock

L.H.	48, 50, FJ ..	7400057	2-1
R.H.	48, 50, FJ ..	7400056	2-1
WASHER—Csk. ext. tooth lock 1/4"	48, 50, FJ ..	138604	8-4
L.H.	FE, FC, FB, EK	7419373	2-1
R.H.	FE, FC, FB, EK	7419374	2-1
SCREW	FE, FC, FB, EK	4637614	12-6
STRIKER ASSEMBLY	EJ, EH	LH7417437	2-1
		RH7417438	2-1
SCREW—Front door	EJ, EH	7417559	2
SCREW—Front and rear door	EJ, EH	4637614	10-4
STRIKER ASSEMBLY	HD, HR	LH7424517	2-1
		RH7424516	2-1
SCREW	HD, HR	7429826	12-6

10.571 PLATE, SPACER—Door lock striker

PLATE—Tooth L.H.	FE, FC, FB, EK	4158599	2-1
PLATE—Tooth R.H.	FE, FC, FB, EK	4158598	2-1
PLATE—Adjusting, upper	FE, FC, FB, EK	4649281	4-2
PLATE—Adjusting, lower	FE, FC, FB, EK	4649282	4-2
SPACER—1/8" thick	FE, FC, FB, EK	LH 4651466	A.R.
		RH 4651465	A.R.
SPACER—1/16" thick	FE, FC, FB, EK	LH 4670836	A.R.
		RH 4670835	A.R.
PLATE—Tooth	EJ, EH	LH7417435	2-1
		RH7417436	2-1
PLATE—Adjusting, upper	EJ, EH	4649281	4-2
PLATE—Adjusting, lower	EJ, EH	7417286	4-2
PLATE—Anchor	EJ, EH	7415873	4-2
SPACER—.06 Thick	EJ, EH	LH7417285	A.R.
		RH7417284	A.R.
SPACER—.125 Thick	EJ, EH	LH7417421	A.R.
		RH7417422	A.R.
PLATE—Tooth	HD, HR	LH7424515	2-1
		RH7424514	2-1
PLATE—Adjusting, upper	HD, HR	7424398	4-2
PLATE—Adjusting, lower	HD, HR	7417286	4-2
PLATE—Anchor	HD, HR	7423501	4-2
SPACER—.06" Thick	HD, HR	7424522	A.R.
SPACER—.120" Thick	HD, HR	7424523	A.R.

HOLDEN

MASTER PARTS CATALOGUE



10.587 BUMPER—Body Pillar, Door Lock Striker

BUMPER—Door	FE, FC, FB, EK	7409193	2
BUMPER—Lock striker	EJ, EH	7417423	4-2

10.606 LINK, SUPPORT, PLATE, SPRING—Door Check

FRONT	48, 50 FJ/215 S.A. up to Body No. 4874 NSW up to Body No. 2015S FJ/217 S.A. up to Body No. 1234 NSW up to Body No. 1175S FJ/225 S.A. up to Body No. 12033 NSW up to Body No. 6431S FJ/2104 up to Body No. 1089 FJ/2106 S.A. up to Body No. 5901 NSW up to Body No. 2879S	7401792	2
REAR	48 FJ/215 S.A. up to Body No. 4874 NSW up to Body No. 2015S FJ/217 S.A. up to Body No. 1234 NSW up to Body No. 1175S FJ/225 S.A. up to Body No. 12033 NSW up to Body No. 6431S	7400873	2
WASHER—Ext. tooth lock 3/8"	48, 50 FJ/215 S.A. up to Body No. 4874 NSW up to Body No. 2015S FJ/217 S.A. up to Body No. 1234 NSW up to Body No. 1175S FJ/225 S.A. up to Body No. 12033 NSW up to Body No. 6431S FJ/2104 up to Body No. 1089 FJ/2106 S.A. up to Body No. 5901 NSW up to Body No. 2879S	114606	4-2
FRONT	FJ/215 S.A. from Body No. 4875 NSW from Body No. 2016S FJ/217 S.A. from Body No. 1235 NSW from Body No. 1176S FJ/225 S.A. from Body No. 12034 NSW from Body No. 6432S FJ/2104 from Body No. 1090 FJ/2106 S.A. from Body No. 5902 NSW from Body No. 2880S	7401793	2
REAR	FE exc. FE/2104, FE/2106 FC exc. FC/2104, FC/2106 FB exc. FB/2104, FB/2106 EK exc. EK/2104, EK/2106	7408429	2
SCREW—Hex. hd. 5/16"—18 x 3/4"	FE exc. FE/2104, FE/2106 FC exc. FC/2104, FC/2106 FB exc. FB/2104, FB/2106 EK exc. EK/2104, EK/2106	122007	2
SUPPORT ASSEMBLY—Link	FE exc. FE/2104, FE/2106 FC exc. FC/2104, FC/2106 FB exc. FB/2104, FB/2106 EK exc. EK/2104, EK/2106	7408511	2
WASHER—Check link	FE exc. FE/2104, FE/2106 FC exc. FC/2104, FC/2106 FB exc. FB/2104, FB/2106 EK exc. EK/2104, EK/2106	7412941	2
PLATE—Rear door	EJ, exc. EJ/2104, EJ/2106 EH, exc. EH/2104, EH/2106	4155881	2
SPRING—Rear door	EJ, exc. EJ/2104, EJ/2106 EH, exc. EH/2104, EH/2106	7415286	2
SCREW—Pan hd. cr. rec. mach. No. 10—32 x 1/2" with lock washer	EJ, exc. EJ/2104, EJ/2106 EH, exc. EH/2104, EH/2106	191680	4
PLATE—Rear door	HD exc. HD/2104, HD/2106 HR exc. HR/2104, HR/2106	4155881	2
SPRING—Rear door	HD exc. HD/2104, HD/2106 HR exc. HR/2104, HR/2106	7428071	2
SCREW—Pan. hd. cr. rec. mach. No. 10—24 x 1/2" with lock washer	HD exc. HD/2104, HD/2106 HR exc. HR/2104, HR/2106	273513	4



HOLDEN

MASTER PARTS CATALOGUE

10.608 CLIP, SPRING—Door hinge hold open

CLIP—Front L.H.	48, 50, FJ	7403979	2
CLIP—Front R.H.	48, 50, FJ	7403978	2
CLIP—Rear R.H.	48, FJ/215, FJ/217, FJ/225	7401196	2
SPRING—Front upper and lower	FE, FC, FB, EK, EJ, EH, HD, HR	4156601	4
RIVET—Spring attaching	FE, FC, FB, EK, EJ, EH, HD, HR	4180860	8

10.609 RETAINER—Door check link

RETAINER	48, 50, FJ	7401102	4-2
----------------	------------------	---------	-----

10.613 CUSHION—Door check link

CUSHION	48, 50, FJ	7401078	4-2
---------------	------------------	---------	-----

10.614 BUMPER—Door check link

BUMPER	48, 50, FJ	7401079	4-2
--------------	------------------	---------	-----

10.650 VENTILATOR ASSEMBLY—Front door

L.H. (Complete)	48, 50, FJ	7404623	1
R.H. (Complete)	48, 50, FJ	7404624	1
SCREW—Pan hd. sl. tap type "A" No. 10—16 x 3/8"	48, 50, FJ	127933	6
SCREW—Pan hd. sl. tap. type "B" No. 10—16 x 3/8"	48, 50, FJ	145189	2
R.H. (complete)	FE, FC	7408834	1
SCREW—Pan hd. sl. tap type "A" No. 8—18 x 3/8"	FE, FC	128270	6
SCREW—Pan hd. cr. rec. tap. type "A" No. 6—18 x 3/8"	FE, FC	161790	4
VENTILATOR ASSEMBLY	FB, EK	LH 7412703 RH 7412704	1 1
SCREW—Pan. hd. cr. rec. tap., Type "A", No. 4—24 x 1/4"	FB, EK	161752	4
SCREW—Pan. hd. cr. rec. tap., Type "B", No. 6—20 x 5/16"	FB, EK	190075	2
NUT—Hex. jam. 1/4"—20	FB, EK	193232	2
WASHER—Plain 9/32" x 5/8" x .065"	FB, EK	120392	2
VENTILATOR ASSEMBLY	EJ, EH	LH 7416921 RH 7416922	1 1
SCREW—Pan. hd. cr. rec. tap. type "B" No. 6—20 x 5/16"	EJ, EH	190075	4
NUT—Washer face	EJ, EH	4728063	2
VENTILATOR ASSEMBLY	HD, HR	LH 7426651 RH 7426652	1 1
SCREW—Pan. hd. cr. rec. tap. type "B" No. 6—20 x 5/16"	HD, HR	190075	6
SCREW—Pan. hd. cr. rec. tap. type "B" No. 6—20 x 5/8"	HD, HR	163105	6
NUT—Washer face	HD, HR	4728063	2



10.652 WEATHERSTRIP, FILLER—Front door ventilator glass

WEATHERSTRIP	48 S.A. from Body No. 73284 NSW from Body No. S757/2		
	50 S.A. from Body No. 12536 NSW from Body No. S 1		
	FJ	LH 7402581	1
		RH 7402582	1
FILLER—Weatherstrip (.052" thick)	48, 50, FJ	7402033	A.R.
WEATHERSTRIP	FE, FC	LH 7408727	1
		RH7408728	1
FILLER—Weatherstrip	FE, FC	7408843	2
WEATHERSTRIP	FB, EK	LH 7412701	1
		RH 7412700	1
FILLER—Weatherstrip	FB, EK	7403298	2
WEATHERSTRIP	EJ, EH	LH7416741	1
		RH7416740	1
FILLER—Weatherstrip	EJ, EH	7403298	2
WEATHERSTRIP	HD, HR	LH7424879	1
		RH7424878	1
FILLER—Weatherstrip	HD, HR	7424205	2

10.656 FRAME AND GLASS ASSEMBLY—Front door ventilator

FRAME and GLASS ASSEMBLY	48 S.A. from Body No. 73284 NSW from Body No. S757/2		
	50 S.A. from Body No. 12536 NSW from Body No. S 1		
	FJ	RH 7405494	1
FRAME and GLASS ASSEMBLY	FE, FC	LH 7405959	1
		RH 7405958	1
FRAME and GLASS ASSEMBLY	FB, EK	LH 7406539	1
		RH 7406540	1
FRAME and GLASS ASSEMBLY	EJ, EH	LH7425425	1
		RH7425424	1
FRAME and GLASS ASSEMBLY	HD, HR	LH7420601	1
		RH7420600	1

10.658 GLASS—Front door ventilator

GLASS	48 S.A. up to Body No. 73283 NSW up to Body No. S756/2		
	50 S.A. up to Body No. 12535	7401742	2
GLASS	48 S.A. from Body No. 73284 NSW from Body No. S757/2		
	50 S.A. from Body No. 12536 NSW from Body No. S 1		
	FJ	7404625	2
GLASS	FE, FC	7408842	2
GLASS	FB, EK	7401564	2
GLASS	EJ, EH	7415965	2
GLASS	HD, HR	LH7423705	1
		RH7423706	1

10.660 SUPPORT—Front Door Ventilator Handle

SUPPORT ASSEMBLY—L.H.	FE, FC, FB, EK	7412495	1
SUPPORT ASSEMBLY—R.H.	FE, FC, FB, EK	7412496	1
RIVET—Flat hd. c/sunk .093" x .22"	FE, FC, FB, EK	SP1324	4
SUPPORT ASSEMBLY	EJ, EH, HD, HR	LH7416151	1
		RH7416150	1
RIVET—Flat hd. csk. .093" x .22"	EJ, EH, HD, HR	SP1515	4



HOLDEN

MASTER PARTS CATALOGUE

10.664 HANDLE REPAIR KIT, HANDLE, SPRING, PIN—Front door ventilator

HANDLE, L.H.	48, 50, FJ	7401995	1
HANDLE R.H.	48, 50, FJ	7401996	1
SPRING	48, 50, FJ	7402774	2
PIN—Retainer	48, 50, FJ	7401997	2
REPAIR KIT—Handle	FE, FC, FB, EK	LH 7425309	1
		RH 7425308	1
HANDLE L.H.	FE, FC, FB, EK	7416351	1
HANDLE R.H.	FE, FC, FB, EK	7416350	1
PIN—Spring Type "A" 3/32" x 3/8"	FE, FC, FB, EK	456724	2
BUTTON—Locking push	FE, FC, FB, EK	4167990	2
SPRING—Button return	FE, FC, FB, EK	7410133	2
REPAIR KIT	EJ, EH, HD, HR	LH7425423	1
		RH7425422	1
HANDLE—Locking	EJ, EH, HD, HR	LH7416351	1
		RH7416350	1
PIN—Spring, type "A" 3/32" x 1/2"	EJ, EH, HD, HR	455105	2
BUTTON—Handle push	EJ, EH, HD, HR	7416697	2
SPRING—Button return	EJ, EH, HD, HR	7410133	2

10.669 PIVOT—Front Door Ventilator

RIVET—Pivot	48, 50, FJ	7401879	2
PIVOT—Weatherstrip channel L.H.	FE, FC	7408519	1
PIVOT—Weatherstrip channel R.H.	FE, FC	7408518	1
RIVET—Oval hd. tubular 1/8" x 3/16"	FE, FC	107285	4
PIVOT—Glass channel L.H.	FE, FC	7408521	1
PIVOT—Glass channel R.H.	FE, FC	7408520	1
RIVET—Flat hd. c/sunk .093" x .22"	FE, FC	SP1324	4
RIVET—Pivot	FE, FC	7408395	2
PIVOT—Weatherstrip channel	EJ, EH	LH7416025	1
		RH7416024	1
RIVET—Oval hd. tubular 1/8" x 7/32"	EJ, EH	191522	4
PIVOT—Glass channel	EJ, EH	LH7416027	1
		RH7416026	1
RIVET—Flat hd. csk. .093" x .22"	EJ, EH	SP1515	4
RIVET—Pivot	EJ, EH	7408395	2
PIVOT—Weatherstrip channel	HD, HR	LH7423299	1
		RH7423298	1
RIVET—Oval hd. tubular 1/8" x 5/32"	HD, HR	SP1344	4
PIVOT—Glass channel	HD, HR	LH7423297	1
		RH7423296	1
RIVET—Flat hd. csk. .093" x .22"	HD, HR	SP1515	4
RIVET—Pivot	HD, HR	7423811	2

10.670 DEFLECTOR—Front Door Ventilator Water

L.H.	FE, FC	7410697	1
R.H.	FE, FC	7410696	1
DEFLECTOR	FB, EK	LH 7402799	1
		RH 7402798	1
DEFLECTOR	EJ, EH	LH7416645	1
		RH7416644	1
DEFLECTOR	HD	LH7423205	1
		RH7423206	1

10.674 DEFLECTOR—Front Door Rain

L.H.	FE, FC	7408563	1
R.H.	FE, FC	7408562	1
SCREW—Pan hd. sl. tap. Type "A" No. 8—15 x 5/16"	FE	144800	2
DEFLECTOR	FB, EK	LH 7402479	1
		RH 7402478	1

HOLDEN

MASTER PARTS CATALOGUE



10.681 GLASS—Front door rear

GLASS	48, FJ/215, FJ/217, FJ/225	7401738	2
GLASS	50, FJ/2104, FJ/2106	7403459	2
GLASS	FE exc. FE/2106 FC exc. FC/2106	7408414	2
GLASS	FE/2106, FC/2106	7410678	2
GLASS	FB exc. FB/2104, FB/2106 EK exc. EK/2104, EK/2106	7412102	2
GLASS	FB/2104, FB/2106, EK/2104, EK/2106	7413515	2
GLASS	EJ, EH	7410828	2
GLASS	HD, HR	LH7423487 RH7423488	1 1

10.685 CHANNEL ASSEMBLY—Front Door Glass Lifter

CHANNEL ASSEMBLY	48, 50, FJ	7401835	2
CHANNEL ASSEMBLY	FE, FC	7408344	2
CHANNEL ASSEMBLY	FB, EK	7412101	2
CHANNEL ASSEMBLY	EJ, EH	7415079	2
CHANNEL ASSEMBLY	HD, HR	LH7424001 RH7424002	1 1

10.686 CHANNEL, RETAINER ASSY., —Front door glass division

CHANNEL—Run (5 ft. length)	48, 50, FJ	7405104	A.R.
RIVET—Csk. hd. tubular 1/8" x 7/32"	48, 50, FJ	SP1007	A.R.
RETAINER ASSEMBLY—Channel	48, 50 FJ/225 FJ/215	S.A. up to Body No. 1809 NSW up to Body No. S1200	
	FJ/217	S.A. up to Body No. 392 NSW up to Body No. S240	
	FJ/2104	up to Body No. 93	
	FJ/2106	S.A. up to Body No. 1967 NSW up to Body No. S1008	LH 7408005 RH 7408004
			1 1
RETAINER ASSEMBLY—Channel	FJ/215	S.A. from Body No. 1810 NSW from Body No. S1201	
	FJ/217	S.A. from Body No. 393 NSW from Body No. S241	
	FJ/2104	from Body No. 94	
	FJ/2106	S.A. from Body No. 1968 NSW from Body No. S1009	LH 7407519 RH 7407518
			1 1
STUD—To inner panel	48, 50, FJ	7402883	2
NUT—Heavy hex. jam 1/4"—20	48, 50, FJ	193232	2
WASHER—Plain 9/32" x 5/8" x .065"	48, 50, FJ	120392	2
RIVET—Csk. hd. tubular 1/8" x 7/32"	48, 50, FJ	SP1007	4
WEATHERSTRIP—Channel retainer L.H.	48, 50, FJ	7401831	1
WEATHERSTRIP—Channel retainer R.H.	48, 50, FJ	7401832	1
CHANNEL—Run	FE, FC	7408509	2
CHANNEL ASSEMBLY—Division	FE exc. FE/225, FE/229 FC exc. FC/225	S.A. up to Body No. 8549A Vic. up to Body No. 12237M N.S.W. up to Body No. 14121S	
	FC/229	S.A. up to Body No. 9026A Vic. up to Body No. 172M	LH 7408819 RH 7408818
			1 1



HOLDEN

MASTER PARTS CATALOGUE

10.686 CHANNEL, RETAINER ASSY.—Front Door Glass Division (Cont'd.)

CHANNEL ASSEMBLY—Division	FE/225, FE/229 FC/225 S.A. up to Body No. 8549A Vic. up to Body No. 12237M N.S.W. up to Body No. 14121S FC/229 S.A. up to Body No. 9026A Vic. up to Body No. 172M	LH 7410031 RH 7410030	1 1
NUT—Hex. jam 1/4"—20 heavy	FE, FC	193232	2
WASHER—Plain 9/32" x 5/8" x .065"	FE, FC	120392	2
PLATE—Scalp	FC/225 S.A. from Body No. 8550A Vic. from Body No. 12238M N.S.W. from Body No. 14122S FC/229 S.A. from Body No. 9027A Vic. from Body No. 173M	LH 7414177 RH 7414178	1 1
STUD—To inner panel	FE, FC	7408490	2
PLATE—Channel wear	FE, FC	7408476	2
WEATHERSTRIP—L.H.	FE, FC	7408797	1
WEATHERSTRIP—R.H.	FE, FC	7408798	1
CHANNEL—Run	FB, EK	7408509	2
CHANNEL ASSEMBLY—Division	FB, EK	LH 7412247 RH 7412248	1 1
PLATE—Scalp	FB/225, FB/229, EK/225, EK/229	LH 7414181 RH 7414182	1 1
STUD—To inner panel	FB, EK	7408490	2
PLATE—Channel wear	FB, EK	7408476	2
WEATHERSTRIP	FB, EK	LH 7412249 RH 7412250	1 1
CHANNEL ASSEMBLY	EJ/215, EJ/219, EJ/2104, EJ/2106 EH/215, EH/219, EH/2104, EH/2106	LH7416255 RH7416256	1 1
CHANNEL ASSEMBLY	EJ/225, EJ/229, EJ/235 EH/225, EH/229, EH/235 EH/239	LH7416257 RH7416258	1 1
RIVET—Oval hd. tubular 1/8" x 1/4"	EJ, EH	SP1143	2
RIVET—Oval hd. tubular 1/8" x 5/32"	EJ, EH	SP1344	4
PLATE—Scalp	EJ/225, EJ/229, EJ/235 EH/225, EH/229, EH/235, EH/239	LH7416283 RH7416282	1 1
CHANNEL—Glass run	EJ, EH	7416341	2
PLATE—Channel wear	EJ, EH	7408476	2
STUD—Channel to inner panel	EJ, EH	7421168	2
CHANNEL ASSEMBLY	HD, HR	LH7424773 RH7424774	1 1
RIVET—Oval hd. tubular 1/8" x 1/4"	HD, HR	SP1143	6
PLATE—Scalp	HD/225, HD/229, HD/235, HD/239 HR/225, HR/229, HR/235, HR/239	LH7424875 RH7424874	1 1
CHANNEL—Glass run	HD, HR	7425974	2
PLATE—Channel wear	HD, HR	7424462	2
STUD—Channel to inner panel	HD, HR	7421168	2

HOLDEN

MASTER PARTS CATALOGUE



10.694 WEATHERSTRIP—Door dust

FRONT L.H.	48, FJ/215, FJ/217, FJ/225	7403551	1
FRONT R.H.	48, FJ/215, FJ/217, FJ/225	7403552	1
FRONT L.H.	50, FJ/2104, FJ/2106	7403585	1
FRONT R.H.	50, FJ/2104, FJ/2106	7403584	1
REAR L.H.	48, FJ/215, FJ/217, FJ/225	7403545	1
REAR R.H.	48, FJ/215, FJ/217, FJ/225	7403544	1
FRONT DOOR LOCK—L.H.	48, 50, FJ ..	7403555	1
REAR DOOR LOCK—L.H.	48, FJ/215, FJ/217, FJ/225	7403549	1
FRONT ..	FE exc. FE/2106 FC exc. FC/2106	LH 7409061 RH 7409060	1 1
FRONT ..	FE/2106, FC/2106	LH 7410747 RH 7410748	1 1
REAR ..	FE/215, FE/217, FE/225 FC/215, FC/217, FC/225 ..	LH 7414397 RH 7414398	1 1
REAR ..	FE/219, FE/229, FC/219, FC/229	LH 7414425 RH 7414426	1 1
FRONT—Outer	FB exc. FB/2104, FB/2106 EK exc. EK/2104, EK/2106	LH 7416147 RH 7416146	1 1
FRONT—Inner	FB exc. FB/2104, FB/2106 EK exc. EK/2104, EK/2106	LH 7412815 RH 7412814	1 1
FRONT—Outer	FB/2104, FB/2106, EK/2104, EK/2106	LH 7416211 RH 7416210	1 1
FRONT—Inner REAR—Outer	FB/2104, FB/2106, EK/2104, EK/2106 FB exc. FB/2104, FB/2106 EK exc. EK/2104, EK/2106	7419555 LH 7412253 RH 7412254	2 1 1
REAR—Inner	FB exc. FB/2104, FB/2106 EK exc. EK/2104, EK/2106	LH 7412371 RH 7412372	1 1
FRONT DOOR	EJ	7417993	2
FRONT DOOR OPENING	EJ	7419516	2
REAR DOOR	EJ/215, EJ/225, EJ/235 ..	7417994	2
REAR DOOR OPENING	EJ/215, EJ/225, EJ/235	7419517	2
REAR DOOR	EJ/219, EJ/229 ..	7417995	2
REAR DOOR OPENING	EJ/219, EJ/229 ..	7419518	2
FRONT DOOR	EH	7417993	2
REAR DOOR ..	EH/215, EH/225, EH/235	7417994	2
REAR DOOR ..	EH/219, EH/229, EH/239	7417995	2
FRONT DOOR	HD, HR	7426424	2
REAR DOOR ..	HD/215, HD/225, HD/235 HR/215, HR/225, HR/235	7426425	2
REAR DOOR ..	HD/219, HD/229, HD/239 HR/219, HR/229, HR/239 ..	7426426	2

10.695 RETAINER, PLUG—Door weatherstrip

FRONT DOOR—Rear L.H.	50, FJ/2104, FJ/2106,	7403539	1
FRONT DOOR—Rear, R.H.	50, FJ/2104, FJ/2106	7403540	1
REAR DOOR—Rear	FE exc. FE/2104, FE/2106 FC exc. FC/2104, FC/2106	RH 7409144	1
PLUG—Sealing	EJ, EH, HD, HR	4770719	A.R.



HOLDEN

MASTER PARTS CATALOGUE

10.696 WEATHERSTRIP, FILLER—Door Glass Lifter Channel

FRONT DOOR—Rear glass L.H.	48, 50, FJ ..	7402941	1
FRONT DOOR—Rear glass R.H.	48, 50, FJ ..	7402940	1
FRONT DOOR—Rear Glass	FE, FC ..	7408690	2
FRONT DOOR—Rear glass ..	FB, EK ..	7412100	2
REAR DOOR—Front glass	FE exc. FE/2104, FE/2106 FC exc. FC/2104, FC/2106 FB exc. FB/2104, FB/2106 EK exc. EK/2104, EK/2106	7408689	2
FILLER ..	EJ, EH ..	7416346	4-2
FRONT DOOR—Rear glass ..	HD, HR ..	7424621	2
REAR DOOR—Front glass ..	HD exc. HD/2104, HD/2106 HR exc. HR/2104, HR/2106	7424622	2

10.701 CHANNEL, RETAINER ASSEMBLY—Front door glass

CHANNEL—Glass run—rear and upper (9 ft.)	48, 50, FJ ..	7405103	A.R.
SCREW—Rd. hd. sl. mach. No. 10—24 x 3/8"	48, 50, FJ ..	228354	4
RIVET—Csk. hd. tubular 1/8" x 7/32"	48, 50, FJ ..	SP1007	A.R.
RETAINER ASSY.—Run channel rear L.H.	48, 50, FJ ..	7401773	1
CHANNEL—Glass run—rear	FE exc. FE/2106 FC exc. FC/2106	7411944	2
CHANNEL—Glass run—upper	FE exc. FE/2106 FC exc. FC/2106	7411945	2
CHANNEL—Glass run—rear and upper	FE/2106, FC/2106	7410656	2
CHANNEL ASSEMBLY—Glass run—rear	FB exc. FB/2104, FB/2106 EK exc. EK/2104, EK/2106	7412112	2
CHANNEL ASSEMBLY—Glass run—Upper	FB exc. FB/2104, FB/2106 EK exc. EK/2104, EK/2106	7412110	2
CHANNEL ASSEMBLY—Glass run—rear and upper	FB/2104, FB/2106, EK/2104, EK/2106	7413534	2
CLIP—Channel	FE, FC, FB, EK ..	7415210	A.R.
RETAINER—Channel	FE, FC ..	7411745	2
RETAINER—Channel	FB, EK ..	7412111	2
SCREW—Rd. hd. cr. rec. mach. No. 10—24 x 5/16"	FE, FC, FB, EK ..	435827	4
WASHER—Spring lock No. 10—light	FE, FC, FB, EK ..	131183	4
CHANNEL—Glass run ..	EJ, EH ..	7415552	2
CLIP—Channel	EJ, EH ..	7415210	12
RETAINER—Channel	EJ, EH ..	LH7415221	1
		RH7415222	1
SCREW—Rd. hd. rec. mach. No. 10—32 x 3/8" ..	EJ, EH ..	187000	4
WASHER—Spring lock, No. 10—light	EJ, EH ..	131183	4
CHANNEL—Glass run ..	HD, HR ..	7424814	2
SCREW—Pan. hd. cr. rec. mach. No. 10—24 x 5/16"	HD, HR ..	159858	4
WASHER—Spring lock No. 10—light ..	HD, HR ..	131183	4
RETAINER—Channel ..	HD, HR ..	7424821	2

10.710 WEATHERSTRIP—Door belt

FRONT ..	48, 50, FJ ..	7401840	4
REAR ..	48, FJ/215, FJ/217, FJ/225 ..	7401080	4
FRONT ..	FE, FC ..	7408762	4
FRONT—Inner ..	FB, EK ..	LH7419111	1
		RH7419110	1
FRONT—Outer ..	FB, EK ..	7412623	2
REAR ..	FE exc. FE/2104, FE/2106 FC exc. FC/2104, FC/2106 FB exc. FB/2104, FB/2106 EK exc. EK/2104, EK/2106	7408760	4
FRONT—Inner ..	EJ, EH ..	LH7419269	1
		RH7419270	1
FRONT—Outer ..	EJ, EH ..	LH7416855	1
		RH7416854	1
REAR—Inner ..	EJ, exc. EJ/2104, EJ/2106 EH, exc. EH/2104, EH/2106	LH7416713	1
		RH7416714	1
REAR—Outer ..	EJ, exc. EJ/2104, EJ/2106 EH, exc. EH/2104, EH/2106	LH7416854	1
		RH7416855	1

HOLDEN

MASTER PARTS CATALOGUE



10.710 WEATHERSTRIP—Door belt (Cont'd.)

FRONT	HD, HR	LH7420063*	2
		RH7420062*	2
REAR	HD exc. HD/2104, HD/2106	LH7420145*	2
	HR exc. HR/2104, HR/2106	RH7420146*	2

* 1 each LH and RH Weatherstrip used each door.

10.712 RETAINER—Door belt weatherstrip

RETAINER	48, 50, FJ, FE, FC, FB, EK	7402854	A.R.
CLIP	EJ, EH, HD, HR	4561802	40-20

10.741 GLASS—Rear door front

GLASS	48, FJ/215, FJ/217, FJ/225	7402904	2
GLASS	FE/215, FE/217, FE/225		
	FC/215, FC/217, FC/225	7408377	2
GLASS	FE/219, FE/229, FC/219, FC/229	7410893	2
GLASS	FB exc. FB/2104, FB/2106		
	EK exc. EK/2104, EK/2106	7401350	2
GLASS	EJ/215, EJ/225, EJ/235		
	EH/215, EH/225, EH/235	7410728	2
GLASS	EJ/219, EJ/229		
	EH/219, EH/229, EH/239	7416069	2
GLASS	HD/215, HD/225, HD/235		
	HR/215, HR/225, HR/235	LH7423489	1
		RH7423490	1
GLASS	HD/219, HD/229, HD/239		
	HR/219, HR/229, HR/239	LH7424187	1
		RH7424188	1

10.747 CHANNEL ASSEMBLY—Rear door glass lifter

L.H.	48, FJ/215, FJ/217, FJ/225	7402905	1
R.H.	48, FJ/215, FJ/217, FJ/225	7402906	1
CHANNEL ASSEMBLY	FE exc. FE/2104, FE/2106		
	FC exc. FC/2104, FC/2106		
	FB exc. FB/2104, FB/2106		
	EK exc. EK/2104, EK/2106	LH 7408345	1
		RH 7408346	1
CHANNEL ASSEMBLY	EJ, exc. EJ/2104, EJ/2106		
	EH, exc. EH/2104, EH/2106	7415079	2
CHANNEL ASSEMBLY	HD exc. HD/2104, HD/2106		
	HR exc. HR/2104, HR/2106	LH7424003	1
		RH7424004	1

10.759 CHANNEL, RETAINER ASSEMBLY—Rear door glass

CHANNEL—Glass run, front and upper (9 ft.)	48, FJ/215, FJ/217, FJ/225	7405103	A.R.
SCREW—Rd. hd. sl. mach. No. 10—24 x 3/8"	48, FJ/215, FJ/217, FJ/225	228354	4
RIVET—Csk. hd. tubular 1/8" x 7/32"	48, FJ/215, FJ/217, FJ/225	SP1007	A.R.
RETAINER ASSY.—Run channel, front L.H.	48, FJ/215, FJ/217, FJ/225	7401059	1
CHANNEL—Glass run, front	FE exc. FE/2104, FE/2106		
	FC exc. FC/2104, FC/2106	7411946	2
CHANNEL—Glass run, upper	FE/215, FE/217, FE/225		
	FC/215, FC/217, FC/225	7411947	2
CHANNEL—Glass run, upper	FE/219, FE/229, FC/219, FC/229	7411953	2



HOLDEN

MASTER PARTS CATALOGUE

10.759 CHANNEL, RETAINER ASSEMBLY—Rear door glass (Cont'd.)

CHANNEL—Glass run, front	FB exc. FB/2104, FB/2106		
	EK exc. EK/2104, EK/2106	7412112	2
CHANNEL—Glass run, upper	FB exc. FB/2104, FB/2106		
	EK exc. EK/2104, EK/2106	7401540	2
CLIP—Channel	FE exc. FE/2104, FE/2106		
	FC exc. FC/2104, FC/2106		
	FB exc. FB/2104, FB/2106		
	EK exc. EK/2104, EK/2106	7415210	A.R.
CHANNEL—Glass run	EJ, exc. EJ/2104, EJ/2106		
	EH, exc. EH/2104, EH/2106	7415554	2
CLIP—Channel	EJ, exc. EJ/2104, EJ/2106		
	EH, exc. EH/2104, EH/2106	7415210	12
RETAINER—Channel	EJ, exc. EJ/2104, EJ/2106		
	EH, exc. EH/2104, EH/2106	7410907	2
CHANNEL—Glass run	HD exc. HD/2104, HD/2106		
	HR exc. HR/2104, HR/2106	7424814	2
RETAINER—Channel	HD exc. HD/2104, HD/2106		
	HR exc. HR/2104, HR/2106	7424827	2

10.783 REGULATOR ASSEMBLY—Front door window

L.H.	48, 50, FJ	7400071	1
R.H.	48, 50, FJ	7400070	1
WASHER—Ext. tooth lock 1/4"	48, 50, FJ	121753	6
SPRING	48, 50, FJ	7402788	2
L.H.	FE, FC	7408583	1
R.H.	FE, FC	7408582	1
REGULATOR ASSEMBLY	FB, EK	LH 7412089	1
		RH 7412090	1
SCREW—Fill. hd. cr. rec. mach. 1/4"—20 x 7/16" with lockwasher	FE, FC, FB, EK	431577	6
WASHER—Rubber	FE, FC, FB, EK	7413223	2
SPRING—Clutch	FE, FC, FB, EK	4157887	2
REGULATOR ASSEMBLY	EJ, EH	LH7415049	1
		RH7415050	1
REGULATOR ASSEMBLY	HD, HR	LH7423217	1
		RH7423218	1
SCREW—Par hd. cr. rec. mach. 1/4"—20 x 1/2" with spring lock washer	EJ, EH, HD, HR	9416367	6
WASHER—Rubber	EJ, EH, HD, HR	7413223	2
SPRING—Clutch	EJ, EH, HD, HR	4157887	2

10.791 REGULATOR ASSEMBLY—Rear door window

L.H.	48, FJ/215, FJ/217, FJ/225	7400069	1
R.H.	48, FJ/215, FJ/217, FJ/225	7400068	1
SCREW—Rd. hd. sl. mach. 1/4"—28 x 5/16"	48, FJ/215, FJ/217, FJ/225	173355	6
WASHER—Ext. tooth lock 1/4"	48, FJ/215, FJ/217, FJ/225	121753	6
SPRING	48, FJ/215, FJ/217, FJ/225	7402788	2
REGULATOR ASSEMBLY	FE exc. FE/2104, FE/2106		
	FC exc. FC/2104, FC/2106		
	FB exc. FB/2104, FB/2106		
	EK exc. EK/2104, EK/2106	LH 7412493	1
		RH 7412494	1
SCREW—Fill. hd. cr. rec. mach. 1/4"—20 x 7/16" with lockwasher	FE exc. FE/2104, FE/2106		
	FC exc. FC/2104, FC/2106		
	FB exc. FB/2104, FB/2106		
	EK exc. EK/2104, EK/2106	431577	6
WASHER—Rubber	FE exc. FE/2104, FE/2106		
	FC exc. FC/2104, FC/2106		
	FB exc. FB/2104, FB/2106		
	EK exc. EK/2104, EK/2106	7413223	2
SPRING—Clutch	FE exc. FE/2104, FE/2106		
	FC exc. FC/2104, FC/2106		
	FB exc. FB/2104, FB/2106		
	EK exc. EK/2104, EK/2106	4157887	2

HOLDEN

MASTER PARTS CATALOGUE



10.791 REGULATOR ASSEMBLY—Rear door window (Cont'd.)

REGULATOR ASSEMBLY	EJ, exc. EJ/2104, EJ/2106 EH, exc. EH/2104, EH/2106	LH7415097 RH7415098	1 1
REGULATOR ASSEMBLY	HD exc. HD/2104, HD/2106 HR exc. HR/2104, HR/2106	LH7423219 RH7423220	1 1
SCREW—Pan hd. cr. rec. mach. 1/4"—20 x 1/2" with lock washer	EJ, exc. EJ/2104, EJ/2106 EH, exc. EH/2104, EH/2106 HD exc. HD/2104, HD/2106 HR exc. HR/2104, HR/2106	9416367	6
SPRING—Rear door window regulator clutch	EJ, exc. EJ/2104, EJ/2106 EH, exc. EH/2104, EH/2106 HD exc. HD/2104, HD/2106 HR exc. HR/2104, HR/2106	4157887	2
WASHER—Rubber	EJ, exc. EJ/2104, EJ/2106 EH, exc. EH/2104, EH/2106 HD exc. HD/2104, HD/2106 HR exc. HR/2104, HR/2106	7413223	2

10.797 HANDLE—Door window regulator

HANDLE	FJ/225	7404274	4
HANDLE	FE, FC, FB, EK, EJ, EH, HD, HR	7408729	4-2

10.806 SPRING—Window Regulator Handle Escutcheon

SPRING	FE, FC, FB, EK, EJ, EH, HD, HR	4566746	4-2
--------	--------------------------------	---------	-----

10.822 WEATHERSTRIP—Rear door rear glass

L.H.	48, FJ/215, FJ/217, FJ/225	7401099	1
R.H.	48, FJ/215, FJ/217, FJ/225	7401098	1
WEATHERSTRIP	FE/215, FE/217, FE/225 FC/215, FC/217, FC/225	LH 7408201 RH 7408202	1 1
WEATHERSTRIP	FE/219, FE/229, FC/219, FC/229	LH 7410903 RH 7410904	1 1
WEATHERSTRIP	FB exc. FB/2104, FB/2106 EK exc. EK/2104, EK/2106	LH 7412563 RH 7412562	1 1
WEATHERSTRIP	EJ/215, EJ/225, EJ/235 EH/215, EH/225, EH/235	7415457	2
WEATHERSTRIP	EJ/219, EJ/229 EH/219, EH/229, EH/239	7415936	2
WEATHERSTRIP	HD/215, HD/225, HD/235 HR/215, HR/225, HR/235	7424229	2
WEATHERSTRIP	HD/219, HD/229, HD/239 HR/219, HR/229, HR/239	7424318	2

10.827 GLASS—Rear door rear

GLASS	48, FJ/215, FJ/217, FJ/225	7401104	2
GLASS	FE/215, FE/217, FE/225 FC/215, FC/217, FC/225	7408529	2
GLASS	FE/219, FE/229, FC/219, FC/229	7410902	2
GLASS	FB exc. FB/2104, FB/2106 EK exc. EK/2104, EK/2106	7403498	2
GLASS	EJ/215, EJ/225, EJ/235 EH/215, EH/225, EH/235	7415456	2
GLASS	EJ/219, EJ/229 EH/219, EH/229, EH/239	7415460	2
GLASS	HD/215, HD/225, HD/235 HR/215, HR/225, HR/235	LH7423491 RH7423492	1 1
GLASS	HD/219, HD/229, HD/239 HR/219, HR/229, HR/239	LH7424307 RH7424306	1 1



HOLDEN

MASTER PARTS CATALOGUE

10.829 CHANNEL, RETAINER ASSEMBLY—Rear door glass division

CHANNEL—Run (5 ft. length)	48, FJ/215, FJ/217, FJ/225	7405104	A.R.
RIVET—Csk. hd. tubular 1/8" x 7/32"	48, FJ/215, FJ/217, FJ/225	SP1007	A.R.
RETAINER ASSEMBLY—Channel	48, FJ/225		
	FJ/215 S.A. up to Body No. 1809 NSW up to Body No. S1200		
	FJ/217 S.A. up to Body No. 392 NSW up to Body No. S240	LH 7407999	1
		RH 7407998	1
RETAINER ASSEMBLY—Channel	FJ/215 S.A. from Body No. 1810 NSW from Body No. S1201		
	FJ/217 S.A. from Body No. 393 NSW from Body No. S241	LH 7407997	1
STUD—Retainer to inner panel	48, FJ/215, FJ/217, FJ/225	7402883	2
NUT—Heavy hex. jam 1/4"—20	48, 50, FJ	193232	2
WASHER—Plain 9/32" x 5/8" x .065"	48, FJ/215, FJ/217, FJ/225	120392	2
SCREW—Rd. hd. sl. mach. No. 10—24 x 3/8"	*	228354	2
WASHER—Ext. tooth lock 1/4"	**	121753	2
WASHER—Plain 17/64" x 5/8" x .049"	**	446188	2
RIVET—Csk. hd. tubular 1/8" x 7/32"	48, FJ/215, FJ/217, FJ/225	SP1007	4
CHANNEL—Run	FE/215, FE/217, FE/225 FC/215, FC/217, FC/225	7408509	2
CHANNEL—Run	FE/219, FE/229, FC/219, FC/229	7410899	2
CHANNEL ASSEMBLY—Division	FE/215, FE/217, FC/215, FC/217 FC/225 S.A. from Body No. 8550A Vic. from Body No. 12238M N.S.W. from Body No. 14122S	LH 7408715	1
		RH 7408716	1
CHANNEL ASSEMBLY—Division	FE/225 FC/225 S.A. up to Body No. 8549A Vic. up to Body No. 12237M N.S.W. up to Body No. 14121S	LH 7408721	1
		RH 7408720	1
PLATE—Scalp	FC/225 S.A. from Body No. 8550A Vic. from Body No. 12238M N.S.W. from Body No. 14122S	LH 7414179	1
		RH 7414180	1
CHANNEL ASSEMBLY—Division	FE/219, FC/219 FC/229 S.A. from Body No. 9027A Vic. from Body No. 173M	LH 7410897	1
		RH 7410896	1
CHANNEL ASSEMBLY—Division	FE/229 FC/229 S.A. up to Body No. 9026A Vic. up to Body No. 172M	LH 7411193	1
		RH 7411194	1
PLATE—Scalp	FC/229 S.A. from Body No. 9027A Vic. from Body No. 173M	LH 7414185	1
		RH 7414186	1
*48			
FJ/215	S.A. up to Body No. 1809 NSW up to Body No. S1200		
FJ/217	S.A. up to Body No. 392 NSW up to Body No. S240		
FJ/225	S.A. up to Body No. 3306 NSW up to Body No. S2160		
**FJ/215 S.A. from Body No. 1810 NSW from Body No. S1201			
FJ/217	S.A. from Body No. 393 NSW from Body No. S241		
FJ/225	S.A. from Body No. 3307 NSW from Body No. S2161		

HOLDEN

MASTER PARTS CATALOGUE



10.829 CHANNEL, RETAINER ASSEMBLY—Rear Door Glass Division (contd.)

CHANNEL—Run	FB exc. FB/2104, FB/2106 EK exc. EK/2104, EK/2106	7401264	2
CHANNEL ASSEMBLY—Division	FB exc. FB/2104, FB/2106 EK exc. EK/2104, EK/2106	LH 7401537 RH 7401536	1 1
SCREW—Pan hd. cr. rec. tap. Type "A", No. 8—15 x 3/8"	FB exc. FB/2104, FB/2106 EK exc. EK/2104, EK/2106	9411532	2
NUT—Hex. jam 1/4"—20	FB exc. FB/2104, FB/2106 EK exc. EK/2104, EK/2106	193232	2
WASHER—Plain 9/32" x 5/8" x .065"	FB exc. FB/2104, FB/2106 EK exc. EK/2104, EK/2106	120392	2
PLATE—Scalp	FB/225, FB/229, EK/225, EK/229	LH 7414183 RH 7414184	1 1
STUD—To inner panel	FE exc. FE/2104, FE/2106 FC exc. FC/2104, FC/2106 FB exc. FB/2104, FB/2106 EK exc. EK/2104, EK/2106	7408490	2
CHANNEL—Glass run	EJ, exc. EJ/2104, EJ/2106 EH, exc. EH/2104, EH/2106	7416688	2
CHANNEL ASSEMBLY—Division	EJ/215, EH/215	LH7416687 RH7416686	1 1
CHANNEL ASSEMBLY—Division	EJ/219, EH/219	LH7416847 RH7416846	1 1
CHANNEL AND SCALP PLATE ASSEMBLY	EJ/225, EJ/235, EH/225, EH/235	LH7416931 RH7416932	1 1
CHANNEL AND SCALP PLATE ASSEMBLY	EJ/229, EH/229, EH/239	LH7416849 RH7416848	1 1
SCREW—Pan hd. cr. rec. tap. type "B" No. 6—20 x 5/16"	EJ, exc. EJ/2104, EJ/2106 EH, exc. EH/2104, EH/2106	190075	2
NUT—Washer face	EJ, exc. EJ/2104, EJ/2106 EH, exc. EH/2104, EH/2106	4728063	2
PLATE—Scalp	EJ/225, EJ/235, EH/225, EH/235	LH7416745 RH7416744	1 1
PLATE—Scalp	EJ/229, EH/229, EH/239	LH7416459 RH7416458	1 1
STUD—Channel to inner panel	EJ, exc. EJ/2104, EJ/2106 EH, exc. EH/2104, EH/2106	7421168	2
CHANNEL—Glass run	HD/215, HD/225, HD/235 HR/215, HR/225, HR/235	7424815	2
CHANNEL—Glass run	HD/219, HD/229, HD/239 HR/219, HR/229, HR/239	7425974	2
CHANNEL ASSEMBLY—Division	HD/215, HD/225, HD/235 HR/215, HR/225, HR/235	LH7424839 RH7424838	1 1
CHANNEL ASSEMBLY—Division	HD/219, HD/229, HD/239 HR/219, HR/229, HR/239	LH7425583 RH7425582	1 1
SCREW—Pan hd. cr. rec. tap. type "B" No. 6—20 x 5/16"	HD exc. HD/2104, HD/2106 HR exc. HR/2104, HR/2106	190075	2
NUT—Washer face	HD exc. HD/2104, HD/2106 HR exc. HR/2104, HR/2106	4728063	2
PLATE—Scalp	HD/225, HD/235, HR/225, HR/235	LH7425595 RH7425594	1 1
PLATE—Scalp	HD/229, HD/239, HR/229, HR/239	LH7426447 RH7426448	1 1
STUD—Channel to inner panel	HD exc. HD/2104, HD/2106 HR exc. HR/2104, HR/2106	7421168	2

10.997 HOSE—Rear cross bar and tonneau floor drain

CROSS BAR	EJ/219, EJ/229 EH/219, EH/229, EH/239	7417364	2
TONNEAU FLOOR	EJ/2106, EH/2106, HD/2106, HR/2106	7417443	2
TONNEAU FLOOR	HD/2104, HR/2104	7420411	2

HOLDEN

MASTER PARTS CATALOGUE



Group	Description	Model	Part No.	Qty.
11.011 GLASS—Rear Quarter Side				
GLASS	FE/219, FE/229, FC/219, FC/229	LH 7411387	1
			RH7411386	1
GLASS	FB/ 219, FB/229, EK/219, EK/229	LH 7412813	1
			RH 7412812	1
GLASS	EJ/219, EJ/229		
		EH/219, EH/229, EH/239	7416182	2
GLASS	HD/219, HD/229, HD/239		
		HR/219, HR/229, HR/239	LH7424989	1
			RH7424988	1
11.015 CHANNEL—Rear Quarter Side Glass				
CHANNEL	FE/219, FE/229, FC/219, FC/229	LH 7411375	1
			RH7411374	1
CHANNEL	FB/219, FB/229, EK/219, EK/229	LH 7413039	1
			RH 7413040	1
CHANNEL	EJ/219, EJ/229		
		EH/219, EH/229, EH/239	LH7416539	1
			RH7416538	1
CHANNEL	HD/219, HD/229, HD/239		
		HR/219, HR/229, HR/239	LH7413967	1
			RH7413966	1
11.075 FRAME ASSEMBLY—Front Door Window				
R.H.	48, FJ/215, FJ/217, FJ/225	7401748	1
L.H.	FE exc. FE/2106		
		FC exc. FC/2106	7408391	1
R.H.	FE exc. FE/2106		
		FC exc. FC/2106	7408392	1
11.089 FRAME ASSEMBLY—Rear Door Window				
L.H.	FE/215, FE/217, FE/225		
		FC/215, FC/217, FC/225	7408671	1
L.H.	FE/219, FE/229, FC/219, FC/229	7410885	1
R.H.	FE/219, FE/229, FC/219, FC/229	7410886	1
11.175 PLATE—Front door scuff				
R.H.	48, 50, FJ	7402252	1
SCREW—Pan hd. cross recess tap. type "A" No. 10—12 x 1/2"	48, 50, FJ	161895	A.R.
L.H.	FE	7409359	1
R.H.	FE	7409358	1
SCREW—Oval hd. cr. rec. tap. Type "A" No. 6—18 x 3/8"	FE	162233	4
SCREW—Oval hd. cr. rec. tap. Type "A" No. 8—15 x 7/8"	FE	162404	8
L.H.	FC	7414291	1
R.H.	FC	7414290	1
SCREW—Oval hd. cr. rec. tap. Type "A" No. 6—18 x 3/8"	FC	162233	4
SCREW—Pan hd. cr. rec. tap. Type "B" No. 8—18 x 1"	FC	163200	8
PLATE ASSEMBLY	FB, EK	LH 7412965	1
			RH 7412966	1
SCREW—Oval hd. cr. rec. tap., Type "B", No. 6—20 x 3/8"	FB, EK	163401	2
SCREW—Oval hd. cr. rec. tap. Type "B", No. 6—20 x 1/2"	FB, EK	163404	2
SCREW—Pan hd. cr. rec. tap., Type "B", No. 8—18 x 1"	FB, EK	163200	8
COVER—Scuff plate	FB/225, FB/229, EK/225, EK/229	LH 7413013	1
			RH 7413012	1



HOLDEN

MASTER PARTS CATALOGUE

11.175 PLATE—Front door scuff (Cont'd.)

PLATE—(Plain ends)	EJ, exc. EJ/235 EH, exc. EH/235, EH/239	LH7423665 RH7423664	1 1
PLATE—(Recessed one end)	EJ/235	LH7419607 RH7419608	1 1
PLATE—(Plain ends)	EJ/235, EH/235, EH/239	LH7423677 RH7423676	1 1
PLATE	HD exc. HD/235, HD/239 HR exc. HR/235, HR/239	LH7424541 RH7424540	1 1
PLATE	HD/235, HD/239, HR/235, HR/239	LH7424737 RH7424736	1 1
SCREW—Oval hd. cr. rec. tap. type "B" No. 6—20 x 1/2"	EJ, EH, HD, HR	163404	10

11.178 PLATE—Centre Pillar Scuff, Door Opening Frame Sill

PLATE—Centre pillar—(16" long)	EJ/215, EJ/219, EJ/225, EJ/229	7415146	2
PLATE—Centre pillar—(16" long)	EJ/235	7419606	2
SCREW—Oval hd. cr. rec. tap. type "B" No. 6—20 x 3/8"	EJ exc. EJ/2104, EJ/2106	163401	2
PLATE—Centre pillar—(12" long)	EJ/215, EJ/219, EJ/225, EJ/229	7423661	2
PLATE—Centre pillar—(12" long)	EJ/235	7423675	2
SCREW—Oval hd. cr. rec. tap. Type "B" No. 10—16 x 3/8"	EJ, exc. EJ/2104, EJ/2106	163464	2
PLATE—Door opening frame sill	EJ/2104, EJ/2106	LH7418487 RH7418486	1 1
SCREW—Oval hd. cr. rec. tap. Type "B" No. 6—20 x 3/8"	EJ/2104, EJ/2106	163401	2
PLATE—Centre pillar	EH/215, EH/219, EH/225, EH/229	7423669	2
PLATE—Centre pillar	EH/235, EH/239	7423680	2
PLATE—Centre pillar	HD/215, HD/219, HD/225, HD/229 HR/215, HR/219, HR/225, HR/229 ..	7424544	2
PLATE—Centre pillar	HD/235, HD/239, HR/235, HR/239 ..	7424740	2
SCREW—Oval hd. cr. rec. tap type "B" No. 10—16 x 3/8"	EH, exc. EH/2104, EH/2106 HD exc. HD/2104, HD/2106 HR exc. HR/2104, HR/2106	163464	2

11.179 PLATE—Rear door scuff

L.H.	48, FJ/215, FJ/217, FJ/225	7401943	1
R.H.	48, FJ/215, FJ/217, FJ/225	7401942	1
SCREW—Pan hd. cross recess tap. type "A" No. 10—12 x 1/2"	48, FJ/215, FJ/217, FJ/225	161895	6
L.H.	FE exc. FE/2104, FE/2106	7409357	1
R.H.	FE exc. FE/2104, FE/2106	7409356	1
SCREW—Oval hd. cr. rec. tap. Type "A" No. 6—18 x 3/8"	FE exc. FE/2104, FE/2106	162233	2
SCREW—Oval hd. cr. rec. tap. Type "A" No. 8—15 x 7/8"	FE exc. FE/2104, FE/2106	162404	6
L.H.	FC exc. FC/2104, FC/2106	7414261	1
R.H.	FC exc. FC/2104, FC/2106	7414260	1
SCREW—Oval hd. cr. rec. tap. Type "A" No. 6—18 x 3/4"	FC exc. FC/2104, FC/2106	162233	2
SCREW—Pan hd. cr. rec. tap. Type "B" No. 8—18 x 1"	FC exc. FC/2104, FC/2106	163200	4
PLATE ASSEMBLY	FB exc. FB/2104, FB/2106 EK exc. EK/2104, EK/2106	LH 7403483 RH 7403484	1 1
SCREW—Pan hd. cr. rec. tap., Type "B", No. 8—18 x 1"	FB exc. FB/2104, FB/2106 EK exc. EK/2104, EK/2106	163200	4
SCREW—Oval hd. cr. rec. tap. Type "B", No. 6—20 x 3/8"	FB exc. FB/2104, FB/2106 EK exc. EK/2104, EK/2106	163401	2
SCREW—Oval hd. cr. rec. tap. Type "B", No. 6—20 x 1/2"	FB exc. FB/2104, FB/2106 EK exc. EK/2104, EK/2106	163404	2
COVER—Scuff plate	FB/225, FB/229, EK/225, EK/229	LH 7413015 RH 7413014	1 1

HOLDEN

MASTER PARTS CATALOGUE



11.179 PLATE—Rear door scuff (Cont'd.)

PLATE—(Recessed one end)	EJ/215, EJ/219, EJ/225, EJ/229	LH7415173	1
		RH7415172	1
PLATE—(Plain ends)	EJ/215, EJ/219, EJ/225, EJ/229	LH7423667	1
	EH/215, EH/219, EH/225, EH/229	RH7423666	1
PLATE—(Recessed one end)	EJ/235	LH7419609	1
		RH7419610	1
PLATE—(Plain ends)	EJ/235, EH/235, EH/239	LH7423679	1
		RH7423678	1
PLATE	HD/215, HD/219, HD/225, HD/229	LH7424543	1
	HR/215, HR/219, HR/225, HR/229	RH7424542	1
PLATE	HD/235, HD/239, HR/235, HR/239	LH7424739	1
		RH7424738	1
SCREW—Oval hd. cr. rec. tap. type "B" No. 6—20 x 1/2"	EJ, exc. EJ/2104, EJ/2106		
	EH, exc. EH/2104, EH/2106		
	HD exc. HD/2104, HD/2106		
	HR exc. HR/2104, HR/2106	163404	6

11.200 FRAME—Rear window

FRAME—Upper	FE/2106, FC/2106	7410852	1
FRAME	EH/215, EH/225, EH/235	7422437	1
EXTENSION—Frame	EJ/2106, EH/2106	LH7418215	1
		RH7418216	1
FRAME	HD/215, HD/225, HD/235		
	HR/215, HR/225, HR/235	7423033	1
FRAME	HD/2106, HR/2106	7420417	1

11.204 GLASS—Rear window, End gate

GLASS	48. FJ/215, FJ/217, FJ/225	7401585	1
GLASS	50, FJ/2106	7376258	1
GLASS—Upper end gate	FJ/2104	7384348	1
GLASS	FE/215, FE/217, FE/225		
	FC/215, FC/217, FC/225	7408329	1
GLASS—Upper end gate	FE/219, FE/229, FC/219, FC/229	7411295*	1
GLASS—Centre	FE/2106, FC/2106	7410703	1
GLASS—End	FE/2106, FC/2106	LH 7410705	1
		RH7410704	1
GLASS	FB/215, FB/225, EK/215, EK/225	7411959	1
GLASS—Upper end gate	FB/219, FB/229, EK/219, EK/229	7411295	1
GLASS—Upper end gate	FB/2104, EK/2104	7384348	1
GLASS—Centre	FB/2106, EK/2106	7413927	1
GLASS—End	FB/2106, EK/2106	LH 7413929	1
		RH 7413928	1
GLASS	EJ/215, EJ/225, EJ/235	7410374	1
GLASS	EH/215, EH/225, EH/235	7422296	1
GLASS—Upper end gate	EJ/219, EJ/229		
	EH/219, EH/229, EH/239	7416476	1
GLASS—Upper end gate	EJ/2104, EH/2104	7418090	1
GLASS—Centre	EJ/2106, EH/2106	7418482	1
GLASS—End	EJ/2106, EH/2106	LH7418481	1
		RH7418480	1
GLASS	HD/215, HD/225, HD/235	7422952	1
GLASS	HR/215, HR/225, HR/235	7428089	1
GLASS—End gate	HD/219, HD/229, HD/239		
	HR/219, HR/229, HR/239	7425614	1
GLASS—Upper end gate	HD/2104, HR/2104	7420405	1
GLASS	HD/2106, HR/2106	7427408	1

*Optional FE/2104, FC/2104.



HOLDEN

MASTER PARTS CATALOGUE

11.207 WEATHERSEAL, FILLER, CHANNEL—Rear Window Glass, End Gate Glass

WEATHER SEAL	48, FJ/215, FJ/217	7402309	1
FILLER	48, FJ/215, FJ/217	7400624	1
WEATHER SEAL	50, FJ/2106	7376259	1
FILLER	50, FJ/2106	7376260	1
WEATHER SEAL	FJ/225	7407510	1
FILLER	FJ/225	7407477	1
WEATHER SEAL—Upper end gate	FJ/2104	7384172	1
FILLER	FJ/2104	7384113	1
CHANNEL	FE/215, FE/217, FC/215, FC/217	7412094	1
CHANNEL	FE/225 S.A. up to Body No. 20620A Vic. up to Body No. 1672M NSW up to Body No. 11234S	7412176	1
CHANNEL	FE/225 S.A. from Body No. 20621A Vic. from Body No. 1673M NSW from Body No. 11235S		
	FC/225	7413384	1
CHANNEL—End gate glass	FE/219, FE/229, FC/219, FC/229	7411294*	1
CHANNEL	FE/2106, FC/2106	7410834	1
CHANNEL	FB/215, EK/215	7414723	1
CHANNEL	FB/225, EK/225	7411986	1
CHANNEL—End gate glass	FB/219, FB/229, EK/219, EK/229	7411294	1
WEATHERSEAL—End gate glass	FB/2104, EK/2104	7384172	1
FILLER	FB/2104, EK/2104	7384113	1
CHANNEL	FB/2106, EK/2106	7414013	1
CHANNEL	EJ/215	7416531	1
CHANNEL	EJ/225, EJ/235	7416532	1
CHANNEL	EH/215	7422401	1
CHANNEL	EH/225, EH/235	7422402	1
CHANNEL—End gate glass	EJ/219, EJ/229		
	EH/219, EH/229, EH/239	7416717	1
CHANNEL—End gate glass	EJ/2104, EH/2104	7418588	1
CHANNEL	EJ/2106, EH/2106	7418761	1
CHANNEL	HD/215	7423398	1
CHANNEL	HD/225, HD/235	7423397	1
CHANNEL—End gate glass, upper	HD/219, HD/229, HD/239 HR/219, HR/229, HR/239	7426907	1
RETAINER—Upper channel	HD/219, HD/229, HD/239 HR/219, HR/229, HR/239	LH7426087 RH7426088	1 1
SCREW—Rd. hd. cr. rec. tap.	HD/219, HD/229, HD/239 HR/219, HR/229, HR/239	4816670	14
CHANNEL—End gate glass, lower	HD/219, HD/229, HD/239 HR/219, HR/229, HR/239	LH7426421 RH7426422	1 1
SCREW—Flat hd. cr. rec. tap. type "A" No. 6—18 x 3/8"	HD/219, HD/229, HD/239 HR/219, HR/229, HR/239	161370	2
RETAINER—Lower channel	HD/219, HD/229, HD/239 HR/219, HR/229, HR/239	7426090	2
BOLT—Hex. hd. 1/4"—20 x 1/2"	HD/219, HD/229, HD/239 HR/219, HR/229, HR/239	120706	4
WASHER—Spring lock 1/4" medium	HD/219, HD/229, HD/239 HR/219, HR/229, HR/239	120380	4
WASHER—Lower channel to end gate	HD/219, HD/229, HD/239	7426819	2
WASHER—Lower channel to end gate	HD/219, HD/229, HD/239 HR/219, HR/229, HR/239	LH7431621 RH7431622	1 1
CHANNEL ASSY.—End gate glass lifter	HD/219, HD/229, HD/239	7424987	1
CHANNEL ASSY.—End gate glass lifter	HR/219, HR/229, HR/239	7430742	1
WEATHERSTRIP—End gate glass lifter channel	HD/219, HD/229, HD/239	7426282	1
WEATHERSTRIP—End gate glass lifter channel	HR/219, HR/229, HR/239	7430741	1
CAM—Lifter channel	HD/219, HD/229, HD/239 HR/219, HR/229, HR/239	7426386	2
BOLT—Hex. hd. 1/4"—20 x 1/2"	HD/219, HD/229, HD/239 HR/219, HR/229, HR/239	120706	4

* Optional FE/2104, FC/2104

HOLDEN

MASTER PARTS CATALOGUE



11.207 WEATHERSTRIP, FILLER, CHANNEL—Rear Window Glass, End Gate Glass (Cont'd.)

WASHER—Spring lock 1/4" medium	HD/219, HD/229, HD/239 HR/219, HR/229, HR/239	120380	4
NUT—Hex. 1/4"—20	HD/219, HD/229, HD/239 HR/219, HR/229, HR/239	134551	4
WEATHERSTRIP—Inner	HD/219, HD/229, HD/239 HR/219, HR/229, HR/239	7430103	1
WEATHERSTRIP—Outer	HD/219, HD/229, HD/239 HR/219, HR/229, HR/239	7426233	1
CHANNEL—End gate glass	HD/2104, HR/2104	7420598	1
CHANNEL	HD/2106, HR/2106	7420257	1
CHANNEL	HR/215	7428292	1
CHANNEL	HR/225, HR/235	7428291	1

11.208 MOULDING—Rear window reveal

L.H.	FJ/225	7407485	1
R.H.	FJ/225	7407484	1
UPPER	FE/225 S.A. up to Body No. 20620A Vic. up to Body No. 1672M NSW up to Body No. 11234S	LH7412175 RH7412174	1 1
LOWER	FE/225 S.A. up to Body No. 20620A Vic. up to Body No. 1672M NSW up to Body No. 11234S	LH7412353 RH7412352	1 1
MOULDING	FE/225 S.A. from Body No. 20621A Vic. from Body No. 1673M NSW from Body No. 11235S		
	FC/225	LH 7409123 RH 7409124	1 1
COVER—Centre junction	FE/225 S.A. from Body No. 20621A Vic. from Body No. 1673M NSW from Body No. 11235S		
	FC/225	7409126	2
UPPER	FB/225, EK/225	7402421	1
UPPER CORNER	FB/225, EK/225	7403508	2
LOWER	FB/225, EK/225	LH 7402525 RH 7402526	1 1
COVER—Centre junction	FB/225, EK/225	7404702	1
UPPER	EJ/225, EJ/235	7415227	1
LOWER	EJ/225, EJ/235	7415228	1
SIDE	EJ/225, EJ/235	LH7415229 RH7415230	1 1
UPPER	EH/225, EH/235	7422490	1
UPPER CORNER	EH/225, EH/235	7422489	2
SIDE	EH/225, EH/235	7422475	2
LOWER	EH/225, EH/235	7422491	1
LOWER CORNER	EH/225, EH/235	7422488	2
SCREW—Oval hd. cr. rec. tap. type "B" No. 4—24 x 5/8"	EH/225, EH/235	SP1452	2
SPACER—Lower corner moulding	EH/225, EH/235	7416494	2
UPPER	HD/225, HD/235	LH7423739 RH7423740	1 1
LOWER	HD/225, HD/235	7423312	1
COVER—Centre junction	HD/225, HD/235	7423346	1
UPPER	HR/225, HR/235	LH7428357 RH7428356	1 1
LOWER	HR/225, HR/235	7428358	1
COVER—Centre junction	HR/225, HR/235	7423346	1



HOLDEN

MASTER PARTS CATALOGUE

11.209 CLIP—Rear window reveal moulding retainer

CLIP	FJ/225	7093853	16
CLIP	FE/225 S.A. up to Body No. 20620A Vic. up to Body No. 1672M NSW up to Body No. 11234S	7093853	A.R.
CLIP—Drive type	FE/225 S.A. up to Body No. 20620A Vic. up to Body No. 1672M NSW up to Body No. 11234S	7410196	4

11.210 RETAINER—End gate belt weatherstrip

RETAINER—Inner weatherstrip	HD/219, HD/229, HD/239	7427795	1
SCREW—Pan hd. cr. rec. mach. No. 8—32 x 5/16"	HD/219, HD/229, HD/239	159577	10
RETAINER—Outer weatherstrip	HD/219, HD/229, HD/239 HR/219, HR/229, HR/239	7426454	1
SCREW—Rd. hd. tap. No. 8—15 x 1/2"	HD/219, HD/229, HD/239 HR/219, HR/229, HR/239	7426400	9

11.216 MOULDING, RETAINER—Rear Window Division

MOULDING—Outer	FE/2106, FC/2106	7410775	2
RETAINER—Outer moulding	FE/2106, FC/2106	7410825	2
NUT—Barrel No. 6—32 x 15/32" Oval	FE/2106, FC/2106	140595	8
MOULDING—Inner	FE/2106, FC/2106	LH 7410839 RH 7410840	1 1
MOULDING—Outer	FB/2106, EK/2106	7413853	2
RETAINER—Outer moulding	FB/2106, EK/2106	7410825	2
NUT—Barrel No. 6—32 x 15/32", oval	FB/2106, EK/2106	140595	8
MOULDING—Inner	FB/2106, EK/2106	LH 7413851 RH 7413852	1 1
MOULDING—Outer	EJ/2106, EH/2106	7418441	2
RETAINER—Outer moulding	EJ/2106, EH/2106	7410825	2
NUT—Barrel No. 6—32 x 15/32", oval	EJ/2106, EH/2106	140595	8
MOULDING—Inner	EJ/2106, EH/2106	LH7418443 RH7418444	1 1

11.373 SPRING AND FRAME ASSEMBLY—Front seat

SPRING AND FRAME ASSEMBLY	FE/225, FE/229, FC/225, FC/229	7410290	1
SPRING AND FRAME ASSEMBLY	FB/215, FB/219, FB/225, FB/229 EK/215, EK/219, EK/225, EK/229	7413043	1
SPRING AND FRAME ASSEMBLY	FB/2104, FB/2106, EK/2104, EK/2106	7413898	1
SPRING AND FRAME ASSEMBLY	EJ/215, EJ/219, EJ/225, EJ/229 EH/215, EH/219, EH/225, EH/229	7416362	1
SPRING AND FRAME ASSEMBLY	HD/215, HD/219, HD/225, HD/229 HR/215, HR/219, HR/225, HR/229	7429675	1
SPRING AND FRAME ASSEMBLY—Heavy duty	HD/215, HD/225, HR/215, HR/225 RIGHT HAND DRIVE	7429937	1
SPRING AND FRAME ASSEMBLY—Heavy duty	HD/225	RIGHT HAND DRIVE	7429856
SPRING AND FRAME ASSEMBLY	HD/235, HD/239	LH7424153 RH7424152	1 1
SPRING AND FRAME ASSEMBLY	HD/2104, HD/2106 HR/2104, HR/2106	7423891	1
SPRING AND FRAME ASSEMBLY—Heavy duty	HR/2104, HR/2106	7432506	1
SPRING AND FRAME ASSEMBLY	HR/235, HR/239	LH7431341 RH7431342	1 1
SPRING AND FRAME ASSEMBLY—Bench type	HR/235, HR/239	7432773	1

HOLDEN

MASTER PARTS CATALOGUE



11.374 SPRING, WIRE, CLIP, RING—Front Seat Back

SPRING—Centre	FJ .. .	7381524	A.R.
SPRING—End	48, 50		
	FJ/215 S.A. up to Body No. 9668		
	NSW up to Body No. S3936		
	FJ/217 S.A. up to Body No. 2468		
	NSW up to Body No. S2544		
	FJ/225 S.A. up to Body No. 25990		
	NSW up to Body No. S13440		
	FJ/2104 up to Body No. 1295		
	FJ/2106 S.A. up to Body No. 12552		
	NSW up to Body No. S6253	7402998	2
SPRING—Support end	48, 50, FJ .. .	7403000	2
SPRING	FE, FC .. .	7409747	A.R.
SPRING	FB, EK .. .	7412664	13
WIRE ASSEMBLY—Helical tie	48, 50, FJ, FE, FC, FB, EK .. .	7413048	A.R.
CLIP	48, 50, FJ, FE, FC, FB, EK .. .	7401768	A.R.
RING—Hog	48, 50, FJ, FE, FC, FB, EK .. .	4556605	A.R.
SPRING	EJ, exc. EJ/235		
	EH, exc. EH/235, EH/239		
	HD exc. HD/235, HD/239		
	HR .. .	†7415905	13
SPRING	EH/235, EH/239, HD/235, HD/239		
	HR/235, HR/239 .. .	7428854	6
SPRING—End	EJ/235, EH/235, EH/239		
	HD/235, HD/239, HR/235, HR/239 .. .	7419764	4
WIRE ASSEMBLY—Helical tie	EJ, exc. EJ/235		
	EH, exc. EH/235, EH/239 .. .	7413051	A.R.
WIRE ASSEMBLY—Helical tie	HD exc. HD/235, HD/239		
	HR exc. HR/235, HR/239 .. .	7428803	A.R.
CLIP	EJ, EH, HD, HR .. .	7401768	A.R.
CLIP—Seat cover to frame	HD exc. HD/235, HD/239		
	HR .. .	†7100321	A.R.

†Required with Bench Type Seat on HR/235, HR/239

11.420 SPRING, WIRE, CLIP, RING—Front Seat Cushion

SPRING—Centre	48, 50, FJ .. .	7402974	A.R.
SPRING—End	48, 50, FJ .. .	7402976	2
SPRING—End support	48, 50, FJ .. .	7403596	2
SPRING UNIT—Main	FE, FC, FB, EK .. .	4651690	A.R.
SPRING—End support—14" overall	FE .. .	7409675	4
SPRING—End support—28" overall	FE, FC, FB, EK .. .	7412908	2
SPRING—Single cone 6" high	FE, FC, FB, EK .. .	7413003	2
SPRING—Single cone 4½" high	FE, FC, FB, EK .. .	7413004	2
WIRE ASSEMBLY—Helical tie	48, 50, FJ, FE, FC, FB, EK .. .	7413048	A.R.
CLIP	48, 50, FJ, FE, FC, FB, EK .. .	7401768	A.R.
RING—Hog	48, 50, FJ, FE, FC, FB, EK .. .	4556605	A.R.
WIRE—Spring tie (special service)	FB .. .	7418117	3
WIRE—Rear border	FB, EK .. .	7412878	1
SPRING—Main	EJ, exc. EJ/235		
	EH, exc. EH/235, EH/239 .. .	7424069	16
SPRING—End	EJ, exc. EJ/235		
	EH, exc. EH/235, EH/239 .. .	7416345	2
SPRING—End support	EJ, exc. EJ/235		
	EH, exc. EH/235, EH/239 .. .	7425667	2
SPRING—Cushion support	EJ exc. EJ/235		
	EH exc. EH/235, EH/239 .. .	7431552	A.R.
WIRE ASSEMBLY—Helical tie	EJ, exc. EJ/235		
	EH, exc. EH/235, EH/239 .. .	7419481	A.R.
WIRE—Stabilizer	EH, exc. EH/235, EH/239 .. .	7421841	A.R.
WIRE—Front border	EJ, exc. EJ/235		
	EH, exc. EH/235, EH/239 .. .	7416280	1
WIRE—Rear border	EJ, exc. EJ/235		
	EH, exc. EH/235, EH/239 .. .	7416281	2



HOLDEN

MASTER PARTS CATALOGUE

11.420 SPRING, WIRE, CLIP, RING—Front seat cushions (Cont'd.)

SPRING—Main	HD exc. HD/235, HD/239, HR	†7424069	14
SPRING—Intermediate	HD exc. HD/235, HD/239, HR	†7423059	2
SPRING—End	HD exc. HD/235, HD/239, HR	†7423073	2
SPRING—End support	HD exc. HD/235, HD/239, HR	†7423039	2
SPRING—Cushion support	HD exc. HD/235, HD/239 HR exc. HR/235, HR/239	7431552	A.R.
WIRE ASSEMBLY—Helical tie	HD exc. HD/235, HD/239 HR exc. HR/235, HR/239	7419481	A.R.
WIRE ASSEMBLY—Helical tie	HD exc. HD/235, HD/239 HR exc. HR/235, HR/239	7410167	A.R.
WIRE ASSEMBLY—Helical tie	HD/215, HD/219, HD/225, HD/229 HR exc. HR/2104, HR/2106	†7423423	2
WIRE—Stabilizer	HD exc. HD/235, HD/239, HR	†7423074	1
WIRE—Front border	HD exc. HD/235, HD/239, HR	†7423318	1
WIRE—Rear border	HD exc. HD/235, HD/239, HR	LH†7423383 RH†7423382	1 1
SPRING—Main	EJ/235, EH/235, EH/239 HD/235, HD/239, HR/235, HR/239	6277893	6
SPRING—End	EJ/235, EH/235, EH/239 HD/235, HD/239, HR/235, HR/239	6281926	4
SPRING—End	EJ/235, EH/235, EH/239 HD/235, HD/239, HR/235, HR/239	7419763	4
SPRING—End support	EJ/235, EH/235, EH/239 HD/235, HD/239, HR/235, HR/239	7419762	4
SPRING AND SILENCER ASSEMBLY—Cushion coil	EJ/235, EH/235, EH/239 HD/235, HD/239, HR/235, HR/239	7421968	4
WIRE—Front border	EJ/235, EH/235, EH/239 HD/235, HD/239, HR/235, HR/239	7419959	2
WIRE—Rear border	EJ/235, EH/235, EH/239 HD/235, HD/239, HR/235, HR/239	7419960	2
RING—Hog	EJ/235, EH/235, EH/239 HD/235, HD/239, HR/235, HR/239	4556605	A.R.
CLIP—Cushion wire	EJ, EH, HD, HR	7401768	A.R.

11.561 ADJUSTER—Front Seat

ADJUSTER ASSEMBLY	FE, FC	LH7409701 RH7409700	1 1
SPACER—Floor pan, front	FE, FC	7412927	2
SPACER—Floor pan, rear	FE, FC	7412926	2
RETAINER—Floor pan	FE, FC	7409350	2
BOLT—Hex. hd. 5/16"—24 x 1 1/8" with lockwasher	FE, FC	425593	8
BOLT—Hex. hd. with lockwasher	FE, FC	4584867	4
ADJUSTER ASSEMBLY	FB, EK	RIGHT HAND DRIVE LH7411835 RH 7411834 LEFT HAND DRIVE LH7415821	1 1 1
BOLT—Hex. hd. 5/16"—24 x 5/8"	FB, EK	123473	4
WASHER—Spring lock 5/16"—medium	FB, EK	120214	4
SPACER—Floor pan, front	FB	7412927	2
SPACER—Floor pan, rear	FB	7412926	2
RETAINER—Floor pan	FB, EK	7409350	2
BOLT—Hex. hd. 5/16"—24 x 1 1/8" with lockwasher	FB, EK	425593	8
BOLT—Hex. hd.	FB	7414779	8
WASHER—Spring lock 5/16"—medium	FB, EK	120214	8

†Required with Bench Type Seat on HR/235, HR/239.

HOLDEN

MASTER PARTS CATALOGUE



11.561. ADJUSTER—Front seat (Cont'd.)

ADJUSTER ASSEMBLY	EJ, exc. EJ/235		
	EH, exc. EH/235, EH/239		
	RIGHT HAND DRIVE	LH7415467	1
		RH7409012	1
	LEFT HAND DRIVE	LH7417499	1
		RH7417498	1
ADJUSTER ASSEMBLY	EJ/235	LH7417499	1
		RH7409012	1
ADJUSTER ASSEMBLY	EH/235, EH/239	LH7420783	1
		RH7420784	1
ADJUSTER ASSEMBLY—Inner	EJ/235, EH/235, EH/239	7419730	2
BOLT—Hex. hd. 5/16"—24 x 5/8"	EJ, EH	123473	2-4
BOLT—Hex. hd. 5/16"—24 x 7/8"	EJ, EH	120213	2-4
WASHER—Spring lock, 5/16"—medium	EJ, EH	120214	4-8
WASHER—Plain, type "B" 5/16"—regular	EJ, EH	274865	8-10
WASHER—Spring lock, 5/16"—medium	EJ, EH	120214	8-10
ADJUSTER ASSEMBLY	HD, exc. HD/235, HD/239, HR		
	RIGHT HAND DRIVE	LH7415467†	1
		RH7409012†	1
	LEFT HAND DRIVE	LH7417499†	1
		RH7417498†	1
ADJUSTER ASSEMBLY	HD/235, HD/239, HR/235, HR/239	LH7423549	1
		RH7423548	1
ADJUSTER ASSEMBLY—Inner	HD/235, HD/239, HR/235, HR/239	7423494	2
BOLT—Hex. hd. 5/16"—18 x 5/8"	HD, HR	120228	2-4
BOLT—Hex. hd. 5/16"—18 x 7/8"	HD, HR	120229	2-4
WASHER—Spring lock 5/16" medium	HD, HR	120214	4-8
BOLT—Special hexagon	HD, HR	7425645	8
BOLT—Special hexagon	HD/235, HD/239, HR/235, HR/239	7426396	8
WASHER—Plain 5/16" x 7/8" x .063"	HD, HR	274865	8-16
WASHER—Spring lock 5/16" medium	HD, HR	120214	8-16
SPACER—Outer lower	HD	7423401	4
SPACER—Inner lower	HD/235, HD/239	7424252	4

11.581 SPRING—Front seat adjuster

ASSIST	FE, FC, FB, EK	LEFT HAND DRIVE	4304426	2
LOCK BAR	FE, FC, FB, EK		7410377	2
ASSIST	EJ, EH, HD, HR		4304426	2-4
LOCK BAR—Coil, 3/8"	EJ, EH, HD, HR		7410377	1-2
LOCK BAR—Coil, 1-1/2"	EJ, exc. EJ/235			
	EH, exc. EH/235, EH/239			
	HD exc. HD/235, HD/239, HR		4301314†	1

11.582 RETAINER—Front seat adjuster spring

RETAINER	EJ, exc. EJ/235			
	EH, exc. EH/235, EH/239			
	HD exc. HD/235, HD/239, HR		4301315†	1

11.588 HANDLE, KNOB—Front seat adjuster

HANDLE	48, 50		7402124	1
KNOB	FJ		7407798	1
KNOB	FE, FC, FB, EK		4619984	1
KNOB	EJ, EH, HD, HR		7416290	1-2
SCREW—Hex. socket cup point set No. 10—24 x 5/16"	FJ, FE, FC, FB, EK, EJ, EH, HD, HR		455700	1-2

†Required with Bench Type Seat on HR/235, HR/239.



HOLDEN

MASTER PARTS CATALOGUE

11.589 ROD, CLIP, WIRE, BRACKET—Front seat adjuster

CLIP—Lock bar rod, L.H.	48, 50	7402119	1
CLIP—Lock bar rod, R.H.	48, 50	7402118	1
CLIP—Lock bar rod	FJ	7402119	2
ROD—Auxiliary locking	FE, FC, FB, EK	7408209	1
WIRE—Auxiliary locking	EJ, exc. EJ/235		
	EH, exc. EH/235, EH/239	7416796	1
WIRE—Auxiliary locking	HD exc. HD/235, HD/239, HR	†7423371	1
BRACKET—Wire support	EJ, exc. EJ/235		
	EH, exc. EH/235, EH/239		
	HD exc. HD/235, HD/239, HR	†7416930	1
SCREW—Pan hd. cr. rec. tap. type "B" No. 8—15 x 1/2"	EJ, exc. EJ/235		
	EH, exc. EH/235, EH/239		
	HD exc. HD/235, HD/239, HR	†161860	1

†Required with Bench Type Seat on HR/235, HR/239.

11.595 PLATE, REINFORCEMENT—Seat adjuster anchor

PLATE ASSEMBLY—Front	FE, FC, FB, EK (M)	LH7409303	1
		RH7409302	1
PLATE ASSEMBLY—Rear	FE, FC, FB, EK	LH7409305	1
		RH7409304	1
PLATE ASSEMBLY	EJ (A), EH (A)	7417898	2
REINFORCEMENT ASSEMBLY	HD, HR	7425586	2
PLATE ASSEMBLY	HD/235, HD/239, HR/235, HR/239	7423325	2

11.610 SPRING AND FRAME ASSEMBLY—Rear seat cushion

SPRING AND FRAME ASSEMBLY	FE/219, FE/229, FC/219, FC/229		
	FB/219, FB/229, EK/219, EK/229	7413918	1
SPRING AND FRAME ASSEMBLY ..	FB/215, FB/225, EK/215, EK/225	7412359	1
SPRING AND FRAME ASSEMBLY	EJ/215, EJ/225, EH/215, EH/225	7416857	1
SPRING AND FRAME ASSEMBLY	EJ/219, EH/219	7417420	1
SPRING AND FRAME ASSEMBLY	EH/239	7426363	1
SPRING AND FRAME ASSEMBLY ..	HD/215, HD/225, HD/235		
	HR/215, HR/225, HR/235	7424129	1
SPRING AND FRAME ASSEMBLY—Heavy duty ..	HD/215, HD/225, HR/215, HR/225	7429859	1
SPRING AND FRAME ASSEMBLY ..	HD/219, HR/219	7422827	1
SPRING AND FRAME ASSEMBLY ..	HD/229, HD/239, HR/229, HR/239	7423380	1

11.611 SPRING, WIRE, CLIP, RING—Rear Seat Cushion

SPRING—End support	48, FJ/215, FJ/217, FJ/225	7407635	2
SPRING—Centre	FJ/215, FJ/217, FJ/225	7407634	15
CLIP—Retainer	48, FJ/215, FJ/217, FJ/225	7402227	2
SCREW—Pan hd. sl. tap. type "A" No. 8—18 x 3/8"	48, FJ/215, FJ/217, FJ/225	128270	2
SPRING—Main	FE/215, FE/217, FE/225		
	FC/215, FC/217, FC/225	4651666	10
SPRING—End outer	FE/215, FE/217, FE/225		
	FC/215, FC/217, FC/225	7409070	2
SPRING—Main	FE/219, FE/229, FC/219, FC/229		
	FB/219, FB/229, EK/219, EK/229	7410576	14
SPRING—Main	FB/215, FB/225, EK/215, EK/225	4651666	10
SPRING—End	FB/215, FB/225, EK/215, EK/225	7411910	2
RING—Hog	48, FJ/215, FJ/217, FJ/225		
	FE exc. FE/2104, FE/2106		
	FC exc. FC/2104, FC/2106		
	FB exc. FB/2104, FB/2106		
	EK exc. EK/2104, EK/2106	4556605	A.R
WIRE ASSEMBLY—Helical tie	48, FJ/215, FJ/217, FJ/225		
	FE exc. FE/2104, FE/2106		
	FC exc. FC/2104, FC/2106		
	FB exc. FB/2104, FB/2106		
	EK exc. EK/2104, EK/2106	7413048	A.R
CLIP—Wire	48, FJ/215, FJ/217, FJ/225		
	FE exc. FE/2104, FE/2106		
	FC exc. FC/2104, FC/2106		
	FB exc. FB/2104, FB/2106		
	EK exc. EK/2104, EK/2106	7401768	A.R

HOLDEN

MASTER PARTS CATALOGUE



11.611 SPRING, WIRE, CLIP, RING—Rear seat cushion (contd.)

SPRING—Main	EJ/215, EJ/225, EJ/235 EH/215, EH/225, EH/235	7416111	11
SPRING—End	EJ/215, EJ/225, EJ/235 EH/215, EH/225, EH/235	7416603	2
SPRING—End inner	EJ/215, EJ/225, EJ/235 EH/215, EH/225, EH/235	7416604	2
SPRING—End intermediate	EJ/215, EJ/225, EJ/235 EH/215, EH/225, EH/235	7416605	2
SPRING—Centre	EJ/215, EJ/225, EJ/235 EH/215, EH/225, EH/235	7416522	4
WIRE—Helical tie	EJ/215, EJ/225 EH/215, EH/225	7419479	A.R.
SPRING—Main	EJ/219, EJ/229 EH/219, EH/229, EH/239	7417176	11
SPRING—Centre	EJ/219, EJ/229 EH/219, EH/229, EH/239	7416939	4
CLIP—Wire	EJ, exc. EJ/2104, EJ/2106 EH, exc. EH/2104, EH/2106	7401768	A.R.
RING—Hog	EJ/235, EH/235	4556605	14
SPRING—Main	HD/215, HD/225, HD/235 HR/215, HR/225, HR/235	7416111	12
SPRING—End	HD/215, HD/225, HD/235 HR/215, HR/225, HR/235	7423109	2
SPRING—End inner	HD/215, HD/225, HD/235 HR/215, HR/225, HR/235	7423120	2
SPRING—End intermediate	HD/215, HD/225, HD/235 HR/215, HR/225, HR/235	7423178	2
SPRING—Centre	HD/215, HD/225, HD/235 HR/215, HR/225, HR/235	7423021	3
SPRING—Cushion support	HR/215, HR/219, HR/225, HR/229	7431553	A.R.
SUPPORT—End spring	HD/215, HD/225, HD/235 HR/215, HR/225, HR/235	7429616	2
SUPPORT—End Spring—Heavy duty	HD/215, HD/225, HR/215, HR/225	7429861	2
WIRE—Helical tie	HD/215, HD/225, HR/215, HR/225	7419479	A.R.
WIRE—Tie	HD/215, HD/219, HD/225, HD/229 HR/215, HR/219, HR/225, HR/229	7428803	A.R.
SPRING—Main	HD/219, HD/229, HD/239 HR/219, HR/229, HR/239	7417176	11
SPRING—End	HD/219, HD/229, HD/239 HR/219, HR/229, HR/239	7422990	2
SPRING—Intermediate	HD/219, HD/229, HD/239 HR/219, HR/229, HR/239	7423017	2
SPRING—Centre	HD/219, HD/229, HD/239 HR/219, HR/229, HR/239	7416939	3
SPRING—Centre	HD/219, HD/229, HD/239 HR/219, HR/229, HR/239	7422934	1
CLIP—Wire	HD exc. HD/2104, HD/2106 HR exc. HR/2104, HR/2106	7401768	A.R.
RING—Hog	HD exc. HD/2104, HD/2106 HR exc. HR/2104, HR/2106	4556605	A.R.

11.612 PLATE—Rear Seat Cushion Support

PLATE	FE/219, FE/229, FC/219, FC/229 FB/219, FB/229, EK/219, EK/229	LH 7411631 RH 7411630	1 1
SCREW—Oval hd. cr. rec. tap. Type "A" No. 8—15 x 1/2"	FE/219, FE/229, FC/219, FC/229 FB/219, FB/229, EK/219, EK/229	148545	6

11.613 SUPPORT—Rear seat cushion

SUPPORT	EJ/219, EJ/229 EH/219, EH/229, EH/239	7419384	2
SUPPORT	HD/219, HD/229, HD/239 HR/219, HR/229, HR/239	7422816	2



HOLDEN

MASTER PARTS CATALOGUE

11.614 HINGE ASSEMBLY—Rear Seat Cushion

HINGE ASSEMBLY	FE/219, FE/229, FC/219, FC/229	LH 7410781 RH 7410780	1 1
HINGE ASSEMBLY	FB/219, FB/229, EK/219, EK/229	LH 7412633 RH 7412632	1 1
PIN—Hinge	FB/219, FB/229, EK/219, EK/229	7408335	2
SCREW—Oval hd. cr. rec. mach. 5/16"—24 x 1-1/4"	FB/219, FB/229, EK/219, EK/229	455292	4
HINGE—Body section	EJ/219, EJ/229 EH/219, EH/229, EH/239	LH7417245 RH7417244	1 1
LINK ASSEMBLY—Cushion hinge	EJ/219, EJ/229 EH/219, EH/229, EH/239	7419266	1
WASHER—Plain, type "B" 3/8" x 3/4" x .063"	EJ/219, EJ/229 EH/219, EH/229, EH/239	274517	2
SCREW—Pan hd. cr. rec. mach. No. 12—24 x 5/8"	EJ/219, EJ/229 EH/219, EH/229, EH/239	160284	4
HINGE—Cushion section (1/4" attach. screw)	EJ/219, EJ/229 EH/219, EH/229, EH/239	7424375	2
WASHER—Int. tooth lock 1/4"	EH/219, EH/229, EH/239	120423	4
HINGE—Body section	HD/219, HD/229, HD/239 HR/219, HR/229, HR/239	LH7423111 RH7423112	1 1
LINK ASSEMBLY—Cushion hinge	HD/219, HD/229, HD/239 HR/219, HR/229, HR/239	7419266	1
WASHER—Plain 3/8" x 3/4" x .063"	HD/219, HD/229, HD/239 HR/219, HR/229, HR/239	274517	2
HINGE—Cushion section	HD/219, HD/229, HD/239 HR/219, HR/229, HR/239	7424375	2
SCREW—Pan hd. cr. rec. mach. 1/4"—20 x 5/8"	HD/219, HD/229, HD/239 HR/219, HR/229, HR/239	160536	4
WASHER—Int. tooth lock 1/4"	HD/219, HD/229, HD/239 HR/219, HR/229, HR/239	120423	4

11.628 SPRING AND FRAME ASSEMBLY—Rear seat back FRAME ASSEMBLY—Centre arm rest

SPRING AND FRAME ASSEMBLY	FE/219, FE/229, FC/219, FC/229 FB/219, FB/229, EK/219, EK/229	7413919	1
SPRING AND FRAME ASSEMBLY	FB/215, FB/225, EK/215, EK/225	7412322	1
SPRING AND FRAME ASSEMBLY	EJ/215, EJ/225, EH/215, EH/225	7416957	1
SPRING AND FRAME ASSEMBLY	EJ/219, EH/219	7417367	1
SPRING AND FRAME ASSEMBLY	HD/215, HD/225, HR/215, HR/225	7424209	1
SPRING AND FRAME ASSEMBLY—Heavy duty	HD/215, HD/225, HR/215, HR/225	7429864	1
SPRING AND FRAME ASSEMBLY	HD/219, HR/219	7423635	1
SPRING AND FRAME ASSEMBLY	HD/229, HR/229	7423636	1
SPRING AND FRAME ASSEMBLY	HD/235, HR/235	7424122	1
SPRING AND FRAME ASSEMBLY	HD/239, HR/239	7426228	1
FRAME ASSEMBLY—Centre arm rest	EJ/235, EH/235, EH/239 HD/235, HD/239, HR/235, HR/239	7419693	1
SCREW—Flat hd. cr. rec. tap. type "B" No. 10—16 x 1/2"	EJ/235, EH/235, EH/239 HD/235, HD/239, HR/235, HR/239	162683	2

HOLDEN

MASTER PARTS CATALOGUE



11.629 SPRING, WIRE, CLIP, RING—Rear Seat Back

SPRING—Main	FE/215, FE/217, FE/225 FC/215, FC/217, FC/225	7409127	12
SPRING	FE/219, FE/229, FC/219, FC/229 FB/219, FB/229, EK/219, EK/229	7409747	12
RING—Hog	48, FJ/215, FJ/217, FJ/225 FE exc. FE/2104, FE/2106 FC exc. FC/2104, FC/2106 FB exc. FB/2104, FB/2106 EK exc. EK/2104, EK/2106	4556605	A.R.
WIRE ASSEMBLY—Helical tie	48, FJ/215, FJ/217, FJ/225 FE exc. FE/2104, FE/2106 FC exc. FC/2104, FC/2106 FB exc. FB/2104, FB/2106 EK exc. EK/2104, EK/2106	7413048	A.R.
CLIP—Wire	48, FJ/215, FJ/217, FJ/225 FE exc. FE/2104, FE/2106 FC exc. FC/2104, FC/2106 FB exc. FB/2104, FB/2106 EK exc. EK/2104, EK/2106	7401768	A.R.
SPRING—Main	EJ/215, EJ/225, EJ/235 EH/215, EH/225, EH/235 HD/215, HD/225, HD/235 HR/215, HR/225, HR/235	7415905	12-8
SPRING—Filler	EJ/215, EJ/225, EJ/235 EH/215, EH/225, EH/235	7416890	2
SPRING—Outer	EJ/215, EJ/225, EJ/235 EH/215, EH/225, EH/235 HD/215, HD/225, HD/235 HR/215, HR/225, HR/235	7416920	2-4
WIRE—Helical tie	EJ/215, EJ/225, EH/215, EH/225 HD/215, HD/225, HR/215, HR/225	7419480	A.R.
WIRE—Tie	HD/215, HD/219, HD/225, HD/229 HR/215, HR/219, HR/225, HR/229	7428803	A.R.
SPRING—Main	EJ/219, EJ/229 EH/219, EH/229, EH/239 HD/219, HD/229, HD/239 HR/219, HR/229, HR/239	7419284	12
SPRING—End support	EJ/219, EJ/229 EH/219, EH/229, EH/239	7416885	2
SPRING—End support	HD/219, HD/229, HD/239 HR/219, HR/229, HR/239	7423213	2
CLIP—Wire	EJ, exc. EJ/2104, EJ/2106 EH, exc. EH/2104, EH/2106 HD exc. HD/2104, HD/2106 HR exc. HR/2104, HR/2106	7401768	A.R.
RING—Hog	HD exc. HD/2104, HD/2106 HR exc. HR/2104, HR/2106	4556605	A.R.

11.630 HINGE ASSEMBLY—Rear Seat Back

HINGE ASSEMBLY	FE/219, FE/229, FC/219, FC/229 FB/219, FB/229, EK/219, EK/229	LH 7410911 RH 7410910	1 1
BOLT—Hex. hd. 5/16"—18 x 5/8"	FE/219, FE/229, FC/219, FC/229 FB/219, FB/229, EK/219, EK/229	120228	4
NUT—Hex. 5/16"—18	FE/219, FE/229, FC/219, FC/229 FB/219, FB/229, EK/219, EK/229	120376	4
WASHER—Spring lock 5/16"—medium	FE/219, FE/229, FC/219, FC/229 FB/219, FB/229, EK/219, EK/229	120214	4
SCREW—Flat hd. sl. mach. 5/16"—18 x 3/4"	FE/219, FE/229, FC/219, FC/229 FB/219, FB/229, EK/219, EK/229	114663	4
HINGE	EJ/219, EJ/229 EH/219, EH/229, EH/239 HD/219, HD/229, HD/239 HR/219, HR/229, HR/239	LH7416579 RH7416580	1 1
SCREW—Oval hd. 1/4"—28 x 5/8" with lock washer	EJ/219, EJ/229 EH/219, EH/229, EH/239	9418028	8
SCREW—Oval hd. 1/4"—20 x 3/4" with lock washer	HD/219, HD/229, HD/239 HR/219, HR/229, HR/239	446580	8



HOLDEN

MASTER PARTS CATALOGUE

11.632 PLATE ASSEMBLY—Rear Seat Back Stop and Support

PLATE ASSEMBLY	FE/219, FE/229, FC/219, FC/229 FB/219, FB/229, EK/219, EK/229	LH 7411013 RH 7411012	1 1
SCREW—Oval hd. cr. rec. mach. 5/16"—24 x 1-1/4"	FB/219, FB/229, EK/219, EK/229	455292	4
PLATE ASSEMBLY	EJ/219, EJ/229 EH/219, EH/229, EH/239 HD/219, HD/229, HD/239 HR/219, HR/229, HR/239	7416565	2
SCREW—Flat hd. cr. rec. mach. 1/4"—28 x 5/8" with csk. external tooth lock washer	EJ/219, EJ/229 EH/219, EH/229, EH/239	441112	4
SCREW—Flat hd. cr. rec. mach. 1/4"—20 x 5/8" with csk. external tooth lock washer	HD/219, HD/229, HD/239 HR/219, HR/229, HR/239	191983	4

11.634 RETAINER, COVER, SPRING, LOCK, KNOB, BRACKET—Rear Seat Back

RETAINER—(Up position)	FE/219, FE/229, FC/219, FC/229 FB/219, FB/229, EK/219, EK/229	7412568	2
COVER—Retainer (up position)	FE/219, FE/229, FC/219, FC/229 FB/219, FB/229, EK/219, EK/229	LH 7416937 RH 7416936	1 1
SCREW—Pan hd. cr. rec. mach. 1/4"—20 x 5/8"	FE/219, FE/229, FC/219, FC/229 FB/219, FB/229, EK/219, EK/229	160536	4
RETAINER—(Down position)	FE/219, FE/229, FC/219, FC/229 FB/219, FB/229, EK/219, EK/229	7410935	2
SCREW—Oval hd. cr. rec. mach. 5/16"—24 x 1-1/4"	FB/219, FB/229, EK/219, EK/229	455292	4
SPRING—Retainer (down position)	FE/219, FE/229, FC/219, FC/229 FB/219, FB/229, EK/219, EK/229	7410965	2
RETAINER—Outer	EJ/215, EJ/225, EJ/235 EH/215, EH/225, EH/235 HD/215, HD/225, HD/235 HR/215, HR/225, HR/235	7417198	2
RETAINER—Lower	HD/215, HD/225, HD/235 HR/215, HR/225, HR/235	7423196	2
LOCK ASSEMBLY	EJ/219, EJ/229 EH/219, EH/229, EH/239	LH7416801 RH7416802	1 1
LOCK ASSEMBLY	HD/219, HD/229, HD/239 HR/219, HR/229, HR/239	LH7423163 RH7423162	1 1
SCREW—Pan hd. cr. rec. tap. type "A" No. 6—18 x 1/2"	EJ/219, EJ/229 EH/219, EH/229, EH/239 HD/219, HD/229, HD/239 HR/219, HR/229, HR/239	161798	6
SPRING—Lock	EJ/219, EJ/229 EH/219, EH/229, EH/239 HD/219, HD/229, HD/239 HR/219, HR/229, HR/239	7407811	2
KNOB	EJ/219, EJ/229 EH/219, EH/229, EH/239 HD/219, HD/229, HD/239 HR/219, HR/229, HR/239	7419285	2
SCREW—Flat hd. sl. mach. No. 10—24 x 3/4"	EJ/219, EJ/229 EH/219, EH/229, EH/239 HD/219, HD/229, HD/239 HR/219, HR/229, HR/239	120620	2
WASHER—Csk. external tooth lock No. 10	EJ/219, EJ/229 EH/219, EH/229, EH/239 HD/219, HD/229, HD/239 HR/219, HR/229, HR/239	138597	2

HOLDEN

MASTER PARTS CATALOGUE



11.634 RETAINER, COVER, SPRING, LOCK, KNOB, BRACKET—Rear Seat Back (Cont'd.)

BRACKET—Stop (on wheelhouse)—1st type EH	EJ/219, EJ/229 EH/219, EH/229, EH/239	7416864	2
BRACKET—Stop (on wheelhouse)—2nd type EH	EH/219, EH/229, EH/239 HD/219, HD/229, HD/239	7427176	2
PLATE—Back stop—2nd type EH	EH/219, EH/229, EH/239 HD/219, HD/229, HD/239	7427178	2
BRACKET & PLATE ASSY.—Stop (on wheelhouse)	HD/219, HD/229, HD/239 HR/219, HR/229, HR/239	LH7429249 RH7429250	1 1
BUMPER—Stop plate—2nd type EH	EH/219, EH/229, EH/239 HD/219, HD/229, HD/239 HR/219, HR/229, HR/239	7427177	2
SCREW—Pan hd. cr. rec. mach. 1/4"—20 x 5/8"	EJ/219, EJ/229 EH/219, EH/229, EH/239 HD/219, HD/229, HD/239 HR/219, HR/229, HR/239	160536	4
WASHER—Spring lock, 1/4"—medium	EJ/219, EJ/229 EH/219, EH/229, EH/239 HD/219, HD/229, HD/239 HR/219, HR/229, HR/239	120380	4
NUT—Hex. 1/4"—20	EJ/219, EJ/229 EH/219, EH/229, EH/239 HD/219, HD/229, HD/239 HR/219, HR/229, HR/239	120375	4
RETAINER ASSEMBLY—(Down position)	EJ/219, EJ/229 EH/219, EH/229, EH/239 HD/219, HD/229, HD/239 HR/219, HR/229, HR/239	7419260	2
SCREW—Pan hd. cr. rec. mach. 1/4"—20 x 5/8"	HD/219, HD/229, HD/239 HR/219, HR/229, HR/239	160536	4
WASHER—Internal tooth lock	EJ/219, EJ/229 EH/219, EH/229, EH/239 HD/219, HD/229, HD/319 HR/219, HR/229, HR/239	120423	4

11.925 LAMP ASSEMBLY—Dome

LAMP ASSEMBLY	48, 50, FJ	7407496	1
BULB—6 C.P. 6-8 volt	48, 50, FJ	142306	1
SCREW—Rd. hd. sl. tap. type "A" No. 6—18 x 1/2"	48, 50, FJ	127853	2
LAMP ASSEMBLY	FE, FC, FB, EK	7409913	1
BULB—15 C.P. 12-16 Volt	FE, FC, FB, EK	455490	1
BULB—12—16 Volt. 15 C.P.	EJ, EH	455136	1
BASE	HD HR/225, HR/229, HR/235, HR/239	7425648	1
BASE & RIM	HD/215, HD/219, HD/2104, HD/2106 HR/215, HR/219, HR/2104, HR/2106	7429538	1
SUPPORT—Clip	HD HR/225, HR/229, HR/235, HR/239	2973231	1
BULB—12-16 volt 12 C.P.	HD, HR	9414045	1

11.928 LENS, RIM—Dome lamp

LENS	48, 50, FJ	7405182	1
LENS	FE, FC, FB, EK	7409915	1
LENS	EJ, EH, HD, HR	7430988	1
RIM	EJ, EH	7414889	1
RIM	HD/215, HD/219, HD/2104, HD/2106	7429462	1
RIM	HD/225, HD/229, HD/235, HD/239 HR/225, HR/229, HR/235, HR/239	7414889	1



HOLDEN

MASTER PARTS CATALOGUE

11.935 SWITCH—Dome lamp

SWITCH ASSY. (on dome lamp)	48, 50, FJ	7404284	1
LEVER—Operating (on dome lamp)	48, 50, FJ	7404293	1

11.950 SWITCH, LEAD—Courtesy light

SWITCH ASSEMBLY	FJ/225	7407492	1
SCREW—Pan hd. sl. mach. No. 10—32 x 1/2"	FJ/225	436750	2
SWITCH ASSEMBLY—(One piece—screw mounted)	FE/225, FE/229, FC/225, FC/229	4598597	2
SWITCH ASSEMBLY—(One Piece—spring mounted)	FC/225, FC/229, FB/225, FB/229 EK/225, EK/229	4799393	2
BODY—(Three piece switch)	EK/225, EK/229, EJ/225, EJ/229, EJ/235, EH/225, EH/229, EH/235, EH/239 HD/225, HD/229, HD/235, HD/239 HR/225, HR/229, HR/235, HR/239 ..	7418802	2
PLUNGER—(Three piece switch) ..	EK/225, EK/229, EJ/225, EJ/229, EJ/235, EH/225, EH/229, EH/235, EH/239 HD/225, HD/229, HD/235, HD/239 HR/225, HR/229, HR/235, HR/239 ..	7418729	2
SPRING—(Three piece switch)	EK/225, EK/229 EJ/225, EJ/229, EJ/235 EH/225, EH/229, EH/235, EH/239 HD/225, HD/229, HD/235, HD/239 HR/225, HR/229, HR/235, HR/239 ..	7418544	2
GROMMET—1/4"	FE/225, FE/229, FC/225, FC/229 ..	SP1346	2

11.960 LAMP ASSEMBLY—Rear compartment

BODY—Switch	EJ/235, EH/235, HD/235, HR/235 ..	7418802	1
SPRING—Switch	EJ/235, EH/235, HD/235, HR/235 ..	7418544	1
PLUNGER—Switch	EJ/235, EH/235, HD/235, HR/235 ..	7418972	1
HARNESS—Wiring	EJ/235	7419280	1
HARNESS—Wiring—(Plastic lamp socket) ..	HD/235, HR/235	7429697	1
BODY—Terminal connector	EJ/235	2962458	1
BODY—Terminal connector ..	EH/235	2962448	1
BODY—Terminal connector ..	HD/235, HR/235	2962984	1
SOCKET—Lamp—(Metal)	HD/235	7414145	1
SOCKET—Lamp—(Plastic) ..	HD/235, HR/235	2962066	1
CLIP—Wiring	EJ/235, EH/235, HD/235, HR/235 ..	7401651	1
BRACKET—Lamp—(Metal lamp socket)	EH/235, HD/235	7423672	1
BRACKET—Lamp—(Plastic lamp socket)	HD/235, HR/235	7429696	1
BRACKET—Switch	EJ/235, EH/235	7423997	1
BRACKET—Switch	HD/235, HR/235	7424658	1
SCREW—Pan hd. sl. tap., Type "A" No. 6—18 x 3/8"	EJ/235	128273	4
SCREW—Pan hd. cr. rec. tap. Type "A" No. 10—12 x 1/2"	EH/235, HD/235, HR/235	161895	4
BULB—12-16 Volt 15 C.P.—D.C.	EJ/235, EH/235, HD/235	455136	1
BULB—12-16 Volt 15 C.P.—S.C.	HD/235, HR/235	455490	1

HOLDEN

MASTER PARTS CATALOGUE



Group	Description	Model	Part No.	Qty.
12.010 PANEL—Ash Tray—Instrument Panel				
PANEL		48, 50	7402349	1
PANEL		FJ	7404230	1
LID AND MOUNTING PANEL		FE, FC	7409869	1
LID AND MOUNTING PANEL		FB, EK	7412944	1
SCREW—Pan hd. cr. rec. tap. Type "A" No. 6—24 x 1/4"		FE, FC, FB, EK	SP1441	A.R.
WASHER—Ext. tooth lock No. 6		FE, FC, FB, EK	138473	2
PANEL—Mounting—(Sliding ash tray)		EJ, EH	7422758	1
SCREW—Pan hd. cr. rec. mach. No. 10—32 x 7/16"		EJ, EH	160041	A.R.
WASHER—Spring lock, No. 10—medium		EJ, EH	120217	A.R.
NUT—Hex. mach. screw, No. 10—32		EJ, EH	120614	A.R.
PANEL—Mounting		HD, HR	7423711	1
SCREW—Pan hd. cr. rec. tap. No. 8—18 x 3/8"		HD, HR	9411532	3
12.013 BODY—Ash Tray—Instrument Panel				
BODY		FE, FC	7409704*	1
BODY		FB, EK	7412886	1
BODY—(Sliding ash tray)		EJ, EH	7422738	1
BODY		HD, HR	7423713	1
*When fitting to FE/215 S.A. up to Body No. 3493A Vic. up to Body No. 980M NSW up to Body No. 2370S				
FE/217 S.A. up to Body No. 1072A Vic. up to Body No. 130M NSW up to Body No. 740S				
FE/225 S.A. up to Body No. 16978A Vic. up to Body No. 520M NSW up to Body No. 8160S				
FE/229 S.A. up to Body No. 9A				
FE/2106 S.A. up to Body No. 756A Vic. up to Body No. 40M NSW up to Body No. 370S				
it is necessary to use redesigned Lid and Mounting Panel Part No. 7409869 equipped with four locating tabs.				
12.014 PIN—Ash tray hinge				
INSTRUMENT PANEL		48, 50, FJ	7402340	1
SPRING—Retainer 3/32"		48, 50, FJ	148145	1
12.030 ASH TRAY ASSEMBLY				
FRONT SEAT BACK		48, FJ/215, FJ/217	7401088	1
FRONT SEAT BACK		FE, exc. FE/2104, FE/2106 FC, exc. FC/2104, FC/2106 FB, exc. FB/2104, FB/2106 EK, exc. EK/2104, EK/2106 EJ, exc. EJ/2104, EJ/2106	4610722	1-2
FRONT SEAT BACK		EH/215, EH/219, EH/225, EH/229 HD/215, HD/219, HD/225, HD/229 HR/215, HR/219, HR/225, HR/229	7422700	1
FRONT SEAT BACK		EH/235, EH/239, HD/235, HD/239 HR/235, HR/239	7422701	2-1
SCREW—Oval hd. cr. rec. tap. Type "A" No. 8—15 x 1"		FE exc. FE/2104, FE/2106 FC exc. FC/2104, FC/2106 FB exc. FB/2104, FB/2106 EK exc. EK/2104, EK/2106 EJ exc. EJ/2104, EJ/2106 EH exc. EH/2104, EH/2106 HD exc. HD/2104, HD/2106 HR exc. HR/2104, HR/2106	162407	2-4



HOLDEN

MASTER PARTS CATALOGUE

12.075 MOULDING—Roof Rail, Roof Reveal

SIDE	FE/225	LH7410139	1
		RH7410140	1
SIDE—Front	FE/229	LH7411457	1
		RH7411456	1
SIDE—Rear	FE/229	LH7411459	1
		RH7411458	1
REAR	FE/229	7411460	1
MOULDING—Side, front	FB/225, FB/229, EK/225, EK/229	LH 7402471	1
		RH 7402472	1
SCREW—Pan hd. cr. rec. tap., Type "A", No. 4—24 x 1/4"	FB/225, FB/229, EK/225, EK/229	161752	A.R.
MOULDING—Side, rear	FB/229	LH 7413445	1
		RH 7413446	1
SCREW—Pan hd. cr. rec. tap., Type "A", No. 4—24 x 1/4"	FB/229	161752	8
RETAINER—Moulding	FB/229	7413278	8
MOULDING—Side, intermediate	EK/229	LH 7417989	1
		RH 7417988	1
MOULDING—Side, rear	EK/229	LH 7417987	1
		RH 7417986	1
RETAINER—Moulding	EK/229	7417953	10
RETAINER—Moulding	EK/229	7417954	6
SCREW—Pan hd. cr. rec. tap., Type "A", No. 4—24 x 1/4"	FB/229, EK/229	161752	A.R.
MOULDING—Side	EJ/225, EJ/235	LH7415963	1
		RH7415964	1
MOULDING—Side	EH/225, EH/235	LH7422549	1
		RH7422550	1
MOULDING—Side	EJ/229, EH/229, EH/239	LH7416721	1
		RH7416720	1
MOULDING—Rear	EJ/229, EH/229, EH/239	7416856	1
MOULDING—Side	HD/225, HD/235, HR/225, HR/235	LH7424891	1
		RH7424892	1
MOULDING—Side, front	HD/229, HD/239, HR/229, HR/239	LH7426885	1
		RH7426886	1
MOULDING—Side, rear	HD/229, HD/239, HR/229, HR/239	LH7426887	1
		RH7426888	1
MOULDING—Rear end	HD/219, HD/229, HD/239	*7420403	1
RETAINER—Moulding	HD/219, HD/229, HD/239	*7425671	14
SCREW—Pan hd. cr. rec. tap. No. 4—24 x 1/4"	HD/219, HD/229, HD/239	*161752	14

* Two tone vehicles.

12.112 MOULDING ASSEMBLY—Front Door

BELT—L.H.	FJ/225	7407489	1
BELT—R.H.	FJ/225	7407490	1
CLIP	FJ/225	7407457	8
REVEAL	FJ/225	LH7407505	1
		RH7407504	1
RIVET—Oval hd. tubular 9/64" x 3/16"	FJ/225	109964	14
BELT	FE/225, FE/229	LH7410235	1
		RH7410236	1
SCREW—Pan hd. sl. mach. No. 8—32 x 1/4"	FE/225, FE/229	436691	2
SCREW—Pan hd. sl. mach. No. 8—32 x 3/8"	FE/225, FE/229	436693	2
CLIP—Belt moulding	FE/225, FE/229	4562113	10
PLATE—Belt moulding anchor	FE/225, FE/229	7413545	4
LOWER	FE/225, FE/229, FC/225, FC/229	7410052	2
SCREW—Pan hd. sl. mach. No. 10—24 x 5/16"	FE/225, FE/229, FC/225, FC/229	436729	2
CLIP ASSEMBLY—Lower moulding	FE/225, FE/229, FC/225, FC/229	7410063	2
CLIP—Lower moulding centre	FE/225, FE/229, FC/225, FC/229	4609429	6
BELT	FC/225, FC/229	LH7411361	1
		RH7411362	1
SCREW—Pan hd. sl. mach. No. 8—32 x 3/8"	FC/225, FC/229	436693	4
CLIP—Belt moulding	FC/225, FC/229	SP1405	10
PLATE—Belt moulding anchor	FC/225, FC/229	7413545	4

HOLDEN

MASTER PARTS CATALOGUE



12.112 MOULDING ASSEMBLY—Front Door (Cont'd.)

MOULDING—Upper	FB/225, FB/229	LH 7412929	1
		RH 7412928	1
CLIP—Upper moulding	FB/225, FB/229	7412867	2
CLIP—Upper moulding	FB/225, FB/229	7412868	2
CLIP—Upper moulding (short type)	FB/225, FB/229	7414908	4
PLATE—Upper moulding (flat type)	FB/225, FB/229	7414907	2
SCREW—Pan hd. sl. mach. No. 8—32 x 1/4"	FB/225, FB/229	436691	2
MOULDING—Lower	FB/225, FB/229	LH 7412931	1
		RH 7412930	1
CLIP—Lower moulding	FB/225, FB/229	7415464	6
PLATE—Lower moulding retainer	FB/225, FB/229	7401726	2
SCREW—Pan hd. cr. rec. mach. No. 8—32 x 5/16"	FB/225, FB/229	159577	2
PLATE ASSEMBLY—Moulding anchor	FB/225, FB/229	LH 7416429	1
		RH 7416428	1
NUT—Stamped Type "G", No. 10—24	FB/225, FB/229	446063	2
WASHER—Moulding sealing	FB/225, FB/229	7412134	2
MOULDING	EK/225, EK/229	7415858	2
CLIP—Moulding retainer	EK/225, EK/229	7134149	8
SCREW—Pan. hd. cr. rec. tap, Type "A" No. 4—24 x 1/4"	EK/225, EK/229	161752	8
PLATE—Moulding anchor	EK/225, EK/229	7401726	4
SCREW—Pan hd. cr. rec. mach. No. 8—32 x 1/4"	EK/225, EK/229	159572	4
MOULDING	EJ/225, EJ/229, EJ/235	7415604	2
PLATE—Door moulding anchor	EJ/225, EJ/229, EJ/235	7415610	4
SCREW—Pan hd. sl. mach. No. 8—32 x 1/4"	EJ/225, EJ/229, EJ/235	159572	4
WASHER—Sealing, front door moulding assembly	EJ/225, EJ/229, EJ/235	7402365	4
RETAINER ASSEMBLY—Moulding	EJ/225, EJ/229, EJ/235	7412660	4
NUT—Stamped type "G" No. 10—24	EJ/225, EJ/229, EJ/235	441240	4
WASHER—Sealing	EJ/225, EJ/229, EJ/235	7402365	4
MOULDING	EH/225, EH/229, EH/235, EH/239	7421850	2
PLATE—Anchor	EH/225, EH/229, EH/235, EH/239	7421833	4
SCREW—Pan hd. cr. rec. mach. No. 8—32 x 3/16"	EH/225, EH/229, EH/235, EH/239	159549	4
RETAINER ASSEMBLY—Moulding	EH/225, EH/229, EH/235, EH/239	7421827	6
NUT—Stamped type "G" No. 10—24	EH/225, EH/229, EH/235, EH/239	441240	6
WASHER—Sealing	EH/225, EH/229, EH/235, EH/239	7402365	6
MOULDING—Reveal	HD/225, HD/229, HD/235, HD/239		
	HR/235, HR/239	LH7426115	1
		RH7426116	1
MOULDING—Vertical	HD/225, HD/229, HD/235, HD/239		
	HR/235, HR/239	LH7426117	1
		RH7426118	1
MOULDING—Corner	HD/225, HD/229, HD/235, HD/239		
	HR/235, HR/239	7426119	2
RIVET—Oval hd. tubular 1/8" x 7/32"	HD/225, HD/229, HD/235, HD/239		
	HR/235, HR/239	191522	2
RETAINER—Moulding	HD/225, HD/229, HD/235, HD/239		
	HR/235, HR/239	7425654	14
RETAINER—Moulding	HD/225, HD/229, HD/235, HD/239		
	HR/235, HR/239	7425671	2
SCREW—Pan hd. cr. rec. tap. No. 4—24 x 1/4"	HD/225, HD/229, HD/235, HD/239		
	HR/235, HR/239	161752	16
MOULDING—Belt	HR/225, HR/229, HR/235, HR/239	LH7430533	1
		RH7430534	1
RETAINER—Moulding	HR/225, HR/229, HR/235, HR/239	7425671	8
SCREW—Pan hd. cr. rec. tap. No. 4—24 x 1/4"	HR/225, HR/229, HR/235, HR/239	161752	8
PLATE—Anchor	HR/225, HR/229, HR/235, HR/239	7430520	2
WASHER—Plain No. 8	HR/225, HR/229, HR/235, HR/239	9414106	2
SCREW—Rd hd cr. rec. tap.	HR/225, HR/229, HR/235, HR/239	4799769	2
MOULDING—Side	HR/225, HR/229	7430794	2
PLATE—Anchor	HR/225, HR/229	7430603	4
SCREW—Pan hd cr. rec. mach. No. 8—32 x 3/16"	HR/225, HR/229	159549	4
RETAINER—Moulding	HR/225, HR/229	7430602	6
SCREW—Pan hd. cr. rec. tap. No. 4—24 x 1/4"	HR/225, HR/229	161752	6



HOLDEN

MASTER PARTS CATALOGUE

12.113 MOULDING—Centre pillar

BELT	FJ/225	7407480	2
SCREW—Pan hd. sl. tap. type "B" No. 4	FJ/225	145173	4
REVEAL	FJ/225	7407508	2
SCREW—Pan hd. sl. tap. type "A" No. 4	FJ/225	144789	4

12.114 MOULDING ASSEMBLY—Rear door

BELT	FJ/225	RH7407512	1
CLIP	FJ/225	7407457	6
REVEAL	FJ/225	LH7407507	1
		RH7407506	1
RIVET—Oval hd. tubular 9/64" x 3/16"	FJ/225	109964	14
MOULDING	FE/225, FE/229	LH7410295	1
		RH7410296	1
SCREW—Pan hd. sl. mach. No. 8—32 x 1/4"	FE/225, FE/229	436691	2
CLIP	FE/225, FE/229	7410293	4
CLIP—Centre	FE/225, FE/229	4609429	2
PLATE—Belt moulding anchor	FE/225, FE/229	7413545	2
MOULDING—Belt	FC/225, FC/229	7411366	2
SCREW—Pan hd. sl. mach. No. 8—32 x 3/8"	FC/225, FC/229	436693	2
CLIP—Belt moulding	FC/225, FC/229	SP1405	2
PLATE—Belt moulding anchor	FC/225, FC/229	7413545	2
MOULDING—Diagonal	FC/225, FC/229	LH7411367	1
		RH7411368	1
PLATE—Diagonal moulding lower anchor	FC/225, FC/229	7411417	2
MOULDING ASSEMBLY—Lower	FC/225, FC/229	7411369	2
SCREW—Pan hd. sl. mach. No. 8—32 x 3/8"	FC/225, FC/229	436693	2
CLIP—Lower moulding	FC/225, FC/229	4609429	2
PLATE—Lower moulding anchor	FC/225, FC/229	7413545	2
NUT—Stamped Type "G", No. 10—24	FC/225, FC/229	446063	8
MOULDING—Upper	FB/225, FB/229	LH 7414905	1
		RH 7414904	1
CLIP—Upper moulding	FB/225, FB/229	7414908	6
MOULDING—Lower	FB/225, FB/229, EK/225, EK/229	LH 7403493	1
		RH 7403492	1
PLATE—Anchor (flat type)	FB/225, FB/229	7416106	4
SCREW—Pan hd. sl. mach. No. 8—32 x 1/4"	FB/225, FB/229	436691	2
SCREW—Pan hd. cr. rec. mach. No. 8—32 x 3/16"	FB/225, FB/229	159549	2
PLATE—Lower moulding anchor	FB/225, FB/229, EK/225, EK/229	7401726	4
SCREW—Pan hd. cr. rec. mach. No. 8—32 x 5/16"	FB/225, FB/229, EK/225, EK/229	159577	A.R.
SCREW—Pan hd. cr. rec. mach. No. 8—32 x 1/4"	EK/225, EK/229	159572	2
CLIP—Moulding retainer	FB/225, FB/229, EK/225, EK/229	7134149	8
SCREW—Pan hd. cr. rec. tap., Type "A", No. 4—24 x 1/4"	FB/225, FB/229, EK/225, EK/229	161752	8
MOULDING	EJ/225, EJ/229, EJ/235	LH7415607	1
		RH7415606	1
PLATE—Door moulding anchor	EJ/225, EJ/229, EJ/235	7415610	2
SCREW—Pan hd. cr. rec. mach. No. 8—32 x 1/4"	EJ/225, EJ/229, EJ/235	159572	2
RETAINER ASSEMBLY—Moulding	EJ/225, EJ/229, EJ/235	7412660	4
NUT—Stamped type "G" No. 10—24	EJ/225, EJ/229, EJ/235	441240	4
WASHER—Sealing, rear door belt moulding assembly	EJ/225, EJ/229, EJ/235	7402365	4
RETAINER ASSEMBLY—Rear door moulding anchor	EJ/225, EJ/229, EJ/235	7415612	2
NUT—Stamped type "G" No. 10—24 x 1/2"	EJ/225, EJ/229, EJ/235	441240	2
MOULDING	EH/225, EH/229, EH/235, EH/239	LH7421929	1
		RH7421930	1
PLATE ASSEMBLY—Anchor	EH/225, EH/229, EH/235, EH/239	7421831	2
NUT—Stamped type "G" No. 10—24	EH/225, EH/229, EH/235, EH/239	441240	2
PLATE—Anchor	EH/225, EH/229, EH/235, EH/239	7421833	2
SCREW—Pan hd. cr. rec. mach. No. 8—32 x 3/16"	EH/225, EH/229, EH/235, EH/239	159549	2
WASHER—Sealing	EH/225, EH/229, EH/235, EH/239	7402365	2
RETAINER ASSEMBLY—Moulding	EH/225, EH/229, EH/235, EH/239	7421827	6
NUT—Stamped type "G" No. 10—24	EH/225, EH/229, EH/235, EH/239	441240	6
WASHER—Sealing	EH/225, EH/229, EH/235, EH/239	7402365	6

HOLDEN

MASTER PARTS CATALOGUE



12.114 MOULDING ASSEMBLY—Rear door (Cont'd.)

MOULDING—Reveal	HD/225, HD/235, HR/235	LH7426121 RH7426120	1 1
MOULDING—Reveal	HD/229, HD/239, HR/239	LH7426125 RH7426124	1 1
MOULDING—Rear	HD/229, HD/239, HR/239	LH7426127 RH7426126	1 1
MOULDING—Vertical	HD/225, HD/229, HD/235, HD/239 HR/235, HR/239	LH7426123 RH7426122	1 1
MOULDING—Corner	HD/225, HD/229, HD/235, HD/239 HR/235, HR/239	7426128	2
RIVET—Oval hd. tubular 1/8" x 7/32"	HD/225, HD/229, HD/235, HD/239 HR/235, HR/239	191522	2
MOULDING—Rear corner	HD/229, HD/239, HR/239	7426129	2
RETAINER—Moulding	HD/225, HD/229, HD/235, HD/239 HR/235, HR/239	7425654	14-16
RETAINER—Moulding	HD/225, HD/229, HD/235, HD/239 HR/235, HR/239	7425671	2
SCREW—Pan hd. cr. rec. tap. No. 4—24 x 1/4"	HD/225, HD/229, HD/235, HD/239 HR/235, HR/239	161752	A.R.
MOULDING—Belt	HR/225, HR/229, HR/235, HR/239	7430535	2
RETAINER—Moulding	HR/225, HR/229, HR/235, HR/239	7425671	8
SCREW—Pan hd cr. rec. tap. No. 4—24 x 1/4"	HR/225, HR/229, HR/235, HR/239	161752	8
PLATE—Anchor	HR/225, HR/229, HR/235, HR/239	7430520	2
WASHER—Plain No. 8	HR/225, HR/229, HR/235, HR/239	9414106	2
SCREW—Pan hd cr. rec. tap.	HR/225, HR/229, HR/235, HR/239	4799769	2
MOULDING—Side	HR/225, HR/229	7430795	2
RETAINER—Moulding	HR/225, HR/229	7430805	2
NUT—Stamped No. 6—32	HR/225, HR/229	272733	2
PLATE—Anchor	HR/225, HR/229	7430603	2
SCREW—Pan hd cr. rec. mach. No. 8—32 x 3/16"	HR/225, HR/229	159549	2
RETAINER—Moulding	HR/225, HR/229	7430602	6
SCREW—Pan hd cr. rec. tap. No. 4—24 x 1/4"	HR/225, HR/229	161752	6

12.115 SHIELD ASSEMBLY—Rear door & body side panel

REAR DOOR GRAVEL L.H.	48, FJ/215, FJ/217, FJ/225	7402739	1
REAR DOOR GRAVEL R.H.	48, FJ/215, FJ/217, FJ/225	7402738	1
NUT—Hex. mach. screw No. 10—24	48, FJ/215, FJ/217, FJ/225	120361	6
WASHER—Spring lock No. 10—medium	48, FJ/215, FJ/217, FJ/225	120217	6
WASHER—Plain 1/4" x 9/16" x .049"	48, FJ/215, FJ/217, FJ/225	120385	6
BODY SIDE PANEL GRAVEL L.H.	50, FJ/2104, FJ/2106	7408169	1
BODY SIDE PANEL GRAVEL R.H.	50, FJ/2104, FJ/2106	7408170	1
NUT—Hex. mach. screw No. 10—24	50 FJ/2104 up to Body No. 497 FJ/2106 S.A. up to Body No. 3889 NSW up to Body No. 1835S	120361	14
SCREW—Oval hd. cross recess tap	FJ/2104 from Body No. 498 FJ/2106 S.A. from Body No. 3890 NSW from Body No. 1836S	187482	14
SHIELD PACKAGE—Rear quarter gravel	EJ	7423985	1
SHIELD—Rear quarter gravel	EJ	LH7423167 RH7423168	1 1
SCREW—Pan hd. cr. rec. tap., Type "B" No. 6—20 x 3/8"	EJ	163098	6
SCREW—Oval hd. cr. rec. tap., Type "A" No. 4—24 x 3/8"	EJ	SP1473	2
SPACER—Gravel shield	EJ	7423836	2
SHIELD	HD/225, HD/229, HR/225, HR/229	LH7426439 RH7426438	1 1
SHIELD	HD/235, HD/239, HR/235, HR/239	LH7426441 RH7426440	1 1
SCREW—Rd. hd. cr. rec. tap. No. 8—18 x 1/2"	HD/225, HD/229, HD/235, HD/239 HR/225, HR/229, HR/235, HR/239	7426672	2
SCREW—Rd. hd. cr. rec. tap. No. 8—18 x 1/2"	HD/225, HD/229, HR/225, HR/229	7426400	6



HOLDEN

MASTER PARTS CATALOGUE

12.116 MOULDING, EMBLEM, PLATE—Quarter Panel

MOULDING—L.H.	FJ/225	7407523	1
MOULDING—R.H.	FJ/225	7407522	1
BOLT—Special rd. hd. carriage	FJ/225	7402852	14
NUT—Hex. mach. screw No. 10—24	FJ/225	120361	14
WASHER—Rubber	FJ/225	431551	14
WASHER—Int. tooth cup lock No. 12	FJ/225	431535	14
EMBLEM ASSEMBLY—Side panel	FE/225, FC/225	7410124	2
NUT—Stamped Type "G" No. 10—24 x 3/4"	FE/225, FC/225	446063	2
WASHER—Emblem sealing	FE/225, FC/225	7410128	2
PLATE—Side panel name	FE/225, FC/225	7410126	2
PLATE—Side panel name	FE/229, FC/229	7410647	2
NUT—Name plate	FE/225, FE/229, FC/225, FC/229	4615081	10
WASHER—Name plate sealing	FE/225, FE/229, FC/225, FC/229	7410127	10
MOULDING—Belt	FE/225	LH7410197	1
		RH7410198	1
MOULDING—Side	FE/229	LH7411467	1
BOLT—Rd. hd. carriage—Moulding to panel	FE/225, FE/229	7411889	11-8
NUT—Hex. mach. screw No. 10—24	FE/225, FE/229	120361	11-8
WASHER—Rubber .200" I.D.	FE/225, FE/229	431551	11-8
WASHER—Int. tooth cup lock No. 12	FE/225, FE/229	431535	11-8
SCREW—Pan hd. sl. tap. Type "A" No. 4—24 x 1/4"	FE/225, FE/229	144789	2-4
MOULDING—Side	FC/225, FC/229	7411370	2-1
MOULDING—Side, front L.H.	FC/229	7414066	1
MOULDING—Side, rear L.H.	FC/229	7414067	1
SCREW—Pan hd. cr. rec. tap. Type "A" No. 4—24 x 1/4"	FC/225, FC/229	161752	10
NUT—Stamped. Type "G" No. 10—24 x 3/4"	FC/225, FC/229	446063	2-3
BOLT AND CLIP ASSEMBLY—Side moulding	FC/225, FC/229	7412625	4
WASHER—Side moulding sealing	FC/225, FC/229	7412134	4
CLIP—Side moulding	FC/225, FC/229	7134149	8
MOULDING—Rear	FC/225, FC/229	7411400	2
CLIP—Rear moulding	FC/225, FC/229	7411410	6
MOULDING—Belt	#	LH 7414585	1
		RH 7414584	1
RETAINER—Moulding	#	7413278	4
SCREW—Pan hd. cr. rec. tap., Type "A", No. 4—24 x 1/4"	#	161752	4
MOULDING—Crown	##	RH 7414522	1
SCREW	##	SP1426	4
NUT—Stamped Type "G", No. 6—32	##	272733	4
SCREW—Pan hd. cr. rec. tap., Type "A", No. 4—24 x 1/4"	##	161752	2
WASHER—Sealing	##	7414611	4
RETAINER—Crown moulding	FB/225, FB/229	7414336	8
PLATE ASSEMBLY—Anchor	FB/225, FB/229	7414334	2
MOULDING—Side upper	FB/225, FB/229	LH 7413069	1
		RH 7413070	1
SCREW—Pan hd. cr. rec. tap., Type "A", No. 4—24 x 1/4"	FB/225, FB/229	161752	4
MOULDING—Side upper	EK/225, EK/229	LH 7417091	1
		RH 7417090	1
CLIP—Rectangular lock 1/8" stud	EK/225, EK/229	SP1392	6
MOULDING—Side lower	FB/225, FB/229, EK/225, EK/229	LH 7412995	1
		RH 7412996	1
SCREW—Pan hd. cr. rec. tap., Type "A", No. 4—24 x 1/4"	FB/225, FB/229, EK/225, EK/229	161752	2
NUT—Stamped Type "G", No. 10—24	FB/225, FB/229, EK/225, EK/229	446063	2
# FC/225 S.A. Body Nos. 9908A—14196A Vic. Body Nos. 13712M—22270M N.S.W. Body Nos. 14122S—27580S	## FC/225 S.A. from Body No. 14197A Vic. from Body No. 22271M N.S.W. from Body No. 27581S		

HOLDEN

MASTER PARTS CATALOGUE



12.116 MOULDING, EMBLEM, PLATE—Quarter Panel (contd.)

PLATE ASSEMBLY—Anchor	FB/225, FB/229, EK/225, EK/229	7402604	2
WASHER—Sealing	FB/225, FB/229, EK/225, EK/229	7412134	2
CLIP—Moulding	FB/225, FB/229, EK/225, EK/229	7134149	8
SCREW—Pan hd. cr. rec. tap., Type "B", No. 4—24 x 3/16"	FB/225, FB/229, EK/225	9415583	8
SCREW—Pan hd. cr. rec. tap., Type "A", No. 4—24 x 1/4"	EK/229	161752	8
MOULDING	EJ/225, EJ/229, EJ/235	LH7415609 RH7415608	1 1
SCREW—Flat hd. cr. rec. tap. type "A" No. 4—24 x 1/4"	EJ/225, EJ/229, EJ/235	161340	2
RETAINER—Moulding	EJ/225, EJ/229, EJ/235	7419086	2
SCREW—Pan hd. cr. rec. tap. type "A" No. 4—24 x 1/4"	EJ/225, EJ/229, EJ/235	161752	2
RETAINER ASSEMBLY—Moulding	EJ/225, EJ/229, EJ/235	7412660	4
NUT—Stamped type "G" No. 10—24	EJ/225, EJ/229, EJ/235	441240	4
WASHER—Sealing, Quarter panel moulding	EJ/225, EJ/229, EJ/235	7402365	4
PLATE ASSEMBLY—Moulding anchor	EJ/225, EJ/229, EJ/235	7421156	2
NUT—Stamped type "G" No. 10—24	EJ/225, EJ/229, EJ/235	441240	2
WASHER—Sealing	EJ/225, EJ/229, EJ/235	7402365	2
MOULDING	EH/225, EH/229, EH/235, EH/239	LH7421931 RH7421932	1 1
SCREW—Flat hd. cr. rec. tap. type "A" No. 4—24 x 1/4"	EH/225, EH/229, EH/235, EH/239	161340	2
RETAINER—Moulding	EH/225, EH/229, EH/235, EH/239	7424201	2
SCREW—Pan hd. cr. rec. tap. type "A" No. 4—24 x 1/4"	EH/225, EH/229, EH/235, EH/239	161752	2
RETAINER ASSEMBLY—Moulding	EH/225, EH/229, EH/235, EH/239	7421827	6
NUT—Stamped type "G" No. 10—24	EH/225, EH/229, EH/235, EH/239	441240	6
WASHER—Sealing	EH/225, EH/229, EH/235, EH/239	7402365	6
PLATE ASSEMBLY—Anchor	EH/225, EH/229, EH/235, EH/239	7421831	2
NUT—Stamped type "G" No. 10—24	EH/225, EH/229, EH/235, EH/239	441240	2
WASHER—Sealing	EH/225, EH/229, EH/235, EH/239	7402365	2
MOULDING—Rear	EH/225, EH/235	LH7422109 RH7422110	1 1
SCREW—Flat hd. cr. rec. tap. type "A" No. 4—24 x 1/4"	EH/225, EH/235	161340	4
MOULDING—Belt	EH/225, EH/235	LH7422923* RH7422924*	1 1
RETAINER—Moulding	EH/225, EH/235	7422922*	8
SCREW—Pan hd. cr. rec. tap. type "A" No. 4—24 x 1/4"	EH/225, EH/235	161752*	8
MOULDING—Rear	EH/229, EH/239	LH7422529 RH7422530	1 1
SCREW—Flat hd. cr. rec. tap. type "A" No. 4—24 x 1/4"	EH/229, EH/239	161340	4
PLATE—Name	EH/235	7422796	2
NUT—Stamped type "M" 1/8" stud	EH/235	9415250	4
WASHER—Sealing	EH/235	7414611	4
MOULDING	HD/215, HD/225, HD/235	LH†7420473* RH†7420472*	1 1
MOULDING—Rear comp. front	HD/215, HD/225, HD/235	†7420471*	1
SCREW—Pan hd. cr. rec. tap. No. 4—24 x 1/4"	HD/215, HD/225, HD/235	†161752*	2
MOULDING—Belt	HD/219, HD/229, HD/239	LH7420479* RH7420480*	1 1
RETAINER—Moulding	HD exc. HD/2104, HD/2106	†7425671*	13-4
SCREW—Pan hd. cr. rec. tap. No. 4—24 x 1/4"	HD exc. HD/2104, HD/2106	†161752*	13-4
MOULDING—Wheel opening	HD/235, HD/239, HR/235, HR/239	LH7426445 RH7426444	1 1
SCREW—Rd. hd. tap. No. 8—18 x 1/2"	HD/235, HD/239, HR/235, HR/239	7426400	18
RETAINER—Moulding	HD/235, HD/239, HR/235, HR/239	7426401	14
MOULDING—Front corner reveal	HD/219, HR/219, HR/229	7426978	2
MOULDING—Rear corner reveal	HD/219, HR/219, HR/229	7426977	2
MOULDING—Front corner reveal	HD/229, HD/239, HR/239	7426984	2
MOULDING—Rear corner reveal	HD/229, HD/239, HR/239	7426983	2
SPACER—Corner moulding	HD/219, HD/229, HD/239 HR/219, HR/229, HR/239	7428925	4
SCREW—Oval hd. cr. rec. tap. No. 4—24 x 5/8"	HD/219, HD/229, HD/239 HR/219, HR/229, HR/239	SP1452	4

*Two tone vehicles.

† HD/235 with Fabric Covered Roof.



HOLDEN

MASTER PARTS CATALOGUE

12.116 MOULDING, EMBLEM, PLATE—Quarter Panel (Cont'd.)

MOULDING—Upper reveal	HD/219, HR/219, HR/229	LH7426975 RH7426976	1 1
MOULDING—Lower reveal	HD/219, HR/219, HR/229	LH7426973 RH7426974	1 1
MOULDING—Upper reveal	HD/229, HD/239, HR/239	LH7426981 RH7426982	1 1
MOULDING—Lower reveal	HD/229, HD/239, HR/239	LH7426979 RH7426980	1 1
CLIP ASSEMBLY—Moulding	HD/219, HD/229, HD/239 HR/219, HR/229, HR/239	7426859	30
SCREW—Rd. hd. cr. rec. tap. No. 8—18 x 1/4"	HD/219, HD/229, HD/239 HR/219, HR/229, HR/239	4816670	30
PLATE—"Special" name	HD/225, HD/229	7426585	2
NUT—Stamped 3/16"	HD/225, HD/229	9418693	4
WASHER—Sealing	HD/225, HD/229	7426171	4
PLATE—Name	HD/2106	7416696	2
NUT—Stamped 3/16"	HD/2106	9418693	4
MOULDING—Belt	HR/225, HR/235	LH7429175* RH7429174*	1 1
RETAINER—Moulding	HR/225, HR/235	7425671*	4-6
SCREW—Pan hd cr. rec. tap. No. 4—24 x 1/4"	HR/225, HR/235	161752*	4-6
SCREW—Rd hd cr. rec. tap	HR/225, HR/235	4816670*	2
MOULDING—Rear upper	HR/225, HR/235	LH7428817 RH7428816	1 1
SCREW—Flat hd cr. rec. tap. No. 4—24 x 1/4"	HR/225, HR/235	161340	4
MOULDING—Rear lower	HR/235	LH7428819 RH7428818	1 1
SCREW—Flat hd cr. rec. tap. No. 4—24 x 1/4"	HR/235	161340	2
PANEL—Rear extension trim	HR/235	LH7429101 RH7429102	1 1
PLATE—"Premier" name	HR/235	7429035	2
NUT—Stamped 1/8"	HR/235	9415250	8
WASHER—Sealing	HR/235	7414611	8
MOULDING—Rear compartment front	HR/225, HR/235	7429173	1
RETAINER—Moulding	HR/225, HR/235	7432025	9
SCREW—Rd hd cr. rec. tap	HR/225, HR/235	4816670	9
MOULDING—Side	HR/225, HR/229	7430796	2
SCREW—Flat hd cr. rec. tap. No. 4—24 x 1/4"	HR/225, HR/229	161340	2
RETAINER—Moulding	HR/225, HR/229	7428740	2
NUT—Stamped No. 6—32	HR/225, HR/229	272733	2
RETAINER—Moulding	HR/225, HR/229	7430602	10
SCREW—Pan hd cr. rec. tap. No. 4—24 x 1/4"	HR/225, HR/229	161752	10
MOULDING—Belt	HR/229, HR/239	LH7430537 RH7430538	1 1
SCREW—Flat hd cr. rec. tap. No. 4—24 x 1/4"	HR/229, HR/239	161340	2
RETAINER—Moulding	HR/229, HR/239	7425671	12
SCREW—Pan hd cr. rec. tap. No. 4—24 x 1/4"	HR/229, HR/239	161752	12
MOULDING—Rear upper	HR/229, HR/239	LH7428853 RH7428852	1 1
SCREW—Flat hd cr. rec. tap. No. 4—24 x 1/4"	HR/229, HR/239	161340	2
SCREW—Pan hd cr. rec. tap. No. 4—24 x 1/4"	HR/229, HR/239	163024	2
MOULDING—Rear lower	HR/239	LH7428923 RH7428924	1 1
SCREW—Flat hd cr. rec. tap. No. 4—24 x 1/4"	HR/239	161340	2
PANEL—Rear extension trim	HR/239	LH7429239 RH7429238	1 1
PLATE—"Holden" name	HR/2106	7432117	2
NUT—Stamped 3/16"	HR/2106	9418693	4
WASHER—Sealing	HR/2106	7426171	4

*Two Tone and Fabric Covered Roof Vehicles.



12.118 ORNAMENT—Rear Fender, Rear Quarter

L.H.	FJ/225	7409509	1
R.H.	FJ/225	7409510	1
GASKET—L.H.	FJ/225	7404147	1
GASKET—R.H.	FJ/225	7404146	1
SCREW—Hex. hd. machine No. 10—24 x 3/8"	FJ/225	188978	4
WASHER—Spring lock No. 10—medium	FJ/225	120217	4
WASHER—Plain 7/32" x 7/16" x .049"	FJ/225	446161	4
WASHER—Special	FC/215, FC/217, FC/225	7413739	4
WASHER—Spring lock No. 10—medium	FC/215, FC/217, FC/225	120217	4
WASHER—Sealing 9/16"	FC/215, FC/217, FC/225	7410127	2
WASHER—Sealing 3/4"	FC/215, FC/217, FC/225	7410128	2
NUT—Retaining	FC/215, FC/217, FC/225	4615081	2

12.121 MOULDING—Rear end

MOULDING	EJ/225, EJ/235	7421230	1
WASHER—Plain, 3/16" x 7/16" x .049"	EJ/225, EJ/235	131015	2
SCREW—Pan hd. cr. rec. mach. No. 8—32 x 5/16"	EJ/225, EJ/235	159577	2
PLATE—Moulding anchor	EJ/225, EJ/235	7421156	2
WASHER—Sealing	EJ/225, EJ/235	7412134	2
WASHER—Sealing	EJ/225, EJ/235	7402365	2
NUT—Stamped. Type "G" No. 10—24	EJ/225, EJ/235	441240	2
RETAINER—Moulding	EJ/225, EJ/235	7419653	5
SCREW—Pan hd. cr. rec. tap. type "A" No. 4—24 x 1/4"	EJ/225, EJ/235	161752	5

12.174 MOULDING—End gate opening reveal

MOULDING—Outer	HD/219, HD/229, HD/239	LH7413053	1
SCREW—Pan hd. cr. rec. tap. No. 8—18 x 1/2"	HD/219, HD/229, HD/239	RH7413052	1
MOULDING—Centre	HD/219, HD/229, HD/239	163162	2
SCREW—Rd. hd. cr. rec. tap. No. 8—18 x 1/4"	HD/219, HD/229, HD/239	7413054	1
MOULDING	HR/219, HR/229, HR/239	4816670	10
BOLT—Moulding	HR/219, HR/229, HR/239	7431129	1
NUT—Hex. 1/4"—20	HR/219, HR/229, HR/239	7430895	2
WASHER—Spring lock 1/4" medium	HR/219, HR/229, HR/239	134551	2
RETAINER—Moulding	HR/219, HR/229, HR/239	120380	2
RETAINER—Moulding	HR/219, HR/229, HR/239	7432275	4
SCREW—Pan hd. cr. rec. tap. No. 4—24 x 1/4"	HR/219, HR/229, HR/239	7425671	7
MOULDING—Inner—(Painted)	HR/219, HR/229, HR/239	161752	11
SCREW—Rd. hd. cr. rec. tap. No. 8—18 x 1/4"	HR/219, HR/229, HR/239	7430951	1
SCREW—Rd. hd. cr. rec. tap. No. 8—18 x 1/4"	HR/219, HR/229, HR/239	4816670	12

12.176 MOULDING—End gate opening garnish

MOULDING	HD/219, HD/229, HD/239	LH7412707	1
SCREW—Rd. hd. cr. rec. tap. No. 8—18 x 1/2"	HR/219, HR/229, HR/239	RH7412706	1
SCREW—Rd. hd. cr. rec. tap. No. 8—18 x 1/2"	HD/219, HD/229, HD/239	7428243	10

12.178 GATE ASSEMBLY—Upper end

UPPER	FE/219, FE/229	7406150*	1
UPPER	FC/219, FC/229	7414330**	1
PANEL—Outer upper	FE/219, FE/229, FC/219, FC/229	7410943#	1
UPPER	FC/2104	7414331	1
UPPER	FB/219, EK/219, EK/229	7414330	1
UPPER	FB/229	7413423	1
PANEL—Outer upper	FB/219, FB/229, EK/219, EK/229	7410943	1
UPPER	FB/2104, EK/2104	7413801	1
PANEL—Outer upper	FB/2104, EK/2104	7413802	1
UPPER	EJ/219, EJ/229	7417121	1
PANEL—Outer upper	EH/219, EH/229, EH/239	7416066	1
UPPER	EJ/219, EJ/229	7418591	1
PANEL—Outer upper	EH/219, EH/229, EH/239	7418326	1
UPPER	EJ/2104, EH/2104	7420529	1
PANEL—Outer upper	HD/2104, HR/2104	7420441	1

*Optional FE/2104.

**Optional FC/2104.

#Optional FE/2104, FC/2104.



HOLDEN

MASTER PARTS CATALOGUE

12.179 GATE ASSEMBLY—End, lower end

GATE ASSEMBLY	50, FJ/2106	7405416	1
PANEL ASSY.—Outer	FJ/2106	7408064	1
GATE ASSEMBLY—Lower	FJ/2104	7405421	1
PANEL ASSY.—Outer Lower	FJ/2104	7408064	1
GATE ASSEMBLY—Lower	FE/219, FE/229, FE/2104	7406137	1
GATE ASSEMBLY—Lower	FC/219, FC/229, FC/2104	7406669	1
PANEL ASSY.—Outer lower	FE/219, FE/229, FE/2104 FC/219, FC/229, FC/2104	7410702	1
GATE ASSEMBLY	FE/2106, FC/2106	7406156	1
PANEL ASSY.—Outer	FE/2106, FC/2106	7410380	1
GATE ASSEMBLY—Lower	FB/219, FB/229, EK/219 (M), EK/229 (M)	7406668	1
PANEL ASSEMBLY—Outer lower	FB/219, FB/229, EK/219 (M) EK/229 (M)	7400513	1
GATE ASSEMBLY—Lower	EK/219 (A), EK/229 (A)	7425237	1
PANEL ASSEMBLY—Outer lower	EK/219 (A), EK/229 (A)	7418056	1
GATE ASSEMBLY—Lower	FB/2104, EK/2104	7406667	1
PANEL ASSEMBLY—Outer lower	FB/2104, EK/2104	7413832	1
GATE ASSEMBLY	FB/2106, EK/2106	7406438	1
PANEL ASSEMBLY—Outer	FB/2106, EK/2106	7413832	1
GATE ASSEMBLY—Lower	EJ/219(M)	7417246	1
GATE ASSEMBLY—Lower	EJ/229(M)	7417352	1
PANEL ASSEMBLY—Outer lower	EJ/219(M), EJ/229(M)	7416267	1
GATE ASSEMBLY—Lower	EJ/229(A)	7418695	1
PANEL ASSEMBLY—Outer lower	EJ/219(A), EJ/229 (A)	7418236	1
GATE ASSEMBLY—Lower	EH/219	7422561	1
GATE ASSEMBLY—Lower	EH/229, EH/239	7422605	1
PANEL ASSEMBLY—Outer	EH/219, EH/229, EH/239	7422231	1
PLUG—Button	EJ/219 (A), EJ/2104 (A), EJ/2106 (A) EH/219 (A), EH/2104 (A), EH/2106 (A)	142091	2
GATE ASSEMBLY—Lower	EJ/2104, EH/2104	7418626	1
GATE ASSEMBLY—Lower	EJ/2106, EH/2106	7418627	1
PANEL ASSEMBLY—Outer lower	EJ/2104, EJ/2106, EH/2104, EH/2106	7418246	1
GATE ASSEMBLY	HD/219, HD/229	7426922	1
PANEL ASSEMBLY—Outer	HD/219, HD/229	7425783	1
GATE ASSEMBLY	HD/239	7427610	1
PANEL ASSEMBLY—Outer	HD/239	7427607	1
GATE ASSEMBLY—Lower	HD/2104	7420641	1
GATE ASSEMBLY—Lower	- HD/2106	7420445	1
PANEL ASSEMBLY—Outer	- HD/2104, HD/2106	7427295	1
GATE ASSEMBLY	HR/219, HR/229	7428836	1
PANEL ASSEMBLY—Outer	HR/219, HR/229	7427915	1
GATE ASSEMBLY	HR/239	7428840	1
PANEL ASSEMBLY—Outer	HR/239	7428835	1
GATE ASSEMBLY—Lower	HR/2104	7429066	1
GATE ASSEMBLY—Lower	HR/2106	7429067	1
PANEL—Outer	HR/2104, HR/2106	7429061	1
PLUG—Button	HR/2104, HR/2106	142091	1

12.180 DOOR ASSEMBLY, COVER—Spare wheel compartment

DOOR ASSEMBLY—With hinge	50, FJ/2104, FJ/2106	7405323	1
DOOR ASSEMBLY—With hinge	FE/2104, FE/2106, FC/2104, FC/2106 FB/2104, FB/2106, EK/2104, EK/2106	7406138	1
SCREW—Pan hd. sl. tap. Type "B" No. 10—16 x 1/2"	FE/2104, FE/2106, FC/2104, FC/2106 FB/2104, FB/2106, EK/2104, EK/2106	145193	6
COVER	FE/219, FC/219, FB/219, EK/219	7414041	1
COVER	FE/229, FC/229, FB/229, EK/229	7410671	1
DOOR ASSEMBLY	EJ/2104, EJ/2106, EH/2104, EH/2106	7418579	1
SCREW—Pan hd. sl. tap. Type "B" No. 10—16 x 1/2"	EJ/2104, EJ/2106, EH/2104, EH/2106	145193	6
COVER	EJ/219, EH/219	7416145	1
COVER	EJ/229, EH/229	7416249	1
COVER	EH/239	7420021	1

HOLDEN

MASTER PARTS CATALOGUE



12.180 DOOR ASSEMBLY, COVER—Spare wheel compartment (Cont'd.)

COVER	HD/219, HR/219	7425902	1
COVER	HD/229, HD/239, HR/229, HR/239 ..	7425903	1
EYELET—Coned	FE/229, FC/229, FB/229, EK/229 EJ/229, EH/229, EH/239 HD/229, HD/239, HR/229, HR/239 ..	SP1364	1
DOOR ASSEMBLY	HD/2104, HD/2106 HR/2104, HR/2106 ..	7427294	1
SCREW—Pan hd. sl. tap. No. 10—16 x 1/2"	HD/2104, HD/2106 HR/2104, HR/2106 ..	145193	6

12.181 LID ASSEMBLY—Deck

LID ASSEMBLY	FJ/215, FJ/217	7405414	1
LID ASSEMBLY	FJ/225	7405745	1
LID ASSEMBLY	FE/215, FE/217, FE/225, FC/215, FC/217, FC/225	7406166	1
LID ASSEMBLY	FB/215, FB/225	7411994	1
LID ASSEMBLY	EK/215(M), EK/225(M)	7416681	1
LID ASSEMBLY	EK/215(A), EK/225(A)	7418032	1
LID ASSEMBLY	EJ/215(M), EJ/225(M)	7416180	1
LID ASSEMBLY	EJ/215(A), EJ/225(A), EJ/235	7417617	1
LID ASSEMBLY	EH/215, EH/225, EH/235	7422415	1
LID ASSEMBLY	HD/215, HD/225	7423894	1
LID ASSEMBLY	HD/235	7427631	1
LID ASSEMBLY	HR/215, HR/225	7428480	1
LID ASSEMBLY	HR/235	7428481	1

12.182 LETTER, NAME PLATE, EMBLEM, MOULDING—Deck Lid and End Gate

LETTER "O"	48, 50	7403201	1
LETTER "L"	48, 50	7403200	1
LETTER "D"	48, 50	7403197	1
LETTER "E"	48, 50	7403199	1
LETTER "N"	48, 50	7403202	1
NAME PLATE "HOLDEN"	FJ/215, FJ/217, FJ/2104, FJ/2106 FJ/225	7403974 7404511	1 1
EMBLEM	FE/215, FE/217, FE/225 FC/215, FC/217, FC/225	*7409984	1
INSERT—Emblem	FE/215, FE/217, FE/225 FC/215, FC/217, FC/225	7409985	1
NUT—Push on Type "A" 3/32"	FE/215, FE/217, FE/225 FC/215, FC/217, FC/225	445155	2
NAME PLATE "HOLDEN"	FE/225	7410081	1
NAME PLATE "SPECIAL"	FE/225	7410080	1
NAME PLATE	FE/219, FE/229, FE/2104, FE/2106 FC/219, FC/229, FC/2104, FC/2106 FE/219, FE/229, FE/2104, FE/2106 FC/219, FC/229, FC/2104, FC/2106	7410357 446063	1 1
MOULDING ASSEMBLY—Lower end gate	FE/229	7411421	1
NAME PLATE	FB exc. FB/219, FB/229	7411927	1
NAME PLATE	FB/219, FB/229	7401770	1
MOULDING—Upper end gate	FB/229	7413447	1
LETTER "H"	EK/215, EK/225	7416673	1
LETTER "O"	EK/215, EK/225	7416674	1
LETTER "L"	EK/215, EK/225	7416675	1
LETTER "D"	EK/215, EK/225	7416676	1
LETTER "E"	EK/215, EK/225	7416677	1
LETTER "N"	EK/215, EK/225	7416678	1
NAME PLATE	EK/219, EK/229	7401770	1
NAME PLATE	EK/2104, EK/2106	7411927	1
NAME PLATE "HYDRA-MATIC"	EK(A)	7418212	1
INSERT—Hydra-matic name plate	EK(A)	7418208	1

*When fitting to FC/225 Name Plates Part Nos. 7410080 and 7410081 may also be used.



HOLDEN

MASTER PARTS CATALOGUE

12.182 LETTER, NAME PLATE, EMBLEM, MOULDING—Deck Lid and End Gate (Contd.)

LETTER "H"	EJ, EH	7415341	1
LETTER "O"	EJ, EH	7415342	1
LETTER "L"	EJ, EH	7415343	1
LETTER "D"	EJ, EH	7415344	1
LETTER "E"	EJ, EH	7415345	1
LETTER "N"	EJ, EH	7415346	1
PLATE—Exterior name	EJ/235, EH/235	7422526	1
PLATE ASSEMBLY—Hydra-Matic name	EJ(A)	7418212	1
INSERT—Hydra-Matic name	EJ(A)	7418208	1
PLATE—Exterior name	EH/239	7422796	1
PLATE—Exterior name "179"	EH 179 Eng.	7414394	1
PLATE—"Hydra-Matic" name	EH (A) exc. EH/235, EH/239	7422741	1
MOULDING—Deck lid	EH/225	7427066	1
MOULDING—Deck lid	EH/235	7422064	1
MOULDING—Lower end gate	EH/229, EH/239	7422215	1
LETTER "H"	HD exc. HD/235, HD/239	7424032	1
LETTER "O"	HD exc. HD/235, HD/239	7424033	1
LETTER "L"	HD exc. HD/235, HD/239	7424034	1
LETTER "D"	HD exc. HD/235, HD/239	7424035	1
LETTER "E"	HD exc. HD/235, HD/239	7424036	1
LETTER "N"	HD exc. HD/235, HD/239	7424037	1
LETTER "P"	HD/235, HD/239, HR/235, HR/239	7427612	1
LETTER "R"	HD/235, HD/239, HR/235, HR/239	7427613	2
LETTER "E"	HD/235, HD/239, HR/235, HR/239	7424036	2
LETTER "M"	HD/235, HD/239, HR/235, HR/239	7427614	1
LETTER "I"	HD/235, HD/239, HR/235, HR/239	7427615	1
PLATE—Exterior name "179"	HD 179 exc. X2 Eng.	7414394	1
PLATE—Exterior name "X2"	HD X2 Eng., HR X2 Eng.	7429210	1
PLATE—"Powerglide" name	HD (A) exc. HD/235, HD/239	7425997	1
EMBLEM	HD/225, HD/235	7423293	1
INSERT—Emblem	HD/225, HD/235	7423294	1
MOULDING—Upper	HD/225, HD/235	7423348	1
MOULDING—Lower	HD/225, HD/235	7423349	1
MOULDING—Belt	HD/219, HD/229, HD/239	7426243	1
MOULDING—Centre	HD/229, HD/239	7426244	1
MOULDING—Lower	HD/229, HD/239	7426245	1
PLATE—"Holden" name	HR/215, HR/219, HR/2104, HR/2106	7428693	1
PLATE—"Holden" name	HR/225, HR/229	7428692	1
PLATE—Exterior name "186"	HR 186 exc. X2, S Eng.	7428990	1
PLATE—Exterior name "186 S"	HR S Eng.	7434591	1
PLATE—"Powerglide" name	HR (A) exc. HR/235, HR/239	7428989	1
MOULDING—Deck lid	HR/225, HR/235	7426244	1-2
PANEL—Deck lid trim	HR/235	7429100	1
MOULDING—Belt	HR/219, HR/229, HR/239	7430757	1
MOULDING—Belt side	HR/219, HR/229, HR/239	LH7431131	1
		RH7431130	1
MOULDING—Centre	HR/229, HR/239	7428768	1
MOULDING—Lower	HR/239	7428992	1
PANEL—Trim	HR/239	7429237	1

12.183 SEAL, WASHER, NUT, GASKET, CLIP—Deck Lid and End Gate Name

SEAL	FJ/215, FJ/217, FJ/225	7403975	6
NUT	FJ	445194	6
GASKET—Emblem	FE/215, FE/217, FE/225		
	FC/215, FC/217, FC/225	7409882	2
WASHER—Hole sealing	FE/219, FE/229, FE/2104		
	FC/219, FC/229, FC/2104	7410128	1
CLIP—Name plate attaching	FE/219, FE/229, FE/2104, FE/2106		
	FC/219, FC/229, FC/2104, FC/2106	3697750	2
CLIP—Name plate attaching	FE/225	4562113	4
CLIP—Name plate attaching	FB exc. FB/219, FB/229	4635016	3
WASHER—Sealing	FB exc. FB/219, FB/229	7412350	3
CLIP—Name plate attaching	FB/219, FB/229	3697750	4
WASHER—Sealing	FB/219, FB/229	7402365	4

HOLDEN

MASTER PARTS CATALOGUE



12.183 SEAL, WASHER, NUT, GASKET, CLIP—Deck Lid and End Gate Name (Cont'd.)

RETAINER—Upper end gate moulding	FB/229	7413278	5
SCREW—Pan hd. cr. rec. tap., Type "A", No. 4—24 x 1/4"	FB/229	161752	5
WASHER—Letter sealing	EK/215, EK/225	7415397	12
CLIP—Tubular lock 1/8" stud	EK/215, EK/225	SP1345	12
CLIP—Name plate attaching	EK/219, EK/229	3697750	4
WASHER—Sealing	EK/219, EK/229	7402365	4
CLIP—Name plate attaching	EK/2104, EK/2106	4635016	3
WASHER—Sealing	EK/2104, EK/2106	7412350	3
CLIP—"Hydra-matic" name plate attaching	EK(A), EJ(A)	SP1503	2
WASHER—"Hydra-matic" name plate sealing	EK(A), EJ(A)	7402365	2
CLIP—Name letter attaching	EJ, EH	4635016	12
NUT—Stamped type "M" 1/8", deck lid name plate	EJ/235 EH/235, EH/239	9415250	2
WASHER—Name plate sealing	EJ/235, EH/235, EH/239	7414611	2
CLIP—179 plate—To mount in 5/32" hole	EH 179 Eng.	SP1345	2
CLIP—179 plate—To mount in 3/16" hole	EH 179 Eng.	SP1606	2
WASHER—"Hydra-Matic" name plate sealing	EH (A) exc. EH/235, EH/239	7412134	2
NUT—Stamped type "M" 3/16" "Hydra-Matic" name plate	EH (A) exc. EH/235, EH/239	9418693	2
PLATE—Moulding anchor	EH/225, EH/229, EH/235, EH/239	7421833	A.R.
SCREW—Pan hd. cr. rec. mach. No. 8—32 x 3/16"	EH/225, EH/229, EH/235, EH/239	159549	A.R.
RETAINER—Moulding	EH/229, EH/239	7424201	4
SCREW—Pan hd. cr. rec. tap. type "A" No. 4—24 x 1/4"	EH/229, EH/239	161752	4
CLIP—Name letter attaching	HD	4635016	12
CLIP—Name letter attaching	HD/235, HD/239	4785334	1
WASHER—Emblem sealing	HD/225, HD/235	7414611	3
WASHER—Lower moulding sealing	HD/225, HD/235	7423353	8
PAD—Emblem anti-rattle	HD/225, HD/235	7423345	1
NUT—Emblem, stamped 1/8"	HD/225, HD/235	9415250	3
CLIP—"179" plate	HD 179 exc. X2 Eng.	SP1606	1-2
NUT—"179" plate, stamped 1/8"	HD/215, HD/225, HD/235	9415250	1
WASHER—"179" plate sealing	HD/215, HD/225, HD/235	7414611	2
CLIP—"X2" plate	HD X2 Eng.	SP1606	1-2
NUT—"X2" plate, stamped 1/8"	HD/215, HD/225, HD/235 X2 Eng.	9415250	1
WASHER—"X2" plate sealing	HD/215, HD/225, HD/235 X2 Eng.	7414611	1
WASHER—"Power Glide" plate sealing	HD/215 (A), HD/225 (A)	7426171	2
NUT—"Power Glide" plate, stamped 3/16"	HD/215 (A), HD/225 (A)	9418693	2
CLIP—"Power Glide" plate	HD/219(A), HD/229(A), HD/2104(A), HD/2106(A)	3829006	2
PLATE—Moulding anchor	HD/225, HD/229, HD/235, HD/239	7423350	A.R.
SCREW—Pan hd. cr. rec. mach. No. 8—32 x 3/16"	HD/225, HD/229, HD/235, HD/239	159549	A.R.
SCREW—Flat hd. cr. rec. tap. No. 4—24 x 1/4", belt moulding	HD/219, HD/229, HD/239	161340	2
RETAINER ASSEMBLY—Moulding	HD/225, HD/235	7423351	8
NUT—Stamped No. 6—32 x 5/16"	HD/225, HD/235	441251	8
RETAINER—Moulding	HD/219, HD/229, HD/239	7425671	A.R.
SCREW—Pan hd. cr. rec. tap. No. 4—24 x 1/4"	HD/219, HD/229, HD/239	161752	A.R.
CLIP—Name plate attaching	HR/235, HR/239	4635016	12
CLIP—Name plate attaching	HR/235, HR/239	4785334	1
CLIP—"Holden" name plate	HR exc. HR/235, HR/239	SP1606	1-2
NUT—"Holden" name plate	HR exc. HR/235, HR/239	9415250	2-1
WASHER—"Holden" name plate sealing	HR exc. HR/235, HR/239	7414611	2-1
CLIP—"186" plate	HR exc. X2 Eng.	SP1606	1-2
NUT—"186" plate—stamped 1/8"	HR/215, HR/225, HR/235	9415250	1
WASHER—"186" plate sealing	HR exc. X2, S Eng.	7414611	1-2
NUT—"186 S" plate—stamped 1/8"	HR/215, HR/225, HR/235, S Eng.	9415250	2
WASHER—"186 S" plate sealing	HR/215, HR/225, HR/235, S Eng.	7414611	2
CLIP—"186 S" plate	HR/219, HR/229, HR/239, HR/2104		
	HR/2106 S Eng.	SP1606	2
CLIP—"Powerglide" plate	HR (A) exc. HR/235, HR/239	SP1606	2-1
NUT—"Powerglide" plate	HR (A) exc. HR/235, HR/239	9415250	1
WASHER—"Powerglide" plate sealing	HR (A) exc. HR/235, HR/239	7414611	1
CLIP—"X2" plate	HR X2 Eng.	SP1606	2-1
NUT—"X2" plate	HR X2 Eng.	9415250	1
WASHER—"X2" plate sealing	HR X2 Eng.	7414611	1
RETAINER—Deck lid moulding	HR/225, HR/235	7428740	4-10
WASHER—Spring lock No. 6	HR/225, HR/235	131181	4-10
NUT—Hex. No. 6—32	HR/225, HR/235	134530	4-10
WASHER—Sealing	HR/225, HR/235	7429626	4
PLATE—Anchor	HR/225, HR/235	7423350	2
SCREW—Pan hd. cr. rec. mach. No. 8—32 x 3/16"	HR/225, HR/235	159549	2



HOLDEN

MASTER PARTS CATALOGUE

12.183 SEAL, WASHER, NUT, GASKET, CLIP—Deck Lid and End Gate Name (Cont'd.)

BOLT—Belt moulding	HR/219, HR/229, HR/239	7430895	2
NUT—Hex. 1/4"—20	HR/219, HR/29, HR/239	134551	2
WASHER—Spring lock 1/4" medium	HR/219, HR/229, HR/239	120380	2
RETAINER—Belt moulding	HR/219, HR/229, HR/239	7425671	6
SCREW—Pan hd. cr. rec. tap No. 4—24 x 1/4"	HR/219, HR/229, HR/239	161752	6
PLATE—Belt side moulding anchor	HR/219, HR/229, HR/239	7430520	4
SCREW—Rd hd cr. rec. tap. No. 8—18	HR/219, HR/229, HR/239	7431217	4
WASHER—Flat No. 8	HR/219, HR/229, HR/239	9414106	4
RETAINER—Centre moulding	HR/229, HR/239	7428740	6
WASHER—Spring lock No. 6	HR/229, HR/239	131181	6
NUT—Hex. No. 6—32	HR/229, HR/239	134530	6
PLATE—Centre moulding anchor	HR/229, HR/239	7423350	2
SCREW—Pan hd. cr. rec. mach. No. 8—32 x 3/16"	HR/229, HR/239	159549	2
RETAINER—Lower moulding	HR/239	7428740	6
WASHER—Spring lock No. 6	HR/239	131181	6
NUT—Hex. No. 6—32	HR/239	134530	6

12.184 HINGE ASSEMBLY, BRACKET, PLATE—Deck Lid and End Gate

HINGE ASSEMBLY—Deck lid	48, FJ/215, FJ/217, FJ/225	LH7403195	1
		RH7403196	1
BOLT—Auto. hex. hd. 1/4"—28 x 5/8"	48, FJ/215, FJ/217, FJ/225	106274	8
WASHER—Spring lock 1/4"—medium	48, FJ/215, FJ/217, FJ/225	103319	8
WASHER—Plain 5/16" x 3/4" x .065"	48, FJ/215, FJ/217, FJ/225	120386	8
BOLT—Auto. hex. hd. 5/16"—24 x 5/8"	48, FJ/215, FJ/217, FJ/225	123473	4
NUT—Light hex. 5/16"—24	48, FJ/215, FJ/217, FJ/225	120368	4
WASHER—Plain 11/32" x 11/16" x .065"	48, FJ/215, FJ/217, FJ/225	120393	4
WASHER—External tooth lock 5/16"	48, FJ/215, FJ/217, FJ/225	138485	4
HINGE ASSEMBLY—End gate	50, FJ/2106	7401277	2
HINGE ASSEMBLY—Lower end gate	FJ/2104	7401277	2
SCREW—Flat hd. sl. mach. 5/16"—24 x 3/4" with lock washer	50, FJ/2104, FJ/2106	273467	10
HINGE ASSEMBLY—Upper end gate R.H.	FJ/2104	7407928	1
BOLT—Auto. hex. hd. 5/16"—18 x 1/2"	FJ/2104	120834	4
SCREW—Flat hd. sl. mach. 5/16"—24 x 3/4" w/lock washer	FJ/2104	273467	4
NUT—Light hex. 5/16"—24	FJ/2104	120368	4
WASHER—Csk. ext. tooth lock 1/4"	FJ/2104	114616	4
WASHER—Spring lock 5/16"—medium	FJ/2104	120214	8
HINGE AND LEVER ASSY.—Deck lid	*	LH 7412957	1
		RH 7412956	1
HINGE AND LEVER ASSEMBLY—Deck lid	**	LH 7414919	1
		RH 7414920	1
HINGE AND LEVER ASSY.—Deck lid	FB/215, FB/225, EK/215, EK/225	LH 7412373	1
		RH 7412374	1
BOLT—Hex. hd. 5/16"—24 x 3/4"	FE/215, FE/217, FE/225 FC/215, FC/217, FC/225 FB/215, FB/225, EK/215, EK/225	120741	4
WASHER—Spring lock 5/16" medium	FE/215, FE/217, FE/225 FC/215, FC/217, FC/225 FB/215, FB/225, EK/215, EK/225	120214	4
WASHER—Plain 3/8" x 3/4" x .065"	FE/215, FE/217, FE/225 FC/215, FC/217, FC/225 FB/215, FB/225, EK/215, EK/225	446548	4
BRACKET ASSY.—Hinge mounting	*	LH 7408617	1
		RH 7408616	1
BRACKET ASSEMBLY—Hinge mounting	**	LH 7414917	1
		RH 7414918	1

* FE/215, FE/217, FE/225
 FC/215 S.A. up to Body No. 2814A
 Vic. up to Body No. 4647M
 N.S.W. up to Body No. 5295S
 FC/217 S.A. up to Body No. 212A
 Vic.
 N.S.W. up to Body No. 354S
 FC/225 S.A. up to Body No. 14855A
 Vic. up to Body No. 28668M
 N.S.W. up to Body No. 33571S

** FC/215 S.A. from Body No. 2815A
 Vic. from Body No. 4648M
 N.S.W. from Body No. 5296S
 FC/217 S.A. from Body No. 213A
 N.S.W. from Body No. 355S
 FC/225 S.A. from Body No. 14856A
 Vic. from Body No. 28669M
 N.S.W. from Body No. 33572S

HOLDEN

MASTER PARTS CATALOGUE



12.184 HINGE ASSEMBLY, BRACKET, PLATE—Deck lid and end gate (Contd.)

BRACKET ASSEMBLY—Hinge mounting	FB/215, FB/225, EK/215, EK/225	LH 7412351 RH 7412376	1 1
HINGE ASSEMBLY—Lower end gate	FE/219, FE/229, FE/2104 FC/219, FC/229, FC/2104 FB/219, FB/229, EK/219, EK/229	7411027	2
SCREW—Flat hd. sl. mach. 5/16"—24 x 3/4" with lock-washer	FE/219, FE/229, FE/2104 FC/219, FC/229, FC/2104 FB/219, FB/229, EK/219, EK/229	273467	10
NUT—Hex. 5/16"—24	FE/219, FE/229, FE/2104 FC/219, FC/229, FC/2104 FB/219, FB/229, EK/219, EK/229	120368	4
HINGE ASSEMBLY—Upper end gate	FE/219, FE/229, FE/2104 FC/219, FC/229, FC/2104	7411311	2
HINGE ASSEMBLY—Upper end gate	FB/219, FB/229, EK/219, EK/229	7412335	2
SCREW—Flat hd. sl. mach. 5/16"—24 x 3/4"	FE/219, FE/229, FE/2104 FC/219, FC/229, FC/2104 FB/219, FB/229, EK/219, EK/229	193224	A.R
WASHER—Csk. ext. tooth lock 5/16"	FE/219, FE/229, FE/2104 FC/219, FC/229, FC/2104 FB/219, FB/229, EK/219, EK/229	134512	A.R
BOLT—Hex. hd. 5/16"—24 x 3/4"	EK/219, EK/229	120741	4
WASHER—Spring lock 5/16"—medium	EK/219, EK/229	120214	4
WASHER—Plain .34" x 1" x .075"	EK/219, EK/229	SP1445	4
HINGE ASSEMBLY—Upper end gate	FB/2104, EK/2104	7413595	2
BOLT—Hex. hd. 5/16"—24 x 5/8"	FB/2104, EK/2104	123473	10
WASHER—Springlock 5/16" medium	FB/2104, EK/2104	120214	10
HINGE ASSEMBLY—End gate	FE/2106, FC/2106, FB/2104, FB/2106 EK/2104, EK/2106	7410423	2
SCREW—Flat hd. sl. mach. 5/16"—24 x 3/4" with lock-washer	FE/2106, FC/2106, FB/2104, FB/2106 EK/2104, EK/2106	273467	10
HINGE ASSEMBLY—Deck lid	EJ/215, EJ/225, EJ/235	7415149	2
BOLT—Hex. hd. 5/16"—24 x 3/4"	EJ/215, EJ/225, EJ/235	120741	4
WASHER—Spring lock, 5/16"—medium	EJ/215, EJ/225, EJ/235	120214	4
WASHER—Plain, type "A" 3/8" x 3/4" x .065"	EJ/215, EJ/225, EJ/235	446548	4
BRACKET ASSEMBLY—Hinge mounting	EJ/215, EJ/225, EJ/235	LH7415355 RH7415354	1 1
SUPPORT—Hinge mounting bracket	EJ/215, EJ/225, EJ/235	LH7415459 RH7415458	1 1
HINGE ASSEMBLY—End gate, gate section	EJ/219, EJ/229, EJ/2104, EJ/2106	7415969	2
BOLT—Hex. hd. 5/16"—24 x 3/4"	EJ/219, EJ/229, EJ/2104, EJ/2106	120741	4
WASHER—Plain, .34" x .88" x .09"	EJ/219, EJ/229, EJ/2104, EJ/2106	SP1455	4
WASHER—Spring lock, 5/16"—heavy	EJ/219, EJ/229, EJ/2104, EJ/2106	108579	4
HINGE ASSEMBLY—End gate, body section	EJ/219, EJ/229, EJ/2104, EJ/2106	7415616	2
BOLT—Rd. hd. sq. neck 7/16"—14 x 3-1/2"	EJ/219, EJ/229, EJ/2104, EJ/2106	126759	2
NUT—Hex. 7/16" x 14	EJ/219, EJ/229, EJ/2104, EJ/2106	271501	2
WASHER—Spring lock, 7/16"—medium	EJ/219, EJ/229, EJ/2104, EJ/2106	120383	2
REINFORCEMENT—Lower end gate hinge spacer	EJ/219, EJ/229, EJ/2104, EJ/2106	7425602	2
PLATE—Lower end gate hinge cover	EJ/219	7417078	2
SCREW—Pan hd. cr. rec. tap. type "A" No. 6—18 x 3/8"	EJ/219	161790	1
HINGE ASSEMBLY—Upper end gate	EJ/219, EJ/229	LH7416529 RH7416528	1 1
HINGE ASSEMBLY—Upper end gate	EJ/2104	7418491	2
BOLT—Hex. hd. 5/16"—24 x 1"	EJ/219, EJ/229, EJ/2104	121661	6-4
WASHER—Spring lock, 5/16"—medium	EJ/219, EJ/229, EJ/2104	120214	14-8
BOLT—Hex. hd. 5/16"—24 x 3/4"	EJ/219, EJ/229, EJ/2104	120741	8-4
WASHER—Plain, type "A" 11/32" x 11/16" x .065"	EJ/219, EJ/229, EJ/2104	120393	8-4
SCREW—Flat hd. cr. rec. mach. 5/16"—24 x 1/2"	EJ/219, EJ/229, EJ/2104	191902	2
WASHER—Csk. external tooth lock 5/16"	EJ/219, EJ/229, EJ/2104	134512	2
WASHER—Special 3/8" hinge to upper end gate	EJ/219, EJ/229, EJ/2104	3713379	4-6
PLATE—Upper end gate hinge anchor	EJ/219, EJ/229	7416699	2
PLATE—Upper end gate hinge anchor	EJ/2104	7418406	2
REINFORCEMENT—Lower end gate hinge spacer	EJ/2104, EJ/2106	7417706	2



HOLDEN

MASTER PARTS CATALOGUE

12.184 HINGE ASSEMBLY, BRACKET, PLATE—Deck Lid and End Gate (Contd.)

HINGE ASSEMBLY—Deck lid	EH/215, EH/225, EH/235	7415149	2
BOLT—Hex. hd. 5/16"—18 x 3/4"	EH/215, EH/225, EH/235	122007	4
WASHER—Spring lock 5/16"—medium	EH/215, EH/225, EH/235	120214	4
WASHER—Plain 3/8" x 3/4" x .065"	EH/215, EH/225, EH/235	446548	4
BRACKET ASSEMBLY—Hinge mounting	EH/215, EH/225, EH/235	LH7422361	1
SUPPORT—Hinge mounting bracket	EH/215, EH/225, EH/235	RH7422360	1
		LH7415459	1
		RH7415458	1
HINGE ASSEMBLY—End gate, gate section	EH/219, EH/229, EH/239	7422011	2
HINGE ASSEMBLY—End gate, gate section	EH/2104, EH/2106	7415969	2
BOLT—Hex. hd. 5/16"—24 x 3/4"	EH/219, EH/229, EH/239		
	EH/2104, EH/2106	120741	4
WASHER—Plain .34" x .88" x .09"	EH/219, EH/229, EH/239		
	EH/2104, EH/2106	SP1455	4
WASHER—Spring lock 5/16"—heavy	EH/219, EH/229, EH/239		
	EH/2104, EH/2106	108579	4
HINGE ASSEMBLY—End gate, body section	EH/219, EH/229, EH/239	7421985	2
HINGE ASSEMBLY—End gate, body section	EH/2104, EH/2106	7415616	2
BOLT—Rd. hd. sq. neck 7/16"—14 x 3-3/4"	EH/219, EH/229, EH/239		
	EH/2104, EH/2106	126764	2
NUT—Hex. 7/16"—14	EH/219, EH/229, EH/239		
	EH/2104, EH/2106	271501	2
WASHER—Spring lock 7/16"—medium	EH/219, EH/229, EH/239		
	EH/2104, EH/2106	120383	2
REINFORCEMENT—Lower end gate hinge spacer	EH/219, EH/229, EH/239		
	EH/2104, EH/2106	7425602	2
SPACER—Lower end gate hinge	EH/219, EH/229, EH/239	7422026	2
COVER—Lower end gate hinge	EH/219, EH/229, EH/239	7422373	2
SCREW—Pan hd. cr. rec. tap. No. 6—18 x 3/8"	EH/219, EH/229, EH/239	161790	8
PLATE—Lower end gate hinge cover	EH/219	7417078	2
SCREW—Pan hd. cr. rec. tap. No. 6—18 x 3/8"	EH/219	161790	2
HINGE ASSEMBLY—Upper end gate	EH/219, EH/229, EH/239	LH7416529	1
		RH7416528	1
		7418491	2
HINGE ASSEMBLY—Upper end gate	EH/2104		
BOLT—Hex. hd. 5/16"—24 x 1"	EH/219, EH/229, EH/239, EH/2104	121661	6-4
WASHER—Spring lock 5/16"—medium	EH/219, EH/229, EH/239, EH/2104	120214	14-8
BOLT—Hex. hd. 5/16"—24 x 3/4"	EH/219, EH/229, EH/239, EH/2104	120741	8-4
WASHER—Plain 11/32" x 11/16" x .065"	EH/219, EH/229, EH/239, EH/2104	120393	8-4
SCREW—Flat hd. cr. rec. mach. 5/16"—24 x 5/8"	EH/219, EH/229, EH/239, EH/2104	439993	2
WASHER—Csk. external tooth lock 5/16"	EH/219, EH/229, EH/239, EH/2104	134512	2
WASHER—Special 3/8" hinge to upper end gate	EH/219, EH/229, EH/239, EH/2104	3713379	4-6
PLATE—Upper end gate hinge anchor	EH/219, EH/229, EH/239	7416699	2
PLATE—Upper end gate hinge anchor	EH/2104	7418406	2
REINFORCEMENT—Lower end gate hinge spacer	EH/2104, EH/2106	7417706	2
HINGE ASSEMBLY—Deck lid	HD/215, HD/225, HD/235		
	HR/215, HR/225, HR/235	7423277	2
BOLT—Hex. hd. 5/16"—18 x 3/4"	HD/215, HD/225, HD/235		
	HR/215, HR/225, HR/235	180077	4
WASHER—Spring lock 5/16"—medium	HD/215, HD/225, HD/235		
	HR/215, HR/225, HR/235	120214	4
WASHER—Plain 3/8" x 3/4" x .065"	HD/215, HD/225, HD/235		
	HR/215, HR/225, HR/235	446548	4
BRACKET ASSEMBLY—Hinge mounting	HD/215, HD/225, HD/235		
	HR/215, HR/225, HR/235	LH7423395	1
		RH7423396	1
BRACE—Wheelhouse to hinge bracket	HD/215, HD/225, HD/235		
	HR/215, HR/225, HR/235	LH7423307	1
		RH7423306	1
HINGE ASSEMBLY—Gate section	HD/219, HD/229, HD/239		
	HR/219, HR/229, HR/239	LH7424805	1
		RH7424806	1
SCREW—Flat hd. cr. rec. mach. 5/16"—18 x 3/4"	HD/219, HD/229, HD/239		
	HR/219, HR/229, HR/239	7430091	8
WASHER—Spring lock 5/16"—medium	HD/219, HD/229, HD/239		
	HR/219, HR/229, HR/239	120214	4
WASHER—Csk. ext. tooth lock 5/16"	HD/219, HD/229, HD/239		
	HR/219, HR/229, HR/239	134512	4
NUT—Hex. 5/16"—18	HD/219, HD/229, HD/239		
	HR/219, HR/229, HR/239	134556	8

HOLDEN

MASTER PARTS CATALOGUE



12.184 HINGE ASSEMBLY, BRACKET, PLATE—Deck Lid and End Gate (Cont'd.)

HINGE ASSEMBLY—Body section	HD/219, HD/229, HD/239 HR/219, HR/229, HR/239	LH7425561 RH7425562	1 1
RIVET—Hinge	HD/219, HD/229, HD/239 HR/219, HR/229, HR/239	7425610	2
WASHER—Hinge to end gate	HD/219, HD/229, HD/239 HR/219, HR/229, HR/239	3713379	4
HINGE ASSEMBLY—Upper end gate	HD/2104, HR/2104	7420837	2
BOLT—Hex. hd. 5/16"—18 x 1"	HD/2104, HR/2104	180079	6
BOLT—Hex. hd. 5/16"—18 x 3/4"	HD/2104, HR/2104	180077	8
WASHER—Spring lock, 5/16"—medium	HD/2104, HR/2104	120214	14
SCREW—Flat hd. cr. rec. mach. 5/16"—18 x 5/8"	HD/2104, HR/2104	156417	2
WASHER—Csk. ext. tooth lock 5/16"	HD/2104, HR/2104	134512	2
WASHER—Hinge to end gate	HD/2104, HR/2104	3713379	14
HINGE ASSY.—Lower end gate, gate section	HD/2104, HD/2106 HR/2104, HR/2106	7427363	2
BOLT—Hex. hd. 5/16"—18 x 5/8"	HD/2104, HD/2106 HR/2104, HR/2106	180075	4
WASHER—Spring lock 5/16"—medium	HD/2104, HD/2106 HR/2104, HR/2106	120214	4
WASHER—Plain .34" x .88" x .09"	HD/2104, HD/2106 HR/2104, HR/2106	SP1455	4
BOLT—Rd. hd. sq. neck 7/16"—14 x 3"	HD/2104, HD/2106 HR/2104, HR/2106	126749	2
WASHER—Spring lock 7/16"—medium	HD/2104, HD/2106 HR/2104, HR/2106	120383	2
NUT—Hex. 7/16" x 14	HD/2104, HD/2106 HR/2104, HR/2106	271501	2
HINGE—Lower end gate, body section	HD/2104, HD/2106 HR/2104, HR/2106	7427388	2

12.185 BUSHING—End Gate Hinge

BUSHING—Upper hinge	FE/219, FE/229, FE/2104 FC/219, FC/229, FC/2104	7400033	4
---------------------	----------------------------------------------------	---------	---

12.186 SPRING, STUD, PIN—Deck Lid and End Gate Hinge

SPRING	48, FJ/215, FJ/217, FJ/225	7403194	2
STUD—Spring	48, FJ/215, FJ/217, FJ/225	7403193	2
SPRING—1/2" wide	FE/215, FE/217, FE/225	7408628	2
SPRING—.80" wide	FE/215, FE/217, FE/225 FC/215, FC/217, FC/225 FB/215, FB/225, EK/215, EK/225	7414913	2
STUD—Spring retainer—1/2" diameter	FE/215, FE/217, FE/225 FC/215, FC/217, FC/225	7412377	2
STUD—Spring retainer—5/8" diameter	FC/215, FC/217, FC/225 FB/215, FB/225, EK/215, EK/225	7414910	2
STUD & NUT KIT—Spring retainer	FC/215, FC/217, FC/225 FB/215, FB/225, EK/215, EK/225	7419301	2
PIN	FE/215, FE/217, FE/225 FC/215, FC/217, FC/225 EJ/215, EJ/225, EJ/235 EH/215, EH/225, EH/235 HD/215, HD/225, HD/235 HR/215, HR/225, HR/235	7408627	2
PIN—Upper hinge	FE/219, FE/229, FE/2104 FC/219, FC/229, FC/2104 FB/219, FB/229, EK/219, EK/229 EJ/219, EJ/229 EH/219, EH/229, EH/239	7411628	2
PIN—Upper hinge	EJ/2104, EH/2104, HD/2104 HR/2104	7415999	2
PIN—Lower hinge	EJ/219, EJ/229, EJ/2104, EJ/2106 EH/219, EH/229, EH/239 EH/2104, EH/2106, HD/2104, HD/2106, HR/2104, HR/2106	7415999	2



HOLDEN

MASTER PARTS CATALOGUE

12.187 ROD—Deck Lid and End Gate Hinge Torque

ROD	EJ/215, EJ/225, EJ/235 EH/215, EH/225, EH/235	LH7415133 RH7415132	1 1
ROD	HD/215, HD/225, HD/235 HR/215, HR/225, HR/235	LH7423447 RH7423448	1 1
ROD	HD/219, HD/229, HD/239 HR/219, HR/229, HR/239	7424787	1
RETAINER—Rod to body	HD/219, HD/229, HD/239 HR/219, HR/229, HR/239	7425611	1
BOLT—Hex. hd. 1/4"—20 x 11/16" w/lock washer	HD/219, HD/229, HD/239 HR/219, HR/229, HR/239	SP1566	2
WASHER—Spring lock 1/4"—medium	HD/219, HD/229, HD/239 HR/219, HR/229, HR/239	120380	2
RETAINER—Rod to end gate	HD/219, HD/229, HD/239 HR/219, HR/229, HR/239	7424928	1
SCREW—Pan hd. cr. rec. mach. 1/4"—20 x 5/8"	HD/219, HD/229, HD/239 HR/219, HR/229, HR/239	160536	3
WASHER—Ext. tooth lock 1/4"	HD/219, HD/229, HD/239 HR/219, HR/229, HR/239	121753	3

12.195 STRIP—Tonneau Floor Board and End Gate Wear

STRIP—Tonneau floor	50, FJ/2104, FJ/2106	7403628	6
WASHER—Ext. tooth lock 1/4"	50, FJ/2104, FJ/2106	121753	A.R.
STRIP—End gate upper	FE/219 up to Body No. 1487A FE/229, FC/229, FB/229, EK/229	LH 7411349 RH 7411350	1 1
STRIP—End gate side	FE/219 up to Body No. 1487A FE/229, FC/229, FB/229, EK/229	7411623	2
SCREW—Oval hd. cr. rec. tap. Type "A" No. 6—18 x 3/4"	FE/219 up to Body No. 1487A FE/229, FC/229, FB/229, EK/229	162247	6
STRIP—End gate lower	FE/219 up to Body No. 1487A FE/229, FC/229, FB/229, EK/229	7411348	1
SCREW—Oval hd. cr. rec. tap. Type "A" No. 6—18 x 1/2"	FE/219 up to Body No. 1487A FE/229, FC/229, FB/229, EK/229	162247	6
STRIP—End gate	FE/219 from Body No. 1488A FC/219, FB/219, EK/219	7413990	4
STRIP—End gate	FE/219 from Body No. 1488A FC/219, FB/219, EK/219	7413992	1
SCREW—Oval hd. cr. rec. tap. Type "A" No. 6—18 x 5/8"	FE/219 from Body No. 1488A FC/219, FB/219, EK/219	162292	10
STRIP—Tonneau floor front	FE/219 from Body No. 1488A FC/219, FB/219, EK/219	7413847	3
STRIP—Tonneau floor front	FE/219 from Body No. 1488A FC/219, FB/219, EK/219	7413990	2
STRIP—Tonneau floor rear	FE/219 from Body No. 1488A FC/219, FB/219, EK/219	7413991	4
STRIP—Tonneau floor rear	FE/219 from Body No. 1488A FC/219, FB/219, EK/219	7413847	1
SCREW—Oval hd. cr. rec. tap. Type "A" No. 6—18 x 5/8"	FE/219 from Body No. 1488A FC/219, FB/219, EK/219	162292	28
STRIP—Tonneau floor	FE/2106, FC/2106, FB/2104, FB/2106 EK/2104, EK/2106	7410350	6
SCREW—Flat hd. sl. tap. Type "B" No. 10—16 x 1"	FE/2106, FC/2106, FB/2104, FB/2106 EK/2104, EK/2106	145087	36
WASHER—Ext. tooth lock 1/4"	FE/2106, FC/2106, FB/2104, FB/2106 EK/2104, EK/2106	121753	6

HOLDEN

MASTER PARTS CATALOGUE



12.195 STRIP—Tonneau floor board and end gate wear (Cont'd.)

STRIP—Tonneau floor front wear	EJ/219, EJ/229 EH/219, EH/229, EH/239	7416019	6
SCREW—Oval hd. cr. rec. tap. type "B" No. 6—18 x 1"	EJ/219, EJ/229 EH/219, EH/229, EH/239	163418	12
SCREW—Oval hd. cr. rec. wood No. 6—18 x 1/2"	EJ/219, EJ/229 EH/219, EH/229, EH/239	151834	6
STRIP—Tonneau floor rear wear	EJ/219, EJ/229 EH/219, EH/229, EH/239	7416020	6
STRIP—Tonneau floor rear cross bar wear	EJ/219, EJ/229, EJ/2104, EJ/2106 EH/219, EH/229, EH/239 EH/2104, EH/2106	7417328	1
SCREW—Pan hd. cr. rec. tap. type "B" No. 6—20 x 3/8"	EJ/219, EJ/229, EJ/2104, EJ/2106 EH/219, EH/229, EH/239 EH/2104, EH/2106	163098	7
STRIP—End gate wear	EJ/219, EJ/229 EH/219, EH/229, EH/239	7416018	6
SCREW—Oval hd. cr. rec. tap. type "A" No. 6—18 x 5/8"	EJ/219, EJ/229 EH/219, EH/229, EH/239	162292	18
STRIP—Tonneau floor	EJ/2104, EJ/2106, EH/2104, EH/2106	7417841	6
SCREW—Oval hd. cr. rec. tap. type "B" No. 6—18 x 1"	EJ/2104, EJ/2106, EH/2104, EH/2106	163418	36
BOLT—Hex. hd., 1/4"—20 x 1"	EJ/2104, EJ/2106, EH/2104, EH/2106	121900	6
WASHER—External tooth lock, 1/4"	EJ/2104, EJ/2106, EH/2104, EH/2106	121753	6
STRIP—Tonneau floor front wear	HD/219, HD/229, HD/239 HR/219, HR/229, HR/239	7426025	6
SCREW—Flat hd. cr. rec. wood No. 10—13 x 1/2"	HD/219, HD/229, HD/239 HR/219, HR/229, HR/239	148971	6
SCREW—Flat hd. cr. rec. tap. No. 10—16 x 1"	HD/219, HD/229, HD/239 HR/219, HR/229, HR/239	162701	12
STRIP—Tonneau floor rear wear	HD/219, HD/229, HD/239 HR/219, HR/229, HR/239	7426026	6
SCREW—Flat hd. cr. rec. wood No. 10—13 x 1/2"	HD/219, HD/229, HD/239 HR/219, HR/229, HR/239	148971	16
STRIP—End gate wear	HD/219, HD/229, HD/239 HR/219, HR/229, HR/239	7426027	8
SCREW—Flat hd. cr. rec. tap. No. 10—16 x 5/8"	HD/219, HD/229, HD/239 HR/219, HR/229, HR/239	162688	24
STRIP—Tonneau floor wear	HD/2104, HD/2106 HR/2104, HR/2106	7420222	8
SCREW—Flat hd. cr. rec. tap. No. 10—12 x 5/8"	HD/2104, HD/2106 HR/2104, HR/2106	161439	26
REINFORCEMENT—Tonneau floor longitudinal	HD/2104, HD/2106 HR/2104, HR/2106	7420190	3
SCREW—Flat hd. cr. rec. tap. No. 10—16 x 1-1/4"	HD/2104, HD/2106 HR/2104, HR/2106	162703	6

12.196 COVER—Tonneau

COVER	50, FJ/2106	7402507	1
COVER	FE/2106, FC/2106, FB/2106, EK/2106	7401437	1
SOCKET—Type "D" fastener	50, FJ/2106, FE/2106, FC/2106, FB/2106 EK/2106	105167	A.R.
PLATE—Type "D" fastener	50, FJ/2106, FE/2106, FC/2106, FB/2106 EK/2106	105169	A.R.
STUD—Self tapping No. 8 x 3/8" single	50, FJ/2106, FE/2106, FC/2106, FB/2106 EK/2106	SP1077	A.R.
STUD—Self tapping No. 8 x 3/8" double	FE/2106, FC/2106, FB/2106, EK/2106	SP1393	1
SUPPORT	50, FJ/2106	7403617	1
SUPPORT	FE/2106, FC/2106, FB/2106, EK/2106	7410588	1
COVER	EJ/2106, EH/2106	7427186	1
COVER	HD/2106, HR/2106	7429160	1
SOCKET—Type "D" fastener	EJ/2106, EH/2106, HD/2106 HR/2106	105167	27-29
PLATE—Type "D" fastener	EJ/2106, EH/2106, HD/2106 HR/2106	105169	27-29
STUD—Self tapping No. 10 x .38" single	EJ/2106, EH/2106, HD/2106 HR/2106	SP1535	27-29
WASHER—Insulating plastic	EH/2106, HD/2106, HR/2106	862108	27-29
SUPPORT	EJ/2106, EH/2106	7410588	1
SUPPORT	HD/2106, HR/2106	7420279	1



HOLDEN

MASTER PARTS CATALOGUE

12.203 ARM ASSEMBLY, CABLE—End gate limit and hold open

END GATE LIMIT—L.H.	50, FJ/2106	7401353	1
END GATE LIMIT—R.H.	50, FJ/2106	7401352	1
END GATE LIMIT—Lower L.H.	FJ/2104	7401353	1
END GATE LIMIT—Lower R.H.	FJ/2104	7401352	1
RETAINER	50, FJ/2104, FJ/2106	7376681	2
WASHER—Int. tooth lock 1/4"	50, FJ/2104, FJ/2106	120423	4
END GATE LIMIT—Lower	FE/219, FE/229, FE/2104 FC/219, FC/229, FC/2104 FB/219, FB/229, EK/219, EK/229	LH7411339 RH7411338	1 1
END GATE HOLD OPEN—Upper L.H.	FE/219, FE/229, FC/219, FC/229 FB/219, FB/229, EK/219, EK/229	7406729	1
END GATE HOLD OPEN—Upper R.H.	FE/219, FE/229, FE/2104 FC/219, FC/229, FC/2104 FB/219, FB/229, EK/219, EK/229	7406730	1
END GATE HOLD OPEN—Upper	FB/2104, EK/2104	LH7415063 RH7415064	1 1
NUT—Hex. 1/4"—20	*	120375	2-1
WASHER—Spring lock 1/4" light	*	121637	2-1
WASHER—Plain 17/32" x 5/8" x .049"	*	446188	2-1
NUT—Hex. 5/16"—18	**	120376	2-1
WASHER—Spring lock 5/16", light	**	120379	2-1
WASHER—Plain 11/32" x 11/16" x .065"	**	120393	2-1
WASHER—Spring, .380", I.D.	**	431534	2-1
END GATE LIMIT	FE/2106, FC/2106 FB/2104, FB/2106, EK/2104, EK/2106	LH7410433 RH7410432	1 1
ARM ASSEMBLY—End gate hold open—upper	EJ/219, EJ/229, EJ/2104 EH/219, EH/229, EH/239, EH/2104	LH7417257 RH7417258	1 1
BOLT—Hex. hd. 1/4"—28 x 1/2"	EJ/219, EJ/229, EJ/2104 EH/219, EH/229, EH/239, EH/2104	123316	4
WASHER—Spring lock, 1/4"—medium	EJ/219, EJ/229, EJ/2104 EH/219, EH/229, EH/239, EH/2104	120380	6
NUT—Hex. 1/4"—28	EJ/219, EJ/229, EJ/2104 EH/219, EH/229, EH/239, EH/2104	120367	2
WASHER—End gate hold open—upper inner, plastic	EJ/219, EJ/229, EJ/2104 EH/219, EH/229, EH/239, EH/2104	7417580	2
WASHER—End gate hold open—upper inner, rubber	EJ/219, EJ/229, EJ/2104 EH/219, EH/229, EH/239, EH/2104	7417270	2
WASHER—End gate hold open—upper inner cup	EJ/219, EJ/229, EJ/2104 EH/219, EH/229, EH/239, EH/2104	7417272	2
SPACER—End gate hold open—upper inner	EJ/219, EJ/229, EJ/2104 EH/219, EH/229, EH/239, EH/2104	7417271	2
CABLE ASSEMBLY—End gate limit, lower	EJ/219, EJ/229 EH/219, EH/229, EH/239	7417140	2
COVER—End gate limit cable, lower	EJ/219, EJ/229 EH/219, EH/229, EH/239	7417143	2
RETAINER—End gate limit cable, lower	EJ/219, EJ/229 EH/219, EH/229, EH/239	7417145	2
CABLE ASSEMBLY—End gate limit, lower	EJ/2104, EJ/2106, EH/2104, EH/2106	7418550	2
BOLT—Lower end gate limit cable	EJ/219, EJ/229, EJ/2104, EJ/2106 EH/219, EH/229, EH/239 EH/2104, EH/2106	7418567	2
WASHER—Spring lock, 5/16"—light	EJ/219, EJ/229, EJ/2104, EJ/2106 EH/219, EH/229, EH/239 EH/2104, EH/2106	120379	2

* FE/219, FE/229, FE/2104
FC/219 S.A. up to Body No. 3089A
Vic. up to Body No. 233M
FC/229 S.A. up to Body No. 15112A
Vic. up to Body No. 1258M
FC/2104 up to Body No. 5285A

** FC/219 S.A. from Body No. 3090A
Vic. from Body No. 234M
FC/229 S.A. from Body No. 15113A
Vic. from Body No. 1259M
FC/2104 from Body No. 5286A
FB/219, FB/229, FB/2104
EK/219, EK/229, EK/2104

HOLDEN

MASTER PARTS CATALOGUE



12.203 ARM ASSEMBLY, CABLE—End gate limit and hold open (Contd.)

ARM ASSEMBLY—Limit	HD/219, HD/229, HD/239 HR/219, HR/229, HR/239	7424770	2
BOLT—Limit arm	HD/219, HD/229, HD/239 HR/219, HR/229, HR/239	7424867	4
WASHER—Plain 11/32" x 11/16" x .065"	HD/219, HD/229, HD/239 HR/219, HR/229, HR/239	120393	4
WASHER—Limit arm	HD/219, HD/229, HD/239 HR/219, HR/229, HR/239	7425597	4
ARM ASSEMBLY—End gate hold open—upper	HD/2104, HR/2104	LH7420877 RH7420876	1 1
BOLT—Hex. hd. 1/4"—20 x 1/2"	HD/2104, HR/2104	120706	6
WASHER—Spring lock 1/4"—medium	HD/2104, HR/2104	120380	8
NUT—Hex. 1/4"—20	HD/2104, HR/2104	120375	8
WASHER—Upper inner, plastic	HD/2104, HR/2104	7417580	2
WASHER—Upper inner, rubber	HD/2104, HR/2104	7417270	2
WASHER—Upper inner, cup	HD/2104, HR/2104	7417272	2
SPACER—Upper inner	HD/2104, HR/2104	7417271	2
CABLE ASSEMBLY—End gate limit, lower	HD/2104, HD/2106 HR/2104, HR/2106	7417092	2
BOLT—Lower end gate limit cable	HD/2104, HD/2106 HR/2104, HR/2106	7427392	2
WASHER—Spring lock 5/16"—medium	HD/2104, HD/2106 HR/2104, HR/2106	120214	2

12.204 STUD—Upper end gate outer hold open arm

STUD	FJ/2104	7407871	2
------	---------	---------	---

12.205 RETAINER, PLATE—End gate Hold Open Arm

RETAINER—Lower end gate arm	FE/219, FE/229, FE/2104 FC/219, FC/229, FC/2104 FB/219, FB/229, EK/219, EK/229	7411347	2
RETAINER—Lower end gate arm	FE/2106, FC/2106 FB/2104, FB/2106, EK/2104, EK/2106	7410520	2
SCREW—Rd. hd. sl. mach., 1/4"—28 x 5/8" with lock washer	FE/219, FE/229, FE/2104, FE/2106 FC/219, FC/229, FC/2104, FC/2106 FB/219, FB/229, FB/2104, FB/2106 EK/219, EK/229, EK/2104, EK/2106	424636	A.R.
PLATE—Lower end gate arm retainer	FE/219, FE/229, FE/2104 FC/219, FC/229, FC/2104 FB/219, FB/229, EK/219, EK/229	7411346	2

12.206 BRACKET—Lower End Gate Limit Arm

BRACKET	FE/219, FE/229, FE/2104 FC/219, FC/229, FC/2104 FB/219, FB/229, EK/219, EK/229	LH7411621 RH7411620	1 1
SCREW—Flat hd. sl. mach. 5/16"—24 x 3/4" with lock-washer	FE/219, FE/229, FE/2104 FC/219, FC/229, FC/2104 FB/219, FB/229, EK/219, EK/229	273467	4
BRACKET	EJ/219, EJ/229 EH/219, EH/229, EH/239	7417029	2
SCREW—Oval hd. cr. rec. mach. 1/4"—28 x 3/4"	EJ/219, EJ/229 EH/219, EH/229, EH/239	191931	4
WASHER—Csk. external tooth lock 1/4"	EJ/219, EJ/229 EH/219, EH/229, EH/239	138604	4



HOLDEN

MASTER PARTS CATALOGUE

12.207 KNOB, SPRING—Upper End Gate Hold Open Arm

KNOB—Locking lever	FE/219, FE/229, FE/2104 FC/219, FC/229, FC/2104 FB/219, FB/229, FB/2104 EK/219, EK/229, EK/2104 EJ/219, EJ/229, EJ/2104 EH/219, EH/229, EH/239, EH/2104 HD/2104, HR/2104	7411640	2-1
WASHER—Plain 3/16" x 3/8" x .049"	FE/219, FE/229, FE/2104 FC/219, FC/229, FC/2104 FB/219, FB/229, FB/2104 EK/219, EK/229, EK/2104 EJ/219, EJ/229, EJ/2104 EH/219, EH/229, EH/239, EH/2104 HD/2104, HR/2104	446143	2-1
SPRING—Lever overcentre, L.H.	FE/219, FE/229 FC/219, FC/229 FB/219, FB/229, FB/2104 EK/219, EK/229, EK/2104 EJ/219, EJ/229, EJ/2104 EH/219, EH/229, EH/239, EH/2104 HD/2104, HR/2104	4158117	1
SPRING—Lever overcentre, R.H.	FE/219, FE/229, FE/2104 FC/219, FC/229, FC/2104 FB/219, FB/229, FB/2104 EK/219, EK/229, EK/2104 EJ/219, EJ/229, EJ/2104 EH/219, EH/229, EH/239, EH/2104 HD/2104, HR/2104	4158116	1

12.212 BUMPER—End gate and deck lid

(Lower stop)	50, FJ/2104, FJ/2106	7402574	2
(On body panel)	50, FJ/2106	7402493	2
(Upper hold open arm)	FE/219, FE/229, FE/2104 FC/219, FC/229, FC/2104 FB/219, FB/229, FB/2104 EK/219, EK/229, EK/2104	7402561	2
(Upper gate lower centre)	FE/219, FE/229, FE/2104 FC/219, FC/229, FC/2104 FB/219, FB/229, EK/219, EK/229	7411597	1
(Lower stop on bumper bar)	FE/2104, FE/2106, FC/2104, FC/2106 FB/2104, FB/2106, EK/2104, EK/2106 EJ/2104, EJ/2106, EH/2104, EH/2106 HD/2104, HD/2106 HR/2104, HR/2106	7410477	2
BOLT—To bumper bar	FE/2104, FE/2106, FC/2104, FC/2106 FB/2104, FB/2106, EK/2104, EK/2106 EJ/2104, EJ/2106, EH/2104, EH/2106	7410478	2
NUT—Hex. 5/16"—18	FE/2104, FE/2106, FC/2104, FC/2106 FB/2104, FB/2106, EK/2104, EK/2106 EJ/2104, EJ/2106, EH/2104, EH/2106	120376	2
WASHER—Spring lock 5/16" medium	FE/2104, FE/2106, FC/2104, FC/2106 FB/2104, FB/2106, EK/2104, EK/2106 EJ/2104, EJ/2106	120214	2
WASHER—Plain 11/32" x 11/16" x .065"	EJ/2104, EJ/2106	120393	2
DECK LID	EJ/215, EJ/225, EJ/235	7412636	1
BOLT—Bumper retainer	EJ/215, EJ/225, EJ/235	7421292	1
NUT—Hex. 1/4"—28	EJ/215, EJ/225, EJ/235	120367	1
LOWER END GATE	EJ/219, EJ/229 EH/219, EH/229, EH/239	7417301	2
UPPER END GATE	EJ/219, EJ/229 EH/219, EH/229, EH/239	7411597	1
LOWER END GATE—(On body pillar)	EJ/2104, EH/2104	7422053	2
SCREW—Flat hd. cr. mach. No. 10—24 x 3/4"	EJ/2104, EH/2104	155945	2

HOLDEN

MASTER PARTS CATALOGUE



12.212 BUMPER—End gate and deck lid (Contd.)

DECK LID	EH/215, EH/225, EH/235 HD/215, HD/225, HD/235 HR/215, HR/225, HR/235	7422053	2
SCREW—Flat hd. cr. rec. tap. No. 10—16 x 7/8"	EH/215, EH/225, EH/235 HD/215, HD/225, HD/235 HR/215, HR/225, HR/235	162696	2
END GATE—On striker	HD/219, HD/229, HD/239 HR/219, HR/229, HR/239	7417423	2
END GATE—Outside, oblong	HD/219, HD/229, HD/239	7425774	2
END GATE—Round	HR/219, HR/229, HR/239	7428248	2
SCREW—Flat hd. cr. rec. tap. No. 10—16 x 5/8"	HD/219, HD/229, HD/239 HR/219, HR/229, HR/239	162688	2
SLIDING GLASS STOP—Upper	HD/219, HD/229, HD/239	7428767	2
SLIDING GLASS STOP—Lower	HD/219, HD/229, HD/239 HR/219, HR/229, HR/239	7402561	2
END GATE—On body pillar	HD/219, HD/229, HD/239 HR/219, HR/229, HR/239	7425721	2

12.213 SUPPORT, BRACKET—Deck lid and end gate bumper

SUPPORT ASSEMBLY	50, FJ/2104, FJ/2106	7402573	2
BRACKET—Deck lid bumper	HD/215, HD/225, HD/235	7423246	2
BRACKET—Deck lid bumper	HR/215, HR/225, HR/235	7428345	2
SUPPORT—Sliding glass bumper	HD/219, HD/229, HD/239 HR/219, HR/229, HR/239	7426182	2

12.237 PLATE, SPACER—Deck lid and end gate striker.

DECK LID LOCK STRIKER	48, FJ/215, FJ/217, FJ/225	7402457	1
SCREW—Rd. hd. sl. mach. 1/4"—28 x 5/8"	48, FJ/215, FJ/217, FJ/225	143317	3
WASHER—Spring lock 1/4"—medium	48, FJ/215, FJ/217, FJ/225	120380	3
WASHER—Plain 5/16" x 3/4" x .065"	48, FJ/215, FJ/217, FJ/225	120386	3
END GATE STRIKER	50, FJ/2106	7401765	2
LOWER END GATE STRIKER	FJ/2104	7401765	2
WASHER—Countersunk ext. lock 1/4"	50, FJ/2104, FJ/2106	138604	4
DECK LID LOCK STRIKER	FE/215, FE/217, FE/225 FC/215, FC/217, FC/225 FB/215, FB/225, EK/215, EK/225	7408357	1
BOLT—Hex. hd. 1/4"—20 x 11/16" w/lock washer	FE/215, FE/217, FE/225 FC/215, FC/217, FC/225 FB/215, FB/225 EK/215, EK/225	SP1566	2
WASHER—Spring lock 1/4" medium	EK/215, EK/225	120380	2
WASHER—Plain 9/32" x 5/8" x .065"	EK/215, EK/225	120392	2
SUPPORT ASSEMBLY—Striker	FB/215, FB/225, EK/215, EK/225	7411930	1
LOWER END GATE STRIKER	FE/219, FE/229, FE/2104 FC/219, FC/229, FC/2104 FB/219, FB/229, FB/2104 EK/219, EK/229, EK/2104	7410872	2
UPPER END GATE STRIKER	FB/2104, EK/2104	7414006	2
SCREW—Flat hd. sl. mach. 1/4"—28 x 3/4" with lock washer	FE/219, FE/229, FE/2104 FC/219, FC/229, FC/2104 FB/219, FB/229, FB/2104 EK/219, EK/229, EK/2104	273462	4-8
SPACER—Striker	FE/219, FE/229, FE/2104 FC/219, FC/229, FC/2104 FB/219, FB/229, FB/2104 EK/219, EK/229, EK/2104	7413676	A.R.
END GATE STRIKER	FE/2106, FC/2106	7411627	2
SCREW—Flat hd. sl. mach. 1/4"—28 x 3/4" with lock washer	FE/2106, FC/2106	273462	4
END GATE STRIKER	FB/2106, EK/2106	RH7414616	1
SCREW—Flat hd. sl. mach. 1/4"—28 x 3/4" with lock washer	FB/2106, EK/2106	273462	2
SCREW—Flat hd. sl. mach. 1/4"—28 x 1" with lock washer	FB/2106, EK/2106	9413522	2



HOLDEN

MASTER PARTS CATALOGUE

12.237 PLATE, SPACER—Deck lid and end gate striker (Contd.)

PLATE—Deck lid lock striker	EJ/215, EJ/225, EJ/235	7408357	1
BOLT—Hex. hd. 1/4"—20 x 11/16" w/lock washer	EJ/215, EJ/225, EJ/235	SP1566	2
WASHER—Spring lock, 1/4"—medium	EJ/215, EJ/225, EJ/235	120380	2
WASHER—Plain, type "A" 9/32" x 5/8" x .065"	EJ/215, EJ/225, EJ/235	120392	2
PLATE—Deck lid lock striker	EH/215, EH/225, EH/235	7422020	1
BOLT—Hex. hd. 5/16"—18 x 3/4"	EH/215, EH/225, EH/235	122007	2
WASHER—Spring lock 5/16"—medium	EH/215, EH/225, EH/235	120214	2
WASHER—Plain 3/8" x 3/4" x .065"	EH/215, EH/225, EH/235	446548	2
PLATE—Striker Upper end gate lock	EJ/219, EJ/229 EH/219, EH/229, EH/239	7417314	1
SCREW—Flat hd. cr. rec. mach. 1/4"—28 x 7/8"	EJ/219, EJ/229 EH/219, EH/229, EH/239	427207	2
WASHER—Plain, 17/64" x 3/4" x .075"	EJ/219, EJ/229 EH/219, EH/229, EH/239	SP1107	2
WASHER—Spring lock, 1/4"—medium	EJ/219, EJ/229 EH/219, EH/229, EH/239	120380	2
NUT—Hex. 1/4"—28	EJ/219, EJ/229 EH/219, EH/229, EH/239	120367	2
PLATE—Upper end gate lock striker adjusting	EJ/219, EJ/229 EH/219, EH/229, EH/239	7417303	4
SPACER—End gate lock striker	EJ/219, EJ/229 EH/219, EH/229, EH/239	7417304	A.R.
PLATE—Striker, lower end gate lock	EJ/219, EJ/229 EH/219, EH/229, EH/239	LH7417313 RH7417312	1 1
SCREW—Hex. hd. mach. 1/4"—28 x 3/4"	EJ/219, EJ/229 EH/219, EH/229, EH/239	9415858	6
WASHER—Plain, 17/64" x 3/4" x .075"	EJ/219, EJ/229 EH/219, EH/229, EH/239	SP1107	6
WASHER—Spring lock, 1/4"—medium	EJ/219, EJ/229 EH/219, EH/229, EH/239	120380	6
PLATE—Lower end gate lock striker adjusting	EJ/219, EJ/229 EH/219, EH/229, EH/239	7417310	2
SPACER—Lower end gate lock striker	EJ/219, EJ/229 EH/219, EH/229, EH/239	7417311	A.R.
PLATE—Lower end gate lock striker anchor	EJ/219, EJ/229 EH/219, EH/229, EH/239	7416619	2
PLATE—Upper end gate striker	EJ/2104, EH/2104	7414006	2
SCREW—Flat hd. sl. mach. 1/4"—28 x 3/4" with lock washer	EJ/2104, EH/2104	273462	4
SPACER—Striker	EJ/2104, EH/2104	7413676	A.R.
PLATE—Lower end gate striker	EJ/2104, EH/2104	LH7418701 RH7418700	1 1
SCREW—Flat hd. sl. mach. 5/16"—24 x 3/4" with lock washer	EJ/2104, EH/2104	273467	2
SPACER—Striker	EJ/2104, EH/2104	7418840	A.R.
PLATE—End gate striker	EJ/2106, EH/2106	LH7418699 RH7418698	1 1
SCREW—Flat hd. sl. mach., 5/16"—24 x 5/8"	EJ/2106, EH/2106	173642	2
SCREW—Flat hd. sl. mach., 5/16"—24 x 7/8"	EJ/2106, EH/2106	131267	2
WASHER—Csk. external tooth lock, 5/16"	EJ/2106, EH/2106	134512	4
PLATE—Deck lid lock striker	HD/215, HD/225, HD/235 HR/215, HR/225, HR/235	7423216	1
BOLT—Hex. hd. 5/16"—18 x 3/4"	HD/215, HD/225, HD/235 HR/215, HR/225, HR/235	180077	2
WASHER—Spring lock 5/16"—medium	HD/215, HD/225, HD/235 HR/215, HR/225, HR/235	120214	2
WASHER—Plain 3/8" x 3/4" x .065"	HD/215, HD/225, HD/235 HR/215, HR/225, HR/235	446548	2

HOLDEN

MASTER PARTS CATALOGUE



12.237 PLATE, SPACER—Deck lid and end gate striker (Cont'd.)

STRIKER—End gate lock	HD/219, HD/229, HD/239 HR/219, HR/229, HR/239	LH7424919 RH7424918	1 1
SCREW & LOCK WASHER—Striker	HD/219, HD/229, HD/239 HR/219, HR/229, HR/239	7426367	6
SPACER—.06" thick	HD/219, HD/229, HD/239 HR/219, HR/229, HR/239	7426308	A.R.
SPACER—.12" thick	HD/219, HD/229, HD/239 HR/219, HR/229, HR/239	7426309	A.R.
PLATE—Tooth	HD/219, HD/229, HD/239 HR/219, HR/229, HR/239	LH7424923 RH7424922	1 1
PLATE—Adjusting, upper	HD/219, HD/229, HD/239 HR/219, HR/229, HR/239	7424398	2
PLATE—Adjusting, lower	HD/219, HD/229, HD/239 HR/219, HR/229, HR/239	4649282	2
PLATE—Anchor	HD/219, HD/229, HD/239 HR/219, HR/229, HR/239	7426738	2
RETAINER—Anchor plate	HD/219, HD/229, HD/239 HR/219, HR/229, HR/239	7426816	2
PLATE—Upper end gate striker	HD/2104, HR/2104	7420418	2
BOLT—Hex. hd. 5/16"—18 x 5/8"	HD/2104, HR/2104	180075	4
WASHER—Spring lock 5/16"—medium	HD/2104, HR/2104	120214	4
SPACER—Striker	HD/2104, HR/2104	7420492	A.R.
PLATE—Lower end gate striker	HD/2104, HD/2106 HR/2104, HR/2106	LH7427279 RH7427280	1 1
BOLT—Hex. hd. 5/16"—18 x 5/8"	HD/2104, HD/2106 HR/2104, HR/2106	180075	4
WASHER—Spring lock 5/16"—medium	HD/2104, HD/2106 HR/2104, HR/2106	120214	4
PLATE—Lower end gate striker anchor	HD/2104, HD/2106 HR/2104, HR/2106	7427288	2
RETAINER—Lower end gate striker anchor	HD/2104, HD/2106 HR/2104, HR/2106	7427306	2

12.238 PLATE, RETAINER, CLIP—Spare Wheel Compartment Door

PLATE—Lock striker	50, FJ/2104, FJ/2106	7403675	1
SCREW—Pan hd. sl. tap. Type "A" No. 8—18 x 3/8"	50, FJ/2104, FJ/2106	128270	2
WASHER—Ext. tooth lock No. 10	50, FJ/2104, FJ/2106	138479	2
RETAINER—Front	FE/219, FE/229, FC/219, FC/229 FB/219, FB/229, EK/219, EK/229 EJ/219, EJ/229 EH/219, EH/229, EH/239 HD/219, HD/229, HD/239 HR/219, HR/229, HR/239	7410818	2
RIVET—Oval hd. tubular 3/16" x 1/2"	FE/219, FE/229, FC/219, FC/229 FB/219, FB/229, EK/219, EK/229 EJ/219, EJ/229 EH/219, EH/229, EH/239 HD/219, HD/229, HD/239 HR/219, HR/229, HR/239	137871	4
WASHER—Plain 13/64" x 15/32" x .049"	FE/219, FE/229, FC/219, FC/229 FB/219, FB/229, EK/219, EK/229 EJ/219, EJ/229 EH/219, EH/229, EH/239 HD/219, HD/229, HD/239 HR/219, HR/229, HR/239	446152	4



HOLDEN

MASTER PARTS CATALOGUE

12.238 PLATE, RETAINER, CLIP—Spare Wheel Compartment Door (Cont'd.)

CLIP—Rear	FE/219, FE/229, FC/219, FC/229 FB/219, FB/229, EK/219, EK/229 EJ/219, EJ/229 EH/219, EH/229, EH/239	7410817	2
BOLT—Rd. hd. sq. neck, No. 10—24 x 3/4"	FE/219, FE/229, FC/219, FC/229 FB/219, FB/229, EK/219, EK/229 EJ/219, EJ/229 EH/219, EH/229, EH/239	7411889	A.R.
NUT—Hex. No. 10—24	FE/219, FE/229, FC/219, FC/229 FB/219, FB/229, EK/219, EK/229 EJ/219, EJ/229 EH/219, EH/229, EH/239	120361	A.R.
WASHER—Plain 7/32" x 1/2" x .049"	FE/219, FE/229, FC/219, FC/229 FB/219, FB/229, EK/219, EK/229 EJ/219, EJ/229 EH/219, EH/229, EH/239	120391	2
CLIP—Rear	HD/219, HD/229, HD/239 HR/219, HR/229, HR/239	SP1695	2
STUD	HD/219, HD/229, HD/239 HR/219, HR/229, HR/239	7426109	2
NUT—Stud	HD/219, HD/229, HD/239 HR/219, HR/229, HR/239	7426194	2
WASHER—Plain 7/32" x 7/16" x .049"	HD/219, HD/229, HD/239 HR/219, HR/229, HR/239	446161	2
NUT—Hex. No. 10—24	HD/219, HD/229, HD/239 HR/219, HR/229, HR/239	120361	2

12.240 PLATE, SHOE, SPRING, WEDGE, ANTI-RATTLER, BUMPER—End Gate Anti-rattler

PLATE—Base	FE/219, FE/229, FE/2104 FC/219, FC/229, FC/2104 FB/219, FB/229, EK/219, EK/229	7411200	1
SHOE—Anti-rattler	FE/219, FE/229, FE/2104 FC/219, FC/229, FC/2104 FB/219, FB/229, EK/219, EK/229	LH7400027 RH7400026	1 1
SPRING—Shoe return	FE/219, FE/229, FE/2104 FC/219, FC/229, FC/2104 FB/219, FB/229, EK/219, EK/229	7400025	2
PLATE—Anti-rattler cover	FE/219, FE/229, FE/2104 FC/219, FC/229, FC/2104 FB/219, FB/229, EK/219, EK/229	7411208	1
SCREW—Pan hd. sl. tap. Type "A" No. 10—16 x 3/8"	FE/219, FE/229, FE/2104 FC/219, FC/229, FC/2104 FB/219, FB/229, EK/219, EK/229	127933	4
WEDGE—Anti-rattler	FE/219, FE/229, FE/2104 FC/219, FC/229, FC/2104 FB/219, FB/229, EK/219, EK/229	7411169	1
SCREW—Flat hd. cr. rec. mach. 1/4"—28 x 5/8" with lock-washer	FE/219, FE/229, FE/2104 FC/219, FC/229, FC/2104 FB/219, FB/229, EK/219, EK/229	441112	2
BUMPER	FB/2106, EK/2106	7417718	2
ANTI-RATTLE ASSEMBLY—Upper end gate	EJ/219, EJ/229 EH/219, EH/229, EH/239	7416858	1
SCREW—Flat hd. cr. rec. mach. 1/4"—28 x 5/8" with external tooth lock washer	EJ/219, EJ/229 EH/219, EH/229, EH/239	441112	2
WEDGE—Anti-rattler	EJ/219, EJ/229 EH/219, EH/229, EH/239	7411169	1
SCREW—Flat hd. cr. rec. mach. 1/4"—28 x 5/8" with external tooth lock washer	EJ/219, EJ/229 EH/219, EH/229, EH/239	441112	2
BUMPER	EJ/2106, EH/2106, HD/2104, HD/2106, HR/2104, HR/2106	7419355	2

HOLDEN

MASTER PARTS CATALOGUE



12.241 PLUNGER, GUIDE, SPRING—End Gate

SPRING	7375384	2
SCREW—Flat hd. cr. rec. mach. 1/4"—28 x 5/8" with lock-washer	50, FJ/2104, FJ/2106,	441112 8
WASHER—C/sk. ext. tooth lock 1/4"	50, FJ/2104, FJ/2106	138604 8
PLUNGER ASSEMBLY	**	7407806 4-2
CLIP—Plunger rod	**	7402119 4-2
SPRING	**	7407811 A.R.
GUIDE—Upper lock plunger	FJ/2104	7407782 2
PLUNGER ASSEMBLY—Lower end gate lock	FE/219, FE/229, FE/2104 FC/219, FC/229, FC/2104 FB/219, FB/229, EK/219, EK/229	LH7411149 1 RH7411150 1
CLIP—Plunger rod	FE/219, FE/229, FE/2104 FC/219, FC/229, FC/2104 FB/219, FB/229, EK/219, EK/229	7402118 2
GUIDE—Lower lock plunger	FE/219, FE/229, FE/2104 FC/219, FC/229, FC/2104 FB/219, FB/229, EK/219, EK/229	7407782 2
SPRING	FE/219, FE/229, FE/2104, FE/2106 FC/219, FC/229, FC/2104, FC/2106 FB/219, FB/229, FB/2104, FB/2106 EK/219, EK/229, EK/2104, EK/2106	7407811 4-2
PLUNGER ASSEMBLY—Lower end gate lock	FE/2106, FC/2106 FB/2104, FB/2106, EK/2104, EK/2106	7407806 2
CLIP—Plunger rod	FE/2106, FC/2106 FB/2104, FB/2106, EK/2104, EK/2106	7402119 2
GUIDE—Lock plunger	FE/2106, FC/2106	7411629 2
GUIDE—Lock plunger	FB/2106, EK/2106	LH7414623 1 RH7414624 1
SCREW—Flat hd. cr. rec. mach. 1/4"—28 x 5/8" with lock-washer	FE/2106, FC/2106, FB/2106, EK/2106	441112 A.R.
GUIDE—Lower end gate lock plunger	FB/2104, EK/2104	7414644 2
SCREW—Flat hd. cr. rec. mach. 1/4"—28 x 5/8" with lock-washer	FB/2104, EK/2104	441112 4
PLUNGER ASSEMBLY—Upper end gate lock	FB/2104, EK/2104	7413724 2
CLIP—Plunger rod	FB/2104, EK/2104	7402119 2
ROD—Lower end gate remote control	EJ/219, EJ/229 EH/219, EH/229, EH/239	LH7417299 1 RH7417300 1
CLIP—Lower end gate control rod	EJ/219, EJ/229 EH/219, EH/229, EH/239	4637217 2
CLIP—End gate control rod anti-rattler	EJ/219, EJ/229 EH/219, EH/229, EH/239	4662070 2
PLUNGER ASSEMBLY—Upper end gate lock	EJ/2104, EH/2104	7413724 2
GUIDE—Upper lock plunger	EJ/2104, EH/2104	7407782 2
PLUNGER ASSEMBLY—Lower end gate lock	EJ/2104, EJ/2106, EH/2104, EH/2106	7418554 2
GUIDE—Lower end gate lock plunger	EJ/2104, EH/2104	LH7418623 1
GUIDE—Lock plunger	EJ/2106, EH/2106	LH7418625 1 RH7418624 1
SCREW—Flat hd. sl. mach., 5/16"—24 x 5/8"	EJ/2104, EJ/2106, EH/2104, EH/2106	173642 6
WASHER—Csk. external tooth lock, 5/16"	EJ/2104, EJ/2106, EH/2104, EH/2106	134512 6
SPRING—Plunger rod	EJ/2104, EJ/2106, EH/2104, EH/2106	7407811 4-2
CLIP—Plunger rod	EJ/2104, EJ/2106, EH/2104, EH/2106	7402119 4-2
ROD—End gate remote control	HD/219, HD/229, HD/239 HR/219, HR/229, HR/239	7425609 2
CLIP—End gate control rod anti-rattler	HD/219, HD/229, HD/239 HR/219, HR/229, HR/239	4110664 2
CLIP—End gate lock anti-rattler	HD/219, HD/229, HD/239 HR/219, HR/229, HR/239	4576655 4
SILENCER—Control rod	HD/219, HD/229, HD/239 HR/219, HR/229, HR/239	7423757 2

*50
FJ/2106 S.A. up to Body No. 1288
N.S.W. up to Body No. 5576

**FJ/2104
FJ/2106 S.A. from Body No. 1289
N.S.W. from Body No. 5577



HOLDEN

MASTER PARTS CATALOGUE

12.241 PLUNGER, GUIDE, SPRING—End gate (Cont'd.)

PLUNGER ASSEMBLY—Upper end gate lock	HD/2104, HR/2104	7420419	2
GUIDE—Upper lock plunger	HD/2104, HR/2104	7407782	2
PLUNGER ASSEMBLY—Lower end gate lock	HD/2104, HD/2106	7427285	2
GUIDE—Lower lock plunger	HD/2104, HD/2106 HR/2104, HR/2106	LH7418625 RH7418624	1 1
SCREW—Flat hd. sl. mach. 5/16"—18 x 5/8"	HD/2104, HD/2106 HR/2104, HR/2106	133822	6
WASHER—Csk. ext. tooth lock 5/16"	HD/2104, HD/2106 HR/2104, HR/2106	134512	6
SPRING—Plunger rod	HD/2104, HD/2106 HR/2104, HR/2106	7407811	4-2
CLIP—Plunger rod	HD/2104, HD/2106 HR/2104, HR/2106	7402119	4-2

12.242 LOCK ASSEMBLY, GUIDE, CONTROL PLATE—Deck lid, end gate, spare wheel compartment

PLATE—End gate lock cover	50, FJ/2104, FJ/2106	7376387	1
SCREW—Rd. hd. sl. mach. 1/4"—28 x 3/8"	50 FJ/2104 up to Body No. 1684 FJ/2106 S.A. up to Body No. 8535 NSW up to Body No. 4055S	189120	4
WASHER—Ext. tooth lock 1/4"	50 FJ/2104 up to Body No. 1684 FJ/2106 S.A. up to Body No. 8535 NSW up to Body No. 4055S	121753	4
SCREW—Pan hd. sl. tap. Type "A" No. 10—16 x 3/8"	FJ/2104 from Body No. 1685 FJ/2106 S.A. from Body No. 8536 NSW from Body No. 4056S	127933	4
LOCK ASSEMBLY—Spare wheel compt.	50, FJ/2104, FJ/2106	7402543	1
SCREW—Rd. hd. sl. mach. No. 10—32 x 3/8"	50, FJ/2104, FJ/2106	132900	2
WASHER—Ext. tooth lock No. 10	50, FJ/2104, FJ/2106	138479	2
LOCK ASSEMBLY—Deck lid	FE/215, FE/217, FE/225 FC/215, FC/217, FC/225 FB/215, FB/225, EK/215, EK/225	4572916	1
BOLT—Hex. hd. 1/4"—20 x 11/16" w/lock washer	FE/215, FE/217, FE/225 FC/215, FC/217, FC/225 FB/215, FB/225 EK/215, EK/225	SP1566	2
WASHER—Spring lock 1/4" medium	EK/215, EK/225	120380	2
WASHER—Plain 9/32" x 5/8" x .065"	EK/215, EK/225	120392	2
GUIDE—Lock	FE/215, FE/217, FE/225 FC/215, FC/217, FC/225 FB/215, FB/225, EK/215, EK/225	7408358	1
WASHER—Ext. tooth lock 1/4"	FE/215, FE/217, FE/225 FC/215, FC/217, FC/225 FB/215, FB/225, EK/215, EK/225	121753	1
PLATE—End gate lock cover	FE/219, FE/229, FE/2104 FC/219, FC/229, FC/2104 FB/219, FB/229, EK/219, EK/229	7411138	1
PLATE—End gate lock cover	FE/2106, FC/2106 FB/2104, FB/2106, EK/2104, EK/2106	7410349	1
SCREW—Pan hd. sl. tap. Type "A" No. 10—16 x 3/8"	FE/219, FE/229, FE/2104, FE/2106 FC/219, FC/229, FC/2104, FC/2106 FB/219, FB/229, FB/2104, FB/2106 EK/219, EK/229, EK/2104, EK/2106	127933	2
PLATE & ARM ASSEMBLY—Lower end gate lock	FE/219, FE/229, FE/2104 FC/219, FC/229, FC/2104 FB/219, FB/229, EK/219, EK/229	7411130	1
SCREW—Rd. hd. sl. mach. 1/4"—28 x 1/2" with lock washer	FE/219, FE/229, FE/2104 FC/219, FC/229, FC/2104 FB/219, FB/229, EK/219, EK/229	424635	2

HOLDEN

MASTER PARTS CATALOGUE



12.242 LOCK ASSEMBLY, GUIDE, CONTROL PLATE—Deck lid, end gate, spare wheel compartment (Contd.)

LOCK ASSEMBLY—Spare wheel compartment	FE/2104, FE/2106, FC/2104, FC/2106 FB/2104, FB/2106, EK/2104, EK/2106	7410501	1
SCREW—Rd. hd. sl. mach. No. 10—32 x 3/8" with lock-washer	FE/2104, FE/2106, FC/2104, FC/2106 FB/2104, FB/2106, EK/2104, EK/2106	191245	2
NUT—Square No. 10—32	FE/2104, FE/2106, FC/2104, FC/2106 FB/2104, FB/2106, EK/2104, EK/2106	103101	2
PLATE ASSY.—End gate lock base	FE/2106, FC/2106 FB/2104, FB/2106, EK/2104, EK/2106	7410346	1
SCREW—Rd. hd. sl. mach. 1/4"—28 x 3/8" with lock washer	FE/2106, FC/2106 FB/2104, FB/2106, EK/2104, EK/2106	424633	2
PLATE & ARM ASSEMBLY—Upper end gate lock	FB/2104, EK/2104	7413722	1
PLATE—Upper end gate locking	FB/2104, EK/2104	7413721	1
SCREW—Rd. hd. sl. mach. 1/4"—28 x 3/4" with lock washer	FB/2104, EK/2104	424637	2
LOCK ASSEMBLY—Deck lid	EJ/215, EJ/225, EJ/235	4572916	1
BOLT—Hex. hd. 5/16"—24 x 5/8"	EJ/215, EJ/225, EJ/235	123473	1
WASHER—Plain, 5/16" x 3/4" x .075"	EJ/215, EJ/225, EJ/235	120214	1
BOLT—Hex. hd. 1/4"—20 x 11/16" w/lock washer	EJ/215, EJ/225, EJ/235	SP1566	1
WASHER—Plain, type "A" 9/32" x 5/8" x .065"	EJ/215, EJ/225, EJ/235	120392	1
WASHER—Spring lock, 1/4"—medium	EJ/215, EJ/225, EJ/235	120380	1
GUIDE—Lock	EJ/215, EJ/225, EJ/235	7416039	1
WASHER—Spring lock, 5/16"—medium	EJ/215, EJ/225, EJ/235	120214	1
LOCK ASSEMBLY—Deck lid	EH/215, EH/225, EH/235	7421890	1
BOLT—Hex. hd. 1/4"—20 x 11/16" w/lock washer	EH/215, EH/225, EH/235	SP1566	3
WASHER—Spring lock 1/4"—medium	EH/215, EH/225, EH/235	120380	3
CONTROL ASSEMBLY—Push button and remote	EJ/219, EJ/229 EH/219, EH/229, EH/239	7416546	1
SCREW—Hex. hd. mach. 1/4"—28 x 3/4"	EJ/219, EJ/229 EH/219, EH/229, EH/239	9415858	2
WASHER—Spring lock, 1/4"—medium	EJ/219, EJ/229 EH/219, EH/229, EH/239	120380	2
WASHER—Plain, 17/64" x 3/4" x .075"	EJ/219, EJ/229 EH/219, EH/229, EH/239	SP1107	2
SPRING—Remote push button	EJ/219, EJ/229 EH/219, EH/229, EH/239	4158163	1
SPRING—Remote control lever	EJ/219, EJ/229 EH/219, EH/229, EH/239	4239231	2
BRACKET ASSEMBLY—Push button and remote control mounting	EJ/219, EJ/229 EH/219, EH/229, EH/239	7416866	1
LOCK ASSEMBLY—Lower end gate	EJ/219, EJ/229 EH/219, EH/229, EH/239	LH7417307 RH7417308	1 1
SCREW—Flat hd. cr. rec. mach. 1/4"—28 x 5/8" with external tooth lock washer	EJ/219, EJ/229 EH/219, EH/229, EH/239	441112	6
SPRING—Lower end gate lock	EJ/219, EJ/229 EH/219, EH/229, EH/239	LH7416941 RH7416940	1 1
SPRING—Lower end gate lock, L.H. coil	EJ/219, EJ/229 EH/219, EH/229, EH/239	RH4239217	1
PLATE—Lower end gate cover	EJ/219, EH/219	7415874	1
SCREW—Pan hd. cr. rec. tap. type "A" No. 6—18 x 3/8"	EJ/219, EH/219	161790	4
LOCK ASSEMBLY—Upper end gate	EJ/219, EJ/229 EH/219, EH/229, EH/239	7416552	1
SCREW—Hex. hd. mach. No. 10—32 x 1/2"	EJ/219, EJ/229 EH/219, EH/229, EH/239	431942	4
WASHER—Spring lock, No. 10—medium	EJ/219, EJ/229 EH/219, EH/229, EH/239	120217	4
SPRING—Upper end gate lock, L.H. coil	EJ/219, EJ/229 EH/219, EH/229, EH/239	4239217	1
SPRING—Upper end gate lock, R.H. coil	EJ/219, EJ/229 EH/219, EH/229, EH/239	7416940	1



HOLDEN

MASTER PARTS CATALOGUE

12.242 LOCK ASSEMBLY, GUIDE, CONTROL, PLATE—Deck Lid, End Gate, Spare Wheel Compartment (Cont'd.)

PLATE—End gate lock cover	EJ/2104, EJ/2106, EH/2104, EH/2106	7410349	1
SCREW—Pan hd. sl. tap. Type "A" No. 10—16 x 3/8"	EJ/2104, EJ/2106, EH/2104, EH/2106	127933	2
PLATE ASSY.—End gate lock base	EJ/2104, EJ/2106, EH/2104, EH/2106	7410346	1
SCREW—Rd. hd. sl. mach., 1/4"—28 x 3/8" with external tooth lock washer	EJ/2104, EJ/2106, EH/2104, EH/2106	424633	2
PLATE AND ARM ASSY.—End gate lock base	EJ/2104, EH/2104	7413722	1
PLATE—Upper end gate locking	EJ/2104, EH/2104	7413721	1
SCREW—Rd. hd. sl. mach., 1/4"—28 x 3/4" with external tooth lock washer	EJ/2104, EH/2104	424637	2
LOCK ASSEMBLY—Spare wheel compartment	EJ/2104, EJ/2106, EH/2104, EH/2106	7418421	1
SCREW—Rd. hd. sl. mach. No. 10—32 x 1/2"	EJ/2104, EJ/2106, EH/2104, EH/2106	132908	2
WASHER—Spring lock No. 10—medium	EJ/2104, EJ/2106, EH/2104, EH/2106	120217	2
SPACER—Spare wheel compartment lock	EJ/2104, EJ/2106, EH/2104, EH/2106	7418584	1
LOCK ASSEMBLY—Deck lid	HD/215, HD/225, HD/235		
	HR/215, HR/225, HR/235	7421890	1
BOLT—Hex. hd. 1/4"—20 x 11/16" w/lock washer	HD/215, HD/225, HD/235		
	HR/215, HR/225, HR/235	SP1566	3
WASHER—Spring lock 1/4"—medium	HD/215, HD/225, HD/235		
	HR/215, HR/225, HR/235	120380	3
CONTROL ASSEMBLY—Remote	HD/219, HD/229, HD/239		
	HR/219, HR/229, HR/239	7426571	1
SCREW—Hex. hd. mach. 1/4"—20 x 1/2"	HD/219, HD/229, HD/239		
	HR/219, HR/229, HR/239	9415794	2
LOCK ASSEMBLY—End gate	HD/219, HD/229, HD/239		
	HR/219, HR/229, HR/239	LH7424909	1
		RH7424908	1
HOUSING—Lock bolt	HD/219, HD/229, HD/239		
	HR/219, HR/229, HR/239	7424912	2
LEVER—Lock trip	HD/219, HD/229, HD/239		
	HR/219, HR/229, HR/239	7424913	2
SPRING—Lock trip lever	HD/219, HD/229, HD/239		
	HR/219, HR/229, HR/239	LH7424915	1
		RH7424914	1
SCREW—Oval hd. cr. rec. mach. with l/washer	HD/219, HD/229, HD/239		
	HR/219, HR/229, HR/239	4604625	6
PLATE & ARM ASSEMBLY—Upper end gate lock base	HD/2104, HR/2104	7413722	1
PLATE—Upper end gate locking	HD/2104, HR/2104	7413721	1
PLATE—End gate lock cover	HD/2104, HD/2106		
	HR/2104, HR/2106	7410349	1
SCREW—Pan hd. cr. rec. tap. No. 10—16 x 3/8"	HD/2104, HD/2106		
	HR/2104, HR/2106	9411535	2
PLATE ASSEMBLY—Lower end gate lock base	HD/2104, HD/2106		
	HR/2104, HR/2106	7427400	1
SCREW—Pan hd. cr. rec. mach. 1/4"—20 x 3/8"	HD/2104, HD/2106		
	HR/2104, HR/2106	160505	2
WASHER—Spring lock 1/4"—medium	HD/2104, HD/2106		
	HR/2104, HR/2106	120380	2
LOCK ASSY.—Spare wheel compartment door	HD/2104, HD/2106		
	HR/2104, HR/2106	7415573	1
SCREW—Rd. hd. sl. mach. No. 10—24 x 1/2"	HD/2104, HD/2106		
	HR/2104, HR/2106	436732	2
WASHER—Spring lock No. 10—medium	HD/2104, HD/2106		
	HR/2104, HR/2106	120217	2
SPACER—Spare wheel door lock	HD/2104, HD/2106		
	HR/2104, HR/2106	7418584	A.R.

12.247 HANDLE, FERRULE—Deck Lid and End Gate

HANDLE, Deck lid	FJ/215, FJ/225	7404052	1
HANDLE, Deck lid	FJ/217	7407839	1
NUT—Light hex. jam 5/16"—24	48, FJ/215, FJ/217, FJ/225	124920	1
WASHER—Spring lock 5/16"—medium	48, FJ/215, FJ/217, FJ/225	120214	1
FERRULE ASSEMBLY—Deck lid handle	48, FJ/215, FJ/217, FJ/225	7402384	1

HOLDEN

MASTER PARTS CATALOGUE



12.247 HANDLE, FERRULE—Deck Lid and End Gate (Cont'd.)

HANDLE and SHAFT—End gate	50, FJ/2106	S.A. up to Body No. 1288 N.S.W. up to Body No. S576	7401496	1
HANDLE ASSEMBLY—Lower end gate	FJ/2104 FJ/2106	S.A. from Body No. 1289 N.S.W. from Body No. S577	7407925	1
NUT—Light hex. jam 5/16"—24	FJ/2104 FJ/2106	S.A. from Body No. 1289 N.S.W. from Body No. S577	124920	1
WASHER—Spring lock 5/16" medium	FJ/2104 FJ/2106	S.A. from Body No. 1289 N.S.W. from Body No. S577	120214	1
HANDLE ASSEMBLY—Lower end gate	FE/219, FE/229, FE/2104 FC/219, FC/229, FC/2104 FB/219, FB/229, EK/219, EK/229		7411267	1
HANDLE ASSEMBLY—Upper end gate	FB/2104, EK/2104		7411267	1
NUT—Hex. jam 5/16"—24	FE/219, FE/229, FE/2104 FC/219, FC/229, FC/2104 FB/219, FB/229, FB/2104 EK/219, EK/229, EK/2104		124920	1
WASHER—Spring lock 5/16" medium	FE/219, FE/229, FE/2104 FC/219, FC/229, FC/2104 FB/219, FB/229, FB/2104 EK/219, EK/229, EK/2104		120214	1
WASHER—Plain 11/32" x 11/16" x .065"	FE/219, FE/229, FE/2104 FC/219, FC/229, FC/2104 FB/219, FB/229, EK/219, EK/229		120393	1
WASHER—Plain 15/32" x 59/64" x .065"	FB/2104, EK/2104		120395	1
FERRULE ASSEMBLY—Handle	FE/219, FE/229, FE/2104 FC/219, FC/229, FC/2104 FB/219, FB/229, FB/2104 EK/219, EK/229, EK/2104		7402384	1
HANDLE ASSEMBLY—Upper end gate	EJ/219, EJ/229 EH/219, EH/229, EH/239		7416344	1
SCREW—Pan hd. cr. rec. mach. 1/4"—20 x 3/4"	EJ/219, EJ/229 EH/219, EH/229, EH/239		160541	2
WASHER—Spring lock, 1/4"—medium	EJ/219, EJ/229 EH/219, EH/229, EH/239		120380	2
GASKET—Upper end gate handle	EJ/219, EJ/229 EH/219, EH/229, EH/239		7417222	2
HANDLE ASSEMBLY—Upper end gate	EJ/2104, EH/2104, HD/2104 HR/2104		7411267	1
NUT—Hex. jam 5/16"—24	EJ/2104, EH/2104, HD/2104 HR/2104		124920	1
WASHER—Spring lock 5/16"—medium	EJ/2104, EH/2104, HD/2104 HR/2104		120214	1
WASHER—Plain 15/32" x 59/64" x .065"	EJ/2104, EH/2104, HD/2104 HR/2104		120395	1
FERRULE ASSEMBLY—Handle	EJ/2104, EH/2104, HD/2104 HR/2104		7402384	1
HANDLE—Deck lid	EH/235		7424070	1
SCREW—Pan hd. cr. rec. mach. No. 6—32 x 1/2"	EH/235		159336	2
WASHER—Plain 5/32" x 5/16" x .035"	EH/235		446121	2
WASHER—Spring lock No. 6—light	EH/235		131181	2
SPACER—Deck lid handle	EH/235		7424142	1



HOLDEN

MASTER PARTS CATALOGUE

12.247 HANDLE, FERRULE—Deck Lid and End Gate (Cont'.)

HANDLE ASSEMBLY—Less barrel and key, window reg.	HD/219, HD/229, HD/239 (Manual) HR/219, HR/229, HR/239 (Manual) ..	7426873	1
WASHER—Spring lock 1/4"—medium	HD/219, HD/229, HD/239 (Manual) HR/219, HR/229, HR/239 (Manual) ..	120380	2
NUT—Hex. 1/4"—20	HD/219, HD/229, HD/239 (Manual) HR/219, HR/229, HR/239 (Manual) ..	120375	2
HANDLE—Window regulator	HD/219, HD/229, HD/239 (Manual) HR/219, HR/229, HR/239 (Manual) ..	7429199	1
SCREW—Pan hd. cr. rec. tap. No. 8—18 x 1/4"	HD/219, HD/229, HD/239 (Manual) HR/219, HR/229, HR/239 (Manual) ..	9420908	2
CLIP—Handle hold open	HD/219, HD/229, HD/239 (Manual) HR/219, HR/229, HR/239 (Manual) ..	7429682	1
RIVET—Oval hd. tubular 1/8" x 1/4"	HD/219, HD/229, HD/239 (Manual) HR/219, HR/229, HR/239 (Manual) ..	SP1143	1
PIN—Handle hinge	HD/219, HD/229, HD/239 (Manual) HR/219, HR/229, HR/239 (Manual) ..	7426095	1
DRIVER—Handle	HD/219, HD/229, HD/239 (Manual) HR/219, HR/229, HR/239 (Manual) ..	7430719	1
RING—Driver retaining	HD/219, HD/229, HD/239 (Manual) HR/219, HR/229, HR/239 (Manual) ..	7426098	1
CLUTCH—Handle	HD/219, HD/229, HD/239 (Manual) HR/219, HR/229, HR/239 (Manual) ..	7426101	1
RING—Clutch retaining	HD/219, HD/229, HD/239 (Manual) HR/219, HR/229, HR/239 (Manual) ..	7426103	1
WASHER—Spring	HD/219, HD/229, HD/239 (Manual) HR/219, HR/229, HR/239 (Manual) ..	7426190	1
HANDLE—Remote control	HD/219, HD/229, HD/239 HR/219, HR/229, HR/239	7425995	1
SCREW—Flat hd. cr. rec. mach. No. 10—24 x 5/16"	HD/219, HD/229, HD/239 HR/219, HR/229, HR/239	155924	1

12.248 BARREL and KEY ASSEMBLY—Deck Lid, End Gate and Spare Wheel Door Lock

DECK LID LOCK	48/215, FJ/215, FJ/225	7403305	1
DECK LID LOCK	48/217, FJ/217	7407659	1
SPARE WHEEL COMPT. DOOR LOCK	50, FJ/2104, FJ/2106	7405375	1
DECK LID LOCK	FE/215, FE/217, FE/225 FC/215, FC/217, FC/225	7409059	1
RETAINER—Lock cylinder	FE/215, FE/217, FE/225 FC/215, FC/217, FC/225	4602513	1
DECK LID LOCK SERVICE PACKAGE (Uncoded)	FE/215, FE/217, FE/225 FC/215, FC/217, FC/225	3697944	1
END GATE HANDLE	FE/219, FE/229, FE/2104 FC/219, FC/229, FC/2104 FB/219, FB/229, FB/2104 EK/219, EK/229, EK/2104	7403305	1
SPRING—End gate handle	FE/219, FE/229, FE/2104 FC/219, FC/229, FC/2104 FB/219, FB/229, FB/2104 EK/219, EK/229, EK/2104	7402364	1
PAWL—End gate handle	FE/219, FE/229, FE/2104 FC/219, FC/229, FC/2104 FB/219, FB/229, FB/2104 EK/219, EK/229, EK/2104	7402366	1
DECK LID LOCK	FB/215, FB/225, EK/215, EK/225	7414113	1
RETAINER—Lock cylinder	FB/215, FB/225, EK/215, EK/225	7414112	1
GASKET—Lock cylinder	FB/215, FB/225, EK/215, EK/225	4587931	1
DECK LID LOCK SERVICE PACKAGE (Uncoded)	FB/215, FB/225, EK/215, EK/225	3697944	1
DECK LID LOCK (coded)	EJ/215, EJ/225, EJ/235	7417160	1
DECK LID LOCK SERVICE PACKAGE (uncoded)	EJ/215, EJ/225, EJ/235	600735	1
GASKET—Lock cylinder	EJ/215, EJ/225, EJ/235	4780518	1
RETAINER—Lock cylinder	EJ/215, EJ/225, EJ/235	4749157	1

HOLDEN

MASTER PARTS CATALOGUE



12.248 BARREL and KEY ASSEMBLY—Deck Lid, End Gate and Spare Wheel Door Lock (cont'd.)

DECK LID LOCK (Coded)	EH/215, EH/225, EH/235	7422107	1
DECK LID LOCK SERVICE PACKAGE (Uncoded)	EH/215, EH/225, EH/235	7424339	1
SPRING—Lock return	EH/215, EH/225, EH/235	46399	1
GASKET—Lock cylinder	EH/215, EH/225, EH/235	4780518	1
RETAINER—Lock cylinder	EH/215, EH/225, EH/235	7422362	1
END GATE LOCK (coded)	EJ/219, EJ/229 EH/219, EH/229, EH/239	601542	1
END GATE LOCK SERVICE PACKAGE (uncoded)	EJ/219, EJ/229 EH/219, EH/229, EH/239	601212	1
END GATE HANDLE	EJ/2104, EH/2104, HD/2104 HR/2104	7403305	1
PAWL—End gate handle	EJ/2104, EH/2104, HD/2104 HR/2104	7402366	1
SPRING—End gate handle	EJ/2104, EH/2104, HD/2104 HR/2104	7402364	1
DECK LID LOCK (coded)	HD/215, HD/225, HD/235	4793018	1
DECK LID LOCK SERVICE PACKAGE (uncoded)	HD/215, HD/225, HD/235	7420587	1
SPRING—Lock return	HD/215, HD/225, HD/235	46399	1
GASKET—Lock cylinder	HD/215, HD/225, HD/235	4780518	1
RETAINER—Lock cylinder	HD/215, HD/225, HD/235	7423500	1
DECK LID LOCK (coded)	HR/215, HR/225, HR/235	4839417	1
DECK LID LOCK SERVICE PACKAGE (uncoded)	HR/215, HR/225, HR/235	7429881	1
SPRING—Lock return	HR/215, HR/225, HR/235	46399	1
GASKET—Lock cylinder	HR/215, HR/225, HR/235	4780518	1
RETAINER—Lock cylinder	HR/215, HR/225, HR/235	7428646	1
GASKET—Lock cylinder retainer	HR/215, HR/225, HR/235	7431749	1
END GATE LOCK—Window reg. handle (coded)	HD/219, HD/229, HD/239 (Manual) HR/219, HR/229, HR/239 (Manual) ..	5715936	1
END GATE LOCK—Window reg. handle (uncoded)	HD/219, HD/229, HD/239 (Manual) HR/219, HR/229, HR/239 (Manual) ..	602421	1
PAWL—Lock cylinder	HD/219, HD/229, HD/239 (Manual) HR/219, HR/229, HR/239 (Manual) ..	7426099	1
SPRING—Lock cylinder pawl	HD/219, HD/229, HD/239 (Manual) HR/219, HR/229, HR/239 (Manual) ..	7426100	1
END GATE LOCK & WINDOW SWITCH (coded)	HD/219, HD/229, HD/239 (Electric) HR/219, HR/229, HR/239 (Electric) ..	4306402	1
END GATE LOCK (uncoded)	HD/219, HD/229, HD/239 (Electric) HR/219, HR/229, HR/239 (Electric) ..	601759	1
RETAINER—Lock cylinder	HD/219, HD/229, HD/239 (Electric) HR/219, HR/229, HR/239 (Electric) ..	5713260	1
TUMBLER—Copper "C"	FE exc. FE/2106 FC exc. FC/2106 FB exc. FB/2106 EK exc. EK/2106 EJ exc. EJ/2106 EH exc. EH/2106 HD exc. HD/2106 HR exc. HR/2106	601256	A.R.
TUMBLER—Nickel "N"	FE exc. FE/2106 FC exc. FC/2106 FB exc. FB/2106 EK exc. EK/2106 EJ exc. EJ/2106 EH exc. EH/2106 HD exc. HD/2106 HR exc. HR/2106	601257	A.R.
TUMBLER—Black "B"	FE exc. FE/2106 FC exc. FC/2106 FB exc. FB/2106 EK exc. EK/2106 EJ exc. EJ/2106 EH exc. EH/2106 HD exc. HD/2106 HR exc. HR/2106	601258	A.R.



HOLDEN

MASTER PARTS CATALOGUE

12.248 BARREL and KEY ASSEMBLY—Deck Lid, End Gate, and Spare Wheel Door Lock (Cont'd.)

TUMBLER—Yellow "Y"	FE exc. FE/2106 FC exc. FC/2106 FB exc. FB/2106 EK exc. EK/2106 EJ exc. EJ/2106 EH exc. EH/2106 HD exc. HD/2106 HR exc. HR/2106	601259	A.R.
SPRING—Tumbler	FE exc. FE/2106 FC exc. FC/2106 FB exc. FB/2106 EK exc. EK/2106 EJ exc. EJ/2106 EH exc. EH/2106 HD exc. HD/2106 HR exc. HR/2106	601260	A.R.
RETAINER—Tumbler spring	FE exc. FE/2106 FC exc. FC/2106 FB exc. FB/2106 EK exc. EK/2106 EJ exc. EJ/2106 EH exc. EH/2106 HD exc. HD/2106 HR exc. HR/2106	601261	A.R.
SPARE WHEEL COMPT. DOOR LOCK (coded)	EJ/2104, EJ/2106, EH/2104, EH/2106 HD/2104, HD/2106 HR/2104, HR/2106	7418424	1
SPARE WHEEL COMPT. DOOR LOCK SERVICE PACKAGE (uncoded)	EJ/2104, EJ/2106, EH/2104, EH/2106 HD/2104, HD/2106 HR/2104, HR/2106	7421493	1
TUMBLER—No. 1	EJ/2104, EJ/2106, EH/2104, EH/2106 HD/2104, HD/2106 HR/2104, HR/2106	82291	A.R.
TUMBLER—No. 2	EJ/2104, EJ/2106, EH/2104, EH/2106 HD/2104, HD/2106 HR/2104, HR/2106	72340	A.R.
TUMBLER—No. 3	EJ/2104, EJ/2106, EH/2104, EH/2106 HD/2104, HD/2106 HR/2104, HR/2106	82293	A.R.
TUMBLER—No. 4	EJ/2104, EJ/2106, EH/2104, EH/2106 HD/2104, HD/2106 HR/2104, HR/2106	72330	A.R.
RETAINER—Tumbler	EJ/2104, EJ/2106, EH/2104, EH/2106 HD/2104, HD/2106 HR/2104, HR/2106	82656	A.R.
SPRING SET—Tumbler	EJ/2104, EJ/2106, EH/2104, EH/2106 HD/2104, HD/2106 HR/2104, HR/2106	35646	A.R.
RETAINER—Tumbler spring	EJ/2104, EJ/2106, EH/2104, EH/2106 HD/2104, HD/2106 HR/2104, HR/2106	46168	A.R.

12.249 ESCUTCHEON, GASKET, RETAINER, CLIP—Deck Lid Lock and End Gate Push Button and Regulator Handle

ESCUTCHEON—Deck lid	FB/215, FB/225, EK/215, EK/225	7412314	1
GASKET—Escutcheon	FB/215, FB/225, EK/215, EK/225	7412315	1
ESCUTCHEON—End gate	EJ/219, EJ/229	7416558	1
ESCUTCHEON—End gate	EH/219, EH/229, EH/239	7422190	1
RETAINER—Escutcheon	EJ/219, EJ/229 EH/219, EH/229, EH/239	7416560	1
GASKET—Push button escutcheon	EJ/219, EJ/229 EH/219, EH/229, EH/239	7416559	1
GASKET—End gate lock cylinder escutcheon	EJ/219, EJ/229 EH/219, EH/229, EH/239	7418710	1

HOLDEN

MASTER PARTS CATALOGUE



12.249 ESCUTCHEON, GASKET, RETAINER, CLIP—Deck Lid Lock and End Gate Push Button and Regulator Handle (Cont'd.)

ESCUTCHEON—End gate	HD/219, HD/229, HD/239 (Manual) HR/219, HR/229, HR/239 (Manual)	7426096	1
CLIP—Escutcheon	HD/219, HD/229, HD/239 (Manual) HR/219, HR/229, HR/239 (Manual)	7426097	2
RIVET—Oval hd. tubular 1/8" x 3/16"	HD/219, HD/229, HD/239 (Manual) HR/219, HR/229, HR/239 (Manual)	107285	2
GASKET—Regulator handle	HD/219, HD/229, HD/239 (Manual) HR/219, HR/229, HR/239 (Manual)	7426875	1
ESCUTCHEON—Window winder	HD/219, HD/229, HD/239 (Electric) HR/219, HR/229, HR/239 (Electric)	7426876	1
WASHER—Spring lock 1/4"—medium	HD/219, HD/229, HD/239 (Electric) HR/219, HR/229, HR/239 (Electric)	120380	2
NUT—Hex. 1/4"—20	HD/219, HD/229, HD/239 (Electric) HR/219, HR/229, HR/239 (Electric)	120375	2
GASKET—Lock cylinder escutcheon	HD/219, HD/229, HD/239 (Electric) HR/219, HR/229, HR/239 (Electric)	7426879	1

12.250 RETAINER—End Gate Handle

RETAINER	50 FJ/2106 S.A. up to Body No. 1288 N.S.W. up to Body No. S576	7401118	1
----------	-----------------------------------------------------------------------------	---------	---

12.269 WEATHERSTRIP, SEAL—Deck Lid, End Gate and Spare Wheel Door

WEATHERSTRIP—Deck lid	48, FJ/215, FJ/217, FJ/225	7402016	1
WEATHERSTRIP—Lower end gate	FJ/2104	7407968	1
WEATHERSTRIP—Upper end gate	FJ/2104	7407959	1
WEATHERSTRIP—Deck lid	FE/215, FE/217, FE/225 FC/215, FC/217, FC/225 FB/215, FB/225, EK/215, EK/225	7408489	1
WEATHERSTRIP—Lower end gate upper	FE/219, FE/229, FE/2104	7411437	1
WEATHERSTRIP—Lower end gate upper	FC/219, FC/229, FC/2104 FB/219, FB/229, EK/219, EK/229	7414307	1
WEATHERSTRIP—Lower end gate hinge	FE/219, FE/229, FE/2104 FC/219, FC/229, FC/2104 FB/219, FB/229, EK/219, EK/229	LH7401175 RH7401176	1 1
WEATHERSTRIP—End gate opening	FE/219, FE/229, FE/2104 FC/219, FC/229, FC/2104 FB/219, FB/229, EK/219, EK/229	7411248	1
SEAL—Upper end gate lower	FE/219, FE/229, FE/2104	7413257	1
SEAL—Upper end gate lower corner	FB/219, FB/229, EK/219, EK/229	7417851	2
WEATHERSTRIP—Spare wheel compt. door opening	FE/2104, FE/2106, FC/2104, FC/2106 FB/2104, FB/2106, EK/2104, EK/2106	7410514	1
WEATHERSTRIP ASSEMBLY—Lower end gate	FB/2104, EK/2104	7414016	1
SCREW—Pan hd. cr. rec. tap., Type "A", No. 8—18 x 3/8"	FB/2104, EK/2104	9411532	2
WEATHERSTRIP—Upper end gate	FB/2104, EK/2104	7414015	1
WEATHERSTRIP—Deck lid	EJ/215, EJ/225, EJ/235	7417996	1
WEATHERSTRIP—Deck lid	EH/215, EH/225, EH/235	7422387	1
WEATHERSTRIP—Lower end gate	EJ/219, EJ/229 EH/219, EH/229, EH/239	7417606	1
WEATHERSTRIP—Upper end gate, inner	EJ/219, EJ/229 EH/219, EH/229, EH/239	7417051	1
WEATHERSTRIP—Upper end gate, outer	EJ/219, EJ/229 EH/219, EH/229, EH/239	7417607	1
GROMMET—Lower end gate hinge	EJ/219, EJ/229, EJ/2104, EJ/2106 EH/219, EH/229, EH/239, EH/2104, EH/2106	7417049	2
WEATHERSTRIP ASSEMBLY—Lower end gate	EJ/2104, EH/2104	7418752	1
SCREW—Pan hd. cr. rec. tap. Type "A", No. 8—18 x 3/8"	EJ/2104, EH/2104	9411532	2
WEATHERSTRIP—Upper end gate	EJ/2104, EH/2104	7418753	1
WEATHERSTRIP—Spare wheel compt. door	EJ/2104, EJ/2106, EH/2104, EH/2106	7417997	1



HOLDEN

MASTER PARTS CATALOGUE

12.269 WEATHERSTRIP, SEAL—Deck lid, end gate and spare wheel door (Contd.)

WEATHERSTRIP—Deck lid	HD/215, HD/225, HD/235	7423909	1
WEATHERSTRIP—Deck lid	HR/215, HR/225, HR/235	7429020	1
WEATHERSTRIP—End gate	HD/219, HD/229, HD/239		
	HR/219, HR/229, HR/239	7428214	1
WEATHERSTRIP—Upper end gate	HD/2104, HR/2104	7420450	1
WEATHERSTRIP—Lower end gate	HD/2104, HR/2104	7427693	1
SCREW—Pan hd. cr. rec. tap. No. 8—18 x 3/8"	HD/2104, HR/2104	9411532	2
WEATHERSTRIP—Spare wheel compartment door	HD/2104, HD/2106		
	HR/2104, HR/2106	7420462	1

12.270 RETAINER—End Gate Seal and Weatherstrip

LOWER END GATE WEATHERSTRIP	EJ/219, EJ/229		
	EH/219, EH/229, EH/239	7417709	2
SCREW—Pan hd. cr. rec. tap., Type "A" No. 8—18 x 3/8"	EJ/219, EJ/229		
	EH/219, EH/229, EH/239	9411532	2

12.272 REGULATOR, SPRING, DRIVER—End Gate Window

REGULATOR	HD/219, HD/229, HD/239 (Manual)		
	HR/219, HR/229, HR/239 (Manual) ..	7426889	1
BOLT—Hex. hd. 1/4"—20 x 11/16" w/lock washer ..	HD/219, HD/229, HD/239 (Manual) ..		
	HR/219, HR/229, HR/239 (Manual) ..	SP1566	4
WASHER—Spring lock 1/4" medium	HD/219, HD/229, HD/239 (Manual) ..		
	HR/219, HR/229, HR/239 (Manual) ..	120380	4
WASHER—Plain 17/64" x 3/4" x .075"	HD/219, HD/229, HD/239 (Manual) ..		
	HR/219, HR/229, HR/239 (Manual) ..	SP1107	4
SPRING—Regulator clutch	HD/219, HD/229, HD/239 (Manual) ..		
	HR/219, HR/229, HR/239 (Manual) ..	4157887	1
DRIVER—Regulator	HD/219, HD/229, HD/239 (Manual) ..		
	HR/219, HR/229, HR/239 (Manual) ..	7426453	1
REGULATOR	HD/219, HD/229, HD/239 (Electric) ..		
	HR/219, HR/229, HR/239 (Electric) ..	7414025	1
BOLT—Hex. hd. 1/4"—20 x 1/2"	HD/219, HD/229, HD/239 (Electric) ..		
	HR/219, HR/229, HR/239 (Electric) ..	120706	4
WASHER—Spring lock 1/4" medium	HD/219, HD/229, HD/239 (Electric) ..		
	HR/219, HR/229, HR/239 (Electric) ..	120380	4
PLATE—Regulator sector bushing assembly ..	HD/219, HD/229, HD/239 (Electric) ..		
	HR/219, HR/229, HR/239 (Electric) ..	5718404	1
SPRING—Regulator centre balance	HD/219, HD/229, HD/239		
	HR/219, HR/229, HR/239	7426600	1

12.273 SUPPORT—End Gate Window Regulator

SUPPORT ASSEMBLY	HD/219, HD/229, HD/239	7426653	1
SUPPORT ASSEMBLY	HR/219, HR/229, HR/239	7430779	1

12.275 SWITCH—End Gate Window

SWITCH ASSY.—Regulator, instrument panel	HD/219, HD/229, HD/239 (Electric) ..		
	HR/219, HR/229, HR/239 (Electric) ..	3814719	1
NUT—Switch to instrument panel	HD/219, HD/229, HD/239 (Electric) ..		
	HR/219, HR/229, HR/239 (Electric) ..	7424345	1
KNOB—Window "Up-Down" control	HD/219, HD/229, HD/239 (Electric) ..		
	HR/219, HR/229, HR/239 (Electric) ..	7424346	1
SCREW—Hex. socket No. 6—32 x 1/8"	HD/219, HD/229, HD/239 (Electric) ..		
	HR/219, HR/229, HR/239 (Electric) ..	147458	1
SWITCH—Winder safety—On R.H. of end gate ..	HD/219, HD/229, HD/239 (Electric) ..	4823445	1
SWITCH—Winder safety—On L.H. of end gate ..	HD/219, HD/229, HD/239 (Electric) ..		
	HR/219, HR/229, HR/239 (Electric) ..	4493796	1
SCREW—Pan. hd. cr. rec. tap. No. 8—18 x 3/8"	HD/219, HD/229, HD/239 (Electric) ..		
	HR/219, HR/229, HR/239 (Electric) ..	163158	2
WASHER—Spring lock No. 8 medium	HD/219, HD/229, HD/239 (Electric) ..		
	HR/219, HR/229, HR/239 (Electric) ..	121841	2
SEAL—Safety switch—Suit 4823445 switch	HD/219, HD/229, HD/239 (Electric) ..	7428919	1



12.276 BREAKER—End Gate Window Circuit

BREAKER ASSEMBLY—Circuit	HD/219, HD/229, HD/239 (Electric) HR/219, HR/229, HR/239 (Electric)	4849850	1
SCREW—Pan. hd. cr. rec. tap. No. 10—12 x 1/2"	HD/219, HD/229, HD/239 (Electric) HR/219, HR/229, HR/239 (Electric)	161895	2
SLEEVE—Stud insulating	HD/219, HD/229, HD/239 (Electric) HR/219, HR/229, HR/239 (Electric)	7414969	2
LEAD ASSY.—Starter motor to circuit breaker	HD/219, HD/229, HD/239 (Electric) HR/219, HR/229, HR/239 (Electric)	7424347	1
WASHER—Spring lock No. 10 light	HD/219, HD/229, HD/239 (Electric) HR/219, HR/229, HR/239 (Electric)	131183	1
WASHER—Plain 13/64" x 15/32" x .049"	HD/219, HD/229, HD/239 (Electric) HR/219, HR/229, HR/239 (Electric)	446152	1
NUT—Hex. No. 10—24	HD/219, HD/229, HD/239 (Electric) HR/219, HR/229, HR/239 (Electric)	120361	1
CLIP—Lead to dash panel brace	HD/219, HD/229, HD/239 (Electric) HR/219, HR/229, HR/239 (Electric)	SP1546	1

12.277 HARNESS, SLEEVE, CLIP—End Gate Window Regulator

HARNESS ASSEMBLY—Front	HD/219, HD/229, HD/239 (Electric)	7424348	1
HARNESS ASSEMBLY—Front	HD/219, HD/229, HD/239 (Electric) HR/219, HR/229, HR/239 (Electric)	†7431195	1
WASHER—Spring lock No. 10 light	HD/219, HD/229, HD/239 (Electric) HR/219, HR/229, HR/239 (Electric)	131183	1
WASHER—Plain 13/64" x 15/32" x .049"	HD/219, HD/229, HD/239 (Electric) HR/219, HR/229, HR/239 (Electric)	446152	1
NUT—Hex. No. 10—24	HD/219, HD/229, HD/239 (Electric) HR/219, HR/229, HR/239 (Electric)	120361	1
BODY—3-way female connector	HD/219, HD/229, HD/239 (Electric) HR/219, HR/229, HR/239 (Electric)	2962449	1
CLIP—Harness	HD/219, HD/229, HD/239 (Electric) HR/219, HR/229, HR/239 (Electric)	2962752	3
HARNESS ASSEMBLY—Rear	HD/219, HD/229, HD/239 (Electric) HR/219, HR/229, HR/239 (Electric)	7424349	1
TERMINAL—Female	HD/219, HD/229, HD/239 (Electric) HR/219, HR/229, HR/239 (Electric)	2965867	5
BODY—3-way female terminal connector	HD/219, HD/229, HD/239 (Electric) HR/219, HR/229, HR/239 (Electric)	2977673	1
BODY—3-way female connector	HD/219, HD/229, HD/239 (Electric) HR/219, HR/229, HR/239 (Electric)	2971627	1
BODY—Single connector	HD/219, HD/229, HD/239 (Electric) HR/219, HR/229, HR/239 (Electric)	2962448	2
CLIP—Harness	HD/219, HD/229, HD/239 (Electric) HR/219, HR/229, HR/239 (Electric)	2962752	1
SLEEVE—Harness	HD/219, HD/229, HD/239 (Electric) HR/219, HR/229, HR/239 (Electric)	7424350	1
CLIP—Wiring	HD/219, HD/229, HD/239 (Electric) HR/219, HR/229, HR/239 (Electric)	7426387	7
CLIP—Wiring	HD/219, HD/229, HD/239 (Electric) HR/219, HR/229, HR/239 (Electric)	7410651	4
CLIP—Wiring	HD/219, HD/229, HD/239 (Electric) HR/219, HR/229, HR/239 (Electric)	7401651	3
RELAY ASSEMBLY	HD/219, HD/229, HD/239 (Electric) HR/219, HR/229, HR/239 (Electric)	7431031	1
SCREW—Pan hd cr. rec. tap No. 10—12 x 1/2"	HD/219, HD/229, HD/239 (Electric) HR/219, HR/229, HR/239 (Electric)	161895	1
WASHER—Plain 13/64" x 15/32" x .049"	HD/219, HD/229, HD/239 (Electric) HR/219, HR/229, HR/239 (Electric)	446152	1
WASHER—Spring lock No. 10, light	HD/219, HD/229, HD/239 (Electric) HR/219, HR/229, HR/239 (Electric)	131183	1
LEAD—Relay ground	HD/219, HD/229, HD/239 (Electric) HR/219, HR/229, HR/239 (Electric)	7431211	1
LEAD—Relay feed	HD/219, HD/229, HD/239 (Electric) HR/219, HR/229, HR/239 (Electric)	7431210	1
CLIP & TERMINAL ASSY—Fuse holder	HD/219, HD/229, HD/239 (Electric) HR/219, HR/229, HR/239 (Electric)	7424520	1
CLIP & TWO WAY TERMINAL ASSY—Fuse holder	HD/219, HD/229, HD/239 (Electric) HR/219, HR/229, HR/239 (Electric)	7424519	1
FUSE—15 Amp.	HD/219, HD/229, HD/239 (Electric) HR/219, HR/229, HR/239 (Electric)	120151	1

†For fitment to vehicles with Relay in circuit.



HOLDEN

MASTER PARTS CATALOGUE

12.280 MOTOR AND COMPONENTS—End Gate Window Regulator

MOTOR ASSEMBLY	HD/219, HD/229, HD/239 (Electric)	5045365	1
SCREW—Truss hd. cr. rec. mach. 1/4"—20 x 1/2"	HR/219, HR/229, HR/239 (Electric)	157716	3
WASHER—Spring lock 1/4" medium	HD/219, HD/229, HD/239 (Electric)	120380	2
ARMATURE	HR/219, HR/229, HR/239 (Electric)	4909702	1
BOLT—Through	HD/219, HD/229, HD/239 (Electric)	4916380	2
BRUSH	HR/219, HR/229, HR/239 (Electric)	4904204	2
BRUSH HOLDER & CIRCUIT BREAKER PACKAGE	HD/219, HD/229, HD/239 (Electric)	4905337	1
GEAR & PINION PACKAGE	HR/219, HR/229, HR/239 (Electric)	4913821	1
PLUG—Thrust	HD/219, HD/229, HD/239 (Electric)	5098080	1
SCREW—Adjusting	HR/219, HR/229, HR/239 (Electric)	5096732	1
NUT—Hex. jam 5/16"—24	HD/219, HD/229, HD/239 (Electric)	124920	1
SPRING—Brush	HR/219, HR/229, HR/239 (Electric)	4904213	2

12.428 RAIL ASSEMBLY—Body side

RAIL ASSEMBLY	FE/219, FE/229, FC/219, FC/229	LH7411285	1
		RH7411284	1
RAIL	FE/2104, FC/2104	LH7411433	1
		RH7411434	1
RAIL ASSEMBLY	FE/2106, FC/2106	RH7410858	1
RAIL ASSEMBLY	FB/219, FB/229, EK/219, EK/229	LH7413443	1
		RH7413444	1
RAIL	FB/2104, EK/2104	LH7413887	1
		RH7413888	1
RAIL ASSEMBLY	FB/2106, EK/2106	RH7414012	1
RAIL	EJ/2104, EH/2104	LH7418295	1
		RH7418296	1
RAIL ASSEMBLY	EJ/2106, EH/2106	LH7418237	1
		RH7418232	1
RAIL	HD/2104, HR/2104	LH7420825	1
		RH7420826	1
RAIL ASSEMBLY	HD/2106, HR/2106	LH7420513	1
		RH7420512	1

12.491 PILLAR ASSEMBLY, PANEL—Centre & Door Lock Striker

PILLAR ASSEMBLY	48, FJ/215, FJ/217, FJ/225	LH7407787	1
		RH7407788	1
PILLAR ASSEMBLY	FE/215, FE/219, FE/225, FE/229	LH7409655	1
	FC/215, FC/219, FC/225, FC/229	RH7409656	1
PLUG—Button 1 5/32"	FE exc. FE/2104, FE/2106	142091	2
	FC exc. FC/2104, FC/2106		
STRIP—Pillar protector	FE exc. FE/2104, FE/2106	LH7408885	1
	FC exc. FC/2104, FC/2106	RH7408884	1
PANEL ASSY.—Door lock striker plate, outer	FE/2104, FC/2104	LH7410955	1
		RH7410954	1
PANEL—Door lock striker plate, inner	FE/2104, FC/2104	LH7410963	1
		RH7410964	1
PANEL ASSY.—Door lock striker plate, outer	FE/2106, FC/2106	LH7410755	1
		RH7410756	1
PANEL—Door lock striker plate, inner	FE/2106, FC/2106	LH7410759	1
		RH7410760	1

HOLDEN

MASTER PARTS CATALOGUE



12.491 PILLAR ASSEMBLY, PANEL—Centre and Door Lock Striker (Contd.)

PILLAR ASSEMBLY	FB/215, FB/219, EK/215, EK/219	LH7415599	1
		RH7415598	1
PILLAR ASSEMBLY	FB/225, FB/229	LH7412153	1
		RH7412154	1
PILLAR ASSEMBLY	EK/225, EK/229	LH7416469	1
		RH7416468	1
PLUG—Button 1 5/32"	FB exc. FB/2104, FB/2106		
	EK exc. EK/2104, EK/2106	142091	2
STRIP—Pillar protector	FB/215, FB/219, EK/215, EK/219	LH7408885	1
		RH7408884	1
STRIP—Pillar protector	FB/225, FB/229	LH7412035	1
		RH7412036	1
STRIP—Pillar protector	EK/225, EK/229	LH7416473	1
		RH7416472	1
PILLAR AND ROOF RAIL ASSEMBLY	FB/2104, EK/2104	LH7414711	1
		RH7414712	1
PILLAR AND ROOF RAIL ASSEMBLY	FB/2106, EK/2106	LH7406785	1
		RH7406786	1
BRACE ASSEMBLY—Body side	FB/2104, EK/2104	LH7414607	1
		RH7414010	1
BRACE ASSEMBLY—Body side	FB/2106, EK/2106	LH7414422	1
		RH7414009	1
COVER—Pillar	FB/2104, FB/2106, EK/2104, EK/2106	7413850	2
SCREW—Pan hd. sl. tap., Type "B", No. 10—16 x 3/8"	FB/2104, FB/2106, EK/2104, EK/2106	145189	10
PANEL ASSEMBLY—Centre pillar	EJ, exc. EJ/2104, EJ/2106		
	EH, exc. EH/2104, EH/2106	LH7427349	1
		RH7427350	1
PANEL—Centre pillar filler	EJ, exc. EJ/2104, EJ/2106		
	EH, exc. EH/2104, EH/2106	LH7411403	1
		RH7411404	1
PILLAR—Door lock striker	EJ/2104, EJ/2106		
	EH/2104, EH/2106		
	RIGHT HAND DRIVE	LH7418359	1
		RH7418360	1
BRACE ASSEMBLY—Body side, front	EJ/2104, EH/2104	LH7418529	1
		RH7418528	1
BRACE ASSEMBLY—Body side, front	EJ/2106, EH/2106	LH7418337	1
		RH7418338	1
BRACE ASSEMBLY—Body side, rear	EJ/2104, EJ/2106, EH/2104, EH/2106	LH7418435	1
		RH7418436	1
COVER—Front brace	EJ/2104, EJ/2106, EH/2104, EH/2106	7418223	2
SCREW—Pan hd. cr. rec. tap., Type "B" No. 10—16 x 3/8"	EJ/2104, EJ/2106, EH/2104, EH/2106	163210	10
PANEL ASSEMBLY—Centre pillar	HD exc. HD/2104, HD/2106		
	HR exc. HR/2104, HR/2106	LH7423617	1
		RH7423618	1
PILLAR ASSEMBLY—Door lock striker	HD/2104, HD/2106		
	HR/2104, HR/2106	LH7420667	1
		RH7420668	1
BRACE ASSEMBLY—Body side, front	HD/2104, HR/2104	LH7420637	1
		RH7420636	1
BRACE ASSEMBLY—Body side, front	HD/2106, HR/2106	LH7420669	1
		RH7420670	1
BRACE—Body side, rear	HD/2104, HD/2106		
	HR/2104, HR/2106	LH7420439	1
		RH7420438	1
COVER—Front brace	HD/2104, HD/2106		
	HR/2104, HR/2106	7418223	2
SCREW—Pan hd. cr. rec. tap. No. 10—16 x 3/8"	HD/2104, HD/2106		
	HR/2104, HR/2106	163210	10
PLUG—Seat belt anchor sealing	HD, HR	7419554	2

12.557 COVER ASSEMBLY—Transmission floor

COVER ASSEMBLY—8 bolt mounting	FE, FC	7408289	1
SCREW—Pan hd. sl. tap. Type "A" No. 10—12 x 1/2"	FE, FC	144811	8
COVER ASSEMBLY—10 bolt mounting	FC, FB, EK (M)	7414656	1
SCREW—Pan hd. sl. mach., 1/4"—20 x 1/2"	FC, FB	443507	10
WASHER—Spring lock 1/4"—medium	FC, FB	120380	10



HOLDEN

MASTER PARTS CATALOGUE

12.580 BOARD—Rear compartment floor FLOOR—Tonneau

BOARD ASSEMBLY	EJ/215, EJ/225, EJ/235		
	EH/215, EH/225, EH/235	7421079	1
RETAINER	EJ/215, EJ/225, EJ/235		
	EH/215, EH/225, EH/235	7417465	1
FLOOR—Tonneau	FE/2106, FC/2106, FB/2104, FB/2106		
	EK/2104, EK/2106	7410363	1
FLOOR—Tonneau	EJ/2104, EJ/2106, EH/2104, EH/2106	7417844	1
FLOOR—Tonneau	EJ/219, EH/219	7416075	1
FLOOR—Tonneau	EJ/229, EH/229	7416643	1
FLOOR—Tonneau—Trim Nos. C80, C81	EH/239	7426082*	1
FLOOR—Tonneau	HD/219, HR/219	7425840	1
FLOOR—Tonneau	HD/229	7427101	1
FLOOR—Tonneau—Trim Nos. D70, D71, D72	HD/239	7427102*	1
FLOOR—Tonneau—Less trim	HR/229, HR/239	7425841	1
FLOOR—Tonneau—Trim No. E69, F09	HR/239	7427102-D70	1
FLOOR—Tonneau—Trim No. E70, F10	HR/239	7427102-D71	1
FLOOR—Tonneau—Trim No. E71, F11	HR/239	7427102-D72	1
SCREW—Flat hd. cr. rec. tap. No. 10—16 x 1"	HD/219, HD/229, HD/239		
	HR/219, HR/229, HR/239	162701	6
WASHER—Finish No. 10	HD/219, HD/229, HD/239		
	HR/219, HR/229, HR/239	SP1462	6
FLOOR—Tonneau	HD/2104, HD/2106		
	HR/2104, HR/2106	7420400	1
SCREW—Flat hd. cr. rec. tap. No. 10—16 x 1-1/4"	HD/2104, HD/2106		
	HR/2104, HR/2106	162703	56

* Part Number must be suffixed by the desired Trim Number.

12.800 PANEL ASSEMBLY, BRACKET—Console

PANEL ASSEMBLY	EJ/235, EH/235 (A), EH/239 (A)	7419810	1
PANEL ASSEMBLY	EH/235 (M), EH/239 (M)	7425977	1
SCREW—Pan hd. cr. rec. tap. type "A" No. 8—18 x 3/8"	EJ/235, EH/235, EH/239	9411532	2
SCREW—Pan hd. cr. rec. tap. type "A" No. 8—15 x 1"	EJ/235, EH/235, EH/239	161878	2
SCREW—Pan hd. cr. rec. mach. No. 8—32 x 1/2"	EJ/235, EH/235, EH/239	159592	2
PANEL ASSEMBLY	HD/235, HD/239		
	HR/235, HR/239 exc. HR (M), 4 speed trans.	7427115	1
PANEL ASSEMBLY	HR/235 (M) 4 speed trans.		
	HR/239 (M) 4 speed trans.	7431134	1
BRACKET—Front	HD/235, HD/239, HR/235, HR/239	7427196	2
BRACKET—Rear	HD/235, HD/239, HR/235, HR/239	7427197	1
SCREW—Pan hd. cr. rec. tap. No. 8—15 x 1/2"	HD/235, HD/239, HR/235, HR/239	161860	2
SCREW—Pan hd. cr. rec. tap. No. 8—15 x 1"	HD/235, HD/239, HR/235, HR/239	161878	2
SCREW—Oval hd. cr. rec. tap. No. 8—15 x 5/8"	HD/235, HD/239, HR/235, HR/239	162397	1

12.801 PANEL, GRILLE, MOULDING—Console trim COMPARTMENT ASSEMBLY, LID—Console

PANEL	EJ/235	7419761	1
GRILLE	EJ/235, EH/235, EH/239	7423071	1
MOULDING ASSEMBLY—Upper	EJ/235, EH/235, EH/239	7419759	1
MOULDING ASSEMBLY—Rear	EJ/235, EH/235, EH/239	LH7419809	1
		RH7419808	1
RETAINER—Moulding	EJ/235, EH/235, EH/239	7410196	13



12.801 PANEL, GRILLE, MOULDING—Console trim (Cont'd.)

COMPARTMENT ASSEMBLY, LID—Console (Cont'd.)

COMPARTMENT ASSY.—Trim Nos. D66, D70	HD/235, HD/239	7413554-D66	1
COMPARTMENT ASSY.—Trim Nos. D67, D71	HD/235, HD/239	7413554-D67	1
COMPARTMENT ASSY.—Trim Nos. D68, D72	HD/235, HD/239	7413554-D68	1
COMPARTMENT ASSY.—Trim Nos. E35, E36	HD/235, HD/239	7413554-E35	1
COMPARTMENT ASSY.—Trim Nos. E65, E69	HR/235, HR/239	7413554-D66	1
COMPARTMENT ASSY.—Trim Nos. E66, E70	HR/235, HR/239	7413554-D67	1
COMPARTMENT ASSY.—Trim Nos. E67, E71	HR/235, HR/239	7413554-D68	1
COMPARTMENT ASSY.—Trim Nos. E68, E72, F52, F53	HR/235, HR/239	7413554-E35	1
COMPARTMENT ASSY.—Trim Nos. F40, F43, F60, F62	HR/235, HR/239 exc. HR (M) 4 speed trans.	7413554-F40	1
COMPARTMENT ASSY.—Trim Nos. F41, F44, F61, F63	HR/235, HR/239 exc. HR (M) 4 speed trans.	7413554-F41	1
COMPARTMENT ASSY.—Trim Nos. F42, F45	HR/235, HR/239 exc. HR (M) 4 speed trans.	7413554-F42	1
COMPARTMENT ASSY.—Trim Nos. F40, F43, F60, F62	HR/235 (M) 4 speed trans. HR/239 (M) 4 speed trans.	7434364-F40	1
COMPARTMENT ASSY.—Trim Nos. F41, F44, F61, F63	HR/235 (M) 4 speed trans. HR/239 (M) 4 speed trans.	7434364-F41	1
COMPARTMENT ASSY.—Trim Nos. F42, F45	HR/235 (M) 4 speed trans. HR/239 (M) 4 speed trans.	7434364-F42	1
COMPARTMENT ASSY.—Trim Nos. F52, F53	HR/235 (M) 4 speed trans. HR/239 (M) 4 speed trans.	7434364-F52	1
SCREW—Pan hd. cr. rec. tap. No. 8—18 x 1-2"	HD/235, HD/239, HR/235, HR/239	7428243	3
LID and PAD ASSY.	HD/235, HD/239 HR/235, HR/239 exc. HR (M) 4 speed trans.	7427247	1
LID and PAD ASSY.	HR/235 (M) 4 speed trans. HR/239 (M) 4 speed trans.	7434690	1
SCREW—Pan hd. cr. rec. tap. No. 8—18 x 3/8"	HD/235, HD/239, HR/235, HR/239	9411532	1
WASHER—Plain 7/32" x 1/2" x .049"	HD/235, HD/239, HR/235, HR/239	120391	1
FASTENER—Lid	HD/235, HD/239, HR/235, HR/239	7427201	1
GRILLE	HD/235, HD/239, HR/235, HR/239	7427255	1
RETAINER ASSEMBLY	HD/235, HD/239, HR/235, HR/239	7423351	2
NUT—Stamped No. 6—32	HD/235, HD/239, HR/235, HR/239	145485	2
MOULDING	HD/235, HD/239, HR/235, HR/239	LH7427129 RH7427128	1 1
RETAINER	HD/235, HD/239, HR/235, HR/239	7413024	14
NUT—Compartment	HD/235, HD/239, HR/235, HR/239	4558184	5

12.802 HINGE—Console lid

HINGE ASSEMBLY	HD/235, HD/239, HR/235, HR/239	7414157	1
PIN—Hinge	HD/235, HD/239, HR/235, HR/239	7414160	1
SCREW—Pan hd. cr. rec. tap. No. 8—18 x 1/2"	HD/235, HD/239, HR/235, HR/239	7428243	6

12.803 COWL ASSEMBLY—Body front end

COWL ASSEMBLY	FB, EK	RIGHT HAND DRIVE	7418555	1
CHAMBER ASSEMBLY—Plenum	FB, EK	RIGHT HAND DRIVE	7413098	1
PLUG—Heater hose aperture	FB, EK		7415252	1
PLATE—Cover	EK(A)		7417529	1
BOLT—Hex. hd. 3/8"—24 x 1/2"	EK(A)		123382	2
WASHER—Int. tooth lock 3/8"	EK(A)		138542	2
COWL ASSEMBLY	EJ exc. EJ/2104	RIGHT HAND DRIVE	7416535	1
COWL ASSEMBLY	EH, exc. EH/2104	RIGHT HAND DRIVE LEFT HAND DRIVE	7422422 7422426	1 1
COWL ASSEMBLY	EH/2014	RIGHT HAND DRIVE	7422425	1
CHAMBER ASSEMBLY—Plenum	EJ, EH	RIGHT HAND DRIVE LEFT HAND DRIVE	7417054 7417552	1 1



HOLDEN

MASTER PARTS CATALOGUE

12.803 COWL ASSEMBLY—Body front end (Cont'd.)

COWL ASSEMBLY	HD exc. HD/2104 HR exc. HR/2104		
COWL ASSEMBLY	HD/2104, HR/2104	RIGHT HAND DRIVE	7426014 1
		RIGHT HAND DRIVE	7420276 1
		LEFT HAND DRIVE	7420277 1
CHAMBER ASSEMBLY—Plenum	HD, HR	RIGHT HAND DRIVE	7426552 1
		LEFT HAND DRIVE	7426551 1
PLUG—Heater hose aperture	EJ, exc. EJ/235 EH, exc. EH/235, EH/239 HD, exc. HD/235, HD/239 HR, exc. HR/235, HR/239		7415252 1
PLATE—Cover	EJ(A), EH(A), HD(A), HR(A)		7417529 1
BOLT—Hex. hd. 3/8"—24 x 1/2"	EJ(A), EH(A)		123382 2
BOLT—Hex. hd. 3/8"—16 x 1/2"	HD(A), HR(A)		121852 2
WASHER—Internal tooth lock 3/8"	EJ(A), EH(A), HD(A), HR(A)		138542 2
GROMMET—Windshield washer hose aperture	HD, HR		7412113 2

12.804 PANEL ASSEMBLY—Toe and dash

PANEL ASSEMBLY	48/215, 50, FJ exc. FJ/217		7401984 1
PANEL ASSEMBLY—Dash	FE, FC		7408895 1
REINFORCEMENT—To cowl top panel	FE, FC		7411868 1
PANEL ASSEMBLY—Dash	EJ	RIGHT HAND DRIVE	7415550 1
PANEL ASSEMBLY—Dash	EH	RIGHT HAND DRIVE	7421290 1
PANEL ASSEMBLY—Dash	HD, HR	RIGHT HAND DRIVE	7424897 1
		LEFT HAND DRIVE	7424898 1

12.805 PILLAR ASSEMBLY, PANEL ASSEMBLY—Front Body and Cowl

PILLAR ASSEMBLY—Front body	48, 50, FJ		LH7403223 1
			RH7403224 1
PANEL AND GUTTER ASSEMBLY—Cowl top	48, 50, FJ		7402608 1
PANEL ASSEMBLY—Top	FE, FC		7410018 1
PANEL ASSY.—Lower with front hinge panel	FE, FC		LH7409665 1
			RH7409666 1
NUT—Spiral	FE, FC		7402851 2
PILLAR ASSEMBLY—Front body	FB, EK		LH7413095 1
			RH7413094 1
PILLAR ASSEMBLY—Front body	EJ, exc. EJ/2104		LH7417173 1
			RH7417174 1
PILLAR ASSEMBLY—Front body	EJ/2104		LH7418321 1
PANEL—Cowl top	EJ		7415268 1
PILLAR ASSEMBLY—Front body	EH, exc. EH/2104		LH7422433 1
			RH7422434 1
PILLAR ASSEMBLY—Front body	EH/2104		LH7422435 1
			RH7422436 1
PANEL—Cowl top	EH		7421963 1
PILLAR ASSEMBLY—Front body	HD exc. HD/2104 HR exc. HR/2104		
		RIGHT HAND DRIVE	LH7427585 1
			RH7427586 1
		LEFT HAND DRIVE	LH7427587 1
			RH7427588 1
PILLAR ASSEMBLY—Front body	HD/2104, HR/2104		
		RIGHT HAND DRIVE	LH7427589 1
			RH7427590 1
BRACKET—Instrument panel to pillar	HD, HR		LH7424905 1
			RH7424906 1
PANEL—Cowl top	HD, HR		7423917 1

HOLDEN

MASTER PARTS CATALOGUE



12.807 FRAME ASSEMBLY, PANEL ASSEMBLY—Windshield

PANEL ASSEMBLY—Header	48, 50, FJ	7402032	1
FRAME ASSEMBLY—inner upper	FE, FC	7408223	1
FRAME ASSEMBLY—inner upper	FB, EK	7412179	1
FRAME	EJ, EH	7422142	1
FRAME	HD, HR	7422926	1

12.808 COVER—Side Rail

COVER—Side rail front end	FE, FC	LH7408361	1
		RH7408360	1

12.810 PANEL—Roof COVER—Roof

ROOF—(Includes roof rails and No. 3 bow)	48, FJ/215, FJ/217, FJ/225	7405848	1
ROOF	50, FJ/2106	7401149	1
ROOF	FJ/2104	7407402	1
ROOF—(Complete with side rails)	FE/215, FE/217, FE/225 FC/215, FC/217, FC/225	7406394	1
ROOF	FE/219, FE/229, FE/2104 FC/219, FC/229, FC/2104	7411244	1
ROOF (complete with side rails)	FE/2106, FC/2106	7406548	1
ROOF ASSEMBLY	FB/219, FB/229, EK/219, EK/229	7406799	1
ROOF ASSEMBLY	FB/2104, EK/2104	7413977	1
ROOF ASSEMBLY	FB/2106, EK/2106	7406760	1
ROOF ASSEMBLY	EJ/219, EJ/229	7425415	1
ROOF ASSEMBLY	EJ/2104, EH/2104	7419366	1
ROOF ASSEMBLY	EJ/2106, EH/2106	7419365	1
ROOF ASSEMBLY	EH/215, EH/225, EH/235	7422597	1
ROOF ASSEMBLY	EH/219, EH/229, EH/239	7422730	1
ROOF ASSEMBLY	HD/215, HD/225, HD/235 HR/215, HR/225, HR/235	7420548	1
COVER ASSEMBLY—White	HD/235 Fabric Covered Roof	7429512	1
COVER ASSEMBLY—Black	HD/235 Fabric Covered Roof	7429513	1
COVER ASSEMBLY—White	HR/235 Fabric Covered Roof	7431736	1
COVER ASSEMBLY—Black	HR/235 Fabric Covered Roof	7431737	1
RETAINER—Front body pillar cover	HD/235 Fabric Covered Roof HR/235 Fabric Covered Roof	7429291	2
RETAINER—Roof cover	HD/235 Fabric Covered Roof HR/235 Fabric Covered Roof	LH7429293 RH7429292	1 1
ROOF ASSEMBLY	HD/219, HD/229, HD/239	7420630	1
ROOF ASSEMBLY	HR/219, HR/229, HR/239	7432288	1
ROOF ASSEMBLY	HD/2104, HR/2104	7428051	1
ROOF ASSEMBLY	HD/2106, HR/2106	7428057	1

12.811 GUTTER—Roof drip

GUTTER—Front	EJ exc. EJ/2104 EH exc. EH/2104	LH7415439 RH7415438	1 1
GUTTER—Front	EJ/2104, EH/2104	LH7418305 RH7418306	1 1
GUTTER—Rear	EJ/215, EJ/225, EJ/235	RH7410612	1
GUTTER—Side	EJ/2104, EH/2104	LH7418507 RH7418508	1 1
GUTTER—Side	EJ/2106, EH/2106	LH7417843 RH7417842	1 1
GUTTER—Rear	EJ/2106, EH/2106	7418088	1



HOLDEN

MASTER PARTS CATALOGUE

12.811 GUTTER—Roof drip (Cont'd.)

GUTTER—Centre	EH/215, EH/225, EH/235	LH7422113 RH7422112	1 1
GUTTER—Rear	EH/215	LH7422269 RH7422268	1 1
GUTTER—Rear	EH/225, EH/235	LH7422813 RH7422814	1 1
SCREW—Pan hd. cr. rec. tap. No. 4—24 x 1/4"	EH/225, EH/235	161752	8
GUTTER—Front	HD exc. HD/2104 HR exc. HR/2104	7424316	2
GUTTER—Centre	HD/215, HD/225, HD/235 HR/215, HR/225, HR/235	LH7423787 RH7423786	1 1
GUTTER—Rear	HD/215, HD/225, HD/235 HR/215, HR/225, HR/235	LH7424613 RH7424614	1 1
GUTTER—Centre	HD/219, HD/229, HD/239 HR/219, HR/229, HR/239	LH7424785 RH7424786	1 1
GUTTER—Rear	HD/219, HD/229, HD/239 HR/219, HR/229, HR/239	LH7426197 RH7426196	1 1
GUTTER—Rear—Less rear 16-1/2"	HD/219, HD/229, HD/239 HR/219, HR/229, HR/239	LH7420657 RH7420658	1 1
GUTTER—Side	HD/2104, HR/2104	LH7427505 RH7427504	1 1
GUTTER—Rear	HD/2106, HR/2106	LH7420223 RH7420224	1 1

12.895 PANEL ASSEMBLY—Front door

L.H.	48, FJ/215, FJ/217, FJ/225	7405097	1
R.H.	48, FJ/215, FJ/217, FJ/225	7405098	1
L.H.	50, FJ/2104, FJ/2106	7405317	1
R.H.	50, FJ/2104, FJ/2106	7405316	1
OUTER, L.H.	48, 50, FJ	7403439	1
OUTER, R.H.	48, 50, FJ	7403440	1
PANEL ASSEMBLY	FE, exc. FE/2106, FC, exc. FC/2106	LH7406153 RH7406152	1 1
PANEL ASSEMBLY	FE/2106, FC/2106	LH7406175 RH7406174	1 1
OUTER	FE, FC	LH7408685 RH7408684	1 1
PANEL ASSEMBLY	FB/215, FB/219, FB/225, FB/229 EK/215, EK/219, EK/225, EK/229	LH7412979 RH7412980	1 1
PANEL ASSEMBLY	FB/2104, FB/2106, EK/2104, EK/2106	LH7413567 RH7413568	1 1
OUTER	FB, EK	LH7425057 RH7425056	1 1
PANEL ASSEMBLY	EJ, EH	RIGHT HAND DRIVE LH7415113 RH7415114 LEFT HAND DRIVE LH7417947 RH7417946	1 1 1 1
OUTER	EJ/215, EJ/219, EJ/2104, EJ/2106 EH	RIGHT HAND DRIVE LH7425435 RH7425434 LEFT HAND DRIVE LH7425437 RH7425436	1 1 1 1
OUTER	EJ/225, EJ/229, EJ/235	LH7425435 RH7425434	1 1

HOLDEN

MASTER PARTS CATALOGUE



12.895 PANEL ASSEMBLY—Front Door (Cont'd.)

PANEL ASSEMBLY	HD/215, HD/219, HD/2104, HD/2106 RIGHT HAND DRIVE	LH7430843 RH7430844	1 1
	LEFT HAND DRIVE	LH7430859 RH7425684	1 1
PANEL ASSEMBLY	HD/225, HD/229, HD/235, HD/239 ..	LH7423753 RH7423754	1 1
PANEL ASSEMBLY	HR/215, HR/219, HR/2104, HR/2106 RIGHT HAND DRIVE	LH7430843 RH7430844	1 1
	LEFT HAND DRIVE	LH7430859 RH7430860	1 1
PANEL ASSEMBLY	HR/225, HR/229	LH7430843 RH7430860	1 1
PANEL ASSEMBLY	HR/235, HR/239	LH7430573 RH7430574	1 1
OUTER	HD/215, HD/219, HD/2104, HD/2106 HR/215, HR/219, HR/2104, HR/2106 RIGHT HAND DRIVE	LH7420595 RH7420594	1 1
	LEFT HAND DRIVE	LH7420597 RH7420596	1 1
OUTER	HD/225, HD/229, HD/235, HD/239 HR/225, HR/229, HR/235, HR/239 ..	LH7420595 RH7420596	1 1

12.913 PANEL ASSEMBLY—Rear door

L.H.	48, FJ/215, FJ/217, FJ/225	7405185*	1
R.H.	48, FJ/215, FJ/217, FJ/225	7405186*	1
OUTER, L.H.	48, FJ/215, FJ/217, FJ/225	7403441	1
OUTER, R.H.	48, FJ/215, FJ/217, FJ/225	7403442	1
PANEL ASSEMBLY	FE/215, FE/217, FE/225 FC/215, FC/217, FC/225	LH7406171 RH7406170	1 1
PANEL ASSEMBLY	FE/219, FE/229, FC/219, FC/229	LH7406143 RH7406144	1 1
PANEL ASSEMBLY	FB, exc. FB/2104, FB/2106 EK, exc. EK/2104, EK/2106	RH7413016	1
OUTER	FE exc. FE/2104, FE/2106 FC exc. FC/2104, FC/2106 FB, exc. FB/2104, FB/2106 EK, exc. EK/2104, EK/2106	LH7413033 RH7413034	1 1
PANEL ASSEMBLY	EJ/215, EJ/225, EH/215, EH/225	LH7422073 RH7422074	1 1
PANEL ASSEMBLY	EJ/219, EH/219, EH/229, EH/239	LH7422075 RH7422076	1 1
PANEL ASSEMBLY	EJ/229	RH7417158	1
PANEL ASSEMBLY	EH/235	LH7422079 RH7422080	1 1
OUTER	EJ/215, EJ/225, EJ/235 EH/215, EH/225, EH/235	LH7425443 RH7425442	1 1
OUTER	EJ/219, EJ/229 EH/219, EH/229, EH/239	LH7425445 RH7425444	1 1
PANEL ASSEMBLY	HD/215	LH7425519 RH7430846	1 1
PANEL ASSEMBLY	HD/219	LH7430847 RH7425702	1 1

* When fitting to 48 S.A. up to Body No. 29932 it is necessary to use the Lock and Locking Device Equipment applicable to Body Nos. from 29933.



HOLDEN

MASTER PARTS CATALOGUE

12.913 PANEL ASSEMBLY—Rear door (Cont'd.)

PANEL ASSEMBLY	HD/225, HD/235	LH7425691 RH7425690	1 1
PANEL ASSEMBLY	HD/229, HD/239	LH7425709 RH7425708	1 1
PANEL ASSEMBLY	HR/215, HR/225	LH7430845 RH7430846	1 1
PANEL ASSEMBLY	HR/219, HR/229	LH7430847 RH7430848	1 1
PANEL ASSEMBLY	HR/235	LH7430557 RH7430558	1 1
PANEL ASSEMBLY	HR/239	LH7430561 RH7430562	1 1
OUTER	HD exc. HD/2104, HD/2106 HR exc. HR/2104, HR/2106	LH7420611 RH7420610	1 1

12.934 PANEL—Rocker

PANEL	50, FJ/2104, FJ/2106	LH7401511	1
PANEL—Outer	FE/215, FE/217, FE/219, FE/225, FE/229 FE/2104 up to Body No. 2389A FE/2106 S.A. up to Body No. 7273A Vic. up to Body No. 1975M NSW up to Body No. 4221S FC/215, FC/217, FC/219 FC/225, FC/229	LH7402837 RH7402836	1 1
PANEL—Outer	FE/2104 from Body No. 2390A FE/2106 S.A. from Body No. 7274A Vic. from Body No. 1976M NSW from Body No. 4222S FC/2104, FC/2106	LH7413357 RH7413358	1 1
PANEL—Outer	FB exc. FB/2104, FB/2106 EK exc. EK/2104, EK/2106	LH7402837 RH7402836	1 1
PANEL—Outer	FB/2104, FB/2106, EK/2104, EK/2106	LH7413357 RH7413358	1 1
REINFORCEMENT	FB/2104, FB/2106, EK/2104, EK/2106	LH7413981 RH7413982	1 1
PANEL ASSEMBLY—Inner	FB, EK	LH7412051 RH7412050	1 1
PANEL—Outer	EJ/215, EJ/225, EJ/235 EH/215, EH/225, EH/235	LH7415159 RH7415158	1 1
PANEL—Outer	EJ/219, EJ/229, EJ/2104, EJ/2106 EH/219, EH/229, EH/239 EH/2104, EH/2106	LH7415159 RH7415392	1 1
REINFORCEMENT—Outer panel	EJ, exc. EJ/2104, EJ/2106 EH, exc. EH/2104, EH/2106	7415195	2
REINFORCEMENT—Outer panel rear	EJ, exc. EJ/2104, EJ/2106 EH, exc. EH/2104, EH/2106	LH7415393 RH7415394	1 1
REINFORCEMENT—Outer panel	EJ/2104, EJ/2106, EH/2104, EH/2106	LH7418181 RH7418180	1 1
PANEL—Inner	EJ, EH	LH7415085 RH7415084	1 1

HOLDEN

MASTER PARTS CATALOGUE



12.934 PANEL—Rocker (Contd.)

PANEL—Outer	HD/215, HD/225, HD/235 HR/215, HR/225, HR/235	LH7423803 RH7423802	1 1
PANEL—Outer	HD/219, HD/229, HD/239 HD/2104, HD/2106 HR/219, HR/229, HR/239 HR/2104, HR/2106	LH7424429 RH7424428	1 1
REINFORCEMENT—Outer panel	HD exc. HD/2104, HD/2106 HR exc. HR/2104, HR/2106	LH7423805 RH7423804	1 1
REINFORCEMENT—Outer panel	HD/2104, HD/2106 HR/2104, HR/2106	LH7427357 RH7427358	1 1
PANEL—Inner	HD, HR	LH7423723 RH7423724	1 1

12.935 BRACE, SUPPORT—Rocker Panel

BRACE—To side rail	FE/2106 S.A. from Body No. 7375A Vic. from Body No. 2170M NSW from Body No. 43805 FC/2106 FB/2104, FB/2106, EK/2104, EK/2106	LH7413419	1
BRACE—To side panel	EJ/2104, EJ/2106, EH/2104, EH/2106	LH7418411 RH7418412	1 1
BRACE—To side rail	HD/2104, HD/2106 HR/2104, HR/2106	LH7420019 RH7420020	1 1
SUPPORT—To underbody side member	HD, HR	LH7423363 RH7423362	1 1

12.936 BRACKET—Jack support

BRACKET	FE/215, FE/217, FE/225, FC/215, FC/217, FC/225 FB/215, FB/225, EK/215, EK/225	LH7409307 RH7409306	1 1
---------	-------------------------------------------------------------------------------------	------------------------	--------

12.940 PANEL ASSEMBLY, EXTENSION—Rear Quarter Outer

PANEL ASSEMBLY	48, FJ/215, FJ/217, FJ/225	RH7408088	1
PANEL ASSEMBLY—Outer	FC/225	RH7411510	1
PANEL—Outer	FE/219, FE/229, FC/219	LH7410931 RH7410930	1 1
PANEL—Outer	FC/229	LH7414101 RH7414100	1 1
PLATE—Tail lamp mounting	FE, FC, FB/2104, FB/2106 EK/2104, EK/2106	7409114	2
PANEL ASSEMBLY—Outer	FB/215, EK/215	LH7402411 RH7402412	1 1
PANEL ASSEMBLY—Outer	FB/225	LH7412983 RH7412984	1 1
PANEL ASSEMBLY—Outer	EK/225	LH7416617 RH7416618	1 1
EXTENSION—Outer panel	FB/215, FB/225, EK/215, EK/225	LH7402413	1
PANEL ASSEMBLY—Outer	FB/219, FB/229, EK/219, EK/229	LH7412591 RH7412590	1 1
EXTENSION—Outer panel	FB/219, FB/229, EK/219, EK/229	LH7412587	1
PANEL—Tail lamp mounting	FB exc FB/2104, FB/2106 EK exc EK/2104, EK/2106	7407601	2



HOLDEN

MASTER PARTS CATALOGUE

12.940 PANEL ASSEMBLY, EXTENSION—Rear quarter outer (Contd.)

PANEL ASSEMBLY—Outer	EJ/215, EJ/225, EJ/235	LH7415153	1
		RH7415152	1
EXTENSION—Outer panel	EJ/215, EJ/225, EJ/235	LH7415157	1
		RH7415156	1
PANEL ASSEMBLY—Outer	EJ/219, EJ/229	LH7416959	1
		RH7416958	1
EXTENSION—Outer panel	EJ/219, EJ/229	LH7416963	1
		RH7416962	1
PANEL ASSEMBLY—Outer	EH/215, EH/225, EH/235	LH7422257	1
		RH7422256	1
EXTENSION—Outer panel	EH/215, EH/225, EH/235	LH7422265	1
		RH7422264	1
EXTENSION—Outer panel, rear	EH/215, EH/225, EH/235	LH7422267	1
		RH7422266	1
FILLER	EH/215, EH/225, EH/235	LH7424051	1
		RH7424052	1
PANEL ASSEMBLY—Outer	EH/219, EH/229, EH/239	LH7422349	1
		RH7422348	1
EXTENSION—Outer panel	EH/219, EH/229, EH/239	LH7416963	1
		RH7416962	1
EXTENSION—Outer panel, rear	EH/219, EH/229, EH/239	LH7422393	1
		RH7422392	1
PLATE—Tail lamp mounting	EH, exc. EH/2104, EH/2106	7427183	2
PANEL ASSEMBLY—Outer	HD/215, HD/225, HD/235	LH7423513	1
		RH7423512	1
EXTENSION—Outer panel	HD/215, HD/225, HD/235	LH7425547	1
		RH7425548	1
PANEL ASSEMBLY—Outer	HD/219, HD/229, HD/239	LH7426297	1
		RH7426296	1
EXTENSION—Outer panel, upper	HD/219, HD/229, HD/239	LH7426639	1
		RH7426640	1
EXTENSION—Outer panel, lower	HD/219, HD/229, HD/239	LH7426637	1
		RH7426638	1
SUPPORT—Tail lamp	HD	LH7424233	1
		RH7424234	1
PANEL ASSEMBLY—Outer	HR/215, HR/235	LH7428201	1
		RH7428200	1
PANEL ASSEMBLY—Outer	HR/225	LH7430807	1
		RH7430808	1
EXTENSION—Outer panel	HR/215, HR/225, HR/235	LH7429717	1
		RH7429716	1
PANEL ASSEMBLY—Outer	HR/219	LH7428465	1
		RH7428466	1
PANEL ASSEMBLY—Outer	HR/229	LH7430811	1
		RH7430812	1
PANEL ASSEMBLY—Outer	HR/239	LH7430577	1
		RH7430578	1
EXTENSION—Outer panel	HR/219, HR/229, HR/239	LH7428385	1
		RH7428386	1
SUPPORT—Tail lamp	HR exc. HR/2104, HR/2106	7428569	2
SUPPORT—Tail lamp	HR/2104, HR/2106	LH7424233	1
		RH7424234	1

12.941 PANEL, EXTENSION—Rear Quarter Inner

PANEL	FE/215, FE/217, FE/225		
	FC/215, FC/217, FC/225	RH7408812	1
EXTENSION	FE/215 S.A. from Body No. 4185A Vic. from Body No. 1968M N.S.W. from Body No. 3386S		
	FE/217 S.A. from Body No. 1234A Vic. from Body No. 360M N.S.W. from Body No. 1032S		
	FE/225 S.A. from Body No. 22879A Vic. from Body No. 3480M N.S.W. from Body No. 13898S		
	FC/215, FC/217, FC/225	LH7413245	1
		RH7413244	1
PANEL ASSEMBLY—Upper	FE/219, FE/229, FC/219, FC/229	LH7413455	1
		RH7413456	1

HOLDEN

MASTER PARTS CATALOGUE



12.941 PANEL, EXTENSION—Rear Quarter Inner (Cont'd.)

PANEL ASSEMBLY	FB/215, FB/225, EK/215, EK/225	LH7413187 RH7413188	1 1
PANEL ASSEMBLY	FB/219, FB/229, EK/219, EK/229	LH7413425 RH7413424	1 1
EXTENSION	FB exc FB/2104, FB/2106 EK exc EK/2104, EK/2106	LH7412119	1
PANEL ASSEMBLY	EJ/215, EJ/225, EJ/235	LH7415665 RH7415664	1 1
PANEL ASSEMBLY	EH/215, EH/225, EH/235	LH7422451 RH7422450	1 1
PANEL ASSEMBLY	EJ/219, EJ/229, EH/219, EH/229	LH7416333 RH7416332	1 1
PANEL ASSEMBLY	EH/239	LH7425665 RH7425664	1 1
PANEL ASSEMBLY—Lower	EJ, exc. EJ/2104, EJ/2106 EH, exc. EH/2104, EH/2106	LH7415441 RH7415440	1 1
PANEL ASSEMBLY	HD/215, HD/225, HD/235	LH7426623 RH7423792	1 1
PANEL ASSEMBLY	HR/215, HR/225, HR/235	LH7428779 RH7428778	1 1
PANEL ASSEMBLY	HD/219, HD/229, HR/219, HR/229	LH7426299 RH7426298	1 1
PANEL ASSEMBLY	HD/239, HR/239	LH7426301 RH7426300	1 1
PANEL ASSEMBLY—Lower	HD exc. HD/2104, HD/2106 HR exc. HR/2104, HR/2106	LH7424097 RH7424096	1 1

12.942 PILLAR ASSEMBLY, PANEL ASSEMBLY—Quarter and Rear Body Lock

PILLAR ASSY.—Rear quarter	48, FJ/215, FJ/217, FJ/225	LH7403213 RH7403212	1 1
PANEL ASSEMBLY—Pillar lower R.H.	48, FJ/215, FJ/217, FJ/225	7400906	1
PANEL ASSEMBLY—Pillar L.H.	48, FJ/215, FJ/217, FJ/225	7400909	1
PANEL ASSY.—Rear lock pillar outer	FE/215, FE/217, FE/225 FC/215, FC/217, FC/225	LH7408691 RH7408692	1 1
REINFORCEMENT—Pillar to rear quarter	FE/215 S.A. from Body No. 4185A Vic. from Body No. 1968M N.S.W. from Body No. 3386S FE/217 S.A. from Body No. 1234A Vic. from Body No. 360M N.S.W. from Body No. 1032S FE/225 S.A. from Body No. 22879A Vic. from Body No. 3480M N.S.W. from Body No. 13898S FC/215, FC/217, FC/225	LH7413261	1
PANEL ASSY.—Rear lock pillar outer, lower	FE/219, FE/229, FC/219, FC/229	LH7411333	1
PANEL ASSY.—Rear lock pillar outer, upper	FE/219, FE/229, FC/219, FC/229	LH7411241 RH7411240	1 1
REINFORCEMENT—Rear lock pillar upper panel	FE/219, FE/229, FC/219, FC/229	RH7411246	1
PANEL ASSEMBLY—Pillar outer	FB exc. FB/2104, FB/2106 EK exc EK/2104, EK/2106	LH7412043 RH7412044	1 1
REINFORCEMENT	FB exc FB/2104, FB/2106 EK exc EK/2104, EK/2106	LH7412277 RH7412276	1 1
PANEL ASSEMBLY—Pillar	EJ/215, EJ/225, EJ/235	LH7415865 RH7415866	1 1
PANEL ASSEMBLY—Pillar	EH/215, EH/225, EH/235	LH7422495 RH7422494	1 1
PANEL ASSEMBLY—Pillar	EJ/219, EJ/229 EH/219, EH/229, EH/239	LH7416243 RH7416242	1 1



HOLDEN

MASTER PARTS CATALOGUE

12.942 PILLAR ASSEMBLY, PANEL ASSEMBLY—Quarter and Rear Body Lock (Cont'd.)

PANEL ASSEMBLY—Pillar	HD/215, HD/225, HD/235 HR/215, HR/225, HR/235	LH7423789 RH7423788	1 1
PANEL ASSEMBLY—Pillar	HD/219, HD/229, HD/239 HR/219, HR/229, HR/239	LH7426293 RH7426292	1 1

12.944 PANEL ASSEMBLY—Wheel house DOOR, BUMPER, SPRING, COMPARTMENT—Fuel filler

L.H.	48, FJ/215, FJ/217, FJ/225	7403265	1
R.H.	48, FJ/215, FJ/217, FJ/225	7403266	1
WHEEL HOUSE ASSEMBLY	FE/215, FE/217, FE/225 FC/215, FC/217, FC/225	LH7409659 RH7409660	1 1
WHEEL HOUSE ASSEMBLY	FE/219, FE/229, FC/219, FC/229	LH7411423 RH7411424	1 1
OUTER	FE exc. FE/2104, FE/2106 FC exc. FC/2104, FC/2106	LH7408601 RH7408602	1 1
WHEEL HOUSE ASSEMBLY	FE/2106, FC/2106	LH7410787 RH7410786	1 1
WHEEL HOUSE ASSEMBLY	FB/215, FB/225, FB/2104, FB/2106 EK/215, EK/225, EK/2104, EK/2106	LH7413091 RH7413092	1 1
WHEEL HOUSE ASSEMBLY	FB/219, FB/229, EK/219, EK/229	LH7413469 RH7413468	1 1
WHEEL HOUSE ASSEMBLY	EJ/215, EJ/225, EJ/235	LH7416175	1
WHEEL HOUSE ASSEMBLY	EJ/219, EJ/229	LH7417115 RH7417114	1 1
WHEEL HOUSE ASSEMBLY	EJ/2104, EJ/2106	LH7418457 RH7418458	1 1
DOOR ASSEMBLY—Fuel filler	EJ	7418997	1
SCREW—Hex. hd. mach. No. 10—24 x 1/2"	EJ	443874	2
WASHER—Spring lock, No. 10—medium	EJ	120217	2
WASHER—Plain, type "A" 7/32" x 1/2" x .049"	EJ	120391	2
BUMPER—Fuel filler door	EJ	7418993	2
SPRING—Fuel filler door hinge	EJ	7418898	1
COMPARTMENT ASSEMBLY—Fuel filler cap	EJ	7419106	1
TUBE—Fuel filler cap compartment drain	EJ	7418947	1
WHEEL HOUSE ASSEMBLY	EH/215, EH/225, EH/235	LH7422643	1
WHEEL HOUSE ASSEMBLY	EH/219, EH/229, EH/239	LH7422465	1
WHEEL HOUSE ASSEMBLY	EH/2104, EH/2106	LH7422755 RH7418458	1 1
PANEL—Wheel house extension	EJ, EH	LH7415161 RH7415160	1 1
GUSSET—Wheel house to rear spring hanger bracket	EJ, EH	LH7410793 RH7410792	1 1
WHEEL HOUSE ASSEMBLY	HD/215, HD/225, HD/235 HR/215, HR/225, HR/235	LH7425837 RH7425836	1 1
WHEEL HOUSE ASSEMBLY	HD/219, HD/229, HD/239 HD/2104, HD/2106 HR/219, HR/229, HR/239 HR/2104, HR/2106	LH7425837 RH7420680	1 1
GUSSET—Wheelhouse to rear spring bracket	HD, HR	LH7423795	1
PLUG—Sealing	HD, HR	7402466	1

HOLDEN

MASTER PARTS CATALOGUE



12.948 PANEL—Body side

OUTER	50, FJ/2106	LH7403589 RH7403590	1 1
INNER FRONT	50, FJ/2104, FJ/2106	LH7403559 RH7403560	1 1
INNER REAR	50, FJ/2104, FJ/2106	LH7403561 RH7403562	1 1
SCREW—Pan hd. sl. tap. type "A" No. 14—10 x 3/4"	50 FJ/2104 up to Body No. 599 FJ/2106 S.A. up to Body No. 4179 NSW up to Body No. 1775S	144824	52
WASHER—Plain 9/32" x 5/8" x .065"	50 FJ/2104 up to Body No. 599 FJ/2106 S.A. up to Body No. 4179 NSW up to Body No. 1775S	120392	52
SCREW—Pan hd. sl. tap. type "B" No. 10—16 x 1/2"	FJ/2104 from Body No. 600 FJ/2106 S.A. from Body No. 4180 NSW from Body No. 1776S	145193	52
WASHER—Plain 7/32" x 1/2" x .049"	FJ/2104 from Body No. 600 FJ/2106 S.A. from Body No. 4180 NSW from Body No. 1776S	120391	52
OUTER LOWER	FE/2104, FC/2104	LH7411009 RH7411008	1 1
OUTER UPPER	FE/2104, FC/2104	RH7411216	1
INNER FRONT	FE/2104, FC/2104	LH7411761 RH7411760	1 1
INNER REAR	FE/2104, FC/2104	LH7411763 RH7411762	1 1
SCREW—Pan hd. sl. tap. Type "B" No. 10—16 x 1/2"	FE/2104, FC/2104	145193	A.R.
WASHER—Plain 7/32" x 1/2" x .049"	FE/2104, FC/2104	120391	A.R.
OUTER	FE/2106, FC/2106	LH7410283 RH7410282	1 1
INNER REAR	FE/2106, FC/2106	LH7410625 RH7410624	1 1
SCREW—Pan hd. sl. tap. Type "B" No. 10—16 x 3/8"	FE/2106, FC/2106	145189	62
COVER—Tail lamp access hole	FE/2106, FC/2106	7410675	2
SCREW—Pan hd. sl. tap. Type "B" No. 10—16 x 1/2"	FE/2106, FC/2106	145193	10
OUTER—Upper	FB/2104, EK/2104	LH7413603 RH7413602	1 1
OUTER—Lower	FB/2104, EK/2104	LH7413599 RH 7413598	1 1
OUTER	FB/2106, EK/2106	LH7413813	1
EXTENSION—Outer panel	FB/2104, FB/2106, EK/2104, EK/2106	LH7413625 RH7413624	1 1
INNER—Front	FB/2104, FB/2106, EK/2104, EK/2106	RH7413922	1
INNER—Rear	FB/2104, FB/2106, EK/2104, EK/2106	LH7410625 RH7410624	1 1
SCREW—Pan hd. sl. tap. Type "B" No. 10—16 x 3/8"	FB/2104, FB/2106, EK/2104, EK/2106	145189	A.R.
COVER—Tail lamp access hole	FB/2104, FB/2106, EK/2104, EK/2106	7410675	2
SCREW—Pan hd. sl. tap. Type "B" No. 10—16 x 3/8"	FB/2104, FB/2106, EK/2104, EK/2106	145189	10
OUTER—Upper	EJ/2104, EH/2104	LH7419367 RH7419368	1 1
OUTER—Lower	EJ/2104	LH7418531 RH7418530	1 1
OUTER	EJ/2106	LH7418451 RH7418450	1 1
OUTER—Lower	EH/2104	LH7422315 RH7418530	1 1
OUTER	EH/2106	LH7422313 RH7418450	1 1
EXTENSION—Outer panel rear	EJ/2104, EJ/2106, EH/2104, EH/2106	LH7418455 RH7418456	1 1
INNER—Front	EJ/2104, EJ/2106, EH/2104, EH/2106	LH7418283 RH7418284	1 1
INNER—Rear	EJ/2104, EJ/2106, EH/2104, EH/2106	LH7418433 RH7418434	1 1
SCREW—Pan hd. cr. rec. tap. Type "B" No. 10—16 x 3/8"	EJ/2104, EJ/2106, EH/2104, EH/2106	163210	42



HOLDEN

MASTER PARTS CATALOGUE

12.948 PANEL—Body side (Contd.)

OUTER—Upper	HD/2104, HR/2104	LH7427503 RH7427502	1 1
OUTER—Lower	HD/2104, HR/2104	LH7420881 RH7420880	1 1
OUTER—Rear extension	HD/2104, HR/2104	LH7427509 RH7427508	1 1
EXTENSION—Outer rear upper	HD/2104, HR/2104	LH7427507 RH7427506	1 1
OUTER	HD/2106, HR/2106	LH7418725 RH7418724	1 1
OUTER—Rear extension	HD/2106, HR/2106	LH7420663 RH7420664	1 1
EXTENSION—Outer rear upper	HD/2106, HR/2106	LH7427425 RH7427426	1 1
EXTENSION—Outer rear lower	HD/2104, HD/2106 HR/2104, HR/2106	LH7420209 RH7420208	1 1
INNER—Front	HD/2104, HD/2106 HR/2104, HR/2106	LH7420197 RH7420198	1 1
INNER—Rear	HD/2104, HD/2106 HR/2104, HR/2106	LH7420399 RH7420398	1 1
SCREW—Pan hd. cr. rec. tap. No. 10—16 x 3/8"	HD/2104, HD/2106 HR/2104, HR/2106	163210	48
COVER—Tail lamp access. hole	HD/2104, HD/2106 HR/2104 HR/2106	7420437	2
SCREW—Pan hd. cr. rec. tap. No. 10—16 x 3/8"	HD/2104, HD/2106 HR/2104, HR/2106	163210	6

12.949 SCREEN—Body Side Ventilator

SCREEN ASSEMBLY	HD/2104, HR/2104	LH7420871 RH7420870	1 1
-----------------	------------------	------------------------	--------

12.950 PILLAR ASSEMBLY—Body side panel

UPPER FRONT & INTERMEDIATE	FE/2104, FC/2104	7411396	4
UPPER	FB/2104, EK/2104	7413640	6
UPPER	EJ/2104, EH/2104	7417909	6
UPPER	HD/2104, HR/2104	7420501	6

12.951 PILLAR ASSEMBLY, PANEL—End Gate Body

PILLAR ASSEMBLY	FE/219, FE/229, FE/2104 FC/219, FC/229, FC/2104	LH7411221	1
PANEL—Outer	FE/219, FE/229, FC/219, FC/229	LH7411385	1
PILLAR ASSEMBLY	FE/2106, FC/2106	RH7410558	1
PILLAR ASSEMBLY	FB/219, FB/229, EK/219, EK/229	LH7414797 RH7414798	1 1
PANEL—Outer	FB/219, FB/229, EK/219, EK/229	LH7412889	1
PILLAR ASSEMBLY—Upper	FB/2104, EK/2104	LH7413733	1
PILLAR ASSEMBLY—Lower	FB/2104, FB/2106, EK/2104, EK/2106	RH7413636	1



12.951 PILLAR ASSEMBLY, PANEL—End Gate Body (Cont'd.)

PILLAR ASSEMBLY	EJ/219, EJ/229 EH/219, EH/229, EH/239	LH7416501 RH7416502	1 1
PANEL—Drip	EJ/219, EJ/229 EH/219, EH/229, EH/239	LH7417109 RH7417108	1 1
PILLAR ASSEMBLY—Upper	EJ/2104, EH/2104	LH7418681 RH7418682	1 1
PILLAR ASSEMBLY—Lower	EJ/2104, EH/2104	LH7418497 RH7418496	1 1
PILLAR ASSEMBLY	EJ/2106, EH/2106	LH7418459 RH7418460	1 1
PANEL ASSEMBLY—Inner	HD/219, HD/229, HD/239 HR/219, HR/229, HR/239	LH7426767 RH7426768	1 1
EXTENSION—Inner panel	HD/219, HD/229, HD/239 HR/219, HR/229, HR/239	LH7427265 RH7427266	1 1
PANEL ASSEMBLY—Outer	HD/219, HD/229, HD/239	LH7426791 RH7426792	1 1
PANEL ASSEMBLY—Outer	HR/219, HR/229, HR/239	LH7428267 RH7428268	1 1
PILLAR ASSEMBLY—Outer	HD/2104, HR/2104	LH7420493 RH7420494	1 1
PILLAR—Inner	HD/2104, HR/2104	LH7420521 RH7420522	1 1
PILLAR ASSEMBLY—Outer	HD/2106, HR/2106	LH7420497 RH7420498	1 1
PILLAR—Inner	HD/2106, HR/2106	LH7420517 RH7420518	1 1
EXTENSION—Inner	HD/2104, HD/2106 HR/2104, HR/2106	LH7420519 RH7420520	1 1

12.952 BOW ASSEMBLY—Roof

BOW ASSEMBLY—Roof	50, FJ/2106	7403507	1
BOW ASSEMBLY—Roof	FE/215, FE/217, FE/225 FC/215, FC/217, FC/225	7413293	1
BOW ASSEMBLY—Roof front	FE/219, FE/229, FE/2104 FC/219, FC/229, FC/2104	7413237	1
BOW ASSEMBLY—Roof rear	FE/219, FE/229, FE/2104 FC/219, FC/229, FC/2104	7411135	1
BOW ASSEMBLY—Roof	FE/2106, FC/2106	7413255	1
BOW ASSEMBLY—Roof	FB/215, FB/225, EK/215, EK/225	7413591	1
BOW ASSEMBLY—Roof rear	FB/219, FB/229, EK/219, EK/229	7413184	1
BOW ASSEMBLY—Roof front	FB/2104, EK/2104	7413959	1
BOW ASSEMBLY—Roof rear	FB/2104, EK/2104	7413863	1
BOW ASSEMBLY—Roof	FB/2106, EK/2106	7413925	1
BOW ASSEMBLY—Roof front	EJ, exc. EJ/2104	7408956	1
BOW ASSEMBLY—Roof rear	EJ/215, EJ/225, EJ/235	7419000	1
BOW ASSEMBLY—Roof rear	EJ/219, EJ/229	7416445	2
BOW ASSEMBLY—Roof front	EJ/2104, EH/2104	7418309	1
BOW ASSEMBLY—Roof rear	EJ/2104, EH/2104	7417969	1
BOW ASSEMBLY—Roof front	EH/215, EH/225, EH/235	7422104	1
BOW ASSEMBLY—Roof rear	EH/215, EH/225, EH/235	7422106	1
BOW ASSEMBLY—Roof front	EH/219, EH/229, EH/239, EH/2106	7408956	1
BOW ASSEMBLY—Roof rear	EH/219, EH/229, EH/239	7416445	2
BOW ASSEMBLY—Roof front	HD exc. HD/2104, HD/2106 HR exc. HR/2104, HR/2106	7423099	1
BOW ASSEMBLY—Roof rear	HD/215, HD/225, HD/235 HR/215, HR/225, HR/235	7423101	1
BOW ASSEMBLY—Roof rear	HD/219, HD/229, HD/239 HR/219, HR/229, HR/239	7424250	2
BOW ASSEMBLY—Roof front	HD/2104, HR/2104	7420727	1
BOW ASSEMBLY—Roof rear	HD/2104, HR/2104	7420831	1



HOLDEN

MASTER PARTS CATALOGUE

12.955 WIRE—Headlining listing support

No. 1	48, FJ/215, FJ/217, FJ/225	7401197	1
No. 2	48, FJ/215, FJ/217, FJ/225	7401198	1
No. 3	48, FJ/215, FJ/217, FJ/225	7402128	2
No. 4	48, FJ/215, FJ/217, FJ/225	7401204	1
No. 5	48, FJ/215, FJ/217, FJ/225	7401205	1
No. 6	48, FJ/215, FJ/217, FJ/225	7401206	1
No. 7	48, FJ/215, FJ/217, FJ/225	7401207	1
No. 2	50, FJ/2104, FJ/2106	7402128	2
No. 1	FE, FC	7408351	1
No. 2	FE/215, FE/217, FE/225 FC/215, FC/217, FC/225	7408352	1
No. 3	FE exc. FE/2104 FC exc. FC/2104	7409135	2
No. 4	FE/215, FE/217, FE/225 FC/215, FC/217, FC/225	7408353	1
No. 5	FE/215, FE/217, FE/225 FC/215, FC/217, FC/225	7408354	1
No. 2	FE/219, FE/229, FE/2104 FC/219, FC/229, FC/2104	7410959	1
No. 7	FE/219, FE/229, FC/219, FC/229	7411358	1
No. 8	FE/219, FE/229, FC/219, FC/229	7410962	1
No. 8	FB/219, FB/229, EK/219, EK/229	7413203	1
No. 1 and 2	FB/2106, EK/2106	7413793	2
No. 1	EJ, exc. EJ/2104, EJ/2106 EH, exc. EH/2104, EH/2106	7415959	1-5
No. 2	EJ, exc. EJ/2104 EH, exc. EH/2104	7409000	2-6
No. 3	EJ/215, EJ/225, EJ/235 EH/215, EH/225, EH/235	7415960	1
No. 4	EJ/215, EJ/225, EJ/235 EH/215, EH/225, EH/235	7419015	1
No. 5	EJ/215, EJ/225, EJ/235	7415961	1
No. 6	EJ/215, EJ/225, EJ/235	7419177	1
No. 5	EH/215, EH/225, EH/235	7424807	1
No. 6	EH/215, EH/225, EH/235	7424808	1
No. 1	EJ/2104, EH/2104	7421520	1
No. 2	EJ/2104, EH/2104	7421533	1
No. 3	EJ/2104, EH/2104	7421489	1
EXTENSION—No. 3 wire	EJ/2104, EH/2104	7421490	2
No. 1 and 2	EJ/2106, EH/2106	7421352	2
No. 1	HD exc. HD/2104 HR exc. HR/2104	7426684	1-5
No. 2	HD exc. HD/2104, HD/2106 HR exc. HR/2104, HR/2106	7409000	2-6
No. 3	HD/215, HD/225, HD/235 HR/215, HR/225, HR/235	7426685	1
No. 4	HD/215, HD/225, HD/235, HD/2106 HR/215, HR/225, HR/235, HR/2106	7419015	1
No. 5	HD/215, HD/225, HD/235 HR/215, HR/225, HR/235	7426686	1
No. 6	HD/215, HD/225, HD/235 HR/215, HR/225, HR/235	7426687	1
No. 1	HD/2104, HR/2104	7428176	1
No. 2	HD/2104, HR/2104	7427468	1
No. 3	HD/2104, HR/2104	7427458	1
EXTENSION—No. 3 wire	HD/2104, HR/2104	7427461	2

HOLDEN

MASTER PARTS CATALOGUE



12.956 RAIL ASSEMBLY—Roof

RAIL ASSEMBLY	FE/215, FE/217, FE/225		
REINFORCEMENT—Side rail	FC/215, FC/217, FC/225	LH7408337	1
	FE/215	S.A. from Body No. 4185A Vic. from Body No. 1968M N.S.W. from Body No. 3386S	
	FE/217	S.A. from Body No. 1234A Vic. from Body No. 360M N.S.W. from Body No. 1032S	
	FE/225	S.A. from Body No. 22879A Vic. from Body No. 3480M NSW from Body No. 13898S	
RAIL ASSEMBLY	FC/215, FC/217, FC/225	RH7413268	1
RAIL ASSEMBLY—Rear	FE/219, FE/229, FC/219, FC/229	LH7411307	1
RAIL ASSEMBLY		RH7411308	1
RAIL ASSEMBLY—Rear	FE/219, FE/229, FC/219, FC/229	7411320	1
RAIL ASSEMBLY	FE/2104, FC/2104	LH7411301	1
RAIL ASSEMBLY—Rear		RH7411300	1
RAIL ASSEMBLY—Rear	FE/2104, FC/2104	7411673	1
REINFORCEMENT—Rail to pillar facing	FE, FC	LH7409447	1
		RH7409446	1
RAIL—Side Rear	FB/219, FB/229, EK/219, EK/229	LH 7413273	1
REINFORCEMENT—Side rear rail		RH 7413274	1
	FB/219, FB/229, EK/219, EK/229	RH 7413276	1
RAIL ASSEMBLY—Rear	FB/219, FB/229, EK/219, EK/229	7406800	1
RAIL ASSEMBLY—Rear	FB/2104, EK/2104	7413769	1
RAIL—Side inner	EJ/215, EJ/225, EJ/235		
	EH/215, EH/225, EH/235	LH7411057	1
		RH7411058	1
RAIL—Side inner	EJ/219, EJ/229		
	EH/219, EH/229, EH/239	LH7416253	1
		RH7416254	1
RAIL—Rear	EJ/219, EJ/229		
	EH/219, EH/229, EH/239	7416790	1
PANEL—Weatherstrip inner retainer	EJ/219, EJ/229		
	EH/219, EH/229, EH/239	7416794	1
RAIL—Side inner	EJ/2104, EH/2104	LH7418527	1
		RH7418526	1
RAIL—Rear	EJ/2104, EH/2104	7418410	1
RAIL—Side inner	EJ/2106, EH/2106	LH7418361	1
		RH7418362	1
RAIL—Side inner	HD/215, HD/225, HD/235		
	HR/215, HR/225, HR/235	LH7423643	1
		RH7423642	1
RAIL—Side inner	HD/219, HD/229, HD/239		
	HR/219, HR/229, HR/239	LH7425743	1
		RH7425742	1
RAIL—Rear	HD/219, HD/229, HD/239		
	HR/219, HR/229, HR/239	7424813	1
RAIL—Side inner	HD/2104, HD/2106		
	HR/2104, HR/2106	LH7420671	1
		RH7420672	1
RAIL ASSEMBLY—Rear	HD/2104, HR/2104	7427495	1

12.958 TRAY, PANEL—Seat Back and Package

PANEL ASSEMBLY	FB/2106, EK/2106	7413844	1
PANEL ASSEMBLY	EJ/2106, EH/2106	7418205	1
PANEL ASSEMBLY	HD/2106, HR/2106	7420677	1
EXTENSION	HD/2106, HR/2106	LH7420655	1
		RH7420656	1



HOLDEN

MASTER PARTS CATALOGUE

12.966 PANEL—Back

UPPER	48, FJ/215, FJ/217, FJ/225	7400516	1
LOWER	48, FJ/215, FJ/217, FJ/225	7400517	1
REINFORCEMENT—Back panel, upper	48, FJ/215, FJ/217, FJ/225	7402617	1
UPPER	50, FJ/2104, FJ/2106	7403620	1
BRACE—Rear compt. gutter to floor	FE/215, FE/217, FE/225 FC/215, FC/217, FC/225	LH7410041 RH7410042	1 1
PANEL ASSEMBLY	FE/2106, FC/2106 FB/2104, FB/2106, EK/2104, EK/2106	7410791	1
PANEL	FB/215, FB/225, EK/215, EK/225	7411918	1
BRACE—Back panel to floor	FB/215, FB/225, EK/215, EK/225	LH7412027 RH7412028	1 1
PANEL ASSEMBLY—Outer	EJ/215, EJ/225, EJ/235	7416178	1
PANEL ASSEMBLY—Inner	EJ/215, EJ/225, EJ/235	7415551	1
PANEL ASSEMBLY—Outer, lower	EJ, exc. EJ/2104, EJ/2106	7421160	1
PANEL ASSEMBLY—Outer	EJ/219, EJ/229	7417119	1
PANEL ASSEMBLY—Inner	EJ/219, EJ/229	7415379	1
PANEL ASSEMBLY—Outer	EJ/2104, EJ/2106	7418468	1
PANEL ASSEMBLY—Outer	EH/215, EH/225, EH/235	7422646	1
PANEL ASSEMBLY—Inner	EH/215, EH/225, EH/235	7422289	1
PANEL ASSEMBLY—Outer, lower	EH, exc. EH/2104, EH/2106	7422277	1
PANEL ASSEMBLY—Outer	EH/219, EH/229, EH/239	7422469	1
PANEL ASSEMBLY—Inner	EH/219, EH/229, EH/239	7422036	1
PANEL ASSEMBLY—Outer	EH/2104, EH/2106	7418468	1
SHIELD—Rear bumper stone	EJ/2104, EJ/2106 EH/2104, EH/2106	LH7418303 RH7418304	1 1
PANEL ASSEMBLY—Outer	HD/215, HD/225, HD/235	7423253	1
PANEL ASSEMBLY—Inner	HD/215, HD/225, HD/235	7423255	1
EXTENSION—Inner panel	HD/215, HD/225, HD/235	LH7424341 RH7424340	1 1
PANEL ASSEMBLY—Outer	HD/219, HD/229, HD/239	7425971	1
RETAINER—End gate weatherstrip	HD/219, HD/229, HD/239	7425973	1
PANEL ASSEMBLY—Inner	HD/219, HD/229, HD/239	7425733	1
SPACER—Outer panel	HD exc. HD/2104, HD/2106	7423308	2
PANEL ASSEMBLY—Outer	HR/215, HR/225, HR/235	7428084	1
PANEL ASSEMBLY—Inner	HR/215, HR/225, HR/235	7429409	1
EXTENSION—Inner panel	HR/215, HR/225, HR/235	LH7428087 RH7428086	1 1
SPACER—Outer panel	HR/215, HR/225, HR/235	7428306	2
PANEL ASSEMBLY—Outer	HR/219, HR/229, HR/239	7428337	1
PANEL ASSEMBLY—Inner	HR/219, HR/229, HR/239	7425733	1
RETAINER—End gate weatherstrip	HR/219, HR/229, HR/239	7425973	1
SPACER—Outer panel	HR/219, HR/229, HR/239	7423308	2
PANEL—Outer	HD/2104, HR/2104	7420511	1
PANEL—Outer	HD/2106, HR/2106	7420510	1
SPACER—Outer panel	HD/2104, HD/2106 HR/2104, HR/2106	7420256	2

12.971 PANEL, BRACE—Rear Compartment Front

PANEL ASSEMBLY	FE/215, FE/217 FC/215, FC/217, FC/225	7410011	1
BRACE—Panel to floor pan outer	FE/215, FE/217, FE/225 FC/215, FC/217, FC/225	LH7409677	1
PANEL ASSEMBLY	FB/215, FB/225, EK/215, EK/225	7413093	1
BRACE ASSEMBLY—Panel to floor pan outer	FB/215, FB/225, EK/215, EK/225	LH7412263 RH7412262	1 1
BRACE—Panel to floor pan	FB/215, FB/225, EK/215, EK/225	7412091	1

HOLDEN

MASTER PARTS CATALOGUE



12.971 PANEL, BRACE—Rear Compartment Front (Cont'd.)

PANEL ASSEMBLY	EJ/215, EJ/225, EJ/235	7415854	1
BRACE—Panel to wheel house	EJ/215, EJ/225, EJ/235	LH7415109	1
		RH7415110	1
PANEL ASSEMBLY	EH/215, EH/225, EH/235	7422647	1
BRACE—Panel to wheelhouse	EH/215, EH/225, EH/235	LH7422493	1
		RH7422492	1
EXTENSION—Panel to wheel house brace ..	EJ/215, EJ/225, EJ/235	LH7422407	1
	EH/215, EH/225, EH/235	LH7422405	1
FILLER—Package tray ..	EH/215, EH/225, EH/235 ..	RH7422404	1
PANEL	EJ/2106, EH/2106 ..	7418224	1
PANEL ASSEMBLY	HD/215, HD/225, HD/235	7425829	1
BRACE—Package tray to wheelhouse ..	HD/215, HD/225, HD/235	LH7423799	1
		RH7423798	1
PANEL ASSEMBLY	HR/215	7428592	1
PANEL ASSEMBLY	HR/225, HR/235	7432231	1
BRACE—Package tray to wheelhouse ..	HR/215, HR/225, HR/235	LH7428373	1
		RH7428372	1
EXTENSION—Package tray to wheelhouse brace ..	HD/215, HD/225, HD/235	LH7423357	1
	HR/215, HR/225, HR/235	RH7423356	1
FILLER—Package tray	HD/215, HD/225, HD/235	LH7423797	1
	HR/215, HR/225, HR/235	RH7423796	1
PANEL	HD/2106, HR/2106 ..	7420226	1

12.972 FLOOR PAN

MEMBER—Frame mounting

PAN ASSEMBLY—Front floor	FE, FC	7408327	1
PAN ASSEMBLY—Front floor	FB, EK(M)	RIGHT HAND DRIVE	7411660
			1
PAN ASSEMBLY—Front floor	EK(A)	RIGHT HAND DRIVE	7417561
			1
MEMBER ASSEMBLY—Front floor pan	EK(A)	LH7417565	1
		RH7417564	1
PAN ASSEMBLY—Centre floor ..	FE exc. FE/2106, FC exc. FC/2106 ..		
	FB exc. FB/2106, EK exc. EK/2106 ..	7408241	1
PAN ASSEMBLY—Front floor	EJ (M), EH (M), exc. EH/235, EH/239 ..		
		RIGHT HAND DRIVE	7408894
		LEFT HAND DRIVE	7415807
			1
PAN ASSEMBLY—Front floor	EH/235 (M), EH/239 (M) ..		
		RIGHT HAND DRIVE	7425945
			1
PAN ASSEMBLY—Front floor	EJ(A), exc. EJ/235		
		RIGHT HAND DRIVE	7417888
			1
PAN ASSEMBLY—Front floor	EJ/235		
			7419671
			1
PAN ASSEMBLY—Front floor	EH (A) exc. EH/235, EH/239 ..		
		RIGHT HAND DRIVE	7421855
		LEFT HAND DRIVE	7421856
			1
PAN ASSEMBLY—Front floor	EH/235 (A), EH/239 (A) ..		
		RIGHT HAND DRIVE	7421857
		LEFT HAND DRIVE	7427563
			1
PAN ASSEMBLY—Centre floor	EJ, EH		
			7406252
			1
MEMBER ASSEMBLY—Frame mounting	EJ (M), EH (M)	LH7414835	1
		RH7414836	1
MEMBER ASSEMBLY—Frame mounting	EJ (A), EH (A)	LH7417893	1
		RH7417894	1
PAN ASSEMBLY—Front floor	HD, HR	RIGHT HAND DRIVE	7424239
		LEFT HAND DRIVE	7427603
			1
PAN ASSEMBLY—Centre floor	HD, HR		
			*7427250
			1
MEMBER ASSEMBLY—Frame mounting	HD, HR	RIGHT HAND DRIVE	LH7423385
			RH7423386
		LEFT HAND DRIVE	LH7428245
			RH7428244
			1

* Flatten bracket and drill water drain holes when necessary.



HOLDEN

MASTER PARTS CATALOGUE

12.980 FRAME ASSEMBLY, SIDE MEMBER, FLOOR PLUG

SIDE MEMBER ASSEMBLY	48, 50, FJ	LH7405287	1
		RH7405286	1
BOLT—Front end underbody attaching	48, 50, FJ	7403286	4
NUT—Self locking, hex. 1/4"—28	48, 50, FJ	SP1229	4
WASHER—Plain 5/16" x 3/4" x .065"	48, 50, FJ	120386	4
PLUG—Floor pan drain	48, 50, FJ	7402466	A.R.
PLUG—Rear floor cross member	FJ/215, FJ/217, FJ/225	7402466	2
PLUG—Underbody sealing	FJ/215, FJ/217, FJ/225	7402189	4
SIDE MEMBER ASSEMBLY	FE, FC	LH7410017	1
		RH7410016	1
BOLT—To underbody attaching—outer	FE, FC	7409047	2
BOLT—To underbody attaching—inner	FE, FC	7403640	2
WASHER—Body bolt frame	FE, FC	7409049	4
NUT—Hex. 5/16"—24	FE, FC	120368	4
WASHER—Spring lock 5/16" medium	FE, FC	120214	4
BOLT—Special hex. hd. 5/16"—24 x 5/8"	FE, FC	7400738	A.R.
NUT—Hex. 5/16"—24	FE, FC	120368	4
WASHER—Spring lock 5/16" medium	FE, FC	120214	A.R.
SCREW—Hex. hd. tap. Type "D", 3/8"—24 x 3/4"	FC	172493	2
SCREW—Pan hd. sl. tap. Type "A" No. 10—12 x 1/2"	FE, FC	144811	4
WASHER—Plain 7/32" x 1/2" x .049"	FE, FC	120391	4
NUT—Spiral	FE, FC, FB, EK	7402851	2
PLUG—Underbody sealing	FE/215, FE/217, FE/225 FC/215, FC/217, FC/225	7402466	1
SIDE MEMBER ASSEMBLY	FB, EK	RIGHT HAND DRIVE	LH7406923
			RH7406922
SIDE MEMBER ASSEMBLY	FB, EK	LEFT HAND DRIVE	LH7406989
SIDE MEMBER ASSEMBLY	FB, EK (M)	LEFT HAND DRIVE	RH7406990
SIDE MEMBER ASSEMBLY	EK(A)	LEFT HAND DRIVE	RH7425206
BOLT—To underbody attaching—outer	FB, EK	7403642	2
BOLT—To underbody attaching—inner	FB, EK	7403640	2
NUT—Hex. 5/16"—24	FB, EK	120368	4
WASHER—Spring lock 5/16", medium	FB, EK	120214	4
BOLT—Special hex. hd. 5/16"—24 x 5/8"	FB, EK	7400738	8
NUT—Hex. 5/16"—24	FB, EK	120368	8
WASHER—Spring lock 5/16", medium	FB, EK	120214	8
SCREW—Hex. hd. tap. Type "D", 3/8"—24 x 3/4"	FB, EK	172493	2
PLUG—Underbody sealing	FB, EK	7402466	1
PLUG—Underbody drain	FB, EK	4124441	2
CAP—Underbody sealing	EK	7410830	2
FRAME ASSEMBLY	EJ	RIGHT HAND DRIVE	7416310
FRAME ASSEMBLY	EH	RIGHT HAND DRIVE	7421496
FRAME ASSEMBLY	HD(M)	RIGHT HAND DRIVE	7425714
		LEFT HAND DRIVE	7425715
FRAME ASSEMBLY	HD(A)	RIGHT HAND DRIVE	7425716
FRAME ASSEMBLY	HD(A) exc. X2 Eng.	LEFT HAND DRIVE	7425717
FRAME ASSEMBLY	HD(A) X2 Eng.	LEFT HAND DRIVE	7430168
FRAME ASSEMBLY	HR(M)	RIGHT HAND DRIVE	7428830
		LEFT HAND DRIVE	7428831
FRAME ASSEMBLY	HR(A)	RIGHT HAND DRIVE	7428832
FRAME ASSEMBLY	HR(A) exc. X2, S Eng.	LEFT HAND DRIVE	7428833
FRAME ASSEMBLY	HR(A) X2, S Eng.	LEFT HAND DRIVE	7430143
SCREW—Pan Hd. sl. tap. type "B" No. 10—16 x 1/2"	EJ, EH, HD, HR	145193	2
WASHER—Spring lock, 3/8"—medium	EJ, EH, HD, HR	120382	10
NUT—Hex. 3/8"—24	EJ, EH, HD, HR	120369	10
SIDE MEMBER ASSEMBLY	EJ	RIGHT HAND DRIVE	LH7425409*
			RH7425408
		LEFT HAND DRIVE	LH7425407
			RH7425406

* NOTE: When fitting 7425409 to (A) Models, the Clutch Hose Bracket must be flattened against Member.

HOLDEN

MASTER PARTS CATALOGUE



12.980 FRAME ASSEMBLY, SIDE MEMBER, FLOOR PLUG (Cont'd.)

SIDE MEMBER ASSEMBLY	EH	RIGHT HAND DRIVE	LH7426691	1
			RH7422686	1
		LEFT HAND DRIVE	LH7422685	1
			RH7424430	1
SIDE MEMBER ASSEMBLY	HD	RIGHT HAND DRIVE	LH7412899	1
SIDE MEMBER ASSEMBLY	HD(M)	RIGHT HAND DRIVE	RH7420586	1
SIDE MEMBER ASSEMBLY	HD(A)	RIGHT HAND DRIVE	RH7412898	1
SIDE MEMBER ASSEMBLY	HD	LEFT HAND DRIVE	LH7412997	1
			RH7412998	1
SIDE MEMBER ASSEMBLY	HR	RIGHT HAND DRIVE	LH7429431	1
SIDE MEMBER ASSEMBLY	HR(M)	RIGHT HAND DRIVE	RH7429434	1
SIDE MEMBER ASSEMBLY	HR(A)	RIGHT HAND DRIVE	RH7429432	1
SIDE MEMBER ASSEMBLY	HR	LEFT HAND DRIVE	LH7429433	1
			RH7429430	1
BOLT—Frame to body	EJ, EH, HD, HR		7419513	10
BOLT—To underbody attaching—outer	EJ, EH		7415101	2
BOLT—To underbody attaching—outer	HD, HR		7423695	2
BOLT—To underbody attaching—inner	EJ, EH, HD, HR		7415102	2
WASHER—Spring lock, 5/16"—medium	EJ, EH, HD, HR		120214	4
NUT—Hex. 5/16"—24	EJ, EH, HD, HR		120368	4
PLATE—Floor pan cover	EJ, EH, HD, HR		7418525	4-2
PLATE—Floor pan cover with 5/16" hole	HR/2106		7432988	2
SCREW—Pan hd. cr. rec. tap. type "B" No. 10—16 x 3/8"	EJ, EH, HD, HR		163210	8-4
PLUG—Belt plate sealing	EJ, EH, HD, HR		7419554	4-2
PLUG—Underbody sealing	EJ, EH, HD		7402466	1
CAP—Underbody sealing	EJ, EH, HD, HR		7410830	2-4

12.981 PAN—Rear Compartment Floor

PAN	FE/215, FE/217, FE/225 FC/215, FC/217, FC/225 FB/215, FB/225, EK/215, EK/225		7408362	1
POCKET—Spare wheel	FE/215, FE/217, FE/225 FC/215, FC/217, FC/225 FB/215, FB/225, EK/215, EK/225		7408036	1
PAN	EJ, exc. EJ/2104, EJ/2106		7414901	1
PAN	EH, exc. EH/2104, EH/2106		7422368	1
PLUG—1/2" dia.	EH/2104, EH/2106		SP1540	1
PLATE—Shock absorber access hole cover	EJ/2104, EJ/2106, EH/2104, EH/2106		7417491	2
PLATE—Fuel tank gauge access hole cover	EJ/2104, EJ/2106, EH/2104, EH/2106		7417491	1
REINFORCEMENT	EJ, EH		7423938	1
REINFORCEMENT—Spare wheel clamp mounting	EJ/2104, EJ/2106, EH/2104, EH/2106 HD/2104, HD/2106 HR/2104, HR/2106		7418291	1
PAN	HD, HR		7423067	1
REINFORCEMENT	HD/219, HD/229, HD/239 HR/219, HR/229, HR/239		7428278	1
REINFORCEMENT—(Rear cross bar)	HD/2104, HD/2106 HR/2104, HR/2106		7420238	1
PLATE—Shock absorber access hole cover	HD/2104, HD/2106 HR/2104, HR/2106		7417863	2
SCREW—Flat hd. cr. rec. wood—No. 6—18 x 1/2"	HD/2104, HD/2106 HR/2104, HR/2106		148726	8
PLATE—Fuel tank gauge access hole cover	HD/2104, HD/2106 HR/2104, HR/2106		7417863	1
SCREW—Flat hd. cr. rec. tap. No. 6—18 x 1/2"	HD/2104, HD/2106 HR/2104, HR/2106		161373	4



HOLDEN

MASTER PARTS CATALOGUE

12.982 TIE MEMBER, CROSS MEMBER, BAR—Frame and Underbody

TIE MEMBER—Frame Front	48, 50, FJ	7404530	1
BOLT—Dash brace to front end	48, 50, FJ	7400738	6
NUT—Light hex. 5/16"—24	48, 50, FJ	120368	6
WASHER—Plain 3/8" x 7/8" x .083"	48, 50, FJ	446363	6
WASHER—Spring lock 5/16"—medium	48, 50, FJ	120214	6
TIE MEMBER ASSY.—Frame front	FE, FC, FB, EK	7409042	1
BAR ASSEMBLY—Floor pan No. 1 cross	FE, FC, FB, EK(M)	7408398	1
BAR—Floor pan No. 1 cross	EK(A)	7417563	1
MEMBER ASSEMBLY—Underbody No. 1 cross	FE, FC, FB, EK(M)	7409148	1
BOLT—Hex. hd. 5/16"—24 x 2 1/4"	FE, FC, FB, EK(M)	124088	4
WASHER—Spring lock 5/16" medium	FE, FC, FB, EK(M)	120214	4
WASHER—Plain 3/8" x 7/8" x .083"	FE, FC, FB, EK(M)	446363	4
NUT—Hex. 5/16"—24	FE, FC, FB, EK(M)	120368	4
BAR—Rear cross	FE/215, FE/217, FE/225 FC/215, FC/217, FC/225 FB/215, FB/225, EK/215, EK/225	7408295	1
MEMBER—Underbody rear cross	FE/219, FE/229, FE/2104, FE/2106 FC/219, FC/229, FC/2104, FC/2106 FB/219, FB/229, FB/2104, FB/2106 EK/219, EK/229, EK/2104, EK/2106	7410436	1
MEMBER ASSEMBLY—Underbody side	FE, FC	LH7409083 RH7409084	1 1
MEMBER ASSEMBLY—Underbody side	FB, EK	RH7400582	1
MEMBER—Tonneau floor rear upper cross	FB/219, FB/229, EK/219, EK/229	7411049	1
TIE MEMBER ASSEMBLY—Frame front, lower	EJ, EH	7415452	1
BAR ASSEMBLY—Underbody No. 1 cross	EJ(M) .. RIGHT HAND DRIVE	7414813	1
MEMBER ASSEMBLY—Underbody No. 1 cross bar tie	EJ(M)	7410351	1
BOLT—Hex. hd. 5/16"—24 x 2-1/4"	EJ(M)	124088	4
NUT—Hex. 5/16"—24	EJ(M)	120368	4
WASHER—Spring lock, 5/16"—medium	EJ(M)	120214	4
WASHER—Plain, type "A" 3/8" x 7/8" x .083"	EJ(M)	446363	4
MEMBER ASSEMBLY—Underbody No. 1 cross bar tie	EJ(A)	7417999	1
BOLT—Hex. hd. 5/16"—24 x 3/4"	EJ(A)	120741	6
WASHER—Spring lock, 5/16"—medium	EJ(A)	120214	6
BAR ASSEMBLY—Underbody No. 1 cross	EJ(A) .. RIGHT HAND DRIVE	7417890	1
BAR ASSEMBLY—Underbody No. 2 cross	EJ, EH	7414874	1
BAR ASSEMBLY—Tonneau floor rear cross	EJ/219, EJ/229	7417118	1
BAR ASSEMBLY—Underbody No. 1 cross	EH (M) .. RIGHT HAND DRIVE LEFT HAND DRIVE	7421050 7421051	1 1
MEMBER—Underbody No. 1 cross bar	EH (M)	7421055	1
NUT—Hex. hd. 3/8"—24	EH (M)	120369	4
WASHER—Spring lock 3/8"—medium	EH (M)	120382	4
WASHER—Plain 25/64" x 3/4" x .083"	EH (M)	SP1357	4
MEMBER ASSEMBLY—Underbody No. 1 cross bar	EH (A)	7421045	1
BOLT—Hex. hd. 3/8"—24 x 7/8"	EH (A)	120758	6
WASHER—Spring lock 3/8"—medium	EH (A)	120382	6
BAR ASSEMBLY—Underbody No. 1 cross	EH (A) .. RIGHT HAND DRIVE LEFT HAND DRIVE	7421040 7421041	1 1
BAR ASSEMBLY—Tonneau floor rear cross	EH/219, EH/229, EH/239	7422468	1
BAR ASSEMBLY—Tonneau floor rear cross	EJ/2104, EJ/2106, EH/2104, EH/2106	7418466	1
BAR—Rear cross	EJ/2104, EJ/2106, EH/2104, EH/2106	7417927	1
EXTENSION—Tonneau floor No. 4 cross bar	EJ/219, EJ/229, EJ/2104, EJ/2106 EH/219, EH/229, EH/239 EH/2104, EH/2106	7415802	2
MEMBER—Underbody side	EJ, exc. EJ/219, EJ/229 EH, exc. EH/219, EH/229, EH/239	LH7414831 RH7414830	1 1
MEMBER—Underbody side	EJ/219, EJ/229 EH/219, EH/229, EH/239	LH7425405 RH7425404	1 1

HOLDEN

MASTER PARTS CATALOGUE



12.982 TIE MEMBER, CROSS MEMBER, BAR—Frame and underbody (Contd.)

TIE MEMBER ASSEMBLY—Frame front, lower	HD, HR	7423742	1
REINFORCEMENT—Front bumper bar mounting	HD, HR	7423998	2
BAR ASSEMBLY—Underbody No. 1 cross	HD, HR	7423282	1
MEMBER—Underbody No. 1 cross bar	HD(M), HR(M) RIGHT HAND DRIVE LEFT HAND DRIVE	7424062 7428388	1 1
MEMBER—Underbody No. 1 cross bar	HD(A), HR(A) RIGHT HAND DRIVE LEFT HAND DRIVE	7423364 7428389	1 1
BOLT—Hex. hd. 3/8"—16 x 7/8"	HD, HR	122126	6
WASHER—Spring lock 3/8" medium	HD, HR	120382	6
BAR ASSEMBLY—Underbody No. 2 cross	HD/215, HD/225, HD/235 HR/215, HR/225, HR/235	7425587	1
BAR ASSEMBLY—Underbody No. 2 cross	HD/219, HD/229, HD/239 HD/2104, HD/2106 HR/219, HR/229, HR/239, HR/2104, HR/2106	7425598	1
BAR ASSEMBLY—Underbody No. 3 cross	HD, HR	7423184	1
EXTENSION ASSEMBLY—No. 3 cross bar	HD/219, HD/229, HD/239 HD/2104, HD/2106 HR/219, HR/229, HR/239 HR/2104, HR/2106	LH7424371 RH7424372	1 1
BAR ASSEMBLY—Tonneau floor rear cross	HD/219, HD/229, HD/239 HR/219, HR/229, HR/239	7427056	1
BAR—Tonneau floor No. 1 cross	HD/2104, HD/2106 HR/2104, HR/2106	7420378	1
BAR ASSEMBLY—Tonneau floor rear cross	HD/2104, HD/2106 HR/2104, HR/2106	7420379	1
MEMBER—Underbody side	HD/215, HD/225, HD/235 HD/2104, HD/2106 HR/215, HR/225, HR/235 HR/2104, HR/2106	7423072	2
MEMBER—Underbody side	HD/219, HD/229, HD/239 HR/219, HR/229, HR/239	7425592	2

12.984 BRACKET—Rear Shock Absorber Mounting

BRACKET	EJ, EH	LH7410161 RH7410162	1 1
BRACKET	HD, HR	LH7423143 RH7423144	1 1

12.986 EXTENSION, SILL, PANEL—Rear Compartment Floor Pan

EXTENSION ASSEMBLY	FB exc FB/2104, FB/2106 EK exc EK/2104, EK/2106	LH7414763 RH7414764	1 1
EXTENSION—Floor pan rear	FB/219, FB/229, EK/219, EK/229	7412781	1
SILL—Tonneau floor side	EJ/219, EJ/229 EH/219, EH/229, EH/239	LH7416057 RH7416058	1 1
SILL—Tonneau floor side, front	EJ/2104, EH/2104	LH7417357 RH7417356	1 1
SILL—Tonneau floor side, front	EJ/2106, EH/2106	LH7417405 RH7417406	1 1
SILL—Tonneau floor side, rear	EJ/2104, EJ/2106 EH/2104, EH/2106	LH7416055 RH7416056	1 1

HOLDEN

MASTER PARTS CATALOGUE



Group	Description	Model	Part No.	Qty.
13.090 HARNESS ASSEMBLY—Body wiring				
HARNESS ASSEMBLY		FE/225		
		FC/225	S.A. up to Ser. No. 16267A Qld. up to Ser. No. 24062B Vic. up to Ser. No. 56515M W.A. up to Ser. No. 12136P N.S.W. up to Ser. No. 58630S	7410294
HARNESS ASSEMBLY		FB/215, FB219 EK/215	S.A. up to Body No. 331A Vic. up to Body No. 570M N.S.W. up to Body No. 792S	
		EK/219	S.A. up to Body No. 148A Vic. up to Body No. 249M N.S.W. up to Body No. 485S RIGHT HAND DRIVE	7413486
				1
HARNESS ASSEMBLY		FB/225, FB/229 EK/225	S.A. up to Body No. 1658A Vic. up to Body No. 4565M N.S.W. up to Body No. 3654S	
		EK/229	S.A. up to Body No. 707A Vic. up to Body No. 2638M N.S.W. up to Body No. 1994S RIGHT HAND DRIVE	7413487
				1
HARNESS ASSEMBLY		FB/225, FB/229 EK/225	up to Body No. 110A	
		EK/229	up to Body No. 4A LEFT HAND DRIVE	7415847
				1
PLUG ASSEMBLY—Stop & tail lamp D.C.		FB exc FB/2104, FB/2106 EK exc. EK/2104, EK/2106		2965332
				2
PLUG ASSEMBLY—Turn signal lamp S.C.		FB/225, FB/229, EK/225, EK/229		#2965333
				2
HARNESS ASSEMBLY		EJ, EH	RIGHT HAND DRIVE	7417241
				1
HARNESS ASSEMBLY		EJ/215, EJ/219, EJ/225, EJ/229 EH/215, EH/219, EH/225, EH/229	LEFT HAND DRIVE	7417241
				1
HARNESS ASSEMBLY		EJ/2104, EJ/2106 EH/2104, EH/2106	LEFT HAND DRIVE	7422792
				1
HARNESS ASSEMBLY—Rear		EJ, exc. EJ/2104, EJ/2106 EH, exc. EH/2104, EH/2106	RIGHT HAND DRIVE	7417326
				1
HARNESS ASSEMBLY—Rear		EJ/2104, EJ/2106, EH/2104, EH/2106		7419348
				1
HARNESS ASSY.—Rear (amber turn signal)		EJ, exc. EJ/2104, EJ/2106 EH, exc. EH/2104, EH/2106	LEFT HAND DRIVE	7417530
				1
HARNESS ASSY.—Rear (red, turn signal)		EJ, exc. EJ/2104, EJ/2106 EH, exc. EH/2104, EH/2106	LEFT HAND DRIVE	7418829
				1
HARNESS ASSEMBLY		HD		7425808
				1
HARNESS ASSEMBLY—Rear		HD/215, HD/225, HD/235		7425759
				1
HARNESS ASSEMBLY—Rear		HD/219, HD/229, HD/239		7426028
				1
HARNESS ASSEMBLY—Rear (Red turn signal) optional export		HD/215, HD/225, HD/235		7427718
				1
HARNESS ASSEMBLY—Rear (Red turn signal) optional export		HD/219, HD/229, HD/239		7427716
				1

#Also required for FB/215, FB/219, EK/215, EK/219 with factory assembled direction signal equipment.



HOLDEN

MASTER PARTS CATALOGUE

13.090 HARNESS ASSEMBLY—Body wiring (Contd.)

HARNESS ASSEMBLY	HR exc. HR/2104, HR/2106	7431707	1
HARNESS ASSEMBLY	HR/2104, HR/2106	7425808	1
HARNESS ASSEMBLY—Rear	HR/215, HR/225, HR/235	7430990	1
HARNESS ASSEMBLY—Rear	HR/219, HR/229, HR/239	7430992	1
HARNESS ASSEMBLY—Rear (Red turn signal) optional export	HR/215, HR/225, HR/235	7430996	1
HARNESS ASSEMBLY—Rear (Red turn signal) optional export	HR/219, HR/229, HR/239	7430994	1
HARNESS ASSEMBLY—Rear	HD/2104, HD/2106 HR/2104, HR/2106	7420536	1
CARRIER—Rear harness—Single contact	HD, HR	7426880	2-1
CARRIER—Rear harness—Double contact	HD, HR	7426881	2-1
CABLE ASSEMBLY—Rear	HD/2104, HD/2106 HR/2104, HR/2106	7420528	1
CABLE ASSY.—Rear, 6 way con. (Red turn sig.) Opt. exp.	HD/2104, HD/2106 HR/2104, HR/2106	7427722	1
CABLE ASSY.—Rear (Red turn signal) Optional export	HD/2104, HD/2106 HR/2104, HR/2106	7427720	1
BODY—Single connector	EJ, EH, HD, HR	2962448	A.R.
BODY—4 way male connector	HR exc. HR/2104, HR/2106	2973603	1
BODY—4 way female connector	HR exc. HR/2104, HR/2106	2962969	1
BODY—6 way female connector	EJ, EH, HD, HR	2965018	1
BODY—6 way male connector	EJ, EH, HD HR/2104, HR/2106	2965017	1
BODY—8 way male connector	EJ, EH, HD, HR	2965117	1
CLIP—Harness to panel	EJ, EH, HD, HR	2962752	3-8
TERMINAL—Male	EJ, EH, HD, HR	2965429	A.R.
TERMINAL—Female	EJ, EH, HD, HR	2962508	A.R.
SOCKET ASSEMBLY—Lamp	EJ, EH	7416343	2
SOCKET ASSEMBLY—Lamp	EJ, EH	7416347	2
SOCKET ASSEMBLY—Lamp	HD, HR	7429955	2
SOCKET ASSEMBLY—Lamp	HD, HR	7429820	2

13.092 CLIP, GROMMET, SLEEVE—Body Wiring

CLIP—Wiring to front pillar	48, 50, FJ	7401856	1
CLIP—Wiring to rear quarter & seat back support	48, FJ/215, FJ/217, FJ/225	7401651	A.R.
CLIP—Wiring to fuel tank	48, FJ/215, FJ/217, FJ/225	7401538	2
CLIP—Wiring to deck door hinge & package tray	48, FJ/215, FJ/217, FJ/225	7401856	A.R.
CLIP—Tail lamp connector 1/16"	48 FJ/215 S.A. up to Body No. 6019 NSW up to Body No. S2303 FJ/217 S.A. up to Body No. 1514 NSW up to Body No. S1559 FJ/225 S.A. up to Body No. 15431 NSW up to Body No. S7751	432682	1
CLIP—Courtesy light ld. to fr. body pillar inner panel	FJ/225	7401651	1
CLIP—Wiring to R.H. side member	50, FJ/2104, FJ/2106	432682	5
CLIP—Wiring to spare wheel compt.	50, FJ/2104, FJ/2106	7403683	4
CLIP—Wiring to wheelhouse brace	50, FJ/2104, FJ/2106	7403683	1
CLIP—Wiring to tonneau floor front support	50, FJ/2104, FJ/2106	7403683	3

HOLDEN

MASTER PARTS CATALOGUE



13.092 CLIP, GROMMET, SLEEVE—Body Wiring (Cont'd.)

CLIP—Wiper control cable and body wiring to inst. panel lower reinforcement	FE, FC	7410360	2-1
CLIP—Wiring to fuel tank (plain)	FE/215, FE/217, FE/225 FC/215, FC/217, FC/225	7410389	1
CLIP—Wiring to fuel tank (drilled)	FE/215, FE/217, FE/225 FC/215, FC/217, FC/225	7401538	1
CLIP—Wiring to body 1/4"	FE/215, FE/217, FE/225 FC/215, FC/217, FC/225	7403683	7
CLIP—Wiring to fuel tank cover	FE/219, FE/229, FE/2104, FE/2106 FC/219, FC/229, FC/2104, FC/2106	7410389	2
CLIP—Wiring to sill	FE/219, FE/229, FE/2104, FE/2106 FC/219, FC/229, FC/2104, FC/2106	7410389	1
GROMMET—Wiring thru floor and sill	FE/219, FE/229, FE/2104, FE/2106 FC/219, FC/229, FC/2104, FC/2106	7410356	4
CLIP—Wiring to rear compt. floor	FE/2104, FE/2106, FC/2104, FC/2106	7410389	1-3
CLIP—Wiring to spare wheel compt.	FE/2104, FE/2106, FC/2104, FC/2106	7410389	2-3
CLIP—Wiring to underbody crossmember	FE/2106, FC/2106	7410389	3
CLIP—Wiring to instrument panel reinforcement	FB, EK	7401651	1
	RIGHT HAND DRIVE		
	LEFT HAND DRIVE	7413032	1
CLIP—Wiring to door sill	FB, EK	7413370	2-1
CLIP—Wiring to lower cowl reinforcement	FB, EK	7413032	1
CLIP—Wiring to fuel tank (plain)	FB, EK	7410389	1-2
CLIP—Wiring to fuel tank (drilled)	FB/215, FB/225, EK/215, EK/225	7401538	1
CLIP—Wiring to quarter panel	FB/215, FB/225, EK/215, EK/225	7403683	2
CLIP—Wiring to quarter panel	FB/215, FB/225, EK/215, EK/225	SP1378	1
CLIP—Wiring to quarter panel	FB/215, FB/225, EK/215, EK/225	7413032	3
CLIP—Wiring to side rail	FB/219, FB/229, EK/219, EK/229	7413032	2
CLIP—Wiring to quarter panel	FB/219, FB/229, EK/219, EK/229	7413032	1
CLIP—Wiring to tonneau rear cross member	FB/219, FB/229, EK/219, EK/229	7403683	4
GROMMET—Wiring thru spare wheel comp. side	FB/219 S.A. up to Body No. 2832A Vic. up to Body No. 1528M FB/229 S.A. up to Body No. 17336A Vic. up to Body No. 8503M N.S.W. up to Body No. 7273S	7410356	1
CLIP—Wiring to wheelhouse	FB/2104, FB/2106, EK/2104, EK/2106	7413032	2
CLIP—Wiring to side brace	FB/2104, FB/2106, EK/2104, EK/2106	7413032	2
CLIP—Wiring to side rail	FB/2104, FB/2106, EK/2104, EK/2106	7410389	1
CLIP—Wiring to floor pan	FB/2104, FB/2106, EK/2104, EK/2106	7410389	1
CLIP—Wiring to rear cross member	FB/2104, FB/2106, EK/2104, EK/2106	7410389	3
CLIP—Wiring to spare wheel compartment	FB/2104, FB/2106, EK/2104, EK/2106	7410389	A.R.
CLIP—Wiring to front body pillar	EJ, EH	7410651	1
CLIP—Wiring to underbody side member	EJ, EH	7413032	1
CLIP—Wiring to underbody	EJ, EH	7410389	1
CLIP—Wiring to underbody	EJ, EH	7417298	5
CLIP—Wiring to tonneau floor rear cross bar	EJ/219, EJ/229	7417298	2
GROMMET—Wiring thru tonneau front floor support	EJ/2104, EJ/2106, EH/2106, HD/2106 HR/2106	7418720	1
CLIP—Dome lamp	HD, HR	2973324	2
CLIP—Rear body wiring	HD exc. HD/2104, HD/2106 HR exc. HR/2104, HR/2106	7426417	2
CLIP—Wiring to underbody	HD exc. HD/2104, HD/2106 HR exc. HR/2104, HR/2106	7426387	A.R.
CLIP—Wiring to rear inner panel	HD/215, HD/225, HD/235 HR/215, HR/225, HR/235	7417298	1
CLIP—Wiring to rear window frame	HD/2106, HR/2106	SP1645	1

HOLDEN

MASTER PARTS CATALOGUE



Group	Description	Model	Part No.	Qty.
14.630	PANEL, FASTENER—Cowl Side Trim			
	PANEL			
	PRIME FINISH	48, 50, FJ	LH7402489	1
	PRIME FINISH	48, 50, FJ	RH7402490	1
	SCREW—Oval hd. sl. tap. type "A" No. 8—15 x 1/2"	48, 50, FJ	142220	10
	PRIME FINISH	FE, FC	7409840PRI	2
	PRIME FINISH	FB, EK	7414778PRI	2
	PRIME FINISH	EJ, EH	7421298PRI	2
	TRIM NOS. D55, D61	HD/225, HD/229	LH7426597-D55 RH7426596-D55	1 1
	TRIM NOS. D56, D62	HD/225, HD/229	LH7426597-D56 RH7426596-D56	1 1
	TRIM NOS. D57, D63	HD/225, HD/229	LH7426597-D57 RH7426596-D57	1 1
	TRIM NOS. D58, D64	HD/225, HD/229	LH7426597-D58 RH7426596-D58	1 1
	TRIM NOS. D59, D65	HD/225, HD/229	LH7426597-D59 RH7426596-D59	1 1
	TRIM NOS. D66, D70, E20, E21, E22, E23, E24, E25	HD	LH7426597-D66 RH7426596-D66	1 1
	TRIM NOS. D67, D71	HD/235, HD/239	LH7426597-D67 RH7426596-D67	1 1
	TRIM NOS. D68, D72	HD/235, HD/239	LH7426597-D68 RH7426596-D68	1 1
	TRIM NOS. D99, E05, E29, E31	HD	LH7426597-E29 RH7426596-E29	1 1
	TRIM NOS. E01, E06, E30, E32	HD	LH7426597-E30 RH7426596-E30	1 1
	TRIM NOS. E02, E07	HD/2104, HD/2106	LH7426597-E07 RH7426596-E07	1 1
	TRIM NOS. E35, E36	HD/235, HD/239	LH7426597-E35 RH7426596-E35	1 1
	TRIM NOS. E43, E49, E65, E69, E73, E78, F05, F09, F40, F43, F46, F49, F60, F62, F64, F66	HR	LH7426597-D66 RH7426596-D66	1 1
	TRIM NOS. E44, E50, E56, E61, E74, E79	HR	LH7426597-E56 RH7426596-E56	1 1
	TRIM NOS. E45, E51, E58, E63, E75, E80	HR	LH7426597-E58 RH7426596-E58	1 1
	TRIM NOS. E46, E52, E59, E64, E76, E81	HR	LH7426597-E59 RH7426596-E59	1 1
	TRIM NOS. E55, E60	HR/225, HR/229	LH7426597-E55 RH7426596-E55	1 1
	TRIM NOS. E57, E62	HR/225, HR/229	LH7426597-E57 RH7426596-E57	1 1
	TRIM NOS. E66, E70, F06, F10	HR/235, HR/239	LH7426597-D67 RH7426596-D67	1 1
	TRIM NOS. E67, E71, F07, F11	HR/235, HR/239	LH7426597-D68 RH7426596-D68	1 1
	TRIM NOS. E68, E72, F08, F12, F52, F53, F54, F55	HR/235, HR/239	LH7426597-E35 RH7426596-E35	1 1



HOLDEN

MASTER PARTS CATALOGUE

14.630 PANEL, FASTENER—Cowl Side Trim (Cont'd.)

PANEL (Cont'd.)

TRIM NOS. E96, F01	HR/2104, HR/2106	LH7426597-E29	1
		RH7426596-E29	1
TRIM NOS. E97, F02	HR/2104, HR/2106	LH7426597-D55	1
		RH7426596-D55	1
TRIM NOS. E98, F03	HR/2104, HR/2106	LH7426597-D57	1
		RH7426596-D57	1
TRIM NOS. E99, F04	HR/2104, HR/2106	LH7426597-E30	1
		RH7426596-E30	1
TRIM NOS. F41, F44, F47, F50, F61, F63, F65, F67	HR/235, HR/239	LH7426597-F41	1
		RH7426596-F41	1
TRIM NOS. F42, F45, F48, F51	HR/235, HR/239	LH7426597-F42	1
		RH7426596-F42	1

FASTENER

CLIP—Wire	EK, EJ, EH	7401856	2
CLIP—Wire	HD, HR	7415519	1
FASTENER—Plastic	FB, EK	7419664	8
FASTENER—Metal—Adjustable	FB	SP1380	2
FASTENER—Plastic—Adjustable	FB, EK	3730562	2
TRIM NOS. A93, B02, B10, B18, B26, B58, B66, C02, C04	EJ	SP1669	8
TRIM NOS. A95, B04, B12, B20, B60, B68	EJ	SP1592	8
TRIM NOS. A96, B05, B13, B21, B61, B69	EJ	SP1594	8
TRIM NOS. A97, B06, B14, B22, B28, B62, B70	EJ	SP1595	8
TRIM NOS. A98, B07, B15, B23, B63, B71	EJ, exc. EJ/235	7421613	8
TRIM NOS. B01, B09, B17, B25, B65, B73, C03, C05	EJ, exc. EJ/235	SP1600	8
TRIM NOS. B11, B19	EJ/225, EJ/229	7421608	8
TRIM NOS. B16, B24	EJ/225, EJ/229	SP1598	8
TRIM NOS. B27	EJ/235	7421610	8
TRIM NOS. B29	EJ/235	SP1597	8
TRIM NOS. C16, C23, C30, C37, C44, C48, C55, C79	EH	SP1669	6
TRIM NOS. C17, C24, C31, C38, C49, C56	EH	SP1592	6
TRIM NOS. C19, C26, C33, C40, C51, C58	EH	SP1595	6
TRIM NOS. C20, C27, C34, C41, C52, C59	EH	SP1674	6
TRIM NOS. C22, C29, C36, C43, C47, C54, C61, C82	EH	SP1600	6
TRIM NOS. C32, C39	EH/225, EH/229	SP1594	6
TRIM NOS. C35, C42	EH/225, EH/229	SP1598	6
TRIM NOS. C45, C80	EH/235, EH/239	SP1597	6
TRIM NOS. C46, C81	EH/235, EH/239	SP1599	6
TRIM NOS. D38, D46, D54, D60, D66, D70	HD	SP1669	6
TRIM NOS. D39, D47	HD/215, HD/219	SP1670	6
TRIM NOS. D40, D48	HD/215, HD/219	SP1626	6
TRIM NOS. D41, D49	HD/215, HD/219	SP1627	6
TRIM NOS. D42, D50	HD/215, HD/219	SP1629	6
TRIM NOS. D55, D61, D99, E05, E29, E31	HD	SP1592	6
TRIM NOS. D56, D62	HD/225, HD/229	SP1625	6
TRIM NOS. D57, D63	HD/225, HD/229	SP1674	6
TRIM NOS. D58, D64	HD/225, HD/229	SP1628	6
TRIM NOS. D59, D65, E02, E07	HD	SP1600	6
TRIM NOS. D66, D70, E20, E21, E22, E23, E24, E25	HD	SP1669	6
TRIM NOS. D67, D71	HD/235, HD/239	SP1597	6
TRIM NOS. D68, D72	HD/235, HD/239	SP1599	6
TRIM NOS. E01, E06	HD/2104, HD/2106	SP1595	6
TRIM NOS. E30, E32	HD/215, HD/219	SP1595	6
TRIM NOS. E35, E36	HD/235, HD/239	SP1689	6
TRIM NOS. E43, E49, E55, E60, E65, E69, E73, E78, F05, F09, F40, F43, F46, F49, F60, F62, F64, F66	HR	SP1669	6
TRIM NOS. E44, E50, E56, E61, E74, E79, E96, E97, F01, F02, F41, F44, F47, F50, F61, F63, F65, F67	HR	SP1592	6
TRIM NOS. E45, E51, E58, E63, E75, E80, E98, F03	HR	SP1674	6
TRIM NOS. E46, E52, E59, E64, E76, E81	HR	SP1628	6
TRIM NOS. E57, E62	HR/225, HR/229	SP1625	6
TRIM NOS. E66, E70, F06, F10	HR/235, HR/239	SP1597	6
TRIM NOS. E67, E71, F07, F11	HR/235, HR/239	SP1599	6
TRIM NOS. E68, E72, F08, F12, F52, F53, F54, F55	HR/235, HR/239	SP1689	6
TRIM NOS. E99, F04	HR/2104, HR/2106	SP1595	6
TRIM NOS. F42, F45, F48, F51	HR/235, HR/239	SP1783	6

HOLDEN

MASTER PARTS CATALOGUE



14.640 HEADLINING ASSEMBLY

TRIM NOS. 421, 508, 535	50, FJ/2106	7402267-508	1
TRIM NOS. 507, 533	50, FJ/2106	7402267-507	1
TRIM NOS. 311, 312, 332, 404, 503, 526	FJ/2104	7408188-503	1
TRIM NOS. 465, 466, 468, 474, 703, 709, 717	FE/215, FE/217, FE/225	7411357-627	1
TRIM NOS. 467, 478, 674, 677, 704	FE/215, FE/217, FE/225	7411357-467	1
TRIM NOS. 470, 545, 705, 707	FE/225	7411357-633	1
TRIM NOS. 471, 479, 486, 675, 678, 708	FE/215, FE/217, FE/225	7411357-471	1
TRIM NOS. 472, 488, 718	FE/217, FE/225	7411357-635	1
TRIM NOS. 477, 484, 582, 673, 676	FE/215, FE/217, FE/225	7411357-582	1
TRIM NOS. 565, 571, 680, 711, 729, 737	FE/219, FE/229	7412323-571	1
TRIM NOS. 568, 569, 572, 712, 728, 730	FE/229	7412323-656	1
TRIM NOS. 573, 575, 731	FE/229	7412323-662	1
TRIM NOS. 577, 727	FE/229	7412323-664	1
TRIM NOS. 597, 683	FE/2104	7412470-597	1
TRIM NOS. 598, 684	FE/2104	7412470-598	1
TRIM NOS. 558, 686	FE/2106	7412140-558	1
TRIM NOS. 559, 687	FE/2106	7412140-559	1
TRIM NOS. 627, 629, 637, 638, 639, 644, 838, 846, 847, 848	FC/215, FC/217, FC/225	7411357-627	1
TRIM NOS. 630, 640, 839, 840, 859	FC/215, FC/225	7411357-630	1
TRIM NOS. 632, 633, 642, 646, 841, 842, 843	FC/215, FC/217, FC/225	7411357-633	1
TRIM NOS. 635, 643, 844, 845	FC/215, FC/225	7411357-635	1
TRIM NOS. 839A, 840A	FC/225	7411357-467	1
TRIM NOS. 656, 658, 666, 667, 849, 857, 858, 860	FC/219, FC/229	7412323-656	1
TRIM NOS. 659, 668, 850, 851	FC/219, FC/229	7412323-659	1
TRIM NOS. 661, 662, 669, 852, 853, 854	FC/219, FC/229	7412323-662	1
TRIM NOS. 664, 670, 855, 856	FC/219, FC/229	7412323-664	1
TRIM NOS. 655	FC/2104	7412470*	1
TRIM NOS. 649, 651	FC/2106	7412140*	1
HEADLINING ASSEMBLY	FB/215, FB/225, EK/215, EK/225	7414931	1
HEADLINING ASSEMBLY	FB/219, FB/229, EK/219, EK/229	7414932	1
HEADLINING ASSEMBLY	FB/2104, EK/2104	7414933	1
TRIM NOS. 835	FB/2106	7414934-835	1
TRIM NOS. 983	EK/2106	7414934*	1
HEADLINING ASSEMBLY	EJ/215, EJ/225	7421166-B10	1
TRIM NOS. B26	EJ/235	7421166-B10	1
TRIM NOS. B27	EJ/235	7421166-B27	1
TRIM NOS. B29	EJ/235	7421166-B29	1
HEADLINING ASSEMBLY	EJ/219, EJ/229	7421167-C37	1
HEADLINING ASSEMBLY	EJ/2104	7422045	1
TRIM NOS. B66, B68, B69, B70, B71, B73	EJ/2106	7422046*	1
HEADLINING ASSEMBLY	EH/215, EH/225	7424804-C30	1
TRIM NOS. C44, C47	EH/235	7424804-C30	1
TRIM NOS. C45, C46	EH/235	7424804-C45	1
HEADLINING ASSEMBLY	EH/219, EH/229	7421167-C37	1
TRIM NOS. C79, C82	EH/239	7421167-C37	1
TRIM NOS. C80, C81	EH/239	7421167-C81	1
HEADLINING ASSEMBLY	EH/2104	7422045	1
TRIM NOS. C55	EH/2106	7422046-B66	1
TRIM NOS. C56	EH/2106	7422046-B68	1
TRIM NOS. C58	EH/2106	7422046-B70	1
TRIM NOS. C59	EH/2106	7422046-C59	1
TRIM NOS. C61	EH/2106	7422046-B73	1

* When ordering, the Part No. must be suffixed by the desired Trim No. Refer page 8.



HOLDEN

MASTER PARTS CATALOGUE

14.640 HEADLINING ASSEMBLY (Cont'd.)

HEADLINING ASSEMBLY	HD/215, HD/225	7427675-D54	1
TRIM NOS. D66, E35	HD/235	7427675-D54	1
TRIM NOS. D67, D68	HD/235	7427675-D67	1
HEADLINING ASSEMBLY	HD/219, HD/229	7428398-D60	1
TRIM NOS. D70, E36	HD/239	7428398-D60	1
TRIM NOS. D71, D72	HD/239	7428398-D71	1
HEADLINING ASSEMBLY	HD/2104	7429123	1
HEADLINING ASSEMBLY	HD/2106	7428929	1
HEADLINING ASSEMBLY	HR/215, HR/225	7431293-E55	1
TRIM NOS. E65, E68, F05, F08, F60, F61, F64, F65	HR/235	7431293-E55	1
TRIM NOS. E66, E67, F06, F07	HR/235	7431293-E66	1
TRIM NOS. F40, F46	HR/235	7431293-F40	1
TRIM NOS. F41, F47	HR/235	7431293-F41	1
TRIM NOS. F42, F48	HR/235	7431293-F42	1
TRIM NOS. F52, F54	HR/235	7431293-F52	1
HEADLINING ASSEMBLY	HR/219, HR/229	7428398-D60	1
TRIM NOS. E69, E72, F09, F12, F62, F63, F66, F67	HR/239	7428398-D60	1
TRIM NOS. E70, E71, F10, F11	HR/239	7428398-D71	1
TRIM NOS. F43, F49	HR/239	7428398-F43	1
TRIM NOS. F44, F50	HR/239	7428398-F44	1
TRIM NOS. F45, F51	HR/239	7428398-F45	1
TRIM NOS. F53, F55	HR/239	7428398-F53	1
HEADLINING ASSEMBLY	HR/2104	7429123	1
HEADLINING ASSEMBLY	HR/2106	7428929	1

*When ordering, the Part No. must be suffixed by the desired Trim No. Refer page 8.

14.641 SEAL—Headlining

SEAL—Side brace	FB/2106, EK/2106	7414588	2
-----------------	------------------	---------	---

14.651 RETAINER, MOULDING—Headlining, Door Pillar, Quarter Trim HOOK—Coat

RETAINER—Headlining (6ft.)	FE, FC	7409461	A.R.
MOULDING—Headlining trim, upper	FB/215, FB/219, EK/215, EK/219	LH7414419 RH7414418	1 1
MOULDING—Headlining trim, lower	FB/215, FB/219, EK/215, EK/219	RH7414420	1
MOULDING—Headlining trim, upper	FB/225, EK/225	LH7413235 RH7413236	1 1
MOULDING—Headlining trim, upper	FB/229, EK/229	LH7413073 RH7413074	1 1
MOULDING—Headlining trim, lower	FB/225, FB/229, EK/225, EK/229	LH7413717 RH7413718	1 1
SCREW—Oval hd. cr. rec. tap. Type "A", No. 6—18 x 1/2"	FB exc FB/2104, FB/2106 EK exc EK/2104, EK/2106	162247	A.R.
MOULDING—Headlining trim	FB/2104, FB/2106, EK/2104, EK/2106	LH7414027 RH7414026	1 1
SCREW—Oval hd. cr. rec. tap. Type "B", No. 6—20 x 1/2"	FB/2104, FB/2106, EK/2104, EK/2106	163404	10
HOOK—Coat	FB/229, EK/229	7414665	2
SCREW—Oval hd. cr. rec. tap. Type "A", No. 6—18 x 5/8"	FB/229, EK/229	162292	2
MOULDING—Headlining trim, upper	EJ/215	LH7415981 RH7415982	1 1
MOULDING—Headlining trim, lower	EJ/215	LH7415983 RH7415984	1 1
MOULDING—Headlining trim, corner	EJ/215	7416430	2
MOULDING—Headlining trim	EJ/219	LH7416601 RH7416602	1 1
MOULDING—Headlining trim, upper	EJ/225, EJ/235	LH7415977 RH7415978	1 1
MOULDING—Headlining trim, lower	EJ/225, EJ/235	LH7415979 RH7415980	1 1
MOULDING—Headlining trim, corner	EJ/225, EJ/235	7416425	2



14.651 RETAINER, MOULDING—Headlining, Door Pillar, Quarter Trim (Cont'd.)

HOOK—Coat (Cont'd.)

MOULDING—Headlining trim	EJ/229	LH7416599	1
		RH7416600	1
MOULDING—Headlining trim	EJ/2104, EJ/2106	LH7418345	1
		RH7418346	1
SCREW—Oval hd. cr. rec. tap. Type "B" No. 6—20 x 1/2"	EJ	163404	A.R.
HOOK—Coat	EJ/225, EJ/229, EJ/235,	7432674	2
HOOK—Coat	EH/225, EH/229, EH/239	7422015	2
SCREW—Oval hd. cr. rec. tap. No. 6—18 x 5/8"	EH/225, EH/229, EH/239	162292	2
HOOK—Coat	HD/225, HD/229, HD/235, HD/239 HR/225, HR/229, HR/235, HR/239	7432674	2
SCREW—Oval hd. cr. rec. tap. No. 8—15 x 5/8"	HD/225, HD/229, HD/235, HD/239 HR/225, HR/229, HR/235, HR/239	162397	2
RETAINER—Headlining rear	HD/219, HD/229, HD/239 HR/219, HR/229, HR/239	7424812	1
RETAINER—Quarter trim	HD/2104, HR/2104	7420635	2
RETAINER—Quarter trim	HD/2106, HR/2106	7414606	2

14.655 PAD—Instrument panel, front body pillar

PAD ASSEMBLY—Instrument panel (Dartford Grey)	EJ	RIGHT HAND DRIVE LEFT HAND DRIVE	7417506 7417507	1 1
PAD ASSEMBLY—Instrument panel (Theatre Grey)	EJ/235		7419612	1
PAD ASSEMBLY—Instrument panel (Hotham Blue)	EJ/235		7419613	1
PAD ASSEMBLY—Instrument panel (Euroa Gold)	EJ/235		7419615	1
FASTENER—Instrument panel pad	EJ		7417505	4
PAD ASSEMBLY—Instrument panel compartment door (Dartford Grey)	EJ	RIGHT HAND DRIVE LEFT HAND DRIVE	7416223 7416222	1 1
PAD ASSEMBLY—Instrument panel compartment door (Theatre Grey)	EJ/235		7419617	1
PAD ASSEMBLY—Instrument panel compartment door (Hotham Blue)	EJ/235		7419618	1
PAD ASSEMBLY—Instrument panel compartment door (Wimmera Green)	EJ/235		7419619	1
PAD ASSEMBLY—Instrument panel compartment door (Euroa Gold)	EJ/235		7419620	1
SCREW—Pan. hd. cr. rec. tap. type "A" No. 8—15 x 1/2"	EJ		161860	2
PAD ASSEMBLY—Front body pillar (Dartford Grey)	EJ		LH7417613 RH7417614	1 1
PAD ASSEMBLY—Front body pillar (Theatre Grey)	EJ/235		LH7419623 RH7419622	1 1
PAD ASSEMBLY—Front body pillar (Hotham Blue)	EJ/235		LH7419625 RH7419624	1 1
PAD ASSEMBLY—Front body pillar (Wimmera Green)	EJ/235		LH7419627 RH7419626	1 1
PAD ASSEMBLY—Front body pillar (Euroa Gold)	EJ/235		RH7419628	1
PAD ASSEMBLY—Instrument panel (Dartford Grey)	EH	RIGHT HAND DRIVE LEFT HAND DRIVE	7417506 7417507	1 1
PAD ASSEMBLY—Instrument panel (Buller Grey)	EH/235, EH/239	RIGHT HAND DRIVE LEFT HAND DRIVE	7424851 7427573	1 1
PAD ASSEMBLY—Instrument panel (Portesa Blue)	EH/235, EH/239	RIGHT HAND DRIVE LEFT HAND DRIVE	7424852 7427574	1 1
PAD ASSEMBLY—Instrument panel (Roebuck Pearl)	EH/235, EH/239	RIGHT HAND DRIVE LEFT HAND DRIVE	7424853 7427575	1 1
PAD ASSEMBLY—Instrument panel (Valley Mist Green)	EH/235, EH/239	RIGHT HAND DRIVE LEFT HAND DRIVE	7424854 7427576	1 1
FASTENER—Instrument panel pad	EH		7417505	4



HOLDEN

MASTER PARTS CATALOGUE

14.655 PAD—Instrument panel, front body pillar (Cont'd.)

PAD ASSEMBLY—Instrument panel, outer (Dartford Grey)	EH	LH7422539	1
					RH7422540	1
PAD ASSEMBLY—Instrument panel, outer (Buller Grey)	EH/235, EH/239	LH7424859	1
					RH7424860	1
PAD ASSEMBLY—Instrument panel, outer (Portsea Blue)	EH/235, EH/239	LH7424861	1
					RH7424862	1
PAD ASSEMBLY—Instrument panel, outer (Roebuck Pearl)	EH/235, EH/239	LH7424863	1
					RH7424864	1
PAD ASSEMBLY—Instrument panel, outer (Valley Mist Green)	EH/235, EH/239	LH7424865	1
					RH7424866	1
FASTENER—Instrument panel outer pad	EH	7417505	2
PAD ASSEMBLY—Instrument panel compartment door (Dartford Grey)	EH	RIGHT HAND DRIVE	7416223	1	
			LEFT HAND DRIVE	7416222	1	
PAD ASSEMBLY—Instrument panel compartment door (Buller Grey)	EH/235, EH/239		RIGHT HAND DRIVE	7424855	1	
			LEFT HAND DRIVE	7427577	1	
PAD ASSEMBLY—Instrument panel compartment door (Portsea Blue)	EH/235, EH/239		RIGHT HAND DRIVE	7424856	1	
			LEFT HAND DRIVE	7427578	1	
PAD ASSEMBLY—Instrument panel compartment door (Roebuck Pearl)	EH/235, EH/239		RIGHT HAND DRIVE	7424857	1	
			LEFT HAND DRIVE	7427579	1	
PAD ASSEMBLY—Instrument panel compartment door (Valley Mist Green)	EH/235, EH/239		RIGHT HAND DRIVE	7424858	1	
			LEFT HAND DRIVE	7427580	1	
SCREW—Pan hd. cr. rec. tap. type "A" No. 8—15 x 1/2"	EH	161860	2
PAD ASSY.—Inst. panel (Black)	HD/215, HD/219, HD/2104, HD/2106	7428220	1
TRIM NOS. D54, D60	HD/225, HD/229	7423647	1
TRIM NOS. D55, D61	HD/225, HD/229	7428154	1
TRIM NOS. D56, D62	HD/225, HD/229	7428155	1
TRIM NOS. D57, D63	HD/225, HD/229	7428156	1
TRIM NOS. D58, D64	HD/225, HD/229	7428157	1
TRIM NOS. D59, D65	HD/225, HD/229	7428158	1
TRIM NOS. D66, D70, E22, E23	HD/225, HD/229, HD/235, HD/239	7429753	1
TRIM NOS. D67, D71	HD/235, HD/239	7428160	1
TRIM NOS. D68, D72	HD/235, HD/239	7428161	1
TRIM NOS. E35, E36	HD/235, HD/239	7428220	1
PAD ASSY.—Inst. panel (Black)	HR/215, HR/219, HR/2104, HR/2106	7428220	1
TRIM NOS. E55, E60, E65, E69, F05, F09	HR/225, HR/229, HR/235, HR/239	7429753	1
TRIM NOS. E56, E61	HR/225, HR/229	7428154	1
TRIM NOS. E57, E62	HR/225, HR/229	7428155	1
TRIM NOS. E58, E63	HR/225, HR/229	7428156	1
TRIM NOS. E59, E64	HR/225, HR/229	7428157	1
TRIM NOS. E66, E70, F06, F10	HR/235, HR/239	7429786	1
TRIM NOS. E67, E71, F07, F11	HR/235, HR/239	7428161	1
TRIM NOS. E68, E72, F08, F12, F52, F53, F54, F55	HR/235, HR/239	7428220	1
TRIM NOS. F40, F43, F46, F49, F60, F62, F64, F66	HR/235, HR/239	7434677	1
TRIM NOS. F41, F44, F47, F50, F61, F63, F65, F67	HR/235, HR/239	7434678	1
TRIM NOS. F42, F45, F48, F51 ..	HR/235, HR/239	7434679	1
NUT—Stamped No. 10—24	HD, HR	273330	10

HOLDEN

MASTER PARTS CATALOGUE



14.685 TRIM ASSEMBLY—Front door

TRIM NOS. 488	FE/217	LH7411755-488	1
TRIM NOS. 465, 568, 703, 728	FE/225, FE/229	LH7411041-465	1
TRIM NOS. 682	FE/2104	RH7412748-682	1
TRIM NOS. 633, 662	FC/225, FC/229	RH7413380-633	1
TRIM NOS. 635, 664	FC/225, FC/229	RH7413380-635	1
TRIM NOS. 637, 666, 848, 858	FC/225, FC/229	LH7413381-637	1
SCREW—Oval hd. cr. rec. tap. Type "A", No. 6—18 x 1"	FC/225, FC/229	162300	2
WASHER—Finish No. 6	FC/225, FC/229	140239	2
TRIM NOS. 800, 810, 827, 832	FB exc FB/225, FB/229	LH7414687-800	1
		RH7414688-800	1
TRIM NOS. 801, 811, 828, 833	FB exc FB/225, FB/229	LH7414687-801	1
TRIM NOS. 803, 813, 830, 835	FB exc FB/225, FB/229	LH7414687-803	1
TRIM NOS. 815, 821, 883, 889, 941	FB/225, FB/229	LH7414691-815	1
		RH7414692-815	1
TRIM NOS. 816, 822, 884, 890	FB/225, FB/229	LH7414691-816	1
		RH7414692-816	1
TRIM NOS. 819, 825, 887, 893	FB/225, FB/229	LH7414691-819	1
TRIM NOS. 820, 826, 888, 894, 942	FB/225, FB/229	LH7414691-820	1
TRIM NOS. 954, 959, 978, 983	EK exc EK/225, EK/229	LH7417965-954	1
TRIM NOS. 955, 960, 979, 984	EK exc EK/225, EK/229	LH7417965-955	1
TRIM NOS. 1014, 1019	EK/215, EK/219	RH7417964-A14	1
TRIM NOS. 982, 987	EK/2104, EK/2106	LH7417965-987	1
		RH7417964-987	1
TRIM NOS. 969, 976	EK/225, EK/229	LH7417383-969	1
		RH7417384-969	1
TRIM NOS. 970, 977	EK/225, EK/229	LH7417383-970	1
TRIM NOS. 1037	EK/225	LH7419235-A37	1
SCREW—Oval hd. cr. rec. tap. Type "A", No. 6—18 x 1"	FB/225, FB/229, EK/225, EK/229	162300	2
WASHER—Finish No. 6	FB/225, FB/229, EK/225, EK/229	140239	2
TRIM NOS. A93, B02	EJ/215, EJ/219	LH7419941-A93	1
		RH7419940-A93	1
TRIM NOS. A95, B04	EJ/215, EJ/219	LH7419941-A95	1
TRIM NOS. A96, B05	EJ/215, EJ/219	LH7419941-A96	1
		RH7419940-A96	1
TRIM NOS. A97, B06	EJ/215, EJ/219	RH7419940-A97	1
TRIM NOS. A98, B07	EJ/215, EJ/219	LH7419941-A98	1
TRIM NOS. B01, B09	EJ/215, EJ/219	LH7419941-B01	1
		RH7419940-B01	1
TRIM NOS. B10, B18	EJ/225, EJ/229	LH7419943-B10	1
		RH7419942-B10	1
TRIM NOS. B11, B19	EJ/225, EJ/229	LH7419943-B11	1
		RH7419942-B11	1
TRIM NOS. B12, B20	EJ/225, EJ/229	LH7419943-B12	1
		RH7419942-B12	1
TRIM NOS. B13, B21	EJ/225, EJ/229	LH7419943-B13	1
TRIM NOS. B14, B22	EJ/225, EJ/229	LH7419943-B14	1
		RH7419942-B14	1
TRIM NOS. B15, B23	EJ/225, EJ/229	LH7419943-B15	1
		RH7419942-B15	1
TRIM NOS. B16, B24	EJ/225, EJ/229	LH7419943-B16	1
		RH7419942-B16	1
TRIM NOS. B17, B25	EJ/225, EJ/229	LH7419943-B17	1
		RH7419942-B17	1
TRIM NOS. C02, C04	EJ/225, EJ/229	LH7419943-C02	1
		RH7419942-C02	1
TRIM NOS. C03, C05	EJ/225, EJ/229	RH7419942-C03	1
TRIM NOS. B26	EJ/235	RH7419726-B26	1
TRIM NOS. B27	EJ/235	LH7419727-B27	1
TRIM NOS. B28	EJ/235	LH7419727-B28	1
		RH7419726-B28	1
TRIM NOS. B29	EJ/235	RH7419726-B29	1



HOLDEN

MASTER PARTS CATALOGUE

14.685 TRIM ASSEMBLY—Front door (Contd.)

TRIM NOS. B58, B66	EJ/2104, EJ/2106	LH7422323-B66 RH7422324-B66	1 1
TRIM NOS. B60, B68	EJ/2104, EJ/2106	LH7422323-B68 RH7422324-B68	1 1
TRIM NOS. B61, B69	EJ/2104, EJ/2106	LH7422323-B69	1
TRIM NOS. B62, B70	EJ/2104, EJ/2106	LH7422323-B70 RH7422324-B70	1 1
TRIM NOS. B65, B73	EJ/2104, EJ/2106	LH7422323-B73	1
TRIM NOS. C16, C23, C48, C55	EH/215, EH/219, EH/2104, EH/2106	LH7424581-C16 RH7424580-C16	1 1
TRIM NOS. C17, C24, C49, C56	EH/215, EH/219, EH/2104, EH/2106	LH7424581-C17 RH7424580-C17	1 1
TRIM NOS. C19, C26, C51, C58	EH/215, EH/219, EH/2104, EH/2106	LH7424581-C19 RH7424580-C19	1 1
TRIM NOS. C20, C27, C52, C59	EH/215, EH/219, EH/2104, EH/2106	LH7424581-C20 RH7424580-C20	1 1
TRIM NOS. C22, C29, C54, C61	EH/215, EH/219, EH/2104, EH/2106	LH7424581-C22 RH7424580-C22	1 1
TRIM NOS. C30, C37	EH/225, EH/229	LH7424585-C30 RH7424584-C30	1 1
TRIM NOS. C31, C38	EH/225, EH/229	LH7424585-C31 RH7424584-C31	1 1
TRIM NOS. C32, C39	EH/225, EH/229	LH7424585-C32 RH7424584-C32	1 1
TRIM NOS. C33, C40	EH/225, EH/229	LH7424585-C33 RH7424584-C33	1 1
TRIM NOS. C34, C41	EH/225, EH/229	LH7424585-C34 RH7424584-C34	1 1
TRIM NOS. C35, C42	EH/225, EH/229	LH7424585-C35 RH7424584-C35	1 1
TRIM NOS. C36, C43	EH/225, EH/229	LH7424585-C36 RH7424584-C36	1 1
TRIM NOS. C44, C79	EH/235, EH/239	LH7424937-C44 RH7424938-C44	1 1
TRIM NOS. C45, C80	EH/235, EH/239	LH7424937-C45 RH7424938-C45	1 1
TRIM NOS. C46, C81	EH/235, EH/239	LH7424937-C46 RH7424938-C46	1 1
TRIM NOS. C47, C82	EH/235, EH/239	LH7424937-C47 RH7424938-C47	1 1
TRIM NOS. D38, D46	HD/215, HD/219	LH7427073-D38 RH7427072-D38	1 1
TRIM NOS. D39, D47	HD/215, HD/219	LH7427073-D39 RH7427072-D39	1 1
TRIM NOS. D40, D48	HD/215, HD/219	LH7427073-D40 RH7427072-D40	1 1
TRIM NOS. D41, D49	HD/215, HD/219	LH7427073-D41 RH7427072-D41	1 1
TRIM NOS. D42, D50	HD/215, HD/219	LH7427073-D42 RH7427072-D42	1 1
TRIM NOS. D99, E05, E29, E31	HD/215, HD/219, HD/2104, HD/2106	LH7427073-E29 RH7427072-E29	1 1
TRIM NOS. E01, E06, E30, E32	HD/215, HD/219, HD/2104, HD/2106	LH7427073-E30 RH7427072-E30	1 1
TRIM NOS. E02, E07	HD/2104, HD/2106	LH7427073-E07 RH7427072-E07	1 1
TRIM NOS. E20, E21, E24, E25	HD/215, HD/219, HD/2104, HD/2106	LH7427073-E20 RH7427072-E20	1 1

HOLDEN

MASTER PARTS CATALOGUE



14.685 TRIM ASSEMBLY—Front Door (Cont'd.)

TRIM NOS. D54, D60	HD/225, HD/229	LH7427709-D54 RH7427708-D54	1 1
TRIM NOS. D55, D61	HD/225, HD/229	LH7427709-D55 RH7427708-D55	1 1
TRIM NOS. D56, D62	HD/225, HD/229	LH7427709-D56 RH7427708-D56	1 1
TRIM NOS. D57, D63	HD/225, HD/229	LH7427709-D57 RH7427708-D57	1 1
TRIM NOS. D58, D64	HD/225, HD/229	LH7427709-D58 RH7427708-D58	1 1
TRIM NOS. D59, D65	HD/225, HD/229	LH7427709-D59 RH7427708-D59	1 1
TRIM NOS. E22, E23	HD/225, HD/229	LH7427709-E22 RH7427708-E22	1 1
TRIM NOS. D66, D70	HD/235, HD/239	LH7427525-D66 RH7427524-D66	1 1
TRIM NOS. D67, D71	HD/235, HD/239	LH7427525-D67 RH7427524-D67	1 1
TRIM NOS. D68, D72	HD/235, HD/239	LH7427525-D68 RH7427524-D68	1 1
TRIM NOS. E35, E36	HD/235, HD/239	LH7427525-E35 RH7427524-E35	1 1
TRIM NOS. E43, E49, E73, E78	HR/215, HR/219, HR/2104, HR/2106	LH7431051-E43 RH7431050-E43	1 1
TRIM NOS. E44, E50, E74, E79	HR/215, HR/219, HR/2104, HR/2106	LH7431051-E44 RH7431050-E44	1 1
TRIM NOS. E45, E51, E75, E80	HR/215, HR/219, HR/2104, HR/2106	LH7431051-E45 RH7431050-E45	1 1
TRIM NOS. E46, E52, E76, E81	HR/215, HR/219, HR/2104, HR/2106	LH7431051-E46 RH7431050-E46	1 1
TRIM NOS. E96, F01	HR/2104, HR/2106	LH7431051-F01 RH7431050-F01	1 1
TRIM NOS. E97, F02	HR/2104, HR/2106	LH7431051-F02 RH7431050-F02	1 1
TRIM NOS. E98, F03	HR/2104, HR/2106	LH7431051-F03 RH7431050-F03	1 1
TRIM NOS. E99, F04	HR/2104, HR/2106	LH7431051-F04 RH7431050-F04	1 1
TRIM NOS. E55, E60	HR/225, HR/229	LH7431043-E55 RH7431042-E55	1 1
TRIM NOS. E56, E61	HR/225, HR/229	LH7431043-E56 RH7431042-E56	1 1
TRIM NOS. E57, E62	HR/225, HR/229	LH7431043-E57 RH7431042-E57	1 1
TRIM NOS. E58, E63	HR/225, HR/229	LH7431043-E58 RH7431042-E58	1 1
TRIM NOS. E59, E64	HR/225, HR/229	LH7431043-E59 RH7431042-E59	1 1
TRIM NOS. E65, E69, F05, F09	HR/235, HR/239	LH7431003-E65 RH7431002-E65	1 1
TRIM NOS. E66, E70, F06, F10	HR/235, HR/239	LH7431003-E66 RH7431002-E66	1 1
TRIM NOS. E67, E71, F07, F11	HR/235, HR/239	LH7431003-E67 RH7431002-E67	1 1
TRIM NOS. E68, E72, F08, F12, F52, F53, F54, F55	HR/235, HR/239	LH7431003-E68 RH7431002-E68	1 1
TRIM NOS. F40, F43, F46, F49, F60, F62, F64, F66	HR/235, HR/239	LH7431003-F40 RH7431002-F40	1 1
TRIM NOS. F41, F44, F47, F50, F61, F63, F65, F67	HR/235, HR/239	LH7431003-F41 RH7431002-F41	1 1
TRIM NOS. F42, F45, F48, F51	HR/235, HR/239	LH7431003-F42 RH7431002-F42	1 1
CLIP	ALL	7377884	A.R.
CAP—Clip	ALL	7410830	A.R.



HOLDEN

MASTER PARTS CATALOGUE

14.686 ARM REST ASSEMBLY—Front door

PAD—Arm rest

FE/225	S.A. up to Body No. 21967A Vic. up to Body No. 3889M N.S.W. up to Body No. 13351S	TRIM NOS. 465, 466, 468, 474, 568, 569, 572	LH7410277-466 RH7410276-466	1 1
FE/229	up to Body No. 523	TRIM NOS. 582 TRIM NOS. 582 TRIM NOS. 470, 545, 573, 575	LH7410277-582 RH7410276-582 LH7410277-470 RH7410276-470	1 1 1 1
FE/225	S.A. from Body No. 21968A Vic. from Body No. 3890M N.S.W. from Body No. 13352S	TRIM NOS. 465, 568, 582, 703, 728	LH7410277-582 RH7410276-582	1 1
FE/229	from Body No. 524	TRIM NOS. 474, 709	LH7410277-709	1
SCREW—Pan hd. cr. rec. tap. Type "A" No. 14—10 x 2"		FE/225, FE/229	162113	4
TRIM NOS. 630, 659, 839, 839A, 840, 840A, 850, 851 859		FC/225, FC/229	LH7413609-966 RH7413608-966	1 1
TRIM NOS. 633, 662, 842, 843, 853, 854		FC/225, FC/229	LH7413609-633	1
TRIM NOS. 635, 664, 844, 845, 855, 856		FC/225, FC/229	LH7413609-635	1
TRIM NOS. 637, 666, 848, 858		FC/225, FC/229	LH7413609-637	1
TRIM NOS. 815, 821, 883, 889, 941		FB/225, FB/229	LH7413609-815 RH7413608-815	1 1
TRIM NOS. 965, 972, 1021, 1025, 1045, 1049, 1053		EK/225, EK/229	LH7413609-965 RH7413608-965	1 1
TRIM NOS. 966, 973, 1022, 1026, 1071		EK/225, EK/229	LH7413609-966 RH7413608-966	1 1
TRIM NOS. 967, 974, 1023, 1027, 1047, 1051, 1072		EK/225, EK/229 EK/225, EK/229	LH7413609-967 RH7413608-967	1 1
TRIM NOS. 969, 976		EK/225, EK/229	LH7413609-969 RH7413608-969	1 1
PAD				
TRIM NOS. B10, B18, C02, C04		EJ/225, EJ/229	LH7418113-B10 RH7418114-B10	1 1
TRIM NOS. B11, B19		EJ/225, EJ/229	LH7418113-B11 RH7418114-B11	1 1
TRIM NOS. B12, B20		EJ/225, EJ/225	LH7418113-B12 RH7418114-B12	1 1
TRIM NOS. B13, B21		EJ/225, EJ/229	LH7418113-B13 RH7418114-B13	1 1
TRIM NOS. B14, B22		EJ/225, EJ/229	LH7418113-B14 RH7418114-B14	1 1
TRIM NOS. B15, B23		EJ/225, EJ/229	LH7418113-B15 RH7418114-B15	1 1
TRIM NOS. B16, B24		EJ/225, EJ/229	LH7418113-B16 RH7418114-B16	1 1
TRIM NOS. B17, B25, C03, C05		EJ/225, EJ/229	LH7418113-B17 RH7418114-B17	1 1
TRIM NOS. B26		EJ/235	LH7418113-B26 RH7418114-B26	1 1
TRIM NOS. B27		EJ/235	LH7418113-B27 RH7418114-B27	1 1
TRIM NOS. B28		EJ/235	LH7418113-B28 RH7418114-B28	1 1
TRIM NOS. B29		EJ/235	LH7418113-B29 RH7418114-B29	1 1

HOLDEN

MASTER PARTS CATALOGUE



14.686 ARM REST ASSEMBLY—Front Door (Cont'd.)
PAD—Arm rest (Cont'd.)

PAD

TRIM NOS. C30, C37	EH/225, EH/229	LH7418113-B10 RH7418114-B10	1 1
TRIM NOS. C31, C38	EH/225, EH/229	LH7418113-B12 RH7418114-B12	1 1
TRIM NOS. C32, C39	EH/225, EH/229	LH7418113-C32 RH7418114-C32	1 1
TRIM NOS. C33, C40	EH/225, EH/229	LH7418113-B14 RH7418114-B14	1 1
TRIM NOS. C34, C41	EH/225, EH/229	LH7418113-C34 RH7418114-C34	1 1
TRIM NOS. C35, C42	EH/225, EH/229	LH7418113-B16 RH7418114-B16	1 1
TRIM NOS. C36, C43	EH/225, EH/229	LH7418113-B17 RH7418114-B17	1 1
TRIM NOS. C44, C79	EH/235, EH/239	LH7418113-C44 RH7418114-C44	1 1
TRIM NOS. C45, C80	EH/235, EH/239	LH7418113-C45 RH7418114-C45	1 1
TRIM NOS. C46, C81	EH/235, EH/239	LH7418113-C46 RH7418114-C46	1 1
TRIM NOS. C47, C82	EH/235, EH/239	LH7418113-C47 RH7418114-C47	1 1
TRIM NOS. D54, D60	HD/225, HD/229	LH7418113-B10 RH7418114-B10	1 1
TRIM NOS. D55, D61	HD/225, HD/229	LH7418113-D55 RH7418114-D55	1 1
TRIM NOS. D56, D62	HD/225, HD/229	LH7418113-D56 RH7418114-D56	1 1
TRIM NOS. D57, D63	HD/225, HD/229	LH7418113-D57 RH7418114-D57	1 1
TRIM NOS. D58, D64	HD/225, HD/229	LH7418113-D58 RH7418114-D58	1 1
TRIM NOS. D59, D65	HD/225, HD/229	LH7418113-D59 RH7418114-D59	1 1
TRIM NOS. E22, E23	HD/225, HD/229	LH7418113-E22 RH7418114-E22	1 1
TRIM NOS. D66, D70	HD/235, HD/239	LH7418113-D66 RH7418114-D66	1 1
TRIM NOS. D67, D71	HD/235, HD/239	LH7418113-C45 RH7418114-C45	1 1
TRIM NOS. D68, D72	HD/235, HD/239	LH7418113-C46 RH7418114-C46	1 1
TRIM NOS. E35, E36	HD/235, HD/239	LH7418113-E35 RH7418114-E35	1 1
TRIM NOS. E55, E60	HR/225, HR/229	LH7418113-E55 RH7418114-E55	1 1
TRIM NOS. E56, E61	HR/225, HR/229	LH7418113-E56 RH7418114-E56	1 1
TRIM NOS. E57, E62	HR/225, HR/229	LH7418113-E57 RH7418114-E57	1 1
TRIM NOS. E58, E63	HR/225, HR/229	LH7418113-E58 RH7418114-E58	1 1
TRIM NOS. E59, E64	HR/225, HR/229	LH7418113-E59 RH7418114-E59	1 1



HOLDEN

MASTER PARTS CATALOGUE

14.686 ARM REST—Front door (Cont'd.)
PAD—Arm rest (Cont'd.)

PAD

TRIM NOS. E65, E69, F05, F09	HR/235, HR/239	LH7418113-D66	1
		RH7418114-D66	1
TRIM NOS. E66, E70, F06, F10	HR/235, HR/239	LH7418113-C45	1
		RH7418114-C45	1
TRIM NOS. E67, E71, F07, F11	HR/235, HR/239	LH7418113-C46	1
		RH7418114-C46	1
TRIM NOS. E68, E72, F08, F12, F52, F53, F54, F55	HR/235, HR/239	LH7418113-E35	1
		RH7418114-E35	1
TRIM NOS. F40, F43, F46, F49, F60, F62, F64, F66	HR/235, HR/239	LH7418113-F40	1
		RH7418114-F40	1
TRIM NOS. F41, F44, F47, F50, F61, F63, F65, F67	HR/235, HR/239	LH7418113-F41	1
		RH7418114-F41	1
TRIM NOS. F42, F45, F48, F51	HR/235, HR/239	LH7418113-F42	1
		RH7418114-F42	1

14.687 BASE—Front door arm rest

BASE	EJ/225, EJ/229, EH/225, EH/229	LH7419877	1
		RH7419878	1
BASE	EJ/235, EH/235, EH/239	LH7417957	1
		RH7417958	1
TRIM NOS. D54, D60	HD/225, HD/229	LH7426517	1
		RH7426516	1
TRIM NOS. D55, D61	HD/225, HD/229	LH7428135	1
		RH7428134	1
TRIM NOS. D56, D62	HD/225, HD/229	LH7428137	1
		RH7428136	1
TRIM NOS. D57, D63	HD/225, HD/229	LH7428139	1
		RH7428138	1
TRIM NOS. D58, D64	HD/225, HD/229	LH7428141	1
		RH7428140	1
TRIM NOS. D59, D65	HD/225, HD/229	LH7428143	1
		RH7428142	1
TRIM NOS. D66, D70, E22, E23	HD/225, HD/229, HD/235, HD/239	LH7429335	1
		RH7429334	1
TRIM NOS. D67, D71	HD/235, HD/239	LH7428147	1
		RH7428146	1
TRIM NOS. D68, D72	HD/235, HD/239	LH7428149	1
		RH7428148	1
TRIM NOS. E35, E36	HD/235, HD/239	LH7429269	1
		RH7429270	1
TRIM NOS. E55, E60, E65, E69, F05, F09, F40, F43, F46, F49 F60, F62, F64, F66	HR/225, HR/229, HR/235, HR/239	LH7429335	1
		RH7429334	1
TRIM NOS. E56, E61, F41, F44, F47, F50, F61, F63, F65, F67	HR/225, HR/229, HR/235, HR/239	LH7428135	1
		RH7428134	1
TRIM NOS. E57, E62	HR/225, HR/229	LH7428137	1
		RH7428136	1
TRIM NOS. E58, E63	HR/225, HR/229	LH7428139	1
		RH7428138	1
TRIM NOS. E59, E64	HR/225, HR/229	LH7428141	1
		RH7428140	1

HOLDEN

MASTER PARTS CATALOGUE



14.687 BASE—Front Door Arm Rest (Cont'd.)

TRIM NOS. E66, E70, F06, F10	HR/235, HR/239	LH7431061 RH7431062	1 1
TRIM NOS. E67, E71, F07, F11	HR/235, HR/239	LH7428149 RH7428148	1 1
TRIM NOS. E68, E72, F08, F12, F52, F53, F54, F55	HR/235, HR/239	LH7429269 RH7429270	1 1
TRIM NOS. F42, F45, F48, F51	HR/235, HR/239	LH7434675 RH7434674	1 1
SCREW—Pan hd. cr. rec. tap. No. 14—10 x 2"	EJ/225, EJ/229, EJ/235 EH/225, EH/229, EH/235, EH/239 HD/225, HD/229, HD/235, HD/239 HR/225, HR/229, HR/235, HR/239	162113	4
NUT—Arm rest anchor	HD/225, HD/229, HD/235, HD/239	4819356	4

14.691 MOULDING, NAME PLATE—Front Door Trim

UPPER—TRIM NOS. 276, 277, 278, 279, 329, 339, 361	FJ/225	LH7407439 RH7407438	1 1
LOWER—TRIM NOS. 276, 277, 278, 279, 329, 339, 361	FJ/225	LH7407469 RH7407470	1 1
UPPER	FE/225, FE/229, FC/225, FC/229	LH7411037 RH7411036	1 1
LOWER	FE/225, FE/229	LH7411281 RH7411282	1 1
LOWER	FC/225, FC/229	LH7412023 RH7412022	1 1
UPPER	FB/225, FB/229	LH7414747 RH7414746	1 1
CENTRE	FB/225, FB/229	7414698	2
LOWER	FB/225, FB/229	7414697	2
UPPER	EK/225, EK/229	LH7417379 RH7417380	1 1
LOWER	EK/225, EK/229	7417372	2
PLATE—Interior name, front door	EJ/235, EH/235, EH/239	7422525	2
NUT—Stamped 1/8" type "M"	EJ/235, EH/235, EH/239	9415250	4
UPPER	EJ/225, EJ/229, EJ/235 EH/225, EH/229, EH/235, EH/239	7419591	2
CENTRE	EJ/235	7419649	2
CENTRE—Front	EH/235, EH/239	LH7424945 RH7424946	1 1
RETAINER	EH/235, EH/239	7410196	12
CENTRE—Rear	EH/235, EH/239	LH7424949 RH7424950	1 1
RETAINER	EH/235, EH/239	7410196	6
LOWER	EH/235, EH/239	7424934	2
RETAINER	EH/235, EH/239	7410196	12
MOULDING—Upper	HD/225, HD/229, HD/235, HD/239	7420299	2
MOULDING—Centre	HD/235, HD/239	LH7427517 RH7427516	1 1
RETAINER	HD/235, HD/239	7420355	14
MOULDING—Lower	HD/235, HD/239	7427519	2
RETAINER	HD/235, HD/239	7410196	12
MOULDING	HR/225, HR/229	7420299	2
MOULDING—Upper	HR/235, HR/239	7431010	2
SCREW—Pan hd. cr. rec. tap. No. 4—24 x 1/4"	HR/235, HR/239	161752	8
MOULDING—Insert	HR/235, HR/239	7431008	2
RETAINER	HR/235, HR/239	7431016	16
MOULDING—Lower	HR/235, HR/239	7427519	2
RETAINER	HR/235, HR/239	7410196	12



HOLDEN

MASTER PARTS CATALOGUE

14.694 SEAL—Front Door Inner Panel

SEAL—Upper	FE, FC, FB, EK	7414588	2
SEAL ASSEMBLY—Lower	FE, FC, FB, EK	LH7411585 RH7411586	1 1
SEAL	EJ, EH	LH7428111 RH7428110	1 1
SEAL—Upper	HD/215, HD/2106	HD/219, HD/2104,	7426620	4
SEAL	HD, HR	LH7428121 RH7428120	1 1

14.730 CLIP—Centre Pillar Trim

CLIP	48, FJ/215, FJ/217, FJ/225	7402337	36
------	-------	----------------------------	-------	---------	----

14.760 TRIM ASSEMBLY—Rear door

TRIM NOS. 276, 278, 279	FJ/225	RH7407458*	1
TRIM NOS. 465, 568, 703, 728	FE/225, FE/229	RH7411182-465	1
TRIM NOS. 582	FE/225	LH7411933-582	1
TRIM NOS. 638, 644, 667	FC/215, FC/217, FC/219	#LH7413783-638	1
TRIM NOS. 643, 670	FC/215, FC/217, FC/219	#RH7413782-643	1
TRIM NOS. 629, 658, 847, 857	FC/225, FC/229	LH7413383-629	1
TRIM NOS. 633, 662	FC/225, FC/229	LH7413383-633	1
TRIM NOS. 841, 852	FC/225, FC/229	LH7413383-841	1
TRIM NOS. 844, 855	FC/225, FC/229	RH7413382-844	1
TRIM NOS. 800, 810	FB/215, FB/219	RH7414690-800	1
TRIM NOS. 801, 811	FB/215, FB/219	LH7414689-801	1
TRIM NOS. 803, 813	FB/215, FB/219	LH7414689-803 RH7414690-803	1 1
TRIM NOS. 815, 821, 883, 889, 941	FB/225, FB/229	LH7414693-815 RH7414694-815	1 1
TRIM NOS. 816, 822, 884, 890	FB/225, FB/229	LH7414693-816 RH7414694-816	1 1
TRIM NOS. 817, 823, 885, 891	FB/225, FB/229	LH7414693-885 RH7414694-885	1 1
TRIM NOS. 820, 826, 888, 894, 942	FB/225, FB/229	LH7414693-820	1
TRIM NOS. 964, 971	EK/225, EK/229	RH7417390-964	1
TRIM NOS. 965, 972, 1021, 1025, 1053	EK/225, EK/229	LH7417389-965 RH7417390-965	1 1
TRM NOS. 966, 973, 1022, 1026, 1071	EK/225, EK/229	LH7417389-966	1
TRIM NOS. 967, 974, 1023, 1027, 1072	EK/225, EK/229	RH7417390-967	1
TRIM NOS. 969, 976	EK/225, EK/229	LH7417389-969	1
TRIM NOS. 1045, 1049	EK/225, EK/229	LH7417389-A45	1
TRIM NOS. 1047, 1051	EK/225, EK/229	LH7417389-A47	1
TRIM NOS. 1037	EK/225	LH7419237-A37	1

#To maintain uniformity of trim design, it is recommended that Rear Door Trims be replaced in pairs on vehicles up to the following Body Numbers:—

FC/215 S.A. 656A
Vic. 69M
N.S.W. 313S

FC/217 S.A. 77A
Vic. 9M
N.S.W. 34S

FC/219 795A

* When ordering, the Part No. must be suffixed by the desired Trim No. refer page 8.

HOLDEN

MASTER PARTS CATALOGUE



14.760 TRIM ASSEMBLY—Rear door (Contd.)

TRIM NOS. A93, B02	EJ/215, EJ/219	LH7419945-A93 RH7419944-A93	1 1
TRIM NOS. A95, B04	EJ/215, EJ/219	LH7419945-A95	1
TRIM NOS. A96, B05	EJ/215, EJ/219	LH7419945-A96 RH7419944-A96	1 1
TRIM NOS. A97, B06	EJ/215, EJ/219	LH7419945-A97 RH7419944-A97	1 1
TRIM NOS. B01, B09	EJ/215, EJ/219	LH7419945-B01	1
TRIM NOS. B10, B18	EJ/225, EJ/229	LH7419947-B10 RH7419946-B10	1 1
TRIM NOS. B11, B19	EJ/225, EJ/229	LH7419947-B11 RH7419946-B11	1 1
TRIM NOS. B12, B20	EJ/225, EJ/229	LH7419947-B12 RH7419946-B12	1 1
TRIM NOS. B14, B22	EJ/225, EJ/229	LH7419947-B14 RH7419946-B14	1 1
TRIM NOS. B15, B23	EJ/225, EJ/229	LH7419947-B15 RH7419946-B15	1 1
TRIM NOS. B16, B24	EJ/225, EJ/229	LH7419947-B16 RH7419946-B16	1 1
TRIM NOS. B17, B25	EJ/225, EJ/229	LH7419947-B17 RH7419946-B17	1 1
TRIM NOS. C02, C04	EJ/225, EJ/229	LH7419947-C02 RH7419946-C02	1 1
TRIM NOS. C03, C05	EJ/225, EJ/229	LH7419947-C03 RH7419946-C03	1 1
TRIM NOS. B29	EJ/235	LH7419707-B29 RH7419708-B29	1 1
TRIM NOS. C16, C23	EH/215, EH/219	LH7424583-C16 RH7424582-C16	1 1
TRIM NOS. C17, C24	EH/215, EH/219	LH7424583-C17 RH7424582-C17	1 1
TRIM NOS. C19, C26	EH/215, EH/219	LH7424583-C19 RH7424582-C19	1 1
TRIM NOS. C20, C27	EH/215, EH/219	LH7424583-C20 RH7424582-C20	1 1
TRIM NOS. C22, C29	EH/215, EH/219	LH7424583-C22 RH7424582-C22	1 1
TRIM NOS. C30, C37	EH/225, EH/229	LH7424587-C30 RH7424586-C30	1 1
TRIM NOS. C31, C38	EH/225, EH/229	LH7424587-C31 RH7424586-C31	1 1
TRIM NOS. C32, C39	EH/225, EH/229	LH7424587-C32 RH7424586-C32	1 1
TRIM NOS. C33, C40	EH/225, EH/229	LH7424587-C33 RH7424586-C33	1 1
TRIM NOS. C34, C41	EH/225, EH/229	LH7424587-C34 RH7424586-C34	1 1
TRIM NOS. C35, C42	EH/225, EH/229	LH7424587-C35 RH7424586-C35	1 1
TRIM NOS. C36, C43	EH/225, EH/229	LH7424587-C36 RH7424586-C36	1 1
TRIM NOS. C44, C45, C46, C47	EH/235	LH7424939*	1
TRIM NOS. C44, C45, C46	EH/235	RH7424940*	1
TRIM NOS. C79, C81, C82	EH/239	LH7424963*	1
TRIM NOS. C79, C80, C81, C82	EH/239	RH7424964*	1

* When ordering the Part No. must be suffixed by the desired Trim No. Refer page 8.



HOLDEN

MASTER PARTS CATALOGUE

14.760 TRIM ASSEMBLY—Rear door (Contd.)

TRIM NOS. D38, D46	HD/215, HD/219	LH7427075-D38 RH7427074-D38	1 1
TRIM NOS. D39, D47	HD/215, HD/219	LH7427075-D39 RH7427074-D39	1 1
TRIM NOS. D40, D48	HD/215, HD/219	LH7427075-D40 RH7427074-D40	1 1
TRIM NOS. D41, D49	HD/215, HD/219	LH7427075-D41 RH7427074-D41	1 1
TRIM NOS. D42, D50	HD/215, HD/219	LH7427075-D42 RH7427074-D42	1 1
TRIM NOS. E20, E21	HD/215, HD219	LH7427075-E20 RH7427074-E20	1 1
TRIM NOS. E29, E31	HD/215, HD/219	LH7427075-E29 RH7427074-E29	1 1
TRIM NOS. E30, E32	HD/215, HD/219	LH7427075-E30 RH7427074-E30	1 1
TRIM NOS. D54, D60	HD/225, HD/229	LH7427713-D54 RH7427712-D54	1 1
TRIM NOS. D55, D61	HD/225, HD/229	LH7427713-D55 RH7427712-D55	1 1
TRIM NOS. D56, D62	HD/225, HD/229	LH7427713-D56 RH7427712-D56	1 1
TRIM NOS. D57, D63	HD/225, HD/229	LH7427713-D57 RH7427712-D57	1 1
TRIM NOS. D58, D64	HD/225, HD/229	LH7427713-D58 RH7427712-D58	1 1
TRIM NOS. D59, D65	HD/225, HD/229	LH7427713-D59 RH7427712-D59	1 1
TRIM NOS. E22, E23	HD/225, HD/229	LH7427713-E22 RH7427712-E22	1 1
TRIM NOS. D66, D67, D68, E35	HD/235	LH7427543*	1
TRIM NOS. D66, D67, D68, E35	HD/235	RH7427542*	1
TRIM NOS. D70, D71, D72, E36	HD/239	LH7427545*	1
TRIM NOS. D70, D71, D72, E36	HD/239	RH7427544*	1
TRIM NOS. E43, E49	HR/215, HR/219	LH7431053-E43 RH7431052-E43	1 1
TRIM NOS. E44, E50	HR/215, HR/219	LH7431053-E44 RH7431052-E44	1 1
TRIM NOS. E45, E51	HR/215, HR/219	LH7431053-E45 RH7431052-E45	1 1
TRIM NOS. E46, E52	HR/215, HR/219	LH7431053-E46 RH7431052-E46	1 1
TRIM NOS. E55, E60	HR/225, HR/229	LH7431047-E55 RH7431046-E55	1 1
TRIM NOS. E56, E61	HR/225, HR/229	LH7431047-E56 RH7431046-E56	1 1
TRIM NOS. E57, E62	HR/225, HR/229	LH7431047-E57 RH7431046-E57	1 1
TRIM NOS. E58, E63	HR/225, HR/229	LH7431047-E58 RH7431046-E58	1 1
TRIM NOS. E59, E64	HR/225, HR/229	LH7431047-E59 RH7431046-E59	1 1
TRIM NOS. E65, F05	HR/235	LH7431023-E65 RH7431022-E65	1 1
TRIM NOS. E66, F06	HR/235	LH7431023-E66 RH7431022-E66	1 1
TRIM NOS. E67, F07	HR/235	LH7431023-E67 RH7431022-E67	1 1

* When ordering, the Part No. must be suffixed by the desired Trim No. Refer page 8.

HOLDEN

MASTER PARTS CATALOGUE



14.760 TRIM ASSEMBLY—Rear door (Cont'd.)

TRIM NOS. E68, F08, F52, F54	HR/235	LH7431023-E68	1
		RH7431022-E68	1
TRIM NOS. F40, F46, F60, F64	HR/235	LH7431023-F40	1
		RH7431022-F40	1
TRIM NOS. F41, F47, F61, F65	HR/235	LH7431023-F41	1
		RH7431022-F41	1
TRIM NOS. F42, F48	HR/235	LH7431023-F42	1
		RH7431022-F42	1
TRIM NOS. E69, F09	HR/239	LH7431037-E69	1
		RH7431036-E69	1
TRIM NOS. E70, F10	HR/239	LH7431037-E70	1
		RH7431036-E70	1
TRIM NOS. E71, F11	HR/239	LH7431037-E71	1
		RH7431036-E71	1
TRIM NOS. E72, F12, F53, F55	HR/239	LH7431037-E72	1
		RH7431036-E72	1
TRIM NOS. F43, F49, F62, F66	HR/239	LH7431037-F43	1
		RH7431036-F43	1
TRIM NOS. F44, F50, F63, F67	HR/239	LH7431037-F44	1
		RH7431036-F44	1
TRIM NOS. F45, F51	HR/239	LH7431037-F45	1
		RH7431036-F45	1
CLIP	48, FJ/215, FJ/217, FJ/225 FE exc. FE/2104, FE/2106 FC exc. FC/2104, FC/2106 FB exc. FB/2104, FB/2106 EK exc. EK/2104, EK/2106 EJ, exc. EJ/2104, EJ/2106 EH, exc. EH/2104, EH/2106 HD exc. HD/2104, HD/2106 HR exc. HR/2104, HR/2106	7377884	A.R.
CAP—Clip	48, FJ/215, FJ/217, FJ/225 FE exc. FE/2104, FE/2106 FC exc. FC/2104, FC/2106 FB exc. FB/2104, FB/2106 EK exc. EK/2104, EK/2106 EJ, exc. EJ/2104, EJ/2106 EH, exc. EH/2104, EH/2106 HD exc. HD/2104, HD/2106 HR exc. HR/2104, HR/2106	7410830	A.R.

14.762 PAD—Rear door arm rest

TRIM NOS. B26, B27, B28, B29	EJ/235	LH7419697*	1
TRIM NOS. B26, B27, B28, B29	EJ/235	RH7419698*	1
TRIM NOS. C44, C45, C46, C47	EH/235	LH7419697*	1
TRIM NOS. C44, C45, C46, C47	EH/235	RH7419698*	1
TRIM NOS. D66, E65, F05	HD/235, HR/235	LH7418113-D66	1
		RH7418114-D66	1
TRIM NOS. D67, E66, F06	HD/235, HR/235	LH7418113-C45	1
		RH7418114-C45	1
TRIM NOS. D68, E67, F07	HD/235, HR/235	LH7418113-C46	1
		RH7418114-C46	1
TRIM NOS. E35, E68, F08, F52, F54	HD/235, HR/235	LH7418113-E35	1
		RH7418114-E35	1
TRIM NOS. F40, F46, F60, F64	HR/235	LH7418113-F40	1
		RH7418114-F40	1
TRIM NOS. F41, F47, F61, F65	HR/235	LH7418113-F41	1
		RH7418114-F41	1
TRIM NOS. F42, F48	HR/235	LH7418113-F42	1
		RH7418114-F42	1

*When ordering the Part No. must be suffixed by the desired Trim No. Refer Page 8.



HOLDEN

MASTER PARTS CATALOGUE

14.763 BASE—Rear door arm rest

BASE	EJ/235, EH/235	LH7419699	1
		RH7419700	1
TRIM NOS. D66	HD/235	LH7429335	1
		RH7429334	1
TRIM NOS. D67	HD/235	LH7428147	1
		RH7428146	1
TRIM NOS. D68	HD/235	LH7428149	1
		RH7428148	1
TRIM NOS. E35	HD/235	LH7429269	1
		RH7429270	1
TRIM NOS. E65, F05, F40, F46, F60, F64	HR/235	LH7429335	1
		RH7429334	1
TRIM NOS. E66, F06	HR/235	LH7431061	1
		RH7431062	1
TRIM NOS. E67, F07	HR/235	LH7428149	1
		RH7428148	1
TRIM NOS. E68, F08, F52, F54	HR/235	LH7429269	1
		RH7429270	1
TRIM NOS. F41, F47, F61, F65	HR/235	LH7428135	1
		RH7428134	1
TRIM NOS. F42, F48	HR/235	LH7434675	1
		RH7434674	1
SCREW—Pan hd. cr. rec. tap. type "A" No. 14—10 x 2"	EJ/235, EH/235, HD/235, HR/235	162113	4
NUT—Arm rest anchor	HD/235	4819356	4

14.764 MOULDING—Rear Door Trim

UPPER—TRIM NOS. 276, 277, 278, 279, 329, 339, 361	FJ/225	LH7407441	1
		RH7407442	1
LOWER—TRIM NOS. 276, 277, 278, 279, 329, 339, 361	FJ/225	7407443	2
CENTRE—TRIM NOS. 418, 426, 427, 538, 539, 540	FJ/225	RH7409328	1
UPPER	FE/225, FE/229, FC/225, FC/229	7410969	2
LOWER	FE/225, FE/229	LH7411181	1
		RH7411180	1
LOWER	FC/225, FC/229	LH7412033	1
		RH7412034	1
MOULDING—Upper	FB/225, FB/229, EK/225, EK/229	7410969	2
MOULDING—Centre	FB/225, FB/229	7414698	2
MOULDING—Lower	FB/225, FB/229	7414699	2
MOULDING—Lower	EK/225, EK/229	7417374	2
MOULDING—Upper	EJ/225, EJ/229, EJ/235 EH/225, EH/229, EH/235, EH/239	7419592	2
MOULDING—Centre	EJ/235	LH7419647	1
		RH7419648	1
MOULDING—Centre, front	EH/235	LH7424953	1
		RH7424954	1
RETAINER	EH/235	7410196	12
MOULDING—Centre, rear	EH/235	LH7424957	1
		RH7424958	1
RETAINER	EH/235	7410196	6
MOULDING—Centre	EH/239	LH7424967	1
		RH7424968	1
RETAINER	EH/239	7410196	18
MOULDING—Lower	EH/235, EH/239	7424972	2
RETAINER	EH/235, EH/239	7410196	8
MOULDING—Upper	HD/225, HD/229, HD/235, HD/239	7420300	2
MOULDING—Centre	HD/235, HD/239	LH7427531	1
		RH7427530	1
RETAINER	HD/235, HD/239	7420355	12
MOULDING—Lower	HD/235, HD/239	7427533	2
RETAINER	HD/235, HD/239	7410196	8

HOLDEN

MASTER PARTS CATALOGUE



14.764 MOULDING—Rear Door Trim (Cont'd.)

MOULDING	HR/225, HR/229	7420300	2
MOULDING—Upper	HR/235, HR/239	7431011	2
SCREW—Pan hd. cr. rec. tap No. 4—24 x 1/4"	HR/235, HR/239	161752	8
MOULDING—Insert	HR/235, HR/239	7431008	2
RETAINER	HR/235, HR/239	7431016	16
MOULDING—Lower	HR/235, HR/239	7427533	2
RETAINER	HR/235, HR/239	7410196	8

14.768 SEAL—Rear Door Inner Panel

SEAL—Upper	FE exc. FE/2104, FE/2106 FC exc. FC/2104, FC/2106 FB exc FB/2104, FB/2106 EK exc EK/2104, EK/2106	7414587	2
SEAL ASSEMBLY—Lower	FE exc. FE/2104, FE/2106 FC exc. FC/2104, FC/2106 FB exc FB/2104, FB/2106 EK exc EK/2104, EK/2106	LH7411587 RH7411588	1 1
SEAL—Upper	EJ, exc. EJ/2104, EJ/2106 EH, exc. EH/2104, EH/2106	LH7428115 RH7428114	1 1
SEAL—Lower	EJ, exc. EJ/2104, EJ/2106 EH, exc. EH/2104, EH/2106	LH7428113 RH7428112	1 1
SEAL—Upper	HD exc. HD/2104, HD/2106 HR exc. HR/2104, HR/2106	LH7428119 RH7428118	1 1
SEAL—Lower	HD exc. HD/2104, HD/2106 HR exc. HR/2104, HR/2106	LH7428117 RH7428116	1 1

14.770 MOULDING—Rear Body Lock Pillar

MOULDING	FE/219, FE/229, FC/219, FC/229	LH7411591 RH7411592	1 1
SCREW—Oval hd. cr. rec. tap. Type "B" No. 8—18 x 1/2"	FE/219, FE/229, FC/219, FC/229	163443	10

14.796 SEAT ASSEMBLY—Front

Current Production Front Seat Assemblies will be supplied in Current Production Trim on a firm order basis.

14.798 BELT ASSEMBLY—Front Seat

TRIM NOS. E43, E49, E55, E60, E65, E69, E73, E78, F05, F09, F40, F43, F46, F49, F60, F62, F64, F66	HR	7433759-E55	2
TRIM NOS. E44, E50, E56, E61, E74, E79, E96, E97, F01, F02, F41, F44, F47, F50, F61, F63, F65, F67	HR	7433759-E56	2
TRIM NOS. E45, E51, E58, E63, E75, E80, E98, E99, F03, F04	HR	7433759-E58	2
TRIM NOS. E46, E52, E59, E64, E76, E81	HR	7433759-E59	2
TRIM NOS. E57, E62	HR/225, HR/229	7433759-E57	2
TRIM NOS. E66, E70, F06, F10	HR/235, HR/239	7433759-E66	2
TRIM NOS. E67, E71, F07, F11	HR/235, HR/239	7433759-E67	2
TRIM NOS. E68, E72, F08, F12, F52, F53, F54, F55	HR/235, HR/239	7433759-E68	2



HOLDEN

MASTER PARTS CATALOGUE

14.800 COVER ASSEMBLY—Front seat back

BUTTON ASSEMBLY—Trim	48 (Bolster trim)	7403896	2
TRIM NOS. 643, 670	FC/215, FC/217, FC/219	7413657-643	1
TRIM NOS. 817, 823	FB/225, FB/229	7414939-817	1
TRIM NOS. 888, 894	FB/225, FB/229	7414939-888	1
TRIM NOS. 964, 971	EK/225, EK/229	7418600-964	1
TRIM NOS. 1037	EK/225	7418600-A37	1
TRIM NOS. A93, B02	EJ/215, EJ/219	7421270-A93	1
TRIM NOS. A95, B04	EJ/215, EJ/219	7421270-A95	1
TRIM NOS. A96, B05	EJ/215, EJ/219	7421270-A96	1
TRIM NOS. A97, B06	EJ/215, EJ/219	7421270-A97	1
TRIM NOS. B01, B09	EJ/215, EJ/219	7421270-B01	1
TRIM NOS. B12, B20	EJ/225, EJ/229	7421188-B12	1
TRIM NOS. B13, B21	EJ/225, EJ/229	7421188-B13	1
TRIM NOS. B14, B22	EJ/225, EJ/229	7421188-B14	1
TRIM NOS. B16, B24	EJ/225, EJ/229	7421188-B16	1
TRIM NOS. B17, B25	EJ/225, EJ/229	7421188-B17	1
TRIM NOS. C02, C04	EJ/225, EJ/229	7421188-C02	1
TRIM NOS. C03, C05	EJ/225, EJ/229	7421188-C03	1
TRIM NOS. B26, B27, B28, B29	EJ/235	7421548*	2
SCREW—Pan hd. sl. tap. type "B" No. 8—18 x 3/8"	EJ/235	111688	12
TRIM NOS. B60	EJ/2104	7421875-B60	1
TRIM NOS. B66, B73	EJ/2106	7421876*	1
TRIM NOS. C16, C23	EH/215, EH/219	7426045-C16	1
TRIM NOS. C17, C24	EH/215, EH/219	7426045-C17	1
TRIM NOS. C19, C26	EH/215, EH/219	7426045-C19	1
TRIM NOS. C20, C27	EH/215, EH/219	7426045-C20	1
TRIM NOS. C22, C29	EH/215, EH/219	7426045-C22	1
TRIM NOS. C30, C37	EH/225, EH/229	7426048-C30	1
TRIM NOS. C31, C38	EH/225, EH/229	7426048-C31	1
TRIM NOS. C32, C39	EH/225, EH/229	7426048-C32	1
TRIM NOS. C33, C40	EH/225, EH/229	7426048-C33	1
TRIM NOS. C34, C41	EH/225, EH/229	7426048-C34	1
TRIM NOS. C35, C42	EH/225, EH/229	7426048-C35	1
TRIM NOS. C44, C79	EH/235, EH/239	7426313-C44	2
TRIM NOS. C45, C80	EH/235, EH/239	7426313-C45	2
TRIM NOS. C46, C81	EH/235, EH/239	7426313-C46	2
TRIM NOS. C47, C82	EH/235, EH/239	7426313-C47	2
SCREW—Pan hd. sl. tap. No. 8—18 x 3/8"	EH/235, EH/239	111688	12
TRIM NOS. C48, C49, C51, C52, C54	EH/2104	7426050*	1
TRIM NOS. C55, C56, C58, C61	EH/2106	7426052*	1
TRIM NOS. D38, D46	HD/215, HD/219	7428249-D38	1
TRIM NOS. D39, D47	HD/215, HD/219	7428249-D39	1
TRIM NOS. D40, D48	HD/215, HD/219	7428249-D40	1
TRIM NOS. D41, D49	HD/215, HD/219	7428249-D41	1
TRIM NOS. D42, D50	HD/215, HD/219	7428249-D42	1
TRIM NOS. E20, E21	HD/215, HD/219	7428249-E20	1
TRIM NOS. E29, E31	HD/215, HD/219	7428249-E29	1
TRIM NOS. E30, E32	HD/215, HD/219	7428249-E30	1
TRIM NOS. D54, D60	HD/225, HD/229	7428253-D54	1
TRIM NOS. D55, D61	HD/225, HD/229	7428253-D55	1
TRIM NOS. D56, D62	HD/225, HD/229	7428253-D56	1
TRIM NOS. D57, D63	HD/225, HD/229	7428253-D57	1
TRIM NOS. D58, D64	HD/225, HD/229	7428253-D58	1
TRIM NOS. D59, D65	HD/225, HD/229	7428253-D59	1
TRIM NOS. E22, E23	HD/225, HD/229	7428253-E22	1

* When ordering, the Part No. must be suffixed by the desired Trim No. Refer page 8.

HOLDEN

MASTER PARTS CATALOGUE



14.800 COVER ASSEMBLY—Front Seat Back (Cont'd.)

TRIM NOS. D66, D70	HD/235, HD/239	7428423-D66	2
TRIM NOS. D67, D71	HD/235, HD/239	7428423-D67	2
TRIM NOS. D68, D72	HD/235, HD/239	7428423-D68	2
TRIM NOS. E35, E36	HD/235, HD/239	7428423-E35	2
SCREW—Pan hd. sl. tap. No. 8—18 x 3/8"	HD/235, HD/239	111688	12
BUTTON—Trim Nos. D66, D70	HD/235, HD/239	SP1633	6
BUTTON—Trim Nos. D67, D71	HD/235, HD/239	SP1642	6
BUTTON—Trim Nos. D68, D72	HD/235, HD/239	SP1635	6
BUTTON—Trim Nos. E35, E36	HD/235, HD/239	SP1688	6
PLATE—Button retainer	HD/235, HD/239	SP1637	6
TRIM NOS. D99, E01, E02, E24	HD/2104	7428250*	1
TRIM NOS. E05, E06, E07, E25	HD/2106	7428251*	1
TRIM NOS. E43, E49	HR/215, HR/219	7431406-E43	1
TRIM NOS. E44, E50	HR/215, HR/219	7431406-E44	1
TRIM NOS. E45, E51	HR/215, HR/219	7431406-E45	1
TRIM NOS. E46, E52	HR/215, HR/219	7431406-E46	1
TRIM NOS. E55, E60	HR/225, HR/229	7431405-E55	1
TRIM NOS. E56, E61	HR/225, HR/229	7431405-E56	1
TRIM NOS. E57, E62	HR/225, HR/229	7431405-E57	1
TRIM NOS. E58, E63	HR/225, HR/229	7431405-E58	1
TRIM NOS. E59, E64	HR/225, HR/229	7431405-E59	1
TRIM NOS. E65, E69	HR/235, HR/239	7431409-E65	2
TRIM NOS. E66, E70	HR/235, HR/239	7431409-E66	2
TRIM NOS. E67, E71	HR/235, HR/239	7431409-E67	2
TRIM NOS. E68, E72, F52, F53	HR/235, HR/239	7431409-E68	2
TRIM NOS. F40, F43, F60, F62	HR/235, HR/239	7431409-F40	2
TRIM NOS. F41, F44, F61, F63	HR/235, HR/239	7431409-F41	2
TRIM NOS. F42, F45	HR/235, HR/239	7431409-F42	2
TRIM NOS. F05, F09	HR/235, HR/239	7432817-F05	1
TRIM NOS. F06, F10	HR/235, HR/239	7432817-F06	1
TRIM NOS. F07, F11	HR/235, HR/239	7432817-F07	1
TRIM NOS. F08, F12, F54, F55	HR/235, HR/239	7432817-F08	1
TRIM NOS. F46, F49, F64, F66	HR/235, HR/239	7432817-F46	1
TRIM NOS. F47, F50, F65, F67	HR/235, HR/239	7432817-F47	1
TRIM NOS. F48, F51	HR/235, HR/239	7432817-F48	1
SCREW—Pan hd. sl. tap No. 8—18 x 3/8"	HR/235, HR/239	111688	12
BUTTON—Trim Nos. E65, E69, F05, F09	HR/235, HR/239	SP1633	8-12
BUTTON—Trim Nos. E66, E70, F06, F10	HR/235, HR/239	SP1642	8-12
BUTTON—Trim Nos. E67, E71, F07, F11	HR/235, HR/239	SP1635	8-12
BUTTON—Trim Nos. E68, E72, F08, F12	HR/235, HR/239	SP1688	8-12
BUTTON—Trim Nos. E68, E72, F08, F12, F52, F53, F54, F55	HR/235, HR/239	SP1809	8-12
BUTTON—Trim Nos. F40, F43, F46, F49, F60, F62, F64, F66	HR/235, HR/239	SP1785	8-12
BUTTON—Trim Nos. F41, F44, F47, F50, F61, F63, F65, F67	HR/235, HR/239	SP1786	8-12
BUTTON—Trim Nos. F42, F45, F48, F51	HR/235, HR/239	SP1787	8-12
BUTTON—Trim Nos. F52, 53, F54, F55	HR/235, HR/239	SP1809	8-12
PLATE—Button retainer	HR/235, HR/239	SP1637	8-12
TRIM NOS. E73, E74, E75, E76, E96, E97, E98, E99	HR/2104	7431407*	1
TRIM NOS. E78, E79, E80, E81, F01, F02, F03, F04	HR/2106	7431408*	1

14.802 PAD, INSULATOR, SPACER—Front Seat Back

PAD ASSEMBLY	FB	7414259	1
PAD ASSEMBLY	EK	7417707	1
PAD ASSEMBLY	EJ/215, EJ/219, EJ/2104, EJ/2106	7419185	1
PAD ASSEMBLY	EJ/225, EJ/229		
	EH/215, EH/219, EH/225, EH/229		
	EH/2104, EH/2106	7419184	1
PAD ASSEMBLY	EJ/235, EH/235, EH/239	7421349	2
PAD ASSEMBLY—Rear lower	EJ/235, EH/235, EH/239	7421696	2
SPACER ASSEMBLY—Top	EJ/235, EH/235, EH/239	7421559	2

*When ordering, the Part No. must be suffixed by the desired Trim No. Refer page 8.



HOLDEN

MASTER PARTS CATALOGUE

14.802 PAD, INSULATOR, SPACER—Front Seat Back (Cont'd.)

INSULATOR ASSEMBLY	48, 50, FJ, FE, FC, FB, EK EJ, exc. EJ/235	7407314	1
PAD ASSEMBLY	EH, exc. EH/235, EH/239	7428059	1
PAD ASSEMBLY	HD exc. HD/235, HD/239	7428921	2
PAD ASSEMBLY—Rear lower	HD/235, HD/239	7421696	2
SPACER ASSEMBLY—Top	HD/235, HD/239	7428874	2
PAD ASSEMBLY	HR/215, HR/219	7437084	1
PAD ASSEMBLY	HR/225, HR/229	7431213	1
PAD ASSEMBLY	HR/235, HR/239	7430874	2
PAD ASSEMBLY—Bench type seat	HR/235, HR/239	7432819	1
PAD ASSEMBLY	HR/2104, HR/2106	7428059	1
INSULATOR ASSEMBLY	HD exc. HD/235, HD/239 HR exc. HR/235, HR/239	7426996	1

14.818 MOULDING, STRIP—Seat Panel

MOULDING—Front seat	FE/225, FE/229, FC/225, FC/229	LH7410191 RH7410190	1 1
RETAINER—Moulding	FE/225, FE/229, FC/225, FC/229	7410196	14
MOULDING—Front seat	FB/225, FB/229, EK/225, EK/229	7413231	2
RETAINER—Moulding	FB/225, FB/229, EK/225, EK/229	7412869	6
STRIP—Rear seat cushion front wear	FE/219, FE/229, FC/219, FC/229 FB/219, FB/229, EK/219, EK/229	7411140	1
STRIP—Rear seat cushion side wear	FE/219, FE/229, FC/219, FC/229 FB/219, FB/229, EK/219, EK/229	LH7411141 RH7411142	1 1
STRIP—Rear seat cushion rear wear	FE/219, FE/229, FC/219, FC/229 FB/219, FB/229, EK/219, EK/229	7415035	1
STRIP—Rear seat back upper wear	FE/219, FE/229, FC/219, FC/229 FB/219, FB/229, EK/219, EK/229	7411045	1
STRIP—Rear seat back side wear	FE/219, FE/229, FC/219, FC/229 FB/219, FB/229, EK/219, EK/229	LH7411047 RH7411046	1 1
STRIP—Rear seat back lower wear	FE/219, FE/229, FC/219, FC/229 FB/219, FB/229, EK/219, EK/229	7411044	1
CORNER ESCUTCHEON—Rear seat wear strip	FE/219, FE/229, FC/219, FC/229 FB/219, FB/229, EK/219, EK/229	7411048	4
SCREW—Oval hd. cr. rec. tap. Type "A" No. 6—18 x 1/2"	FE/219, FE/229, FC/219, FC/229 FB/219, FB/229, EK/219, EK/229	162247	42
STRIP—Rear seat back wear	FE/219 from Body No. 1388A FC/219, FB/219, EK/219	7413847	5
SCREW—Oval hd. cr. rec. tap. Type "A" No. 6—18 x 5/8"	FE/219 from Body No. 1388A FC/219, FB/219, EK/219	162292	15
MOULDING—Front seat side	EJ/235, EH/235, EH/239 HD/235, HD/239, HR/235, HR/239	7419798	4
SCREW—Oval hd. cr. rec. tap. No. 8—18 x 3/4"	EJ/235, EH/235, EH/239 HD/235, HD/239, HR/235, HR/239	163450	8
SPACER—Front seat side moulding	EJ/235, EH/235, EH/239 HD/235, HD/239, HR/235, HR/239	7419799	8
SUPPORT—Front seat side moulding	EJ/235, EH/235, EH/239 HD/235, HD/239, HR/235, HR/239	7419797	8
STRIP—Rear seat cushion front wear	EJ/219, EJ/229 EH/219, EH/229, EH/239	7417369	1
STRIP—Rear seat cushion rear wear	EJ/219, EJ/229 EH/219, EH/229, EH/239	7417370	1

HOLDEN

MASTER PARTS CATALOGUE



14.818 MOULDING, STRIP—Seat Panel (Cont'd.)

STRIP—Rear seat back upper wear	EJ/219, EJ/229 EH/219, EH/229, EH/239	7416915	1
STRIP—Rear seat back side wear	EJ/219, EJ/229 EH/219, EH/229, EH/239	LH7416917 RH7416916	1 1
STRIP—Rear seat back lower wear	EJ/219, EJ/229 EH/219, EH/229, EH/239	7416918	1
CORNER ESCUTCHEON—Rear seat strip	EJ/219, EJ/229 EH/219, EH/229, EH/239	7416919	4
SCREW—Pan hd. cr. rec. tap. type "A" No. 6—18 x 1/2"	EJ/219, EJ/229 EH/219, EH/229, EH/239	161798	29
STRIP—Rear seat back wear	EJ/219, EJ/229 EH/219, EH/229, EH/239	7416321	6
SCREW—Oval hd. cr. rec. tap. type "A" No. 6—18 x 5/8"	EJ/219, EJ/229 EH/219, EH/229, EH/239	162292	18
STRIP—Rear seat cushion front wear	HD/219, HD/229, HD/239 HR/219, HR/229, HR/239	7423018	1
STRIP—Rear seat cushion rear wear	HD/219, HD/229, HD/239 HR/219, HR/229, HR/239	7422988	1
STRIP—Rear seat back upper wear	HD/219, HD/229, HD/239 HR/219, HR/229, HR/239	7422998	1
STRIP—Rear seat back side wear	HD/219, HD/229, HD/239 HR/219, HR/229, HR/239	LH7423079 RH7423078	1 1
STRIP—Rear seat back lower wear	HD/219, HD/229, HD/239 HR/219, HR/229, HR/239	7423086	1
CORNER ESCUTCHEON—Rear seat strip	HD/219, HD/229, HD/239 HR/219, HR/229, HR/239	7416919	1
SCREW—Pan hd. cr. rec. tap. No. 6—18 x 1/2"	HD/219, HD/229, HD/239 HR/219, HR/229, HR/239	161798	31
STRIP—Rear seat back wear	HD/219, HD/229, HD/239 HR/219, HR/229, HR/239	7416321	6
SCREW—Oval hd. cr. rec. tap. No. 6—18 x 5/8"	HD/219, HD/229, HD/239 HR/219, HR/229, HR/239	162292	18

14.860 PANEL—Front Seat

PANEL ASSEMBLY—Side

PANEL ASSEMBLY—Side	FE exc. FE/225, FE/229 FC exc. FC/225, FC/229	LH7412233 RH7412234	1 1
UPPER	FE/225, FE/229, FC/225, FC/229	LH7412213 RH7412214	1 1
LOWER	FE/225, FE/229, FC/225, FC/229	LH7412233 RH7412234	1 1
SCREW—Oval hd. cr. rec. tap. Type "A" No. 8—15 x 1/2"	FE, FC	148545	A.R.
SCREW—Oval hd. cr. rec. tap. Type "A" No. 8—15 x 1/2"	FE, FC	162418	2
WASHER—Finish No. 8	FE, FC	140240	A.R.
PANEL—Side	FB, EK	RIGHT HAND DRIVE LH7413067 RH7413068	1 1
SCREW—Oval hd. cr. rec. tap. Type "A", No. 8—15 x 1/2"	FB, EK	148545	10
PANEL—Side	EJ, exc. EJ/235 EH, exc. EH/235, EH239 HD/225, HD/229	RIGHT HAND DRIVE LH7416231 RH7416230 LEFT HAND DRIVE LH7416241 RH7416240	1 1 1 1



HOLDEN

MASTER PARTS CATALOGUE

14.860 PANEL—Front Seat (Cont'd.)
PANEL ASSEMBLY—Side (Cont'd.)

PANEL—Side	EJ/235, EH/235, EH/239, HD/235, HD/239, HR/235, HR/239	LH7419899 RH7419898	1 7
SCREW—Oval hd. cr. rec. tap. type "A" No. 8—15 x 5/8"	EJ, EH, HD/225, HD/229, HD/235, HD/239 HR/235, HR/239	162397	8
RETAINER—Cushion cover side	HD exc. HD/235, HD/239 HR	7429234	2
GUARD—Seat adjuster	HD exc. HD/235, HD/239 HR exc. HR/235, HR/239	RIGHT HAND DRIVE LH7429449 RH7429452 LEFT HAND DRIVE LH7429451 RH7429450	1 1 1 1
GUARD—Seat adjuster—Bench type seat	HR/235, HR/239	RIGHT HAND DRIVE LH7432769 RH7432766 LEFT HAND DRIVE LH7432767 RH7432768	1 1 1 1
SCREW—Pan hd. cr. rec. tap. No. 6—20 x 1/2"	HD/215, HD/219, HD/2104, HD/2106	163102	6
SCREW—Rd. hd. washer face cr. rec. No. 6—18 x 1/2"	HD exc. HD/235, HD/239 HR	SP1815	6

14.862 SUPPORT—Front seat side panel

SUPPORT	FE, FC	7412092	2
---------	--------	---------	---

14.866 PANEL—Front Seat Side Extension

PANEL	FE exc. FE/2104, FE/2106 FC exc. FC/2104, FC/2106	LH7410997 RH7410996	1 1
SCREW—Pan hd. sl. tap. Type "A" No. 8—15 x 1/2"	FE exc. FE/2104, FE/2106 FC exc. FC/2104, FC/2106	120790	A.R.
SCREW—Oval hd. cr. rec. tap. Type "A" No. 8—15 x 1/2"	FE exc. FE/2104, FE/2106 FC exc. FC/2104, FC/2106	148545	2
WASHER—Finish No. 8	FE exc. FE/2104, FE/2106 FC exc. FC/2104, FC/2106	140240	2
PANEL	FB exc. FB/2104, FB/2106 EK exc. EK/2104, EK/2106	LH7413819 RH7413820	1 1
SCREW—Oval hd. cr. rec. tap. Type "A", No. 8—15 x 1/2"	FB exc. FB/2104, FB/2106 EK exc. EK/2104, EK/2106	148545	2

14.880 COVER ASSEMBLY—Front seat cushion

TRIM NOS. 468, 572, 712, 717, 730	FE/225, FE/229	7411748-468	1
TRIM NOS. 473, 578, 732	FE/225, FE/229	7411748-473	1
TRIM NOS. 640, 649, 653, 668	FC exc. FC/225, FC/229	7411326-640	1
TRIM NOS. 803, 813, 830, 835	FB exc. FB/225, FB/229	7404106-803	1
TRIM NOS. 817, 823	FB/225, FB/229	7413356-817	1
SCREW—Pan hd. sl. tap. Type "A" No. 8—15 x 1/2"	FE, FC, FB, EK	120790	2

HOLDEN

MASTER PARTS CATALOGUE



14.880 COVER ASSEMBLY—Front Seat Cushion (Contd.)

TRIM NOS. A93, B02, B58, B66	EJ/215, EJ/219, EJ/2104, EJ/2106	7421269-A93	1
TRIM NOS. A95, B04, B60, B68	EJ/215, EJ/219, EJ/2104, EJ/2106	7421269-A95	1
TRIM NOS. A96, B05, B61, B69	EJ/215, EJ/219, EJ/2104, EJ/2106	7421269-A96	1
TRIM NOS. A97, B06, B62, B70	EJ/215, EJ/219, EJ/2104, EJ/2106	7421269-A97	1
TRIM NOS. B01, B09, B65, B73	EJ/215, EJ/219, EJ/2104, EJ/2106	7421269-B01	1
TRIM NOS. B10, B18	EJ/225, EJ/229	7421187-B10	1
TRIM NOS. B12, B20	EJ/225, EJ/229	7421187-B12	1
TRIM NOS. B13, B21	EJ/225, EJ/229	7421187-B13	1
TRIM NOS. B14, B22	EJ/225, EJ/229	7421187-B14	1
TRIM NOS. B15, B23	EJ/225, EJ/229	7421187-B15	1
TRIM NOS. C02, C04	EJ/225, EJ/229	7421187-C02	1
TRIM NOS. C03, C05	EJ/225, EJ/229	7421187-C03	1
TRIM NOS. B26	EJ/235	7421547-B26	2
TRIM NOS. B27	EJ/235	7421547-B27	2
TRIM NOS. B28	EJ/235	7421547-B28	2
SCREW—Pan hd. sl. tap. Type "B" No. 8—18 x 3/8"	EJ/235	111688	4
TRIM NOS. C16, C23, C48, C55	EH/215, EH/219, EH/2104, EH/2106	7426044-C16	1
TRIM NOS. C17, C24, C49, C56	EH/215, EH/219, EH/2104, EH/2106	7426044-C17	1
TRIM NOS. C19, C26, C51, C58	EH/215, EH/219, EH/2104, EH/2106	7426044-C19	1
TRIM NOS. C20, C27, C52, C59	EH/215, EH/219, EH/2104, EH/2106	7426044-C20	1
TRIM NOS. C22, C29, C54, C61	EH/215, EH/219, EH/2104, EH/2106	7426044-C22	1
TRIM NOS. C30, C37	EH/225, EH/229	7426047-C30	1
TRIM NOS. C31, C38	EH/225, EH/229	7426047-C31	1
TRIM NOS. C32, C39	EH/225, EH/229	7426047-C32	1
TRIM NOS. C33, C40	EH/225, EH/229	7426047-C33	1
TRIM NOS. C34, C41	EH/225, EH/229	7426047-C34	1
TRIM NOS. C44, C79	EH/235, EH/239	7426055-C44	2
TRIM NOS. C45, C80	EH/235, EH/239	7426055-C45	2
TRIM NOS. C46, C81	EH/235, EH/239	7426055-C46	2
TRIM NOS. C47, C82	EH/235, EH/239	7426055-C47	2
SCREW—Pan hd. sl. tap. type "B" No. 8—18 x 3/8"	EH/235, EH/239	111688	4
TRIM NOS. D38, D46	HD/215, HD/219	7428252-D38	1
TRIM NOS. D39, D47	HD/215, HD/219	7428252-D39	1
TRIM NOS. D40, D48	HD/215, HD/219	7428252-D40	1
TRIM NOS. D41, D49	HD/215, HD/219	7428252-D41	1
TRIM NOS. D42, D50	HD/215, HD/219	7428252-D42	1
TRIM NOS. D99, E05, E29, E31	HD/215, HD/219, HD/2104, HD/2106	7428252-E29	1
TRIM NOS. E01, E06, E30, E32	HD/215, HD/219, HD/2104, HD/2106	7428252-E30	1
TRIM NOS. E02, E07	HD/2104, HD/2106	7428252-E07	1
TRIM NOS. E20, E21, E24, E25	HD/215, HD/219, HD/2104, HD/2106	7428252-E20	1
TRIM NOS. D54, D60	HD/225, HD/229	7428254-D54	1
TRIM NOS. D55, D61	HD/225, HD/229	7428254-D55	1
TRIM NOS. D56, D62	HD/225, HD/229	7428254-D56	1
TRIM NOS. D57, D63	HD/225, HD/229	7428254-D57	1
TRIM NOS. D58, D64	HD/225, HD/229	7428254-D58	1
TRIM NOS. D59, D65	HD/225, HD/229	7428254-D59	1
TRIM NOS. E22, E23	HD/225, HD/229	7428254-E22	1
TRIM NOS. D66, D70	HD/235, HD/239	7428424-D66	2
TRIM NOS. D67, D71	HD/235, HD/239	7428424-D67	2
TRIM NOS. D68, D72	HD/235, HD/239	7428424-D68	2
TRIM NOS. E35, E36	HD/235, HD/239	7428424-E35	2
SCREW—Pan hd. sl. tap. No. 8—18 x 3/8"	HD/235, HD/239	111688	4



HOLDEN

MASTER PARTS CATALOGUE

14.880 COVER ASSEMBLY—Front Seat Cushion (Cont'd.)

TRIM NOS. E43, E49, E73, E78	HR/215, HR/219, HR/2104, HR/2106	7431403-E43	1
TRIM NOS. E44, E50, E74, E79	HR/215, HR/219, HR/2104, HR/2106	7431403-E44	1
TRIM NOS. E45, E51, E75, E80	HR/215, HR/219, HR/2104, HR/2106	7431403-E45	1
TRIM NOS. E46, E52, E76, E81	HR/215, HR/219, HR/2104, HR/2106	7431403-E46	1
TRIM NOS. E96, F01	HR/2104, HR/2106	7431403-F01	1
TRIM NOS. E97, F02	HR/2104, HR/2106	7431403-F02	1
TRIM NOS. E98, F03	HR/2104, HR/2106	7431403-F03	1
TRIM NOS. E99, F04	HR/2104, HR/2106	7431403-F04	1
TRIM NOS. E55, E60	HR/225, HR/229	7431402-E55	1
TRIM NOS. E56, E61	HR/225, HR/229	7431402-E56	1
TRIM NOS. E57, E62	HR/225, HR/229	7431402-E57	1
TRIM NOS. E58, E63	HR/225, HR/229	7431402-E58	1
TRIM NOS. E59, E64	HR/225, HR/229	7431402-E59	1
TRIM NOS. E65, E69	HR/235, HR/239	7431404-E65	2
TRIM NOS. E66, E70	HR/235, HR/239	7431404-E66	2
TRIM NOS. E67, E71	HR/235, HR/239	7431404-E67	2
TRIM NOS. E68, E72, F52, F53	HR/235, HR/239	7431404-E68	2
TRIM NOS. F40, F43, F60, F62	HR/235, HR/239	7431404-F40	2
TRIM NOS. F41, F44, F61, F63	HR/235, HR/239	7431404-F41	2
TRIM NOS. F42, F45	HR/235, HR/239	7431404-F42	2
TRIM NOS. F05, F09	HR/235, HR/239	7432816-F05	1
TRIM NOS. F06, F10	HR/235, HR/239	7432816-F06	1
TRIM NOS. F07, F11	HR/235, HR/239	7432816-F07	1
TRIM NOS. F08, F12, F54, F55	HR/235, HR/239	7432816-F08	1
TRIM NOS. F46, F49, F64, F66	HR/235, HR/239	7432816-F46	1
TRIM NOS. F47, F50, F65, F67	HR/235, HR/239	7432816-F47	1
TRIM NOS. F48, F51	HR/235, HR/239	7432816-F48	1
SCREW—Pan hd. sl. tap No. 8—18 x 3/8"	HR/235, HR/239	111688	4
BUTTON—Trim Nos. E65, E69, F05, F09	HR/235, HR/239	SP1633	8-12
BUTTON—Trim Nos. E66, E70, F06, F10	HR/235, HR/239	SP1642	8-12
BUTTON—Trim Nos. E67, E71, F07, F11	HR/235, HR/239	SP1635	8-12
BUTTON—Trim Nos. E68, E72, F08, F12	HR/235, HR/239	SP1688	8-12
BUTTON—Trim Nos. E68, E72, F08, F12, F52, F53, F54, F55	HR/235, HR/239	SP1809	8-12
BUTTON—Trim Nos. F40, F43, F46, F49, F60, F62, F64, F66	HR/235, HR/239	SP1785	8-12
BUTTON—Trim Nos. F41, F44, F47, F50, F61, F63, F65, F67	HR/235, HR/239	SP1786	8-12
BUTTON—Trim Nos. F42, F45, F48, F51	HR/235, HR/239	SP1787	8-12
PLATE—Button retainer	HR/235, HR/239	SP1637	8-12

14.890 PAD, INSULATOR—Front Seat Cushion

PAD ASSEMBLY	48 (leather or P.V.C. trim) 50, FJ	7403264	1
PAD ASSEMBLY	FE exc. FE/225, FE/229 FC exc. FC/225, FC/229 FB exc. FB/225, FB/229 EK exc. EK/225, EK/229	7409798	1
INSULATOR ASSEMBLY	48 S.A. from Body No. 82338 N.S.W. from Body No. S3699 50 S.A. from Body No. 15935 N.S.W. from Body No. S650 FJ, FE, FC FB exc. FB/225, FB/229 EK exc. EK/225, EK/229	7407314	1

HOLDEN

MASTER PARTS CATALOGUE



14.890 PAD, INSULATOR—Front Seat Cushion (Cont'd.)

INSULATOR ASSEMBLY	FB/225	S.A. up to Body No. 8496A Vic. up to Body No. 14684M N.S.W. up to Body No. 21238S		
	FB/229	S.A. up to Body No. 13435A Vic. up to Body No. 6337M N.S.W. up to Body No. 4058S		
PAD—Lower		RIGHT HAND DRIVE	7389343	1
	FB/225	S.A. from Body No. 8497A Vic. from Body No. 14685M N.S.W. from Body No. 21239S		
	FB/229	S.A. from Body No. 13436A Vic. from Body No. 6338M N.S.W. from Body No. 4059S		
	EK/225, EK/229	RIGHT HAND DRIVE	7418228	1
PAD—Lower	FB/225, FB/229, EK/225, EK/229	LEFT HAND DRIVE	7418228	1
PAD—Foam rubber	EJ/215, EJ/219, EJ/225, EJ/229			
	EH, exc. EH/235, EH/239		7419183	1
PAD ASSEMBLY	EJ/235, EH/235, EH/239		7421348	2
PAD ASSEMBLY—Burlap	EJ/2104, EJ/2106, EH/2104, EH/2106		7409798	1
PAD	HD exc. HD/235, HD/239		7428058	1
PAD	HD/235, HD/239		7428920	2
PAD	HR exc. HR/235, HR/239		7431239	1
PAD	HR/235, HR/239		7430920	2
PAD—Bench type seat	HR/235, HR/239		7432818	1
INSULATOR ASSEMBLY	EJ, exc. EJ/235 EH, exc. EH/235, EH/239, HD, exc. HD/235, HD/239 HR exc. HR/235, HR/239		7389343	1

14.998 BACK ASSEMBLY, ARM REST ASSEMBLY—Rear seat.

Current Production Rear Seat Back Assemblies and Rear Seat Arm Rest Assemblies will be supplied in Current Production Trim on a firm order basis.

NOTES

HOLDEN

MASTER PARTS CATALOGUE



Group	Description	Model	Part No.	Qty.
15.000 COVER ASSEMBLY—Rear seat back				
	TRIM NOS. 630	FC/225	7413672-630	1
	TRIM NOS. 817, 884, 886	FB/225	7404105*	1
	TRIM NOS. 889	FB/229	7413366-889	1
	TRIM NOS. 964, 967	EK/225	7418616*	1
	TRIM NOS. 975, 976	EK/229	7418726*	1
	TRIM NOS. 1025	EK/229	7418726-A25	1
	TRIM NOS. 1026	EK/229	7418726-A26	1
	TRIM NOS. 1027	EK/229	7418726-A27	1
	TRIM NOS. 1028	EK/229	7418726-A28	1
	TRIM NOS. 1053	EK/229	7418726-A53	1
	TRIM NOS. B02, B04, B05, B06, B07, B09	EJ/219	7421314*	1
	TRIM NOS. B10, B11, B12, B13, B14, B16	EJ/225	7421190*	1
	TRIM NOS. B18, B19, B20, B21, B23, B24, B25, C04, C05	EJ/229	7421313*	1
	TRIM NOS. B26, B28	EJ/235	LH7421553*	1
	TRIM NOS. B26, B28	EJ/235	RH7421552*	1
	TRIM NOS. C16, C17, C19, C20, C22	EH/215	7426064*	1
	TRIM NOS. C23, C26, C27, C29	EH/219	7426072*	1
	TRIM NOS. C30, C31, C32, C33, C34, C35, C36	EH/225	7426068*	1
	TRIM NOS. C37, C38, C39, C40, C41, C42, C43	EH/229	7426076*	1
	TRIM NOS. C44, C45, C46, C47	EH/235	LH7426081*	1
	TRIM NOS. C44, C45, C46, C47	EH/235	RH7426080*	1
	TRIM NOS. C79, C80, C81, C82	EH/239	LH7426361*	1
	TRIM NOS. C79, C80, C81, C82	EH/239	RH7426360*	1
	TRIM NOS. D38, D39, D40, D41, D42, E20, E29, E30	HD/215	7428425*	1
	TRIM NOS. D46, D47, D48, D49, D50, E21, E31, E32	HD/219	7428427*	1
	TRIM NOS. D54, D55, D56, D57, D,58, D59, E22	HD/225	7428429*	1
	TRIM NOS. D60, D61, D62, D63, D64, D65, E23	HD/229	7428431*	1
	TRIM NOS. D66, D67, D68, E35	HD/235	LH7428433*	1
	TRIM NOS. D66, D67, D68, E35	HD/235	RH7428434*	1
	TRIM NOS. D70, D71, D72, E36	HD/239	LH7428435*	1
	TRIM NOS. D70, D71, D72, E36	HD/239	RH7428436*	1
	BUTTON—Trim Nos. D66, D70	HD/235, HD/239	SP1633	6
	BUTTON—Trim Nos. D67, D71	HD/235, HD/239	SP1642	6
	BUTTON—Trim Nos. D68, D72	HD/235, HD/239	SP1635	6
	BUTTON—Trim Nos. E35, E36	HD/235, HD/239	SP1688	6
	PLATE—Button retainer	HD/235, HD/239	SP1637	6
	TRIM NOS. E43, E44, E45, E46	HR/215	7431429*	1
	TRIM NOS. E49, E50, E51, E52	HR/219	7431431*	1
	TRIM NOS. E55, E56, E57, E58, E59	HR/225	7431428*	1
	TRIM NOS. E60, E61, E62, E63, E64	HR/229	7431430*	1
	TRIM NOS. E65, F05	HR/235	LH7431433-E65	1
			RH7431432-E65	1
	TRIM NOS. E66, F06	HR/235	LH7431433-E66	1
			RH7431432-E66	1
	TRIM NOS. E67, F07, F52, F54	HR/235	LH7431433-E67	1
			RH7431432-E67	1
	TRIM NOS. E68, F08	HR/235	LH7431433-E68	1
			RH7431432-E68	1
	TRIM NOS. F40, F46, F60, F64	HR/235	LH7431433-F40	1
			RH7431432-F40	1
	TRIM NOS. F41, F47, F61, F65	HR/235	LH7431433-F41	1
			RH7431432-F41	1
	TRIM NOS. F42, F48	HR/235	LH7431433-F42	1
			RH7431432-F42	1

* When ordering, the Part No. must be suffixed by the desired Trim No. Refer page 8.



HOLDEN

MASTER PARTS CATALOGUE

15.000 COVER ASSEMBLY—Rear seat back (Cont'd.)

TRIM NOS. E69, F09	HR/239	LH7431435-E69	1
		RH7431434-E69	1
TRIM NOS. E70, F10	HR/239	LH7431435-E70	1
		RH7431434-E70	1
TRIM NOS. E71, F11	HR/239	LH7431435-E71	1
		RH7431434-E71	1
TRIM NOS. E72, F12, F53, F55	HR/239	LH7431435-E72	1
		RH7431434-E72	1
TRIM NOS. F43, F49, F62, F66	HR/239	LH7431435-F43	1
		RH7431434-F43	1
TRIM NOS. F44, F50, F63, F67	HR/239	LH7431435-F44	1
		RH7431434-F44	1
TRIM NOS. F45, F51	HR/239	LH7431435-F45	1
		RH7431434-F45	1
BUTTON—Trim Nos. E65, E69, F05, F09	HR/235, HR/239	SP1633	12
BUTTON—Trim Nos. E66, E70, F06, F10	HR/235, HR/239	SP1642	12
BUTTON—Trim Nos. E67, E71, F07, F11	HR/235, HR/239	SP1635	12
BUTTON—Trim Nos. E68, E72, F08, F12	HR/235, HR/239	SP1688	12
BUTTON—Trim Nos. E68, E72, F08, F12, F52, F53, F54, F55	HR/235, HR/239	SP1809	12
BUTTON—Trim Nos. F40, F43, F46, F49, F60, F62, F64, F66	HR/235, HR/239	SP1785	12
BUTTON—Trim Nos. F41, F44, F47, F50, F61, F63, F65, F67	HR/235, HR/239	SP1786	12
BUTTON—Trim Nos. F42, F45, F48, F51	HR/235, HR/239	SP1787	12
PLATE—Button retainer	HR/235, HR/239	SP1637	12

15.001 TRIM—Rear seat back arm rest

COVER ASSEMBLY—Centre arm rest

TRIM NOS. C44, C46, C47	EH/235	7421555*	1
TRIM NOS. C79, C80, C81, C82	EH/239	7426363*	1
TRIM NOS. D66, D67, D68, E35	HD/235	7428437*	1
TRIM NOS. D70, D71, D72, E36	HD/239	7428743*	1
TRIM NOS. E65, F05	HR/235	7428437-D66	1
TRIM NOS. E66, F06	HR/235	7428437-D67	1
TRIM NOS. E67, F07	HR/235	7428437-D68	1
TRIM NOS. E68, F08, F52, F54	HR/235	7428437-E35	1
TRIM NOS. F40, F46, F60, F64	HR/235	7428437-F40	1
TRIM NOS. F41, F47, F61, F65	HR/235	7428437-F41	1
TRIM NOS. F42, F48	HR/235	7428437-F42	1
TRIM NOS. E69, F09	HR/239	7431453-E69	1
TRIM NOS. E70, F10	HR/239	7431453-E70	1
TRIM NOS. E71, F11	HR/239	7431453-E71	1
TRIM NOS. E72, F12, F53, F55	HR/239	7431453-E72	1
TRIM NOS. F43, F49, F62, F66	HR/239	7431453-F43	1
TRIM NOS. F44, F50, F63, F67	HR/239	7431453-F44	1
TRIM NOS. F45, F51	HR/239	7431453-F45	1

TRIM—Arm rest recess

TRIM NOS. C44, C45, C46	EH/235	7421556*	1
TRIM NOS. C79, C80, C81, C82	EH/239	7426364*	1
TRIM NOS. D66, E65, F05	HD/235, HR/235	7421556-D66	1
TRIM NOS. D67, E66, F06	HD/235, HR/235	7421556-C45	1
TRIM NOS. D68, E67, F07	HD/235, HR/235	7421556-C46	1
TRIM NOS. E35, E68, F08, F52, F54	HD/235, HR/235	7421556-E35	1
TRIM NOS. F40, F46, F60, F64	HR/235	7421556-F40	1
TRIM NOS. F41, F47, F61, F65	HR/235	7421556-F41	1
TRIM NOS. F42, F48	HR/235	7421556-F42	1
TRIM NOS. D70, E69, F09	HD/239, HR/239	7426364-D70	1
TRIM NOS. D71, E70, F10	HD/239, HR/239	7426364-C80	1
TRIM NOS. D72, E71, F11	HD/239, HR/239	7426364-C81	1
TRIM NOS. E36, E72, F12, F53, F55	HD/239, HR/239	7426364-E36	1
TRIM NOS. F43, F49, F62, F66	HR/239	7426364-F43	1
TRIM NOS. F44, F50, F63, F67	HR/239	7426364-F44	1
TRIM NOS. F45, F51	HR/239	7426364-F45	1

* When ordering, the Part No. must be suffixed by the desired Trim No. Refer page 8.

HOLDEN

MASTER PARTS CATALOGUE



15.001 TRIM—Rear seat back arm rest (Cont'd.)

FASTENER—Arm rest recess trim

TRIM NOS. B26	EJ/235	SP1669	4
TRIM NOS. B27	EJ/235	7421610	4
TRIM NOS. B28	EJ/235	SP1595	4
TRIM NOS. B29	EJ/235	SP1597	4
TRIM NOS. C44, C79	EH/235, EH/239	SP1669	4
TRIM NOS. C45, C80	EH/235, EH/239	SP1597	4
TRIM NOS. C46, C81	EH/235, EH/239	SP1599	4
TRIM NOS. C47, C82	EH/235, EH/239	SP1600	4
TRIM NOS. D66, D70, E65, E69, F05, F09, F40, F43, F46, F49, F60, F62, F64, F66	HD/235, HD/239, HR/235, HR/239	SP1669	4
TRIM NOS. D67, D71, E66, E70, F06, F10	HD/235, HD/239, HR/235, HR/239	SP1597	4
TRIM NOS. D68, D72, E67, E71, F07, F11	HD/235, HD/239, HR/235, HR/239	SP1599	4
TRIM NOS. E35, E36, E68, E72, F08, F12, F52, F53, F54, F55	HD/235, HD/239, HR/235, HR/239	SP1689	4
TRIM NOS. F41, F44, F47, F50, F61, F63, F65, F67	HR/235, HR/239	SP1592	4
TRIM NOS. F42, F45, F48, F51	HR/235, HR/239	SP1783	4

TRIM ASSEMBLY—Seat back top centre

TRIM NOS. B26	EJ/235	7421558*	1
TRIM NOS. C44, C45, C47	EH/235	7421558*	1
TRIM NOS. C79, C80, C81, C82	EH/239	7426365*	1
TRIM NOS. D66, E65, F05	HD/235, HR/235	T168617-D66	1
TRIM NOS. D67, E66, F06	HD/235, HR/235	T168617-D67	1
TRIM NOS. D68, E67, F07	HD/235, HR/235	T168617-D68	1
TRIM NOS. E35, E68, F08, F52, F54	HD/235, HR/235	T168617-E35	1
TRIM NOS. F40, F46, F60, F64	HR/235	T168617-F40	1
TRIM NOS. F41, F47, F61, F65	HR/235	T168617-F41	1
TRIM NOS. F42, F48	HR/235	T168617-F42	1
TRIM NOS. D70, D71, D72, E36	HD/239	7428934*	1
TRIM NOS. E69, F09	HR/239	7431473-E69	1
TRIM NOS. E70, F10	HR/239	7431473-E70	1
TRIM NOS. E71, F11	HR/239	7431473-E71	1
TRIM NOS. E72, F12, F53, F55	HR/239	7431473-E72	1
TRIM NOS. F43, F49, F62, F66	HR/239	7431473-F43	1
TRIM NOS. F44, F50, F63, F67	HR/239	7431473-F44	1
TRIM NOS. F45, F51	HR/239	7431473-F45	1
SCREW—Pan hd. cr. rec. tap. No. 6—18 x 1/2"	EH/239, HD/239, HR/239	161798	2

15.002 PAD, INSULATOR, SPACER—Rear seat back

PAD ASSEMBLY	FJ/215, FJ/217, FJ/225	7407327	1
PAD ASSEMBLY	EK/215, EK/225	7417708	1
PAD ASSEMBLY	EJ/225, EH/215, EH/225	7419190	1
PAD ASSEMBLY	EJ/229, EH/219, EH/229	7419191	1
PAD ASSEMBLY	EH/239	LH7426205 RH7426206	1 1
PAD ASSEMBLY	HD/215, HD/225, HR/215	7428064	1
PAD ASSEMBLY	HD/219, HD/229, HR/219	7428065	1
PAD ASSEMBLY	HD/235	LH7428101 RH7428102	1 1
PAD ASSEMBLY	HD/239	LH7428103 RH7428104	1 1

* When ordering, the Part No. must be suffixed by the desired Trim No. Refer page 8.



HOLDEN

MASTER PARTS CATALOGUE

15.002 PAD, INSULATOR, SPACER—Rear Seat Back (Cont'd.)

PAD ASSEMBLY	HR/225	7431212	1
PAD ASSEMBLY	HR/229	7431214	1
PAD ASSEMBLY	HR/235	LH7430943 RH7430944	1 1
PAD ASSEMBLY	HR/239	LH7431125 RH7431126	1 1
PAD—Centre arm rest upper	EH/239, HD/235, HD/239 HR/235, HR/239	7426207	1
PAD—Centre arm rest lower	EH/239, HD/235, HD/239 HR/235, HR/239	7426208	1
PAD—Centre arm rest front	HD/235, HD/239, HR/235, HR/239	318714-04T	1
PAD—Top—1½" x 3" x 23" polyether	HR/235	7432862	2
INSULATOR ASSEMBLY	48, FJ/215, FJ/217, FJ/225 FE exc. FE/2104, FE/2106 FC exc. FC/2104, FC/2106 FB exc. FB/2104, FB/2106 EK exc. EK/2104, EK/2106 EJ/215, EJ/219, EJ/225, EJ/229 EH/215, EH/219, EH/225, EH/229 HD/215, HD/219, HD/225, HD/229 HR/215, HR/219, HR/225, HR/229	7407315	1
SPACER ASSEMBLY—Top	HD/215, HD/225, HR/215, HR/225	7428660	1
SPACER ASSEMBLY—Top	HD/235, HR/235	7428659	2
SPACER ASSEMBLY—Top	HD/239, HR/239	7428935	2
SPACER ASSEMBLY—Top	HR/219, HR/229	7431374	1

15.003 FACING—Rear seat back top

TRIM NOS. B02, B18, C23, C37	EJ/219, EJ/229, EH/219, EH/229	T177021-B18	1
TRIM NOS. B04, B20, C24, C38	EJ/219, EJ/229, EH/219, EH/229	T177021-B20	1
TRIM NOS. B05, B21	EJ/219, EJ/229	T177021-B21	1
TRIM NOS. B06, B22, C26, C40	EJ/219, EJ/229, EH/219, EH/229	T177021-B22	1
TRIM NOS. B07, B23	EJ/219, EJ/229	T177021-B23	1
TRIM NOS. B09, B25, C29, C43	EJ/219, EJ/229, EH/219, EH/229	T177021-B25	1
TRIM NOS. B19	EJ/229	T177021-B19	1
TRIM NOS. B24, C42	EJ/229, EH/229	T177021-B24	1

15.024 PANEL, TRIM, FASTENER—Package Tray and Rear Seat Back Shelf

TRIM ASSEMBLY

TRIM NOS. 633, 842, 843	FC/225	7411031-633	1
TRIM NOS. 832, 835	FB/2106	T175599*	1
TRIM NOS. 964, 1037	EK/215, EK/225	7418669	1
TRIM NOS. 965, 1021, 1045	EK/215, EK/225	7418670	1
TRIM NOS. 966, 1022	EK/215, EK/225	7418671	1
TRIM NOS. 967, 1023, 1047	EK/215, EK/225	7418672	1
TRIM NOS. 969	EK/215, EK/225	7418674	1
SCREW—Oval hd. cr. rec. tap. Type "A" No. 6—18 x 1/2"	EK/215, EK/225	443824	2
WASHER—Finish No. 6	EK/215, EK/225	140250	2

* When ordering, the Part No. must be suffixed by the desired Trim No. Refer page 8.

HOLDEN

MASTER PARTS CATALOGUE



15.024 PANEL, TRIM, FASTENER—Package Tray and Rear Seat Back Shelf (Cont'd.)

TRIM ASSEMBLY (Cont'd.)

TRIM NOS. B66, B68, B70, B73	EJ/2106	T177387*	1
TRIM NOS. C44	EH/235	T177772-C44	1
TRIM NOS. C45	EH/235	T177772-C45	1
TRIM NOS. C55	EH/2106	T177387-B66	1
TRIM NOS. C56	EH/2106	T177387-B68	1
TRIM NOS. C58	EH/2106	T177387-B70	1
TRIM NOS. C59	EH/2106	T177387-C59	1
TRIM NOS. C61	EH/2106	T177387-B73	1
TRIM NOS. E05, E06, E07, E25	HD/2106	T178764*	1
TRIM NOS. E78, E79, E80, E81, F02, F03	HR/2106	T178764*	1
TRIM NOS. F01	HR/2106	T178764-E05	1
TRIM NOS. F04	HR/2106	T178764-E06	1

PANEL

TRIM NOS. A93, B10, C02	EJ/215, EJ/225	M35844	1
TRIM NOS. A95, A96, B12, B13	EJ/215, EJ/225	7419866	1
TRIM NOS. A97, B14	EJ/215, EJ/225	M35844	1
TRIM NOS. A98, B15	EJ/215, EJ/225	M35844	1
TRIM NOS. B01, B17, C03	EJ/215, EJ/225	M35844	1
TRIM NOS. B26	EJ/235	7419872	1
TRIM NOS. B28	EJ/235	7419874	1
TRIM NOS. C16, C30	EH/215, EH/225	7424388	1
TRIM NOS. C17, C31	EH/215, EH/225	7424389	1
TRIM NOS. C19, C33	EH/215, EH/225	7424391	1
TRIM NOS. C20, C34	EH/215, EH/225	7424392	1
TRIM NOS. C22, C36	EH/215, EH/225	7424394	1
TRIM NOS. C32	EH/225	7424390	1
TRIM NOS. C35	EH/225	7424393	1
TRIM NOS. C45	EH/235	7424925-C45	1
TRIM NOS. D38, D54	HD/215, HD/225	7427019	1
TRIM NOS. D39	HD/215	7427870	1
TRIM NOS. D40	HD/215	7427871	1
TRIM NOS. D41	HD/215	7427872	1
TRIM NOS. D42	HD/215	7427873	1
TRIM NOS. D55	HD/225	7428171	1
TRIM NOS. D56	HD/225	7428172	1
TRIM NOS. D57	HD/225	7428173	1
TRIM NOS. D58	HD/225	7428174	1
TRIM NOS. D59	HD/225	7428175	1
TRIM NOS. E20, E22	HD/215, HD/225	7429678	1
TRIM NOS. E29	HD/215	7429711	1
TRIM NOS. E30	HD/215	7429712	1
TRIM NOS. D66, D67, D68, E35	HD/235	7428444*	1
TRIM NOS. E05	HD/2106	7428903	1
TRIM NOS. E06	HD/2106	7428904	1
TRIM NOS. E07	HD/2106	7428905	1
TRIM NOS. E25	HD/2106	7429698	1
TRIM NOS. E43	HR/215	7431063	1
TRIM NOS. E44, E56	HR/215, HR/225	7431065	1
TRIM NOS. E45, E58	HR/215, HR/225	7431067	1
TRIM NOS. E46, E59	HR/215, HR/225	7431068	1
TRIM NOS. E55	HR/225	7431064	1
TRIM NOS. E57	HR/225	7431066	1
TRIM NOS. E65, F05	HR/235	7428444-D66	1
TRIM NOS. E66, F06	HR/235	7428444-D67	1
TRIM NOS. E67, F07	HR/235	7428444-D68	1
TRIM NOS. E68, F08, F52, F54	HR/235	7428444-E35	1
TRIM NOS. F40, F46, F60, F64	HR/235	7428444-F40	1
TRIM NOS. F41, F47, F61, F65	HR/235	7428444-F41	1
TRIM NOS. F42, F48	HR/235	7428444-F42	1

* When ordering, the Part No. must be suffixed by the desired Trim No. Refer page 8.



HOLDEN

MASTER PARTS CATALOGUE

15.024 PANEL, TRIM, FASTENER—Package Tray and Rear Seat Back Shelf (Cont'd.)

PANEL (Cont'd.)

TRIM NOS. E78	HR/2106	7431071	1
TRIM NOS. E79	HR/2106	7431072	1
TRIM NOS. E80	HR/2106	7431073	1
TRIM NOS. E81	HR/2106	7431074	1
TRIM NOS. F01	HR/2106	7432713	1
TRIM NOS. F02	HR/2106	7432714	1
TRIM NOS. F03	HR/2106	7432711	1
TRIM NOS. F04	HR/2106	7432712	1
SCREW—Oval hd. cr. rec. tap. No. 6—20 x 1/2"	HD/2106, HR/2106	163404	5
WASHER—Finish No. 6	HD/2106, HR/2106	140239	5

FASTENER

TRIM NOS. A93, B10, B26, C02	EJ/215, EJ/225, EJ/235	SP1669	2
TRIM NOS. A95, B12	EJ/215, EJ/225	SP1592	2
TRIM NOS. A96, B13	EJ/215, EJ/235	SP1594	2
TRIM NOS. A97, B14, B28	EJ/215, EJ/225, EJ/235	SP1595	2
TRIM NOS. A98, B15	EJ/215, EJ/225	7421613	2
TRIM NOS. B01, B17, C03	EJ/215, EJ/225	SP1600	2
TRIM NOS. B11	EJ/225	7421608	2
TRIM NOS. B16	EJ/225	SP1598	2
TRIM NOS. B27	EJ/235	7421610	2
TRIM NOS. B29	EJ/235	SP1597	2
TRIM NOS. C16, C30, C44	EH/215, EH/225, EH/235	SP1669	2
TRIM NOS. C17, C31	EH/215, EH/225	SP1592	2
TRIM NOS. C19, C33	EH/215, EH/225	SP1595	2
TRIM NOS. C20, C34	EH/215, EH/225	SP1674	2
TRIM NOS. C22, C36, C47	EH/215, EH/225, EH/235	SP1600	2
TRIM NOS. C32	EH/225	SP1594	2
TRIM NOS. C35	EH/225	SP1598	2
TRIM NOS. C45	EH/235	SP1597	2
TRIM NOS. C46	EH/235	SP1599	2
TRIM NOS. D38, D54, D66, E20, E22	HD/215, HD/225, HD/235	SP1669	4
TRIM NOS. D39, D55	HD/215, HD/225	SP1670	4
TRIM NOS. D40, D56	HD/215, HD/225	SP1626	4
TRIM NOS. D41, D57	HD/215, HD/225	SP1627	4
TRIM NOS. D42, D58	HD/215, HD/225	SP1629	4
TRIM NOS. D55, E29	HD/215, HD/225	SP1592	4
TRIM NOS. D59	HD/225	SP1600	4
TRIM NOS. D67	HD/235	SP1597	4
TRIM NOS. D68	HD/235	SP1599	4
TRIM NOS. E30	HD/215	SP1595	4
TRIM NOS. E35	HD/235	SP1689	4
TRIM NOS. E43, E55, E65, F05, F40, F46, F60, F64	HR/215, HR/225, HR/235	SP1669	4
TRIM NOS. E44, E56, F41, F47, F61, F65	HR/215, HR/225, HR/235	SP1592	4
TRIM NOS. E45, E58	HR/215, HR/225	SP1674	4
TRIM NOS. E46, E59	HR/215, HR/225	SP1628	4
TRIM NOS. E55	HR/225	SP1590	4
TRIM NOS. E57	HR/225	SP1625	4
TRIM NOS. E66, F06	HR/235	SP1597	4
TRIM NOS. E67, F07	HR/235	SP1599	4
TRIM NOS. E68, F08, F52, F54	HR/235	SP1689	4
TRIM NOS. F42, F48	HR/235	SP1783	4

15.026 TRIM—Rear Window Lower

TRIM ASSEMBLY	EJ/2106	T177399	1
TRIM	EH/215, EH/225	T177439-C30	1
TRIM NOS. C44, C47	EH/235	T177439-C30	1
TRIM NOS. C45, C46	EH/235	T177439-C45	1

15.033 CUSHION ASSEMBLY—Rear seat

Current Production Rear Seat Cushion Assemblies will be supplied in Current Production Trim on a firm order basis.

HOLDEN

MASTER PARTS CATALOGUE



15.035 COVER ASSEMBLY—Rear seat cushion

TRIM NOS. 964, 968, 969, 970	EK/225	7419514*	1
TRIM NOS. 974	EK/229	7419556-974	1
TRIM NOS. 1025	EK/229	7419556-A25	1
TRIM NOS. 1026	EK/229	7419556-A26	1
TRIM NOS. 1027	EK/229	7419556-A27	1
TRIM NOS. 1028	EK/229	7419556-A28	1
TRIM NOS. 1053	EK/229	7419556-A53	1
TRIM NOS. B01	EJ/215	7421271*	1
TRIM NOS. B04, B05, B06, B07, B09	EJ/219	7421312*	1
TRIM NOS. B10, B12, B13, B14, B15, B17, C02, C03	EJ/225	7421189*	1
TRIM NOS. B18, B19, B20, B21, B22, B24, B25, C04	EJ/229	7421311*	1
TRIM NOS. B28	EJ/235	7421550-B28	1
TRIM NOS. C16, C17, C19, C20, C22	EH/215	7426062*	1
TRIM NOS. C23, C26, C27, C29	EH/219	7426070*	1
TRIM NOS. C31, C32, C33, C34, C35, C36	EH/225	7426066*	1
TRIM NOS. C37, C38, C39, C40, C41, C42, C43	EH/229	7426074*	1
TRIM NOS. C44, C45, C46, C47	EH/235	7426078*	1
TRIM NOS. C79, C80, C81	EH/239	7426358*	1
TRIM NOS. D38, D39, D40, D41, D42, E20, E29, E30	HD/215	7428426*	1
TRIM NOS. D46, D47, D48, D49, D50, E21, E31, E32	HD/219	7428428*	1
TRIM NOS. D54, D55, D56, D57, D58, D59, E22	HD/225	7428430*	1
TRIM NOS. D60, D61, D62, D63, D64, D65, E23	HD/229	7428432*	1
TRIM NOS. D66, D67, D68, E35	HD/235	7428445*	1
TRIM NOS. D70, D71, D72, E36	HD/239	7428446*	1
TRIM NOS. E43, E44, E45, E46	HR/215	7431423*	1
TRIM NOS. E49, E50, E51, E52	HR/219	7431425*	1
TRIM NOS. E55, E56, E57, E58, E59	HR/225	7431422*	1
TRIM NOS. E60, E61, E62, E63, E64	HR/229	7431424*	1
TRIM NOS. E65, F05	HR/235	7431426-E65	1
TRIM NOS. E66, F06	HR/235	7431426-E66	1
TRIM NOS. E67, F07	HR/235	7431426-E67	1
TRIM NOS. E68, F08, F52, F54	HR/235	7431426-E68	1
TRIM NOS. F40, F46, F60, F64	HR/235	7431426-F40	1
TRIM NOS. F41, F47, F61, F65	HR/235	7431426-F41	1
TRIM NOS. F42, F48	HR/235	7431426-F42	1
TRIM NOS. E69, F09	HR/239	7431427-E69	1
TRIM NOS. E70, F10	HR/239	7431427-E70	1
TRIM NOS. E71, F11	HR/239	7431427-E71	1
TRIM NOS. E72, F12, F53, F55	HR/239	7431427-E72	1
TRIM NOS. F43, F49, F62, F66	HR/239	7431427-F43	1
TRIM NOS. F44, F50, F63, F67	HR/239	7431427-F44	1
TRIM NOS. F45, F51	HR/239	7431427-F45	1
BUTTON—Trim Nos. E65, E69, F05, F09	HR/235, HR/239	SP1633	12
BUTTON—Trim Nos. E66, E70, F06, F10	HR/235, HR/239	SP1642	12
BUTTON—Trim Nos. E67, E71, F07, F11	HR/235, HR/239	SP1635	12
BUTTON—Trim Nos. E68, E72, F08, F12	HR/235, HR/239	SP1688	12
BUTTON—Trim Nos. E68, E72, F08, F12, F52, F53, F54, F55	HR/235, HR/239	SP1809	12
BUTTON—Trim Nos. F40, F43, F46, F49, F60, F62, F64, F66	HR/235, HR/239	SP1785	12
BUTTON—Trim Nos. F41, F44, F47, F50, F61, F63, F65, F67	HR/235, HR/239	SP1786	12
BUTTON—Trim Nos. F42, F45, F48, F51	HR/235, HR/239	SP1787	12
PLATE—Button retainer	HR/235, HR/239	SP1637	12

* When ordering, the Part No. must be suffixed by the desired Trim No. Refer page 8.



HOLDEN

MASTER PARTS CATALOGUE

15.036 PAD, INSULATOR—Rear seat cushion

PAD ASSEMBLY	FE/219, FC/219, FB/219, EK/219	7412163	1
PAD ASSEMBLY	FE/225, FC/225, FB/225, EK/225	7415233	1
PAD ASSEMBLY	FE/229, FC/229, FB/229, EK/229	7415231	1
PAD ASSEMBLY	EJ/215, EH/215	7419188	1
PAD ASSEMBLY	EJ/219, EH/219	7419189	1
PAD	EJ/225, EH/225	7419186	1
PAD	EJ/229, EH/229	7419187	1
PAD ASSEMBLY	EJ/235, EH/235	7421264	1
PAD ASSEMBLY	EH/239	7426366	1
PAD ASSEMBLY—Cotton	HD/215, HR/215	7428060	1
PAD—Polyether	HR/215	7432897	1
PAD ASSEMBLY—Cotton	HD/219, HR/219	7428062	1
PAD	HD/225	7428061	1
PAD—Polyether	HD/229, HR/219, HR/229	7428063	1
PAD ASSEMBLY	HD/235	7427940	1
PAD ASSEMBLY	HD/239	7428090	1
PAD	HR/225	7431216	1
PAD ASSEMBLY	HR/235	7430919	1
PAD ASSEMBLY	HR/239	7431223	1
PAD—Cushion spring	FB/215, FB/225, EK/215, EK/225 EJ/215, EJ/225, EJ/235 EH/215, EH/225, EH/235 HD/215, HD/225, HD/235 HR/215, HR/225, HR/235	7414105	1
PAD—Cushion spring front	HD/215, HD/225, HD/235 HR/215, HR/225, HR/235	317418-04T	1
PAD—Cushion cover outer	HD/235	7428917	2
PAD—Cushion cover outer	HD/239	7428931	2
PAD—Cushion cover outer	HR/235	7431292	2
PAD—Cushion cover inner	HR/235	7431276	2
PAD—Cushion cover outer	HR/239	7431321	2
PAD—Cushion cover inner	HR/239	7431310	2
INSULATOR ASSEMBLY	48 S.A. from Body No. 82338 N.S.W. from Body No. S1 FJ/215, FJ/217, FJ/225 FE exc. FE/2104, FE/2106 FC exc. FC/2104, FC/2106 FB/215, FB/219, EK/215, EK/219 EJ/215, EJ/219, EH/215, EH/219 HD/215, HD/219, HR/215, HR/219	7407315	1
INSULATOR ASSEMBLY	FB/225, FB/229, EK/225, EK/229 EJ/225, EJ/229, EH/225, EH/229 HD/225, HD/229, HR/225, HR/229	7419498	1

15.037 PLATE—Rear seat cushion trim protection

PLATE	EJ/229, EH/219, EH/229, EH/239	7423171	2
PLATE	HD/219, HD/229, HD/239 HR/219, HR/229, HR/239	7423247	2

15.100 TRIM ASSEMBLY—Rear quarter, wheelhouse

REAR QUARTER—Lower

TRIM NOS. A97, B14	EJ/215, EJ/225	RH7421174-B14	1
TRIM NOS. B11	EJ/225, EJ/235	RH7421174*	1

* When ordering, the Part No. must be suffixed by the desired Trim No. Refer page 8.

HOLDEN

MASTER PARTS CATALOGUE



15.100 TRIM ASSEMBLY—Rear quarter, wheelhouse (Cont'd.).

REAR QUARTER—Lower (Material only)

TRIM NOS. A93, B10, C02	EJ/215, EJ/225	RHT176870-B10	1
TRIM NOS. A95, B12	EJ/215, EJ/225	LHT176869-B12 RHT176870-B12	1 1
TRIM NOS. A97, B14	EJ/215, EJ/225	LHT176869-B14 RHT176870-B14	1 1
TRIM NOS. A98, B15	EJ/215, EJ/225	LHT176869-B15 RHT176870-B15	1 1
TRIM NOS. B01, B17, C03	EJ/215, EJ/225	LHT176869-B17 RHT176870-B17	1 1
TRIM NOS. B16, B29	EJ/225, EJ/235	LHT176869*	1
TRIM NOS. B16	EJ/225, EJ/235	RHT176870*	1
TRIM NOS. C16, C30	EH/215, EH/225	LHT176869-B10 RHT176870-B10	1 1
TRIM NOS. C17, C31	EH/215, EH/225	LHT176869-B12 RHT176870-B12	1 1
TRIM NOS. C19, C33	EH/215, EH/225	LHT176869-B14 RHT176870-B14	1 1
TRIM NOS. C20, C34	EH/215, EH/225	RHT176870-C34	1
TRIM NOS. C22, C36	EH/215, EH/225	LHT176869-B17 RHT176870-B17	1 1
TRIM NOS. C32	EH/225	RHT176870-C32	1
TRIM NOS. C35	EH/225	LHT176869-B16 RHT176870-B16	1 1
TRIM NOS. C44, C45, C46, C47	EH/235	LHT176869*	1
TRIM NOS. C44, C45, C46, C47	EH/235	RHT176870*	1
TRIM NOS. D38, D46, D54, D60	HD/215, HD/219, HD/225, HD/229	LHT178431-D54 RHT178430-D54	1 1
TRIM NOS. D39, D47	HD/215, HD/219	LHT178431-D39 RHT178430-D39	1 1
TRIM NOS. D40, D48	HD/215, HD/219	LHT178431-D40 RHT178430-D40	1 1
TRIM NOS. D41, D49	HD/215, HD/219	LHT178431-D41 RHT178430-D41	1 1
TRIM NOS. D42, D50	HD/215, HD/219	LHT178431-D42 RHT178430-D42	1 1
TRIM NOS. D55, D61	HD/225, HD/229	LHT178431-D55 RHT178430-D55	1 1
TRIM NOS. D56, D62	HD/225, HD/229	LHT178431-D56 RHT178430-D56	1 1
TRIM NOS. D57, D63	HD/225, HD/229	LHT178431-D57 RHT178430-D57	1 1
TRIM NOS. D58, D64	HD/225, HD/229	LHT178431-D58 RHT178430-D58	1 1
TRIM NOS. D59, D65	HD/225, HD/229	LHT178431-D59 RHT178430-D59	1 1
TRIM NOS. D66, D70	HD/235, HD/239	LHT178431-D66 RHT178430-D66	1 1
TRIM NOS. D67, D71	HD/235, HD/239	LHT178431-D67 RHT178430-D67	1 1
TRIM NOS. D68, D72	HD/235, HD/239	LHT178431-D68 RHT178430-D68	1 1
TRIM NOS. E20, E21, E22, E23	HD/215, HD/219, HD/225, HD/229	LHT178431-E22 RHT178430-E22	1 1
TRIM NOS. E29, E31	HD/215, HD/219	LHT178431-E29 RHT178430-E29	1 1
TRIM NOS. E30, E32	HD/215, HD/219	LHT178431-E30 RHT178430-E30	1 1
TRIM NOS. E35, E36	HD/235, HD/239	LHT178431-E35 RHT178430-E35	1 1

*When ordering, the Part No. must be suffixed by the desired Trim No. Refer page 8.



HOLDEN

MASTER PARTS CATALOGUE

15.100 TRIM ASSEMBLY—Rear quarter, wheelhouse (Contd.)

REAR QUARTER—Lower (Material only) (Cont'd.)

TRIM NOS. E43, E49	HR/215, HR/219	LHT178431-E43 RHT178430-E43	1 1
TRIM NOS. E44, E50, E56, E61	HR/215, HR/219, HR/225, HR/229	LHT178431-E56 RHT178430-E56	1 1
TRIM NOS. E45, E51, E58, E63	HR/215, HR/219, HR/225, HR/229	LHT178431-E58 RHT178430-E58	1 1
TRIM NOS. E46, E52, E59, E64	HR/215, HR/219, HR/225, HR/229	LHT178431-E59 RHT178430-E59	1 1
TRIM NOS. E55, E60	HR/225, HR/229	LHT178431-E55 RHT178430-E55	1 1
TRIM NOS. E57, E62	HR/225, HR/229	LHT178431-E57 RHT178430-E57	1 1
TRIM NOS. E65, E69, F05, F09	HR/235, HR/239	LHT178431-D66 RHT178430-D66	1 1
TRIM NOS. E66, E70, F06, F10	HR/235, HR/239	LHT178431-D67 RHT178430-D67	1 1
TRIM NOS. E67, E71, F07, F11	HR/235, HR/239	LHT178431-D68 RHT178430-D68	1 1
TRIM NOS. E68, E72, F08, F12, F52, F53, F54, F55	HR/235, HR/239	LHT178431-E35 RHT178430-E35	1 1
TRIM NOS. F40, F43, F46, F49, F60, F62, F64, F66	HR/235, HR/239	LHT178431-F40 RHT178430-F40	1 1
TRIM NOS. F41, F44, F47, F50, F61, F63, F65, F67	HR/235, HR/239	LHT178431-F41 RHT178430-F41	1 1
TRIM NOS. F42, F45, F48, F51	HR/235, HR/239	LHT178431-F42 RHT178430-F42	1 1

PANEL ASSEMBLY—Rear quarter lower

TRIM NOS. B09, B25	EJ/219, EJ/229	RH7421176-B25	1
SCREW—Pan hd. cr. rec. tap. type "A" No. 6—18 x 3/8"	EJ/219, EJ/229	186412	8

TRIM—Rear quarter lower panel

TRIM NOS. B02, B18, C04	EJ/219, EJ/229	LHT176867-B18 RHT176868-B18	1 1
TRIM NOS. B04, B20	EJ/219, EJ/229	LHT176867-B20 RHT176868-B20	1 1
TRIM NOS. B05, B21	EJ/219, EJ/229	LHT176867-B21 RHT176868-B21	1 1
TRIM NOS. B06, B22	EJ/219, EJ/229	LHT176867-B22 RHT176868-B22	1 1
TRIM NOS. B09, B25, C05	EJ/219, EJ/229	LHT176867-B25 RHT176868-B25	1 1
TRIM NOS. B19, B24	EJ/229	LHT176867*	1
TRIM NOS. B19, B24	EJ/229	RHT176868*	1
TRIM NOS. C23, C37	EH/219, EH/229	LHT176867-B18 RHT176868-B18	1 1
TRIM NOS. C24, C38	EH/219, EH/229	LHT176867-B20 RHT176868-B20	1 1
TRIM NOS. C26, C40	EH/219, EH/229	LHT176867-B22 RHT176868-B22	1 1
TRIM NOS. C27, C41	EH/219, EH/229	LHT176867-C41 RHT176868-C41	1 1
TRIM NOS. C29, C43	EH/219, EH/229	LHT176867-B25 RHT176868-B25	1 1
TRIM NOS. C39, C79, C80, C81, C82	EH/229, EH/239	LHT176867*	1
TRIM NOS. C39, C79, C80, C81, C82	EH/229, EH/239	RHT176868*	1
TRIM NOS. C42	EH/229	LHT176867-B24 RHT176868-B24	1 1

* When ordering, the Part No. must be suffixed by the desired Trim No. Refer page 8.

HOLDEN

MASTER PARTS CATALOGUE



15.100 TRIM ASSEMBLY—Rear quarter, wheelhouse (Contd.)

REAR QUARTER—Front

TRIM NOS. 571, 711	FE/229	RH7412346-571	1
SCREW—Oval hd. cr. rec. tap. Type "B" No. 10—16 x $\frac{3}{8}$ "	FE/219, FE/229	163471	A.R.
WASHER—Finish No. 10	FE/219, FE/229	140241	A.R.
PRIME FINISH—Trim Nos. 727 onward	FE/219, FE/229	LH7414003-PRI	1
PRIME FINISH	FE/219, FE/229	RH7414004-PRI	1
SCREW—Oval hd. cr. rec. tap. Type "B" No. 10—16 x $\frac{1}{2}$ "	FC/219, FC/229	LH7414003-PRI	1
SCREW—Oval hd. cr. rec. tap. Type "B" No. 10—16 x $\frac{1}{2}$ "	FE/219, FE/229, FC/219, FC/229	RH7414004-PRI	1
WASHER—Finish No. 10	FE/219, FE/229, FC/219, FC/229	163467	8
NUT—Speed	FE/219, FE/229, FC/219, FC/229	140241	8
TRIM NOS. 813	FE/219, FE/229, FC/219, FC/229	7402369	2
TRIM NOS. 813	FB/219, FB/229	LH7414313-813	1
TRIM NOS. 959, 1016	FB/219, FB/229	RH7414312-813	1
TRIM NOS. 960	EK/219	RH7414312-821	1
TRIM NOS. 1017	EK/219	RH7414312-811	1
TRIM NOS. 1018	EK/219	LH7414313-822	1
TRIM NOS. 1018	EK/219	LH7414313-812	1
TRIM NOS. 977, 1020	EK/229	LH7414313-894	1
SCREW—Oval hd. cr. rec. tap. Type "B", No. 10—16 x $\frac{1}{2}$ "	FB/219, FB/229, EK/219, EK/229	163467	8
WASHER—Finish No. 10	FB/219, FB/229, EK/219, EK/229	140241	8
NUT—Speed	FB/219, FB/229, EK/219, EK/229	7402369	2

REAR QUARTER—Rear

PRIME FINISH—Trim Nos. 727 onward	FE/219, FE/229	LH7414063-PRI	1
PRIME FINISH	FE/219, FE/229	RH7414064-PRI	1
SCREW—Oval hd. cr. rec. tap. Type "B", No. 10—16 x $\frac{1}{2}$ "	FC/219, FC/229	LH7414063-PRI	1
SCREW—Oval hd. cr. rec. tap. Type "B", No. 10—16 x $\frac{1}{2}$ "	FE/219, FE/229, FC/219, FC/229	RH7414064-PRI	1
WASHER—Finish No. 10	FE/219, FE/229, FC/219, FC/229	163467	A.R.
SCREW—Oval hd. cr. rec. tap. Type "B", No. 8—18 x $\frac{5}{8}$ "	FE/219, FE/229, FC/219, FC/229	140241	A.R.
WASHER—Finish No. 8	FC/219, FC/229	163448	A.R.
PRIME FINISH	FC/219, FC/229	140240	A.R.
TRIM NOS. 813	FB/219, FB/229, EK/219, EK/229	LH7414063-PRI	1
TRIM NOS. 813	FB/219, FB/229	RH7414064-PRI	1
TRIM NOS. 1018	FB/219, FB/229	LH7414063-813	1
SCREW—Oval hd. cr. rec. tap. Type "B", No. 8—18 x $\frac{3}{4}$ "	FB/219, FB/229	RH7414064-813	1
SCREW—Oval hd. cr. rec. tap. Type "B", No. 10—16 x $\frac{1}{2}$ "	EK/219	RH7414064-812	1
SCREW—Oval hd. cr. rec. tap. Type "B", No. 10—16 x $\frac{1}{2}$ "	FB/219, FB/229, EK/219, EK/229	163450	2
WASHER—Finish No. 8	FB/219, FB/229, EK/219, EK/229	163467	2
WASHER—Finish No. 10	FB/219, FB/229, EK/219, EK/229	140240	2
WASHER—Finish No. 10	FB/219, FB/229, EK/219, EK/229	140241	2

PANEL—Rear quarter

PRIME FINISH	EJ/219, EJ/229, EH/219, EH/229	LH7417427-PR1	1
PRIME FINISH	EJ/219, EJ/229, EH/219, EH/229	RH7417426-PR1	1



HOLDEN

MASTER PARTS CATALOGUE

15.100 TRIM ASSEMBLY—Rear Quarter, Wheelhouse (Cont'd.)

PANEL—Rear Quarter (Cont'd.)

TRIM NOS. C23, C37	EH/219, EH/229	RH7417426-B18	1
TRIM NOS. C79, C80, C81, C82	EH/239	LH7425911*	1
TRIM NOS. C79, C80, C81, C82	EH/239	RH7425912*	1
CLIP	EH/239	7377884	10
TRIM NOS. E21, E23	HD/219, HD/229	LH7429693-E23	1
		RH7429694-E23	1
		LH7429693*	1
TRIM NOS. D50, D61, D62, D63, D65, E31, E32	HD/219, HD/229	RH7429694*	1
TRIM NOS. D50, D62, D65, E31, E32	HD/219, HD/229	RH7429694*	1
TRIM NOS. D70, D71, D72, E36	HD/239	LH7428657*	1
TRIM NOS. D70, D71, D72, E36	HD/239	RH7428658*	1
SCREW—Oval hd. cr. rec. tap. No. 6—20 x 1/2"	HD/219, HD/229, HD/239	163404	2
WASHER—Finish No. 6	HD/219, HD/229, HD/239	140239	2
CLIP	HD/239	7377884	14
TRIM NOS. E49	HR/219	LH7429693-E23	1
		RH7429694-E23	1
TRIM NOS. E50, E61	HR/219, HR/229	LH7429693-E61	1
		RH7429694-E61	1
TRIM NOS. E51, E63	HR/219, HR/229	LH7429693-E63	1
		RH7429694-E63	1
TRIM NOS. E52, E64	HR/219, HR/229	LH7429693-E64	1
		RH7429694-E64	1
TRIM NOS. E60	HR/229	LH7429693-E60	1
		RH7429694-E60	1
TRIM NOS. E62	HR/229	LH7429693-E62	1
		RH7429694-E62	1
TRIM NOS. E69, F09	HR/239	LH7428657-D70	1
		RH7428658-D70	1
TRIM NOS. E70, F10	HR/239	LH7428657-D71	1
		RH7428658-D71	1
TRIM NOS. E71, F11	HR/239	LH7428657-D72	1
		RH7428658-D72	1
TRIM NOS. E72, F12, F53, F55	HR/239	LH7428657-E36	1
		RH7428658-E36	1
TRIM NOS. F43, F49, F62, F66	HR/239	LH7428657-F43	1
		RH7428658-F43	1
TRIM NOS. F44, F50, F63, F67	HR/239	LH7428657-F44	1
		RH7428658-F44	1
TRIM NOS. F45, F51	HR/239	LH7428657-F45	1
		RH7428658-F45	1
SCREW—Oval hd. cr. rec. tap No. 6—20 x 1/2"	HR/239	163404	2
WASHER—Finish No. 6	HR/239	140239	2
CLIP	HR/239	7377884	14

FASTENER—Rear quarter panel

TRIM NOS. B02, B18, C04	EJ/219, EJ/229	SP1669	14
TRIM NOS. B04, B20	EJ/219, EJ/229	SP1592	14
TRIM NOS. B05, B21	EJ/219, EJ/229	SP1594	14
TRIM NOS. B06, B22	EJ/219, EJ/229	SP1595	14
TRIM NOS. B07, B23	EJ/219, EJ/229	7421613	14
TRIM NOS. B09, B25, C05	EJ/219, EJ/229	SP1600	14
TRIM NOS. B19	EJ/229	7421608	14
TRIM NOS. B24	EJ/229	SP1598	14

* When ordering, the Part No. must be suffixed by the desired trim No. Refer page 8.

HOLDEN

MASTER PARTS CATALOGUE



15.100 TRIM ASSEMBLY—Rear quarter, wheelhouse (Contd.)

FASTENER—Rear quarter panel (Cont'd.)

TRIM NOS. C23, C37, C79	EH/219, EH/229, EH/239	SP1669	14
TRIM NOS. C24, C38	EH/219, EH/229	SP1592	14
TRIM NOS. C26, C40	EH/219, EH/229	SP1595	14
TRIM NOS. C27, C41	EH/219, EH/229	SP1674	14
TRIM NOS. C29, C43, C82	EH/219, EH/229, EH/239	SP1600	14
TRIM NOS. C39	EH/229	SP1594	14
TRIM NOS. C42	EH/229	SP1598	14
TRIM NOS. C80	EH/239	SP1597	14
TRIM NOS. C81	EH/239	SP1599	14
TRIM NOS. D46, D60, D70, E21, E23	HD/219, HD/229, HD/239	SP1669	12
TRIM NOS. D47	HD/219	SP1670	12
TRIM NOS. D48	HD/219	SP1626	12
TRIM NOS. D49	HD/219	SP1627	12
TRIM NOS. D50	HD/219	SP1629	12
TRIM NOS. D61, E31	HD/219, HD/229	SP1592	12
TRIM NOS. D62	HD/229	SP1625	12
TRIM NOS. D63	HD/229	SP1674	12
TRIM NOS. D64	HD/229	SP1628	12
TRIM NOS. D65	HD/229	SP1600	12
TRIM NOS. D71	HD/239	SP1597	12
TRIM NOS. D72	HD/239	SP1599	12
TRIM NOS. E32	HD/219	SP1595	12
TRIM NOS. E36	HD/239	SP1689	12
TRIM NOS. E49, E60, E69, F09, F43, F49, F62, F66	HR/219, HR/229, HR/239	SP1669	18
TRIM NOS. E50, E61, F44, F50, F63, F67	HR/219, HR/229, HR/239	SP1592	18
TRIM NOS. E51, E63	HR/219, HR/229	SP1674	18
TRIM NOS. E52, E64	HR/219, HR/229	SP1628	18
TRIM NOS. E62	HR/229	SP1625	18
TRIM NOS. E70, F10	HR/239	SP1597	18
TRIM NOS. E71, F11	HR/239	SP1599	18
TRIM NOS. E72, F12, F53, F55	HR/239	SP1689	18
TRIM NOS. F45, F51	HR/239	SP1783	18

WHEELHOUSE

TRIM NOS. 736, 737, 738	FE/219	LH7414069*	1
TRIM NOS. 736, 737, 738	FE/219	RH7414070*	1
TRIM NOS. 659, 850, 851	FC/229	RH7412338-659	1
TRIM NOS. 661, 872	FC/229	RH7412338-661	1
TRIM NOS. 662, 853, 854	FC/229	LH7412337-662	1
TRIM NOS. 664, 855, 856	FC/229	RH7412338-664	1
TRIM NOS. 803	FB/215	LH7414963-803	1
TRIM NOS. 803	FB/215	RH7414964-803	1
TRIM NOS. 815, 883, 941	FB/225	LH7414963-815	1
TRIM NOS. 817, 885	FB/225	RH7414964-885	1
TRIM NOS. 818, 886	FB/225	LH7414963-886	1
		RH7414964-886	1
TRIM NOS. 813	FB/219	LH7414971-813	1
TRIM NOS. 813	FB/219	RH7414970-813	1
TRIM NOS. 821, 889	FB/229	LH7414973-821	1
		RH7414972-821	1
TRIM NOS. 823, 891	FB/229	LH7414973-891	1
		RH7414972-891	1
TRIM NOS. 825, 893	FB/229	LH7414973-825	1
		RH7414972-825	1

* When ordering, the Part No. must be suffixed by the desired Trim No. Refer page 8.



HOLDEN

MASTER PARTS CATALOGUE

15.100 TRIM ASSEMBLY—Rear Quarter, Wheelhouse (Cont'd.) WHEELHOUSE (Cont'd.)

TRIM NOS. 969	EK/225	LH7414963-969	1
TRIM NOS. 1011	EK/215	LH7414963-815	1
TRIM NOS. 1013	EK/215	LH7414963-886	1
		RH7414964-886	1
TRIM NOS. 964, 1037	EK/225	LH7414963-964	1
		RH7414964-964	1
TRIM NOS. 965, 1021, 1045	EK/225	LH7414963-965	1
TRIM NOS. 966, 1022	EK/225	LH7414963-966	1
		RH7414964-966	1
TRIM NOS. 967, 1023, 1047	EK/225	LH7414963-967	1
		RH7414964-967	1
TRIM NOS. 968, 1024	EK/225	LH7414963-968	1
		RH7414964-968	1
TRIM NOS. 970	EK/225	LH7414963-820	1
		RH7414964-820	1
TRIM NOS. 973, 1026, 1071	EK/229	LH7414973-973	1
		RH7414972-973	1
TRIM NOS. 974, 1027, 1051, 1072	EK/229	LH7414973-974	1
		RH7414972-974	1
TRIM NOS. 975, 1028, 1073	EK/229	LH7414973-975	1
		RH7414972-975	1
TRIM NOS. 976	EK/229	LH7414973-976	1
		RH7414972-976	1
SCREW—Pan hd. cr. rec. tap. Type "A" No. 6—18 x 3/8"	FE exc. FE/2104, FE/2106 FC exc. FC/2104, FC/2106 FB exc. FB/2104, FB/2106 EK exc. EK/2104, EK/2106	186412	A.R.
TRIM NOS. B02, B04, B05, B06, B07, B09	EJ/219	LH7421173*	1
TRIM NOS. B02, B04, B05, B06, B07, B09	EJ/219	RH7421172*	1
TRIM NOS. B18, C04	EJ/229	LH7421171-B18	1
		RH7421170-B18	1
TRIM NOS. B19, B20, B21, B22, B24	EJ/229	LH7421171*	1
TRIM NOS. B20, B21, B22, B24	EJ/229	RH7421170*	1
TRIM NOS. B25, C05	EJ/229	LH7421171-B25	1
		RH7421170-B25	1
TRIM NOS. C23	EH/219	LH7421173-B02	1
		RH7421172-B02	1
TRIM NOS. C24	EH/219	LH7421173-B04	1
		RH7421172-B04	1
TRIM NOS. C26	EH/219	LH7421173-B06	1
		RH7421172-B06	1
TRIM NOS. C27	EH/219	LH7421173-C27	1
		RH7421172-C27	1
TRIM NOS. C29	EH/219	LH7421173-B09	1
		RH7421172-B09	1
TRIM NOS. C37	EH/229	LH7421171-B18	1
		RH7421170-B18	1
TRIM NOS. C38	EH/229	LH7421171-B20	1
		RH7421170-B20	1
TRIM NOS. C39, C41	EH/229	LH7421171*	1
TRIM NOS. C39, C41	EH/229	RH7421170*	1
TRIM NOS. C40	EH/229	LH7421171-B22	1
		RH7421170-B22	1
TRIM NOS. C42	EH/229	LH7421171-B24	1
		RH7421170-B24	1
TRIM NOS. C43	EH/229	LH7421171-B25	1
		RH7421170-B25	1
TRIM NOS. C79, C80, C81, C82	EH/239	LH7421171*	1
TRIM NOS. C79, C80, C81, C82	EH/239	RH7421170*	1

* When ordering, the Part No. must be suffixed by the desired Trim No. Refer page 8.

HOLDEN

MASTER PARTS CATALOGUE



15.100 TRIM ASSEMBLY—Rear quarter, wheelhouse (Cont'd.)

WHEELHOUSE (Cont'd.)

TRIM NOS. D46, D47, D48, D49, D50, E21, E31, E32	HD/219	LH7428441*	1
TRIM NOS. D46, D47, D48, D49, D50, E21, E31, E32	HD/219	RH7428440*	1
TRIM NOS. D60, D61, D62, D63, D64, D65, D70, D71, D72, E23, E36	HD/229, HD/239	LH7428443*	1
TRIM NOS. D60, D61, D62, D63, D64, D65, D70, D71, D72, E23, E36	HD/229, HD/239	RH7428442*	1
TRIM NOS. E49, E50, E51, E52	HR/219	LH7428441*	1
TRIM NOS. E49, E50, E51, E52	HR/219	RH7428440*	1
TRIM NOS. E60, E61, E62, E63, E64	HR/229	LH7428443*	1
TRIM NOS. E60, E61, E62, E63, E64	HR/229	RH7428442*	1
TRIM NOS. E69, F09	HR/239	LH7428443-D70 RH7428442-D70	1 1
TRIM NOS. E70, F10	HR/239	LH7428443-D71 RH7428442-D71	1 1
TRIM NOS. E71, F11	HR/239	LH7428443-D72 RH7428442-D72	1 1
TRIM NOS. E72, F12, F53, F55	HR/239	LH7428443-E36 RH7428442-E36	1 1
TRIM NOS. F43, F49, F62, F66	HR/239	LH7428443-F43 RH7428442-F43	1 1
TRIM NOS. F44, F50, F63, F67	HR/239	LH7428443-F44 RH7428442-F44	1 1
TRIM NOS. F45, F51	HR/239	LH7428443-F45 RH7428442-F45	1 1
SCREW—Pan hd. cr. rec. tap. type "A" No. 6—18 x 3/8"	EJ/219, EJ/229 EH/219, EH/229, EH/239 HD/219, HD/229, HD/239 HR/219, HR/229, HR/239	186412	6-4

15.101 RETAINER—Rear Quarter and Wheelhouse Trim

RETAINER—Wheelhouse trim	EJ/219, EJ/229 EH/219, EH/229, EH/239	7427345	2
SCREW—Pan hd. cr. rec. tap. type "A" No. 6—18 x 3/8"	EJ/219, EJ/229 EH/219, EH/229, EH/239	186412	8
RETAINER—Rear quarter trim	HD/219, HD/229, HR/219, HR/229	LH7426217 RH7426216	1 1
RETAINER—Wheelhouse trim	HD/219, HD/229, HD/239 HR/219, HR/229, HR/239	7426688	2

15.102 MOULDING—Rear quarter inner trim panel

MOULDING	EH/239	LH7425643 RH7425642	1 1
MOULDING	HD/239, HR/239	LH7420507 RH7420506	1 1

15.222 TRIM—Luggage compartment side

PANEL—Front	48	LH7402627	1
SCREW—Oval hd. sl. tap. type "A" No. 8—15 x 1/2"	48	142220	8
WASHER—Finish No. 8	48	SP1102	8
PANEL—Rear	48	S.A. up to Body No. 82825 NSW up to Body No. S3314	LH7402629 1

*When ordering, the Part No. must be suffixed by the desired Trim No. Refer page 8.



HOLDEN

MASTER PARTS CATALOGUE

15.224 PARTITION, PANEL—Luggage compartment front

PARTITION	48	S.A. up to Body No. 76425 NSW up to Body No. S1057	7402631	1
PARTITION	48	S.A. from Body No. 76426 NSW from Body No. S1058		
		S.A. up to Ser. No. 8532A		
	FJ/215	Qld. up to Ser. No. B11824		
	FJ/217	Vic. up to Ser. No. M22115		
	FJ/225	W.A. up to Ser. No. P6473 NSW up to Ser. No. S2386	7407219	1
PARTITION		S.A. from Ser. No. 8533A		
	FJ/215	Qld. from Ser. No. B11825		
	FJ/217	Vic. from Ser. No. M22116		
	FJ/225	W.A. from Ser. No. P6474 NSW from Ser. No. S2387	7408649	1
SCREW—Oval hd. sl. tap. type "A"—No. 8—15 x 1/2"	48, FJ/215, FJ/217, FJ/225		142220	10
PANEL—Trim	FE/215, FE/217, FE/225 FC/215, FC/217, FC/225		7408930	1
PANEL—Trim	FB/215, FB/225, EK/215, EK/225		7412278	1
PANEL—Trim	EJ/215, EJ/225, EJ/235			
	EH/215, EH/225, EH/235		7417583	1
PANEL—Trim	HD/215, HD/225, HD/235 HR/215, HR/225, HR/235		7423926	1

15.280 INSULATOR ASSEMBLY—Dash

INSULATOR ASSEMBLY	FE, FC		7411323	1
INSULATOR ASSEMBLY	FB, EK	RIGHT HAND DRIVE	LH7414137 RH7414133	1 1
INSULATOR ASSEMBLY	EJ, EH	RIGHT HAND DRIVE	7417394	1
INSULATOR ASSEMBLY	HD, HR	RIGHT HAND DRIVE LEFT HAND DRIVE	7426934 7412671	1 1

15.282 FASTENER—Dash insulator

FASTENER—Metal—Adjustable	FE, FC, FB		SP1380	A.R.
FASTENER—Plastic—Adjustable	FB, EK, EJ, EH, HD, HR		3730562	A.R.

15.286 MAT ASSEMBLY, CARPET—Front floor TRIM, PAD ASSEMBLY, STRAP—Console

MAT ASSEMBLY

MAT ASSEMBLY—Plain	48, 50, FJ		7403430	1
MAT ASSEMBLY—Felt backed	FE, FC		7409577	1
MAT ASSEMBLY—Plain	FE, FC		7409578	1
MAT ASSEMBLY—Plain	FB	RIGHT HAND DRIVE	7413312	1
TRIM NOS. 815, 821, 883, 889	FB/225, FB/229	LEFT HAND DRIVE	7415944	1
MAT—Plain (black)	EK/215(M), EK/219(M), EK/2104(M) EK/2106(M)			
		RIGHT HAND DRIVE	7413312	1
MAT—Plain (black)	EK(A)	RIGHT HAND DRIVE	7421103	1
TRIM NOS. 964, 971, 1037	EK/225(M), EK/229(M)			
		RIGHT HAND DRIVE	7413310-964	1
TRIM NOS. 969, 976	EK/225(M), EK/229(M)			
		RIGHT HAND DRIVE	7413310-969	1
MAT—Plain (black)	EJ/215(M), EJ/219(M), EJ/225(M) EJ/229(M), EJ/2104(M), EJ/2106(M)			
		RIGHT HAND DRIVE	7418431	1
MAT—Plain (black)	EJ/215(A), EJ/219(A), EJ/225(A), EJ/229(A)			
		RIGHT HAND DRIVE	7421033	1

HOLDEN

MASTER PARTS CATALOGUE



15.286 MAT ASSEMBLY, CARPET—Front floor (Contd.)
TRIM, PAD ASSEMBLY, STRAP—Console (Cont'd.)

MAT ASSEMBLY (Cont'd.)

MAT—Black	EH/215(M), EH/219(M), EH/225(M) EH/229(M), EH/2104(M), EH/2106(M) RIGHT HAND DRIVE	7418431	1
MAT—Black	EH/215(A), EH/219(A), EH/225(A) EH/229(A), EH/2104(A), EH/2106(A) RIGHT HAND DRIVE LEFT HAND DRIVE	7422795 7422957	1 1
TRIM NOS. C35, C42	EH/225(A), EH/229(A) RIGHT HAND DRIVE	7424404	1
TRIM NOS. C36, C43	EH/225(A), EH/229(A) RIGHT HAND DRIVE	7424405	1
MAT—Black	HD/215, HD/219, HD/2104, HD/2106 RIGHT HAND DRIVE LEFT HAND DRIVE	7424889 7424888	1 1
MAT—Heavy duty	HD/215, HD/225 RIGHT HAND DRIVE	7429871	1
TRIM NOS. D54, D60, E22, E23	HD/225, HD/229 RIGHT HAND DRIVE LEFT HAND DRIVE	7427858 7427859	1 1
TRIM NOS. D55, D61	HD/225, HD/229 RIGHT HAND DRIVE LEFT HAND DRIVE	7427860 7427861	1 1
TRIM NOS. D56, D62	HD/225, HD/229 RIGHT HAND DRIVE LEFT HAND DRIVE	7427862 7427863	1 1
TRIM NOS. D57, D63	HD/225, HD/229 RIGHT HAND DRIVE LEFT HAND DRIVE	7427864 7427865	1 1
TRIM NOS. D58, D64	HD/225, HD/229 RIGHT HAND DRIVE LEFT HAND DRIVE	7427866 7427867	1 1
TRIM NOS. D59, D65	HD/225, HD/229 RIGHT HAND DRIVE LEFT HAND DRIVE	7427868 7427869	1 1
MAT—Black	HR/215, HR/219, HR/2104, HR/2106 RIGHT HAND DRIVE LEFT HAND DRIVE	7424889 7424888	1 1
MAT—Heavy duty	HR/215, HR/225 RIGHT HAND DRIVE LEFT HAND DRIVE	7429871 7432469	1 1
TRIM NOS. E55, E60	HR/225, HR/229 RIGHT HAND DRIVE LEFT HAND DRIVE	7427858 7427859	1 1
TRIM NOS. E56, E61	HR/225, HR/229 RIGHT HAND DRIVE LEFT HAND DRIVE	7427860 7427861	1 1
TRIM NOS. E57, E62	HR/225, HR/229 RIGHT HAND DRIVE LEFT HAND DRIVE	7427862 7427863	1 1
TRIM NOS. E58, E63	HR/225, HR/229 RIGHT HAND DRIVE LEFT HAND DRIVE	7427864 7427865	1 1
TRIM NOS. E59, E64	HR/225, HR/229 RIGHT HAND DRIVE LEFT HAND DRIVE	7427866 7427867	1 1



HOLDEN

MASTER PARTS CATALOGUE

15.286 MAT ASSEMBLY, CARPET—Front floor (Cont'd.)
TRIM, PAD ASSEMBLY, STRAP—Console (Cont'd.)

CARPET

TRIM NOS. C44, C79	EH/235(M), EH/239(M)	RIGHT HAND DRIVE	7426423-C44	1
		LEFT HAND DRIVE	7427568-C44	1
TRIM NOS. C45, C80	EH/235(M), EH/239(M)	RIGHT HAND DRIVE	7426423-C45	1
		LEFT HAND DRIVE	7427568-C45	1
TRIM NOS. C46, C81	EH/235(M), EH/239(M)	RIGHT HAND DRIVE	7426423-C46	1
		LEFT HAND DRIVE	7427568-C46	1
TRIM NOS. C47, C82	EH/235(M), EH/239(M)	RIGHT HAND DRIVE	7426423-C47	1
		LEFT HAND DRIVE	7427568-C47	1
TRIM NOS. C44, C79	EH/235(A), EH/239(A)	RIGHT HAND DRIVE	7426031-C44	1
		LEFT HAND DRIVE	7427569-C44	1
TRIM NOS. C45, C80	EH/235(A), EH/239(A)	RIGHT HAND DRIVE	7426031-C45	1
		LEFT HAND DRIVE	7427569-C45	1
TRIM NOS. C46, C81	EH/235(A), EH/239(A)	RIGHT HAND DRIVE	7426031-C46	1
		LEFT HAND DRIVE	7427569-C46	1
TRIM NOS. C47, C82	EH/235(A), EH/239(A)	RIGHT HAND DRIVE	7426031-C47	1
		LEFT HAND DRIVE	7427569-C47	1
SCREW—Oval hd. cr. rec. tap. type "A" No. 6—18 x 5/8"	EJ/235, EH/235, EH/239		162292	1
WASHER—Finish No. 6	EJ/235, EH/235, EH/239		140239	1
TRIM NOS. D66, D70	HD/235, HD/239	RIGHT HAND DRIVE	7428684-D66	1
		LEFT HAND DRIVE	7428685-D66	1
TRIM NOS. D67, D71	HD/235, HD/239	RIGHT HAND DRIVE	LH7435055-D67	1
		LEFT HAND DRIVE	RH7435054-D67	1
			7428685-D67	1
TRIM NOS. D68, D72	HD/235, HD/239	RIGHT HAND DRIVE	LH7435055-D68	1
		LEFT HAND DRIVE	RH7435054-D68	1
			7428685-D68	1
TRIM NOS. E35, E36	HD/235, HD/239	RIGHT HAND DRIVE	LH7435055-E35	1
		LEFT HAND DRIVE	RH7435054-E35	1
			7428685-E35	1
TRIM NOS. E65, E69	HR/235, HR/239	RIGHT HAND DRIVE	7428684-D66	1
		LEFT HAND DRIVE	7428685-D66	1
TRIM NOS. E66, E70	HR/235, HR/239	RIGHT HAND DRIVE	LH7435055-D67	1
		LEFT HAND DRIVE	RH7435054-D67	1
			7428685-D67	1
TRIM NOS. E67, E71	HR/235, HR/239	RIGHT HAND DRIVE	LH7435055-D68	1
		LEFT HAND DRIVE	RH7435054-D68	1
			7428685-D68	1
TRIM NOS. E68, E72, F52, F53	HR/235, HR/239	RIGHT HAND DRIVE	LH7435055-E35	1
		LEFT HAND DRIVE	RH7435054-E35	1
			7428685-E35	1
TRIM NOS. F40, F43, F60, F62	HR/235, HR/239	RIGHT HAND DRIVE	LH7435055-F40	1
		LEFT HAND DRIVE	RH7435054-F40	1
			LH7435057-F40	1
			RH7435056-F40	1
TRIM NOS. F41, F44, F61, F63	HR/235, HR/239	RIGHT HAND DRIVE	LH7435055-F41	1
		LEFT HAND DRIVE	RH7435054-F41	1
			LH7435057-F41	1
			RH7435056-F41	1

* When ordering, the Part No. must be suffixed by the desired Trim No. Refer page 8.

HOLDEN

MASTER PARTS CATALOGUE



15.286 MAT ASSEMBLY, CARPET—Front Floor (Cont'd.)
TRIM, PAD ASSEMBLY, STRAP—Console (Cont'd.)

CARPET (Cont'd.)

TRIM NOS. F42, F45	HR/235, HR/239	RIGHT HAND DRIVE	LH7435055-F42	1
		LEFT HAND DRIVE	RH7435054-F42	1
			LH7435057-F42	1
			RH7435056-F42	1
TRIM NOS. F05, F09	HR/235, HR/239	RIGHT HAND DRIVE	7432810-F05	1
		LEFT HAND DRIVE	7432811-F05	1
TRIM NOS. F06, F10	HR/235, HR/239	RIGHT HAND DRIVE	7432810-F06	1
		LEFT HAND DRIVE	7432811-F06	1
TRIM NOS. F07, F11	HR/235, HR/239	RIGHT HAND DRIVE	7432810-F07	1
		LEFT HAND DRIVE	7432811-F07	1
TRIM NOS. F08, F12, F54, F55	HR/235, HR/239	RIGHT HAND DRIVE	7432810-F08	1
		LEFT HAND DRIVE	7432811-F08	1
TRIM NOS. F46, F49, F64, F66	HR/235, HR/239	RIGHT HAND DRIVE	7432810-F46	1
		LEFT HAND DRIVE	7432811-F46	1
TRIM NOS. F47, F50, F65, F67	HR/235, HR/239	RIGHT HAND DRIVE	7432810-F47	1
		LEFT HAND DRIVE	7432811-F47	1
TRIM NOS. F48, F51	HR/235, HR/239	RIGHT HAND DRIVE	7432810-F48	1
		LEFT HAND DRIVE	7432811-F48	1

PAD ASSEMBLY—Console

TRIM NOS. B26, B27, B29	EJ/235	LH7419753*	1
TRIM NOS. B26, B27, B29	EJ/235	RH7419754*	1
TRIM NOS. C44, C79	EH/235, EH/239	LH7419753-C44	1
		RH7419754-C44	1
TRIM NOS. C45, C80	EH/235, EH/239	LH7419753-C45	1
		RH7419754-C45	1
TRIM NOS. C46, C81	EH/235, EH/239	LH7419753-C46	1
		RH7419754-C46	1
TRIM NOS. C47, C82	EH/235, EH/239	LH7419753-C47	1
		RH7419754-C47	1

TRIM—Console

TRIM NOS. C44, C79	EH/235, EH/239	T177440-C44	1
TRIM NOS. C45, C80	EH/235, EH/239	T177440-C45	1
TRIM NOS. C46, C81	EH/235, EH/239	T177440-C46	1
TRIM NOS. C47, C82	EH/235, EH/239	T177440-C47	1

TRIM—Console lid

TRIM NOS. D66, D70	HD/235, HD/239	7427232-D66	1
TRIM NOS. D67, D71	HD/235, HD/239	7427232-D67	1
TRIM NOS. D68, D72	HD/235, HD/239	7427232-D68	1
TRIM NOS. E35, E36	HD/235, HD/239	7427232-E35	1
TRIM NOS. E65, E69	HR/235, HR/239	7427232-D66	1
TRIM NOS. E66, E70	HR/235, HR/239	7427232-D67	1
TRIM NOS. E67, E71	HR/235, HR/239	7427232-D68	1
TRIM NOS. E68, E72, F52, F53	HR/235(M), HR/239(M) 3 speed trans. HR/235(A), HR/239(A)	7427232-E35	1
TRIM NOS. F40, F43, F60, F62	HR/235(M), HR/239(M) 3 speed trans. HR/235(A), HR/239(A)	7427232-F40	1
TRIM NOS. F41, F44, F61, F63	HR/235(M), HR/239(M) 3 speed trans. HR/235(A), HR/239(A)	7427232-F41	1
TRIM NOS. F42, F45	HR/235(M), HR/239(M) 3 speed trans. HR/235(A), HR/239(A)	7427232-F42	1

* When ordering, the Part No. must be suffixed by the desired Trim No. Refer page 8.



HOLDEN

MASTER PARTS CATALOGUE

15.286 MAT ASSEMBLY, CARPET—Front floor (Cont'd.) TRIM, PAD ASSEMBLY, STRAP—Console (Cont'd.)

TRIM—Console lid (Cont'd.)

TRIM NOS. E68, E72, F52, F53	HR/235(M) 4 speed trans. HR/239(M) 4 speed trans.	7434363-F52	1
TRIM NOS. F40, F43, F60, F62	HR/235(M) 4 speed trans. HR/239(M) 4 speed trans.	7434363-F40	1
TRIM NOS. F41, F44, F61, F63	HR/235(M) 4 speed trans. HR/239(M) 4 speed trans.	7434363-F41	1
TRIM NOS. F42, F45	HR/235(M) 4 speed trans. HR/239(M) 4 speed trans.	7434363-F42	1

TRIM—Console front

TRIM NOS. D66, D70	HD/235, HD/239	T177978-D66	1
TRIM NOS. D67, D71	HD/235, HD/239	T177978-D67	1
TRIM NOS. D68, D72	HD/235, HD/239	T177978-D68	1
TRIM NOS. E35, E36	HD/235, HD/239	T177978-E35	1
TRIM NOS. E65, E66, E67, E68, E69, E70, E71, E72, F40, F41, F42, F43, F44, F45, F52, F53, F60, F61, F62, F63	HR/235, HR/239	T177978-E65	1

TRIM—Console rear

TRIM NOS. D66, D70	HD/235, HD/239	T177979-D66	1
TRIM NOS. D67, D71	HD/235, HD/239	T177979-D67	1
TRIM NOS. D68, D72	HD/235, HD/239	T177979-D68	1
TRIM NOS. E35, E36	HD/235, HD/239	T177979-E35	1
TRIM NOS. E65, E66, E67, E68, E69, E70, E71, E72, F40, F41, F42, F43, F44, F45, F52, F53, F60, F61, F62, F63	HR/235, HR/239	T177979-E65	1

TRIM—Console compartment

TRIM NOS. D66, D70	HD/235, HD/239	T178392-D66	1
TRIM NOS. D67, D71	HD/235, HD/239	T178392-D67	1
TRIM NOS. D68, D72	HD/235, HD/239	T178392-D68	1
TRIM NOS. E35, E36	HD/235, HD/239	T178392-E35	1
TRIM NOS. E65, E69	HR/235, HR/239	T178392-D66	1
TRIM NOS. E66, E70	HR/235, HR/239	T178392-D67	1
TRIM NOS. E67, E71	HR/235, HR/239	T178392-D68	1
TRIM NOS. E68, E72, F52, F53	HR/235, HR/239	T178392-E35	1
TRIM NOS. F40, F43, F60, F62	HR/235, HR/239	T178392-F40	1
TRIM NOS. F41, F44, F61, F63	HR/235, HR/239	T178392-F41	1
TRIM NOS. F42, F45	HR/235, HR/239	T178392-F42	1

STRAP—Console lid

TRIM NOS. D66, D70	HD/235, HD/239	T168393-D66	1
TRIM NOS. D67, D71	HD/235, HD/239	T168393-D67	1
TRIM NOS. D68, D72	HD/235, HD/239	T168393-D68	1

15.287 EXTENSION—Floor side trim and mat

EXTENSION	FE/2104, FE/2106, FC/2104, FC/2106	LH7411935	1
EXTENSION	EJ/2104, EJ/2106, EH/2104, EH/2106	LH7421323 RH7421324	1 1
EXTENSION	HD/2104, HD/2106 HR/2104, HR/2106	LH7428069 RH7428070	1 1

HOLDEN

MASTER PARTS CATALOGUE



15.294 MAT ASSEMBLY—Luggage compartment floor

MAT—Rubber	48		
	FJ/215	S.A. up to Ser. No. 8532A Qld. up to Ser. No. B11824 Vic. up to Ser. No. M22115 W.A. up to Ser. No. P6473 NSW up to Ser. No. 5/2386S	
	FJ/217		
	FJ/225		7407615
MAT—Rubber			
	FJ/215	S.A. from Ser. No. 8533A Qld. from Ser. No. B11825 Vic. from Ser. No. M22116 W.A. from Ser. No. P6474 NSW from Ser. No. 5/2387S	
	FJ/217		
	FJ/225		7408428
MAT—Rubber	FE/215, FE/217, FE/225		
	FC/215, FC/217, FC/225		7409177
MAT—Rubber	FB/215, FB/225, EK/215, EK/225		7413495
MAT—Rubber	EJ/215, EJ/225, EJ/235		
	EH/215, EH/225, EH/235		7416742
MAT—Rubber	HD/215, HD/225, HD/235		
	HR/215, HR/225, HR/235		7424883
PROTECTOR—Mat—33-1/2" x 3"	HR/215, HR/225, HR/235		7434326
PROTECTOR—Mat—7-1/2" x 3"	HR/215, HR/225, HR/235		7410812

15.306 CARPET ASSEMBLY, MAT—Rear floor

CARPET ASSEMBLY

TRIM NOS. 104, 167, 183, 229, 233	48/215		7403762	1
TRIM NOS. 470, 471, 479, 675, 707, 708	(Green) FE/215, FE/225		7410984	1
TRIM NOS. B26, B27, B29	EJ/235		7421817*	1
TRIM NOS. C44	EH/235		7421817-B26	1
TRIM NOS. C45, C46, C47	EH/235		7421817*	1
TRIM NOS. C79, C80, C81, C82	EH/239		7426643*	1
TRIM NOS. D66, D67, D68, E35	HD/235		7428687*	1
TRIM NOS. D70, D71, D72, E36	HD/239		7428686*	1
TRIM NOS. E65	HR/235		7428687-D66	1
TRIM NOS. E66	HR/235		7428687-D67	1
TRIM NOS. E67	HR/235		7428687-D68	1
TRIM NOS. E68, F52	HR/235		7428687-E35	1
TRIM NOS. F40, F60	HR/235		7428687-F40	1
TRIM NOS. F41, F61	HR/235		7428687-F41	1
TRIM NOS. F42	HR/235		7428687-F42	1
TRIM NOS. F05, F06, F07	HR/235		7432812*	1
TRIM NOS. F08, F54	HR/235		7432812-F08	1
TRIM NOS. F46, F64	HR/235		7432812-F46	1
TRIM NOS. F47, F65	HR/235		7432812-F47	1
TRIM NOS. F48	HR/235		7432812-F48	1
TRIM NOS. E69	HR/239		7428686-D70	1
TRIM NOS. E70	HR/239		7428686-D71	1
TRIM NOS. E71	HR/239		7428686-D72	1
TRIM NOS. E72, F53	HR/239		7428686-E36	1
TRIM NOS. F43, F62	HR/239		7428686-F43	1
TRIM NOS. F44, F63	HR/239		7428686-F44	1
TRIM NOS. F45	HR/239		7428686-F45	1
TRIM NOS. F09, F10, F11	HR/239		7432813*	1
TRIM NOS. F12, F55	HR/239		7432813-F12	1
TRIM NOS. F49, F66	HR/239		7432813-F49	1
TRIM NOS. F50, F67	HR/239		7432813-F50	1
TRIM NOS. F51	HR/239		7432813-F51	1
SCREW—Oval hd. cr. rec. tap. No. 6—18 x 5/8"	EH/239, HD/239, HR/239		162292	2
WASHER—Finish No. 6	EH/239, HD/239, HR/239		140239	2

* When ordering, the Part No. must be suffixed by the desired Trim No. Refer page 8.



HOLDEN

MASTER PARTS CATALOGUE

15.306 CARPET ASSEMBLY, MAT—Rear floor (Contd.)

MAT ASSEMBLY

MAT ASSEMBLY—Rubber	48/217	7407613
MAT ASSEMBLY—Rubber	FJ/217	7407686
MAT ASSEMBLY—Rubber, plain (black)	FE, exc. FE/2104, FE/2106 FC, exc. FC/2104, FC/2106	7410109
MAT ASSEMBLY—Rubber, felt backed (black)	FE/215, FE/225, FE/229	7413286
MAT ASSEMBLY—Rubber	FE/217, FE/219	7410108
MAT ASSEMBLY—Rubber, felt backed (black)	FC/215, FC/225, FC/229	7413286
MAT ASSEMBLY—Rubber	FC/217, FC/219	7410108
MAT ASSEMBLY—Rubber (black)	FB/215, FB/225	7413857
MAT ASSEMBLY—Rubber (black)	FB/219, FB/229	7413430
TRIM NOS. 817, 818, 885, 886	FB/225	7414851
TRIM NOS. 819, 887	FB/225	7414852
TRIM NOS. 820, 888, 942	FB/225	7414853
TRIM NOS. 821, 889	FB/229	7413430
MAT—Rubber (Black)	EK/215	7413857
TRIM NOS. 956	EK/215	7414851
TRIM NOS. 958	EK/215	7414853
MAT—Rubber (Black)	EK/219, EK/229	7413430
TRIM NOS. 960	EK/219	7414858
TRIM NOS. 963	EK/219	7414861
TRIM NOS. 973, 1026, 1071	EK/229	7418154
TRIM NOS. 975, 1028, 1073	EK/229	7418156
TRIM NOS. 976	EK/229	7418157
TRIM NOS. 977	EJ/215, EJ/225	7417548
MAT—Black	EJ/219, EJ/229	7417549
TRIM NOS. B18, C04	EJ/229	7419857
TRIM NOS. B21	EJ/229	7419860
TRIM NOS. B24	EJ/229	7419863
MAT—Black	EH/215, EH/225	7417548
MAT—Black	EH/219, EH/229	7417549
TRIM NOS. C34	EH/225	7424415
TRIM NOS. C37	EH/229	7419857
TRIM NOS. C41	EH/229	7424416
TRIM NOS. C42	EH/229	7419863
MAT—Black	HD/215	7424885
MAT—Heavy duty	HD/215, HD/225	7429878
MAT—Black	HD/219	7424886
TRIM NOS. D54, E22	HD/225	7427846
TRIM NOS. D55	HD/225	7427848
TRIM NOS. D56	HD/225	7427850
TRIM NOS. D57	HD/225	7427852
TRIM NOS. D58	HD/225	7427854
TRIM NOS. D60, E23	HD/229	7427847
TRIM NOS. D61	HD/229	7427849
TRIM NOS. D62	HD/229	7427851
TRIM NOS. D63	HD/229	7427853
TRIM NOS. D64	HD/229	7427855
TRIM NOS. D65	HD/229	7427857
MAT—Black	HR/215	7424885
MAT—Heavy duty	HR/215, HR/225	7429878
MAT—Black	HR/219	7424886
TRIM NOS. E55	HR/225	7427846
TRIM NOS. E56	HR/225	7427848
TRIM NOS. E57	HR/225	7427850
TRIM NOS. E58	HR/225	7427852
TRIM NOS. E59	HR/225	7427854
TRIM NOS. E60	HR/229	7427847
TRIM NOS. E61	HR/229	7427849
TRIM NOS. E62	HR/229	7427851
TRIM NOS. E63	HR/229	7427853
TRIM NOS. E64	HR/229	7427855

HOLDEN

MASTER PARTS CATALOGUE



15.308 TRIM ASSEMBLY—Tonneau floor

FRONT AND REAR OUTER (Diamond pattern)	FE/219 up to Body No. 1487A		
	FE/229, FC/229, FB/229	7414059-07T	1
FRONT AND REAR OUTER (Ribbed pattern)	FB/229	7414059-08T	1
FRONT AND REAR OUTER	EK/229	7414059-09T	1
REAR—Spare wheel comp. cover (Diamond pattern)	FE/219 up to Body No. 1487A		
	FE/229, FC/229, FB/229	07T304348	1
REAR—Spare wheel comp. cover (Ribbed pattern)	FB/229	08T304348	1
REAR—Spare wheel comp. cover	EK/229	09T304348	1
FRONT	EJ/229, EH/229	306916-09T	1
SIDE	EJ/229, EH/229	LH7421195	1
		RH7421194	1
SCREW—Oval hd. cr. rec. tap. No. 6—18 x 1/2"	EJ/229, EH/229	162247	2
WASHER—Finish No. 6	EJ/229, EH/229	140239	2
REAR—Spare wheel comp. cover	EJ/229, EH/229	306917-09T	1
FRONT—Trim Nos. C79, C81, C82	EH/239	T176916*	1
SIDE—Trim Nos. C79, C80, C81, C82	EH/239	LH7426033*	1
SIDE—Trim Nos. C80, C82	EH/239	RH7426032*	1
SCREW—Oval hd. cr. rec. tap. No. 6—18 x 1/2"	EH/239	162247	2
WASHER—Finish No. 6	EH/239	140239	2
REAR—Spare wheel comp. cover. Trim Nos. C79, C80, C81, C82	EH/239	T176917*	1
FRONT	HD/229	308470-09T	1
SIDE	HD/229	LH7428653-D61	1
		RH7428654-D61	1
REAR—Spare wheel comp. cover	HD/229	308471-09T	1
FRONT—Trim Nos. D70, D71, D72, E36	HD/239	T178470*	1
SIDE—Trim Nos. D70, D71, D72, E36	HD/239	LH7428655*	1
SIDE—Trim Nos. D70, D71, D72, E36	HD/239	RH7428656*	1
REAR—Spare wheel comp. cover Trim Nos. D70, D71, D72 E36	HD/239	T308471*	1
FRONT—Trim Nos. E60, E61, E62, E63, E64	HR/229	T308470*	1
SIDE—Trim Nos. E60, E61, E62, E63, E64	HR/229	LH7428653*	1
SIDE—Trim Nos. E60, E61, E62, E63, E64	HR/229	RH7428654*	1
REAR—Spare wheel comp. cover. Trim Nos. E60, E61, E62, E63, E64	HR/229	T308471*	1
FRONT—Trim Nos. E69, F09	HR/239	T308470-D70	1
FRONT—Trim Nos. E70, F10	HR/239	T308470-D71	1
FRONT—Trim Nos. E71, F11	HR/239	T308470-D72	1
FRONT—Trim Nos. E72, F12, F53, F55	HR/239	T308470-E36	1
FRONT—Trim Nos. F43, F49, F62, F66	HR/239	T308470-F43	1
FRONT—Trim Nos. F44, F50, F63, F67	HR/239	T308470-F44	1
FRONT—Trim Nos. F45, F51	HR/239	T308470-F45	1
SIDE—Trim Nos. E69, F09	HR/239	LH7428653-D70	1
		RH7428654-D70	1
SIDE—Trim Nos. E70, F10	HR/239	LH7428653-D71	1
		RH7428654-D71	1
SIDE—Trim Nos. E71, F11	HR/239	LH7428653-D72	1
		RH7428654-D72	1
SIDE—Trim Nos. E72, F12, F53, F55	HR/239	LH7428653-E36	1
		RH7428654-E36	1
SIDE—Trim Nos. F43, F49, F62, F66	HR/239	LH7428653-F43	1
		RH7428654-F43	1
SIDE—Trim Nos. F44, F50, F63, F67	HR/239	LH7428653-F44	1
		RH7428654-F44	1
SIDE—Trim Nos. F45, F51	HR/239	LH7428653-F45	1
		RH7428654-F45	1
SCREW—Oval hd. cr. rec. tap. No. 6—20 x 1/2"	HR/229, HR/239	163404	4
WASHER—Finish No. 6	HR/229, HR/239	140239	4

* When ordering, the Part No. must be suffixed by the desired Trim No. Refer page 8.



HOLDEN

MASTER PARTS CATALOGUE

15.308 TRIM ASSEMBLY—Tonneau floor (Cont'd.)

REAR—Spare wheel comp. door. Trim Nos. E69, F09	HR/239	T308471-D70	1
REAR—Spare wheel comp. door. Trim Nos. E70, F10	HR/239	T308471-D71	1
REAR—Spare wheel comp. door. Trim Nos. E71, F11	HR/239	T308471-D72	1
REAR—Spare wheel comp. door. Trim Nos. E72, F12, F53, F55	HR/239	T308471-E36	1
REAR—Spare wheel comp. door. Trim Nos. F43, F49, F62, F66	HR/239	T308471-F43	1
REAR—Spare wheel comp. door. Trim Nos. F44, F50, F63, F67	HR/239	T308471-F44	1
REAR—Spare wheel comp. door. Trim Nos. F45, F51	HR/239	T308471-F44	1
EYELET—Coned	FE/219, FE/229, FC/229, FB/229, EK/229, EJ/229, EH/229, EH/239 HD/229, HD/239, HR/229, HR/239	SP1364	1

15.309 TRIM—Rear Seat Cushion Bottom.

TRIM (Diamond pattern)	FE/219 up to Body No. 1487A FE/229, FC/229, FB/229	07T304352	1
TRIM (Ribbed pattern)	FB/229	08T304352	1
TRIM	EK/229	09T304352	1
TRIM	EJ/229, EH/229	7421598	1
TRIM NOS. C79, C80, C81, C82	EH/239	7426041*	1
TRIM	HD/229	7428651-D61	1
TRIM NOS. D70, D71, D72, E36	HD/239	7428652*	1
TRIM NOS. E60, E61, E62, E63, E64	HR/229	7428651*	1
TRIM NOS. E69, F09	HR/239	7428651-D70	1
TRIM NOS. E70, F10	HR/239	7428651-D71	1
TRIM NOS. E71, F11	HR/239	7428651-D72	1
TRIM NOS. E72, F12, F53, F55	HR/239	7428651-E36	1
TRIM NOS. F43, F49, F62, F66	HR/239	7428651-F43	1
TRIM NOS. F44, F50, F63, F67	HR/239	7428651-F44	1
TRIM NOS. F45, F51	HR/239	7428651-F45	1

15.310 TRIM—Rear seat back rear

TRIM (Diamond pattern)	FE/219 up to Body No. 1487A FE/229, FC/229, FB/229	07T304353	1
TRIM (Ribbed pattern)	FB/229	08T304353	1
TRIM	EK/229	09T304353	1
TRIM	EJ/229, EH/229	306915-09T	1
TRIM NOS. C79, C81, C82	EH/239	T176915*	1
TRIM	HD/229	LH309029-09T RH309030-09T	1 1
TRIM NOS. D70, D71, D72, E36	HD/239	T178476*	1
TRIM NOS. E60, E61, E62, E63, E64	HR/229	T308476*	1
TRIM NOS. E69, F09	HR/239	T308476-D70	1
TRIM NOS. E70, F10	HR/239	T308476-D71	1
TRIM NOS. E71, F11	HR/239	T308476-D72	1
TRIM NOS. E72, F12, F53, F55	HR/239	T308476-E36	1
TRIM NOS. F43, F49, F62, F66	HR/239	T308476-F43	1
TRIM NOS. F44, F50, F63, F67	HR/239	T308476-F44	1
TRIM NOS. F45, F51	HR/239	T308476-F45	1

*When ordering, the Part No. must be suffixed by the desired Trim No. Refer page 8.

HOLDEN

MASTER PARTS CATALOGUE



15.311 TRIM, PANEL—Lower end gate

TRIM (Diamond pattern)	FE/219 up to Body No. 1487A FE/229, FC/229, FB/229	07T304354	1
TRIM (Ribbed pattern)	FB/229	08T304354	1
TRIM	EK/229	09T304354	1
TRIM NOS. D60, D61, D62, D63, D64, D65, D70, D71, D72, E23, E36	HD/229, HD/239	T178547*	1
TRIM NOS. E60, E61, E62, E63, E64	HR/229	T178547*	1
TRIM NOS. E69, F09	HR/239	T178547-D70	1
TRIM NOS. E70, F10	HR/239	T178547-D71	1
TRIM NOS. E71, F11	HR/239	T178547-D72	1
TRIM NOS. E72, F12, F53, F55	HR/239	T178547-E36	1
SON WIRE F43, F49, F62, F66	HR/239	T178547-F43	1
TRIM NOS. F44, F50, F63, F67	HR/239	T178547-F44	1
TRIM NOS. F45, F51	HR/239	T178547-F45	1

PANEL—Centre

PRIME FINISH	EJ/229, EH/229	7417392PRI	1
TRIM NOS. C37	EH/229	7417392-B18	1
TRIM NOS. C38	EH/229	7417392-B20	1
TRIM NOS. C40	EH/229	7417392-B22	1
TRIM NOS. C42	EH/229	7417392-B24	1
TRIM NOS. C79, C82	EH/239	7425913*	1
PANEL	HD/219, HR/219	7422503	1
PANEL—Trim Nos. D60, D61, D62, D63, D64, D65, D70, D71, D72, E23, E36	HD/229, HD/239	7428757*	1
PANEL—Trim Nos. E60, E61, E62, E63, E64	HR/229	7428757*	1
PANEL—Trim Nos. E69, F09	HR/239	7428757-D70	1
PANEL—Trim Nos. E70, F10	HR/239	7428757-D71	1
PANEL—Trim Nos. E71, F11	HR/239	7428757-D72	1
PANEL—Trim Nos. E72, F12, F53, F55	HR/239	7428757-E36	1
PANEL—Trim Nos. F43, F49, F62, F66	HR/239	7428757-F43	1
PANEL—Trim Nos. F44, F50, F63, F67	HR/239	7428757-F44	1
PANEL—Trim Nos. F45, F51	HR/239	7428757-F45	1
SCREW—Flat hd. cr. rec. tap. No. 10—16 x 5/8"	HD/229, HD/239, HR/229, HR/239	162688	2
WASHER—Finish No. 10	HD/229, HD/239, HR/229, HR/239	140241	2

PANEL—Side

PRIME FINISH	EJ/229, EH/229	LH7424365PRI RH7424364PRI	1 1
TRIM NOS. C79, C82	EH/239	LH7425915*	1
TRIM NOS. C79, C82	EH/239	RH7425914*	1
SCREW—Oval hd. cr. rec. tap. Type "A", No. 6—18 x 1/2"	EJ/229, EH/229, EH/239	162247	2
WASHER—Finish No. 6	EJ/229, EH/229, EH/239	140239	2

15.312 RETAINER—Lower end gate trim

RETAINER—Inner upper	EJ/229, EH/229	7417324	1
RETAINER—Inner lower	EJ/229, EH/229	7417325	1

15.313 SEAL—End gate trim panel

SEAL	HD/219, HD/229, HD/239 HR/219, HR/229, HR/239	7427777	1
------------	--------------------------------------------------------	---------	---

* When ordering, the Part No. must be suffixed by the desired Trim No. Refer Page 8.



HOLDEN

MASTER PARTS CATALOGUE

15.314 MOULDING—Lower end gate trim

MOULDING—Upper	EH/239	7425640	1
SCREW—Flat hd. cr. rec. tap. type "A" No. 4—24 x 1/4"	EH/239	161340	6
MOULDING—Lower	EH/239	7425641	1
SCREW—Flat hd. cr. rec. tap. type "A" No. 4—24 x 1/4"	EH/239	161340	5

15.390 STRAP ASSEMBLY—Assist grip

TRIM NOS. 475, 710	FE/225	LH7411379-637 RH7411380-637	1 1
STRAP ASSEMBLY	FC/225	LH7411379-637 RH7411380-637	1 1
STUD—Type "A" fastener	FE/225, FC/225	SP1017	2
TRIM NOS. 815, 883, 941	FB/225	LH7414539-815 RH7414540-815	1 1
TRIM NOS. 820, 888, 942	FB/225	LH7414539-820 RH7414540-820	1 1
TRIM NOS. 967, 1023, 1047	EK/225	LH7414539-967 RH7414540-967	1 1
TRIM NOS. 968, 1024	EK/225	LH7414539-968	1
TRIM NOS. 969	EK/225	LH7414539-969	1
TRIM NOS. 970	EK/225	LH7414539-820 RH7414540-820	1 1
SCREW—Oval hd. cr. rec. tap. Type "A", No. 6—18 x 5/8"	FB/225, EK/225	162292	4
STUD—Type "A" fastener	FB/225, EK/225	SP1017	2
TRIM NOS. B10, C02	EJ/225	LH7417557-B10 RH7417558-B10	1 1
TRIM NOS. B11, B12, B15, B16	EJ/225	LH7417557*	1
TRIM NOS. B11, B12, B13, B14	EJ/225	RH7417558*	1
TRIM NOS. B17, C03	EJ/225	RH7417558-B17	1
TRIM NOS. B26, B29	EJ/235	LH7417557*	1
TRIM NOS. B29	EJ/235	RH7417558-B29	1
SCREW—Oval hd. cr. rec. tap. type "B" No. 6—20 x 1/2"	EJ/225, EJ/235	163404	4
STUD—Fastener type "A" No. 8 x 3/8"	EJ/225, EJ/235	SP1017	2
TRIM NOS. C30, C31, C32, C33, C34, C35, C36, C44, C45, C46	EH/225, EH/235	7422130*	2
SCREW—Oval hd. cr. rec. tap. type "A" No. 6—18 x 5/8"	EH/225, EH/235	162292	4
STUD—Fastener type "A" No. 8 x 3/8"	EH/225, EH/235	SP1017	2
TRIM NOS. C79, C80, C81, C82	EH/239	LH7426539*	1
TRIM NOS. C79, C80, C81, C82	EH/239	RH7426538*	1
SCREW—Oval hd. cr. rec. tap. type "A" No. 8—15 x 5/8"	EH/239	162397	4
STUD—Fastener type "A" No. 8 x 3/8"	EH/239	SP1017	2
TRIM NOS. D54, D60	HD/225, HD/229	7428353-D54	2
TRIM NOS. D55, D61	HD/225, HD/229	7428353-D55	2
TRIM NOS. D56, D62	HD/225, HD/229	7428353-D56	2
TRIM NOS. D57, D63	HD/225, HD/229	7428353-D57	2
TRIM NOS. D58, D64	HD/225, HD/229	7428353-D58	2
TRIM NOS. D59, D65	HD/225, HD/229	7428353-D59	2
TRIM NOS. E22, E23	HD/225, HD/229	7428353-E22	2
TRIM NOS. D66, D70	HD/235, HD/239	7428353-D66	2
TRIM NOS. D67, D71	HD/235, HD/239	7428353-D67	2
TRIM NOS. D68, D72	HD/235, HD/239	7428353-D68	2
TRIM NOS. E35, E36	HD/235, HD/239	7428353-E35	1

* When ordering, the Part No. must be suffixed by the desired Trim No. Refer page 8.

HOLDEN

MASTER PARTS CATALOGUE



15.390 STRAP ASSEMBLY—Assist grip (Cont'd.)

TRIM NOS. E55, E60	HR/225, HR/229	7428353-E55	2
TRIM NOS. E56, E61	HR/225, HR/229	7428353-E56	2
TRIM NOS. E57, E62	HR/225, HR/229	7428353-E57	2
TRIM NOS. E58, E63	HR/225, HR/229	7428353-E58	2
TRIM NOS. E59, E64	HR/225, HR/229	7428353-E59	2
TRIM NOS. E69, F09	HR/239	7428353-D66	2
TRIM NOS. E70, F10	HR/239	7428353-D67	2
TRIM NOS. E71, F11	HR/239	7428353-D68	2
TRIM NOS. E72, F12, F53, F55	HR/239	7428353-E35	2
TRIM NOS. F43, F49, F62, F66	HR/239	7428353-F43	2
TRIM NOS. F44, F50, F63, F67	HR/239	7428353-F44	2
TRIM NOS. F45, F51	HR/239	7428353-F45	2
SCREW—Oval hd. cr. rec. tap. No. 6—18 x 5/8"	HD/225, HD/229, HD/235, HD/239 HR/225, HR/229, HR/239	162292	4
STUD—Fastener type A No. 8—3/8"	HD/225, HD/229, HD/235, HD/239 HR/225, HR/229, HR/239	SP1017	2
EYELET—5/16" barrel	HD/225, HD/229, HD/235, HD/239 HR/225, HR/229, HR/239	SP1443	2
SOCKET—Fastener	HD/225, HD/229, HD/235, HD/239 HR/225, HR/229, HR/239	SP1018	2
RIVET—Oval hd. split 9/64" x 3/4"	HD/225, HD/229, HD/235, HD/239 HR/225, HR/229, HR/239	136669	2
WASHER—Finish No. 6	HD/225, HD/229, HD/235, HD/239 HR/225, HR/229, HR/239	140239	2
WASHER—Plain 5/32" x 3/8" x .049"	HD/225, HD/229, HD/235, HD/239 HR/225, HR/229, HR/239	131014	2

15.492 DEADENER—Sound

FLOOR PAN

FRONT (60" x 40")	FE, FC, FB, EK (M) RIGHT HAND DRIVE	7409550	1
FRONT (20" x 2 3/4")	FE, FC, FB, EK (M)	7409547	1
FRONT (17" x 2 3/4")	FE, FC, FB, EK	7409546	4
REAR (28" x 24")	FE exc. FE/2104, FE/2106 FC exc. FC/2104, FC/2106 FB exc. FB/2104, FB/2106 EK exc. EK/2104, EK/2106	7409551	2
REAR (22" x 2 3/4")	FE exc. FE/2104, FE/2106 FC exc. FC/2104, FC/2106 FB exc. FB/2104, FB/2106 EK exc. EK/2104, EK/2106	7409548	2
REAR (17" x 2 3/4")	FE exc. FE/2104, FE/2106 FC exc. FC/2104, FC/2106 FB exc. FB/2104, FB/2106 EK exc. EK/2104, EK/2106	7409546	2
REAR (18" x 14")	FE exc. FE/2104, FE/2106 FC exc. FC/2104, FC/2106 FB exc. FB/2104, FB/2106 EK exc. EK/2104, EK/2106	7409549	2
REAR COMPARTMENT (40" x 36")	FE/215, FE/217, FE/225 FC/215, FC/217, FC/225 FB/215, FB/225, EK/215, EK/225	7413057	1
REAR COMPARTMENT (5 1/2" x 3 1/2")	FE/215, FE/217, FE/225 FC/215, FC/217, FC/225 FB/215, FB/225, EK/215, EK/225	7409552	6



HOLDEN

MASTER PARTS CATALOGUE

15.492 DEADENER—Sound (Cont'd.)

FLOOR PAN (Cont'd.)

REAR CENTRE	FB exc. FB/2104, FB/2106 EK exc. EK/2104, EK/2106	7410716	1
FRONT	EJ (M), EH (M)	7421571	1
FRONT—Right side	EJ (M), EH (M) RIGHT HAND DRIVE	7421572	1
FRONT	EJ (A) RIGHT HAND DRIVE	LH7421569 RH7421568	1 1
FRONT	EH (A) RIGHT HAND DRIVE	LH7421569 RH7422956	1 1
FRONT—Centre	EJ (M), EH (M)	7421575	1
FRONT—Centre	EJ (A), EH (A)	7421573	1
FRONT—Centre front	EJ (M), EH (M)	7421574	1
FRONT—Centre front	EJ (A), EH (A) RIGHT HAND DRIVE	7421532	1
FRONT—Centre rear	EJ (M), EH (M)	7421579	1
UNDER FRONT SEAT	EJ, exc. EJ/235 EH, exc. EH/235, EH/239	7421534	1
UNDER FRONT SEAT—Outer	EJ/235, EH/235, EH/239	7421577	2
REAR	EJ, exc. EJ/2104, EJ/2106 EH, exc. EH/2104, EH/2106	LH7421626 RH7421625	1 1
REAR—Centre front	EJ/215, EJ/219, EJ/225, EJ/229 EH/215, EH/219, EH/225, EH/229	7421597	1
REAR—Centre rear	EJ, exc. EJ/2104, EJ/2106 EH, exc. EH/2104, EH/2106	7421576	1
UNDER REAR SEAT—Front	EJ exc. EJ/2104, EJ/2106	RH7424266	1
UNDER REAR SEAT—Rear	EJ/215, EJ/225, EJ/235	7421584	1
UNDER REAR SEAT—Rear	EJ/219, EJ/229	7421585	1
FRONT	HD, HR RIGHT HAND DRIVE	LH7420091 RH7420074 LH7427986 RH7420091	1 1 1 1
		LEFT HAND DRIVE	
FRONT—Centre	HD, HR	7427941	1
FRONT—Centre front	HD, HR	7420052	1
FRONT—Centre rear	HD, HR	7420054	1
UNDER FRONT SEAT	HD exc. HD/235, HD/239 HR	*7420186	2
UNDER FRONT SEAT	HD/235, HD/239, HR/235, HR/239	7420187	2
UNDER FRONT SEAT—Centre	HD, HR	7420188	2
UNDER FRONT SEAT—Outer	HD, HR	7420189	2
REAR	HD exc. HD/2104, HD/2106 HR exc. HR/2104, HR/2106	7420165	2
REAR	HD/2104, HD/2106 HR/2104, HR/2106	7428820	2
REAR—Centre front	HD, HR	7420166	1
REAR—Centre rear	HD exc. HD/2104, HD/2106 HR exc. HR/2104, HR/2106	7420167	1
REAR—Centre rear	HD/2104, HD/2106 HR/2104, HR/2106	7428821	1
PANEL—Rear floor mat support	HD/215, HD/225, HD/235 HR/215, HR/225, HR/235	7424890	1
PANEL—Rear floor mat support	HD/219, HD/229, HD/239 HR/219, HR/229, HR/239	7424976	1
SCREW—Pan hd. cr. rec. tap. No. 6—18 x 3/8"	HD exc. HD/239 HR exc. HR/239	186412	2

*Required with Bench Type Seat on HR/235, HR/239.

HOLDEN

MASTER PARTS CATALOGUE



15.520 WINDLACE, WINDCORD, DRAUGHT STRIP—Door opening

CENTRE PILLAR

DRAUGHT STRIP—Front door	FE exc. FE/2106 FC exc. FC/2106	LH7409200 RH7409199	1 1
DRAUGHT STRIP—Rear door	FE exc. FE/2104, FE/2106 FC exc. FC/2104, FC/2106	LH7409199 RH7409200	1 1

FRONT DOOR OPENING

WINDLACE—5/8" wide	EH, exc. EH/235, EH/239	7427307	2
TRIM NOS. C44, C79—5/8" wide	EH/235, EH/239	7427310	2
TRIM NOS. C45, C80—5/8" wide	EH/235, EH/239	7427313	2
TRIM NOS. C46, C81—5/8" wide	EH/235, EH/239	7427316	2
TRIM NOS. C47, C82—5/8" wide	EH/235, EH/239	7427307	2
TRIM NOS. D38, D46, D54, D60, D66, D70, E20, E21, E22, E23, E24, E25	HD	7427839	2
TRIM NOS. D39, D47, D55, D61, D99, E05, E29, E31	HD exc. HD/235, HD/239	7428377	2
TRIM NOS. D40, D48, D56, D62	HD/215, HD/219, HD/225, HD/229	7428379	2
TRIM NOS. D41, D49, D57, D63, E01, E06, E30, E32	HD exc. HD/235, HD/239	7428381	2
TRIM NOS. D42, D50, D58, D64	HD/215, HD/219, HD/225, HD/229	7428383	2
TRIM NOS. D59, D65, E02, E07	HD/225, HD/229, HD/2104, HD/2106	7427217	2
TRIM NOS. D67, D71	HD/235, HD/239	7428848	2
TRIM NOS. D68, D72	HD/235, HD/239	7427843	2
TRIM NOS. E35, E36	HD/235, HD/239	7430369	2
TRIM NOS. E43, E49, E55, E60, E65, E69, E73, E78, F05, F09	HR	7427839	2
TRIM NOS. E44, E50, E56, E61, E74, E79	HR exc. HR/235, HR/239	7428377	2
TRIM NOS. E45, E51, E58, E63, E75, E80	HR exc. HR/235, HR/239	7428381	2
TRIM NOS. E46, E52, E59, E64, E76, E81	HR exc. HR/235, HR/239	7428383	2
TRIM NOS. E57, E62	HR/225, HR/229	7428379	2
TRIM NOS. E66, E70, F06, F10	HR/235, HR/239	7428848	2
TRIM NOS. E67, E71, F07, F11	HR/235, HR/239	7427843	2
TRIM NOS. E68, E72, F08, F12, F52, F53, F54, F55	HR/235, HR/239	7430369	2
TRIM NOS. F40, F43, F46, F49, F60, F62, F64, F66	HR/235, HR/239	7434668	2
TRIM NOS. F41, F44, F47, F50, F61, F63, F65, F67	HR/235, HR/239	7434670	2
TRIM NOS. F42, F45, F48, F51	HR/235, HR/239	7434672	2

REAR DOOR OPENING

TRIM NOS. C46—1/2" wide	EH/235	7424605	2
WINDLACE—5/8" wide	EH/215, EH/225	7427308	2
TRIM NOS. C44—5/8" wide	EH/235	7427311	2
TRIM NOS. C47—5/8" wide	EH/235	7427308	2
TRIM NOS. C79—1/2" wide	EH/239	7427252	2
TRIM NOS. C80—1/2" wide	EH/239	7427253	2
TRIM NOS. C81—1/2" wide	EH/239	7427254	2
WINDLACE—5/8" wide	EH/219, EH/229	7427309	2
TRIM NOS. C79—5/8" wide	EH/239	7427312	2
TRIM NOS. C81—5/8" wide	EH/239	7427318	2
TRIM NOS. C82—5/8" wide	EH/239	7427309	2



HOLDEN

MASTER PARTS CATALOGUE

15.520 WINDLACE, WINDCORD, DRAUGHT STRIP—Door opening (Cont'd.)

FRONT DOOR OPENING (Cont'd.)

TRIM NOS. D38, D46, D54, D60, D66, D70, E20, E21, E22, E23	HD exc. HD/2104, HD/2106	7427840	2
TRIM NOS. D39, D47, D55, D61, E29, E31	HD/215, HD/219, HD/225, HD/229	7428378	2
TRIM NOS. D40, D48, D56, D62	HD/215, HD/219, HD/225, HD/229	7428380	2
TRIM NOS. D41, D49, D57, D63, E30, E32	HD/215, HD/219, HD/225, HD/229	7428382	2
TRIM NOS. D42, D50, D58, D64	HD/215, HD/219, HD/225, HD/229	7428384	2
TRIM NOS. D59, D65	HD/225, HD/229	7426402	2
TRIM NOS. D67, D71	HD/235, HD/239	7428849	2
TRIM NOS. D68, D72	HD/235, HD/239	7427844	2
TRIM NOS. E35, E36	HD/235, HD/239	7430420	2
TRIM NOS. E43, E49, E55, E60, E65, E69, F05, F09	HR exc. HR/2104, HR/2106	7427840	2
TRIM NOS. E44, E50, E56, E61	HR/215, HR/219, HR/225, HR/229	7428378	2
TRIM NOS. E45, E51, E58, E63	HR/215, HR/219, HR/225, HR/229	7428382	2
TRIM NOS. E46, E52, E59, E64	HR/215, HR/219, HR/225, HR/229	7428384	2
TRIM NOS. E57, E62	HR/225, HR/229	7428380	2
TRIM NOS. E66, E70, F06, F10	HR/235, HR/239	7428849	2
TRIM NOS. E67, E71, F07, F11	HR/235, HR/239	7427844	2
TRIM NOS. E68, E72, F08, F12, F52, F53, F54, F55	HR/235, HR/239	7430420	2
TRIM NOS. F40, F43, F46, F49, F60, F62, F64, F66	HR/235, HR/239	7434669	2
TRIM NOS. F41, F44, F47, F50, F61, F63, F65, F67	HR/235, HR/239	7434671	2
TRIM NOS. F42, F45, F48, F51	HR/235, HR/239	7434673	2

UNIVERSAL

40ft. length	(Blue)	48, 50, FJ	M35449	A.R.
40ft. length	(Red)	48, 50, FJ	7405956	A.R.
40ft. length	(Fall red)	FJ	M35448	A.R.
40ft. length	(Black with silver fleck)	FE	M35452	A.R.
40ft. length	(Red)	FE	M35451	A.R.
40ft. length	(Apex blue)	FE	M35450	A.R.
40ft. length	(Black with silver fleck)	FC	M35452	A.R.
40ft. length	(Fisher grey)	EH	M35255	A.R.
40ft. length	(Hilton red)	EH	M35256	A.R.
40ft. length	(Tusk ivory)	EH	M35257	A.R.
40ft. length	(Fijian tan)	EH	M35258	A.R.



HOLDEN
MASTER PARTS CATALOGUE

NOTES

A series of horizontal lines for writing notes, spanning the width of the page.

HOLDEN

MASTER PARTS CATALOGUE



PARTS HISTORY INDEX

N.L.A. = No longer available.

Removed = Removed from Nasco Records. We will endeavour to procure upon receipt of a Firm Order.

OLD PART NO.	REPLACED BY	OLD PART NO.	REPLACED BY	OLD PART NO.	REPLACED BY	OLD PART NO.	REPLACED BY
FG3	1523096	KA11055Z	7408849	M31952	7413920	M33382	Removed
H3	M33106	M11690	N.L.A.	M31972	7421638	M33410	N.L.A.
FP8	N1523094	KA11760Z	7408852	M31975	M35448	M33424	N.L.A.
FG10	1521476	M11999	N.L.A.	M31976	M35449	M33442	M35676
MDP10	N.L.A.	A12877	SP1005	M31977	N.L.A.	M33484	7422438
H28	M33112	020915	1903092	M31978	N.L.A.	M33514	N.L.A.
MDP32	N.L.A.	M30441	N.L.A.	M31979	Removed	M33519	N.L.A.
HA43	M33118	M30464	N.L.A.	M32029	7406585	M33568	N.L.A.
44	C44	M30477	N.L.A.	M32031	M35450	M33569	N.L.A.
44COM	C44	M30575	N.L.A.	M32039	N.L.A.	M33571	N.L.A.
46-5	46	M30577	N.L.A.	M32040	M35452	M35147	M35676
D53	5591738	M30695	N.L.A.	M32044	7406516	M35152	N.L.A.
D54	5591843	M30789	N.L.A.	M32051	7406627	M35153	N.L.A.
R134	5591844	M30919	N.L.A.	M32082	7406588	M35155	N.L.A.
P273D	7415398	M30948	N.L.A.	M32083	N.L.A.	M35234	M35500
SP1001	5289527	M30949	N.L.A.	M32116	N.L.A.	M35243	N.L.A.
SP1010	SP1496	M30950	N.L.A.	M32117	N.L.A.	M35244	N.L.A.
SP1053	N.L.A.	M30993	7406277	M32142	M35451	M35276	7430865
SP1063	N.L.A.	M31001	N.L.A.	M32143	N.L.A.	M35282	{M35424
SP1076	Removed	M31003	7405897	M32144	Removed		or
1154	145416	M31065	N.L.A.	M32151	N.L.A.	M35283	{M35425
SP1191	Removed	M31066	N.L.A.	M32152	N.L.A.		or
SP1202	N.L.A.	M31096	N.L.A.	M32156	N.L.A.	M35296	{M35283
SP1215	SP1337	M31104	Removed	M32158	N.L.A.		Removed
SP1277	Removed	M31105	Removed	M32377	M32040	M35296	Removed
SP1279	7413453	M31203	N.L.A.	M32380	7406628	M35411	Removed
SP1325	7413452	M31204	N.L.A.	M32384	N.L.A.	M35411	M35283
SP1362	Removed	M31222	7406272	M32385	M35451	M35425	N.L.A.
SP1384	7413449	M31223	7406273	M32395	M35450	M35433	N.L.A.
SP1406	7419664	M31224	7406274	M32396	N.L.A.	M35477	7430345
SP1414	453670	M31225	7406275	M32420	N.L.A.	M35506	{M35572
SP1423	7410418	M31226	7406276	M32431	7406894		{M35283
SP1430	142091	M31246	N.L.A.	M32432	7406893	M35507	{M35283
SP1438	Removed	M31304	N.L.A.	M32451	N.L.A.		{M35576
SP1442	Removed	M31307	N.L.A.	M32462	7424369	M35508	{M35577
SP1456	SP1480	M31315	7405290	M32492	Removed		{M35282
SP1509	Removed	M31316	7405519	M32519	N.L.A.	M33510	{M35282
SP1511	Removed	M31344	N.L.A.	M32645	7400968		{M35572
SP1528	Removed	M31346	N.L.A.	M32718	N.L.A.	M35511	{M35570
SP1590	SP1669	M31370	N.L.A.	M32780	N.L.A.		M35512
SP1593	SP1670	M31371	M31863-30	M32781	N.L.A.	{M35583	
SP1596	SP1674	M31372	Removed	M32782	N.L.A.	M35570	{M35567
SP1631	N.L.A.	M31389	7406122	M32783	N.L.A.		or
SP1636	N.L.A.	M31390	7406123	M32784	N.L.A.	M35572	M35571
TO5056	N.L.A.	M31404	M31863	M32785	N.L.A.		M35574
P6202	N.L.A.	M31435	N.L.A.	M32789	N.L.A.	M35576	M35575
6203	3203	M31437	N.L.A.	M32790	Removed	M35577	7426675
N7501	7420853	M31438	Removed	M32791	Removed	M35579	M35578
N7503	7420850	M31522	N.L.A.	M32811	N.L.A.	M35580	7428520
VS10046	7405664	M31527	N.L.A.	M32813	Removed		M35581
VS10112	N.L.A.	M31600	N.L.A.	M33017	Removed	M35582	M35583
VS10123	N.L.A.	M31640	7406267	M33022	Removed		{M35582
VS10126	N.L.A.	M31641	7406268	M33023	N.L.A.	or	M35852
VS10127	N.L.A.	M31642	7406269	M33024	N.L.A.	M35613	N.L.A.
M10147	M31722	M31643	7406270	M33055	N.L.A.		M35649
VS10166	7422886	M31644	7406271	M33056	7425323	M35654	VS10328
VS10305	7428974	M31783	Removed	M33104	7423127	M35655	VS10327
		M31890	N.L.A.	M33349	Removed		



HOLDEN

MASTER PARTS CATALOGUE

OLD PART NO.	REPLACED BY	OLD PART NO.	REPLACED BY	OLD PART NO.	REPLACED BY	OLD PART NO.	REPLACED BY
M35656	VS10325	812016	N.L.A.	1523221	1524674	1847219	Removed
N47506	N954413	816315	1911097	1523231	5592046	1853306	Removed
T72782	N.L.A.	816803	Removed	1523656	5590400	1855978	Removed
T75597	N.L.A.	817313	Removed	1523802	1524669	1857412	Removed
H76277	7402119	817363	Removed	1524365	5591860	1858576	455880
H76278	7402118	819639	Removed	1524492	7950756	1858749	Removed
D88506	954185	821604	Removed	1524775	7950314	1858751	1858749
99004	412562	833795	N.L.A.	1528060	1544807	1858754	Removed
103893	7400138	837552	7414906	1528179	7222355	1860959	1930611
106495	131044	838561	1045384	1531778	1531074	1865972	1869704
107334	2530	839301	SP1672	1539515	5592164	1868992	Removed
109354	M33118	839367	3835392	1544133	7222336	1869570	1869704
110347	M33106	839808	}113953	1551677	7414593	1869583	1914449
110730	120381		}SP1502	1554916	7414198	1871838	Removed
112050	N.L.A.	845055	REMOVED	1555475	SP1105	1874495	Removed
112726	N.L.A.	849932	7970073	1564408	7404033	1878183	1944373
115234	7413448	849933	N.L.A.	1564411	7405342	1878249	1878209
117971	SP1098	850501	7403308	1564429	N.L.A.	1878493	7406756
117972	SP1099	855064	114648	1564516	N.L.A.	1880781	Removed
118873	1880781	868120	Removed	1565016	869461	1881839	1930694
119512	M33112	868133	1577661	1566069	1577667	1881841	Removed
119937	7410345	868135	Removed	1566557	1577654	1881843	N.L.A.
120228	121999	868137	N.L.A.	1566896	N.L.A.	1881867	Removed
120380	SP1229	868145	7229604	1568683	1583435	1881869	1913100
121223	SP1229	868428	N.L.A.	1568693	1568712	1881870	Removed
123442	123450	868590	Removed	1568712	Removed	1884532	1878884
125215	SP1229	868750	Removed	1568718	1577652	1884537	Removed
125793	SP1191	868751	N.L.A.	1568719	1577675	1884731	N.L.A.
126982	SP1006	868969	N.L.A.	1568720	1577676	1885090	1858749
129626	N.L.A.	869653	1577663	1568721	N.L.A.	1888439	Removed
137541	120520	897562	985601	1568726	1577674	1903092	N.L.A.
142555	137406	903203	3203	1569198	Removed	1904370	1914580
142655	412562	909422	CT22	1569601	1586162	1904377	Removed
T174195	N.L.A.	914127	924568	1570985	Removed	1904661	1914579
T174198	N.L.A.	924622	131966	1572061	1572288	1904817	1924764
T175310	N.L.A.	929327	N.L.A.	1572112	1572288	1906625	1853325
T175311	N.L.A.	954210	885140	1572133	1572288	1908754	1881843
T175325	N.L.A.	954555	N954555	1572246	1572288	1909116	Removed
T176365	N.L.A.	985601	7430042	1576859	1516943	1909117	Removed
T178471	T308471	1005969	142450	1577358	Removed	1909118	1910404
213550	7408852	1026731	Removed	1577367	Removed	1909120	1911263
213563	7408849	1045384	7411802	1577381	1577381	1909121	1912008
231432	7404736	1074825	7404728	1577612	7962494	1909211	N.L.A.
308476	{309029 {309030	1103002	N.L.A.	1577642	868137	1909213	1813092
316313	Removed	1110215	7404930	1577649	N.L.A.	1909220	Removed
316314	Removed	1110228	7404930	1577652	1577872	1909227	N.L.A.
316315	Removed	1116478	7414965	1577663	7962484	1909247	1910247
316316	Removed	1409123	7404726	1577668	Removed	1909259	Removed
316317	Removed	1500882	1570985	1577674	Removed	1910243	812823
565842	7432145	1504644	7419530	1577675	Removed	1910441	1878884
581112	7427227	1504807	7419530	1577676	Removed	1911097	Removed
601336	7417160	1512220	7411942	1577704	7962494	1912008	N.L.A.
802730	1904377	1512419	7411942	1577868	7970073	1913100	Removed
802731	1880781	1512419	7411942	1581388	Removed	1913960	Removed
802757	1904661	1516969	1576849	1581389	Removed	1914144	Removed
802760	1874495	1519490	Removed	1581658	1577654	1914345	1914449
804000	1888439	1521288	1524810	1583436	1587679	1914580	Removed
804076	1947350	1521907	1524677	1587679	Removed	1915286	1915300
804080	804076	1521908	1524679	1812904	1118872	1919108	1913989
805258	N.L.A.	1521909	1524651	1813091	7404930	1922539	7414318
806915	1915172	1522023	1524830	1813472	7404930	1922886	N.L.A.
809062	N.L.A.	1523033	1524652	1835998	Removed	1922888	N.L.A.
809593	Removed	1523084	1524492	1838568	1928023	1924764	N.L.A.
		1523106	1524365	1843646	1913960	1930611	Removed

HOLDEN

MASTER PARTS CATALOGUE



OLD PART NO.	REPLACED By	OLD PART NO.	REPLACED By	OLD PART NO.	REPLACED By	OLD PART NO.	REPLACED By
1940994	3843346	5678680	7430900	7400054	N.L.A.	7400394	N.L.A.
1990673	7404028	5687898	106749	7400066	N.L.A.	7400396	7419577
1991593	7404029	5687993	5687998	7400067	Removed	7400409	N.L.A.
1995053	7411964	5688029	5690857	7400074	7408331	7400436	N.L.A.
1998657	1993563	5688046	5690858	7400078	N.L.A.	7400443	N.L.A.
2962573	Removed	5688499	5688501	7400079	M33409	7400444	N.L.A.
2965636	N.L.A.	5689395	5689989	7400080	N.L.A.	7400447	N.L.A.
2965891	2965867	5691109	5691110	7400083	N.L.A.	7400448	N.L.A.
2977170	2962566	5691205	5691690	7400089	N.L.A.	7400457	7415007
3123993	1572288	5691758	5691690	7400094	7408962	7400458	7406983
3691530	7410738	5692825	5693116	7400095	7410196	7400469	7405897
3695976	7410794	5692934	5693554	7400096	7406782	7400470	N.L.A.
3707389	7415353	5693116	5692883	7400116	N.L.A.	7400483	N.L.A.
3709454	Removed	5930409	Removed	7400120	N.L.A.	7400484	N.L.A.
3716725	3772085	5930413	N.L.A.	7400123	N.L.A.	7400491	N.L.A.
3716757	3775427	5937070	5937072	7400126	7405061	7400506	N.L.A.
3717874	3769726	5939983	N.L.A.	7400131	7405075	7400511	7405328
3750810	3820840	5940988	924534	7400132	7405076	7400532	N.L.A.
3755974	3865924	5952832	5956009	7400133	7400134	7400533	N.L.A.
3756933	7429339	5956012	5956007	7400137	7408703	7400544	N.L.A.
3789013	3798153	6279042	N.L.A.	7400142	N.L.A.	7400550	7401250
3792133	7426005	6332723	Removed	7400156	7405074	7400561	7409398
3847875	3905488	6353896	7425038	7400191	7405062	7400566	7412823
3848355	3871649	7068391	M33143	7400195	7415640	7400567	7412818
3857482	3872464	7068935	7402517	7400202	7415640	7400578	7425056
3858781	{ 3771838	7090714	7408265	7400203	7415640	7400579	7425057
	{ 3755411	7127378	6332722	7400210	7417659	7400583	N.L.A.
3863153	3895782	7127380	Removed	7400211	7417665	7400595	7410398
3863154	3895781	7146900	7410518	7400243	7419117	7400597	7405034
4099313	85172	7147570	7406819	7400248	N.L.A.	7400598	7405231
4101894	7413223	7220380	N.L.A.	7400249	N.L.A.	7400599	7405044
4131056	4637822	7220381	N.L.A.	7400253	7423268	7400600	7405044
4159384	Removed	7220390	Removed	7400254	7410410	7400604	3784834
4550519	7402156	7220414	Removed	7400260	7407380	7400628	N.L.A.
4561558	N.L.A.	7220751	N.L.A.	7400267	N.L.A.	7400647	7410677
4562132	7417533	7220753	Removed	7400271	N.L.A.	7400651	7405826
4563821	N.L.A.	7220754	N.L.A.	7400277	N.L.A.	7400652	7404459
4563822	N.L.A.	7222027	7414593	7400278	N.L.A.	7400661	N.L.A.
4593638	N.L.A.	7222336	7414593	7400281	N.L.A.	7400666	5453711
4637822	120854	7222355	N.L.A.	7400282	N.L.A.	7400670	Removed
4664963	7419374	7224479	Removed	7400290	N.L.A.	7400675	1855978
4664964	7419373	7224663	Removed	7400298	7423483	7400678	7405006
4709878	4799393	7224720	Removed	7400299	7407159	7400679	7405007
4904220	4909702	7225808	Removed	7400300	7407160	7400680	7405008
4904223	4916380	7225832	Removed	7400304	7405506	7400681	7405009
5045391	5045365	7225836	Removed	7400310	348402	7400682	7405754
5304297	3735334	7225864	Removed	7400319	7410036	7400683	N.L.A.
5329072	7401621	7225869	Removed	7400341	7408304	7400693	Removed
5450150	7404541	7225898	Removed	7400342	7410794	7400698	7407070
5450617	7404734	7229159	Removed	7400343	7410794	7400711	N.L.A.
5454315	N.L.A.	7229318	N.L.A.	7400345	7410794	7400715	N.L.A.
5569234	44COM	7229551	7962479	7400359	7405290	7400727	N.L.A.
5577410	7428256	7229808	7416278	7400360	7405290	7400729	N.L.A.
5590123	{ 5592331	7229948	Removed	7400365	N.L.A.	7400733	N.L.A.
	{ 5592332	7375228	7412529	7400367	7407062	7400736	N.L.A.
5590377	1524668	7376002	N.L.A.	7400369	7429713	7400741	7405087
5590378	1524795	7376164	N.L.A.		{ 7406507	7400750	7408090
5590380	5621573	7376398	N.L.A.	7400374	{ 7406508	7400751	7408091
5591702	5590380	7381516	N.L.A.		{ 7406507	7400757	N.L.A.
5591860	5593866	7385475	7416627	7400375	{ 7406508	7400763	7407787
5591920	1524777	7386684	7412387		{ 1-7407963	7400764	7407788
5592164	1524775	7400016	N.L.A.	7400378	{ 4-7407967	7400775	Removed
5666691	Removed	7400020	N.L.A.				
5666692	Removed	7400022	N.L.A.	7400383	7410394		
5675948	9411027						



HOLDEN

MASTER PARTS CATALOGUE

OLD PART NO.	REPLACED BY	OLD PART NO.	REPLACED BY	OLD PART NO.	REPLACED BY	OLD PART NO.	REPLACED BY
7400776	N.L.A.	7401042	N.L.A.	7401318	106332	7401630	N.L.A.
7400790	N.L.A.	7401043	N.L.A.	7401332	7412358	7401632	N.L.A.
7400791	7409094	7401054	Removed	7401337	7412003	7401634	7407194
7400793	7406239	7401058	Removed	7401338	{ 7414526	7401635	7401621
7400799	7404530	7401060	7430222	7401340	{ 7401127	7401640	7425896
7400806	N.L.A.	7401066	N.L.A.	7401341	7412742	7401645	1874777
7400808	N.L.A.	7401067	7401066	7401344	7425189	7401647	N.L.A.
7400809	N.L.A.	7401069	7401444	7401360	N.L.A.	7401649	Removed
7400812	7409458	7401074	Removed	7401367	Removed	7401656	N.L.A.
7400813	7405939	7401081	N.L.A.	7401368	N.L.A.	7401658	N.L.A.
7400814	7405041	7401082	N.L.A.	7401369	Removed	7401659	N.L.A.
7400815	Removed	7401087	7405103	7401370	N.L.A.	7401684	N.L.A.
7400816	N.L.A.	7401092	N.L.A.	7401382	Removed	7401698	N.L.A.
7400817	7414667	7401093	N.L.A.	7401388	N.L.A.	7401731	Removed
7400822	7408826	7401100	7408415	7401390	7401423	7401737	N.L.A.
7400831	7410821	7401101	N.L.A.	7401391	N.L.A.	7401740	Removed
7400833	7409098	7401108	N.L.A.	7401394	7402542	7401749	N.L.A.
7400836	246946	7401117	7405104	7401395	7402541	7401774	N.L.A.
7400838	7409099	7401121	N.L.A.	7401397	N.L.A.	7401776	N.L.A.
7400842	Removed	7401127	7416140	7401398	7405072	7401782	N.L.A.
7400869	7405010	7401128	7407853	7401400	N.L.A.	7401783	N.L.A.
7400870	7405011	7401134	121533	7401402	Removed	7401789	{ 7403978
7400871	7405012	7401135	N.L.A.	7401403	Removed	{ 7403979	7404624
7400874	N.L.A.	7401137	7414360	7401411	Removed	7401794	7404623
7400877	7405753	7401139	7409863	7401412	Removed	7401795	N.L.A.
7400878	7405753	7401147	Removed	7401413	Removed	7401801	N.L.A.
7400882	7409382	7401157	Removed	7401414	N.L.A.	7401802	N.L.A.
7400885	7405904	7401172	7404634	7401415	Removed	7401806	7402588
7400889	7405904	7401173	7411043	7401421	Removed	7401807	7402587
7400891	7425322	7401177	7405095	7401422	Removed	7401822	Removed
7400894	N.L.A.	7401178	7410212	7401423	Removed	7401823	N.L.A.
7400897	N.L.A.	7401183	7410073	7401432	Removed	7401824	N.L.A.
7400898	Removed	7401187	7402560	7401440	SP1092	7401825	N.L.A.
7400905	N.L.A.	7401188	7406919	7401441	7403709	7401841	7405094
7400910	N.L.A.	7401193	N.L.A.	7401443	N.L.A.	7401843	N.L.A.
7400915	7401031	7401195	N.L.A.	7401445	1881708	7401844	N.L.A.
7400917	N.L.A.	7401199	N.L.A.	7401458	5291875	7401845	N.L.A.
7400919	N.L.A.	7401208	414797	7401485	7404687	7401846	N.L.A.
7400921	N.L.A.	7401213	7405287	7401492	Removed	7401847	Removed
7400927	N.L.A.	7401214	7405286	7401499	N.L.A.	7401851	Removed
7400936	N.L.A.	7401218	N.L.A.	7401504	N.L.A.	7401852	N.L.A.
7400952	265516	7401237	N.L.A.	7401505	N.L.A.	7401853	7401856
7400954	7411304	7401238	N.L.A.	7401510	N.L.A.	7401854	7403710
7400955	N.L.A.	7401239	Removed	7401517	N.L.A.	7401855	Removed
7400956	N.L.A.	7401244	7415937	7401519	SP1168	7401857	1864099
7400957	Removed	7401246	7408493	7401521	N.L.A.	7401872	N.L.A.
7400972	{ 1-7407964	7401252	N.L.A.	7401527	7404473	7401878	N.L.A.
	{ 4-7407967	7401256	Removed	7401528	7404474	7401880	7407496
7400981	7404531	7401259	7404466	7401532	7408088	7401882	M32582
7400982	7404445	7401266	Removed	7401533	7408089	7401888	7404215
7400988	N.L.A.	7401282	7402242	7401553	N.L.A.	7401893	7408347
7400993	N.L.A.	7401283	N.L.A.	7401563	N.L.A.	7401902	N.L.A.
7400994	7417211	7401284	3688960	7401576	7415887	7401928	N.L.A.
7400997	N.L.A.	7401286	7402243	7401582	7404437	7401923	N.L.A.
7401002	7414523	7401287	N.L.A.	7401584	7403706	7401926	7403544
7401007	7407637	7401288	N.L.A.	7401588	N.L.A.	7401959	N.L.A.
7401009	N.L.A.	7401289	N.L.A.	7401592	N.L.A.	7401970	Removed
7401010	N.L.A.	7401291	N.L.A.	7401603	N.L.A.	7401976	Removed
7401015	7409864	7401292	7413638	7401604	N.L.A.	7401982	N.L.A.
7401024	{ 7406928	7401297	N.L.A.	7401606	7408165	7401987	N.L.A.
	{ 7406929	7401301	7414741	7401608	N.L.A.	7402007	N.L.A.
7401037	N.L.A.	7401312	7412831	7401619	7407110	7402008	N.L.A.
7401038	N.L.A.	7401315	M31031	7401622	7410776	7402017	N.L.A.
				7401624	N.L.A.		
				7401625	N.L.A.		
				7401626	N.L.A.		

HOLDEN

MASTER PARTS CATALOGUE



OLD PART NO.	REPLACED BY	OLD PART NO.	REPLACED BY	OLD PART NO.	REPLACED BY	OLD PART NO.	REPLACED BY
7402030	N.L.A.	7402342	Removed	7402667	120214	7402996	N.L.A.
7402034	Removed	7402345	Removed	7402680	120214	7402997	7402996
7402035	Removed	7402346	N.L.A.	7402681	120382	7402999	7402998
7402055	N.L.A.	7402350	Removed	7402688	120382	7403006	N.L.A.
7402056	N.L.A.	7402351	7404229	7402695	7407715	7403007	7403006
7402057	N.L.A.	7402361	Removed	7402700	N.L.A.	7403008	N.L.A.
7402058	N.L.A.	7402368	N.L.A.	7402701	N.L.A.	7403009	7403008
7402059	N.L.A.	7402370	N.L.A.	7402708	N.L.A.	7403012	N.L.A.
7402060	N.L.A.	7402393	Removed	7402710	N.L.A.	7403014	N.L.A.
7402061	N.L.A.	7402394	Removed	7402715	N.L.A.	7403015	7403014
7402063	Removed	7402408	N.L.A.	7402717	N.L.A.	7403018	N.L.A.
7402083	7402089	7402409	N.L.A.	7402718	N.L.A.	7403019	7403018
7402084	7402088	7402414	N.L.A.	7402725	7409726	7403020	N.L.A.
7402088	Removed	7402417	N.L.A.	7402731	Removed	7403021	7403020
7402089	N.L.A.	7402418	N.L.A.	7402732	N.L.A.	7403022	7403020
7402092	Removed	7402422	N.L.A.	7402746	N.L.A.	7403023	7403020
7402093	Removed	7402425	N.L.A.	7402752	7405221	7403024	N.L.A.
7402094	N.L.A.	7402426	N.L.A.	7402753	7405222	7403025	7407635
7402095	N.L.A.	7402427	N.L.A.	7402754	7401768	7403030	N.L.A.
7402096	N.L.A.	7402428	N.L.A.	7402755	7401768	7403031	N.L.A.
7402097	Removed	7402431	Removed	7402758	N.L.A.	7403040	Removed
7402098	Removed	7402434	Removed	7402759	N.L.A.	7403041	7403040
7402099	N.L.A.	7402435	7412004	7402761	7401768	7403050	N.L.A.
7402100	N.L.A.	7402436	7408198	7402763	N.L.A.	7403056	Removed
7402107	N.L.A.	7402440	N.L.A.	7402768	Removed	7403073	7404686
7402109	Removed	7402447	N.L.A.	7402771	N.L.A.	7403074	7404686
7402112	Removed	7402456	7402457	7402816	7400168	7403077	N.L.A.
7402113	Removed	7402460	N.L.A.	7402818	7406781	7403083	7404954
7402114	N.L.A.	7402480	Removed	7402827	7407999	7403086	Removed
7402115	N.L.A.	7402482	Removed	7402828	7407998	7403090	N.L.A.
7402116	Removed	7402485	N.L.A.	7402850	N.L.A.	7403091	N.L.A.
7402117	N.L.A.	7402494	7408010	7402853	Removed	7403100	7407315
7402120	Removed	7402495	7408011	7402855	7400143	7403101	N.L.A.
7402121	Removed	7402508	Removed	7402859	7400139	7403102	7407314
7402131	7400285	7402511	Removed	7402860	Removed	7403103	N.L.A.
7402133	N.L.A.	7402517	445194	7402863	7404426	7403106	N.L.A.
7402153	7402631	7402520	Removed	7402868	7403710	7403117	7407615
7402160	Removed	7402532	N.L.A.	7402880	7415040	7403118	7403429
7402168	N.L.A.	7402533	{ 7414741	7402888	N.L.A.	7403119	N.L.A.
7402169	N.L.A.		{ 7401640	7402892	7417802	7403120	N.L.A.
7402176	4556605	7402534	N.L.A.	7402912	7408004	7403121	N.L.A.
7402188	7402187	7402541	N.L.A.	7402913	7408005	7403122	N.L.A.
7402225	7408173	7402560	7411305	7402914	7408004	7403123	N.L.A.
7402226	7408174	7402572	7407369	7402915	7408005	7403124	N.L.A.
7402231	N.L.A.	7402579	7415007	7402922	N.L.A.	7403125	N.L.A.
7402232	N.L.A.	7402587	Removed	7402923	N.L.A.	7403131	7403205
7402243	{ 7405486	7402588	Removed	7402930	{ 7407998	7403133	N.L.A.
	or	7402591	N.L.A.		{ 7407999	7403134	7403207
	{ 7405487	7402592	N.L.A.	7402934	N.L.A.	7403135	N.L.A.
7402244	N.L.A.	7402593	N.L.A.	7402935	N.L.A.	7403136	N.L.A.
7402245	N.L.A.	7402594	N.L.A.	7402936	N.L.A.	7403139	N.L.A.
7402246	N.L.A.	7402595	N.L.A.	7402943	N.L.A.	7403143	N.L.A.
7402247	N.L.A.	7402598	7403552	7402945	7405924	7403144	N.L.A.
7402251	N.L.A.	7402600	N.L.A.	7402975	7402974	7403145	N.L.A.
7402280	N.L.A.	7402605	N.L.A.	7402977	7403596	7403146	N.L.A.
7402281	5937870	7402607	N.L.A.	7402978	N.L.A.	7403147	N.L.A.
7402284	7402492	7402609	Removed	7402979	N.L.A.	7403155	7408783
7402285	7402491	7402610	Removed	7402980	N.L.A.	7403158	7404523
7402307	N.L.A.	7402619	7407607	7402981	N.L.A.	7403161	N.L.A.
7402314	N.L.A.	7402628	N.L.A.	7402982	N.L.A.	7403162	N.L.A.
7402315	Removed	7402630	N.L.A.	7402983	N.L.A.	7403163	7422193
7402318	Removed	7402654	7410690	7402984	N.L.A.	7403164	N.L.A.
7402333	N.L.A.	7402659	N.L.A.	7402994	N.L.A.	7403165	Removed
7402339	N.L.A.	7402660	N.L.A.	7402995	7402994		



HOLDEN

MASTER PARTS CATALOGUE

OLD PART NO.	REPLACED BY	OLD PART NO.	REPLACED BY	OLD PART NO.	REPLACED BY	OLD PART NO.	REPLACED BY
7403167	7407596			7404277	N.L.A.	7405067	7406651
7403168	N.L.A.	7403581	{ Refer	7404300	7408170	7405077	7406007
7403198	N.L.A.		{ 10.203	7404301	7408169	7405078	7405931
7403204	7408199	7403582	{ Refer	7404354	N.L.A.	7405079	7405149
7403205	N.L.A.		{ 10.203	7404355	N.L.A.	7405083	7406223
7403207	N.L.A.	7403597	N.L.A.	7404440	7410394	7405085	7405333
7403208	7404463	7403598	N.L.A.	7404444	N.L.A.	7405086	N.L.A.
7403209	N.L.A.	7403606	N.L.A.	7404496	N.L.A.	7405089	7406567
7403210	Removed	7403607	N.L.A.			7405090	N.L.A.
7403211	N.L.A.	7403616	N.L.A.	7404523	{ 7405286	7405091	7406651
7403216	7408203	7403623	N.L.A.		{ 7405287	7405092	7406652
7403221	4556605	7403629	N.L.A.		{ 7404530	7405096	N.L.A.
7403226	N.L.A.	7403630	N.L.A.	7404533	7404736	7405099	7405483
7403227	N.L.A.	7403637	N.L.A.	7404534	7404726	7405100	7405482
7403229	N.L.A.	7403638	N.L.A.	7404540	7404728	7405105	N.L.A.
7403230	7403204	7403649	N.L.A.	7404541	7404738	7405115	7405253
7403234	N.L.A.	7403650	N.L.A.	7404542	7404734	7405126	7405247
7403235	N.L.A.	7403655	N.L.A.	7404577	N.L.A.	7405129	7405121
7403261	Removed	7403656	N.L.A.	7404605	N.L.A.	7405130	7424073
7403262	N.L.A.	7403671	N.L.A.	7404626	7410394	7405132	7405248
7403263	Removed	7403682	7410000	7404628	7410394	7405134	7406080
7403264	Removed	7403684	N.L.A.			7405137	7405250
7403269	7400975	7403706	N.L.A.	7404634	{ 7407033	7405142	7405140
7403274	7403762	7403711	M31722		{ 7407035	7405152	7405249
7403275	Removed	7403716	M31722	7404686	137414	7405177	7422007
7403276	Removed	7403717	M31722		N.L.A.	7405180	7405285
7403288	7403429	7403719	7407068	7404696	N.L.A.	7405183	N.L.A.
7403297	7409984	7403721	N.L.A.	7404698	Removed	7405184	N.L.A.
7403323	N.L.A.	7403737	N.L.A.	7404699	N.L.A.	7405187	N.L.A.
7403357	N.L.A.	7403738	N.L.A.	7404741	7400168	7405188	N.L.A.
7403358	N.L.A.	7403755	7407108	7404767	7406699	7405190	N.L.A.
7403369	N.L.A.	7403758	N.L.A.	7404783	7404741	7405191	N.L.A.
7403374	7403534	7403776	N.L.A.	7404874	N.L.A.	7405192	N.L.A.
7403376	N.L.A.	7403783	7429713	7404941	7413638	7405209	Removed
7403383	7404605	7403782	N.L.A.	7404956	N.L.A.	7405214	7406603
7403394	7419503	7403823	N.L.A.	7404957	N.L.A.	7405220	N.L.A.
7403401	7407255	7403824	N.L.A.	7404986	Removed	7405231	6-7405761
7403421	7419540	7403825	N.L.A.	7404987	Removed	7405232	6-7405763
7403422	7401586	7403826	N.L.A.	7404999	N.L.A.	7405233	6-7405764
7403426	N.L.A.	7403883	N.L.A.	7405000	7405818	7405234	6-7405765
7403429	N.L.A.	7403885	N.L.A.	7405001	7429903	7405235	6-7405766
7403436	Removed	7403888	N.L.A.	7405002	7414593	7405236	N.L.A.
7403450	N.L.A.	7403889	Removed			7405262	{ 7403451
7403451	N.L.A.	7403896	N.L.A.	7405006	{ 1-7425331	7405263	{ 7403453
7403465	N.L.A.	7403897	7403204		{ 2-7418794	7405278	N.L.A.
7403466	N.L.A.	7403899	7403229	7405007	{ 1-7425054	7405280	Removed
7403468	N.L.A.	7403918	7403229		{ 2-7417079	7405290	N.L.A.
7403503	N.L.A.	7403972	Removed	7405008	{ 1-7425053	7405309	N.L.A.
7403504	N.L.A.	7403982	N.L.A.		{ 2-7417079	7405312	N.L.A.
7403505	N.L.A.	7404028	N.L.A.	7405009	{ 1-7425332	7405318	N.L.A.
7403506	Removed	7404031	7408282		{ 2-7418794	7405319	N.L.A.
7403514	N.L.A.	7404032	7408282	7405016	Removed	7405320	7405480
7403515	N.L.A.	7404063	Components	7405018	Removed	7405321	7405481
7403518	N.L.A.	7404064	N.L.A.	7405021	Removed	7405322	7405416
7403519	N.L.A.	7404069	7408282	7405023	7405761	7405326	Removed
7403525	N.L.A.	7404082	7405506	7405024	7405763	7405328	7405848
7403527	N.L.A.	7404125	N.L.A.	7405026	7405764	7405334	1032897
7403528	N.L.A.	7404131	7404130	7405028	7405765	7405337	Removed
7403531	N.L.A.	7404132	7404130	7405030	7405766	7405339	N.L.A.
7403532	N.L.A.	7404144	7409510	7405039	Removed	7405371	N.L.A.
7403528	N.L.A.	7404145	7409509	7405042	7405894	7405372	N.L.A.
7403531	N.L.A.	7404177	N.L.A.	7405044	7405856	7405381	N.L.A.
7403541	N.L.A.	7404195	7402695	7405045	7405857		
7403542	N.L.A.	7404197	7403205	7405048	7405774		
7403548	Removed	7404200	N.L.A.	7405051	7405775		
7403556	N.L.A.	7404209	7403229	7405054	7405776		
		7404222	N.L.A.	7405061	7406183		
		7404235	7400130	7405064	N.L.A.		

HOLDEN

MASTER PARTS CATALOGUE



OLD PART NO.	REPLACED BY	OLD PART NO.	REPLACED BY	OLD PART NO.	REPLACED BY	OLD PART NO.	REPLACED BY
7405384	N.L.A.	7405573	7406656	7405872	N.L.A.	7406044	N.L.A.
7405394	N.L.A.	7405574	7406106	7405874	N.L.A.	7406060	7429955
7405395	N.L.A.	7405578	Removed	7405876	Removed	7406076	N.L.A.
7405396	N.L.A.	7405582	7406109	7405878	7406223	7406091	N.L.A.
7405403	N.L.A.	7405588	7405750	7405879	{7405875	7406093	N.L.A.
7405405	N.L.A.	7405592	7406113	7405880	7405876	7406100	7410516
7405406	N.L.A.	7405596	7425321	7405884	7405881	7406102	7425033
7405407	N.L.A.	7405597	7406114	7405887	N.L.A.	7406103	Removed
7405412	N.L.A.	7405598	Removed	7405889	Removed	7406126	7405634
7405413	N.L.A.	7405605	7406316	7405890	N.L.A.	7406129	M32718
7405415	N.L.A.	7405607	7406116	7405891	N.L.A.	7406130	N.L.A.
7405417	7401015	7405625	7406119	7405894	7406493	7406134	N.L.A.
7405419	Removed	7405627	Removed	7405900	N.L.A.	7406136	N.L.A.
7405422	N.L.A.	7405629	7405604	7405901	N.L.A.	7406139	N.L.A.
7405423	N.L.A.	7405636	7424639	7405902	N.L.A.	7406140	N.L.A.
7405424	N.L.A.	7405644	7406736	7405903	N.L.A.	7406141	N.L.A.
7405426	7406603	7405655	Removed	7405914	Removed	7406142	N.L.A.
7405429	Removed	7405657	Removed	7405915	Removed	7406145	7406143
7405430	N.L.A.	7405657	Removed	7405916	Removed	7406146	7406144
7405435	7405856	7405660	Removed	7405917	Removed	7406147	N.L.A.
7405440	7405858	7405661	Removed	7405918	7405930	7406154	7406152
7405444	7405859	7405663	Removed	7405919	N.L.A.	7406155	7406153
7405448	7405860	7405666	N.L.A.	7405920	N.L.A.	7406161	7430221
7405455	N.L.A.	7405670	Removed	7405921	N.L.A.	7406162	7430185
7405476	1916636	7405674	7406316	7405922	N.L.A.	7406163	7430184
7405477	N.L.A.	7405677	Removed	7405926	N.L.A.	7406167	7406166
7405480	N.L.A.	7405679	N.L.A.	7405932	7406515	7406168	N.L.A.
7405481	N.L.A.	7405682	Removed	7405936	7406262	7406172	7406170
7405482	N.L.A.	7405684	Removed	7405937	7406652	7406173	7406171
7405483	N.L.A.	7405684	7405684	7405938	7406494	7406179	N.L.A.
7405482	N.L.A.	7405685	7405751	7405939	7406681	7406183	7413028
7405483	N.L.A.	7405686	7405751	7405941	7425333	7406184	or
7405487	N.L.A.	7405699	3203	7405944	7406394	7406185	7413029
7405495	N.L.A.	7405707	7406322	7405946	7425060	7406186	Removed
7405502	Removed	7405710	7406323	7405953	N.L.A.	7406188	7406627
7405504	7405492	7405712	Removed	7405954	N.L.A.	7406190	N.L.A.
	{7405746	7405714	Removed	7405955	M31976	7406201	N.L.A.
7405507	7402007	7405715	144791	7405962	7406567	7406202	N.L.A.
	7402008	7405718	N.L.A.	7405963	N.L.A.	7406203	N.L.A.
7405509	7405819	7405726	7406262	7405964	N.L.A.	7406204	7405966
7405515	7406063	7405744	N.L.A.	7405965	N.L.A.	7406212	7405855
7405516	7406323	7405746	7405808	7405966	N.L.A.	7406223	{7425265
7405517	7405844	7405748	7405762	7405967	N.L.A.	7406232	or
7405518	7405844	7405749	7426989	7405967	N.L.A.	7406233	7406231
7405525	N.L.A.	7405750	7421882	7405968	N.L.A.	7406235	7400158
7405527	7406070	7405757	N.L.A.	7405973	N.L.A.	7406236	N.L.A.
7405530A	7405530	7405763	N.L.A.	7405974	7406353	7406237	7406587
7405530B	7406073	7405766	N.L.A.	7405977	N.L.A.	7406240	N.L.A.
7405535	7405534	7405767	6-7405761	7405978	N.L.A.	7406245	Removed
7405537	7406078	7405768	6-7405763	7405979	N.L.A.	7406256	N.L.A.
7405539	7406079	7405769	6-7405764	7405980	7405966	7406262	7425334
7405541	7405749	7405770	6-7405765	7405989	Removed	7406263	7425235
7405544	7405749	7405771	6-7405766	7405989	Removed	7406264	N.L.A.
7405549	7406742	7405772	7405856	7405991	Removed	7406265	Removed
7405552	7406743	7405772	7405856	7405992	Removed	7406266	7427938
7405553	7406083	7405773	7405857	7405992	Removed	7406278	7425215
7405555	7424759	7405773	7405857	7405994	Removed	7406292	Removed
7405556	7406084	7405774	7405858	7405996	N.L.A.	7406293	Removed
7405557	Removed	7405775	7405859	7405997	Removed	7406305	Removed
7405559	7406085	7405776	7405860	7405997	Removed	7406306	7406554
	{2-7406088	7405782	Removed	7405998	7419495	7406322	7422997
7405563	1-7406089	7405788	Removed	7405999	N.L.A.		
	1-7406090	7405788	Removed	7406000	N.L.A.		
7405564	7406089	7405805	7406883	7406001	7425515		
7405565	7406090	7405808	N.L.A.	7406009	7406622		
7405572	7406656	7405810	Removed	7406012	7406391		
		7405812	7406082	7406014	7406392		
		7405819	N.L.A.	7406020	7406603		
		7405845	7406071	7406035	N.L.A.		
		7405847	N.L.A.	7406036	Removed		



HOLDEN

MASTER PARTS CATALOGUE

OLD PART NO.	REPLACED BY	OLD PART NO.	REPLACED BY	OLD PART NO.	REPLACED BY	OLD PART NO.	REPLACED BY
7406324	7406618	7406532	N.L.A.	7406775	N.L.A.	7407085	Removed
7406327	Removed	7406533	N.L.A.	7406777	Removed	7407088	7407238
7406328	6315722	7406534	N.L.A.	7406778	N.L.A.	7407092	Removed
7406329	7406819	7406537	N.L.A.	7406779	N.L.A.	7407098	Removed
	{1-7425331	7406538	N.L.A.	7406783	7400392	7407104	N.L.A.
7406347	{2-7418794	7406541	7425120	7406789	N.L.A.	7407108	Removed
7406348	Removed	7406543	7425121	7406791	N.L.A.	7407113	7408126
7406352	N.L.A.	7406544	7425495	7406793	N.L.A.	7407116	Removed
7406353	7406491	7406545	7425496	7406794	N.L.A.	7407117	Removed
7406355	N.L.A.	7406546	7408684	7406803	N.L.A.	7407119	N.L.A.
7406379	Removed	7406547	7408685	7406804	N.L.A.	7407130	N.L.A.
7406380	N.L.A.	7406550	{7406551	7406807	7426963	7407136	N.L.A.
7406396	7406398		{7406552	7406807	7426963	7407141	N.L.A.
7406401	7408685	7406565	7413033	7406825	Removed	7407143	7408231
7406402	7408684	7406566	7413034	7406829	N.L.A.	7407144	7408232
7406403	N.L.A.		{7411915	7406835	Removed		{7408806
7406405	7406359	7406571	{7411939	7406838	Removed	7407167	or
7406407	7408685		{7411916	7406839	Removed		{7409542
7406408	7408684	7406572	{7411939	7406855	Removed	7407170	7406780
7406409	7413033	7406579	M31773	7406857	Removed	7407182	7429713
7406410	7413034	7406580	M31935	7406859	Removed	7407183	N.L.A.
7406411	7413033	7406581	7406812	7406862	N.L.A.	7407184	N.L.A.
7406412	7413034	7406585	N.L.A.	7406864	N.L.A.	7407187	N.L.A.
7406413	7406362	7406585	Removed	7406872	N.L.A.		
7406417	7406360	7406596	7423710	7406873	2-7425325	7407190	{7407416
7406418	7406361	7406598	7423710	7406874	2-7425327		{7407417
7406420	7406128	7406599	7423710	7406875	2-7425328	7407194	N.L.A.
7406430	Removed	7406601	Removed	7406876	2-7425326	7407206	Removed
7406431	7406861	7406604	7406322	7406877	N.L.A.	7407207	Removed
7406436	7406437	7406605	N.L.A.	7406881	N.L.A.	7407208	Removed
7406442	7431254	7406611	7406612	7406885	N.L.A.	7407216	N.L.A.
7406446	N.L.A.	7406627	M33017	7406887	N.L.A.	7407217	N.L.A.
7406452	7426784	7406628	N.L.A.	7406888	N.L.A.	7407220	N.L.A.
7406453	7426904	7406631	Removed	7406889	7425120	7407221	N.L.A.
7406454	Removed	7406641	{7425772	7406890	N.L.A.	7407222	N.L.A.
7406459	Removed		{7425771	7406893	N.L.A.	7407223	N.L.A.
7406461	7425185	7406642	N.L.A.	7406894	N.L.A.	7407234	Removed
7406463	M32718	7406644	N.L.A.	7406896	Removed	7407235	Removed
7406471	N.L.A.	7406646	N.L.A.	7406902	N.L.A.	7407236	Removed
7406485	7421818	7406647	N.L.A.	7406903	Removed	7407239	Removed
7406486	N.L.A.	7406648	N.L.A.	7406904	Removed	7407240	Removed
7406487	7421819	7406651	7425333	7406905	Removed	7407241	Removed
7406488	7421820	7406652	N.L.A.	7406907	7430042	7407242	Removed
7406489	7421821	7406655	N.L.A.	7406908	7419906	7407264	N.L.A.
7406490	7419543	7406663	N.L.A.	7406935	Removed	7407266	N.L.A.
7406491	N.L.A.	7406674	{7426320	7406936	N.L.A.	7407268	Removed
7406492	7425333		{7426321	7406938	7425353	7407269	Removed
7406494	7425513	7406683	N.L.A.	7406939	7406804	7407271	N.L.A.
7406498	Removed	7406685	7419080	7406943	7412543	7407272	N.L.A.
7406499	Removed	7406688	N.L.A.	7406946	N.L.A.	7407274	Removed
7406500	N.L.A.	7406689	N.L.A.	7406947	N.L.A.	7407279	7408126
7406501	Removed	7406699	Removed	7406948	N.L.A.	7407283	Removed
7406505	N.L.A.	7406705	N.L.A.	7406948	N.L.A.	7407284	Removed
7406506	N.L.A.	7406707	N.L.A.	7406950	N.L.A.	7407285	Removed
7406508	N.L.A.	7406733	7405595	7406990	N.L.A.	7407290	7409099
7406509	N.L.A.	7406735	7405636	7407005	N.L.A.	7407291	7418903
7406510	N.L.A.	7406750	7406451	7407011	N.L.A.	7407299	N.L.A.
7406516	N.L.A.	7406751	Removed	7407017	N.L.A.	7407300A	N.L.A.
7406517	7421638	7406751	Removed	7407042	N.L.A.	7407306	N.L.A.
7406525	N.L.A.	7406765	N.L.A.	7407044	N.L.A.	7407307	N.L.A.
7406526	N.L.A.	7406766	N.L.A.	7407049	N.L.A.	7407330	N.L.A.
7406529	N.L.A.	7406767	N.L.A.	7407050	N.L.A.		
7406530	N.L.A.	7406768	Removed	7407061	7408458		
7406531	N.L.A.	7406771	N.L.A.	7407070	N.L.A.	7407349	{1-7411920
		7406772	Removed	7407082	7407233		{1-7411921
		7406773	Removed	7407084	Removed		{1- 453670
							{2-7408430
							{2-7408431
						7407373	Removed
						7407380	7425551
							or
							7425556

HOLDEN

MASTER PARTS CATALOGUE



OLD PART NO.	REPLACED BY	OLD PART NO.	REPLACED BY	OLD PART NO.	REPLACED BY	OLD PART NO.	REPLACED BY
7407408	N.L.A.	7407715	N.L.A.	7408056	N.L.A.	7408585	7412493
7407416	Removed	7407724	N.L.A.	7408083	Removed	7408599	7402837
7407417	Removed	7407725	N.L.A.	7408084	Removed	7408600	7402836
7407426	N.L.A.	7407726	N.L.A.	7408089	N.L.A.	7408605	N.L.A.
7407427	N.L.A.	7407727	N.L.A.	7408092	7408090	7408642	N.L.A.
7407428	N.L.A.	7407728	N.L.A.	7408093	7408091	7408659	7409595
7407437	N.L.A.	7407729	N.L.A.	7408126	Removed	7408670	N.L.A.
7407449	N.L.A.	7407730	N.L.A.	7408127	Removed	7408679	N.L.A.
7407450	N.L.A.	7407731	N.L.A.	7408129	Removed	7408680	7413034
7407459	N.L.A.	7407752	N.L.A.	7408160	Removed	7408681	7413033
7407486	M30118	7407760	7403207	7408173	N.L.A.	7408688	N.L.A.
7407493	N.L.A.	7407761	N.L.A.	7408174	N.L.A.	7408711	N.L.A.
7407495	Removed	7407762	N.L.A.	7408175	N.L.A.	7408724	N.L.A.
7407500	M30575	7407764	7402490	7408185	N.L.A.	7408726	N.L.A.
7407501	M30575	7407765	N.L.A.	7408191	N.L.A.	7408740	7424793
7407503	N.L.A.	7407766	N.L.A.	7408198	N.L.A.	7408745	N.L.A.
7407513	N.L.A.	7407777	N.L.A.	7408199	N.L.A.	7408766	N.L.A.
7407523	N.L.A.	7407791	N.L.A.	7408226	N.L.A.	7408767	N.L.A.
7407524	N.L.A.	7407796	Removed	7408231	N.L.A.	7408784	7409098
7407528	7419533	7407799	N.L.A.	7408232	N.L.A.	7408806	N.L.A.
7407532	Removed	7407800	N.L.A.	7408264	N.L.A.	7408811	N.L.A.
7407534	7401042	7407801	N.L.A.	7408265	N.L.A.	7408813	7400130
7407535	7401043	7407802	Removed	7408268	N.L.A.	7408835	N.L.A.
7407536	7401748	7407805	Removed	7408318	N.L.A.	7408840	N.L.A.
7407537	7401749	7407815	Removed	7408319	N.L.A.	7408855	{ 7403135L.H. 7403136R.H.
7407541	N.L.A.	7407816	Removed	7408328	N.L.A.	7408896	7419411
7407544	N.L.A.	7407833	N.L.A.	7408330	Removed	7408919	7406266
7407557	7403628	7407838	N.L.A.	7408331	N.L.A.	7408923	N.L.A.
7407559	N.L.A.	7407856	N.L.A.	7408336	N.L.A.	7408929	{ 7411946 7411947
7407563	Removed	7407857	N.L.A.	7408355	N.L.A.	7408931	7415210
7407565	N.L.A.	7407860	N.L.A.	7408359	N.L.A.	7408947	7416275
7407569	N.L.A.	7407862	N.L.A.	7408367	N.L.A.	7408948	7416274
7407571	N.L.A.	7407863	N.L.A.	7408368	N.L.A.	7408960	7406782
7407574	N.L.A.	7407864	N.L.A.	7408371	N.L.A.	7408967	7421702
7407575	N.L.A.	7407866	N.L.A.	7408372	N.L.A.	7408995	7412399
7407578	Removed	7407868	N.L.A.	7408389	N.L.A.	7409048	7403640
7407584	N.L.A.	7407873	N.L.A.	7408390	N.L.A.	7409062	7414398
7407585	N.L.A.	7407874	N.L.A.	7408400	7419583	7409063	7414397
7407594	7408711	7407875	N.L.A.	7408408	7421720	7409068	N.L.A.
7407619	N.L.A.	7407876	N.L.A.	7408408	7421720	7409069	N.L.A.
7407632	Removed	7407878	N.L.A.	7408426	N.L.A.	7409086	7423403
7407633	Removed	7407879	Removed	7408427	N.L.A.	7409087	7412094
7407637	7404691	7407882	N.L.A.	7408446	7408445	7409103	N.L.A.
7407638	N.L.A.	7407883	N.L.A.	7408452	N.L.A.	7409106	N.L.A.
7407647	7410434	7407887	N.L.A.	7408454	N.L.A.	7409108	N.L.A.
7407658	Removed	7407895	N.L.A.	7408455	7427361	7409129	Removed
7407664	7413048	7407909	Removed	7408456	7427362	7409130	7419387
7407670	N.L.A.	7407911	N.L.A.	7408457	7429713	7409139	7426666
7407671	N.L.A.	7407919	N.L.A.	7408458	7429713	7409143	N.L.A.
7407672	N.L.A.	7407920	N.L.A.	7408459	Removed	7409150	N.L.A.
7407675	N.L.A.	7407929	Removed	7408484	N.L.A.	7409154	7423392
7407683	N.L.A.	7407930	Removed	7408485	N.L.A.	7409155	7423392
7407684	N.L.A.	7407977	Removed	7408498	7419748	7409156	Removed
7407688	N.L.A.	7407978	N.L.A.	7408498	7419748	7409157	Removed
7407689	N.L.A.	7407983	N.L.A.	7408508	7409458	7409176	N.L.A.
7407690	N.L.A.	7407985	N.L.A.	7408522	7416350	7409178	7414645
7407693	7405904	7407987	N.L.A.	7408523	7416351	7409182	N.L.A.
7407694	N.L.A.	7407989	N.L.A.	7408527	{ 7411944 7411945	7409196	7413385
7407695	N.L.A.	7407992	N.L.A.	7408544	N.L.A.	7409198	Removed
7407696	N.L.A.	7407994	N.L.A.	7408556	7413293	7409216	7409215
7407701	Removed	7407996	N.L.A.	7408564	N.L.A.	7409217	N.L.A.
7407707	Refer	7408010	Removed	7408580	N.L.A.		
	10.203	7408011	Removed	7408581	N.L.A.		
7407708	Refer	7408012	7407615	7408584	7412494		
	10.203	7408034	N.L.A.				



HOLDEN

MASTER PARTS CATALOGUE

OLD PART NO.	REPLACED BY	OLD PART NO.	REPLACED BY	OLD PART NO.	REPLACED BY	OLD PART NO.	REPLACED BY
7409218	7406867	7409667	N.L.A.	7410142	N.L.A.	7410571	N.L.A.
7409223	7423147	7409676	N.L.A.	7410149	7413438	7410573	N.L.A.
7409235	N.L.A.	7409678	7408445	7410152	Removed	7410577	7410791
7409272	{ 7414257 7414191 7414192	7409685	7411372	7410154	Removed	7410581	N.L.A.
7409286	{ 1-7414648 2-7414649	7409694	7414409	7410157	Removed	7410582	7410436
7409291	7419060	7409703	7409704	7410158	Removed	7410590	7412742
7409309	N.L.A.	7409712	N.L.A.	7410159	N.L.A.	7410594	{RHD7426486 LHD7426485
7409312	N.L.A.	7409731	7409732	7410160	N.L.A.	7410599	N.L.A.
7409316	N.L.A.	7409735	7412705	7410182	N.L.A.	7410600	N.L.A.
7409317	N.L.A.	7409748	N.L.A.	7410183	N.L.A.	7410605	7409577
7409322	N.L.A.	7409750	N.L.A.	7410187	N.L.A.	7410607	7409577
7409323	N.L.A.	7409752	7406009	7410214	7408368	7410609	7409577
7409327	N.L.A.	7409758	N.L.A.	7410215	7408367	7410611	N.L.A.
7409382	7419021	7409772	7408445	7410221	7406919	7410613	7409577
7409383	7409382	7409779	7409197	7410226	7408684	7410615	7409577
7409386	7405904	7409797	7414071	7410227	7408685	7410617	7409577
7409394	7412822	7409799	N.L.A.	7410246	7415040	7410622	7412400
7409395	7412822	7409810	Removed	7410248	7413588	7410660	N.L.A.
7409431	N.L.A.	7409839	7409840	7410249	7413589	7410661	N.L.A.
7409433	N.L.A.	7409849	N.L.A.	7410251	7413862	7410682	N.L.A.
7409435	N.L.A.	7409851	7413159	7410258	7415033	7410698	N.L.A.
7409437	N.L.A.	7409852	Components	7410259	7413590	7410694	{ 7411920 7411921 453670
7409438	N.L.A.	7409861	7415892	7410260	7413843	7410699	N.L.A.
7409439	N.L.A.	7409863	7415894	7410268	7408680	7410710	7415232
7409440	N.L.A.	7409876	Removed	7410269	7408681	7410711	7415233
7409441	N.L.A.	7409879	7412006	7410286	N.L.A.	7410732	7419153
7409448	4610722	7409881	7412002	7410287	N.L.A.	7410733	N.L.A.
7409454	N.L.A.	7409889	7414742	7410287	N.L.A.	7410734	N.L.A.
7409458	7406681	7409891	7414743	7410300	Removed	7410735	7413255
7409459	7406680	7409893	7411112	7410301	N.L.A.	7410736	N.L.A.
7409498	N.L.A.	7409894	7414875	7410302	N.L.A.	7410737	{ 1-7409550 2-7409547 4-7409546
7409499	7412838	7409896	7429828	7410307	Removed	7410753	{ 7409551 7409548 7409546 7409549
7409514	N.L.A.	7409908	{ Refer 10.203	7410308	7429713	7410754	{ 7409551 7409548 7409546 7409549
7409518	7413761	7409909	{ Refer 10.203	7410314	N.L.A.	7410762	Removed
7409519	7421726	7409930	{ 7409929 7404736	7410321	N.L.A.	7410763	Removed
7409528	N.L.A.	7409947	7426664	7410325	N.L.A.	7410784	{ 7410600 7410756
7409530	N.L.A.	7409948	7426666	7410326	N.L.A.	7410785	{ 7410599 7410755
7409532	N.L.A.	7409954	N.L.A.	7410331	N.L.A.	7410790	N.L.A.
7409534	N.L.A.	7409957	7410521	7410332	N.L.A.	7410796	N.L.A.
7409535	N.L.A.	7409962	7429820	7410335	N.L.A.	7410811	N.L.A.
7409536	N.L.A.	7409970	N.L.A.	7410345	7417490	7410813	N.L.A.
7409537	N.L.A.	7409973	7414814	7410352	N.L.A.	7410820	7413057
7409542	N.L.A.	7409976	7411960	7410359	N.L.A.	7410822	N.L.A.
7409555	Removed	7409983	{ 7409984 7409985	7410365	7406548	7410823	7412592
7409557	{ 7406400 7425461	7409994	N.L.A.	7410386	7425140	7410824	7412593
7409559	7425461	7409997	7429157	7410401	{ 7412926 Rear 7412927 Front	7410829	N.L.A.
7409561	7412238	7409998	7429158	7410417	7413160	7410831	7412401
7409562	7422142	7410000	7413028	7410418	7405523	7410846	N.L.A.
7409566	N.L.A.	7410001	7417659	7410419	N.L.A.	7410847	N.L.A.
7409590	7414982	7410001	7417659	7410434	N.L.A.	7410848	N.L.A.
7409597	N.L.A.	7410015	Components	7410437	7411961	7410859	N.L.A.
7409609	7414869	7410032	7412956	7410443	Removed	7410860	7413237
7409617	7419748	7410033	7412957	7410450	7410004		
7409621	N.L.A.	7410044	7414588	7410468	7424228		
7409622	Removed	7410064	SP1407	7410511	7409637		
7409631	7423384	7410069	7418702	7410512	7409638		
7409642	Removed	7410070	N.L.A.	7410513	Removed		
7409643	N.L.A.	7410076	7409228	7410515	7411917		
7409663	N.L.A.	7410078	N.L.A.	7410518	7415398		
7409664	N.L.A.	7410082	Removed	7410531	7409130		
		7410096	N.L.A.	7410547	N.L.A.		
		7410097	N.L.A.	7410548	7409577		
				7410557	N.L.A.		

HOLDEN

MASTER PARTS CATALOGUE



OLD PART NO.	REPLACED BY	OLD PART NO.	REPLACED BY	OLD PART NO.	REPLACED BY	OLD PART NO.	REPLACED BY
7410861	7411135	7411071	7412187			7411922	Removed
7410873	N.L.A.	7411072	7412188	7411472	{ 7412216 7412236	7411932	N.L.A.
	{ 7410811 7410812 7410813	7411073	7412189	7411473	{ 7412215 7412235	7411934	N.L.A.
7410875		7411074	7412190			7411936	Removed
	{ 7410811 7410812 7410813	7411082	N.L.A.	7411474	N.L.A.	7411942	7406994
7410876		7411083	N.L.A.	7411475	N.L.A.	7411943	N.L.A.
	{ 7410811 7410812 7410813	7411084	N.L.A.	7411476	N.L.A.	7411962	N.L.A.
7410916	N.L.A.	7411085	N.L.A.	7411480	N.L.A.	7411966	N.L.A.
7410922	N.L.A.	7411088	N.L.A.	7411484	Removed	7411975	N.L.A.
7410937	126198	7411089	N.L.A.	7411485	Removed	7412002	7415293
7410941	126037	7411090	N.L.A.	7411492	7406170	7412060	7419211
7410945	N.L.A.	7411091	N.L.A.	7411493	7406171	7412118	N.L.A.
7410947	N.L.A.	7411094	N.L.A.	7411511	N.L.A.	7412128	N.L.A.
7410948	N.L.A.	7411095	N.L.A.	7411532	7406152	7412141	N.L.A.
7410956	Removed	7411096	N.L.A.	7411533	7406153	7412157	N.L.A.
7410957	N.L.A.	7411097	N.L.A.	7411553	7414425	7412158	N.L.A.
7410958	7422314	7411098	N.L.A.	7411554	7414426	7412159	N.L.A.
7410960	N.L.A.	7411099	N.L.A.	7411558	N.L.A.	7412160	N.L.A.
7410961	N.L.A.	7411100	N.L.A.	7411573	N.L.A.	7412161	N.L.A.
7410974	N.L.A.	7411101	N.L.A.	7411574	N.L.A.	7412162	N.L.A.
7410975	N.L.A.	7411102	N.L.A.	7411624	N.L.A.	7412164	N.L.A.
7410979	Removed	7411103	N.L.A.	7411625	N.L.A.	7412181	N.L.A.
7410980	Removed	7411110	N.L.A.	7411626	N.L.A.	7412183	N.L.A.
7410981	Removed	7411111	N.L.A.	7411668	Removed	7412184	N.L.A.
7410982	Removed	7411114	N.L.A.	7411669	N.L.A.	7412185	N.L.A.
7410983	N.L.A.	7411118	N.L.A.	7411718	N.L.A.	7412186	N.L.A.
7410986	Removed	7411119	N.L.A.	7411729	7413283	7412187	N.L.A.
7410987	Removed	7411124	N.L.A.	7411731	7413281	7412188	N.L.A.
	{ 7412198 7412218	7411125	N.L.A.	7411735	7413285	7412189	N.L.A.
7410992		7411143	7415035	7411739	7413332	7412190	N.L.A.
	{ 7412197 7412217	7411144	7415035	7411741	7413286	7412197	N.L.A.
7410993		7411151	N.L.A.	7411747	N.L.A.	7412198	N.L.A.
	{ 7412200 7412220	7411152	N.L.A.	7411754	N.L.A.	7412199	N.L.A.
7410994		7411170	Removed	7411756	N.L.A.	7412200	N.L.A.
	{ 7412199 7412219	7411183	N.L.A.	7411757	N.L.A.	7412201	N.L.A.
7410995		7411197	N.L.A.	7411764	N.L.A.	7412202	N.L.A.
7411015	N.L.A.	7411198	N.L.A.	7411768	Removed	7412203	N.L.A.
7411016	N.L.A.	7411206	Removed	7411770	N.L.A.	7412204	N.L.A.
7411020	N.L.A.	7411215	N.L.A.	7411771	N.L.A.	7412205	N.L.A.
7411021	N.L.A.	7411222	N.L.A.	7411797	7411799	7412206	N.L.A.
	{ 7416937L.H. 7416936R.H.	7411247	N.L.A.	7411800	N.L.A.	7412207	N.L.A.
7411029		7411249	N.L.A.	7411832	7408822	7412208	N.L.A.
	{ 7416937L.H. 7416936R.H.	7411250	N.L.A.	7411833	7408823	7412209	N.L.A.
7411034	N.L.A.	7411256	7406730	7411846	N.L.A.	7412210	N.L.A.
7411040	N.L.A.	7411257	7406729	7411856	7408368	7412211	N.L.A.
7411050	N.L.A.	7411271	7413918	7411857	N.L.A.	7412212	N.L.A.
7411051	N.L.A.	7411274	7413919	7411860	Removed	7412215	N.L.A.
7411052	N.L.A.	7411297	N.L.A.	7411861	7413613	7412216	N.L.A.
	{ 7412203 7412223	7411306	7417584	7411862	7413606	7412217	N.L.A.
7411055		7411312	N.L.A.	7411863	7413607	7412218	N.L.A.
	{ 7412204 7412224	7411328	N.L.A.	7411866	7413616	7412219	N.L.A.
7411056		7411334	N.L.A.	7411867	7413617	7412220	N.L.A.
	{ 7412205 7412225	7411335	N.L.A.	7411874	7413618	7412221	N.L.A.
7411059		7411336	N.L.A.	7411875	7413615	7412222	N.L.A.
	{ 7412206 7412226	7411337	N.L.A.	7411876	7413614	7412223	N.L.A.
7411060		7411343	N.L.A.	7411879	Removed	7412224	N.L.A.
	{ 7412207 7412227	7411344	N.L.A.	7411880	Removed	7412225	N.L.A.
7411061		7411384	N.L.A.	7411881	7409637	7412226	N.L.A.
	{ 7412208 7412228	7411398	N.L.A.	7411882	7409638	7412227	N.L.A.
7411062		7411412	N.L.A.	7411883	7409637	7412228	N.L.A.
	{ 7412209 7412229	7411415	N.L.A.	7411884	7409638	7412229	N.L.A.
7411063		7411442	7414929	7411907	N.L.A.	7412230	N.L.A.
	{ 7412210 7412230	7411466	7413437	7411908	N.L.A.	7412231	N.L.A.
7411064		7411468	N.L.A.	7411919	453670	7412232	N.L.A.
7411067	7412183	7411470	7412186				
7411068	7412184	7411471	7412185				



HOLDEN

MASTER PARTS CATALOGUE

OLD PART NO.	REPLACED BY	OLD PART NO.	REPLACED BY	OLD PART NO.	REPLACED BY	OLD PART NO.	REPLACED BY
7412235	N.L.A.	7412884	7419780	7413323	7413357	7413804	7415040
7412236	N.L.A.	7412888	N.L.A.	7413331	7413286	7413806	N.L.A.
7412260	Removed	7412912	7412704	7413332	7413286	7413812	N.L.A.
7412269	N.L.A.	7412913	7412703	7413333	7413286	7413814	N.L.A.
7412274	7415231	7412914	Removed	7413338	N.L.A.	7413815	N.L.A.
7412292	7417213	7412925	N.L.A.	7413347	N.L.A.	7413821	M32451
7412299	7412298	7412935	N.L.A.	7413348	N.L.A.	7413826	N.L.A.
7412310	7414913	7412963	3714713	7413350	7412888	7413829	7413832
7412312	7418809	7412964	7415353	7413351	7412889	7413837	7412233
7412340	N.L.A.	7412975	7417212	7413365	N.L.A.	7413838	7412234
7412341	N.L.A.	7412976	{7406400	7413367	N.L.A.	7413839	N.L.A.
7412345	N.L.A.		{7425461	7413372	N.L.A.	7413840	N.L.A.
7412347	N.L.A.	7412999	7425059	7413373	N.L.A.	7413841	N.L.A.
7412348	N.L.A.	7413000	7425058	7413394	N.L.A.	7413856	N.L.A.
7412363	7414059	7413001	7412979	7413418	N.L.A.	7413864	7417727
7412364	07T304348	7413002	7412980	7413420	N.L.A.	7413893	N.L.A.
7412365	7414059	7413017	N.L.A.	7413421	N.L.A.	7413894	N.L.A.
7412366	7414059	7413018	7413016	7413428	7413430	7413923	N.L.A.
7412367	07T304352	7413019	7413017	7413429	7413430	7413961	7435359
7412385	7419193	7413022	7413034	7413437	N.L.A.	7414005	7413844
7412387	7419510	7413023	7413033	7413438	Components	7414008	7422528
7412399	7429810	7413038	N.L.A.	7413450	7415329	7414011	N.L.A.
7412400	7429810	7413060	N.L.A.	7413451	7410427	7414014	7417728
7412401	7429810	7413075	N.L.A.	7413493	7416147	7414018	7416210
7412412	7418311	7413076	N.L.A.	7413494	7416146	7414019	7416211
7412423	N.L.A.	7413099	7413173	7413521	N.L.A.	7414020	7419555
7412424	N.L.A.	7413161	7413067	7413576	7425056	7414021	7419555
7412432	N.L.A.	7413162	7413068	7413577	7425057	7414022	7413092
7412439	7431118	7413173	7418555	7413586	7410934	7414023	7413091
7412440	N.L.A.	7413174	7412590	7413587	7410933	7414030	N.L.A.
7412453	7406934	7413175	7412591	7413606	Removed	7414033	N.L.A.
7412458	{1-7417151	7413178	7414798	7413607	Removed	7414049	7429673
	{1-7417149	7413179	7414797	7413612	Removed	7414050	N.L.A.
7412461	{1-7417153	7413186	N.L.A.	7413613	Removed	7414056	7417452
	{1-7417149	7413197	N.L.A.	7413614	Removed	7414060	Removed
7412462	{1-7417152	7413198	N.L.A.	7413615	Removed	7414061	N.L.A.
	{1-7417149	7413199	N.L.A.	7413616	Removed	7414071	N.L.A.
7412466	7419138	7413200	N.L.A.	7413617	Removed	7414093	7411433
7412478	7419780	7413201	N.L.A.	7413618	Removed	7414094	7411434
7412479	7419779	7413202	N.L.A.	7413619	Removed	7414097	7406143
7412547	7423148	7413228	7406993	7413637	N.L.A.	7414098	7406144
7412552	N.L.A.	7413229	7413231	7413644	N.L.A.	7414124	{7406930
7412553	7418344	7413230	7413231	7413656	N.L.A.		{7406931
7412577	N.L.A.	7413241	N.L.A.	7413658	N.L.A.	7414147	N.L.A.
7412580	7406922	7413256	N.L.A.	7413659	N.L.A.	7414150	7416062
7412581	7406923	7413258	7413094	7413660	N.L.A.	7414151	N.L.A.
7412586	N.L.A.	7413259	7413095	7413664	N.L.A.	7414154	7422743
7412598	N.L.A.	7413262	N.L.A.	7413665	N.L.A.	7414168	7415892
7412626	N.L.A.	7413263	N.L.A.	7413671	N.L.A.	7414204	7409577
7412672	7412671	7413264	N.L.A.	7413673	N.L.A.	7414205	7409577
7412674	7425359	7413267	N.L.A.	7413674	N.L.A.	7414207	7409577
7412675	7406166	7413271	7413273	7413681	7413683	7414208	7409577
7412680	N.L.A.	7413272	7413274	7413701	7413381	7414209	7409577
7412682	7416062	7413275	N.L.A.	7413702	7413380	7414216	7413286
7412683	N.L.A.	7413281	7413286	7413712	Removed	7414217	7413286
7412734	N.L.A.	7413283	7413286	7413716	N.L.A.	7414219	7413286
7412737	7412739	7413284	7413286	7413720	N.L.A.	7414220	N.L.A.
7412747	N.L.A.	7413285	7413286	7413734	N.L.A.	7414221	7413286
7412805	N.L.A.	7413306	N.L.A.	7413740	N.L.A.	7414228	Removed
7412808	7419182	7413310	7413312	7413757	7418903	7414229	Removed
7412834	7406681	7413311	7413312	7413768	7410794	7414230	Removed
7412835	7406680	7413313	7413312	7413778	7413857	7414231	Removed
7412854	N.L.A.	7413322	7413358	7413779	7413857	7414234	Removed
7412877	N.L.A.						
7412883	7419779						

HOLDEN

MASTER PARTS CATALOGUE



OLD PART NO.	REPLACED BY	OLD PART NO.	REPLACED BY	OLD PART NO.	REPLACED BY	OLD PART NO.	REPLACED BY
7414235	Removed	7415007	7422559	7415846	7417542	7416764	Removed
7414236	Removed	7415033	N.L.A.	7415850	N.L.A.	7416765	Removed
7414237	Removed	7415046	N.L.A.	7415851	N.L.A.	7416795	N.L.A.
7414238	Removed	7415054	Removed	7415852	N.L.A.	7416814	7426000
7414239	Removed	7415055	N.L.A.	7415892	7419957	7416815	7426001
7414309	N.L.A.	7415077	Removed	7415903	7427349	7416816	7426000
7414310	N.L.A.	7415115	7422073	7415904	7427350	7416817	7426001
7414390	7406641	7415116	7422074	7415913	7427345	7416832	7422651
7414421	N.L.A.	7415164	Removed	7415915	7426665	7416833	7422657
7414429	7414360	7415169	7427412	7415947	N.L.A.	7416836	7422624
7414456	7408731	7415170	7423664	7415948	N.L.A.	7416839	Removed
7414519	N.L.A.	7415171	N.L.A.	7415956	7415079	7416909	7424717
7414520	N.L.A.	7415181	7415179	7416030	N.L.A.	7416923	7412909
7414521	N.L.A.	7415182	7415180	7416034	Removed	7416938	N.L.A.
7414526	7418790	7415183	N.L.A.	7416035	Removed	7416944	Removed
7414538	Removed	7415186	7427456	7416036	N.L.A.	7416949	N.L.A.
7414605	N.L.A.	7415191	7424078	7416037	Removed	7417035	7416959
7414606	Removed	7415193	N.L.A.	7416038	N.L.A.	7417036	7416958
7414610	Removed	7415194	N.L.A.	7416038	N.L.A.	7417059	N.L.A.
7414617	N.L.A.	7415196	N.L.A.	7416074	N.L.A.	7417087	N.L.A.
7414625	7417718	7415212	N.L.A.	7416082 } 7414715		7417088	N.L.A.
7414627	{7416429LH	7415214	7421770	7416083 }		7417097	Removed
7414628	{7416428RH	7415215	7421771	7416084 }	7412533	7417098	N.L.A.
	N.L.A.	7415217	N.L.A.	7416085 }		7417099	Removed
	{1-7425372	7415232	Removed	7416088	N.L.A.	7417120	7422658
	{1-7425373	7415273	N.L.A.	7416092	N.L.A.	7417134	7426563
	or	7415289	N.L.A.	7416107	7415153	7417135	7415215
	{1-7425372	7415293	7418762	7416108	7415152	7417136	7415214
	{1-7425375	7415312	7423320	7416139	7425189	7417139	Removed
7414672	N.L.A.	7415323	N.L.A.	7416140	7418792	7417156	7422076
7414673	N.L.A.	7415326	N.L.A.	7416148	7416922	7417157	7422075
7414695	7414691	7415327	N.L.A.	7416149	7416921	7417159	N.L.A.
7414696	7414692	7415332	Removed	7416174	N.L.A.	7417211	7421243
7414701	7414697	7415333	N.L.A.	7416214	N.L.A.	7417214	N.L.A.
7414702	7414698	7415391	7415159	7416226	7422408	7417215	N.L.A.
7414704	7414699	7415399	7422600	7416227	7422407	7417216	N.L.A.
7414720	7408403	7415416	N.L.A.	7416250	Removed	7417217	N.L.A.
7414777	7414778	7415451	N.L.A.	7416319	N.L.A.	7417278	7424375
7414821	N.L.A.	7415465	N.L.A.	7416330	N.L.A.	7417358	7416178
7414842	7413312	7415465	N.L.A.	7416349	N.L.A.	7417365	N.L.A.
7414843	7413312	7415578	7415214	7416407	7415113	7417368	N.L.A.
7414844	7413312	7415579	7415215	7416408	7415114	7417402	N.L.A.
7414845	7413312	7415673	Removed	7416411	7415115	7417403	N.L.A.
7414850	7413857	7415683	7418557	7416412	7415116	7417442	N.L.A.
7414852	N.L.A.	7415694	N.L.A.	7416474	7412980	7417449	Removed
7414858	7413430	7415697	N.L.A.	7416475	7412979	7417458	Removed
7414859	N.L.A.	7415698	7418343	7416520	Removed	7417466	7421079
7414860	N.L.A.	7415702	Removed	7416525	N.L.A.	7417472	N.L.A.
7414861	7413430	7415705	Removed	7416534	7416535	7417473	N.L.A.
7414887	N.L.A.	7415709	N.L.A.	7416545	7422452	7417482	Removed
7414888	7430988	7415711	N.L.A.	7416550	N.L.A.	7417515	7415183
7414926	7419498	7415714	7423150	7416555	Removed	7417542	Removed
7414927	7389343	7415721	N.L.A.	7416591	7422738	7417554	7423337
7414938	N.L.A.	7415739	N.L.A.	7416596	N.L.A.	7417568	N.L.A.
7414940	N.L.A.	7415773	Removed	7416597	{7422738	7417574	N.L.A.
7414941	N.L.A.	7415814	Removed		{7422758	7417575	N.L.A.
7414942	N.L.A.	7415820	N.L.A.	7416627	N.L.A.	7417577	N.L.A.
7414959	516198	7415824	N.L.A.	7416632	7432674	7417579	N.L.A.
7414995	N.L.A.	7415825	N.L.A.	7416665	7413033	7417618	Removed
7414996	N.L.A.	7415829	N.L.A.	7416666	7413034	7417655	7427278
7414997	Removed	7415831	N.L.A.	7416669	7413017	7417656	7420406
7414998	N.L.A.	7415835	N.L.A.	7416670	7413016	7417657	7413029
7414999	N.L.A.	7415837	Removed	7416673	7412590	7417659	7426604
		7415838	N.L.A.	7416730	7412591	7417662	7423269
		7415842	Removed	7416731	7412591		
		7415844	Removed	7416756	7416477		
		7415845	N.L.A.	7416759	7422652		



HOLDEN

MASTER PARTS CATALOGUE

OLD PART NO.	REPLACED BY	OLD PART NO.	REPLACED BY	OLD PART NO.	REPLACED BY	OLD PART NO.	REPLACED BY
7417664	7423270	7418004	7421085	7418277	Removed	7418771	Removed
7417665	7423271	7418005	7421086	7418279	N.L.A.	7418809	N.L.A.
7417677	7419424	7418006	7421087	7418297	{7428111LH 7428110RH	7418811	7412119
7417678	7419431	7418007	7421088	7418298	{7428113LH 7428112RH	7418812	7412118
7417704	N.L.A.	7418009	Removed	7418302	N.L.A.	7418818	N.L.A.
7417719	N.L.A.	7418008	7421089	7418319	N.L.A.	7418825	N.L.A.
7417720	7419784	7418010	Removed	7418320	N.L.A.	7418827	N.L.A.
7417721	N.L.A.	7418011	Removed	7418322	Removed	7418836	N.L.A.
7417742	N.L.A.	7418012	Removed	7418335	N.L.A.	7418838	M35844
7417745	Removed	7418013	Removed	7418343	7418875	7418847	N.L.A.
7417746	7419676	7418014	Removed	7418348	N.L.A.	7418862	N.L.A.
7417747	7419675	7418015	Removed	7418354	7957063	7418905	Removed
7417762	Removed	7418022	N.L.A.	7418379	N.L.A.	7418906	Removed
7417763	Removed	7418028	N.L.A.	7418432	N.L.A.	7418935	N.L.A.
7417764	7419397	7418029	N.L.A.	7418464	7418338	7418939	N.L.A.
7417765	Removed	7418071	7426866	7418477	Removed	7418944	N.L.A.
7417766	N.L.A.	7418093	N.L.A.	7418489	N.L.A.	7418971	N.L.A.
7417767	N.L.A.		{7418113 7419877 or 7418113 7417957 7418114 7419878 or 7418114 7417958	7418502	{7420259 7417799	7418973	N.L.A.
7417774	7418848	7418115		7418510	7419536	7418983	7419425
7417775	7418847			7418518	Removed	7418985	7419427
7417785	N.L.A.			7418556	7418555	7418998	N.L.A.
7417790	N.L.A.			7418572	7423319	7419001	N.L.A.
7417794	7412980	7418116		7418573	7423576	7419002	N.L.A.
7417795	7412979			7418577	N.L.A.	7419004	N.L.A.
7417801	Removed			7418578	7416692	7419008	Removed
7417805	N.L.A.	7418128	Removed	7418587	7421033	7419009	Removed
7417811	Removed	7418138	7413310-964	7418592	N.L.A.	7419010	Removed
7417815	7418905	7418139	7413310-965	7418597	N.L.A.	7419011	N.L.A.
7417824	Removed	7418140	7413310-966	7418598	7419356	7419022	7421911
7417833	N.L.A.	7418141	7413310-967	7418599	N.L.A.	7419032	Removed
7417837	Removed	7418142	7413310-968	7418601	N.L.A.	7419033	Removed
7417845	7418846	7418143	7413310-969	7418602	N.L.A.	7419062	Removed
7417846	N.L.A.	7418144	7413310-970	7418607	N.L.A.	7419063	Removed
7417847	Removed	7418145	7413857	7418608	N.L.A.	7419065	Removed
7417848	N.L.A.	7418146	7413857	7418609	7419514	7419067	Removed
7417849	Removed	7418147	N.L.A.	7418610	7419556	7419068	Removed
7417850	N.L.A.	7418148	7413857	7418615	N.L.A.	7419079	Removed
7417852	7417763	7418149	7413857	7418617	N.L.A.	7419080	N.L.A.
7417870	7422880	7418150	N.L.A.	7418622	N.L.A.	7419082	Removed
7417871	Removed	7418151	7413857	7418626	N.L.A.	7419088	N.L.A.
7417872	N.L.A.	7418152	7413430	7418665	N.L.A.	7419127	Removed
7417873	7425189	7418153	N.L.A.	7418666	N.L.A.	7419159	N.L.A.
7417885	Removed	7418155	7413430	7418673	N.L.A.	7419197	{7428115LH 7428114RH
7417886	N.L.A.	7418159	7415944-A37	7418676	N.L.A.	7419210	Removed
7417901	N.L.A.	7418160	7415944-A21	7418690	N.L.A.	7419213	N.L.A.
7417902	N.L.A.	7418161	7415944-A22	7418691	N.L.A.	7419222	Removed
7417908	7419553	7418162	7415944-A23	7418693	N.L.A.	7419226	Removed
7417919	N.L.A.	7418163	7415944-A24	7418694	N.L.A.	7419227	Removed
7417921	Removed	7418164	7415944-969	7418723	N.L.A.	7419228	Removed
7417936	Removed	7418165	7415944-970	7418735	N.L.A.	7419230	Removed
7417944	N.L.A.	7418197	Removed	7418736	N.L.A.	7419234	N.L.A.
7417962	7418818	7418209	7418212	7418738	Removed	7419277	{7423545 7407655
7417963	7419136	7418214	N.L.A.	7418739	N.L.A.	7419281	N.L.A.
7417966	N.L.A.	7418218	N.L.A.	7418741	Removed	7419282	7423856
7417967	N.L.A.	7418235	N.L.A.	7418768	7423026	7419286	N.L.A.
7417979	Removed	7418243	Removed			7419290	7422870
7417982	N.L.A.	7418244	N.L.A.			7419298	N.L.A.
7418002	7421083	7418245	7418246			7419302	N.L.A.
7418003	7421084	7418252	7416310			7419316	N.L.A.
		7418253	N.L.A.			7419317	N.L.A.
		7418265	N.L.A.				

HOLDEN

MASTER PARTS CATALOGUE



OLD PART NO.	REPLACED BY	OLD PART NO.	REPLACED BY	OLD PART NO.	REPLACED BY	OLD PART NO.	REPLACED BY
7419331	Removed	7419823	7418431	7419976	Removed	7420621	N.L.A.
7419336	7424069	7419824	7424413	7419977	Removed	7420704	N.L.A.
7419356	N.L.A.	7419825	7418431	7419978	Removed	7420799	N.L.A.
7419369	N.L.A.	7419826	7418431	7419983	Removed	7420859	7428360
7419378	8621952	7419827	N.L.A.	7419986	Removed	7421006	Removed
7419385	7424466	7419828	Removed	7419987	Removed	7421000	Removed
7419413	Removed	7419829	N.L.A.	7419988	Removed	7421001	Removed
7419428	Removed	7419830	N.L.A.	7420003	7427738	7421003	Removed
7419431	7424222	7419831	N.L.A.	7420015	7426937	7421004	Removed
7419442	7434844	7419832	Removed	7420027	7430922	7421005	Removed
7419455	N.L.A.	7419833	N.L.A.	7420028	7429774	7421007	Removed
7419456	N.L.A.	7419834	N.L.A.	7420031	7421214	7421008	Removed
7419457	N.L.A.	7419834	N.L.A.	7420042	7427625	7421009	Removed
7419458	N.L.A.	7419835	7421033	7420043	7427624	7421010	Removed
7419459	N.L.A.	7419836	7421033	7420053	7427941	7421011	Removed
7419460	N.L.A.	7419837	7421033	7420064	7428454	7421013	Removed
7419461	N.L.A.	7419838	7421033	7420065	7428456	7421014	Removed
7419462	N.L.A.	7419839	7421033	7420080	7431502	7421015	7426211
7419463	N.L.A.	7419840	7421033	7420095	7427335	7421017	N.L.A.
7419464	N.L.A.	7419841	7421033	7420096	7427337	7421032	N.L.A.
7419465	N.L.A.	7419842	Removed	7420101	7427398	7421038	N.L.A.
7419466	N.L.A.	7419843	Removed	7420108	7431501	7421039	N.L.A.
7419467	N.L.A.	7419844	Removed	7420130	7430378	7421067	N.L.A.
7419468	N.L.A.	7419845	Removed	7420133	7434224	7421071	7426212
7419469	7425333	7419846	Removed	7420169	7429562	7421073	Removed
7419499	7407314	7419847	Removed	7420191	7429476	7421076	7425644
7419500	7407315	7419848	Removed	7420203	7427396	7421083	7421103
7419510	7423927	7419849	Removed	7420210	N.L.A.	7421084	7421103
7419515	7421617	7419850	7417548	7420239	7433114	7421085	7421103
7419565	7425219	7419851	7417548	7420326	N.L.A.	7421086	7421103
7419600	7416535	7419852	7417548	7420327	N.L.A.	7421087	7421103
7419601	N.L.A.	7419853	7417548	7420328	N.L.A.	7421088	7421103
7419604	N.L.A.	7419854	7417548	7420329	N.L.A.	7421089	7421103
7419614	Removed	7419855	7417548	7420330	N.L.A.	7421118	Removed
7419629	Removed	7419856	7417548	7420331	N.L.A.	7421119	Removed
7419631	N.L.A.	7419858	7417549	7420338	7430669	7421121	7423421
7419632	N.L.A.	7419859	7417549	7420345	N.L.A.	7421128	7429652
7419635	N.L.A.	7419860	7417549	7420358	7431219	7421144	N.L.A.
7419636	N.L.A.	7419861	7417549	7420359	7431221	7421154	N.L.A.
7419637	Removed	7419862	7417549	7420386	7434844	7421165	N.L.A.
7419639	Removed	7419864	7417549	7420440	N.L.A.	7421175	N.L.A.
7419643	N.L.A.	7419865	N.L.A.	7420458	N.L.A.	7421177	N.L.A.
7419677	N.L.A.	7419867	7419866	7420466	N.L.A.	7421179	N.L.A.
7419679	N.L.A.	7419868	M35844	7420461	N.L.A.	7421198	7430759
7419686	N.L.A.	7419869	M35844	7420467	N.L.A.	7421205	Removed
7419695	{7419697 7419699	7419870	N.L.A.	7420550	7420549	7421206	Removed
7419696	{7419698 7419700	7419871	M35844	7420551	7420549	7421207	7413849
7419709	N.L.A.	7419873	N.L.A.	7420552	N.L.A.	7421213	7422356
7419710	N.L.A.	7419875	Removed	7420553	N.L.A.	7421265	7421156
7419765	7416310	7419876	7422743	7420588	7430852	7421266	7412134
7419767	7422452	7419884	Removed	7420589	7430851	7421272	N.L.A.
7419778	N.L.A.	7419907	7426708	7420590	N.L.A.	7421276	Removed
7419783	N.L.A.	7419908	7422531	7420591	N.L.A.	7421283	7426220
7419789	7418359	7419909	7423888	7420592	N.L.A.	7421284	7422220
7419790	7418360	7419965	Removed	7420593	N.L.A.	7421299	7421298
7419815	7423576	7419966	Removed	7420602	7430856	7421308	N.L.A.
7419819	7418431	7419967	Removed	7420604	N.L.A.	7421327	7420723
7419820	7418431	7419968	Removed	7420606	N.L.A.	7421336	N.L.A.
7419821	7418431	7419969	Removed	7420607	N.L.A.	7421339	7406452
7419822	7418431	7419970	Removed	7420608	N.L.A.	7421345	7427376
		7419972	Removed	7420609	N.L.A.	7421350	Removed
				7420618	7420617	7421351	Removed
				7420619	7420617	7421354	N.L.A.
				7420620	N.L.A.	7421355	7428683



HOLDEN

MASTER PARTS CATALOGUE

OLD PART NO.	REPLACED BY	OLD PART NO.	REPLACED BY	OLD PART NO.	REPLACED BY	OLD PART NO.	REPLACED BY
7421376	N.L.A.	7422099	N.L.A.	7422595	N.L.A.	7423375	N.L.A.
7421381	N.L.A.	7422101	Removed	7422642	N.L.A.	7423376	N.L.A.
7421409	N.L.A.	7422114	N.L.A.	7422649	N.L.A.	7423381	Removed
7421435	N.L.A.	7422115	N.L.A.	7422651	N.L.A.	7423390	7429770
7421453	N.L.A.	7422131	{7420818 7420820}	7422652	7429625	7423391	7429771
7421466	7429918	7422149	7429713	7422659	Removed	7423403	7426664
7421467	7429923	7422152	Removed	7422661	N.L.A.	7423425	7427413
7421480	7429134	7422156	Removed	7422662	N.L.A.	7423435	{RHD7432202 LHD7432201}
7421495	N.L.A.	7422157	Removed	7422663	N.L.A.	7423441	N.L.A.
7421497	Removed	7422213	Removed	7422664	N.L.A.	7423442	N.L.A.
7421501	7426884	7422222	N.L.A.	7422665	N.L.A.	7423446	N.L.A.
7421509	Removed	7422223	N.L.A.	7422666	N.L.A.	7423449	N.L.A.
7421527	Removed	7422326	7431089	7422693	N.L.A.	7423462	N.L.A.
7421531	N.L.A.	7422229	7418246	7422695	N.L.A.	7423463	Removed
7421535	7427365	7422230	7418246	7422716	N.L.A.	7423479	7430306
7421536	7427366	7422243	7418627	7422768	N.L.A.	7423485	7425394
7421542	7425213	7422244	7418626	7422777	N.L.A.	7423522	N.L.A.
7421560	N.L.A.	7422272	N.L.A.	7422781	7431087	7423545	7431299
7421567	N.L.A.	7422273	N.L.A.	7422793	N.L.A.	7423555	7434305
7421570	N.L.A.	7422278	7422277	7422810	7427307	7423568	7430449
7421578	N.L.A.	7422288	Removed	7422811	7427308	7423573	7430454
7421582	Removed	7422290	7420184	7422842	N.L.A.	7423576	N.L.A.
7421586	N.L.A.	7422293	Removed	7422844	N.L.A.	7423577	Removed
7421596	{7424265 7424266}	7422294	Removed	7422847	N.L.A.	7423596	7430434
7421607	SP1590	7422297	Removed	7422858	N.L.A.	7423597	7430435
7421609	SP1592	7422310	Removed	7422860	N.L.A.	7423603	7430407
7421611	SP1594	7422341	N.L.A.	7422865	N.L.A.	7423604	7430408
7421612	SP1595	7422346	N.L.A.	7422867	N.L.A.	7423610	7430232
7421614	SP1597	7422385	7406453	7422869	N.L.A.	7423611	7430230
7421615	SP1598	7422386	N.L.A.	7422870	N.L.A.	7423689	Removed
7421616	SP1600		{7429943 7430981 7430979 or 7429943 7430982 7430980}	7422871	7413567	7423702	7430409
7421621	7427186			7422872	7413568	7423751	7430843
7421627	N.L.A.	7422389		7422873	7406531	7423752	7430844
7421628	N.L.A.			7422874	7406532	7423771	7431746
7421639	7427664			7422877	7423935	7423776	VS10201
7421674	7426323			7422888	Removed	7423777	N.L.A.
7421716	N.L.A.	7422395	Removed	7422889	Removed	7423778	N.L.A.
7421724	N.L.A.			7422894	N.L.A.	7423820	7429932
7421729	Removed	7422397	{7429943 7430980 7430982}	7422939	7414711	7423852	Removed
7421736	7405704			7422940	7414712	7423853	N.L.A.
7421744	7425804			7422947	7406785	7423856	N.L.A.
7421753	7426744	7422398	{7429943 7430979 7430981}	7422948	7406786	7423888	N.L.A.
7421754	7426745			7422955	N.L.A.	7423890	7429675
7421767	7427664	7422406	7427396	7422962	N.L.A.	7423920	{7427109 7427110 7427111 7427112 7427113 7427114}
7421791	N.L.A.	7422408	N.L.A.	7422963	N.L.A.	7423921	
7421793	7406030	7422409	7420459	7422970	7422962	7423925	7420460
7421835	N.L.A.	7422429	7420461	7422971	7422963	7423927	7429208
7421870	Removed	7422438	N.L.A.	7422978	7430234	7423929	Removed
7421871	7423340	7422440	7420721	7423006	N.L.A.	7423934	7427183
7421886	N.L.A.			7423031	N.L.A.	7423935	N.L.A.
7421901	N.L.A.	7422455	{7420833 or 7427445}	7423056	N.L.A.	7424010	Removed
7421903	7425298			7423098	7430308	7424017	Removed
7421911	N.L.A.	7422456	7427446	7423108	N.L.A.	7424019	Removed
7421915	Removed	7422464	N.L.A.	7423123	Removed	7424073	N.L.A.
7421918	Removed	7422478	N.L.A.	7423129	Removed	7424125	7405804
7421919	N.L.A.	7422528	7417096	7423130	Removed	7424141	7426428
7421922	N.L.A.	7422531	N.L.A.	7423131	7414629	7424146	7431104
7421935	Removed	7422579	N.L.A.	7423133	Removed	7424220	7429917
7421937	Removed	7422581	N.L.A.	7423134	N.L.A.		{7430721 7430733 453592}
7421994	Removed	7422583	N.L.A.	7423135	N.L.A.	7424222	
7421998	N.L.A.	7422585	N.L.A.	7423140	N.L.A.	7424227	7422326
7422004	7447264	7422587	N.L.A.	7423215	Removed	7424260	Removed
7422008	7429718	7422589	N.L.A.	7423271	7421593	7424265	N.L.A.
7422017	Removed	7422591	N.L.A.	7423355	7413029	7424312	7430880
7422034	7428683	7422593	N.L.A.	7423374	N.L.A.		

HOLDEN

MASTER PARTS CATALOGUE



OLD PART NO.	REPLACED BY	OLD PART NO.	REPLACED BY	OLD PART NO.	REPLACED BY	OLD PART NO.	REPLACED BY
7424315	7424316	7425033	N.L.A.	7425238	Removed	7425447	7425443
7424322	7429303	7425034	{1-7425372	7425243	N.L.A.	7425448	7425444
7424323	7429303		{1-7425374	7425267	7419511	7425449	7425445
7424399	7422795	7425042	Removed	7425269	N.L.A.	7425451	Removed
7424400	7422795	7425048	7415838	7425276	N.L.A.	7425460	7419906
7424401	7422795	7425058	7425056	7425282	7420433	7425463	Removed
7424402	7422795	7425059	7425057	7425292	Removed	7425466	Removed
7424403	7422795	7425061	7425057	7425293	Removed	7425470	Removed
7424406	Removed	7425062	7425056	7425295	7425296	7425471	Removed
7424407	Removed	7425069	Removed	7425296	N.L.A.	7425472	Removed
7424408	Removed	7425075	VS10179	7425297	N.L.A.	7425473	Removed
7424409	Removed	7425079	Removed	7425298	N.L.A.	7425474	Removed
7424410	Removed	7425082	Removed	7425299	N.L.A.	7425475	Removed
7424411	Removed	7425092	Removed	7425312	{ 7426319	7425476	Removed
7424412	Removed	7425096	N.L.A.		{ 7426322	7425477	Removed
7424413	7418431	7425097	Removed	7425322	7425368	7425478	Removed
7424414	Removed	7425102	Removed	7425323	N.L.A.	7425479	Removed
7424423	7423991	7425104	Removed	7425324	Removed	7425480	Removed
7424426	SP1596	7425112	N.L.A.	7425349	7419445	7425482	7425266
7424427	SP1599	7425119	N.L.A.	7425353	N.L.A.	7425485	Removed
7424446	N.L.A.	7425120	N.L.A.	7425355	7420563	7425486	Removed
7424546	N.L.A.	7425121	N.L.A.	7425356	7420568	7425487	{RHD7426500
7424561	VS10248	7425122	N.L.A.	7425358	{7412405		LHD7426501
7424562	7428167	7425123	N.L.A.	7425361	{7412406	7425492	7425120
7424563	7428168	7425124	N.L.A.	7425367	7423997	7425493	N.L.A.
7424570	VS10185	7425127	N.L.A.	7425368	Removed	7425494	N.L.A.
7424571	7406701	7425128	N.L.A.	7425370	Removed	7425495	N.L.A.
7424576	7430071	7425129	N.L.A.	7425371	N.L.A.	7425496	N.L.A.
7424600	7427310	7425130	N.L.A.	7425372	N.L.A.	7425502	7424801
7424601	7427311	7425131	N.L.A.	7425373	N.L.A.	7425509	N.L.A.
7424602	7427313	7425132	N.L.A.	7425374	Removed	7425510	Removed
7424603	7427314	7425135	7425057	7425375	N.L.A.	7425516	7427332
7424604	7427316	7425136	7425056	7425376	N.L.A.	7425517	7427125
7424634	7424654	7425137	N.L.A.	7425377	N.L.A.	7425518	N.L.A.
7424636	Removed	7425138	N.L.A.	7425377	N.L.A.	7425520	7430846
7424668	VS10215	7425142	N.L.A.	7425378	N.L.A.	7425546	7431222
7424676	7405637	7425143	Removed	7425379	Removed	7425557	7425558
7424677	7405638	7425144	Removed	7425380	Removed	7425580	7425582
7424680	VS10257	7425145	Removed	7425381	N.L.A.	7425581	7425583
7424682	N.L.A.	7425146	Removed	7425382	Removed	7425584	7429735
7424700	7433434	7425147	Removed	7425383	Removed	7425585	7430859
7424721	7424722	7425149	Removed	7425384	N.L.A.	7425596	7425690
7424729	N.L.A.	7425150	Removed	7425385	Removed	7425697	7425691
7424733	N.L.A.	7425151	Removed	7425386	N.L.A.	7425703	7430847
7424750	7405551	7425154	7433631	7425396	N.L.A.	7425761	N.L.A.
7424752	7424759	7425156	7433633	7425398	N.L.A.	7425814	N.L.A.
7424775	7424773	7425178	Removed	7425410	Removed	7425896	M35098
7424776	7424774	7425180	7425185	7425411	N.L.A.	7426016	N.L.A.
7424777	7429338	7425201	N.L.A.	7425414	N.L.A.	7426035	7426651
7424779	7429232	7425202	N.L.A.	7425416	N.L.A.	7426036	7426652
7424825	7424839	7425203	N.L.A.	7425417	N.L.A.	7426085	7429697
7424826	7424838	7425204	N.L.A.	7425418	N.L.A.	7426094	7430719
7424843	7430974	7425205	N.L.A.	7425420	7425416	7426110	SP1695
7424844	7420720	7425207	N.L.A.	7425421	7425417	7426138	N.L.A.
7424845	7420726	7425209	N.L.A.	7425422	N.L.A.	7426162	7432674
7424882	7424881	7425213	N.L.A.	7425427	N.L.A.	7426166	Removed
7424907	7420458	7425214	N.L.A.	7425428	N.L.A.	7426167	Removed
7424926	7420726	7425217	N.L.A.	7425429	N.L.A.	7426175	N.L.A.
7424927	7420726	7425219	N.L.A.	7425430	7425429	7426210	Removed
7424981	7430787	7425220	N.L.A.	7425431	7425426	7426277	N.L.A.
7425013	Removed	7425221	N.L.A.	7425432	7425427	7426278	N.L.A.
7425031	N.L.A.	7425222	N.L.A.	7425433	N.L.A.	7426281	N.L.A.
7425032	N.L.A.	7425223	N.L.A.	7425438	N.L.A.	7426312	7419668
		7425233	Removed	7425439	7425434	7426320	N.L.A.
		7425235	7427800	7425446	7425435	7426323	{7431242
					7425442		or
							{7429381



HOLDEN

MASTER PARTS CATALOGUE

OLD PART NO.	REPLACED BY	OLD PART NO.	REPLACED BY	OLD PART NO.	REPLACED BY	OLD PART NO.	REPLACED BY
7426350	N.L.A.	7427730	7428454	7429093	VS10193	7431880	Removed
7426351	N.L.A.	7427759	7428455	7429094	VS10195	7431973	7434220
7426352	N.L.A.	7427774	7425218	7429095	VS10195	7433416	7432817
7426415	N.L.A.	7427783	7419153	7429097	VS10194		7433689
7426416	N.L.A.	7427784	7419153	7429099	VS10196	7433677	or
7426430	7431517	7427787	7429889	7429128	7434341		7433690
7426496	7426311	7427794	7430103	7429129	7434342	7440315	{ M35347
7426508	7427302	7427804	Removed	7429130	7434343		{ M35348
7426521	Removed	7427815	Removed	7429131	7434344	7950606	7415943
7426575	N.L.A.	7427828	N.L.A.	7429132	7434345	7950625	7950606
7426576	N.L.A.	7427829	Removed	7429133	7434346		{ 1-5592850
7426581	7430879	7427831	N.L.A.	7429134	7429519		{ 1-7950632
7426607	7429693	7427832	Removed	7429154	7430922	7950626	
7426608	7429694	7427833	Removed	7429194	N.L.A.		{ 1-1523093
7426708	N.L.A.	7427856	7424885	7429195	7430310		{ 2-122017
7426736	7428455	7427882	7434062	7429261	N.L.A.	7950631	7420688
7426932	7426933	7427897	7429628	7429262	N.L.A.	7950632	7420687
		7427899	7429629	7429274	7431746	7956054	Removed
7426938	{ 7413961	7427901	7429628	7429276	7429827	7956385	Removed
	{ 7428879	7427902	7429629	7429283	N.L.A.	7956433	Removed
	{ 7428878	7427906	N.L.A.	7429323	7424374	7956863	Removed
	{ 7428360	7427909	N.L.A.	7429329	7430307	7957033	Removed
7426939	7428802	7427920	N.L.A.	7429330	7430305	7957066	7957163
7426991	7423702	7427925	N.L.A.	7429331	7430309	7957135	Removed
7427130	{ 7426675	7427931	Removed	7429355	N.L.A.	7961988	Removed
	{ M35424	7427969	7431112	7429356	N.L.A.	7962393	Removed
7427131	{ M35578	7428068	7430591	7429357	N.L.A.	7963517	7963609
	{ M35424	7428080	N.L.A.	7429358	N.L.A.	7964391	Removed
7427133	7429734	7428123	7430985	7429359	N.L.A.	8619563	8621507
7427134	7420259	7428150	N.L.A.	7429360	N.L.A.	8619574	8622026
7427156	7424338	7428151	N.L.A.	7429361	N.L.A.	8619710	8622199
7427208	N.L.A.	7428162	N.L.A.	7429362	N.L.A.	8619714	8621977
7427209	N.L.A.	7428232	7430832	7429362	N.L.A.	8619836	8622032
7427215	Removed	7428233	7430831	7429363	N.L.A.	8619872	8622249
7427216	N.L.A.	7428274	7430832	7429364	N.L.A.	8619896	N.L.A.
7427243	Removed	7428275	7430831	7429366	N.L.A.	8620369	8621977
7427248	{ 7427229	7428311	7428321	7429368	N.L.A.	8620469	8620743
	{ M35477	7428312	7428322	7429428	7426666	8620550	8622759
7427251	7427309	7428313	7428323	7429466	9419378	8620662	8620881
7427275	7430417	7428314	7428324	7429582	7427302	8620675	8622355
7427303	N.L.A.	7428315	7428325	7429631	Removed	8620720	8620893
7427304	N.L.A.	7428316	7428326	7429655	7438292	8620766	N.L.A.
7427305	N.L.A.	7428317	7428327	7429689	Removed	8620814	8621870
7427314	N.L.A.	7428320	7428334	7429721	7429562	8620836	8622904
7427315	Removed	7428322	7428328	7429723	7429562	8620893	N.L.A.
7427317	Removed	7428369	7426042	7429791	7437388	8620955	8620952
7427327	{ M35571	7428407	7434691	7429884	N.L.A.	8620958	8620998
	{ M35425	7428412	7430204	7429885	N.L.A.	8620959	8621907
7427328	{ M35573	7428447	7430410	7430102	7430417	8620971	N.L.A.
	{ M35425	7428451	7429745	7430104	N.L.A.	8620972	8621985
7427329	{ M35574	7428452	7429746	7430182	7431500	8621041	8622292
	{ M35425	7428516	7429684	7430196	{ 2-7412422	8621048	8621581
7427355	7426639	7428517	7429683		{ 2-7412421	8621067	8621583
7427356	7426640	7428518	7429685	7430197	{ 2-7428126	8621122	{ 8621584
7427559	Removed	7428519	7429683		{ 2-7428125	8621154	{ 8621592
7427591	N.L.A.	7428544	Removed	7430387	7427229	8621182	8622313
7427592	N.L.A.	7428623	7426392	7430417	N.L.A.	8621431	8621577
7427597	N.L.A.	7428624	N.L.A.	7430495	7427835	8621503	8622292
7427606	7427607	7428683	N.L.A.	7430591	7432179	8621617	8622347
7427608	7427610	7428769	{ 7428520	7430772	7434062	8622033	8621507
7427630	7427631		{ M35567	7430774	7433114	8622635	N.L.A.
7427665	N.L.A.	7428771	7424646	7430914	7427702	8622355	N.L.A.
7427692	7431256	7428773	7434163	7430915	7427703	8622920	{ 8621218
7427699	7427698	7428774	7434164	7430977	Removed		{ 8622032
7427700	7427702	7428945	7430490	7431085	7432273		
		7428965	7430746	7431197	M30976		
7427701	{ 7427700		{ 7428993	7431227	7434165		
	{ 7429794	7428994	{ M35582	7431242	7400338		
7427703	{ 7427702	7429046	Removed	7431279	7431383		
	{ 7427957	7429047	Removed	7431596	N.L.A.		

HOLDEN

MASTER PARTS CATALOGUE



NUMERICAL INDEX

NOTE: To assist in the identification of Accessories the Group is shown as Acc./A, Acc./B, etc. The "A", "B", etc., being the initial letter of the noun description of the Accessory Assembly, e.g., M30566 Acc./L. M30566 is a LOCK.

PART No.	GROUP	PART No.	GROUP	PART No.	GROUP	PART No.	GROUP	PART No.	GROUP	PART No.	GROUP
ZRI	1.835	SP1407	8.132	SP1595	15.100	SP1658	8.900	VS10007	2.289	VS10076	8.800
6HD11	2.332	SP1408	9.743	SP1597	14.630	SP1661	8.900	VS10008	2.289	VS10077	3.109
6HD13	2.332	SP1410	8.950	SP1597	15.001	SP1662	8.977	VS10009	2.289	VS10077	4.339
12HD7S	2.332	SP1413	2.680	SP1597	15.024	SP1669	14.630	VS10010	2.289	VS10078	3.109
12HD9M	2.332	SP1424	8.963	SP1597	15.100	SP1669	15.001	VS10011	2.289	VS10078	4.339
12HD90	2.332	SP1426	12.116	SP1598	14.630	SP1669	15.024	VS10011	2.313	VS10079	4.339
12HD90(R.T.)	2.332	SP1441	8.977	SP1598	15.024	SP1669	15.100	VS10012	2.289	VS10080	3.109
12HD9P	2.332	SP1443	8.954	SP1598	15.100	SP1670	14.630	VS10012	2.313	VS10080	4.339
CT22	0.799	SP1445	8.929	SP1599	14.630	SP1670	15.024	VS10014	2.287	VS10081	4.339
C42N	2.270	SP1446	8.075	SP1599	15.001	SP1670	15.100	VS10015	2.287	VS10082	4.339
C43N	2.270	SP1448	4.700	SP1599	15.024	SP1672	8.910	VS10016	2.287	VS10083	4.339
C44	2.270	SP1449	8.929	SP1599	15.100	SP1674	14.630	VS10017	2.289	VS10084	4.339
C44NS	2.270	SP1450	0.921	SP1600	14.630	SP1674	15.024	VS10018	2.289	VS10085	4.339
44XLH	2.270	SP1450	4.662	SP1600	15.001	SP1674	15.100	VS10019	2.289	VS10086	4.339
45N	2.270	SP1452	8.977	SP1600	15.024	SP1675	8.900	VS10020	2.289	VS10087	4.339
46	2.270	SP1455	8.929	SP1600	15.100	SP1676	7.347	VS10021	2.289	VS10088	4.339
48	2.270	SP1459	8.991	SP1602	8.798	SP1681	8.900	VS10022	2.289	VS10089	4.339
SP1003	8.928	SP1462	8.930	SP1602	8.956	SP1688	14.800	VS10023	2.289	VS10090	4.339
SP1004	8.948	SP1467	8.991	SP1606	8.949	SP1688	14.880	VS10024	2.287	VS10091	4.339
SP1005	8.963	SP1468	8.909	SP1608	2.714	SP1688	15.000	VS10025	2.291	VS10092	4.339
SP1007	8.967	SP1470	8.929	SP1609	8.948	SP1688	15.035	VS10026	2.291	VS10093	4.339
SP1008	8.963	SP1473	8.977	SP1610	8.948	SP1689	14.630	VS10027	2.291	VS10094	4.339
SP1017	8.987	SP1477	8.991	SP1611	8.948	SP1689	15.001	VS10028	2.289	VS10095	4.339
SP1018	8.987	SP1478	8.900	SP1612	8.929	SP1689	15.024	VS10028	2.291	VS10096	4.339
SP1022	8.965	SP1480	8.900	SP1619	9.779	SP1689	15.100	VS10029	2.291	VS10097	4.339
SP1039	8.963	SP1486	8.931	SP1622	8.929	SP1691	8.900	VS10030	2.291	VS10098	4.339
SP1077	8.987	SP1490	8.977	SP1625	14.630	SP1694	8.929	VS10031	2.291	VS10099	4.339
SP1078	8.955	SP1496	8.963	SP1625	15.024	SP1695	12.238	VS10032	4.339	VS10100	4.339
SP1087	8.956	SP1498	2.555	SP1625	15.100	SP1701	8.948	VS10033	2.289	VS10101	4.339
SP1092	8.956	SP1500	8.929	SP1626	14.630	SP1702	8.977	VS10034	2.289	VS10102	4.339
SP1105	8.955	SP1501	8.921	SP1626	15.024	SP1708	8.915	VS10035	2.289	VS10103	4.339
SP1107	8.929	SP1503	12.183	SP1626	15.100	SP1715	8.967	VS10035	2.291	VS10104	4.339
SP1143	8.967	SP1506	8.950	SP1627	14.630	SP1717	8.951	VS10036	2.297	VS10105	4.339
SP1168	8.967	SP1515	8.967	SP1627	15.024	SP1722	2.561	VS10037	2.316	VS10106	4.339
SP1214	8.921	SP1518	8.977	SP1627	15.100	SP1724	3.910	VS10038	2.313	VS10107	4.339
SP1223	8.967	SP1519	8.977	SP1628	14.630	SP1728	8.918	VS10039	2.289	VS10108	4.902
SP1225	8.929	SP1520	8.977	SP1628	15.024	SP1763	3.288	VS10040	2.289	VS10109	4.667
SP1229	8.918	SP1523	2.728	SP1628	15.100	SP1769	8.920	VS10041	2.289	VS10110	4.903
SP1267	8.932	SP1526	0.033	SP1629	14.630	SP1774	3.720	VS10042	2.289	VS10111	5.018
SP1276	8.921	SP1526	8.951	SP1629	15.024	SP1777	8.908	VS10043	2.289	VS10113	4.668
SP1314	8.951	SP1532	8.929	SP1629	15.100	SP1783	14.630	VS10044	2.289	VS10114	5.020
SP1324	8.967	SP1533	1.426	SP1630	8.906	SP1783	15.001	VS10045	2.289	VS10115	5.020
SP1326	8.921	SP1533	8.929	SP1633	14.800	SP1783	15.024	VS10047	2.289	VS10116	4.666
SP1327	8.928	SP1534	8.921	SP1633	14.880	SP1783	15.100	VS10048	2.313	VS10117	4.666
SP1328	8.928	SP1535	8.987	SP1633	15.000	SP1785	14.800	VS10049	2.313	VS10118	10.150
SP1330	8.918	SP1538	8.977	SP1633	15.035	SP1785	14.880	N10050	8.938	VS10119	10.150
SP1339	8.900	SP1540	8.973	SP1635	14.800	SP1785	15.000	VS10050	2.313	VS10120	10.150
SP1340	8.929	SP1543	8.948	SP1635	14.880	SP1785	15.035	VS10051	2.313	VS10121	10.150
SP1343	8.949	SP1544	8.925	SP1635	15.000	SP1786	14.800	VS10052	2.313	VS10122	10.150
SP1344	8.967	SP1546	8.950	SP1635	15.035	SP1786	14.880	VS10053	3.109	VS10124	10.150
SP1345	8.949	SP1548	8.921	SP1635	15.035	SP1786	15.000	VS10053	4.339	VS10125	10.150
SP1346	8.956	SP1563	8.956	SP1637	14.800	SP1786	15.000	VS10054	3.109	VS10128	10.150
SP1350	8.938	SP1565	8.977	SP1637	14.880	SP1786	15.035	VS10055	3.109	VS10129	10.150
SP1351	8.938	SP1566	8.900	SP1637	15.000	SP1787	14.800	VS10056	3.109	VS10130	10.150
SP1352	8.920	SP1567	8.900	SP1637	15.035	SP1787	14.880	VS10056	4.339	VS10131	10.150
SP1357	8.929	SP1568	8.914	SP1640	0.930	SP1787	15.000	VS10057	3.108	VS10132	10.150
SP1360	8.929	SP1572	1.166	SP1641	8.977	SP1787	15.035	VS10058	4.339	VS10133	10.150
SP1364	8.954	SP1574	8.950	SP1642	14.800	SP1809	14.800	VS10059	4.339	VS10134	10.150
SP1372	8.915	SP1579	8.950	SP1642	14.880	SP1809	14.880	VS10060	4.339	VS10135	10.150
SP1373	8.925	SP1581	6.672	SP1642	15.000	SP1809	15.000	VS10061	4.339	VS10136	10.150
SP1375	8.906	SP1581	9.779	SP1642	15.035	SP1809	15.035	VS10062	4.339	VS10137	10.150
SP1376	9.779	SP1583	2.342	SP1645	13.092	SP1815	14.860	VS10063	4.339	VS10138	10.150
SP1378	2.555	SP1583	8.950	SP1646	8.977	SP1879	8.948	VS10064	4.339	VS10139	10.150
SP1378	4.342	SP1585	8.921	SP1648	0.033	2530	8.991	VS10065	4.339	VS10140	4.339
SP1378	13.092	SP1592	14.630	SP1648	0.269	3202	2.298	VS10066	4.339	VS10141	2.362
SP1380	8.987	SP1592	15.001	SP1648	0.033	3202	2.306	VS10067	4.339	VS10142	2.372
SP1385	8.967	SP1592	15.024	SP1649	0.033	3203	2.306	VS10068	4.339	VS10143	2.388
SP1387	8.967	SP1592	15.100	SP1649	0.553	VS10001	2.307	VS10069	4.339	VS10144	2.389
SP1390	8.929	SP1592	14.630	SP1650	0.269	VS10002	2.291	VS10070	4.339	VS10145	2.381
SP1392	8.949	SP1594	15.024	SP1652	0.033	VS10002	2.307	VS10071	4.339	VS10146	3.725
SP1393	8.987	SP1594	15.100	SP1652	0.269	VS10003	2.298	VS10072	4.339	VS10147	3.725
SP1404	8.956	SP1595	14.630	SP1655	8.915	VS10004	2.316	VS10073	4.339	VS10148	3.725
SP1405	12.112	SP1595	15.001	SP1656	8.915	VS10005	2.289	VS10074	3.752	VS10149	3.727
SP1405	12.114	SP1595	15.024	SP1657	8.948	VS10006	2.287	VS10075	3.744	VS10150	3.727



HOLDEN MASTER PARTS CATALOGUE

PART No.	GROUP	PART No.	GROUP	PART No.	GROUP	PART No.	GROUP	PART No.	GROUP	PART No.	GROUP
VS10151	3.731	VS10271	2.410	VS10382	2.364	VS10503	4.905	M30976	3.704	M33570	1.067
VS10152	3.731	VS10272	10.150	VS10383	2.387	VS10504	4.905	M31001	2.689	M35098	3.616
VS10153	3.731	VS10273	10.150	VS10384	2.393	VS10506	4.906	M31031	1.159	M35119	10.146
VS10154	2.515	VS10274	10.150	VS10385	2.503	VS10507	4.906	M31345	Acc./L	M35237	2.830
VS10155	1.803	VS10275	10.150	VS10386	2.503	VS10508	4.906	M31369	8.823	M35255	15.520
VS10156	1.148	VS10276	10.150	VS10387	2.503	VS10509	4.907	M31374	8.823	M35256	15.520
VS10157	3.108	VS10277	10.150	VS10388	2.503	VS10510	4.908	M31405	0.629	M35257	15.520
VS10158	9.779	VS10278	10.150	VS10389	2.503	VS10511	4.908	M31434	0.629	M35258	15.520
VS10159	9.779	VS10279	10.150	VS10390	2.503	VS10512	4.908	M31436	0.629	M35287	3.701
VS10160	9.779	VS10280	10.150	VS10391	2.503	VS10513	4.908	M31722	2.450	M35288	3.701
VS10161	9.779	VS10281	10.150	VS10392	5.510	VS10514	4.908	M31781	0.643	M35294	Acc/W
VS10162	9.779	VS10282	10.150	VS10393	5.527	VS10515	4.902	M31782	0.643	M35347	Acc/R
VS10163	9.779	VS10283	10.150	VS10405	2.895	VS10515	8.800	M31814	0.643	M35348	Acc/R
VS10164	9.779	VS10284	10.150	VS10406	2.279	VS10516	4.902	M31863	0.643	M35401	8.823
VS10165	9.779	VS10285	10.150	VS10407	2.297	VS10516	8.800	M31933	Acc./M	M35408	9.779
VS10167	9.779	VS10286	10.150	VS10408	2.298	VS10517	3.781	M31934	Acc./M	M35415	Acc/S
VS10168	9.779	VS10287	10.150	VS10409	2.291	VS10518	3.759	M31957	Acc./F	M35416	Acc/S
VS10169	9.779	VS10300	10.150	VS10410	2.313	VS10519	3.760	M32155	10.203	M35424	Acc./B
VS10170	9.779	VS10301	10.150	VS10411	2.313	VS10520	3.734	M32157	10.203	M35425	Acc/B
VS10171	9.779	VS10302	10.150	VS10412	4.905	VS10521	3.737	32353	10.550	M35454	Acc/B
VS10172	9.779	VS10303	10.150	VS10413	4.905	VS10522	3.729	M32416	0.643	M35455	Acc/L
VS10173	9.779	VS10304	2.410	VS10414	4.905	VS10523	3.748	M32417	0.643	M35461	5.017
VS10174	9.779	VS10306	2.381	VS10415	4.905	VS10524	3.796	M32418	0.643	M35465	7.345
VS10175	9.779	VS10307	2.389	VS10416	4.904	VS10525	3.796	M32419	0.643	M35471	5.548
VS10176	9.779	VS10308	2.362	VS10417	4.906	VS10526	3.767	M32514	0.643	M35472	5.548
VS10177	9.779	VS10309	3.727	VS10418	4.906	VS10527	3.760	M32515	0.643	M35473	5.548
VS10178	9.779	VS10310	3.727	VS10419	4.905	VS10528	3.779	M32516	0.643	M35474	5.548
VS10179	4.339	VS10312	3.727	VS10420	4.905	VS10529	3.779	M32517	0.643	M35475	5.548
VS10180	4.339	VS10313	3.727	VS10421	4.908	VS10530	3.764	M32518	0.629	M35500	Acc/M
VS10181	10.150	VS10314	4.906	VS10422	4.906	VS10531	3.799	M32520	0.629	M35529	8.823
VS10182	10.150	VS10315	4.906	VS10423	4.906	VS10532	3.754	M32521	0.629	M35530	2.051
VS10183	1.148	VS10316	4.906	VS10424	4.906	VS10533	3.754	M32522	0.629	M35531	Acc/L
VS10184	1.803	VS10317	4.906	VS10425	4.906	VS10534	3.754	M32522	0.629	M35567	Acc./B
VS10185	3.754	VS10318	4.906	VS10426	4.903	VS10535	3.754	M32523	0.629	M35571	Acc/B
VS10187	3.725	VS10319	4.906	VS10427	4.908	VS10536	2.307	M32582	10.146	M35573	Acc/B
VS10188	3.748	VS10320	4.904	VS10428	4.907	VS10537	2.289	M32590	8.823	M35575	Acc/B
VS10189	3.788	VS10321	4.904	VS10429	4.905	VS10537	2.289	32596	10.550	M35578	Acc/B
VS10191	2.516	VS10322	4.904	VS10432	3.755	VS10538	2.310	M32614	8.823	M35582	Acc/B
VS10192	2.516	VS10323	4.904	VS10433	3.749	VS10539	2.305	M32623	0.094	M35601	Acc/S
VS10193	4.342	VS10324	4.904	VS10435	2.297	VS10540	2.297	M32624	0.536	M35602	Acc/S
VS10194	4.342	VS10325	4.903	VS10436	3.731	VS10541	2.291	M32638	0.536	M35603	4.667
VS10195	4.342	VS10327	4.903	VS10437	3.729	VS10542	2.285	M32639	0.536	M35611	8.823
VS10196	4.342	VS10328	4.903	VS10438	3.742	VS10543	2.287	32652	10.550	35646	12.248
VS10197	4.342	VS10328	4.907	VS10439	3.797	VS10544	2.297	M32735	0.643	M35651	8.798
VS10198	4.342	VS10328	4.908	VS10440	3.797	VS10545	2.289	M32812	0.643	M35652	8.798
VS10199	4.342	VS10330	4.908	VS10441	3.796	VS10546	2.287	M32844	0.643	M35661	8.823
VS10200	4.342	VS10331	4.908	VS10442	3.796	VS10547	2.289	M32845	0.643	M35668	Acc/S
VS10201	2.362	VS10332	4.908	VS10443	3.771	VS10548	2.316	M32846	0.643	M35676	8.823
VS10202	2.372	VS10333	4.908	VS10444	3.798	VS10551	10.150	M33024	Acc./C	M35698	8.823
VS10203	2.381	VS10334	4.908	VS10445	3.773	VS10552	10.150	M33035	Acc./S	M35752	Acc./B
VS10204	2.381	VS10335	4.908	VS10446	3.776	VS10553	10.150	M33046	Acc./L	M35821	0.449
VS10205	2.388	VS10336	4.908	VS10447	3.779	VS10554	10.150	M33047	Acc./L	M35828	Acc./S
VS10206	2.388	VS10337	4.908	VS10448	3.779	VS10555	10.150	M33099	8.823	M35829	Acc./S
VS10207	2.388	VS10338	4.907	VS10449	3.778	VS10556	10.150	M33106	6.233	M35844	15.024
VS10208	2.389	VS10339	4.907	VS10450	3.733	VS10557	10.150	M33106	6.870	M35849	Acc./B
VS10209	2.381	VS10340	4.907	VS10451	3.733	VS10558	10.150	M33106	6.897	M35850	Acc./B
VS10210	2.364	VS10341	4.907	VS10452	3.748	VS10559	10.150	M33106	8.984	M35851	Acc./B
VS10211	2.381	VS10342	4.907	VS10453	3.727	VS10560	10.150	M33112	6.020	M35852	Acc./B
VS10212	2.400	VS10343	4.907	VS10454	3.798	VS10561	10.150	M33112	6.023	M35861	3.705
VS10213	2.400	VS10344	4.907	VS10455	3.799	VS10562	10.150	M33112	6.164	M35872	Acc./R
VS10215	2.100	VS10345	4.905	VS10456	3.799	VS10563	10.150	M33112	6.170	M35877	Acc./R
VS10216	4.339	VS10346	4.905	VS10457	3.799	VS10564	10.150	M33112	6.174	M35920	3.705
VS10217	3.109	VS10347	4.905	VS10458	3.799	VS10565	10.150	M33112	6.870	M35921	3.705
VS10218	3.109	VS10348	4.905	VS10459	3.791	VS10566	10.150	M33112	6.897	M35922	3.705
VS10219	2.516	VS10349	4.904	VS10460	3.789	VS10567	10.150	M33112	6.984	M35923	3.705
VS10220	4.610	VS10350	4.905	VS10461	3.763	VS10568	4.904	M33118	6.164	M35939	3.701
VS10221	3.109	VS10351	4.907	VS10462	3.765	VS10569	2.279	M33118	6.170	M35940	3.701
VS10222	3.108	VS10366	2.504	VS10463	3.792	VS10582	3.774	M33118	8.984	M35945	3.725
VS10223	3.109	VS10367	2.504	VS10464	3.780	N11053	8.899	M33130	8.798	N42011	8.928
VS10224	3.108	VS10369	5.517	VS10465	3.783	N11168	8.899	M32:43	5.578	N42711	8.900
VS10225	3.108	VS10370	5.542	VS10466	3.788	N11286	8.899	M33160	0.643	N47171	8.909
VS10226	3.108	VS10371	5.511	VS10467	3.758	N16280	8.955	M33161	0.643	N48332	8.900
VS10227	4.339	VS10372	5.518	VS10468	3.758	N16290	8.971	M33381	8.823	N51532	4.007
VS10248	3.735	VS10373	5.511	VS10469	3.757	N20611	8.929	M33409	7.345	N51532	4.022
VS10249	2.410	VS10374	5.543	VS10470	3.752	N21500	8.971	M33464	4.667	N52501	4.301
VS10250	3.731	VS10375	5.543	VS10471	3.793	N30000	8.971	M33465	4.667	N52931	8.900
VS10251	3.731	VS10378	2.372	VS10472	3.793	N31500	8.955	M33466	4.667	N54211	8.941
VS10257	2.102	VS10379	2.372	VS10473	3.727	M30118	9.709	M33466	4.667	N55650	8.939
VS10269	2.389	VS10380	2.372	VS10474	3.734	M30566	Acc./L	M33562	Acc./L	N57020	4.355
VS10270	2.381	VS10381	2.372	VS10502	4.905	M30575	Acc./R	M33563	Acc./L	N57501	4.007
						M30575	9.743	M33564	10.527	N60731	4.019

HOLDEN

MASTER PARTS CATALOGUE



PART No.	GROUP	PART No.	GROUP	PART No.	GROUP	PART No.	GROUP	PART No.	GROUP	PART No.	GROUP
43468	3.616	107317	8.940	120423	8.932	124925	8.916	140250	8.930	160536	8.910
43468	7.243	108578	8.931	120445	8.900	124934	8.916	140595	8.924	160541	8.910
43468	7.370	108579	8.931	120487	8.963	125233	8.917	141216	8.939	160556	8.910
43469	3.616	108580	8.931	120488	8.963	125588	8.991	141547	8.906	160586	8.910
43469	7.243	108587	8.900	120518	8.903	125591	8.977	141706	8.932	160684	8.910
43469	7.370	109964	8.967	120520	8.950	125672	8.977	142091	8.973	160688	8.910
46168	12.248	110499	8.906	120613	8.915	125926	8.900	142220	8.977	160722	8.910
46399	12.248	110500	8.906	120614	8.915	126037	8.900	142306	8.991	160731	8.910
72330	12.248	111600	8.900	120620	8.908	126038	8.900	142450	8.991	161340	8.977
72340	12.248	111602	8.948	120622	8.915	126167	8.900	142454	8.991	161370	8.977
81221	10.550	111688	8.977	120638	8.931	126353	8.903	142456	8.991	161373	8.977
82291	12.248	112432	8.915	120647	8.900	126358	8.903	142611	8.977	161416	8.977
82293	12.248	112753	8.900	120657	8.908	126749	8.903	142953	8.940	161439	8.977
82656	12.248	113698	8.900	120668	8.900	126759	8.903	143317	8.906	161606	8.977
85053	10.266	113897	8.955	120687	8.907	126764	8.903	143343	8.963	161631	8.977
85172	10.266	113953	8.906	120706	8.900	127753	8.950	143416	8.915	161752	8.977
85173	10.266	113963	8.906	120741	8.900	127810	8.900	144736	8.977	161790	8.977
100004	8.900	113971	8.906	120758	8.900	127853	8.977	144744	8.977	161798	8.977
100015	8.900	114380	8.923	120790	8.977	127933	8.977	144759	8.977	161801	8.977
100033	8.900	114494	8.916	120834	8.900	127934	8.991	144778	8.977	161807	8.977
100041	8.900	114496	8.916	120915	8.903	127968	8.900	144789	8.977	161860	8.977
100109	8.900	114503	8.916	121533	8.900	128270	8.977	144791	8.977	161869	8.977
100121	8.900	114604	8.932	121615	8.900	128273	8.977	144811	8.977	161871	8.977
100123	8.900	114605	8.932	121637	8.931	131014	8.929	144817	8.977	161878	8.977
100124	8.900	114606	8.932	121646	8.967	131015	8.929	144824	8.977	161895	8.977
100133	8.900	114607	8.932	121661	8.900	131044	8.931	144831	8.977	162003	8.977
100134	8.900	114609	8.932	121716	8.907	131046	8.931	144838	8.977	162074	8.977
100135	8.900	114616	8.932	121728	8.917	131099	8.931	144890	8.977	162113	8.977
100137	8.900	114648	8.931	121743	8.915	131181	8.931	145087	8.977	162128	8.977
102454	8.975	114663	8.908	121749	8.906	131183	8.931	145173	8.977	162233	8.977
102647	8.917	114942	8.915	121753	8.932	131184	8.931	145183	8.977	162247	8.977
102648	8.917	114981	8.951	121804	8.900	131267	8.908	145186	8.977	162292	8.977
102649	8.917	114990	8.967	121832	8.906	131282	8.991	145189	8.977	162300	8.977
103024	8.915	115269	8.950	121841	8.931	131883	8.907	145192	8.977	162397	8.977
103025	8.915	115273	8.991	121852	8.900	131954	8.907	145193	8.977	162400	8.977
103026	8.915	115287	8.915	121859	8.900	131966	8.907	145411	8.950	162404	8.977
103027	8.915	115547	8.932	121900	8.900	131970	8.907	145416	8.991	162407	8.977
103101	8.923	115548	8.932	121999	8.900	132042	8.907	145475	8.963	162418	8.977
103319	8.931	115549	8.932	122007	8.900	132696	8.906	145485	8.921	162453	8.977
103320	8.931	115552	8.932	122017	8.900	132756	8.906	145539	8.950	162462	8.977
103321	8.931	115553	8.932	122045	8.900	132821	8.906	147458	8.975	162683	8.977
103322	8.931	115772	8.915	122058	8.900	132900	8.906	147491	8.899	162688	8.977
103323	8.931	116120	8.931	122065	8.900	132903	8.906	147514	8.921	162696	8.977
103329	8.931	116341	8.963	122104	8.900	132908	8.906	147716	8.914	162701	8.977
103339	8.929	116410	8.977	122111	8.900	132919	8.906	148086	8.965	162703	8.977
103340	8.929	117102	8.900	122119	8.900	133767	8.908	148109	8.909	163024	8.977
103341	8.929	117461	8.900	122126	8.900	133778	8.908	148145	8.934	163098	8.977
103372	8.938	117463	8.900	122138	8.900	133822	8.908	148148	8.934	163102	8.977
103373	8.938	117959	8.956	122145	8.900	134512	8.932	148545	8.977	163105	8.977
103374	8.938	119117	8.938	122150	8.900	134530	8.915	148726	8.976	163158	8.977
103385	8.938	119254	8.917	122207	8.900	134551	8.915	148971	8.976	163160	8.977
103399	8.938	120123	8.938	122246	8.900	134556	8.915	153138	8.907	163162	8.977
103566	8.940	120151	8.965	122260	8.900	136669	8.967	153421	8.907	163200	8.977
103642	8.991	120213	8.900	122314	8.900	136868	8.967	154061	8.907	163209	8.977
103672	8.900	120214	8.931	123308	8.900	137133	8.938	155058	8.900	163210	8.977
103867	8.971	120217	8.931	123316	8.900	137145	8.977	155118	8.906	163211	8.977
103868	8.971	120228	8.900	123325	8.900	137396	8.963	155413	8.906	163404	8.977
103883	8.971	120229	8.900	123382	8.900	137404	8.963	155830	8.908	163418	8.977
103884	8.971	120233	8.900	123389	8.900	137405	8.963	155924	8.908	163443	8.977
103892	8.970	120361	8.915	123442	8.900	137406	8.963	155945	8.908	163450	8.977
104083	8.967	120367	8.915	123450	8.900	137414	8.963	156009	8.908	163464	8.977
104233	8.967	120368	8.915	123461	8.900	137420	8.963	156417	8.908	163465	8.977
105167	8.987	120369	8.915	123467	8.900	137422	8.963	156431	8.908	163467	8.977
105169	8.987	120371	8.915	123473	8.900	137508	8.915	156770	8.909	163471	8.977
105451	8.955	120375	8.915	123480	8.900	137871	8.967	156963	8.909	164602	8.977
106274	8.900	120376	8.915	123499	8.900	138473	8.932	157716	8.913	T168393	15.286
106279	8.900	120377	8.915	123520	8.900	138479	8.932	159336	8.910	T168617	15.001
106280	8.900	120379	8.931	123534	8.900	138485	8.932	159341	8.910	169066	8.899
106285	8.900	120380	8.931	123572	8.900	138489	8.932	159549	8.910	169108	8.899
106322	8.900	120381	8.931	123614	8.900	138511	8.932	159572	8.910	171041	8.977
106324	8.900	120382	8.931	123774	8.900	138538	8.932	159577	8.910	171099	8.977
106324	8.900	120383	8.931	123792	8.900	138542	8.932	159582	8.910	171114	8.977
106330	8.900	120384	8.931	123841	8.900	138549	8.932	159592	8.910	172445	8.977
106331	8.900	120385	8.929	123879	8.900	138593	8.932	159858	8.910	172493	8.977
106332	8.900	120386	8.929	124088	8.900	138597	8.932	159908	8.910	173050	8.900
106637	8.915	120388	8.929	124094	8.900	138604	8.932	160041	8.910	173642	8.908
106749	8.960	120391	8.929	124545	8.960	138617	8.932	160046	8.910	T175599	15.024
106751	8.960	120392	8.929	124573	8.915	140239	8.930	160284	8.910	T176867	15.100
106972	8.900	120393	8.929	124818	8.916	140240	8.930	160505	8.910	T176868	15.100
106973	8.900	120394	8.929	124824	8.916	140241	8.930	160515	8.910	T176869	15.100
107285	8.967	120395	8.929	124920	8.916						



HOLDEN

MASTER PARTS CATALOGUE

PART No.	GROUP	PART No.	GROUP	PART No.	GROUP	PART No.	GROUP	PART No.	GROUP	PART No.	GROUP
T176915	15.310	189335	8.900	309030	15.310	446143	8.929	601260	10.550	734364	4.316
T176916	15.308	189336	8.900	317418	15.036	446152	8.929	601260	12.248	734368	4.311
T176917	15.308	190075	8.977	318714	15.002	446161	8.929	601261	2.188	734576	4.311
T177021	15.003	190134	8.975	328936	7.370	446170	8.929	601261	10.550	734604	4.311
T177387	15.024	191174	8.900	348402	5.387	446188	8.929	601261	12.248	738700	4.007
T177399	15.026	191245	8.906	412562	0.649	446230	8.929	601542	12.248	738829	4.017
T177439	15.026	191284	8.977	414797	4.685	446363	8.929	601759	12.248	761100	4.020
T177440	15.286	191522	8.967	421885	8.906	446477	8.929	601846	2.188	761175	4.301
T177772	15.024	191680	8.910	422420	8.906	446548	8.929	602421	12.248	761300	4.301
T177926	8.950	191720	8.908	423332	8.900	446580	8.909	606553	4.103	761325	4.301
T177978	15.286	191879	8.910	423335	8.900	448623	8.977	668534	0.804	761350	4.022
T177979	15.286	191880	8.910	423552	8.900	449813	8.977	668601	0.805	761400	4.022
T178392	15.286	191887	8.910	423553	8.900	450521	8.977	702067	4.103	761501	4.019
T178430	15.100	191902	8.908	423554	8.900	450986	8.910	702251	4.103	761530	4.015
T178431	15.100	191931	8.909	424633	8.906	451401	8.915	702288	4.004	761602	4.019
T178470	15.308	191983	8.908	424635	8.906	451692	8.900	704025	4.430	761625	4.017
T178476	15.310	191984	8.910	424636	8.906	451815	8.977	706015	4.433	805579	2.364
T178547	15.311	191985	8.910	424637	8.906	451969	8.906	708079	4.421	809945	2.307
T178764	15.024	192111	8.950	425099	8.900	451978	8.906	708282	4.423	809961	2.307
T178781	8.977	193224	8.908	425103	8.900	453288	8.931	710016	4.428	810226	2.052
T178851	5.484	193232	8.916	425224	8.963	453566	8.899	712072	4.351	812015	2.054
T178985	8.977	193257	8.910	425337	8.900	453587	8.899	712150	4.422	812823	2.298
T179338	8.977	193940	8.900	425339	8.900	453590	8.899	712200	4.423	813238	2.384
T179801	8.900	219754	8.916	425349	8.900	453591	8.899	714011	4.355	816340	2.299
T179816	8.900	221154	8.977	425593	8.900	453592	8.899	714057	4.374	816784	2.387
T179819	8.900	222543	8.975	426314	8.977	453670	8.941	714076	4.374	817224	2.307
T179821	8.900	225854	8.915	426663	8.938	454512	8.941	714275	4.337	819104	2.307
T179823	8.900	228354	8.906	427207	8.908	454645	8.991	714275	4.337	820445	2.382
T179836	8.900	231334	4.668	431534	8.928	454646	8.991	714302	4.370	824735	2.367
T179837	8.900	264936	6.581	431535	8.932	454649	8.975	716042	4.403	838029	0.310
T179840	8.900	264937	6.581	431551	8.933	454848	8.900	716104	4.419	838538	0.033
T179842	8.900	264946	6.874	431577	8.907	454864	8.900	716251	4.353	838538	0.269
T179843	8.900	265516	6.883	431791	8.907	455017	8.900	716350	4.419	838987	0.823
T179844	8.900	266800	6.844	431942	8.900	455029	8.900	718058	4.417	845163	4.339
T179848	8.900	271137	8.977	432640	8.965	455105	8.941	718159	4.380	847698	4.339
T179857	8.900	271283	8.984	432682	8.950	455107	8.965	718284	4.415	848285	4.339
T179866	8.900	271501	8.915	432686	8.950	455136	8.991	718338	4.418	850559	1.203
T180015	8.900	271505	8.915	435827	8.906	455292	8.909	718381	4.385	854005	3.905
T180075	8.900	271506	8.915	436567	8.910	455490	8.991	718454	4.380	855493	3.910
T180077	8.900	272120	8.916	436669	8.910	455700	8.975	718647	4.395	855763	3.907
T180079	8.900	272231	8.915	436691	8.910	455713	8.906	718753	4.385	858388	2.447
T180081	8.900	272233	8.915	436693	8.910	455844	8.965	718904	4.383	860020	4.339
T180112	8.900	272733	8.921	436729	8.910	455957	8.900	718909	4.383	862108	12.196
T180113	8.900	272846	8.948	436732	8.906	456059	8.900	718933	4.383	868081	4.339
T180770	8.900	272847	8.948	436750	8.910	456299	8.941	718934	4.383	868121	4.339
T181116	8.900	272861	8.948	436752	8.910	456724	8.941	720016	4.408	868123	4.339
T181380	8.900	273157	8.991	437298	6.527	456857	8.900	720091	4.412	868124	4.339
T181574	8.900	273286	8.921	437299	6.530	456868	8.910	720092	4.412	868132	4.339
T181593	8.900	273330	8.921	438203	8.909	457022	8.910	720093	4.412	868134	4.339
T181595	8.900	273399	8.977	439459	8.910	476737	0.930	720094	4.412	868140	4.339
T181596	8.900	273462	8.908	439461	8.910	476737	4.681	720178	4.352	868141	4.339
T181608	8.900	273467	8.908	440005	8.908	476737	4.686	722027	4.337	868142	4.339
T181635	8.900	273513	8.910	440502	8.900	476737	4.826	722151	4.337	868143	4.339
T181636	8.900	273542	8.967	441112	8.908	501301	4.026	722276	4.337	868154	4.339
T181637	8.900	273708	8.977	441197	8.977	502725	4.764	724186	4.317	868157	4.339
T181638	8.900	273866	8.977	441239	8.921	502725	4.792	724508	4.317	868171	4.339
T181652	8.900	274004	8.991	441240	8.921	506529	6.898	724532	4.318	868752	4.339
T181667	8.900	274270	4.282	441251	8.921	513975	1.453	724550	4.338	868968	4.339
T181668	8.900	274328	8.906	441272	8.921	513975	4.195	724551	4.338	869203	4.339
T181669	8.900	274384	8.906	442689	8.910	516196	4.595	724750	4.104	869461	4.339
T181672	8.900	274413	8.913	442905	8.940	516198	4.591	724752	4.104	869642	4.339
T181674	8.900	274517	8.929	443507	8.910	516228	4.595	724800	4.337	869643	4.339
T182688	8.900	274558	8.918	443547	8.977	561268	10.146	730111	4.105	869969	4.339
T186333	8.900	274560	4.279	443707	8.906	599119	3.202	730890	4.109	N885140	1.108
T186412	8.977	274571	8.977	443770	8.939	600735	12.248	732035	4.309	924534	2.731
T186441	8.977	274613	4.265	443824	8.977	601063	10.550	732082	4.309	924552	2.736
T186493	8.900	274795	8.939	443874	8.900	601212	12.248	732129	4.309	924561	2.737
T186533	8.950	274844	4.282	444267	8.977	601256	2.188	732189	4.314	924568	2.730
T186624	8.900	274865	8.929	444468	8.906	601256	10.550	732195	4.316	925756	2.725
T187000	8.906	274916	8.906	444612	8.971	601256	12.248	732196	4.315	954185	5.855
T187044	8.900	304348	15.308	444613	8.971	601257	2.188	732227	4.313	954377	5.447
T187482	8.977	304352	15.309	444625	8.971	601257	10.550	732252	4.316	N954412	4.408
T188133	8.977	304353	15.310	444782	8.971	601257	12.248	732282	4.308	N954413	4.355
T188712	8.910	304354	15.311	444818	8.971	601258	2.188	732311	4.316	N954555	5.855
T188978	8.900	306915	15.310	445155	8.921	601258	10.550	732375	4.301	988270	Acc./C
T189120	8.906	306916	15.308	445194	8.921	601258	12.248	734032	4.304	988270	3.028
T189297	8.900	306917	15.308	445635	8.965	601259	2.188	734133	4.384	1018694	2.370
T189330	8.900	308470	15.308	446059	8.921	601259	10.550	734134	4.303	1019863	2.083
T189331	8.900	308471	15.308	446063	8.921	601259	12.248	734182	4.384	1032897	2.682
T189334	8.900	309029	15.310	446121	8.929	601260	2.188	734183	4.303	1038899	5.560

HOLDEN

MASTER PARTS CATALOGUE



PART No.	GROUP	PART No.	GROUP	PART No.	GROUP	PART No.	GROUP	PART No.	GROUP	PART No.	GROUP
1038906	5.586	1577872	4.339	1915300	2.385	3697944	12.248	3789087	4.212	3846173	4.228
1039530	2.286	1579931	3.410	1916636	2.384	3701070	2.198	3789088	4.253	3846834	4.265
1041407	5.560	1581085	4.339	1922884	2.372	3701564	1.611	3789089	4.251	3847858	4.265
1109601	2.041	1581390	4.339	1928023	2.096	3702366	1.609	3789117	4.279	3847870	4.265
1116040	2.410	1581392	4.339	1930694	2.055	3702367	1.610	3789118	4.279	3848365	4.256
1118130	2.100	1581394	4.339	1931086	2.385	3702807	4.233	3789121	4.265	3849968	4.224
1118872	2.500	1582550	4.339	1933247	10.164	3703425	4.592	3789127	4.290	3850510	4.256
1162176	10.146	1582553	4.339	1944373	2.291	3708408	3.403	3789130	4.294	3850512	4.256
1301275	4.311	1586162	4.339	1947350	2.301	3709452	6.581	3789137	4.282	3850516	4.256
1307238	4.195	1813092	2.372	1993527	10.163	3710497	4.128	3789138	4.278	3850517	4.259
1409125	4.668	1828269	4.317	1993563	10.163	3710922	8.085	3789142	4.294	3850524	4.265
1516943	3.107	1828926	4.103	1996009	2.100	3711176	0.309	3789146	4.195	3854333	4.158
1521476	3.910	1828927	4.226	1997028	2.459	3711834	8.015	3789148	4.196	3857482	4.226
1521708	3.931	1838568	2.096	1997725	2.447	3712864	8.132	3789860	0.033	3861040	7.371
1521906	3.931	1839345	2.083	1997913	2.447	3713379	7.836	3789860	0.553	3862232	4.164
1521953	3.913	1847289	2.369	2962066	11.960	3713379	8.015	3789877	4.256	3862233	4.158
1521956	3.916	1847647	2.400	2962243	2.555	3713379	8.143	3789898	3.273	3865924	4.226
1521985	3.902	1848796	2.108	2962447	2.555	3713379	10.450	3790162	4.177	3871649	4.318
1522046	3.922	1849779	2.316	2962448	2.555	3713379	10.454	3790163	4.177	3872464	4.226
1522199	3.925	1853305	2.108	2962448	8.798	3713379	12.184	3790164	4.177	3895781	4.163
1523043	3.931	1853325	2.102	2962448	10.163	3713613	4.253	3790168	4.187	3895782	4.163
1523093	3.920	1853342	2.102	2962448	11.960	3713624	4.233	3790777	4.177	3905488	4.265
1523094	3.903	1853625	2.400	2962448	12.277	3714713	5.822	3791086	3.610	4078002	10.516
1523096	3.904	1857502	2.379	2962448	13.090	3715812	4.592	3792133	4.081	4099315	10.266
1523099	3.929	1858753	2.313	2962449	2.555	3717026	3.110	3792701	4.158	4110664	10.556
1523120	3.902	1864099	2.483	2962449	12.277	3717682	4.317	3794123	4.166	4110664	12.241
1523122	3.902	1864099	2.819	2962458	11.960	3719206	3.900	3795898	4.265	4124441	12.980
1523259	3.927	1864099	2.859	2962508	Acc./C	3721677	8.036	3795990	4.223	4154144	10.475
1523664	3.916	1865180	2.374	2962508	13.090	3722413	8.085	3796576	4.128	4154145	10.475
1523801	3.910	1865978	2.400	2962551	2.555	3727391	4.278	3798068	4.259	4154196	10.475
1523803	3.929	1865985	2.401	2962551	8.798	3730562	14.630	3798153	4.226	4154197	10.475
1523805	3.927	1865973	2.393	2962566	2.555	3730562	15.282	3798159	4.226	4154717	10.529
1524651	3.931	1869704	2.393	2962674	2.258	3735334	7.370	3799008	4.166	4154727	10.529
1524652	3.922	1871574	2.381	2962752	2.555	3742922	4.408	3799210	4.163	4155196	10.466
1524668	3.902	1871865	2.384	2962752	12.277	3744340	0.429	3805921	4.256	4155208	10.466
1524669	3.929	1873700	2.102	2962752	13.090	3744341	0.429	3813591	4.279	4155881	10.606
1524674	3.920	1873700	2.113	2962910	2.555	3744352	4.265	3814099	4.127	4156398	10.529
1524677	3.931	1873789	2.086	2962944	2.555	3745830	3.008	3814712	4.251	4156548	10.529
1524679	3.931	1874777	2.483	2962964	2.555	3748445	4.286	3814719	12.275	4156601	10.608
1524763	3.925	1874777	2.859	2962965	2.555	3749085	1.246	3815089	4.256	4157887	10.783
1524768	3.902	1878184	2.286	2962967	2.555	3749086	1.246	3815199	4.294	4157887	10.791
1524777	3.920	1878209	2.285	2962969	2.555	3750532	4.290	3815914	4.233	4157887	12.272
1524795	3.902	1878884	2.487	2962969	13.090	3750685	3.163	3816920	4.318	4158116	12.207
1524810	3.921	1879140	2.400	2962971	2.555	3751282	6.163	3818935	4.256	4158117	12.207
1524830	3.921	1880902	2.388	2962984	8.798	3751284	6.163	3820840	4.104	4158163	12.242
1526021	3.410	1881409	2.313	2962984	11.960	3751348	6.163	3821953	4.295	4158598	10.571
1527211	3.410	1881708	2.555	2962984	13.090	3755411	4.177	3823274	4.127	4158599	10.571
1527723	3.410	1881835	2.053	2965017	13.090	3769726	2.188	3824051	4.279	4158734	10.475
1527724	3.410	1881865	2.077	2965018	13.090	3767300	4.265	3829006	12.183	4158735	10.475
1528440	3.410	1881866	2.059	2965117	13.090	3769726	2.188	3829058	1.762	4167990	10.664
1531074	1.840	1884723	2.102	2965142	2.102	3770598	2.414	3829139	4.195	4168122	10.513
1537195	3.910	1884727	2.102	2965332	13.090	3771838	4.177	3829139	4.195	4168333	10.529
1537404	3.913	1884728	2.102	2965333	13.090	3772085	2.188	3830128	4.226	4168356	10.529
1544375	3.410	1884729	2.102	2965429	2.555	3772085	2.188	3830311	4.265	4180860	10.608
1544765	3.410	1884732	2.102	2965429	13.090	3774937	3.107	3833350	4.177	4239217	12.242
1544807	3.410	1884931	2.389	2965829	2.555	3775427	10.550	3835215	8.800	4239217	12.242
1560353	4.339	1885557	2.390	2965867	12.277	3779346	6.655	3835333	0.308	4239231	12.242
1562651	4.339	1909136	2.077	2971627	2.555	3779764	4.195	3835392	0.309	4239526	10.466
1566449	4.339	1909221	2.310	2971627	12.277	3779908	4.128	3835487	3.275	4301314	11.581
1568686	4.339	1909224	2.279	2973231	11.925	3779911	4.128	3835577	1.928	4301315	11.582
1568692	4.339	1909245	2.049	2973324	13.092	3783285	4.129	3835946	0.209	4301327	10.466
1568695	4.339	1909246	2.049	2973603	13.090	3783286	4.129	3836659	0.413	4304426	11.581
1568724	4.339	1909251	2.055	2977673	2.555	3783287	4.163	3836755	0.308	4306402	12.248
1572288	1.246	1909253	2.043	2977673	12.277	3783288	4.164	3836771	1.063	4306523	10.466
1573510	3.410	1909260	2.101	2984169	2.555	3784834	0.626	3837115	1.610	4493796	12.275
1573511	3.410	1909261	2.108	3186837	7.345	3786275	3.163	3839320	4.279	4556605	11.374
1576849	3.108	1909263	2.063	3186838	7.345	3787240	4.103	3840137	4.251	4556605	11.420
1577381	4.339	1909852	2.108	3664889	1.269	3788429	0.137	3840329	4.265	4556605	11.611
1577384	4.339	1910247	2.067	3664889	1.286	3788430	0.137	3840760	4.158	4556605	11.629
1577650	4.339	1910404	2.305	3664889	8.143	3788444	1.429	3841573	4.177	4558184	10.260
1577654	4.339	1911263	2.307	3671946	3.275	3789009	4.103	3843346	2.274	4558184	12.801
1577658	4.339	1912025	2.381	3688960	4.823	3789022	4.226	3844205	4.166	4561802	10.712
1577659	4.339	1913989	2.297	3689808	4.127	3789034	4.177	3844252	4.158	4562113	12.112
1577661	4.339	1913997	2.102	3689834	4.177	3789048	4.256	3845835	4.129	4562113	12.183
1577664	4.339	1914141	2.401	3692346	4.592	3789056	4.318	3845836	4.129	4566746	10.806
1577665	4.339	1914142	2.401	3694427	4.177	3789061	4.189	3845837	4.129	4572916	12.242
1577666	4.339	1914347	2.385	3694428	4.177	3789062	4.189	3845838	4.129	4576655	10.506
1577667	4.339	1914449	2.385	3694432	4.177	3789072	4.158	3845857	4.166	4576655	10.556
1577688	4.339	1914579	2.313	3697750	8.055	3789084	4.127	3845858	4.164	4576655	12.241
1577774	4.339	1915172	2.280	3697750	9.743	3789085	4.212	3846166	4.228	4584867	11.561
						3789086	4.212	3846168	4.230	4587931	10.550



HOLDEN

MASTER PARTS CATALOGUE

PART No.	GROUP	PART No.	GROUP	PART No.	GROUP	PART No.	GROUP	PART No.	GROUP	PART No.	GROUP
4587931	12.248	5455298	0.937	5691110	6.576	7086726	7.524	7400024	10.476	7400197	4.109
4598597	11.950	5462561	4.251	5691150	6.550	7091897	2.725	7400025	10.475	7400198	4.423
4598910	10.267	5574397	1.837	5691199	6.581	7093853	10.096	7400025	12.240	7400199	4.103
4602513	12.248	5575416	1.837	5691200	6.581	7093853	11.209	7400026	12.240	7400200	4.423
4604625	10.470	5590375	3.925	5691201	6.581	7095437	2.297	7400027	12.240	7400200	4.432
4604625	10.473	5590382	3.925	5691207	6.576	7095438	2.305	7400033	10.464	7400204	4.302
4604625	12.242	5590392	3.920	5691581	6.554	7095439	2.298	7400033	12.185	7400206	4.301
4609429	12.112	5590400	3.927	5691606	6.614	7095441	2.279	7400043	10.466	7400213	4.303
4609429	12.114	5590533	3.927	5691690	6.551	7095442	2.315	7400056	10.569	7400214	4.304
4610722	12.030	5591738	3.925	5691747	6.560	7100321	11.374	7400057	10.569	7400215	4.309
4615081	8.132	5591843	3.925	5692841	6.673	7104224	2.736	7400068	10.791	7400216	4.309
4615081	12.116	5591844	3.901	5692883	6.608	7111311	2.731	7400069	10.791	7400217	4.105
4615081	12.118	5592046	3.906	5692990	6.550	7121060	2.555	7400070	10.783	7400222	4.398
4615270	10.515	5592331	3.902	5693002	6.550	7127376	2.501	7400071	10.783	7400223	4.383
4615399	10.512	5592332	3.902	5693003	6.550	7133031	2.500	7400075	1.269	7400224	5.809
4619984	11.588	5592850	3.902	5693004	6.550	7134149	12.112	7400075	7.870	7400225	4.422
4635016	1.268	5592851	3.921	5693014	6.635	7134149	12.114	7400075	8.112	7400226	4.374
4635016	8.040	5592852	3.921	5693552	6.168	7134149	12.116	7400075	8.143	7400227	4.428
4635016	8.132	5593301	3.902	5693554	6.605	7139364	2.384	7400075	8.206	7400230	4.381
4635016	10.261	5593404	3.904	5696245	6.606	7139640	2.400	7400091	6.170	7400233	1.517
4635016	12.183	5593866	3.909	5698007	6.605	7220066	4.339	7400097	6.174	7400238	4.678
4637217	10.556	5621573	3.920	5698018	6.635	7220377	2.516	7400098	6.174	7400240	4.358
4637217	10.563	5666683	6.527	5698115	6.614	7220377	3.109	7400099	6.166	7400242	4.356
4637217	12.241	5666693	6.530	5698116	6.608	7220382	2.515	7400102	6.020	7400255	4.302
4637614	10.569	5666887	6.842	5713260	12.248	7220394	2.516	7400103	6.020	7400256	4.309
4649281	10.571	5666888	6.843	5715936	12.248	7220682	2.515	7400104	6.307	7400257	4.302
4649282	10.571	5672776	6.842	5718404	12.272	7220750	2.516	7400105	6.021	7400259	4.313
4649282	12.237	5672804	6.842	5930408	2.735	7220750	3.109	7400106	6.203	7400261	2.277
4649455	8.010	5674112	6.843	5930411	2.727	7224413	10.150	7400107	6.210	7400262	2.317
4649455	9.127	5674113	6.843	5930594	2.735	7224722	10.150	7400110	5.858	7400263	2.274
4651465	10.571	5674273	6.843	5936738	2.728	7225639	10.150	7400111	6.321	7400268	5.452
4651466	10.571	5679626	6.168	5936790	2.734	7225752	10.150	7400112	5.812	7400272	5.469
4651666	11.611	5679627	6.168	5937072	2.726	7225784	10.150	7400112	5.812	7400272	5.469
4651666	11.611	5679629	6.168	5937072	2.726	7225824	10.150	7400113	5.813	7400273	5.545
4651690	11.420	5679630	6.168	5937870	2.682	7225861	10.150	7400118	6.008	7400279	5.543
4662070	12.241	5681757	6.551	5939791	2.746	7225863	10.150	7400121	6.008	7400280	5.542
4664954	10.470	5681757	6.576	5956007	2.727	7225871	10.150	7400122	6.008	7400283	5.518
4664955	10.470	5682044	6.551	5956009	2.727	7225880	10.150	7400124	4.103	7400284	5.537
4664956	10.473	5682459	6.550	6255523	0.626	7225880	10.150	7400127	4.403	7400285	1.286
4664957	10.473	5684403	6.581	6255641	4.133	7228150	3.108	7400128	4.383	7400289	5.420
4670835	10.571	5684403	6.581	6255698	4.128	7228160	3.109	7400129	4.412	7400297	5.822
4670835	10.571	5685382	6.581	6256636	2.362	7228503	3.108	7400129	4.412	7400297	5.822
4670836	10.571	5685393	6.581	6257011	4.156	7228585	3.109	7400130	6.176	7400305	4.376
4728063	10.650	5685469	6.554	6257025	4.163	7228875	3.109	7400134	3.726	7400306	4.376
4728063	10.829	5686218	6.551	6257218	4.265	7229056	4.339	7400138	6.223	7400307	4.376
4749157	12.248	5686382	6.576	6257880	4.294	7229292	4.339	7400139	8.081	7400308	4.376
4770719	10.695	5686644	6.617	6277893	11.420	7229292	4.339	7400140	2.362	7400312	6.326
4780518	12.248	5687011	6.554	6281926	11.420	7229604	4.339	7400143	8.080	7400316	5.001
4785334	12.183	5687559	6.554	6313801	2.729	7229631	4.339	7400144	8.077	7400320	5.075
4793018	12.248	5687733	6.560	6315722	2.070	7229807	4.339	7400145	6.023	7400324	5.017
4793393	11.950	5687996	6.554	6315722	2.299	7229907	4.339	7400145	6.023	7400329	5.036
4797969	12.112	5687997	6.550	6328254	2.504	7229951	4.339	7400146	6.023	7400330	5.034
4797969	12.114	5687998	6.560	6332720	2.502	7229952	4.339	7400148	4.311	7400330	5.034
4797969	12.116	5688011	6.610	6332721	2.502	7229952	4.339	7400153	4.665	7400335	5.057
4816670	11.207	5688014	6.609	6332722	2.503	7229957	4.339	7400154	4.665	7400336	5.017
4816670	12.116	5688015	6.635	6339605	2.083	7375384	12.241	7400155	4.665	7400336	5.017
4816670	12.174	5688020	6.617	6343102	2.286	7376258	11.204	7400158	4.412	7400338	0.861
4819356	14.687	5688027	6.612	6366301	3.430	7376259	11.207	7400159	4.674	7400346	5.002
4819356	14.763	5688034	6.612	6419565	1.762	7376260	11.207	7400161	4.675	7400347	5.002
4823445	12.275	5688035	6.674	6649852	4.025	7376387	12.242	7400162	4.352	7400348	5.001
4839417	12.248	5688037	6.612	6649853	4.025	7376681	12.203	7400163	4.674	7400349	5.001
4849850	12.276	5688043	6.612	6649854	4.015	7377884	14.685	7400166	4.668	7400350	5.075
4904204	12.280	5688044	6.609	6649871	4.007	7377884	14.760	7400167	4.668	7400354	5.158
4904213	12.280	5688047	6.674	6651017	2.821	7377884	15.100	7400168	5.441	7400355	5.151
4905337	12.280	5688049	6.674	6651070	2.824	7381524	11.374	7400169	0.940	7400356	5.150
4905636	10.160	5688109	6.635	6651169	2.823	7384113	11.207	7400169	4.666	7400357	5.150
4909702	12.280	5688501	6.550	6651170	2.830	7384172	11.207	7400170	4.669	7400358	5.815
4913821	12.280	5688981	6.606	6660409	2.830	7384348	11.204	7400171	4.669	7400362	7.524
4916380	12.280	5689156	6.551	6660410	2.830	7384468	10.185	7400175	4.305	7400363	7.529
5045365	12.280	5689351	6.630	6661163	2.830	7384468	10.185	7400176	4.678	7400364	7.545
5096732	12.280	5689352	6.630	7075657	2.285	7384469	10.185	7400177	4.050	7400366	7.535
5098080	12.280	5689357	6.608	7075663	2.310	7384556	10.185	7400178	4.046	7400368	7.518
5231369	0.459	5689358	6.612	7075664	2.316	7384556	10.185	7400181	4.103	7400370	3.754
5231475	0.459	5689359	6.612	7076726	2.714	7385814	8.798	7400181	4.105	7400380	6.364
5289527	2.258	5689546	6.606	7077093	2.333	7386167	1.203	7400181	5.400	7400381	5.806
5290441	2.258	5689998	6.624	7079419	2.299	7389343	14.890	7400182	4.309	7400382	5.806
5291875	2.555	5690846	6.635	7079996	2.307	7389977	9.779	7400183	6.361	7400386	5.858
5297797	2.555	5690857	6.611	7080183	2.280	7400002	10.473	7400186	6.103	7400391	5.560
5453711	4.657	5690858	6.610	7084112	3.616	7400003	10.473	7400187	6.103	7400392	5.560
5454797	5.158	5690942	6.581	7084112	7.243	7400003	10.473	7400188	4.104	7400393	5.586
5454798	5.158	5691053	6.616	7084112	7.370	7400012	10.476	7400189	4.104	7400397	5.546
				7084449	5.578	7400013	10.476	7400192	4.301	7400401	4.318
								7400194	4.433	7400402	4.317

HOLDEN

MASTER PARTS CATALOGUE



PART No.	GROUP	PART No.	GROUP	PART No.	GROUP	PART No.	GROUP	PART No.	GROUP	PART No.	GROUP
7400405	5.555	7400740	3.008	7400998	6.526	7401306	0.669	7401651	11.960	7402014	6.214
7400408	4.317	7400743	0.844	7400999	6.809	7401309	0.210	7401651	12.277	7402016	12.269
7400411	3.451	7400747	5.819	7401000	6.861	7401313	1.159	7401651	13.092	7402020	6.214
7400419	3.430	7400748	5.422	7401005	1.078	7401314	1.159	7401662	2.555	7402029	0.870
7400420	3.430	7400749	5.423	7401006	1.112	7401317	3.275	7401663	5.460	7402032	12.807
7400422	3.431	7400756	8.212	7401008	1.109	7401319	2.859	7401664	5.460	7402033	10.652
7400428	3.288	7400762	8.205	7401011	1.063	7401320	3.601	7401665	5.460	7402062	8.798
7400429	3.430	7400811	0.831	7401012	1.113	7401321	3.292	7401666	5.460	7402118	11.589
7400430	3.430	7400811	4.626	7401013	1.114	7401324	3.276	7401667	10.450	7402118	12.241
7400435	3.932	7400820	10.476	7401014	1.079	7401336	0.748	7401668	10.450	7402119	11.589
7400437	5.545	7400821	10.476	7401021	1.429	7401349	0.413	7401681	7.831	7402119	12.241
7400439	2.414	7400825	3.111	7401031	10.460	7401350	10.741	7401682	7.831	7402124	11.588
7400471	0.825	7400828	5.002	7401059	10.759	7401352	12.203	7401683	7.831	7402128	12.955
7400473	0.797	7400832	6.885	7401078	10.613	7401353	12.203	7401685	7.831	7402137	6.166
7400474	0.798	7400834	6.881	7401079	10.614	7401356	7.377	7401686	7.831	7402156	10.335
7400475	0.796	7400837	6.883	7401080	10.710	7401357	7.377	7401687	7.831	7402156	10.556
7400513	12.179	7400839	6.888	7401088	12.030	7401358	7.352	7401688	9.786	7402161	7.836
7400516	12.966	7400840	6.897	7401098	10.822	7401361	7.352	7401691	7.629	7402162	7.836
7400517	12.966	7400847	6.233	7401099	10.822	7401363	7.346	7401692	1.266	7402187	8.144
7400531	0.519	7400848	6.233	7401102	10.609	7401365	7.346	7401697	1.268	7402189	7.868
7400552	1.928	7400850	6.111	7401104	10.827	7401366	7.348	7401706	1.268	7402189	8.024
7400556	0.356	7400857	0.390	7401106	1.928	7401371	7.373	7401707	1.268	7402189	12.980
7400557	0.333	7400858	6.234	7401107	0.669	7401372	7.373	7401715	1.268	7402190	1.268
7400558	0.333	7400866	3.029	7401111	1.154	7401373	7.373	7401726	12.112	7402190	8.024
7400562	0.429	7400868	5.506	7401114	3.273	7401374	7.373	7401726	12.114	7402193	8.077
7400563	0.429	7400873	10.606	7401118	10.551	7401375	7.373	7401727	0.929	7402195	2.819
7400564	0.377	7400875	0.539	7401118	12.250	7401376	7.346	7401727	0.930	7402202	2.819
7400565	0.378	7400876	0.543	7401119	0.293	7401387	7.398	7401727	4.680	7402227	11.611
7400568	0.349	7400884	1.666	7401120	0.293	7401389	7.403	7401727	4.686	7402237	10.527
7400569	0.376	7400888	1.658	7401126	0.416	7401392	7.363	7401730	10.331	7402242	4.826
7400582	12.982	7400892	1.609	7401133	3.272	7401396	7.375	7401732	4.661	7402250	2.681
7400584	1.266	7400893	1.610	7401136	0.728	7401404	7.352	7401733	4.661	7402252	11.175
7400585	1.266	7400895	1.724	7401140	0.454	7401406	7.372	7401734	4.661	7402267	14.640
7400592	0.603	7400896	1.660	7401146	2.810	7401407	7.831	7401738	10.681	7402282	2.684
7400596	0.613	7400901	1.662	7401149	12.810	7401416	7.373	7401742	10.658	7402283	2.679
7400601	0.636	7400903	1.672	7401153	3.459	7401417	7.373	7401743	8.130	7402290	2.694
7400602	0.636	7400906	12.942	7401156	10.155	7401418	7.373	7401744	8.130	7402293	2.555
7400605	6.803	7400909	12.942	7401161	2.348	7401419	7.345	7401747	10.027	7402293	2.694
7400607	6.786	7400918	10.563	7401167	2.253	7401420	7.345	7401748	11.075	7402300	2.817
7400608	6.855	7400920	0.056	7401168	2.342	7401437	12.196	7401765	12.237	7402308	10.092
7400609	6.856	7400922	4.006	7401170	2.341	7401438	8.130	7401768	11.374	7402309	11.207
7400611	6.807	7400923	4.009	7401175	12.269	7401439	2.722	7401768	11.420	7402312	10.054
7400617	6.830	7400924	4.018	7401176	12.269	7401442	2.555	7401768	11.611	7402316	6.828
7400618	6.830	7400925	4.017	7401181	2.333	7401444	10.203	7401768	11.629	7402317	6.828
7400620	6.822	7400926	4.017	7401182	2.485	7401479	3.609	7401770	12.182	7402319	6.828
7400622	10.054	7400928	4.026	7401191	1.153	7401482	3.610	7401773	10.701	7402320	10.092
7400624	11.207	7400929	4.025	7401194	1.252	7401483	3.611	7401775	10.471	7402321	10.092
7400625	6.859	7400930	4.026	7401196	10.608	7401484	3.616	7401779	10.506	7402332	6.008
7400634	2.859	7400932	4.007	7401197	12.955	7401491	3.705	7401792	10.606	7402337	14.730
7400638	6.526	7400933	4.018	7401198	12.955	7401494	4.597	7401793	10.606	7402340	12.014
7400649	0.673	7400935	4.018	7401204	12.955	7401496	12.247	7401831	10.686	7402348	10.256
7400650	0.666	7400937	4.019	7401205	12.955	7401511	12.934	7401832	10.686	7402349	12.010
7400659	4.653	7400938	4.019	7401206	12.955	7401518	8.036	7401835	10.685	7402354	9.127
7400663	0.913	7400939	4.017	7401207	12.955	7401520	8.085	7401840	10.710	7402364	12.248
7400663	4.655	7400940	4.021	7401211	1.066	7401522	8.085	7401856	2.342	7402365	8.132
7400672	4.652	7400941	4.021	7401212	4.008	7401536	10.829	7401856	2.555	7402365	12.112
7400673	0.914	7400942	4.019	7401216	0.929	7401537	10.829	7401856	13.092	7402365	12.114
7400673	4.656	7400943	4.019	7401216	3.202	7401538	13.092	7401856	14.630	7402365	12.116
7400674	4.658	7400944	4.045	7401216	3.521	7401540	10.759	7401875	8.077	7402365	12.121
7400676	4.659	7400945	4.017	7401216	4.685	7401564	10.658	7401877	10.150	7402365	12.183
7400677	4.660	7400946	4.019	7401217	3.202	7401577	7.632	7401879	10.669	7402366	12.248
7400688	0.303	7400947	4.019	7401242	4.662	7401583	1.270	7401883	10.159	7402369	15.100
7400692	5.508	7400948	4.019	7401247	0.426	7401585	11.204	7401886	10.159	7402384	12.247
7400695	0.830	7400948	4.020	7401248	0.296	7401586	6.513	7401887	10.159	7402399	10.147
7400697	0.833	7400948	4.040	7401249	0.297	7401587	6.760	7401916	4.834	7402400	10.147
7400701	0.839	7400949	4.019	7401250	1.928	7401594	6.760	7401942	11.179	7402401	10.158
7400702	0.852	7400949	4.020	7401251	7.870	7401595	4.686	7401943	11.179	7402402	8.132
7400706	0.852	7400949	4.040	7401263	4.651	7401596	4.685	7401953	8.016	7402403	8.132
7400709	0.851	7400950	4.020	7401264	10.829	7401598	4.686	7401974	10.335	7402404	10.159
7400710	0.851	7400951	4.020	7401267	2.257	7401601	4.685	7401979	10.335	7402405	10.159
7400712	0.852	7400953	6.883	7401277	12.184	7401605	7.370	7401979	10.506	7402410	10.163
7400716	0.839	7400960	1.219	7401285	4.827	7401609	4.685	7401980	1.286	7402411	12.940
7400717	0.839	7400963A	1.219	7401295	0.553	7401614	4.686	7401980	3.001	7402412	12.940
7400720	0.830	7400965	1.219	7401296	0.033	7401616	4.685	7401980	7.870	7402413	12.940
7400720	4.625	7400968	1.219	7401296	0.269	7401621	7.370	7401980	8.143	7402415	2.728
7400722	4.625	7400970	8.820	7401298	0.137	7401631	0.830	7401984	12.804	7402419	8.010
7400724	2.459	7400974	8.821	7401299	0.686	7401631	4.625	7401988	1.268	7402421	11.208
7400726	4.634	7400975	6.216	7401304	0.674	7401648	2.660	7401995	10.664	7402444	1.519
7400738	12.986	7400985	4.606	7401304	0.683	7401650	2.670	7401996	10.664	7402457	12.237
7400738	12.982	7400991	4.595	7401304	4.003	7401651	9.709	7401997	10.664	7402459	10.512
7400739	3.112	7400995	4.597	7401305	0.659	7401651	10.163	7401998	6.364	7402466	12.944



HOLDEN

MASTER PARTS CATALOGUE

PART No.	GROUP	PART No.	GROUP	PART No.	GROUP	PART No.	GROUP	PART No.	GROUP	PART No.	GROUP
7402466	12.980	7402849	7.348	7403308	1.203	7404003	1.268	7404702	11.208	7405120	3.792
7402471	12.075	7402851	1.269	7403321	1.206	7404006	8.036	7404703	9.787	7405121	3.781
7402472	12.075	7402851	1.270	7403341	1.286	7404008	1.286	7404704	8.132	7405121	3.792
7402475	8.144	7402851	1.286	7403354	3.704	7404022	8.049	7404705	8.132	7405121	3.795
7402476	8.144	7402851	8.143	7403354	3.706	7404027	1.268	7404726	4.667	7405122	3.791
7402477	2.561	7402851	12.805	7403355	3.704	7404029	3.521	7404728	4.667	7405123	3.791
7402478	10.674	7402851	12.980	7403356	3.704	7404033	4.342	7404734	0.911	7405124	3.791
7402479	10.674	7402852	10.307	7403363	10.261	7404038	2.689	7404734	4.654	7405125	3.791
7402489	14.630	7402852	10.335	7403370	10.267	7404039	2.689	7404736	0.912	7405127	3.795
7402490	14.630	7402852	12.116	7403382	10.263	7404041	2.679	7404736	4.654	7405128	3.781
7402491	2.680	7402854	10.712	7403387	3.430	7404042	2.660	7404738	4.657	7405128	3.795
7402492	2.680	7402864	10.313	7403387	4.040	7404043	2.682	7404787	5.421	7405131	3.757
7402493	12.212	7402869	3.521	7403430	15.286	7404052	12.247	7404930	2.361	7405133	3.778
7402505	10.344	7402871	10.150	7403431	3.754	7404054	7.629	7404931	2.500	7405135	3.752
7402507	12.196	7402883	10.686	7403437	6.899	7404059	2.684	7404940	4.826	7405136	3.784
7402510	3.403	7402883	10.829	7403439	12.895	7404060	2.555	7404943	4.820	7405138	3.783
7402525	11.208	7402891	8.154	7403440	12.895	7404061	2.694	7404945	2.275	7405139	3.787
7402526	11.208	7402893	8.154	7403441	12.913	7404062	2.694	7404950	4.829	7405140	3.736
7402542	7.345	7402896	6.023	7403442	12.913	7404067	10.267	7404951	4.829	7405140	3.778
7402543	12.242	7402899	3.275	7403453	6.850	7404074	1.268	7404954	7.503	7405140	3.783
7402548	0.830	7402904	10.741	7403459	10.681	7404075	1.268	7404955	7.504	7405140	3.793
7402548	4.625	7402905	10.747	7403463	1.268	7404081	1.286	7404990	7.503	7405141	3.778
7402561	8.024	7402906	10.747	7403464	1.268	7404092	6.176	7404991	7.504	7405143	3.749
7402561	12.212	7402933	10.500	7403483	11.179	7404095	8.130	7405010	0.096	7405144	3.756
7402573	12.213	7402940	10.696	7403484	11.179	7404096	8.130	7405010	0.106	7405145	3.784
7402574	12.212	7402941	10.696	7403492	12.114	7404105	15.000	7405011	0.099	7405146	3.757
7402581	10.652	7402944	10.159	7403493	12.114	7404106	14.880	7405012	0.103	7405147	3.772
7402582	10.652	7402946	1.519	7403498	10.827	7404130	8.055	7405013	0.096	7405148	3.765
7402585	3.706	7402949	5.149	7403507	12.952	7404135	8.055	7405013	0.106	7405149	6.203
7402596	7.632	7402950	5.149	7403508	11.208	7404146	12.118	7405014	0.096	7405151	3.780
7402599	7.632	7402966	10.159	7403526	10.093	7404147	12.118	7405014	0.106	7405153	3.783
7402604	12.116	7402974	11.420	7403533	10.263	7404152	7.828	7405015	0.096	7405154	3.763
7402608	12.805	7402976	11.420	7403534	10.268	7404153	7.828	7405015	0.106	7405155	3.771
7402611	7.346	7402998	11.374	7403539	10.695	7404154	7.828	7405015	0.106	7405156	3.775
7402613	6.364	7403000	11.374	7403540	10.695	7404154	7.828	7405017	0.099	7405157	3.755
7402614	7.633	7403032	13.092	7403544	10.694	7404155	7.828	7405019	0.103	7405158	3.767
7402617	12.966	7403035	4.313	7403545	10.694	7404161	10.266	7405020	0.103	7405159	3.784
7402627	15.222	7403036	4.667	7403549	10.694	7404215	7.831	7405032	0.636	7405160	3.782
7402629	15.222	7403037	1.269	7403551	10.694	7404216	10.261	7405033	0.636	7405161	3.793
7402631	15.224	7403043	6.172	7403552	10.694	7404229	10.256	7405034	0.616	7405162	3.787
7402661	10.516	7403052	2.257	7403555	10.694	7404230	12.010	7405035	0.616	7405163	3.748
7402664	0.027	7403054	3.430	7403559	12.948	7404264	4.651	7405037	0.616	7405163	3.748
7402665	0.027	7403054	4.040	7403559	12.948	7404274	10.797	7405041	0.283	7405164	3.734
7402671	0.027	7403055	6.509	7403560	12.948	7404284	11.935	7405041	0.286	7405165	3.729
7402682	0.027	7403057	3.431	7403561	12.948	7404293	11.935	7405057	1.429	7405165	3.789
7402689	0.027	7403081	2.198	7403562	12.948	7404391	6.899	7405058	1.071	7405166	3.763
7402690	0.027	7403082	4.669	7403584	10.694	7404426	10.313	7405059	3.270	7405167	3.733
7402711	0.830	7403089	7.355	7403585	10.694	7404437	8.075	7405060	4.337	7405167	3.748
7402711	4.625	7403108	8.015	7403589	12.948	7404445	4.592	7405062	6.307	7405167	3.763
7402713	7.836	7403109	8.015	7403590	12.948	7404446	4.009	7405065	5.548	7405167	3.795
7402714	7.836	7403114	8.012	7403596	11.420	7404447	10.267	7405066	5.548	7405168	3.748
7402716	7.828	7403115	8.013	7403600	8.130	7404455	10.267	7405072	7.352	7405169	3.779
7402721	7.836	7403116	8.821	7403601	8.130	7404458	4.650	7405074	4.665	7405170	3.775
7402722	7.836	7403166	8.821	7403617	12.196	7404459	4.650	7405074	4.665	7405171	3.742
7402730	4.685	7403190	4.668	7403620	12.966	7404462	2.486	7405075	4.665	7405172	3.734
7402733	0.830	7403193	12.186	7403628	12.195	7404463	10.256	7405076	4.665	7405173	3.742
7402733	4.625	7403194	12.186	7403640	12.980	7404464	3.521	7405081	4.665	7405173	3.729
7402736	4.829	7403195	12.184	7403642	12.980	7404466	4.651	7405082	4.649	7405174	3.741
7402738	12.115	7403196	12.184	7403670	7.633	7404467	4.651	7405084	4.665	7405175	3.748
7402739	12.115	7403197	8.039	7403675	12.238	7404468	4.685	7405087	3.028	7405179	3.724
7402745	4.639	7403197	12.182	7403683	2.555	7404473	8.015	7405088	2.051	7405182	11.928
7402747	8.214	7403199	8.039	7403683	13.092	7404474	8.015	7405094	10.550	7405185	12.913
7402764	1.265	7403199	12.182	7403704	4.591	7404497	2.845	7405095	2.188	7405186	12.913
7402765	3.725	7403200	8.039	7403709	2.561	7404511	8.039	7405097	12.895	7405221	6.169
7402774	10.664	7403200	12.182	7403710	2.561	7404511	12.182	7405098	12.895	7405222	6.169
7402775	1.062	7403201	8.039	7403717	4.685	7404527	7.870	7405103	10.701	7405247	3.795
7402788	10.783	7403201	12.182	7403740	7.535	7404530	12.982	7405103	10.759	7405248	3.731
7402788	10.791	7403202	8.039	7403762	15.306	7404531	4.591	7405104	10.686	7405249	3.735
7402792	6.176	7403202	12.182	7403873	10.556	7404532	2.725	7405104	10.829	7405250	3.735
7402793	6.176	7403212	12.942	7403875	10.556	7404623	10.650	7405106	3.778	7405253	3.727
7402798	10.670	7403213	12.942	7403884	10.556	7404624	10.650	7405107	3.767	7405256	0.096
7402799	10.670	7403218	10.256	7403886	10.473	7404625	10.658	7405108	3.744	7405256	0.106
7402817	6.164	7403223	12.805	7403887	10.473	7404678	2.689	7405109	3.751	7405258	0.099
7402819	3.201	7403224	12.805	7403974	12.182	7404687	3.701	7405110	3.744	7405260	0.103
7402821	2.424	7403251	10.475	7403975	12.183	7404690	Acc./M	7405111	3.736	7405264	3.754
7402823	3.201	7403252	10.475	7403978	10.608	7404690	10.185	7405112	3.773	7405265	2.311
7402825	3.201	7403265	12.944	7403979	10.608	7404691	1.123	7405113	3.791	7405279	3.726
7402830	8.112	7403266	12.944	7403984	5.858	7404695	5.537	7405114	3.763	7405281	2.310
7402836	12.934	7403286	12.980	7403989	8.036	7404697	5.537	7405116	3.789	7405282	2.310
7402837	12.934	7403294	0.679	7404000	1.268	7404700	5.537	7405117	3.791	7405285	3.725
7402842	6.166	7403298	10.652	7404001	1.268	7404701	5.537	7405118	3.789	7405286	12.980
		7403305	12.248	7404002	1.268	7404702	10.093	7405119	3.792	7405287	12.980

HOLDEN

MASTER PARTS CATALOGUE



PART No.	GROUP	PART No.	GROUP	PART No.	GROUP	PART No.	GROUP	PART No.	GROUP	PART No.	GROUP
7405316	12.895	7405584	2.052	7405681	2.291	7405897	0.795	7406106	2.101	7406274	0.616
7405317	12.895	7405585	2.052	7405683	2.291	7405898	2.500	7406107	2.052	7406275	0.616
7405323	12.180	7405586	2.052	7405687	2.286	7405904	1.659	7406108	2.052	7406276	0.616
7405333	5.018	7405587	2.052	7405688	2.301	7405905	0.616	7406109	2.052	7406277	4.018
7405335	2.691	7405589	2.053	7405689	2.301	7405906	0.616	7406110	2.053	7406279	6.307
7405336	2.684	7405590	2.083	7405690	2.300	7405908	0.616	7406111	2.055	7406280	5.420
7405338	2.685	7405591	2.085	7405691	2.300	7405910	0.616	7406111	2.285	7406294	2.313
7405340	2.686	7405593	2.077	7405692	2.285	7405912	0.616	7406112	2.085	7406296	2.313
7405341	4.342	7405594	2.043	7405692	2.300	7405919	7.345	7406113	2.083	7406297	2.291
7405342	4.342	7405594	2.077	7405693	2.299	7405924	1.928	7406114	2.087	7406299	2.291
7405375	12.248	7405595	2.043	7405694	2.299	7405929	7.345	7406115	2.043	7406300	2.291
7405376	10.150	7405595	2.077	7405695	2.279	7405930	7.345	7406116	2.096	7406301	2.291
7405390	2.845	7405599	2.087	7405696	2.307	7405931	6.174	7406117	2.100	7406302	2.291
7405391	2.845	7405600	2.087	7405697	2.307	7405933	6.164	7406118	2.102	7406303	2.291
7405414	12.181	7405601	2.087	7405698	2.307	7405945	4.337	7406119	2.102	7406304	2.291
7405416	12.179	7405602	2.108	7405700	2.307	7405948	7.523	7406120	2.102	7406307	2.286
7405421	12.179	7405603	2.108	7405701	2.307	7405949	7.529	7406121	2.102	7406310	2.305
7405460	1.835	7405604	2.102	7405702	2.307	7405950	4.342	7406122	7.529	7406311	2.297
7405479	2.725	7405604	2.108	7405703	2.280	7405951	4.342	7406123	7.529	7406312	2.298
7405486	4.826	7405606	2.043	7405704	2.280	7405956	15.520	7406124	2.372	7406313	2.301
7405488	2.727	7405608	2.096	7405705	2.279	7405958	10.656	7406125	2.372	7406314	2.301
7405489	2.728	7405609	2.063	7405708	2.502	7405959	10.656	7406127	10.150	7406315	2.316
7405490	2.735	7405610	2.063	7405709	2.502	7405970	3.706	7406128	10.150	7406316	2.100
7405491	2.750	7405611	2.063	7405711	2.511	7405972	3.701	7406133	8.800	7406316	2.102
7405492	2.750	7405612	2.063	7405716	5.555	7405975	1.219	7406137	12.179	7406316	2.108
7405493	2.722	7405613	2.063	7405717	5.555	7405976	1.219	7406138	12.180	7406316	2.276
7405494	10.656	7405614	2.063	7405722	7.345	7405987	7.505	7406143	12.913	7406316	2.316
7405496	2.737	7405615	2.063	7405723	7.345	7405988	7.505	7406144	12.913	7406317	2.279
7405497	2.737	7405616	2.043	7405738	0.094	7405990	7.505	7406150	12.178	7406318	2.307
7405498	2.726	7405617	2.070	7405739	0.094	7405993	7.505	7406151	Acc./L	7406319	2.307
7405499	2.726	7405618	2.070	7405740	0.094	7405994	7.505	7406152	12.895	7406320	2.280
7405500	2.731	7405619	2.070	7405741	0.094	7406002	6.169	7406153	12.895	7406321	2.280
7405501	2.737	7405620	2.100	7405742	0.094	7406003	6.164	7406156	12.179	7406323	2.055
7405503	2.726	7405621	2.100	7405745	12.181	7406004	0.683	7406157	6.828	7406323	2.102
7405506	6.008	7405622	2.102	7405751	2.285	7406004	4.003	7406158	6.828	7406323	2.285
7405513	2.362	7405623	2.102	7405752	6.164	7406007	6.164	7406159	6.828	7406323	2.289
7405514	2.393	7405623	2.102	7405753	0.536	7406008	Acc./L	7406164	0.934	7406323	2.307
7405519	7.523	7405624	2.102	7405754	5.019	7406008	9.709	7406166	12.181	7406323	2.369
7405521	2.372	7405626	2.102	7405755	5.019	7406008	9.709	7406169	3.704	7406323	2.385
7405522	2.390	7405628	2.102	7405761	0.629	7406010	6.214	7406170	12.913	7406323	2.387
7405523	2.390	7405630	2.102	7405762	0.629	7406015	1.840	7406171	12.913	7406323	2.393
7405523	2.822	7405631	2.102	7405764	0.629	7406018	1.840	7406171	12.913	7406323	2.400
7405524	2.052	7405632	2.102	7405765	0.629	7406025	8.798	7406174	12.895	7406323	2.410
7405524	2.390	7405633	2.102	7405781	2.722	7406026	8.798	7406175	12.895	7406323	2.413
7405526	2.388	7405633	2.316	7405783	2.726	7406027	8.798	7406180	7.506	7406323	2.502
7405528	2.389	7405634	2.102	7405784	2.728	7406028	8.798	7406181	Acc./S	7406326	2.313
7405529	2.389	7405635	2.102	7405785	2.735	7406030	8.798	7406195	2.810	7406340	10.146
7405530	2.372	7405637	2.102	7405786	2.746	7406031	8.798	7406196	2.845	7406341	9.779
7405531	2.372	7405638	2.102	7405787	2.729	7406032	8.798	7406205	2.589	7406342	9.779
7405532	2.372	7405639	2.102	7405789	2.729	7406040	2.726	7406206	2.589	7406343	9.779
7405533	2.381	7405640	2.102	7405790	2.750	7406041	2.750	7406207	2.590	7406344	2.895
7405534	2.381	7405641	2.102	7405791	2.750	7406042	Acc./T	7406208	2.586	7406345	2.895
7405536	2.381	7405642	2.102	7405792	2.730	7406062	2.393	7406209	2.596	7406357	2.500
7405538	2.374	7405643	2.102	7405793	2.735	7406063	2.393	7406210	2.590	7406358	2.277
7405540	2.385	7405645	2.102	7405794	2.727	7406063	2.410	7406221	Acc./M	7406359	10.150
7405542	2.387	7405646	2.102	7405795	2.734	7406066	2.372	7406231	4.408	7406360	10.150
7405543	2.387	7405647	2.102	7405796	2.731	7406067	2.390	7406234	2.313	7406361	10.150
7405545	2.384	7405648	2.102	7405797	2.750	7406068	2.388	7406238	Acc./T	7406362	10.150
7405546	2.384	7405649	2.102	7405798	2.736	7406069	2.388	7406239	6.896	7406372	1.066
7405547	2.384	7405650	2.102	7405799	2.737	7406070	2.388	7406241	2.726	7406373	7.505
7405548	2.384	7405651	2.102	7405800	2.736	7406071	2.388	7406242	2.737	7406374	7.505
7405550	2.385	7405652	2.102	7405801	2.726	7406072	2.389	7406243	2.737	7406375	7.505
7405551	2.385	7405653	2.310	7405802	2.726	7406073	2.372	7406244	2.731	7406376	7.505
7405554	2.413	7405654	2.310	7405803	2.726	7406075	2.381	7406246	2.727	7406382	6.307
7405558	2.400	7405656	2.311	7405804	2.410	7406077	2.381	7406247	2.740	7406391	1.840
7405560	2.382	7405658	2.313	7405804	2.726	7406078	2.364	7406248	2.740	7406392	1.840
7405561	2.367	7405659	2.313	7405806	2.750	7406079	2.379	7406249	2.726	7406393	Acc./S
7405562	2.370	7405662	2.313	7405807	2.726	7406080	3.788	7406250	2.726	7406394	12.810
7405566	2.410	7405664	2.289	7405818	1.219	7406081	5.529	7406251	2.750	7406395	2.298
7405567	2.049	7405664	2.313	7405826	4.650	7406082	5.529	7406252	12.972	7406397	2.083
7405568	2.047	7405665	2.313	7405831	5.536	7406083	2.369	7406253	Acc./D	7406398	2.083
7405569	2.077	7405667	2.313	7405844	2.364	7406083	2.385	7406254	2.750	7406399	1.219
7405570	2.101	7405669	2.276	7405848	12.810	7406084	2.400	7406257	6.164	7406400	2.170
7405571	2.101	7405669	2.313	7405853	4.649	7406085	2.400	7406258	6.170	7406425	2.750
7405575	2.101	7405671	2.313	7405856	0.643	7406086	2.382	7406261	6.169	7406426	2.727
7405576	2.101	7405672	2.313	7405858	0.643	7406087	2.367	7406267	0.616	7406429	2.301
7405577	2.049	7405673	2.276	7405859	0.643	7406088	2.368	7406268	0.616	7406434	5.018
7405579	2.101	7405676	2.316	7405860	0.643	7406089	2.369	7406269	0.616	7406435	4.665
7405580	2.052	7405677	2.297	7405875	6.008	7406090	2.369	7406270	0.616	7406437	10.150
7405581	2.052	7405678	2.298	7405881	10.150	7406101	7.375	7406271	0.616	7406438	12.179
7405583	2.052	7405680	2.291	7405882	5.555	7406104	2.049	7406272	0.616	7406439	4.665
				7405896	4.005	7406105	2.101	7406273	0.616	7406440	6.203



HOLDEN

MASTER PARTS CATALOGUE

PART No.	GROUP	PART No.	GROUP	PART No.	GROUP	PART No.	GROUP	PART No.	GROUP	PART No.	GROUP
7406441	7.529	7406690	8.798	7406830	2.070	7407086	7.505	7407496	11.925	7408099	5.460
7406443	6.164	7406693	7.345	7406831	2.051	7407089	7.505	7407504	12.112	7408100	5.460
7406447	7.505	7406694	8.798	7406832	2.067	7407090	7.505	7407505	12.112	7408102	9.786
7406448	7.505	7406698	8.798	7406833	2.108	7407091	7.506	7407506	12.114	7408111	8.130
7406449	7.505	7406700	8.798	7406834	2.108	7407110	4.685	7407507	12.114	7408122	7.503
7406450	7.505	7406701	3.771	7406836	2.086	7407114	7.505	7407508	12.113	7408123	7.505
7406451	7.506	7406703	2.726	7406837	2.087	7407118	7.506	7407509	10.092	7408124	7.505
7406455	7.505	7406704	7.505	7406840	2.087	7407137	5.387	7407510	11.207	7408130	7.505
7406456	7.505	7406709	2.051	7406841	2.087	7407142	7.518	7407512	12.114	7408131	7.506
7406458	7.505	7406711	0.289	7406842	2.087	7407155	6.008	7407518	10.686	7408161	4.685
7406460	7.506	7406714	8.800	7406843	2.085	7407157	6.168	7407519	10.686	7408163	4.685
7406462	0.852	7406719	5.855	7406844	2.096	7407158	6.168	7407522	12.116	7408165	4.685
7406470	0.629	7406724	7.505	7406845	2.063	7407159	6.168	7407531	10.054	7408170	12.115
7406472	0.629	7406725	6.164	7406846	2.063	7407160	6.168	7407596	8.821	7408171	4.685
7406473	0.629	7406726	6.174	7406847	2.096	7407165	7.370	7407601	12.940	7408183	3.451
7406474	0.629	7406727	6.164	7406848	2.096	7407169	6.164	7407607	10.185	7408188	14.640
7406475	0.629	7406728	6.164	7406849	2.043	7407181	7.503	7407613	15.306	7408201	10.822
7406476	0.629	7406729	12.203	7406850	2.101	7407219	15.224	7407615	15.294	7408202	10.822
7406493	0.289	7406730	12.203	7406851	2.077	7407233	7.513	7407618	2.681	7408203	6.232
7406507	7.345	7406732	2.049	7406852	2.049	7407238	7.513	7407634	11.611	7408209	11.589
7406515	1.159	7406734	4.901	7406853	2.100	7407243	7.506	7407635	11.611	7408211	2.819
7406539	10.656	7406735	4.685	7406854	2.102	7407255	8.821	7407646	8.821	7408223	12.807
7406540	10.656	7406736	2.102	7406855	2.102	7407273	5.017	7407655	5.813	7408241	12.972
7406548	12.810	7406736	2.316	7406858	2.077	7407277	7.505	7407655	7.632	7408242	10.187
7406551	2.727	7406737	2.049	7406860	2.080	7407280	7.505	7407659	12.248	7408282	8.049
7406552	2.750	7406739	2.102	7406861	Acc./L	7407286	7.506	7407686	15.306	7408289	12.557
7406553	2.750	7406740	2.102	7406866	Acc/R	7407298	5.017	7407732	5.460	7408295	12.982
7406554	2.285	7406742	2.385	7406865	5.871	7407308	5.158	7407733	5.460	7408304	5.026
7406556	8.798	7406743	2.289	7406866	6.803	7407309	3.705	7407734	5.460	7408327	12.972
7406567	2.239	7406744	2.385	7406868	2.726	7407314	14.802	7407735	5.460	7408329	11.204
7406569	8.798	7406745	2.385	7406871	2.679	7407314	14.890	7407736	5.460	7408335	10.466
7406582	2.270	7406744	2.372	7406878	Acc./S	7407315	15.002	7407737	5.460	7408335	11.614
7406583	5.822	7406745	2.388	7406879	3.725	7407315	15.036	7407738	5.460	7408337	12.956
7406586	Acc./M	7406746	2.388	7406880	Acc./W	7407327	15.002	7407739	5.460	7408343	3.430
7406587	Acc./M	7406747	2.389	7406882	Acc./L	7407363	5.150	7407772	5.453	7408344	10.685
7406588	Acc./S	7406748	2.381	7406882	3.028	7407364	5.150	7407773	5.545	7408345	10.747
7406592	Acc./M	7406752	6.203	7406883	2.725	7407366	5.537	7407774	5.545	7408346	10.747
7406594	2.310	7406753	6.203	7406884	Acc./S	7407367	5.506	7407782	12.241	7408347	4.317
7406595	2.310	7406754	6.203	7406889	Acc./L	7407368	5.505	7407787	12.491	7408351	12.955
7406597	2.297	7406755	6.203	7406897	2.697	7407369	2.679	7407788	12.491	7408352	12.955
7406600	2.279	7406756	2.504	7406897	3.757	7407371	2.682	7407798	11.588	7408353	12.955
7406602	2.274	7406757	Acc./S	7406900	2.055	7407372	2.681	7407806	12.241	7408354	12.955
7406603	Acc./F	7406758	Acc./R	7406900	2.289	7407374	2.681	7407811	11.634	7408357	12.237
7406603	1.835	7406760	12.810	7406900	2.387	7407382	5.536	7407811	12.241	7408358	12.242
7406608	4.302	7406761	4.685	7406901	2.085	7407383	5.536	7407823	4.826	7408360	12.808
7406609	4.019	7406774	7.505	7406908	Acc./S	7407385	5.484	7407831	5.001	7408361	12.808
7406612	10.150	7406780	6.164	7406909	Acc./S	7407386	5.484	7407832	5.001	7408362	12.981
7406614	Acc./P	7406781	6.164	7406913	Acc./W	7407388	5.447	7407836	5.815	7408364	10.500
7406616	Acc./P	7406782	6.174	7406915	2.555	7407389	5.447	7407837	5.819	7408365	10.500
7406618	2.052	7406784	5.560	7406919	0.439	7407392	5.469	7407839	12.247	7408377	10.741
7406618	2.289	7406785	12.491	7406922	12.980	7407393	5.545	7407853	1.064	7408391	11.075
7406618	2.313	7406786	12.491	7406923	12.980	7407395	5.545	7407871	12.204	7408392	11.075
7406618	2.316	7406787	4.931	7406925	9.709	7407397	5.531	7407925	12.247	7408395	10.669
7406618	2.410	7406788	4.931	7406926	9.709	7407398	5.517	7407928	12.184	7408398	12.982
7406618	2.511	7406788	4.931	7406927	9.709	7407399	5.518	7407942	14.860	7408402	5.545
7406620	2.810	7406790	4.931	7406928	2.680	7407400	5.539	7407943	14.860	7408403	5.469
7406622	Acc./H	7406790	6.672	7406929	2.680	7407402	12.810	7407944	5.001	7408404	5.545
7406622	2.810	7406792	1.270	7406930	2.680	7407409	5.420	7407946	2.725	7408407	5.505
7406624	Acc./W	7406799	12.810	7406931	2.680	7407411	5.387	7407959	12.269	7408409	10.563
7406634	7.240	7406800	12.956	7406932	2.315	7407430	10.511	7407963	1.219	7408410	10.563
7406636	9.779	7406802	7.506	7406934	6.164	7407438	14.691	7407964	1.270	7408414	10.681
7406649	0.839	7406808	0.736	7406983	2.170	7407439	14.691	7407967	1.221	7408415	10.559
7406654	Acc./M	7406809	10.146	7406988	10.185	7407441	14.764	7407968	12.269	7408420	0.296
7406654	10.185	7406810	Acc./H	7406989	12.980	7407442	14.764	7407997	10.829	7408421	0.297
7406656	2.101	7406812	2.270	7406993	0.277	7407443	14.764	7407998	10.829	7408422	0.426
7406658	6.203	7406813	2.729	7406994	0.277	7407457	12.112	7407999	10.829	7408423	10.506
7406659	6.203	7406814	4.342	7406999	0.277	7407457	12.114	7408004	10.686	7408428	15.294
7406660	6.203	7406815	4.342	7407033	3.158	7407457	12.114	7408005	10.686	7408429	10.606
7406661	6.203	7406816	2.501	7407035	3.158	7407458	14.760	7408013	4.652	7408430	5.526
7406662	6.210	7406817	2.504	7407041	7.112	7407459	14.691	7408036	12.981	7408431	5.528
7406667	12.179	7406818	2.299	7407043	7.112	7407470	14.691	7408064	12.179	7408437	7.370
7406668	12.179	7406819	2.070	7407055	7.529	7407476	10.092	7408067	4.685	7408438	7.518
7406670	Acc./B	7406819	2.299	7407062	7.536	7407477	11.207	7408088	12.940	7408439	7.518
7406671	Acc./B	7406820	2.285	7407063	7.552	7407480	12.113	7408090	8.203	7408445	5.441
7406672	Acc./B	7406821	2.297	7407064	7.545	7407482	10.093	7408091	8.203	7408451	4.685
7406673	Acc./B	7406822	2.286	7407068	3.158	7407483	10.093	7408094	5.460	7408464	3.609
7406680	0.269	7406823	2.305	7407072	2.689	7407484	11.208	7408095	5.460	7408467	4.685
7406681	0.269	7406824	2.307	7407077	2.555	7407485	11.208	7408096	5.460	7408476	10.686
7406682	Acc./W	7406824	2.307	7407078	7.505	7407489	12.112	7408097	5.460	7408489	12.269
7406684	7.345	7406827	2.310	7407079	7.505	7407490	12.112	7408098	5.460	7408490	10.686
		7406828	2.313	7407080	7.505	7407492	11.950				
				7407083	7.505						

HOLDEN

MASTER PARTS CATALOGUE



PART No.	GROUP	PART No.	GROUP	PART No.	GROUP	PART No.	GROUP	PART No.	GROUP	PART No.	GROUP
7408490	10.829	7408764	10.456	7409011	5.816	7409228	7.799	7409516	Acc./T	7409732	3.609
7408491	0.795	7408765	10.460	7409012	11.561	7409228	7.814	7409516	2.895	7409733	3.705
7408493	0.459	7408783	6.870	7409015	5.812	7409234	3.726	7409517	2.820	7409734	8.820
7408500	10.550	7408785	10.527	7409042	12.982	7409240	4.625	7409520	2.819	7409737	10.256
7408501	10.550	7408786	10.527	7409046	1.286	7409244	0.831	7409521	2.822	7409741	2.845
7408509	10.686	7408787	10.527	7409047	12.980	7409244	4.626	7409522	2.859	7409742	2.845
7408509	10.829	7408788	10.527	7409049	12.980	7409247	0.830	7409541	4.792	7409747	11.374
7408511	10.606	7408793	10.538	7409050	0.027	7409256	8.036	7409546	15.492	7409747	11.629
7408518	10.669	7408794	10.538	7409051	0.027	7409260	1.251	7409547	15.492	7409749	0.830
7408519	10.669	7408797	10.686	7409058	6.830	7409260	2.341	7409548	15.492	7409749	4.625
7408520	10.669	7408798	10.686	7409059	12.248	7409261	8.079	7409549	15.492	7409751	8.000
7408521	10.669	7408801	10.529	7409060	10.694	7409263	8.077	7409550	15.492	7409754	10.268
7408529	10.827	7408802	10.529	7409061	10.694	7409266	2.670	7409551	15.492	7409755	10.230
7408530	10.563	7408812	12.941	7409064	5.001	7409267	4.018	7409552	15.492	7409759	10.256
7408531	10.563	7408814	6.176	7409070	11.611	7409271	4.017	7409556	10.331	7409760	10.256
7408532	10.506	7408815	6.361	7409072	6.859	7409277	4.019	7409563	2.333	7409766	4.009
7408533	10.506	7408818	10.686	7409073	6.008	7409278	6.758	7409564	2.333	7409767	4.006
7408535	10.556	7408819	10.686	7409074	5.001	7409279	6.758	7409568	2.333	7409774	10.263
7408546	4.685	7408822	8.130	7409075	5.001	7409280	6.758	7409571	6.828	7409780	10.262
7408548	4.685	7408826	3.265	7409076	5.815	7409281	4.017	7409572	10.335	7409781	10.262
7408562	10.674	7408834	10.650	7409078	5.819	7409283	4.019	7409574	6.760	7409795	10.163
7408563	10.674	7408842	10.658	7409080	5.075	7409287	4.019	7409577	15.286	7409796	4.342
7408572	10.450	7408843	10.652	7409081	5.002	7409288	4.019	7409578	15.286	7409798	14.890
7408573	10.450	7408849	6.311	7409083	12.982	7409290	4.050	7409579	6.758	7409800	10.260
7408574	10.454	7408852	6.313	7409084	12.982	7409292	4.018	7409586	10.344	7409819	3.431
7408575	10.454	7408860	6.361	7409092	6.230	7409293	2.274	7409589	1.263	7409838	1.219
7408582	10.783	7408869	6.020	7409094	6.895	7409296	0.296	7409595	6.008	7409840	14.630
7408583	10.783	7408870	6.020	7409097	6.870	7409299	8.081	7409599	6.761	7409841	10.307
7408601	12.944	7408871	6.023	7409098	6.882	7409301	8.079	7409601	6.513	7409855	2.714
7408602	12.944	7408872	6.023	7409099	6.876	7409302	11.595	7409602	3.431	7409864	1.426
7408608	10.027	7408874	6.230	7409114	12.940	7409303	11.595	7409607	3.430	7409865	10.263
7408616	12.184	7408875	6.103	7409121	2.714	7409304	11.595	7409608	3.430	7409867	0.666
7408617	12.184	7408876	6.103	7409123	11.208	7409305	11.595	7409612	3.431	7409868	0.673
7408627	12.186	7408884	12.491	7409124	11.208	7409306	12.936	7409613	3.431	7409869	12.010
7408628	12.186	7408885	12.491	7409126	11.208	7409307	12.936	7409619	10.051	7409872	4.685
7408632	7.629	7408888	5.803	7409127	11.629	7409328	14.764	7409620	10.051	7409874	4.685
7408633	7.632	7408890	6.168	7409128	6.758	7409350	11.561	7409623	4.826	7409877	5.822
7408634	7.632	7408893	3.431	7409135	12.955	7409352	2.722	7409625	8.075	7409878	0.830
7408638	3.003	7408894	12.972	7409138	2.555	7409355	2.722	7409633	7.870	7409878	4.625
7408645	3.001	7408895	12.804	7409144	10.695	7409356	11.179	7409634	7.870	7409882	12.183
7408649	15.224	7408918	5.809	7409148	12.982	7409357	11.179	7409635	2.342	7409883	0.027
7408651	6.234	7408921	6.106	7409153	3.288	7409358	11.175	7409637	8.130	7409885	0.027
7408652	6.234	7408930	15.224	7409160	0.798	7409359	11.175	7409638	8.130	7409889	0.027
7408658	6.008	7408935	6.008	7409161	0.797	7409388	1.723	7409650	4.820	7409892	10.267
7408663	8.130	7408938	6.008	7409162	0.825	7409390	1.609	7409651	4.820	7409895	0.907
7408665	1.062	7408939	6.008	7409163	0.823	7409391	1.660	7409652	4.820	7409895	4.651
7408666	10.553	7408941	5.017	7409164	8.153	7409398	0.334	7409653	4.820	7409897	10.203
7408671	11.089	7408942	5.149	7409165	8.153	7409399	1.739	7409654	1.426	7409898	10.203
7408676	0.659	7408943	5.149	7409168	1.286	7409400	1.928	7409655	12.491	7409905	10.219
7408684	12.895	7408945	5.150	7409170	1.270	7409401	1.928	7409656	12.491	7409906	10.219
7408685	12.895	7408946	5.150	7409171	1.270	7409402	6.830	7409659	12.944	7409908	10.203
7408689	10.696	7408951	5.017	7409174	1.270	7409411	8.055	7409660	12.944	7409913	11.925
7408690	10.696	7408954	5.441	7409176	11.595	7409413	8.055	7409665	12.805	7409915	11.928
7408691	12.942	7408956	12.952	7409177	15.294	7409414	8.055	7409666	12.805	7409929	0.910
7408692	12.942	7408957	6.166	7409184	2.486	7409416	8.015	7409670	0.333	7409929	4.653
7408703	6.106	7408958	6.170	7409185	2.488	7409417	8.015	7409671	0.333	7409931	0.918
7408708	1.656	7408961	6.169	7409186	3.521	7409446	12.956	7409672	6.760	7409931	4.658
7408710	7.370	7408962	6.166	7409187	3.522	7409447	12.956	7409675	11.420	7409932	0.924
7408712	1.662	7408962	6.898	7409188	10.164	7409461	14.651	7409677	12.971	7409932	4.659
7408715	10.829	7408965	6.164	7409189	10.164	7409465	4.764	7409691	2.275	7409933	0.833
7408716	10.829	7408966	6.164	7409190	2.486	7409480	9.127	7409693	2.500	7409933	4.634
7408720	10.829	7408968	6.176	7409190	3.483	7409481	4.591	7409696	1.268	7409934	0.834
7408721	10.829	7408970	6.364	7409190	10.166	7409486	4.592	7409697	1.268	7409934	4.635
7408725	10.506	7408971	6.364	7409193	8.024	7409487	4.826	7409698	4.019	7409936	0.837
7408727	10.652	7408974	5.387	7409193	10.587	7409488	4.834	7409698	4.020	7409936	4.636
7408728	10.652	7408977	7.535	7409197	2.725	7409492	4.792	7409700	11.561	7409939	3.201
7408729	10.797	7408978	7.536	7409199	15.520	7409493	4.792	7409701	11.561	7409941	3.201
7408731	7.831	7408979	7.503	7409200	15.520	7409494	4.764	7409704	12.013	7409943	3.201
7408732	7.831	7408981	7.524	7409201	6.850	7409495	4.700	7409708	2.277	7409945	2.424
7408733	7.831	7408986	7.529	7409204	7.524	7409496	4.700	7409713	0.027	7409949	0.839
7408734	7.828	7408987	7.118	7409205	7.536	7409497	4.700	7409721	3.710	7409950	0.839
7408738	7.836	7408988	7.112	7409206	7.535	7409500	10.093	7409723	3.710	7409951	0.930
7408739	7.836	7408989	7.112	7409207	7.503	7409501	10.093	7409724	3.710	7409952	0.934
7408742	7.865	7408990	7.112	7409209	2.670	7409502	10.093	7409725	3.712	7409955	3.008
7408744	7.831	7408998	7.518	7409209	7.796	7409503	10.093	7409726	3.704	7409956	2.735
7408748	7.836	7408999	7.518	7409212	6.822	7409509	12.118	7409726	3.706	7409958	2.679
7408749	7.836	7409000	12.955	7409213	6.786	7409510	12.118	7409726	3.712	7409961	2.555
7408750	7.836	7409001	10.262	7409215	6.807	7409511	3.158	7409727	3.712	7409961	2.694
7408751	7.836	7409002	10.262	7409215	6.809	7409513	2.822	7409728	3.706	7409965	0.935
7408760	10.710	7409005	10.268	7409226	6.809	7409515	2.561	7409729	3.706	7409966	0.936
7408762	10.710	7409006	5.075	7409227	6.524						



HOLDEN

MASTER PARTS CATALOGUE

PART No.	GROUP	PART No.	GROUP	PART No.	GROUP	PART No.	GROUP	PART No.	GROUP	PART No.	GROUP
7409968	0.937	7410233	7.836	7410527	2.682	7410821	6.886	7411158	5.545	7411433	12.428
7409972	2.275	7410234	7.836	7410528	2.682	7410825	11.216	7411169	12.240	7411434	12.428
7409978	4.342	7410235	12.112	7410529	2.679	7410828	10.681	7411172	8.823	7411435	1.266
7409979	4.103	7410236	12.112	7410530	2.687	7410830	12.980	7411173	4.338	7411437	12.269
7409984	12.182	7410247	7.831	7410533	8.013	7410830	14.685	7411180	14.764	7411440	6.008
7409985	12.182	7410250	10.159	7410542	1.268	7410830	14.760	7411181	14.764	7411441	6.008
7409987	2.277	7410257	10.158	7410543	1.268	7410834	11.207	7411182	14.760	7411456	12.075
7409989	2.317	7410263	7.831	7410544	1.268	7410839	11.216	7411193	10.829	7411457	12.075
7409990	1.270	7410264	7.503	7410545	1.268	7410840	11.216	7411194	10.829	7411458	12.075
7409991	9.743	7410276	14.686	7410546	1.268	7410842	7.503	7411200	12.240	7411459	12.075
7410004	5.858	7410277	14.686	7410558	12.951	7410843	7.503	7411208	12.240	7411460	12.075
7410009	8.112	7410279	4.019	7410576	11.611	7410852	11.200	7411216	12.948	7411467	12.116
7410010	8.112	7410279	4.020	7410588	12.196	7410858	12.428	7411221	12.951	7411469	7.370
7410011	12.971	7410279	4.040	7410612	12.811	7410872	12.237	7411240	12.942	7411492	12.913
7410012	8.161	7410280	4.020	7410624	12.948	7410881	4.018	7411241	12.942	7411510	12.940
7410013	8.161	7410281	7.503	7410625	12.948	7410885	11.089	7411244	12.810	7411555	7.833
7410016	12.980	7410282	12.948	7410626	10.261	7410886	11.089	7411246	12.942	7411556	7.833
7410017	12.980	7410283	12.948	7410632	2.188	7410893	10.741	7411248	12.269	7411557	7.833
7410018	12.805	7410290	11.373	7410633	2.333	7410896	10.829	7411259	1.268	7411568	8.132
7410019	0.929	7410293	12.114	7410634	2.333	7410897	10.829	7411260	1.268	7411585	14.694
7410019	4.685	7410294	13.090	7410635	3.001	7410899	10.829	7411261	1.268	7411586	14.694
7410030	10.686	7410295	12.114	7410641	3.003	7410902	10.827	7411262	1.268	7411587	14.768
7410031	10.686	7410296	12.114	7410643	3.158	7410903	10.822	7411263	1.268	7411588	14.768
7410034	3.158	7410305	1.516	7410645	3.107	7410904	10.822	7411267	12.247	7411591	14.770
7410036	5.188	7410340	10.155	7410647	12.116	7410907	10.759	7411281	14.691	7411592	14.770
7410038	3.202	7410346	12.242	7410651	2.555	7410910	11.630	7411282	14.691	7411597	12.212
7410038	4.685	7410349	12.242	7410651	8.798	7410911	11.630	7411284	12.428	7411598	12.206
7410041	12.966	7410350	12.195	7410651	10.270	7410920	3.158	7411285	12.428	7411621	12.206
7410042	12.966	7410351	12.982	7410651	12.277	7410930	12.940	7411294	11.207	7411622	8.055
7410046	4.680	7410353	7.632	7410651	13.092	7410931	12.940	7411295	11.204	7411623	12.195
7410052	12.112	7410356	2.561	7410654	7.503	7410933	10.147	7411300	12.956	7411627	12.237
7410059	10.261	7410356	13.092	7410656	10.701	7410934	10.147	7411301	12.956	7411628	12.186
7410061	10.261	7410357	12.182	7410667	7.242	7410935	11.634	7411304	0.386	7411629	12.241
7410063	12.112	7410360	2.555	7410668	7.242	7410943	12.178	7411305	0.423	7411630	11.612
7410066	8.132	7410360	13.092	7410671	12.180	7410952	4.686	7411307	12.956	7411631	11.612
7410067	8.132	7410362	7.370	7410672	7.240	7410954	12.491	7411308	12.956	7411640	12.207
7410071	7.629	7410363	12.580	7410673	7.241	7410955	12.491	7411311	12.184	7411657	1.268
7410073	2.483	7410374	11.204	7410673	7.241	7410959	12.955	7411313	4.826	7411660	12.972
7410080	12.182	7410377	11.581	7410675	12.948	7410962	12.955	7411320	12.956	7411673	12.956
7410081	12.182	7410380	12.179	7410677	0.646	7410963	12.491	7411323	15.280	7411681	1.268
7410106	2.459	7410388	6.521	7410678	10.681	7410964	12.491	7411324	1.266	7411682	1.268
7410108	15.306	7410389	13.092	7410680	7.632	7410965	11.634	7411326	14.880	7411683	1.268
7410109	15.306	7410391	2.897	7410681	4.826	7410969	14.764	7411333	12.942	7411686	1.268
7410110	2.485	7410398	0.623	7410685	6.168	7410984	15.306	7411338	12.203	7411688	1.268
7410110	2.555	7410400	6.509	7410686	6.168	7410996	14.866	7411339	12.203	7411689	1.268
7410124	12.116	7410404	4.685	7410689	0.449	7410997	14.866	7411346	12.205	7411745	10.701
7410126	12.116	7410406	4.685	7410690	6.164	7411006	8.000	7411347	12.205	7411748	14.880
7410127	8.132	7410408	4.685	7410696	10.670	7411008	12.948	7411348	12.195	7411755	14.685
7410127	12.116	7410410	4.351	7410697	10.670	7411009	12.948	7411349	12.195	7411760	12.948
7410127	12.118	7410411	4.685	7410702	12.179	7411012	11.632	7411350	12.195	7411761	12.948
7410128	8.304	7410421	2.895	7410703	11.204	7411013	11.632	7411357	14.640	7411762	12.948
7410128	12.116	7410423	12.184	7410704	11.204	7411019	9.743	7411358	12.955	7411763	12.948
7410128	12.118	7410427	7.852	7410705	11.204	7411027	12.184	7411359	8.132	7411769	7.833
7410128	12.183	7410432	12.203	7410716	15.492	7411031	15.024	7411360	8.132	7411778	3.402
7410132	5.812	7410433	12.203	7410727	6.361	7411035	15.100	7411361	12.112	7411780	1.268
7410133	10.664	7410436	12.982	7410728	10.741	7411036	14.691	7411362	12.112	7411781	1.268
7410139	12.075	7410444	2.681	7410729	10.219	7411037	14.691	7411366	12.114	7411787	3.201
7410140	12.075	7410445	2.683	7410730	10.219	7411041	14.685	7411367	12.114	7411789	3.201
7410144	0.846	7410446	2.660	7410731	10.203	7411043	3.163	7411368	12.114	7411793	3.201
7410145	0.844	7410447	2.697	7410738	7.370	7411044	14.818	7411369	12.114	7411799	2.725
7410146	0.845	7410448	2.679	7410747	10.694	7411045	14.818	7411370	12.116	7411802	3.640
7410161	12.984	7410449	2.681	7410748	10.694	7411046	14.818	7411372	10.256	7411804	0.837
7410162	12.984	7410459	2.683	7410755	12.491	7411047	14.818	7411374	11.015	7411804	4.636
7410167	11.420	7410469	0.929	7410756	12.491	7411048	14.818	7411375	11.015	7411806	8.039
7410190	14.818	7410472	7.831	7410759	12.491	7411049	12.982	7411379	15.390	7411807	8.039
7410191	14.818	7410473	7.831	7410760	12.491	7411057	12.956	7411380	15.390	7411808	8.039
7410194	7.831	7410474	7.836	7410766	0.927	7411058	12.956	7411385	12.951	7411809	8.039
7410195	7.831	7410475	7.836	7410766	4.686	7411112	0.906	7411386	11.011	7411810	8.039
7410196	12.801	7410476	7.865	7410775	11.216	7411112	4.650	7411387	11.011	7411811	8.039
7410196	14.691	7410477	12.212	7410776	4.680	7411121	8.823	7411388	3.616	7411823	2.596
7410196	14.764	7410478	7.852	7410780	11.614	7411130	12.242	7411389	8.144	7411825	2.596
7410196	14.818	7410478	12.212	7410781	11.614	7411135	12.952	7411390	8.144	7411834	11.561
7410197	12.116	7410480	3.705	7410786	12.944	7411137	4.686	7411396	12.950	7411835	11.561
7410198	12.116	7410501	12.242	7410787	12.944	7411138	12.242	7411400	12.116	7411838	6.008
7410212	2.555	7410514	12.269	7410791	12.966	7411139	0.907	7411403	12.491	7411839	6.008
7410212	4.342	7410516	2.585	7410792	12.944	7411139	4.651	7411404	12.491	7411840	6.008
7410212	8.798	7410517	2.599	7410793	12.944	7411140	14.818	7411410	12.116	7411841	6.008
7410218	0.844	7410520	12.205	7410794	5.043	7411141	14.818	7411417	12.114	7411847	2.705
7410219	6.526	7410521	2.728	7410812	15.294	7411142	14.818	7411421	12.182	7411848	2.714
7410220	2.555	7410522	2.735	7410817	12.238	7411149	12.241	7411423	12.944	7411849	0.921
		7410523	7.865	7410818	12.238	7411150	12.241	7411424	12.944		

HOLDEN

MASTER PARTS CATALOGUE



PART No.	GROUP	PART No.	GROUP	PART No.	GROUP	PART No.	GROUP	PART No.	GROUP	PART No.	GROUP
7411849	4.662	7412125	0.830	7412383	7.503	7412632	11.614	7412863	4.658	7413031	2.342
7411850	4.639	7412134	8.132	7412386	7.503	7412633	11.614	7412866	2.333	7413031	2.555
7411868	12.804	7412134	12.112	7412388	7.545	7412634	10.159	7412867	12.112	7413031	4.342
7411871	3.522	7412134	12.116	7412389	7.552	7412636	8.024	7412868	12.112	7413032	2.555
7411872	2.488	7412134	12.121	7412396	7.118	7412636	12.212	7412869	14.818	7413032	3.202
7411889	12.116	7412134	12.183	7412402	7.529	7412637	8.024	7412870	10.262	7413032	4.342
7411889	12.238	7412136	6.214	7412404	4.670	7412640	8.161	7412875	2.333	7413032	13.092
7411890	9.743	7412140	14.640	7412405	5.017	7412641	8.161	7412878	11.420	7413033	12.913
7411910	11.611	7412142	10.159	7412406	5.017	7412655	Acc/P	7412886	12.013	7413034	12.913
7411913	2.586	7412143	1.270	7412414	5.001	7412660	8.132	7412889	12.951	7413039	11.015
7411914	2.586	7412146	2.810	7412415	5.001	7412660	12.112	7412894	10.159	7413040	11.015
7411915	2.589	7412147	4.667	7412416	5.001	7412660	12.114	7412895	10.159	7413043	11.373
7411916	2.589	7412148	4.668	7412418	4.665	7412660	12.116	7412898	12.980	7413048	11.374
7411917	2.599	7412153	12.491	7412419	4.665	7412661	8.132	7412899	12.980	7413048	11.420
7411918	12.966	7412154	12.491	7412421	5.017	7412662	8.132	7412901	8.000	7413048	11.611
7411920	5.510	7412156	8.024	7412422	5.017	7412664	11.374	7412902	7.831	7413048	11.629
7411921	5.517	7412163	15.036	7412449	7.518	7412667	2.198	7412903	7.831	7413051	11.374
7411926	10.027	7412174	11.208	7412450	7.518	7412671	15.280	7412907	10.256	7413052	12.174
7411927	12.182	7412175	11.208	7412451	6.021	7412684	1.270	7412908	11.420	7413053	12.174
7411928	8.132	7412176	11.207	7412452	6.164	7412685	1.270	7412909	10.261	7413054	12.174
7411930	12.237	7412179	12.807	7412457	6.203	7412689	8.154	7412926	11.561	7413057	15.492
7411931	14.685	7412213	14.860	7412459	6.164	7412690	8.154	7412927	11.561	7413067	14.860
7411933	14.760	7412214	14.860	7412465	6.361	7412691	2.728	7412928	12.112	7413068	14.860
7411935	15.287	7412233	14.860	7412469	6.210	7412700	10.652	7412929	12.112	7413069	12.116
7411939	2.590	7412234	14.860	7412470	14.640	7412701	10.652	7412930	12.112	7413070	12.116
7411944	10.701	7412238	2.333	7412474	7.241	7412703	10.650	7412931	12.112	7413071	10.252
7411945	10.701	7412247	10.686	7412476	6.020	7412704	10.650	7412932	4.342	7413072	10.252
7411946	10.759	7412248	10.686	7412477	6.020	7412705	4.003	7412938	Acc./H	7413073	14.651
7411947	10.759	7412249	10.686	7412484	8.130	7412706	12.176	7412940	3.521	7413074	14.651
7411953	10.759	7412250	10.686	7412485	8.130	7412707	12.176	7412941	10.606	7413091	12.944
7411959	11.204	7412253	10.694	7412486	8.130	7412710	4.685	7412944	12.010	7413092	12.944
7411960	2.555	7412254	10.694	7412493	10.791	7412712	2.859	7412949	10.230	7413093	12.971
7411961	2.555	7412262	12.971	7412494	10.791	7412713	4.685	7412950	8.000	7413094	12.805
7411963	2.485	7412263	12.971	7412495	10.660	7412714	2.561	7412952	2.561	7413095	12.805
7411964	2.485	7412264	3.725	7412496	10.660	7412715	4.685	7412953	2.555	7413098	12.803
7411965	8.130	7412265	Acc./L	7412503	10.219	7412716	9.787	7412954	2.555	7413159	2.897
7411986	11.207	7412265	2.697	7412511	10.454	7412717	4.685	7412955	2.895	7413160	Acc./T
7411994	12.181	7412276	12.942	7412512	10.454	7412720	4.686	7412956	12.184	7413160	2.895
7412001	0.902	7412277	12.942	7412515	9.127	7412721	4.685	7412957	12.184	7413184	12.952
7412003	0.005	7412278	15.224	7412529	2.555	7412723	4.685	7412958	2.893	7413185	9.743
7412004	0.004	7412284	7.112	7412533	10.093	7412726	7.836	7412962	2.894	7413187	12.941
7412006	0.004	7412285	7.112	7412536	10.093	7412727	7.836	7412965	11.175	7413188	12.941
7412022	14.691	7412286	7.112	7412537	10.093	7412729	4.680	7412966	11.175	7413203	12.955
7412023	14.691	7412289	2.698	7412541	3.641	7412730	4.686	7412969	10.264	7413223	10.783
7412027	12.966	7412290	2.697	7412543	6.508	7412731	4.665	7412970	10.264	7413223	10.791
7412028	12.966	7412291	2.699	7412544	6.803	7412739	2.725	7412971	9.779	7413226	2.333
7412033	14.764	7412295	2.684	7412550	6.513	7412742	0.209	7412971	9.787	7413231	14.818
7412034	14.764	7412298	8.049	7412551	2.830	7412743	2.735	7412972	9.779	7413232	6.672
7412035	12.491	7412308	8.015	7412557	4.006	7412748	14.685	7412972	9.787	7413235	14.651
7412036	12.491	7412309	8.015	7412559	4.017	7412759	9.743	7412973	9.779	7413236	14.651
7412043	12.942	7412314	12.249	7412560	4.009	7412775	7.870	7412973	9.787	7413237	12.952
7412044	12.942	7412315	12.249	7412561	4.018	7412781	12.986	7412974	10.256	7413238	10.147
7412050	12.934	7412316	8.039	7412562	10.822	7412782	2.683	7412979	12.895	7413239	10.147
7412051	12.934	7412317	8.039	7412563	10.822	7412788	7.833	7412980	12.895	7413242	2.702
7412064	8.036	7412318	8.039	7412566	2.897	7412789	7.833	7412982	9.787	7413243	2.702
7412068	8.036	7412319	8.039	7412567	2.897	7412790	7.833	7412983	12.940	7413244	12.941
7412071	3.705	7412320	8.039	7412568	11.634	7412791	7.833	7412984	12.940	7413245	12.941
7412078	10.164	7412321	8.039	7412569	2.333	7412794	2.679	7412985	9.787	7413250	9.743
7412079	3.522	7412322	11.628	7412570	2.333	7412798	1.266	7412986	9.779	7413251	3.001
7412080	2.488	7412323	14.640	7412571	2.333	7412806	6.761	7412986	9.787	7413252	3.003
7412081	2.198	7412335	12.184	7412584	1.286	7412807	4.639	7412987	5.858	7413255	12.952
7412082	2.486	7412337	15.100	7412587	12.940	7412809	10.164	7412988	9.787	7413257	12.269
7412089	10.783	7412338	15.100	7412590	12.940	7412812	11.011	7412989	2.810	7413261	12.942
7412090	10.783	7412339	10.092	7412591	12.940	7412813	11.011	7412995	12.116	7413268	12.956
7412091	12.971	7412346	15.100	7412592	7.545	7412814	10.694	7412996	12.116	7413273	12.956
7412092	14.862	7412349	10.187	7412593	7.552	7412815	10.694	7412997	12.980	7413274	12.956
7412093	10.092	7412350	8.132	7412594	9.785	7412818	0.349	7412998	12.980	7413276	12.956
7412094	11.207	7412350	12.183	7412599	8.153	7412821	0.366	7413003	11.420	7413278	12.075
7412100	10.696	7412351	12.184	7412604	7.836	7412822	0.353	7413004	11.420	7413278	12.116
7412101	10.685	7412352	11.208	7412605	7.836	7412823	0.349	7413007	10.260	7413278	12.183
7412102	10.681	7412353	11.208	7412606	4.625	7412831	1.159	7413012	11.175	7413286	15.306
7412108	3.003	7412358	1.762	7412607	1.268	7412838	0.519	7413013	11.175	7413293	12.952
7412109	3.001	7412359	11.610	7412608	7.828	7412848	8.161	7413014	11.179	7413296	1.064
7412110	10.701	7412371	10.694	7412609	7.828	7412849	8.161	7413015	11.179	7413312	15.286
7412111	10.701	7412372	10.694	7412612	7.828	7412850	10.268	7413016	12.913	7413340	2.705
7412112	10.701	7412373	12.184	7412613	10.163	7412852	0.636	7413020	2.297	7413343	7.828
7412112	10.759	7412374	12.184	7412618	6.760	7412855	0.353	7413021	5.809	7413344	7.828
7412113	8.798	7412376	12.184	7412620	6.760	7412856	0.353	7413024	12.801	7413354	9.743
7412113	12.803	7412377	12.186	7412623	10.710	7412860	3.521	7413028	4.403		



HOLDEN

MASTER PARTS CATALOGUE

PART No.	GROUP	PART No.	GROUP	PART No.	GROUP	PART No.	GROUP	PART No.	GROUP	PART No.	GROUP
7413358	12.934	7413693	2.681	7414067	12.116	7414525	10.146	7414835	12.972	7415101	12.980
7413366	15.000	7413708	1.268	7414069	15.100	7414539	15.390	7414836	12.972	7415102	12.980
7413368	3.616	7413709	1.268	7414070	15.100	7414540	15.390	7414840	7.112	7415109	12.971
7413369	3.705	7413710	1.268	7414075	1.840	7414544	2.679	7414841	7.112	7415110	12.971
7413370	2.555	7413711	1.268	7414076	1.840	7414545	2.698	7414851	15.306	7415113	12.895
7413370	8.798	7413713	1.268	7414084	1.840	7414584	12.116	7414853	15.306	7415114	12.895
7413370	10.270	7413714	1.268	7414097	12.913	7414585	12.116	7414869	3.431	7415132	12.187
7413370	13.092	7413715	1.268	7414098	12.913	7414587	14.768	7414872	3.431	7415133	12.187
7413380	14.685	7413717	14.651	7414100	12.940	7414588	14.641	7414873	3.431	7415134	7.828
7413381	14.685	7413718	14.651	7414101	12.940	7414588	14.694	7414874	12.982	7415135	7.828
7413382	14.760	7413721	12.242	7414105	15.036	7414593	3.402	7414875	0.907	7415146	11.178
7413383	14.760	7413722	12.242	7414112	12.248	7414606	14.651	7414875	4.651	7415149	12.184
7413384	11.207	7413724	12.241	7414113	12.248	7414607	12.491	7414876	7.545	7415150	7.241
7413385	10.092	7413733	12.951	7414133	15.280	7414611	8.132	7414877	7.552	7415152	12.940
7413400	5.858	7413739	12.118	7414137	15.280	7414611	12.116	7414889	11.928	7415153	12.940
7413404	6.326	7413761	2.830	7414142	2.589	7414611	12.183	7414890	3.431	7415156	12.940
7413406	6.311	7413769	12.956	7414143	2.590	7414616	12.237	7414895	6.023	7415157	12.940
7413409	6.313	7413782	14.760	7414144	2.596	7414620	2.555	7414896	6.023	7415158	12.934
7413415	6.020	7413783	14.760	7414145	11.960	7414620	3.202	7414899	8.143	7415159	12.934
7413416	6.020	7413793	12.955	7414152	2.586	7414623	12.241	7414899	8.304	7415160	12.944
7413419	12.935	7413801	12.178	7414153	2.586	7414624	12.241	7414900	8.143	7415161	12.944
7413423	12.178	7413802	12.178	7414155	10.252	7414629	9.779	7414900	8.304	7415166	9.786
7413424	12.941	7413813	12.948	7414157	12.802	7414636	9.779	7414901	12.981	7415172	11.179
7413425	12.941	7413819	14.866	7414160	12.802	7414644	12.241	7414903	9.779	7415173	11.179
7413430	15.306	7413820	14.866	7414171	1.268	7414645	2.725	7414903	9.787	7415179	7.865
7413443	12.428	7413832	12.179	7414173	Acc./L	7414648	4.019	7414904	12.114	7415180	7.865
7413444	12.428	7413841	14.860	7414173	9.709	7414649	4.019	7414905	12.114	7415184	2.895
7413445	12.075	7413843	10.150	7414175	Acc./W	7414650	4.019	7414906	3.275	7415185	2.596
7413446	12.075	7413844	12.958	7414177	10.686	7414652	4.019	7414907	12.114	7415189	3.616
7413447	12.182	7413847	12.195	7414178	10.686	7414654	4.019	7414908	12.112	7415190	4.018
7413448	7.852	7413847	14.818	7414179	10.829	7414656	12.557	7414908	12.114	7415192	3.001
7413449	7.852	7413849	2.277	7414180	10.829	7414665	14.651	7414910	12.186	7415195	12.934
7413452	7.852	7413850	12.491	7414181	10.686	7414666	1.251	7414913	12.186	7415204	5.387
7413453	7.852	7413851	11.216	7414182	10.686	7414667	0.289	7414917	12.184	7415210	10.701
7413455	12.941	7413852	11.216	7414183	10.829	7414680	9.779	7414918	12.184	7415210	10.759
7413456	12.941	7413853	11.216	7414184	10.829	7414681	9.779	7414919	12.184	7415211	3.451
7413468	12.944	7413857	15.306	7414185	10.829	7414687	14.685	7414920	12.184	7415221	10.701
7413469	12.944	7413862	10.159	7414186	10.829	7414688	14.685	7414929	6.008	7415222	10.701
7413482	8.010	7413863	12.952	7414191	4.007	7414689	14.760	7414931	14.640	7415227	11.208
7413486	13.090	7413887	12.428	7414192	4.007	7414690	14.760	7414932	14.640	7415228	11.208
7413487	13.090	7413888	12.428	7414198	3.410	7414691	14.685	7414933	14.640	7415229	11.208
7413488	2.555	7413898	11.373	7414199	3.410	7414692	14.685	7414934	14.640	7415230	11.208
7413489	2.555	7413918	11.610	7414203	8.132	7414693	14.760	7414939	14.800	7415231	15.036
7413495	15.294	7413919	11.628	7414256	10.185	7414694	14.760	7414963	15.100	7415233	15.036
7413515	10.681	7413920	Acc./S	7414257	4.007	7414699	14.691	7414964	15.100	7415252	12.803
7413529	2.555	7413922	12.948	7414258	6.671	7414698	14.691	7414965	2.188	7415263	3.431
7413534	10.701	7413925	12.952	7414259	14.802	7414698	14.764	7414967	4.685	7415268	12.805
7413540	8.823	7413927	11.204	7414260	11.179	7414699	14.764	7414968	4.685	7415272	10.307
7413541	8.823	7413928	11.204	7414261	11.179	7414703	8.798	7414969	12.276	7415274	10.308
7413543	6.223	7413929	11.204	7414261	11.175	7414706	4.610	7414970	15.100	7415275	10.308
7413545	12.112	7413959	12.952	7414291	11.175	7414709	2.697	7414971	15.100	7415276	10.307
7413545	12.114	7413966	11.015	7414300	3.430	7414711	12.491	7414972	15.100	7415277	10.307
7413554	12.801	7413967	11.015	7414307	12.269	7414712	12.491	7414973	15.100	7415278	10.456
7413567	12.895	7413977	12.810	7414312	15.100	7414714	10.093	7414982	2.341	7415282	10.460
7413568	12.895	7413981	12.934	7414313	15.100	7414715	10.093	7414992	2.697	7415286	10.606
7413588	10.159	7413982	12.934	7414318	2.198	7414719	10.093	7415009	2.679	7415290	3.107
7413589	10.159	7413984	3.431	7414329	6.670	7414721	10.093	7415010	7.865	7415329	7.852
7413590	10.163	7413986	3.430	7414330	12.178	7414722	10.093	7415016	4.019	7415337	6.760
7413591	12.952	7413987	3.430	7414331	12.178	7414723	11.207	7415035	14.818	7415338	6.760
7413595	12.184	7413990	12.195	7414334	12.116	7414741	0.679	7415040	10.150	7415339	6.508
7413598	12.948	7413991	12.195	7414336	12.116	7414742	0.027	7415042	3.260	7415340	9.127
7413599	12.948	7413992	12.195	7414360	0.736	7414743	0.027	7415042	9.779	7415341	1.268
7413602	12.948	7414003	15.100	7414361	6.670	7414744	10.185	7415047	9.779	7415342	1.268
7413603	12.948	7414004	15.100	7414363	2.820	7414746	14.691	7415048	9.779	7415342	12.182
7413608	14.686	7414006	12.237	7414365	2.895	7414747	14.691	7415049	10.783	7415343	1.268
7413609	14.686	7414009	12.491	7414386	1.270	7414752	8.022	7415050	10.783	7415344	12.182
7413624	12.948	7414010	12.491	7414394	12.182	7414763	12.986	7415052	9.779	7415344	12.182
7413625	12.948	7414012	12.428	7414397	10.694	7414764	12.986	7415052	9.779	7415345	12.182
7413631	Acc./H	7414013	11.207	7414398	10.694	7414778	14.630	7415063	12.203	7415345	12.182
7413631	2.810	7414015	12.269	7414400	10.529	7414779	11.561	7415064	12.203	7415345	12.182
7413636	12.951	7414016	12.269	7414401	4.342	7414785	8.144	7415070	2.679	7415345	12.182
7413638	7.852	7414024	3.431	7414409	2.041	7414786	8.144	7415071	2.684	7415345	12.182
7413640	12.950	7414025	12.272	7414410	2.041	7414797	12.951	7415072	2.682	7415346	1.268
7413657	14.800	7414026	14.651	7414418	14.651	7414798	12.951	7415073	2.698	7415346	12.182
7413672	15.000	7414027	14.651	7414422	12.491	7414813	12.982	7415079	10.685	7415348	7.831
7413676	12.237	7414041	12.180	7414425	10.694	7414814	2.500	7415079	10.747	7415353	5.822
7413683	2.728	7414059	15.308	7414426	10.694	7414815	2.679	7415084	12.934	7415354	12.184
7413686	2.586	7414063	15.100	7414428	8.820	7414816	7.118	7415085	12.934	7415355	12.184
7413687	2.586	7414064	15.100	7414487	2.275	7414817	7.118	7415097	10.791	7415367	8.015
7413690	2.679	7414066	12.116	7414522	12.116	7414830	12.982	7415098	10.791	7415368	8.015
				7414523	1.069	7414831	12.982				

HOLDEN

MASTER PARTS CATALOGUE



PART No.	GROUP	PART No.	GROUP	PART No.	GROUP	PART No.	GROUP	PART No.	GROUP	PART No.	GROUP
7415379	12.966	7415653	3.202	7415914	8.153	7416243	12.942	7416532	11.207	7416744	10.829
7415387	4.700	7415653	4.685	7415936	10.822	7416249	12.180	7416535	12.803	7416745	10.829
7415388	4.700	7415654	4.685	7415937	0.533	7416253	12.956	7416538	11.015	7416746	0.683
7415392	12.934	7415658	3.163	7415938	8.079	7416254	12.956	7416539	11.015	7416749	0.666
7415393	12.934	7415659	3.158	7415943	3.900	7416255	10.686	7416540	2.750	7416754	3.616
7415394	12.934	7415664	12.941	7415944	15.286	7416256	10.686	7416542	2.596	7416758	4.006
7415397	12.183	7415665	12.941	7415959	12.955	7416257	10.686	7416546	12.242	7416760	10.164
7415398	2.892	7415674	6.758	7415960	12.955	7416258	10.686	7416552	12.242	7416761	2.486
7415403	6.807	7415676	0.929	7415961	12.955	7416267	12.179	7416558	12.249	7416762	3.521
7415408	10.093	7415676	4.685	7415963	12.075	7416269	0.027	7416559	12.249	7416772	2.830
7415409	10.093	7415679	1.516	7415964	12.075	7416273	0.027	7416560	12.249	7416773	6.513
7415410	10.093	7415681	1.516	7415965	10.658	7416274	5.026	7416564	3.521	7416774	10.352
7415411	10.093	7415686	4.681	7415966	5.858	7416275	5.026	7416565	11.632	7416782	2.830
7415412	10.093	7415689	2.361	7415969	12.184	7416276	2.670	7416566	4.007	7416790	12.956
7415413	10.093	7415695	0.830	7415970	1.266	7416278	4.339	7416568	6.803	7416794	12.956
7415414	10.093	7415696	4.019	7415977	14.651	7416280	11.420	7416579	11.630	7416796	11.589
7415415	10.093	7415699	4.018	7415978	14.651	7416281	11.420	7416580	11.630	7416801	11.634
7415420	6.822	7415700	4.103	7415979	14.651	7416282	10.686	7416583	2.683	7416802	11.634
7415421	6.850	7415710	3.705	7415980	14.651	7416283	10.686	7416587	8.154	7416808	7.870
7415422	1.263	7415718	6.850	7415981	14.651	7416287	2.705	7416588	8.154	7416810	8.130
7415429	7.831	7415719	6.513	7415982	14.651	7416288	2.705	7416590	8.820	7416811	8.130
7415438	12.811	7415720	6.870	7415983	14.651	7416290	11.588	7416599	14.651	7416819	1.266
7415439	12.811	7415735	4.826	7415984	14.651	7416291	0.426	7416600	14.651	7416826	4.019
7415440	12.941	7415738	4.591	7415999	12.186	7416292	0.459	7416601	14.651	7416830	4.019
7415441	12.941	7415746	4.595	7416006	2.198	7416300	10.159	7416602	14.651	7416831	4.007
7415452	12.982	7415747	4.834	7416009	8.144	7416304	10.152	7416603	11.611	7416834	6.803
7415456	10.827	7415749	0.830	7416013	8.077	7416305	10.152	7416604	11.611	7416838	4.041
7415457	10.822	7415749	4.625	7416018	12.195	7416310	12.980	7416605	11.611	7416840	6.850
7415458	12.184	7415754	4.625	7416019	12.195	7416312	1.270	7416607	1.268	7416845	10.252
7415459	12.184	7415755	4.625	7416020	12.195	7416313	1.270	7416608	1.268	7416845	10.261
7415460	10.827	7415758	0.833	7416024	10.669	7416321	14.818	7416609	1.268	7416846	10.829
7415462	7.831	7415758	4.634	7416025	10.669	7416326	2.500	7416610	2.679	7416847	10.829
7415463	7.831	7415760	0.918	7416026	10.669	7416332	12.941	7416611	2.679	7416848	10.829
7415464	12.112	7415760	4.658	7416027	10.669	7416333	12.941	7416617	12.940	7416849	10.829
7415467	11.561	7415761	0.920	7416039	12.242	7416341	10.686	7416618	12.940	7416854	10.710
7415493	10.450	7415761	4.662	7416055	12.986	7416343	13.090	7416619	12.237	7416855	10.710
7415494	10.450	7415762	0.844	7416056	12.986	7416344	12.247	7416630	2.275	7416856	12.075
7415515	8.079	7415762	4.639	7416057	12.986	7416345	11.420	7416637	2.555	7416857	11.610
7415516	1.270	7415771	4.686	7416058	12.986	7416346	10.696	7416638	2.555	7416858	12.240
7415519	8.077	7415772	4.685	7416062	2.700	7416347	13.090	7416639	2.555	7416860	9.779
7415519	14.630	7415779	7.828	7416066	12.178	7416350	10.664	7416643	12.580	7416860	9.787
7415530	8.015	7415780	7.828	7416068	8.076	7416351	10.664	7416644	10.670	7416864	11.634
7415533	10.454	7415792	3.003	7416069	10.741	7416362	11.373	7416645	10.670	7416866	12.242
7415537	6.761	7415802	12.982	7416073	8.009	7416373	2.274	7416646	10.252	7416882	2.820
7415550	12.804	7415807	12.972	7416075	12.580	7416374	0.004	7416647	10.252	7416885	11.629
7415551	12.966	7415810	4.050	7416091	8.075	7416398	10.187	7416648	10.256	7416886	10.163
7415552	10.701	7415811	4.050	7416106	12.114	7416418	8.132	7416649	10.252	7416890	11.629
7415554	10.759	7415812	4.301	7416111	11.611	7416419	8.154	7416662	1.159	7416892	10.500
7415559	8.085	7415821	11.561	7416113	10.159	7416420	8.049	7416663	1.219	7416893	10.500
7415562	2.424	7415827	4.019	7416125	10.159	7416423	8.055	7416673	12.182	7416898	10.516
7415563	2.424	7415827	4.020	7416126	10.159	7416424	8.055	7416674	12.182	7416899	10.516
7415573	12.242	7415827	4.050	7416135	10.307	7416425	14.651	7416675	12.182	7416899	10.516
7415587	2.555	7415827	4.301	7416145	12.180	7416428	12.112	7416676	12.182	7416900	10.563
7415590	3.201	7415827	4.302	7416146	10.694	7416429	12.112	7416677	12.182	7416901	10.563
7415598	12.491	7415832	0.929	7416147	10.694	7416430	14.651	7416678	12.182	7416902	10.506
7415599	12.491	7415836	4.019	7416150	10.660	7416438	8.132	7416681	12.181	7416903	10.556
7415600	8.132	7415839	4.826	7416151	10.660	7416439	8.132	7416682	5.858	7416908	9.787
7415601	8.132	7415847	13.090	7416154	1.268	7416444	3.705	7416683	3.521	7416910	9.787
7415604	12.112	7415849	4.342	7416155	1.268	7416445	12.952	7416688	10.151	7416911	9.787
7415606	12.114	7415854	12.971	7416175	12.944	7416458	10.829	7416686	10.829	7416912	10.261
7415607	12.114	7415856	8.132	7416178	12.966	7416459	10.829	7416687	10.829	7416915	14.818
7415608	12.116	7415857	8.132	7416180	12.181	7416468	12.491	7416688	10.829	7416916	14.818
7415610	8.132	7415858	12.112	7416182	11.011	7416469	12.491	7416692	2.725	7416917	14.818
7415610	12.112	7415865	12.942	7416196	8.112	7416472	12.491	7416695	4.006	7416918	14.818
7415610	12.114	7415866	12.942	7416197	8.112	7416473	12.491	7416696	12.116	7416919	14.818
7415612	12.114	7415873	10.571	7416201	2.277	7416476	11.204	7416697	10.664	7416920	11.629
7415616	12.184	7415873	10.571	7416209	3.111	7416477	9.743	7416699	12.184	7416921	10.650
7415625	7.836	7415874	12.242	7416210	10.694	7416479	10.093	7416700	4.338	7416922	10.650
7415626	7.836	7415882	0.027	7416211	10.694	7416494	11.208	7416704	4.018	7416924	5.441
7415627	3.609	7415887	2.679	7416215	10.261	7416501	12.951	7416705	4.686	7416930	11.589
7415630	4.591	7415887	2.725	7416222	14.655	7416502	12.951	7416713	10.710	7416931	10.829
7415631	3.705	7415891	3.003	7416223	14.655	7416521	10.027	7416714	10.710	7416932	10.829
7415640	4.301	7415894	0.443	7416230	14.860	7416522	11.611	7416717	11.207	7416936	11.634
7415646	4.685	7415895	10.454	7416231	14.860	7416526	6.758	7416720	12.075	7416937	11.634
7415647	4.685	7415896	10.450	7416236	2.596	7416527	6.758	7416721	12.075	7416939	11.611
7415648	4.685	7415902	10.263	7416237	2.487	7416528	12.184	7416740	10.652	7416940	12.242
7415649	4.685	7415905	11.374	7416240	14.860	7416529	12.184	7416741	10.652	7416941	12.242
7415652	4.685	7415905	11.629	7416241	14.860	7416530	10.092	7416742	15.294	7416947	8.132
		7415906	3.705	7416242	12.942	7416531	11.207	7416743	6.008	7416948	8.130



HOLDEN

MASTER PARTS CATALOGUE

PART No.	GROUP	PART No.	GROUP	PART No.	GROUP	PART No.	GROUP	PART No.	GROUP	PART No.	GROUP
7416957	11.628	7417284	10.571	7417505	14.655	7417676	4.301	7417923	4.046	7418228	14.890
7416958	12.940	7417285	10.571	7417506	14.655	7417679	4.311	7417925	4.020	7418231	12.428
7416959	12.940	7417286	10.571	7417507	14.655	7417680	4.309	7417927	12.982	7418232	12.428
7416962	12.940	7417298	13.092	7417517	10.512	7417681	4.309	7417928	4.019	7418236	12.179
7416963	12.940	7417299	12.241	7417518	10.512	7417682	4.109	7417931	4.020	7418246	12.179
7417026	10.563	7417300	12.241	7417529	12.803	7417684	4.337	7417932	4.019	7418247	2.689
7417027	10.563	7417301	12.212	7417530	13.090	7417685	4.342	7417933	4.050	7418248	2.689
7417029	12.206	7417303	12.237	7417533	10.151	7417686	4.338	7417934	4.302	7418267	2.830
7417030	10.256	7417304	12.237	7417548	15.306	7417687	4.337	7417935	4.301	7418268	2.830
7417048	9.743	7417307	12.242	7417549	15.306	7417701	5.815	7417940	4.105	7418271	4.007
7417049	12.269	7417308	12.242	7417552	12.803	7417706	12.184	7417941	10.230	7418272	4.007
7417051	12.269	7417310	12.237	7417557	15.390	7417707	14.802	7417946	12.895	7418274	4.019
7417054	12.803	7417311	12.237	7417558	15.390	7417708	15.002	7417947	12.895	7418274	4.019
7417055	10.230	7417312	12.237	7417559	10.569	7417709	12.270	7417953	12.075	7418276	7.629
7417058	10.230	7417313	12.237	7417561	12.972	7417718	12.240	7417954	12.075	7418278	6.803
7417068	10.252	7417314	12.237	7417563	12.982	7417727	Acc./T	7417957	14.687	7418283	12.948
7417069	10.252	7417324	15.312	7417564	12.972	7417728	Acc./T	7417958	14.687	7418284	12.948
7417070	10.252	7417325	15.312	7417565	12.972	7417743	2.895	7417964	14.685	7418291	12.981
7417071	10.252	7417326	13.090	7417580	12.203	7417749	9.743	7417965	14.685	7418295	12.428
7417072	10.252	7417328	12.195	7417583	15.224	7417750	9.743	7417968	6.809	7418296	12.428
7417073	10.252	7417342	4.054	7417584	3.710	7417751	9.743	7417969	12.952	7418303	12.966
7417074	10.252	7417352	12.179	7417584	3.712	7417757	3.609	7417986	12.075	7418304	12.966
7417078	12.184	7417355	2.500	7417585	3.616	7417759	3.616	7417987	12.075	7418305	12.811
7417079	0.056	7417356	12.986	7417587	3.705	7417761	3.616	7417988	12.075	7418306	12.811
7417082	3.260	7417357	12.986	7417588	3.705	7417770	4.342	7417989	12.075	7418309	12.952
7417082	9.779	7417364	10.997	7417589	3.705	7417771	4.040	7417993	10.694	7418311	5.809
7417083	9.779	7417367	11.628	7417592	3.609	7417772	4.104	7417994	10.694	7418314	4.018
7417090	12.116	7417369	14.818	7417606	12.269	7417773	4.337	7417995	10.694	7418315	4.018
7417091	12.116	7417370	14.818	7417607	12.269	7417777	4.040	7417996	12.269	7418321	12.805
7417092	12.203	7417372	14.691	7417612	2.821	7417776	4.040	7417997	12.269	7418323	7.831
7417096	10.185	7417374	14.764	7417613	14.655	7417777	4.040	7417999	12.982	7418324	7.831
7417108	12.951	7417379	14.691	7417614	14.655	7417780	4.006	7418018	1.270	7418326	12.178
7417109	12.951	7417380	14.691	7417617	12.181	7417782	0.686	7418019	1.270	7418329	0.027
7417114	12.944	7417383	14.685	7417619	4.317	7417783	0.686	7418025	2.486	7418330	0.027
7417115	12.944	7417384	14.685	7417621	4.003	7417784	6.803	7418025	3.522	7418331	10.163
7417118	12.982	7417389	14.760	7417621	4.317	7417788	4.123	7418025	10.166	7418334	4.040
7417119	12.966	7417390	14.760	7417622	4.318	7417799	2.895	7418029	6.007	7418336	4.040
7417121	12.178	7417392	15.311	7417623	0.683	7417802	2.361	7418032	12.181	7418337	12.491
7417123	10.470	7417394	15.280	7417624	0.679	7417809	4.040	7418056	12.179	7418338	12.491
7417124	10.470	7417405	12.986	7417625	0.679	7417810	3.430	7418064	2.555	7418341	4.017
7417140	12.203	7417406	12.986	7417626	0.830	7417813	4.040	7418066	2.555	7418342	10.150
7417143	12.203	7417409	8.132	7417627	0.929	7417825	4.041	7418068	0.845	7418342	10.159
7417145	12.203	7417410	8.132	7417628	0.930	7417827	4.826	7418068	4.640	7418344	4.007
7417149	6.176	7417420	11.610	7417629	0.934	7417828	4.826	7418069	2.555	7418345	14.651
7417151	6.168	7417421	10.571	7417631	0.936	7417831	4.792	7418077	2.481	7418346	14.651
7417152	6.168	7417422	10.571	7417632	0.938	7417835	4.634	7418082	1.159	7418347	4.040
7417153	6.168	7417423	10.587	7417633	0.938	7417838	4.625	7418085	3.616	7418352	7.836
7417158	12.913	7417423	12.212	7417633	0.938	7417839	4.625	7418086	3.616	7418353	7.836
7417160	12.248	7417424	4.342	7417634	0.839	7417840	4.826	7418088	12.811	7418356	10.150
7417162	10.473	7417425	9.709	7417635	0.935	7417841	12.195	7418090	11.204	7418359	12.491
7417163	10.473	7417426	15.100	7417636	0.935	7417842	12.811	7418095	2.893	7418360	12.491
7417172	4.019	7417427	15.100	7417637	0.795	7417843	12.811	7418096	2.555	7418361	12.956
7417173	12.805	7417435	10.571	7417638	0.795	7417844	12.580	7418099	2.555	7418362	12.956
7417174	12.805	7417436	10.571	7417641	0.796	7417851	12.269	7418101	10.270	7418363	10.157
7417175	1.219	7417437	10.569	7417642	0.823	7417855	4.040	7418113	14.686	7418364	10.152
7417176	11.611	7417438	10.569	7417643	0.796	7417856	4.040	7418113	14.762	7418365	10.159
7417178	2.275	7417439	1.266	7417644	0.804	7417858	0.027	7418114	14.762	7418366	10.159
7417198	11.634	7417441	8.823	7417645	0.804	7417859	0.027	7418117	11.420	7418406	12.184
7417208	8.132	7417443	10.997	7417646	0.844	7417860	0.027	7418118	10.150	7418410	12.956
7417209	1.153	7417451	2.596	7417647	0.844	7417861	0.679	7418120	2.859	7418411	12.935
7417210	3.202	7417452	2.596	7417648	4.019	7417863	12.981	7418127	2.555	7418412	12.935
7417212	2.679	7417463	10.147	7417649	4.020	7417866	4.133	7418131	1.219	7418421	12.242
7417213	2.682	7417465	12.580	7417650	4.050	7417867	4.128	7418154	15.306	7418424	12.248
7417222	12.247	7417478	2.892	7417652	4.019	7417869	4.128	7418156	15.306	7418431	15.286
7417224	6.513	7417479	10.146	7417652	4.020	7417876	2.555	7418157	15.306	7418433	12.948
7417241	13.090	7417481	4.342	7417652	4.301	7417877	2.555	7418158	15.306	7418434	12.948
7417244	11.614	7417483	3.521	7417652	4.302	7417883	2.555	7418175	4.009	7418435	12.491
7417245	11.614	7417483	4.342	7417653	4.019	7417888	12.972	7418180	2.934	7418436	12.491
7417246	12.179	7417485	2.725	7417653	4.020	7417890	12.982	7418181	12.934	7418437	10.163
7417251	2.697	7417486	3.521	7417656	4.103	7417893	12.972	7418196	6.364	7418439	4.040
7417252	10.261	7417488	10.147	7417658	4.403	7417894	12.972	7418205	12.958	7418441	11.216
7417257	12.203	7417489	10.147	7417661	4.408	7417899	11.595	7418206	3.705	7418443	11.216
7417258	12.203	7417490	1.453	7417663	4.356	7417909	12.950	7418208	12.182	7418444	11.216
7417270	12.203	7417490	1.611	7417667	4.105	7417913	4.309	7418212	12.182	7418447	4.040
7417271	12.203	7417490	4.103	7417668	4.105	7417914	4.003	7418213	4.040	7418448	3.459
7417272	2.670	7417490	4.105	7417669	4.302	7417916	0.679	7418215	11.200	7418449	10.163
7417272	12.203	7417491	12.981	7417672	4.301	7417917	4.019	7418216	11.200	7418450	12.948
7417276	10.256	7417498	11.561	7417675	4.301	7417918	0.830	7418223	12.491	7418451	12.948
		7417499	11.561	7417675	4.302	7417920	4.019	7418224	12.971	7418455	12.948
		7417504	10.150	7417675	4.309	7417923	4.019				

HOLDEN

MASTER PARTS CATALOGUE



PART No.	GROUP	PART No.	GROUP	PART No.	GROUP	PART No.	GROUP	PART No.	GROUP	PART No.	GROUP
7418456	12.948	7418697	2.714	7418898	12.944	7419186	15.036	7419384	11.613	7419607	11.175
7418457	12.944	7418698	12.237	7418899	2.555	7419187	15.036	7419386	4.680	7419608	11.175
7418458	12.944	7418699	12.237	7418900	10.159	7419188	15.036	7419387	6.758	7419609	11.179
7418459	12.951	7418700	12.237	7418904	10.150	7419189	15.036	7419395	9.779	7419610	11.179
7418460	12.951	7418701	12.237	7418908	10.152	7419190	15.002	7419396	9.779	7419612	14.655
7418466	12.982	7418702	9.709	7418909	Acc./W	7419191	15.002	7419397	2.555	7419613	14.655
7418468	12.966	7418703	2.561	7418909	10.150	7419192	2.681	7419401	3.710	7419615	14.655
7418469	3.202	7418704	9.779	7418911	3.431	7419193	7.503	7419402	3.710	7419617	14.655
7418478	10.027	7418706	9.779	7418918	Acc./L	7419194	5.805	7419403	3.710	7419618	14.655
7418479	1.270	7418708	9.779	7418918	2.697	7419196	10.556	7419405	3.712	7419619	14.655
7418480	11.204	7418709	9.779	7418929	4.610	7419201	7.118	7419406	3.712	7419620	14.655
7418481	11.204	7418710	12.249	7418934	4.610	7419202	7.118	7419411	1.066	7419622	14.655
7418482	11.204	7418720	13.092	7418936	3.003	7419211	8.079	7419412	2.049	7419623	14.655
7418483	1.219	7418724	12.948	7418943	3.431	7419214	4.640	7419414	2.051	7419624	14.655
7418484	0.844	7418725	12.948	7418945	3.430	7419217	0.833	7419424	4.304	7419625	14.655
7418486	11.178	7418726	15.000	7418947	12.944	7419217	4.634	7419425	8.798	7419626	14.655
7418487	11.178	7418727	4.038	7418948	4.040	7419218	4.040	7419427	8.798	7419627	14.655
7418488	3.201	7418728	4.038	7418949	4.040	7419219	4.040	7419445	Acc./E	7419628	14.655
7418491	12.184	7418729	10.270	7418950	4.040	7419223	4.040	7419448	3.712	7419638	4.018
7418495	8.822	7418729	11.950	7418952	4.040	7419225	4.040	7419449	3.712	7419640	4.038
7418496	12.951	7418731	4.342	7418954	4.686	7419229	10.260	7419470	7.505	7419641	4.038
7418497	12.951	7418733	3.430	7418955	4.686	7419235	14.685	7419471	7.505	7419642	4.038
7418501	2.895	7418740	4.038	7418972	10.270	7419236	14.760	7419472	7.505	7419647	14.764
7418507	12.811	7418742	0.004	7418972	11.960	7419237	14.760	7419473	7.505	7419648	14.764
7418508	12.811	7418746	4.128	7418978	3.430	7419240	4.040	7419474	7.505	7419649	14.691
7418509	2.341	7418747	0.683	7418984	8.798	7419241	1.219	7419475	7.505	7419653	12.121
7418522	4.625	7418752	12.269	7418987	3.430	7419243	1.219	7419476	7.505	7419664	14.630
7418524	4.634	7418753	12.269	7418991	3.430	7419244	1.219	7419477	7.505	7419667	Acc./C
7418525	12.980	7418754	3.430	7418993	12.944	7419245	1.219	7419478	7.505	7419667	3.403
7418526	12.956	7418755	3.430	7418997	12.944	7419246	1.219	7419479	11.611	7419668	3.403
7418527	12.956	7418757	3.430	7419000	12.952	7419250	10.308	7419480	11.629	7419671	12.972
7418528	12.491	7418761	11.207	7419006	6.760	7419251	7.629	7419481	11.420	7419675	4.016
7418529	12.491	7418762	0.005	7419015	12.955	7419252	4.685	7419495	7.506	7419676	4.016
7418530	12.948	7418773	10.159	7419016	3.003	7419256	4.040	7419496	2.485	7419680	10.373
7418531	12.948	7418774	4.128	7419017	1.660	7419258	1.159	7419497	7.506	7419693	11.628
7418539	7.865	7418776	3.616	7419018	1.426	7419259	3.701	7419498	15.036	7419697	14.762
7418544	4.610	7418777	3.616	7419020	4.040	7419260	11.634	7419503	1.516	7419698	14.762
7418544	10.270	7418778	3.616	7419021	1.652	7419266	11.614	7419508	6.886	7419699	14.763
7418544	11.950	7418780	3.616	7419027	8.798	7419269	10.710	7419509	6.886	7419700	14.763
7418544	11.960	7418782	7.829	7419028	Acc./W	7419270	10.710	7419511	10.150	7419707	14.760
7418545	5.441	7418783	7.829	7419039	2.815	7419278	2.333	7419513	12.980	7419708	14.760
7418546	0.673	7418786	7.828	7419050	4.040	7419280	11.960	7419514	15.035	7419713	10.252
7418548	5.387	7418787	7.828	7419051	4.040	7419284	11.629	7419516	10.694	7419714	10.252
7418550	12.203	7418788	7.831	7419054	4.040	7419285	11.634	7419517	10.694	7419716	2.555
7418554	12.241	7418790	0.206	7419055	4.040	7419293	4.610	7419518	10.694	7419726	14.685
7418555	12.803	7418792	0.206	7419056	4.040	7419294	7.505	7419522	5.018	7419727	14.685
7418567	12.203	7418794	0.056	7419057	4.017	7419295	7.505	7419523	5.018	7419730	11.561
7418574	6.508	7418802	4.610	7419060	4.046	7419296	7.505	7419524	5.018	7419736	5.822
7418576	4.038	7418802	10.270	7419061	4.046	7419297	7.505	7419525	4.665	7419737	5.420
7418579	12.180	7418802	11.950	7419064	1.928	7419299	9.779	7419526	4.665	7419748	2.447
7418584	12.242	7418802	11.960	7419077	3.003	7419300	9.779	7419529	2.727	7419749	3.003
7418588	11.207	7418813	1.266	7419086	12.116	7419301	12.186	7419530	1.803	7419750	4.104
7418591	12.178	7418814	1.266	7419094	4.017	7419303	9.779	7419533	1.805	7419753	15.286
7418600	14.800	7418828	4.133	7419095	4.017	7419305	4.792	7419536	2.342	7419754	15.286
7418616	15.000	7418829	13.090	7419103	3.003	7419307	4.820	7419540	5.387	7419759	12.801
7418623	12.241	7418831	10.147	7419106	12.944	7419308	4.820	7419543	5.420	7419761	12.801
7418624	12.241	7418832	10.147	7419108	10.263	7419309	4.820	7419553	1.219	7419762	11.420
7418625	12.241	7418833	4.038	7419109	10.263	7419312	4.592	7419554	12.491	7419763	11.420
7418626	12.179	7418840	12.237	7419110	10.710	7419313	4.592	7419554	12.980	7419764	11.374
7418627	12.179	7418843	7.836	7419111	10.710	7419314	4.685	7419555	10.694	7419773	3.028
7418643	2.333	7418844	7.836	7419117	4.421	7419315	4.685	7419556	15.035	7419774	9.709
7418644	2.333	7418846	4.019	7419125	9.743	7419324	5.387	7419557	2.681	7419775	9.709
7418647	2.333	7418848	4.007	7419126	9.743	7419337	Acc./S	7419558	2.681	7419777	6.513
7418651	4.342	7418850	6.008	7419128	9.743	7419338	Acc./S	7419559	2.684	7419778	4.009
7418661	3.725	7418852	8.009	7419131	2.845	7419348	13.090	7419560	2.679	7419779	8.130
7418669	15.024	7418853	8.009	7419132	Acc./H	7419351	5.002	7419561	2.682	7419780	8.130
7418670	15.024	7418854	10.256	7419132	2.810	7419352	2.410	7419562	Acc./S	7419784	4.018
7418671	15.024	7418869	8.798	7419136	6.508	7419355	12.240	7419568	8.154	7419785	4.128
7418672	15.024	7418870	8.798	7419137	6.361	7419359	6.020	7419573	5.018	7419786	4.128
7418674	15.024	7418875	4.007	7419138	6.361	7419360	6.020	7419574	3.202	7419791	3.158
7418679	7.836	7418876	4.007	7419150	4.339	7419361	5.041	7419574	4.342	7419792	3.158
7418680	7.836	7418877	4.019	7419151	3.108	7419362	5.555	7419577	5.546	7419797	14.818
7418681	12.951	7418881	1.803	7419152	2.515	7419364	4.826	7419583	5.545	7419798	14.818
7418682	12.951	7418886	8.077	7419153	10.203	7419365	12.810	7419587	3.202	7419799	14.818
7418688	2.515	7418887	8.075	7419177	12.955	7419366	12.810	7419591	14.691	7419808	12.801
7418689	3.108	7418888	8.077	7419182	0.929	7419367	12.948	7419592	14.764	7419809	12.801
7418695	12.179	7418889	Acc./L	7419183	14.890	7419368	12.948	7419599	10.230	7419810	12.800
7418696	9.779	7418889	9.709	7419184	14.802	7419373	10.569	7419603	4.038	7419812	2.830
		7418893	8.077	7419185	14.802	7419374	10.569	7419606	11.178	7419814	2.897



HOLDEN

MASTER PARTS CATALOGUE

PART No.	GROUP	PART No.	GROUP	PART No.	GROUP	PART No.	GROUP	PART No.	GROUP	PART No.	GROUP
7419857	15.306	7420089	1.251	7420267	4.128	7420479	12.116	7420680	12.944	7420858	2.297
7419863	15.306	7420090	1.252	7420268	4.128	7420480	12.116	7420682	6.575	7420869	Acc/D
7419866	15.024	7420091	15.492	7420276	12.803	7420482	2.333	7420683	10.027	7420870	12.949
7419872	15.024	7420101	3.265	7420277	12.803	7420483	Acc./C	7420684	10.150	7420871	12.949
7419874	15.024	7420104	3.270	7420279	12.196	7420483	3.028	7420685	10.150	7420876	12.203
7419877	14.687	7420106	0.056	7420280	0.629	7420484	Acc./C	7420687	3.901	7420877	12.203
7419878	14.687	7420110	0.679	7420281	0.629	7420487	4.040	7420688	3.925	7420880	12.948
7419879	4.797	7420111	0.679	7420282	0.629	7420489	3.028	7420699	3.616	7420881	12.948
7419880	4.797	7420114	0.666	7420283	0.629	7420490	3.757	7420709	Acc./H	7420884	6.575
7419894	Acc./R	7420115	0.666	7420296	4.019	7420491	3.744	7420709	9.750	7420885	2.286
7419898	14.860	7420118	0.669	7420299	14.691	7420492	12.237	7420711	5.816	7420890	5.017
7419899	14.860	7420122	3.601	7420300	14.764	7420493	12.951	7420712	5.816	7420895	6.008
7419900	3.163	7420124	0.439	7420301	4.016	7420494	12.951	7420713	5.819	7420896	6.008
7419906	Acc./R	7420125	0.443	7420302	4.016	7420497	12.951	7420714	4.665	7420901	4.156
7419932	4.797	7420128	0.679	7420304	1.159	7420498	12.951	7420715	4.666	7420923	4.337
7419939	2.198	7420137	0.293	7420308	2.33	7420501	12.950	7420720	9.779	7420925	4.265
7419940	14.685	7420138	0.269	7420311	0.666	7420506	15.102	7420721	9.779	7420926	4.265
7419941	14.685	7420144	2.317	7420312	0.669	7420507	15.102	7420723	5.809	7420928	4.153
7419942	14.685	7420145	10.710	7420312	4.156	7420509	10.529	7420726	9.779	7420930	4.286
7419943	14.685	7420146	10.710	7420320	4.040	7420510	12.966	7420727	12.952	7420931	4.041
7419944	14.760	7420147	0.646	7420321	4.040	7420511	12.966	7420728	5.110	7420934	4.256
7419945	14.760	7420151	3.273	7420323	4.040	7420512	12.428	7420729	5.111	7420935	4.256
7419946	14.760	7420161	10.150	7420324	4.040	7420513	12.428	7420730	5.111	7420938	4.226
7419947	14.760	7420162	10.150	7420325	Acc./H	7420517	12.951	7420731	5.026	7420941	0.683
7419957	0.439	7420165	15.492	7420325	2.810	7420518	12.951	7420732	4.670	7420943	4.265
7419959	11.420	7420166	15.492	7420333	4.205	7420519	12.951	7420736	5.045	7420946	4.003
7419960	11.420	7420167	15.492	7420334	4.205	7420520	12.951	7420737	5.026	7420961	4.227
7419963	10.150	7420172	0.296	7420335	3.771	7420521	12.951	7420743	4.675	7421002	10.150
7419964	10.150	7420173	0.296	7420336	4.205	7420522	12.951	7420746	4.669	7421012	10.150
7419971	10.150	7420174	0.296	7420337	4.040	7420528	13.090	7420747	3.757	7421020	3.202
7419973	10.150	7420175	0.297	7420343	12.986	7420529	12.178	7420752	5.001	7421026	4.009
7419974	10.150	7420176	0.297	7420344	12.986	7420533	10.027	7420753	5.001	7421027	4.009
7419975	10.150	7420177	0.297	7420346	4.054	7420534	10.027	7420754	5.001	7421028	2.897
7419979	10.150	7420184	10.150	7420352	4.038	7420536	13.090	7420760	4.667	7421033	15.286
7419979	10.150	7420185	0.748	7420353	4.038	7420539	0.096	7420762	5.151	7421034	3.431
7419980	10.150	7420186	15.492	7420355	14.691	7420539	0.106	7420763	6.575	7421035	0.683
7419981	10.150	7420187	15.492	7420355	14.764	7420541	0.099	7420765	Acc./C	7421040	12.982
7419982	10.150	7420188	15.492	7420360	0.684	7420543	0.103	7420765	3.028	7421041	12.982
7419984	10.150	7420189	15.492	7420366	4.040	7420545	Acc./M	7420769	6.323	7421045	12.982
7419985	10.150	7420190	12.195	7420371	7.836	7420548	12.810	7420770	6.323	7421049	4.081
7419989	10.150	7420197	12.948	7420378	12.982	7420549	10.002	7420771	4.665	7421050	12.982
7419990	10.150	7420198	12.948	7420379	12.982	7420563	5.017	7420772	4.826	7421051	12.982
7419991	10.150	7420204	3.288	7420385	3.754	7420568	5.017	7420773	4.670	7421055	12.982
7419992	10.150	7420205	3.640	7420387	3.701	7420573	5.017	7420775	4.669	7421062	3.431
7419993	10.150	7420208	12.948	7420388	3.754	7420576	5.017	7420776	4.668	7421068	0.027
7419994	10.150	7420209	12.948	7420389	1.219	7420586	12.980	7420779	5.158	7421070	2.424
7419995	10.150	7420211	8.015	7420389	1.219	7420587	12.248	7420779	5.158	7421074	7.241
7419996	10.150	7420212	8.015	7420390	1.219	7420589	12.895	7420783	11.561	7421079	12.580
7419997	10.150	7420222	12.195	7420391	1.219	7420595	12.895	7420784	11.561	7421080	6.758
7419998	10.150	7420223	12.811	7420397	5.441	7420595	12.895	7420788	5.002	7421103	15.286
7419999	10.150	7420224	12.811	7420398	12.948	7420596	12.895	7420795	5.150	7421104	9.779
7420001	1.429	7420225	8.798	7420399	12.948	7420597	12.895	7420798	0.649	7421109	2.728
7420004	0.207	7420226	12.971	7420400	12.580	7420598	11.207	7420800	Acc./L	7421109	2.728
7420010	1.653	7420228	9.779	7420403	12.075	7420599	5.018	7420802	6.606	7421110	2.728
7420011	1.658	7420229	Acc./H	7420405	11.204	7420600	10.656	7420803	4.665	7421111	2.728
7420016	1.724	7420229	9.779	7420406	4.103	7420601	10.656	7420804	4.665	7421129	10.527
7420017	1.654	7420230	Acc./M	7420411	10.997	7420603	10.373	7420807	5.149	7421130	10.527
7420019	12.935	7420231	0.680	7420412	3.754	7420605	10.373	7420808	5.149	7421133	10.529
7420020	12.935	7420232	8.800	7420417	11.200	7420610	12.913	7420808	5.149	7421136	10.529
7420021	12.180	7420235	Acc./R	7420418	12.237	7420611	12.913	7420809	4.017	7421137	10.538
7420022	1.426	7420236	3.430	7420419	12.241	7420617	10.002	7420812	4.669	7421138	10.538
7420025	0.728	7420238	12.981	7420425	Acc./M	7420630	12.810	7420815	4.665	7421142	2.819
7420026	0.738	7420240	3.763	7420433	10.150	7420635	14.651	7420816	4.665	7421143	2.819
7420031	0.636	7420242	3.764	7420434	6.008	7420636	12.491	7420818	5.017	7421156	12.116
7420034	0.519	7420243	3.764	7420437	12.948	7420637	12.491	7420820	5.017	7421156	12.121
7420035	1.656	7420244	3.764	7420438	12.491	7420641	12.179	7420825	12.428	7421158	2.590
7420052	15.492	7420245	3.748	7420439	12.491	7420655	12.958	7420826	12.428	7421159	2.589
7420054	15.492	7420246	3.748	7420441	12.178	7420656	12.958	7420831	12.952	7421160	12.966
7420056	0.333	7420249	3.788	7420445	12.179	7420657	12.811	7420833	3.003	7421161	10.185
7420057	0.429	7420252	3.431	7420450	12.269	7420658	12.811	7420837	12.184	7421166	14.640
7420062	10.710	7420254	3.764	7420459	9.779	7420663	12.948	7420844	4.040	7421167	14.640
7420063	10.710	7420254	3.797	7420460	Acc./H	7420664	12.948	7420847	2.087	7421168	10.686
7420067	1.108	7420255	4.339	7420460	9.750	7420667	12.491	7420848	2.310	7421168	10.829
7420068	1.109	7420256	12.966	7420462	12.269	7420668	12.491	7420849	2.305	7421170	15.100
7420069	1.079	7420257	11.207	7420469	4.040	7420669	12.491	7420850	2.306	7421171	15.100
7420070	1.069	7420258	3.753	7420470	4.040	7420670	12.491	7420851	2.298	7421172	15.100
7420071	0.296	7420259	2.895	7420471	12.116	7420671	12.956	7420852	2.279	7421173	15.100
7420072	0.297	7420263	0.683	7420472	12.116	7420672	12.956	7420853	2.298	7421174	15.100
7420073	0.303	7420264	0.679	7420473	12.116	7420673	3.726	7420854	2.289	7421176	15.100
7420074	15.492	7420265	4.133	7420476	2.333	7420677	12.958	7420855	2.289	7421178	2.714
7420086	0.623	7420266	4.133	7420477	2.040	7420678	3.726	7420856	2.291	7421181	2.586
						7420679	3.726	7420857	2.285		

HOLDEN

MASTER PARTS CATALOGUE



PART No.	GROUP	PART No.	GROUP	PART No.	GROUP	PART No.	GROUP	PART No.	GROUP	PART No.	GROUP
7421182	2.585	7421344	4.128	7421585	15.492	7421750	2.504	7421950	4.339	7422190	12.249
7421184	8.055	7421348	14.890	7421591	4.417	7421751	2.504	7421951	4.339	7422193	Acc./R
7421185	2.361	7421349	14.802	7421593	4.430	7421752	2.736	7421952	4.339	7422193	8.821
7421187	14.880	7421352	12.955	7421597	15.492	7421756	2.737	7421953	4.339	7422196	10.230
7421188	14.800	7421356	4.685	7421598	15.309	7421757	2.737	7421954	4.339	7422199	10.230
7421189	15.035	7421358	1.219	7421599	2.555	7421758	2.737	7421955	4.339	7422202	10.230
7421190	15.000	7421360	1.219	7421600	2.555	7421759	2.726	7421956	4.339	7422205	10.230
7421192	7.836	7421369	2.815	7421601	2.555	7421760	2.750	7421957	4.339	7422208	10.230
7421194	15.308	7421370	2.810	7421602	2.555	7421761	2.750	7421958	4.339	7422215	12.182
7421195	15.308	7421371	3.609	7421608	14.630	7421762	1.263	7421959	4.339	7422219	Acc/O
7421196	7.831	7421377	10.150	7421608	15.024	7421765	3.112	7421960	4.339	7422220	8.798
7421197	7.831	7421378	10.150	7421608	15.100	7421769	1.268	7421961	4.339	7422221	8.798
7421200	2.188	7421379	10.150	7421610	14.630	7421770	8.130	7421962	4.339	7422223	12.179
7421203	4.040	7421380	10.150	7421610	15.001	7421771	8.130	7421963	12.805	7422237	10.307
7421204	4.040	7421382	10.150	7421610	15.024	7421792	8.798	7421968	11.420	7422238	10.307
7421208	9.779	7421383	10.150	7421613	14.630	7421794	8.798	7421969	8.798	7422249	2.040
7421210	9.779	7421384	10.150	7421613	15.024	7421795	8.798	7421971	2.342	7422256	12.940
7421211	9.779	7421385	10.150	7421613	15.100	7421796	8.798	7421985	12.184	7422257	12.940
7421212	9.779	7421386	10.150	7421617	4.339	7421798	Acc./W	7421992	1.268	7422264	12.940
7421214	0.636	7421387	10.150	7421618	4.339	7421813	5.505	7421995	3.726	7422265	12.940
7421215	8.132	7421388	10.150	7421624	1.265	7421816	15.286	7422007	Acc./C	7422266	12.940
7421216	8.132	7421389	10.150	7421625	15.492	7421817	15.306	7422007	3.028	7422267	12.940
7421217	1.268	7421390	10.150	7421626	15.492	7421818	0.643	7422011	12.184	7422268	12.811
7421218	1.762	7421391	10.150	7421632	4.423	7421819	0.643	7422015	14.651	7422269	12.811
7421222	9.779	7421402	3.609	7421633	4.423	7421820	0.643	7422020	12.237	7422276	9.127
7421223	9.779	7421418	7.530	7421634	5.531	7421821	0.643	7422025	8.798	7422277	12.966
7421224	9.779	7421430	1.064	7421638	Acc./E	7421825	7.831	7422026	12.184	7422279	2.316
7421226	2.810	7421441	Acc./R	7421642	5.536	7421826	Acc./S	7422029	Acc./C	7422280	10.150
7421230	12.121	7421442	4.797	7421643	5.536	7421827	8.132	7422029	3.402	7422283	10.150
7421233	7.865	7421443	4.797	7421645	5.484	7421827	12.112	7422031	10.150	7422284	10.150
7421239	2.845	7421444	4.792	7421646	5.484	7421827	12.114	7422033	4.103	7422285	10.150
7421243	2.679	7421446	6.008	7421647	5.506	7421827	12.116	7422035	1.516	7422286	10.150
7421244	1.268	7421452	6.008	7421648	5.469	7421831	12.114	7422036	12.966	7422287	12.966
7421247	1.268	7421455	8.798	7421649	5.545	7421831	12.116	7422039	2.750	7422291	10.150
7421248	1.268	7421457	10.150	7421650	5.537	7421833	8.132	7422040	2.750	7422292	10.150
7421249	1.268	7421458	10.150	7421651	5.545	7421833	12.112	7422041	2.726	7422295	10.150
7421250	1.268	7421461	4.133	7421659	8.036	7421833	12.114	7422042	2.750	7422296	11.204
7421251	1.268	7421462	4.133	7421664	5.453	7421833	12.183	7422045	14.640	7422298	10.150
7421252	1.268	7421475	5.504	7421665	5.545	7421837	Acc./R	7422046	14.640	7422299	10.150
7421254	1.268	7421476	4.428	7421667	5.510	7421841	11.420	7422047	8.798	7422300	10.150
7421255	2.041	7421489	12.955	7421668	5.545	7421850	12.112	7422053	12.212	7422301	10.150
7421263	1.263	7421490	12.955	7421671	5.447	7421853	1.835	7422054	Acc./W	7422302	10.150
7421264	15.036	7421493	12.248	7421672	5.447	7421855	12.972	7422064	12.182	7422303	10.150
7421268	4.040	7421496	12.980	7421673	5.506	7421856	12.972	7422073	12.913	7422304	10.150
7421269	14.880	7421516	10.163	7421678	5.555	7421857	12.972	7422074	12.913	7422305	10.150
7421270	14.800	7421520	12.955	7421679	1.266	7421863	2.737	7422075	12.913	7422306	10.150
7421271	15.035	7421521	4.342	7421696	14.802	7421867	8.132	7422076	12.913	7422307	10.150
7421273	7.796	7421522	4.342	7421698	3.163	7421868	8.132	7422079	12.913	7422308	10.150
7421277	4.040	7421523	4.342	7421702	6.008	7421869	8.009	7422080	12.913	7422309	10.150
7421278	4.040	7421524	4.342	7421708	1.268	7421872	8.798	7422091	1.268	7422313	12.948
7421279	4.040	7421525	4.342	7421709	1.268	7421873	8.798	7422092	7.836	7422315	6.008
7421280	4.040	7421526	4.342	7421710	1.268	7421875	14.800	7422093	7.836	7422315	12.948
7421282	3.705	7421528	4.342	7421711	1.268	7421876	14.800	7422094	7.836	7422318	2.819
7421285	8.798	7421532	15.492	7421712	1.268	7421877	0.449	7422095	7.836	7422319	2.819
7421287	8.798	7421533	12.955	7421713	1.268	7421879	5.548	7422097	1.265	7422323	14.685
7421290	12.804	7421534	15.492	7421714	1.268	7421880	5.548	7422102	2.500	7422324	14.685
7421292	12.212	7421547	14.880	7421718	Acc./S	7421881	5.548	7422104	12.952	7422338	Acc./P
7421294	7.865	7421548	14.800	7421719	5.504	7421882	2.051	7422106	12.952	7422340	Acc./W
7421295	7.865	7421550	15.035	7421720	5.504	7421890	12.242	7422107	12.248	7422348	12.940
7421296	3.706	7421552	15.000	7421725	Acc./S	7421924	2.516	7422109	12.116	7422349	12.940
7421297	3.706	7421553	15.000	7421726	2.819	7421924	3.109	7422110	12.116	7422356	8.055
7421298	14.630	7421555	15.001	7421730	2.285	7421925	3.109	7422112	12.811	7422360	12.184
7421311	15.035	7421556	15.001	7421731	2.297	7421926	2.516	7422113	12.811	7422361	12.184
7421312	15.035	7421558	15.001	7421732	2.301	7421927	8.132	7422113	15.390	7422362	12.248
7421313	15.000	7421559	14.802	7421733	2.305	7421928	8.132	7422142	12.807	7422368	12.981
7421314	15.000	7421561	2.555	7421734	2.307	7421929	12.114	7422143	7.831	7422373	12.184
7421318	1.272	7421562	2.555	7421735	2.280	7421930	12.114	7422144	7.831	7422384	2.277
7421319	4.104	7421563	3.265	7421737	2.307	7421931	12.116	7422147	3.706	7422387	12.269
7421321	2.810	7421568	15.492	7421738	2.279	7421932	12.116	7422150	4.339	7422392	12.940
7421323	15.287	7421569	15.492	7421739	2.307	7421939	2.414	7422151	4.339	7422393	12.940
7421324	15.287	7421571	15.492	7421740	2.303	7421941	4.339	7422153	4.339	7422394	4.423
7421328	7.836	7421572	15.492	7421741	2.310	7421942	4.339	7422154	4.339	7422396	4.309
7421329	7.836	7421573	15.492	7421742	2.313	7421943	4.339	7422155	4.339	7422399	4.304
7421331	4.040	7421574	15.492	7421743	2.313	7421944	4.339	7422158	4.339	7422401	11.207
7421332	4.040	7421575	15.492	7421745	2.313	7421945	4.339	7422171	7.865	7422402	11.207
7421333	4.040	7421576	15.492	7421746	2.313	7421946	4.339	7422172	7.865	7422404	12.971
7421340	4.309	7421577	15.492	7421747	2.315	7421947	4.339	7422174	1.270	7422405	12.971
7421342	4.128	7421579	15.492	7421748	2.502	7421948	4.339	7422175	1.270	7422407	12.971
7421343	4.128	7421584	15.492	7421749	2.504	7421949	4.339	7422180	1.270	7422415	12.181
										7422422	12.803



HOLDEN

MASTER PARTS CATALOGUE

PART No.	GROUP	PART No.	GROUP	PART No.	GROUP	PART No.	GROUP	PART No.	GROUP	PART No.	GROUP
7422425	12.803	7422646	12.966	7422956	15.492	7423202	7.831	7423373	1.429	7423567	0.616
7422426	12.803	7422647	12.971	7422957	15.286	7423203	7.852	7423378	8.130	7423569	0.616
7422433	12.805	7422650	1.219	7422982	4.681	7423204	3.705	7423379	8.130	7423570	0.616
7422434	12.805	7422655	4.827	7422988	14.818	7423205	10.670	7423380	11.610	7423571	0.616
7422435	12.805	7422657	6.508	7422990	11.611	7423206	10.670	7423382	11.420	7423572	0.616
7422436	12.805	7422658	6.508	7422994	8.798	7423208	4.007	7423383	11.420	7423578	5.041
7422437	11.200	7422660	6.508	7422996	4.337	7423209	4.007	7423384	4.650	7423581	7.241
7422438	Acc./H	7422682	3.003	7422997	2.501	7423213	11.629	7423385	12.972	7423585	6.361
7422439	9.779	7422683	3.003	7422998	14.818	7423216	12.237	7423386	12.972	7423592	0.096
7422440	9.779	7422684	8.112	7423017	11.611	7423217	10.783	7423389	0.001	7423592	0.099
7422441	9.779	7422685	12.980	7423018	14.818	7423218	10.783	7423392	6.008	7423592	0.101
7422442	9.779	7422686	12.980	7423021	11.611	7423219	10.791	7423395	12.184	7423592	0.103
7422443	9.779	7422691	10.002	7423025	Acc/L	7423220	10.791	7423396	12.184	7423593	0.096
7422444	9.779	7422697	10.002	7423026	Acc/L	7423232	5.017	7423397	11.207	7423593	0.099
7422445	Acc/M	7422700	12.030	7423027	8.800	7423233	5.017	7423398	11.207	7423593	0.101
7422446	Acc/M	7422701	12.030	7423028	8.800	7423237	5.017	7423401	11.561	7423593	0.103
7422450	12.941	7422717	10.373	7423029	8.800	7423241	5.803	7423421	0.683	7423594	0.106
7422451	12.941	7422728	3.008	7423030	8.800	7423242	5.055	7423423	11.420	7423595	0.096
7422452	8.000	7422730	12.810	7423032	9.779	7423246	12.213	7423424	9.786	7423595	0.099
7422465	12.944	7422731	5.545	7423033	11.200	7423247	15.037	7423436	2.270	7423595	0.101
7422468	12.982	7422733	5.546	7423039	11.420	7423253	12.966	7423438	4.009	7423595	0.103
7422469	12.966	7422734	5.586	7423041	4.337	7423255	12.966	7423443	6.008	7423598	0.096
7422473	2.481	7422735	5.441	7423042	4.337	7423261	4.006	7423444	1.159	7423598	0.099
7422474	2.555	7422736	5.441	7423055	Acc/C	7423262	4.009	7423445	1.159	7423598	0.101
7422475	11.208	7422737	3.402	7423055	3.028	7423268	4.395	7423447	12.187	7423598	0.103
7422476	9.779	7422738	12.013	7423057	8.009	7423269	4.351	7423448	12.187	7423599	0.094
7422479	9.779	7422739	3.410	7423059	11.420	7423270	4.421	7423453	2.310	7423600	0.094
7422480	9.779	7422741	12.182	7423067	12.981	7423273	4.003	7423454	2.239	7423601	0.094
7422488	11.208	7422743	8.013	7423071	12.801	7423274	4.003	7423455	10.092	7423602	0.094
7422489	11.208	7422755	12.944	7423072	12.982	7423276	4.686	7423456	10.093	7423605	0.106
7422490	11.208	7422758	12.010	7423077	12.982	7423277	12.184	7423457	10.093	7423606	0.106
7422491	11.208	7422762	5.441	7423073	11.420	7423278	5.529	7423458	2.310	7423607	0.106
7422492	12.971	7422766	9.779	7423074	11.420	7423279	5.529	7423459	2.313	7423608	0.106
7422493	12.971	7422767	9.779	7423078	14.818	7423282	12.982	7423460	2.313	7423609	0.106
7422494	12.942	7422774	2.697	7423079	14.818	7423284	11.533	7423461	2.313	7423613	1.643
7422495	12.942	7422778	5.858	7423086	14.818	7423285	8.798	7423464	2.305	7423613	2.374
7422498	10.146	7422779	2.170	7423099	12.952	7423286	5.548	7423465	2.279	7423614	1.723
7422499	10.147	7422780	2.170	7423101	12.952	7423287	5.548	7423466	2.307	7423615	0.137
7422500	10.147	7422782	5.858	7423107	2.722	7423288	4.685	7423467	2.307	7423616	0.536
7422503	15.311	7422792	13.090	7423109	11.611	7423289	4.685	7423468	2.307	7423616	12.491
7422505	0.646	7422795	15.286	7423111	11.614	7423293	12.182	7423470	2.280	7423618	12.491
7422509	3.003	7422796	12.116	7423112	11.614	7423294	12.182	7423471	2.297	7423635	11.628
7422510	3.003	7422796	12.182	7423113	10.450	7423295	Acc/W	7423472	2.285	7423636	11.628
7422511	3.003	7422813	12.811	7423118	10.454	7423296	10.669	7423473	2.286	7423642	12.956
7422512	8.154	7422814	12.811	7423120	11.611	7423297	10.669	7423474	2.285	7423643	12.956
7422520	2.893	7422816	11.613	7423124	9.779	7423298	10.669	7423475	2.301	7423647	14.655
7422521	2.893	7422823	10.150	7423125	9.779	7423299	10.669	7423476	2.301	7423653	6.103
7422522	8.798	7422824	10.150	7423126	9.779	7423304	5.188	7423477	2.299	7423654	6.103
7422525	14.691	7422827	11.610	7423127	9.779	7423305	3.202	7423478	1.219	7423661	11.178
7422526	8.132	7422875	2.274	7423128	9.779	7423306	12.184	7423482	1.659	7423664	11.175
7422526	12.182	7422880	4.133	7423132	9.779	7423307	12.184	7423483	1.453	7423665	11.175
7422529	12.116	7422883	8.823	7423136	1.159	7423308	12.966	7423483	4.103	7423666	11.179
7422530	12.116	7422886	9.779	7423137	9.779	7423309	10.454	7423483	4.105	7423667	11.179
7422539	14.655	7422887	9.779	7423138	9.779	7423310	7.831	7423483	5.400	7423669	11.178
7422540	14.655	7422890	9.779	7423139	3.003	7423311	11.208	7423487	10.681	7423672	11.960
7422541	2.682	7422891	9.779	7423143	12.984	7423312	11.208	7423488	10.681	7423675	11.178
7422542	2.698	7422892	9.779	7423144	12.984	7423318	11.420	7423489	10.741	7423676	11.175
7422543	2.698	7422893	9.779	7423147	6.524	7423319	6.761	7423490	10.741	7423677	11.175
7422544	2.689	7422895	9.779	7423148	6.524	7423320	6.761	7423491	10.827	7423678	11.179
7422546	5.387	7422896	9.779	7423150	6.524	7423325	11.595	7423492	10.827	7423679	11.179
7422549	12.075	7422897	9.779	7423162	11.634	7423330	4.650	7423494	11.561	7423680	11.178
7422550	12.075	7422898	9.779	7423163	11.634	7423337	6.761	7423498	2.725	7423684	10.512
7422556	9.779	7422899	9.779	7423164	8.009	7423340	8.798	7423500	12.248	7423685	10.512
7422557	9.779	7422900	9.779	7423167	12.115	7423342	8.079	7423505	10.571	7423690	3.430
7422559	0.886	7422901	9.779	7423168	12.115	7423345	12.183	7423506	1.219	7423694	1.071
7422561	12.119	7422902	9.779	7423170	1.219	7423346	10.093	7423511	3.430	7423695	12.980
7422562	1.652	7422903	9.779	7423171	15.037	7423346	11.208	7423512	12.940	7423700	5.803
7422564	0.027	7422904	8.000	7423172	6.803	7423348	12.182	7423513	12.940	7423701	3.609
7422566	0.027	7422905	1.270	7423173	6.803	7423349	12.182	7423523	3.430	7423705	10.658
7422567	1.219	7422906	8.055	7423174	6.803	7423350	12.183	7423548	11.561	7423706	10.658
7422568	1.219	7422907	2.170	7423175	6.803	7423351	12.183	7423549	11.561	7423709	3.003
7422574	3.028	7422914	2.274	7423178	11.611	7423351	12.801	7423550	6.176	7423710	2.285
7422575	3.028	7422917	2.274	7423184	12.982	7423353	12.183	7423553	4.339	7423711	12.010
7422576	3.028	7422922	12.116	7423188	7.118	7423356	12.971	7423557	1.219	7423713	12.013
7422597	12.810	7422923	12.116	7423189	7.118	7423357	12.971	7423558	1.219	7423723	12.934
7422600	6.524	7422924	12.116	7423193	5.387	7423357	7.112	7423559	1.219	7423724	7.112
7422601	3.003	7422926	12.807	7423195	6.758	7423358	12.935	7423563	1.263	7423730	10.230
7422602	9.779	7422930	Acc/O	7423196	11.634	7423362	12.935	7423564	0.616	7423732	10.230
7422605	12.179	7422932	10.267	7423197	6.508	7423363	12.982	7423565	0.616	7423739	11.208
7422624	6.524	7422934	11.611	7423198	6.508	7423364	12.982	7423566	0.616	7423740	11.208
7422643	12.944	7422952	11.204	7423201	1.219	7423371	11.589				

HOLDEN

MASTER PARTS CATALOGUE



PART No.	GROUP	PART No.	GROUP	PART No.	GROUP	PART No.	GROUP	PART No.	GROUP	PART No.	GROUP
7423742	12.982	7424004	10.747	7424217	3.003	7424405	15.286	7424580	14.685	7424690	4.665
7423746	5.002	7424012	Acc./B	7424217	3.158	7424415	15.306	7424581	14.685	7424695	3.616
7423747	5.441	7424021	Acc./B	7424218	3.008	7424416	15.306	7424582	14.760	7424706	10.262
7423753	12.895	7424025	0.643	7424221	0.683	7424417	3.431	7424583	14.760	7424711	5.545
7423754	12.895	7424026	0.643	7424224	0.679	7424419	10.261	7424584	14.685	7424713	5.545
7423757	12.241	7424027	0.643	7424228	8.085	7424420	10.252	7424585	14.685	7424715	9.779
7423760	6.230	7424028	0.643	7424229	10.822	7424421	10.252	7424586	14.760	7424716	9.779
7423762	6.111	7424029	0.643	7424233	12.940	7424422	10.252	7424587	14.760	7424717	9.787
7423765	6.898	7424030	0.643	7424234	12.940	7424424	1.270	7424605	15.520	7424722	10.146
7423767	6.886	7424032	8.039	7424237	10.150	7424425	1.270	7424607	7.836	7424723	10.146
7423770	6.859	7424032	12.182	7424239	12.972	7424428	12.934	7424608	7.836	7424724	12.934
7423779	2.393	7424033	8.039	7424249	8.024	7424429	12.934	7424609	7.836	7424725	0.629
7423780	2.393	7424033	12.182	7424250	12.952	7424430	12.980	7424610	7.836	7424726	0.629
7423781	2.393	7424034	8.039	7424252	11.561	7424434	4.625	7424611	1.219	7424727	0.629
7423781	2.410	7424034	12.182	7424255	5.001	7424436	4.625	7424613	12.811	7424728	0.629
7423782	2.372	7424035	8.039	7424256	5.001	7424438	0.830	7424614	12.811	7424730	10.159
7423783	2.388	7424035	12.182	7424257	10.563	7424440	4.625	7424615	5.441	7424731	10.159
7423784	Acc./F	7424036	8.039	7424258	10.563	7424442	4.625	7424617	3.731	7424732	10.159
7423785	7.831	7424036	12.182	7424259	6.508	7424448	10.307	7424617	3.781	7424734	10.159
7423786	12.811	7424037	8.039	7424263	1.066	7424449	10.307	7424618	3.731	7424735	10.159
7423787	12.811	7424037	12.182	7424264	10.450	7424462	10.686	7424618	3.781	7424736	11.175
7423788	12.942	7424051	12.940	7424264	10.454	7424463	2.725	7424619	3.731	7424737	11.175
7423789	12.942	7424052	12.940	7424266	15.492	7424464	4.019	7424621	10.696	7424738	11.179
7423792	12.941	7424053	9.779	7424273	8.153	7424465	4.020	7424622	10.696	7424739	11.179
7423795	12.944	7424054	7.831	7424274	8.153	7424466	4.046	7424623	9.779	7424740	11.178
7423796	12.971	7424055	7.831	7424282	3.725	7424467	4.301	7424623	9.787	7424741	7.831
7423797	12.971	7424057	4.337	7424283	3.725	7424468	7.529	7424626	2.101	7424742	Acc./M
7423798	12.971	7424058	4.337	7424284	3.725	7424477	3.107	7424627	2.085	7424743	Acc./M
7423799	12.971	7424059	0.844	7424290	3.724	7424478	3.431	7424628	2.083	7424744	2.389
7423802	12.934	7424059	4.639	7424292	4.038	7424506	0.629	7424630	2.086	7424745	2.381
7423803	12.934	7424062	12.982	7424295	6.008	7424507	0.629	7424631	2.087	7424746	2.372
7423804	12.934	7424068	8.024	7424298	4.004	7424508	0.629	7424632	2.043	7424747	2.372
7423805	12.934	7424069	11.420	7424302	2.188	7424511	0.629	7424633	2.096	7424748	2.385
7423809	6.020	7424070	12.247	7424303	2.830	7424512	0.629	7424635	2.100	7424749	2.387
7423811	10.669	7424073	Acc./C	7424306	10.827	7424513	0.629	7424637	2.102	7424751	2.400
7423817	2.317	7424076	1.219	7424307	10.827	7424514	10.571	7424638	2.102	7424753	2.382
7423836	12.115	7424078	2.897	7424313	7.836	7424515	10.571	7424639	2.102	7424754	2.367
7423838	6.870	7424079	2.897	7424314	7.836	7424516	10.569	7424640	2.102	7424755	2.369
7423840	7.831	7424081	10.527	7424316	12.811	7424517	10.569	7424642	2.049	7424756	2.369
7423841	7.831	7424082	10.527	7424318	10.822	7424519	12.277	7424643	2.101	7424757	2.369
7423848	10.460	7424085	10.538	7424319	2.819	7424519	12.277	7424644	2.049	7424757	2.385
7423851	3.001	7424086	10.538	7424321	2.830	7424520	2.481	7424645	2.049	7424758	2.410
7423855	Acc./L	7424087	10.529	7424330	8.130	7424520	12.277	7424646	2.085	7424759	2.052
7423860	9.127	7424091	0.830	7424331	8.130	7424522	10.571	7424647	2.083	7424759	2.055
7423865	2.893	7424091	4.625	7424338	8.798	7424523	10.571	7424648	2.108	7424759	2.400
7423868	10.150	7424096	12.941	7424339	12.248	7424523	10.571	7424649	2.108	7424759	2.410
7423887	10.150	7424097	12.941	7424340	12.966	7424524	10.470	7424650	2.101	7424759	2.410
7423891	11.373	7424098	5.555	7424341	12.966	7424525	10.470	7424652	2.101	7424762	2.586
7423894	12.181	7424101	7.831	7424342	2.555	7424526	10.473	7424653	2.101	7424763	2.586
7423902	1.762	7424122	11.628	7424343	2.555	7424527	10.473	7424652	2.043	7424770	12.203
7423904	2.333	7424129	11.610	7424345	12.275	7424535	3.712	7424653	2.086	7424773	10.686
7423907	2.333	7424136	9.787	7424346	12.275	7424535	3.724	7424654	2.096	7424774	10.686
7423908	2.333	7424138	9.787	7424347	12.276	7424540	11.175	7424655	2.063	7424781	9.779
7423909	12.269	7424139	9.779	7424348	12.277	7424541	11.175	7424656	2.063	7424782	8.112
7423910	6.760	7424139	9.787	7424349	12.277	7424542	11.179	7424657	2.067	7424784	5.809
7423911	6.760	7424139	9.787	7424350	12.277	7424543	11.179	7424658	11.960	7424785	12.811
7423917	12.805	7424142	12.247	7424355	3.459	7424543	11.179	7424659	2.052	7424786	12.811
7423922	9.779	7424142	6.761	7424357	3.459	7424544	11.178	7424660	2.051	7424787	12.187
7423923	9.779	7424152	11.373	7424358	3.431	7424547	3.751	7424661	2.053	7424793	5.816
7423924	9.779	7424153	11.373	7424359	3.430	7424548	3.792	7424662	2.063	7424794	4.421
7423926	15.224	7424161	3.028	7424363	1.656	7424550	3.763	7424663	2.063	7424797	2.585
7423936	2.500	7424162	3.028	7424364	15.311	7424551	3.780	7424664	2.063	7424798	2.585
7423937	2.275	7424168	4.625	7424365	15.311	7424552	3.763	7424665	2.063	7424801	Acc./M
7423938	12.981	7424173	1.762	7424369	Acc./M	7424553	3.793	7424666	2.077	7424804	14.64C
7423939	10.456	7424177	6.164	7424371	12.982	7424554	3.734	7424667	2.077	7424805	12.184
7423940	10.456	7424178	9.127	7424372	12.982	7424555	3.779	7424669	2.100	7424806	12.184
7423943	8.015	7424187	10.741	7424373	7.242	7424556	3.729	7424670	2.102	7424807	12.955
7423944	8.015	7424188	10.741	7424374	0.934	7424557	3.748	7424671	2.102	7424808	12.955
7423953	6.870	7424193	7.865	7424375	11.614	7424558	3.748	7424672	2.102	7424809	9.779
7423975	0.830	7424196	2.830	7424376	10.147	7424559	3.731	7424673	2.102	7424812	14.651
7423983	8.009	7424197	2.824	7424385	3.431	7424560	3.735	7424674	2.102	7424813	12.956
7423984	8.009	7424198	2.830	7424387	2.670	7424564	3.757	7424675	2.102	7424814	10.701
7423985	Acc./S	7424198	2.830	7424388	15.024	7424565	3.757	7424678	2.102	7424814	10.759
7423985	12.115	7424200	10.553	7424389	15.024	7424566	3.726	7424679	2.102	7424815	10.829
7423991	1.270	7424201	12.116	7424390	15.024	7424567	3.726	7424683	2.102	7424817	3.521
7423997	11.960	7424201	12.183	7424391	15.024	7424568	7.800	7424684	2.102	7424818	10.506
7423998	12.982	7424204	8.009	7424392	15.024	7424569	3.754	7424685	2.102	7424819	10.563
7424001	10.685	7424205	10.652	7424393	15.024	7424574	3.725	7424685	2.316	7424820	10.556
7424002	10.685	7424208	3.451	7424394	15.024	7424575	3.725	7424686	1.426	7424821	10.701
7424003	10.747	7424209	11.628	7424398	10.571	7424577	3.725	7424687	4.665	7424827	10.759
		7424212	3.003	7424399	12.237	7424578	2.589	7424688	4.665	7424834	5.111
		7424214	3.003	7424404	15.286	7424579	2.590	7424689	4.665	7424835	5.111



HOLDEN

MASTER PARTS CATALOGUE

PART No.	GROUP	PART No.	GROUP	PART No.	GROUP	PART No.	GROUP	PART No.	GROUP	PART No.	GROUP
7424836	5.110	7424982	4.342	7425246	1.219	7425444	12.913	7425651	3.158	7425813	4.019
7424838	10.829	7424985	2.619	7425259	10.529	7425445	12.913	7425652	3.163	7425816	4.685
7424839	10.829	7424987	11.207	7425260	Acc./L	7425453	4.342	7425653	5.460	7425819	1.266
7424840	8.024	7424988	11.011	7425260	9.709	7425454	10.185	7425654	12.112	7425820	1.266
7424841	3.003	7424989	11.011	7425261	6.870	7425456	2.087	7425654	12.114	7425821	1.268
7424842	3.003	7424995	6.008	7425262	3.706	7425457	2.087	7425662	3.158	7425822	1.268
7424848	3.003	7424996	6.008	7425263	0.033	7425458	2.087	7425664	12.941	7425823	1.268
7424849	8.143	7424998	4.797	7425264	0.033	7425461	2.170	7425665	12.941	7425825	1.265
7424850	8.143	7425029	Acc./W	7425265	6.870	7425462	2.170	7425667	11.420	7425826	1.265
7424851	14.655	7425030	Acc./W	7425266	10.150	7425464	10.150	7425669	10.261	7425827	1.265
7424852	14.655	7425038	2.053	7425268	10.150	7425465	10.150	7425670	10.261	7425829	12.971
7424853	14.655	7425039	8.800	7425270	10.150	7425467	10.163	7425671	12.112	7425836	12.944
7424854	14.655	7425040	8.800	7425271	10.150	7425468	10.150	7425671	12.114	7425837	12.944
7424855	14.655	7425041	Acc./P	7425272	10.150	7425469	Acc./M	7425671	12.116	7425840	12.580
7424856	14.655	7425053	0.102	7425273	10.150	7425481	10.150	7425671	12.174	7425841	12.580
7424857	14.655	7425054	0.098	7425274	10.150	7425488	Acc./L	7425671	12.183	7425842	10.150
7424858	14.655	7425056	12.895	7425275	10.150	7425500	1.219	7425677	10.163	7425843	10.150
7424859	14.655	7425057	12.895	7425277	10.150	7425501	Acc./M	7425680	10.163	7425844	10.150
7424860	14.655	7425060	8.820	7425278	10.150	7425504	7.529	7425684	12.895	7425845	10.150
7424861	14.655	7425070	4.342	7425279	10.150	7425505	9.709	7425690	12.913	7425846	10.150
7424862	14.655	7425071	4.339	7425280	10.150	7425506	9.709	7425691	12.913	7425847	10.150
7424863	14.655	7425072	4.339	7425281	10.150	7425507	9.709	7425702	12.913	7425848	10.150
7424864	14.655	7425073	4.339	7425283	10.150	7425508	6.008	7425708	12.913	7425849	10.150
7424865	14.655	7425074	4.339	7425284	10.150	7425511	3.701	7425709	12.913	7425850	10.150
7424866	14.655	7425076	4.339	7425285	10.150	7425513	0.033	7425714	12.980	7425851	10.150
7424867	12.203	7425077	4.339	7425286	10.150	7425514	0.934	7425715	12.980	7425852	10.150
7424869	0.289	7425078	4.339	7425287	10.150	7425515	5.548	7425716	12.980	7425853	10.150
7424874	10.686	7425080	4.339	7425288	10.150	7425519	12.913	7425717	12.980	7425854	10.150
7424875	10.686	7425081	4.339	7425289	10.150	7425542	2.684	7425721	12.212	7425855	10.150
7424878	10.652	7425083	1.339	7425290	10.150	7425544	8.154	7425722	8.130	7425856	10.150
7424879	10.652	7425084	1.339	7425291	10.150	7425547	12.940	7425723	8.130	7425860	10.261
7424880	3.609	7425085	4.339	7425294	10.150	7425548	12.940	7425726	7.632	7425861	10.261
7424881	12.986	7425086	4.339	7425308	10.664	7425551	5.504	7425727	10.161	7425864	10.264
7424883	15.294	7425087	4.339	7425309	10.664	7425553	5.548	7425733	12.966	7425865	10.264
7424885	15.306	7425088	4.339	7425310	10.529	7425554	5.529	7425734	4.081	7425866	10.267
7424886	15.306	7425089	4.339	7425311	10.529	7425555	5.529	7425737	4.019	7425867	10.268
7424888	15.286	7425090	4.339	7425321	2.086	7425556	5.504	7425739	4.019	7425870	4.019
7424889	15.286	7425091	4.339	7425325	Acc./S	7425558	12.986	7425742	12.956	7425871	4.826
7424890	15.492	7425093	4.339	7425326	Acc./S	7425561	12.184	7425743	12.956	7425872	3.272
7424891	12.075	7425094	4.339	7425327	Acc./S	7425562	12.184	7425750	1.266	7425873	3.272
7424892	12.075	7425095	4.339	7425328	Acc./S	7425568	10.164	7425751	1.266	7425874	0.886
7424897	12.804	7425098	4.339	7425330	8.800	7425569	10.164	7425755	4.829	7425884	5.017
7424898	12.804	7425099	4.339	7425331	0.095	7425571	0.277	7425759	13.090	7425885	5.017
7424905	12.805	7425100	4.339	7425332	0.105	7425574	9.709	7425771	2.170	7425892	4.797
7424906	12.805	7425101	4.339	7425333	0.033	7425582	10.829	7425772	2.170	7425894	4.020
7424908	12.242	7425103	4.339	7425334	0.001	7425583	10.829	7425773	4.592	7425902	12.180
7424909	12.242	7425105	4.339	7425341	2.362	7425586	11.595	7425774	12.212	7425903	12.180
7424912	12.242	7425106	4.339	7425344	2.372	7425587	12.982	7425775	12.986	7425904	4.019
7424913	12.242	7425107	4.339	7425345	2.372	7425592	12.982	7425776	12.986	7425905	4.685
7424914	12.242	7425108	4.339	7425348	Acc./E	7425594	10.829	7425778	10.159	7425907	0.105
7424915	12.242	7425109	4.339	7425357	5.017	7425595	10.829	7425779	10.159	7425911	15.100
7424918	12.237	7425110	4.339	7425359	10.307	7425597	12.203	7425780	0.153	7425912	15.100
7424919	12.237	7425111	4.339	7425360	8.800	7425598	12.982	7425781	0.153	7425913	15.311
7424922	12.237	7425140	2.361	7425362	8.800	7425602	12.184	7425782	10.152	7425914	15.311
7424923	12.237	7425148	2.737	7425365	Acc./C	7425608	10.160	7425783	12.179	7425915	15.311
7424924	3.003	7425152	2.170	7425365	3.402	7425609	12.241	7425786	2.501	7425918	4.685
7424925	15.024	7425153	Acc./L	7425366	2.239	7425610	12.184	7425787	2.503	7425919	0.095
7424928	12.187	7425179	Acc./W	7425387	1.270	7425611	12.187	7425788	2.503	7425919	0.098
7424929	4.019	7425183	5.018	7425392	Acc./M	7425614	11.204	7425789	2.504	7425919	0.100
7424934	14.691	7425184	5.018	7425393	Acc./M	7425615	1.517	7425790	2.504	7435919	0.102
7424937	14.685	7425185	6.008	7425394	Acc./M	7425617	4.020	7425791	2.504	7425920	4.685
7424938	14.685	7425188	8.798	7425403	3.731	7425623	2.697	7425792	2.299	7425921	4.685
7424939	14.760	7425189	0.207	7425404	12.982	7425624	1.219	7425793	2.285	7425922	4.685
7424940	14.760	7425190	Acc./S	7425405	12.982	7425625	10.159	7425794	2.297	7425923	4.685
7424945	14.691	7425197	3.725	7425406	12.980	7425626	10.159	7425795	2.298	7425924	4.685
7424946	14.691	7425198	3.725	7425407	12.980	7425627	6.166	7425796	2.286	7425925	4.685
7424949	14.691	7425206	12.980	7425408	12.980	7425630	10.550	7425797	2.305	7425927	9.743
7424950	14.691	7425215	6.008	7425409	12.980	7425631	10.550	7425798	2.307	7425928	10.256
7424953	14.764	7425216	Acc./R	7425415	12.810	7425633	1.268	7425799	2.279	7425929	2.488
7424954	14.764	7425218	1.219	7425419	10.351	7425634	1.268	7425800	2.310	7425930	2.488
7424957	14.764	7425227	8.800	7425422	10.664	7425635	1.268	7425801	2.313	7425931	5.504
7424958	14.764	7425228	8.800	7425423	10.664	7425636	1.268	7425802	2.313	7425939	8.075
7424963	14.760	7425229	8.800	7425424	10.656	7425640	15.314	7425803	2.313	7425940	3.451
7424964	14.760	7425230	8.800	7425425	10.656	7425641	15.314	7425804	2.313	7425941	5.001
7424967	14.764	7425231	8.800	7425434	12.895	7425642	15.102	7425805	2.316	7425942	5.001
7424968	14.764	7425234	8.800	7425435	12.895	7425643	15.102	7425806	2.315	7425945	12.972
7424972	14.764	7425236	3.779	7425436	12.895	7425644	4.038	7425807	2.502	7425957	8.077
7424976	15.492	7425237	12.179	7425437	12.895	7425645	11.561	7425808	13.090	7425964	6.508
7424977	6.168	7425244	1.219	7425442	12.913	7425648	11.925	7425811	2.681	7425965	6.508
7424978	6.168	7425245	1.219	7425443	12.913	7425650	3.158	7425812	2.681	7425966	4.339

HOLDEN

MASTER PARTS CATALOGUE



PART No.	GROUP	PART No.	GROUP	PART No.	GROUP	PART No.	GROUP	PART No.	GROUP	PART No.	GROUP
7425967 ...	4.339	7426127 ...	12.114	7426321 ...	Acc./R	7426490 ...	2.697	7426716 ...	6.660	7426884 ...	0.027
7425969 ...	6.508	7426128 ...	12.114	7426322 ...	Acc./R	7426492 ...	2.820	7426721 ...	6.575	7426885 ...	12.075
7425970 ...	6.508	7426129 ...	12.114	7426331 ...	4.019	7426494 ...	2.821	7426723 ...	6.606	7426886 ...	12.075
7425971 ...	12.966	7426135 ...	3.410	7426339 ...	2.679	7426495 ...	2.819	7426724 ...	6.655	7426887 ...	12.075
7425973 ...	12.966	7426139 ...	3.410	7426340 ...	2.679	7426496 ...	3.402	7426728 ...	6.230	7426888 ...	12.075
7425974 ...	10.686	7426148 ...	3.410	7426346 ...	2.041	7426498 ...	3.430	7426729 ...	6.895	7426889 ...	12.272
7425974 ...	10.829	7426150 ...	10.268	7426348 ...	1.219	7426499 ...	3.430	7426730 ...	6.859	7426898 ...	4.005
7425977 ...	12.800	7426153 ...	3.430	7426356 ...	8.798	7426500 ...	10.027	7426735 ...	10.153	7426903 ...	4.040
7425986 ...	3.430	7426154 ...	3.430	7426358 ...	15.035	7426501 ...	10.027	7426738 ...	12.237	7426904 ...	3.725
7425987 ...	3.430	7426159 ...	9.709	7426360 ...	15.000	7426502 ...	2.893	7426744 ...	2.731	7426906 ...	Acc/W
7425990 ...	3.430	7426171 ...	12.116	7426361 ...	15.000	7426510 ...	10.512	7426745 ...	2.726	7426907 ...	11.207
7425991 ...	3.430	7426171 ...	12.183	7426362 ...	8.800	7426511 ...	10.512	7426746 ...	6.008	7426909 ...	1.611
7425993 ...	0.289	7426176 ...	10.260	7426363 ...	15.001	7426516 ...	14.687	7426748 ...	2.737	7426911 ...	Acc/H
7425994 ...	0.289	7426180 ...	2.682	7426364 ...	15.001	7426517 ...	14.687	7426752 ...	2.481	7426912 ...	10.270
7425995 ...	12.247	7426181 ...	2.682	7426365 ...	15.001	7426520 ...	4.019	7426753 ...	2.737	7426916 ...	10.187
7425997 ...	12.182	7426182 ...	12.213	7426366 ...	15.036	7426536 ...	4.020	7426754 ...	10.159	7426917 ...	10.187
7426000 ...	8.130	7426190 ...	12.247	7426367 ...	12.237	7426538 ...	15.390	7426755 ...	10.159	7426918 ...	2.555
7426001 ...	8.130	7426194 ...	12.238	7426375 ...	4.680	7426539 ...	15.390	7426756 ...	10.159	7426922 ...	12.179
7426002 ...	2.486	7426195 ...	11.628	7426376 ...	8.132	7426540 ...	3.710	7426757 ...	10.159	7426923 ...	8.798
7426005 ...	4.081	7426196 ...	12.811	7426377 ...	8.132	7426551 ...	12.803	7426758 ...	10.159	7426924 ...	9.779
7426008 ...	0.643	7426197 ...	12.811	7426378 ...	8.132	7426552 ...	12.803	7426759 ...	10.159	7426926 ...	10.270
7426009 ...	0.643	7426199 ...	0.209	7426381 ...	4.792	7426553 ...	0.902	7426767 ...	12.951	7426927 ...	0.388
7426014 ...	12.803	7426200 ...	5.010	7426383 ...	11.610	7426554 ...	0.907	7426768 ...	12.951	7426928 ...	0.388
7426019 ...	6.020	7426201 ...	5.010	7426386 ...	11.207	7426554 ...	4.651	7426769 ...	5.026	7426929 ...	0.388
7426020 ...	6.020	7426203 ...	4.902	7426387 ...	2.555	7426555 ...	0.906	7426770 ...	5.026	7426930 ...	0.388
7426021 ...	4.009	7426205 ...	15.002	7426387 ...	7.347	7426555 ...	4.650	7426771 ...	5.043	7426933 ...	2.481
7426025 ...	12.195	7426206 ...	15.002	7426387 ...	12.277	7426556 ...	4.650	7426772 ...	5.107	7426934 ...	15.280
7426026 ...	12.195	7426207 ...	15.002	7426387 ...	13.092	7426562 ...	10.159	7426773 ...	5.107	7426937 ...	1.723
7426027 ...	12.195	7426208 ...	15.002	7426390 ...	3.616	7426563 ...	10.159	7426774 ...	5.103	7426942 ...	1.268
7426028 ...	13.090	7426211 ...	3.201	7426391 ...	3.616	7426571 ...	12.242	7426775 ...	5.103	7426953 ...	9.779
7426030 ...	9.743	7426212 ...	2.424	7426392 ...	3.616	7426582 ...	9.743	7426776 ...	5.103	7426954 ...	9.779
7426031 ...	15.286	7426213 ...	3.202	7426393 ...	0.683	7426583 ...	10.256	7426777 ...	5.103	7426963 ...	Acc/R
7426032 ...	15.308	7426215 ...	2.714	7426394 ...	4.591	7426584 ...	3.932	7426778 ...	5.103	7426964 ...	2.298
7426033 ...	15.308	7426216 ...	15.101	7426395 ...	4.591	7426585 ...	12.116	7426780 ...	5.105	7426965 ...	2.298
7426041 ...	15.309	7426217 ...	15.101	7426396 ...	11.561	7426596 ...	14.630	7426781 ...	5.105	7426967 ...	2.298
7426042 ...	2.895	7426220 ...	10.15C	7426397 ...	10.475	7426597 ...	14.630	7426782 ...	5.105	7426972 ...	Acc/S
7426044 ...	14.880	7426221 ...	3.521	7426398 ...	10.475	7426600 ...	12.272	7426783 ...	5.045	7426973 ...	12.116
7426045 ...	14.800	7426222 ...	3.521	7426400 ...	8.132	7426604 ...	4.417	7426784 ...	3.725	7426974 ...	12.116
7426047 ...	14.880	7426223 ...	3.521	7426400 ...	11.210	7426620 ...	14.694	7426787 ...	5.110	7426975 ...	12.116
7426048 ...	14.800	7426226 ...	0.429	7426400 ...	12.115	7426623 ...	12.941	7426788 ...	5.110	7426976 ...	12.116
7426050 ...	14.800	7426227 ...	0.429	7426400 ...	12.116	7426626 ...	4.700	7426789 ...	3.163	7426977 ...	12.116
7426052 ...	14.800	7426228 ...	11.628	7426401 ...	8.132	7426627 ...	4.700	7426790 ...	5.111	7426978 ...	12.116
7426055 ...	14.880	7426229 ...	2.682	7426401 ...	12.116	7426637 ...	12.940	7426791 ...	12.951	7426979 ...	12.116
7426062 ...	15.035	7426230 ...	2.698	7426402 ...	15.520	7426638 ...	12.940	7426792 ...	12.951	7426980 ...	12.116
7426064 ...	15.000	7426231 ...	2.698	7426403 ...	4.339	7426639 ...	12.940	7426802 ...	3.028	7426981 ...	12.116
7426066 ...	15.035	7426232 ...	2.698	7426406 ...	4.834	7426640 ...	12.940	7426808 ...	5.045	7426982 ...	12.116
7426068 ...	15.000	7426233 ...	11.207	7426417 ...	8.154	7426641 ...	2.483	7426809 ...	3.712	7426983 ...	12.116
7426070 ...	15.035	7426235 ...	3.028	7426417 ...	13.092	7426642 ...	3.710	7426810 ...	6.008	7426984 ...	12.116
7426072 ...	15.000	7426238 ...	3.028	7426421 ...	11.207	7426643 ...	15.306	7426811 ...	5.001	7426987 ...	1.064
7426074 ...	15.035	7426239 ...	3.028	7426422 ...	11.207	7426644 ...	3.705	7426812 ...	5.001	7426988 ...	2.051
7426076 ...	15.000	7426243 ...	12.182	7426423 ...	15.286	7426646 ...	3.712	7426815 ...	6.761	7426989 ...	2.384
7426078 ...	15.035	7426244 ...	12.182	7426424 ...	10.694	7426647 ...	3.710	7426816 ...	12.237	7426993 ...	6.606
7426080 ...	15.000	7426245 ...	12.182	7426425 ...	10.694	7426648 ...	10.150	7426819 ...	11.207	7426994 ...	6.606
7426081 ...	15.000	7426250 ...	9.779	7426426 ...	10.694	7426649 ...	10.150	7426820 ...	3.430	7426995 ...	6.606
7426082 ...	12.580	7426251 ...	Acc/S	7426428 ...	5.822	7426650 ...	10.150	7426821 ...	3.430	7426996 ...	14.802
7426086 ...	2.561	7426271 ...	Acc/S	7426429 ...	9.787	7426651 ...	10.650	7426823 ...	2.555	7427006 ...	9.779
7426087 ...	11.207	7426272 ...	Acc/S	7426436 ...	8.304	7426652 ...	10.650	7426824 ...	2.555	7427008 ...	9.779
7426088 ...	11.207	7426273 ...	Acc/S	7426438 ...	12.115	7426653 ...	12.273	7426825 ...	2.555	7427009 ...	9.779
7426090 ...	11.207	7426274 ...	Acc/S	7426437 ...	8.304	7426662 ...	2.333	7426826 ...	2.555	7427011 ...	9.779
7426095 ...	12.247	7426274 ...	Acc/S	7426438 ...	12.115	7426664 ...	4.650	7426828 ...	3.431	7427012 ...	9.779
7426096 ...	12.249	7426275 ...	Acc/S	7426439 ...	12.115	7426664 ...	4.650	7426831 ...	3.430	7427013 ...	9.779
7426097 ...	12.249	7426282 ...	11.207	7426440 ...	12.115	7426665 ...	8.153	7426836 ...	3.459	7427014 ...	9.779
7426098 ...	12.247	7426287 ...	4.342	7426441 ...	12.115	7426666 ...	0.902	7426839 ...	4.040	7427015 ...	9.779
7426099 ...	12.248	7426292 ...	12.942	7426442 ...	8.132	7426667 ...	12.115	7426847 ...	8.304	7427016 ...	9.779
7426100 ...	12.248	7426293 ...	12.942	7426443 ...	8.132	7426667 ...	12.115	7426848 ...	8.304	7427019 ...	15.024
7426101 ...	12.247	7426296 ...	12.940	7426444 ...	12.116	7426672 ...	12.115	7426852 ...	8.304	7427027 ...	6.233
7426103 ...	12.247	7426297 ...	12.940	7426444 ...	12.116	7426675 ...	Acc/B	7426855 ...	8.823	7427028 ...	6.233
7426109 ...	12.238	7426298 ...	12.941	7426445 ...	12.116	7426676 ...	6.168	7426859 ...	12.116	7427056 ...	12.982
7426115 ...	12.112	7426299 ...	12.941	7426447 ...	10.829	7426677 ...	6.168	7426860 ...	2.481	7427066 ...	12.182
7426116 ...	12.112	7426300 ...	12.941	7426448 ...	10.829	7426677 ...	6.168	7426865 ...	6.008	7427071 ...	3.706
7426117 ...	12.112	7426300 ...	12.941	7426453 ...	12.272	7426684 ...	12.955	7426865 ...	6.008	7427072 ...	14.685
7426118 ...	12.112	7426301 ...	12.941	7426454 ...	11.210	7426685 ...	12.955	7426866 ...	2.481	7427073 ...	14.685
7426119 ...	12.112	7426303 ...	9.743	7426476 ...	6.008	7426686 ...	12.955	7426866 ...	2.481	7427074 ...	14.760
7426120 ...	12.114	7426304 ...	Acc/S	7426477 ...	6.008	7426688 ...	15.101	7426872 ...	8.798	7427075 ...	14.760
7426121 ...	12.114	7426305 ...	0.289	7426478 ...	2.342	7426688 ...	15.101	7426873 ...	12.247	7427076 ...	0.736
7426122 ...	12.114	7426306 ...	0.289	7426479 ...	6.008	7426691 ...	12.980	7426875 ...	12.249	7427085 ...	0.616
7426123 ...	12.114	7426308 ...	12.237	7426483 ...	9.787	7426706 ...	2.555	7426876 ...	12.249	7427086 ...	0.616
7426124 ...	12.114	7426309 ...	12.237	7426485 ...	10.027	7426707 ...	2.555	7426879 ...	12.249	7427091 ...	4.685
7426125 ...	12.114	7426311 ...	Acc/C	7426486 ...	10.027	7426710 ...	4.355	7426880 ...	13.090	7427097 ...	Acc/L
7426126 ...	12.114	7426311 ...	3.402	7426488 ...	10.027	7426711 ...	4.355	7426881 ...	13.090	7427101 ...	12.580
		7426313 ...	14.800	7426488 ...	10.027	7426712 ...	6.870				
		7426318 ...	8.798	7426489 ...	2.697	7426713 ...	6.870				
		7426319 ...	Acc/R			7426714 ...	6.895				



HOLDEN

MASTER PARTS CATALOGUE

PART No.	GROUP	PART No.	GROUP	PART No.	GROUP	PART No.	GROUP	PART No.	GROUP	PART No.	GROUP
7427102	12.580	7427285	12.241	7427495	12.956	7427678	4.352	7427863	15.286	7428070	15.287
7427108	Acc/M	7427288	12.237	7427499	4.128	7427680	9.779	7427864	15.286	7428071	10.606
7427109	2.504	7427289	2.702	7427502	12.948	7427684	9.779	7427865	15.286	7428073	1.263
7427110	2.504	7427294	12.180	7427503	12.948	7427685	9.779	7427866	15.286	7428078	Acc./M
7427111	2.504	7427295	12.179	7427504	12.811	7427693	12.269	7427867	15.286	7428079	Acc./M
7427112	2.504	7427297	Acc/M	7427505	12.811	7427698	Acc/L	7427868	15.286	7428084	12.966
7427113	2.504	7427298	Acc/M	7427506	12.948	7427698	9.709	7427869	15.286	7428086	12.966
7427114	2.504	7427299	Acc/M	7427507	12.948	7427702	Acc/W	7427870	15.024	7428087	12.966
7427115	12.800	7427300	Acc/M	7427508	12.948	7427704	Acc/H	7427871	15.024	7428089	11.204
7427125	4.003	7427301	Acc/M	7427509	12.948	7427704	9.750	7427872	15.024	7428090	15.036
7427127	Acc/L	7427302	9.743	7427510	4.680	7427708	14.685	7427873	15.024	7428094	5.001
7427128	12.801	7427306	12.237	7427516	14.691	7427709	14.685	7427876	Acc/R	7428095	5.001
7427129	12.801	7427307	15.520	7427517	14.691	7427712	14.760	7427877	Acc/S	7428098	4.826
7427135	7.865	7427308	15.520	7427519	14.691	7427713	14.760	7427880	7.345	7428101	15.002
7427136	7.865	7427309	15.520	7427524	14.685	7427714	9.779	7427883	7.506	7428102	15.002
7427148	Acc/R	7427310	15.520	7427525	14.685	7427715	9.779	7427884	7.505	7428103	15.002
7427148	5.871	7427311	15.520	7427530	14.764	7427716	13.090	7427885	7.506	7428104	15.002
7427153	Acc/H	7427312	15.520	7427531	14.764	7427718	13.090	7427904	5.018	7428108	5.386
7427154	6.575	7427313	15.520	7427533	14.764	7427720	13.090	7427905	5.018	7428110	14.694
7427156	8.798	7427316	15.520	7427542	14.760	7427722	13.090	7427911	5.017	7428111	14.694
7427161	Acc/M	7427318	15.520	7427543	14.760	7427724	2.697	7427915	12.179	7428112	14.768
7427167	7.545	7427319	2.725	7427544	14.760	7427725	2.697	7427916	5.017	7428113	14.768
7427172	7.518	7427320	2.727	7427545	14.760	7427726	2.697	7427919	5.386	7428114	14.768
7427173	7.518	7427321	2.725	7427563	12.972	7427727	2.697	7427920	5.017	7428115	14.768
7427176	11.634	7427323	9.779	7427568	15.286	7427731	0.296	7427925	5.017	7428116	14.768
7427177	11.634	7427324	9.779	7427569	15.286	7427732	0.297	7427929	4.665	7428117	14.768
7427178	11.634	7427332	4.005	7427570	4.65C	7427733	2.679	7427933	4.665	7428118	14.768
7427183	12.940	7427335	0.386	7427573	14.655	7427734	2.679	7427934	8.798	7428119	14.768
7427186	12.196	7427337	0.423	7427574	14.655	7427737	2.697	7427936	8.823	7428120	14.694
7427196	12.800	7427341	0.206	7427575	14.655	7427738	0.206	7427937	5.809	7428121	14.694
7427197	12.800	7427342	3.783	7427576	14.655	7427739	2.102	7427938	6.896	7428122	6.672
7427201	12.801	7427343	3.783	7427577	14.655	7427740	2.043	7427940	15.036	7428125	5.017
7427202	Acc/M	7427345	15.101	7427578	14.655	7427741	2.384	7427941	15.492	7428126	5.017
7427205	Acc/M	7427349	12.491	7427579	14.655	7427753	10.185	7427942	9.779	7428131	3.705
7427206	7.535	7427350	12.491	7427580	14.655	7427755	10.150	7427943	9.779	7428132	8.130
7427207	7.536	7427353	2.670	7427583	10.230	7427756	8.798	7427944	6.672	7428133	8.130
7427210	7.530	7427353	7.796	7427585	12.805	7427758	9.779	7427945	6.672	7428134	14.687
7427212	7.545	7427357	12.934	7427586	12.805	7427760	6.660	7527957	Acc./W	7428134	14.763
7427214	Acc/H	7427358	12.934	7427587	12.805	7427762	1.219	7427957	8.798	7428135	14.687
7427217	15.520	7427359	7.831	7427588	12.805	7427764	1.219	7427958	8.798	7428135	14.763
7427218	10.150	7427360	7.831	7427589	12.805	7427765	1.219	7427962	5.555	7428136	14.687
7427219	10.150	7427361	7.518	7427590	12.805	7427767	2.726	7427965	6.008	7428137	14.687
7427220	1.268	7427362	7.518	7427593	6.008	7427777	15.313	7427966	6.164	7428138	14.687
7427221	Acc/S	7427363	12.184	7427595	Acc/B	7427778	10.219	7427967	6.159	7428139	14.687
7427227	1.745	7427365	0.027	7427596	Acc/B	7427779	10.219	7427968	6.671	7428140	14.687
7427228	9.787	7427366	0.027	7427599	Acc/B	7427788	6.164	7427970	6.606	7428141	14.687
7427229	Acc/H	7427376	4.128	7427600	Acc/B	7427795	11.210	7427971	6.606	7428142	14.687
7427229	9.750	7427388	12.184	7427603	12.972	7427800	4.003	7427983	2.694	7428143	14.687
7427231	Acc/L	7427392	12.203	7427607	12.179	7427801	3.003	7427984	4.337	7428146	14.687
7427232	15.286	7427393	2.893	7427610	12.179	7427806	Acc/M	7427986	15.492	7428146	14.763
7427239	0.096	7427394	9.743	7427612	12.182	7427807	4.040	7427988	9.779	7428147	14.687
7427239	0.099	7427395	2.895	7427613	12.182	7427808	4.040	7427990	6.508	7428147	14.763
7427239	0.101	7427396	3.265	7427614	12.182	7427809	4.040	7427991	6.508	7428148	14.687
7427239	0.103	7427398	3.265	7427615	12.182	7427812	4.422	7427996	6.168	7428148	14.763
7427240	0.106	7427400	12.242	7427624	1.516	7427822	1.066	7427997	6.168	7428149	14.687
7427241	0.094	7427404	7.504	7427625	1.516	7427827	Acc/B	7428000	6.168	7428149	14.763
7427242	0.616	7427406	3.705	7427631	12.181	7427835	3.706	7428002	6.170	7428153	6.870
7427244	Acc/S	7427408	11.204	7427636	Acc/C	7427835	3.710	7428022	1.762	7428154	14.655
7427245	9.787	7427411	3.705	7427637	Acc/C	7427836	9.779	7428031	0.277	7428155	14.655
7427246	9.787	7427412	9.786	7427640	5.017	7427837	9.779	7428035	Acc/O	7428156	14.655
7427247	12.801	7427413	9.786	7427645	5.017	7427839	15.520	7428046	10.002	7428157	14.655
7427249	3.705	7427418	0.148	7427650	5.017	7427840	15.520	7428047	10.002	7428158	14.655
7427250	12.972	7427419	0.629	7427653	5.017	7427843	15.520	7428048	10.002	7428159	14.655
7427252	15.520	7427420	0.629	7427658	5.017	7427844	15.520	7428051	12.810	7428160	14.655
7427253	15.520	7427424	4.317	7427664	5.527	7427846	15.306	7428052	10.002	7428161	14.655
7427254	15.520	7427425	12.948	7427666	Acc/B	7427847	15.306	7428053	10.002	7428163	8.153
7427255	12.801	7427426	12.948	7427667	Acc/B	7427848	15.306	7428057	12.810	7428164	8.153
7427256	Acc/R	7427429	5.001	7427668	Acc/H	7427849	15.306	7428058	14.890	7428167	3.727
7427256	5.871	7427430	5.001	7427668	9.750	7427850	15.306	7428059	14.802	7428168	3.727
7427260	12.986	7427434	4.792	7427669	Acc/B	7427851	15.306	7428060	15.036	7428169	3.731
7427261	12.986	7427445	3.003	7427670	Acc/H	7427852	15.306	7428061	15.036	7428170	3.732
7427265	12.951	7427446	3.003	7427670	9.750	7427853	15.306	7428062	15.036	7428171	15.024
7427266	12.951	7427447	3.003	7427671	6.232	7427854	15.306	7428063	15.036	7428172	15.024
7427278	4.004	7427456	2.859	7427672	6.896	7427855	15.306	7428064	15.002	7428173	15.024
7427279	12.237	7427457	10.270	7427673	6.859	7427857	15.306	7428065	15.002	7428174	15.024
7427280	12.237	7427458	12.955	7427674	3.616	7427858	15.286	7428066	6.672	7428175	15.024
7427281	1.265	7427459	4.685	7427675	14.640	7427859	15.286	7428067	6.670	7428176	12.955
7427282	7.503	7427460	4.685	7427676	4.422	7427860	15.286	7428069	15.287	7428179	6.895
7427283	7.503	7427461	12.955	7427677	4.422	7427861	15.286			7428182	3.616
7427284	7.503	7427468	12.955			7427862	15.286			7428200	12.940

HOLDEN

MASTER PARTS CATALOGUE



PART No.	GROUP	PART No.	GROUP	PART No.	GROUP	PART No.	GROUP	PART No.	GROUP	PART No.	GROUP
7428201	12.940	7428383	15.520	7428548	2.679	7428793	Acc/S	7428952	10.150	7429101	12.116
7428210	8.130	7428384	15.520	7428549	2.679	7428796	3.705	7428953	10.150	7429102	12.116
7428211	8.130	7428385	12.940	7428550	2.679	7428797	2.590	7428954	4.408	7429104	Acc/S
7428214	12.269	7428386	12.940	7428551	2.679	7428802	Acc/G	7428955	4.355	7429108	0.096
7428218	6.230	7428387	4.931	7428552	0.823	7428802	2.275	7428960	4.700	7429108	0.099
7428219	6.230	7428388	12.982	7428554	10.150	7428803	11.374	7428966	2.410	7429108	0.101
7428220	14.655	7428389	12.982	7428556	2.586	7428803	11.611	7428967	2.410	7429108	0.103
7428224	8.130	7428390	4.797	7428557	2.586	7428803	11.629	7428968	2.367	7429109	0.096
7428225	7.831	7428398	14.640	7428560	3.705	7428807	2.488	7428969	2.382	7429109	0.099
7428228	4.650	7428400	1.268	7428561	3.616	7428808	2.488	7428970	2.393	7429109	0.101
7428231	6.551	7428401	1.268	7428561	3.710	7428809	9.743	7428971	2.385	7429109	0.103
7428236	4.792	7428402	1.268	7428563	3.712	7428810	9.743	7428972	2.385	7429110	0.096
7428239	10.092	7428403	1.268	7428567	1.219	7428811	10.256	7428973	2.385	7429110	0.099
7428243	4.015	7428404	1.268	7428569	12.940	7428812	10.256	7428974	2.400	7429110	0.101
7428243	12.176	7428405	1.268	7428592	12.971	7428813	Acc/M	7428975	2.381	7429110	0.103
7428243	12.801	7428406	6.307	7428608	4.040	7428814	Acc/M	7428976	2.381	7429111	0.106
7428243	12.802	7428408	2.500	7428611	3.430	7428816	12.116	7428977	2.381	7429112	0.106
7428244	12.972	7428420	7.836	7428615	4.040	7428817	12.116	7428978	2.381	7429113	0.106
7428245	12.972	7428421	7.836	7428616	3.705	7428818	12.116	7428979	2.372	7429114	0.094
7428248	12.212	7428423	14.800	7428619	4.040	7428819	12.116	7428980	2.388	7429115	0.094
7428249	14.800	7428424	14.800	7428620	3.260	7428820	15.492	7428981	2.389	7429116	0.094
7428250	14.800	7428425	15.000	7428622	3.712	7428821	15.492	7428982	2.368	7429117	0.616
7428251	14.800	7428426	15.035	7428625	3.706	7428830	12.980	7428983	2.362	7429118	0.616
7428252	14.880	7428427	15.000	7428629	4.040	7428831	12.980	7428984	4.040	7429119	0.616
7428253	14.800	7428428	15.035	7428634	8.798	7428832	12.980	7428989	12.182	7429120	0.616
7428254	14.880	7428429	15.000	7428646	12.248	7428833	12.980	7428990	12.182	7429122	2.486
7428255	8.132	7428430	15.035	7428647	7.831	7428835	12.179	7428991	1.265	7429123	14.640
7428256	1.835	7428431	15.000	7428648	7.831	7428836	12.179	7428992	12.182	7429138	6.323
7428267	12.951	7428432	15.035	7428651	15.309	7428840	12.179	7428993	Acc/B	7429139	6.164
7428268	12.951	7428433	15.000	7428652	15.309	7428842	Acc/L	7428996	2.316	7429140	6.164
7428269	4.797	7428434	15.000	7428653	15.308	7428844	Acc/S	7428997	2.305	7429141	6.169
7428271	2.897	7428435	15.000	7428654	15.308	7428846	Acc/P	7428998	2.307	7429142	6.169
7428278	12.981	7428436	15.000	7428655	15.308	7428848	15.520	7428999	2.307	7429143	6.164
7428280	4.931	7428437	15.001	7428656	15.308	7428849	15.520	7429000	2.307	7429145	6.170
7428291	11.207	7428440	15.100	7428657	15.100	7428852	12.116	7429001	2.307	7429148	2.361
7428292	11.207	7428441	15.100	7428658	15.100	7428853	12.116	7429002	2.307	7429150	6.361
7428294	8.823	7428442	15.100	7428659	15.002	7428854	11.374	7429003	2.279	7429151	6.364
7428306	12.966	7428443	15.100	7428660	15.002	7428865	3.430	7429004	2.297	7429155	2.728
7428310	6.513	7428444	15.024	7428682	7.831	7428868	4.685	7429005	2.298	7429156	2.728
7428319	6.513	7428445	15.035	7428684	15.286	7428871	4.685	7429006	2.298	7429157	6.103
7428321	6.513	7428446	15.035	7428685	15.286	7428872	4.681	7429007	2.298	7429158	6.103
7428323	6.513	7428454	1.062	7428686	15.306	7428873	4.681	7429008	2.289	7429160	12.196
7428324	6.513	7428455	1.062	7428687	15.306	7428874	14.802	7429009	2.289	7429162	2.515
7428325	6.513	7428456	1.069	7428692	12.182	7428878	2.555	7429010	2.289	7429163	2.679
7428326	6.513	7428459	1.266	7428693	12.182	7428879	2.555	7429011	2.287	7429171	2.586
7428327	6.513	7428460	1.266	7428694	2.070	7428900	7.865	7429012	2.287	7429172	2.586
7428328	6.513	7428461	1.266	7428695	2.070	7428901	7.865	7429013	2.287	7429173	12.116
7428329	6.513	7428462	1.266	7428696	2.067	7428903	15.024	7429014	2.287	7429174	12.116
7428330	6.513	7428465	12.940	7428697	1.108	7428904	15.024	7429015	2.291	7429175	12.116
7428331	6.513	7428466	12.940	7428698	1.086	7428905	15.024	7429016	2.285	7429177	3.752
7428332	6.513	7428468	5.803	7428699	1.087	7428912	2.699	7429017	2.310	7429178	3.752
7428333	6.513	7428480	12.181	7428700	2.087	7428913	2.684	7429018	2.315	7429179	9.779
7428334	6.513	7428481	12.181	7428701	2.087	7428914	4.205	7429020	12.269	7429180	0.277
7428335	6.513	7428485	1.064	7428702	2.085	7428917	15.036	7429021	2.698	7429181	1.803
7428336	1.268	7428490	3.265	7428703	2.083	7428918	4.681	7429022	2.697	7429195	0.033
7428337	12.966	7428491	3.261	7428704	2.077	7428919	12.275	7429023	2.682	7429199	12.247
7428338	6.513	7428492	3.260	7428705	2.096	7428920	14.890	7429024	10.150	7429208	7.504
7428339	6.513	7428493	3.601	7428706	2.096	7428921	14.802	7429025	10.150	7429210	8.132
7428344	8.823	7428495	3.601	7428707	2.096	7428923	12.116	7429026	10.150	7429210	12.182
7428345	12.213	7428497	3.260	7428708	2.063	7428924	12.116	7429027	10.150	7429211	1.265
7428346	0.929	7428498	3.725	7428709	2.063	7428925	12.116	7429028	10.150	7429220	1.265
7428347	0.929	7428502	3.725	7428710	2.043	7428929	14.640	7429029	10.150	7429228	0.847
7428353	15.390	7428505	3.288	7428711	2.101	7428931	15.036	7429030	10.150	7429232	4.317
7428355	3.705	7428506	3.521	7428712	2.100	7428934	15.001	7429031	10.150	7429234	14.860
7428356	11.208	7428507	3.521	7428713	2.102	7428935	15.002	7429032	10.150	7429237	12.182
7428357	11.208	7428508	3.402	7428714	2.049	7428936	4.205	7429033	10.150	7429238	12.116
7428358	11.208	7428514	3.403	7428720	8.798	7428937	10.150	7429034	10.150	7429239	12.116
7428360	2.314	7428520	Acc/B	7428732	2.589	7428938	10.150	7429035	12.116	7429241	8.800
7428363	3.712	7428525	3.459	7428740	8.132	7428939	10.150	7429045	9.779	7429243	8.800
7428367	Acc/S	7428526	3.430	7428740	12.116	7428940	10.150	7429061	12.179	7429247	2.681
7428370	4.009	7428531	0.519	7428740	12.183	7428941	10.150	7429066	12.179	7429248	2.696
7428371	4.009	7428532	2.424	7428741	1.069	7428942	10.150	7429067	12.179	7429249	11.634
7428372	12.971	7428533	3.706	7428743	15.001	7428943	10.150	7429068	2.361	7429250	11.634
7428373	12.971	7428535	2.361	7428757	15.311	7428944	10.150	7429069	8.132	7429269	14.687
7428377	15.520	7428540	3.609	7428767	12.212	7428946	10.150	7429077	9.709	7429269	14.763
7428378	15.520	7428541	3.609	7428768	12.182	7428947	10.150	7429079	9.709	7429270	14.687
7428379	15.520	7428542	2.342	7428775	4.826	7428948	10.150	7429092	4.342	7429270	14.763
7428380	15.520	7428542	2.555	7428778	12.941	7428949	10.150	7429096	4.342	7429275	Acc/D
7428381	15.520	7428543	3.616	7428779	12.941	7428950	10.150	7429098	4.342	7429277	3.273
7428382	15.520	7428547	6.758	7428787	3.712	7428951	10.150	7429100	12.182	7429278	3.273



HOLDEN

MASTER PARTS CATALOGUE

PART No.	GROUP	PART No.	GROUP	PART No.	GROUP	PART No.	GROUP	PART No.	GROUP	PART No.	GROUP
7429279	8.823	7429509	9.743	7429734	4.826	7430031	9.786	7430316	0.643	7430496	3.270
7429281	3.403	7429510	9.743	7429735	4.826	7430032	5.858	7430317	0.643	7430497	1.071
7429283	3.410	7429512	12.810	7429737	3.701	7430042	10.185	7430318	0.643	7430498	3.701
7429288	0.388	7429513	12.810	7429739	2.670	7430042	Acc/M	7430345	Acc/H	7430499	3.701
7429289	0.388	7429514	3.601	7429741	0.934	7430052	0.001	7430345	9.750	7430500	10.261
7429291	12.810	7429519	0.603	7429745	2.728	7430055	3.430	7430346	0.847	7430501	10.261
7429292	12.810	7429521	3.270	7429746	2.728	7430068	4.403	7430347	0.847	7430505	10.261
7429293	12.810	7429522	9.743	7429753	14.655	7430071	3.725	7430348	0.847	7430506	0.629
7429294	2.342	7429523	6.508	7429754	6.551	7430073	4.019	7430357	0.844	7430507	0.629
7429295	2.555	7429532	3.611	7429756	3.431	7430088	4.003	7430360	6.761	7430508	0.629
7429296	3.410	7429534	3.616	7429759	3.430	7430091	10.456	7430363	0.844	7430509	0.629
7429301	Acc/R	7429535	3.705	7429760	3.430	7430091	10.460	7430368	6.575	7430510	0.629
7429303	6.008	7429537	3.706	7429766	0.844	7430091	12.184	7430369	15.520	7430511	0.629
7429319	2.679	7429538	11.925	7429770	0.269	7430095	0.797	7430373	4.003	7430512	0.629
7429334	14.687	7429539	3.610	7429771	0.269	7430096	0.679	7430374	4.003	7430513	0.629
7429334	14.763	7429540	3.609	7429774	0.533	7430099	0.796	7430375	4.003	7430514	0.629
7429335	14.687	7429551	4.007	7429786	14.655	7430100	3.725	7430378	0.673	7430515	0.629
7429335	14.763	7429558	3.705	7429788	3.260	7430101	3.430	7430383	2.697	7430516	0.629
7429338	4.318	7429562	0.426	7429789	3.260	7430103	11.207	7430399	3.725	7430517	0.629
7429339	1.123	7429563	3.710	7429790	4.040	7430105	8.798	7430402	0.094	7430518	0.629
7429341	4.337	7429565	3.712	7429804	2.515	7430105	8.798	7430403	0.094	7430519	0.629
7429350	0.094	7429566	3.712	7429809	0.683	7430107	3.725	7430406	0.094	7430520	12.112
7429351	0.096	7429567	3.712	7429810	7.516	7430108	4.019	7430407	0.094	7430520	12.114
7429351	0.099	7429569	3.712	7429811	6.606	7430130	3.431	7430408	0.094	7430521	9.743
7429351	0.101	7429585	2.892	7429812	3.260	7430136	3.521	7430409	2.274	7430522	12.183
7429351	0.103	7429611	Acc/W	7429813	4.040	7430137	4.006	7430410	2.274	7430521	9.743
7429352	0.106	7429612	Acc/W	7429814	4.317	7430160	3.430	7430418	4.040	7430533	12.112
7429376	0.616	7429614	9.743	7429815	4.040	7430160	3.430	7430420	15.520	7430534	12.112
7429377	0.616	7429616	11.611	7429816	4.040	7430160	3.459	7430430	0.096	7430535	12.114
7429378	0.096	7429620	7.345	7429817	2.041	7430161	3.430	7430430	0.103	7430536	3.410
7429378	0.099	7429621	1.219	7429820	2.694	7430165	3.430	7430430	0.099	7430537	12.116
7429378	0.101	7429622	1.219	7429820	13.090	7430168	12.980	7430430	0.101	7430538	12.116
7429378	0.103	7429623	1.219	7429826	10.569	7430169	3.459	7430430	0.103	7430557	12.913
7429379	0.106	7429624	1.219	7429827	1.064	7430177	0.297	7430431	0.096	7430558	12.913
7429380	0.094	7429625	6.508	7429828	0.904	7430178	0.297	7430431	0.099	7430561	12.913
7429381	0.861	7429626	12.183	7429828	4.650	7430179	0.297	7430431	0.101	7430562	12.913
7429386	0.886	7429628	5.018	7429829	6.606	7430180	0.297	7430432	0.096	7430573	12.895
7429392	6.518	7429629	5.018	7429830	10.002	7430181	0.297	7430432	0.099	7430574	12.895
7429393	3.701	7429630	5.018	7429831	10.002	7430183	4.931	7430433	0.099	7430577	12.940
7429405	6.803	7429637	0.934	7429832	10.002	7430184	0.902	7430433	0.099	7430578	12.940
7429406	6.803	7429638	2.725	7429833	10.002	7430184	4.649	7430433	0.096	7430583	3.601
7429407	Acc/S	7429648	6.524	7429834	10.002	7430185	0.902	7430433	0.099	7430599	4.309
7429409	12.966	7429649	6.524	7429835	10.002	7430185	4.649	7430433	0.101	7430600	4.309
7429410	8.000	7429652	4.317	7429836	10.002	7430194	5.017	7430433	0.103	7430602	8.132
7429411	1.270	7429659	5.011	7429837	10.002	7430195	5.017	7430433	0.103	7430602	12.112
7429415	Acc/S	7429673	4.003	7429838	10.002	7430204	9.779	7430434	0.099	7430602	12.114
7429416	6.508	7429675	11.373	7429839	10.002	7430205	Acc/S	7430434	0.101	7430602	12.116
7429423	1.270	7429677	0.929	7429856	11.373	7430216	3.260	7430434	0.103	7430603	12.112
7429424	1.270	7429678	15.024	7429859	11.610	7430217	3.260	7430434	0.103	7430603	12.114
7429427	4.017	7429681	Acc/I	7429861	11.611	7430221	4.649	7430435	0.099	7430608	2.589
7429430	12.980	7429682	12.247	7429864	11.628	7430222	4.649	7430435	0.101	7430610	2.591
7429431	12.980	7429683	3.201	7429871	15.286	7430225	2.503	7430435	0.103	7430619	4.337
7429432	12.980	7429684	3.201	7429878	15.306	7430226	0.269	7430436	0.096	7430620	4.304
7429433	12.980	7429685	3.201	7429881	12.248	7430230	0.033	7430436	0.101	7430622	4.337
7429434	12.980	7429686	9.743	7429887	0.679	7430232	0.033	7430436	0.103	7430623	4.337
7429435	4.038	7429687	9.743	7429889	7.345	7430233	5.105	7430436	0.106	7430631	2.485
7429446	8.823	7429688	9.743	7429891	0.795	7430234	10.187	7430436	0.106	7430647	4.342
7429449	14.860	7429690	2.488	7429902	5.441	7430248	4.015	7430436	0.106	7430648	4.342
7429450	14.860	7429691	10.256	7429903	8.820	7430250	4.015	7430445	0.616	7430649	5.548
7429451	14.860	7429692	10.256	7429917	4.103	7430263	0.643	7430445	0.616	7430650	5.548
7429452	14.860	7429693	15.100	7429918	4.003	7430265	0.643	7430445	0.616	7430653	6.575
7429459	1.252	7429694	15.100	7429923	4.003	7430267	0.269	7430445	0.616	7430657	12.277
7429460	1.251	7429695	2.670	7429932	2.277	7430268	0.269	7430445	0.616	7430659	12.277
7429462	11.928	7429696	11.960	7429936	7.503	7430269	0.289	7430445	0.616	7430665	6.361
7429464	3.288	7429697	11.960	7429937	11.373	7430270	0.289	7430445	0.616	7430666	6.361
7429465	4.040	7429698	15.024	7429941	4.403	7430270	0.289	7430445	0.616	7430667	7.503
7429467	3.265	7429703	2.830	7429944	4.105	7430296	0.643	7430445	0.616	7430669	4.040
7429468	3.260	7429708	6.008	7429949	5.441	7430297	0.643	7430445	0.616	7430670	8.823
7429472	0.289	7429711	15.024	7429950	4.351	7430298	0.643	7430445	0.616	7430705	10.351
7429473	0.289	7429712	15.024	7429955	13.090	7430305	0.033	7430445	0.616	7430706	10.351
7429474	0.269	7429713	7.516	7430003	4.009	7430306	0.033	7430445	0.616	7430711	10.373
7429476	3.275	7429714	3.706	7430022	0.886	7430307	0.033	7430445	0.616	7430712	10.373
7429486	3.265	7429718	4.318	7430024	10.559	7430308	0.033	7430445	0.616	7430713	10.373
7429488	0.269	7429728	0.616	7430027	Acc/W	7430309	0.033	7430445	0.616	7430714	10.373
7429490	3.265	7429729	0.616	7430028	Acc/W	7430310	0.033	7430445	0.616	7430719	12.247
7429491	3.265									7430720	6.670
7429505	2.488									7430721	4.303
7429507	10.256									7430722	1.064
7429508	10.256									7430733	4.311
										7430734	2.504
										7430735	3.609

HOLDEN

MASTER PARTS CATALOGUE



PART No.	GROUP	PART No.	GROUP	PART No.	GROUP	PART No.	GROUP	PART No.	GROUP	PART No.	GROUP
7430741	11.207	7430964	3.705	7431207	3.712	7431589	6.606	7432776	3.712	7434167	3.260
7430742	11.207	7430973	3.003	7431208	0.847	7431590	0.930	7432783	10.002	7434168	3.260
7430744	7.516	7430974	3.003	7431210	12.277	7431593	4.040	7432784	10.002	7434178	0.646
7430746	Acc/S	7430975	6.672	7431211	12.277	7431597	4.040	7432810	15.286	7434182	8.823
7430751	2.555	7430979	4.302	7431212	15.002	7431621	11.207	7432811	15.286	7434202	10.150
7430752	2.555	7430980	4.302	7431213	14.802	7431622	11.207	7432812	15.306	7434220	0.659
7430757	12.182	7430981	4.301	7431214	15.002	7431643	0.033	7432813	15.306	7434224	0.659
7430759	2.361	7430982	4.301	7431216	15.036	7431644	0.033	7432816	14.880	7434292	4.040
7430769	4.309	7430985	6.672	7431217	12.183	7431645	0.033	7432817	14.800	7434293	3.431
7430776	10.150	7430986	1.266	7431219	4.342	7431707	13.090	7432818	14.890	7434301	0.646
7430777	3.616	7430987	1.266	7431221	4.342	7431728	2.714	7432819	14.802	7434305	3.108
7430778	3.616	7430988	11.928	7431222	4.342	7431729	2.714	7432862	15.002	7434326	15.294
7430779	12.273	7430990	13.090	7431223	15.036	7431736	12.810	7432897	15.036	7434328	10.150
7430785	Acc/R	7430992	13.090	7431239	14.890	7431737	12.810	7432923	3.265	7434341	2.555
7430787	4.342	7430994	13.090	7431254	7.523	7431746	0.736	7432924	3.265	7434342	2.555
7430794	12.112	7430996	13.090	7431256	9.779	7431749	12.248	7432988	12.980	7434343	2.555
7430795	12.114	7430998	2.697	7431257	8.821	7431754	4.792	7433023	6.852	7434344	2.555
7430796	12.116	7430999	2.697	7431265	5.803	7431807	6.852	7433114	Acc./R	7434345	2.555
7430797	8.132	7431002	14.685	7431271	2.342	7431818	2.714	7433295	2.481	7434346	2.555
7430798	10.163	7431003	14.685	7431272	2.342	7431819	2.810	7433297	Acc./P	7434347	2.555
7430803	8.132	7431008	14.691	7431276	15.036	7431820	2.810	7433298	Acc./P	7434348	2.555
7430805	12.114	7431008	14.764	7431280	2.810	7431861	3.725	7433327	2.270	7434349	2.697
7430807	12.940	7431010	14.691	7431292	15.036	7431862	3.725	7433354	1.762	7434350	2.697
7430808	12.940	7431011	14.764	7431293	14.640	7431883	3.260	7433434	3.001	7434363	15.286
7430811	12.940	7431016	14.691	7431299	7.632	7431884	3.260	7433473	Acc./H	7434364	12.801
7430812	12.940	7431016	14.764	7431308	6.575	7431896	4.017	7433474	Acc./H	7434539	4.006
7430821	3.430	7431022	14.760	7431309	Acc/R	7431941	Acc/B	7433483	Acc./H	7434591	8.132
7430831	Acc/B	7431023	14.760	7431309	5.871	7431967	10.092	7433491	Acc./H	7434591	12.182
7430832	Acc/B	7431031	12.277	7431310	15.036	7431970	4.304	7433492	Acc./H	7434668	15.520
7430843	12.895	7431036	14.760	7431321	15.036	7432025	12.116	7433575	6.234	7434669	15.520
7430844	12.895	7431037	14.760	7431327	0.646	7432100	6.168	7433576	6.232	7434670	15.520
7430845	12.913	7431042	14.685	7431329	0.646	7432101	6.168	7433631	1.453	7434671	15.520
7430846	12.913	7431043	14.685	7431341	11.373	7432117	12.116	7433633	1.453	7434672	15.520
7430847	12.913	7431046	14.760	7431342	11.373	7432145	10.185	7433652	Acc./H	7434673	15.520
7430848	12.913	7431047	14.760	7431353	Acc/R	7432149	0.388	7433653	Acc./H	7434674	14.687
7430850	4.040	7431050	14.685	7431365	2.810	7432150	0.388	7433655	3.601	7434674	14.763
7430851	10.351	7431051	14.685	7431374	15.002	7432151	0.388	7433657	3.603	7434675	14.687
7430852	10.351	7431052	14.760	7431380	0.830	7432152	0.388	7433660	3.403	7434675	14.763
7430853	10.351	7431053	14.760	7431380	4.625	7432157	Acc/S	7433669	3.265	7434677	14.655
7430854	10.351	7431061	14.687	7431383	Acc/H	7432179	6.670	7433690	3.265	7434678	14.655
7430855	10.373	7431061	14.763	7431383	2.810	7432201	4.006	7433691	3.726	7434679	14.655
7430856	10.373	7431062	14.687	7431394	0.845	7432202	4.006	7433728	4.902	7434680	6.513
7430857	10.373	7431062	14.763	7431402	14.880	7432228	4.081	7433759	Acc./B	7434681	6.513
7430858	10.373	7431063	15.024	7431403	14.880	7432231	12.971	7433759	14.798	7434682	6.513
7430859	12.895	7431064	15.024	7431404	14.880	7432233	1.064	7433761	Acc./B	7434683	6.513
7430860	12.895	7431065	15.024	7431405	14.800	7432234	1.064	7433796	9.743	7434684	6.513
7430861	Acc/P	7431066	15.024	7431406	14.800	7432234	1.064	7433798	4.685	7434685	6.513
7430863	5.510	7431067	15.024	7431407	14.800	7432237	3.265	7433799	4.685	7434690	12.801
7430864	4.003	7431068	15.024	7431408	14.800	7432239	3.265	7433804	3.260	7434691	2.275
7430865	1.069	7431071	15.024	7431408	14.800	7432246	3.402	7433805	3.260	7434736	4.931
7430866	7.530	7431072	15.024	7431409	14.800	7432247	1.516	7433806	3.260	7434844	3.701
7430867	3.701	7431073	15.024	7431422	15.035	7432273	10.159	7433846	3.430	7435054	15.286
7430869	5.504	7431074	15.024	7431423	15.035	7432275	12.174	7433847	3.201	7435055	15.286
7430870	5.504	7431074	15.024	7431424	15.035	7432280	5.400	7433848	3.431	7435056	15.286
7430871	5.504	7431087	2.170	7431425	15.035	7432288	12.810	7433851	3.430	7435057	15.286
7430874	14.802	7431089	2.041	7431426	15.035	7432290	3.712	7433852	3.430	7435171	4.901
7430875	1.268	7431092	1.268	7431427	15.035	7432291	3.705	7433853	4.040	7435203	4.902
7430876	1.265	7431093	1.268	7431428	15.000	7432317	Acc/R	7433858	3.720	7435204	4.902
7430879	2.500	7431096	3.705	7431429	15.000	7432365	2.040	7433859	3.720	7435330	0.388
7430880	2.500	7431104	6.761	7431430	15.000	7432430	Acc./S	7433860	3.720	7435359	2.275
7430881	7.831	7431111	6.671	7431431	15.000	7432431	Acc./S	7433861	2.424	7435374	1.516
7430882	7.831	7431112	6.671	7431432	15.000	7432436	3.410	7433862	2.424	7435394	0.683
7430893	7.865	7431118	7.524	7431433	15.000	7432469	15.286	7433897	2.424	7435520	Acc./R
7430894	7.865	7431124	10.027	7431433	15.000	7432472	1.265	7433941	4.901	7435521	Acc./R
7430895	12.174	7431125	15.002	7431434	15.000	7432500	11.373	7433949	7.852	7435897	0.886
7430895	12.183	7431126	15.002	7431435	15.000	7432512	3.725	7433950	4.685	7436016	6.230
7430900	6.168	7431127	2.333	7431453	15.001	7432513	3.725	7433951	4.685	7436108	Acc./R
7430911	10.150	7431128	7.530	7431473	15.001	7432587	3.609	7433982	Acc./S	7436181	2.333
7430912	8.798	7431129	12.174	7431500	0.269	7432635	3.725	7433991	4.901	7436182	2.333
7430913	8.798	7431130	12.182	7431501	0.269	7432636	3.725	7434000	9.743	7436467	3.431
7430916	4.003	7431131	12.182	7431502	0.269	7432674	14.651	7434001	9.743	7436683	5.809
7430918	2.341	7431134	12.800	7431517	9.787	7432711	15.024	7434002	9.743	7436752	2.239
7430919	15.036	7431136	8.798	7431525	1.159	7432712	15.024	7434004	3.459	7436772	8.823
7430920	14.890	7431137	0.830	7431533	0.673	7432713	15.024	7434062	Acc./R	7437015	Acc./H
7430922	0.736	7431138	0.929	7431552	11.420	7432714	15.024	7434067	3.720	7437084	14.802
7430943	15.002	7431183	7.503	7431553	11.611	7432758	3.402	7434120	1.762	7437125	6.326
7430944	15.002	7431184	7.503	7431577	Acc/G	7432766	14.860	7434146	10.150	7437388	1.064
7430951	12.174	7431187	3.701	7431578	Acc/G	7432767	14.860	7434159	10.203	7437580	7.347
7430962	3.705	7431188	6.551	7431579	Acc/G	7432768	14.860	7434160	10.203	7437581	7.347
		7431195	12.277	7431580	Acc/G	7432769	14.860	7434163	2.333	7437582	7.347
		7431200	6.672	7431581	Acc/G	7432773	11.373	7434165	2.333	7437584	7.347
				7431582	Acc/G						



HOLDEN

MASTER PARTS CATALOGUE

PART No.	GROUP	PART No.	GROUP	PART No.	GROUP	PART No.	GROUP	PART No.	GROUP	PART No.	GROUP
7437585	7.347	7962755	4.339	8620522	4.128	8621098	4.256	8621493	4.408	9412033	8.977
7437586	7.347	7962900	4.339	8620526	4.265	8621099	4.256	8621496	4.282	9412348	8.991
7437600	4.303	7962946	3.109	8620527	4.265	8621108	4.253	8621497	4.128	9412980	4.256
7437644	7.347	7962946	4.339	8620528	4.265	8621109	4.253	8621498	4.282	9413183	4.290
7437654	7.345	7962949	4.339	8620529	4.265	8621113	4.127	8621499	4.282	9413243	8.918
7437666	6.364	7962950	4.339	8620536	4.233	8621116	4.233	8621507	4.226	9413371	8.900
7437725	7.370	7962952	4.339	8620574	4.265	8621121	4.162	8621574	4.172	9413522	8.908
7437750	10.150	7962969	4.339	8620575	4.265	8621127	4.294	8621576	4.172	9413546	8.977
7438234	8.821	7962971	4.339	8620585	4.265	8621128	4.290	8621577	4.161	9413955	8.918
7438292	Acc./C	7963199	2.516	8620587	4.265	8621130	4.295	8621581	4.129	9413976	8.918
7438607	5.816	7963199	3.109	8620591	4.104	8621131	4.290	8621583	1.189	9414045	8.991
7438608	3.724	7963200	2.516	8620628	4.228	8621132	4.290	8621586	4.155	9414106	8.929
7438910	8.800	7963202	2.516	8620645	4.106	8621133	4.265	8621587	4.155	9414320	8.929
7440314	Acc./R	7963500	2.515	8620682	4.265	8621138	4.317	8621622	4.123	9414324	8.977
7447264	8.798	7963506	3.109	8620689	4.265	8621141	4.318	8621652	4.265	9414811	8.900
7448423	Acc./R	7963516	3.108	8620697	4.129	8621142	4.318	8621692	4.265	9414875	4.256
7448424	Acc./R	7963518	4.610	8620698	4.129	8621151	4.278	8621721	4.265	9415084	8.929
7448425	Acc./R	7963609	3.109	8620699	4.129	8621157	4.278	8621792	4.282	9415250	8.921
7448426	Acc./R	7967116	3.108	8620700	4.129	8621158	4.282	8621807	4.233	9415505	8.977
7448531	4.005	7967130	3.108	8620721	4.195	8621169	4.265	8621840	4.233	9415583	8.977
7448533	4.318	7967131	3.108	8620743	4.216	8621174	4.265	8621870	4.127	9415601	8.908
7448647	4.127	7970073	4.339	8620751	4.163	8621175	4.265	8621907	4.156	9415767	8.900
7450410	4.177	8615856	4.216	8620781	4.265	8621178	4.265	8621927	4.265	9415792	8.900
7950090	3.902	8615898	4.226	8620809	4.127	8621179	4.265	8621928	4.265	9415795	8.900
7950118	3.902	8615899	4.226	8620817	4.127	8621183	4.265	8621985	4.228	9415798	8.900
7950132	3.902	8616048	4.127	8620829	4.177	8621184	4.265	8622010	4.265	9415800	8.900
7950313	3.920	8616406	4.155	8620852	4.317	8621185	4.265	8622017	4.161	9415802	8.900
7950314	3.900	8616407	4.155	8620881	4.265	8621188	4.265	8622020	4.159	9415829	8.900
7950315	3.902	8616557	4.265	8620907	4.226	8621189	4.265	8622026	4.216	9415858	8.900
7950345	3.920	8617747	4.133	8620909	4.123	8621206	4.265	8622032	4.223	9415860	8.900
7950398	3.925	8618811	4.003	8620910	4.155	8621218	4.224	8622063	4.158	9416367	8.910
7950399	3.901	8619082	4.265	8620930	4.226	8621219	4.196	8622114	4.172	9416676	8.977
7950633	3.925	8619086	4.265	8620931	4.103	8621220	4.195	8622126	4.177	9416713	4.265
7950634	3.901	8619089	4.265	8620933	4.156	8621230	4.265	8622134	4.187	9416713	4.278
7950671	3.927	8619151	4.294	8620935	4.166	8621232	4.233	8622137	4.254	9417497	8.929
7950756	3.910	8619544	4.123	8620936	4.166	8621235	4.265	8622249	4.128	9417555	8.900
7955922	3.410	8619548	4.124	8620937	4.282	8621236	4.233	8622292	4.163	9417639	8.977
7956143	10.150	8619549	4.123	8620940	4.156	8621238	4.265	8622313	4.286	9417726	8.910
7956386	10.150	8619560	4.226	8620941	4.123	8621258	4.251	8622346	4.256	9417863	8.991
7956550	10.150	8619564	4.226	8620942	4.408	8621262	4.187	8622347	4.256	9417866	8.991
7956959	10.150	8619567	4.226	8620952	4.265	8621266	4.290	8622361	4.003	9417891	8.984
7957055	10.150	8619568	4.226	8620964	4.155	8621269	4.129	8622362	4.256	9418028	8.909
7957063	10.150	8619571	4.216	8620982	4.157	8621277	4.128	8622671	4.337	9418232	8.977
7957065	10.150	8619573	4.216	8620984	4.177	8621278	4.129	8622677	0.666	9418470	8.900
7957152	10.150	8619591	4.127	8620989	4.265	8621288	4.129	8622704	4.162	9418693	8.921
7957163	10.150	8619594	0.666	8620998	4.265	8621321	4.228	8622759	0.666	9419378	3.265
7961457	1.835	8619610	4.127	8621015	4.124	8621328	4.166	8622934	4.265	9419999	8.900
7961613	4.339	8619660	4.189	8621025	4.172	8621331	4.128	9407614	8.910	9420809	8.914
7961614	4.339	8619717	4.233	8621028	4.127	8621395	4.256	9408991	8.900	9420908	8.977
7961719	4.339	8619722	4.162	8621032	4.155	8621396	4.162	9411027	8.984	9420975	8.900
7961722	4.339	8619771	4.265	8621042	4.163	8621409	4.278	9411032	8.984	9424842	8.977
7961996	4.339	8619866	4.265	8621043	4.166	8621412	4.278	9411532	8.977	9425450	8.901
7962148	4.339	8620302	4.408	8621047	4.164	8621415	4.265	9411535	8.977	9427350	8.977
7962394	4.339	8620313	4.155	8621059	4.129	8621416	4.265				
7962395	4.339	8620344	4.265	8621063	4.189	8621417	4.265				
7962399	4.339	8620365	4.155	8621064	4.189	8621418	4.265				
7962402	4.339	8620367	4.155	8621065	4.128	8621428	4.158				
7962405	4.339	8620383	4.265	8621066	4.189	8621435	4.159				
7962479	4.339	8620384	4.265	8621068	4.128	8621459	4.128				
7962484	4.339	8620402	4.127	8621069	4.162	8621462	4.226				
7962494	4.339	8620471	4.216	8621074	4.162	8621471	4.163				
7962751	4.339	8620472	4.216	8621075	4.127	8621476	4.337				
		8620473	4.216	8621077	4.129	8621480	4.279				
		8620502	4.282	8621085	4.129	8621484	4.279				
		8620504	4.226	8621086	4.172	8621491	4.317				

HOLDEN
MASTER PARTS CATALOGUE



NOTES

A large rectangular area of the page is filled with horizontal ruling lines, providing space for handwritten notes.



HOLDEN

MASTER PARTS CATALOGUE



AUTHORISED



DISTRIBUTORS

NEW SOUTH WALES

- * BALL BEARINGS PTY. LTD.
- * BASIL GODFREY & SONS PTY. LTD.
BENNETT & BARKELL LTD.
BENNETT & WOOD LTD.
BOYDED PTY. LTD.
BROOKLANDS ACCESSORIES (N.S.W.) PTY. LTD.
W. T. COGGINS PTY. LTD.
DWYER'S PTY. LTD.
JOHN A. GILBERT PTY. LTD.
GILBERT & ROACH PARTS PTY. LTD.
HEALING (SALES) PTY. LTD.
W. H. LOBER & CO. PTY. LTD.
McLEOD, KELSO & LEE PTY. LTD.
PRESTON MOTORS PTY. LTD.
STACK & CO. LTD.
WESTCOTT HAZELL & CO. LTD.
YOUNG & GREEN PTY. LTD.

WESTERN AUSTRALIA

- ATKINS (W.A.) LTD.
- ATTWOOD MOTORS PTY. LTD.
- * BALL BEARINGS PTY. LTD.
CITY MOTORS PTY. LTD.
COVENTRY MOTOR REPLACEMENTS PTY. LTD.
- * RAPHAELS PTY. LTD.
SYDNEY ATKINSON MOTORS LTD.

TASMANIA

MOTORS PTY. LTD.

NORTHERN TERRITORY

M. V. JOHNSTON MOTORS PTY. LTD.

NEW GUINEA

TUTT BRYANT (New Guinea) LTD.

VICTORIA

- * AUSTRAL MOTOR WHEEL WORKS PTY. LTD.
- * BALL BEARINGS PTY. LTD.
BILL PATTERSON MOTORS PTY. LTD.
BROOKLANDS ACCESSORIES PTY. LTD.
S. A. CHENEY PTY. LTD.
G. V. CLARKE MOTORS PTY. LTD.
HEALING (SALES) PTY. LTD.
E. A. MACHIN & CO. LTD.
MARKET MOTORS (DANDENONG) PTY. LTD.
PEPAC.
PRESTON MOTORS PTY. LTD.
QUEEN'S BRIDGE MOTORS PTY. LTD.
RHODES MOTOR CO. PTY. LTD.
SOUTHERN MOTORS PTY. LTD.
- * SPEEDOMETER SCREENWIPER SERVICE PTY. LTD.
STUART & HARRISON PTY. LTD.
WINTER & TAYLOR PTY. LTD.

SOUTH AUSTRALIA

- * BALL BEARINGS PTY. LTD.
CITY SUPPLIES PTY. LTD.
DUNCAN & CO. LTD.
FREEMAN MOTORS LTD.
- * MOTOR RADIATORS PTY. LTD.
MOTOR TRADERS (S.A.) LTD.
STATE MOTORS PTY. LTD.
UNITED MOTORS LTD.

QUEENSLAND

- * BALL BEARINGS PTY. LTD.
EAGERS PARTS & EQUIPMENT PTY. LTD.
ELPHINSTONES LTD.
- * HEALING (SALES) PTY. LTD.

* Distributors of certain NASCO Products only.