



"V" SERIES PARTS CATALOGUE

**HOLDEN
COMMODORE
AND
HOLDEN
CALAIS**

**'V' SERIES
PARTS CATALOGUE
ILLUSTRATION
SECTION
1979/85**

ISSUED : APRIL, 1986
CATALOGUE NO.: M39479
(SUPERSEDES M39103)

**COPYRIGHT — GENERAL MOTORS-HOLDEN'S
LIMITED (INCORPORATED IN VICTORIA)
REPRODUCTION IN WHOLE OR IN PART
PROHIBITED WITHOUT WRITTEN APPROVAL**

INTRODUCTIONSERIES/MODEL IDENTIFICATION
ILLUSTRATION INDEX

CHASSIS

ENGINE & CLUTCH 0.000

COOLING — GRILLE — OIL SYSTEM 1.000

ENGINE ELECTRICAL — CHASSIS
WIRING — EXTERIOR LAMPS 2.000

FUEL — EXHAUST — CARBURETION 3.000

TRANSMISSION 4.000

BRAKE CONTROL — BRAKE OPERATING 4.500

REAR AXLE — WHEELS 5.000

FRONT SUSPENSION — STEERING 6.000

FRAME — SPRINGS — SHOCK
ABSORBERS — BUMPER BARS 7.000

FRONT END SHEET METAL — HEATER 8.000

AIR CONDITIONING — RADIO —
INSTRUMENT CLUSTERS 9.000

BODY

WINDSHIELD — WIPERS & WASHERS —
MIRRORS — CONSOLES — INSTRUMENT
PANEL HARDWARE — DOORS 10.000

REAR GLASS — SEAT PARTS —
INTERIOR LAMPS 11.000

BODY MOULDINGS — SHEET METAL 12.000

BODY WIRING 13.000

INTERIOR TRIM — SEAT BELTS 14.000

REAR SEAT TRIM — CARPETS 15.000

SPECIAL NOTICES TO PURCHASERS

AVAILABILITY OF SERVICE AND PARTS AFTER WARRANTY

General Motors-Holden's Limited and General Motors-Holden's Sales Pty. Ltd. have franchised dealers in many parts of Australia for the sale of service parts and the provision of service to owners of GMH's products. Every endeavour is made to ensure that such dealers carry adequate stocks of service parts and are equipped to provide satisfactory service, but neither General Motors-Holden's nor General Motors-Holden's Sales Pty. Ltd. makes any promise that after the expiration of the warranty such parts or service facilities will be available, or available at any specific location or at any particular time.

UNAUTHORISED STATEMENTS IN RELATION TO GMH PRODUCTS

No GMH dealer or other person is authorised or permitted to give or make any statement assertion or undertaking in relation to the quality performance characteristics descriptions or fitness for any purpose of any GMH product or in connection with the supply of any GMH product, which is at variance with any written statement assertion or undertaking on any of these subjects given or made by General Motors-Holden's Limited or General Motors-Holden's Sales Pty. Ltd. in its published sales literature, and neither company accepts any liability for any such unauthorised action.

WARRANTY ON GMH REPLACEMENT PARTS

General Motors-Holden's Limited warrants in respect of GMH parts and accessories required as replacement parts, that it will make good by repair or at its option by replacement any defect occurring in any such GMH parts and accessories within 12 months from the date of acquisition or in the case of a GMH part or accessory which has been installed in a vehicle by a GMH Dealer or Service Dealer before such vehicle has travelled a distance of 20,000 kms from the date of installation, whichever first occurs.

Maintenance items such as filters, spark plugs, wiper blades and brake pads/linings will require replacement as part of normal vehicle maintenance. Such replacements are not the subject of this Warranty.

This warranty is in addition to the statutory rights and remedies given to consumers.

Holden. Australia's Driving Future.



SPECIAL NOTICE TO PARTS PERSONNEL

PARTS, KITS AND MATCHED SETS

The assistance of dealer's staff should be readily available to customers so as to promote their selection of replacement parts of the right kind and quantity.

Certain parts are marketed individually, others are sold as a component of a kit as well as individually. This fact should always be made known to a customer whether he asks for a kit or for a separate part.

In some cases, safety or good engineering practice requires that a number of related parts be replaced at the same time. In such cases, the parts are marketed only as a kit.

Where careful selection of co-operating parts is necessary, these parts are sold only as a matched set.

In every case where a service part is not made available individually, the reason for its being marketed in some other way should be explained to the customer.

SS COMMODORE REPLACEMENT PARTS

Distributors and Dealers are advised that the replacement of parts fitted to SS Commodores other than those parts listed in this Text Section, are the responsibility of :-

HDT Special Vehicles Pty. Ltd.,
35 Bertie Street,
PORT MELBOURNE Vic. 3207



INTRODUCTION

This **HOLDEN CALAIS & HOLDEN COMMODORE** Parts Catalogue has been compiled for the purpose of Locating, Identifying and Ordering Replacement Parts.

All data and specifications contained in this publication are based on the latest product information available prior to printing.

General Motors - Holden's Limited and GM Parts and Accessories reserve the right to make changes at any time without notice in Data, Specifications, Materials, Models and Body Styles.

CONTENTS

This Catalogue is divided into **TWO** separate sections which are arranged as follows:-

■ ILLUSTRATION SECTION

■ INTRODUCTION

- Group System & How To Locate Parts
- Base Vehicle Equipment
- Assigned Engine Codes and related Data
- Power Train Combinations
- Optional Equipment & How To Interpret
- Replacement Parts Interpretation
- Interior Trim

■ SERIES/MODEL IDENTIFICATION

■ ILLUSTRATION INDEX

■ CHASSIS ILLUSTRATIONS - Groups 0.000 thru 9.988

■ BODY ILLUSTRATIONS - Groups 10.001 thru 15.520

■ TEXT SECTION

■ ACCESSORY LISTING

■ PRODUCTION OPTION AVAILABILITY

■ ABBREVIATIONS

■ ALPHABETICAL INDEX

■ CHASSIS TEXT - Groups 0.000 thru 9.988

■ BODY TEXT - Groups 10.001 thru 15.520

■ NUMERICAL INDEX

■ SUGGESTIONS AND OMISSIONS

KEY SYMBOLS USED TO DENOTE CHANGES *

\$ - New Parts

- Part Number Changed - *Previous Number shown in Brackets.*
Part Number Reinstated - *Previously shown in Brackets.*
Part No Longer Available or No Longer Serviced.
Previous Number shown in Brackets for referencing purposes.

¢ - Description, Series/Model Usage or Quantity Revised.
Serial Number Range Added or Revised.
Additional Entry.

* NOTE:

Every Part added to, or amended in this catalogue, Text Section, for the first time will be identified by a Symbol preceding the entry. Symbols used will be dropped in subsequent issues enabling Parts Personnel to identify changes to each update published.



GROUP SYSTEMS AND HOW TO LOCATE PARTS

The catalogue Text Section is assembled in 'Dewey' group sequence, however, **it should be noted that some items have been relocated into different groups in line with grouping established by the Corporation for the world car concept.** Reference is made to the revised group under group heading previously used.

The Group System operates briefly as follows:-

Main units of the vehicle are identified by the Numeral preceding the Decimal. i.e.

- 0 **ENGINE**
- 1 **COOLING And OILING**
- 2 **ELECTRICAL**
- 3 **FUEL SYSTEM**

Replacement parts are listed in this Parts Catalogue under 16 MAJOR GROUPS as listed on the CONTENT PAGE.

Individual parts are assigned a Prime Group Number, the first numeral of the group identifies the main unit with which it is affiliated. Following the decimal is the Sub-Group Number, under which all parts of the same name and function are listed, a further suffix is used in the ENGINE & TRANSMISSION groups to distinguish major assembly types, e.g. Manual and Automatic transmissions.

For example, Group **0.519D** Camshaft. The '0' denotes that it is an Engine Part, '519' the sub-group where all Engine Camshafts are listed, 'D' identifies the group as applying to the 4 Cylinder Engine.

Related parts may also be found in the same group. Within each Group, parts are listed by Part Name, Description, Series, Model and Body Style, LH (Left Hand) or RH (Right Hand) Side, qualifying Note Number (characters are **NOT** prefixes to the part number and **MUST NOT** be quoted as such), Part Number and Quantity used per vehicle.

To locate the listing of a Part, firstly determine the Vehicle Series and Model (Identification Plates are located on subsequent pages) and refer to the Catalogue under the Group Number identifying it, which may be determined by using one of the following methods:-

1. ILLUSTRATIONS

Consult Catalogue Illustration Section - To establish Noun Name and 'Dewey' Group Number for part sought, which in turn will refer to the Part or Assembly required in the Catalogue Text Section.

2. ALPHABETICAL INDEX

Consult ALPHABETICAL INDEX, located at the FRONT of the Catalogue TEXT SECTION, which lists Parts by Nouns and descriptive Names and refers to the exact Group Number where all Parts of a similar kind may be found. If Name of desired Part is not readily found in the Index, a co-related Part Name will suggest approximate location.

3. NUMERICAL INDEX

Consult the NUMERICAL INDEX, located at the BACK of the TEXT SECTION, if a Part Number is known, and use its 'Dewey' Group Number to locate a similar part, or be directed to the approximate location for co-related Parts.

NOTE:

- *Service Part Numbers are assigned to individual parts that make up an assembly used in the production of a vehicle, although certain items may not be listed, attaching parts may be included in packages with the major assembly.*
- *Right Hand and Left Hand parts are so designated from the drivers position when seated in the vehicle.*
- *The Handed Parts Rule 'Even numbers for Right Hand parts, Odd numbers for Left Hand parts' no longer necessarily applies.*



DIMENSIONS

When using the dimensions and other data shown in the Description Column, the following should be noted:-

METRIC - Bolt dimensions are expressed in millimetres as follows:-

1st dimension - Diameter.

2nd dimension - Thread Pitch - *Distance from crown of one thread to crown of next thread.*

3rd dimension - Length under head.

OVERALL LENGTH - 'O.L.'

Refers to the total length of a part measured over the longest dimension. An irregular shaped piece is measured over the longest dimension regardless of contours and bends.

DEVELOPED LENGTH - 'Dev. Length'

Refers to the total length of a part such as a tail pipe or fuel pipe measured as though the pipe were straightened out.

'I.D.' refers to Inside Diameter

'O.D.' refers to Outside Diameter

'O/S' refers to Oversize

'U/S' refers to Undersize.

ILLUSTRATIONS

Illustrations are included to assist in the identification of Parts, but as some parts which perform a similar function vary in detail of design etc., **all illustrations should be regarded as typical.** Views of Assemblies/Sections are exploded, all visible Parts are referenced by number to show the Part Number and Group. Therefore, once a Part is located in an illustration, it may be positively identified by referring to the Group in which it is listed.

SERVICE PART NUMBER QUALIFICATIONS

In some instances, certain Parts appear in both the Text and Illustration Sections as:-

N.L.A. - No Longer Available

N.L.S. - No Longer Serviced

N.S. - Not Serviced

N.S.S. - Not Serviced Separately

T.B.A. - To Be Advised

NOTE:

Unless items are in current production, as a rule they cannot be obtained from P&A.

Refer TEXT SECTION for listing of Abbreviations used in this catalogue.



ASSIGNED ENGINE CODES

The Engine Serial Number Prefix consists of a Two character alpha code:

- The First character identifies the Car Line application
- The Second character identifies the Engine designation for Engine Assemblies as shipped.

For Replacement purposes the First prefix letter is 'N'. Improved Performance engines include the numeral 5 interposed between the code letters.

ENGINE SERIAL NUMBER STAMPING LOCATIONS

L4 On Pad above Engine Mounting Bosses RH side of engine.

L6 On Pad above Engine Mounting Bosses RH side of engine.

V8 On Pad at top front LH side of cylinder case.

ASSIGNED CODES		
ENGINE ASSEMBLY CHARACTERISTICS	ENGINE ASSEMBLY AS SHIPPED CODE	CYLINDER & CASE GM P & A SERVICE CODE
VB		
173 H.C.	VD	ND
173 L.C.	VE	NE
202 H.C.	VL	NL
202 L.C.	VM	NM
253 H.C.	VR	NR
308 H.C.	VT	NT
VC, VH, VK		
1.9 H.C.	NN	VN
2.8 H.C.	N5D	VD
3.3 H.C.	N5L	VL
3.3 L.C.	N5M	VM
3.3 E.F.I.	N5K	VK
4.2 H.C.	N5R	VR
4.9 H.C. (P.O. V5H)	V5B	VB
4.9 H.C. (P.O. LV2)	N5A	VA
4.9 H.C. (P.O. A9L)	N5C	VC
4.9 H.C. (P.O. V7X)	N5G	VG
5.0 H.C.	N5T	VT
5.0 H.C. (P.O. V5H)	N5Z	VZ



BASE VEHICLE EQUIPMENT

The following charts describe Base Vehicle Equipment:-

"VB" SERIES

BODY STYLE	MODEL		No. OF DOORS	ENGINE	TRANSMISSION		REAR AXLE RATIO : 1	TYRES	WHEELS
	CODE	NAME			TYPE	SHIFT LOCATION			
SEDAN	8VK69	COMMODORE	4	2.85	4 SPEED MANUAL	FLOOR	3.55	CR78S14	SLOTTED STEEL
STATION WAGON	8VK35	COMMODORE	5	2.85	4 SPEED MANUAL	FLOOR	3.36	CR78S14	SLOTTED STEEL
SEDAN	8VL69	COMMODORE 'SL'	4	3.3	3 SPEED AUTOMATIC	FLOOR	3.08	CR78S14	SLOTTED STEEL
STATION WAGON	8VL35	COMMODORE 'SL'	5	3.3	3 SPEED AUTOMATIC	FLOOR	3.08	CR78S14	SLOTTED STEEL
SEDAN	8VX69	COMMODORE 'SL/E'	4	4.2	3 SPEED AUTOMATIC	FLOOR	2.78	BR60H15	CAST ALLOY

"VC" SERIES

BODY STYLE	MODEL		No. OF DOORS	ENGINE	TRANSMISSION		REAR AXLE RATIO : 1	TYRES	WHEELS
	CODE	NAME			TYPE	SHIFT LOCATION			
SEDAN	8VK69	COMMODORE 'L'	4	2.85	4 SPEED MANUAL	FLOOR	3.55	CR78S14	SLOTTED STEEL
STATION WAGON	8VK35	COMMODORE 'L'	5	2.85	4 SPEED MANUAL	FLOOR	3.55	CR78S14	SLOTTED STEEL
SEDAN	8VL69	COMMODORE 'SL'	4	3.3	3 SPEED AUTOMATIC	FLOOR	3.08	CR78S14	SLOTTED STEEL
STATION WAGON	8VL35	COMMODORE 'SL'	5	3.3	3 SPEED AUTOMATIC	FLOOR	3.08	CR78S14	SLOTTED STEEL
SEDAN	8VX69	COMMODORE 'SL/E'	4	3.3	3 SPEED AUTOMATIC	FLOOR	3.08	BR60H15	CAST ALLOY

"VH" SERIES

BODY STYLE	MODEL		No. OF DOORS	ENGINE	TRANSMISSION		REAR AXLE RATIO : 1	TYRES	WHEELS
	CODE	NAME			TYPE	SHIFT LOCATION			
SEDAN	8VK69	COMMODORE 'SL'	4	2.85	4 SPEED MANUAL	FLOOR	3.36	CR78S14	6.0JJ x 14 STEEL
STATION WAGON	8VK35	COMMODORE 'SL'	5	2.85	4 SPEED MANUAL	FLOOR	3.36	CR78S14	6.0JJ x 14 STEEL
SEDAN	8VL69	COMMODORE 'SL/X'	4	2.85	3 SPEED AUTOMATIC	FLOOR	3.08	CR78S14	6.0JJ x 14 STEEL
STATION WAGON	8VL35	COMMODORE 'SL/X'	5	2.85	3 SPEED AUTOMATIC	FLOOR	3.08	CR78S14	6.0JJ x 14 STEEL
SEDAN	8VX69	COMMODORE 'SL/E'	4	3.3	3 SPEED AUTOMATIC	FLOOR	3.08	P205/60HR15	6.0JJ x 15 ALLOY



BASE VEHICLE EQUIPMENT (Cont'd)

"VK" SERIES

BODY STYLE	MODEL		No. OF DOORS	ENGINE	TRANSMISSION		REAR AXLE RATIO : 1	TYRES	WHEELS
	CODE	NAME			TYPE	SHIFT LOCATION			
SEDAN	8VK19	COMMODORE 'SL'	4	3.3 EST	4 SPEED MANUAL	FLOOR	3.08	BR78S14	5.5JJ x 14 STEEL
STATION WAGON	8VK35	COMMODORE 'SL'	5	3.3 EST	4 SPEED MANUAL	FLOOR	3.08	CR78S14	6.0JJ x 14 STEEL
SEDAN	8VL19	COMMODORE BERLINA	4	3.3 EST	3 SPEED AUTOMATIC	FLOOR	3.08	CR78S14	6.0JJ x 14 STEEL
STATION WAGON	8VL35	COMMODORE BERLINA	5	3.3 EST	3 SPEED AUTOMATIC	FLOOR	3.08	CR78S14	6.0JJ x 14 STEEL
SEDAN	8VX19	CALAIS	4	3.3 EFI	3 SPEED AUTOMATIC	FLOOR	3.08	P205/60HR15	6.0JJ x 15 ALLOY



"V" SERIES PARTS CATALOGUE

ENGINE DATA		"VB" SERIES				
ENGINE DESIGNATION	2.85 H.C.	3.3 H.C.	3.3 L.C.	4.2 H.C.	5.0 H.C.	
ENGINE IDENTIFICATION CODES	VD	VL	VM	VR	VT	
ENGINE DATA						
PISTON DISPLACEMENT						
NOMINAL - Cu. ins.....	173	202	202	253	308	
PISTON DISPLACEMENT						
NOMINAL - Cu. cm.....	2838	3298	3298	4142	5044	
COMPRESSION RATIO	9.2:1	9.2:1	7.5:1	9.4:1	9.4:1	
NUMBER OF CYLINDERS	6	6	6	8	8	
BORE/STROKE - ins.....	3.500x3.000	3.625x3.250	3.625x3.250	3.625x3.062	4.004x3.062	
BORE/STROKE - mm	88.900x76.200	92.075x82.550	92.075x82.550	92.075x77.775	101.60x77.775	
TAXABLE H.P.						
RAC or SAE	29.4	31.5	31.5	42.0	51.2	

		"VC, "VH" SERIES			
ENGINE DESIGNATION	1.9 H.C.	2.85 H.C.	3.3 H.C.	3.3 L.C.	
ENGINE IDENTIFICATION CODES	VN	VD	VL	VM	
ENGINE DATA					
PISTON DISPLACEMENT					
NOMINAL - Cu. ins.....	115.4	173	202	202	
PISTON DISPLACEMENT					
NOMINAL - Cu. cm.....	1892	2838	3298	3298	
COMPRESSION RATIO	8.7:1	9.0:1	8.8:1	7.6:1	
NUMBER OF CYLINDERS	4	6	6	6	
BORE/STROKE - ins.....	3.500x3.000	3.500x3.000	3.625x3.250	3.625x3.250	
BORE/STROKE - mm	88.900x76.200	88.900x76.200	92.075x82.550	92.075x82.550	
TAXABLE H.P.					
RAC or SAE	19	29.4	31.5	31.5	

ENGINE DESIGNATION	4.2 H.C.	5.0 H.C.
ENGINE IDENTIFICATION CODES	VR	VT
ENGINE DATA		
PISTON DISPLACEMENT		
NOMINAL - Cu. ins.....	253	308
PISTON DISPLACEMENT		
NOMINAL - Cu. cm.....	4142	5044
COMPRESSION RATIO	9.0:1	9.2:1
NUMBER OF CYLINDERS	8	8
BORE/STROKE - ins.....	3.625x3.062	4.004x3.062
BORE/STROKE - mm	92.075x77.775	101.60x77.775
TAXABLE H.P.		
RAC or SAE	42.0	51.2



ENGINE DATA (Cont'd)

"VK" SERIES

ENGINE DESIGNATION ENGINE IDENTIFICATION CODES	1.9 H.C. VN	2.85 H.C. VD	3.3 E.S.T. VL	3.3 E.F.I. VK	5.0 H.C. VT
ENGINE DATA					
PISTON DISPLACEMENT					
NOMINAL - Cu. ins.....	115.4	173	202	202	308
PISTON DISPLACEMENT					
NOMINAL - Cu. cm.....	1892	2838	3298	3298	5044
COMPRESSION RATIO	8.7:1	9.0:1	8.8:1	8.8:1	9.2:1
NUMBER OF CYLINDERS	4	6	6	6	8
BORE/STROKE - ins.....	3.500x3.000	3.500x3.000	3.625x3.250	3.625x3.250	4.004x3.062
BORE/STROKE - mm	88.900x76.200	88.900x76.200	92.075x82.550	92.075x82.550	101.60x77.775
TAXABLE H.P.					
RAC or SAE	19	29.4	31.5	31.5	51.2

ENGINE DESIGNATION ENGINE IDENTIFICATION CODES	5.0 H.C. VZ	4.9 H.C. VA	4.9 H.C. VB	4.9 H.C. VC	4.9 H.C. VG
ENGINE DATA					
PISTON DISPLACEMENT					
NOMINAL - Cu. ins.....	308	304	304	304	304
PISTON DISPLACEMENT					
NOMINAL - Cu. cm.....	5044	4987	4987	4987	4987
COMPRESSION RATIO	9.2:1	8.8:1	8.8:1	8.8:1	8.8:1
NUMBER OF CYLINDERS	8	8	8	8	8
BORE/STROKE - ins.....	4.004x3.062	4.004x3.025	4.004x3.025	4.004x3.025	4.004x3.025
BORE/STROKE - mm	101.60x77.775	101.60x76.835	101.60x76.835	101.60x76.835	101.60x76.835
TAXABLE H.P.					
RAC or SAE	51.2	51.2	51.2	51.2	51.2



POWER TRAIN COMBINATIONS

The following charts describe Power Train Combinations:

VB - SERIES

ENGINE		TRANSMISSION		REAR AXLE RECOMMENDED USAGE					
TYPE	P/OPT	TYPE	P/OPT	RECOMMENDED		ECONOMY		PERFORMANCE	
				RATIO : 1	P/OPT	RATIO : 1	P/OPT	RATIO : 1	P/OPT
2.85 L6 HC	LD1	4-SPD MANUAL	MC6	3.36	GV4	-	-	-	-
2.85 L6 HC	LD1	4-SPD MANUAL	M20	3.55	GV7	-	-	-	-
3.3 L6 HC	L14	4-SPD MANUAL	MC6	3.36	GV4	3.08	GU4	-	-
3.3 L6 HC	L14	4-SPD MANUAL	M20	3.36	GV4	3.08	GU4	-	-
3.3 L6 HC	L14	3-SPD AUTO	M40	3.08	GU4	-	-	3.36	GV4
3.3 L6 LC	L23	4-SPD MANUAL	MC6	3.36	GV4	-	-	-	-
3.3 L6 LC	L23	4-SPD MANUAL	M20	3.36	GV4	-	-	-	-
4.2 V8 HC	L36	4-SPD MANUAL	M20	3.08	GU4	-	-	-	-
4.2 V8 HC	L36	3-SPD AUTO	M40	2.78	GU7	-	-	3.08	GU4
5.0 V8 HC	L31	4-SPD MANUAL	M21	3.08	GU4	-	-	3.36	GV4
5.0 V8 HC	L31	3-SPD AUTO	M41	2.60	G70	-	-	3.08	GU4
5.0 V8 HC	L31	3-SPD AUTO	M38	2.60	G70	-	-	3.08	GU4

VC - SERIES

ENGINE		TRANSMISSION		REAR AXLE RECOMMENDED USAGE					
TYPE	P/OPT	TYPE	P/OPT	RECOMMENDED		ECONOMY		PERFORMANCE	
				RATIO : 1	P/OPT	RATIO : 1	P/OPT	RATIO : 1	P/OPT
1.9 L4 HC	L18	4-SPD MANUAL	MC6	3.90	GU8	-	-	-	-
1.9 L4 HC	L18	3-SPD AUTO	M40	3.90	GU8	-	-	-	-
2.85 L6 HC	LD1	4-SPD MANUAL	MC6	3.36	GV4	-	-	-	-
3.3 L6 HC	L14	4-SPD MANUAL	MC6	3.36	GV4	3.08	GU4	-	-
3.3 L6 HC	L14	4-SPD MANUAL	M20	3.36	GV4	-	-	-	-
3.3 L6 HC	L14	3-SPD AUTO	M40	3.08	GU4	-	-	3.36	GV4
3.3 L6 LC	L23	4-SPD MANUAL	MC6	3.36	GV4	-	-	-	-
3.3 L6 LC	L23	4-SPD MANUAL	M20	3.36	GV4	-	-	-	-
4.2 V8 HC	L36	4-SPD MANUAL	M20	3.08	GU4	-	-	-	-
4.2 V8 HC	L36	3-SPD AUTO	M40	2.78	GU7	-	-	3.08	GU4
5.0 V8 HC	L31	4-SPD MANUAL	M21	3.08	GU4	-	-	3.36	GV4
5.0 V8 HC	L31	3-SPD AUTO	M38	2.60	G70	-	-	3.08	GU4



POWER TRAIN COMBINATIONS (Cont'd)

VH - SERIES

ENGINE		TRANSMISSION		REAR AXLE RECOMMENDED USAGE						
TYPE	P/OPT	TYPE	P/OPT	STANDARD		PERFORMANCE		HEAVY DUTY		
				RATIO : 1	P/OPT	RATIO : 1	P/OPT	RATIO : 1	P/OPT	
1.9 L4 HC	L18	4-SPD MANUAL	MC6	3.90	GU8	—	—	—	—	
1.9 L4 HC	L18	5-SPD MANUAL	M76	3.90	GU8	—	—	—	—	
1.9 L4 HC	L18	3-SPD AUTO	M40	3.90	GU8	—	—	—	—	
2.85 L6 HC	LD1	4-SPD MANUAL	M20	3.36	GV4	3.55	GV7	3.55	G73	LSD/DISCS
2.85 L6 HC	LD1	4-SPD MANUAL	MC6	3.36	GV4	—	—	—	—	
2.85 L6 HC	LD1	5-SPD MANUAL	M76	3.36	GV4	3.55	GV7	3.36	G73	LSD/DISCS
2.85 L6 HC	LD1	3-SPD AUTO	M40	3.08	GU4	3.36	GV4	3.36	G73	LSD/DISCS
3.3 L6 HC	L14	4-SPD MANUAL	M20	3.08	GU4	3.36	GV4	3.36	G73	LSD/DISCS
3.3 L6 HC	L14	4-SPD MANUAL	MC6	3.08	GU4	3.36	GV4	3.36	G73	LSD/DISCS
3.3 L6 HC	L14	3-SPD AUTO	M40	* 3.08	GU4	* 3.36	GV4	3.36	G73	LSD/DISCS
3.3 L6 LC	L23	4-SPD MANUAL	M20	3.08	GU4	3.36	GV4	3.36	G73	LSD/DISCS
4.2 V8 HC	L36	4-SPD MANUAL	M20	3.08	GU4	—	—	3.08	G73	LSD/DISCS
4.2 V8 HC	L36	3-SPD AUTO	M40	2.78	GU7	3.08	GU4	3.08	G73	LSD/DISCS
5.0 V8 HC	L31	4-SPD MANUAL	M21	3.08	GU4	3.36	GV4	—	—	
5.0 V8 HC	L31	3-SPD AUTO	M38	2.60	G70	3.08	GU4	—	—	
5.0 V8 HC	L31	3-SPD AUTO	M40	2.60	G70	—	—	—	—	

* NOT AVAILABLE IN NEW SOUTH WALES



POWER TRAIN COMBINATIONS (Cont'd)

VK - SERIES

ENGINE		TRANSMISSION		REAR AXLE RECOMMENDED USAGE						
TYPE	P/OPT	TYPE	P/OPT	STANDARD		PERFORMANCE		HEAVY DUTY		
				RATIO : 1	P/OPT	RATIO : 1	P/OPT	RATIO : 1	P/OPT	
*1.9 L4 HC	L18	4-SPD MANUAL	MC6	3.90	GU8	-	-	-	-	
*1.9 L4 HC	L18	4-SPD MANUAL	MC6	3.89	GM5	-	-	-	-	
*1.9 L4 HC	L18	5-SPD MANUAL	M76	3.90	GU8	-	-	-	-	
*1.9 L4 HC	L18	5-SPD MANUAL	M76	3.89	GM5	-	-	-	-	
*1.9 L4 HC	L18	3-SPD AUTO	M40	3.90	GU8	-	-	-	-	
*1.9 L4 HC	L18	3-SPD AUTO	M40	3.89	GM5	-	-	-	-	
*2.85 L6 HC	LD1	3-SPD AUTO	M40	3.08	GU4	-	-	-	-	
*2.85 L6 HC	LD1	3-SPD AUTO	M40	3.23	GU5	-	-	-	-	
3.3 L6 HC	L14	4-SPD MANUAL	MC6	3.08	GU4	3.36	GV4	-	-	
3.3 L6 HC	L14	4-SPD MANUAL	MC6	3.23	GU5	-	-	-	-	
3.3 L6 HC	L14	5-SPD MANUAL	M76	3.36	GV4	-	-	-	-	
3.3 L6 HC	L14	5-SPD MANUAL	M76	3.23	GU5	-	-	-	-	
3.3 L6 HC	L14	3-SPD AUTO	M40	3.08	GU4	3.36	GV4	-	-	
3.3 L6 HC	L14	3-SPD AUTO	M40	3.23	GU5	-	-	-	-	
3.3 L6 EFI	LL9	3-SPD AUTO	M40	3.08	GU4	-	-	-	-	
3.3 L6 EFI	LL9	3-SPD AUTO	M40	3.23	GU5	-	-	-	-	
5.0 V8 HC	L31	4-SPD MANUAL	M21	3.08	GU4	-	-	-	-	
5.0 V8 HC	L31	3-SPD AUTO	M40	2.60	G70	3.08	GU4	-	-	
* EXPORT										



OPTIONAL EQUIPMENT AND HOW TO INTERPRET

As optional equipment which includes items such as Engines, Transmissions Rear Axles etc., together with alternate types and colours of interior trim is available to the customers choice, the cataloguing of replacement parts, where differences exist, has been achieved by stipulating the type of equipment against the specific part. Familiarity with Option Numbers may assist in determining correct parts required. - Refer Production Option Availability Code Listing.

The method used to indicate major parts or equipment is as follows:-

ENGINE

- L4** 4 Cylinder. - Further qualified as necessary.
- L6** 6 Cylinder. - Further qualified as necessary.
- V8** 8 Cylinder. - Further qualified as necessary.

NOTE:- Additional identification, if required, is provided by reference to the Engine Number Prefix - Refer section "Assigned Engine Codes and related Data"

TRANSMISSION

- (M)** - Manual Transmission. - Further qualified as necessary.
- (A)** - Automatic Transmission. - Further qualified as necessary.

BRAKES

- Rear Drum Brakes** Drum Brakes on Rear Wheels.
- Rear Disc Brakes** Disc Brakes on Rear wheels.

BODY

- Body Style Code** 19 Sedan - 4 Door 6 Window.
- Body Style Code** 69 Sedan - 4 Door 4 Window.
- Body Style Code** 35 Station Wagon.

REPLACEMENT PARTS INTERPRETATION

Stampings and Plates attached to Passenger vehicles display coded information which could be significant to parts interpretation. It is essential when compiling Warranty Claims or Product and Field reports, that the Vehicle Identification Number (V.I.N) be quoted in-conjunction with the identification number of the component affected.

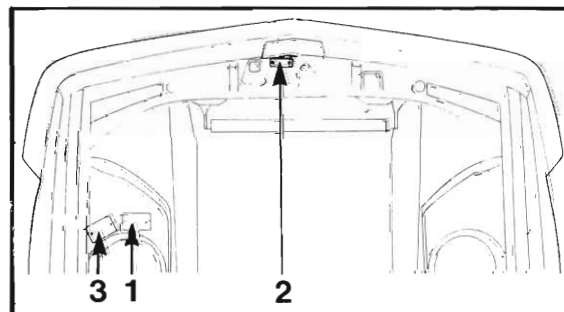
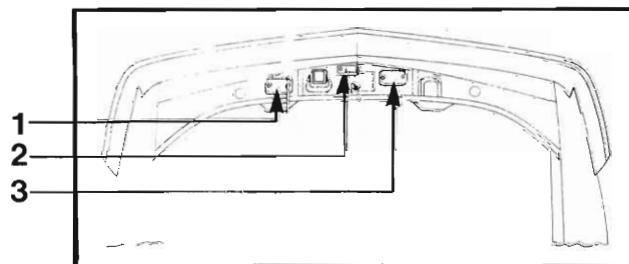
LOCATION OF IDENTIFICATION PLATES

Plates are attached as follows:-

"VB, VC, VH" to Dec. 1981.
To the Top Face of the Hood Lock Support Panel in the engine compartment.

"VH" from January 1982, **"VK"**.
To the upper Face of the Right Hand Wheelhouse Panel, directly behind the strut tower in the engine compartment.

- 1. SAFETY COMPLIANCE PLATE.
- 2. VEHICLE IDENTIFICATION PLATE.
- 3. BODY IDENTIFICATION PLATE.





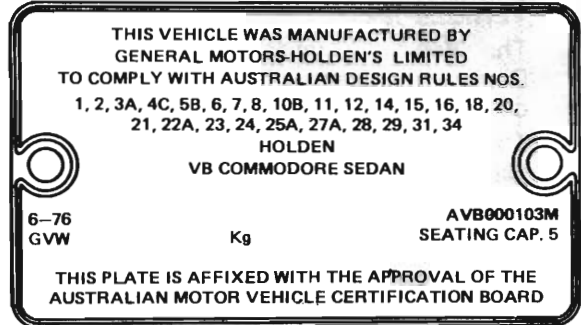
REPLACEMENT PARTS INTERPRETATION (Cont'd)

SAFETY COMPLIANCE PLATE

(Not Applicable to Export Vehicles)

Plate stamped with the following information:-

- AUSTRALIAN DESIGN RULE NOS. (A.D.R)
- VEHICLE MAKE - HOLDEN
- VEHICLE MODEL NAME AND STYLE
- MONTH AND YEAR OF MANUFACTURE
- VEHICLE SERIAL NUMBER
- SEATING CAPACITY OF VEHICLE



BODY IDENTIFICATION PLATE

Plate stamped with the following information:-

MODEL

Combination of Letters & Numbers
identifying the Model & Body Style

BODY NO.

Reference Number followed by Assembly Plant
suffix:-

- A** - Adelaide
- B** - Brisbane
- M** - Melbourne
- S** - Sydney
- NZ** - New Zealand

TRIM

Interior Paint colour and Trim combinations:-
*Trim is identified in this Parts Catalogue by
the last 3 characters of the code. e.g. 63X*

PAINT

Exterior - All Over or Lower colour.

TOP

Exterior - Upper body section or Roof colour.

BUILT - Month & Year - From January 1982

The Date of Manufacture by calendar month
& year in which the body shell & power train
are conjoined & the vehicle is driven or
moved from the production line.

PRODUCTION OPTION CODES

Including POWER TRAIN:-

Engine, Transmission & Rear Axle.
Identification option codes are only used
when components differ from those
allocated as standard to a particular
model.

Plate used up to January 1982.

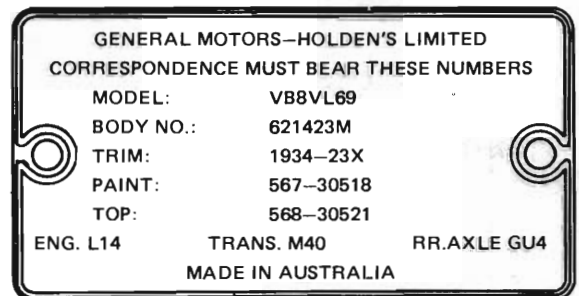
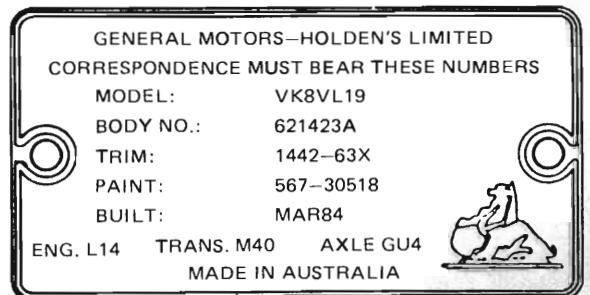


Plate used from January 1982.



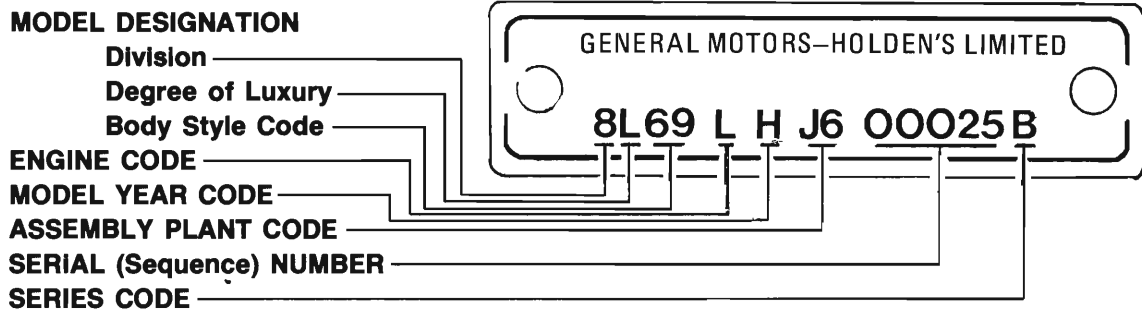


REPLACEMENT PARTS INTERPRETATION (Cont'd)

VEHICLE IDENTIFICATION NUMBERING SYSTEM

The Vehicle Identification Numbering System (V.I.N) is based on the uniform Car Model Designation System. The reason for this is to identify the vehicle in one coded series of characters.

The significance of these characters or blocks of characters is explained below, using as an example identification number **8 L 69 LH J6 00025 B**.



MODEL DESIGNATION

Division - 1st Character - **8** - Standard Numeral allocated to GMH Limited

Degree of Luxury - 2nd Character - **L** :-

VB, VC SERIES

K - COMMODORE **L** - COMMODORE "SL" **X** - COMMODORE "SL/E"

VH SERIES

K - COMMODORE "SL" **L** - COMMODORE "SLX" **X** - COMMODORE "SL/E"

VK SERIES

K - COMMODORE "SL" **L** - COMMODORE "BERLINA" **X** - CALAIS

Body Style Code - 3rd & 4th Character - **69** :-

19 - Sedan **35** - Station Wagon **69** - Sedan

ENGINE CODE

5th Character - **L** - Engine Identification Code.

MODEL YEAR CODE

6th Character - **H** - Identifies Model Year.

This Letter changes 1st September each year & relates to GM Internal Operations Only:-

H - 1978 **J** - 1979 **K** - 1980 **A** - 1981 **B** - 1982 **C** - 1983 etc.

ASSEMBLY PLANT CODE

7th & 8th Characters - **J6** - Australian Assembly Plant Identification Code:-

H1 thru **H4** - Brisbane **J1** thru **J9** - Melbourne

H5 thru **H9** - Sydney **L1** thru **L9** - Adelaide

SERIAL (Sequence) NUMBER

9th to 13th Character - **00025** - Sequential Production Serial Number.

NOTE: This designates the Serial Unit Number at each Vehicle Plant, starting at (00001) and continues in Numerical Sequence regardless of vehicle type.

SERIES CODE

14th Character - **B** - GMH Limited Code Designation for each Model Programme. e.g. 'VB'.



"V" SERIES PARTS CATALOGUE

REPLACEMENT PARTS INTERPRETATION (Cont'd)

VEHICLE SERIAL NUMBER

Locations for Vehicle Serial Numbers are as follows:-

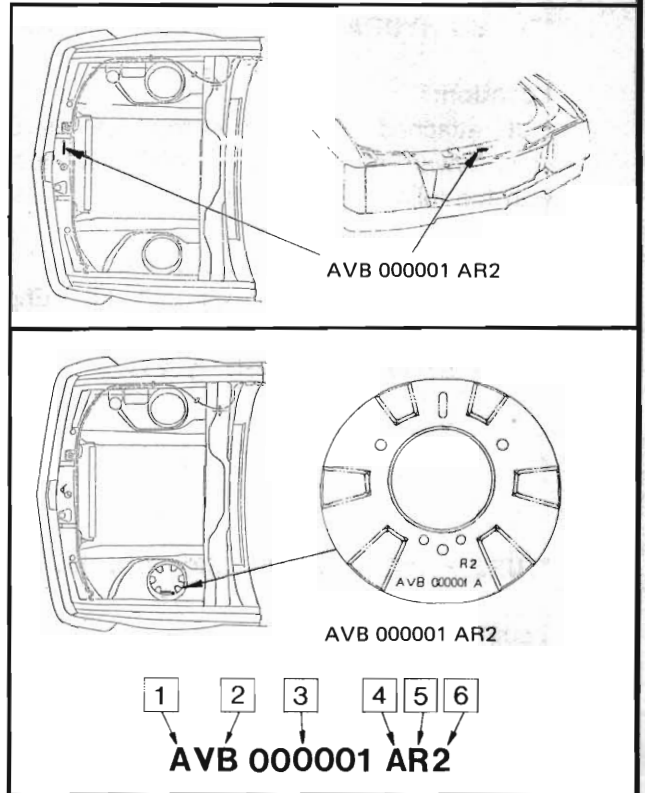
"VB, VC"

Top face of the Hood Lock Support Panel.

"VH, VK"

Outer upper face of the Left Hand Wheelhouse Panel,

1. DESIGN RULE COMPLIANCE LETTER
A for Start of Production changing to B, C, etc. with introduction of additional Design Rules.
2. VEHICLE SERIES.
3. ASSEMBLY PLANT SERIAL NUMBER.
4. ASSEMBLY PLANT IDENTIFICATION.
5. REQUIREMENT IN EVENT OF SERIAL No. DUPLICATION.
6. REQUIREMENT IN EVENT OF SECOND OR FURTHER SERIAL No. DUPLICATION.



TRANSMISSION SERIAL NUMBER PLATES

Plates attached to Automatic Transmissions carry coded information which could be significant to parts interpretation.

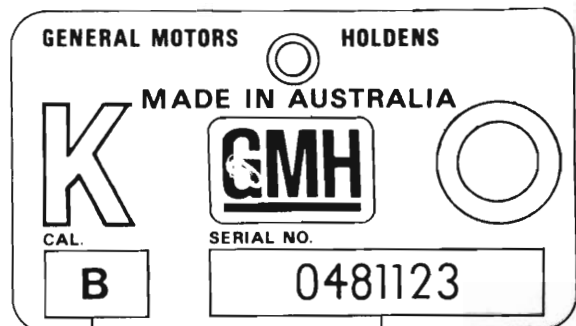
"TRIMATIC"

Location:

The Serial Number Plate is attached to LH side of the transmission case and is identified by a RED background stamped with the following information:-

TRANSMISSION CODE e.g. :-

- Code 'FY' - used with 1.9 Litre Eng.
- Code 'LL' - used with 2.85 Litre Eng.
- Code 'FO' - used with 3.3 Litre Eng.
- Code 'FS' - used with 3.3 Litre Eng.
- Code 'FP' - used with 3.3 Litre Eng.
- Code 'LT' - used with 3.3 Litre EST Eng.
- Code 'LR' - used with 3.3 Litre EFI Eng.
- Code 'KO' - used with 4.2 Litre Eng.
- Code 'FR' - used with 4.2 Litre Eng.
- Code 'LM' - used with 5.0 Litre Eng.
- Code 'LS' - used with 5.0 Litre Eng.



CALIBRATION CODE e.g. 'B'
SERIAL NUMBER e.g. '0481123'



REPLACEMENT PARTS INTERPRETATION (Cont'd)

"TURBO HYDRA-MATIC 400" - VB SERIES

Location:

Plate attached to RH side of the transmission case forward of the governor and is stamped with the following information:

TRANSMISSION CODE e.g.:-
Code 'EK' - used with 5.0 Litre Eng.
YEAR OF MANUFACTURE e.g. '78
SERIAL NUMBER e.g. 2317

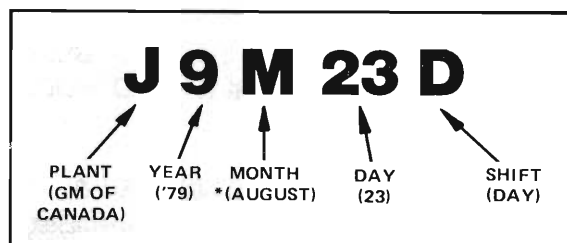


"TURBO HYDRA-MATIC 350" - VB, VC, VH SERIES

Location:

The Model Number Code is ink stamped on the side of the converter housing.
A Date Code is stamped on the side of the oil pan.

Since the production Day Built Number and Model Number furnish the key to construction and interchangeability of parts in each transmission, they should both be quoted when selecting replacement parts.





INTERIOR TRIM

All items of trim are identified by a part number consisting of a Basic number which identified the item and a Suffix consisting of alphabetical characters which denote the colour e.g. :-

BASIC NO. 92000709	SUFFIX GB	COMPLETE No. 92000709GB
------------------------------	---------------------	-----------------------------------

TRIM COMBINATION NUMBERING

To interpret trim requirements it is necessary to determine the **Model and Trim Codes** from the Body Identification Plate located beneath the Engine Hood, refer heading 'Location of Identification Plates'.

Trim Numbers are allocated to identify trim colour. The colour is predicted by the colour of the fabric used in seat construction.

Separate numbers are allocated for Vinyl/Cloth, Vinyl/Velour or Vinyl/Leather combinations.

Trim codes consist of 2 numeric characters and one alphabetic character, established as follows:-

Characters: 1 and 2

Identify colour family and shade.

The first character identifies the colour family and the second character the shade.

Shade characters are allocated from light to dark in ascending number sequence.

00-09 Open	50-59 Yellow - Gold
10-19 Neutral - Grey	60-69 Brown - Beige - Buckskin - Orange
20-29 Blue	70-79 Pink - Red - Carmine - Plum
30-39 Aqua - Turquoise - Sage Green	80-89 Miscellaneous
40-49 Green	90-99 Firemist Metallic

Character: 3

Identifies trim material as Vinyl or Vinyl/Cloth, Vinyl/Velour, Vinyl/Leather combination:-

E Indicates Vinyl and Cloth.	V Indicates Vinyl. (8VK & 8VL)
P Indicates Vinyl and Cloth.	V Indicates Leather. (8VX)
T Indicates Vinyl and Cloth - VC.	X Indicates Vinyl and Cloth.
T Indicates Vinyl and Tweed Cloth - VH.	Y Indicates Vinyl and Velour.

Listed below are examples of Trim Combination Numbers allocated to cover Sage Green on **VC Body Styles** :-

33V Sage Green Vinyl Trim (8VK & 8VL)	33P Sage Green Vinyl and Cloth Trim
33V Sage Green Leather Trim (8VX)	33Y Sage Green Vinyl and Velour Trim
33X Sage Green Vinyl and Cloth Trim	

Listed below are examples of Trim Combination Numbers allocated to cover Spruce Green on **VH Body Styles** :-

34V Spruce Vinyl Trim (8VK & 8VL)	37X Spruce Vinyl and Cloth Trim
39V Spruce Leather Trim (8VX)	39Y Spruce Vinyl and Velour Trim

Listed below are examples of Trim Combination Numbers allocated to cover

VK Body Styles :-

63V Oyster Vinyl Trim (8VK)	63Y Oyster Vinyl and Velour Trim (8VX)
64X Oyster Vinyl and Cloth Trim (8VX)	74V Coper Leather Trim (8VX)
65X Oyster Vinyl and Cloth Trim (8VL)	



SERIES/MODEL IDENTIFICATION

VB



FIGURE 1. CODE

8VK35 Commodore Station Wagon - 6 & 8 Cylinder Engine

INTRODUCED

August, 1979.

VB

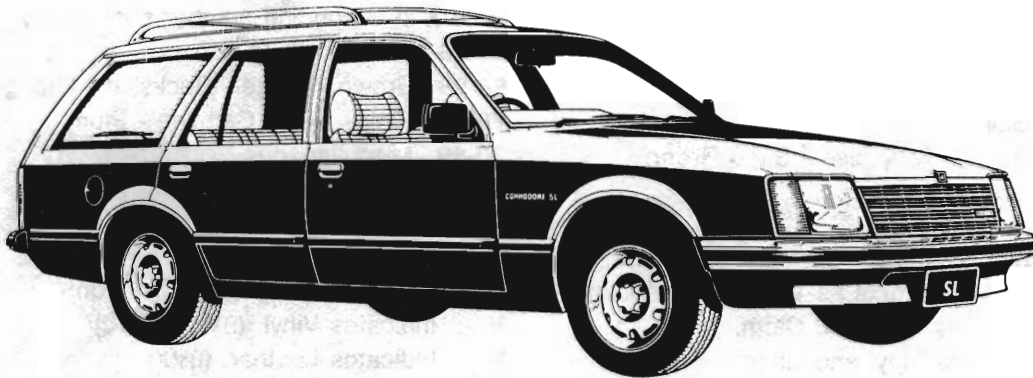


FIGURE 2. CODE

8VL35 Commodore "SL" Station Wagon - 6 & 8 Cylinder Engine

INTRODUCED

August, 1979.

VB

FIGURE 3. CODE

INTRODUCED



SERIES/MODEL IDENTIFICATION

VB

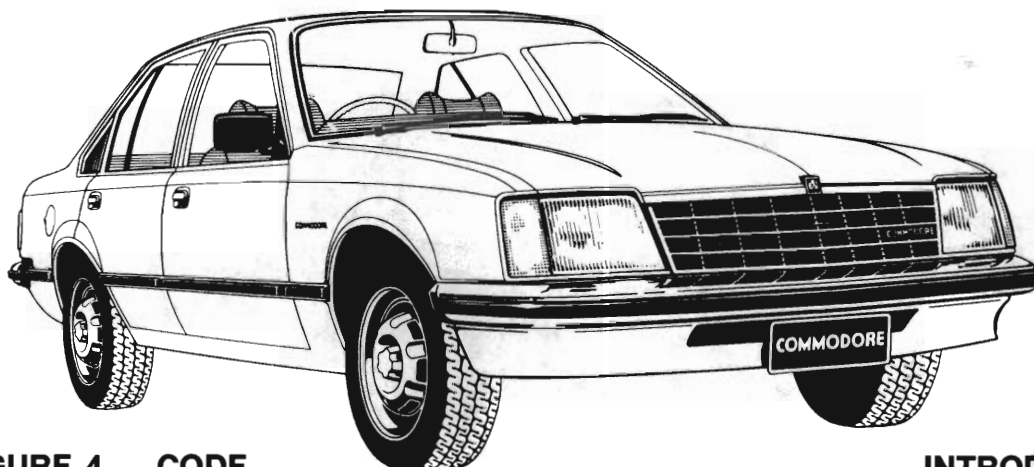


FIGURE 4. CODE
8VK69 Commodore Sedan - 6 & 8 Cylinder Engine

INTRODUCED
October, 1978.

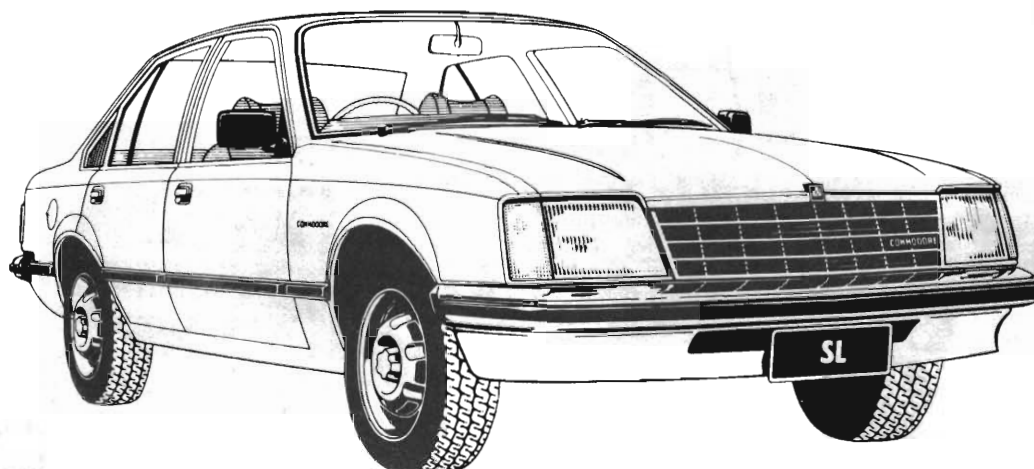


FIGURE 5. CODE
8VL69 Commodore "SL" Sedan - 6 & 8 Cylinder Engine

INTRODUCED
October, 1978.

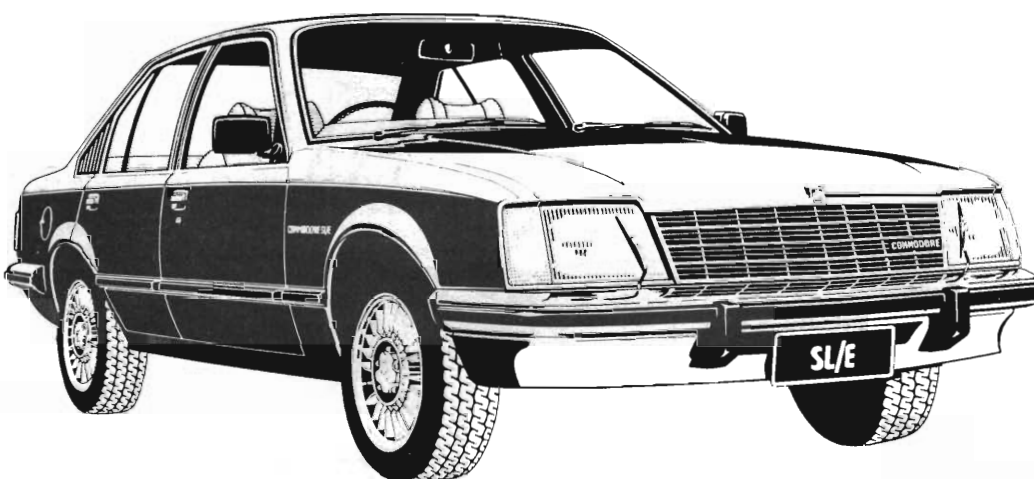


FIGURE 6. CODE
8VX69 Commodore "SL/E" Sedan - 6 & 8 Cylinder Engine

INTRODUCED
October, 1978.



SERIES/MODEL IDENTIFICATION

VC



FIGURE 7. CODE
8VK35 Commodore "L" Station Wagon - 4 Cylinder Engine

INTRODUCED
June, 1980.

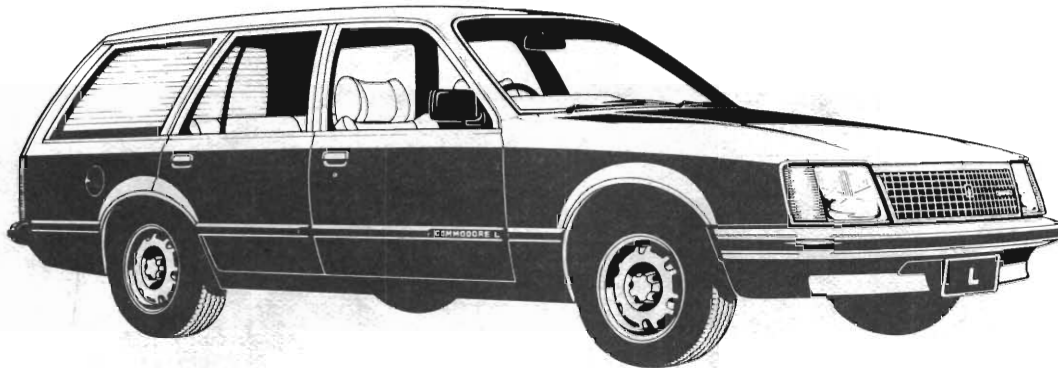


FIGURE 8. CODE
8VK35 Commodore "L" Station Wagon - 6 & 8 Cylinder Engine
Included in the Options available with this model:-
Production Option:- **A9K - FLEET PACKAGE**

INTRODUCED
March, 1980.

VC

VC



FIGURE 9. CODE
8VK35 Commodore "Vacationer" Station Wagon - 6 Cyl. Eng.

INTRODUCED
November, 1980.



SERIES/MODEL IDENTIFICATION

VC



FIGURE 10. CODE

8VK35 Commodore "L" Station Wagon - 4 Cylinder Engine

INTRODUCED

June, 1980.

VC

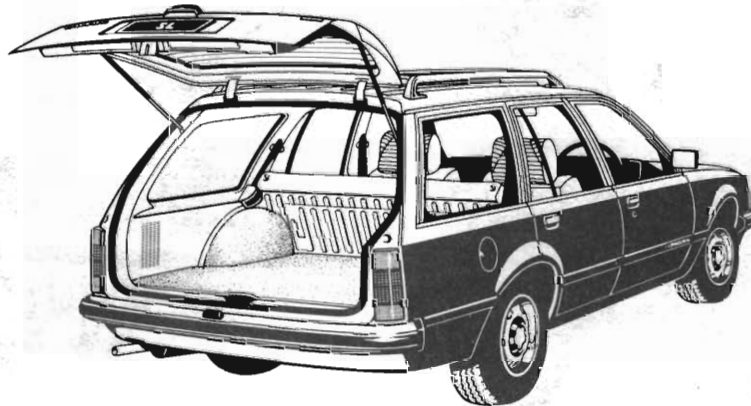


FIGURE 11. CODE

8VK35 Commodore "L" Station Wagon - 6 & 8 Cylinder Engine

Included in the Options available with this model:-

Production Option:- **A9K - FLEET PACKAGE**

INTRODUCED

March, 1980.

FIGURE 12. CODE

INTRODUCED



SERIES/MODEL IDENTIFICATION

VC

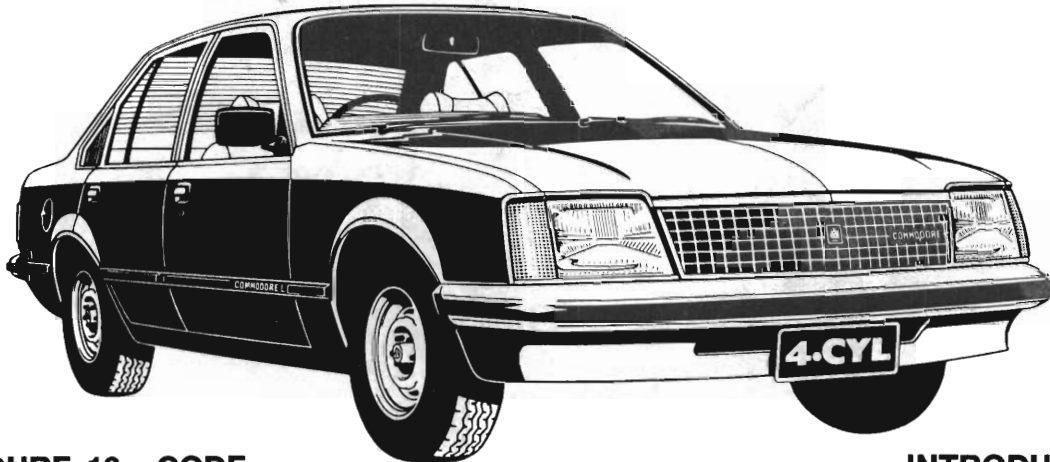


FIGURE 13. CODE

8VK69 Commodore "L" Sedan - 4 Cylinder Engine

INTRODUCED

June, 1980.

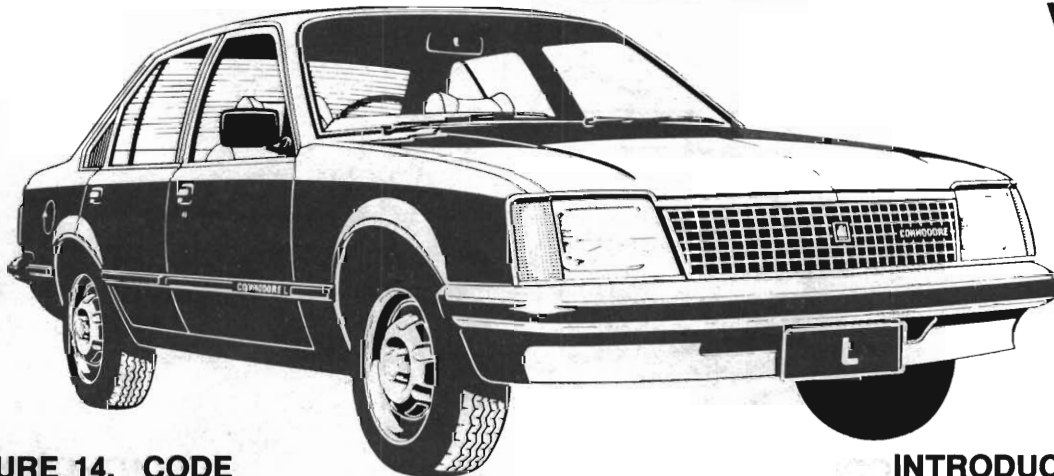


FIGURE 14. CODE

8VL69 Commodore "L" Sedan - 6 & 8 Cylinder Engine
Included in the Options available with this model:-
Production Option:- **A9K** - FLEET PACKAGE

INTRODUCED

March, 1980.

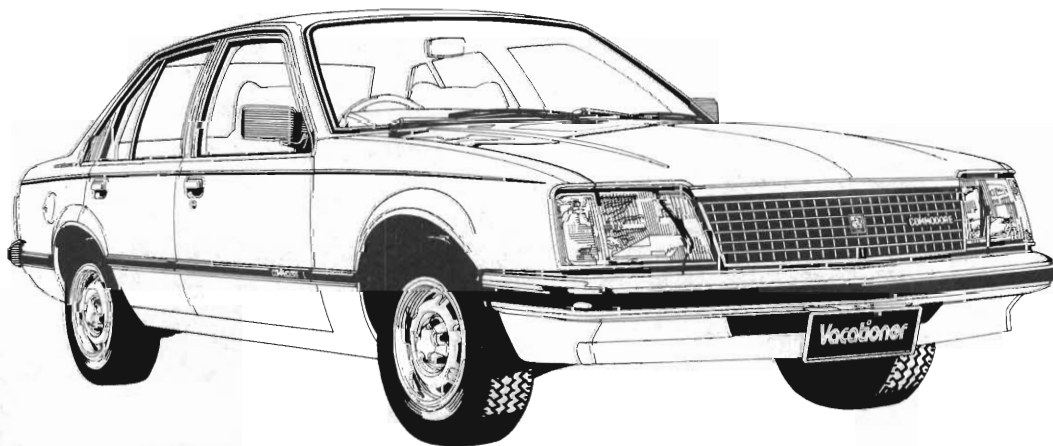


FIGURE 15. CODE

8VK69 Commodore "Vacationer" Sedan - 6 Cylinder Engine

INTRODUCED

November, 1980.



SERIES/MODEL IDENTIFICATION

VC



FIGURE 16. CODE

8VL69 Commodore "SL" Sedan - 4 Cylinder Engine

INTRODUCED

June, 1980

VC



FIGURE 17. CODE

8VL69 Commodore "SL" Sedan - 6 & 8 Cylinder Engine

INTRODUCED

March, 1980

VC

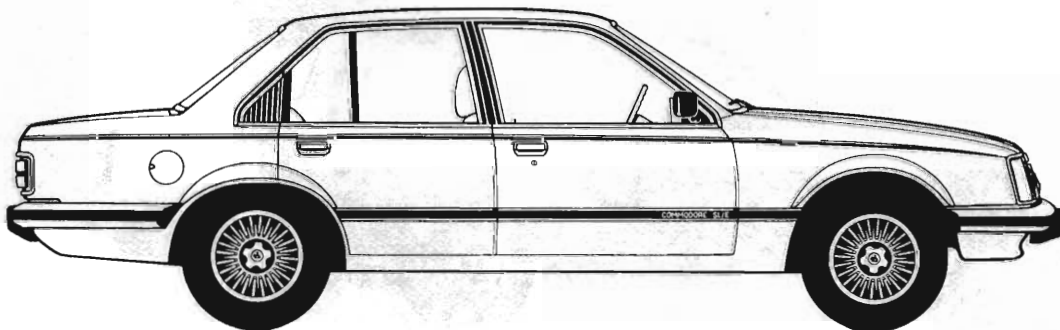


FIGURE 18. CODE

8VX69 Commodore "SL/E" Sedan - 6 & 8 Cylinder Engine

INTRODUCED

March, 1980.



SERIES/MODEL IDENTIFICATION

VH



FIGURE 19. CODE

8VK35 Commodore "SL" Station Wagon - 4 Cyl. Eng.

INTRODUCED

September, 1981.

VH



FIGURE 20. CODE

8VK35 Commodore "SL" Station Wagon - 6 & 8 Cyl. Eng.

Included in the Options available with this model:-

1. Production Option:- **A9K** - FLEET PACKAGE
2. Production Option:- **XW4** - "VACATIONER"
3. Production Option:- **XY8** - "VACATIONER No. 2"
4. Production Option:- **A8A** - "VACATIONER No. 3"

INTRODUCED

September, 1981.

September, 1981.

Refer Fig. 21.

Refer Fig. 21.

Refer Fig. 21.

VH



FIGURE 21. CODE

8VK35 "Vacationer" Station Wagon - 6 Cyl. Eng.

8VK35 "Vacationer No.2" Station Wagon - 6 Cyl. Eng.

8VK35 "Vacationer No.3" Station Wagon - 6 & 8 Cyl. Eng.

INTRODUCED

October, 1981.

November, 1982.

October, 1983.



SERIES/MODEL IDENTIFICATION

VH



FIGURE 22. CODE

8VL35 Commodore "SL/X" Station Wagon - 4 Cyl. Eng.

INTRODUCED

September, 1981.

VH



FIGURE 23. CODE

8VL35 Commodore "SL/X" Station Wagon - 6 & 8 Cyl. Eng.

INTRODUCED

September, 1981.

FIGURE 24. CODE

INTRODUCED



SERIES/MODEL IDENTIFICATION

VH



FIGURE 25. CODE

8VK69 Commodore "SL" Sedan - 4 Cylinder Engine

INTRODUCED

September, 1981.

VH



FIGURE 26. CODE

8VK69 Commodore "SL" Sedan - 6 & 8 Cylinder Engine

Included in the Options available with this model:-

1. Production Option:- **A9K** - FLEET PACKAGE
2. Production Option:- **XV2** - "SS COMMODORE"
3. Production Option:- **XW4** - "VACATIONER"
4. Production Option:- **XY8** - "VACATIONER No. 2"
5. Production Option:- **A8A** - "VACATIONER No. 3"

INTRODUCED

September, 1981

September, 1981

Refer Fig. 27

Refer Fig. 28

Refer Fig. 28

Refer Fig. 28

VH

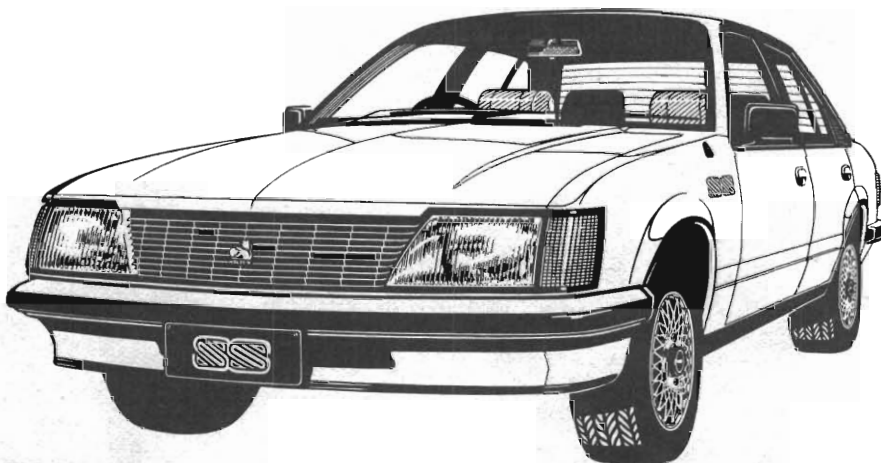


FIGURE 27. CODE

8VK69 "SS" Commodore - 8 Cylinder Engine

INTRODUCED

September, 1982



SERIES/MODEL IDENTIFICATION

VH

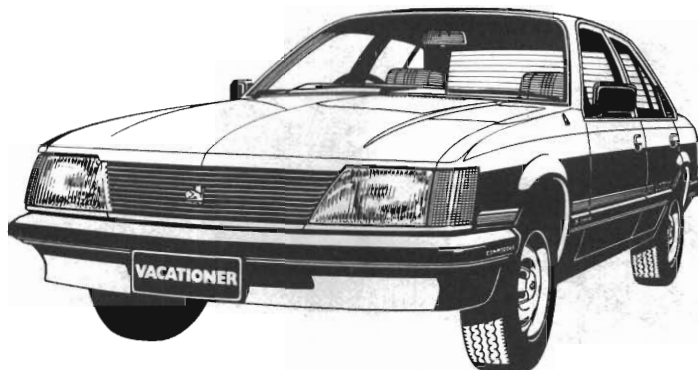


FIGURE 28. CODE

8VK69 Commodore "Vacationer" Sedan - 6 Cyl. Eng.

8VK69 Commodore "Vacationer No.2" Sedan - 6 Cyl. Eng.

8VK69 Commodore "Vacationer No.3" Sedan - 6 & 8 Cyl. Eng.

INTRODUCED

October, 1981.

November, 1982.

October, 1983.

VH



FIGURE 29. CODE

8VL69 Commodore "SL/X" Sedan - 4 Cylinder Engine

INTRODUCED

September, 1981.

VH



FIGURE 30. CODE

8VL69 Commodore "SL/X" Sedan - 6 & 8 Cylinder Engine

INTRODUCED

September, 1981.



SERIES/MODEL IDENTIFICATION

VH



FIGURE 31. CODE

8VX69 Commodore "SL/E" Sedan - 6 & 8 Cylinder Engine
Included in the Options available with this model:-
Production Option:- **V6Q** - "SHADOWTONE"

INTRODUCED

September, 1981.

FIGURE 32. CODE

INTRODUCED

FIGURE 33. CODE

INTRODUCED



SERIES/MODEL IDENTIFICATION

VK



FIGURE 34. CODE

8VK19 Commodore "SL" Sedan - 6 & 8 Cyl. Eng.
8VK19 Commodore "EXECUTIVE" Sedan - 6 Cyl. Eng.

INTRODUCED

February, 1984.
February, 1984.

VK



FIGURE 35. CODE

8VK19 Commodore "VACATIONER" Sedan - 6 & 8 Cyl. Eng.
Production Option XW4
8VK19 Commodore "VACATIONER" Sedan - 6 & 8 Cyl. Eng.
Production Option XY8

INTRODUCED

October, 1984.
October, 1985.

VK

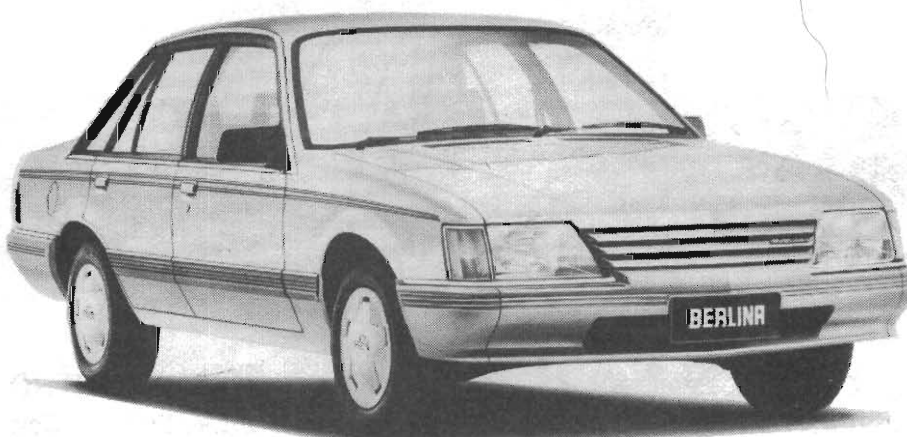


FIGURE 36. CODE

8VL19 Commodore "BERLINA" Sedan - 6 & 8 Cyl. Eng.

INTRODUCED

February, 1984.



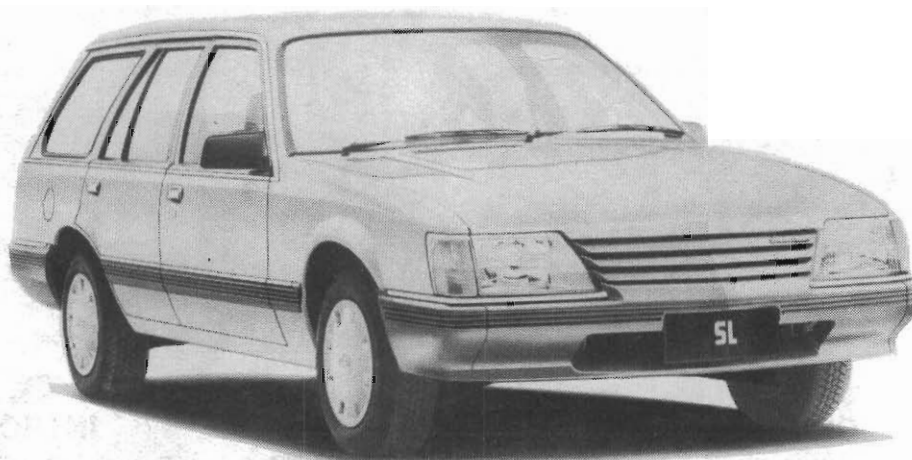
SERIES/MODEL IDENTIFICATION

VK



FIGURE 37. CODE
8VX19 "CALAIS" Sedan - 6 & 8 Cyl. Eng.

INTRODUCED
February, 1984.



VK

FIGURE 38. CODE
8VK35 Commodore "SL" Wagon - 6 & 8 Cyl. Eng.
8VK35 Commodore "EXECUTIVE" Wagon - 6 Cyl. Eng.

INTRODUCED
February, 1984.
February, 1984.



VK

FIGURE 39. CODE
8VK35 Commodore "VACATIONER" Wagon - 6 & 8 Cyl. Eng. Production Option XW4
8VK35 Commodore "VACATIONER" Wagon - 6 & 8 Cyl. Eng. Production Option XY8

INTRODUCED
October, 1984.
October, 1985.



SERIES/MODEL IDENTIFICATION

VK



FIGURE 40. CODE

8VL35 Commodore "BERLINA" Wagon - 6 & 8 Cyl. Eng.

INTRODUCED

February, 1984.

VK

FIGURE 41. CODE

INTRODUCED

VK

FIGURE 42. CODE

INTRODUCED



CHASSIS-ILLUSTRATION INDEX

GROUP	HEADING	SECT./PAGE	GROUP	HEADING	SECT./PAGE
GROUP 00.000			GROUP 02		
ENGINE - CLUTCH			ENGINE ELECTRICAL - CHASSIS WIRING		
- EXTERIOR LAMPS					
ENGINE MOUNTINGS		00D-1	STARTER MOTOR		02-1/02-3
CYLINDER HEAD		00D-2/00D-3	IGNITION SWITCH		02-4
CRANKSHAFT, CAMSHAFT & PISTON		00D-4/00D-5	ENGINE ELECTRICAL UNITS		02-5/02/13
CYLINDER BLOCK		00D-6/00D-7	ALTERNATOR		02-14/02-18
TRANSMISSION TO ENGINE		00D-8/00D-9	ALTERNATOR MOUNTING		02-19/02-24
CLUTCH PEDAL - (M)		00D-10	BATTERY LEADS		02-25/02-31
CLUTCH CABLE - (M)		00D-11	DISTRIBUTOR		02-32/02-41
FLYWHEEL & CLUTCH - (M)		00D-12	ENGINE SPEED SENSOR		02-42
ENGINE MOUNTINGS		00K-1	BACK UP SWITCH & WIRING		02-43
CYLINDER HEAD		00K-2/00K-3	TRANSMISSION CONTROL SPARK LEAD		02-44/02-46
CRANKSHAFT, CAMSHAFT & PISTON		00K-4/00K-5	WIRING POLICE EQUIPMENT		02-47
CYLINDER BLOCK		00K-6/00K-7	HEADLAMP HARNESS		02-48
TRANSMISSION TO ENGINE		00K-8/00K-10	INSTRUMENT HARNESS		02-49
CLUTCH PEDAL - (M)		00K-11	FUSE PANEL		02-50
CLUTCH CABLE - (M)		00K-12	ENGINE HARNESS		02-51/02-61
FLYWHEEL & CLUTCH		00K-13	MAIN WIRING HARNESS		02-62/02-69
ENGINE MOUNTINGS		00T-1	PASENGER COMPARTMENT WIRING		02-70/02-71
CYLINDER HEAD		00T-2/00T-3	REAR COMPARTMENT WIRING		02-72/02-75
CRANKSHAFT, CAMSHAFT & PISTON		00T-4/00T-5	TAIL LAMP		02-76/02-78
CYLINDER BLOCK		00T-6/00T-7	HEADLAMP, PARKING & TURN SIGNAL LAMP		02-79
FLYWHEEL & CLUTCH		00T-8/00T-9	HEADLAMP WIPER		02-80
TRANSMISSION TO ENGINE		00T-10	HEADLAMP WIPER HARNESS		02-81
CLUTCH PEDAL - (M)		00T-11	HEADLAMP WIPER HOSES		02-82
CLUTCH CABLE - (M)		00T-12	HORNS		02-83/02-84
			HORN BAR		02-85
			STEERING COLUMN SWITCH & HARNESS		02-86
			CONNECTOR BODIES		02-87
			TERMINALS		02-88
GROUP 01.000			GROUP 03.000		
COOLING - GRILLE - OIL SYSTEM			FUEL - EXHAUST - CARBURETION		
AIR CHUTE		01-1	FUEL TANK STONE GUARD		03-1/03-2
AUXILIARY FAN		01-2	FILLER CAPS - Fuel Tank		03-3
FAN & PULLEY		01-2/01-6	FUEL TANK		03-4/03-15
DRIVE BELTS		01-7/01-8	VAPOUR CANISTER		03-16/03-18
WATER PUMP		01-9/01-10	EXHAUST VALVE ACTUATOR		03-19
RADIATOR		01-11/01-13	EMISSION CONTROL HOSES		03-20/03-43
RADIATOR OVERFLOW		01-14/01-15	FUEL PIPE		03-44/03-45
BAFFLE - SKIRT TO CROSSMEMBER		01-16	ENGINE FUEL SYSTEM		03-46/03-47
RADIATOR GRILLE		01-17/018	FUEL RETURN PIPE		03-48
RADIATOR AIR INTAKE SHROUD ..		01-19	FUEL FLOW SENSOR		03-49/03-52
RADIATOR INTERNAL INSECT SCREEN		01-20	VACUUM ADAPTORS		03-53/03-58
GUARD - Engine oil pan		01-21	FRESH AIR INTAKE		03-59
OIL LEVEL INDICATOR		01-22/01-23	AUXILIARY AIR VALVE		03-60/03-61
OIL PUMP		01-24/01-26	ELECTRONIC FUEL INJECTION		03-62/03-63
ENGINE VENTILATION		01-27/01-32	INLET & EXHAUST MANIFOLDS		03-64/03-71



CHASSIS-ILLUSTRATION INDEX

GROUP	HEADING	SECT./PAGE	GROUP	HEADING	SECT./PAGE
GROUP 03.000 (Cont'd.)			GROUP 04.000 (Cont'd.)		
AIR PRE HEAT SYSTEM		03-72/03-79	SPEEDOMETER CABLE & GEAR ...		04U-28/04U-31
ACCELERATOR CONTROL		03-80	TRANSMISSION CONTROLS		04V-1
ACCELERATOR CABLE		03-81/03-90	CONSOLE		04V-2
CARBURETTOR & AIR CLEANER ...		03-91/03-98	TRANSMISSION MOUNTING		04V-3
AIR CLEANER & SILENCER -			TRANSMISSION OIL COOLER		
Engine Performance Equipment ...		03-99	PIPES		04V-4
DECELERATION CONTROL		03-100/03-102	TRANSMISSION OIL FILLER &		
CHOKE CONTROL		03-103	MODULATOR PIPE		04V-5
PULSAIR VALVE		03-104	TRANSMISSION CASE, EXTENSION		
AIR PUMP		03-105	& PLANET CARRIER		04V-6/04V-7
E.G.R. VALVE		03-106/03-111	TRANSMISSION PUMP, FORWARD,		
EXHAUST SYSTEM		03-112/03-123	DIRECT & INTERMEDIATE		
CARBURETTOR		03-124/03-135	CLUTCH & CENTRE SUPPORT ...		04V-8/04V-9
SCREEN - Air Horn Vent		03-136	TRANSMISSION SERVO		
AUTOMATIC CHOKE		03-137	ACCUMULATOR, GOVERNOR &		
ACCELERATOR CONTROL SWITCH		03-138	VALVE BODY		04V-10/04V-11
CRUISE CONTROL		03-139/03-145	TRANSMISSION PARKING BRAKE &		
FUEL FILTER		03-146/03-147	INSIDE DETENT		04V-12
FUEL PUMP		03-148/03-153	SPEEDOMETER CABLE		04V-13
			CONSOLE		04W-1
			TRANSMISSION CONTROLS		04W-2
			DETENT CABLE		04W-3
			TRANSMISSION MOUNTING		04W-4
			TRANSMISSION CONVERTER, OIL		
			FILLER & MODULATOR PIPE		04W-5
			TRANSMISSION CASE, EXTENSION,		
			ACCUMULATOR & GOVERNOR ..		04W-6/04W-7
			TRANSMISSION CONVERTER,		
			PUMP, INTERMEDIATE & DIRECT		
			CLUTCH		04W-8/04W-9
			TRANSMISSION MAINSHAFT,		
			FORWARD CLUTCH, LOW &		
			REVERSE CLUTCH & OUTPUT		
			SHAFT		04W-10/04W-11
			TRANSMISSION VALVE BODY,		
			SERVO PISTON &		
			ACCUMULATOR PARTS		04W-12/04W-13
			TRANSMISSION OIL COOLER		
			PIPES		04W-14
			TRANSMISSION PARKING LOCK &		
			RANGE SELECTOR		04W-15
			SPEEDOMETER CABLE		04W-16/04W-17
GROUP 04.000			GROUP 04.500		
TRANSMISSION INDEX			BRAKE CONTROL - BRAKE OPERATING		
TRANSMISSION TO ENGINE		04F-1/04F-2	PARK BRAKE		045-1/045-3
TRANSMISSION CONTROL		04F-3/04F-4	BRAKE PEDAL		045-4
TRANSMISSION MOUNTING		04F-5	BRAKE PEDAL SUPPORT		045-5
TRANSMISSION CASE & GEARS ...		04F-6/04F-7	BRAKE MAIN CYLINDER		045-6/045-7
SPEEDOMETER CABLE & GEAR ...		04F-8	BRAKE CALIPER - Front		045-8/045-9
ELECTRONIC SPEEDOMETER			FRONT BRAKE PIPES		045-10/045-12
SENDER		04F-9	REAR BRAKE PIPES		045-13
TRANSMISSION CONTROL LEVER ..		04H-1/04H-3			
GEARSHIFT CONTROL		04H-4			
TRANSMISSION MOUNTING		04H-5			
TRANSMISSION		04H-6/04H-7			
TRANSMISSION MOUNTING		04H-8			
SPEEDOMETER CABLE & GEAR ...		04H-9			
TRANSMISSION CONTROL		04S-1			
TRANSMISSION MOUNTING		04S-2/04S-3			
TRANSMISSION CASE & GEARS ...		04S-4/04S-5			
SPEEDOMETER CABLE & GEAR ...		04S-6			
TRANSMISSION CONTROLS		04U-1			
CONSOLE - Transmission		04U-2			
DETENT SWITCH		04U-3			
TRANSMISSION MOUNTING		04U-4/04U-5			
TRANSMISSION OIL COOLER					
PIPES		04U-6/04U-13			
OIL PAN & INDICATOR		04U-14			
OIL FILLER & MODULATOR PIPE ...		04U-15/04U-19			
CONVERTER & OIL PUMP		04U-20/04U-21			
TRANSMISSION DRIVE		04U-22/04U-23			
PARK BRAKE, MODULATOR &					
SERVO		04U-24/04U-25			
VALVE BODY		04U-26/04U-27			



CHASSIS-ILLUSTRATION INDEX

GROUP	HEADING	SECT./PAGE	GROUP	HEADING	SECT./PAGE
GROUP 04.500 (Cont'd.)			GROUP 08.000 (Cont'd.)		
	BRAKE BOOSTER	045-14/045-16	GROUP 09.000		
	VACUUM SERVO BRAKE HOSE	045-17/045-18	AIR CONDITIONING - RADIO		
	PARK BRAKE - Rear Disc Brakes ...	045-19	- INSTRUMENT CLUSTERS		
	REAR DRUM BRAKES	045-20	AIR CONDITIONING COMPRESSOR		
	REAR DISC BRAKES	045-21	MOUNTING		
GROUP 05.000			09-1/09-8		
REAR AXLE - WHEELS			AIR CONDITIONER IDLER PULLEY ..		
	WHEEL - Road	05-1	09-9		
	REAR AXLE	05-2/05-5	AIR CONDITIONING COMPRESSOR		
	PROPELLER SHAFT	05-6/05-7	09-10/09-13		
GROUP 06.000			CONDENSER		
FRONT SUSPENSION - STEERING			RECEIVER & DEHYDRATOR		
	HUB & DISC - Front Wheel	06-1	09-16		
	FRONT SUSPENSION	06-2/06-3	EVAPORATOR CASE BLOWER &		
	STEERING GEAR	06-4/06-9	CORE		
	STEERING WHEEL	06-10	09-17		
	STEERING COLUMN	06-11	HOUSING & MOTOR AIR		
	COUPLING & SHAFT	06-12	CONDITIONER BLOWER		
	POWER STEERING	06-13/06-25	09-18		
GROUP 07.000			EVAPORATOR		
FRAME - SPRINGS - SHOCK ABSORBERS			09-20/09-21		
- BUMPER BARS			BLOWER, EVAPORATOR & HEATER		
	TRAILER WIRING HARNESS	07-1	09-22		
	CHASSIS FRAME & MEMBER	07-2/07-3	REFRIGERANT TUBES		
	REAR STABILIZER SHAFT	07-4	09-23/09-25		
	STRUT ROD & SLEEVE	07-5	REFRIGERANT HOSES		
	REAR SUSPENSION	07-6/07-9	09-26/09-36		
	SUPERLIFT SHOCK ABSORBER	07-10/07-12	AIR CONDITIONER HARNESS		
	FRONT BUMPER BAR	07-13/07-15	09-37/09-41		
	REAR BUMPER BAR	07-16/07-18	SWITCH, HARNESS - Air Conditioner		
GROUP 08.000			09-42		
FRONT END SHEET METAL - HEATER			RADIO/STEREO CASSETTE		
	HOOD HARDWARE	08-1	PLAYER, SPEAKERS, ANTENNA ..		
	HOOD LOCK RELEASE & SUPPORT	08-2	09-43/09-50		
	FRONT FENDER	08-3	RADIO INTERFERENCE		
	FRONT END SHEET METAL	08-4	SUPPRESSION SHIELD		
	MUD DEFLECTOR	08-5/08-8	09-51		
	JACK & SPARE WHEEL STOWAGE ..	08-9/08-11	WEATHERSHIELD		
	HEATER HOSES	08-12/08-18	09-52		
	DUCTING - Blower & Heater	08-19	INSTRUMENTATION		
	HEATER	08-20/08-23	09-53/09-55		
	HOUSING & MOTOR - Heater	08-24/08-25	COOLING HOSE - Electronic		
	Blower	08-26	Instruments		
	ENGINE COMPARTMENT LAMP	08-27	09-56		
	WATER BAG CARRIER PACKAGE ..	08-27	MODULE & HARNESS - Trip		
			Computer		
			09-57		
			CLOCK & HARNESS		
			09-58		
			AIR CONDITIONER & HEATER		
			09-59		
			DUCTING		
			09-60/09-61		
			PLENUM CHAMBER DEFLECTOR ..		
			09-62		
			VACUUM ECONOMY GAUGE		
			09-63		
			HEATED REAR WINDOW		
			09-64/09-65		
GROUP 10.000			GROUP 10.000		
WINDSHIELD - WIPERS & WASHERS - MIRRORS			WINDSHIELD - WIPERS & WASHERS - MIRRORS		
- CONSOLES - INSTRUMENT PANEL			- CONSOLES - INSTRUMENT PANEL		
HARDWARE - DOORS			HARDWARE - DOORS		
			GLASS & CHANNEL		
			10-1/10-2		
			WINDSHIELD & REAR WINDOW		
			MOULDINGS		
			10-3		
			WINDSHIELD WIPER MOTOR		
			10-4/10-5		
			WINDSHIELD WASHER		
			10-6/10-7		
			WINDSHIELD WIPER DWELL		
			CONTROL		
			10-8/10-9		
			EXTERNAL REAR VISION MIRROR ..		
			10-10/10-11		
			VANITY MIRROR		
			10-12		
			SUN VISOR		
			10-13		



CHASSIS-ILLUSTRATION INDEX

GROUP	HEADING	SECT./PAGE	GROUP	HEADING	SECT./PAGE
GROUP 10.000 (Cont'd.)			GROUP 14.000		
	SUNSHADE PACKAGE	10-14	INTERIOR TRIM - SEAT BELTS		
	INSTRUMENT PANEL	10-15/10-22	HEADLINING		14-1/14-3
	HOUSING - Console	10-23/10-25	INSTRUMENT PANEL PAD		14-4
	PARCEL SHELF	10-26	CHILD SAFETY SEAT		14-5
	DOOR DUST SEALS	10-27	SEAT BELTS		14-6/14-9
	ELECTRIC DOOR LOCK	10-28	INTERIOR TRIM		14-10/14-33
	SHIELD - Door Lock Protection	10-29			
	HANDLE - Door Pull To	10-30	GROUP 15.000		
	PAINT PROTECTION PLATE		REAR SEAT TRIM - CARPETS		
	PACKAGE	10-30	SHELF - Package Tray Rear		15-1
	WEATHERSTRIPS	10-31	REAR SEAT HEAD RESTRAINT		15-2
	FRONT DOOR	10-32/10-35	REAR QUARTER WINDOW TRIM ...		15-3
	REAR DOOR	10-36/10-39	INSULATORS		15-4
	POWER OPERATED WINDOWS	10-40/10-41	FLOOR MATS & CARPETS		15-5
GROUP 11.000			REAR COMPARTMENT TRIM		15-6
REAR GLASS - SEAT PARTS			LUGGAGE COMPARTMENT TRIM ...		15-7
- INTERIOR LAMPS			HANDLE - Assist Grip		15-8
	DOOR SCUFF PLATES	11-1			
	REAR WINDOW VENETIAN SHADE .	11-2			
	FRONT SEAT ADJUSTER	11-3/11-7			
	REAR SEAT HARDWARE	11-8			
	DOVE & REAR QUARTER LAMP ...	11-9			
GROUP 12.000					
BODY MOULDINGS - SHEET METAL					
	DECK LID HARDWARE	12-1			
	END GATE HARDWARE	12-2			
	END GATE WINDOW WIPER	12-3			
	END GATE WINDOW WASHER	12-4			
	DEFLECTOR - End Gate Dust	12-5			
	COVER - Spare Wheel	12-5			
	DECK LID LOCK RELEASE - Electric	12-6/12-7			
	BODY MOULDINGS	12-8/12-63			
	SPARE WHEEL COMPARTMENT				
	COVER	12-64			
	LUGGAGE RACK PACKAGE	12-65/12-67			
	SUNROOF - Electric	12-68/12-71			
	COWL - Front	12-72			
	FRAME - Door Opening	12-73			
	DOOR PANELS	12-74			
	REAR SHEET METAL	12-75/12-76			
	BODY PANELS	12-77/12-81			
	FLOOR PAN SEALING	12-82			
GROUP 13.000					
BODY WIRING					
	BODY WIRING	13-2/13-5			



BODY-ILLUSTRATION INDEX

GROUP	HEADING	SECT./PAGE	GROUP	HEADING	SECT./PAGE
GROUP 10.000			GROUP 10.000 (Cont'd.)		
WINDSHIELD - WIPERS & WASHERS - MIRRORS			WEATHERSTRIPS 10-31		
- CONSOLES - INSTRUMENT PANEL			FRONT DOOR - exc. Power		
HARDWARE - DOORS			Windows & Electric Door Locks ... 10-32/10/33		
GLASS & CHANNEL - 35 Body	Styles	10-1	FRONT DOOR - Power Windows &		
GLASS & CHANNEL - 69 Body	Styles	10-2	Electric Door Locks		
WINDSHIELD & REAR WINDOW	MOULDINGS - VC, VH Series		10-34/10-35		
8VX69 Model Code		10-3	REAR DOOR - exc. Power Windows		
WINDSHIELD WIPER MOTOR &	LINKAGE	10-4	& Electric Door Locks		
WINDSHIELD WIPER MOTOR -	Lucas	10-5	10-36/10-37		
WINDSHIELD WASHER - VB, VC,	VH Series	10-6	REAR DOOR - Power Windows &		
WINDSHIELD WASHER - VK Series .		10-7	Electric Door Locks		
WINDSHIELD WIPER DWELL	CONTROL - VB, VC, VH Series ...	10-8	10-38/10-39		
WINDSHIELD WIPER DWELL	CONTROL - VK Series	10-9	POWER OPERATED WINDOWS		
EXTERNAL REAR VISION MIRROR -	VB, VC, VH Series	10-10	10-40		
EXTERNAL REAR VISION MIRROR -	VK Series	10-11	POWER OPERATED WINDOWS &		
VANITY MIRROR		10-12	ELECTRIC DOOR LOCKS		
SUN VISOR		10-13	10-41		
SUNSHADE PACKAGE		10-14	GROUP 11.000		
INSTRUMENT PANEL & PADS - VB,	VC, VH Series	10-15	REAR GLASS - SEAT PARTS		
INSTRUMENT PANEL - VK Series ..		10-16/10-17	- INTERIOR LAMPS		
INSTRUMENT PANEL - VK Series ..		10-18	DOOR SCUFF PLATES		
INSTRUMENT PANEL - VK Series ..		10-19	11-1		
INSTRUMENT PANEL	COMPARTMENT DOOR	10-20	REAR WINDOW VENETIAN SHADE .		
TRIM - INSTRUMENT PANEL -	LOWER, VB, VC, VH Series	10-21	11-2		
TRIM - INSTRUMENT PANEL -	LOWER, VK Series	10-22	FRONT SEAT - Recliner Mechanism		
HOUSING - CONSOLE, VB Series &	VC, VH, VK Series 8VK Models ...	10-23	& head restraint		
HOUSING - CONSOLE - VC, VH	Series. 8VL & 8VX Models	10-24	11-3		
HOUSING - CONSOLE - 8VL, 8VX	Models, VK Series	10-25	FRONT SEAT ADJUSTER - exc.		
PARCEL SHELF		10-26	Vertical Lift Seat		
DOOR DUST SEALS		10-27	11-4		
ELECTRIC DOOR LOCK		10-28	FRONT SEAT ADJUSTER - Vertical		
SHIELD - DOOR LOCK	PROTECTION - exc. Electric Door		Lift Seat		
Locks		10-29	11-5		
HANDLE - DOOR PULL TO		10-30	REAR SEAT HARDWARE - 35 Body		
PAINT PROTECTION PLATE	PACKAGE	10-30	Styles		
			11-6		
			11-7		
			GROUP 12.000		
			BODY MOULDINGS - SHEET METAL		
			DECK LID HARDWARE		
			12-1		
			END GATE HARDWARE		
			12-2		
			END GATE WINDOW WIPER		
			12-3		
			END GATE WINDOW WASHER		
			12-4		
			DEFLECTOR - End Gate Dust		
			12-5		
			COVER - Spare Wheel		
			12-5		
			DECK LID LOCK RELEASE - Electric		
			12-6/12-7		
			BODY MOULDINGS - 8VK35, VB		
			Series		
			12-8/12-9		
			BODY MOULDINGS - 8VL35, VB		
			Series		
			12-10/12-11		
			BODY MOULDINGS - 8VL69, VB		
			Series		
			12-12/12-13		
			BODY MOULDINGS - 8VK69, VB		
			Series		
			12-14/12-15		
			BODY MOULDINGS - 8VX69, VB		
			Series		
			12-16/12-17		
			BODY MOULDINGS - 8VK35, VC		
			Series		
			12-18/12-19		
			BODY MOULDINGS - 8VL35, VC		
			Series		
			12-20/12-21		



BODY-ILLUSTRATION INDEX

GROUP	HEADING	SECT./PAGE	GROUP	HEADING	SECT./PAGE
GROUP 12.000 (Cont'd.)			GROUP 12.000 (Cont'd.)		
BODY MOULDINGS - 8VK69, VC Series		12-22/12-23	BODY PANELS - Station Wagon, 35 Body Styles		12-69
BODY MOULDINGS - 8VL69, VC Series		12-24/12-25	BODY PANELS - Sedan, 69 Body Styles		12-70
BODY MOULDINGS - 8VX69, VC Series		12-26/12-27	BODY PANELS - Sedan, VK 19 Body Styles		12-71
BODY MOULDINGS - 8VK35 exc. Vacationer, VH Series		12-28/12-29	FLOOR PAN SEALING		12-72
BODY MOULDINGS - 8VK35 Vacationer, VH Series		12-30/12-31	GROUP 13.000		
BODY MOULDINGS - 8VL35, VH Series		12-32/12-33	BODY WIRING		
BODY MOULDINGS - 8VK69 exc. Vacationer & 'SS' Commodore, VH Series		12-34/12-35	BODY WIRING - 35 Body Styles		13-2/13-3
BODY MOULDINGS - 8VK69 'SS' Commodore, VH Series		12-36/12-37	BODY WIRING - 69 Body Styles		13-4/13-5
BODY MOULDINGS - 8VK69 Vacationer, VH Series		12-38/12-39	GROUP 14.000		
BODY MOULDINGS - 8VL69, VH Series		12-40/12-41	INTERIOR TRIM - SEAT BELTS		
BODY MOULDINGS - 8VX69, VH Series		12-42/12-43	HEADLINING - 35 Body styles		14-1
BODY MOULDINGS - 8VK35, VK Series		12-44/12-45	HEADLINING - 69 Body Styles		14-2
BODY MOULDINGS - 8VL35, VK Series		12-46/12-47	HEADLINING - 19 Body Styles		14-3
BODY MOULDINGS - 8VK19, VK Series		12-48/12-49	INSTRUMENT PANEL PAD - VK Series		14-4
BODY MOULDINGS - 8VL19, VK Series		12-50/12-51	CHILD SAFETY SEAT		14-5
BODY MOULDINGS - 8VX19, VK Series		12-52/12-53	SEAT BELTS - Front Seat		14-6
SPARE WHEEL COMPARTMENT COVER - 35 Body Styles		12-54	SEAT BELT - Rear Seat		14-7
LUGGAGE RACK PACKAGE - A.T.M., VB, VC, VH Series		12-55	SEAT BELT - Rear Seat, Sedan exc. 19 Body Style		14-8
LUGGAGE RACK PACKAGE - Flainsford, VB, VC, VH Series		12-56	SEAT BELT - Rear Seat, Sedan 19 Body Style		14-9
LUGGAGE RACK PACKAGE - VK Series		12-57	INTERIOR TRIM - Model Code 8VK, 8VL - VB, VC, VH Series		14-10
SUNROOF - ELECTRIC		12-58/12-59	INTERIOR TRIM - Model Code 8VX69, VB, VC Series		14-11
SUNROOF - ELECTRIC		12-60/12-61	INTERIOR TRIM - Model Code 8VX69, VH Series		14-12
COWL - Front		12-62	INTERIOR TRIM - Model Code 8VK, VK Series		14-13
FRAME - DOOR OPENING		12-63	INTERIOR TRIM - Model Code 8VL, VK Series		14-14
DOOR PANELS		12-64	INTERIOR TRIM - Model Code 8VX, VK Series		14-15
REAR SHEET METAL - 35 BODY STYLES		12-65	INTERIOR TRIM - Model Code 8VK35		14-16/14-17
REAR SHEET METAL - 69 BODY STYLES		12-66	INTERIOR TRIM - Model Code 8VL35		14-18/14-19
BODY PANELS - Station Wagon, 35 Body Styles		12-67	INTERIOR TRIM - Model Code 8VK69 exc. 'SS' Commodore		14-20/14-21
BODY PANELS - Sedan, 69 & 19 Body Styles		12-68	INTERIOR TRIM - Model Code 8VK69, 'SS' Commodore		14-22/14-23
			INTERIOR TRIM - Model Code 8VL69		14-24/14-25
			INTERIOR TRIM - Model Code 8VX69		14-26/14-27



BODY-ILLUSTRATION INDEX

GROUP	HEADING	SECT./PAGE	GROUP	HEADING	SECT./PAGE
GROUP 14.000 (Cont'd.)					
	INTERIOR TRIM - Model Code				
	8VK19	14-28/14-29			
	INTERIOR TRIM - Model Code				
	8VL19	14-30/14-31			
	INTERIOR TRIM - Model Code				
	8VX19	14-32/14-33			
GROUP 15.000					
REAR SEAT TRIM - CARPETS					
	SHELF - Package Tray Rear	15-1			
	REAR SEAT HEAD RESTRAINT	15-2			
	REAR QUARTER WINDOW TRIM -				
	VK Series	15-3			
	INSULATORS	15-4			
	FLOOR MATS & CARPETS	15-5			
	REAR COMPARTMENT TRIM - 35				
	Body Styles	15-6			
	LUGGAGE COMPARTMENT TRIM -				
	19 & 69 Body Styles	15-7			
	HANDLE - Assist Grip	15-8			



GROUP

0.000

ENGINE & CLUTCH



ENGINE INDEX

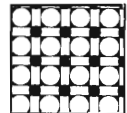
ENGINE PARTS ARE LISTED AS FOLLOWS:-

SECTION 1. L4 CYLINDER ENGINE ASSEMBLY

- 1.9 LITRE HIGH COMPRESSION

ENGINE CODE D

PAGE EDGE CODE

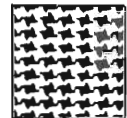


SECTION 2. L6 CYLINDER ENGINE ASSEMBLY

- 2.85 LITRE HIGH COMPRESSION
- 3.3 LITRE LOW COMPRESSION
- 3.3 LITRE HIGH COMPRESSION

ENGINE CODE K

PAGE EDGE CODE

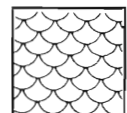


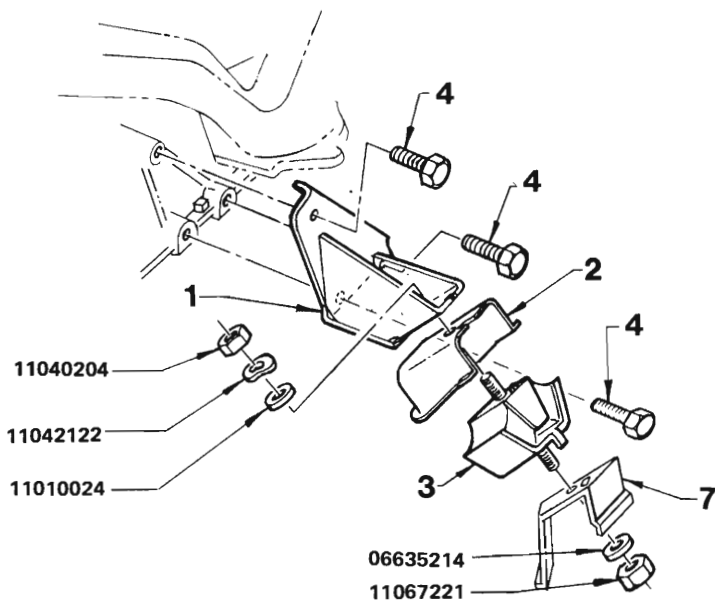
SECTION 3. V8 CYLINDER ENGINE ASSEMBLY

- 4.2 LITRE HIGH COMPRESSION
- 5.0 LITRE HIGH COMPRESSION

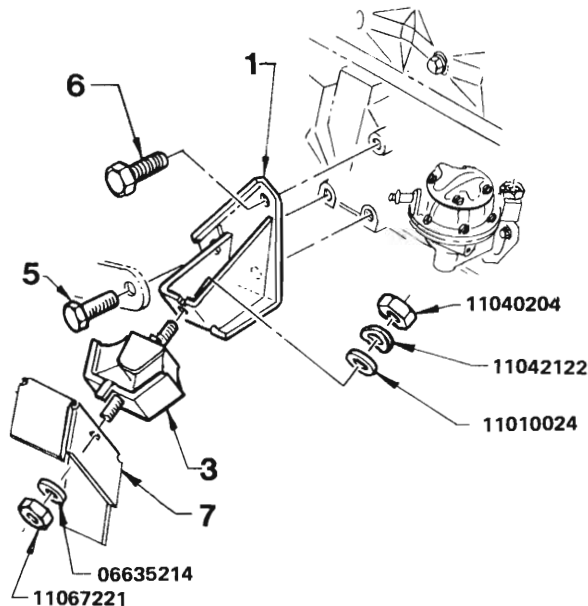
ENGINE CODE T

PAGE EDGE CODE





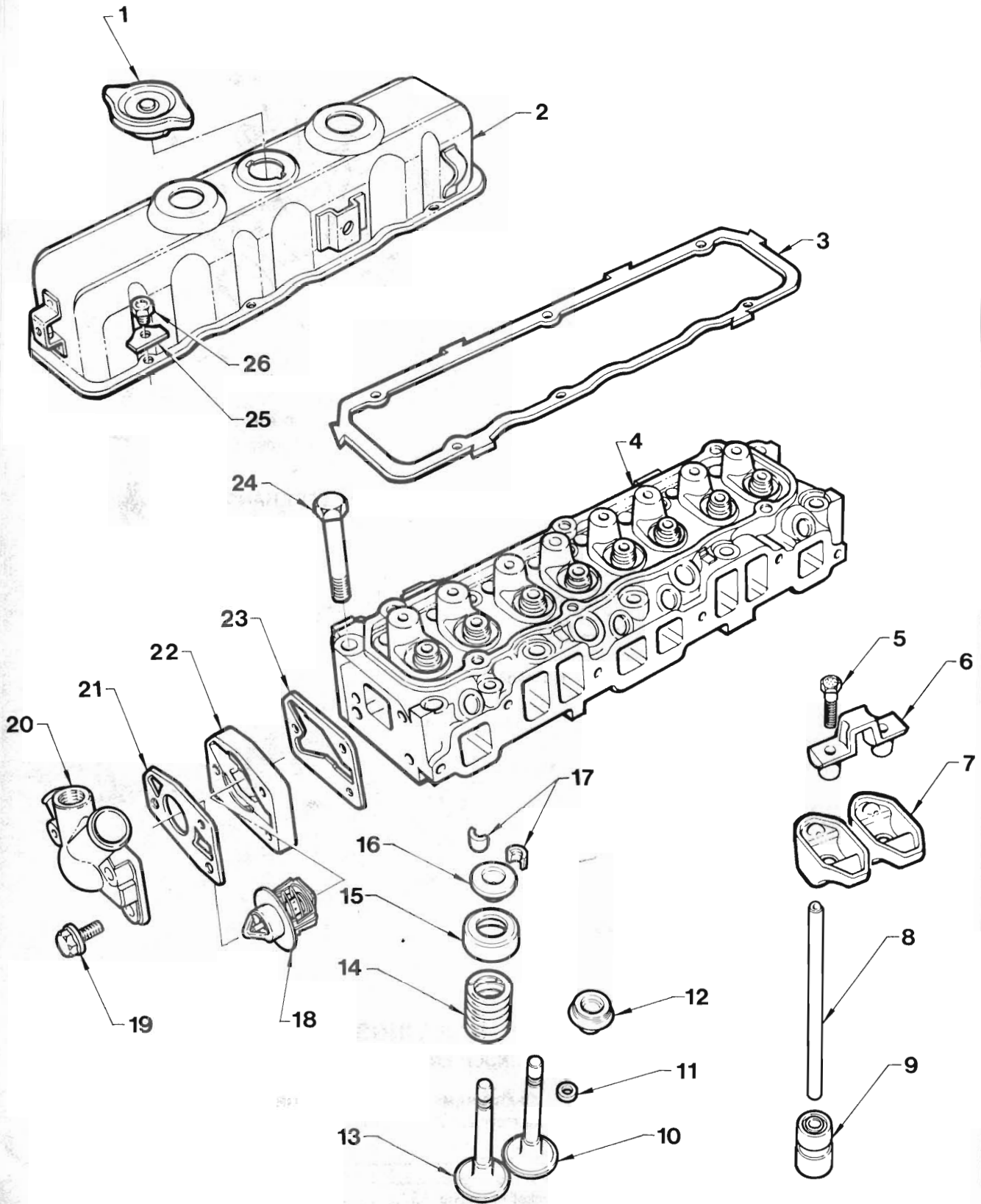
LEFT HAND



RIGHT HAND

**ENGINE MOUNTINGS
4 CYLINDER ENGINE**

REF. NO.	PART NAME	GROUP
1	BRACKET - Front mounting.....	0.029D
2	STOP CAP - LH mounting.....	0.029D
3	MOUNTING ASM. - Front.....	0.027D
4	BOLT - LH bracket to engine.....	0.029D
5	BOLT - RH bracket to engine.....	0.029D
6	BOLT - RH bracket to engine.....	0.029D
7	BRACKET - Engine mounting to crossmember...	6.008

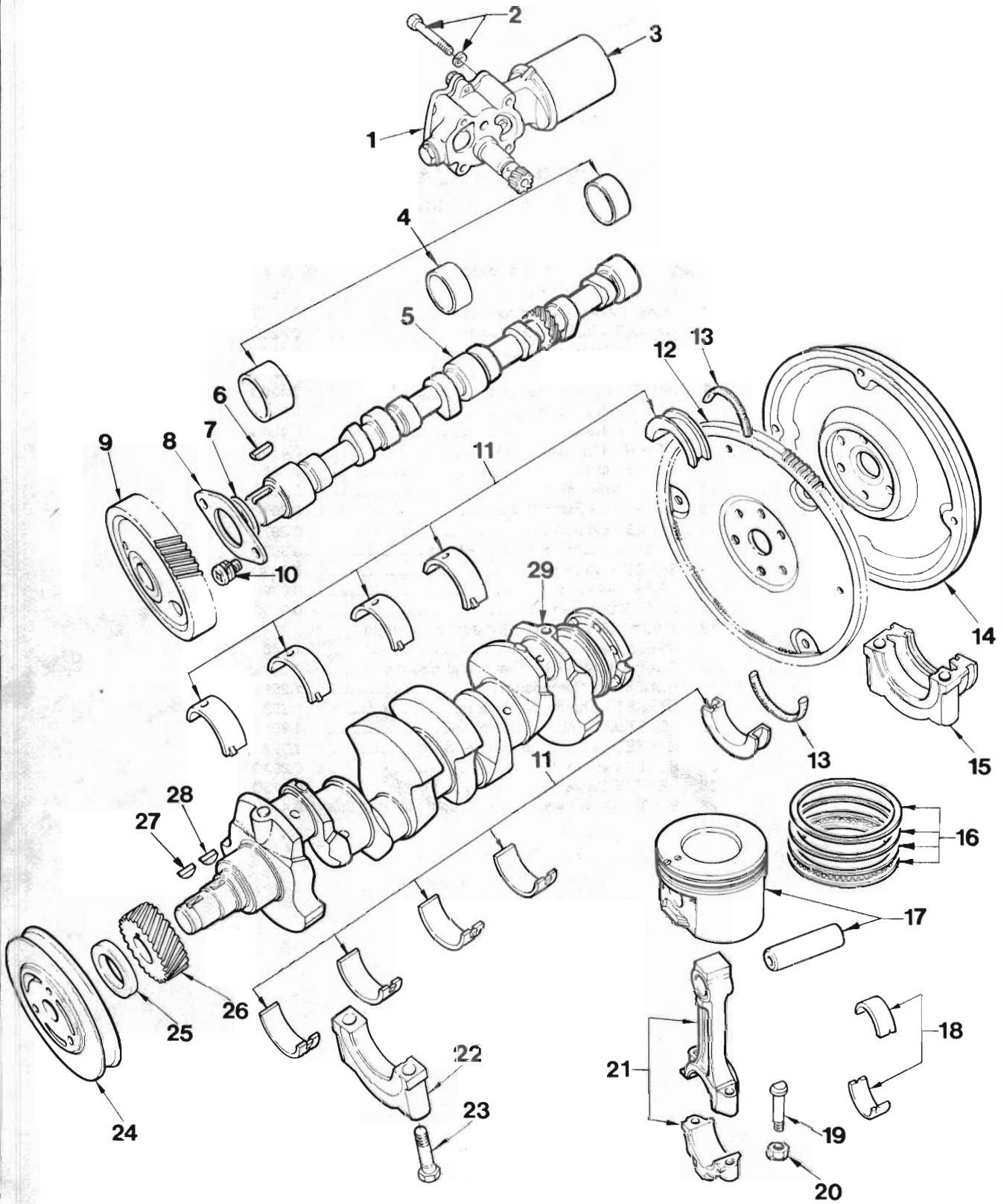




**CYLINDER HEAD
4 CYLINDER ENGINE**

ILLUSTRATION OPPOSITE

REF. NO.	PART NAME	GROUP
1	CAP ASM. - Oil filler	1.758
2	COVER ASM. - Valve rocker	0.386D
3	GASKET - Valve rocker cover.....	0.423D
4	HEAD - Cylinder.....	0.269D
5	BOLT - Pivot.....	0.429D
6	PIVOT - Valve rocker arm.....	0.429D
7	ARM - Valve rocker.....	0.333D
8	ROD - Valve push	0.426D
9	LIFTER - Hydraulic valve.....	0.459D
10	VALVE - Inlet.....	0.296D
11	SEAL - Valve stem	0.308D
12	ROTATOR - Exhaust valve	0.309D
13	VALVE - Exhaust	0.297D
14	SPRING & DAMPER ASM. - Valve	0.303D
15	SHIELD - Valve stem.....	0.308D
16	CAP - Inlet valve.....	0.309D
17	KEY - Valve stem.....	0.310D
18	THERMOSTAT ASM. - Exhaust manifold to cylinder head.....	1.246
19	BOLT & WASHER - Thermostat housing	1.252
20	HOUSING - Thermostat.....	1.251
21	GASKET - Thermostat housing	1.252
22	ADAPTOR - Thermostat housing.....	1.251
23	GASKET - Adaptor to cylinder head	1.252
24	BOLT - Cylinder head	0.293D
25	REINFORCEMENT - Valve rocker cover.....	0.413D
26	BOLT - Valve rocker cover to cylinder head	0.413D

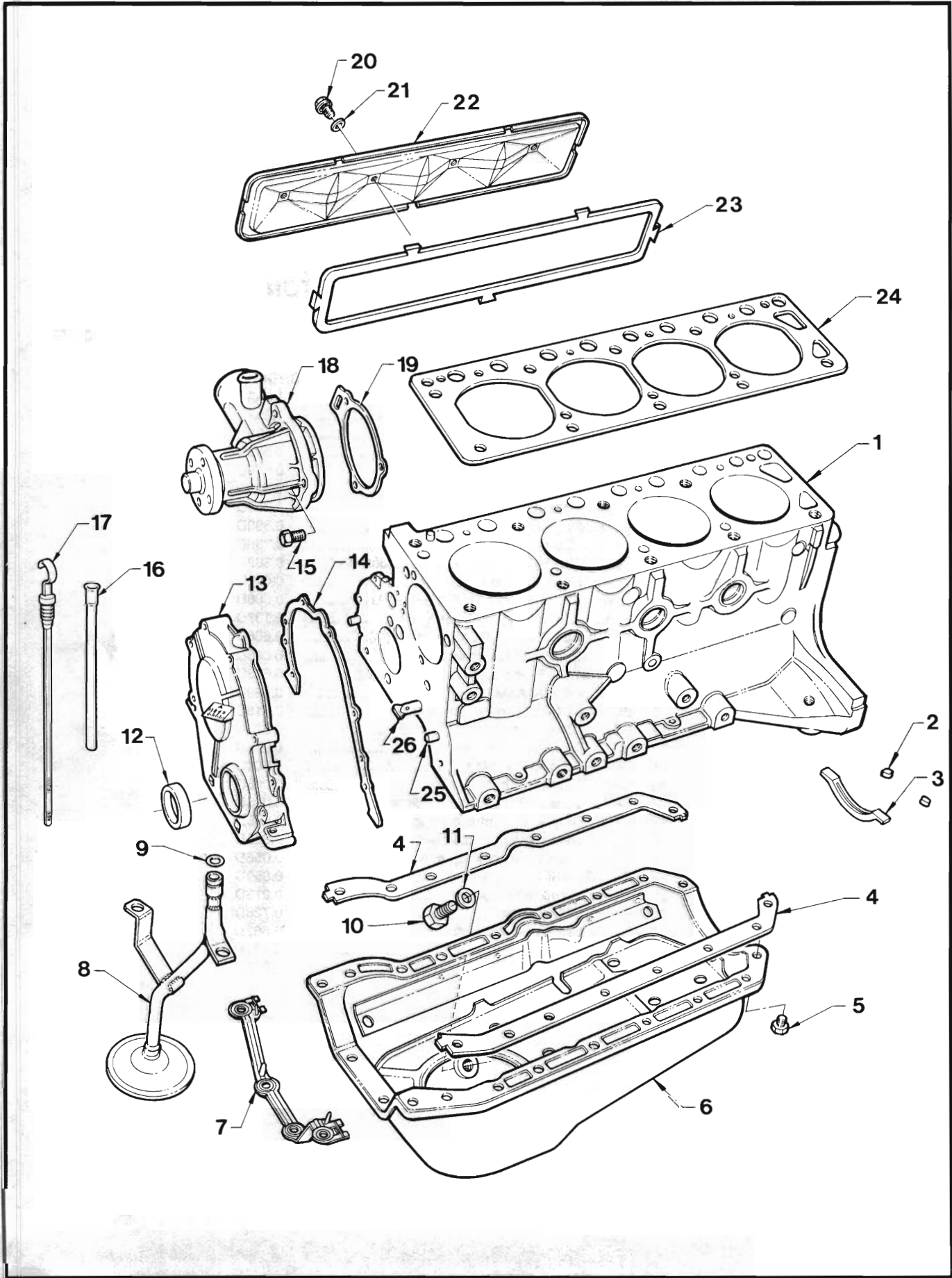




**CRANKSHAFT, CAMSHAFT & PISTON
4 CYLINDER ENGINE**

ILLUSTRATION OPPOSITE

REF. NO.	PART NAME	GROUP
1	PUMP ASM. - Oil.....	1.652
2	BOLT & WASHER - Oil pump to engine.....	1.652
3	FILTER ASM. - Oil.....	1.835
4	BEARING SET - Camshaft.....	0.539D
5	CAMSHAFT.....	0.519D
6	KEY - Camshaft gear to camshaft.....	0.738D
7	RING - Camshaft gear spacing.....	0.738D
8	BEARING - Camshaft thrust.....	0.533D
9	GEAR - Camshaft.....	0.736D
10	BOLT & WASHER - Bearing to cylinder block....	0.533D
11	BEARING SET - Crankshaft.....	0.094D
12	FLYWHEEL & RING GEAR ASM. - (A).....	0.666D
13	SEAL - Crankshaft rear bearing oil.....	0.137D
14	FLYWHEEL & RING GEAR ASM. - (M).....	0.666D
15	CAP - Crankshaft rear bearing.....	0.095D
16	RING SET - Piston.....	0.643D
17	PISTON & PIN ASM.....	0.629D
18	BEARING SET - Connecting rod.....	0.616D
19	BOLT - Connecting rod.....	0.623D
20	NUT - Connecting rod bolt.....	0.626D
21	ROD ASM. - Connecting.....	0.603D
22	CAP - Crankshaft front bearing.....	0.095D
22	CAP - Crankshaft front intermediate bearing.....	0.095D
22	CAP - Crankshaft centre bearing.....	0.095D
22	CAP - Crankshaft rear intermediate bearing.....	0.095D
23	BOLT - Crankshaft bearing cap.....	0.056D
24	PULLEY ASM. - Crankshaft.....	0.659D
25	SEAL - Crankshaft front end cover.....	0.213D
26	GEAR - Crankshaft.....	0.728D
27	KEY - Pulley to crankshaft.....	0.662D
28	KEY - Gear to crankshaft.....	0.729D
29	CRANKSHAFT.....	0.646D



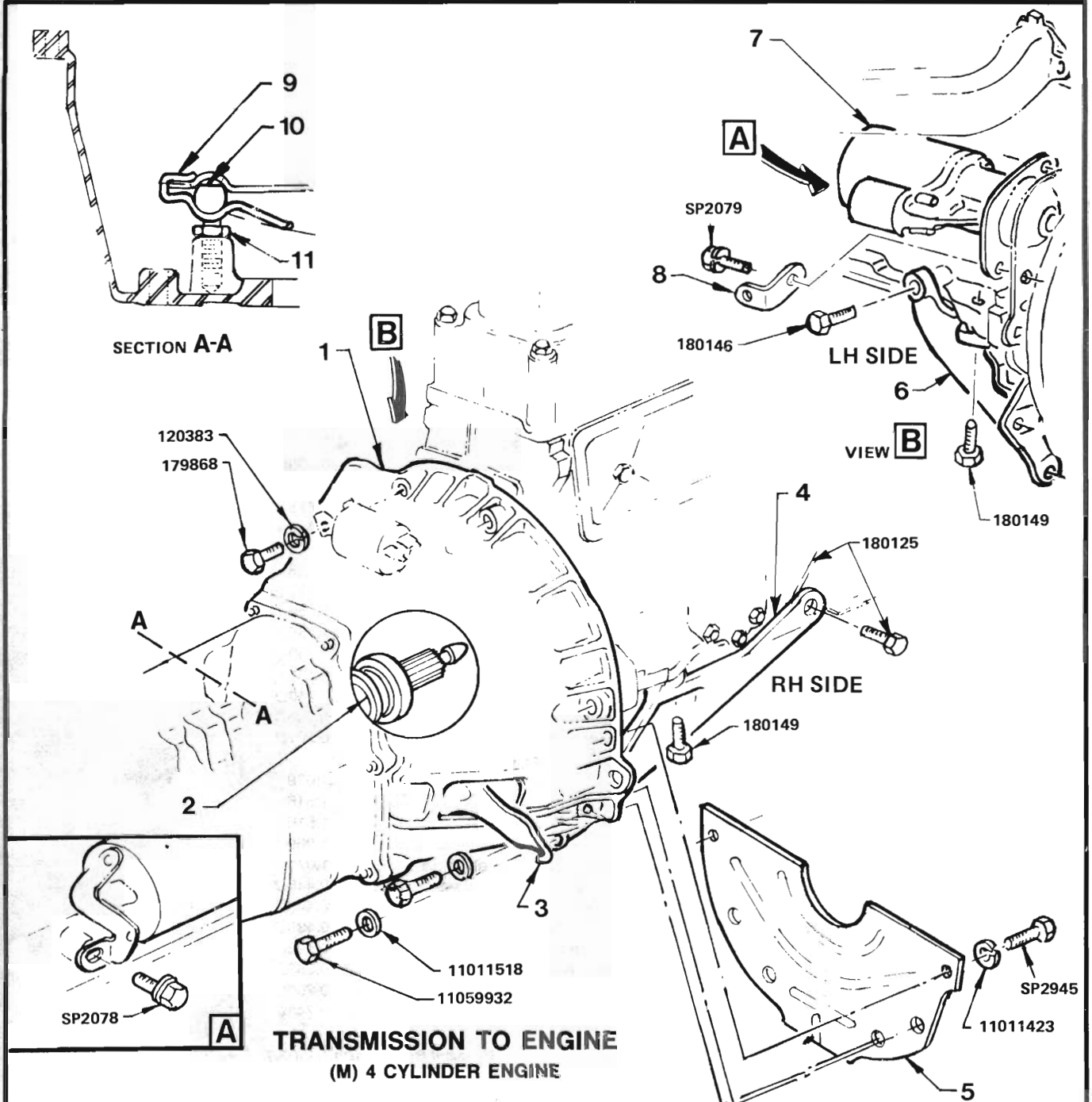


**CYLINDER BLOCK
4 CYLINDER ENGINE**

ILLUSTRATION OPPOSITE

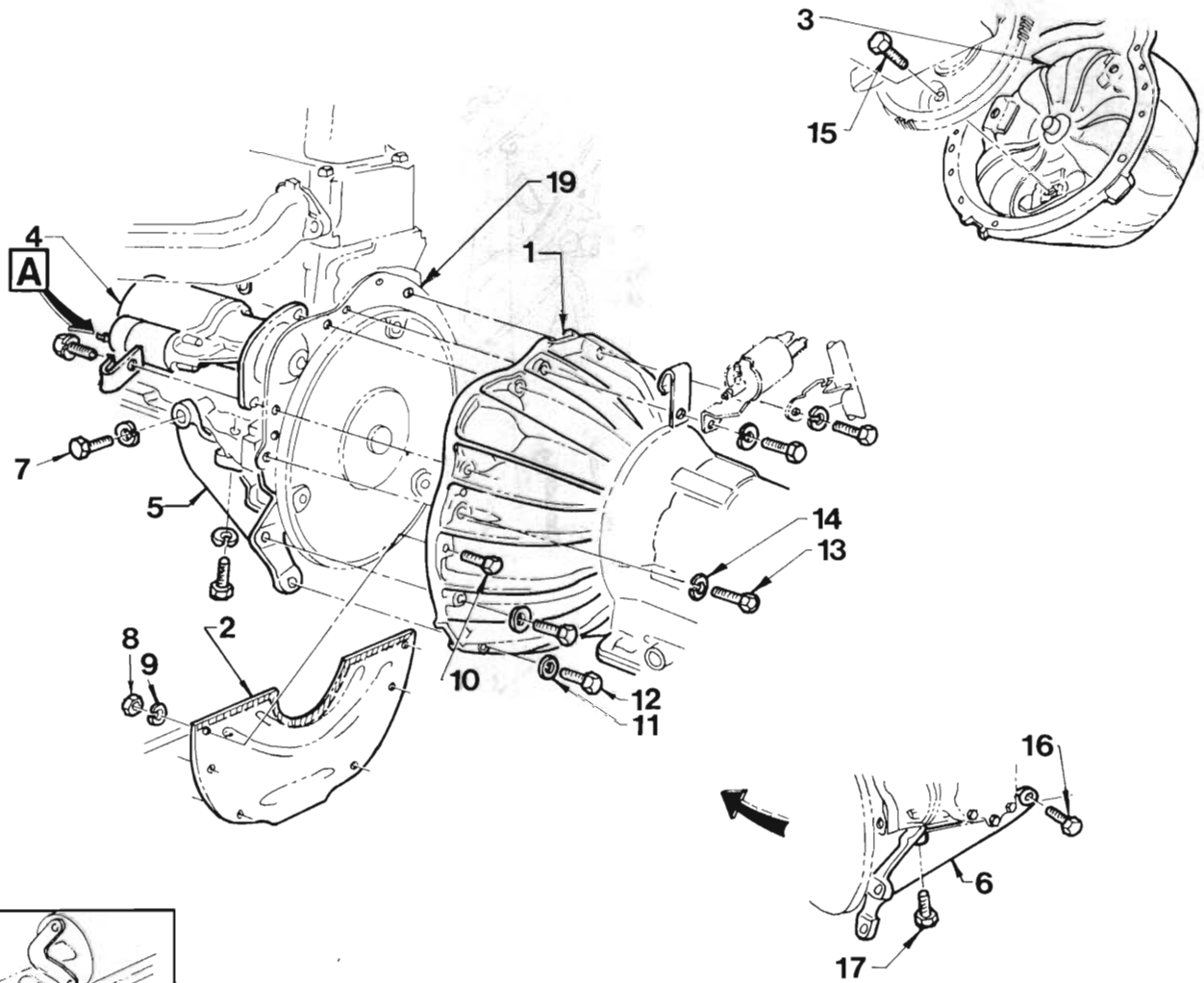
REF. NO.	PART NAME	GROUP
1	CYLINDER BLOCK.....	0.033D
2(A)	PACKING - Oil pan seal.....	1.429
3(A)	SEAL - Oil pan rear.....	1.429
4(A)	GASKET - Oil pan.....	1.429
5	BOLT & WASHER - Oil pan.....	1.428
6	PAN ASM. - Oil.....	1.426
7(A)	SEAL - Oil pan front.....	1.429
8	SCREEN & PIPE ASM. - Oil pump suction.....	1.656
9	SEAL - Suction pipe.....	1.656
10	PLUG - Oil pan drain.....	1.453
11	GASKET - Oil pan drain plug.....	1.456
12	SEAL - Crankcase front end cover oil.....	0.213D
13	COVER - Crankcase front end.....	0.206D
14	GASKET - Crankcase front end cover to engine	0.207D
15	BOLT & WASHER - Water pump to cylinder block.....	1.079
16	TUBE ASM. - Oil level indicator.....	1.516
17	INDICATOR ASM.....	1.516
18	PUMP ASM. - Water.....	1.069
19	GASKET - Water pump to cylinder block.....	1.079
20	BOLT & SEAL - Valve push rod cover.....	0.446D
21	SEAL - Valve push rod cover.....	0.446D
22	COVER - Valve push rod.....	0.439D
23	GASKET - Valve push rod cover.....	0.423D
24	GASKET - Cylinder head.....	0.289D
25	PIN - Crankcase front end cover.....	0.206D
26	NOZZLE - Timing gear oil.....	0.748D

NOTE:- (A Parts included in Oil Pan Gasket Kit. Refer Group 1.429)



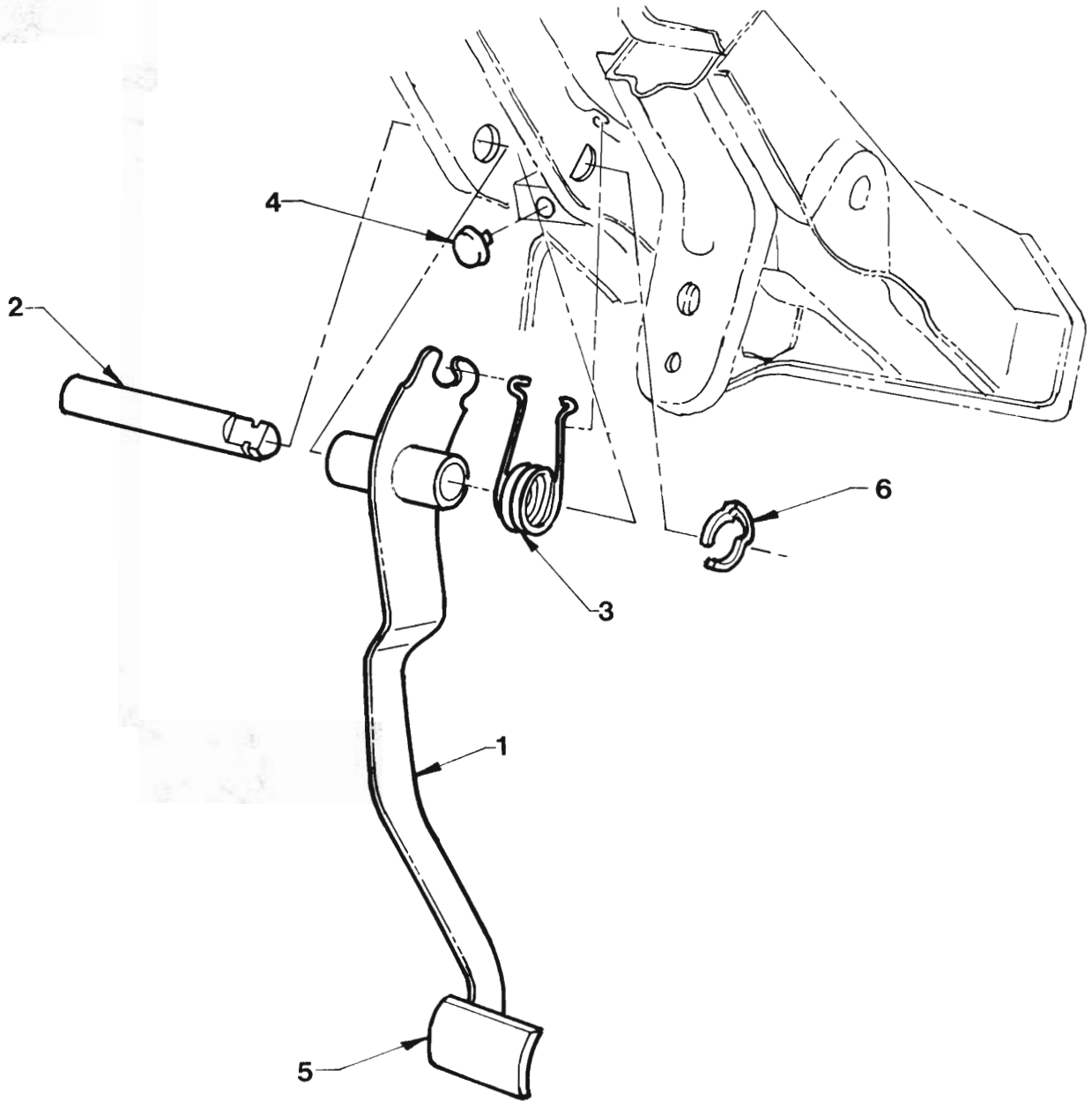
**TRANSMISSION TO ENGINE
(M) 4 CYLINDER ENGINE**

REF. NO.	PART NAME	GROUP
1	HOUSING - Clutch.....	0.683D
2	BEARING - Clutch throwout.....	0.799D
3	FORK - Clutch.....	0.795D
4	BRACE - Clutch housing to engine - RH.....	4.081H
		4.081S
		4.081U
5	COVER ASM. - Lower.....	0.679D
4	BRACE - Clutch housing to engine - LH.....	4.081H
		4.081S
		4.081U
7	MOTOR ASM. - Starter.....	2.041
8	BRACKET - Engine harness to starter motor	2.559
9	SPRING - Clutch fork retaining	0.797D
10	STUD - Clutch fork ball	0.796D
11	NUT - Clutch fork stud.....	0.796D



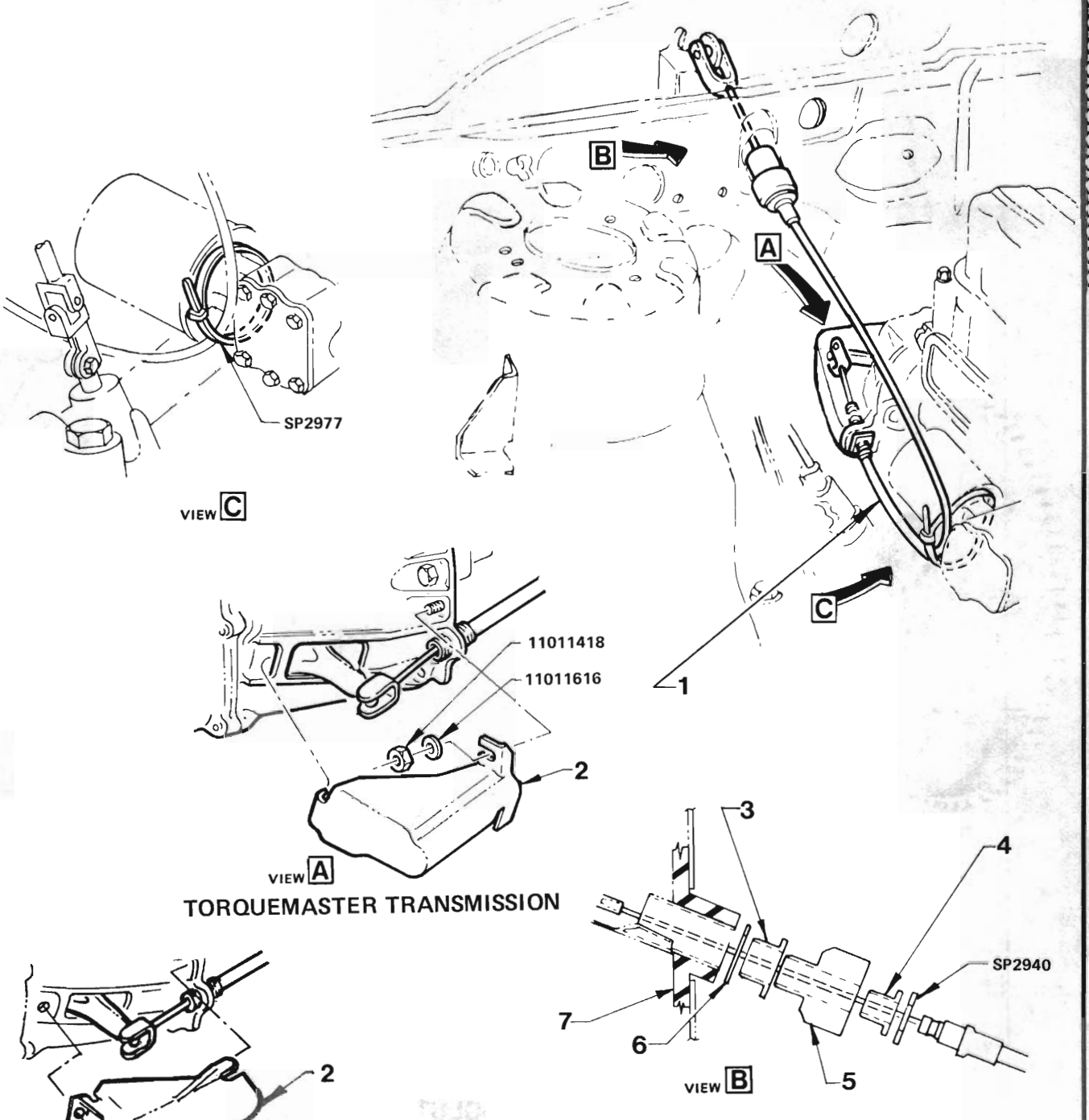
**TRANSMISSION TO ENGINE
TRIMATIC TRANSMISSION
(A) 4 CYLINDER ENGINE**

REF. NO.	PART NAME	GROUP
1	TRANSMISSION ASM.....	4.003U
2	COVER - Lower	0.679D
3	CONVERTER ASM.....	4.115U
4	MOTOR ASM. - Starter.....	2.041
5	BRACE - Transmission to engine, LH.....	4.081U
6	BRACE - Transmission to engine, RH	4.081U
7	BOLT - LH brace to cylinder block.....	4.081U
8	NUT - Lower cover to converter housing	0.679D
9	WASHER - Lower cover to converter housing, Lock	0.679D
10	BOLT - Lower cover to converter housing.....	0.679D
11	WASHER - Brace to converter housing.....	4.081U
12	BOLT - Brace to converter housing	4.081U
13	BOLT - Transmission to engine	4.003U
14	WASHER - Transmission to engine.....	4.003U
15	BOLT - Converter to drive plate.....	4.115U
16	BOLT - RH brace & RH bracket to cylinder block	4.081U
17	BOLT - RH brace to cylinder block.....	4.081U
18	BOLT - Mounting bracket to engine	2.042
19	COVER - Upper	0.679D



**CLUTCH PEDAL
(M) 4 CYLINDER ENGINE**

REF. NO.	PART NAME	GROUP
1	PEDAL ASM.	0.830D
2	SHAFT - Clutch pedal mounting	0.833D
3	SPRING - Clutch return	0.844D
4	BUFFER - Clutch pedal stop	0.829D
5	PAD - Clutch pedal.....	0.830D
6	WASHER - Shaft locking.....	0.833D

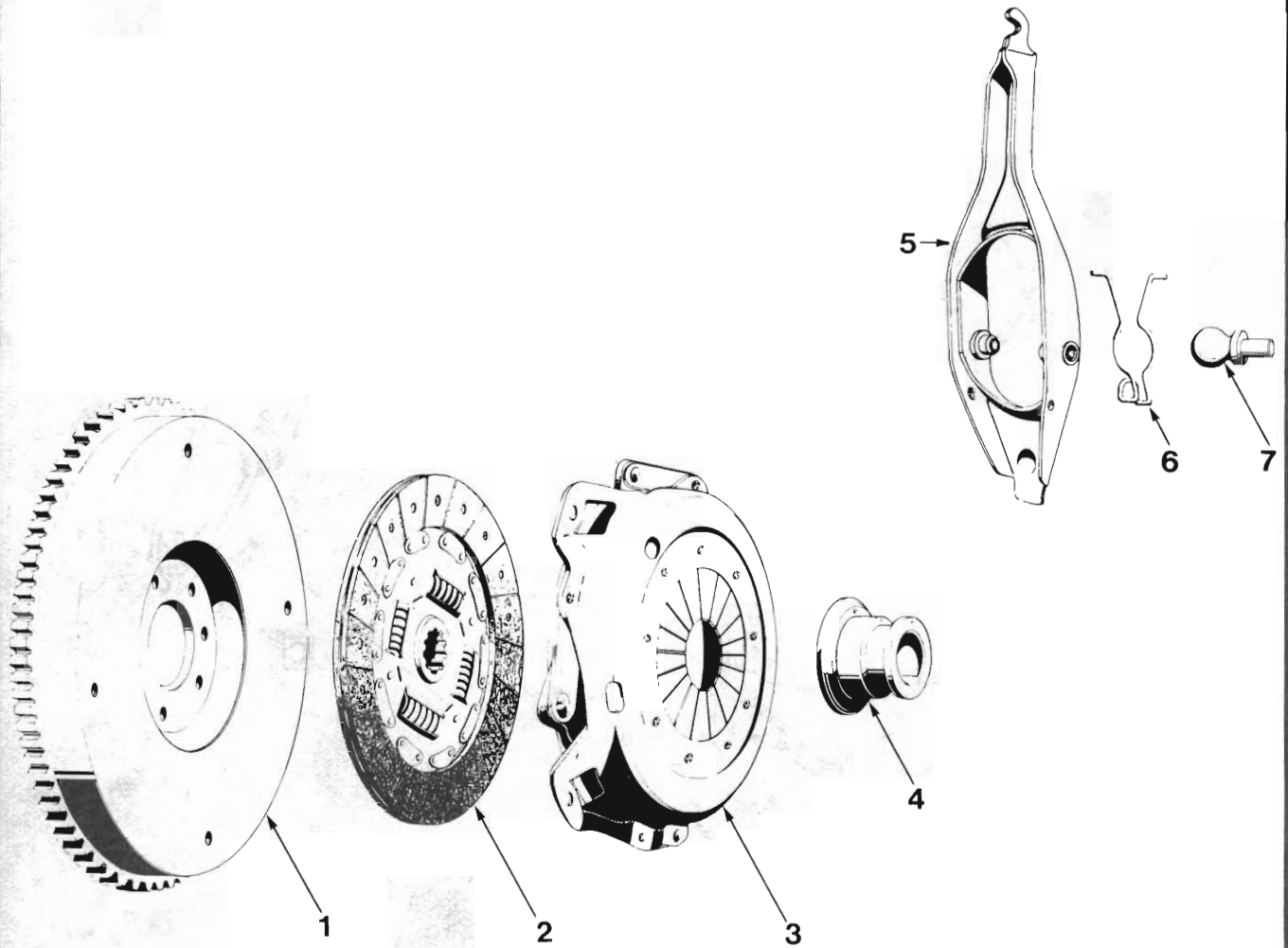


TORQUEMASTER TRANSMISSION

5 SPEED TRANSMISSION

**CLUTCH CABLE
(M) 4 CYLINDER ENGINE**

REF. NO.	PART NAME	GROUP
1	CABLE & CONDUIT ASM.	0.854D
2	COVER - Clutch fork.....	0.797D
3	GROMMET - Clutch cable mounting.....	0.854D
4	GROMMET - Clutch cable damper.....	0.854D
5	DAMPER - Clutch cable mounting.....	0.854D
6	WASHER - Clutch cable mounting.....	0.854D
7	INSULATOR - Brake pedal support.....	4.634

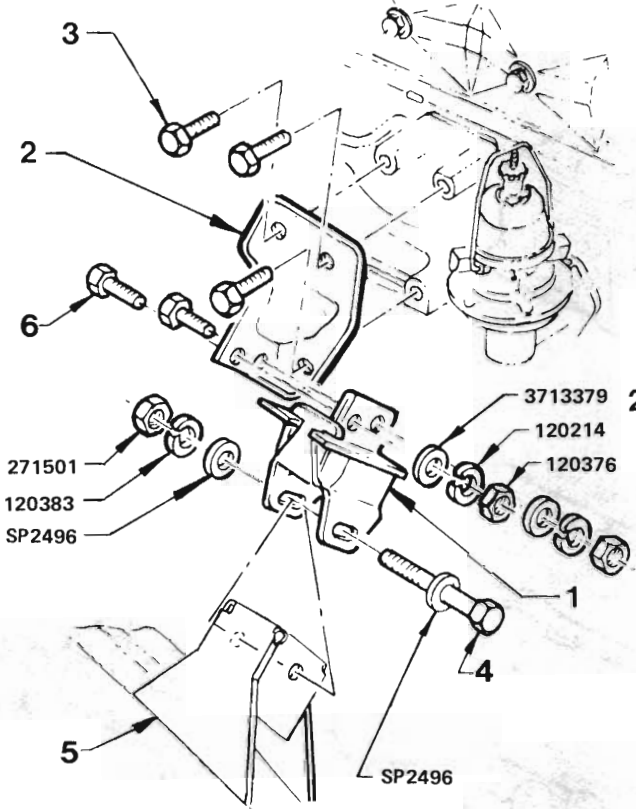


**FLYWHEEL & CLUTCH
(M) 4 CYLINDER ENGINE**

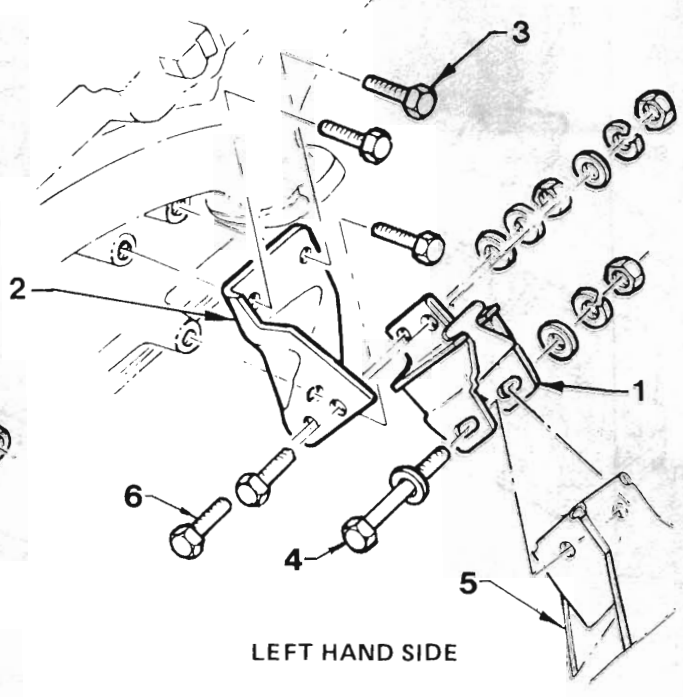
REF. NO.	PART NAME	GROUP
1	FLYWHEEL & RING GEAR ASM.....	0.666D
2	PLATE ASM. - Clutch driven.....	0.886D
3	COVER & PRESSURE PLATE ASM. - Clutch.....	0.859D
4	BEARING - Clutch throwout.....	0.799D
5	FORK ASM. - Clutch.....	0.795D
6	SPRING - Clutch fork retaining.....	0.797D
7	STUD - Clutch fork ball.....	0.796D



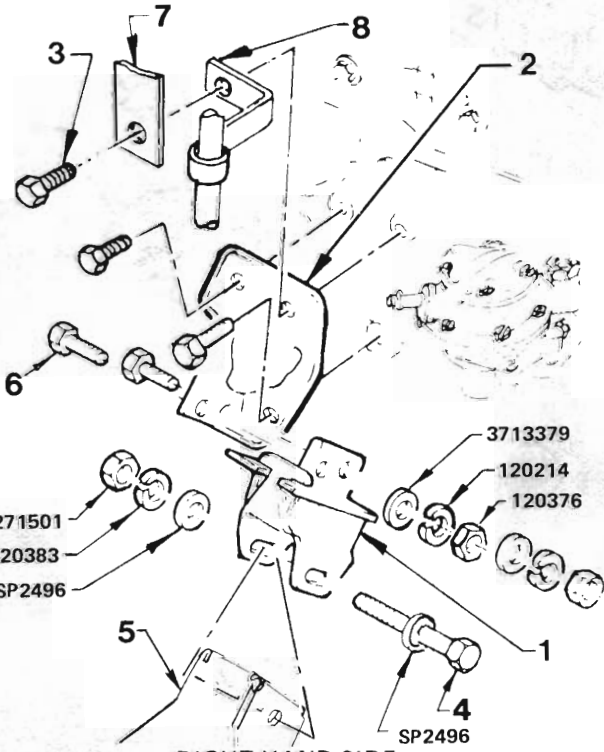
"V" SERIES PARTS CATALOGUE



**RIGHT HAND SIDE
VB SERIES**



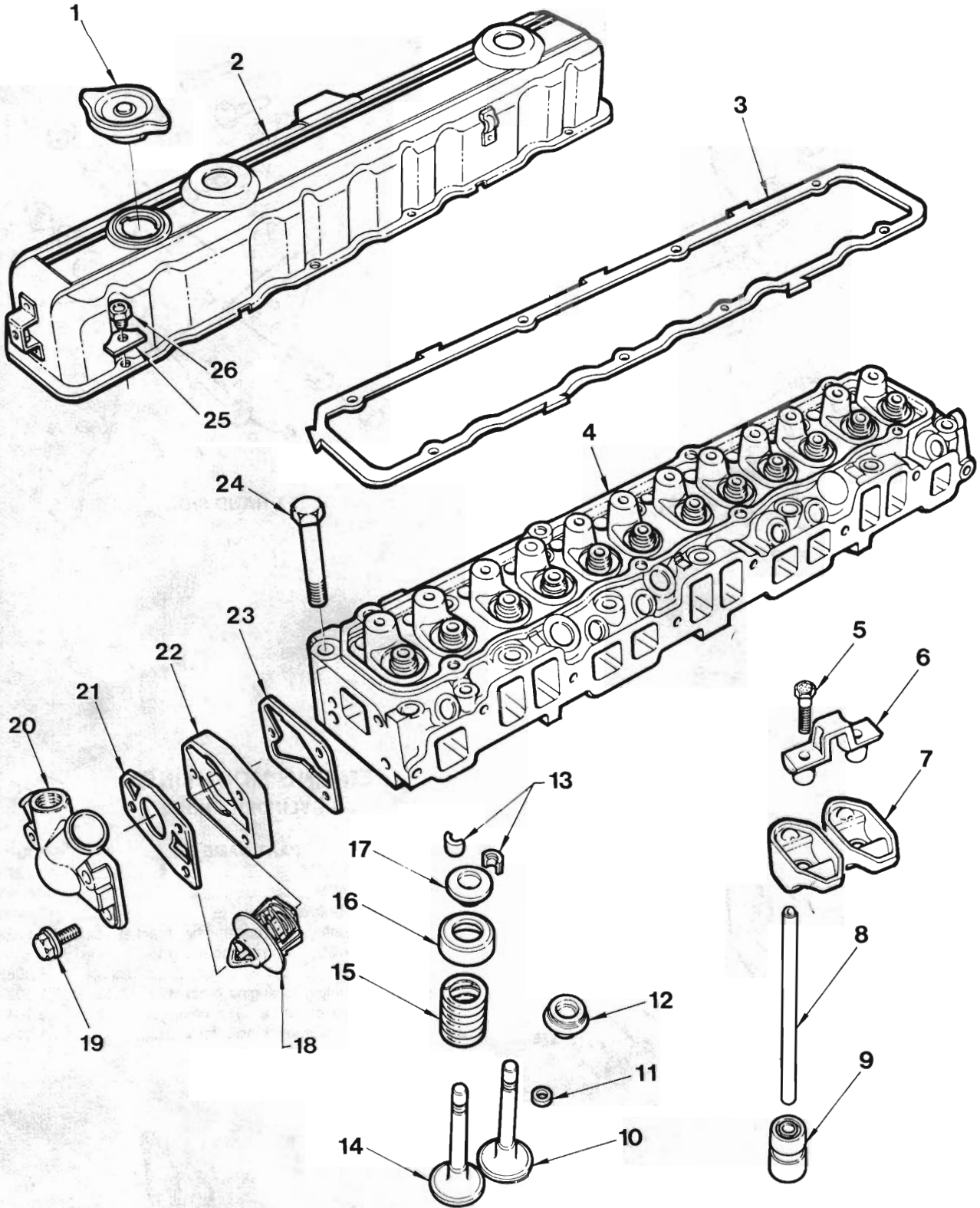
LEFT HAND SIDE



**RIGHT HAND SIDE
VC, VH SERIES**

**ENGINE MOUNTINGS
6 CYLINDER ENGINE**

REF. NO.	PART NAME	GROUP
1	MOUNTING ASM.....	0.027K
2	BRACKET ASM.....	0.029K
3	BOLT - LH bracket to engine.....	0.029K
4	BOLT - Mounting to crossmember bracket.....	0.002K
5	BRACKET ASM. - Engine mounting to crossmember.....	6.008K
6	BOLT - Mounting to engine bracket.....	0.002K
7	SUPPORT - Flow meter, Trip computer.....	3.164
8	TUBE ASM. - Oil level indicator.....	1.516

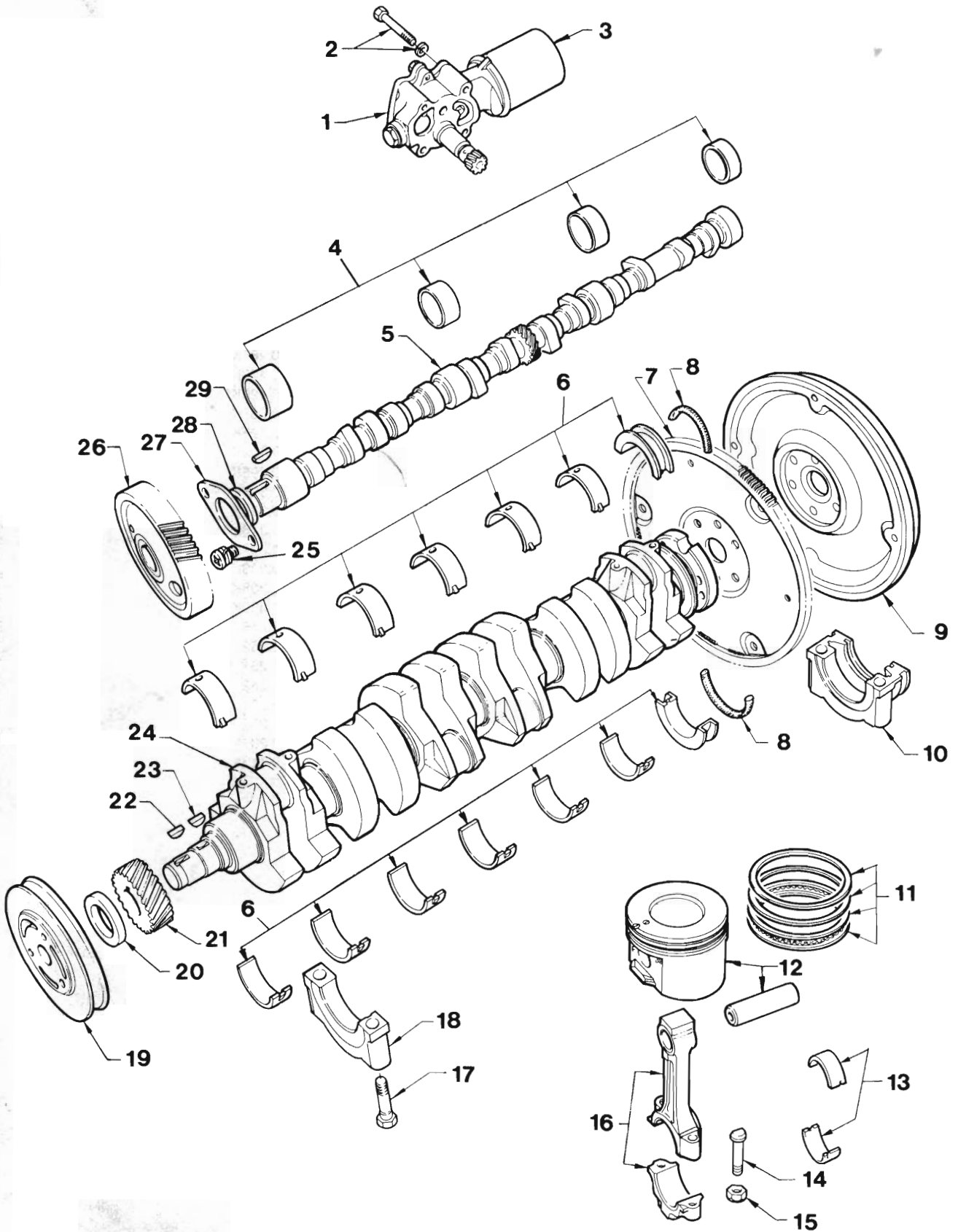




**CYLINDER HEAD
6 CYLINDER ENGINE**

ILLUSTRATION OPPOSITE

REF. NO.	PART NAME	GROUP
1	CAP ASM. - Oil filler	1.758
2	COVER ASM. - Valve rocker	0.386K
3	GASKET - Valve rocker cover.....	0.423K
4	HEAD - Cylinder.....	0.269K
5	BOLT - Valve rocker arm pivot	0.429K
6	PIVOT - Valve rocker arm.....	0.429K
7	ARM - Valve rocker.....	0.333K
8	ROD - Valve push	0.426K
9	LIFTER ASM. - Valve.....	0.459K
10	VALVE - Inlet.....	0.296K
11	SEAL - Valve stem.....	0.308K
12	ROTATOR - Exhaust valve.....	0.309K
13	KEY - Valve stem.....	0.310K
14	VALVE - Exhaust.....	0.297K
15	SPRING - Valve.....	0.303K
16	SHIELD - Valve stem.....	0.308K
17	CAP - Valve spring.....	0.309K
18	THERMOSTAT ASM.	1.246
19	BOLT - Thermostat housing.....	1.252
20	HOUSING - Thermostat.....	1.251
21	GASKET - Thermostat housing.....	1.252
22	ADAPTOR - Thermostat.....	1.251
23	GASKET - Adaptor to cylinder head	1.252
24	BOLT - Cylinder head.....	0.293K
25	REINFORCEMENT - Valve rocker cover.....	0.413K
26	BOLT - Cover to cylinder head.....	0.413K





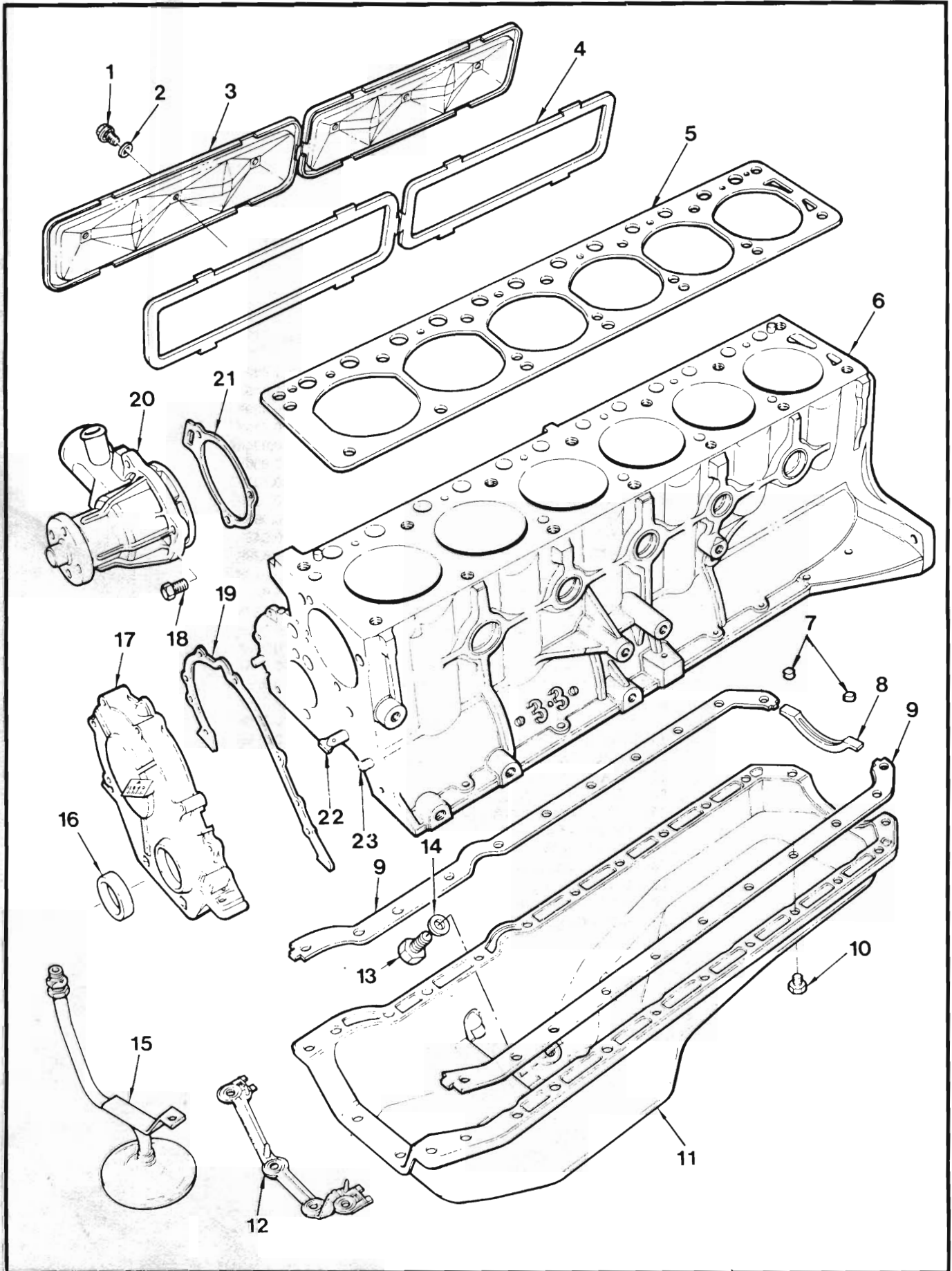
**CRANKSHAFT, CAMSHAFT & PISTON
6 CYLINDER ENGINE**

ILLUSTRATION OPPOSITE

REF. NO.	PART NAME	GROUP
1	PUMP ASM. - Engine oil	1.652
2	BOLT & WASHER - Oil pump to block	1.652
3	FILTER ASM. - Oil.....	1.835
4	BEARING SET - Camshaft.....	0.539K
5	CAMSHAFT.....	0.519K
6	BEARING SET - Crankshaft.....	0.094K
7	FLYWHEEL & RING GEAR ASM - (A)	0.666K
8	SEAL - Crankshaft rear bearing oil.....	0.137K
9	FLYWHEEL & RING GEAR ASM. - (M).....	0.666K
10	CAP - Crankshaft rear bearing	0.095K
11	RING SET - Piston	0.643K
12	PISTON & PIN.....	0.629K
13	BEARING SET - Connecting rod	0.616K
14	BOLT - Connecting rod.....	0.623K
15	NUT - Connecting rod bolt.....	0.626K
16	ROD ASM. - Connecting	0.603K
17	BOLT - Crankshaft bearing cap	0.056K
18	CAP - Crankshaft front bearing.....	0.095K
18	CAP - Crankshaft front intermediate bearing	0.095K
18	CAP - Crankshaft centre bearing	0.095K
18	CAP - Crankshaft rear intermediate bearing.....	0.095K
19	DAMPER - Crankshaft	0.659K
20	SEAL - Crankshaft front end cover oil.....	0.213K
21	GEAR - Crankshaft.....	0.728K
22	KEY - Damper to crankshaft.....	0.662K
23	KEY - Gear to crankshaft.....	0.729K
24	CRANKSHAFT.....	0.646K
25	SCREW & WASHER - Bearing to cylinder block	0.533K
26	GEAR - Camshaft.....	0.736K
27	BEARING - Camshaft thrust	0.533K
28	RING - Camshaft gear spacing.....	0.738K
29	KEY - Camshaft gear to camshaft.....	0.738K



"V" SERIES PARTS CATALOGUE



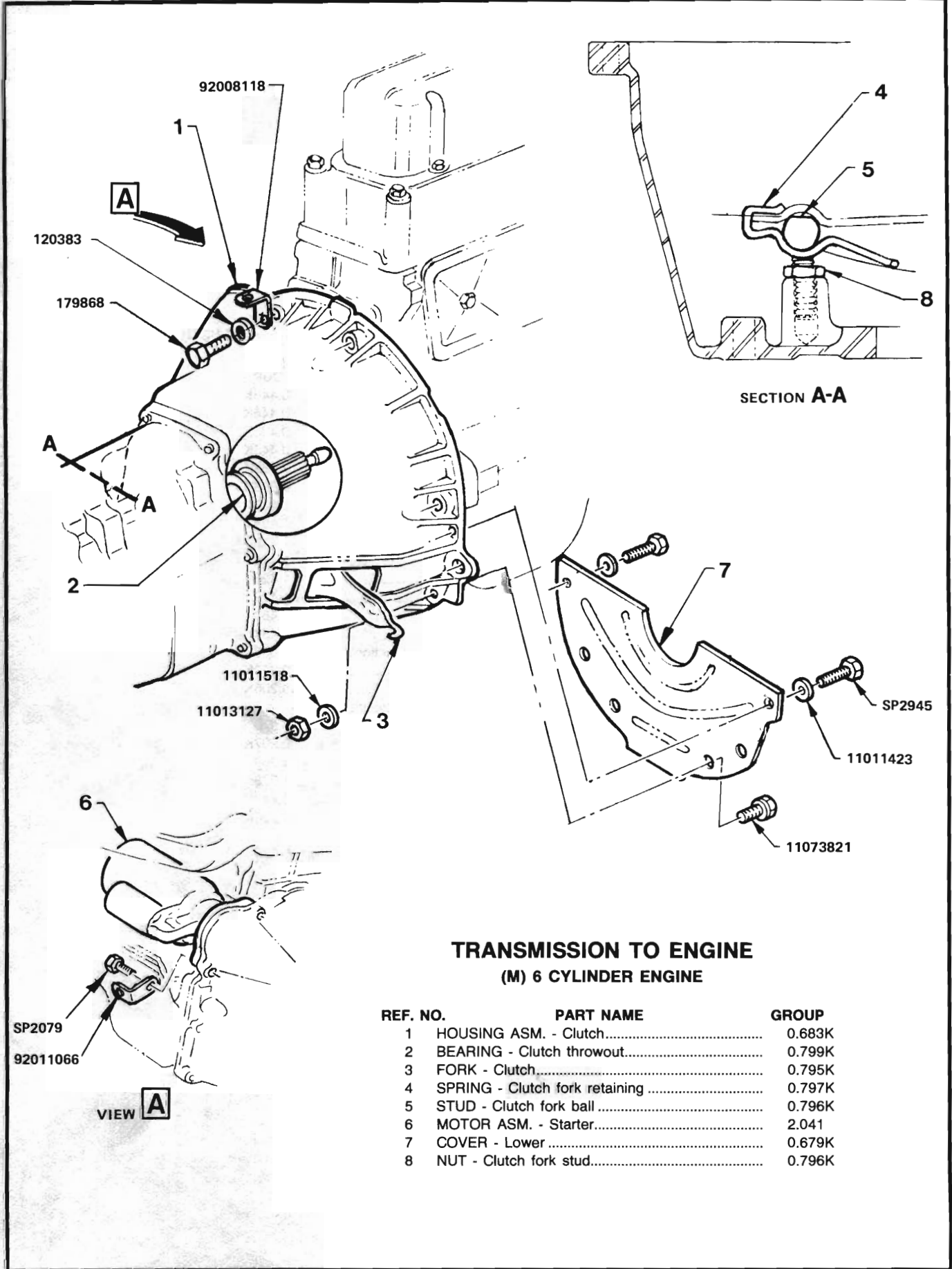


**CYLINDER BLOCK
6 CYLINDER ENGINE**

ILUSTRATION OPPOSITE

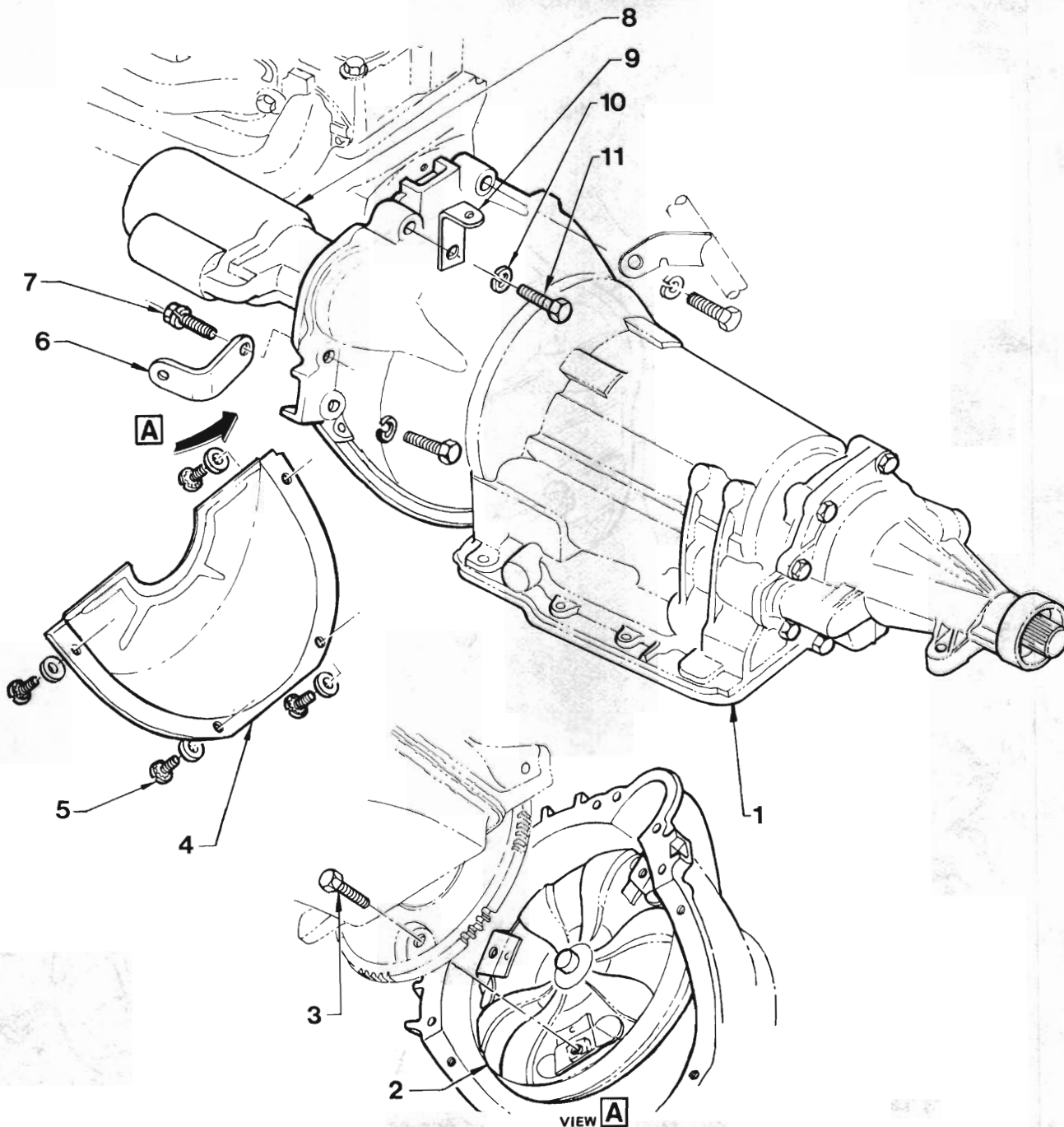
REF. NO.	PART NAME	GROUP
1	BOLT & SEAL - Valve push rod cover	0.446K
2	SEAL - Valve push rod cover.....	0.446K
3	COVER - Valve push rod	0.439K
4	GASKET - Valve push rod cover	0.443K
5	GASKET - Cylinder head.....	0.289K
6	CYLINDER BLOCK.....	0.033K
7(A)	PACKING - Oil pan seal.....	1.429
8(A)	SEAL - Oil pan rear.....	1.429
9(A)	GASKET - Oil pan.....	N.S.S.
10	BOLT & WASHER - Oil pan	1.428
11	PAN ASM. - Oil.....	1.426
12(A)	SEAL - Oil pan front	1.429
13	PLUG - Oil pan drain	1.453
14	GASKET - Oil pan drain plug	1.456
15	SCREEN & PIPE ASM. - Oil pump suction.....	1.656
16	SEAL - Crankcase front end cover.....	0.213K
17	COVER - Crankcase front end	0.206K
18	BOLT & WASHER - Water pump to cylinder block	1.079
19	GASKET - Crankcase front end cover to engine	0.207K
20	PUMP ASM. - Water	1.069
21	GASKET - Water pump to cylinder block.....	1.079
22	NOZZLE - Timing gear oil.....	0.748K
23	PIN - Crankcase front end cover.....	0.206K

NOTE:- (A Parts included in Gasket Kit Refer group 1.429



**TRANSMISSION TO ENGINE
(M) 6 CYLINDER ENGINE**

REF. NO.	PART NAME	GROUP
1	HOUSING ASM. - Clutch.....	0.683K
2	BEARING - Clutch throwout.....	0.799K
3	FORK - Clutch.....	0.795K
4	SPRING - Clutch fork retaining.....	0.797K
5	STUD - Clutch fork ball.....	0.796K
6	MOTOR ASM. - Starter.....	2.041
7	COVER - Lower.....	0.679K
8	NUT - Clutch fork stud.....	0.796K

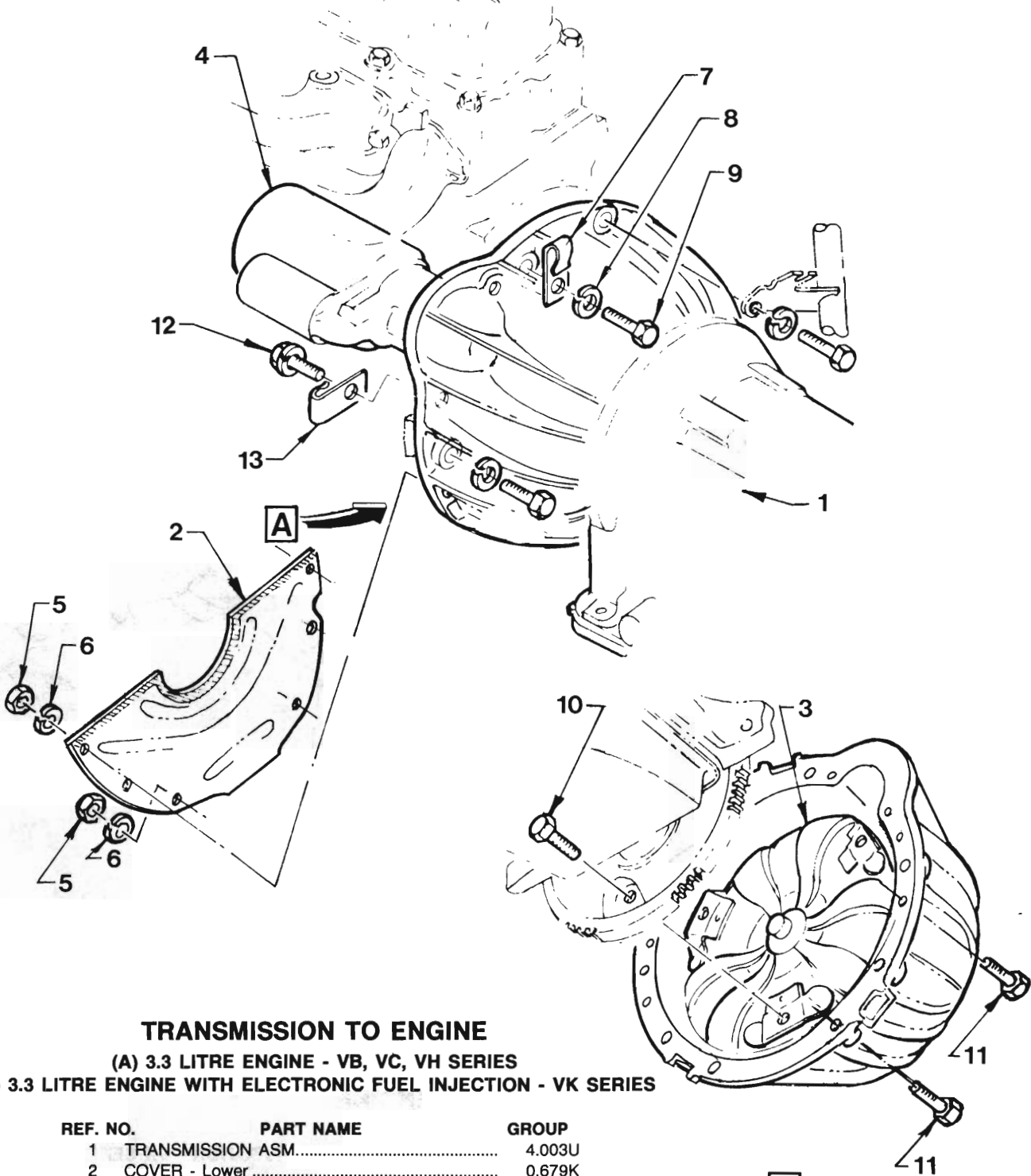


TRANSMISSION TO ENGINE

(A) 2.85 LITRE ENGINE - VH SERIES

(A) 2.85 LITRE ENGINE & 3.3 LITRE ENGINE EXC. ELECTRONIC FUEL INJECTION - VK SERIES

REF. NO.	PART NAME	GROUP
1	TRANSMISSION ASM.....	4.003U
2	CONVERTER ASM.....	0.679K
3	BOLT - Converter to drive plate.....	4.115U
4	COVER - Lower.....	0.679K
5	BOLT & WASHER - Lower cover to drive plate..	0.679K
6	BRACKET - Harness to starter motor.....	2.559
7	BOLT - Starter motor to housing.....	2.042
8	MOTOR ASM. - Starter.....	2.041
9	BRACKET - Harness to converter housing.....	2.559
10	WASHER - Transmission to engine.....	4.003U
11	BOLT - Transmission to engine.....	4.003U



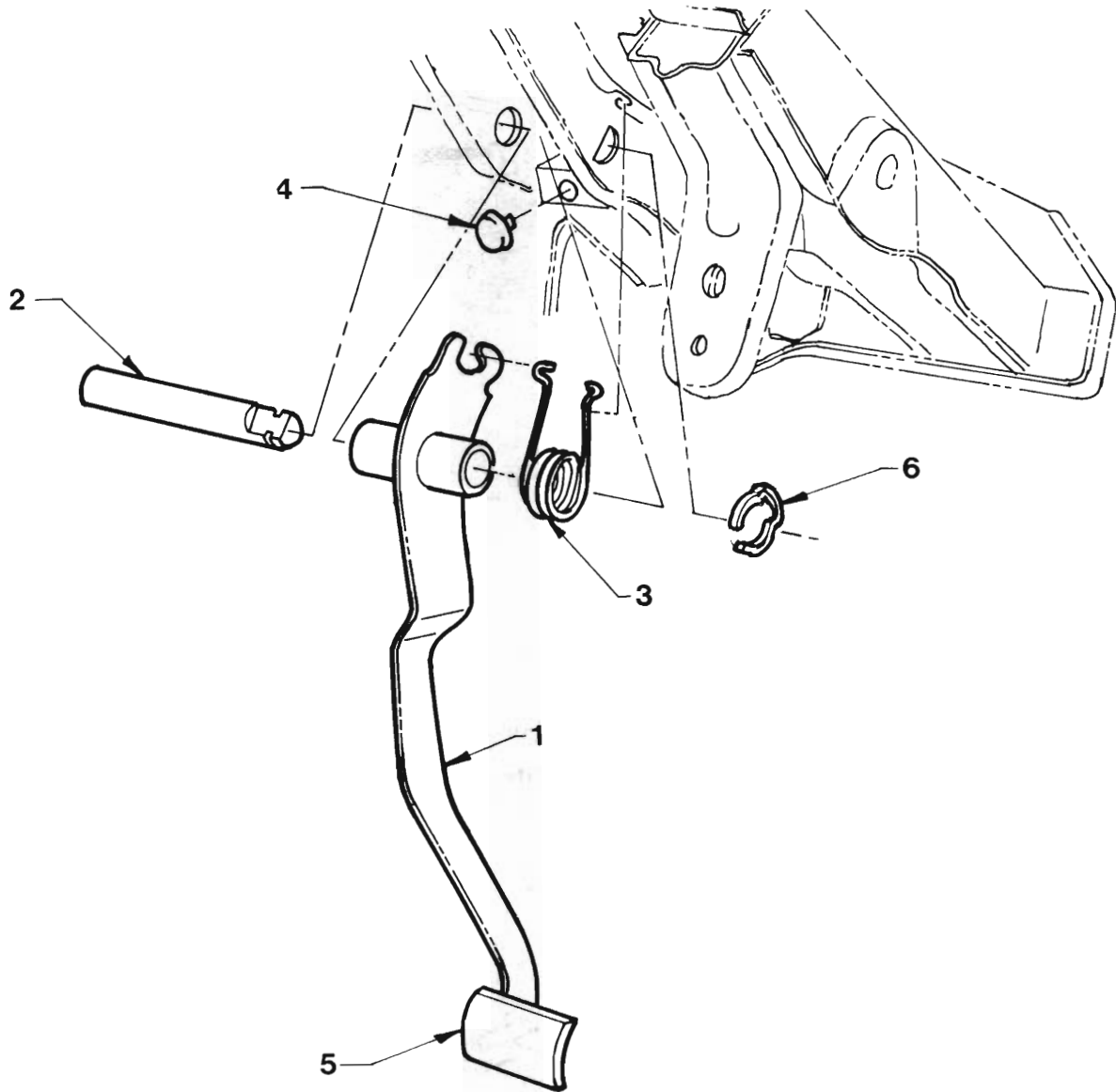
TRANSMISSION TO ENGINE

(A) 3.3 LITRE ENGINE - VB, VC, VH SERIES

(A) 3.3 LITRE ENGINE WITH ELECTRONIC FUEL INJECTION - VK SERIES

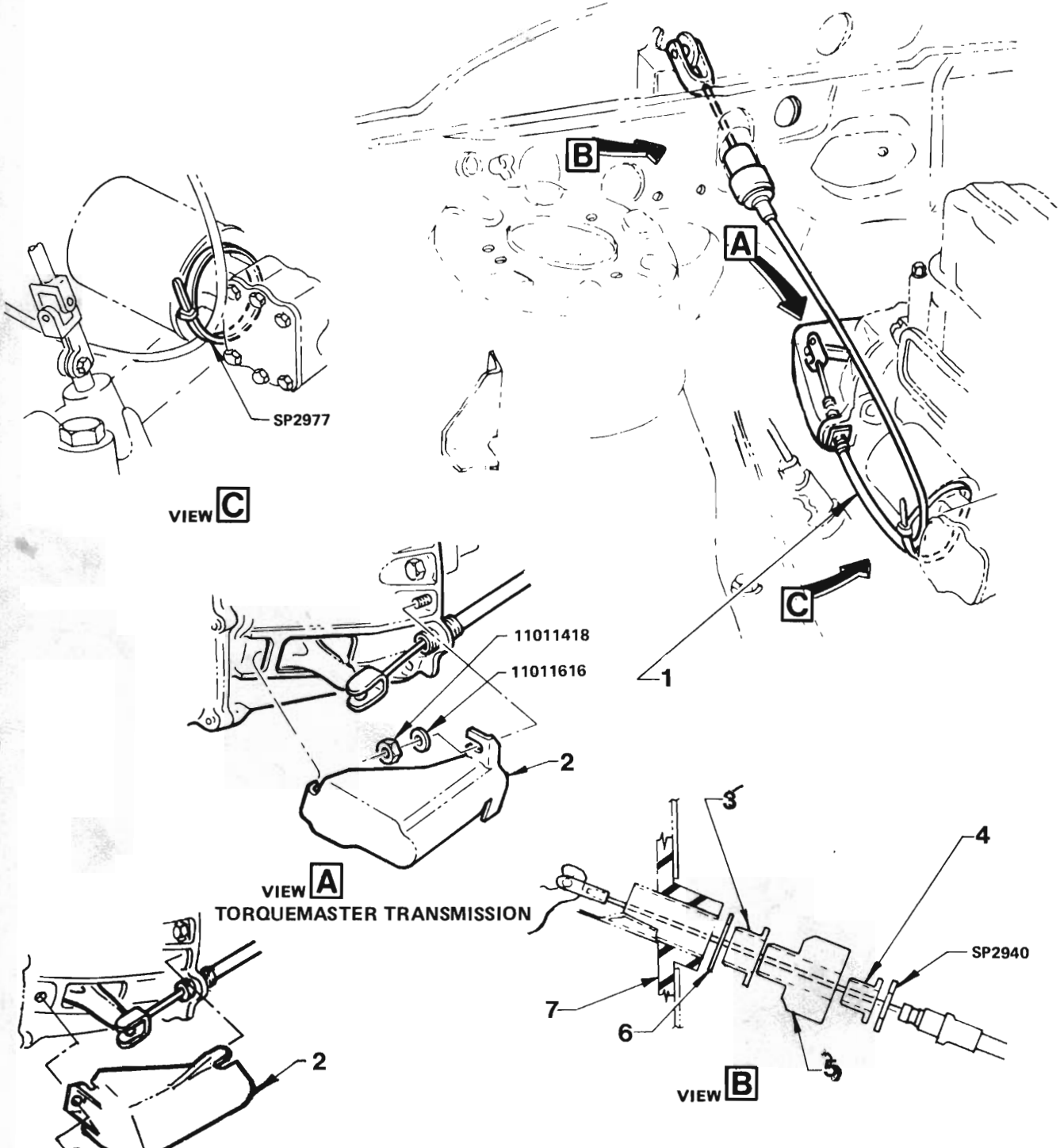
REF. NO.	PART NAME	GROUP
1	TRANSMISSION ASM.....	4.003U
2	COVER - Lower	0.679K
3	CONVERTER ASM.....	4.115U
4	MOTOR ASM. - Starter.....	2.041
5	NUT - Lower cover to converter housing	0.679K
6	WASHER - Lower cover to coverter housing, Lock	0.679K
7	BRACKET - Harness to converter housing	2.559
8	WASHER - Transmission to engine.....	4.003U
9	BOLT - Transmission to engine	4.003U
10	BOLT - Converter to drive plate.....	4.115U
11	BOLT - Lower cover to converter housing	0.679K
12	BOLT - Starter motor to housing	2.042
13	BRACKET - Harness to starter motor.....	2.559

VIEW **A**



**CLUTCH PEDAL
(M) 6 CYLINDER ENGINE**

REF. NO.	PART NAME	GROUP
1	PEDAL ASM.	0.830K
2	SHAFT — Clutch & brake pedal mounting.....	0.833K
3	SPRING - Clutch return	0.844K
4	BUFFER - Clutch pedal stop	0.829K
5	PAD - Clutch pedal.....	0.830K
6	WASHER - Pedal shaft to bracket, Locking.....	0.833K



**CLUTCH CABLE
(M) 6 CYLINDER ENGINE**

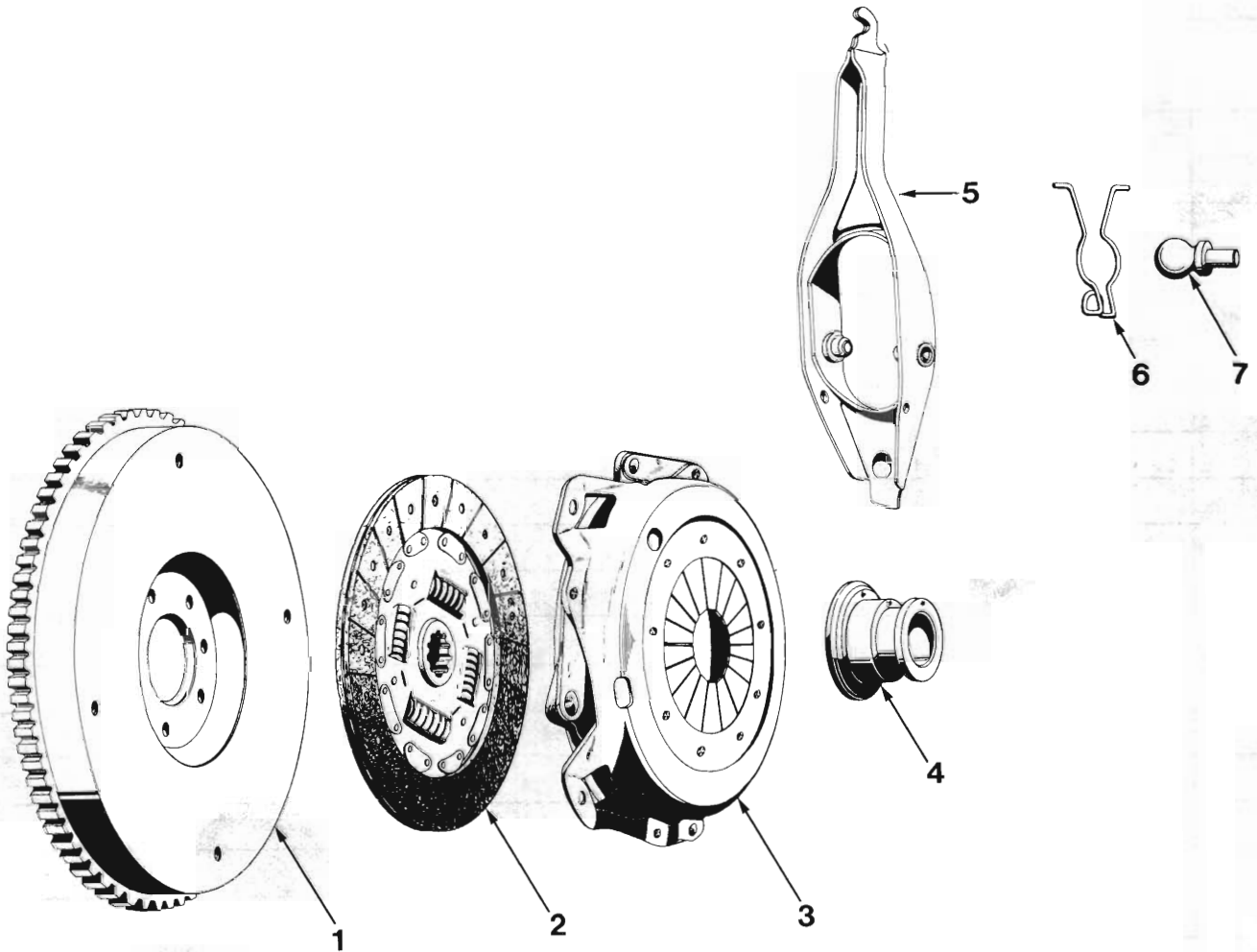
VIEW A
5 SPEED TRANSMISSION

VIEW A
TORQUEMASTER TRANSMISSION

VIEW B

VIEW C

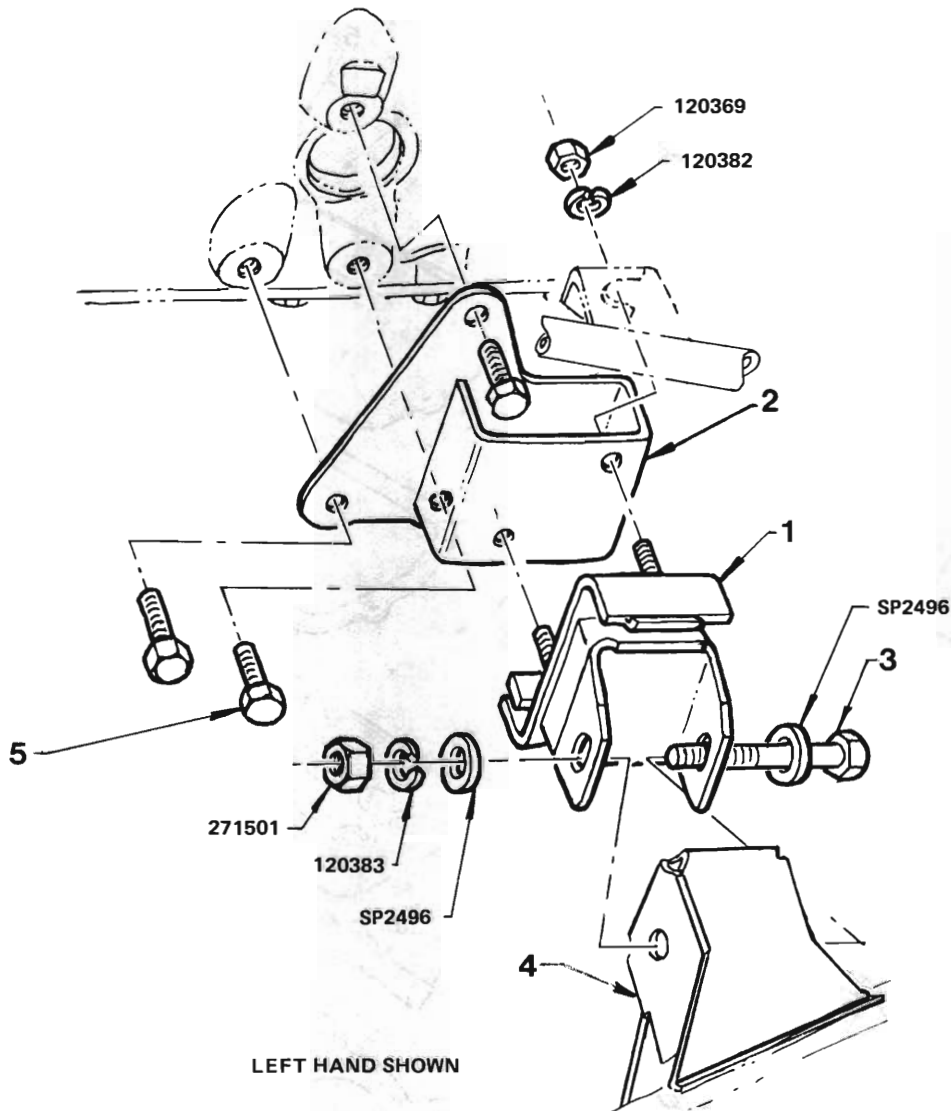
REF. NO.	PART NAME	GROUP
1	CABLE & CONDUIT ASM.	0.854K
2	COVER - Clutch fork.....	0.797K
3	DAMPER - Clutch cable mounting.....	0.854K
4	WASHER - Clutch cable mounting.....	0.854K
5	GROMMET - Clutch cable mounting.....	0.854K
6	GROMMET - Clutch cable damper.....	0.854K
7	INSULATOR - Brake pedal support.....	4.634



**FLYWHEEL & CLUTCH
(M) 6 CYLINDER ENGINE**

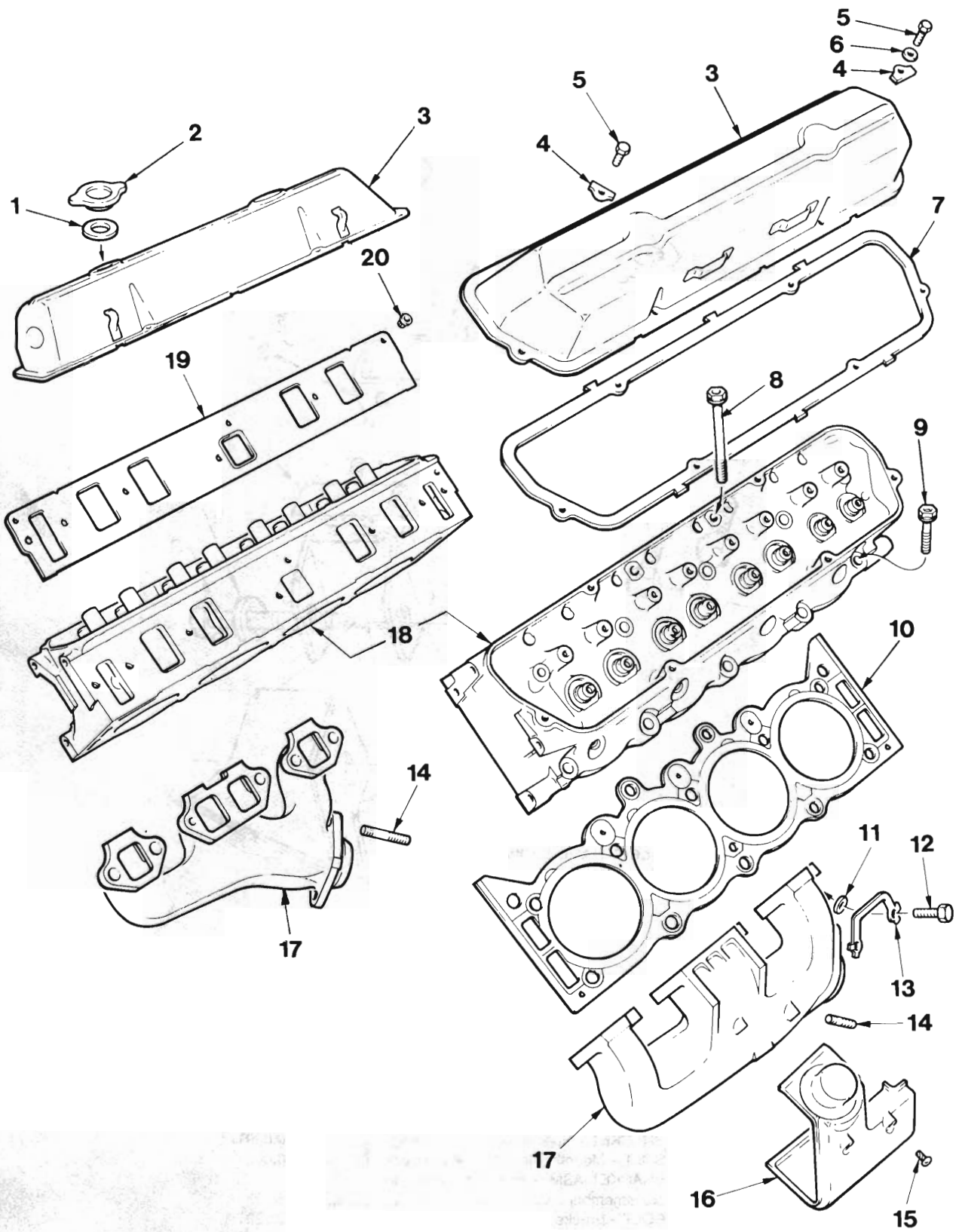
REF. NO.	PART NAME	GROUP
1	FLYWHEEL & RING GEAR ASM.....	0.666K
2(A)	PLATE ASM. - Clutch driven.....	0.886K
3(A)	COVER & PRESSURE PLATE ASM. - Clutch.....	0.859K
4(A)	BEARING ASM. - Clutch throwout.....	0.799K
5	FORK - Clutch.....	0.795K
6	SPRING - Clutch fork retaining.....	0.797K
7	STUD - Clutch fork ball.....	0.796K

NOTE:- (A Parts included in Repair Kit. Refer Group 0.860K



**ENGINE MOUNTINGS
6 CYLINDER ENGINE**

REF. NO.	PART NAME	GROUP
1	MOUNTING ASM.....	0.027T
2	BRACKET - Engine to front mounting.....	0.029T
3	BOLT - Mounting to crossmember bracket.....	0.002T
4	BRACKET ASM. - Engine mounting to crossmember	6.008
5	BOLT - Bracket to engine.....	0.029T

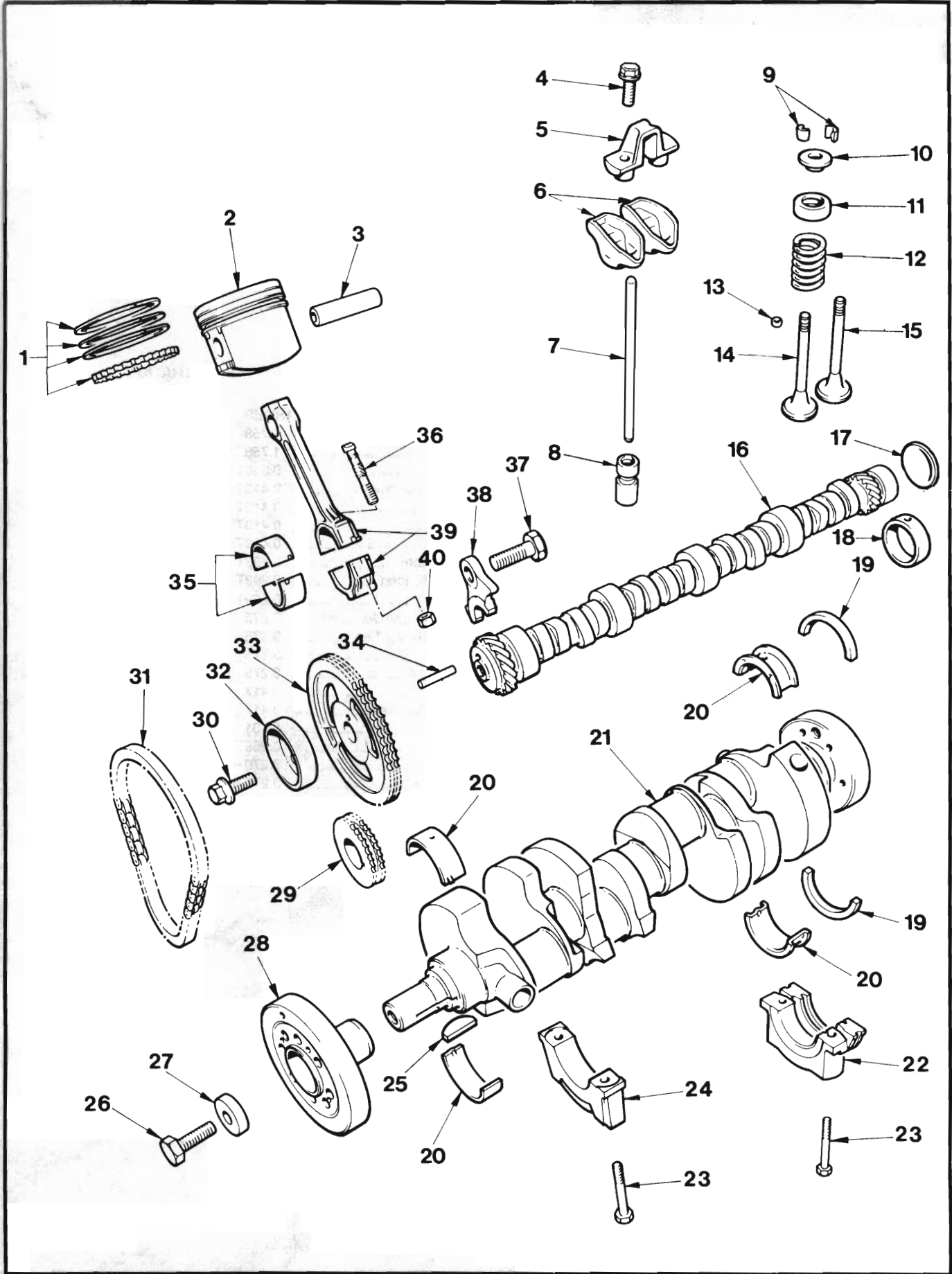




**CYLINDER HEAD
8 CYLINDER ENGINE**

ILLUSTRATION OPPOSITE

REF. NO.	PART NAME	GROUP
1	GASKET - Oil filler cap.....	1.758
2	CAP ASM. - Oil filler	1.758
3	COVER ASM. - Valve rocker	0.386T
4	REINFORCEMENT - Valve rocker cover.....	0.413T
5	BOLT - Valve rocker cover.....	0.413T
6	WASHER - Valve rocker cover.....	0.413T
7	GASKET - Valve rocker cover.....	0.423T
8	BOLT - Cylinder head, 4 1/4" long.....	0.293T
9	BOLT - Cylinder head, 1 11/16" long	0.293T
10	GASKET - Cylinder head.....	0.289T
11	WASHER - Exhaust manifold to cylinder head....	3.275
12	BOLT - Exhaust manifold to cylinder head	3.275
13	PLATE - Bolt lock.....	3.275
14	STUD - Manifold to exhaust pipe.....	3.275
15	SCREW - Stove to manifold	3.417
16	STOVE ASM. - Air cleaner air pre heat.....	3.417
17	MANIFOLD ASM. - Exhaust.....	3.601
18	HEAD - Cylinder.....	0.269T
19	GASKET - Inlet manifold	3.270
20	RETAINER - Inlet manifold gasket	3.270

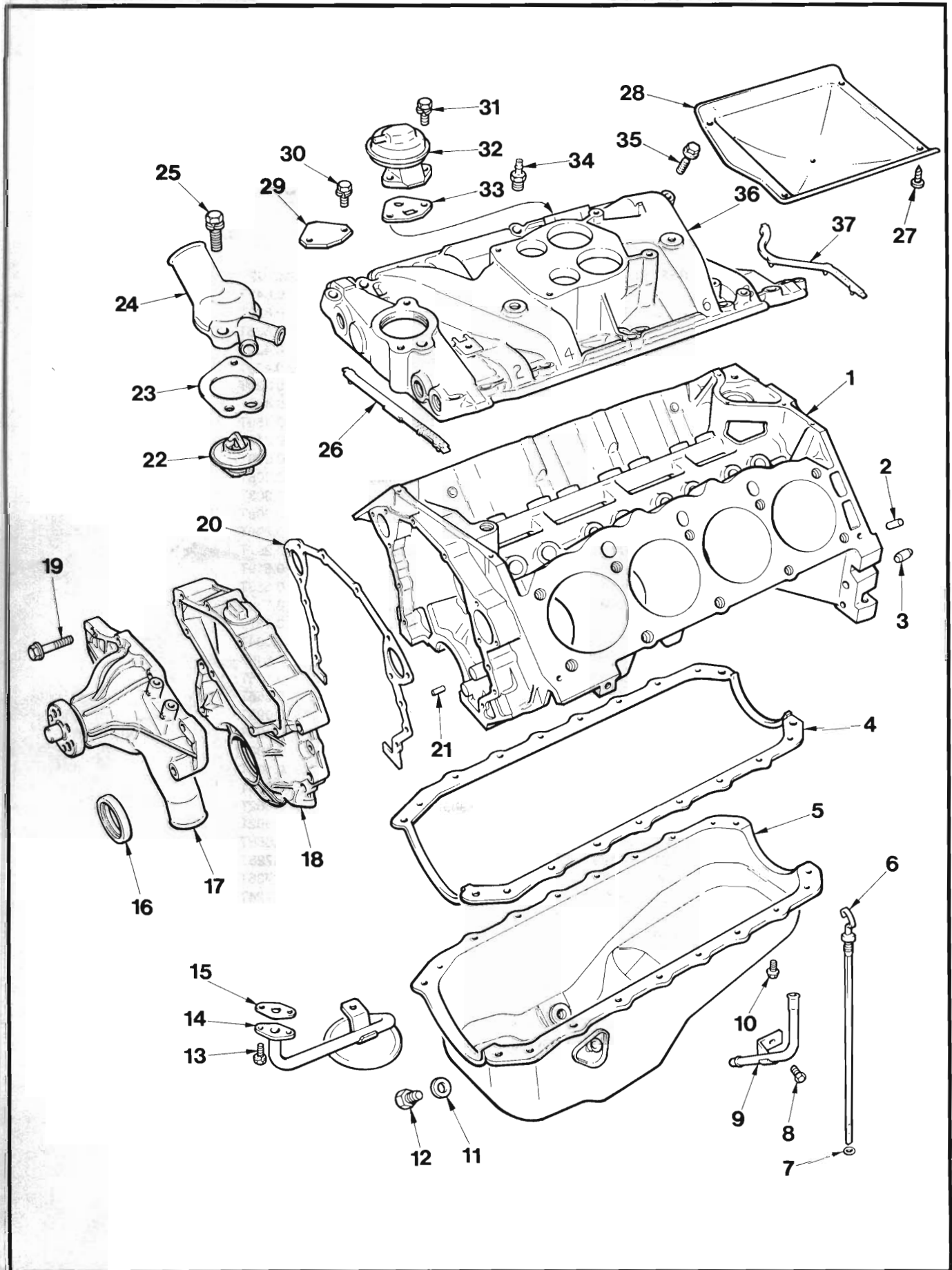




**CRANKSHAFT, CAMSHAFT & PISTON
8 CYLINDER ENGINE**

ILLUSTRATION OPPOSITE

REF. NO.	PART NAME	GROUP
1	RING SET - Piston.....	0.643T
2	PISTON & PIN.....	0.629T
3	PIN - Piston.....	0.636T
4	BOLT - Pivot.....	0.429T
5	PIVOT - Valve rocker arm.....	0.429T
6	ARM - Valve rocker.....	0.333T
7	ROD - Valve push.....	0.426T
8	LIFTER - Hydraulic valve.....	0.459T
9	KEY - Valve stem.....	0.310T
10	CAP - Valve spring.....	0.309T
11	SHIELD - Valve stem.....	0.308T
12	SPRING & DAMPER ASM. - Valve.....	0.303T
13	SEAL - Valve stem.....	0.308T
14	VALVE - Inlet.....	0.296T
15	VALVE - Exhaust.....	0.297T
16	CAMSHAFT.....	0.519T
17	PLUG - Camshaft rear bearing.....	0.553T
18	BEARING SET - Camshaft.....	0.539T
19	SEAL - Crankshaft rear bearing oil.....	0.137T
20	BEARING SET - Crankshaft.....	0.094T
21	CRANKSHAFT.....	0.646T
22	CAP - Crankshaft rear bearing.....	0.105T
23	BOLT - Crankshaft bearing cap.....	0.056T
24	CAP - Crankshaft front bearing.....	0.095T
24	CAP - Crankshaft front intermediate bearing.....	0.098T
24	CAP - Crankshaft centre bearing.....	0.100T
24	CAP - Crankshaft rear intermediate bearing.....	0.102T
25	KEY - Crankshaft.....	0.729T
26	BOLT - Damper to crankshaft.....	0.662T
27	WASHER - Damper to crankshaft.....	0.662T
28	DAMPER ASM. - Crankshaft.....	0.659T
29	SPROCKET - Crankshaft.....	0.728T
30	BOLT - Eccentric & sprocket to camshaft.....	0.736T
31	CHAIN - Timing.....	0.724T
32	ECCENTRIC - Fuel pump drive.....	3.935
33	SPROCKET - Camshaft.....	0.736T
34	PIN - Sprocket.....	0.736T
35	BEARING SET - Connecting rod.....	0.616T
36	BOLT - Connecting rod.....	0.623T
37	BOLT - Camshaft locator.....	0.533T
38	LOCATOR - Camshaft.....	0.533T
39	ROD - Connecting.....	0.603T
40	NUT - Connecting rod bolt.....	0.626T





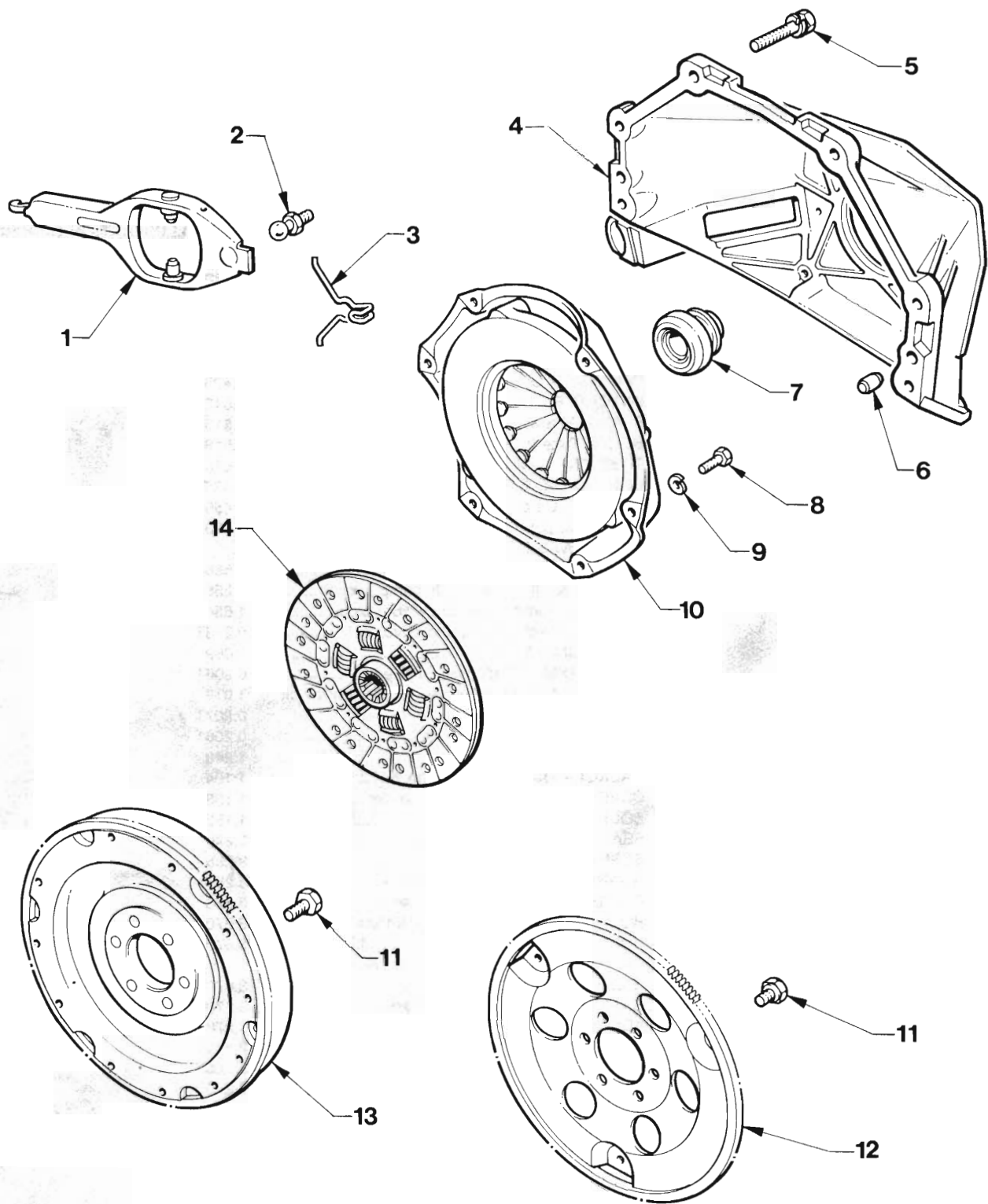
**CYLINDER BLOCK
8 CYLINDER ENGINE**

ILLUSTRATION OPPOSITE

REF. NO.	PART NAME	GROUP
1	CYLINDER BLOCK	0.033T
2	PIN - Dowel, Cylinder head to cylinder block	0.034T
3	PIN - Housing to cylinder block	0.683T
4	SEAL - Oil pan complete	1.429
5	PAN ASM. - Oil	1.426
6	INDICATOR - Oil level	1.516
7	SEAL - Oil level indicator tube	1.516
8	BOLT - Tube to engine	1.516
9	TUBE ASM. - Oil level indicator	1.516
10	BOLT & WASHER - Oil pan	1.428
11	GASKET - Oil pan drain plug	1.456
12	PLUG - Oil pan drain	1.453
13	BOLT & WASHER - Suction pipe to cylinder block	1.656
14	SCREEN & PIPE ASM. - Oil pump suction	1.656
15	GASKET - Suction pipe to cylinder block	1.656
16	SEAL - Crankcase front end cover oil	0.213T
17	PUMP ASM. - Water	1.069
18	COVER ASM. - Crankcase front end	0.206T
19	BOLT - Water pump & cover to cylinder block	1.079
20	GASKET - Crankcase front end cover	0.207T
21	PIN - Cover to cylinder block	0.206T
22	THERMOSTAT ASM.	1.246
23	GASKET - Thermostat housing outlet cover	1.154
24	COVER - Thermostat housing outlet	1.153
25	BOLT - Cover to inlet manifold	1.153
26	SEAL - Inlet manifold, Front	3.270
27	SCREW - Guard to manifold	3.265
28	GUARD - Inlet manifold oil splash	3.265
29	PLATE - E.G.R. valve hole closing	3.670
30	BOLT & WASHER - Plate to manifold	3.670
31	BOLT & WASHER - Valve to manifold	3.670
32	VALVE ASM. - Exhaust gas recirculation (E.G.R.)	3.670
33	GASKET - Valve or plate to manifold	3.670
34	ADAPTOR - Inlet manifold vacuum	3.278
35	BOLT - Inlet manifold	3.275
36	MANIFOLD - Inlet	3.265
37	SEAL - Inlet manifold, Rear	3.270



"V" SERIES PARTS CATALOGUE



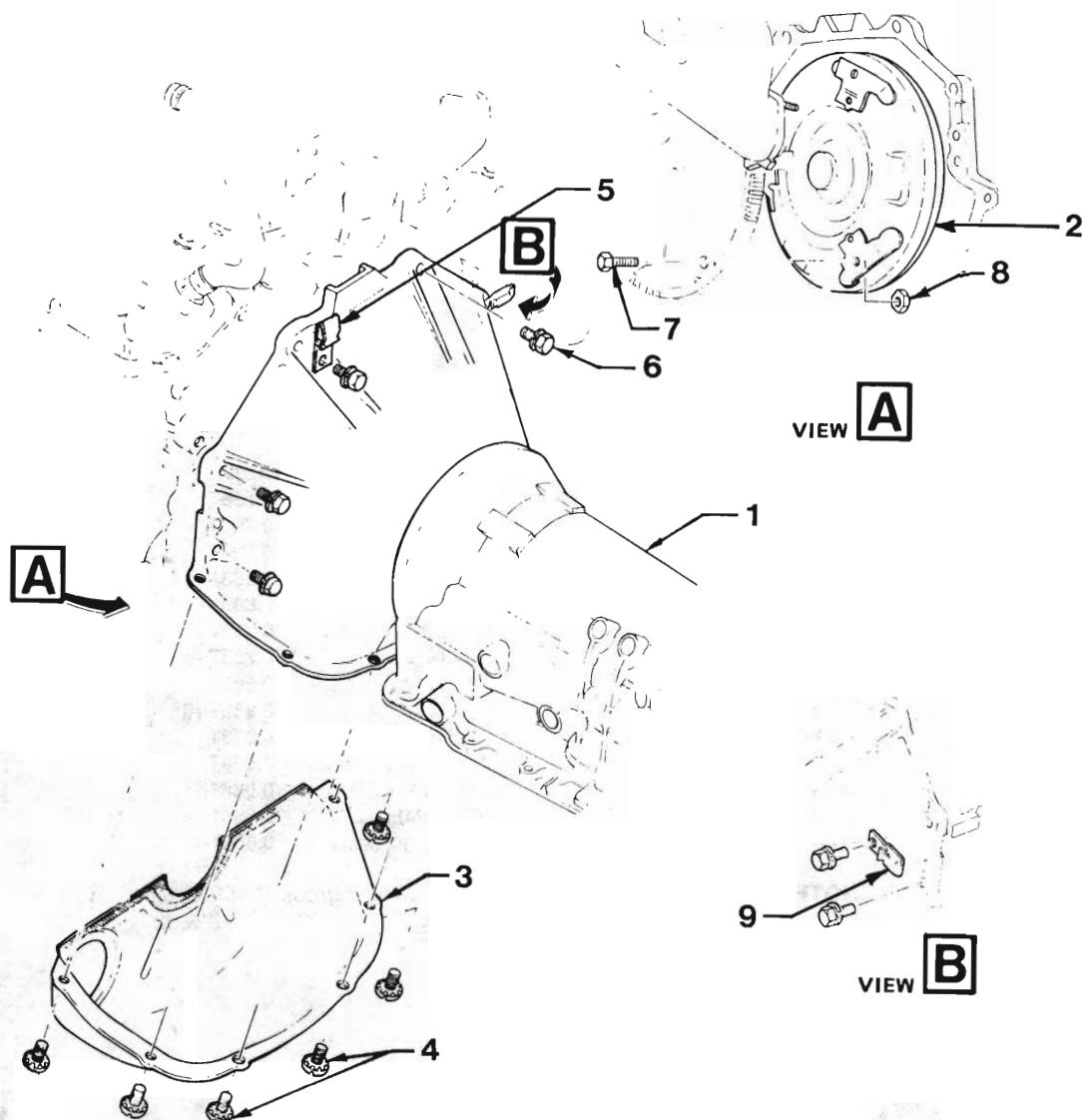


**FLYWHEEL & CLUTCH
8 CYLINDER ENGINE**

ILLUSTRATION OPPOSITE

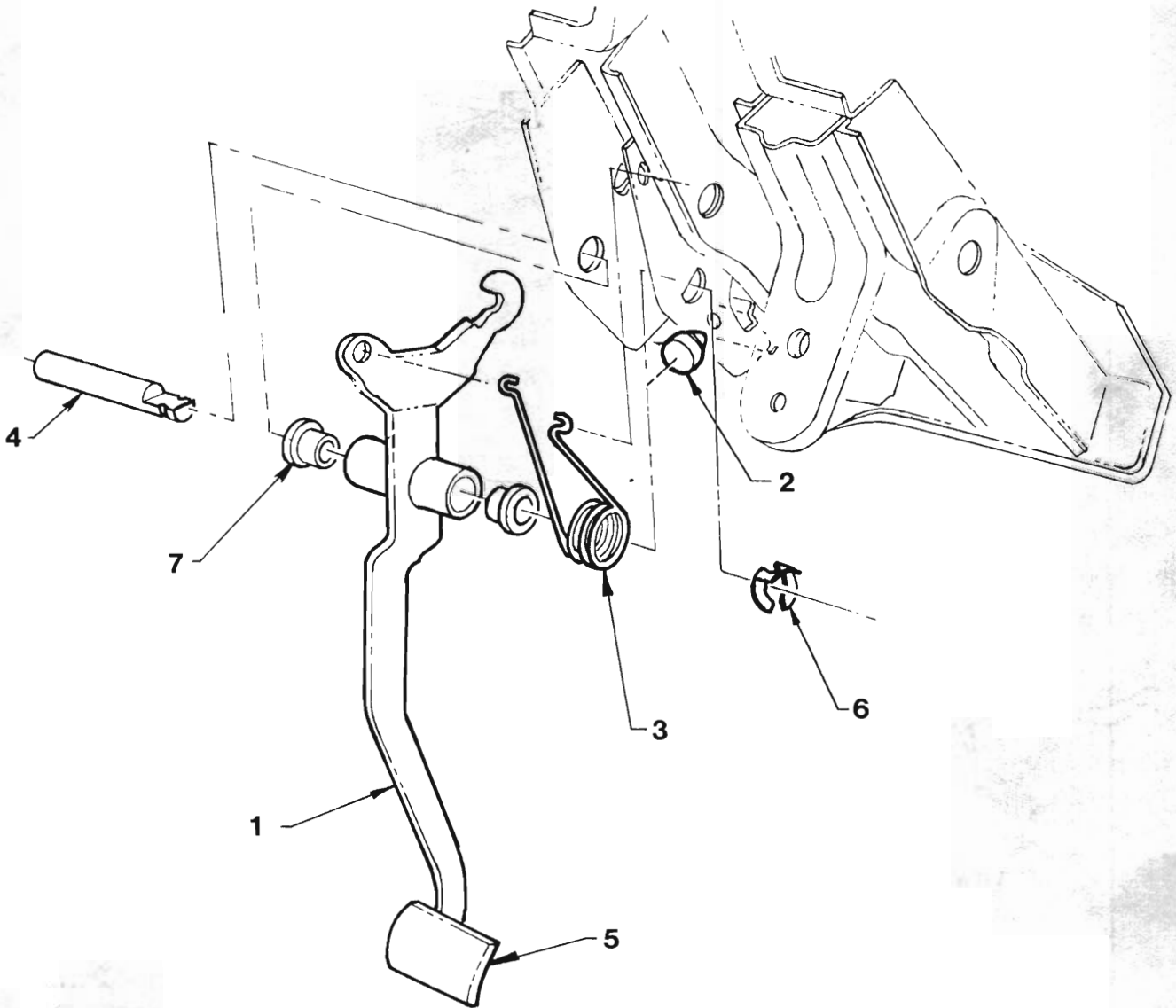
REF. NO.	PART NAME	GROUP
1	FORK - Clutch.....	0.795T
2	STUD - Clutch fork ball.....	0.796T
3	SPRING - Clutch fork retaining.....	0.797T
4	HOUSING ASM. - Clutch.....	0.683T
5	BOLT - Housing to cylinder block.....	0.683T
6	PIN - Housing to cylinder block.....	0.683T
7(A)	BEARING ASM. - Clutch throw out.....	0.799T
8	BOLT - Clutch to flywheel.....	0.862T
9	WASHER - Clutch to flywheel.....	0.862T
10(A)	COVER & PRESSURE PLATE ASM. - Clutch.....	0.859T
11	BOLT - Flywheel to crankshaft.....	0.669T
12	FLYWHEEL & RING GEAR ASM. - (A).....	0.666T
13	FLYWHEEL & RING GEAR ASM. - (M).....	0.666T
14(A)	PLATE - Clutch driven.....	0.886T

NOTE:- (A Parts included in Repair Kit - Refer group 0.860T



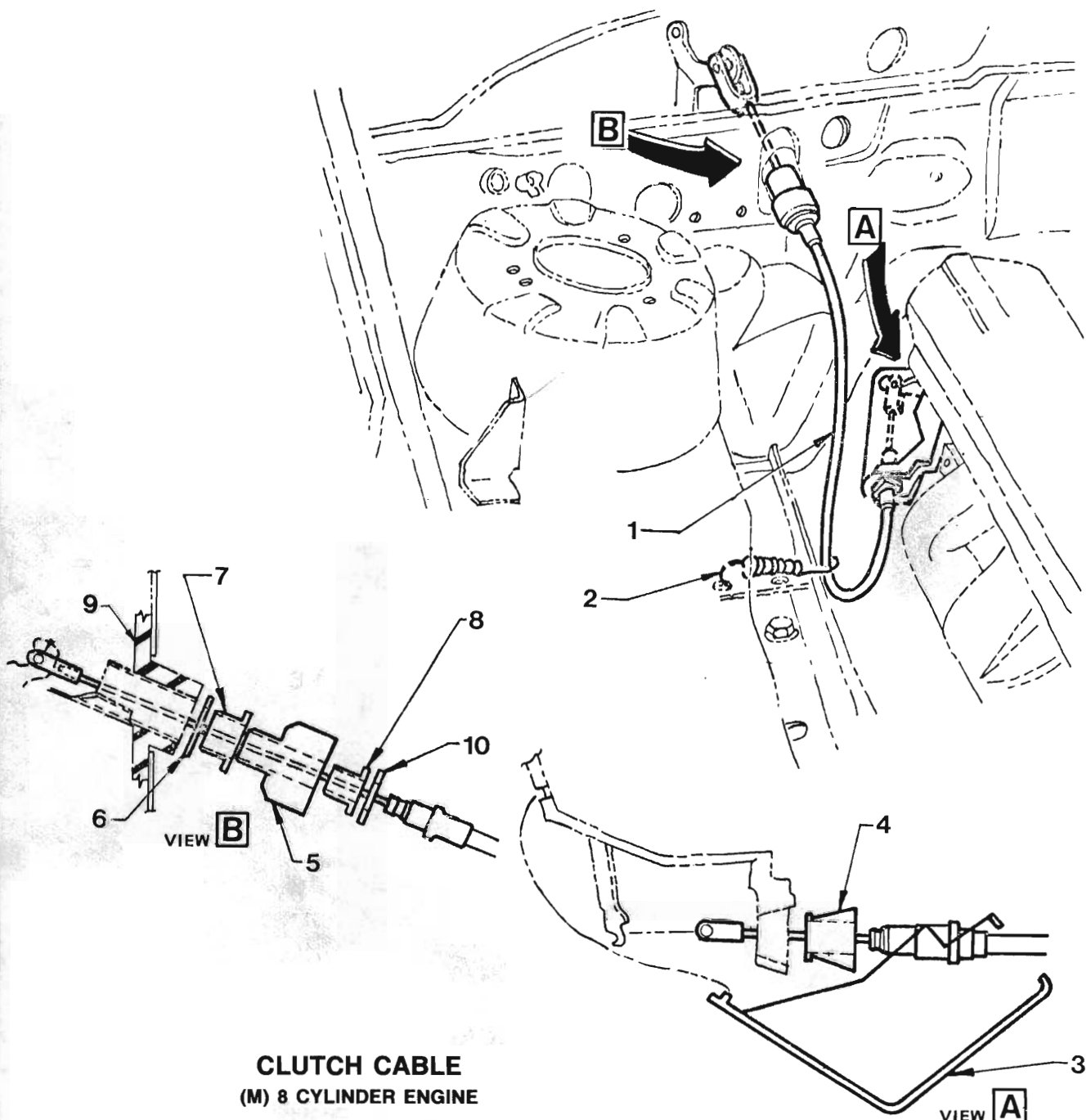
**TRANSMISSION TO ENGINE
TRIMATIC TRANSMISSION
8 CYLINDER ENGINE**

REF. NO.	PART NAME	GROUP
1	TRANSMISSION ASM.....	4.003U
2	CONVERTER ASM.....	4.115U
3	COVER - Lower	0.679T
4	BOLT - Lower cover to converter housing.....	0.679T
5	CLIP - Harness to converter housing.....	2.559
6	BOLT - Transmission to engine.....	4.003U
7	BOLT - Converter to drive plate.....	4.115U
8	NUT - Converter to drive plate.....	4.115U
9	CLIP - Lead to transmission	2.408



**CLUTCH PEDAL
(M) 8 CYLINDER ENGINE**

REF. NO.	PART NAME	GROUP
1	PEDAL ASM.	0.830T
2	BUFFER - Clutch pedal stop	0.829T
3	SPRING - Clutch return	0.844T
4	SHAFT - Clutch & brake pedal mounting	0.833T
5	PAD - Clutch pedal	0.830T
6	WASHER - Pedal shaft to bracket, Locking.....	0.833T
7	BUSH - Pedal pivot	0.831T



**CLUTCH CABLE
(M) 8 CYLINDER ENGINE**

REF. NO.	PART NAME	GROUP
1	CABLE & CONDUIT ASM. - Clutch.....	0.854T
2	SPRING - Clutch cable to frame.....	0.854T
3	COVER - Clutch fork opening.....	0.797T
4	INSERT - Housing.....	0.683T
5	DAMPER - Clutch cable mounting.....	0.854T
6	WASHER - Clutch cable mounting.....	0.854T
7	GROMMET - Clutch cable mounting.....	0.854T
8	GROMMET - Clutch cable damper.....	0.854T
9	INSULATOR - Brake pedal support.....	4.634
10	WASHER - Cable thrust.....	0.854T



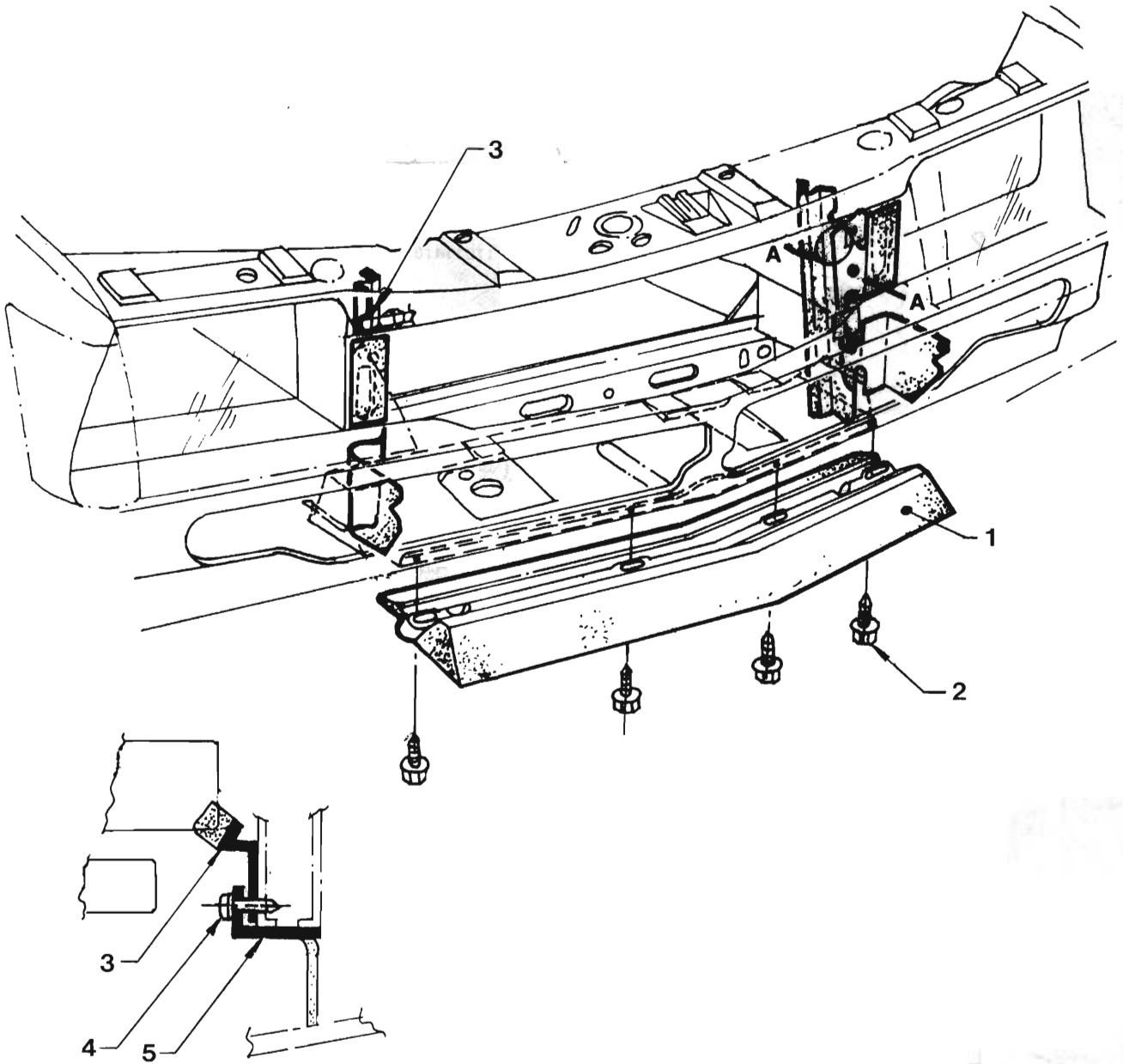
GROUP

1.000

COOLING

GRILLE

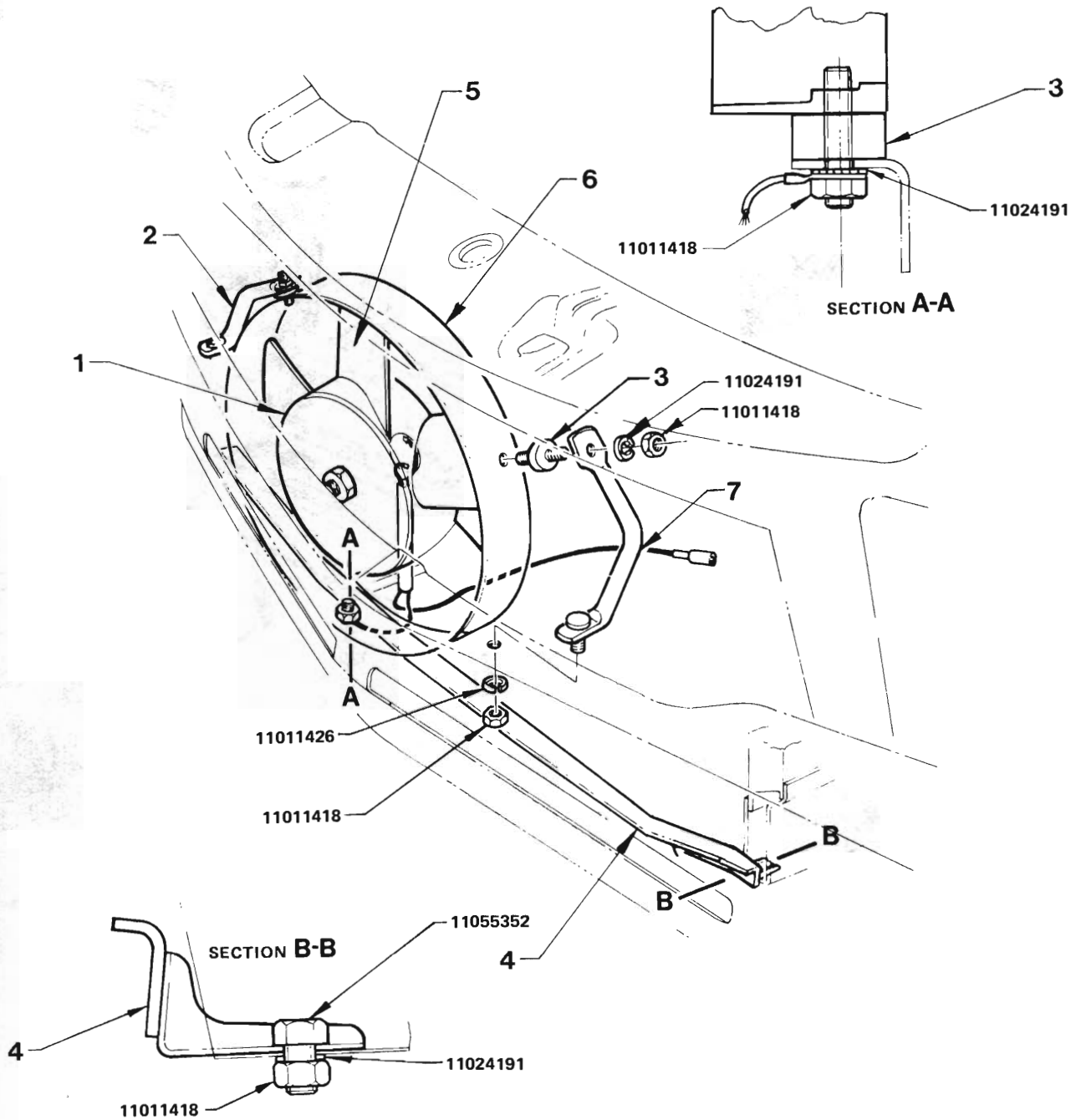
OIL SYSTEM



SECTION A-A

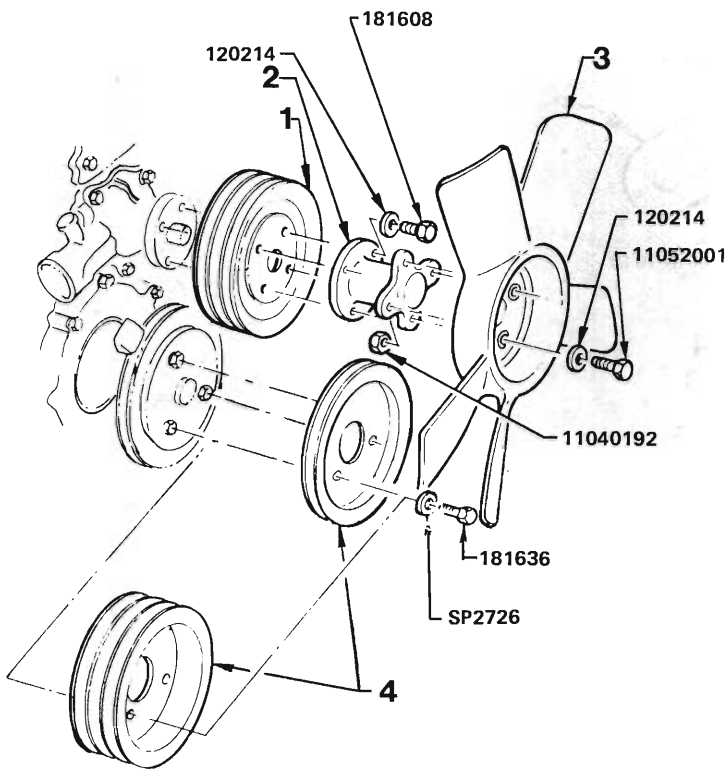
**AIR CHUTE
POLICE EQUIPMENT
VK SERIES**

REF. NO.	PART NAME	GROUP
1	BAFFLE	1.020
2	SCREW - Baffle	1.020
3	PANEL ASM.	1.020
4	SCREW - Air chute.....	1.020
5	PANEL - Outer	1.020

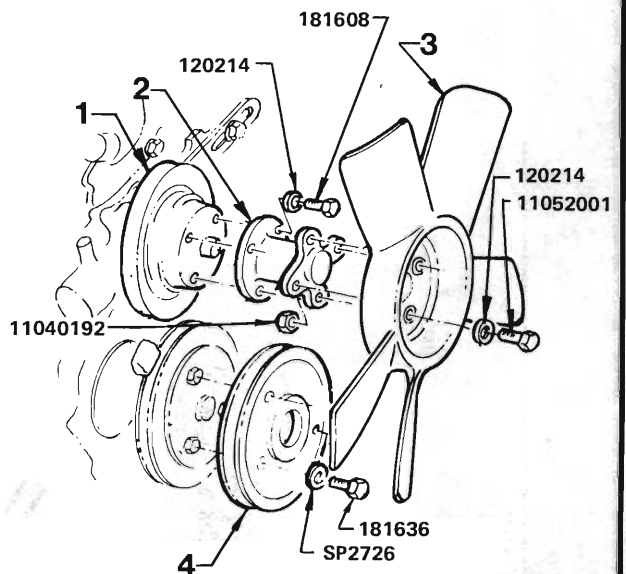


**AUXILIARY FAN
HARRISON AIR CONDITIONING**

REF. NO.	PART NAME	GROUP
1	MOTOR & FAN ASM.....	1.055
2	BRACKET - Motor mounting.....	1.055
3	BUMPER - Fan gaurd to crossmember & skirt....	1.055
4	CROSSMEMBER ASM. - Motor & condenser mounting.....	1.055
5	FAN BLADE.....	1.055
6	SHROUD - Fan.....	1.055
7	BRACKET - Motor mounting, RH.....	1.055



WITH AIR CONDITIONING



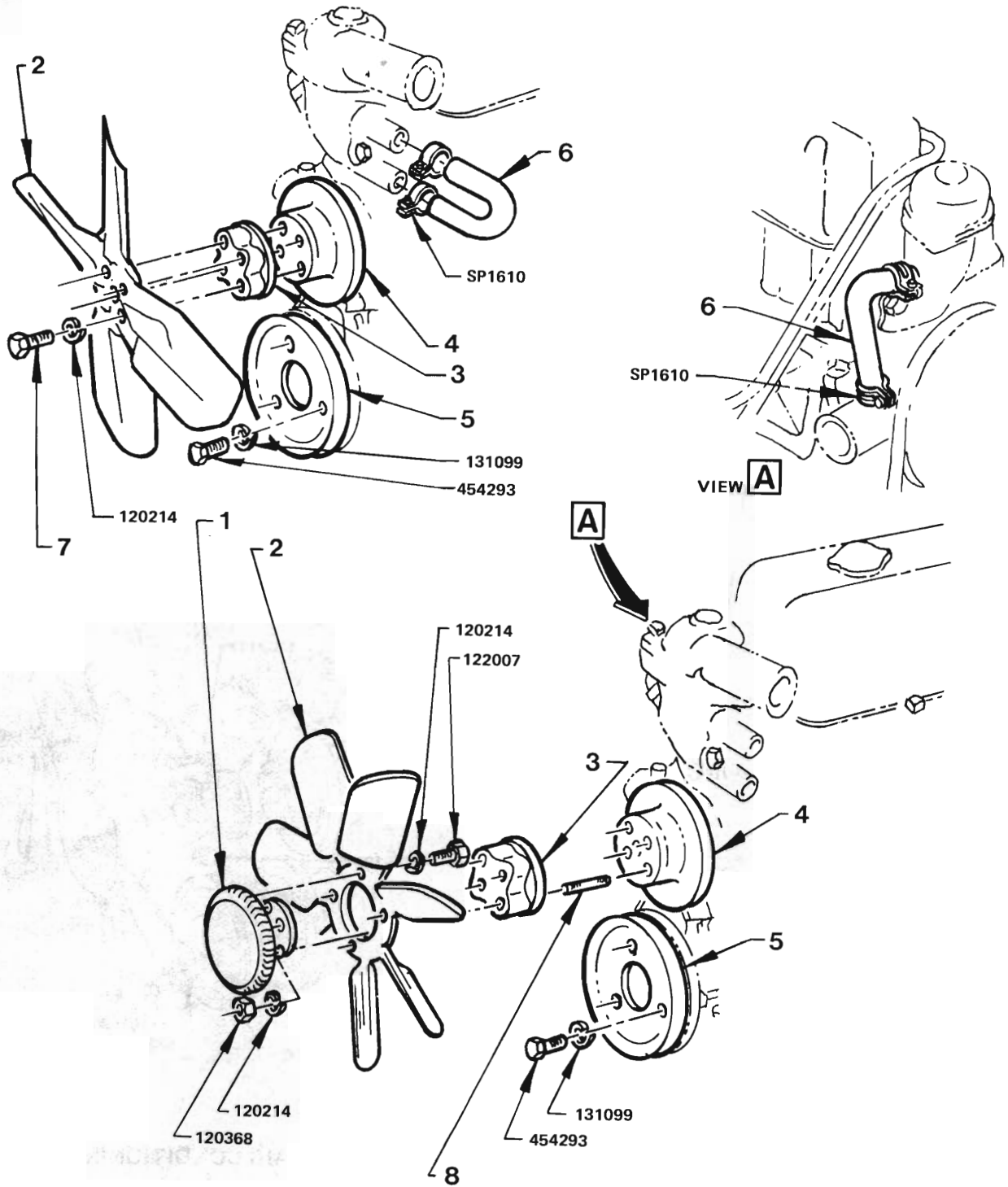
EXC. AIR CONDITIONING

**FAN & PULLEY
4 CYLINDER ENGINE**

REF. NO.	PART NAME	GROUP
1	PULLEY ASM. - Water pump & fan	1.062
2	SPACER - Fan	1.064
3	BLADE ASM. - Fan	1.064
4	PULLEY ASM.	0.659D

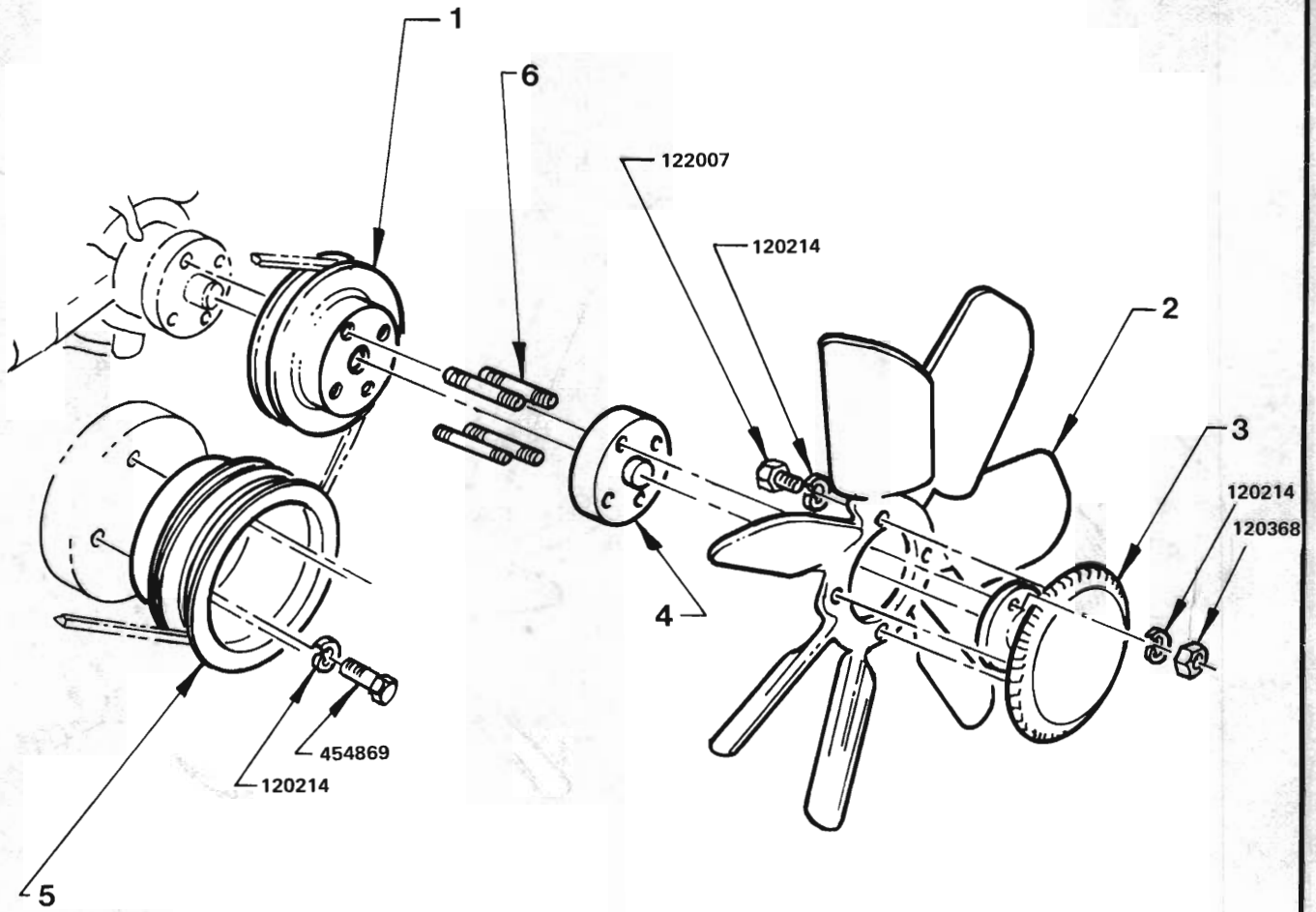


"V" SERIES PARTS CATALOGUE



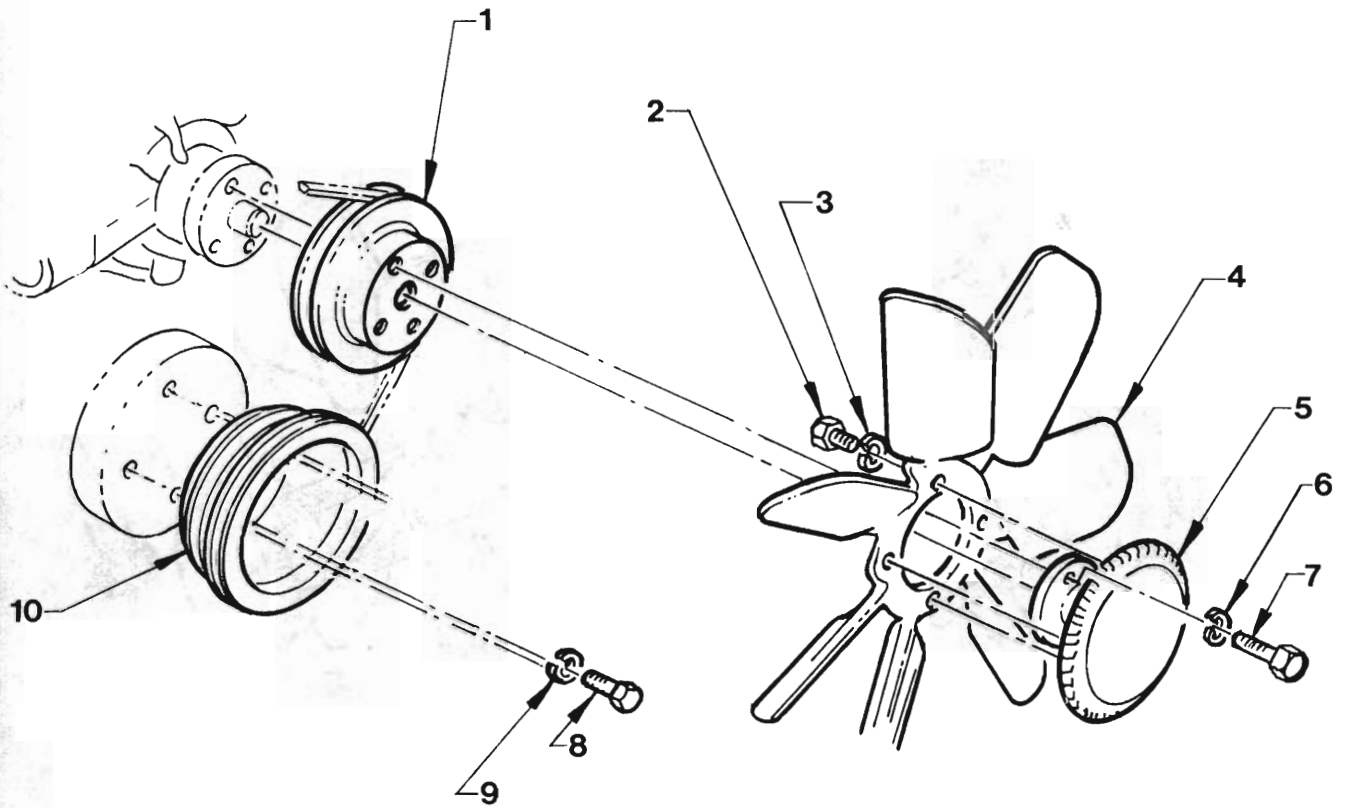
**FAN & PULLEY
6 CYLINDER ENGINE**

REF. NO.	PART NAME	GROUP
1	CLUTCH ASM. - Fan.....	1.050
2	BLADE ASM. - Fan.....	1.064
3	SPACER - Fan.....	1.064
4	PULLEY - Water pump & fan.....	1.062
5	PULLEY - Crankshaft.....	0.659K
6	HOSE - By pass.....	1.097
7	BOLT - Fan, spacer & pulley to hub.....	1.064
8	STUD - Clutch, spacer & pulley to hub.....	1.050



**FAN & PULLEY
8 CYLINDER ENGINE
VB, VC, VH SERIES**

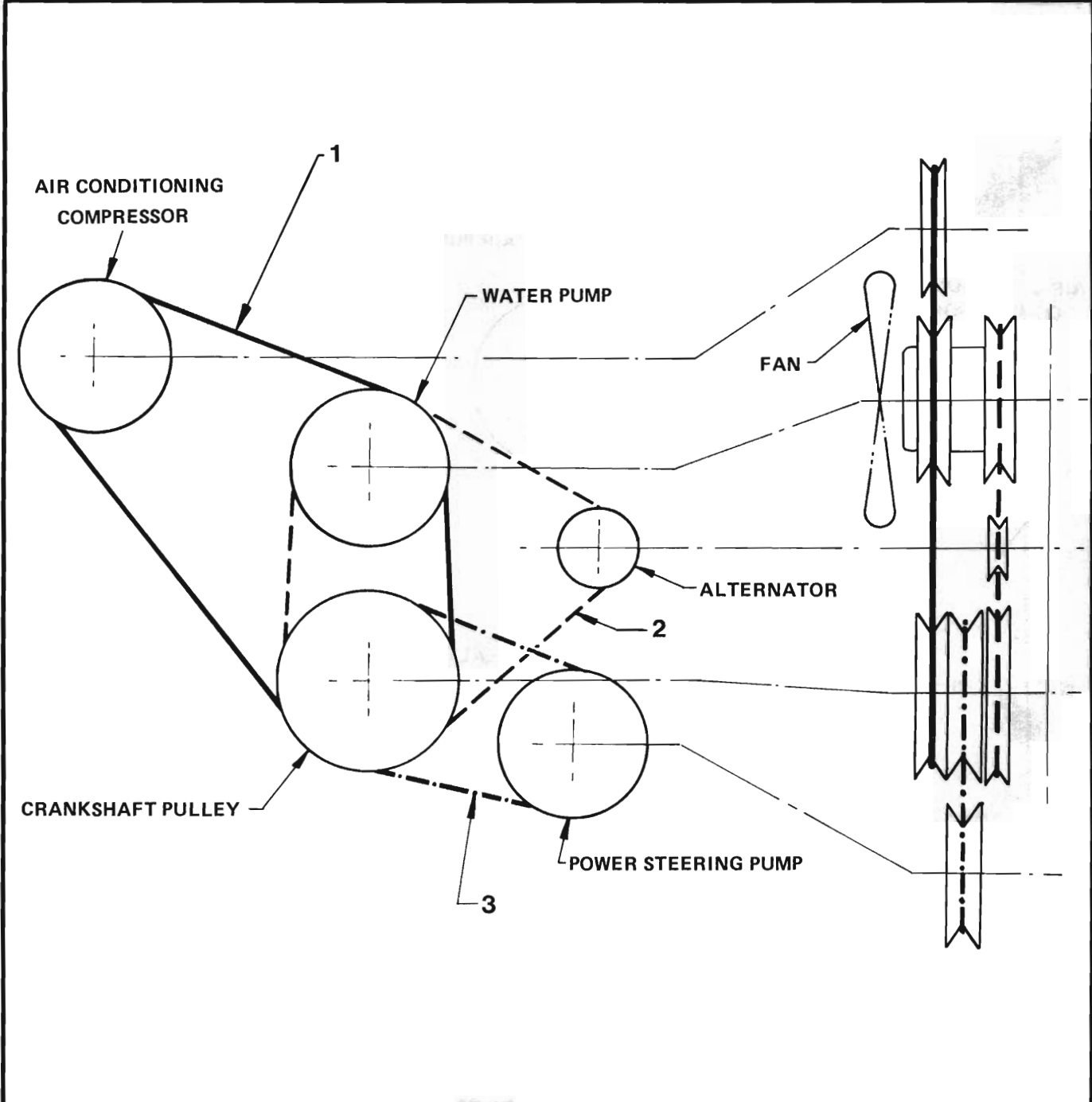
REF. NO.	PART NAME	GROUP
1	PULLEY - Water pump and fan	1.062
2	BLADE ASM. - Fan	1.064
3	CLUTCH ASM. - Fan.....	1.050
4	SPACER - Fan.....	1.064
5	PULLEY - Crankshaft.....	0.659T
6	STUD - Clutch spacer & pulley to hub	1.050



FAN & PULLEY

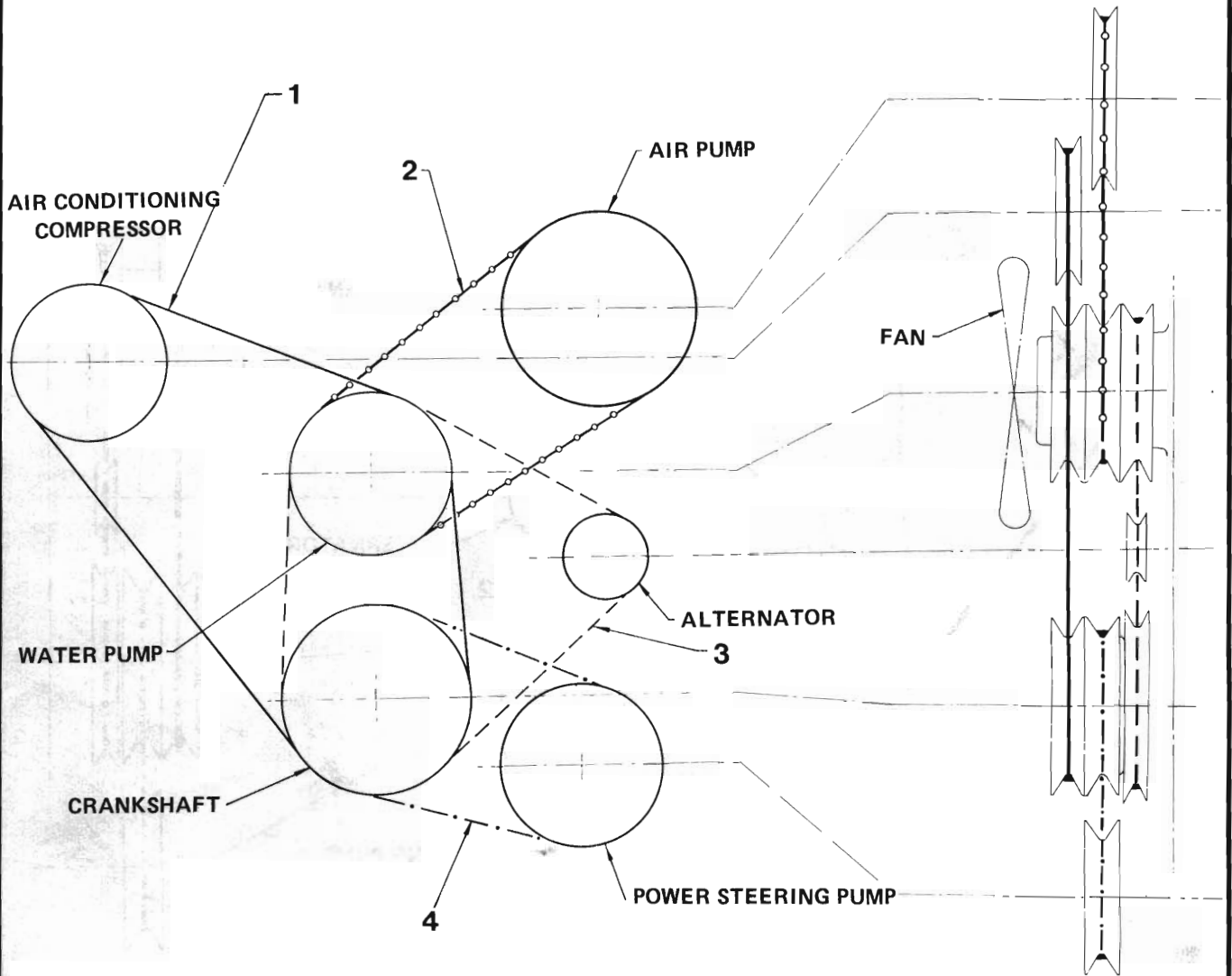
**8 CYLINDER ENGINE
VK SERIES**

REF. NO.	PART NAME	GROUP
1	PULLEY ASM. - Water pump & fan	1.062
2	BOLT - Fan blade to clutch.....	1.064
3	WASHER - Fan blade to clutch.....	1.064
4	BLADE ASM. - Fan.....	1.064
5	CLUTCH ASM. - Fan.....	1.050
6	WASHER - Clutch & pulley to hub.....	1.050
7	BOLT - Clutch & pulley to hub.....	1.050
8	BOLT - Pulley to damper.....	0.662T
9	WASHER - Pulley to damper.....	0.662T
10	PULLEY - Crankshaft.....	0.662T



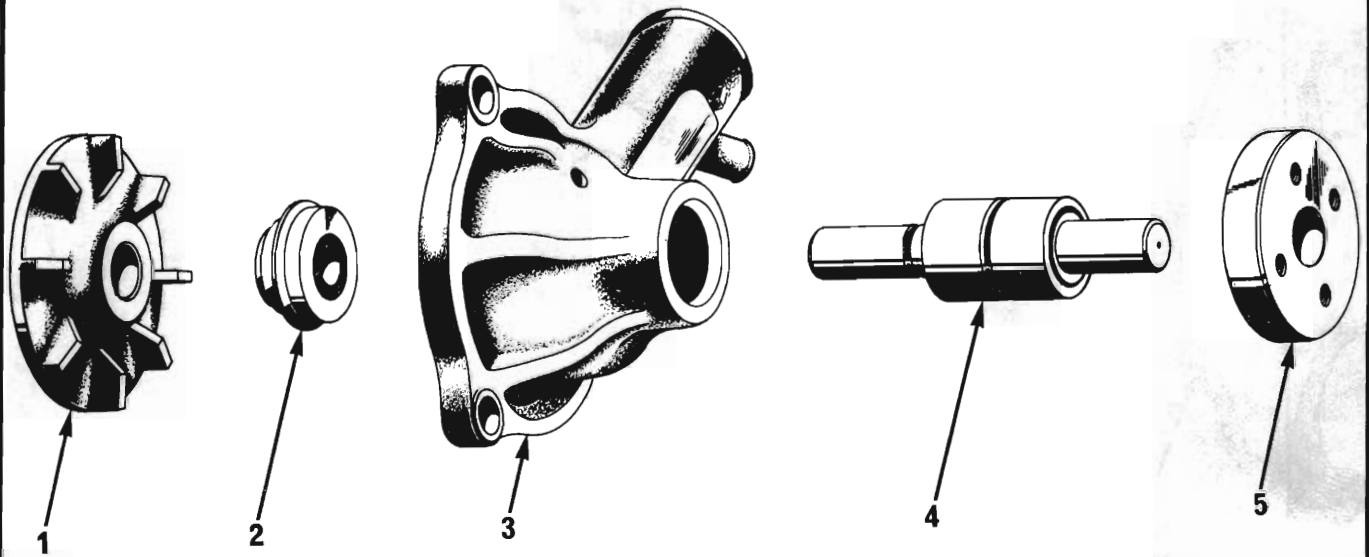
**DRIVE BELTS
4 CYLINDER ENGINE**

REF. NO.	PART NAME	GROUP
1	BELT - Compressor drive.....	1.066
2	BELT - Fan & alternator.....	1.066
3	BELT - Power steering pump.....	1.066



**DRIVE BELTS
6 CYLINDER ENGINE**

REF. NO.	PART NAME	GROUP
1	BELT - Compressor drive.....	1.066
2	BELT - Air pump.....	1.066
3	BELT - Fan & alternator.....	1.066
4	BELT - Power steering pump.....	1.066



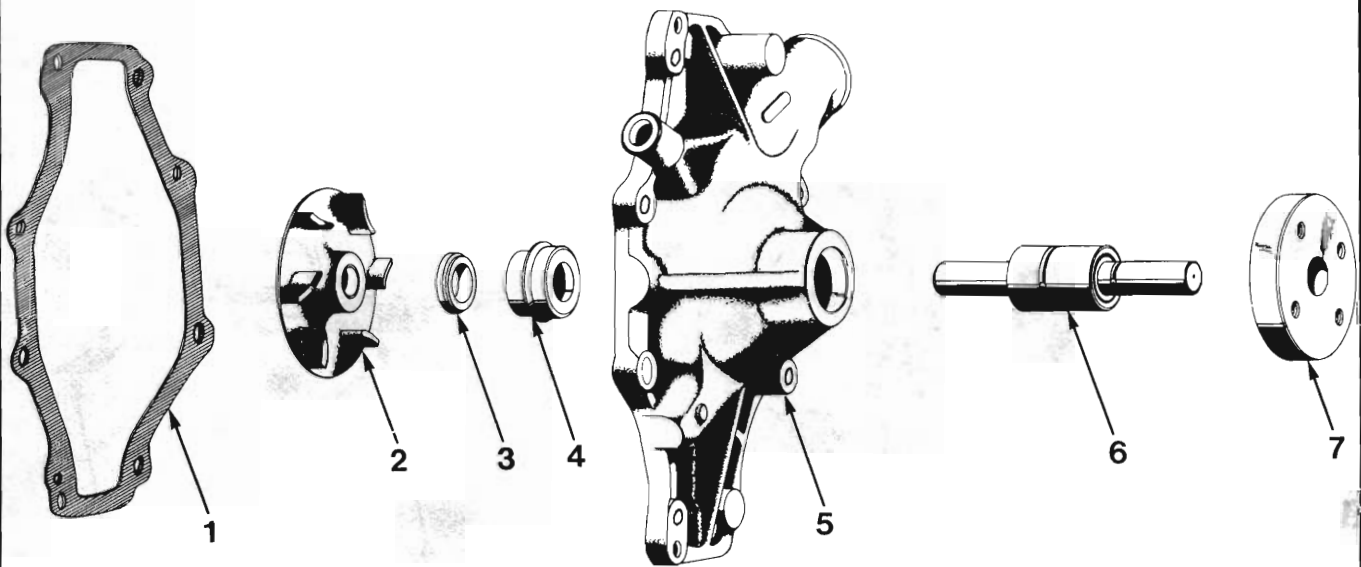
WATER PUMP

**4 CYLINDER ENGINE VC SERIES
6 CYLINDER ENGINE VB, VC SERIES**

REF. NO.	PART NAME	GROUP
1-5	WATER PUMP ASM.....	1.069
1	ROTOR - Water pump.....	1.109
2	SEAL ASM. - Water pump.....	1.123
3	BODY - Water pump.....	1.073
4	SHAFT & BEARING ASM.	1.105
5	HUB - Water pump & fan pulley.....	N.S.

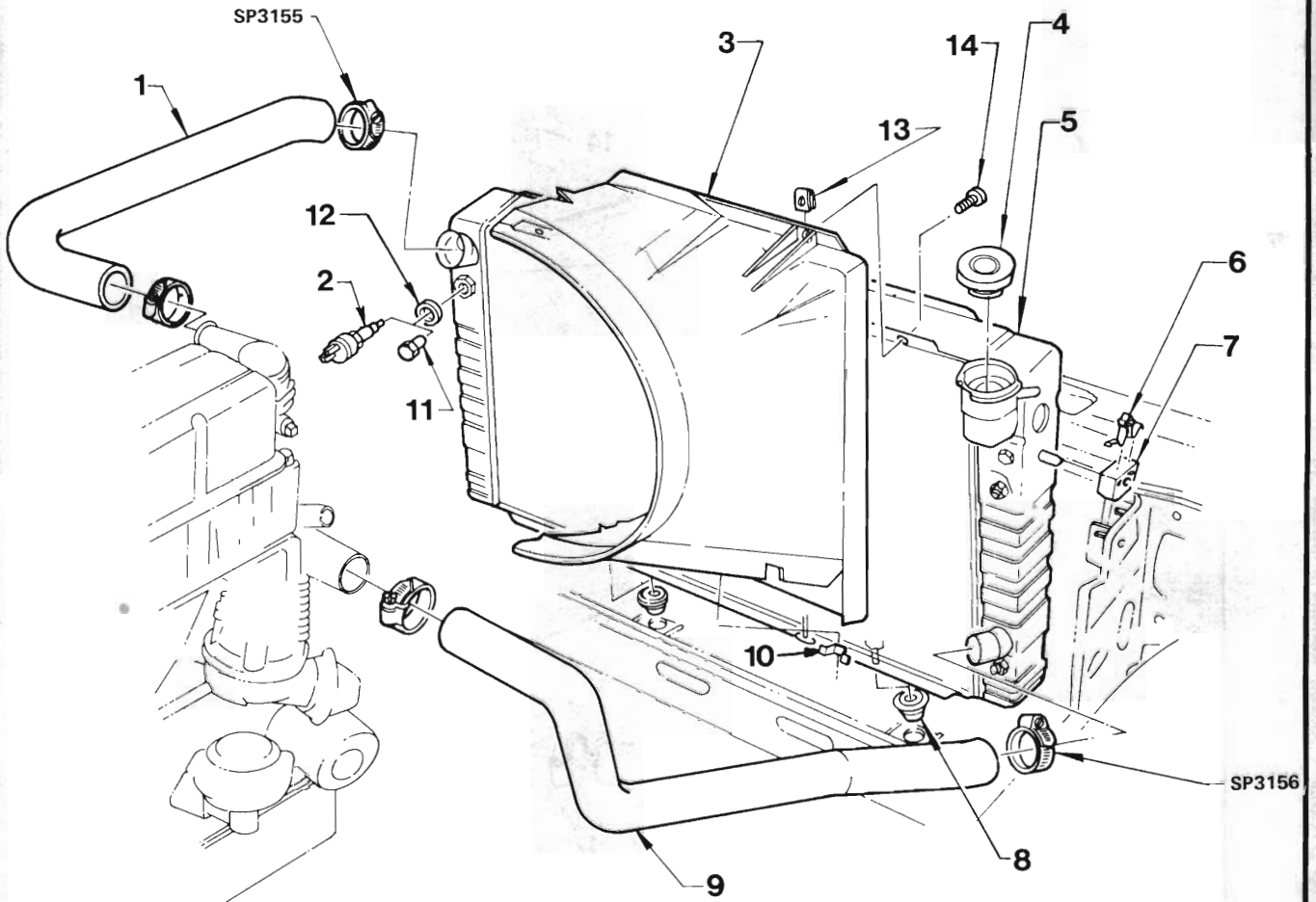


"V" SERIES PARTS CATALOGUE



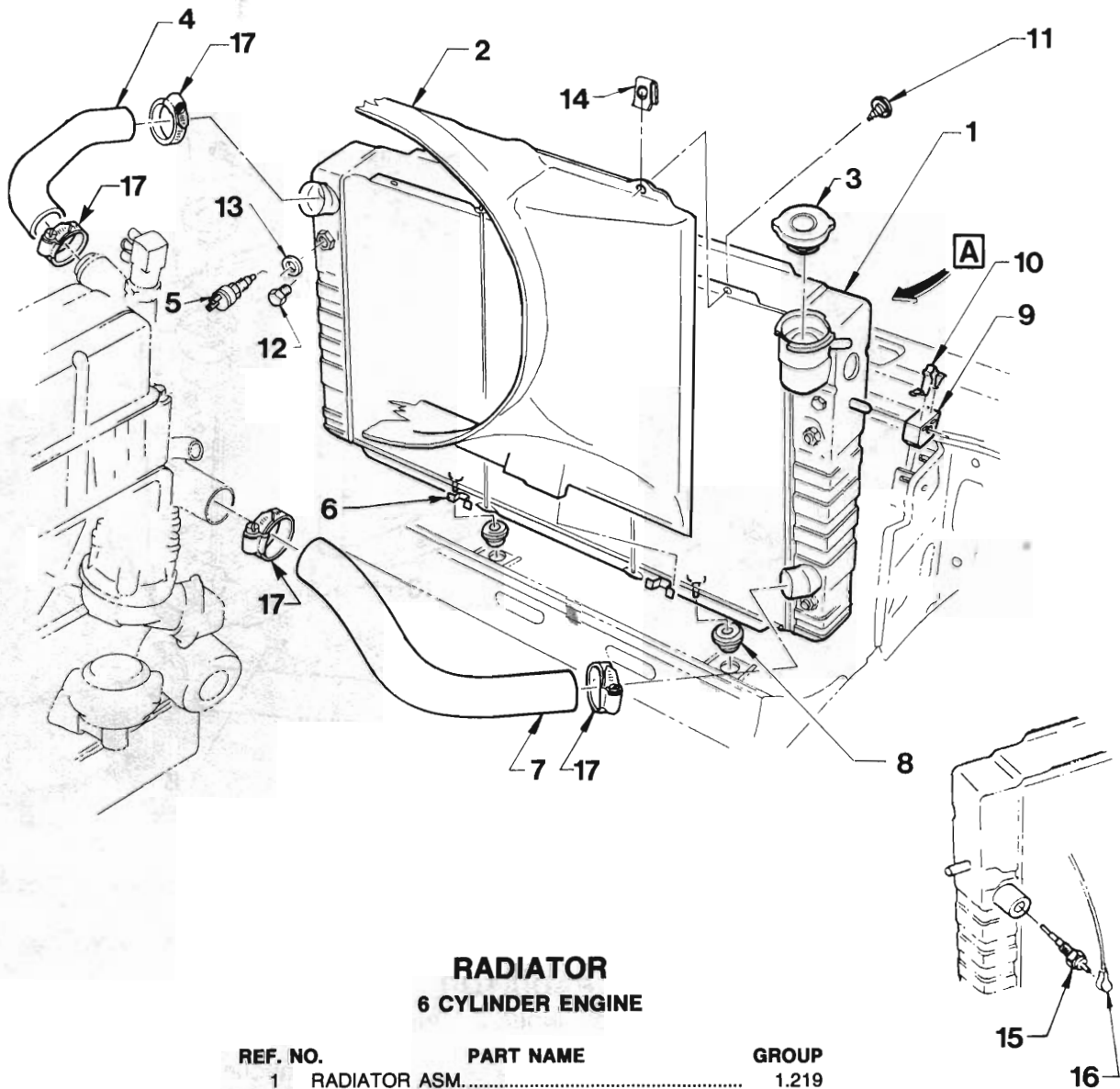
WATER PUMP 8 CYLINDER ENGINE

REF. NO.	PART NAME	GROUP
1-7	WATER PUMP ASM.....	1.069
1	GASKET - Water pump to block.....	1.079
2	ROTOR.....	1.109
3	SEAT ASM. - Seal.....	1.123
4	SEAL ASM.....	1.123
5	BODY.....	1.073
6	SHAFT & BEARING ASM.....	1.105
7	HUB - Water pump & fan pulley.....	1.062



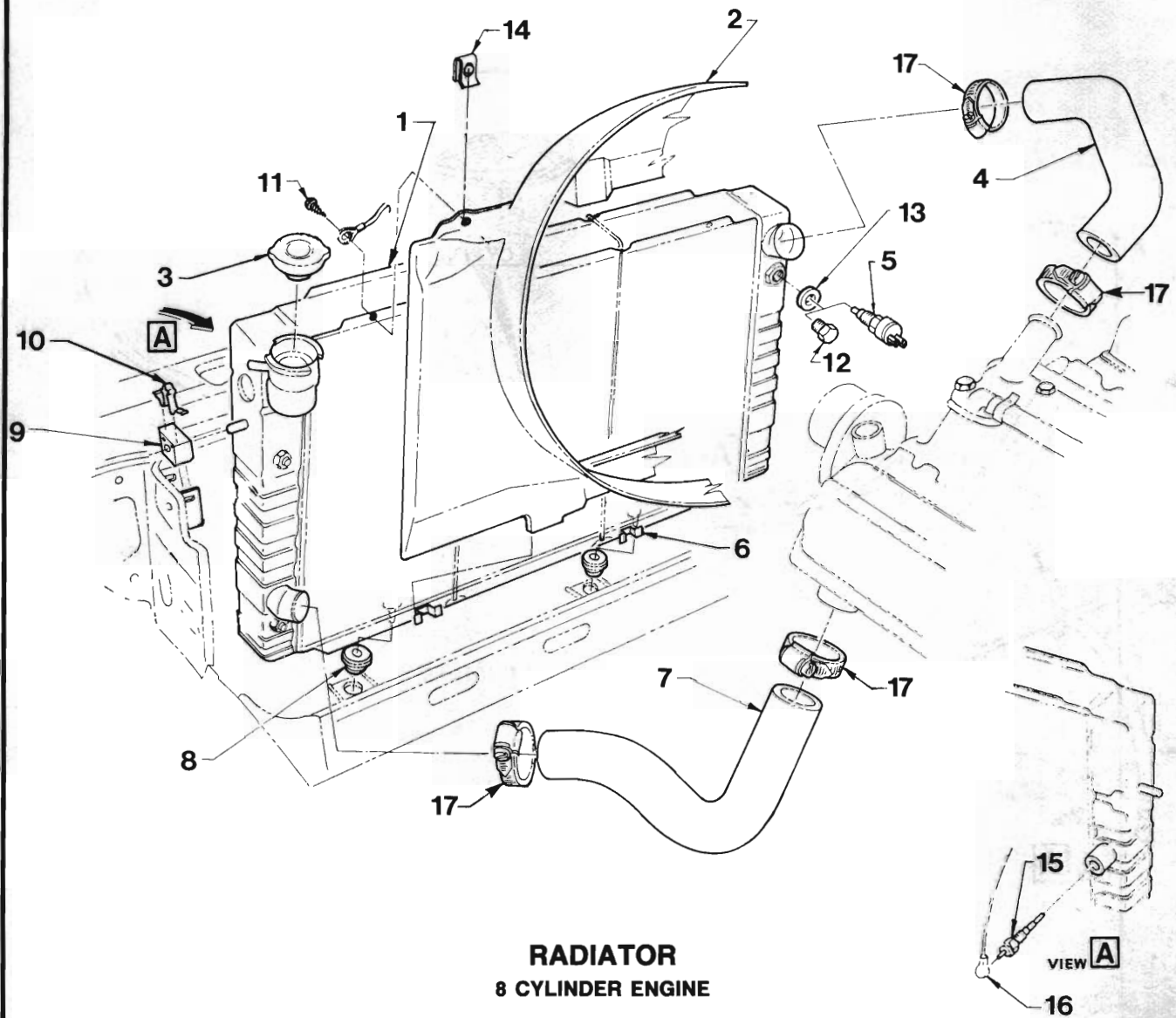
**RADIATOR
4 CYLINDER ENGINE**

REF. NO.	PART NAME	GROUP
1	HOSE - Upper	1.159
2	SWITCH - Auxiliary fan thermostat	1.055
3	SHROUD - Radiator fan	1.277
4	CAP ASM. - Radiator	1.203
5	RADIATOR ASM.	1.219
6	RETAINER - Side mounting	1.219
7	BUMPER - Side	1.219
8	BUMPER - Lower	1.219
9	HOSE - Lower	1.173
10	CLIP - Shroud to radiator lower	1.277
11	PLUG - Thermostat switch hole closing	1.219
12	GASKET - Plug	1.219
13	NUT - Shroud to radiator	1.277
14	SCREW - Shroud to radiator	1.277



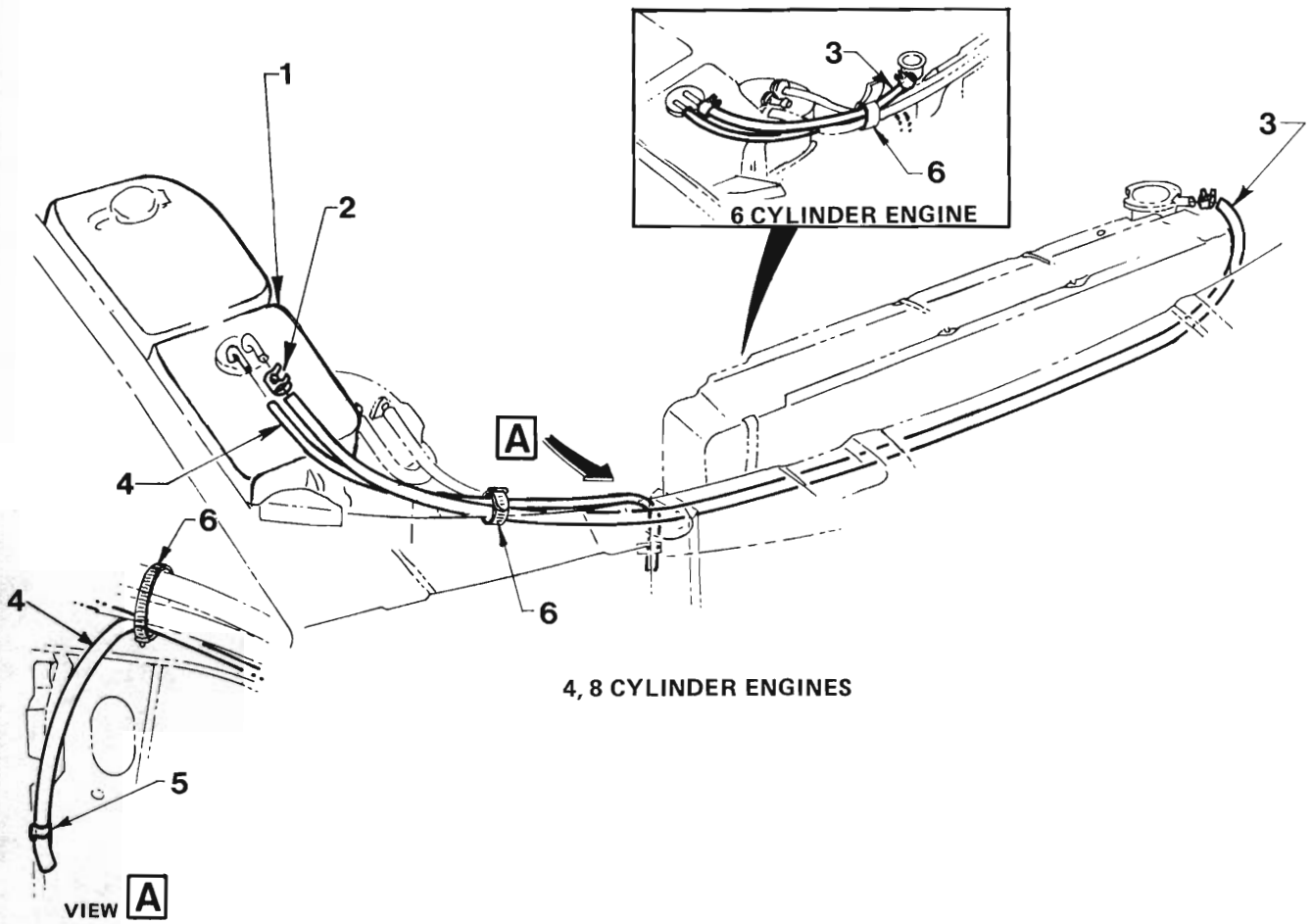
**RADIATOR
6 CYLINDER ENGINE**

REF. NO.	PART NAME	GROUP
1	RADIATOR ASM.....	1.219
2	SHROUD - Radiator fan.....	1.277
3	CAP ASM. - Radiator.....	1.203
4	HOSE - Upper.....	1.159
5	SWITCH - Auxiliary fan thermostat.....	1.055
6	CLIP - Shroud to radiator lower.....	1.277
7	HOSE - Lower.....	1.173
8	BUMPER - Lower.....	1.219
9	BUMPER - Side.....	1.219
10	RETAINER - Side mounting.....	1.219
11	SCREW - Shroud to radiator.....	1.277
12	PLUG - Thermostat switch hole closing.....	1.219
13	GASKET - Plug.....	1.219
14	NUT - Shroud to radiator.....	1.277
15	PROBE ASM. - Coolant level sensor.....	1.150
16	LEAD ASM. - Coolant level sensor.....	1.150
17	CLAMP - Radiator hose.....	1.166



**RADIATOR
8 CYLINDER ENGINE**

REF. NO.	PART NAME	GROUP
1	RADIATOR ASM.....	1.219
2	SHROUD - Radiator fan.....	1.277
3	CAP ASM. - Radiator.....	1.203
4	HOSE - Upper.....	1.159
5	SWITCH - Auxiliary fan thermostat.....	1.055
6	CLIP - Shroud to radiator lower.....	1.277
7	HOSE - Lower.....	1.173
8	BUMPER - Lower.....	1.219
9	BUMPER - Side.....	1.219
10	RETAINER - Side mounting.....	1.219
11	SCREW - Shroud to radiator.....	1.277
12	PLUG - Thermostat switch hole closing.....	1.219
13	GASKET - Plug.....	1.219
14	NUT - Shroud to radiator.....	1.277
15	PROBE ASM. - Coolant level sensor.....	1.150
16	LEAD ASM. - Coolant level sensor.....	1.150
17	CLAMP - Radiator hose.....	1.166

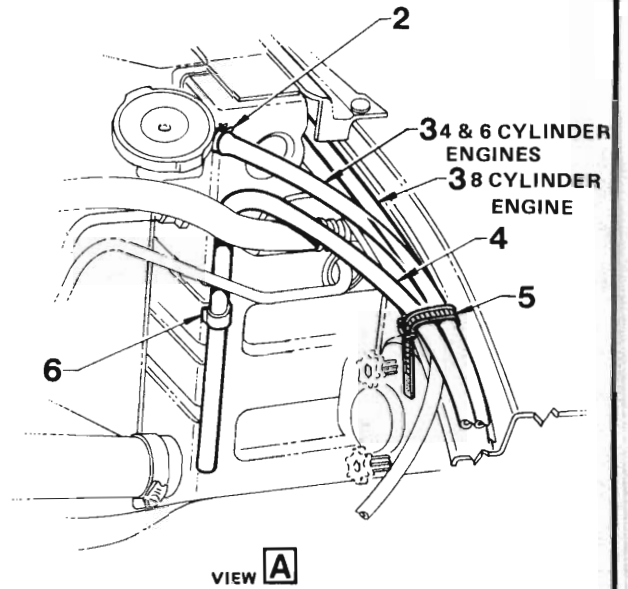
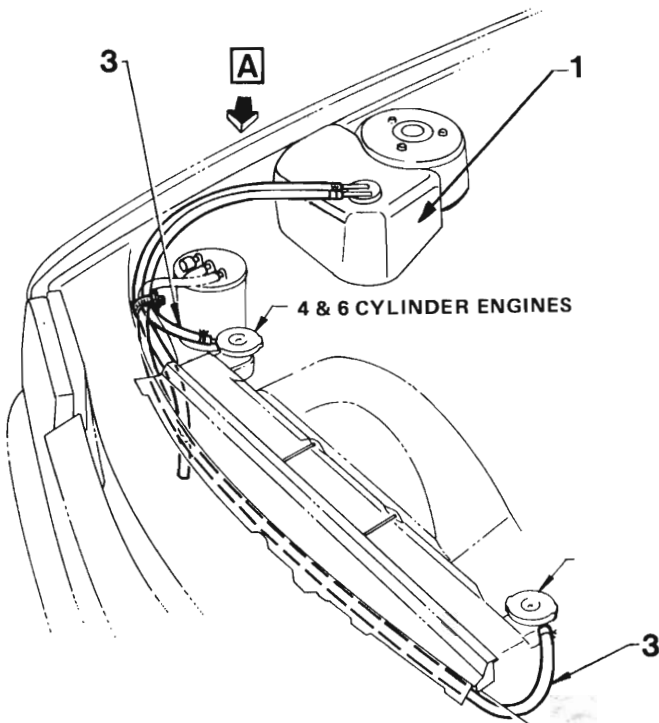


4, 8 CYLINDER ENGINES

6 CYLINDER ENGINE

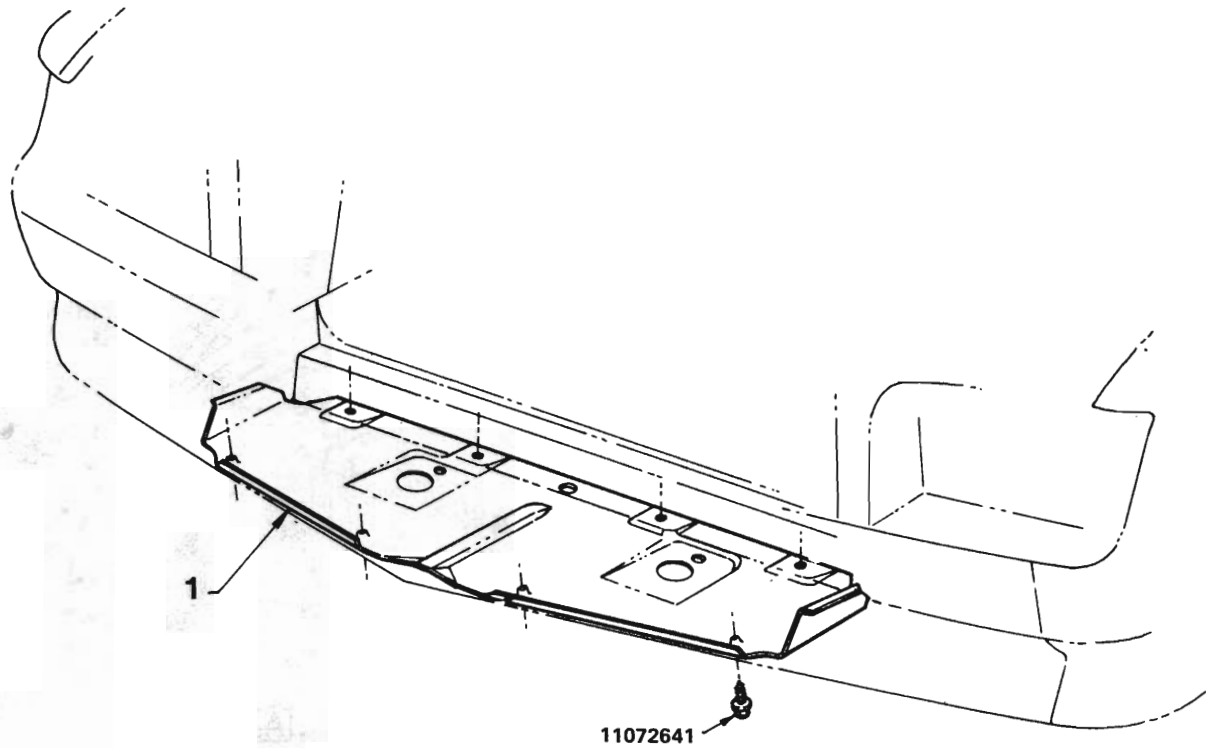
**RADIATOR OVERFLOW
VB, VC, VH SERIES**

REF. NO.	PART NAME	GROUP
1	RESERVOIR	1.240
2	CLAMP - Hose to radiator & reservoir	1.240
3	HOSE - Radiator to reservoir	1.240
4	HOSE - Reservoir overflow	1.240
5	CLIP - Overflow hose to radiator panel	1.240
6	STRAP - Hoses	1.240



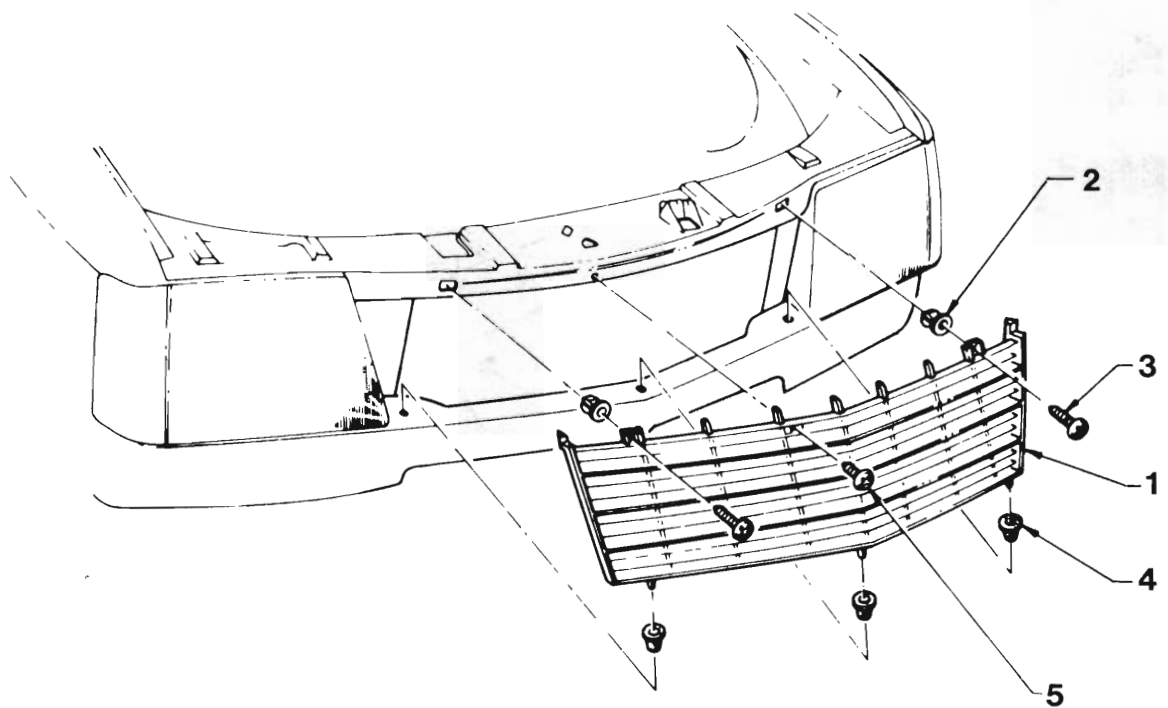
**RADIATOR OVERFLOW
VK SERIES**

REF. NO.	PART NAME	GROUP
1	RESERVOIR - Radiator overflow	1.240
2	CLAMP - Hose to radiator & reservoir	1.240
3	HOSE - Radiator to reservoir	1.240
4	HOSE - Reservoir overflow	1.240
5	STRAP - Hoses	1.240
6	CLIP - Overflow hose to radiator panel	1.240

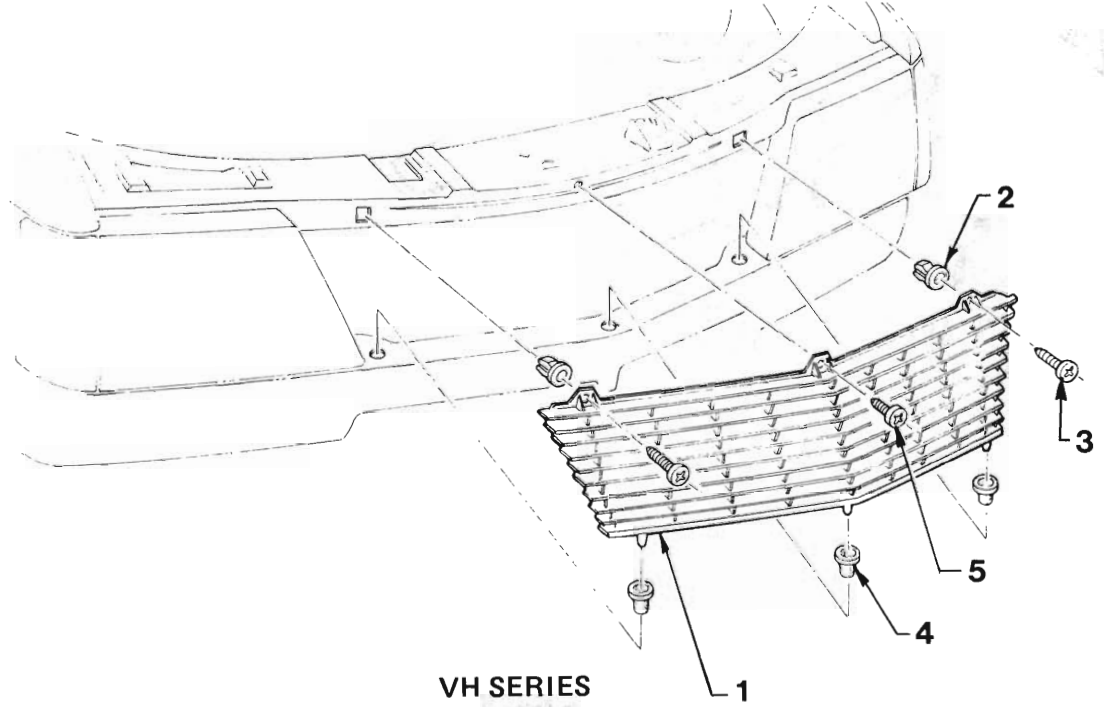


BAFFLE - SKIRT TO CROSSMEMBER

REF. NO.	PART NAME	GROUP
1	BAFFLE.....	1.263



VB, VC SERIES

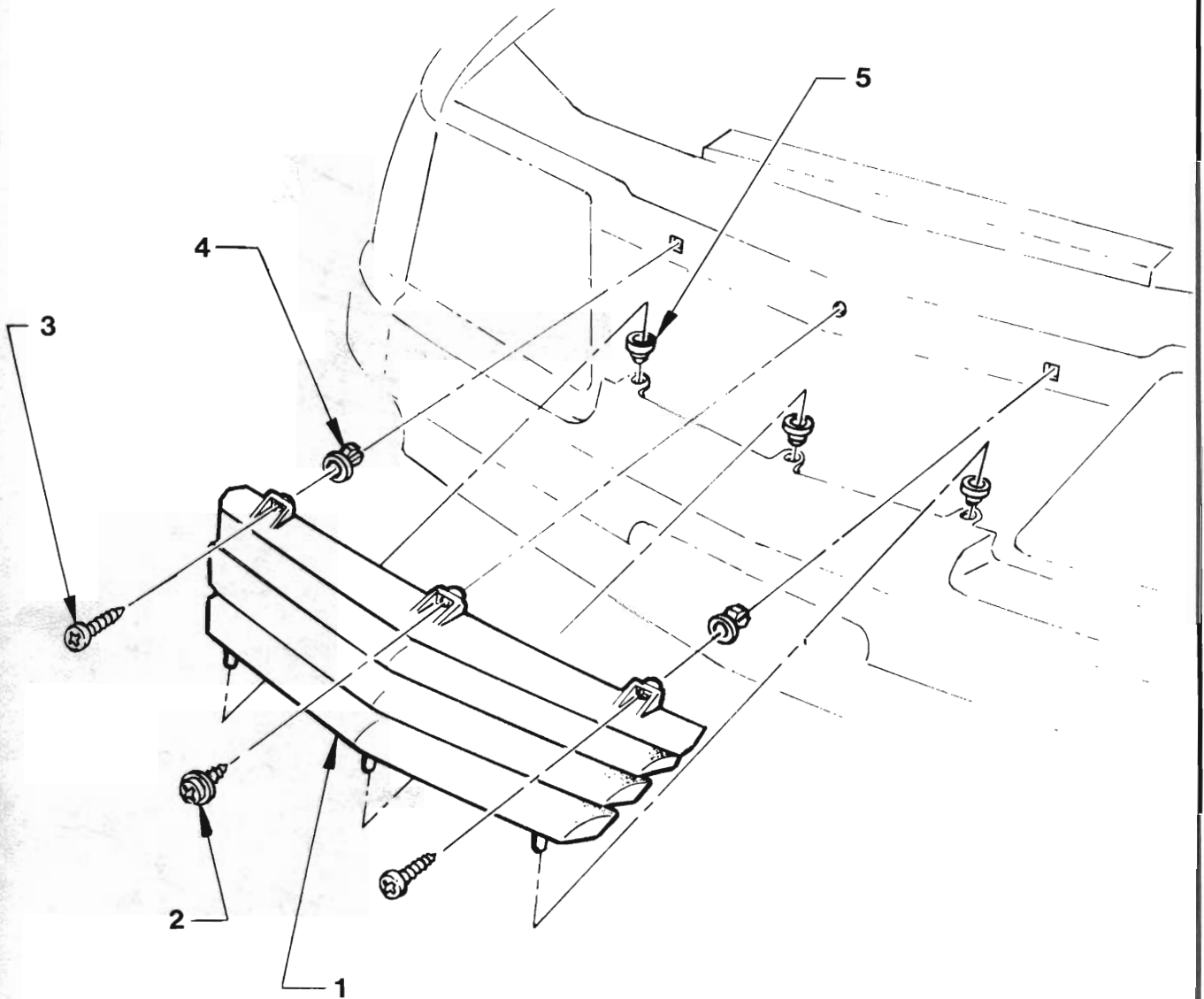


VH SERIES

RADIATOR GRILLE

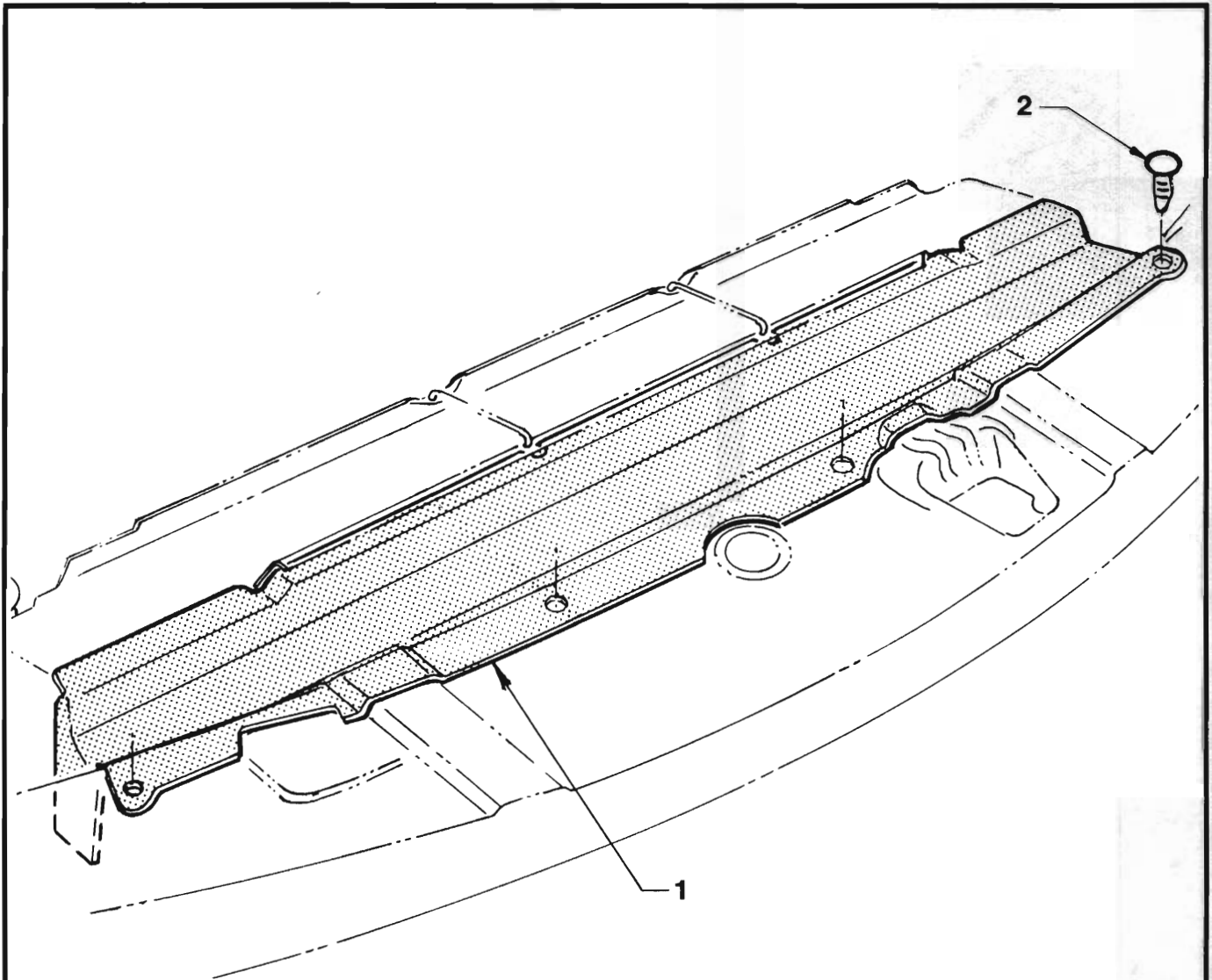
VB, VC, VH SERIES

REF. NO.	PART NAME	GROUP
1	GRILLE ASM. - Radiator	1.266
2	NUT - Grille upper	1.266
3	SCREW - Grille upper side	1.266
4	GROMMET - Grille mounting lower	1.266
5	SCREW - Grille upper centre.....	1.266



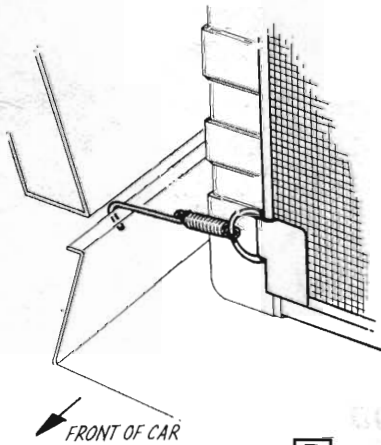
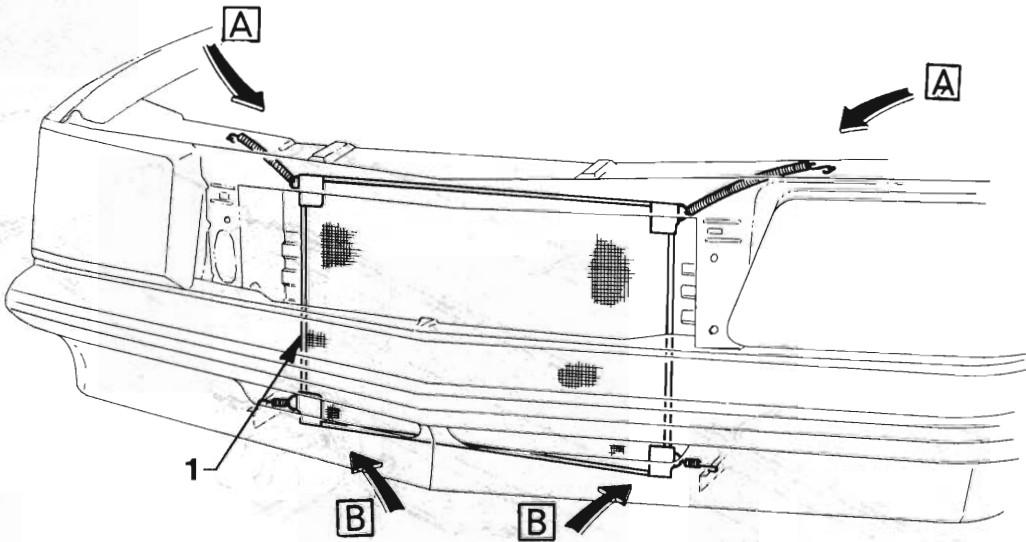
**RADIATOR GRILLE
VK SERIES**

REF. NO.	PART NAME	GROUP
1	GRILLE ASM. - Radiator	1.266
2	SCREW - Grille upper centre.....	1.266
3	SCREW - Grille upper side	1.266
4	NUT - Grille upper	1.266
5	GROMMET - Grille mounting lower	1.266

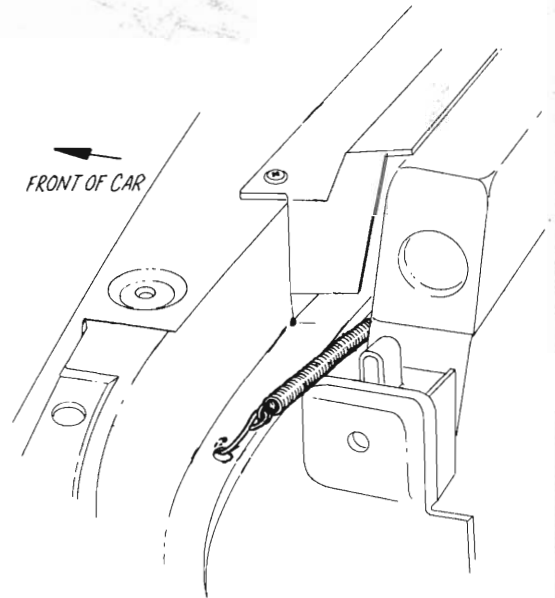


RADIATOR AIR INTAKE SHROUD

REF. NO.	PART NAME	GROUP
1	SHROUD - Radiator air intake.....	1.277
2	RETAINER - Shroud to front panel.....	1.277



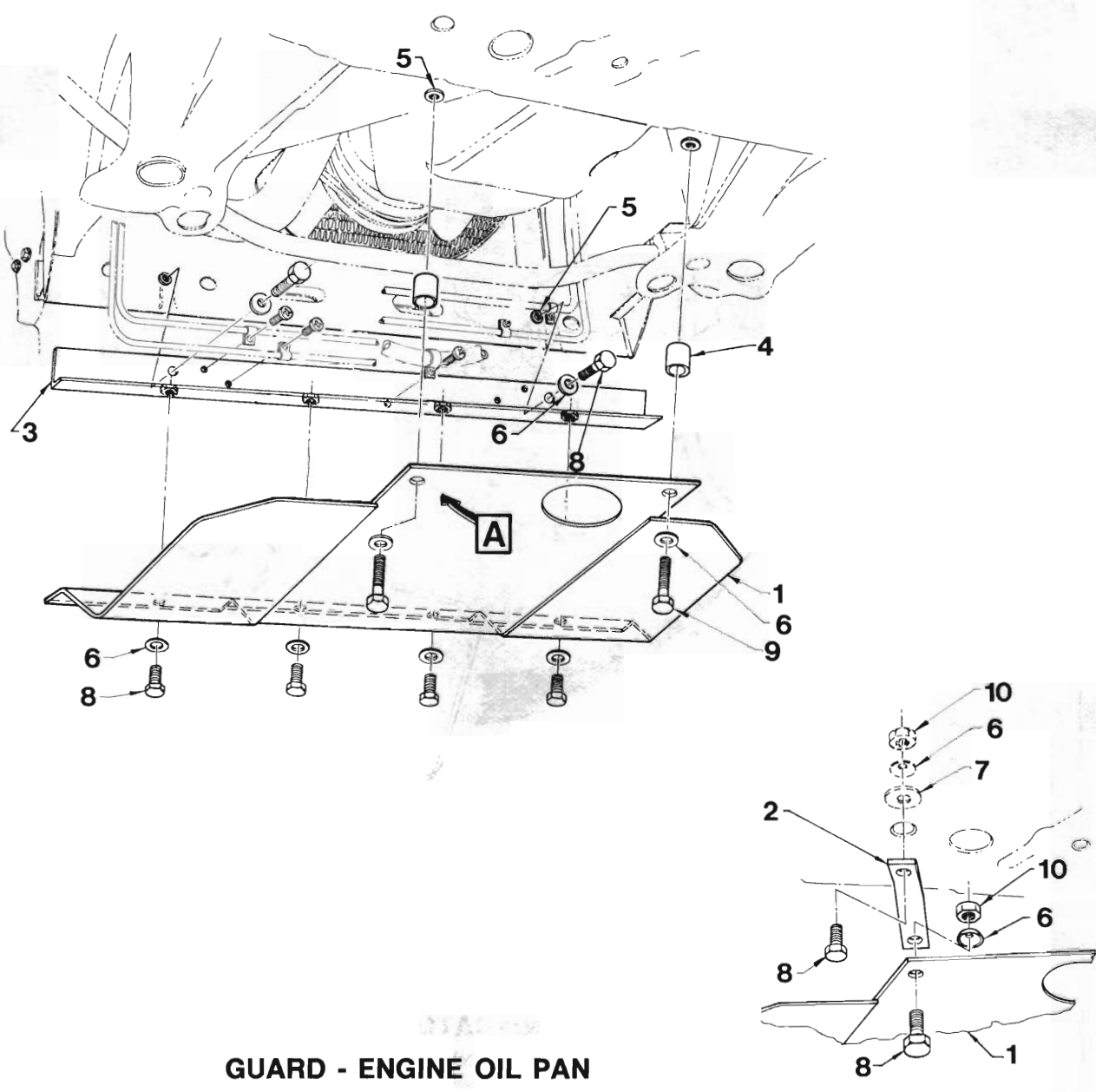
VIEW **B**



VIEW **A**

**RADIATOR INTERNAL INSECT SCREEN
EXC. AIR CONDITIONING**

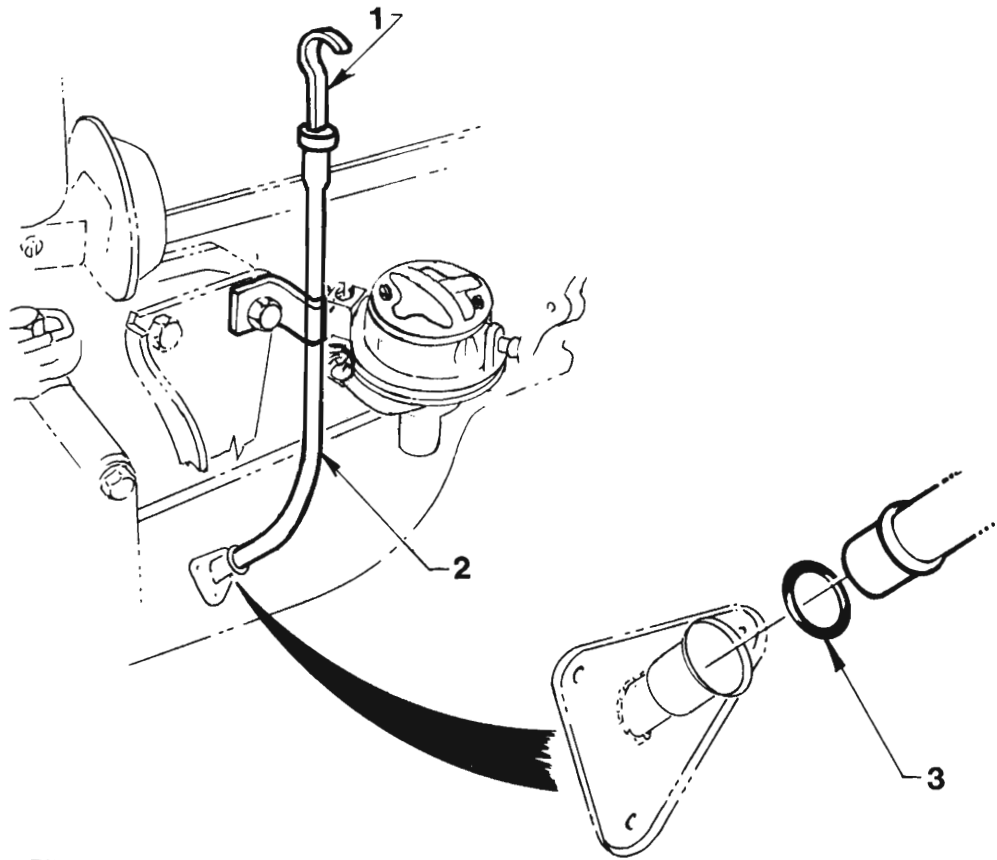
REF. NO.	PART NAME	GROUP
1	SCREEN PACKAGE	1.303



**GUARD - ENGINE OIL PAN
WITH OUTBACK EQUIPMENT**

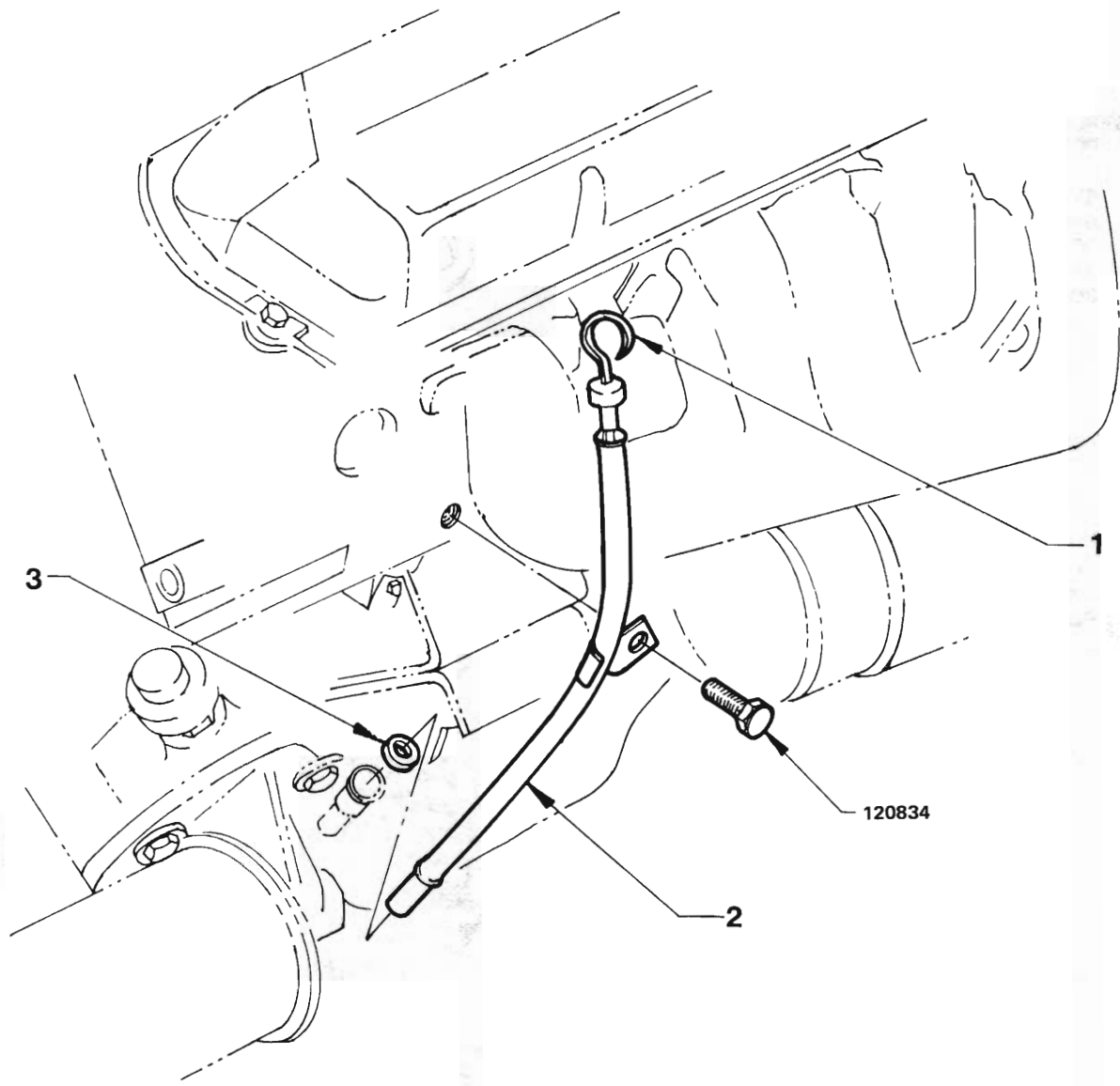
VIEW **A**

REF. NO.	PART NAME	GROUP
1	GUARD & SPLASH PAN ASM.....	1.431
2	BAR - Extension	1.431
3	BRACKET - Guard to front member.....	1.431
4	SPACER - Guard to crossmember	1.431
5	NUTSERT - M8 x 1.25	1.431
6	WASHER - Conical - M8 x 18 x 2.....	1.431
7	WASHER - Flat - M8 x 22 x 2.....	1.431
8	BOLT - M8 x 1.25 x 25.....	1.431
9	BOLT - M8 x 1.25 x 45.....	1.431
10	NUT - M8 x 1.25.....	1.431



**OIL LEVEL INDICATOR
6 CYLINDER ENGINE**

REF. NO.	PART NAME	GROUP
1	INDICATOR ASM. - Oil level	1.516
2	TUBE ASM. - Oil level indicator	1.516
3	SEAL - Oil level indicator tube	1.516



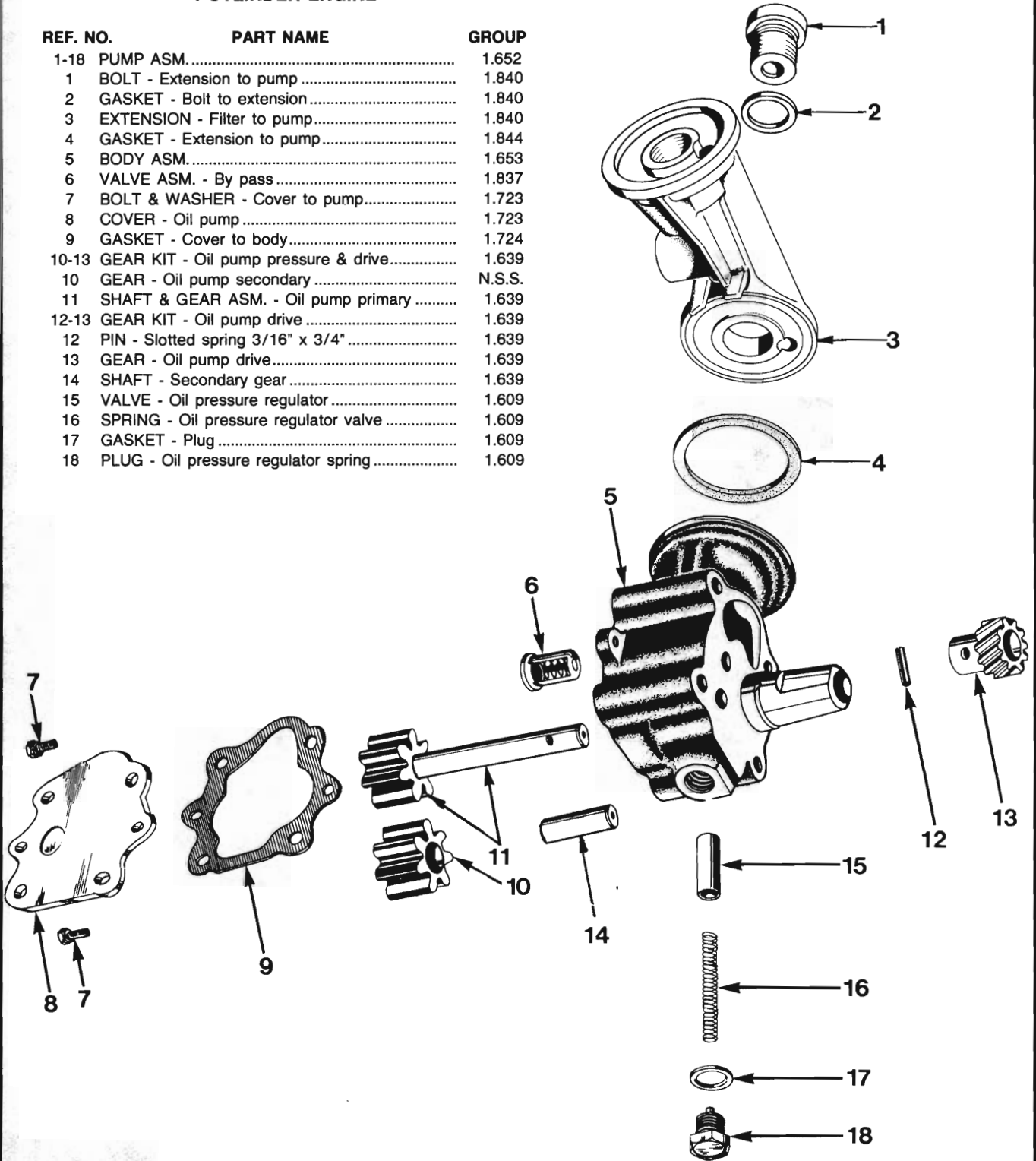
**OIL LEVEL INDICATOR
8 CYLINDER ENGINE**

REF. NO.	PART NAME	GROUP
1	INDICATOR ASM. - Oil level	1.516
2	TUBE ASM. - Oil level indicator	1.516
3	SEAL - Oil level indicator tube	1.516



**OIL PUMP
4 CYLINDER ENGINE**

REF. NO.	PART NAME	GROUP
1-18	PUMP ASM.....	1.652
1	BOLT - Extension to pump.....	1.840
2	GASKET - Bolt to extension.....	1.840
3	EXTENSION - Filter to pump.....	1.840
4	GASKET - Extension to pump.....	1.844
5	BODY ASM.....	1.653
6	VALVE ASM. - By pass.....	1.837
7	BOLT & WASHER - Cover to pump.....	1.723
8	COVER - Oil pump.....	1.723
9	GASKET - Cover to body.....	1.724
10-13	GEAR KIT - Oil pump pressure & drive.....	1.639
10	GEAR - Oil pump secondary.....	N.S.S.
11	SHAFT & GEAR ASM. - Oil pump primary.....	1.639
12-13	GEAR KIT - Oil pump drive.....	1.639
12	PIN - Slotted spring 3/16" x 3/4".....	1.639
13	GEAR - Oil pump drive.....	1.639
14	SHAFT - Secondary gear.....	1.639
15	VALVE - Oil pressure regulator.....	1.609
16	SPRING - Oil pressure regulator valve.....	1.609
17	GASKET - Plug.....	1.609
18	PLUG - Oil pressure regulator spring.....	1.609

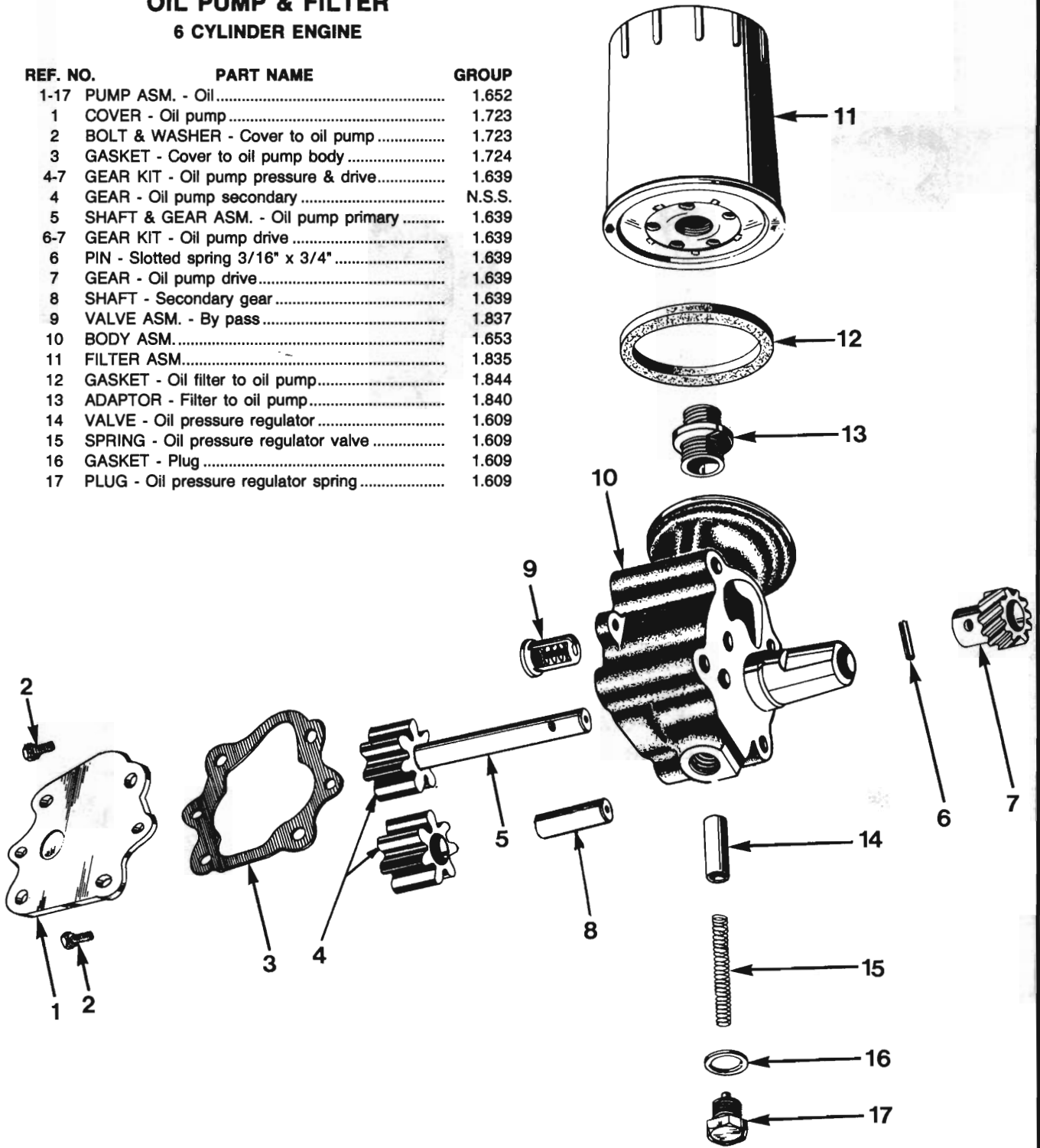


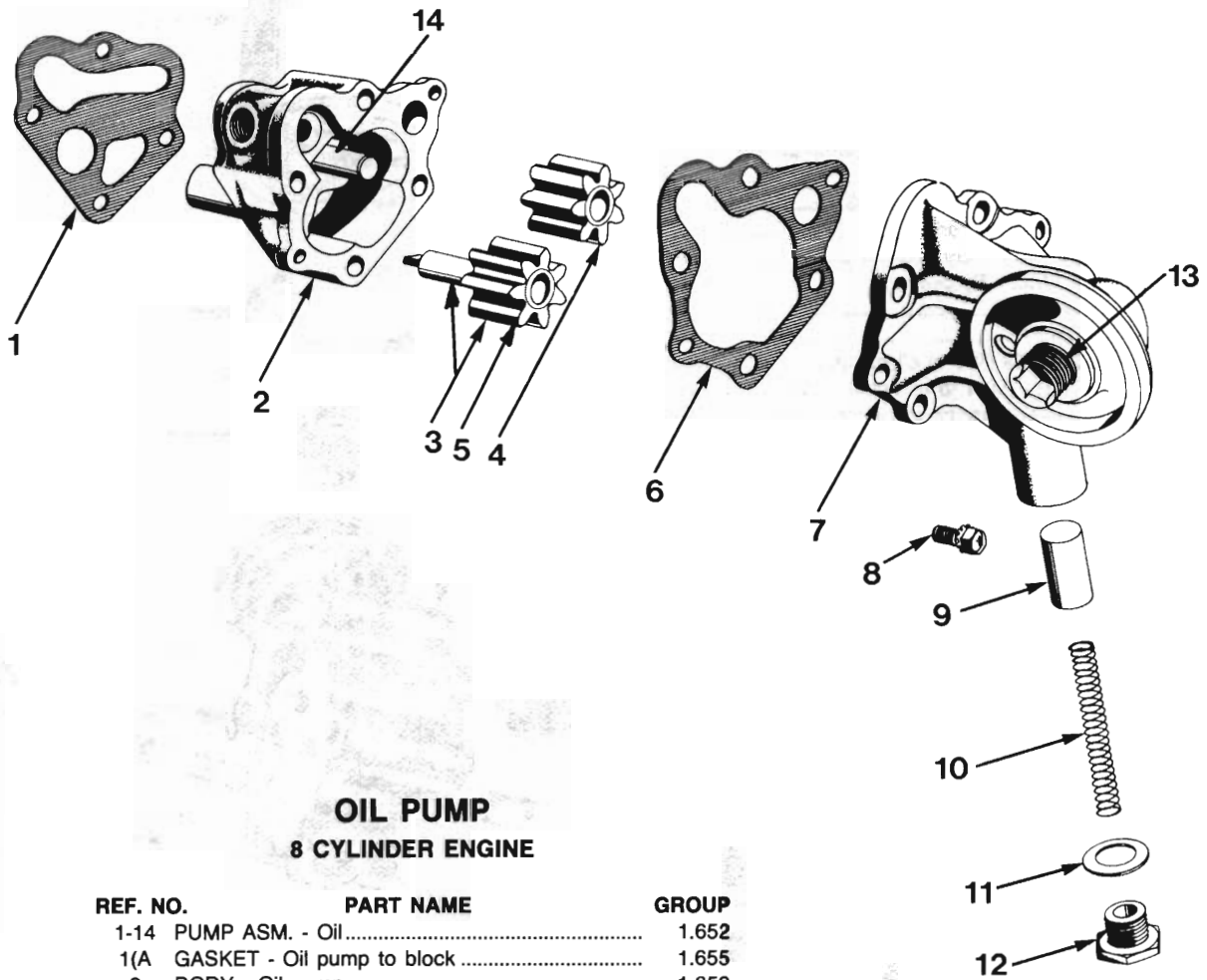


"V" SERIES PARTS CATALOGUE

OIL PUMP & FILTER 6 CYLINDER ENGINE

REF. NO.	PART NAME	GROUP
1-17	PUMP ASM. - Oil.....	1.652
1	COVER - Oil pump.....	1.723
2	BOLT & WASHER - Cover to oil pump.....	1.723
3	GASKET - Cover to oil pump body.....	1.724
4-7	GEAR KIT - Oil pump pressure & drive.....	1.639
4	GEAR - Oil pump secondary.....	N.S.S.
5	SHAFT & GEAR ASM. - Oil pump primary.....	1.639
6-7	GEAR KIT - Oil pump drive.....	1.639
6	PIN - Slotted spring 3/16" x 3/4".....	1.639
7	GEAR - Oil pump drive.....	1.639
8	SHAFT - Secondary gear.....	1.639
9	VALVE ASM. - By pass.....	1.837
10	BODY ASM.....	1.653
11	FILTER ASM.....	1.835
12	GASKET - Oil filter to oil pump.....	1.844
13	ADAPTOR - Filter to oil pump.....	1.840
14	VALVE - Oil pressure regulator.....	1.609
15	SPRING - Oil pressure regulator valve.....	1.609
16	GASKET - Plug.....	1.609
17	PLUG - Oil pressure regulator spring.....	1.609

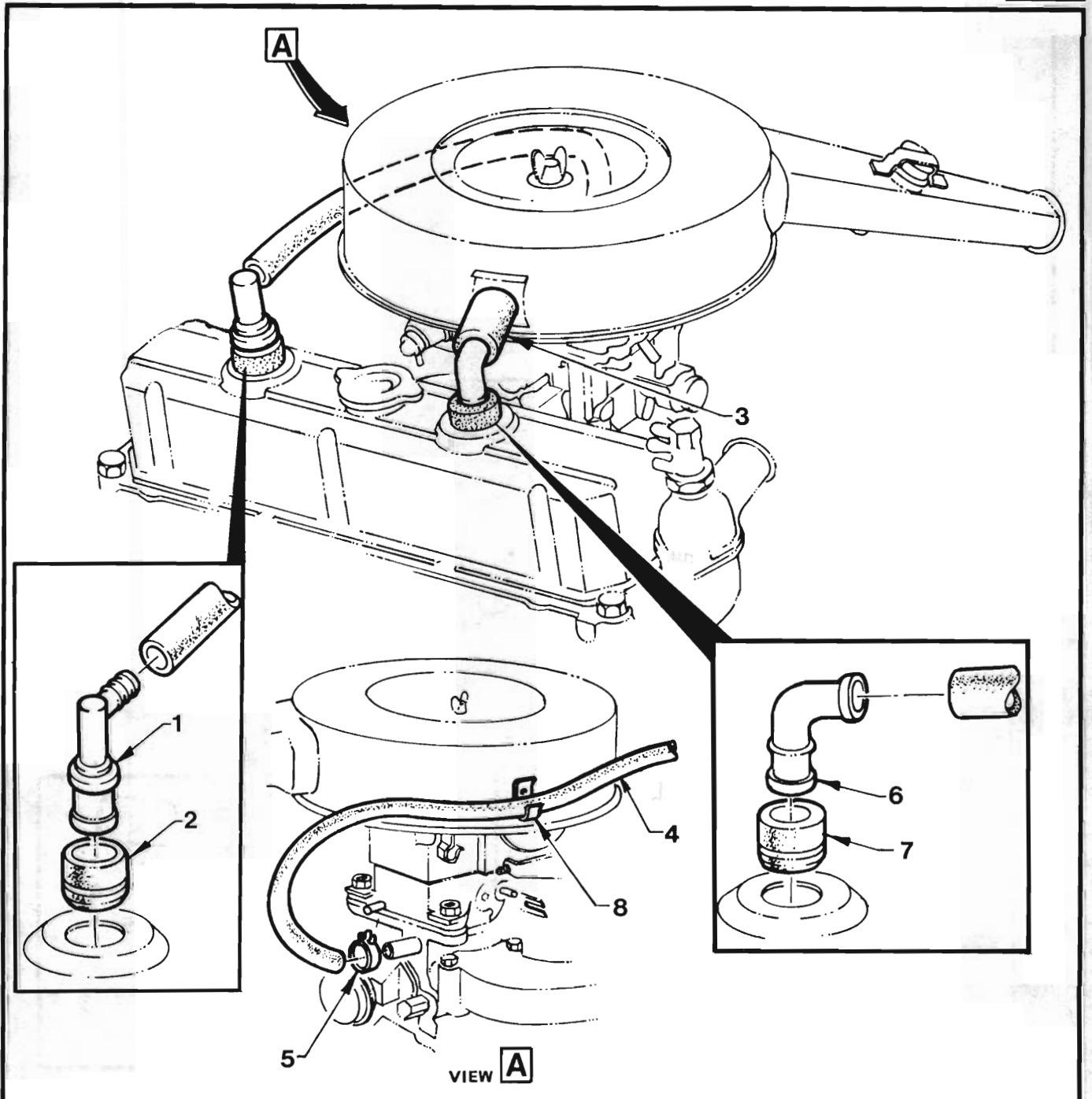




**OIL PUMP
8 CYLINDER ENGINE**

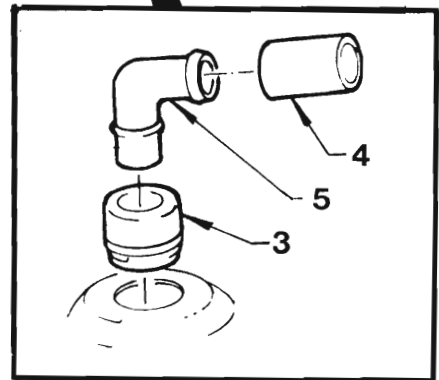
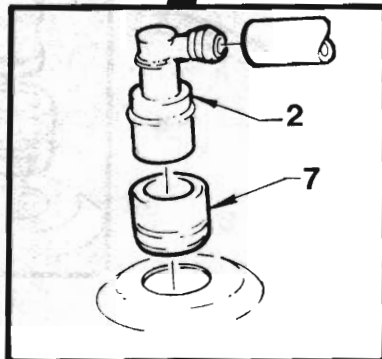
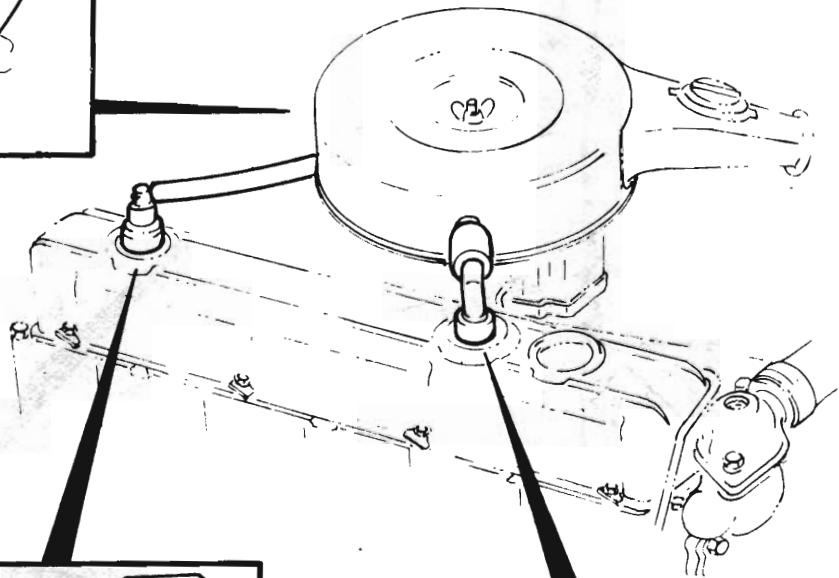
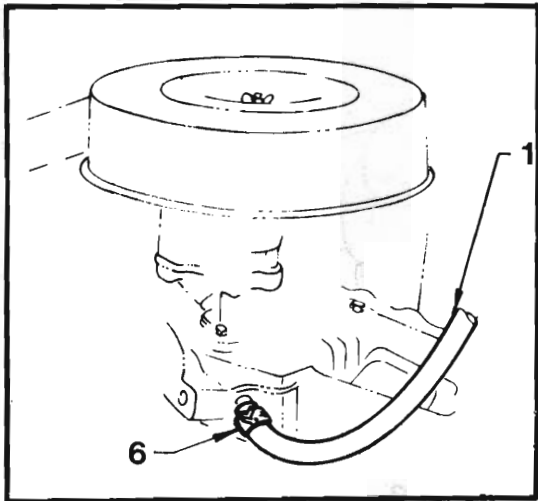
REF. NO.	PART NAME	GROUP
1-14	PUMP ASM. - Oil.....	1.652
1(A)	GASKET - Oil pump to block	1.655
2	BODY - Oil pump.....	1.653
3(A)	GEAR & SHAFT ASM. - Primary	1.639
4(A)	GEAR - Secondary.....	1.639
5	GEAR - Primary.....	1.639
6(A)	GASKET - Cover to body.....	1.724
7	COVER ASM. - Oil pump	1.723
8	BOLT & WASHER - Cover to oil pump body	1.723
9	VALVE - Oil pressure regulator	1.609
10	SPRING - Oil pressure regulator valve	1.609
11	GASKET - Valve cap	1.609
12	CAP - Valve spring.....	1.609
13	ADAPTOR - Filter to pump	1.840
14	SHAFT - Secondary gear	1.639

NOTE:- (A Parts included in Repair Kit. Refer Group 1.652)



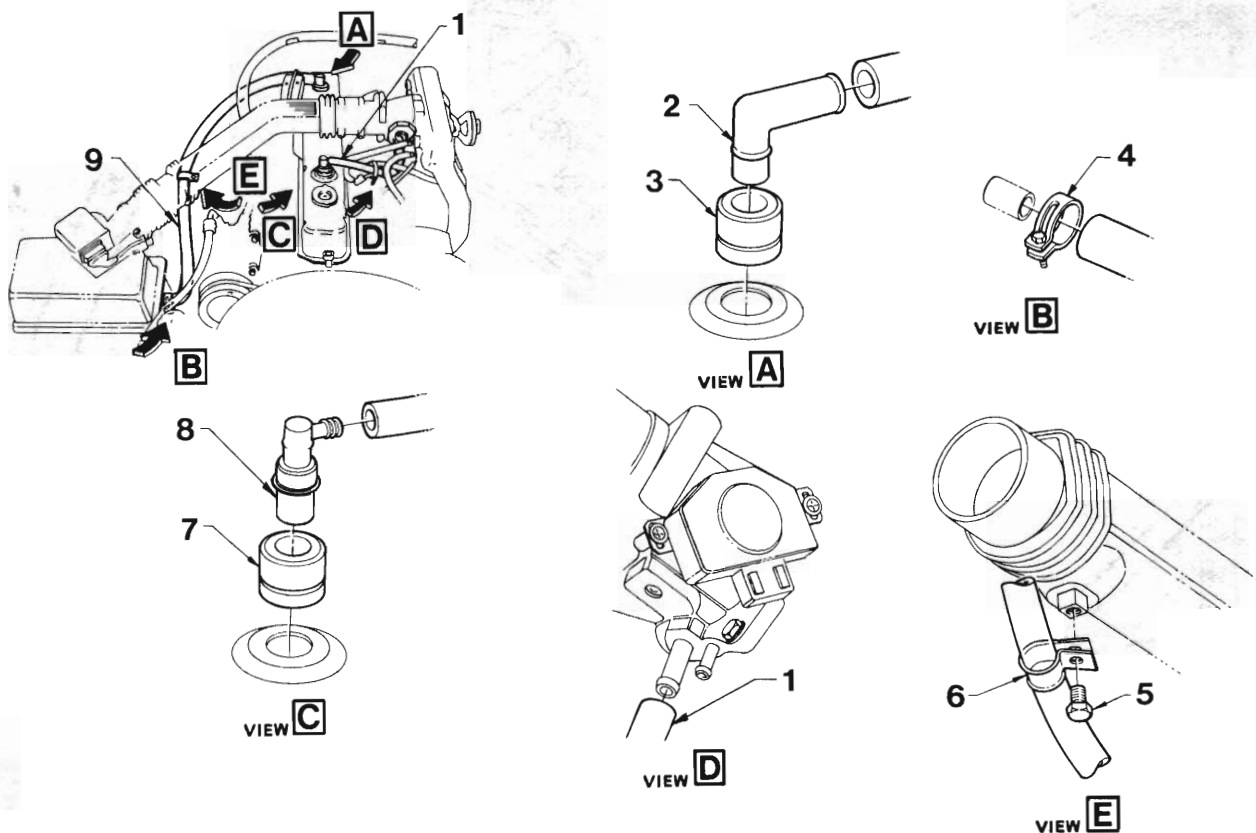
**ENGINE VENTILATION
4 CYLINDER ENGINE**

REF. NO.	PART NAME	GROUP
1	VALVE ASM. - Crankcase ventilator.....	1.745
2	GROMMET - Crankcase ventilator valve.....	1.745
3	HOSE - Breather outlet connector to air cleaner.....	1.762
4	HOSE - Valve to manifold.....	1.762
5	CLAMP - Valve hose to manifold.....	1.750
6	CONNECTOR - Breather outlet hose.....	1.762
7	GROMMET - Breather outlet hose connector.....	1.745
8	CLIP - Valve hose to air cleaner.....	1.750



**ENGINE VENTILATION
6 CYLINDER ENGINE
EXC. ELECTRONIC FUEL INJECTION**

REF. NO.	PART NAME	GROUP
1	HOSE - Valve to manifold.....	1.762
2	VALVE ASM. - Crankcase ventilator.....	1.745
3	GROMMET - Breather outlet hose connector.....	1.745
4	HOSE - Breather outlet connector to air cleaner	1.762
5	CONNECTOR - Breather outlet hose.....	1.762
6	CLAMP - Valve hose to manifold.....	1.750
7	GROMMET - Crankcase ventilator valve.....	1.745



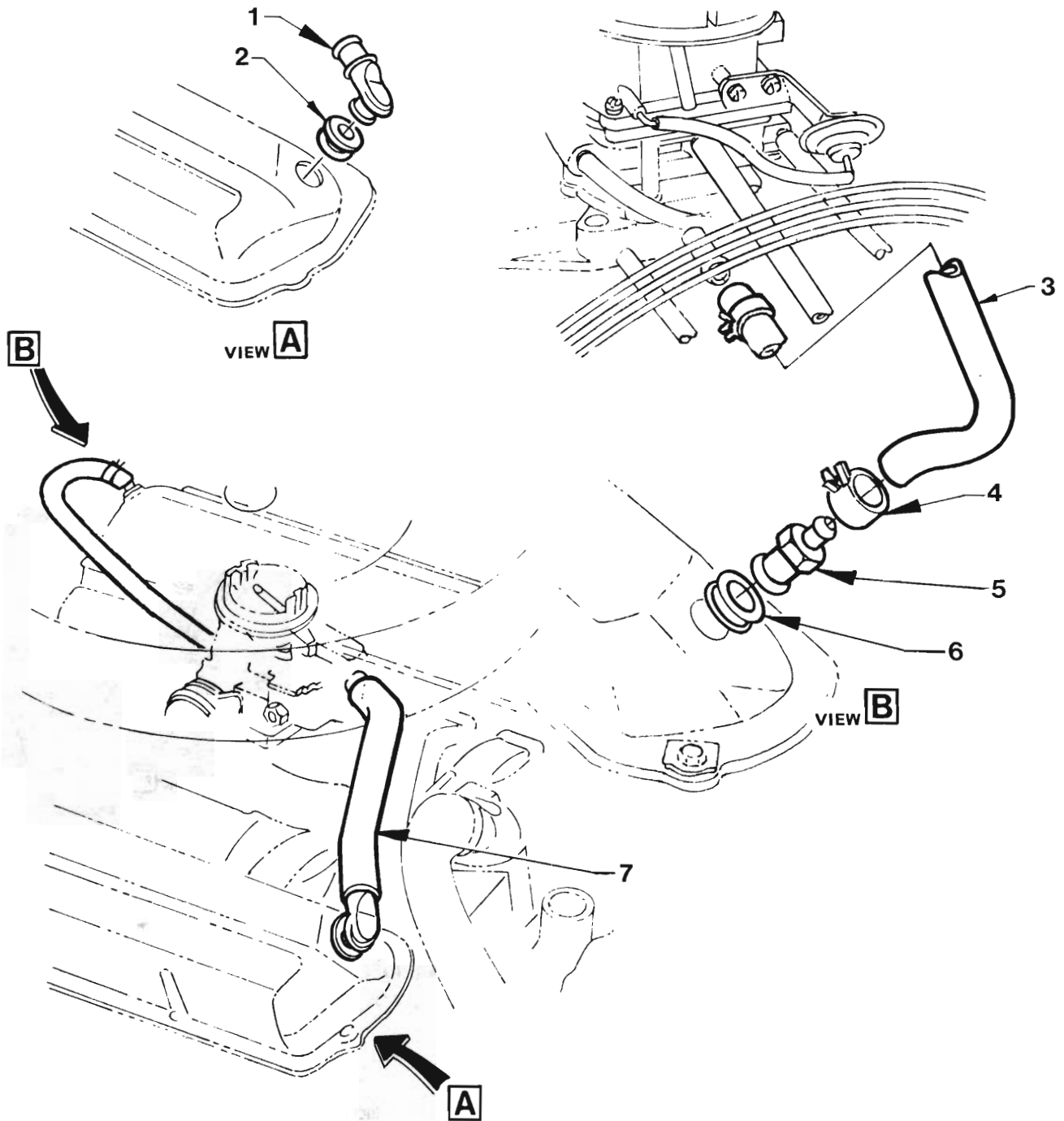
ENGINE VENTILATION

**3.3 LITRE ENGINE WITH ELECTRONIC FUEL INJECTION
VK SERIES**

REF. NO.	PART NAME	GROUP
1	HOSE - Valve to throttle body.....	1.762
2	CONNECTOR - Breather outlet to inlet duct.....	1.762
3	GROMMET - Breather outlet hose connector.....	1.745
4	CLAMP - Breather hose to air cleaner.....	1.762
5	SCREW - Clip to duct asm.	1.762
6	CLIP - Hose to duct asm.	1.762
7	GROMMET - Crankcase ventilator valve.....	1.745
8	VALVE ASM. - Crankcase ventilator valve.....	1.745
9	HOSE - Breather outlet to air cleaner	1.762

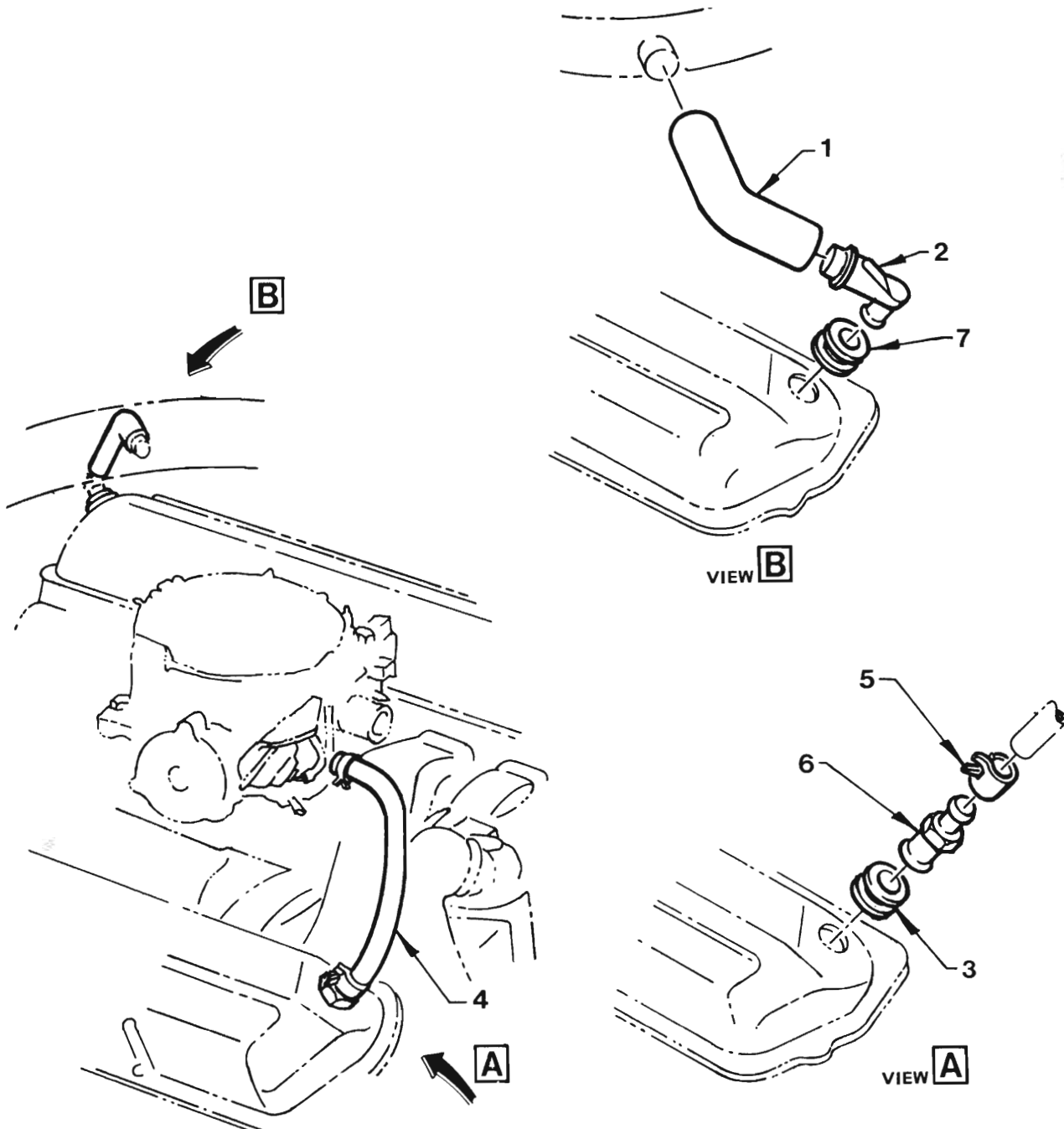


"V" SERIES PARTS CATALOGUE



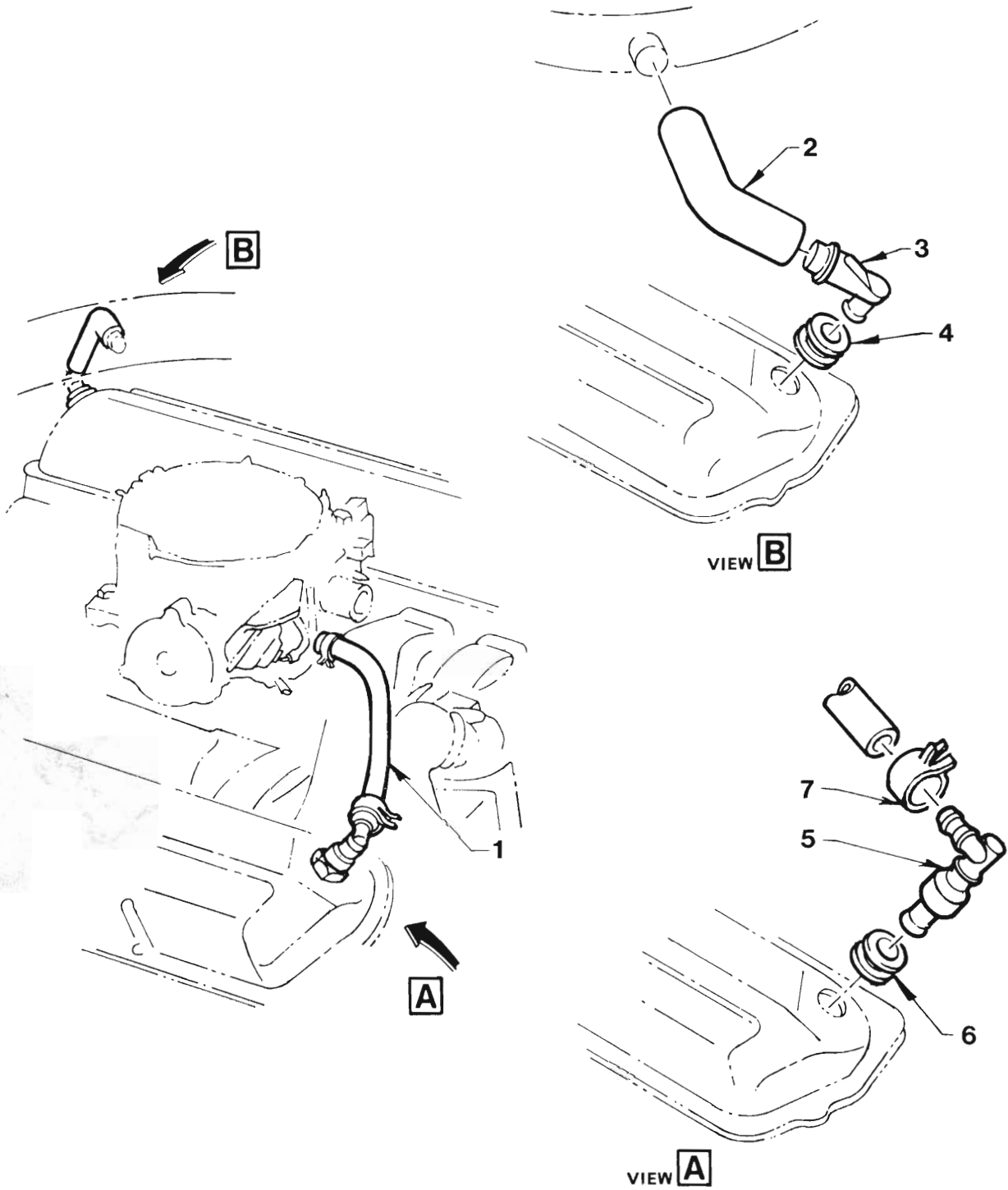
ENGINE VENTILATION 4.2 LITRE ENGINE VB SERIES

REF. NO.	PART NAME	GROUP
1	CONNECTOR - Breather outlet hose.....	1.762
2	GROMMET - Breather outlet hose connector.....	1.745
3	HOSE - Valve to carburettor.....	1.762
4	CLAMP - Valve hose to manifold.....	1.750
5	VALVE ASM. - Crankcase ventilator.....	1.745
6	GROMMET - Crankcase ventilator valve.....	1.745
7	HOSE - Breather outlet connector to carburettor	1.762



**ENGINE VENTILATION
5.0 LITRE ENGINE
VB SERIES**

REF. NO.	PART NAME	GROUP
1	HOSE - Breather outlet connector to air cleaner	1.762
2	CONNECTOR - Breather outlet hose.....	1.762
3	GROMMET - Crankcase ventilator valve.....	1.745
4	HOSE - Valve to carburettor.....	1.762
5	CLAMP - Valve hose to manifold.....	1.750
6	VALVE ASM. - Crankcase ventilator.....	1.745
7	GROMMET - Breather outlet hose connector.....	1.745



ENGINE VENTILATION
8 CYLINDER ENGINE
VC, VH, VK SERIES

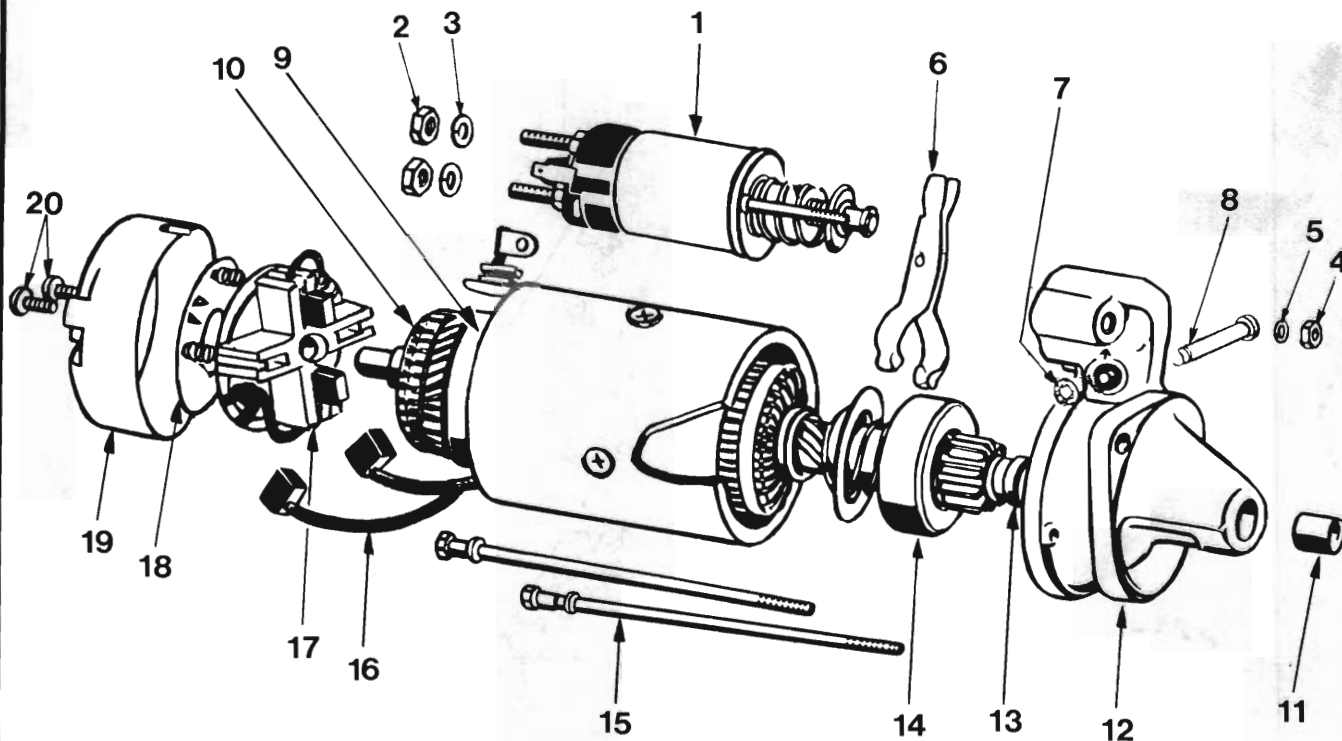
REF. NO.	PART NAME	GROUP
1	HOSE - Valve to carburettor.....	1.762
2	HOSE - Breather outlet connector to air cleaner	1.762
3	CONNECTOR - Breather outlet hose.....	1.762
4	GROMMET - Breather outlet hose connector.....	1.745
5	VALVE ASM. - Crankcase ventilator.....	1.745
6	GROMMET - Crankcase ventilator valve.....	1.745
7	CLAMP - Valve hose to manifold.....	1.750



GROUP

2.000

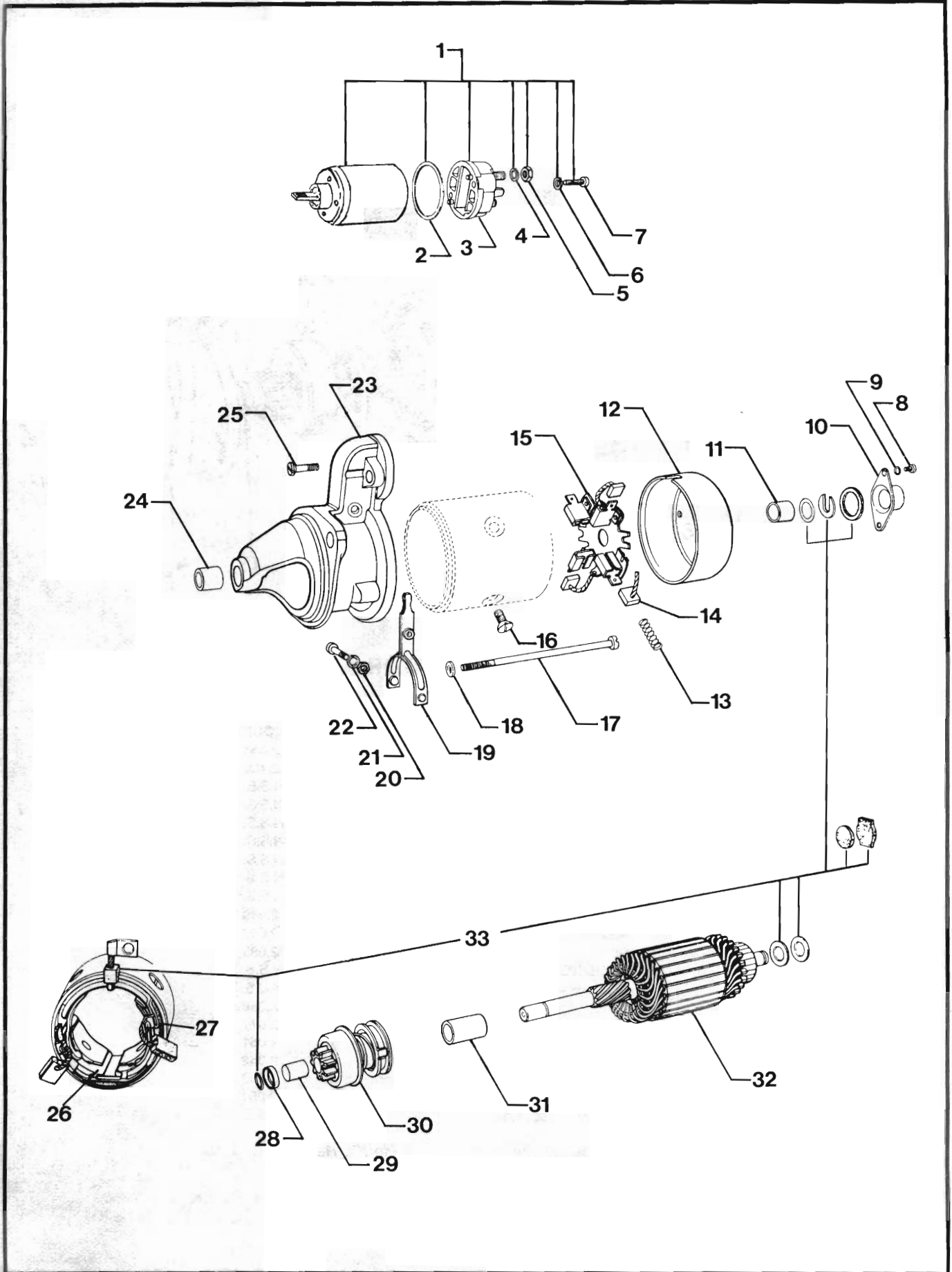
**ENGINE ELECTRICAL
CHASSIS WIRING
EXTERIOR LAMPS**



**STARTER MOTOR
LUCAS**

REF. NO.	PART NAME	GROUP
1-20	MOTOR ASM. - Starter.....	2.041
1	SWITCH ASM. - Solenoid.....	2.100
2	NUT - Terminal	N.S.S.
3	WASHER - Terminal nut.....	N.S.S.
4	NUT - Switch attaching.....	N.S.S.
5	WASHER - Switch attaching nut.....	N.S.S.
6(A)	LEVER ASM. - Shift.....	N.S.S.
7(A)	RING - Pivot pin retaining.....	N.S.S.
8(A)	PIN - Shaft lever pivot.....	N.S.S.
9	COIL ASM. - Field.....	2.049
10	ARMATURE ASM.	2.043
11	BUSH - Drive end.....	2.083
12	HOUSING - Starter motor drive.....	N.S.S.
13	COLLAR - Drive end.....	N.S.S.
14	DRIVE ASM.	2.086
15	BOLT - Starter motor through.....	2.077
16	BRUSH KIT.....	2.051
17	PLATE ASM. - Brush holder.....	2.052
18	SPRING & PLATE ASM. - Starter motor brush...	2.053
19	FRAME ASM. - Commutator end.....	2.067
20	SCREW - Attaching.....	N.S.S.

NOTE:- (A Parts included in Lever & Pin Kit. Refer Group 2.108



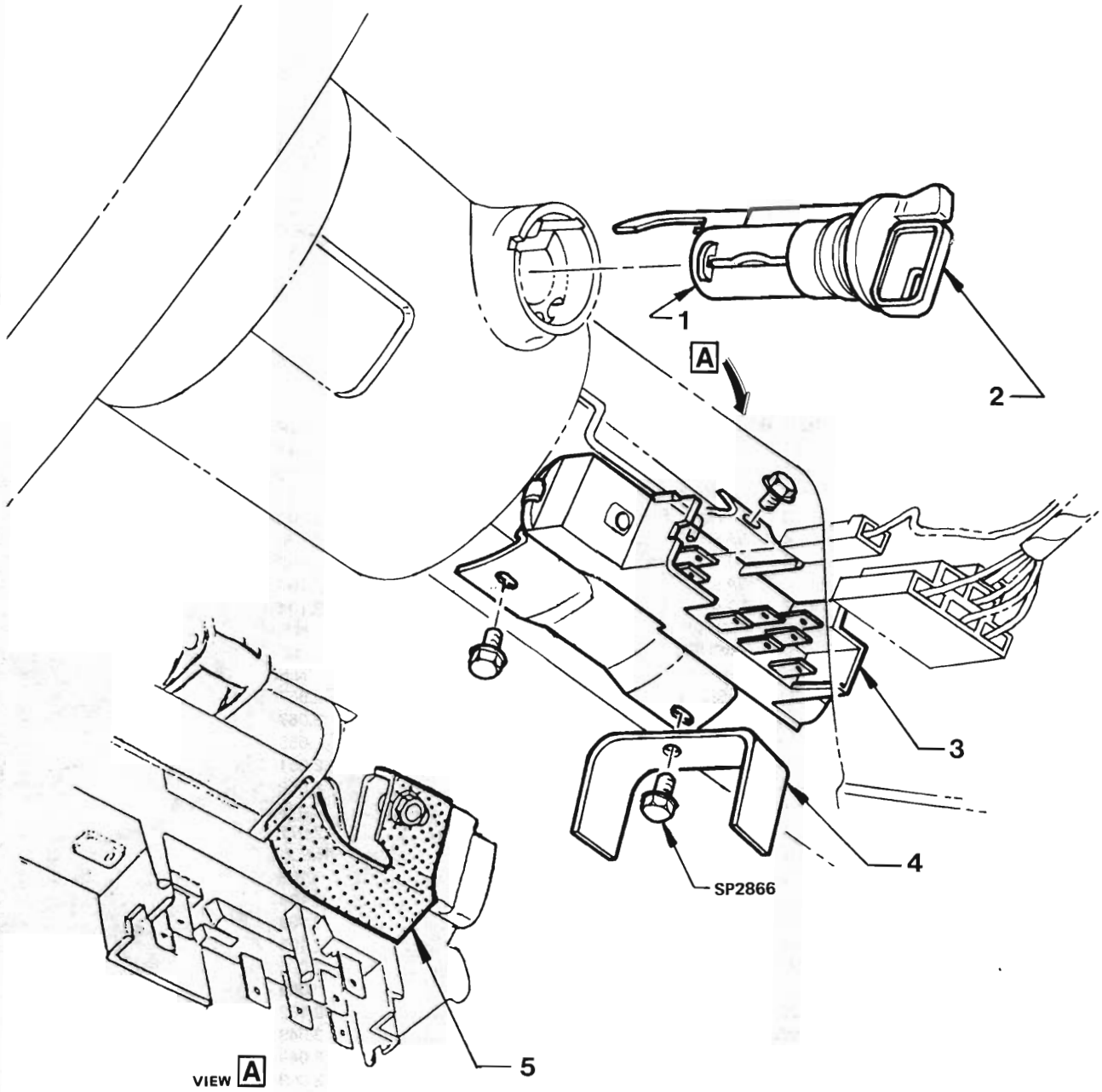


STARTER MOTOR

BOSCH

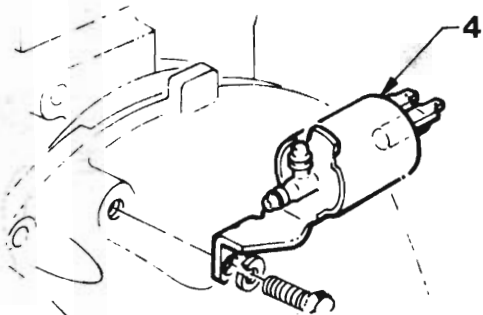
ILLUSTRATION OPPOSITE

REF. NO.	PART NAME	GROUP
1-33	MOTOR ASM. - Starter.....	2.041
1	SWITCH ASM. - Solenoid.....	2.100
2	GASKET - Solenoid.....	2.104
3	COVER - Solenoid switch.....	2.104
4	WASHER - Contact bolt.....	N.S.S.
5	NUT - Contact bolt.....	2.102
6	WASHER - Cover attaching screw.....	2.104
7	SCREW - Cover attaching.....	2.104
8	SCREW - Bearing cap.....	N.S.
9	WASHER - Bearing cap screw.....	N.S.
10	CAP - Bearing.....	N.S.
11	BUSH - Commutator end.....	2.067
12	FRAME ASM. - Commutator end.....	2.067
13	SPRING - Brush.....	2.053
14	BRUSH KIT.....	2.051
15	PLATE ASM. - Brush holder.....	2.052
16	SCREW - Pole shoe.....	2.077
17	BOLT - Through.....	2.077
18	WASHER - Through bolt.....	N.S.S.
19	LEVER ASM. - Shift.....	2.108
20	NUT - Lever screw.....	2.108
21	WASHER - Lever screw.....	2.108
22	SCREW - Lever pivot.....	2.108
23	HOUSING ASM. - Drive end with bush.....	2.085
24	BUSH - Drive end.....	2.083
25	SCREW - Solenoid switch attaching.....	2.102
26	COIL ASM. - Field.....	2.049
27	INSULATOR - Field coil to housing.....	2.049
28	RING - Drive stop.....	2.063
29	BUSH - Drive.....	2.086
30	DRIVE ASM.....	2.086
31	SLEEVE - Drive.....	2.086
32	ARMATURE ASM.....	2.043
33	SUNDRY PARTS KIT.....	2.041

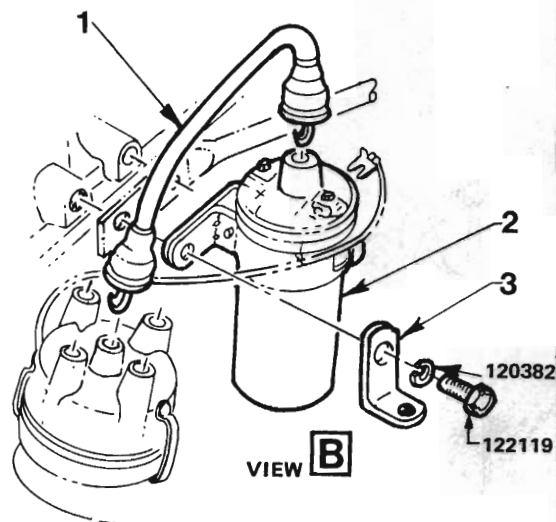


IGNITION SWITCH

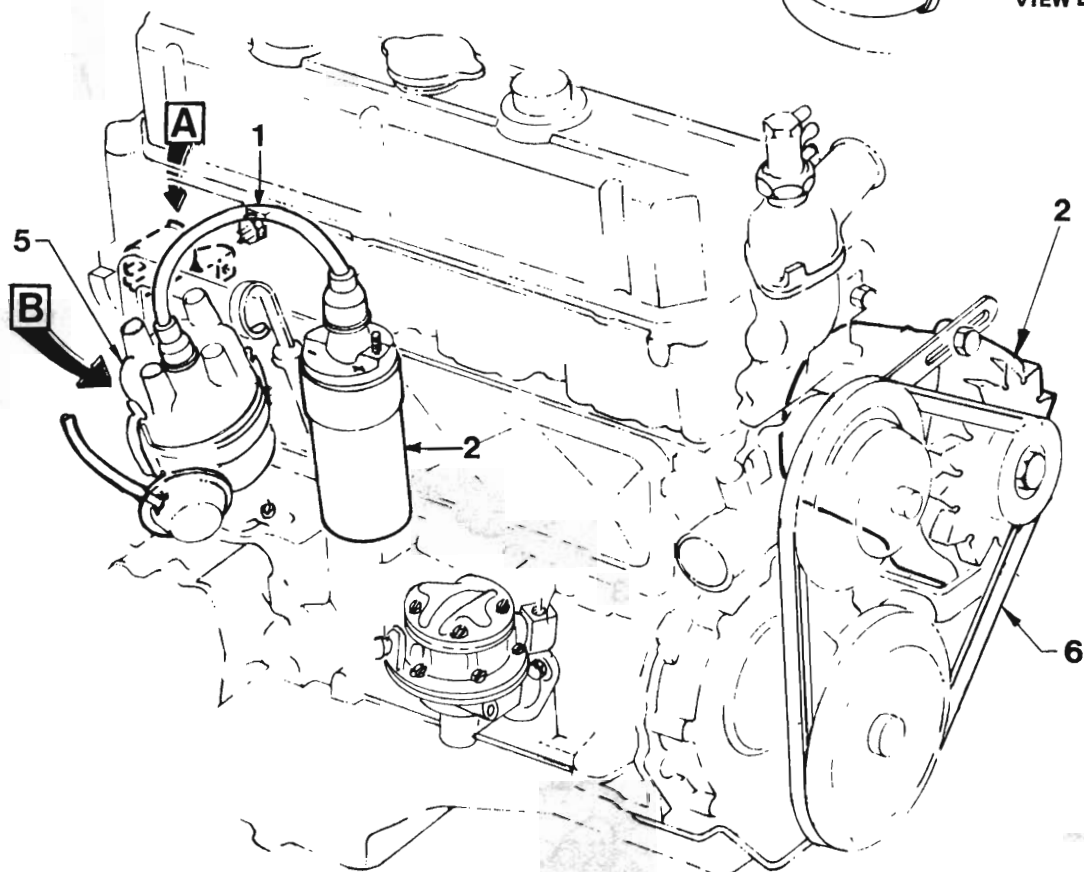
REF. NO.	PART NAME	GROUP
1	SERVICE KIT - Ignition lock	2.188
2	KEY - Blank	2.187
3	SWITCH ASM. - Ignition & starter	2.188
4	CLIP - Harness to column.....	2.895
5	SPRING - Return, Leaf type	2.188



VIEW **A**



VIEW **B**



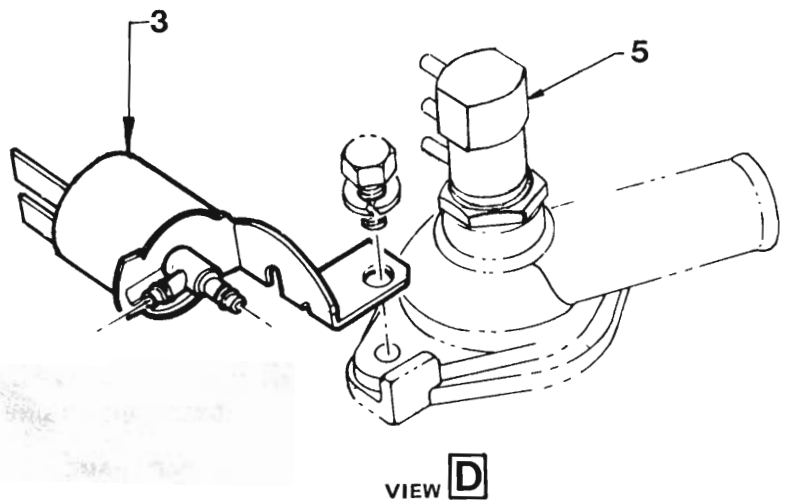
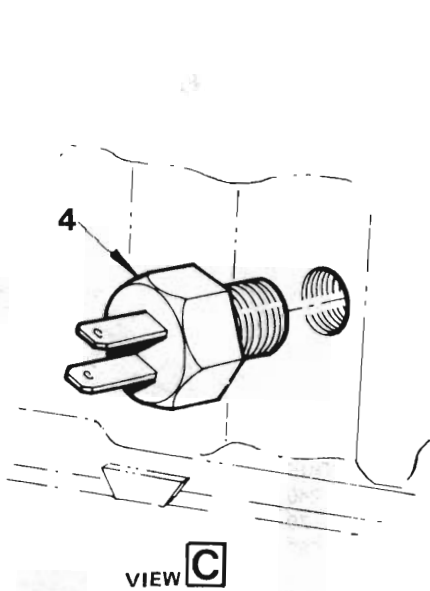
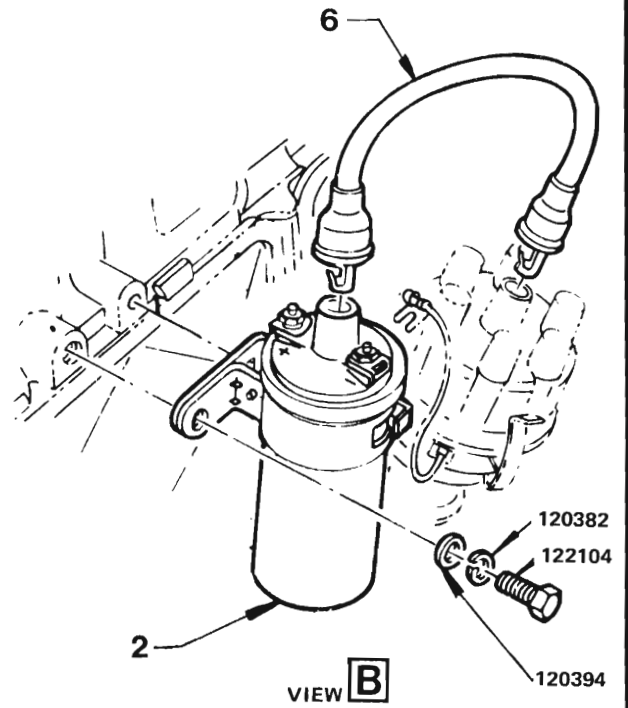
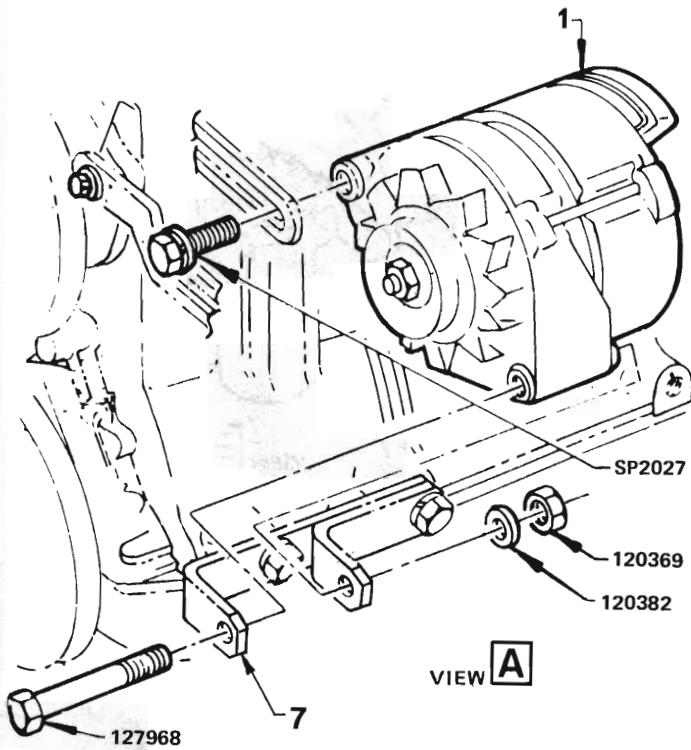
**ENGINE ELECTRICAL UNITS
4 CYLINDER ENGINE**

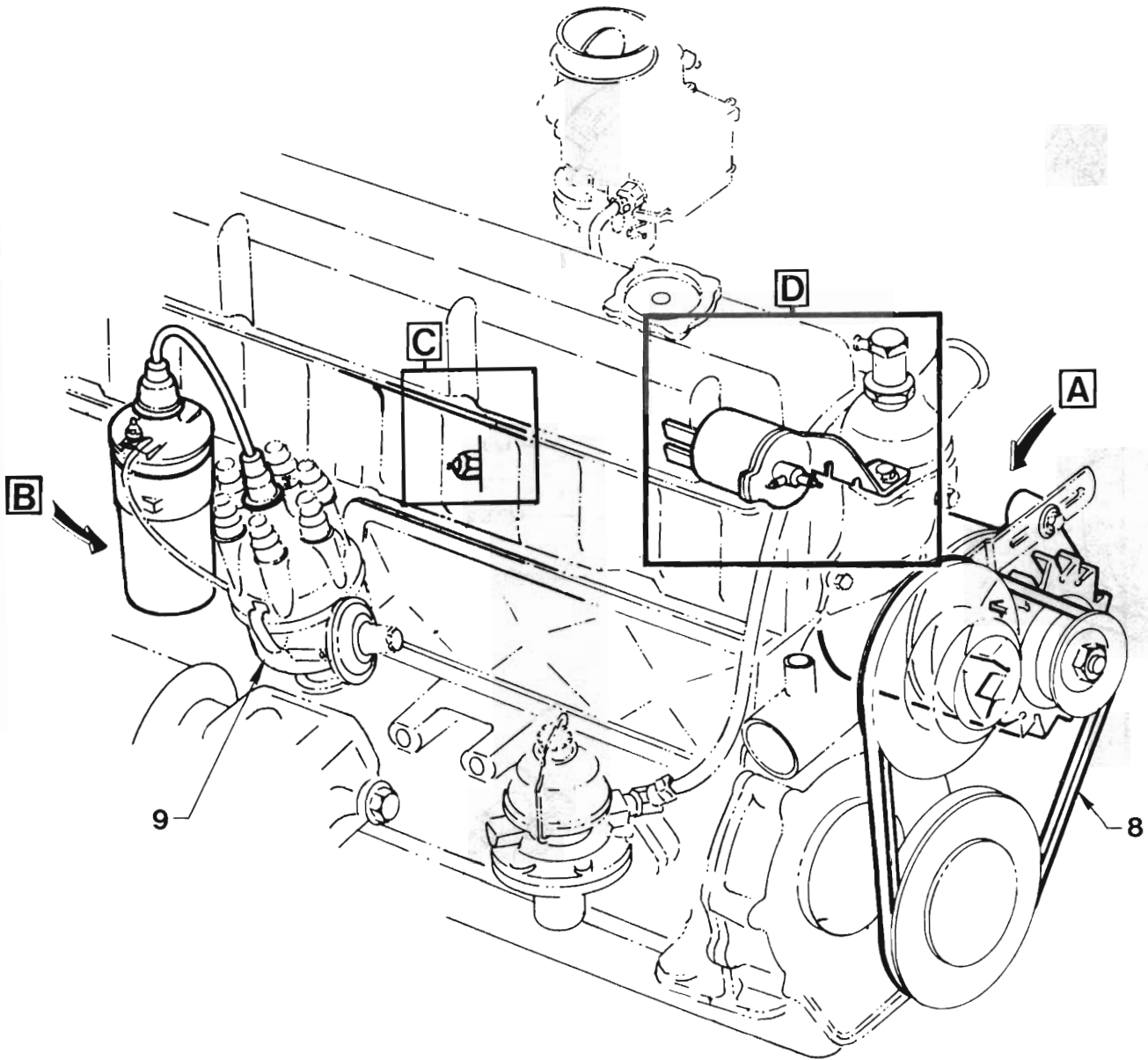
REF. NO.	PART NAME	GROUP
1(A)	LEAD ASM. - Distributor to coil.....	2.240
2	COIL ASM. - Ignition	2.170
3	BRACKET - Harness to ignition coil.....	2.559
4	SOLENOID - Transmission controlled spark switch.....	2.408
5	DISTRIBUTOR ASM.....	2.361
6	BELT - Fan & alternator.....	1.066

NOTE:- (A Parts included in LEAD KIT - Spark plug & distributor. Refer Group 2.239)



"V" SERIES PARTS CATALOGUE





ENGINE ELECTRICAL UNITS
6 CYLINDER ENGINE
VB SERIES

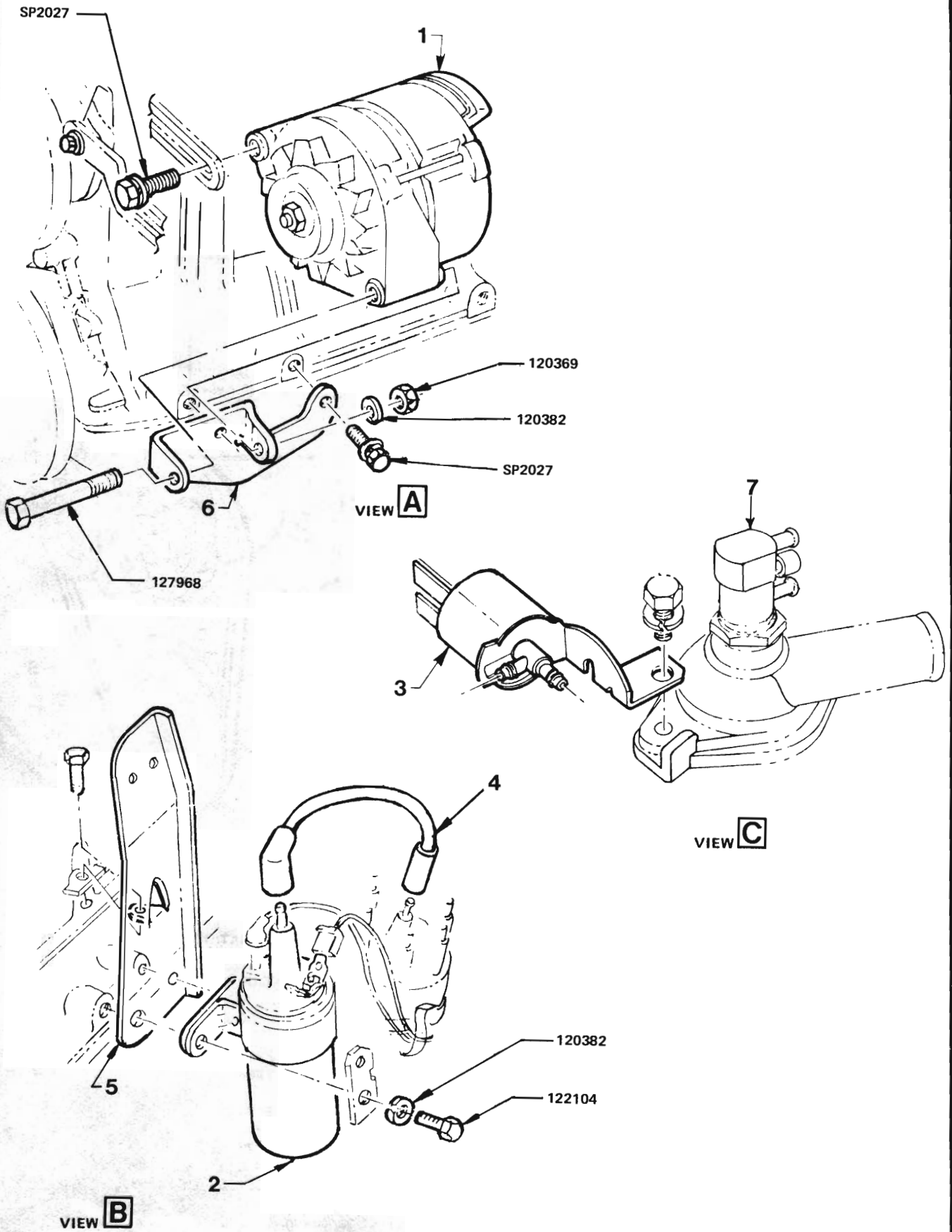
ILLUSTRATION ABOVE & OPPOSITE

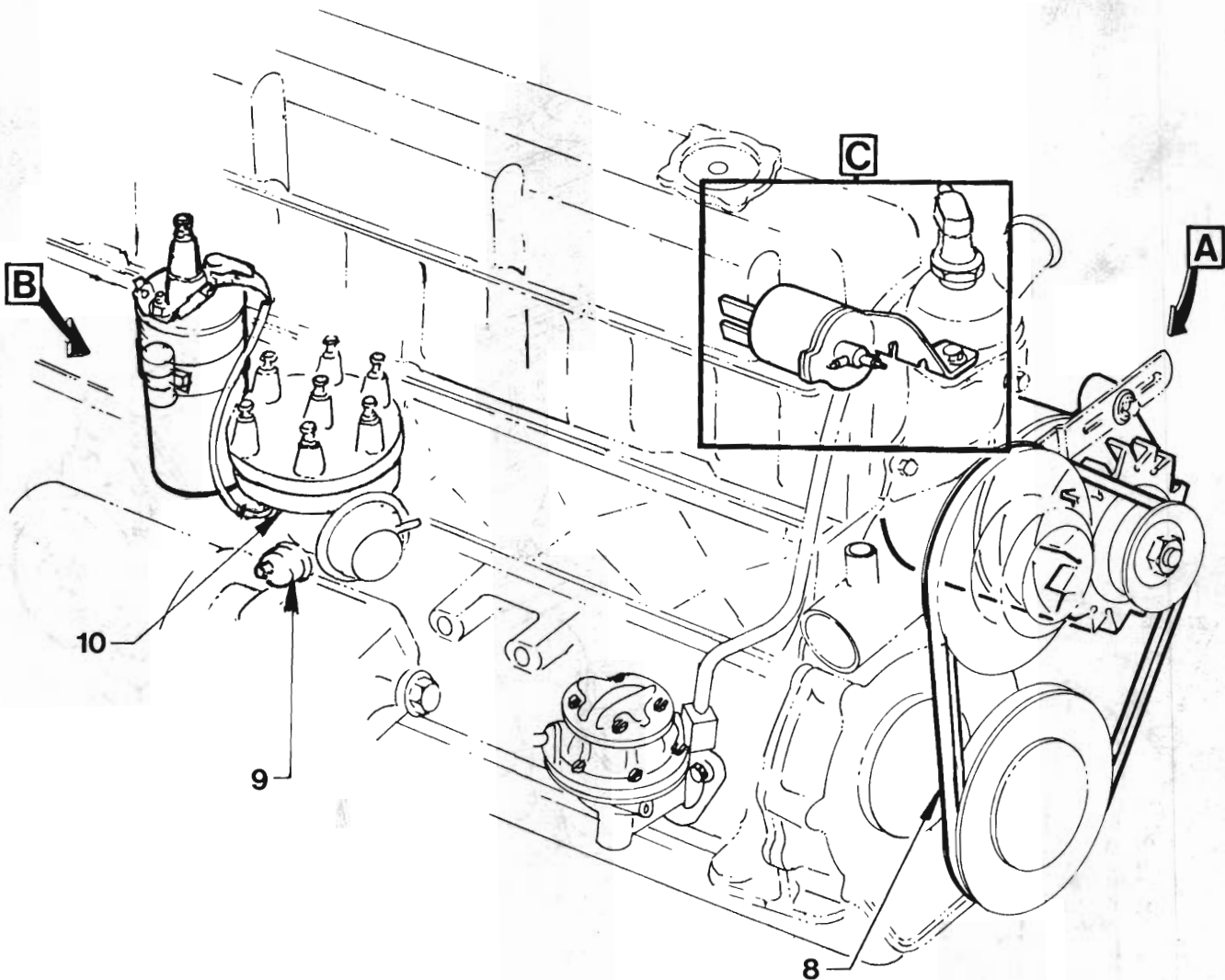
REF. NO.	PART NAME	GROUP
1	ALTERNATOR ASM.....	2.275
2	COIL ASM. - Ignition.....	2.170
3	SOLENOID ASM. - Transmission controlled spark switch.....	2.408
4	SWITCH ASM. - Cold feed.....	2.408
5	SWITCH - Transmission controlled spark thermal vacuum.....	2.408
6(A)	LEAD ASM. - Distributor to coil.....	N.S.S.
7	BRACKET ASM. - Alternator mounting.....	2.277
8	BELT - Fan & alternator.....	1.066
9	DISTRIBUTOR ASM.....	2.361

NOTE:- (A Parts included in LEAD KIT - Spark plug & distributor. Refer Group 2.239)



"V" SERIES PARTS CATALOGUE



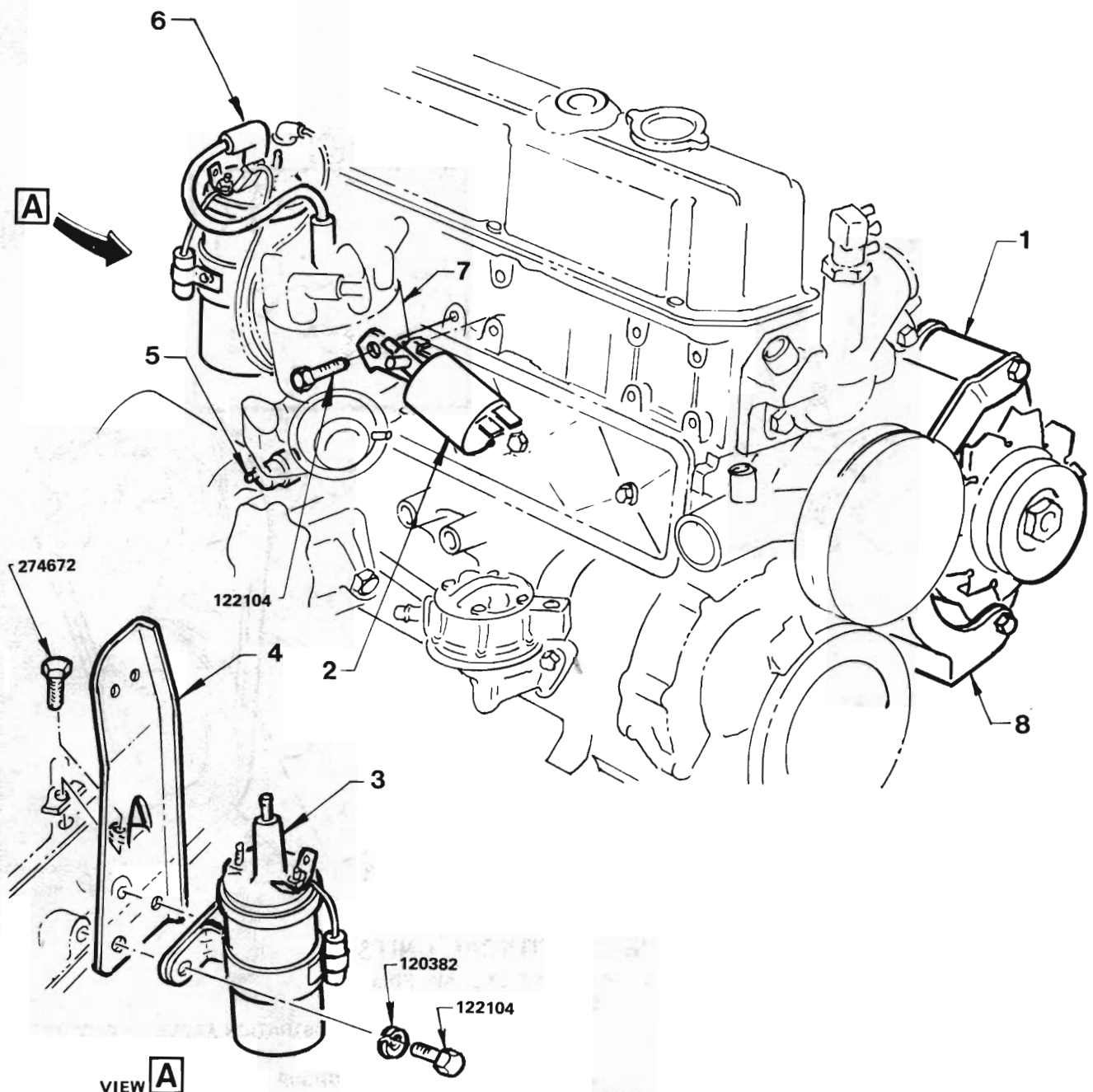


**ENGINE ELECTRICAL UNITS
6 CYLINDER ENGINE EXC. AIR PUMP
VC, VH SERIES**

ILLUSTRATION ABOVE & OPPOSITE

REF. NO.	PART NAME	GROUP
1	ALTERNATOR ASM.....	2.275
2	COIL ASM. - Ignition.....	2.170
3	SOLENOID ASM. - Transmission controlled spark switch.....	2.408
4(A)	LEAD ASM. - Distributor to coil.....	2.240
5	BRACKET - Cruise control power unit.....	3.885
6	BRACKET - Alternator mounting.....	2.277
7	SWITCH - Transmission controlled spark thermal vacuum.....	2.408
8	BELT - Fan & alternator.....	1.066
9	SWITCH - Oil pressure warning lamp.....	1.800
9	SENDER ASM. - Oil pressure gauge.....	1.800
10	DISTRIBUTOR ASM.....	2.361

NOTE:- (A Parts included in LEAD KIT - Spark plug & distributor. Refer Group 2.239

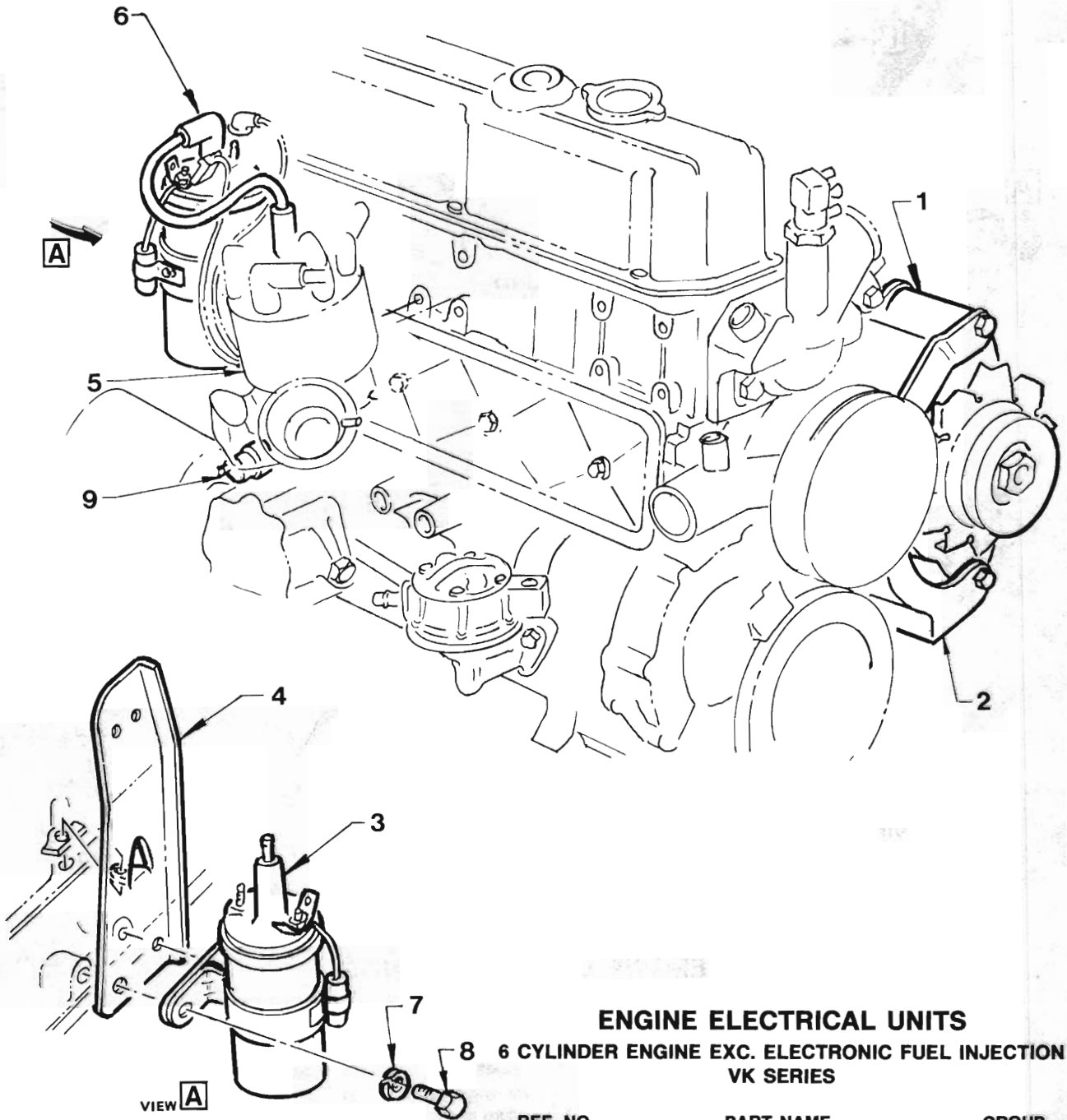


ENGINE ELECTRICAL UNITS

6 CYLINDER ENGINE WITH AIR PUMP - VH SERIES
2.85 LITRE ENGINE WITH AIR PUMP - VK SERIES

REF. NO.	PART NAME	GROUP
1	ALTERNATOR ASM.....	2.275
2	SOLENOID ASM. - Transmission controlled spark switch.....	2.408
3	COIL ASM. - Ignition.....	2.170
4	BRACKET - Cruise control power unit.....	3.885
5	SWITCH - Oil pressure warning lamp.....	1.800
5	SENDER ASM. - Oil pressure gauge.....	1.800
6(A)	LEAD ASM. - Distributor to coil.....	2.240
7	DISTRIBUTOR ASM.....	2.361
8	BRACKET - Alternator mounting.....	2.277

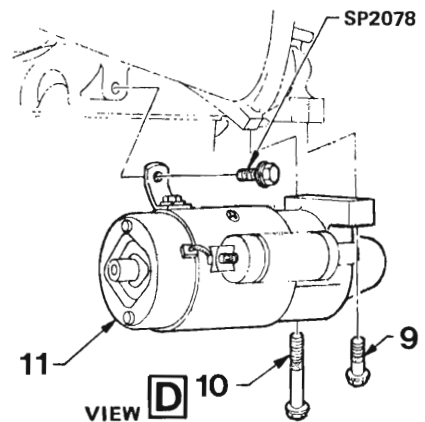
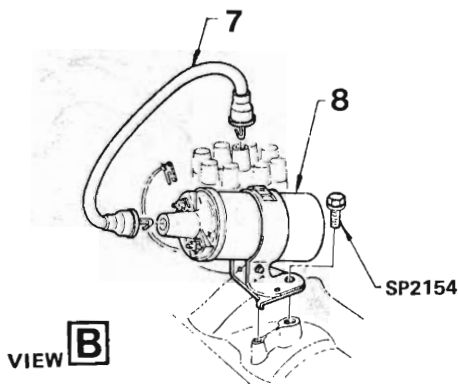
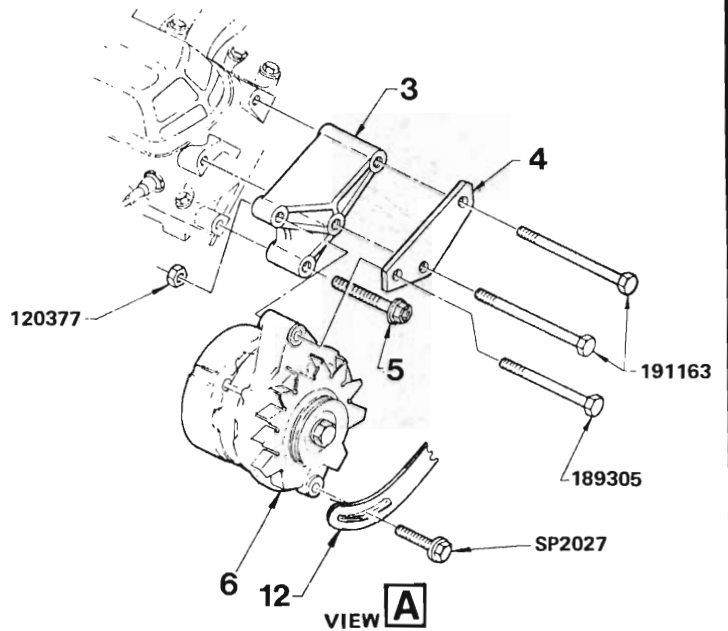
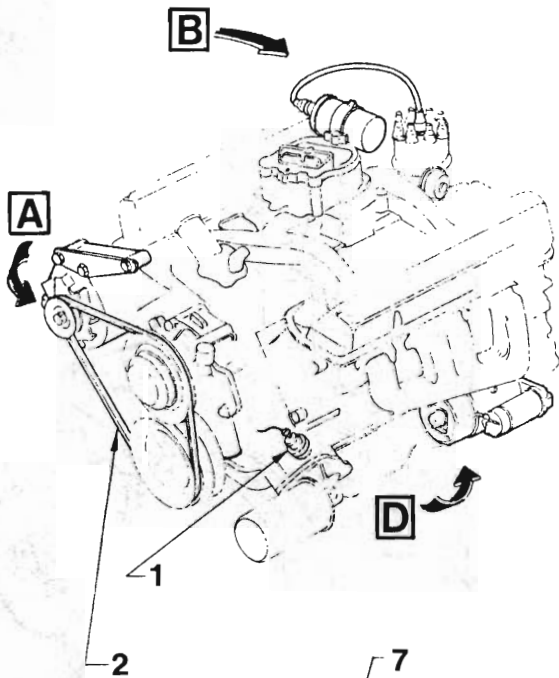
NOTE:- (A Parts included in LEAD KIT - Spark plug & distributor. Refer Group 2.239



ENGINE ELECTRICAL UNITS

8 6 CYLINDER ENGINE EXC. ELECTRONIC FUEL INJECTION VK SERIES

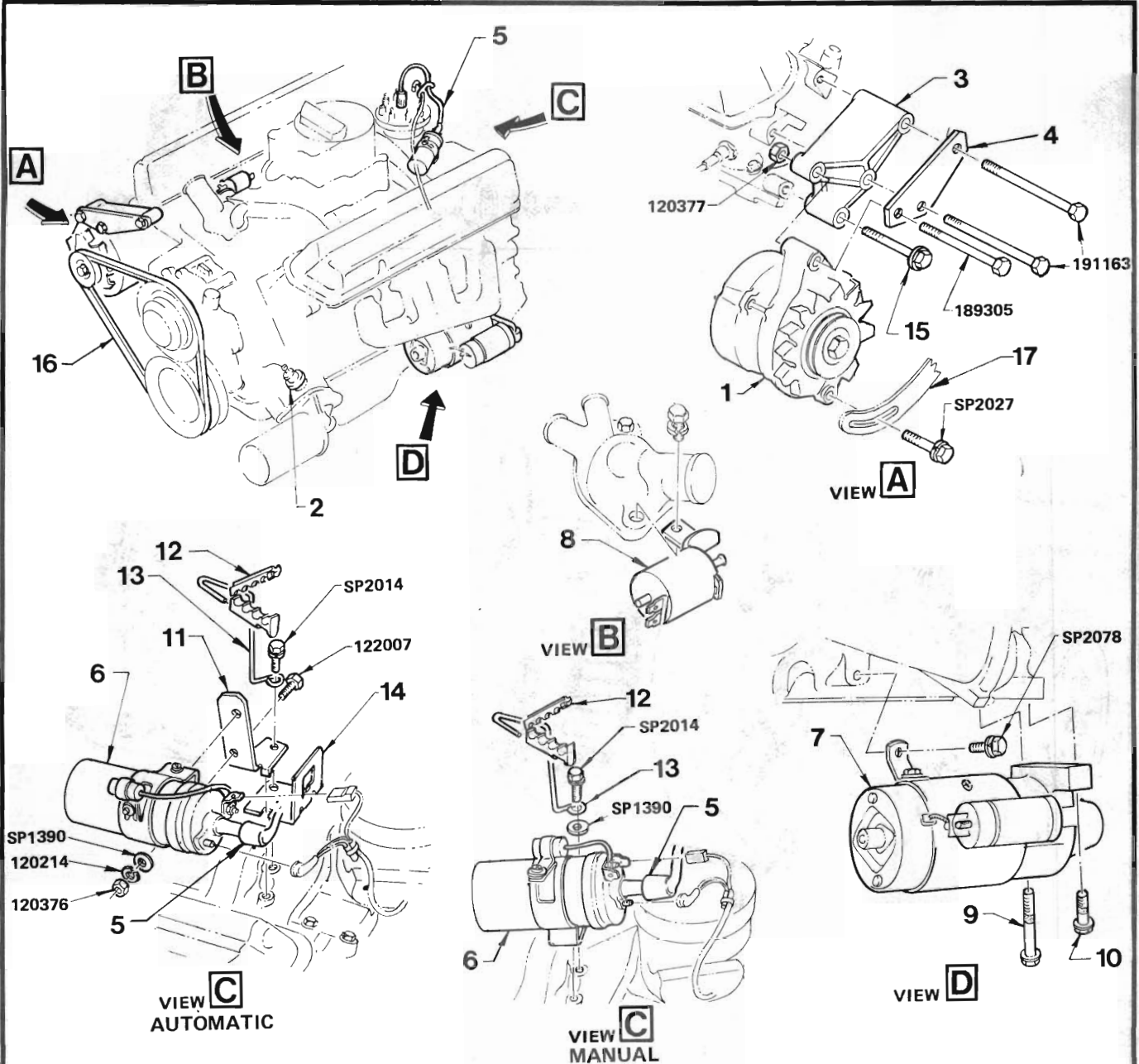
REF. NO.	PART NAME	GROUP
1	ALTERNATOR ASM.....	2.275
2	BRACKET - Alternator mounting.....	2.277
3	COIL ASM. - Ignition.....	2.170
4	BRACKET - Cruise control power unit.....	3.885
5	DISTRIBUTOR ASM.....	2.361
6	LEAD ASM. - Distributor to coil.....	2.240
7	WASHER - Bracket to cylinder head	2.183
8	BOLT - Bracket to cylinder head.....	2.183
9	SWITCH - Oil pressure lamp.....	1.800
9	SENDER ASM. - Oil pressure gauge.....	1.800



**ENGINE ELECTRICAL UNITS
8 CYLINDER ENGINE
VB SERIES**

REF. NO.	PART NAME	GROUP
1	SWITCH - Oil pressure warning lamp	1.800
1	SENDER ASM. - Oil pressure gauge	1.800
2	BELT - Fan & alternator	1.066
3	SUPPORT - Alternator mounting, Rear	2.277
4	BRACKET - Alternator mounting, Front	2.277
5	BOLT - Support to cylinder head	2.277
6	ALTERNATOR ASM.	2.275
7(A)	LEAD ASM. - Distributor to coil	N.S.S.
8	COIL ASM. - Ignition	2.170
9	BOLT - Starter motor to engine, Short	2.042
10	BOLT - Starter motor to engine, Long	2.042
11	MOTOR ASM. - Starter	2.042
12	BRACE - Alternator adjusting	2.317

NOTE:- (A Parts included in LEAD KIT - Spark plug & distributor. Refer Group 2.239)

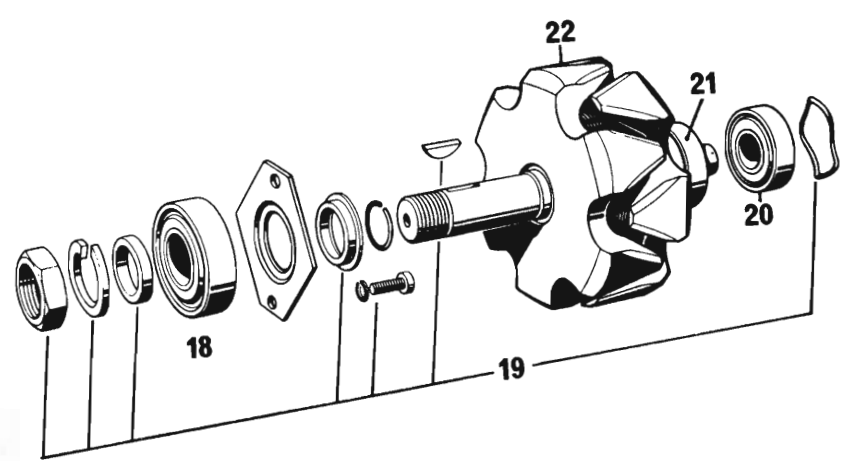
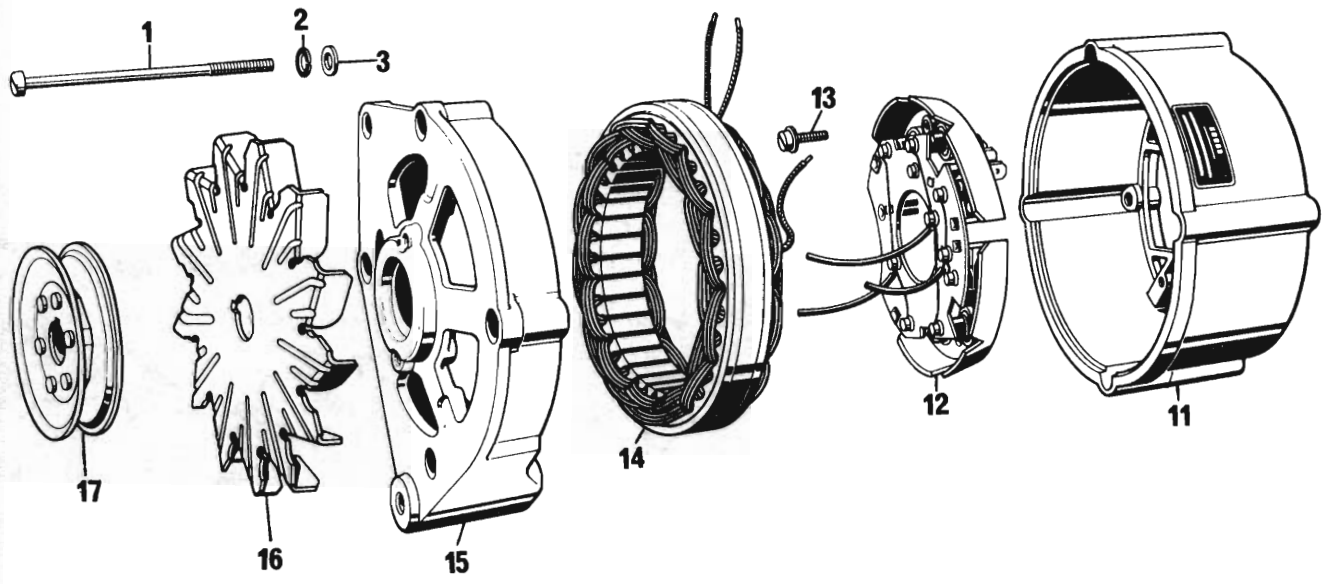
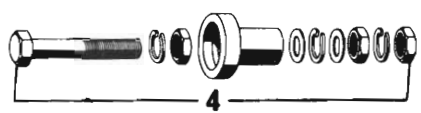
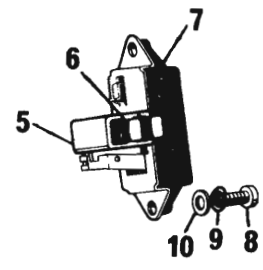


ENGINE ELECTRICAL UNITS

**8 CYLINDER ENGINE
VC, VH, VK SERIES**

REF. NO.	PART NAME	GROUP	REF. NO.	PART NAME	GROUP
1	ALTERNATOR ASM.....	2.275	9	BOLT - Starter motor to engine, Long.....	2.042
2	SWITCH - Oil pressure warning lamp.....	1.800	10	BOLT - Starter motor to engine, Short.....	2.042
2	SENDER UNIT - Oil pressure gauge.....	1.800	11	BRACKET - Ignition coil.....	2.183
3	SUPPORT - Alternator mounting, Rear.....	2.277	12	CLIP - Lead retaining.....	2.251
4	BRACKET - Alternator mounting, Front.....	2.277	13	SUPPORT - Spark plug lead - Rear.....	2.251
5(A)	LEAD ASM. - Distributor to coil.....	2.240	14	BRACKET - Detent actuating cable to engine....	4.050W
6	COIL ASM. - Ignition.....	2.170	15	BOLT - Support to cylinder head.....	2.277
7	MOTOR ASM. - Starter.....	2.041	16	BELT - Fan & alternator.....	1.066
8	SOLENOID ASM. - Transmission controlled spark switch.....	2.408	17	BRACE - Alternator adjusting.....	2.317

NOTE:- (A Parts included in LEAD KIT - Spark plug & distributor. Refer Group 2.239

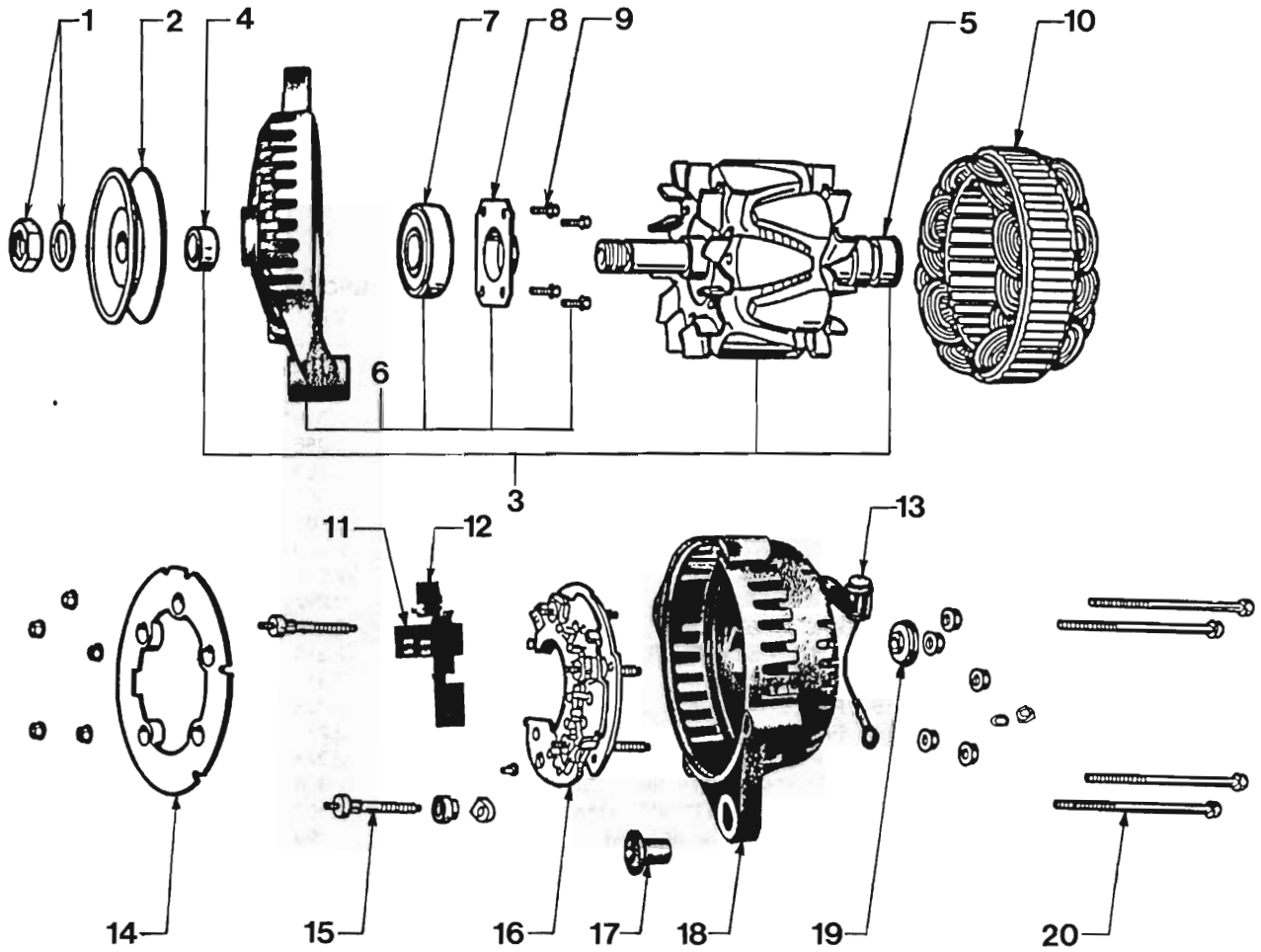




**ALTERNATOR
BOSCH**

ILLUSTRATION OPPOSITE

REF. NO.	PART NAME	GROUP
1-22	ALTERNATOR ASM.....	2.275
1	BOLT - Through.....	2.316
2	WASHER - Lock.....	N.S.
3	WASHER - Flat.....	2.316
4	SUNDRY PARTS KIT - Terminal.....	2.313
5	SPRING - Brush.....	2.286
6	BRUSH KIT.....	2.285
7	REGULATOR ASM. - Voltage & current.....	2.500
8	SCREW - Flat.....	2.500
9	WASHER - Lock.....	2.500
10	WASHER - Flat.....	2.500
11	PLATE - Slip ring end.....	2.297
12	RECTIFIER ASM.....	2.319
13	SCREW & WASHER - Rectifier.....	2.319
14	STATOR.....	2.310
15	PLATE - Drive end.....	2.305
16	FAN.....	2.274
17	PULLEY ASM.....	2.274
18	BEARING - Drive end.....	2.306
19	SUNDRY PARTS KIT - Drive end.....	2.307
20	BEARING - Slip ring end.....	2.298
21	SLIP RING.....	2.279
22	ROTOR ASM.....	2.279



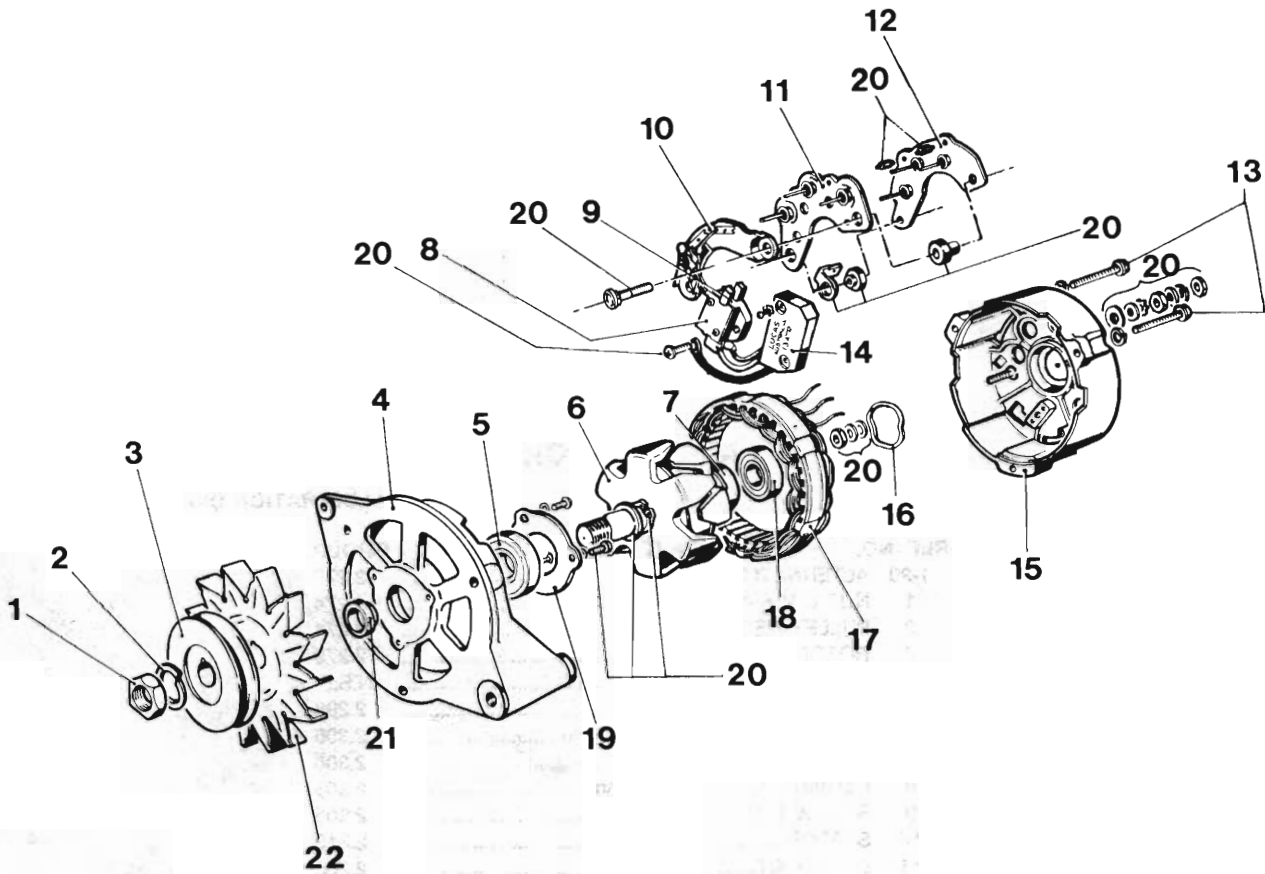


ALTERNATOR

HITACHI

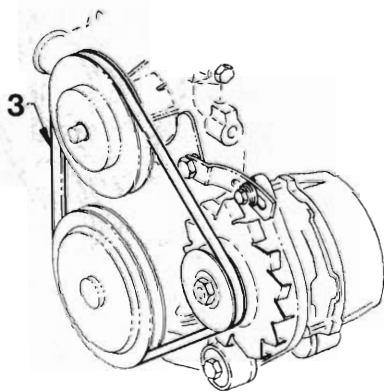
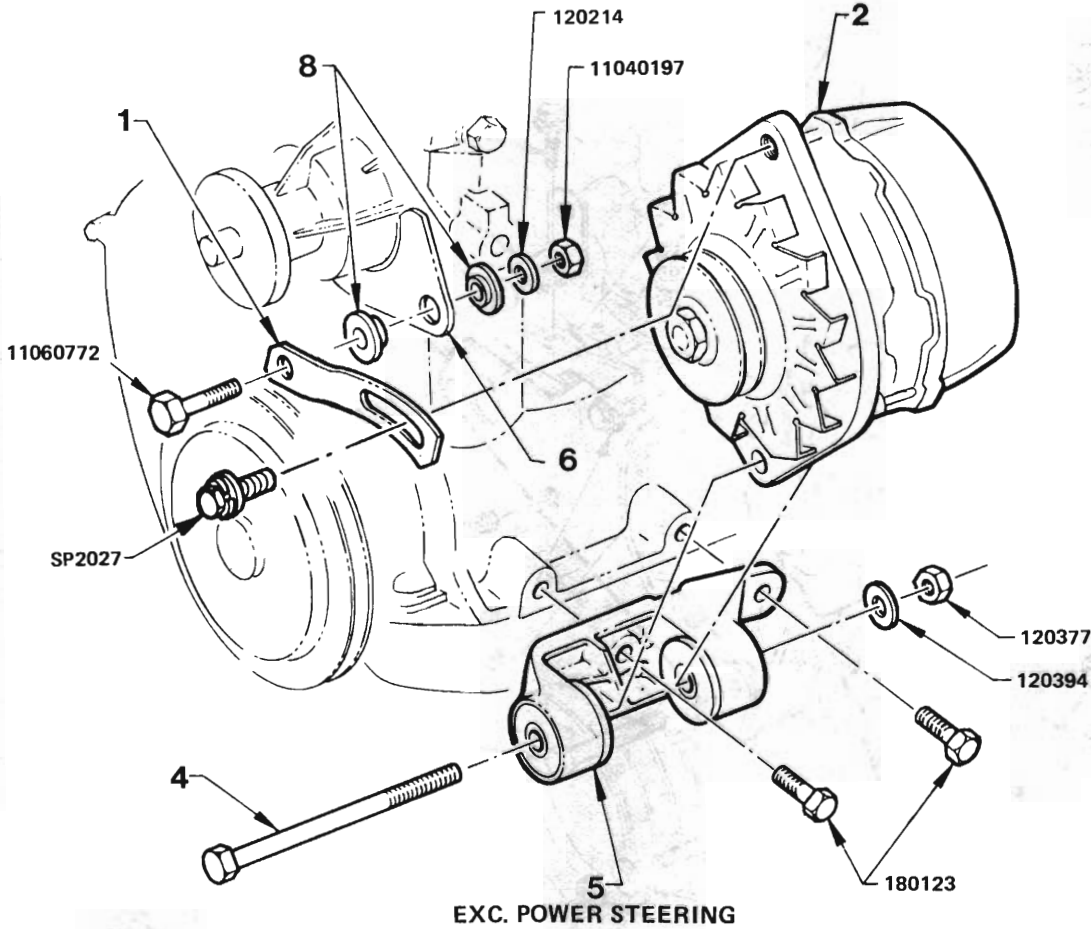
ILLUSTRATION OPPOSITE

REF. NO.	PART NAME	GROUP
1-20	ALTERNATOR ASM.....	2.275
1	NUT & WASHER - Pulley.....	2.274
2	PULLEY ASM.....	2.274
3	ROTOR ASM.....	2.279
4	SPACER.....	N.S.S.
5	BEARING - Slip ring end.....	2.298
6	PLATE & BEARING - Drive end.....	2.305
7	BEARING - Drive end.....	2.306
8	Retainer - Drive end bearing.....	2.305
9	SCREW KIT - Bearing retainer.....	2.305
10	STATOR.....	2.310
11	BRUSH KIT.....	2.285
12	REGULATOR ASM. - Voltage & current.....	2.500
13	CAPACITOR.....	2.319
14	FAN GUIDE.....	2.274
15	BOLT - Regulator terminal.....	2.313
16	DIODE ASM.....	2.319
17	BUSH - Insulating.....	N.S.S.
18	PLATE - Slip ring end.....	2.297
19	BUSH - Insulating.....	N.S.S.
20	BOLT - Through.....	2.316

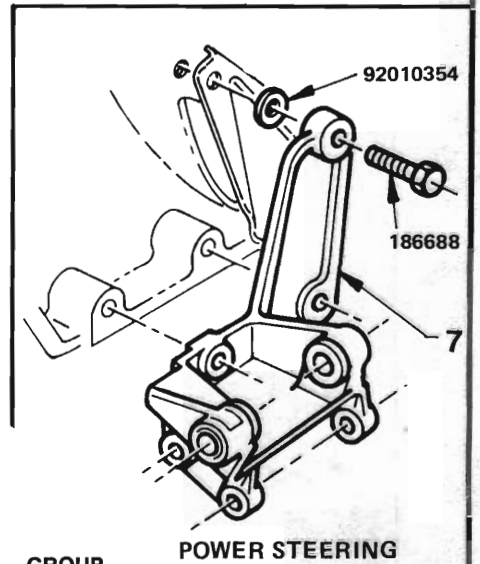


**ALTERNATOR
LUCAS**

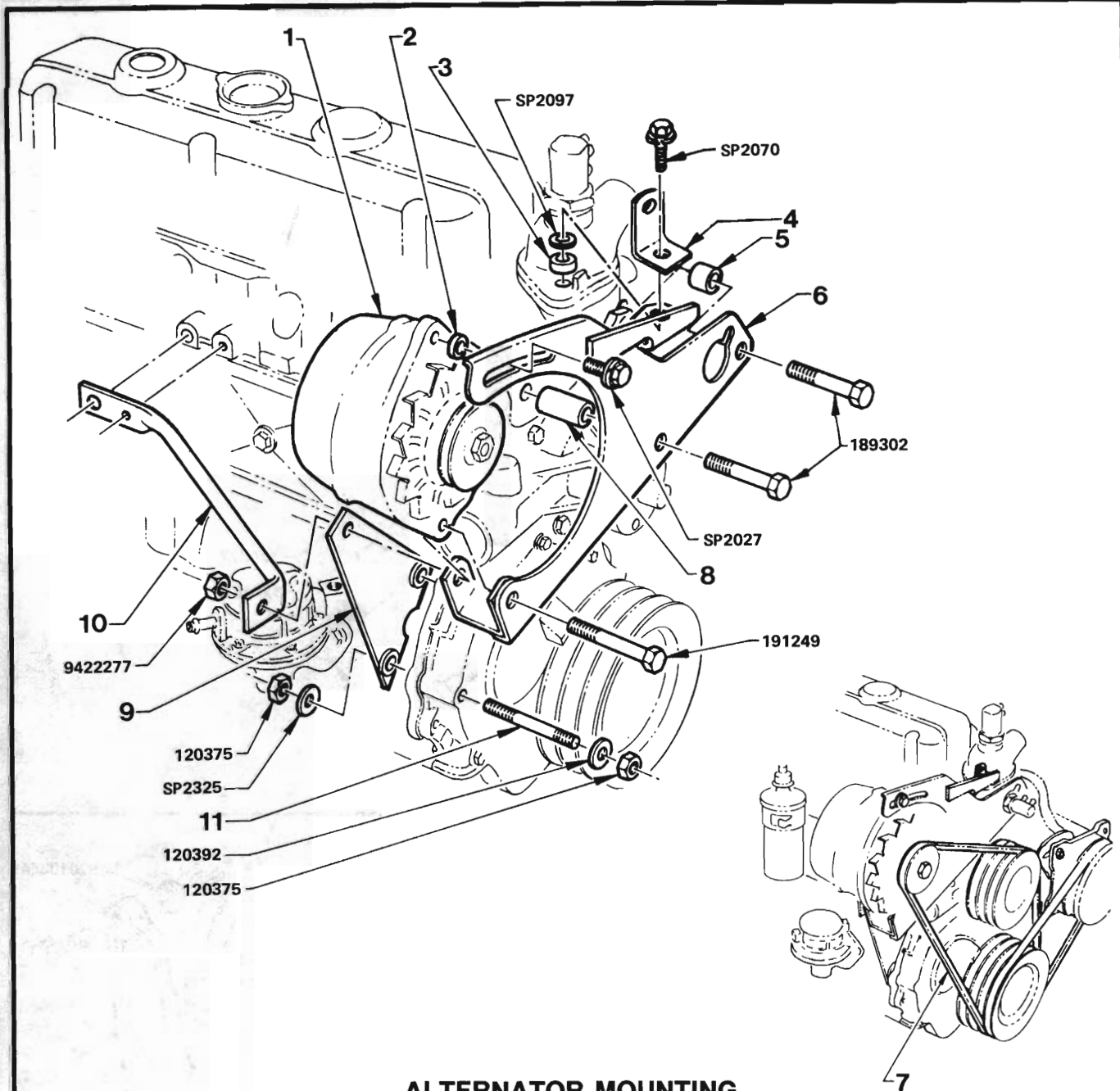
REF. NO.	PART NAME	GROUP
1-22	ALTERNATOR ASM.....	2.275
1	NUT - Rotor shaft.....	2.280
2	WASHER.....	N.S.S.
3	PULLEY ASM.	2.274
4	PLATE - Drive end.....	2.305
5	BEARING - Drive end.....	2.306
6	ROTOR ASM.....	2.279
7	SLIP RING.....	2.279
8	MOULDING - Brush box.....	2.291
9	BRUSH KIT.....	2.285
10	PLATE - Field terminal with diodes.....	2.319
11	SINK - Heat positive with diodes.....	2.319
12	SINK - Heat negative with diodes.....	2.319
13	BOLT - Through.....	2.316
14	REGULATOR ASM. - Voltage & current.....	2.500
15	PLATE - Slip ring end.....	2.297
16	WASHER - Wave.....	N.S.S.
17	STATOR.....	2.310
18	BEARING - Slip ring end.....	2.298
19	PLATE - Bearing retainer.....	N.S.S.
20	SUNDRY PARTS KIT - Heat sink mounting.....	2.275
21	COLLAR - Fan spacing.....	2.307
22	FAN.....	2.274



ALTERNATOR MOUNTING
 4 CYLINDER ENGINE
 EXC. AIR CONDITIONING
 VC SERIES

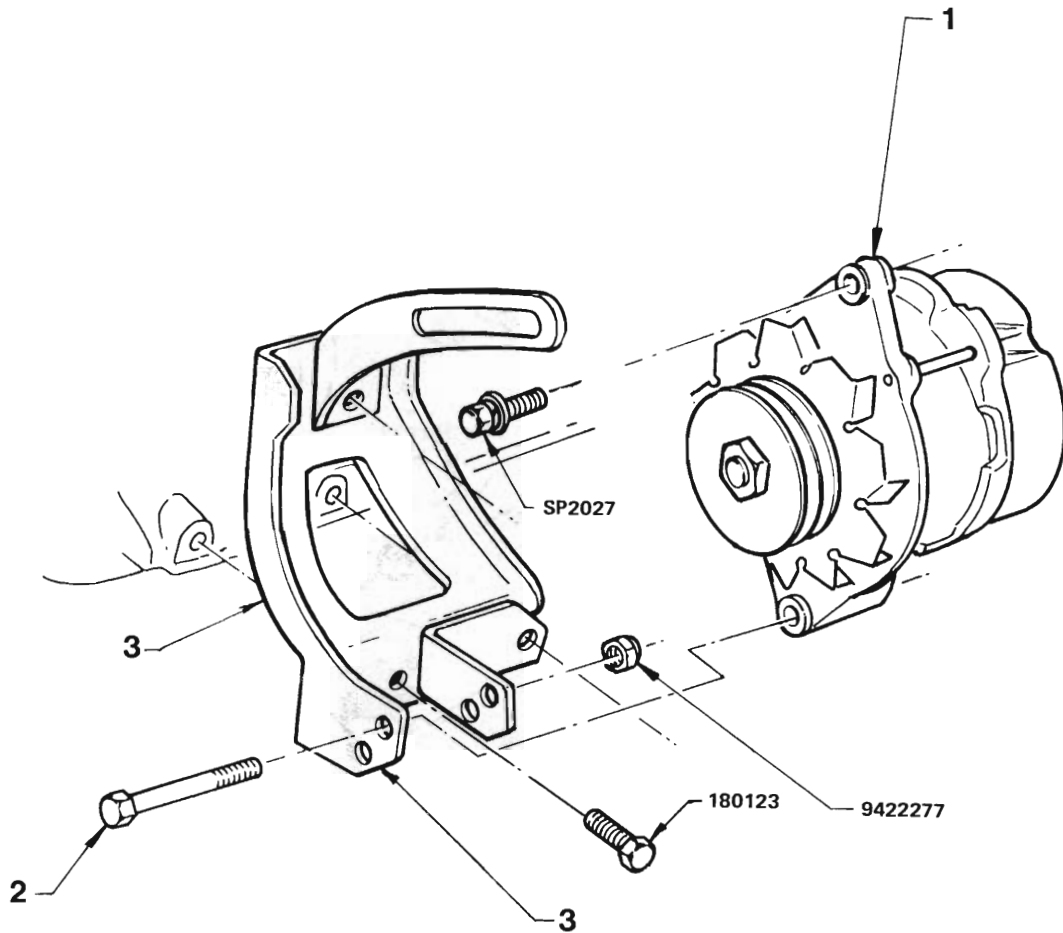


REF. NO.	PART NAME	GROUP
1	BRACE - Alternator adjusting	2.317
2	ALTERNATOR ASM.....	2.275
3	BELT - Fan & alternator.....	1.066
4	BOLT - Alternator pivot.....	2.277
5	BRACKET ASM.....	2.277
6	BRACKET - Brace pivot	2.317
7	BRACKET ASM. - Alternator & power steering pump mounting.....	2.277
		6.606
8	BUSH - Brace to pivot bracket.....	2.317



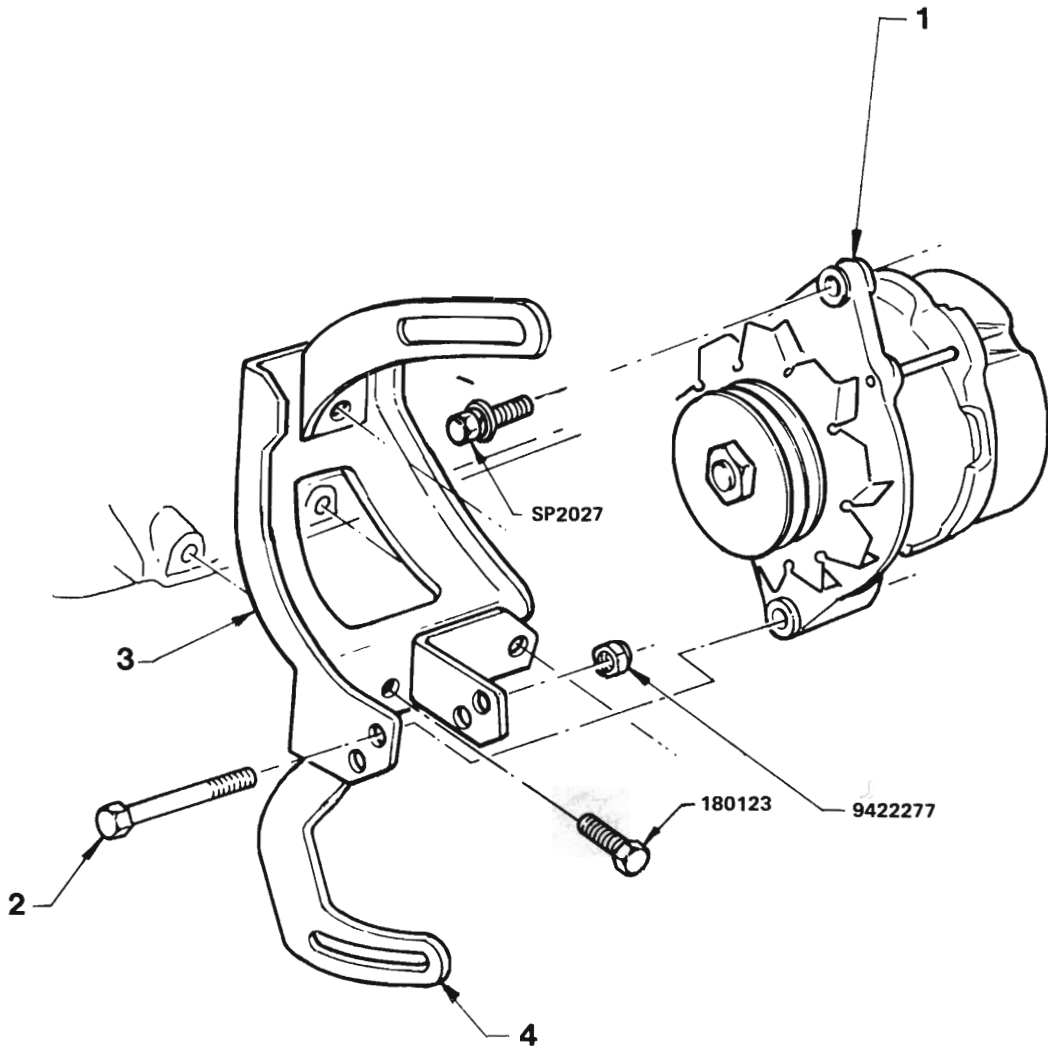
ALTERNATOR MOUNTING
4 CYLINDER ENGINE
WITH AIR CONDITIONING
VC SERIES

REF. NO.	PART NAME	GROUP
1	ALTERNATOR ASM.....	2.275
2	SPACER - Front mounting bracket to alternator.....	2.277
3	SPACER - Bracket asm. to water outlet.....	2.277
4	BRACKET - Cable to water pump.....	2.343
5	SPACER - Bracket asm. to thermostat housing..	2.277
6	BRACKET ASM. - Alternator front mounting.....	2.277
7	BELT - Fan & alternator.....	1.066
8	SPACER - Bracket asm. to thermostat housing..	2.277
9	SUPPORT - Alternator rear.....	2.277
10	BRACE - Alternator support.....	2.277
11	STUD - Support to front cover.....	2.277



ALTERNATOR MOUNTING EXC POWER STEERING
4 CYLINDER ENGINE. VH SERIES
6 CYLINDER ENGINE WITH ELECTRONIC FUEL INJECTION. VK SERIES

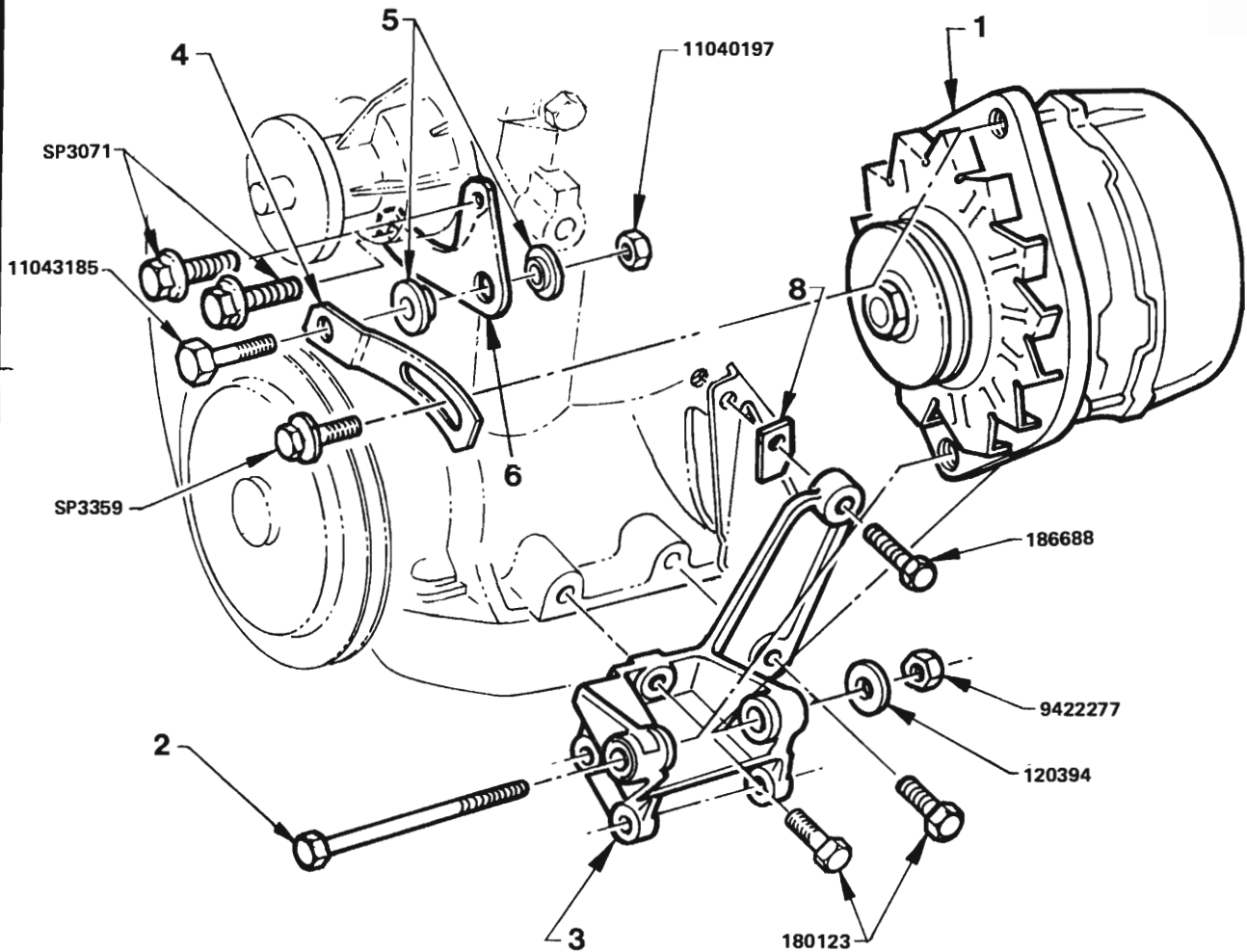
REF. NO.	PART NAME	GROUP
1	ALTERNATOR ASM.....	2.275
2	BOLT - Alternator pivot.....	2.277
3	BRACKET ASM.....	2.277



ALTERNATOR MOUNTING

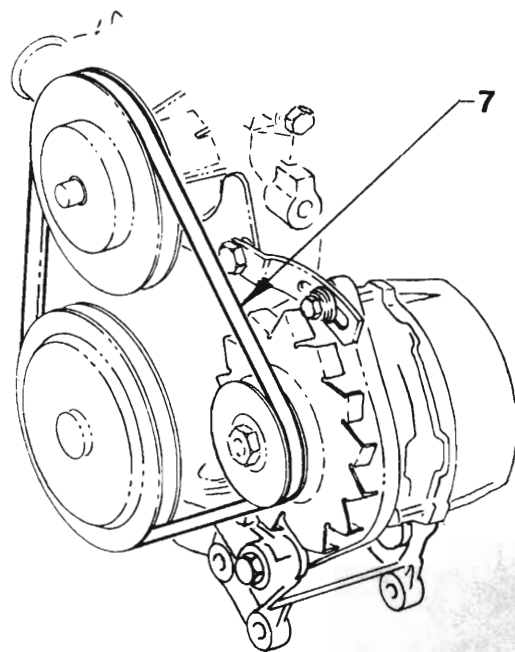
**(M) 4 CYLINDER ENGINE WITH POWER STEERING. VH, VK SERIES
6 CYLINDER ENGINE WITH ELECTRONIC FUEL INJECTION & POWER STEERING. VK SERIES**

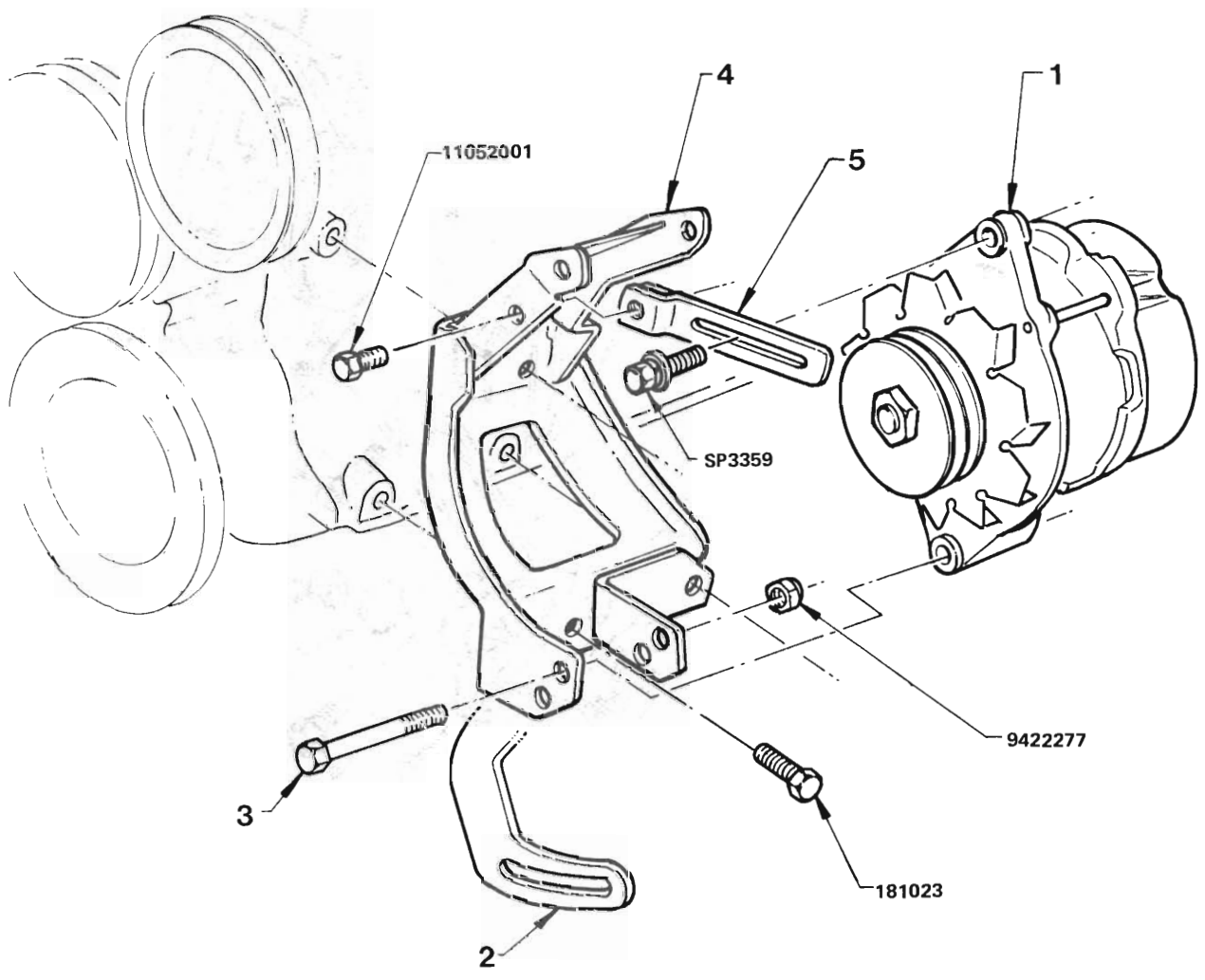
REF. NO.	PART NAME	GROUP
1	ALTERNATOR ASM.....	2.275
2	BOLT - Alternator pivot.....	2.277
3	BRACKET ASM.....	2.277
		6.606
4	BRACE - Pump adjusting	6.606



**ALTERNATOR MOUNTING
(A) 4 CYLINDER ENGINE
WITH POWER STEERING
VH, VK SERIES**

REF. NO.	PART NAME	GROUP
1	ALTERNATOR ASM.....	2.275
2	BOLT - Alternator pivot.....	2.277
3	BRACKET ASM.....	2.277
		6.606
4	BRACE - Alternator adjusting.....	2.317
5	BUSH - Brace to pivot bracket.....	2.317
6	BRACKET - Brace pivot.....	2.317
7	BELT - Fan & alternator.....	1.066
8	SPACER - Bracket to LH engine mounting.....	2.277

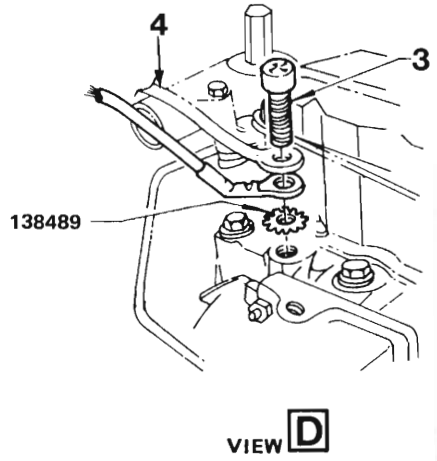
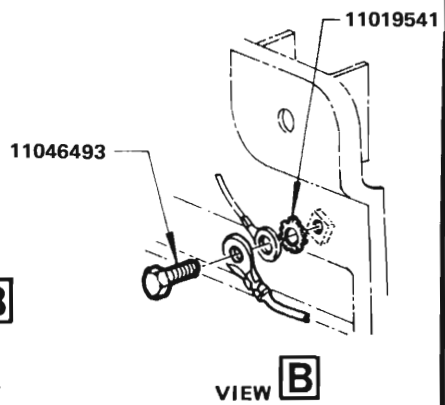
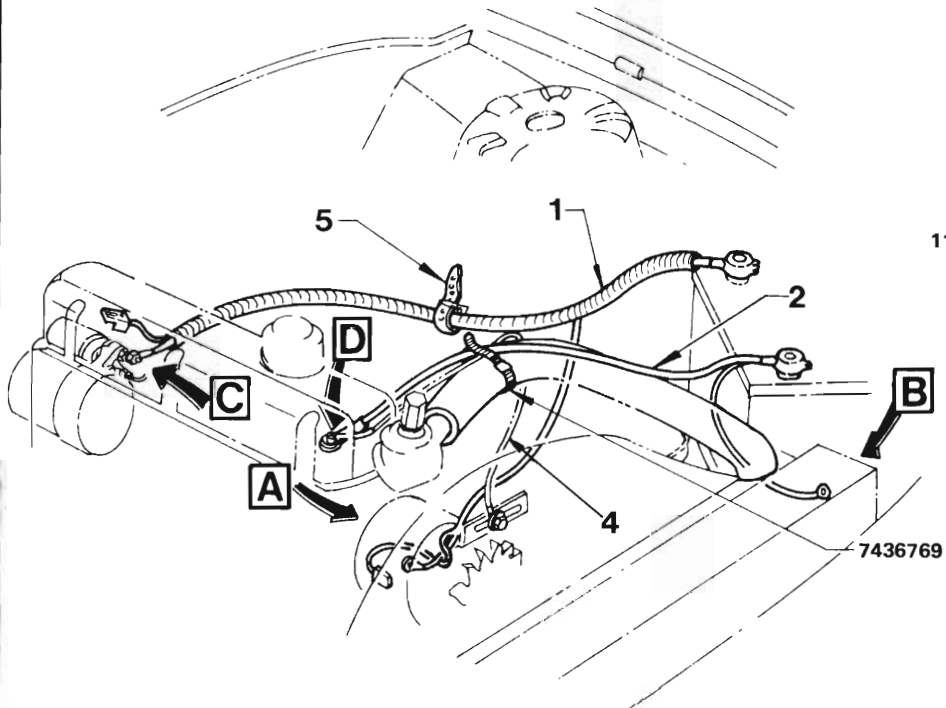
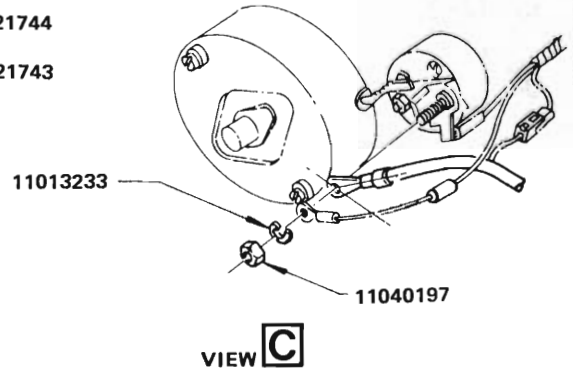
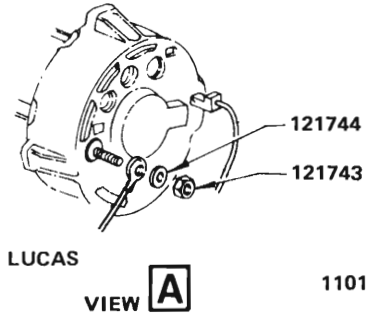
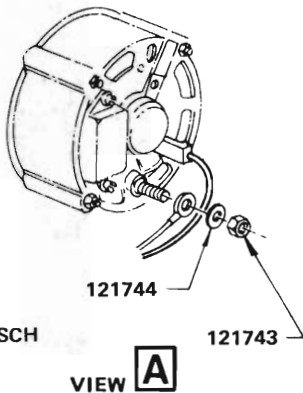




ALTERNATOR MOUNTING

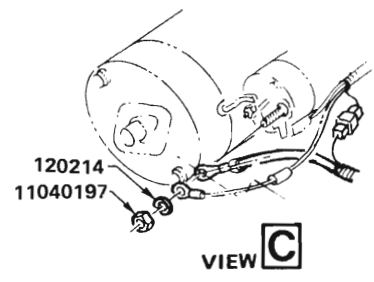
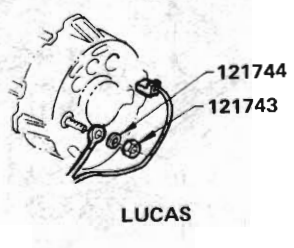
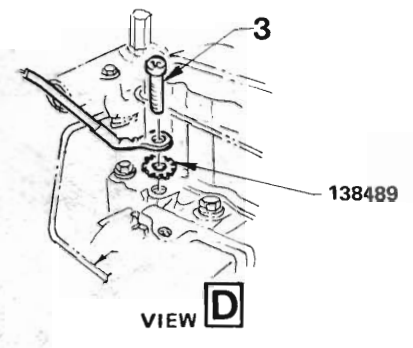
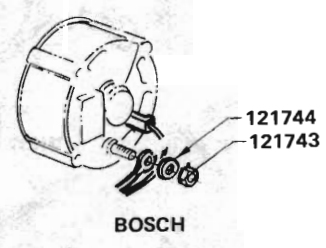
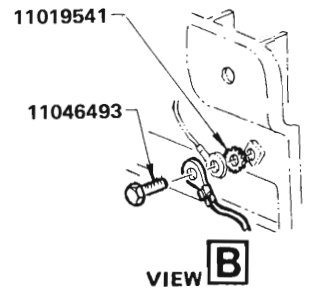
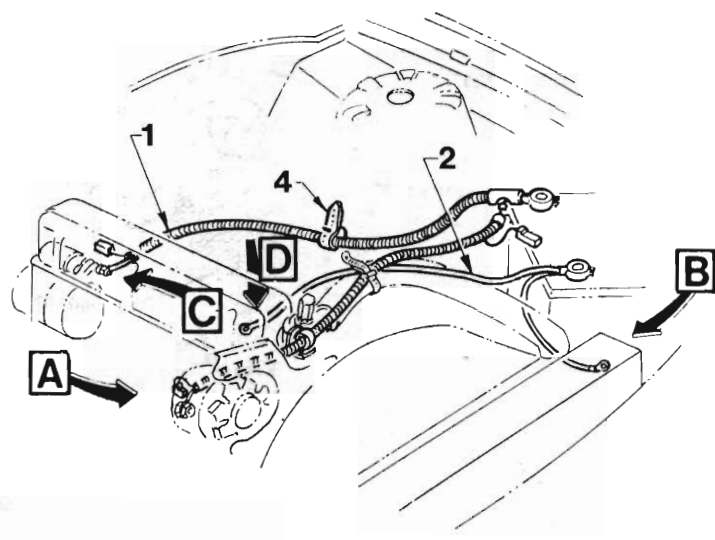
6 CYLINDER ENGINE WITH AIR PUMP. VH SERIES
6 CYLINDER ENGINE EXC. ELECTRONIC FUEL INJECTION. VK SERIES

REF. NO.	PART NAME	GROUP
1	ALTERNATOR ASM.....	2.275
2	BRACE - Pump adjusting	6.606
3	BOLT - Alternator pivot.....	2.277
4	BRACKET ASM. - Alternator, air pump & power steering pump mounting	2.277
5	BRACE - Alternator adjusting	2.317



**BATTERY LEADS
4 CYLINDER ENGINE
EXC. AIR CONDITIONING**

REF. NO.	PART NAME	GROUP
1	CABLE ASM. - Starter	2.342
2	CABLE & LEAD ASM. - Battery earth.....	2.341
3	BOLT - Cable to cylinder head	2.343
4	LEAD ASM. - Alternator earth	2.313
5	STRAP - Cable to fender skirt.....	2.343

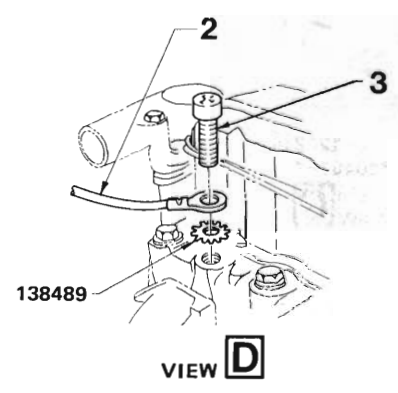
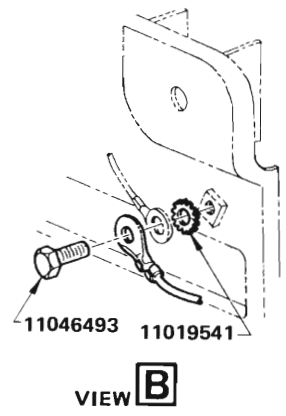
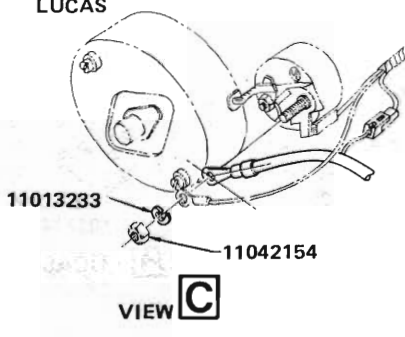
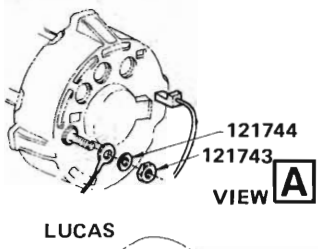
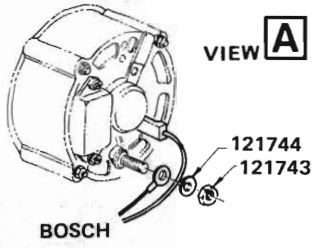
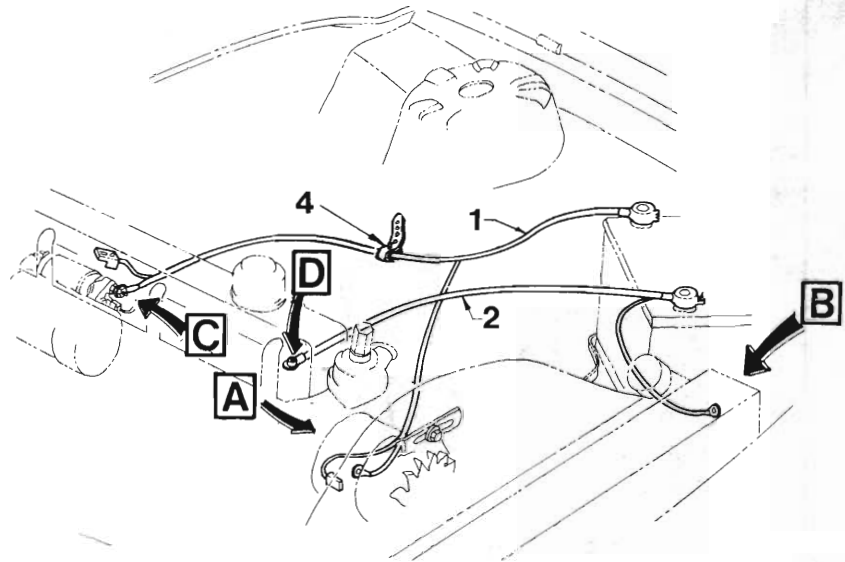


VIEW A

VIEW C

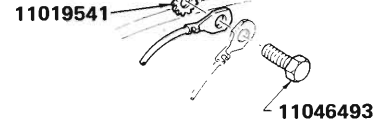
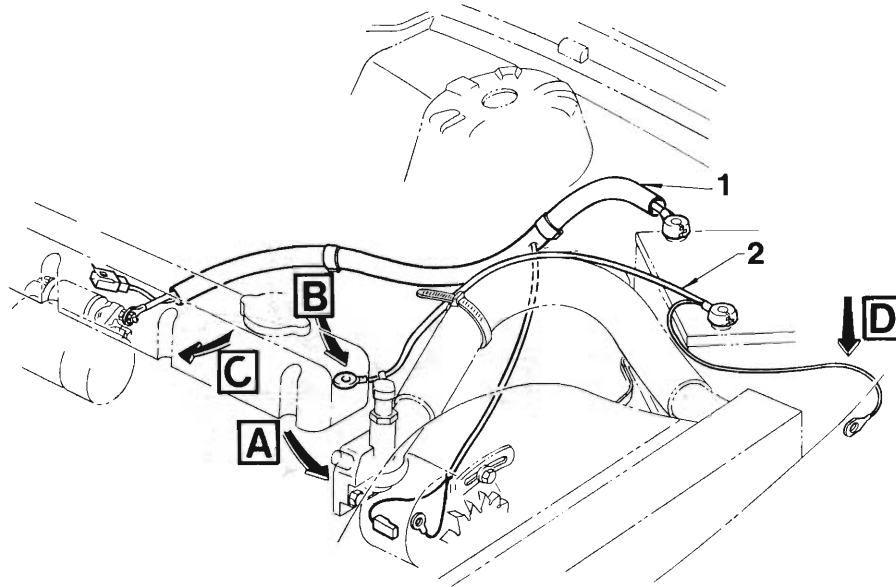
**BATTERY LEADS
4 CYLINDER ENGINE
WITH AIR CONDITIONING**

REF. NO.	PART NAME	GROUP
1	CABLE ASM. - Starter	2.342
2	CABLE & LEAD ASM. - Battery earth.....	2.341
3	BOLT - Cable to cylinder head	2.343
4	STRAP - Cable to fender skirt.....	2.343

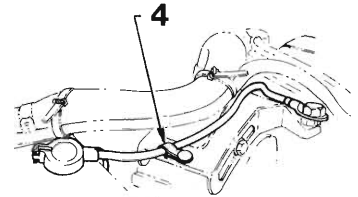


BATTERY LEADS
6 CYLINDER ENGINE
VB, VC SERIES

REF. NO.	PART NAME	GROUP
1	CABLE ASM. - Starter	2.342
2	CABLE & LEAD ASM. - Battery earth.....	2.341
3	BOLT - Cable to cylinder head	2.343
4	STRAP - Cable to fender skirt.....	2.343

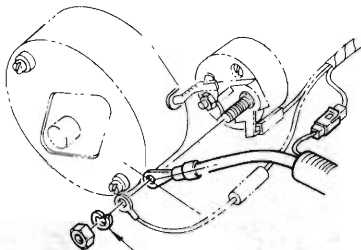


VIEW **D**

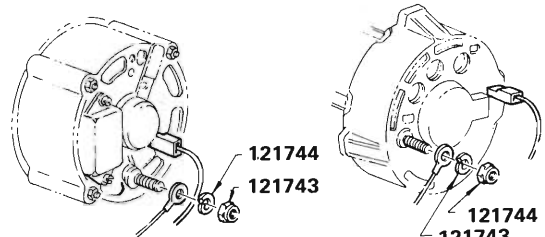


WITH AIR PUMP

VIEW **E**

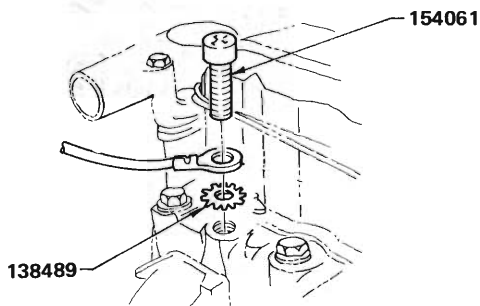


VIEW **C**

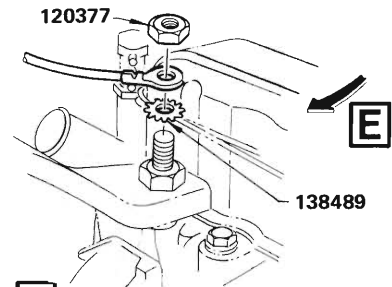


VIEW **A** BOSCH

VIEW **A** LUCAS



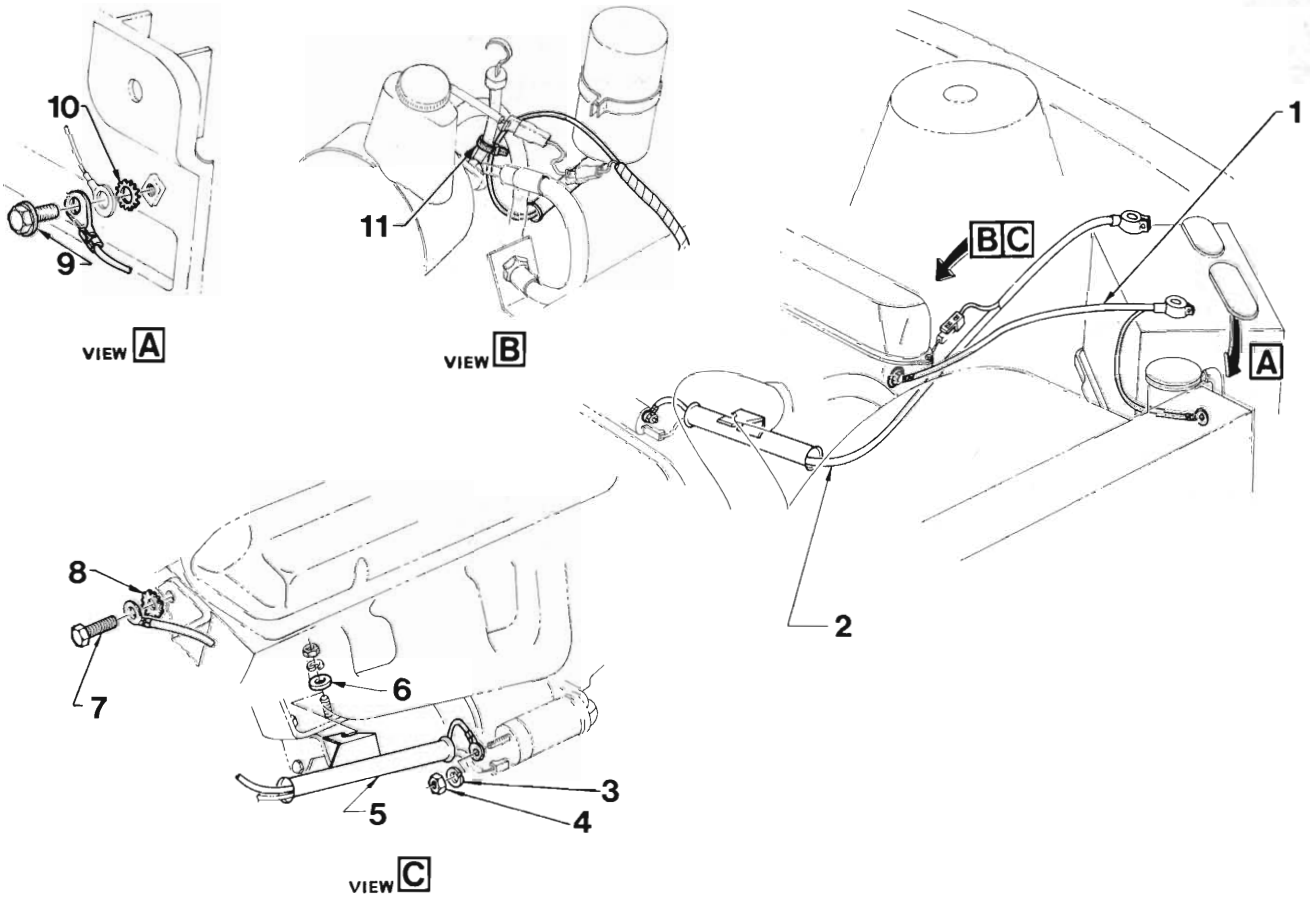
VIEW **B** EXC. AIR PUMP



VIEW **B** WITH AIR PUMP

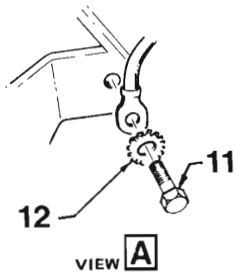
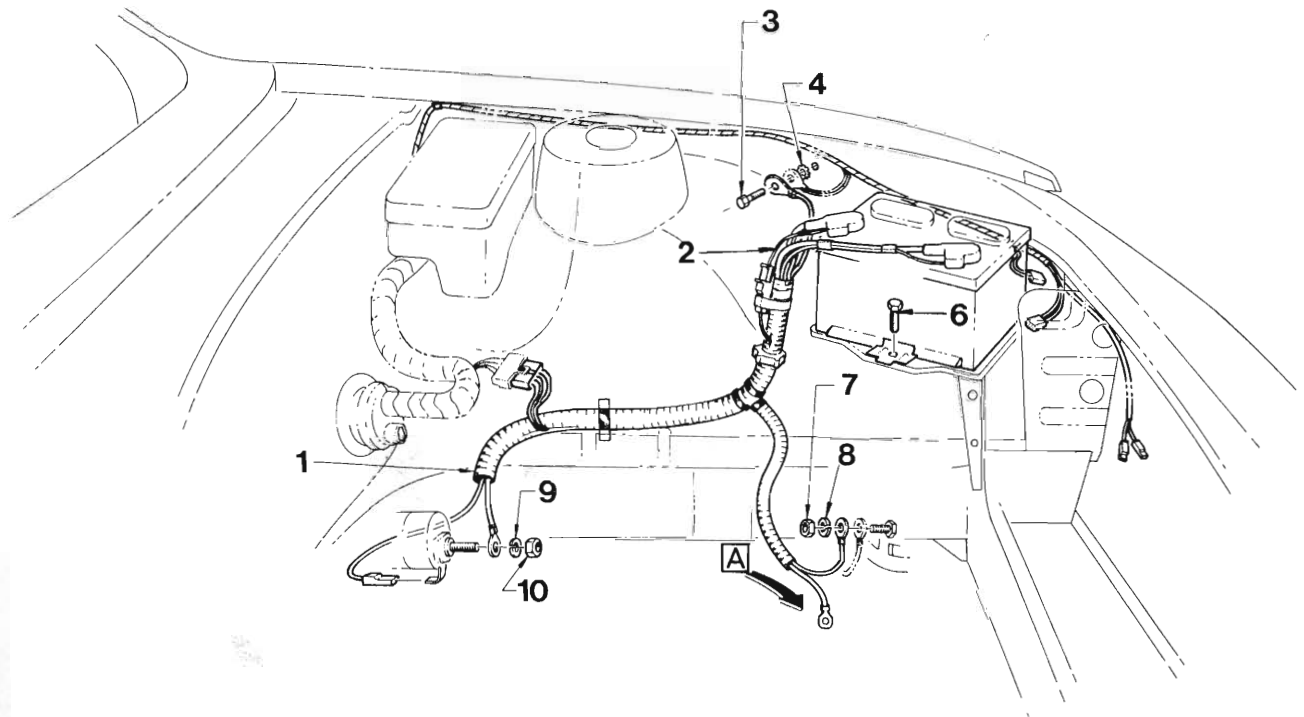
**BATTERY LEADS
6 CYLINDER ENGINE
VH SERIES**

REF. NO.	PART NAME	GROUP
1	CABLE ASM. - Starter	2.342
2	CABLE & LEAD ASM. - Battery earth.....	2.341
3	BOLT - Cable to cylinder head	2.343
4	STRAP - Cable to air pump brace.....	2.343



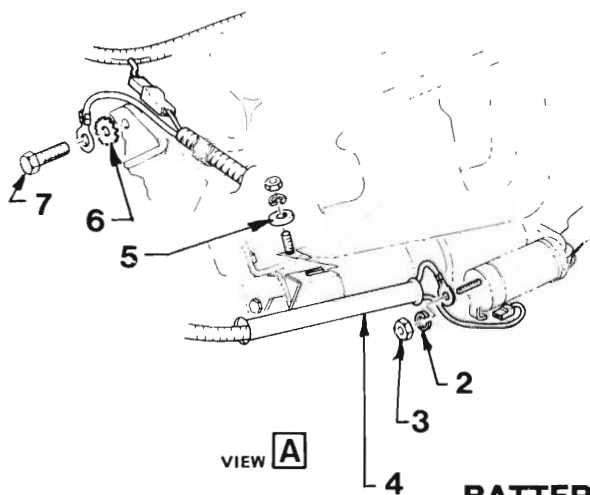
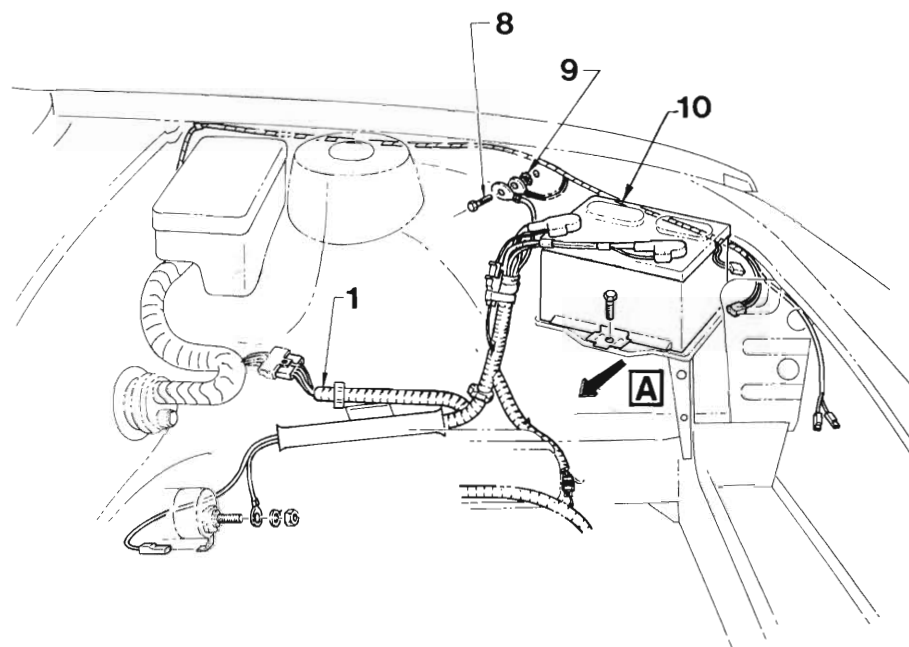
**BATTERY LEADS
8 CYLINDER ENGINE
VB, VC, VH SERIES**

REF. NO.	PART NAME	GROUP
1	CABLE & LEAD ASM. - Battery earth.....	2.341
2	CABLE ASM. - Starter	2.342
3	WASHER - Lead to starter motor.....	2.343
4	NUT - Lead to starter motor.....	2.343
5	TUBE - Cable guide	2.343
6	WASHER - Tube to engine mounting.....	2.343
7	BOLT - Cable to alternator mounting	2.343
8	WASHER - Cable to alternator mounting bolt	2.343
9	BOLT - Cable to LH radiator side support	2.343
10	WASHER - Cable to LH radiator side support.....	2.343
11	STRAP - Cable to oil level indicator tube.....	2.343



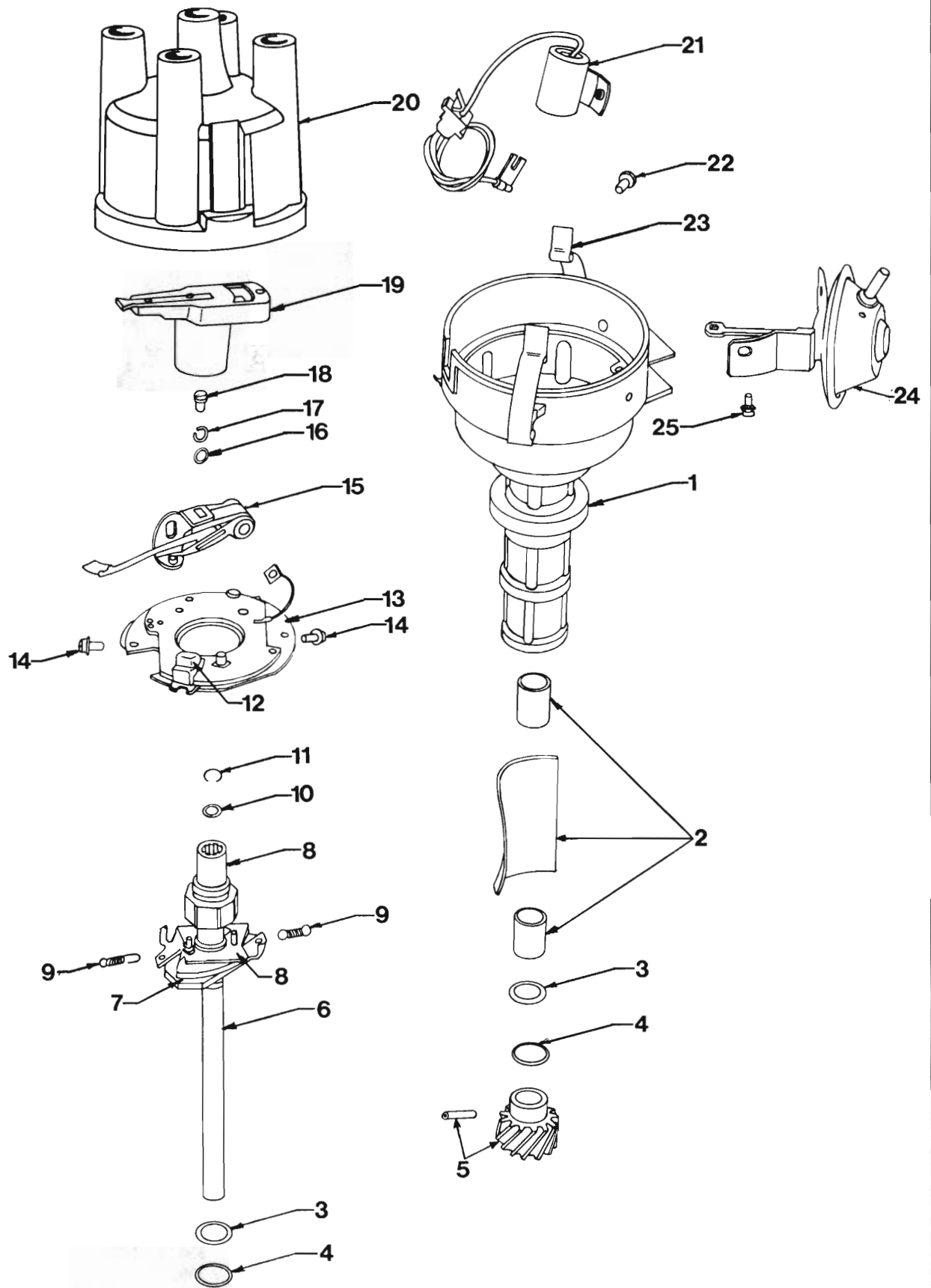
BATTERY HARNESS
4 & 6 CYLINDER ENGINES
VK SERIES

REF. NO.	PART NAME	GROUP
1	HARNESS ASM. - Battery.....	2.342
2	LEAD - Fusible link.....	2.530
3	SCREW - Battery harness to body.....	2.343
4	WASHER - Battery harness to body.....	2.343
5	BATTERY.....	2.330
6	SCREW - Battery holder.....	2.335
7	NUT - Lead to alternator.....	2.343
8	WASHER - Lead to alternator.....	2.343
9	WASHER - Battery harness to starter motor.....	2.343
10	NUT - Battery harness to starter motor.....	2.343
11	BOLT - Battery earth cable.....	2.343
12	WASHER - Battery earth cable.....	2.343



BATTERY HARNESS
8 CYLINDER ENGINE
VK SERIES

REF. NO.	PART NAME	GROUP
1	HARNESS ASM. - Battery.....	2.342
2	WASHER - Battery harness to starter motor	2.343
3	NUT - Battery harness to starter motor.....	2.343
4	TUBE - Cable guide	2.343
5	WASHER - Tube to engine mount.....	2.343
6	WASHER - Battery harness to cylinder block.....	2.343
7	BOLT - Battery harness to cylinder block	2.343
8	SCREW - Battery harness to body	2.343
9	WASHER - Battery harness to body	2.343
10	BATTERY.....	2.330
11	SCREW - Battery holder.....	2.335



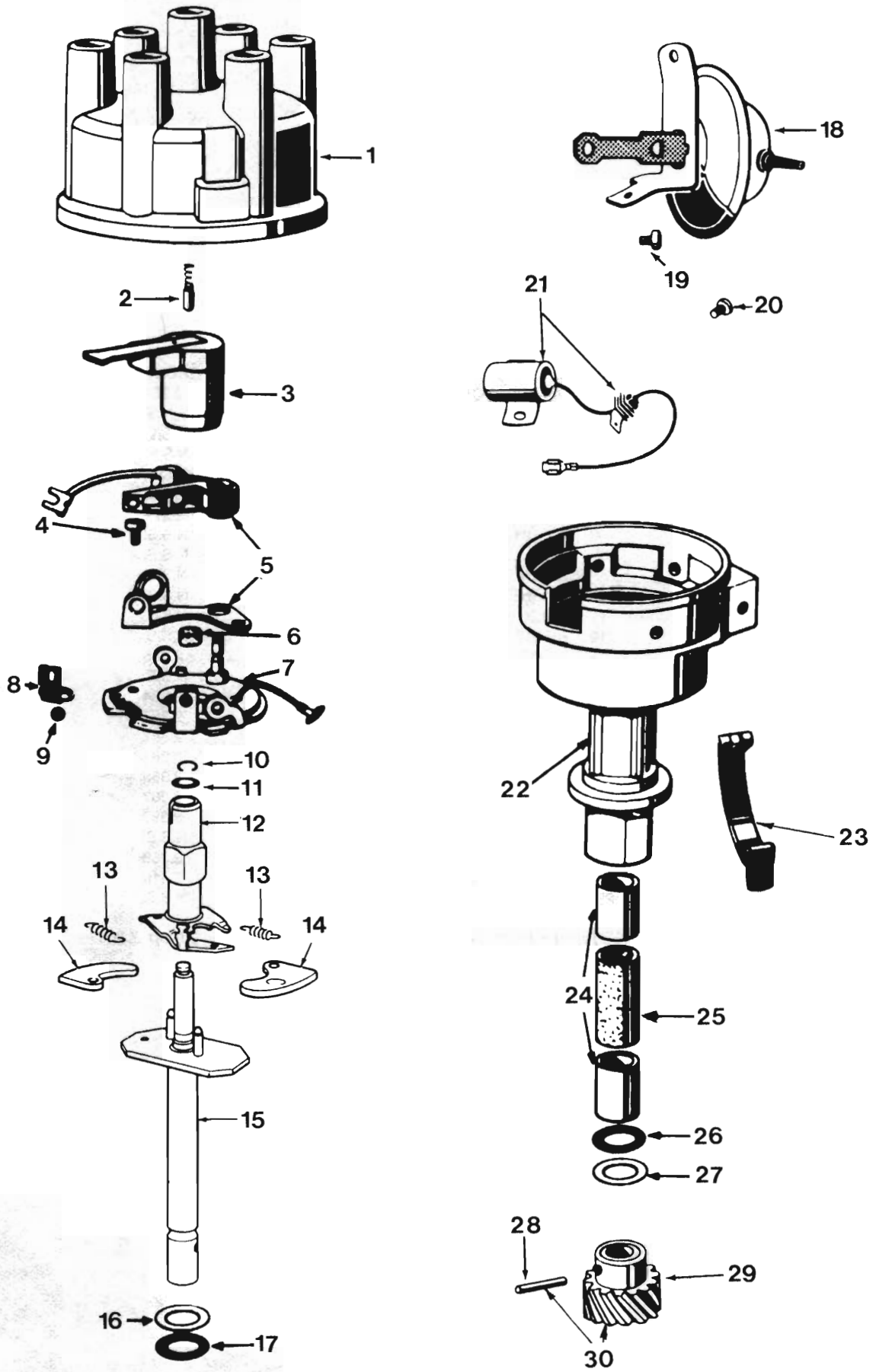


**DISTRIBUTOR
BOSCH
4 CYLINDER ENGINE**

ILLUSTRATION OPPOSITE

REF. NO.	PART NAME	GROUP
1-25	DISTRIBUTOR ASM.....	2.361
1	HOUSING.....	N.S.
2	BUSH & FELT KIT.....	2.363
3(A)	WASHER - Thrust fibre.....	N.S.S.
4(A)	SHIM - Thrust.....	N.S.S.
5	GEAR & PIN.....	2.374
6	SHAFT WITH WEIGHTS.....	2.372
7	WEIGHT.....	N.S.S.
8	CAM.....	N.S.S.
9	SPRING.....	N.S.S.
10	WASHER - Cam retainer.....	N.S.S.
11	CIRCLIP - Cam retainer.....	N.S.S.
12	RETAINER - Plate ball.....	N.S.S.
13	PLATE & CONTACT BREAKER ASM.....	2.385
14(A)	SCREW - Plate support.....	N.S.S.
15	CONTACT SET.....	2.384
16	WASHER - Plain.....	2.387
17	WASHER - Screw lock.....	2.387
18(A)	SCREW - Contact breaker.....	2.387
19	ROTOR.....	2.382
20	CAP.....	2.367
21	CONDENSER.....	2.393
22(A)	SCREW & WASHER - Condenser attaching.....	N.S.S.
23(A)	CLIP - Cap to housing.....	2.368
24	VACUUM CONTROL ASM.....	2.410
25(A)	SCREW - Vacuum control attaching.....	N.S.S.

NOTE:- (A Parts included in Small Parts Kit. Refer Group 2.361)





**DISTRIBUTOR
BOSCH
6 CYLINDER ENGINE
VB SERIES**

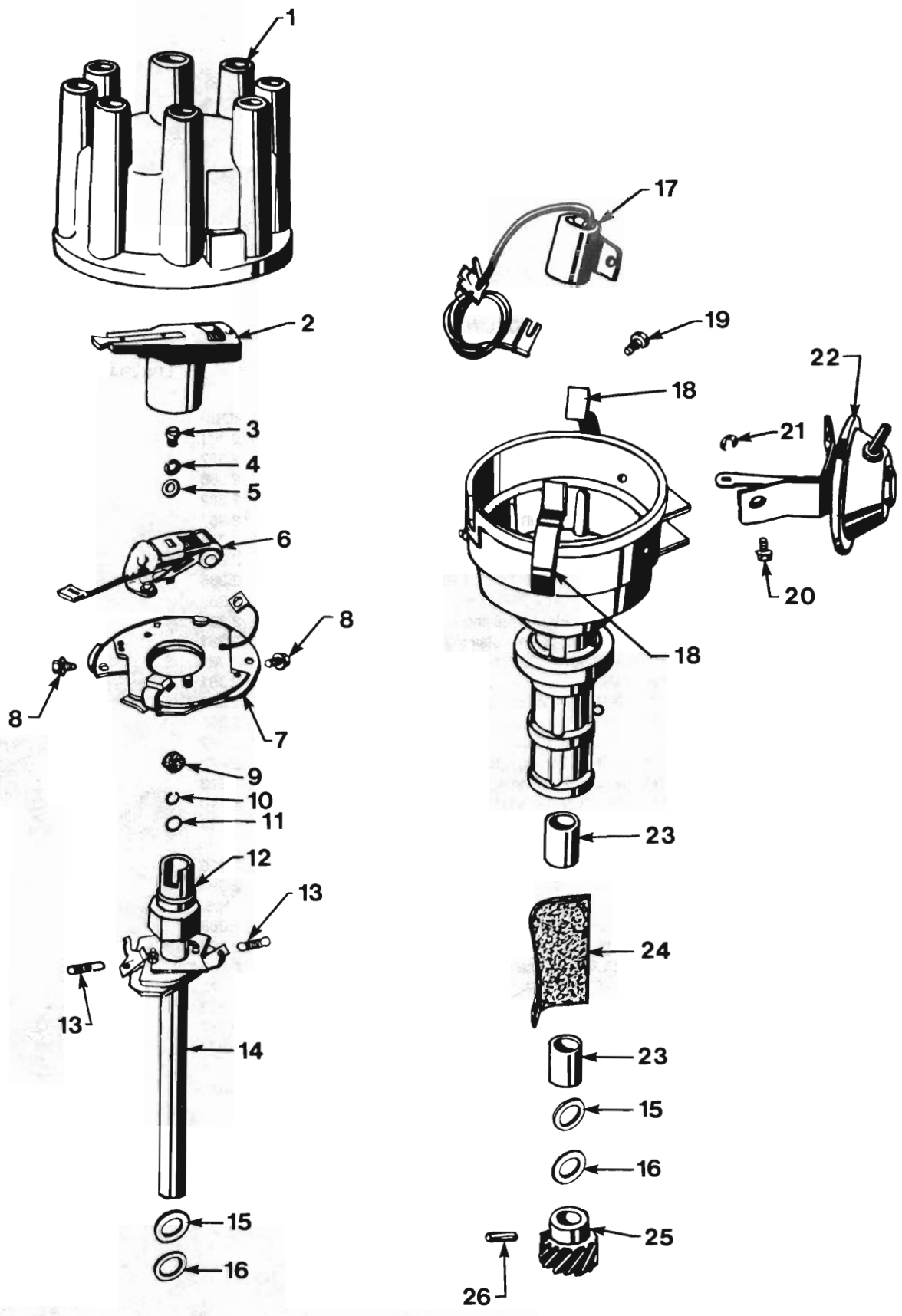
ILLUSTRATION OPPOSITE

REF. NO.	PART NAME	GROUP
1-29	DISTRIBUTOR ASM.....	2.361
1	CAP - Distributor.....	2.367
2	BRUSH - Cap.....	2.368
3	ROTOR.....	2.382
4(A)	SCREW - Contact breaker.....	2.387
5	CONTACT SET.....	2.384
6	WICK.....	2.364
7	PLATE & CONTACT BREAKER ASM.....	2.385
8	RETAINER - Plate ball.....	2.385
9	BALL - Plate retaining.....	2.385
10	CIRCLIP - Cam retaining.....	2.381
11	WASHER - Cam retaining.....	2.381
12	CAM.....	2.381
13	SPRING - Weight.....	2.389
14	WEIGHT.....	2.388
15	SHAFT & DRIVE PLATE.....	2.372
16(A)	SHIM - Thrust, upper & lower.....	2.372
17(A)	WASHER - Thrust, Fibre, Upper & lower.....	2.372
18	VACUUM CONTROL ASM.....	2.410
19(A)	SCREW & WASHER - Condenser attaching.....	2.393
20(A)	SCREW & WASHER - Vacuum control attaching.....	2.410
21	CONDENSER.....	2.393
22	HOUSING.....	N.S.
23(A)	CLIP - Cap to housing.....	2.368
24	BUSH - Upper & lower.....	2.363
25	FELT - Lubrication.....	2.363
26(A)	WASHER - Thrust, Fibre, Upper & lower.....	2.372
27	SHIM - Thrust, Upper & lower.....	2.372
28	PIN - Slotted spring.....	2.379
29	GEAR.....	2.374

NOTE:- (A Parts included in Small Parts Kit. Refer Group 2.361)



"V" SERIES PARTS CATALOGUE

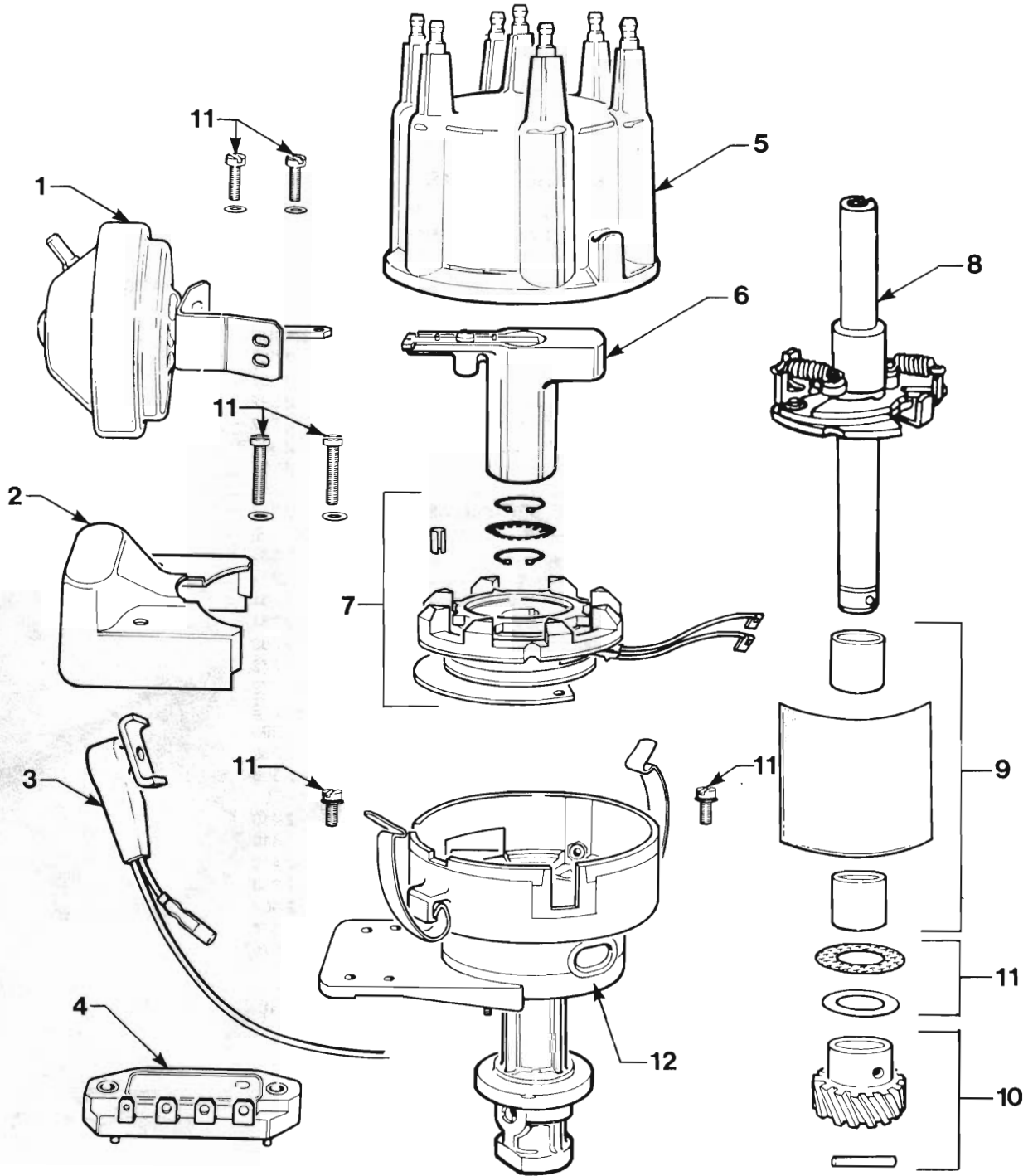




**DISTRIBUTOR
BOSCH
8 CYLINDER ENGINE
VB SERIES**

ILLUSTRATION OPPOSITE

REF. NO.	PART NAME	GROUP
1-26	DISTRIBUTOR ASM.....	2.361
1	CAP.....	2.367
2	ROTOR.....	2.382
3(A)	SCREW - Contact breaker.....	2.387
4(A)	WASHER - Screw lock.....	2.387
5(A)	WASHER - Plain.....	2.387
6	CONTACT SET.....	2.384
7	PLATE & CONTACT BREAKER ASM.....	2.385
8(A)	SCREW - Plate support.....	N.S.S.
9	WICK.....	2.364
10	CIRCLIP - Cam retaining.....	2.381
11	WASHER - Cam retaining.....	2.381
12	CAM.....	2.381
13	SPRING - Weight.....	2.389
14	SHAFT & DRIVE PLATE.....	2.372
15(A)	WASHER - Thrust, fibre.....	2.372
16(A)	SHIM.....	2.372
17	CONDENSER.....	2.393
18(A)	CLIP - Cap to housing.....	2.368
19(A)	SCREW & WASHER - Condenser attaching.....	2.393
20(A)	SCREW & WASHER - Vacuum control attaching.....	2.410
21(A)	CLIP - Rod attaching.....	2.410
22	VACUUM CONTROL ASM.....	2.410
23	BUSH - Housing.....	2.363
24	FELT.....	2.363
25	GEAR.....	2.374
26	PIN - Slotted spring.....	2.379





DISTRIBUTOR

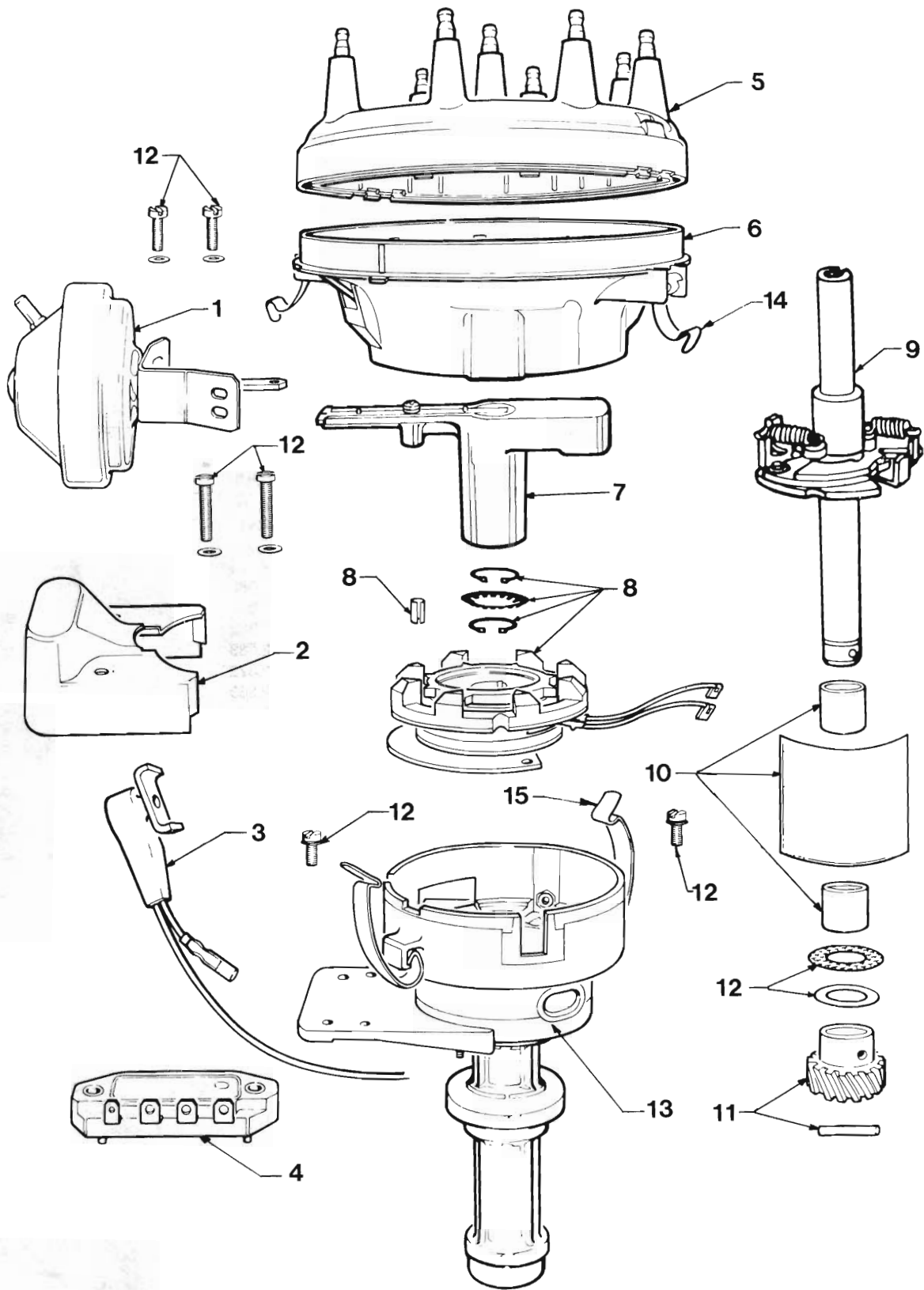
BOSCH

6 CYLINDER ENGINE - VC, VH SERIES

3.3 LITRE ENGINE WITH ELECTRONIC FUEL INJECTION - VK SERIES

ILLUSTRATION OPPOSITE

REF. NO.	PART NAME	GROUP
1-12	DISTRIBUTOR ASM.....	2.361
1	VACUUM CONTROL ASM.....	2.410
2	COVER - Module.....	2.383
3	CONNECTOR - Module.....	2.383
4	MODULE SET.....	2.383
5	CAP.....	2.367
6	ROTOR.....	2.382
7	SENSOR & RELUCTOR KIT.....	2.383
8	SHAFT WITH WEIGHTS.....	2.372
9	BUSH & FELT KIT - Housing.....	2.363
10	GEAR & PIN.....	2.374
11	SMALL PARTS KIT.....	2.361
12	HOUSING.....	N.S.

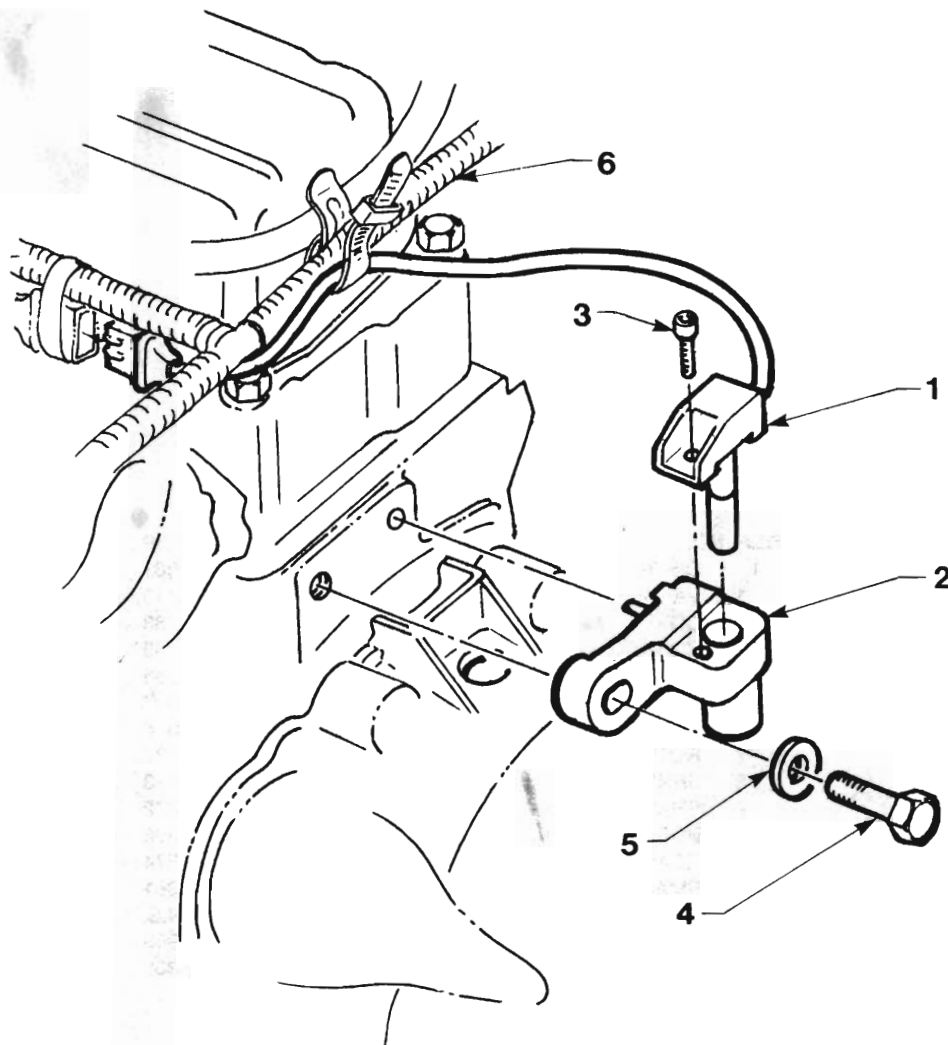




**DISTRIBUTOR
BOSCH
8 CYLINDER ENGINE
VC, VH, VK SERIES**

ILLUSTRATION OPPOSITE

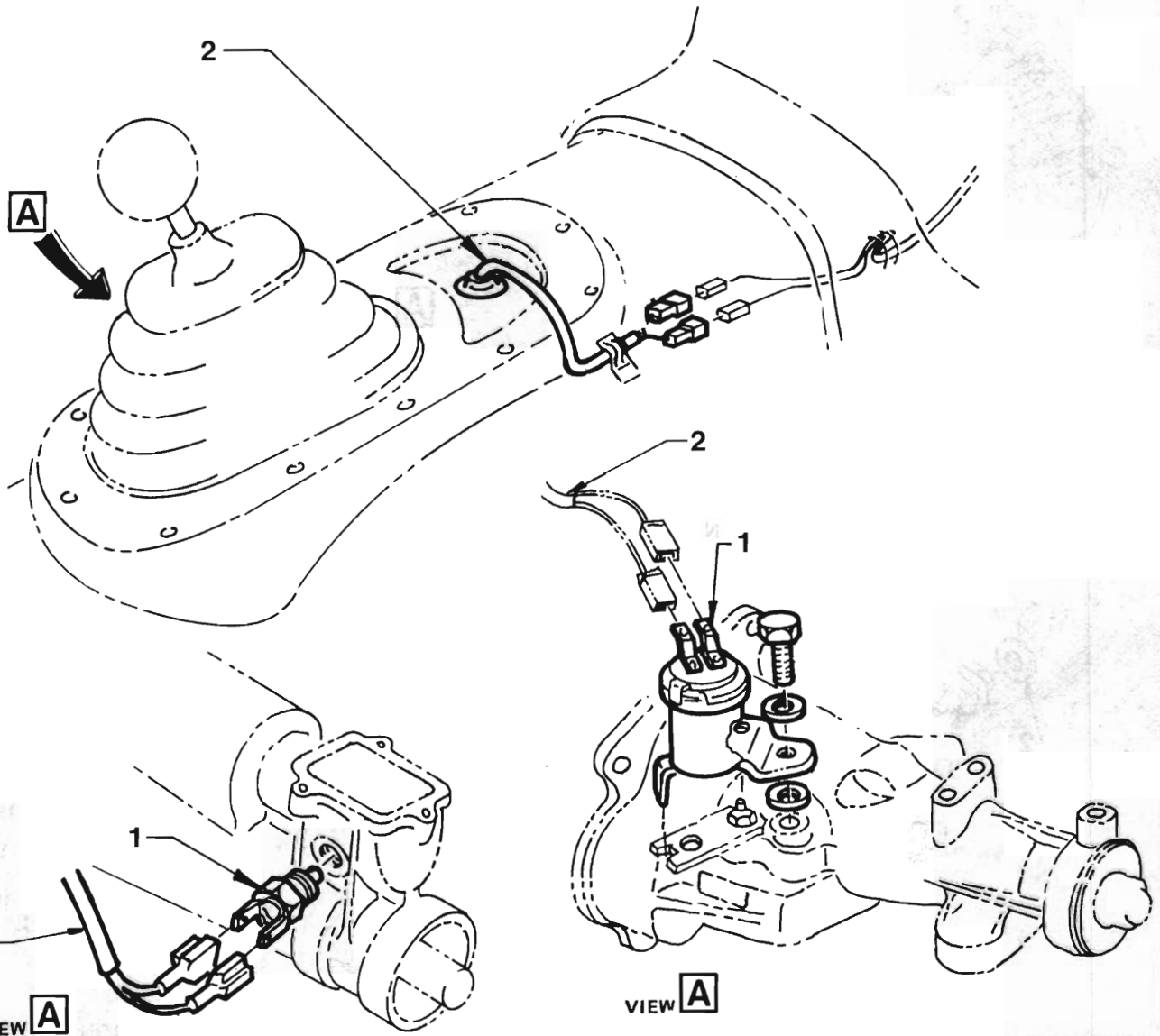
REF. NO.	PART NAME	GROUP
1-13	DISTRIBUTOR ASM.....	2.361
1	VACUUM CONTROL ASM.....	2.410
2	COVER - Module.....	2.383
3	CONNECTOR - Module.....	2.383
4	MODULE SET.....	2.383
5	CAP.....	2.367
6	RING - Distributor cap.....	2.368
7	ROTOR.....	2.382
8	SENSOR & RELUCTOR KIT.....	2.383
9	SHAFT - With weights.....	2.372
10	BUSH & FELT KIT.....	2.363
11	GEAR & PIN.....	2.374
12	SMALL PARTS KIT.....	2.361
13	HOUSING.....	N.S.
14	CLIP - Cap to ring retaining.....	2.368
15	CLIP - Ring to housing.....	2.368



ENGINE SPEED SENSOR

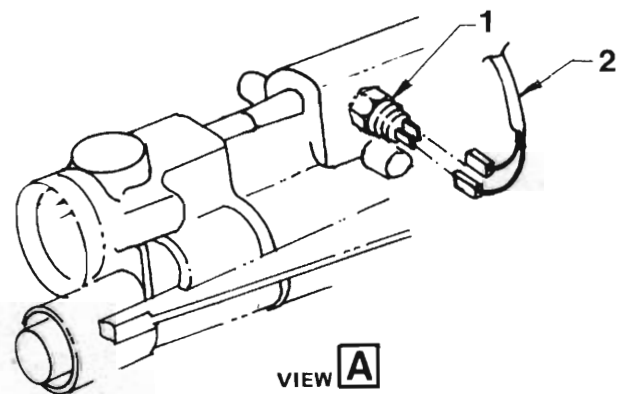
**3.3 LITRE ENGINE EXC. ELECTRONIC FUEL INJECTION
VK SERIES**

REF. NO.	PART NAME	GROUP
1	SENSOR & LEAD ASM. - Engine speed.....	2.383
2	SUPPORT - Sensor.....	2.383
3	SCREW - Sensor to support.....	2.383
4	BOLT - Sensor support to engine.....	2.383
5	WASHER - Sensor support to engine.....	2.383
6	HARNESS ASM. - Engine.....	2.525



MANUAL TORQUEMASTER TRANSMISSION

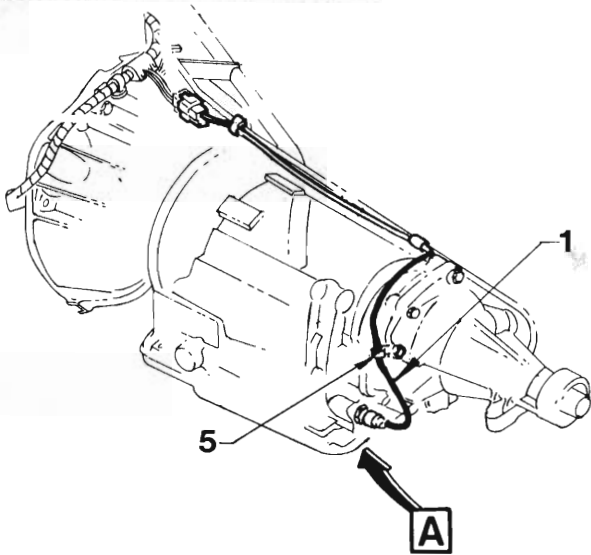
MANUAL EXC. TORQUEMASTER & 5 SPEED TRANSMISSION



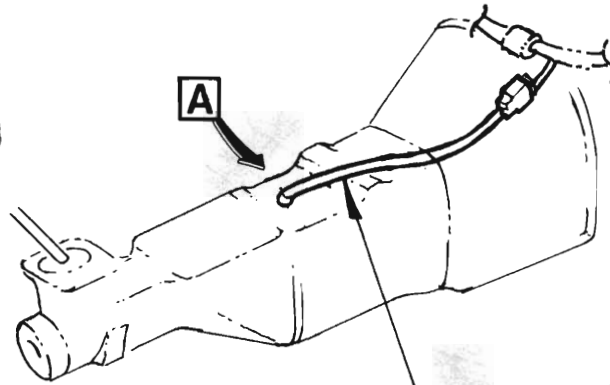
MANUAL 5 SPEED TRANSMISSION

BACK UP SWITCH & WIRING

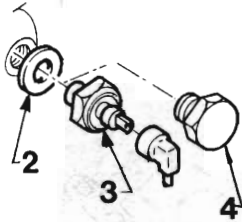
REF. NO.	PART NAME	GROUP
1	SWITCH ASM.....	2.698
2	LEAD ASM.....	2.697



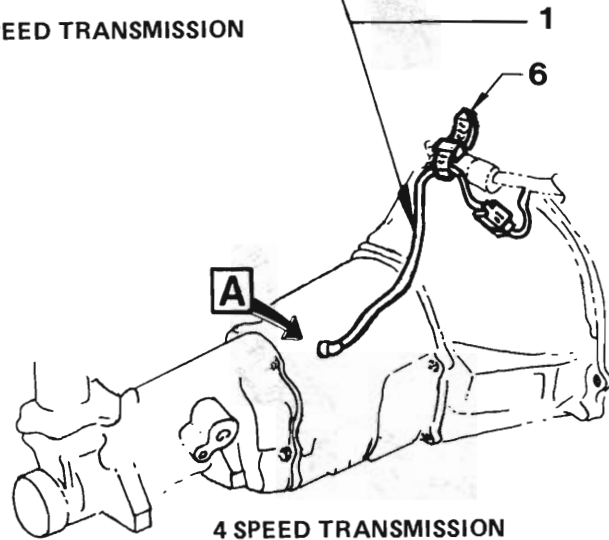
TRIMATIC TRANSMISSION



5 SPEED TRANSMISSION



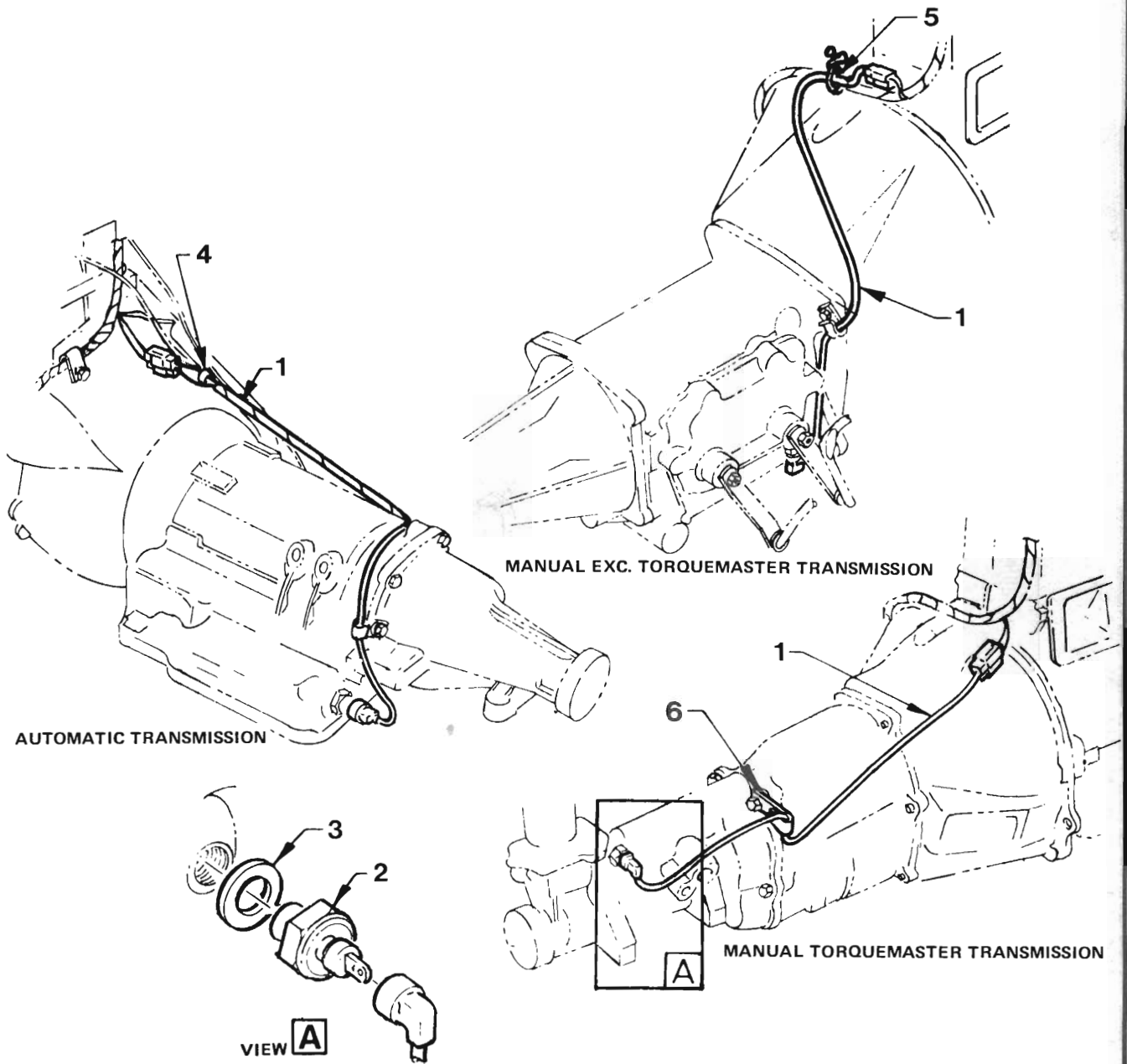
VIEW **A**



4 SPEED TRANSMISSION

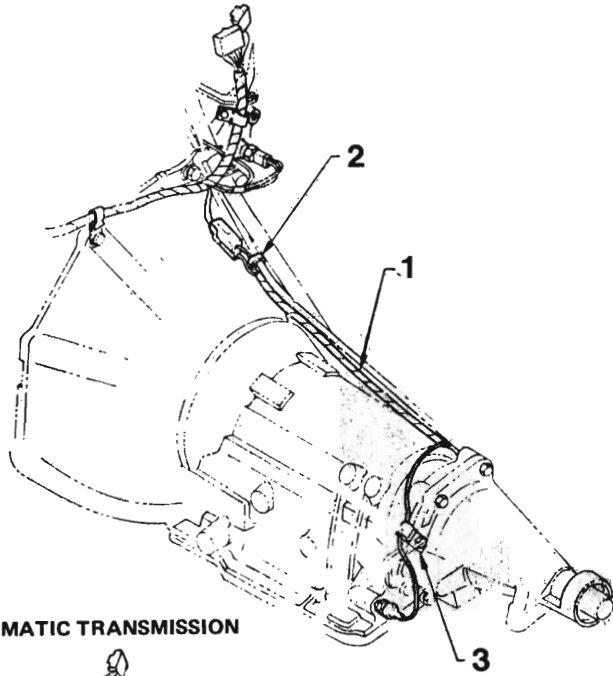
**TRANSMISSION CONTROLLED SPARK LEAD
4 CYLINDER ENGINE**

REF. NO.	PART NAME	GROUP
1	LEAD ASM. - Switch.....	2.408
2	GASKET - Switch & plug.....	2.408
3	SWITCH ASM. - Spark advance.....	2.408
4	PLUG - T.C.S. switch hole.....	2.408
5	CLIP - Lead to transmission.....	2.408
6	STRAP - Lead to engine harness.....	2.408

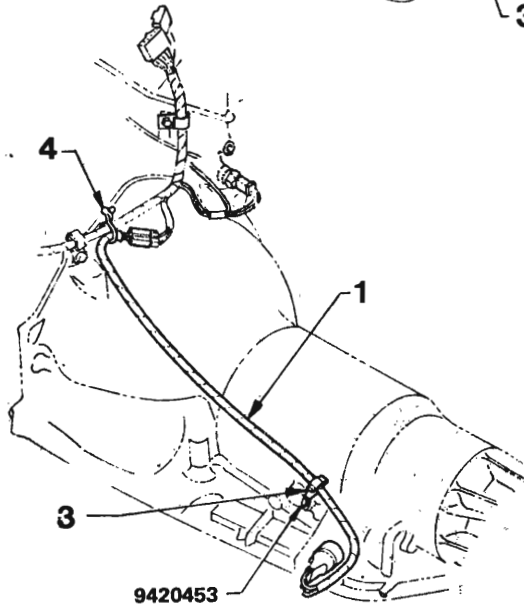


**TRANSMISSION CONTROL SPARK LEAD
6 CYLINDER ENGINE**

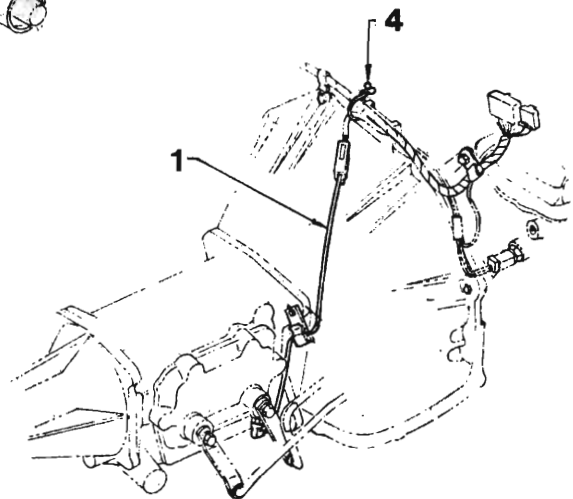
REF. NO.	PART NAME	GROUP
1	LEAD ASM. - Switch.....	2.408
2	SWITCH ASM. - Spark advance.....	2.408
3	GASKET - Switch and plug.....	2.408
4	CLIP - Lead to modulator pipe.....	2.408
5	STRAP - Lead to engine harness.....	2.408
6	CLIP - Lead to transmission.....	2.408



TRIMATIC TRANSMISSION



TURBO HYDRA-MATIC TRANSMISSION



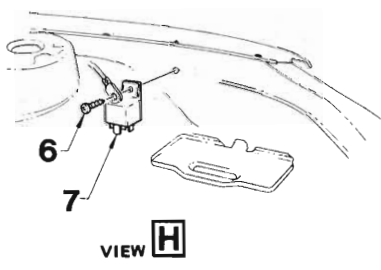
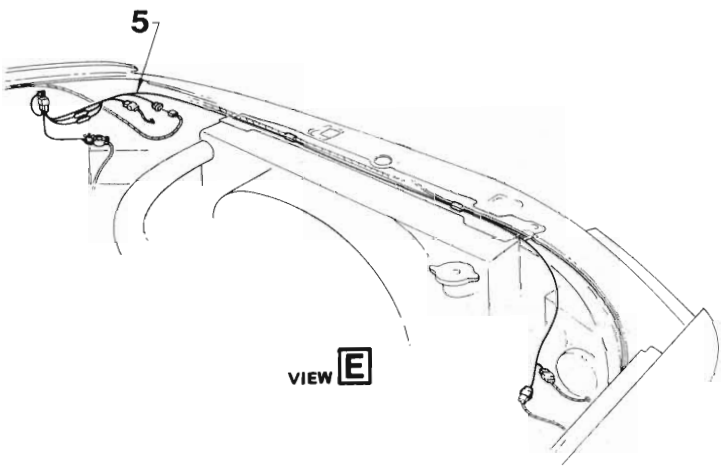
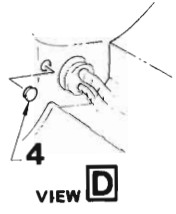
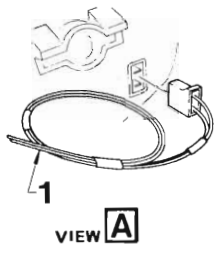
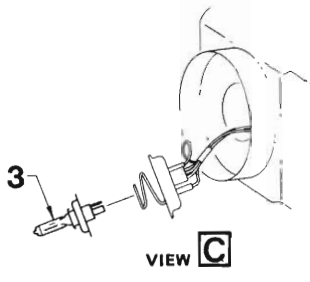
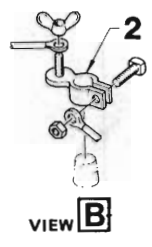
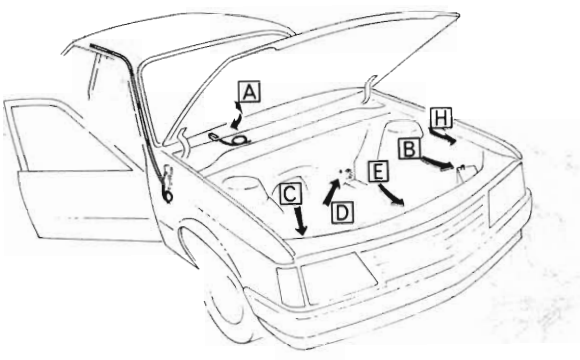
MANUAL TRANSMISSION

**TRANSMISSION CONTROL SPARK LEAD
8 CYLINDER ENGINE**

REF. NO.	PART NAME	GROUP
1	LEAD ASM. - Switch	2.408
2	CLIP - Lead to modulator pipe	2.408
3	CLIP - Lead to transmission	2.408
4	STRAP - Lead to engine harness	2.408

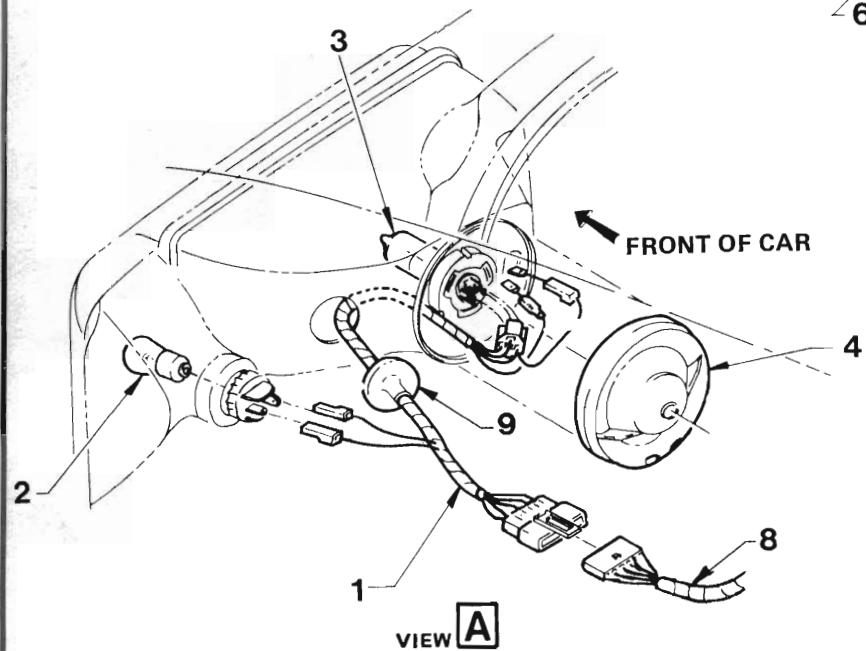
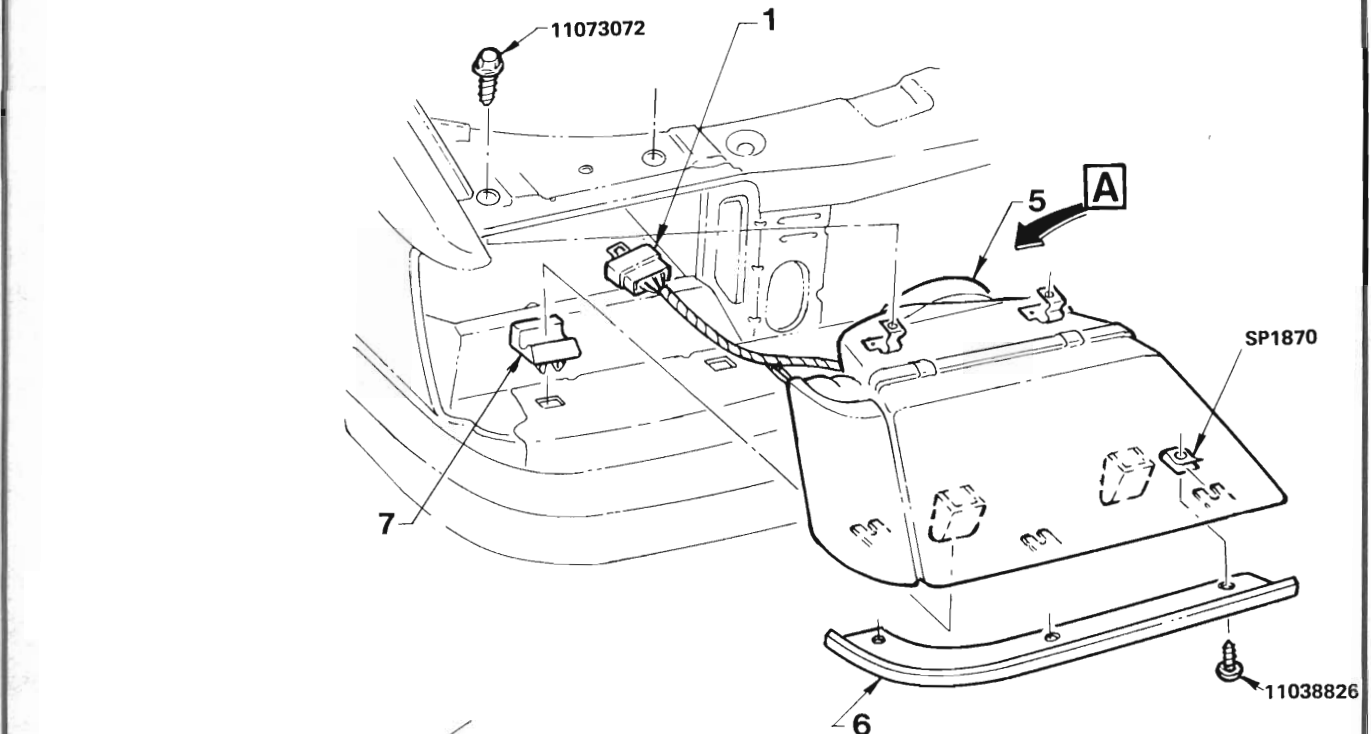


"V" SERIES PARTS CATALOGUE



WIRING - POLICE EQUIPMENT VH, VK SERIES

REF. NO.	PART NAME	GROUP
1	LEAD ASM. - Auxiliary speedometer	9.763
2	TERMINAL - Auxiliary battery	2.343
3	BULB - Headlamp	2.727
4	PLUG - 25mm	12.804
5	HARNES ASM. - Headlamp	2.480
6	SCREW - Relay attaching	2.459
7	RELAY - Headlamp - 30amp	2.459

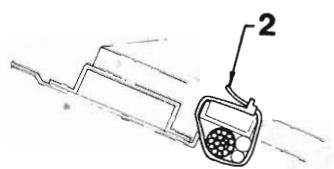
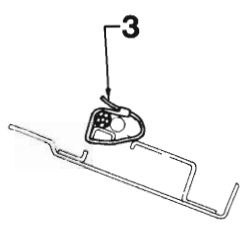
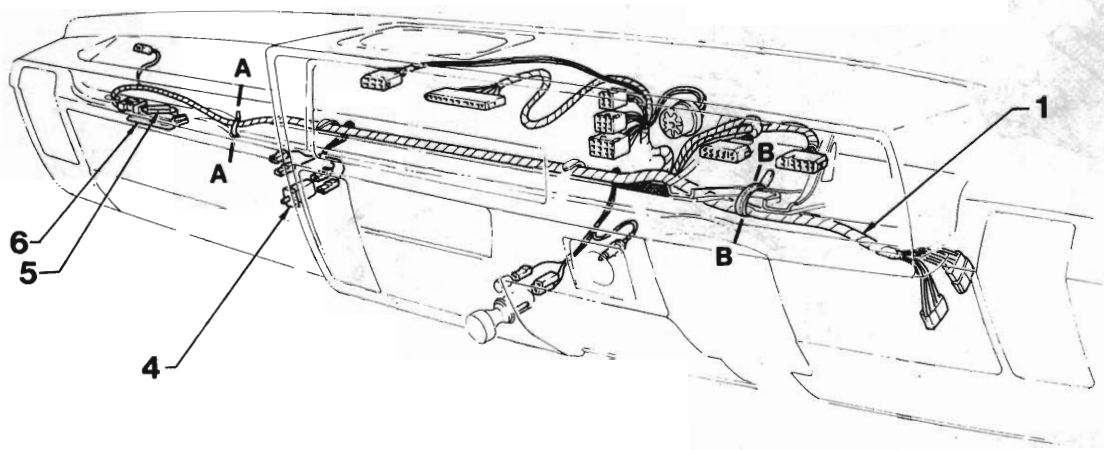


HEADLAMP HARNESS

REF. NO.	PART NAME	GROUP
1	HARNES ASM. - Lighting.....	2.480
2	BULB - Turn signal lamp.....	2.585
3	BULB - Headlamp.....	2.727
4	CAP ASM. - Headlamp.....	2.722
5	HEADLAMP ASM.....	2.725
6	MOULDING ASM. - Lower.....	2.728
7	CLAMP - Lower.....	2.726
8	HARNES ASM. - Main wiring.....	2.480
9	GROMMET - Harness asm.....	2.480

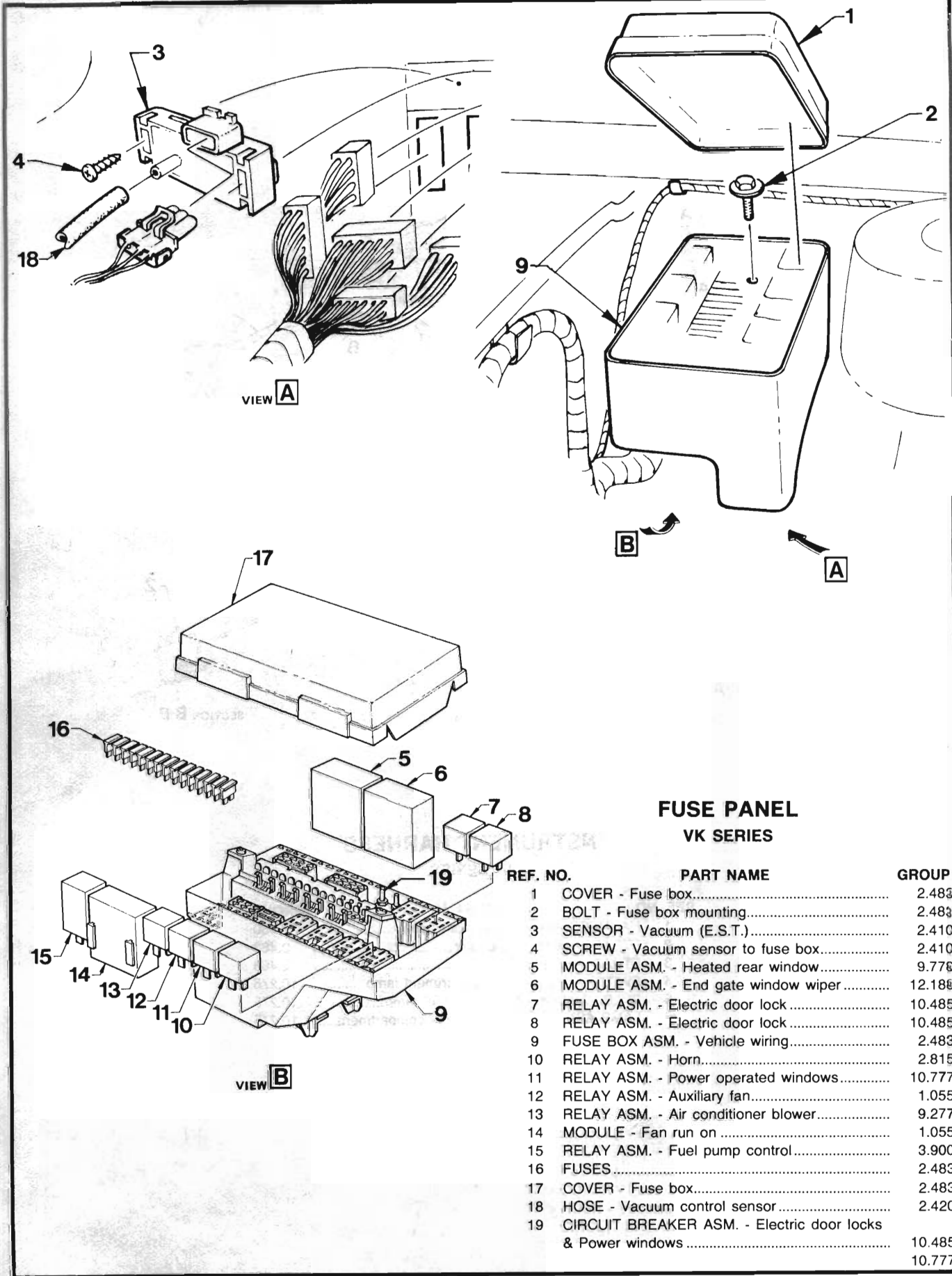


"V" SERIES PARTS CATALOGUE



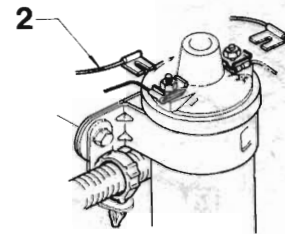
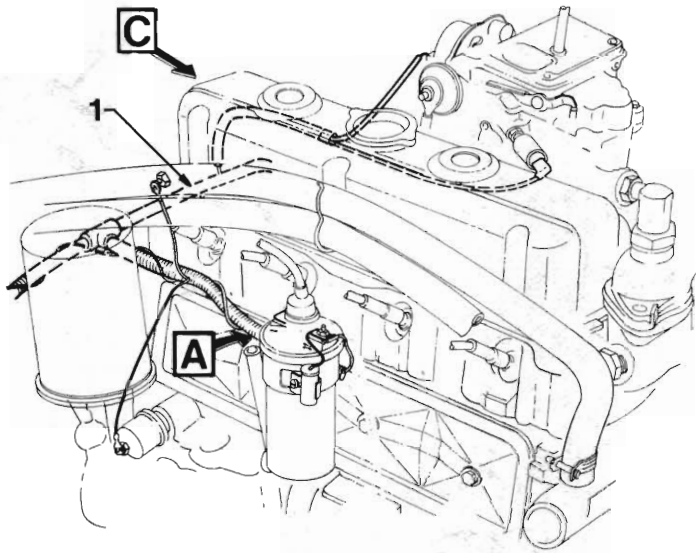
INSTRUMENT HARNESS VK SERIES

REF. NO.	PART NAME	GROUP
1	HARNESS ASM. - Instrument panel.....	2.480
2	STRAP - Harness to carrier	2.483
3	STRAP - Harness	2.483
4	SWITCH - Instrument compartment lamp.....	10.275
5	BULB - Instrument compartment lamp.....	10.275
6	LAMP ASM. - Instrument panel compartment.....	10.275

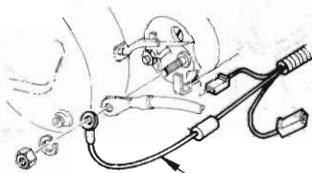


**FUSE PANEL
VK SERIES**

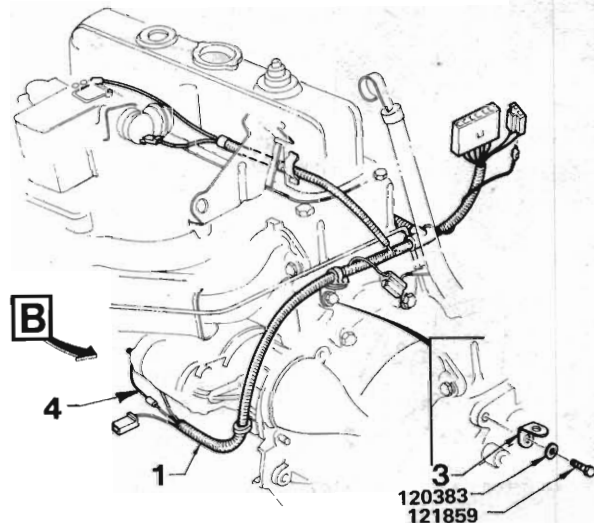
REF. NO.	PART NAME	GROUP
1	COVER - Fuse box.....	2.483
2	BOLT - Fuse box mounting.....	2.483
3	SENSOR - Vacuum (E.S.T.).....	2.410
4	SCREW - Vacuum sensor to fuse box.....	2.410
5	MODULE ASM. - Heated rear window.....	9.778
6	MODULE ASM. - End gate window wiper.....	12.186
7	RELAY ASM. - Electric door lock.....	10.485
8	RELAY ASM. - Electric door lock.....	10.485
9	FUSE BOX ASM. - Vehicle wiring.....	2.483
10	RELAY ASM. - Horn.....	2.815
11	RELAY ASM. - Power operated windows.....	10.777
12	RELAY ASM. - Auxiliary fan.....	1.055
13	RELAY ASM. - Air conditioner blower.....	9.277
14	MODULE - Fan run on.....	1.055
15	RELAY ASM. - Fuel pump control.....	3.900
16	FUSES.....	2.483
17	COVER - Fuse box.....	2.483
18	HOSE - Vacuum control sensor.....	2.420
19	CIRCUIT BREAKER ASM. - Electric door locks & Power windows.....	10.485 10.777



VIEW **A**



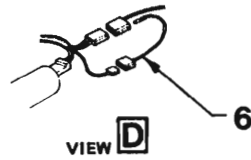
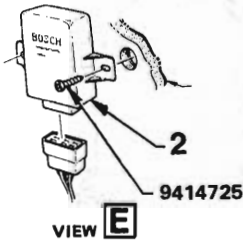
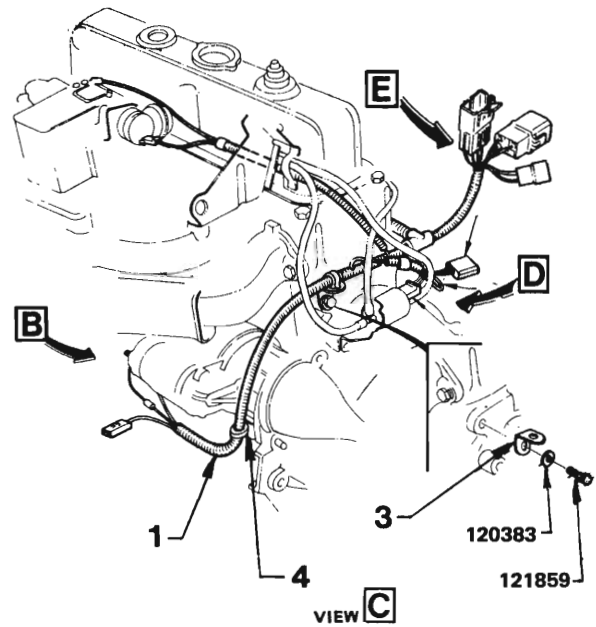
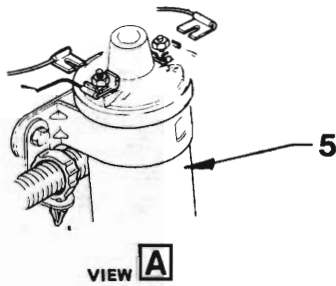
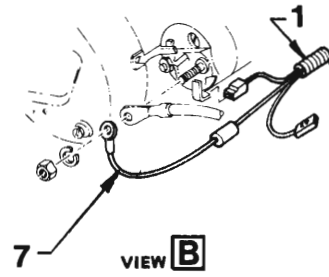
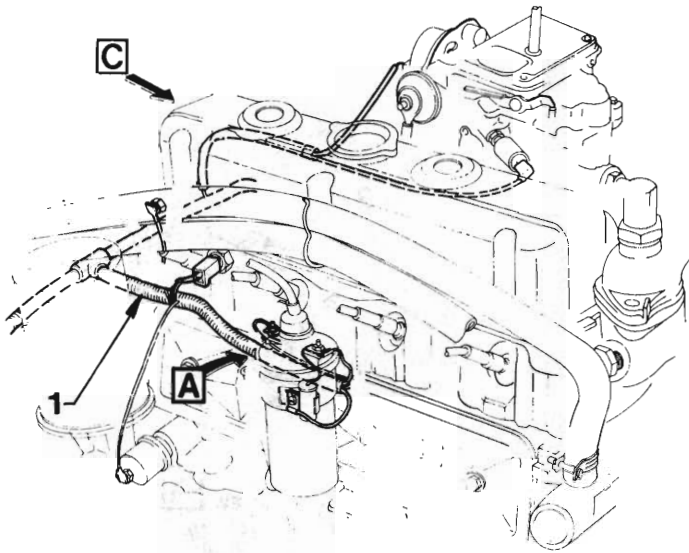
VIEW **B**



VIEW **C**

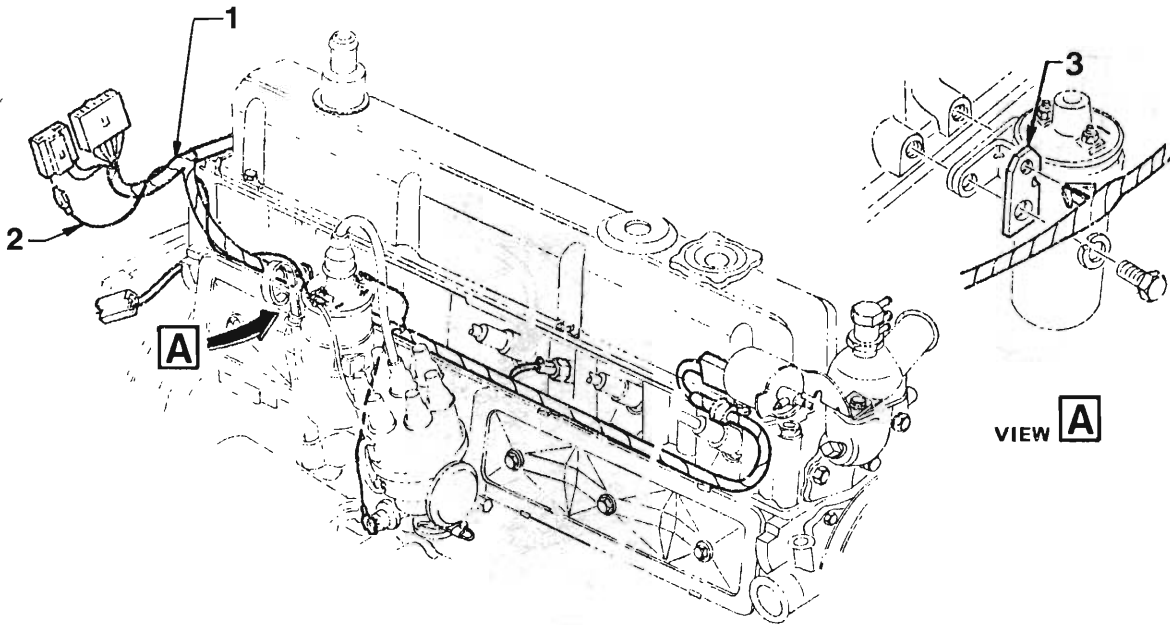
**ENGINE HARNESS
4 CYLINDER ENGINE
VC SERIES**

REF. NO.	PART NAME	GROUP
1	HARNESS ASM. - Engine.....	2.525
2	LEAD ASM. - Tachometer.....	9.750
3	BRACKET - Harness to cylinder case.....	2.559
4	LEAD - Fusible link.....	2.530

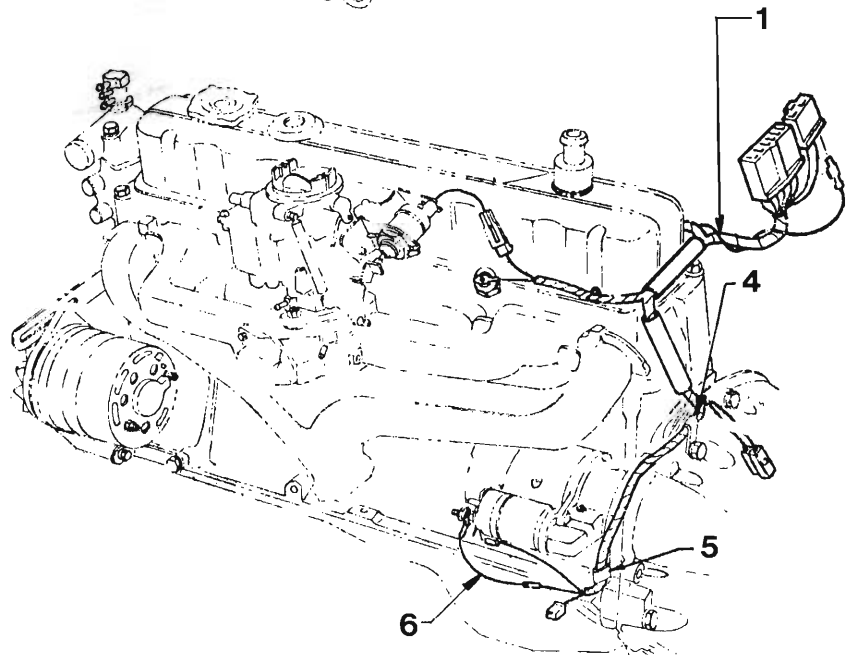


**ENGINE HARNESS
4 CYLINDER ENGINE
VH, VK SERIES**

REF. NO.	PART NAME	GROUP
1	HARNESS ASM. - Engine	2.525
2	MODULE - Economy delay switch	2.408
3	BRACKET - Harness to cylinder case	2.559
4	BRACKET - Harness to starter motor	2.559
5	COIL ASM. - Ignition	2.170
6	LEAD ASM. - Bridge	2.525
7	LEAD - Fusible link	2.530

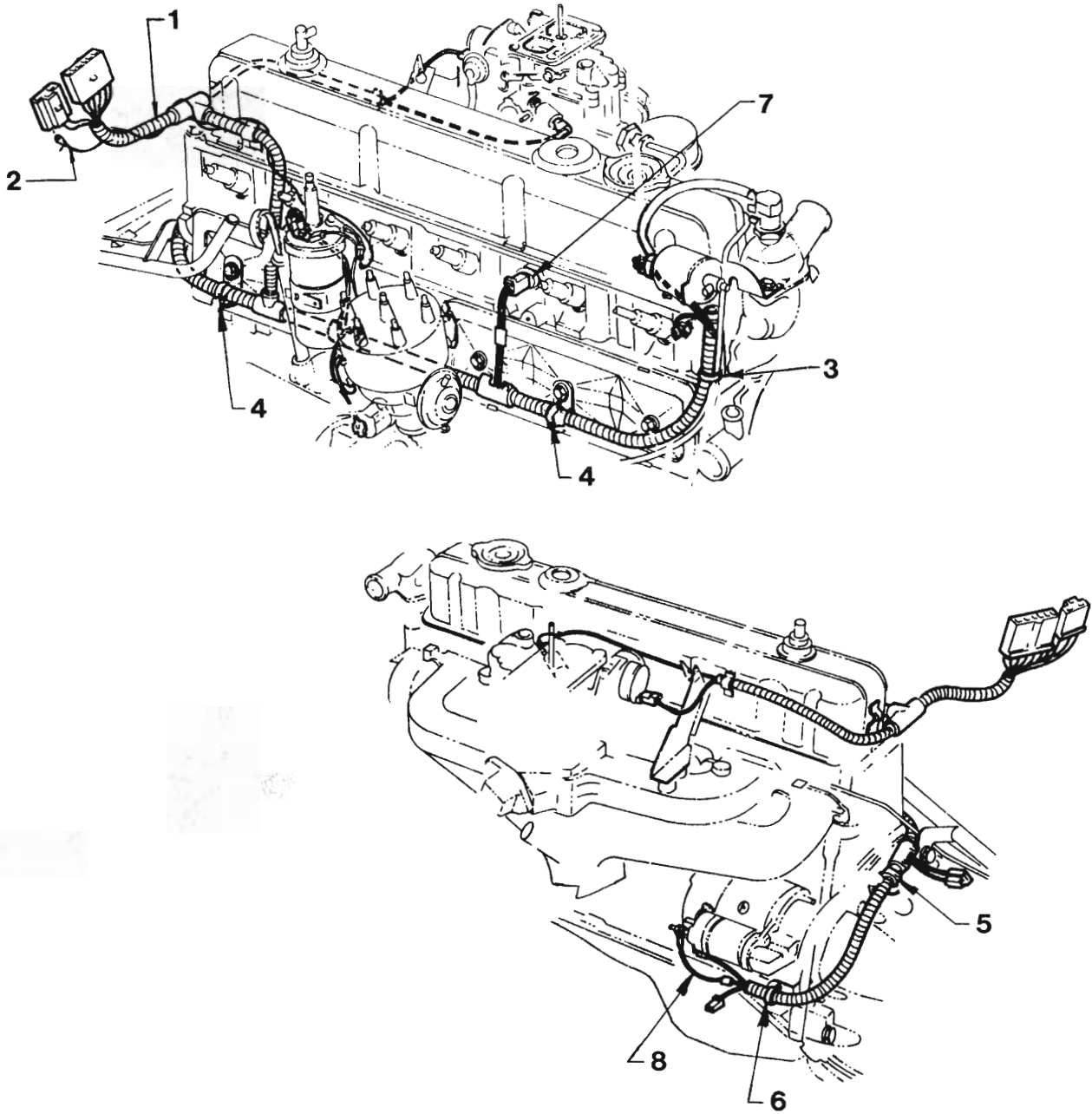


VIEW A



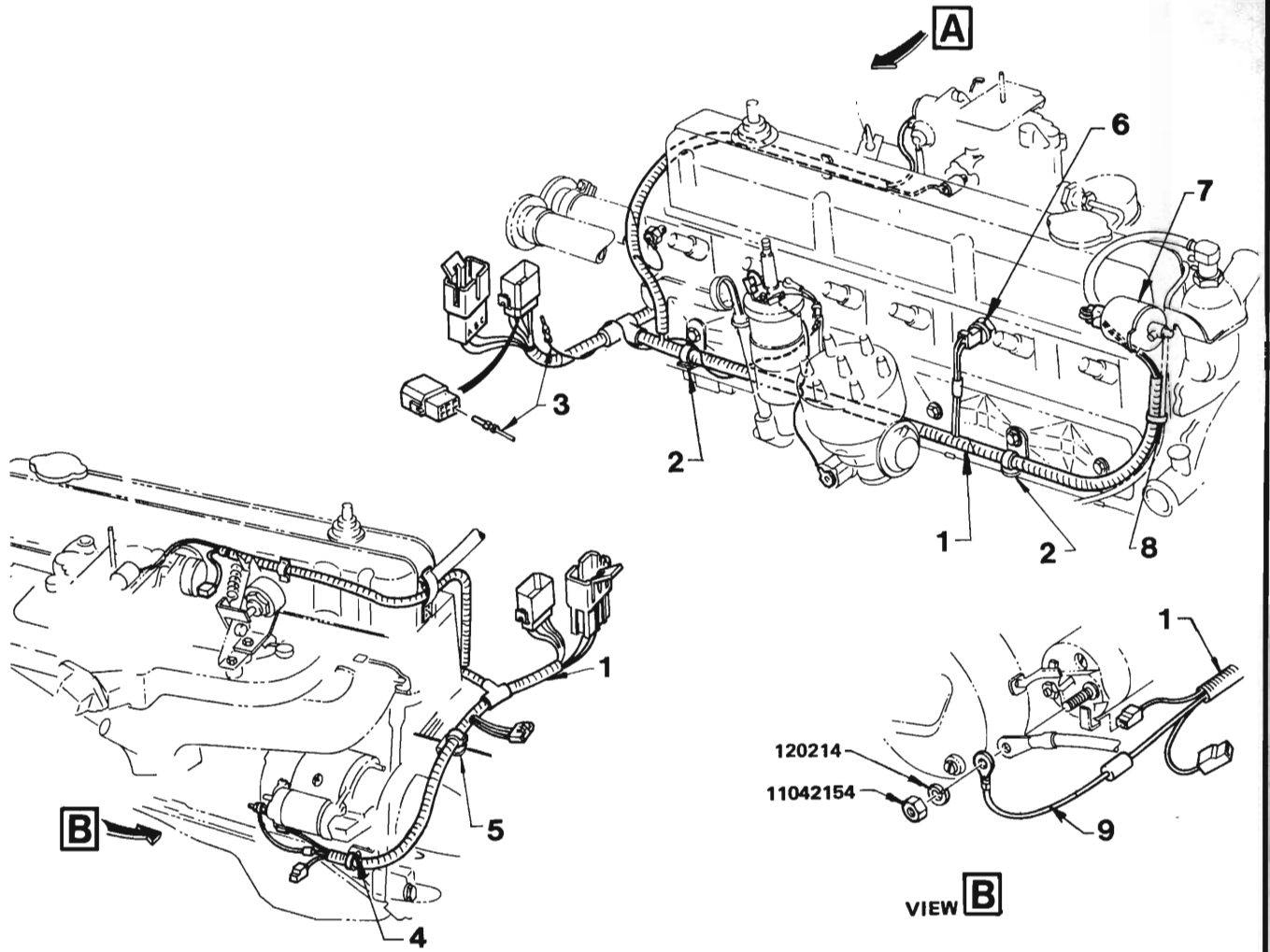
**ENGINE HARNESS
6 CYLINDER ENGINE
VB SERIES**

REF. NO.	PART NAME	GROUP
1	HARNESS ASM. - Engine	2.525
2	LEAD - Tachometer.....	9.750
3	BRACKET - Harness to coil.....	2.559
4	CLIP - Harness to clutch/converter housing.....	2.559
5	CLIP - Harness to starter motor.....	2.559
6	LEAD - Fusible link.....	2.530



**ENGINE HARNESS
6 CYLINDER ENGINE
VC SERIES**

REF. NO.	PART NAME	GROUP
1	HARNES ASM. - Engine	2.525
2	LEAD - Tachometer.....	9.750
3	STRAP - Harness to fuel pipe.....	2.559
4	BRACKET - Harness to push rod cover.....	2.559
5	BRACKET - Harness to clutch/converter housing	2.559
6	BRACKET - Harness to starter motor.....	2.559
7	SWITCH ASM. - Cold feed.....	2.408
8	LEAD - Fusible link.....	2.530

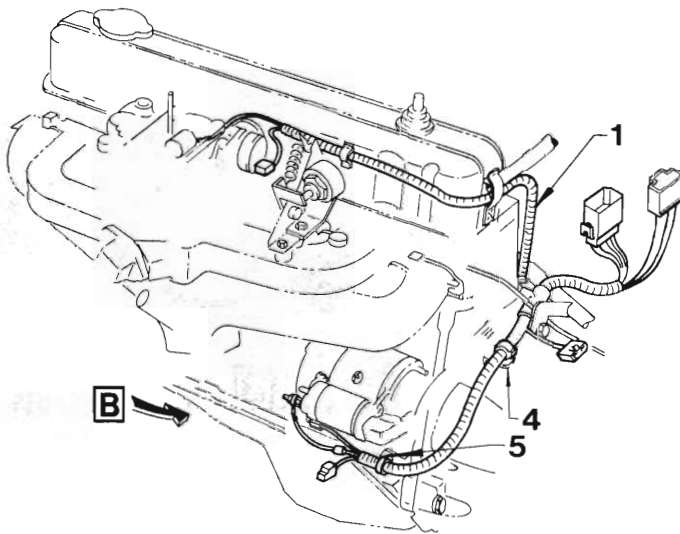
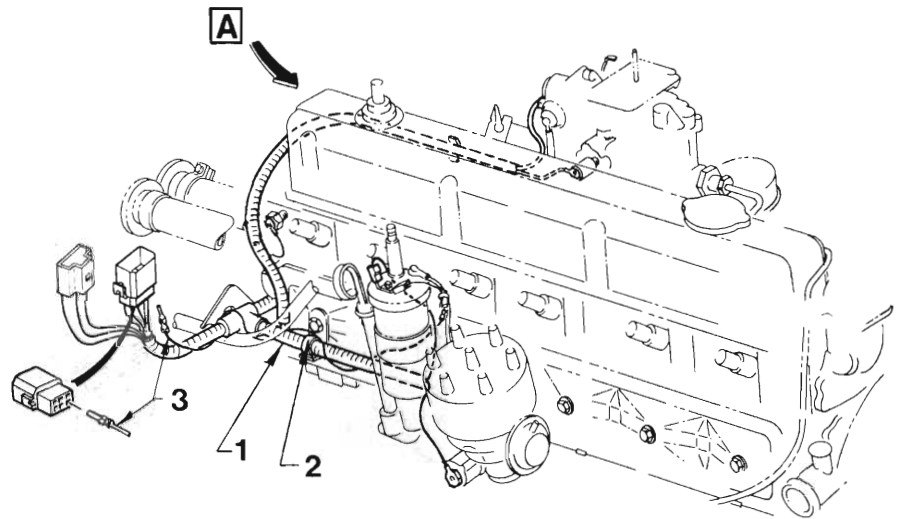


VIEW **A**

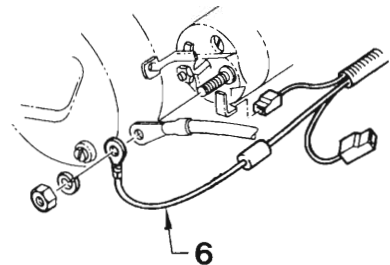
VIEW **B**

ENGINE HARNESS
6 CYLINDER ENGINE EXC. AIR PUMP
VH SERIES

REF. NO.	PART NAME	GROUP
1	HARNESS ASM. - Engine.....	2.525
2	BRACKET - Harness to push rod cover.....	2.559
3	LEAD ASM. - Tachometer.....	9.750
4	BRACKET - Harness to starter motor.....	2.559
5	BRACKET - Harness to clutch/converter housing.....	2.559
6	SWITCH ASM. - Cold feed.....	2.408
7	SOLENOID - Transmission controlled spark switch.....	2.408
8	STRAP - Harness to fuel pipe.....	2.559
9	LEAD - Fusible link.....	2.530



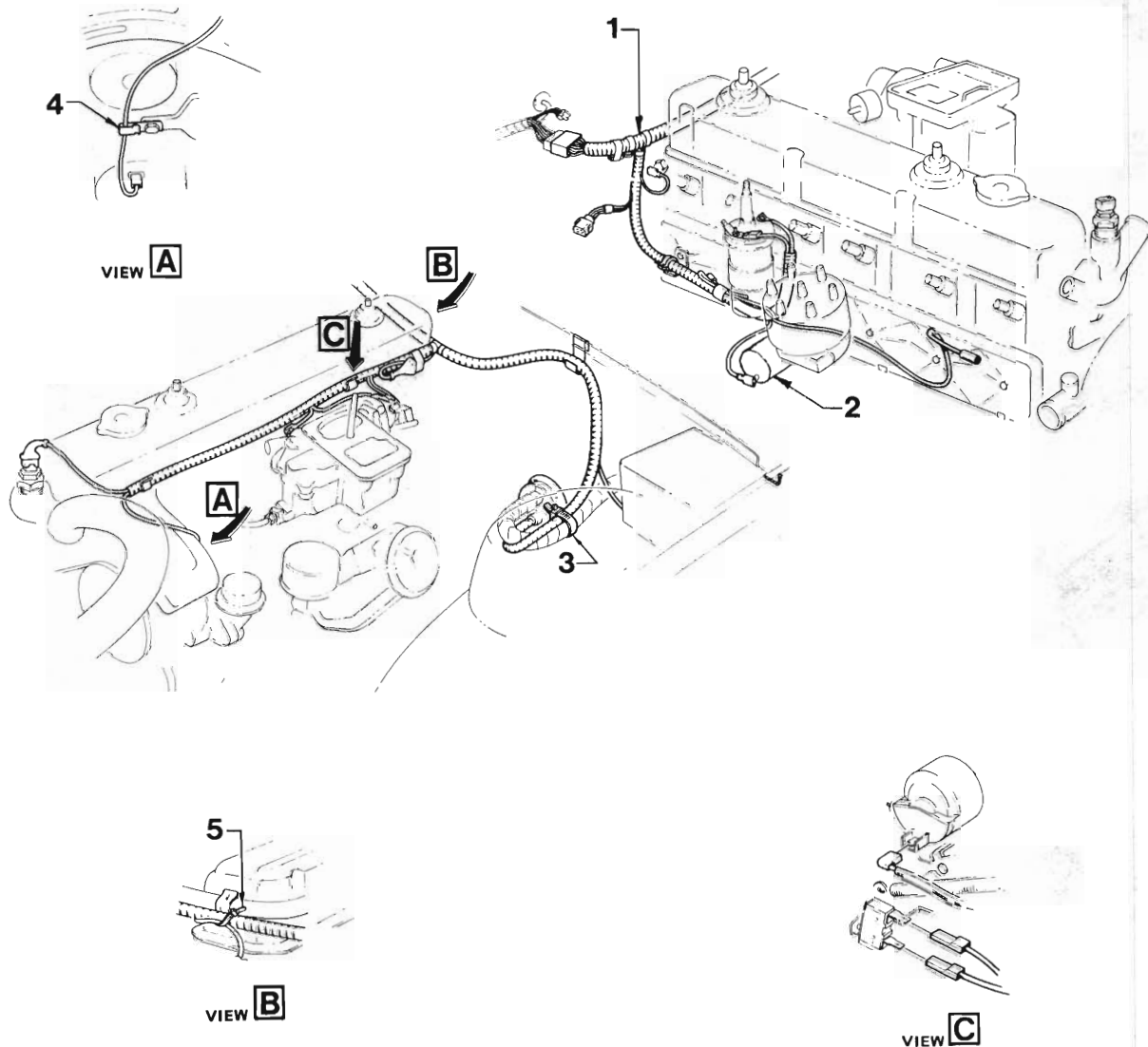
VIEW **A**



VIEW **B**

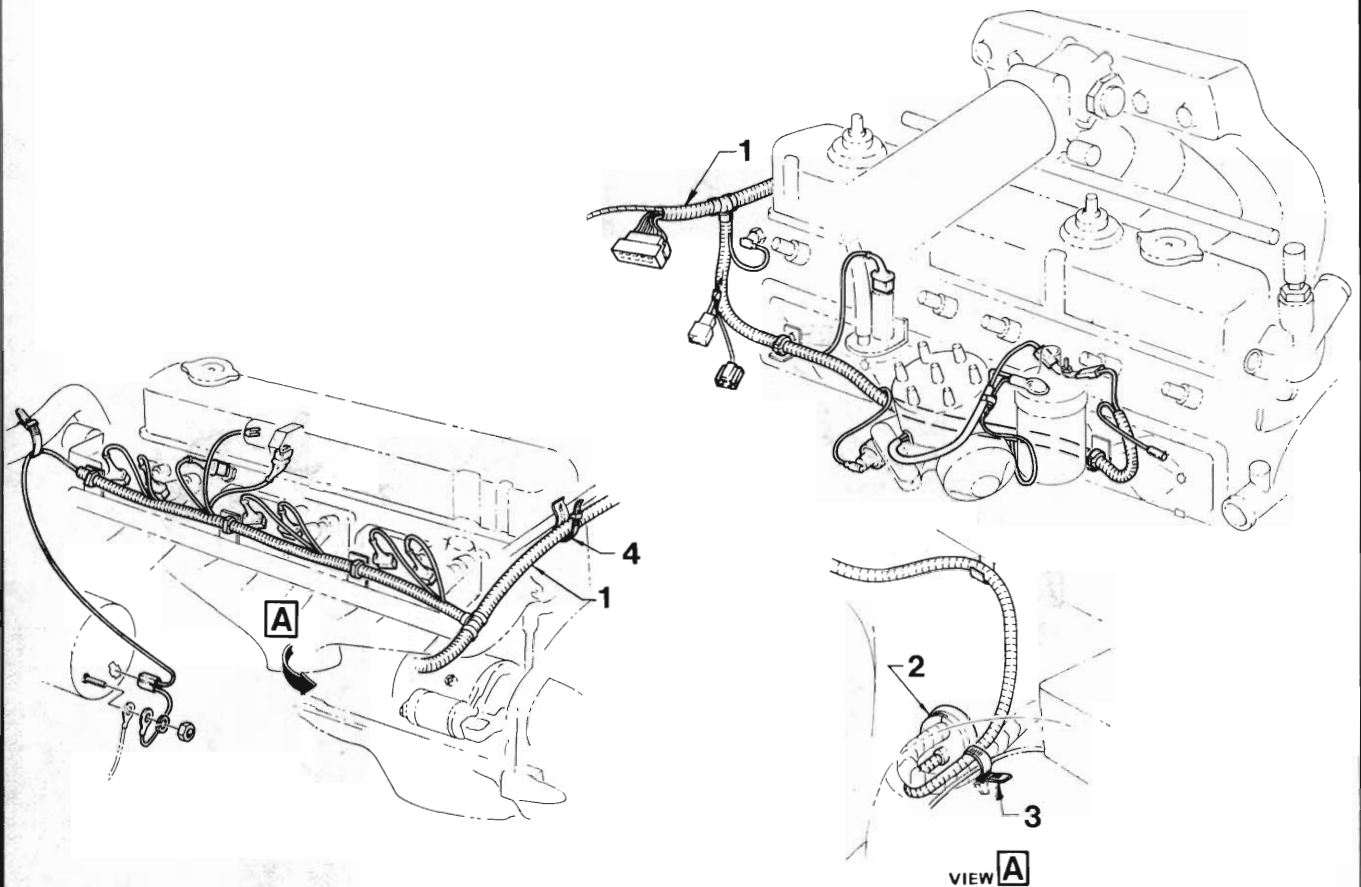
**ENGINE HARNESS
6 CYLINDER ENGINE WITH AIR PUMP
VH SERIES**

REF. NO.	PART NAME	GROUP
1	HARNESS ASM. - Engine	2.525
2	BRACKET - Harness to push rod cover	2.559
3	LEAD ASM. - Tachometer	9.750
4	BRACKET - Harness to clutch/convertor housing	2.559
5	BRACKET - Harness to starter motor	2.559
6	LEAD - Fusible link	2.530



**ENGINE HARNESS
3.3 LITRE ENGINE EXC. ELECTRONIC FUEL INJECTION
VK SERIES**

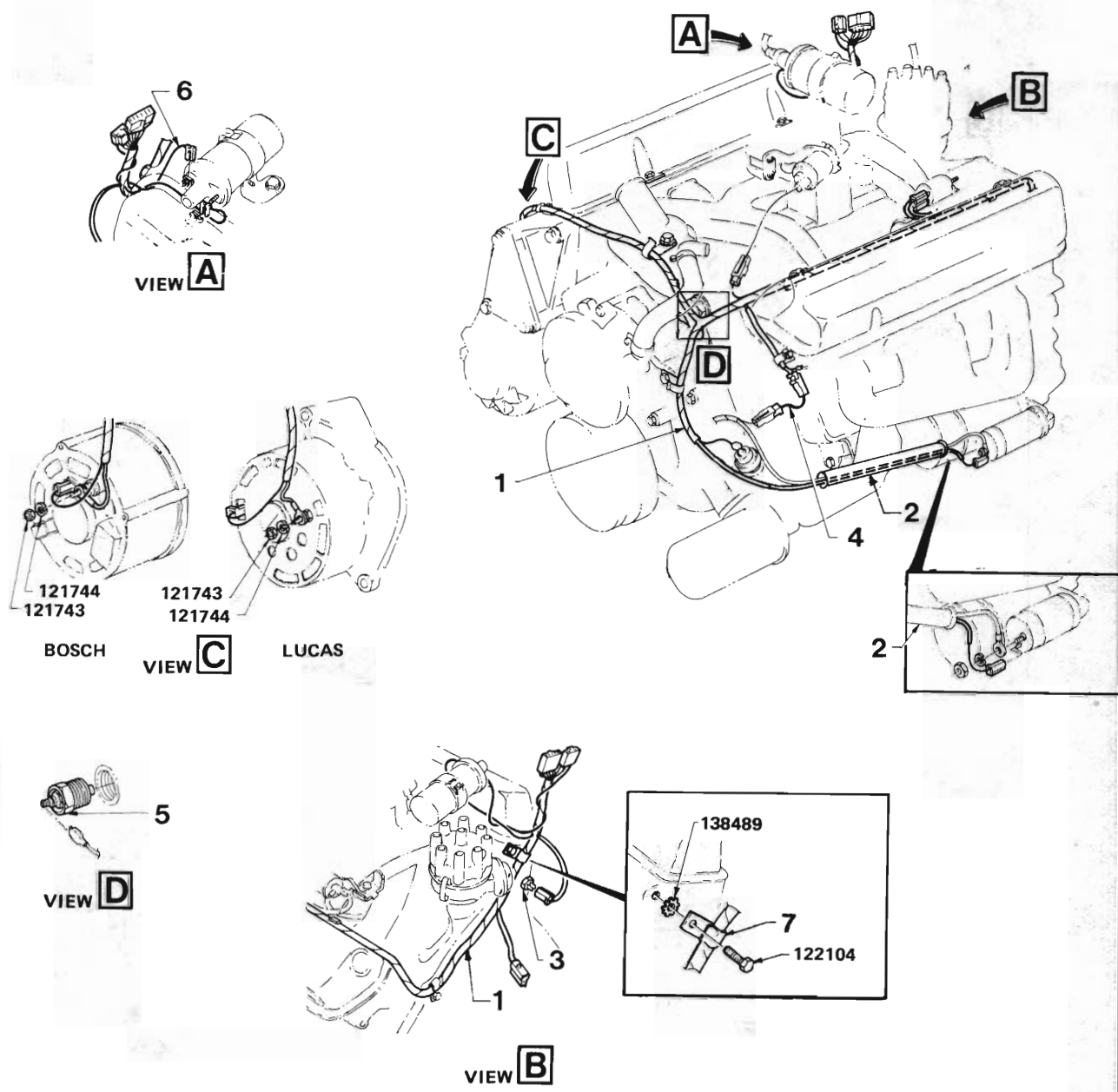
REF. NO.	PART NAME	GROUP
1	HARNES ASM. - Engine	2.525
2	SWITCH - Oil pressure warning lamp	1.800
2	SENDER - Oil pressure warning gauge	1.800
3	STRAP - Engine harness.....	2.559
4	CLIP - Harness to air pump bracket.....	2.559
5	STRAP - Engine harness.....	2.559



ENGINE HARNESS

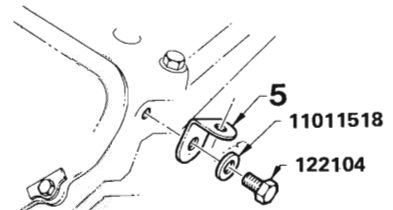
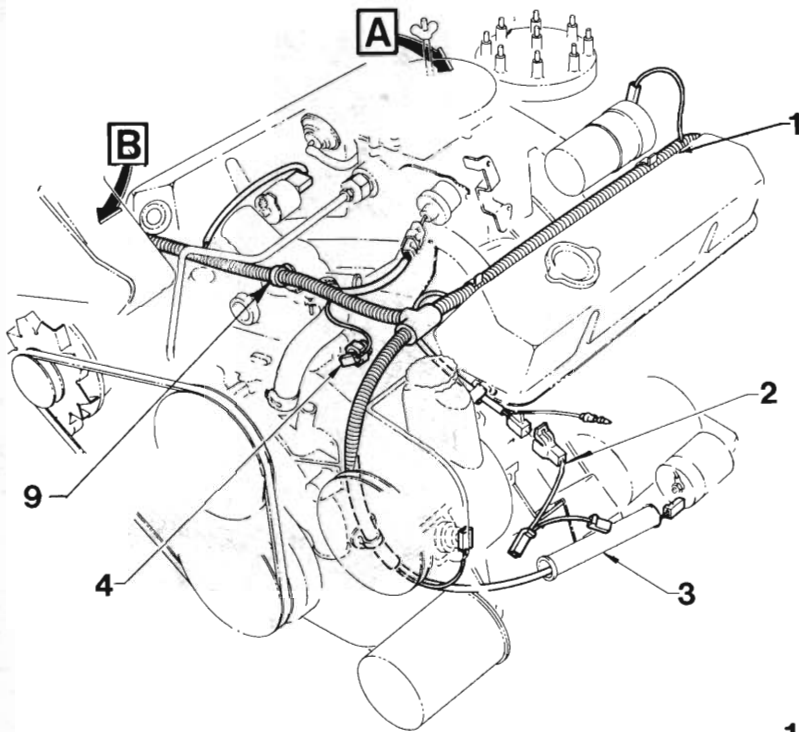
**3.3 LITRE ENGINE WITH ELECTRONIC FUEL INJECTION
VK SERIES**

REF. NO.	PART NAME	GROUP
1	HARNESS ASM. - Engine	2.525
2	STRAP - Main wiring grommet	2.483
3	STRAP - Harness	2.559
4	STRAP - Harness to fuel pipe.....	2.559

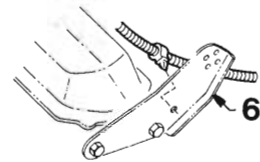


ENGINE HARNESS
8 CYLINDER ENGINE
VB SERIES

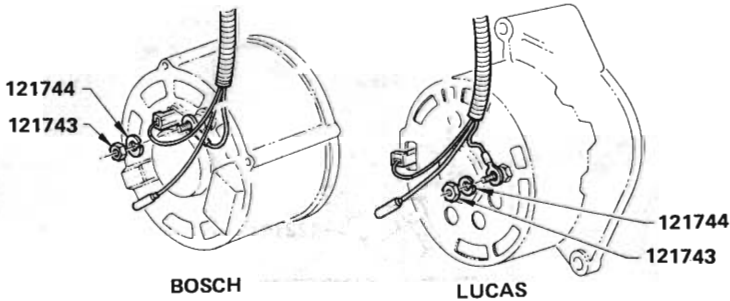
REF. NO.	PART NAME	GROUP
1	HARNESS ASM. - Engine.....	2.525
2	TUBE - Cable guide.....	2.343
3	SWITCH - Cold feed.....	2.408
4	LEAD - Fusible link.....	2.530
5	SENDER ASM. - Temperature gauge.....	1.150
6	LEAD - Tachometer.....	9.750
7	CLIP - Harness to cylinder head.....	2.559



VIEW C
EXC CRUISE CONTROL



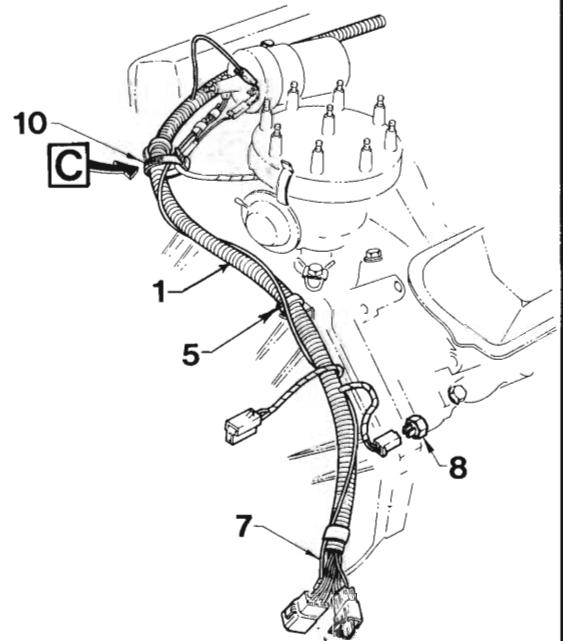
VIEW C
WITH CRUISE CONTROL



BOSCH

LUCAS

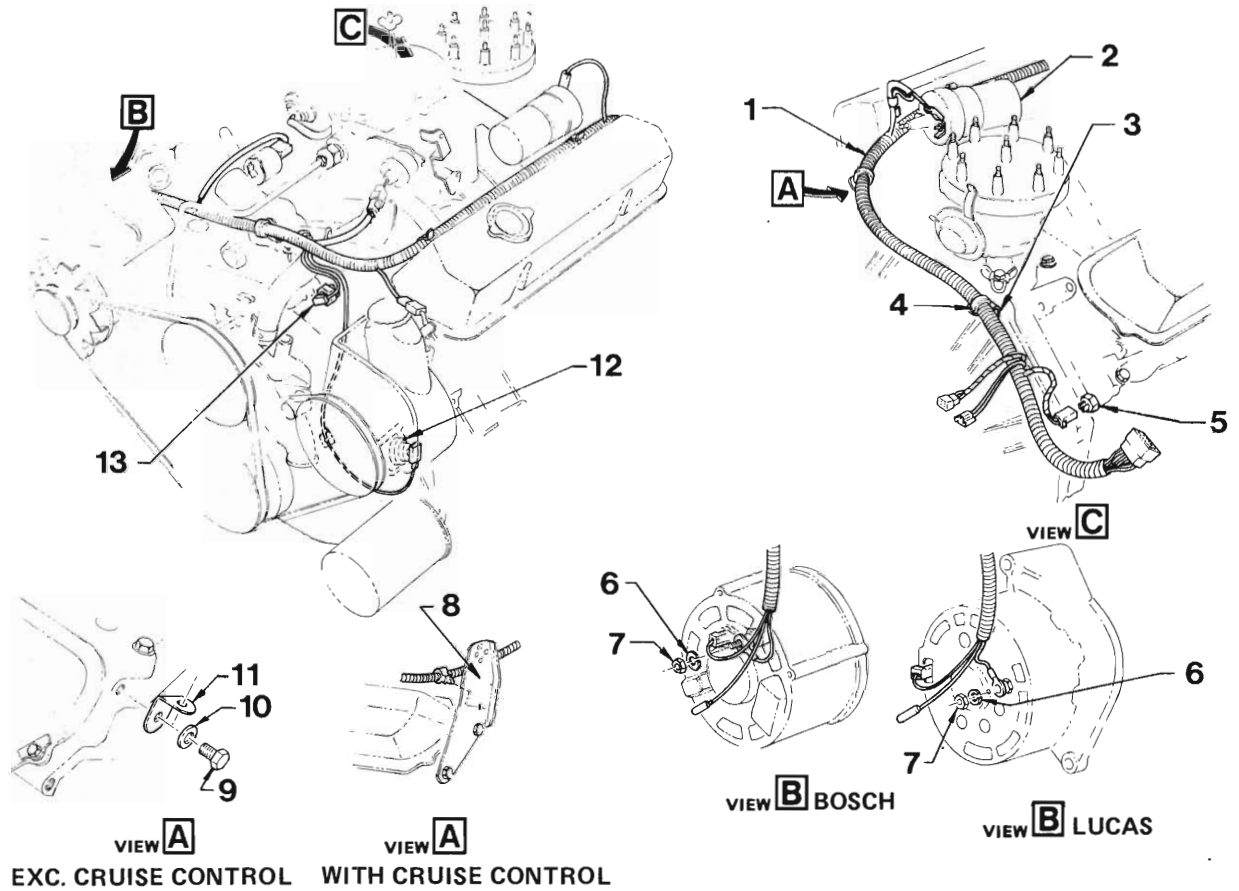
VIEW B



VIEW A

**ENGINE HARNESS
8 CYLINDER ENGINE
VC, VH SERIES**

REF. NO.	PART NAME	GROUP
1	HARNESS ASM.	2.525
2	LEAD - Fusible link.....	2.530
3	TUBE - Cable guide.....	2.343
4	SENDER ASM. - Temperature gauge.....	1.150
5	BRACKET - Harness to cylinder head.....	2.559
6	BRACKET - Cruise control power unit.....	3.885
7	LEAD ASM. - Tachometer.....	9.750
8	SWITCH ASM. - Cold feed.....	2.408
9	BRACKET - Harness to water outlet.....	2.559
10	STRAP - Distributor lead to engine harness.....	2.559

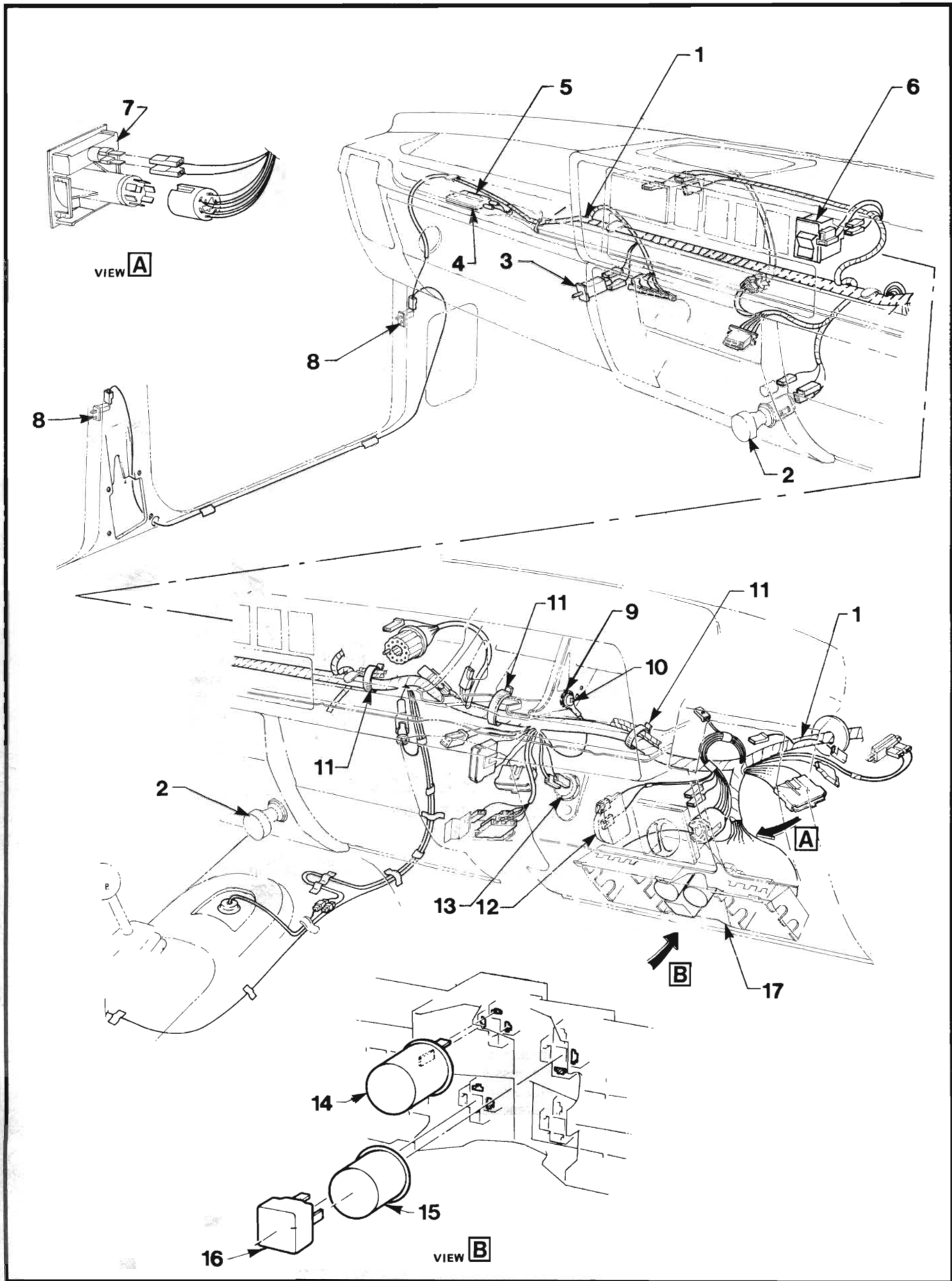


**ENGINE HARNESS
8 CYLINDER ENGINE
VK SERIES**

REF. NO.	PART NAME	GROUP
1	HARNESS ASM. - Engine	2.525
2	COIL ASM. - Ignition	2.170
3	BRACKET - Harness to cylinder head	2.559
4	CLIP - Harness retaining	2.559
5	SWITCH ASM. - Cold feed.....	2.408
6	WASHER - Lead to alternator	2.343
7	NUT - Lead to alternator.....	2.343
8	BRACKET - Cruise control power unit	3.885
9	BOLT - Bracket to cylinder head	2.559
10	WASHER - Bracket to cylinder head.....	2.559
11	BRACKET - Harness to cylinder head	2.559
12	SENDER - Oil pressure gauge	1.800
12	SWITCH - Oil pressure warning lamp	1.800
13	SENDER - Temperature gauge	1.150



"V" SERIES PARTS CATALOGUE

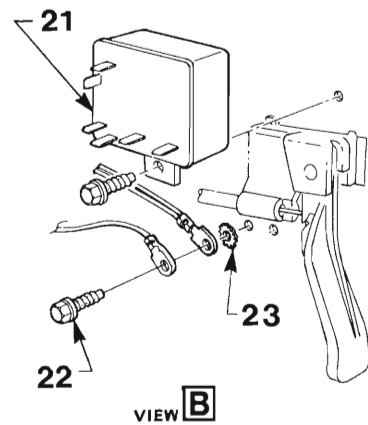
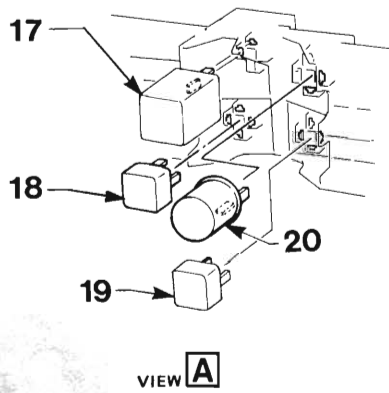
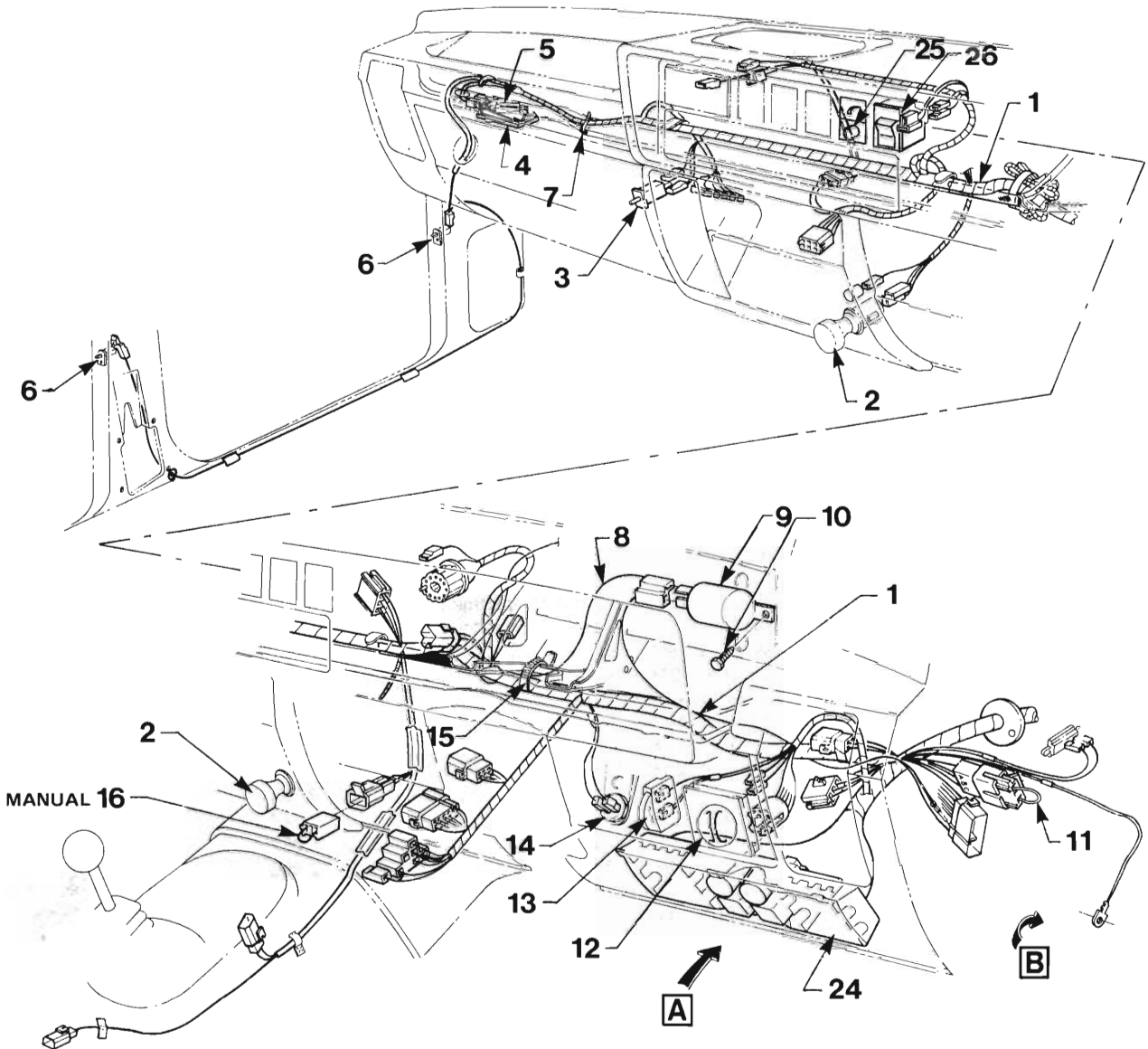




**MAIN WIRING HARNESS
VB, VC SERIES**

ILLUSTRATION OPPOSITE

REF. NO.	PART NAME	GROUP
1	HARNESS ASM. - Main wiring	2.680
2	LIGHTER - Cigarette	9.709
3	SWITCH ASM. - Instrument panel compartment lamp	10.275
4	LAMP ASM. - Instrument panel compartment.....	10.275
5	BULB - Instrument panel compartment lamp.....	10.275
6	SWITCH ASM. - Heated rear window	9.778
7	SWITCH ASM. - Lighting	2.485
8	SWITCH ASM. - Courtesy lamp	11.950
9	WASHER - Harness earth.....	2.483
10	SCREW - Harness earth.....	2.483
11	STRAP - Main wiring harness.....	2.483
12	SWITCH ASM. - Dimmer control, Instrument lights.....	2.485
13	SWITCH ASM. - Stop lamp.....	2.447
14	FLASHER ASM. - Turn signal	2.892
15	FLASHER ASM. - Hazard warning.....	2.892
16	RELAY ASM. - Horn.....	2.815
17	PANEL - Fuse	2.483

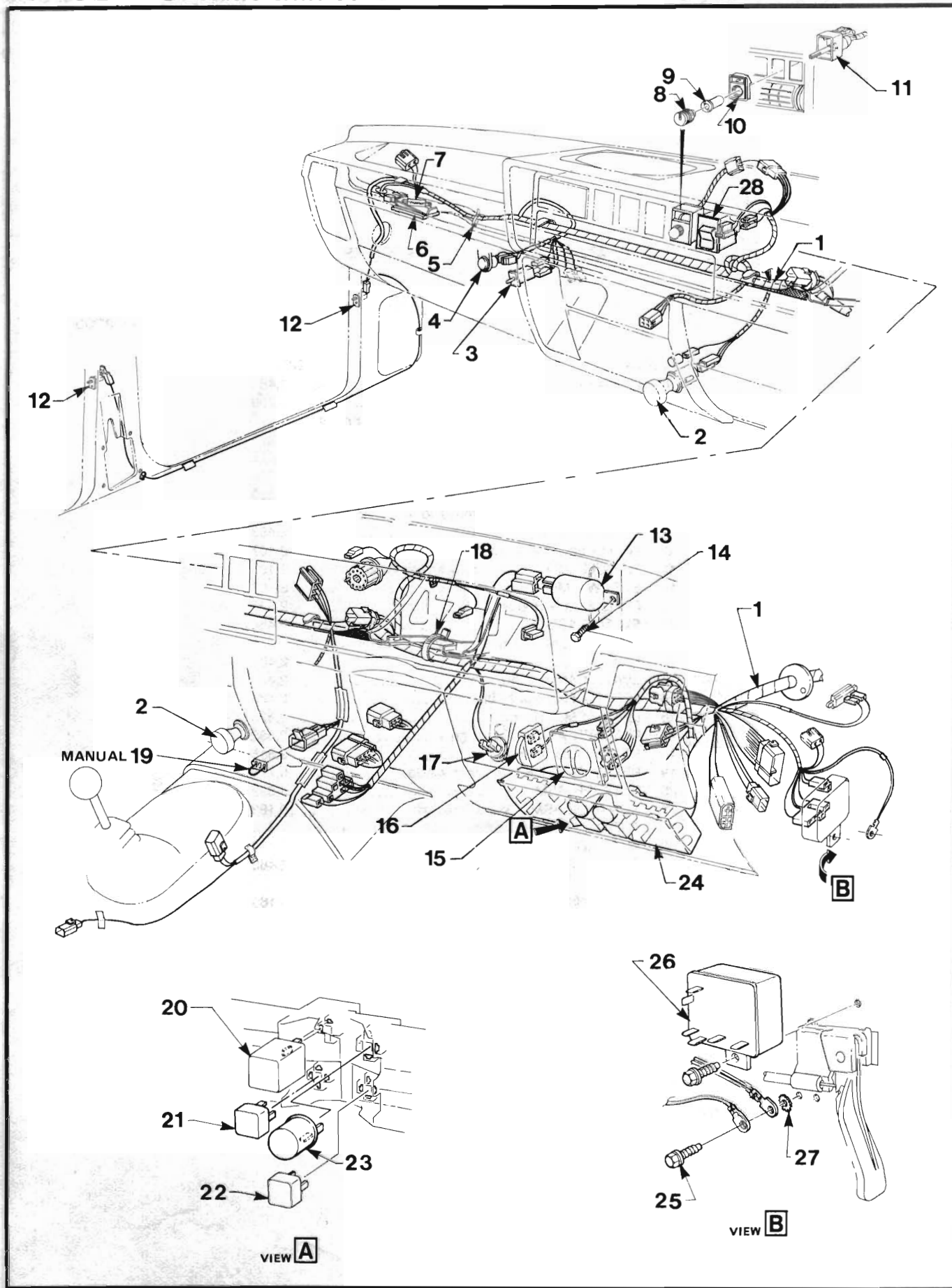




**MAIN WIRING HARNESS
VH SERIES
8VK, 8VL MODEL CODE**

ILLUSTRATION OPPOSITE

REF. NO.	PART NAME	GROUP
1	HARNESS ASM. - Main wiring	2.480
2	LIGHTER ASM. - Cigarette	9.709
3	SWITCH ASM. - Instrument panel compartment lamp	10.275
4	LAMP ASM. - Instrument panel compartment.....	10.275
5	BULB - Instrument panel compartment lamp.....	10.275
6	SWITCH ASM. - Courtesy lamp	11.950
7	STRAP - Main wiring harness to instrument carrier.....	2.483
8	LEAD - Low fuel warning lamp module	3.107
9	MODULE ASM. - Low fuel warning lamp	3.107
10	SCREW - Module attaching	3.107
11	LEAD ASM. - Bridge	2.525
12	SWITCH ASM. - Lighting	2.485
13	SWITCH ASM. - Dimmer control, Instrument lights.....	2.485
14	SWITCH ASM. - Stoplamp	2.447
15	STRAP - Harness to brace	2.483
16	LEAD ASM. - Bridge	2.525
17	FLASHER ASM. - Turn signal	2.892
18	RELAY ASM. - Horn.....	2.815
19	RELAY ASM. - Heated rear window.....	9.778
20	FLASHER ASM. - Hazard warning.....	2.892
21	CONTROL ASM. - Windshield wiper dwell.....	10.163
22	SCREW - Harness earth.....	2.483
23	WASHER - Harness earth.....	2.483
24	PANEL - Fuse	2.483
25	POTENTIOMETER & HARNESS ASM. - Windshield wiper	10.163
26	SWITCH ASM. - Heated rear window	9.778

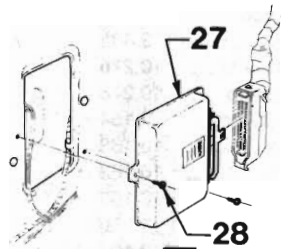
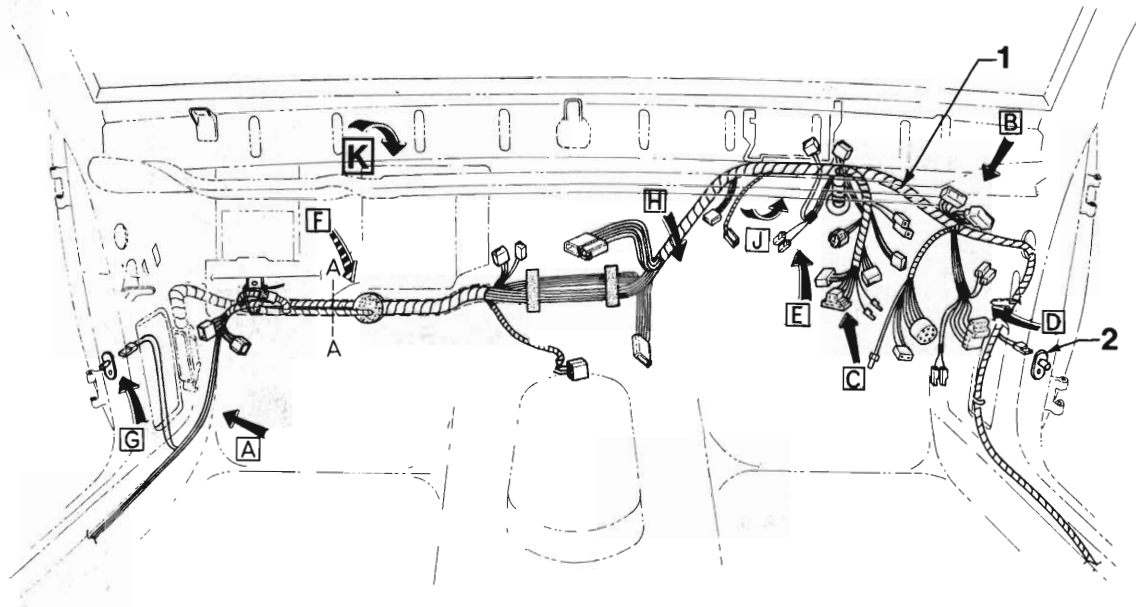




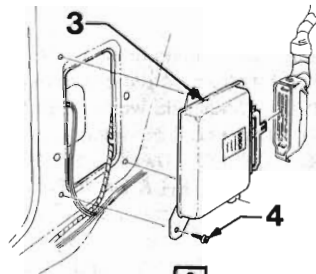
**MAIN WIRING HARNESS
VH SERIES
8VX MODEL CODE**

ILLUSTRATION OPPOSITE

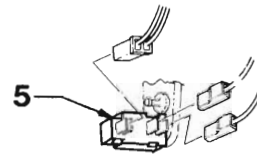
REF. NO.	PART NAME	GROUP
1	HARNESS ASM. - Main wiring	2.480
2	LIGHTER - Cigarette	9.709
3	SWITCH ASM. - Instrument panel compartment lamp	10.275
4	SWITCH - Lock release	12.243
5	STRAP - Main wiring harness to instrument carrier	2.483
6	LAMP ASM. - Instrument panel compartment.....	10.275
7	BULB - Instrument panel compartment lamp.....	10.275
8	KNOB - Windshield wiper dwell control switch....	10.164
9	NUT - Dwell control switch	10.163
10	ESCUTCHEON - Dwell control switch.....	10.163
11	POTENTIOMETER & HARNESS ASM.....	10.163
12	SWITCH ASM. - Courtesy lamp	11.950
13	MODULE ASM. - Low fuel warning lamp	3.107
14	SCREW - Module attaching	3.107
15	SWITCH ASM. - Lighting	2.485
16	SWITCH ASM. - Dimmer control, Instrument lights.....	2.485
17	SWITCH ASM. - Stoplamp	2.447
18	STRAP - Harness to brace	2.483
19	LEAD ASM. - Bridge	2.525
20	FLASHER ASM. - Turn signal	2.892
21	RELAY ASM. - Horn.....	2.815
22	RELAY ASM. - Heated rear window.....	9.778
23	FLASHER ASM. - Hazard warning.....	2.892
24	PANEL - Fuse	2.483
25	SCREW - Harness earth.....	2.483
26	CONTROL ASM. - Windshield wiper dwell.....	10.163
27	WASHER - Harness earth.....	2.163
28	SWITCH ASM. - Heated rear window	9.778



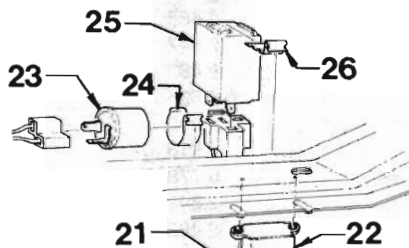
VIEW A
3.3 LITRE ENG.
WITH E.F.I.



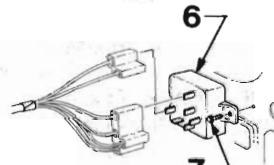
VIEW A
3.3 LITRE ENG.
EXC. E.F.I.



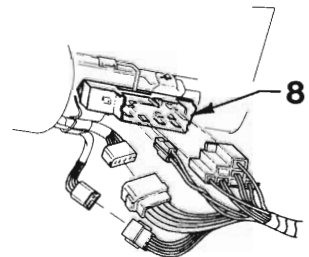
VIEW E



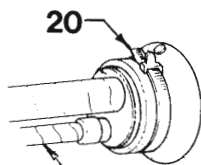
VIEW B



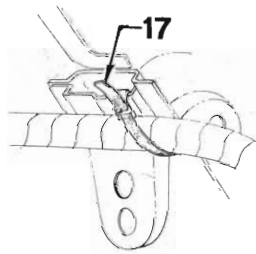
VIEW D



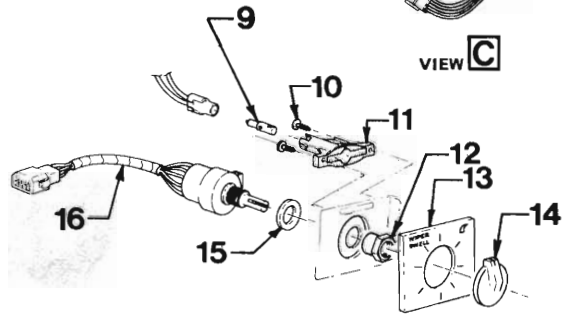
VIEW C



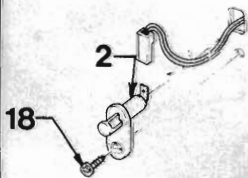
VIEW F



VIEW J



VIEW H



VIEW G



"V" SERIES PARTS CATALOGUE

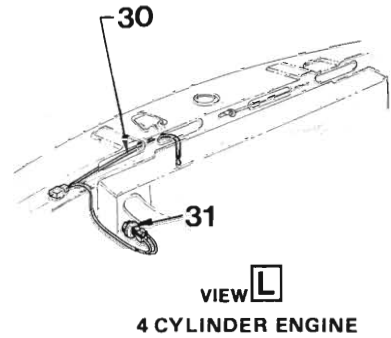
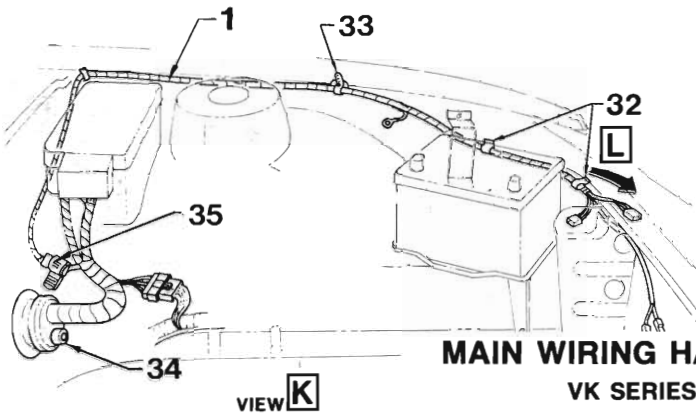
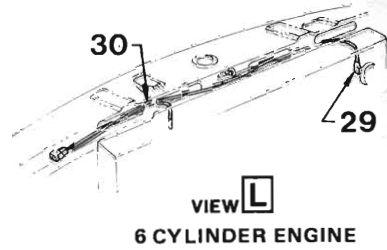
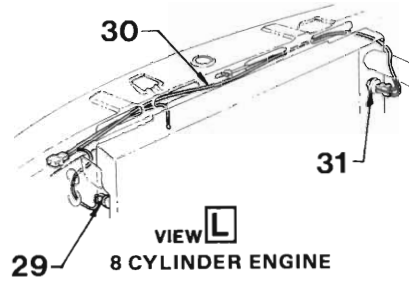
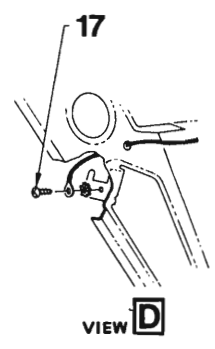
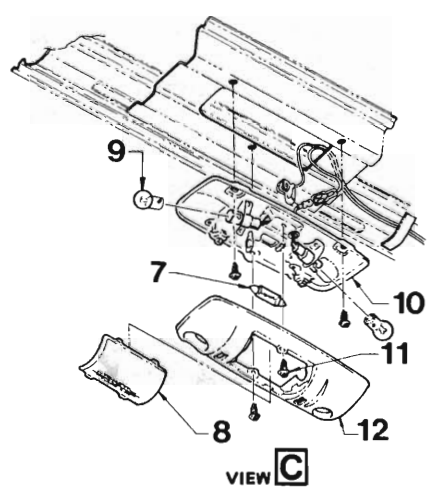
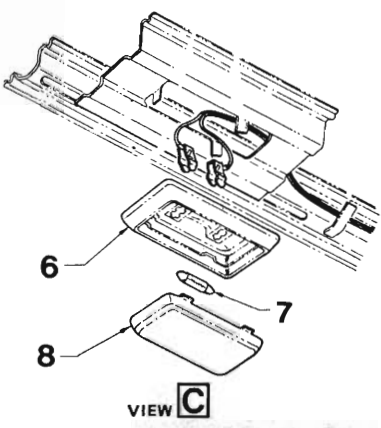
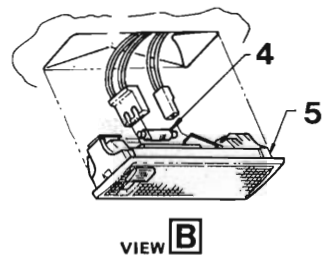
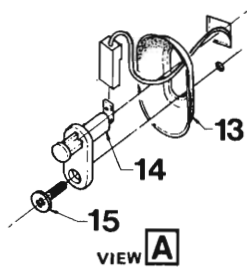
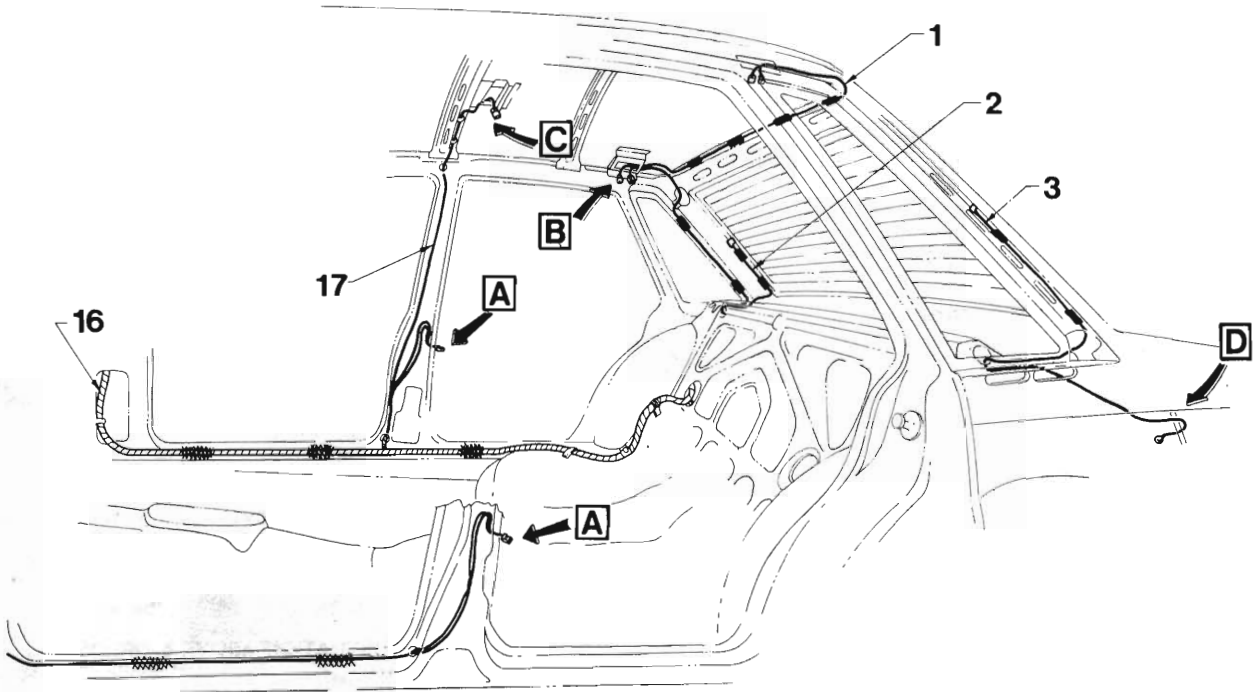


ILLUSTRATION ABOVE & OPPOSITE

REF. NO.	PART NAME	GROUP
1	HARNESS ASM. - Main wiring & body.....	2.480
2	SWITCH ASM. - Front & rear door.....	11.950
3	MODULE ASM. - Electronic spark timing.....	2.383
4	SCREW - Module to dash side.....	2.383
5	SWITCH ASM. - Stop lamp.....	2.447
6	CONTROL ASM. - Dwell.....	10.163
7	SCREW - Control to front boy pillar.....	10.163
8	SWITCH ASM. - Ignition & starting.....	2.188
9	BULB - Dwell control potentiometer.....	10.163
10	SCREW - Housing to potentiometer.....	10.163
11	HOUSING ASM. - Dwell control potentiometer lamp.....	10.163
12	NUT - Dwell control potentiometer.....	10.163
13	LENS ASM. - Dwell control.....	10.163
14	KNOB - Dwell control potentiometer.....	10.164
15	WASHER - Dwell control potentiometer.....	10.163
16	POTENTIOMETER & HARNESS ASM.....	10.163
17	STRAP - Harness to brake pedal mounting.....	2.483
18	SCREW - Switch attaching.....	11.950
19	HARNESS ASM. - Engine.....	2.525
20	STRAP - Main wiring grommet.....	2.483
21	SCREW - Coolant level sensor module to instrument carrier.....	1.150
22	MODULE ASM. - Coolant level sensor.....	1.150
23	FLASHER ASM. - Hazard warning.....	2.892
24	CLIP - Hazard warning flasher.....	2.892
25	FLASHER ASM. - Turn signal.....	2.892
26	CLIP - Turn signal flasher.....	2.892
27	MODULE ASM. - Electronic fuel injection.....	3.299
28	SCREW - Module to dash side.....	3.299
29	PROBE ASM. - Coolant level sensor.....	1.150
30	LEAD ASM. - Fan.....	1.055
31	SWITCH - Auxilliary fan thermostat.....	1.055
32	CLIP - Harness to front panel upper.....	2.483
33	STRAP - Harness to front fender.....	2.483
34	BOOT - Main wiring grommet.....	2.483
35	STRAP - Harness to front fender.....	2.483

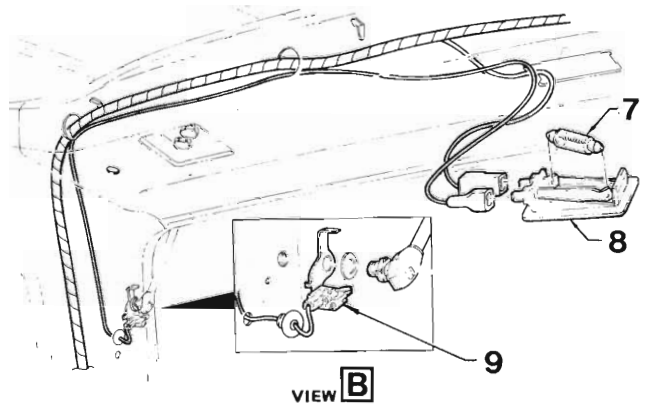
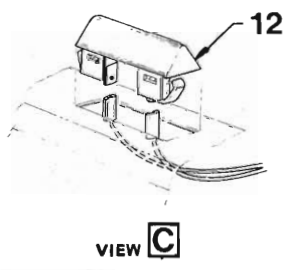
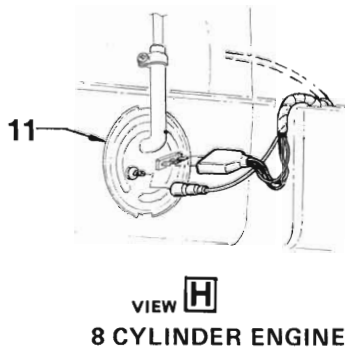
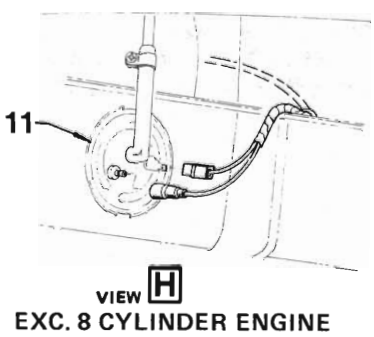
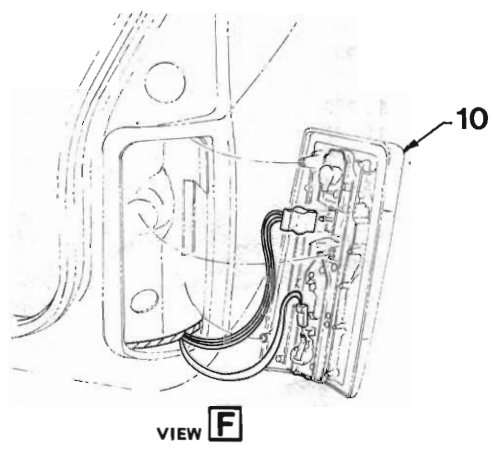
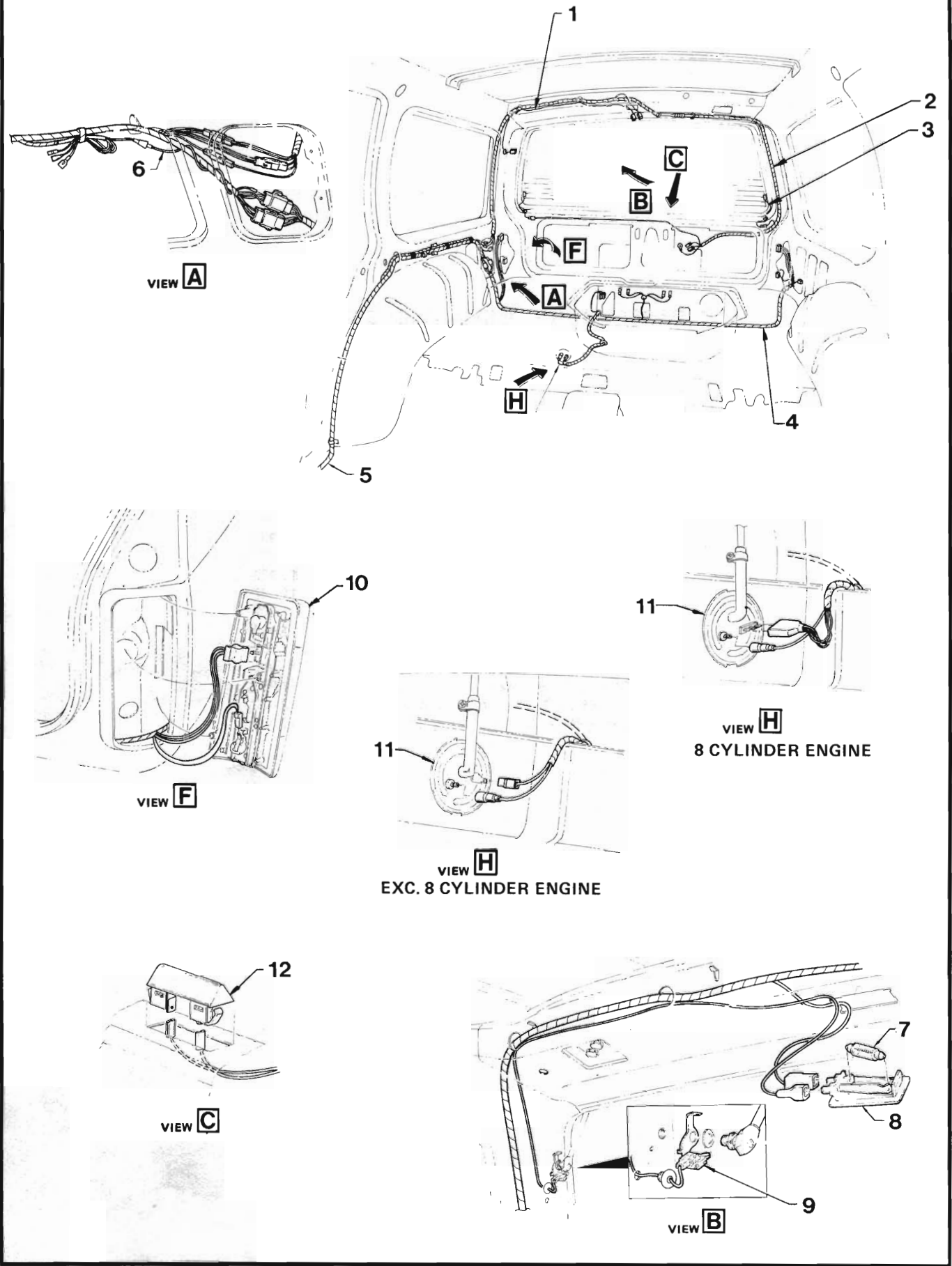




**PASSENGER COMPARTMENT WIRING
VK SERIES**

ILLUSTRATION OPPOSITE

REF. NO.	PART NAME	GROUP
1	HARNESS ASM. - Quarter lamp	11.927
2	LEAD ASM. - Rear window	9.778
3	LEAD ASM. - Rear window earth	9.778
4	BULB - Quarter lamp	11.927
5	LAMP ASM. - Quarter	11.927
6	BASE - Dome lamp	11.927
7	BULB - Dome lamp	11.927
8	LENS - Dome lamp	11.928
9	BULB - Reading lamp	11.927
10	REFLECTOR ASM. - Reading lamp	11.927
11	SCREW - Reflector to roof bow	11.927
12	HOUSING ASM. - Dome & reading lamp	11.928
13	SEAL - Rear door dome lamp switch	11.950
14	SWITCH ASM. - Front & rear doors	11.950
15	SCREW - Switch attaching	11.950
16	HARNESS ASM. - Main wiring & body	2.480
17	LEAD ASM. - Dome & reading lamp	11.927

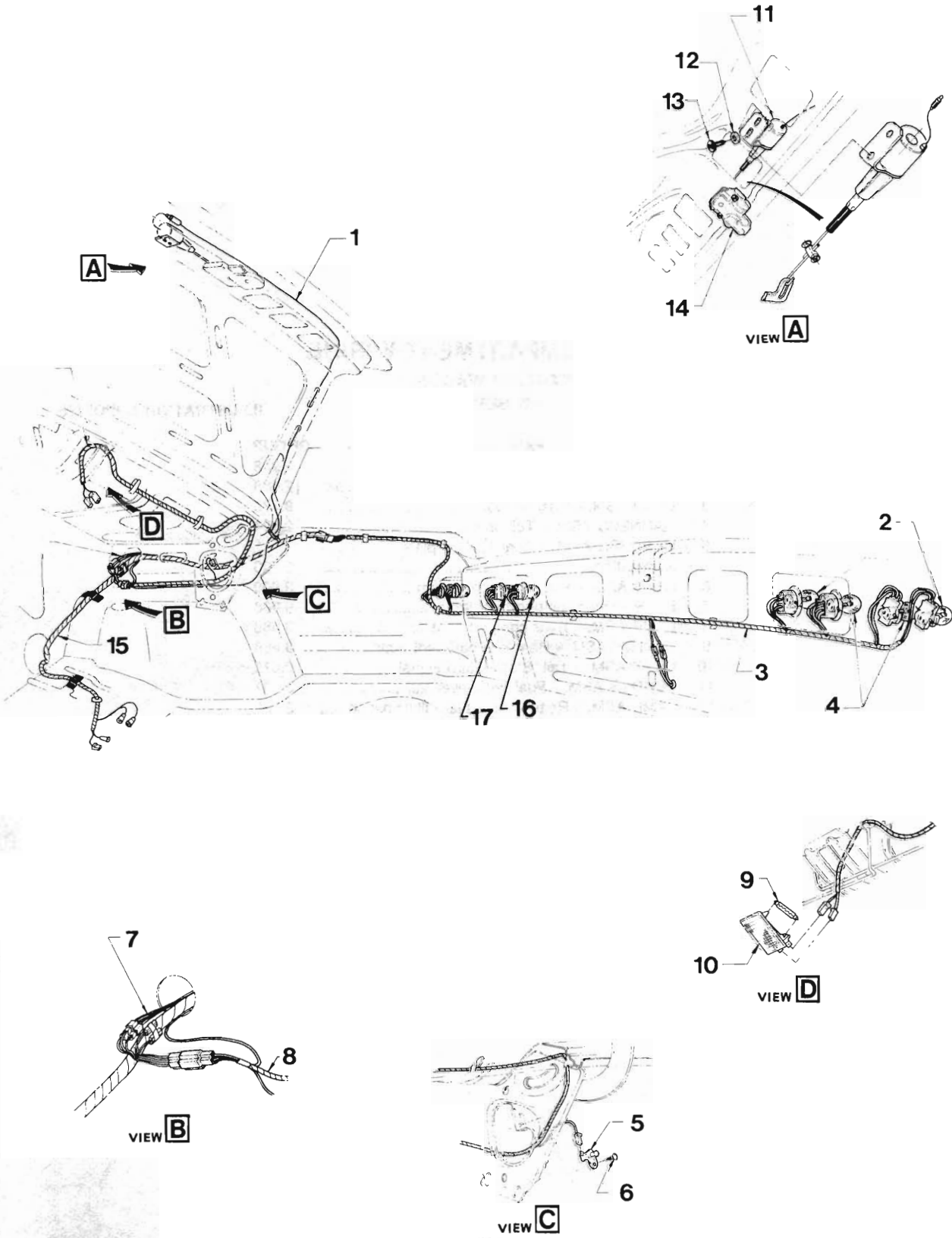




**REAR COMPARTMENT WIRING
STATION WAGON
VK SERIES**

ILLUSTRATION OPPOSITE

REF. NO.	PART NAME	GROUP
1	LEAD ASM. - Rear compartment lamp feed.....	9.988
2	HARNESS ASM. - Motor & heated rear window.	12.188
3	LEAD ASM. - Rear window.....	9.778
4	HARNESS ASM. - Tail lamp.....	2.694
5	HARNESS ASM. - Rear licence plate illumination	2.700
6	LEAD ASM. - Fuel pump extension.....	3.900
7	BULB - Rear compartment lamp.....	9.988
8	LAMP ASM. - Rear compartment	9.988
9	SWITCH ASM. - Rear compartment lamp	9.988
10	LAMP ASM. - Tail, Stop & turn signal	2.679
11	SENDER ASM. - Fuel tank level.....	3.107
12	LAMP ASM. - Rear licence plate illumination	2.700



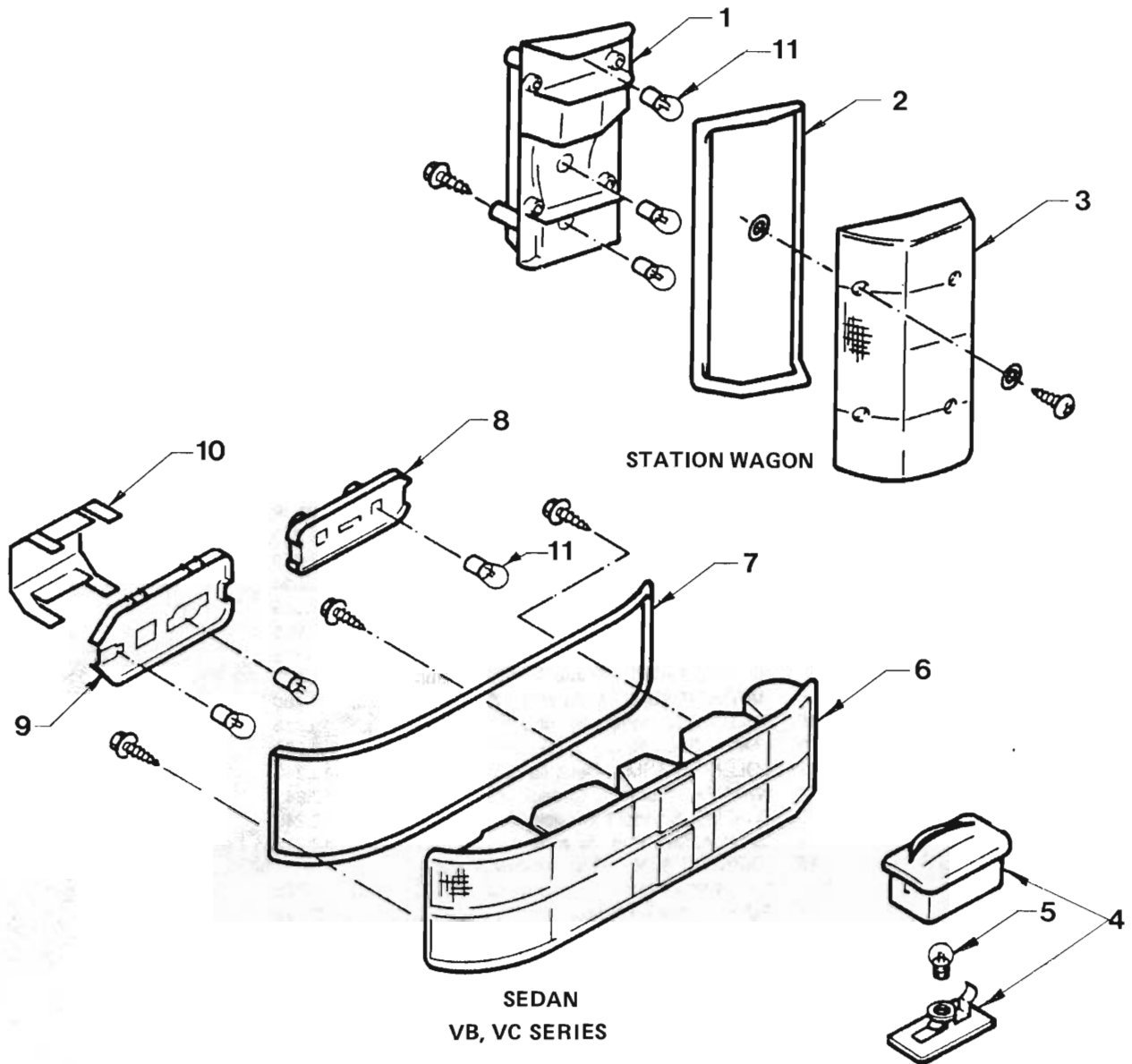


REAR COMPARTMENT WIRING

**SEDAN
VK SERIES**

ILLUSTRATION OPPOSITE

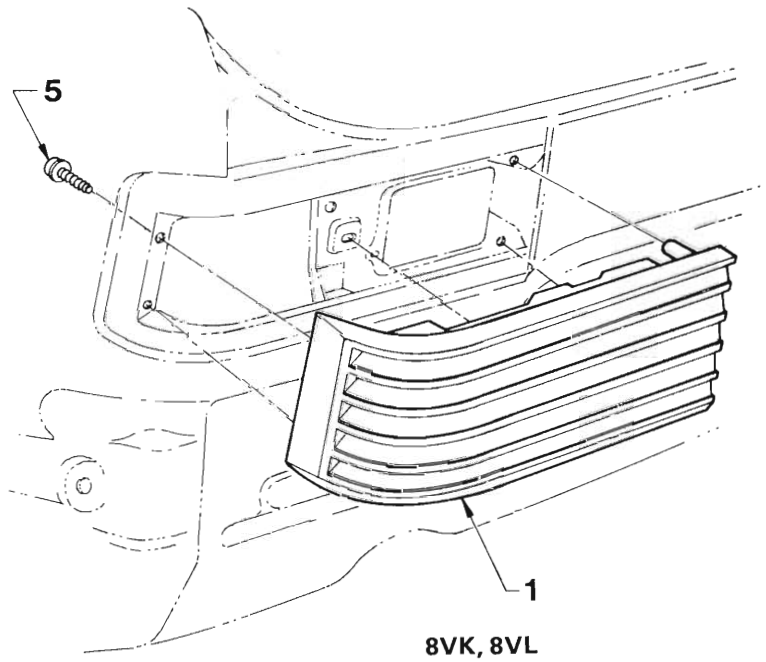
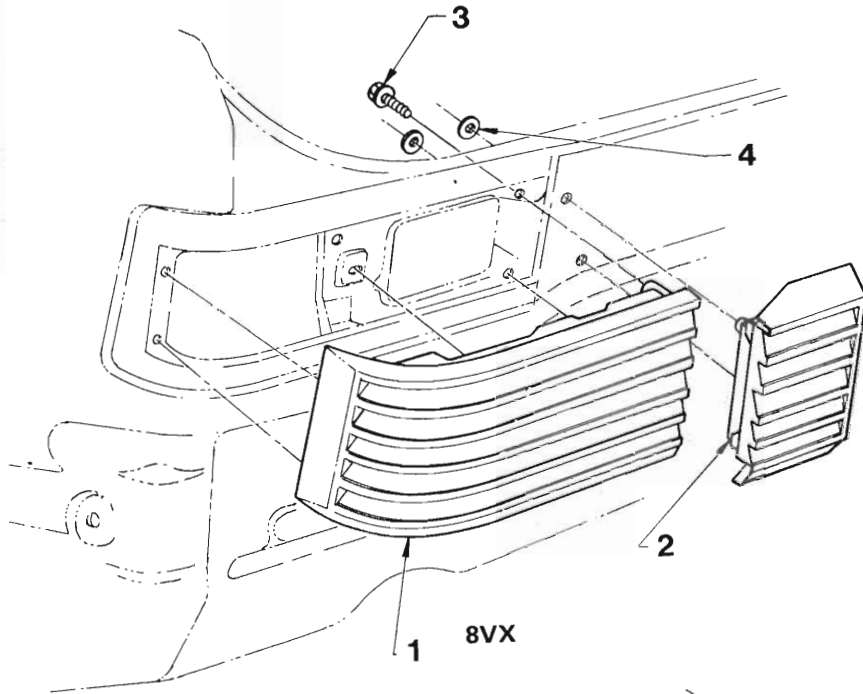
REF. NO.	PART NAME	GROUP
1	LEAD ASM. - Solenoid	12.243
2	BULB - Turn signal.....	2.679
3	HARNESS ASM. - Tail lamp.....	2.694
4	BULB - Tail & stop lamp.....	2.679
5	SWITCH ASM. - Rear compartment lamp.....	9.988
6	SCREW - Switch attaching.....	9.988
7	HARNESS ASM. - Dome & reading lamp	11.927
8	HARNESS ASM. - Main wiring & body.....	2.480
9	BULB - Rear compartment lamp.....	9.988
10	LAMP ASM. - Rear compartment	9.988
11	SOLENOID ASM. - Deck lid remote control.....	12.243
12	WASHER - Solenoid to deck lid	12.243
13	SCREW - Solenoid to deck lid	12.243
14	LOCK ASM. - Remote control.....	12.242
15	HARNESS ASM. - Rear window & rear compartment lamp.....	9.778
16	BULB - Back up lamp.....	2.679
17	BULB - Tail & stop lamp.....	2.679



TAIL, STOP, REVERSE & TURN SIGNAL LAMP

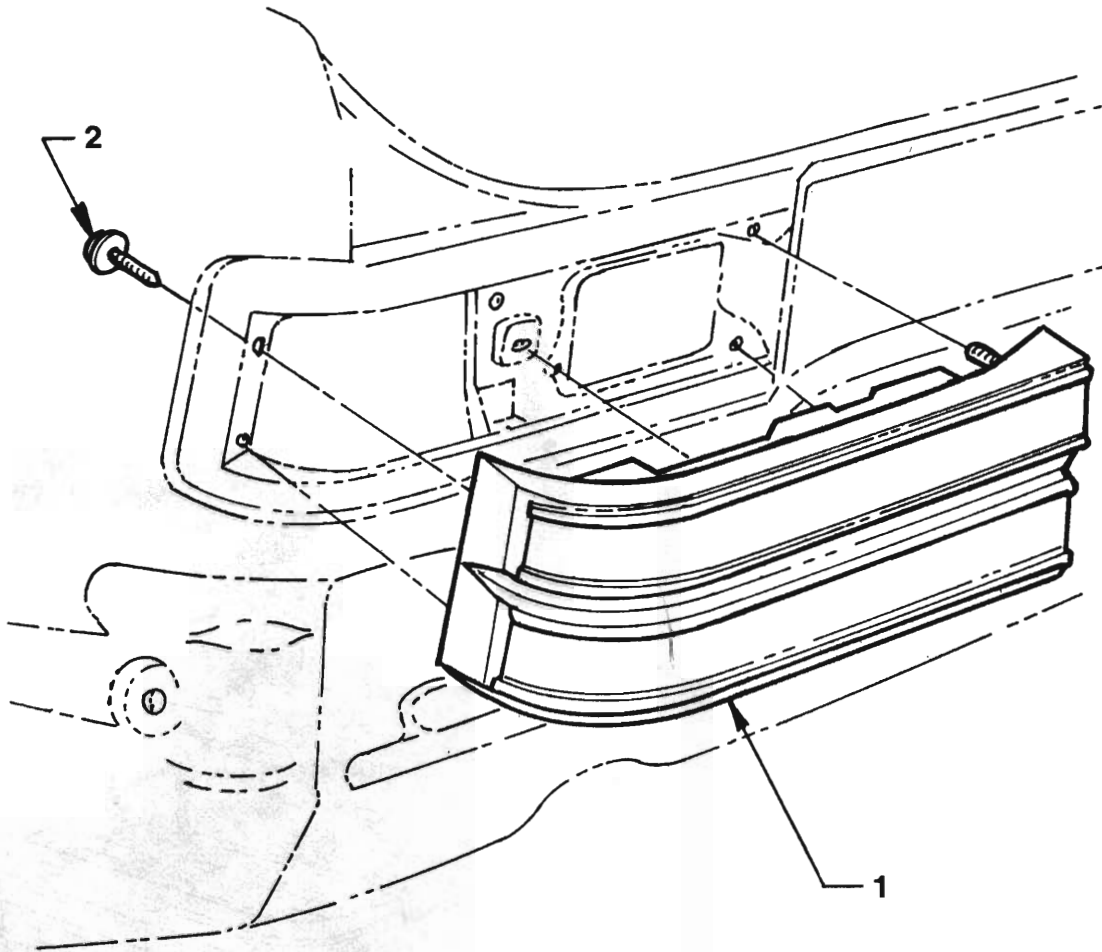
**STATION WAGON
VB, VC SERIES SEDAN**

REF. NO.	PART NAME	GROUP
1	SOCKET	2.694
2	GASKET - Lens	2.684
3	LENS.....	2.682
4	LAMP ASM. - Rear licence plate	2.700
5	BULB - Rear licence plate lamp	2.700
6	LENS & BODY	2.682
7	GASKET	2.684
8	SOCKET - Inner	2.694
9	SOCKET - Outer	2.694
10	COVER ASM.	2.680
11	BULB.....	2.679



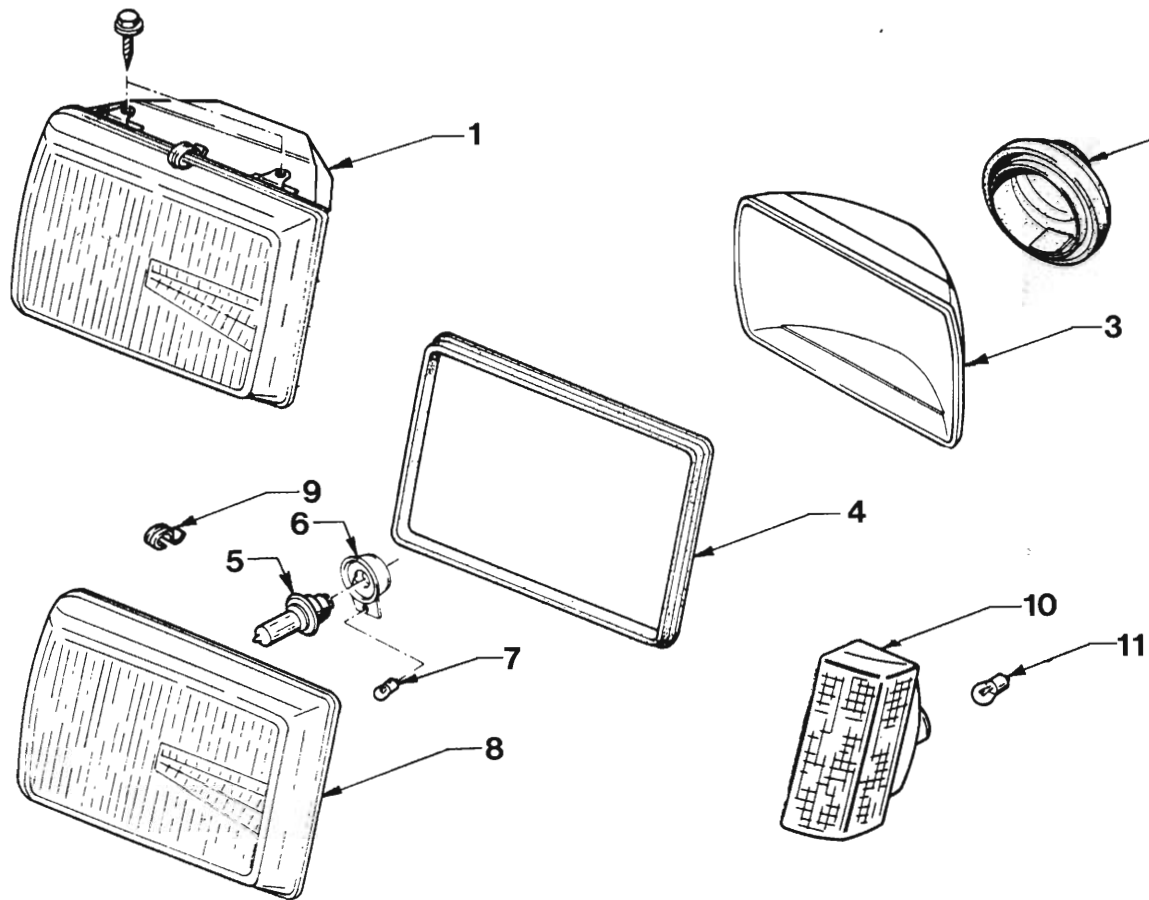
**TAIL LAMP
SEDAN
VH SERIES**

REF. NO.	PART NAME	GROUP
1	LENS & BODY ASM.	2.682
2	EXTENSION ASM.	2.680
3	SCREW - Extension attaching	2.680
4	WASHER - Extension attaching	2.680
5	SCREW - Tail lamp attaching	2.679



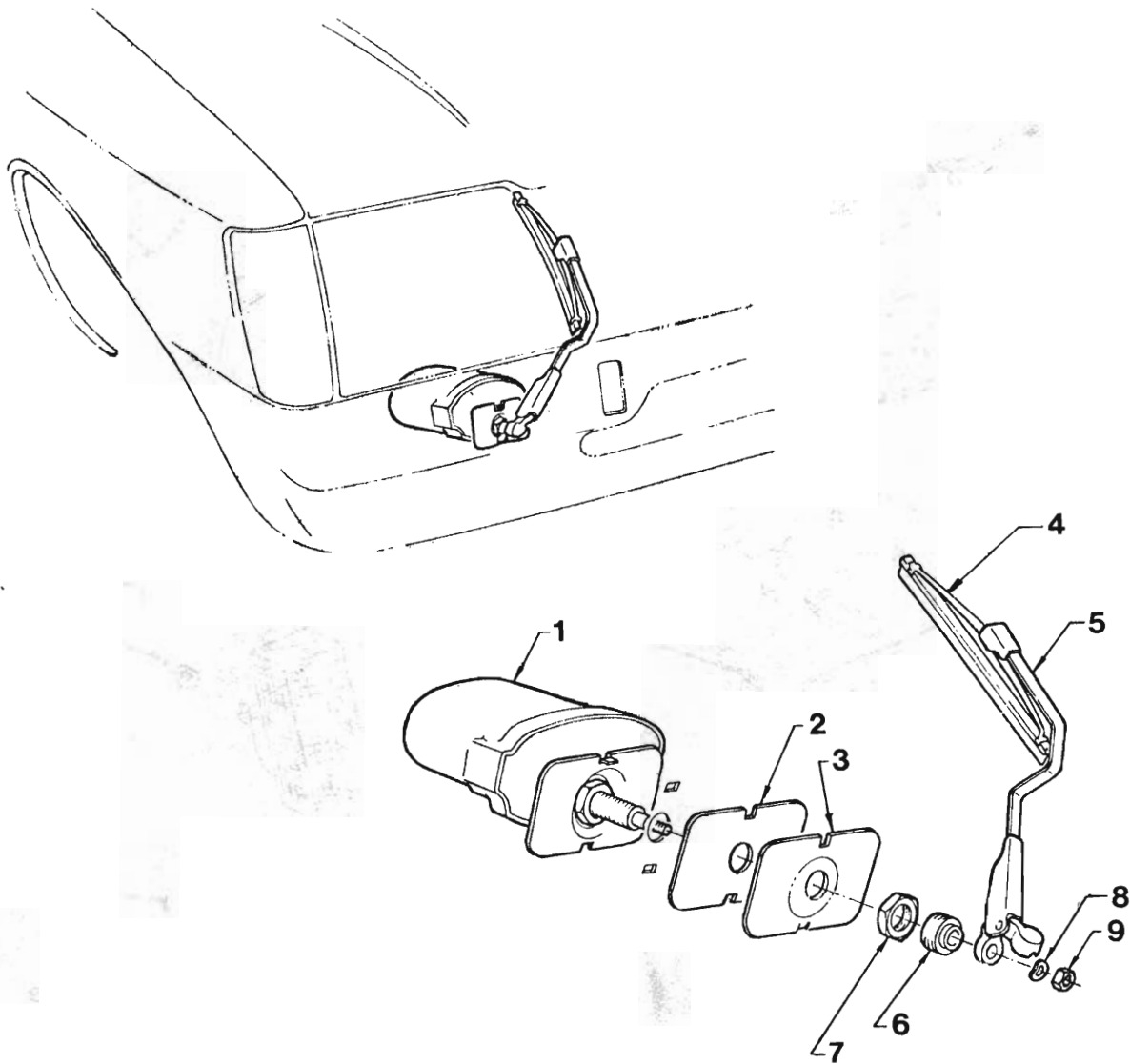
**TAIL LAMP
SEDAN
VK SERIES**

REF. NO.	PART NAME	GROUP
1	LENS & BODY ASM. - Tail, Stop & Turn signal.	2.679
2	SCREW - Tail lamp attaching.....	2.679



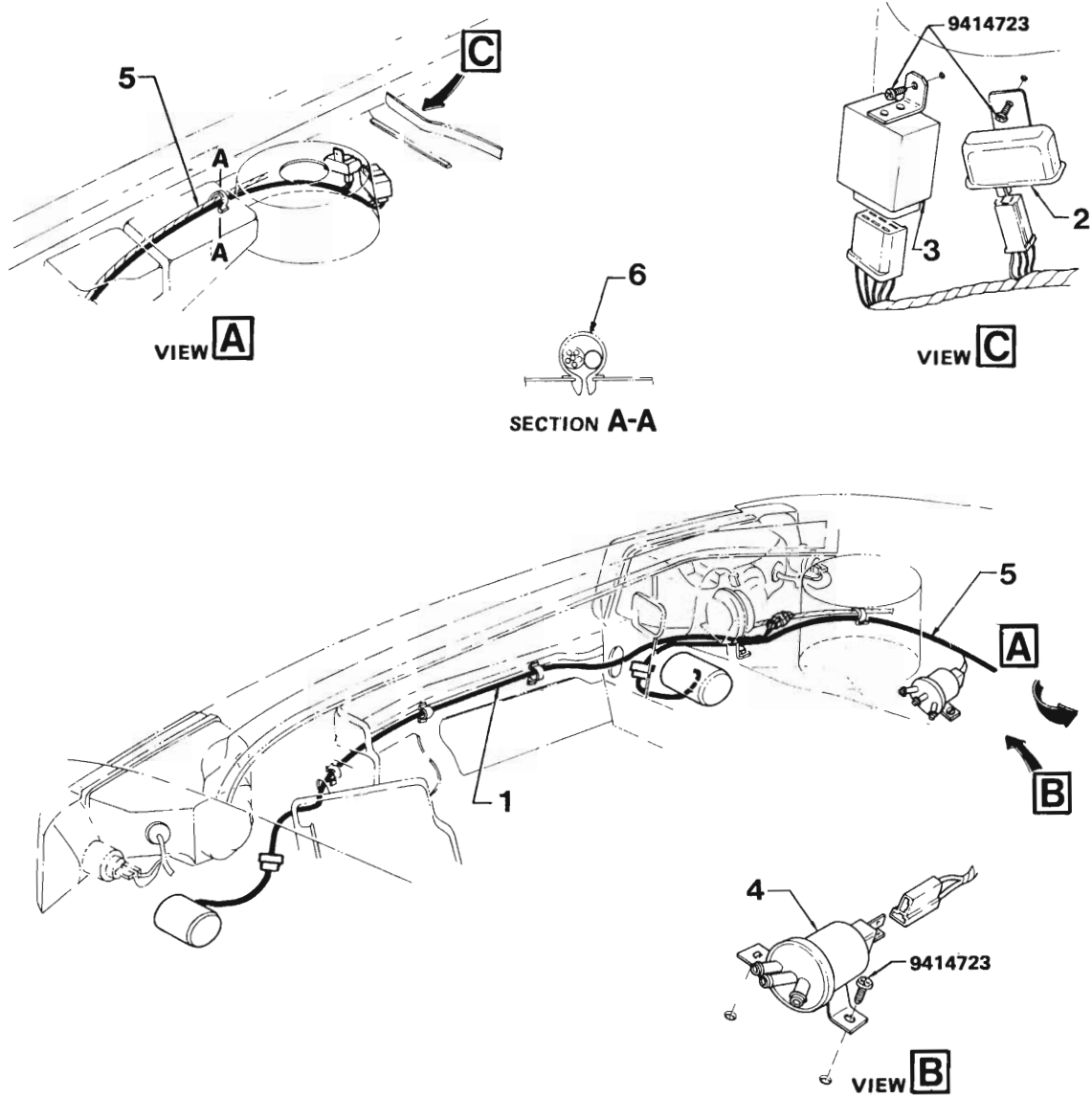
**HEADLAMP, PARKING & TURN SIGNAL LAMP
VB, VC SERIES**

REF. NO.	PART NAME	GROUP
1	HEADLAMP ASM.....	2.725
2	CAP ASM. - Protection	2.722
3	REFLECTOR & SHIELD ASM.	2.734
4	GASKET - Lens	2.722
5	BULB - Headlamp.....	2.727
6	RETAINER & SPRING ASM. - Headlamp bulb...	2.725
7	BULB - Parking lamp, Front.....	2.585
8	LENS - Headlamp.....	2.730
9	SPRING - Lens retaining.....	2.730
10	LENS & BODY ASM. - Turn signal lamp, Front..	2.589
11	BULB - Turn signal lamp, Front	2.585



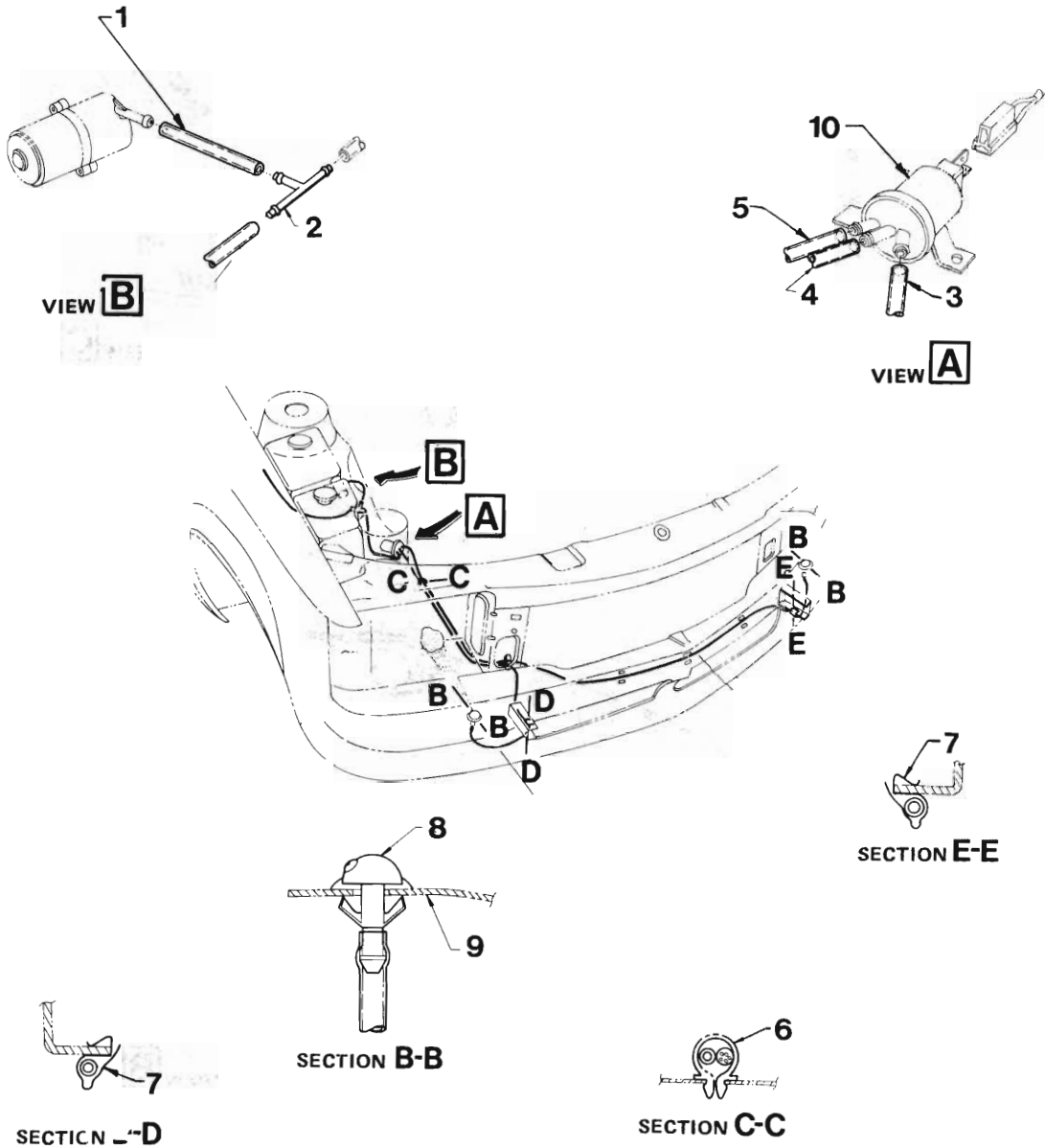
**HEADLAMP WIPER
VB, VC SERIES**

REF. NO.	PART NAME	GROUP
1	MOTOR ASM	2.780
2	PAD - Motor plate.....	2.780
3	PLATE - Motor carrier.....	2.780
4	BLADE - Wiper.....	2.780
5	ARM - Wiper.....	2.780
6	CAP - Motor shaft.....	2.780
7	NUT - Motor to plate	2.780
8	WASHER - Wiper arm.....	2.780
9	NUT - Wiper arm.	2.780



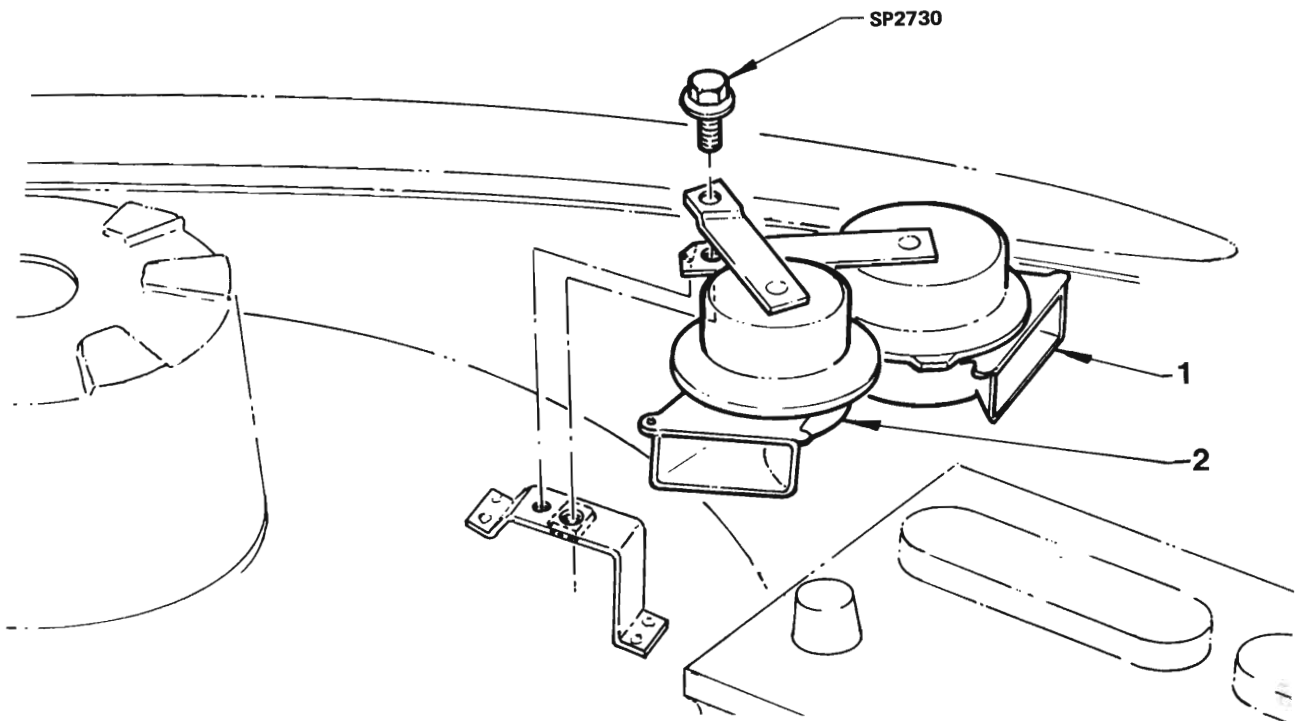
**HEADLAMP WIPER HARNESS
VB, VC SERIES**

REF. NO.	PART NAME	GROUP
1	HARNESS ASM.	2.780
2	RELAY ASM.	2.780
3	TIMER ASM.	2.780
4	SOLENOID ASM.	2.780
5	HARNESS ASM. - Main wiring	2.480
6	CLIP - Main wiring harness to front end panel....	2.483



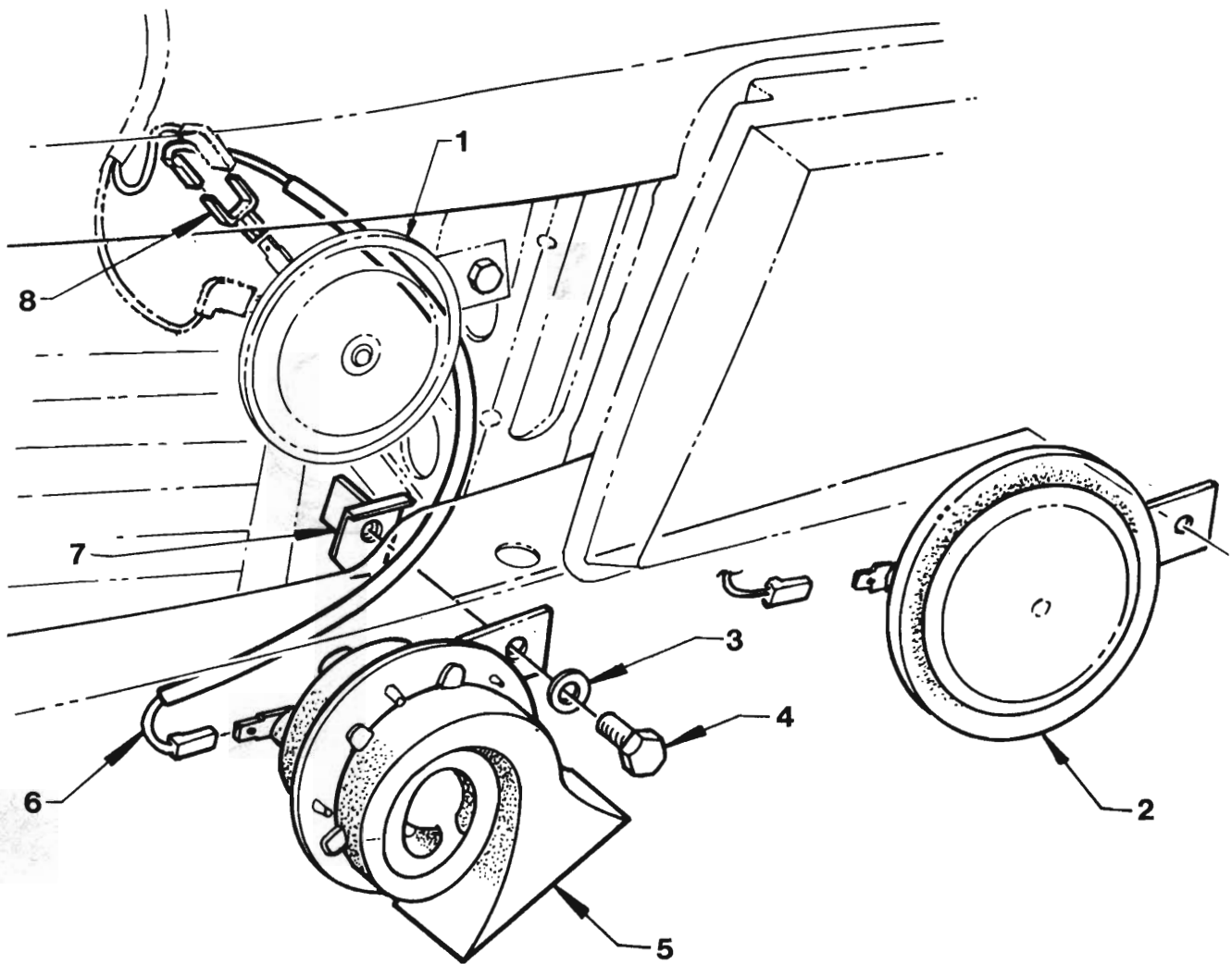
HEADLAMP WIPER HOSES
VB, VC SERIES

REF. NO.	PART NAME	GROUP
1	HOSE - Reservoir & pump to tee piece	2.780
2	TEE - Hose connector	2.780
3	HOSE - Solenoid to nozzle, LH.....	2.780
4	HOSE - Solenoid to nozzle, RH.....	2.780
5	HOSE - Tee to solenoid	2.780
6	CLIP - Hose to panel	2.780
7	CLIP - Hose retaining.....	2.780
8	NOZZLE ASM.	2.780
9	BAR ASM. - Bumper front.....	7.831
10	SOLENOID ASM.	2.780



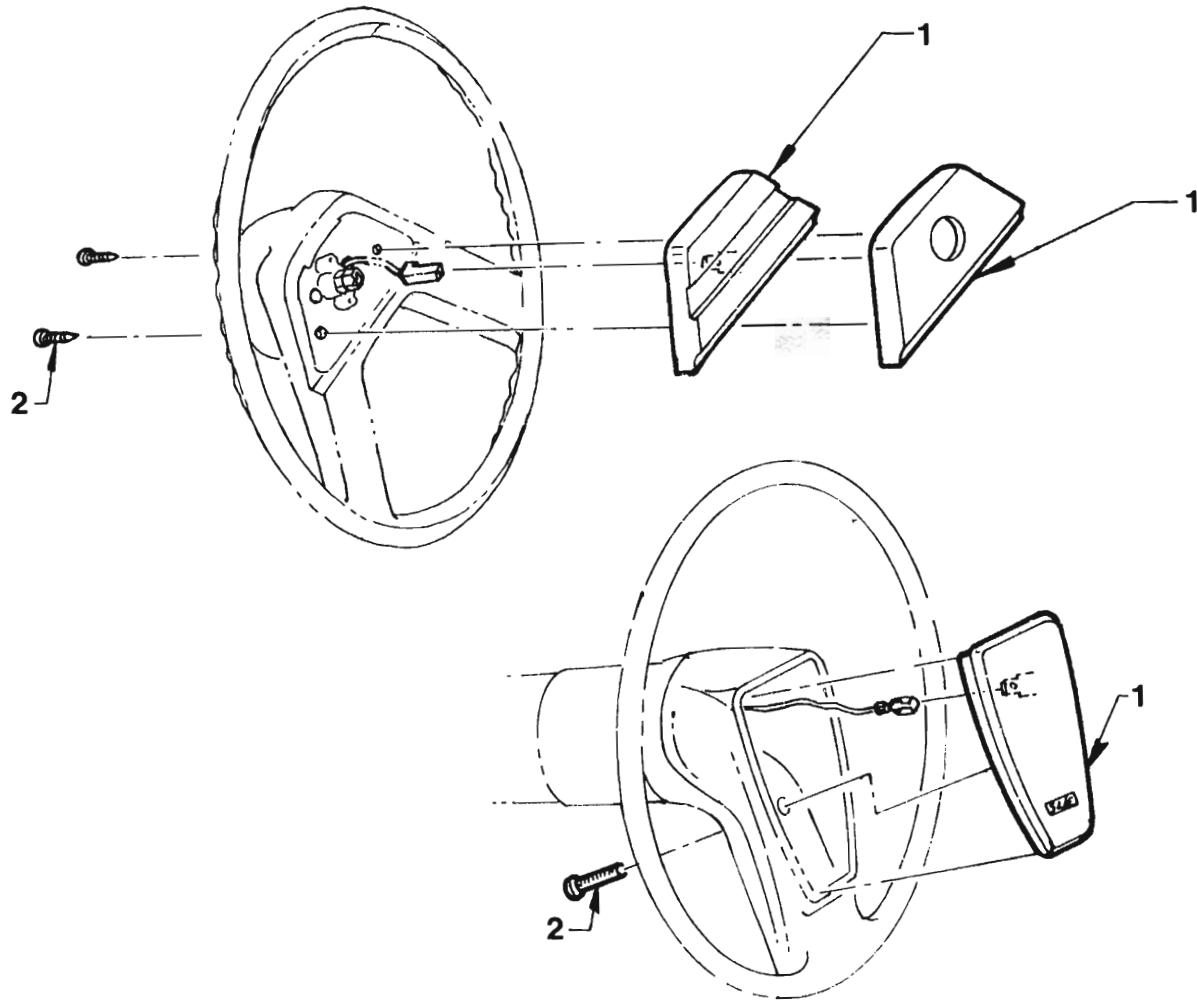
**HORNS
VB, VC SERIES**

REF. NO.	PART NAME	GROUP
1	HORN - Low note.....	2.810
2	HORN - High note.....	2.810



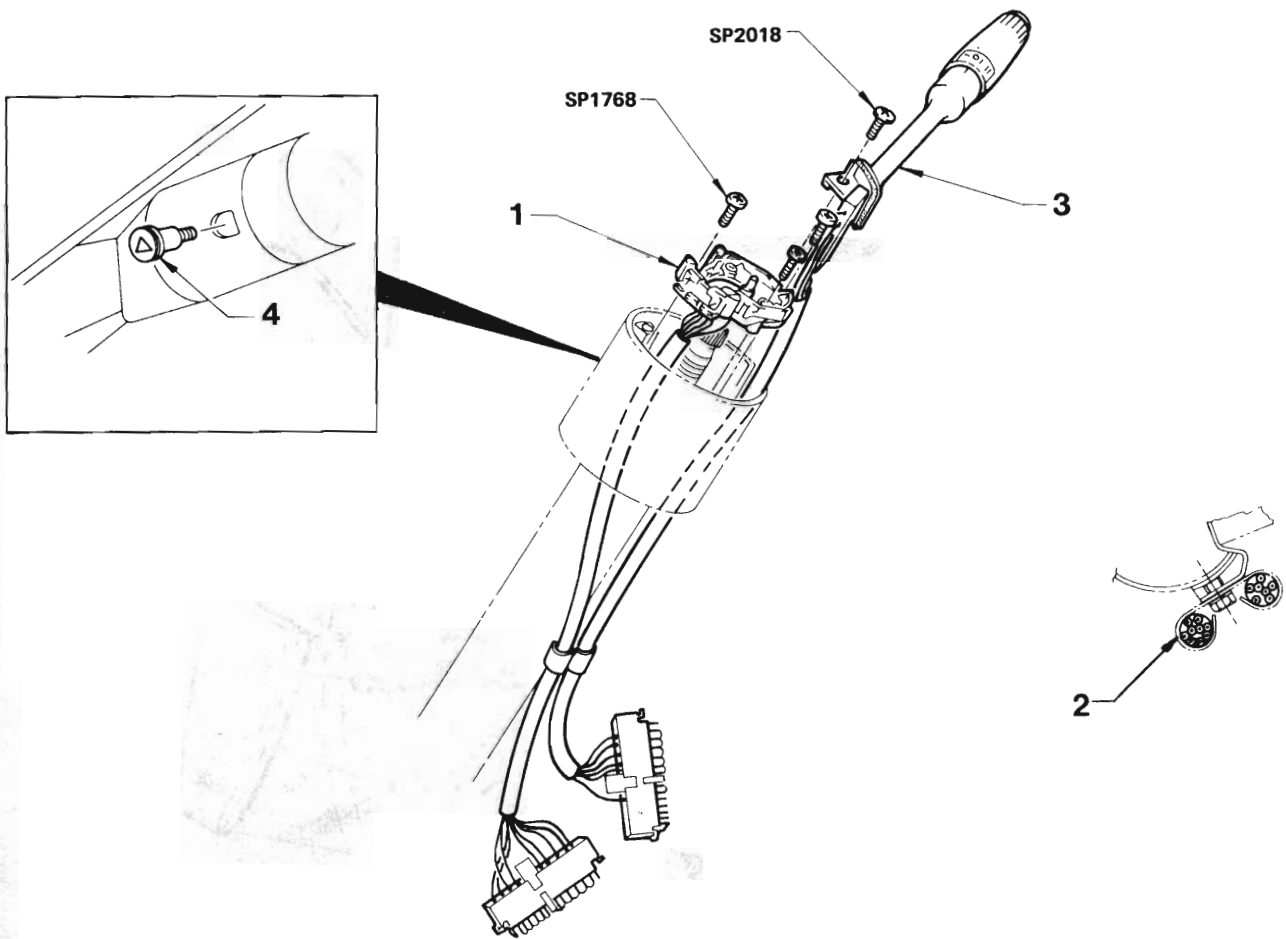
HORNS
VH, VK SERIES

REF. NO.	PART NAME	GROUP
1	HORN & BRACKET ASM. - Disc.....	2.810
2	HORN & BRACKET ASM. - Low note.....	2.810
3	WASHER - Horn mounting.....	2.812
4	SCREW - Horn mounting.....	2.812
5	HORN & BRACKET ASM. - Trumpet.....	2.810
6	LEAD ASM. - Horn feed.....	2.815
7	BRACKET ASM. - Horn mounting, Lower.....	2.812
8	ADAPTOR - Lead.....	2.815



HORN BAR

REF. NO.	PART NAME	GROUP
1	BAR ASM. - Horn actuating.....	2.830
	SCREW - Horn bar to steering wheel.....	2.830

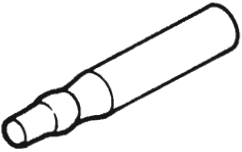
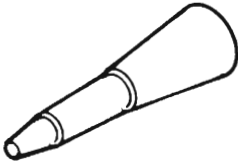
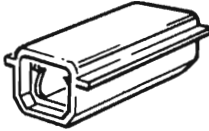
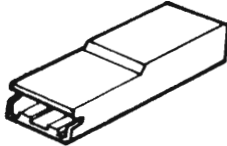
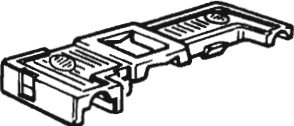
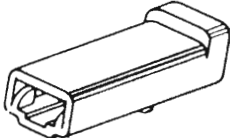
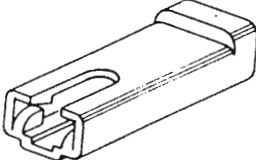
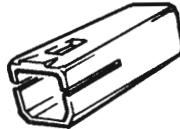
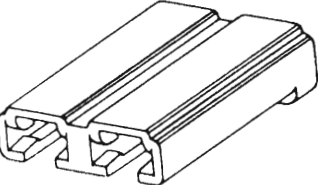
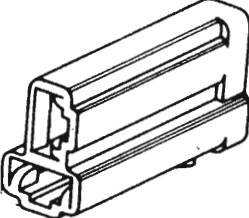
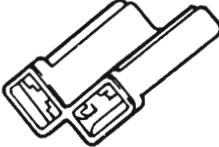
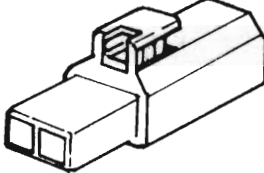
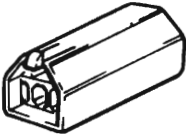
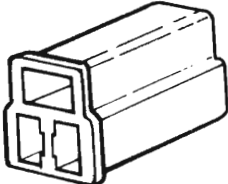
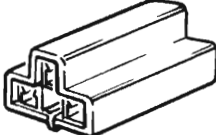
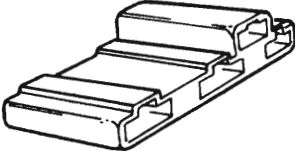
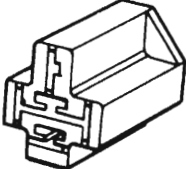
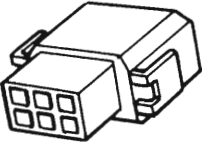
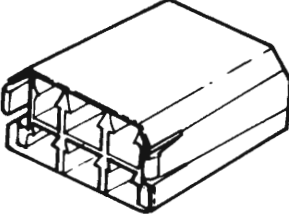
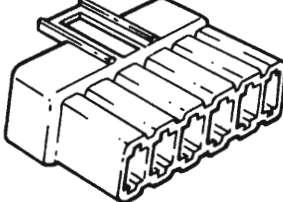
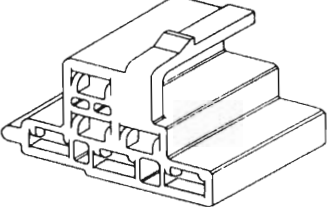
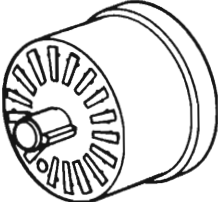


STEERING COLUMN SWITCH & HARNESS

REF. NO.	PART NAME	GROUP
1	SWITCH ASM. - Turn signal & hazard warning...	2.895
2	CLIP - Harness to column.....	2.895
3	SWITCH, LEVER & HARNESS - Turn signal, dimmer & windshield wiper	2.895
4	KNOB - Hazard warning switch.....	2.897



CONNECTOR BODIES

 <p>SP2794</p>	 <p>SP2824</p>	 <p>SP3153</p>	 <p>SP3190</p>
 <p>SP3195</p>	 <p>2977253</p>	 <p>2962965</p>	 <p>SP3152</p>
 <p>2973407</p>	 <p>6288181</p>	 <p>2962910</p>	 <p>SP3183</p>
 <p>SP3184</p>	 <p>SP2859</p>	 <p>SP3174</p>	 <p>2813907</p>
 <p>SP3009</p>	 <p>SP3177</p>	 <p>SP3178</p>	 <p>6288539</p>
 <p>6294643</p>	 <p>92016657</p>		



TERMINALS

TYPE	FEMALE 6,3 BLADE				MALE 6,3 BLADE				FEMALE 3,8 BLADE	RING TYPE	
Number & Wire Size	Part No.	Nib	Tang	Hook	Part No.	Nib	Tang	Hook	Part No.	Part No.	Hole Dia.
1, 0.5 – 0.8	2965510	N	Y	N							
1, 0.5 – 0.8	2965141	Y	Y	N							
1, 0.5 – 0.8	SP3188	Y	N	Y							
1, 0.5 – 0.8	SP3243	N	Y	N							
1, 1.2 – 2.0	SP3189	Y	N	Y	2973046	N	N	N	8911640	SP1706	8.7
1, 1.2 – 2.0	2965867	N	Y	N						SP2944	6.3
1, 3.0	2989877	N	Y	N						SP1784	8.7
1, 5.0					2977994	N	N	N			
2, 0.5 – 0.8	2977112	N	Y	N							

TYPE	FEMALE – PIN TYPE				MALE – PIN TYPE				MALE 6,3 BLADE LONG			
Number & Wire Size	Part No.	Nib	Tang	Hook	Part No.	Nib	Tang	Hook	Part No.	Nib	Tang	Hook
1, 1.2 – 2.0	SP3150	N	Y	N	SP3151	N	Y	N				
1, 3.0									2971859	N	N	N

NOTE: Y = YES. N = NO.



GROUP

3.000

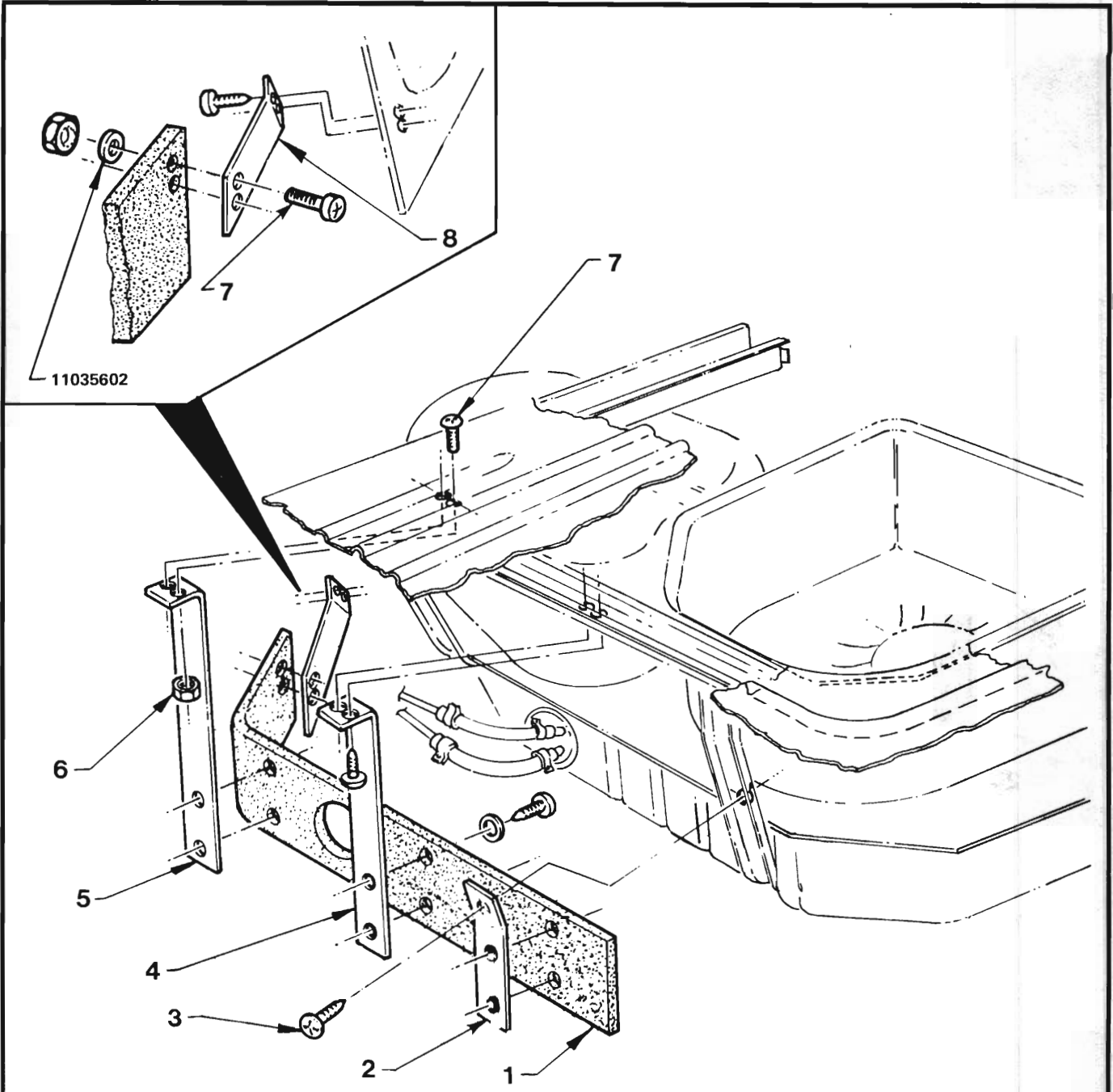
FUEL

EXHAUST

CARBURETION

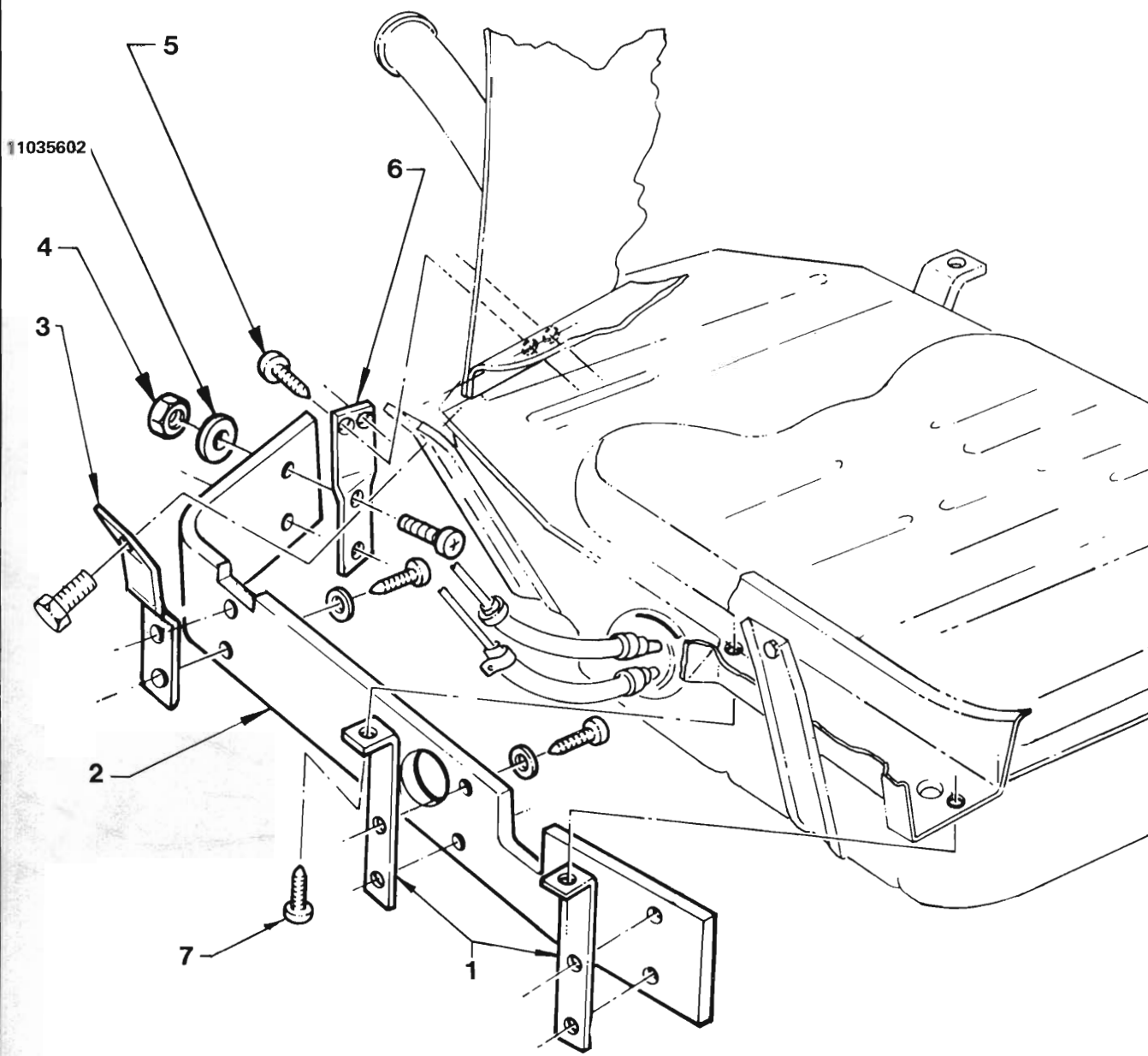


"V" SERIES PARTS CATALOGUE



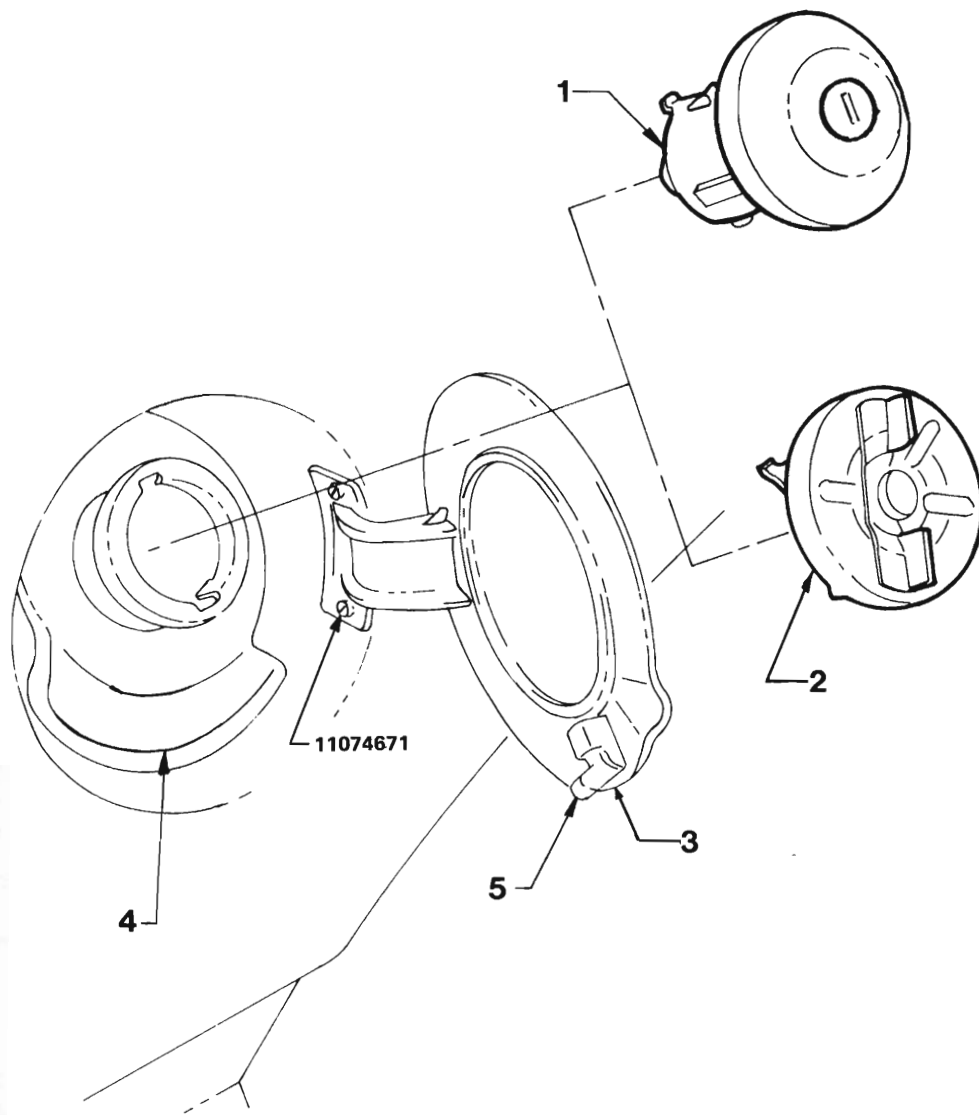
FUEL TANK STONE GUARD STATION WAGON WITH OUTBACK EQUIPMENT

REF. NO.	PART NAME	GROUP
1-8	GUARD PACKAGE	N.S.
1	GUARD - Fuel tank	3.015
2	BRACKET - Guard to fuel tank strap	3.015
3	SCREW - Bracket to strap, guard & crossmember	3.015
4	BRACKET - Guard to crossmember	3.015
5	BRACKET - Guard to underbody	3.015
6	NUT - Guard to bracket	3.015
7	SCREW - Guard to underbody	3.015
8	BRACKET - Guard to fuel filler stone guard	3.015



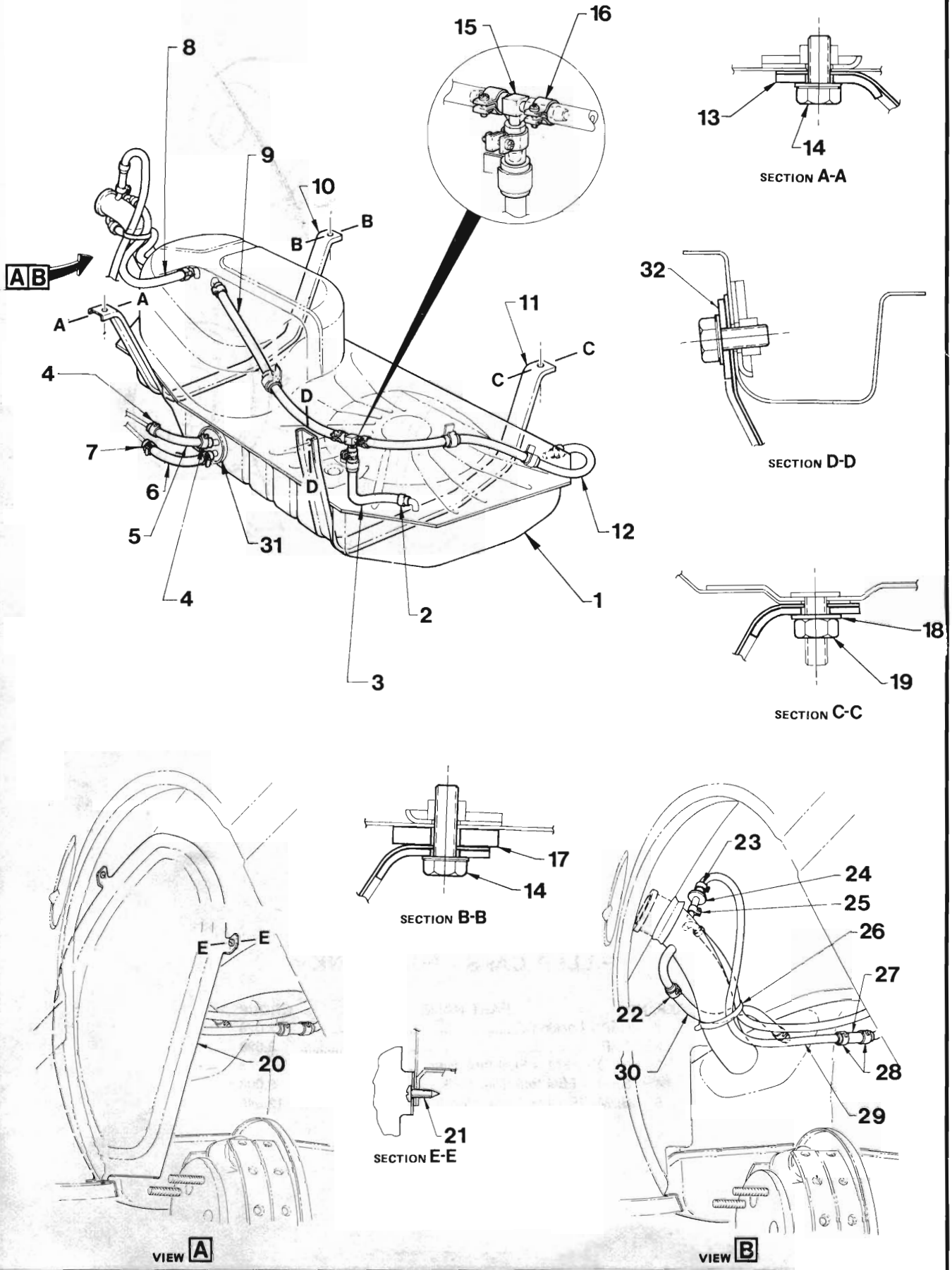
**FUEL TANK STONE GUARD
SEDAN
WITH OUTBACK EQUIPMENT**

REF. NO.	PART NAME	GROUP
1-7	GUARD PACKAGE	N.S.
1	BRACKET - Guard to crossmember	3.015
2	GUARD - Fuel tank	3.015
3	BRACKET - Guard to fuel tank strap	3.015
4	NUT - Guard to bracket	3.015
5	SCREW - Bracket to strap, guard & crossmember	3.015
6	BRACKET - Guard to underbody	3.015
7	SCREW - Guard to bracket	3.015



FILLER CAPS - FUEL TANK

REF. NO.	PART NAME	GROUP
1	CAP - Locking.....	3.028
2	CAP.....	3.028
3	DOOR ASM. - Fuel tank filler.....	12.945
4	SEAL - Fuel tank filler neck.....	3.008
5	BUMPER - Fuel tank filler door.....	12.945

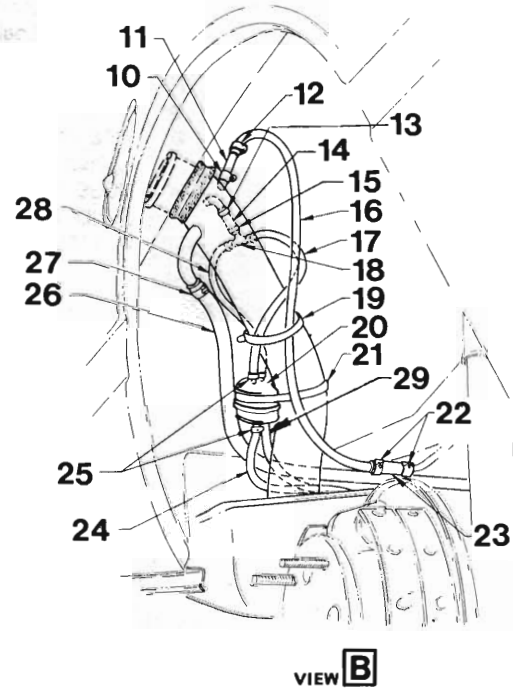
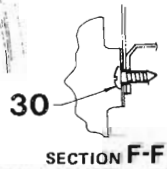
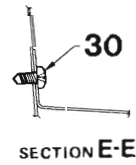
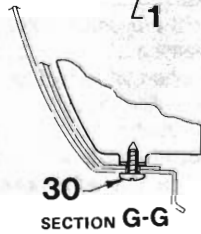
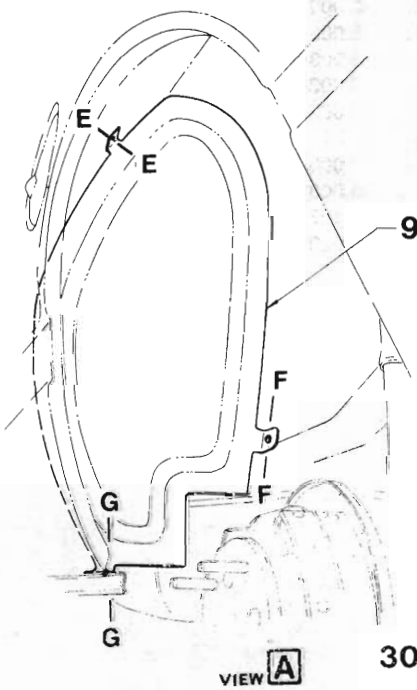
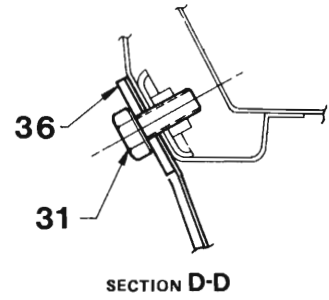
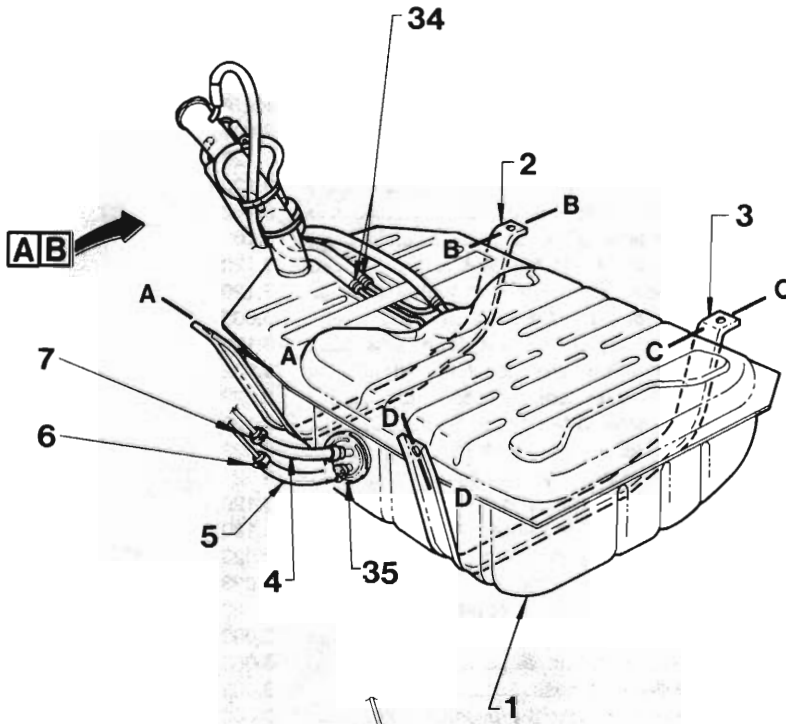
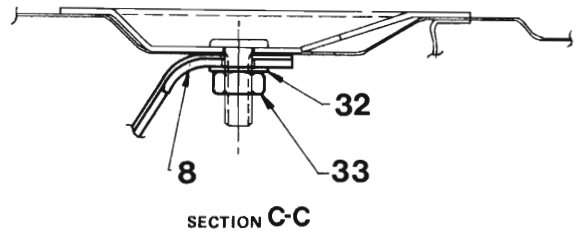
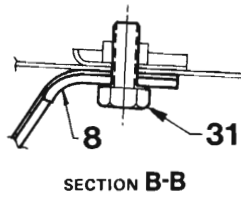
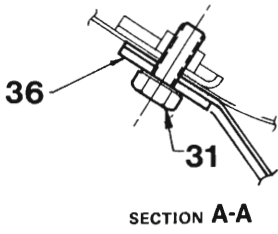




**FUEL TANK
STATION WAGON
VB, VC, VH SERIES**

ILLUSTRATION OPPOSITE

REF. NO.	PART NAME	GROUP
1	TANK ASM. - Fuel.....	3.001
2	CLAMP - Vapour vent hose.....	3.120
3	HOSE - Tank to tee piece, Front.....	3.120
4	CLAMP - Hose & pipe to fuel tank.....	3.162
5	HOSE - Fuel pipe to fuel tank.....	3.163
6	HOSE - Vapour pipe to fuel tank.....	3.120
7	CLAMP - Hose - Vapour pipe to fuel tank.....	3.120
8	HOSE - Fuel tank to filler neck.....	3.003
9	HOSE - Tee piece to fuel tank, Right side.....	3.120
10	STRAP ASM. - Fuel tank mounting - RH.....	3.022
11	STRAP ASM. - Fuel tank mounting - LH.....	3.022
12	HOSE - Fuel tank to tee piece, Rear.....	3.120
13	REINFORCEMENT - Fuel tank mounting.....	3.023
14	SCREW - Fuel tank strap to frame.....	3.023
15	TEE - Front & rear hoses to fuel tank.....	3.120
16	CLAMP - Fuel tank vent hose.....	3.120
17	SPACER - Fuel tank mounting.....	3.023
18	WASHER - Fuel tank strap to bracket.....	3.023
19	NUT - Fuel tank strap to bracket.....	3.023
20	GUARD - Fuel filler stone.....	3.003
21	SCREW - Guard to body.....	3.003
22	CLAMP - Filler vent hose.....	3.003
23	CLAMP - Hose to leakout prevention valve.....	3.003
24	VALVE - Leak out prevention.....	3.003
25	CLAMP - Leakout prevention valve to filler pipe.....	3.003
26	STRAP - Vapour hoses to filler neck.....	3.003
27	HOSE - Vapour pipe connector.....	3.003
28	CLAMP - Vapour pipe connector hose.....	3.003
29	PIPE - Plastic, Vapour pipe connector hose to leakout prevention valve.....	3.003
30	HOSE - Filler vent.....	3.003
31	SENDER ASM. - Fuel tank level.....	3.107
32	WASHER - Fuel tank mounting.....	3.023





FUEL TANK

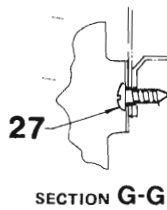
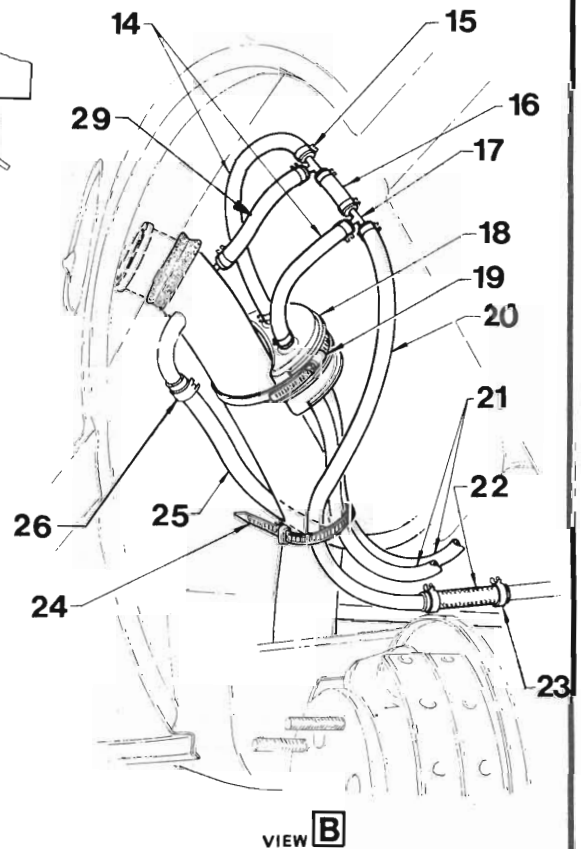
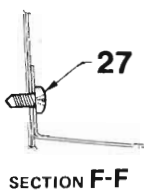
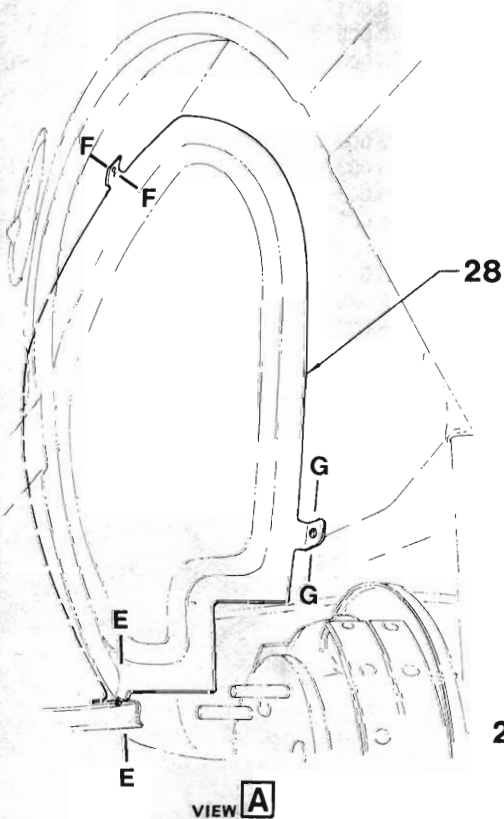
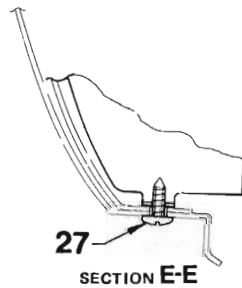
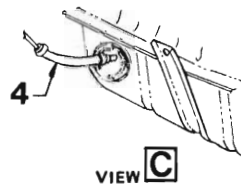
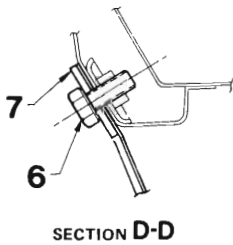
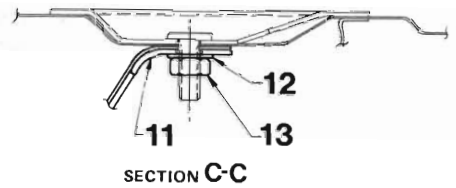
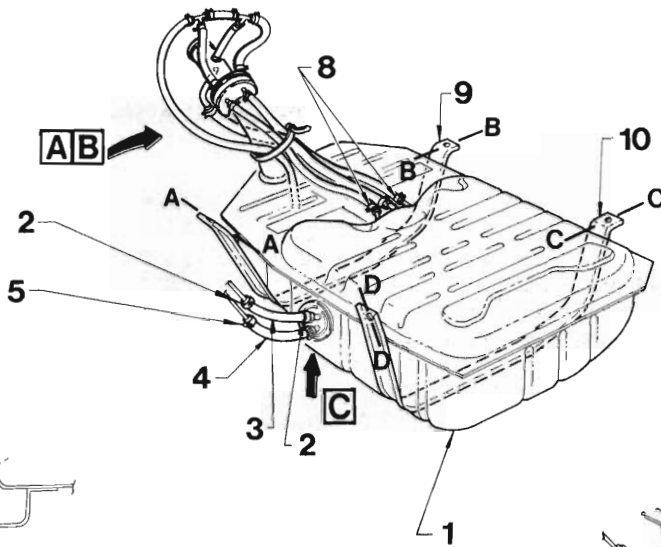
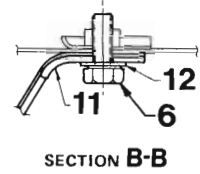
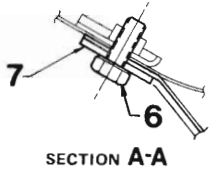
SEDAN

VB, VC, VH SERIES

VK SERIES WITH ELECTRONIC FUEL INJECTION PRIOR TO APRIL 1985

ILLUSTRATION OPPOSITE

REF. NO.	PART NAME	GROUP
1	TANK ASM. - Fuel.....	3.001
2	STRAP ASM. - Fuel tank mounting, RH.....	3.022
3	STRAP ASM. - Fuel tank mounting, LH.....	3.022
4	HOSE - Fuel pipe to fuel tank.....	3.163
5	HOSE - Vapour pipe to fuel tank.....	3.120
6	CLAMP - Hose - Vapour pipe to fuel tank.....	3.120
7	CLAMP - Fuel hose to fuel tank.....	3.162
8	REINFORCEMENT - Fuel tank mounting.....	3.023
9	GUARD - Fuel filler stone.....	3.003
10	CLAMP - Leakout prevention valve to filler neck.....	3.003
11	VALVE - Leakout prevention.....	3.003
12	CLAMP - Leakout prevention valve to hose.....	3.003
13	CLAMP - Filler pipe to tee hose.....	3.003
14	HOSE - Filler neck to tee.....	3.003
15	CLAMP - Hose to filler neck tee.....	3.003
16	PIPE - Plastic, Vapour pipe connector hose to leakout prevention valve.....	3.003
17	HOSE - Reservoir to filler neck tee piece.....	3.003
18	TEE - Vapour hoses to filler neck.....	3.003
19	STRAP - Vapour hoses to filler neck.....	3.003
20	RESERVOIR - Breather.....	3.001
21	CLAMP - Reservoir to filler neck.....	3.001
22	CLAMP - Vapour pipe connector hose.....	3.003
23	HOSE - Vapour pipe connector.....	3.003
24	HOSE - Tank to reservoir, 234mm long.....	3.003
25	CLAMP - Hoses to reservoir.....	3.003
26	HOSE - Filler vent.....	3.003
27	CLAMP - Filler vent hose.....	3.003
28	HOSE - Reservoir to filler neck tee piece.....	3.003
29	HOSE - Tank to reservoir, 200mm long.....	3.003
30	SCREW - Guard.....	3.003
31	SCREW - Fuel tank strap to frame.....	3.023
32	WASHER - Fuel tank strap to bracket.....	3.023
33	NUT - Fuel tank strap to bracket.....	3.023
34	CLAMP - Vapour hose.....	3.003
35	SENDER ASM. - Fuel tank level.....	3.107
36	WASHER - Fuel tank mounting.....	3.023



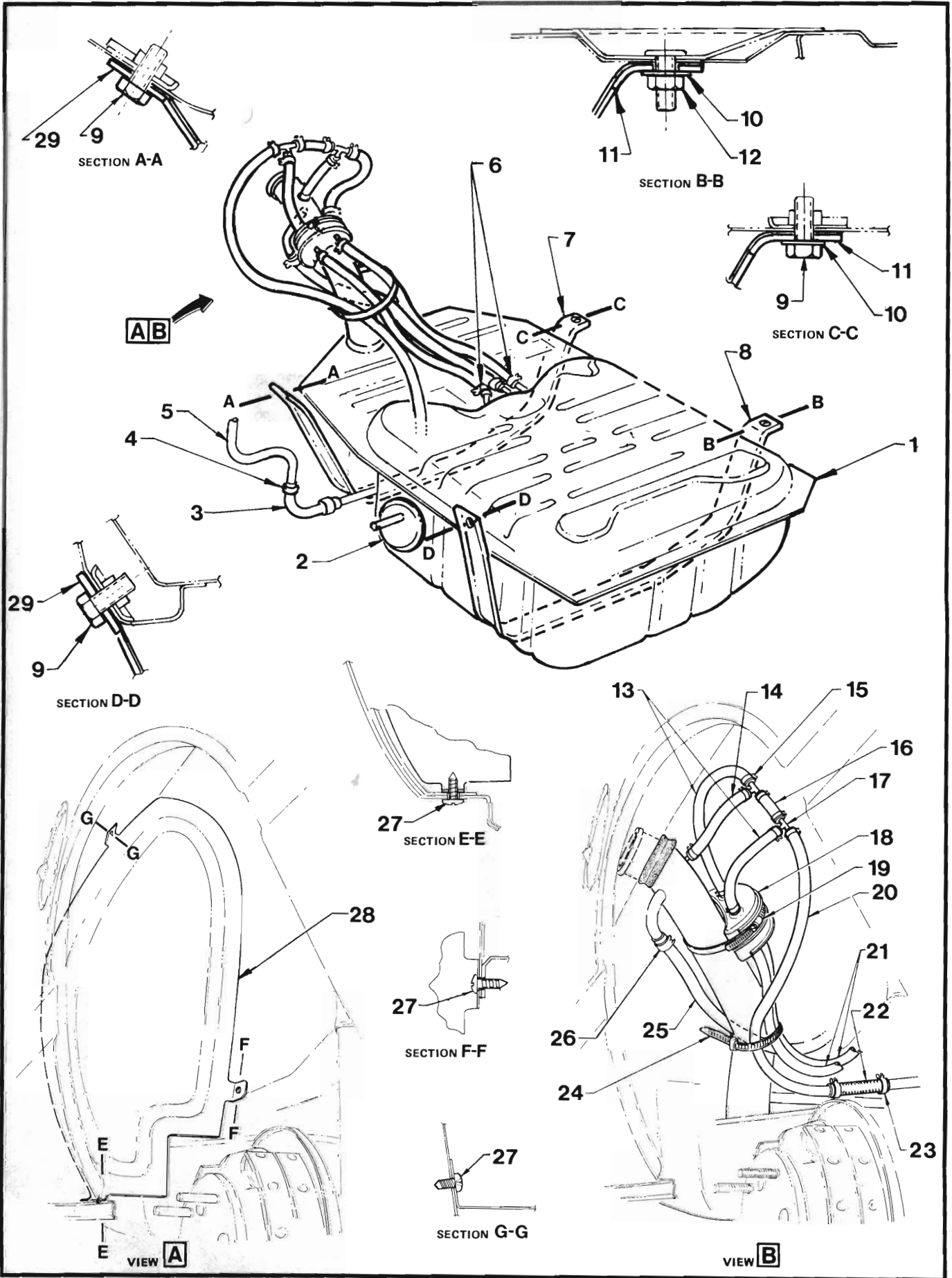


FUEL TANK

**SEDAN EXC. ELECTRONIC FUEL INJECTION
VK SERIES**

ILLUSTRATION OPPOSITE

REF. NO.	PART NAME	GROUP
1	TANK ASM. - Fuel.....	3.001
2	CLAMP - Hose - Vapour return pipe to tank	3.120
3	HOSE - Vapour return pipe to fuel tank	3.120
4	HOSE - Fuel pipe to fuel tank.....	3.163
5	CLAMP - Hose - Fuel pipe to fuel tank.....	3.162
6	SCREW - Fuel tank strap to frame	3.023
7	WASHER - Fuel tank mounting.....	3.023
8	CLAMP - Hoses to reservoir.....	3.003
9	STRAP ASM. - Fuel tank mounting - RH	3.022
10	STRAP ASM. - Fuel tank mounting - LH.....	3.022
11	REINFORCEMENT - Fuel tank mounting	3.023
12	WASHER - Fuel tank strap to bracket.....	3.023
13	NUT - Fuel tank strap to bracket.....	3.023
14	HOSE - Reservoir to filler neck tee.....	3.003
15	CLAMP - Filler neck vent hoses	3.003
16	HOSE - Tee to tee.....	3.003
17	TEE - Vent hoses to filler neck.....	3.003
18	RESERVOIR - Breather	3.001
19	CLAMP - Reservoir to filler neck	3.001
20	HOSE - Canister pipe to filler neck vent tee	3.003
21	HOSE - Vent pipe to reservoir	3.003
22	HOSE - Vent pipe to canister pipe.....	3.003
23	CLAMP - Vent hose to canister pipe.....	3.003
24	STRAP - Vent hoses to filler neck	3.003
25	HOSE - Filler vent hose	3.003
26	CLAMP - Filler vent hose.....	3.003
27	SCREW - Guard to body.....	3.003
28	GUARD - Fuel filler stone	3.003
29	HOSE - Filler neck to filler neck tee.....	3.003

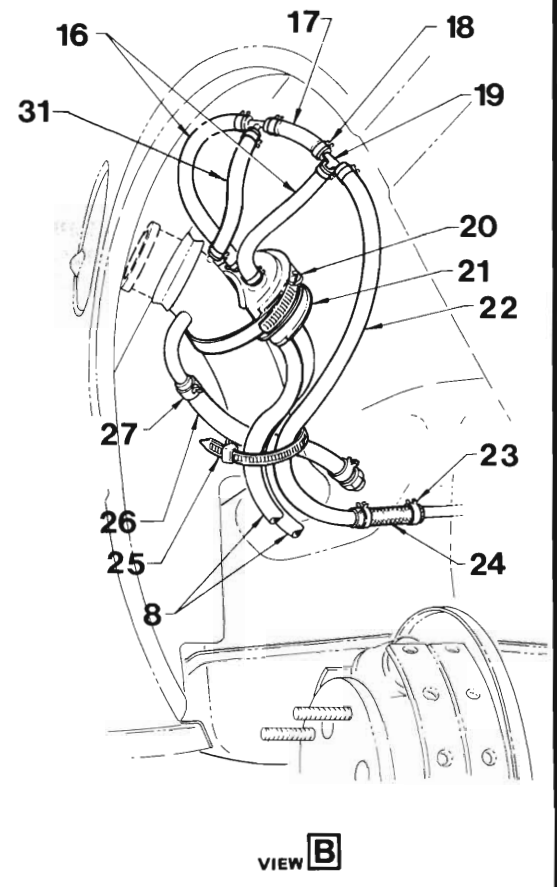
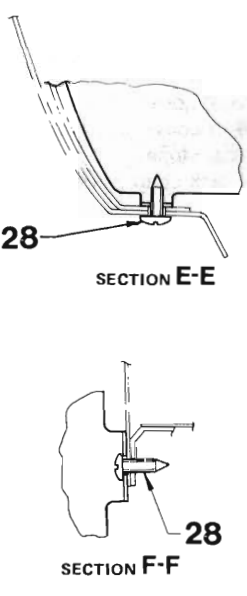
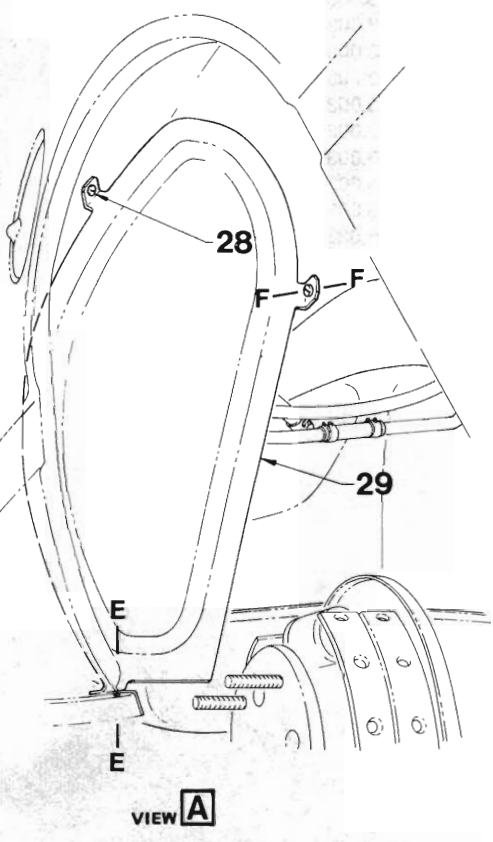
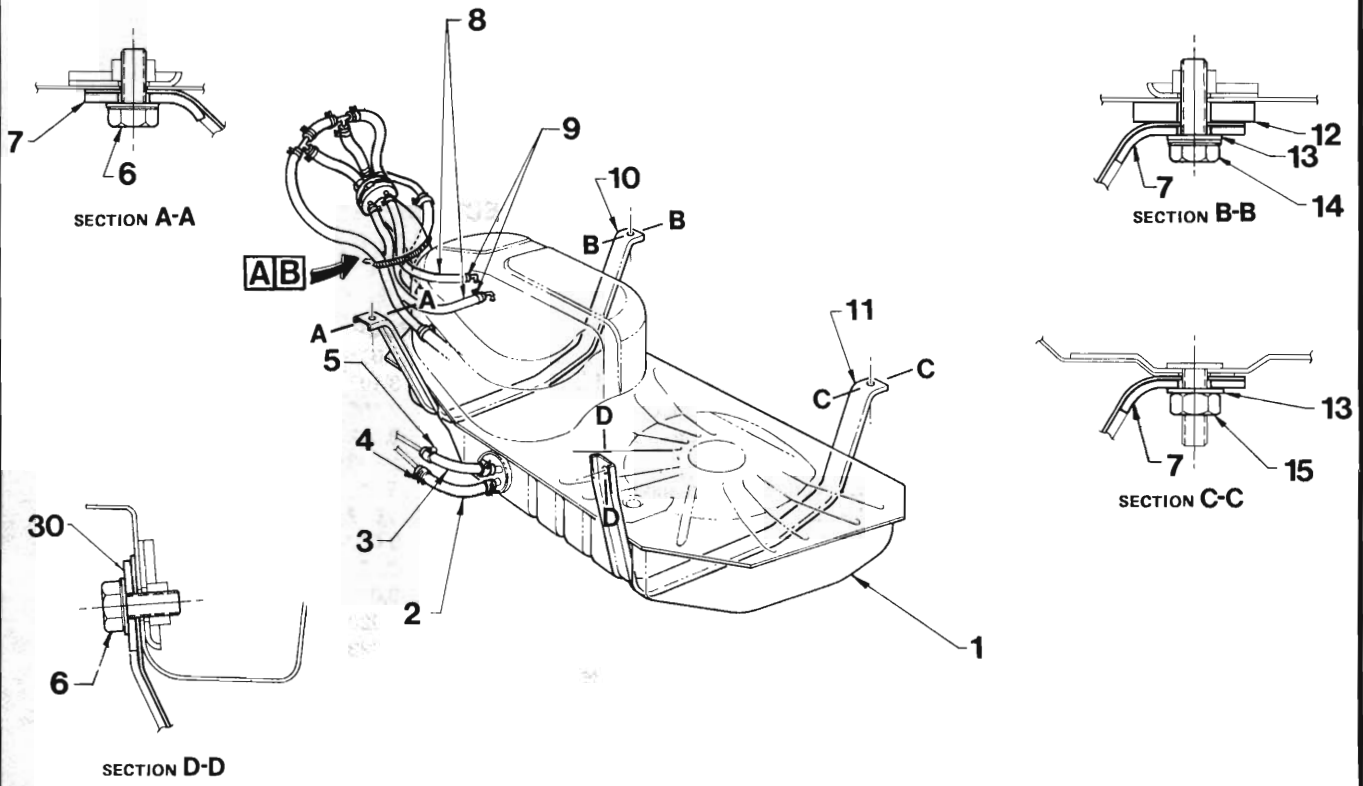




**FUEL TANK
SEDAN WITH ELECTRONIC FUEL INJECTION
VK SERIES FROM APRIL 1985**

ILLUSTRATION OPPOSITE

REF. NO.	PART NAME	GROUP
1	TANK ASM. - Fuel.....	3.001
2	SENDER ASM. - Fuel tank level.....	3.107
3	HOSE - Return pipe to fuel tank.....	3.163
4	CLAMP ASM. - Fuel return pipe hose.....	3.162
5	PIPE ASM. - Fuel return.....	3.163
6	HOSE - Vent pipe to reservoir.....	3.003
7	STRAP ASM. - Fuel tank mounting, RH.....	3.022
8	STRAP ASM. - Fuel tank mounting, LH.....	3.022
9	SCREW - Fuel tank strap to frame.....	3.023
10	WASHER - Fuel tank strap to bracket.....	3.023
11	REINFORCEMENT - Fuel tank mounting.....	3.023
12	NUT - Fuel tank strap to bracket.....	3.023
13	HOSE - Reservoir to filler neck tee.....	3.003
14	HOSE - Filler neck to filler neck tee.....	3.003
15	CLAMP - Filler neck vent hoses.....	3.003
16	HOSE - Tee to tee.....	3.003
17	TEE - Vent hoses to filler neck.....	3.003
18	RESERVOIR - Breather.....	3.001
19	CLAMP - Reservoir to filler neck.....	3.001
20	HOSE - Canister pipe to filler neck vent tee.....	3.003
21	HOSE - Vent pipe to reservoir.....	3.003
22	HOSE - Vent hose to canister pipe.....	3.003
23	CLAMP - Vent hose to canister pipe.....	3.003
24	STRAP - Vent hoses to filler neck.....	3.003
25	HOSE - Filler vent.....	3.003
26	CLAMP - Filler vent hose.....	3.003
27	SCREW - Guard to body.....	3.003
28	GUARD - Fuel filler stone.....	3.003
29	WASHER - Fuel tank strap to frame.....	3.023





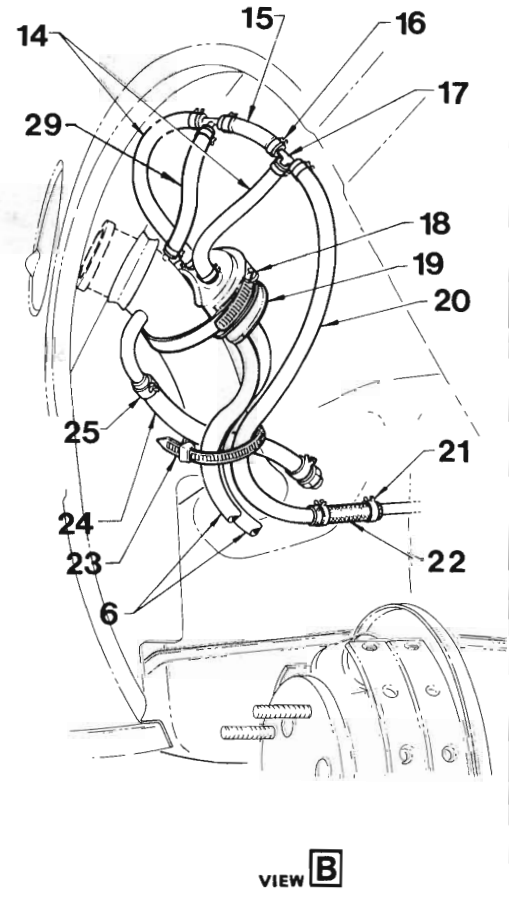
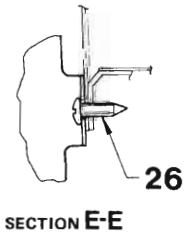
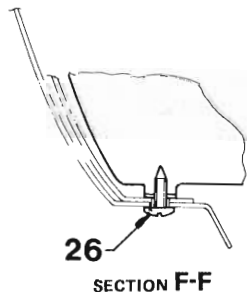
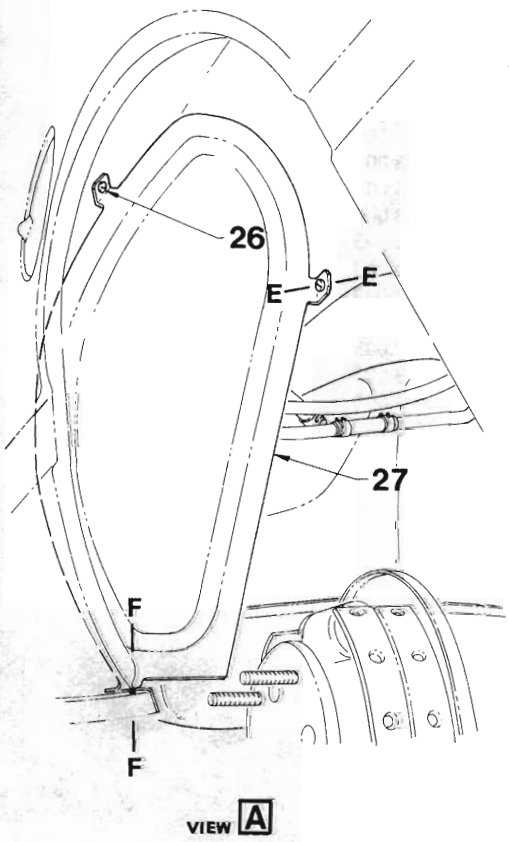
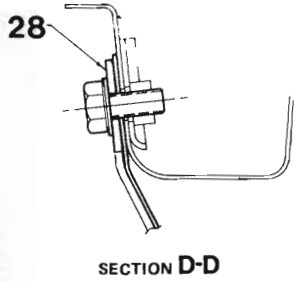
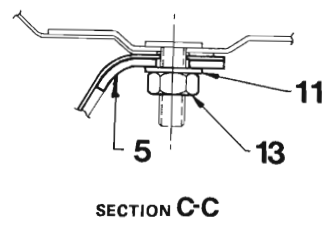
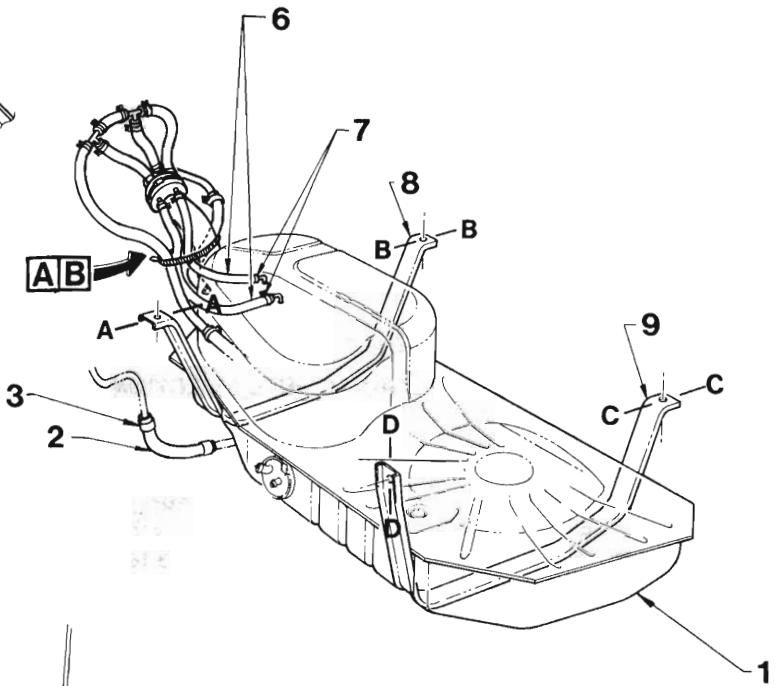
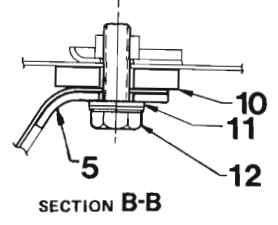
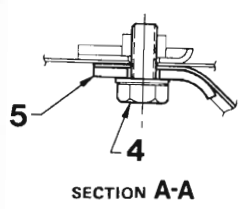
FUEL TANK
STATION WAGON EXC. ELECTRONIC FUEL INJECTION
VK SERIES

ILLUSTRATION OPPOSITE

REF. NO.	PART NAME	GROUP
1	TANK ASM. - Fuel.....	3.001
2	HOSE - Fuel pipe to fuel tank.....	3.163
3	HOSE - Vapour return pipe to fuel tank.....	3.120
4	CLAMP - Hose - Fuel pipe to fuel tank.....	3.162
5	CLAMP - Hose - Vapour return pipe to fuel tank.....	3.120
6	SCREW - Fuel tank strap to frame.....	3.023
7	REINFORCEMENT - Fuel tank mounting.....	3.023
8	HOSE - Vent pipe to reservoir.....	3.003
9	CLAMP - Hose - Vent pipe to fuel tank.....	3.003
10	STRAP ASM. - Fuel tank mounting - RH.....	3.022
11	STRAP ASM. - Fuel tank mounting - LH.....	3.022
12	SPACER - Fuel tank.....	3.023
13	WASHER - Fuel tank strap to bracket.....	3.023
14	SCREW - Fuel tank strap to frame.....	3.023
15	NUT - Fuel tank strap to bracket.....	3.023
16	HOSE - Reservoir to filler neck tee.....	3.003
17	HOSE - Tee to tee.....	3.003
18	CLAMP - Filler neck vent hoses.....	3.003
19	TEE - Vent hoses to filler neck.....	3.003
20	CLAMP - Reservoir to filler neck.....	3.001
21	RESERVOIR - Breather.....	3.001
22	HOSE - Canister pipe to filler neck vent tee.....	3.003
23	CLAMP - Vent hose to canister pipe.....	3.003
24	HOSE - Vent hose to canister pipe.....	3.003
25	STRAP - Vent hoses to filler neck.....	3.003
26	HOSE - Filler vent.....	3.003
27	CLAMP - Filler vent hose.....	3.003
28	SCREW - Guard to body.....	3.003
29	GUARD - Fuel filler stone.....	3.003
30	WASHER - Fuel tank mounting.....	3.023
31	HOSE - Filler neck to filler neck tee.....	3.003



"V" SERIES PARTS CATALOGUE



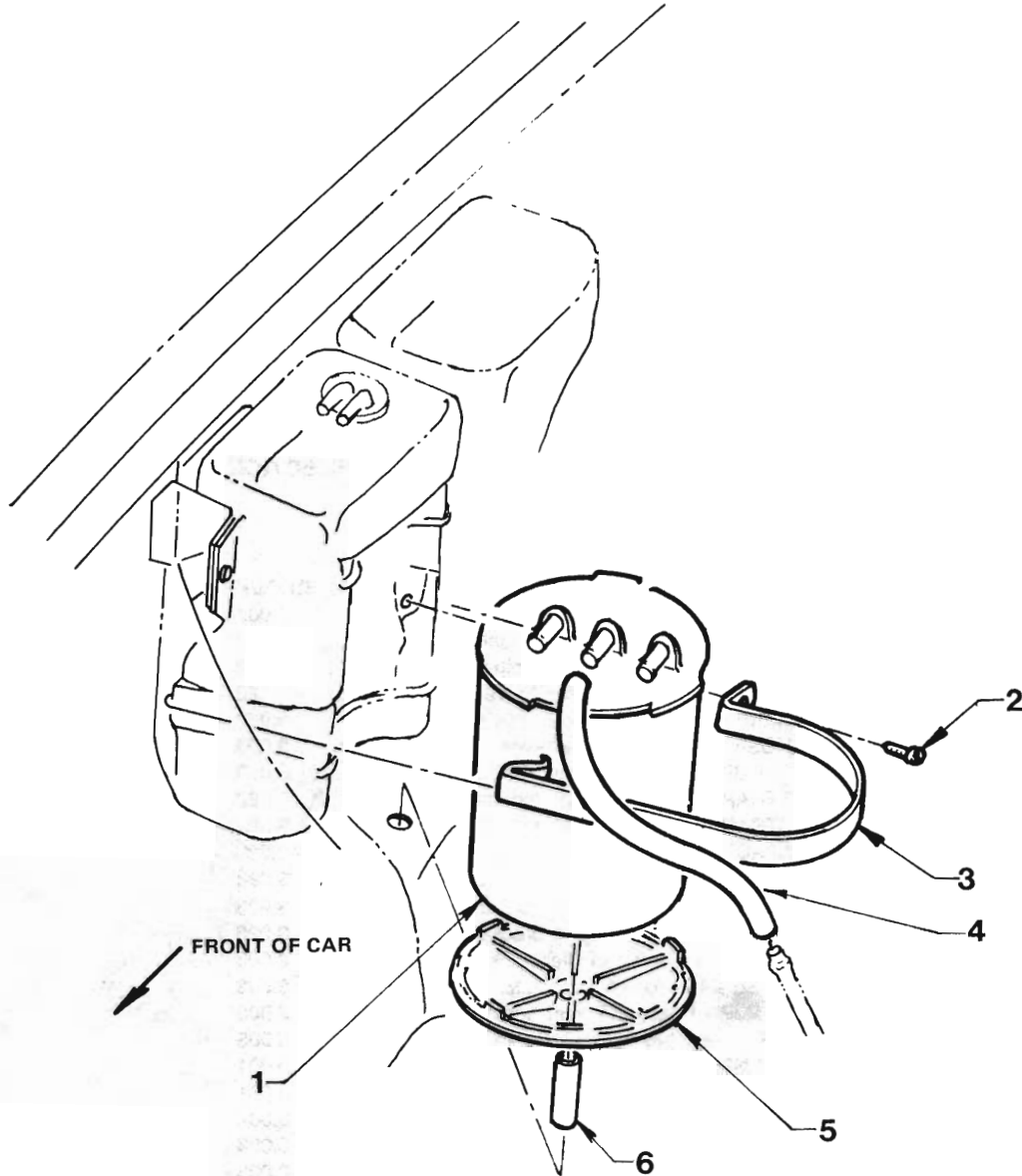


FUEL TANK

**STATION WAGON WITH ELECTRONIC FUEL INJECTION
VK SERIES**

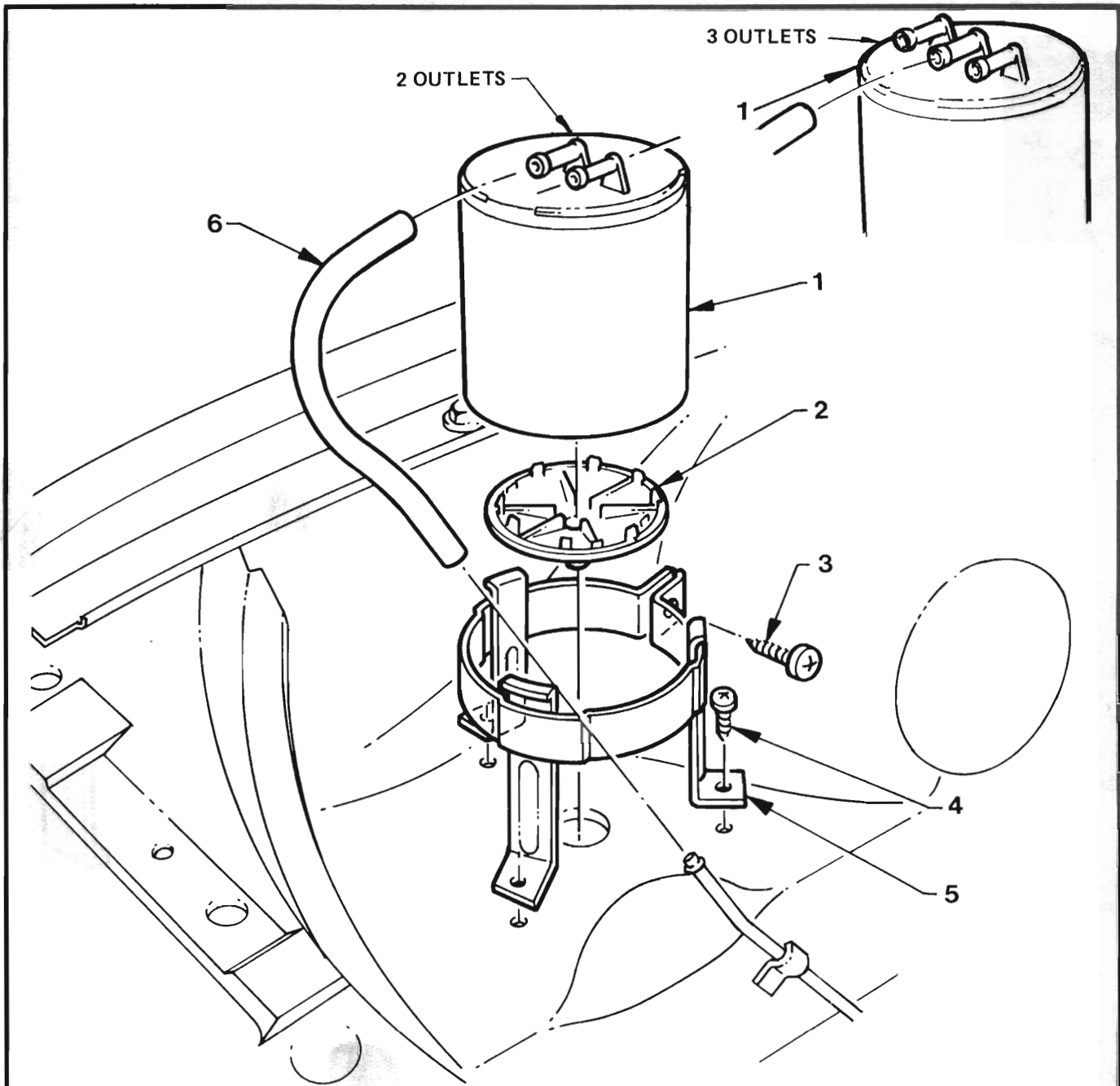
ILLUSTRATION OPPOSITE

REF. NO.	PART NAME	GROUP
1	TANK ASM. - Fuel.....	3.001
2	HOSE - Return pipe to fuel tank.....	3.163
3	CLAMP ASM. - Fuel return pipe hose.....	3.162
4	SCREW - Fuel tank strap to frame	3.023
5	REINFORCEMENT - Fuel tank mounting	3.023
6	HOSE - Vent pipe to reservoir	3.003
7	CLAMP - Hose - Vent pipe to fuel tank.....	3.003
8	STRAP ASM. - Fuel tank mounting - RH	3.022
9	STRAP ASM. - Fuel tank mounting - LH.....	3.022
10	SPACER - Fuel tank	3.023
11	WASHER - Fuel tank strap to bracket.....	3.023
12	SCREW - Fuel tank strap to frame	3.023
13	NUT - Fuel tank strap to bracket.....	3.023
14	HOSE - Reservoir to filler neck tee.....	3.003
15	HOSE - Tee to tee.....	3.003
16	CLAMP - Filler neck vent hoses	3.003
17	TEE - Vent hoses to filler neck.....	3.003
18	CLAMP - Reservoir to filler neck	3.001
19	RESERVOIR - Breather	3.001
20	HOSE - Canister pipe to filler neck vent tee	3.003
21	CLAMP - Vent hose to canister pipe.....	3.003
22	HOSE - Vent hoses to canister pipe.....	3.003
23	STRAP - Vent hoses to filler neck	3.003
24	HOSE - Filler vent	3.003
25	CLAMP - Filler vent hose	3.003
26	SCREW - Guard to body.....	3.003
27	GUARD - Fuel filler stone	3.003
28	WASHER - Fuel tank mounting.....	3.023
29	HOSE - Filler neck to filler neck tee.....	3.003



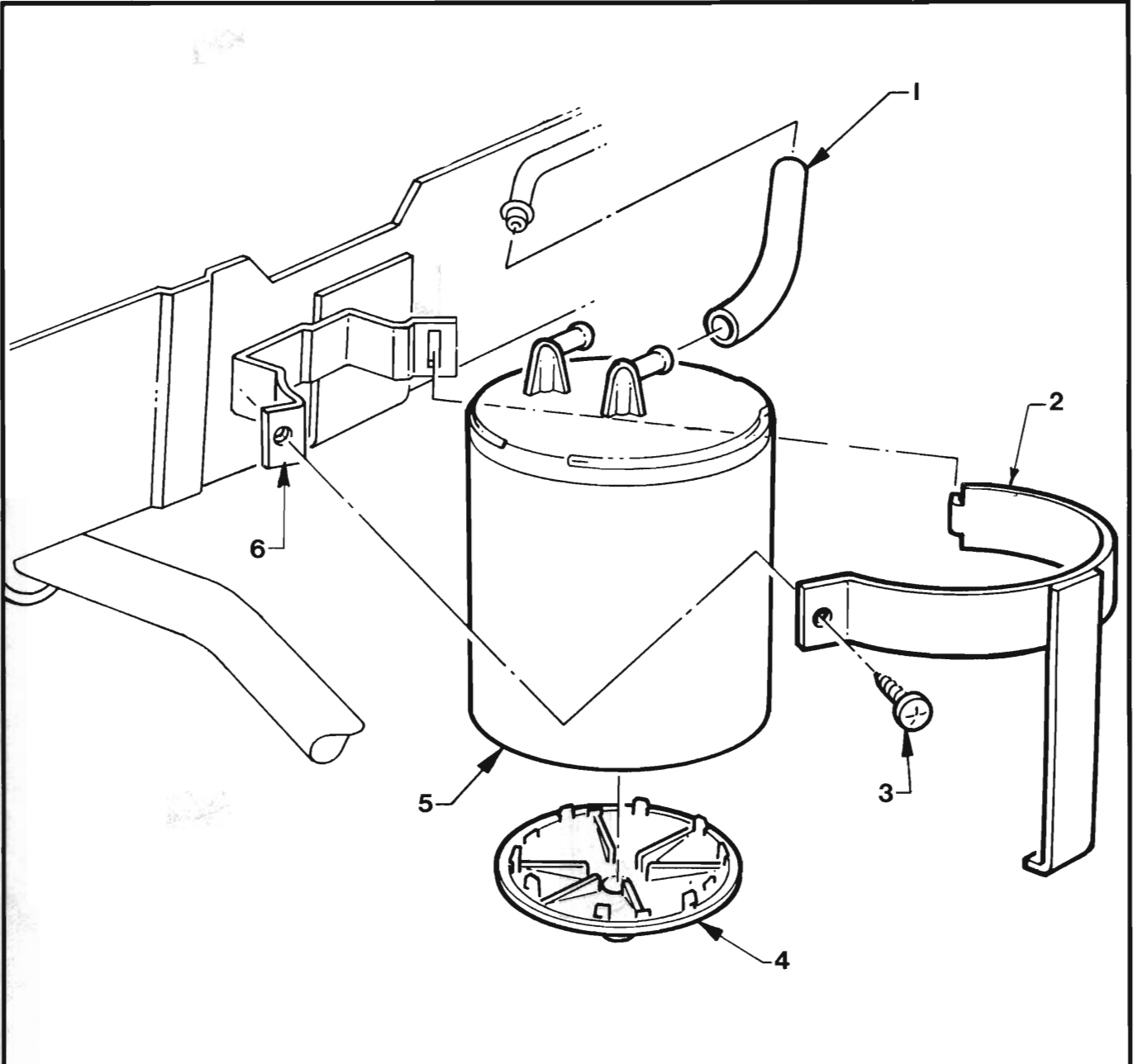
**VAPOUR CANISTER
VB, VC, VH SERIES**

REF. NO.	PART NAME	GROUP
1	CANISTER	3.130
2	SCREW - Canister strap to centre support	3.130
3	STRAP - Canister support	3.130
4	HOSE - Pipe to canister	3.120
5	CAP - Canister drain	3.130
6	HOSE - Canister drain	3.130



VAPOUR CANISTER
EXC. ELECTRONIC FUEL INJECTION
VK SERIES

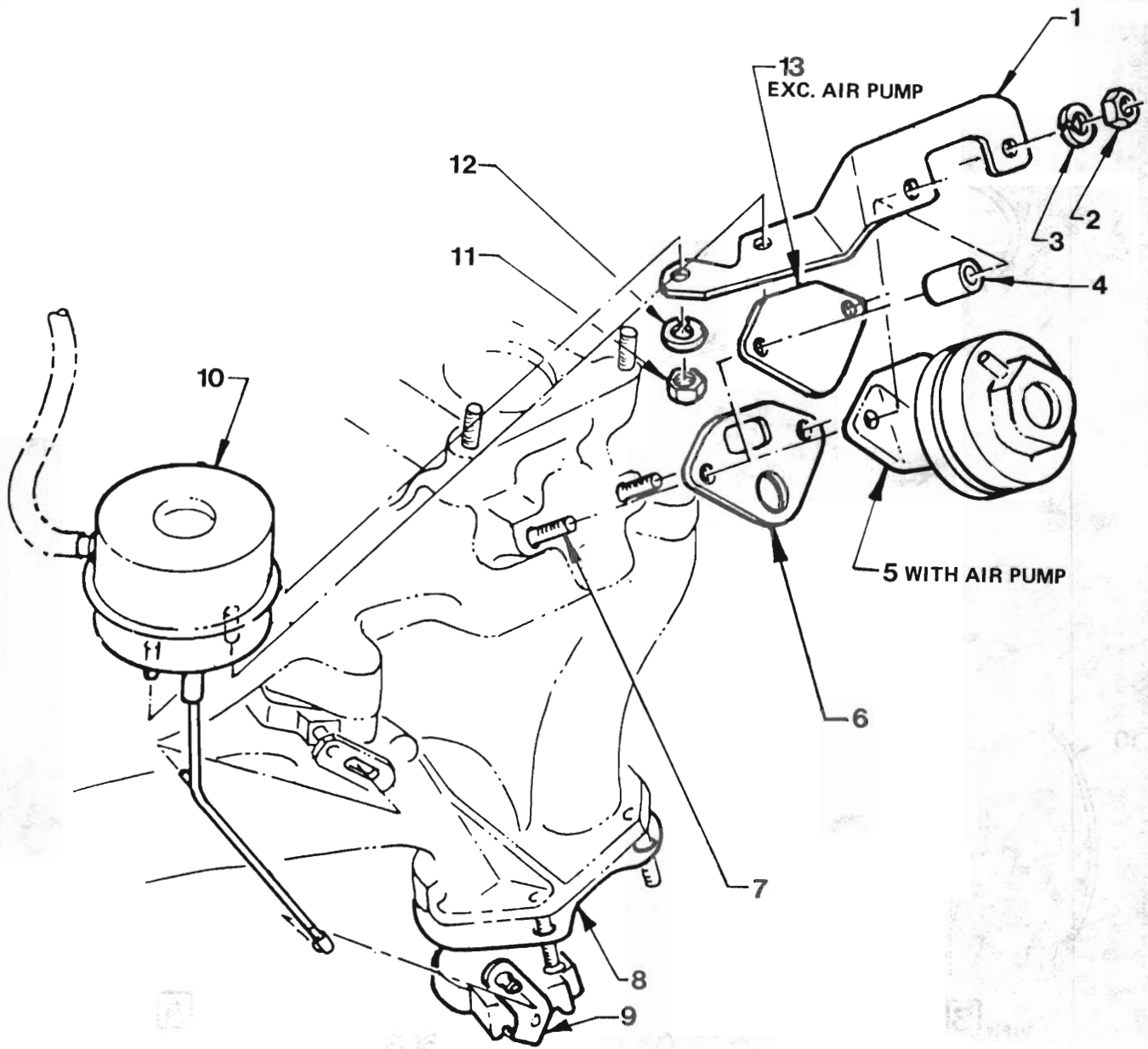
REF. NO.	PART NAME	GROUP
1	CANISTER - Vapour.....	3.130
2	CAP - Canister drain.....	3.130
3	SCREW - Canister to support.....	3.130
4	SCREW - Support to fender skirt.....	3.130
5	SUPPORT ASM. - Canister.....	3.130
6	HOSE - Pipe to canister.....	3.120



VAPOUR CANISTER

**3.3 LITRE ENGINE WITH ELECTRONIC FUEL INJECTION
VK SERIES**

REF. NO.	PART NAME	GROUP
1	HOSE - Pipe to canister.....	3.120
2	SUPPORT ASM. - Canister outer.....	3.130
3	SCREW - Outer to inner support.....	3.130
4	CAP - Canister drain.....	3.130
5	CANISTER - Vapour.....	3.130
6	SUPPORT - Cannister inner.....	3.130



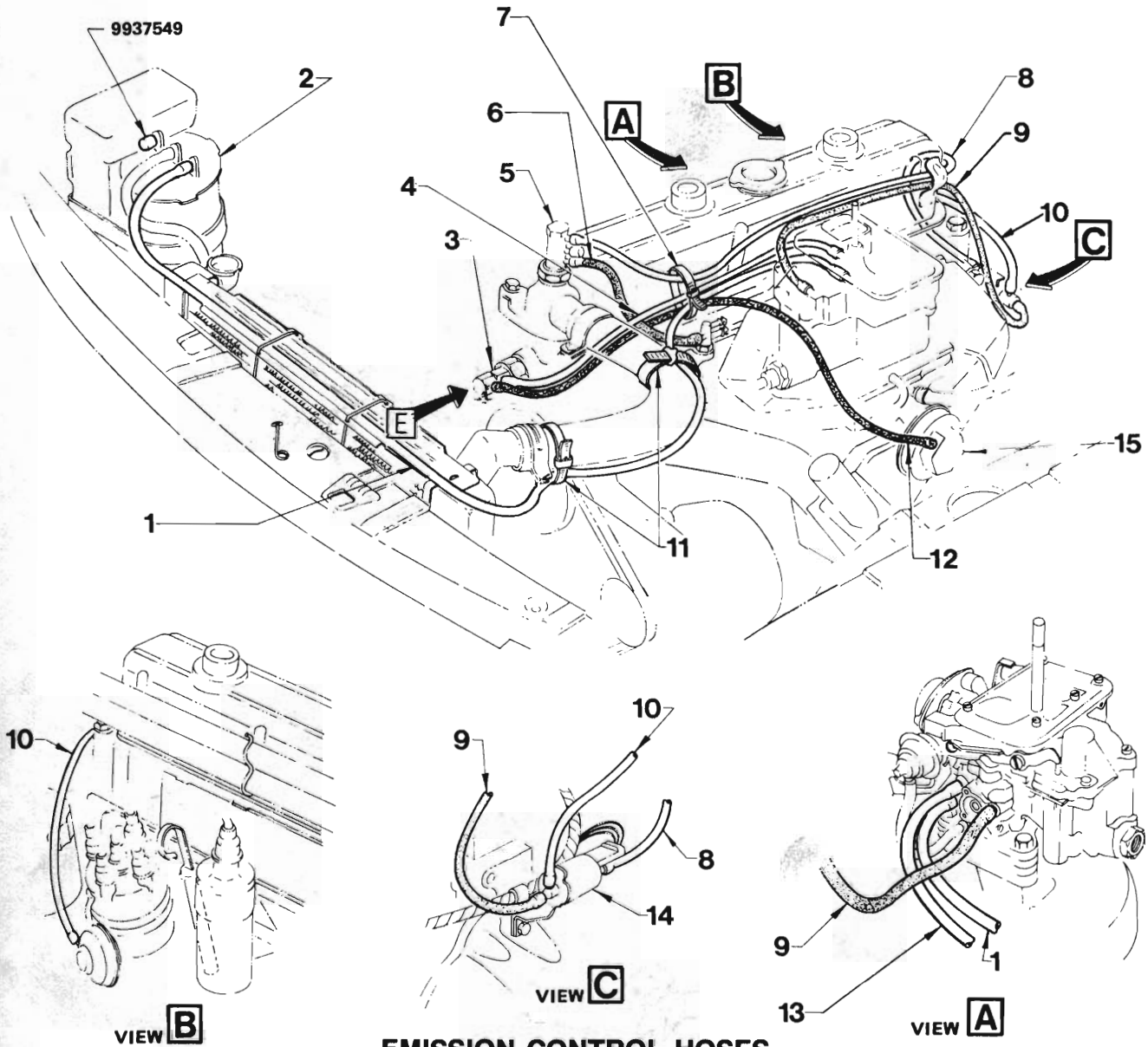
EXHAUST VALVE ACTUATOR

**2.85 LITRE ENGINE
VK SERIES**

REF. NO.	PART NAME	GROUP
1	BRACKET - Actuator mounting	3.142
2	NUT - Bracket to exhaust manifold	3.142
3	WASHER - Bracket to exhaust manifold	3.142
4	SPACER - Vacuum actuator bracket	3.142
5	VALVE ASM. - Exhaust gas recirculation (E.G.R.)	3.670
6	GASKET - Plate to manifold	3.670
7	STUD - Plate to manifold	3.670
8	GASKET - Valve to manifold	3.647
9	VALVE ASM. - Heat	3.647
10	ACTUATOR ASM. - Exhaust manifold valve vacuum	3.142
11	NUT - Actuator to bracket	3.142
12	WASHER - Actuator to bracket	3.142
13	PLATE - E.G.R. valve hole closing	3.670

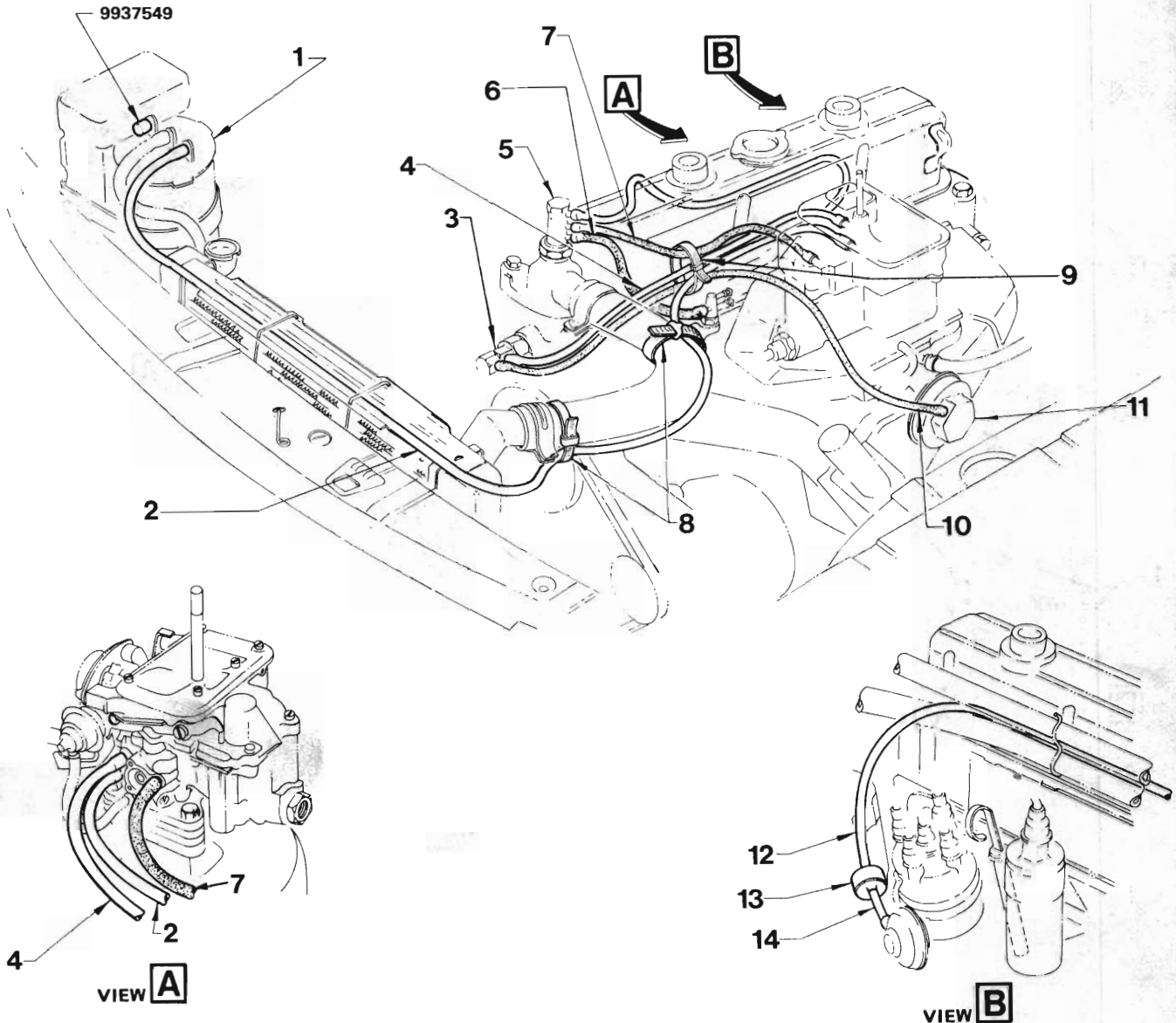


"V" SERIES PARTS CATALOGUE



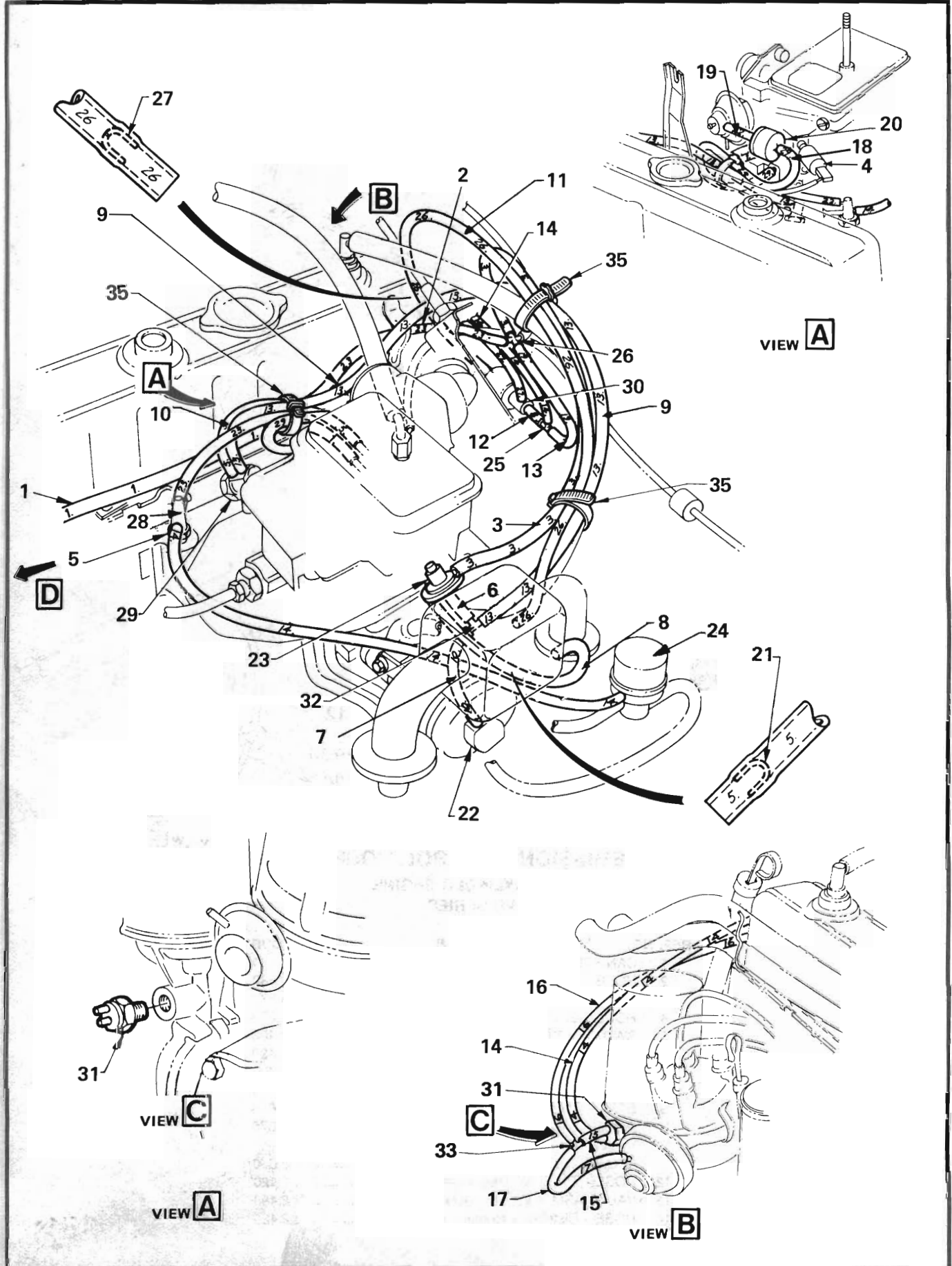
EMISSION CONTROL HOSES (M) 4 CYLINDER ENGINE VC SERIES

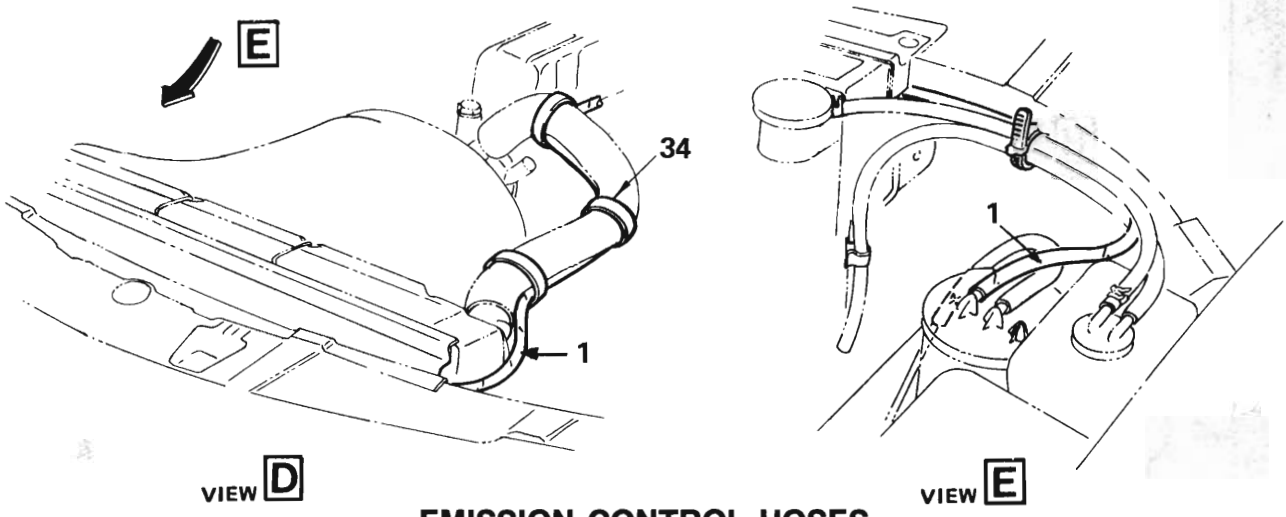
REF. NO.	PART NAME	GROUP
1	HOSE - Canister to carburettor purge port	3.130
2	CANISTER - Vapour.....	3.130
3	SWITCH - E.G.R. thermal vacuum.....	3.670
4	HOSE - E.G.R. T.V.S. to carburettor	3.675
5	SWITCH - T.C.S. thermal vacuum.....	2.408
6	HOSE - Manifold to T.V.S.	2.420
7	STRAP - Hose securing.....	3.130
8	HOSE - T.V.S. to T.C.S. switch solenoid.....	2.420
9	HOSE - Carburettor to T.C.S. switch solenoid....	2.420
10	HOSE - Distributor to T.C.S. switch solenoid.....	2.420
11	STRAP - Hose to radiator hose	3.130
12	HOSE - E.G.R. valve to E.G.R. T.V.S.	3.675
13	HOSE - E.G.R. T.V.S. to carburettor	3.675
14	SOLENOID ASM. - Transmission controlled spark, (T.C.S.).....	2.408
15	VALVE ASM. - Exhaust gas recirculation (E.G.R.).....	3.670



EMISSION CONTROL HOSES
(A) 4 CYLINDER ENGINE
VC SERIES

REF. NO.	PART NAME	GROUP
1	CANISTER - Vapour.....	3.130
2	HOSE - Canister to carburettor purge port	3.130
3	SWITCH - E.G.R. thermal vacuum.....	3.670
4	HOSE - E.G.R. T.V.S. to carburettor	3.675
5	SWITCH - T.C.S. thermal vacuum.....	2.408
6	HOSE - Manifold to T.V.S.	2.420
7	HOSE - Carburettor to T.V.S.	2.420
8	STRAP - Hose to radiator hose	3.130
9	STRAP - Hose securing.....	3.675
10	HOSE - E.G.R. valve to E.G.R. T.V.S.	3.675
11	VALVE ASM. - Exhaust gas recirculation (E.G.R.).....	3.670
12	HOSE - T.V.S. to delay valve.....	2.420
13	VALVE ASM. - Vacuum delay.....	2.408
14	HOSE - Distributor to delay valve.....	2.420

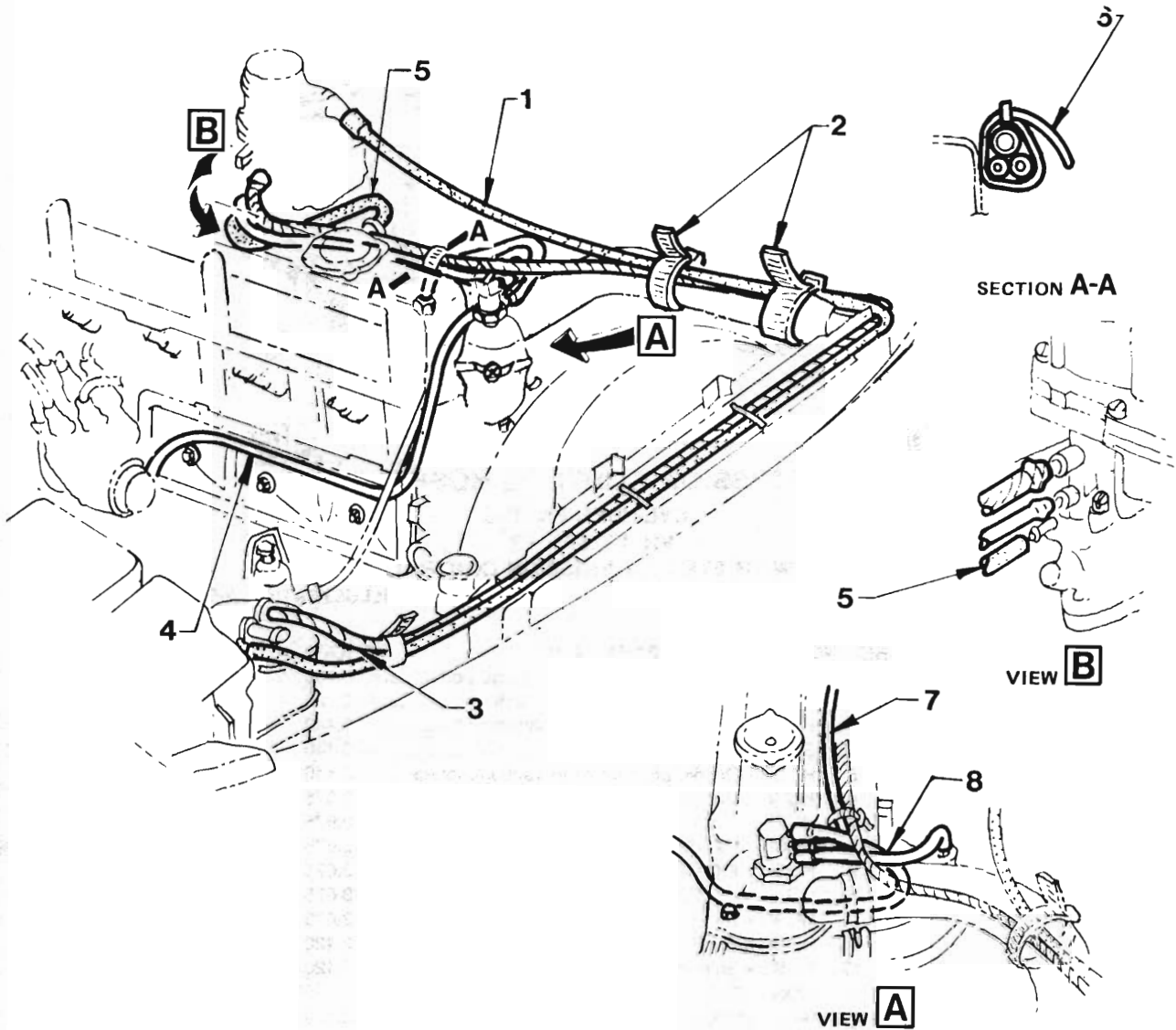




**EMISSION CONTROL HOSES
4 CYLINDER ENGINE
VH, VK SERIES
WITH EXHAUST EMISSION CONTROL**

ILLUSTRATION ABOVE & OPPOSITE

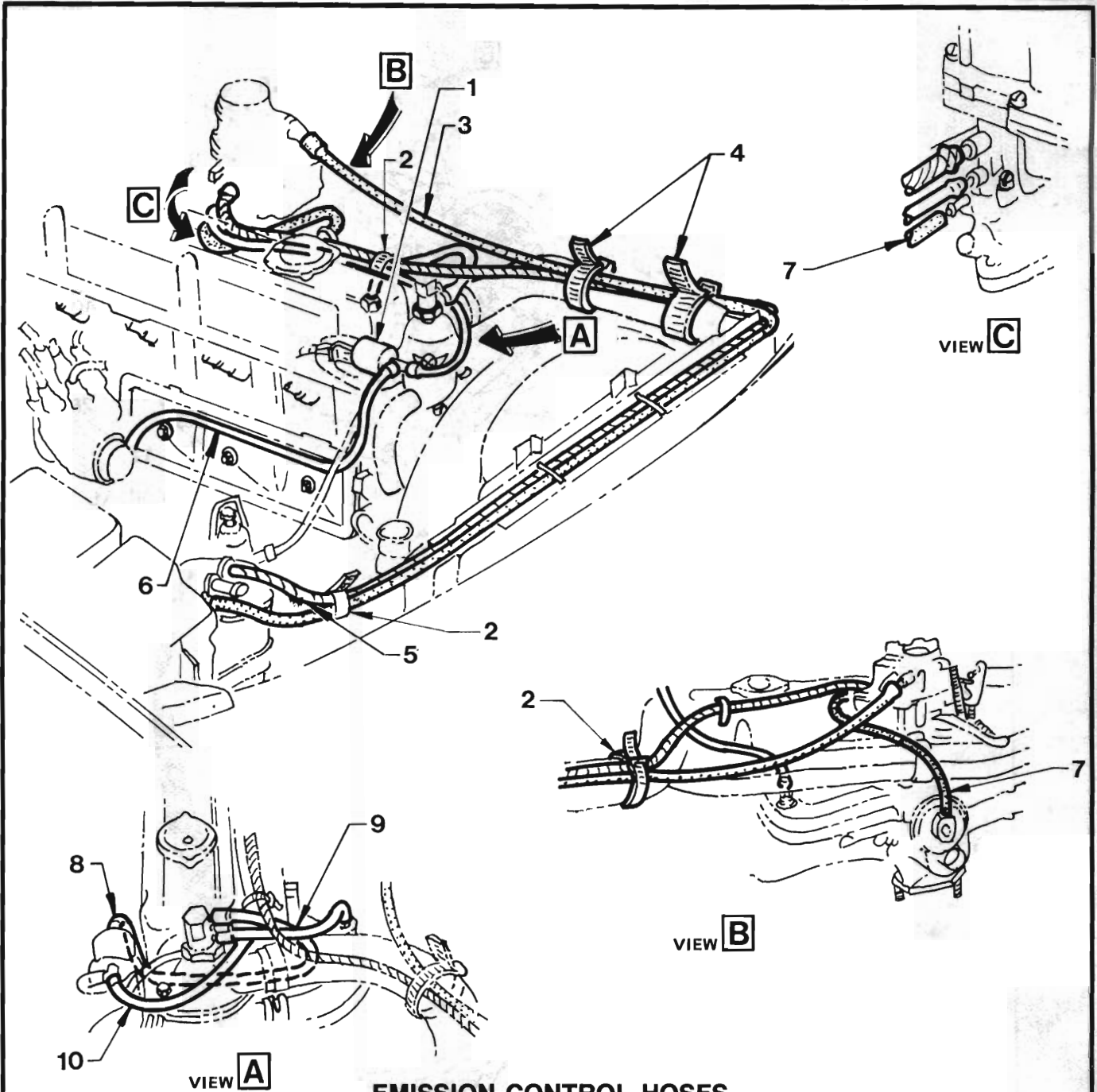
REF. NO.	PART NAME	GROUP
1	HOSE - Canister to carburettor purge port	3.130
2	HOSE - Vacuum source to connector.....	2.420
3	HOSE - Connector to E.G.R. control valve	3.440
4	SOLENOID - Anti dieseling.....	3.440
5	HOSE - Deceleration valve to vacuum source	3.440
6	HOSE - Control valve to E.G.R. valve tee	3.675
7	HOSE - Tee to E.G.R. valve.....	3.675
8	HOSE - E.G.R. control valve to silencer asm.....	3.675
9	HOSE - E.G.R. T.V.S. to E.G.R. valve tee	3.675
10	HOSE - E.G.R. T.V.S. to carburettor	3.675
11	HOSE - Solenoid to silencer asm. - Pulsair	3.675
12	HOSE - T.C.S. switch solenoid to tee.....	2.420
13	HOSE - Solenoid tee to 4 way connector.....	2.420
14	HOSE - Solenoid tee to thermal vacuum cold feed switch.....	2.420
15	HOSE - Thermal vacuum cold feed switch to distributor tee.....	2.420
16	HOSE - Solenoid to distributor advance tee	2.420
17	HOSE - Vacuum advance to distributor tee	2.420
18	HOSE - Delay valve to carburettor	3.755
19	HOSE - Delay valve to vacuum housing.....	3.755
20	VALVE ASM. - Vacuum delay, carburettor vacuum	3.755
21	RESTRICTOR - Vacuum.....	3.670
22	VALVE ASM. - Exhaust gas recirculation (E.G.R.).....	3.670
23	VALVE ASM. - E.G.R. vacuum control.....	3.670
24	VALVE ASM. - Deceleration	3.440
25	TEE - Solenoid.....	2.420
26	CONNECTOR - 4 way	2.420
27	RESTRICTOR - Distributor vacuum spark delay..	2.408
28	ADAPTOR - 3 way, Inlet manifold vacuum	3.278
29	SWITCH - E.G.R. thermal vacuum.....	3.670
30	SOLENOID - T.C.S. switch.....	2.408
31	SWITCH ASM. - Cold feed thermal vacuum	2.408
32	TEE - E.G.R. valve hoses	3.675
33	TEE - Distributor	2.420
34	STRAP - Hose to radiator hose	3.130
35	STRAP - Hoses, E.G.R.	3.675



EMISSION CONTROL HOSES

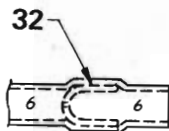
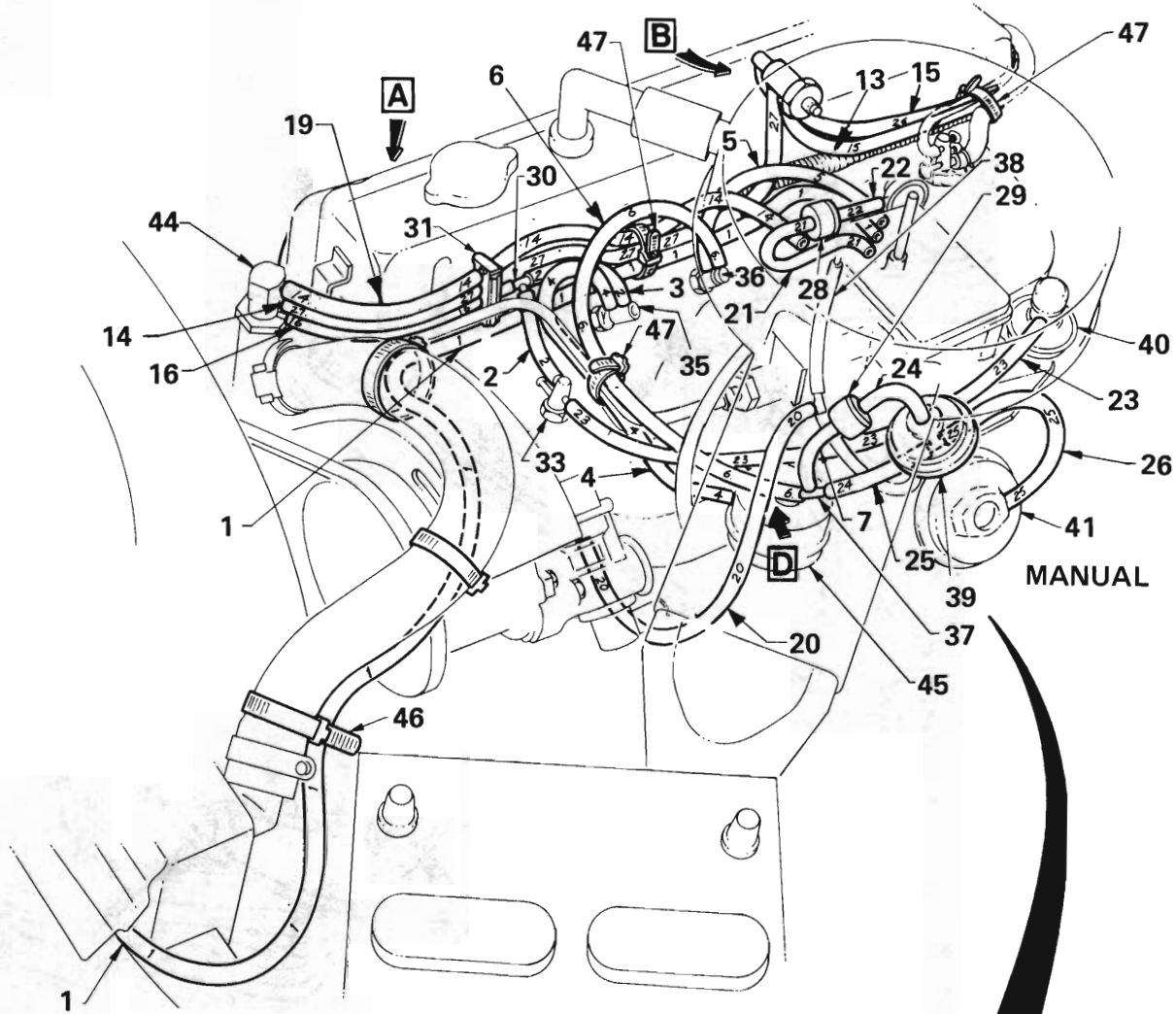
(A) 3.3 LITRE ENGINE
VB SERIES

REF. NO.	PART NAME	GROUP
1	HOSE - Canister fuel bowl vent.....	3.130
2	STRAP - Hose to radiator hose.....	3.130
3	HOSE - Canister to carburettor purge port	3.130
4	HOSE - Distributor to T.V.S.	2.420
5	HOSE - E.G.R. valve to carburettor.....	3.675
6	STRAP - Hose securing.....	3.130
7	HOSE - T.V.S. to carburettor.....	2.420
8	HOSE - Manifold to T.V.S.	2.420

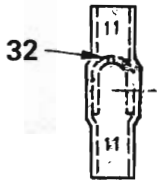


EMISSION CONTROL HOSES
2.85 LITRE ENGINE & (M) 3.3 LITRE ENGINE
VB SERIES

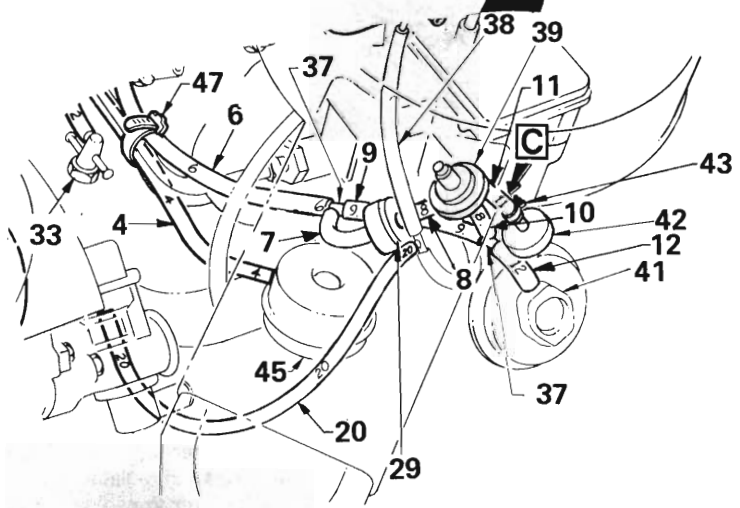
REF. NO.	PART NAME	GROUP
1	SOLENOID - Transmission controlled spark switch, (T.C.S.)	2.408
2	STRAP - Hose securing	3.130
3	HOSE - Canister to fuel bowl vent	3.130
4	STRAP - Hose to radiator hose	3.130
5	HOSE - Canister to carburettor purge port	3.130
6	HOSE - Distributor to T.C.S switch solenoid	2.420
7	HOSE - E.G.R valve to carburettor	3.675
8	HOSE - T.V.S to T.C.S switch solenoid	2.420
9	HOSE - Manifold to T.V.S.	2.420
10	HOSE - Carburettor to T.C.S switch solenoid	2.420



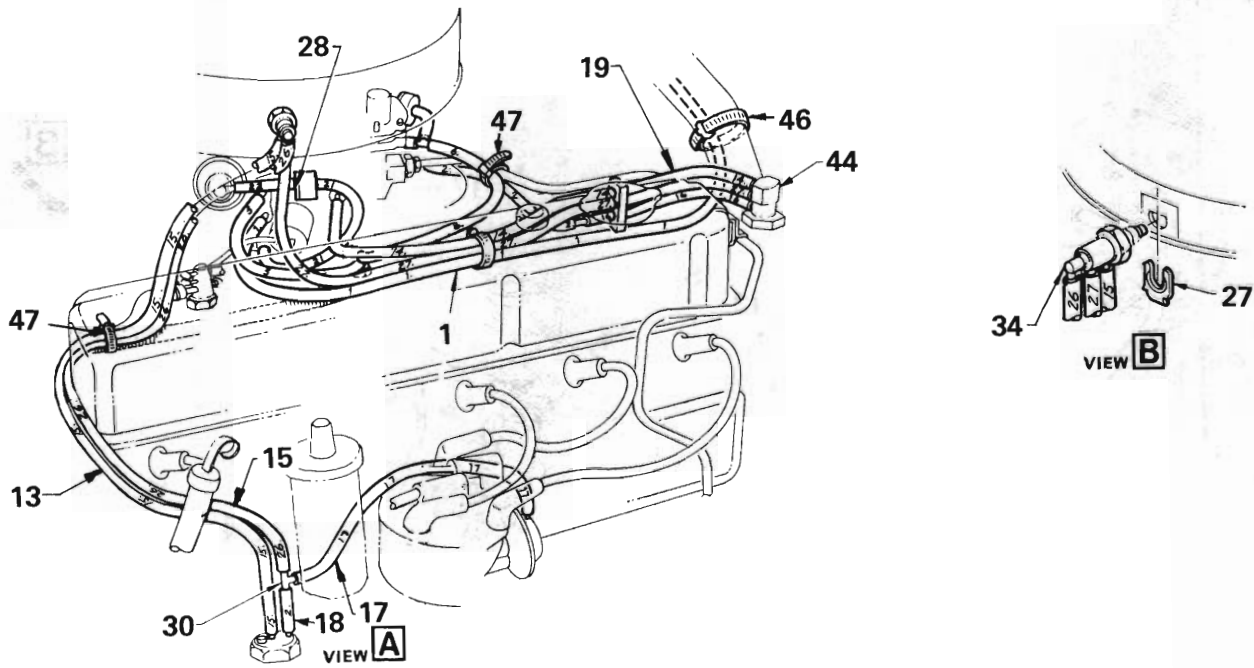
VIEW D



VIEW C



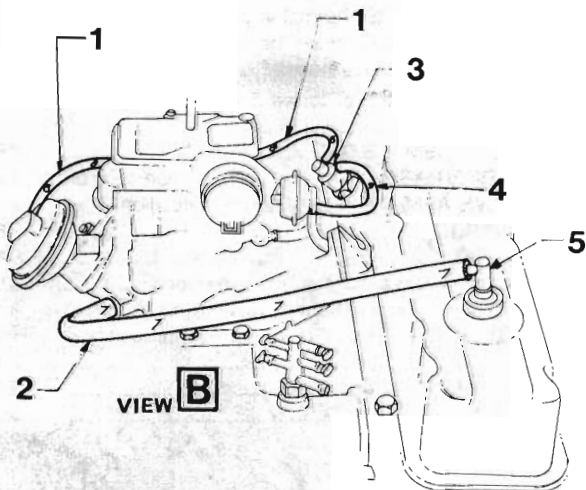
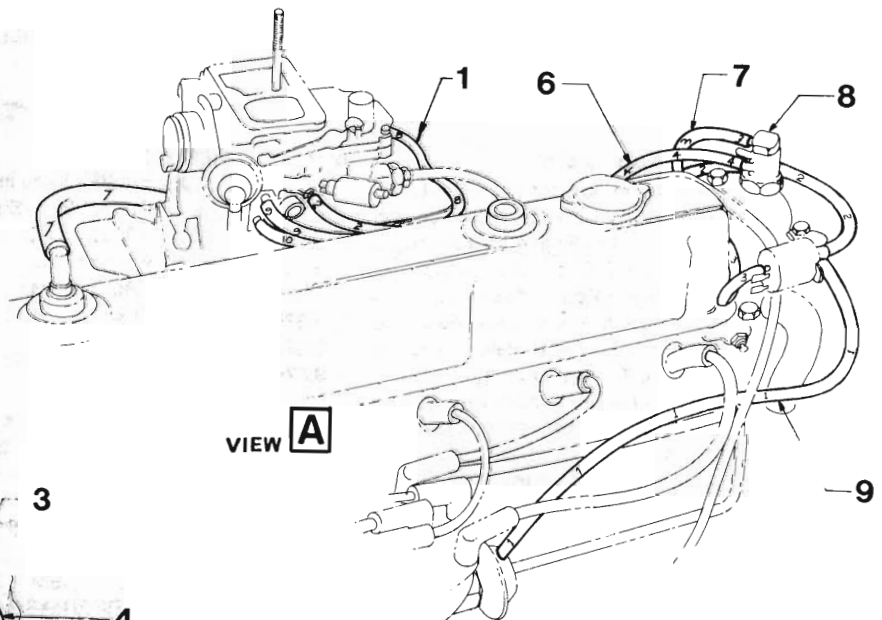
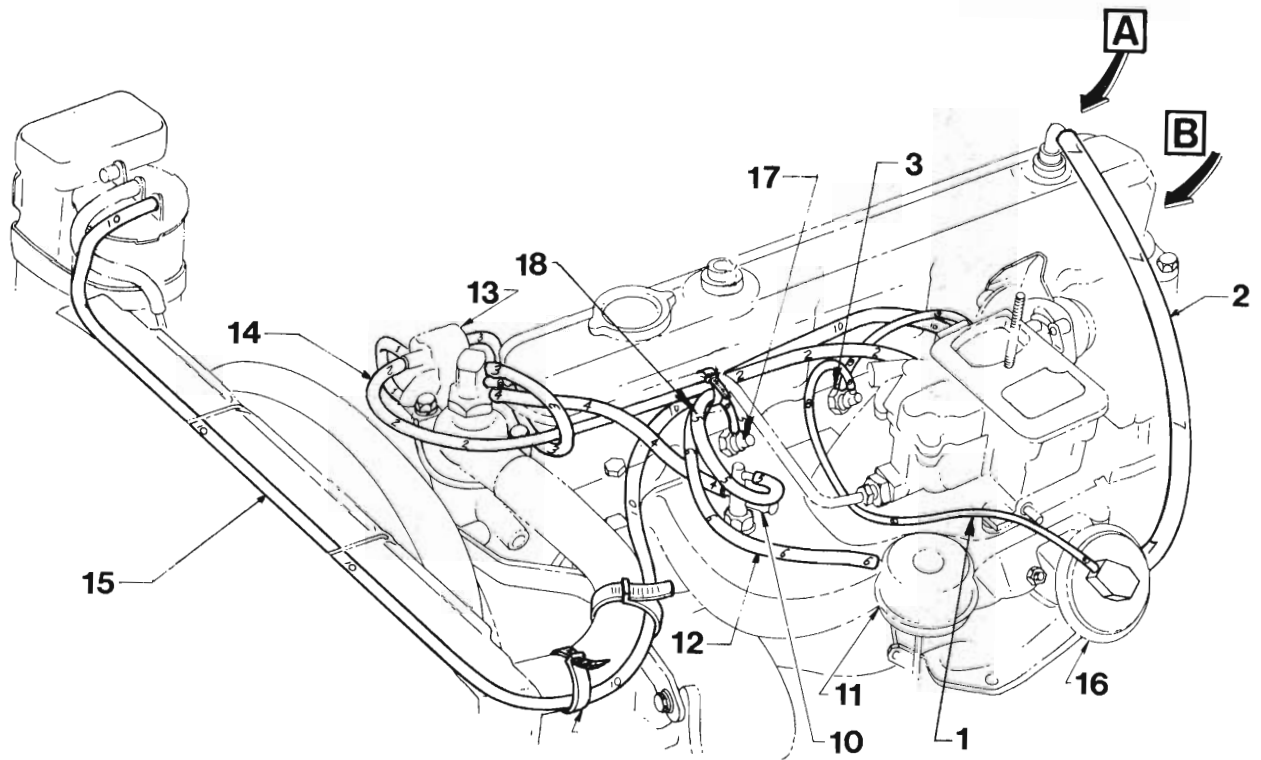
AUTOMATIC



EMISSION CONTROL HOSES
2.85 LITRE ENGINE
VH SERIES

ILLUSTRATION ABOVE & OPPOSITE

REF. NO.	PART NAME	GROUP	REF. NO.	PART NAME	GROUP
1	HOSE - Canister to carburettor purge port	3.130	26	HOSE - Vacuum control valve to E.G.R. valve ...	3.675
2	HOSE - Vacuum source to vacuum source tee ..	2.420	27	RETAINER - Switch to air cleaner	3.415
3	HOSE - E.F.E. T.V.S. to vacuum source tee	3.145	28	VALVE ASM. - Vacuum delay, carburettor vacuum	3.755
4	HOSE - Actuator to E.F.E. T.V.S.	3.145	29	VALVE ASM. - Vacuum delay, E.G.R.	3.670
5	HOSE - E.G.R. T.V.S. to carburettor	3.675	30	TEE - Hoses	2.420
6	HOSE - E.G.R. T.V.S. to delay valve tee	3.675	31	CLIP - Hoses	2.420
7	HOSE - Elbow - Delay valve to delay valve tee .	3.675	32	RESTRICTOR - Vacuum	3.670
8	HOSE - Delay valve to vacuum control valve.....	3.675	33	ADAPTOR - Inlet manifold vacuum	3.278
9	HOSE - Delay valve tee to control valve tee	3.675	34	SWITCH - Air cleaner thermal vacuum	3.415
10	HOSE - Control-valve to control valve tee.....	3.675	35	SWITCH - E.F.E. thermal vacuum.....	3.140
11	HOSE - Control valve to filter.....	3.675	36	SWITCH - E.G.R. Valve thermal vacuum.....	3.670
12	HOSE - Vacuum control valve to E.G.R. valve ...	3.675	37	TEE - E.G.R. valve hoses	3.675
13	HOSE - Air cleaner T.V.S. to cold feed T.V.S.	2.420	38	HOSE - Carburettor to tee & carburettor to thermal valve	3.407
14	HOSE - Air cleaner T.V.S. to distributor T.V.S. ...	2.420	39	VALVE ASM. - E.G.R. vacuum control.....	3.670
15	HOSE - Air cleaner T.V.S. to tee.....	2.420	40	NUDGER ASM. - Throttle, Deceleration control..	3.440
16	HOSE - Distributor T.V.S. to vacuum source tee	2.420	41	VALVE ASM. - Exhaust Gas Recirculation (E.G.R.)	3.670
17	HOSE - Distributor to tee	2.420	42	FILTER ASM. - E.G.R. vacuum control.....	3.672
18	HOSE - Cold feed T.V.S. to tee.....	2.420	43	CLAMP - Hose, control valve to filter	3.675
19	HOSE - Carburettor to T.V.S.	2.420	44	SWITCH - T.C.S. Thermal vacuum	2.408
20	HOSE - Diverter valve to tee	3.675	45	ACTUATOR ASM. - Early Fuel Evaporation (E.F.E.)	3.142
21	HOSE - Delay valve to carburettor	3.755	46	STRAP - Hose to radiator hose	3.130
22	HOSE - Delay valve to vacuum housing.....	3.755	47	STRAP - Hoses, E.G.R.	3.675
23	HOSE - Nudger to vacuum source.....	3.440			
24	HOSE - Elbow, Delay valve to vacuum control valve.....	3.675			
25	HOSE - Delay valve tee to vacuum control valve.....	3.675			





EMISSION CONTROL HOSES

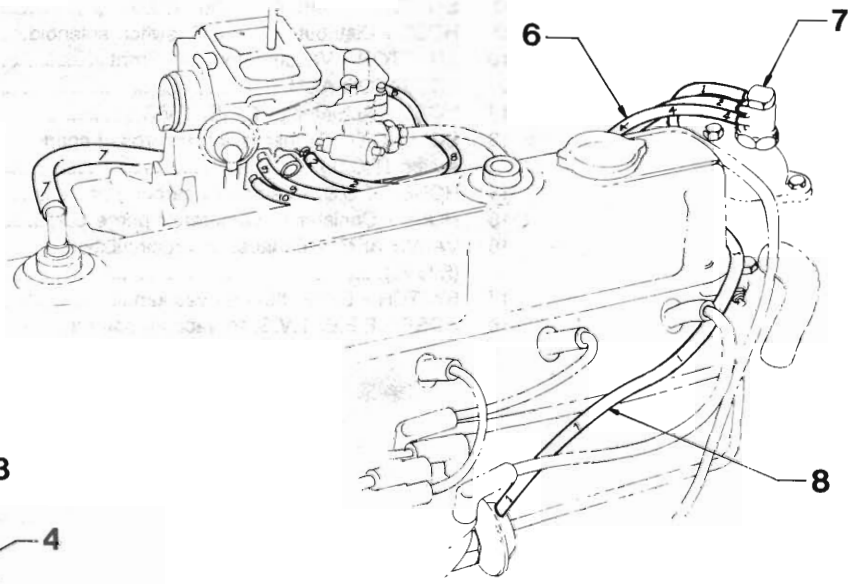
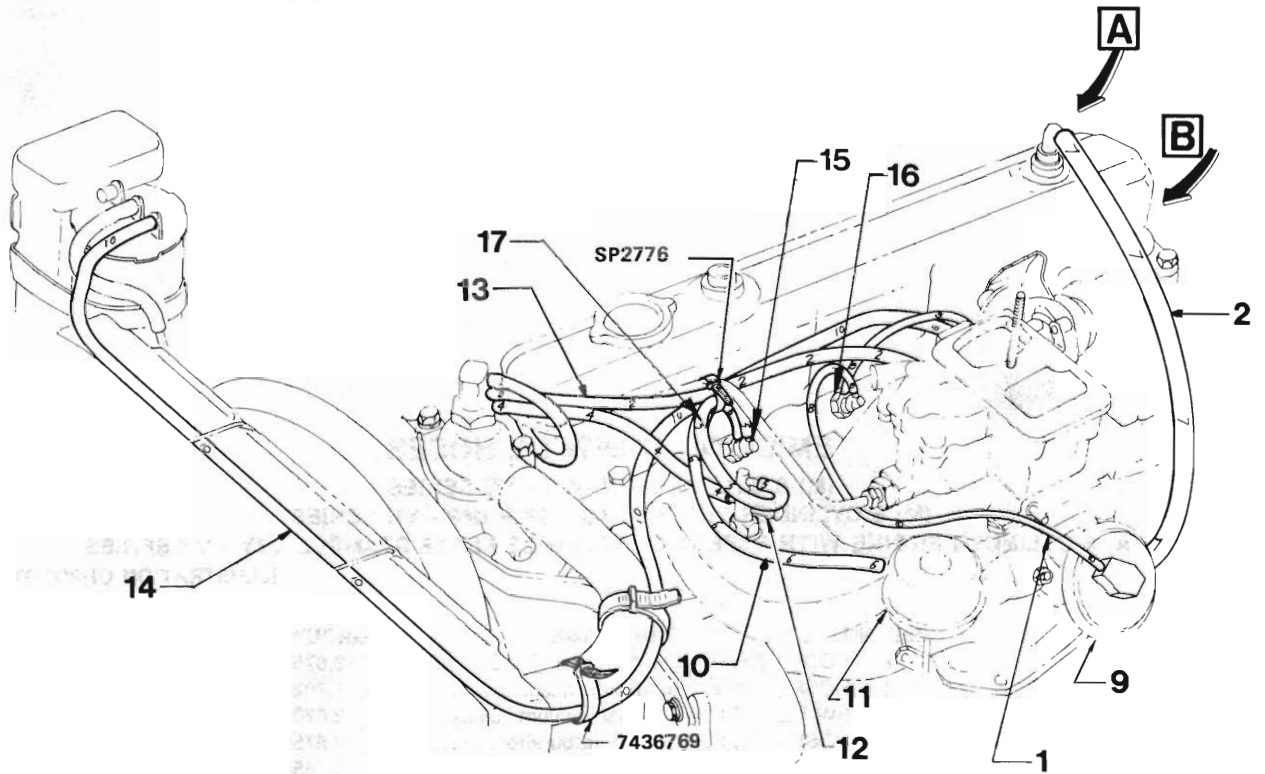
(M) 6 CYLINDER ENGINE - VC SERIES

(M) 6 CYLINDER ENGINE EXC. AIR PUMP - VH SERIES

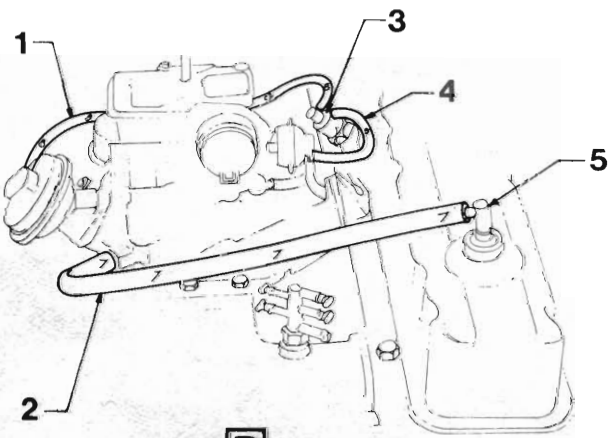
(A) 6 CYLINDER ENGINE WITH SAFETY COMPLIANCE PLATE STAMPED V7Y - VH SERIES

ILLUSTRATION OPPOSITE

REF. NO.	PART NAME	GROUP
1	HOSE - E.G.R. valve to E.G.R. T.V.S.	3.675
2	HOSE - Valve to manifold.....	1.762
3	SWITCH - E.G.R. thermal vacuum.....	3.670
4	HOSE - E.G.R. T.V.S. to carburettor.....	3.675
5	VALVE - Crankcase ventilator	1.745
6	HOSE - Manifold to T.V.S.....	2.420
7	HOSE - T.V.S. to T.C.S. switch solenoid.....	2.420
8	SWITCH - Thermal vacuum T.C.S.	2.408
9	HOSE - Distributor to T.C.S. switch solenoid.....	2.420
10	ADAPTOR - Vacuum source - Front.....	3.278
11	ACTUATOR ASM.....	3.142
12	HOSE - Actuator to E.F.E. T.V.S.	3.145
13	SOLENOID - Transmission controlled spark switch (T.C.S.)	2.408
14	HOSE - T.C.S. solenoid to carburettor.....	2.420
15	HOSE - Canister to carburettor purge port	3.130
16	VALVE ASM. - Exhaust gas recirculation, (E.G.R.).....	3.670
17	SWITCH - E.F.E. thermal vacuum.....	3.140
18	HOSE - E.F.E. T.V.S. to vacuum source	3.145



VIEW A



VIEW B



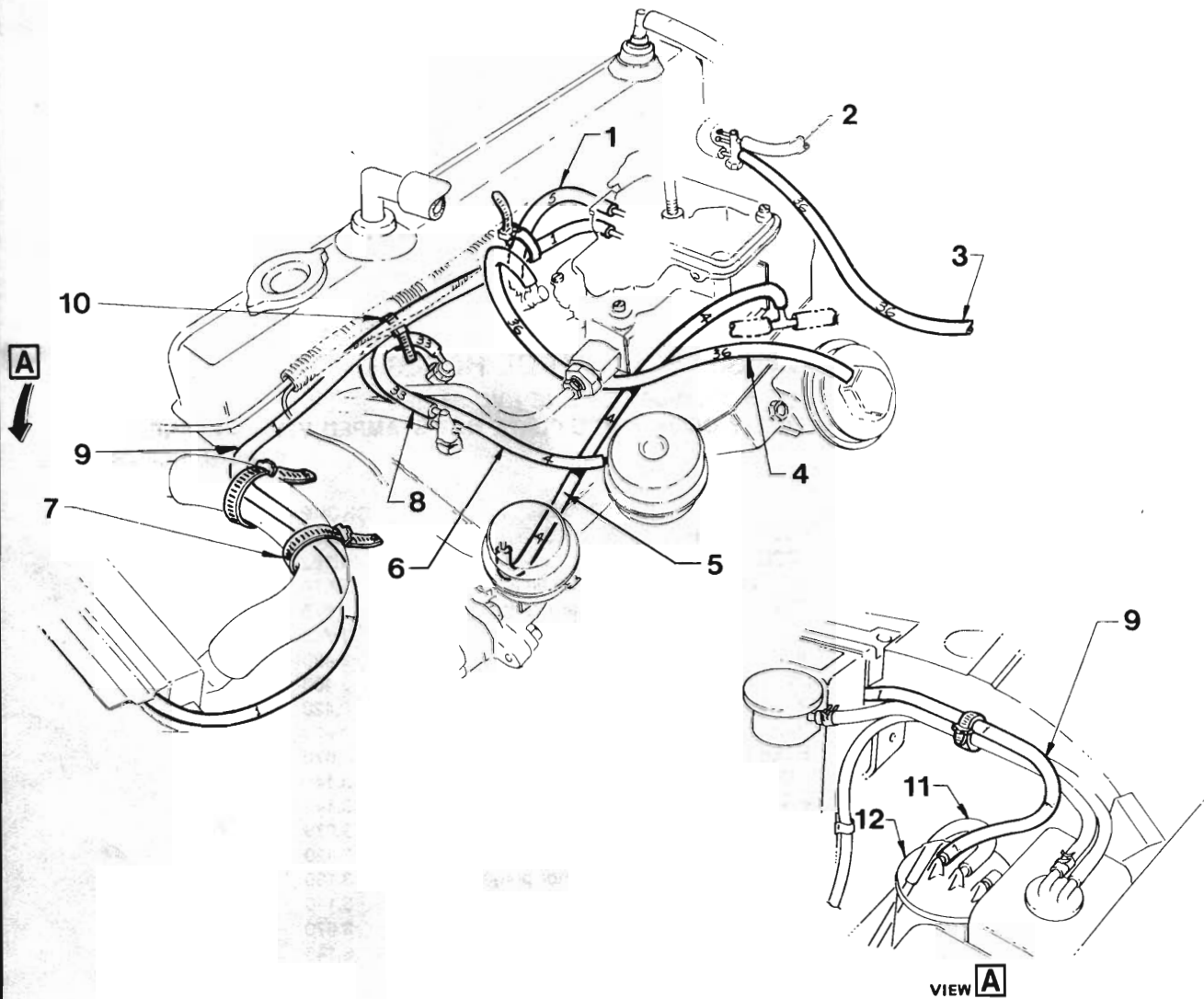
EMISSION CONTROL HOSES

(A) 6 CYLINDER ENGINE - VC SERIES

(A) 3.3 LITRE ENGINE SAFETY COMPLIANCE PLATE NOT STAMPED V7Y - VH SERIES

ILLUSTRATION OPPOSITE

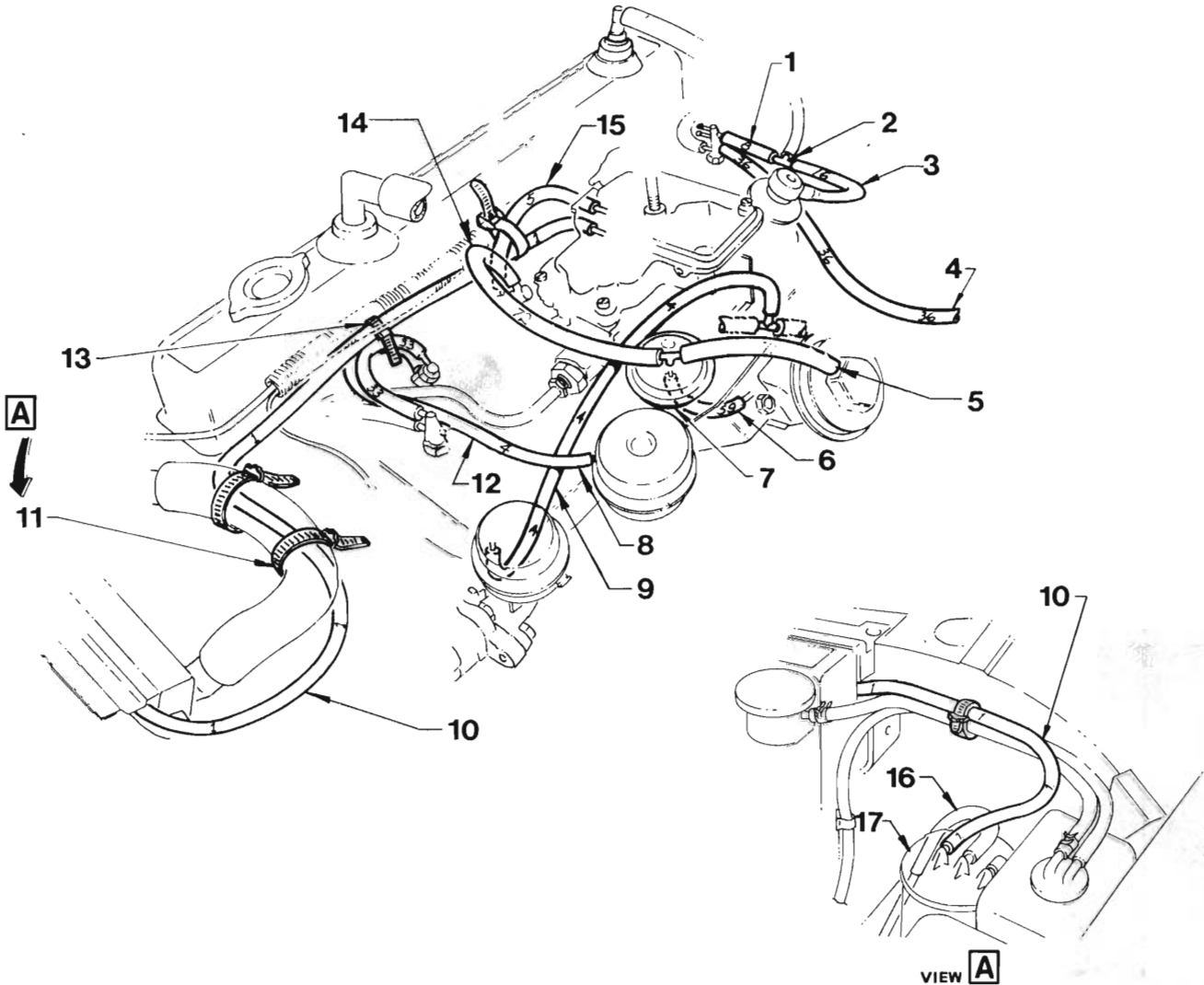
REF. NO.	PART NAME	GROUP
1	HOSE - E.G.R. Valve to T.V.S.	3.675
2	HOSE - Valve to manifold.....	1.762
3	SWITCH - E.G.R. thermal vacuum.....	3.670
4	HOSE - E.G.R. T.V.S. to carburettor	3.675
5	VALVE - Crankcase ventilator	1.745
6	HOSE - Manifold to T.V.S.	2.420
7	SWITCH - Thermal vacuum T.C.S.	2.408
8	HOSE - Distributor to T.V.S.	2.420
9	VALVE ASM. - Exhaust gas recirculation (E.G.R.).....	3.670
10	HOSE - E.F.E. T.V.S. to actuator.....	3.145
11	ACTUATOR ASM.....	3.142
12	ADAPTOR - Vacuum source, Front.....	3.278
13	HOSE - T.V.S. to carburettor.....	2.420
14	HOSE - Canister to carburettor purge port	3.130
15	SWITCH - E.F.E. thermal vacuum.....	3.140
16	SWITCH - E.G.R. thermal vacuum.....	3.670
17	HOSE - E.F.E. T.V.S. to vacuum source	3.145



EMISSION CONTROL HOSES

**(A) 3.3 LITRE ENGINE EXC. ELECTRONIC FUEL INJECTION
VK SERIES**

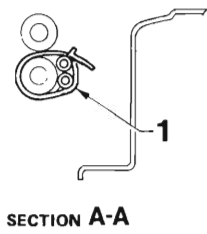
REF. NO.	PART NAME	GROUP
1	HOSE - E.G.R. T.V.S. to carburettor	3.675
2	HOSE - Engine to vacuum gauge.....	9.775
3	HOSE - Manifold vacuum connector to vacuum control sensor.....	2.420
4	HOSE - E.G.R. valve to E.G.R. T.V.S.	3.675
5	HOSE - Diverter valve to tee.....	3.675
6	HOSE - Actuator to E.F.E. T.V.S.	3.145
7	STRAP - Hose to radiator hose	3.130
8	HOSE - E.F.E. T.V.S. to vacuum source	3.145
9	HOSE - Canister to carburettor purge port	3.130
10	STRAP - Hose securing.....	3.130
11	HOSE - Pipe to canister	3.120
12	CANISTER - Vapour.....	3.130



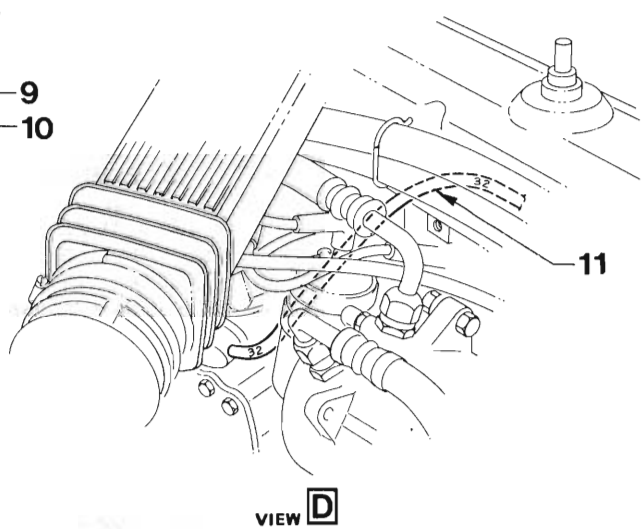
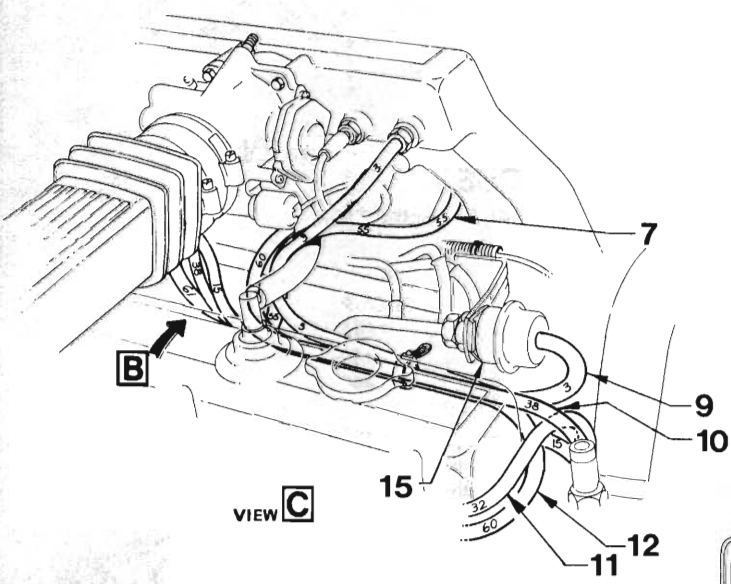
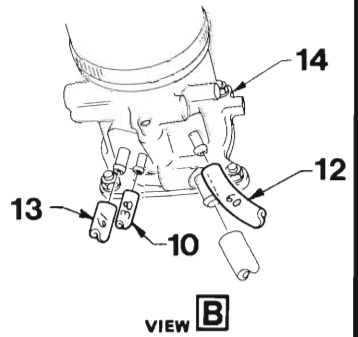
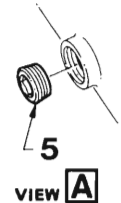
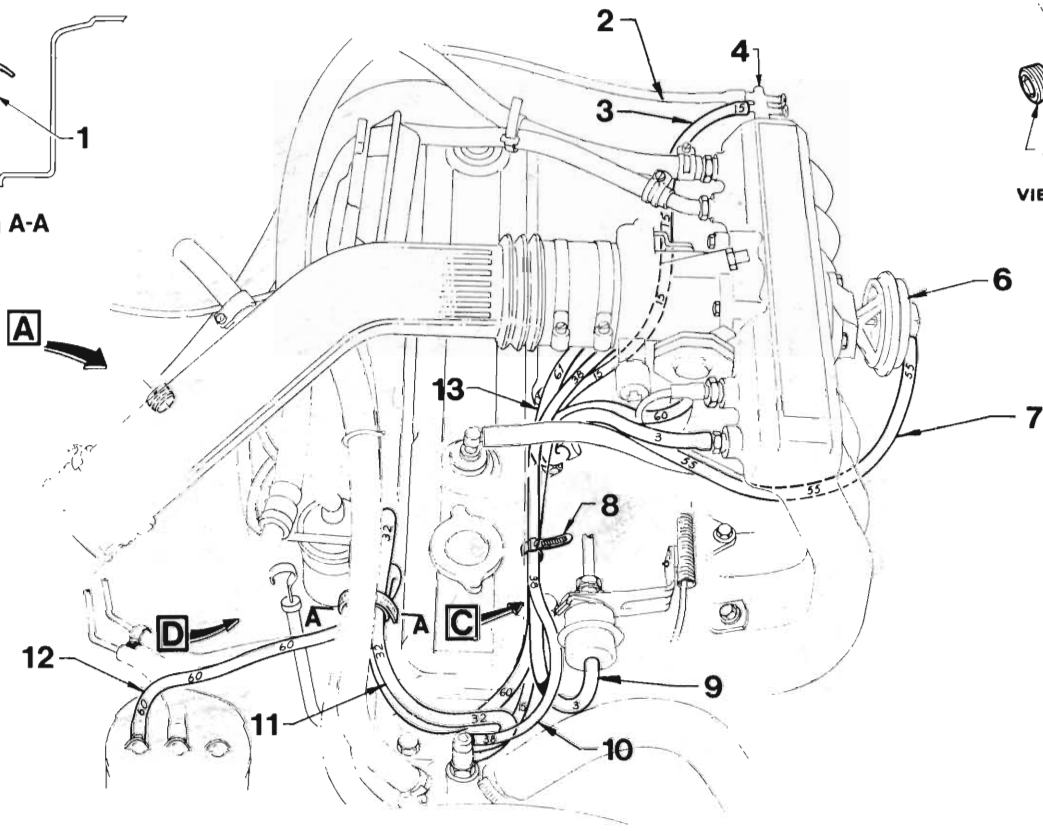
EMISSION CONTROL HOSES

**(M) 3.3 LITRE ENGINE EXC. ELECTRONIC FUEL INJECTION
VK SERIES**

REF. NO.	PART NAME	GROUP
1	HOSE - Vacuum source to tee.....	3.440
2	TEE - Vacuum source to tee.....	3.440
3	HOSE - Nudger to tee.....	3.440
4	HOSE - Manifold vacuum connector to vacuum control sensor.....	2.420
5	HOSE - E.G.R. modulator valve to E.G.R. valve.....	3.675
6	HOSE - E.G.R. modulator valve to E.G.R. valve adaptor.....	3.675
7	VALVE ASM. - E.G.R. vacuum control modulating.....	3.670
8	HOSE - Actuator to E.F.E. T.V.S.	3.145
9	HOSE - Diverter valve tee.....	3.675
10	HOSE - Canister to carburettor purge port	3.130
11	STRAP - Hose to radiator hose.....	3.130
12	HOSE - E.F.E. T.V.S. to vacuum source	3.145
13	STRAP - Hose securing.....	3.130
14	HOSE - E.G.R. modulator valve to E.G.R. T.V.S.	3.675
15	HOSE - E.G.R. T.V.S. to carburettor	3.675
16	HOSE - Pipe to canister.....	3.120
17	CANISTER - Vapour.....	3.130



SECTION A-A





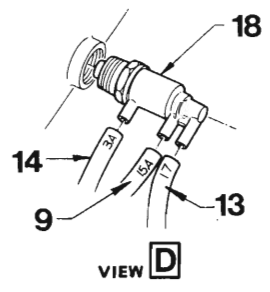
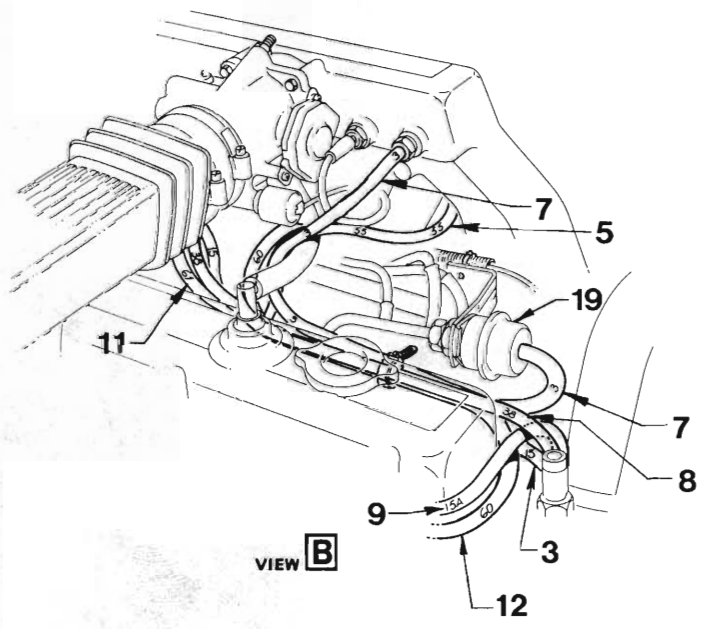
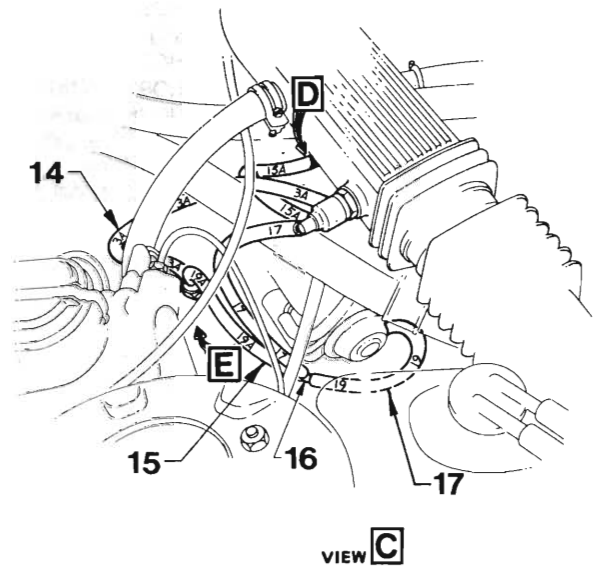
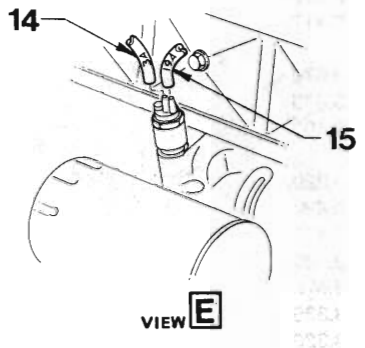
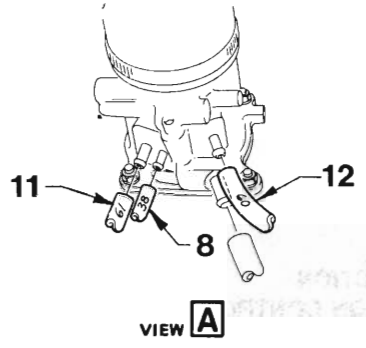
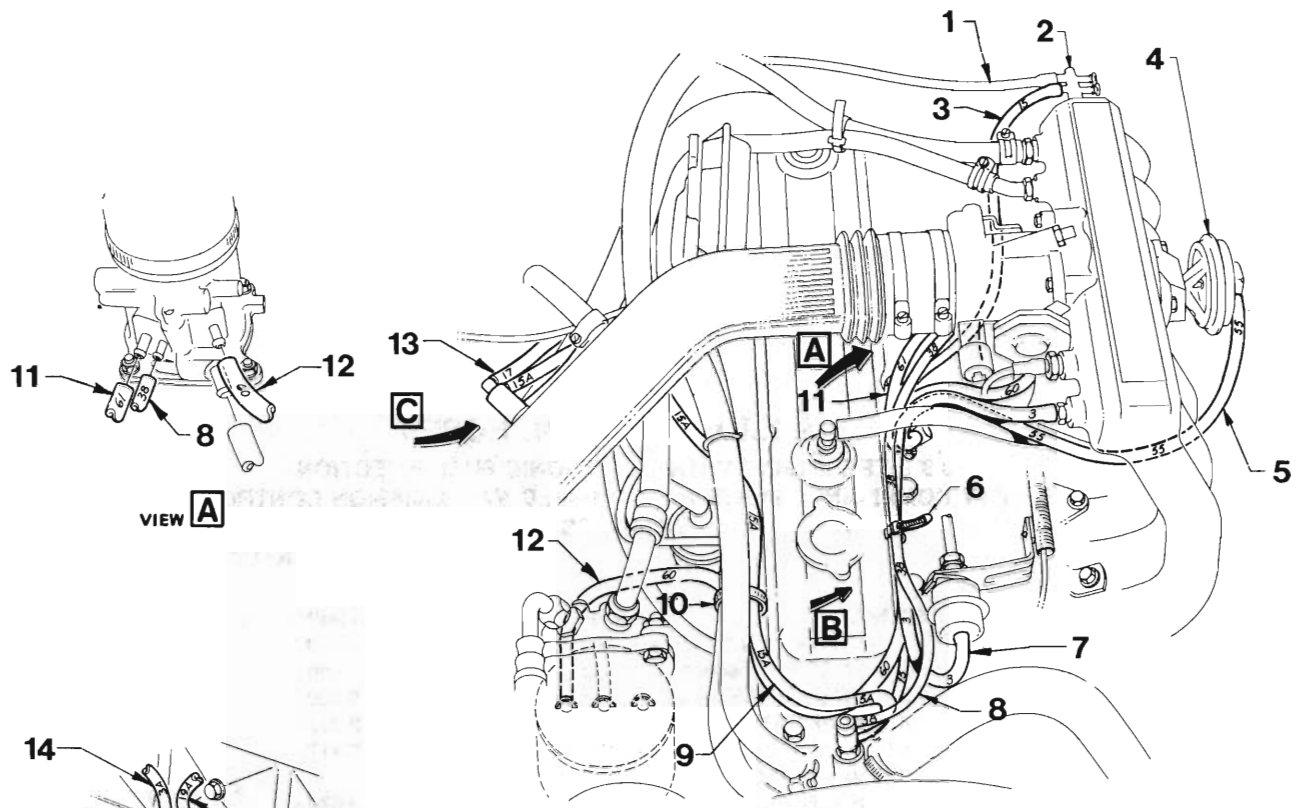
EMISSION CONTROL HOSES
3.3 LITRE ENGINE WITH ELECTRONIC FUEL INJECTION
SAFETY COMPLIANCE PLATE NOT STAMPED V7Y (EMISSION CONTROL)
VK SERIES

ILLUSTRATION OPPOSITE

REF. NO.	PART NAME	GROUP
1	STRAP - T.V.S. hoses to heater hose	2.420
2	HOSE - Transducer to vacuum source	3.880
3	HOSE - T.V.S. to vacuum source	2.420
4	ADAPTOR - 4 way - Rear	3.278
5	PLUG - Duct T.V.S. hole closing	3.417
6	VALVE ASM. - Exhaust gas recirculation (E.G.R.)	3.670
7	HOSE - E.G.R. valve to E.G.R. T.V.S.	3.675
8	STRAP - Hose securing	3.130
9	HOSE - Fuel pressure regulator to vacuum source	3.320
10	HOSE - Throttle body to T.V.S.	2.420
11	HOSE - Distributor to T.V.S.	2.420
12	HOSE - Canister to throttle body purge port	3.130
13	HOSE - E.G.R. T.V.S. to throttle body	3.675
14	BODY ASM. - Throttle	3.335
15	REGULATOR ASM. - Fuel pressure	3.320



"V" SERIES PARTS CATALOGUE



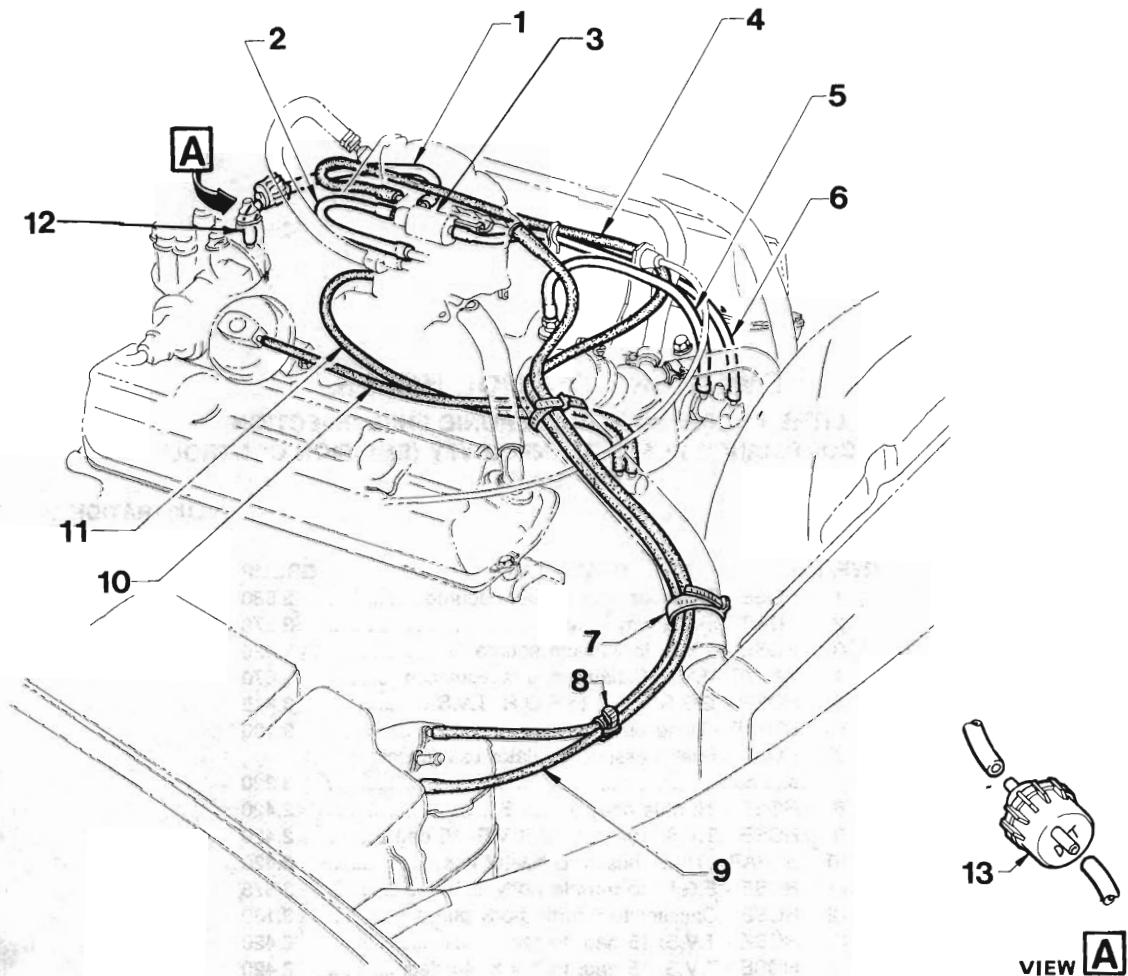


EMISSION CONTROL HOSES

**3.3 LITRE ENGINE WITH ELECTRONIC FUEL INJECTION
SAFETY COMPLIANCE PLATE STAMPED V7Y (EMISSION CONTROL)
VK SERIES**

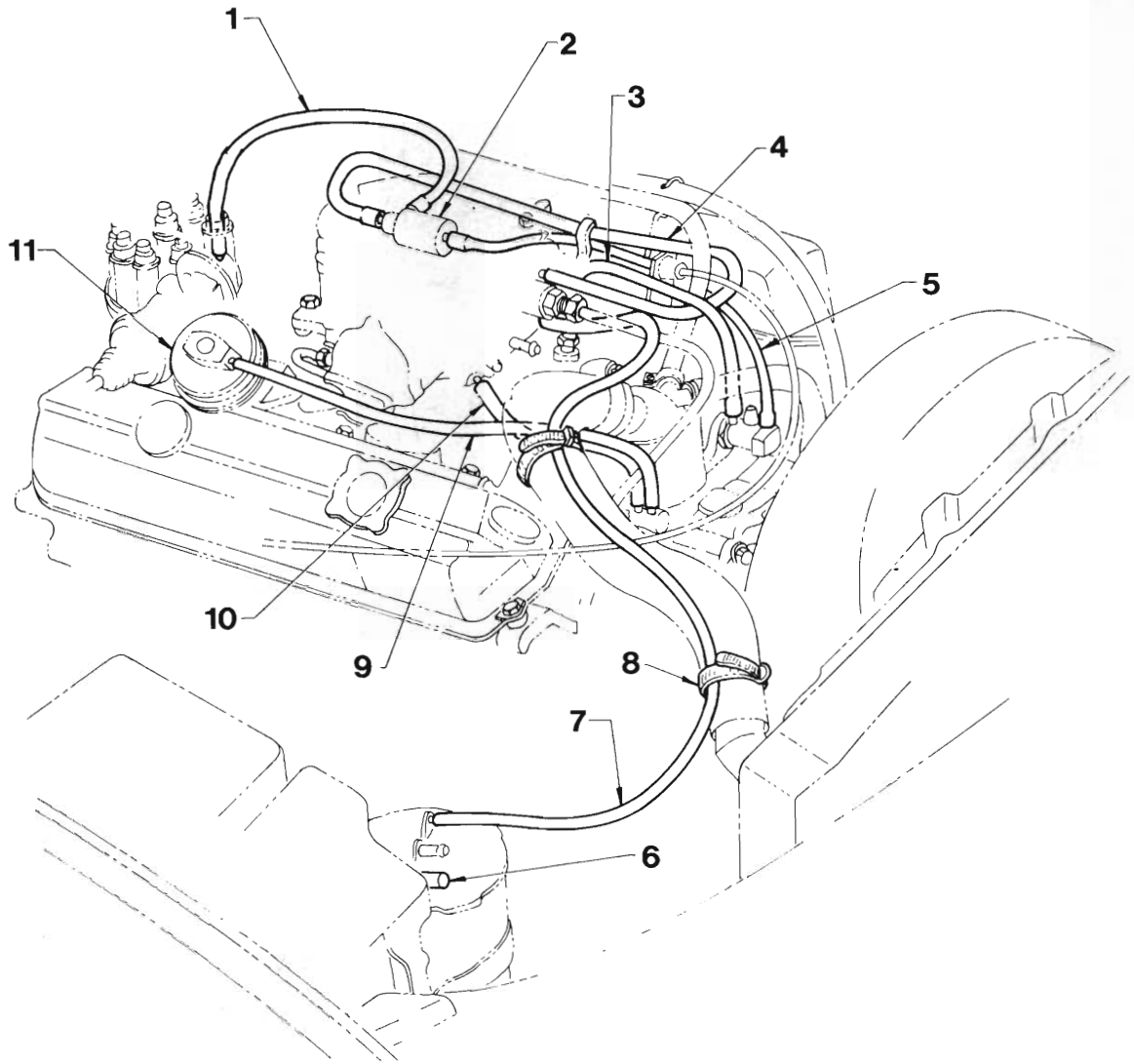
ILLUSTRATION OPPOSITE

REF. NO.	PART NAME	GROUP
1	HOSE - Transducer to vacuum source.....	3.880
2	ADAPTOR - 4 way - Rear.....	3.278
3	HOSE - T.V.S. to vacuum source.....	2.420
4	VALVE ASM. - Exhaust gas recirculation.....	3.670
5	HOSE - E.G.R. valve to E.G.R. T.V.S.	3.675
6	STRAP - Hose securing.....	3.130
7	HOSE - Fuel pressure regulator to vacuum source.....	3.320
8	HOSE - Throttle body to T.V.S.....	2.420
9	HOSE - T.V.S. 104 deg. to T.V.S. 15 deg.....	2.420
10	STRAP - T.V.S. hoses to heater hose.....	2.420
11	HOSE - E.G.R. to throttle body.....	3.675
12	HOSE - Canister to throttle body purge port.....	3.130
13	HOSE - T.V.S. 15 deg. to tee.....	2.420
14	HOSE - T.V.S. 15 deg. to T.V.S. 40 deg.....	2.420
15	HOSE - T.V.S. 40 deg. to tee.....	2.420
16	TEE - Distributor to T.V.S. 15 deg.....	2.420
17	HOSE - Distributor to tee.....	2.420
18	SWITCH ASM. - Duct T.V.S. 15 deg.....	2.408
19	REGULATOR ASM. - Fuel pressure.....	3.320



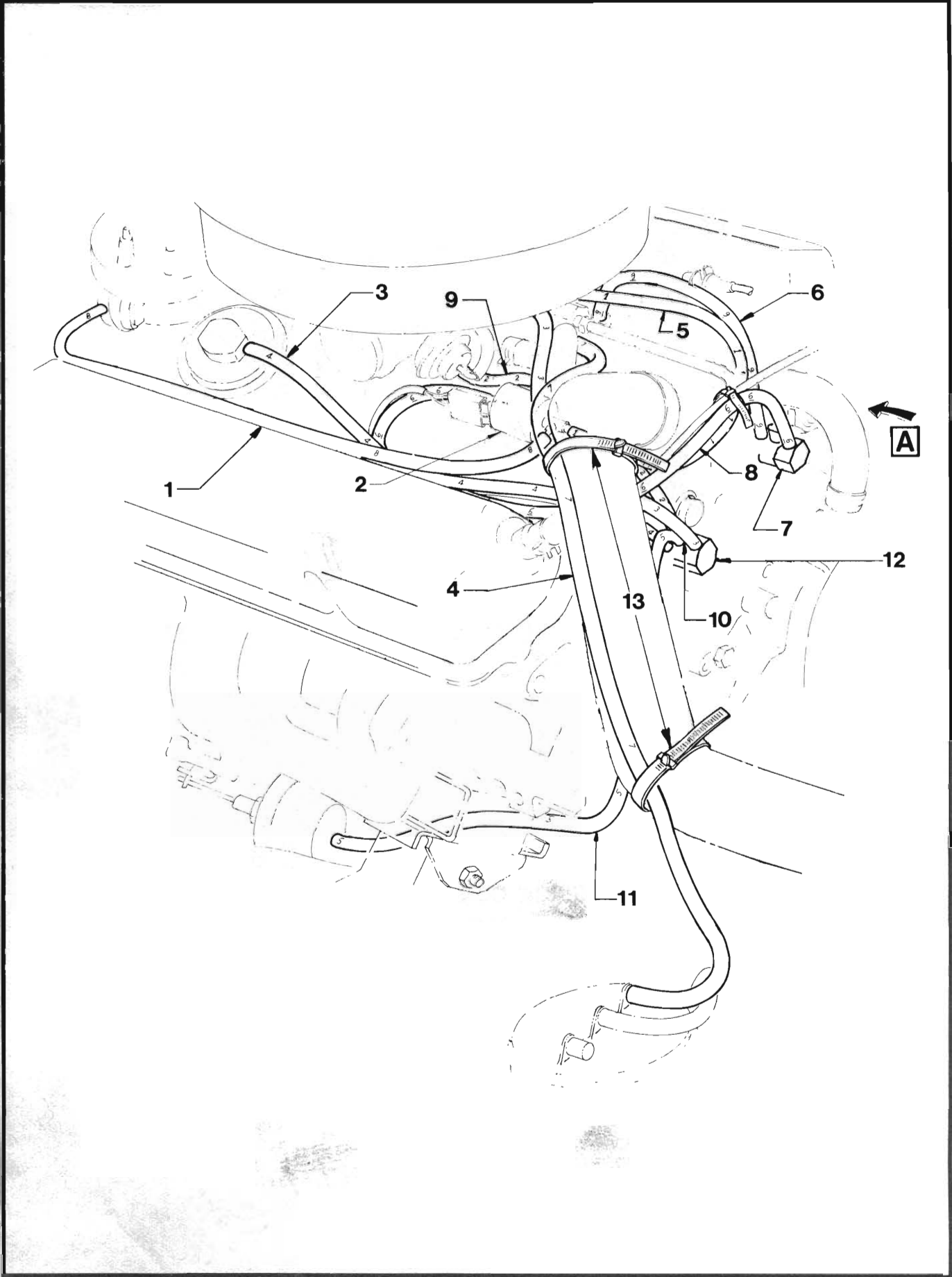
EMISSION CONTROL HOSES
4.2 LITRE ENGINE
VB SERIES

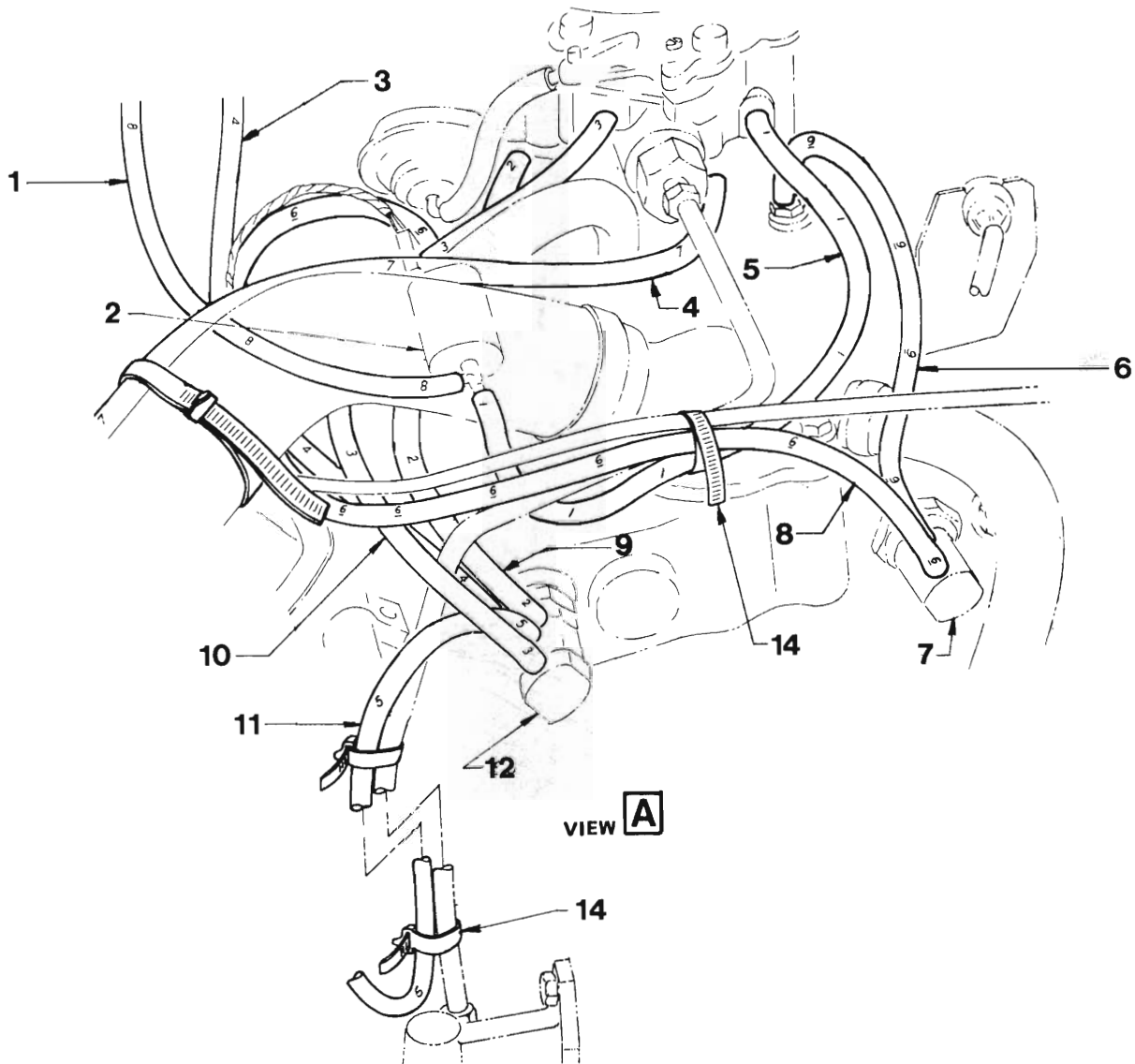
REF. NO.	PART NAME	GROUP
1	HOSE - Vacuum spark delay valve to T.C.S switch solenoid.....	2.420
2	HOSE - Carburettor to T.C.S. switch solenoid.....	2.420
3	SOLENOID - T.C.S. switch.....	2.408
4	HOSE - Canister to carburettor purge port	3.130
5	HOSE - Manifold to T.V.S.	2.420
6	HOSE - T.V.S. to T.C.S switch solenoid.....	2.420
7	STRAP - Hoses to radiator hose	3.130
8	STRAP - Hose securing.....	3.130
9	HOSE - Canister to fuel bowl vent.....	3.130
10	HOSE - E.G.R. valve to E.G.R. T.V.S.	3.675
11	HOSE - E.G.R T.V.S. to carburettor	3.675
12	HOSE - Distributor to vacuum spark delay valve	2.420
13	VALVE - Distributor vacuum spark delay.....	2.408



**EMISSION CONTROL HOSES
5.0 LITRE ENGINE
VB SERIES**

REF. NO.	PART NAME	GROUP
1	HOSE - Distributor to T.C.S switch solenoid.....	2.420
2	SOLENOID - T.C.S. switch.....	2.408
3	HOSE - Manifold to T.V.S.....	2.420
4	HOSE - Carburettor to T.C.S switch solenoid.....	2.420
5	HOSE - T.V.S. to T.C.S switch solenoid.....	2.420
6	CAP - Canister sealing.....	3.130
7	HOSE - Canister to carburettor purge port.....	3.130
8	STRAP - Hose to radiator hose.....	3.130
9	HOSE - E.G.R. valve to E.G.R. T.V.S.....	3.675
10	HOSE - E.G.R. T.V.S. to carburettor.....	3.675
11	VALVE - Exhaust gas recirculation (E.G.R.).....	3.670

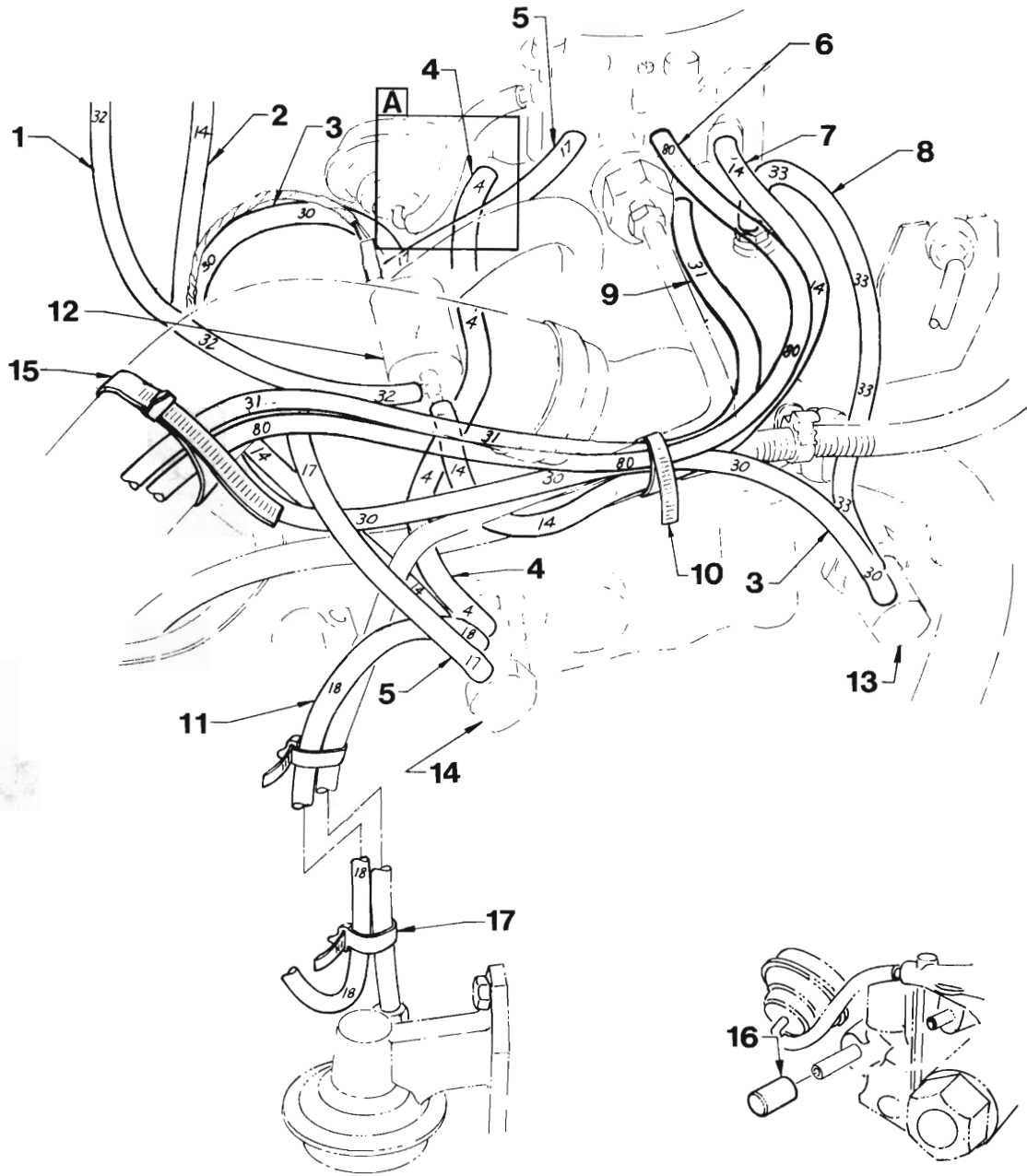




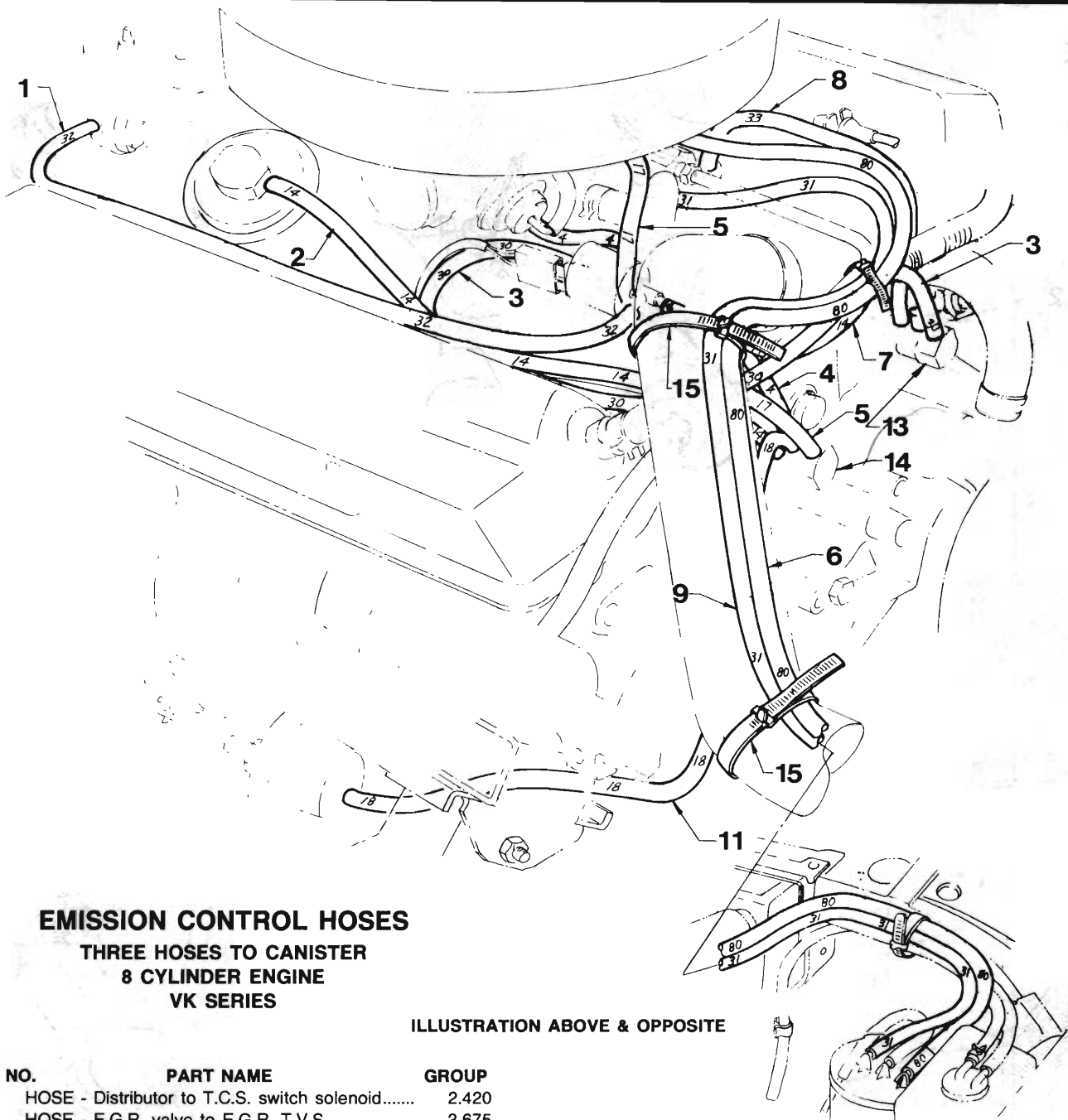
EMISSION CONTROL HOSES
TWO HOSES TO CANISTER
8 CYLINDER ENGINE
VC, VH, VK SERIES

ILLUSTRATION ABOVE & OPPOSITE

REF. NO.	PART NAME	GROUP
1	HOSE - Distributor to T.C.S. switch solenoid.....	2.420
2	SOLENOID - T.C.S. switch.....	2.408
3	HOSE - E.G.R. valve to E.G.R. T.V.S.	3.675
4	HOSE - Canister to carburettor.....	3.130
5	HOSE - T.C.S. solenoid to carburettor.....	2.420
6	HOSE - Manifold to T.V.S.	2.420
7	SWITCH - Thermal vacuum, (T.V.S.).....	2.408
8	HOSE - T.V.S. to T.C.S. switch solenoid.....	2.420
9	HOSE - E.G.R. T.V.S. to carburettor.....	3.675
10	HOSE - E.F.E. T.V.S. to carburettor.....	3.145
11	HOSE - Actuator to E.F.E. thermal vacuum switch.....	3.145
12	SWITCH - E.G.R. thermal vacuum.....	3.670
13	STRAP - Hose to radiator hose.....	3.130
14	STRAP - Actuator hose to fuel pipe.....	3.145



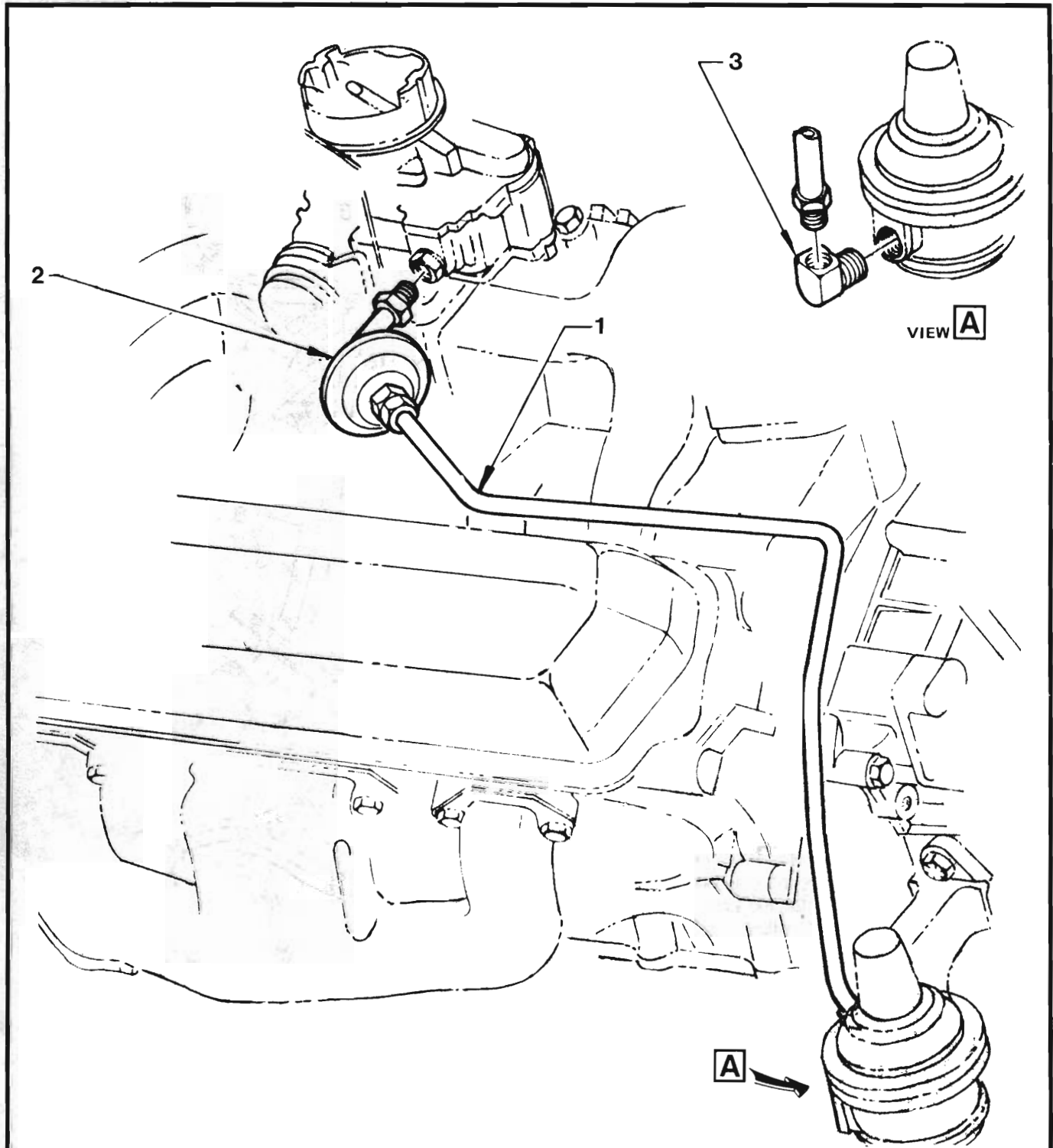
VIEW **A**



EMISSION CONTROL HOSES
THREE HOSES TO CANISTER
8 CYLINDER ENGINE
VK SERIES

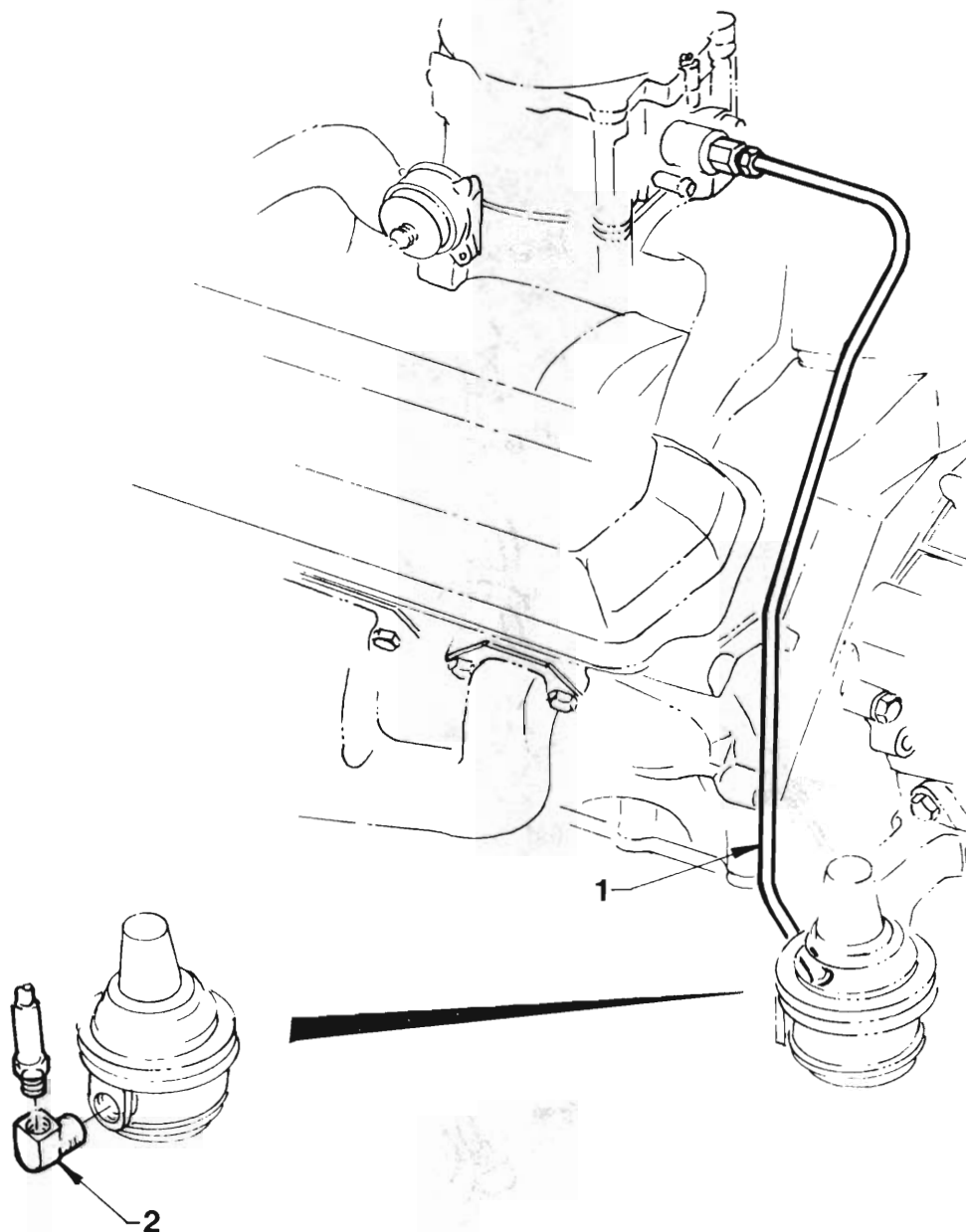
ILLUSTRATION ABOVE & OPPOSITE

REF. NO.	PART NAME	GROUP
1	HOSE - Distributor to T.C.S. switch solenoid.....	2.420
2	HOSE - E.G.R. valve to E.G.R. T.V.S.	3.675
3	HOSE - T.V.S. to T.C.S. switch solenoid.....	2.420
4	HOSE - E.G.R. T.V.S. to carburettor	3.675
5	HOSE - E.F.E. T.V.S. to carburettor	3.145
6	HOSE - Canister to carburettor, 41" O.L.	3.130
7	HOSE - T.C.S. solenoid to carburettor.....	2.420
8	HOSE - Manifold to T.V.S.	2.420
9	HOSE - Canister to carburettor purge port, 50" O.L.	3.130
10	STRAP - Actuator hose to fuel pipe.....	3.145
11	HOSE - Actuator to E.F.E. thermal vacuum switch.....	3.145
12	SOLENOID - T.C.S. switch.....	2.408
13	SWITCH - Thermal vacuum, (T.V.S.).....	2.408
14	SWITCH - E.G.R. thermal vacuum.....	3.670
15	STRAP - Hose to radiator hose	3.130
16	CAP - Carburettor vacuum port closing	3.755
17	STRAP - Actuator hose to fuel pipe.....	3.145



**FUEL PIPE
4.2 LITRE ENGINE
VB SERIES**

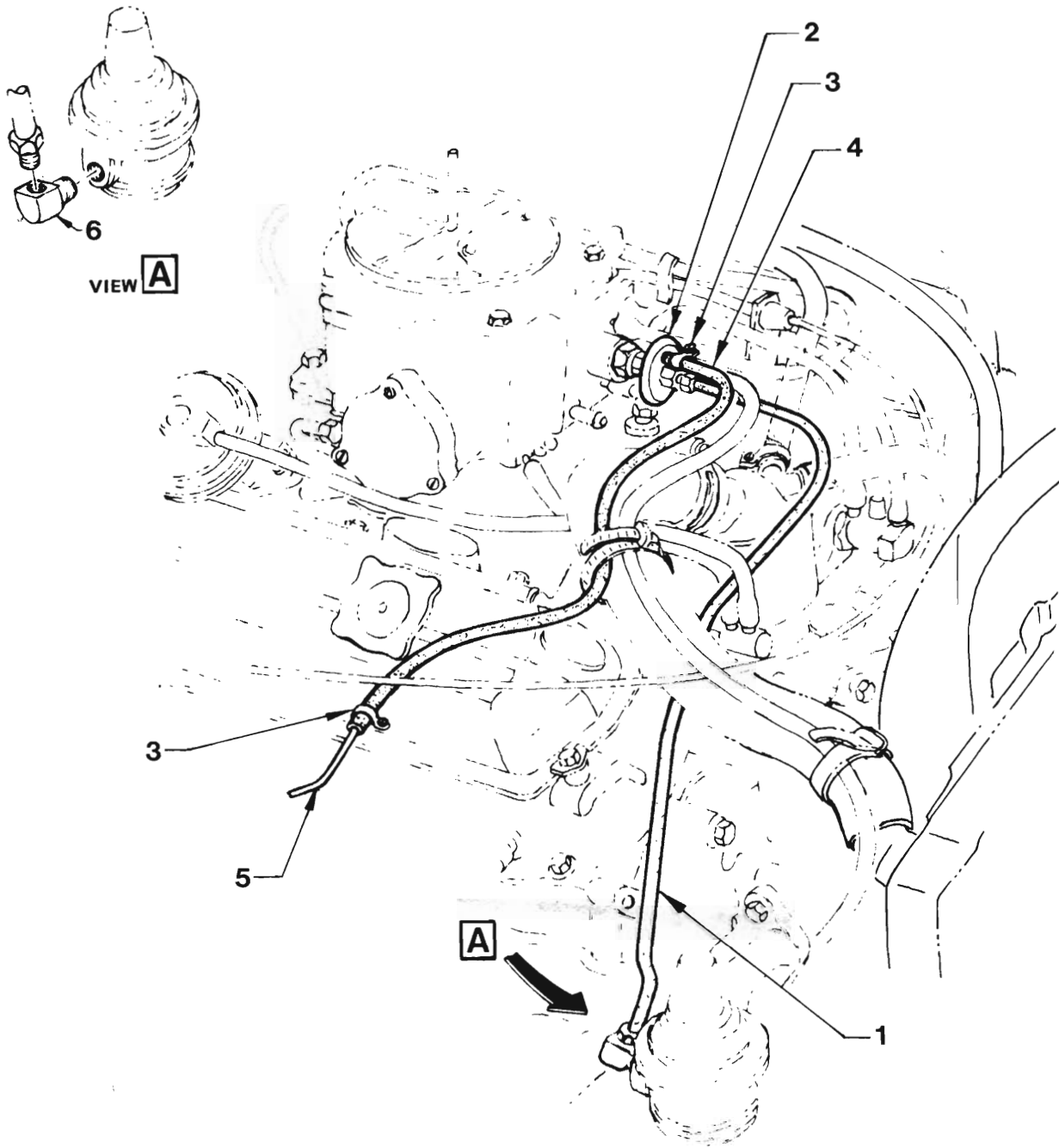
REF. NO.	PART NAME	GROUP
1	PIPE ASM. - Fuel pump to carburettor	3.163
2	FILTER - Fuel.....	3.890
3	ELBOW - Carburettor fuel pipe to fuel pump.....	3.163



FUEL PIPE

**(A) 5.0 LITRE ENGINE - VB SERIES
8 CYLINDER ENGINE EXC. (A) AIR CONDITIONING - VC SERIES**

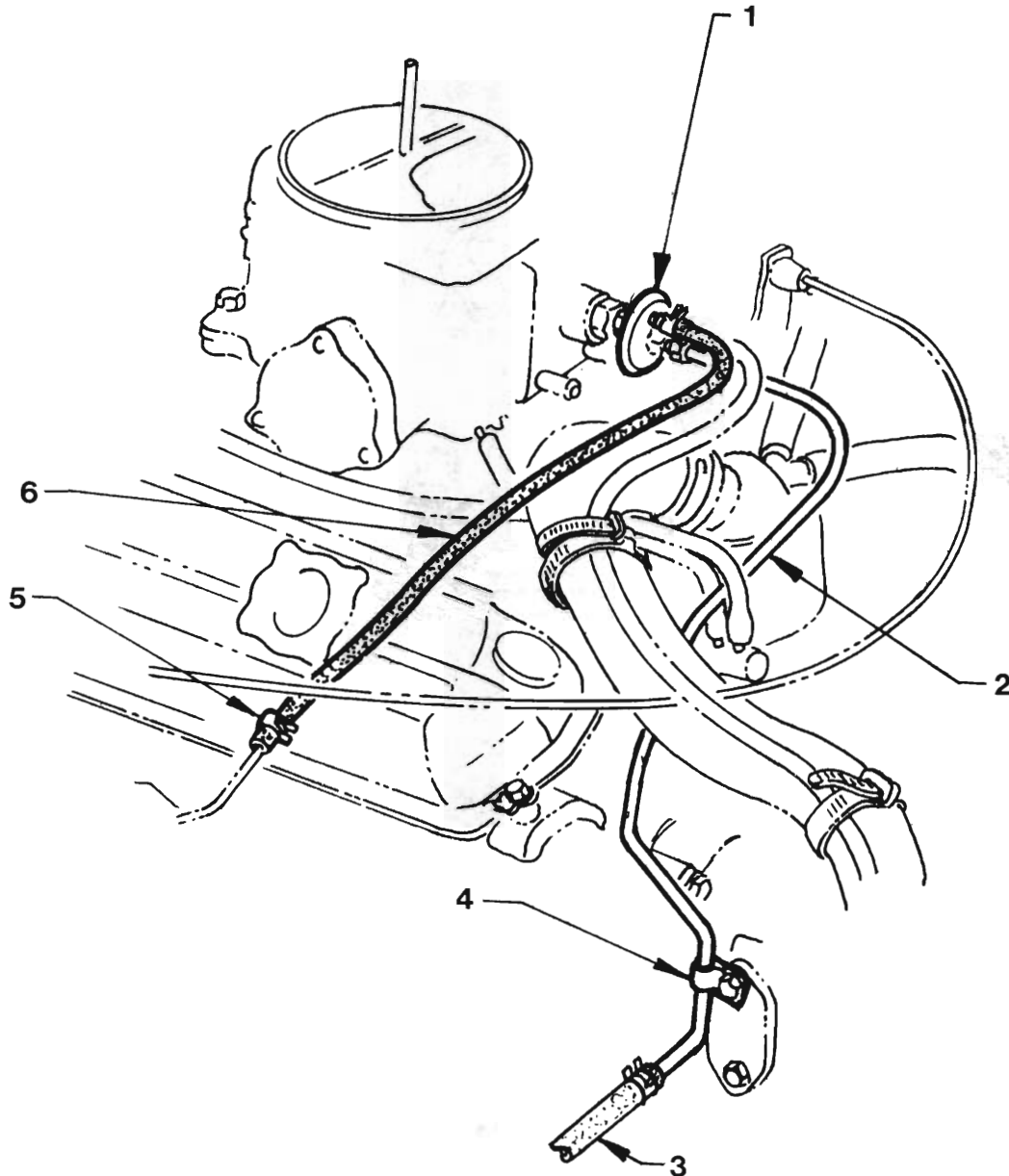
REF. NO.	PART NAME	GROUP
1	PIPE ASM. - Fuel pump to carburettor.....	3.163
2	ELBOW - Carburettor fuel pipe to fuel pump.....	3.163



ENGINE FUEL SYSTEM

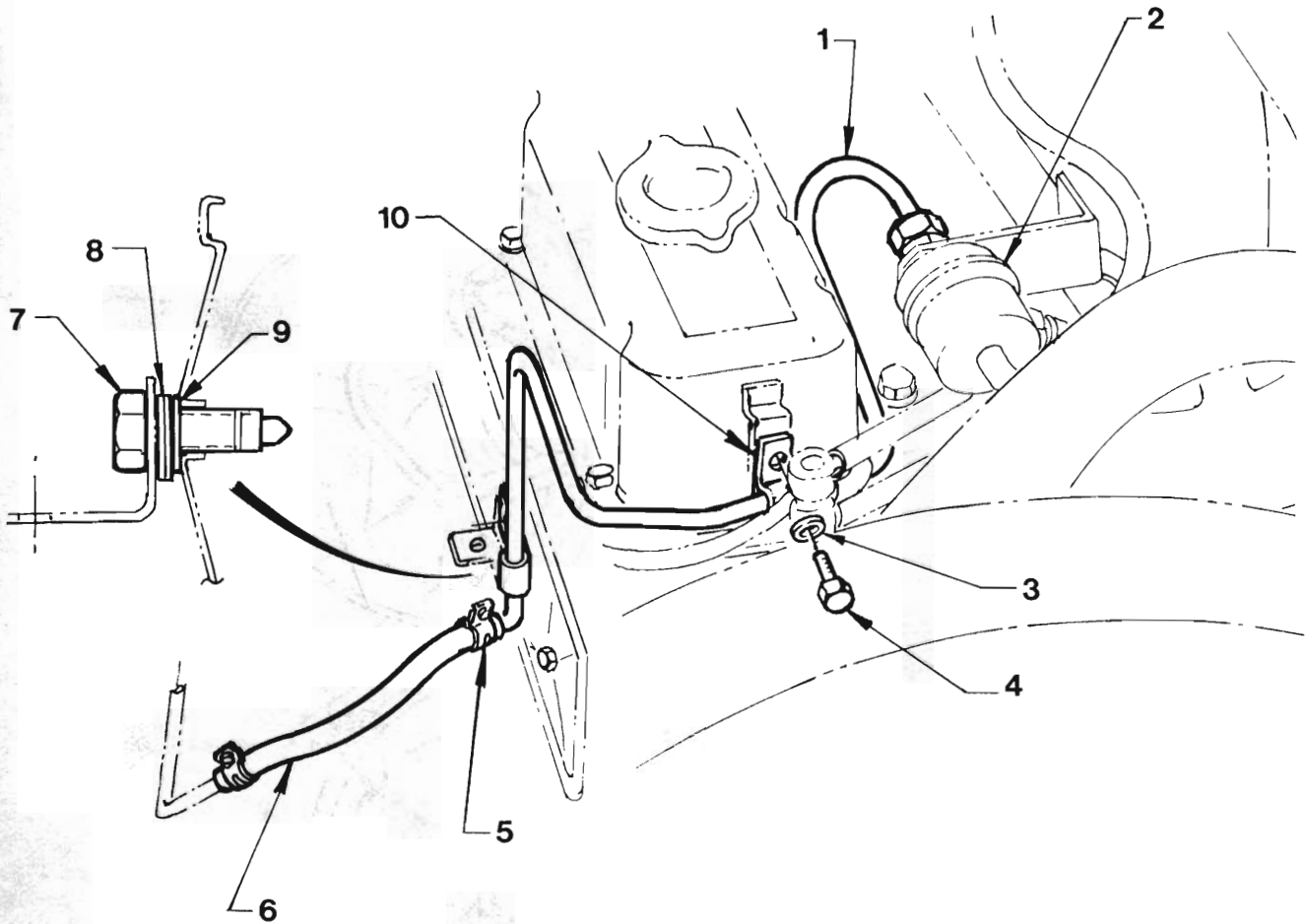
**(A) 5.0 LITRE ENGINE WITH AIR CONDITIONING - VB SERIES
8 CYLINDER ENGINES - VC, VH SERIES**

REF. NO.	PART NAME	GROUP
1	PIPE ASM. - Fuel pump to carburettor	3.163
2	SEPARATOR - Vapour.....	3.164
3	CLAMP - Vapour return pipe.....	3.120
4	HOSE - Vapour return pipe to separator	3.120
5	PIPE - Vapour return.....	3.120
6	ELBOW - Carburettor fuel pipe to fuel pump.....	3.163



**ENGINE FUEL SYSTEM
8 CYLINDER ENGINE EXC. TRIP COMPUTER
VK SERIES**

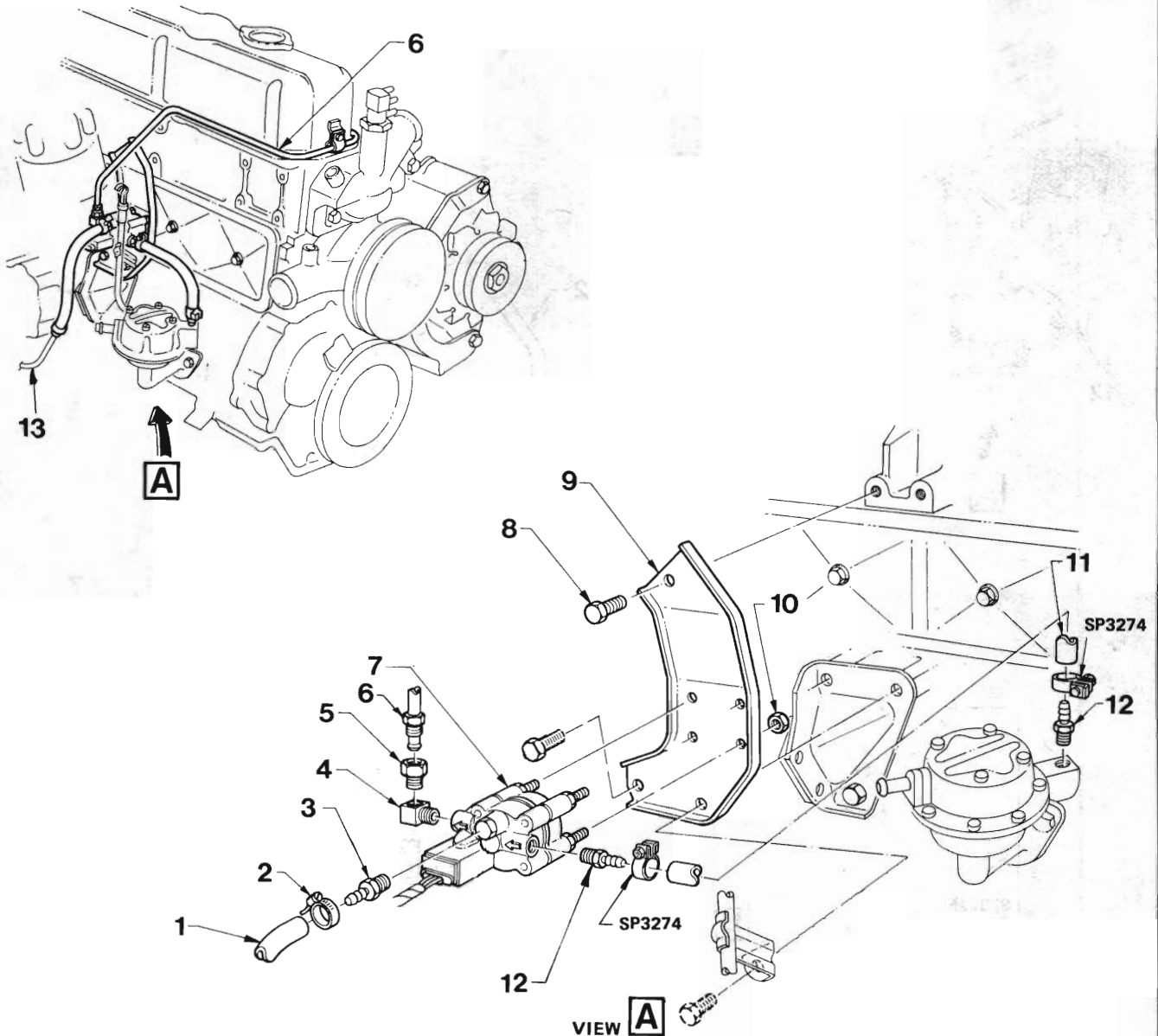
REF. NO.	PART NAME	GROUP
1	SEPARATOR - Vapour.....	3.164
2	PIPE ASM. - Fuel pump to carburettor	3.163
3	HOSE - Fuel pipe to engine	3.163
4	CLIP - Fuel pipe to fuel pump hole cover.....	3.162
5	CLAMP - Hose to vapour return pipe.....	3.120
6	HOSE - Vapour pipe to separator.....	3.120



FUEL RETURN PIPE

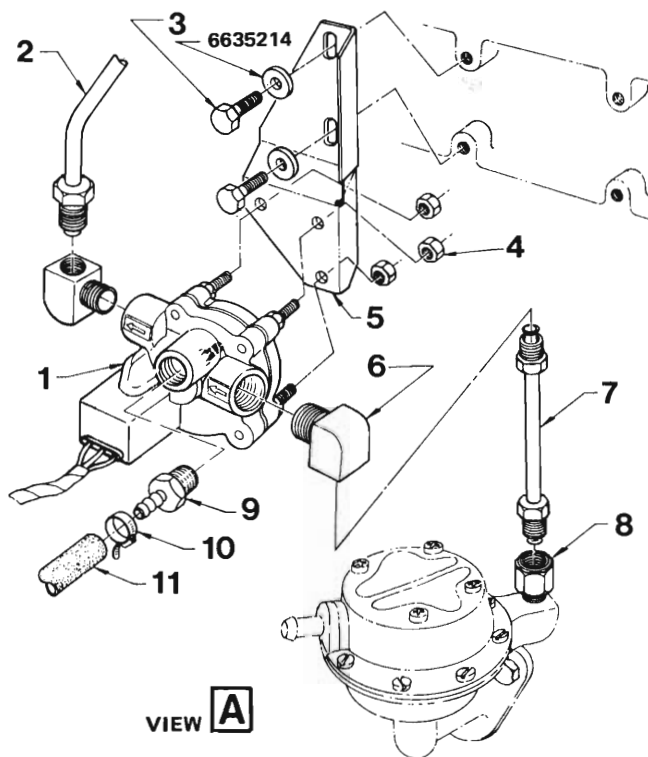
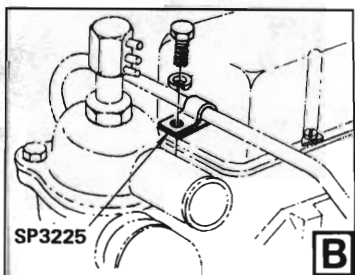
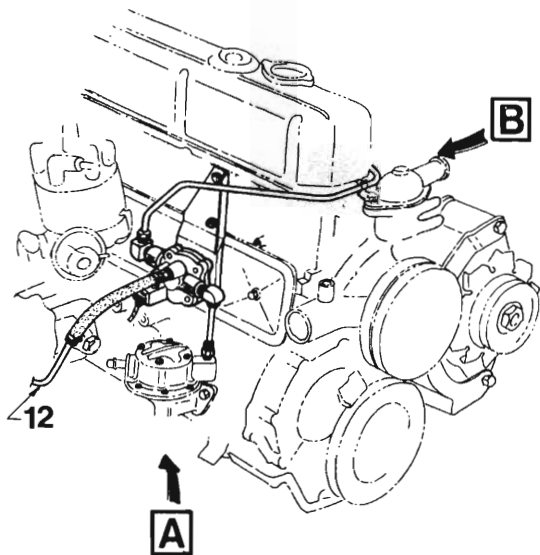
**3.3 LITRE ENGINE WITH ELECTRONIC FUEL INJECTION
VK SERIES**

REF. NO.	PART NAME	GROUP
1	PIPE ASM. - Fuel return front.....	3.163
2	REGULATOR ASM. - Fuel pressure.....	3.320
3	WASHER - Clip to rocker cover.....	3.162
4	SCREW - Clip to rocker cover.....	3.162
5	CLAMP ASM. - Hose - Front pipe to return pipe	3.162
6	HOSE - Return pipe to front return pipe.....	3.163
7	BOLT - Valve push rod cover.....	0.446K
8	CLIP - Fuel return pipe to push rod cover.....	3.162
9	WASHER - Valve push rod cover.....	0.446K
10	CLIP - Fuel return pipe to rocker cover.....	3.162



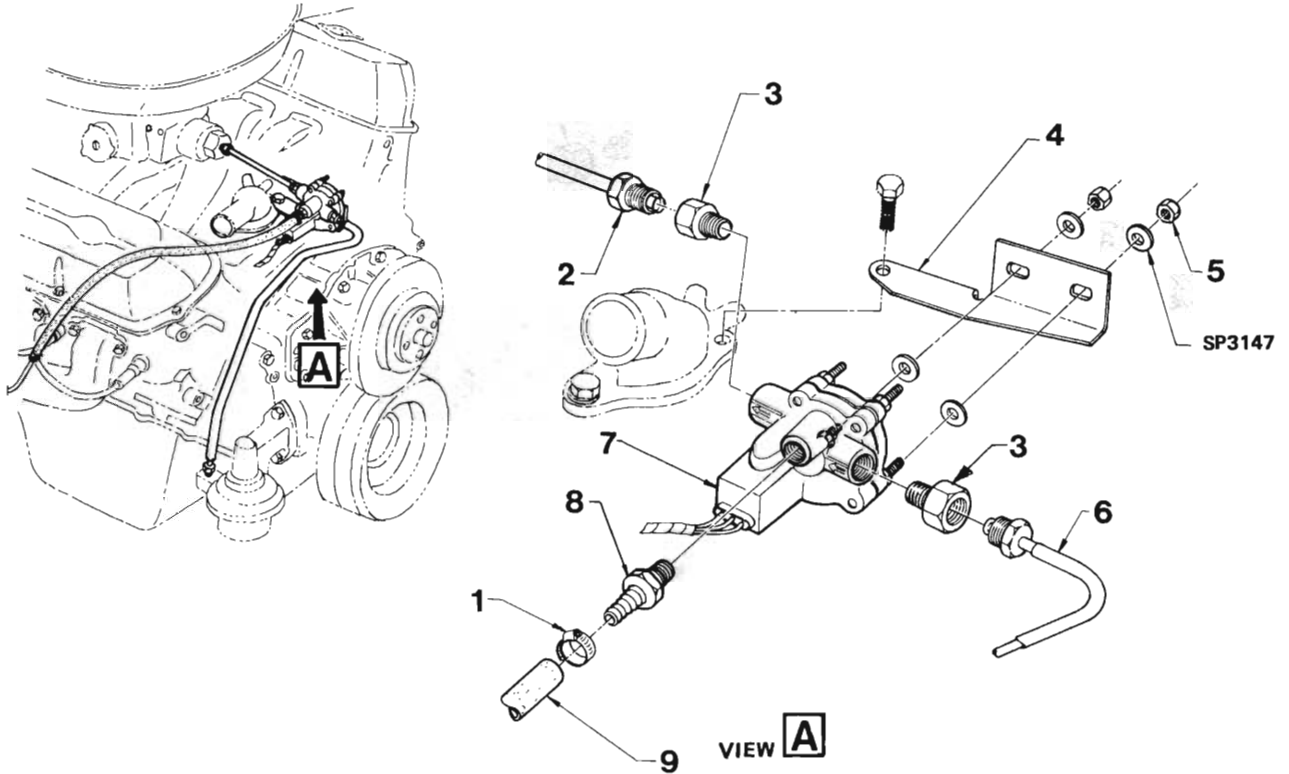
FUEL FLOW SENSOR - TRIP COMPUTER
2.85 LITRE ENGINE - VH SERIES
6 CYLINDER ENGINE EXC. ELECTRONIC FUEL INJECTION - VK SERIES

REF. NO.	PART NAME	GROUP
1	HOSE - Vapour return pipe to flow meter.....	3.120
2	CLAMP - Vapour return hose to flow meter connector	3.120
3	CONNECTOR - Vapour return hose to flow meter.....	3.120
4	ELBOW - Flow meter.....	3.164
5	ADAPTOR	3.164
6	PIPE ASM. - Flow meter to carburettor	3.163
7	METER ASM.	3.164
8	BOLT - Support to cylinder head.....	3.164
9	SUPPORT - Flow meter	3.164
10	NUT - Flow meter to support	3.164
11	HOSE - Fuel pump to flow meter	3.163
12	CONNECTOR - Fuel pump to flow meter hose ..	3.163
13	PIPE - Vapour return.....	3.120



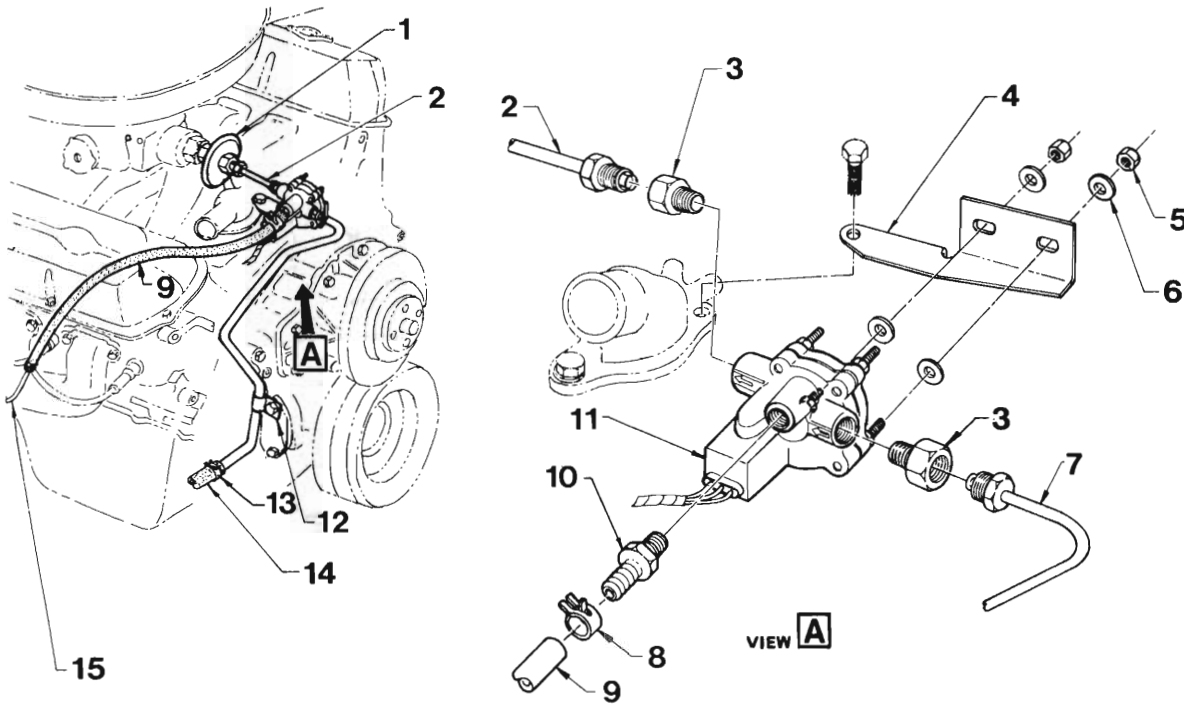
FUEL FLOW SENSOR - TRIP COMPUTER
3.3 LITRE ENGINE
VH SERIES

REF. NO.	PART NAME	GROUP
1	METER ASM.	3.164
2	PIPE ASM. - Flow meter to carburettor	3.163
3	SCREW - Support to cylinder head.....	3.164
4	NUT - Flow meter to support	3.164
5	SUPPORT - Flow meter	3.164
6	ELBOW - Flow meter.....	3.164
7	PIPE - Fuel pump to flow meter	3.163
8	CONNECTOR - Fuel pipe to pump.....	3.163
9	CONNECTOR - Vapour return hose to flow meter.....	3.120
10	CLAMP - Hose to adaptor & pipe.....	3.120
11	HOSE - Vapour return pipe to flow meter.....	3.120
12	PIPE - Vapour return.....	3.120



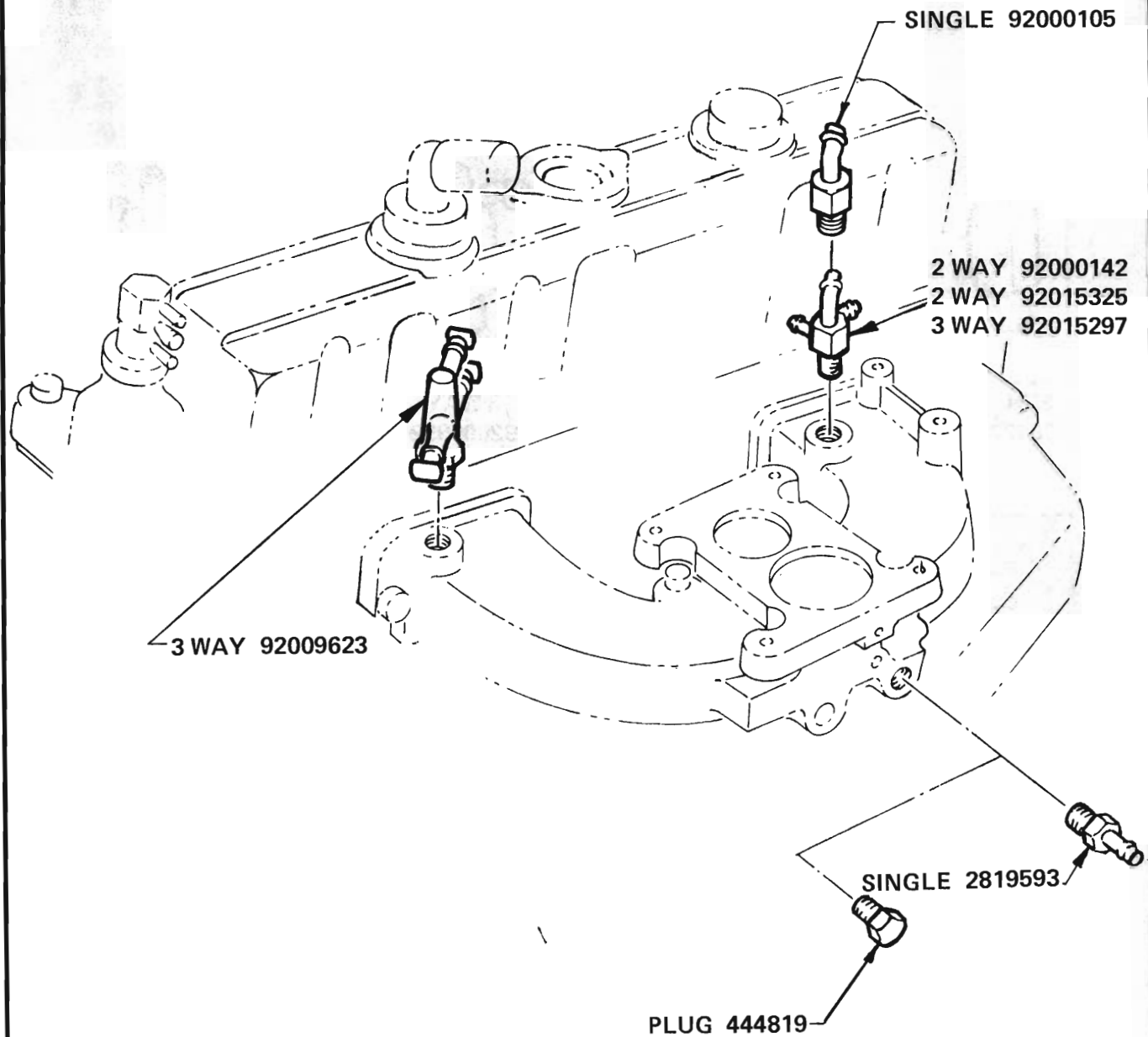
**FUEL FLOW SENSOR - TRIP COMPUTER
8 CYLINDER ENGINE
VH SERIES**

REF. NO.	PART NAME	GROUP
1	CLAMP - Hose - Vapour pipe to flow meter.....	3.120
2	PIPE ASM. - Flow meter to carburettor.....	3.163
3	ADAPTOR - Flow meter.....	3.164
4	SUPPORT - Flow meter.....	3.164
5	NUT - Flow meter to support.....	3.164
6	PIPE ASM. - Fuel pump to flow meter.....	3.163
7	METER ASM.	3.164
8	CONNECTOR - Vapour return hose to flow meter.....	3.120
9	HOSE - Vapour return pipe to flow meter.....	3.120



**FUEL FLOW SENSOR - TRIP COMPUTER
8 CYLINDER ENGINE
VK SERIES**

REF. NO.	PART NAME	GROUP
1	FILTER ASM. - Fuel.....	3.890
2	PIPE ASM. - Fuel filter to flow meter.....	3.163
3	ADAPTOR - Flow meter	3.164
4	SUPPORT - Flow meter	3.164
5	NUT - Flow meter to support	3.164
6	WASHER - Flow meter to support.....	3.164
7	PIPE ASM. - Fuel pump to flow meter.....	3.163
8	CLAMP - Hose to vapour return pipe & flow meter.....	3.120
9	HOSE - Vapour returnpipe to flow meter	3.120
10	CONNECTOR - Vapour return hose to flow meter.....	3.120
11	METER ASM.	3.164
12	CLIP - Fuel pipe to fuel pump hole cover	3.162
13	CLAMP - Fuel pipe to engine hose.....	3.162
14	HOSE - Fuel pipe to engine	3.163
15	PIPE - Vapour return.....	3.120



VACUUM ADAPTORS

**4 CYLINDER ENGINE
VC, VH, VK SERIES**

REFER GROUP 3.278



"V" SERIES PARTS CATALOGUE



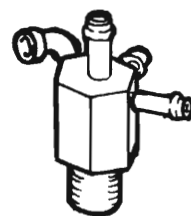
SINGLE
9942274



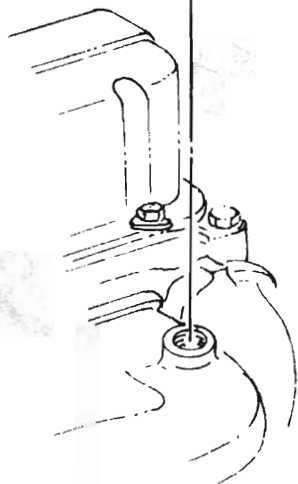
2 WAY
9942268



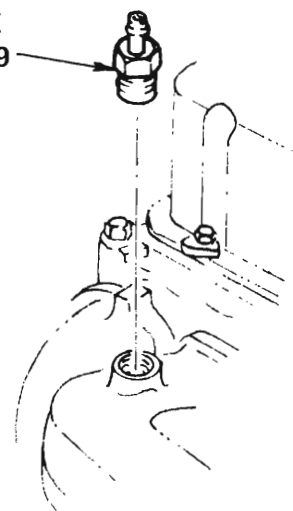
3 WAY
92005952



4 WAY
92005953



SINGLE
9929019



VACUUM ADAPTORS
6 CYLINDER ENGINE
VB SERIES
REFER GROUP 3.278



"V" SERIES PARTS CATALOGUE



**SINGLE
9942274**



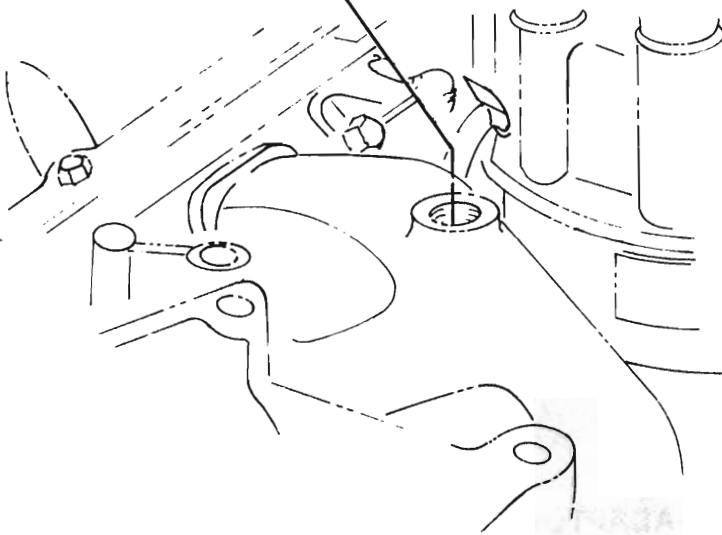
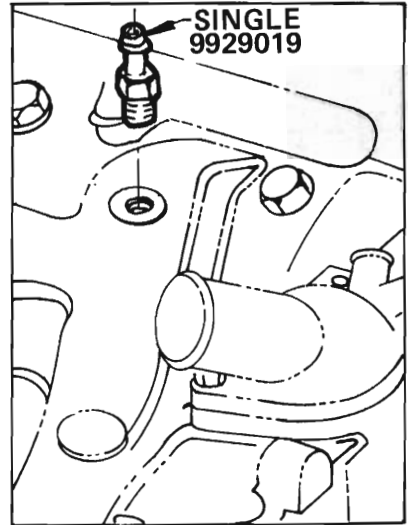
**2 WAY
9942268**



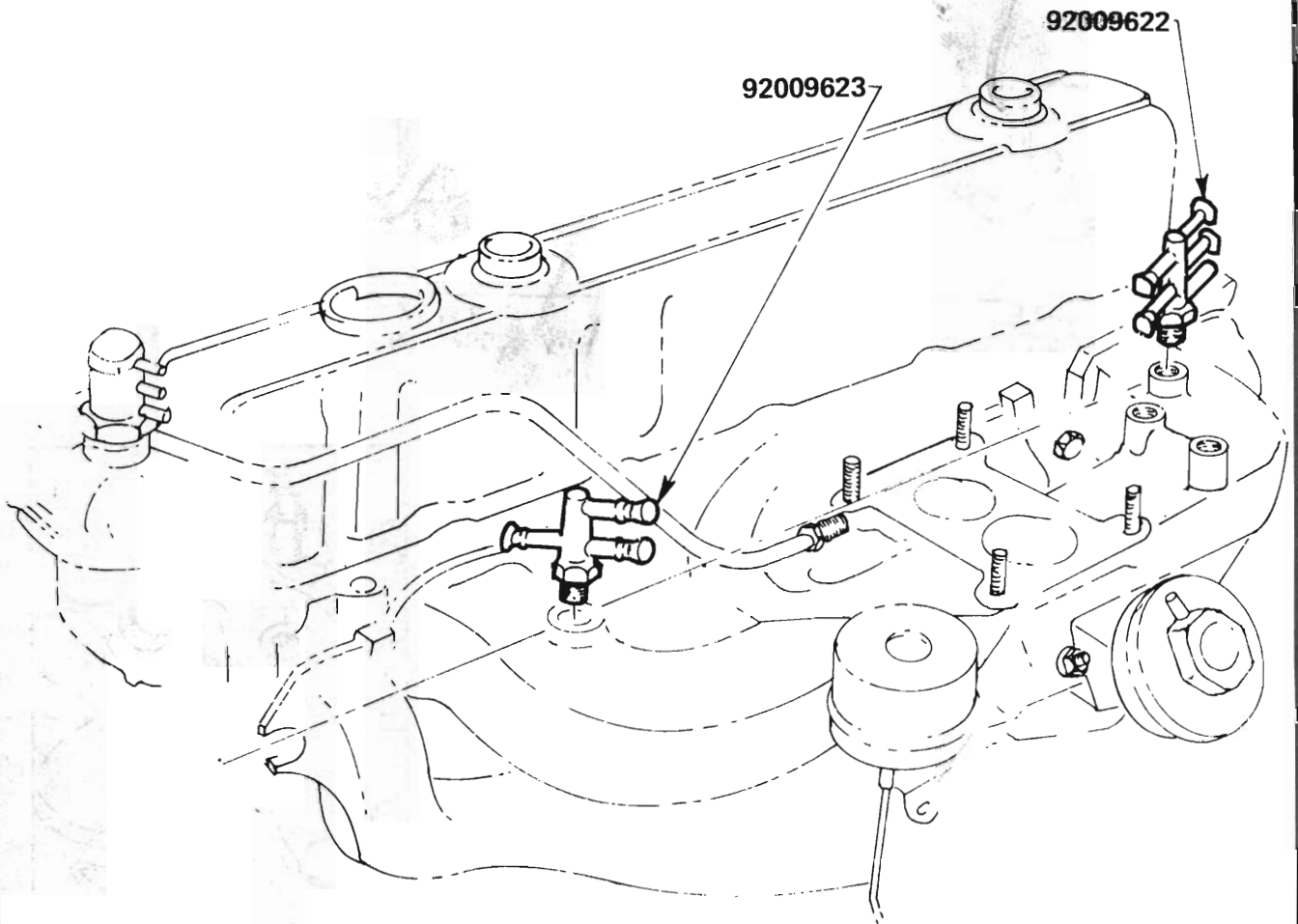
**3 WAY
9942269**



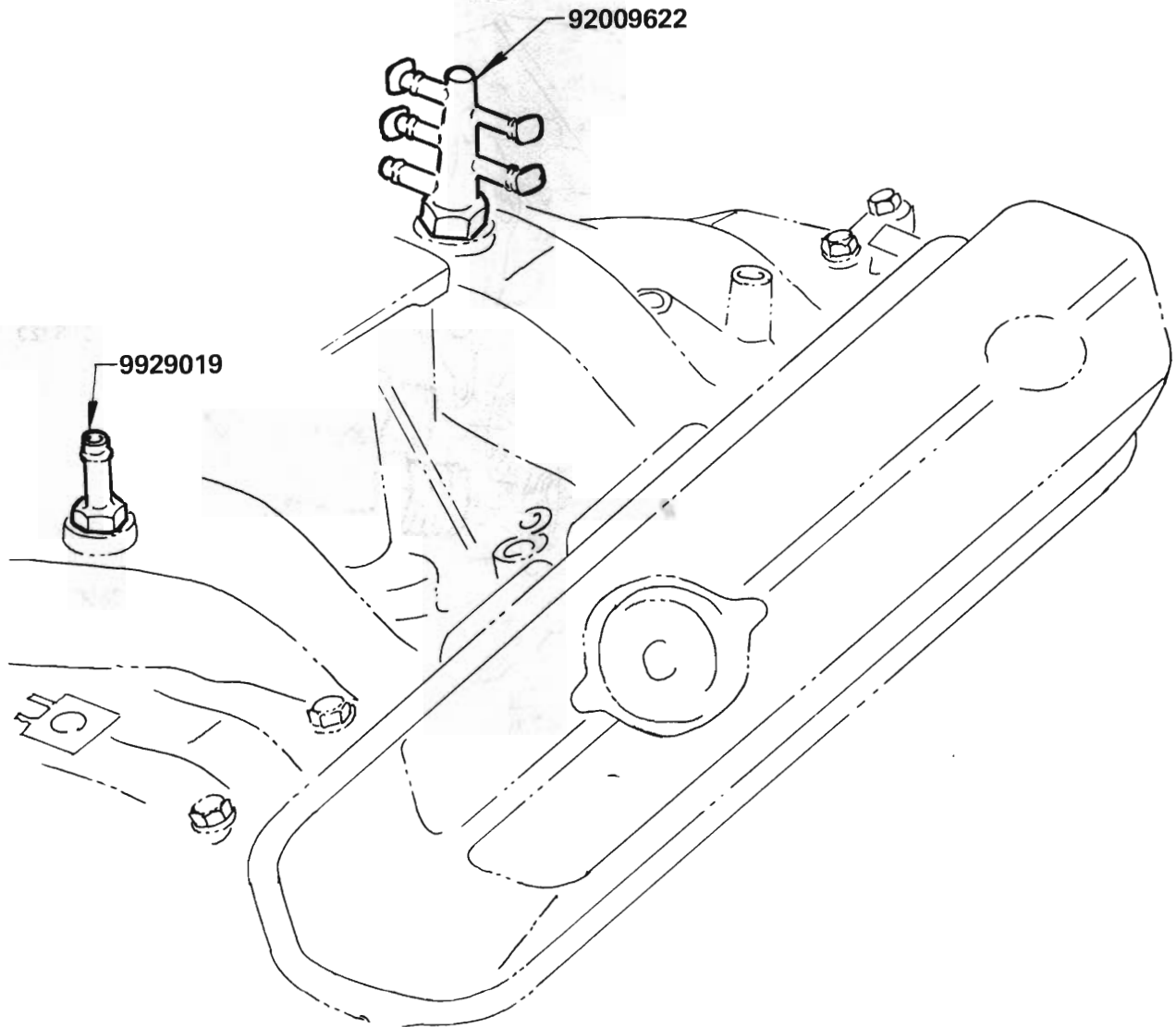
**4 WAY
9942273**



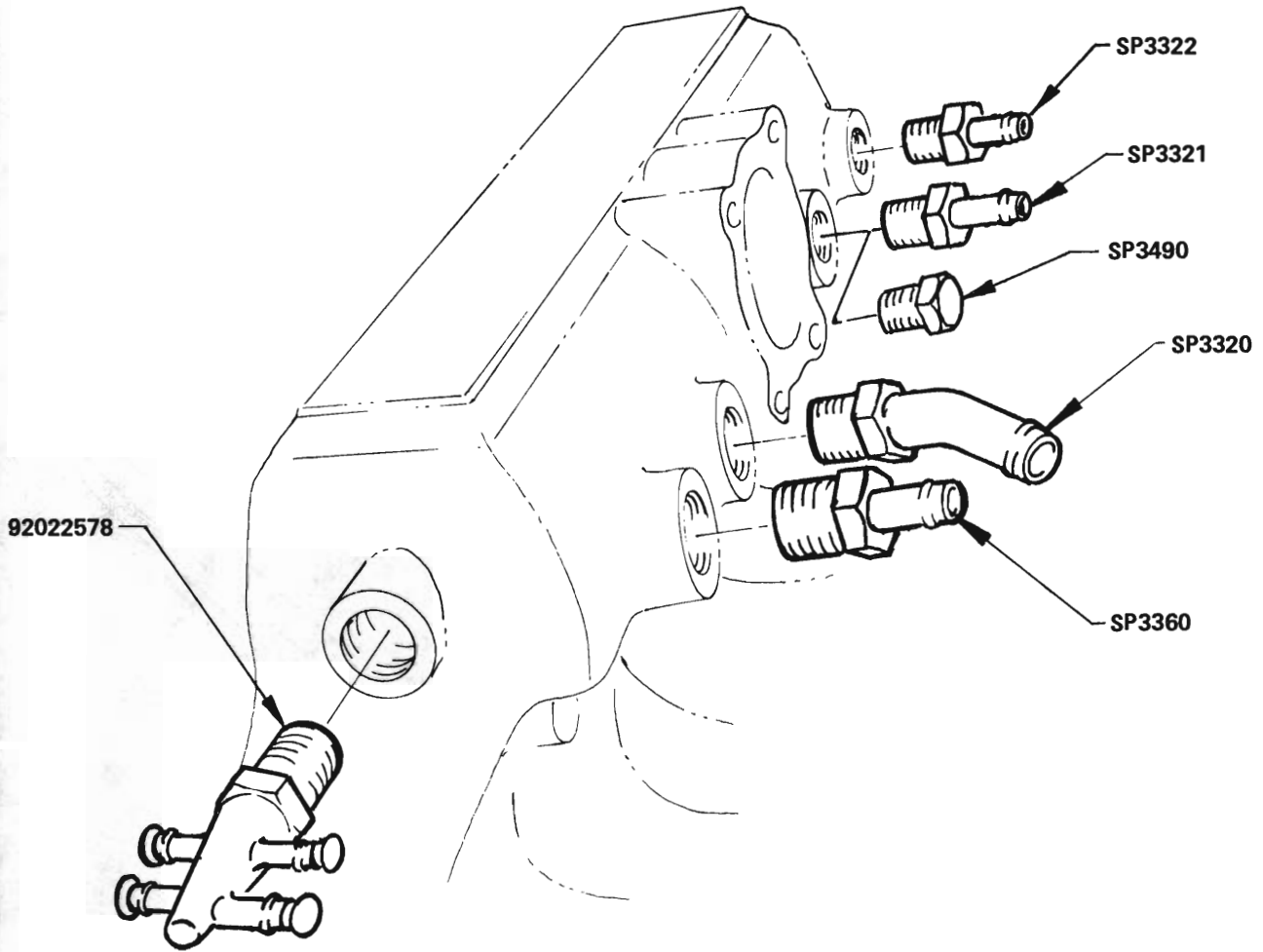
VACUUM ADAPTORS
8 CYLINDER ENGINE
VB SERIES
REFER GROUP 3.278



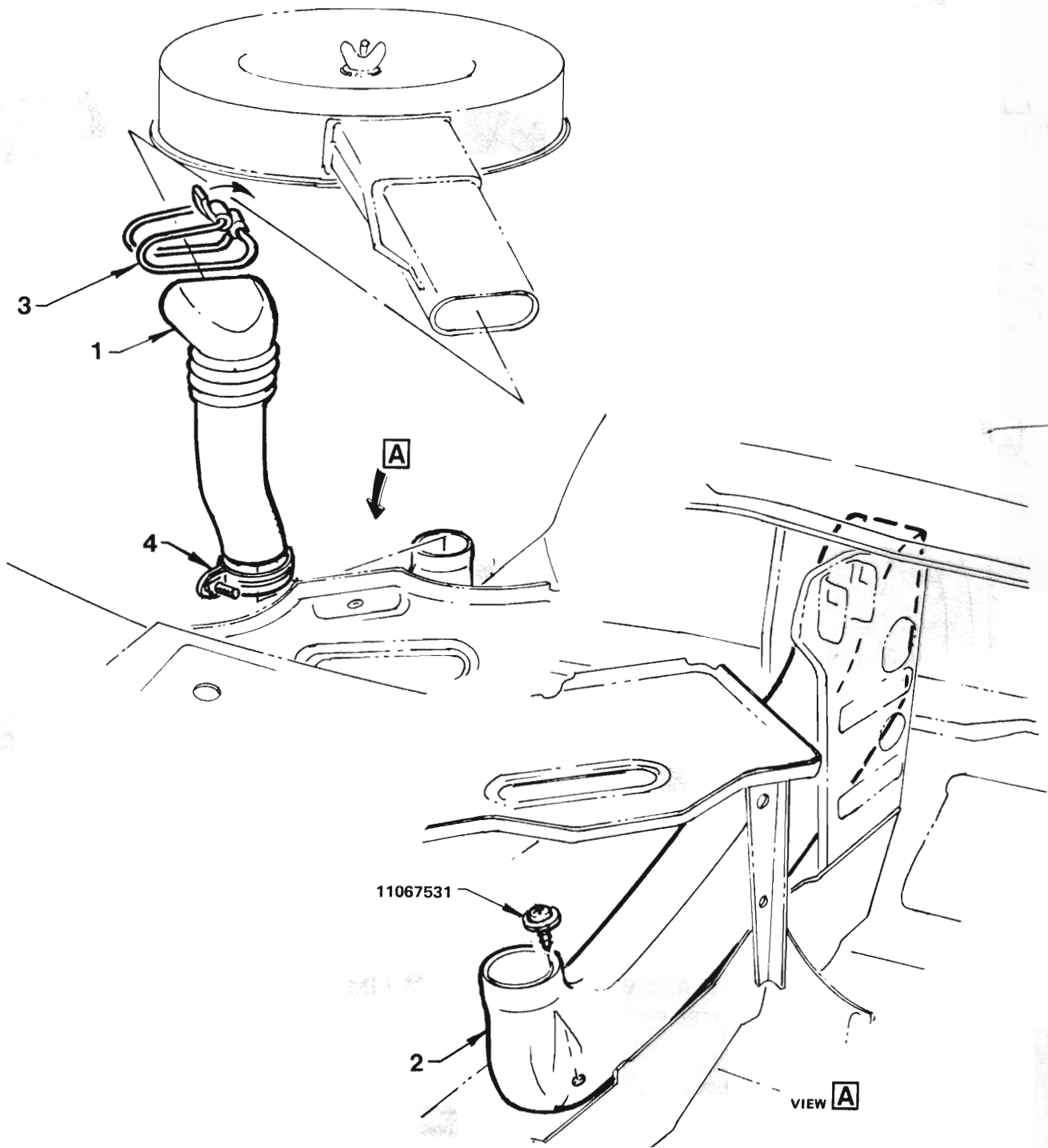
VACUUM ADAPTORS
6 CYLINDER ENGINE
VC, VH SERIES
REFER GROUP 3.278



VACUUM ADAPTORS
8 CYLINDER ENGINE
VC, VH SERIES
REFER GROUP 3.278

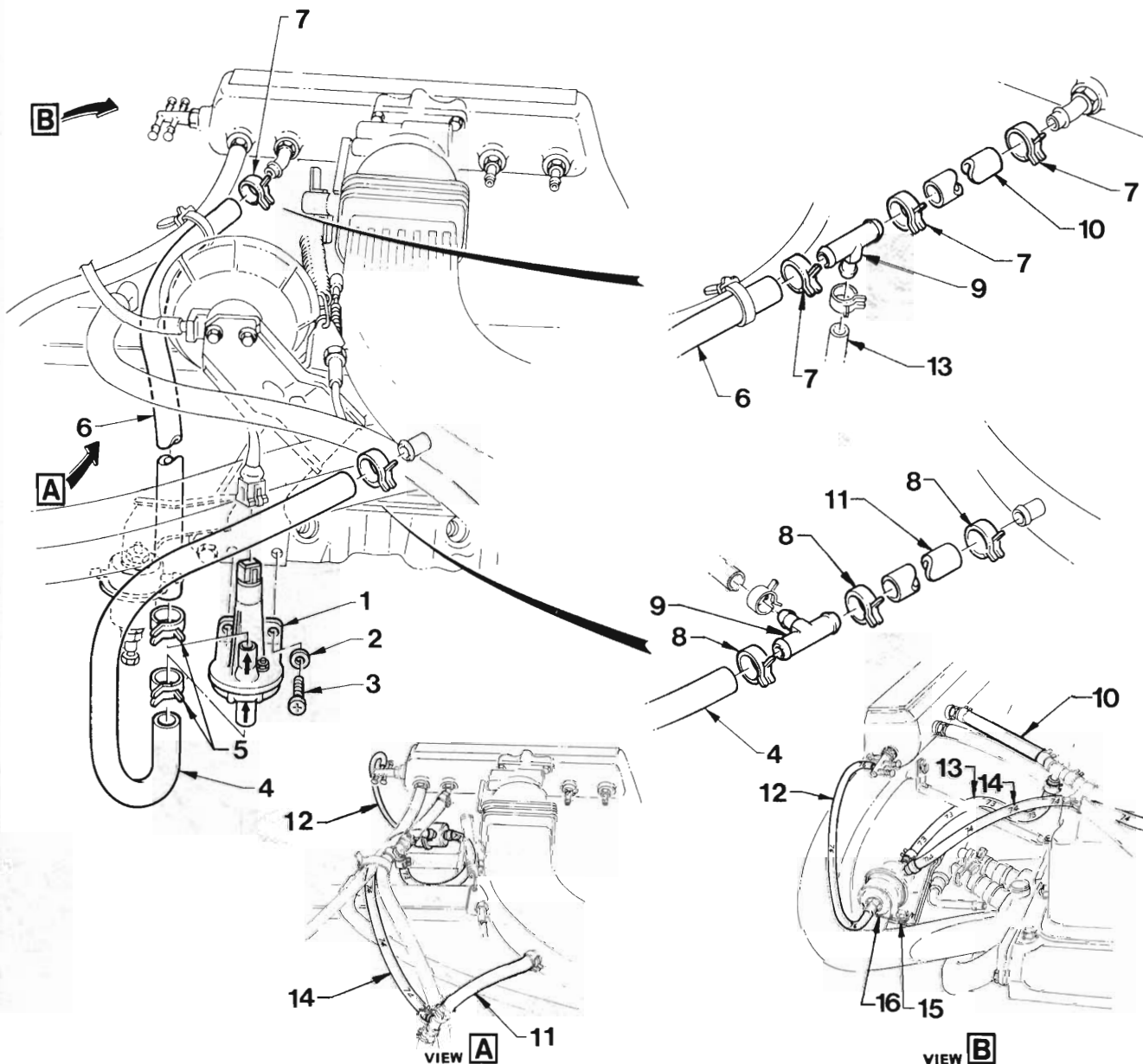


VACUUM ADAPTORS
6 CYLINDER ENGINE WITH ELECTRONIC FUEL INJECTION
VK SERIES
REFER GROUP 3.278



FRESH AIR INTAKE
4 CYLINDER ENGINE - VH SERIES
2.85 LITRE ENGINE WITH AIR PUMP - VH, VK SERIES

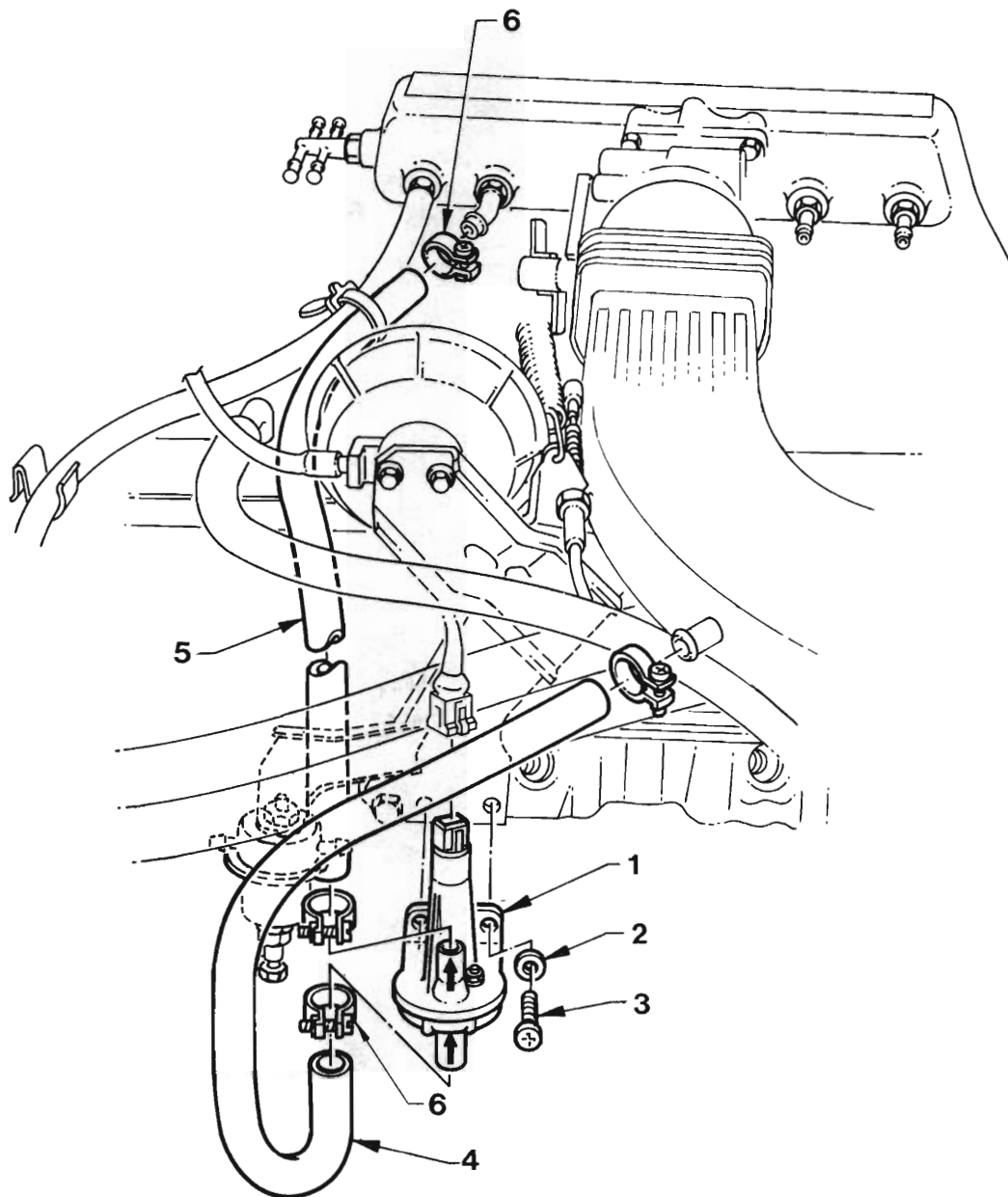
REF. NO.	PART NAME	GROUP
1	HOSE - Air cleaner air intake	3.417
2	DUCT - Air cleaner air intake.....	3.417
3	CLAMP ASM. - Hose to air cleaner.....	3.417
4	CLAMP - Hose to duct.....	3.417



AUXILIARY AIR VALVE & VACUUM LIMITER VALVE

(M) 3.3 LITRE ENGINE WITH ELECTRONIC FUEL INJECTION
VK SERIES

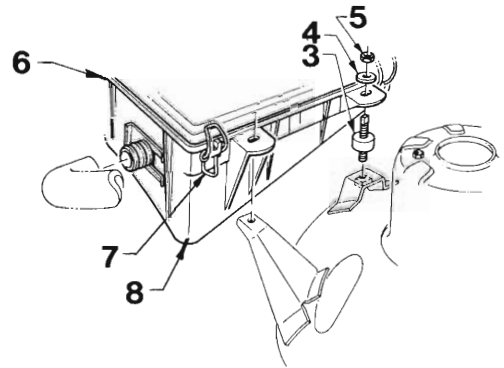
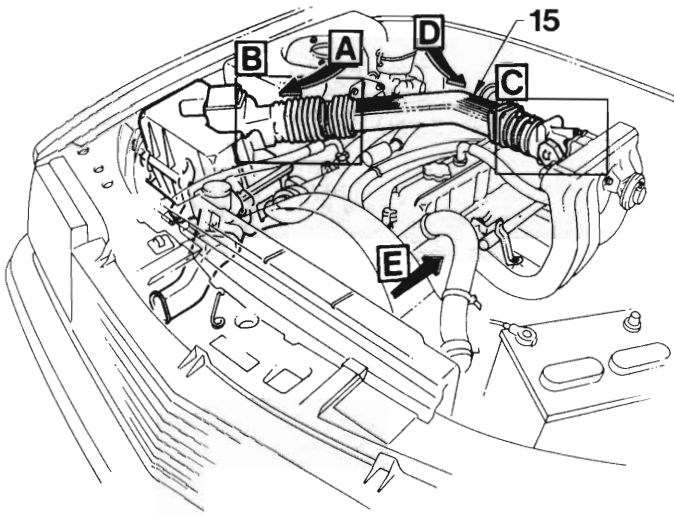
REF. NO.	PART NAME	GROUP
1	VALVE ASM. - Auxiliary air	3.318
2	WASHER - Auxiliary air valve to brace.....	3.318
3	SCREW - Auxiliary air valve to brace.....	3.318
4	HOSE - Auxiliary air valve to air duct tee	3.318
5	CLAMP - Hose to auxiliary air valve.....	3.318
6	HOSE - Auxiliary air valve to manifold tee.....	3.318
7	CLAMP - Hoses to manifold tee	3.318
8	CLAMP - Hoses to air duct tee.....	3.318
9	TEE - Manifold	3.318
10	HOSE - Manifold tee to manifold.....	3.318
11	HOSE - Air duct tee to air duct	3.318
12	HOSE - Manifold to vacuum limiter valve.....	3.318
13	HOSE - Manifold tee to vacuum limiter valve.....	3.318
14	HOSE - Air duct tee to vacuum limiter valve.....	3.318
15	BRACKET - Vacuum limiter support	3.318
16	VALVE ASM. - Vacuum limiter	3.318



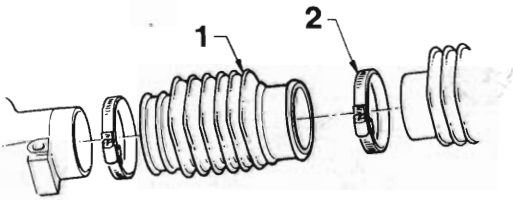
AUXILIARY AIR VALVE

**(A) 3.3 LITRE ENGINE WITH ELECTRONIC FUEL INJECTION
VK SERIES**

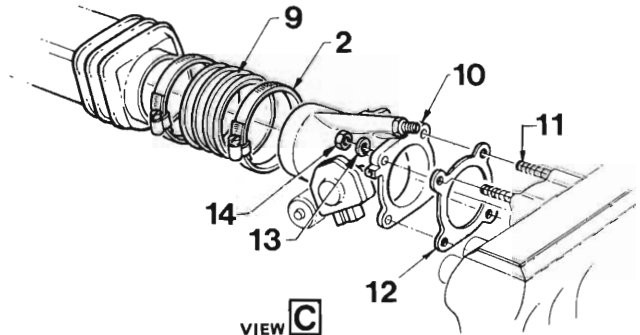
REF. NO.	PART NAME	GROUP
1	VALVE ASM. - Auxiliary air	3.318
2	WASHER - Auxiliary air valve to brace.....	3.318
3	SCREW - Auxiliary air valve to brace.....	3.318
4	HOSE - Air duct to auxiliary air valve	3.318
5	HOSE - Auxiliary air valve to inlet manifold	3.318
6	CLAMP ASM. - Hose to auxiliary air valve.....	3.318



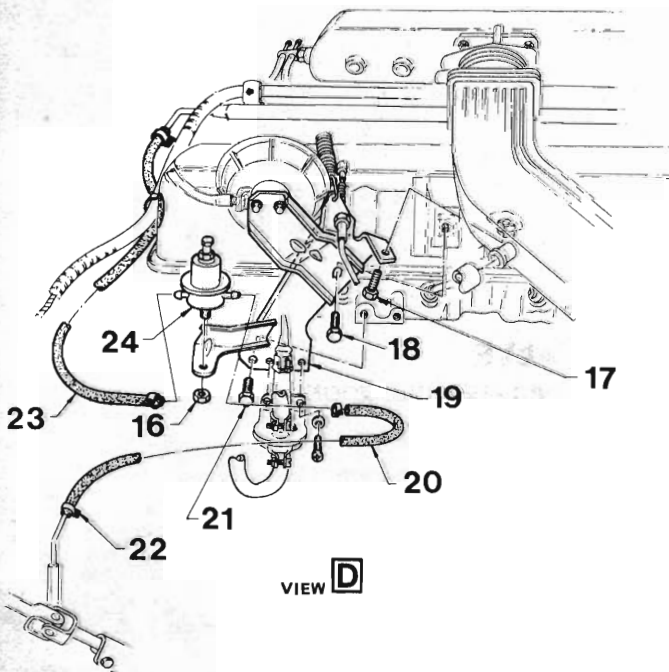
VIEW A



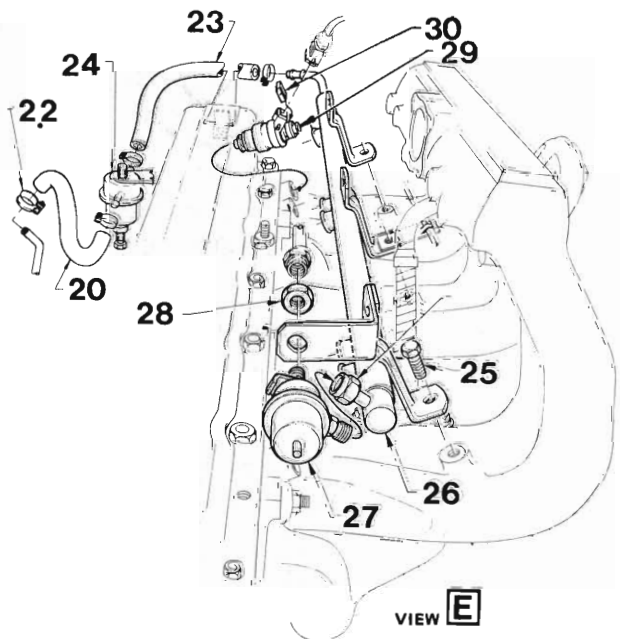
VIEW B



VIEW C



VIEW D



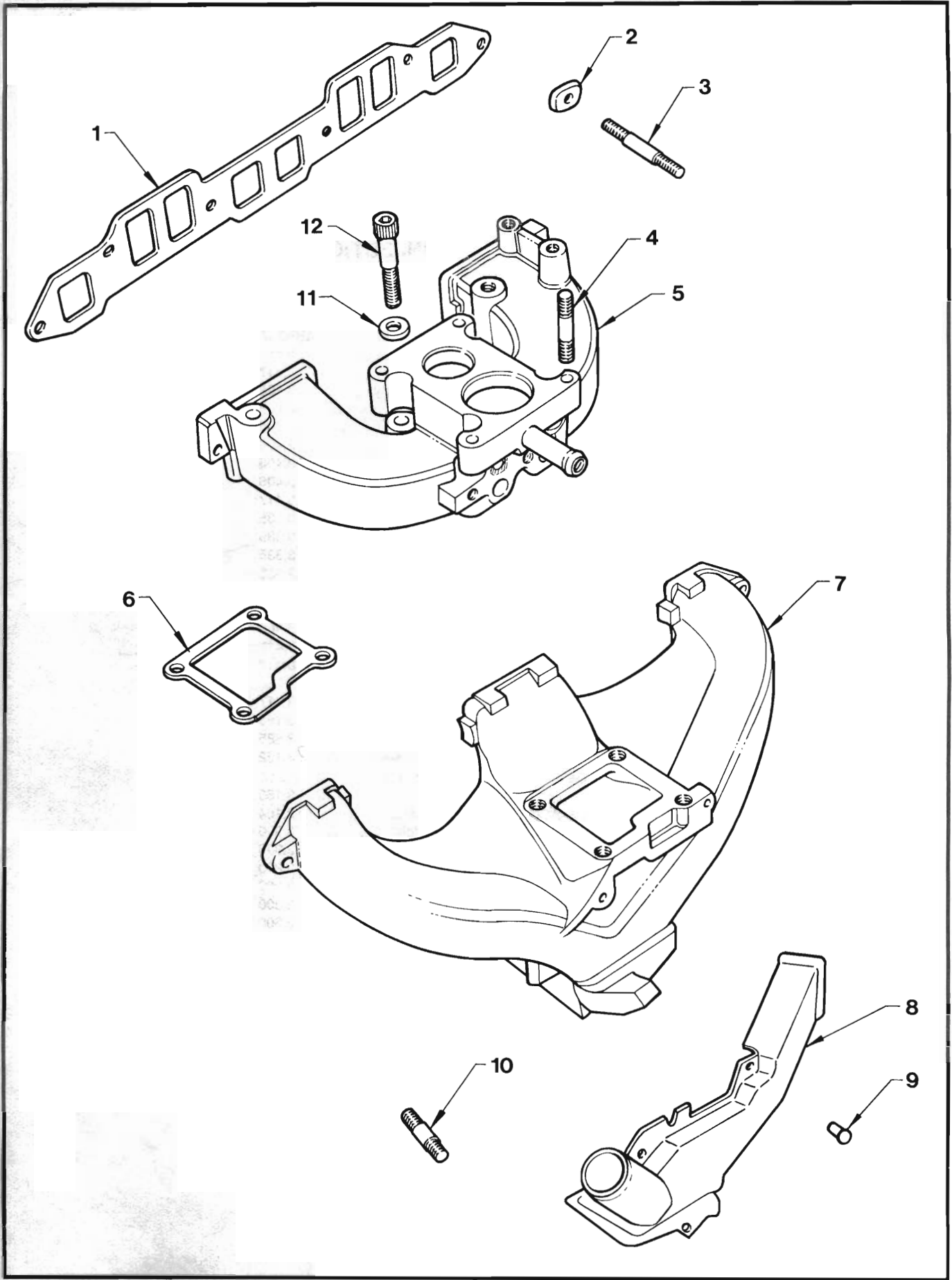
VIEW E



**ELECTRONIC FUEL INJECTION
3.3 LITRE ENGINE
VK SERIES**

ILLUSTRATION OPPOSITE

REF. NO.	PART NAME	GROUP
1	HOSE - Duct to air flow sensor	3.417
2	CLAMP - Hose & sleeve to duct.....	3.417
3	INSULATOR ASM. - Air cleaner to body.....	3.405
4	WASHER - Air cleaner to body.....	3.405
5	NUT - Air cleaner to body.....	3.405
6	BODY - Air cleaner upper	3.406
7	CLIP ASM. - Air cleaner body	3.406
8	BODY ASM. - Air cleaner lower.....	3.406
9	HOSE - Duct to throttle body	3.417
10	BODY ASM. - Throttle	3.335
11	STUD - Throttle body to inlet manifold.....	3.335
12	GASKET - Throttle body to inlet manifold.....	3.335
13	WASHER - Throttle body to inlet manifold.....	3.335
14	NUT - Throttle body to inlet manifold	3.335
15	DUCT ASM. - Air cleaner to throttle body.....	3.417
16	NUT - Damper & accumulator to bracket.....	3.164
17	SCREW - Duct to brace	3.417
18	SCREW - Duct brace to bracket.....	3.417
19	BRACE ASM. - Air duct, accelerator cable & power unit	3.417
20	HOSE - Damper & accumulator to fuel pipe.....	3.163
21	SCREW - Brace to cylinder head, Front.....	3.885
22	CLAMP - Damper & accumulator hoses.....	3.162
23	HOSE - Damper & accumulator to fuel distribution pipe	3.163
24	DAMPER & ACCUMULATOR ASM.	3.164
25	SCREW - Pipe asm. to inlet manifold	3.330
26	PIPE ASM. - Fuel distribution	3.330
27	REGULATOR ASM. - Fuel pressure.....	3.320
28	NUT - Regulator to bracket	3.320
29	INJECTOR ASM. - Fuel.....	3.300
30	CLIP - Injector to fuel distribution pipe.....	3.300

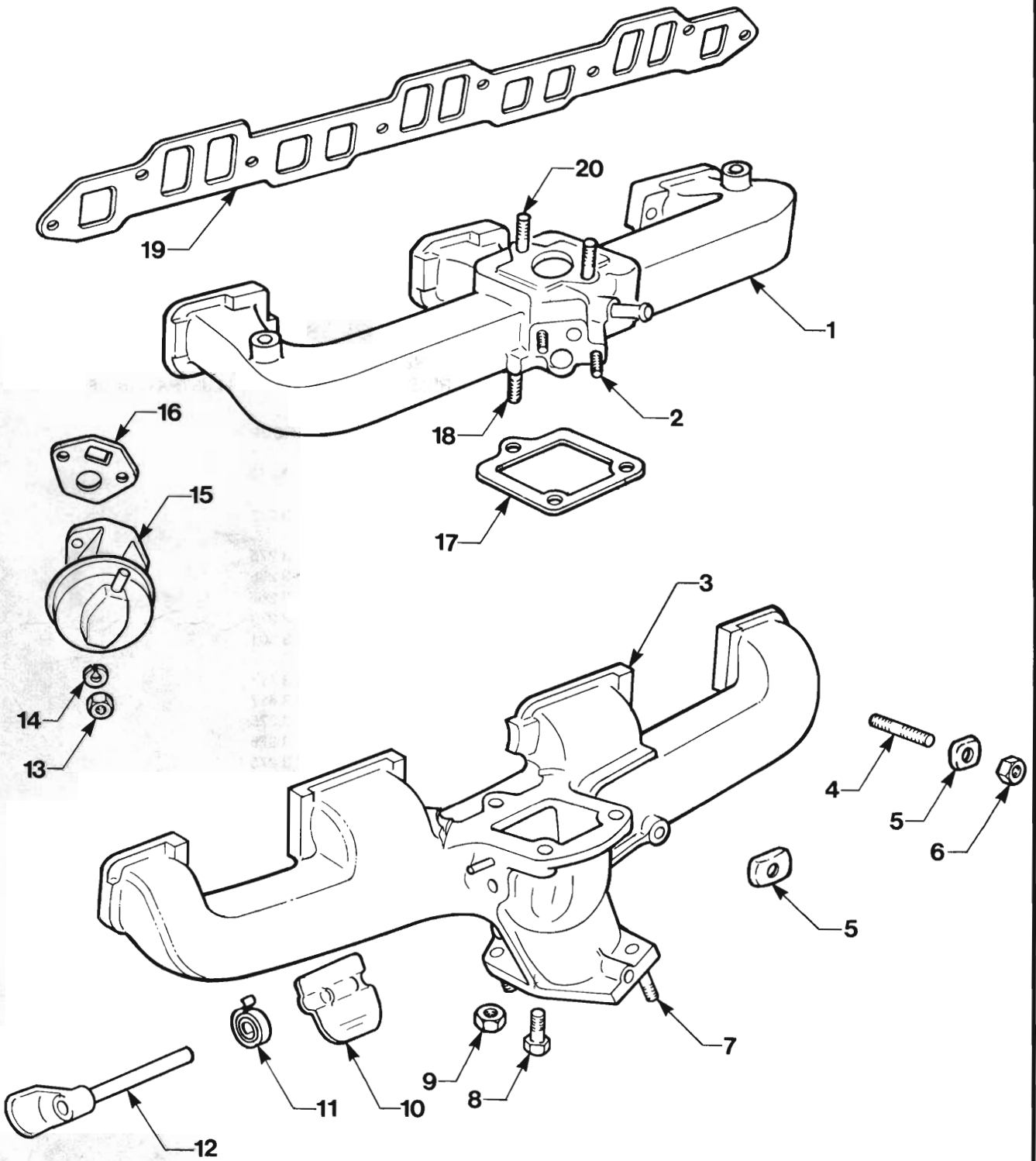




**INLET & EXHAUST MANIFOLDS
4 CYLINDER ENGINE
VC, VH VK SERIES**

ILLUSTRATION OPPOSITE

REF. NO.	PART NAME	GROUP
1	GASKET - Inlet & exhaust manifold to cylinder head.....	3.270
2	CLAMP - Inlet & exhaust manifold to cylinder head.....	3.273
3	STUD - Inlet & exhaust manifold to cylinder head.....	3.275
4	STUD - Carburettor to manifold.....	3.288
5	MANIFOLD - Inlet.....	3.265
6	GASKET - Inlet to exhaust manifold.....	3.270
7	MANIFOLD - Exhaust.....	3.601
8	STOVE & SHIELD ASM. - Air cleaner air pre heat.....	3.417
9	SCREW - Stove & shield to manifold.....	3.417
10	STUD - Exhaust pipe to manifold.....	3.275
11	WASHER - Inlet to exhaust manifold.....	3.275
12	SCREW - Inlet to exhaust manifold.....	3.275



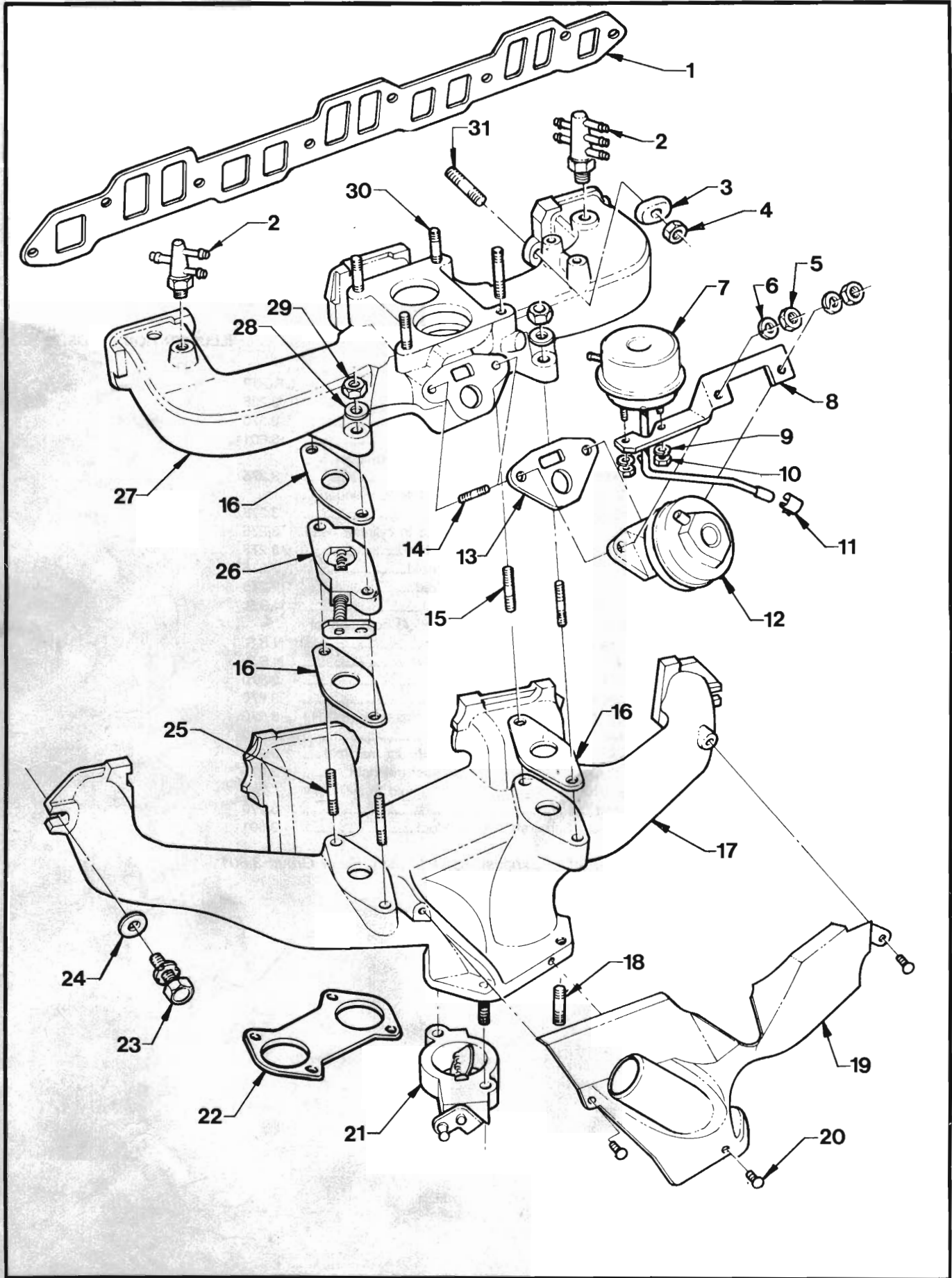


**INLET & EXHAUST MANIFOLDS
6 CYLINDER ENGINE
VB SERIES**

ILLUSTRATION OPPOSITE

REF. NO.	PART NAME	GROUP
1	MANIFOLD - Inlet.....	3.265
2	STUD - Valve to manifold	3.670
3	MANIFOLD ASM. - Exhaust.....	3.601
4	STUD - Inlet & exhaust manifold to cylinder head	3.275
5	CLAMP - Inlet & exhaust manifold to cylinder head	3.273
6	NUT - Inlet & exhaust manifold to cylinder head	3.275
7	STUD - Exhaust pipe to manifold	3.275
8	BOLT - Inlet to exhaust manifold.....	3.275
9	NUT - Inlet to exhaust manifold.....	3.275
10(A)	VALVE - Manifold heat control.....	N.S.S.
11(A)	THERMOSTAT - Exhaust manifold heat control valve.....	N.S.S.
12(A)	SHAFT - Exhaust manifold valve	N.S.S.
13	NUT - Valve to manifold.....	3.670
14	WASHER - Valve to manifold.....	3.670
15	VALVE ASM. - Exhaust gas recirculation(E.G.R.)	3.670
16	GASKET - Valve to manifold	3.670
17	GASKET - Inlet manifold to exhaust manifold	3.270
18	STUD - Inlet manifoldto exhaust manifold.....	3.275
19	GASKET - Inlet & exhaust manifold to cylinder head.....	3.270
20	STUD - Carburettor to manifold	3.601

NOTE:- (A Part of Exhaust manifold asm. Refer Group 3.601

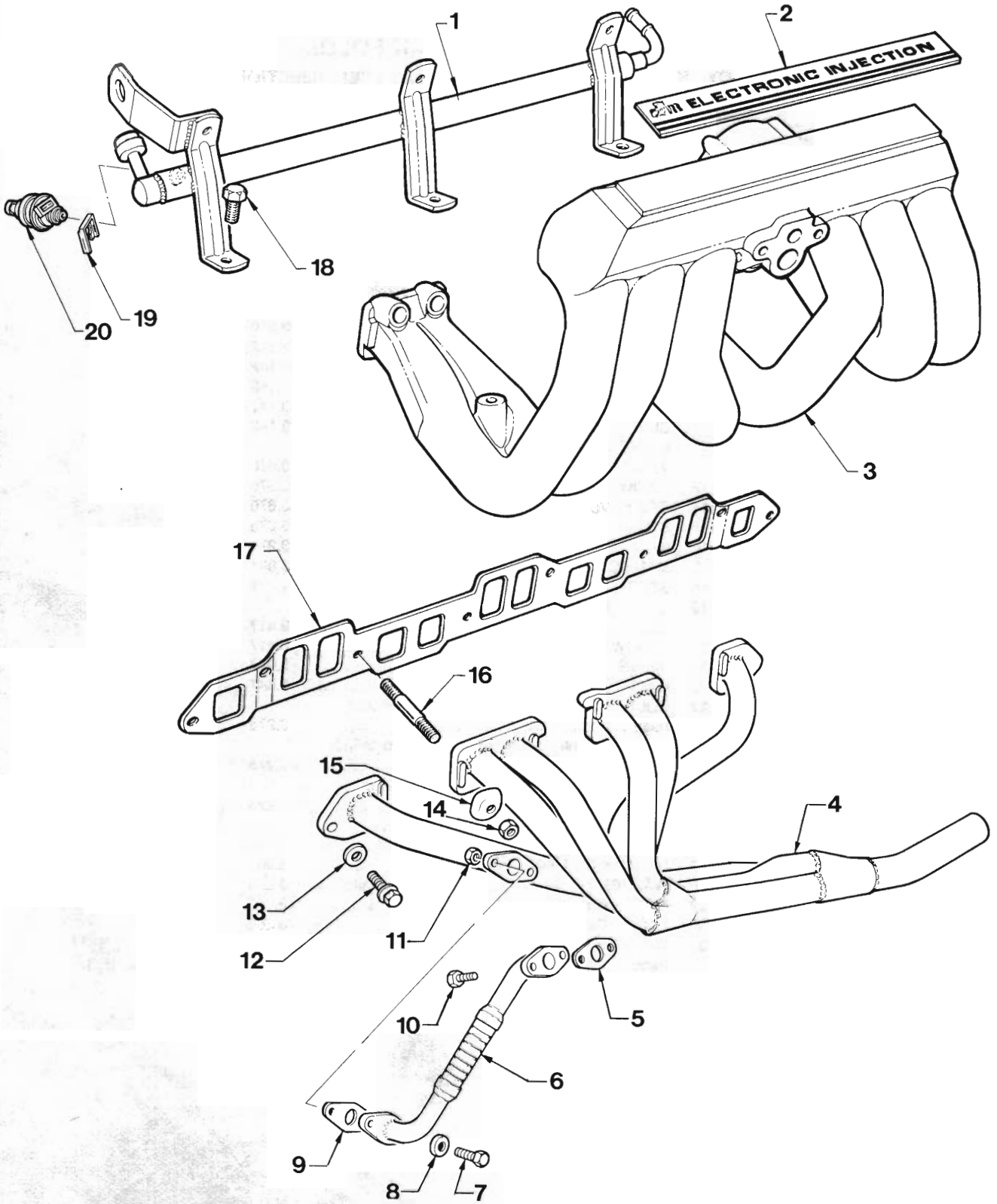




INLET & EXHAUST MANIFOLDS
6 CYLINDER ENGINE EXC. ELECTRONIC FUEL INJECTION
VC, VH, VK SERIES

ILLUSTRATION OPPOSITE

REF. NO.	PART NAME	GROUP
1	GASKET - Inlet & exhaust manifold to cylinder head.....	3.270
2	ADAPTOR - Inlet manifold vacuum	3.278
3	CLAMP - Inlet & exhaust manifold to cylinder head.....	3.273
4	NUT - Inlet & exhaust manifold to cylinder head	3.275
5	NUT - Valve to manifold.....	3.670
6	WASHER - Valve to manifold.....	3.670
7	ACTUATOR ASM.....	3.142
8	BRACKET - Actuator mounting	3.142
9	WASHER - Actuator to bracket.....	3.142
10	NUT - Actuator to bracket.....	3.142
11	CLIP - Retaining, Actuator rod to heat valve.....	3.142
12	VALVE ASM. - Exhaust gas recirculation (E.G.R.).....	3.670
13	GASKET - Valve to manifold	3.670
14	STUD - Valve to manifold	3.670
15	STUD - Inlet to exhaust manifold.....	3.275
16	GASKET - Inlet to exhaust manifold	3.270
17	MANIFOLD ASM. - Exhaust.....	3.601
18	STUD - Exhaust pipe to manifold	3.275
19	STOVE & SHIELD ASM. - Air cleaner air pre heat.....	3.417
20	SCREW - Stove to manifold	3.417
21	VALVE ASM. - Exhaust manifold heat.....	3.647
22	GASKET - Valve to exhaust manifold	3.647
23	BOLT - Inlet & exhaust manifold to cylinder head.....	3.275
24	WASHER - Inlet & exhaust manifold to cylinder head.....	3.275
25	STUD - Exhaust manifold & valve to inlet manifold.....	3.275
26	VALVE ASM. - Exhaust manifold to inlet manifold.....	3.647
27	MANIFOLD - Inlet.....	3.265
28	WASHER - Inlet manifold to exhaust manifold....	3.275
29	NUT - Inlet manifold to exhaust manifold.....	3.275
30	STUD - Carburettor to manifold	3.288
31	STUD - Inlet & exhaust manifold to cylinder head.....	3.275

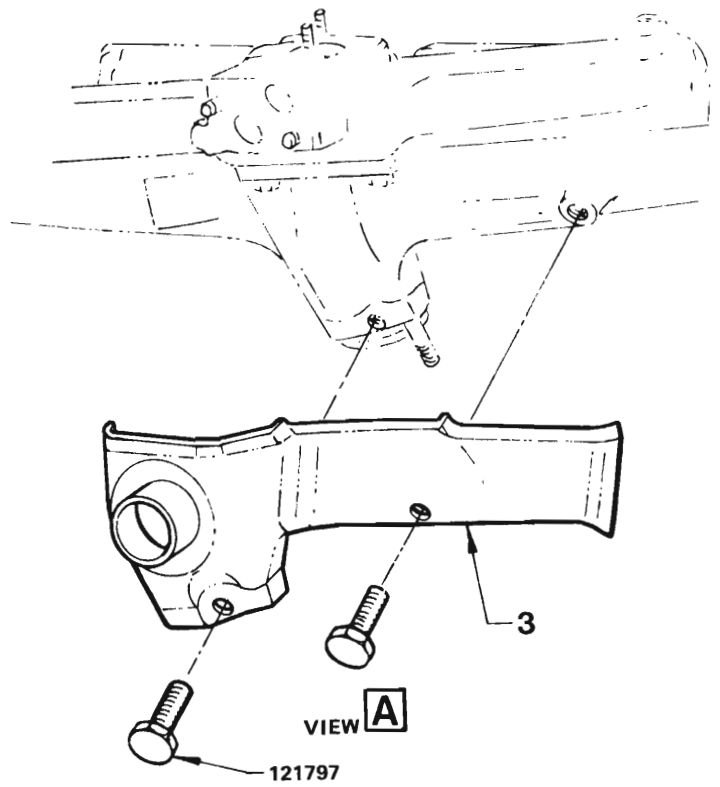
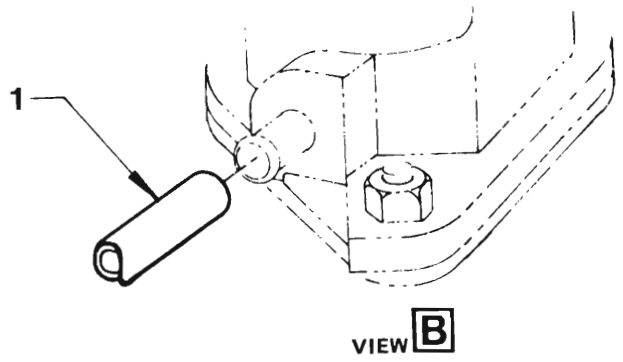
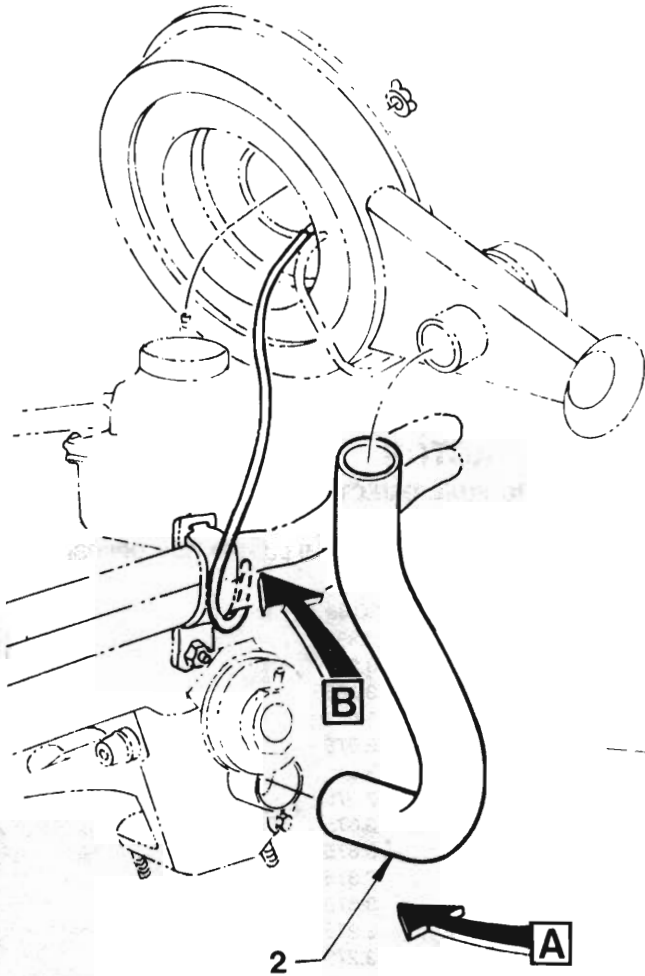




**INLET MANIFOLD & EXTRACTOR
3.3 LITRE ENGINE WITH ELECTRONIC FUEL INJECTION
VK SERIES**

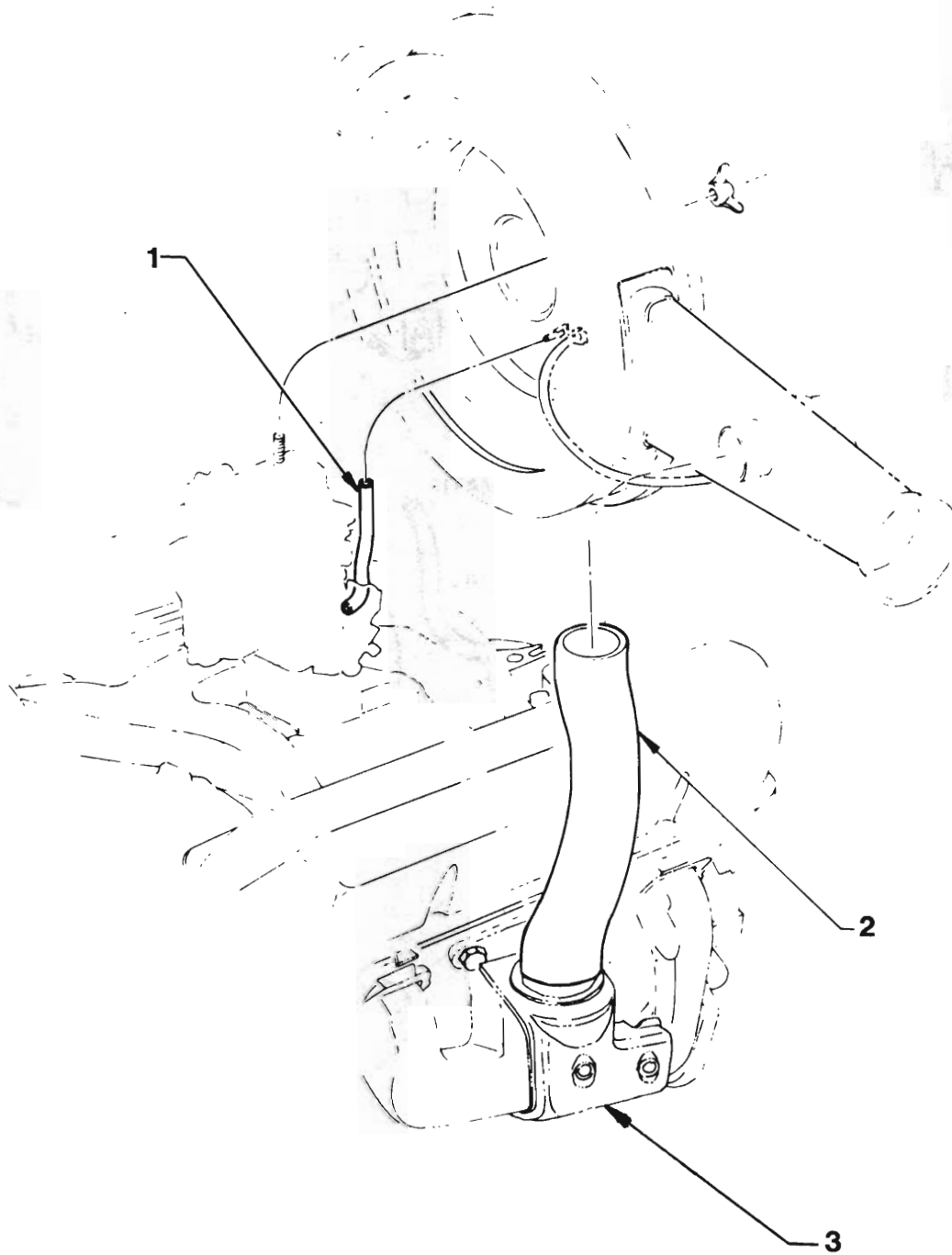
ILLUSTRATION OPPOSITE

REF. NO.	PART NAME	GROUP
1	PIPE ASM. - Fuel distribution	3.330
2	LABEL - Inlet manifold.....	3.265
3	MANIFOLD ASM. - Inlet.....	3.265
4	EXTRACTOR ASM. - Exhaust.....	3.601
5	GASKET - Pipe to inlet manifold.....	3.675
6	PIPE ASM. - Exhaust gas recirculation.....	3.675
7	SCREW - Pipe to extractor asm.	3.675
8	WASHER - Pipe to extractor asm.....	3.675
9	GASKET - Pipe to extractor asm.....	3.675
10	SCREW - Pipe to inlet manifold.....	3.675
11	NUT - Pipe to extractor asm.....	3.675
12	BOLT - Extractor to cylinder head.....	3.275
13	WASHER - Extractor to cylinder head.....	3.275
14	NUT - Inlet manifold & extractor asm. to cylinder head	3.275
15	CLAMP - Inlet manifold & extractor asm. to cylinder head	3.275
16	STUD - Inlet manifold & extractor to cylinder head.....	3.275
17	GASKET - Inlet manifold & extractor to cylinder head.....	3.270
18	SCREW - Distribution pipe to inlet manifold	3.330
19	CLIP - Injector to fuel distribution pipe.....	3.300
20	INJECTOR ASM.....	3.300



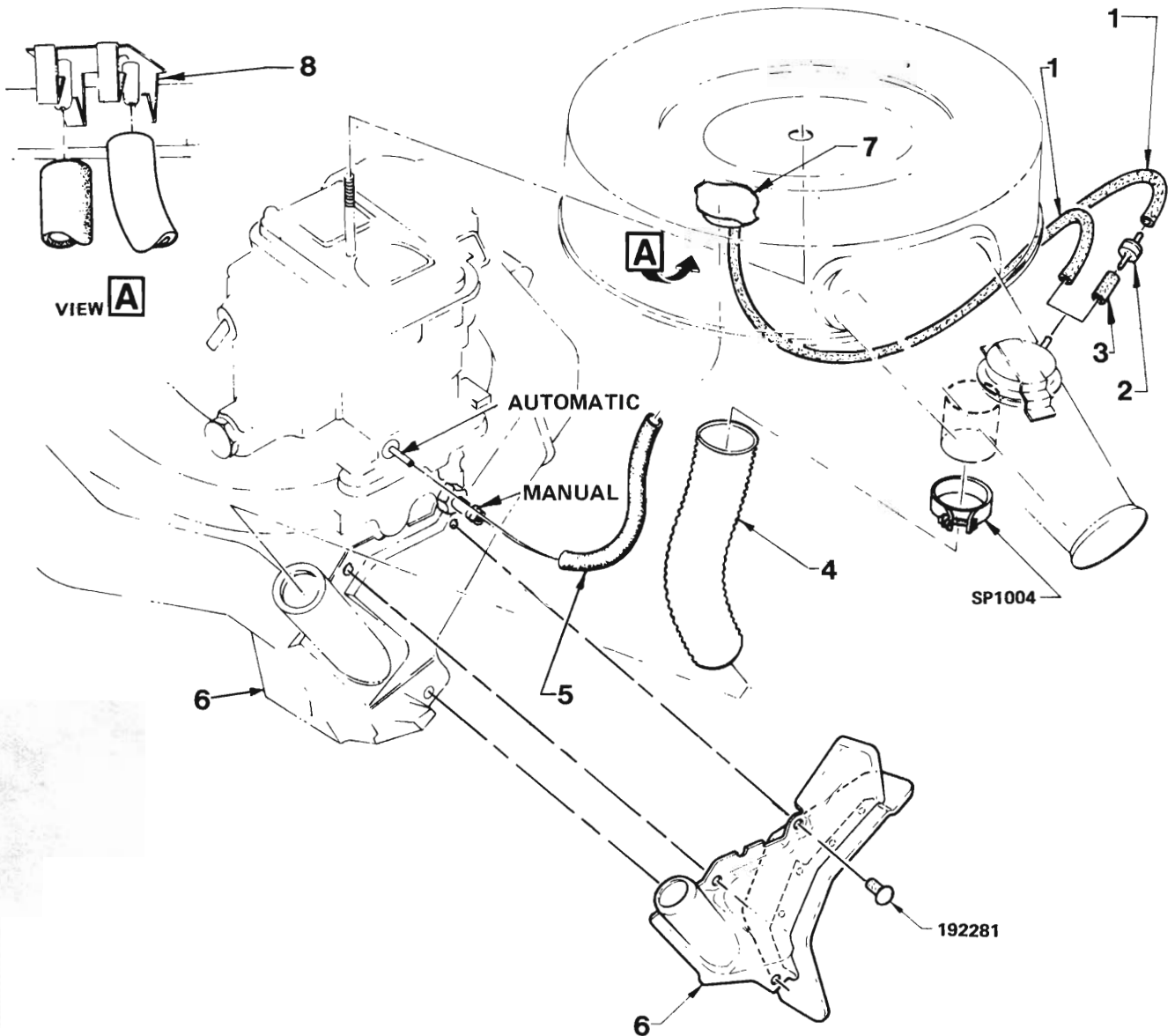
**AIR PRE HEAT SYSTEM
6 CYLINDER ENGINE
VB SERIES**

REF. NO.	PART NAME	GROUP
1	HOSE - Carburettor to thermal valve.....	3.407
2	HOSE - Stove to air cleaner.....	3.417
3	STOVE ASM.....	3.417



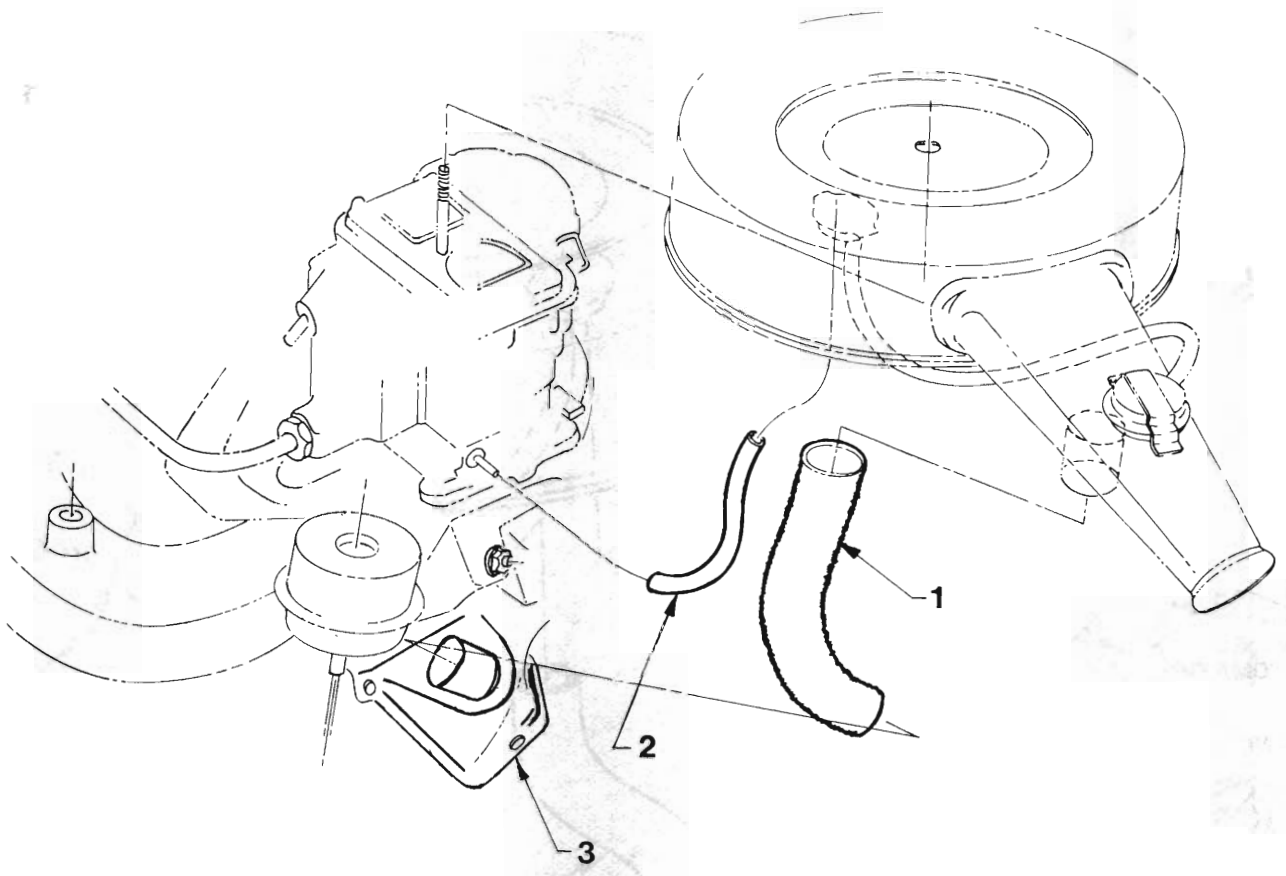
**AIR PRE HEAT SYSTEM
8 CYLINDER ENGINE
VB SERIES**

REF. NO.	PART NAME	GROUP
1	HOSE - Carburettor to thermal valve	3.407
2	HOSE - Stove to air cleaner	3.417
3	STOVE ASM.	3.417



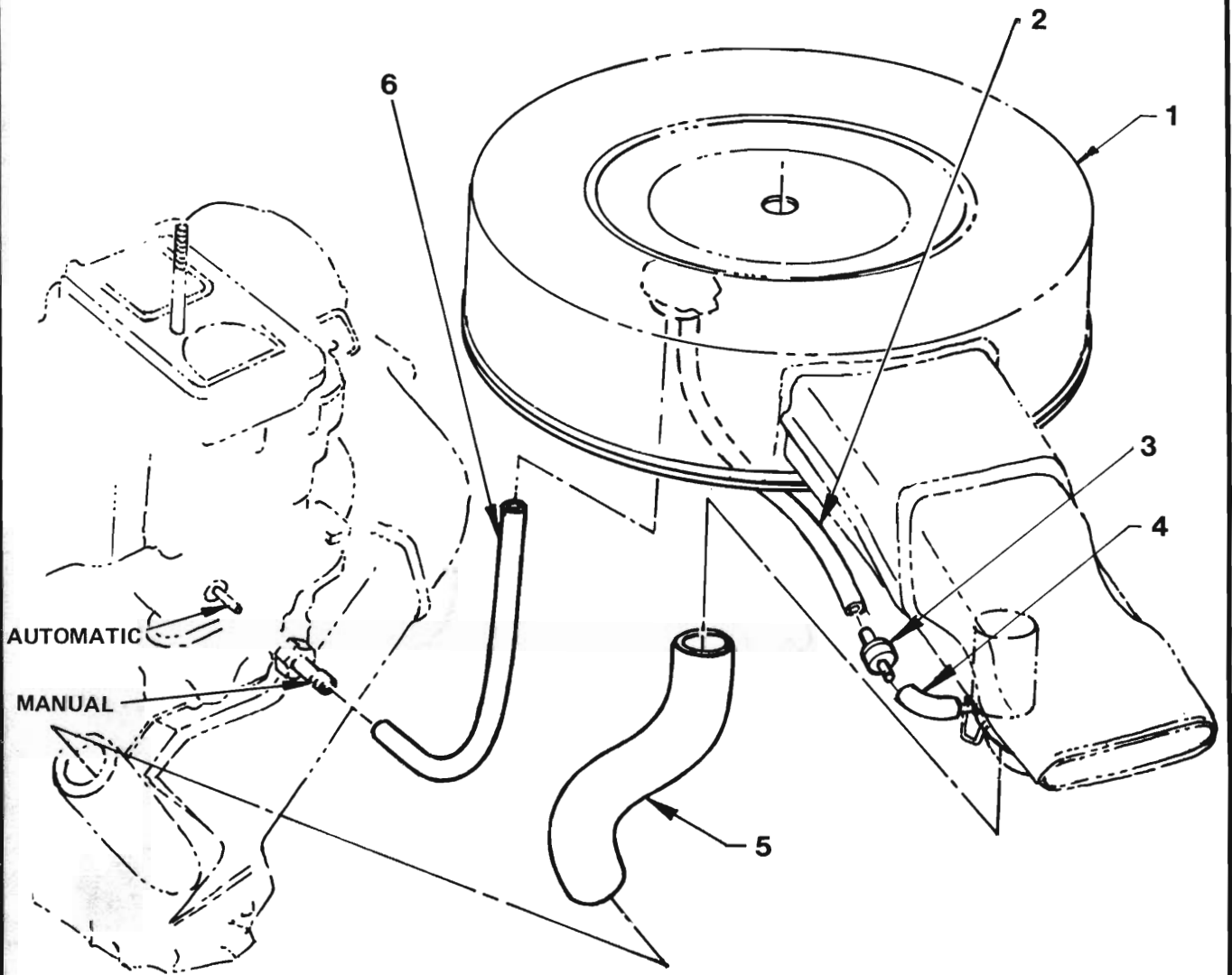
**AIR PRE HEAT SYSTEM
4 CYLINDER ENGINE
VC SERIES**

REF. NO.	PART NAME	GROUP
1	HOSE - Thermal valve to damper & valve asm..	3.407
2	VALVE ASM. - Vacuum delay.....	3.415
3	HOSE - Thermal valve to delay valve.....	3.407
4	HOSE - Stove to air cleaner.....	3.417
5	HOSE - Carburettor to thermal valve.....	3.407
6	STOVE & SHIELD ASM.....	3.417
7	THERMAL VALVE ASM.....	3.415
8	FASTENER - Thermal valve to air cleaner.....	3.415



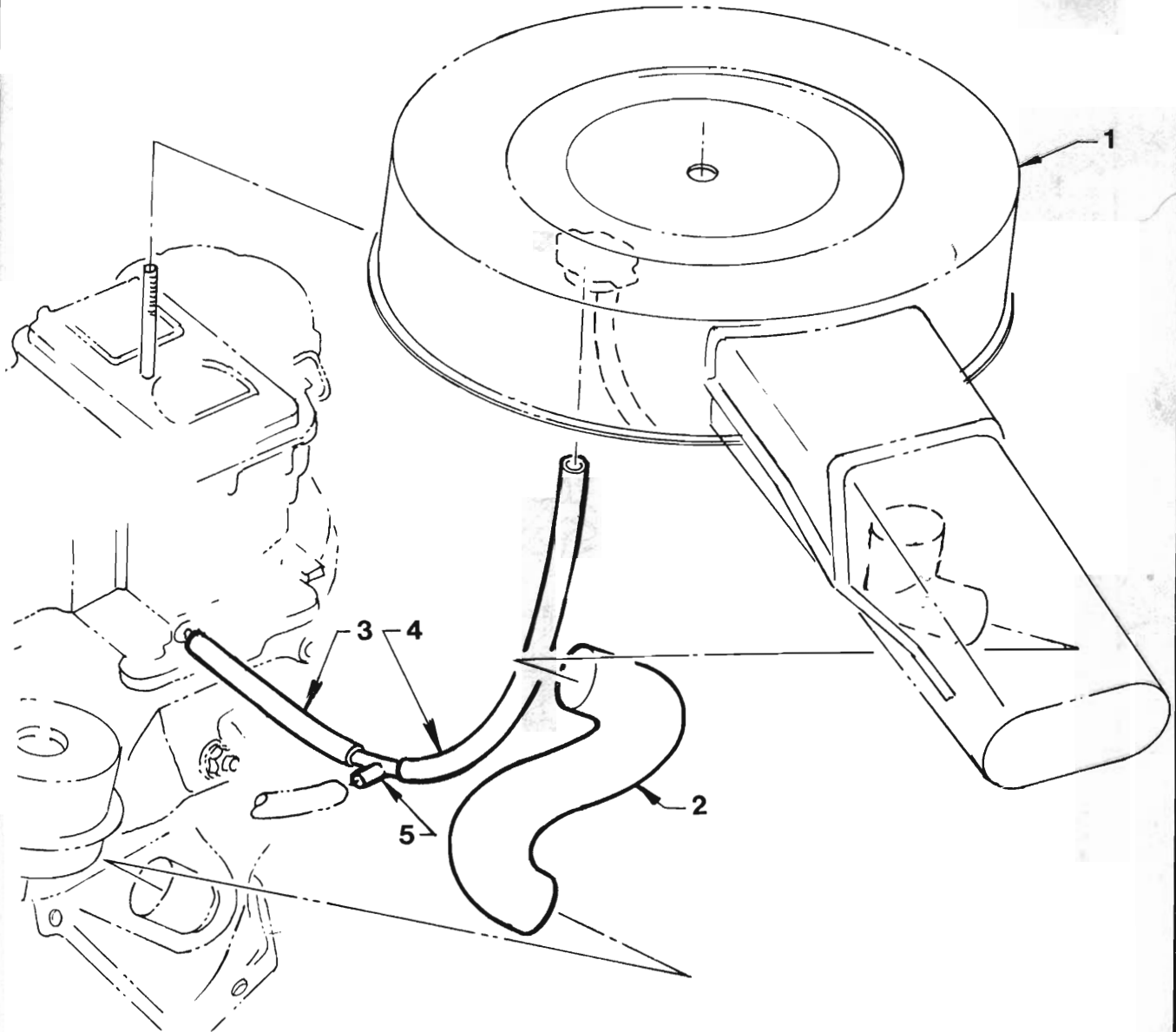
AIR PRE HEAT SYSTEM
6 CYLINDER ENGINE - VC SERIES
3.3 LITRE ENGINE - VH SERIES

REF. NO.	PART NAME	GROUP
1	HOSE - Stove to air cleaner.....	3.417
2	HOSE - Carburettor to thermal valve.....	3.407
3	STOVE ASM.....	3.417



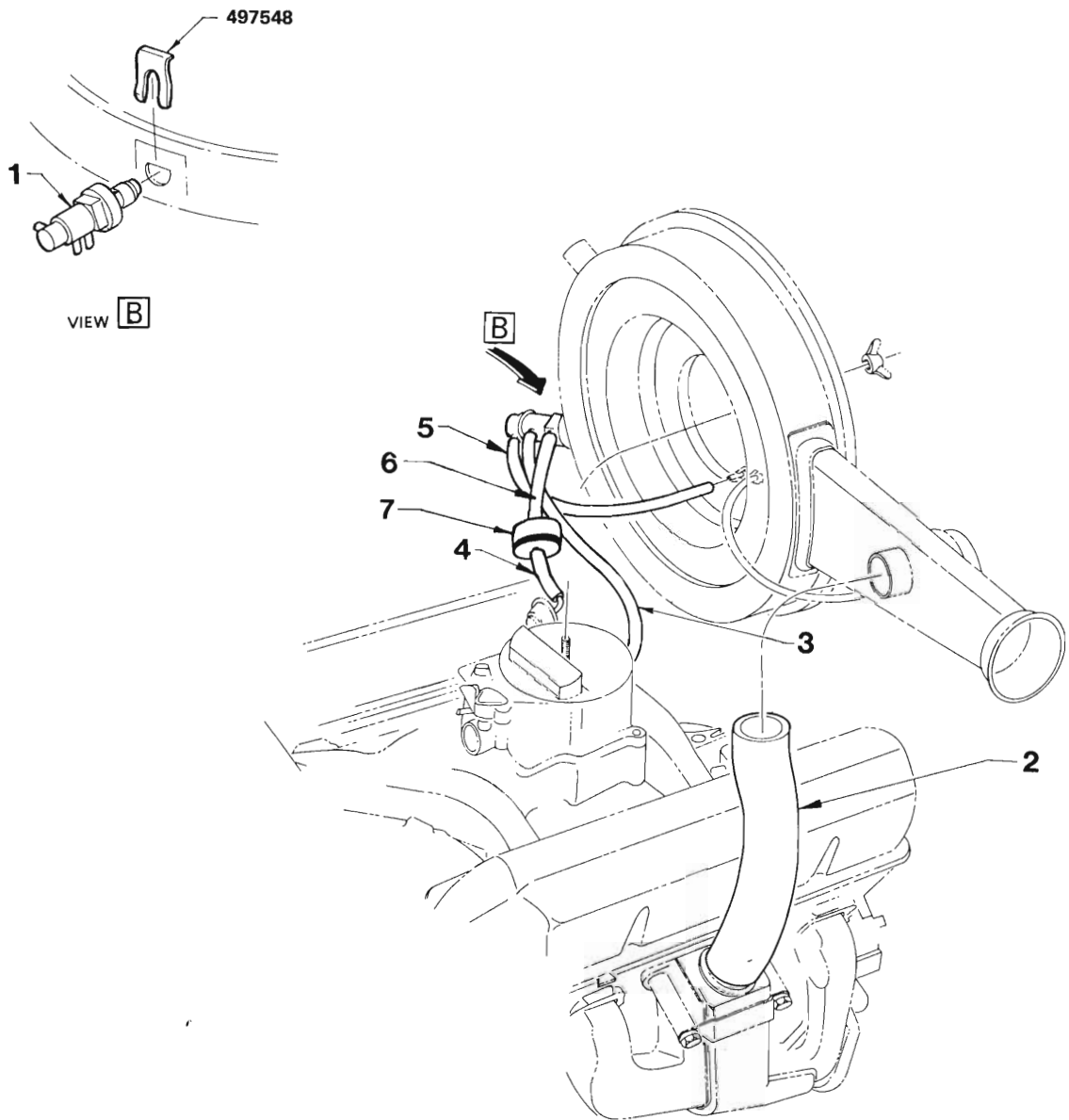
AIR PRE-HEAT SYSTEM
4 CYLINDER ENGINE
VH SERIES

REF. NO.	PART NAME	GROUP
1	AIR CLEANER & SILENCER ASM.	3.402
2	HOSE - Thermal valve to delay valve.....	3.407
3	VALVE - Vacuum delay, air cleaner thermal vacuum	3.415
4	HOSE - Delay valve to damper & valve asm	3.407
5	HOSE - Stove to air cleaner.....	3.417
6	HOSE - Carburettor to thermal valve	3.407



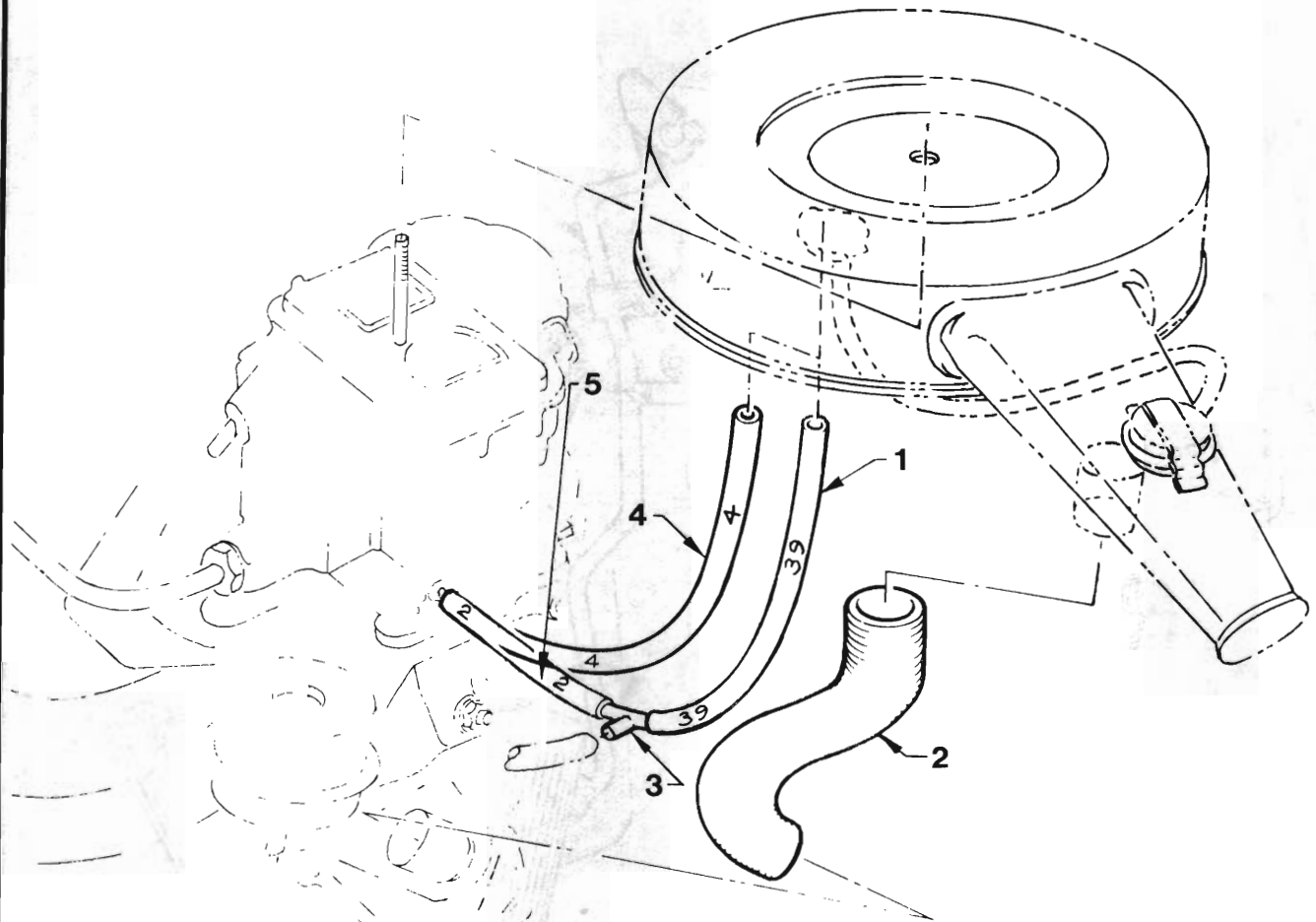
**AIR PRE HEAT SYSTEM
2.85 LITRE ENGINE
VH SERIES**

REF. NO.	PART NAME	GROUP
1	AIR CLEANER & SILENCER ASM.	3.402
2	HOSE - Stove to air cleaner.....	3.417
3	HOSE - Carburettor to tee.....	3.407
4	HOSE - Tee to thermal valve.....	3.407
5	TEE.....	3.407



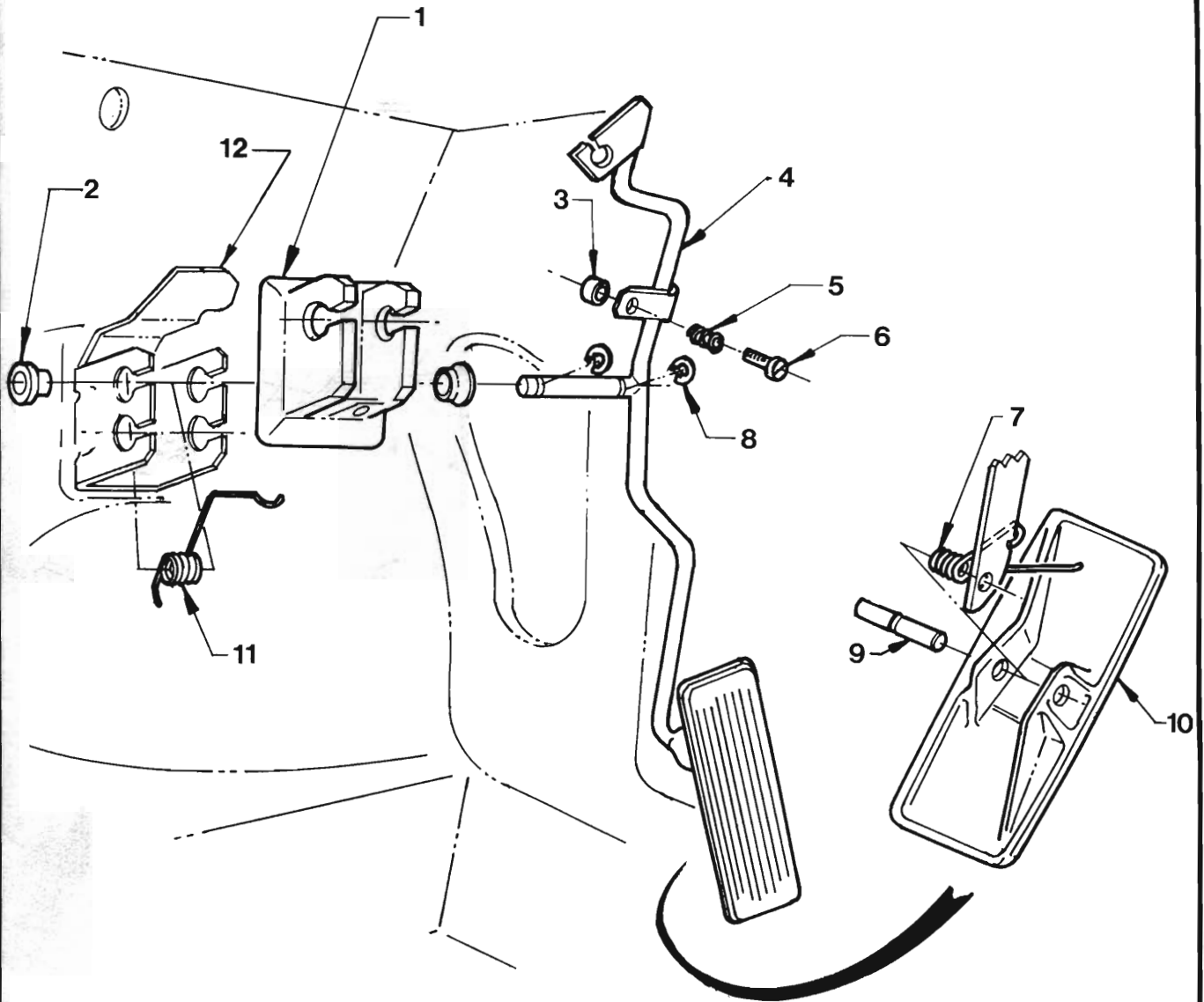
**AIR PRE HEAT SYSTEM
8 CYLINDER ENGINE
VC, VH, VK SERIES**

REF. NO.	PART NAME	GROUP
1	SWITCH - Choke thermal vacuum.....	3.415
2	HOSE - Stove to air cleaner.....	3.417
3	HOSE - Switch to carburettor.....	3.407
4	HOSE - Delay valve to choke diaphragm.....	3.407
5	HOSE - Switch to air cleaner thermal vacuum valve.....	3.407
6	HOSE - Delay valve to TVS.....	3.407
7	VALVE ASM. - Vacuum delay.....	3.415



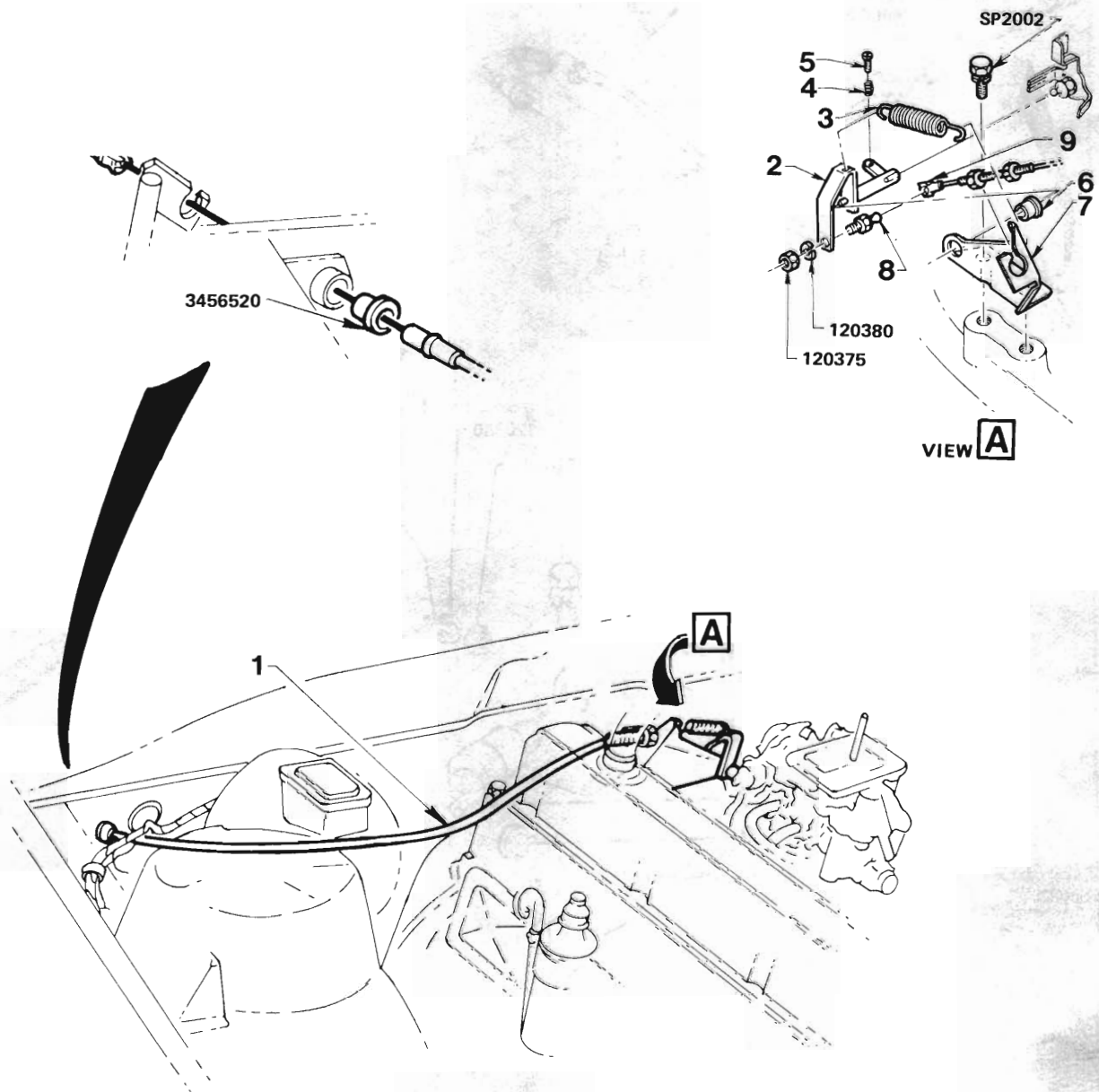
AIR PRE HEAT SYSTEM
6 CYLINDER ENGINE EXC. ELECTRONIC FUEL INJECTION
VK SERIES

REF. NO.	PART NAME	GROUP
1	HOSE - Tee to thermal valve.....	3.407
2	HOSE - Stove to air cleaner.....	3.417
3	TEE - Hose.....	3.407
4	HOSE - Carburettor to thermal valve.....	3.407
5	HOSE - Carburettor to tee.....	3.407



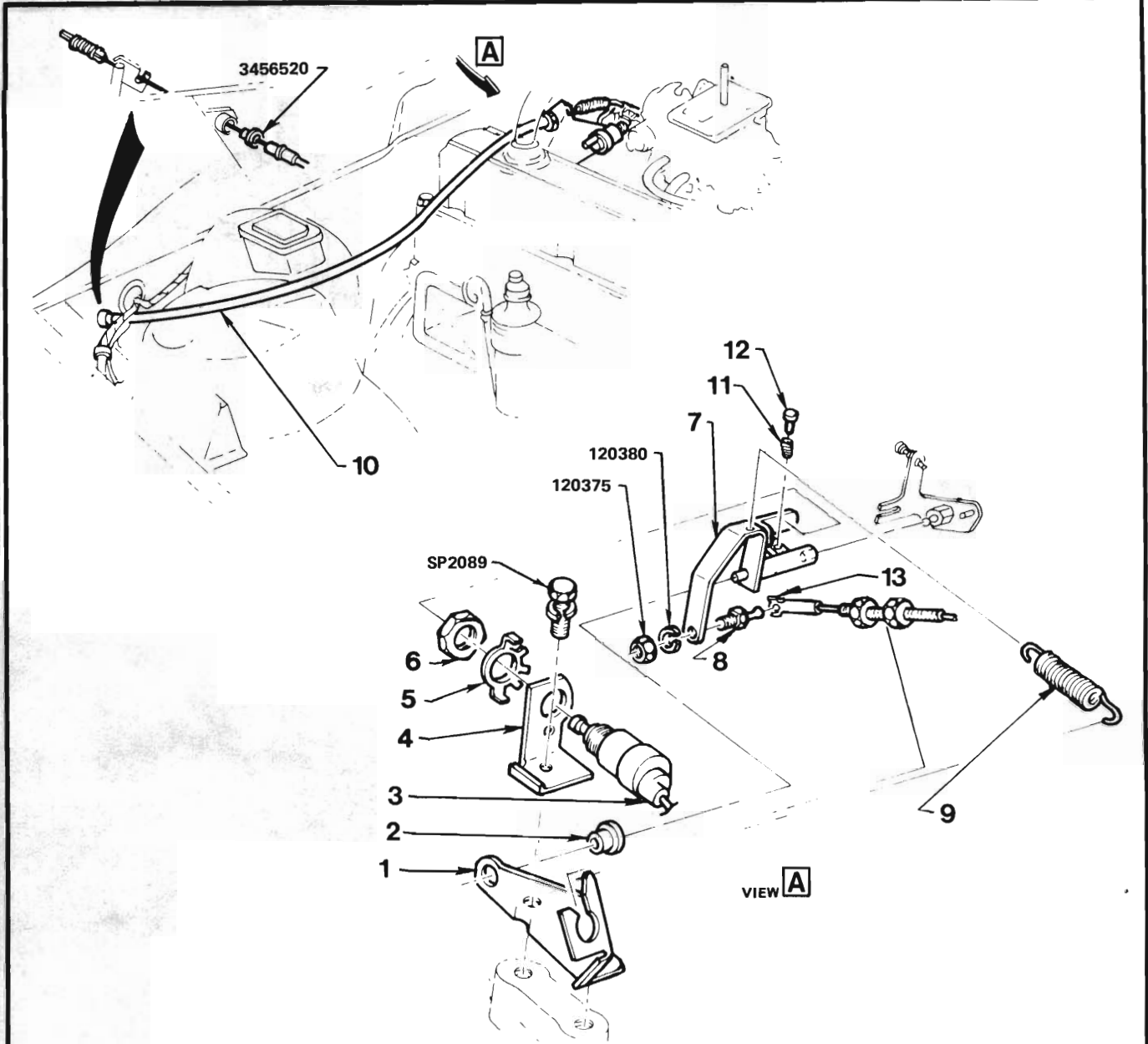
ACCELERATOR CONTROL

REF. NO.	PART NAME	GROUP
1	CAP - Accelerator pedal lever support	3.452
2	BUSH - Accelerator lever pivot	3.452
3	BUFFER - Accelerator stop adjust	3.452
4	LEVER & PIVOT ASM. - Accelerator control	3.431
5	SPRING - Accelerator stop adjust	3.452
6	SCREW - Accelerator stop adjust	3.452
7	SPRING - Pedal tension	3.452
8	CIRCLIP - Lever & pivot to support	3.452
9	PIN - Pedal to lever	3.452
10	PEDAL ASM.	3.451
11	SPRING - Accelerator lever pedal return	3.459
12	SUPPORT - Lever & pivot asm.	3.452



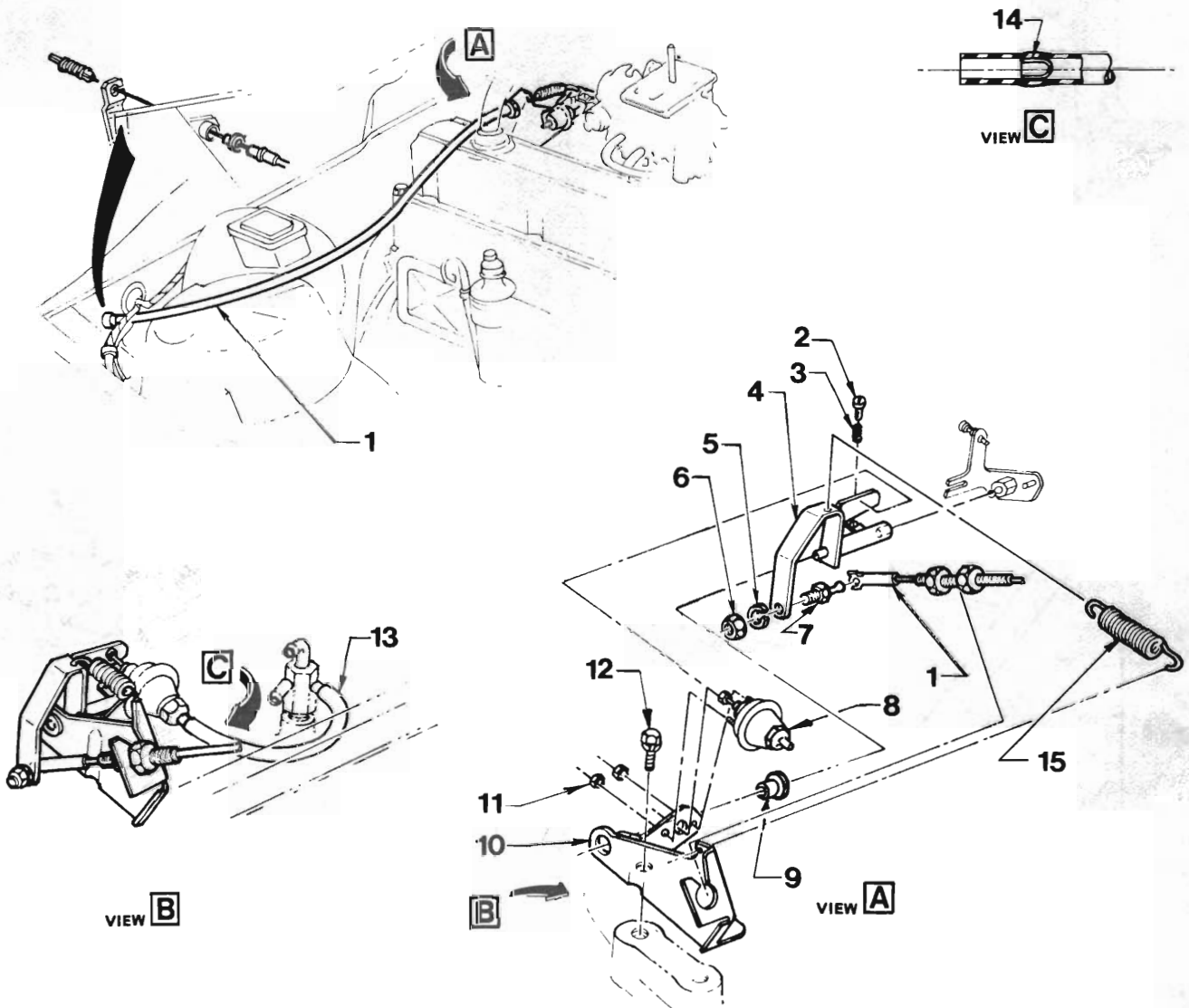
**ACCELERATOR CABLE
4 CYLINDER ENGINE
EXC. AIR CONDITIONING, POWER STEERING**

REF. NO.	PART NAME	GROUP
1	CABLE ASM. - Accelerator control.....	3.430
2	LEVER & BRACKET - Relay, Accelerator control.....	3.454
3	SPRING - Accelerator return	3.459
4	SPRING - Deceleration adjusting screw	3.440
5	SCREW - Deceleration adjusting.....	3.440
6	BEARING - Cable retaining bracket	3.430
7	BRACKET - Cable retaining.....	3.430
8	STUD - Cable to lever & bracket, Relay	3.430
9	CLIP - Retaining, cable to lever pivot	3.430



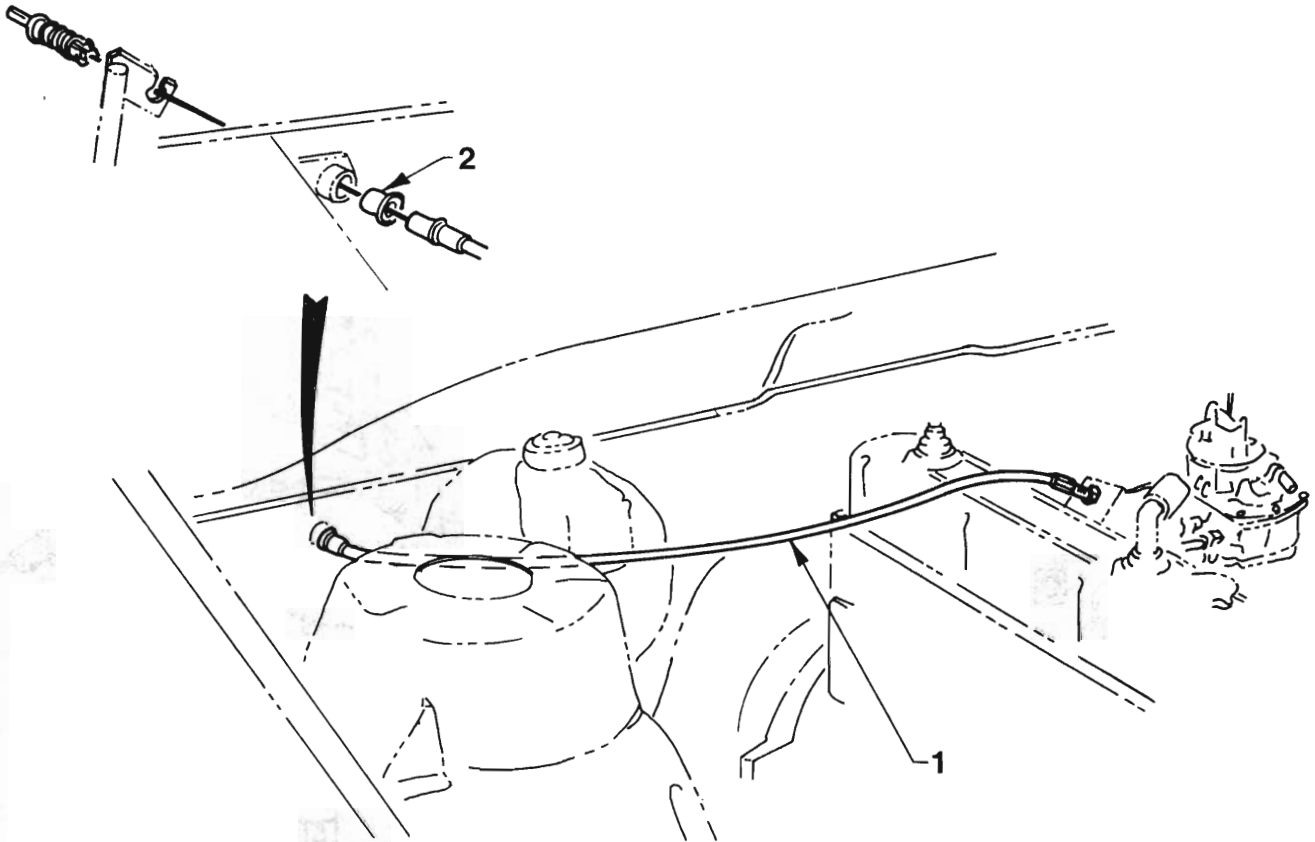
**ACCELERATOR CABLE
4 CYLINDER ENGINE
WITH AIR CONDITIONING EXC. POWER STEERING**

REF. NO.	PART NAME	GROUP
1	BRACKET - Accelerator cable retaining	3.430
2	BEARING - Retaining bracket	3.430
3	SOLENOID - Engine idle boost	3.440
4	BRACKET - Solenoid mounting	3.440
5	WASHER - Solenoid to bracket	3.440
6	NUT - Solenoid to bracket	3.440
7	LEVER & BRACKET - Relay, Accelerator control.....	3.454
8	STUD - Cable to lever & bracket.....	3.430
9	SPRING - Accelerator return	3.459
10	CABLE - Accelerator control.....	3.430
11	SPRING - Deceleration adjusting screw	3.440
12	SCREW - Deceleration adjusting.....	3.440
13	CLIP - Retaining, Cable to lever pivot.....	3.430



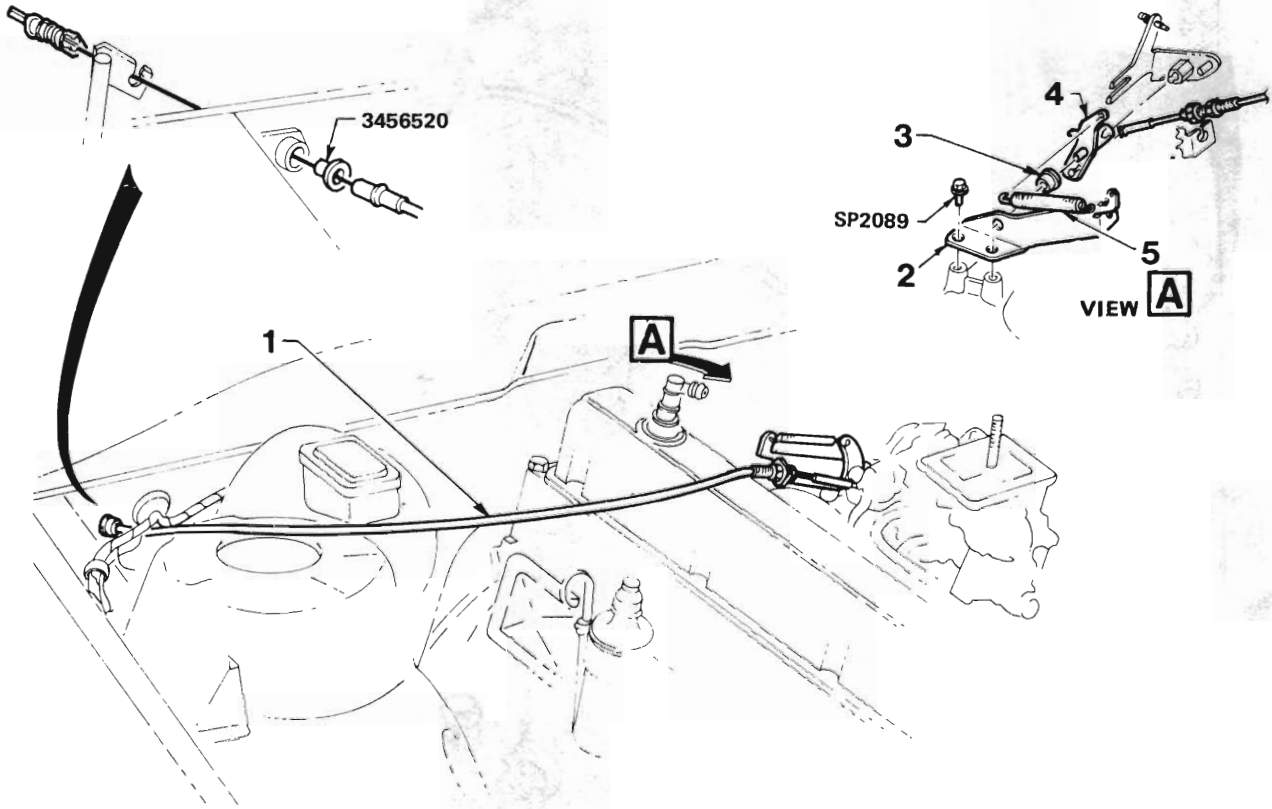
**ACCELERATOR CABLE
4 CYLINDER ENGINE
WITH POWER STEERING**

REF. NO.	PART NAME	GROUP
1	CABLE ASM. - Accelerator control.....	3.430
2	SCREW - Deceleration adjusting.....	3.440
3	SPRING - Deceleration adjusting.....	3.440
4	LEVER & BRACKET - Relay, Accelerator control.....	3.454
5	WASHER - Stud to lever.....	3.430
6	NUT - Stud to lever.....	3.430
7	STUD - Cable to lever.....	3.430
8	VALVE ASM. - Idle load compensator.....	3.440
9	BEARING - Cable retaining bracket.....	3.430
10	BRACKET - Cable retaining.....	3.430
11	NUT - Valve to bracket.....	3.440
12	SCREW - Cable retaining bracket.....	3.430
13	HOSE - Valve to vacuum adaptor.....	3.440
14	RESTRICTOR.....	3.440
15	SPRING - Accelerator return.....	3.459



**ACCELERATOR CABLE
6 CYLINDER ENGINE
VB SERIES**

REF. NO.	PART NAME	GROUP
1	CABLE - Accelerator control.....	3.430
2	GROMMET - Cable to firewall.....	3.430

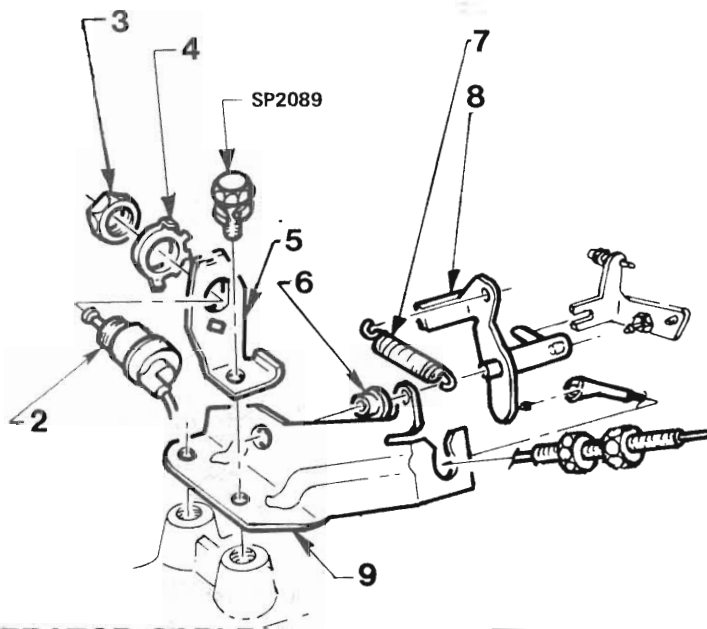
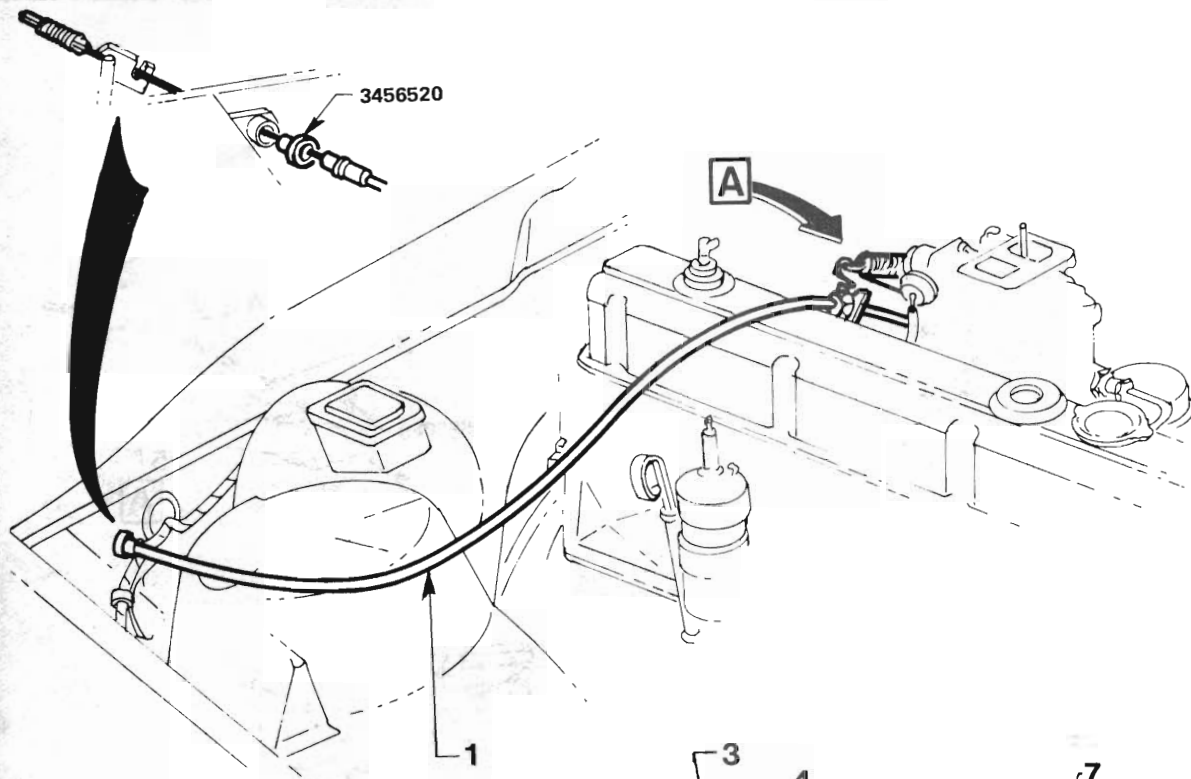


ACCELERATOR CABLE
6 CYLINDER ENGINE
EXC. AIR CONDITIONING
VC, VH SERIES

REF. NO.	PART NAME	GROUP
1	CABLE ASM. - Accelerator control.....	3.430
2	BRACKET - Cable retaining.....	3.430
3	BEARING - Retaining bracket.....	3.430
4	LEVER & BRACKET - Relay, Accelerator control.....	3.454
5	SPRING - Accelerator return.....	3.459



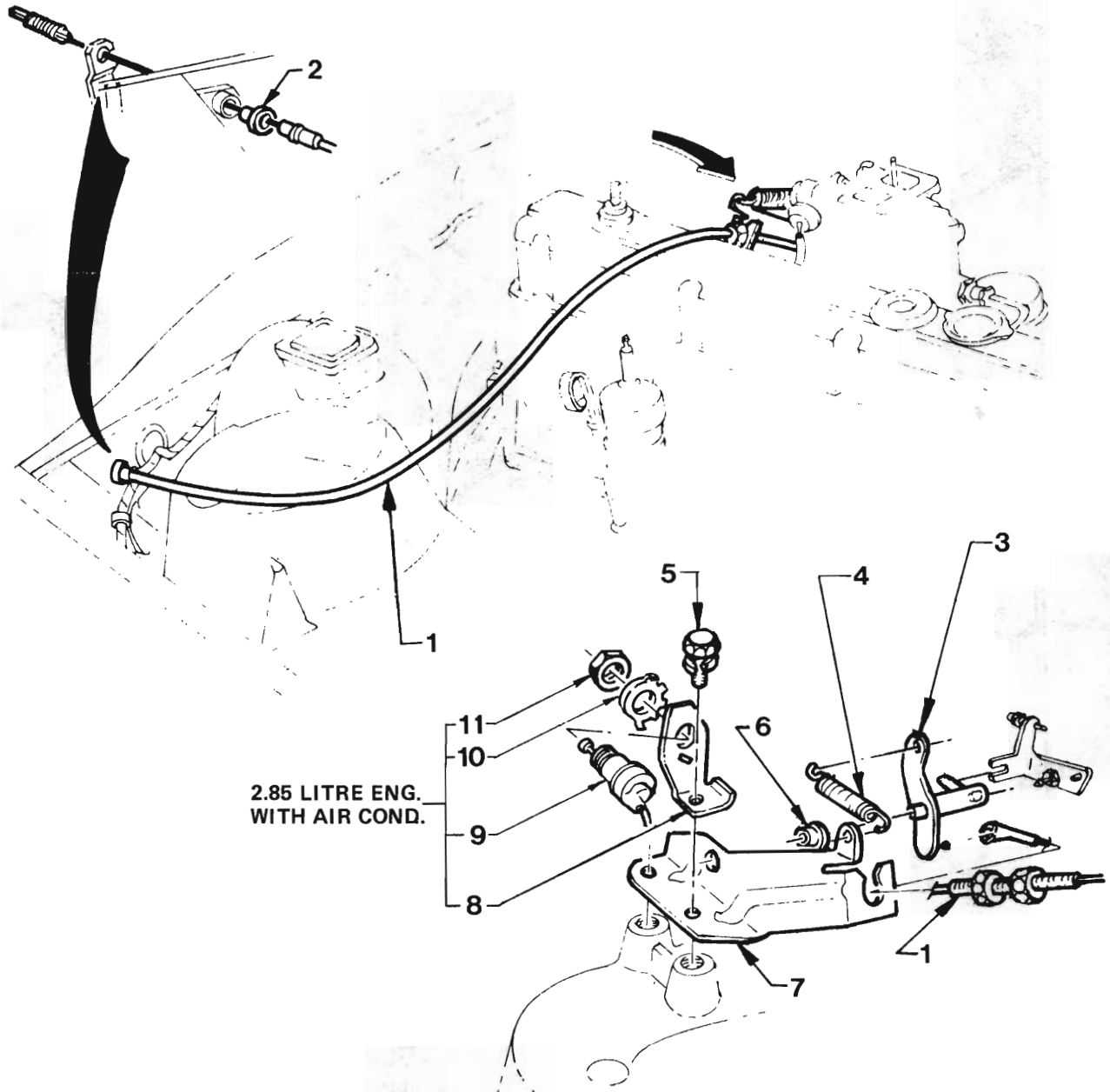
"V" SERIES PARTS CATALOGUE



ACCELERATOR CABLE 6 CYLINDER ENGINE WITH AIR CONDITIONING VC, VH SERIES

VIEW **A**

REF. NO.	PART NAME	GROUP
1	CABLE ASM. - Accelerator control.....	3.430
2	SOLENOID - Engine idle boost.....	3.440
3	NUT - Solenoid to bracket.....	3.440
4	WASHER - Solenoid to bracket.....	3.440
5	BRACKET - Solenoid mounting.....	3.440
6	BEARING - Retaining bracket.....	3.430
7	SPRING - Accelerator return.....	3.459
8	LEVER & BRACKET - Relay, Accelerator control.....	3.454
9	BRACKET - Accelerator cable retaining.....	3.430

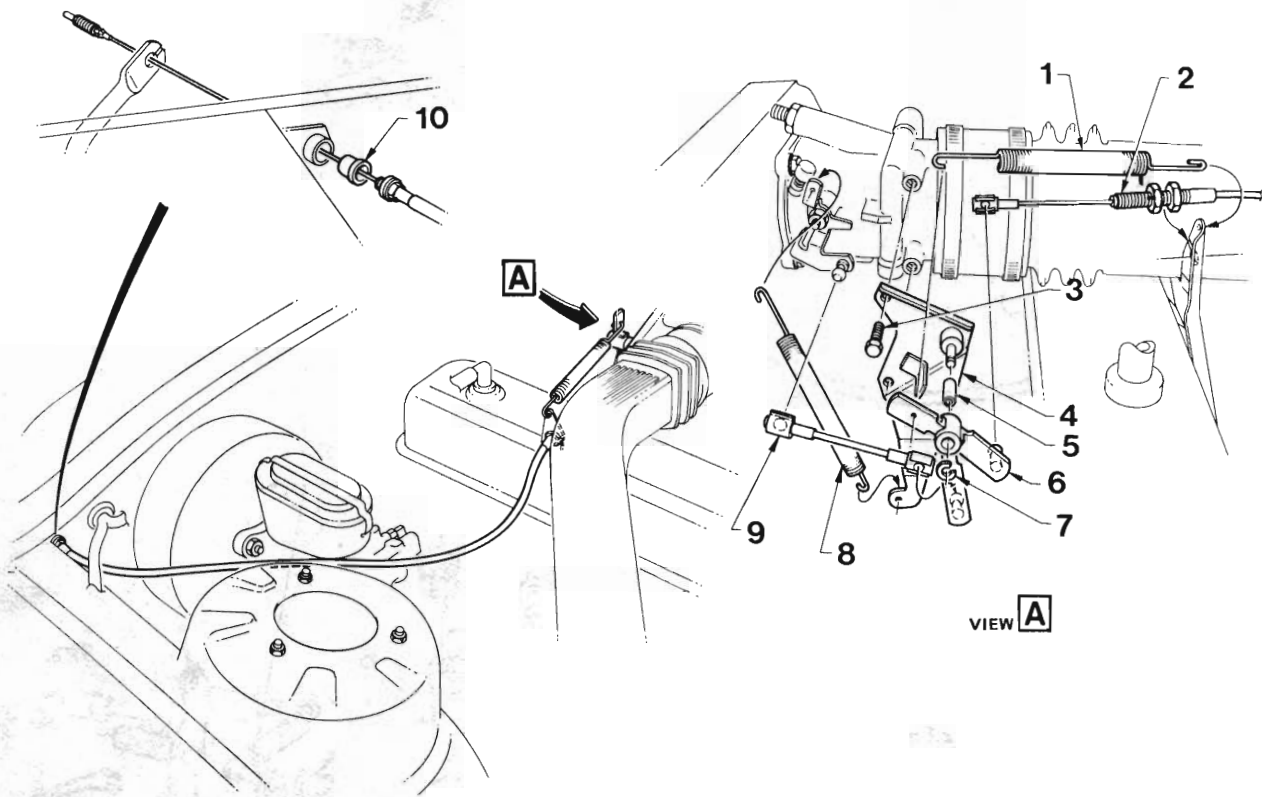


2.85 LITRE ENG.
WITH AIR COND.

ACCELERATOR CABLE

**2.85 LITRE ENGINE WITH AIR CONDITIONING
3.3 LITRE ENGINE EXC. ELECTRONIC FUEL INJECTION
VK SERIES**

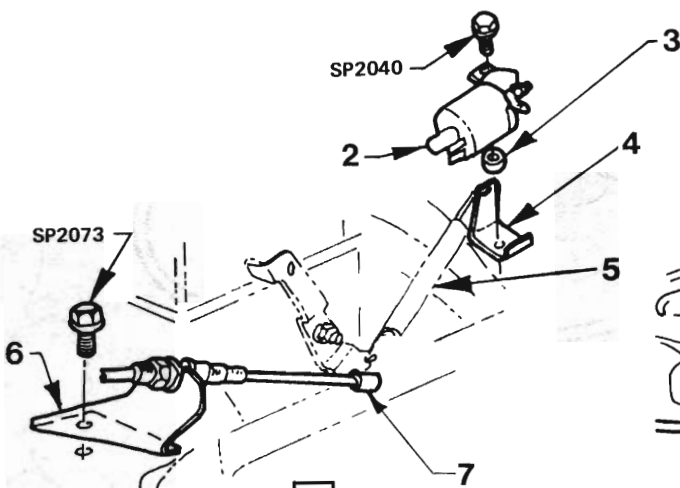
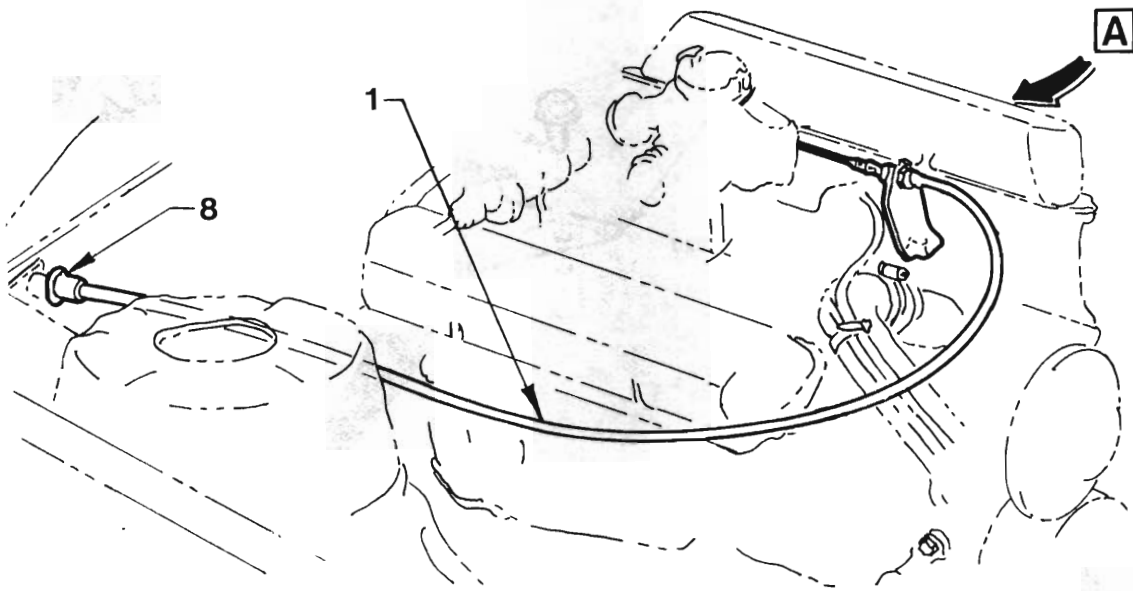
REF. NO.	PART NAME	GROUP
1	CABLE ASM. - Accelerator	3.430
2	GROMMET - Cable to fire wall	3.430
3	LEVER & BRACKET - Accelerator control	3.454
4	SPRING - Accelerator return	3.459
5	SCREW - Cable retaining bracket to manifold.....	3.430
6	BEARING - Cable retaining bracket	3.430
7	BRACKET ASM. - Cable retaining	3.430
8	BRACKET - Solenoid mounting.....	3.440
9	SOLENOID - Engine idle boost.....	3.440
10	WASHER - Solenoid to bracket.....	3.440
11	NUT - Solenoid to bracket.....	3.440



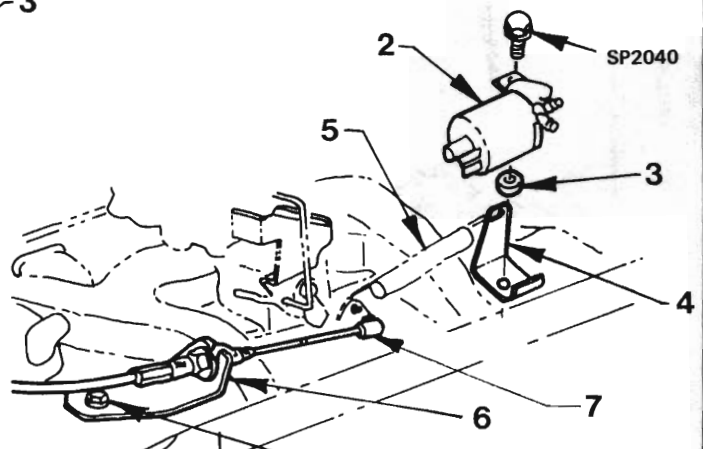
ACCELERATOR CABLE

3.3 LITRE ENGINE WITH ELECTRONIC FUEL INJECTION
VK SERIES

REF. NO.	PART NAME	GROUP
1	SPRING - Return	3.459
2	CABLE ASM. - Accelerator	3.430
3	SCREW - Lever & bracket to throttle body.....	3.454
4	LEVER & BRACKET - Throttle control	3.454
5	BUSH - Relay lever	3.454
6	LEVER & BUSH - Throttle relay	3.454
7	CIRCLIP - Lever to shaft.....	3.454
8	SPRING - Throttle closing.....	3.459
9	ROD ASM. - Relay adjuster.....	3.454
10	GROMMET - Cable to fire wall	3.430



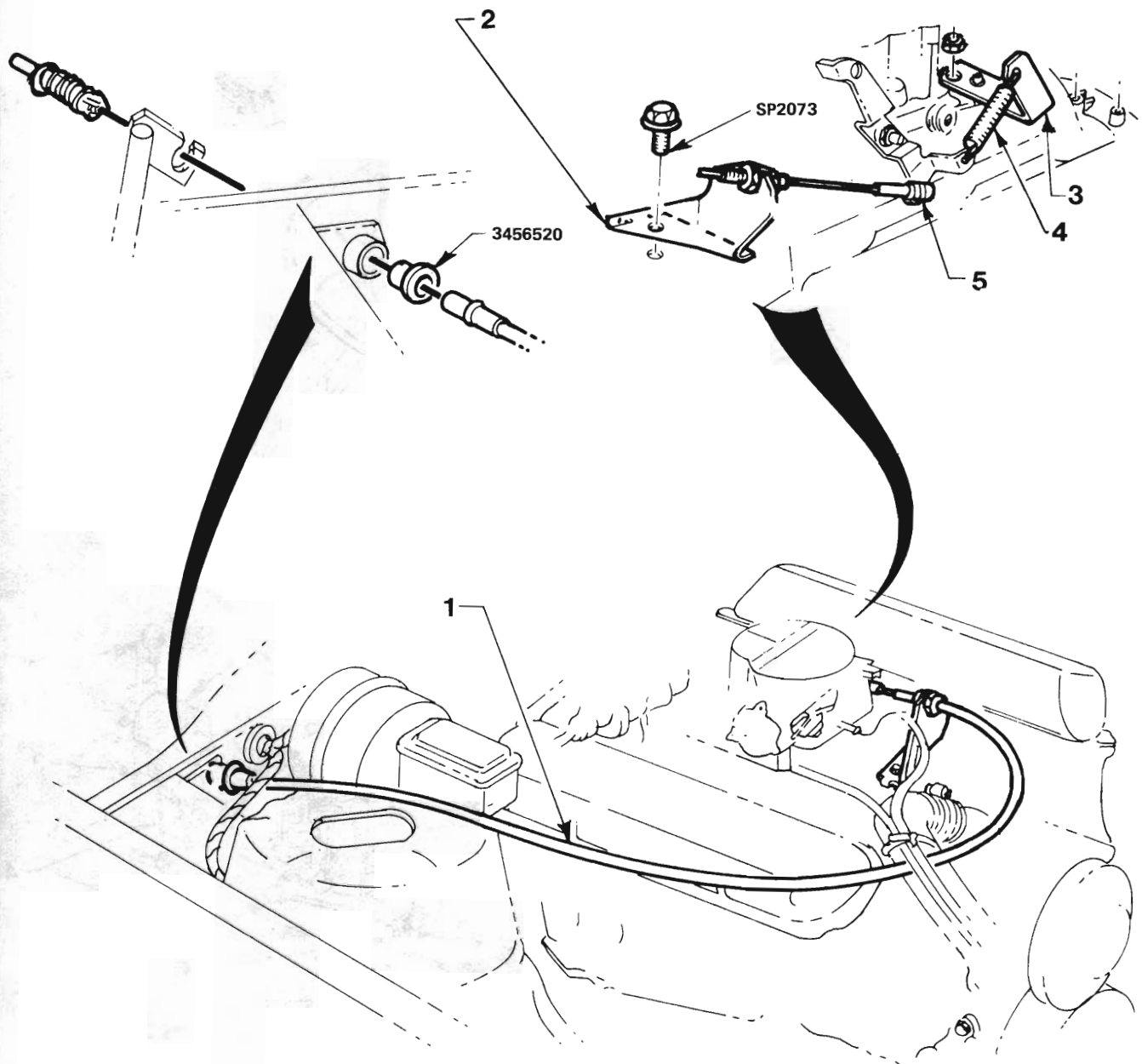
VIEW A
5.0 LITRE ENGINE



VIEW A
4.2 LITRE ENGINE

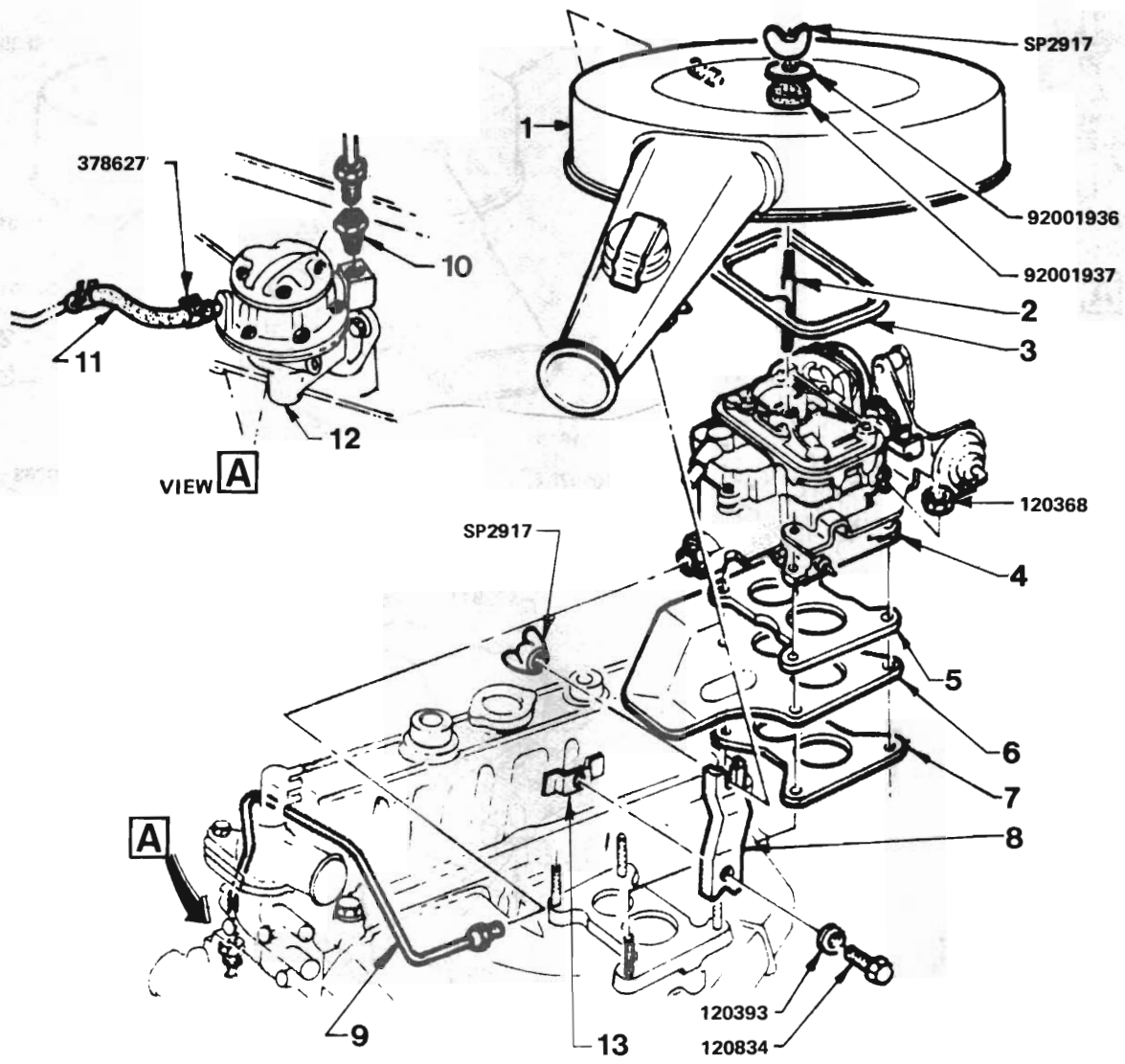
ACCELERATOR CABLE
8 CYLINDER ENGINE
VB SERIES

REF. NO.	PART NAME	GROUP
1	CABLE ASM. - Accelerator control.....	3.430
2	SOLENOID - T.C.S switch.....	2.408
3	SPACER - Solenoid support	2.408
4	BRACKET - Accelerator return spring.....	3.459
5	SPRING - Accelerator return	3.459
6	BRACKET - Accelerator cable retaining	3.430
7	CLIP - Retaining, Cable to lever pivot.....	3.430
8	GROMMET - Cable to firewall.....	3.430



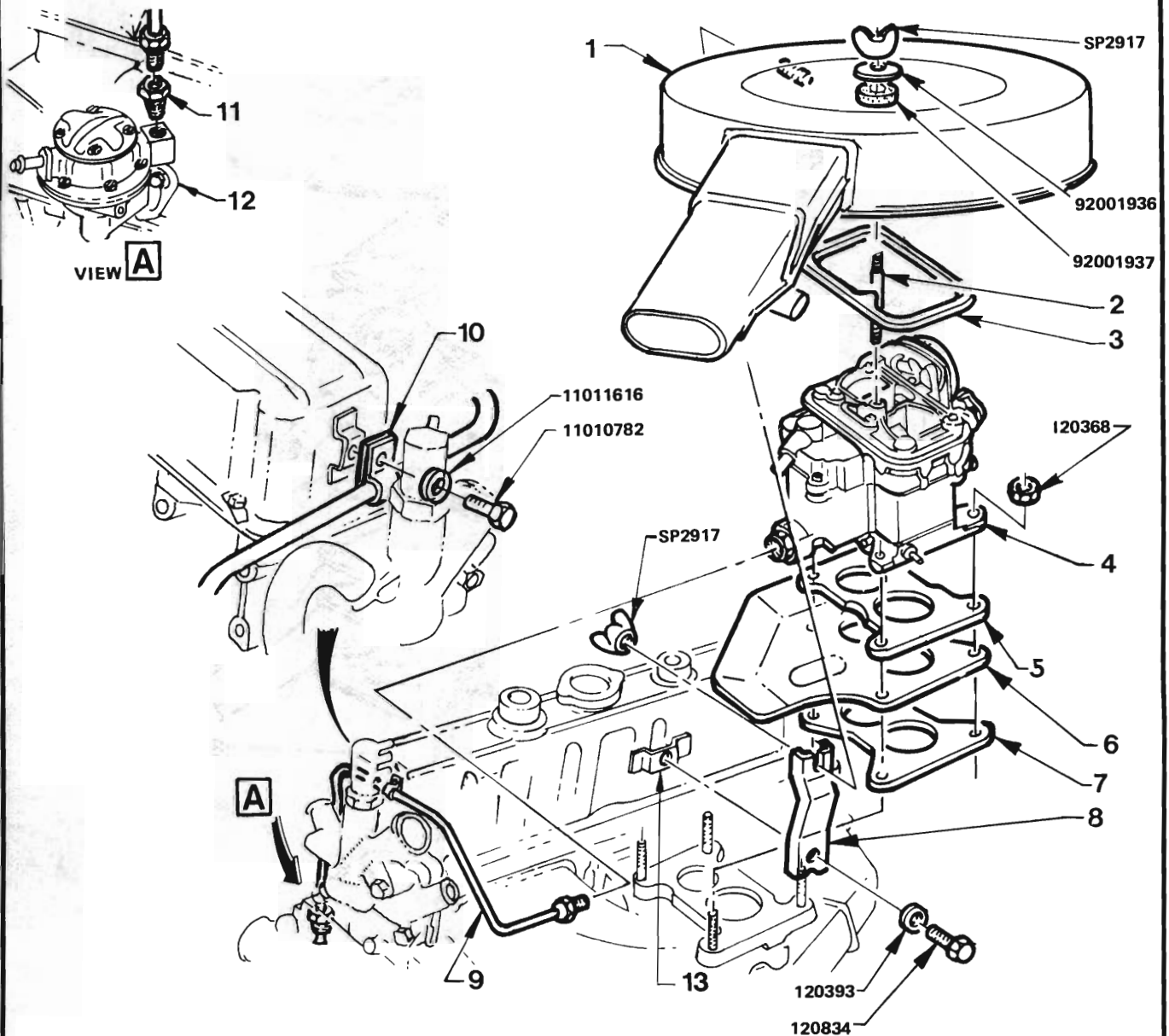
ACCELERATOR CABLE
8 CYLINDER ENGINE
VC, VH, VK SERIES

REF. NO.	PART NAME	GROUP
1	CABLE ASM. - Accelerator control.....	3.430
2	BRACKET - Cable retaining.....	3.430
3	BRACKET - Accelerator return spring.....	3.459
4	SPRING - Accelerator return.....	3.459
5	CLIP - Retaining, Cable to lever pivot.....	3.430



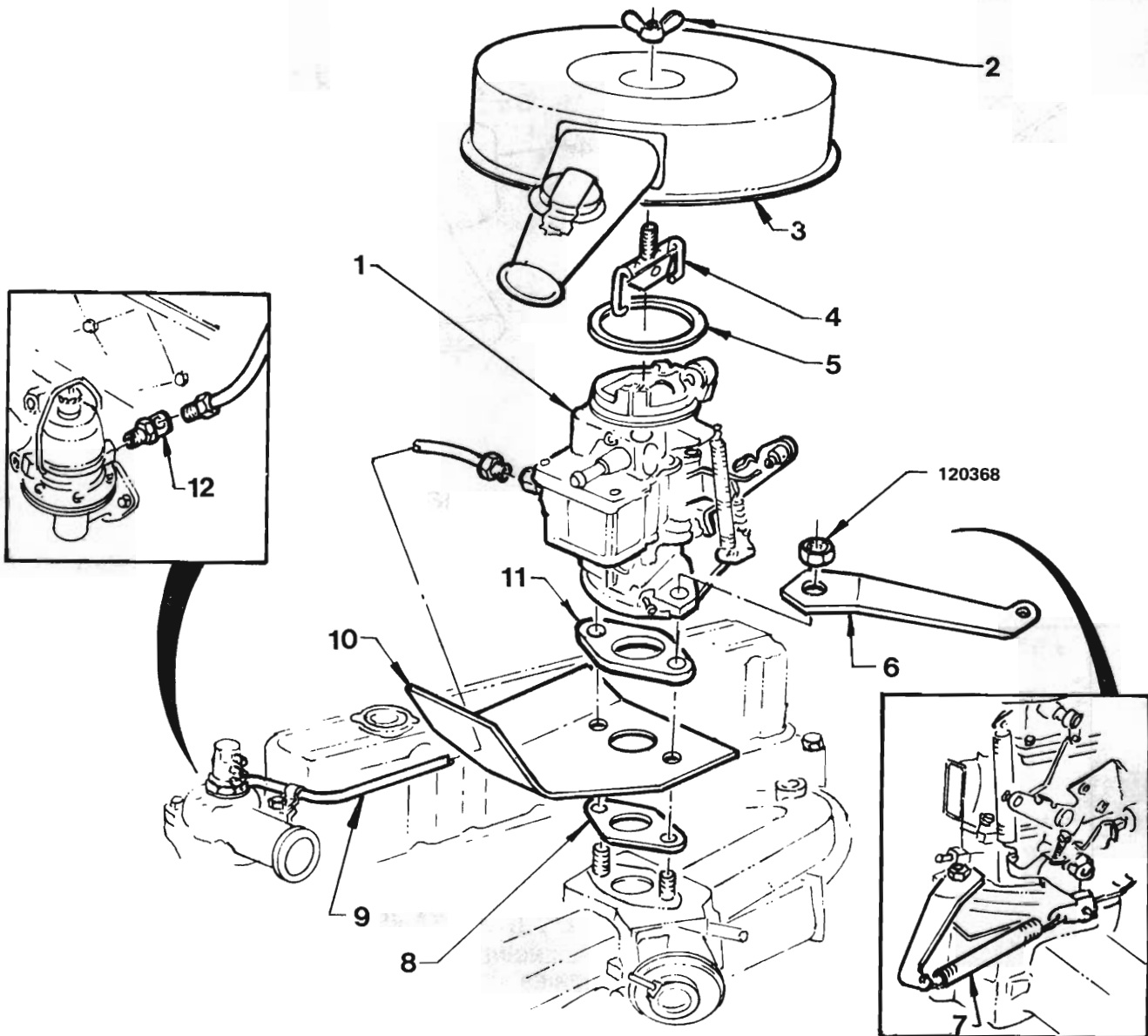
**CARBURETTOR & AIR CLEANER
4 CYLINDER ENGINE
VC SERIES**

REF. NO.	PART NAME	GROUP
1	AIR CLEANER & SILENCER ASM.....	3.402
2	STUD - Air cleaner to carburettor.....	3.403
3	SEAL - Air cleaner to carburettor.....	3.403
4	CARBURETTOR ASM.....	3.725
5	INSULATOR - Carburettor to heat shield.....	3.726
6	SHIELD - Heat.....	3.726
7	GASKET - Shield to manifold.....	3.726
8	BRACE - Air cleaner.....	3.405
9	PIPE ASM. - Fuel pump to carburettor.....	3.163
10	CONNECTOR - Fuel pipe to pump.....	3.163
11	HOSE - Pipe to pump.....	3.163
12	PUMP ASM. - Fuel.....	3.900
13	BRACKET - Air cleaner brace.....	3.405



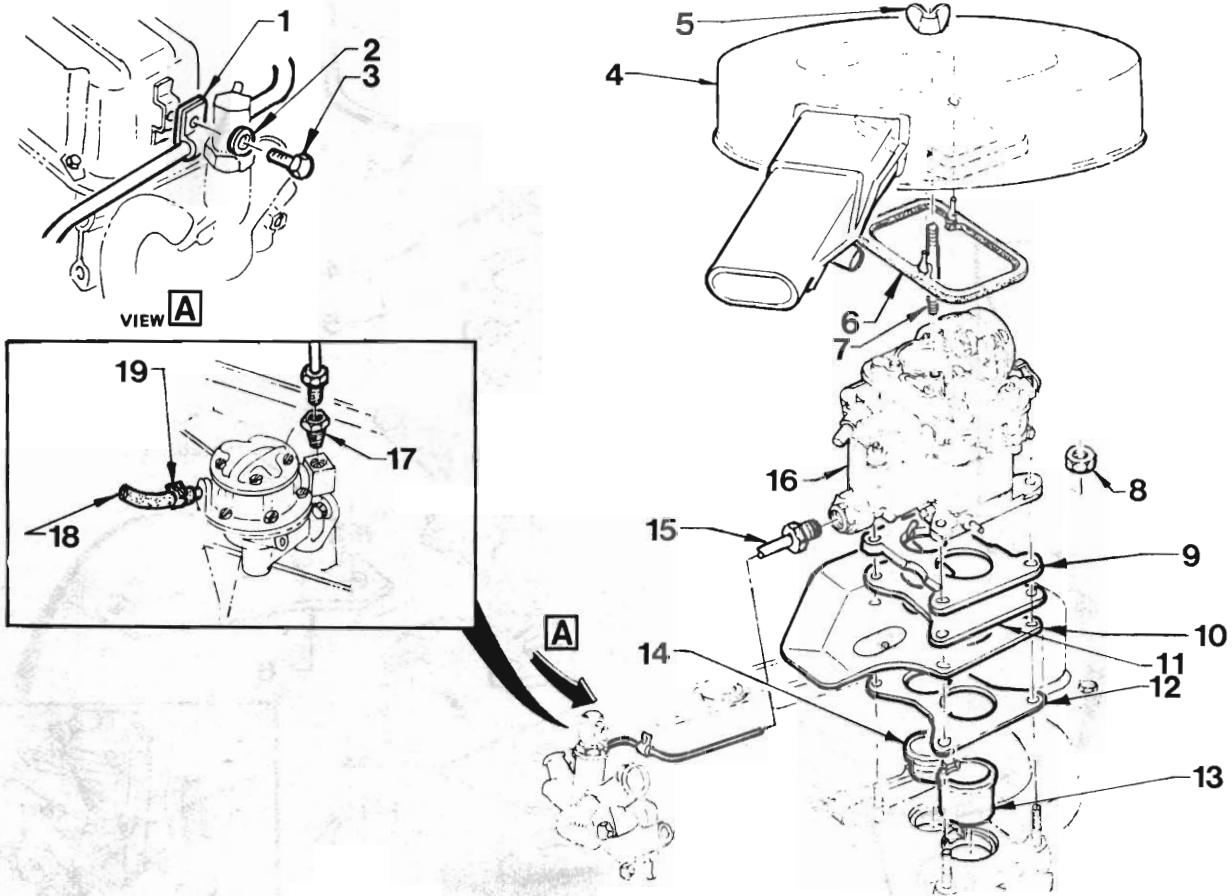
CARBURETTOR & AIR CLEANER
4 CYLINDER ENGINE
VH SERIES

REF. NO.	PART NAME	GROUP
1	AIR CLEANER & SILENCER ASM.....	3.402
2	STUD - Air cleaner to carburettor.....	3.403
3	SEAL - Air cleaner to carburettor.....	3.403
4	CARBURETTOR ASM.....	3.725
5	INSULATOR - Carburettor to heat shield.....	3.726
6	SHIELD - Heat.....	3.726
7	GASKET - Shield to manifold.....	3.726
8	BRACE - Air cleaner.....	3.405
9	PIPE ASM. - Fuel pump to carburettor.....	3.163
10	CLIP - Fuel pipe to rocker cover.....	3.162
11	CONNECTOR - Fuel pipe to pump.....	3.163
12	PUMP ASM. - Fuel.....	3.900
13	BRACKET - Air cleaner brace.....	3.405



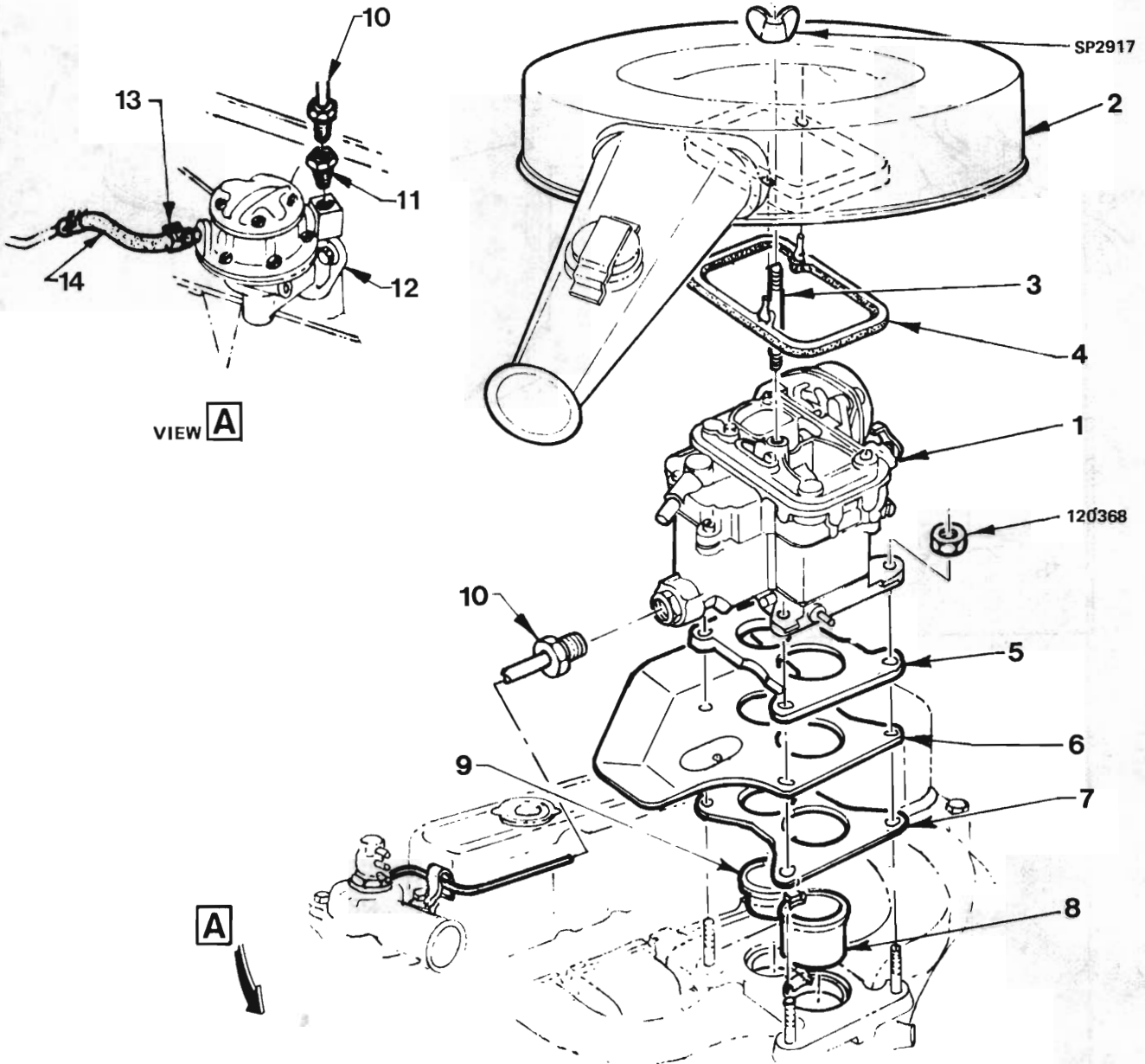
CARBURETTOR & AIR CLEANER
6 CYLINDER ENGINE
VB SERIES

REF. NO.	PART NAME	GROUP
1	CARBURETTOR ASM.....	3.725
2	NUT - Wing 1/4"-20.....	3.403
3	AIR CLEANER & SILENCER ASM.....	3.402
4	BRIDGE ASM.....	3.403
5	GASKET - Air cleaner to carburettor.....	3.403
6	BRACKET - Accelerator return spring.....	3.459
7	SPRING - Return.....	3.459
8	GASKET - Shield to manifold.....	3.726
9	PIPE ASM. - Fuel pump to carburettor.....	3.163
10	SHIELD - Heat.....	3.726
11	INSULATOR - Carburettor to heat shield.....	3.726
12	ELBOW - Fuel pipe to fuel pump.....	3.163



CARBURETTOR & AIR CLEANER
2.85 LITRE ENGINE
VH SERIES

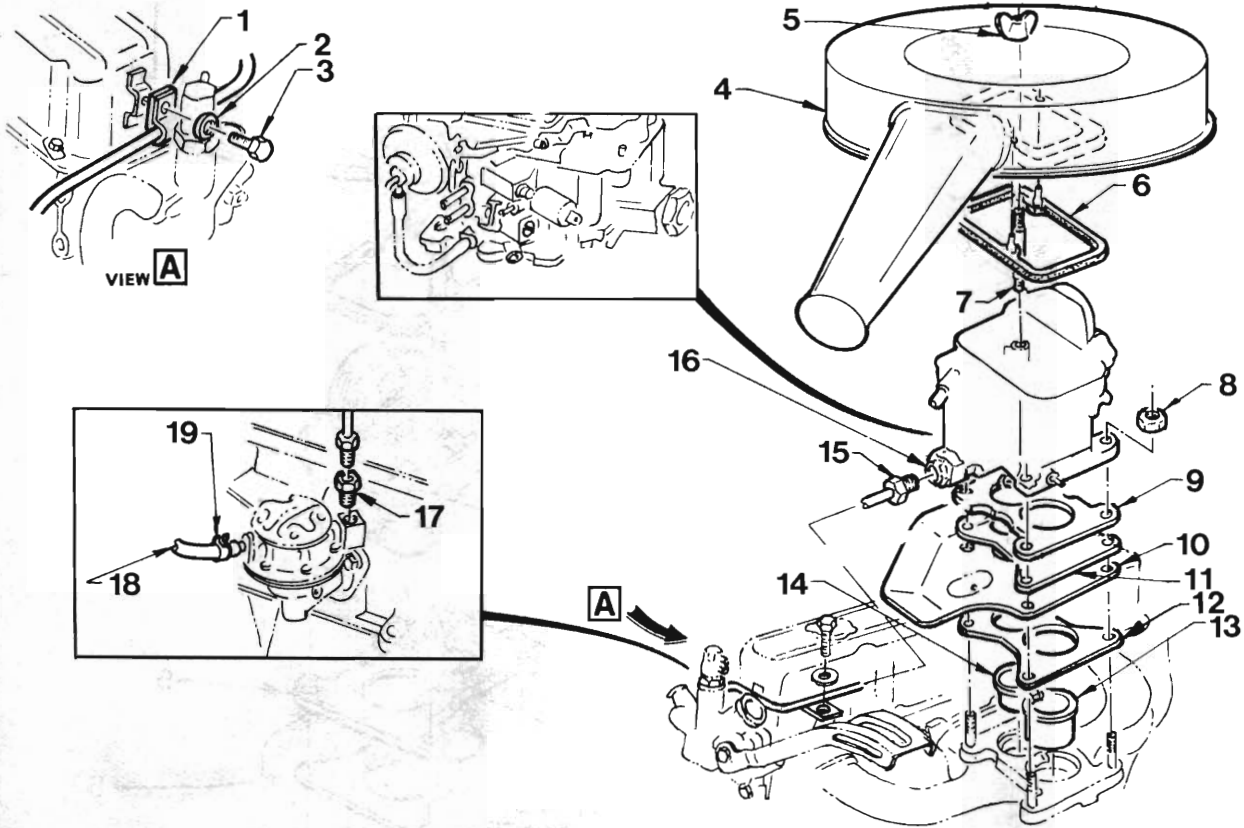
REF. NO.	PART NAME	GROUP
1	CLIP - Fuel pipe to rocker cover	3.162
2	WASHER - Clip to rocker cover.....	3.162
3	SCREW - Clip to rocker cover	3.162
4	AIR CLEANER & SILENCER ASM.	3.402
5	NUT - Wing M8 x 1.25	3.403
6	SEAL - Air cleaner to carburettor	3.403
7	STUD - Air cleaner to carburettor.....	3.403
8	NUT - Carburettor to manifold.....	3.288
9	INSULATOR - Carburettor to heat shield	3.726
10	SHIELD - Heat	3.726
11	GASKET - Insulator to shield.....	3.726
12	GASKET - Shield to manifold.....	3.726
13	TUBE - Secondary - Inlet manifold.....	3.278
14	TUBE - Primary - Inlet manifold	3.278
15	PIPE ASM. - Fuel pump to carburettor	3.163
16	CARBURETTOR ASM.....	3.725
17	CONNECTOR - Fuel hose to fuel pump.....	3.163
18	HOSE - Fuel filter to fuel pump	3.163
19	CLAMP - Hoses to filter & pump.....	3.162



CARBURETTOR & AIR CLEANER

**6 CYLINDER ENGINE - VC SERIES
3.3 LITRE ENGINE - VH SERIES**

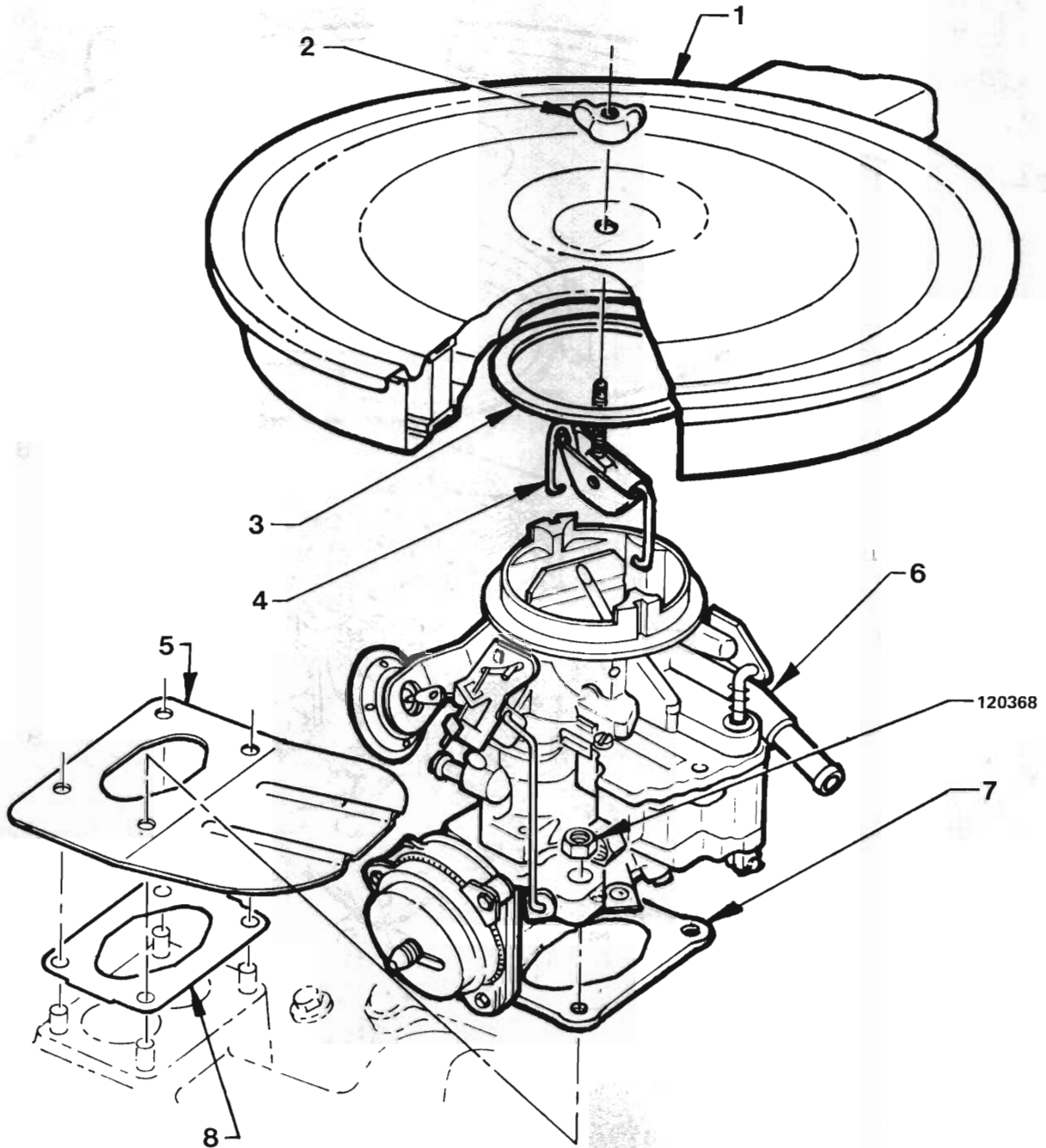
REF. NO.	PART NAME	GROUP
1	CARBURETTOR ASM.....	3.725
2	AIR CLEANER & SILENCER ASM.....	3.402
3	STUD - Air cleaner to carburettor.....	3.403
4	SEAL - Air cleaner to carburettor.....	3.403
5	INSULATOR - Carburettor to heat shield.....	3.726
6	SHIELD - Heat.....	3.726
7	GASKET - Heat shield to manifold.....	3.726
8	TUBE - Secondary - Inlet manifold.....	3.278
9	TUBE - Primary - Inlet manifold.....	3.278
10	PIPE ASM. - Fuel pump to carburettor.....	3.163
11	CONNECTOR - Fuel pipe to fuel pump.....	3.163
12	PUMP ASM. - Fuel.....	3.900
13	CLAMP - Hose, Pipe to pump.....	3.162
14	HOSE - Pipe to pump.....	3.163



CARBURETTOR & AIR CLEANER

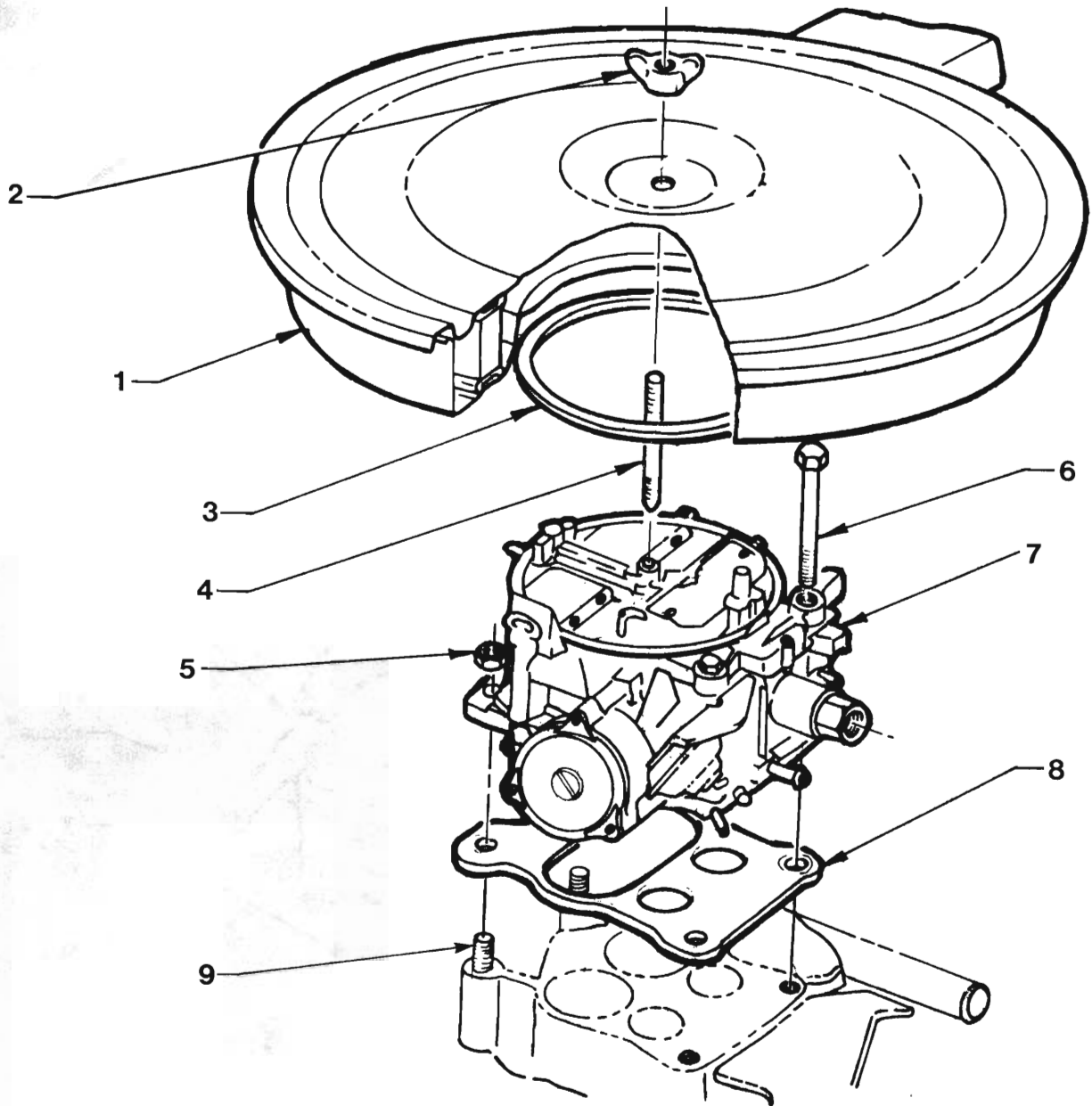
**6 CYLINDER ENGINE EXC. ELECTRONIC FUEL INJECTION
VK SERIES**

REF. NO.	PART NAME	GROUP
1	CLIP - Fuel pipe to rocker cover	3.162
2	WASHER - Clip to rocker cover	3.162
3	SCREW - Clip to rocker cover	3.162
4	AIR CLEANER & SILENCER ASM.	3.402
5	NUT - Wing M8 x 1.25	3.403
6	SEAL - Air cleaner to carburettor	3.403
7	STUD - Air cleaner to carburettor	3.403
8	NUT - Carburettor to manifold	3.288
9	INSULATOR - Carburettor to heat shield	3.726
10	SHIELD - Heat	3.726
11	GASKET - Insulator to shield	3.726
12	GASKET - Shield to manifold	3.726
13	TUBE - Secondary - Inlet manifold	3.278
14	TUBE - Primary - Inlet manifold	3.278
15	PIPE ASM. - Fuel pump to carburettor	3.163
16	CARBURETTOR ASM.	3.725
17	CONNECTOR - Fuel hose to fuel pump	3.163
18	HOSE - Fuel filter to fuel pump	3.163
19	CLAMP - Hoses to filter & pump	3.162



CARBURETTOR & AIR CLEANER
4.2 LITRE ENGINE
VB SERIES

REF. NO.	PART NAME	GROUP
1	AIR CLEANER & SILENCER ASM.....	3.402
2	NUT - Air cleaner to carburettor.....	3.403
3	GASKET - Air cleaner to carburettor.....	3.403
4	BRIDGE - Air cleaner to carburettor.....	3.403
5	SHIELD - Heat.....	3.726
6	CARBURETTOR ASM.....	3.725
7	INSULATOR - Carburettor to heat shield.....	3.726
8	GASKET - Shield to manifold.....	3.726

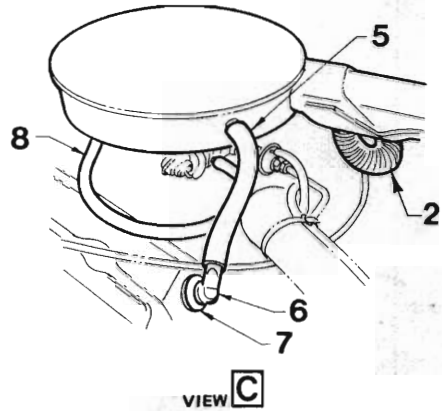
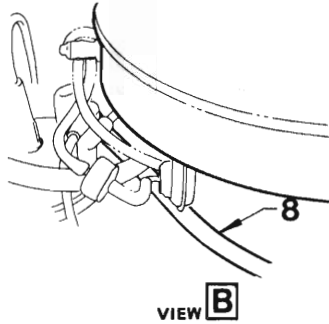
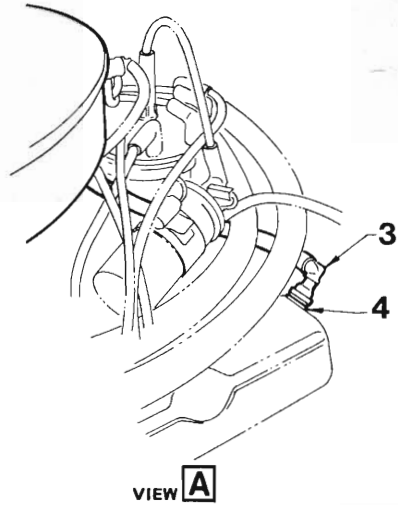
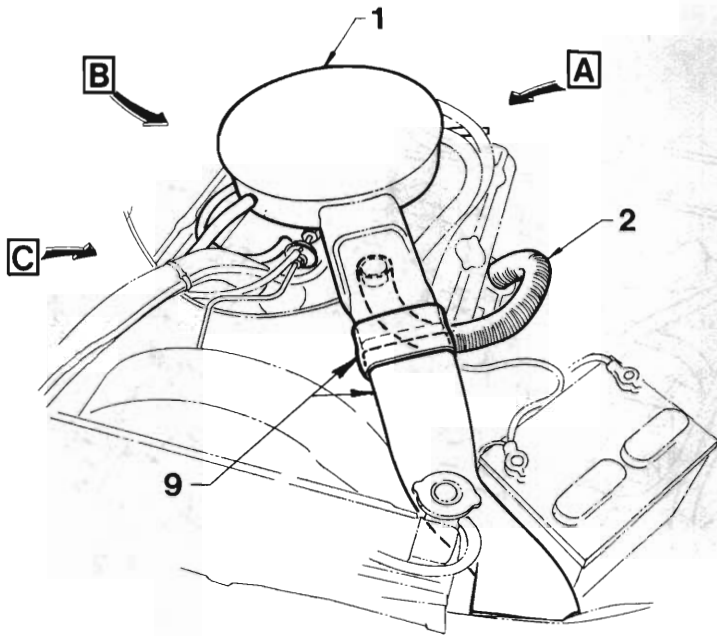


CARBURETTOR & AIR CLEANER
5.0 LITRE ENGINE - VB SERIES
8 CYLINDER ENGINES - VC, VH, VK SERIES

REF. NO.	PART NAME	GROUP
1	AIR CLEANER & SILENCER ASM.	3.402
2	NUT - Air cleaner	3.403
3	GASKET - Air cleaner to carburettor.....	3.403
4	STUD - Air cleaner to carburettor.....	3.403
5	NUT - Carburettor to manifold.....	3.288
6	BOLT - Carburettor to manifold.....	3.288
7	CARBURETTOR ASM.....	3.725
8	INSULATOR - Carburettor to inlet manifold	3.726
9	STUD - Carburettor to manifold	3.288

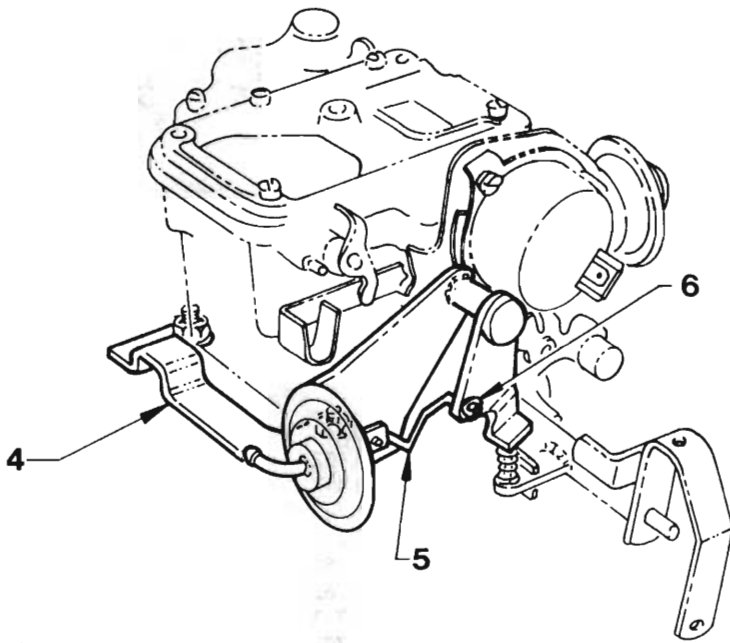
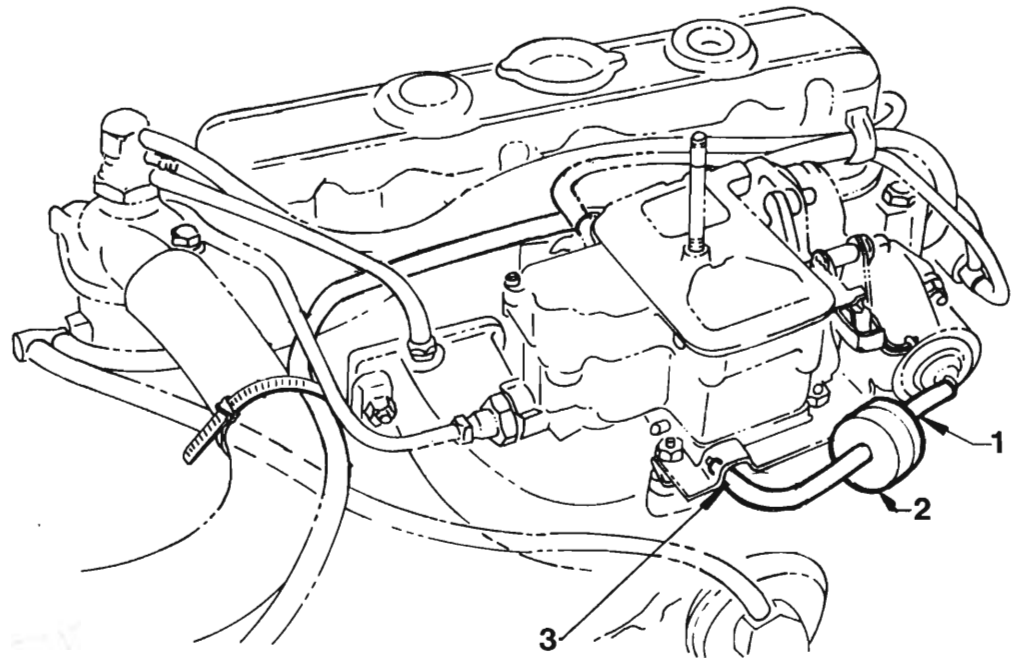


"V" SERIES PARTS CATALOGUE



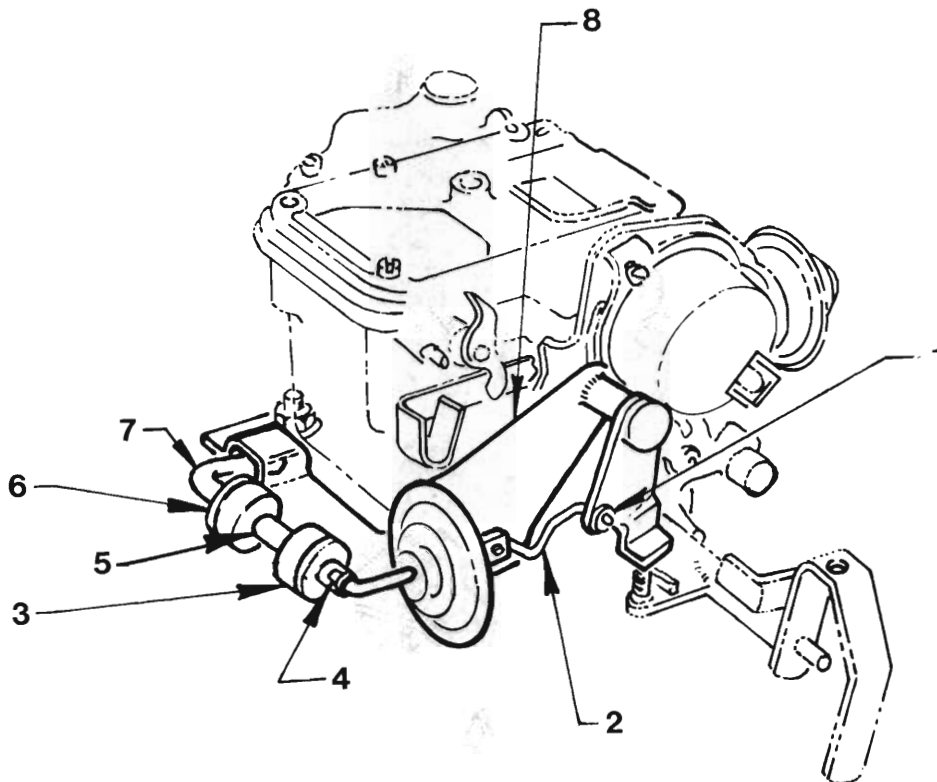
AIR CLEANER & SILENCER ENGINE PERFORMANCE EQUIPMENT 8 CYLINDER ENGINE

REF. NO.	PART NAME	GROUP
1	AIR CLEANER & SILENCER ASM.....	3.402
2	HOSE - Stove to air cleaner.....	3.417
3	VALVE ASM. - Crankcase ventilator.....	1.745
4	GROMMET - Crankcase ventilator valve.....	1.745
5	HOSE - Breather outlet connector to air cleaner.....	1.762
6	CONNECTOR - Breather outlet hose.....	1.762
7	GROMMET - Breather outlet hose connector.....	1.745
8	HOSE - Valve to carburettor.....	1.762
9	DUCT & SLEEVE ASM.....	3.417



**DECELERATION CONTROL
4 CYLINDER ENGINE
VC, VH SERIES**

REF. NO.	PART NAME	GROUP
1	HOSE - Delay valve to deceleration control	3.440
2	VALVE ASM. - Vacuum delay.....	3.440
3	HOSE - Delay valve to carburettor	3.440
4	DIAPHRAGM, SUPPORT & LEVER ASM.....	3.440
5	ROD - Diaphragm to lever	3.440
6	NUT - Rod retaining.....	3.440

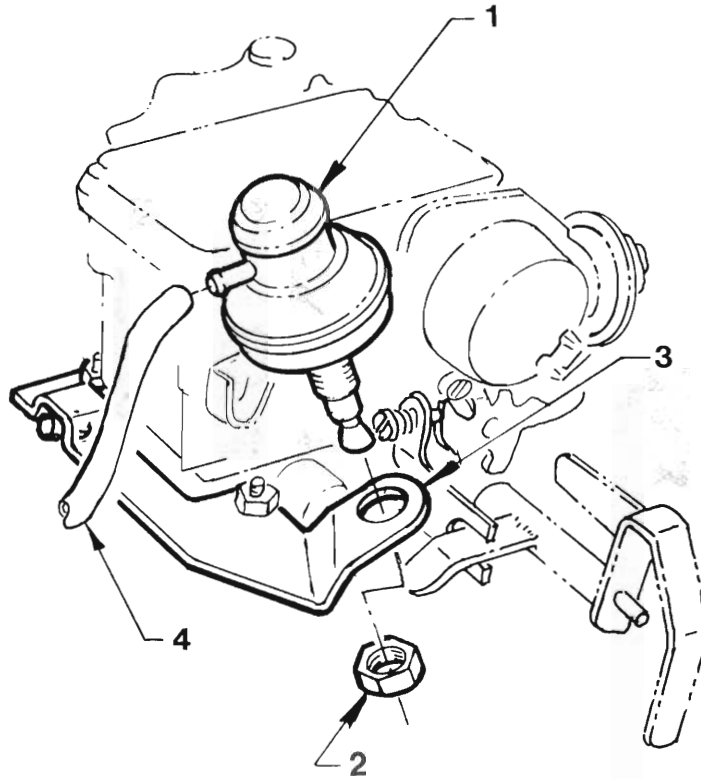


DECELERATION CONTROL

(M) 2.85 LITRE ENGINE

VC SERIES - With body identification plate stamped V7Y

REF. NO.	PART NAME	GROUP
1	NUT - Rod retaining.....	3.440
2	ROD - Diaphragm to lever.....	3.440
3	VALVE ASM. - Vacuum delay, Red.....	3.440
4	HOSE - Delay valve to deceleration control.....	3.440
5	HOSE - Delay valve to delay valve.....	3.440
6	VALVE ASM. - Vacuum delay, Blue.....	3.440
7	HOSE - Delay valve to carburettor.....	3.440
8	DIAPHRAGM, SUPPORT & LEVER ASM.....	3.440

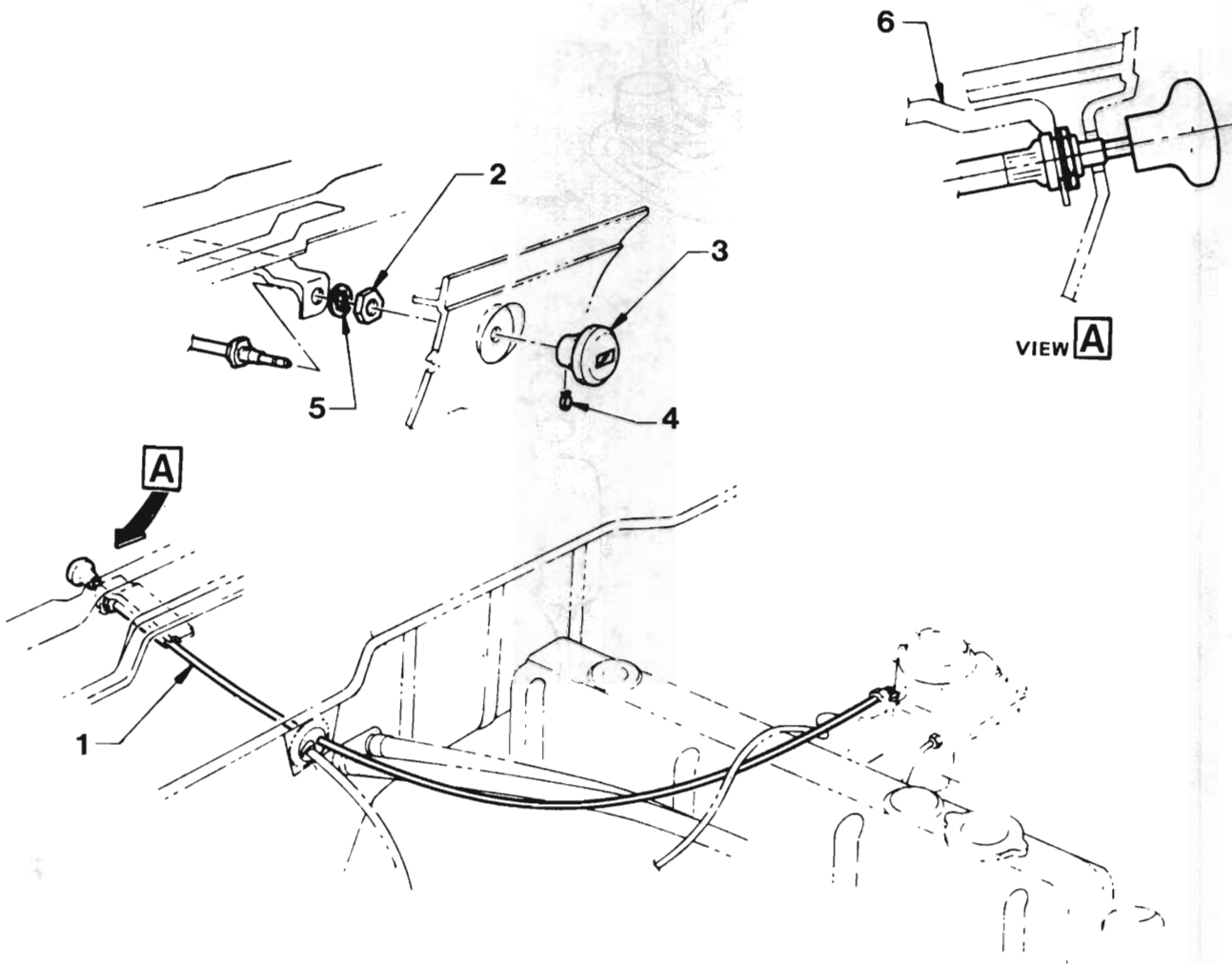


DECELERATION CONTROL

(M) 2.85 LITRE ENGINE - VH, VK SERIES

(M) 3.3 LITRE ENGINE EXC. ELECTRONIC FUEL INJECTION - VK SERIES

REF. NO.	PART NAME	GROUP
1	NUDGER ASM. - Throttle.....	3.440
2	NUT - Nudger to support	3.440
3	SUPPORT - Nudger.....	3.440
4	HOSE - Nudger to vacuum source.....	3.440

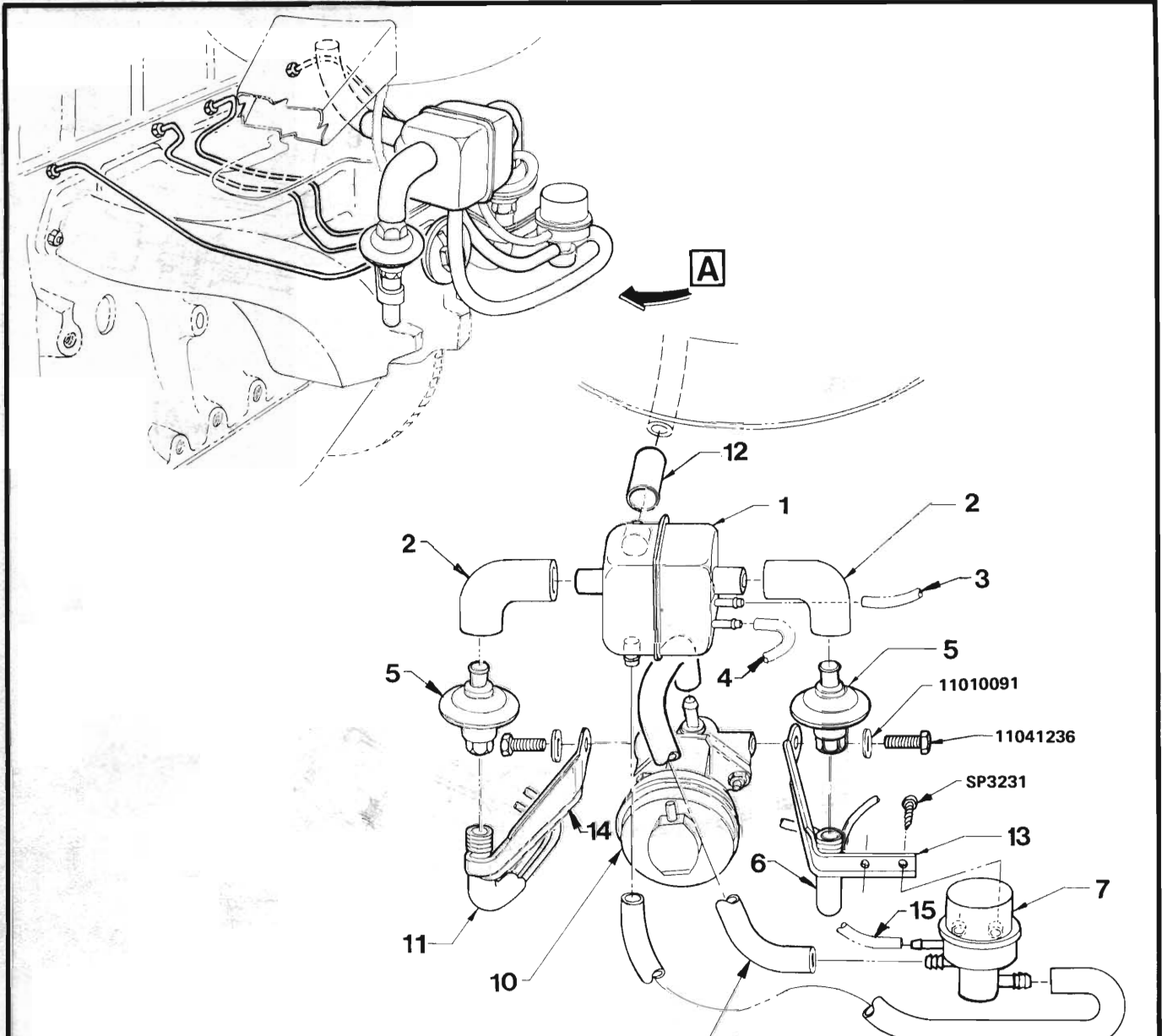


**CHOKE CONTROL
6 CYLINDER ENGINE
VB SERIES**

REF. NO.	PART NAME	GROUP
1	CONTROL ASM.....	3.480
2	NUT - Cable to instrument panel.....	3.480
3	KNOB - Choke control.....	3.480
4	CLIP - Choke control knob.....	3.480
5	WASHER - Cable to instrument panel.....	3.480
6	BRACKET - Choke control.....	3.480



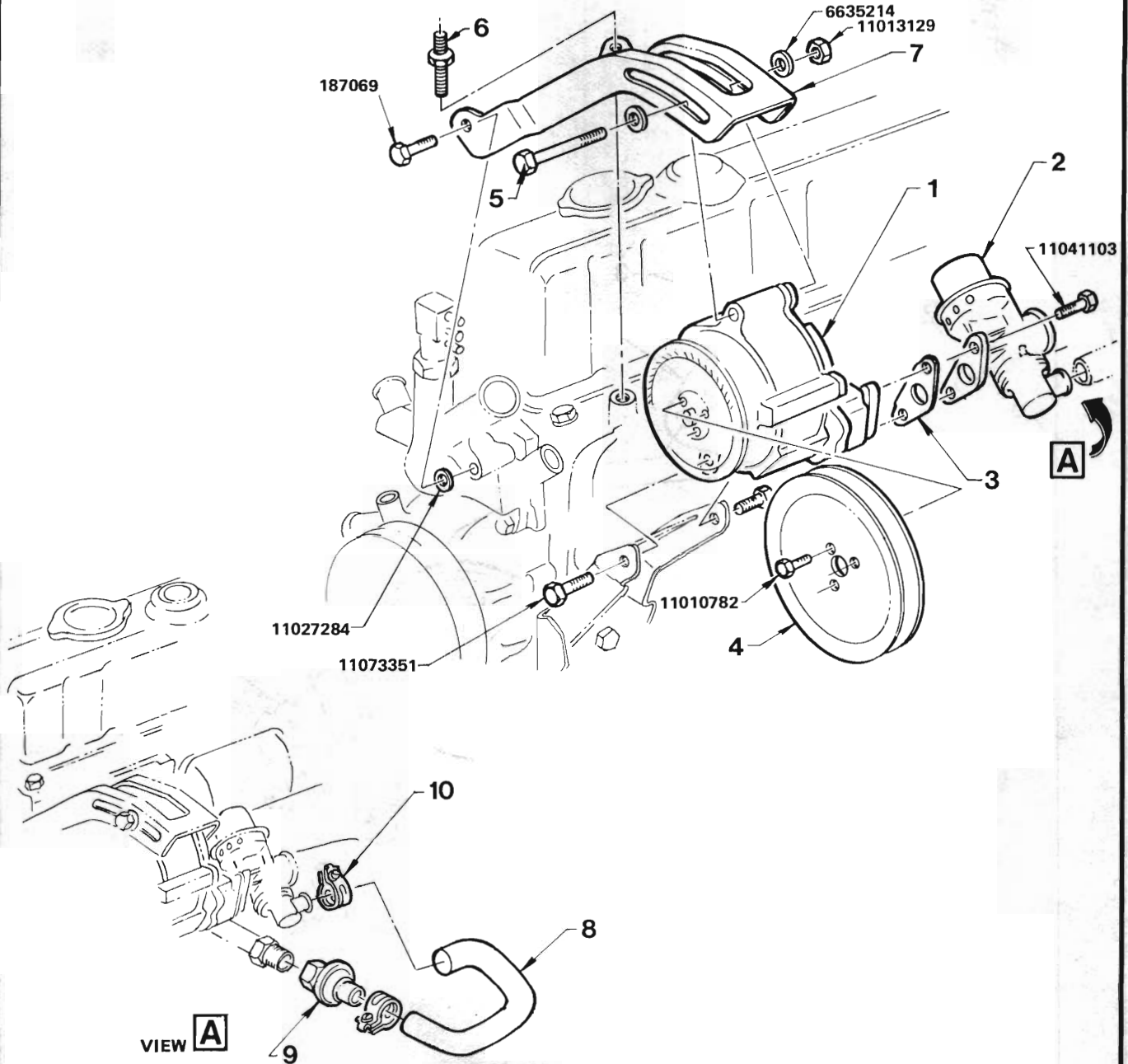
"V" SERIES PARTS CATALOGUE



PULSAIR VALVE
4 CYLINDER ENGINE
VH SERIES

VIEW **A**

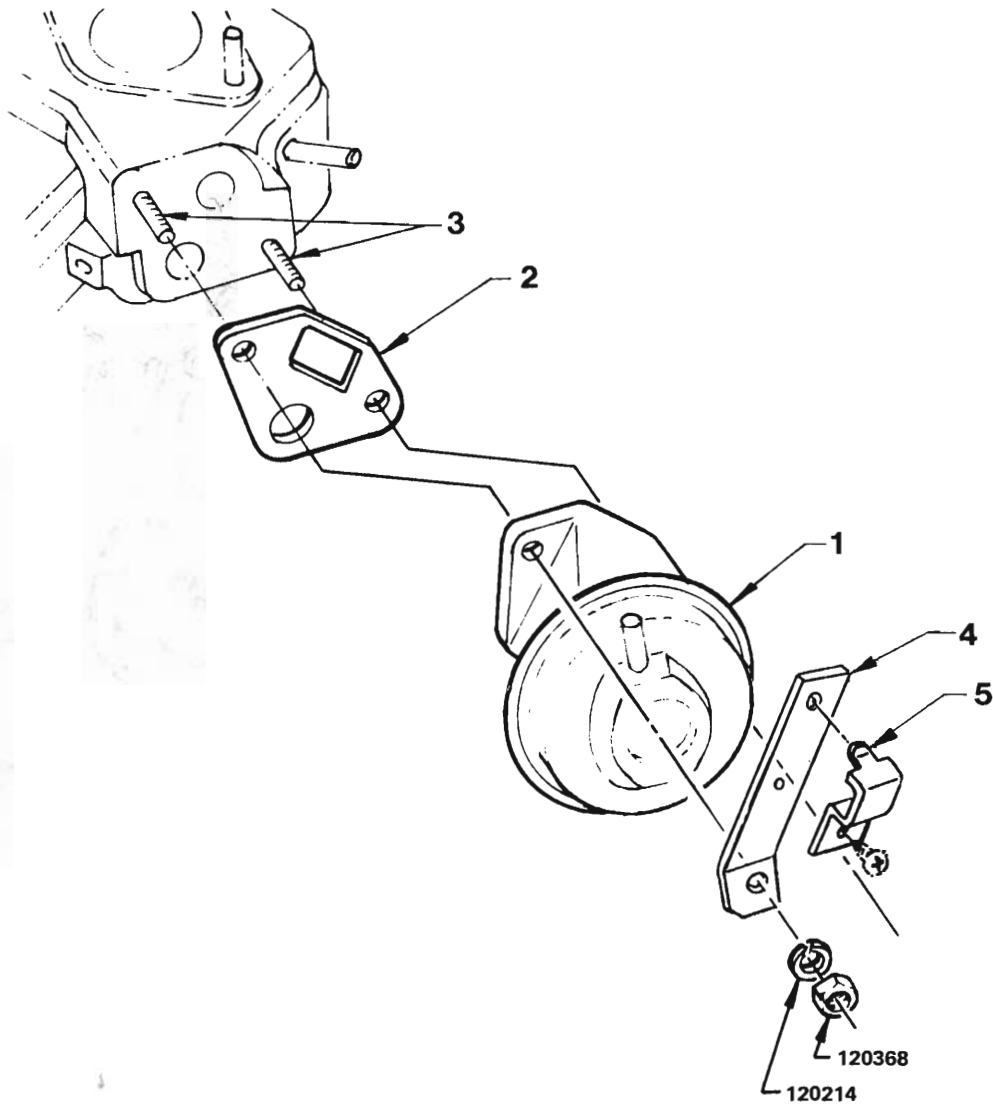
REF. NO.	PART NAME	GROUP
1	SILENCER ASM.....	3.672
2	HOSE - Check valve to silencer asm.....	3.675
3	HOSE - Solenoid to silencer asm.....	3.675
4	HOSE - E.G.R. control valve to silencer asm.....	3.675
5	VALVE ASM. - Pulsair check.....	3.670
6	PIPE & BRACKET ASM. - Rear.....	3.675
7	VALVE ASM. - Deceleration.....	3.440
8	HOSE - Deceleration valve to silencer asm.....	3.440
9	HOSE - Deceleration valve to E.G.R. valve adaptor.....	3.440
10	VALVE ASM. - Exhaust gas recirculation (E.G.R.).....	3.670
11	PIPE & BRACKET ASM. - Front.....	3.675
12	HOSE - Silencer asm. to air cleaner.....	3.675
13	BRACKET - Rear pipe.....	N.S.S.
14	BRACKET - Front pipe.....	N.S.S.
15	HOSE - Deceleration valve to vacuum source....	3.440



AIR PUMP

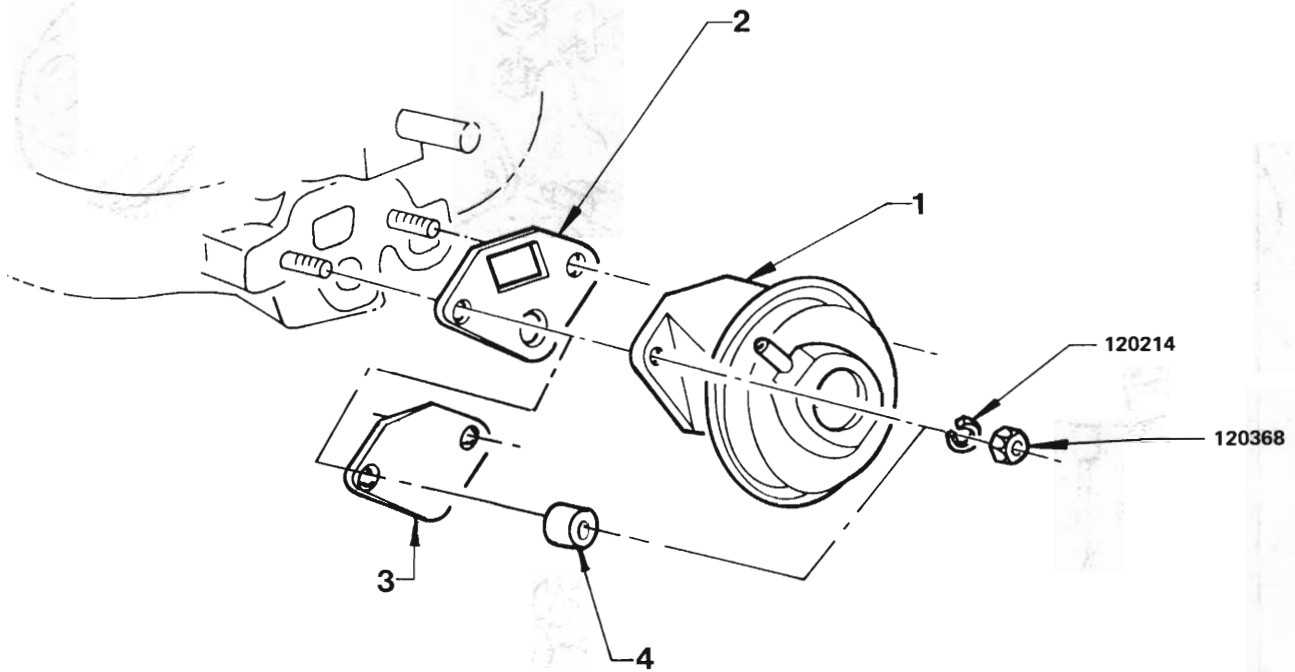
**2.85 LITRE ENGINE - VH SERIES
3.3 LITRE ENGINE EXC. ELECTRONIC FUEL INJECTION - VK SERIES**

REF. NO.	PART NAME	GROUP
1	PUMP ASM. - Air injection reactor	3.660
2	VALVE - Diverter.....	3.670
3	GASKET - Diverter valve to air pump	3.670
4	PULLEY - Pump drive	3.650
5	BOLT - Pump adjusting.....	3.655
6	STUD - Brace to cylinder head	3.655
7	BRACE ASM.....	3.655
8	HOSE - Air pump to check valve.....	3.675
9	VALVE - Check	3.670
10	CLAMP - Check valve hose.....	3.675



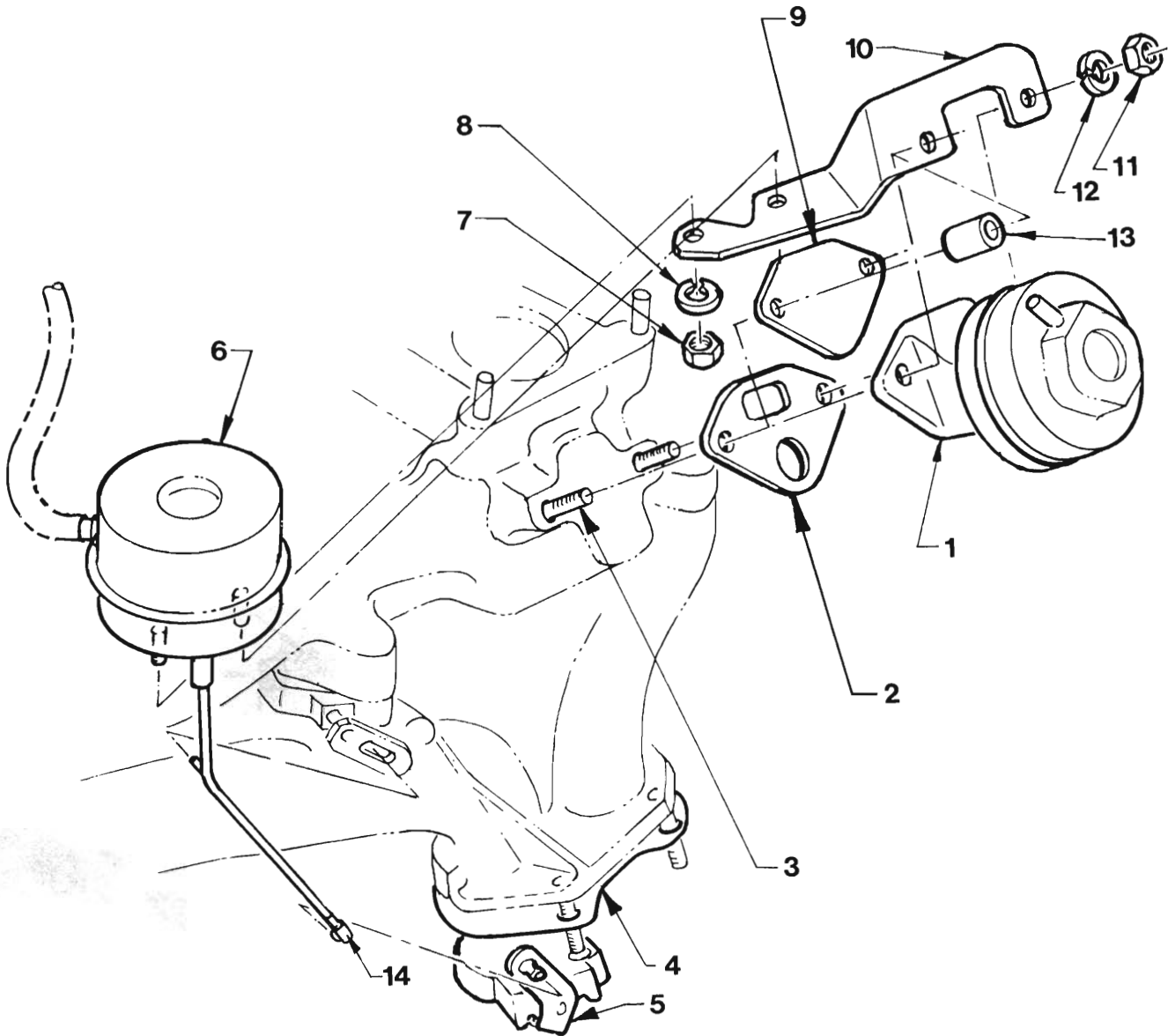
**E.G.R VALVE
6 CYLINDER ENGINE
VB SERIES**

REF. NO.	PART NAME	GROUP
1	VALVE ASM.....	3.670
2	GASKET - Valve to manifold.....	3.670
3	STUD - Valve to manifold.....	3.670
4	BRACKET - Heater hose support to engine.....	8.846
5	CLAMP - Heater hose to support bracket.....	8.846



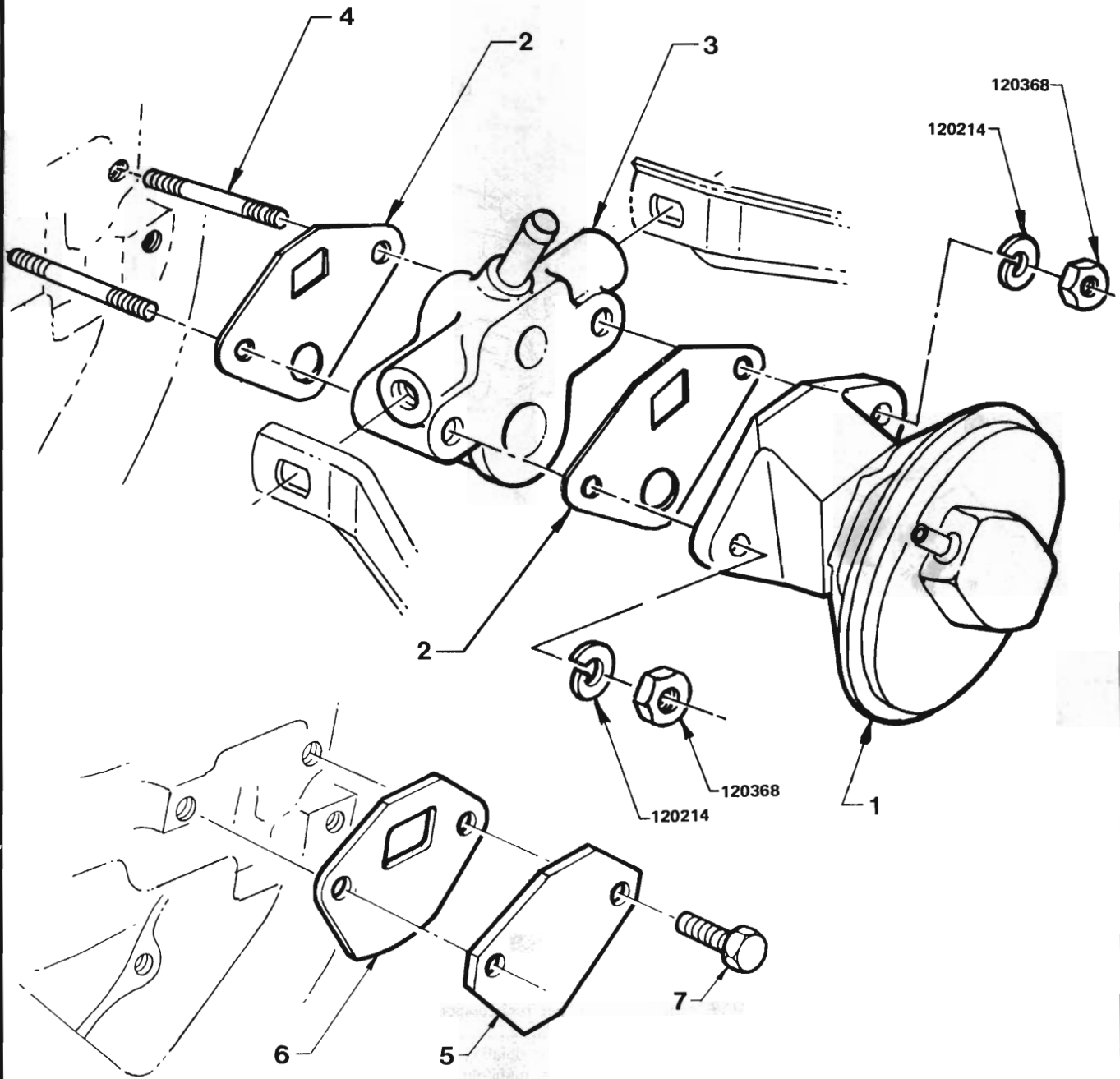
**E.G.R. VALVE
4 CYLINDER ENGINE
VC SERIES**

REF. NO.	PART NAME	GROUP
1	VALVE ASM.....	3.670
2	GASKET - Valve to manifold.....	3.670
3	PLATE - Valve hole closing.....	3.670
4	SPACER - Plate to manifold.....	3.670



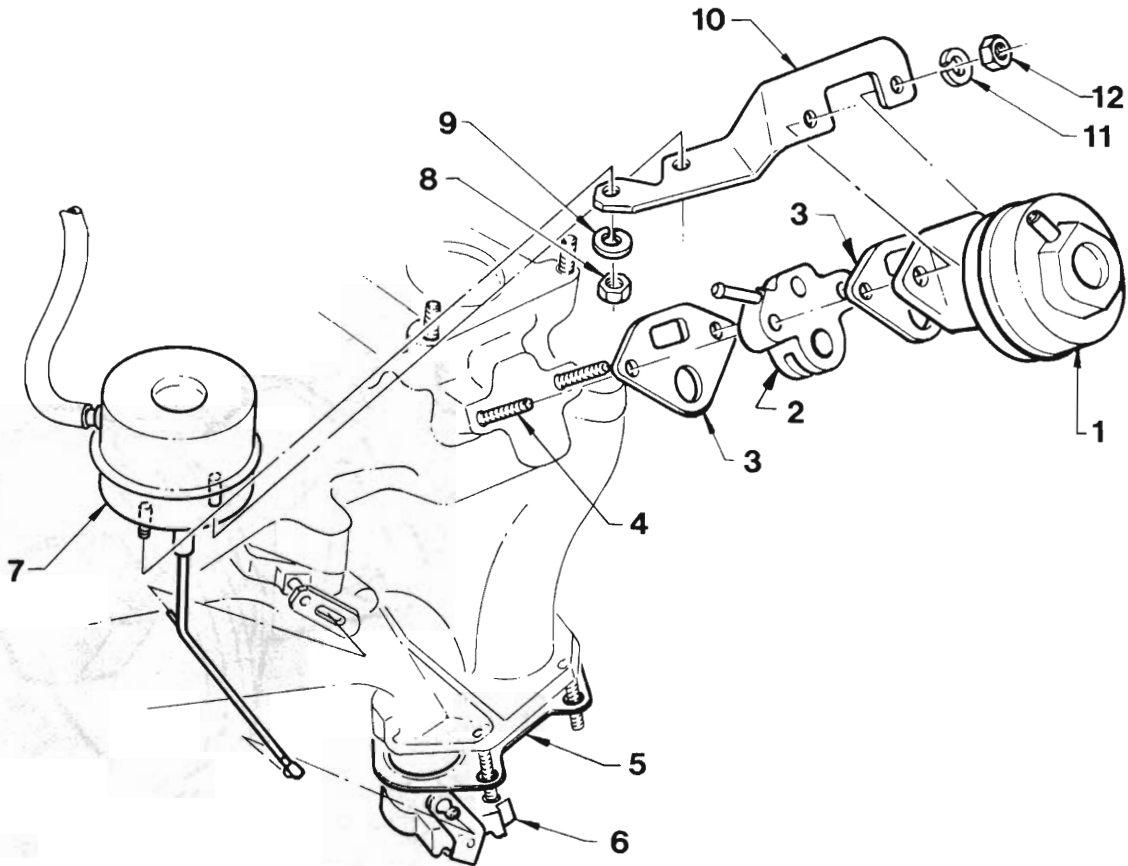
**E.G.R. VALVE
6 CYLINDER ENGINE
VC, VH SERIES**

REF. NO.	PART NAME	GROUP
1	VALVE ASM. - Exhaust gas recirculation (E.G.R.).....	3.670
2	GASKET - Valve	3.670
3	STUD - Valve to manifold	3.670
4	GASKET - Exhaust manifold heat valve to exhaust manifold.....	3.647
5	VALVE ASM. - Exhaust manifold heat.....	3.647
6	ACTUATOR ASM. - Exhaust manifold heat valve vacuum.....	3.142
7	NUT - Actuator to bracket.....	3.142
8	WASHER - Actuator to bracket.....	3.142
9	PLATE - E.G.R. valve hole closing.....	3.670
10	BRACKET - Actuator mounting	3.142
11	NUT - Bracket to exhaust manifold.....	3.142
12	WASHER - Bracket to exhaust manifold.....	3.142
13	SPACER - Vacuum actuator bracket.....	3.142
14	CLIP - Retaining, Actuator rod to heat valve.....	3.142



**E.G.R. VALVE
4 CYLINDER ENGINE
VH, VK SERIES**

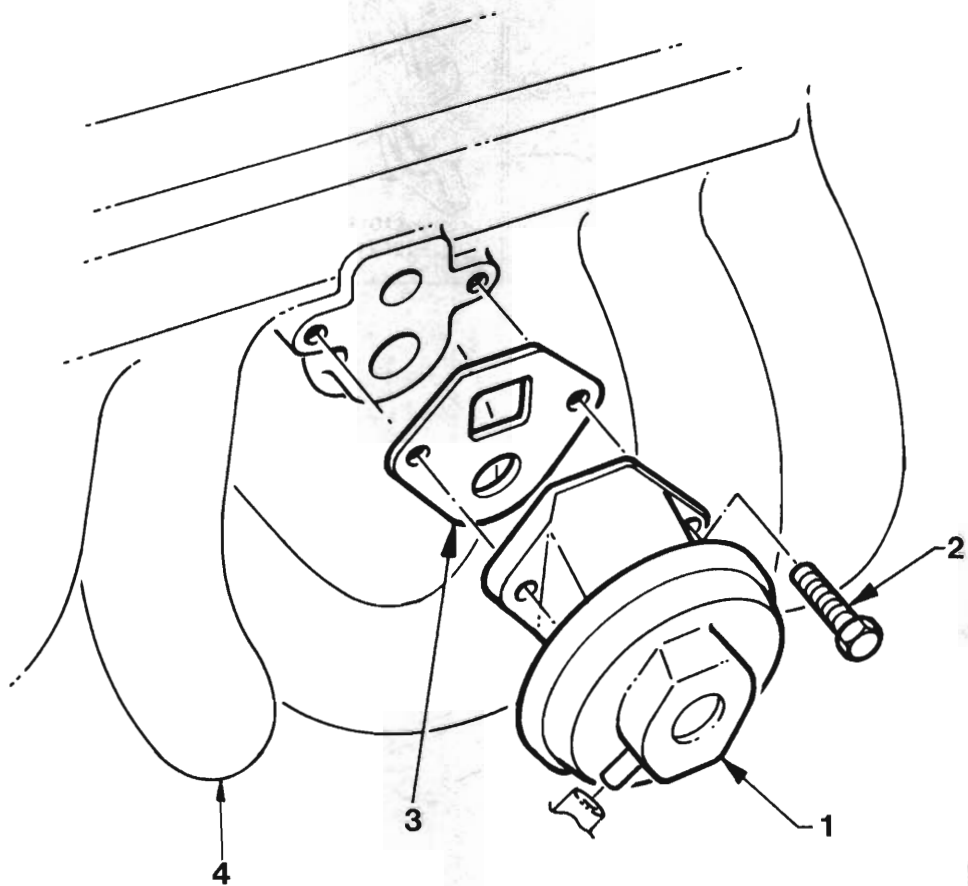
REF. NO.	PART NAME	GROUP
1	VALVE ASM.....	3.670
2	GASKET	3.670
3	ADAPTOR ASM. - Valve to manifold	3.670
4	STUD - Adaptor & valve to manifold.....	3.670
5	PLATE - Valve hole closing.....	3.670
6	GASKET - Plate to manifold.....	3.670
7	BOLT - Plate to manifold	3.670



E.G.R. VALVE

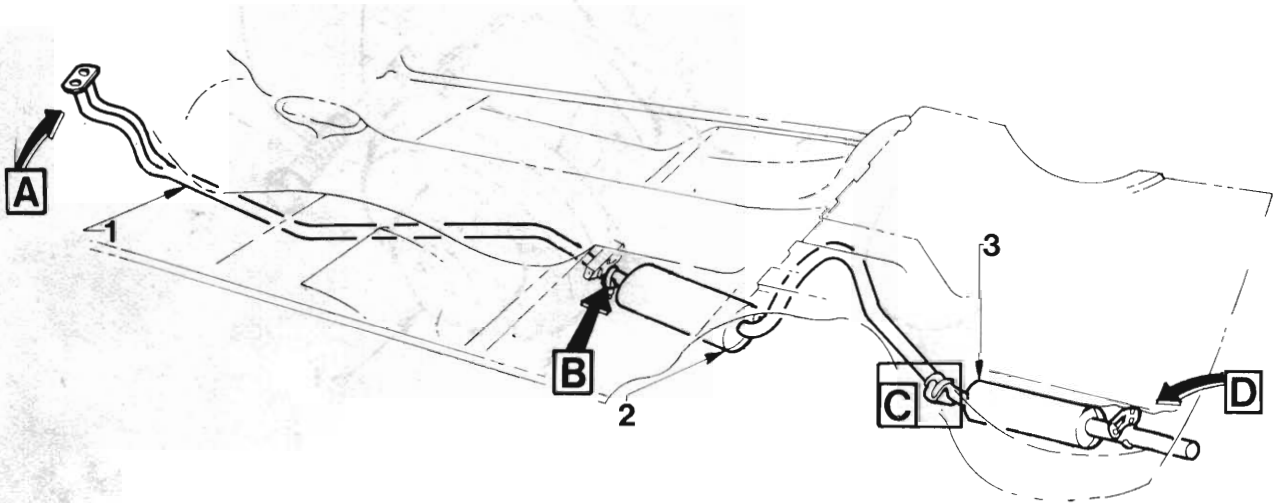
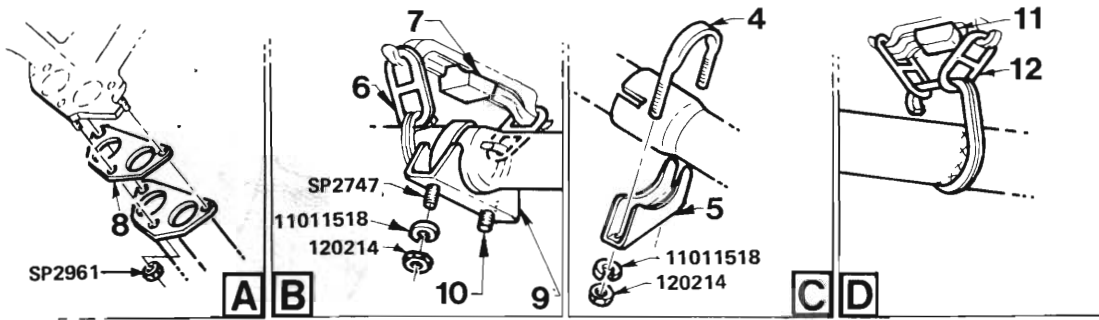
**3.3 LITRE ENGINE EXC. ELECTRONIC FUEL INJECTION
VK SERIES**

REF. NO.	PART NAME	GROUP
1	VALVE ASM. - Exhaust gas recirculation (E.G.R.).....	3.670
2	ADAPTOR ASM. - E.G.R. modulating	3.670
3	GASKET - Valve to exhaust manifold	3.670
4	STUD - Valve to exhaust manifold	3.670
5	GASKET - Valve to exhaust manifold	3.647
6	VALVE ASM. - Heat	3.647
7	ACTUATOR ASM. - Exhaust manifold valve vacuum	3.142
8	NUT - Actuator to bracket.....	3.142
9	WASHER - Actuator to bracket.....	3.142
10	BRACKET - Actuator mounting	3.142
11	WASHER - Valve to exhaust manifold.....	3.670
12	NUT - Valve to exhaust manifold.....	3.670



E.G.R. VALVE
6 CYLINDER ENGINE WITH ELECTRONIC FUEL INJECTION
VK SERIES

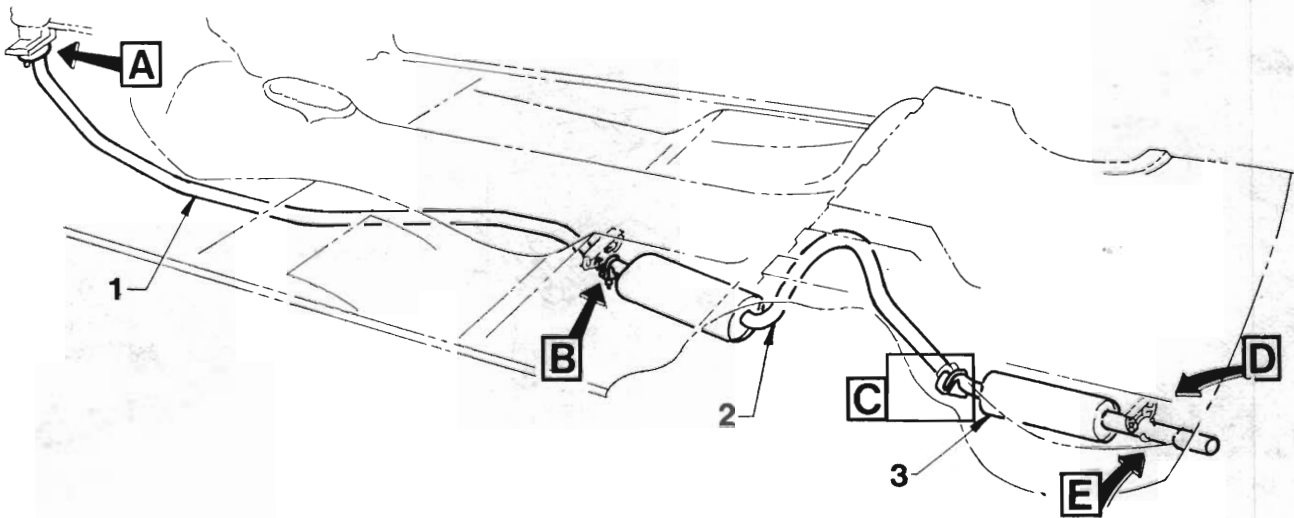
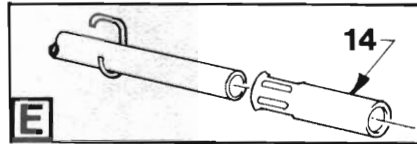
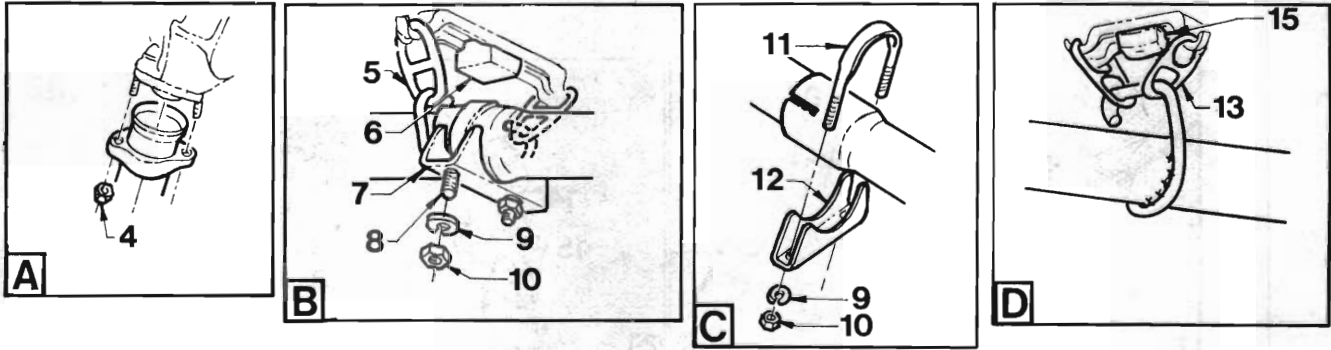
REF. NO.	PART NAME	GROUP
1	VALVE ASM. - Exhaust gas recirculation (E.G.R.).....	3.670
2	BOLT - Valve to manifold.....	3.670
3	GASKET - Valve to manifold.....	3.670
4	MANIFOLD ASM. - Inlet.....	3.265



EXHAUST SYSTEM

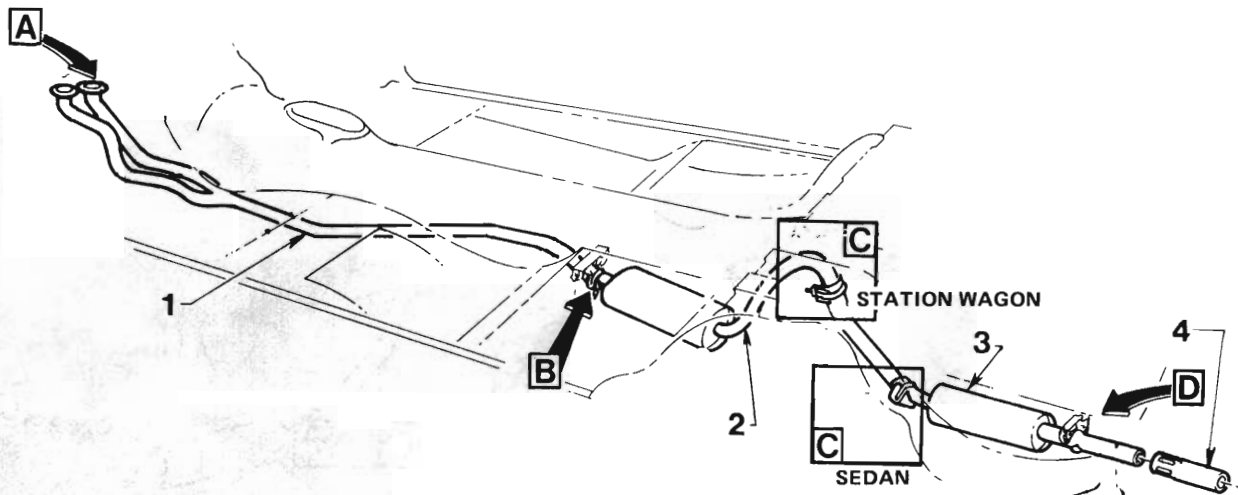
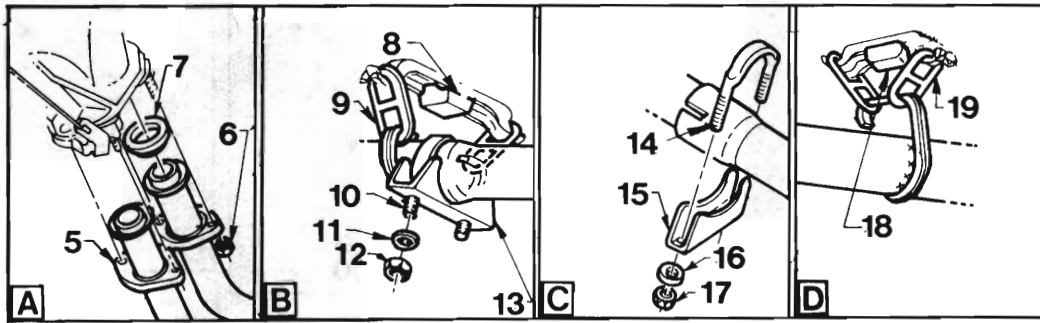
**4 CYLINDER ENGINE
VC, VH, VK SERIES**

REF. NO.	PART NAME	GROUP
1	PIPE ASM. - Front exhaust.....	3.609
2	MUFFLER & PIPE ASM. - Intermediate.....	3.701
3	MUFFLER & TAIL PIPE ASM. - Rear.....	3.701
4	'U' BOLT - Intermediate pipe to rear muffler.....	3.616
5	CLAMP - Intermediate pipe to rear muffler.....	3.616
6	RING - Muffler support.....	3.704
7	BUMPER - Muffler suspension.....	3.704
8	GASKET - Exhaust pipe to manifold.....	3.611
9	CLAMP - Front pipe to muffler.....	3.616
10	'U' BOLT - Front pipe to muffler.....	3.616
11	BUMPER - Suspension.....	3.706
12	RING - Tail pipe support.....	3.706



**EXHAUST SYSTEM
6 CYLINDER ENGINE
VB SERIES**

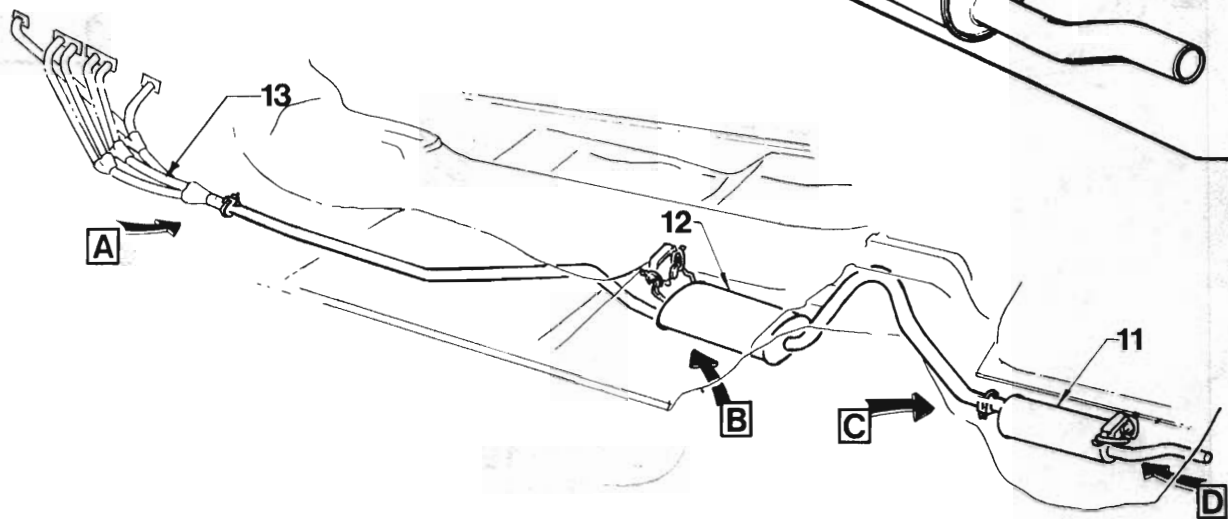
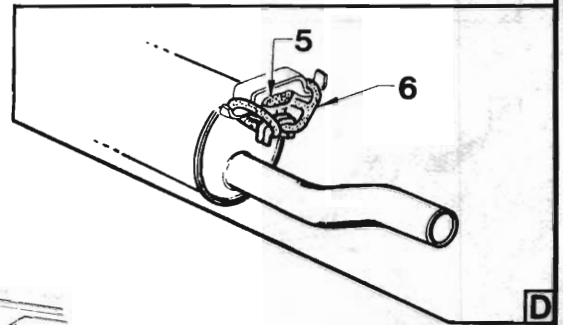
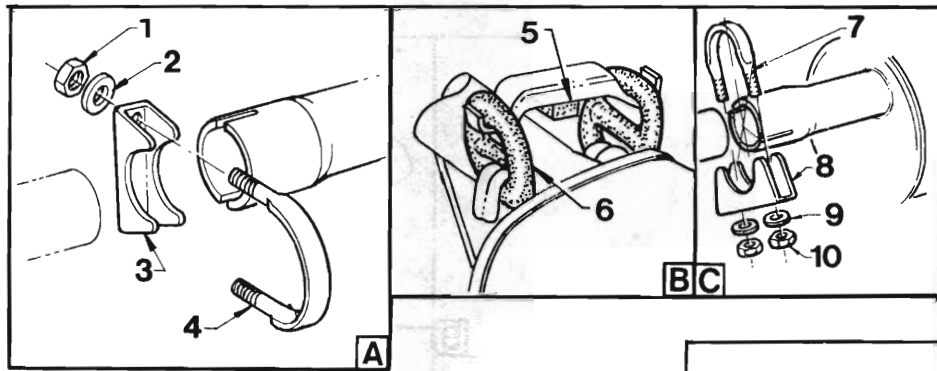
REF. NO.	PART NAME	GROUP
1	PIPE ASM. - Front exhaust.....	3.609
2	MUFFLER & PIPE ASM. - Intermediate.....	3.701
3	MUFFLER & TAIL PIPE ASM. - Rear.....	3.701
4	NUT - Exhaust pipe to manifold.....	3.275
5	RING - Muffler support.....	3.704
6	BUMPER - Muffler suspension.....	3.704
7	CLAMP - Muffler to front exhaust pipe.....	3.704
8	'U' BOLT - Muffler to front exhaust pipe.....	3.704
9	WASHER - 'U' Bolt.....	3.704
10	NUT - 'U' Bolt.....	3.704
11	'U' BOLT - Intermediate pipe to rear muffler.....	3.616
12	CLAMP - Intermediate pipe to rear muffler.....	3.616
13	RING - Tail pipe support.....	3.706
14	EXTENSION - Chrome.....	3.705
15	BUMPER - Tail pipe support.....	3.706



EXHAUST SYSTEM

**6 CYLINDER ENGINE EXC. ELECTRONIC FUEL INJECTION & POLICE EQUIPMENT
VC, VH, VK SERIES**

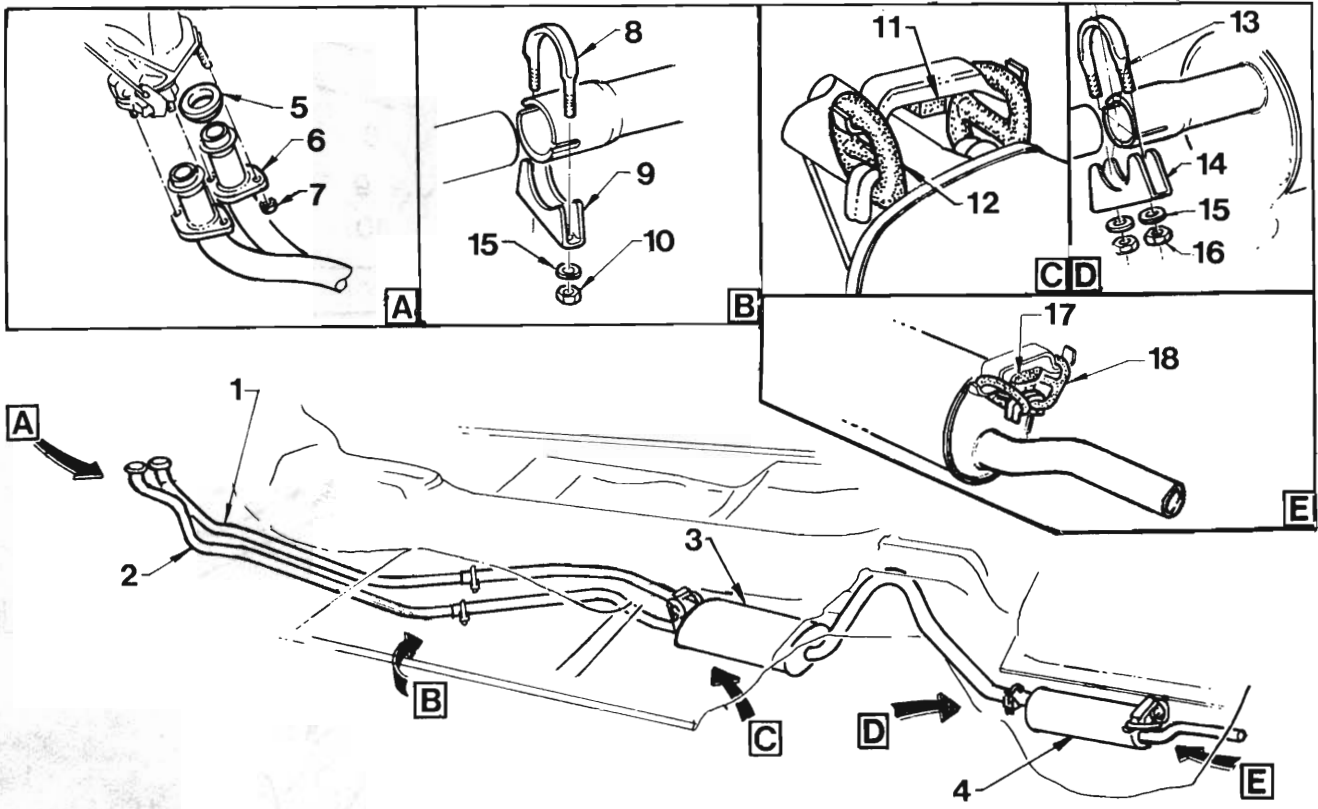
REF. NO.	PART NAME	GROUP
1	PIPE ASM. - Front exhaust.....	3.609
2	MUFFLER & PIPE ASM. - Intermediate.....	3.701
3	MUFFLER & TAIL PIPE ASM. - Rear	3.701
4	EXTENSION - Chrome.....	3.705
5	FLANGE	N.S.S.
6	NUT - Exhaust pipe to manifold.....	3.275
7	ADAPTOR - Exhaust pipe to manifold	3.609
8	BUMPER - Muffler suspension	3.704
9	RING - Muffler support	3.704
10	'U' BOLT - Muffler clamp	3.704
11	WASHER - 'U' Bolt.....	3.704
12	NUT - 'U' Bolt	3.704
13	CLAMP - Muffler	3.704
14	'U' BOLT - Intermediate pipe to rear muffler.....	3.616
15	CLAMP - Intermediate pipe to rear muffler	3.616
16	WASHER - 'U' Bolt.....	3.616
17	NUT - 'U' Bolt	3.616
18	BUMPER - Tail pipe	3.706
19	RING - Tail pipe support.....	3.706



EXHAUST SYSTEM

**3.3 LITRE ENGINE WITH ELECTRONIC FUEL INJECTION
VK SERIES**

REF. NO.	PART NAME	GROUP
1	NUT - 'U' Bolt	3.616
2	WASHER - 'U' Bolt.....	3.616
3	CLAMP - Extractor to intermediate pipe.....	3.616
4	'U' BOLT - Extractor to intermediate pipe.....	3.616
5	BUMPER - Muffler suspension	3.704
6	RING - Muffler support	3.704
7	'U' BOLT - Intermediate pipe to rear muffler	3.616
8	CLAMP - Intermediate pipe to rear muffler	3.616
9	WASHER - 'U' Bolt.....	3.616
10	NUT - 'U' Bolt	3.616
11	MUFFLER & TAIL PIPE ASM.....	3.701
12	MUFFLER & PIPE ASM. - Intermediate.....	3.701
13	EXTRACTOR - Exhaust	3.601



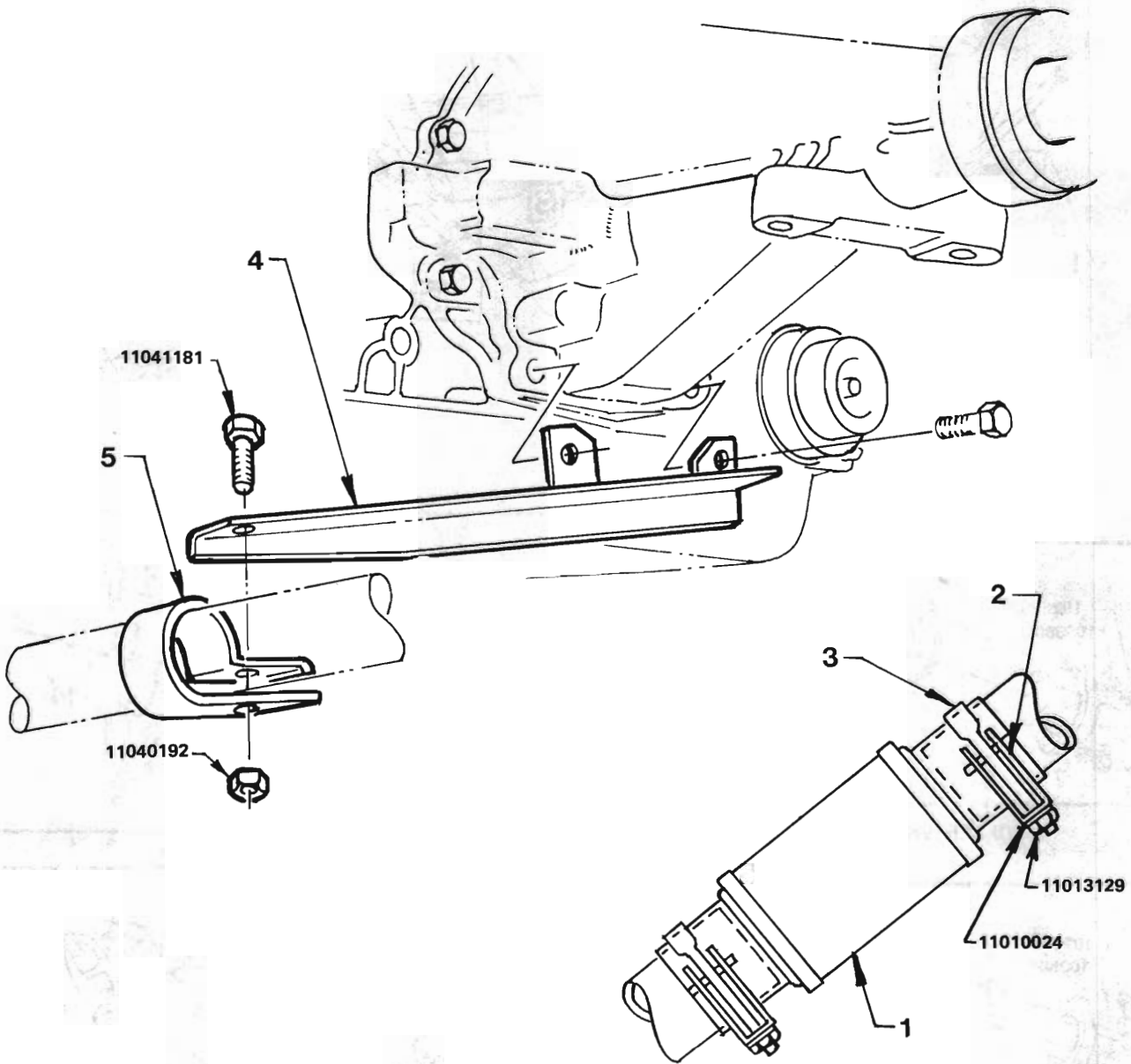
EXHAUST SYSTEM

**3.3 LITRE ENGINE POLICE EQUIPMENT
VK SERIES**

REF. NO.	PART NAME	GROUP
1	PIPE ASM. - Front exhaust - Inner	3.609
2	PIPE ASM. - Front exhaust - Outer	3.609
3	MUFFLER & PIPE ASM. - Intermediate exhaust.	3.701
4	MUFFLER & TAIL PIPE ASM. - Rear exhaust	3.701
5	ADAPTOR - Exhaust pipe to manifold	3.609
6	FLANGE - Exhaust pipe to manifold	3.610
7	NUT - Exhaust pipe to manifold.....	3.275
8-10	CLAMP & 'U' BOLT ASM. - Front pipe to intermediate pipe.....	3.616
11	BUMPER - Muffler suspension	3.704
12	RING - Muffler support	3.704
13	'U' BOLT - Intermediate pipe to rear muffler	3.616
14	CLAMP - Intermediate pipe to rear muffler	3.616
15	WASHER - 'U' Bolt.....	3.616
16	NUT - 'U' Bolt	3.616
17	BUMPER - Tail pipe	3.706
18	RING - Tail pipe support	3.706



"V" SERIES PARTS CATALOGUE

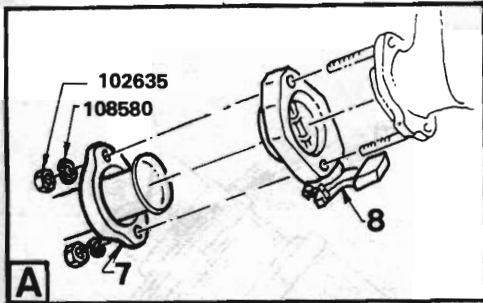
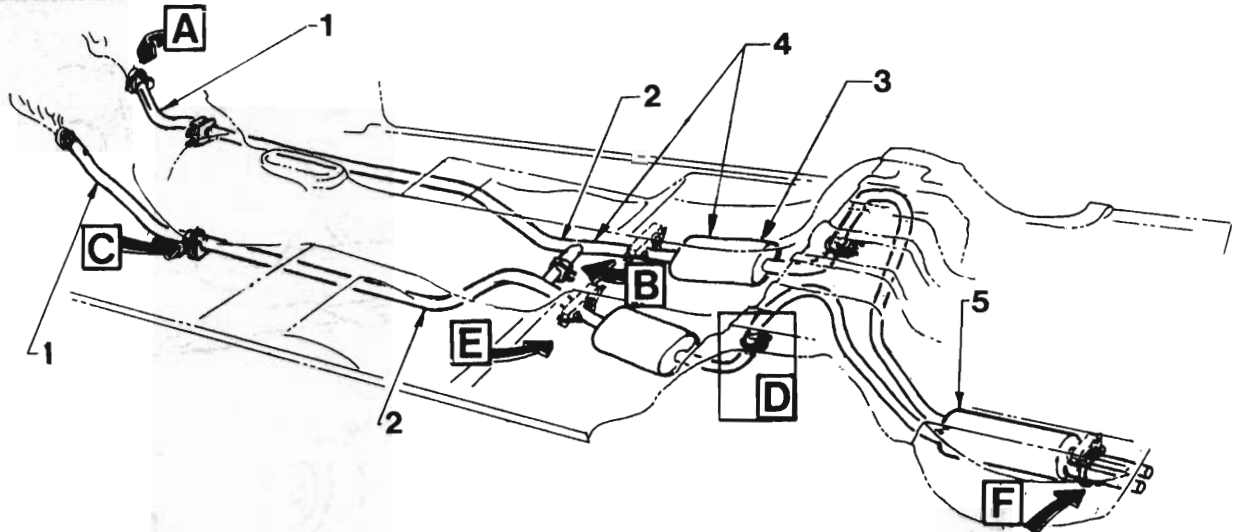


**FLEXIBLE EXHAUST PIPE
(A) 6 CYLINDER ENGINE STATION WAGON
VC, VH SERIES**

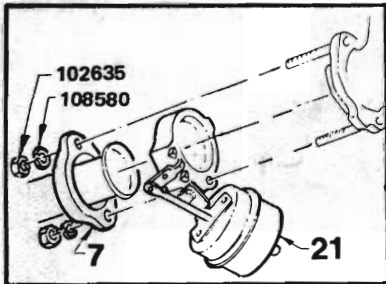
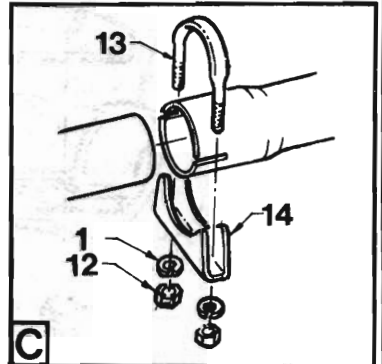
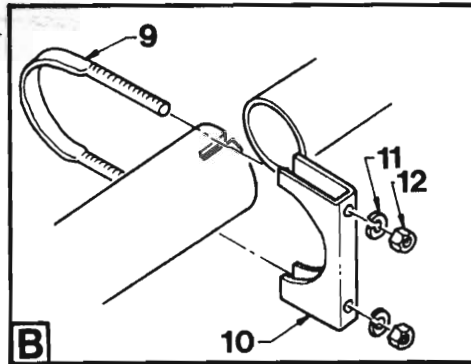
REF. NO.	PART NAME	GROUP
1-5	PIPE PACKAGE - Flexible.....	3.609
1	PIPE - Flexible.....	3.609
2	CLAMP.....	3.616
3	'U' BOLT.....	3.616
4	SUPPORT - Front pipe.....	3.616
5	CLAMP - Front pipe to support.....	3.616



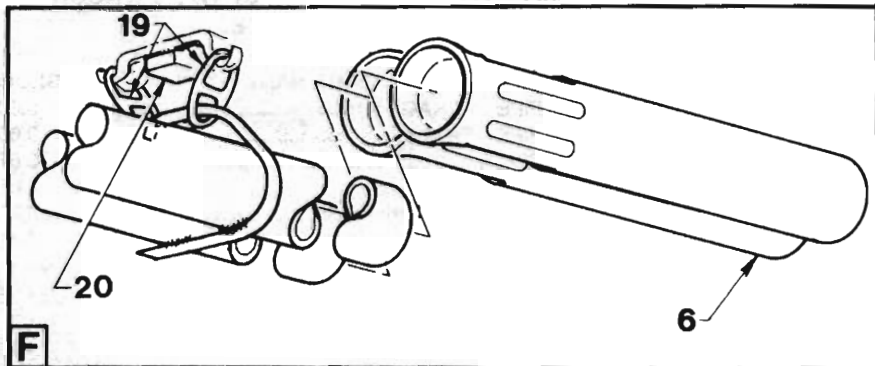
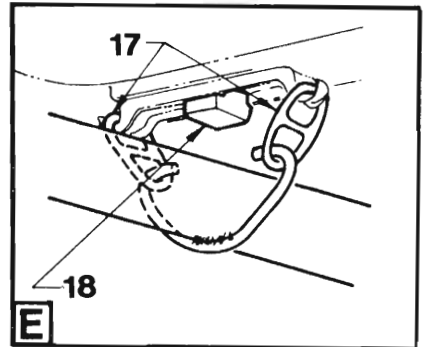
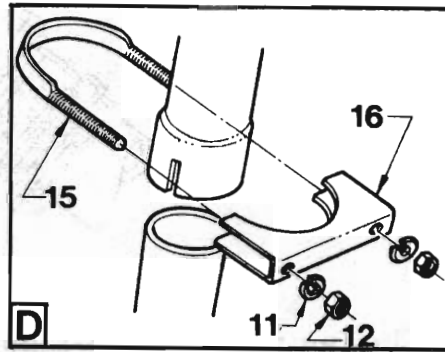
"V" SERIES PARTS CATALOGUE



VB SERIES



VC, VH SERIES





EXHAUST SYSTEM

8 CYLINDER ENGINE

DUAL EXHAUST

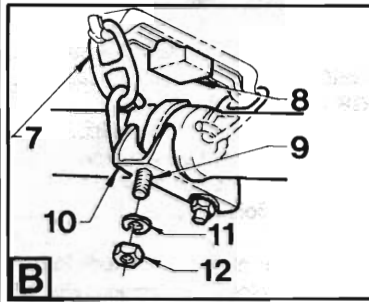
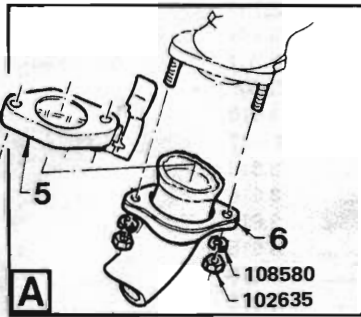
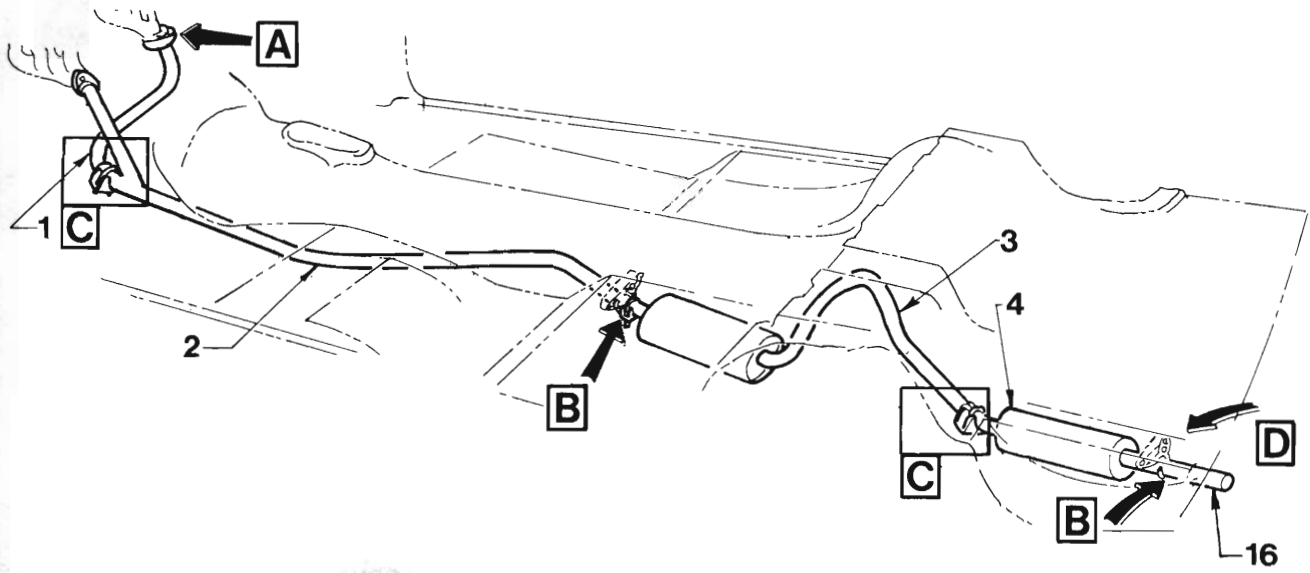
EXC. ENGINE PERFORMANCE EQUIPMENT

ILLUSTRATION OPPOSITE

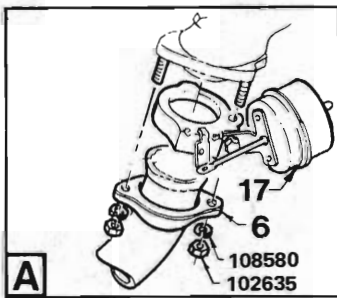
REF. NO.	PART NAME	GROUP
1	PIPE ASM. - Front exhaust.....	3.609
2	PIPE - Intermediate exhaust.....	3.609
3	MUFFLER - Intermediate.....	3.701
4	MUFFLER & PIPE ASM. - Intermediate.....	3.701
5	MUFFLER & TAIL PIPE ASM. - Rear.....	3.701
6	EXTENSION - Chrome.....	3.705
7	FLANGE - Exhaust pipe.....	3.610
8	VALVE - Heat - Exhaust manifold.....	3.647
9	'U' BOLT - RH to LH balance pipe.....	3.616
10	CLAMP - RH to LH balance pipe.....	3.616
11	WASHER - 'U' Bolt.....	3.616
12	NUT - 'U' Bolt.....	3.616
13	'U' BOLT - Front pipe to intermediate pipe.....	3.616
14	CLAMP - Front pipe to intermediate pipe.....	3.616
15	'U' BOLT - Intermediate pipe to rear pipe.....	3.616
16	CLAMP - Intermediate pipe to rear pipe.....	3.616
17	RING - Muffler support.....	3.704
18	BUMPER - Muffler suspension.....	3.704
19	RING - Tail pipe support.....	3.706
20	BUMPER - Tail pipe.....	3.706
21	VALVE & ACTUATOR ASM.....	3.140



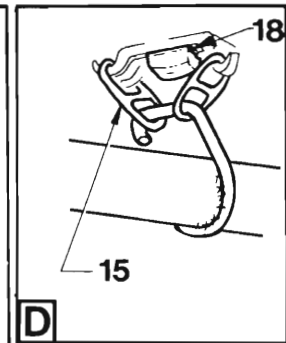
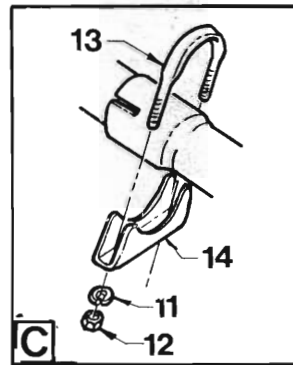
"V" SERIES PARTS CATALOGUE



VB SERIES



VC, VH SERIES





EXHAUST SYSTEM

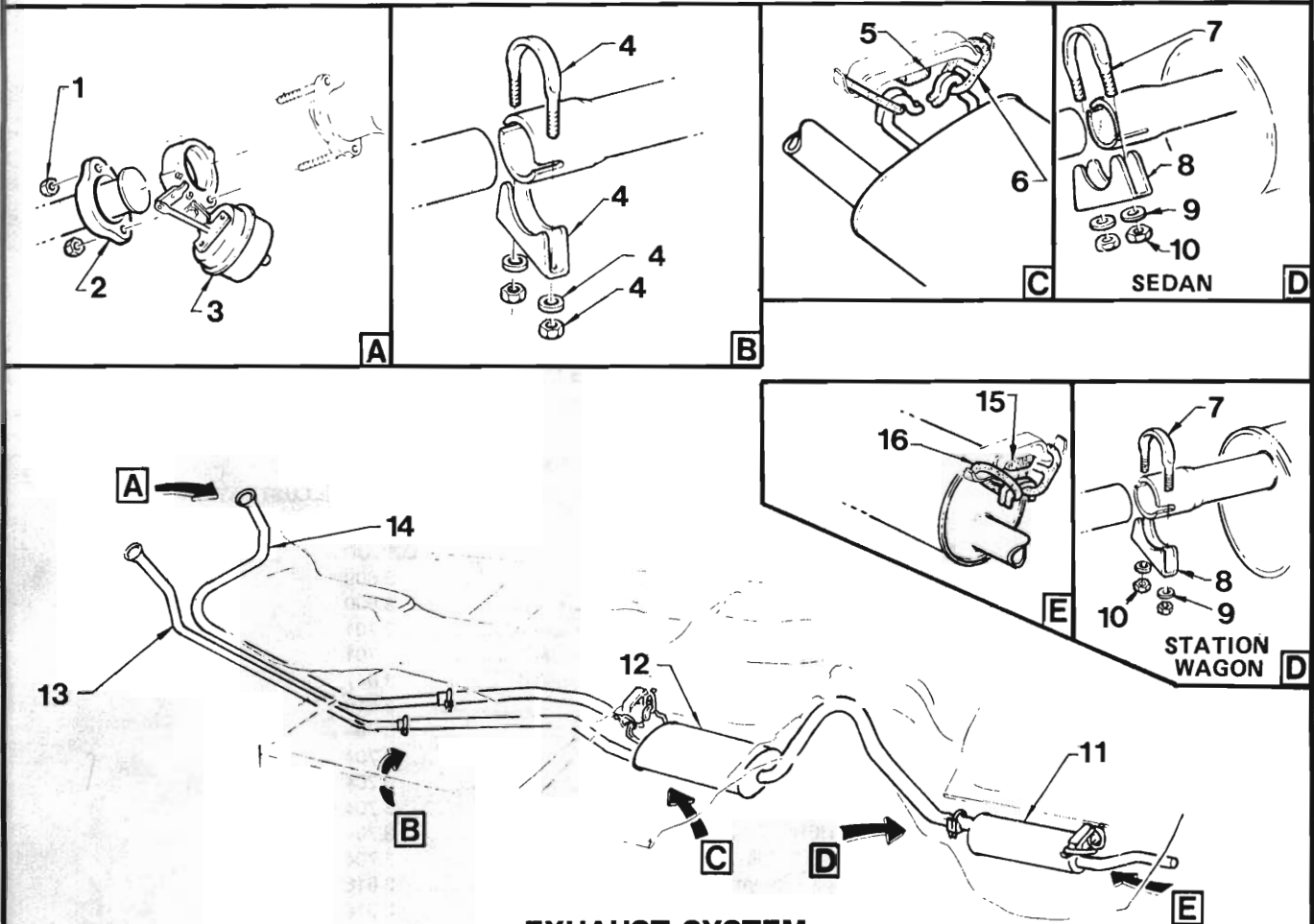
8 CYLINDER ENGINE

SINGLE EXHAUST

**EXC. ENGINE PERFORMANCE EQUIPMENT
VB, VC, VH SERIES**

ILLUSTRATION OPPOSITE

REF. NO.	PART NAME	GROUP
1	PIPE ASM. - Front exhaust, RH.....	3.609
2	PIPE ASM. - Front exhaust, LH.....	3.609
3	MUFFLER & PIPE ASM. - Intermediate.....	3.701
4	MUFFLER & TAIL PIPE ASM. - Rear.....	3.701
5	VALVE ASM. - Heat, Exhaust manifold.....	3.647
6	FLANGE - Exhaust pipe.....	3.610
7	RING - Muffler support.....	3.704
8	BUMPER - Muffler suspension.....	3.704
9	'U' BOLT - Muffler to front exhaust pipe.....	3.704
10	CLAMP - Muffler to front exhaust pipe.....	3.704
11	WASHER - 'U' Bolt.....	3.704
12	NUT - 'U' Bolt.....	3.704
13	'U' Bolt - Intermediate pipe to rear muffler.....	3.616
14	CLAMP - Intermediate pipe to rear muffler.....	3.616
15	RING - Tail pipe support.....	3.706
16	EXTENSION - Chrome.....	3.705
17	VALVE & ACTUATOR ASM.....	3.140
18	BUMPER - Tail pipe support.....	3.706

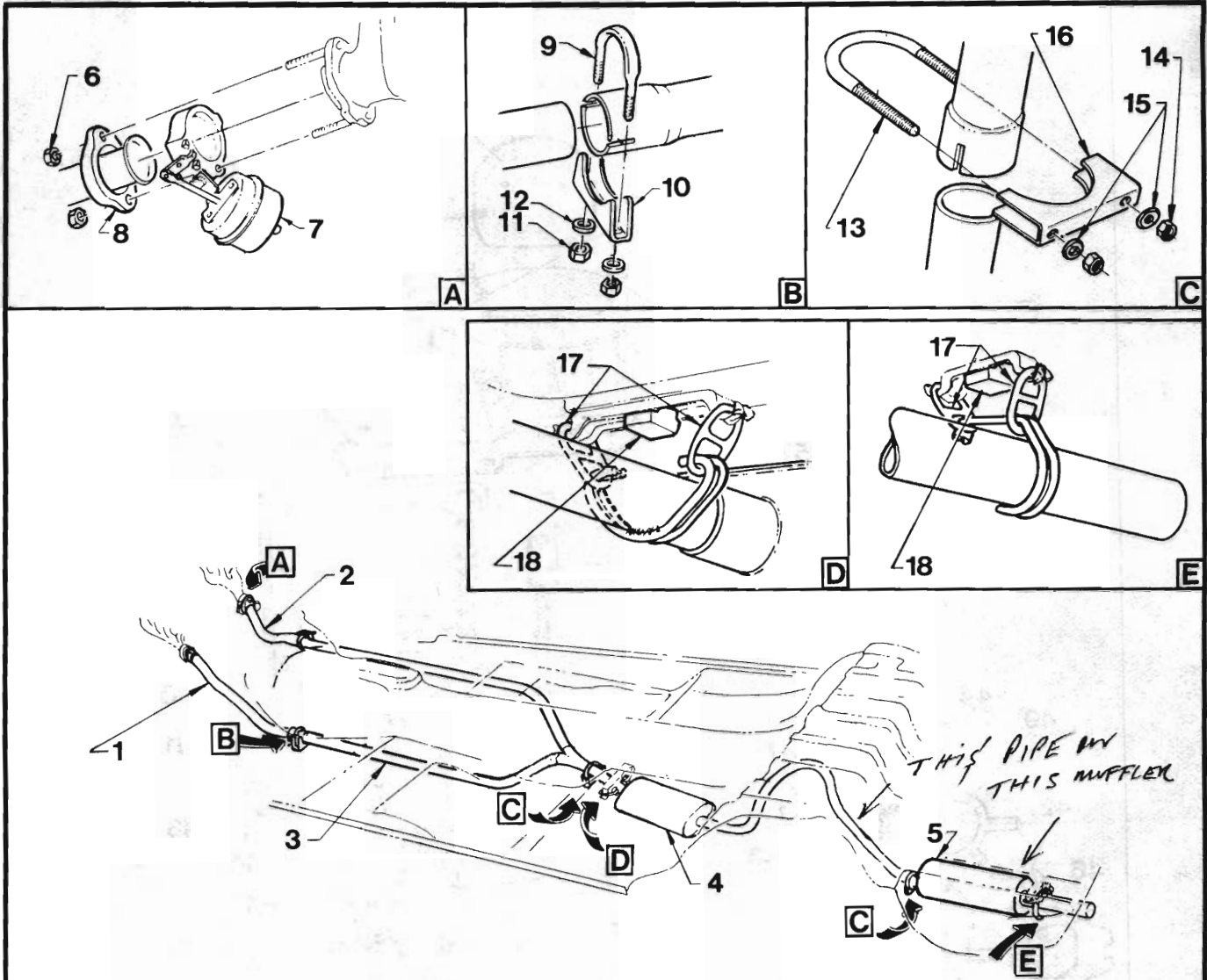


**EXHAUST SYSTEM
8 CYLINDER ENGINE
SINGLE EXHAUST
VK SERIES**

REF. NO.	PART NAME	GROUP
1	NUT - Exhaust pipe to manifold.....	3.275
2	FLANGE - Exhaust pipe to manifold	3.610
3	VALVE & ACTUATOR ASM.....	3.140
4	CLAMP & 'U' BOLT ASM. - Front pipe to intermediate pipe.....	3.616
5	BUMPER - Muffler suspension	3.704
6	RING - Muffler support	3.704
7	'U' BOLT - Intermediate pipe to muffler & tail pipe	3.616
8	CLAMP - Intermediate pipe to muffler & tail pipe	3.616
9	WASHER - 'U' bolt.....	3.616
10	NUT 'U' bolt.....	3.616
11	MUFFLER & TAIL PIPE ASM.....	3.701
12	MUFFLER & PIPE ASM.....	3.701
13	PIPE ASM. - Front exhaust, LH	3.609
14	PIPE ASM. - Front exhaust, RH.....	3.609
15	BUMPER - Tail pipe	3.706
16	RING - Tail pipe support	3.706

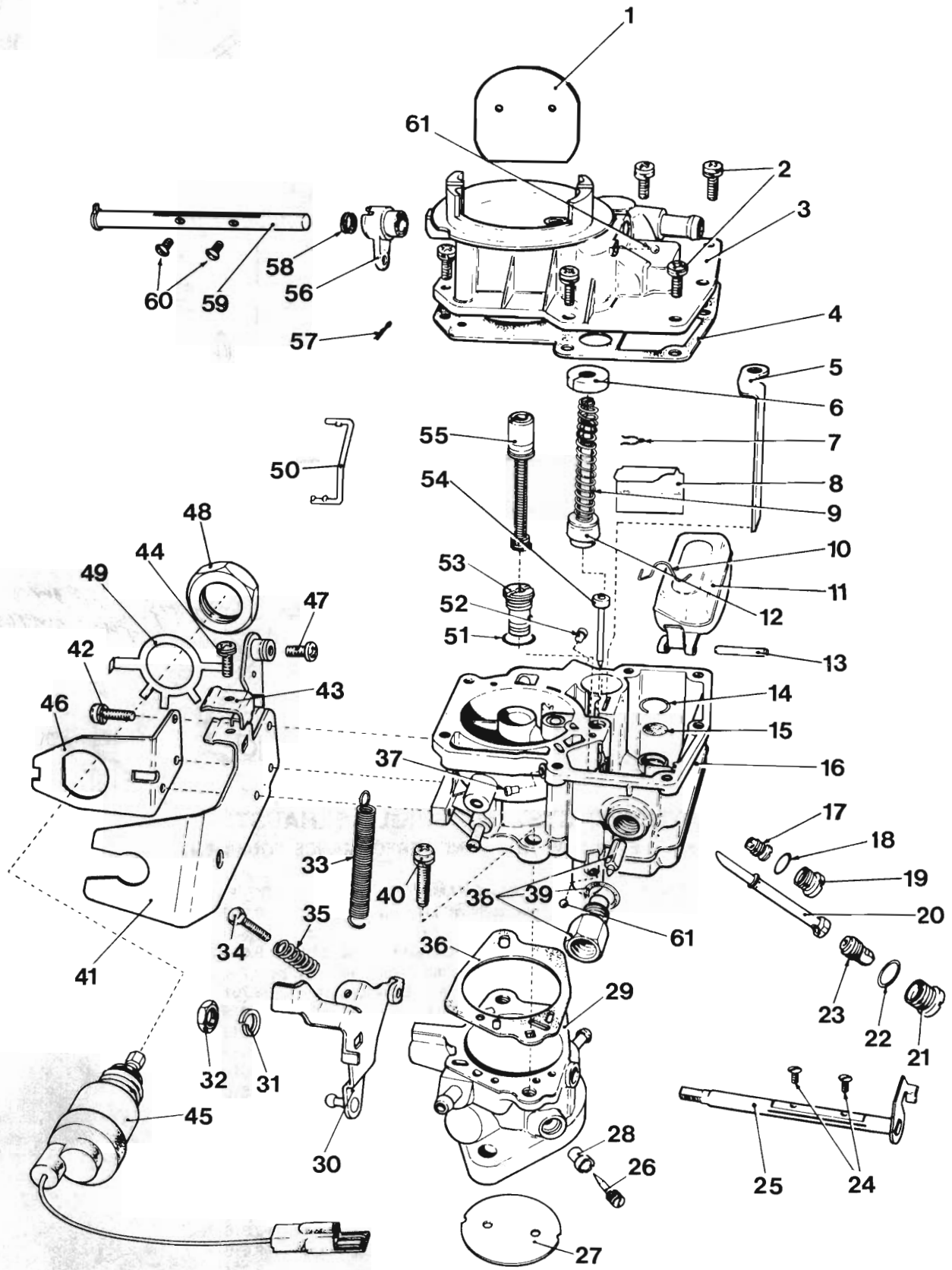


"V" SERIES PARTS CATALOGUE



EXHAUST SYSTEM - SINGLE EXHAUST 8 CYLINDER ENGINE WITH ENGINE PERFORMANCE EQUIPMENT

REF. NO.	PART NAME	GROUP
1	PIPE ASM. - Front exhaust, LH.....	3.609
2	PIPE ASM. - Front exhaust, RH.....	3.609
3	PIPE ASM. - Intermediate exhaust - 'Y' shaped..	3.609
4	MUFFLER & PIPE ASM. - Intermediate exhaust.	3.701
5	MUFFLER & TAIL PIPE ASM. - Exhaust rear	3.701
6	NUT - Exhaust pipe to manifold.....	3.275
7	VALVE & ACTUATOR ASM.....	3.140
8	FLANGE - Exhaust pipe	3.610
9	'U' BOLT - Intermediate pipe to front pipe.....	3.616
10	CLAMP - Intermediate pipe to front pipe.....	3.616
11	NUT - 'U' bolt.....	3.616
12	WASHER - 'U' bolt.....	3.616
13	'U' BOLT - Intermediate & rear pipe to muffer...	3.616
14	NUT - 'U' bolt, Intermediate & rear pipe to muffer.....	3.616
15	WASHER - Flat, Intermediate & rear pipe to muffer	3.616
16	CLAMP - Intermediate & rear pipe to muffer	3.616
17	RING - Muffer support	3.704
18	BUMPER - Muffer suspension	3.704





**CARBURETTOR
SINGLE BARREL TYPE - BENDIX
6 CYLINDER ENGINE
VB SERIES**

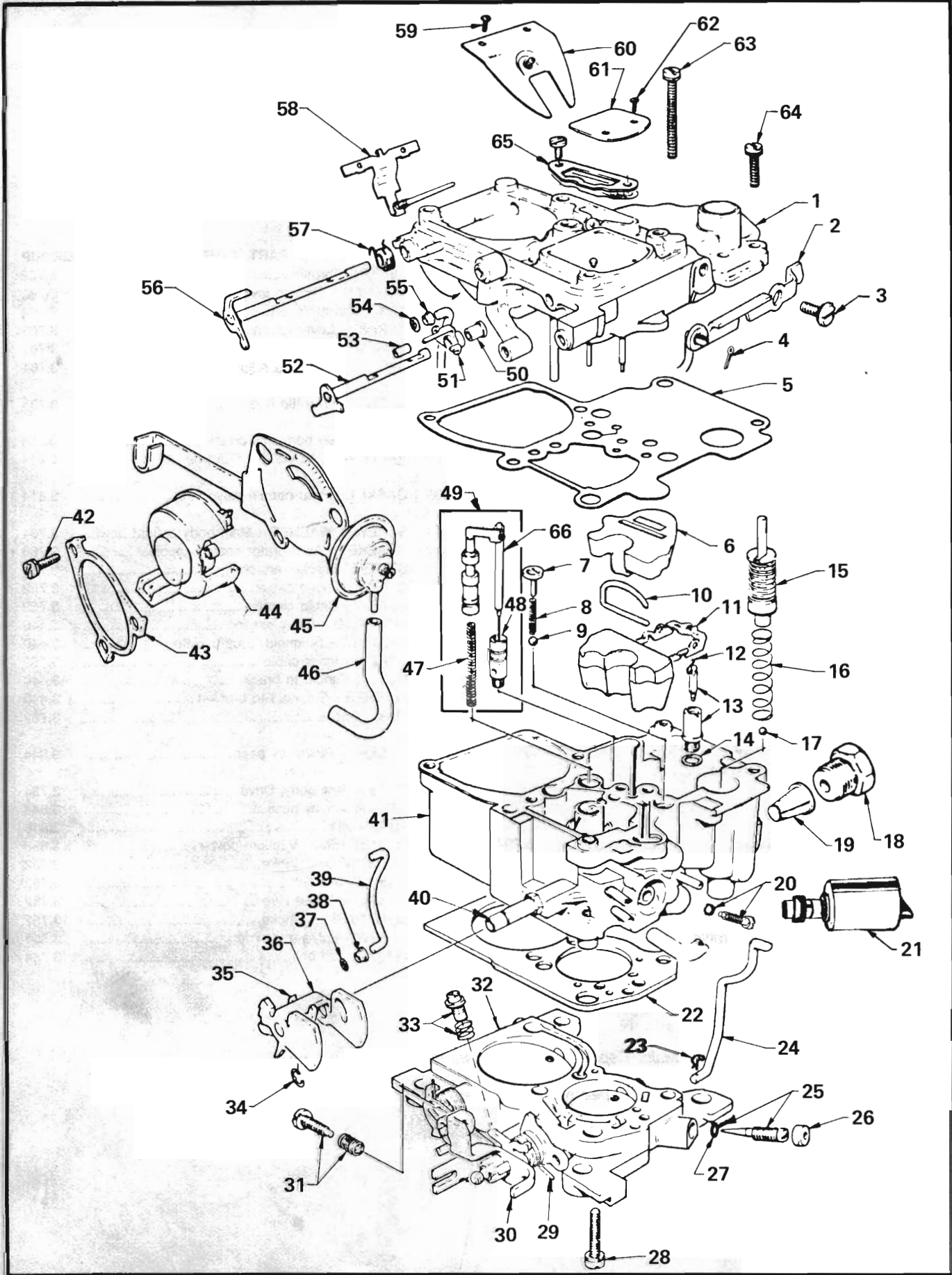
ILLUSTRATION OPPOSITE

REF. NO.	PART NAME	GROUP	REF. NO.	PART NAME	GROUP
1-61	CARBURETTOR ASM.....	3.275	30	LEVER - Throttle.....	3.762
1	VALVE - Choke.....	3.751	31	WASHER - Throttle lever.....	3.762
2	SCREW & WASHER - Air horn to main body.....	3.730	32	NUT - Throttle shaft.....	3.762
3	AIR HORN ASM.....	3.730	33	SPRING - Lever return.....	3.763
(B)			34	SCREW - Slow idle adjusting.....	3.761
4(C)	GASKET - Air horn to main body & float bowl....	3.738	35	SPRING - Slow idle adjusting screw.....	3.761
(D)			(B)		
5	ROD - Pump.....	3.842	36(C)	GASKET - Throttle body.....	3.735
6	BUSH - Spring retaining, Pump stem.....	3.841	(D)		
7(B)	PIN - Cotter.....	3.838	37	PLUG - Main body idle channel.....	3.734
(C)			38(B)	VALVE & SEAT ASM. - Float needle.....	3.814
8	BAFFLE - Float chamber.....	3.747	(C)		
9	SPRING - Pump stem.....	3.841	39(C)	GASKET - Float needle valve seat.....	3.814
10(B)	SPRING - Float fulcrum pin.....	3.747	(D)		
11	FLOAT & LEVER ASM.....	3.745	40	SCREW & WASHER - Main body & float bowl...	3.734
12(B)	PISTON & STEM ASM. - Pump.....	3.838	41	BRACKET - Accelerator cable support.....	3.766
(C)			42	SCREW - Bracket attaching.....	3.766
13	PIN - Float fulcrum.....	3.747	43	CLAMP - Choke cable.....	3.752
14(B)	CLIP - Pump screen.....	3.841	44	SCREW - Cable clamp.....	3.752
15(B)	SCREEN - Pump strainer.....	3.841	45	SOLENOID - Anti dieseling.....	3.440
16	MAIN BODY & FLOAT BOWL.....	3.734	46	BRACKET - Solenoid to carburettor.....	3.440
17(B)	VALVE - Pump check.....	3.825	47	SCREW - Inner cable.....	3.752
(B)			48	NUT - Solenoid to bracket.....	3.440
18(C)	GASKET - Pump check plug.....	3.825	49	WASHER - Solenoid to bracket.....	3.440
(D)			50	LINK - Choke.....	3.752
19	PLUG - Pump check valve.....	3.825	(B)		
20	JET - Main discharge.....	3.792	51(C)	GASKET - Power by pass.....	3.844
21(B)	PLUG - Main metering jet.....	3.792	(D)		
(B)			52(B)	PLUG - Main body, Drive.....	3.734
22(C)	GASKET - Main metering jet plug.....	3.792	53(B)	JET - Power by pass.....	3.844
(D)			54(B)	TUBE - Idle.....	3.818
23(B)	JET - Main metering.....	3.792	55	PISTON ASM. - Vacuum power.....	3.858
24	SCREW - Valve attaching.....	3.761	56	LEVER ASM. - Choke.....	3.752
25	SHAFT - Throttle.....	3.762	57	CLIP - Choke link.....	3.752
26(B)	VALVE - Idle needle.....	3.761	58	SPRING - Choke lever.....	3.752
(C)			59	SHAFT ASM. - Choke.....	3.752
27	VALVE - Carburettor throttle.....	3.761	60	SCREW - Valve attaching.....	3.751
28	BUSH - Idle needle valve.....	3.761	61	PLUG - Lead ball.....	3.734
29	BODY ASM. - Carburettor throttle.....	3.729			

NOTE:-(B Parts Included in Major Repair Kit. Refer Group 3.725

(C Parts Included in Minor Repair Kit. Refer Group 3.725

(D Parts Included in Gasket Kit. Refer Group 3.724





"V" SERIES PARTS CATALOGUE

CARBURETTOR TWO BARREL TYPE - VARAJET 4, 6 CYLINDER ENGINE VC, VH SERIES

ILLUSTRATION OPPOSITE

REF. NO.	PART NAME	GROUP	REF. NO.	PART NAME	GROUP
1-66	CARBURETTOR ASM.....	3.725	30(L)	LEVER - Primary throttle.....	N.S.S.
1	AIR HORN ASM.....	3.730	31(L)	SCREW & SPRING ASM. - Fast idle.....	3.766
2(K)	LEVER - Pump.....	3.842	32	BODY - Throttle.....	N.S.S.
3(K)	SCREW - Pump lever.....	N.S.S.	33	SCREW & SPRING ASM. - Basic idle.....	3.822
4(B)	PIN - Pump link.....	3.843	34(G)	RETAINER - Fast idle cam.....	3.767
5(A)			35(G)	PAWL.....	N.S.S.
5(B)	GASKET - Air horn to float bowl.....	3.738	36(G)	LEVER - Cam.....	N.S.S.
5(C)			37(G)	CLIP - Choke link, cam end.....	3.752
6	INSERT - Float housing.....	3.734	37(J)		
7	RETAINER - Discharge pump.....	3.825	38(B)		
8	SPRING - Pump discharge.....	3.825	38(G)	BUSH - Choke link, cam end.....	3.752
9	BALL - Discharge.....	3.825	38(J)		
10	PIN - Float retaining.....	N.S.S.	39(J)	LINK - Choke.....	3.752
11(D)	FLOAT & LEVER ASM.....	3.745	40(G)	PIVOT - Fast idle cam.....	N.S.S.
12(B)			41	MAIN BODY & FLOAT BOWL.....	N.S.S.
12(C)	CLIP - Float lever to needle.....	3.814	42	SCREW - Choke to carburettor.....	3.750
12(D)			43	RETAINER & SLEEVE KIT - Choke thermostat cover.....	3.750
13(B)			44(H)	COVER & THERMOSTAT ASM. - Choke.....	N.S.S.
13(C)	VALVE & SEAT KIT - Float needle.....	3.814	45(F)	VACUUM UNIT.....	N.S.S.
13(D)			46(F)	HOSE - Vacuum.....	3.755
14(A)			47(E)	SPRING - Power piston.....	N.S.S.
14(B)	GASKET - Float needle valve seat.....	N.S.S.	48(B)	JET - Main metering.....	N.S.S.
14(C)			48(E)		
14(D)			49(E)	PISTON - Power.....	N.S.S.
15(B)	PISTON ASM. - Pump.....	3.838	50	BUSH - Choke lever.....	N.S.S.
15(C)			51	LEVER - Choke.....	N.S.S.
16	SPRING - Piston return.....	N.S.S.	52	SHAFT - Choke.....	N.S.S.
17	BALL - Pump inlet.....	3.826	53(B)		
18	NUT - Fuel inlet.....	3.740	53(F)	SLEEVE - Coil contact.....	3.752
19	FILTER - Fuel.....	3.740	53(H)		
20	SCREW & SEAL ASM. - Additional mixture regulator.....	3.820	54	CLIP - Choke link, choke end.....	3.752
21	SOLENOID - Anti dieseling.....	3.440	55	BUSH - Choke link, choke end.....	3.752
22(A)			56	SHAFT - Secondary.....	N.S.S.
22(B)	GASKET - Float bowl to throttle body.....	3.735	57	SPRING - Secondary shaft.....	N.S.S.
22(C)			58	RETAINER.....	N.S.S.
23	CLIP - Pump link.....	3.843	59	SCREW - Choke baffle.....	N.S.S.
24	LINK KIT - Pump.....	3.843	60	BAFFLE - Choke valve.....	N.S.S.
25	SCREW & SEAL ASM. - Idle mixture.....	3.822	61	VALVE - Choke.....	N.S.S.
26	CAP - Idle screw.....	N.S.S.	62	SCREW - Choke valve.....	N.S.S.
27(A)			63	SCREW - Air horn.....	3.730
27(B)	SEAL - Idle screw.....	N.S.S.	64	SCREW - Air horn.....	3.730
27(C)			65	SCREEN - Air horn vent.....	3.730
28	SCREW - Throttle body to float bowl.....	3.741	66(B)	ROD & SPRING ASM. - Metering.....	N.S.S.
29	SPRING - Secondary lockout.....	3.763	66(E)		

NOTE:- (A Part of Gasket Kit. Refer Group 3.724

(B Part of Major Overhaul Kit. Refer Group 3.725

(C Part of Minor Overhaul Kit. Refer Group 3.725

(D Part of Valve & Seat Kit. Refer Group 3.814

(E Part of Power Piston & Metering Rod Kit.
Refer Group 3.858

(F Part of Vacuum Housing Asm. Refer Group 3.755

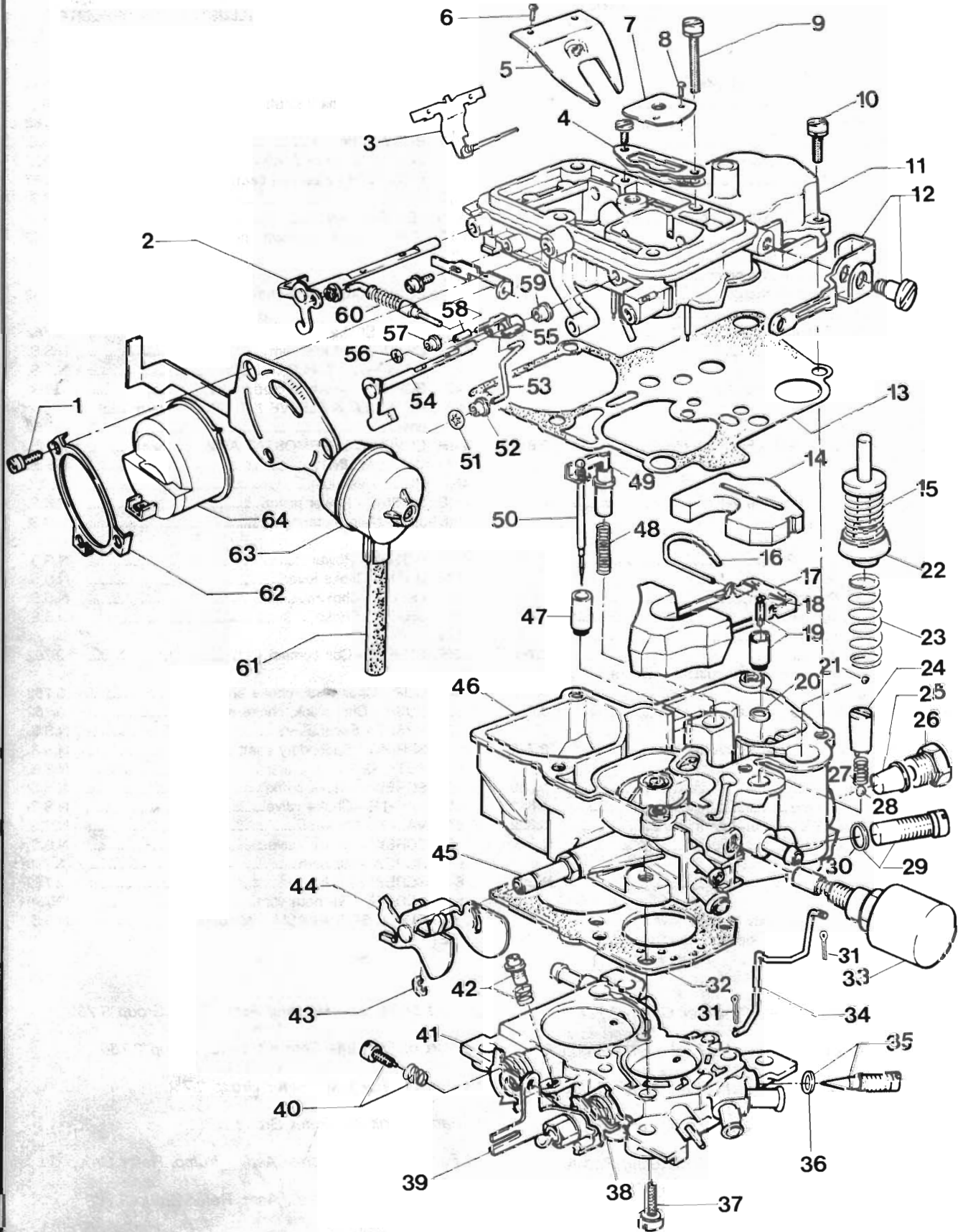
(G Part of Fast Idle Cam Kit. Refer Group 3.766

(H Part of Choke Kit. Refer Group 3.750

(J Part of Link Kit. Refer Group 3.752

(K Part of Lever & Screw Asm. - Pump. Refer Group 3.842

(L Part of Lever & Screw Asm. Refer Group 3.762





**CARBURETTOR
TWO BARREL TYPE - VARAJET
4, 6 CYLINDER ENGINES
VK SERIES**

ILLUSTRATION OPPOSITE

REF. NO.	PART NAME	GROUP	REF. NO.	PART NAME	GROUP
1-64	CARBURETTOR ASM.....	3.725	33	SOLENOID - Anit dieseling.....	3.440
1	SCREW - Thermostat cover.....	3.750	34	LINK - Pump.....	3.843
2	SHAFT - Secondary.....	N.S.S.	35	SCREW & SEAL ASM. - Idle needle.....	3.822
3	RETAINER - Choke baffle.....	N.S.S.	36(A)	SEAL - Idle needle.....	3.822
4	SCREEN & RETAINER - Air horn vent.....	3.730	36(B)		
5	BAFFLE - Choke valve.....	N.S.S.	37	SCREW - Throttle body to float bowl.....	3.741
6	SCREW - Choke baffle.....	N.S.S.	38	SPRING - Secondary lockout.....	3.763
7	VALVE - Choke.....	N.S.S.	39	LEVER - Primary throttle.....	3.762
8	SCREW - Choke valve.....	N.S.S.	40	SCREW & SPRING ASM. - Fast idle.....	3.766
9	SCREW - Air horn to float bowl.....	3.730	41	BODY - Throttle.....	3.729
10	SCREW - Air horn to float bowl.....	3.730	42	SCREW & SPRING ASM. - Idle mixture.....	3.822
11	AIR HORN ASM.....	3.730	43(H)	RETAINER - Fast idle cam.....	3.767
12	LEVER & SCREW ASM. - Pump.....	3.842	44(H)	CAM & PIN ASM. - Fast idle.....	N.S.S.
13(A)			45(H)	PIVOT - Fast idle cam.....	N.S.S.
13(B)	GASKET - Air horn to float bowl.....	3.738	46	MAIN BODY & FLOAT BOWL.....	N.S.S.
13(D)			47(F)	JET - Metering primary.....	N.S.S.
13(F)			48(F)	SPRING - Power piston.....	3.858
14	INSERT - Float pivot.....	3.745	49(F)	POWER PISTON & HANGER ASM.....	3.858
15(A)			50(F)	ROD & SPRING ASM. - Metering primary.....	N.S.S.
15(D)	PISTON ASM. - Pump.....	3.838	51(D)		
16	PIN - Float retainer.....	N.S.S.	51(F)	CLIP - Choke link - Cam end.....	3.752
17	FLOAT & LEVER ASM.....	3.745	51(H)		
18(A)	CLIP - Float valve to lever.....	3.814	51(K)		
18(E)			52(D)		
19(A)	VALVE & SEAT ASM. - Float needle.....	N.S.S.	52(F)	BUSH - Choke link - Cam end.....	3.752
19(E)			52(H)		
20(A)			52(K)		
20(B)	GASKET - Float valve seat.....	N.S.S.	53(K)	LINK - Fast idle cam to choke.....	N.S.S.
20(E)			54	SHAFT - Choke.....	N.S.S.
21	BALL - Pump outlet.....	N.S.S.	55	LEVER - Choke.....	N.S.S.
22(A)	CUP - Piston.....	3.838	56(K)	CLIP - Choke link - Choke end.....	3.752
22(B)			57(K)	BUSH - Choke link - Choke end.....	3.752
23(D)	SPRING - Piston return.....	N.S.S.	58(C)		
24(D)	RETAINER - Pump discharge ball.....	3.825	58(H)	SLEEVE - Coil contact.....	3.752
25	FILTER - Carburettor fuel inlet.....	3.740	58(J)		
26	NUT - Carburettor fuel filter inlet.....	3.740	59	BUSH - Choke lever.....	N.S.S.
27(D)	SPRING - Pump discharge ball.....	3.825	60	SPRING - Secondary shaft.....	N.S.S.
28(D)	BALL - Discharge pump - Inlet.....	3.826	61(G)	HOSE - Vacuum break.....	3.755
29	SCREW & SEAL ASM. - Mixture regulator.....	3.822	62(C)	RETAINER - Choke cover & thermostat.....	N.S.S.
30(A)	SEAL - Mixture regulator screw.....	3.822	63(G)	HOUSING & LEVER ASM. - Vacuum break.....	N.S.S.
30(B)			64(J)	COVER & THERMOSTAT ASM.....	N.S.S.
31	CLIP - Pump link.....	3.843			
32(A)	GASKET - Float bowl to throttle body.....	3.735			
32(B)					

NOTE:- (A Part of Minor Repair Kit. Refer Group 3.725

NOTE:- (G Part of Vacuum Housing ASM. Refer Group 3.755

(B Part of Gasket Kit. Refer Group 3.724

(H Part of Fast Idle Cam Kit. Refer Group 3.766

(C Part of Retainer & Sleeve Kit. Refer Group 3.750

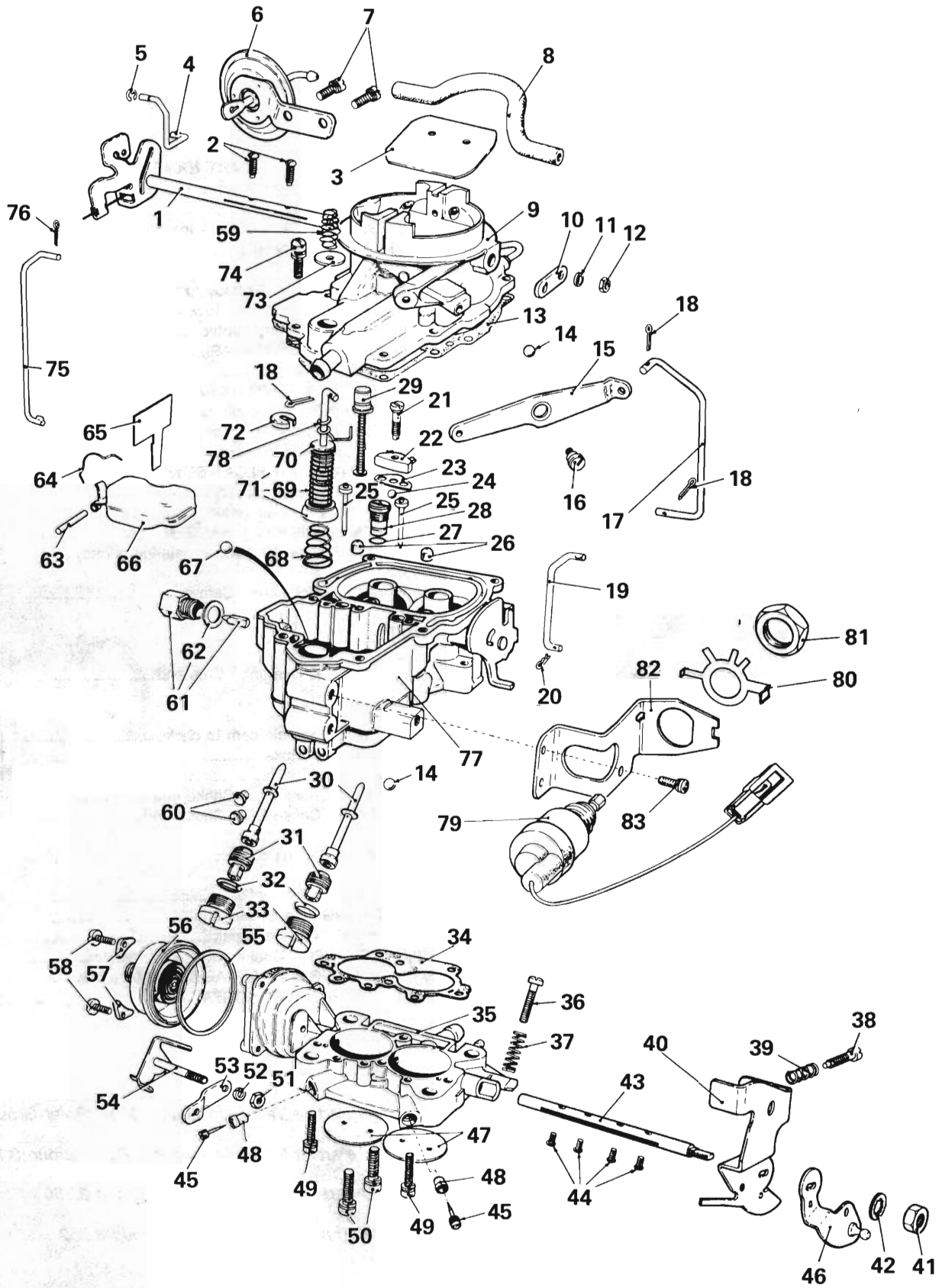
(J Part of Choke Kit. Refer Group 3.750

(D Part of Accelerating Pump Kit. Refer Group 3.838

(K Part of Link Kit. Refer Group 3.752

(E Part of Valve & Seat Kit. Refer Group 3.814

(F Part of Power Piston & Metering Rod Kit. Refer Group 3.858





**CARBURETTOR
TWO BARREL TYPE - BENDIX
4.2 LITRE ENGINE
VB SERIES**

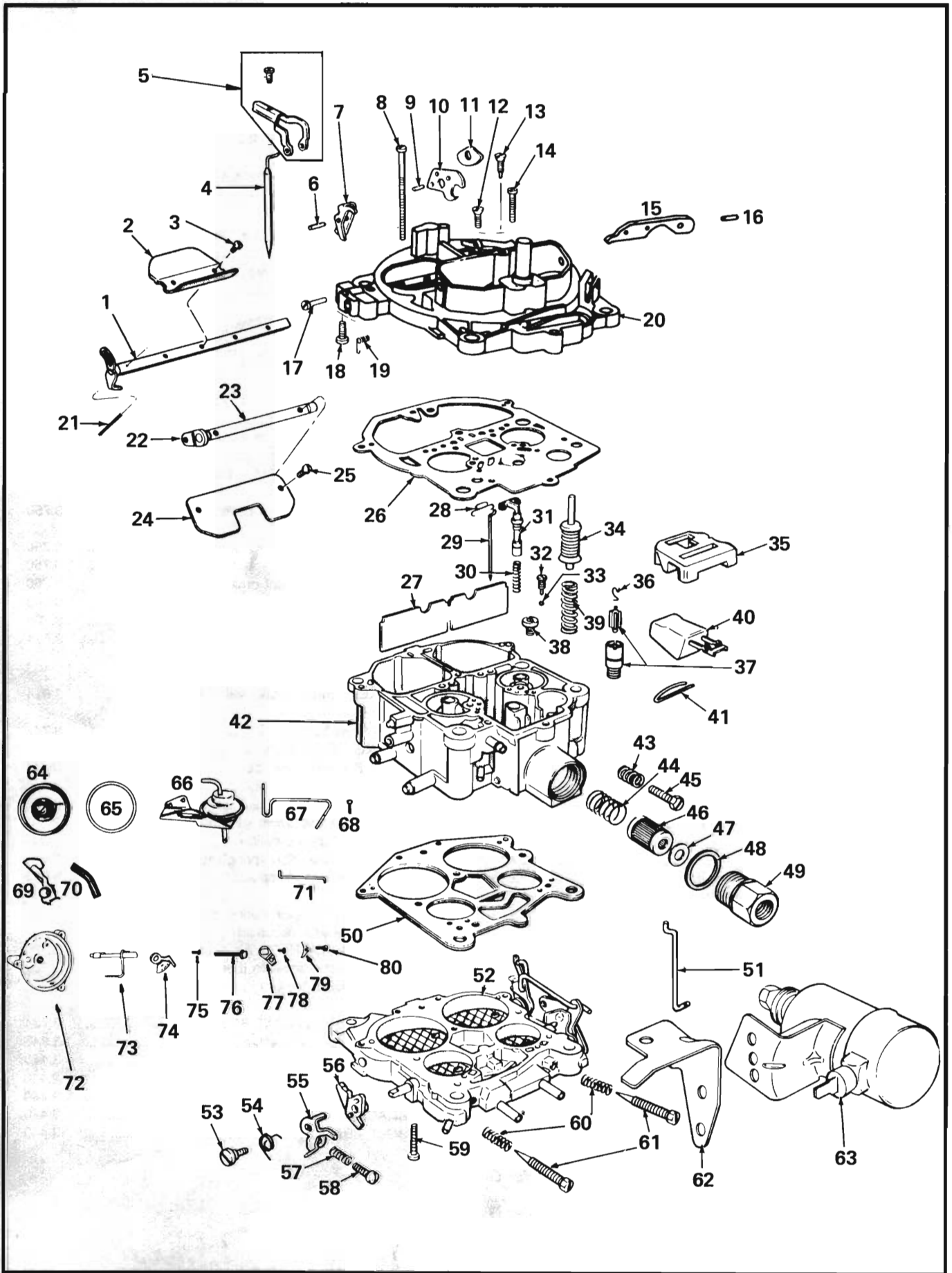
ILLUSTRATION OPPOSITE

REF. NO.	PART NAME	GROUP	REF. NO.	PART NAME	GROUP
1-83	CARBURETTOR ASM.....	3.725	40	LEVER - Throttle.....	3.762
1	SHAFT & LEVER ASM. - Choke.....	3.752	41	NUT - Throttle lever.....	3.762
2	SCREW - Valve attaching.....	3.751	42	WASHER - Throttle lever nut.....	3.762
3	VALVE - Choke.....	3.751	43	SHAFT - Throttle.....	3.762
4	ROD - Choke kick.....	3.755	44	SCREW - Throttle valve.....	3.762
5(B)	RETAINER - Choke kick rod.....	3.755	45(B)	VALVE - Idle needle.....	3.761
6	DIAPHRAGM ASM. - Choke kick.....	3.755	(C)		
7	SCREW - Diaphragm attaching.....	3.755	46	LEVER & STUD - Throttle cable.....	3.762
8	HOSE - Vacuum.....	3.755	47	VALVE - Throttle.....	3.761
9	AIR HORN ASM.....	3.730	48	BUSH - Idle needle valve.....	3.761
10	LEVER - Fast idle.....	3.766	49	SCREW & WASHER - Throttle body.....	3.741
11	WASHER - Lever attaching nut.....	3.766	50	SCREW & WASHER - Throttle body.....	3.741
12	NUT - Lever attaching.....	3.766	51	NUT - Lever attaching.....	3.752
(B)			52	WASHER - Thermostat lever.....	3.752
13(C)	GASKET - Air horn to main body & float bowl....	3.738	53	LEVER - Thermostat.....	3.752
(D)			54	LEVER & SHAFT ASM. - Thermostat.....	3.752
14	PLUG - Lead ball.....	3.734	(B)		
15	LEVER - Pump.....	3.842	55(C)	GASKET - Thermostat cover.....	3.750
16	SCREW - Pump lever.....	3.842	(D)		
17	ROD - Pump.....	3.842	56	COVER ASM. - Thermostat.....	3.750
(B)			57	RETAINER - Thermostat cover.....	3.750
18(C)	PIN - Cotter.....	3.838	58	SCREW - Thermostat cover.....	3.750
(D)			59	SPRING - Vent valve external.....	3.843
19	ROD - Fast idle - Lever to cam.....	3.768	60(B)	PLUG - Drive.....	3.734
20(B)	CLIP - Fast idle rod.....	3.768	61(B)	VALVE & SEAT ASM. - Float needle.....	3.814
21	SCREW - Pump nozzle.....	3.774	61(C)		
22	NOZZLE - Pump.....	3.774	(B)		
(B)			62(C)	GASKET - Float needle valve seat.....	3.814
23(C)	GASKET - Pump nozzle.....	3.774	(D)		
(D)			63	PIN - Float fulcrum.....	3.747
24(B)	BALL - Outlet check.....	3.825	64(B)	SPRING - Float fulcrum.....	3.747
25(B)	TUBE - Idle.....	3.818	65	BAFFLE - Float chamber.....	3.747
26	BLEEDER - High speed.....	3.790	66	FLOAT & LEVER ASM.....	3.745
(B)			67(B)	BALL - Inlet check.....	3.826
27(C)	GASKET - Power by pass jet.....	3.844	68	SPRING - Pump lower - Piston return.....	3.841
(D)			69	SPRING - Pump duration.....	3.841
28(B)	JET - Power by-pass.....	3.844	70	WASHER - Duration spring retainer.....	3.841
29	PISTON ASM. - Vacuum power.....	3.858	71(B)	PISTON ASM. - Pump.....	3.838
30	JET - Main discharge.....	3.792	(C)		
31(B)	JET - Main metering.....	3.792	72	WASHER - Duration spring clip.....	3.841
(B)			73	WASHER - Idle vent seal.....	3.843
32(C)	GASKET - Main metering jet plug.....	3.792	74	SCREW & WASHER - Air horn.....	3.730
(D)			75	ROD - Shaft & lever to thermostat - Choke.....	3.752
33	PLUG - Main metering jet.....	3.792	76(B)	PIN - Cotter - Choke rod.....	3.752
(B)			(C)		
34(C)	GASKET - Main body to throttle body.....	3.735	77	MAIN BODY & FLOAT BOWL.....	3.734
(D)			78	LIFTER - Idle vent valve.....	3.843
35	BODY ASM. - Throttle.....	3.729	79	SOLENOID - Anti dieseling.....	3.440
36	SCREW - Slow idle adjusting.....	3.761	80	WASHER - Solenoid to bracket.....	3.440
37	SPRING - Slow idle screw.....	3.761	81	NUT - Solenoid to bracket.....	3.440
38	SCREW - Fast idle.....	3.766	82	BRACKET - Solenoid to carburettor.....	3.440
39	SPRING - Fast speed idle.....	3.766	83	BOLT - Bracket to carburettor.....	3.440

NOTE:-(B Parts Included in Major Repair Kit. Refer Group 3.725

(C Parts Included in Minor Repair Kit. Refer Group 3.725

(D Parts Included in Gasket Kit. Refer Group 3.724





**CARBURETTOR
FOUR BARREL TYPE - ROCHESTER
(A) 5.0 LITRE ENGINE
VB SERIES**

ILLUSTRATION OPPOSITE

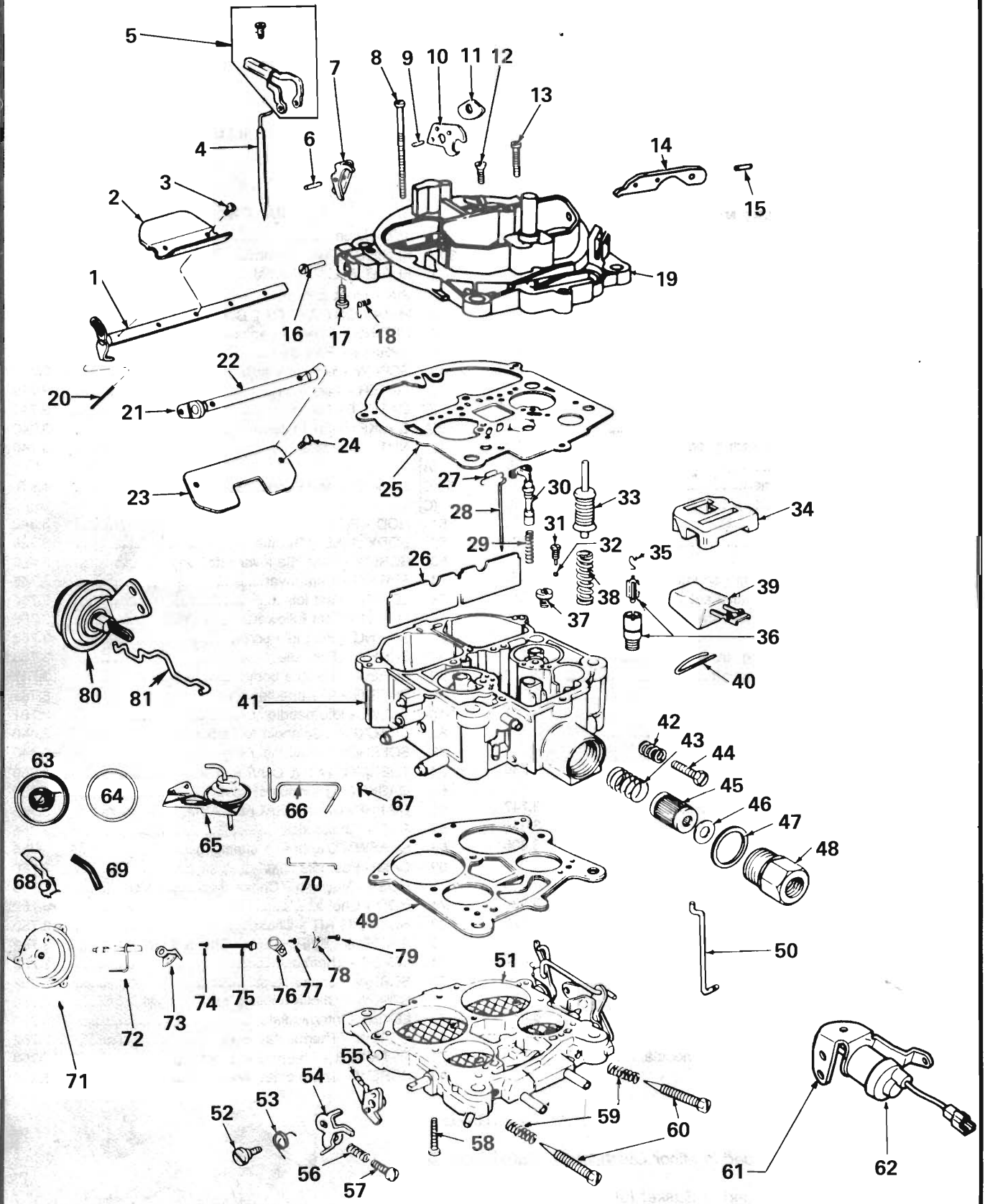
REF. NO.	PART NAME	GROUP	REF. NO.	PART NAME	GROUP
1-80	CARBURETTOR ASM.....	3.275	38(A)	JET - Main.....	3.792
1	SHAFT ASM. - Secondary air valve.....	N.S.S.	39(A)	SPRING - Piston return.....	3.841
2	VALVE - Secondary air.....	N.S.S.	40	FLOAT & LEVER ASM.....	3.745
3	SCREW - Secondary air valve.....	N.S.S.	41	PIN - Float fulcrum.....	3.747
4(B)	ROD - Secondary metering.....	3.806	42	MAIN BODY & FLOAT BOWL.....	3.734
5	HOLDER KIT - Secondary metering rod.....	3.806	43	SPRING - Slow idle adjusting.....	3.761
6	PIN - Air valve lockout lever.....	3.757	44	SPRING - Fuel filter.....	3.740
7	LEVER - Air valve lockout.....	3.757	45	SCREW - Slow idle adjusting.....	3.761
8	SCREW - Air horn.....	3.730	46	FILTER - Fuel inlet.....	3.740
9	PIN - Secondary metering rod lever.....	N.S.S.	47(C)	GASKET - Fuel filter.....	3.740
10	LEVER - Secondary metering rod.....	3.757	48(A)	GASKET - Fuel filter nut.....	3.740
11(D)	CAM - Secondary metering rod.....	3.757	49	NUT - Fuel filter.....	3.740
12	SCREW - Air horn.....	3.730	(A)		
13	SCREW - Air adjustment.....	N.S.S.	50(B)	GASKET - Main body.....	N.S.S.
14	SCREW - Air horn.....	3.730	(C)		
15	LEVER - Pump.....	3.842	51	ROD - Pump.....	3.842
16(A)	PIN - Lever.....	3.842	52	BODY ASM. - Throttle.....	3.729
(B)			53	SCREW - Fast idle lever attaching.....	3.766
17	SCREW - Air valve return spring.....	N.S.S.	54	SPRING - Cam lever.....	3.766
18	SCREW - Secondary valve set.....	N.S.S.	55	LEVER - Fast idle.....	3.766
19	SPRING - Secondary air valve return.....	N.S.S.	56	LEVER - Cam follower.....	3.766
20	AIR HORN ASM.....	3.730	57	SPRING - Fast idle screw.....	3.766
21	PIN - Secondary spring fulcrum.....	N.S.S.	58	SCREW - Fast idle.....	3.766
22	LEVER - Choke valve shaft.....	3.752	59	SCREW - Throttle body.....	3.741
23	SHAFT - Choke valve.....	3.752	60	SPRING - Idle needle valve.....	3.761
24	VALVE - Choke.....	3.751	61(A)	VALVE - Idle needle.....	3.761
25	SCREW - Valve attaching.....	3.751	62	BRACKET - Solenoid to carburettor.....	3.440
(A)			63	SOLENOID - Anti dieseling.....	3.440
26(B)	GASKET - Air horn.....	3.738	64	THERMOSTAT & COVER ASM.....	3.750
(C)			65	GASKET - Thermostat cover.....	3.750
27	BAFFLE - Float chamber.....	3.747	66	DIAPHRAGM & BRACKET ASM. - Choke kick ...	3.755
28	SPRING - Metering rod.....	3.810	67	ROD - Choke kick.....	3.755
29	ROD - Primary metering.....	3.806	68	SCREW - Diaphragm attaching.....	3.755
30	SPRING - Power piston.....	3.858	69	CAM - Fast idle.....	3.766
31	PISTON - Vacuum power.....	3.858	70	HOSE - Vacuum - Choke diaphragm kick.....	3.755
32	RETAINER - Discharge ball.....	3.825	71	ROD - Choke.....	3.752
33(A)	BALL - Discharge.....	3.825	72	HOUSING KIT - Choke.....	3.750
(B)			73	SHAFT & LEVER ASM. - Choke thermostat.....	3.752
34(A)	PISTON ASM. - Pump.....	3.838	74	LEVER - Thermostat.....	3.752
(B)			75	SCREW - Choke lever.....	3.752
35	INSERT - Main body.....	3.734	76	SCREW - Choke housing to float bowl.....	3.750
36	CLIP - Pull.....	3.814	77	LEVER - Intermediate.....	3.752
(A)			78	SCREW - Thermostat lever.....	3.752
37(B)	VALVE & SEAT ASM. - Float needle.....	3.814	79	RETAINER - Thermostat cover.....	3.750
(C)			80	SCREW - Thermostat cover.....	3.750

NOTE:-(A Parts are Included in Major Overhaul Kit. Refer Group 3.725

(B Parts are Included in Minor Overhaul Kit. Refer Group 3.725

(C Parts are Included in Gasket Kit. Refer Group 3.724

(D Parts are Included in Spring & Cam Kit. Refer Group 3.757





**CARBURETTOR
FOUR BARREL TYPE - ROCHESTER
8 CYLINDER ENGINE
VC, VH, VK SERIES**

ILLUSTRATION OPPOSITE

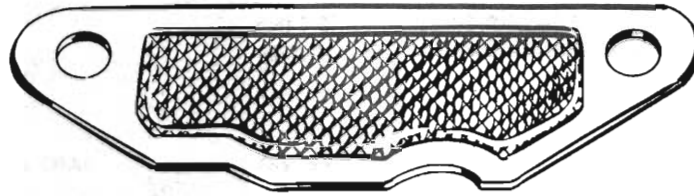
REF. NO.	PART NAME	GROUP	REF. NO.	PART NAME	GROUP
1-81	CARBURETTOR ASM.....	3.725	37(A)	JET - Main.....	3.792
1	SHAFT ASM. - Secondary air valve.....	N.S.S.	38(A)	SPRING - Piston return.....	3.841
2	VALVE - Secondary air.....	N.S.S.	39	FLOAT & LEVER ASM.....	3.745
3	SCREW - Secondary air valve.....	N.S.S.	40	PIN - Float fulcrum.....	3.747
4(B)	ROD - Secondary metering.....	3.806	41	BODY - Main.....	3.734
5	HOLDER KIT - Secondary metering rod.....	3.806	42	SPRING - Slow idle adjusting.....	3.761
6	PIN - Air valve lockout lever.....	3.757	43	SPRING - Fuel filter.....	3.740
7	LEVER - Air valve lockout.....	3.757	44	SCREW - Slow idle adjusting.....	3.761
8	SCREW - Air horn.....	3.730	45	FILTER - Fuel inlet.....	3.740
9	PIN - Secondary metering rod lever.....	N.S.S.	46(C)	GASKET - Fuel filter.....	3.740
10	LEVER - Secondary metering rod.....	N.S.S.	47(A)	GASKET - Fuel filter nut.....	3.740
11(D)	CAM - Secondary metering rod.....	3.757	48	NUT - Fuel filter.....	3.740
12	SCREW - Air horn.....	3.730	(A)		
13	SCREW - Air horn.....	3.730	49(B)	GASKET - Main body.....	N.S.S.
14	LEVER - Pump actuating.....	3.842	(C)		
15(A)	PIN - Lever.....	N.S.S.	50	ROD - Pump.....	3.842
(B)			51	BODY ASM. - Throttle.....	3.729
16(D)	SCREW - Air valve return spring.....	N.S.S.	52	SCREW - Fast idle lever attaching.....	3.766
17(D)	SCREW - Secondary valve set.....	N.S.S.	53	SPRING - Cam lever.....	3.766
18(D)	SPRING - Secondary air valve return.....	N.S.S.	54	LEVER - Fast idle.....	3.766
19	AIR HORN ASM.....	3.730	55	LEVER - Cam follower.....	3.766
20	PIN - Secondary spring fulcrum.....	N.S.S.	56	SPRING - Fast idle screw.....	3.766
21	LEVER - Choke valve shaft.....	3.752	57	SCREW - Fast idle.....	3.766
22	SHAFT - Choke valve.....	3.752	58	SCREW - Throttle body.....	3.741
23	VALVE - Choke.....	3.751	59	SPRING - Idle needle valve.....	3.761
24	SCREW - Valve attaching.....	3.751	60(A)	VALVE - Idle needle.....	3.761
(A)			61	BRACKET - Solenoid to carburettor.....	3.440
25(B)	GASKET - Air horn.....	3.738	62	SOLENOID - Anti dieseling.....	3.440
(C)			63	COVER ASM. - Thermostat.....	3.750
26	BAFFLE - Float chamber.....	3.747	64	GASKET - Thermostat cover.....	3.750
27	SPRING - Metering rod.....	3.810	65	DIAPHRAGM & BRACKET ASM. - Choke kick ...	3.755
28	ROD - Primary metering.....	3.806	66	ROD - Choke kick.....	3.755
29	SPRING - Power piston.....	3.858	67	SCREW - Diaphragm attaching.....	3.755
30	PISTON ASM. - Vacuum power.....	3.858	68	CAM - Fast idle.....	3.766
31	RETAINER - Discharge ball.....	3.825	69	HOSE - Vacuum - Choke diaphragm kick.....	3.755
32(A)	BALL - Discharge.....	3.825	70	ROD - Choke.....	3.752
(B)			71	HOUSING KIT - Choke.....	3.750
33(A)	PISTON ASM. - Pump.....	3.838	72	SHAFT & LEVER ASM. - Choke thermostat.....	3.752
(B)			73	LEVER - Thermostat.....	3.752
34	INSERT - Main body.....	3.734	74	SCREW - Choke lever.....	3.752
35(A)	CLIP - Pull.....	3.814	75	SCREW - Choke housing to float bowl.....	3.750
(B)			76	LEVER - Intermediate.....	3.752
(A)			77	SCREW - Thermostat lever.....	3.752
36(B)	VALVE & SEAT ASM. - Float needle.....	3.814	78	RETAINER - Thermostat cover.....	3.750
(C)			79	SCREW - Thermostat cover.....	3.750
			80	DIAPHRAGM - Auxiliary.....	3.755
			81	ROD - Auxiliary vacuum break.....	N.S.S.

NOTE:- (A Parts are included in Major Overhaul Kit. Refer Group 3.725

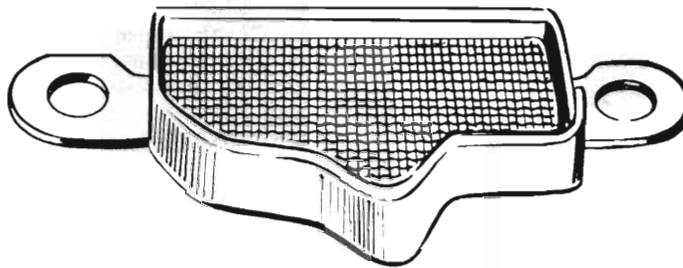
(B Parts are included in Minor Overhaul Kit. Refer Group 3.725

(C Parts are included in Gasket Kit. Refer Group 3.724

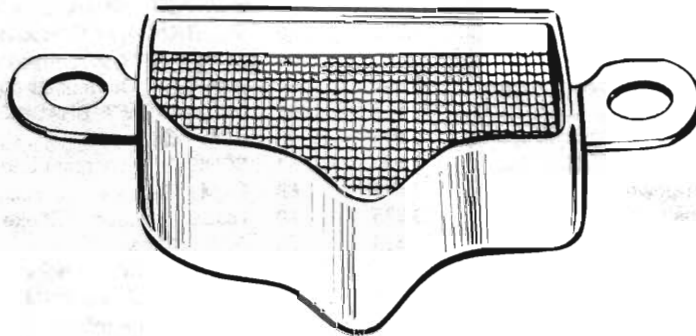
(D Parts are included in Spring & Cam Kit. Refer Group 3.757



4, 6 CYLINDER ENGINE FLAT TYPE



4 CYLINDER ENGINE EXC. EXTENDED LIP



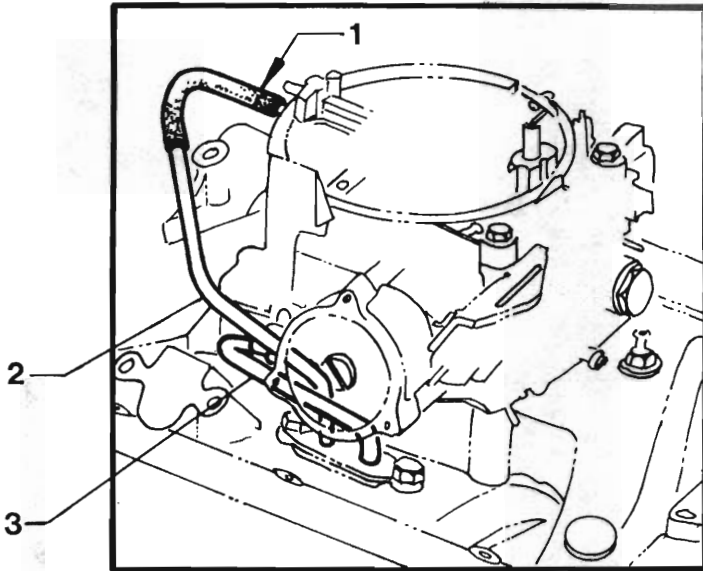
4 CYLINDER ENGINE WITH EXTENDED LIP

SCREEN - AIR HORN VENT
TWO BARREL TYPE - VARAJET CARBURETTOR
VC, VH, VK SERIES

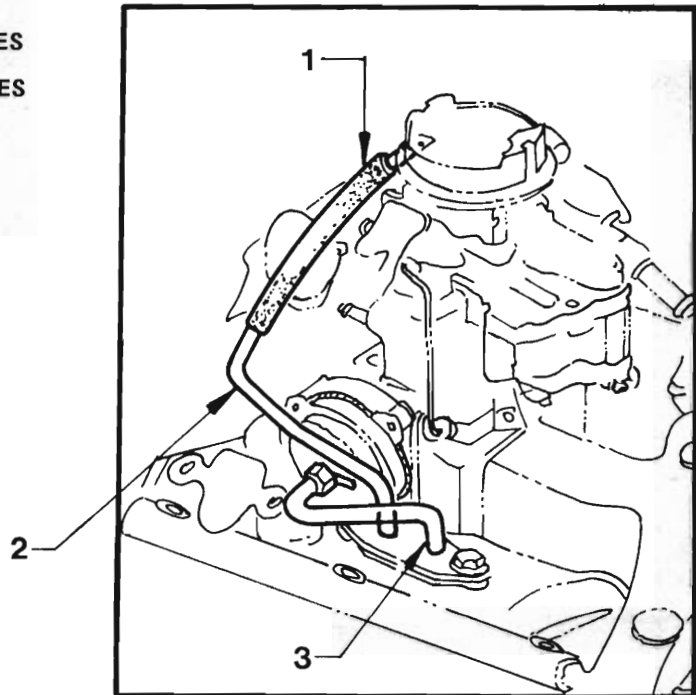
REF. NO.	PART NAME	GROUP
1	SCREEN.....	3.730



"V" SERIES PARTS CATALOGUE



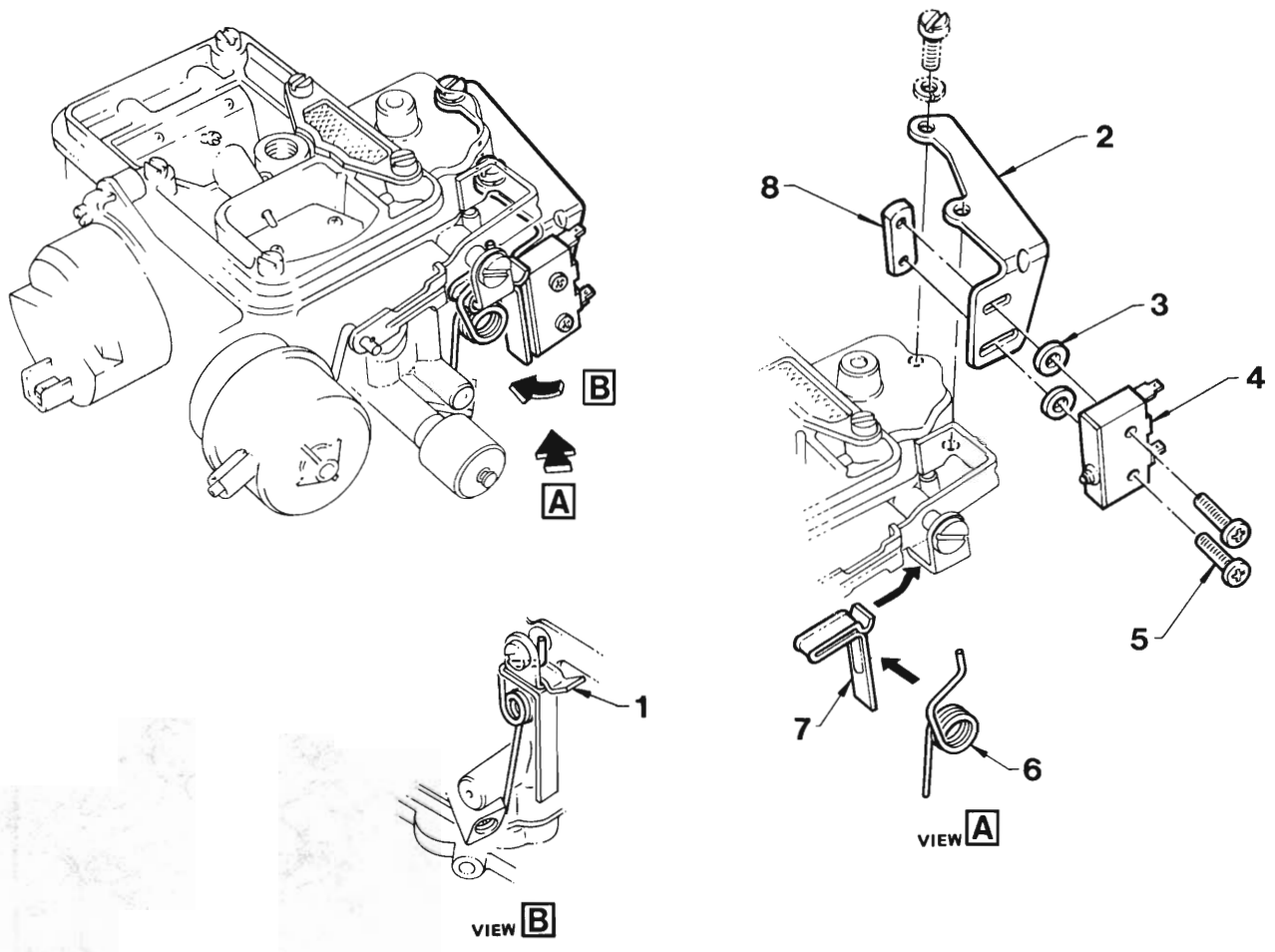
5.0 LITRE ENGINE VB SERIES
8 CYLINDER ENGINE VC SERIES
8 CYLINDER ENGINE VH SERIES



4.2 LITRE ENGINE VB SERIES

AUTOMATIC CHOKE 8 CYLINDER ENGINE

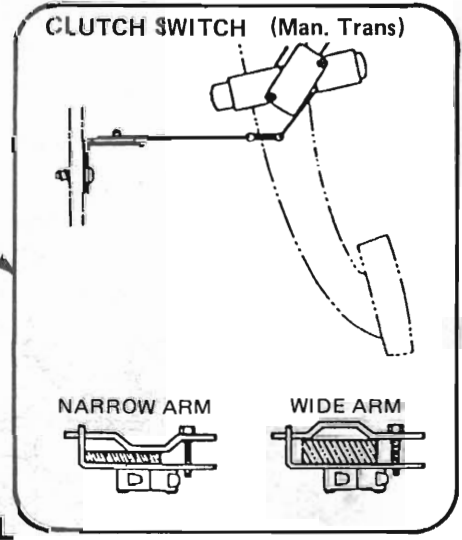
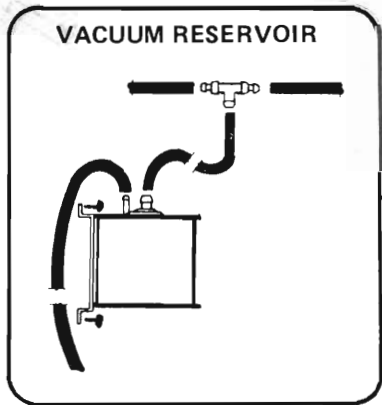
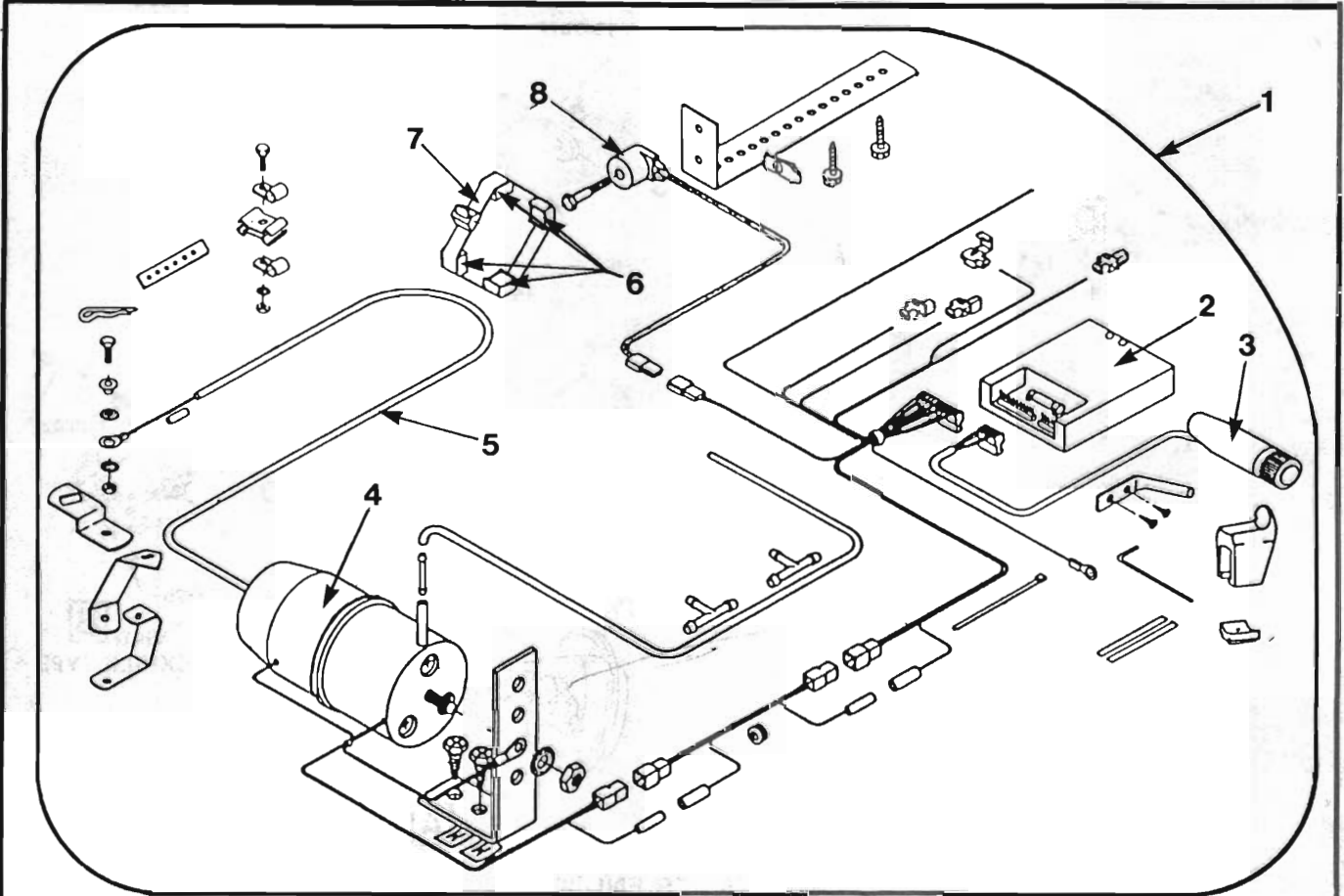
REF. NO.	PART NAME	GROUP
1	HOSE - Pipe to carburettor.....	3.750
2	PIPE - Heat inlet.....	3.750
3	PIPE ASM. - Choke hot air.....	3.750



ACCELERATOR CONTROL SWITCH

3.3 LITRE ENGINE EXC. ELECTRONIC FUEL INJECTION
VK SERIES

REF. NO.	PART NAME	GROUP
1	SPRING - Pump lever return	3.842
2	BRACKET ASM. - Switch to carburettor.....	3.440
3	SPACER - Switch to bracket.....	3.440
4	SWITCH ASM.....	3.440
5	SCREW - Switch to bracket.....	3.440
6	SPRING - Pump lever return - External.....	3.440
7	CLIP - Switch actuating	3.440
8	RETAINER - Switch to bracket	3.440

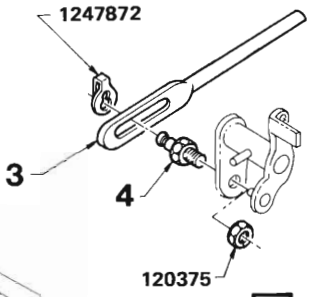
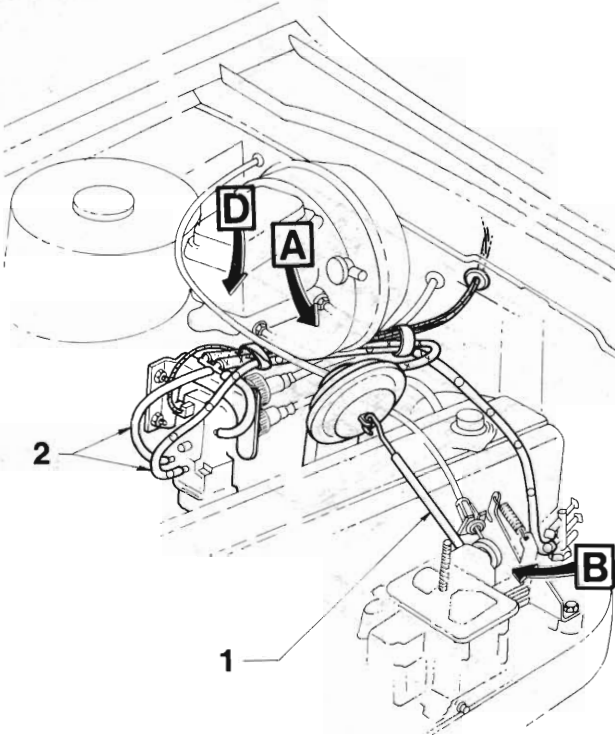


CRUISE CONTROL ACCESSORY

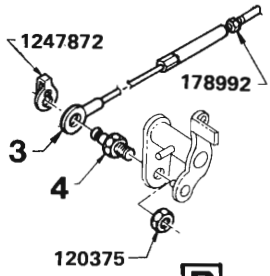
REF. NO.	PART NAME	GROUP
1	CRUISE CONTROL PACKAGE	3.880
2	ELECTRONIC CONTROL PACKAGE	3.880
3	CONTROL ARM	3.883
4	SERVO ASM.	3.885
5	CASING - Servo cable	3.880
6	MAGNET SET	3.887
7	STRAP - Magnet	3.887
8	COIL & HARNESS ASM. - Pick-up	3.887
9	CLUTCH DIS-ENGAGE PACKAGE	3.880
10	CANISTER PACKAGE - Vacuum	3.880



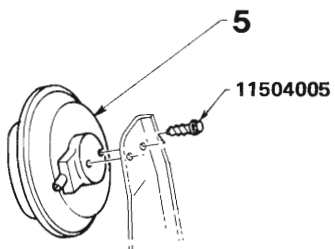
"V" SERIES PARTS CATALOGUE



VIEW B
RIGID TYPE

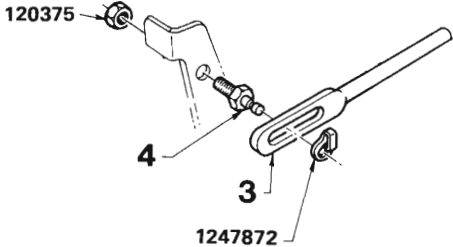
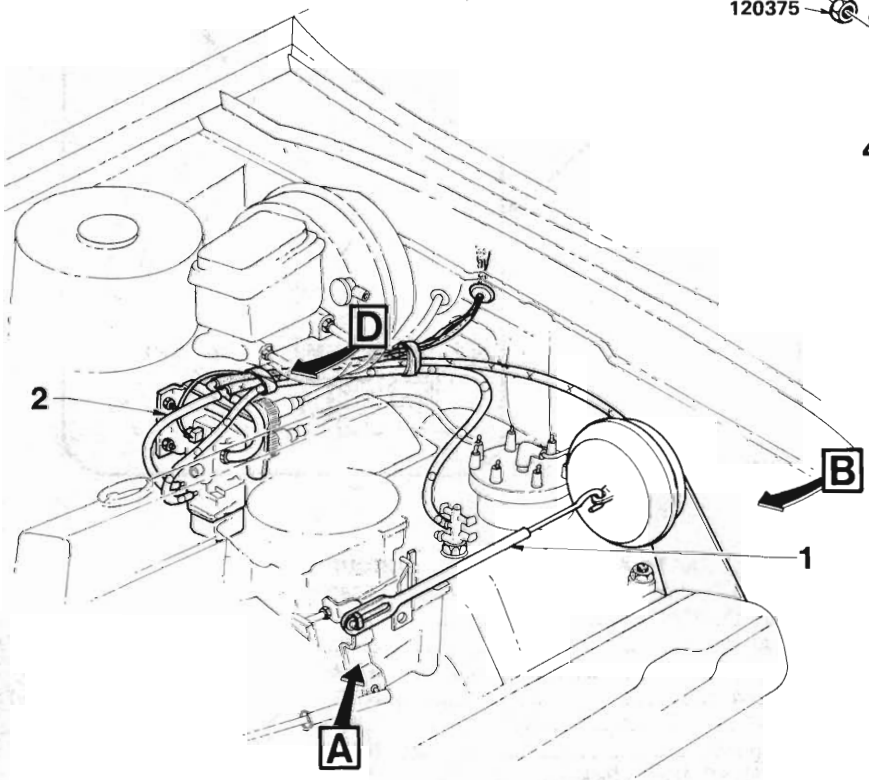


VIEW B
FLEXIBLE TYPE

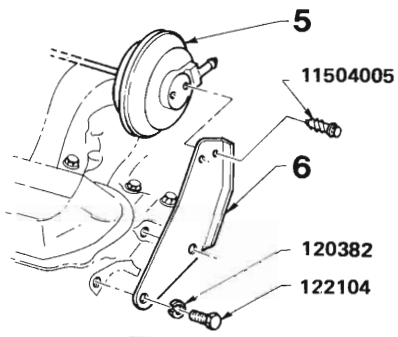


VIEW A

6 CYLINDER ENGINE

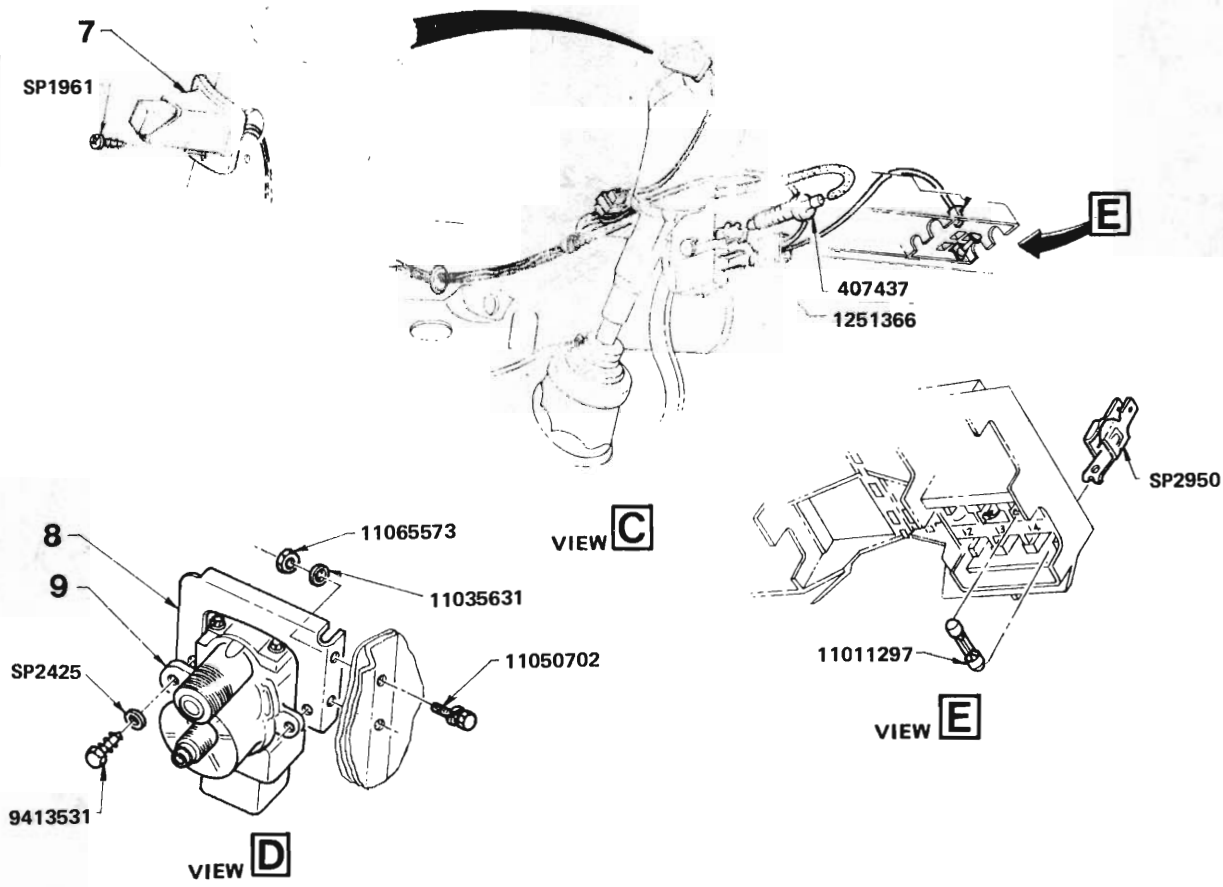


VIEW A



VIEW B

8 CYLINDER ENGINE



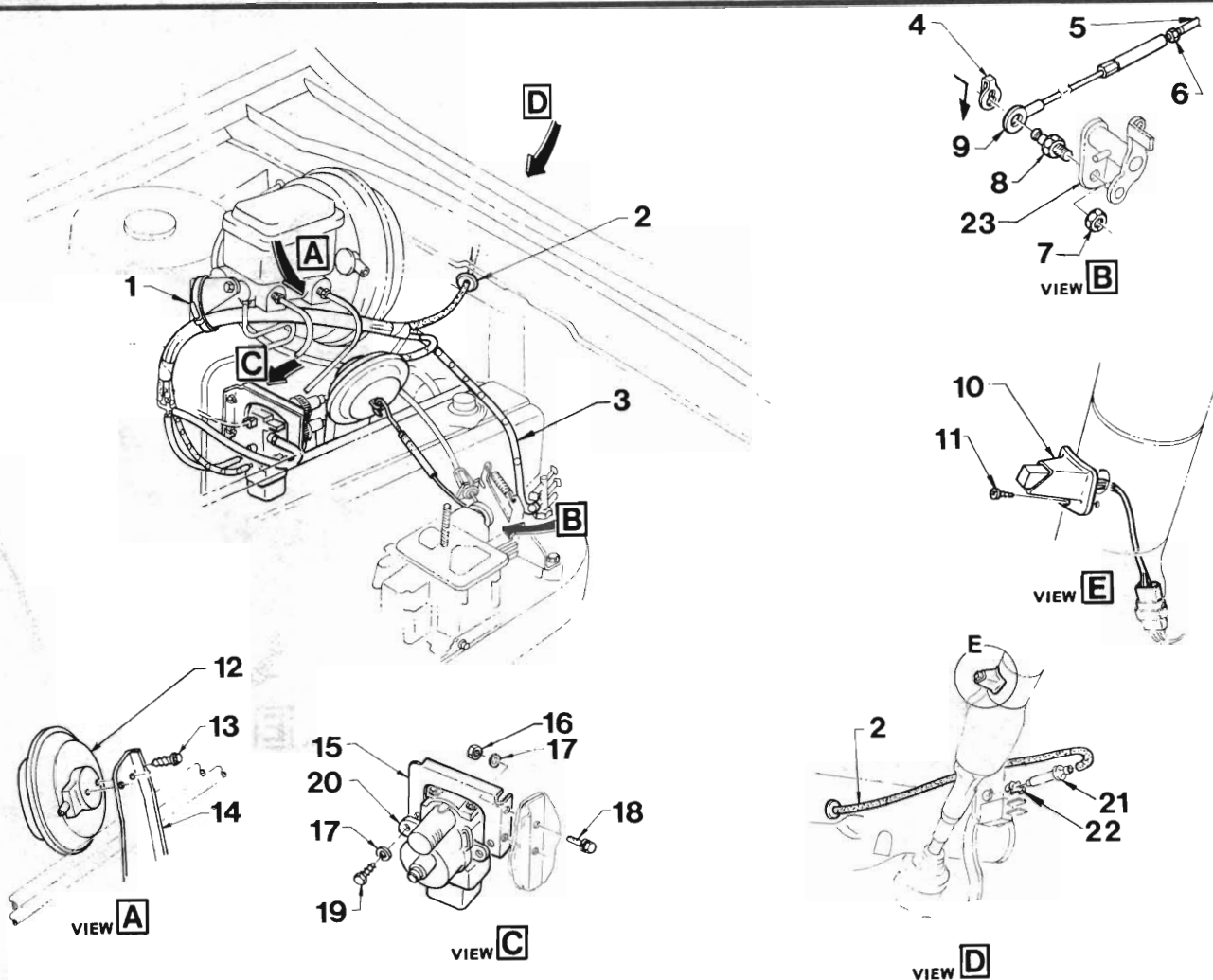
CRUISE CONTROL - PRODUCTION
VC, VH SERIES

ILLUSTRATION OPPOSITE

REF. NO.	PART NAME	GROUP
1	ROD - Accelerator control actuating	3.885
2	HOSE - Transducer to vacuum connector	3.880
3	LINK - Accelerator control actuating	3.885
4	STUD - Accelerator control linkage	3.885
5	POWER UNIT	3.885
6	BRACKET - Power unit.....	3.885
7	SWITCH ASM. - Actuating	3.883
8	BRACKET - Transducer mounting	3.885
9	TRANSDUCER UNIT.....	3.885



"V" SERIES PARTS CATALOGUE



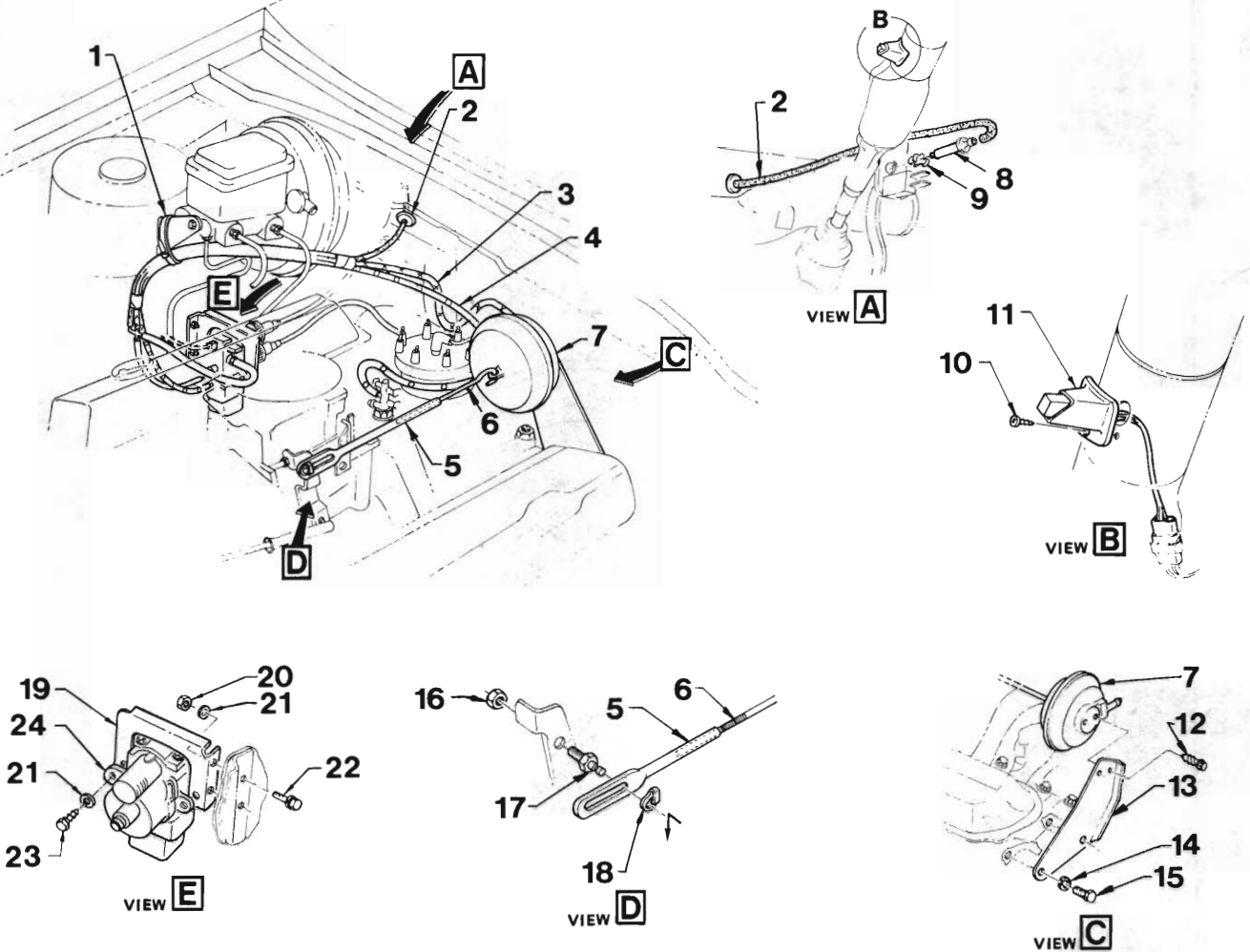
CRUISE CONTROL - PRODUCTION

6 CYLINDER ENGINE EXC. ELECTRONIC FUEL INJECTION VK SERIES

REF. NO.	PART NAME	GROUP
1	STRAP - Hoses to brake main cylinder bracket..	3.880
2	HOSE - Vacuum release valve to vacuum conector	3.880
3	HOSE - Transducer to vacuum source	3.880
4	RETAINER - Link to stud	3.885
5	ROD - Accelerator control actuating	3.885
6	NUT - Lock	3.885
7	NUT - Stud	3.885
8	STUD - Accelerator control linkage	3.885
9	LINK - Accelerator control actuating	3.885
10	SWITCH ASM. - Actuating	3.883
11	SCREW - Switch asm. to steering column	3.883
12	POWER UNIT - Cruise control	3.885
13	SCREW - Power unit to bracket	3.885
14	BRACKET - Cruise control power unit	3.885
15	BRACKET - Transducer mounting	3.885
16	NUT - Transducer to bracket	3.885
17	WASHER - Transducer to bracket	3.885
18	BOLT - Transducer to bracket	3.885
19	SCREW - Transducer to bracket	3.885
20	TRANSDUCER ASM.	3.885
21	VALVE - Vacuum release	3.883
22	CLIP - Vacuum release valve to stop switch	3.883
23	LEVER & BUSH - Relay	3.885



"V" SERIES PARTS CATALOGUE



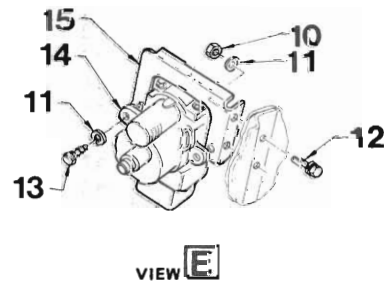
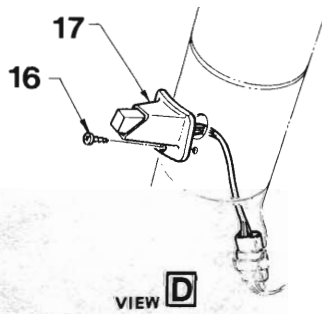
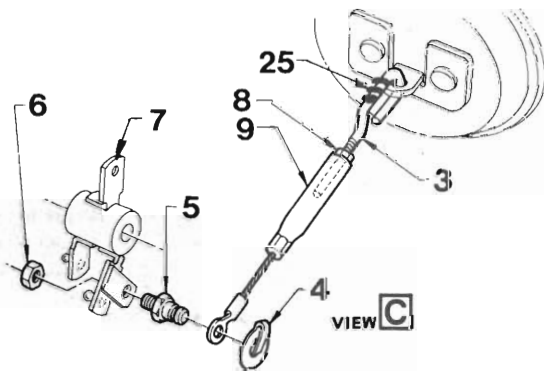
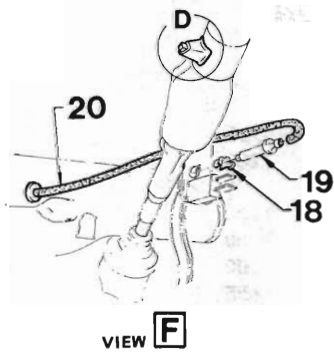
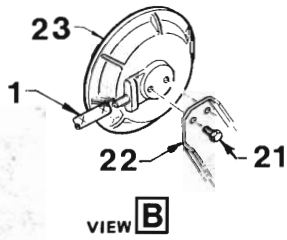
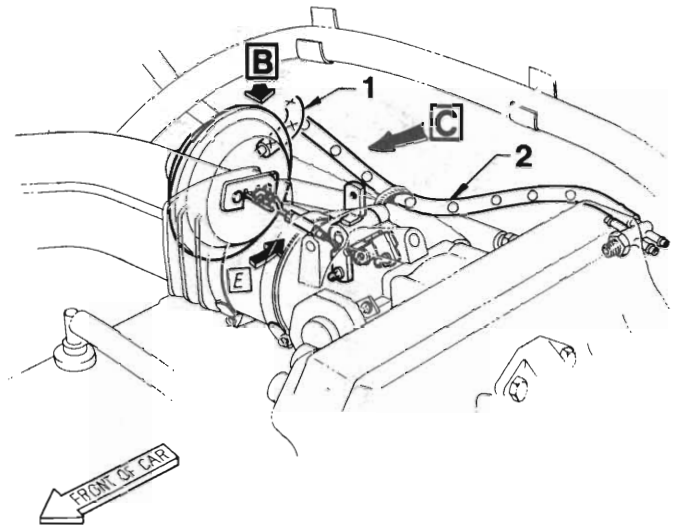
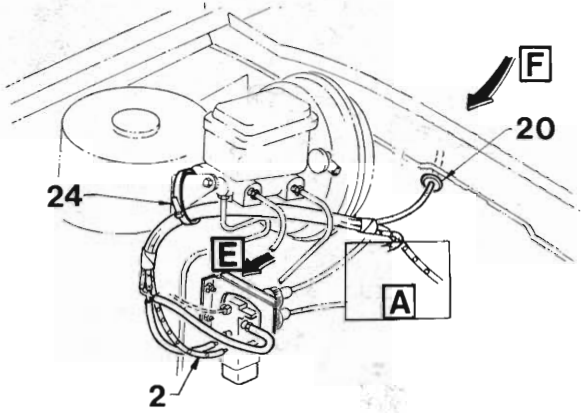
CRUISE CONTROL - PRODUCTION

8 CYLINDER ENGINE

VK SERIES

REF. NO.	PART NAME	GROUP
1	STRAP - Hoses to brake main cylinder bracket..	3.880
2	HOSE - Vacuum release valve to vacuum connector	3.880
3	HOSE - Power unit to vacuum connector	3.880
4	HOSE - Transducer to vacuum source	3.880
5	LINK - Accelerator control actuating rod	3.885
6	ROD - Accelerator control actuating	3.885
7	POWER UNIT - Cruise control	3.885
8	VALVE - Vacuum release	3.883
9	CLIP - Vacuum release valve to stop switch	3.883
10	SCREW - Switch asm. to column	3.883
11	SWITCH ASM. - Actuating	3.883
12	SCREW - Power unit to bracket	3.885
13	BRACKET - Power unit	3.885
14	WASHER - Bracket to cylinder head	3.885
15	BOLT - Bracket to cylinder head	3.885
16	NUT - Stud	3.885
17	STUD - Accelerator control linkage	3.885
18	REATAINER - Link to stud	3.885
19	BRACKET - Transducer mounting	3.885
20	NUT - Transducer to bracket	3.885
21	WASHER - Transducer to bracket	3.885
22	BOLT - Transducer to bracket	3.885
23	SCREW - Transducer to bracket	3.885
24	TRANSDUCER ASM.	3.885

"V" SERIES PARTS CATALOGUE





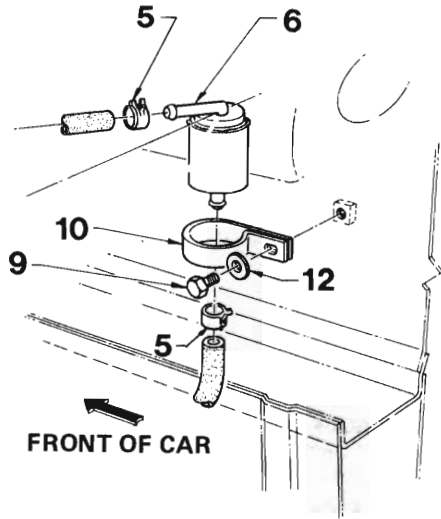
CRUISE CONTROL - PRODUCTION
3.3 LITRE ENGINE WITH ELECTRONIC FUEL INJECTION
VK SERIES

ILLUSTRATION OPPOSITE

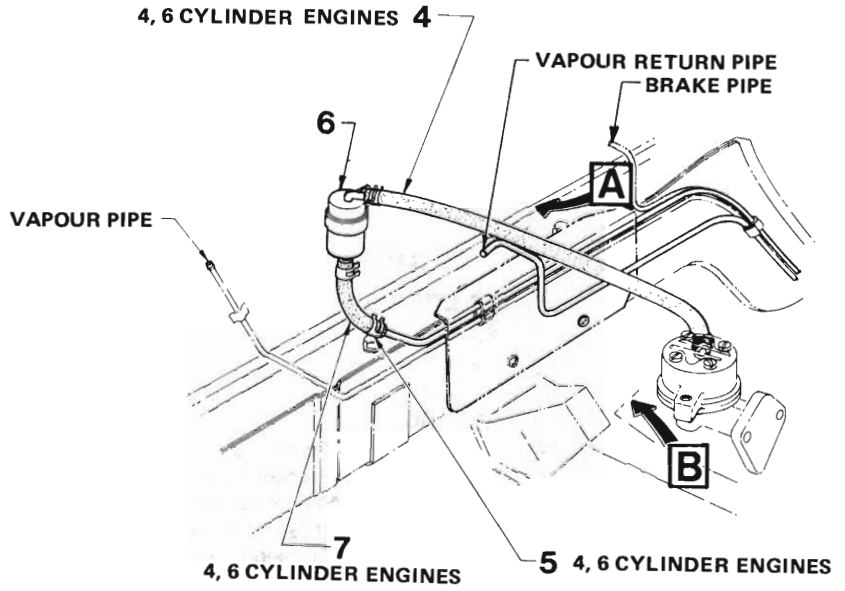
REF. NO.	PART NAME	GROUP
1	HOSE - Power unit to vacuum connector	3.880
2	HOSE - Transducer to vacuum source	3.880
3	ROD - Accelerator control actuating	3.885
4	RETAINER - Link to stud	3.885
5	STUD - Accelerator control linkage	3.885
6	NUT - Stud	3.885
7	LEVER & BUSH - Relay	3.885
8	NUT - Lock	3.885
9	LINK - Accelerator control actuating rod	3.885
10	NUT - Transducer to bracket	3.885
11	WASHER - Transducer to bracket	3.885
12	BOLT - Transducer to bracket	3.885
13	SCREW - Transducer to bracket	3.885
14	TRANSDUCER ASM.	3.885
15	BRACKET - Transducer mounting	3.885
16	SCREW - Switch asm. to column	3.883
17	SWITCH ASM. - Actuating	3.883
18	CLIP - Vacuum release valve to stop switch	3.883
19	VALVE - Vacuum release	3.883
20	HOSE - Vacuum release valve to vacuum connector	3.880
21	SCREW - Power unit to bracket	3.885
22	BRACKET - Cruise control power unit	3.885
23	POWER UNIT - Cruise control	3.885
24	STRAP - Hoses to brake main cylinder bracket..	3.880
25	CLIP - Actuating rod end	3.885



"V" SERIES PARTS CATALOGUE

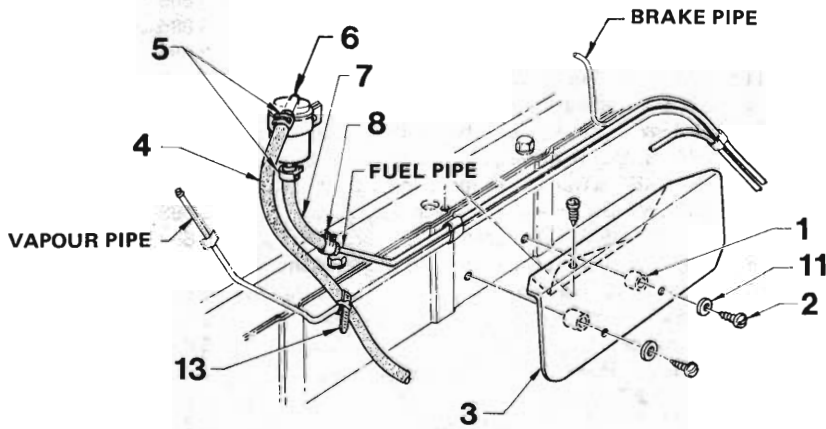


VIEW **A**



4, 6 CYLINDER ENGINES

5 4, 6 CYLINDER ENGINES

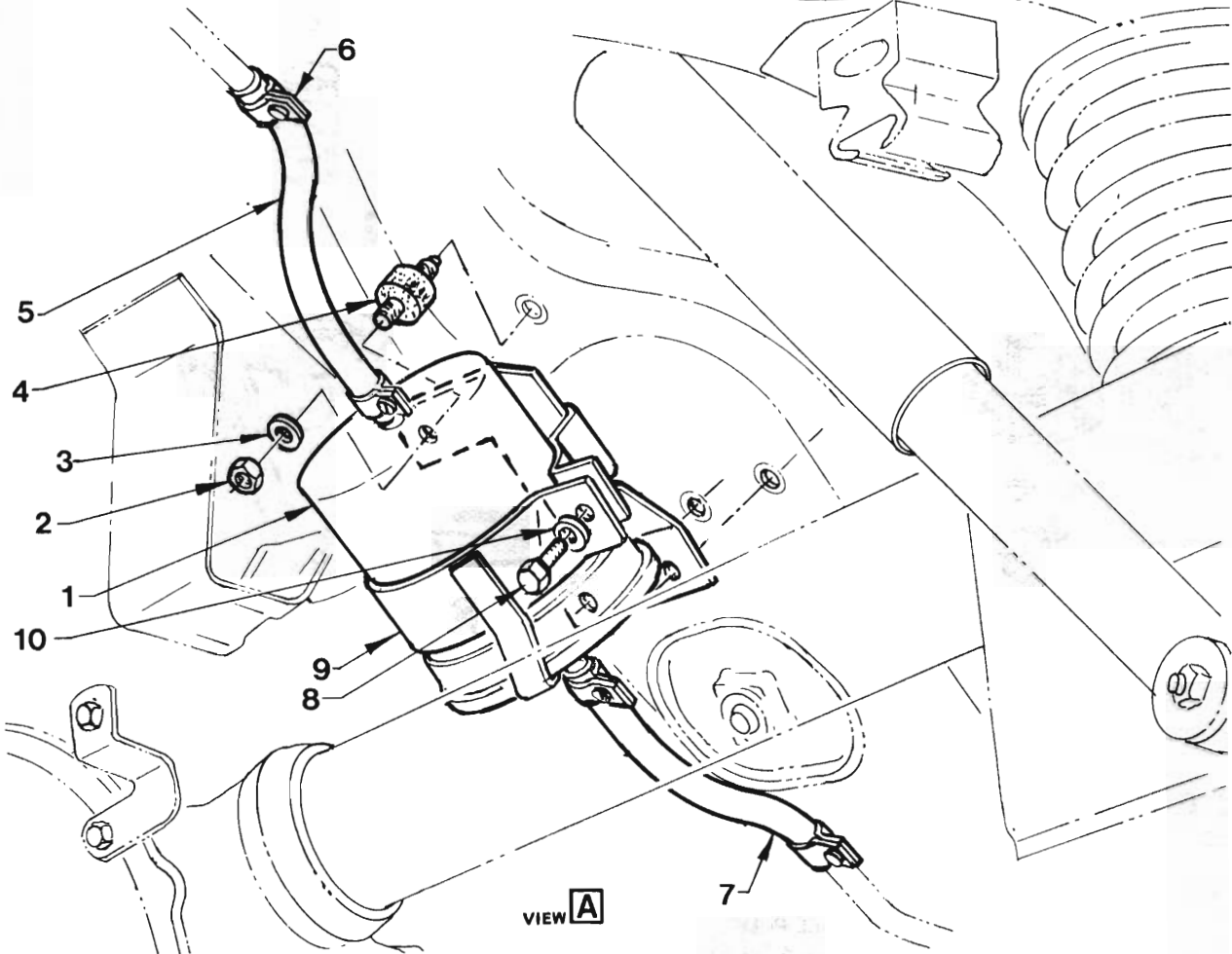


VIEW **B**

8 CYLINDER ENGINE ONLY

FUEL FILTER

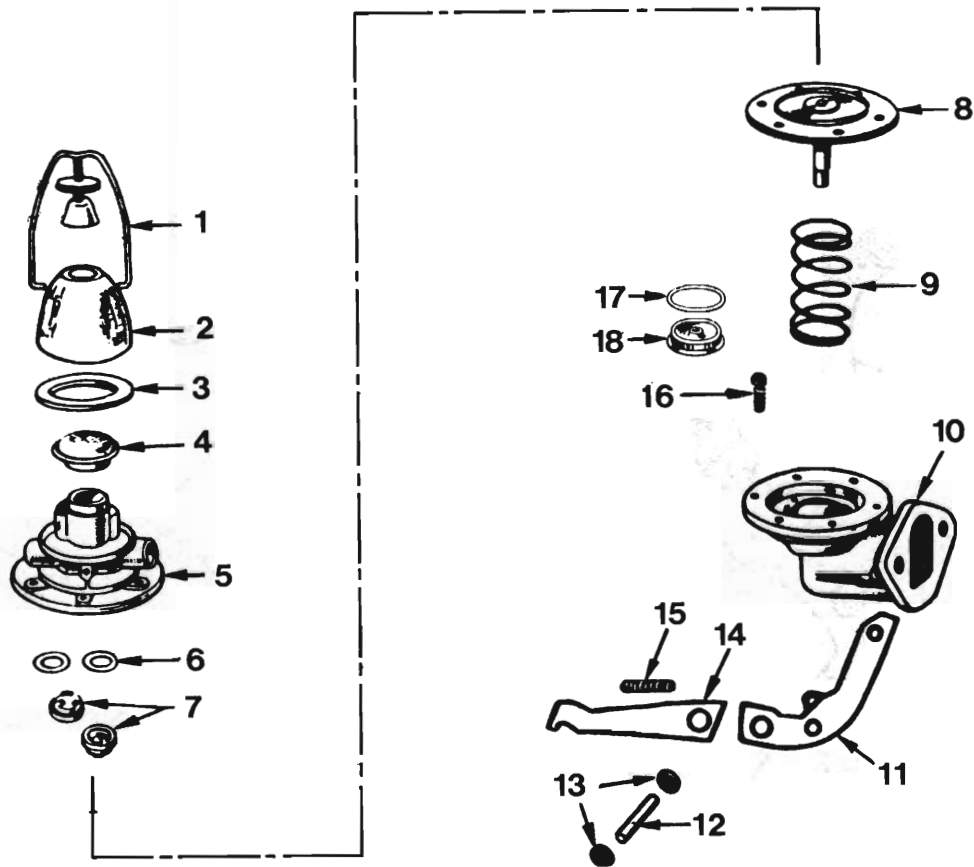
REF. NO.	PART NAME	GROUP
1	SPACER - Heat shield	3.163
2	SCREW - Heat shield	3.163
3	SHIELD - Heat	3.163
4	HOSE - Fuel filter to pump	3.163
5	CLAMP - Hoses	3.162
6	FILTER	3.890
7	HOSE - Pipe to filter	3.163
8	CLAMP - Hose to pipe.....	3.162
9	SCREW - Clamp to fender skirt	3.890
10	CLAMP - Filter.....	3.890
11	WASHER - Heat shield.....	3.163
12	WASHER - Screw to clamp.....	3.890
13	STRAP - Hose - Filter to pump.....	3.162



VIEW **A**

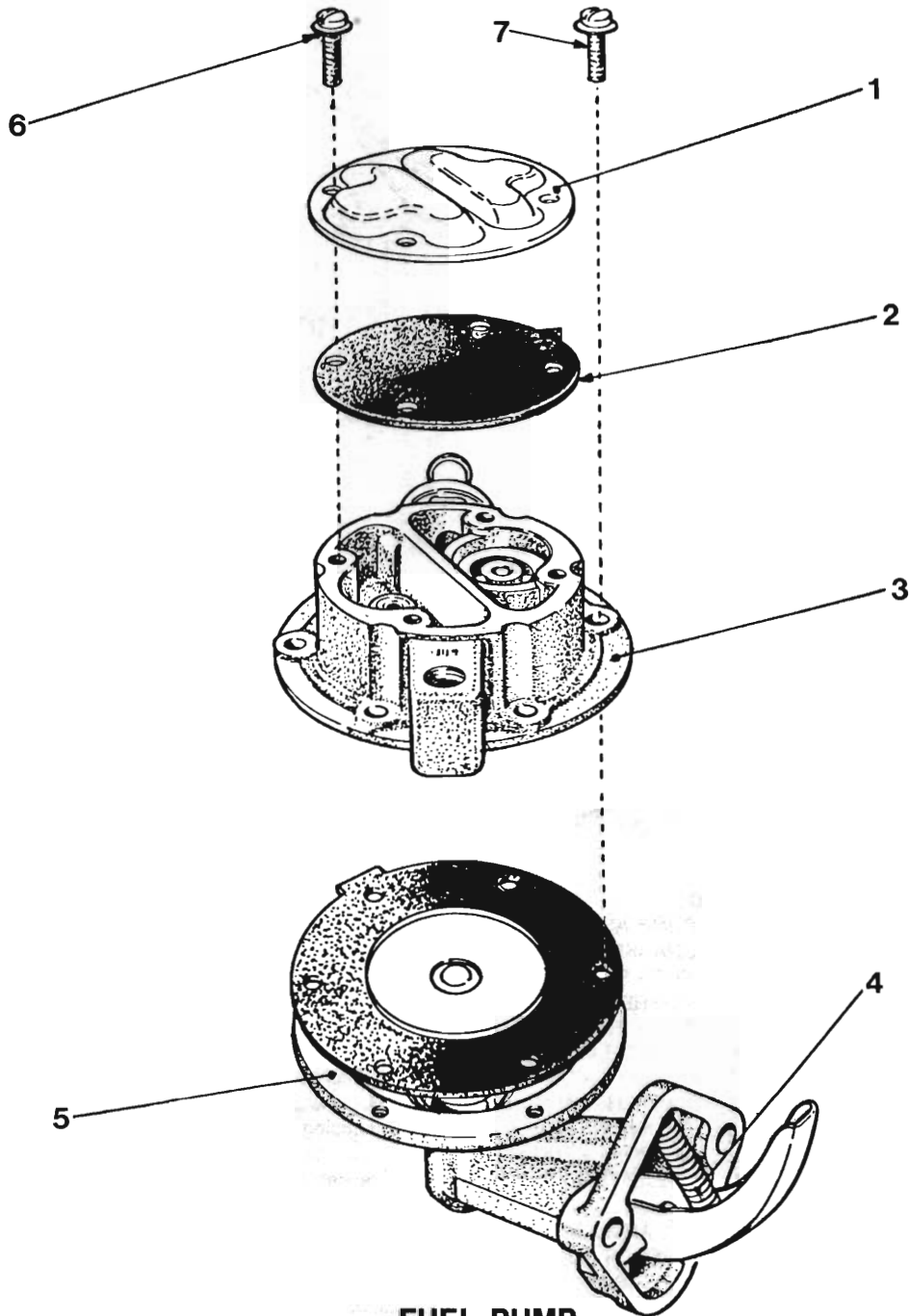
FUEL FILTER
6 CYLINDER ENGINE WITH ELECTRONIC FUEL INJECTION
VK SERIES

REF. NO.	PART NAME	GROUP
1	FILTER ASM.....	3.890
2	NUT - Bracket asm. to insulator	3.890
3	WASHER - Bracket asm. to insulator.....	3.890
4	INSULATOR ASM. - Fuel filter mounting.....	3.890
5	HOSE - Fuel pipe to fuel filter front.....	3.163
6	CLAMP - Hose to pipe & filter	3.162
7	HOSE - Fuel pipe to fuel filter rear	3.163
8	SCREW - Fuel filter to bracket.....	3.890
9	BRACKET ASM. - Fuel filter mounting.....	3.890
10	WASHER - Fuel filter to bracket.....	3.890



**FUEL PUMP
6 CYLINDER ENGINE
VB SERIES**

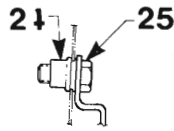
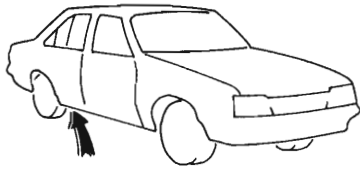
REF. NO.	PART NAME	GROUP
1-18	FUEL PUMP.....	3.900
1	BAIL & SCREW.....	3.910
2	BOWL.....	3.910
3	GASKET.....	3.904
4	SCREEN ASM.....	3.910
5	HOUSING ASM. - Valve.....	3.902
6	GASKET - Valve cage.....	3.904
7	VALVE & CAGE ASM.....	3.910
8	DIAPHRAGM & PULL ROD ASM.....	3.925
9	SPRING.....	3.927
10	BODY.....	3.902
11	ARM.....	3.935
12	PIN.....	3.935
13	PLUG.....	3.935
14	LINK.....	3.935
15	SPRING.....	3.935
16	SCREW & WASHER - Housing.....	3.902
17	WASHER - Oil seal.....	3.904
18	SEAL - Oil.....	3.904



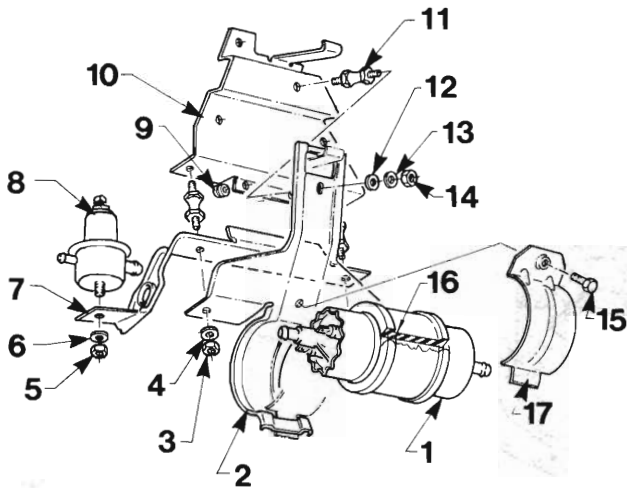
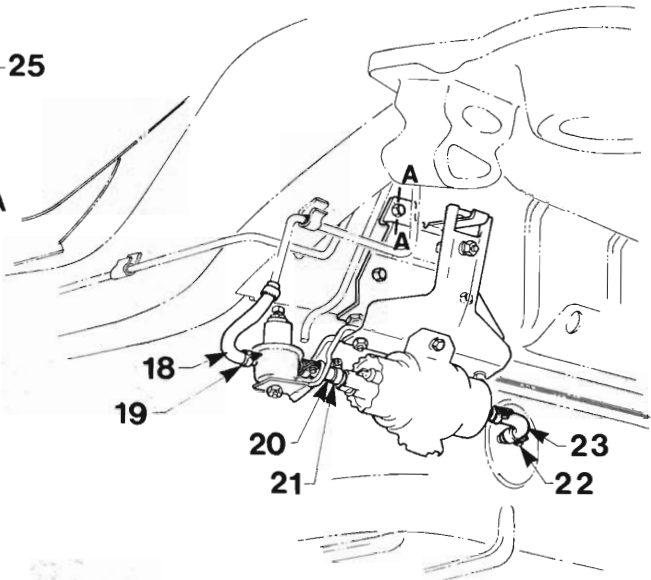
FUEL PUMP

**4, 6 CYLINDER ENGINE EXC. ELECTRONIC FUEL INJECTION
VC, VH, VK SERIES**

REF. NO.	PART NAME	GROUP
1-7	PUMP ASM.....	3.900
1	COVER - Diaphragm.....	3.910
2	DIAPHRAGM - Pulsator.....	3.910
3	HOUSING ASM. - Valve.....	3.902
4	SPRING.....	3.935
5	BODY & DIAPHRAGM ASM.....	3.902
6	SCREW - Cover to housing.....	3.910
7	SCREW - Housing to body.....	3.902



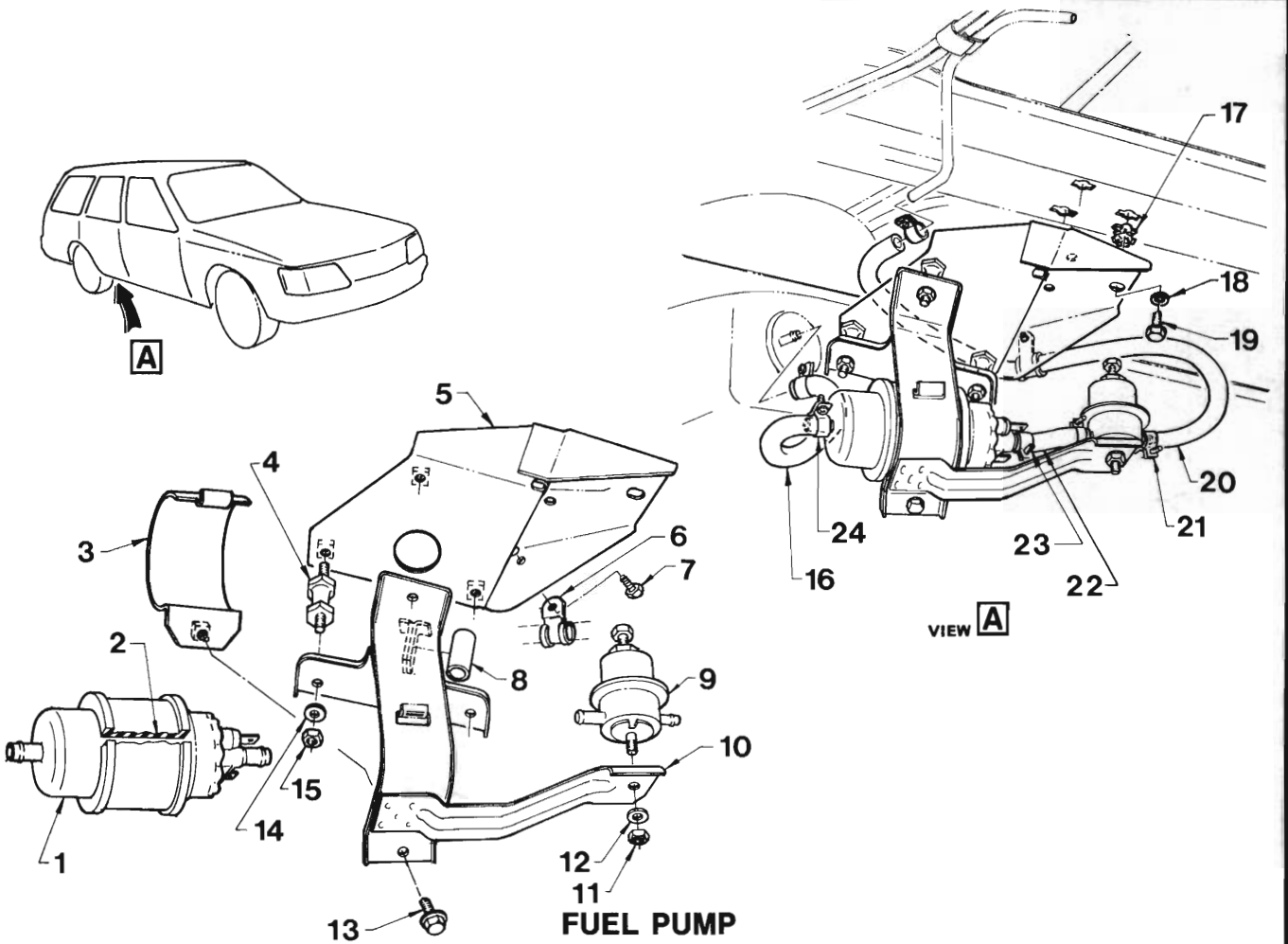
SECTION A-A



FUEL PUMP

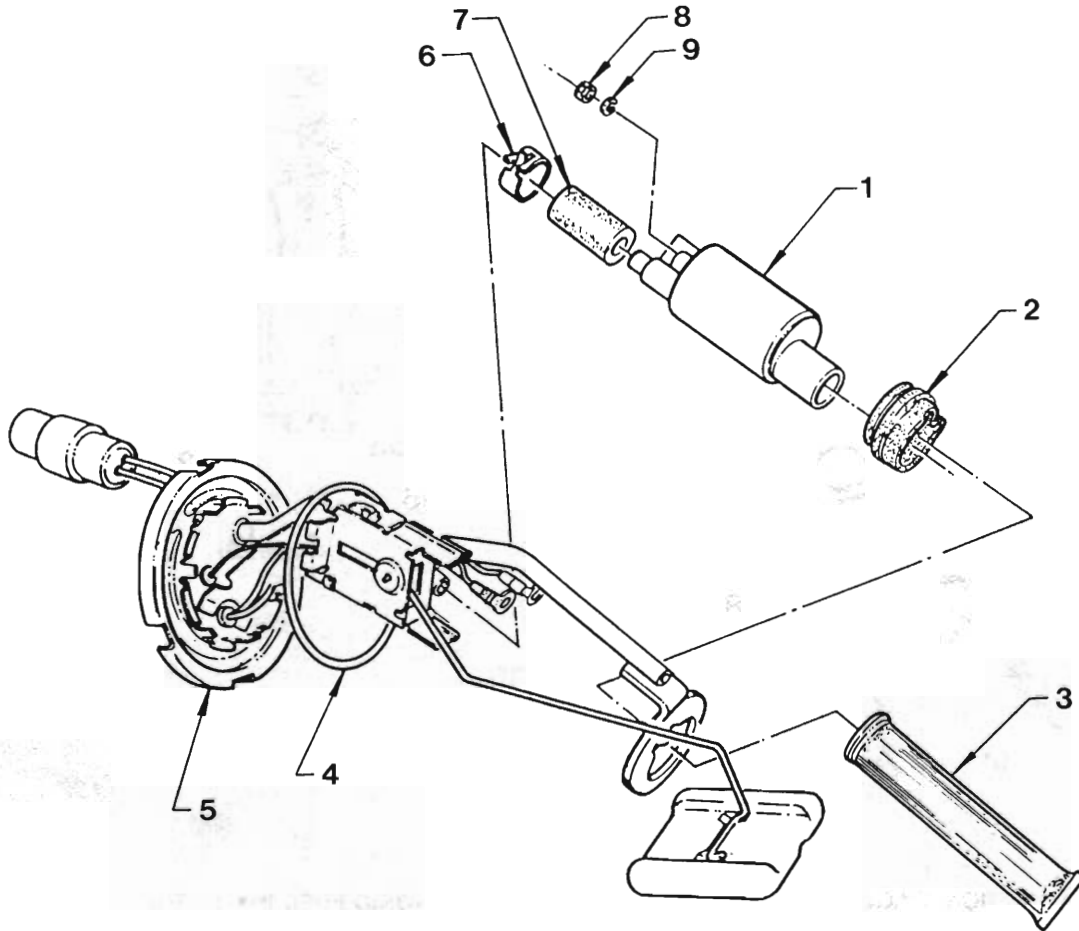
**SEDAN WITH 3.3 LITRE ENGINE & ELECTRONIC FUEL INJECTION
VK SERIES**

REF. NO.	PART NAME	GROUP
1	PUMP ASM. - Fuel.....	3.900
2	BRACKET - Fuel pump support.....	3.901
3	NUT - Bracket to insulator.....	3.901
4	WASHER - Bracket to insulator.....	3.901
5	NUT - Damper & accumulator to bracket.....	3.164
6	WASHER - Damper & accumulator to bracket....	3.164
7	BRACKET - Damper & accumulator support.....	3.164
8	DAMPER & ACCUMULATOR ASM.	3.164
9	GROMMET - Fuel pump bracket damping.....	3.901
10	SUPPORT - Fuel pump bracket.....	3.901
11	INSULATOR ASM. - Fuel pump bracket to support.....	3.901
12	WASHER - Insulator to support.....	3.901
13	WASHER - Bracket to insulator.....	3.901
14	NUT - Bracket to insulator.....	3.901
15	SCREW - Clamp to bracket.....	3.901
16	INSULATOR - Fuel pump to bracket.....	3.901
17	CLAMP ASM.- Fuel pump to bracket.....	3.901
18	HOSE - Damper & accumulator to fuel pipe.....	3.163
19	CLAMP ASM. - Damper & accumulator to fuel pipe hose.....	3.162
20	HOSE - Damper & accumulator to fuel pump....	3.163
21	CLAMP ASM. - Damper & accumulator to fuel pump hose.....	3.162
22	CLAMP ASM. - Hose to fuel tank & fuel pump...	3.162
23	HOSE - Fuel tank to fuel pump.....	3.163
24	NUT - Support to crossmember.....	3.901
25	SCREW - Support to crossmember.....	3.901



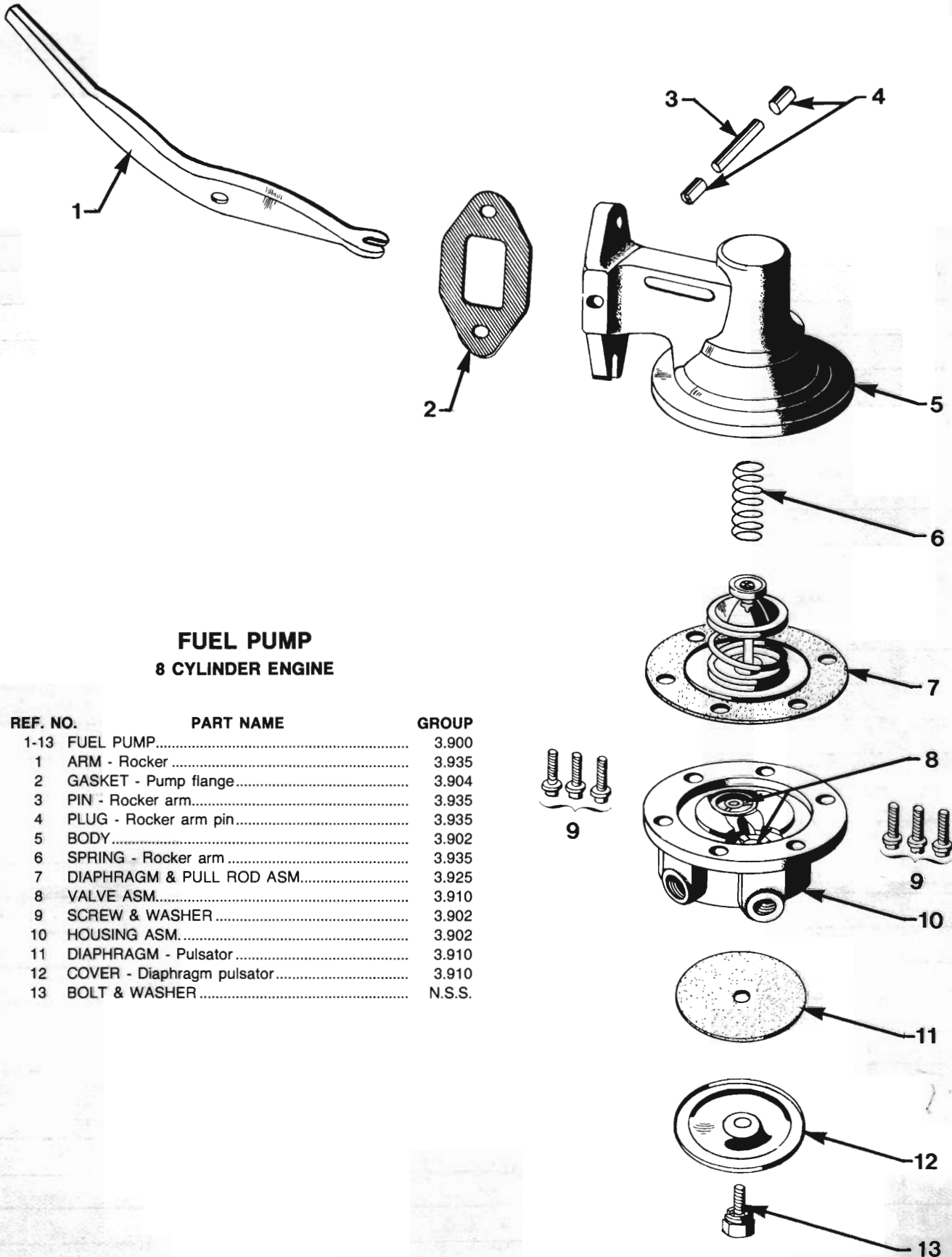
FUEL PUMP
STATION WAGON WITH 3.3 LITRE ENGINE & ELECTRONIC FUEL INJECTION
VK SERIES

REF. NO.	PART NAME	GROUP
1	PUMP ASM. - Fuel.....	3.900
2	INSULATOR - Fuel pump to bracket.....	3.901
3	CLAMP - Fuel pump to bracket.....	3.901
4	INSULATOR ASM. - Fuel pump bracket to support.....	3.901
5	BRIDGE ASM. - Fuel pump mounting.....	3.901
6	CLAMP ASM. - Hose to bridge asm.....	3.901
7	SCREW - Hose clamp to bridge asm.....	3.901
8	INSULATOR - Fuel pump stop.....	3.901
9	DAMPER & ACCUMULATOR ASM.	3.164
10	BRACKET - Fuel pump support.....	3.901
11	NUT - Damper & accumulator to bracket.....	3.164
12	WASHER - Damper & accumulator to bracket....	3.164
13	SCREW - Fuel pump clamp.....	3.901
14	WASHER - Bracket to insulator - Lock.....	3.901
15	NUT - Bracket to insulator.....	3.901
16	HOSE - Fuel tank to fuel pump.....	3.163
17	NUT - Bridge asm. to rear crossmember.....	3.901
18	WASHER - Bridge asm. to rear crossmember....	3.901
19	BOLT - Bridge asm. to rear cross member.....	3.901
20	HOSE - Damper & accumulator to fuel pipe.....	3.163
21	CLAMP ASM. - Damper & accumulator to fuel pipe hose.....	3.162
22	HOSE - Damper & accumulator to fuel pump.....	3.163
23	CLAMP - Damper & accumulator to fuel pump hose.....	3.162
24	CLAMP ASM. - Hose to fuel tank & fuel pump...	3.162



FUEL PUMP & SENDER - FUEL TANK
8 CYLINDER ENGINE
VK SERIES

REF. NO.	PART NAME	GROUP
1	PUMP ASM. - Electric.....	3.900
2	ISOLATOR - Pump to fuel sender.....	3.901
3	STRAINER	3.110
4	SEAL - Fuel tank sender.....	3.112
5	SENDER ASM. - Fuel tank level.....	3.107
6	CLAMP - Pump hose to fuel pipe.....	3.901
7	HOSE - Pump to fuel pipe	3.901
8	NUT - Lead to pump.....	3.900
9	WASHER - Lead to pump	3.900



**FUEL PUMP
8 CYLINDER ENGINE**

REF. NO.	PART NAME	GROUP
1-13	FUEL PUMP.....	3.900
1	ARM - Rocker	3.935
2	GASKET - Pump flange.....	3.904
3	PIN - Rocker arm.....	3.935
4	PLUG - Rocker arm pin.....	3.935
5	BODY	3.902
6	SPRING - Rocker arm	3.935
7	DIAPHRAGM & PULL ROD ASM.....	3.925
8	VALVE ASM.....	3.910
9	SCREW & WASHER	3.902
10	HOUSING ASM.....	3.902
11	DIAPHRAGM - Pulsator.....	3.910
12	COVER - Diaphragm pulsator.....	3.910
13	BOLT & WASHER	N.S.S.



GROUP

4.000

TRANSMISSION



TRANSMISSION INDEX

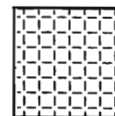
TRANSMISSION ASSEMBLIES AND PARTS ARE LISTED AS FOLLOWS:-

SECTION 1 TRANSMISSION ASSEMBLY

- FOUR SPEED MANUAL CONTROL
- FITTED IN ALL VEHICLES
- (*SHIFT MECHANISM LOCATED ON SIDE PLATE*)

TRANSMISSION CODE F

PAGE EDGE CODE

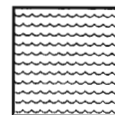


SECTION 2 'TORQUEMASTER' TRANSMISSION ASSEMBLY

- FOUR SPEED MANUAL CONTROL
- FITTED IN VEHICLES EQUIPPED WITH 6 CYLINDER ENGINES
- (*SHIFT MECHANISM ON TOP OF REAR EXTENSION HOUSING*)

TRANSMISSION CODE H

PAGE EDGE CODE



SECTION 3 TRANSMISSION ASSEMBLY

- FIVE SPEED MANUAL CONTROL
- FITTED IN VH VEHICLES EQUIPPED WITH 4 CYLINDER and 2.85 LITRE ENGINES

TRANSMISSION CODE S

PAGE EDGE CODE

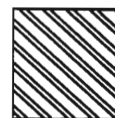


SECTION 4 'TRIMATIC' TRANSMISSION ASSEMBLY

- AUTOMATIC
- FITTED IN VEHICLES EQUIPPED WITH 6 CYLINDER and 4.2 LITRE ENGINES

TRANSMISSION CODE U

PAGE EDGE CODE

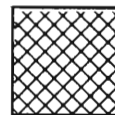


SECTION 5 'TURBO HYDRAMATIC 400' TRANSMISSION ASSEMBLY

- AUTOMATIC
- FITTED IN VEHICLES EQUIPPED WITH 5 LITRE ENGINES

TRANSMISSION CODE V

PAGE EDGE CODE

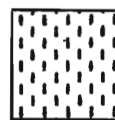


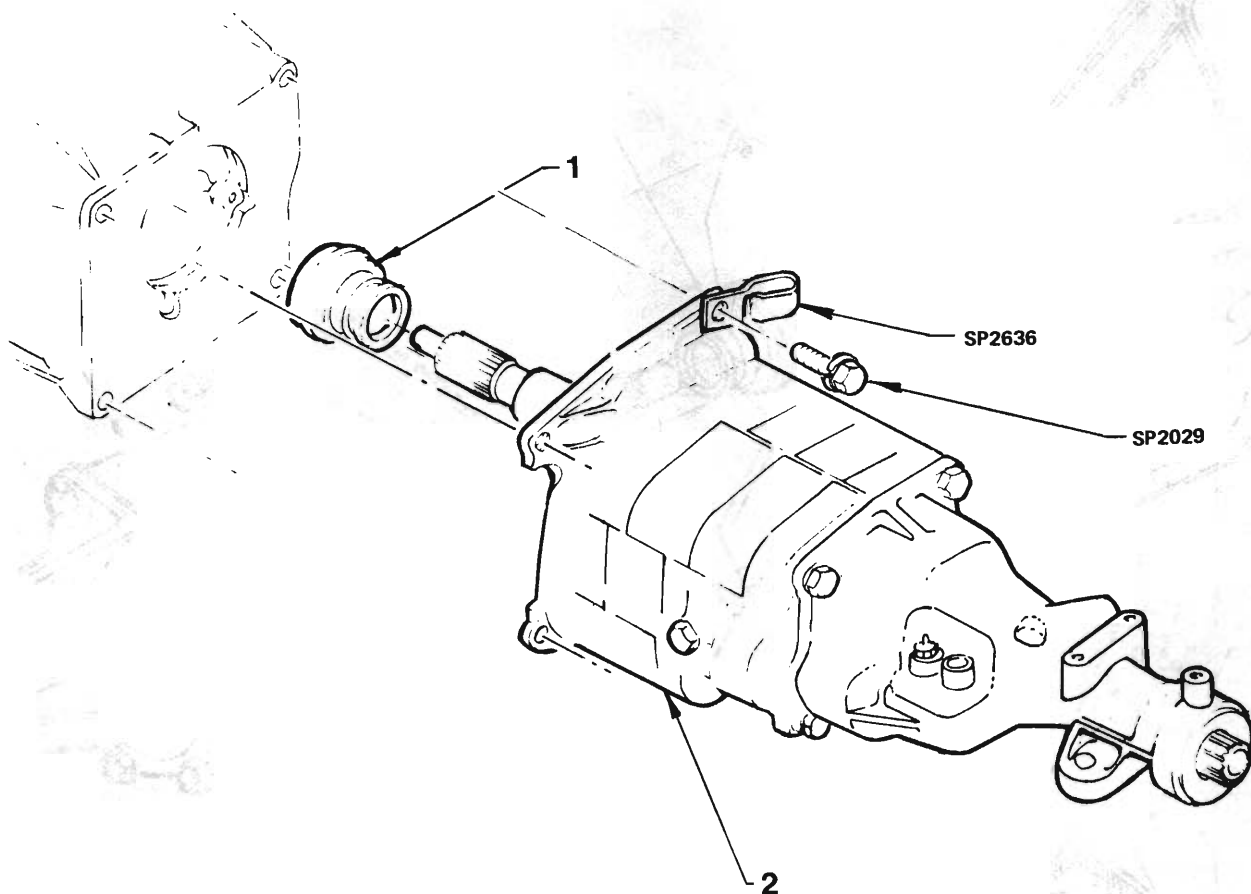
SECTION 6 'TURBO HYDRAMATIC 350' TRANSMISSION ASSEMBLY

- AUTOMATIC
- FITTED IN VEHICLES EQUIPPED WITH 5 LITRE ENGINES

TRANSMISSION CODE W

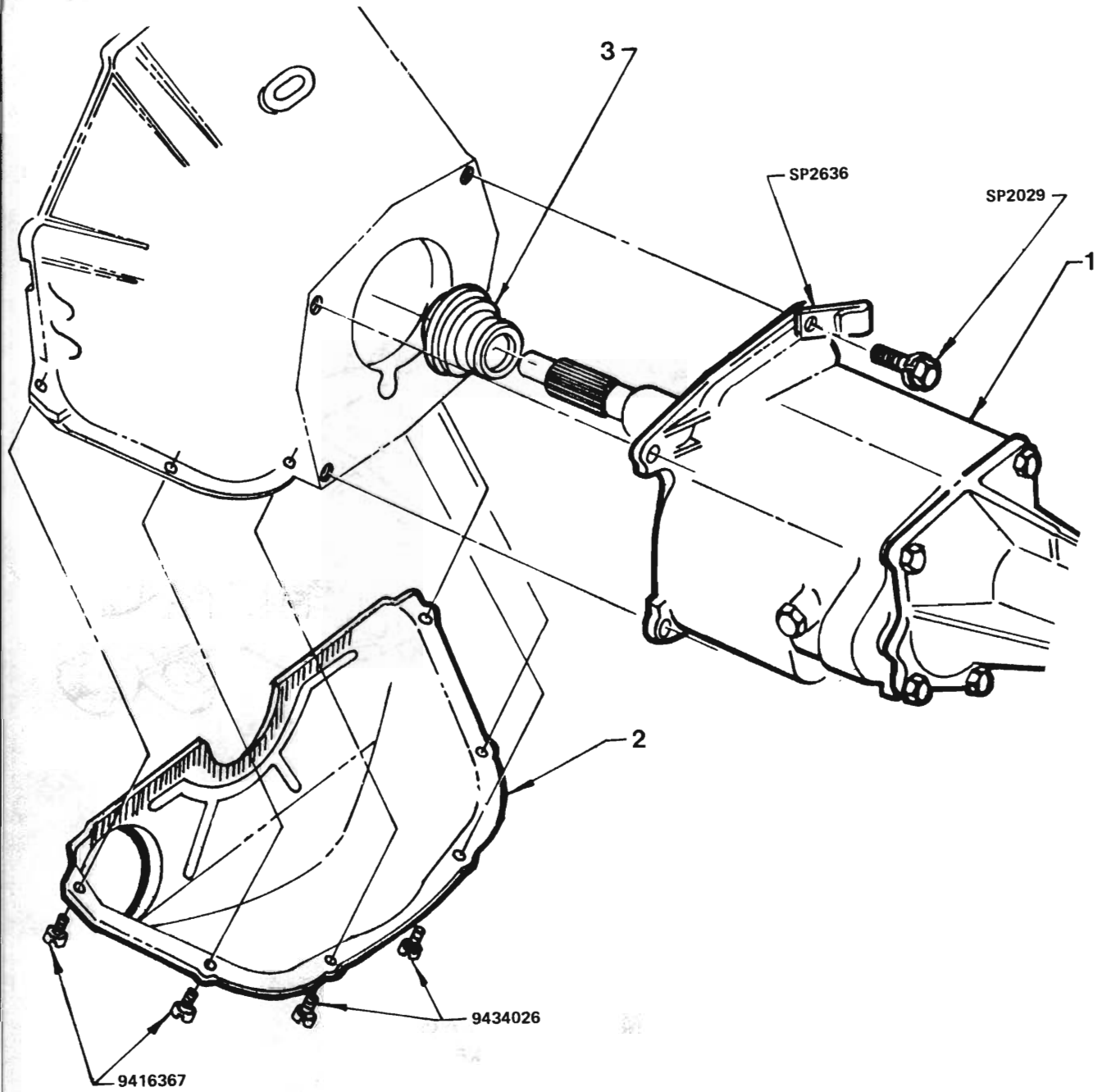
PAGE EDGE CODE





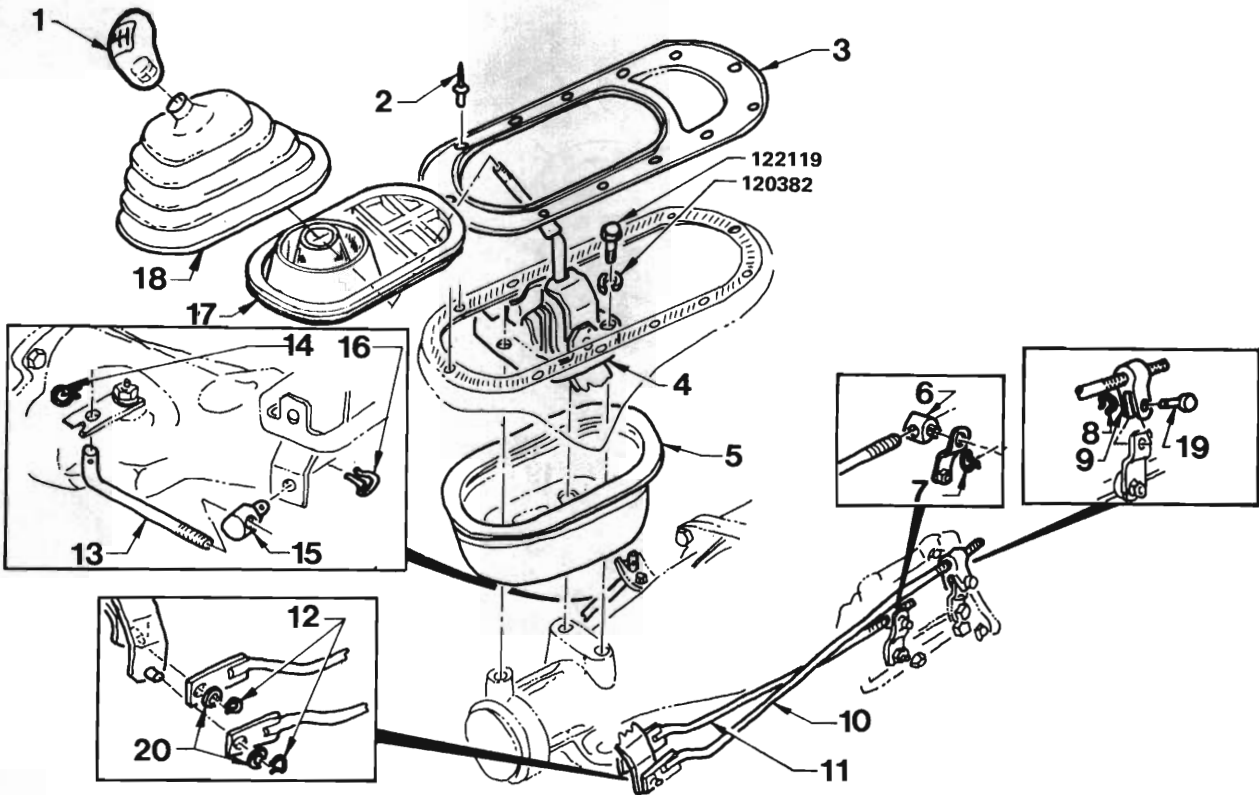
**TRANSMISSION TO ENGINE
6 CYLINDER ENGINE**

REF. NO.	PART NAME	GROUP
1	BEARING ASM.....	0.799K
2	TRANSMISSION ASM.....	4.003F



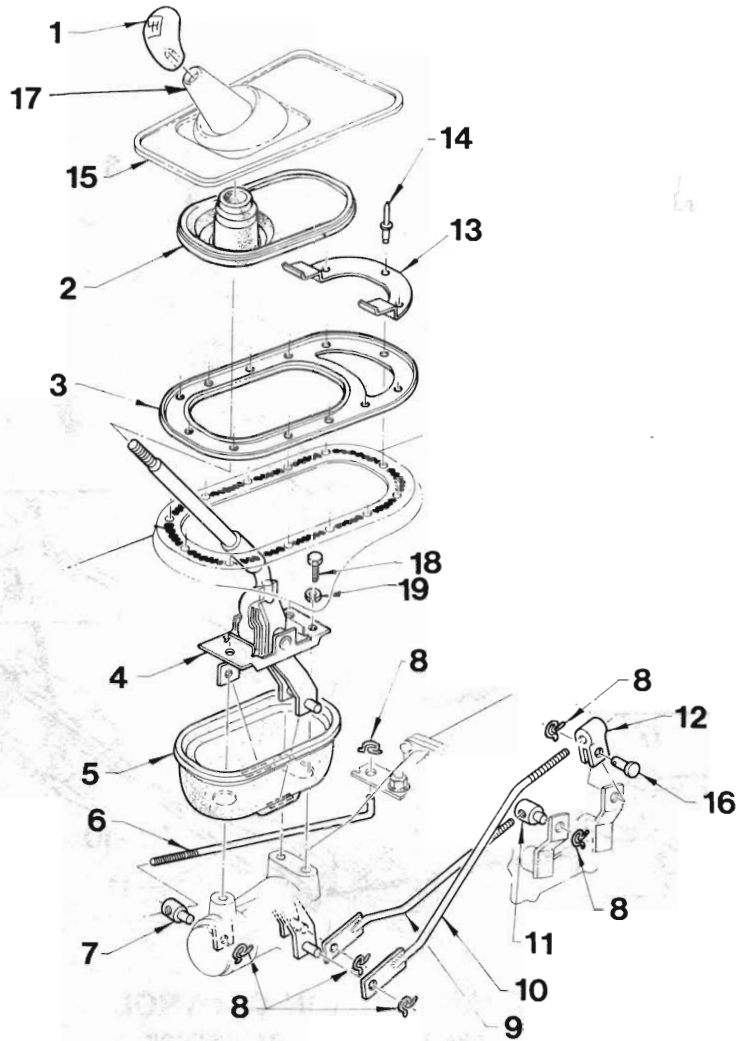
**TRANSMISSION TO ENGINE
8 CYLINDER ENGINE**

REF. NO.	PART NAME	GROUP
1	TRANSMISSION ASM.....	4.003F
2	COVER - Lower.....	0.679T
3	BEARING ASM.....	0.799T



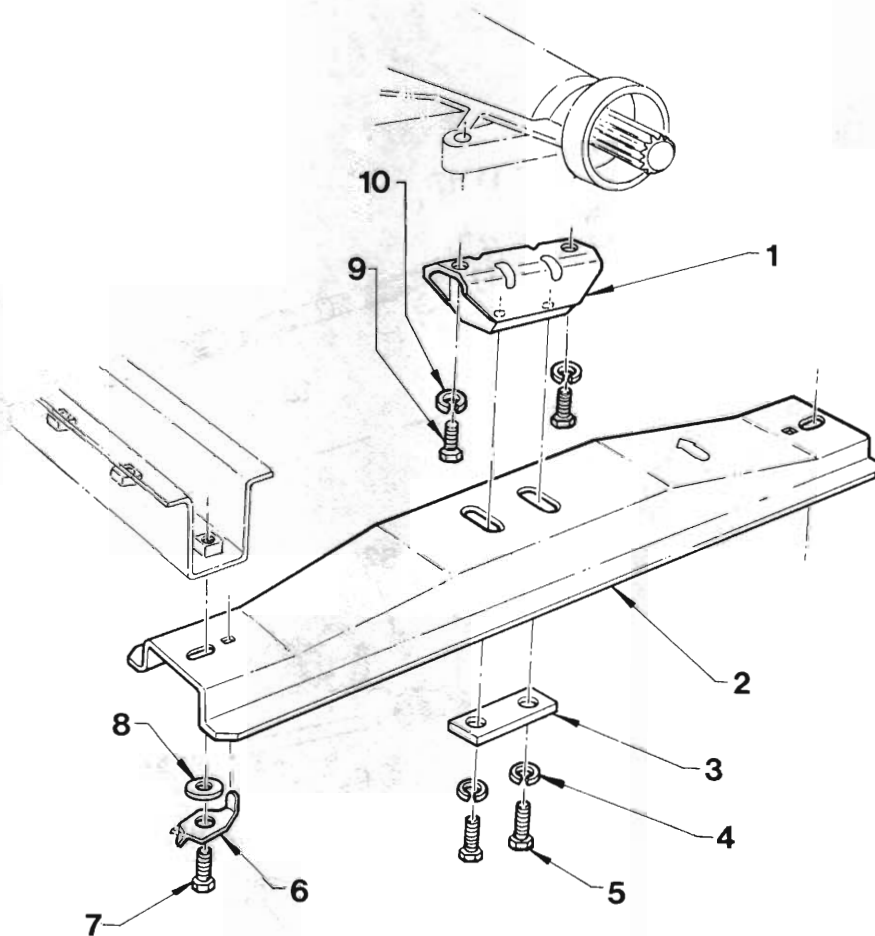
**TRANSMISSION CONTROL
4 SPEED MANUAL TRANSMISSION
VB SERIES**

REF. NO.	PART NAME	GROUP
1	KNOB - Gearshift control lever	4.006F
2	RIVET - Retainer to floor	4.015F
3	RETAINER - Diaphragm to floor	4.015F
4	MOUNTING & LEVER ASM. - Gearshift control .	4.004F
5	SEAL - Gearshift control	4.015F
6	TRUNNION - 1st & 2nd speed rod	4.037F
7	RETAINER - Trunnion.....	4.037F
8	RETAINER - Pin to adjuster	4.037F
9	ADJUSTER - 3rd & 4th speed rod	4.037F
10	ROD - 3rd & 4th speed.....	4.035F
11	ROD - 1st & 2nd speed	4.035F
12	RETAINER - Shifter rods to control levers.....	4.037F
13	ROD - Reverse	4.035F
14	RETAINER - Reverse rod	4.037F
15	TRUNNION - Reverse rod.....	4.037F
16	RETAINER - Trunnion.....	4.037F
17	DIAPHRAGM - Gear shift lever	4.015F
18	BOOT - Gearshift lever.....	4.015F
19	PIN - Adjuster to lever	4.037F
20	WASHER - Rod to lever.....	4.037F



**TRANSMISSION CONTROL
4 SPEED MANUAL TRANSMISSION
VC, VH, VK SERIES**

REF. NO.	PART NAME	GROUP
1	KNOB - Gearshift control lever	4.006F
2	DIAPHRAGM - Gear shift lever	4.015F
3	RETAINER - Diaphragm to floor	4.015F
4	MOUNTING & LEVER ASM. - Gearshift control .	4.004F
5	SEAL - Gearshift control	4.015F
6	ROD - Reverse	4.035F
7	TRUNNION - Reverse rod.....	4.037F
8	RETAINER - Shifter rods to control levers.....	4.037F
9	ROD - 1st & 2nd speed	4.035F
10	ROD - 3rd & 4th speed	4.035F
11	TRUNNION - 1st & 2nd speed rod	4.037F
12	ADJUSTER - 3rd & 4th speed rod	4.037F
13	BRACKET - Console front mounting	10.240
14	RIVET - Retainer to floor	4.015F
15	COVER - Transmission control.....	10.240
16	PIN - Adjuster to lever.....	4.037F
17	BOOT - Gearshift lever.....	4.015F
18	BOLT - Mounting & lever asm.....	4.012F
19	WASHER - Mounting & lever asm.....	4.012F

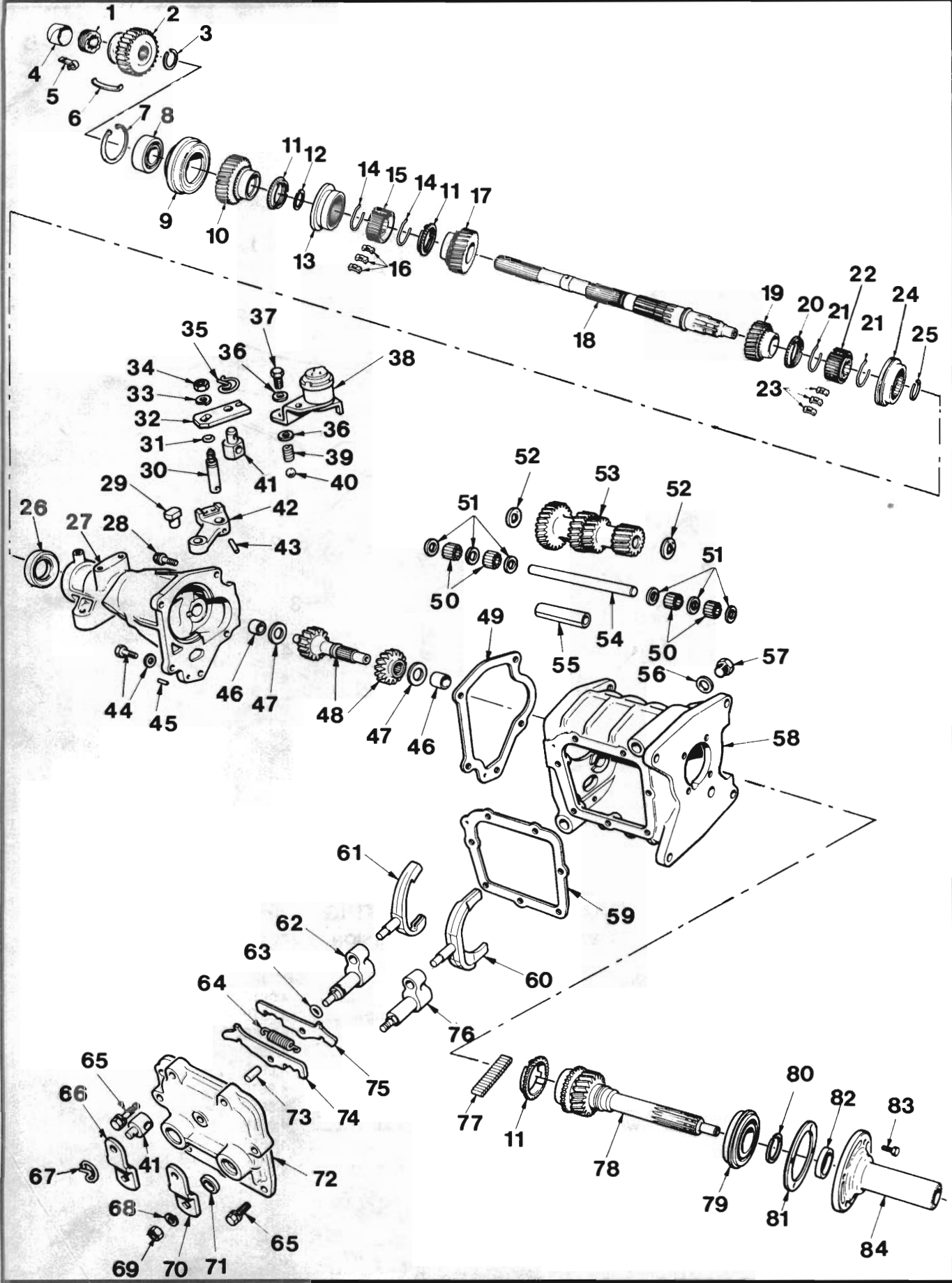


**TRANSMISSION MOUNTING
4 SPEED MANUAL TRANSMISSION**

REF. NO.	PART NAME	GROUP
1	MOUNTING ASM.....	4.081F
2	SUPPORT - Transmission rear mounting.....	4.081F
3	SPACER - Mounting to support.....	4.085F
4	WASHER - Mounting to support.....	4.085F
5	BOLT - Mounting to support.....	4.085F
6	PLATE - Support to underbody, Locking.....	4.081F
7	BOLT - Support to underbody.....	4.081F
8	WASHER - Support to underbody, Flat.....	4.081F
9	BOLT - Mounting to transmission.....	4.085F
10	WASHER - Mounting to transmission.....	4.085F



"V" SERIES PARTS CATALOGUE





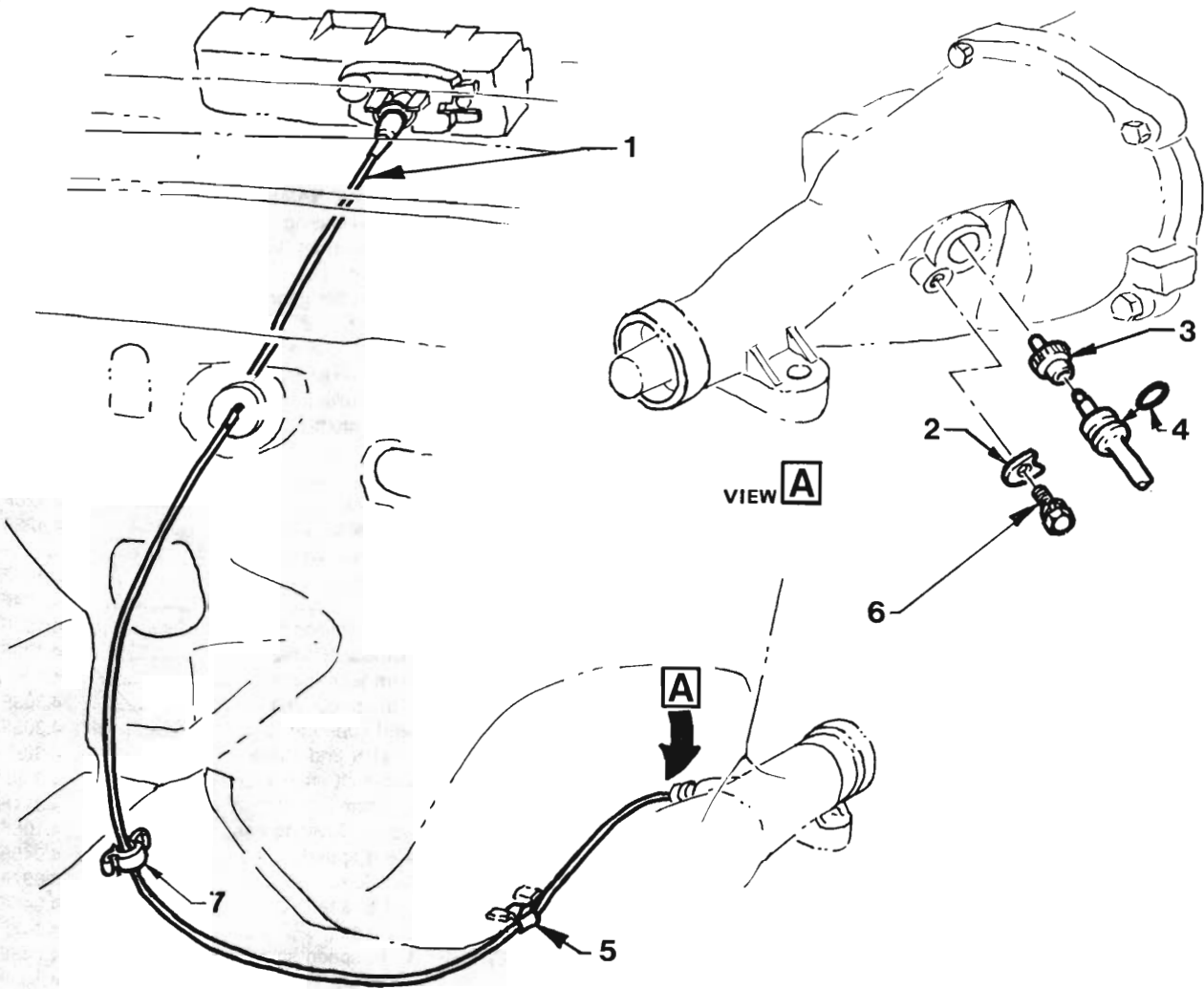
**TRANSMISSION CASE & GEARS
4 SPEED MANUAL CONTROL**

ILLUSTRATION OPPOSITE

REF. NO.	PART NAME	GROUP	REF. NO.	PART NAME	GROUP
1	GEAR - Speedometer drive	4.343F	44	BOLT & WASHER - Housing to case	4.319F
2	GEAR - Reverse	4.417F	45	PIN - Case to extension housing	4.319F
3(A)	RING - Mainshaft lock	4.412F	46(A)	BUSH - Reverse idler.....	4.431F
4	BUSH - Extension housing.....	4.317F	47(A)	WASHER - Reverse idler gear thrust.....	4.437F
5(A)	CLIP - Speedometer drive gear.....	4.343F	48	GEAR - Reverse idler	4.430F
6	SPRING - Reverse gear antilash	4.419F	49(A)	GASKET - Extension housing.....	4.318F
7	RING - Rear bearing locating	4.412F	49(B)	GASKET - Extension housing.....	4.318F
8(A)	BEARING ASM. - Mainshaft rear	4.408F	50	BEARING - Needle roller.....	4.422F
9	ADAPTOR - Rear bearing	4.317F	51(A)	WASHER - Counter shaft bearing.....	4.426F
10	GEAR - 1st speed	4.417F	52(A)	WASHER - Gear thrust.....	4.426F
11	RING - Blocking.....	4.383F	53	GEAR - Counter.....	4.421F
12(A)	RING - Mainshaft lock	4.412F	54(A)	SHAFT - Counter gear.....	4.428F
13(A)	SLEEVE ASM. - 1st & 2nd synchronizer hub	N.S.S.	55(A)	SPACER - Counter shaft bearing.....	4.423F
14	SPRING - 1st & 2nd synchronizer.....	4.413F	56(A)	GASKET - Filler plug.....	4.104F
15	HUB ASM. - 1st & 2nd synchronizer.....	N.S.S.	56(B)	GASKET - Filler plug.....	4.104F
16(A)	KEY - 1st & 2nd synchronizer	4.384F	57	PLUG - Filler.....	4.104F
13-16	SYNCHRONIZER ASM. - 1st & 2nd speed	4.380F	58	CASE ASM. - Transmission	4.103F
17	GEAR - Second speed	4.395F	59(A)	GASKET - Transmission cover.....	4.109F
18	SHAFT - Main	4.403F	59(B)	GASKET - Transmission cover.....	4.109F
19	GEAR - Third speed.....	4.415F	60	FORK - 3rd & 4th speed shift.....	4.303F
20(A)	RING - Blocking.....	4.383F	61	FORK - 1st & 2nd speed shift.....	4.303F
21(A)	SPRING - 3rd & 4th synchronizer.....	4.413F	62	SHAFT ASM. - 1st & 2nd shifter	4.309F
22	HUB ASM. - 3rd & 4th synchronizer	N.S.S.	63(A)	SEAL - 1st & 2nd shift shaft - 'O' Ring.....	4.309F
23(A)	KEY - 3rd & 4th synchronizer.....	4.384F	64	SPRING - Detent cam	4.311F
24	SLEEVE - 3rd & 4th synchronizer hub.....	N.S.S.	65	BOLT & WASHER - Cover to case	4.105F
21-24	SYNCHRONIZER ASM. - 3rd & 4th speed	4.380F	66	LEVER - 1st & 2nd speed	4.045F
25(A)	RING - Mainshaft lock	4.412F	67	RETAINER - Trunnion.....	4.037F
26(A)	SEAL - Extension housing.....	4.318F	68	WASHER - Lever to shaft.....	4.046F
27	HOUSING ASM. - Extension.....	4.317F	69	NUT - Lever to shaft.....	4.046F
28	BOLT - Housing to case.....	4.319F	70	LEVER - 3rd & 4th speed shifter shaft.....	4.045F
29	YOKE - Reverse shifter	4.303F	71(A)	SEAL - 3rd & 4th shift shaft.....	4.309F
30	SHAFT - Reverse shift - Internal	4.309F	72	COVER	4.105F
31	SEAL - 'O' Ring reverse shift shaft	4.309F	73	PIN - Cover to case	4.105F
32	LEVER - Reverse shifter external	4.045F	74	CAM - 3rd & 4th speed detent.....	4.311F
33	WASHER - Lever to shaft.....	4.046F	75	CAM - 1st & 2nd speed detent.....	4.311F
34	NUT - Lever to shaft.....	4.046F	76	SHAFT ASM. - 3rd & 4th shifter	4.309F
35	RETAINER - Shifter rod to control lever	4.037F	77	BEARING - Needle roller.....	4.352F
36	WASHER - Reverse detent.....	4.311F	78	GEAR - Clutch.....	4.351F
37	BOLT - Reverse detent	4.311F	79(A)	BEARING - Clutch gear.....	4.355F
38	SWITCH ASM. - Back up lamp	2.698	80	RING - Clutch gear bearing retaining.....	4.376F
39(A)	SPRING - Reverse lever detent ball	4.311F	81(B)	GASKET - Clutch gear bearing retainer.....	4.358F
40(A)	BALL - Reverse shift lever detent 3/8" dia.....	4.311F	82(A)	SEAL - Clutch gear bearing oil.....	4.354F
41	TRUNNION - 1st & 2nd speed rod	4.037F	83	BOLT - Retainer to case	4.356F
42	LEVER - Reverse internal shifter	4.302F	84	RETAINER - Clutch gear bearing.....	4.356F
43	PIN - Reverse shift shaft.....	4.307F			

NOTE:- (A Parts included in Overhaul Kit. Refer Group 4.005F

(B Parts included in Gasket Kit. Refer Group 4.005F



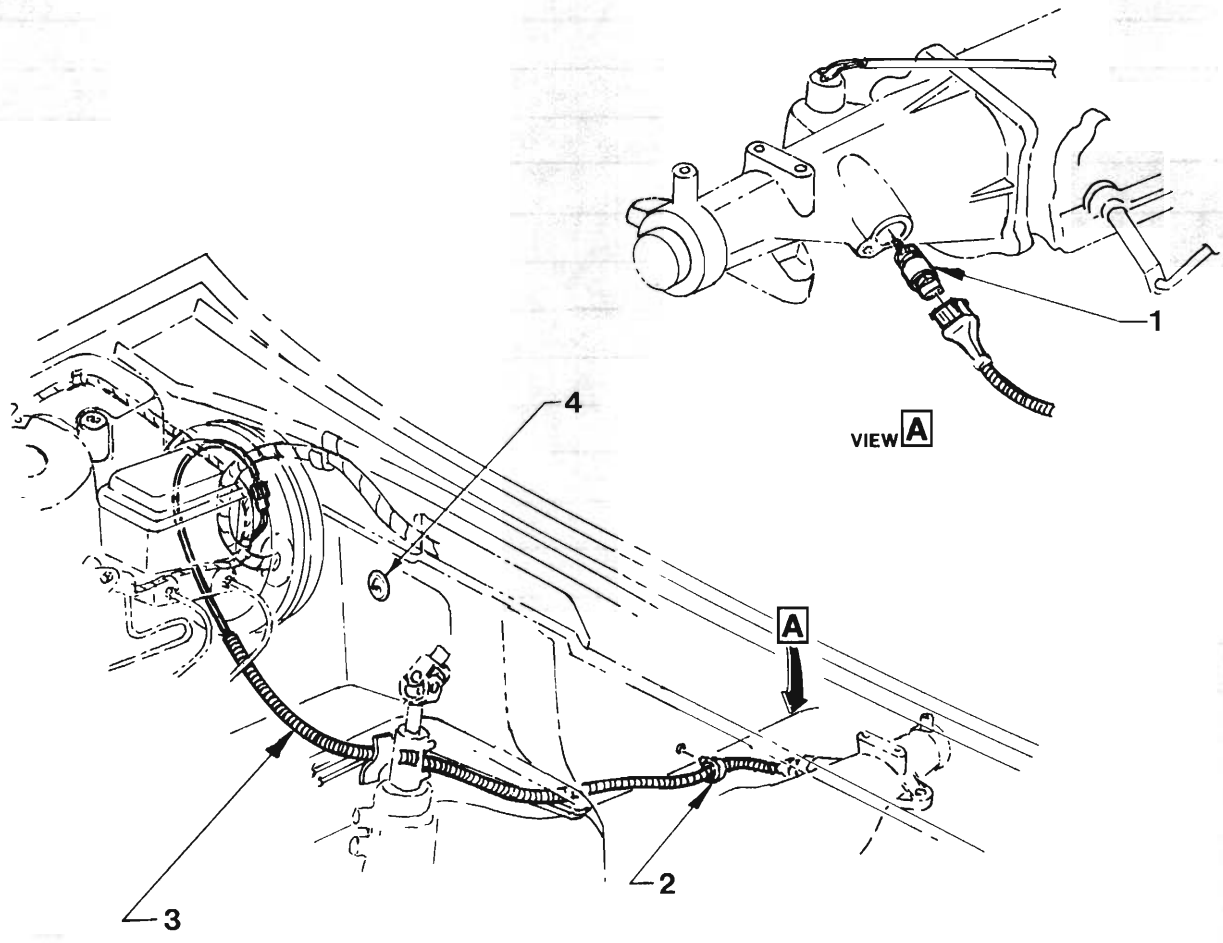
SPEEDOMETER CABLE & GEAR

4 SPEED MANUAL TRANSMISSION

VB, VC, VH SERIES

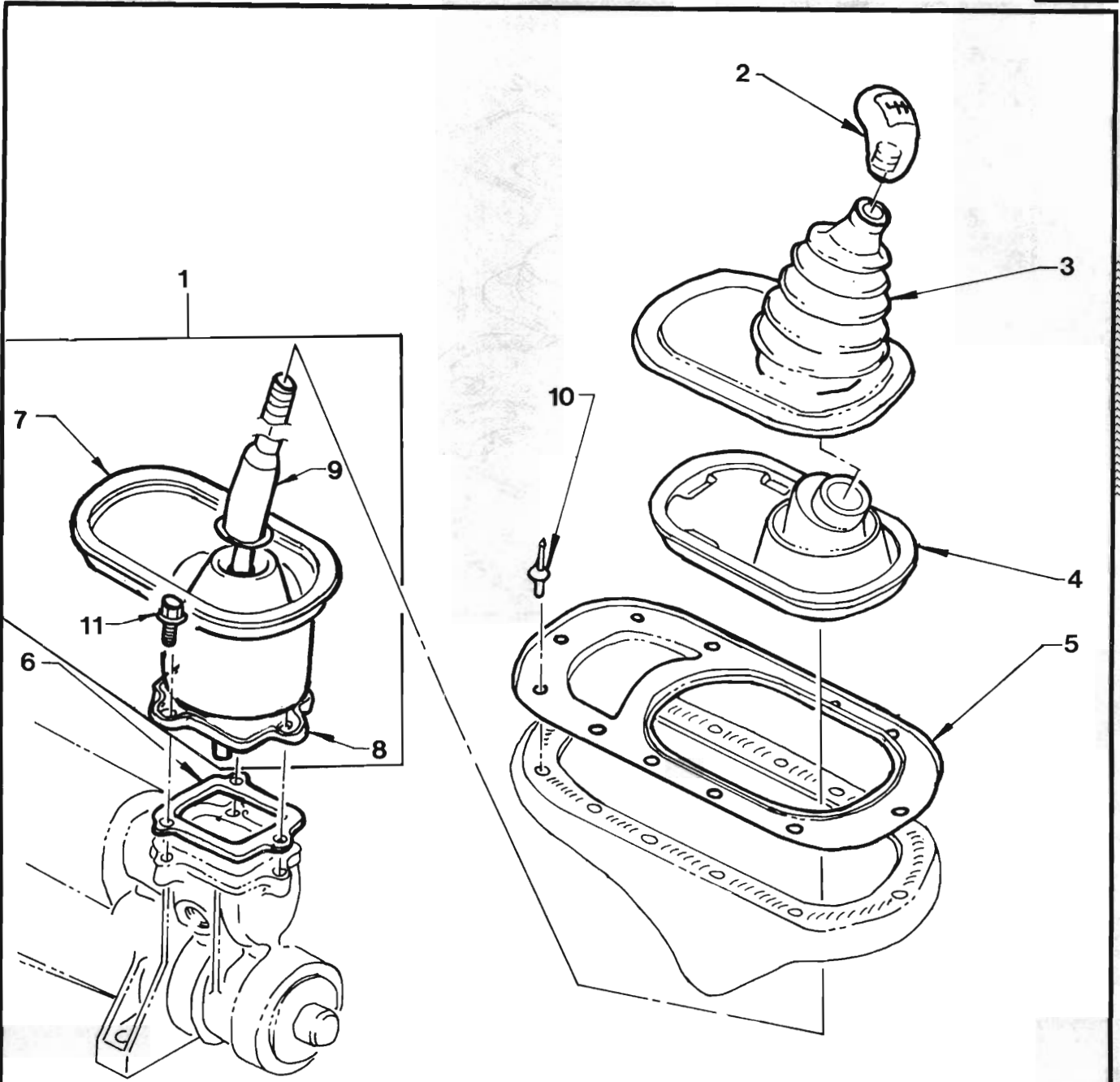
8VK, 8VL VK SERIES

REF. NO.	PART NAME	GROUP
1	CABLE & CASING ASM.....	4.342F
2	RETAINER - Speedometer cable to transmission.....	4.342F
3	GEAR - Speedometer driven.....	4.337F
4	SEAL - Speedometer cable to transmission.....	4.338F
5	CLIP - Cable to floor pan.....	4.342F
6	SCREW - Retainer to transmission.....	4.338F
7	CLIP - Cable to frame.....	4.342F



**ELECTRONIC SPEEDOMETER SENDER
4 SPEED MANUAL TRANSMISSION
8VX19
VK SERIES**

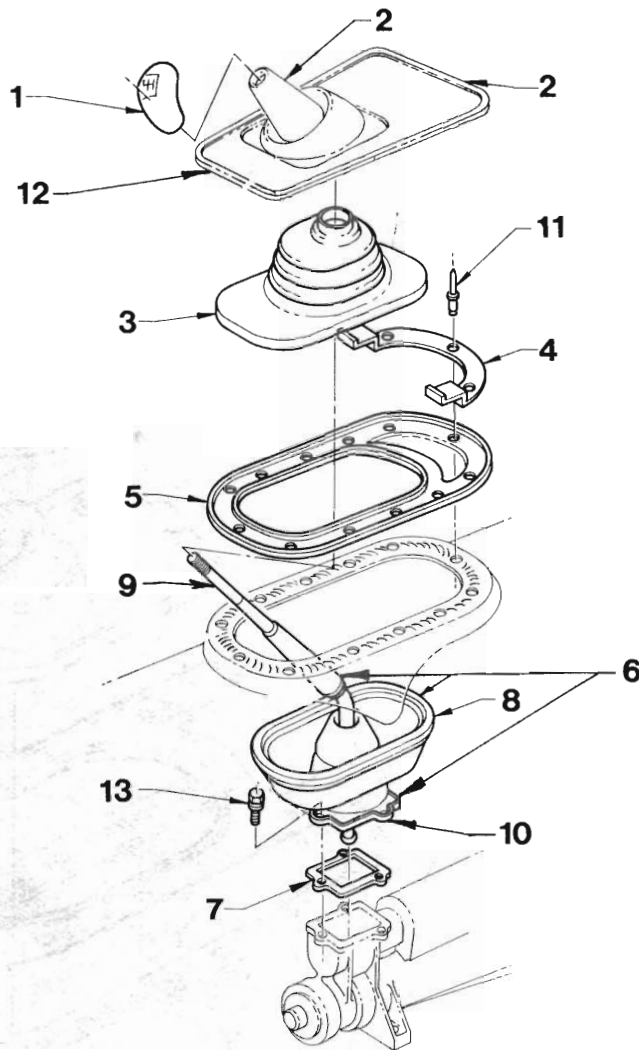
REF. NO.	PART NAME	GROUP
1	SENDER ASM. - Electronic speedometer	4.337F
2	STRAP - Sender lead to floor pan	4.342F
3	LEAD ASM. - Electronic speedometer	4.342F
4	PLUG - Speedometer cable hole closing	12.804F



TRANSMISSION CONTROL LEVER

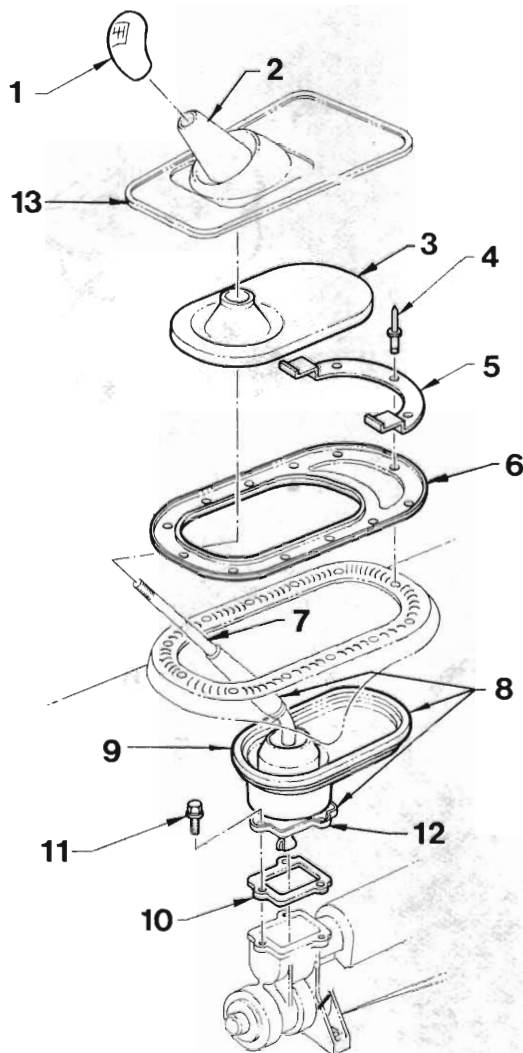
**4 SPEED MANUAL CONTROL - TORQUEMASTER TRANSMISSION
VB SERIES**

REF. NO.	PART NAME	GROUP
1	CONTROL ASM. - Gearshift.....	4.004H
2	KNOB - Gearshift control lever.....	4.006H
3	BOOT - Gearshift lever.....	4.015H
4	DIAPHRAGM - Gearshift lever upper.....	4.015H
5	RETAINER - Diaphragm to floor.....	4.015H
6	GASKET - Gearshift control.....	4.012H
7	DIAPHRAGM - Gearshift lever lower.....	4.015H
8	HOUSING - Control base.....	4.010H
9	LEVER - Gearshift control.....	4.006H
10	RIVET - Retainer to floor.....	4.015H
11	BOLT & WASHER - Control asm. to extension housing.....	4.012H



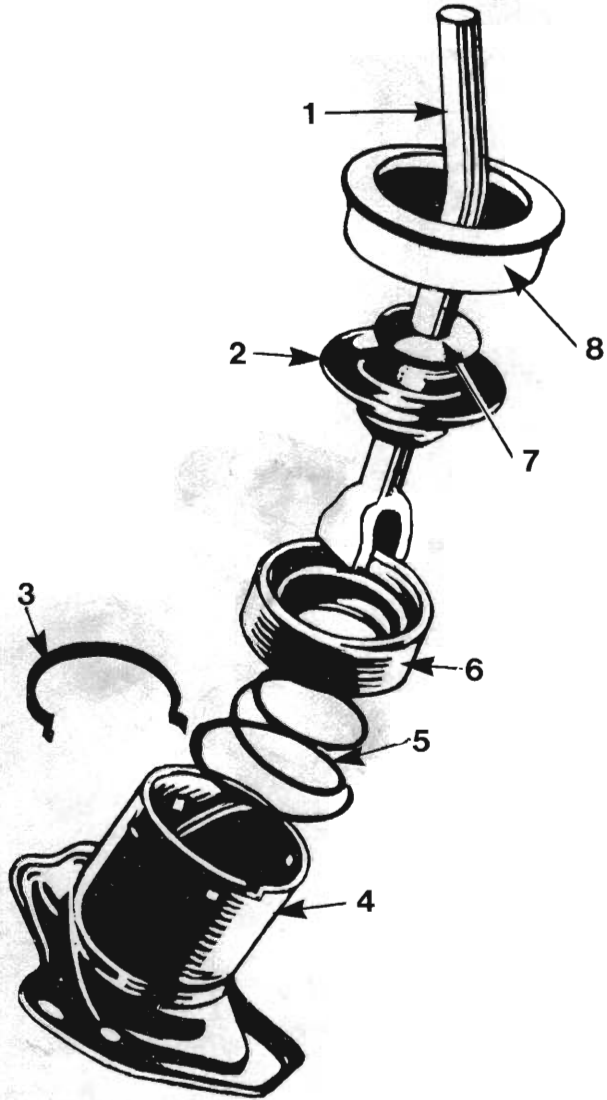
**TRANSMISSION CONTROL LEVER
4 SPEED MANUAL CONTROL - TORQUEMASTER TRANSMISSION
VC SERIES**

REF. NO.	PART NAME	GROUP
1	KNOB - Gearshift control lever	4.006H
2	BOOT - Gearshift lever	4.015H
3	DIAPHRAGM - Gearshift lever, Upper.....	4.015H
4	BRACKET - Console front mounting	10.240
5	RETAINER - Diaphragm to floor	4.015H
6	CONTROL ASM. - Gearshift	4.004H
7	GASKET - Gearshift control.....	4.012H
8	DIAPHRAGM - Gearshift lever, Lower.....	4.015H
9	LEVER - Gearshift control.....	4.006H
10	HOUSING - Control base	4.010H
11	RIVET - Retainer to floor	4.015H
12	COVER - Transmission control.....	10.240
13	BOLT & WASHER - Control asm. to extension housing.....	4.012H



**TRANSMISSION CONTROL LEVER
4 SPEED MANUAL CONTROL - TORQUEMASTER TRANSMISSION
6 CYLINDER ENGINE
VH, VK SERIES**

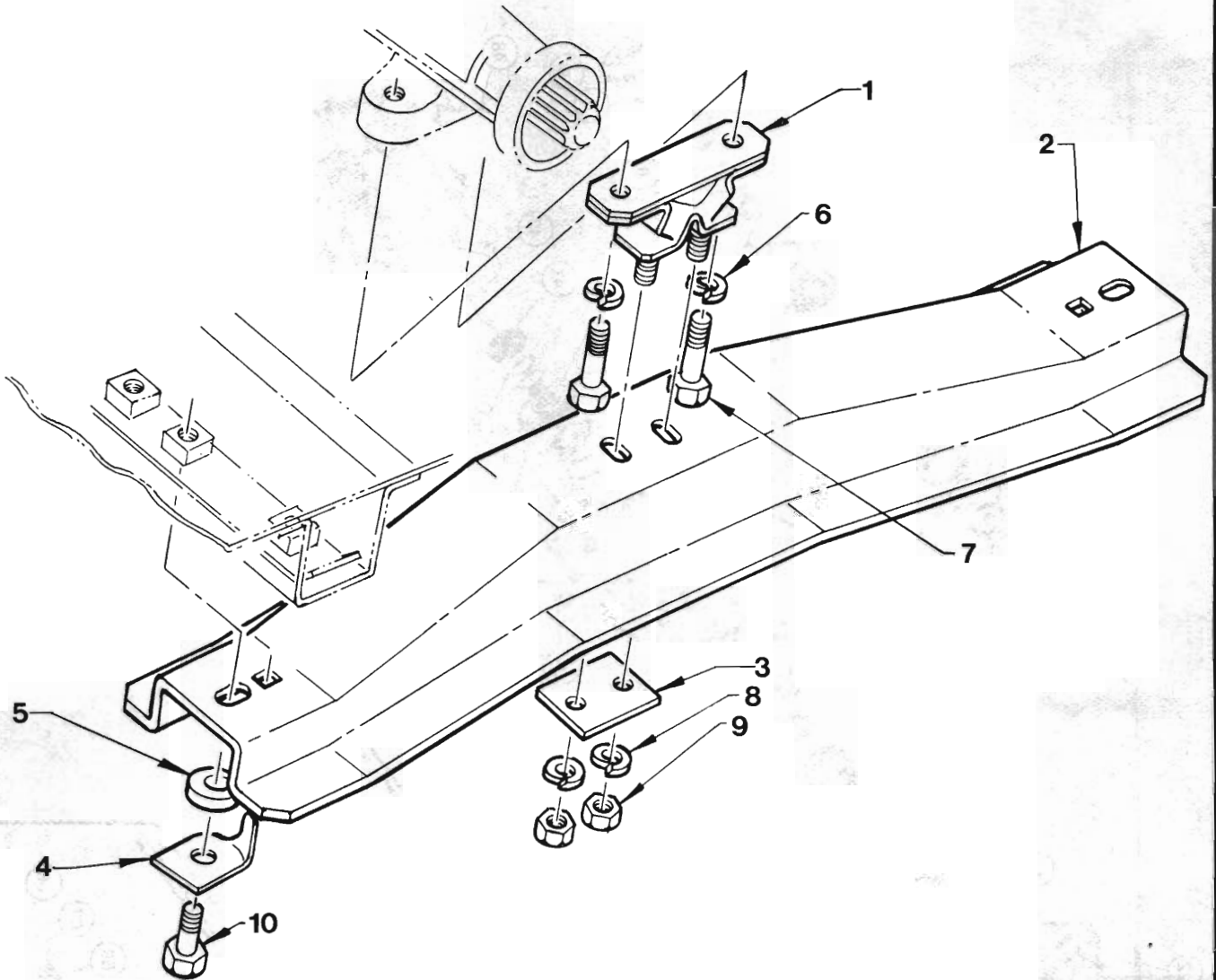
REF. NO.	PART NAME	GROUP
1	KNOB - Gearshift control lever	4.006H
2	BOOT - Gearshift lever.....	4.015H
3	DIAPHRAGM - Gearshift lever, Upper.....	4.015H
4	RIVET - Retainer to floor	4.015H
5	BRACKET - Console front mounting	10.240
6	RETAINER - Diaphragm to floor	4.015H
7	LEVER - Gearshift control.....	4.006H
8	CONTROL ASM. - Gearshift.....	4.004H
9	DIAPHRAGM - Gearshift lever, Lower.....	4.015H
10	GASKET - Gearshift control.....	4.012H
11	BOLT & WASHER - Control asm. to extension housing	4.012H
12	HOUSING - Control base	4.010H
13	COVER - Transmission control.....	10.240



CONTROL - GEARSHIFT

4 SPEED MANUAL CONTROL - TORQUEMASTER TRANSMISSION

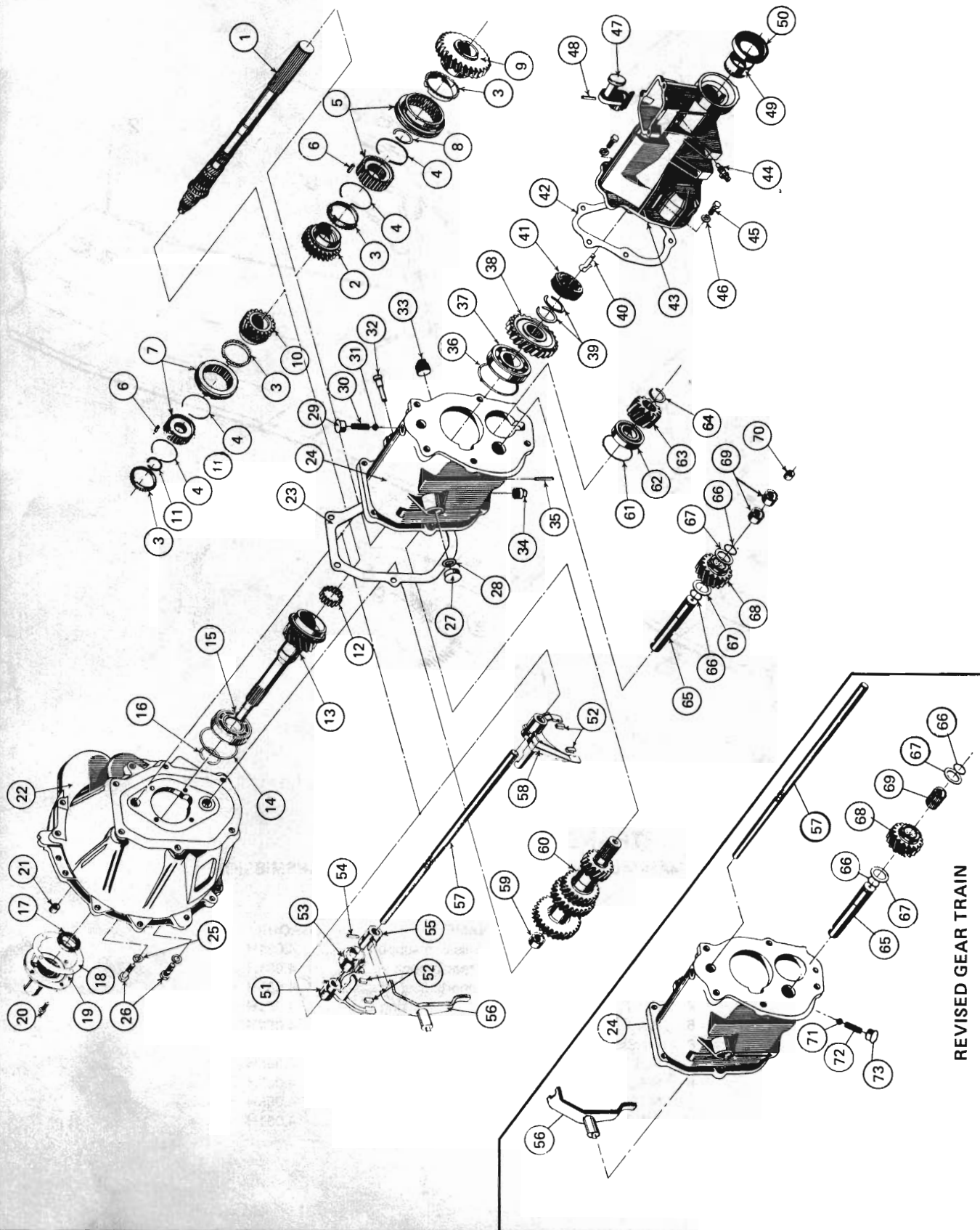
REF. NO.	PART NAME	GROUP
1	LEVER - Gearshift control.....	4.006H
2	SEAT - Gearshift detent spring.....	4.012H
3	CLIP - Spring.....	4.012H
4	HOUSING - Control base.....	4.010H
5	SPRING - Detent.....	4.012H
6	GUIDE - Lever.....	4.012H
7	BALL - Half.....	4.012H
8	CUP - Detent.....	4.012H



TRANSMISSION MOUNTING

**4 SPEED MANUAL CONTROL - TORQUEMASTER TRANSMISSION
4 CYLINDER ENGINE**

REF. NO.	PART NAME	GROUP
1	MOUNTING ASM. - Transmission support	4.081H
2	SUPPORT - Transmission rear mounting.....	4.081H
3	SPACER - Mounting to support.....	4.085H
4	PLATE - Support to underbody, Locking	4.081H
5	WASHER - Support to underbody, Flat	4.081H
6	WASHER - Mounting to transmission.....	4.085H
7	BOLT - Mounting to transmission	4.085H
8	WASHER - Mounting to support	4.085H
9	NUT - Mounting to support	4.085H
10	BOLT - Support to underbody	4.081H

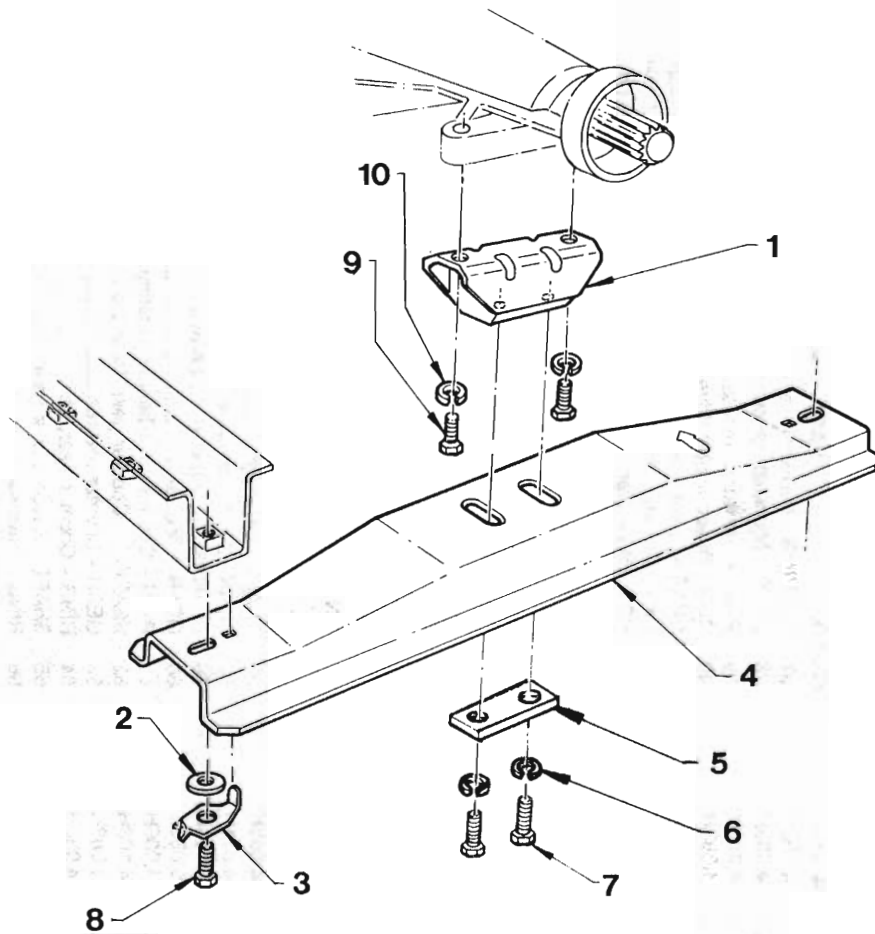


REVISED GEAR TRAIN



TRANSMISSION
4 SPEED MANUAL CONTROL - TORQUEMASTER TRANSMISSION
 ILLUSTRATION OPPOSITE

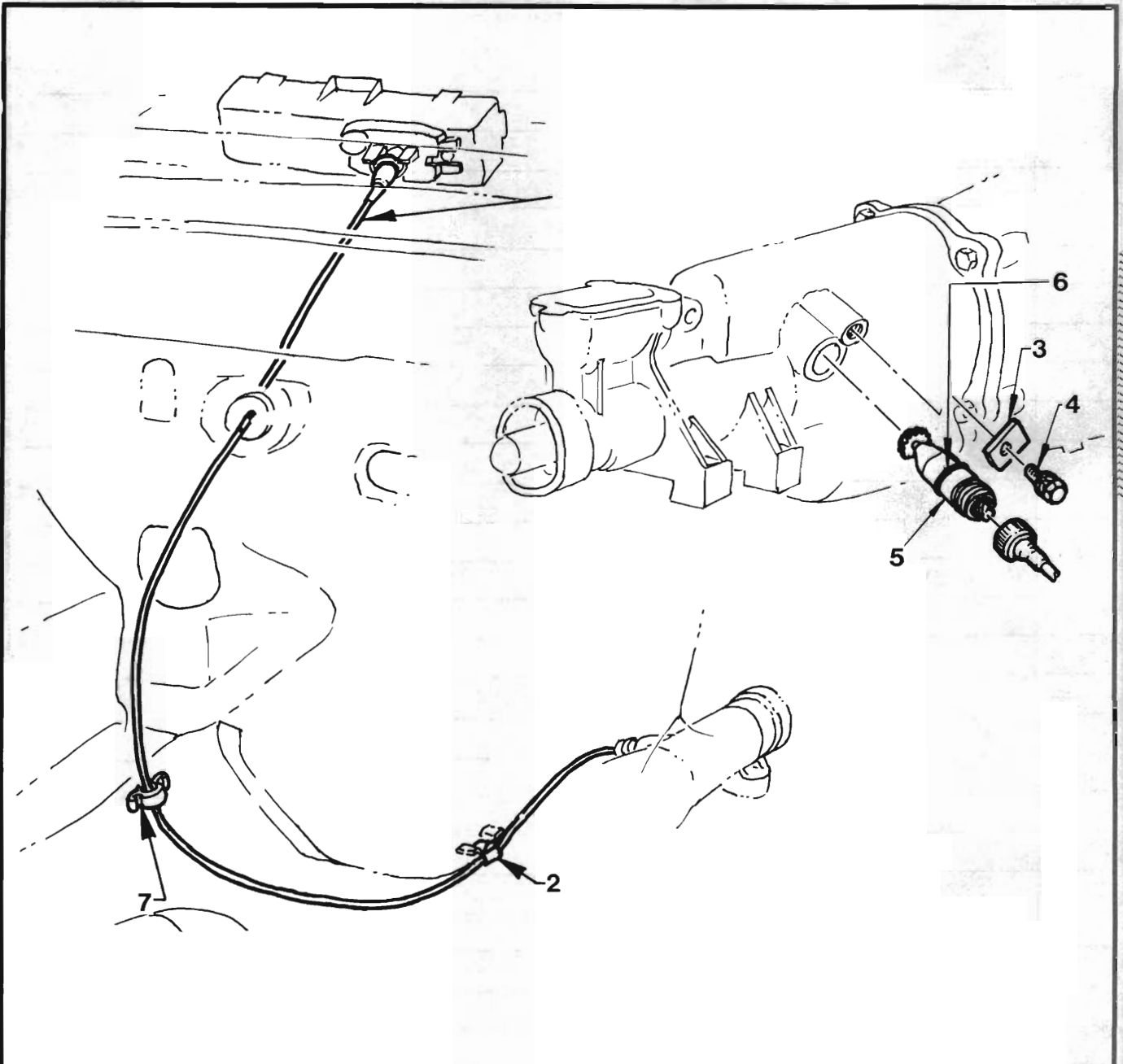
REF. NO.	PART NAME	GROUP	REF. NO.	PART NAME	GROUP
1-73	TRANSMISSION ASM.....	4.003H	37	BEARING - Mainshaft rear.....	4.408H
1	SHAFT - Transmission main.....	4.403H	38	GEAR - Mainshaft reverse.....	4.417H
2	GEAR - Second speed.....	4.395H	39	RING - Mainshaft reverse.....	4.417H
3	RING - Blocking.....	4.383H	40	CLIP - Speedometer drive gear.....	4.343H
4	SPRING - Transmission synchronizer.....	4.413H	41	GEAR - Speedometer drive.....	4.343H
5	SYNCHRONIZER ASM. - 1st & 2nd speed.....	4.380H	42	GASKET - Transmission extension housing.....	4.318H
6	KEY - Transmission synchronizer.....	4.384H	43	HOUSING - Transmission extension.....	4.317H
7	SYNCHRONIZER ASM. - 3rd & 4th speed.....	4.380H	44	SWITCH - Back up lamp.....	2.698
8	RING - Retaining.....	4.383H	45	BOLT - Housing to case.....	4.319H
9	Gear - 1st speed.....	4.417H	46	WASHER - Lock.....	4.319H
10	GEAR - 3rd speed.....	4.415H	47	LEVER - Shifter shaft actuating.....	4.309H
11	RING - Retaining.....	4.383H	48	PIN - Lever to shifter shaft.....	4.309H
12	BEARING - Mainshaft front.....	4.352H	49	BUSH - Housing.....	4.317H
13	GEAR - Clutch.....	4.351H	50	SEAL - Housing.....	4.318H
14	RING - Clutch gear bearing retaining.....	4.376H	51	FORK - 3rd & 4th shifter.....	4.303H
15	BEARING - Clutch gear.....	4.355H	52	PAD - Shifter fork.....	4.303H
16	RING - Retaining.....	4.376H	53	SLEEVE - Interlock.....	4.307H
17	SEAL - Clutch gear bearing oil.....	4.354H	54	PIN - Lever to shaft.....	4.302H
18	GASKET - Clutch gear bearing retainer.....	4.358H	55	LEVER - Selector fork engaging.....	4.302H
19	RETAINER - Clutch gear bearing.....	4.356H	56	LEVER - Reverse shifter.....	4.302H
20	BOLT - Retainer to housing.....	4.356H	57	SHAFT - Gearshift.....	4.309H
21	PLUG - Gearshift shaft.....	4.311H	58	FORK - 1st & 2nd speed.....	4.303H
22	HOUSING - Clutch.....	0.683D	59	BEARING - Counter gear, Front.....	4.422H
22		0.683K	60	GEAR - Counter.....	4.421H
23	GASKET - Transmission to clutch housing.....	4.005H	61	RING - Counter gear bearing locating.....	4.422H
24	CASE - Transmission.....	4.103H	62	BEARING - Counter gear, Rear.....	4.422H
25	WASHER - Lock.....	4.003H	63	GEAR - Counter reverse.....	4.421H
26	BOLT - Transmission to clutch housing.....	4.003H	64	RING - Counter gear, Lock.....	4.423H
27	PLUG - Reverse lever sealing.....	4.302H	65	SHAFT - Reverse idler gear.....	4.433H
28	WASHER - Lever.....	4.302H	66	RING - Reverse gear, Lock.....	4.435H
29	CAP - Shift detent spring.....	4.311H	67	WASHER - Idler gear, Thrust.....	4.437H
30	SPRING - Transmission detent.....	4.311H	68	GEAR - Reverse idler.....	4.430H
31	BALL - Transmission detent.....	4.311H	69	BEARING - Reverse idler gear (if applicable).....	4.431H
32	PIN - Interlock sleeve stop.....	4.307H	70	SPACER - Reverse idler gear (if applicable).....	4.431H
33	PLUG - Filler.....	4.104H	71	BALL - Transmission detent.....	4.311H
34	PLUG - Magnetic, Drain.....	4.104H	72	SPRING - Transmission detent.....	4.311H
35	PIN - Tapered.....	4.103H	73	CAP - Shift detent spring.....	4.311H
36	RING - Transmission mainshaft & rear bearing.....	4.412H			



TRANSMISSION MOUNTING

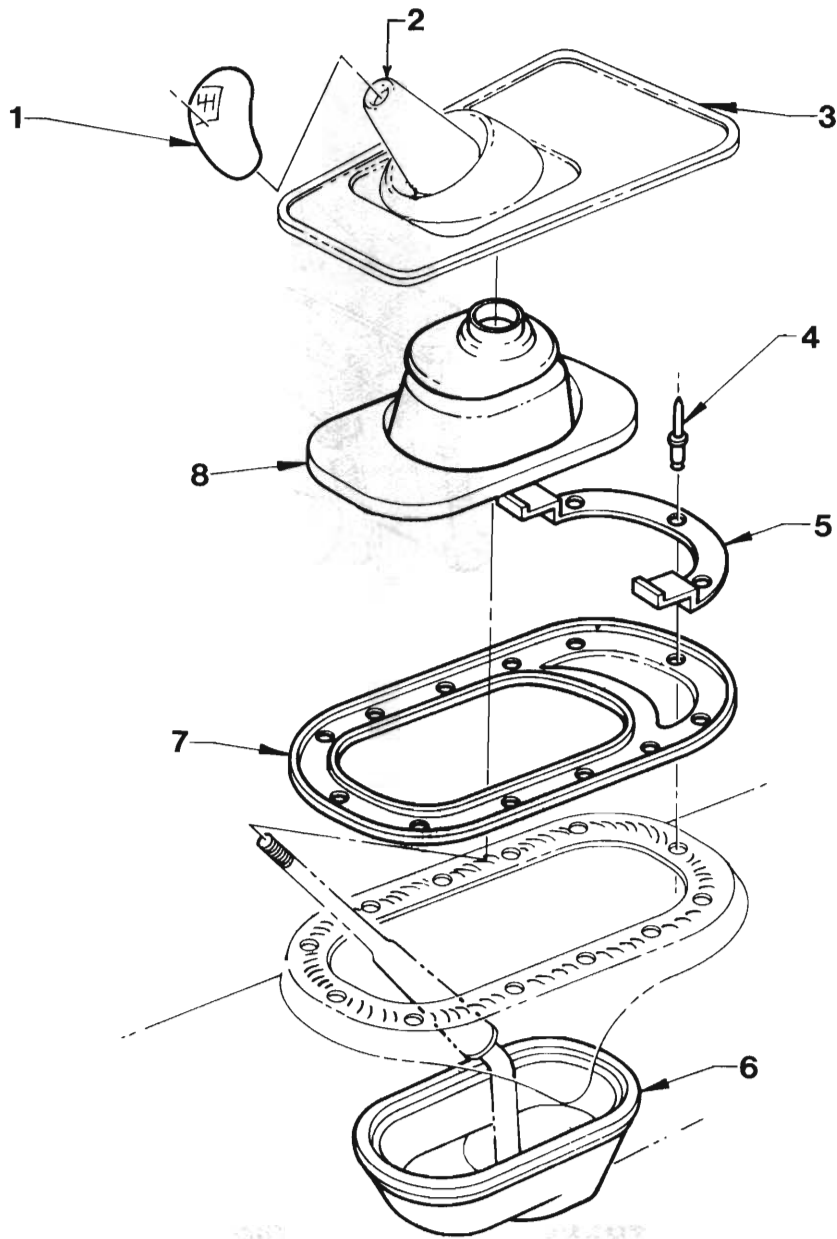
**4 SPEED MANUAL CONTROL - TORQUEMASTER TRANSMISSION
6 CYLINDER ENGINE**

REF. NO.	PART NAME	GROUP
1	MOUNTING ASM. - Transmission support	4.081H
2	WASHER - Support to underbody, Flat	4.081H
3	PLATE - Support to underbody, Locking	4.081H
4	SUPPORT - Transmission rear mounting.....	4.081H
5	SPACER - Mounting to support.....	4.085H
6	WASHER - Mounting to support	4.085H
7	BOLT - Mounting to support	4.085H
8	BOLT - Support to underbody	4.081H
9	BOLT - Mounting to transmission	4.085H
10	WASHER - Mounting to transmission.....	4.085H



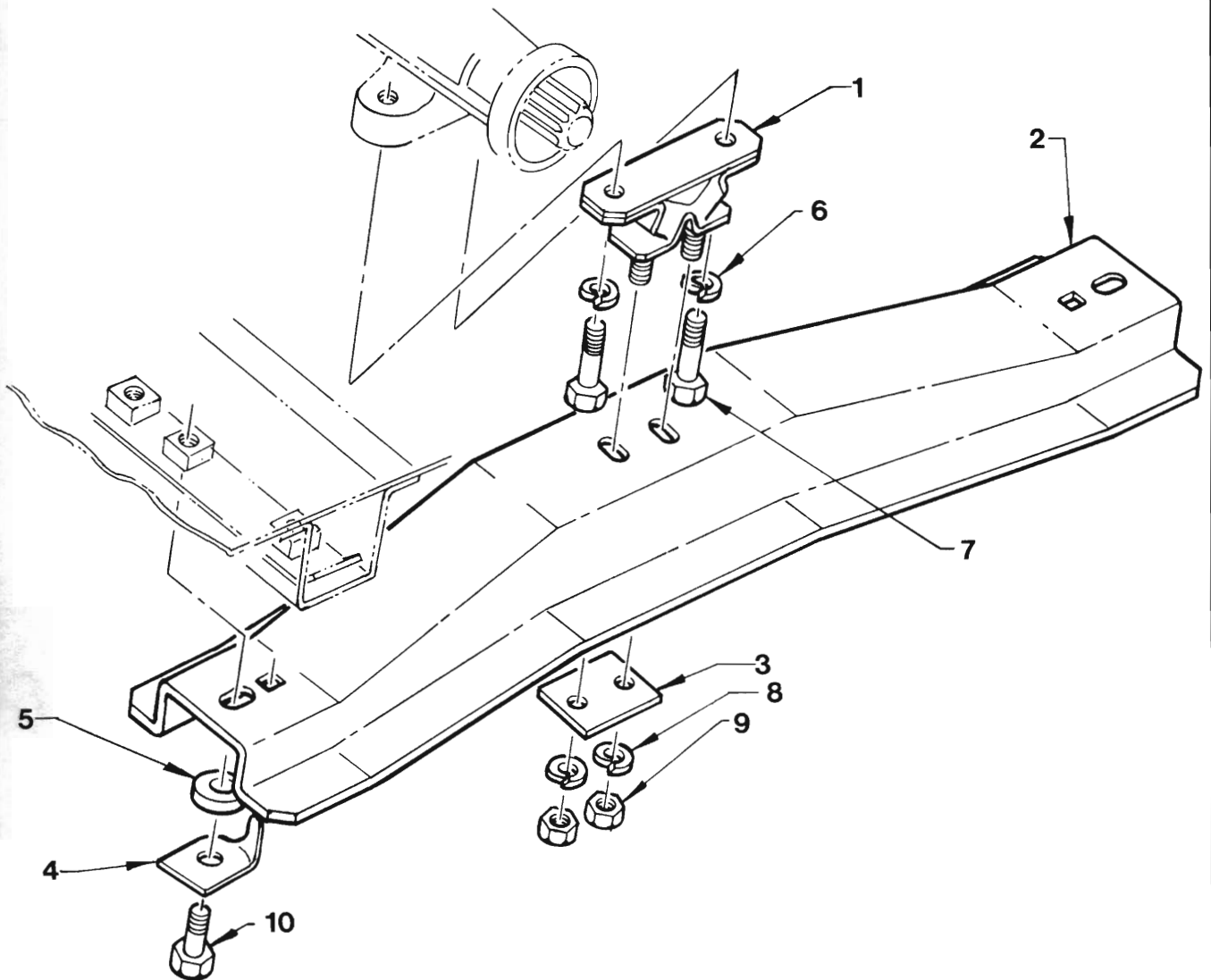
**SPEEDOMETER CABLE & GEAR
4 SPEED MANUAL CONTROL - TORQUEMASTER TRANSMISSION**

REF. NO.	PART NAME	GROUP
1	CABLE & CASING ASM.	4.342H
2	CLIP - Cable to floor pan, Lower.....	4.342H
3	RETAINER - Driven gear guide to transmission..	4.338H
4	BOLT - Retainer to transmission.....	4.338H
5	GUIDE - Driven gear	4.338H
6	'O' RING - Driven gear guide - External.....	4.338H
7	CLIP - Cable to frame.....	4.342H



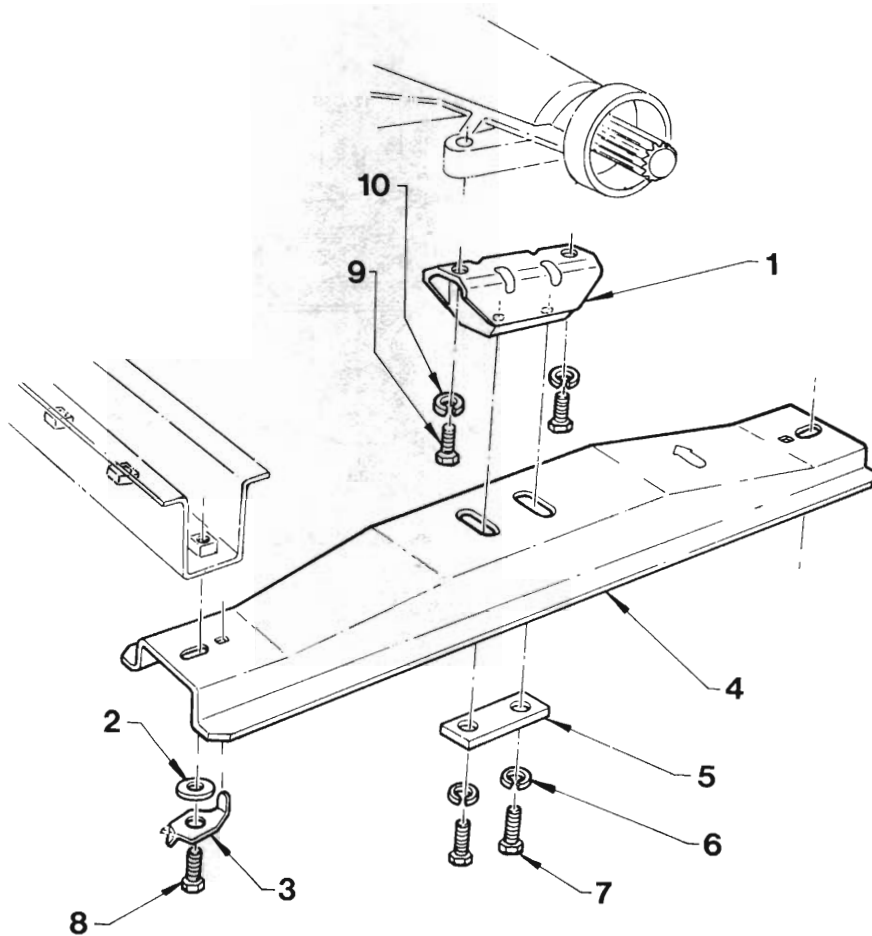
**TRANSMISSION CONTROL
5 SPEED MANUAL TRANSMISSION**

REF. NO.	PART NAME	GROUP
1	KNOB - Gearshift lever.....	4.006S
2	BOOT - Gearshift control lever	4.015S
3	COVER - Transmission control.....	10.240
4	RIVET - Retainer to floor	4.015S
5	BRACKET - Console front mounting	10.240
6	DIAPHRAGM - Gearshift lever lower.....	4.015S
7	RETAINER - Diaphragm to floor	4.015S
8	DIAPHRAGM - Gearshift lever upper	4.015S



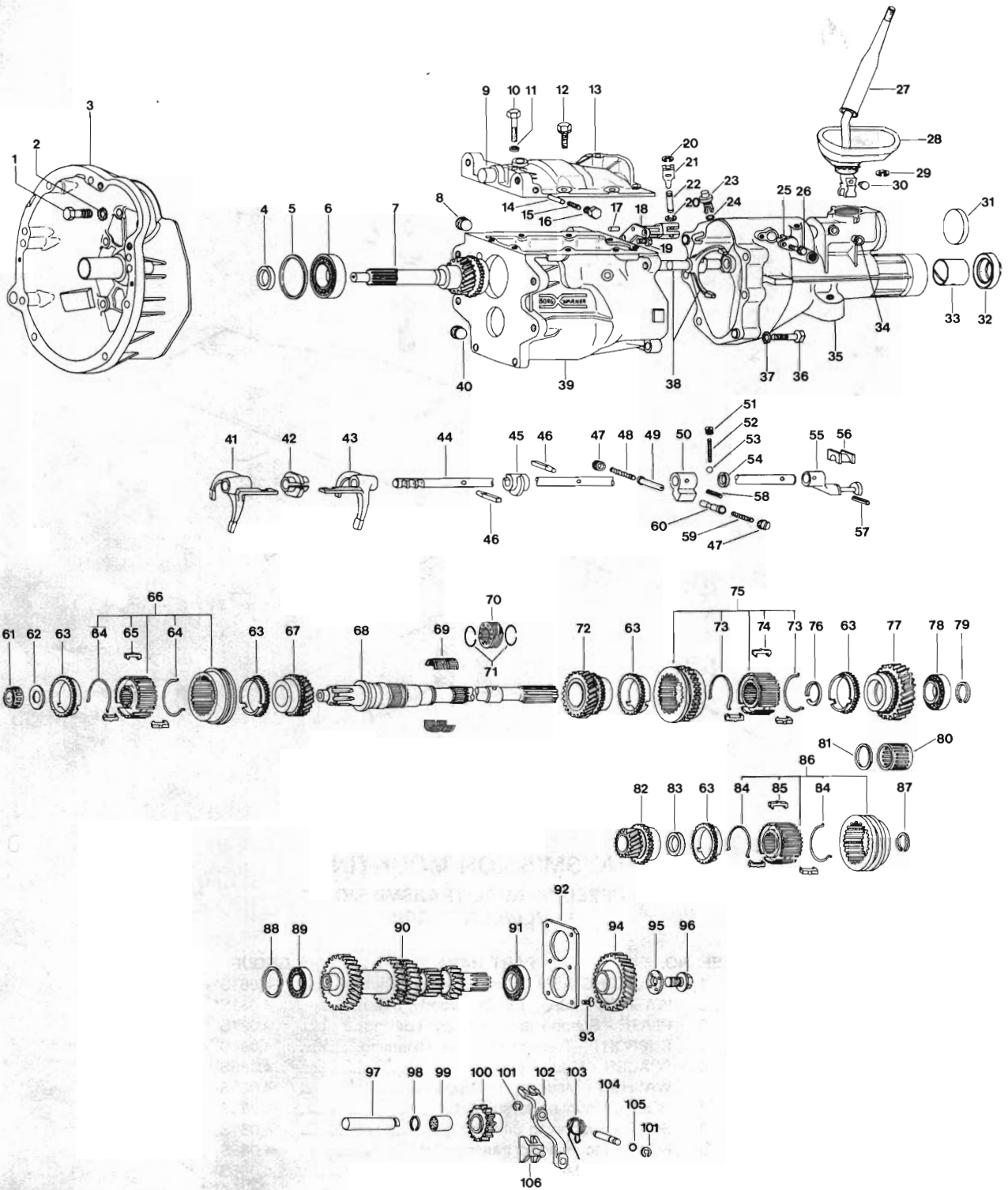
TRANSMISSION MOUNTING
5 SPEED MANUAL TRANSMISSION
4 CYLINDER ENGINE

REF. NO.	PART NAME	GROUP
1	MOUNTING ASM - Transmission support.....	4.081S
2	SUPPORT - Transmission rear mounting.....	4.081S
3	SPACER - Mounting to support.....	4.085S
4	PLATE - Support to underbody, Locking.....	4.081S
5	WASHER - Support to underbody, Flat.....	4.081S
6	WASHER - Mounting to transmission.....	4.085S
7	BOLT - Mounting to transmission.....	4.085S
8	WASHER - Mounting to support.....	4.085S
9	NUT - Mounting to support.....	4.085S
10	BOLT - Support to underbody.....	4.081S



**TRANSMISSION MOUNTING
5 SPEED MANUAL TRANSMISSION
6 CYLINDER ENGINE**

REF. NO.	PART NAME	GROUP
1	MOUNTING ASM. - Transmission support	4.081S
2	WASHER - Support to underbody, Flat	4.081S
3	PLATE - Support to underbody, Locking	4.081S
4	SUPPORT - Transmission rear mounting.....	4.081S
5	SPACER - Mounting to support.....	4.085S
6	WASHER - Mounting to support	4.085S
7	BOLT - Mounting to support.....	4.085S
8	BOLT - Support to underbody	4.081S
9	BOLT - Mounting to transmission	4.085S
10	WASHER - Mounting to transmission.....	4.085S





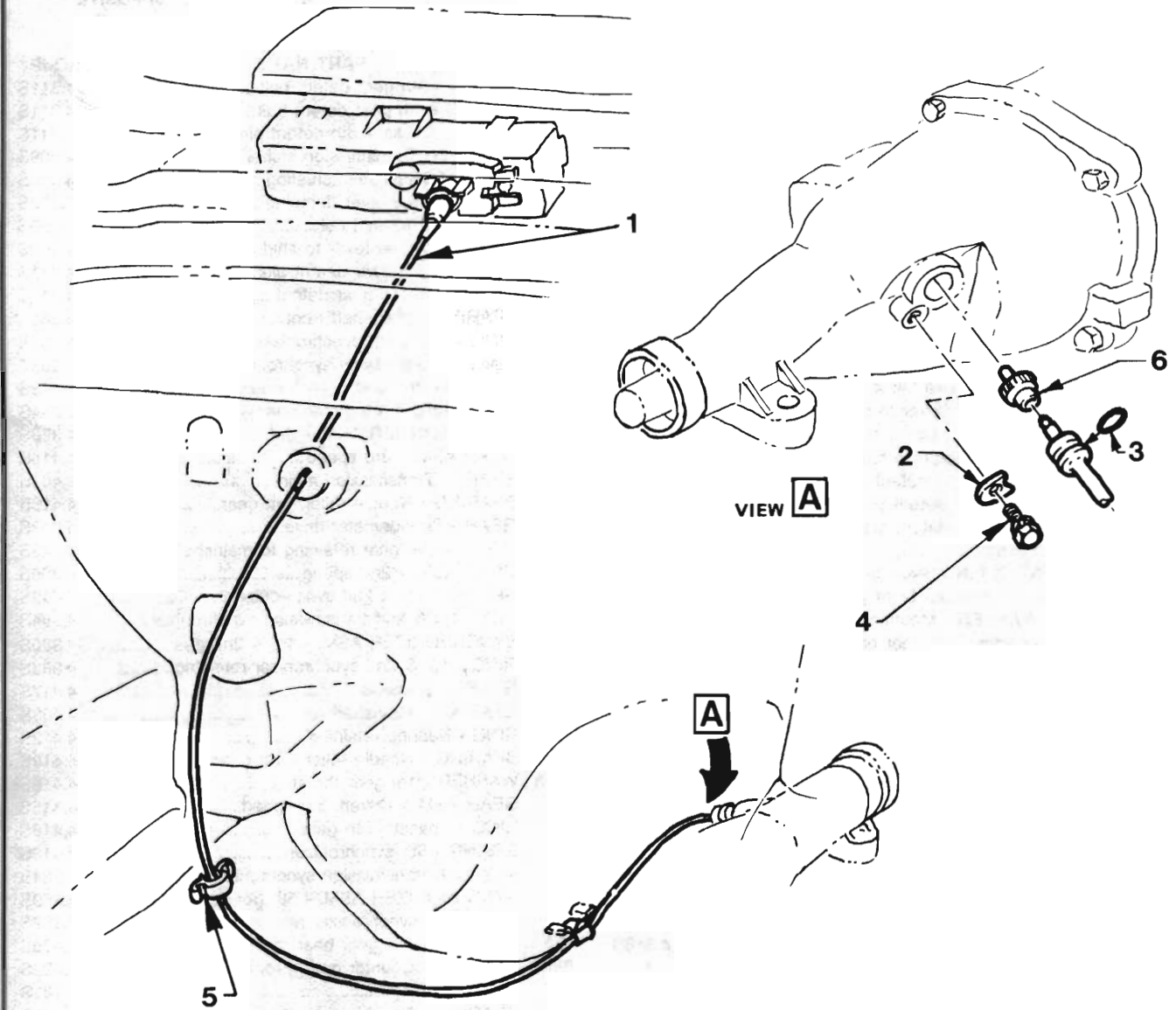
TRANSMISSION CASE & GEARS

5 SPEED MANUAL CONTROL

ILLUSTRATION OPPOSITE

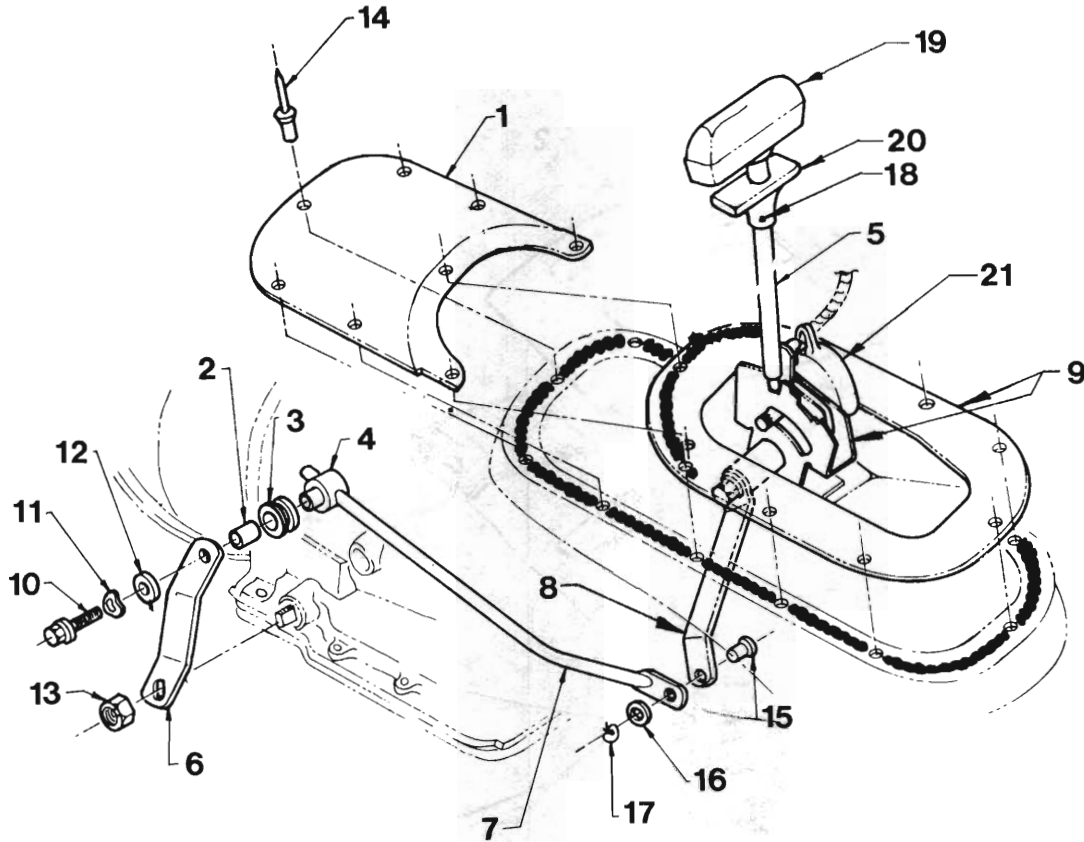
REF. NO.	PART NAME	GROUP	REF. NO.	PART NAME	GROUP
1-106	TRANSMISSION ASM.....	4.003S	51	SCREW - 5th gear detent ball.....	4.311S
1	BOLT - Housing to transmission case.....	0.683D	52	SPRING - 5th gear detent ball.....	4.311S
	0.683K	53	BALL - .25" Dia. - 5th detent pin.....	4.311S
2	WASHER - Housing to transmission case.....	0.683D	54(A)	SEAL - Oil, Transmission shifter rail.....	4.309S
	0.683K	55	LEVER - Shifter rail actuating.....	4.309S
3	HOUSING - Clutch.....	0.683D	56	BLOCK - Gear lever damping.....	4.303S
	0.683K	57(A)	PIN - Lever to shift rail.....	4.309S
4(A)	SEAL - Clutch gear bearing oil.....	4.354S	58	PIN - Centralizer lever to shift rail.....	4.302S
5	SHIM - Clutch gear bearing adjustment.....	4.376S	59	SPRING - 5th gear detent plunger.....	4.311S
6(A)	BEARING - Clutch gear.....	4.355S	60	PLUNGER - 5th gear detent.....	4.311S
7	GEAR - Clutch.....	4.351S	61(A)	BEARING - Mainshaft front.....	4.352S
8	PLUG - Filler.....	4.104S	62	RING - 3rd & 4th synchronizer retaining.....	4.382S
9	PLUG - Shift rail.....	4.311S	63	RING - Transmission synchronizer blocking.....	4.383S
10	BOLT - Cover to case M6 x 1 x 50.....	4.105S	64(A)	SPRING - 3rd & 4th synchronizer.....	4.413S
11	WASHER - Lock - Cover to case.....	4.105S	65	KEY - 3rd & 4th transmission synchronizer.....	4.384S
12	BOLT & WASHER - Cover to case.....	4.105S	66(A)	SYNCHRONIZER ASM. - 3rd & 4th gear.....	4.380S
13	COVER - Transmission to case.....	4.105S	67	GEAR ASM. - 3rd speed.....	4.415S
14	PLUNGER - Shift rail detent.....	4.311S	68	SHAFT - Transmission main.....	4.403S
15	SPRING - Shift rail detent plunger.....	4.311S	69(A)	BEARING - Needle roller, 5th gear.....	4.416S
16	SCREW - Shift rail detent plunger.....	4.311S	70	GEAR - Speedometer drive.....	4.343S
17	PIN - Mounting.....	4.307S	71(A)	RING - Drive gear retaining to mainshaft.....	4.343S
17-18	MOUNTING & PIN ASM. - Selector lever pivot.....	4.303S	72	GEAR ASM. - 2nd speed.....	4.395S
18	MOUNTING - Selector lever pivot.....	4.303S	73(A)	SPRING - 1st & 2nd synchronizer.....	4.413S
19	BOLT & WASHER - Mounting to case.....	4.303S	74	KEY - 1st & 2nd transmission synchronizer.....	4.384S
20	RING - Retaining, 5th gear pivot pin.....	4.307S	75	SYNCHRONIZER ASM. - 1st & 2nd gear.....	4.380S
21	LEVER - 5th gear selector.....	4.302S	76(A)	RING - 1st & 2nd synchronizer retaining.....	4.383S
22	PIN - 5th gear lever pivot.....	4.307S	77	GEAR - 1st speed.....	4.417S
23-24	VENT ASM. - Air.....	4.104S	78(A)	BEARING - Mainshaft rear.....	4.408S
24	'O' RING - Vent.....	N.S.S.	79(A)	RING - Bearing retaining.....	4.412S
25	ADAPTOR - 5th gear interlock sleeve.....	4.307S	80(A)	BEARING - Needle roller - 1st gear.....	4.419S
26	BOLT & WASHER - Adaptor to extension housing.....	4.307S	81(A)	WASHER - 1st gear thrust.....	4.419S
27	LEVER ASM. - Gearshift control.....	4.006S	82	GEAR ASM. - Driven, 5th speed.....	4.415S
28	DIAPHRAGM - Gearshift lever floor lower.....	4.015S	83	RING - Spacer - 5th gear.....	4.416S
29	RING - Retaining.....	4.012S	84	SPRING - 5th synchronizer.....	4.413S
30	BUTTON - Thrust.....	4.010S	85	KEY - 5th transmission synchronizer.....	4.384S
31	PLUG - Cup - Transmission extension housing.....	4.317S	86	SYNCHRONIZER ASM. - 5th gear.....	4.380S
32(A)	SEAL - Transmission extension housing.....	4.318S	87	RING - 5th synchronizer retaining.....	4.383S
33	BUSH - Transmission extension housing.....	4.317S	88	SHIM - Counter gear bearing.....	4.426S
34(A)	PLUG - Pin fitment holes.....	4.317S	89(A)	BEARING - Counter gear, Front.....	4.422S
35	HOUSING - Transmission extension.....	4.317S	90	GEAR - Counter.....	4.421S
36	BOLT - Extension housing to case.....	4.319S	91(A)	BEARING - Counter gear, Rear.....	4.422S
37	WASHER - Extension housing to case.....	4.319S	92	PLATE - Bearing retaining.....	4.422S
38	FORK & RAIL ASM. - 5th shift.....	4.303S		4.412S
39	CASE ASM. - Transmission.....	4.103S	93	BOLT - Plate retaining.....	4.422S
40	PLUG - Drain - Magnetic.....	4.104S		4.412S
41	FORK - 3rd & 4th shift.....	4.303S	94	GEAR ASM. - Driving, 5th speed.....	4.415S
42	SLEEVE - Interlock, 1st, 2nd, 3rd, 4th & Reverse.....	4.307S	95	WASHER - Lock, 5th gear.....	4.416S
43	FORK - 1st & 2nd shift.....	4.303S	96	BOLT - Durlock, 5th gear.....	4.416S
44	RAIL - Gearshift.....	4.309S	97	SHAFT - Reverse idler gear.....	4.433S
45	SLEEVE - Interlock, 5th gear.....	4.307S	98	RING - Retaining, Reverse idler gear.....	4.435S
46	PIN - Gearshift actuator.....	4.307S	99	BUSH - Reverse idler.....	N.S.S.
47	SCREW - Reverse gear detent plunger.....	4.311S	100	GEAR - Reverse idler.....	4.430S
48	SPRING - Reverse gear detent.....	4.311S	101	CLIP - Reverse lever pivot pin.....	4.302S
49	PLUNGER - Reverse gear detent.....	4.311S	102	LEVER - Reverse idler gear.....	4.302S
50	LEVER - Centralizer.....	4.302S	103	SPRING - Reverse idler.....	4.302S
			104	PIN - Reverse lever pivot.....	4.302S
			105	'O' RING - Lever pivot pin.....	4.302S
			106(A)	FORK - Reverse idler.....	4.303S

NOTE:- (A Parts are included in Repair Kit. Refer Group 4.005S)



SPEEDOMETER CABLE & GEAR
5 SPEED MANUAL TRANSMISSION

REF. NO.	PART NAME	GROUP
1	CABLE & CASING ASM.....	4.342S
2	RETAINER - Speedo cable to transmission.....	4.338S
3	SEAL.....	4.338S
4	BOLT - Retainer to transmission.....	4.338S
5	CLIP - Cable to floor pan frame.....	4.342S
6	GEAR - Speedometer drive.....	4.343S
7	CLIP - Cable to floor pan.....	4.342S

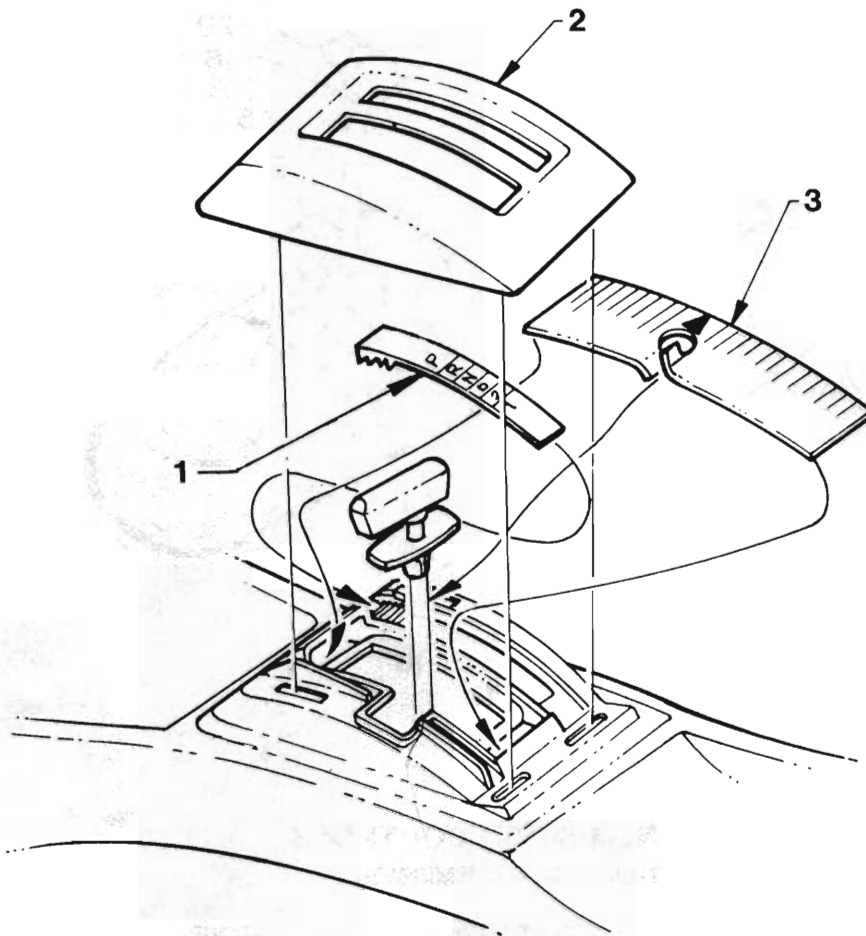


**TRANSMISSION CONTROLS
TRIMATIC TRANSMISSION**

REF. NO.	PART NAME	GROUP
1	COVER - Gear lever cut out.....	4.010U
2	SLEEVE - Trunnion.....	4.037U
3	INSULATOR.....	4.037U
4	TRUNNION - Rod to lever.....	4.037U
59(AB)	LEVER, GATE & HANDLE ASM.....	4.004U
6	LEVER - Transmission external control.....	4.045U
7	ROD.....	4.035U
8(B)	LEVER - Lower.....	4.006U
9(B)	GATE & SUPPORT ASM.....	4.010U
10	SCREW - Rod to control lever.....	4.037U
11	WASHER - Rod to control lever, Wave.....	4.037U
12	WASHER - Rod to control lever, Flat.....	4.037U
13	NUT - Transmission external control lever.....	4.045U
14	RIVET - Cover to floor.....	4.010U
15	PIN - Rod to lower lever.....	4.037U
16	WASHER - Rod to lower lever.....	4.037U
17	RETAINER - Rod to lower lever.....	4.037U
18(AB)	PIN - Lower handle to lever.....	4.006U
19(AB)	HANDLE - Lever upper.....	4.006U
20(AB)	HANDLE - Lever lower.....	N.S.S.
21(B)	SWITCH & HARNESS ASM. - Neutral starting....	4.054U

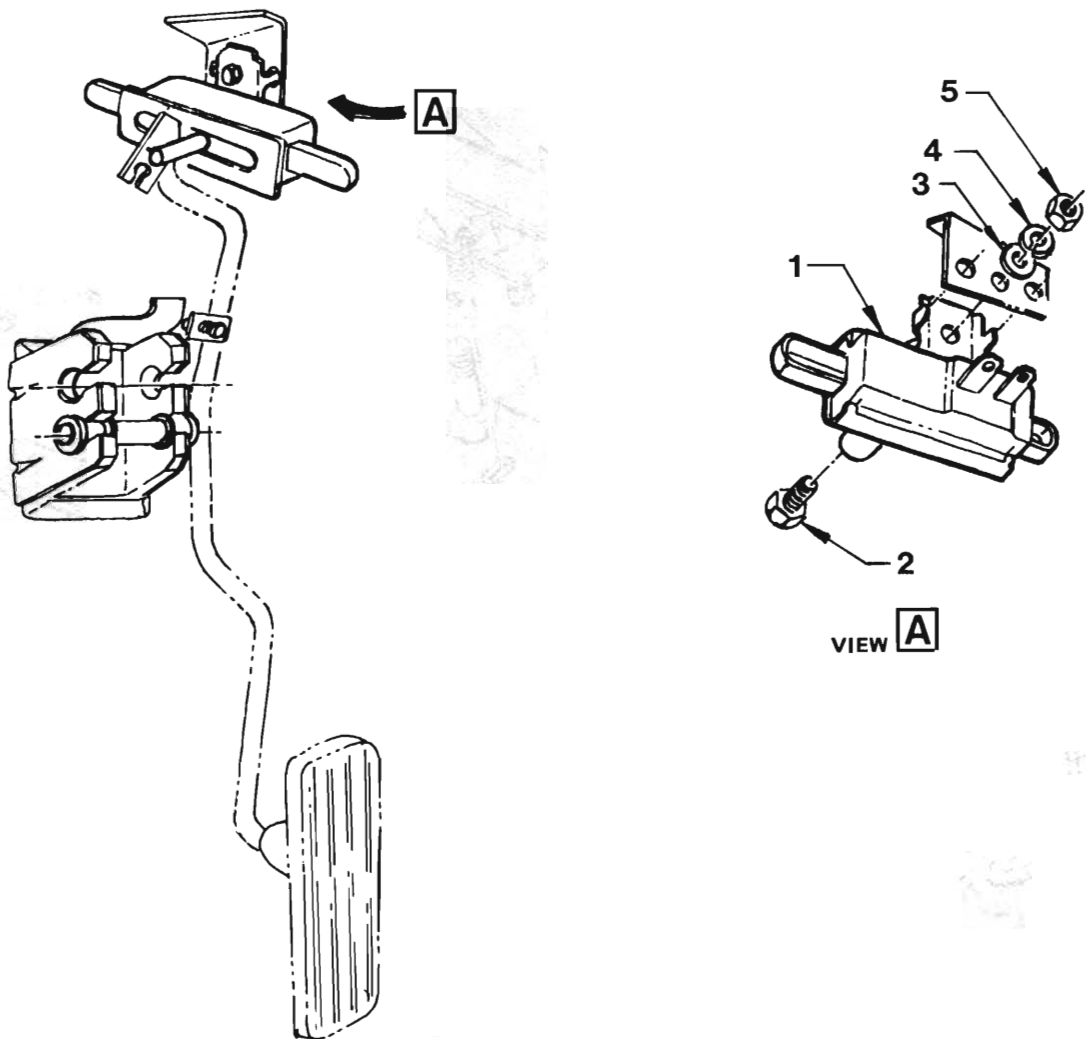
NOTE:- (A Part of Lever & Handle Asm. Refer 4.006U

(B Part of Lever, Gate & Handle Asm. Refer 4.004U



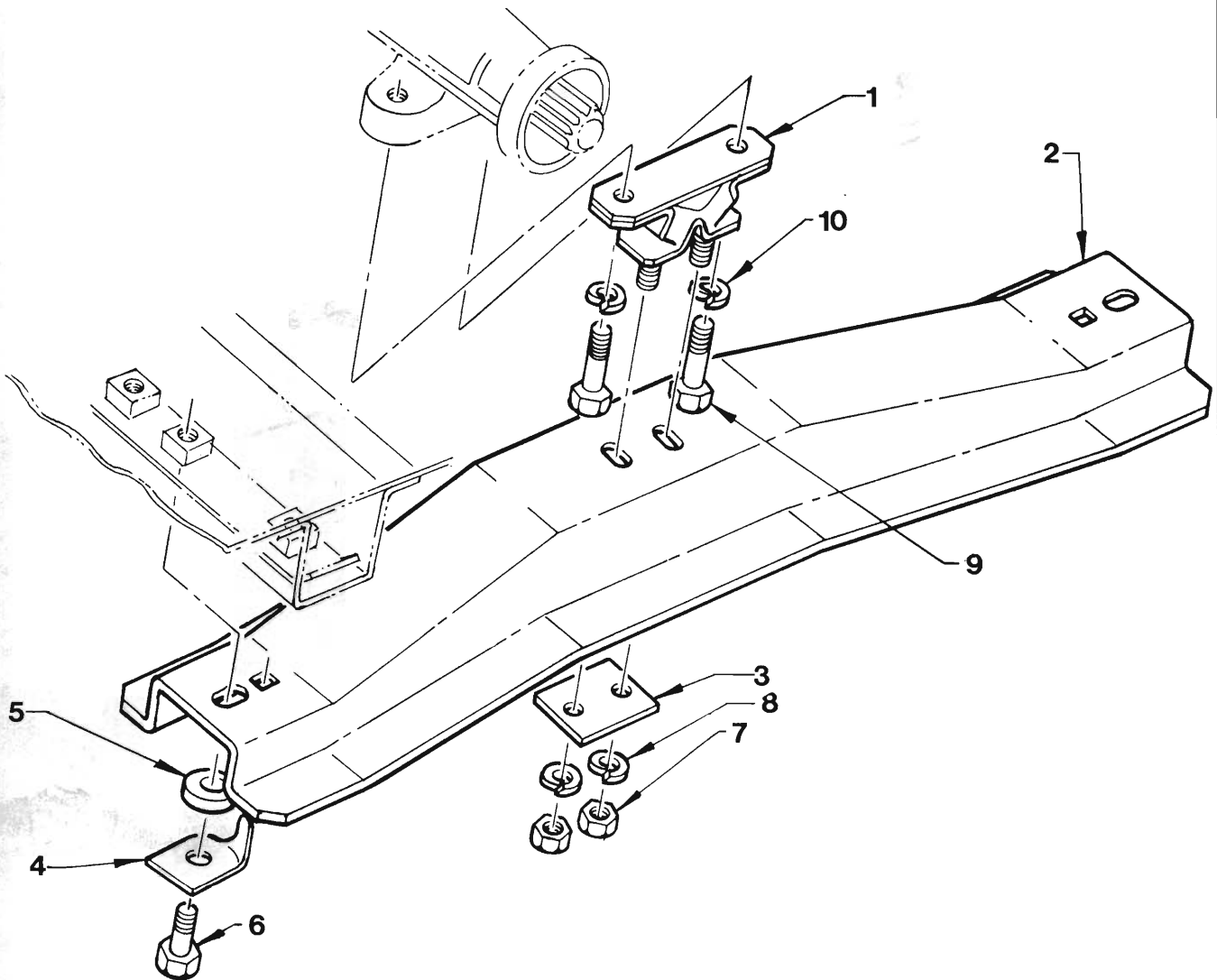
**CONSOLE - TRANSMISSION
TRIMATIC TRANSMISSION**

REF. NO.	PART NAME	GROUP
1	INDICATOR - Transmission control	4.020U
2	COVER - Console.....	10.240
3	SLIDE - Transmission control indicator.....	4.020U



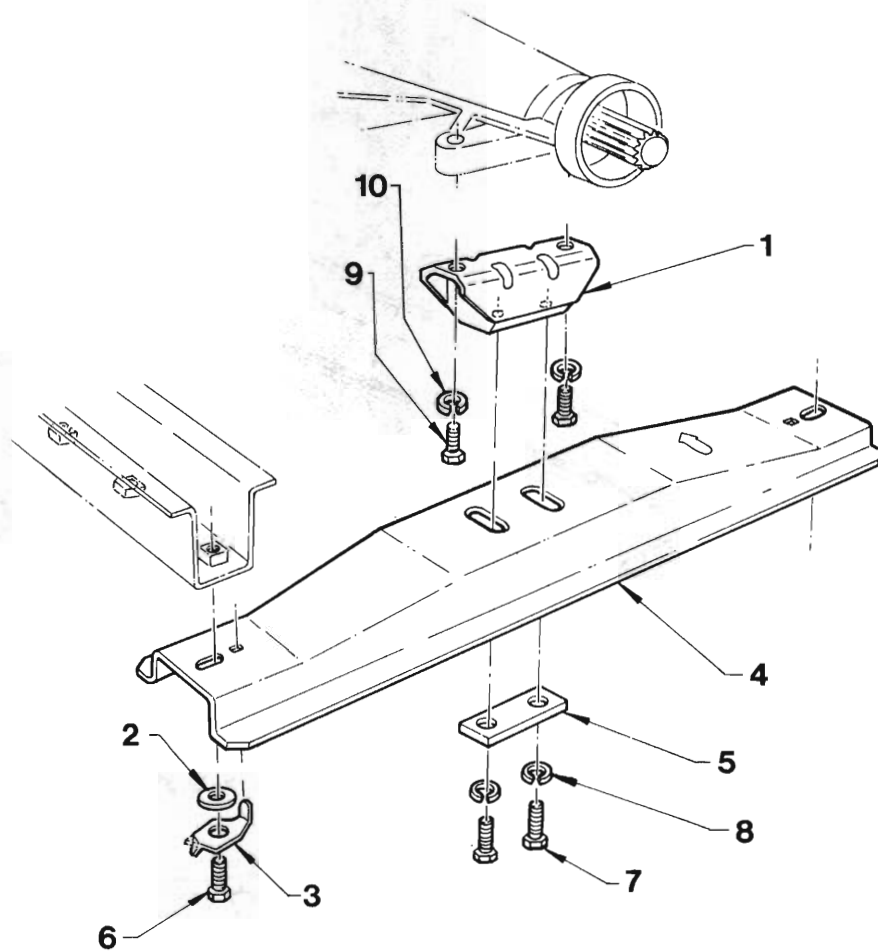
**DETENT SWITCH
TRIMATIC TRANSMISSION**

REF. NO.	PART NAME	GROUP
1	SWITCH ASM. - Transmission solenoid detent actuating.....	4.057U
2	BOLT - Detent switch to support bracket.....	4.057U
3	WASHER - Detent switch to support bracket, Flat.....	4.057U
4	WASHER - Detent switch to support bracket, Lock.....	4.057U
5	NUT - Switch to mounting bracket.....	4.057U



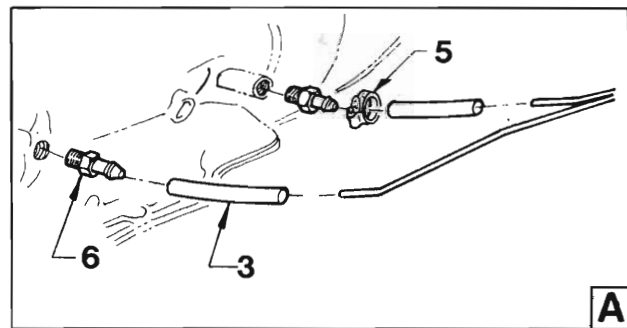
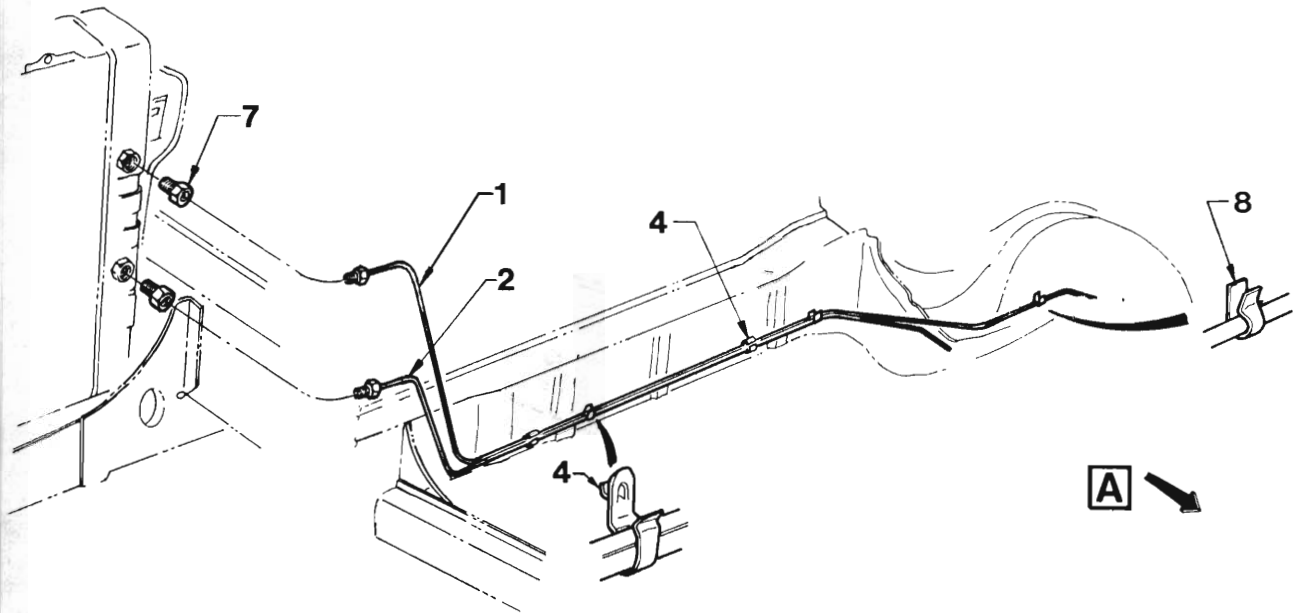
**TRANSMISSION MOUNTING
TRIMATIC TRANSMISSION
4 CYLINDER ENGINE**

REF. NO.	PART NAME	GROUP
1	MOUNTING.....	4.081U
2	SUPPORT - Transmission rear mounting.....	4.081U
3	SPACER - Mounting to mounting.....	4.085U
4	PLATE - Support to underbody, Locking.....	4.081U
5	WASHER - Support to underbody, Flat.....	4.081U
6	BOLT - Support to underbody.....	4.081U
7	NUT - Mounting to support.....	4.085U
8	WASHER - Mounting to support.....	4.085U
9	BOLT - Mounting to transmission.....	4.085U
10	WASHER - Mounting to transmission.....	4.085U



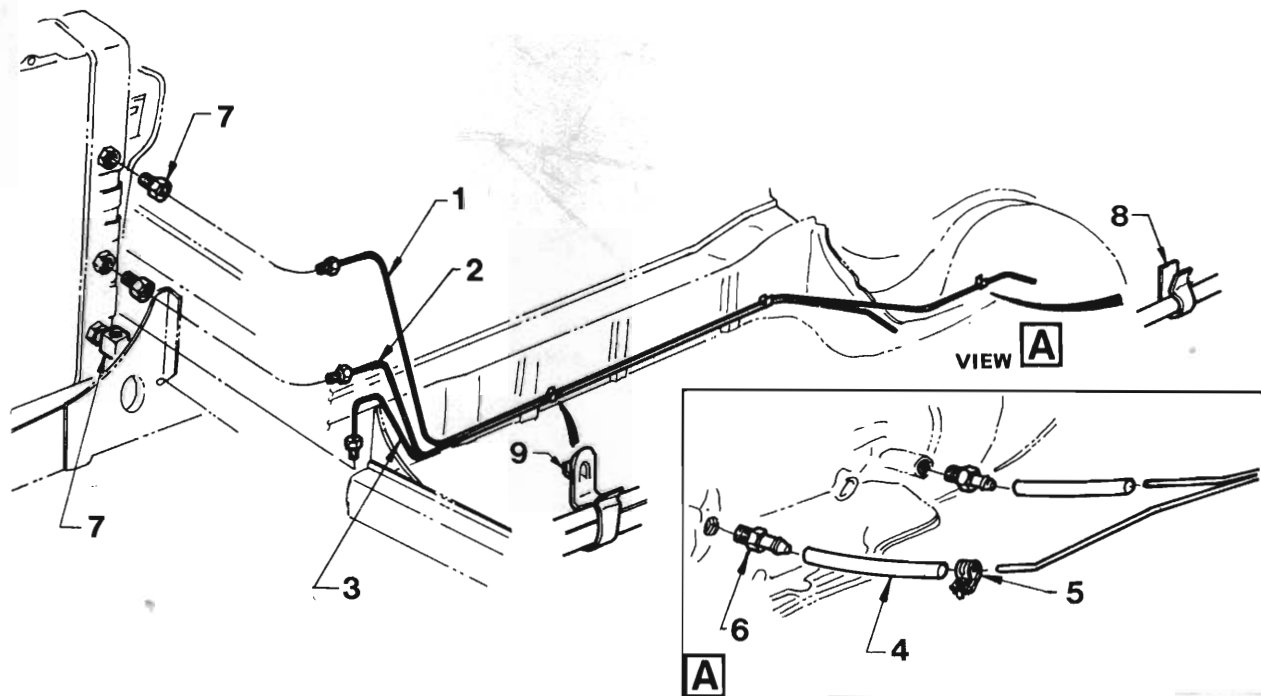
TRANSMISSION MOUNTING
TRIMATIC TRANSMISSION
6, 8 CYLINDER ENGINE

REF. NO.	PART NAME	GROUP
1	MOUNTING.....	4.081U
2	WASHER - Support to underbody, Flat	4.081U
3	PLATE - Support to underbody, Locking	4.081U
4	SUPPORT - Transmission rear mounting.....	4.081U
5	SPACER - Mounting to support.....	4.085U
6	BOLT - Support to underbody	4.081U
7	BOLT - Mounting to support.....	4.085U
8	WASHER - Mounting to support	4.085U
9	BOLT - Mounting to transmission	4.085U
10	WASHER - Mounting to transmission.....	4.085U



**TRANSMISSION OIL COOLER PIPES
TRIMATIC TRANSMISSION
4 CYLINDER ENGINE
VC SERIES**

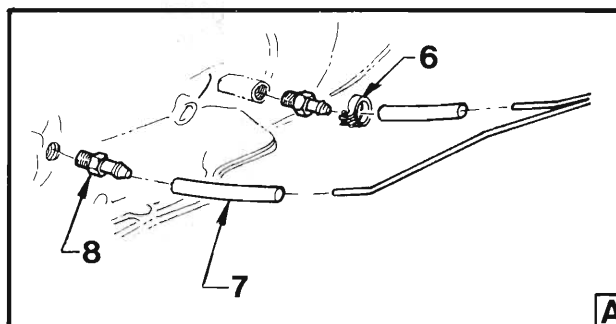
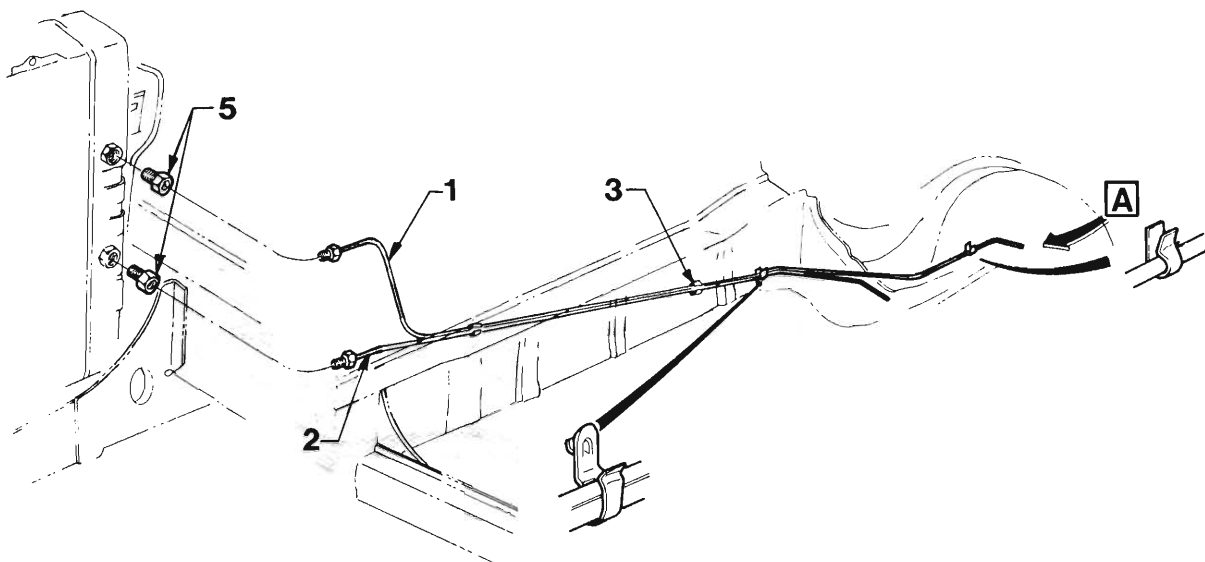
REF. NO.	PART NAME	GROUP
1	PIPE ASM. - Outlet.....	4.128U
2	PIPE ASM. - Inlet.....	4.128U
3	HOSE - Pipes to connector	4.128U
4	CLIP - Inlet to outlet pipe.....	4.128U
5	CLAMP - Hoses	4.128U
6	CONNECTOR - Hose to transmission.....	4.128U
7	CONNECTOR - Pipe to radiator.....	4.128U
8	CLIP - Pipes to frame.....	4.128U



TRANSMISSION OIL COOLER PIPES

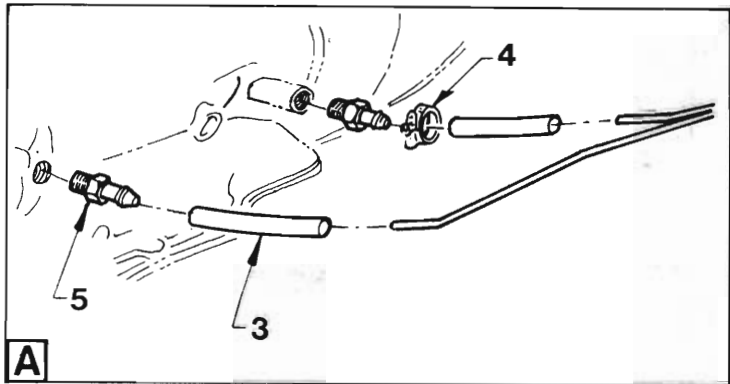
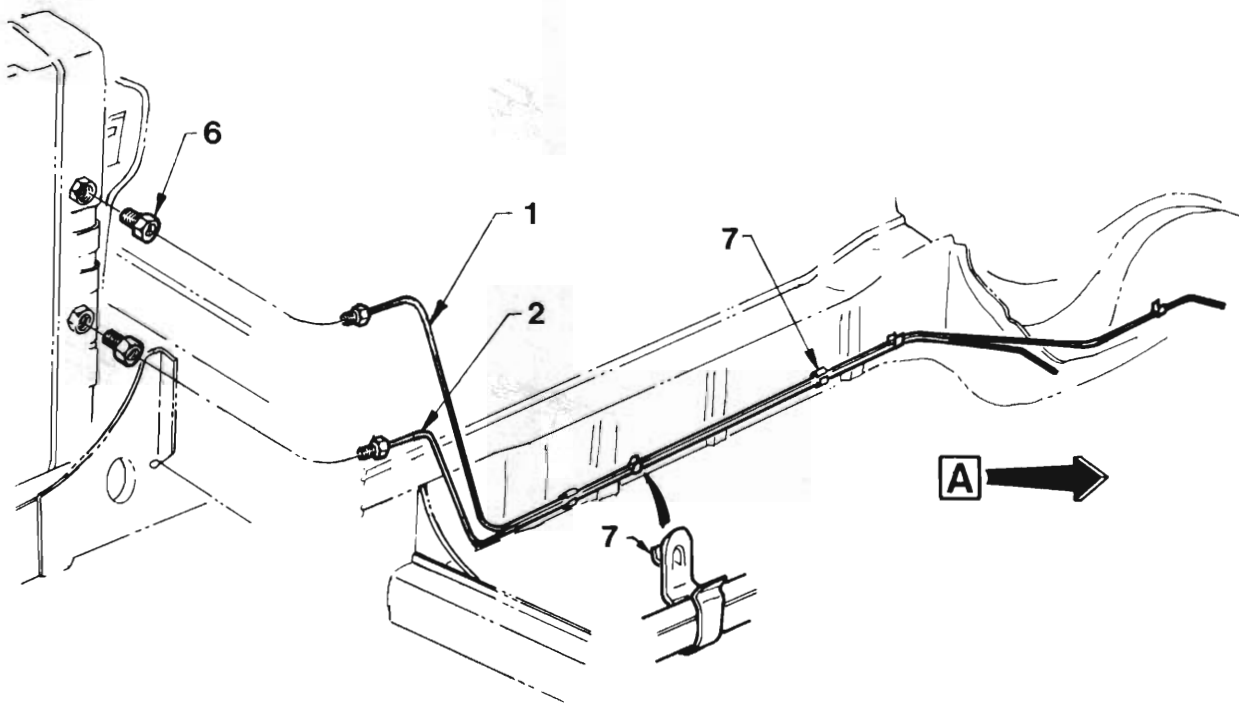
**TRIMATIC TRANSMISSION
VB SERIES**

REF. NO.	PART NAME	GROUP
1	PIPE ASM. - Outlet.....	4.128U
2	PIPE ASM. - Inlet.....	4.128U
3	PIPE ASM. - Inlet.....	4.128U
4	HOSE - Pipes to connector	4.128U
5	CLAMP - Hoses	4.128U
6	CONNECTOR - Hose to transmission.....	4.128U
7	CONNECTOR - Pipe to radiator.....	4.128U
8	CLIP - Pipes to frame	4.128U
9	CLIP - Inlet to outlet pipe.....	4.128U



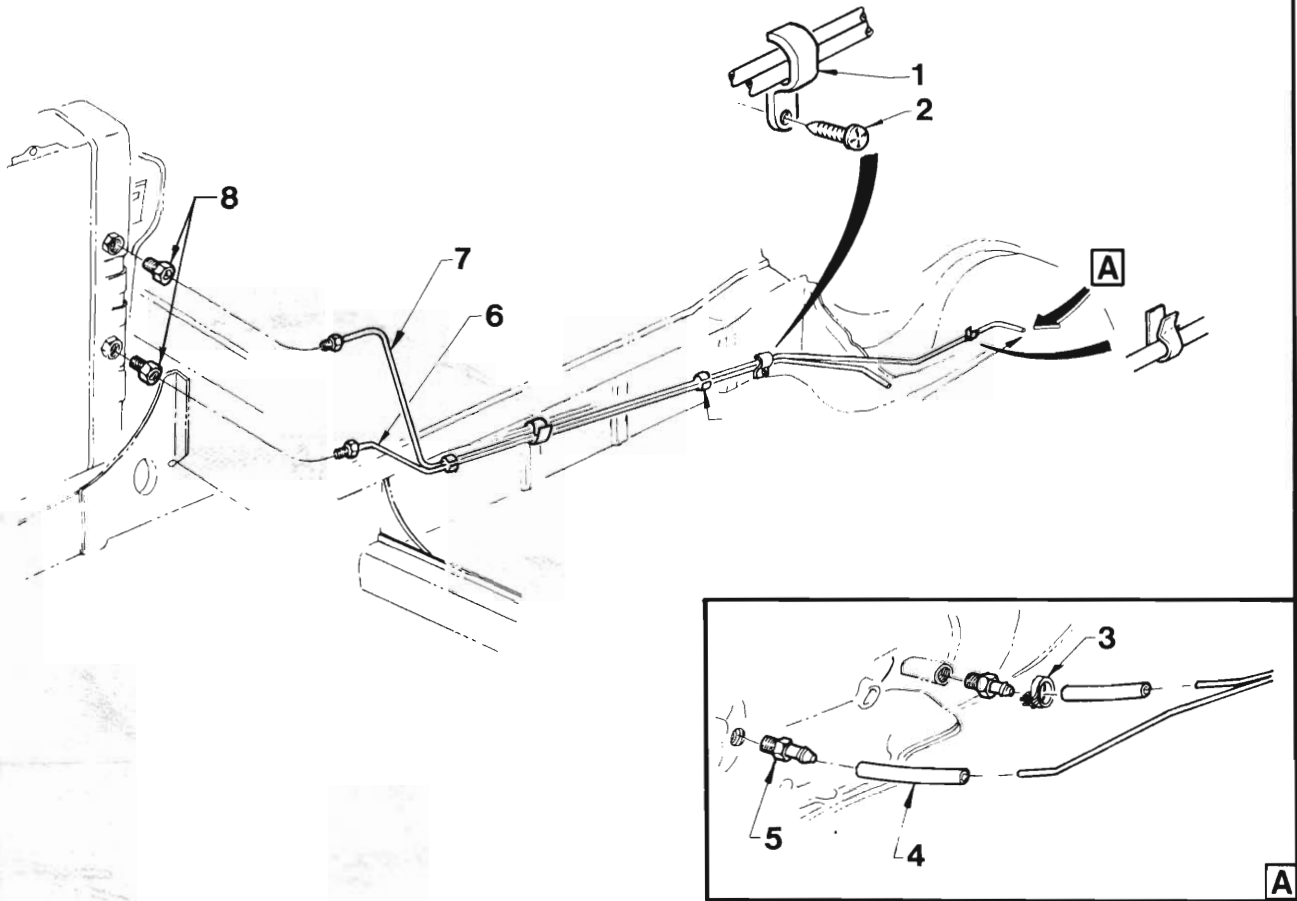
TRANSMISSION OIL COOLER PIPES
TRIMATIC TRANSMISSION
4 CYLINDER ENGINE
VH SERIES

REF. NO.	PART NAME	GROUP
1	PIPE ASM. - Outlet.....	4.128U
2	PIPE ASM. - Inlet.....	4.128U
3	CLIP - Inlet to outlet pipe.....	4.128U
4	CLIP - Pipes to frame.....	4.128U
5	CONNECTOR - Pipe to radiator.....	4.128U
6	CLAMP - Hoses.....	4.128U
7	HOSE - Pipes to connector.....	4.128U
8	CONNECTOR - Hose to transmission.....	4.128U



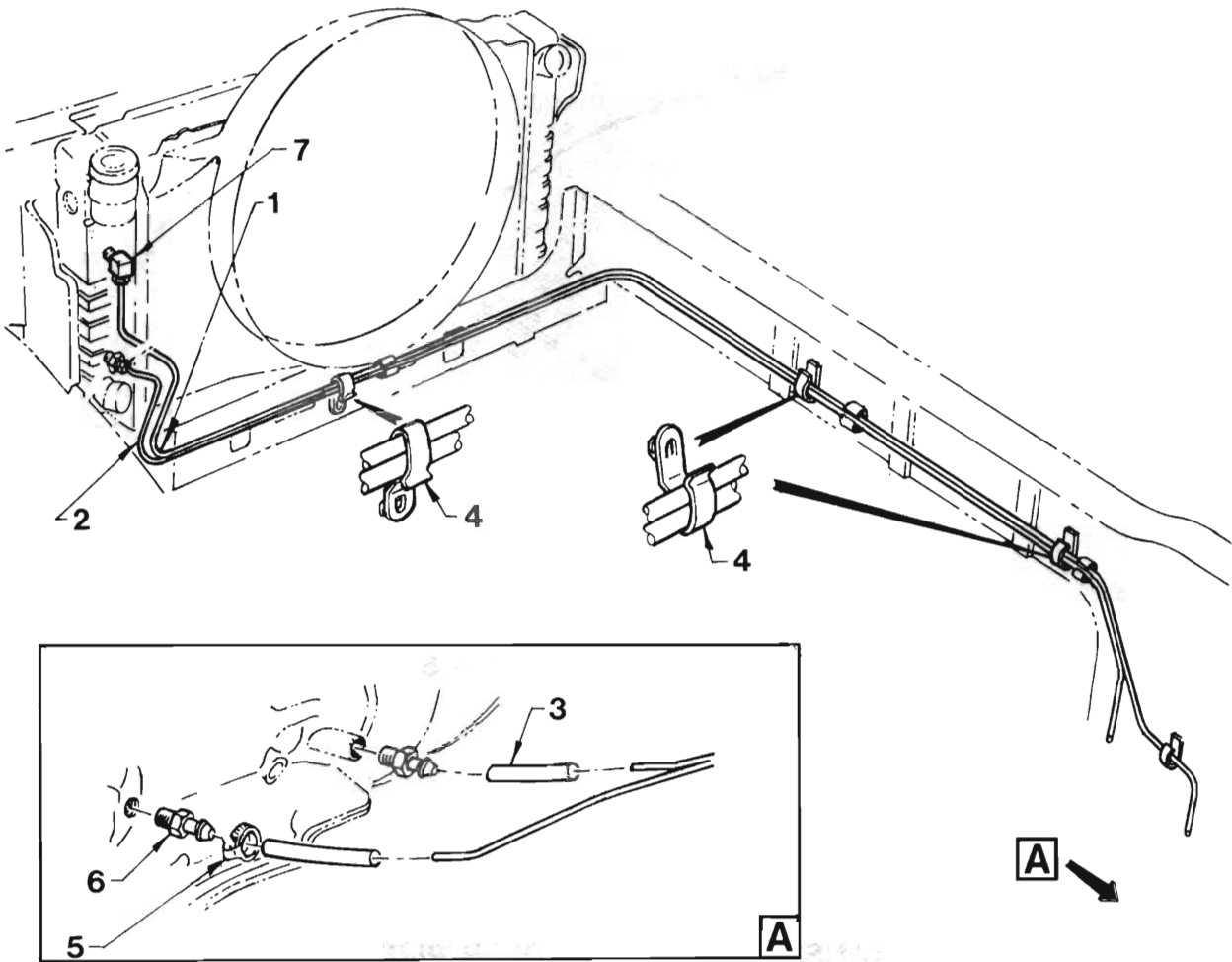
TRANSMISSION OIL COOLER PIPES
TRIMATIC TRANSMISSION
6 CYLINDER ENGINE
VC, VH SERIES

REF. NO.	PART NAME	GROUP
1	PIPE ASM. - Outlet.....	4.128U
2	PIPE ASM. - Inlet.....	4.128U
3	HOSE - Pipes to connector	4.128U
4	CLAMP - Hoses	4.128U
5	CONNECTOR - Hose to transmission.....	4.128U
6	CONNECTOR - Pipe to radiator.....	4.128U
7	CLIP - Pipes.....	4.128U



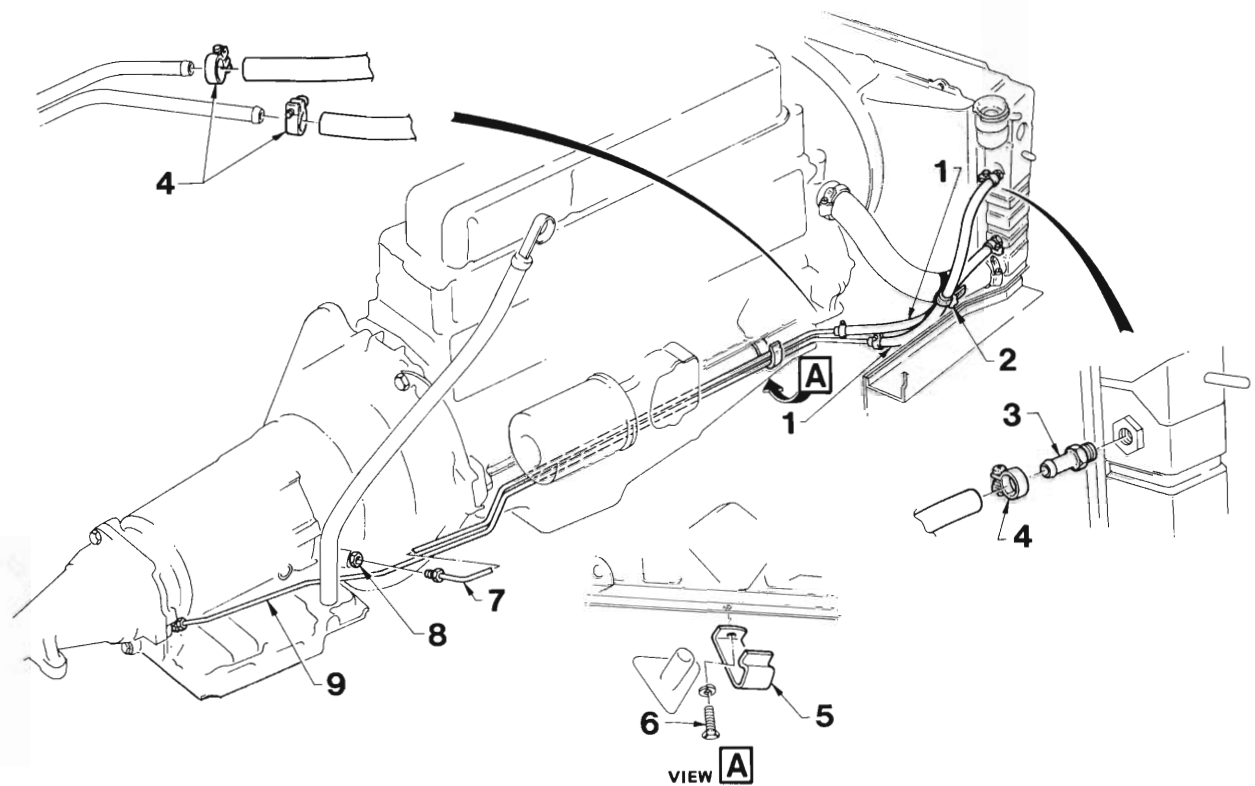
TRANSMISSION OIL COOLER PIPES
TRIMATIC TRANSMISSION
4 CYLINDER ENGINE
VK SERIES

REF. NO.	PART NAME	GROUP
1	CLIP - Pipes to front frame.....	4.128U
2	SCREW - Clip to front frame.....	4.128U
3	CLAMP - Hoses.....	4.128U
4	HOSE - Pipes to connectors.....	4.128U
5	CONNECTOR - Hoses to transmission.....	4.128U
6	PIPE ASM. - Inlet.....	4.128U
7	PIPE ASM. - Outlet.....	4.128U
8	CONNECTOR - Pipes to radiator.....	4.128U



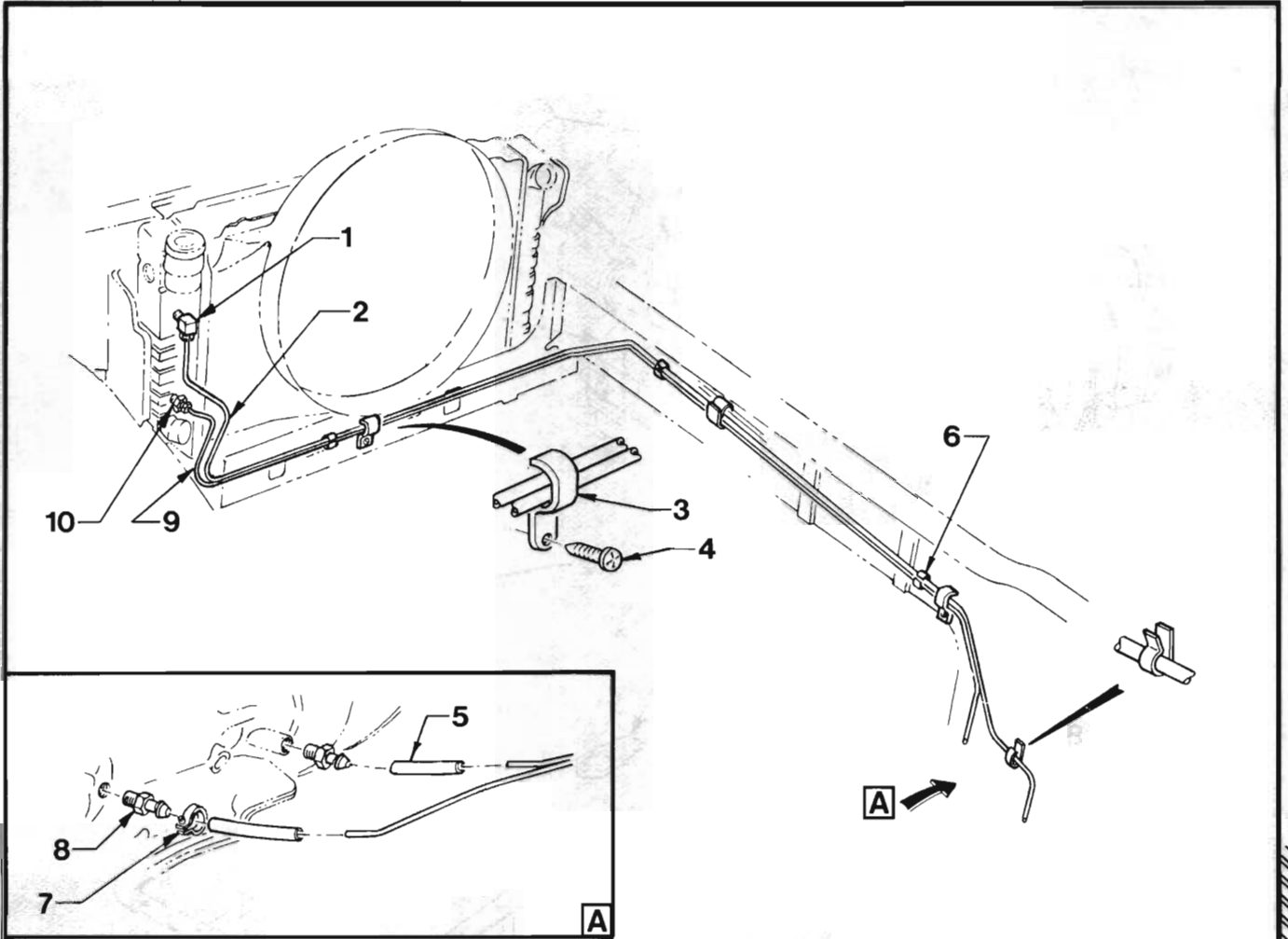
TRANSMISSION OIL COOLER PIPES
TRIMATIC TRANSMISSION
8 CYLINDER ENGINE
VC, VH SERIES

REF. NO.	PART NAME	GROUP
1	PIPE ASM. - Outlet.....	4.128U
2	PIPE ASM. - Inlet.....	4.128U
3	HOSE - Pipes to connector	4.128U
4	CLIP - Pipes.....	4.128U
5	CLAMP - Hoses	4.128U
6	CONNECTOR - Hose to transmission.....	4.128U
7	CONNECTOR - Pipes to radiator.....	4.128U



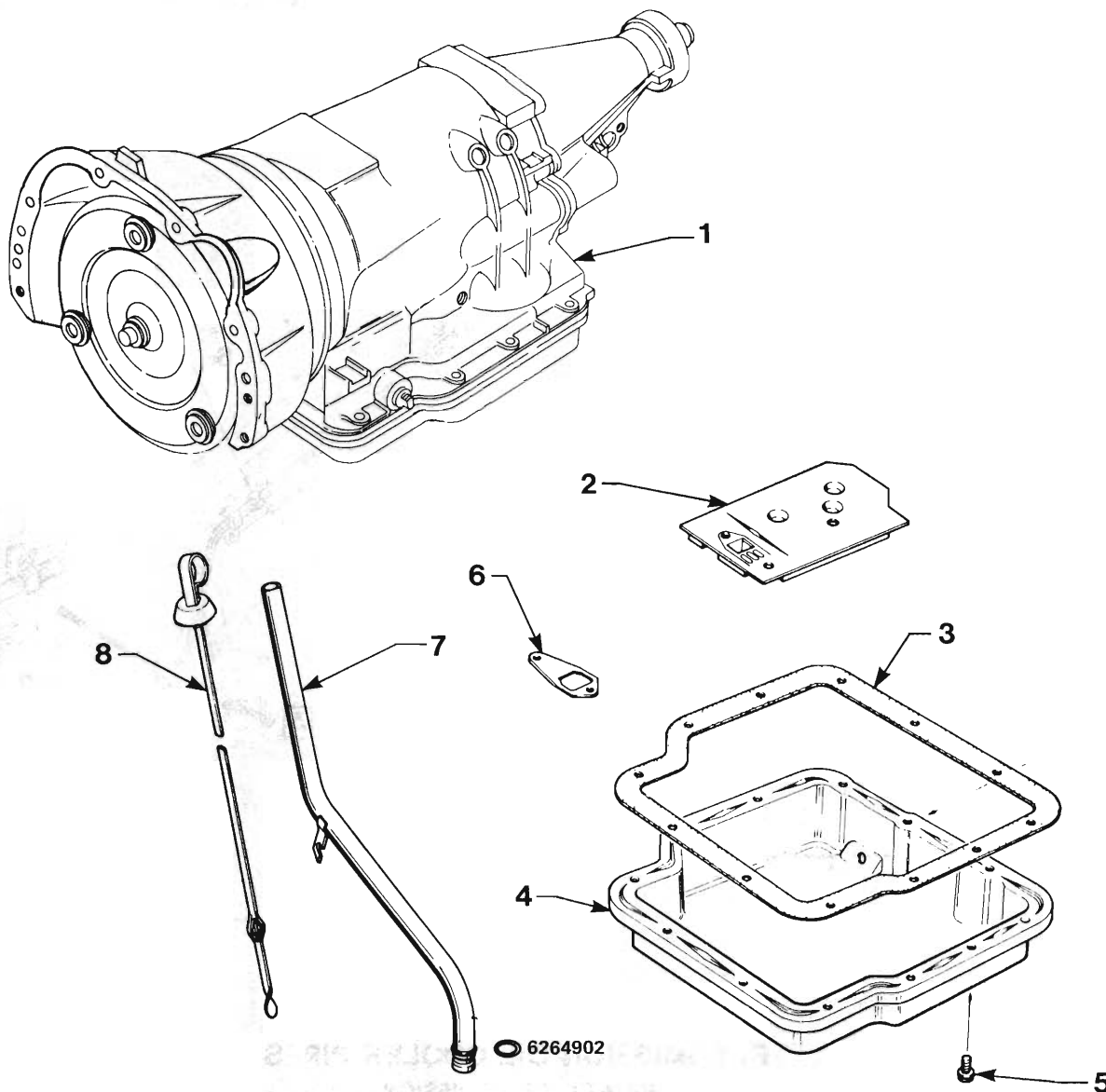
**TRANSMISSION OIL COOLER PIPES
TRIMATIC TRANSMISSION
6 CYLINDER ENGINE
VK SERIES**

REF. NO.	PART NAME	GROUP
1	HOSE - Pipes to connector	4.128U
2	STRAP - Hoses.....	4.128U
3	CONNECTOR - Hoses to transmission.....	4.128U
4	CLAMP - Hoses	4.128U
5	CLIP - Pipes to engine oil pan	4.128U
6	BOLT - Oil pan.....	1.428
7	PIPE ASM. - Inlet.....	4.128U
8	CONNECTOR - Pipes to transmission	4.128U
9	PIPE ASM. - Outlet.....	4.128U



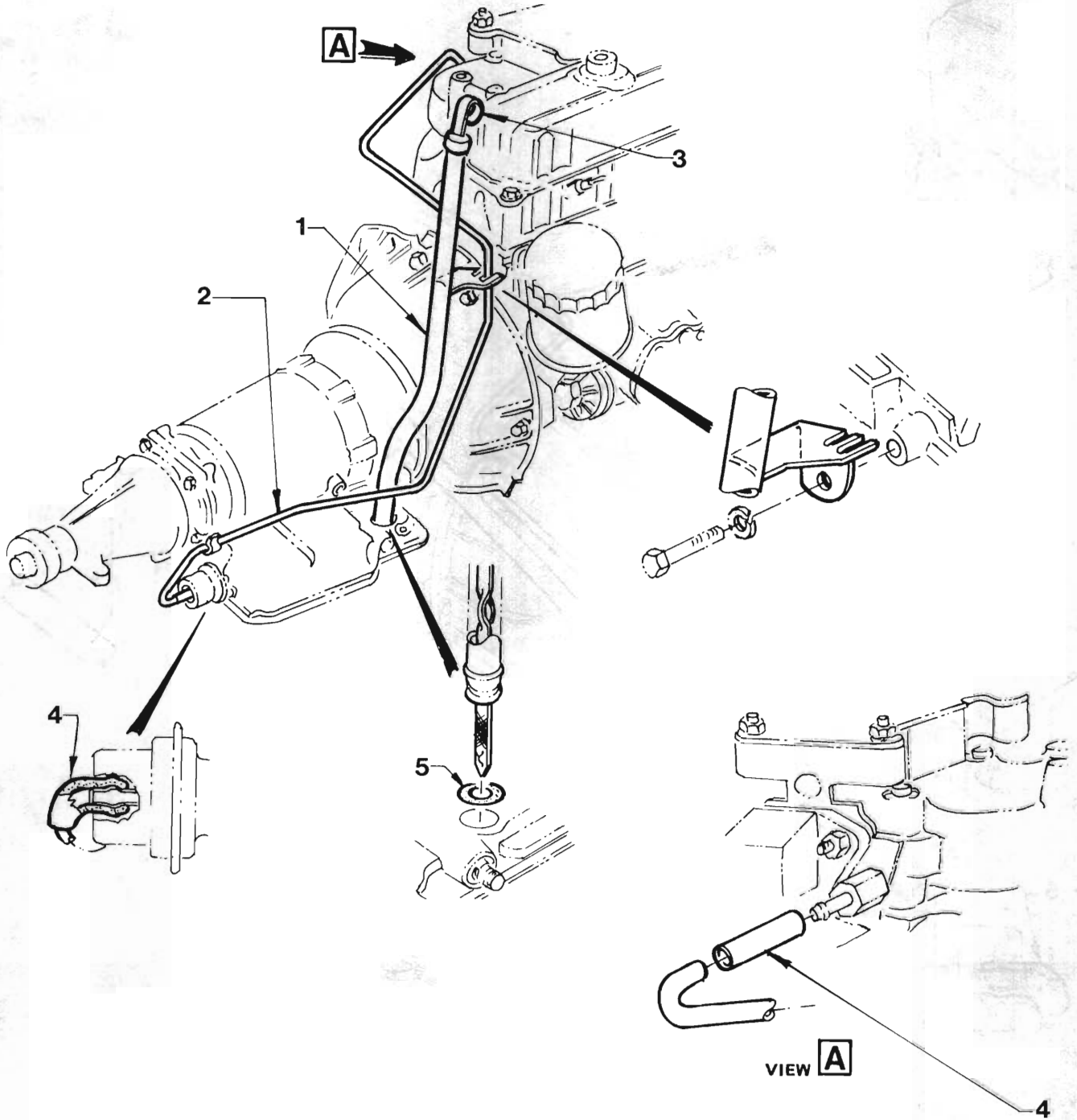
TRANSMISSION OIL COOLER PIPES
TRIMATIC TRANSMISSION
8 CYLINDER ENGINE
VK SERIES

REF. NO.	PART NAME	GROUP
1	CONNECTOR - Outlet pipe to radiator	4.128U
2	PIPE ASM. - Outlet.....	4.128U
3	CLIP - Pipes to front frame.....	4.128U
4	SCREW - Clip to front frame	4.128U
5	HOSE - Pipes to connectors	4.128U
6	CLIP - Inlet to outlet pipes.....	4.128U
7	CLAMP - Hoses	4.128U
8	CONNECTOR - Hose to transmission.....	4.128U
9	PIPE ASM. - Inlet.....	4.128U
10	CONNECTOR - Inlet pipe to radiator	4.128U



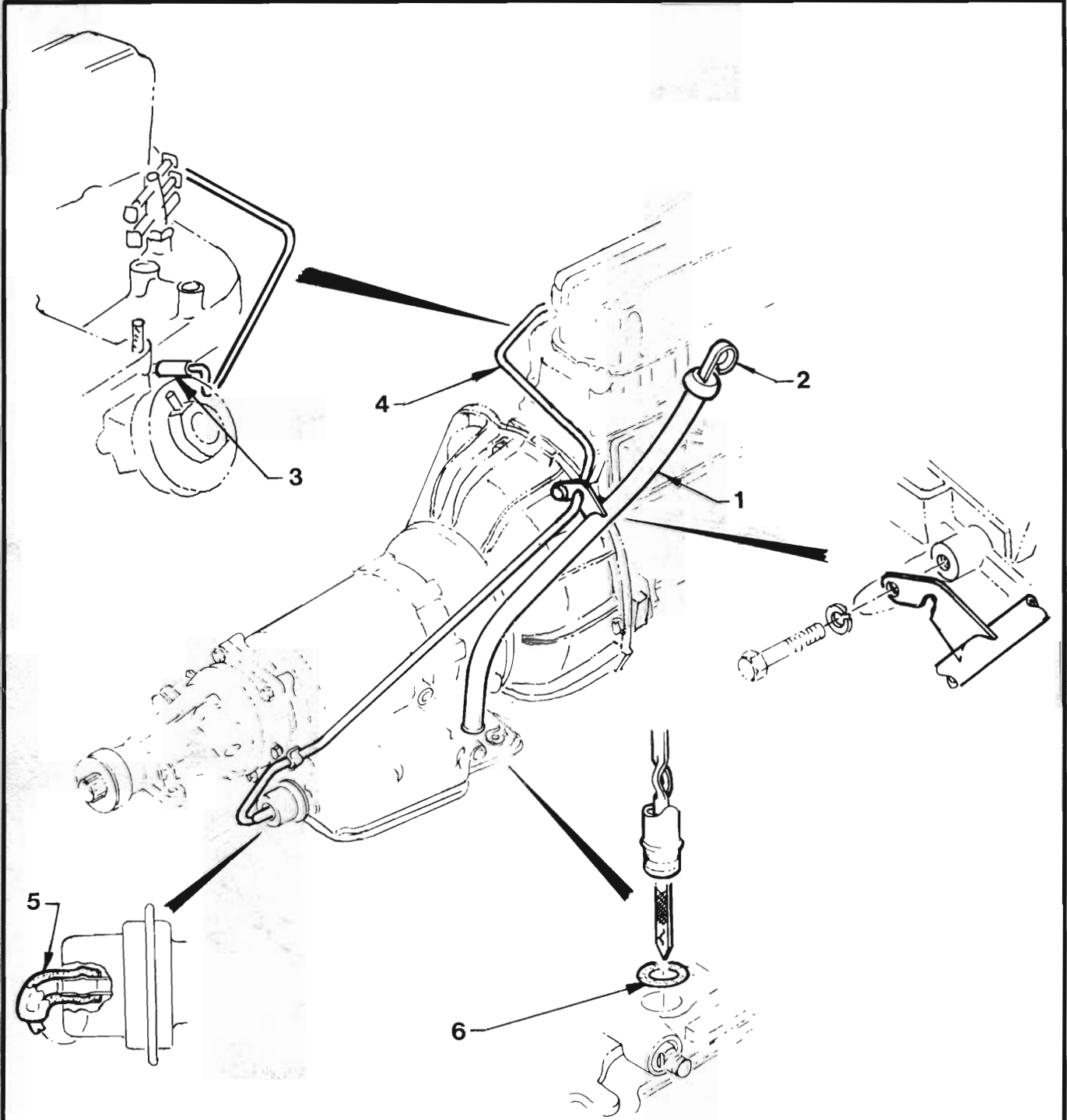
**OIL PAN & INDICATOR
TRIMATIC TRANSMISSION**

REF. NO.	PART NAME	GROUP
1	TRANSMISSION ASM.....	4.003U
2	SCREEN ASM. - Oil pump suction.....	4.197U
3	GASKET - Oil pan.....	4.196U
4	PAN ASM. - Oil.....	4.195U
5	BOLT - Oil pan.....	4.196U
6	GASKET - Oil pump suction screen.....	4.197U
7	TUBE ASM. - Oil filler.....	4.133U
8	INDICATOR ASM. - Oil level.....	4.133U



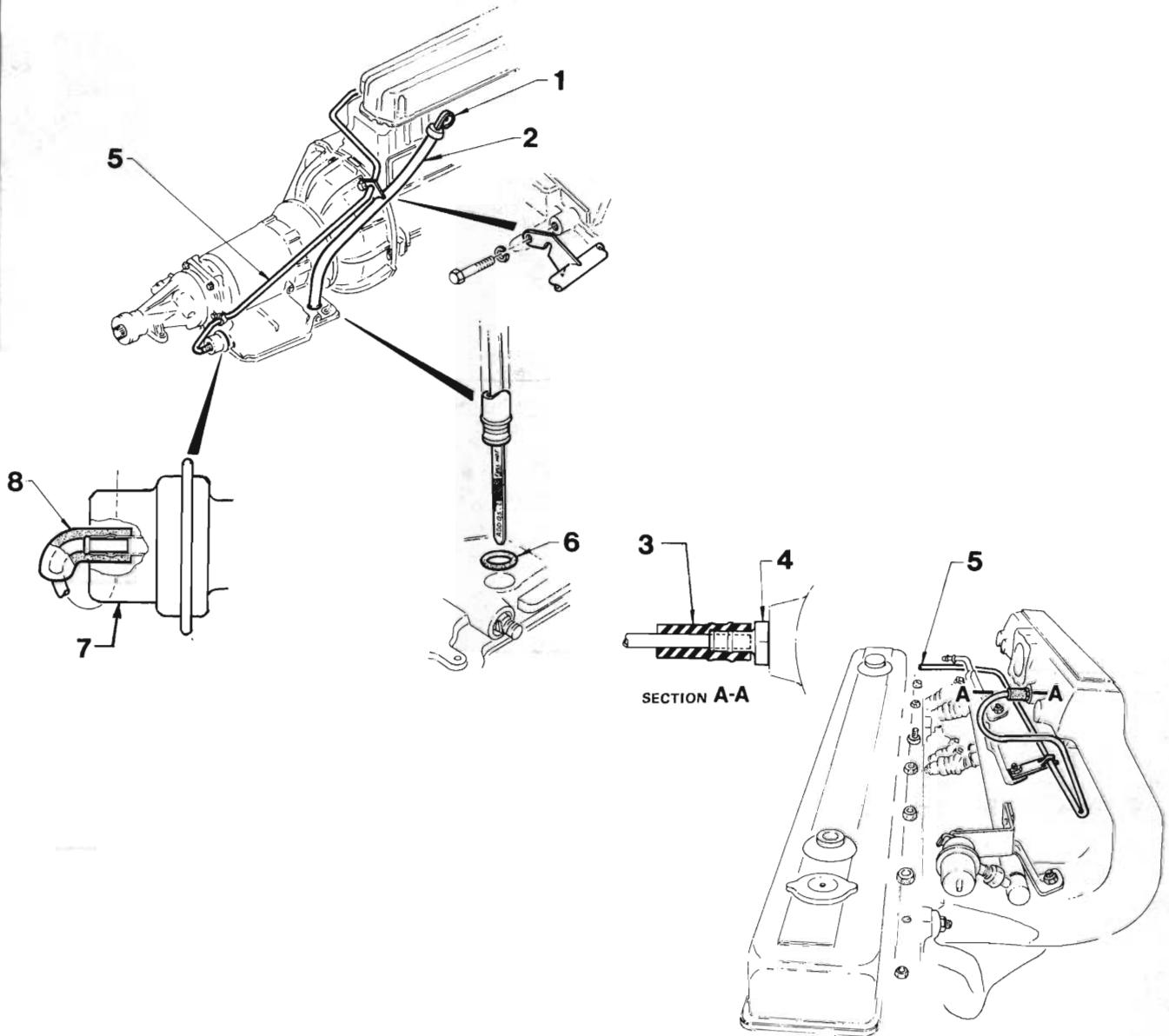
**OIL FILLER & MODULATOR PIPE
TRIMATIC TRANSMISSION
4 CYLINDER ENGINE**

REF. NO.	PART NAME	GROUP
1	TUBE ASM. - Oil filler.....	4.133U
2	PIPE - Modulator.....	4.205U
3	INDICATOR ASM. - Oil level.....	4.133U
4	SLEEVE - Modulator pipe.....	4.205U
5	SEAL - 'O' Ring - tube to case.....	4.133U



OIL FILLER & MODULATOR PIPE
TRIMATIC TRANSMISSION
6 CYLINDER ENGINE EXC. ELECTRONIC FUEL INJECTION

REF. NO.	PART NAME	GROUP
1	TUBE ASM. - Oil filler.....	4.133U
2	INDICATOR ASM. - Oil level.....	4.133U
3	SLEEVE - Modulator pipe.....	4.205U
4	PIPE - Modulator.....	4.205U
5	SLEEVE - Modulator pipe.....	4.205U
6	SEAL - 'O' Ring, Tube to case.....	4.133U

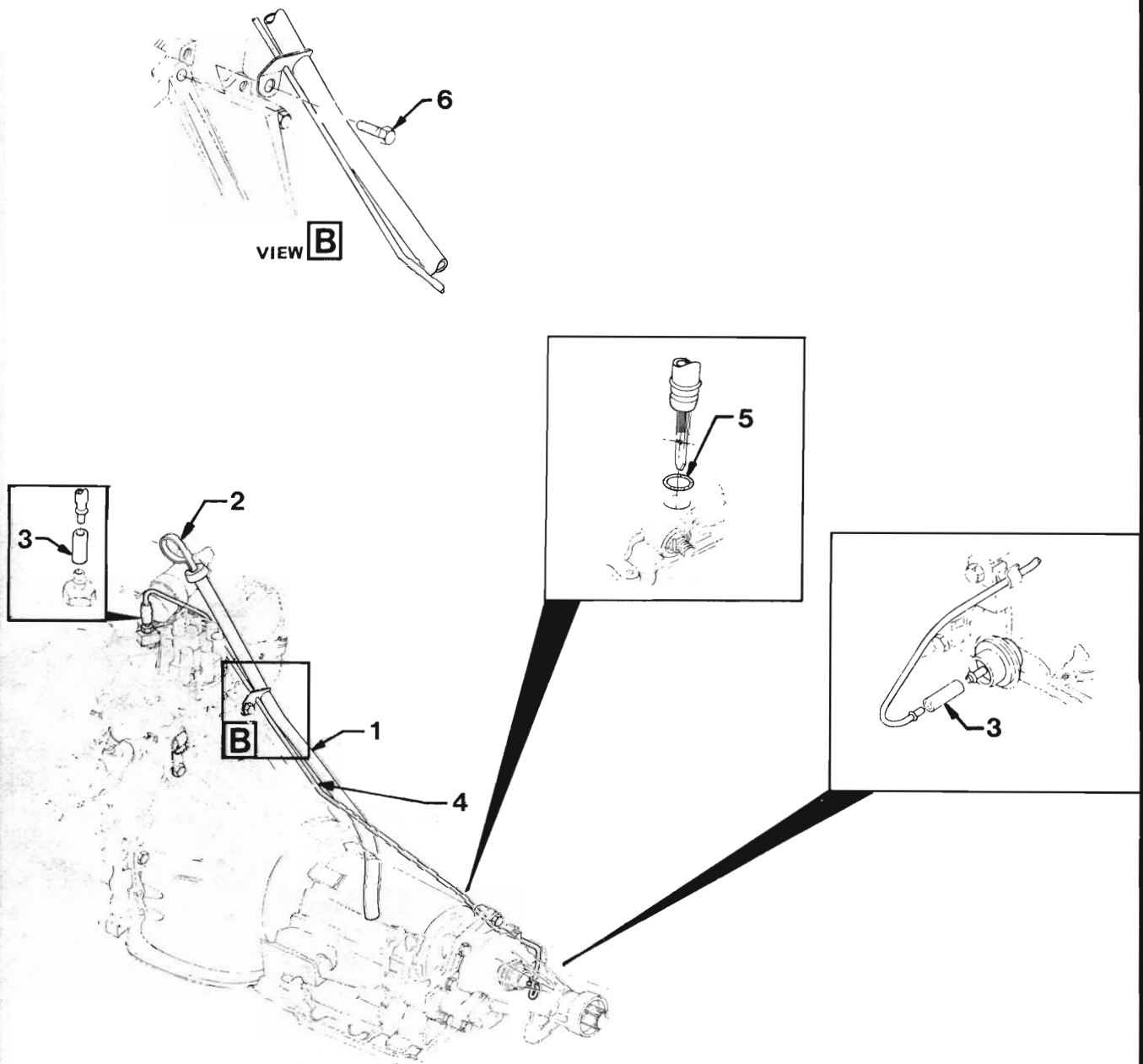


OIL FILLER & MODULATOR PIPE

TRIMATIC TRANSMISSION

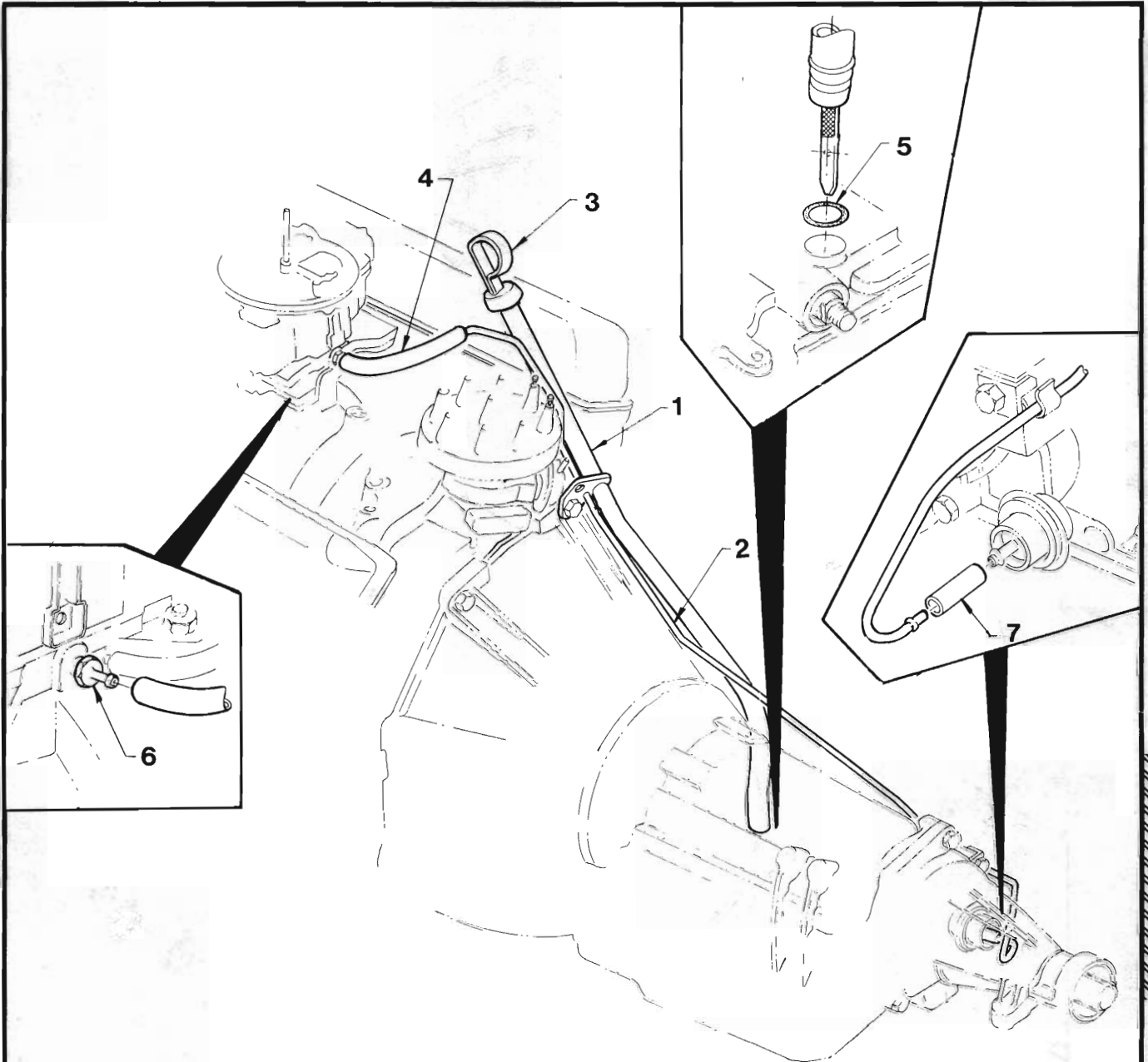
3.3 LITRE ENGINE WITH ELECTRONIC FUEL INJECTION

REF. NO.	PART NAME	GROUP
1	INDICATOR ASM. - Oil level	4.133U
2	TUBE ASM. - Oil filter.....	4.133U
3	SLEEVE - Modulator pipe to connector.....	4.205U
4	CONNECTOR - Transmission vacuum	3.278
5	PIPE - Transmission vacuum modulator	4.205U
6	SEAL - Tube to case O'Ring.....	4.133U
7	MODULATOR ASM. - Vacuum.....	4.205U
8	SLEEVE - Modulator pipe to modulator asm.	4.205U



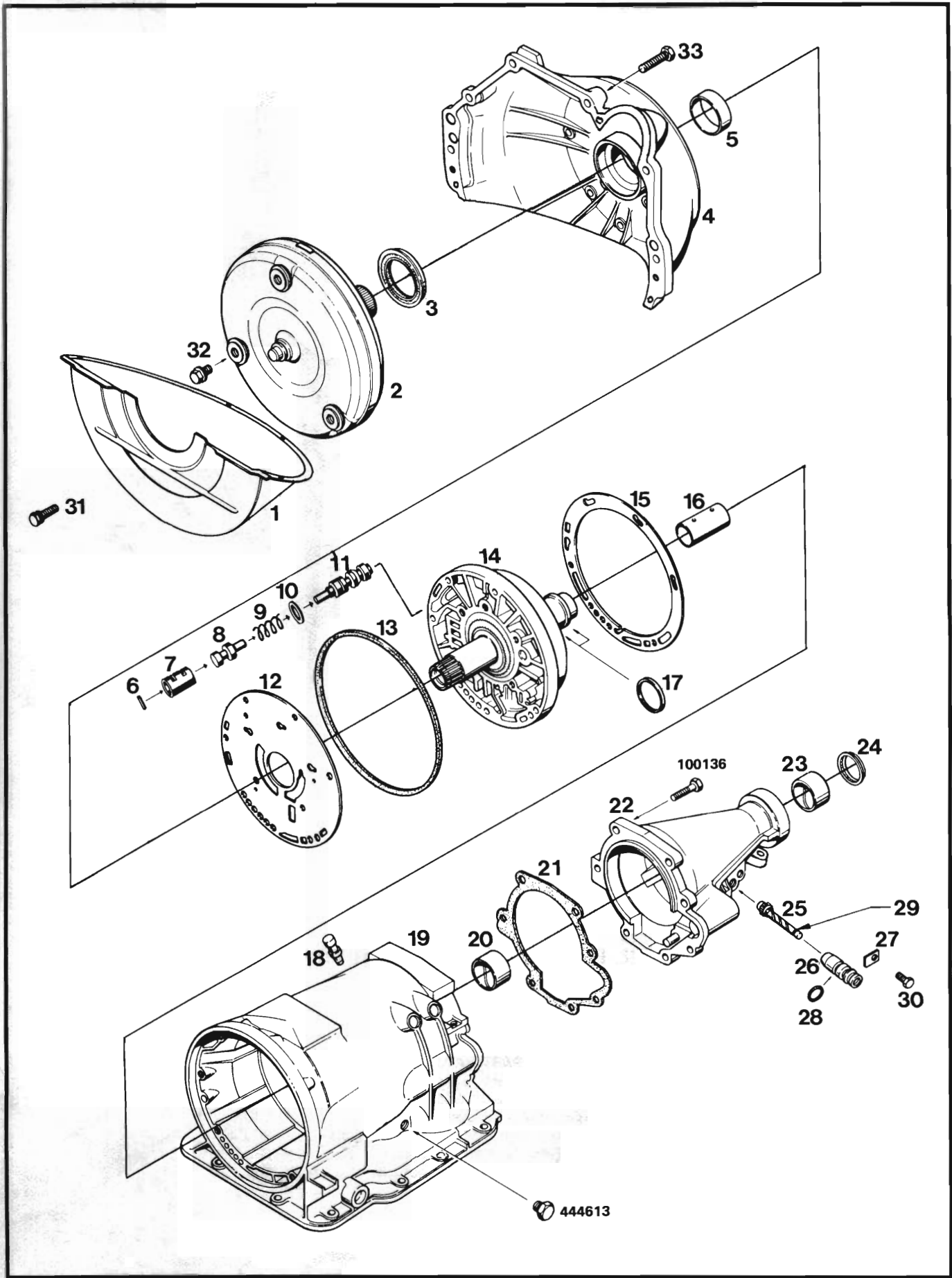
OIL FILLER & MODULATOR PIPE
TRIMATIC TRANSMISSION
4.2 LITRE ENGINE
VB SERIES

REF. NO.	PART NAME	GROUP
1	TUBE ASM. - Oil filler	4.133U
2	INDICATOR ASM. - Oil level	4.133U
3	SLEEVE - Modulator pipe.....	4.205U
4	PIPE - Modulator.....	4.205U
5	SEAL - 'O' Ring, Tube to case	4.133U
6	BOLT & WASHER - Transmission to engine.....	4.003U



**OIL FILLER & MODULATOR PIPE
TRIMATIC TRANSMISSION
8 CYLINDER ENGINE
VC, VH SERIES**

REF. NO.	PART NAME	GROUP
1	TUBE ASM. - Oil filler.....	4.133U
2	PIPE - Modulator.....	4.205U
3	INDICATOR ASM. - Oil level.....	4.133U
4	HOSE - Pipe to carburettor.....	4.205U
5	SEAL - 'O' Ring, Tube to case.....	4.133U
6	CONNECTOR - Pipe to carburettor.....	4.205U
7	SLEEVE - Modulator pipe.....	4.205U

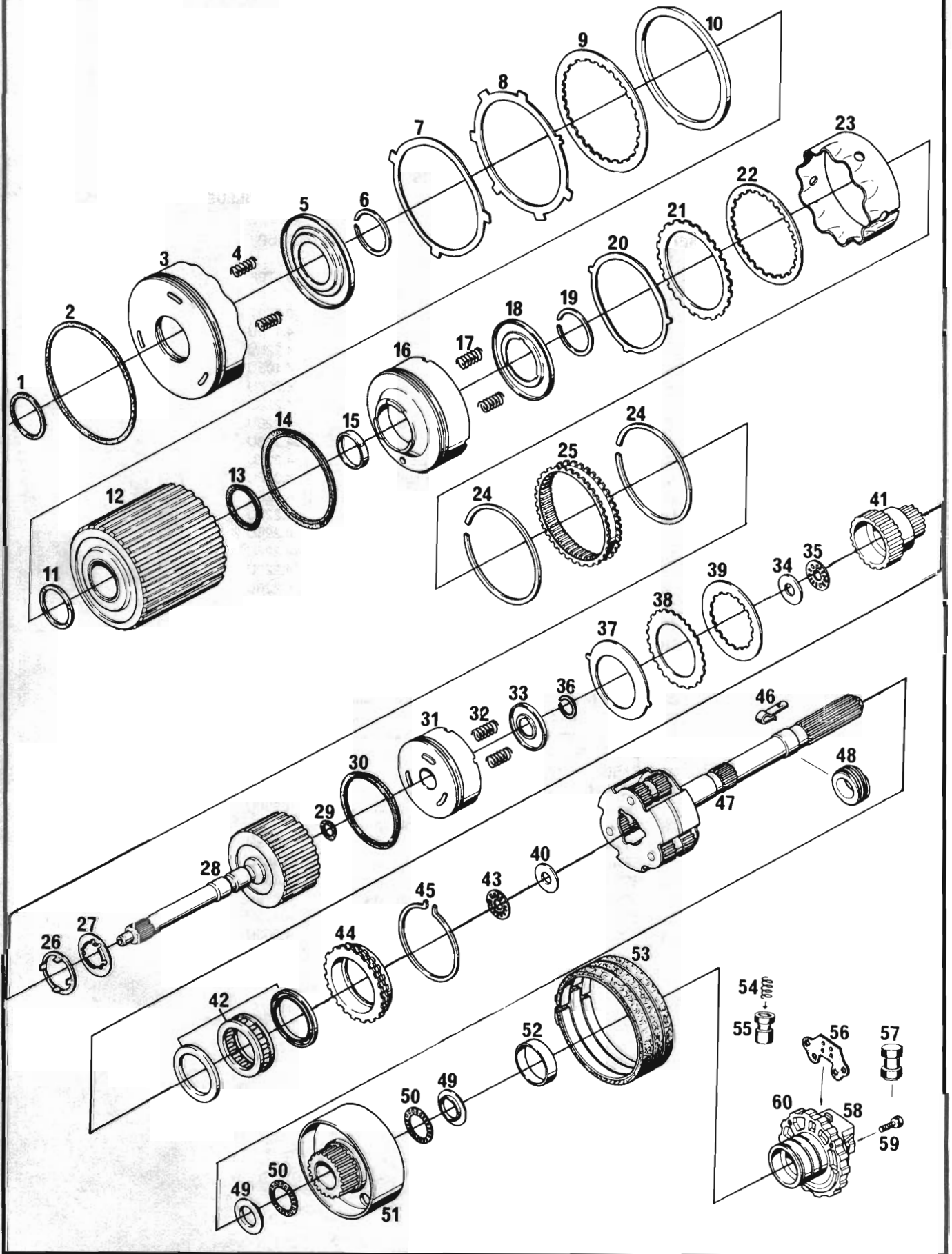




**CONVERTER & OIL PUMP
TRIMATIC TRANSMISSION**

ILLUSTRATION OPPOSITE

REF. NO.	PART NAME	GROUP
1	COVER - Transmission converter housing, 6 Cyl. Eng.....	0.679K
1	COVER - Transmission converter housing, 8 Cyl. Eng.....	0.679T
2	CONVERTER ASM.....	4.115U
3	SEAL - Converter housing.....	4.226U
4	HOUSING - Converter.....	4.103U
5	BUSH - Converter housing.....	4.226U
6	PIN - Pressure regulator valve.....	4.226U
7	SLEEVE - Pressure regulator booster valve.....	4.226U
8	VALVE - Pressure regulator booster.....	4.226U
9	SPRING - Pressure regulator valve.....	4.226U
10	SEAT - Pressure regulator valve spring.....	4.226U
11	VALVE - Pressure regulator.....	4.226U
12	PLATE - Wear.....	4.224U
13	SEAL - Oil pump, Outer.....	4.224U
14	BODY & GEAR SET.....	4.224U
15	GASKET - Oil pump to case.....	4.226U
16	BUSH - Oil pump body.....	4.226U
17	RING - 2nd clutch oil seal.....	4.166U
18	VENT ASM. - Transmission.....	4.104U
19	CASE ASM. - Transmission.....	4.103U
20	BUSH - Transmission case.....	4.104U
21	GASKET - Transmission extension housing.....	4.318U
22	HOUSING - Transmission extension.....	4.317U
23	BUSH - Transmission extension housing.....	4.319U
24	SEAL - Transmission extension housing.....	4.318U
25	GEAR - Speedometer driven.....	4.337U
26	CABLE & CASING ASM.....	4.342U
27	RETAINER - Speedometer cable to transmission.....	4.338U
28	SEAL - 'O' Ring, Speedometer cable to transmission.....	4.338U
29	SEAL - Speedometer driven gear.....	4.337U
30	SCREW - Retainer to transmission.....	4.338U
31	BOLT - Transmission converter housing cover....	0.679K
32	BOLT - Converter to drive plate.....	4.115U
33	BOLT - Transmission to engine.....	4.003U

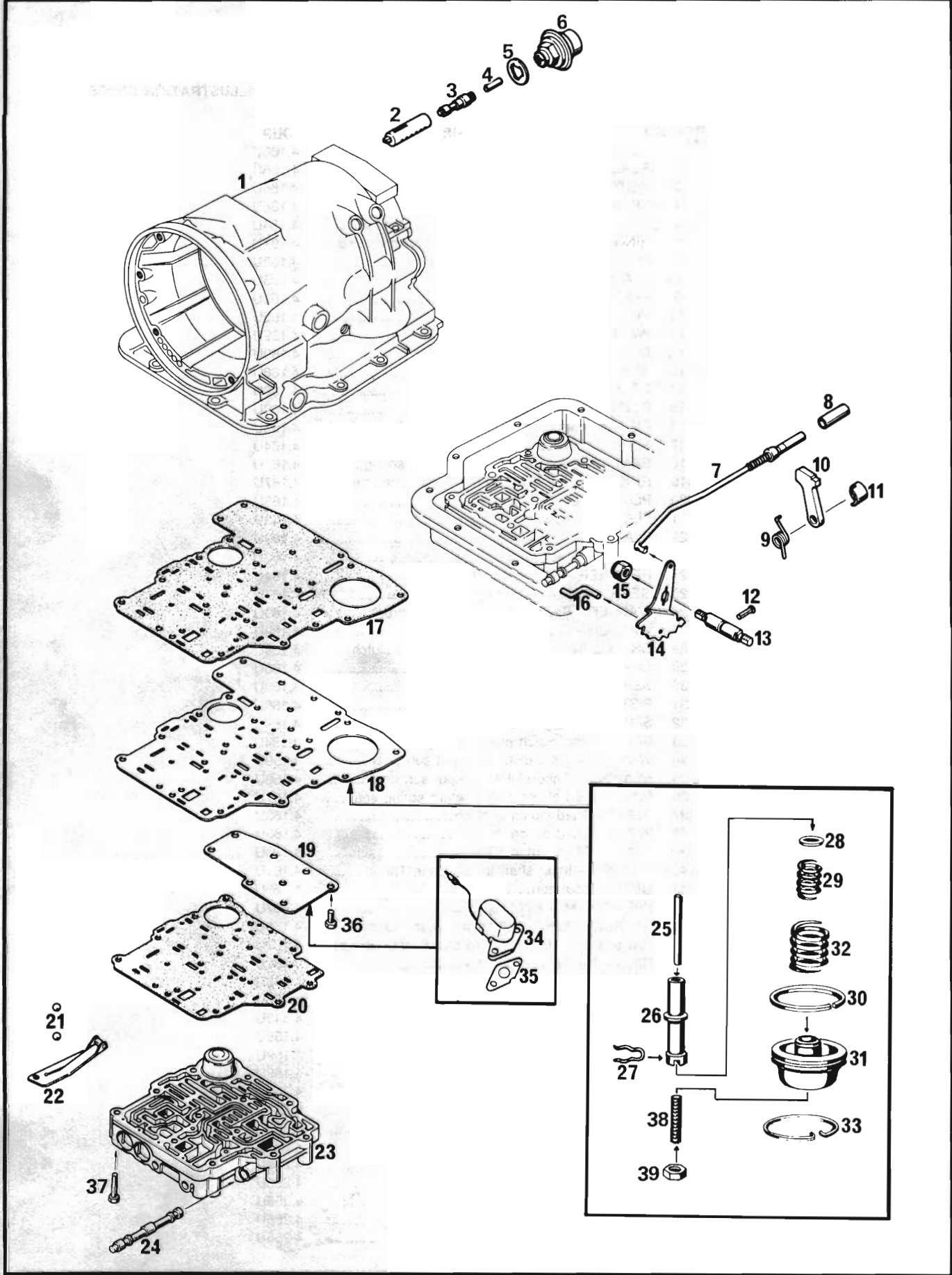




**TRANSMISSION DRIVE
TRIMATIC TRANSMISSION**

ILLUSTRATION OPPOSITE

REF. NO.	PART NAME	GROUP
1	SEAL - Reverse clutch piston inner	4.166U
2	SEAL - Reverse clutch outer	4.166U
3	PISTON - Reverse clutch	4.166U
4	SPRING - Reverse clutch piston return	4.164U
5	SEAT - Reverse clutch piston return spring	4.164U
6	RING - Reverse clutch piston return spring seat	4.167U
7	PLATE - Reverse clutch cushion	4.163U
8	PLATE - Reverse clutch reaction	4.163U
9	PLATE - Reverse clutch drive	4.163U
10	PLATE - Reverse clutch pressure	4.163U
11	WASHER - Thrust	4.129U
12	DRUM ASM. - Second clutch	4.169U
13	SEAL - Second clutch piston inner	4.166U
14	SEAL - Second clutch piston outer	4.166U
15	BUSH - Second clutch hub	4.169U
16	PISTON - Second clutch	4.166U
17	SPRING - Second clutch piston return	4.164U
18	SEAT - Second clutch piston return spring	4.164U
19	RING - Second clutch piston return spring seat	4.167U
20	PLATE - Second clutch cushion	4.163U
21	PLATE - Second clutch driven	4.163U
22	PLATE - Second clutch drive	4.163U
23	SPACER - Second clutch plate	4.163U
24	RETAINER - Ring gear retaining	4.164U
25	GEAR - Transmission ring	4.167U
26	WASHER - Second & third clutch, Thrust	4.169U
27	WASHER - Clutch thrust	4.169U
28	DRUM & INPUT SHAFT ASM. - Third clutch	4.169U
29	SEAL - Third clutch piston inner	4.166U
30	SEAL - Third clutch piston outer	4.166U
31	PISTON - Third clutch	4.166U
32	SPRING - Third clutch	4.164U
33	SEAT - Third clutch piston spring	4.164U
34	WASHER - Third clutch to input sun gear	4.159U
35	BEARING - Third clutch to input sun gear	4.159U
36	RING - Third clutch piston return spring seat	4.167U
37	PLATE - Third clutch cushion	4.163U
38	PLATE - Third clutch driven	4.163U
39	PLATE - Third clutch drive	4.163U
40	WASHER - Input shaft to sun gear, Thrust	4.161U
41	GEAR - Input sun	4.159U
42	SPRAG ASM. - Input	4.167U
43	BEARING - Input shaft to sun gear, Thrust	4.159U
44	RACE & RETAINER - Third clutch input sprag	4.167U
45	RING - Third clutch retainer	4.167U
46	CLIP - Speedometer drive gear	4.343U
47	CARRIER ASM. - Planet	4.175U
48	GEAR - Speedometer drive	4.343U
49	WASHER - Reaction sun gear & drum	4.159U
50	BEARING - Reaction sun gear	4.159U
51	GEAR & DRUM ASM. - Reaction sun	4.159U
52	SLEEVE - Reaction sun gear	4.159U
53	BAND ASM. - Reaction	4.251U
54	SPRING - Secondary valve	4.256U
55	VALVE - Secondary	4.256U
56	GASKET - Governor	4.256U
57	VALVE - Primary	4.256U
58	BODY - Governor valve	4.256U
59	BOLT & WASHER	4.256U
60	GOVERNOR ASM.	4.256U

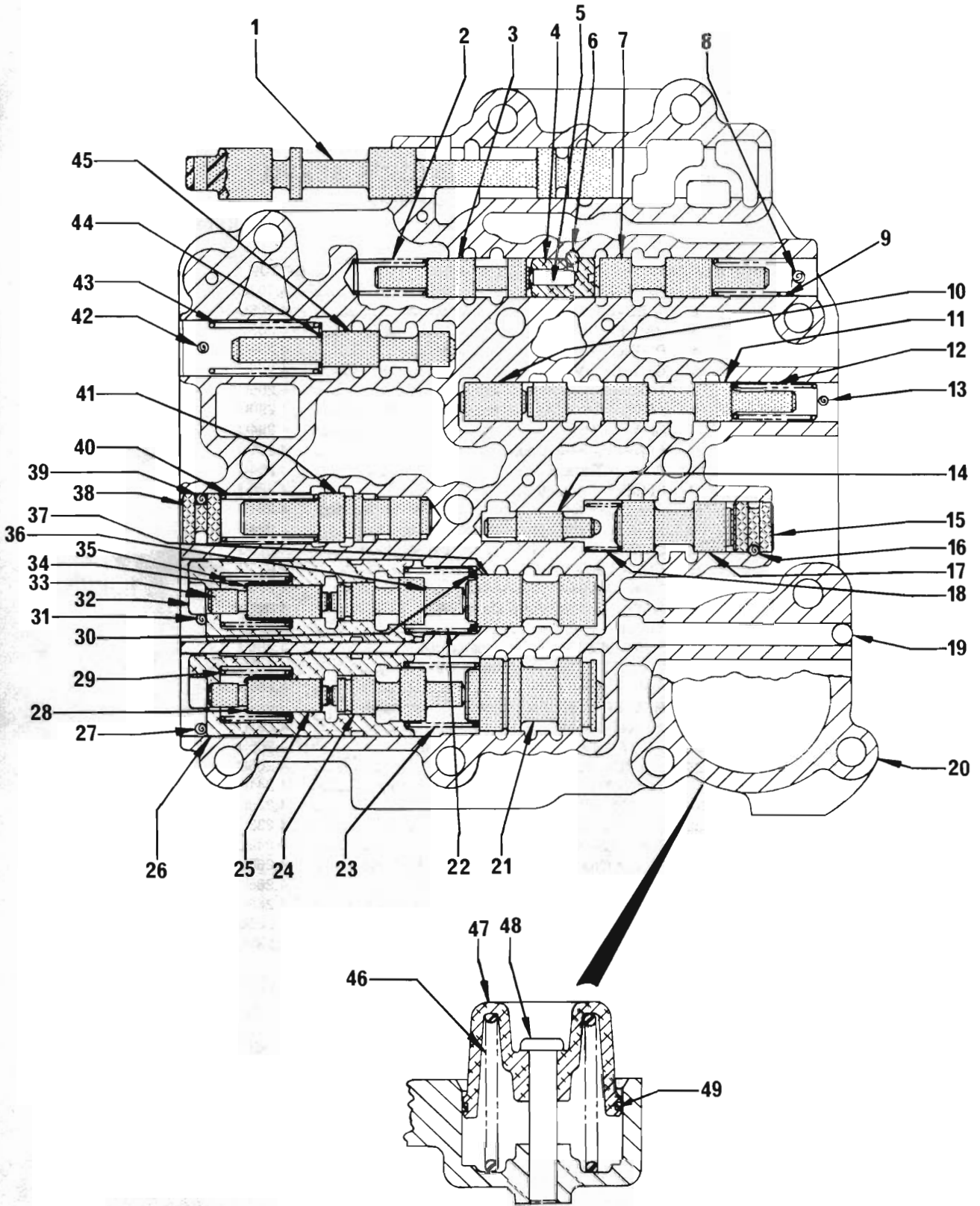




**PARK BRAKE, MODULATOR & SERVO
TRIMATIC TRANSMISSION**

ILLUSTRATION OPPOSITE

REF. NO.	PART NAME	GROUP
1	CASE ASM - Transmission	4.103U
2	SLEEVE - Vacuum modulator valve	4.205U
3	VALVE - Vacuum modulator	4.205U
4	PLUNGER - Vacuum modulator	4.205U
5	GASKET - Vacuum modulator to transmission....	4.205U
6	MODULATOR ASM. - Vacuum	4.205U
7	ACTUATOR ASM. - Transmission park lock	4.290U
8	SHAFT - Pawl.....	4.294U
9	SPRING - Pawl disengaging	4.295U
10	PAWL - Transmission park lock	4.294U
11	SLEEVE - Actuator	4.290U
12	PIN - Park lock & range selector shaft retaining.	4.294U
13	SHAFT - Park lock & range selector.....	4.294U
14	LEVER - Park lock & range selector, Inner	4.279U
15	NUT - Lever attaching	4.279U
16	LINK - Manual valve lever.....	4.275U
17	GASKET - Transfer plate to case.....	4.265U
18	PLATE - Transfer.....	4.265U
19	REINFORCEMENT - Transfer plate.....	4.265U
20	GASKET - Transfer plate to valve body	4.265U
21	BALL - Valve body	4.265U
22	ROLLER & SPRING ASM. - Transmission manual detent.....	4.293U
23	BODY ASM. - Transmission valve	4.265U
24	VALVE - Manual	4.265U
25	ROD - Transmission servo piston apply	4.241U
26-31	PISTON ASM. - Servo	4.228U
32	SPRING - Servo piston return	4.233U
33	RING - Servo piston retaining	4.242U
34	SOLENOID & CONNECTOR ASM. - Detent	4.265U
35	GASKET - Solenoid.....	4.265U
36	BOLT - Reinforcement plate to transmission.....	4.265U
37	BOLT - Valve body to transmission case	4.265U
38	SCREW - Transmission servo piston adjusting....	4.233U
39	NUT - Transmission servo piston adjusting screw	4.233U

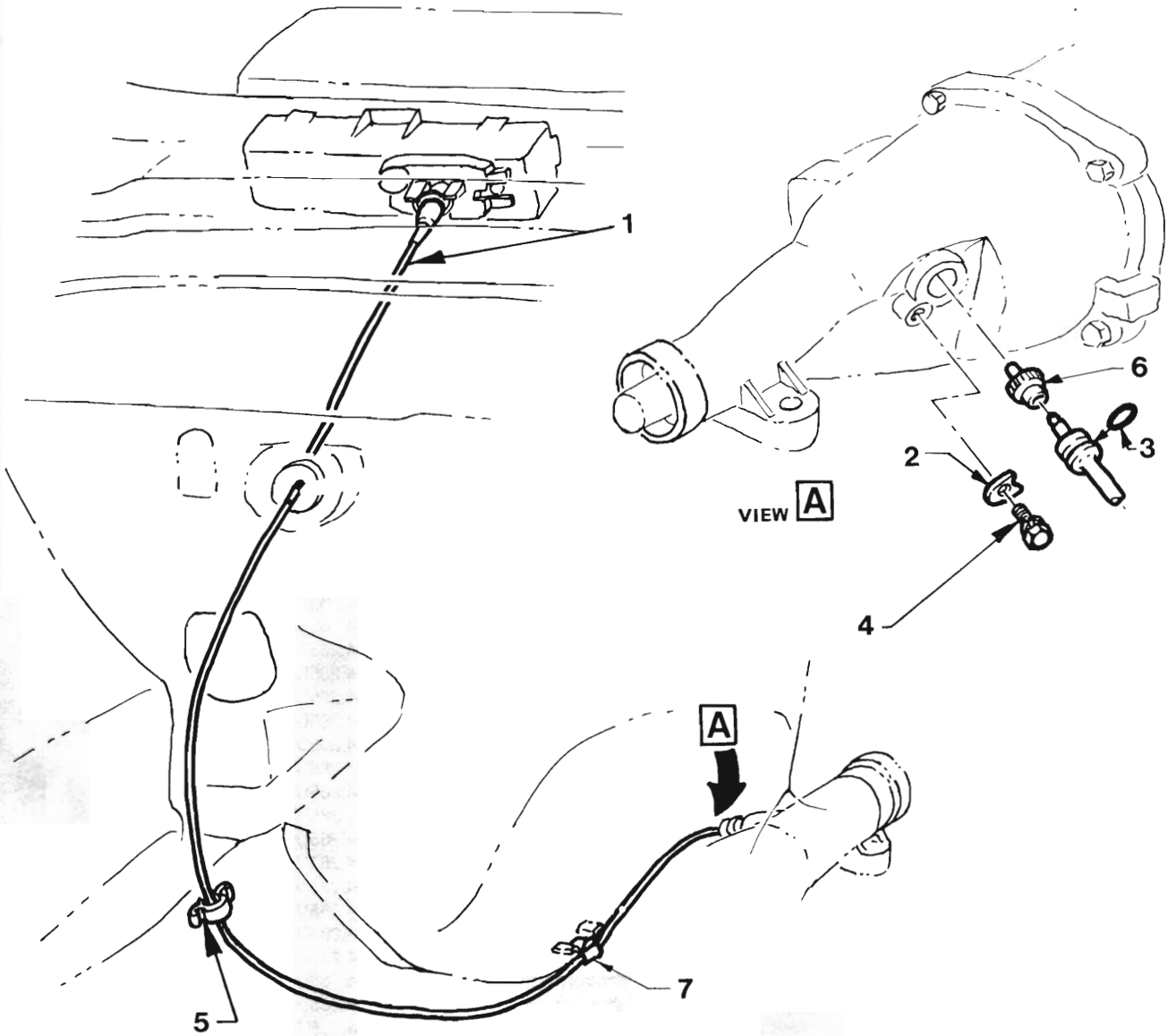




**VALVE BODY
TRIMATIC TRANSMISSION**

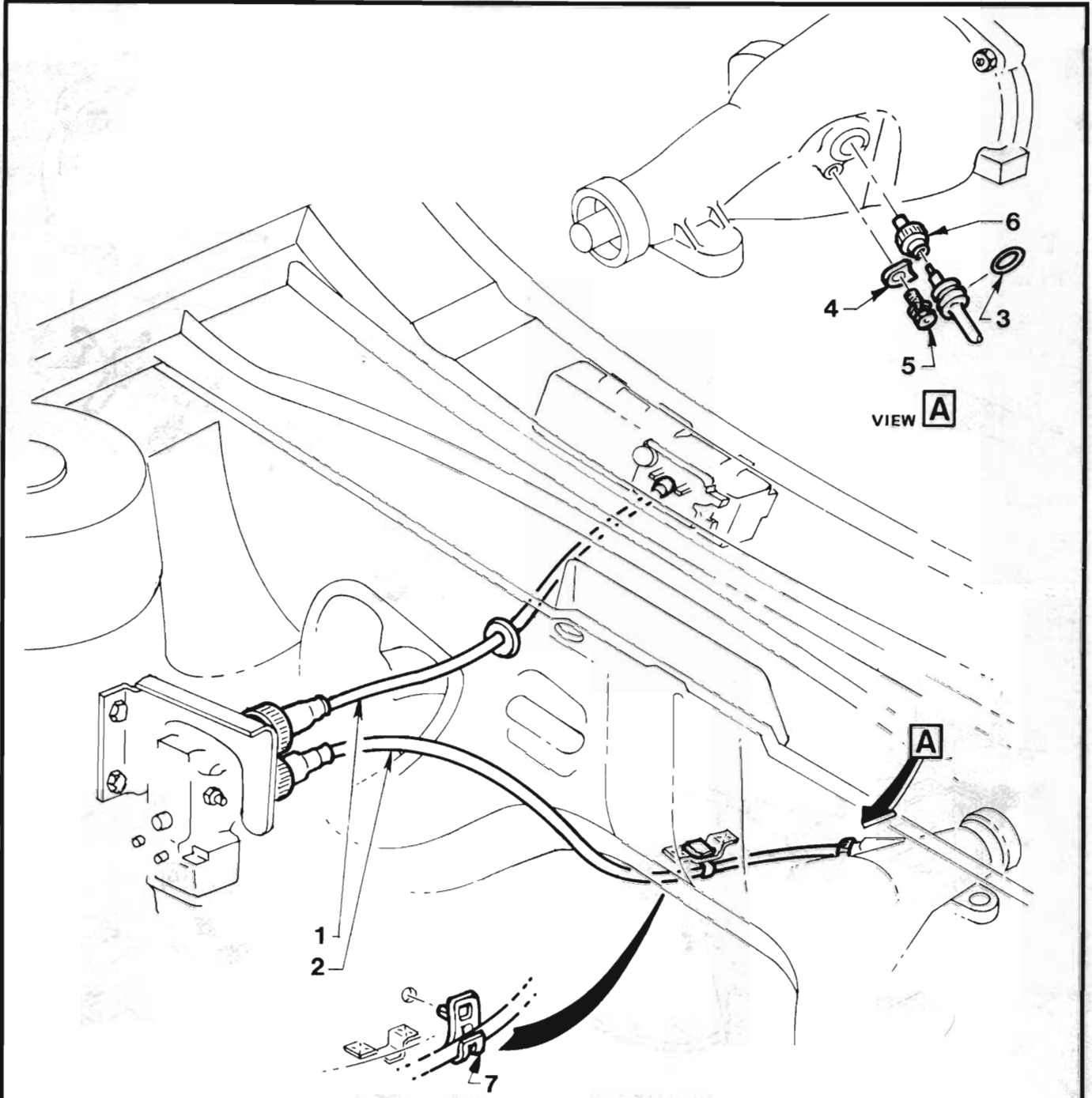
ILLUSTRATION OPPOSITE

REF. NO.	PART NAME	GROUP
1	VALVE - Manual control.....	4.265U
2	SPRING - Low speed downshift timing valve.....	4.265U
3	VALVE - Low speed timing.....	4.265U
4	SLEEVE - Low speed timing control valve.....	4.265U
5	VALVE - Control.....	4.265U
6	PIN - Low speed downshift timing.....	4.265U
7	VALVE - High speed timing.....	4.265U
8	PIN - Valve retainer.....	4.265U
9	SPRING - High speed downshift timing valve.....	4.265U
10	VALVE - Reverse control.....	4.265U
11	VALVE - Manual low control.....	4.265U
12	SPRING - Manual low & Reverse control valve..	4.265U
13	PIN - Valve retainer.....	4.265U
14	VALVE - 1st & 2nd accumulator control.....	4.265U
15	PLUG - 1st & 2nd accumulator control valve.....	4.265U
16	PIN - Valve retainer.....	4.265U
17	VALVE - 1st & 2nd accumulator.....	4.265U
18	SPRING - 1st & 2nd accumulator valve.....	4.265U
19	BALL.....	4.265U
20	BODY ASM. - Valve.....	4.265U
21	VALVE - 1st & 2nd shift.....	4.265U
22	SPRING - 2nd & 3rd shift control valve.....	4.265U
23	SPRING - 1st to 2nd shift control valve.....	4.265U
24	VALVE - 1-2 shift control.....	4.265U
25	VALVE - 1-2 control.....	4.265U
26	SLEEVE - 1st & 2nd shift control valve.....	4.265U
27	PIN - Valve retainer.....	4.265U
28	SEAT - 1st & 2nd shift control valve spring.....	4.265U
29	SPRING - 1st & 2nd shift control valve.....	4.265U
30	SEAT - 2nd to 3rd shift control valve spring.....	4.265U
31	PIN - Valve retainer.....	4.265U
32	SLEEVE - 2nd to 3rd shift control valve.....	4.265U
33	VALVE - 2nd to 3rd control.....	4.265U
34	SEAT - 2nd & 3rd shift control valve spring.....	4.265U
35	SPRING - 2nd & 3rd shift control valve.....	4.265U
36	VALVE - 2nd & 3rd shift control.....	4.265U
37	VALVE - 2nd & 3rd shift.....	4.265U
38	PLUG - 3rd to 2nd control valve.....	4.265U
39	PIN - Valve retainer.....	4.265U
40	SPRING - 3rd to 2nd control valve.....	4.265U
41	VALVE - 3rd to 2nd control.....	4.265U
42	PIN - Valve retainer.....	4.265U
43	SPRING - Detent pressure regulator valve.....	4.265U
44	SEAT - Detent pressure regulator valve spring...	4.265U
45	VALVE - Detent pressure regulator.....	4.265U
46	SPRING - Accumulator piston.....	4.233U
47	PISTON - Accumulator.....	4.228U
48	PIN - Accumulator.....	4.233U
49	RING - Accumulator piston.....	4.229U



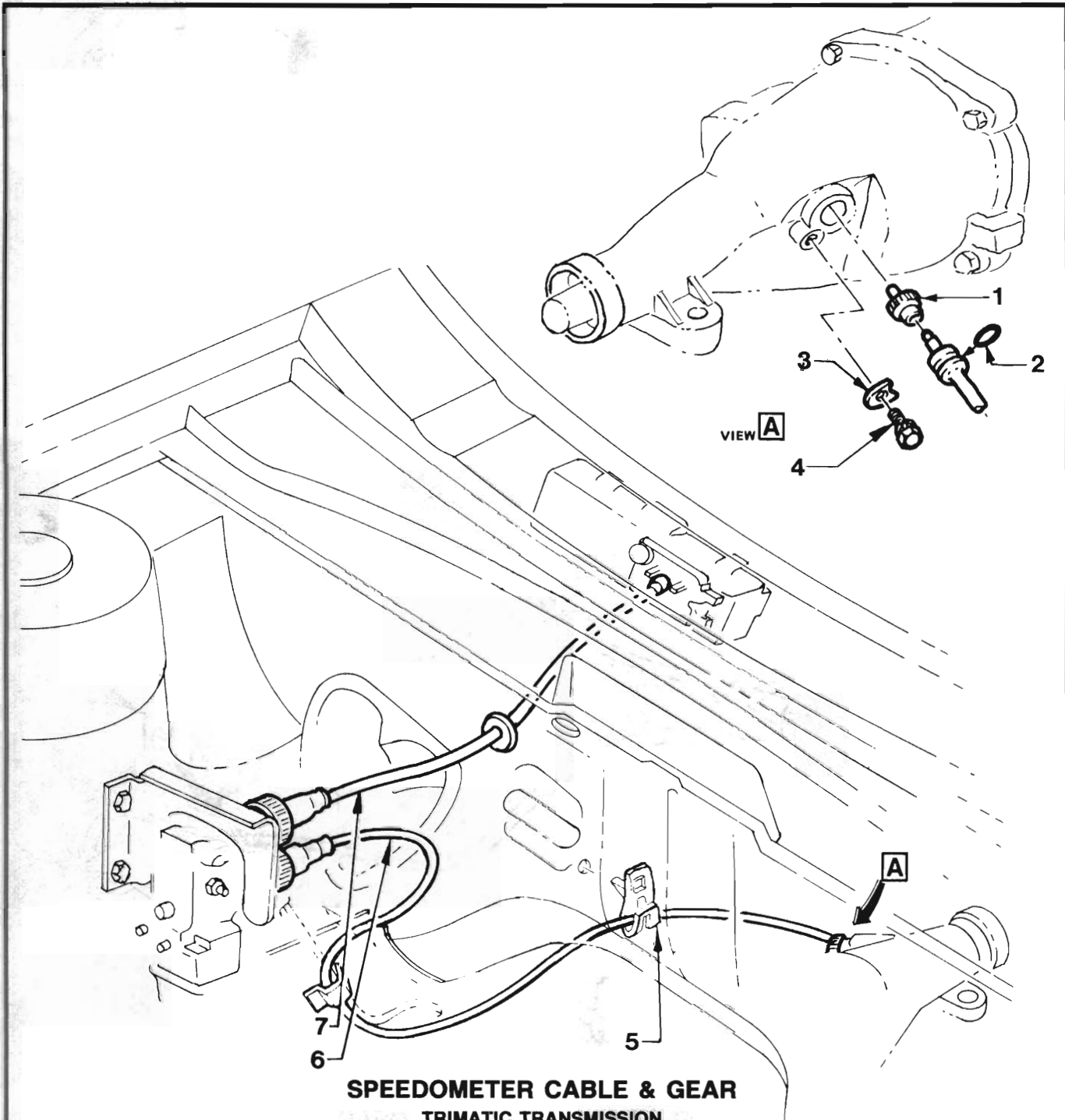
**SPEEDOMETER CABLE & GEAR
TRIMATIC TRANSMISSION
EXC. CRUISE CONTROL**

REF. NO.	PART NAME	GROUP
1	CABLE & CASING ASM.....	4.342U
2	RETAINER - Speedometer cable to transmission.....	4.338U
3	SEAL.....	4.338U
4	SCREW ASM. - Retainer to transmission.....	4.338U
5	CLIP - Cable to floor pan.....	4.342U
6	GEAR - Speedometer drive.....	4.343U
7	CLIP - Cable to floor pan.....	4.342U



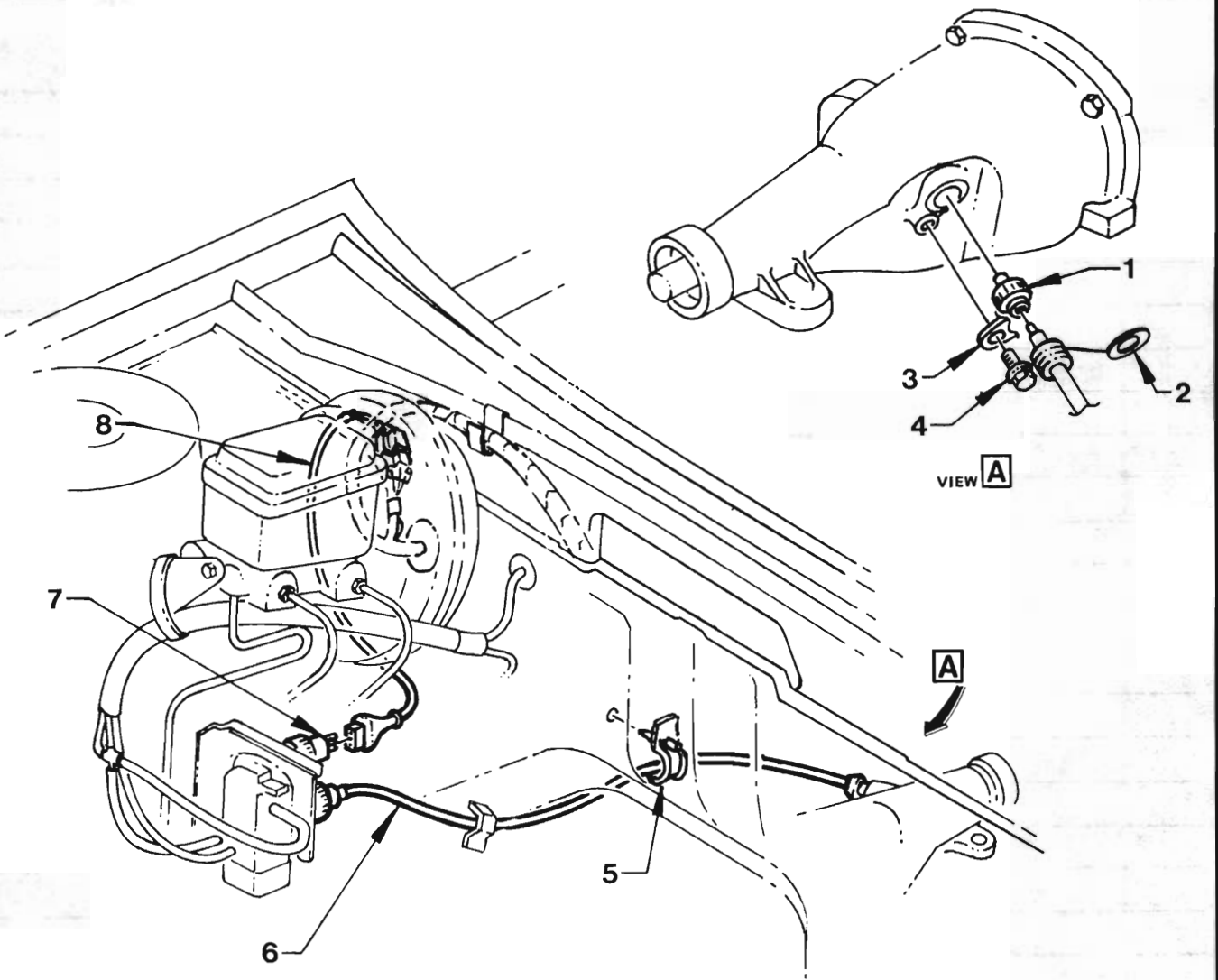
SPEEDOMETER CABLE & GEAR
TRIMATIC TRANSMISSION
CRUISE CONTROL
VC, VH SERIES

REF. NO.	PART NAME	GROUP
1	CABLE - Speedometer to transducer.....	4.342U
2	CABLE - Transducer to transmission	4.342U
3	SEAL - Speedometer cable to transmission	4.338U
4	RETAINER - Speedometer cable to transmission	4.338U
5	SCREW - Retainer to transmission.....	4.338U
6	GEAR - Speedometer driven	4.337U
7	CLIP - Cable to floor pan.....	4.342U



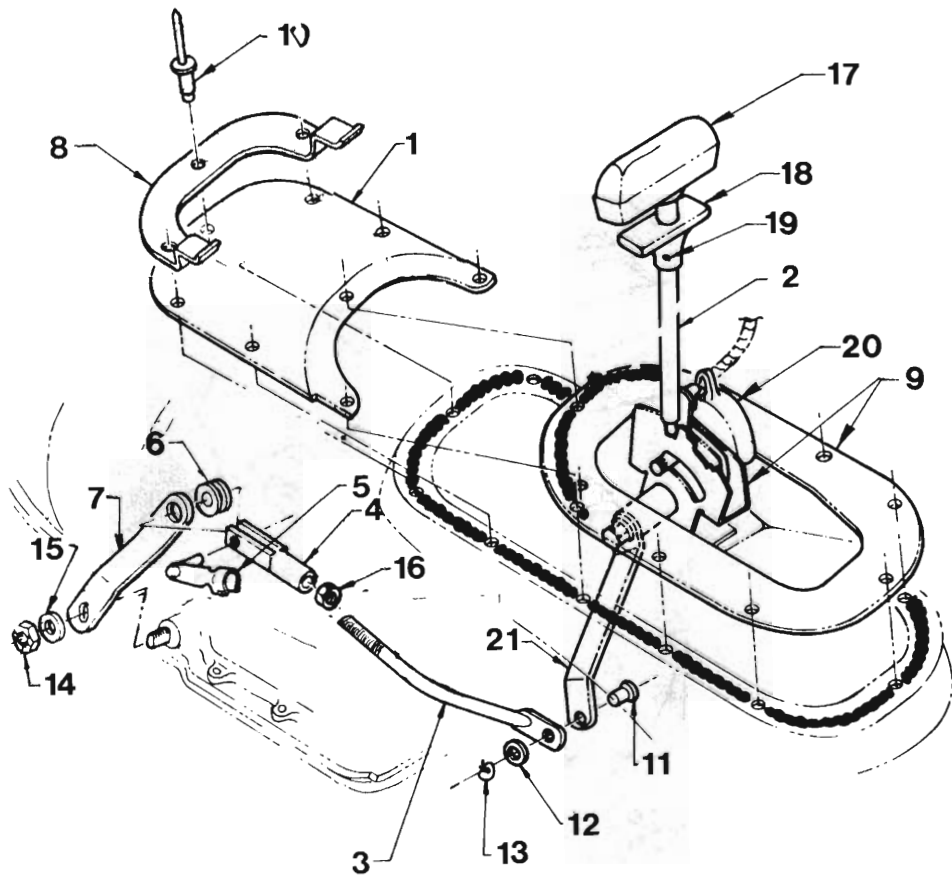
SPEEDOMETER CABLE & GEAR
TRIMATIC TRANSMISSION
PRODUCTION CRUISE CONTROL
EXC. 8VX19
VK SERIES

REF. NO.	PART NAME	GROUP
1	GEAR - Speedometer driven	4.337U
2	SEAL - Speedometer outer cable to transmission	4.338U
3	RETAINER - Speedometer cable to transmission	4.338U
4	BOLT & WASHER - Retainer	4.338U
5	CLIP - Cable to floor pan	4.342U
6	CABLE - Transducer to transmission	4.342U
7	CABLE - Speedometer to transducer	4.342U



SPEEDOMETER CABLE & ELECTRONIC SENDER
TRIMATIC TRANSMISSION EXC. ENGINE PERFORMANCE EQUIPMENT
8VX19
VK SERIES

REF. NO.	PART NAME	GROUP
1	GEAR - Speedometer driven	4.337U
2	SEAL - Speedometer outer cable to transmission	4.338U
3	RETAINER - Speedometer cable to transmission	4.338U
4	BOLT & WASHER - Retainer	4.338U
5	CLIP - Cable to floor pan	4.342U
6	CABLE - Transducer to transmission	4.342U
7	SENDER ASM. - Electronic speedometer	9.761
8	LEAD ASM. - Electronic speedometer	9.763

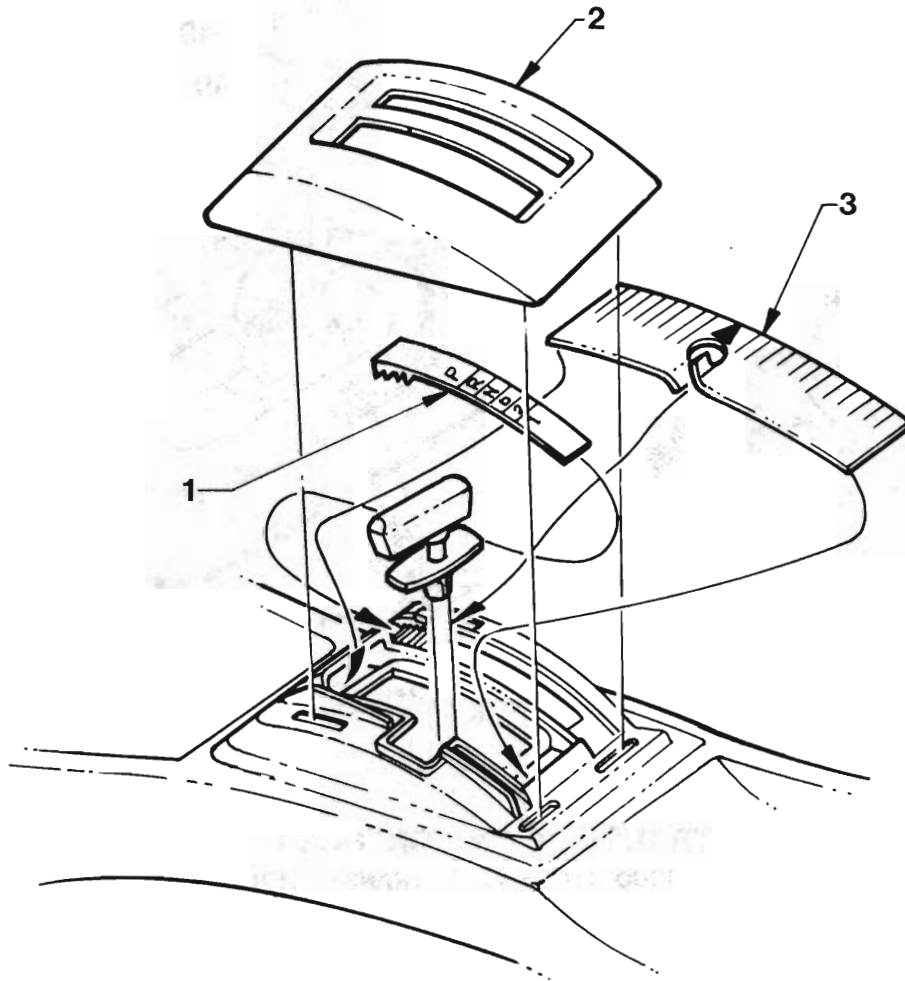


**TRANSMISSION CONTROLS
400 TURBO HYDRA-MATIC TRANSMISSION**

REF. NO.	PART NAME	GROUP
1	COVER - Lever cut out.....	4.010V
2(AB)	LEVER, GATE & HANDLE ASM.....	4.004V
3	ROD ASM.....	4.035V
4	YOKE END - Rod to external lever.....	4.035V
5	BOLT - Rod to external lever, Safety.....	4.037V
6	BUSH - Rod to external lever.....	4.037V
7	LEVER - Transmission external control.....	4.045V
8	BRACKET - Front console mounting.....	10.240
9(B)	GATE & SUPPORT ASM.....	4.010V
10	RIVET - Cover to floor.....	4.010V
11	PIN - Rod to lower lever.....	4.037V
12	WASHER - Rod to lower lever.....	4.037V
13	RETAINER - Rod to lower lever.....	4.037V
14	NUT - Lever to transmission.....	4.045V
15	WASHER - Lever to transmission.....	4.045V
16	NUT - Yoke end locking.....	4.035V
17(AB)	HANDLE - Lever upper.....	4.006V
18(AB)	HANDLE - Lever lower.....	N.S.S.
19(AB)	PIN - Lower handle to lever.....	4.006V
20(B)	SWITCH & HARNESS ASM. - Neutral starting....	4.054V
21(B)	LEVER - Lower.....	4.006V

NOTE:- (A Part of Lever & Handle Asm. Refer 4.006V

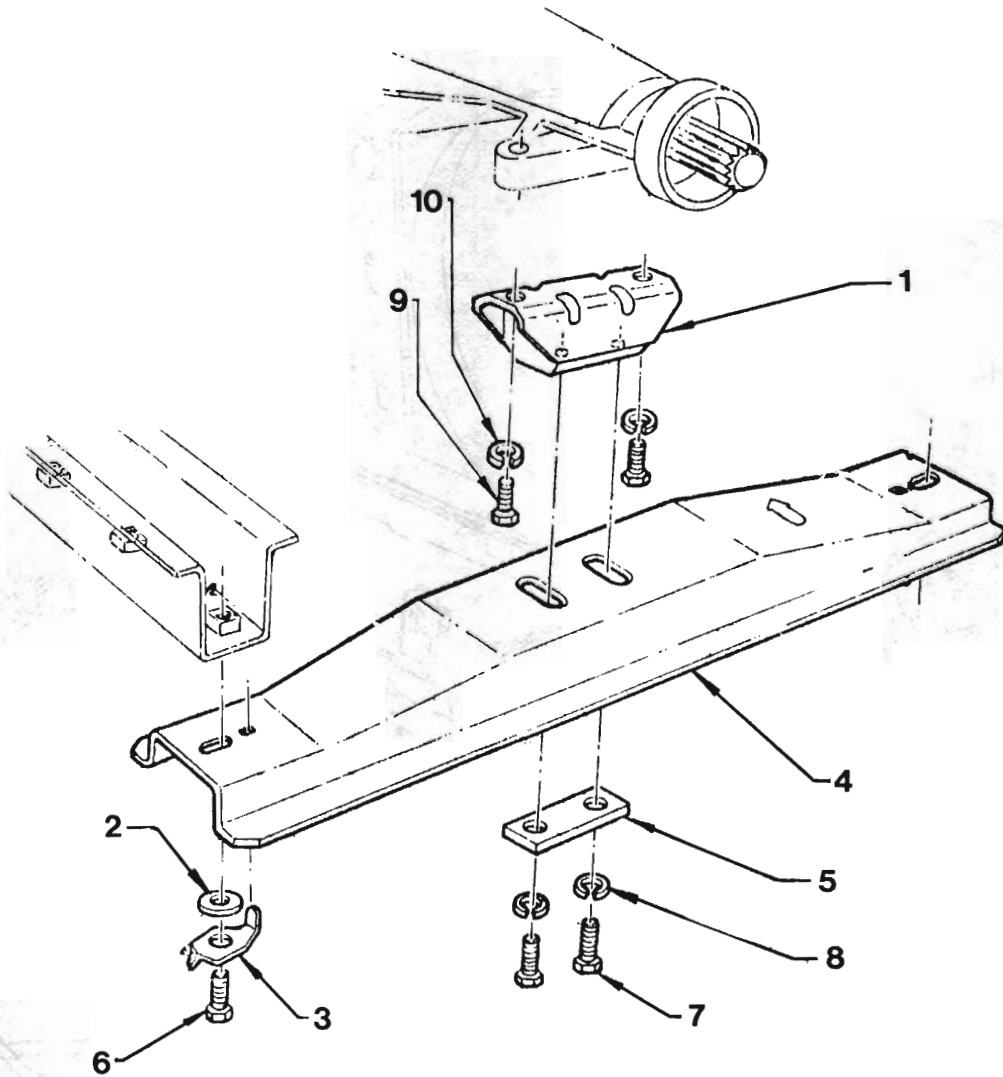
(B Part of Lever, Gate & Handle Asm. Refer 4.004V



CONSOLE

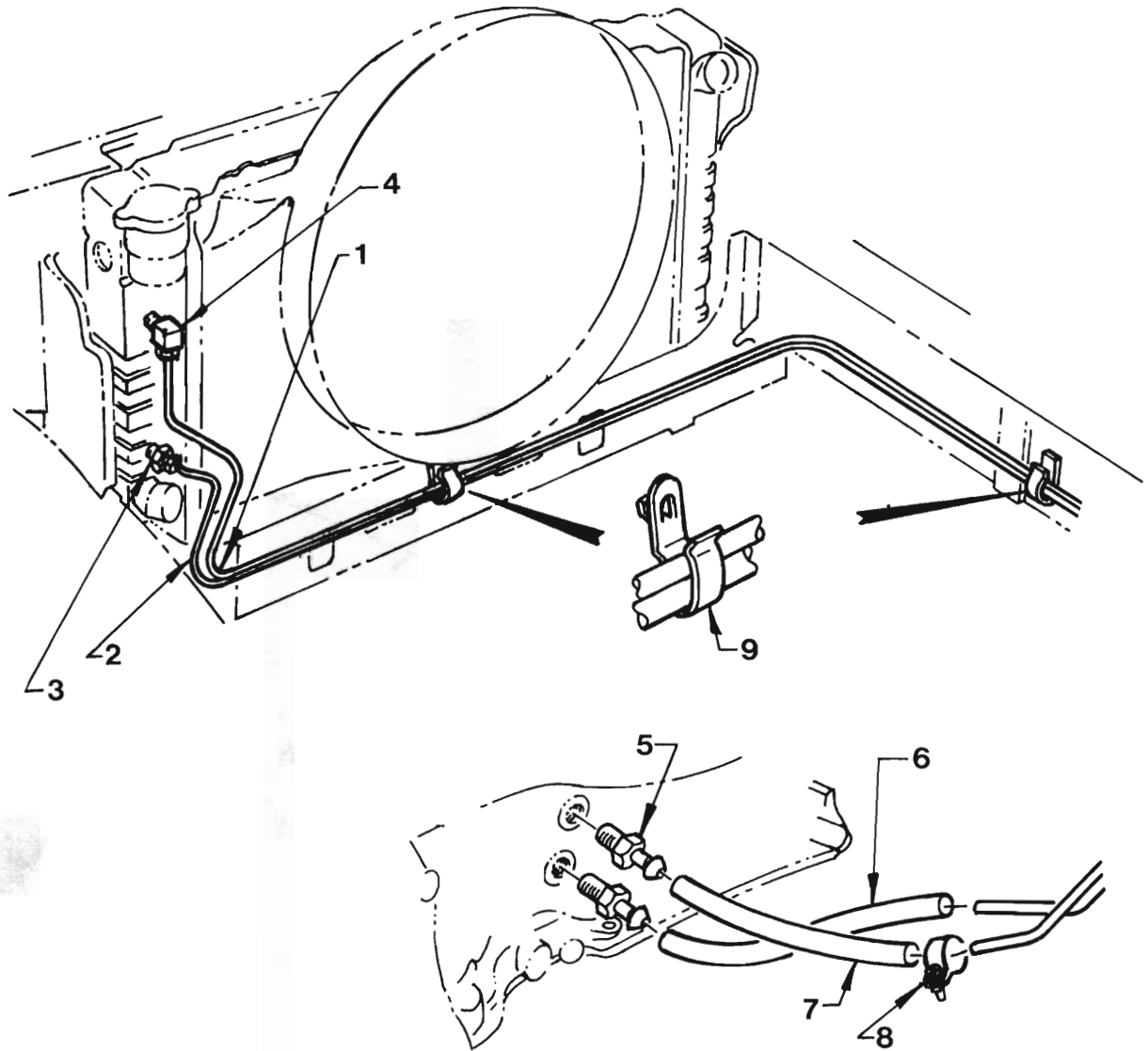
400 TURBO HYDRA-MATIC TRANSMISSION

REF. NO.	PART NAME	GROUP
1	INDICATOR - Transmission control	4.020V
2	COVER - Console.....	10.240
3	SLIDE - Transmission control indicator.....	4.020V



**TRANSMISSION MOUNTING
400 TURBO HYDRA-MATIC TRANSMISSION**

REF. NO.	PART NAME	GROUP
1	MOUNTING.....	4.081V
2	WASHER - Support to underbody, Flat	4.081V
3	PLATE - Support to underbody, Locking	4.081V
4	SUPPORT - Transmission rear mounting.....	4.081V
5	SPACER - Mounting to support.....	4.085V
6	BOLT - Support to underbody	4.081V
7	BOLT - Mounting to support.....	4.085V
8	WASHER - Mounting to support	4.085V
9	BOLT - Mounting to transmission	4.085V
10	WASHER - Mounting to transmission.....	4.085V

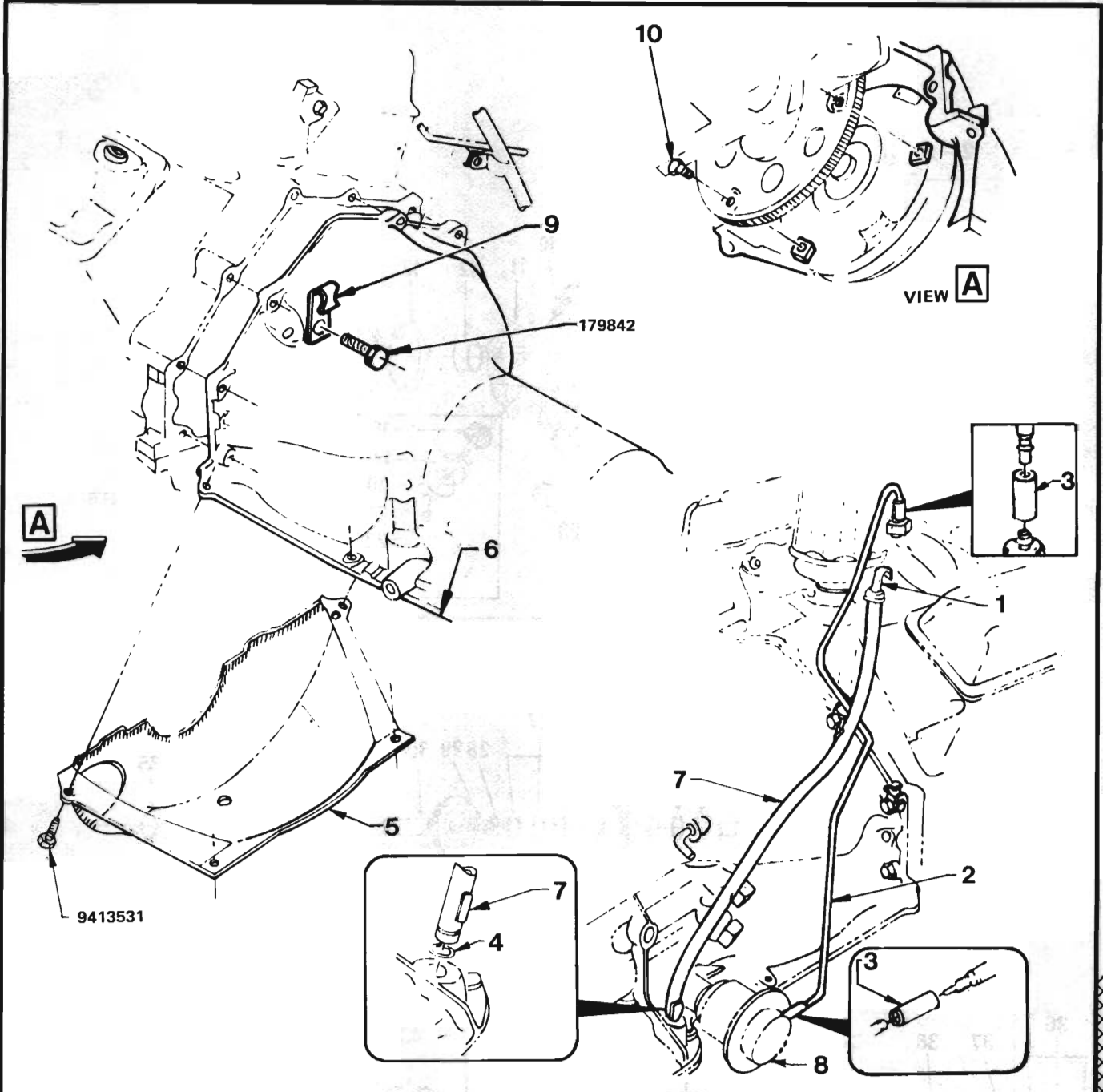


TRANSMISSION OIL COOLER PIPES
400 TURBO HYDRA-MATIC TRANSMISSION

REF. NO.	PART NAME	GROUP
1	PIPE - Outlet.....	4.128V
2	PIPE - Inlet.....	4.128V
3	CONNECTOR - Inlet pipe to radiator.....	4.128V
4	CONNECTOR - Outlet pipe to radiator.....	4.128V
5	CONNECTOR - Hose to transmission.....	4.128V
6	HOSE - Outlet pipe to connector.....	4.128V
7	HOSE - Inlet pipe to connector.....	4.128V
8	CLAMP - Hose.....	4.128V
9	CLIP - Pipes to front frame.....	4.128V

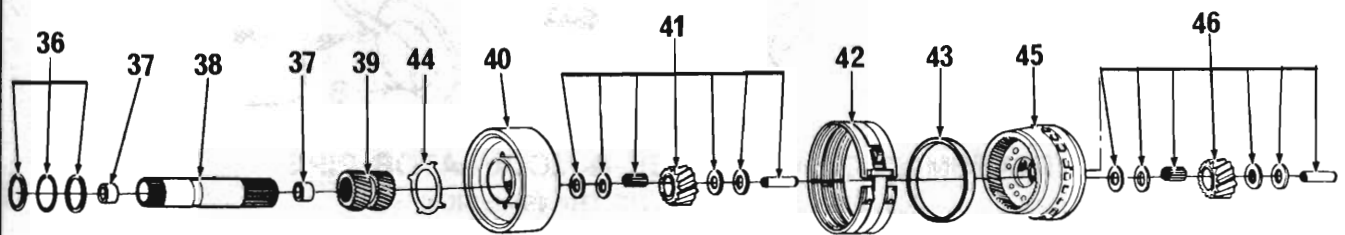
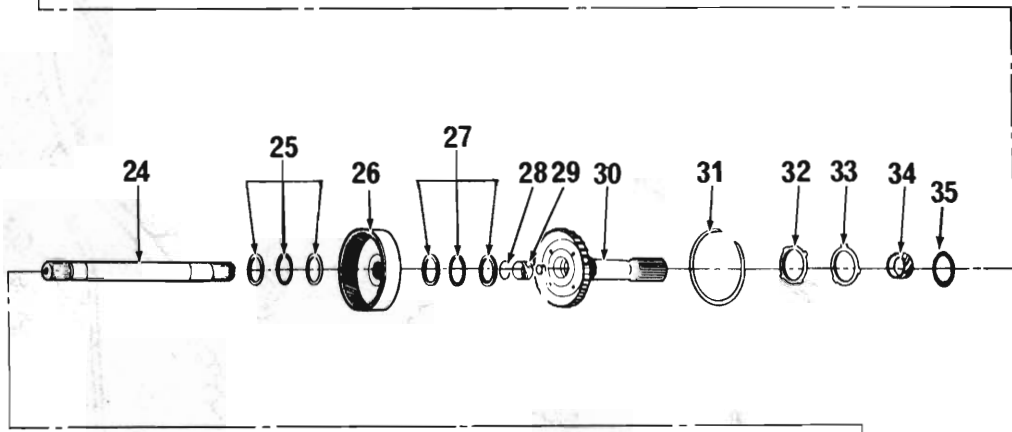
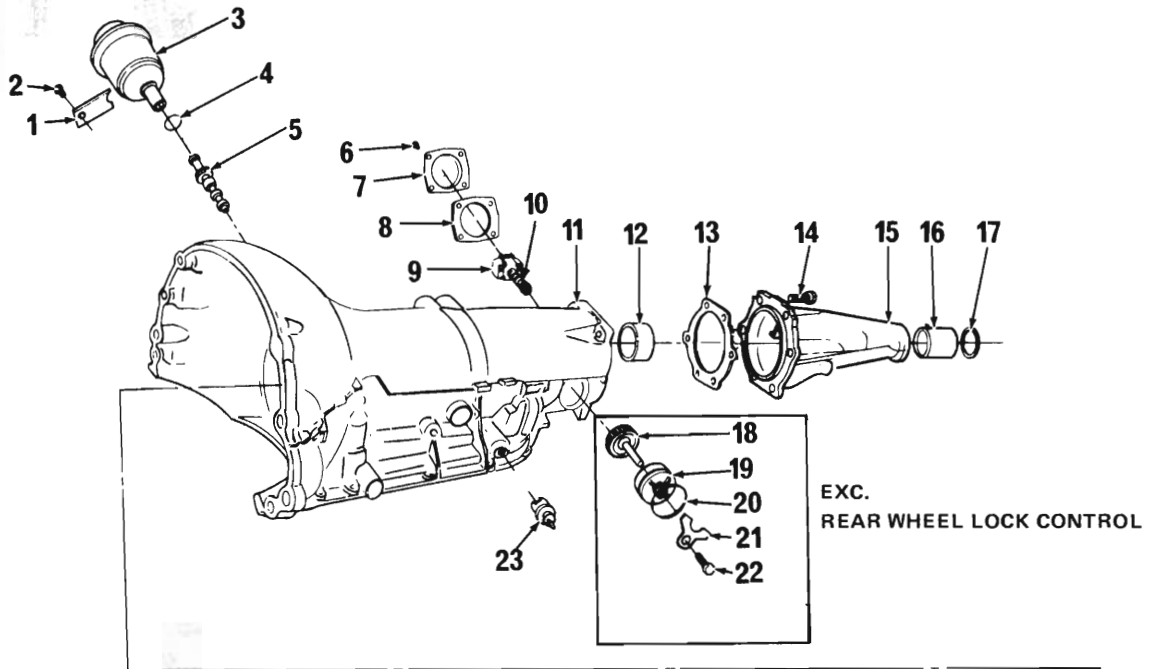


"V" SERIES PARTS CATALOGUE



TRANSMISSION OIL FILLER & MODULATOR PIPE 400 TURBO HYDRA-MATIC TRANSMISSION

REF. NO.	PART NAME	GROUP
1	INDICATOR ASM. - Oil level.....	4.133V
2	PIPE - Carburettor to transmission vacuum modulator	4.205V
3	SLEEVE - Pipe to connector & modulator	4.205V
4	SEAL - Tube to transmission.....	4.133V
5	COVER - Lower	0.679T
6	TRANSMISSION ASM.....	4.003V
7	TUBE - Oil filler.....	4.133V
8	MODULATOR ASM. - Vacuum.....	4.205V
9	CLIP - Harness to converter housing.....	2.559
10	BOLT - Converter to drive plate.....	4.115V

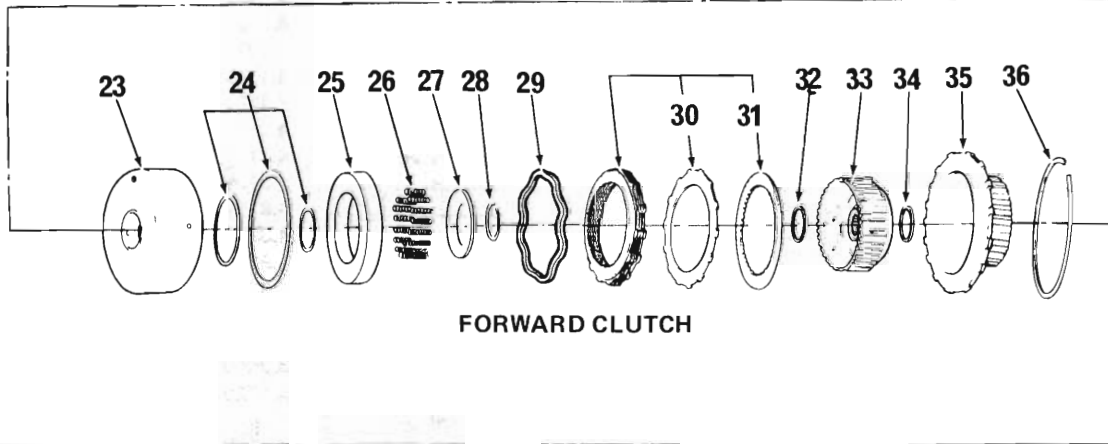
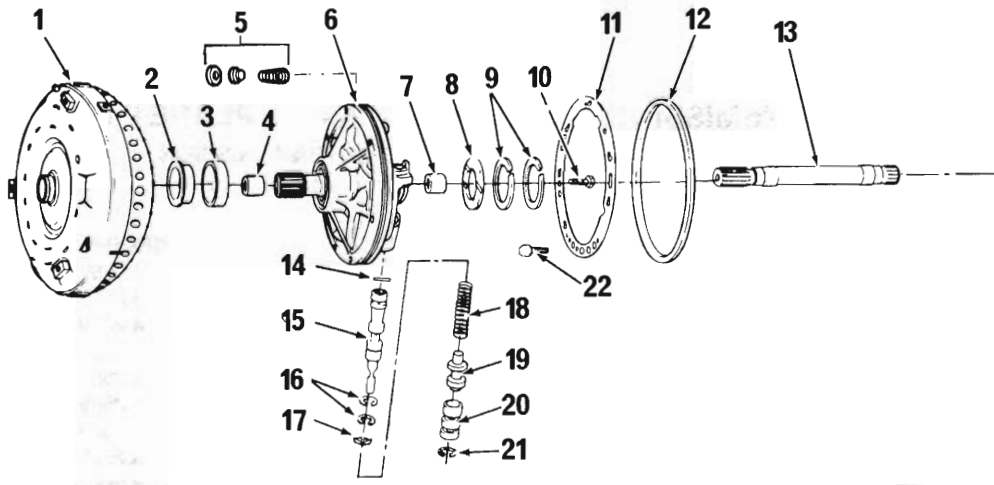




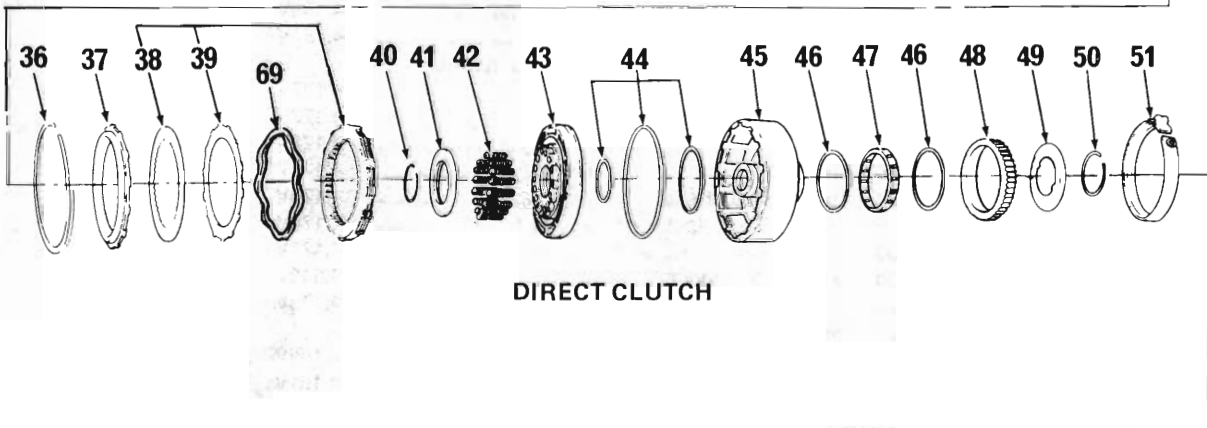
**TRANSMISSION CASE, EXTENSION & PLANET CARRIER
400 TURBO HYDRA-MATIC TRANSMISSION**

ILLUSTRATION OPPOSITE

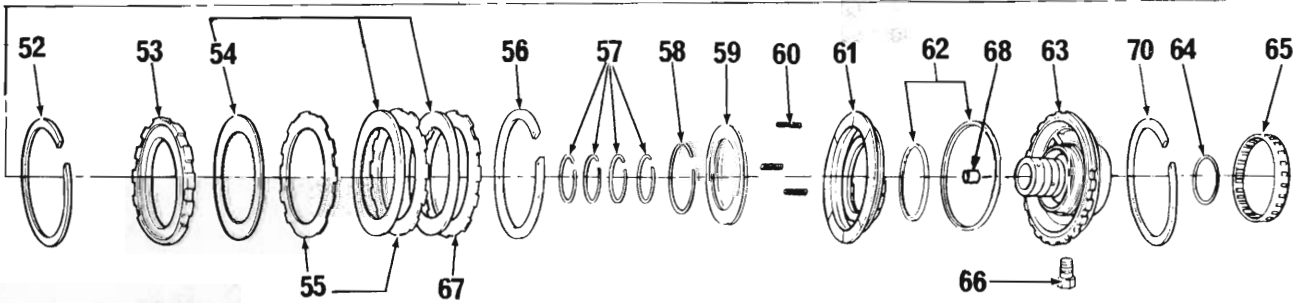
REF. NO.	PART NAME	GROUP
1	RETAINER - Modulator to case.....	4.205V
2	BOLT - Modulator retainer.....	4.205V
3	MODULATOR ASM. - Vacuum.....	4.205V
4	SEAL - Modulator to case.....	4.205V
5	VALVE - Vacuum modulator.....	4.205V
6	BOLT - Governor cover attaching.....	4.256V
7	COVER - Governor.....	4.256V
8	GASKET - Governor cover.....	4.256V
9	GOVERNOR ASM. - Complete.....	4.256V
10	GEAR & PINION KIT - Driven.....	4.256V
11	CASE ASM.....	4.103V
12	BUSH - Transmission case.....	4.104V
13	GASKET - Case to extension housing.....	4.318V
14	BOLT - Housing to case.....	4.317V
15	HOUSING ASM. - Transmission extension.....	4.317V
16	BUSH - Housing.....	4.319V
17	SEAL - Housing.....	4.318V
18	GEAR - Speedometer driven.....	4.337V
19	SLEEVE & SEAL ASM.....	4.338V
20	SEAL - Driven gear sleeve - 'O' Ring.....	4.338V
21	RETAINER - Sleeve.....	4.338V
22	BOLT - Sleeve retainer.....	4.338V
23	CONNECTOR - Downshift solenoid valve.....	4.265V
24	SHAFT, Main.....	4.172V
25	BEARING SET - Sun gear to internal gear, Thrust.....	4.159V
26	GEAR - Rear internal mainshaft.....	4.187V
27	THRUST RACE KIT - Rear internal gear to output shaft.....	4.187V
28	RING - Mainshaft to internal gear.....	4.172V
29	BUSH - Output shaft.....	4.176V
30	SHAFT & BUSH ASM. - Output.....	4.175V
31	RING - Output shaft.....	4.176V
32	WASHER - Output shaft to case front.....	4.176V
33	WASHER - Output shaft to case rear.....	4.176V
34	GEAR - Speedometer drive.....	4.343V
35	SEAL - 'O' Ring, Output shaft.....	4.175V
36	BEARING SET - Centre support to sun gear, Thrust.....	4.159V
37	BUSH - Transmission input sun gear shaft.....	4.161V
38	SHAFT ASM. - Transmission sun gear.....	4.161V
39	GEAR - Transmission input sun.....	4.159V
40	CARRIER ASM. - Reaction.....	4.175V
41	PINION SET.....	4.175V
42	BAND ASM. - Rear.....	4.251V
43	RING - Front internal gear.....	4.176V
44	WASHER - Front internal gear to reaction carrier.....	4.176V
45	CARRIER ASM. - Output with pinions.....	4.175V
46	PINION SET.....	4.175V



FORWARD CLUTCH



DIRECT CLUTCH



INTERMEDIATE CLUTCH

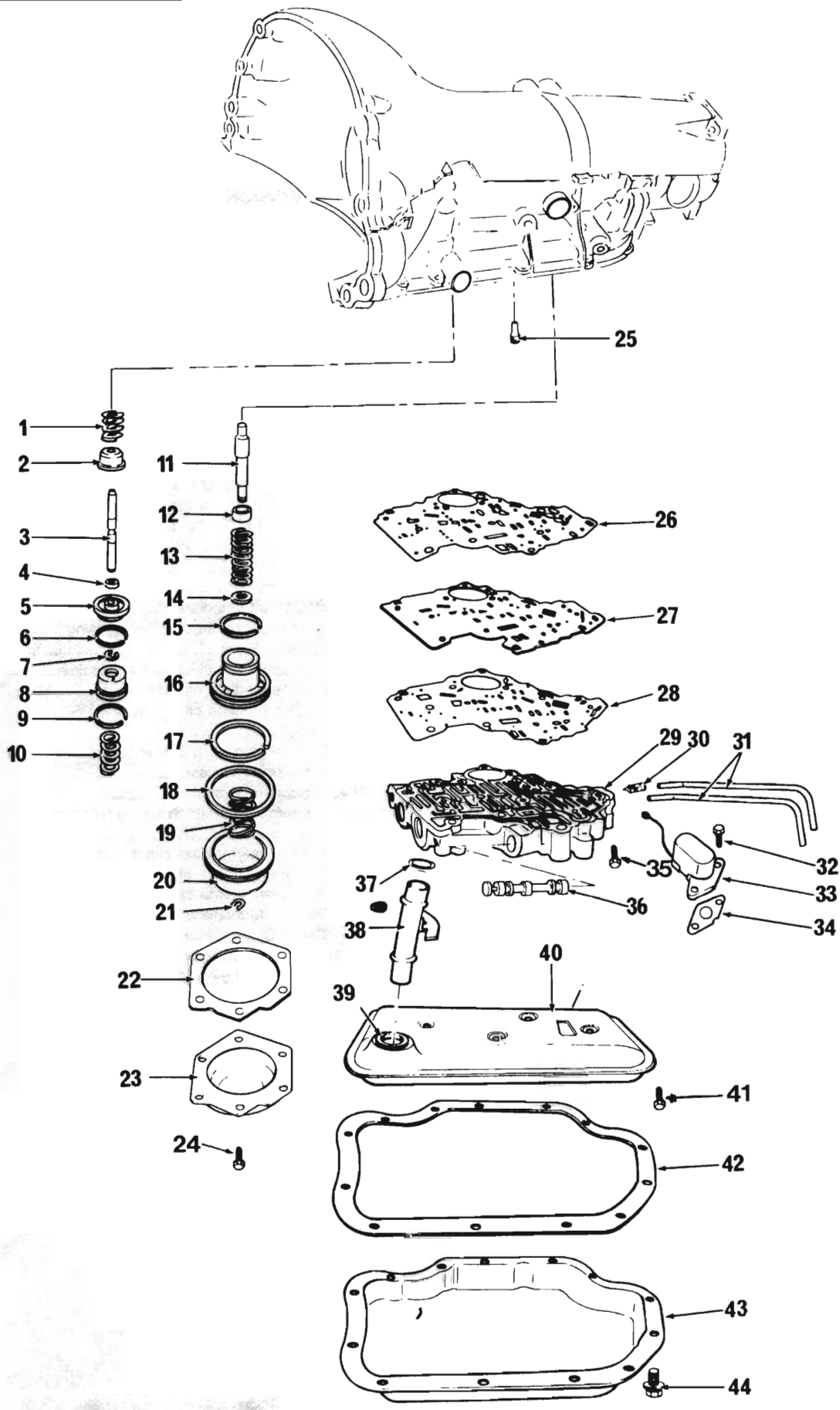


TRANSMISSION PUMP, FORWARD, DIRECT & INTERMEDIATE CLUTCH & CENTRE SUPPORT

400 TURBO HYDRA-MATIC TRANSMISSION

ILLUSTRATION OPPOSITE

REF. NO.	PART NAME	GROUP	REF. NO.	PART NAME	GROUP
1	CONVERTER ASM.....	4.115V	36	RING - Forward & Direct clutch.....	4.164V
2	SEAL ASM. - Pump body.....	4.226V	37	PLATE - Direct clutch backing.....	4.163V
3	BUSH - Pump body.....	4.226V	38	PLATE - Direct clutch drive, Composition.....	4.163V
4	BUSH - Stator shaft, Front & rear.....	4.226V	39	PLATE - Direct clutch driven, Steel.....	4.163V
5	VALVE UNIT - Oil cooler by pass.....	N.S.S.	40	RING - Direct clutch to spring retainer housing..	4.164V
6	PUMP ASM. - Use components.....	4.226V	41	RETAINER - Direct clutch spring.....	4.164V
7	BUSH - Stator shaft, Front & rear.....	4.226V	42	SPRING - Direct clutch piston release.....	4.164V
8	WASHER - Oil pump cover to forward clutch housing thrust.....	4.169V	43	PISTON ASM. - Direct clutch.....	4.166V
9	RING - Pump to forward clutch housing oil seal.....	4.226V	44	SEAL KIT - Forward & direct clutch piston.....	4.166V
10	BOLT & WASHER- Pump to case.....	4.226V	45	HOUSING & RACE - Direct clutch.....	4.169V
11	GASKET - Pump to case.....	4.226V	46	BUSH - Intermediate clutch.....	4.168V
12	'O' RING - Pump to case.....	4.226V	47	ROLLER ASM.	4.167V
13	SHAFT - Turbine.....	4.123V	48	RACE - Clutch outer.....	4.168V
14	PIN - Plug retaining.....	4.226V	49	RETAINER - Intermediate clutch piston.....	4.167V
15	VALVE & PLUG ASM. - Pressure regulator.....	4.226V	50	RING - Retainer to direct clutch housing.....	4.167V
16	SPACER - Regulator spring.....	4.226V	51	BAND ASM. - Front.....	4.251V
17	WASHER - Regulator spring retaining.....	4.226V	52	RING - Intermediate clutch spring retainer.....	4.164V
18	SPRING - Regulator.....	4.226V	53	PLATE - Intermediate clutch backing.....	4.163V
19-20	BUSH & VALVE - Modulator booster.....	4.226V	54	PLATE - Intermediate clutch drive - Composition.....	4.163V
21	RING - Regulator bush retaining.....	4.226V	55	PLATE - Intermediate clutch reaction.....	4.163V
22	BOLT & WASHER - Oil pump to case.....	4.226V	56	RING - Support to case.....	4.162V
23	HOUSING ASM. - Forward clutch.....	4.169V	57	RING - Support oil seal.....	4.162V
24	SEAL KIT - Forward & direct clutch piston.....	4.166V	58	RING - Intermediate clutch spring retainer to support.....	4.164V
25	PISTON - Forward clutch.....	4.166V	59	RETAINER - Intermediate clutch spring.....	4.164V
26	SPRING - Forward clutch piston release.....	4.164V	60	SPRING - Intermediate clutch piston release.....	4.164V
27	RETAINER - Forward clutch spring.....	4.164V	61	PISTON - Intermediate clutch.....	4.166V
28	RING - Forward clutch to retainer housing.....	4.164V	62	SEAL KIT - Intermediate clutch piston.....	4.166V
29	PLATE - Forward clutch driven, Wave.....	4.163V	63	SUPPORT ASM. - Centre with race & plug.....	4.162V
30	PLATE - Forward clutch driven, Steel.....	4.163V	64	WASHER - Support to reaction drum thrust.....	4.162V
31	PLATE - Forward clutch driven, Composition.....	4.163V	65	ROLLER ASM. - Low clutch.....	4.180V
32	WASHER - Forward clutch housing to hub, Thrust.....	4.164V	66	BOLT - Case to support.....	4.162V
33	HUB - Forward clutch.....	4.164V	67	PLATE - Intermediate clutch reaction, Wave.....	4.163V
34	WASHER - Forward clutch hub to direct clutch hub, Thrust.....	4.164V	68	BUSH - Centre support.....	4.162V
35	HUB - Direct clutch drive.....	4.164V	69	PLATE - Direct clutch driven, Wave.....	4.163V
			70	SPACER - Support to case.....	4.162V



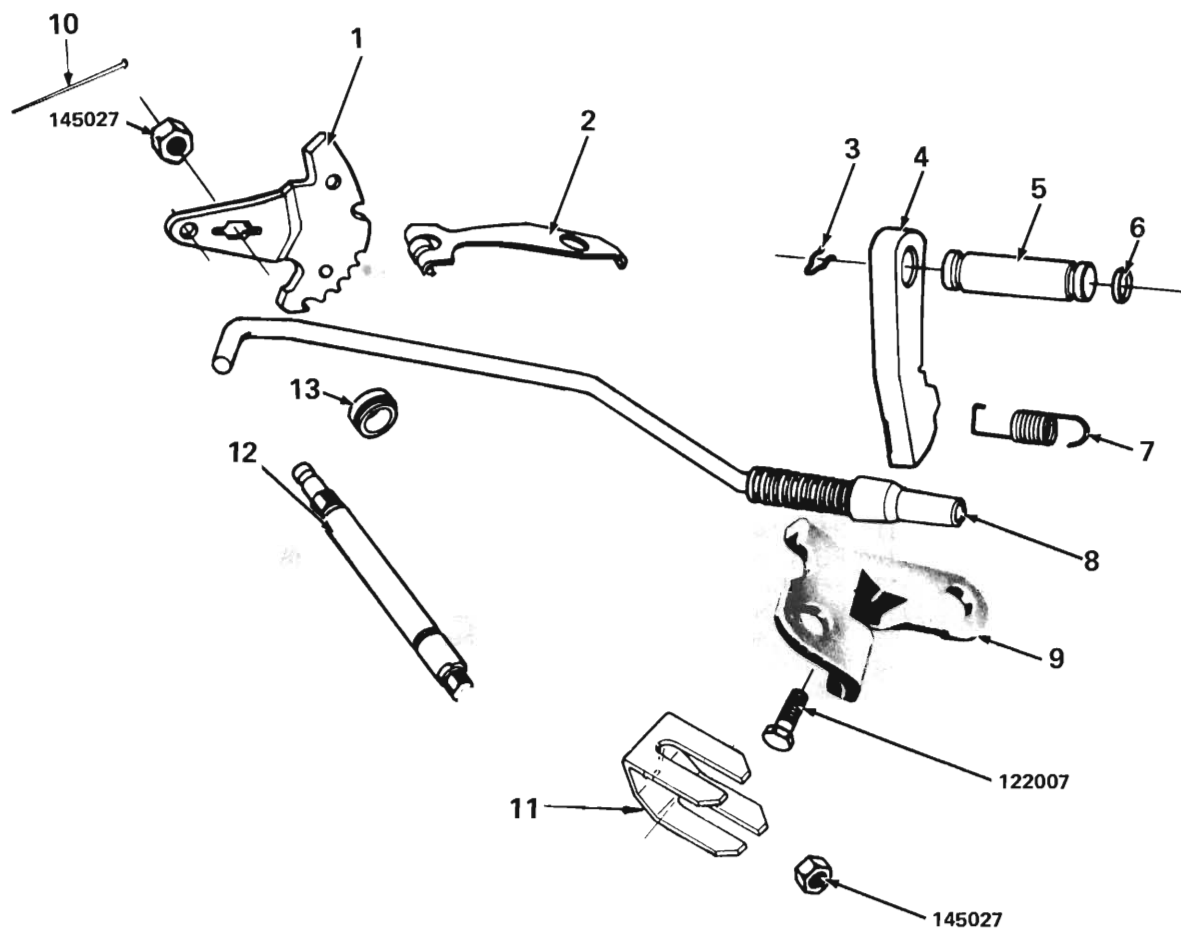


TRANSMISSION SERVO ACCUMULATOR & VALVE BODY

400 TURBO HYDRA-MATIC TRANSMISSION

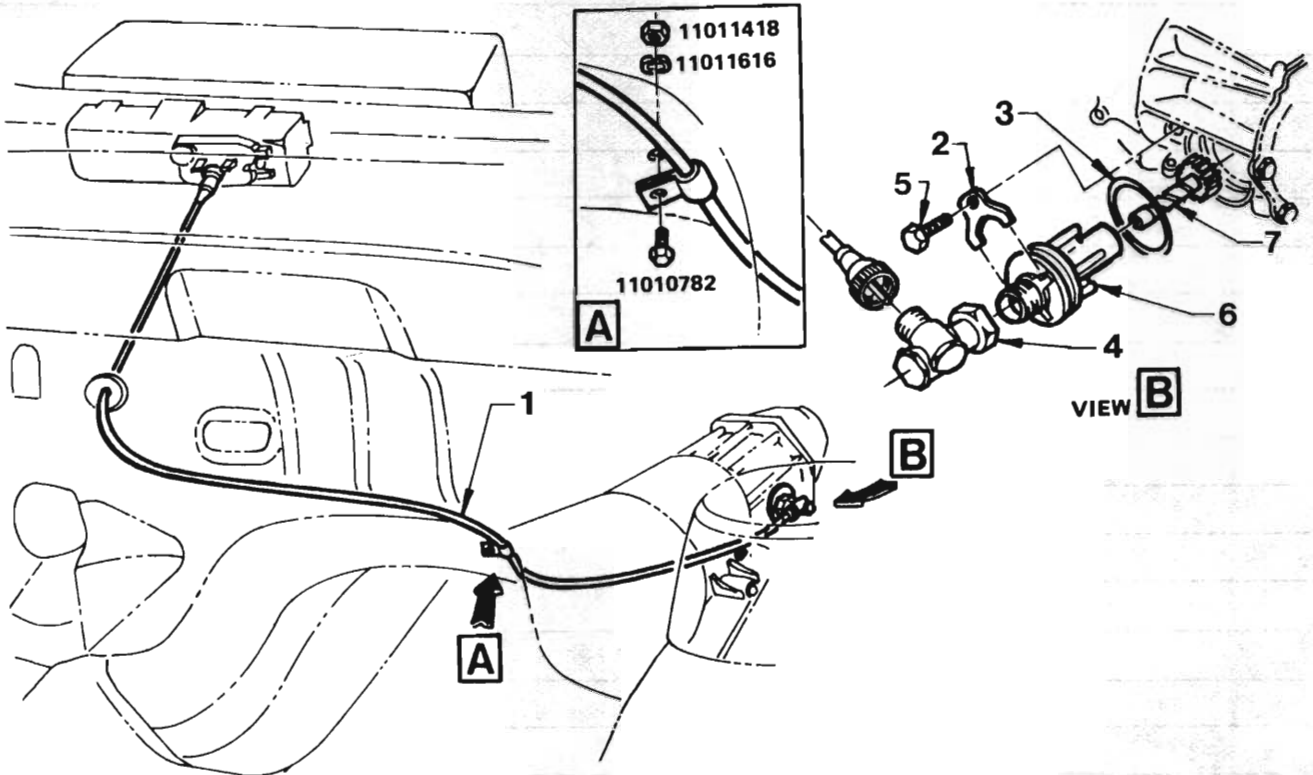
ILLUSTRATION OPPOSITE

REF. NO.	PART NAME	GROUP
1	SPRING - Front servo piston.....	4.233V
2	RETAINER - Front servo spring.....	4.233V
3	PIN - Front servo piston.....	4.228V
4	RING - Front servo spring retaining.....	4.233V
5	PISTON - Front servo.....	4.228V
6	RING - Front servo piston oil seal.....	4.229V
7	RING - Front accumulator piston retaining.....	4.233V
8	PISTON - Front accumulator.....	4.228V
9	RING - Front accumulator piston oil seal.....	4.229V
10	SPRING - Front accumulator piston.....	4.233V
11	PIN - Rear band apply.....	4.241V
12	RETAINER - Rear servo piston spring.....	4.246V
13	SPRING - Rear servo.....	4.246V
14	WASHER - Rear servo piston.....	4.241V
15	RING - Accumulator piston oil seal, Inner.....	4.242V
16	PISTON - Rear servo accumulator.....	4.241V
17	RING - Accumulator piston oil seal, Outer.....	4.242V
18	SEAL - Rear servo piston.....	4.242V
19	SPRING - Rear accumulator.....	4.246V
20	PISTON - Rear servo.....	4.241V
21	RING - Rear servo piston retaining - Snap.....	4.246V
22	GASKET - Rear servo cover.....	4.241V
23	COVER - Rear servo.....	4.241V
24	BOLT - Rear servo cover.....	4.241V
25	BOLT - Case to support.....	4.162V
26	GASKET - Spacer plate to case.....	4.265V
27	PLATE - Valve body spacer.....	4.265V
28	GASKET - Spacer plate to valve body.....	4.265V
29	VALVE BODY ASM. - Oil control.....	4.265V
30	SCREEN ASM. - Governor oil.....	4.248V
31	PIPE - Governor oil.....	4.248V
32	BOLT - Solenoid to case.....	N.S.
33	SOLENOID ASM.....	4.265V
34	GASKET - Solenoid valve.....	4.265V
35	BOLT - Valve body to case.....	N.S.
36	VALVE - Manual control.....	4.265V
37	SEAL - 'O' Ring, Filter pipe.....	4.197V
38	PIPE ASM. - Filter intake.....	4.197V
39	GROMMET - Filter pipe.....	4.197V
40	FILTER ASM.....	4.197V
41	BOLT - Filter to case.....	4.197V
42	GASKET - Oil pan.....	4.196V
43	PAN - Transmission oil.....	4.195V
44	SCREW & WASHER - Oil pan to case.....	4.196V



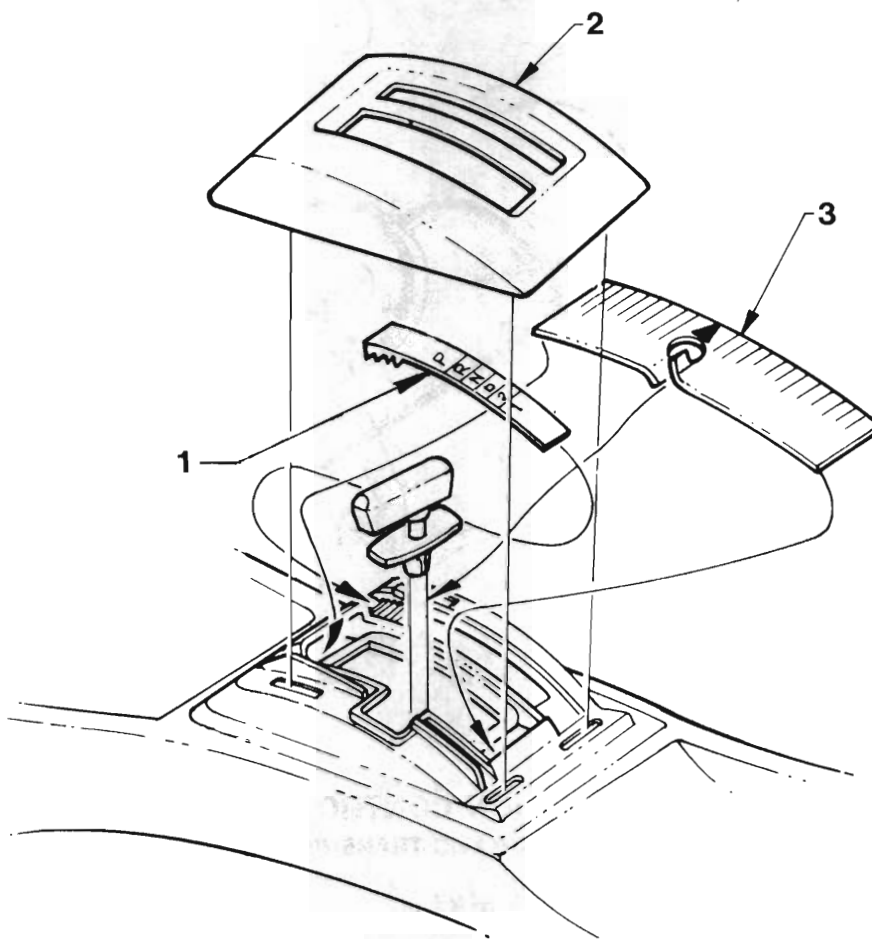
**TRANSMISSION PARKING BRAKE & INSIDE DETENT
400 TURBO HYDRA-MATIC TRANSMISSION**

REF. NO.	PART NAME	GROUP
1	LEVER & PIN ASM.	4.279V
2	ROLLER & SPRING	4.293V
3	RETAINER - Pawl to shaft.....	4.294V
4	PAWL.....	4.294V
5	SHAFT & PLUG KIT - Pawl	4.294V
6	PLUG - Pawl shaft bore hole.....	4.294V
7	SPRING - Return	4.295V
8	ACTUATOR ASM.....	4.290V
9	BRACKET.....	4.290V
10	PIN - Nut to shaft.....	4.275V
11	LEVER - Transmission external control	4.045V
12	SHAFT	4.275V
13	SEAL - Manual shaft.....	4.282V



**SPEEDOMETER CABLE
400 TURBO HYDRA-MATIC TRANSMISSION**

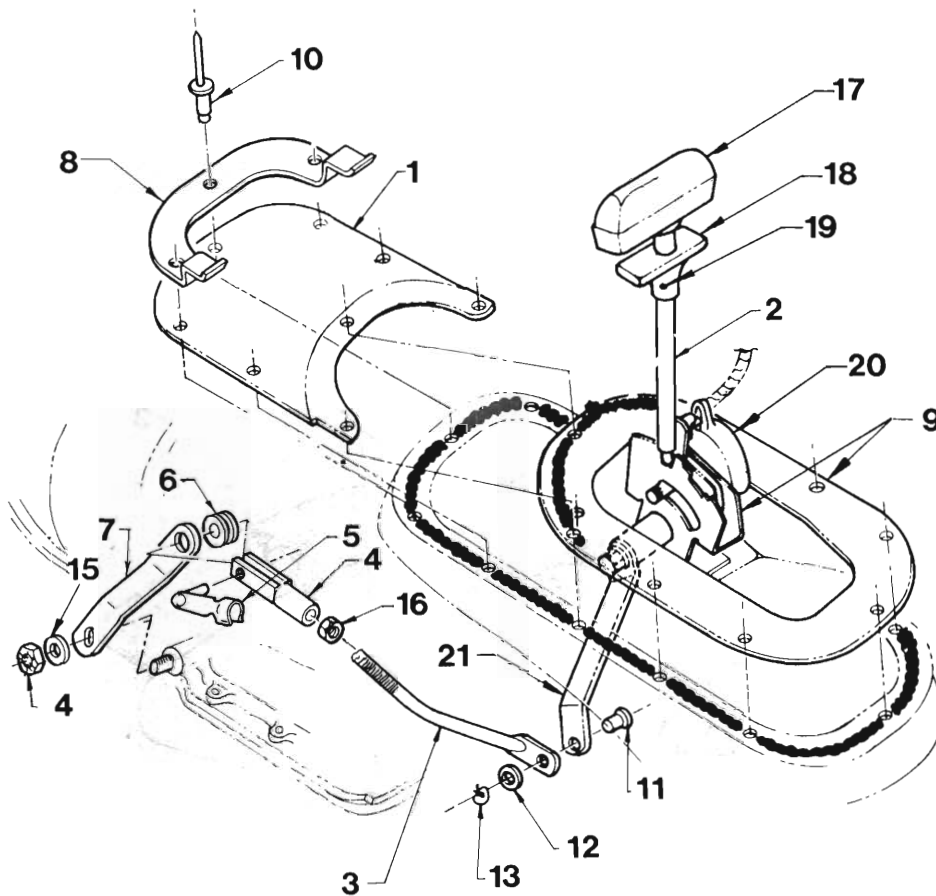
REF. NO.	PART NAME	GROUP
1	CABLE & CASING ASM.....	4.342V
2	RETAINER - Sleeve.....	4.338V
3	SEAL - Driven gear sleeve.....	4.338V
4	DRIVE ASM. - Speedometer cable.....	4.337V
5	BOLT - Sleeve retainer.....	4.338V
6	SLEEVE & SEAL ASM.....	4.338V
7	GEAR - Speedometer driven.....	4.337V



CONSOLE

350 TURBO HYDRA-MATIC TRANSMISSION

REF. NO.	PART NAME	GROUP
1	INDICATOR - Transmission control	4.020W
2	COVER - Console.....	10.240
3	SLIDE ASM. - Transmission control	4.020W

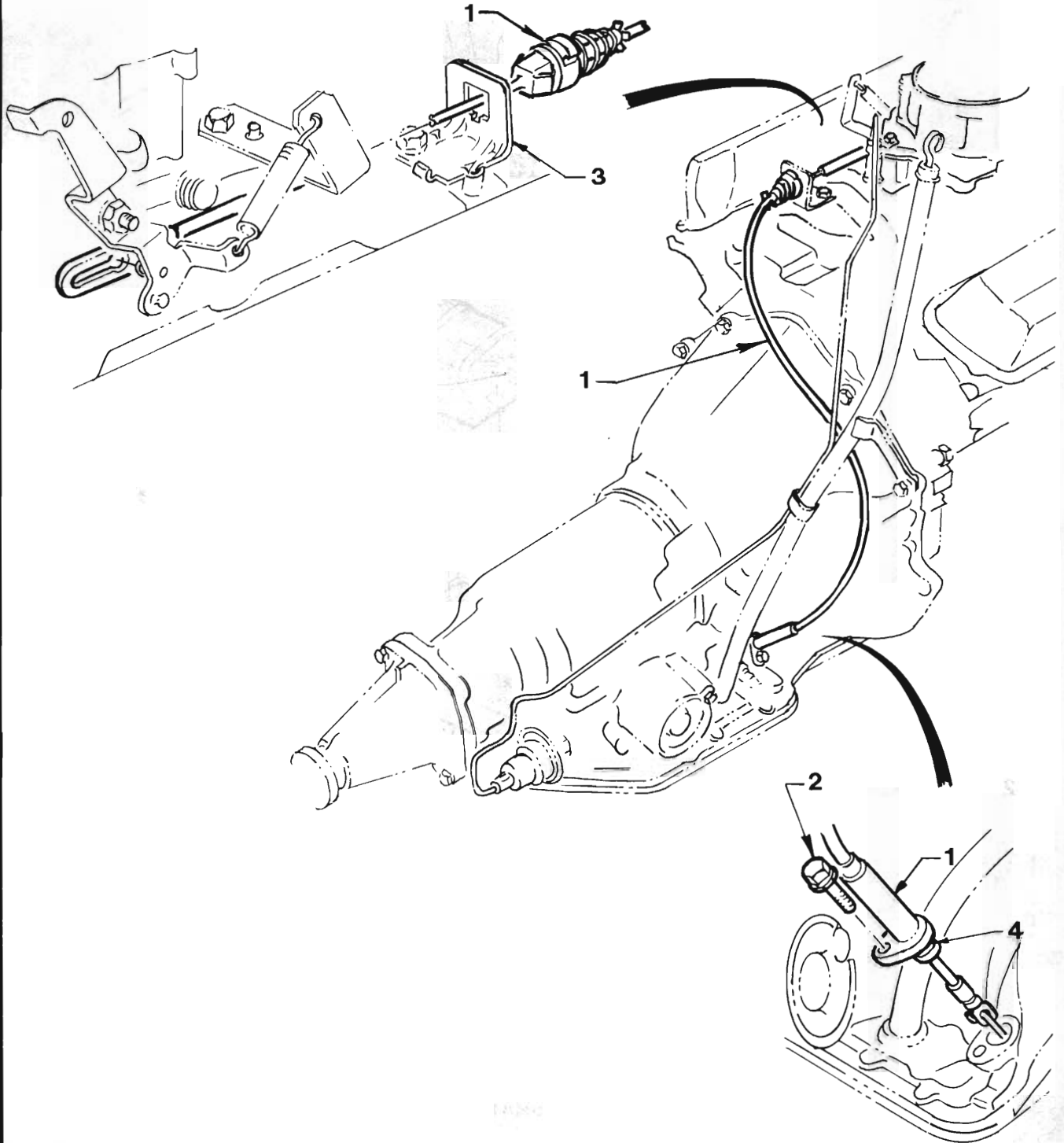


**TRANSMISSION CONTROLS
350 TURBO HYDRA-MATIC TRANSMISSION**

REF. NO.	PART NAME	GROUP
1	COVER - Lever cut out.....	4.010W
2(AB)	LEVER, GATE & HANDLE ASM.....	4.004W
3	ROD ASM.....	4.035W
4	YOKE END - Rod to external lever.....	4.035W
5	BOLT - Rod to external lever, Safety.....	4.037W
6	BUSH - Rod to external lever.....	4.037W
7	LEVER - Transmission external control.....	4.045W
8	BRACKET - Front console mounting.....	10.240
9(B)	GATE & SUPPORT ASM.....	4.010W
10	RIVET - Cover to floor.....	4.010W
11	PIN - Rod to lower lever.....	4.037W
12	WASHER - Rod to lower lever.....	4.037W
13	RETAINER - Rod to lower lever.....	4.037W
14	NUT - Lever to transmission.....	4.045W
15	WASHER - Lever to transmission.....	4.045W
16	NUT - Yoke end to control rod.....	4.035W
17(AB)	HANDLE - Lever upper.....	4.006W
18(AB)	HANDLE - Lever lower.....	N.S.S.
19(AB)	PIN - Lower handle to lever.....	4.006W
20(B)	SWITCH & HARNESS ASM. - Neutral starting....	4.054W
21(B)	LEVER - Lower.....	4.006W

NOTE:- (A Part of Lever & Handle Asm. Refer 4.006W

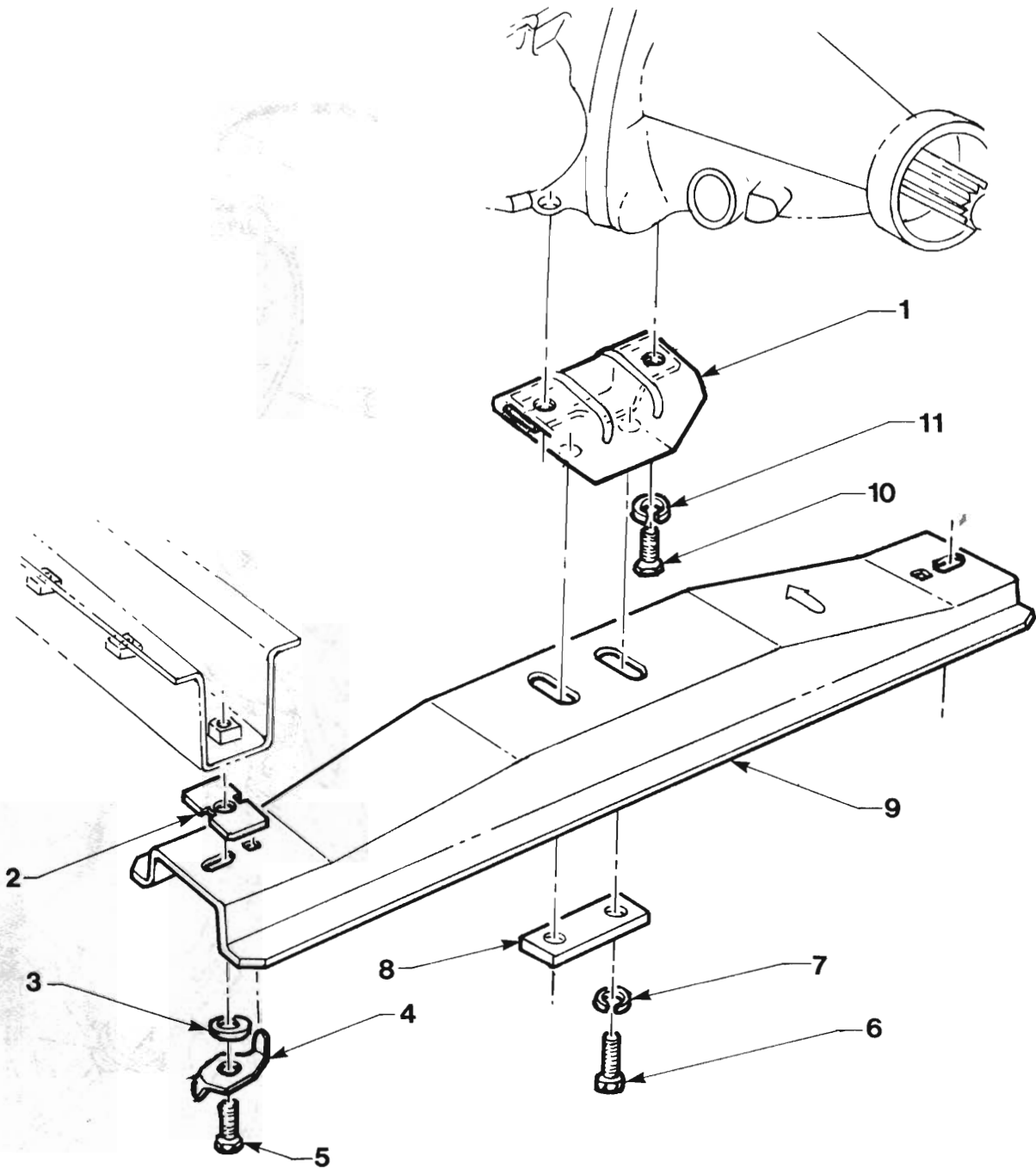
(B Part of Lever, Gate & Handle Asm. Refer 4.004W



DETENT CABLE

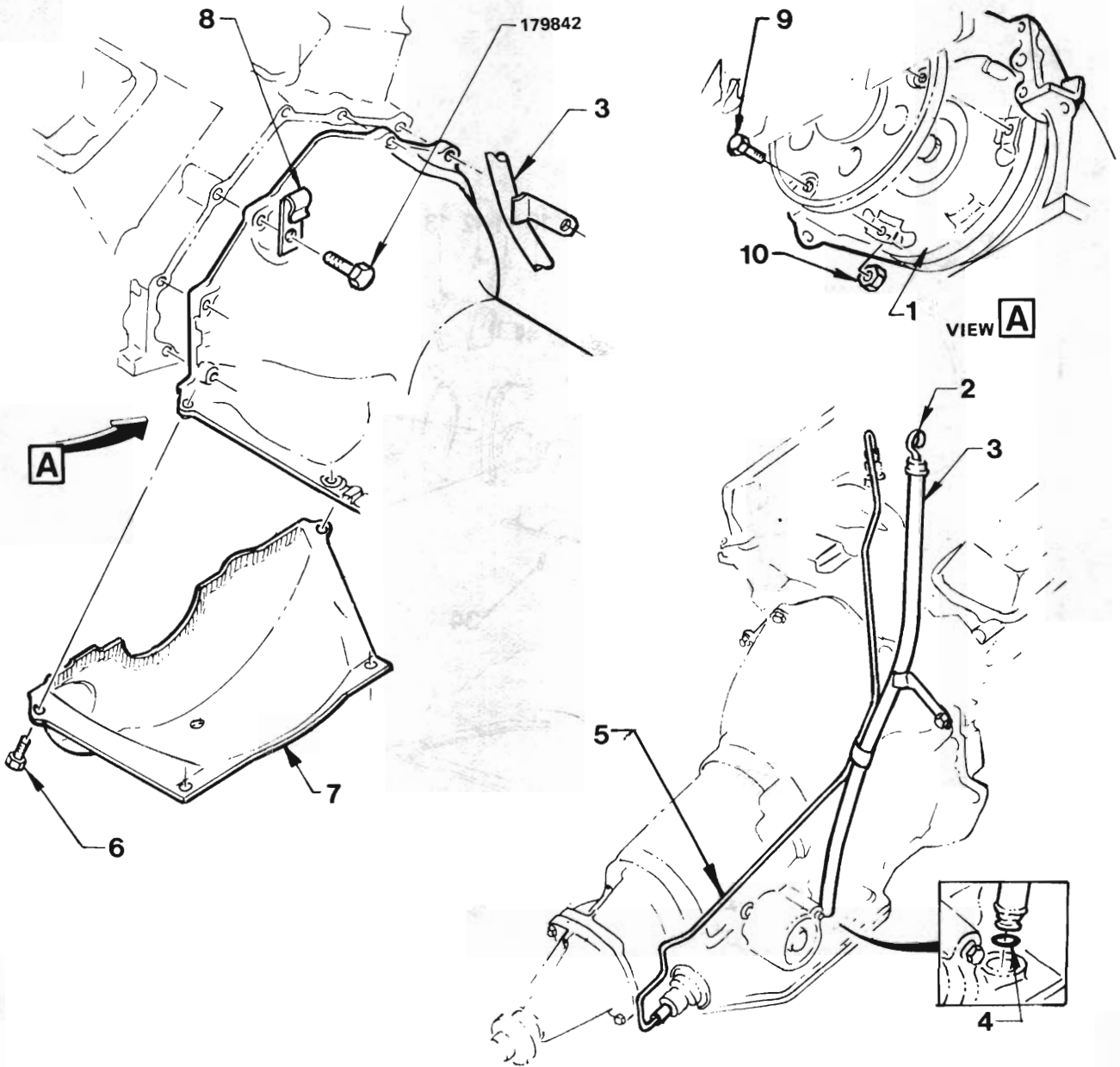
350 TURBO HYDRA-MATIC TRANSMISSION

REF. NO.	PART NAME	GROUP
1	CABLE - Detent actuating	4.050W
2	SCREW & WASHER ASM. - Detent cable.....	4.050W
3	BRACKET - Cable to engine manifold	4.050W
4	SEAL - Detent cable to transmission	4.050W



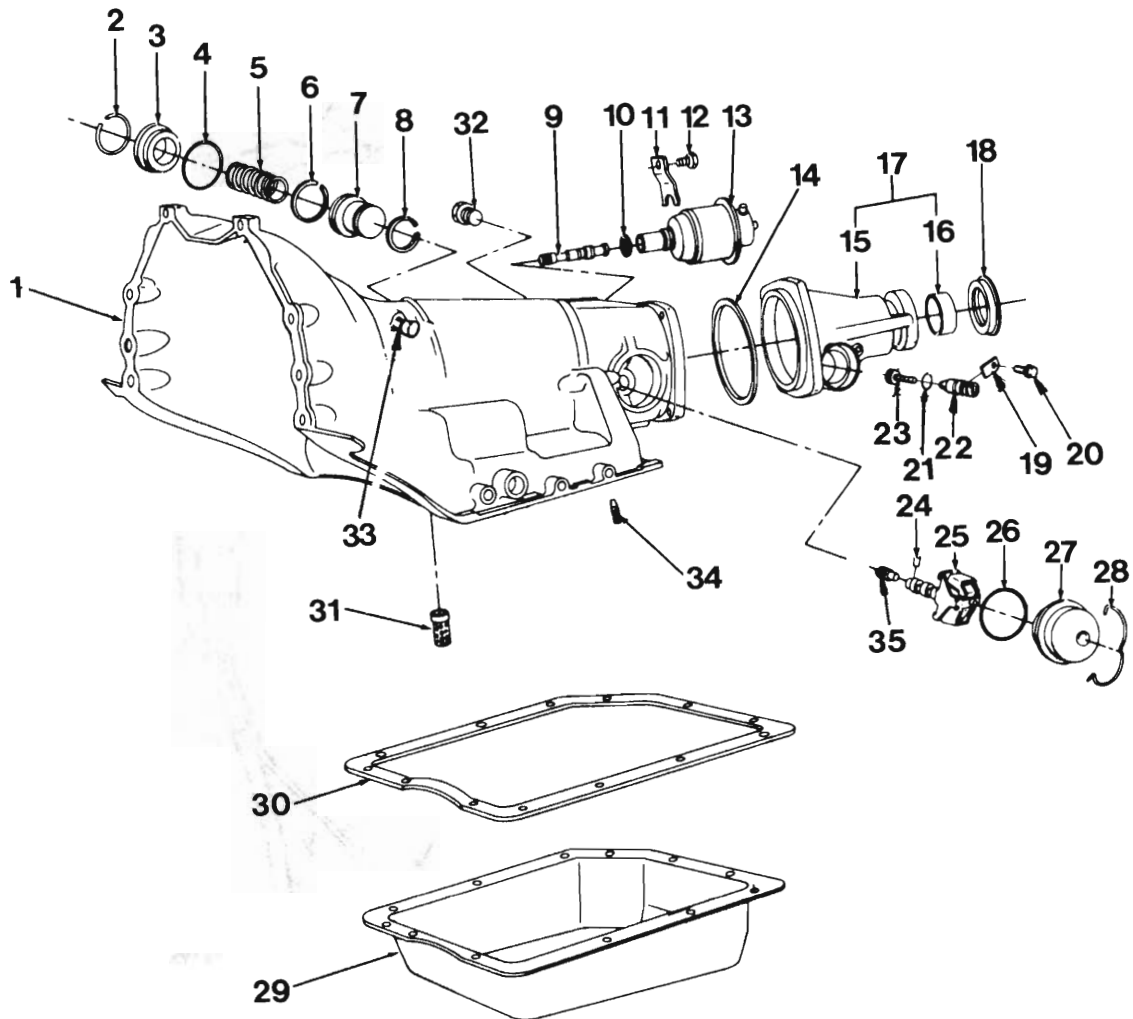
**TRANSMISSION MOUNTING
350 TURBO HYDRA-MATIC TRANSMISSION**

REF. NO.	PART NAME	GROUP
1	MOUNTING ASM.....	4.081W
2	SPACER - Support to underbody.....	4.081W
3	WASHER - Flat, Support to underbody	4.081W
4	PLATE - Locking, Support to underbody	4.081W
5	BOLT - Support to underbody	4.081W
6	BOLT - Mounting to support.....	4.085W
7	WASHER - Mounting to support	4.085W
8	SPACER - Mounting to support.....	4.085W
9	SUPPORT - Transmission rear mounting.....	4.081W
10	BOLT - Mounting to transmission	4.085W
11	WASHER - Mounting to transmission.....	4.085W



TRANSMISSION CONVERTER, OIL FILLER & MODULATOR PIPE
350 TURBO HYDRA-MATIC TRANSMISSION

REF. NO.	PART NAME	GROUP
1	CONVERTER ASM.....	4.115W
2	INDICATOR ASM. - Transmission oil level.....	4.133W
3	TUBE - Transmission oil filler.....	4.133W
4	SEAL - Tube to transmission.....	4.133W
5	PIPE - Transmission modulator.....	4.205W
6	SCREW - Cover to converter housing.....	0.679T
7	COVER - Lower.....	0.679T
8	CLIP - Harness to converter housing.....	2.559
9	BOLT - Converter to drive plate.....	4.115W
10	NUT - Converter to drive plate.....	4.115W



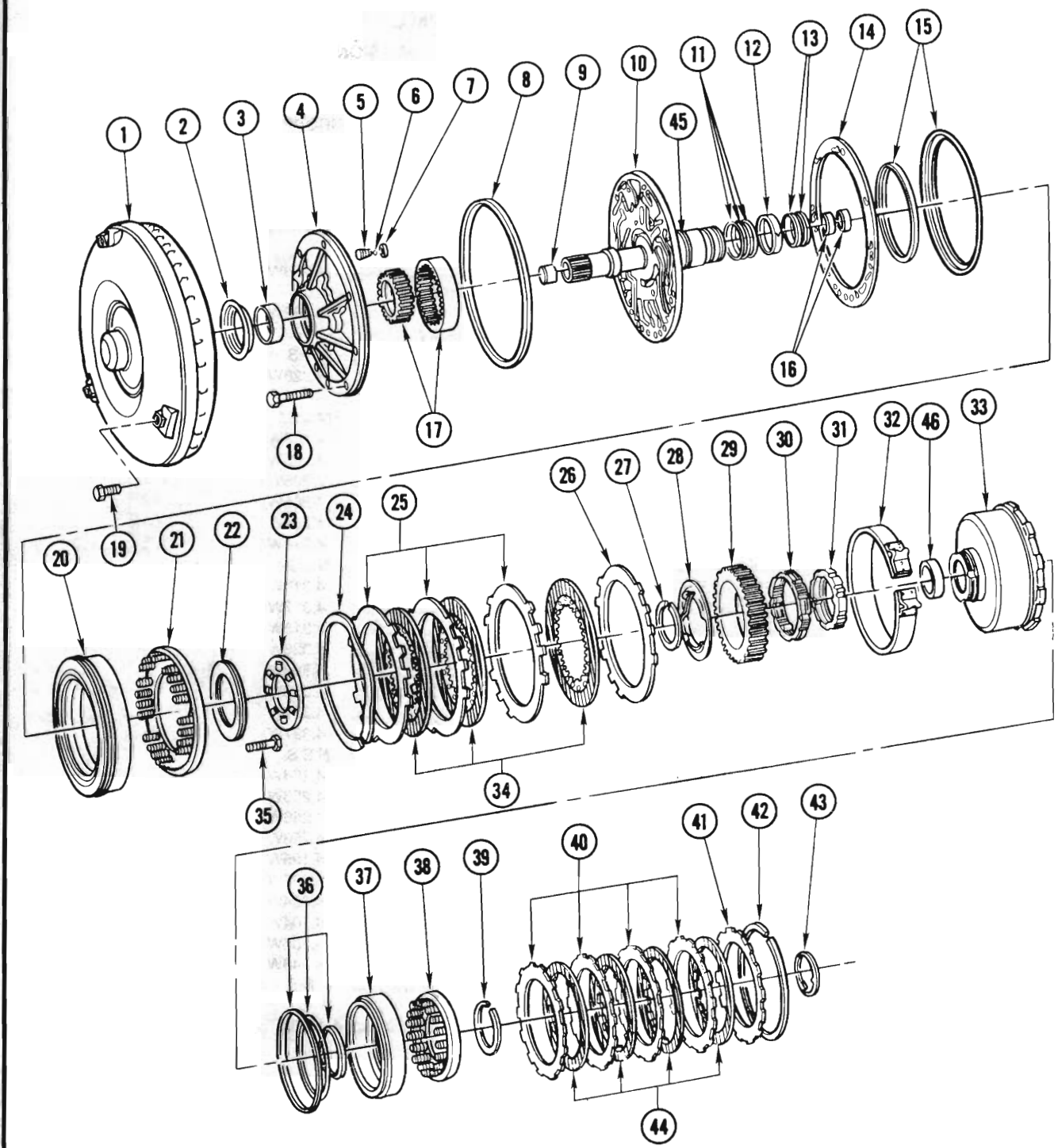


**TRANSMISSION CASE, EXTENSION, ACCUMULATOR & GOVERNOR
350 TURBO HYDRA-MATIC TRANSMISSION**

ILLUSTRATION OPPOSITE

REF. NO.	PART NAME	GROUP
1	CASE ASM.....	4.103W
2	RETAINER - Intermediate clutch accumulator piston cover.....	4.228W
3	COVER - Intermediate clutch accumulator piston.....	4.228W
4	SEAL - Intermediate clutch accumulator piston cover.....	4.228W
5	SPRING - Intermediate clutch accumulator piston.....	4.233W
6(A)	SEAL - Intermediate clutch accumulator piston, Outer.....	N.S.S.
7	PISTON - Intermediate clutch accumulator.....	4.228W
8(A)	SEAL - Intermediate clutch accumulator piston, Inner.....	N.S.S.
9	VALVE - Vacuum modulator.....	4.205W
10	RING - Modulator seal.....	4.205W
11	RETAINER - Modulator.....	4.205W
12	BOLT - Modulator.....	4.205W
13	MODULATOR ASM.....	4.205W
14	SEAL - Extension housing to case.....	4.318W
15	HOUSING ASM.....	N.S.S.
16	BUSH - Extension housing.....	4.319W
17	HOUSING & BUSH ASM.....	4.317W
18	SEAL - Extension housing, Oil.....	4.318W
19	RETAINER - Sleeve.....	4.338W
20	BOLT - Retainer.....	4.338W
21	SEAL - Sleeve.....	4.338W
22	SLEEVE & SEAL ASM.....	4.338W
23	GEAR - Speedometer driven.....	4.337W
24	PIN - Governor weight.....	N.S.S.
25	GOVERNOR ASM.....	4.256W
26	SEAL - Governor cover.....	4.256W
27	COVER - Governor.....	4.256W
28	RETAINER - Governor cover.....	4.256W
29	PAN - Transmission oil.....	4.195W
30	GASKET - Transmission oil pan.....	4.196W
31	SCREEN - Oil pump pressure.....	4.224W
32	PLUG - Pressure.....	4.104W
33	VENT ASM.....	4.104W
34	SCREEN - Governor pressure.....	4.248W
35	PIN - Governor locating.....	N.S.

NOTE:- (A Parts included in Seal Kit. Refer Group 4.166W)

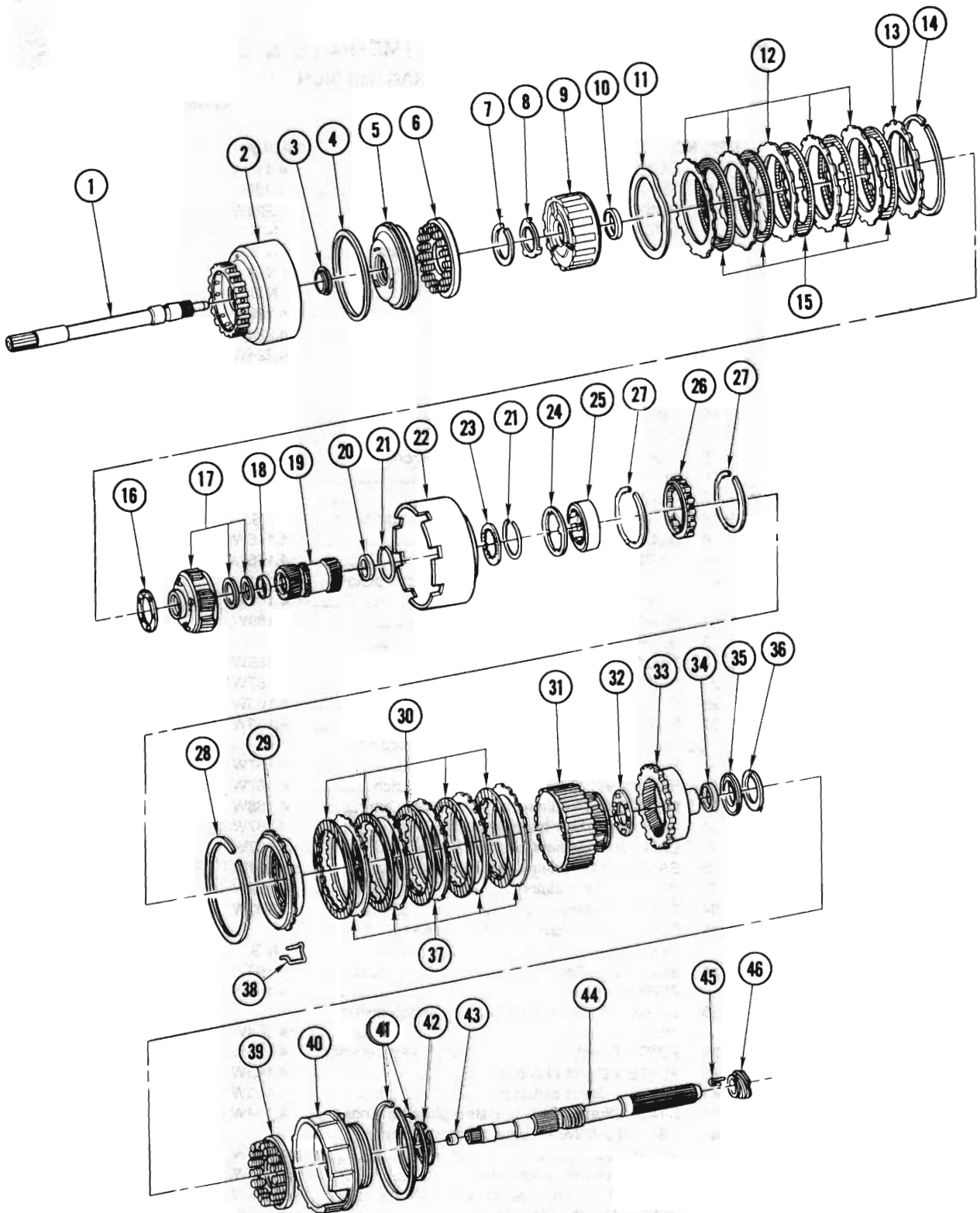




**TRANSMISSION CONVERTER, PUMP, INTERMEDIATE & DIRECT CLUTCH
350 TURBO HYDRA-MATIC TRANSMISSION**

ILLUSTRATION OPPOSITE

REF. NO.	PART NAME	GROUP
1	CONVERTER ASM. - Transmission.....	4.115W
2	SEAL - Oil pump front.....	4.226W
3	BUSH - Oil pump.....	4.224W
4	BODY ASM. - Oil pump.....	N.S.
5	SPRING - Oil pump cooler by-pass valve.....	N.S.
6	BALL - Oil pump cooler by-pass valve.....	N.S.
7	SEAT - Oil pump cooler by-pass valve.....	N.S.
8	SEAL - Oil pump outer.....	4.226W
9	BUSH - Oil pump stator shaft, Front.....	4.224W
10	COVER, SHAFT & SEAL ASM. - Oil pump.....	4.224W
11	RING - Direct clutch drum oil seal.....	4.167W
12	BUSH - Direct clutch drum.....	4.169W
13	RING - Forward clutch drum oil seal.....	4.167W
14	GASKET - Oil pump to case.....	4.226W
15	SEAL KIT - Intermediate clutch piston.....	4.166W
16	BUSH - Oil pump stator shaft, Rear.....	4.224W
17	GEAR - Oil pump drive & driven.....	N.S.
18	SCREW & WASHER - Oil pump to case.....	N.S.
19	BOLT - Converter to drive plate.....	4.115W
20	PISTON - Intermediate clutch.....	4.166W
21	SPRING & SEAT - Intermediate clutch piston return.....	4.167W
22	SPACER - Direct clutch drum bearing.....	4.169W
23	BEARING ASM. - Direct clutch drum rear, Thrust.....	4.169W
24	SPRING - Intermediate clutch cushion.....	4.167W
25	PLATE - Intermediate clutch reaction.....	4.163W
26	PLATE - Intermediate clutch pressure.....	4.163W
27	RING - Intermediate overrun clutch retainer, Front.....	4.167W
28	RETAINER - Intermediate overrun clutch.....	4.167W
29	RACE - Intermediate overrun clutch, Outer.....	4.168W
30	CLUTCH ASM. - Intermediate overrun.....	4.167W
31	CAM - Intermediate overrun clutch.....	4.167W
32	BAND ASM. - Intermediate overrun brake.....	4.251W
33	DRUM - Direct clutch.....	4.169W
34	PLATE - Intermediate clutch drive.....	4.163W
35	BOLT - Pump cover to body 5/16"-18 x 1-1/2" Hex- lock.....	N.S.
36	SEAL KIT - Direct clutch piston.....	4.166W
37	PISTON - Direct clutch.....	4.166W
38	SPRING & SEAT ASM. - Direct clutch piston return.....	4.164W
39	RING - Direct clutch return spring seat retainer..	4.164W
40	PLATE - Direct clutch driven.....	4.163W
41	PLATE - Direct clutch pressure.....	4.163W
42	RING - Direct clutch pressure plate, retainer.....	4.164W
43	BEARING ASM. - Direct clutch drum rear, Thrust.....	4.169W
44	PLATE - Direct clutch drive.....	4.163W
45	RING - Oil pump cover steady rest.....	4.226W
46	BUSH - Direct clutch drum.....	4.169W





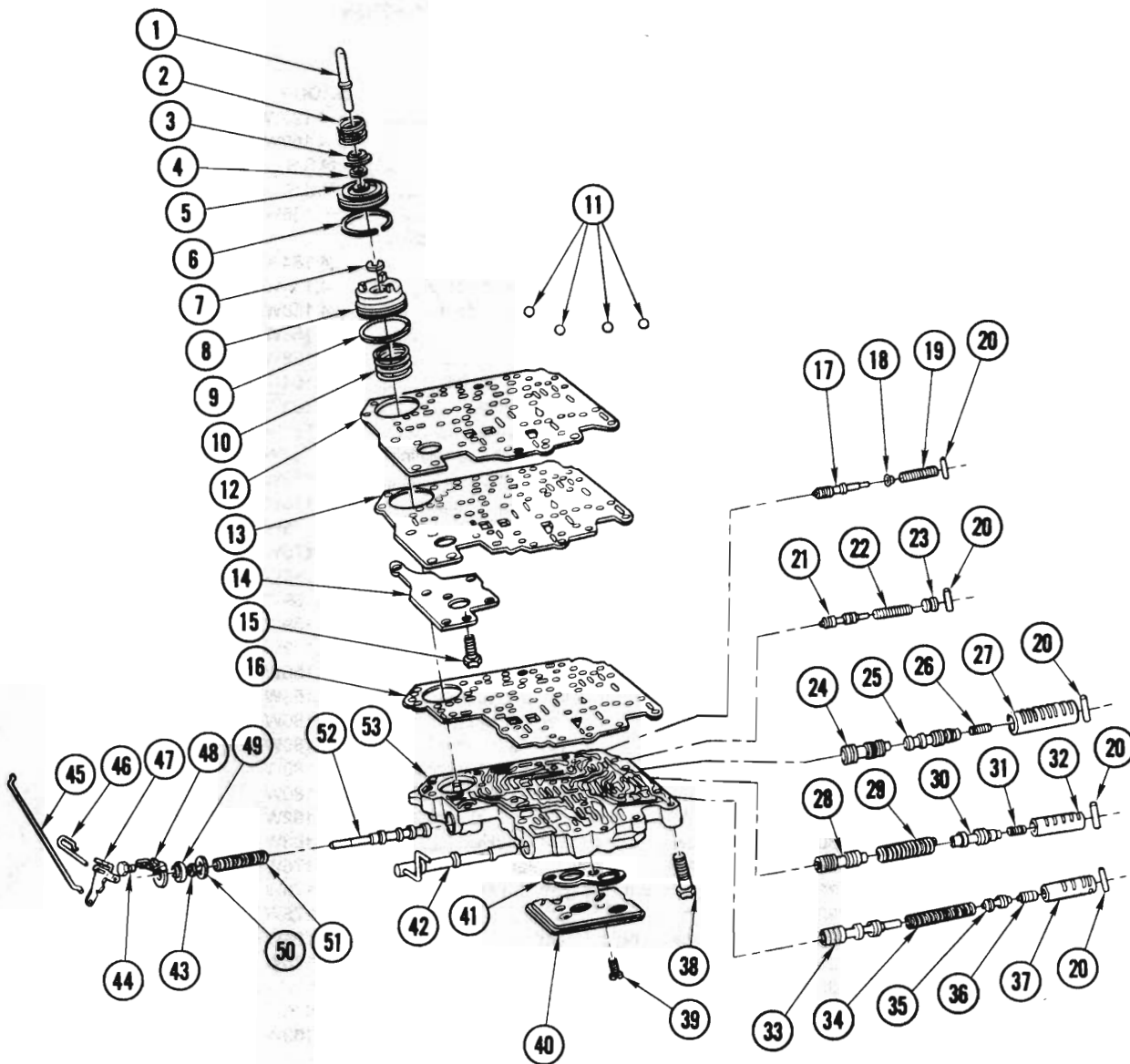
TRANSMISSION MAINSHAFT, FORWARD CLUTCH, LOW & REVERSE CLUTCH & OUTPUT SHAFT

350 TURBO HYDRA-MATIC TRANSMISSION

ILLUSTRATION OPPOSITE

REF. NO.	PART NAME	GROUP
1	SHAFT - Transmission input.....	4.123W
2	HOUSING ASM. - Forward clutch.....	4.169W
3(A)	SEAL - Forward clutch piston, Inner.....	N.S.S.
4(A)	SEAL - Forward clutch piston, Outer.....	N.S.S.
5	PISTON - Forward clutch.....	4.166W
6	SPRING & SEAT ASM. - Forward clutch piston return.....	4.164W
7	RING - Forward clutch piston return spring seat	4.164W
8	WASHER - Input ring gear thrust, Front.....	4.158W
9	GEAR ASM. - Input ring.....	4.158W
10	BUSH - Input ring gear.....	4.158W
11	SPRING - Forward clutch piston cushion.....	4.164W
12	PLATE ASM. - Forward clutch drive.....	4.163W
13	PLATE - Forward clutch pressure.....	4.163W
14	RING - Forward clutch pressure plate retaining..	4.164W
15	PLATE - Forward clutch driven.....	4.163W
16	BEARING - Output carrier.....	4.176W
17	CARRIER ASM. - Output planet.....	4.175W
18	BUSH - Output shaft.....	4.176W
19	GEAR ASM. - Transmission input sun.....	4.159W
20	BUSH - Sun gear.....	4.159W
21	RING - Sun gear shell retainer.....	4.159W
22	SHELL - Sun gear drive.....	4.159W
23	WASHER - Sun gear thrust.....	4.158W
24	WASHER - Sun gear shell rear.....	4.158W
25	RACE - Low & reverse overrun clutch.....	4.180W
26	CLUTCH ASM. - Low & reverse overrun.....	4.180W
27	RING - Low & reverse overrun clutch retaining..	4.180W
28	RING - Low & reverse clutch support retaining...	4.180W
29	SUPPORT ASM. - Low & reverse clutch.....	4.162W
30	PLATE - Low & reverse clutch drive.....	4.163W
31	CARRIER ASM. - Reaction planet.....	4.175W
32	BEARING - Output ring gear thrust, Front.....	4.176W
33	GEAR - Output ring.....	4.175W
34	BUSH - Case to output shaft.....	4.104W
35	BEARING - Output ring gear thrust, Rear.....	4.176W
36	RING - Low & reverse clutch piston return spring seat retainer.....	N.S.
37	PLATE - Low & reverse clutch reaction.....	4.163W
38	SPRING - Low & reverse clutch support retaining.....	4.180W
39	SEAT ASM. - Low & reverse clutch piston return, With springs.....	N.S.
40	PISTON - Low & reverse clutch.....	4.166W
41	SEAL KIT - Low & reverse clutch piston.....	4.166W
42	RING - Output carrier to output shaft.....	4.176W
43	BUSH - Output shaft.....	4.176W
44	SHAFT ASM. - Output.....	4.175W
45	CLIP - Speedometer drive gear retaining.....	4.343W
46	GEAR - Speedometer drive.....	4.343W

NOTE:- (A Parts included in Seal Kit. Refer Group 4.166W)

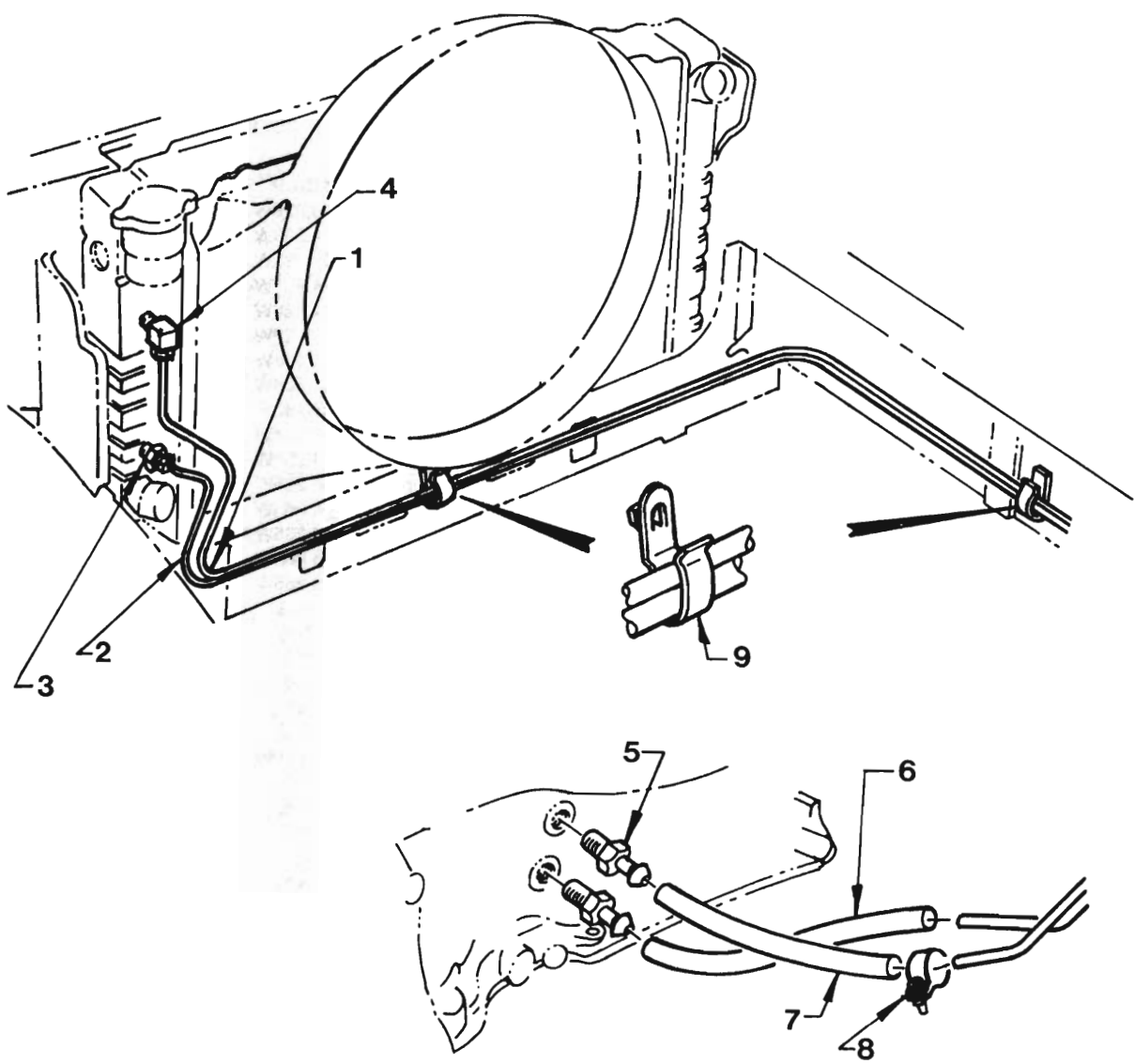




**TRANSMISSION VALVE BODY, SERVO PISTON & ACCUMULATOR PARTS
350 TURBO HYDRA-MATIC TRANSMISSION**

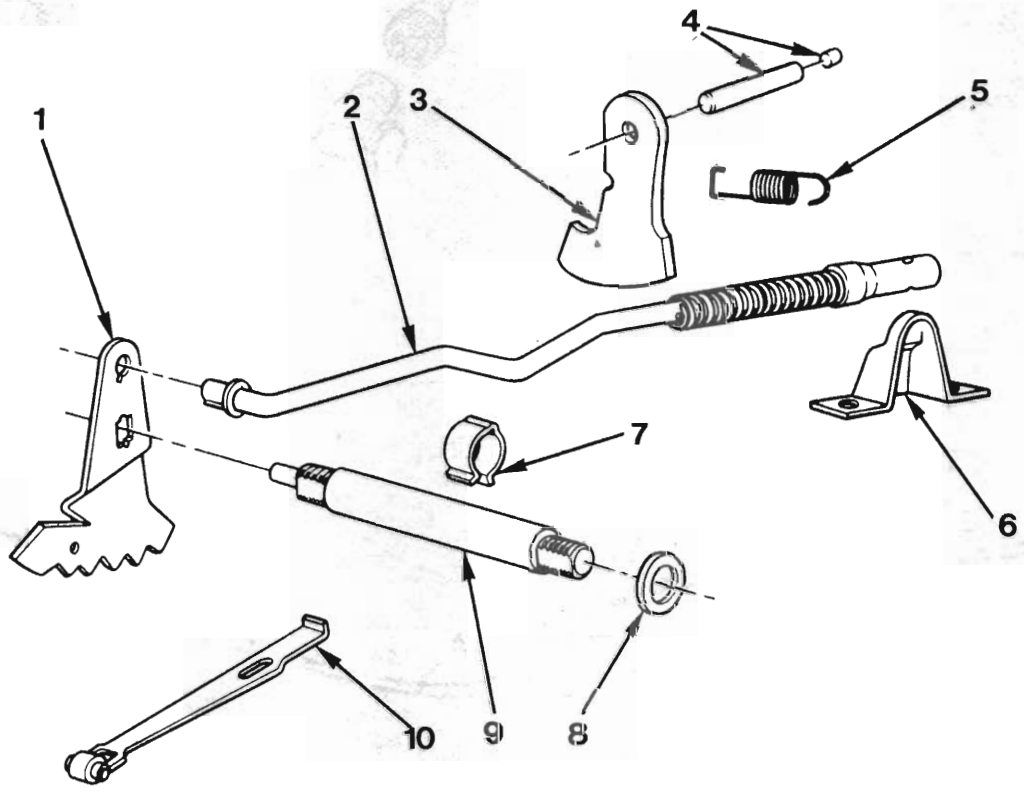
ILLUSTRATION OPPOSITE

REF. NO.	PART NAME	GROUP
1	ROD - Intermediate servo piston apply.....	4.228W
2	SPRING - Intermediate servo piston	4.233W
3	SEAT - Intermediate servo piston spring.....	4.233W
4	WASHER - Intermediate servo piston	4.233W
5	PISTON ASM. - Intermediate servo.....	4.228W
6	SEAL - Intermediate servo piston	4.229W
7	RING - Direct clutch accumulator piston retainer	4.166W
8	PISTON - Direct clutch accumulator.....	4.166W
9	SEAL - Direct clutch accumulator piston.....	4.166W
10	SPRING - Direct clutch accumulator piston	4.164W
11	BALL - Check valve	4.262W
12	GASKET - Valve body spacer plate, Upper	4.265W
13	PLATE - Valve body spacer.....	4.265W
14	SUPPORT - Valve body spacer plate.....	4.265W
15	BOLT - Support to case	4.265W
16	GASKET - Valve body to spacer plate	4.265W
17	VALVE - Detent regulator.....	N.S.
18	SEAT - Detent regulator valve spring.....	N.S.
19	SPRING - Detent regulator valve	N.S.
20	PIN - Detent regulator valve retainer.....	N.S.
21	VALVE - Manual low control.....	N.S.
22	SPRING - Manual low control valve	N.S.
23	PLUG - Manual low control valve	4.265W
24	VALVE - 1-2 shift.....	N.S.
25	VALVE - 1-2 shift control	N.S.
26	SPRING - 1-2 shift control valve.....	N.S.
27	SLEEVE - 1-2 shift control valve	N.S.
28	VALVE - 2-3 shift.....	N.S.
29	SPRING - 2-3 shift valve	N.S.
30	VALVE - 2-3 shift control	N.S.
31	SPRING - 2-3 shift control valve.....	N.S.
32	SLEEVE - 2-3 shift control valve	N.S.
33	VALVE - Pressure regulator	N.S.
34	SPRING - Pressure regulator valve	N.S.
35	VALVE - Modulator & reverse boost valve.....	N.S.
36	VALVE - Intermediate boost valve.....	N.S.
37	SLEEVE - Modulator & reverse boost valve	N.S.
38	BOLT - Valve body to case	4.265W
39	SCREW - Oil pump screen to valve body	4.197W
40	SCREEN - Oil pump suction.....	4.197W
41	GASKET - Oil pump screen.....	4.197W
42	VALVE - Manual	4.265W
43	RETAINER - Detent valve spring.....	4.265W
44	BOLT - Detent lever bracket to body.....	N.S.
45	WIRE - Detent valve control.....	4.275W
46	PIN - Detent valve actuating lever.....	4.275W
47	LEVER - Detent valve actuator	4.279W
48	BRACKET - Detent valve actuating lever	4.279W
49	STOP - Detent valve	N.S.
50	SEAT - Detent valve spring	N.S.
51	SPRING - Detent valve inner.....	4.265W
52	VALVE - Detent.....	N.S.
53	VALVE BODY ASM	4.265W



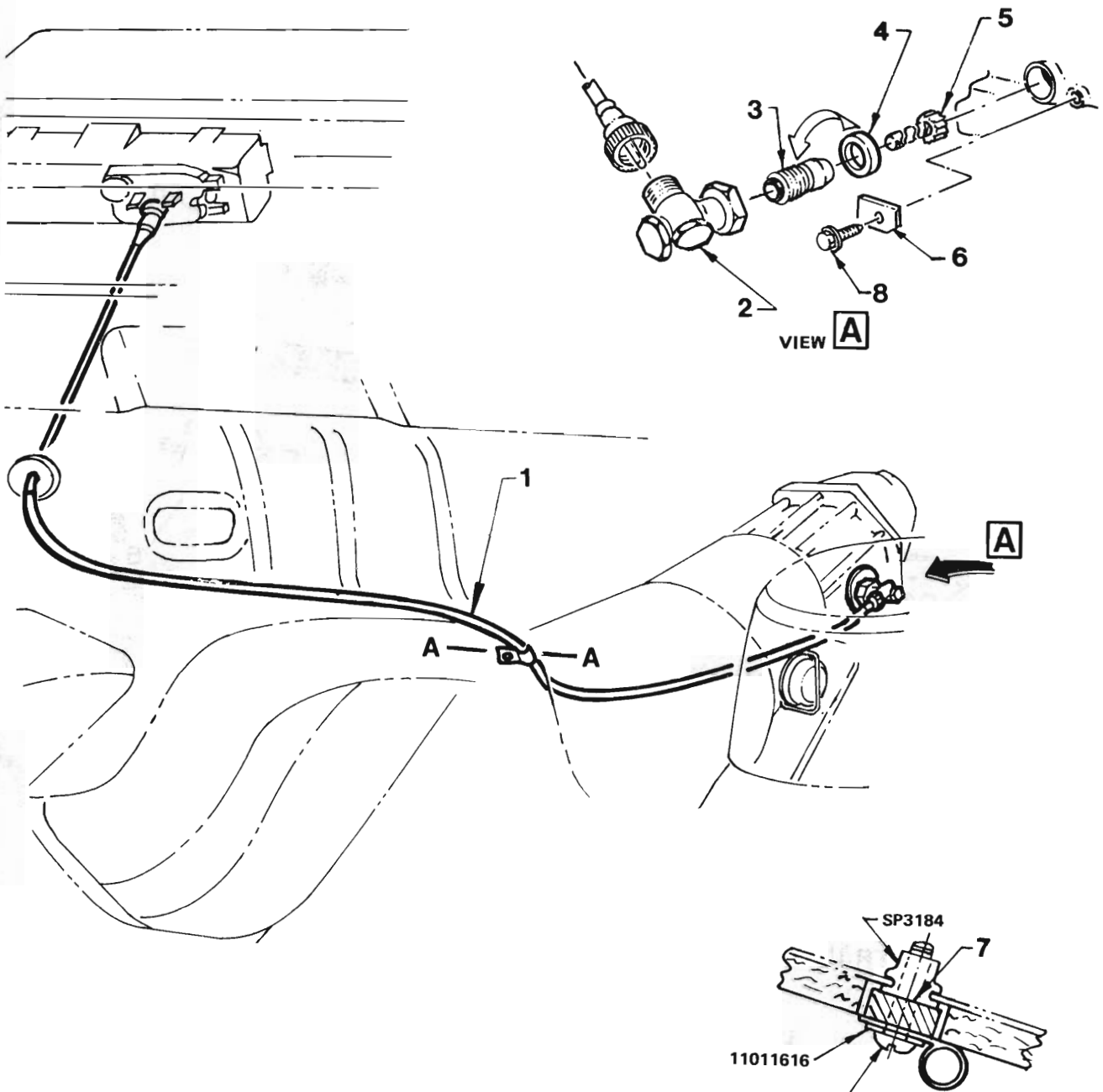
TRANSMISSION OIL COOLER PIPES
350 TURBO HYDRA-MATIC TRANSMISSION

REF. NO.	PART NAME	GROUP
1	PIPE - Outlet.....	4.128W
2	PIPE - Inlet.....	4.128W
3	CONNECTOR - Inlet pipe to radiator	4.128W
4	CONNECTOR - Outlet pipe to radiator	4.128W
5	CONNECTOR - Hose to transmission.....	4.128W
6	HOSE - Outlet pipe to connector.....	4.128W
7	HOSE - Inlet pipe to connector.....	4.128W
8	CLAMP - Hose.....	4.128W
9	CLIP - Pipes to front frame.....	4.128W

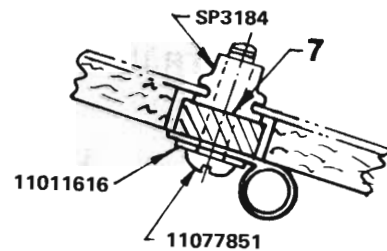


TRANSMISSION PARKING LOCK & RANGE SELECTOR
350 TURBO HYDRA-MATIC TRANSMISSION

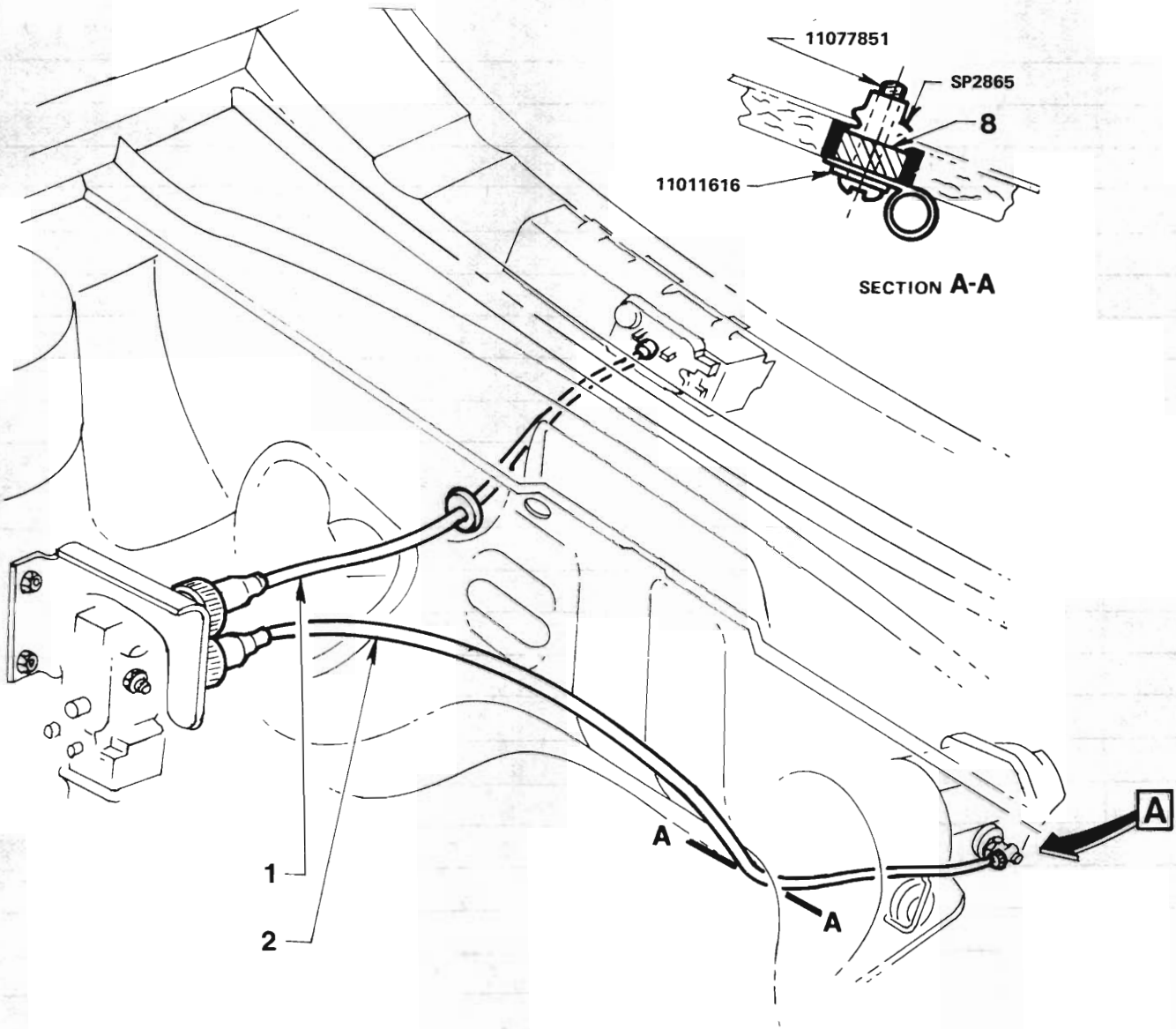
REF. NO.	PART NAME	GROUP
1	LEVER - Inner.....	4.279W
2	ACTUATOR ASM.....	4.290W
3	PAWL.....	4.294W
4	SHAFT & PLUG KIT- Pawl.....	4.294W
5	SPRING - Pawl disengaging.....	4.294W
6	BRACKET - Shaft.....	4.275W
7	RETAINER - Shaft.....	4.275W
8	SEAL - Oil.....	4.282W
9	SHAFT.....	4.275W
10	SPRING & ROLLER - Detent.....	4.293W



SPEEDOMETER CABLE
350 TURBO HYDRA-MATIC TRANSMISSION
EXC. CRUISE CONTROL

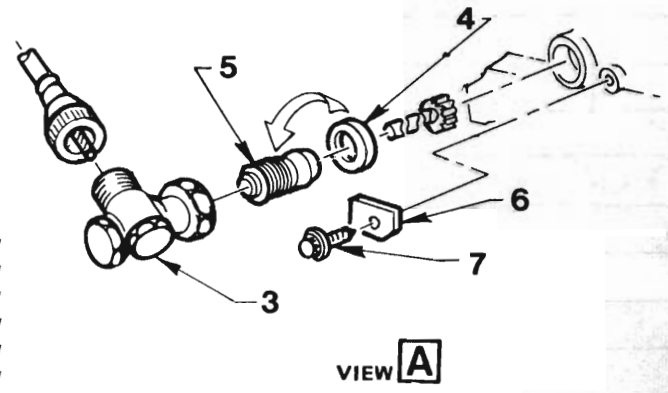


REF. NO.	PART NAME	GROUP
1	CABLE & CASING ASM.....	4.342W
2	DRIVE ASM. - Speedometer cable.....	4.337W
3	SLEEVE & SEAL ASM.....	4.338W
4	SEAL - Sleeve.....	4.338W
5	GEAR - Speedometer driven	4.337W
6	RETAINER - Sleeve	4.338W
7	SPACER - Cable to dash panel	4.342W
8	BOLT - Retainer.....	4.338W



SPEEDOMETER CABLE
350 TURBO HYDRA-MATIC TRANSMISSION
CRUISE CONTROL
VC, VH SERIES

REF. NO.	PART NAME	GROUP
1	CABLE & CASING - Speedometer to transducer	4.342W
2	CABLE & CASING - Transducer to transmission	4.342W
3	DRIVE ASM. - Speedometer cable.....	4.337W
4	SEAL - Sleeve.....	4.338W
5	SLEEVE & SEAL ASM.....	4.338W
6	RETAINER - Sleeve.....	4.338W
7	BOLT - Retainer.....	4.338W
8	SPACER - Cable to dash panel.....	4.342W



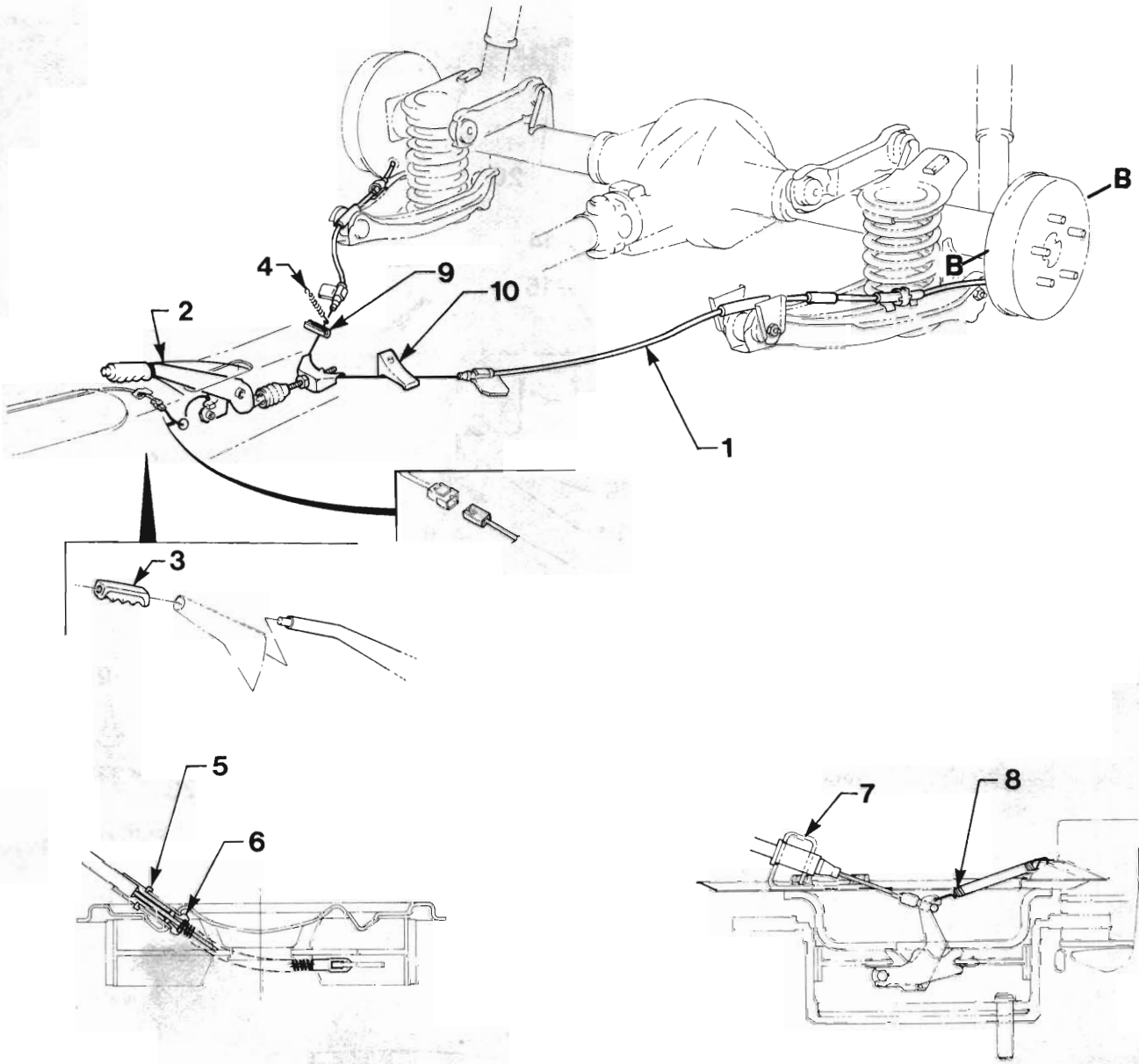


GROUP

4.500

BRAKE CONTROL

BRAKE OPERATING

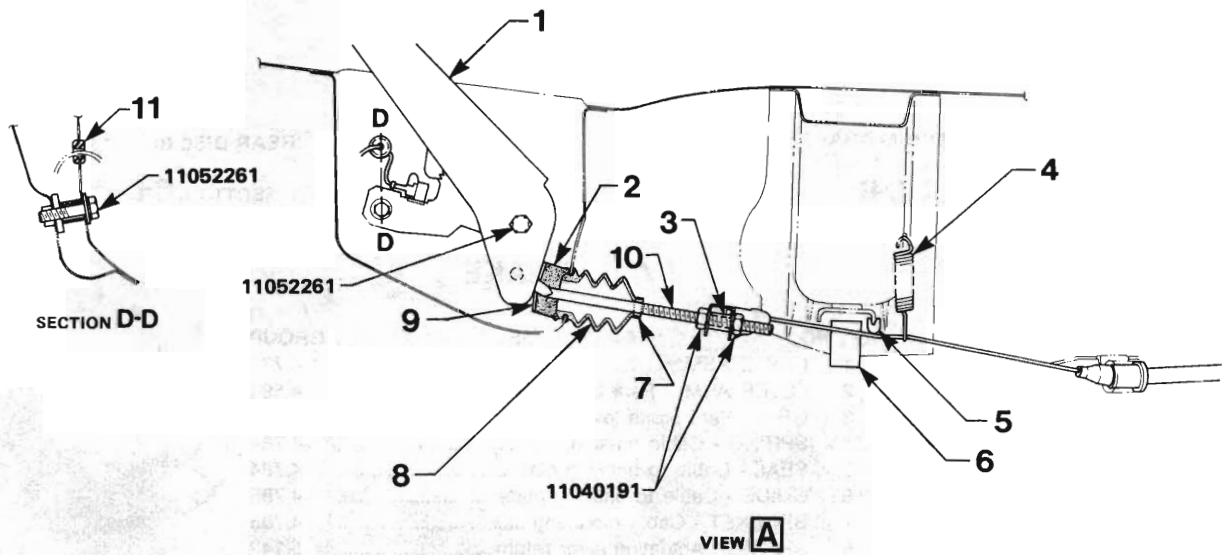
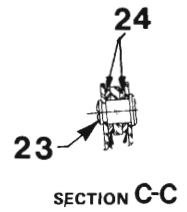
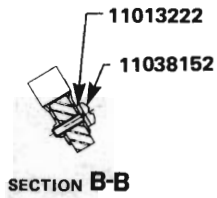
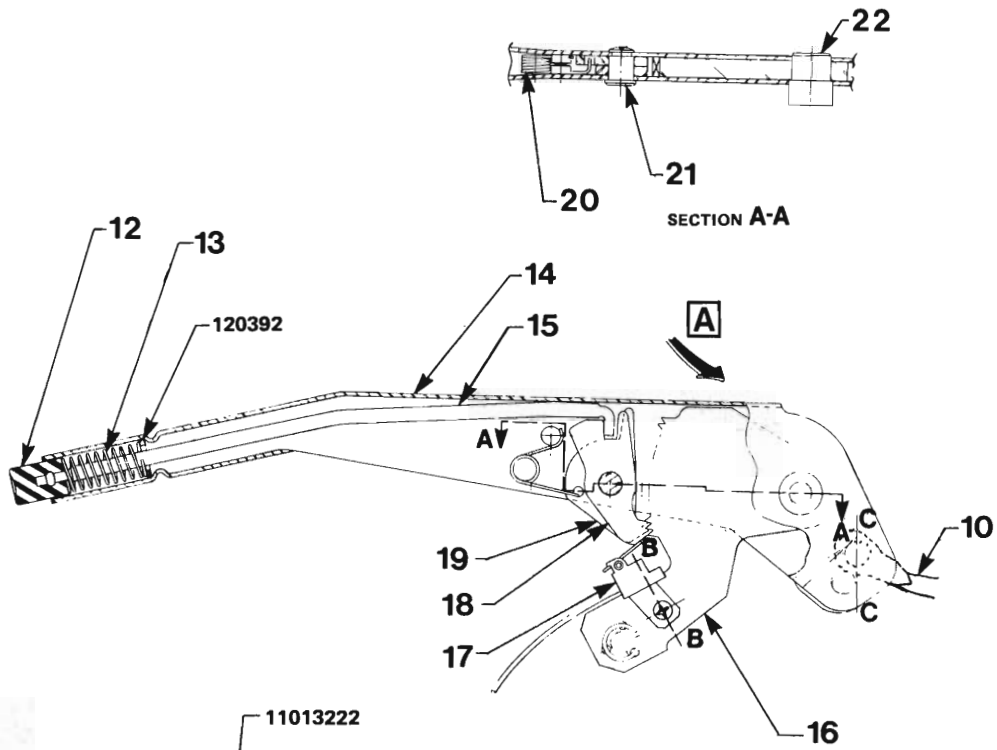


**REAR DRUM BRAKES
SECTION B-B**

**REAR DISC BRAKES
SECTION B-B**

PARK BRAKE

REF. NO.	PART NAME	GROUP
1	CABLE ASM.	4.779
2	LEVER ASM. - Park brake.....	4.591
3	GRIP - Park brake lever.....	4.592
4	SPRING - Cable tension.....	4.784
5	SEAL - Cable to backing plate.....	4.784
6	GUIDE - Cable to backing plate.....	4.785
7	BRACKET - Cable mounting.....	4.785
8	SPRING - Actuating lever return.....	5.149
9	SLIDER - Park brake cable, RH.....	4.785
10	SLIDER - Park brake cable, LH.....	4.785

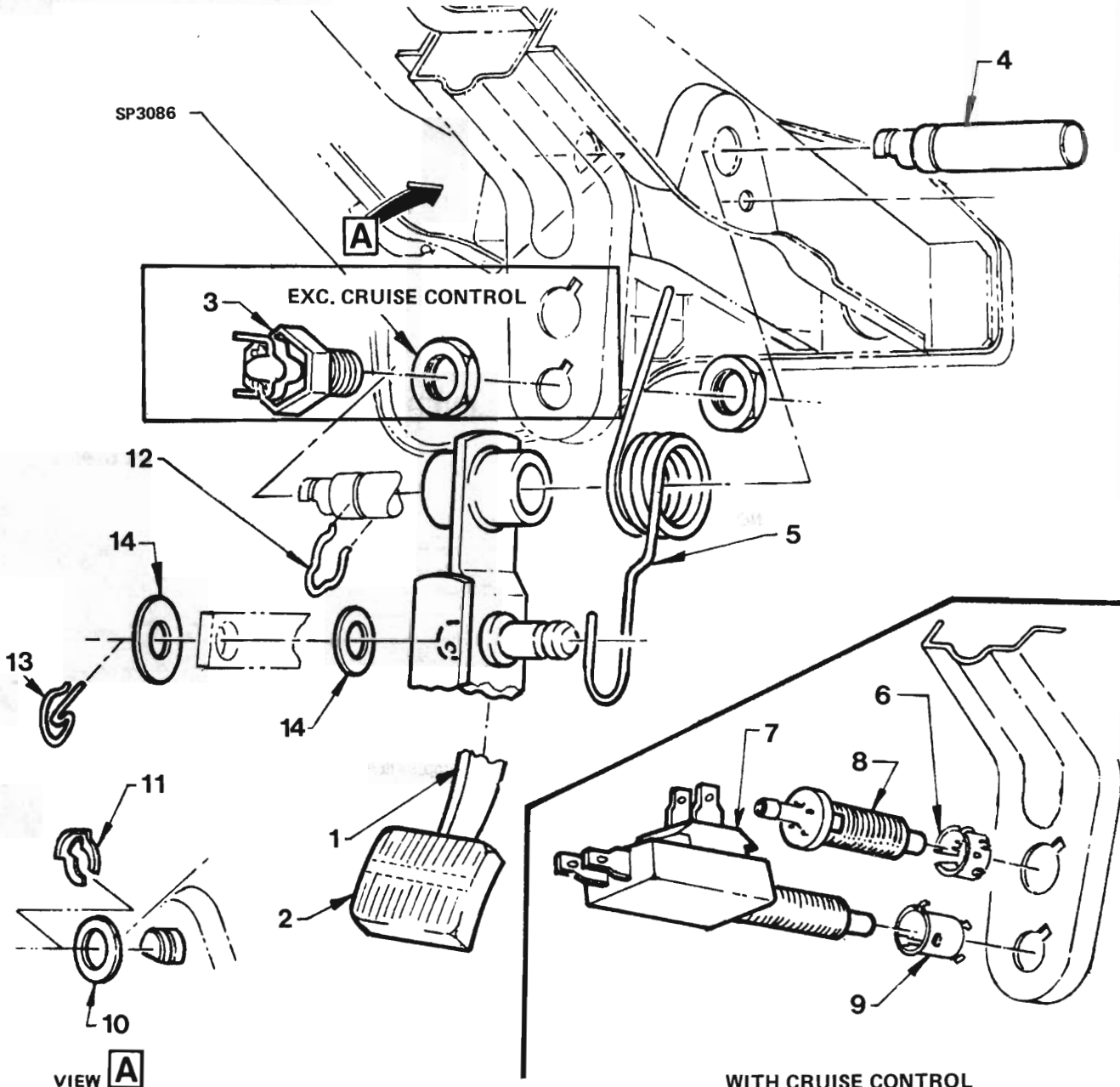




PARK BRAKE LEVER

ILLUSTRATION OPPOSITE

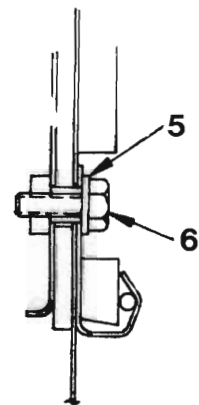
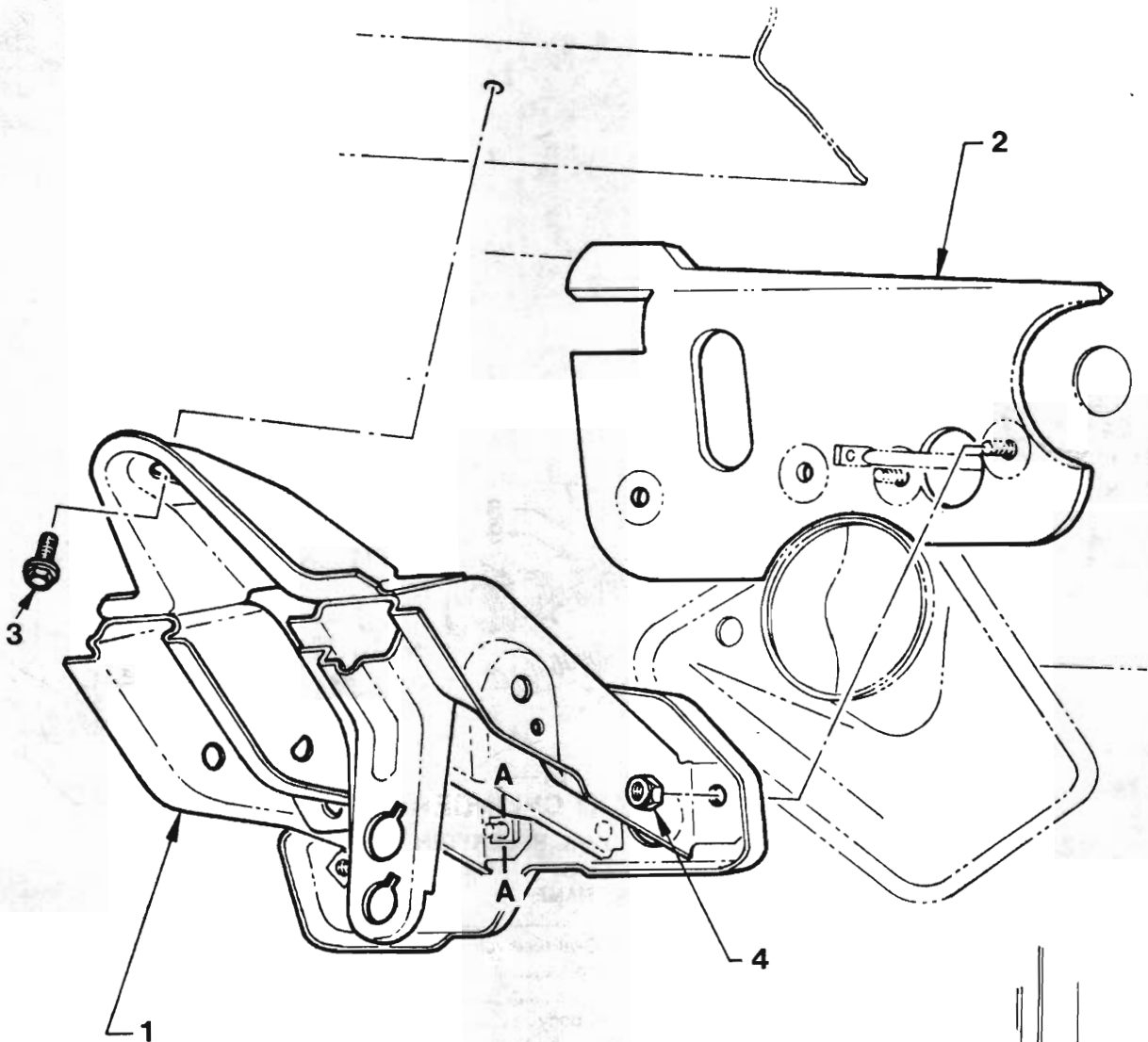
REF. NO.	PART NAME	GROUP
1	LEVER ASM.	4.591
2	INSULATOR - Park brake relay rod	4.594
3	SPACER - Park brake cable equalizer	4.765
4	SPRING - Cable tension.....	4.784
5	SLIDER - Park brake cable, RH.....	4.785
6	SLIDER - Park brake cable, LH	4.785
7	CLIP - Relay rod boot retaining.....	4.594
8	BOOT - Relay rod.....	4.594
9	PLATE - Park brake relay rod insulator	4.594
10	ROD - Relay	4.594
11	GROMMET - Park brake warning lamp switch lead	4.589
12	BUTTON - Park brake release	4.592
13	SPRING - Button return.....	4.592
14	LEVER - Park brake.....	4.591
15	ROD - Release.....	4.594
16	SECTOR ASM. - Park brake.....	4.603
17	SWITCH ASM. - Park brake warning lamp.....	4.589
18	PAWL - Park brake ratchet, Primary.....	4.595
19	PAWL - Park brake ratchet, Secondary	4.595
20	SPRING - Pawl return.....	4.597
21	PIN - Pawl pivot.....	4.595
22	BUSH - Park brake lever pivot	4.591
23	PIN - Relay rod pivot	4.594
24	SPACER - Relay rod.....	4.594



BRAKE PEDAL

WITH CRUISE CONTROL

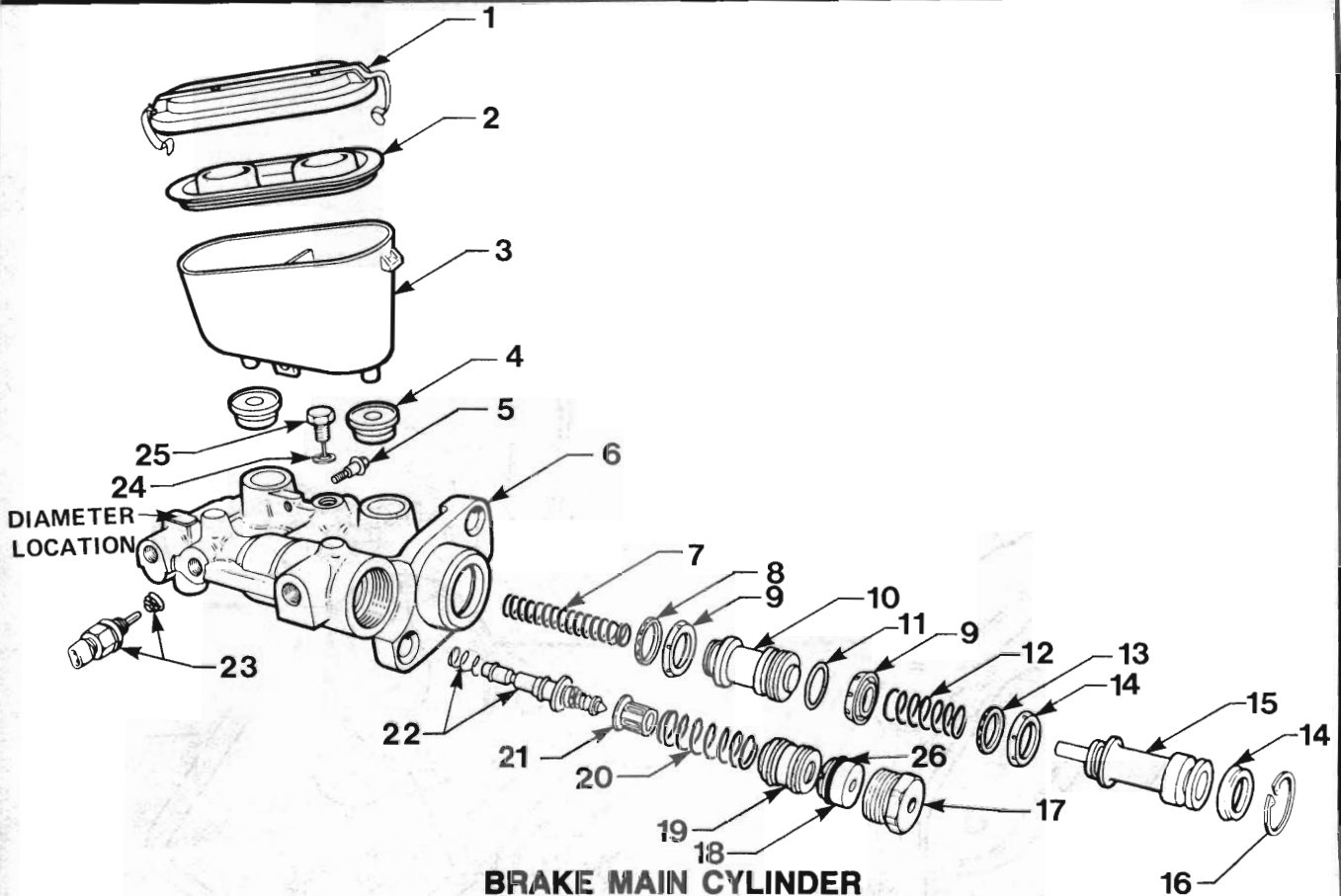
REF. NO.	PART NAME	GROUP
1	PEDAL ASM.	4.625
2	PAD - Brake pedal	4.630
3	SWITCH ASM. - Stop light.....	2.447
4	SHAFT - Brake & clutch pedal mounting	4.634
5	SPRING - Brake pedal return.....	4.639
6	CLIP - Vacuum release valve to stop switch.....	3.883
7	SWITCH ASM. - Stop light & cruise control.....	3.883
7	2.447
8	VALVE - Vacuum release.....	3.883
9	CLIP - Stop light & cruise control switch.....	3.883
9	2.447
10	DISC - Shaft tightening.....	4.634
11	WASHER - Pedal shaft to bracket.....	4.634
12	CLIP - Pedal to shaft.....	4.634
13	CLIP - Pedal to main cylinder push rod.....	4.662
14	WASHER - Flat - Clevis pin.....	4.662



BRAKE PEDAL SUPPORT

REF. NO.	PART NAME	GROUP
1	SUPPORT ASM.....	4.634
2	INSULATOR - Brake pedal support.....	4.634
3	SCREW & WASHER - Support to dash.....	4.634
4	NUT - Support to dash.....	4.634
5	WASHER - Pedal support to dash panel.....	4.634
6	BOLT - Pedal support to dash panel.....	4.634

SECTION A-A



**BRAKE MAIN CYLINDER
15/16" WITH OVAL RESERVOIR**

REF. NO.	PART NAME	GROUP
1-26	CYLINDER ASM.....	4.650
1	CAP & CLAMP ASM. - Oval reservoir.....	4.651
2(A)	SEAL - Oval reservoir cap	4.651
3	RESERVOIR - Oval.....	4.651
4(A)	SEAL - Oval reservoir to body.....	4.651
5	SCREW - Oval reservoir to body.....	4.651
6	BODY - Master cylinder.....	N.S.S.
7(C)	SPRING - Secondary.....	N.S.S.
8(AC)	RING - Cup retaining.....	N.S.S.
9(AC)	CUP - Secondary.....	N.S.S.
10(C)	PISTON - Secondary.....	4.653
11(AC)	'O' RING - Secondary piston.....	N.S.S.
12(C)	SPRING - Primary.....	N.S.S.
13(AC)	RING - Cup retaining.....	N.S.S.
14(AC)	CUP - Primary.....	N.S.S.
15(C)	PISTON - Primary.....	4.653
16	CIRCLIP.....	4.656
17	FITTING - Proportioning valve.....	N.S.S.
18	PLUG - Proportioning valve.....	N.S.S.
19(AB)	SEAL BLOCK & PISTON ASM.....	4.652
20	SPRING.....	N.S.S.
21	RETAINER - Poppet asm.....	N.S.S.
22(AB)	PISTON & POPPET ASM.....	4.652
23	SWITCH - Pressure warning.....	4.663
24(AC)	'O' RING - Secondary piston stop screw.....	N.S.S.
25	SCREW - Secondary piston stop.....	4.653
26(B)	'O' RING - Proportioning valve fitting.....	N.S.S.

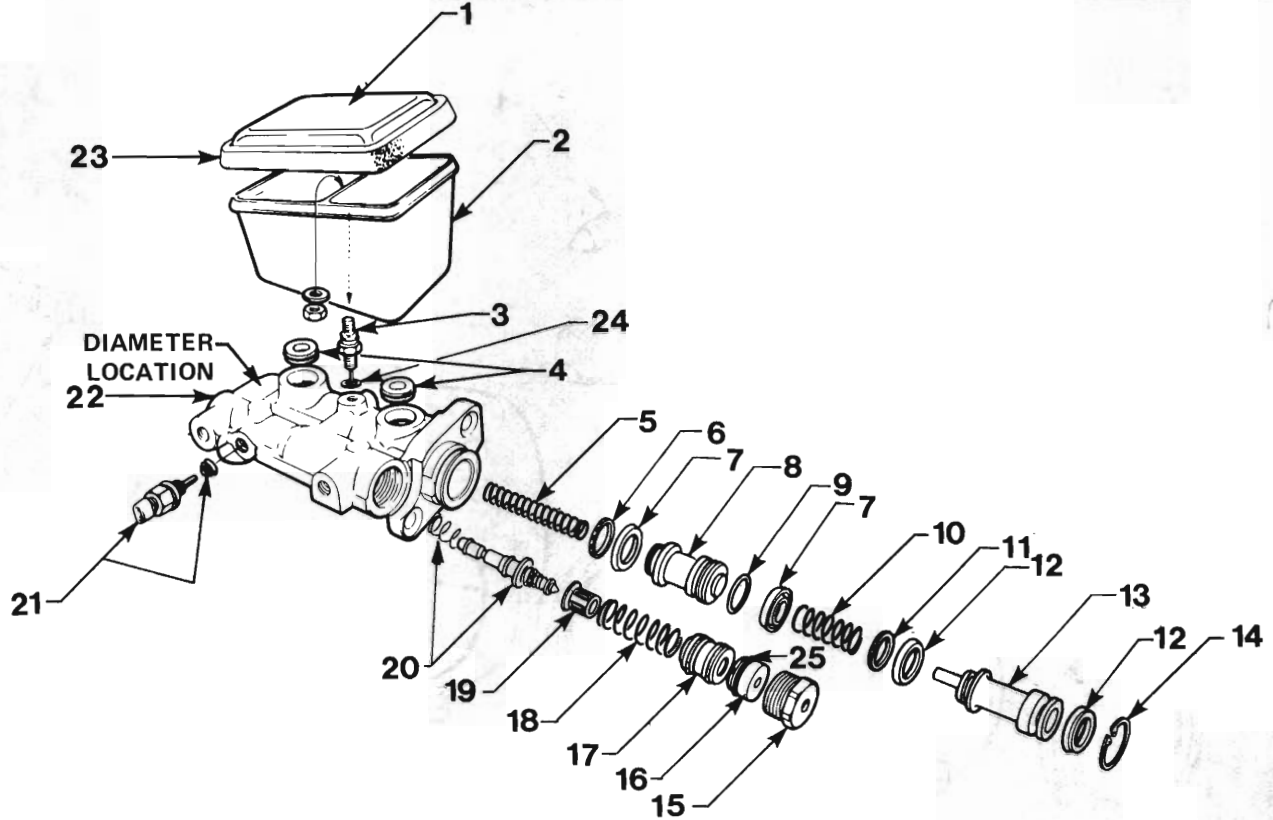
NOTE:- (A Parts are included in Major Repair Kit. Refer Group 4.649

(B Parts are included in Proportioning Valve Kit. Refer Group 4.652

(C Parts are included in Main Bore Repair Kit. Refer Group 4.649



"V" SERIES PARTS CATALOGUE



BRAKE MAIN CYLINDER

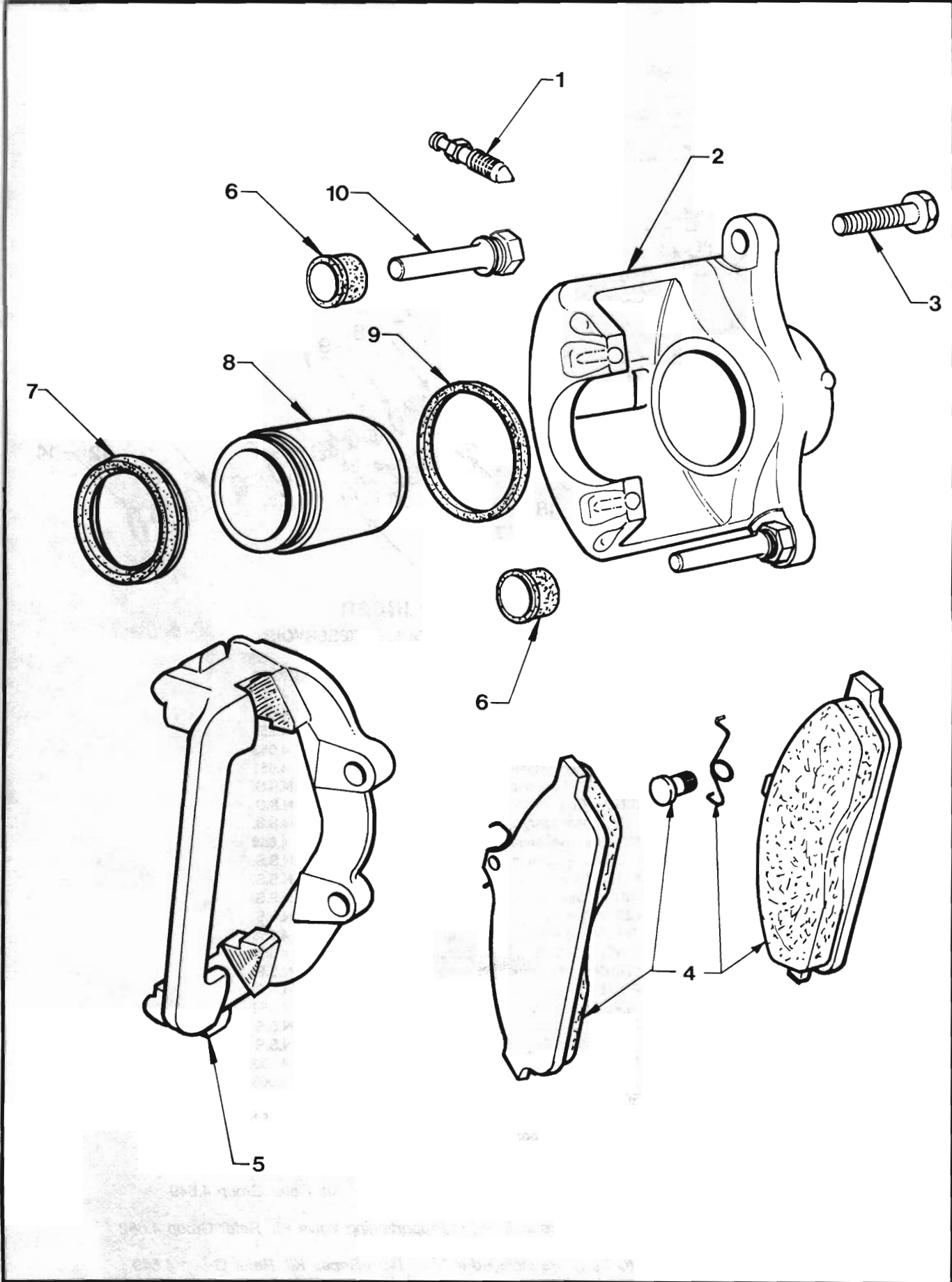
15/16" & 1" DIA. WITH RECTANGULAR RESERVOIR

REF. NO.	PART NAME	GROUP
1-25	CYLINDER ASM.....	4.650
1	COVER - Rectangular reservoir.....	4.651
2	RESERVOIR - Rectangular	4.651
3	SCREW - Secondary piston stop.....	4.653
4(A)	SEAL - Rectangular reservoir to body	4.651
5(C)	SPRING - Secondary	N.S.S.
6(AC)	RING - Cup retaining.....	N.S.S.
7(AC)	CUP - Secondary	N.S.S.
8(C)	PISTON - Secondary.....	4.653
9(AC)	'O' RING - Secondary piston.....	N.S.S.
10(C)	SPRING - Primary.....	N.S.S.
11(AC)	RING - Cup retainer	N.S.S.
12(AC)	CUP - Primary.....	N.S.S.
13(C)	PISTON - Primary	4.653
14(C)	CIRCLIP.....	4.656
15	FITTING - Proportioning valve.....	N.S.S.
16	PLUG - Proportioning valve.....	N.S.S.
17(AB)	SEAL BLOCK & PISTON ASM.....	4.652
18	SPRING.....	N.S.S.
19	RETAINER - Poppet asm.....	N.S.S.
20(AB)	PISTON & POPPET ASM.....	4.652
21	SWITCH - Pressure warning	4.663
22	BODY - Master cylinder.....	N.S.S.
23(A)	SEAL - Rectangular reservoir cover	4.651
24(C)	GASKET - Copper	N.S.S.
25(B)	'O' RING - Proportioning valve fitting.....	N.S.S.

NOTE:- (A Parts are included in Major Repair Kit. Refer Group 4.649

(B Parts are included in Proportioning Valve Kit. Refer Group 4.652

(C Parts are included in Main Bore Repair Kit. Refer Group 4.649



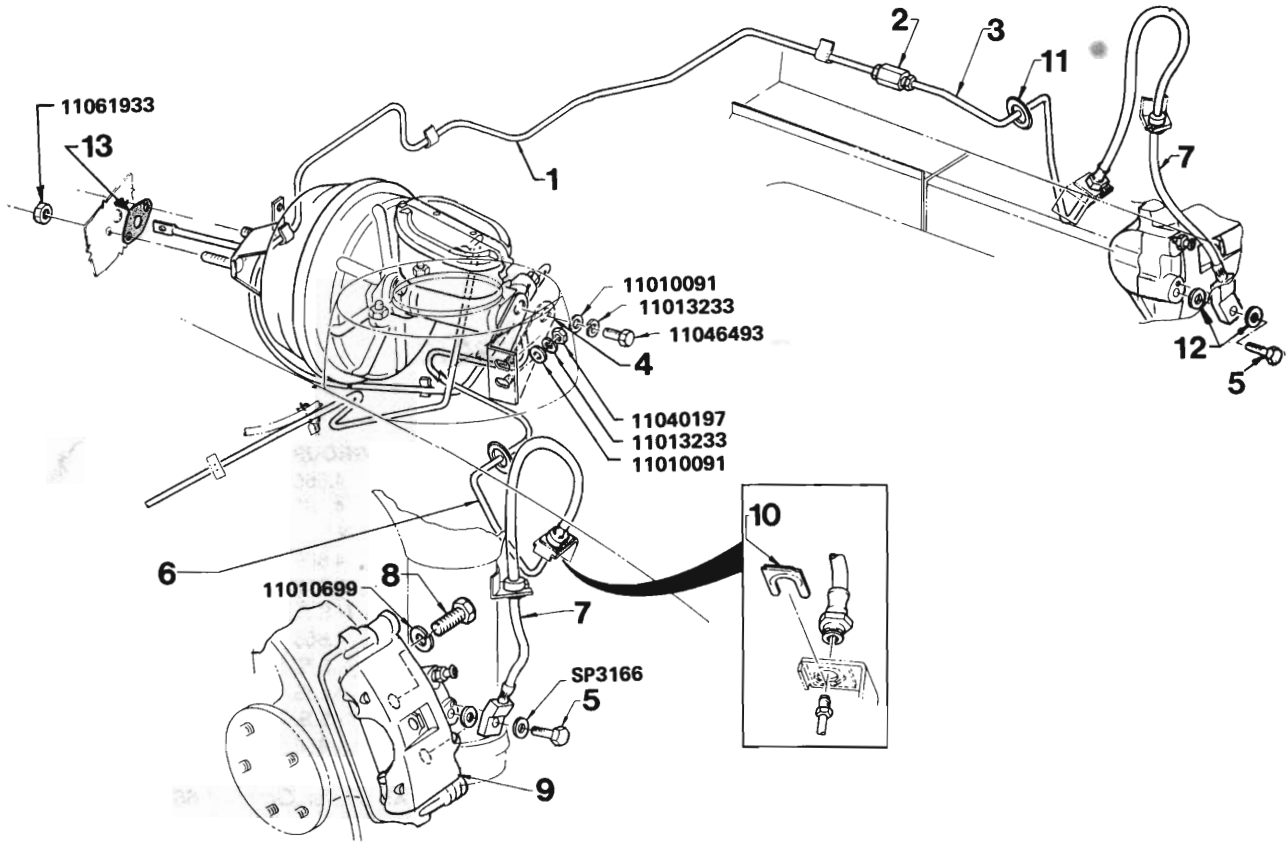


BRAKE CALIPER - FRONT

ILLUSTRATION OPPOSITE

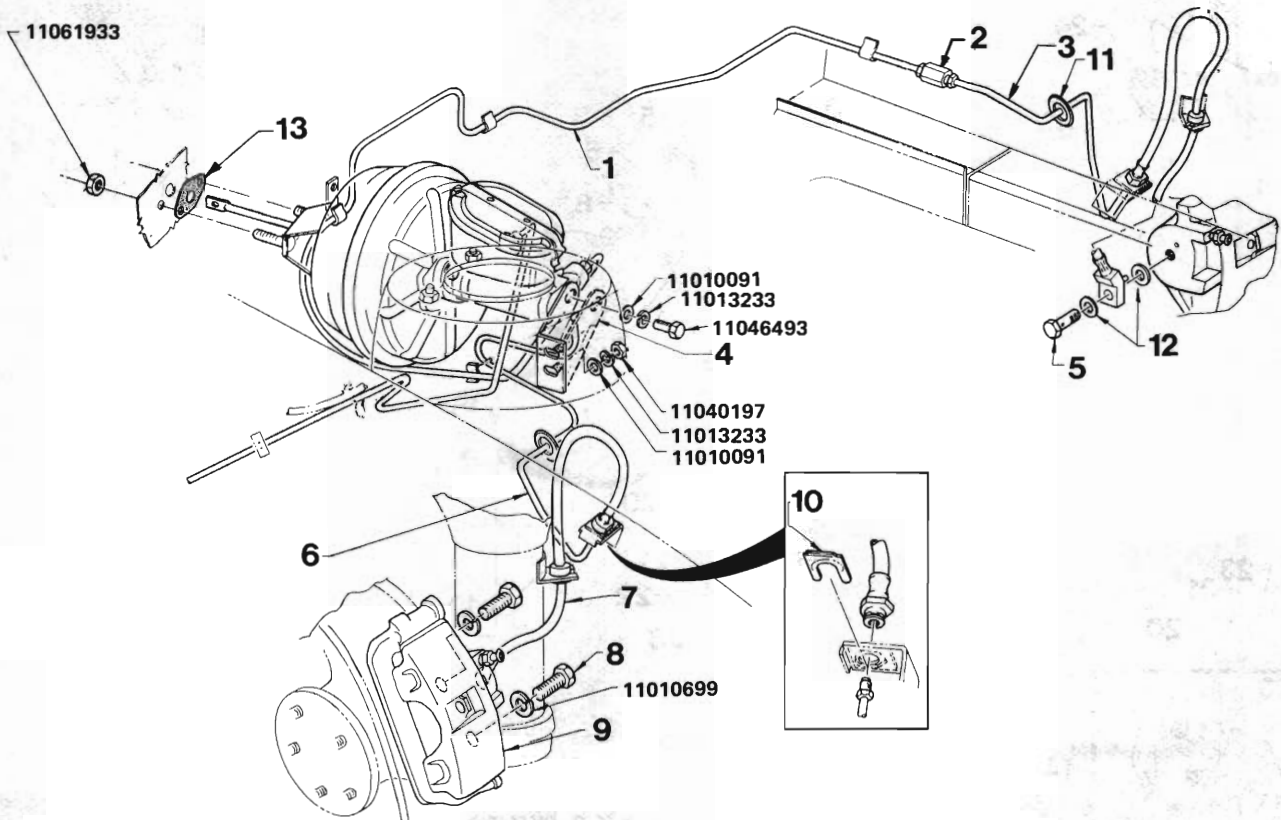
REF. NO.	PART NAME	GROUP
1-10	CALIPER ASM.....	4.665
1	VALVE - Bleeder.....	4.666
2	HOUSING.....	N.S.S.
3(A)	BOLT - Guide pin.....	4.665
4	PAD SET - Brake caliper.....	5.017
5	PLATE - Anchor.....	N.S.S.
6(A)	BOOT - Guide pin.....	4.665
7(A)	BOOT - Piston.....	N.S.S.
8	PISTON - Caliper.....	4.668
9(A)	RING - Sealing.....	N.S.S.
10	PIN - Guide.....	4.665

NOTE:- (A Parts are included in Caliper Repair Kit. Refer Group 4.667)



**FRONT BRAKE PIPES
4 CYLINDER ENGINE
VC, VH SERIES**

REF. NO.	PART NAME	GROUP
1	PIPE ASM. - Main cylinder to union - LH.....	4.685
2	UNION - Front brake pipe.....	4.686
3	PIPE ASM. - Union to front brake	4.685
4	BRACKET - Main cylinder support.....	4.648
5	BOLT - Front brake hose to caliper	4.680
6	PIPE ASM. - Main cylinder to front brakes	4.685
7	HOSE - Front	4.680
8	BOLT - Caliper to knuckle.....	4.665
9	CALIPER ASM.....	4.665
10	CLIP - Rear brake hose to axle	4.681
11	GROMMET - Fender skirt	4.685
12	GASKET - Front brake hose to caliper.....	4.680
13	SEAL - Booster mounting.....	4.902

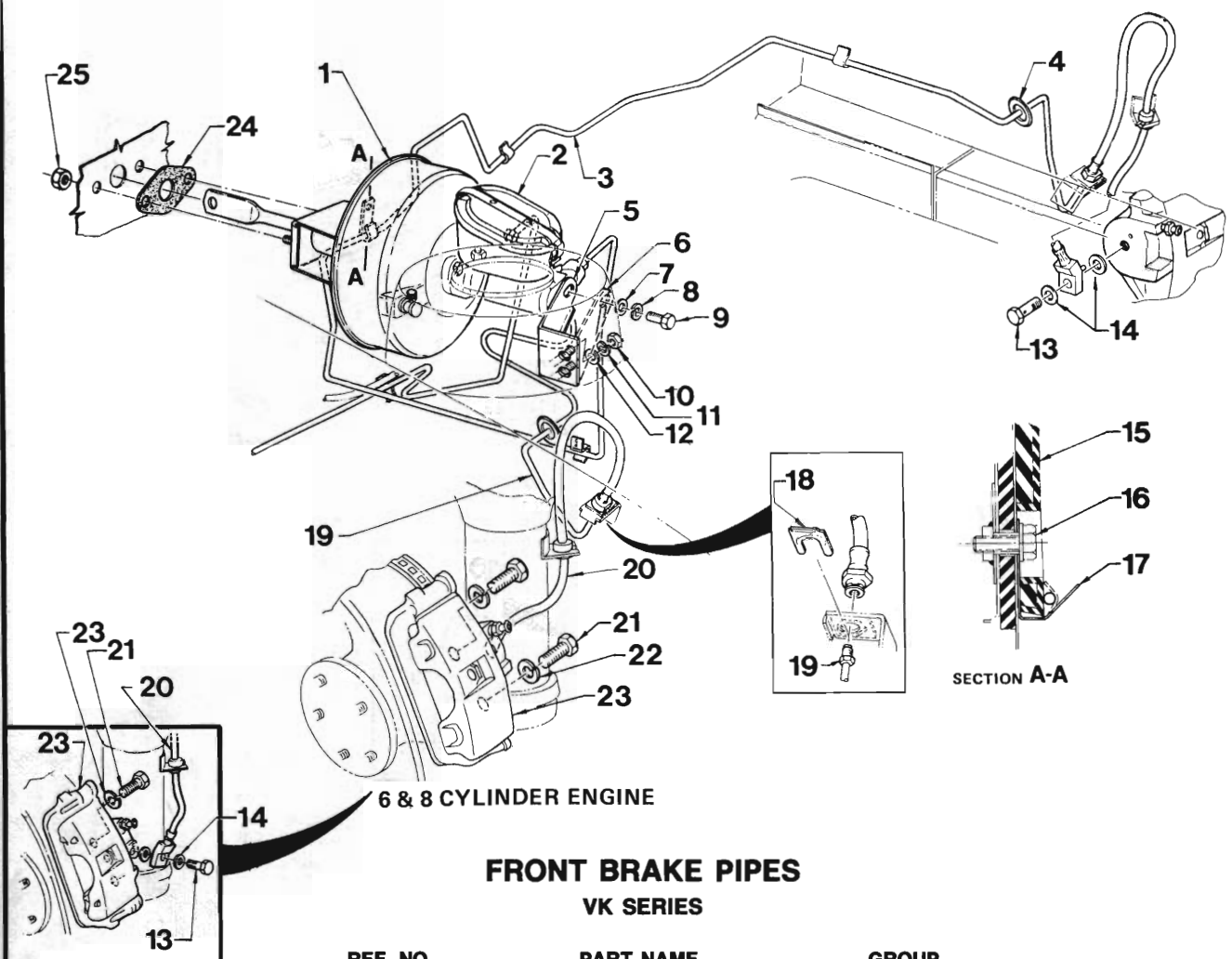


**FRONT BRAKE PIPES
6, 8 CYLINDER ENGINES
VC, VH SERIES**

REF. NO.	PART NAME	GROUP
1	PIPE ASM. - Main cylinder to union - LH.....	4.685
2	UNION - Front brake pipe.....	4.686
3	PIPE ASM. - Union to front brake.....	4.685
4	BRACKET - Main cylinder support.....	4.648
5	BOLT - Front brake hose to caliper.....	4.680
6	PIPE ASM. - Main cylinder to front brake.....	4.685
7	HOSE - Front.....	4.680
8	BOLT - Caliper to knuckle.....	4.665
9	CALIPER ASM.....	4.665
10	CLIP - Rear brake hose to axle.....	4.681
11	GROMMET - Fender skirt.....	4.685
12	GASKET - Front brake hose to caliper.....	4.680
13	SEAL - Booster mounting.....	4.902



"V" SERIES PARTS CATALOGUE

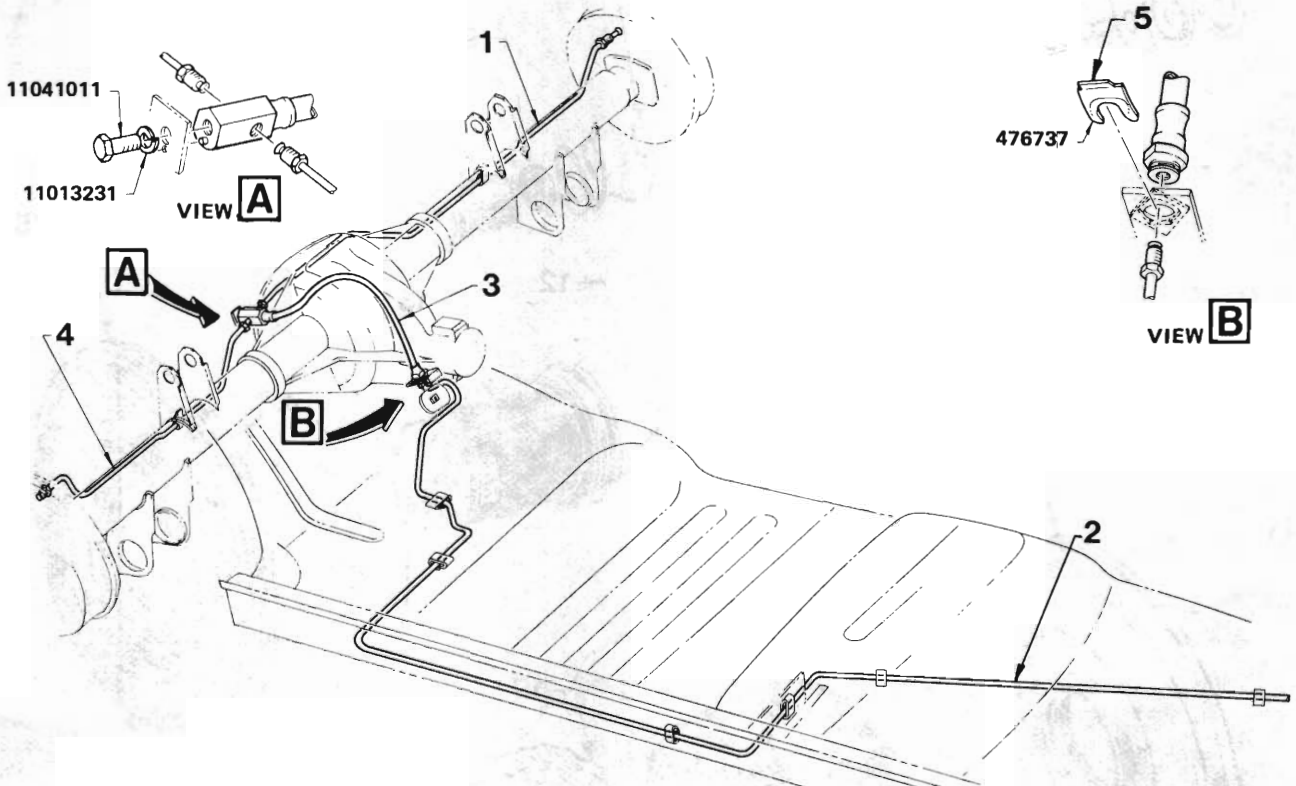


**FRONT BRAKE PIPES
VK SERIES**

4 CYLINDER ENGINE

6 & 8 CYLINDER ENGINE

REF. NO.	PART NAME	GROUP
1	BOOSTER ASM. - Brake vacuum servo.....	4.901
2	CYLINDER ASM. - Brake main	4.650
3	PIPE ASM. - Main cylinder to front brake	4.685
4	GROMMET - Fender skirt	4.685
5	BRACKET - Brake main cyl. support - 4 & 6 cyl.....	4.648
6	BRACKET - Brake main cyl. support - 8 cyl.....	4.648
7	WASHER - Bracket to cylinder - Flat.....	4.648
8	WASHER - Bracket to cylinder - Lock.....	4.648
9	SCREW - Bracket to cylinder.....	4.648
10	NUT - Bracket to fender skirt.....	4.648
11	WASHER - Bracket to fender skirt - Lock.....	4.648
12	WASHER - Bracket to fender skirt - Flat	4.648
13	BOLT - Front brake hose to caliper	4.680
14	GASKET - Front brake hose to caliper.....	4.680
15	INSULATOR - Brake pedal support.....	4.634
16	BOLT - Pedal support to dash panel	4.634
17	CLIP - Pipe to dash panel.....	4.686
18	CLIP - Front brake hose to bracket.....	4.681
19	PIPE ASM. - Main cylinder to front brake	4.685
20	HOSE - Front brake	4.680
21	BOLT - Caliper to knuckle.....	4.665
22	WASHER - Caliper to knuckle.....	4.665
23	CALIPER ASM. - Front disc brake.....	4.665
24	SEAL - Brake vacuum servo booster mounting...	4.902
25	NUT - Support arm to dash panel	4.634

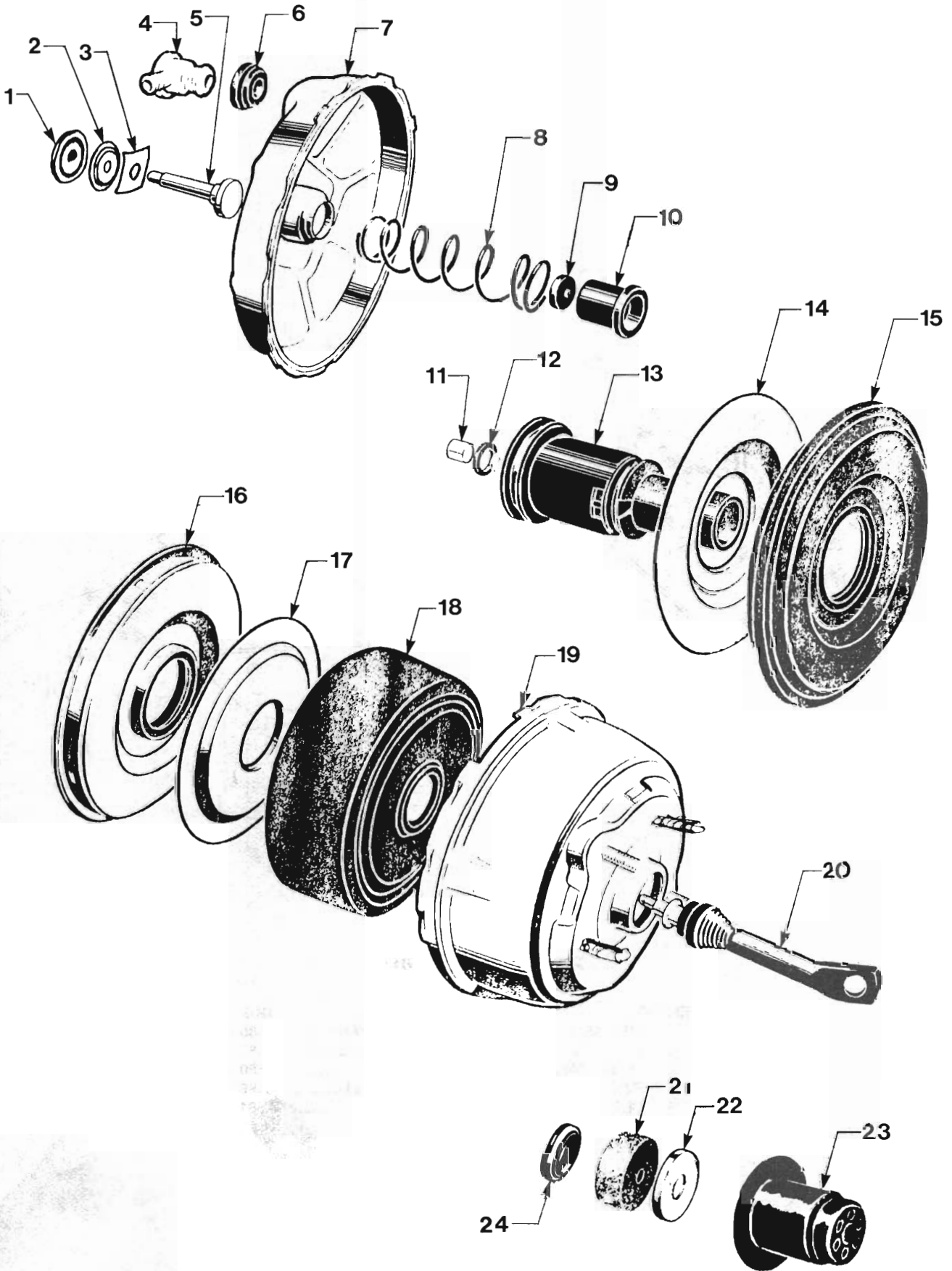


REAR BRAKE PIPES

REF. NO.	PART NAME	GROUP
1	PIPE ASM. - Rear brake hose to rear brake	4.685
2	PIPE ASM. - Main cylinder to rear brake hose....	4.685
3	HOSE - Rear brake	4.680
4	PIPE ASM. - Rear brake hose to rear brake	4.685
5	CLIP - Rear brake hose to axle	4.681



"V" SERIES PARTS CATALOGUE





BRAKE BOOSTER
STAMPED VH365, VH387

ILLUSTRATION OPPOSITE

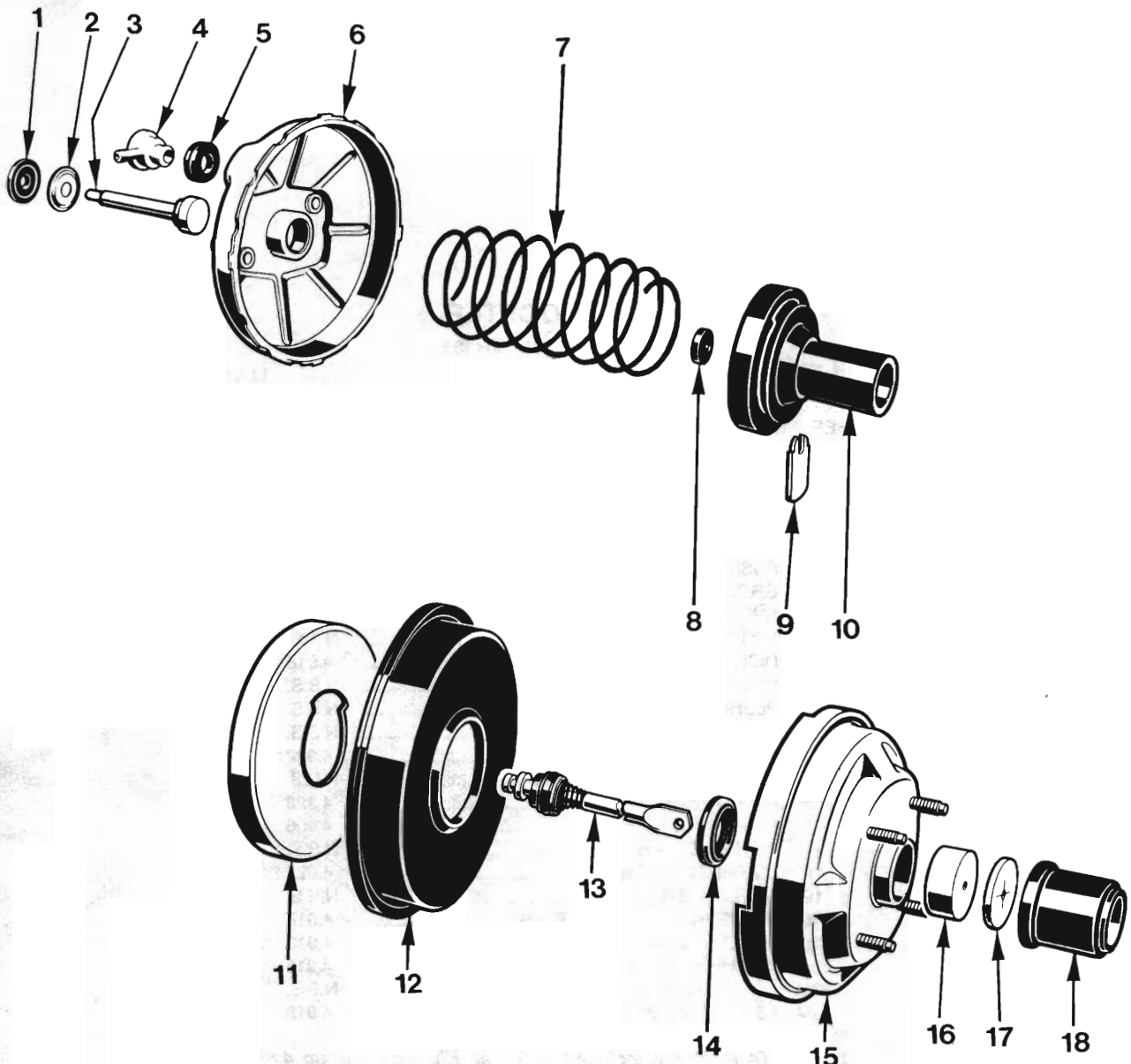
REF. NO.	PART NAME	GROUP
1-24	BOOSTER - Brake vacuum servo.....	4.901
1(A)	SEAL - Push rod.....	4.918
2	PLATE - Push rod seal reinforcement.....	4.918
3(A)	RETAINER - Push rod.....	N.S.S.
4(A)	VALVE ASM. - Check.....	4.955
5	PUSH ROD ASM.	4.918
6(A)	GROMMET - Check valve.....	4.955
7	SHELL & STUDS - Front.....	N.S.S.
8	SPRING - Return.....	N.S.S.
9(A)	DISC - Reaction.....	4.918
10	HUB - Reaction disc.....	N.S.S.
11	PLUNGER - Reaction.....	N.S.S.
12(A)	SEAL.....	N.S.S.
13	VALVE BODY.....	4.922
14	PLATE - Centre.....	N.S.S.
15	DIAPHRAGM - Front.....	4.922
16	PLATE - Pressure.....	4.906
17	PLATE - Diaphragm.....	N.S.S.
18	DIAPHRAGM - Rear.....	4.922
19	SHELL & STUDS - Rear.....	N.S.S.
20(A)	VALVE ROD & PLUNGER ASM.	4.918
21(A)	FILTER.....	4.913
22(A)	WASHER - Plunger.....	4.913
23(A)	BOOT - Plunger.....	N.S.S.
24(A)	SEAL - Rear shell.....	4.918

NOTE:- (A Parts are included in Repair Kit. Refer Group 4.898

NOTE:- BOOSTER IDENTIFICATION - Number stamped on outer shell



"V" SERIES PARTS CATALOGUE

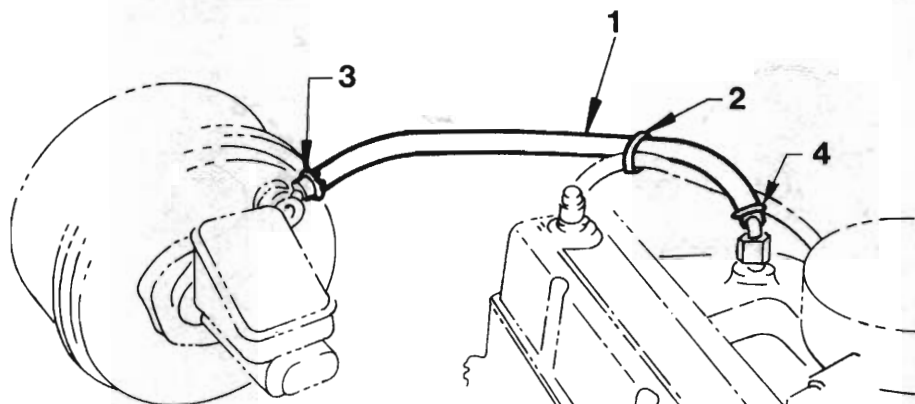


BRAKE BOOSTER STAMPED VH296, VH423, VH437

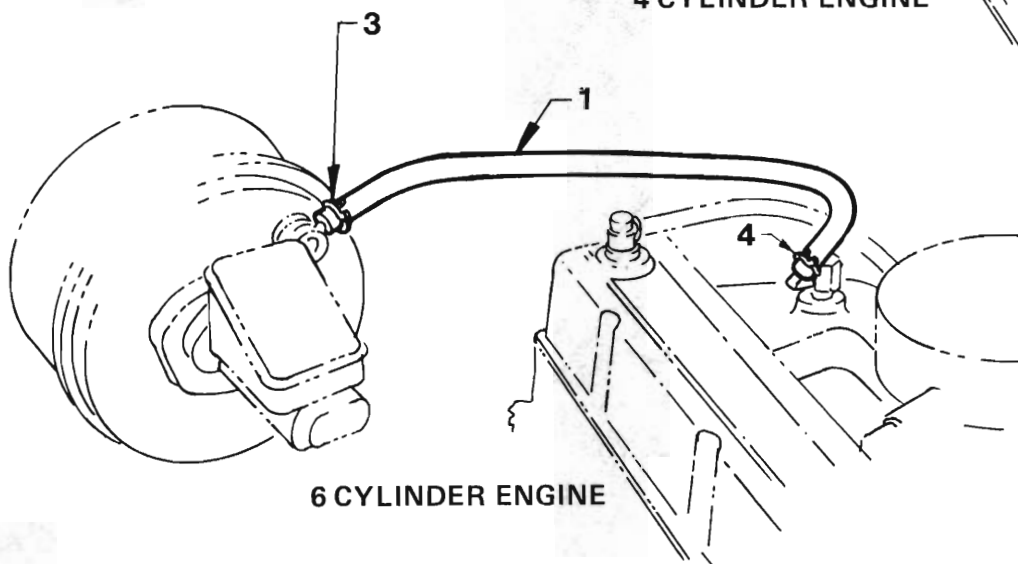
REF. NO.	PART NAME	GROUP	REF. NO.	PART NAME	GROUP
1-18	BOOSTER - Brake vacuum servo.....	4.901	10	VALVE BODY.....	4.922
1(A)	SEAL - Push rod.....	4.918	11	PLATE - Pressure.....	4.906
2	PLATE - Push rod seal reinforcement.....	4.918	12	DIAPHRAGM.....	4.922
3	PUSH ROD ASM.....	4.918	13(A)	VALVE ROD & PLUNGER ASM.....	4.918
4(A)	VALVE ASM. - Check.....	4.955	14(A)	SEAL ASM. - Rear shell.....	4.918
5(A)	GROMMET - Check valve.....	4.955	15	SHELL & STUDS - Rear.....	N.S.S.
6	SHELL & STUDS - Front.....	N.S.S.	16(A)	FILTER.....	4.913
7	SPRING - Return.....	N.S.S.	17(A)	WASHER - Felt, Plunger.....	4.913
8(A)	DISC - Reaction.....	4.918	18	BOOT - Plunger.....	4.918
9	KEY - Locking.....	4.918			

NOTE:- (A Parts are included in Repair Kit. Refer Group 4.898

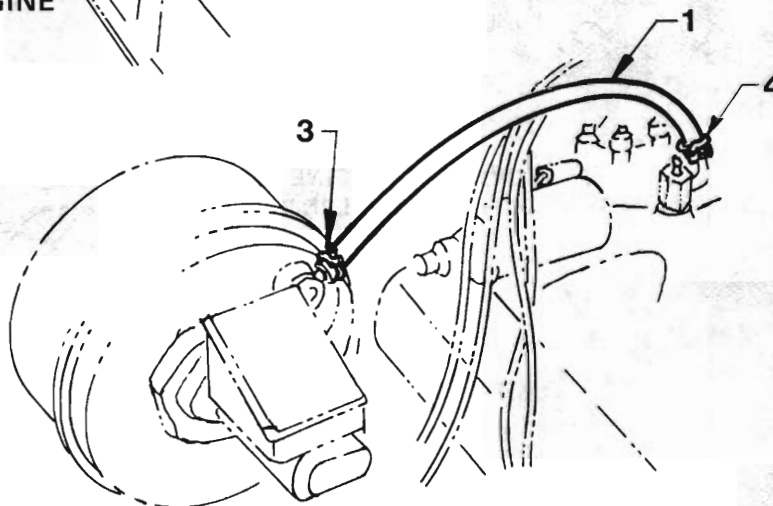
NOTE:- BOOSTER IDENTIFICATION - Number stamped on outer shell



4 CYLINDER ENGINE



6 CYLINDER ENGINE



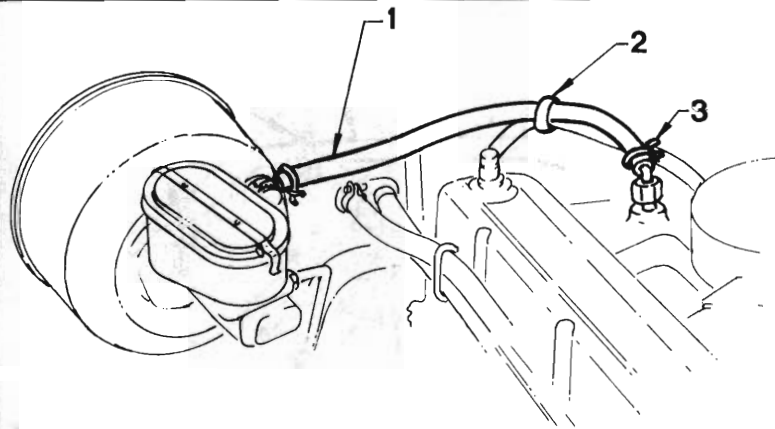
8 CYLINDER ENGINE

**VACUUM SERVO BRAKE HOSE
VB, VC, VH SERIES**

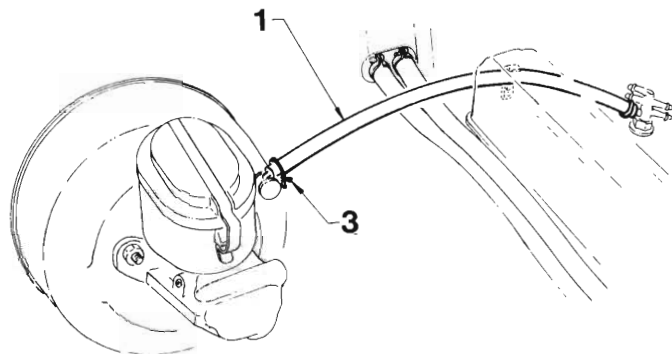
REF. NO.	PART NAME	GROUP
1	HOSE.....	4.931
2	STRAP - Booster hose to P.C.V. hose.....	4.931
3	CLAMP - Hose to Booster.....	4.931
4	CLAMP - Hose to vacuum fitting.....	4.931



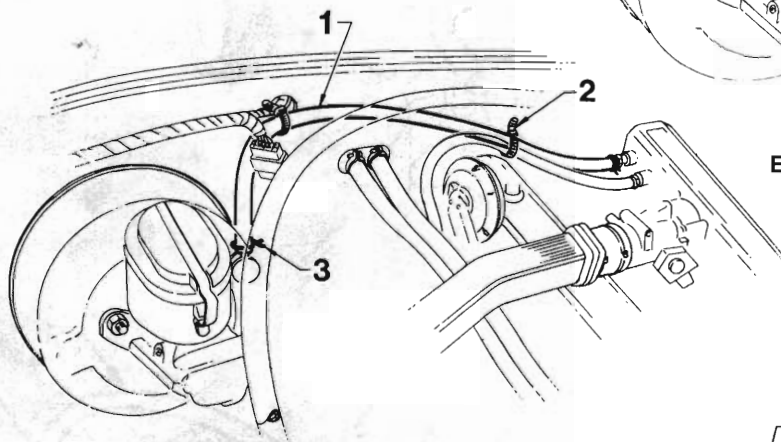
"V" SERIES PARTS CATALOGUE



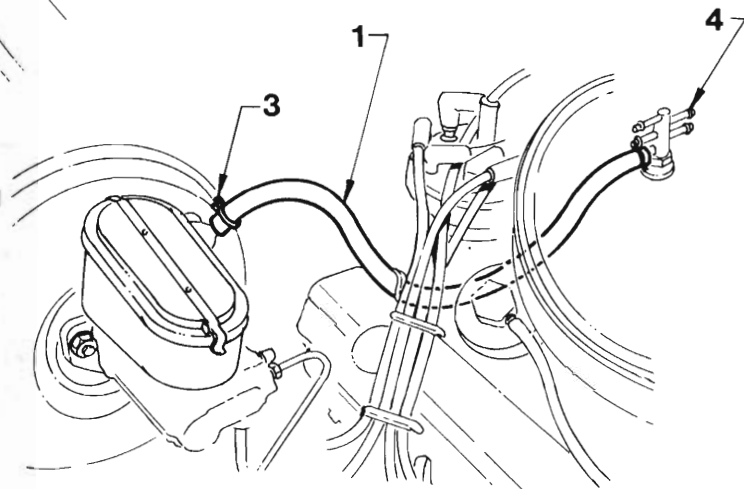
4 CYLINDER ENGINE



6 CYLINDER ENGINE
EXC. ELECTRONIC FUEL INJECTION



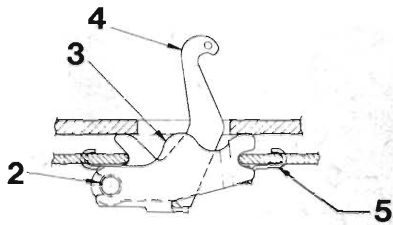
6 CYLINDER ENGINE
WITH ELECTRONIC FUEL INJECTION



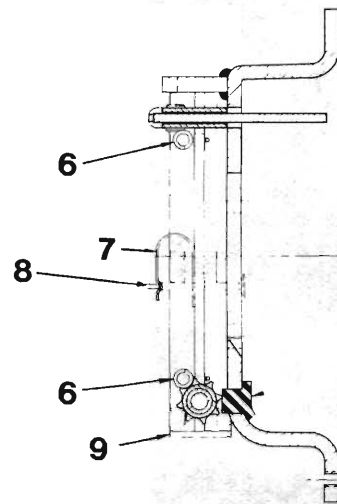
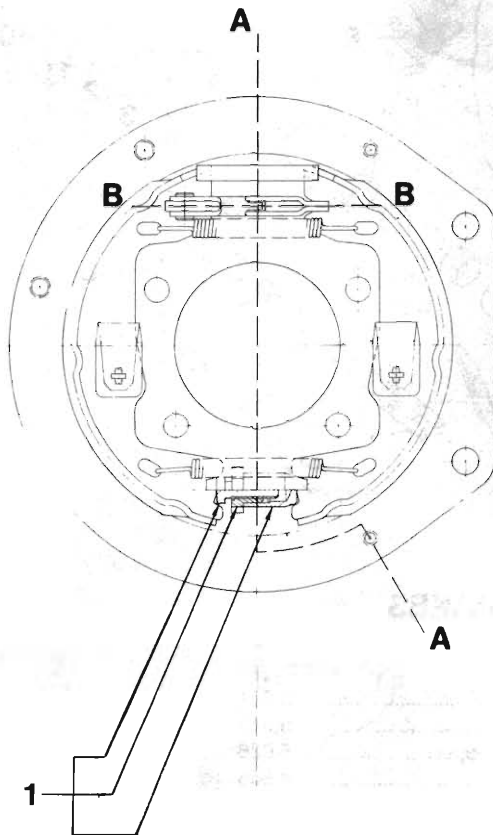
8 CYLINDER ENGINE

VACUUM SERVO BRAKE HOSE VK SERIES

REF. NO.	PART NAME	GROUP
1	HOSE - Brake vacuum servo.....	4.931
2	STRAP - Booster hose retaining.....	4.931
3	CLAMP - Hose to Booster & vacuum fitting.....	4.931
4	ADAPTOR - Inlet manifold vacuum.....	4.931



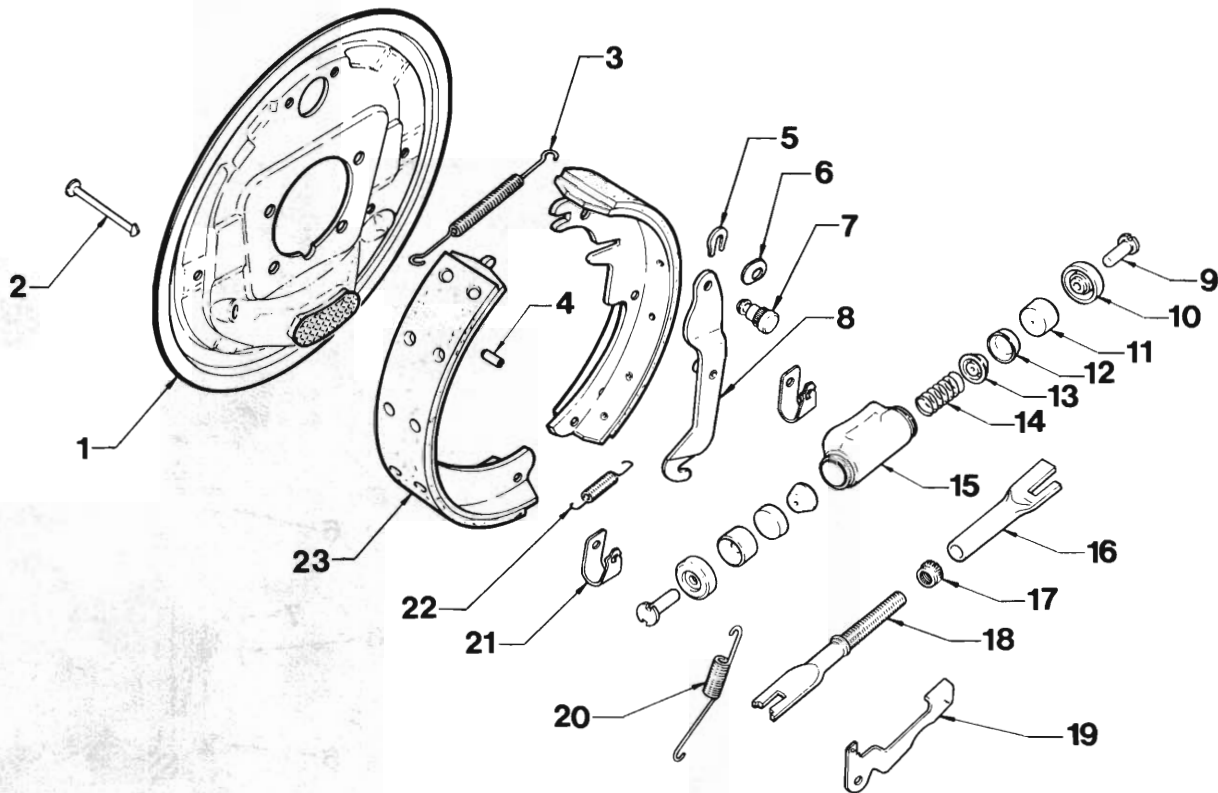
SECTION B-B



SECTION A-A

**PARK BRAKE
REAR DISC BRAKES**

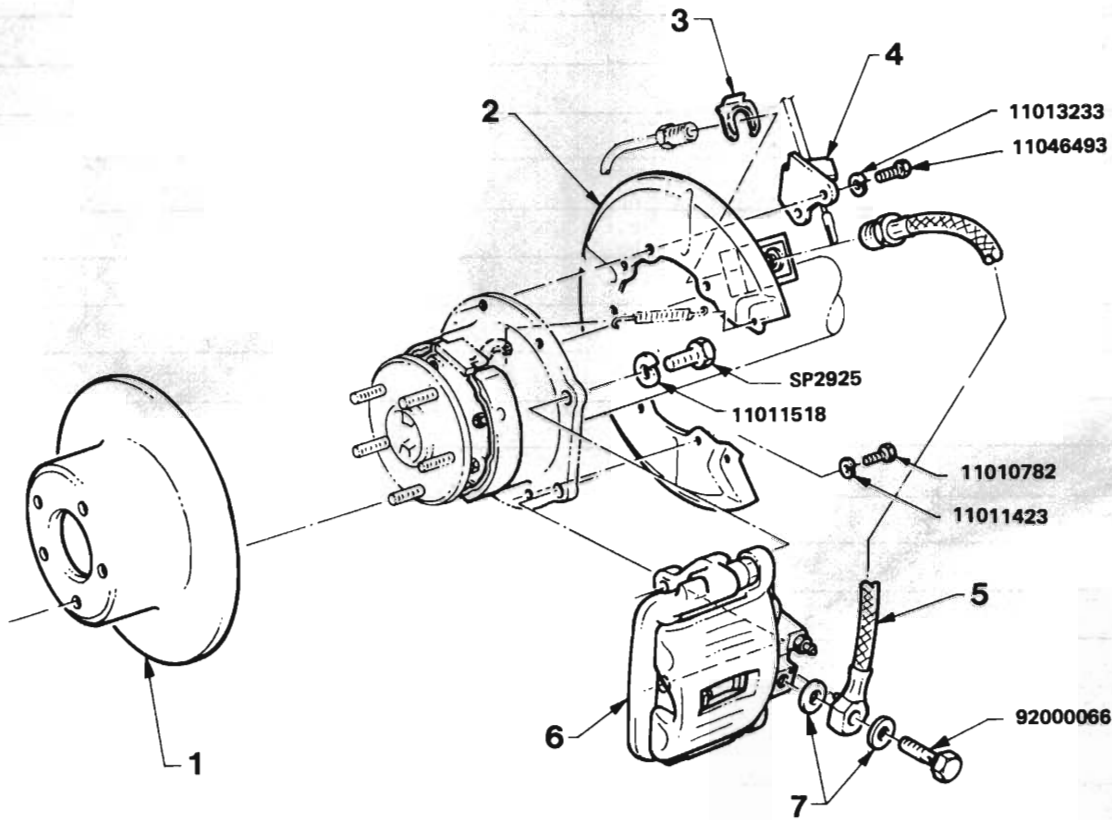
REF. NO.	PART NAME	GROUP
1	ADJUSTER - Brake shoe	5.103
2	PIN - Clevis	5.158
3	LINK - Pressure	5.158
4	LEVER - Park brake actuating	5.149
5	SPRING - Park brake actuating lever return	5.149
6	SPRING - Park brake shoe return	5.151
7	SPRING - Park brake shoe hold down	5.043
8	PIN - Park brake shoe hold down spring	5.043
9	SHOE & LINING ASM.	5.017



REAR DRUM BRAKES

REF. NO.	PART NAME	GROUP
1	PLATE ASM. - Brake backing.....	5.001
2	PIN - Brake shoe hold down.....	5.043
3	SPRING - Brake shoe tension, Upper.....	5.026
4	VALVE - Rear cylinder.....	4.666
5	CLIP - Lever retaining.....	5.158
6	WASHER - Lever to shoe.....	5.158
7	PIN - Lever to shoe.....	5.158
8	LEVER - Park brake actuating.....	5.149
9	ROD - Push.....	4.675
10(A)	BOOT - Wheel cylinder.....	4.670
11	PISTON - Wheel cylinder.....	4.668
12(A)	CUP - Wheel cylinder.....	4.667
13	EXPANDER - Wheel cylinder piston cup.....	4.668
14	SPRING - Wheel cylinder.....	4.669
15	BODY - Wheel cylinder.....	4.665
16	SLEEVE - Brake shoe adjusting.....	5.103
17	NUT - Brake shoe adjusting.....	5.103
18	SCREW - Brake shoe adjusting.....	5.103
19	LEVER - Nut actuating.....	5.103
20	SPRING - Actuating lever.....	5.107
21	SPRING - Brake shoe hold down.....	5.043
22	SPRING - Brake shoe tension, Lower.....	5.026
23	SHOE & LINING ASM.....	5.017

NOTE:- (A Part of Cylinder Repair Kit. Refer group 4.667)



REAR DISC BRAKES

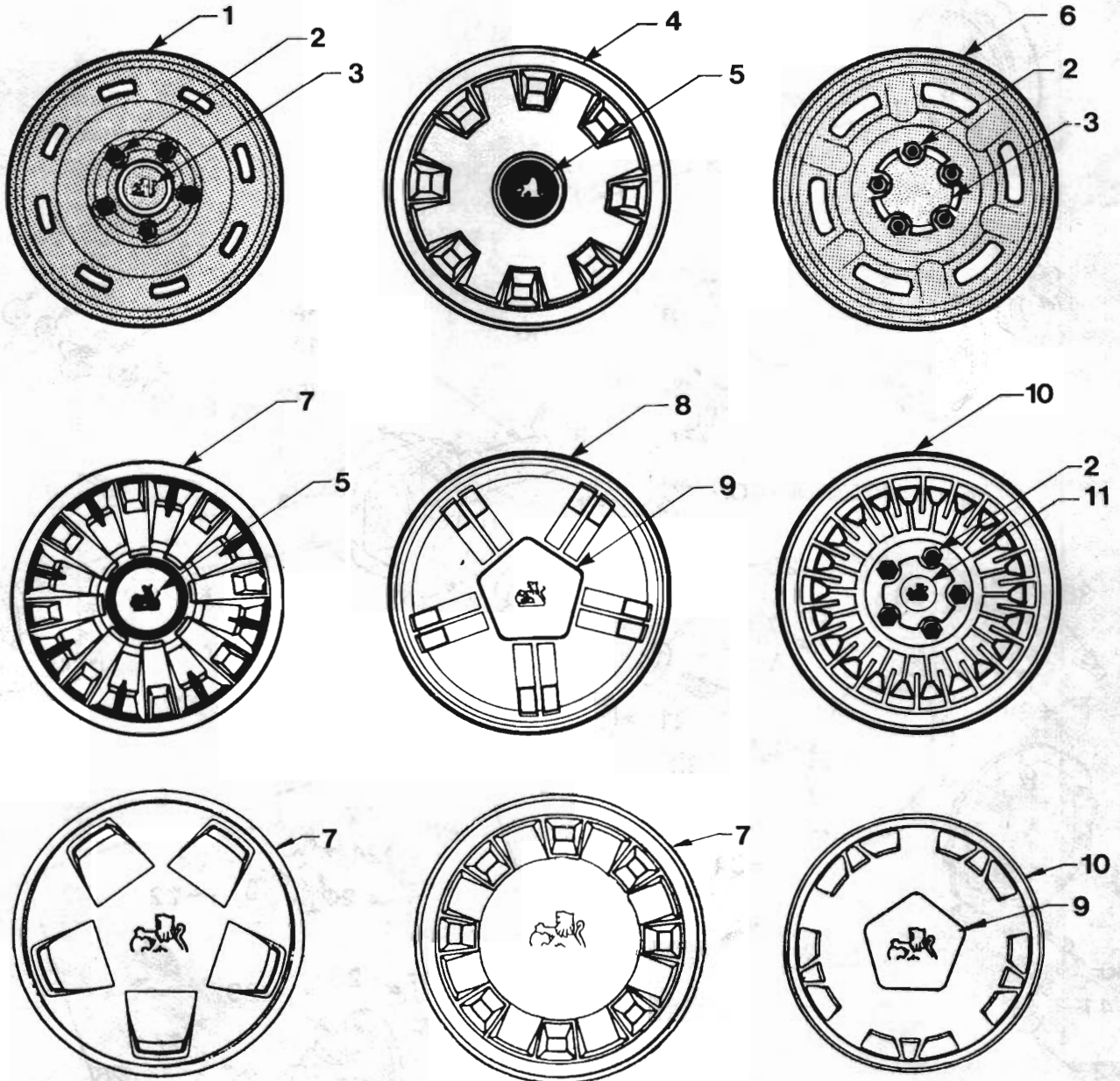
REF. NO.	PART NAME	GROUP
1	DISC ASM.....	5.809
2	SHIELD ASM.....	5.002
3	CLIP - Rear brake hose to axle bracket.....	4.681
4	BRACKET - Park brake cable mounting.....	4.785
5	HOSE - Rear brake pipe to caliper.....	4.680
6	CALIPER ASM.....	4.665
7	GASKET - Rear brake hose to caliper.....	4.680



GROUP

5.000

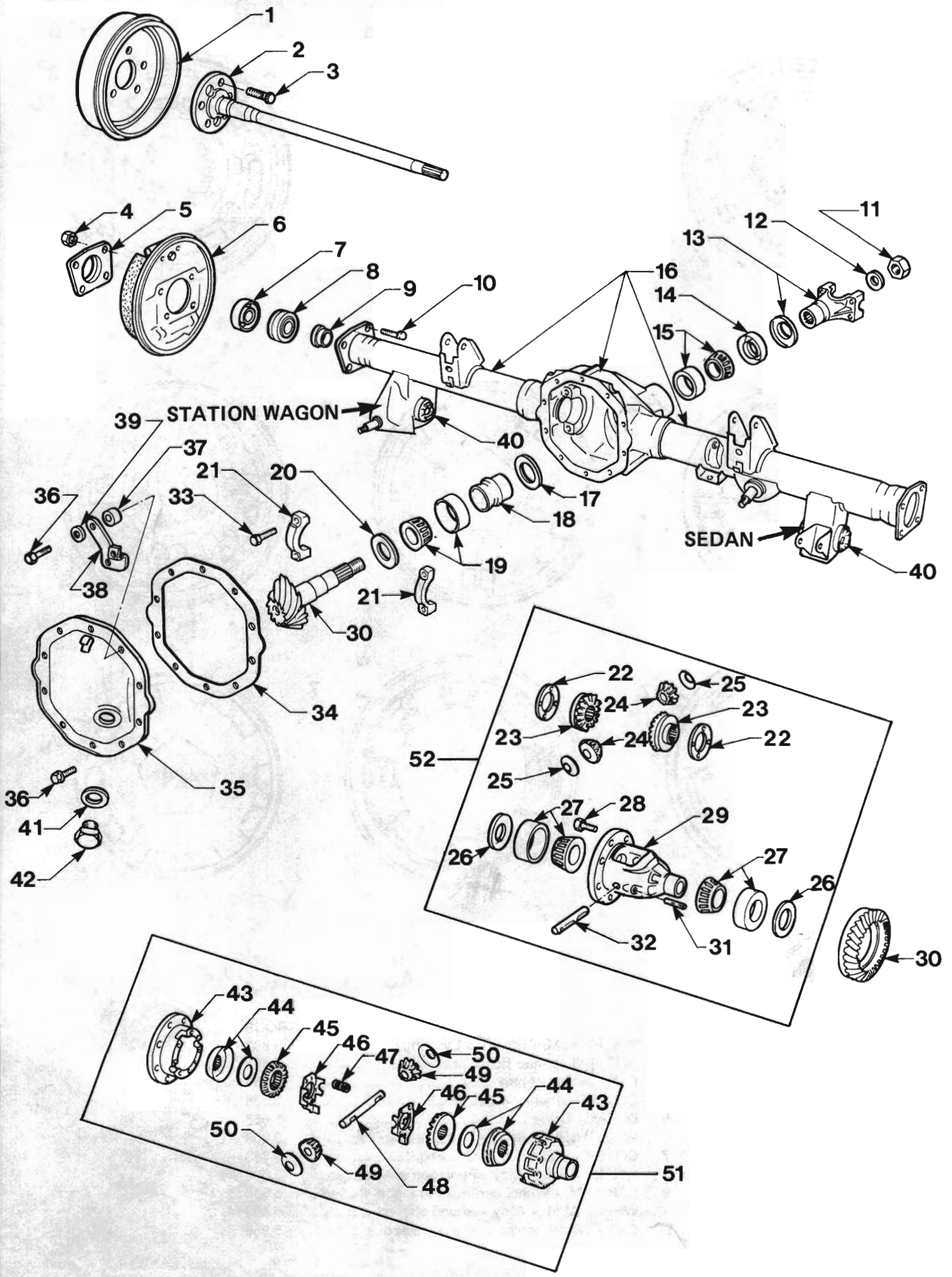
**REAR AXLE
WHEELS**



WHEEL - ROAD

REF. NO.	PART NAME	GROUP
1	WHEEL ASM. - Steel - 4 Cyl. Eng.	5.803
2	NUT - Wheel hub bolt.....	5.813
3	CAP - Wheel centre	5.858
4	COVER - Wheel - 4 Cyl. Eng.	5.858
5	DECAL - Cover	5.858
6	WHEEL ASM. - Steel - 6, 8 Cyl. Eng.....	5.803
7	COVER - Wheel - 6, 8 Cyl. Eng.....	5.858
8	WHEEL ASM. - Alloy - Pentagon shaped cap.....	5.803
9	CAP ASM. - Wheel centre - Pentagon shaped ...	5.858
10	WHEEL ASM. - Alloy - Round shaped cap.....	5.803
11	CAP - Wheel centre - Round shaped	5.858

"V" SERIES PARTS CATALOGUE

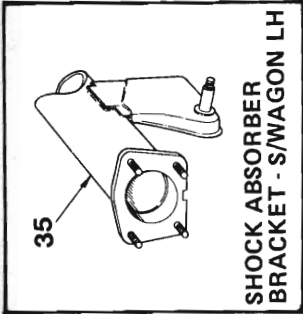




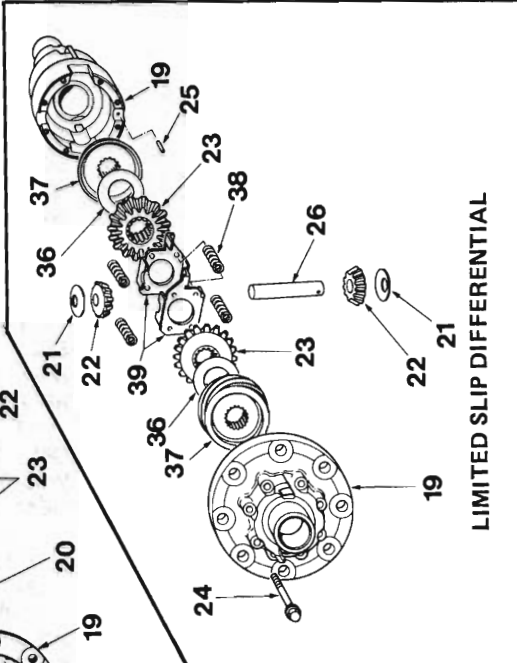
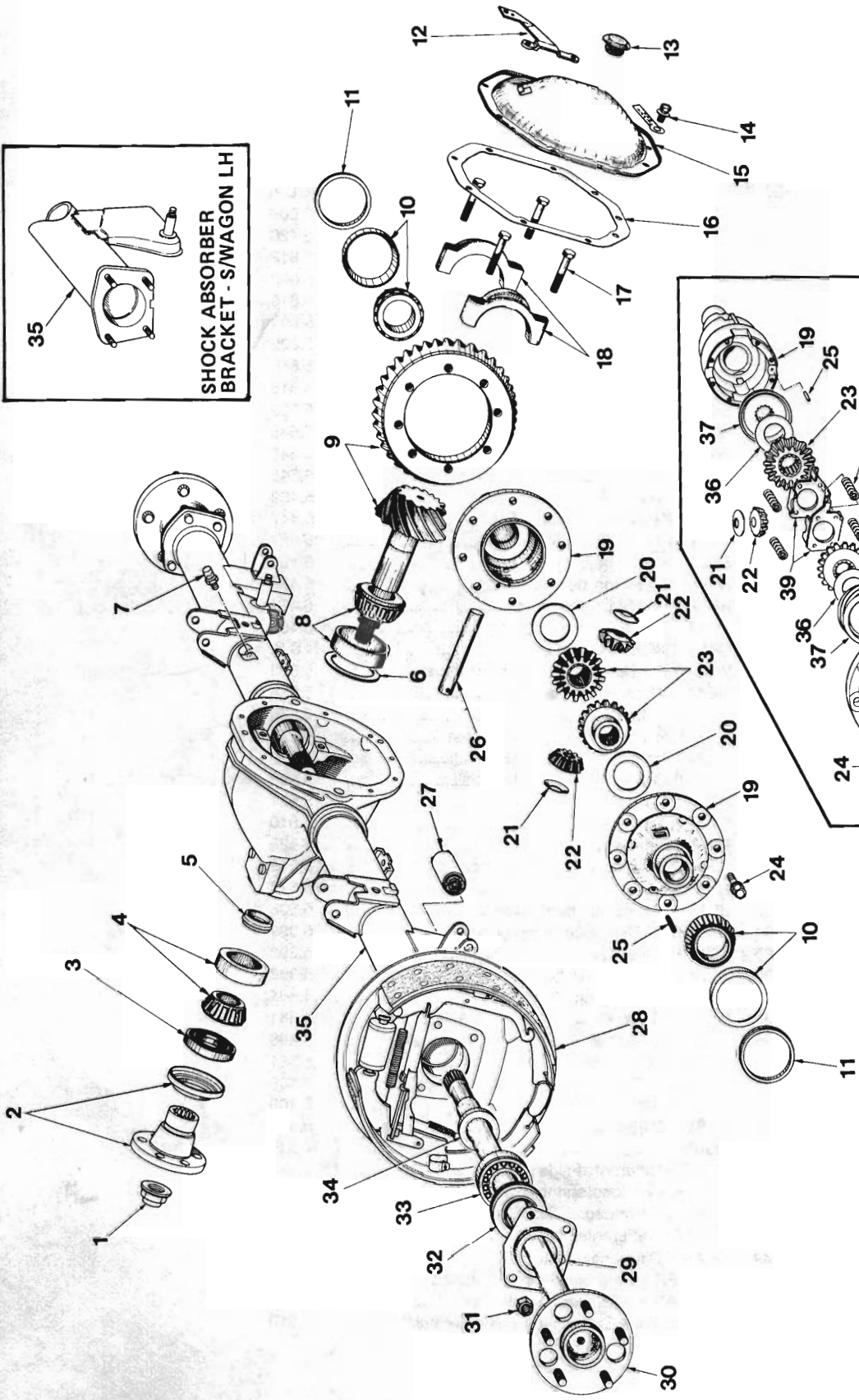
**REAR AXLE
EXC. 3.23:1 AXLE RATIO**

ILLUSTRATION OPPOSITE

REF. NO.	PART NAME	GROUP
1	DRUM - Brake.....	5.809
2	SHAFT - Rear axle.....	5.420
3	BOLT - Wheel hub.....	5.812
4	NUT - Rear plate to axle.....	5.002
5	RETAINER - Axle shaft.....	5.816
6	PLATE - Brake backing.....	5.001
7	SEAL - Rear axle bearing oil.....	5.822
8	BEARING - Rear axle shaft.....	5.855
9	RING - Rear axle bearing retainer.....	5.816
10	BOLT - Plate to axle housing.....	5.002
11	NUT - Pinion flange retaining.....	5.545
12	WASHER - Pinion flange nut.....	5.545
13	FLANGE ASM. - Differential pinion.....	5.545
14	SEAL - Rear axle pinion oil.....	5.469
15	BEARING ASM. - Pinion front.....	5.447
16	TUBE & CARRIER ASM.....	5.387
17	SHIM - Pinion bearing pre load.....	5.460
18	SPACER - Pinion bearing.....	5.453
19	BEARING ASM. - Pinion rear.....	5.484
20	SHIM - Pinion bearing locating.....	5.460
21	CAP - Differential carrier.....	N.S.S.
22	WASHER - Differential side gear thrust.....	5.543
23	GEAR - Differential side.....	5.528
24	GEAR - Differential pinion.....	5.526
25	WASHER - Differential pinion thrust.....	5.542
26	SHIM - Differential side bearing.....	5.537
27	BEARING ASM. - Differential side.....	5.536
28	BOLT - Ring gear to case.....	5.531
29	CASE - Differential.....	5.510
30	RING GEAR & PINION.....	5.529
31	PIN - Differential pinion shaft lock.....	5.518
32	SHAFT - Differential pinion.....	5.517
33	BOLT - Differential carrier cap.....	5.506
34	GASKET - Rear axle housing cover.....	5.399
35	COVER - Rear axle housing.....	5.398
36	SCREW - Rear axle housing cover.....	5.398
37	SPACER - Hose bracket to axle.....	4.681
38	BRACKET - Rear brake hose to axle.....	4.681
39	WASHER - Cover & bracket to carrier asm.....	5.398
40	BUSH - Lower control arm - Rear.....	5.381
41	GASKET - Differential filler plug.....	5.400
42	PLUG - Differential filler.....	5.400
43	CASE - Differential.....	5.510
44	CONE.....	N.S.S.
45	GEAR - Differential side.....	5.528
46	BLOCK - Preload spring.....	5.511
47	SPRING - Preload.....	5.511
48	SHAFT - Differential pinion.....	5.517
49	GEAR - Differential pinion.....	5.526
50	WASHER - Differential pinion thrust.....	5.542
51	CASE ASM. - Limited slip differential.....	5.510
52	CASE ASM. - Exc. limited slip differential.....	5.510



**SHOCK ABSORBER
BRACKET - SWAGON LH**



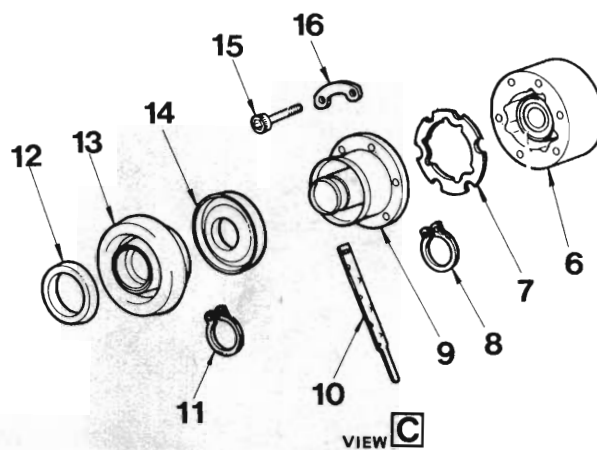
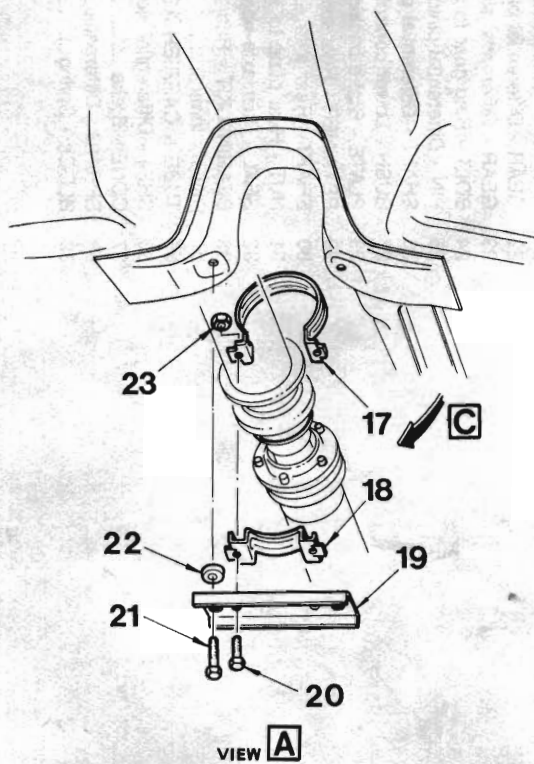
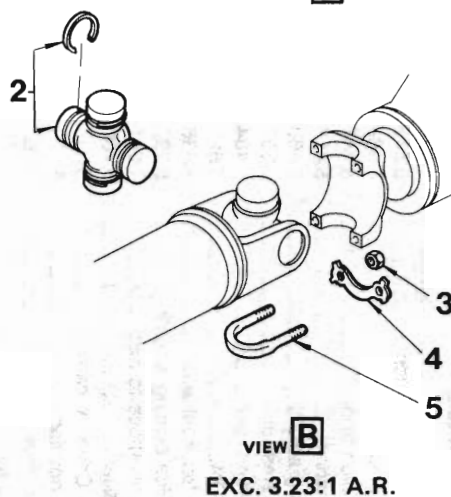
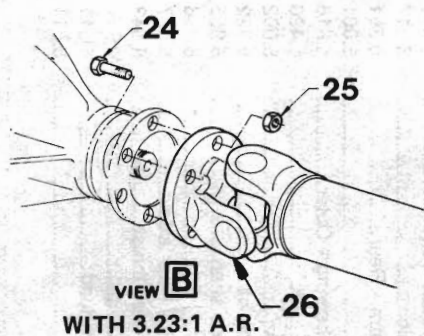
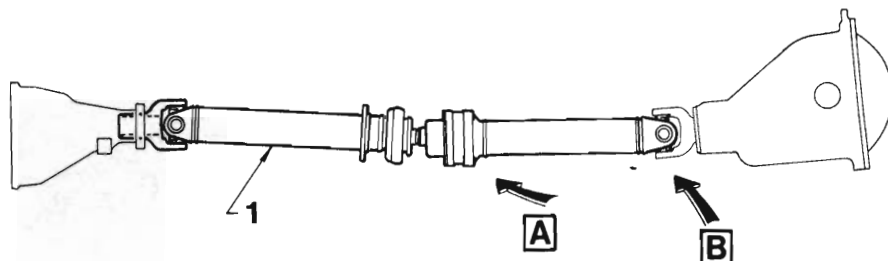
LIMITED SLIP DIFFERENTIAL



**REAR AXLE
3.23:1 AXLE RATIO**

ILLUSTRATION OPPOSITE

REF. NO.	PART NAME	GROUP
1	NUT - Pinion flange retaining	5.545
2	FLANGE ASM. - Differential pinion.....	5.545
3	SEAL - Rear axle pinion oil.....	5.469
4	BEARING ASM. - Pinion front	5.447
5	SPACER - Pinion bearing.....	5.453
6	SHIM - Pinion bearing adjusting.....	5.460
7	BREATHER ASM. - Rear axle.....	5.387
8	BEARING ASM. - Pinion rear	5.484
9	RING GEAR & PINION.....	5.529
10	BEARING ASM. - Differential side.....	5.536
11	SHIM - Differential side bearing adjusting.....	5.537
12	BRACKET - Rear brake hose to axle.....	4.681
13	PLUG - Differential filler.....	5.400
14	BOLT & WASHER - Cover to carrier.....	5.398
15	COVER - Rear axle housing.....	5.398
16	GASKET - Rear axle housing cover.....	5.399
17	BOLT - Differential carrier cap.....	5.506
18	CAP - Differential carrier.....	N.S.S.
19	CASE ASM. - Differential.....	N.S.S.
20	WASHER - Differential side gear thrust.....	5.543
21	WASHER - Differential pinion gear thrust.....	5.542
22	GEAR - Differential pinion.....	5.526
23	GEAR - Differential side.....	5.528
24	BOLT - Ring gear to case.....	5.531
25	PIN - Differential pinion shaft lock.....	5.518
26	SHAFT - Differential pinion.....	5.517
27	BUSH - Lower control arm - Rear.....	5.381
28	PLATE - Brake backing.....	5.001
29	RETAINER - Rear axle bearing - Outer.....	5.816
30	SHAFT - Rear axle.....	5.420
31	NUT - Rear plate to axle.....	5.002
32	SEAL - Rear axle bearing oil.....	5.822
33	BEARING KIT - Rear axle shaft.....	5.855
34	RING - Inner.....	5.816
35	TUBE & CARRIER ASM. - Rear axle.....	5.387
36	SHIM - Differential side gear thrust.....	5.543
37	CONE - Brake.....	N.S.S.
38	SPRING - Differential pre load.....	5.511
39	BLOCK - Spring.....	5.511





PROPELLER SHAFT

ILLUSTRATION OPPOSITE

REF. NO.	PART NAME	GROUP
1	SHAFT - Propeller	5.544
2	REPAIR KIT - Universal joint.....	5.548
3	NUT - 'U' Bolt	5.586
4	PLATE - Lock.....	5.586
5	'U' BOLT - Rear.....	5.586
6(A)	BEARING - Constant velocity joint	N.S.S.
7(AB)	GASKET - Constant velocity joint.....	N.S.S.
8(A)	CIRCLIP - Constant velocity joint.....	5.548
9(AB)	DUST SHIELD.....	N.S.S.
10(AB)	STRAP - Dust shield	N.S.S.
11(C)	CIRCLIP - Propeller shaft centre bearing	N.S.S.
12(C)	SLINGER - Propeller shaft centre bearing, Front	N.S.S.
13(C)	BEARING - Propeller shaft centre	N.S.S.
14(C)	SLINGER - Propeller shaft centre bearing, Rear.	N.S.S.
15	SCREW - Allen head.....	5.548
16	PLATE - Lock.....	5.548
17	CUP - Propeller shaft centre bearing, Upper	5.600
18	CUP - Propeller shaft centre bearing, Lower	5.600
19	CARRIER - Propeller shaft centre bearing.....	5.601
20	BOLT - Propeller shaft centre bearing to carrier.	5.601
21	BOLT - Propeller shaft centre bearing to floor....	5.601
22	SPACER - Propeller shaft centre bearing carrier to floor	5.601
23	NUT - Propeller shaft centre bearing to carrier...	5.601
24	BOLT - Propeller shaft to rear axle.....	5.586
25	NUT - Propeller shaft to rear axle	5.586
26	FLANGE - Propeller shaft rear	5.555

NOTE:- (A Part of REPAIR KIT - Constant velocity joint. Refer Group 5.548

(B Part of REPAIR KIT - DUST SHIELD. Refer Group 5.548

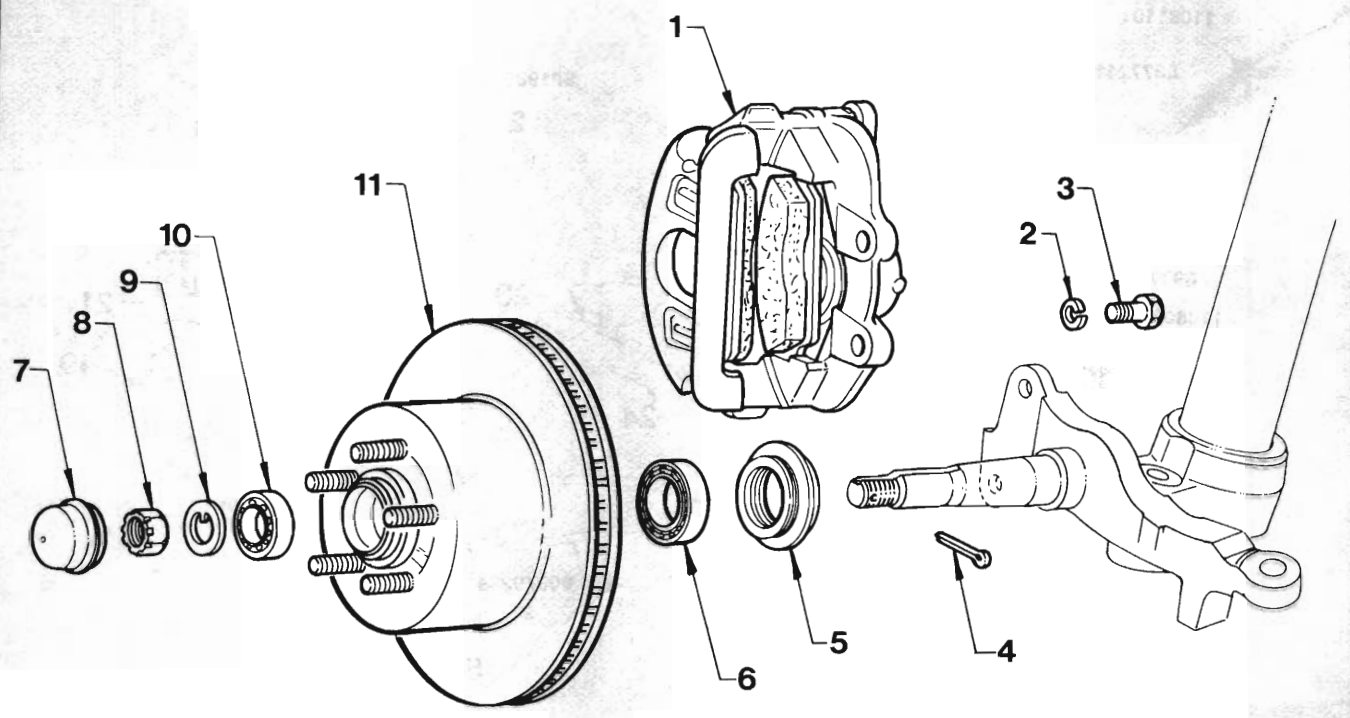
(C Part of BEARING KIT - Propeller shaft centre. Refer Group 5.600



GROUP

6.000

**FRONT SUSPENSION
STEERING**

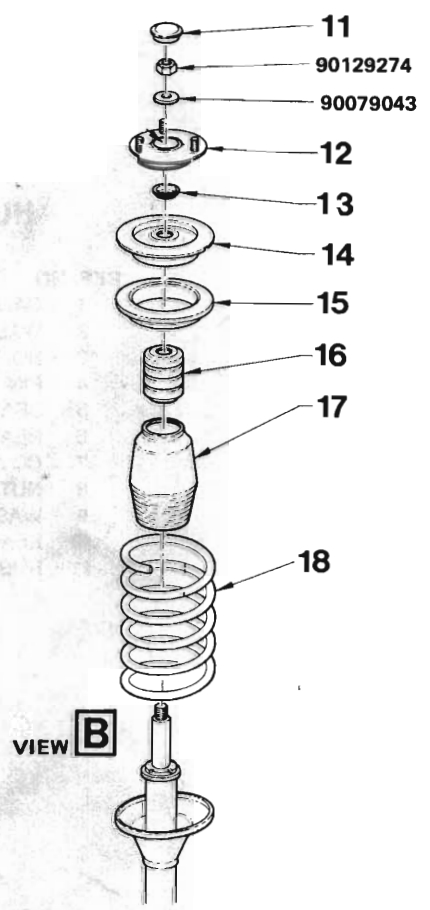
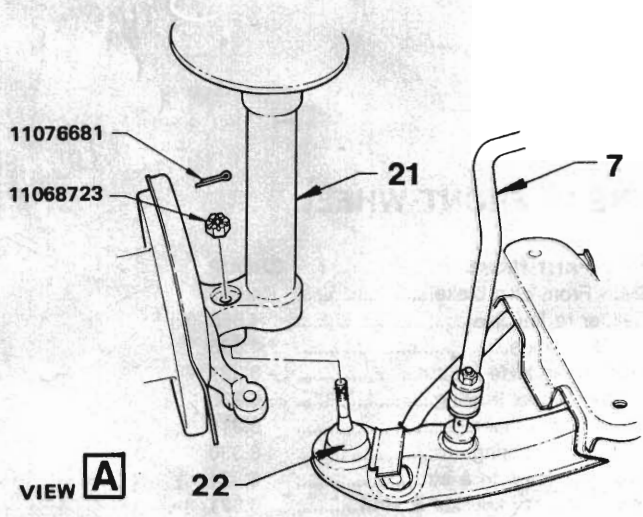
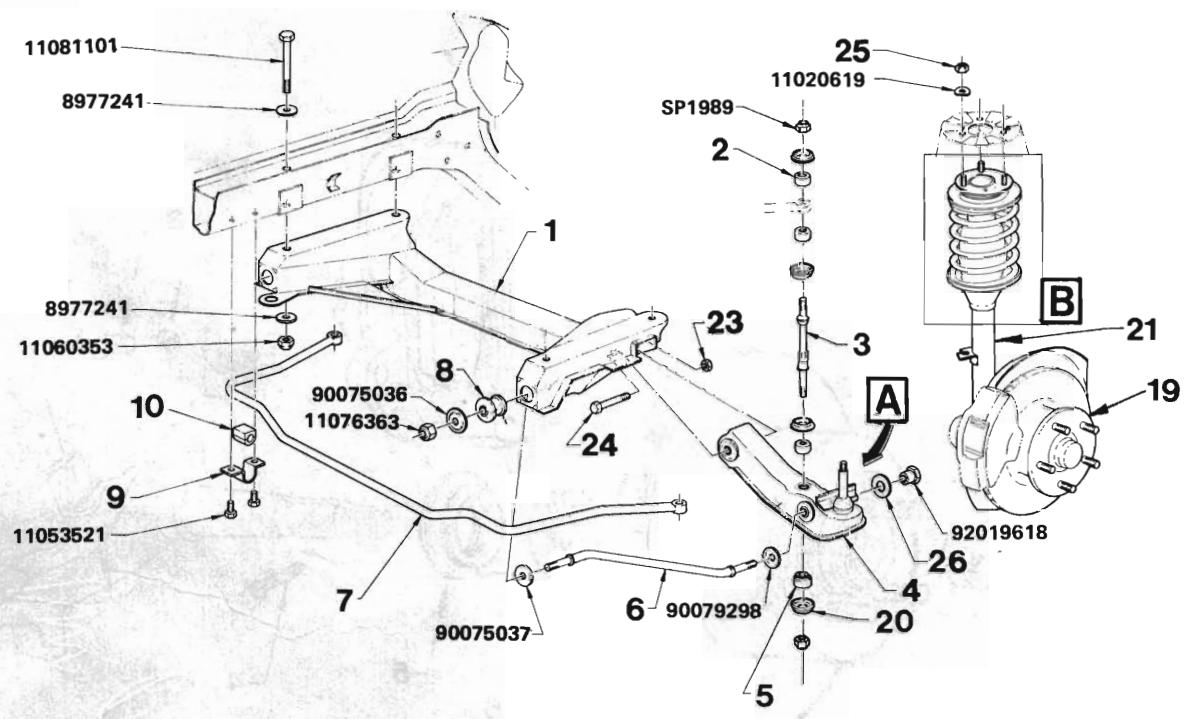


HUB & DISC - FRONT WHEEL

REF. NO.	PART NAME	GROUP
1	CALIPER ASM. - Front disc brake.....	4.665
2	WASHER - Caliper to knuckle.....	4.665
3	BOLT - Caliper to knuckle.....	4.665
4	PIN - Hub & disc to knuckle & strut.....	6.321
5	SEAL ASM. - Front wheel bearing.....	6.326
6	BEARING - Front wheel inner.....	6.311
7	COVER - Front wheel bearing.....	6.330
8	NUT - Hub & disc to knuckle & strut.....	6.321
9	WASHER - Hub & disc to knuckle & strut.....	6.321
10	BEARING - Front wheel outer.....	6.313
11	HUB & DISC ASM. - Front wheel.....	6.307



"V" SERIES PARTS CATALOGUE

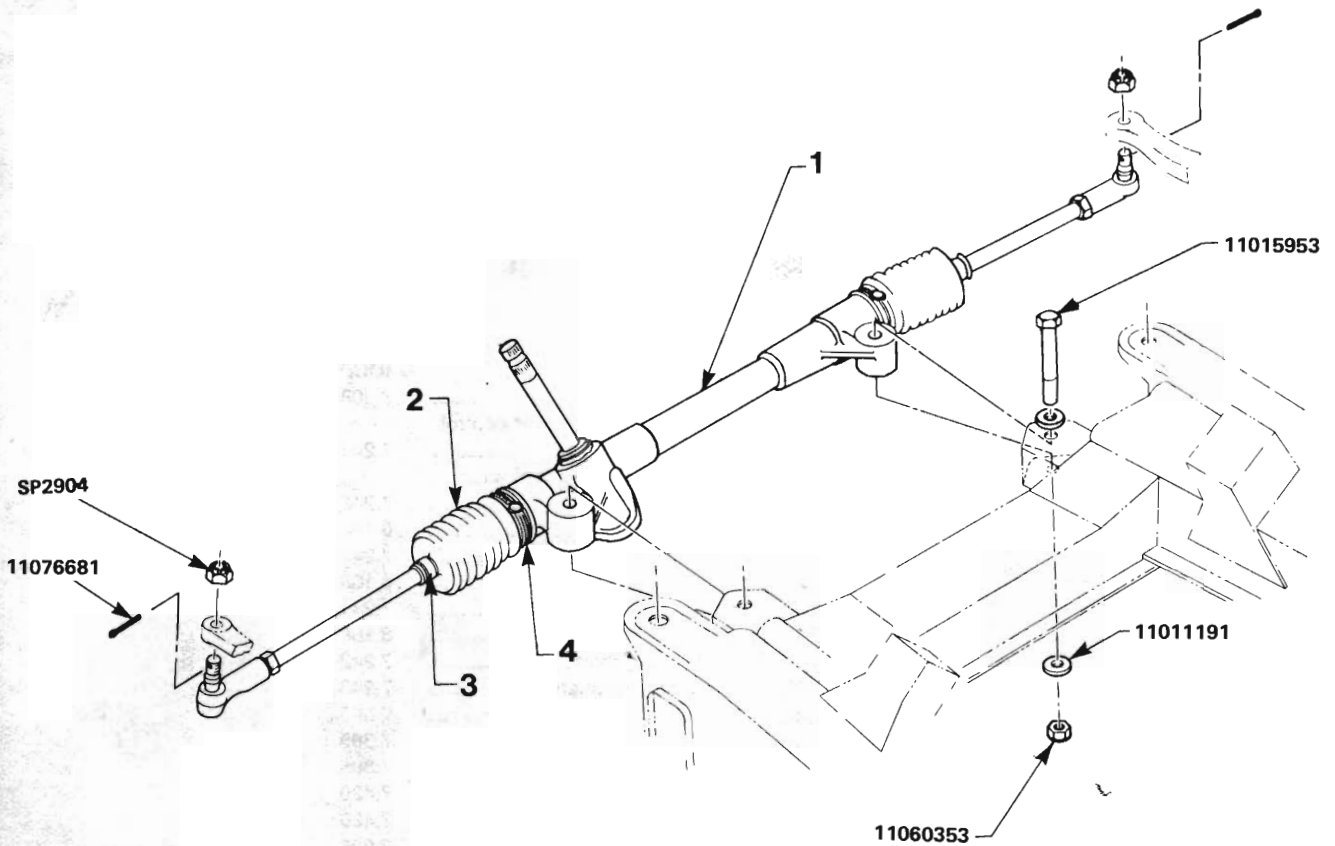




FRONT SUSPENSION

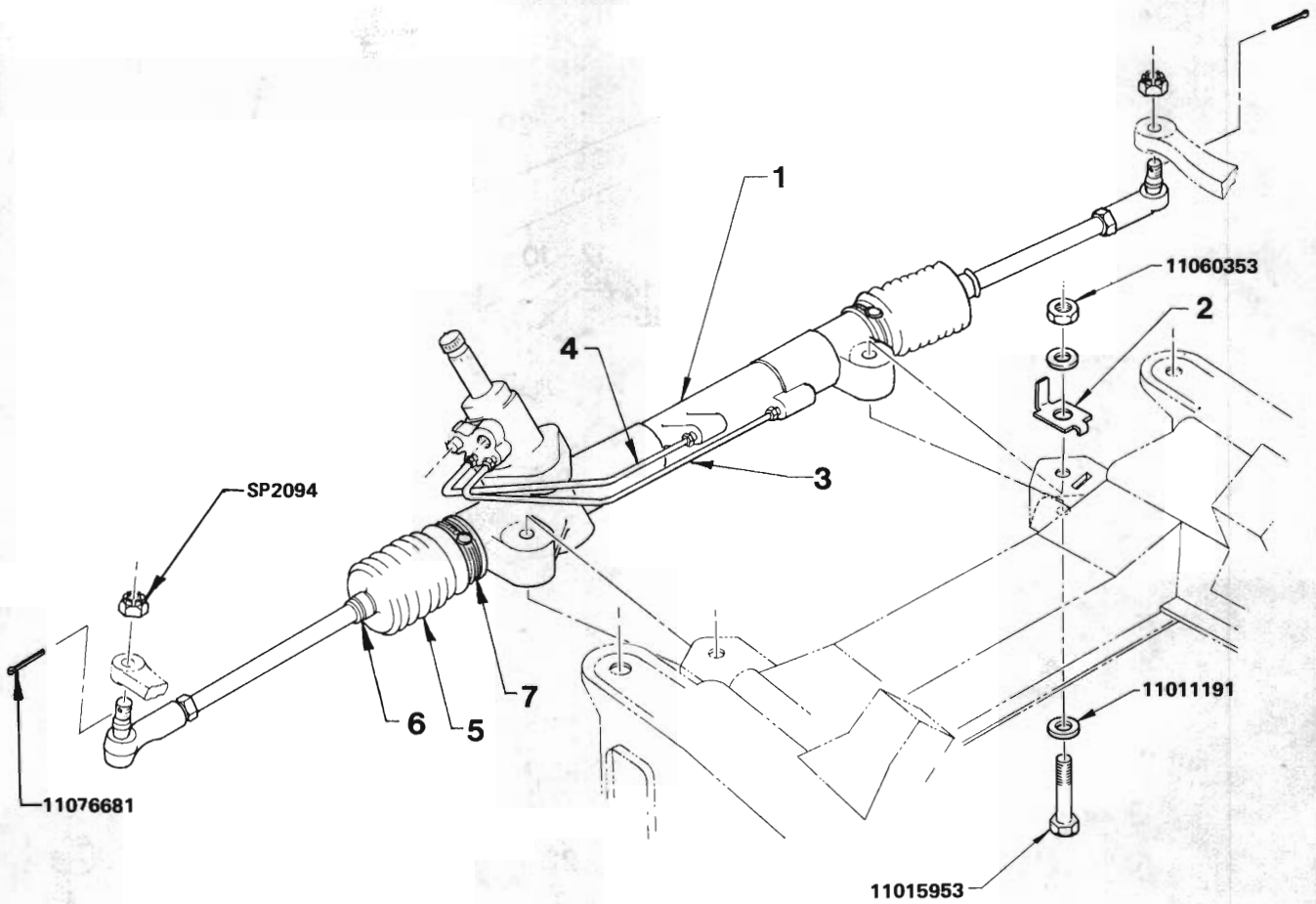
ILLUSTRATION OPPOSITE

REF. NO.	PART NAME	GROUP
1	MEMBER ASM.....	6.008
2	BUSH - Stabilizer shaft to stud & lower control arm.....	7.244
3	STUD - Stabilizer shaft to lower control arm spacing.....	7.242
4	ARM ASM. - Lower control.....	6.168
5	BUSH - Stud to lower control arm.....	7.244
6	ROD - Control arm tension.....	6.168
7	SHAFT - Front stabilizer.....	7.241
8	BUSH - Rod to crossmember.....	6.168
9	SUPPORT - Front stabilizer shaft.....	7.242
10	INSULATOR - Front stabilizer shaft.....	7.243
11	CAP - Bearing step.....	7.395
12	PLATE & BEARING ASM.....	7.395
13	SHIM - Bearing.....	7.395
14	SEAT - Spring upper.....	7.420
15	INSULATOR - Spring upper.....	7.420
16	BUMPER - Cartridge piston.....	7.395
17	BOOT - Piston rod.....	7.395 7.371
18	SPRING - Front.....	7.412
19	HUB & DISC - Front wheel.....	6.307
20	RETAINER - Bush.....	7.244
21	KNUCKLE & STRUT ASM.	6.020 7.345
22	BALL JOINT - Lower control arm.....	6.174
23	NUT - Control arm to crossmember.....	6.172
24	BOLT - Control arm to crossmember.....	6.172
25	NUT - Bearing plate to fender.....	7.395
26	WASHER - Rod to control arm.....	6.168



**STEERING GEAR
EXC. POWER STEERING**

REF. NO.	PART NAME	GROUP
1	GEAR ASM. - Steering	6.508
2	BOOT - Tie rod.....	6.232
3	CLIP - Boot outer.....	6.232
4	CLIP - Boot inner.....	6.232

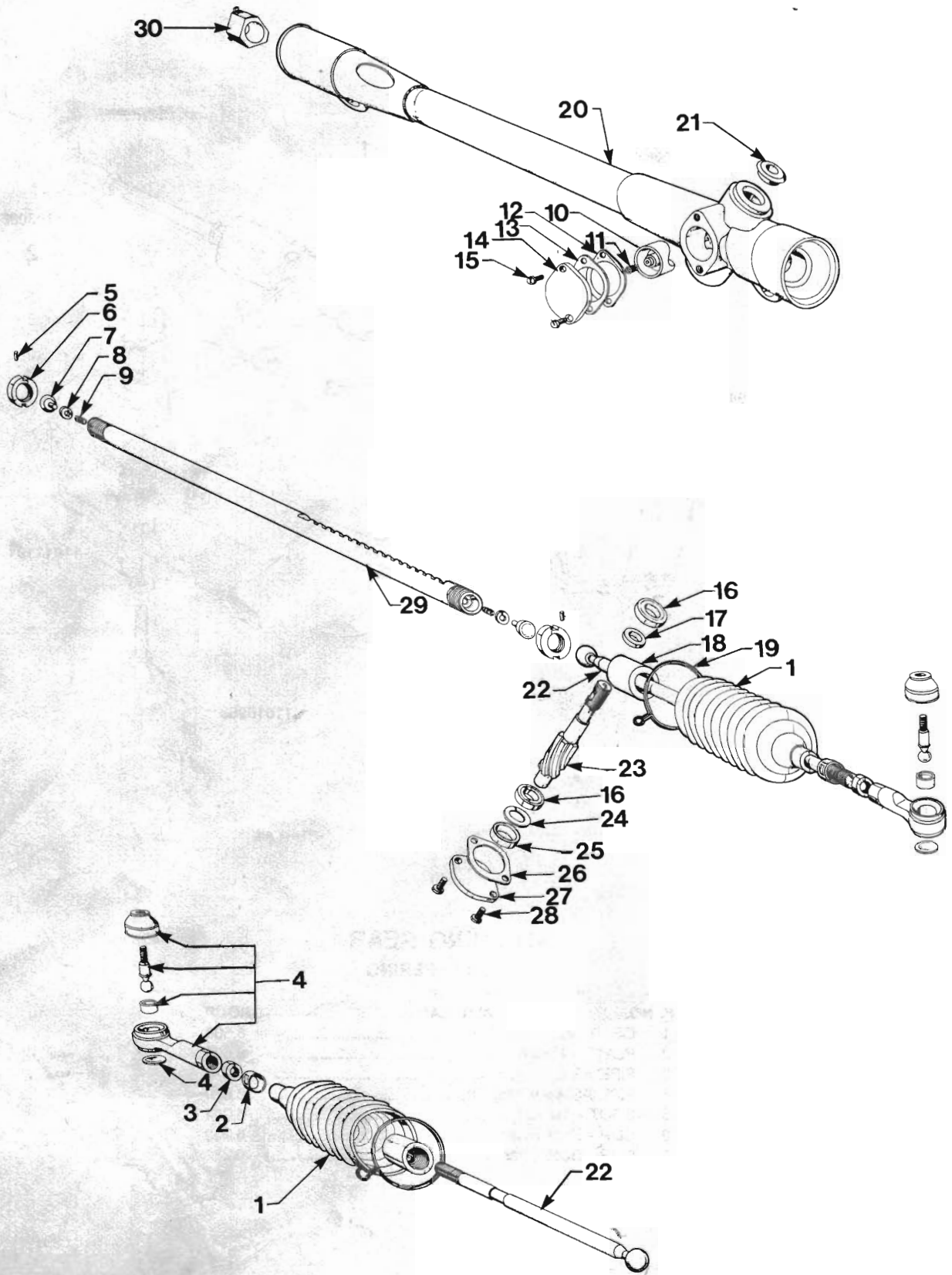


**STEERING GEAR
POWER STEERING**

REF. NO.	PART NAME	GROUP
1	GEAR ASM. - Steering	6.508
2	PLATE - Locking	6.508
3	PIPE ASM. - Feed, Long	6.670
4	PIPE ASM. - Feed, Short	6.670
5	BOOT - Tie rod	6.232
6	CLIP - Boot outer	6.232
7	CLIP - Boot inner	6.232



"V" SERIES PARTS CATALOGUE

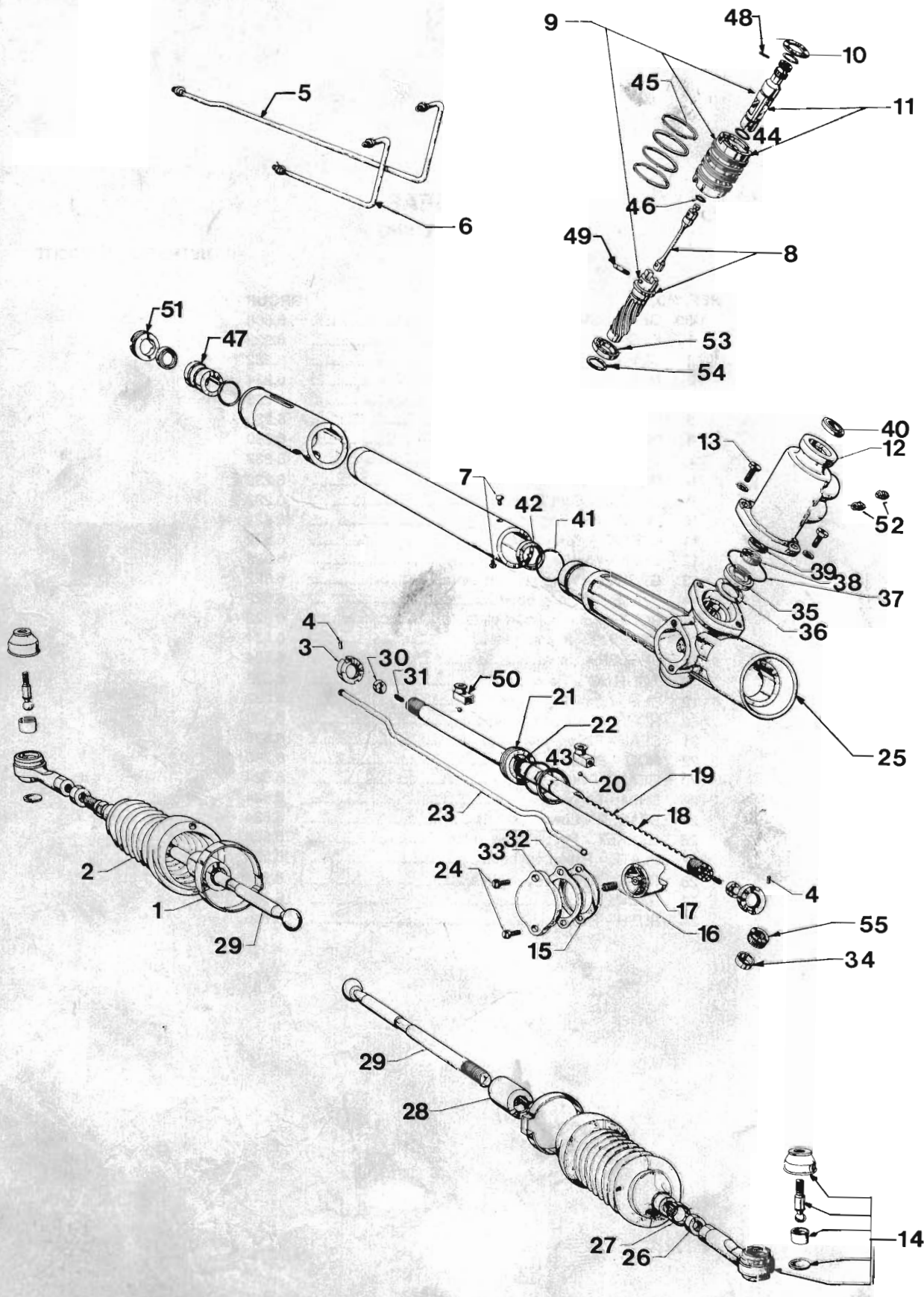




**STEERING GEAR
EXC. POWER STEERING**

ILLUSTRATION OPPOSITE

REF. NO.	PART NAME	GROUP
1-30	GEAR ASM. - Steering	6.508
1	BOOT - Tie rod	6.232
2	CLIP - Boot outer, Small	6.232
3	NUT - Tie rod to socket asm.	6.234
4	SOCKET ASM.	6.233
5	PIN - Rack locking nut.....	6.230
6	NUT - Tie rod to rack, Locking	6.230
7	SEAT - Tie rod ball	6.232
8	DISC - Seat backing.....	6.232
9	SPRING - Seat tension.....	6.232
10	YOKE - Steering gear	6.822
11	SPRING - Yoke thrust.....	6.822
12	SHIM - Yoke support plate	6.822
13	GASKET - Yoke support plate.....	6.822
14	PLATE - Yoke support.....	6.822
15	BOLT - Yoke support plate.....	6.822
16	BEARING - Pinion gear	6.524
17	SPACER - Upper	6.524
18	HOUSING - Tie rod ball	6.235
19	CLIP - Boot inner, Large	6.232
20	HOUSING - Rack & pinion.....	6.803
21	SEAL - Pinion gear.....	6.525
22	ROD - Steering tie.....	6.230
23	GEAR - Pinion.....	6.524
24	SHIM - Pinion gear	6.524
25	SPACER - Lower	6.524
26	GASKET - Pinion cover plate.....	6.524
27	PLATE - Pinion cover.....	6.524
28	BOLT - Pinion cover plate.....	6.524
29	RACK	6.586
30	BUSH - Rack.....	6.786





**STEERING GEAR
POWER STEERING**

ILLUSTRATION OPPOSITE

REF. NO.	PART NAME	GROUP	REF. NO.	PART NAME	GROUP
1-52	GEAR ASM. - Steering	6.508	29(B)	ROD - Steering tie.....	N.S.S.
1(A)	CLIP - Boot inner, Large	6.232	30(B)	SEAT - Tie rod ball	N.S.S.
1(B)			31(B)	SPRING - Ball seat tension	N.S.S.
2	BOOT - Tie rod	6.232	32(A)	GASKET - Yoke support plate.....	6.822
3	NUT - Tie rod to rack, Locking	6.230	33	PLATE - Yoke support.....	6.822
4(A)	PIN - Rack locking nut.....	6.230	34(A)	PLUG - Pinion cover	N.S.S.
4(B)			35(A)	SEAL - Housing.....	6.803
5	PIPE ASM. - Feed, Long	6.670	36	WASHER - Seal support	N.S.S.
6	PIPE ASM. - Feed, Short	6.670	37(A)	'O' RING - Valve housing.....	6.550
7	SCREW - Rack housing - Drive	6.586	37(C)		
8	PINION & TORSION BAR ASM.....	N.S.S.	38(A)	BEARING - Valve housing upper	6.550
9	PINION, INPUT SHAFT & VALVE ASM.....	6.524	38(C)		
10	WASHER - Valve thrust.....	6.552	39(A)	SEAL - Valve housing upper.....	6.550
11	INPUT SHAFT & VALVE ASM.	6.524	39(C)		
12	HOUSING ASM. - Valve	6.550	40(A)	SEAL - Valve housing dust	6.550
13	SET SCREW - Valve housing.....	6.552	40(C)		
14	SOCKET ASM.	6.233	41(A)	'O' RING - Rack housing	6.803
15	SHIM - Yoke support plate	6.822	42(A)	SEAL - Housing.....	6.803
16	SPRING - Yoke thrust.....	6.822	43(A)	'O' RING - Rack piston	6.586
17	YOKE - Steering gear	6.822	44	'O' RING - Input shaft upper	N.S.S.
18	RACK.....	6.586	45(A)	RING - Piston & valve	6.552
19	RACK & PISTON ASM.	6.586	46	'O' RING - Input shaft lower.....	N.S.S.
20	BALL - Oil feed adaptor	6.551	47	BUSH - Rack.....	6.786
21	PISTON - Rack	6.582	48	PIN - Input shaft to torsion bar	N.S.S.
22	CIRCLIP - Rack.....	6.582	49	PIN - Pinion to torsion bar	N.S.S.
23	PIPE ASM. - By pass.....	6.670	50	WELD STUD.....	N.S.S.
24	BOLT - Yoke support plate.....	6.822	51	NUT - Bush, Locking.....	6.786
25	HOUSING ASM. - Pinion & support end.....	6.803	52	SEAT - Feed pipe.....	6.673
26	NUT - Tie rod to socket asm.	6.234	53	BEARING - Upper pinion shaft.....	6.524
27	CLIP - Boot outer, Small	6.232	54	CIRCLIP - Upper bearing to shaft.....	6.524
28(B)	HOUSING - Tie rod ball	N.S.S.	55	BEARING - Lower pinion shaft.....	6.524

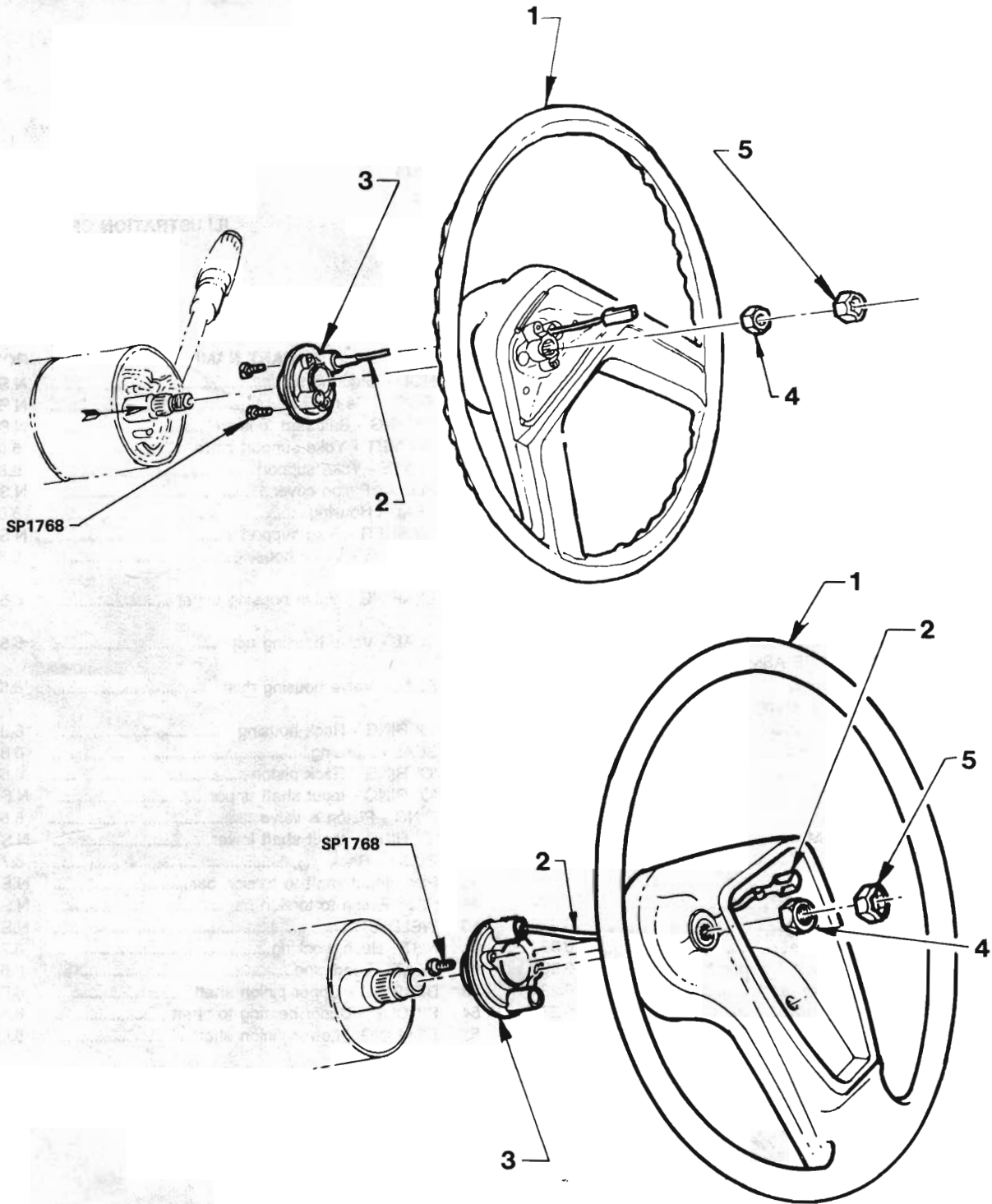
NOTE:- (A - Parts included in Major Repair Kit. Refer Group 6.508

(B - Parts included in Tie Rod Kit Repair. Refer Group 6.230

(C - Parts included in Valve Housing Repair Kit. Refer Group 6.550

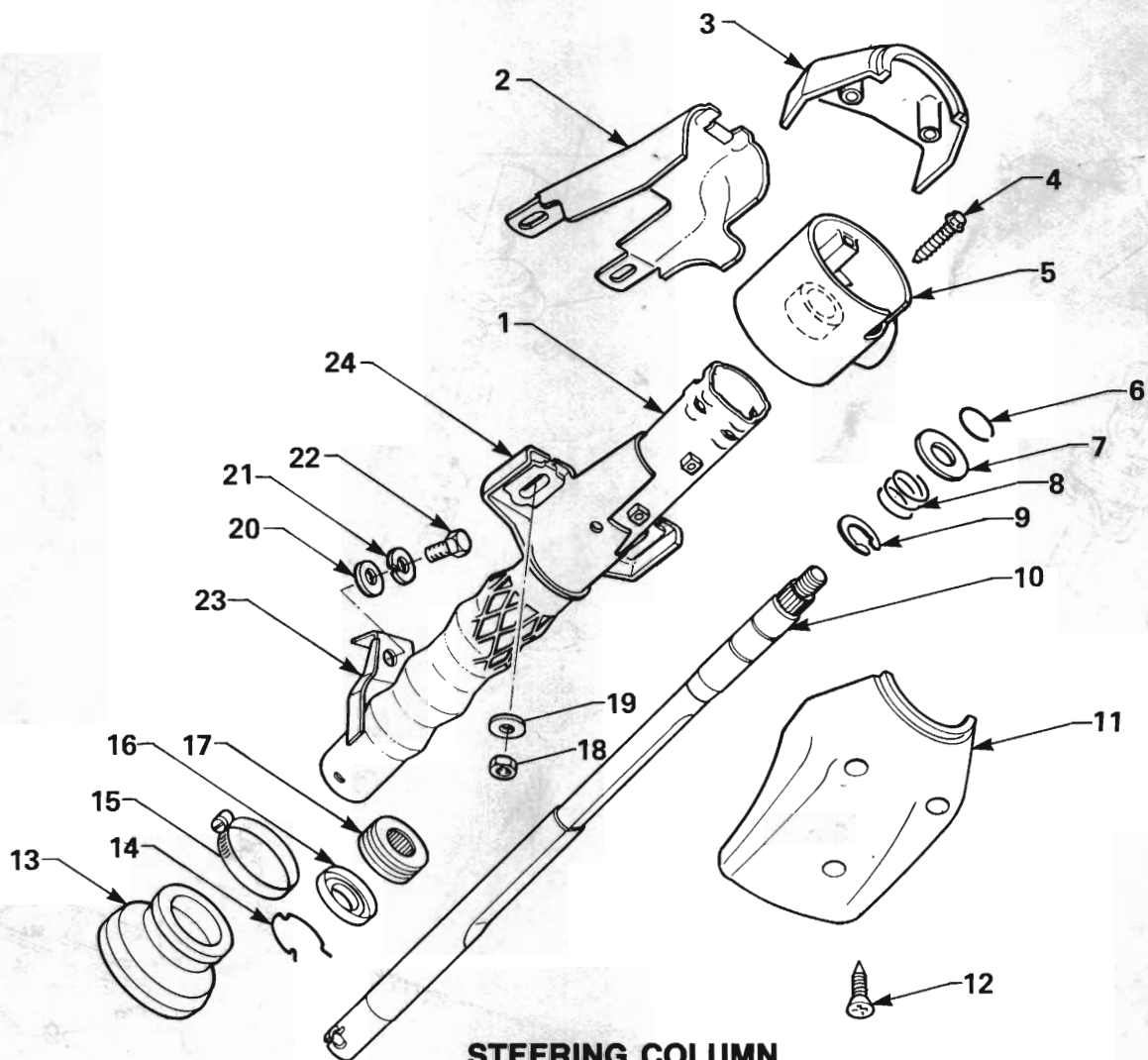


"V" SERIES PARTS CATALOGUE



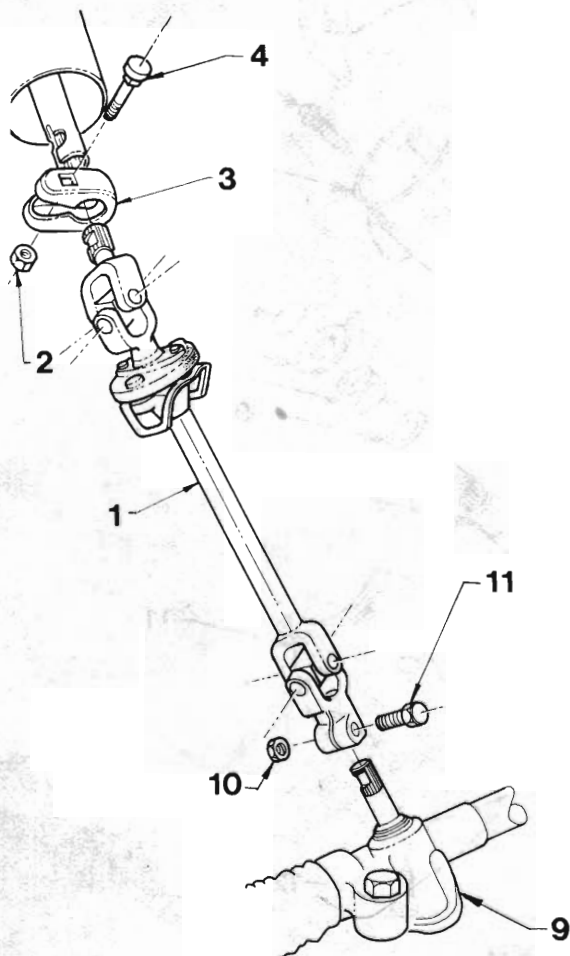
STEERING WHEEL

REF. NO.	PART NAME	GROUP
1	WHEEL ASM.	6.513
2	LEAD - Horn actuating bar earth.....	2.859
3	SUPPORT & RING ASM. - Horn contact.....	2.819
4	NUT - Steering wheel to column.....	6.515
5	NUT - Lock, Steering wheel to column.....	6.515

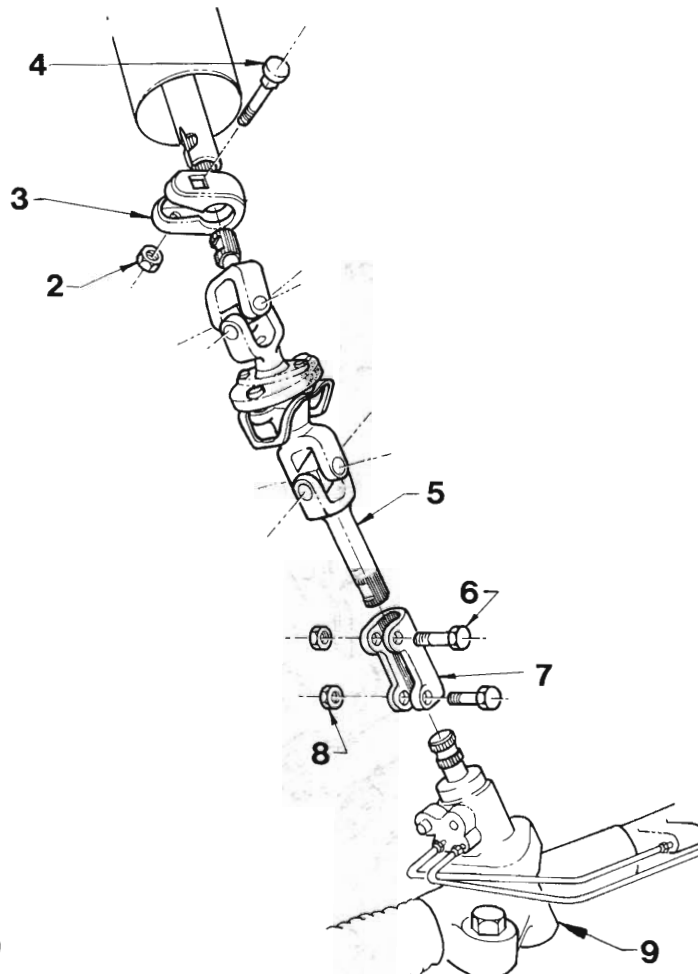


STEERING COLUMN

REF. NO.	PART NAME	GROUP
1	JACKET & CAPSULE ASM.....	6.518
2	SHIELD - Ignition switch.....	2.195
3	COVER - Upper	6.518
4	SCREW - Housing to jacket.....	6.518
5	HOUSING - Steering column	6.518
6	RING - Upper bearing.....	6.521
7	WASHER - .75" x 1.00" x .0478" - Lock.....	6.521
8	SPRING - Upper bearing.....	6.521
9	RETAINER - Upper bearing.....	6.521
10	SHAFT ASM. - Steering column.....	6.524
11	COVER - Lower	6.518
12	SCREW - Upper cover to lower cover.....	6.518
13	BOOT - Column to floor.....	6.518
14	CLIP - Adaptor - Offset type.....	6.521
15	CLAMP - Boot to steering column.....	6.518
16	SEAL Bearing lower	6.521
17	ADAPTOR & BEARING ASM.	6.521
18	NUT - Upper bracket to brace	6.518
19	WASHER - Upper bracket to brace.....	6.518
20	WASHER - Lower bracket to floor.....	6.518
21	WASHER - Lower bracket to floor.....	6.518
22	SCREW - Lower bracket to floor.....	6.518
23	BRACKET - Steering column support, Lower	6.760
24	BRACKET - Steering column support, Upper	6.760



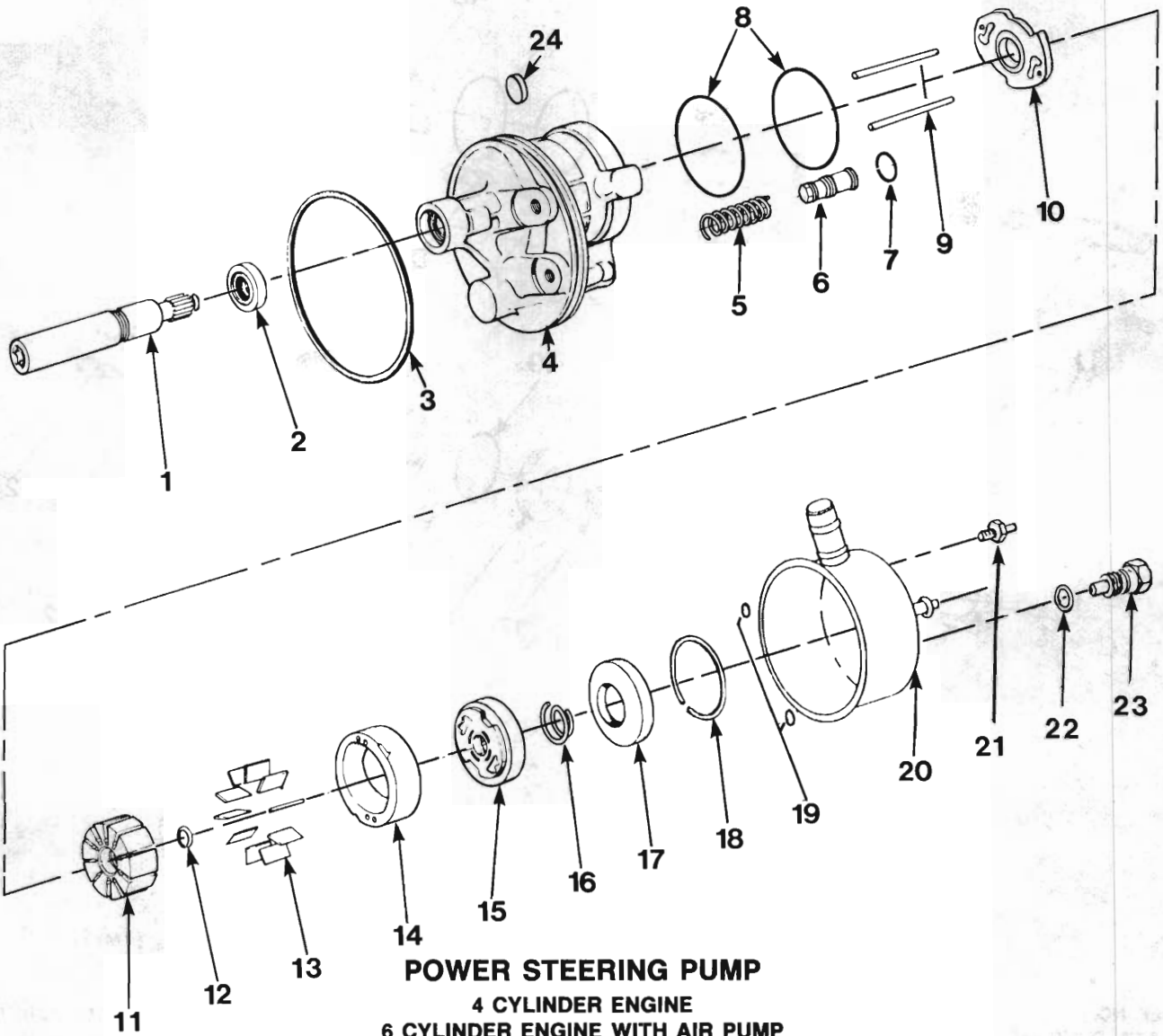
MANUAL STEERING



POWER STEERING

COUPLING & SHAFT

REF. NO.	PART NAME	GROUP
1	COUPLING & SHAFT ASM. - Intermediate	6.525
2	NUT - Coupling clamp to steering column	6.525
3	CLAMP - Intermediate coupling	6.525
4	BOLT - Coupling clamp to steering column	6.525
5	COUPLING ASM. - Intermediate	6.525
6	BOLT - Coupling asm. to flange	6.525
7	FLANGE - Intermediate	6.525
8	NUT - Coupling to flange	6.525
9	GEAR ASM. - Steering	6.508
10	NUT - Coupling asm. to steering gear	6.525
11	BOLT - Coupling asm. to steering gear	6.525



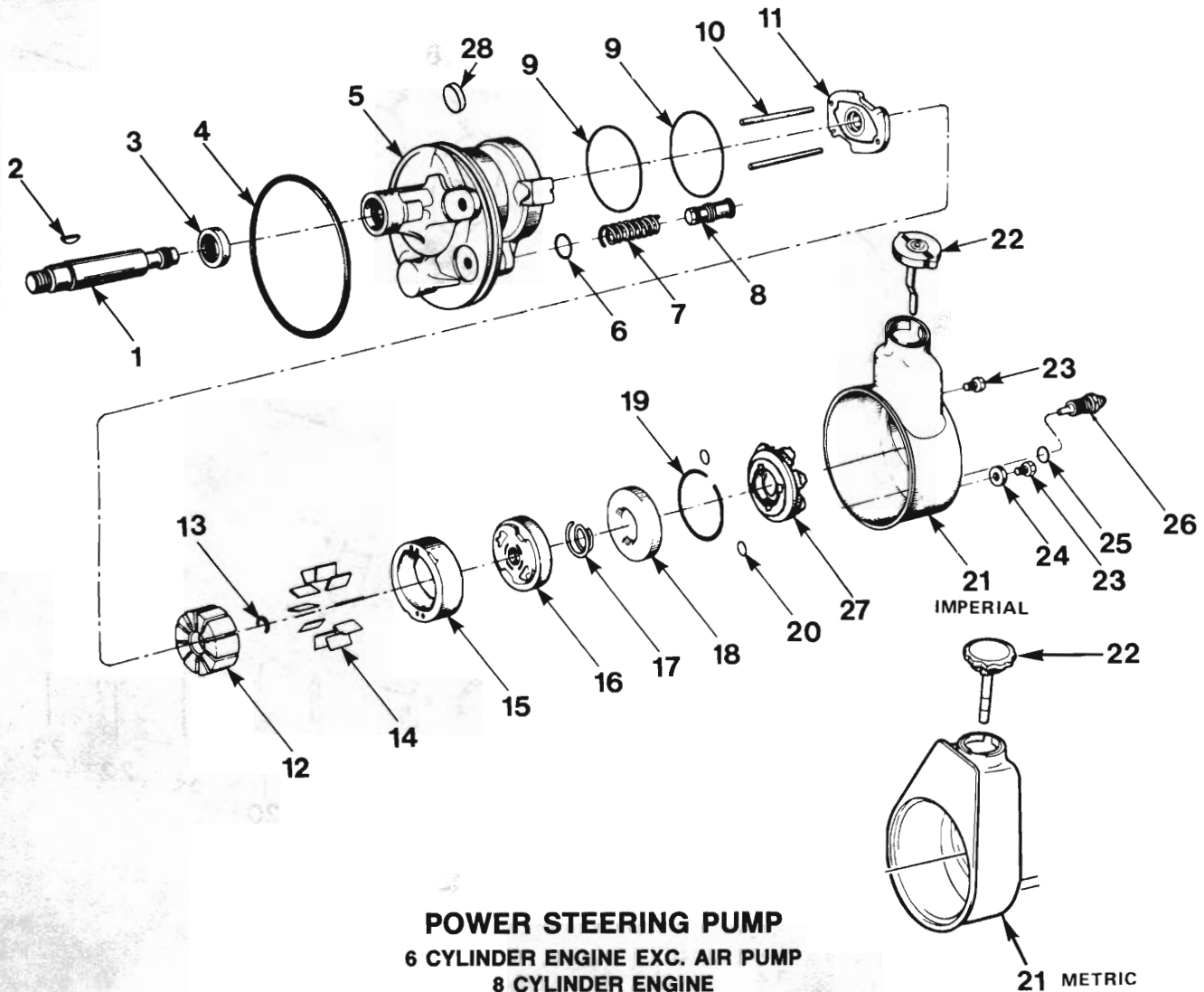
POWER STEERING PUMP
4 CYLINDER ENGINE
6 CYLINDER ENGINE WITH AIR PUMP

REF. NO.	PART NAME	GROUP	REF. NO.	PART NAME	GROUP
1-24	PUMP ASM.....	6.605	13(C)	VANE - Pump.....	N.S.S.
1(A)	SHAFT - Drive.....	6.614	14(C)	RING.....	6.611
2(B)	SEAL - Pump drive shaft.....	6.617	15	PLATE - Pressure.....	6.612
3(B)	SEAL - 'O' Ring, Reservoir body.....	6.635	16	SPRING - Pressure plate.....	6.612
(D)			17	PLATE - Pump end.....	6.609
4	HOUSING ASM.....	6.608	18	RING - End plate retaining.....	6.609
5	SPRING - Flow control.....	6.624	19(B)	SEAL - Reservoir bolt.....	N.S.S.
6	VALVE ASM. - Flow control.....	6.624	(D)		
7(B)	SEAL - 'O' Ring, Valve.....	N.S.S.	20(D)	RESERVOIR KIT - Pump.....	6.635
8(B)	SEAL - 'O' Ring, End plate & pressure plate.....	N.S.S.	21	BOLT - Reservoir.....	6.635
9	PIN - Pump ring, Dowel.....	6.608	22	SEAL - Pump hose fitting.....	6.674
10	PLATE - Thrust.....	6.612	23(B)	FITTING ASM. - Hose.....	6.673
11(C)	ROTOR.....	N.S.S.	24(B)	MAGNET.....	6.630
12(A)	RING - Shaft retaining.....	6.614			
(C)					

NOTE:- (A - Parts included in Shaft Service Kit. Refer Group 6.614
 (B - Parts included in Seal Kit. Refer Group 6.609
 (C - Parts included in Rotor & Vane Kit. Refer Group 6.610
 (D - Parts included in Reservoir Kit. Refer Group 6.635



"V" SERIES PARTS CATALOGUE



POWER STEERING PUMP
6 CYLINDER ENGINE EXC. AIR PUMP
8 CYLINDER ENGINE

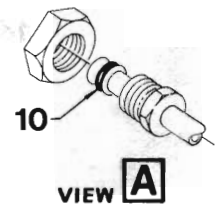
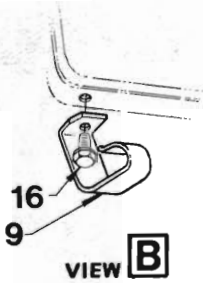
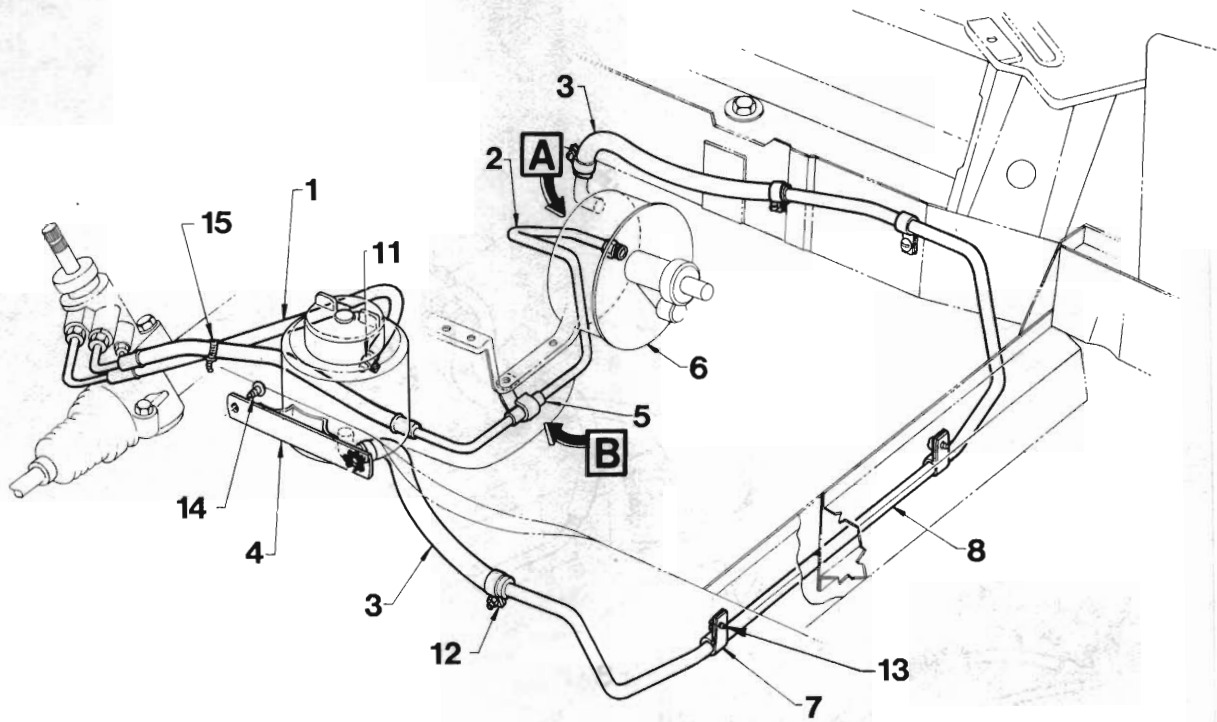
REF. NO.	PART NAME	GROUP	REF. NO.	PART NAME	GROUP
1-28	PUMP ASM.....	6.605	14(C)	VANE - Pump (10 vanes).....	N.S.S.
1(A)	SHAFT KIT - Pump drive.....	6.614	15(C)	RING.....	N.S.S.
2	KEY - Drive shaft.....	6.614	16	PLATE - Pressure.....	6.612
3	SEAL - Pump drive shaft.....	6.617	17	SPRING - Pressure plate.....	6.612
4(B)	SEAL - 'O' Ring, Reservoir body.....	6.635	18	PLATE - Pump end.....	6.609
4(D)			19	RING - End plate retaining.....	6.609
5	HOUSING ASM.....	6.608	20(B)	SEAL - Reservoir bolt.....	6.635
6(B)	SEAL - 'O' Ring, Valve.....	N.S.S.	20(D)		
7	SPRING - Flow control.....	6.624	21(D)	RESERVOIR ASM.....	6.635
8	VALVE ASM. - Flow control.....	6.624	22	CAP & INDICATOR ASM. - Reservoir.....	6.635
9(B)	SEAL - 'O' Ring, End & pressure plate.....	N.S.S.	23	BOLT - Reservoir.....	6.635
10	PIN - Pump ring, Dowel.....	6.608	24	SPACER - Pump cover bolt.....	N.S.S.
11	PLATE - Thrust.....	6.612	25(B)	SEAL - Pump hose fitting.....	6.674
12(C)	ROTOR.....	N.S.S.	26	FITTING ASM. - Hose.....	6.673
13(A)	RING - Shaft retaining.....	6.614	27	FILTER ASM.....	6.630
13(C)			28(B)	MAGNET.....	6.630

NOTE:- (A Shaft includes Illustration Ref. No 13

(B Parts included in Seal Kit. Refer Group 6.609

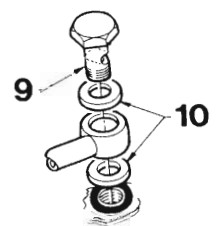
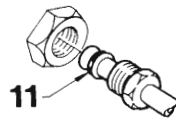
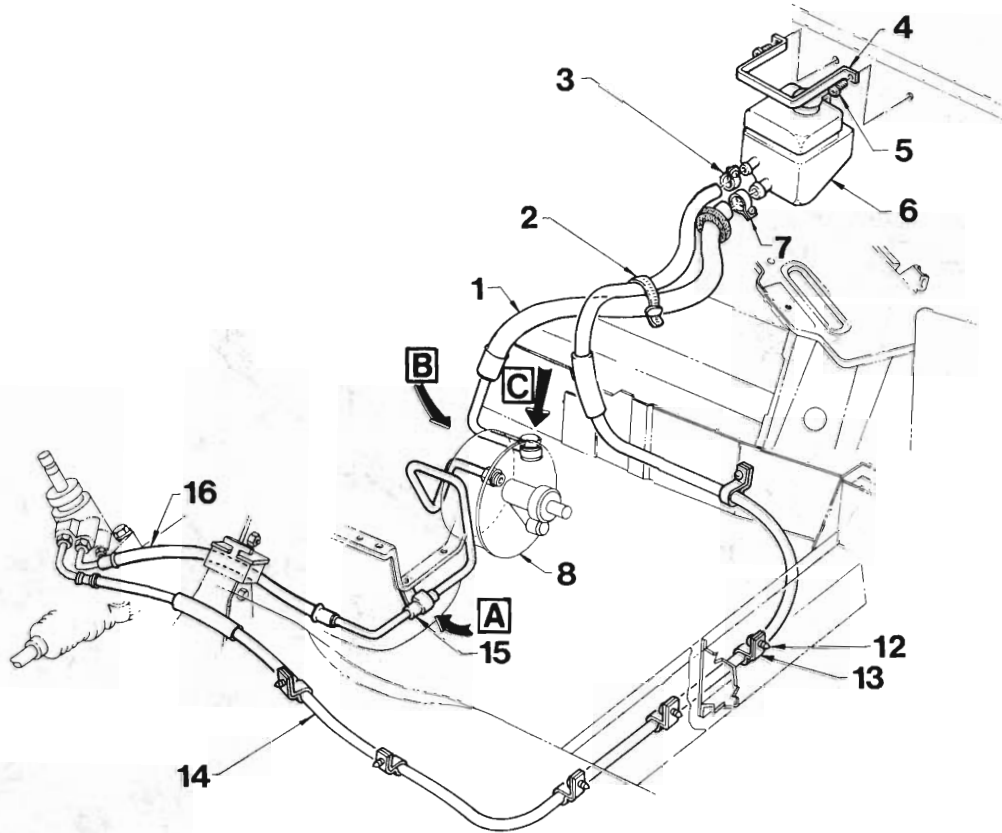
NOTE:- (C Parts included in Rotor Kit. Refer Group 6.610

(D - Parts included in Reservoir Kit. Refer Group 6.635



**POWER STEERING
4 CYLINDER ENGINE
VC SERIES**

REF. NO.	PART NAME	GROUP
1	HOSE ASM. - Gear to reservoir.....	6.671
2	HOSE ASM. - Pressure, Pump to gear.....	6.670
3	HOSE - Return.....	6.671
4	RESERVOIR ASM. - Side rail.....	6.635
5	SLEEVE - Pressure hose protection.....	6.672
6	PUMP ASM.....	6.605
7	CLIP - Return pipe to body.....	6.672
8	PIPE - Return.....	6.671
9	BRACKET - Pressure hose to oil pan.....	6.672
10	'O' RING - Pressure hose to pump.....	6.674
11	CLAMP - Power steering hose, .68" Dia.....	6.672
12	CLAMP - Power steering hose, .97" Dia.....	6.672
13	SCREW - Return pipe to body.....	6.672
14	SCREW - Reservoir to side rail.....	6.635
15	STRAP - Hose retaining.....	6.672
16	BOLT - Bracket to oil pan.....	1.428





POWER STEERING HOSES

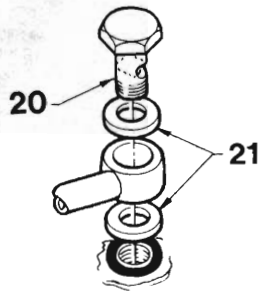
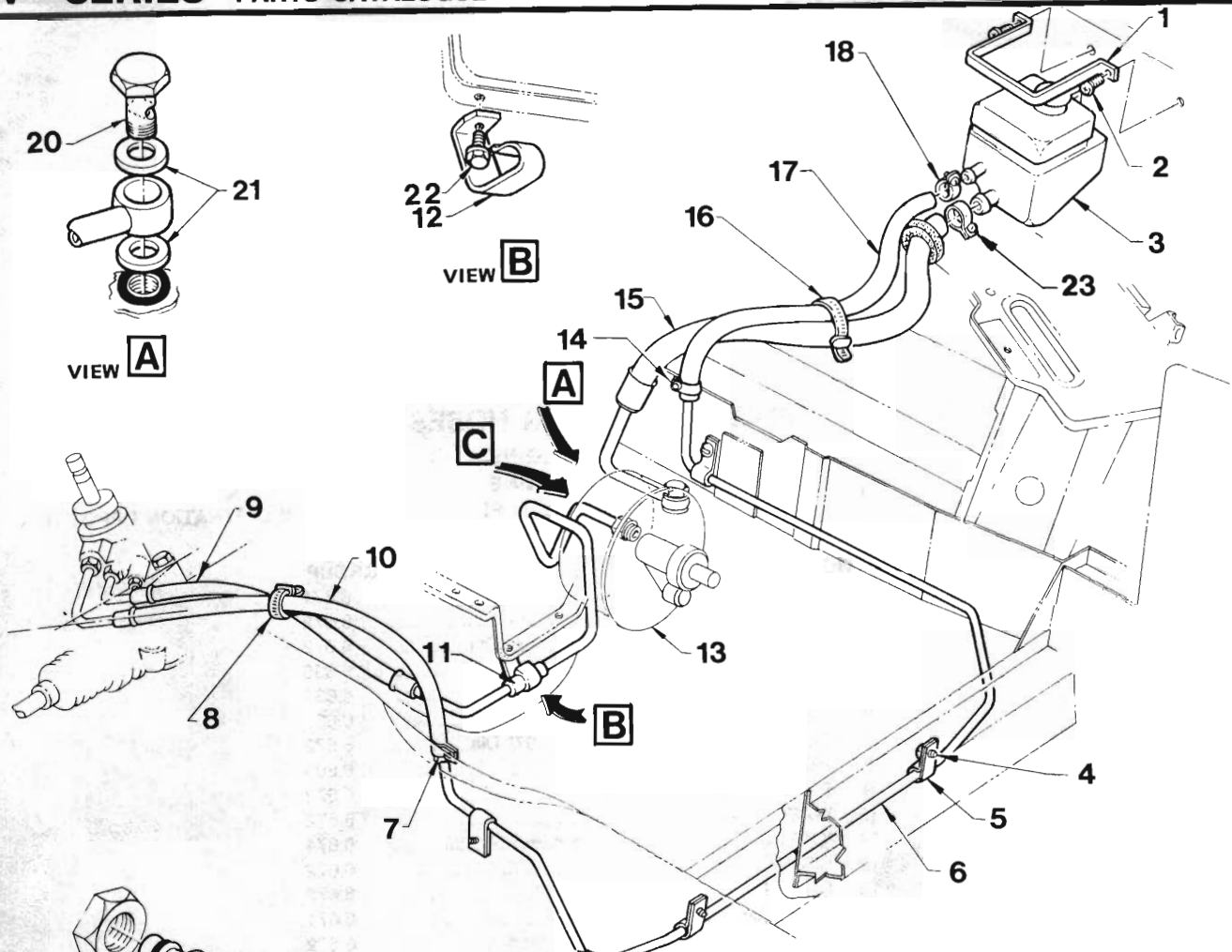
**4 CYLINDER ENGINE
6 CYLINDER ENGINE
VK SERIES LATE TYPE**

ILLUSTRATION OPPOSITE

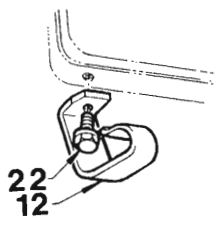
REF. NO.	PART NAME	GROUP
1	HOSE ASM. - Reservoir to pump	6.671
2	STRAP - Hose retaining	6.672
3	CLAMP - Power steering hose, .68" Dia	6.672
4	STRAP - Reservoir mounting	6.635
5	SCREW - Reservoir strap to side rail	6.635
6	RESERVOIR ASM. - Side rail	6.635
7	CLAMP - Power steering hose, .97" Dia	6.672
8	PUMP ASM. - Power steering	6.605
9	BOLT - Hose to pump	6.672
10	WASHER - Hose to pump	6.672
11	'O' RING - Pressure hose to pump	6.674
12	SCREW - Pipe to body	6.672
13	CLIP - Pipe to body	6.672
14	PIPE ASM. - Return	6.671
15	SLEEVE - Pressure hose protection	6.672
16	HOSE ASM. - Pump to gear	6.670
17	BRACKET - Pressure hose to oil pan	6.672
18	BOLT - Bracket to oil pan	1.428



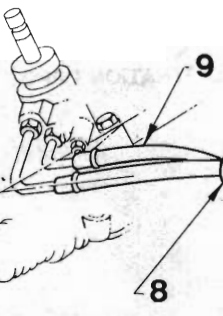
"V" SERIES PARTS CATALOGUE



VIEW **A**



VIEW **B**

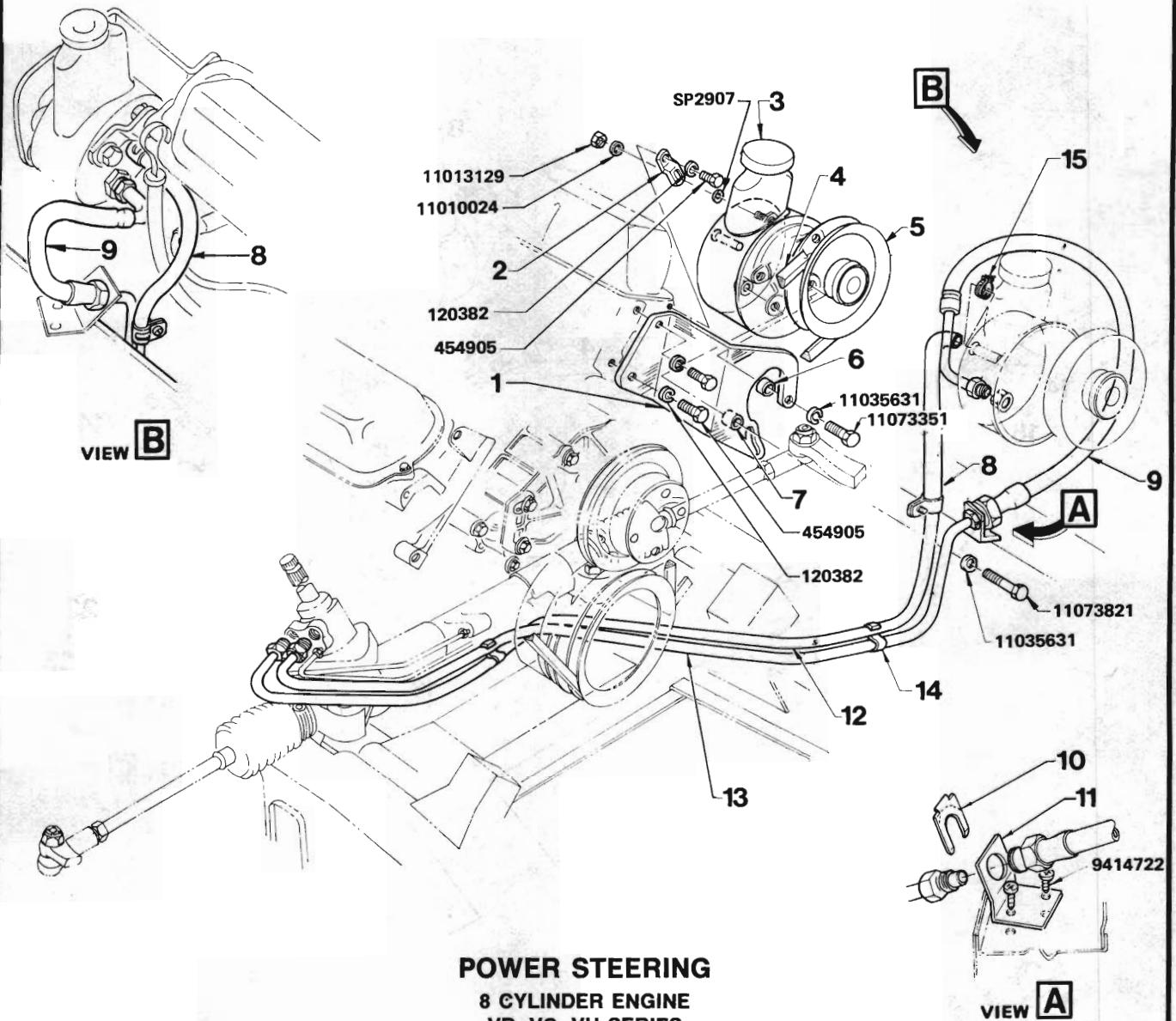


VIEW **C**

POWER STEERING

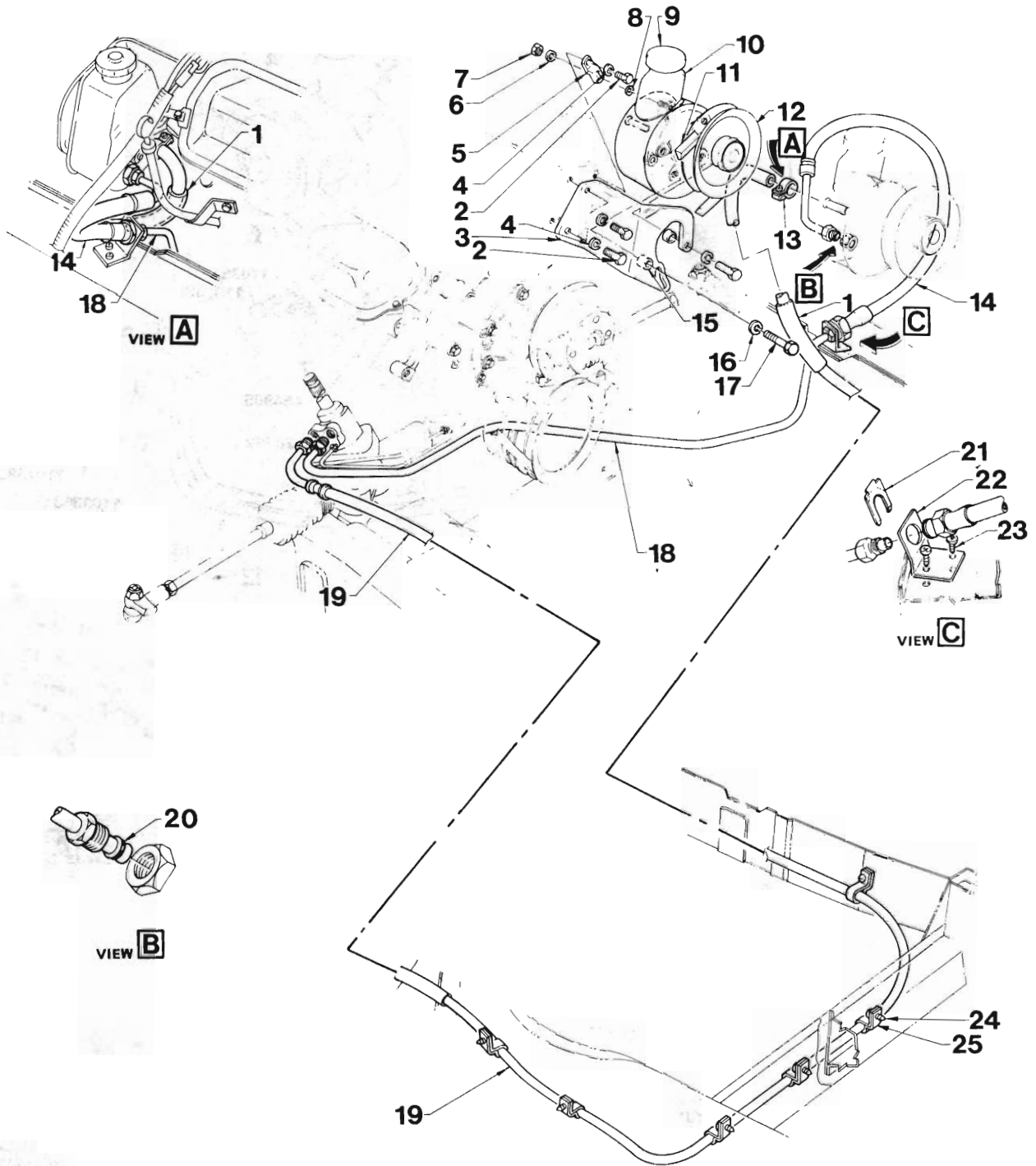
**4 CYLINDER ENGINE
6 CYLINDER ENGINE WITH AIR PUMP
VH SERIES
VK SERIES EARLY TYPE**

REF. NO.	PART NAME	GROUP
1	STRAP - Reservoir mounting.....	6.635
2	SCREW - Reservoir strap to side rail.....	6.635
3	RESERVOIR ASM. - Side rail.....	6.635
4	SCREW - Pipe to body.....	6.672
5	CLIP - Pipe to body.....	6.672
6	PIPE ASM. - Return	6.671
7	CLAMP - Power steering hose, .68" Dia.....	6.672
8	STRAP - Hose retaining	6.672
9	HOSE ASM. - Pressure - Pump to gear.....	6.670
10	HOSE ASM. - Gear to return pipe.....	6.671
11	SLEEVE - Pressure hose protection.....	6.672
12	BRACKET - Pressure hose to oil pan.....	6.672
13	PUMP ASM. - Power steering.....	6.605
14	CLAMP - Power steering hose, .68" Dia.....	6.672
15	HOSE ASM. - Reservoir to pump	6.671
16	STRAP - Hose retaining	6.672
17	HOSE - Reservoir to return pipe.....	6.671
18	CLAMP - Power steering hose, .68" Dia.....	6.672
19	'O' RING - Pressure hose to pump.....	6.674
20	BOLT - Hose to pump	6.672
21	WASHER - Hose to pump.....	6.672
22	BOLT - Bracket to oil pan.....	1.428
23	CLAMP - Power steering hose, .97" Dia.....	6.672



**POWER STEERING
8 CYLINDER ENGINE
VB, VC, VH SERIES
VK SERIES EARLY TYPE**

REF. NO.	PART NAME	GROUP
1	BRACKET - Front mounting to cylinder head.....	6.606
2	BRACKET - Rear mounting to cylinder head.....	6.606
3	CAP, BAFFLE & INDICATOR ASM.	6.635
4	BELT - Power steering pump.....	1.066
5	PULLEY - Power steering pump.....	6.655
6	SPACER - Front mounting bracket to pump, Short	6.606
7	SPACER - Front mounting bracket to pump, Long	6.606
8	HOSE ASM. - Return	6.671
9	HOSE ASM. - Pressure.....	6.670
10	CLIP - Hose to bracket.....	6.670
11	BRACKET - Pressure hose	6.672
12	PIPE ASM. - Return	6.671
13	PIPE ASM. - Pressure.....	6.670
14	CLIP - Hoses	6.672
15	CLAMP - Power steering hose, .68" Dia.....	6.672





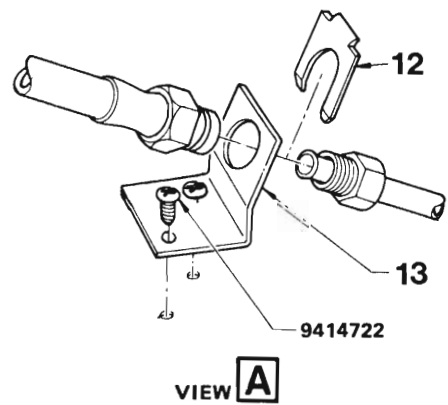
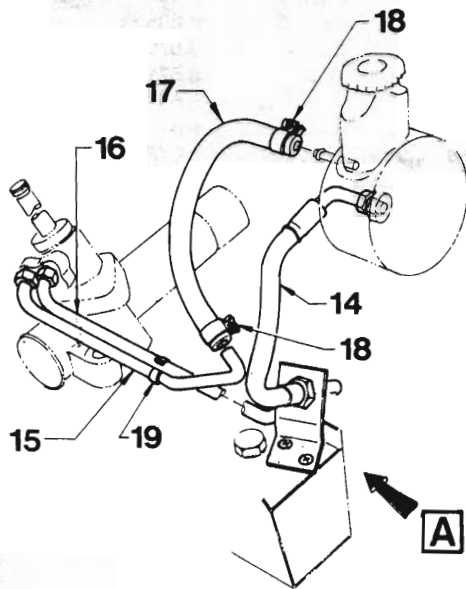
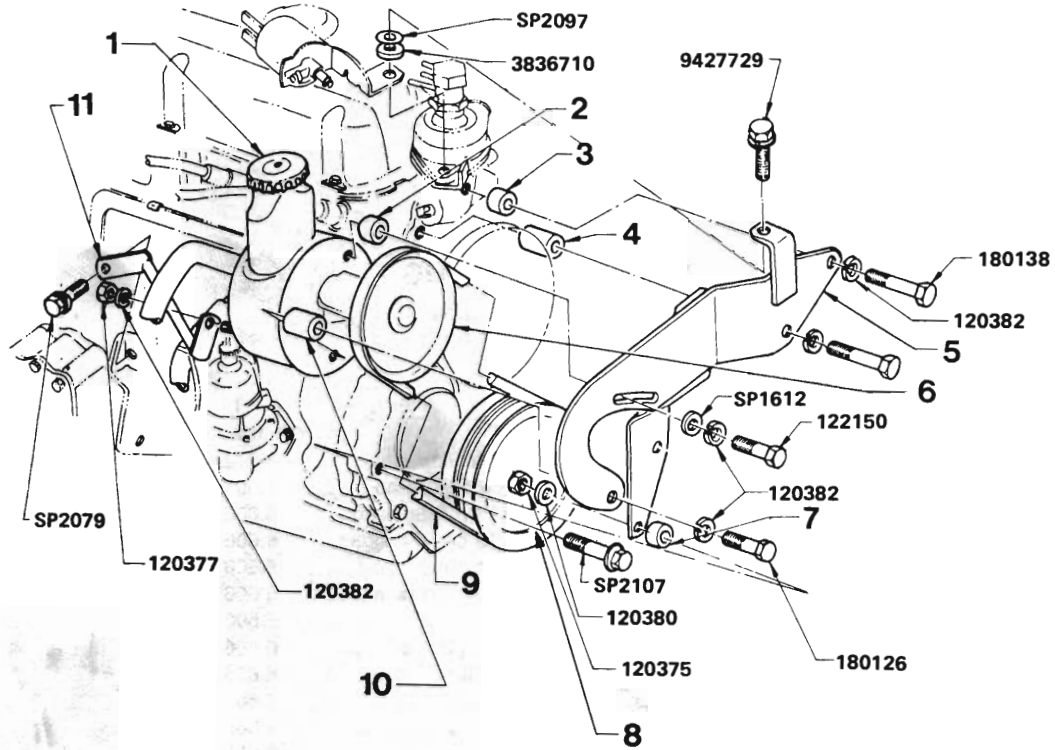
**POWER STEERING
8 CYLINDER ENGINE
VK SERIES LATE TYPE**

ILLUSTRATION OPPOSITE

REF. NO.	PART NAME	GROUP
1	INSULATOR - Return hose protection.....	6.672
2	BOLT - Mounting bracket to cylinder head.....	6.606
3	BRACKET - Front mounting to cylinder head.....	6.606
4	WASHER - Mounting bracket to cylinder head....	6.606
5	BRACKET - Rear mounting to cylinder head.....	6.606
6	WASHER - Rear mounting bracket to pump.....	6.606
7	NUT - Rear mounting bracket to pump.....	6.606
8	SHIM - Rear mounting bracket to pump.....	6.606
9	CAP, BAFFLE & INDICATOR ASM.	6.635
10	PUMP ASM.....	6.605
11	BELT - Power steering pump.....	1.066
12	PULLEY - Power steering pump.....	6.655
13	CLAMP - Power steering hose, .68" Dia.....	6.672
14	HOSE ASM. - Pressure.....	6.670
15	SPACER - Front mounting bracket to pump, Long.....	6.606
16	WASHER - Front mounting bracket to pump.....	6.606
17	BOLT - Front mounting bracket to pump.....	6.606
18	PIPE ASM. - Pressure.....	6.670
19	HOSE ASM. - Return, Gear to pump.....	6.671
20	'O' RING - Pressure hose to pump.....	6.674
21	CLIP - Hose to bracket.....	6.670
22	BRACKET - Pressure hose.....	6.672
23	SCREW - Bracket attaching.....	6.672
24	SCREW - Pipe to body.....	6.672
25	CLIP - Pipe to body.....	6.672



"V" SERIES PARTS CATALOGUE

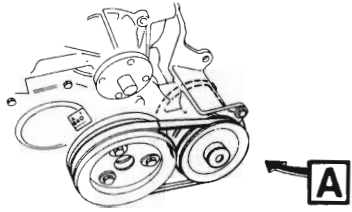




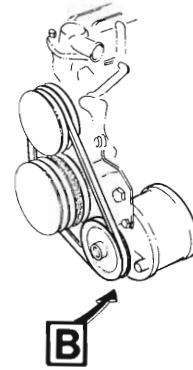
**POWER STEERING
6 CYLINDER ENGINE EXC. AIR PUMP
VB, VC, VH SERIES**

ILLUSTRATION OPPOSITE

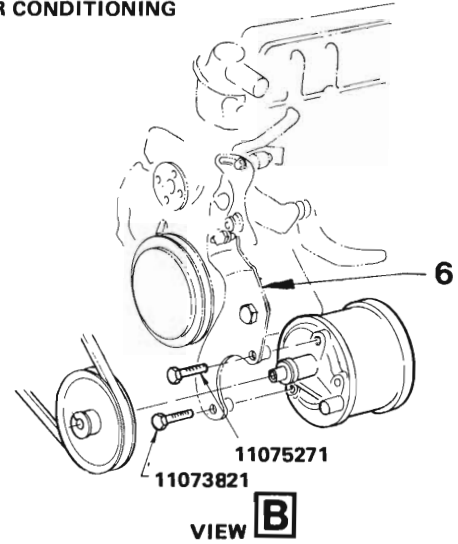
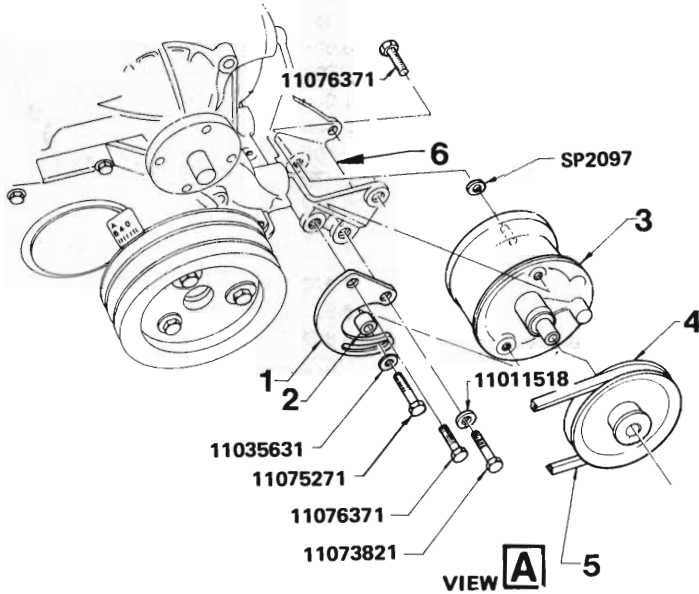
REF. NO.	PART NAME	GROUP
1	PUMP ASM.....	6.605
2	SPACER - Pump to mounting bracket	6.606
3	SPACER - Mounting bracket to thermostat housing.....	6.606
4	SPACER - Mounting bracket to thermostat housing.....	6.606
5	BRACKET - Pump mounting.....	6.606
6	PULLEY ASM.....	6.655
7	SPACER - Mounting bracket to cylinder block....	6.606
8	PULLEY ASM. - Crankshaft.....	0.659K
9	BELT - Power steering pump.....	1.066
10	SPACER - Mounting bracket to pump.....	6.606
11	BRACE - Pump support.....	6.606
12	CLIP - Pressure hose to bracket.....	6.670
13	BRACKET - Pressure hose.....	6.672
14	HOSE ASM. - Pressure.....	6.670
15	PIPE ASM. - Return.....	6.671
16	PIPE ASM. - Pressure.....	6.670
17	HOSE ASM. - Return.....	6.671
18	CLAMP - Power steering hose, .68" Dia.....	6.672
19	CLIP - Hoses.....	6.672



EXC. AIR CONDITIONING

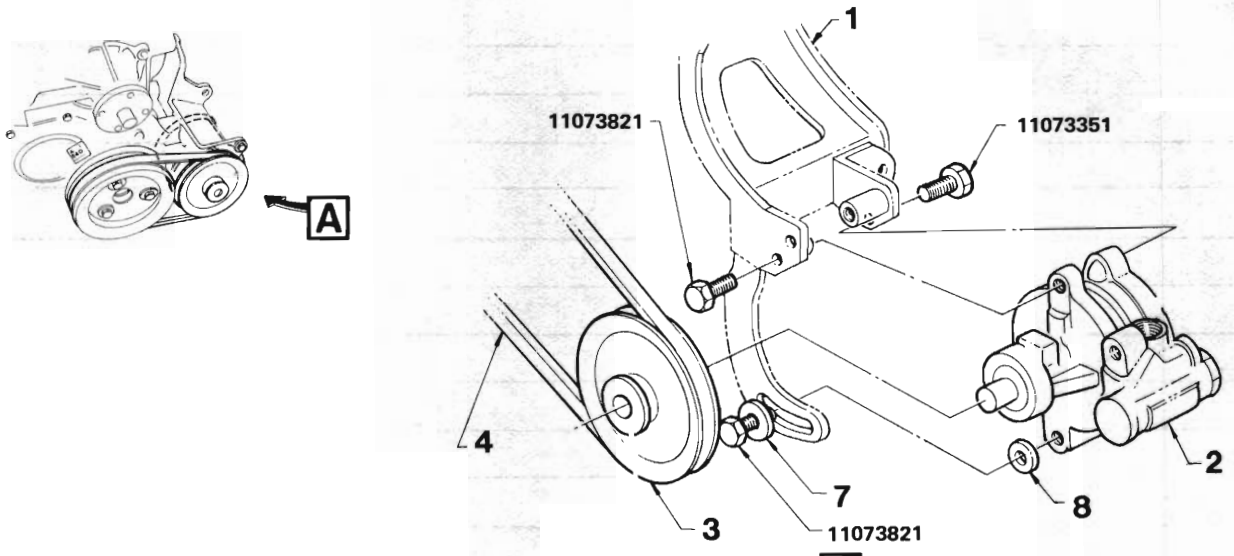


WITH AIR CONDITIONING

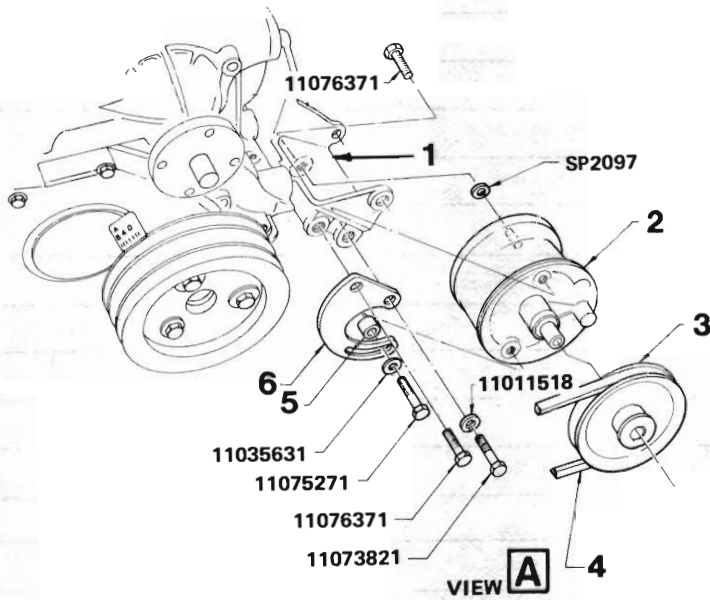


**POWER STEERING
4 CYLINDER ENGINE
VC SERIES**

REF. NO.	PART NAME	GROUP
1	BRACKET - Pump adjusting.....	6.606
2	SPACER - Adjusting bracket.....	6.606
3	PUMP ASM. - Power steering.....	6.605
4	PULLEY - Power steering pump.....	6.655
5	BELT - Power steering pump.....	1.066
6	BRACKET - Power steering pump & alternator mounting.....	6.606



VIEW A
 (M) 4 CYLINDER ENGINE
 6 CYLINDER ENGINE WITH AIR PUMP



VIEW A
 (A) 4 CYLINDER ENGINE

POWER STEERING
4 CYLINDER ENGINE
6 CYLINDER ENGINE WITH AIR PUMP
VH, VK SERIES

REF. NO.	PART NAME	GROUP
1	BRACKET ASM. - Power steering pump & alternator mounting.....	6.606
2	PUMP ASM. - Power steering.....	6.605
3	PULLEY - Power steering pump.....	6.655
4	BELT - Power steering pump.....	1.066
5	SPACER - Adjusting bracket to pump.....	6.606
6	BRACKET - Pump adjusting.....	6.606
7	SPACER - Adjusting brace.....	6.606
8	SPACER - Brace to pump.....	6.606



GROUP

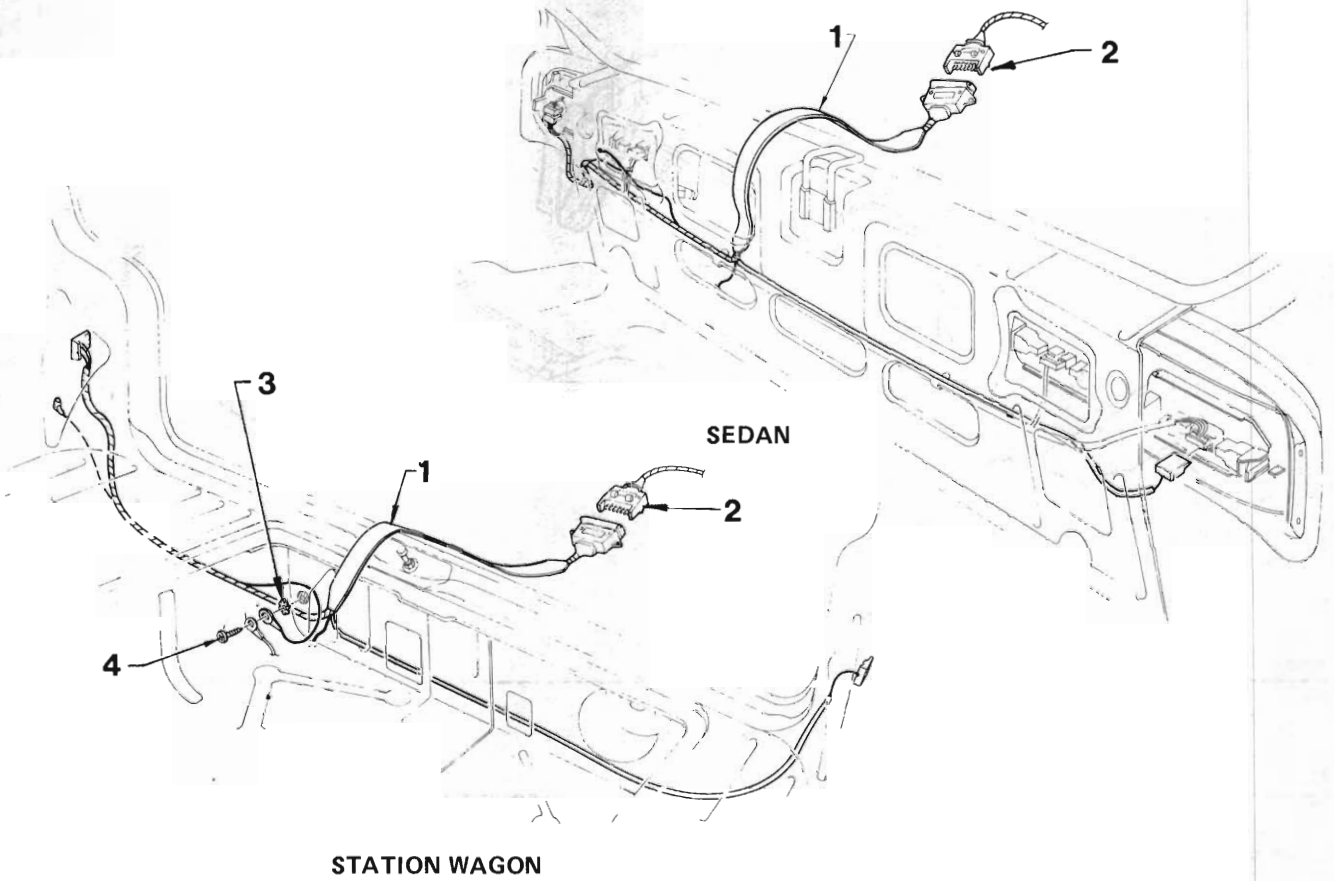
7.000

FRAME

SPRINGS

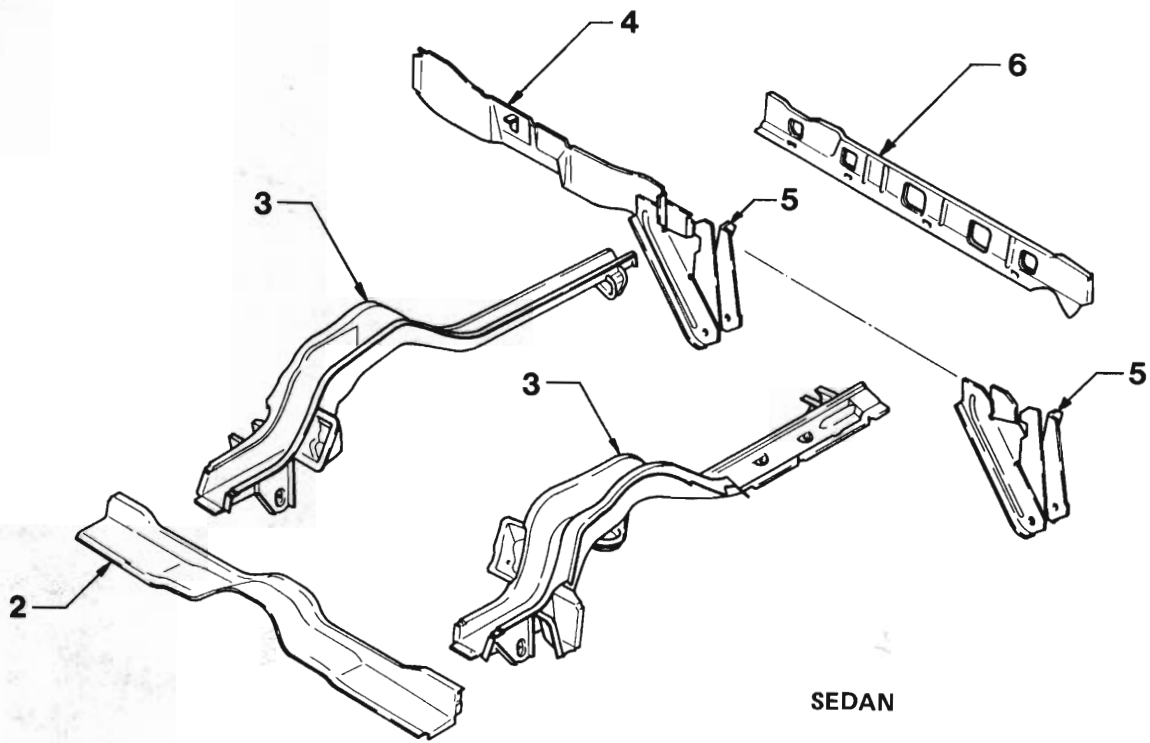
SHOCK ABSORBERS

BUMPER BARS

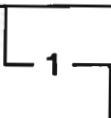


TRAILER WIRING HARNESS

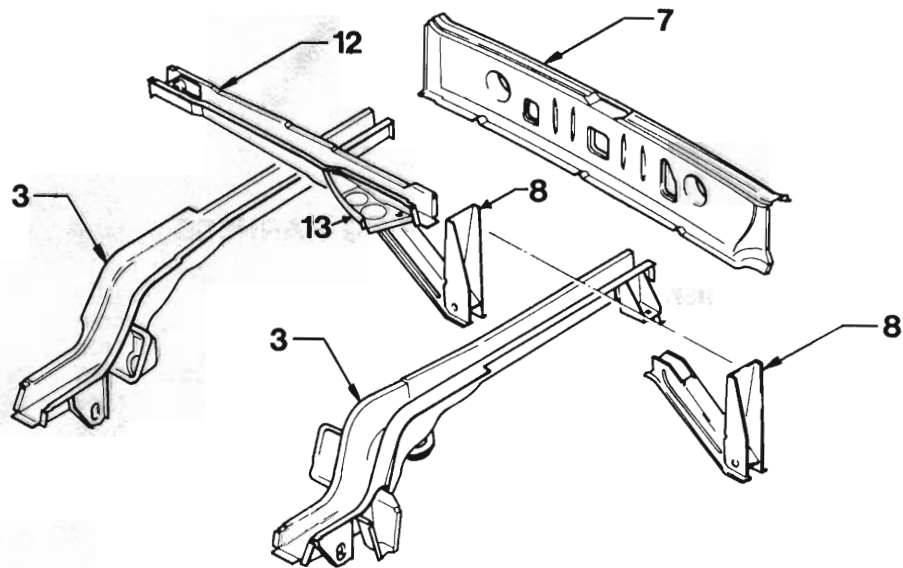
REF. NO.	PART NAME	GROUP
1-4	HARNESS PACKAGE - Trailer wiring.....	7.068
1	HARNESS ASM. - Vehicle section	7.068
2	PLUG - Trailer	7.068
3	WASHER - Trailer harness earth	7.068
4	SCREW - Trailer harness earth.....	7.068



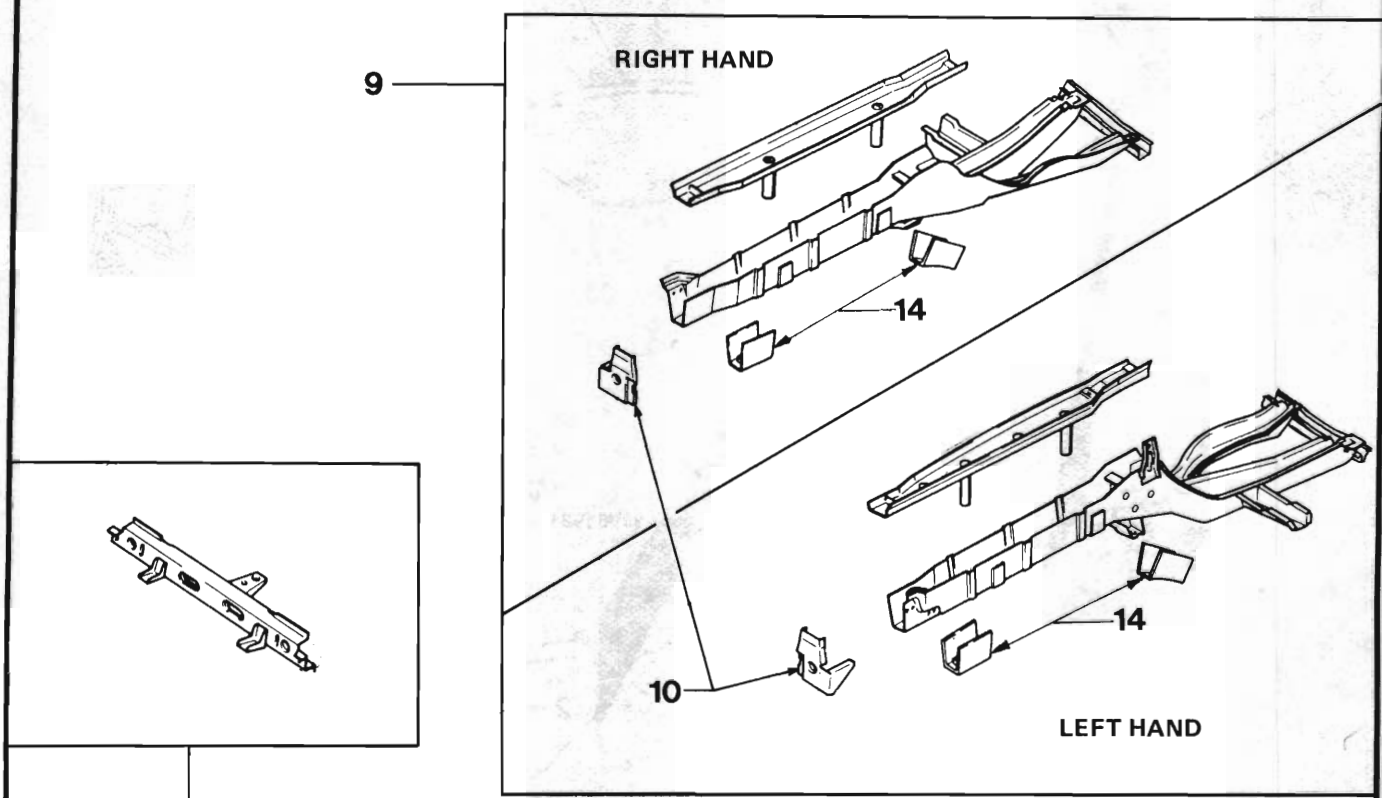
SEDAN



FRAME ASM. - REAR



STATION WAGON

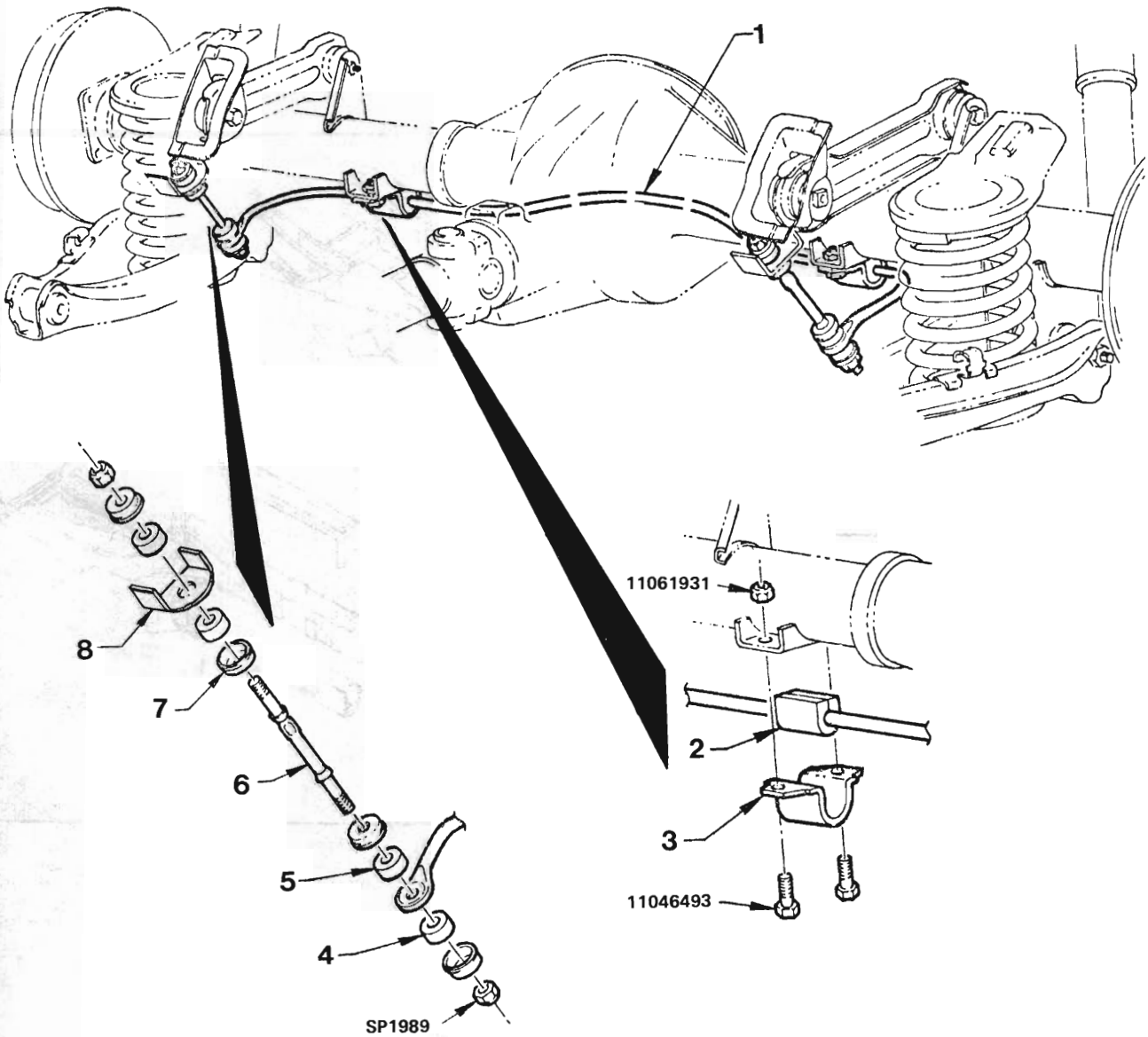


FRAME ASM. - FRONT

CHASSIS FRAME & MEMBER

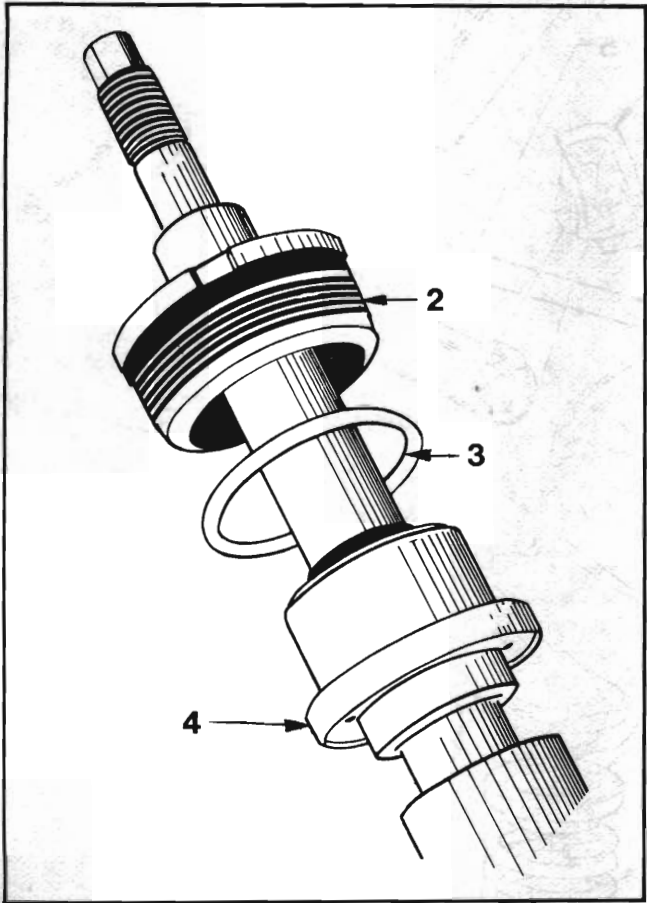
ILLUSTRATION ABOVE & OPPOSITE

REF. NO.	PART NAME	GROUP
1	FRAME ASM. - Rear.....	7.014
2	CROSSMEMBER - Centre.....	N.S.S.
3	FRAME ASM. - Side, Rear.....	7.006
4	CROSSMEMBER & BRACKET - Panhard rod.....	7.014
5	BRACKET - Panhard rod, Sedan.....	5.418
5	7.014
6	PANEL ASM. - Rear end, Inner.....	12.966
7	PANEL ASM. - Inner, Includes striker mounting..	12.966
8	BRACKET - Panhard rod, Station Wagon.....	5.418
8	7.014
9	FRAME ASM. - Side, Front.....	7.006
10	COVER - Front member, Lateral.....	7.006
11	CROSSMEMBER ASM. - Frame, Front.....	7.010
12	CROSSMEMBER & BRACKET - Panhard rod.....	7.014
13	BRACKET ASM. - Shock absorber mounting.....	7.395
14	REINFORCEMENT - Side frame, Front.....	7.006

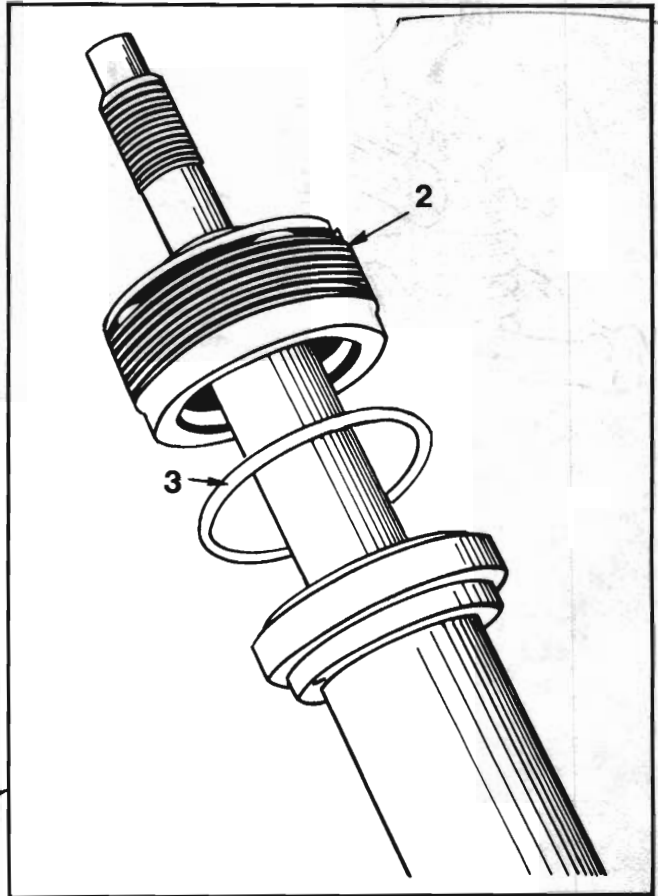


REAR STABILIZER SHAFT

REF. NO.	PART NAME	GROUP
1	SHAFT	7.241
2	INSULATOR - Stabilizer shaft.....	7.243
3	BRACKET - Shaft to axle bracket	7.242
4	BUSH - Stabilizer mounting.....	7.244
5	BUSH - Stabilizer mounting.....	7.244
6	STUD - Stabilizer spacer	7.242
7	RETAINER - Bush	7.245
8	BRACKET - Stabilizer mounting to body	7.242



ARMSTRONG STRUT

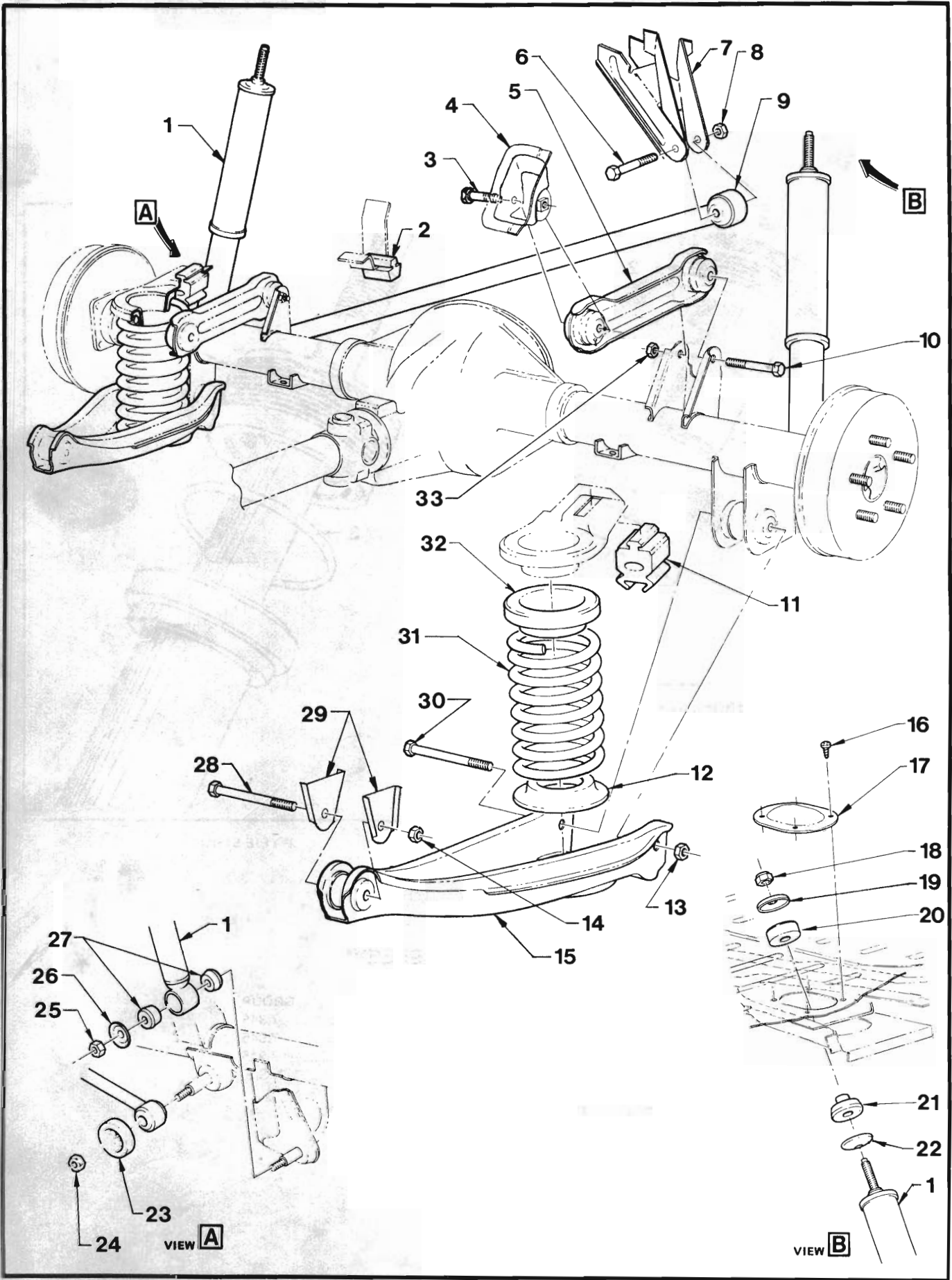


WYLIE STRUT

STRUT ROD & SLEEVE

REF. NO.	PART NAME	GROUP
1	STRUT ROD & SLEEVE KIT	7.345
2	NUT - Rod & sleeve to housing, Locking.....	7.345
3	'O' RING.....	7.345
4(A)	GUIDE & SEAL ASM.	N.S.S.

NOTE:- (A - Part of Seal Kit. Refer Group 7.346)



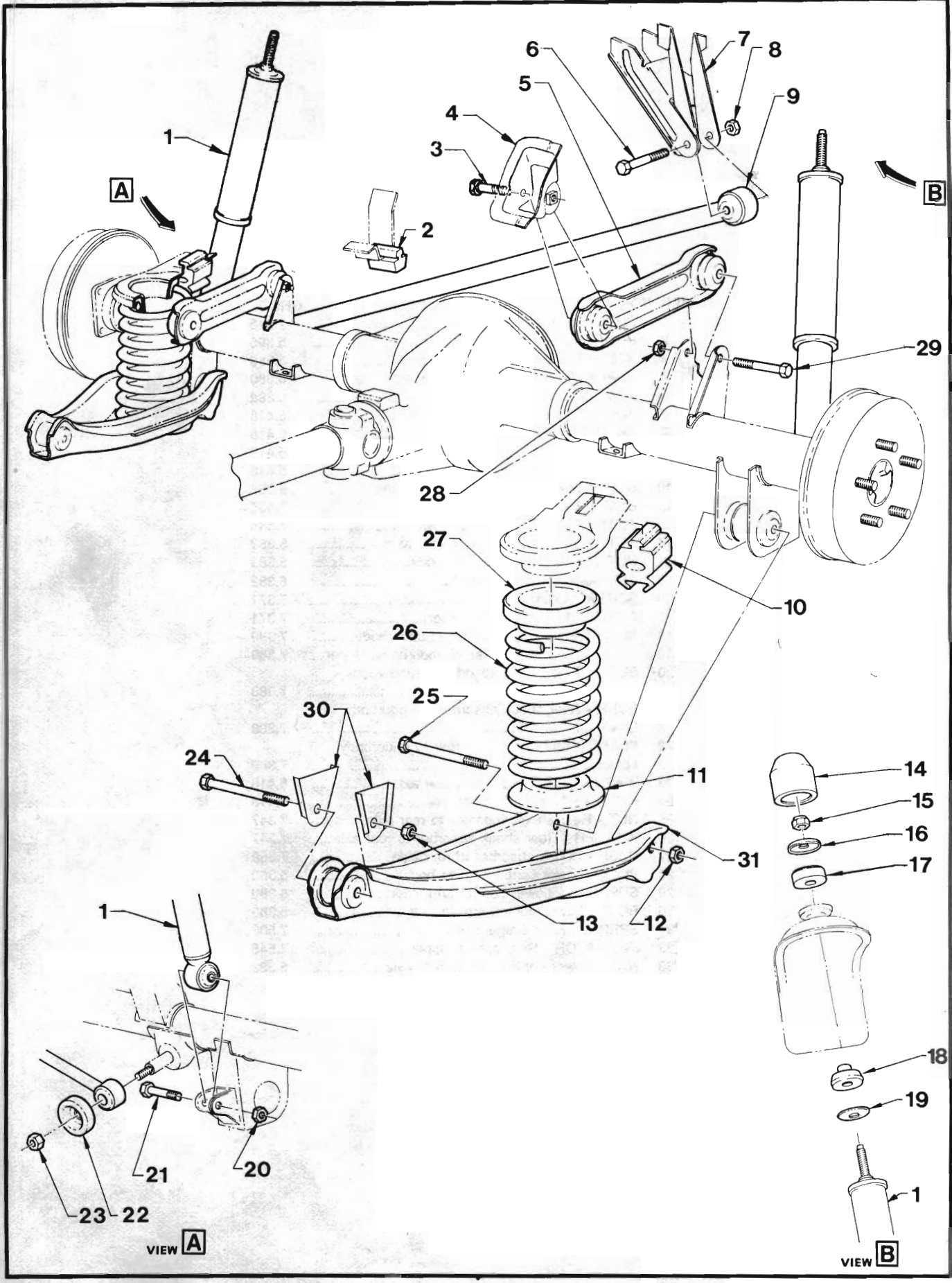


**REAR SUSPENSION
STATION WAGON**

REF. NO.	PART NAME	GROUP
1	SHOCK ABSORBER - Rear.....	7.345
2	BUMPER ASM. - Pinion nose.....	5.395
3	BOLT - Upper control arm to body.....	5.383
4	BRACKET ASM. - Upper control arm	5.380
5	ARM ASM. - Upper control.....	5.382
6	BOLT - Panhard rod to frame	5.418
7	BRACKET - Panhard rod.....	5.418
8	NUT - Panhard rod to frame.....	5.418
9	ROD ASM. - Panhard.....	5.415
10	BOLT - Lower control arm to rear axle	5.383
11	BUMPER - Rear axle	7.535
12	INSULATOR - Rear spring, Lower	7.545
13	NUT - Lower control arm to rear axle.....	5.383
14	NUT - Lower control arm to body.....	5.383
15	ARM ASM. - Lower control.....	5.382
16	SCREW - Cover	7.371
17	COVER - Rear shock absorber	7.371
18	NUT - Rear shock absorber to underbody	7.389
19	PLATE - Shock absorber to underbody, Upper ...	7.389
20	BUSH - Rear shock absorber to underbody, Upper	7.388
21	BUSH - Rear shock absorber to underbody, Lower	7.388
22	PLATE - Rear shock absorber to underbody, Lower	7.389
23	WASHER - Panhard rod to rear axle	5.418
24	NUT - Panhard rod to rear axle.....	5.418
25	NUT - Rear shock absorber to rear axle.....	7.347
26	WASHER - Rear shock absorber to rear axle.....	7.347
27	BUSH - Shock absorber to rear axle	7.388
28	BOLT - Lower control arm to body	5.383
29	SUPPORT - Lower control arm inner	5.380
30	BOLT - Lower control arm to rear axle	5.383
31	SPRING - Rear suspension	7.503
32	INSULATOR - Rear spring, Upper	7.545
33	NUT - Lower control arm to rear axle.....	5.383



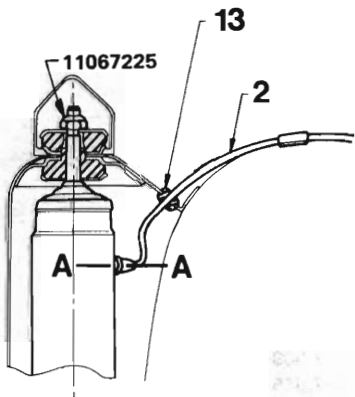
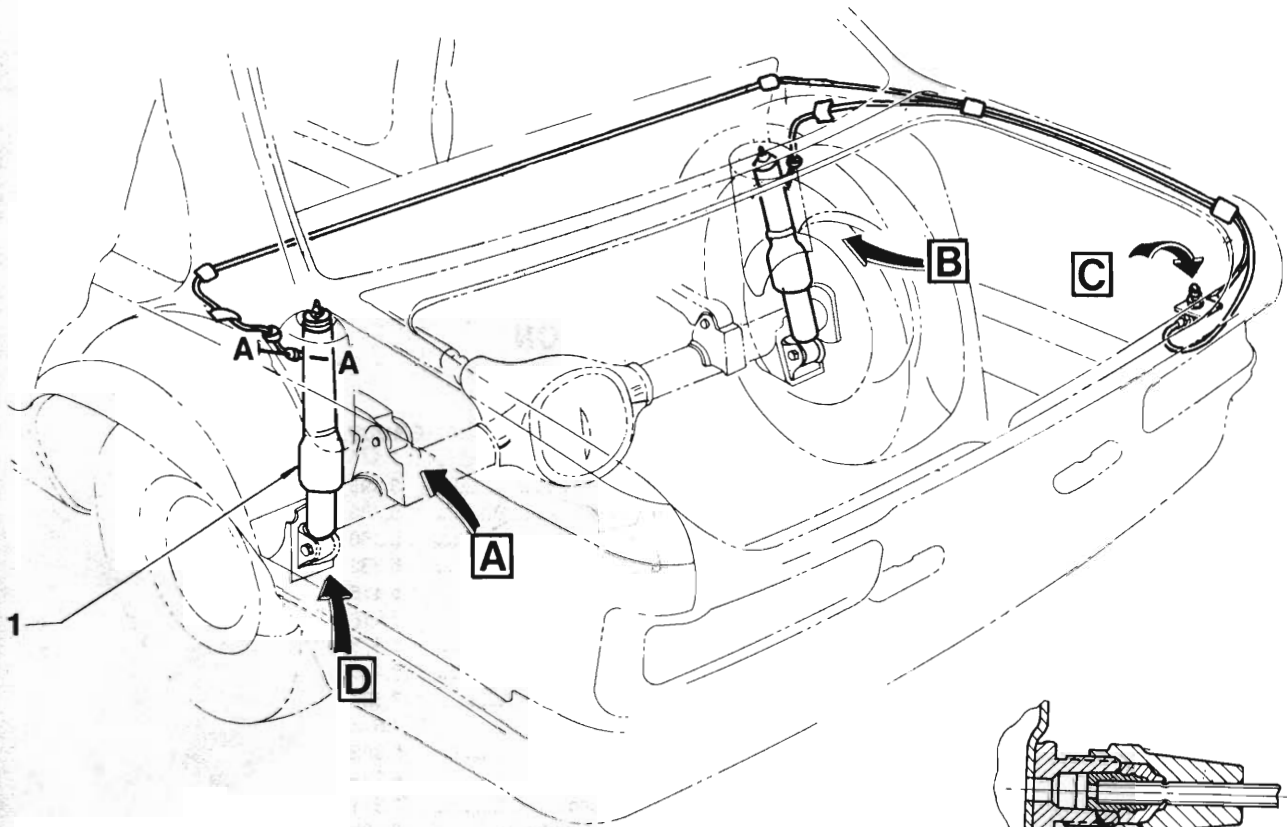
"V" SERIES PARTS CATALOGUE



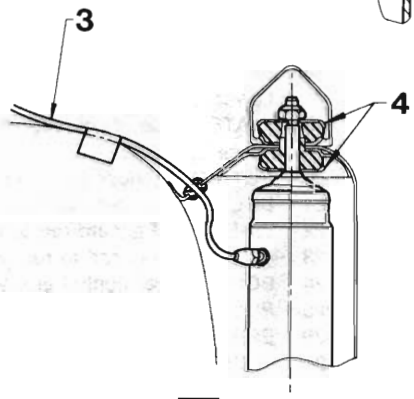


**REAR SUSPENSION
SEDAN**

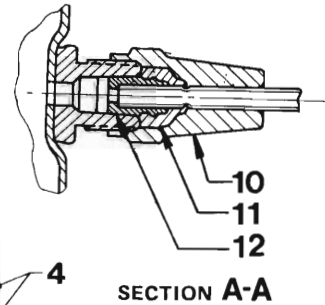
REF. NO.	PART NAME	GROUP
1	SHOCK ABSORBER - Rear.....	7.345
2	BUMPER ASM. - Pinion nose.....	5.395
3	BOLT - Upper control arm to body.....	5.383
4	BRACKET ASM. - Upper control arm	5.380
5	ARM ASM. - Upper control.....	5.382
6	BOLT - Panhard rod to frame	5.418
7	BRACKET - Panhard rod.....	5.418
8	NUT - Panhard rod to frame.....	5.418
9	ROD ASM. - Panhard.....	5.415
10	BUMPER - Rear axle	7.535
11	INSULATOR - Rear spring, Lower	7.545
12	NUT - Lower control arm to rear axle.....	5.383
13	NUT - Lower control arm to body.....	5.383
14	CAP - Shock absorber end, Plastic	7.371
15	NUT - Rear shock absorber to underbody.....	7.389
16	PLATE - Shock absorber to underbody, Upper...	7.389
17	BUSH - Rear shock absorber to underbody, Upper	7.388
18	BUSH - Rear shock absorber to underbody, Lower	7.388
19	PLATE - Rear shock absorber to underbody, Lower	7.389
20	NUT - Rear shock absorber to rear axle.....	7.347
21	BOLT - Rear shock absorber to rear axle.....	7.347
22	WASHER - Panhard rod to rear axle	5.418
23	NUT - Panhard rod to rear axle.....	5.418
24	BOLT - Lower control arm to body	5.383
25	BOLT - Lower control arm to rear axle	5.383
26	SPRING - Rear suspension	7.503
27	INSULATOR - Rear spring, Upper	7.545
28	NUT - Lower control arm to rear axle.....	5.383
29	BOLT - Lower control arm to rear axle	5.383
30	SUPPORT - Lower control arm inner.....	5.380
31	ARM ASM. - Lower control.....	5.382



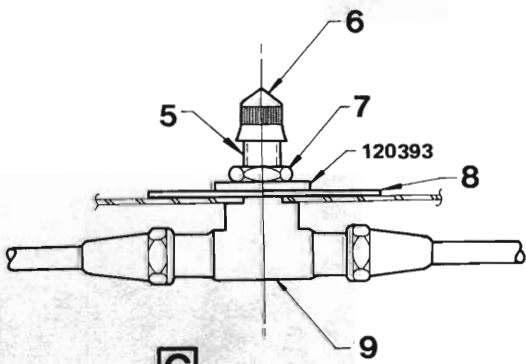
VIEW **A**



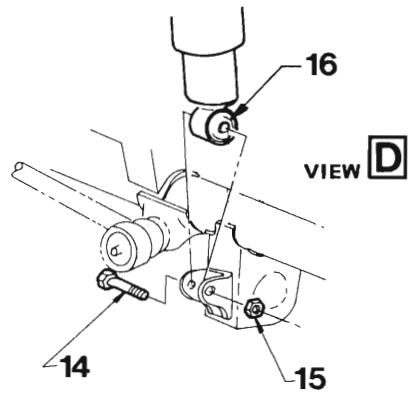
VIEW **B**



SECTION **A-A**



VIEW **C**



VIEW **D**



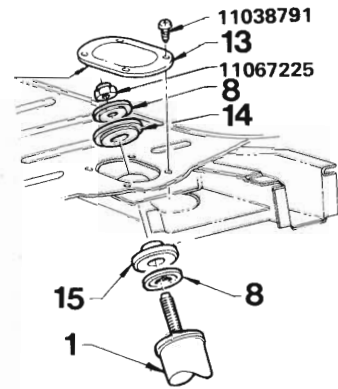
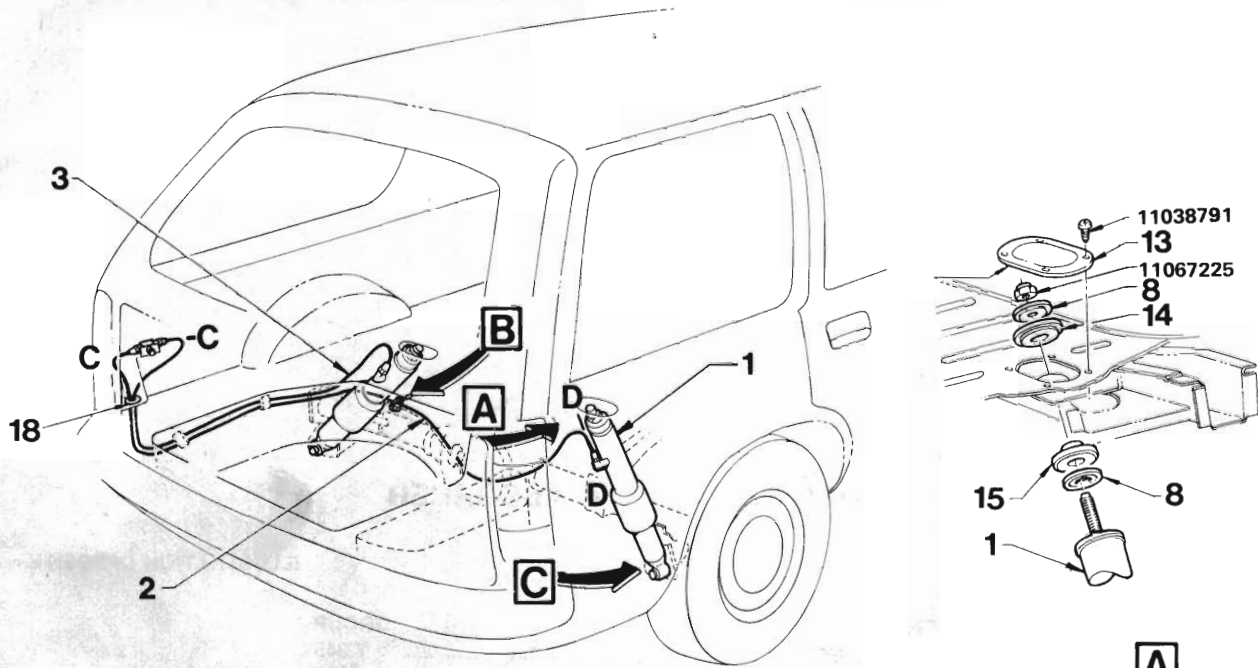
**SUPERLIFT SHOCK ABSORBER
SEDAN**

ILLUSTRATION OPPOSITE

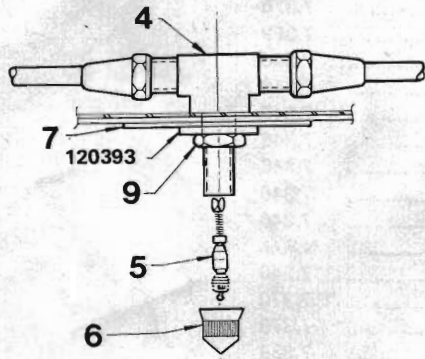
REF. NO.	PART NAME	GROUP
1	SHOCK ABSORBER	7.345
2	TUBE - Inflation, LH	7.346
3	TUBE - Inflation, RH	7.370
4	PLATE - Shock absorber to underbody	7.389
5	CORE - Valve	7.346
6	CAP - Valve	7.346
7	NUT - Body	7.346
8	LABEL - Level control	7.346
9	BODY - Valve tee	7.346
10	NUT - Coupling	7.346
11	SLEEVE - Coupling	7.346
12	PIN - Coupling	N.S.S.
13	GROMMET - Tubes	7.346
14	BOLT - Shock absorber to rear axle	7.370
15	NUT - Shock absorber to rear axle	7.370
16	BUSH - Shock absorber to rear axle	7.388



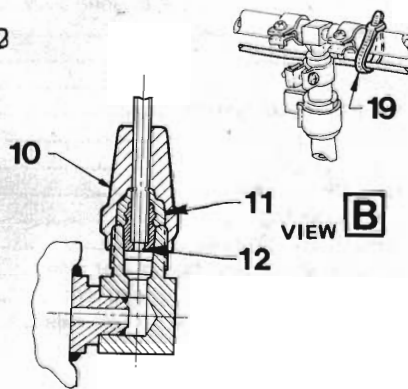
"V" SERIES PARTS CATALOGUE



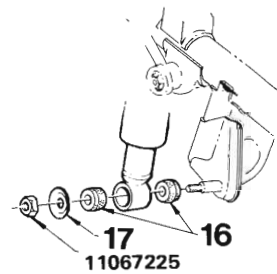
VIEW A



SECTION C-C



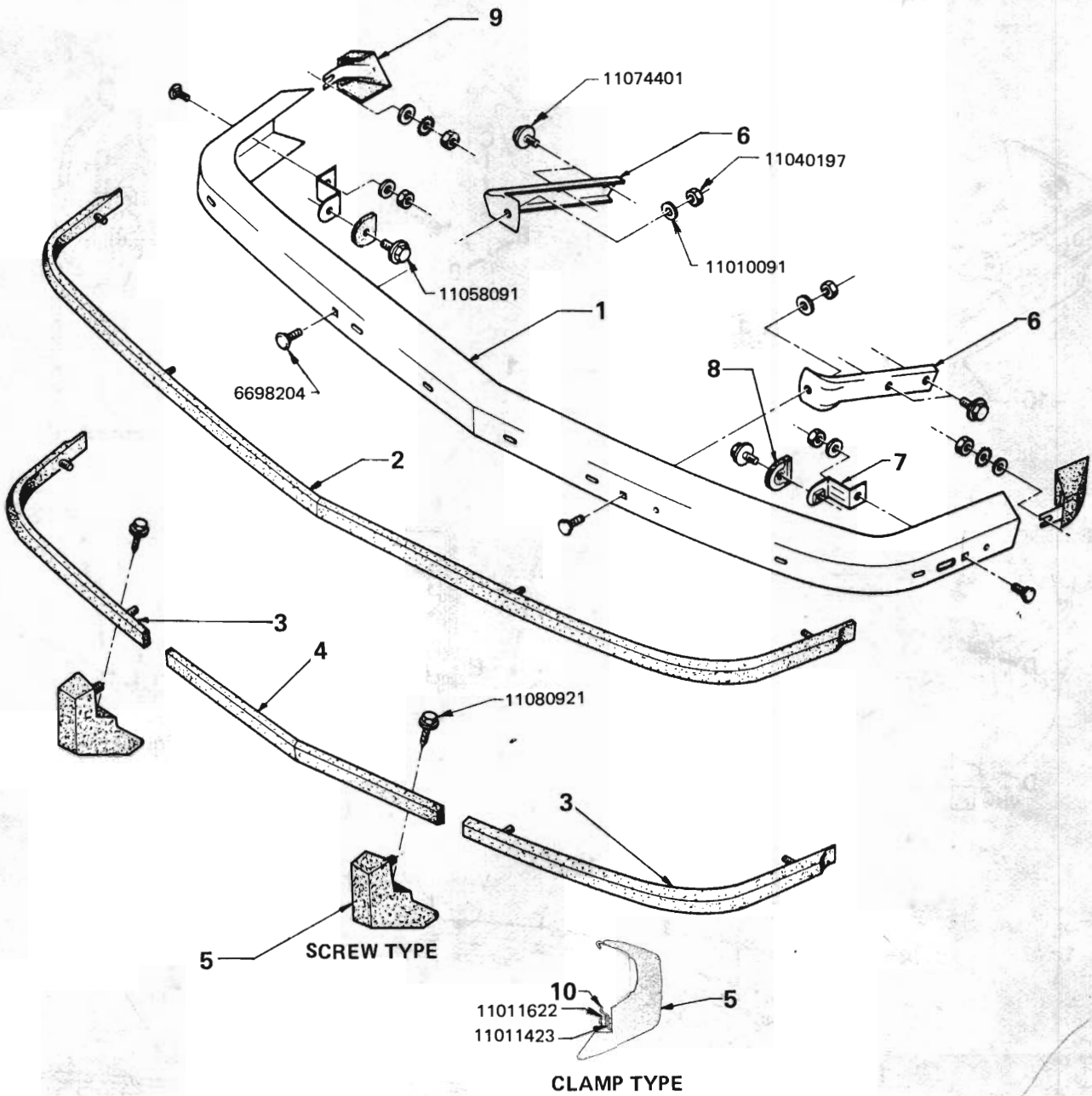
SECTION D-D



VIEW C

**SUPERLIFT SHOCK ABSORBER
STATION WAGON**

REF. NO.	PART NAME	GROUP
1	SHOCK ABSORBER	7.345
2	TUBE - Inflation, RH	7.346
3	TUBE - Inflation, LH	7.346
4	BODY - Valve tee	7.346
5	CORE - Valve	7.346
6	CAP - Valve	7.346
7	LABEL - Level control	7.346
8	PLATE - Shock absorber to underbody	7.389
9	NUT - Body	7.346
10	NUT - Coupling	7.346
11	SLEEVE - Coupling	7.346
12	PIN - Coupling	N.S.S.
13	COVER - Mounting	7.370
14	BUSH - Shock absorber to underbody, Upper	7.388
15	BUSH - Shock absorber to underbody, Lower	7.388
16	BUSH - Shock absorber to rear axle	7.388
17	WASHER - Shock absorber to rear axle	7.347
18	GROMMET - Tube	7.346
19	STRAP - Tube	7.346

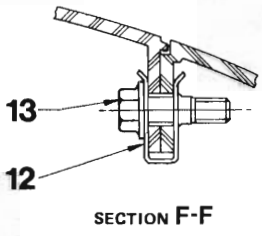
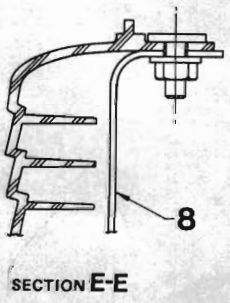
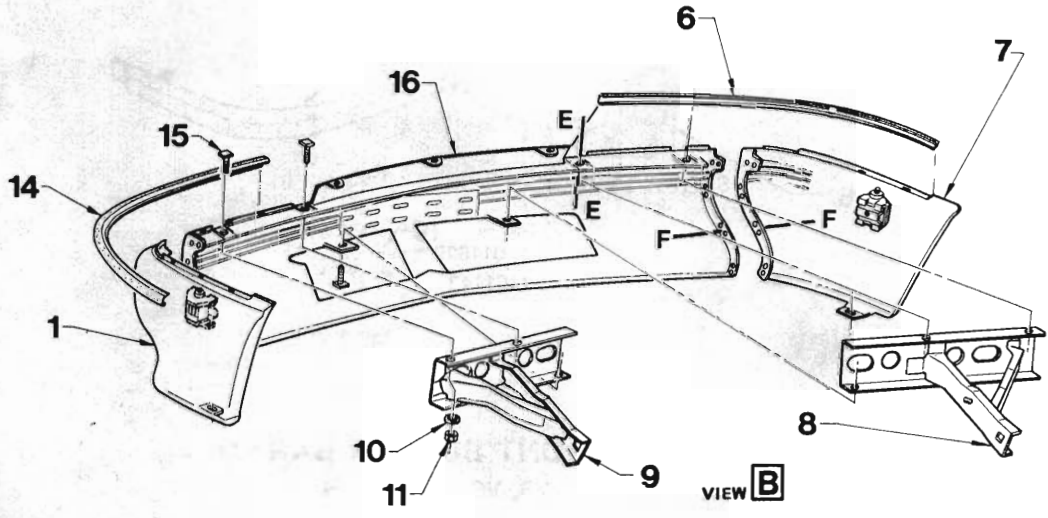
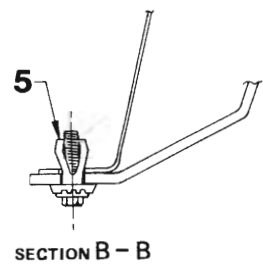
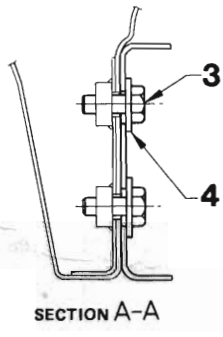
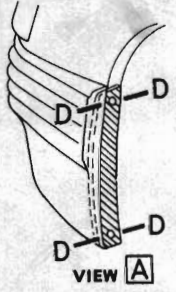
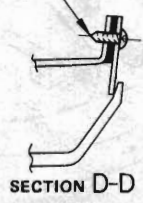
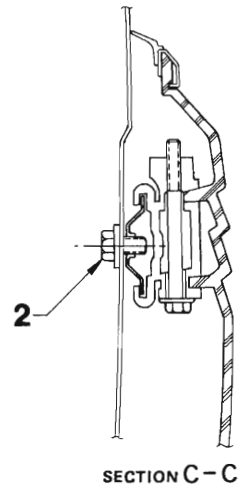
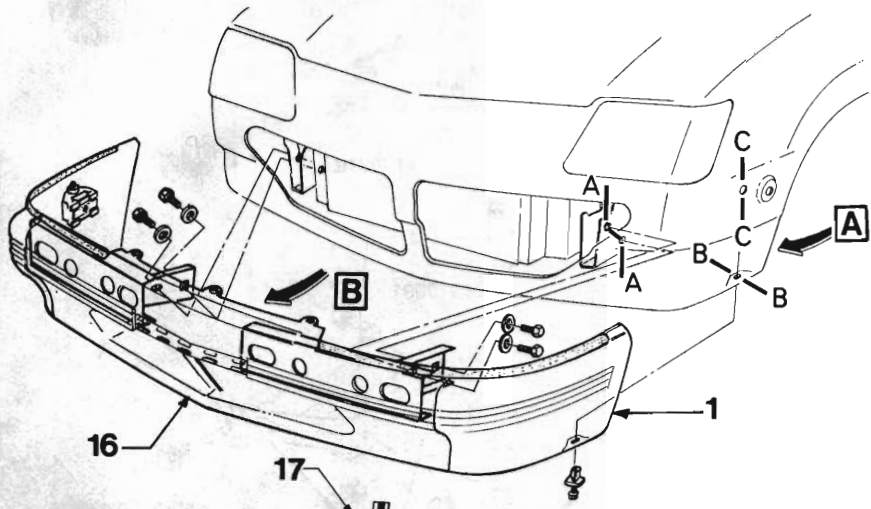


**FRONT BUMPER BAR
VB, VC, VH SERIES**

REF. NO.	PART NAME	GROUP
1	BAR - Front bumper.....	7.831
2	STRIP ASM. - Protective, One piece.....	7.831
3	STRIP ASM. - Protective, Outer.....	7.831
4	STRIP ASM. - Protective, Centre.....	7.831
5	GUARD ASM. - Front.....	7.828
6	BRACKET ASM. - Inner.....	7.836
7	BRACKET ASM. - Outer.....	7.836
8	SPACER - Rubber, Bracket to fender.....	7.836
9	CAP - Bumper end.....	7.831
10	CLAMP - Guard to bumper bar, Front.....	7.828



"V" SERIES PARTS CATALOGUE

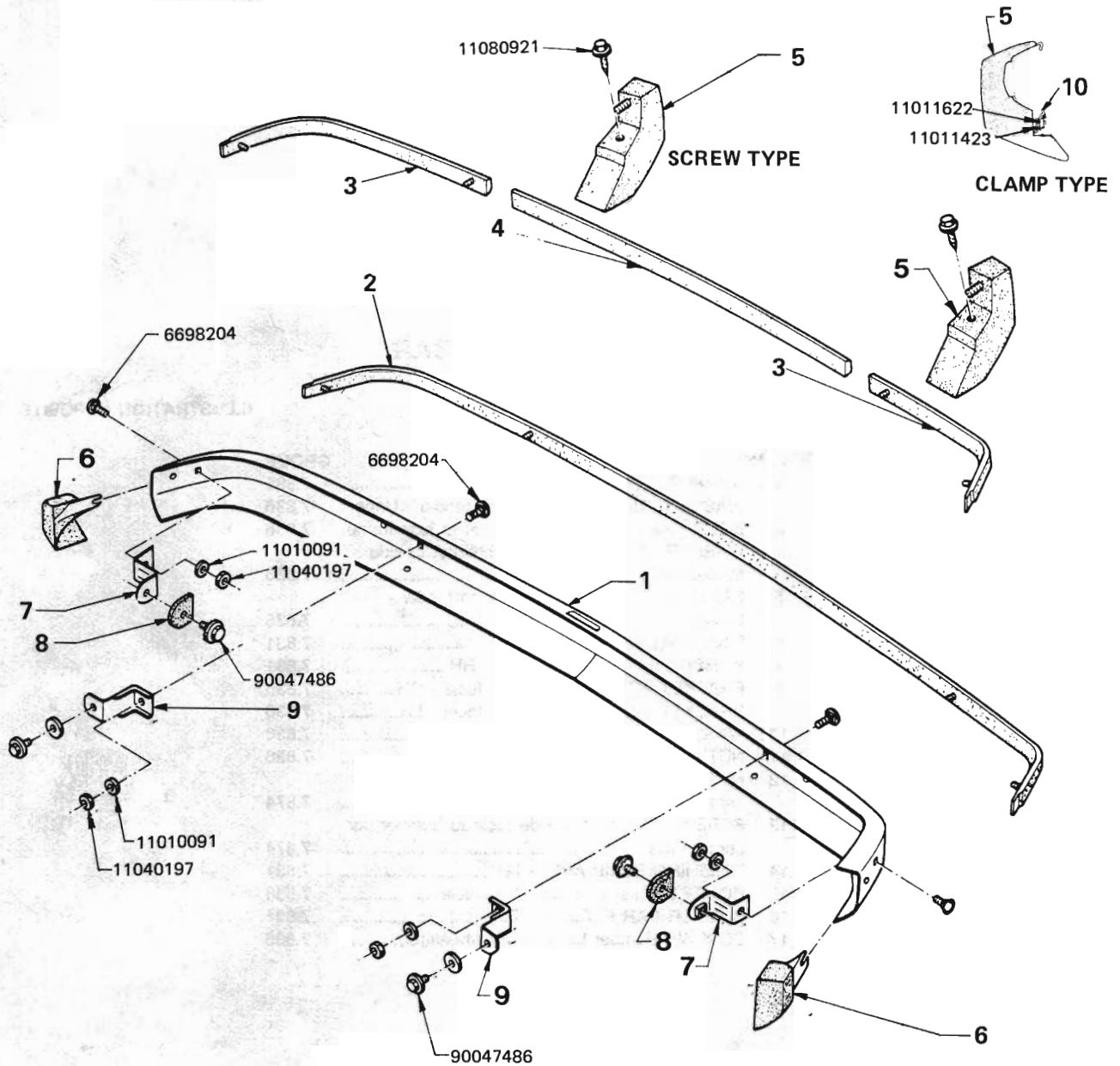




**FRONT BUMPER BAR
VK SERIES**

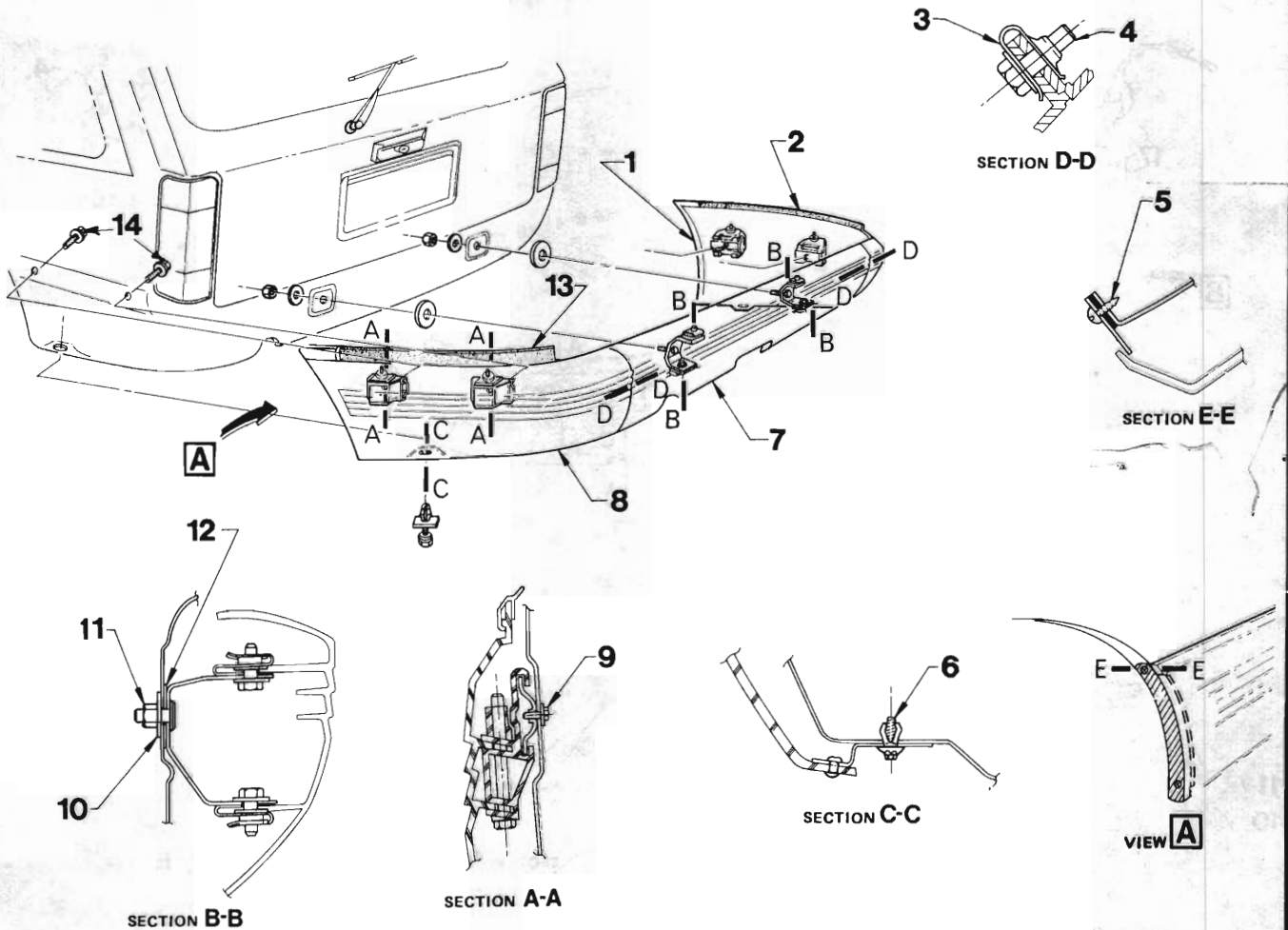
ILLUSTRATION OPPOSITE

REF. NO.	PART NAME	GROUP
1	BUMPER BAR FACIA - Outer - LH.....	7.831
2	WASHER - Bumper bar facia to fender - Upper.	7.836
3	BOLT - Bumper bar facia bracket to side frame.	7.836
4	WASHER - Bumper bar facia bracket to side frame.....	7.836
5	FASTENER - Bumper bar facia to fender - Lower.....	7.836
6	FINISHING STRIP ASM. - RH.....	7.831
7	BUMPER BAR FACIA - Outer - RH.....	7.831
8	BRACKET ASM. - Bumper bar facia - RH.....	7.836
9	BRACKET ASM. - Bumper bar facia - LH.....	7.836
10	WASHER - Bracket to bumper bar.....	7.836
11	NUT - Bracket to bumper bar.....	7.836
12	NUT - Bumper bar side facia to bumper bar centre facia.....	7.874
13	SCREW - Bumper bar side facia to bumper bar centre facia.....	7.874
14	FINISHING STRIP ASM. - LH.....	7.831
15	BOLT - Bracket to bumper bar facia.....	7.836
16	BUMPER BAR FACIA - Centre.....	7.831
17	SCREW - Bumper bar facia to wheelarch.....	7.836



**REAR BUMPER BAR
VB, VC, VH SERIES**

REF. NO.	PART NAME	GROUP
1	BAR - Rear bumper.....	7.831
2	STRIP ASM. - Protective, One piece.....	7.831
3	STRIP ASM. - Protective, Outer.....	7.831
4	STRIP ASM. - Protective, Centre.....	7.831
5	GUARD ASM. - Rear.....	7.828
6	CAP - Bumper end.....	7.831
7	BRACKET - Outer.....	7.836
8	SPACER.....	7.836
9	BRACKET - Inner.....	7.836
10	CLAMP - Guard to bumper bar, Rear.....	7.828

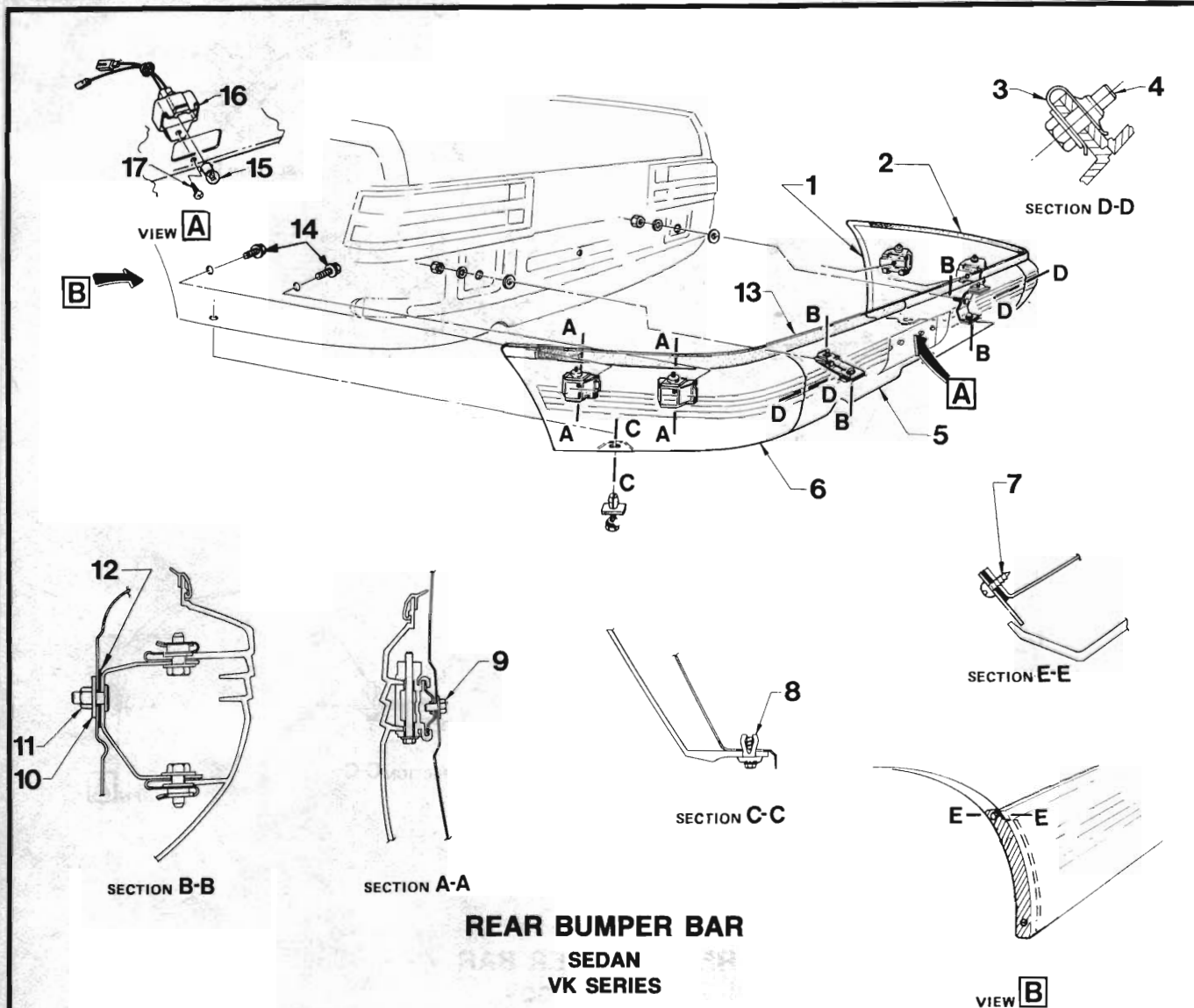


**REAR BUMPER BAR
STATION WAGON
VK SERIES**

REF. NO.	PART NAME	GROUP
1	BUMPER BAR FACIA - RH	7.831
2	FINISHING STRIP ASM. - Facia - RH	7.831
3	NUT - Bumper bar side facia to bumper bar centre facia	7.874
4	SCREW - Bumper bar side facia to bumper bar centre facia	7.874
5	SCREW - Bumper bar facia to wheel arch	7.836
6	FASTENER - Bumper bar facia to fender lower	7.836
7	BUMPER BAR FACIA - Centre	7.831
8	BUMPER BAR FACIA - LH	7.831
9	WASHER - Bumper facia to fender - Upper	7.836
10	WASHER - Bumper bar facia bracket to rear end panel	7.836
11	NUT - Bumper bar outer bracket	7.836
12	WASHER - Bumper bar facia bracket to rear end panel	7.836
13	FINISHING STRIP ASM. - Facia - LH	7.831
14	SCREW - Bumper bar facia to fender side	7.836



"V" SERIES PARTS CATALOGUE



REAR BUMPER BAR SEDAN VK SERIES

REF. NO.	PART NAME	GROUP
1	BUMPER BAR FACIA - Side - RH	7.831
2	FINISHING STRIP ASM. - Facia - RH	7.831
3	NUT - Bumper bar side facia to bumper bar centre facia	7.874
4	SCREW - Bumper bar side facia to bumper bar centre facia	7.874
5	BUMPER BAR FACIA - Centre	7.831
6	BUMPER BAR FACIA - Side - LH	7.831
7	SCREW - Bumper bar facia to wheel arch	7.836
8	FASTENER - Bumper bar facia to fender - Lower	7.836
9	WASHER - Bumper bar facia to fender - Upper	7.836
10	WASHER - Bumper bar facia bracket to rear end panel	7.836
11	NUT - Bumper bar to outer bracket	7.836
12	WASHER - Bumper bar facia bracket to rear end panel	7.836
13	FINISHING STRIP ASM. - Facia - LH	7.831
14	SCREW - Bumper bar facia to fender side	7.836
15	BULB - Licence plate lamp	2.700
16	SOCKET & LEAD ASM. - Licence plate lamp	2.714
17	SCREW - Socket to bumper bar facia	2.714



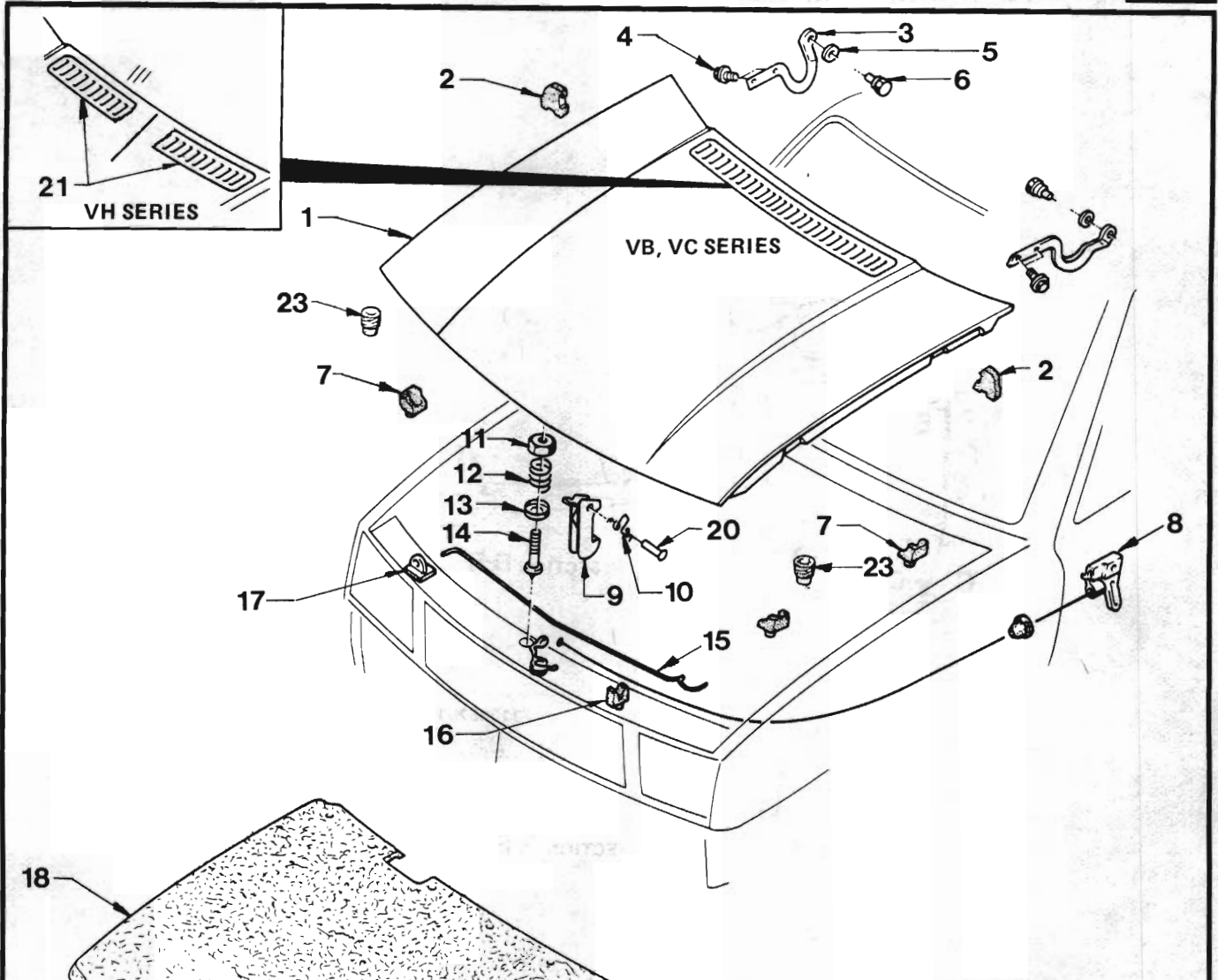
GROUP

8.000

FRONT END SHEET

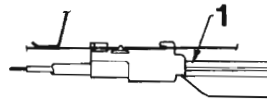
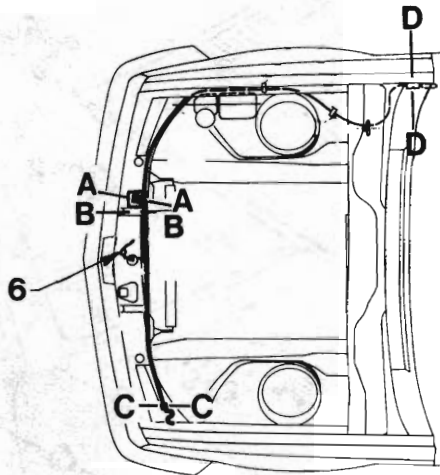
METAL

HEATER

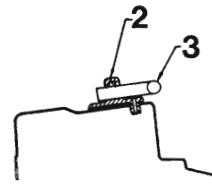


HOOD HARDWARE

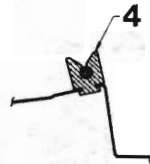
REF. NO.	PART NAME	GROUP
1	PANEL ASM. - Hood.....	8.000
2	SEAL - Hood to fender gutter.....	8.010
3	HINGE ASM.....	8.015
4	SCREW - Hinge to hood.....	8.016
5	WASHER - Hinge to body.....	8.016
6	SCREW - Hinge to body.....	8.016
7	BUMPER - Side.....	8.024
8	CABLE ASM. - Hood lock control.....	8.075
9	CATCH - Hood safety.....	8.083
10	SPRING - Safety catch.....	8.083
11	NUT - Hood lock pilot pin.....	8.085
12	SPRING - Hood lock pilot pin.....	8.085
13	RETAINER - Hood lock pilot pin.....	8.085
14	PIN - Hood lock.....	8.085
15	STAY.....	8.015
16	RETAINER - Hood stay.....	8.015
17	SUPPORT - Hood stay.....	8.015
18	INSULATOR - Hood.....	8.021
19	FASTENER - Hood insulator.....	8.021
20	RIVET - Catch to bracket.....	8.083
21	GRILLE - Hood.....	8.054
22	SPRING - Hood lock release.....	8.085
23	BUMPER - Hood front.....	8.024



SECTION D-D



SECTION A-A



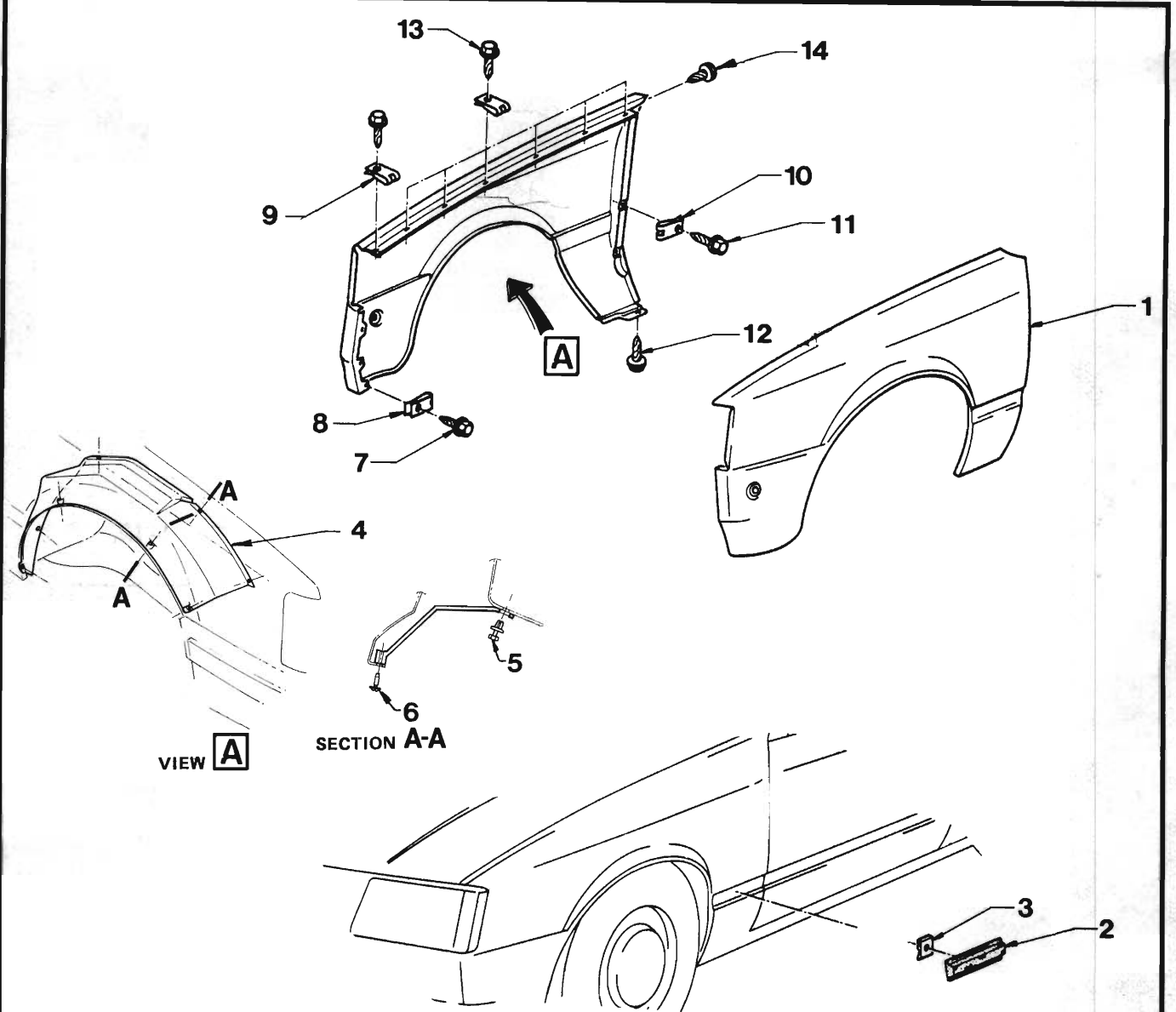
SECTION C-C



SECTION B-B

HOOD LOCK RELEASE & SUPPORT

REF. NO.	PART NAME	GROUP
1	CABLE ASM. - Hood lock control.....	8.075
2	SUPPORT - Hood stay	8.015
3	STAY.....	8.015
4	RETAINER - Hood stay	8.015
5	CLIP - Cable to front panel.....	8.075
6	SPRING - Hood lock release.....	8.085

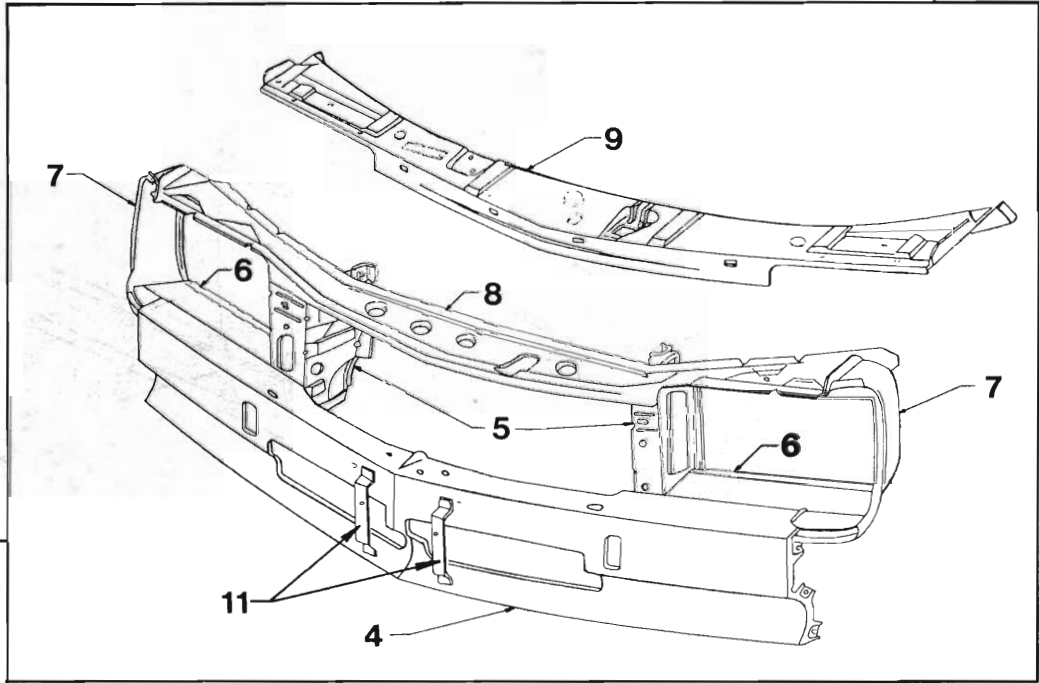
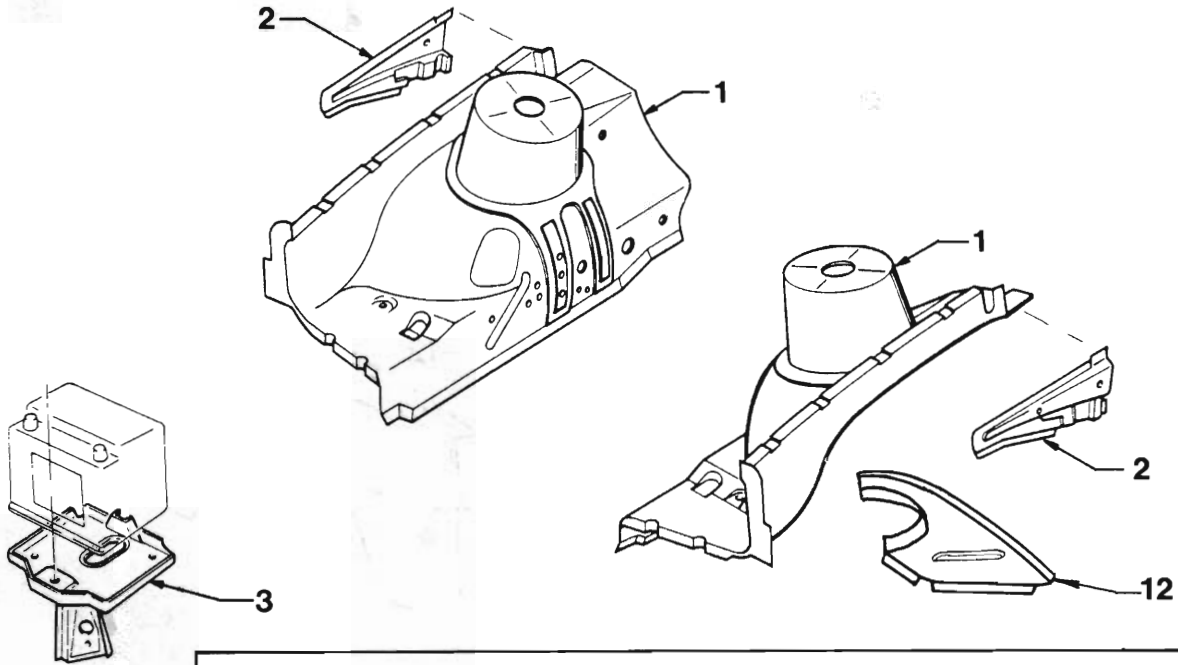


FRONT FENDER

REF. NO.	PART NAME	GROUP
1	FENDER ASM. - Front.....	8.130
2	MOULDING - Front fender.....	8.132
3	CLIP - Moulding attaching.....	8.132
4	LINER - Front fender.....	8.153
5	RIVET - Liner to fender.....	8.153
6	SCREW - Liner to fender.....	8.153
7	SCREW - Fender to front upper skirt.....	8.143
8	NUT - Fender to front upper skirt.....	8.143
9	NUT - Fender to skirt.....	8.143
10	NUT - Fender to door opening frame.....	8.143
11	SCREW - Fender to door opening frame.....	8.143
12	SCREW - Fender lower to door opening frame..	8.143
13	SCREW - Fender to skirt.....	8.143
14	SCREW - Fender to door opening frame.....	8.143

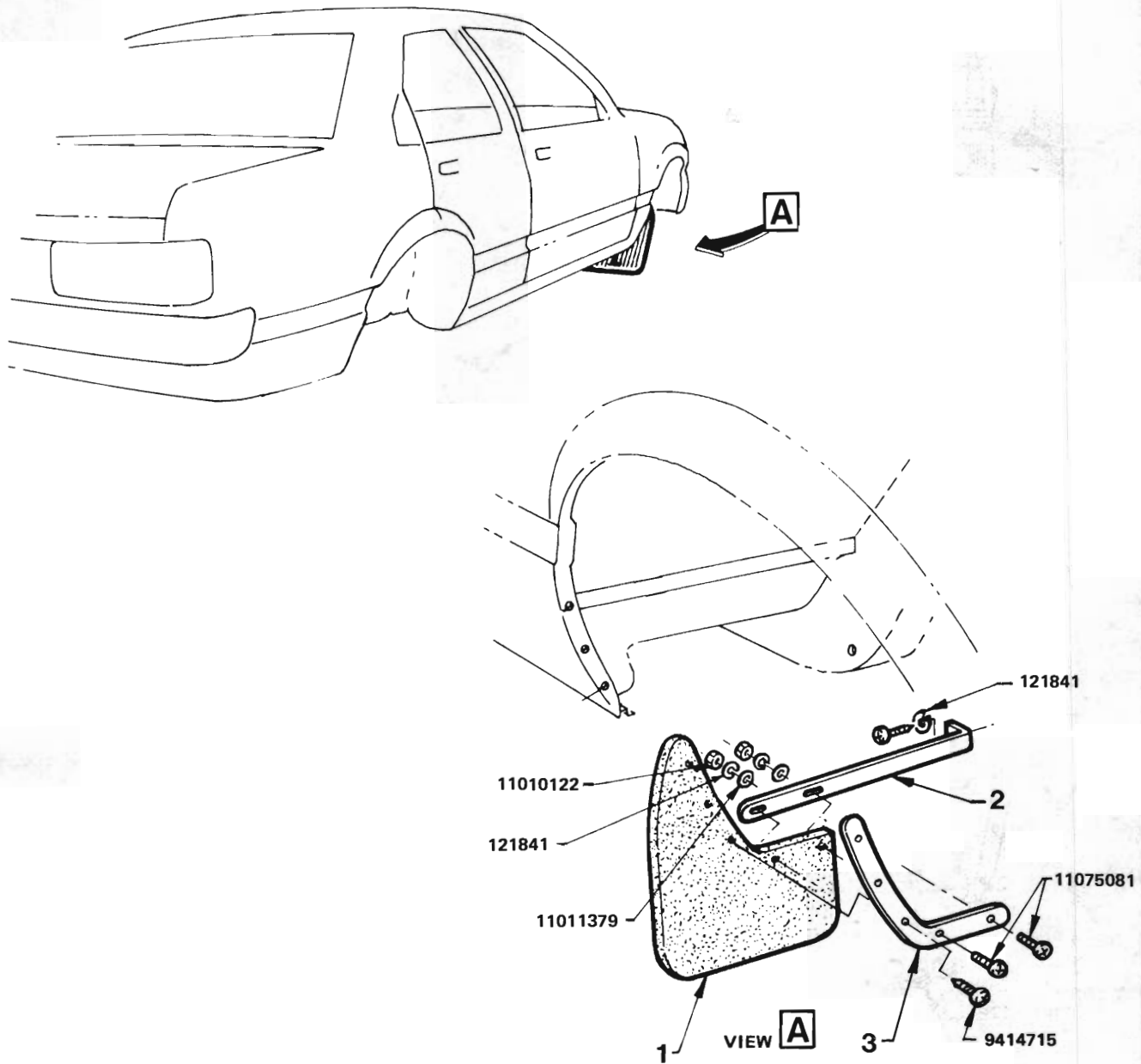


"V" SERIES PARTS CATALOGUE



FRONT END SHEET METAL

REF. NO.	PART NAME	GROUP
1	PANEL - Fender skirt.....	8.153
2	BRACE - Fender skirt panel.....	8.153
3	CARRIER ASM. - Battery.....	2.333
4	PANEL - Valance.....	1.263
5	SUPPORT - Radiator side.....	1.270
6	EXTENSION - Lower air flow guide panel.....	8.153
7	EXTENSION - Upper air flow guide panel.....	8.153
8	REINFORCEMENT - Upper panel.....	1.270
9	PANEL - Front end, Complete.....	1.270
10	PANEL ASM. - Radiator support complete.....	1.270
11	BRACKET - Licence plate mounting.....	7.800
12	SUPPORT - Fender skirt panel to brace.....	8.153

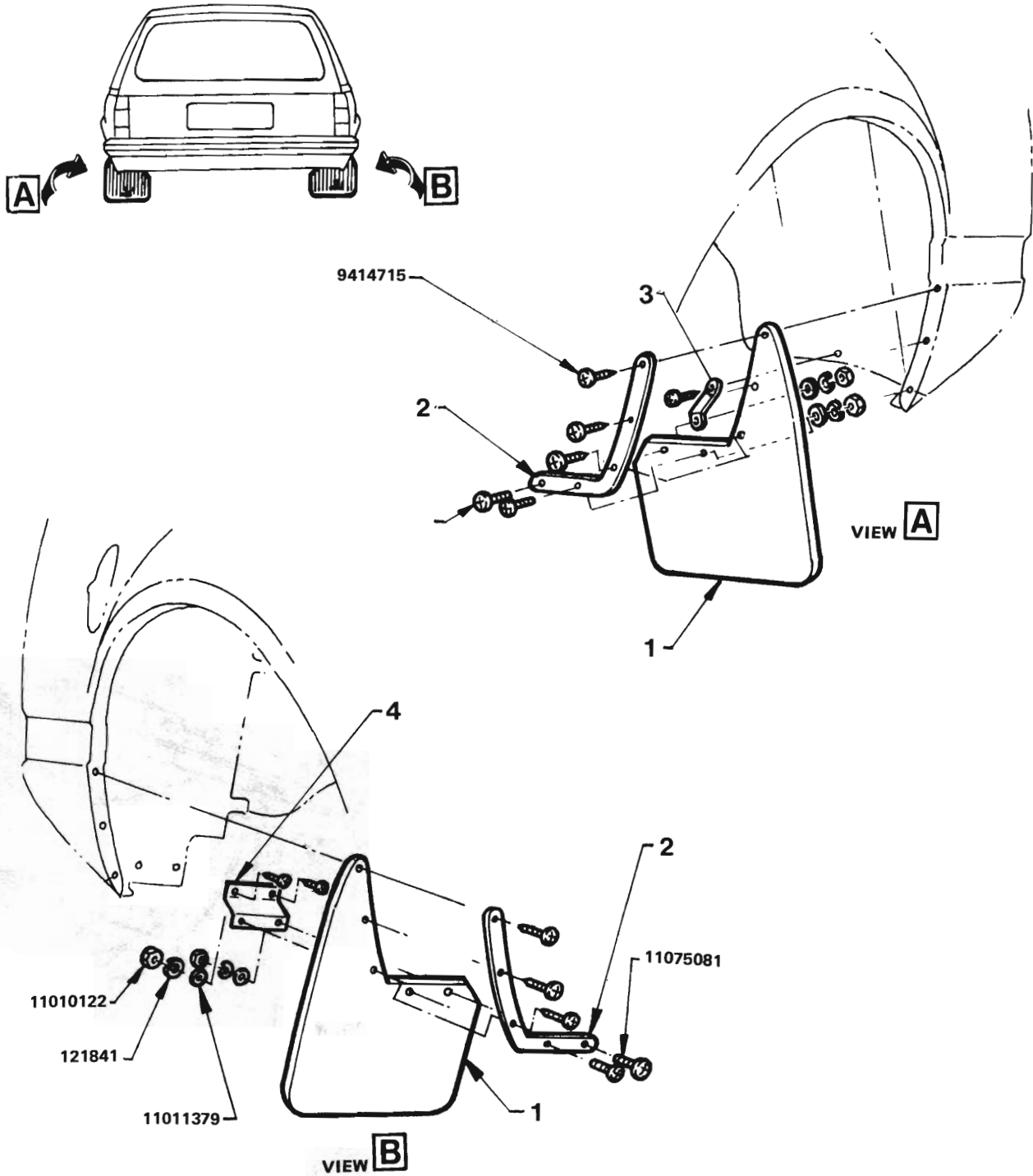


MUD DEFLECTOR - FRONT FENDER

REF. NO.	PART NAME	GROUP
1-3	DEFLECTOR PACKAGE - Mud.....	8.154
1	DEFLECTOR.....	8.154
2	EXTENSION.....	8.154
3	RETAINER.....	8.154

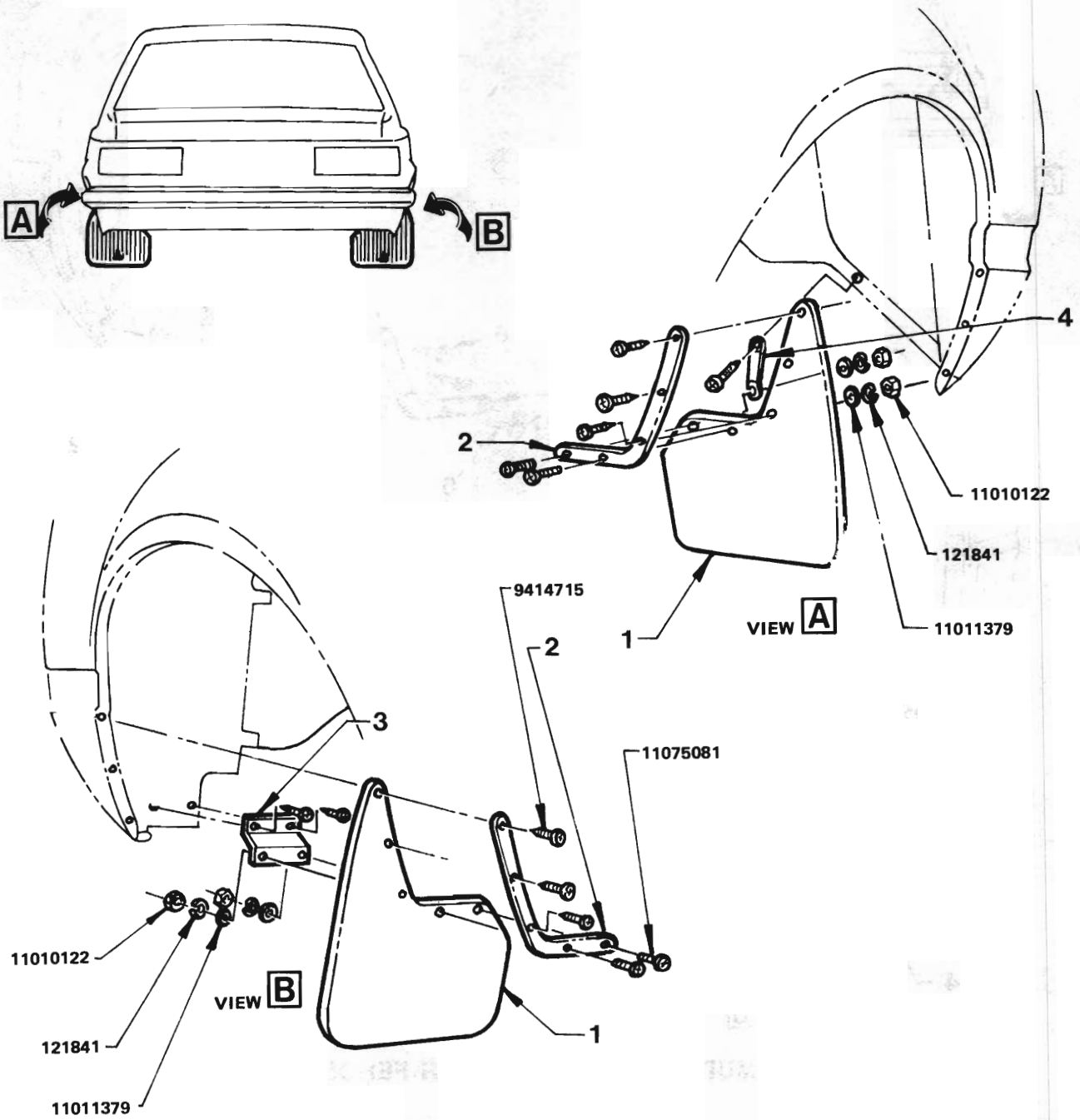


"V" SERIES PARTS CATALOGUE



MUD DEFLECTOR - REAR FENDER
STATION WAGON
VB, VC, VH SERIES

REF. NO.	PART NAME	GROUP
1-4	DEFLECTOR PACKAGE - Mud	8.214
1	DEFLECTOR	8.214
2	RETAINER	8.214
3	BRACKET - Deflector, Left side	8.214
4	BRACKET - Deflector, Right side	8.214

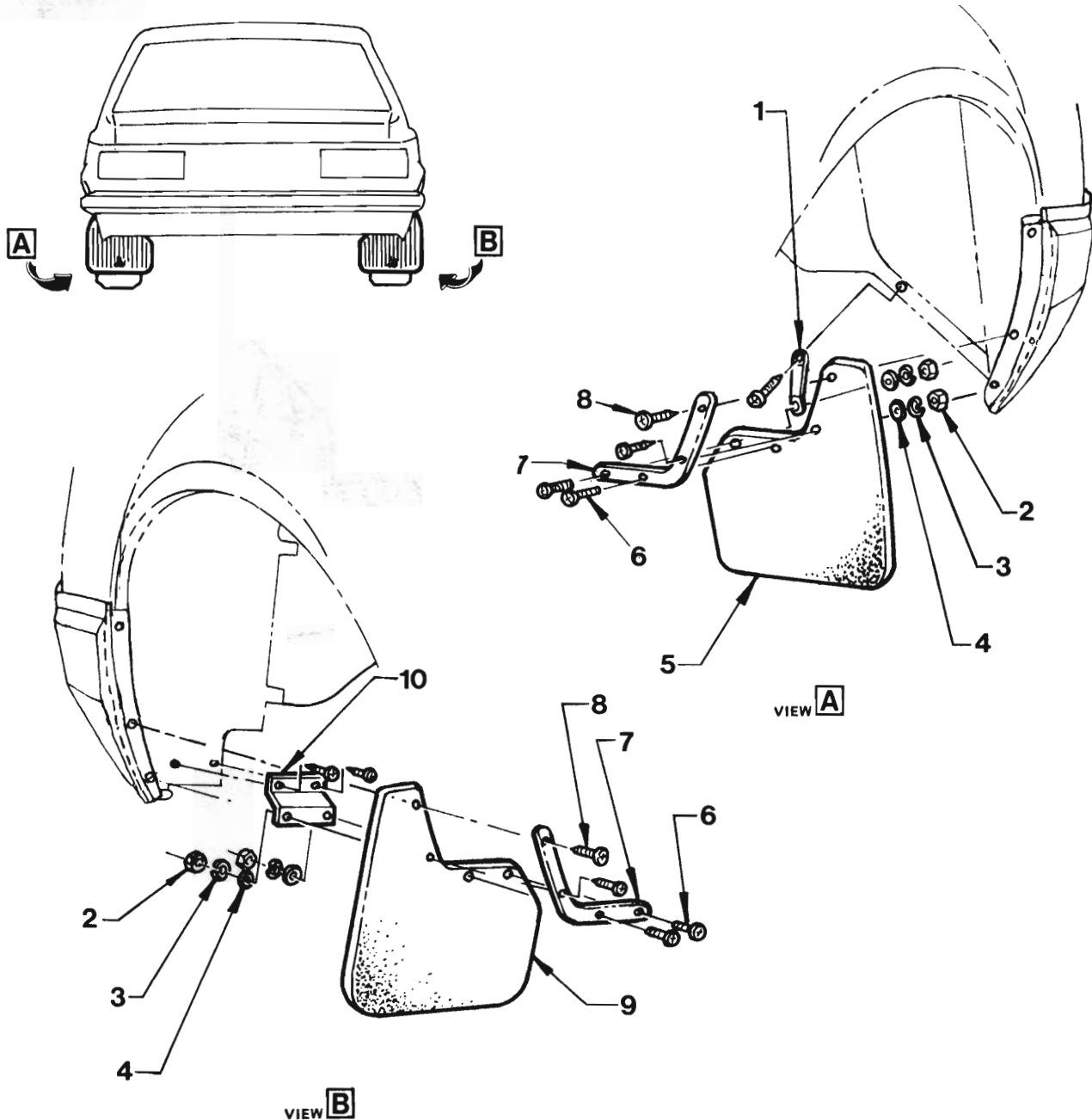


**MUD DEFLECTOR - REAR FENDER
SEDAN
VB, VC, VH SERIES**

REF. NO.	PART NAME	GROUP
1-4	DEFLECTOR PACKAGE - Mud.....	8.214
1	DEFLECTOR.....	8.214
2	RETAINER	8.214
3	BRACKET - Deflector, Right side	8.214
4	BRACKET - Deflector, Left side.....	8.214

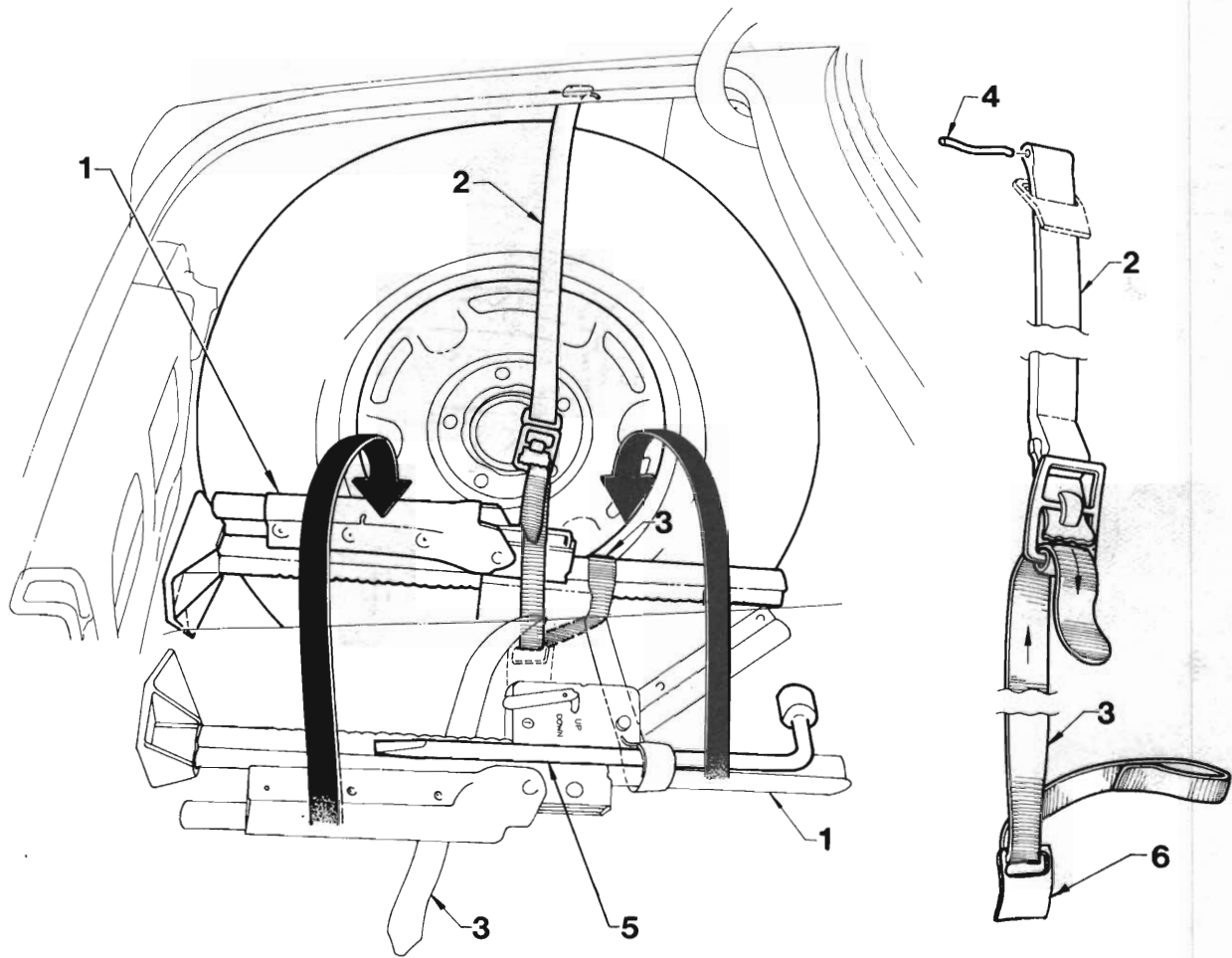


"V" SERIES PARTS CATALOGUE



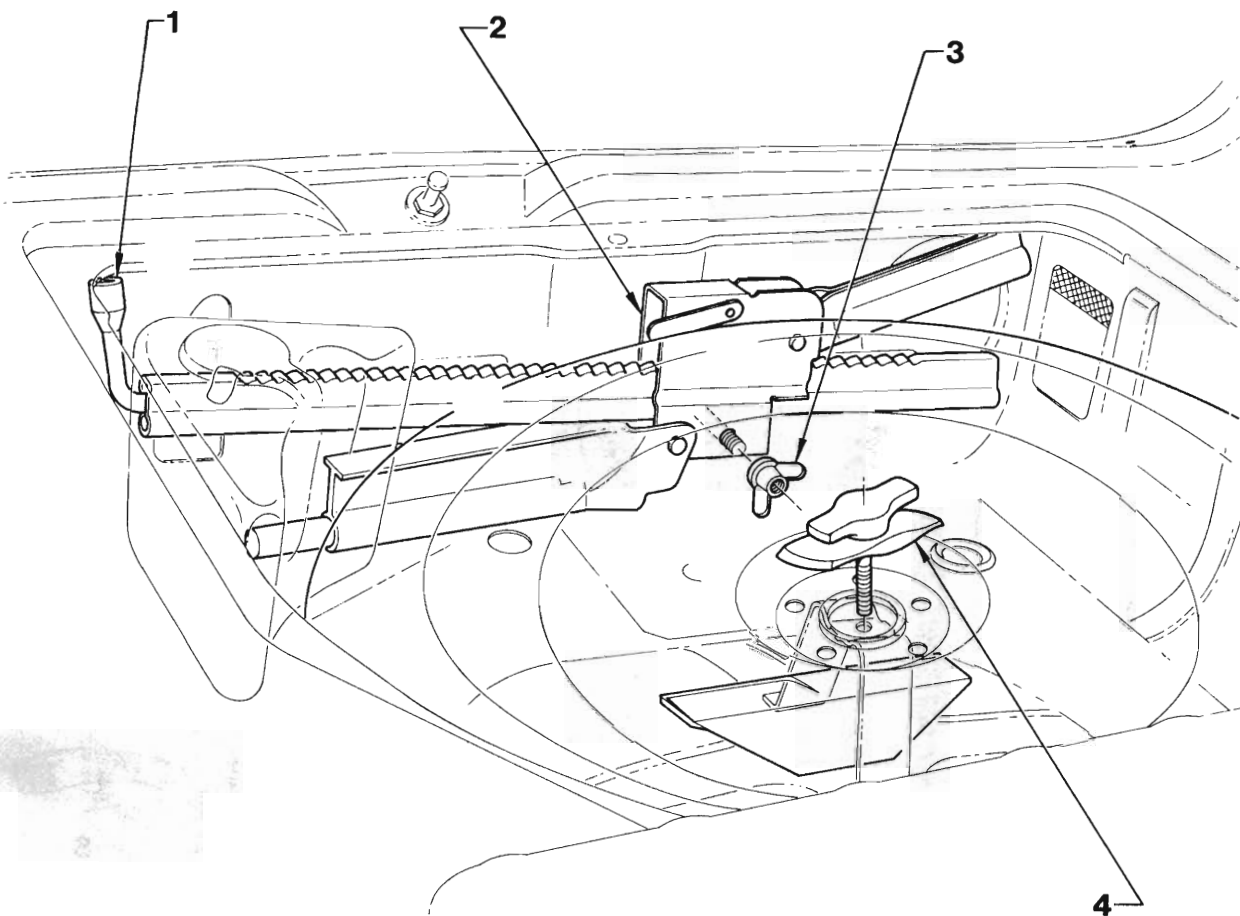
MUD DEFLECTOR - REAR FENDER VK SERIES

REF. NO.	PART NAME	GROUP
1-10	DEFLECTOR PACKAGE.....	8.214
1	BRACKET - Deflector - LH.....	8.214
2	NUT - Retainer to deflector.....	8.214
3	WASHER - Retainer to deflector - Lock.....	8.214
4	WASHER - Retainer to deflector - Flat.....	8.214
5	DEFLECTOR - LH.....	8.214
6	SCREW - Retainer to deflector.....	8.214
7	RETAINER.....	8.214
8	SCREW.....	8.214
9	DEFLECTOR -RH.....	8.214
10	BRACKET - Deflector - RH.....	8.214



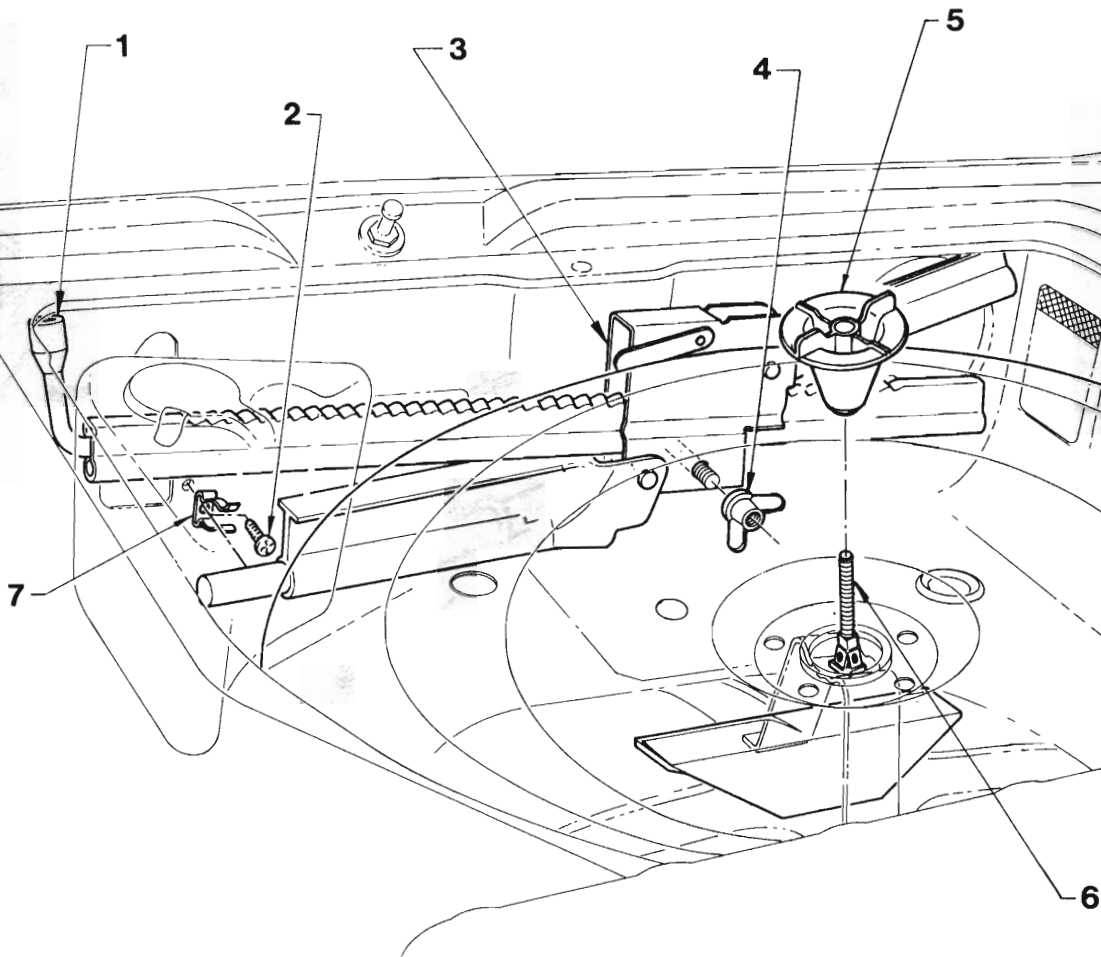
**JACK & SPARE WHEEL STOWAGE
SEDAN**

REF. NO.	PART NAME	GROUP
1	JACK ASM. - Vehicle lifting	8.820
2	STRAP & BUCKLE ASM.	7.629
3	STRAP - Lower	7.629
4	BOLT - Strap	7.629
5	WRENCH - Wheel nut	8.821
6	BUCKLE - Strap anchor - Lower.....	7.629



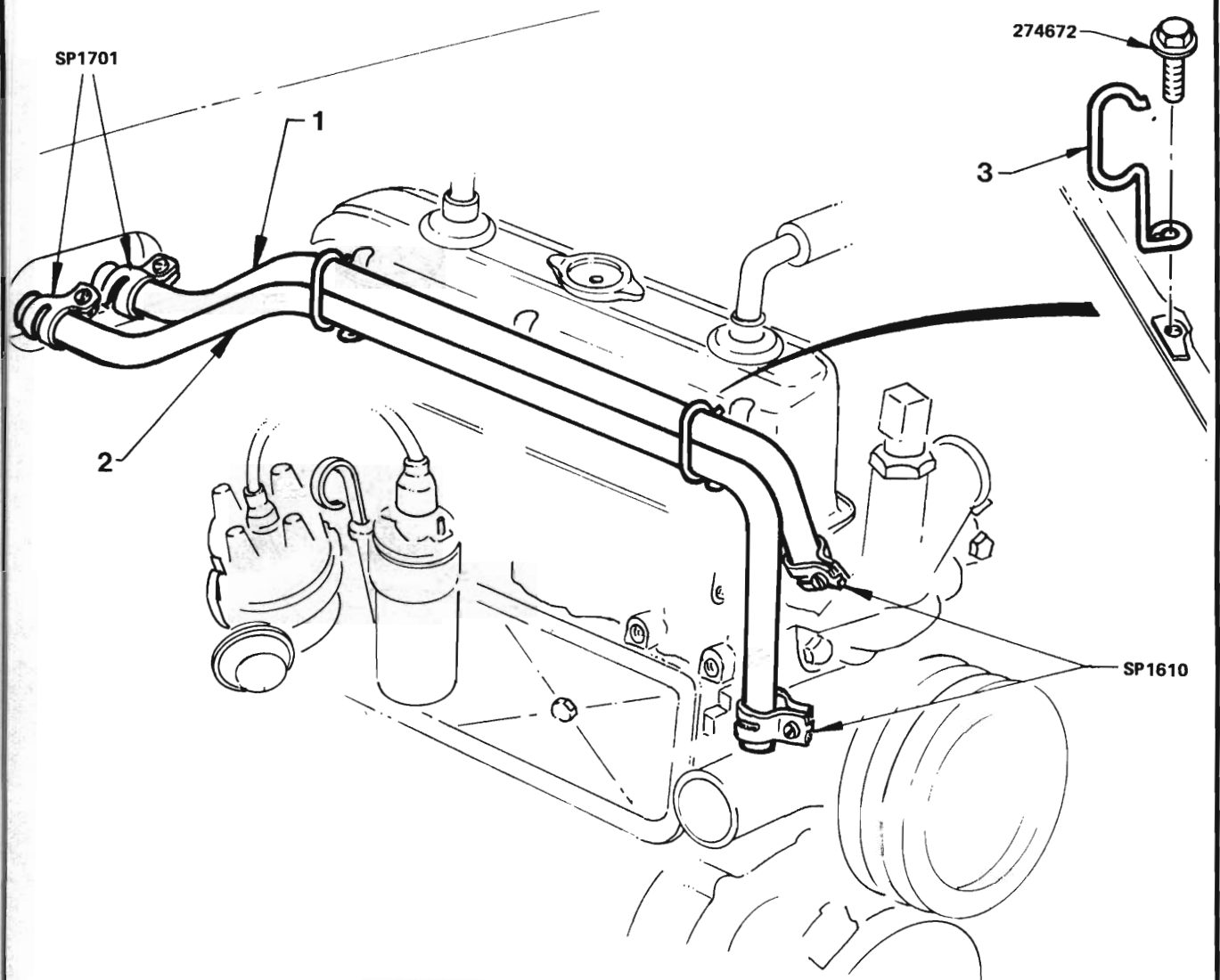
**JACK & SPARE WHEEL STOWAGE
STATION WAGON
VB, VC, VH SERIES**

REF. NO.	PART NAME	GROUP
1	WRENCH - Wheel nut	8.821
2	JACK ASM - Vehicle lifting	8.820
3	NUT - Jack securing	8.820
4	BOLT - Spare wheel mounting.....	7.632



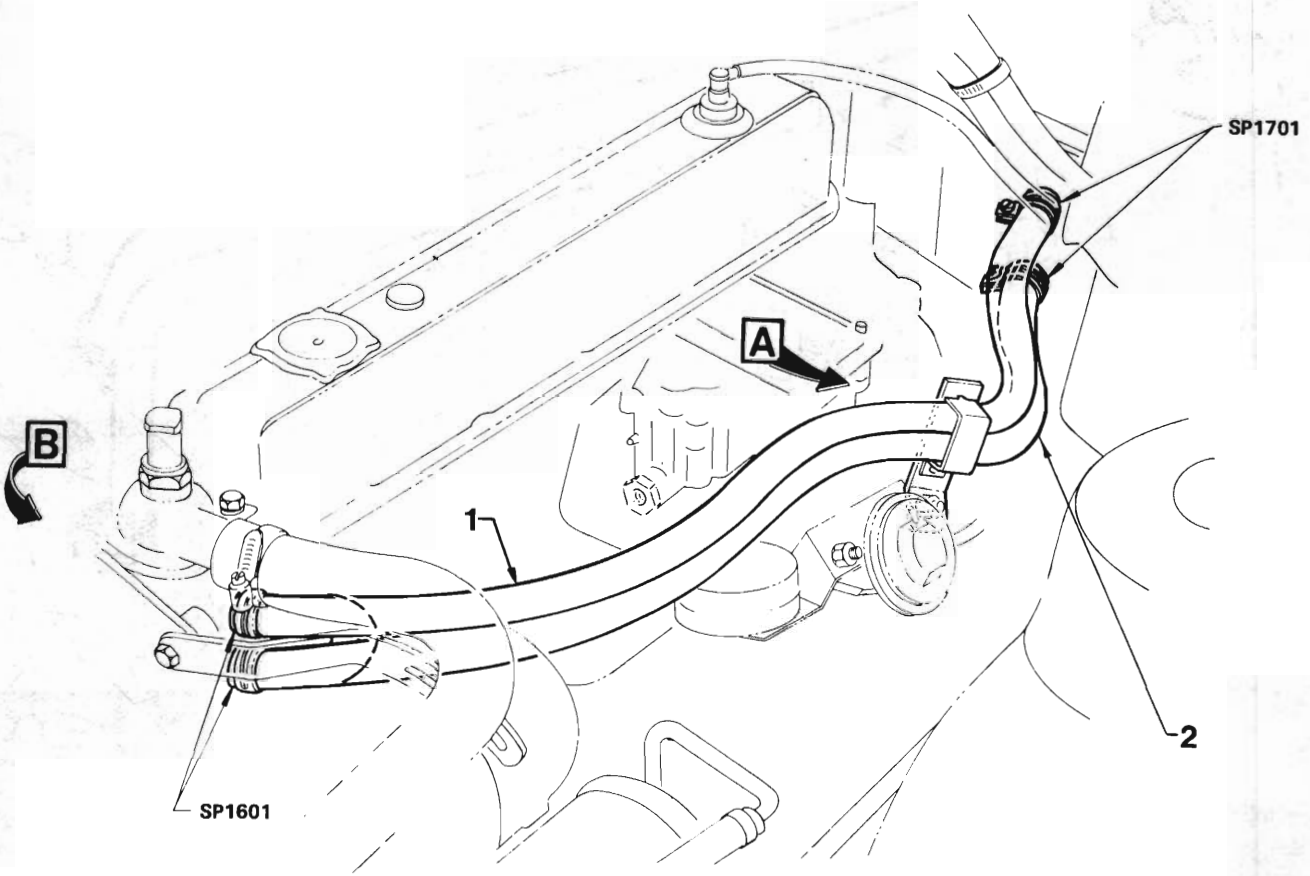
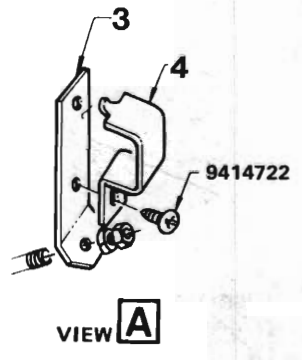
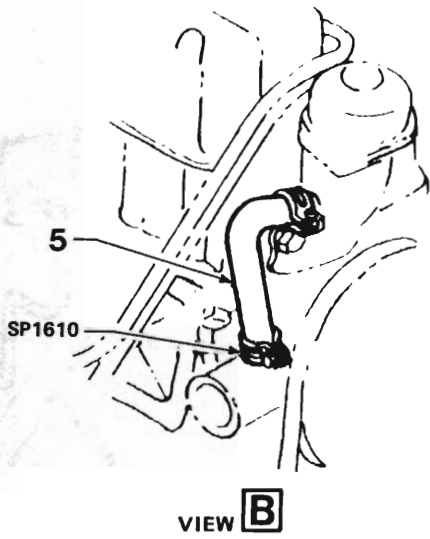
**JACK & SPARE WHEEL STOWAGE
STATION WAGON
VK SERIES**

REF. NO.	PART NAME	GROUP
1	WRENCH - Wheel nut	8.821
2	SCREW - Clip attaching	8.820
3	JACK ASM.	8.820
4	NUT - Jack securing	8.820
5	NUT - Spare wheel mounting	7.632
6	BOLT - Spare wheel support	7.632
7	CLIP - Jack securing	8.820



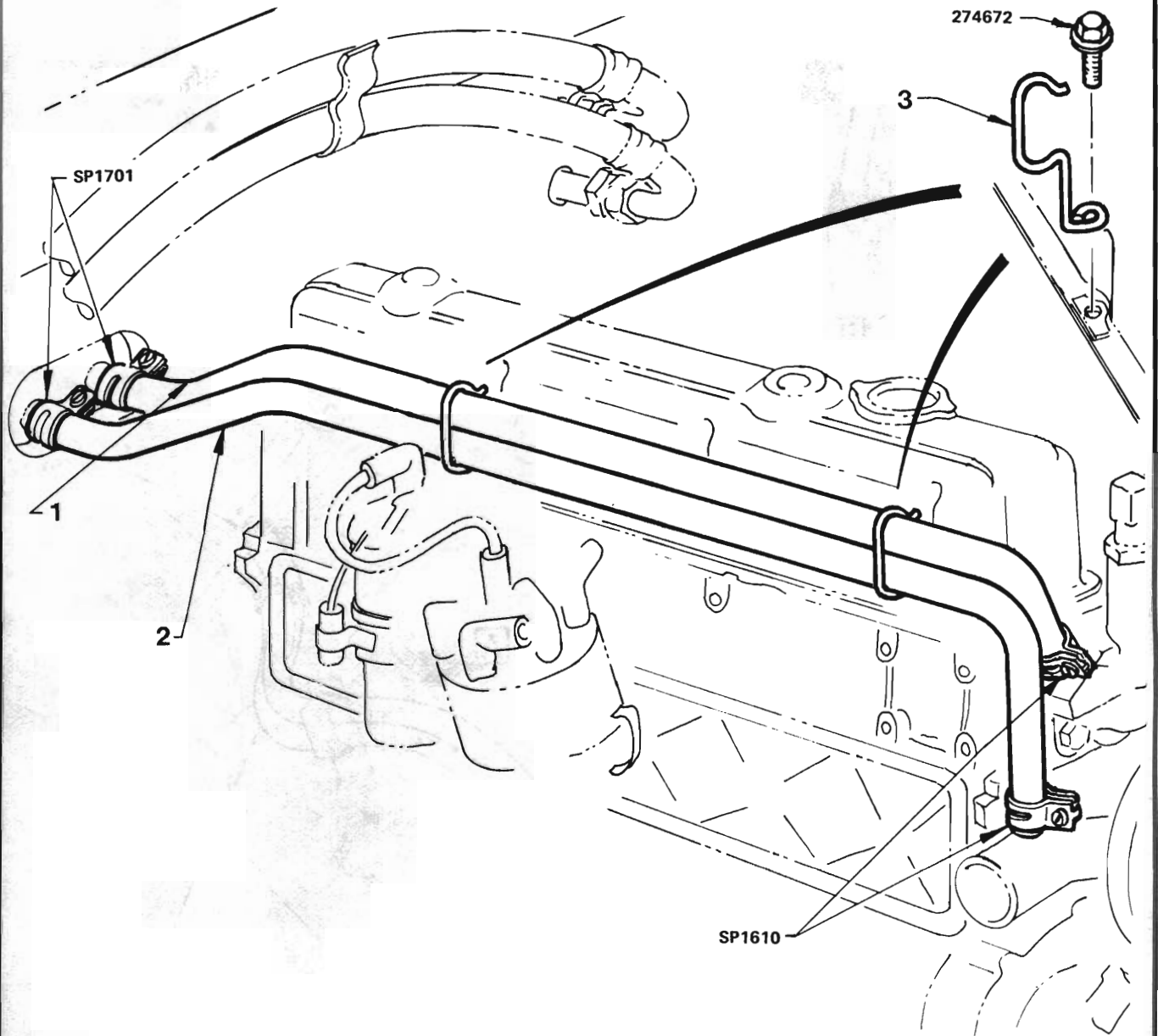
**HEATER HOSES
4 CYLINDER ENGINE
VH, VK SERIES**

REF. NO.	PART NAME	GROUP
1	HOSE - Thermostat housing to heater inlet.....	8.846
2	HOSE - Heater outlet to water pump.....	8.846
3	CLIP - Heater hose retaining	8.846



**HEATER HOSES - HARRISON AIR CONDITIONER
6 CYLINDER ENGINE -
VB, VC SERIES**

REF. NO.	PART NAME	GROUP
1	HOSE - Thermostat housing to heater inlet.....	8.846
2	HOSE - Heater outlet to thermostat housing.....	8.846
3	BRACKET - Heater hose support to engine.....	8.846
4	CLAMP - Heater hoses to support bracket.....	8.846
5	HOSE - By pass.....	1.097

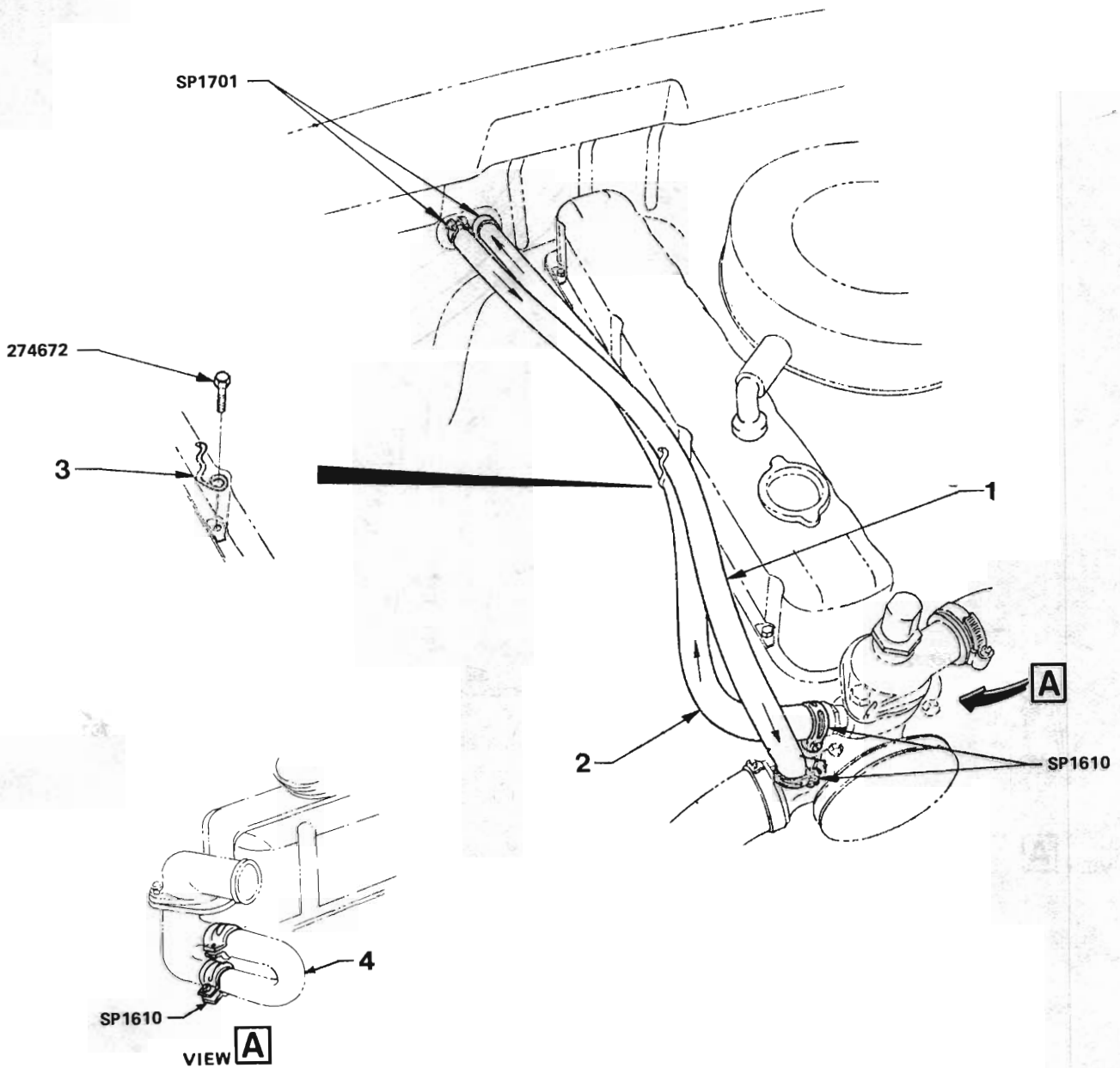


HEATER HOSES

2.85 LITRE ENGINE VH SERIES

3.3 LITRE ENGINE VK SERIES EXC. ELECTRONIC FUEL INJECTION

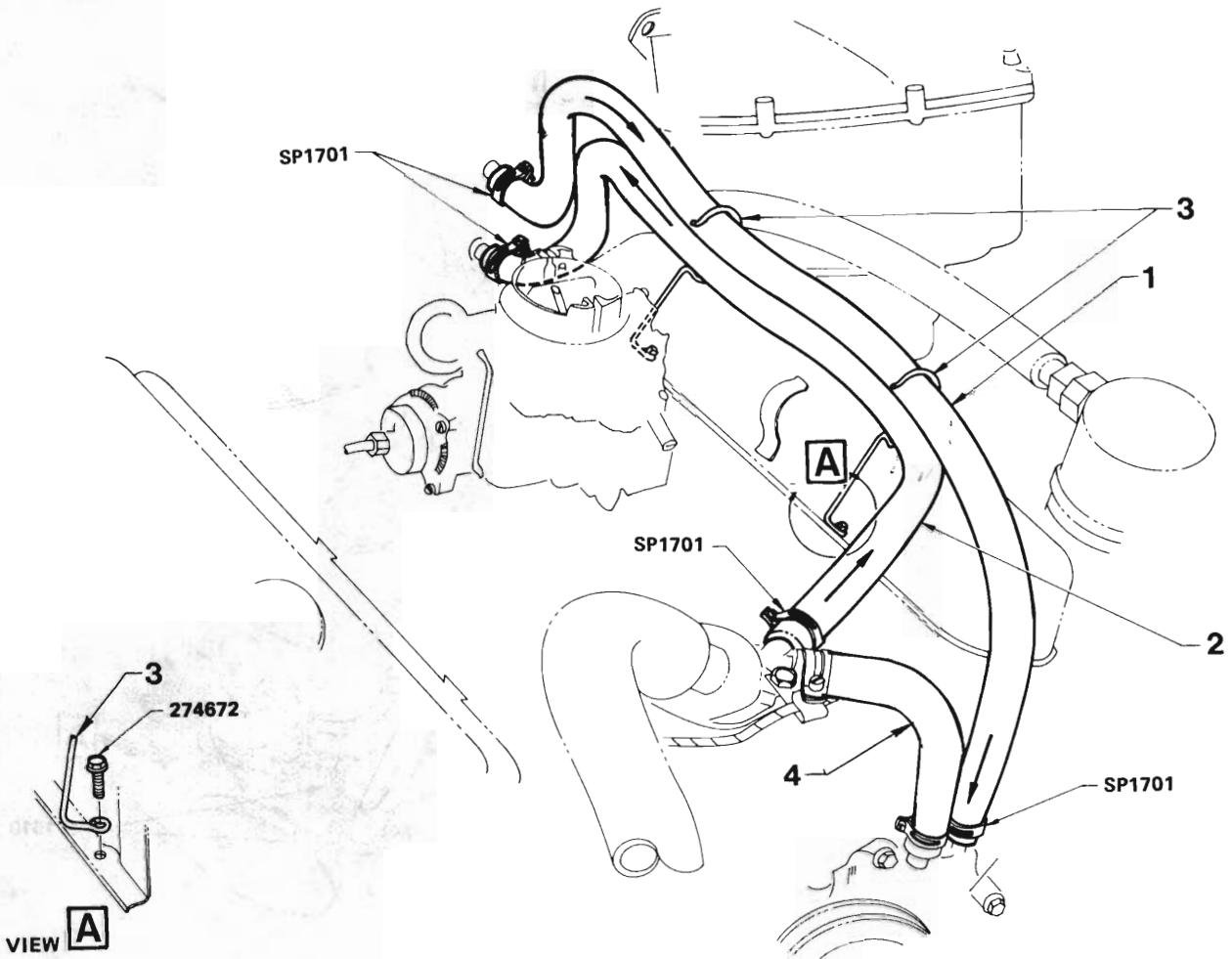
REF. NO.	PART NAME	GROUP
1	HOSE - Thermostat housing to heater inlet.....	8.846
2	HOSE - Heater outlet to water pump.....	8.846
3	CLIP - Heater hose retaining.....	8.846



HEATER HOSES - EXC. HARRISON AIR CONDITIONING

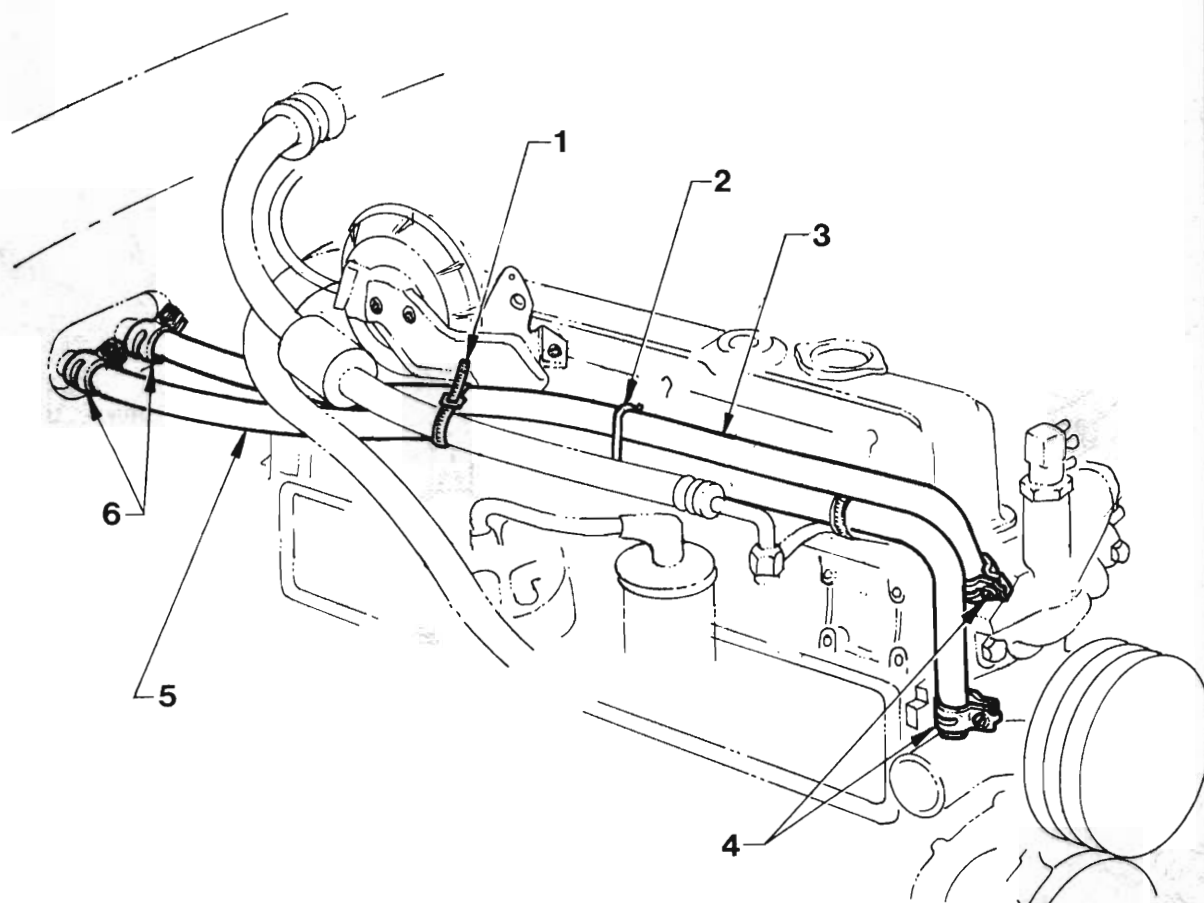
**4 CYLINDER ENGINE - VC SERIES
6 CYLINDER ENGINE - VB, VC SERIES
3.3 LITRE ENGINE - VH SERIES**

REF. NO.	PART NAME	GROUP
1	HOSE - Heater outlet to water pump.....	8.846
2	HOSE - Thermostat housing to heater inlet.....	8.846
3	CLIP - Heater hose retaining.....	8.846
4	HOSE - By-pass.....	1.097



**HEATER HOSES - HARRISON AIR CONDITIONER
8 CYLINDER ENGINE
VB, VC SERIES**

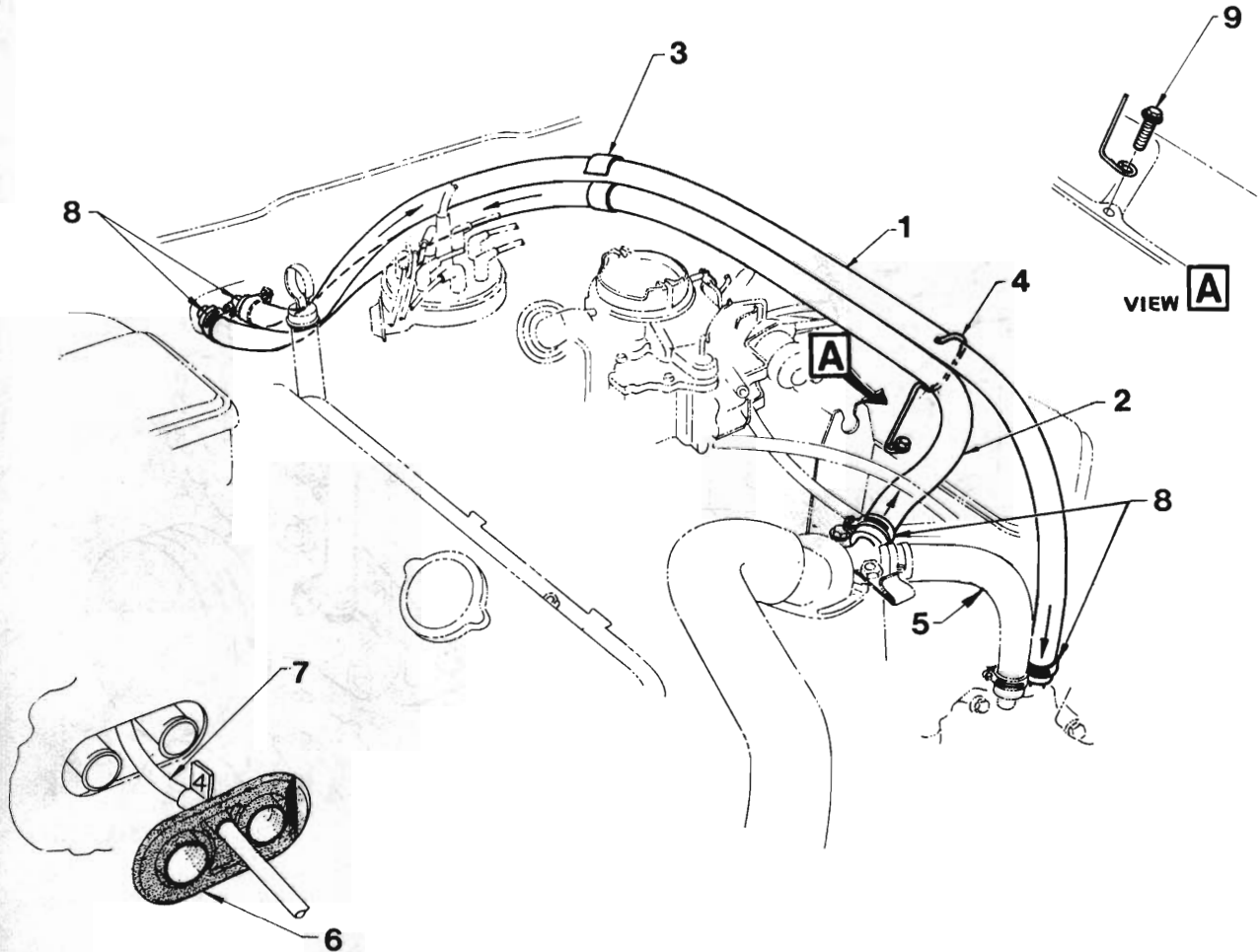
REF. NO.	PART NAME	GROUP
1	HOSE - Heater outlet to water pump.....	8.846
2	HOSE - Thermostat housing to heater inlet.....	8.846
3	CLIP - Heater hoses retaining.....	8.846
4	HOSE - Heater by pass.....	1.097



HEATER HOSES

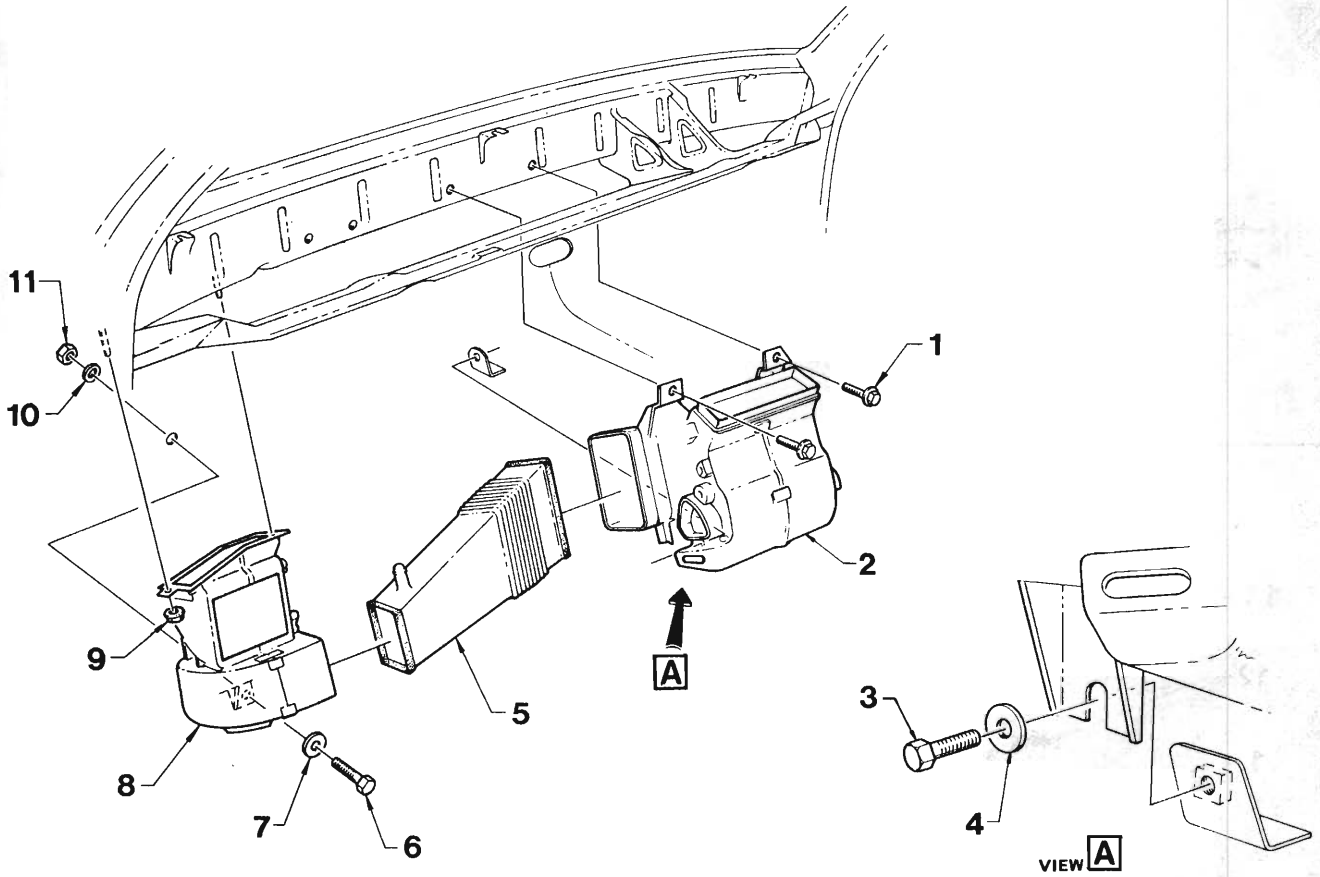
**3.3 LITRE ENGINE WITH ELECTRONIC FUEL INJECTION
VK SERIES**

REF. NO.	PART NAME	GROUP
1	STRAP - Heater hose	8.846
2	CLIP - Heater hose retaining	8.846
3	HOSE - Thermostat housing to heater inlet	8.846
4	CLAMP - Heater hose	8.846
5	HOSE - Heater to water pump	8.846
6	CLAMP - Heater hose	8.846



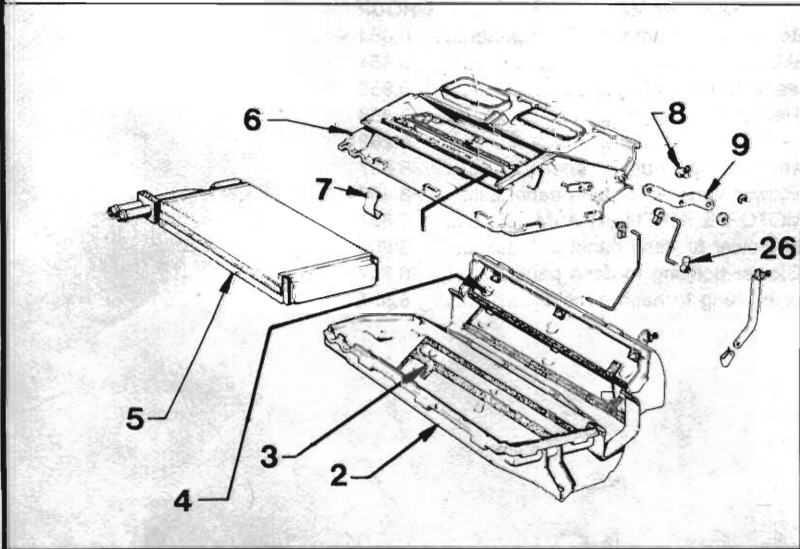
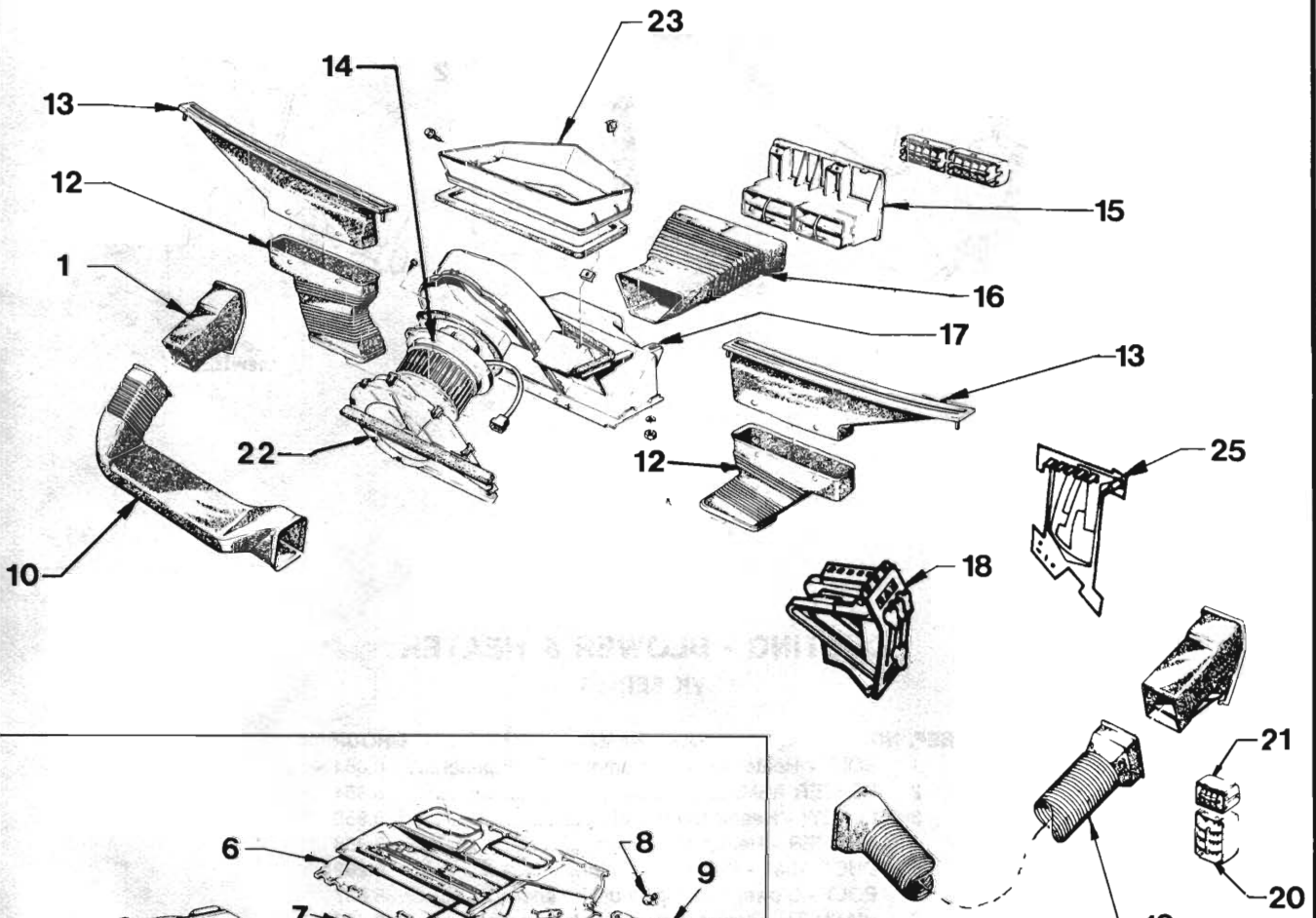
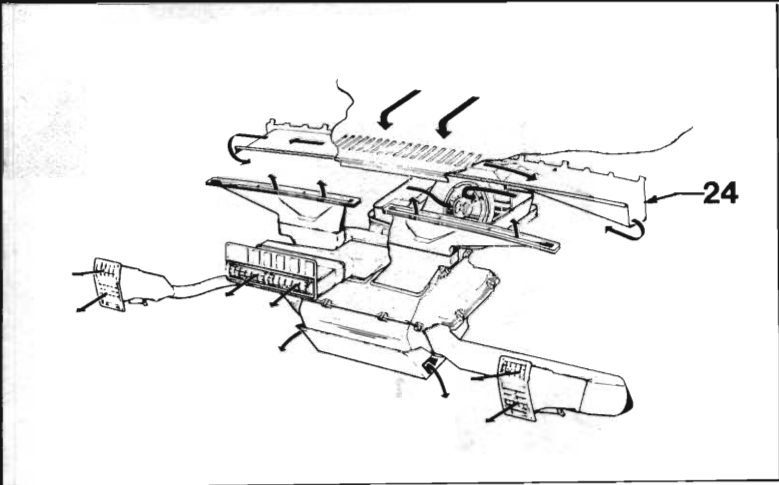
**HEATER HOSES - EXC. HARRISON AIR CONDITIONING
8 CYLINDER ENGINE**

REF. NO.	PART NAME	GROUP
1	HOSE - Heater outlet to water pump.....	8.846
2	HOSE - Thermostat housing to heater inlet.....	8.846
3	CLIP - Inlet to outlet hose.....	8.846
4	CLIP - Heater hose retaining.....	8.846
5	HOSE - By-pass.....	1.097
6	GROMMET - Inlet & outlet pipes.....	8.854
7	HOSE - Engine to vacuum valve.....	8.850
8	CLIP - Heater hose.....	8.846
9	SCREW - Clip to engine.....	8.846



**DUCTING - BLOWER & HEATER
VK SERIES**

REF. NO.	PART NAME	GROUP
1	BOLT - Heater to reinforcement - Dash panel	8.854
2	HEATER ASM.	8.854
3	SCREW - Heater to bracket	8.856
4	WASHER - Heater to bracket.....	8.856
5	DUCT ASM. - Blower to heater.....	9.262
6	BOLT - Blower housing to dash panel.....	8.857
7	WASHER - Blower housing to dash panel.....	8.857
8	HOUSING, MOTOR & IMPELLER ASM.....	8.857
9	NUT - Heater blower to dash panel	8.854
10	WASHER - Blower housing to dash panel.....	8.857
11	NUT - Blower housing to dash panel.....	8.857

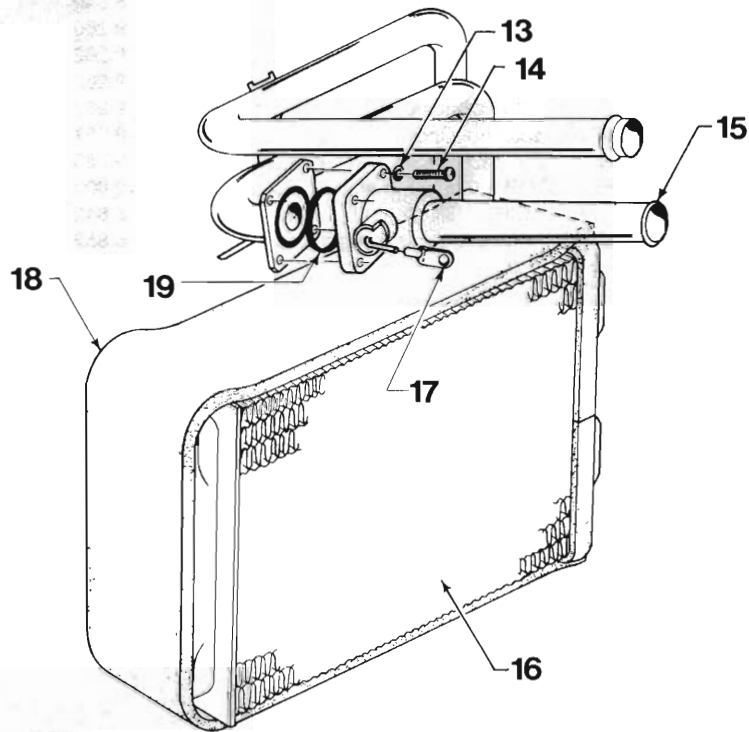
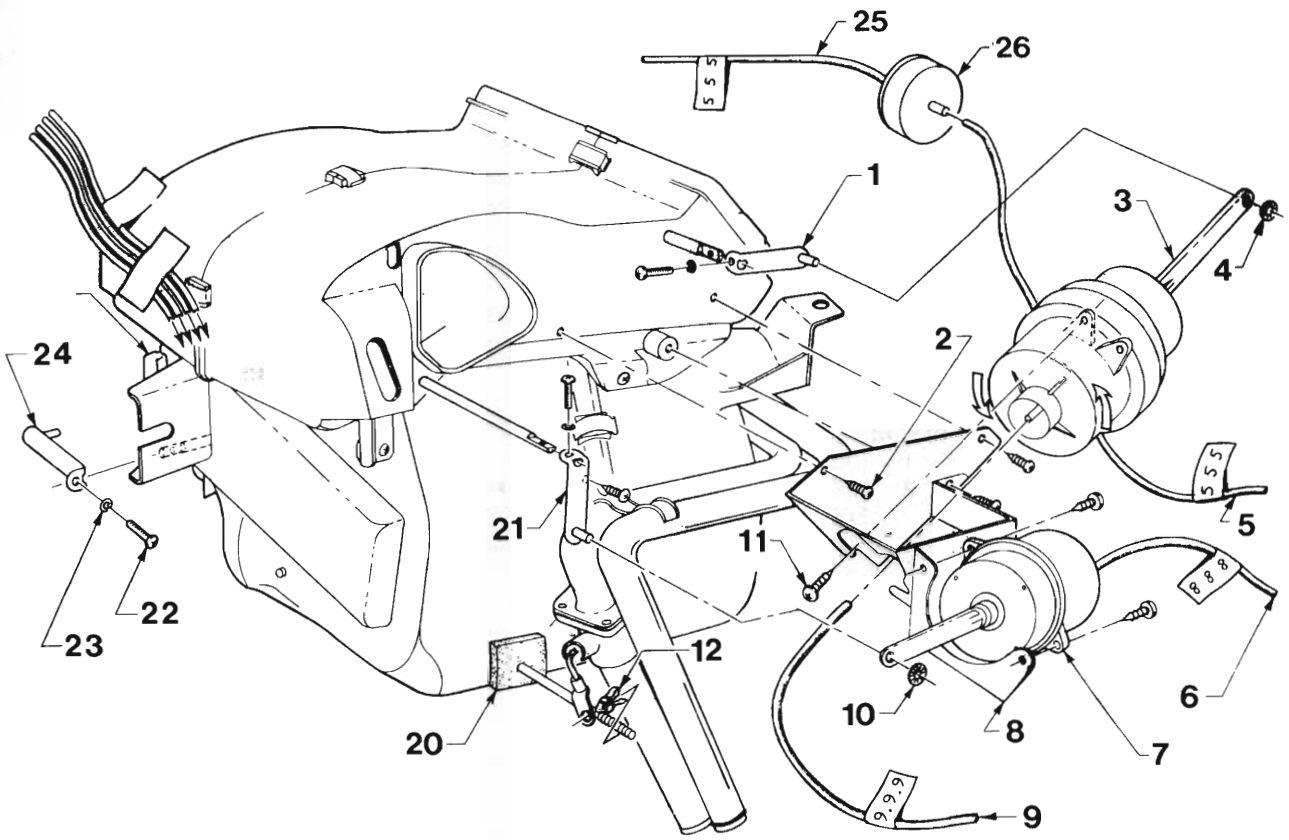




HEATER
VB, VC, VH SERIES

ILLUSTRATION OPPOSITE

REF. NO.	PART NAME	GROUP
1	CASE ASM. - Including core.....	8.854
2	HOUSING ASM. - Heater case - Lower	8.854
3	FLAP ASM.	N.S.S
4	FLAP ASM.	N.S.S
5	CORE ASM.....	8.854
6	HOUSING ASM. - Heater case - Upper.....	8.854
7	CLAMP - Upper to lower heater housing.....	8.854
8	PIN - Demist flap lever pivot.....	9.779
9	LEVER.....	N.S.S.
10	DUCT - Air outlet outer, RH.....	9.260
10	9.262
11	HOUSING ASM. - Outlet outer.....	9.262
12	DUCT - Demist distribution.....	9.779
13	NOZZLE - Demist outlet.....	9.779
14	MOTOR & BLOWER ASM.	8.857
15	HOUSING & INSERT ASM. - Centre	9.262
16	DUCT - Air distribution - Centre	9.262
17	HOUSING - Blower.....	8.857
18	CONTROL ASM. - Heater & blower.....	8.849
19	DUCT - Air outlet outer - LH	9.260
19	9.262
20	INSERT - Outer - Lower air outlet.....	9.262
21	INSERT - Outer housing, Upper.....	9.262
22	CAP - Blower housing.....	8.857
23	HOUSING & SEAL ASM. - Air inlet.....	9.786
24	DEFLECTOR - Plenum chamber.....	12.800
25	PRINTED CIRCUIT - Control	8.849
26	CLIP - Temperature rod & flap lever linkage	8.852

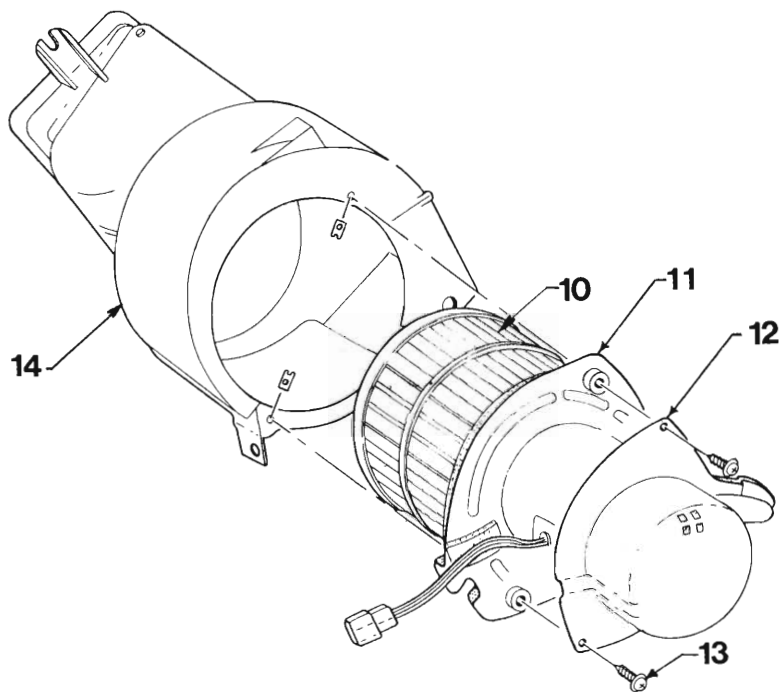
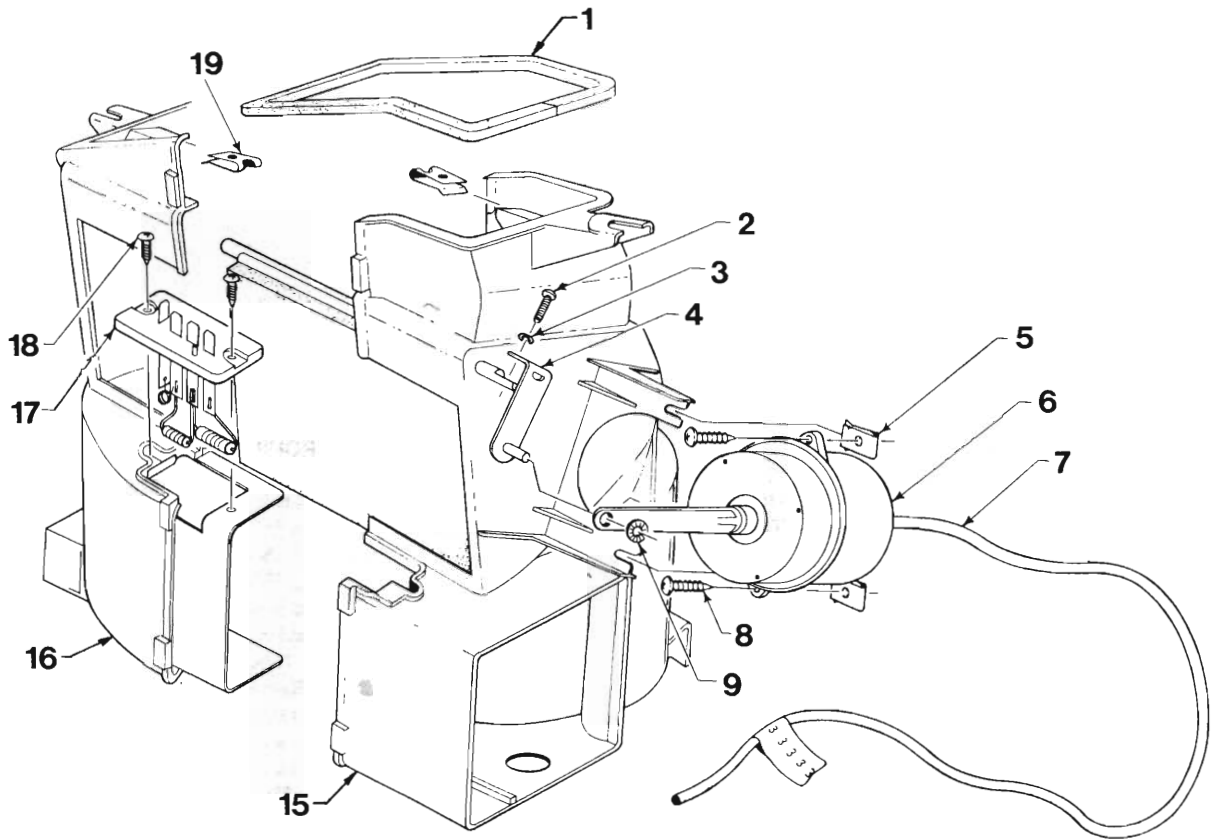




**HEATER
VK SERIES**

ILLUSTRATION OPPOSITE

REF. NO.	PART NAME	GROUP
1	LEVER - Heater door.....	N.S.
2	SCREW - Bracket to heater case.....	N.S.
3	ACTUATOR - Heater door - 2 Stage.....	8.850
4	CLIP - Actuator to lever.....	8.850
5	HOSE - Heater vent vacuum.....	8.250
6	HOSE - Demist door.....	8.850
7	ACTUATOR - Demist door.....	8.850
8	BRACKET - Actuator.....	N.S.
9	HOSE - Heater bi-level vacuum.....	8.850
10	CLIP - Actuator to lever.....	8.850
11	SCREW - Actuator to bracket.....	N.S.
12	CLIP - Valve to adjusting rod.....	8.866
13	WASHER - Valve.....	N.S.
14	SCREW - Valve.....	N.S.
15	VALVE ASM. - Heater water.....	8.866
16	CORE & FITTING ASM. - Heater.....	8.854
17	LEVER - Valve.....	N.S.
18	GASKET - Heater core.....	N.S.
19	'O' RING - Valve.....	8.866
20	INSULATOR - Adjusting rod to case.....	N.S.
21	LEVER - Demist door.....	N.S.
22	SCREW - Heater door lever.....	N.S.
23	WASHER - Heater door lever.....	N.S.
24	LEVER - Heater door.....	N.S.
25	HOSE - Heater control valve.....	8.850
26	VALVE ASM. - Heater vacuum delay.....	8.850

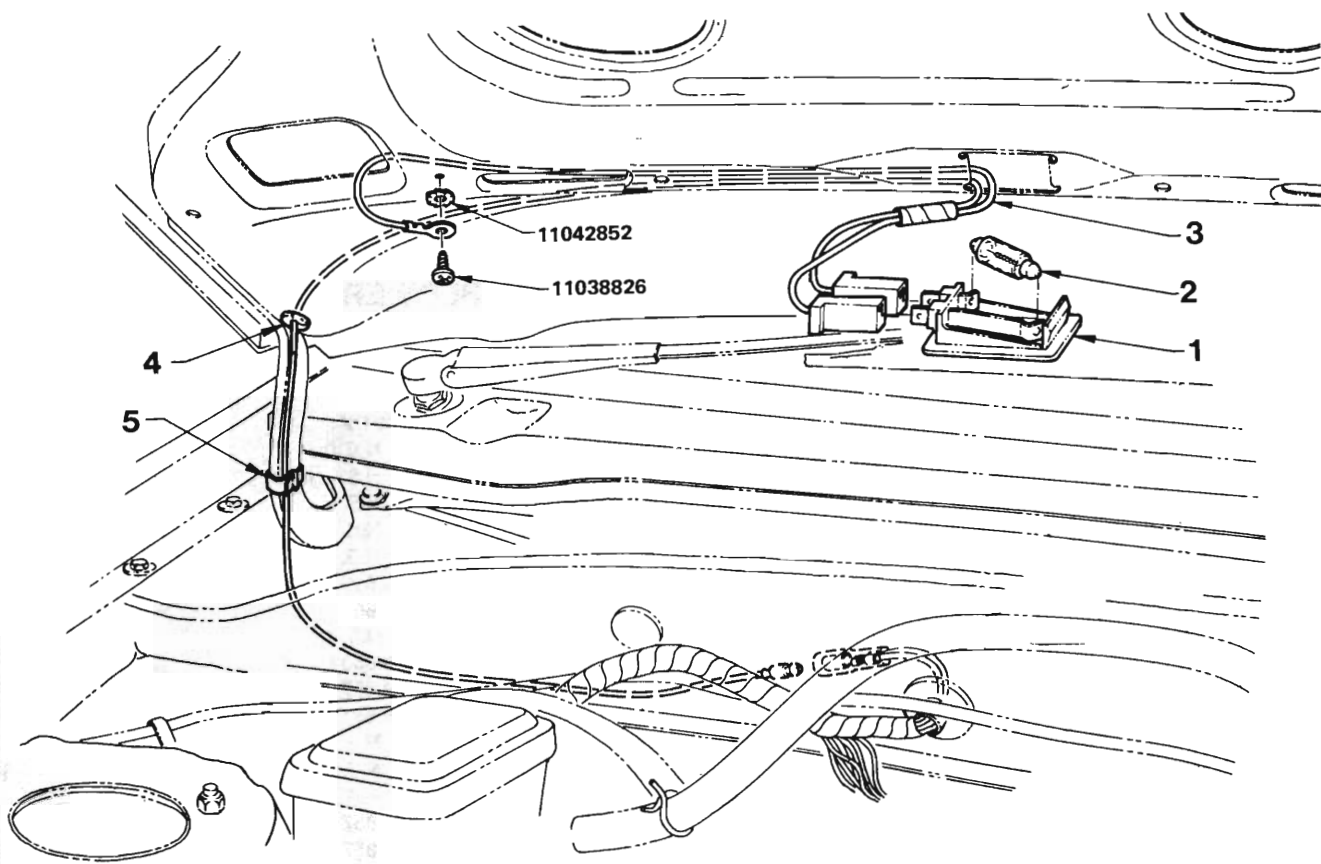




**HOUSING & MOTOR - HEATER BLOWER
VK SERIES**

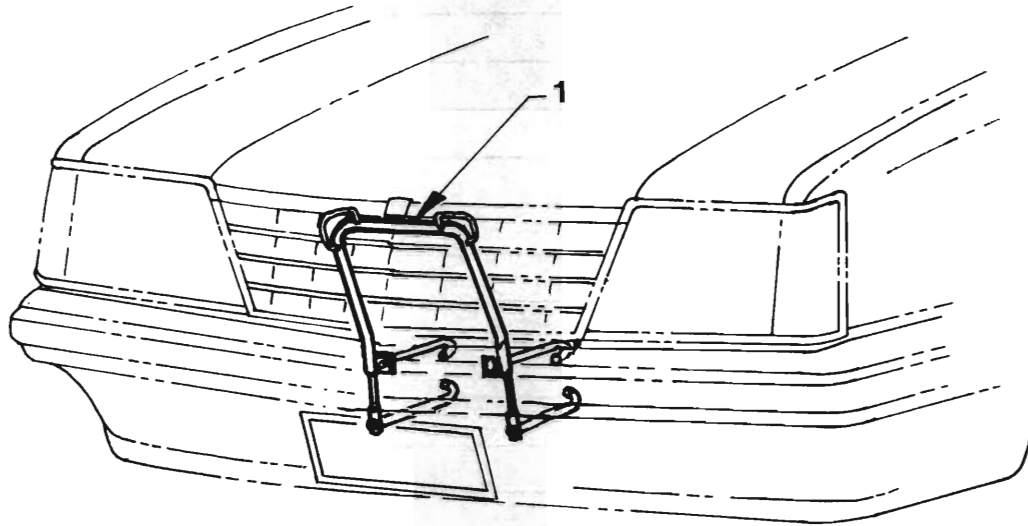
ILLUSTRATION OPPOSITE

REF. NO.	PART NAME	GROUP
1	GASKET - Air inlet	N.S.
2	SCREW - Lever to blower door	N.S.
3	WASHER - Lever to blower door.....	N.S.
4	LEVER - Blower door.....	N.S.
5	CLIP - Actuator to blower case.....	N.S.
6	ACTUATOR - Blower door	8.850
7	HOSE - Actuator - Blower door.....	8.850
8	SCREW - Actuator to blower case	N.S.
9	CLIP - Actuator to lever.....	8.850
10	IMPELLER - Heater blower	8.857
11	MOTOR & IMPELLER ASM. - Blower	8.857
12	COVER - Motor & impeller.....	N.S.
13	SCREW - Cover to motor.....	N.S.
14	HOUSING - Motor & impeller	N.S.
15	CASE - Blower - RH	8.857
16	CASE - Blower - LH.....	8.857
17	RESISTOR ASM. - Blower motor.....	8.857
18	SCREW - Resistor to blower case.....	N.S.
19	CLIP - Blower case	N.S.



ENGINE COMPARTMENT LAMP

REF. NO.	PART NAME	GROUP
1	LAMP ASM. - Engine compartment.....	8.890
2	BULB - 12V/10W, Festoon.....	8.890
3	LEAD ASM.....	8.890
4	GROMMET - Lead.....	8.890
5	STRAP - Lamp lead.....	8.890



WATER BAG CARRIER PACKAGE

REF. NO.	PART NAME	GROUP
1	CARRIER PACKAGE.....	8.891



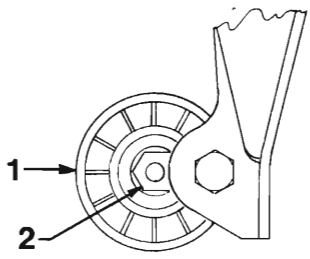
GROUP

9.000

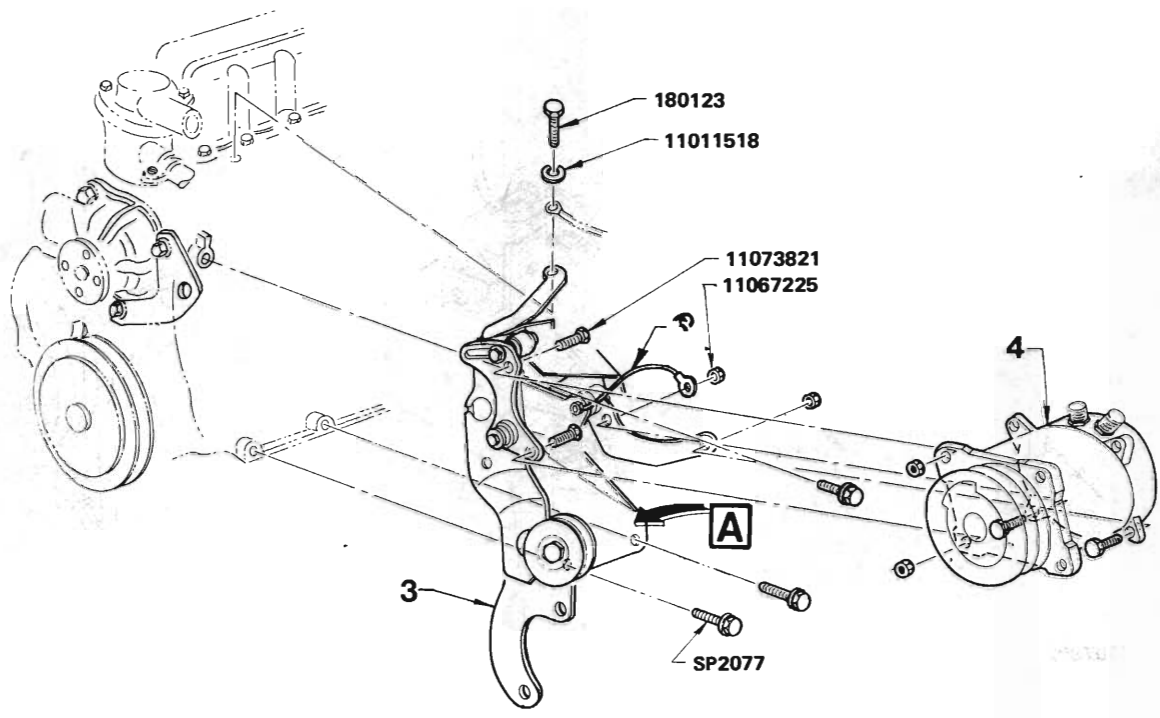
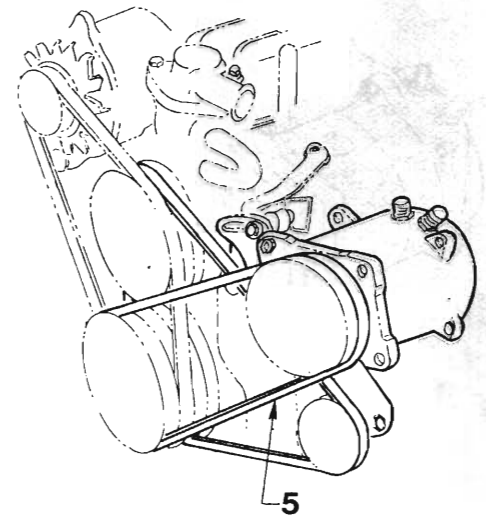
AIR CONDITIONING

RADIO

INSTRUMENT CLUSTERS

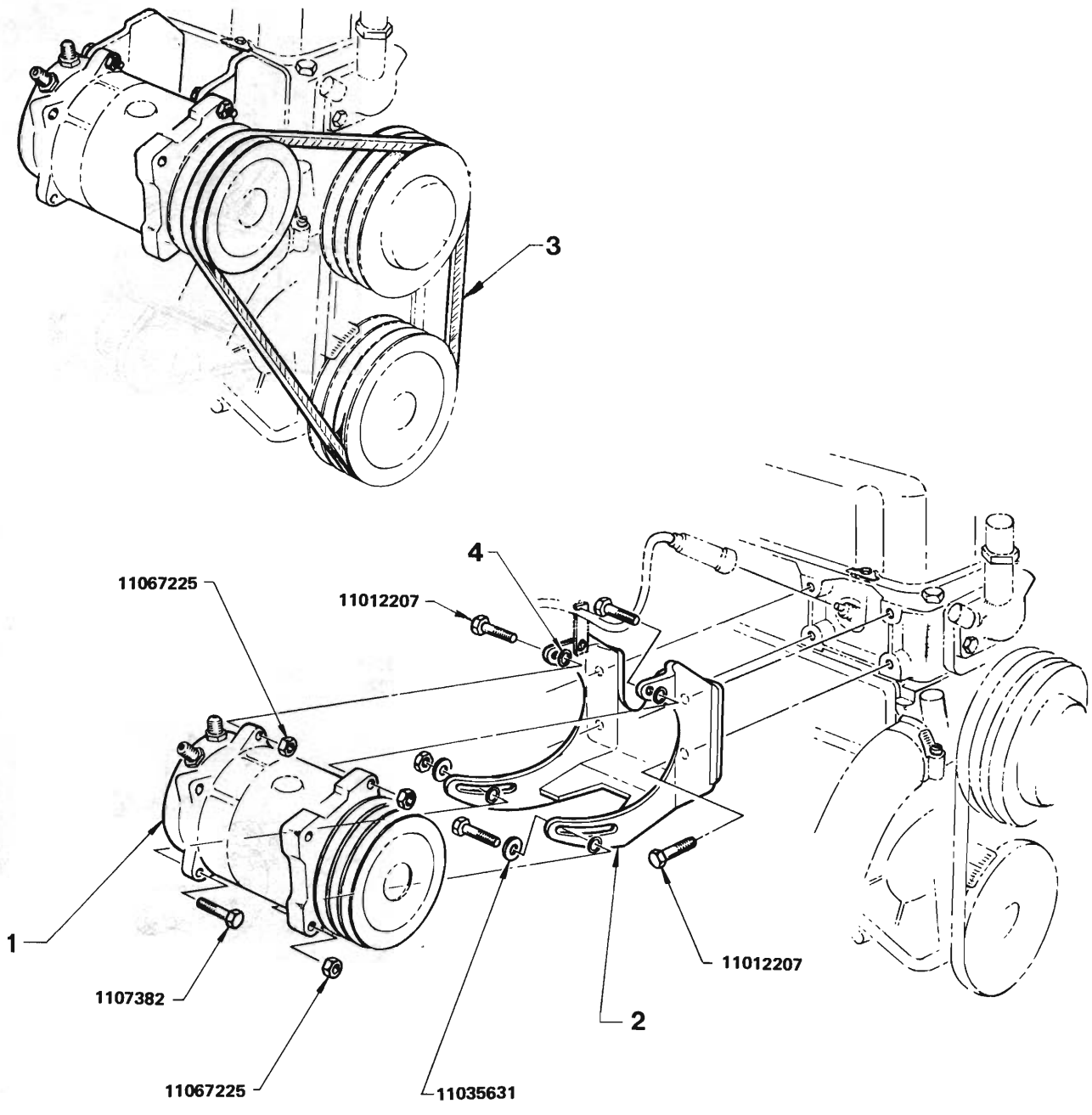


VIEW **A**



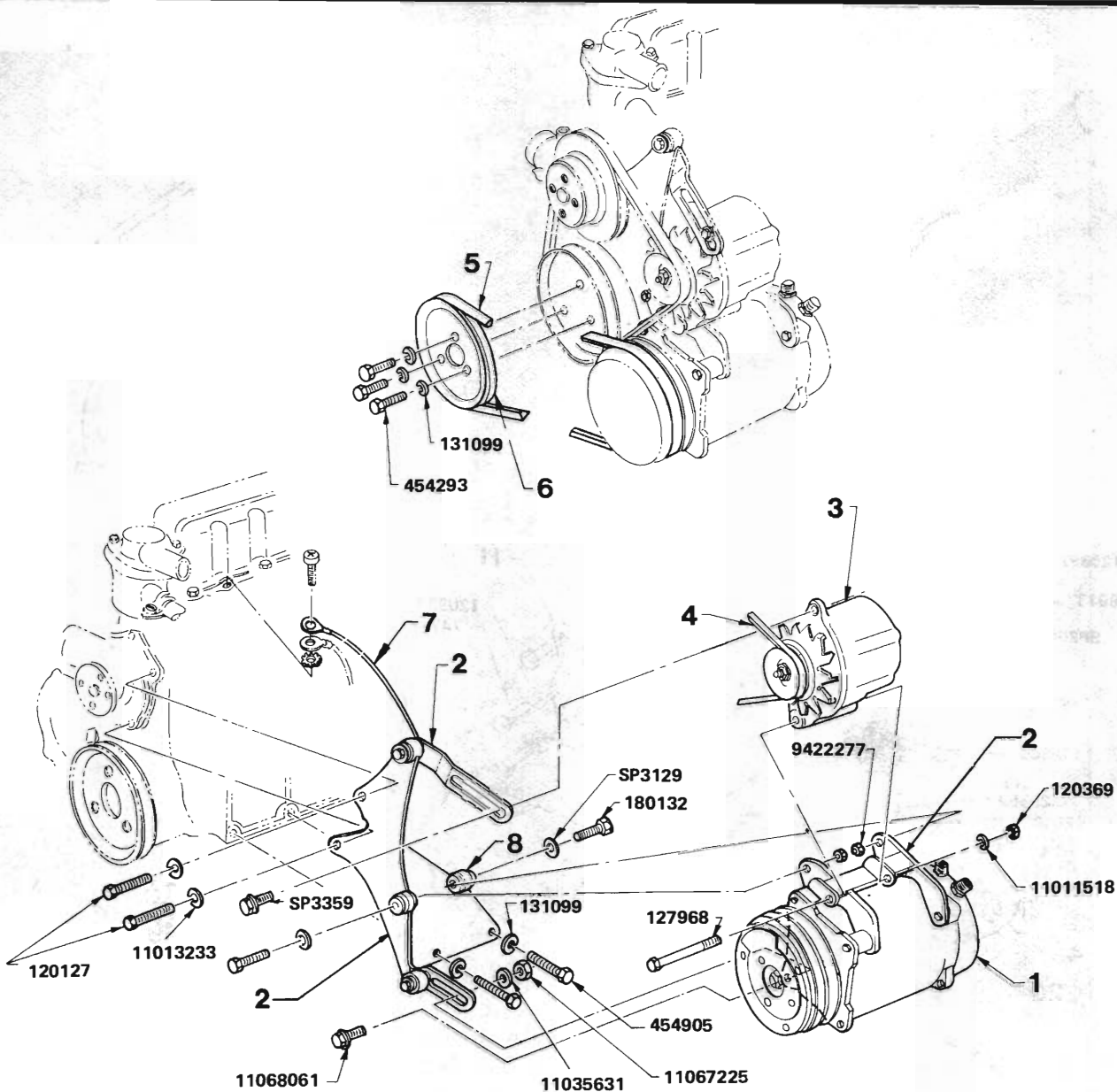
AIR CONDITIONING COMPRESSOR MOUNTING
4 CYLINDER ENGINE
VC SERIES
SANKYO

REF. NO.	PART NAME	GROUP
1	PULLEY & BEARING ASM. - Idler.....	9.180
2	ECCENTRIC.....	9.181
3	SUPPORT ASM. - Compressor mounting complete.....	9.171
4	COMPRESSOR ASM.....	9.170
5	BELT - Compressor drive.....	1.066
6	LEAD ASM. - Compressor earth.....	N.S.S.



AIR CONDITIONER COMPRESSOR MOUNTING
4 CYLINDER ENGINE & 2.85 LITRE ENGINE
VH SERIES
SANKYO

REF. NO.	PART NAME	GROUP
1	COMPRESSOR ASM.	9.170
2	SUPPORT ASM. - Compressor mounting.....	9.171
3	BELT - Compressor.....	1.066
4	SHIM - Compressor to bracket.....	9.171

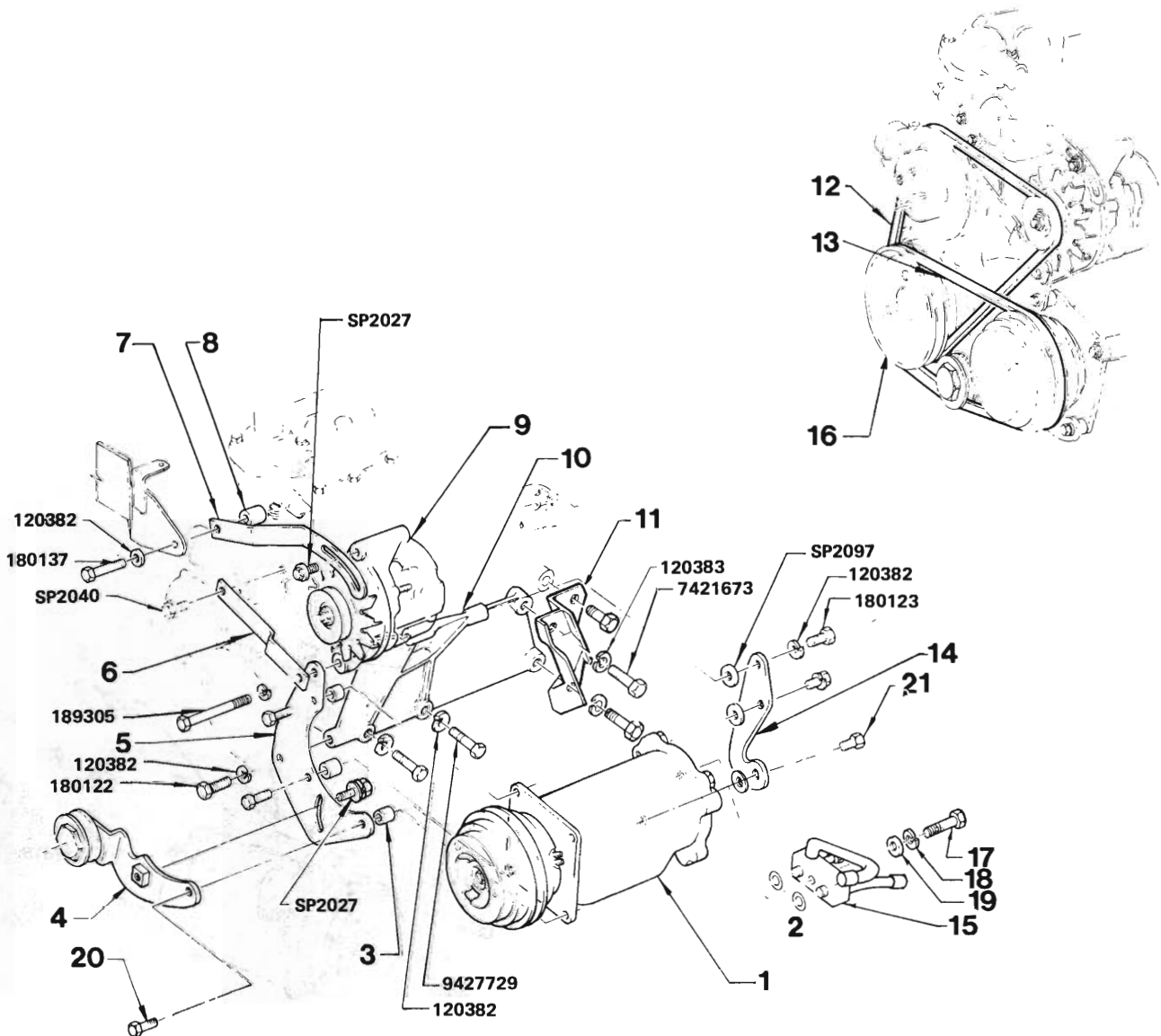


AIR CONDITIONING COMPRESSOR MOUNTING
6 CYLINDER ENGINE EXC. AIR PUMP
VH SERIES
SANKYO

REF. NO.	PART NAME	GROUP
1	COMPRESSOR ASM.	9.170
2	SUPPORT ASM. - Compressor & alternator, Complete	9.171
3	ALTERNATOR ASM.	2.275
4	BELT - Fan & alternator	1.066
5	BELT - Compressor	1.066
6	PULLEY - Crankshaft	0.659K
7	LEAD ASM. - Compressor earth	N.S.S.
8	BUSH - Compressor mounting	9.173



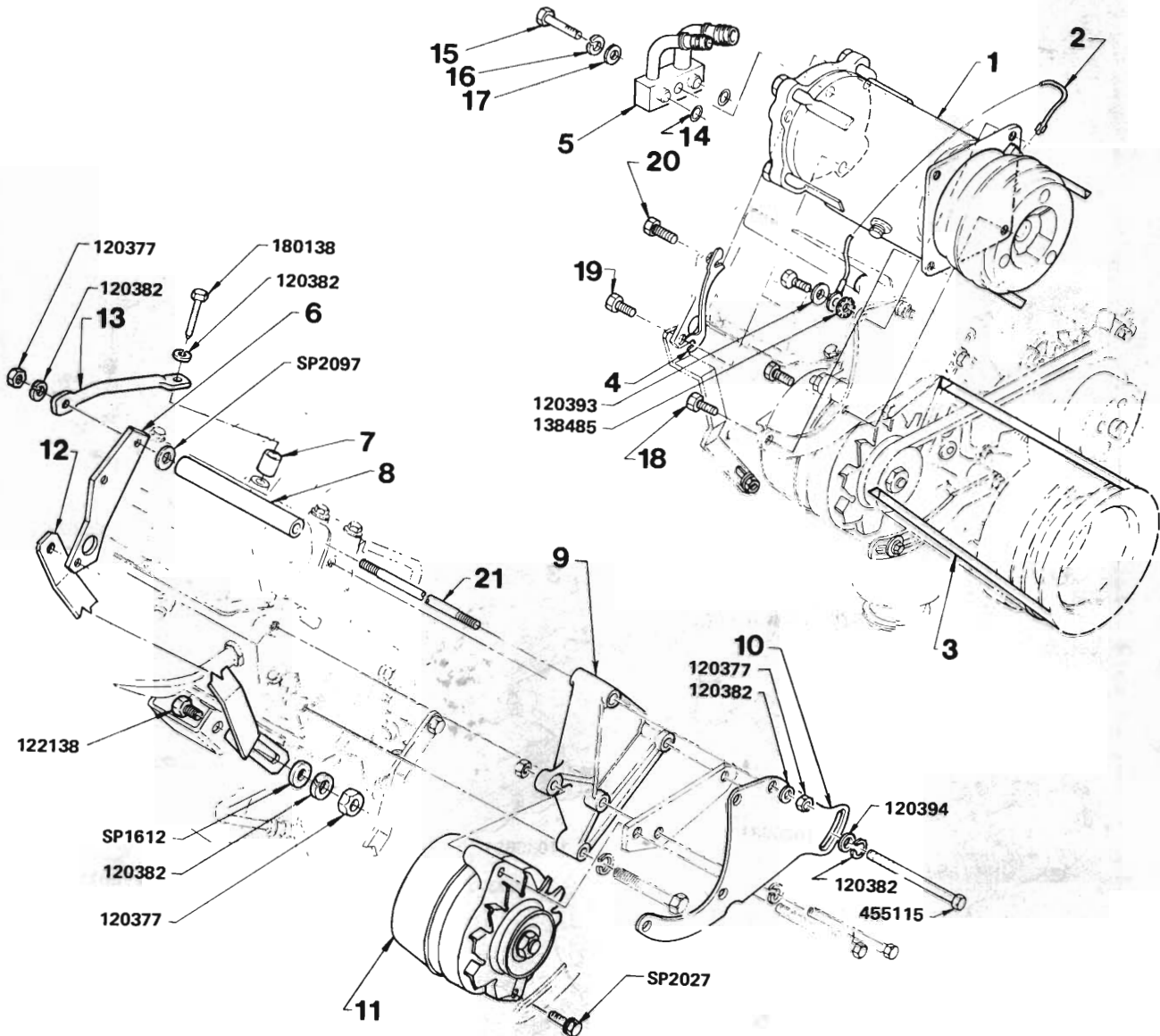
"V" SERIES PARTS CATALOGUE



AIR CONDITIONING COMPRESSOR MOUNTING

**6 CYLINDER ENGINE
VB, VC SERIES
DELCO AIR**

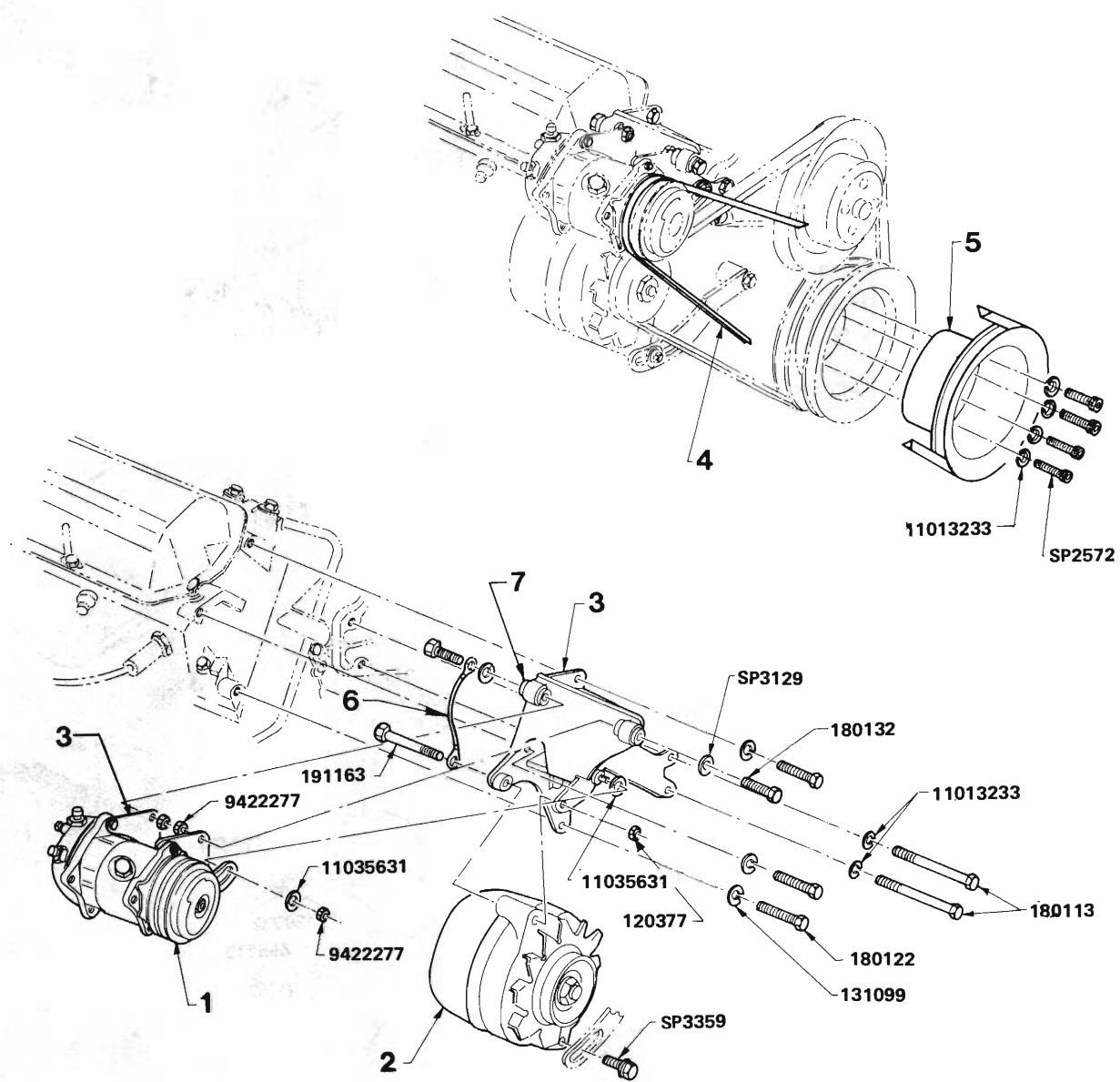
REF. NO.	PART NAME	GROUP	REF. NO.	PART NAME	GROUP
1	COMPRESSOR ASM.	9.170	12	BELT - Fan & alternator.....	1.066
2	'O' RING - Compressor to fitting.....	9.222	13	BELT - Air conditioner compressor.....	1.066
3	SPACER - Front bracket to compressor.....	9.171	14	BRACKET - Rear.....	9.171
4	BRACKET - Idler pulley.....	9.180	15	FITTING ASM.....	9.226
5	BRACKET - Front.....	9.171	16	PULLEY - Crankshaft.....	0.659K
6	BRACE - Front.....	9.171	17	BOLT - Fitting to compressor.....	9.226
7	BRACE - Alternator adjusting.....	2.317	18	WASHER - Fitting to compressor, Lock.....	9.226
8	SPACER - Brace to thermostat housing.....	2.317	19	WASHER - Fitting to compressor, Flat.....	9.226
9	ALTERNATOR ASM.....	2.275	20	BOLT - Pulley bracket to compressor.....	9.181
10	SUPPORT - Compressor & alternator.....	9.171	21	BOLT - Rear mounting bracket to compressor....	9.173
11	MOUNTING ASM. - Front.....	0.027K			



AIR CONDITIONING COMPRESSOR MOUNTING

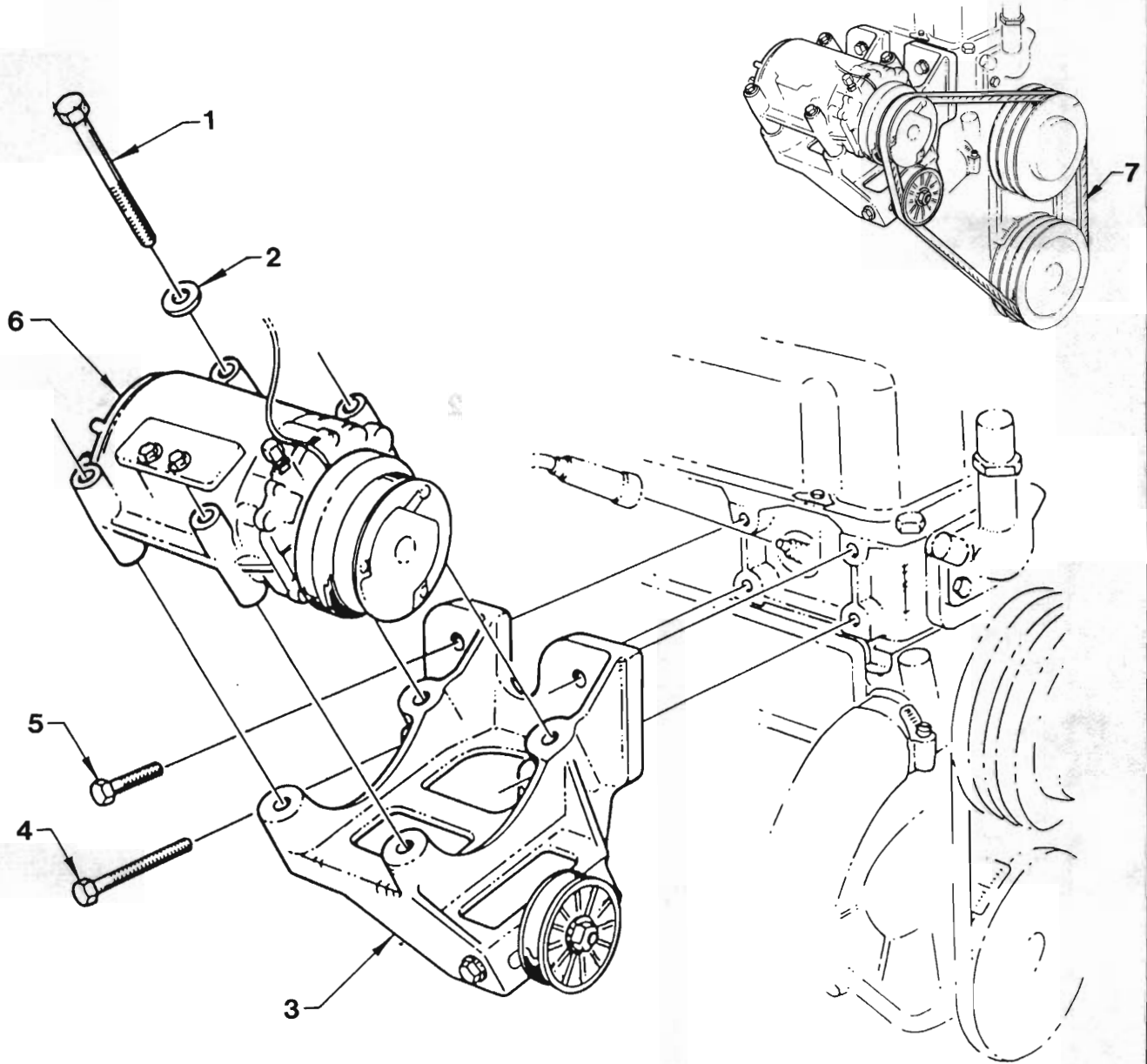
**8 CYLINDER ENGINE
VB, VC SERIES
DELCO AIR**

REF. NO.	PART NAME	GROUP	REF. NO.	PART NAME	GROUP
1	COMPRESSOR ASM.	9.170	12	BRACE - Rear to engine front mounting	9.171
2	LEAD ASM. - Compressor earth	N.S.S.	13	BRACE - Compressor rear to inlet manifold	9.171
3	BELT - Compressor	1.066	14	'O' RING - Compressor to fitting	9.222
4	SHIM - Rear bracket	9.171	15	BOLT - Fitting to compressor	9.226
5	FITTING ASM.	9.226	16	WASHER - Fitting to compressor, Lock	9.226
6	BRACKET - Rear	9.171	17	WASHER - Fitting to compressor, Flat	9.226
7	SPACER - Brace to inlet manifold	9.171	18	BOLT - Compressor front bracket to compressor	9.173
8	SPACER - Support	9.171	19	BOLT - Compressor rear bracket & brace to compressor	9.173
9	SUPPORT - Compressor & alternator front mounting	9.171	20	BOLT - Compressor rear bracket to compressor	9.173
10	BRACKET - Front	9.171	21	STUD - Compressor front & rear bracket to support	9.173
11	ALTERNATOR ASM.	2.275			



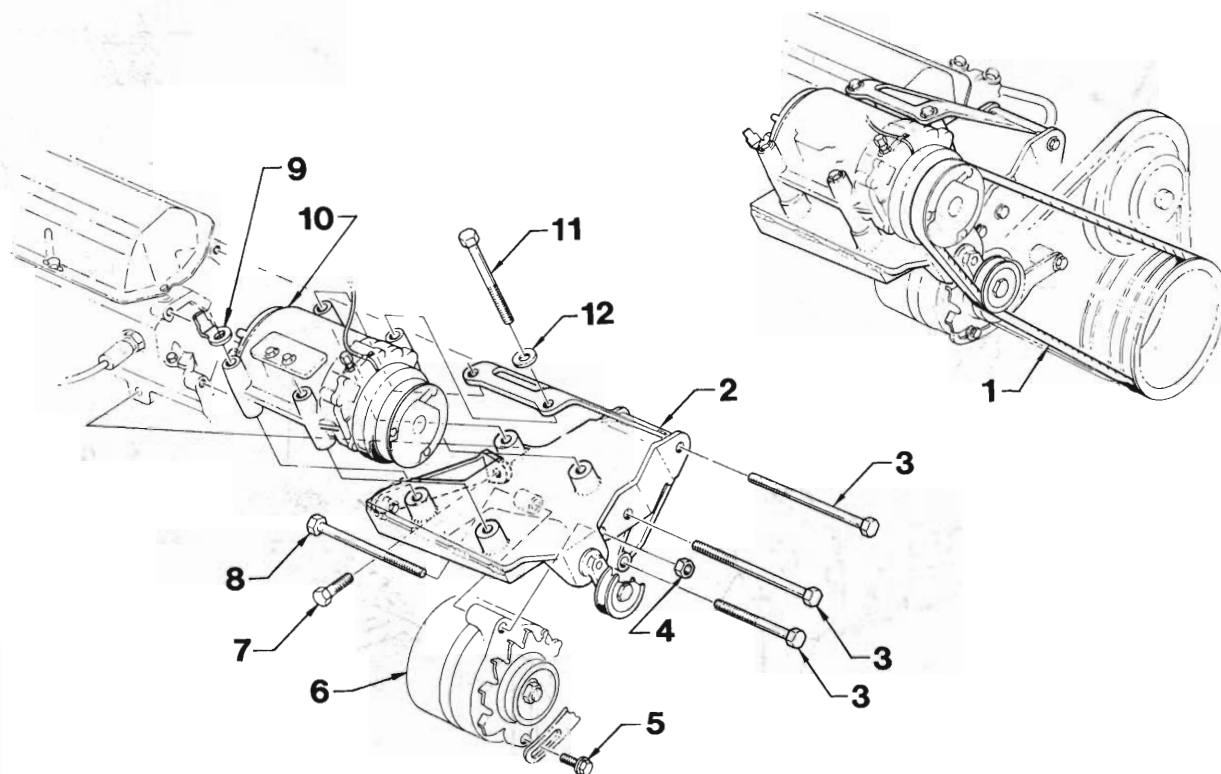
AIR CONDITIONING COMPRESSOR MOUNTING
8 CYLINDER ENGINE
VB, VC, VH SERIES
SANKYO

REF. NO.	PART NAME	GROUP
1	COMPRESSOR ASM.	9.170
2	ALTERNATOR ASM.	2.275
3	SUPPORT ASM. - Compressor & alternator, Complete	9.171
4	BELT - Compressor	1.066
5	PULLEY - Crankshaft	0.659T
6	LEAD ASM. - Compressor earth	9.276
7	BUSH - Compressor mounting	9.173



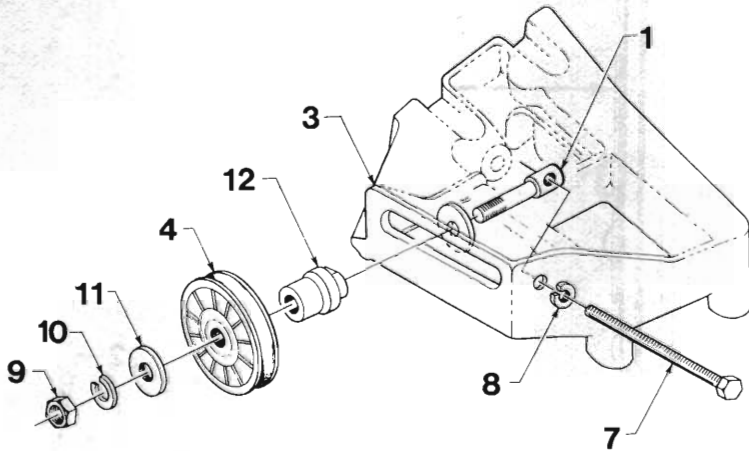
**AIR CONDITIONER COMPRESSOR MOUNTING
6 CYLINDER ENGINE
VK SERIES**

REF. NO.	PART NAME	GROUP
1	BOLT - Compressor to bracket.....	9.173
2	WASHER - Compressor to bracket.....	9.173
3	BRACKET ASM. - Compressor mounting.....	9.171
4	BOLT - Bracket to cylinder head.....	9.173
5	BOLT - Bracket to cylinder head.....	9.173
6	COMPRESSOR ASM.	9.170
7	BELT - Compressor drive.....	1.066

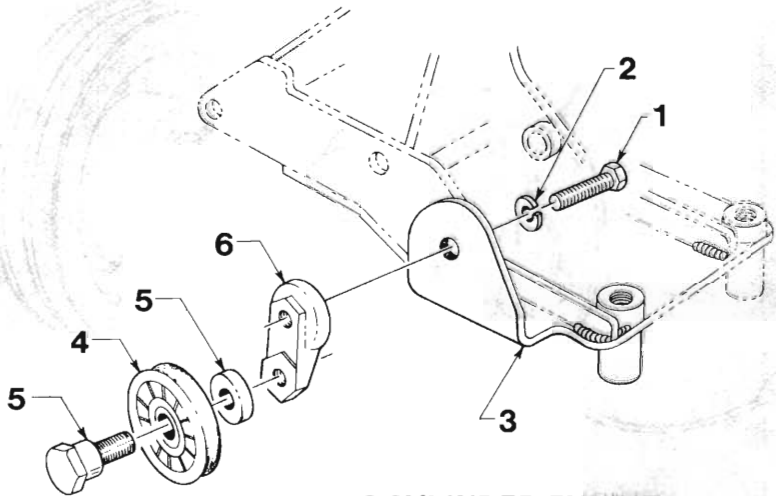


**AIR CONDITIONER COMPRESSOR MOUNTING
8 CYLINDER ENGINE
VK SERIES**

REF. NO.	PART NAME	GROUP
1	BELT - Compressor drive.....	1.066
2	BRACKET ASM. - Compressor & alternator mounting.....	9.171
3	BOLT - Bracket to cylinder head	9.173
4	NUT - Alternator mounting bolt	2.277
5	BOLT & WASHER - Alternator adjusting	2.317
6	ALTERNATOR ASM.	2.275
7	BOLT - Compressor bracket rear brace to engine	2.277
8	BOLT - Alternator mounting	9.170
9	TERMINAL - Low pressure cut off switch harness - Compressor earth	9.276
10	COMPRESSOR ASM.	9.170
11	BOLT - Compressor to bracket	9.173
12	WASHER - Compressor to bracket	9.173



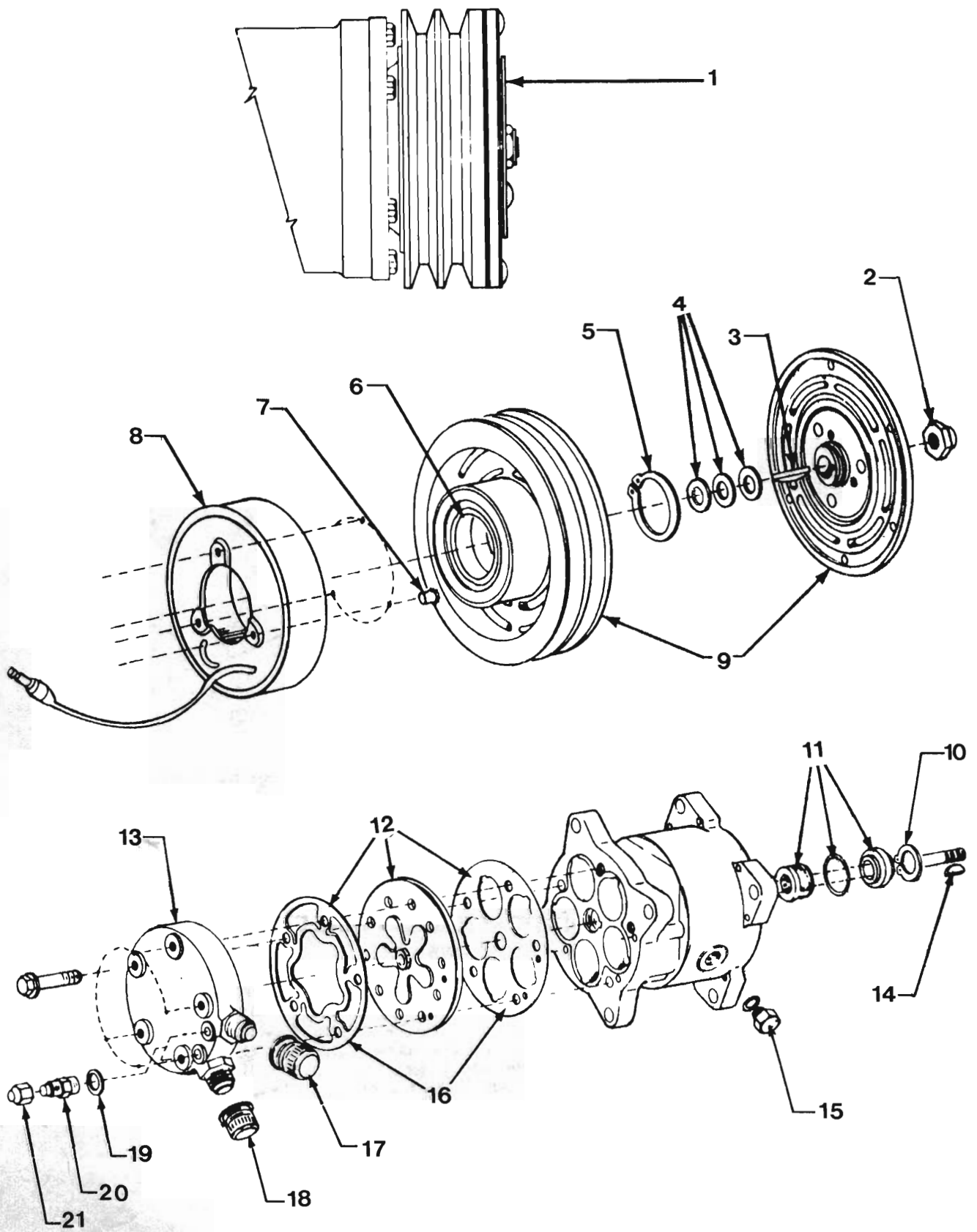
6 CYLINDER ENGINE



8 CYLINDER ENGINE

**AIR CONDITIONER IDLER PULLEY
VK SERIES**

REF. NO.	PART NAME	GROUP
1	BOLT - Idler pulley mounting.....	9.181
2	WASHER - Idler pulley mounting bolt	N.S.
3	BRACKET ASM. - Compressor mounting	9.171
4	PULLEY & BEARING ASM. - Idler.....	9.181
5	BOLT & SPACER ASM. - Pulley to eccentric.....	9.181
6	ECCENTRIC.....	9.181
7	BOLT - Idler pulley tension	9.181
8	WASHER - Idler pulley tension bolt.....	9.181
9	NUT - Idler pulley	9.181
10	WASHER - Idler pulley.....	N.S.
11	WASHER - Idler pulley.....	N.S.
12	SPACER - Idler pulley.....	9.181

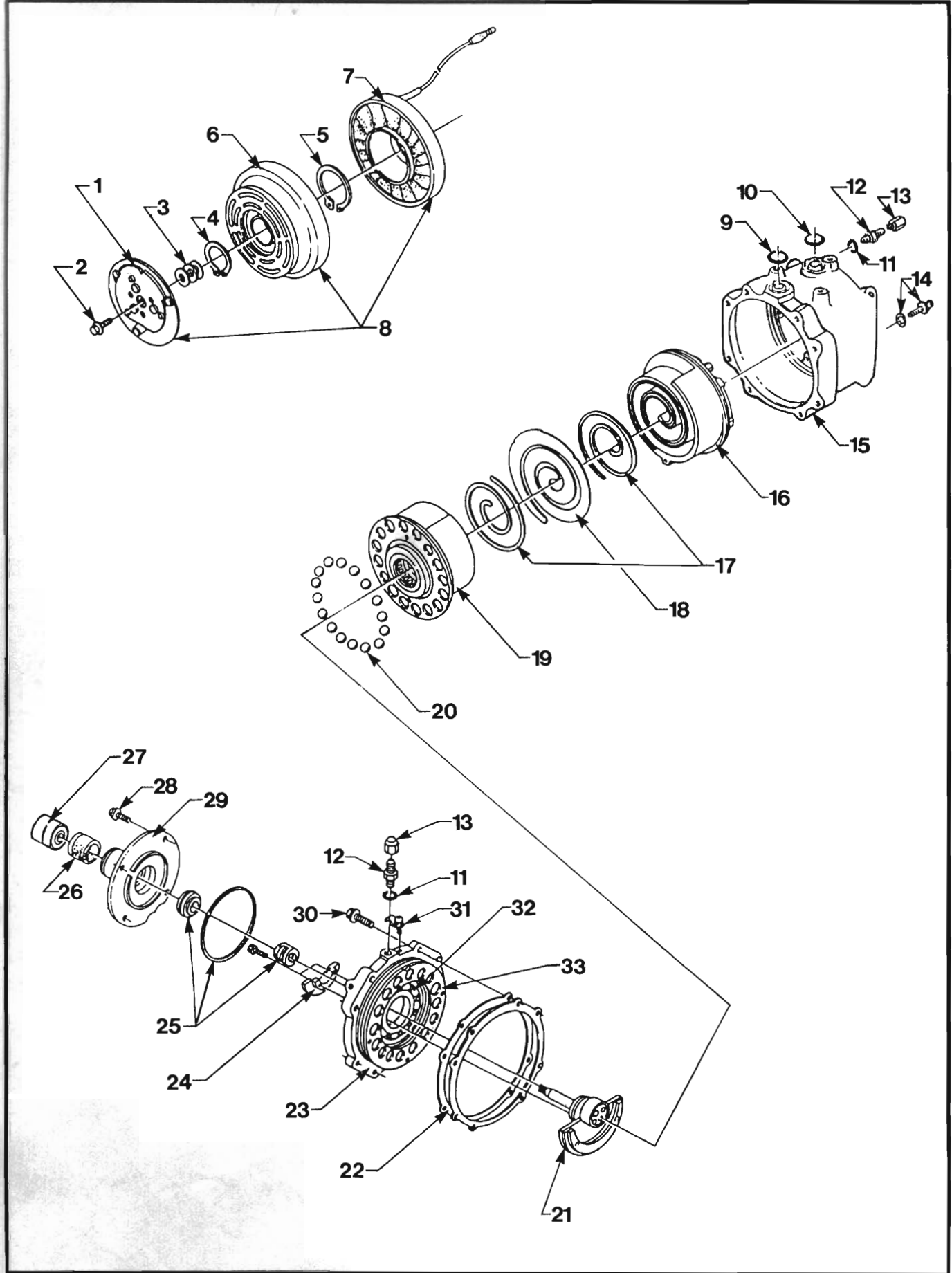




**AIR CONDITIONING COMPRESSOR
SANKYO**

ILLUSTRATION OPPOSITE

REF. NO.	PART NAME	GROUP
1	CLUTCH ASM. - Complete.....	9.188
2		
3	SMALL PARTS KIT - Clutch.....	9.188
4		
5		
6	BEARING ASM. - Clutch.....	9.181
7	PIN - <i>Part of small parts kit</i>	N.S.S.
8	COIL ASM. - Compressor clutch field.....	9.186
9	PULLEY, CLUTCH & BEARING ASM. - Drive.....	9.180
10	CIRCLIP - Shaft.....	N.S.S.
11	SEAL KIT.....	9.175
12	PLATE & GASKET KIT ASM. - Valve.....	9.172
13	HEAD ASM. - Cylinder.....	9.174
14	KEY - Shaft.....	N.S.S.
15	BOLT.....	N.S.S.
16	GASKET KIT - Cylinder head & valve plate.....	9.174
17	CAP.....	N.S.S.
18	CAP.....	N.S.S.
19	GASKET - Service port.....	N.S.S.
20	PORT ASM. - Service.....	N.S.S.
21	CAP - Service port.....	N.S.S.





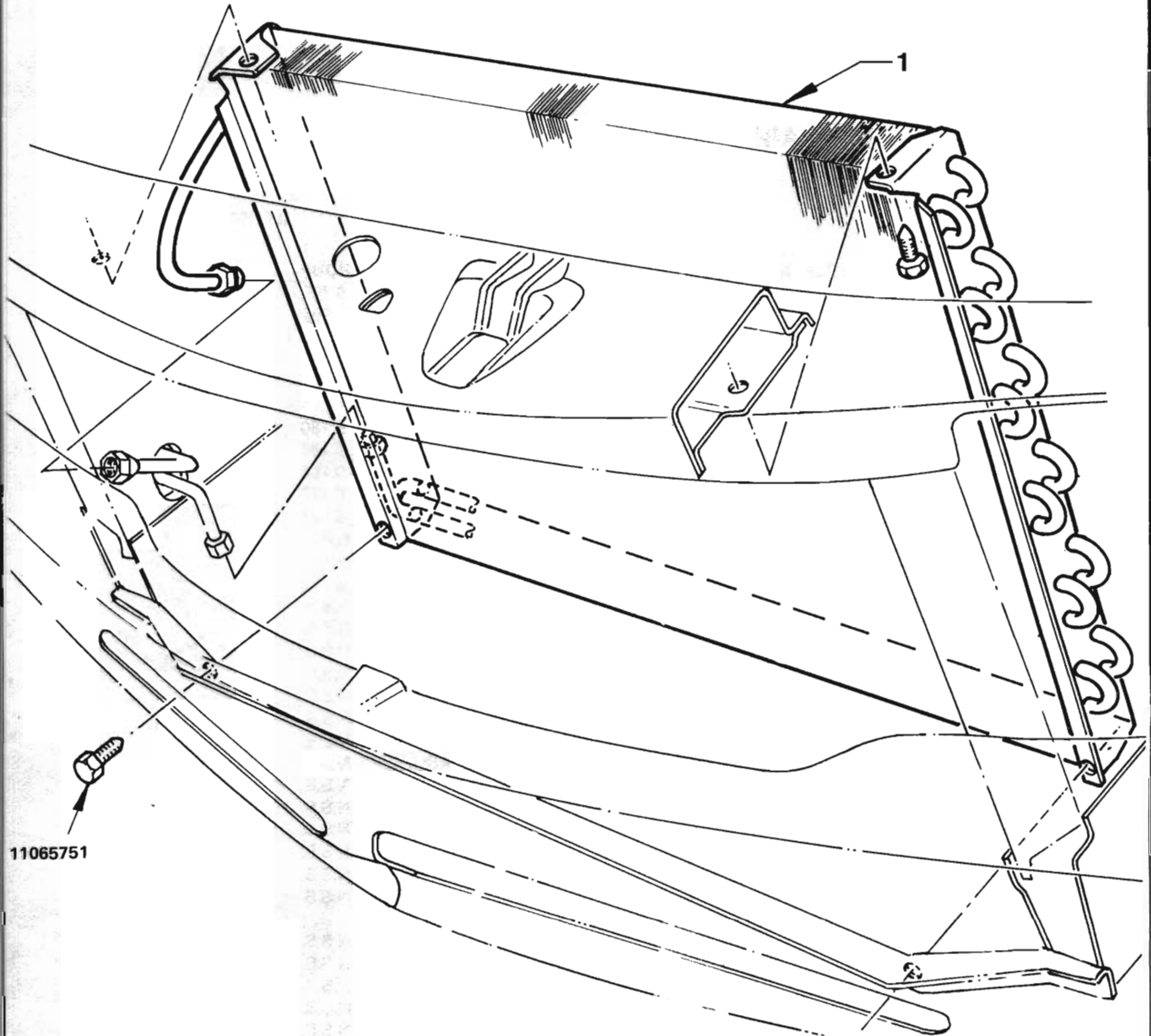
AIR CONDITIONING COMPRESSOR

**SANDEN TR-70
VK SERIES**

ILLUSTRATION OPPOSITE

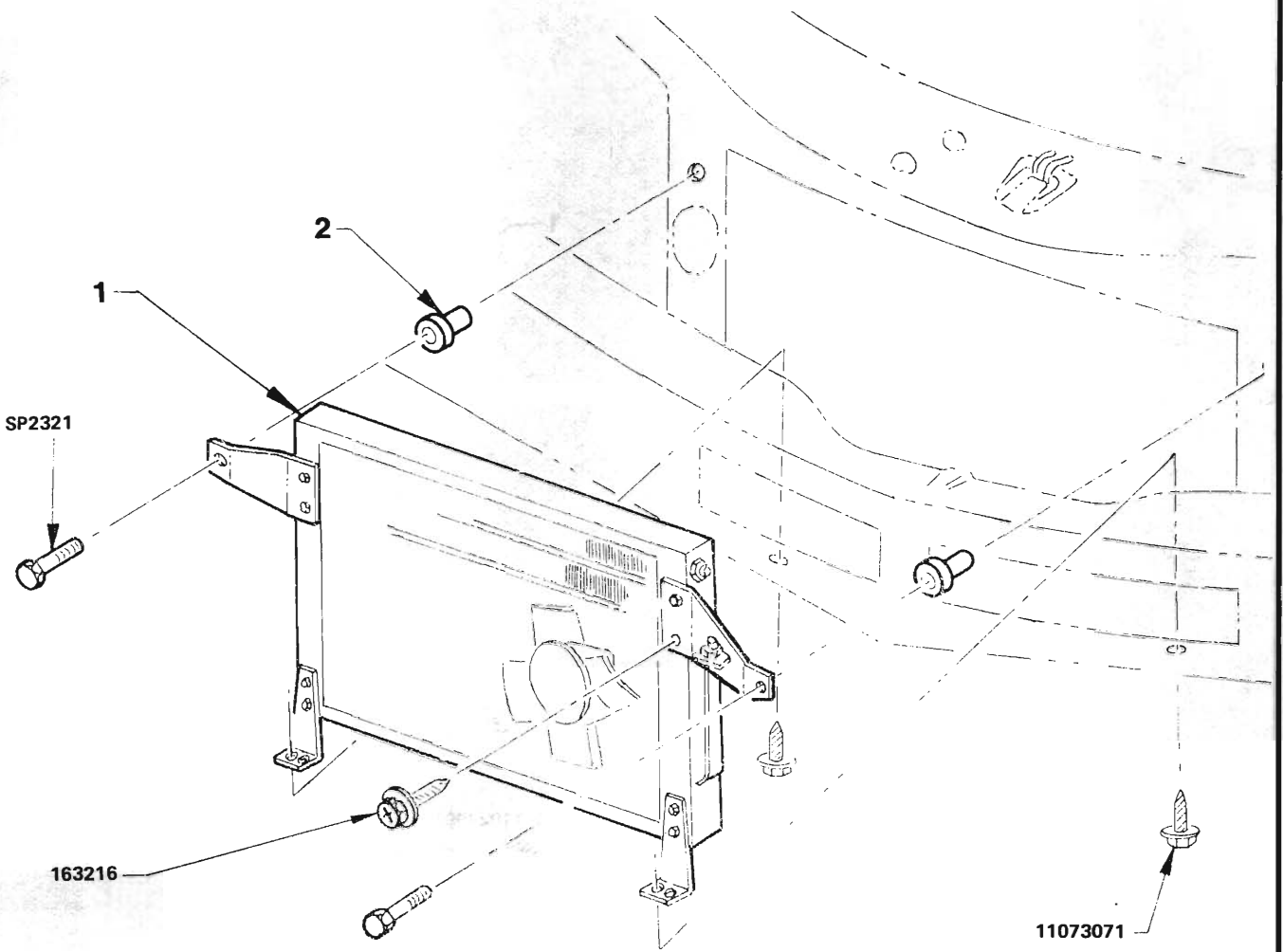
REF. NO.	PART NAME	GROUP
1-33	COMPRESSOR	9.170
1	ARMATURE ASM.	N.S.S.
2	SMALL PARTS KIT	9.188
3		
4		
5		
6	PULLEY & BEARING ASM.	9.180
7	COIL ASM.	9.186
8	CLUTCH ASM.	9.188
9(A)	'O' RING - Compressor suction	9.177
10(A)	'O' RING - Compressor discharge	9.177
11(A)	'O' RING - Charging port.....	N.S.S.
12	VALVE & 'O' RING - Charging port.....	9.177
13	CAP - Charging port.....	9.177
14	BOLT & WASHER - Spiral attaching.....	N.S.S.
15	CASING	N.S.S.
16	SPIRAL ASM. - Fixed.....	N.S.S.
17	TIP SEAL.....	N.S.S.
18	PLATE - Anti wear.....	N.S.S.
19	SPIRAL ASM. - Orbiting.....	N.S.S.
20	BALL - Steel.....	N.S.S.
21	CRANKSHAFT & COUNTER WEIGHT ASM.....	N.S.S.
22	SHIMS.....	N.S.S.
23	PLATE ASM. - Front end	N.S.S.
24	WEIGHT - Shaft balance.....	N.S.S.
25(A)	SEAL ASM. - Shaft.....	N.S.S.
26	SPACER - Shaft.....	N.S.S.
27	BEARING - Shaft front.....	N.S.S.
28	BOLT & WASHER - Front base to front end plate	N.S.S.
29	BOSS - Front.....	N.S.S.
30	BOLT & WASHER - Front end plate to casing ...	N.S.S.
31	SCREW & CLAMP - Cable.....	N.S.S.
32	BEARING - Shaft rear.....	N.S.S.
33	RING - Ball coupling	N.S.S.

NOTE:- (A Parts Included in 'O' Ring Kit. Refer Group 9.175)



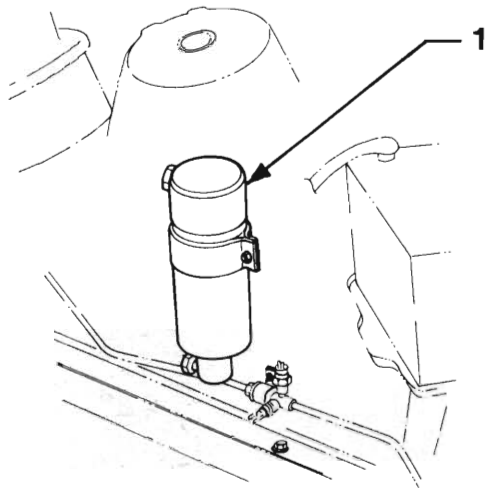
**CONDENSER
HARRISON AIR CONDITIONER
VB, VC SERIES**

REF. NO.	PART NAME	GROUP
1	CONDENSER ASM.....	9.190

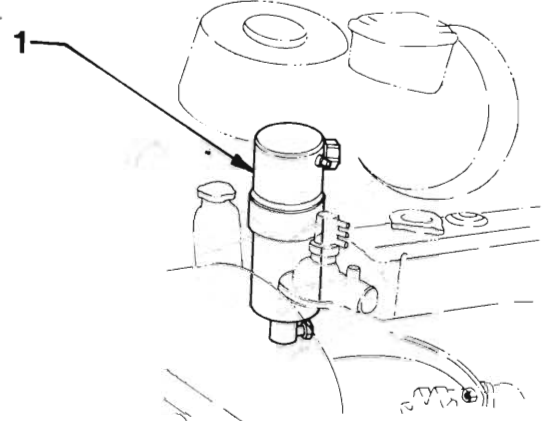


CONDENSER
AIR INTERNATIONAL AIR CONDITIONER

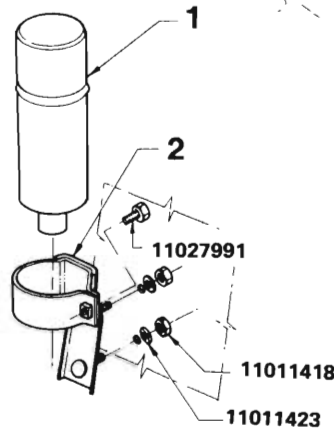
REF. NO.	PART NAME	GROUP
1	CONDENSER ASM.....	9.190
2	NUT - Condenser to radiator side support.....	9.190



8 CYLINDER ENGINE

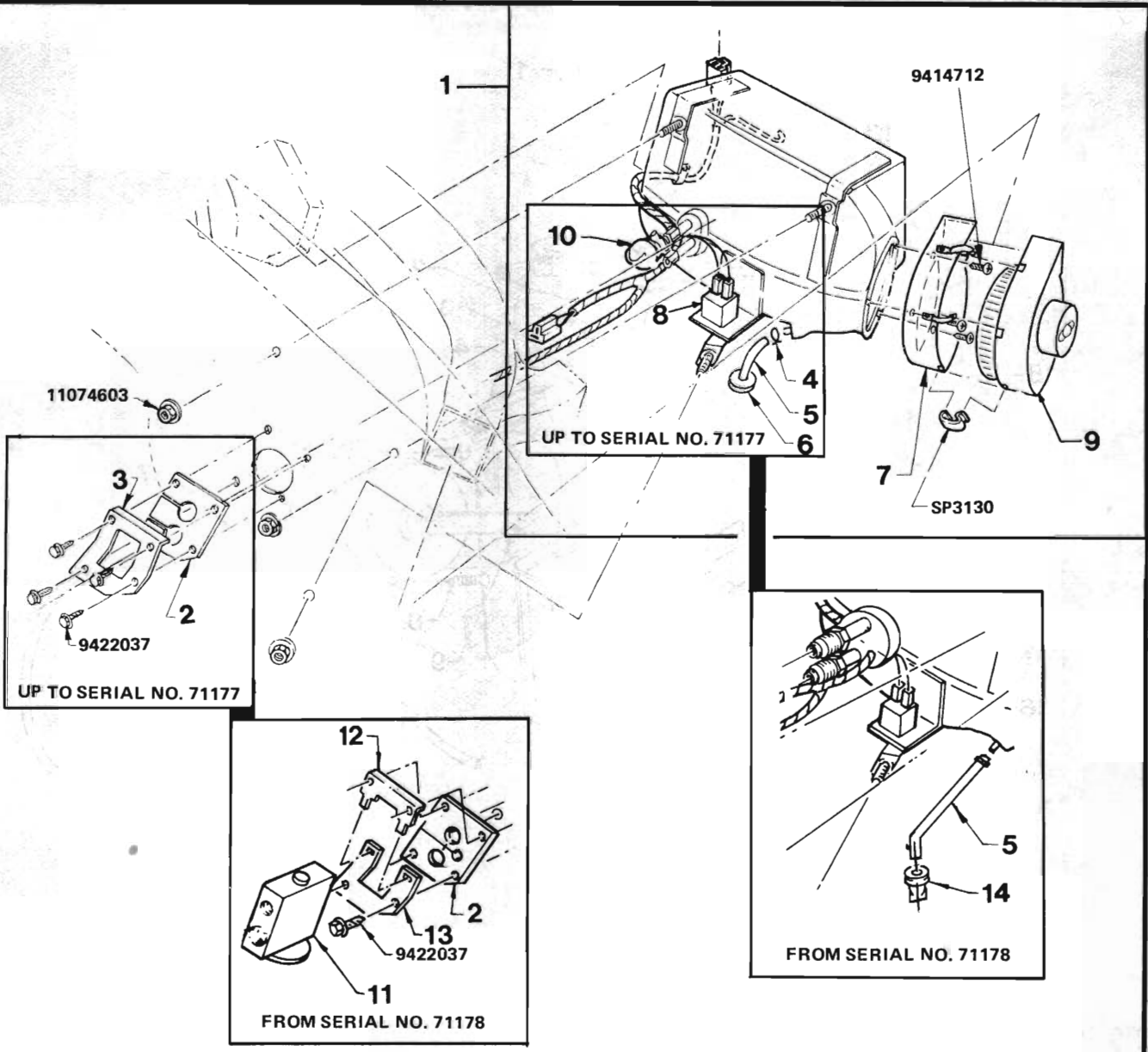


6 CYLINDER ENGINE



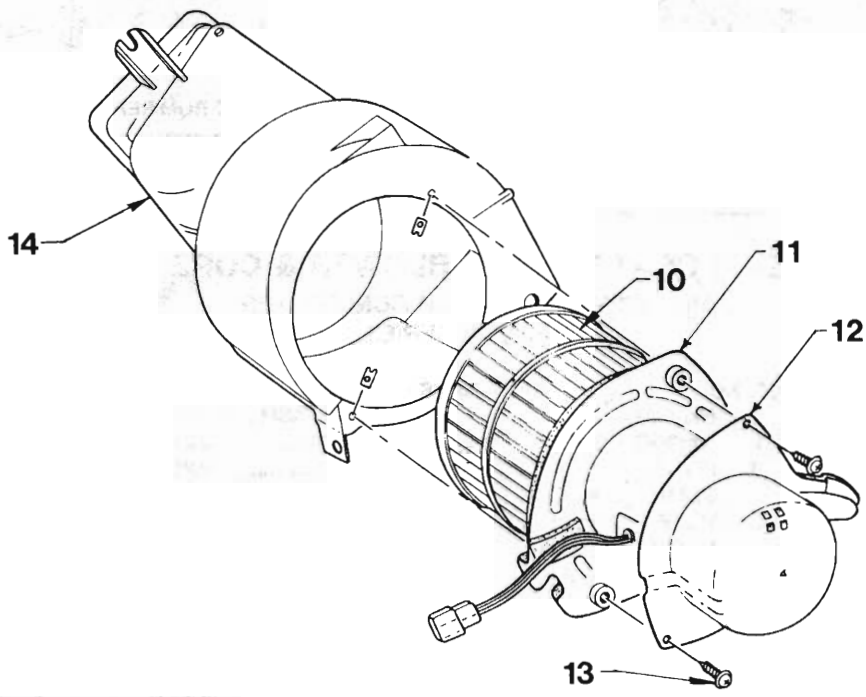
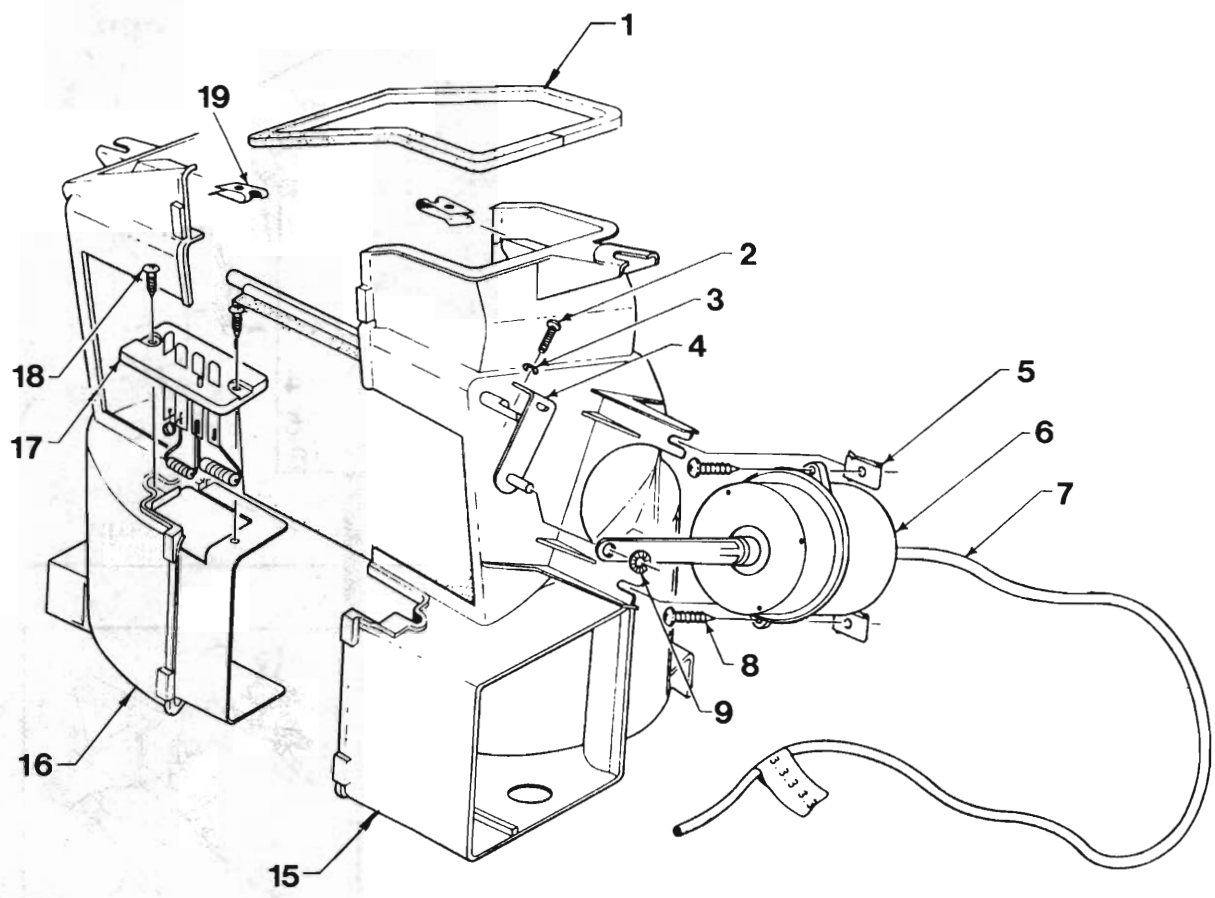
**RECEIVER & DEHYDRATOR
HARRISON AIR CONDITIONER
VB, VC SERIES**

REF. NO.	PART NAME	GROUP
1	RECEIVER & DEHYDRATOR ASM.....	9.195
2	BRACKET - Receiver & dehydrator mounting.....	9.196



EVAPORATOR CASE BLOWER & CORE
AIR INTERNATIONAL AIR CONDITIONER
VB, VC, VH SERIES

REF. NO.	PART NAME	GROUP
1	EVAPORATOR CASE BLOWER & CORE ASM..	9.210
2	GASKET - Case to dash panel.....	9.211
3	PLATE - Case to dash lower.....	9.211
4	CLAMP - Drain hose.....	9.211
5	HOSE - Water drain.....	9.211
6	GROMMET - Drain hose.....	9.211
7	HOUSING ASM. - Inner & Outer.....	8.857
7	9.215
8	THERMOSTATIC SWITCH & TUBE ASM.	9.275
9	MOTOR, HOUSING & IMPELLER ASM.....	8.857
9	9.215
10	VALVE - Expansion.....	9.213
11	VALVE & BLOCK ASM. - Expansion.....	9.213
12	PLATE - Evaporator case to dash panel, Upper.	9.211
13	PLATE - Evaporator case to dash panel, Lower.	9.211
14	GROMMET & VALVE - Drain hose.....	9.211

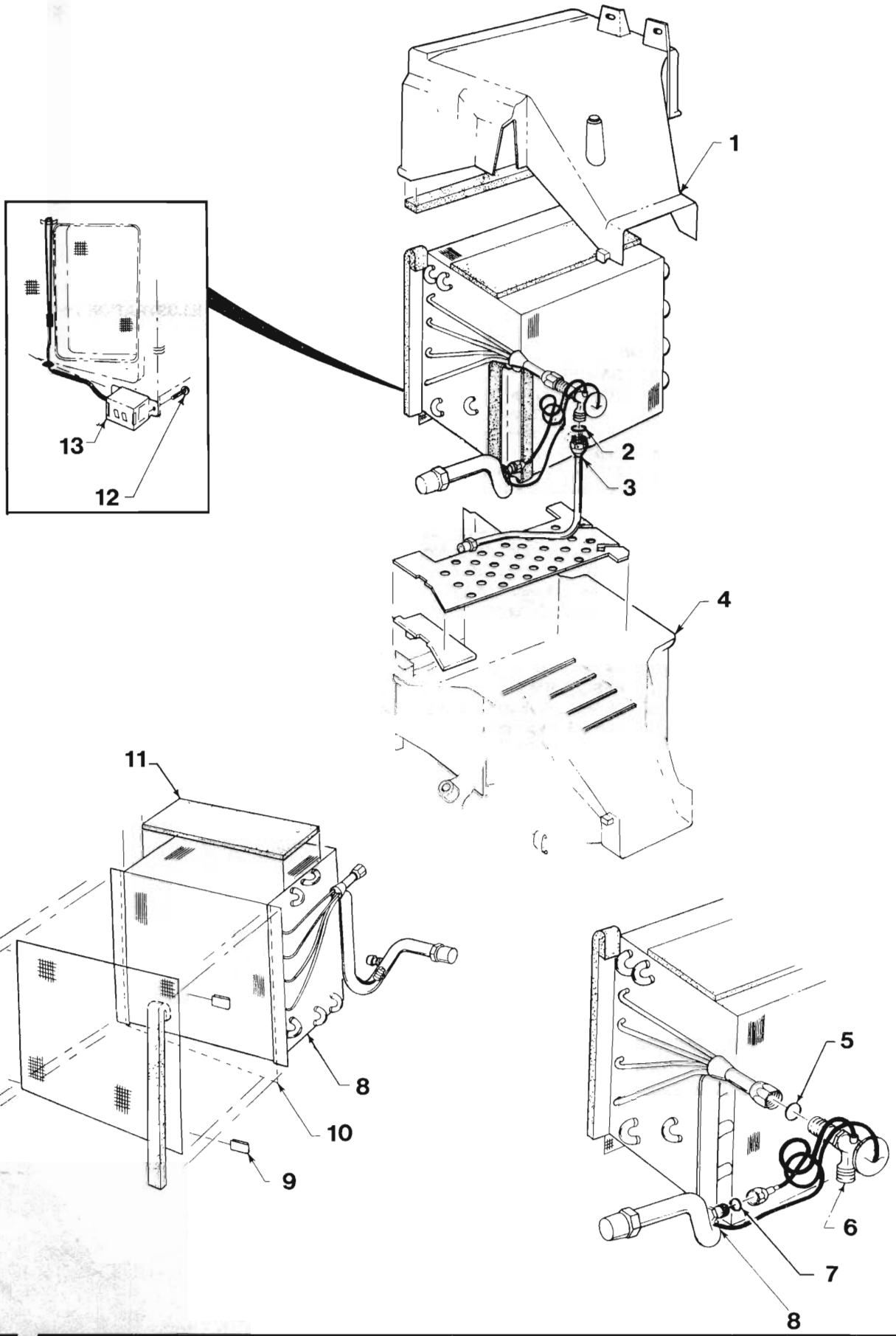




**HOUSING & MOTOR - AIR CONDITIONER BLOWER
VK SERIES**

ILLUSTRATION OPPOSITE

REF. NO.	PART NAME	GROUP
1	GASKET - Air inlet	N.S.
2	SCREW - Lever to blower door	N.S.
3	WASHER - Lever to blower door	N.S.
4	LEVER - Blower door	N.S.
5	CLIP - Actuator to blower case	N.S.
6	ACTUATOR - Blower door	9.280
7	HOSE - Actuator - Blower door	9.281
8	SCREW - Actuator to blower case	N.S.
9	CLIP - Actuator to lever	9.779
10	IMPELLER - Evaporator blower	9.215
11	MOTOR & IMPELLER ASM. - Blower	9.215
12	COVER - Motor & impeller	N.S.
13	SCREW - Cover to motor	N.S.
14	HOUSING - Motor & impeller	N.S.
15	CASE - Blower - RH	8.857
16	CASE - Blower - LH	8.857
17	RESISTOR ASM. - Blower motor	9.215
18	SCREW - Resistor to blower case	N.S.
19	CLIP - Blower case	N.S.

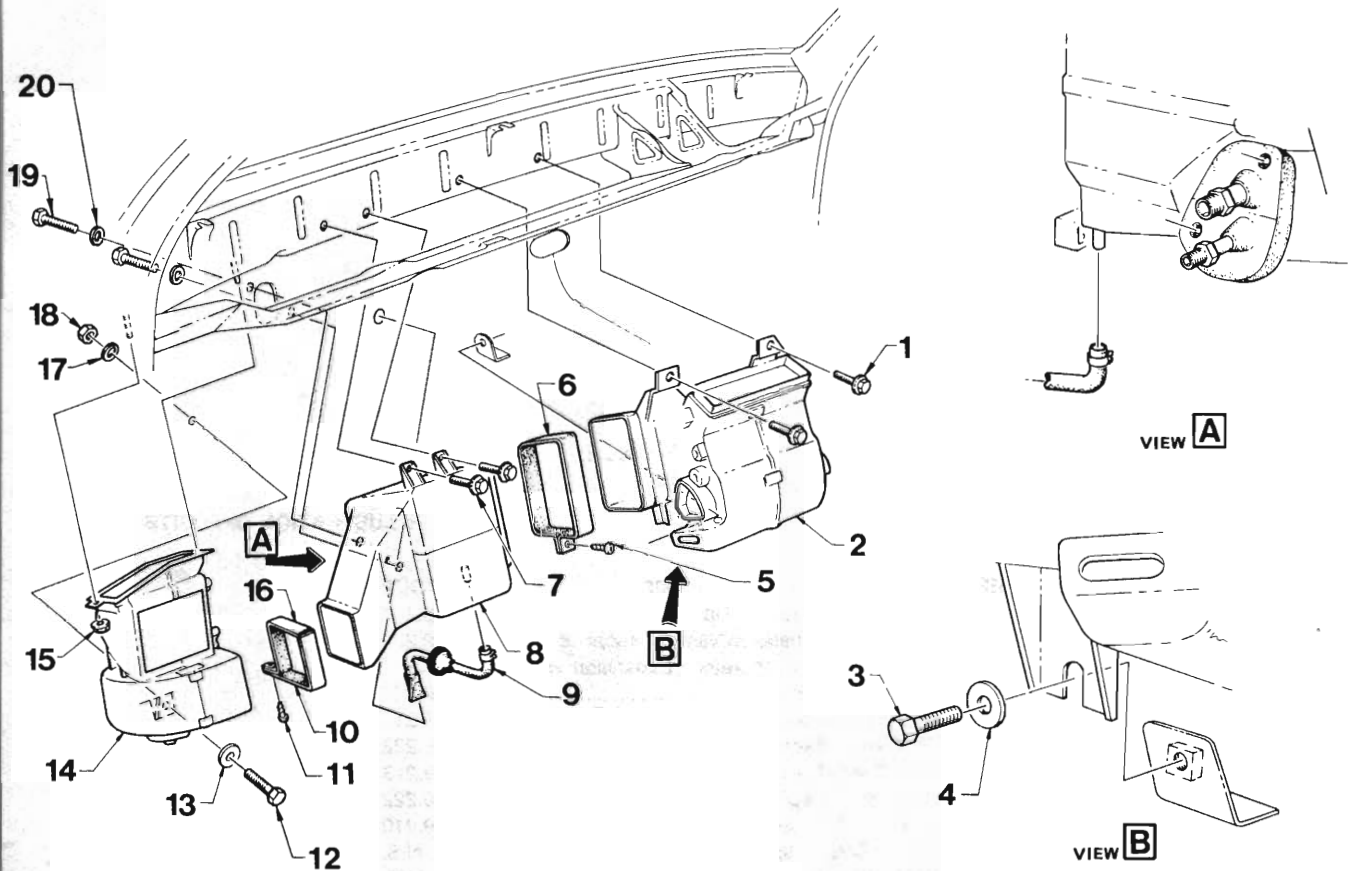




**EVAPORATOR
AIR CONDITIONER
VK SERIES**

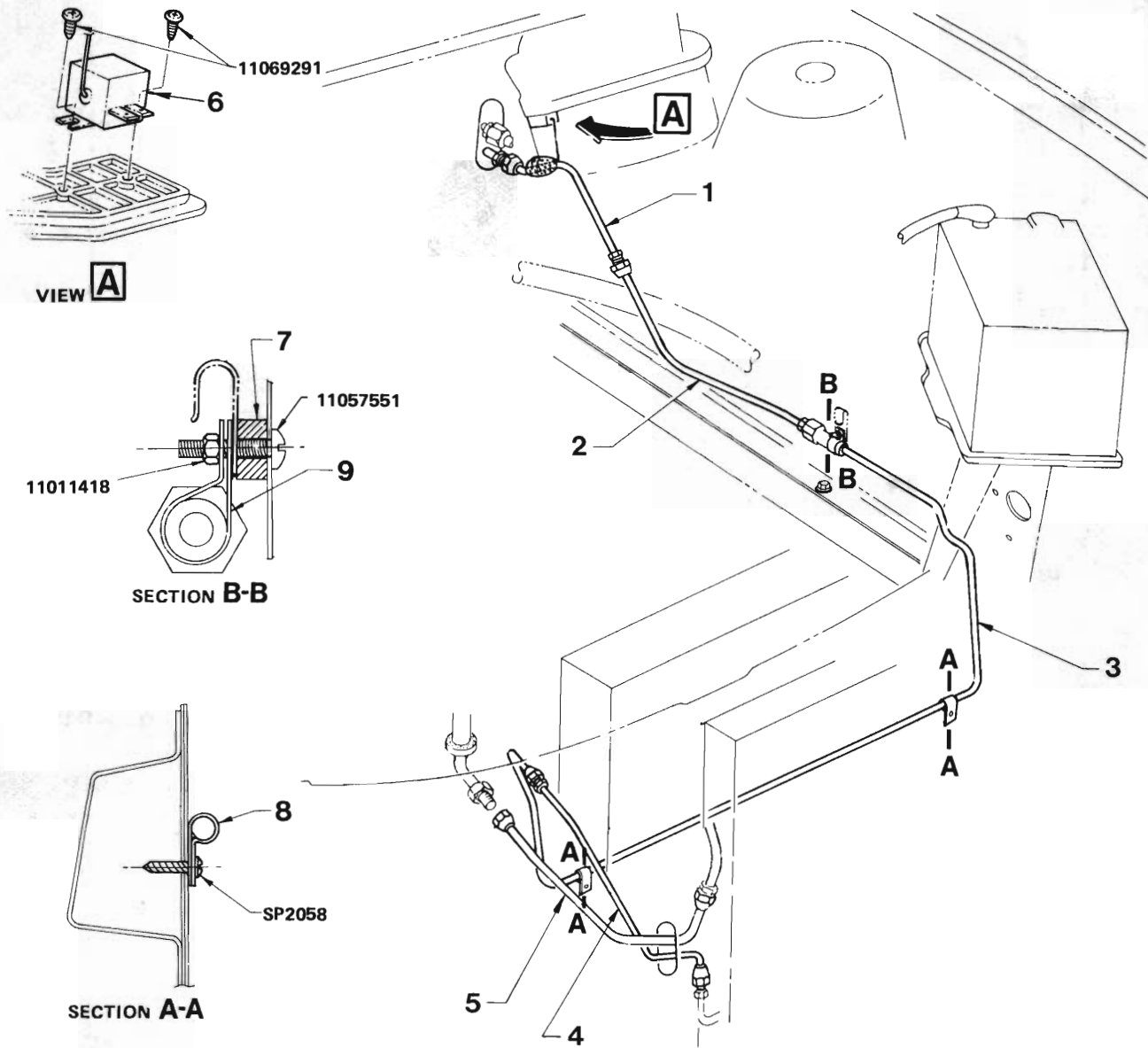
ILLUSTRATION OPPOSITE

REF. NO.	PART NAME	GROUP
1	CASE - Evaporator - Upper	9.211
2	'O' RING - Expansion valve to receiver tube.....	9.222
3	TUBE ASM. - Evaporator - Expansion valve to receiver dehydrator tube.....	9.220
4	CASE - Evaporator - Lower	9.211
5	'O' RING - Expansion valve to evaporator.....	9.222
6	VALVE ASM. - Expansion	9.213
7	'O' RING - Capillary tube to evaporator tube	9.222
8	CORE ASM. - Evaporator.....	9.210
9	CLIP - Screen to core.....	N.S.
10	SCREEN - Core	N.S.
11	GASKET - Core.....	N.S.
12	BOLT - Thermostatic to evaporator.....	N.S.
13	THERMOSTATIC SWITCH & TUBE ASM. - Evaporator.....	9.275



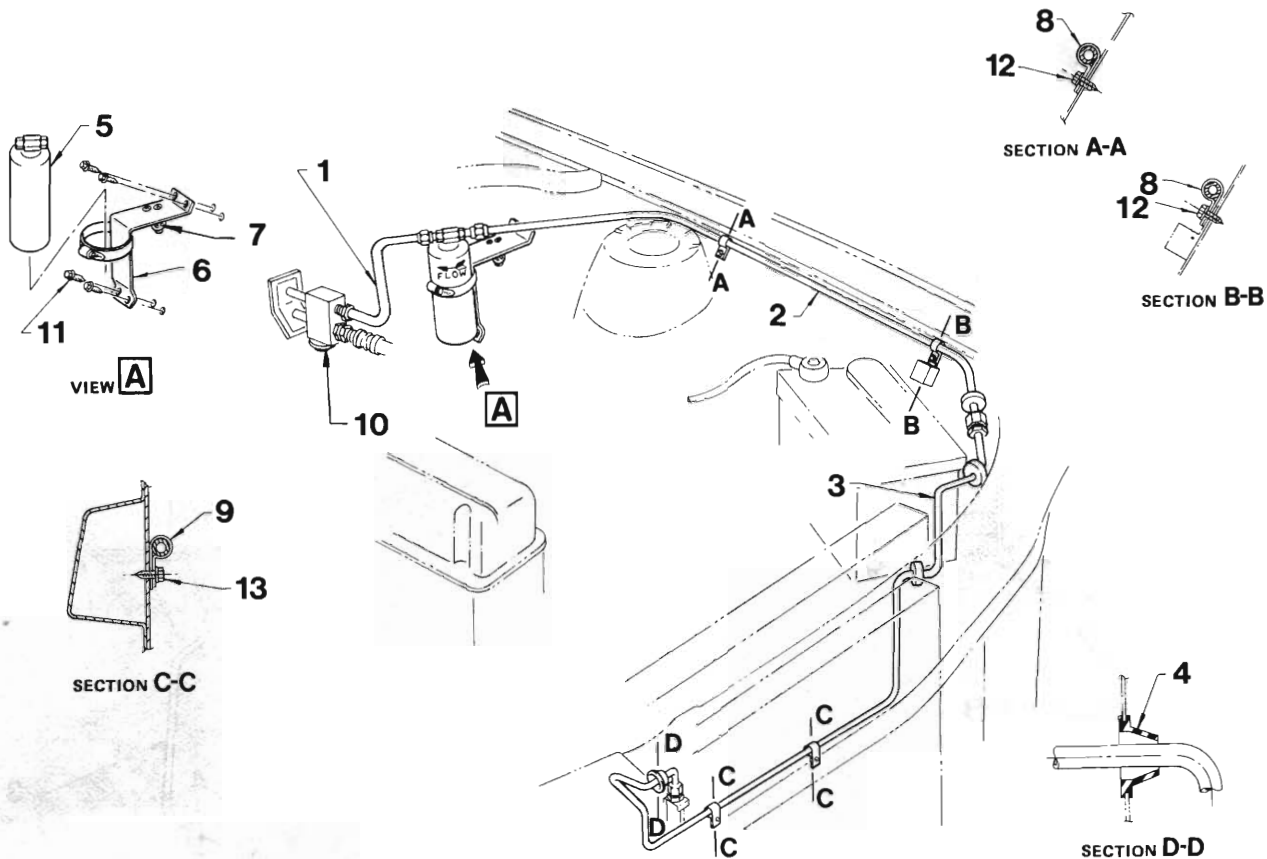
BLOWER, EVAPORATOR & HEATER
AIR CONDITIONER
VK SERIES

REF. NO.	PART NAME	GROUP
1	BOLT - Heater to reinforcement - Dash panel	8.854
2	HEATER ASM.	8.854
3	BOLT - Heater to bracket - Lower.....	8.854
4	WASHER - Heater to bracket - Lower.....	8.854
5	SCREW - Clamp asm.....	9.211
6	CLAMP ASM. - Evaporator to heater.....	9.211
7	BOLT - Evaporator to dash panel.....	9.211
8	EVAPORATOR CASE, BLOWER & CORE ASM.	9.211
9	HOSE ASM. - Water drain	9.210
10	CLAMP ASM. - Evaporator to blower - Lower....	9.211
11	SCREW - Clamp asm. evaporator to blower - Upper	9.211
12	BOLT - Blower housing to dash panel.....	9.211
13	WASHER - Blower housing to dash panel.....	9.211
14	HOUSING, MOTOR & IMPELLER ASM.....	9.215
15	NUT - Blower housing to dash panel - Upper	9.211
16	CLAMP ASM. - Evaporator to blower - Upper....	9.211
17	WASHER - Blower housing to dash panel.....	9.215
18	NUT - Blower housing to dash panel.....	9.215
19	BOLT - Dash panel to evaporator	9.211
20	WASHER - Dash panel to evaporator.....	9.211



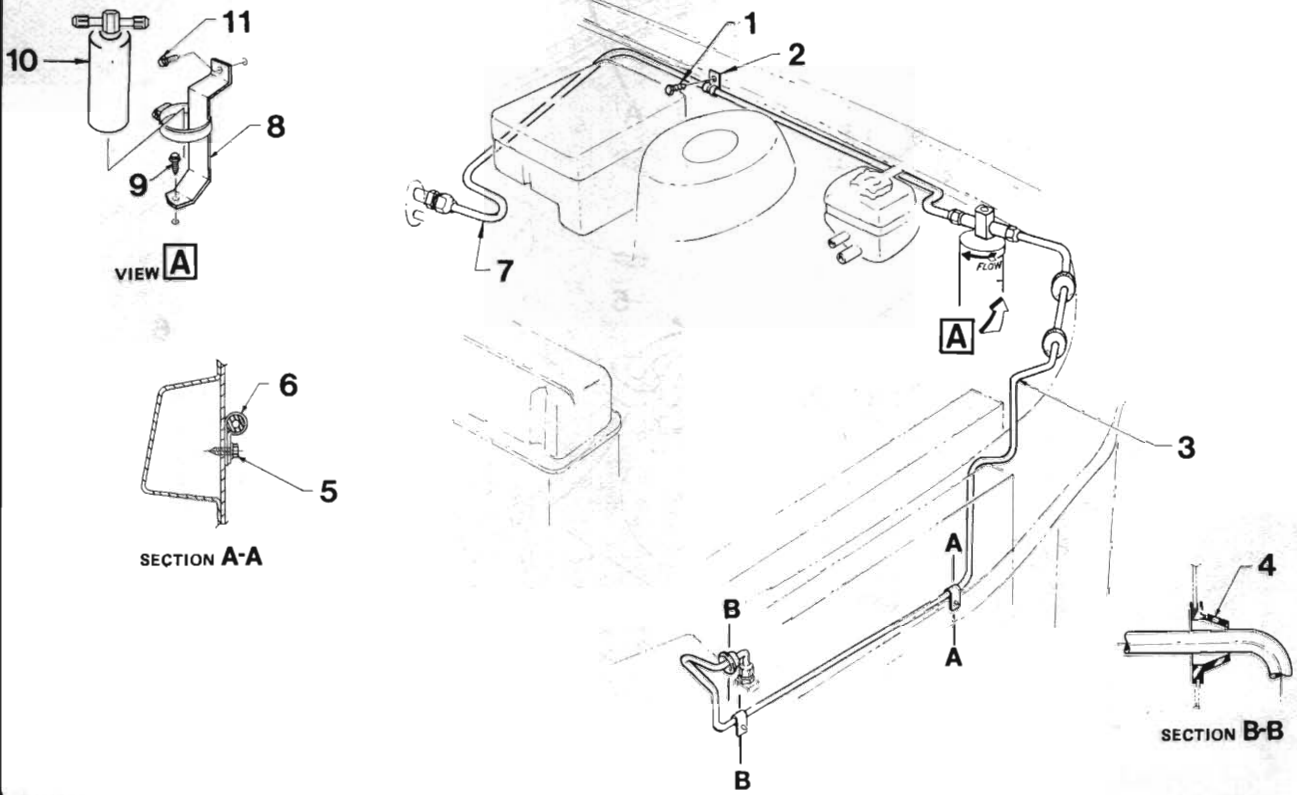
**REFRIGERANT TUBES
HARRISON AIR CONDITIONER
VB, VC SERIES**

REF. NO.	PART NAME	GROUP
1	TUBE ASM. - Orifice expansion valve & thermostatic switch & tube asm.....	9.220
2	TUBE ASM. - Block to orifice tube.....	9.220
3	TUBE & BLOCK ASM. - Inlet.....	9.220
4	TUBE ASM. - Condenser outlet.....	9.220
5	TUBE ASM. - Muffler to condenser.....	9.220
6	THERMOSTATIC SWITCH & TUBE ASM. - Evaporator.....	9.275
7	SPACER - Block to fender skirt.....	9.225
8	CLIP - Tube to front member.....	9.242
9	CLAMP - Block to fender skirt.....	9.242



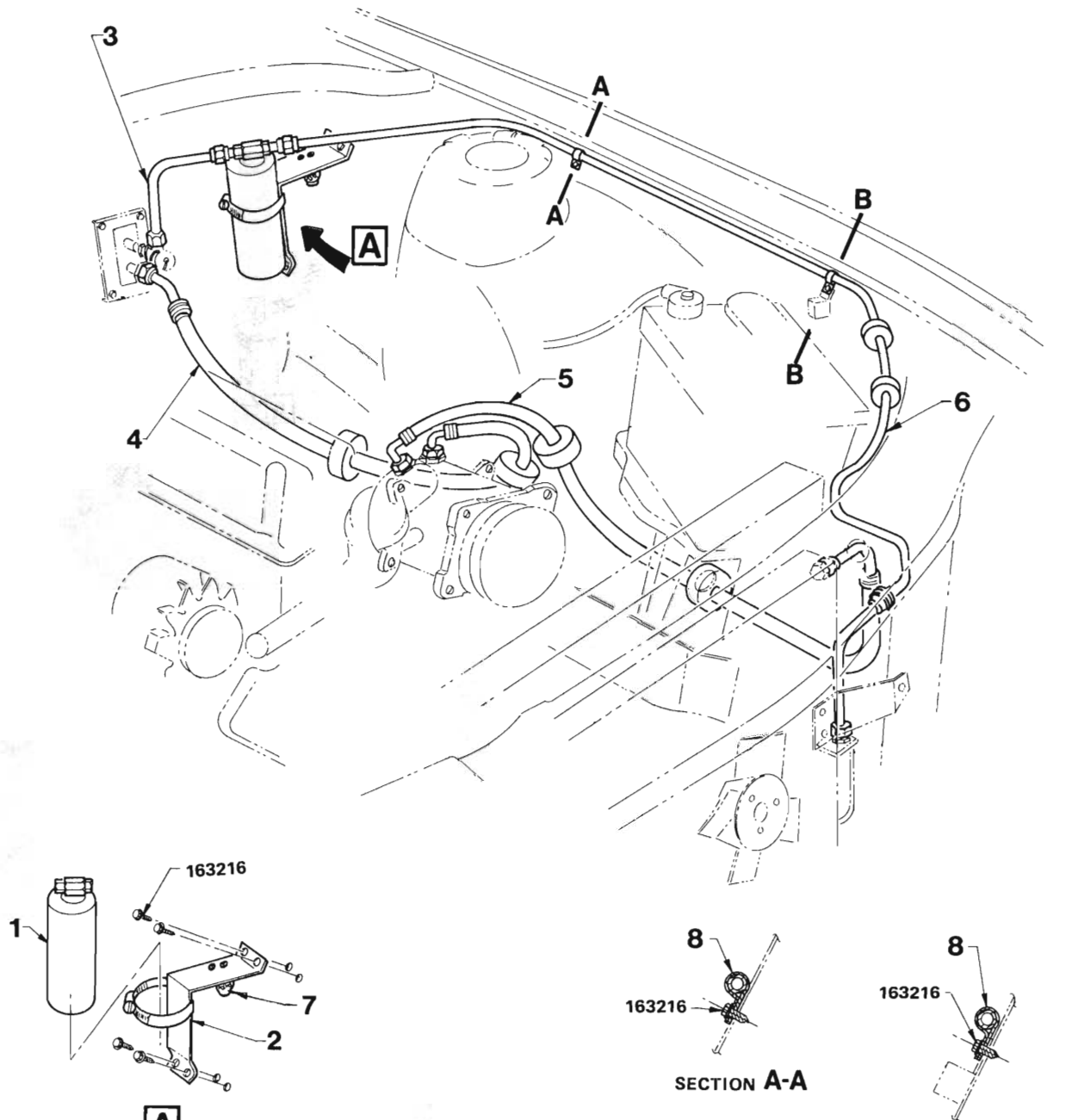
REFRIGERANT TUBES
AIR INTERNATIONAL AIR CONDITIONER
VH SERIES

REF. NO.	PART NAME	GROUP
1	TUBE ASM. - Receiver dehydrator to expansion valve.....	9.220
2	TUBE ASM. - Receiver dehydrator inlet	9.220
3	TUBE ASM. - Condenser outlet	9.220
4	GROMMET - Tube asm.....	9.242
5	RECEIVER & DEHYDRATOR ASM.	9.195
6	BRACKET ASM. - Receiver dehydrator & vacuum solenoid valve.....	9.196
7	VALVE - Vacuum solenoid	9.280
8	CLAMP - Tube asm. to fender skirt.....	9.242
9	CLAMP - Tube asm. to front member.....	9.242
10	VALVE & BLOCK ASM. - Expansion.....	9.213
11	SCREW - Reciever dehydrator bracket to fender skirt.....	9.196
12	SCREW - Clamp to wheelhouse	9.242
13	SCREW - Clamp to front member	9.242



**REFRIGERANT TUBES
AIR CONDITIONER
VK SERIES**

REF. NO.	PART NAME	GROUP
1	SCREW - Clamp to fender skirt.....	9.242
2	CLAMP - Tube asm. to fender skirt.....	9.242
3	TUBE ASM. - Condenser outlet to receiver dehydrator	9.220
4	GROMMET - Tube asm.....	9.242
5	SCREW - Clamp to front member	9.242
6	CLAMP - Tube asm. to front member.....	9.242
7	TUBE ASM. - Receiver dehydrator to evaporator tube	9.220
8	BRACKET ASM. - Receiver dehydrator	9.196
9	SCREW - Receiver dehydrator bracket to fender skirt - Upper	9.196
10	RECEIVER & DEHYDRATOR ASM.....	9.195
11	SCREW - Receiver dehydrator bracket to fender skirt - Upper	9.196



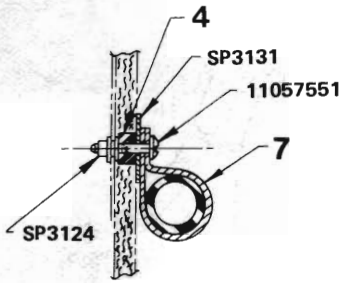
VIEW **A**

SECTION **A-A**

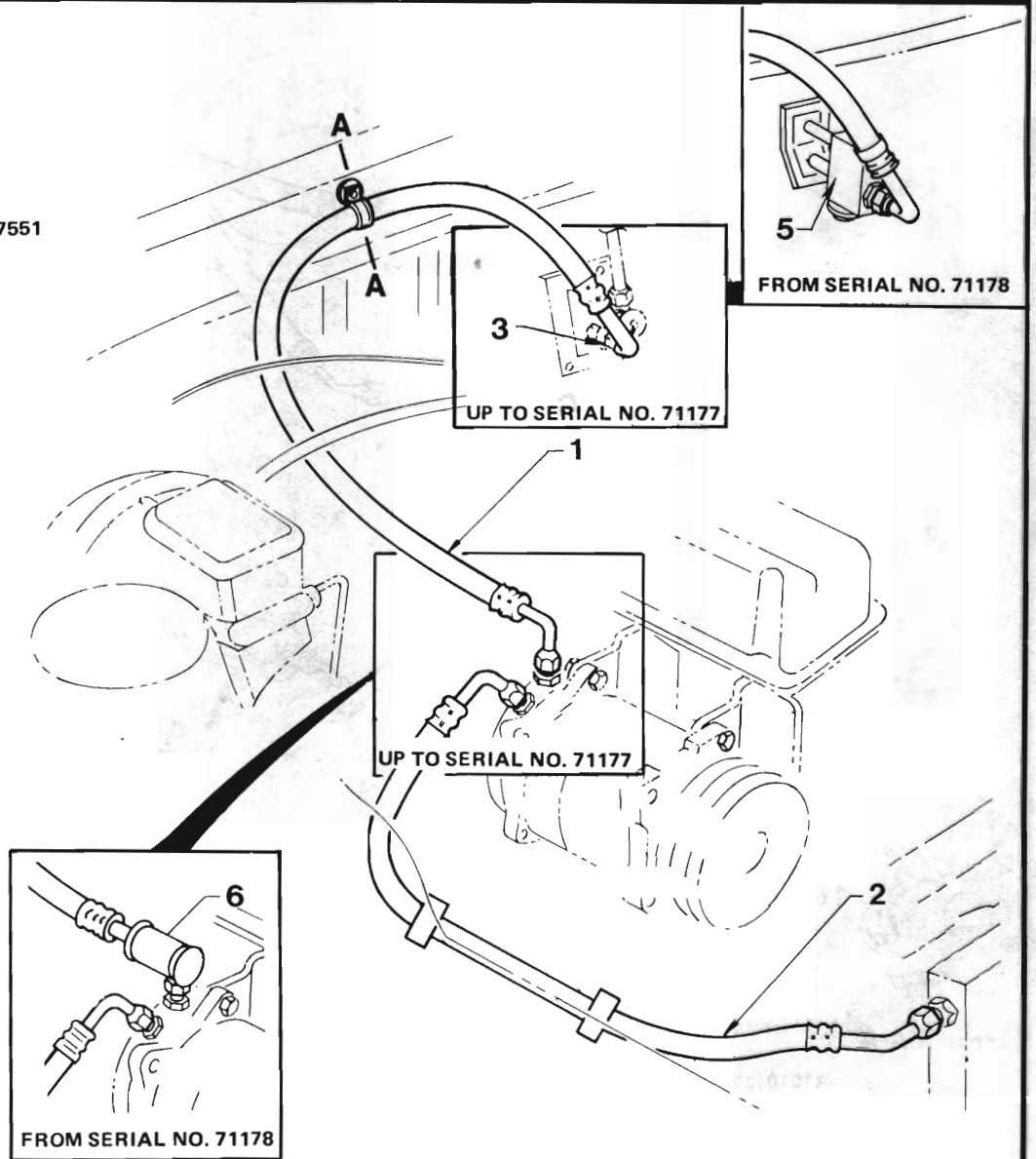
SECTION **B-B**

REFRIGERANT HOSES
AIR INTERNATIONAL AIR CONDITIONER
4 CYLINDER ENGINE
VC SERIES

REF. NO.	PART NAME	GROUP
1	RECEIVER & DEHYDRATOR ASM.	9.195
2	BRACKET ASM. - Receiver dehydrator	9.196
3	TUBE ASM. - Receiver dehydrator to valve.....	9.220
4	HOSE & TUBE ASM. - Evaporator to compressor	9.225
5	HOSE & TUBE ASM. - Compressor to condensor	9.225
6	TUBE ASM. - Condenser outlet to receiver dehydrator	9.220
7	VALVE - Vacuum solenoid.....	9.280
8	CLAMP - Tube asm. to wheelhouse.....	9.242

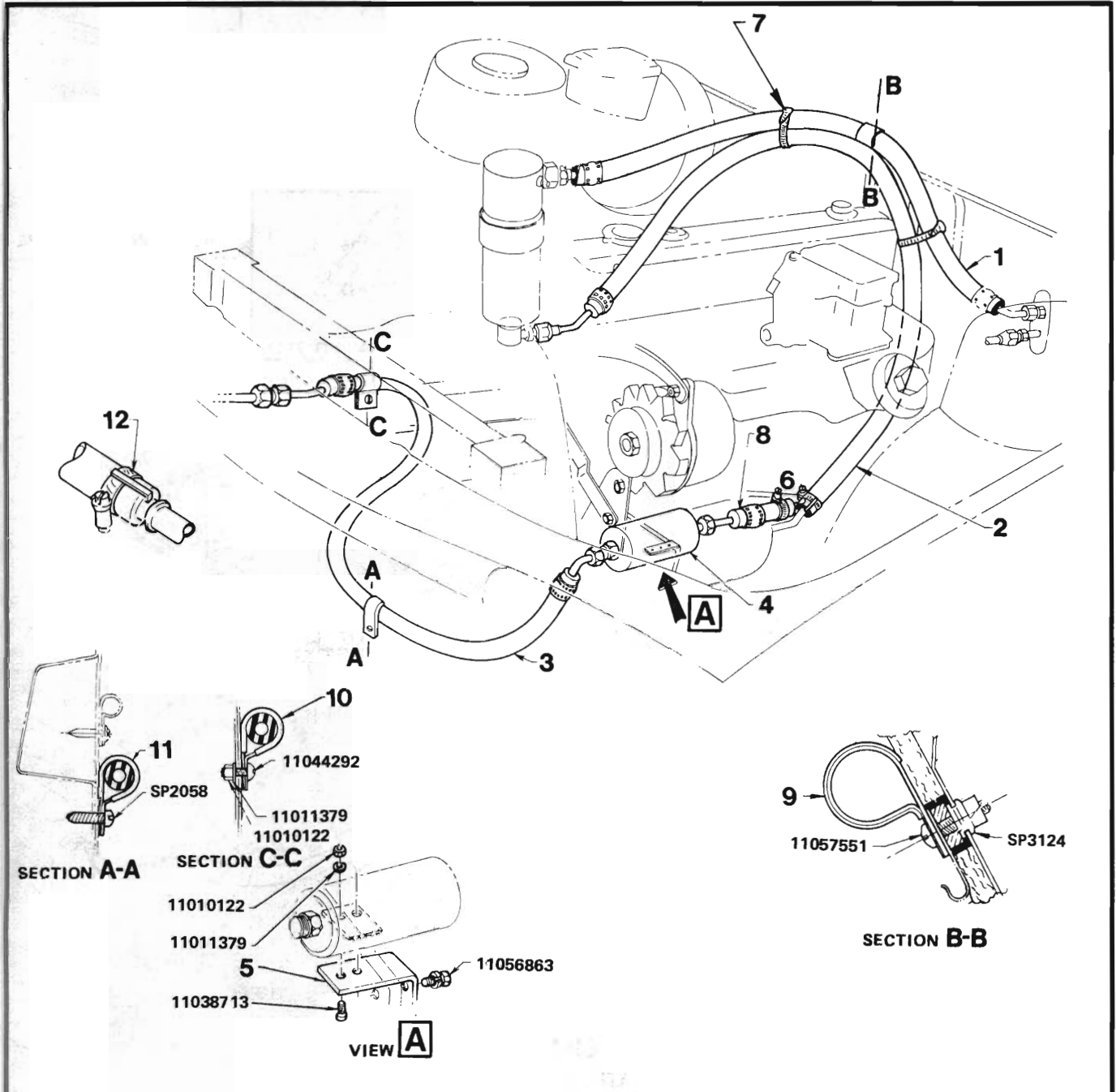


SECTION A-A



REFRIGERANT HOSES
AIR INTERNATIONAL AIR CONDITIONER
4 CYLINDER ENGINE
VH SERIES

REF. NO.	PART NAME	GROUP
1	HOSE & TUBE ASM. - Evaporator to compressor	9.225
2	HOSE & TUBE ASM. - Compressor to condenser	9.225
3	'O' RING - Evaporator outlet	9.222
4	SPACER - Refrigerant hose to dash panel	9.225
5	VALVE & BLOCK ASM. - Expansion	9.213
6	MUFFLER ASM. - Suction	9.226
7	CLAMP - Refrigerant hose to dash panel	9.242

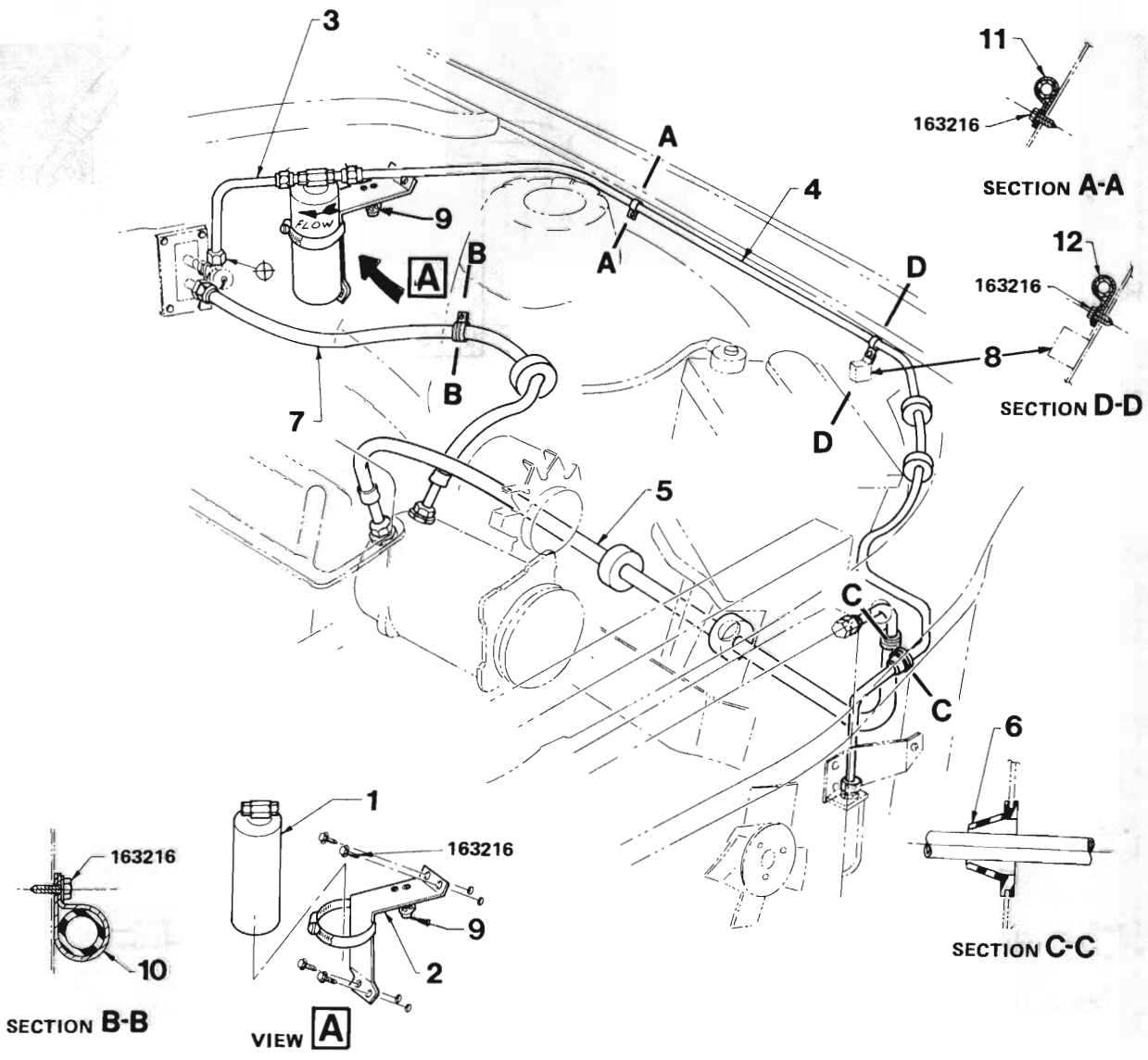


REFRIGERANT HOSES
HARRISON AIR CONDITIONER
6 CYLINDER ENGINE
VB, VC SERIES

REF. NO.	PART NAME	GROUP	REF. NO.	PART NAME	GROUP
1	HOSE & TUBE ASM. - Evaporator to receiver dehydrator	9.225	6	CLAMP - Hose	9.242
2	HOSE & TUBE ASM. - Receiver dehydrator to compressor	9.225	7	STRAP - Hose.....	9.242
3	HOSE & TUBE ASM. - Condenser inlet to muffler.....	9.225	8	HOSE & TUBE ASM. - Compressor to muffler....	9.225
4	MUFFLER ASM.....	9.226	9	CLAMP - Refrigerant hoses to dash panel	9.242
5	BRACKET - Muffler mounting.....	9.226	10	CLAMP - Hose & tube to fender skirt.....	9.242
			11	CLAMP - Hose & tube to front crossmember.....	9.242
			12	CLAMP - Compressor hose to muffler.....	9.242

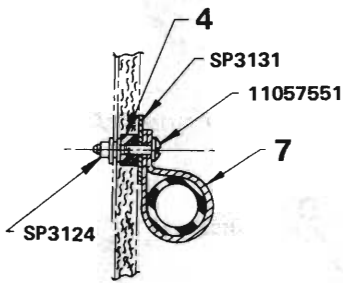


"V" SERIES PARTS CATALOGUE

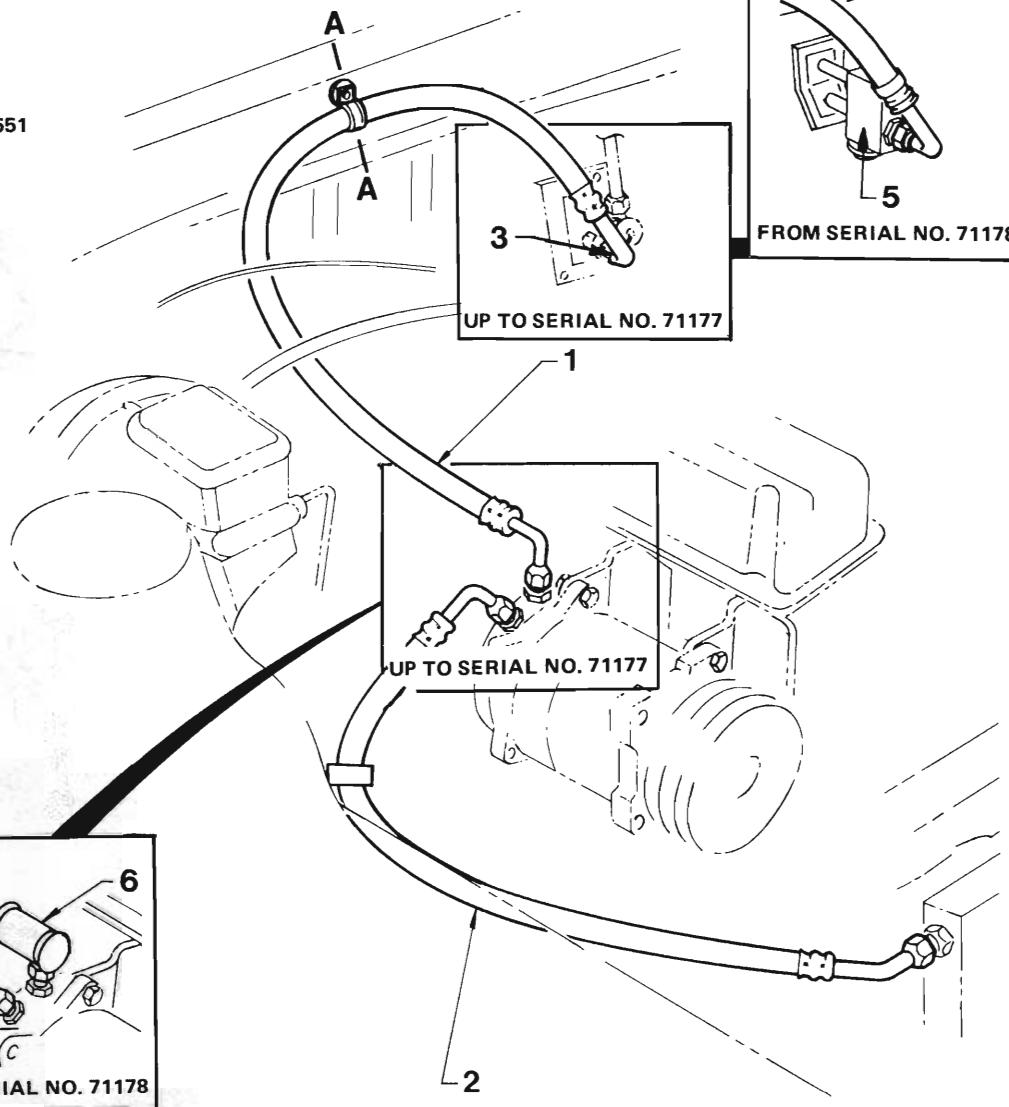


REFRIGERANT HOSES
AIR INTERNATIONAL AIR CONDITIONER
6 CYLINDER ENGINE
VC SERIES

REF. NO.	PART NAME	GROUP	REF. NO.	PART NAME	GROUP
1	RECEIVER & DEHYDRATOR.....	9.195	7	HOSE & TUBE ASM. - Evaporator to compressor	9.225
2	BRACKET ASM. - Receiver dehydrator	9.196	8	RELAY ASM. - Harness.....	9.277
3	TUBE ASM. - Receiver dehydrator to expansion valve.....	9.220	9	VALVE - Vacuum solenoid.....	9.280
4	TUBE ASM. - Condenser outlet to receiver dehydrator.....	9.220	10	CLAMP - Refrigerant hose to fender skirt.....	9.242
5	HOSE & TUBE ASM. - Compressor to condenser	9.225	11	CLAMP - Tube asm. to fender skirt.....	9.242
6	GROMMET - Hose & tube asm.	9.242	12	CLAMP - Tube asm. & auxiliary relay to fender skirt	9.242



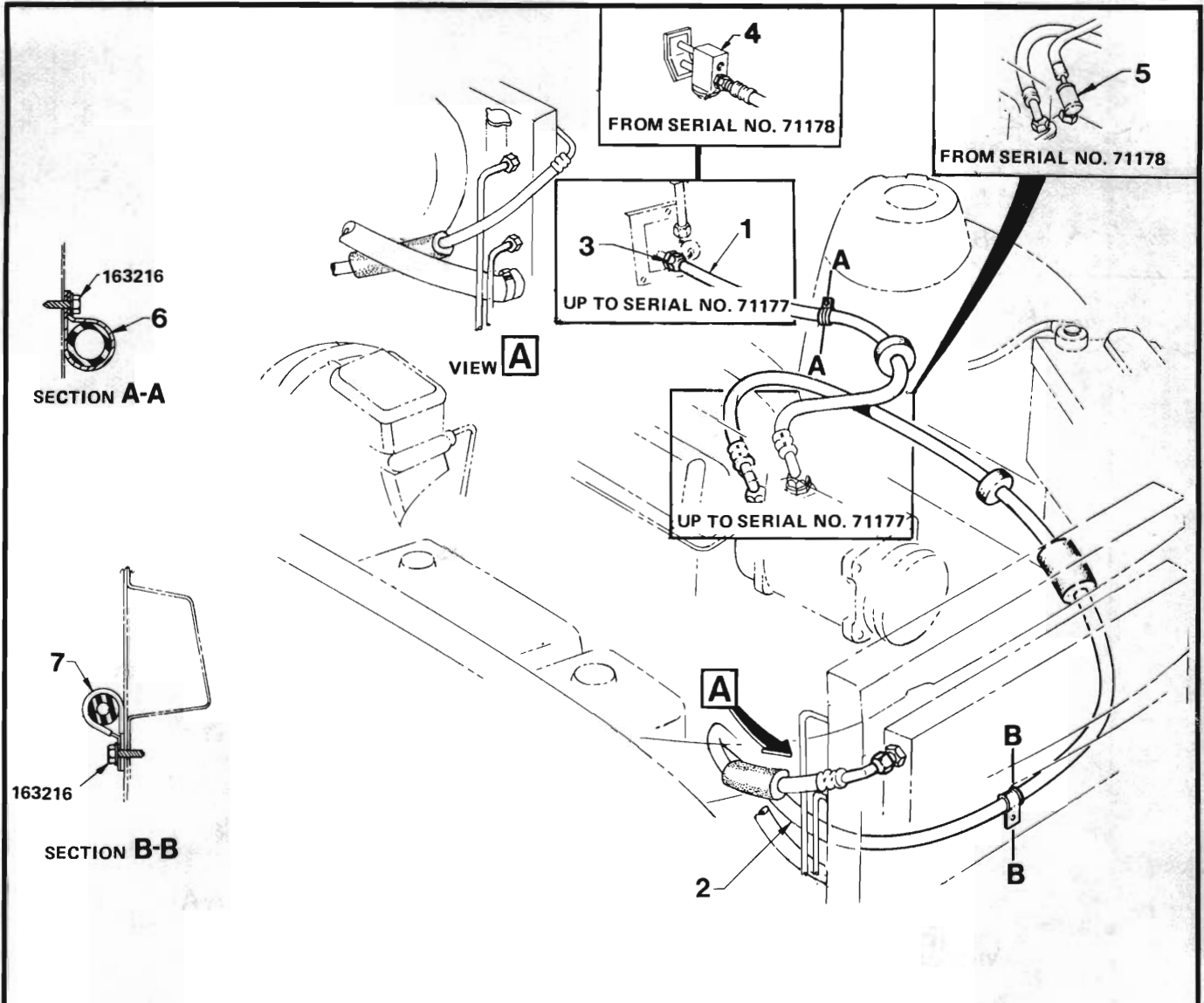
SECTION A-A



REFRIGERANT HOSES

**AIR INTERNATIONAL AIR CONDITIONER
6 CYLINDER ENGINE WITH AIR PUMP
VH SERIES**

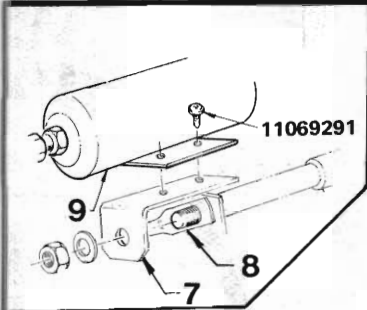
REF. NO.	PART NAME	GROUP
1	HOSE & TUBE ASM. - Evaporator to compressor	9.225
2	HOSE & TUBE ASM. - Compressor to condenser	9.225
3	'O' RING - Evaporator outlet	9.222
4	SPACER - Refrigerant hose to dash panel	9.225
5	VALVE & BLOCK ASM. - Expansion	9.213
6	MUFFLER ASM. - Suction	9.226
7	CLAMP - Refrigerant hose to dash panel	9.242



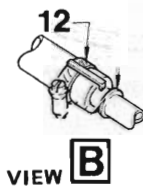
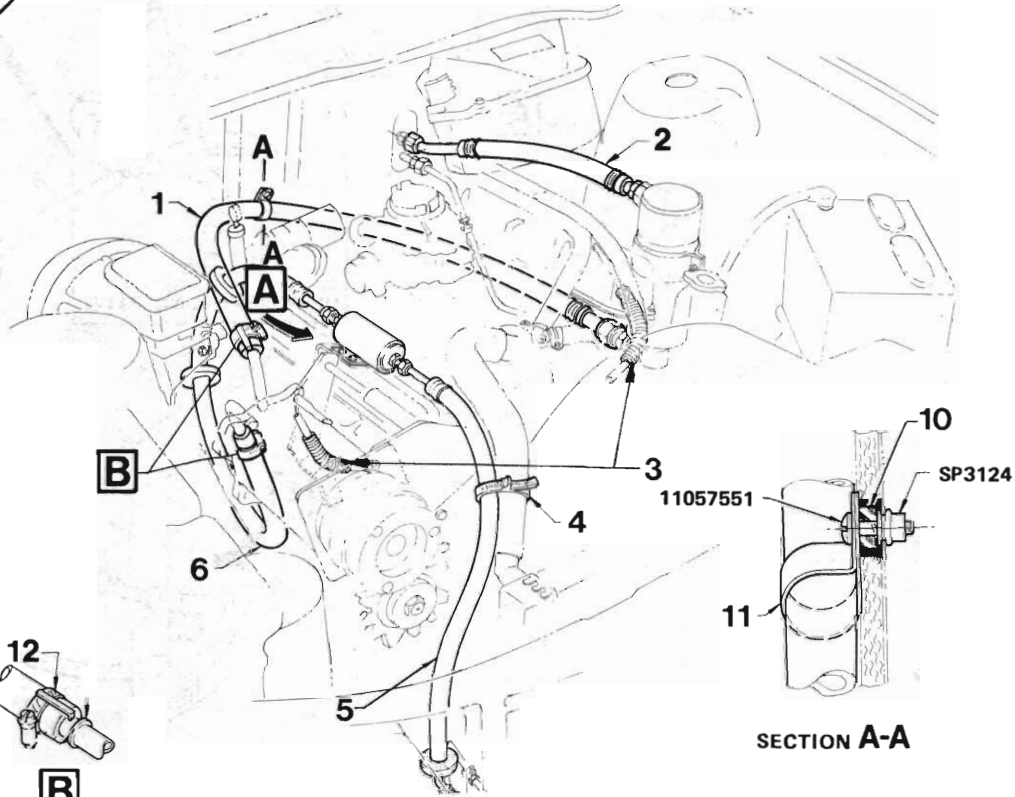
REFRIGERANT HOSES

**AIR INTERNATIONAL AIR CONDITIONER
6 CYLINDER ENGINE EXC. AIR PUMP
VH SERIES**

REF. NO.	PART NAME	GROUP
1	HOSE & TUBE ASM. - Evaporator to compressor	9.225
2	HOSE & TUBE ASM. - Compressor to condenser	9.225
3	'O' RING - Evaporator outlet.....	9.222
4	VALVE & BLOCK ASM. - Expansion.....	9.213
5	MUFFLER ASM. - Suction	9.226
6	CLAMP - Refrigerant hose to fender skirt.....	9.242
7	CLAMP - Refrigerant hose to front member	9.242



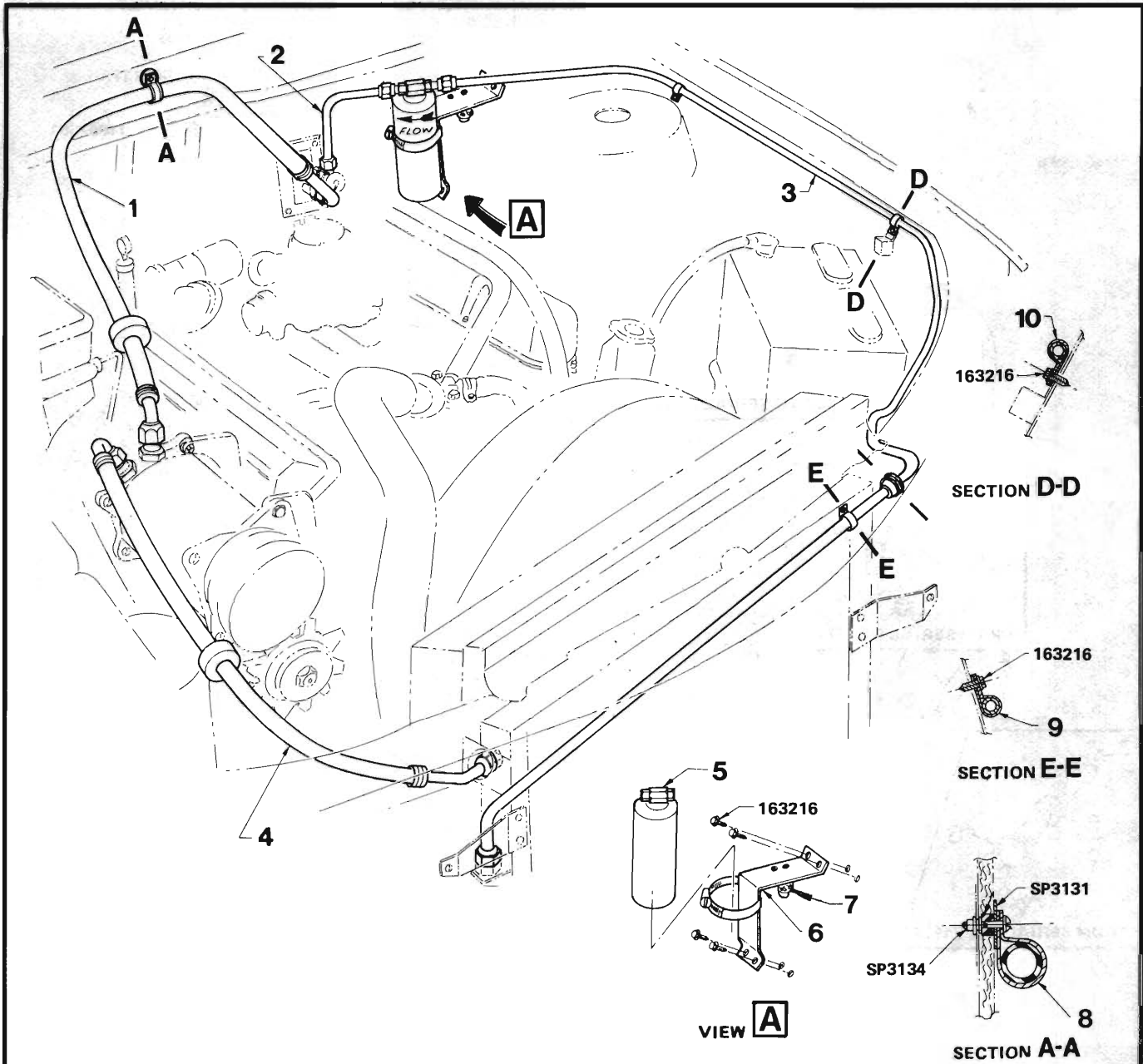
VIEW **A**



VIEW **B**

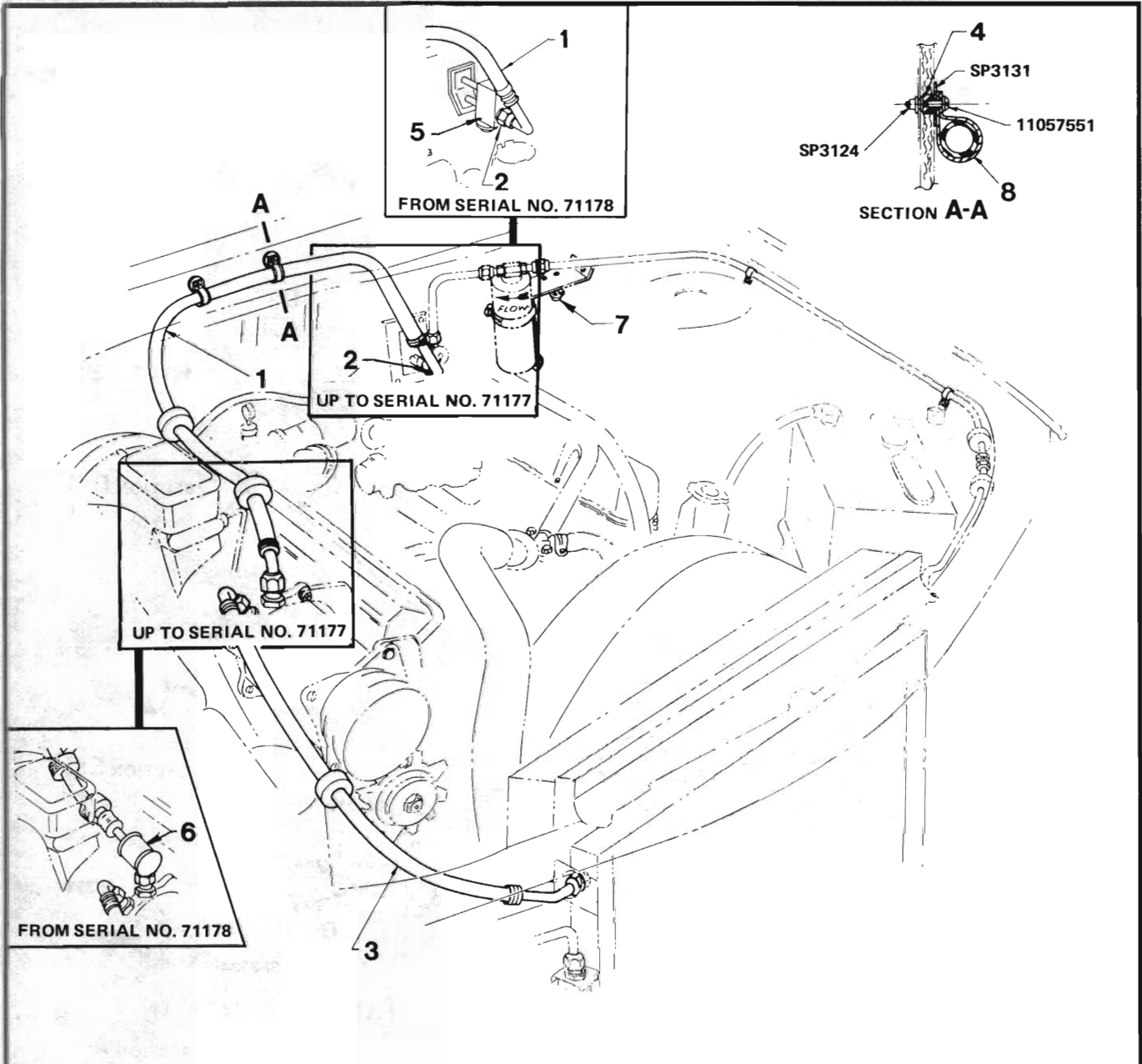
**REFRIGERANT HOSES
HARRISON AIR CONDITIONER
8 CYLINDER ENGINE
VB, VC SERIES**

REF. NO.	PART NAME	GROUP
1	HOSE & TUBE ASM. - Receiver dehydrator to compressor	9.225
2	HOSE & TUBE ASM. - Evaporator to receiver dehydrator	9.225
3	TUBING - Convoluted, High tension lead protection	2.251
4	STRAP - Condenser hose to radiator hose	9.242
5	HOSE ASM. - Muffler to condenser inlet.....	9.225
6	HOSE & TUBE ASM. - Compressor to muffler....	9.225
7	BRACKET - Muffler mounting	9.226
8	BRACE - Compressor rear to inlet manifold	9.171
9	MUFFLER ASM.....	9.226
10	SPACER - Refrigerant hose to dash panel	9.225
11	CLAMP - Refrigerant hose to dash panel	9.242
12	CLAMP - Compressor hose to muffler	9.242



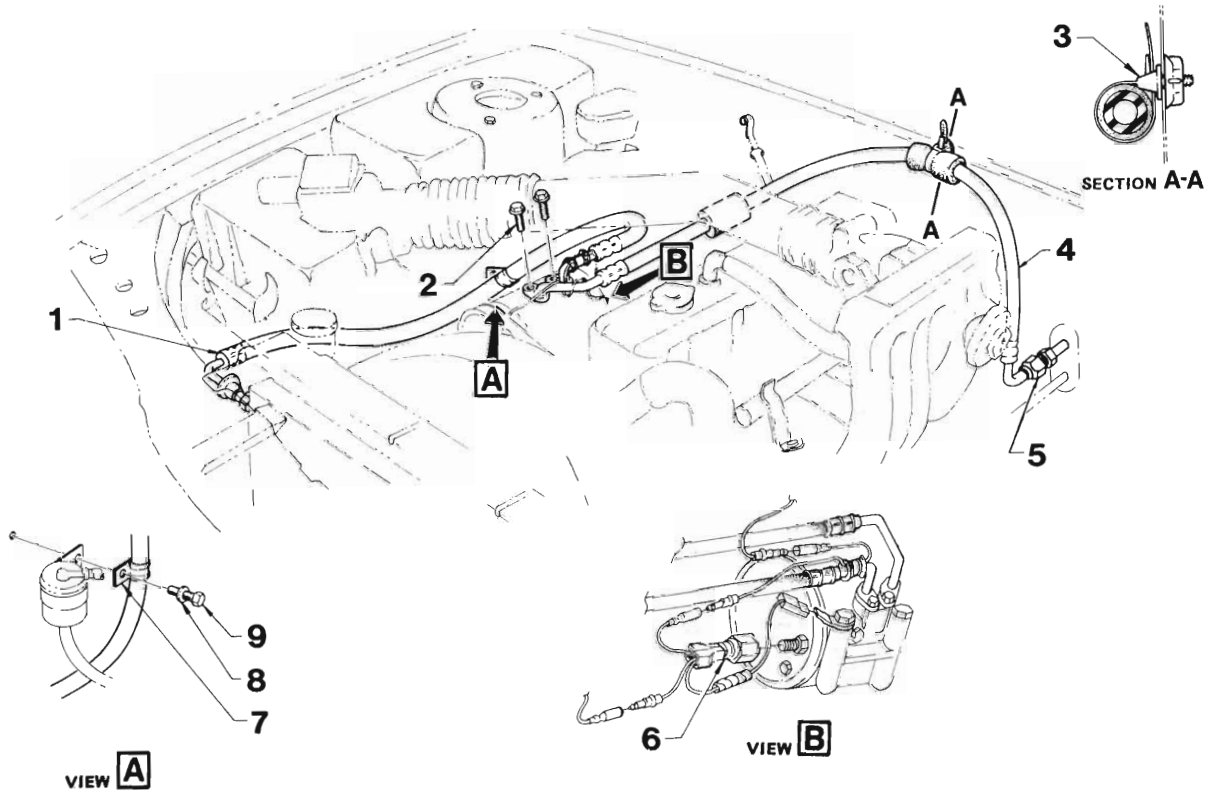
REFRIGERANT HOSES
AIR INTERNATIONAL AIR CONDITIONER
8 CYLINDER ENGINE
VC SERIES

REF. NO.	PART NAME	GROUP	REF. NO.	PART NAME	GROUP
1	HOSE & TUBE ASM. - Evaporator to compressor	9.225	5	RECEIVER & DEHYDRATOR ASM.	9.195
2	TUBE ASM. - Receiver dehydrator to expansion valve.....	9.220	6	BRACKET ASM.....	9.196
3	TUBE ASM. - Condenser outlet to receiver dehydrator.....	9.220	7	VALVE - Vacuum solenoid.....	9.280
4	HOSE & TUBE ASM. - Compressor to condenser	9.225	8	CLAMP - Refrigerant hose to dash panel	9.242
			9	CLAMP - Tube asm. to condenser.....	9.242
			10	CLAMP - Tube asm. & auxiliary relay to wheelhouse.....	9.242



REFRIGERANT HOSES
AIR INTERNATIONAL AIR CONDITIONER
8 CYLINDER ENGINE
VH SERIES

REF. NO.	PART NAME	GROUP
1	HOSE & TUBE ASM. - Evaporator to compressor	9.225
2	'O' RING - Evaporator outlet	9.222
3	HOSE & TUBE ASM. - Compressor to condenser	9.225
4	SPACER - Refrigerant hose to dash panel	9.225
5	VALVE & BLOCK ASM. - Expansion	9.213
6	MUFFLER ASM. - Suction	9.226
7	VALVE - Vacuum solenoid	9.280
8	CLAMP - Refrigerant hose to dash panel	9.242

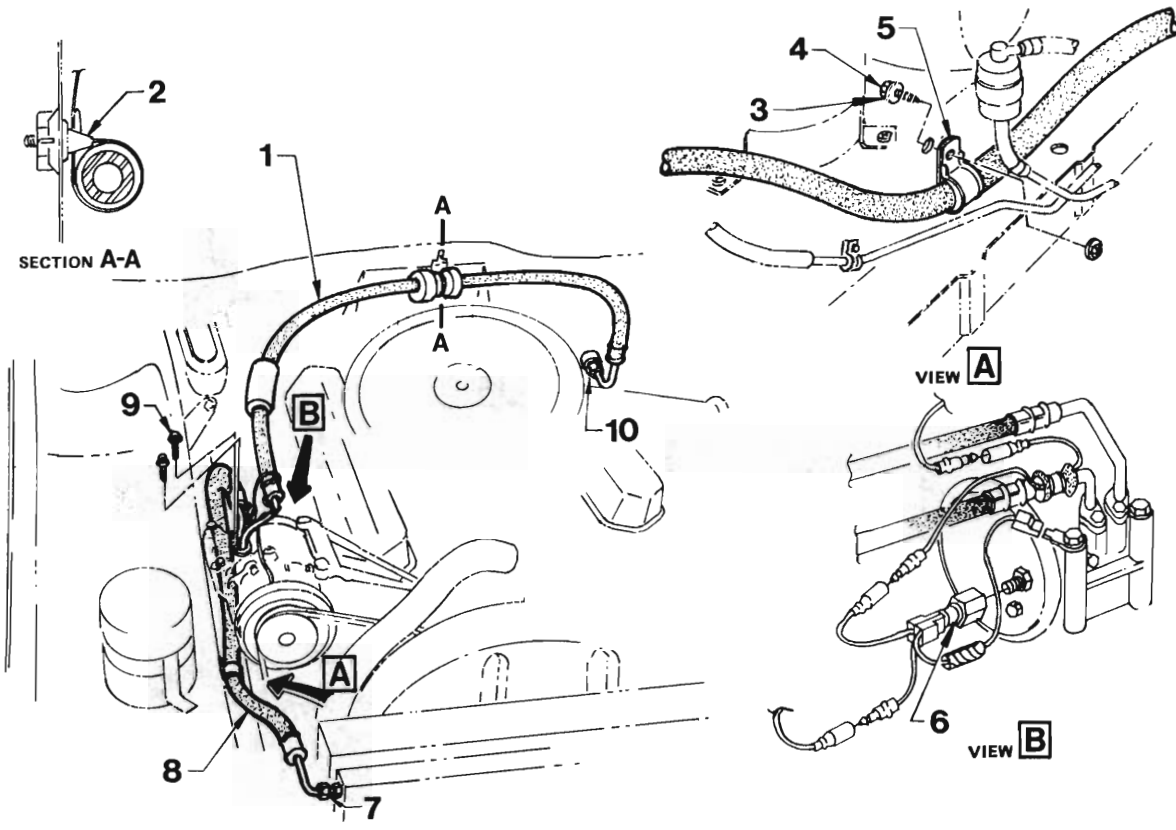


**REFRIGERANT HOSES
AIR CONDITIONING
6 CYLINDER ENGINE
VK SERIES**

REF. NO.	PART NAME	GROUP
1	HOSE ASM. - Compressor to condenser	9.225
2	BOLT - Refrigerant hose to compressor	9.222
3	STRAP - Refrigerant hose support	9.242
4	HOSE ASM. - Evaporator to compressor	9.225
5	'O' RING - Evaporator outlet	9.222
6	SWITCH ASM. - Low pressure cut off	9.275
7	CLAMP - Refrigerant hose to fender skirt	9.242
8	WASHER - Refrigerant hose clamp to fender skirt	9.242
9	BOLT - Refrigerant hose clamp to fender skirt	9.242



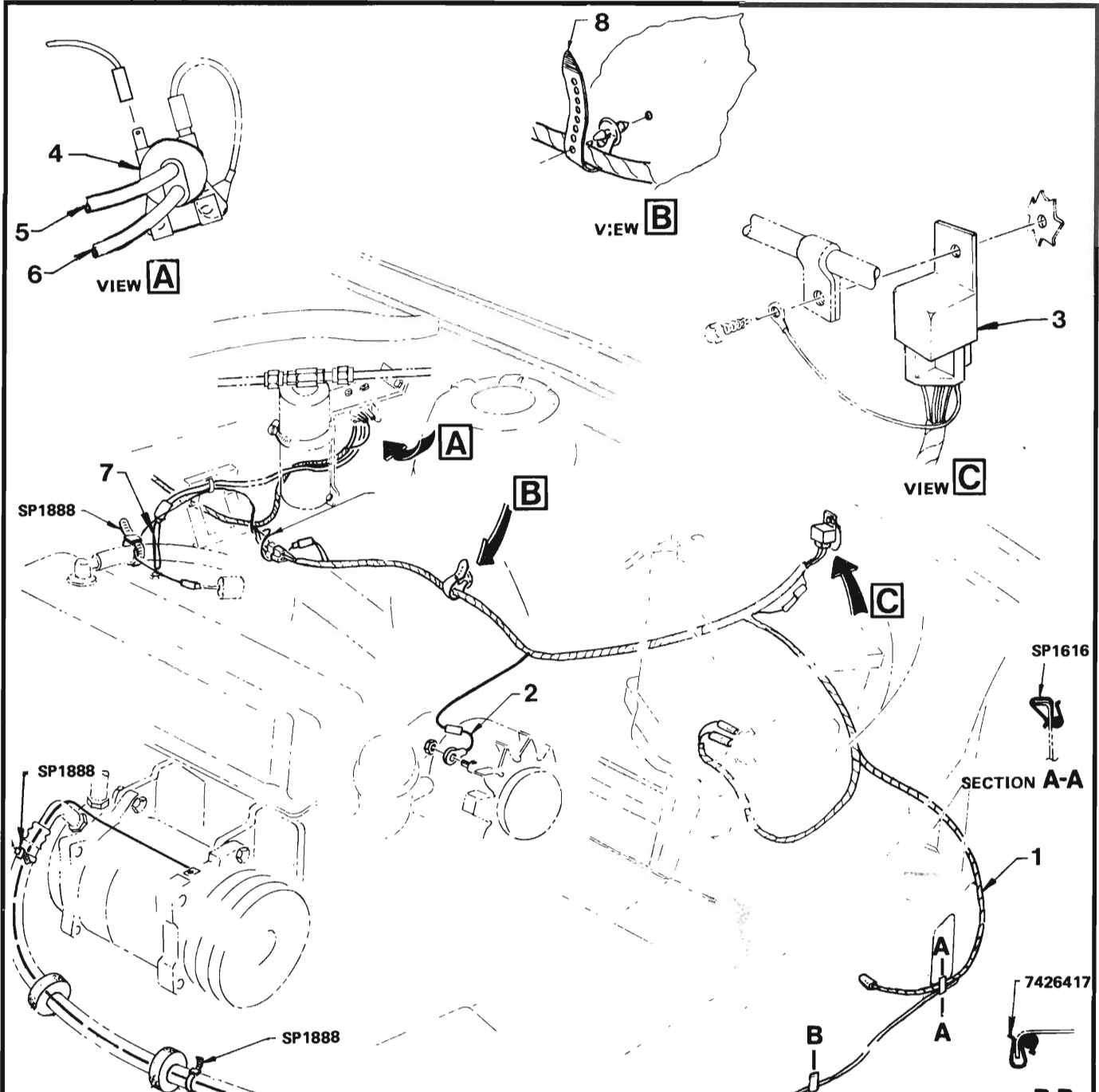
"V" SERIES PARTS CATALOGUE



REFRIGERANT HOSES

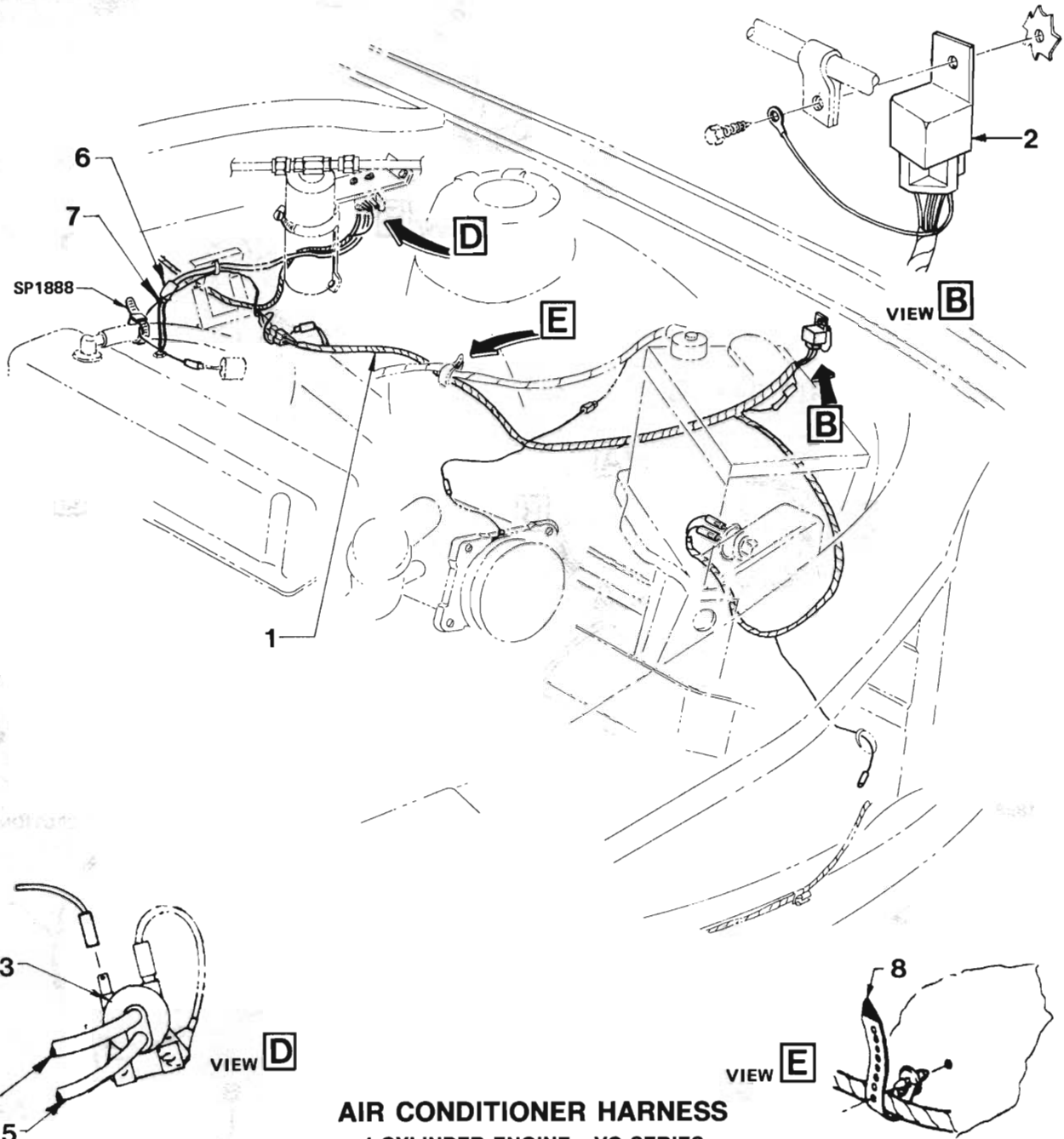
**AIR CONDITIONING
8 CYLINDER ENGINE
VK SERIES**

REF. NO.	PART NAME	GROUP
1	HOSE ASM. - Evaporator to compressor	9.225
2	STRAP - Refrigerant hose support.....	9.242
3	WASHER - Refrigerant hose clamp to fender skirt	9.242
4	BOLT - Refrigerant hose clamp to fender skirt...	9.242
5	CLAMP - Refrigerant hose to fender skirt.....	9.242
6	SWITCH ASM. - Low pressure cut off	9.275
7	'O' RING - Condenser inlet.....	9.222
8	HOSE ASM. - Compressor to condenser	9.225
9	BOLT - Refrigerant hose to compressor	9.222
10	'O' RING - Evaporator outlet.....	9.222



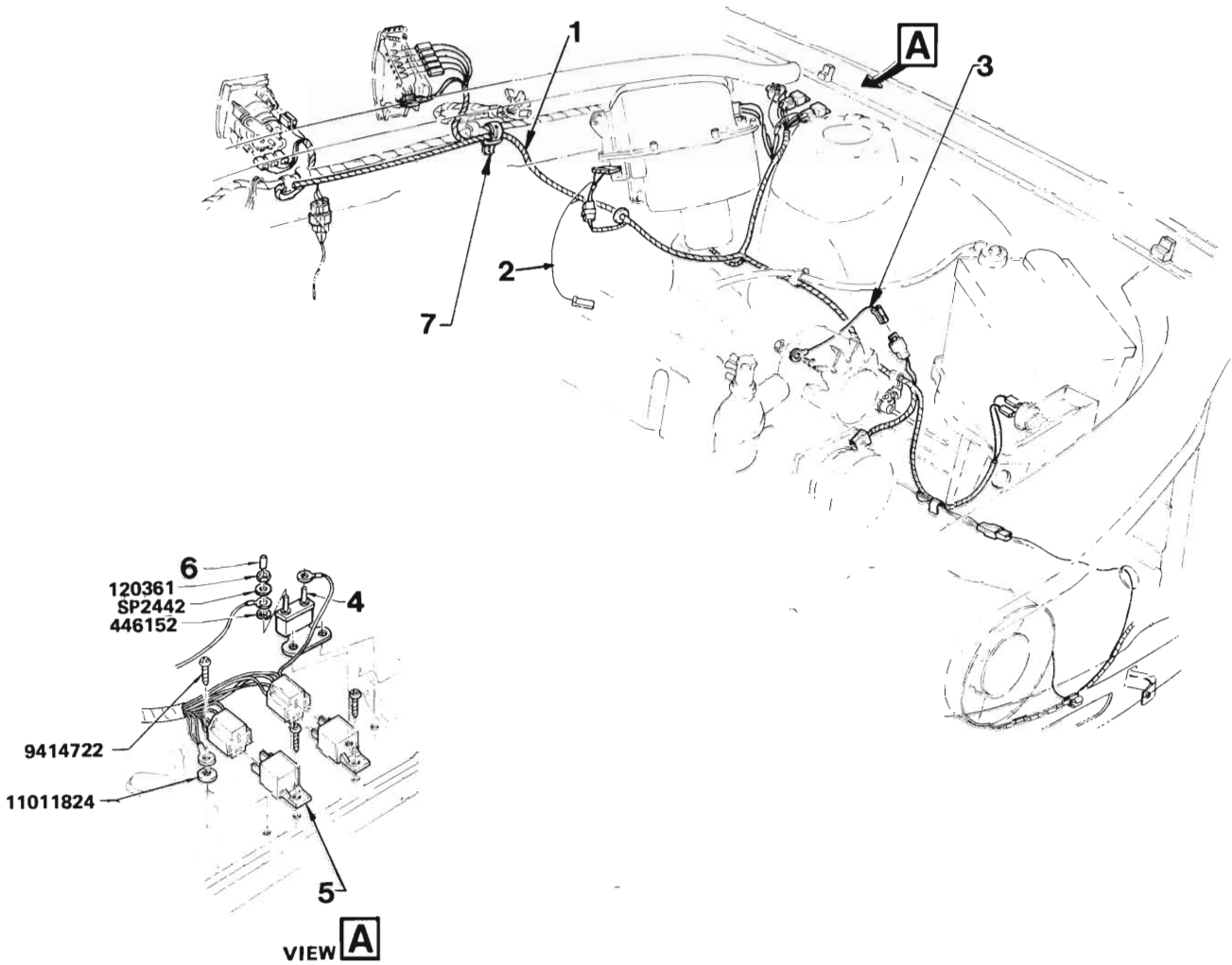
AIR CONDITIONER HARNESS
4 CYLINDER ENGINE & 2.85 LITRE ENGINE
AIR INTERNATIONAL AIR CONDITIONER
VH SERIES

REF. NO.	PART NAME	GROUP
1	HARNESS, RELAY & LEAD ASM. - Engine compartment.....	9.276
2	LEAD ASM. - Alternator extension	9.276
3	RELAY ASM. - Harness.....	9.277
4	VALVE - Vacuum solenoid.....	9.280
5	HOSE - One way valve to vacuum solenoid valve.....	9.281
6	HOSE - Vacuum solenoid valve to evaporator....	N.S.S.
7	HOSE - Engine to vacuum valve.....	9.281
8	STRAP - Harness to fender skirt.....	9.276



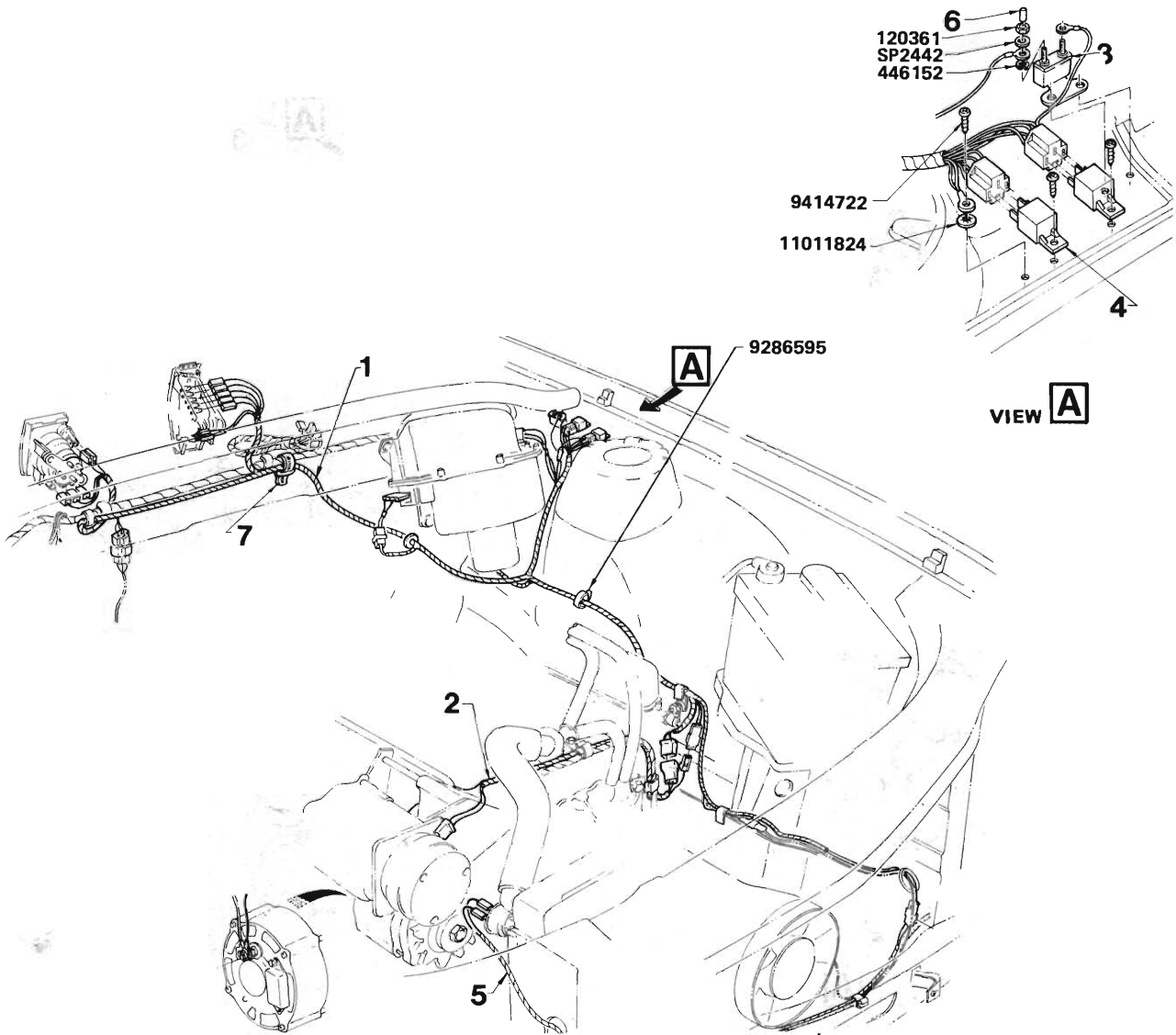
AIR CONDITIONER HARNESS
4 CYLINDER ENGINE - VC SERIES
6 CYLINDER ENGINE - VB, VC SERIES
3.3 LITRE ENGINE - VH SERIES
AIR INTERNATIONAL

REF. NO.	PART NAME	GROUP
1	HARNESS, RELAY & LEAD ASM. - Engine compartment.....	9.276
2	RELAY ASM. - Harness.....	9.277
3	VALVE ASM. - Vacuum solenoid.....	9.280
4	HOSE - One way valve to vacuum solenoid valve.....	9.281
5	HOSE - Vacuum solenoid valve to evaporator....	N.S.S.
6	VALVE - One way.....	9.281
7	HOSE - Engine to vacuum valve.....	9.281
8	STRAP - Harness to fender skirt.....	9.276



**AIR CONDITIONER HARNESS
6 CYLINDER ENGINE
HARRISON
VB, VC SERIES**

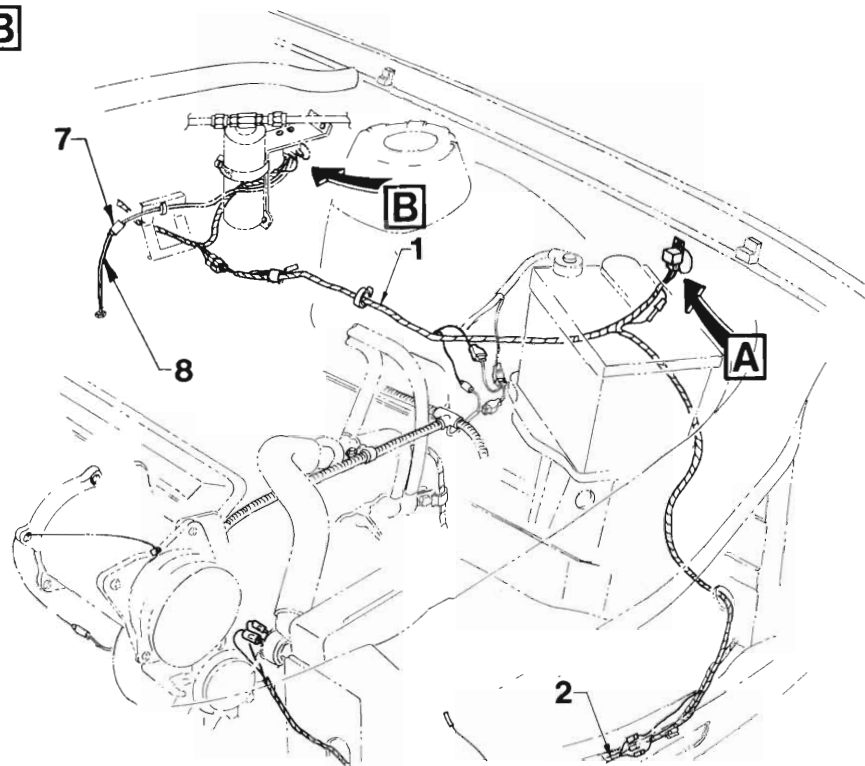
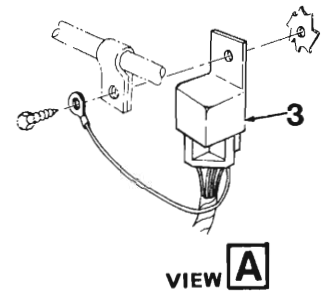
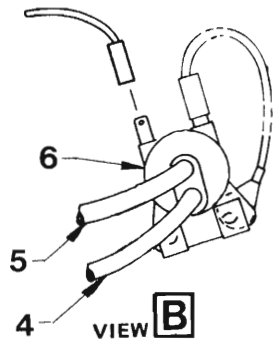
REF. NO.	PART NAME	GROUP
1	HARNESS ASM.	9.276
2	HARNESS - Engine idle boost	3.440
3	LEAD ASM. - Harness to alternator	9.276
4	BREAKER ASM. - Circuit	9.277
5	RELAY ASM.	9.277
6	SLEEVE - Circuit breaker stud	9.277
7	STRAP - Air conditioning harness to main wiring harness	9.276



AIR CONDITIONER HARNESS

**8 CYLINDER ENGINE
HARRISON
VB, VC SERIES**

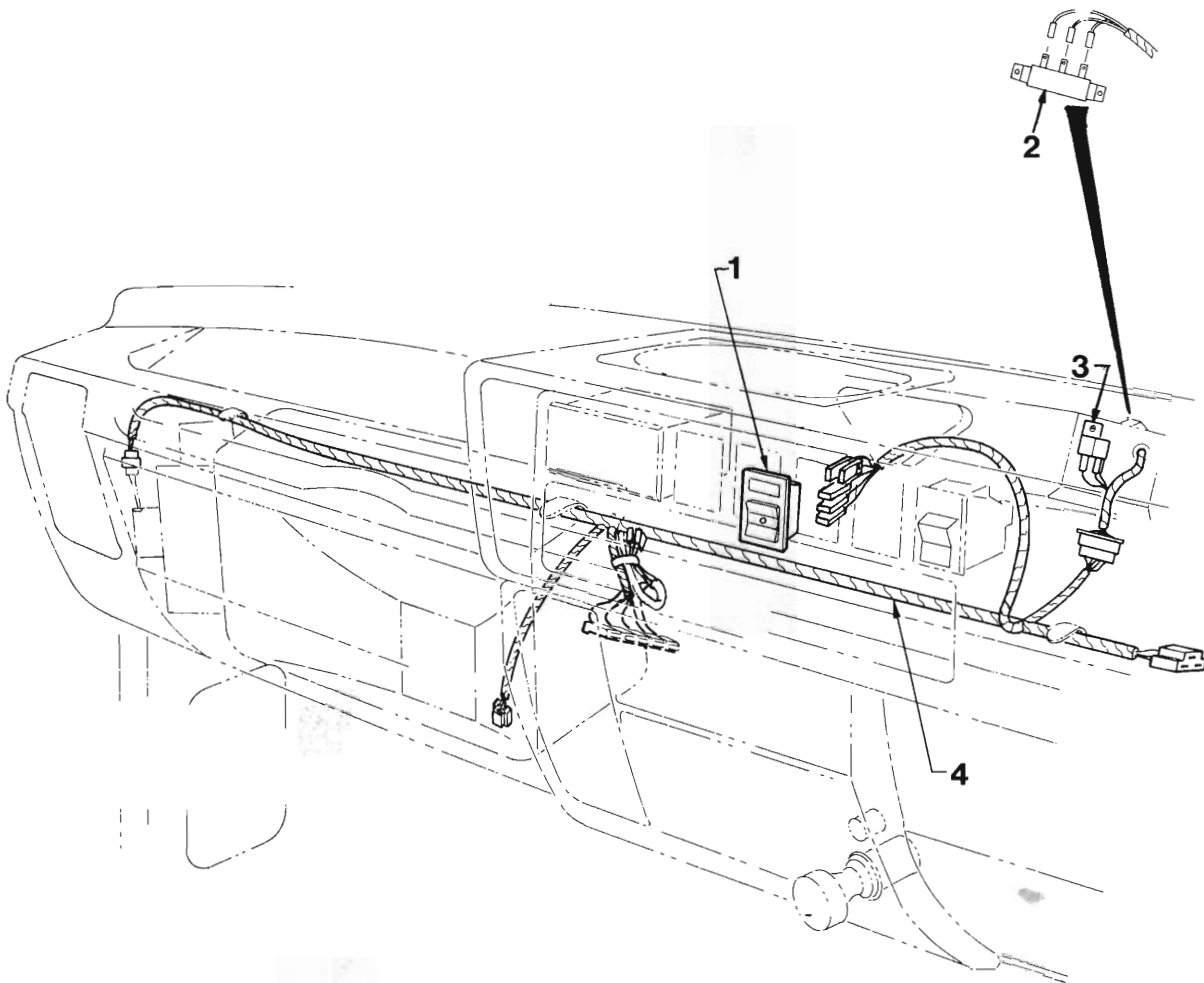
REF. NO.	PART NAME	GROUP
1	HARNESS ASM.	9.276
2	LEAD ASM. - Harness to compressor	9.276
3	BREAKER ASM. - Circuit	9.277
4	RELAY ASM.	9.277
5	LEAD ASM. - Harness to thermostat switch	9.276
6	SLEEVE - Circuit breaker stud	9.277
7	STRAP - Air conditioner harness to main wiring harness	9.276



AIR CONDITIONER HARNESS

**8 CYLINDER ENGINE
AIR INTERNATIONAL
VB, VC, VH SERIES**

REF. NO.	PART NAME	GROUP
1	HARNESS & RELAY ASM. - Engine compartment.....	9.276
2	HARNESS ASM. - Auxiliary fan lead.....	9.276
3	RELAY ASM. - Harness.....	9.277
4	HOSE - Vacuum solenoid valve to evaporator....	N.S.S.
5	HOSE - One way valve to vacuum solenoid valve.....	9.281
6	VALVE - Vacuum solenoid.....	9.280
7	VALVE - One way.....	9.281
8	HOSE - Engine to vacuum valve.....	9.281

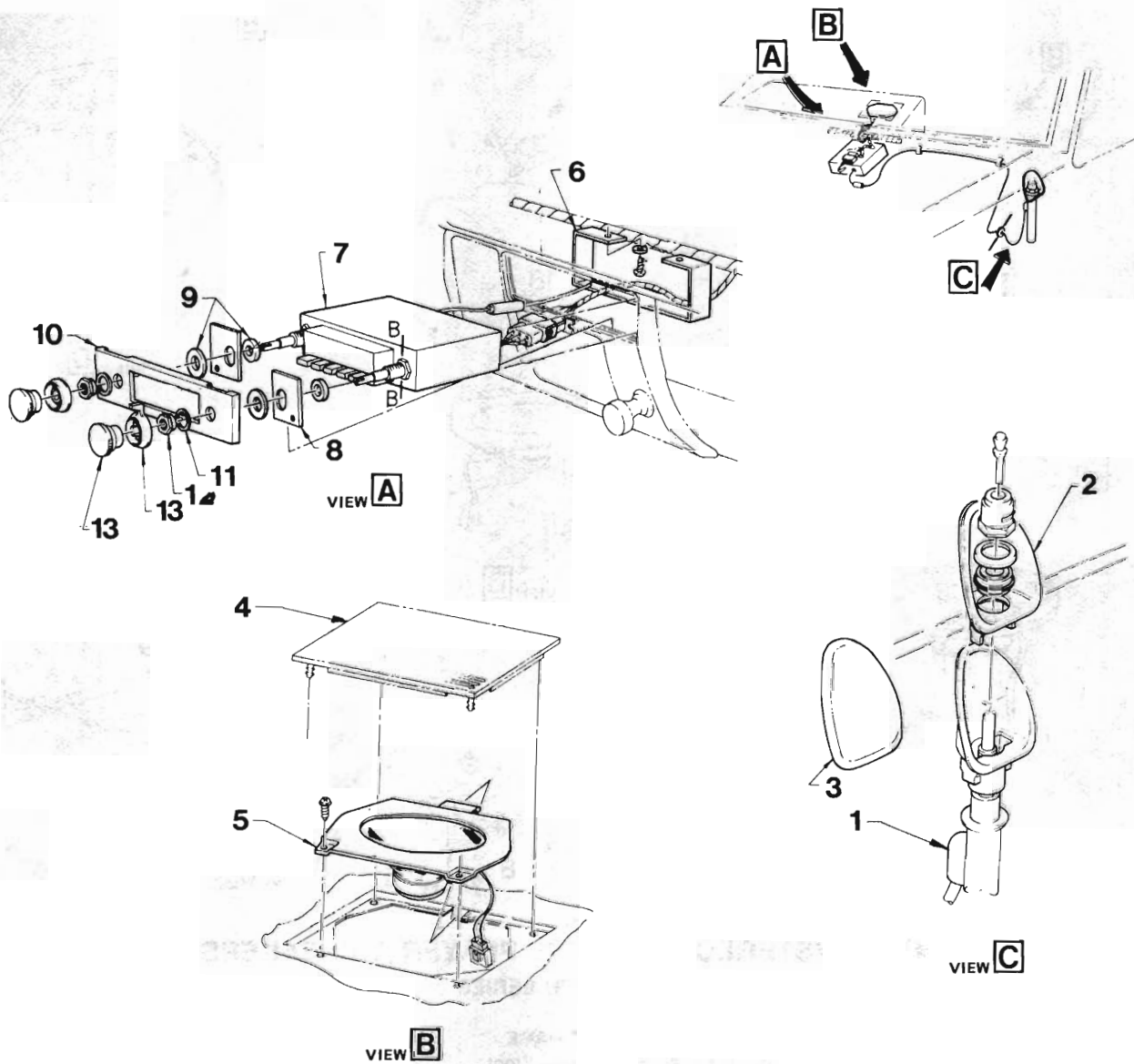


SWITCH, HARNESS - AIR CONDITIONER
AIR INTERNATIONAL
VB, VC, VH SERIES

REF. NO.	PART NAME	GROUP
1	SWITCH ASM. - 'NORM-RECIRC'	9.275
2	RESISTOR ASM. - On air inlet duct.....	9.275
3	RELAY ASM. - Condenser auxillary fan & recirculation air inlet duct	9.277
4	HARNESS ASM. - Interior	9.276



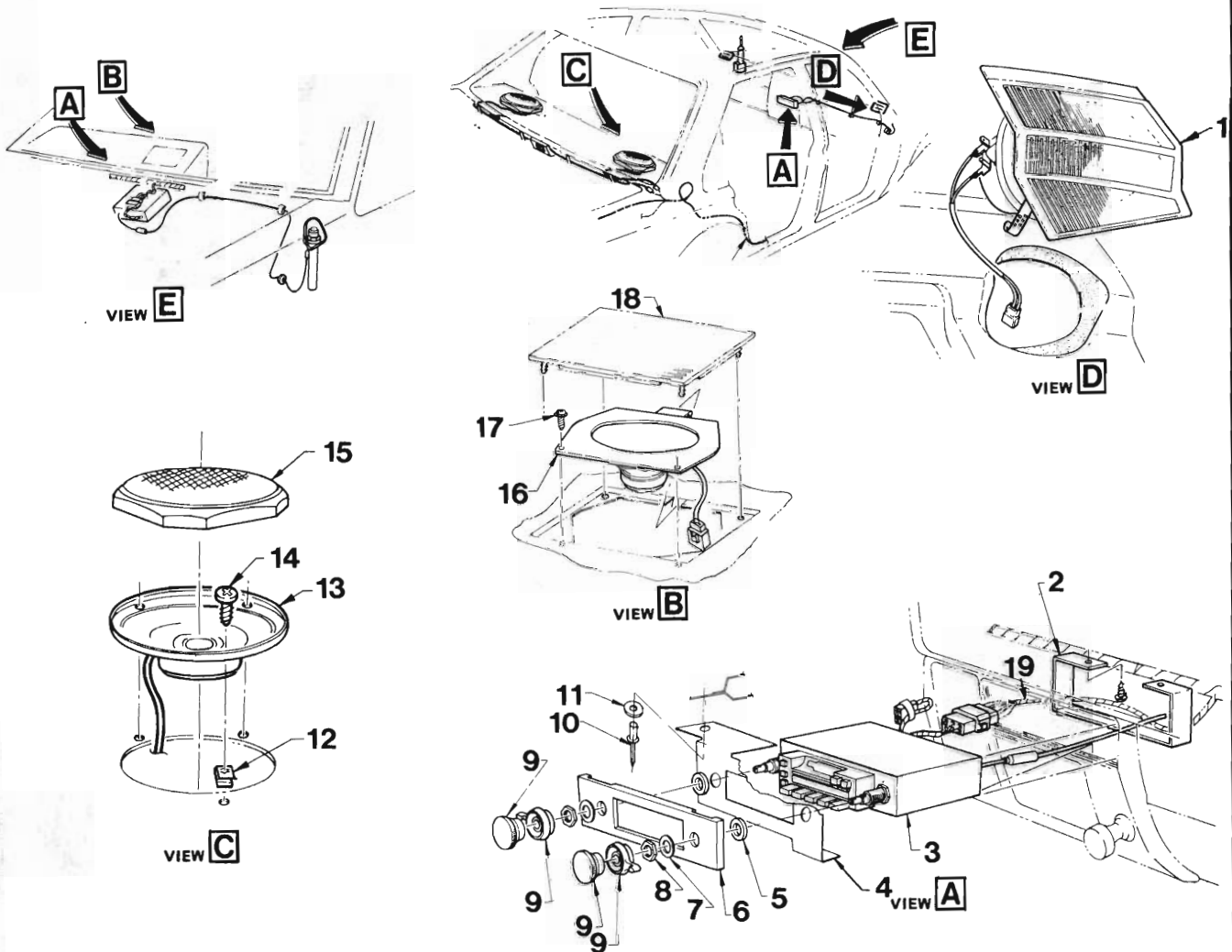
"V" SERIES PARTS CATALOGUE



RADIO, FRONT SPEAKER & ANTENNA VB, VC, VH SERIES

REF. NO.	PART NAME	GROUP
1	ANTENNA & LEAD IN ASM. - Lock down.....	9.645
2	BEZEL & SEAL ASM. - Lock down antenna	9.647
3	PLUG - Antenna hole.....	9.647
4	GRILLE - Front speaker	9.650
5	SPEAKER & LEAD ASM. - Front.....	9.650
6	BRACKET - Receiver support.....	N.S.S.
7	RADIO.....	9.650
8	PLATE - Retaining.....	9.667
9	SPACER - Escutcheon to retaining plate	N.S.S.
10	ESCUTCHEON	N.S.S.
11	WASHER - Escutcheon to receiver	N.S.S.
12	NUT - Escutcheon to receiver.....	N.S.S.
13(A)	KNOB - Radio	N.S.S.

NOTE:- (A Part of Knob set - Radio. Refer Group 9.649)



RADIO/STEREO CASSETTE PLAYER & SPEAKERS
VB, VC, VH SERIES

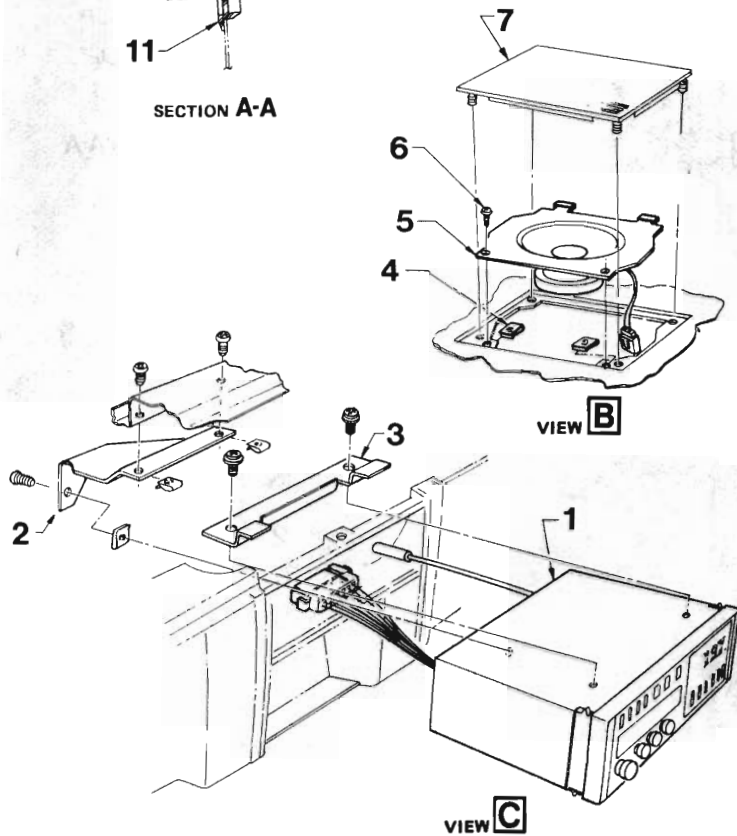
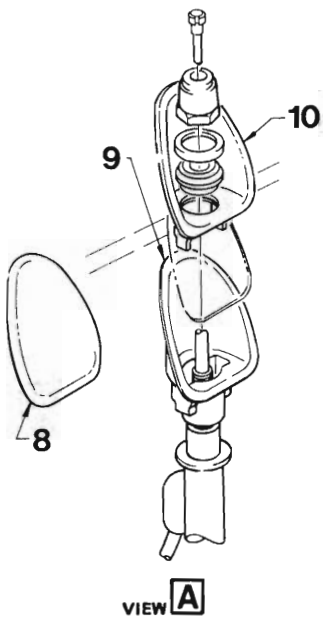
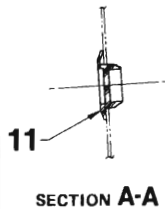
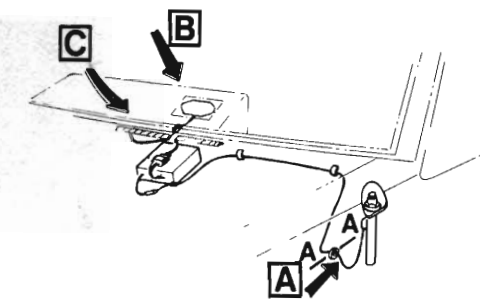
REF. NO.	PART NAME	GROUP
1	SPEAKER & LEAD ASM. - Front.....	9.650
2	BRACKET - Receiver support.....	N.S.S.
3	RADIO/STEREO CASSETTE PLAYER.....	9.650
4	PLATE - Retaining.....	9.667
5(A)	SPACER - Escutcheon to retaining plate.....	N.S.S.
6	ESCUTCHEON.....	9.649
7(A)	WASHER - Escutcheon to receiver.....	N.S.S.
8(A)	NUT - Escutcheon to receiver.....	N.S.S.
9(B)	KNOB - Radio/Stereo cassette player.....	N.S.S.
10	RIVET - Plate to instrument carrier.....	9.667
11	WASHER - Plate to instrument carrier.....	9.667
12	NUT - Rear speaker.....	N.S.S.
13	SPEAKER & LEAD - Rear.....	N.S.S.
14	SCREW - Rear speaker.....	N.S.S.
15	GRILLE - Rear speaker.....	9.665
16	SPEAKER PACKAGE - Front.....	9.650
17	SCREW - Speaker mounting.....	9.650
18	GRILLE - Front speaker.....	9.650
19	HARNESS - Receiver to main wiring harness.....	9.656

NOTE:- (A Part of Installation Kit - Radio/Stereo cassette player mounting. Refer Group 9.667

NOTE:- (B Part of Knob Set - Radio/Stereo cassette player. Refer Group 9.649



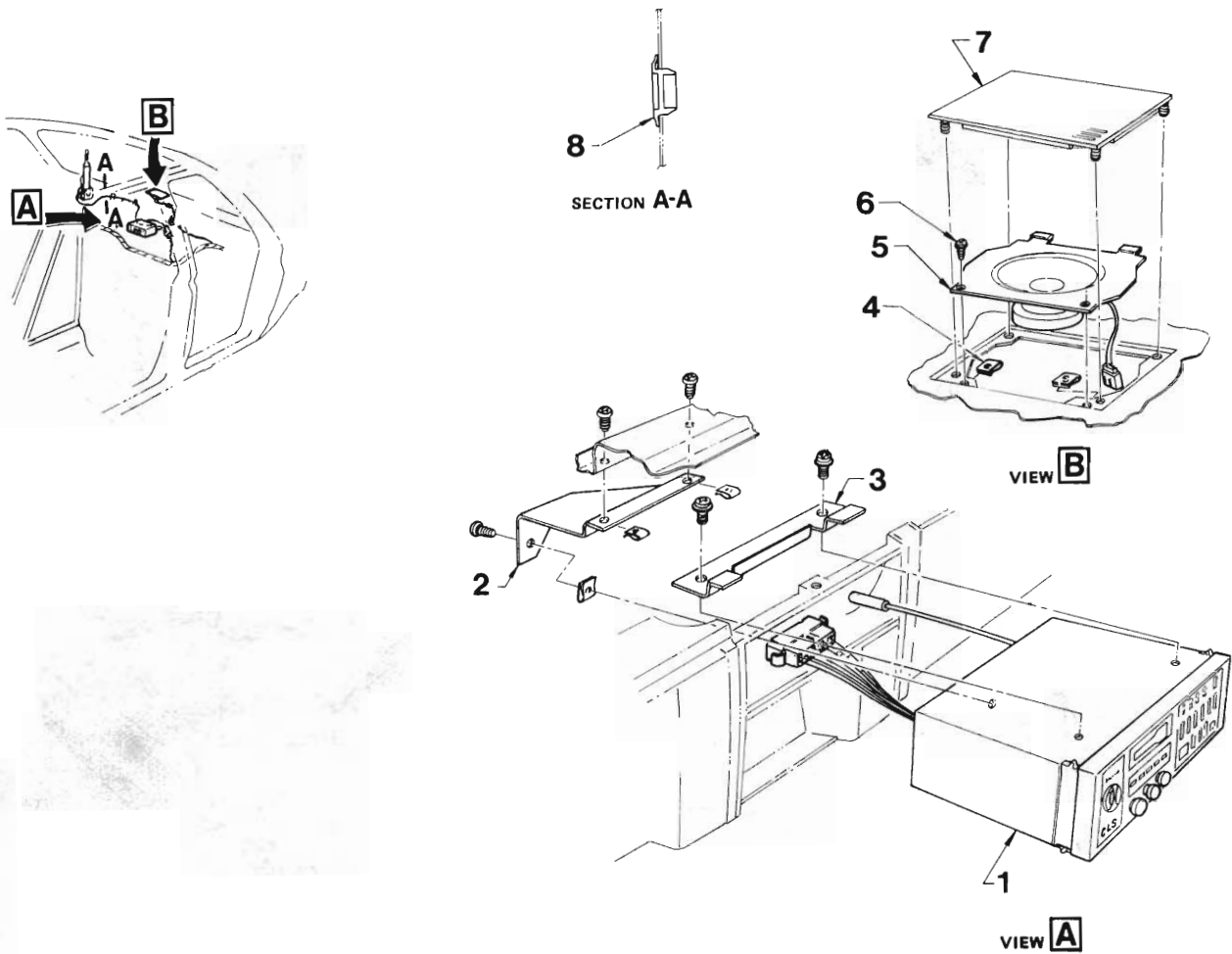
"V" SERIES PARTS CATALOGUE



RADIO FRONT SPEAKER & ANTENNA

8VK19 & 35
VK SERIES

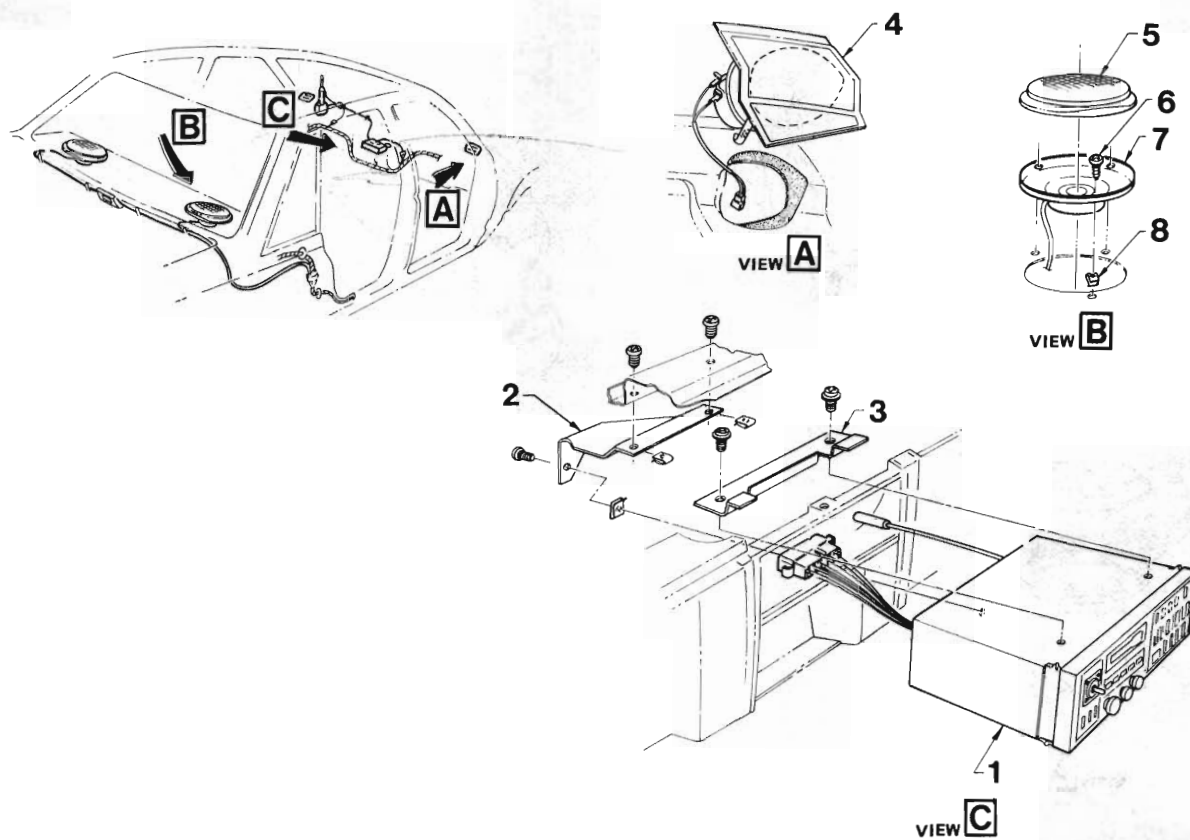
REF. NO.	PART NAME	GROUP
1	RADIO PACKAGE - AM/FM Electronic tune	9.650
2	BRACKET - Radio support rear	9.667
3	BRACKET - Radio mounting.....	9.667
4	NUT - Speaker mounting.....	9.650
5	SPEAKER PACKAGE - Front.....	9.650
6	SCREW - Speaker mounting.....	9.650
7	GRILLE - Front speaker	9.650
8	PLUG - Antenna hole (Taxi Equipment).....	9.647
9	ANTENNA & LEAD IN ASM. - Lock down.....	9.645
10	BEZEL & SEAL ASM.	9.647
11	PLUG - 16mm - Antenna lead hole (Taxi Equipment).....	9.647



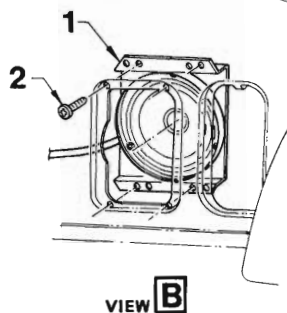
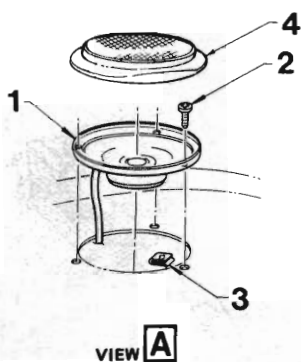
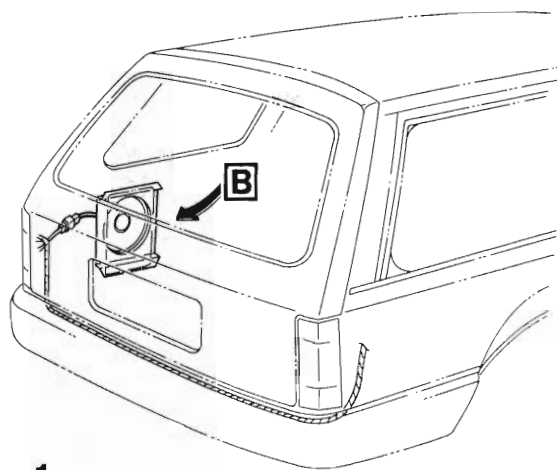
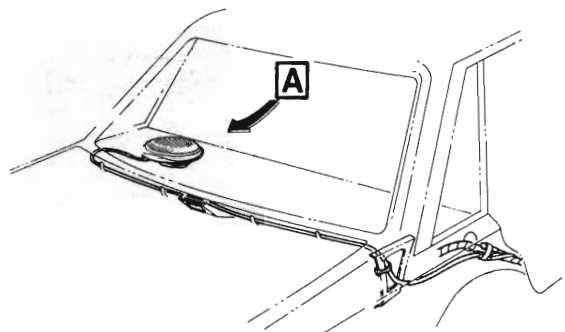
RADIO/STEREO CASSETTE PLAYER

**8VL19 & 35
VK SERIES**

REF. NO.	PART NAME	GROUP
1	RADIO/STEREO CASSETTE PLAYER	9.650
2	BRACKET - Radio support rear.....	9.667
3	BRACKET - Radio mounting	9.667
4	NUT - Speaker mounting	9.650
5	SPEAKER PACKAGE - Front.....	9.650
6	SCREW - Speaker mounting.....	9.650
7	GRILLE - Front speaker.....	9.650
8	PLUG - 16mm - Antenna lead hole (Taxi Equipment)	9.647


RADIO FRONT SPEAKER & ANTENNA
**8VX19
VK SERIES**

REF. NO.	PART NAME	GROUP
1	RADIO/STEREO CASSETTE PLAYER.....	9.650
2	BRACKET - Radio support rear	9.667
3	BRACKET - Radio mounting.....	9.667
4	SPEAKER & LEAD ASM.....	9.650
5	GRILLE - Rear speaker	9.665
6	SCREW - Speaker mounting.....	9.665
7	SPEAKER PACKAGE - Rear	9.665
8	NUT - Speaker mounting.....	9.665

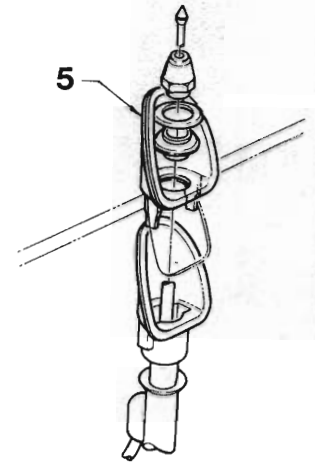
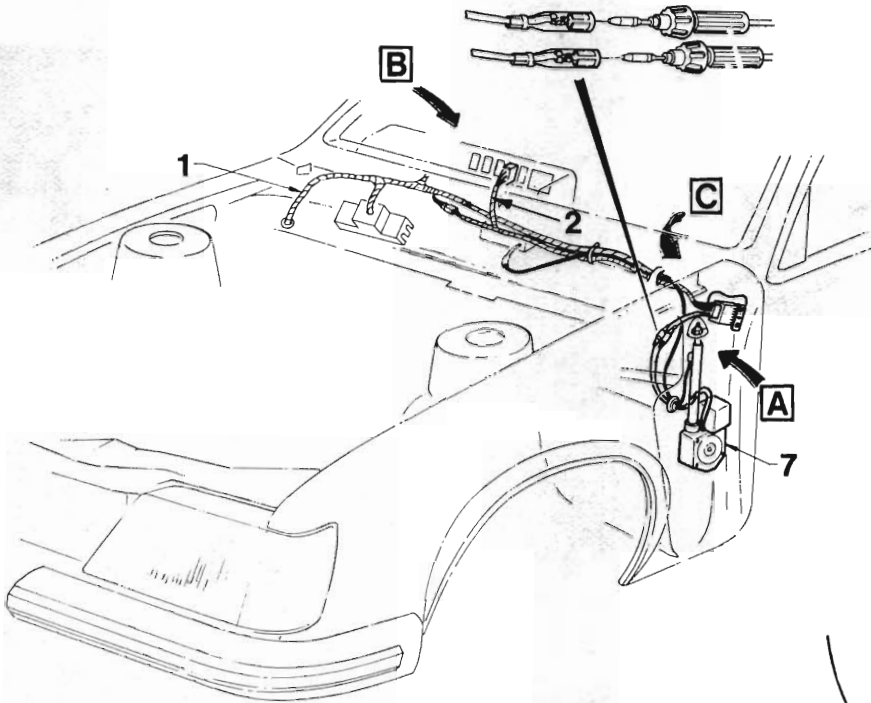


SPEAKERS - REAR
8VK19 & 35, 8VL19 & 35
VK SERIES

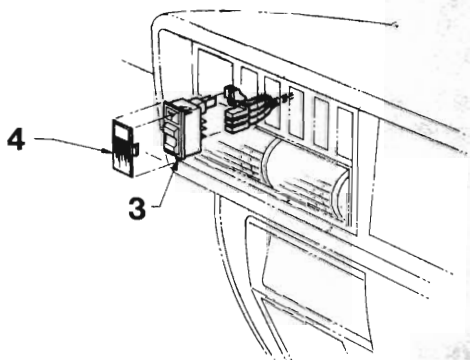
REF. NO.	PART NAME	GROUP
1	SPEAKER PACKAGE - Rear	9.665
2	SCREW - Speaker mounting.....	9.665
3	NUT - Speaker mounting.....	9.665
4	GRILLE - Rear speaker	9.665



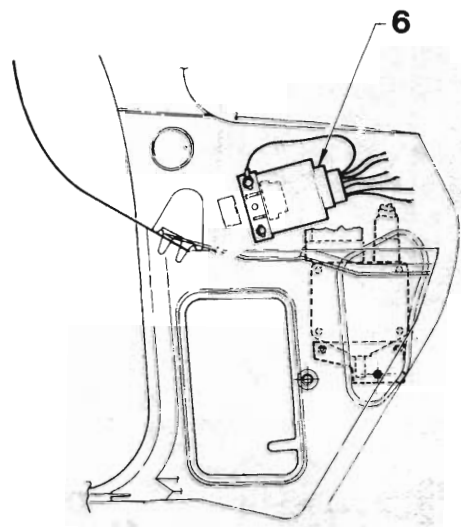
"V" SERIES PARTS CATALOGUE



VIEW A



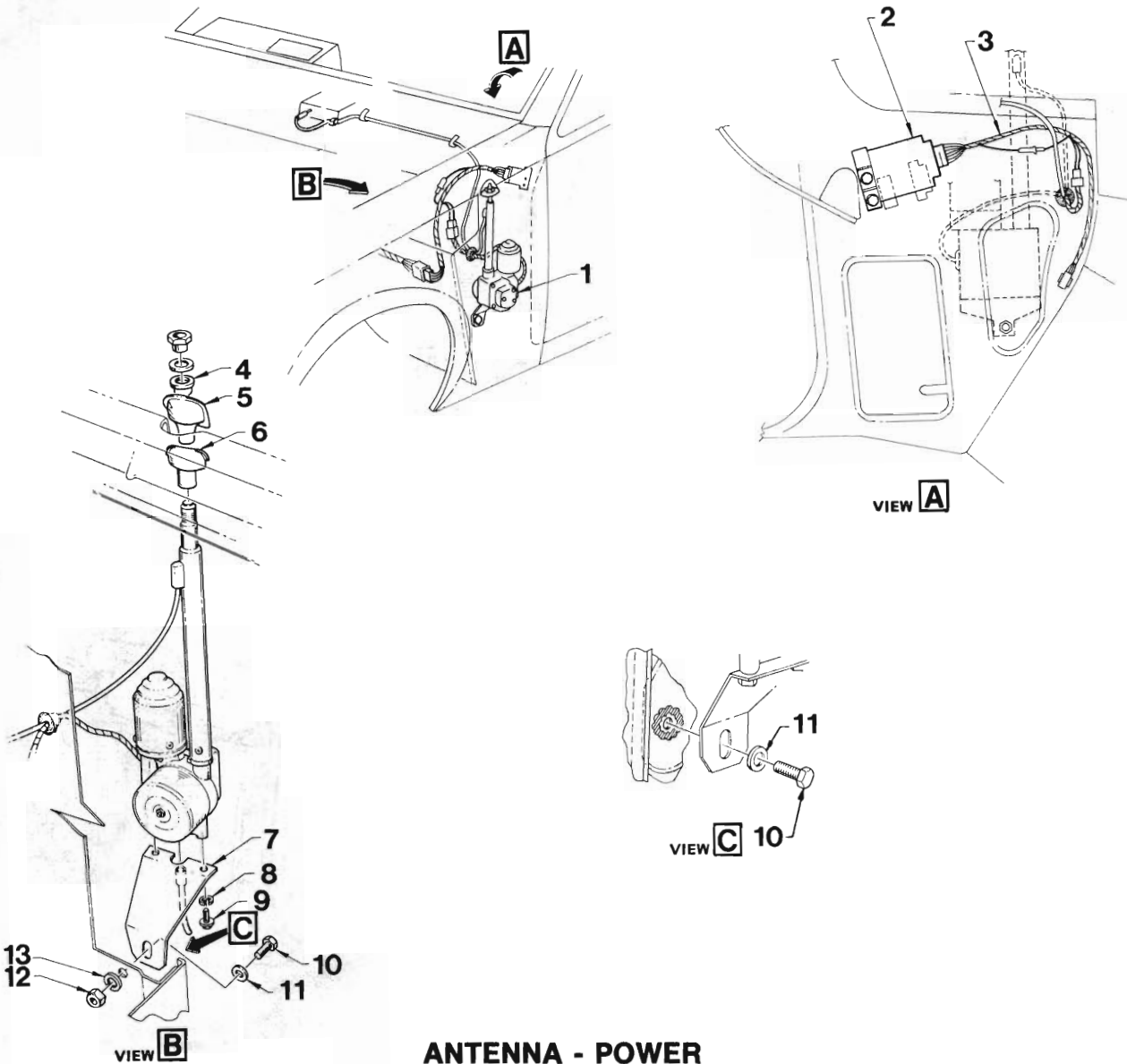
VIEW B



VIEW C

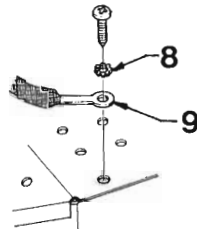
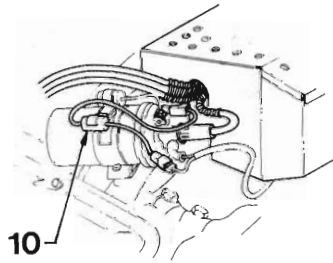
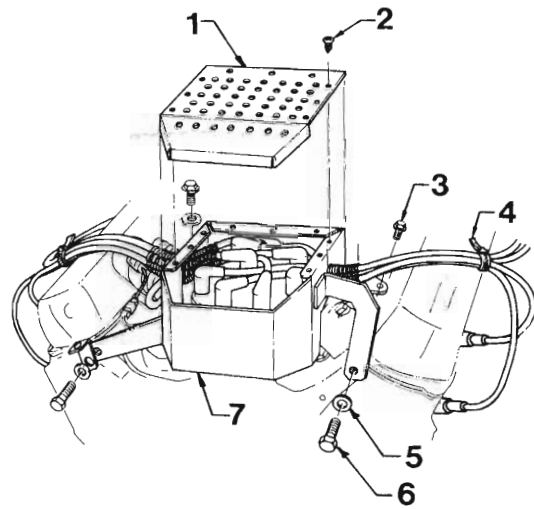
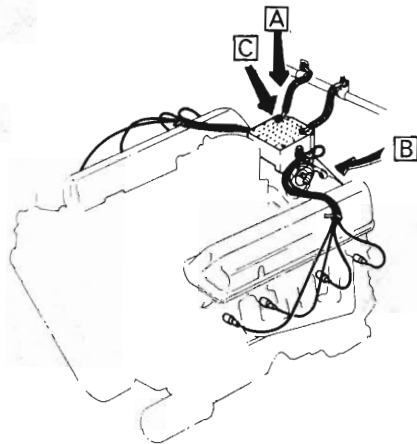
ANTENNA - POWER VB, VC, VH SERIES

REF. NO.	PART NAME	GROUP
1	HARNES - Main wiring.....	2.480
2	HARNES ASM. - Power antenna.....	9.647
3	SWITCH - Power antenna.....	9.647
4	COVER - Switch hole closing.....	9.647
5	BEZEL & SEAL ASM. - Power antenna.....	9.647
6	MODULE - Electronic.....	9.647
7	POWER ANTENNA ASM.....	9.645



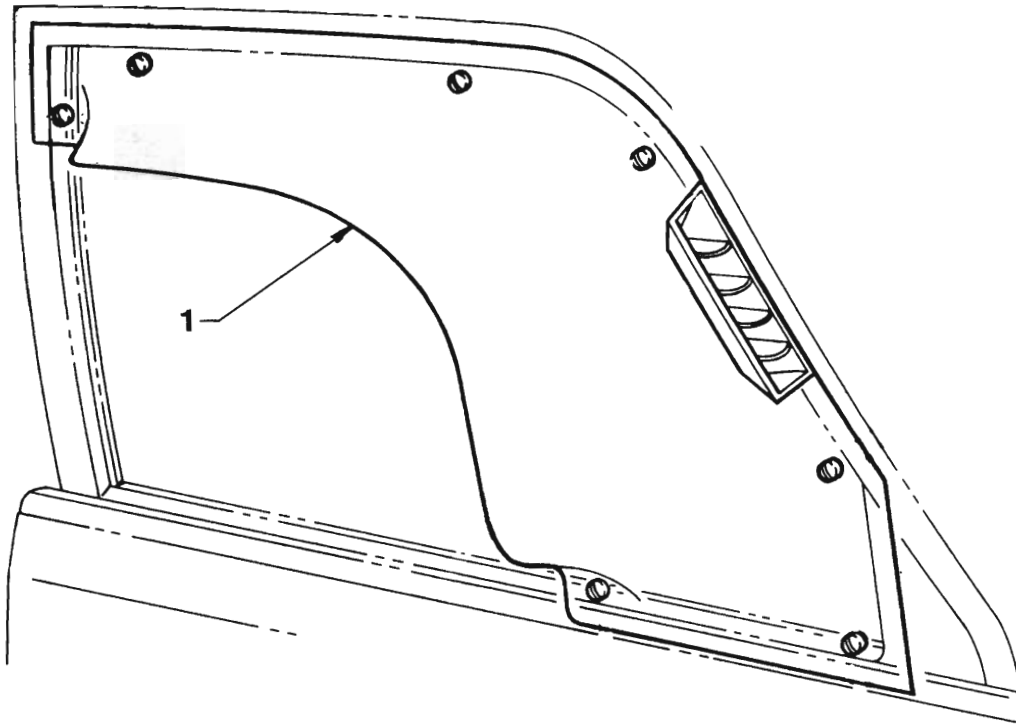
**ANTENNA - POWER
VK SERIES**

REF. NO.	PART NAME	GROUP
1	ANTENNA PACKAGE - Power	9.645
2	MODULE - Electronic	9.647
3	HARNESS ASM. - Power antenna	9.647
4	INSULATOR	9.647
5	BEZEL & SEAL ASM.	9.647
6	BASE - Bezel mount	9.647
7	BRACE - Antenna mounting	9.647
8	WASHER - Antenna to brace	9.647
9	SCREW - Antenna to brace	9.647
10	BOLT - Brace to fender skirt	9.647
11	WASHER - Brace to fender skirt - Flat	9.647
12	NUT - Brace to fender skirt	9.647
13	WASHER - Brace to fender skirt - Lock	9.647



**RADIO INTERFERENCE SUPPRESSION SHIELD
8 CYLINDER ENGINE**

REF. NO.	PART NAME	GROUP
1	COVER - Distributor shield.....	9.663
2	SCREW - Cover to shield.....	9.663
3	BOLT - Valve rocker cover.....	0.413T
4	STRAP - Spark plug lead retaining.....	2.251
5	WASHER - Shield asm. to cylinder head.....	9.663
6	BOLT - Shield asm. to cylinder head.....	9.663
7	SHIELD ASM. - Distributor.....	9.663
8	WASHER - Earth strap to cover.....	9.663
9	STRAP - Earth.....	9.663
10	CAPACITOR -Ignition coil.....	9.663

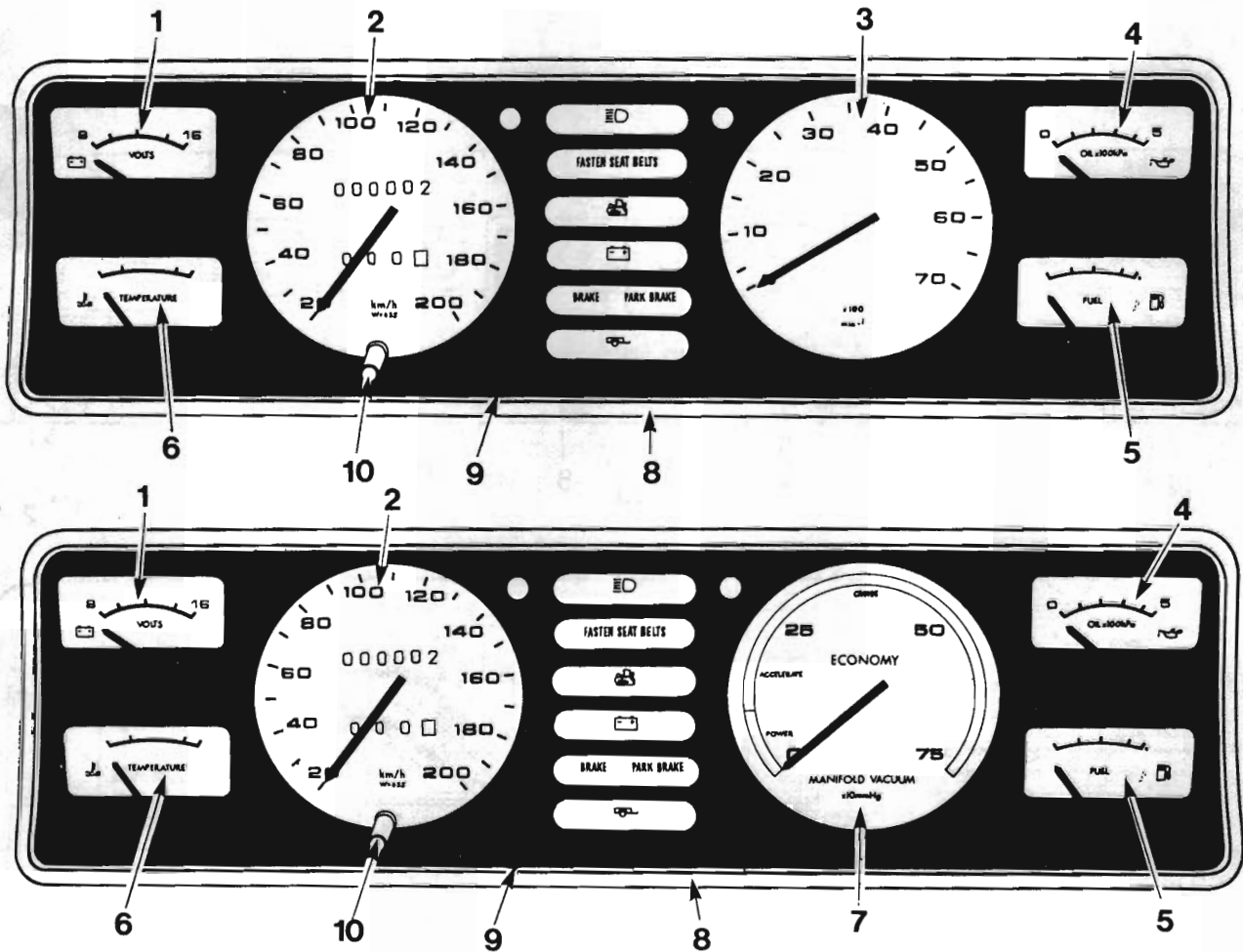


WEATHERSHIELD

REF. NO.	PART NAME	GROUP
1	WEATHERSHIELD ASM.....	9.694

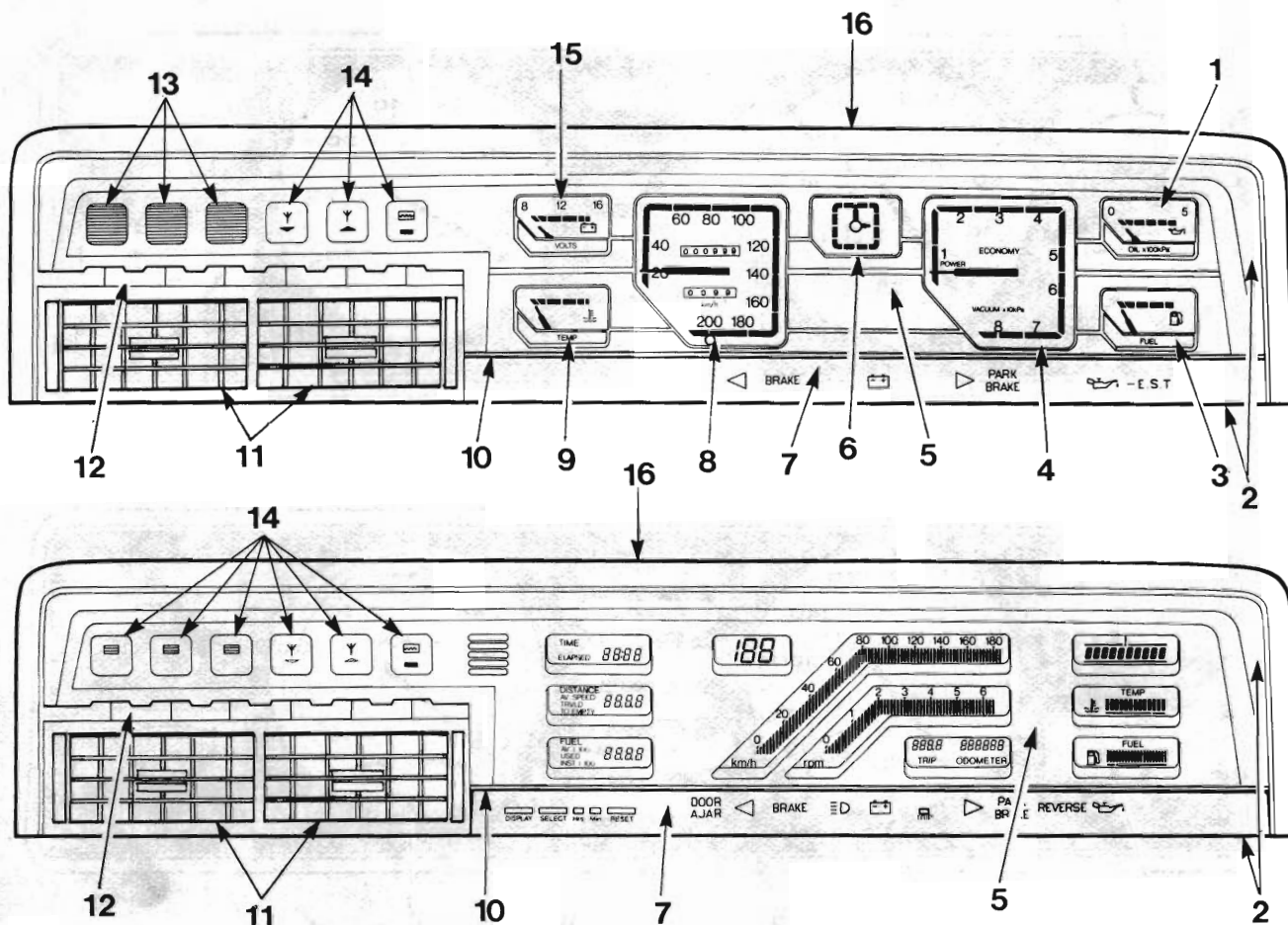


"V" SERIES PARTS CATALOGUE



COMBINED INSTRUMENT VB, VC, VH SERIES

REF. NO.	PART NAME	GROUP
1-10	COMBINED INSTRUMENT ASM.....	9.735
1	GAUGE ASM. - Voltmeter.....	2.515
2	SPEEDOMETER & TRIP METER ASM.....	9.761
3	GAUGE ASM. - Tachometer.....	9.750
4	GAUGE ASM. - Oil.....	1.803
5	GAUGE ASM. - Fuel.....	3.108
6	GAUGE ASM. - Temperature.....	1.148
7	GAUGE ASM. - Vacuum.....	9.755
8	CASE - Instrument support.....	9.743
9	MASK & LENS - Instrument cluster.....	9.748
10	KNOB - Speedometer reset.....	9.761



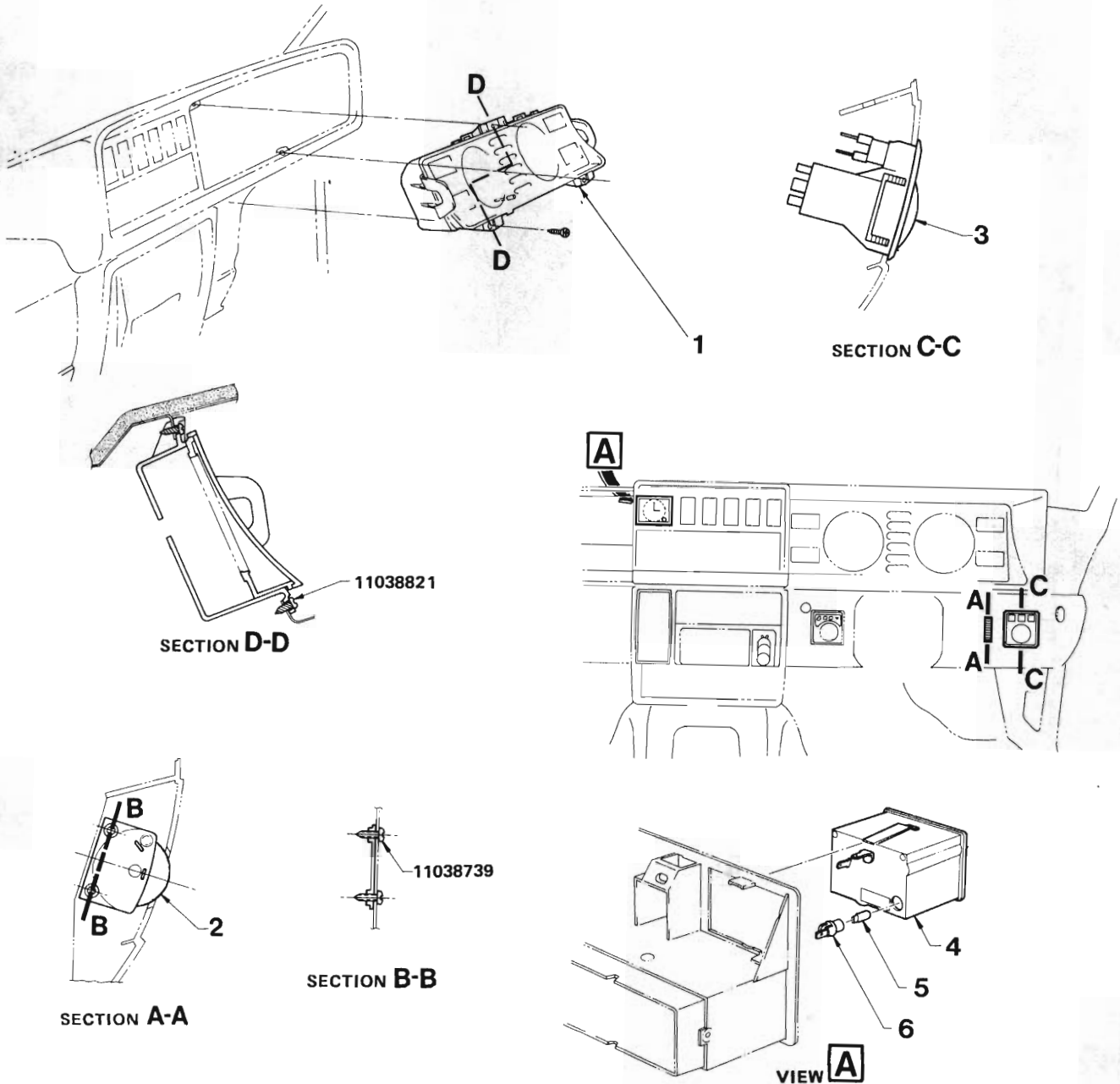
**COMBINED INSTRUMENT
VK SERIES**

REF. NO.	PART NAME	GROUP
1-16	COMBINED INSTRUMENT ASM.....	9.735
1	GAUGE ASM. - Oil.....	1.803
2	FRAME ASM. - Instrument cluster surround & centre nozzle.....	9.743
3	GAUGE ASM. - Fuel.....	3.108
4	GAUGE ASM. - Vacuum.....	9.755
5	LENS/FACIA - Instrument cluster.....	9.748
6	CLOCK ASM.....	9.772
7	LENS & MASK - Instrument frame warning lamps.....	9.765
8	SPEEDOMETER & TRIP METER ASM.....	9.761
9	GAUGE ASM. - Temperature.....	1.148
10	LENS & HOOD - Instrument cluster frame - Lower.....	9.748
11(A)	INSERT - Centre nozzle.....	N.S.S.
12	SWITCH - Instrument - Touch control.....	9.743
13	COVER - Instrument cluster switch indicator lens.....	9.748
14	LENS - Instrument cluster switch indicator.....	9.748
15	GAUGE ASM. - Voltmeter.....	2.515
16	SURROUND - Instrument cluster.....	9.743

NOTE:- (A Part of FRAME ASM. - Instrument cluster surround & centre nozzle. Refer Group 9.743

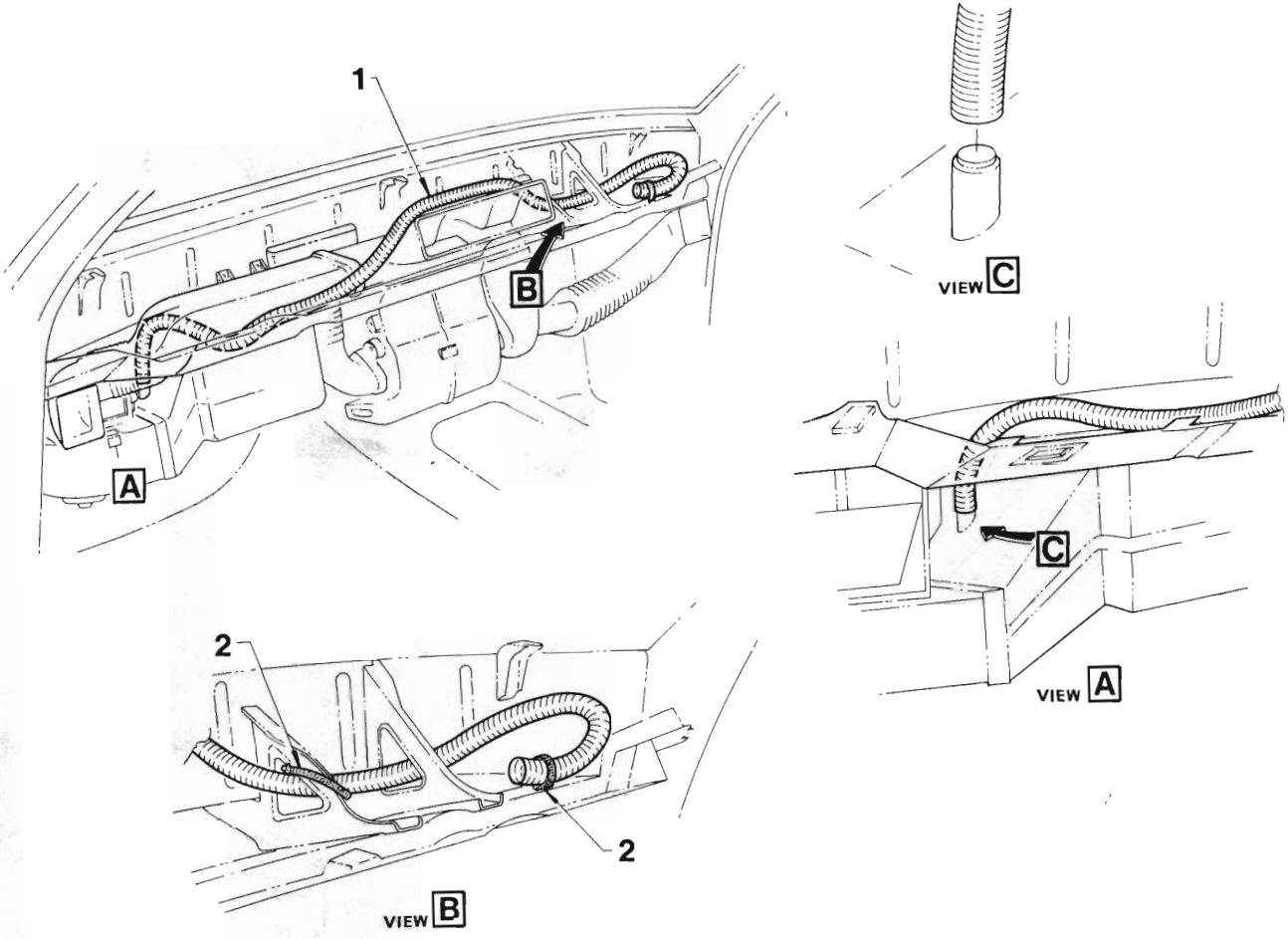


"V" SERIES PARTS CATALOGUE



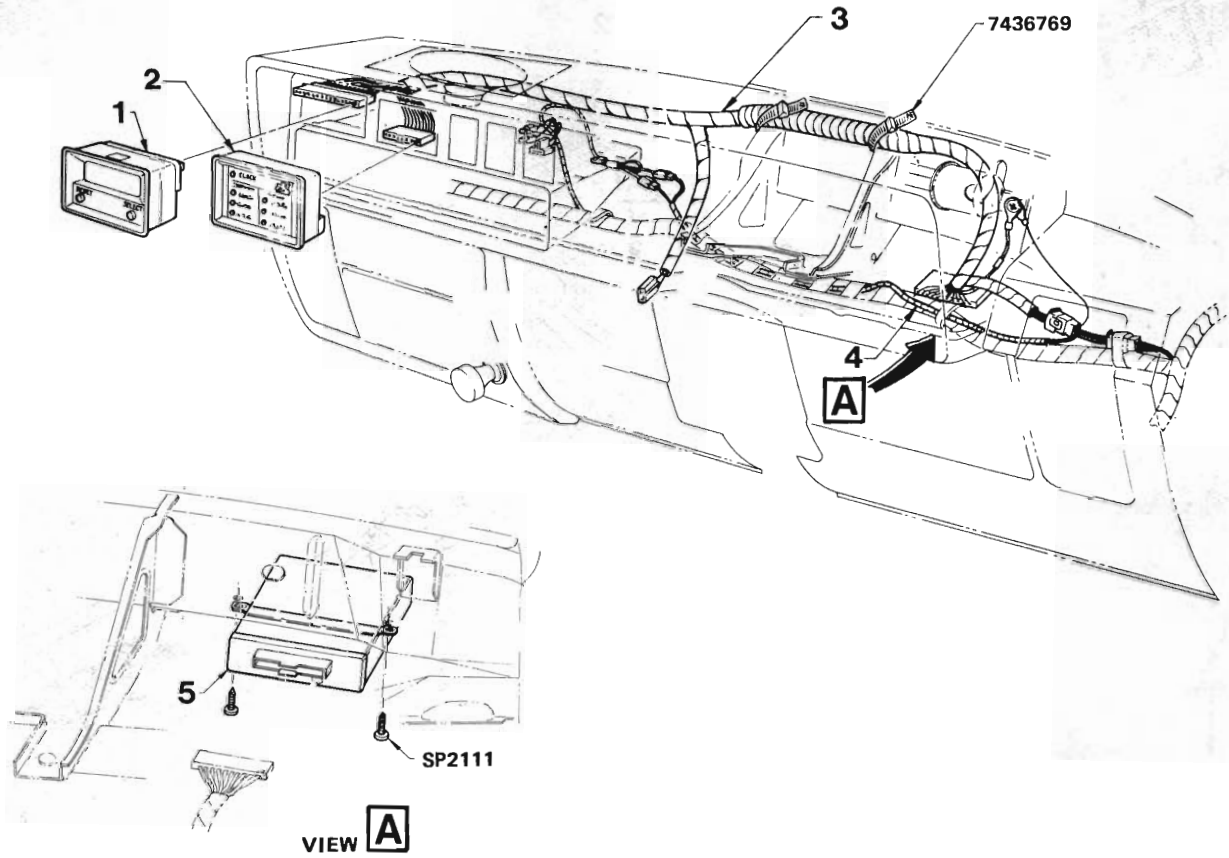
INSTRUMENTS VB, VC, VH SERIES

REF. NO.	PART NAME	GROUP
1	COMBINED INSTRUMENT ASM.....	9.735
2	SWITCH ASM. - Dimmer control, instrument lights.....	2.485
3	SWITCH ASM. - Lighting	2.485
4	CLOCK ASM.....	9.772
5	BULB - Clock.....	9.772
6	SOCKET - Clock illumination	9.772



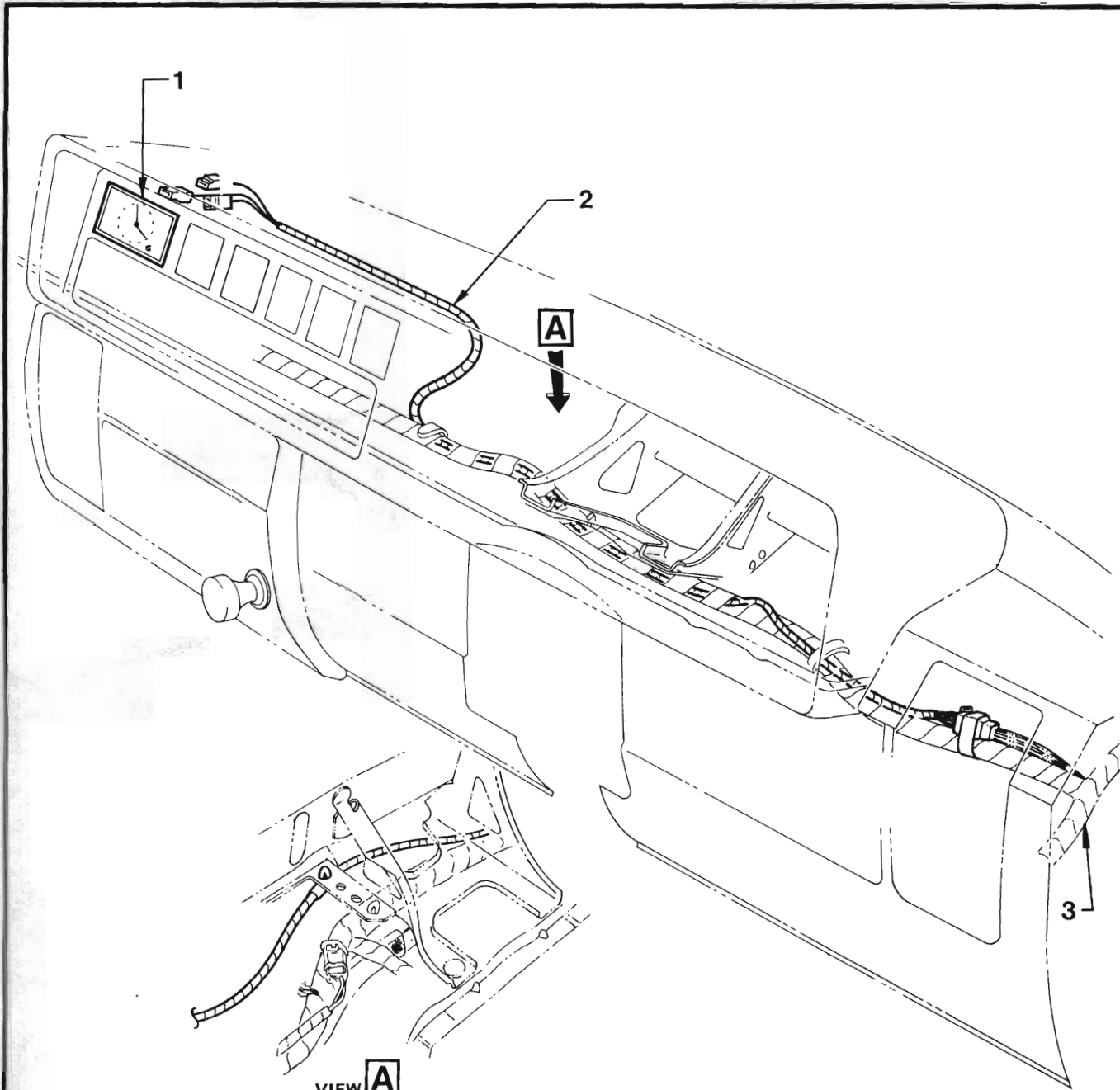
**COOLING HOSE - ELECTRONIC INSTRUMENT
VK SERIES**

REF. NO.	PART NAME	GROUP
1	HOSE - Instrument cooling	9.761
2	STRAP - Hose retaining	9.761



MODULE & HARNESS
TRIP COMPUTER
8VL & 8VX MODEL CODE
VH SERIES

REF. NO.	PART NAME	GROUP
1	MODULE ASM. - Display.....	9.763
2	MODULE ASM. - Function select	9.763
3	HARNESS - Trip computer.....	9.763
4	HARNESS - Computer to main wiring harness....	9.763
5	MODULE ASM. - Control.....	9.763

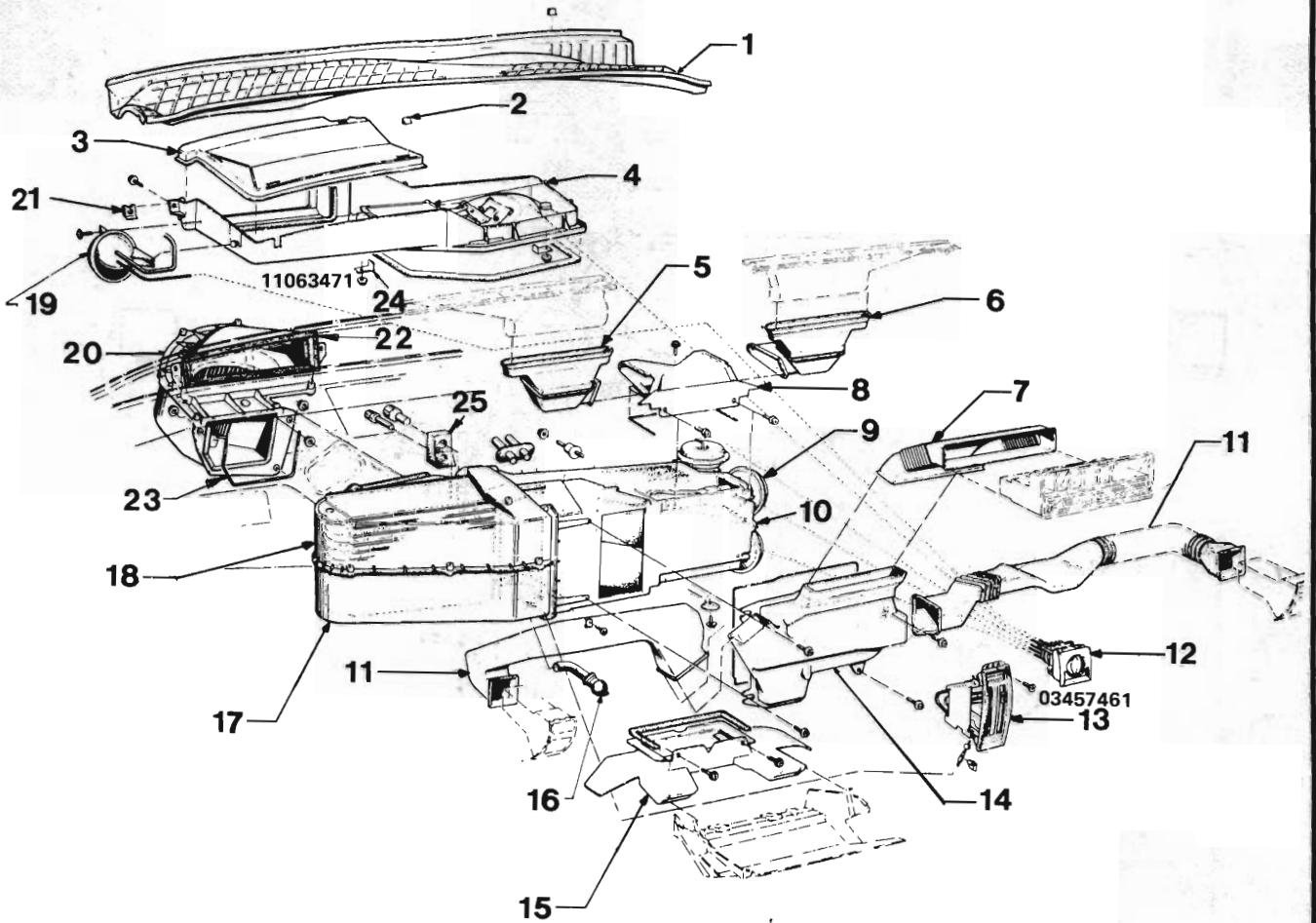


CLOCK & HARNESS
EXC. TRIP COMPUTER
8VX MODEL CODE
VH SERIES

REF. NO.	PART NAME	GROUP
1	CLOCK ASM.....	9.772
2	HARNESS ASM. - Clock to main wiring harness	9.772
3	HARNESS ASM. - Main wiring.....	2.480



"V" SERIES PARTS CATALOGUE

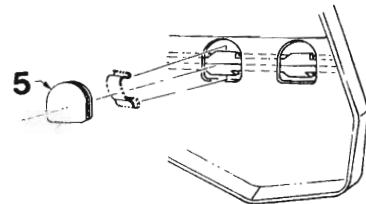
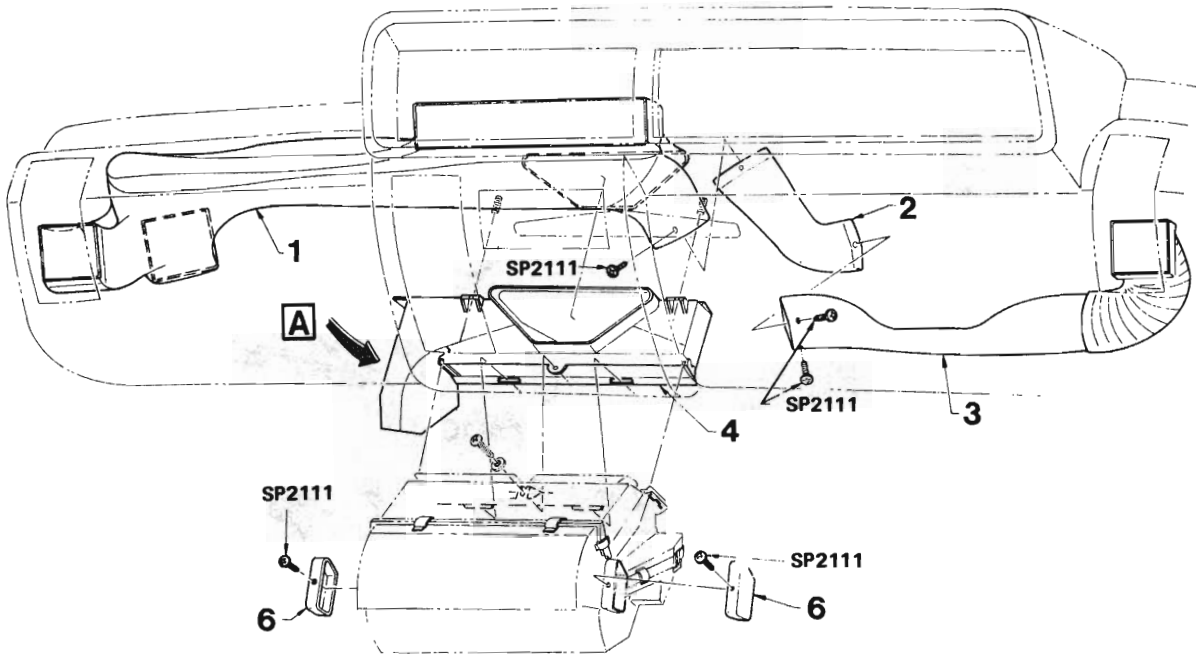


AIR CONDITIONER & HEATER

**HARRISON
VB, VC SERIES**

REF. NO.	PART NAME	GROUP	REF. NO.	PART NAME	GROUP
1	DEFLECTOR - Plenum chamber.....	12.800	15	DUCT ASM. - Lower.....	9.262
2	CLAMP - Cover to air inlet housing.....	9.786	16	HOSE - Water drain.....	9.211
3	COVER - Air inlet housing.....	9.786	17(A)	CASE - Lower.....	9.211
4	HOUSING, DOOR & ACTUATOR ASM. - Air inlet.....	9.786	18(A)	CASE & STUD ASM. - Upper.....	9.211
5	HOSE - Nozzle demist, LH.....	9.779	19	TANK ASM. - Vacuum.....	9.280
6	HOSE - Nozzle demist, RH.....	9.779	20	BLOWER & AIR INLET ASM.....	8.857
7	HOSE - Nozzle centre outlet.....	9.262	21	SHACKLE - Air inlet housing to dash panel.....	9.786
8	DUCT - Demist nozzle, Upper.....	9.779	22	GASKET - Blower to evaporator case.....	8.857
9(A)	ACTUATOR - Vacuum.....	9.281	23	GASKET - Blower mounting.....	8.857
10(A)	CASE ASM. - Heater.....	8.854	24	SHACKLE - Housing to dash panel.....	9.786
11	HOSE - Air outlet.....	9.260	25	SEAL - Evaporator core tubes.....	9.211
12	SWITCH ASM. - Rotary.....	9.275			
13	CONTROL ASM.....	8.849			
14	HOUSING - Air distribution.....	9.262			

NOTE:- (A - Part of Evaporator & Heater Asm. Refer Group 8.854/9.210)

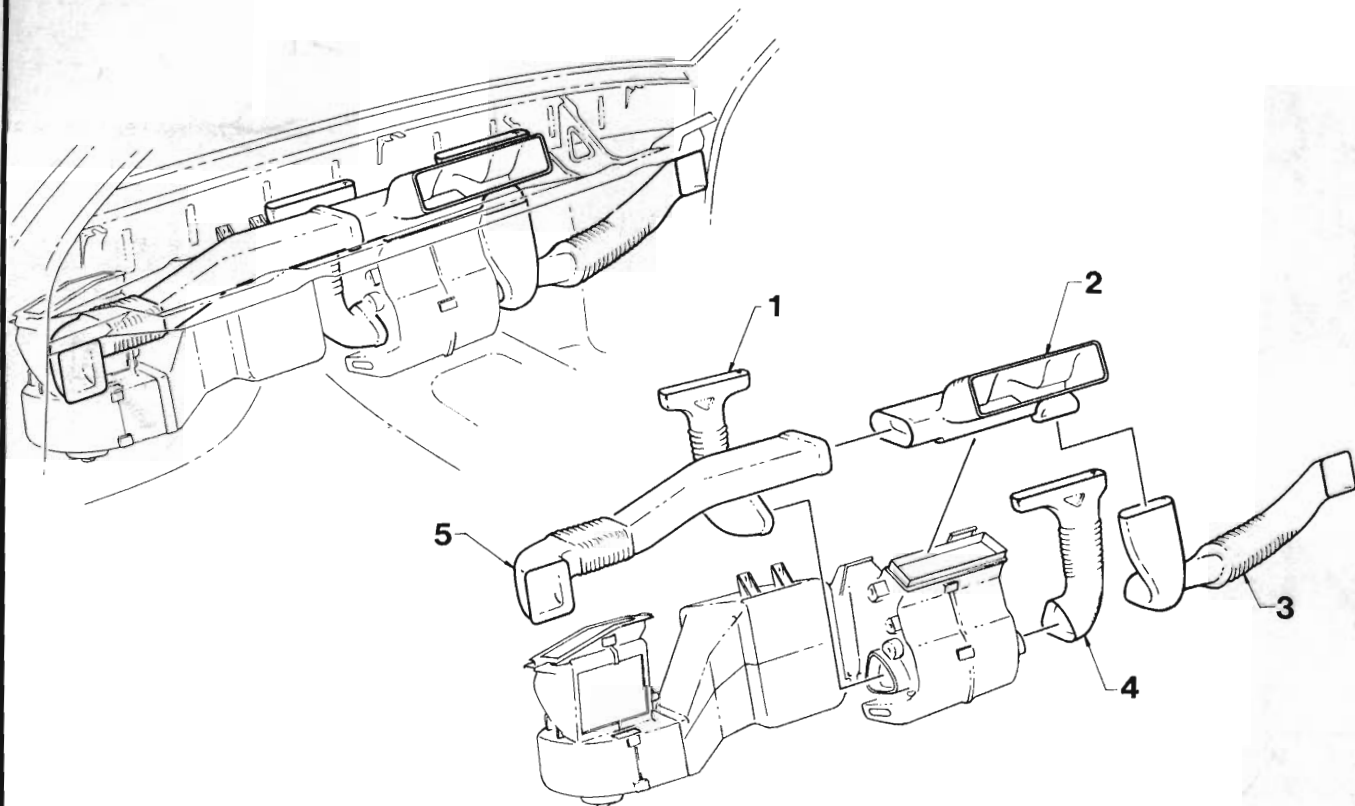


VIEW **A**

DUCTING

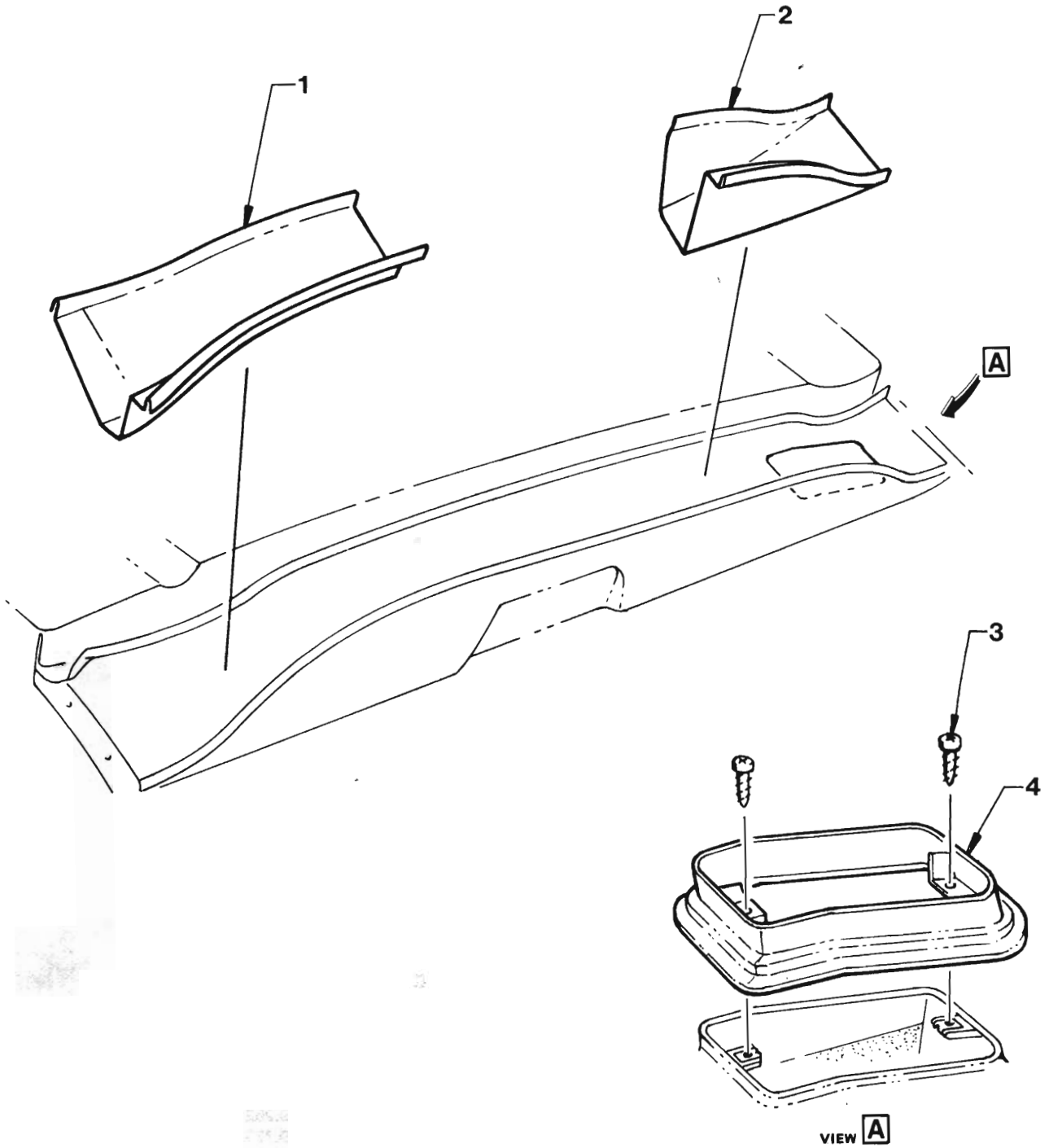
**AIR INTERNATIONAL AIR CONDITIONER
VB, VC, VH SERIES**

REF. NO.	PART NAME	GROUP
1	DUCT - Air distribution, Centre.....	9.262
2	DUCT - Air outlet, Inner RH.....	9.262
3	DUCT - Air outlet, Outer RH.....	9.262
4	HOUSING - Air inlet.....	9.786
5	PLUG - Air inlet housing.....	9.786
6	CAP - Heater outlet.....	8.854



**DUCTING
AIR CONDITIONING
VK, SERIES**

REF. NO.	PART NAME	GROUP
1	DUCT ASM. - Demist - LH.....	9.779
2	DUCT - Centre	9.262
3	DUCT - Air outlet - RH.....	9.262
4	DUCT ASM. - Demist - RH.....	9.779
5	DUCT - Air outlet - LH.....	9.262

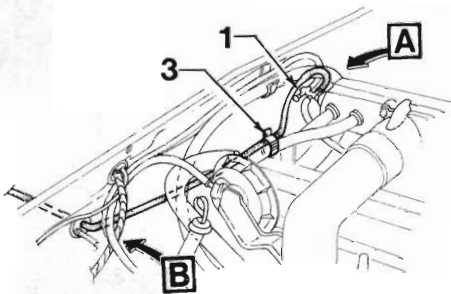


PLENUM CHAMBER DEFLECTOR
AIR CONDITIONING
VK SERIES

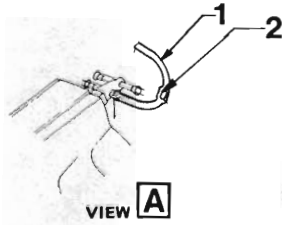
REF. NO.	PART NAME	GROUP
1	DEFLECTOR - Water	12.800
2	DEFLECTOR - Air.....	12.800
3	SCREW - Housing to heater blower housing.....	9.786
4	HOUSING & SEAL ASM. - Air inlet.....	9.786



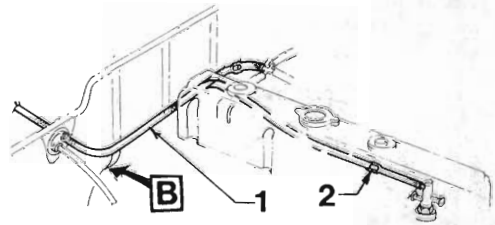
"V" SERIES PARTS CATALOGUE



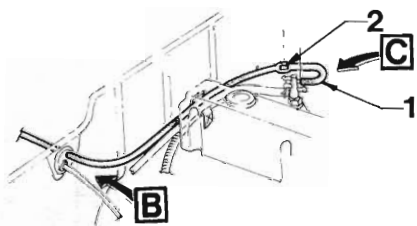
6 CYLINDER ENGINE WITH E.F.I.



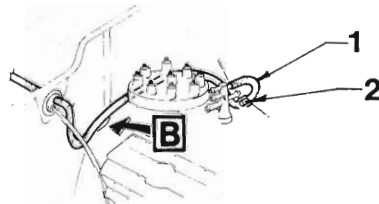
VIEW A



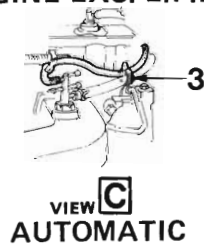
4 CYLINDER ENGINE



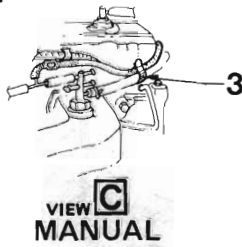
6 CYLINDER ENGINE EXC. E.F.I.



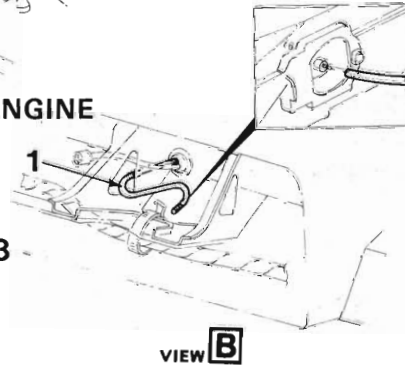
8 CYLINDER ENGINE



VIEW C
AUTOMATIC



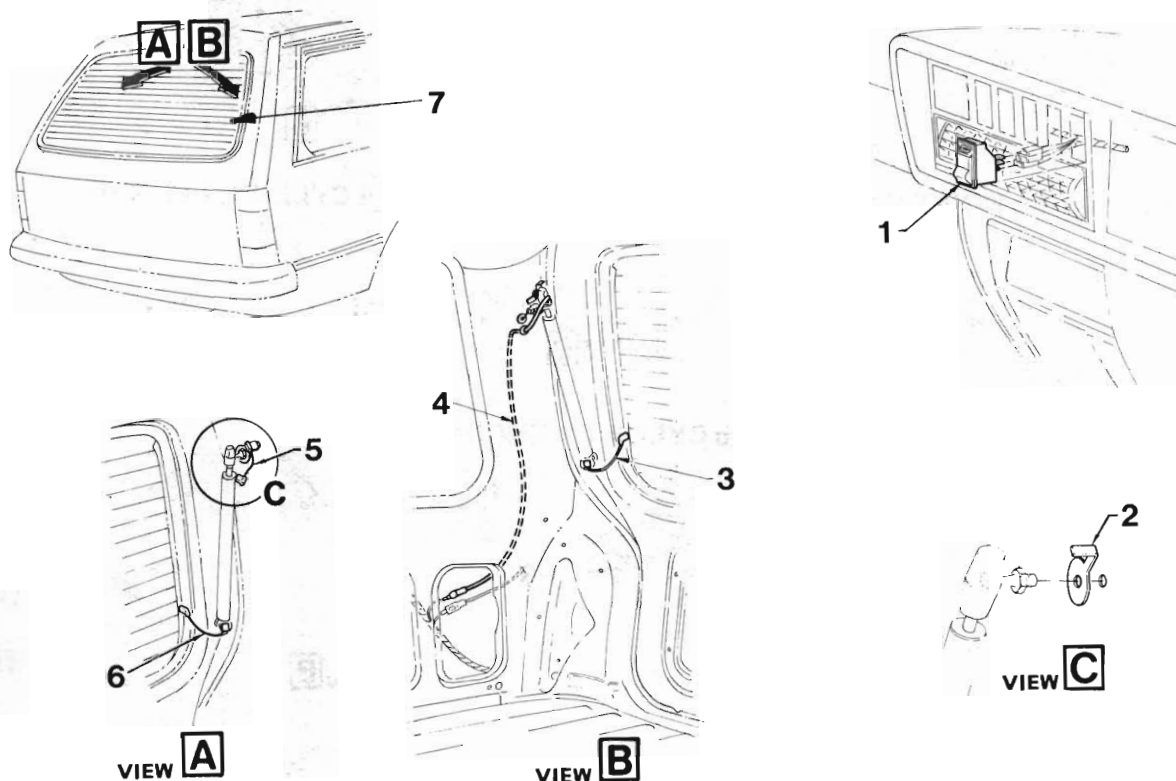
VIEW C
MANUAL



VIEW B

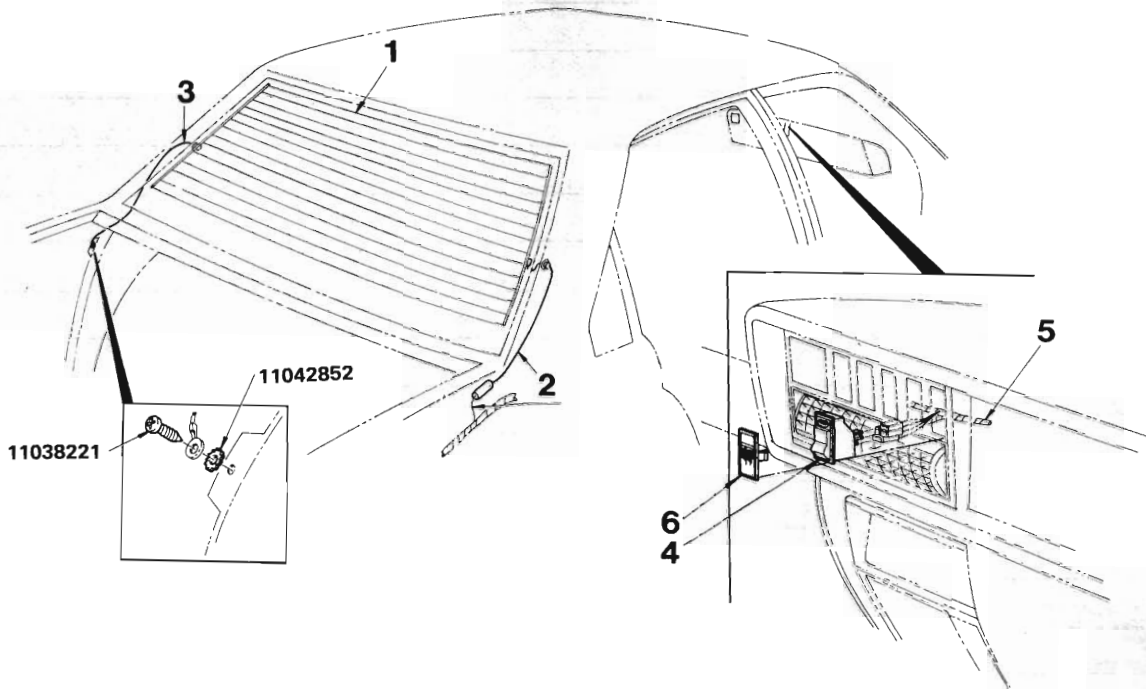
VACUUM ECONOMY GAUGE VK SERIES

REF. NO.	PART NAME	GROUP
1	HOSE - Engine to gauge.....	9.775
2	RESTRICTOR.....	9.775
3	STRAP - Hose retaining.....	9.775



**HEATED REAR WINDOW
STATION WAGON**

REF. NO.	PART NAME	GROUP
1	SWITCH ASM.....	9.778
2	TERMINAL - Earth lead.....	9.778
3	LEAD ASM. - Rear window.....	9.778
4	LEAD ASM. - Rear window extension.....	9.778
5	LEAD ASM. - Earth - Upper.....	9.778
6	LEAD ASM. - Earth - Lower.....	9.778
7	GLASS - End gate - Heated.....	11.204



**HEATED REAR WINDOW
SEDAN**

REF. NO.	PART NAME	GROUP
1	GLASS - Heated rear window	11.204
2	LEAD ASM. - Extension.....	9.778
3	LEAD ASM. - Earth	9.778
4	SWITCH ASM.....	9.778
5	HARNESS - Main wiring	2.480
6	COVER - Switch hole closing.....	9.778



GROUP

10.000

WINDSHIELD

WIPERS & WASHERS

MIRRORS

CONSOLES

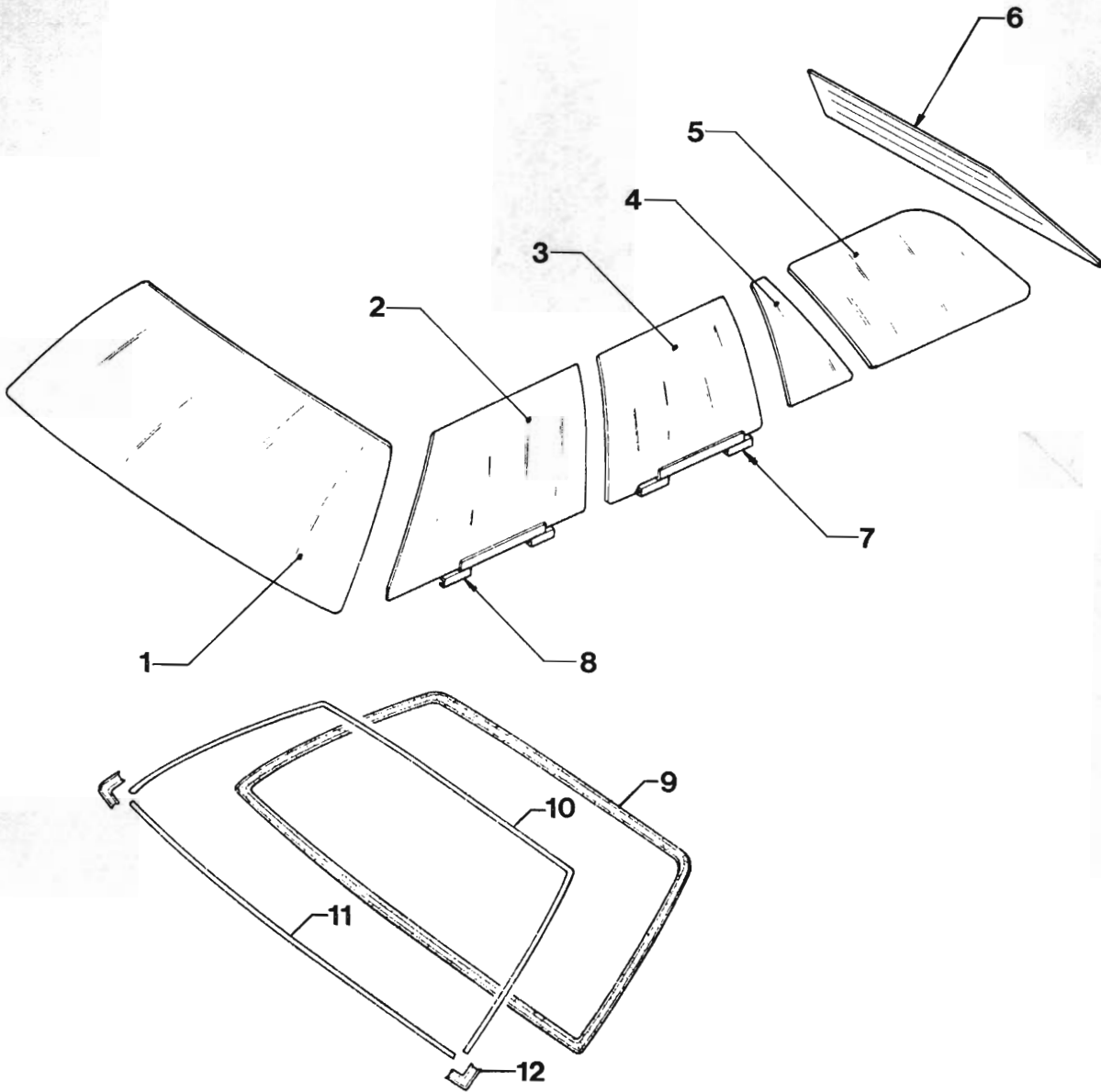
INSTRUMENT PANEL

HARDWARE

DOORS



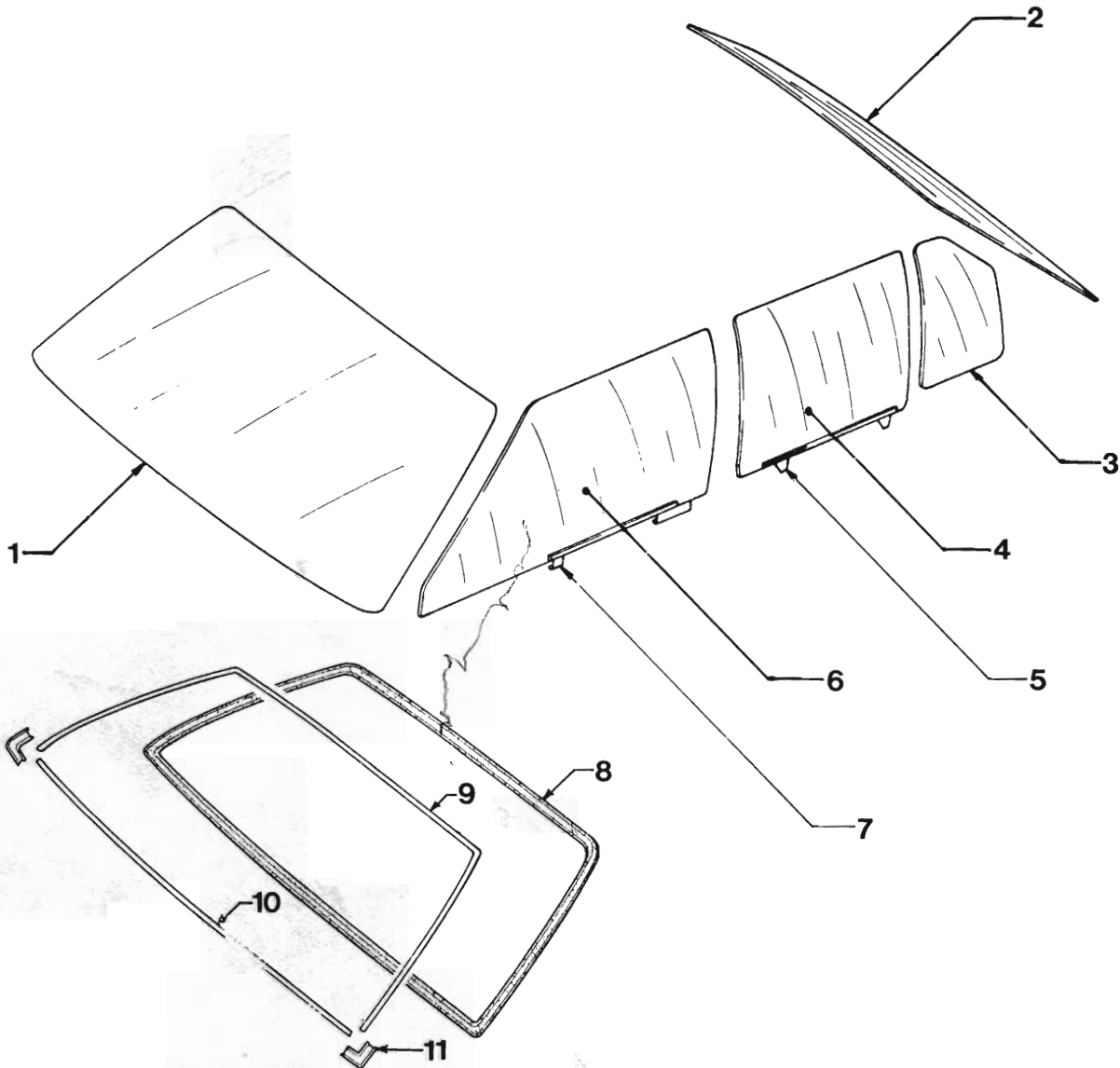
"V" SERIES PARTS CATALOGUE



GLASS & CHANNEL

35 BODY STYLES

REF. NO.	PART NAME	GROUP
1	GLASS - Windshield.....	10.027
2	GLASS - Front door.....	10.681
3	GLASS - Rear door.....	10.741
4	GLASS - Rear door rear.....	10.827
5	GLASS - Rear quarter window.....	11.011
6	GLASS - End gate.....	12.180
7	CHANNEL - Rear door glass lifter.....	10.747
8	CHANNEL - Front door glass lifter.....	10.685
9	CHANNEL - Windshield glass.....	10.092
10	INSERT - Upper windshield glass channel.....	10.093
11	INSERT - Lower windshield glass channel.....	10.093
12	ESCUTCHEON - Insert.....	10.093

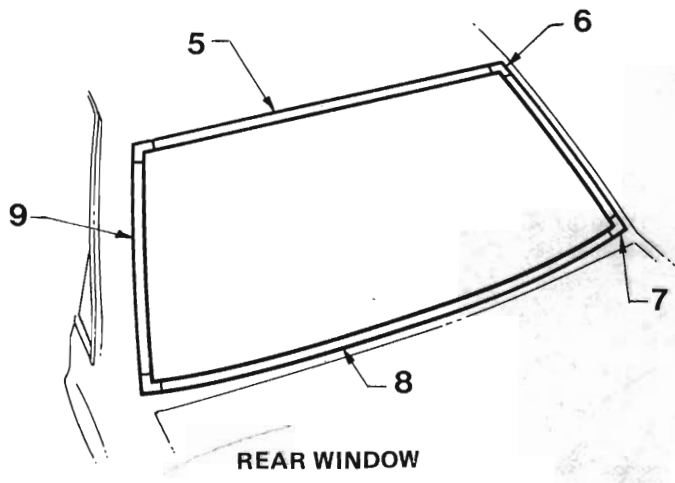
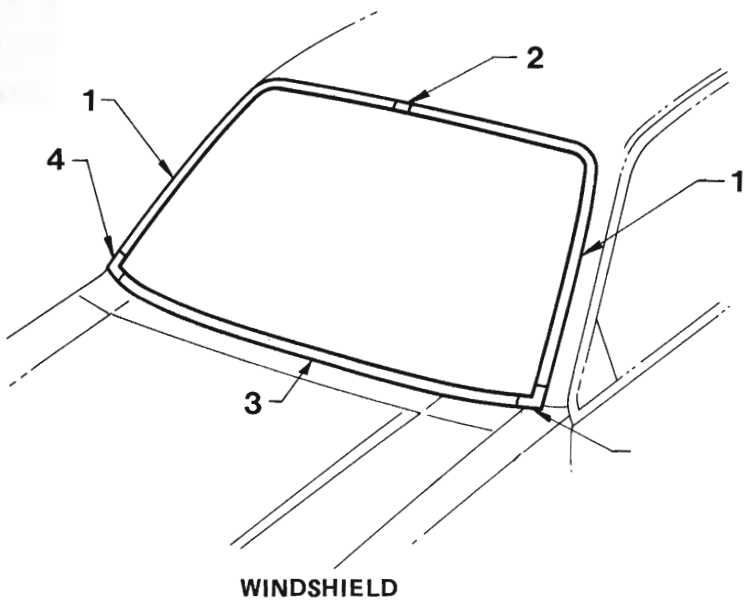


GLASS & CHANNEL
69 BODY STYLES

REF. NO.	PART NAME	GROUP
1	GLASS - Windshield.....	10.027
2	GLASS - Rear window.....	11.204
3	GLASS - Rear door rear.....	10.827
4	GLASS - Rear door.....	10.741
5	CHANNEL - Rear door glass lifter.....	10.747
6	GLASS - Front door.....	10.681
7	CHANNEL - Front door glass lifter.....	10.685
8	CHANNEL - Windshield glass.....	10.092
9	INSERT - Upper windshield glass channel.....	10.093
10	INSERT - Lower windshield glass channel.....	10.093
11	ESCUTCHEON - Insert.....	10.093



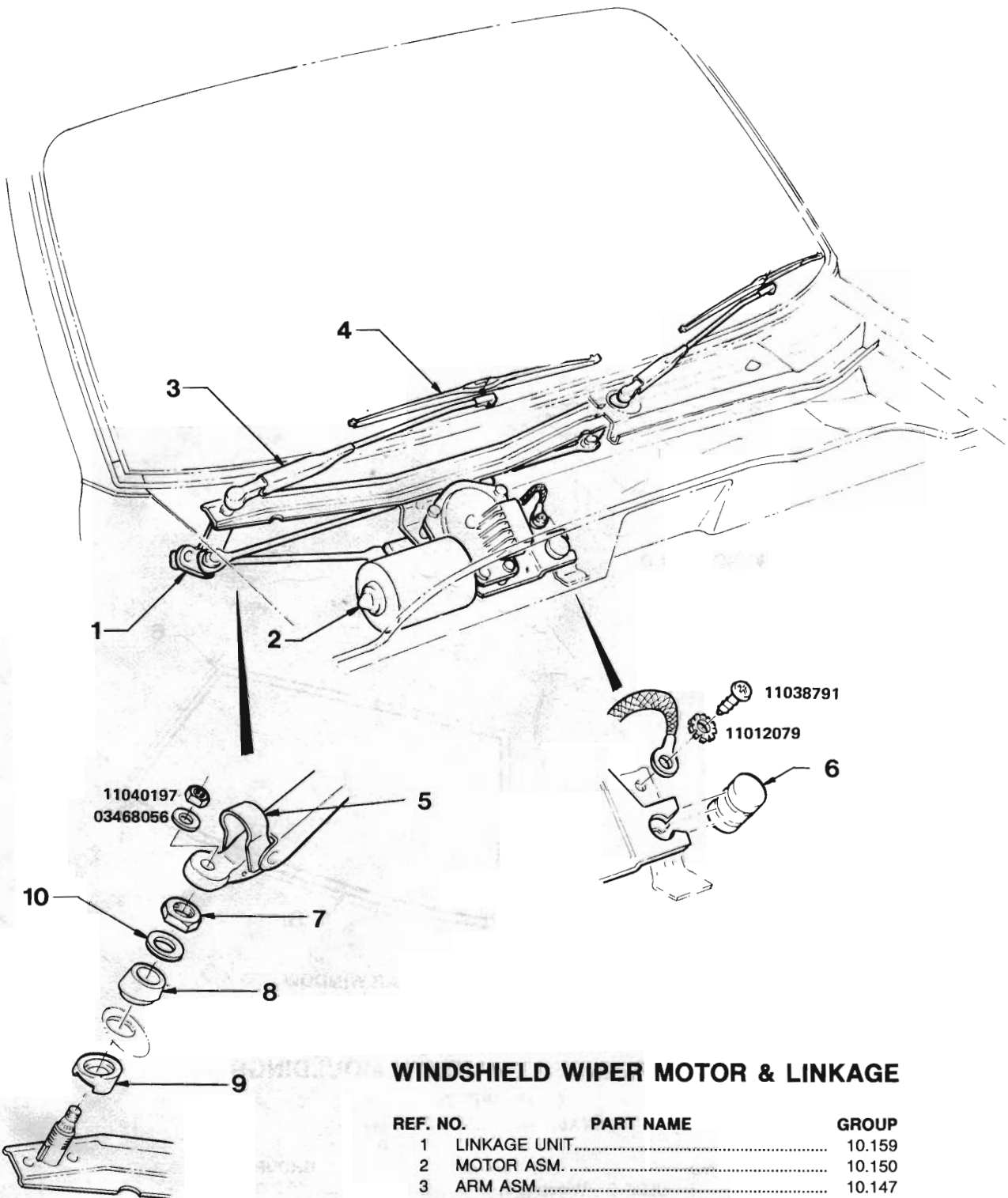
"V" SERIES PARTS CATALOGUE



WINDSHIELD & REAR WINDOW MOULDINGS

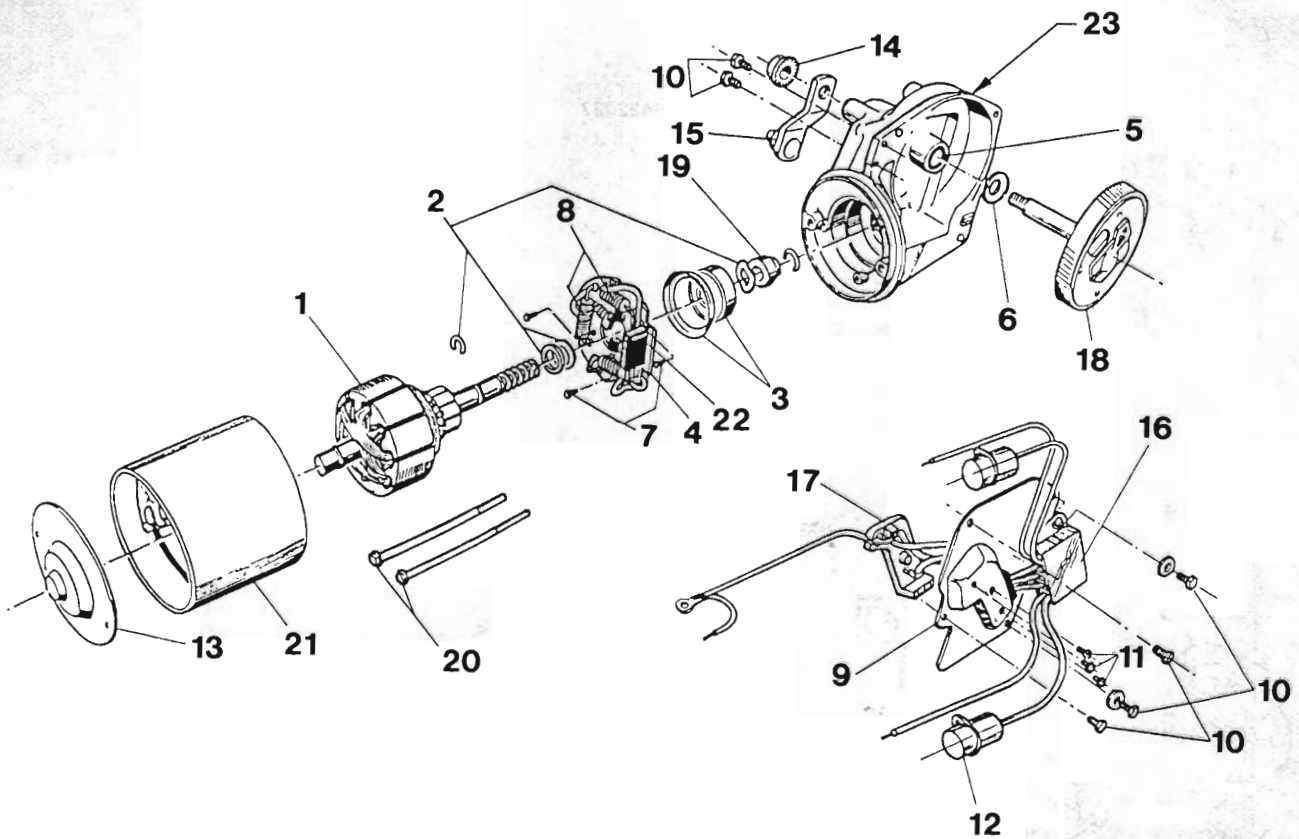
VC, VH SERIES
8VX69 MODEL CODE

REF. NO.	PART NAME	GROUP
1	MOULDING - Windshield.....	10.093
2	CLAMP - Moulding.....	10.093
3	MOULDING - Windshield lower.....	10.093
4	MOULDING - Windshield lower connecting.....	10.093
5	MOULDING - Upper reveal.....	11.208
6	MOULDING - Upper corner reveal.....	11.208
7	MOULDING - Lower corner reveal.....	11.208
8	MOULDING - Lower reveal.....	11.208
9	MOULDING - Side reveal.....	11.208



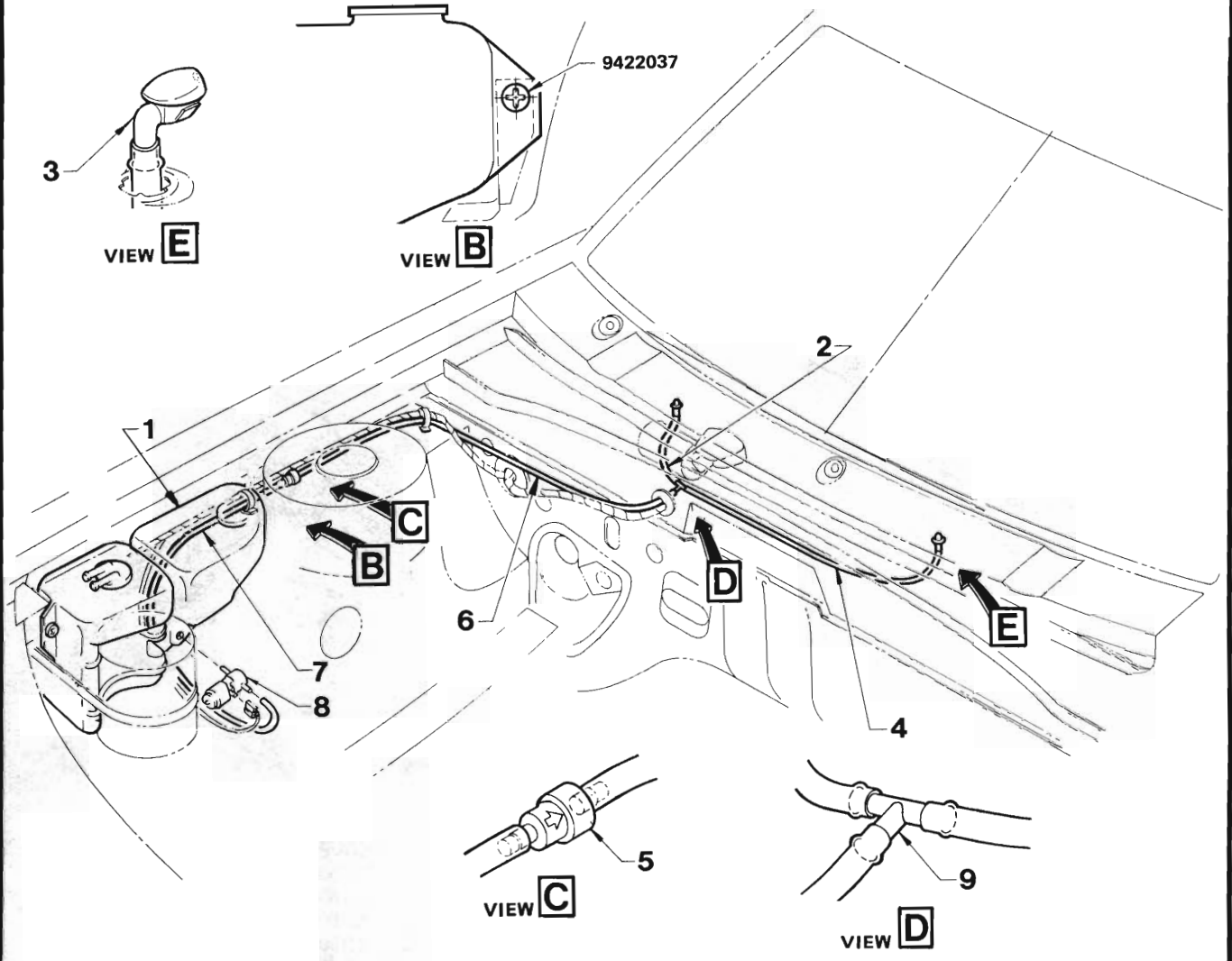
WINDSHIELD WIPER MOTOR & LINKAGE

REF. NO.	PART NAME	GROUP
1	LINKAGE UNIT.....	10.159
2	MOTOR ASM.	10.150
3	ARM ASM.	10.147
4	BLADE ASM.	10.146
5	COVER - Wiper arm pivot end.....	10.147
6	MOUNTING - Linkage unit to bracket.....	10.152
7	NUT - Linkage unit to cowl.....	10.152
8	DAMPER - Outer	10.159
9	DAMPER - Inner	10.159
10	WASHER - Linkage unit to cowl.....	10.152



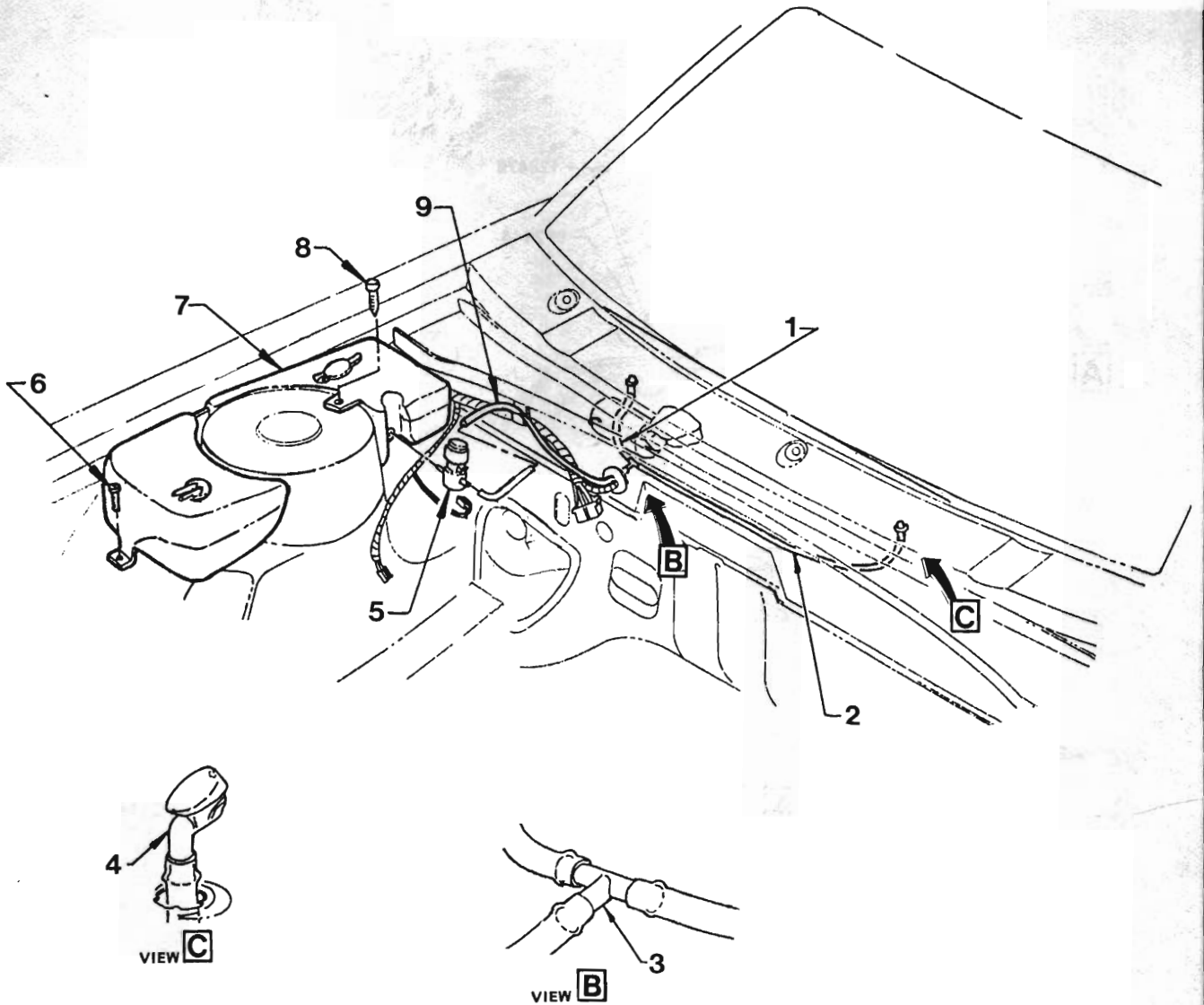
**WINDSHIELD WIPER MOTOR
LUCAS**

REF. NO.	PART NAME	GROUP
1-23	MOTOR ASM.	10.150
1	ARMATURE.....	10.150
2	ARMATURE SMALL PARTS KIT.....	10.150
3	BEARING KIT.....	10.150
4	BRUSH KIT.....	N.S.
5	BEARING - Final drive shaft.....	10.150
6	WASHER.....	N.S.S.
7	BRUSH SET SCREWS.....	N.S.S.
8	CHOKE - Radio suppression.....	10.150
9	COVER PLATE - Gear housing.....	10.150
10	SCREW - Cover plate.....	N.S.
11	SCREW - Switch cover.....	N.S.
12	CAPACITOR.....	10.150
13	PLATE & BEARING ASM. - Commutator end....	10.150
14	NUT - Final shaft.....	10.151
15	ROTARY LINK.....	10.151
16	BODY - Terminal connector.....	10.150
17	SWITCH & PIN ASM.....	10.150
18	GEAR & SHAFT ASM.....	10.151
19	SPACER - Armature.....	10.150
20	BOLT - Through.....	10.150
21	COVER & FIELD COIL ASM. - Armature.....	10.150
22	SWITCH - Thermostat.....	10.150
23	HOUSING ASM. - Gear.....	N.S.



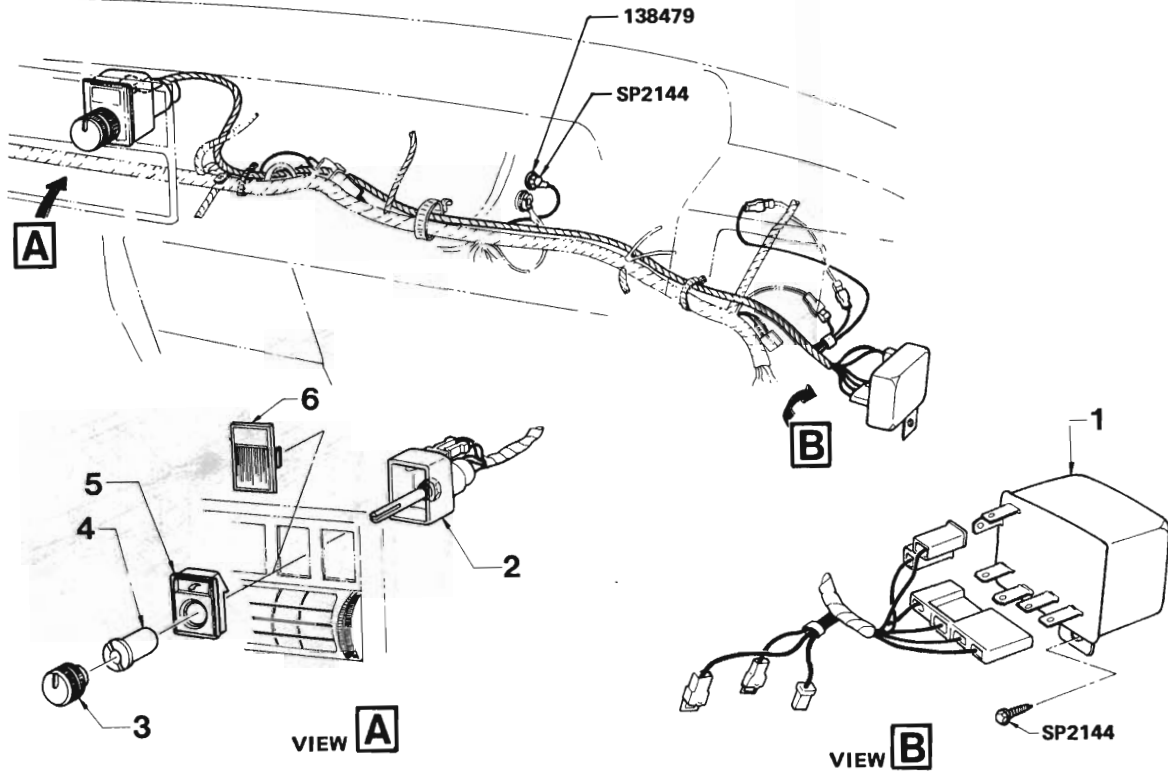
**WINDSHIELD WASHER
VB, VC, VH SERIES**

REF. NO.	PART NAME	GROUP
1	RESERVOIR ASM.	10.154
2	HOSE - Tee to RH nozzle	10.155
3	NOZZLE	10.156
4	HOSE - Tee to LH nozzle	10.155
5	VALVE ASM. - Non return	10.153
6	HOSE - Valve to tee connection.....	10.155
7	HOSE - Reservoir to valve.....	10.155
8	PUMP ASM.	10.153
9	TEE - Washer hose.....	10.155



**WINDSHIELD WASHER
VK SERIES**

REF. NO.	PART NAME	GROUP
1	HOSE - Tee to RH nozzle	10.155
2	HOSE - Tee to LH nozzle.....	10.155
3	TEE - Hose.....	10.155
4	NOZZLE - Windshield washer	10.156
5	PUMP ASM.....	10.153
6	RESERVOIR - Reservoir to fender skirt.....	10.154
7	RESERVOIR ASM.	10.154
8	SCREW - Reservoir to fender skirt.....	10.154
9	HOSE - pump to tee.....	10.155

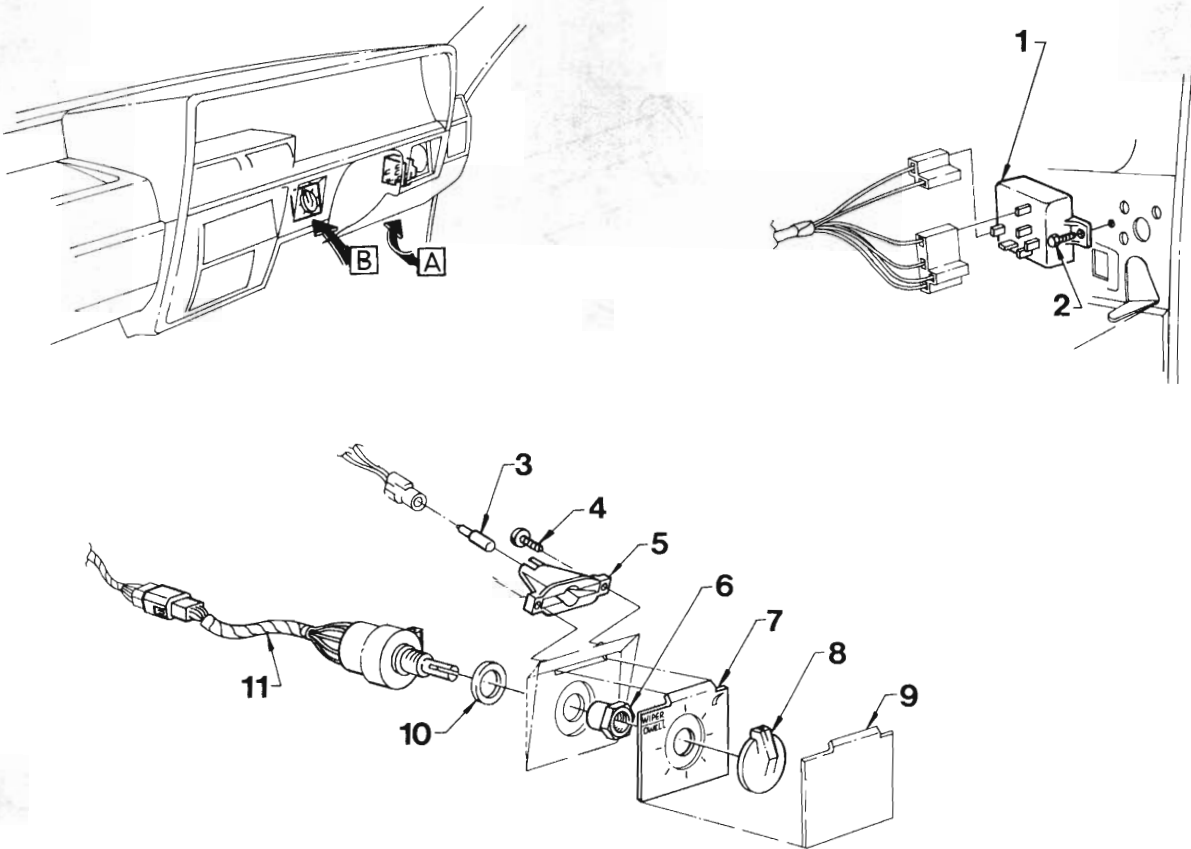


**WINDSHIELD WIPER DWELL CONTROL
VB, VC, VH SERIES**

REF. NO.	PART NAME	GROUP
1	CONTROL ASM.....	10.163
2	POTENTIOMETER & HARNESS ASM.....	10.163
3	KNOB - Dwell control potentiometer.....	10.164
4	NUT - Dwell control potentiometer.....	10.163
5	ESCUTCHEON - Dwell control potentiometer.....	10.163
6	COVER - Potentiometer switch hole closing.....	10.163



"V" SERIES PARTS CATALOGUE

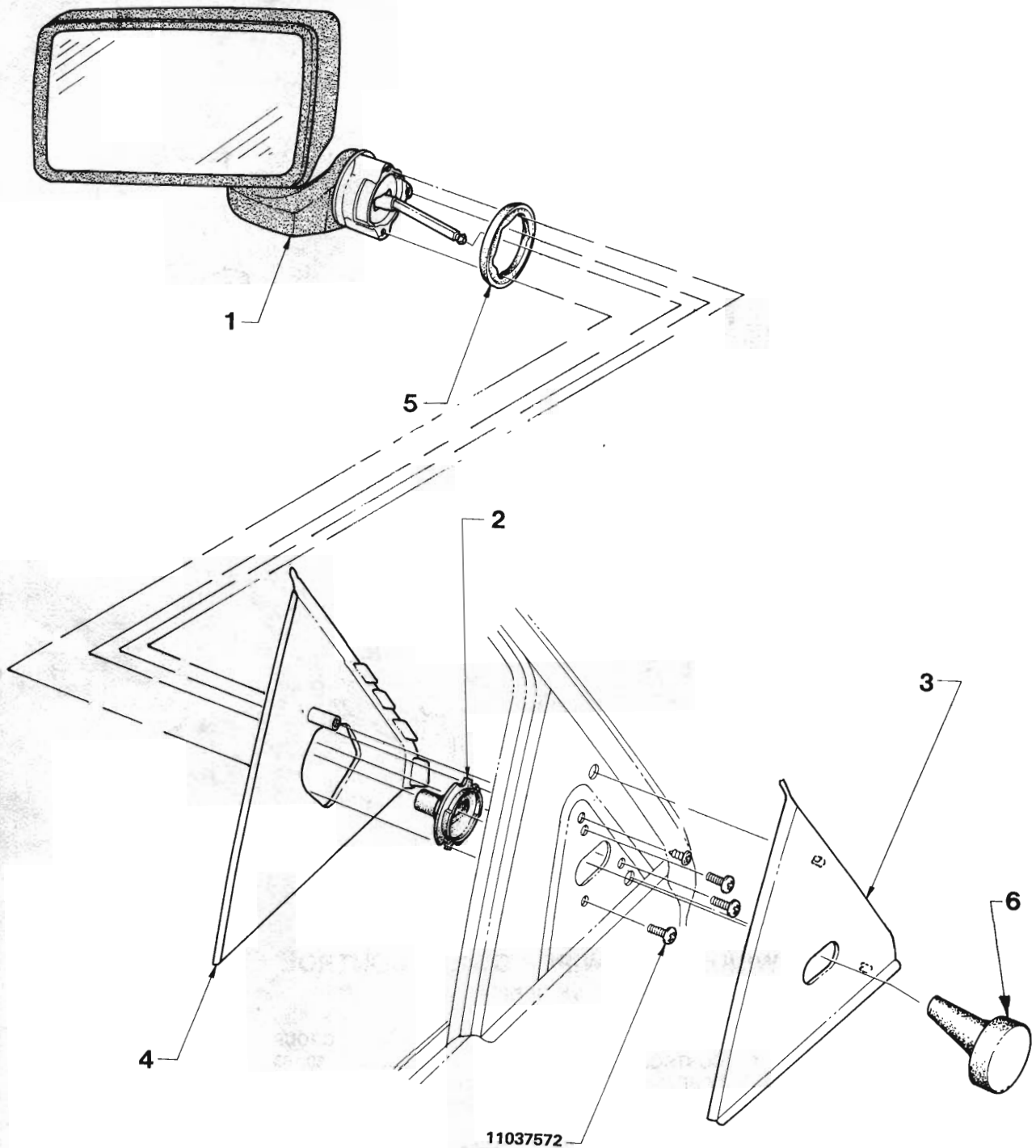


WINDSHIELD WIPER DWELL CONTROL VK SERIES

REF. NO.	PART NAME	GROUP
1	CONTROL ASM. - Dwell	10.163
2	SCREW - Control to front body pillar	10.163
3	BULB - Dwell control potetiometer	10.163
4	SCREW - Housing	10.163
5	HOUSING ASM. - Dwell control switch lamp	10.163
6	NUT - Dwell control potentiometer	10.163
7	LENS ASM. - Dwell control	10.163
8	KNOB - Dwell control potetiometer	10.164
9	COVER - Switch hole closing	10.163
10	WASHER - Dwell control potentiometer	10.163
11	POTENTIOMETER & HARNESS ASM.	10.163

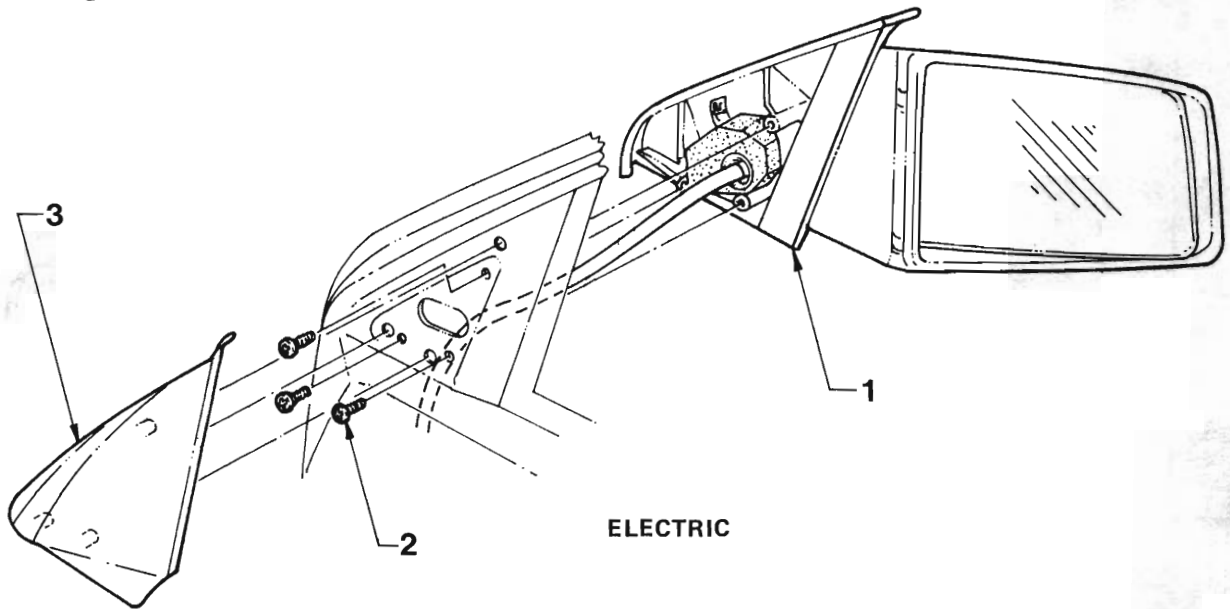
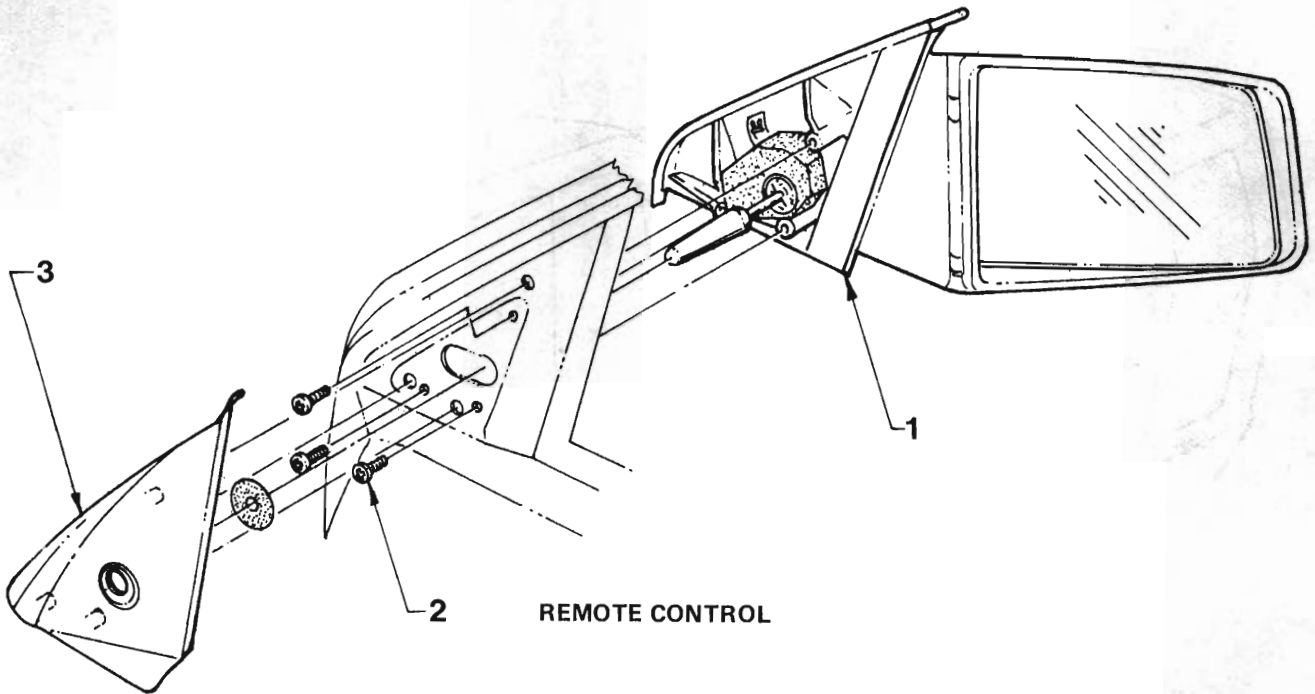


"V" SERIES PARTS CATALOGUE



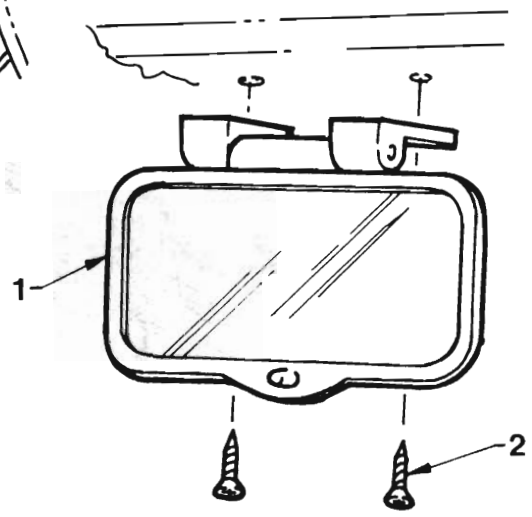
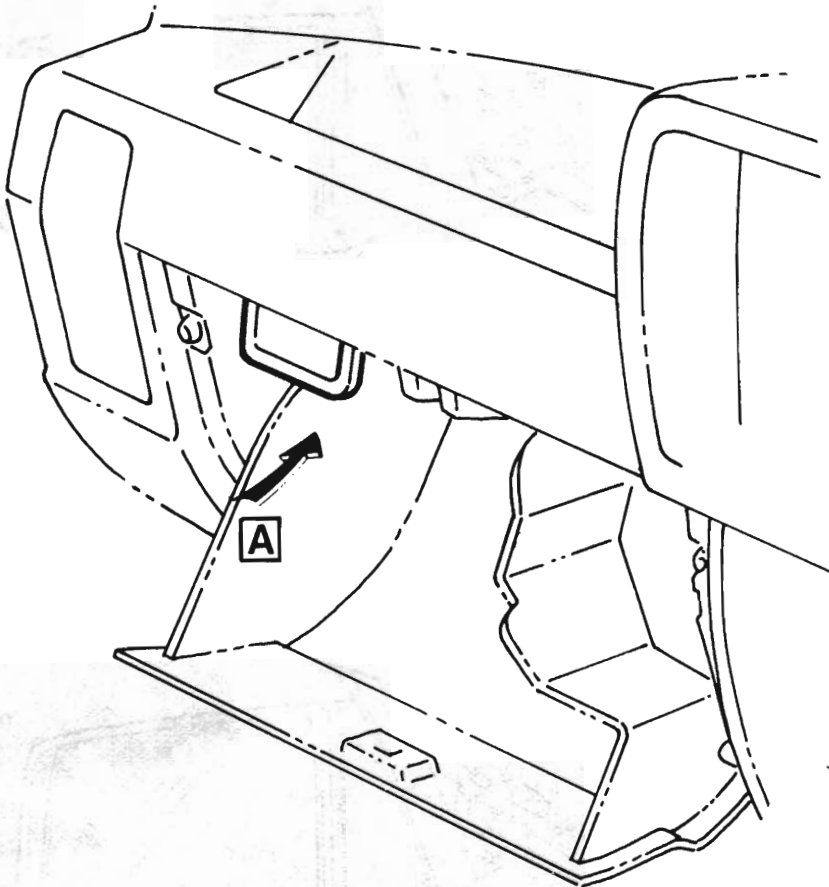
EXTERNAL REAR VISION MIRROR VB, VC, VH SERIES

REF. NO.	PART NAME	GROUP
1	MIRROR - Remote control.....	10.185
2	PAD - External mirror - Inner.....	10.185
3	COVER - Inner.....	11.075
4	COVER - Outer.....	10.705
5	PAD - External mirror - Outer.....	10.185
6	KNOB.....	10.185



**EXTERNAL REAR VISION MIRROR
VK SERIES**

REF. NO.	PART NAME	GROUP
1	MIRROR ASM. - Remote control.....	10.185
2	SCREW - Exterior mirror to door	10.185
3	COVER - Inner	11.075



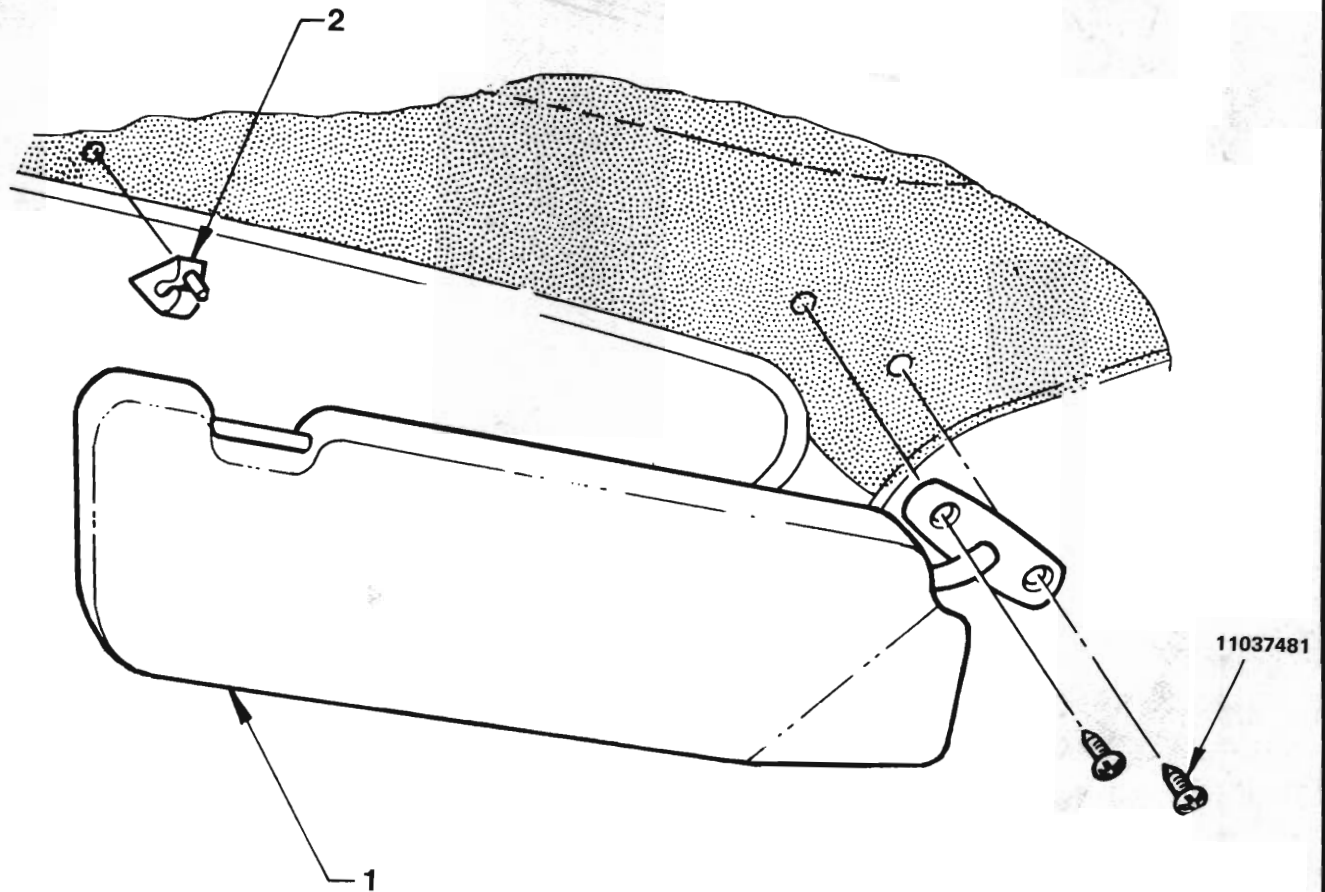
VIEW **A**

VANITY MIRROR

REF. NO.	PART NAME	GROUP
1-2	MIRROR PACKAGE.....	10.195
1	MIRROR ASM.....	10.195
2	SCREW - Mirror attaching.....	10.195

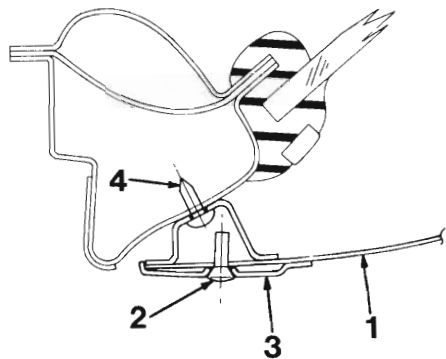
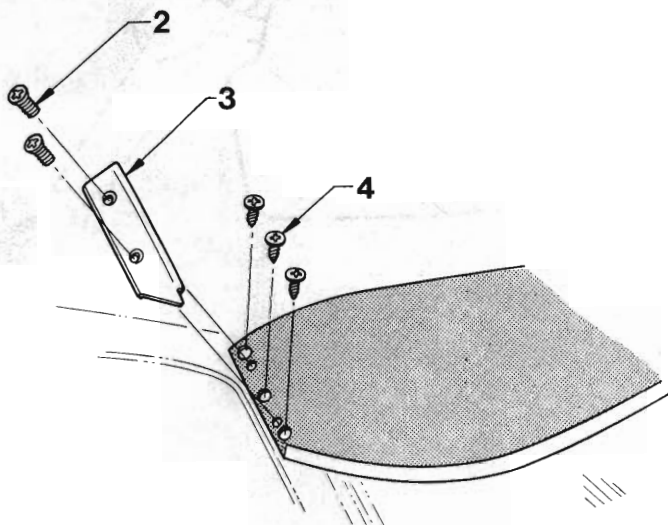
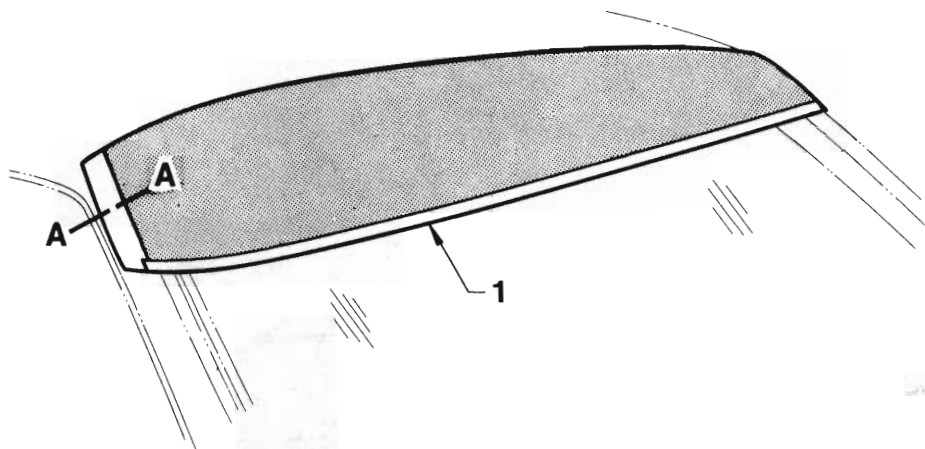


"V" SERIES PARTS CATALOGUE



SUN VISOR

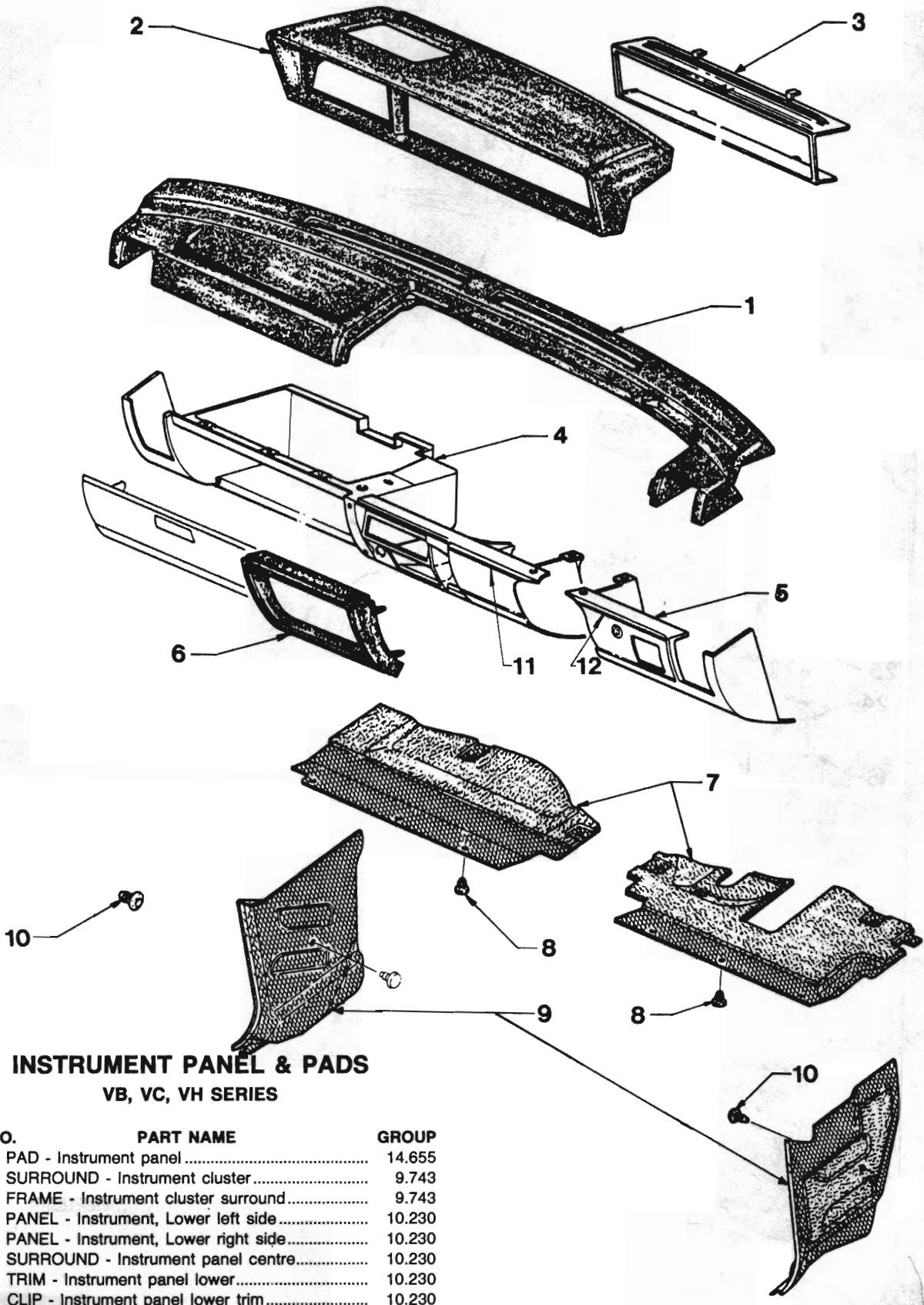
REF. NO.	PART NAME	GROUP
1	SUN VISOR & PIVOT ASM.	10.203
2	RETAINER - Sun visor.....	10.219



SUNSHADE PACKAGE

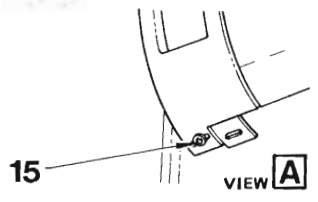
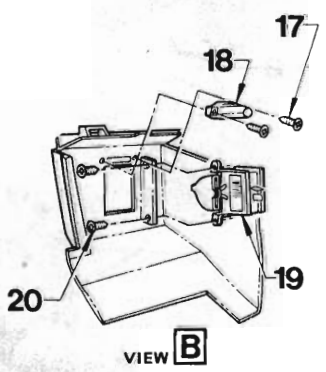
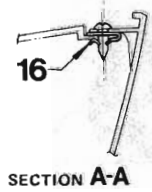
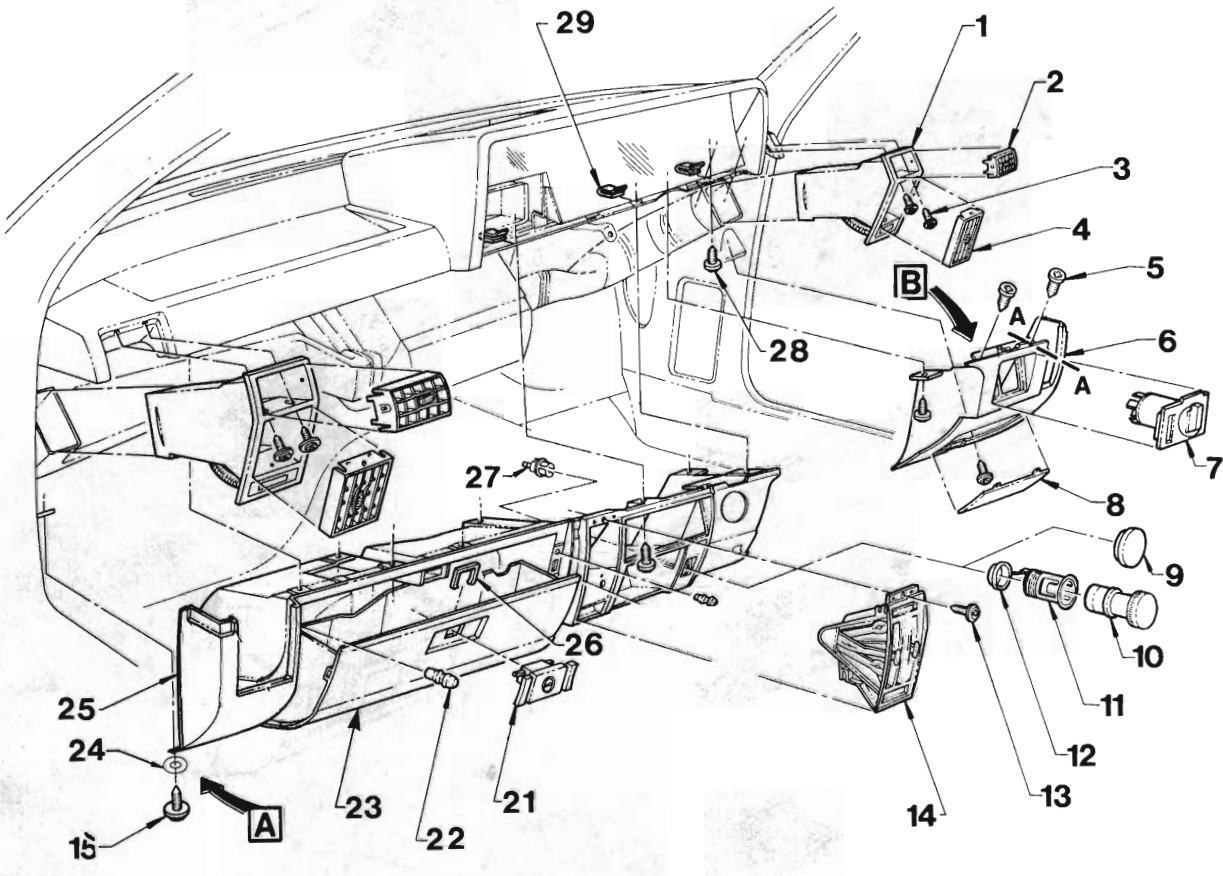
REF. NO.	PART NAME	GROUP
1	SUNSHADE PACKAGE.....	10.203
2(A)	SCREW - Scalp plate to sunshade.....	N.S.S.
3(A)	PLATE - Scalp.....	N.S.S.
4(A)	SCREW - Sunshade mounting.....	10.219

NOTE:- (A Parts are included in Small Parts Kit. Refer group 10.219)



INSTRUMENT PANEL & PADS
VB, VC, VH SERIES

REF. NO.	PART NAME	GROUP
1	PAD - Instrument panel	14.655
2	SURROUND - Instrument cluster	9.743
3	FRAME - Instrument cluster surround	9.743
4	PANEL - Instrument, Lower left side	10.230
5	PANEL - Instrument, Lower right side	10.230
6	SURROUND - Instrument panel centre	10.230
7	TRIM - Instrument panel lower	10.230
8	CLIP - Instrument panel lower trim	10.230
9	TRIM - Cowl side panel lower	14.630
10	FASTENER - Cowl side trim	14.630
11	MOULDING - Instrument panel, Centre	10.252
12	MOULDING - Instrument panel, Lateral	10.252

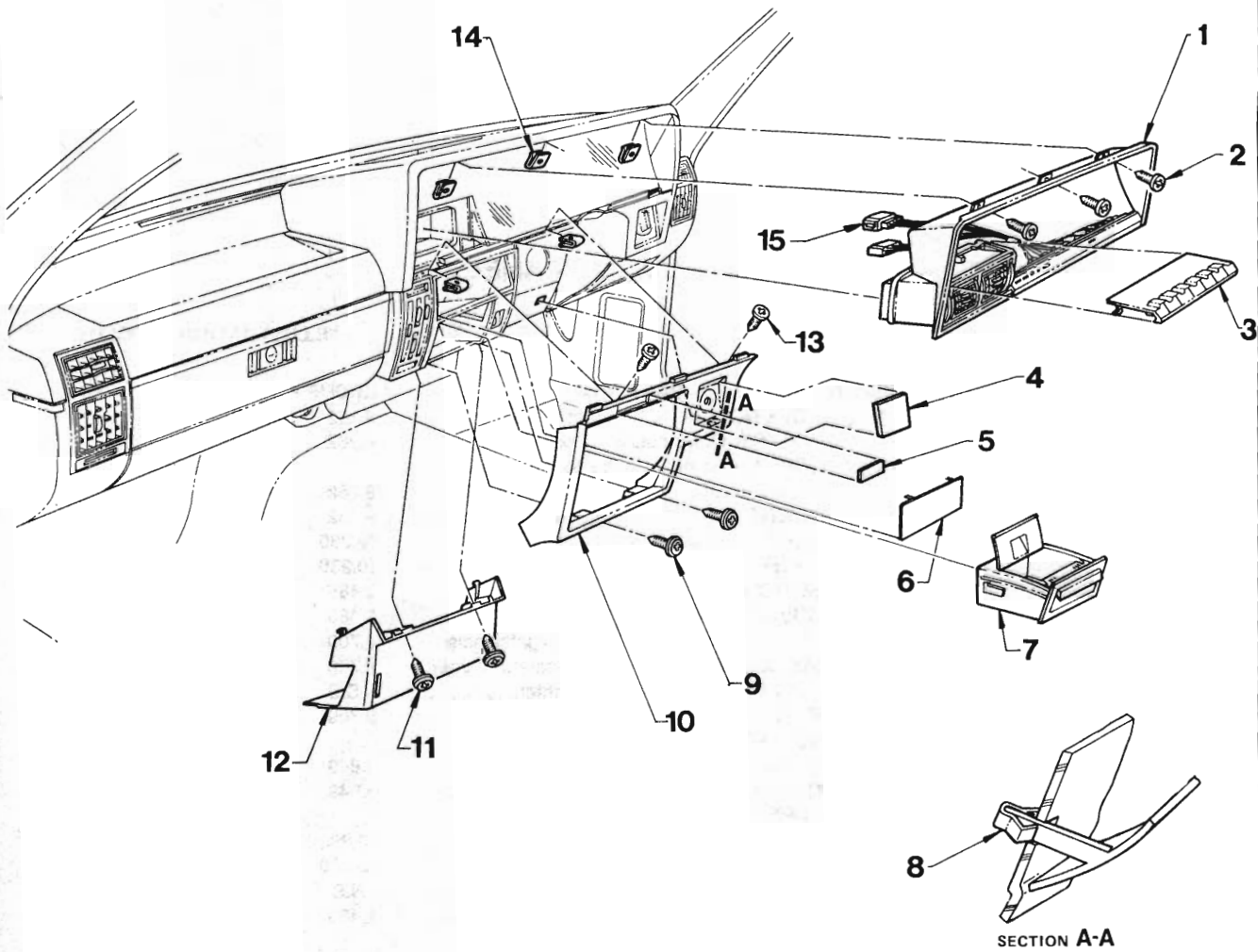




**INSTRUMENT PANEL
VK SERIES**

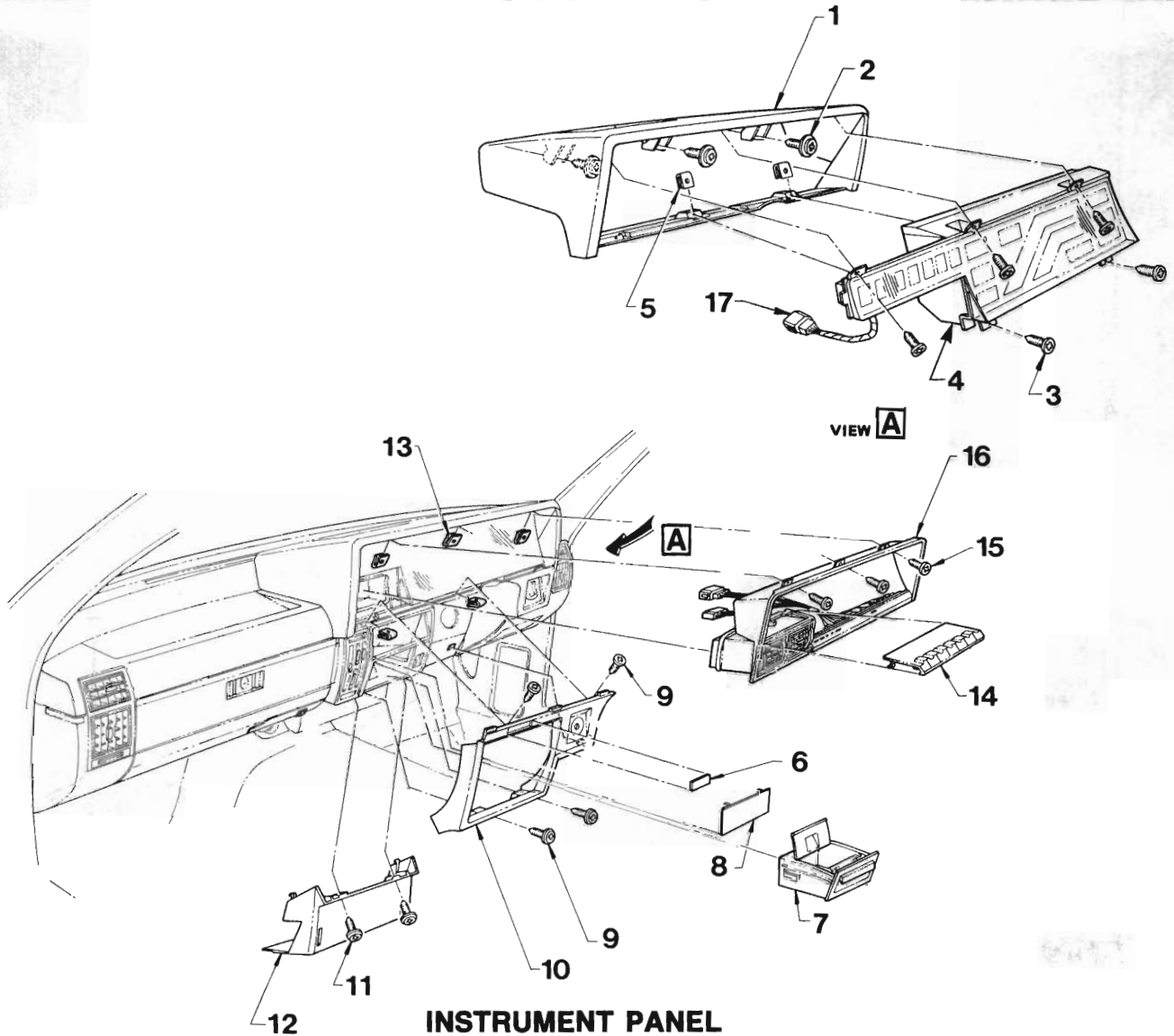
ILLUSTRATION OPPOSITE

REF. NO.	PART NAME	GROUP
1	HOUSING ASM. - Air outlet - Outer	9.262
2	INSERT - Outer housing - Upper	9.262
3	SCREW - Air outlet outer to instrument panel	9.262
4	INSERT ASM. - Outer - Lower air outlet	9.262
5	SCREW - Lower panel to location cover	10.230
6	PANEL - Instrument lower - RH	10.230
7	SWITCH ASM. - Lighting	2.485
8	COVER - Fuse panel	2.483
9	PLUG - Blanking - Cigarette lighter hole	9.709
10	PLUNGER & KNOB ASM. Cigarette lighter	9.709
11	SOCKET ASM. - Cigarette lighter	N.S.S.
12	RING - Cigarette lighter illumination	9.709
13	SCREW - Control asm. to instrument carrier	8.849
14	CONTROL - Heater & blower	8.849
15	SCREW - Lower instrument panel to carrier	10.230
16	NUT - Facia	10.230
17	SCREW - Housing	N.S.
18	HOUSING - Switch indicator lamp	2.485
19	SWITCH ASM. - Dimmer control, Instrument lights	2.483
20	SCREW - Dimmer switch to dash	2.485
21	LOCK ASM. - Instrument panel compartment	10.266
22	BUMPER - Instrument panel compartment	10.263
23	COMPARTMENT - Instrument panel	10.260
24	WASHER - Lower instrument panel to carrier	10.230
21	MOULDING ASM. - Instrument panel compartment	10.252
24	MOULDING ASM. - Instrument panel - Outer LH	10.252
25	PANEL - Instrument lower - LH	10.230
26	CLIP - Instrument panel compartment lock	10.267
27	SOCKET - Clock illumination	9.772
28	SCREW - Lower panel to cluster surround	10.230
29	NUT - Lower panel to cluster surround	10.230



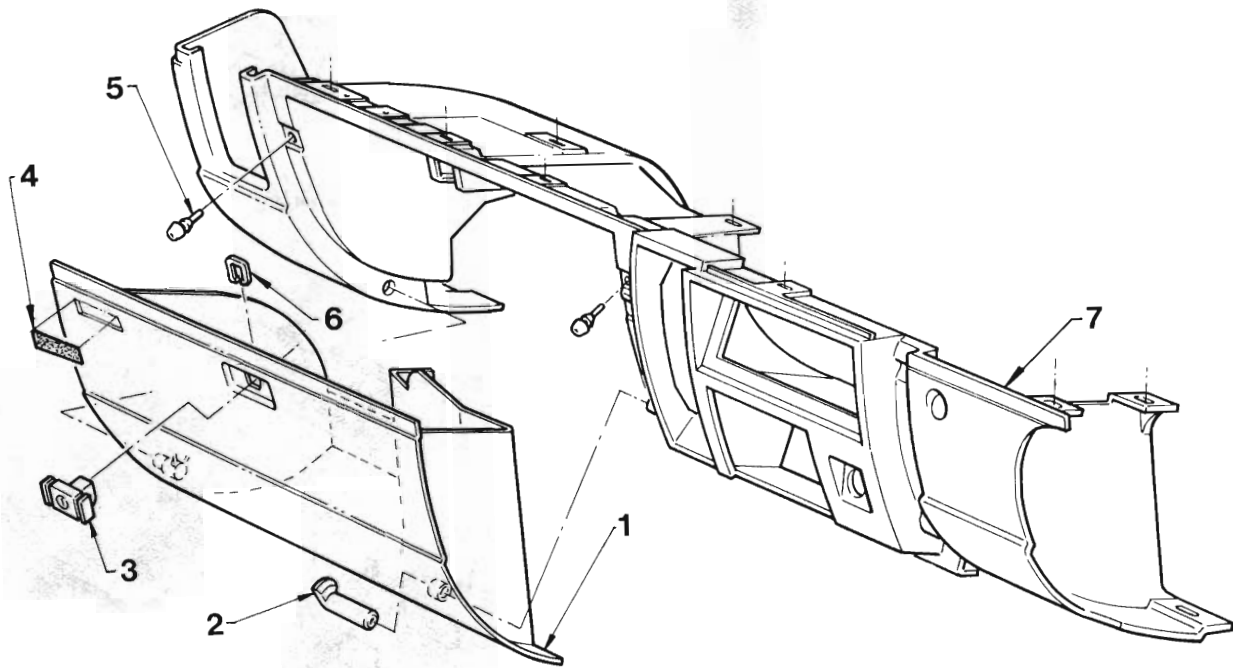
**INSTRUMENT PANEL
VK SERIES**

REF. NO.	PART NAME	GROUP
1	FRAME ASM. - Instrument cluster pad & centre nozzle.....	9.743
2	SCREW - Frame to cover	9.743
3	SWITCH ASM. - Instrument touch control.....	9.743
4	COVER - Potentiometer hole closing	10.163
5	PLATE - Instrument panel compartment name....	10.254
6	COVER - Radio opening.....	10.256
7	ASHTRAY ASM. - Instrument panel.....	12.009
8	CLIP - Instrument panel lower right hand side	10.230
9	SCREW - Lower panel to location cover.....	10.230
10	SURROUND - Instrument panel centre.....	10.230
11	SCREW - Heater case cover to lower instrument panel.....	8.849
12	COVER ASM. - Heater case to lower instrument panel.....	8.849
13	SCREW - Surround to cluster surround.....	10.230
14	NUT - Frame to cover	9.743
15	HARNESS ASM. - Instrument cluster frame	9.744



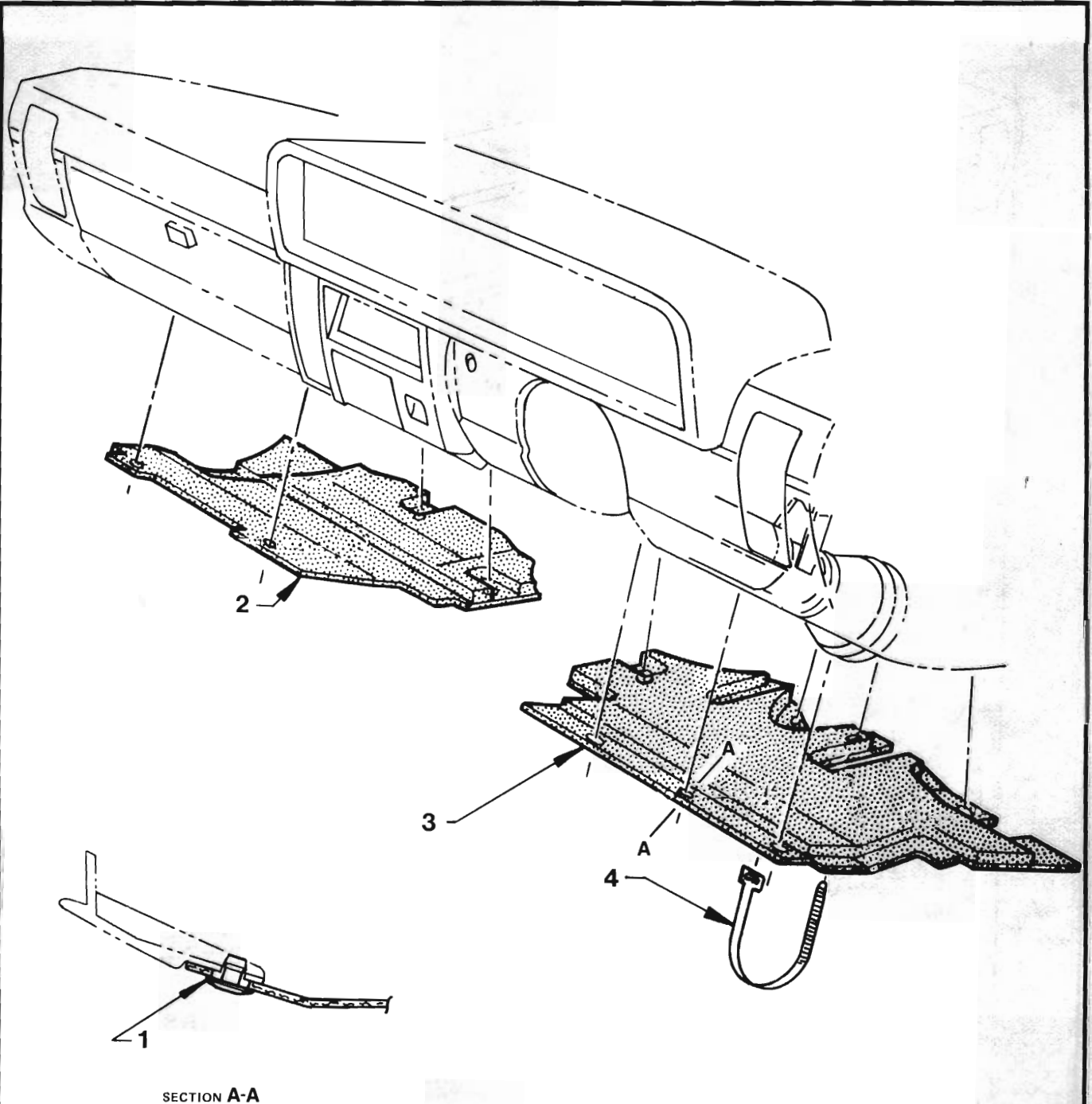
**INSTRUMENT PANEL
VK SERIES**

REF. NO.	PART NAME	GROUP
1	PAD ASM. - Instrument panel surround.....	14.655
2	SCREW - Pad to carrier	14.655
3	SCREW - Instrument cluster to instrument surround	9.735
4	COMBINED INSTUMENT ASM.	9.735
5	NUT - Pad to carrier	14.655
6	PLATE - Instrument panel centre name	10.254
7	ASHTRAY - Instrument panel.....	12.009
8	COVER - Radio opening.....	10.256
9	SCREW - Surround to instrument panel.....	10.230
10	SURROUND - Instrument panel centre.....	10.230
11	SCREW - Heater case cover to lower instrument panel.....	8.849
12	COVER - Heater case to lower instrument panel	8.849
13	NUT - Frame to cover	9.743
14	SWITCH - Instrument - Touch control.....	9.743
15	SCREW - Frame to cover	9.743
16	FRAME ASM. - Instrument cluster pad & centre nozzle.....	9.743
17	HARNNESS & BULB ASM. - Instrument cluster switch indicators.....	9.744



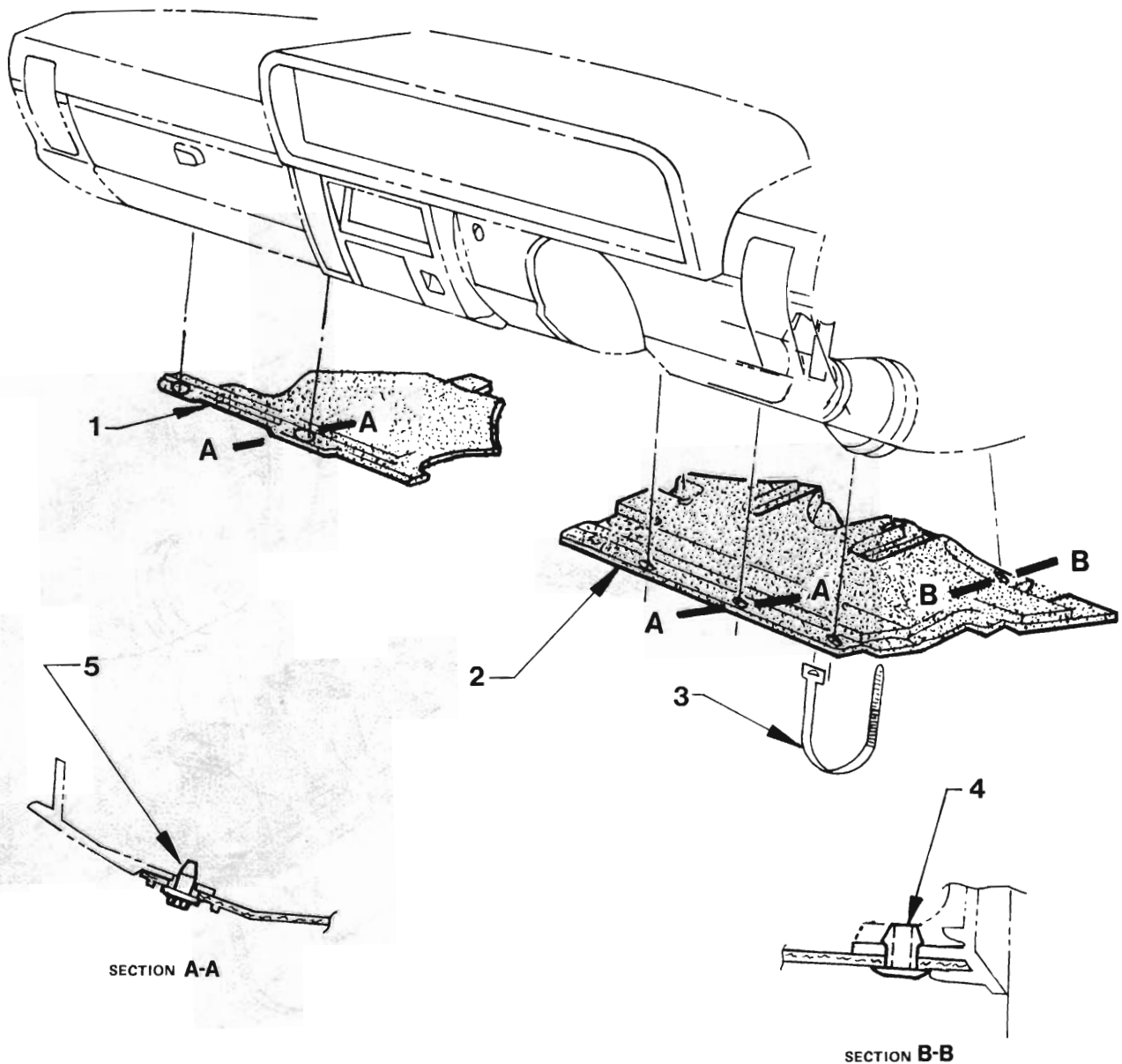
INSTRUMENT PANEL COMPARTMENT DOOR

REF. NO.	PART NAME	GROUP
1	COMPARTMENT.....	10.260
2	PIN - Hinge.....	10.262
3	LOCK ASM.	10.266
4	PLATE - Name.....	10.254
5	BUMPER	10.263
6	CLIP	10.267
7	PANEL - Lower, LH.....	10.230



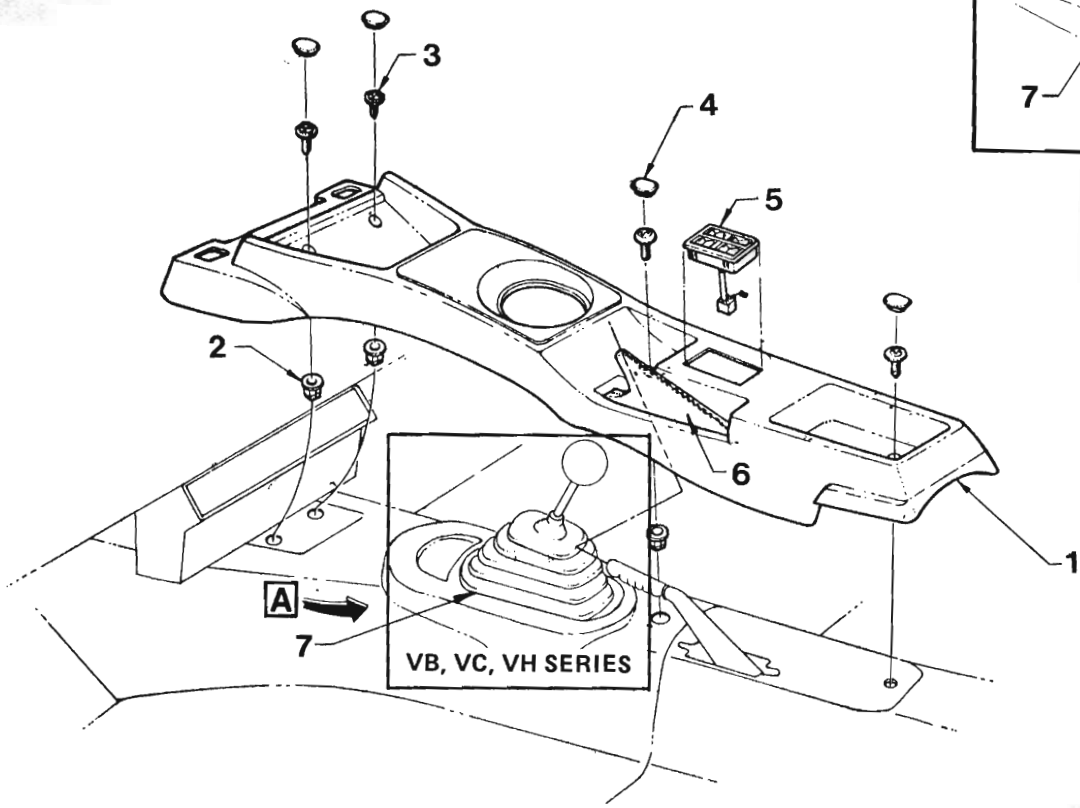
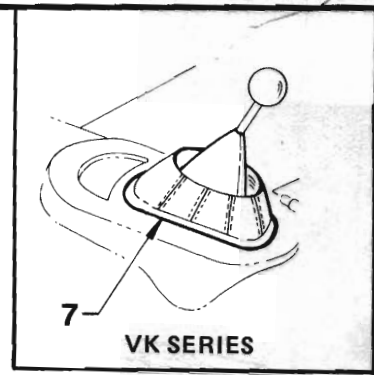
TRIM - INSTRUMENT PANEL - LOWER
VB, VC, VH SERIES

REF. NO.	PART NAME	GROUP
1	CLIP - Instrument panel lower.....	10.230
2	TRIM - Instrument panel lower left hand side.....	10.230
3	TRIM - Instrument panel lower right hand side...	10.230
4	STRAP - RH trim to steering column.....	10.230



**TRIM - INSTRUMENT PANEL - LOWER
VK SERIES**

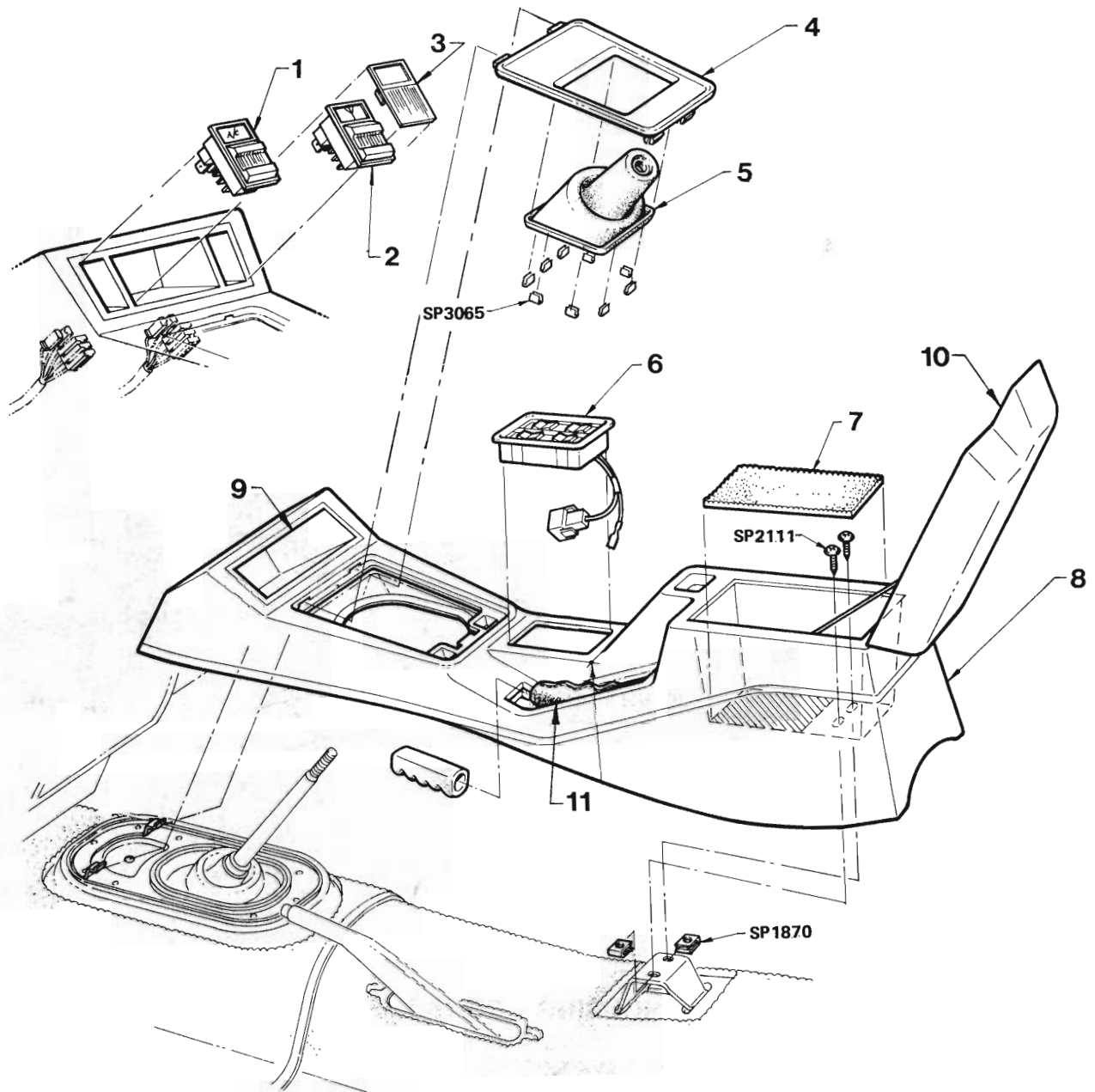
REF. NO.	PART NAME	GROUP
1	TRIM - Instrument panel lower left hand side.....	10.230
2	TRIM - Instrument panel lower right hand side...	10.230
3	STRAP - RH trim to steering column.....	10.230
4	CLIP - Trim to pedal support.....	10.230
5	FASTENER - Trim to instrument panel.....	10.230



HOUSING - CONSOLE
VB SERIES

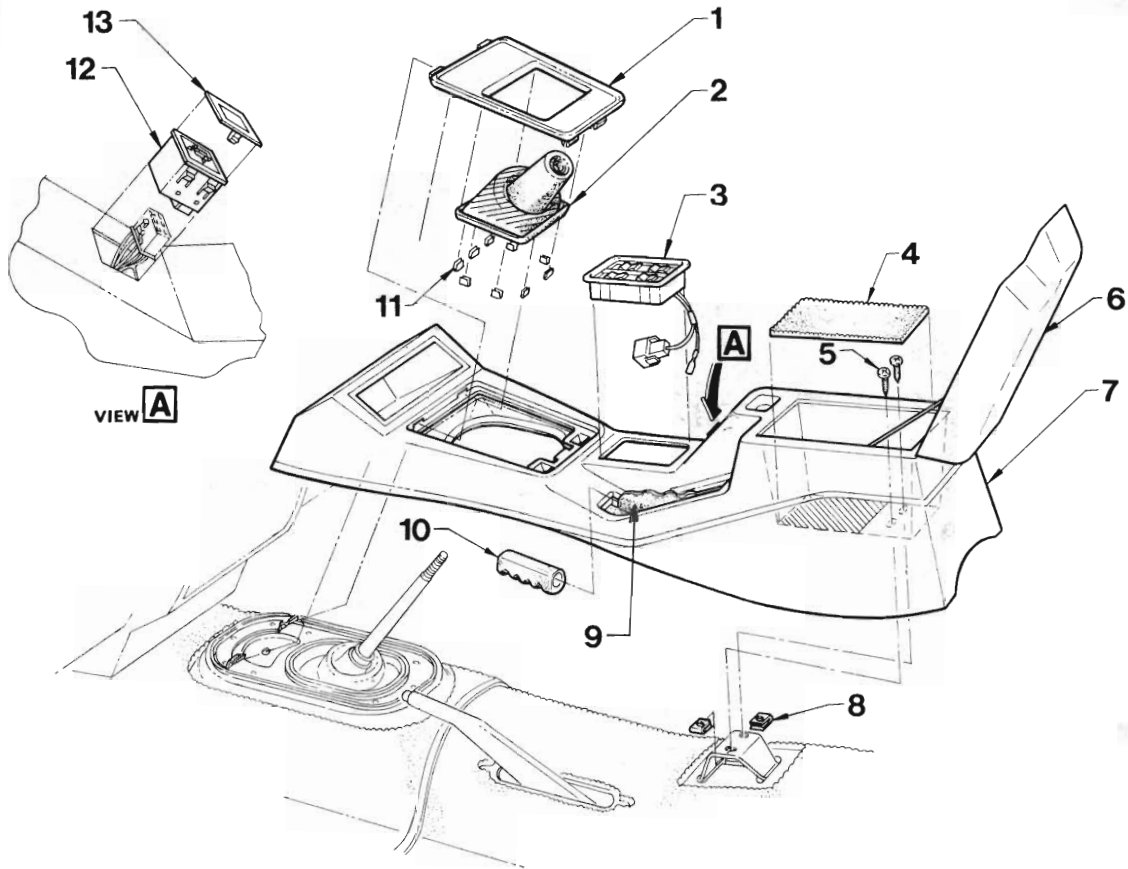
VC, VH, VK SERIES 8VK MODELS EXC. POLICE EQUIPMENT

REF. NO.	PART NAME	GROUP
1	HOUSING ASM.....	10.240
2	NUT - Console housing	10.240
3	SCREW - Console attaching.....	10.240
4	PLUG - Console.....	10.240
5	SWITCH ASM. - Power operated windows.....	10.777
6	COVER - Park brake lever	4.612
7	DIAPHRAGM - Gearshift lever upper	4.015F
		4.015H
		4.015S



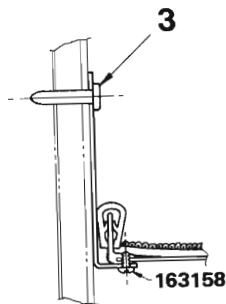
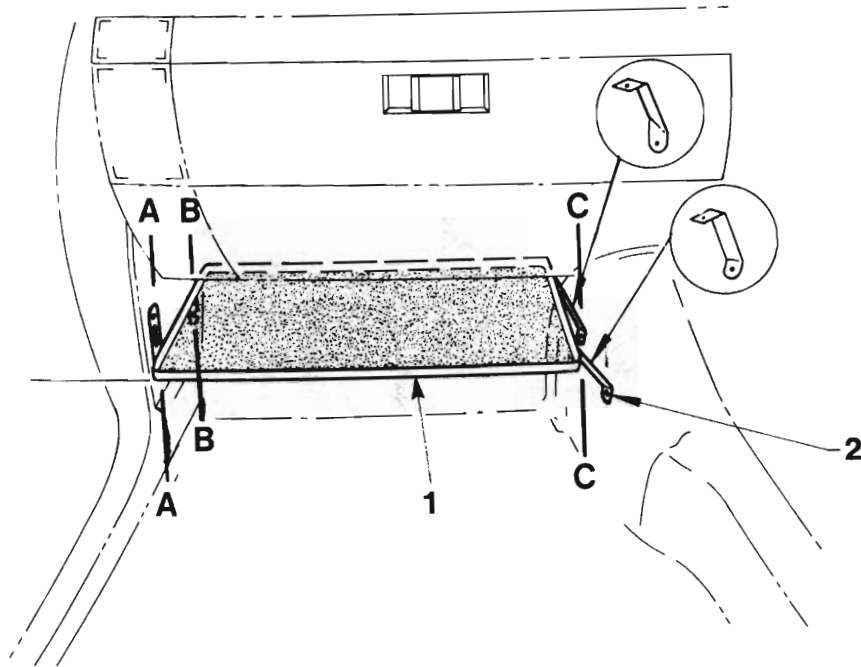
HOUSING - CONSOLE
VC, VH SERIES
8VK MODELS POLICE EQUIPMENT
8VL & 8VX MODELS

REF. NO.	PART NAME	GROUP
1	SWITCH ASM. - Air conditioner	9.275
2	SWITCH ASM. - Electric antenna	9.647
3	COVER - Switch.....	9.647
4	COVER - Transmission control.....	10.240
5	BOOT - Transmission control lever	4.015
6	SWITCH ASM. - Power windows	10.777
7	CARPET - Rear compartment	N.S.
8	HOUSING ASM.	10.240
9	POCKET - Console front	10.240
10	ARMREST - Console	10.240
11	COVER - Park brake lever	4.612

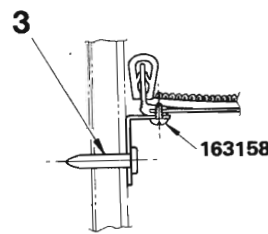


HOUSING CONSOLE
8VK MODELS POLICE EQUIPMENT
8VL, 8VX MODELS
VK SERIES

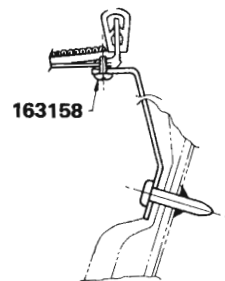
REF. NO.	PART NAME	GROUP
1	COVER - Transmission control.....	10.240
2	BOOT - Console cover.....	4.015H 4.015S
3	SWITCH ASM. - Power windows.....	10.777
4	CARPET - Insert.....	N.S.
5	SCREW - Bracket to console rear.....	10.240
6	ARMREST ASM. - Console.....	10.240
7	HOUSING ASM. - Console.....	10.240
8	NUT - Bracket to console rear.....	10.240
9	COVER - Park brake opening.....	4.612
10	GRIP - Park brake lever.....	4.592
11	CLIP - Boot.....	4.015H 4.015S
12	SWITCH ASM. - Electric mirrors.....	10.186
13	CAP - Electric mirror hole.....	10.240



SECTION A-A



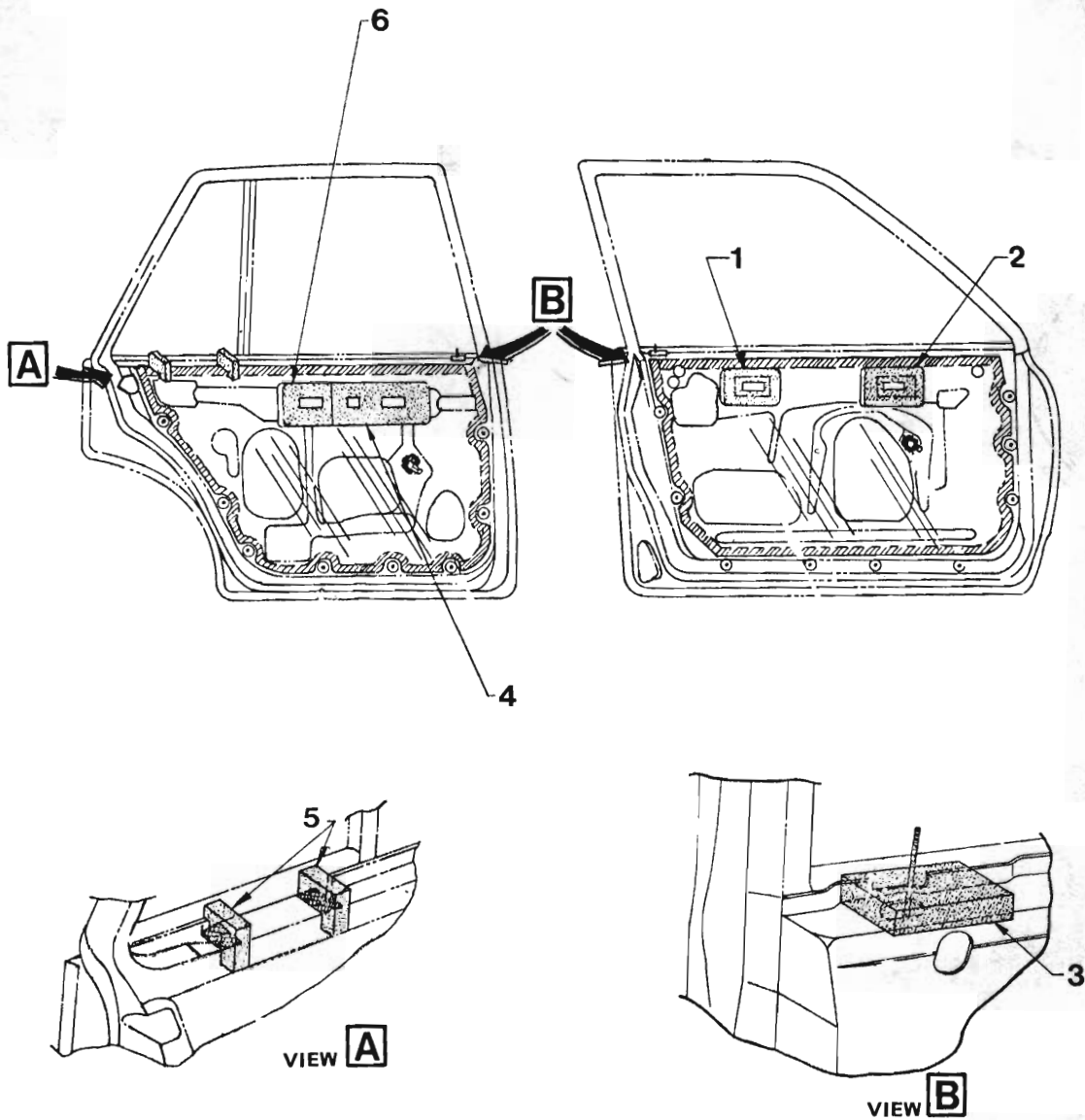
SECTION B-B



SECTION C-C

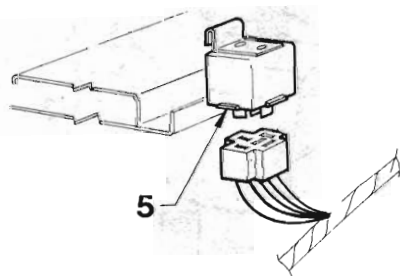
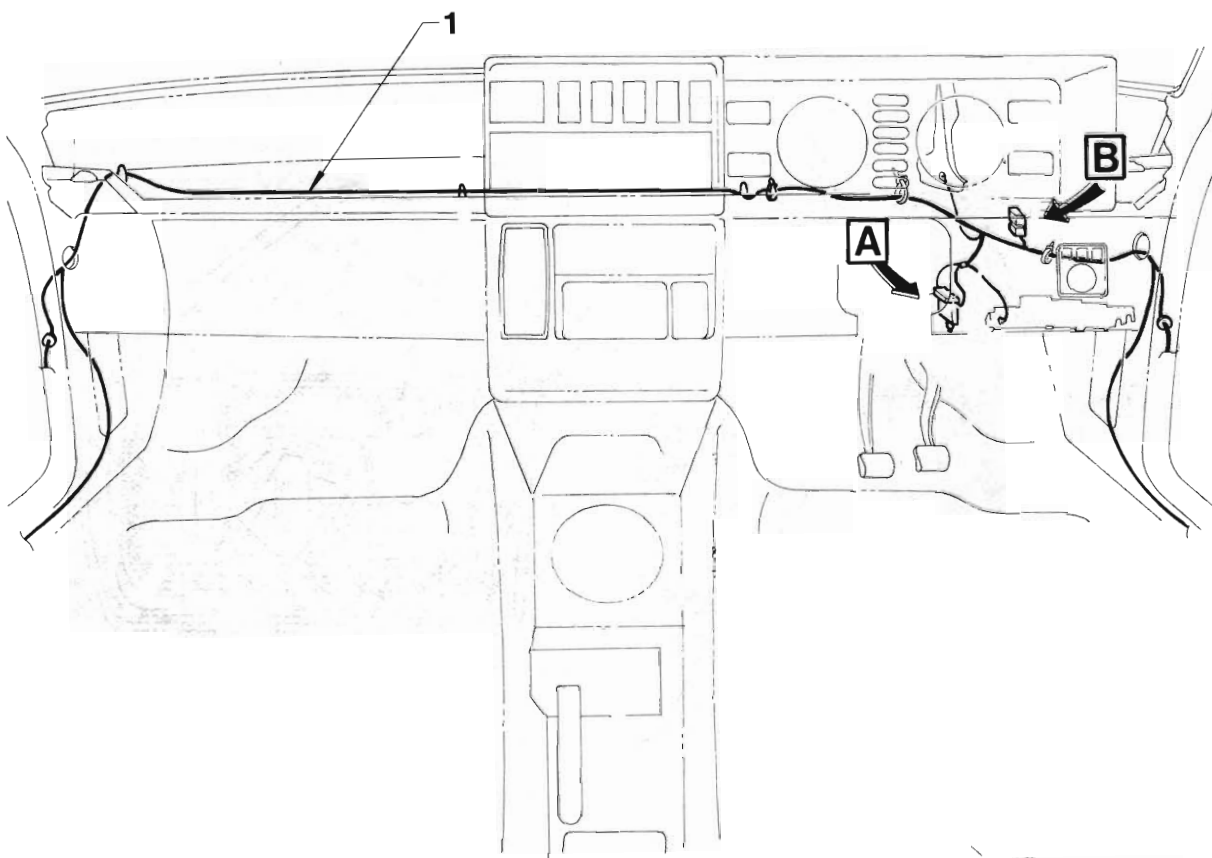
**PARCEL SHELF
VB, VC, VH SERIES**

REF. NO.	PART NAME	GROUP
1	PARCEL SHELF PACKAGE.....	10.260
2	BRACKET - Parcel shelf.....	N.S.S.
3	SCREW - Shelf to body.....	10.260

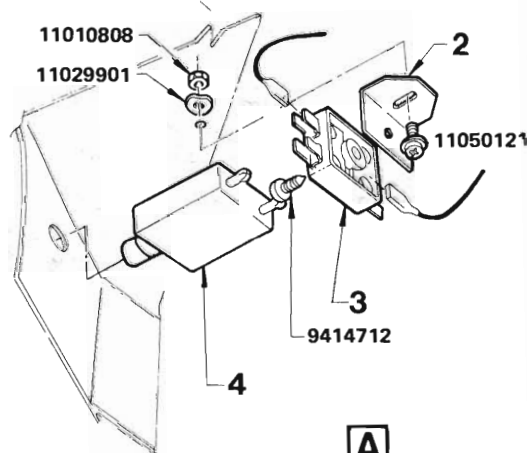


DOOR DUST SEALS

REF. NO.	PART NAME	GROUP
1	SEAL - Electric door lock, Front door.....	10.355
2	SEAL - Handle, Front door.....	10.355
3	SEAL - Belt, Front door.....	10.355
3	SEAL - Belt, Rear door.....	10.355
4	SEAL - Electric door lock & Power windows, Rear door.....	10.355
5	SEAL - Trim, Rear door.....	10.355
6	SEAL - Exc. Electric windows, Power windows, Rear door.....	10.355



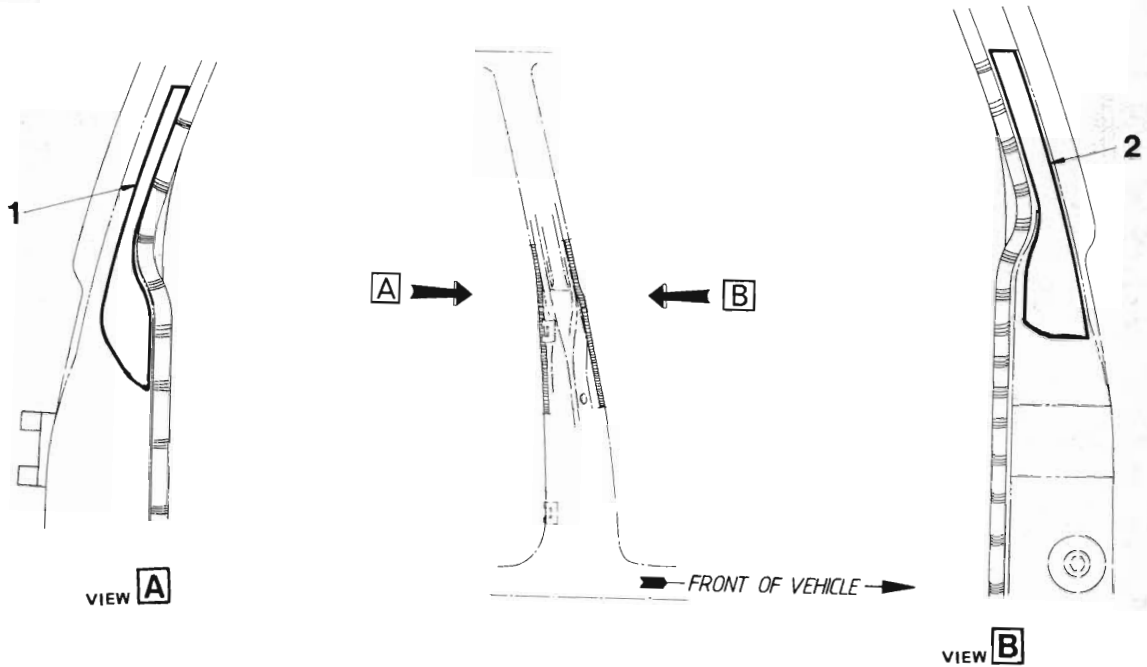
VIEW **B**



VIEW **A**

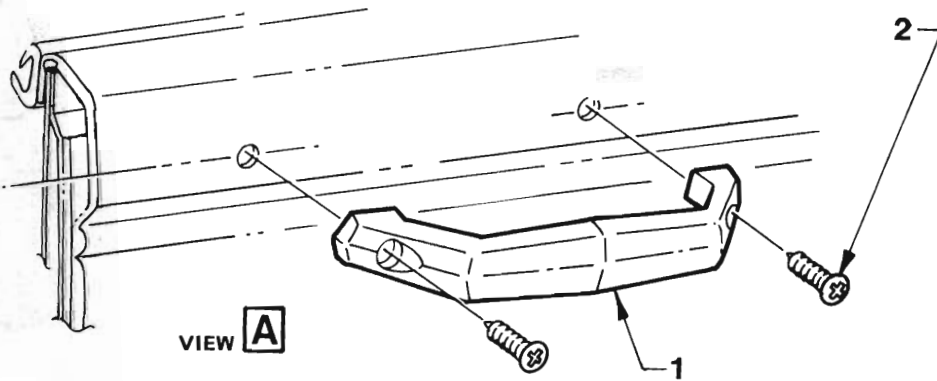
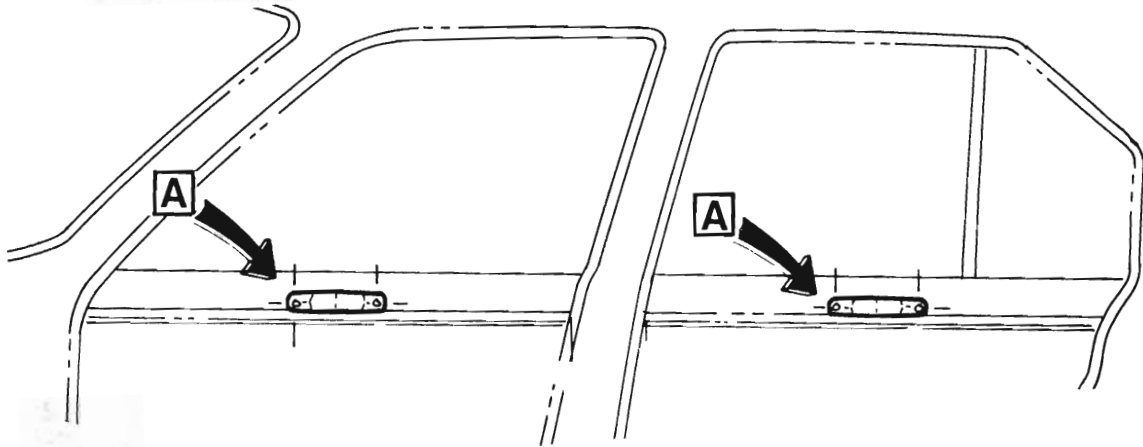
ELECTRIC DOOR LOCK

REF. NO.	PART NAME	GROUP
1	HARNESS ASM.	10.485
2	BRACKET - Circuit breaker.....	10.485
3	BASE PLATE ASM. - Circuit breaker	10.485
4	CIRCUIT BREAKER ASM.....	10.485
5	RELAY ASM.	10.485



**SHIELD - DOOR LOCK PROTECTION
EXC. ELECTRIC DOOR LOCKS**

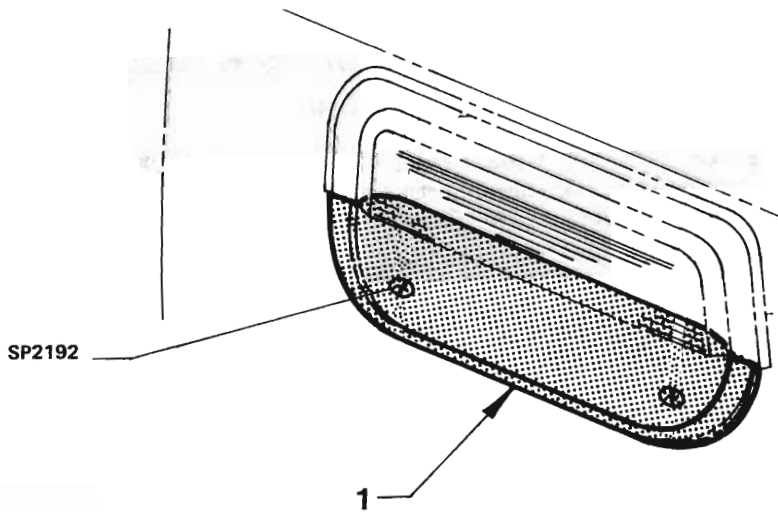
REF. NO.	PART NAME	GROUP
1	SHIELD ASM. - Rear - Centre pillar.....	10.500
2	SHIELD ASM. - Front - Centre pillar.....	10.500



VIEW **A**

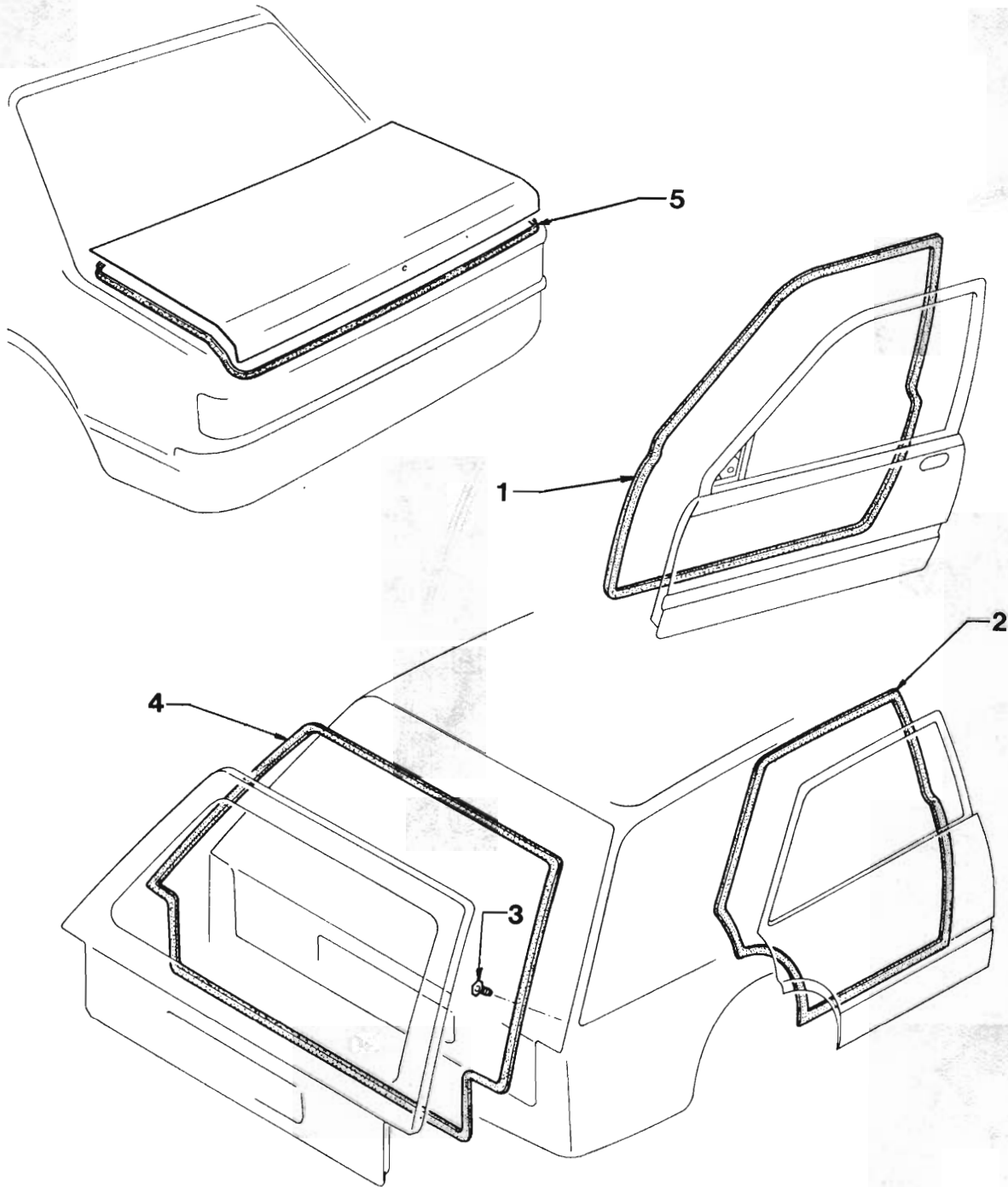
HANDLE - DOOR PULL TO

REF. NO.	PART NAME	GROUP
1-2	HANDLE PACKAGE	10.512
1	HANDLE	10.512
2	SCREW	10.512



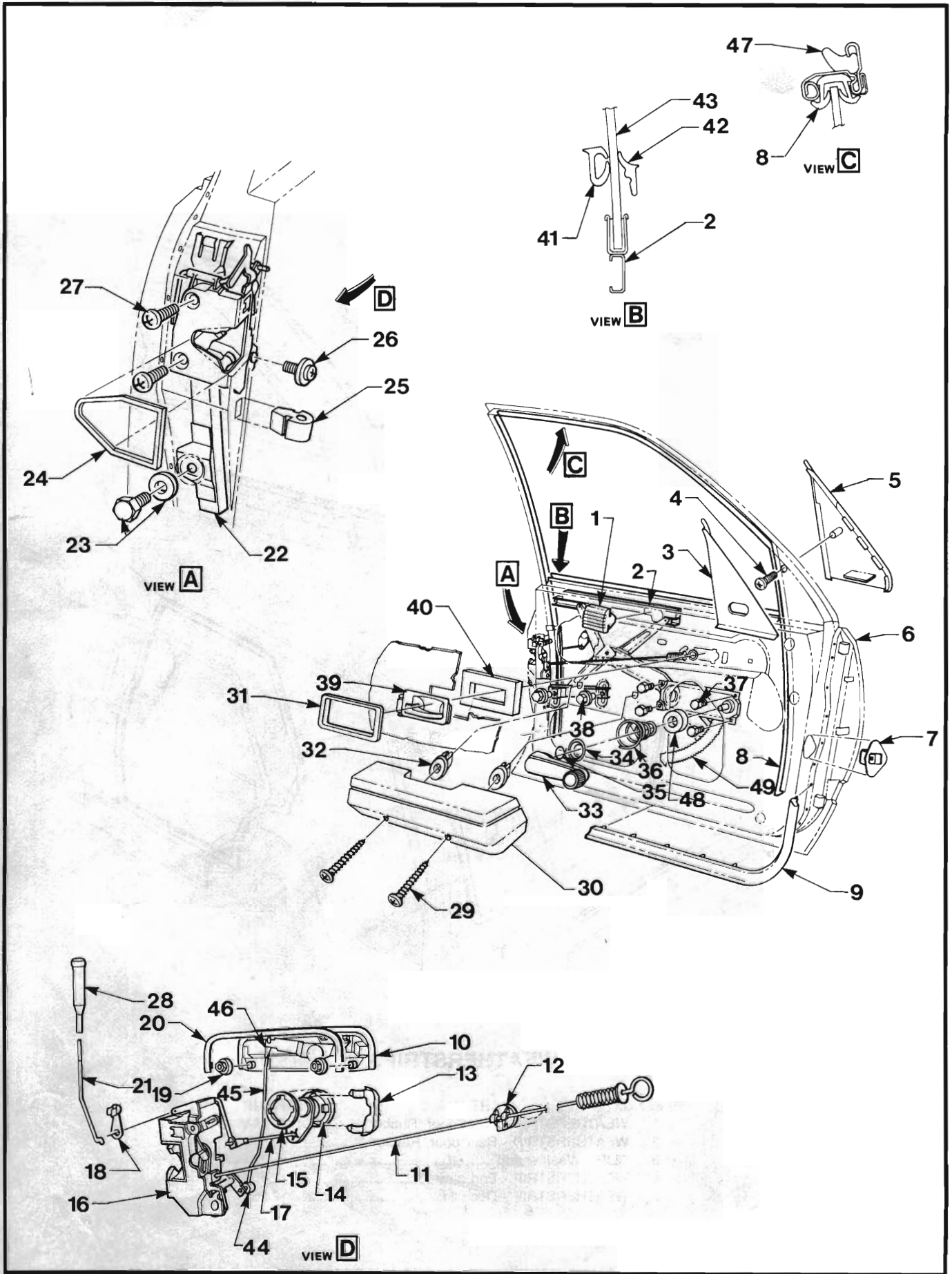
PAINT PROTECTION PLATE PACKAGE

REF. NO.	PART NAME	GROUP
1	PLATE PACKAGE - Paint protection	10.527



WEATHERSTRIPS

REF. NO.	PART NAME	GROUP
1	WEATHERSTRIP - Front door, Rubber.....	10.694
2	WEATHERSTRIP - Rear door, Rubber	10.694
3	CLIP - Weatherstrip	10.694
4	WEATHERSTRIP - End gate	12.269
5	WEATHERSTRIP - Deck lid.....	12.269





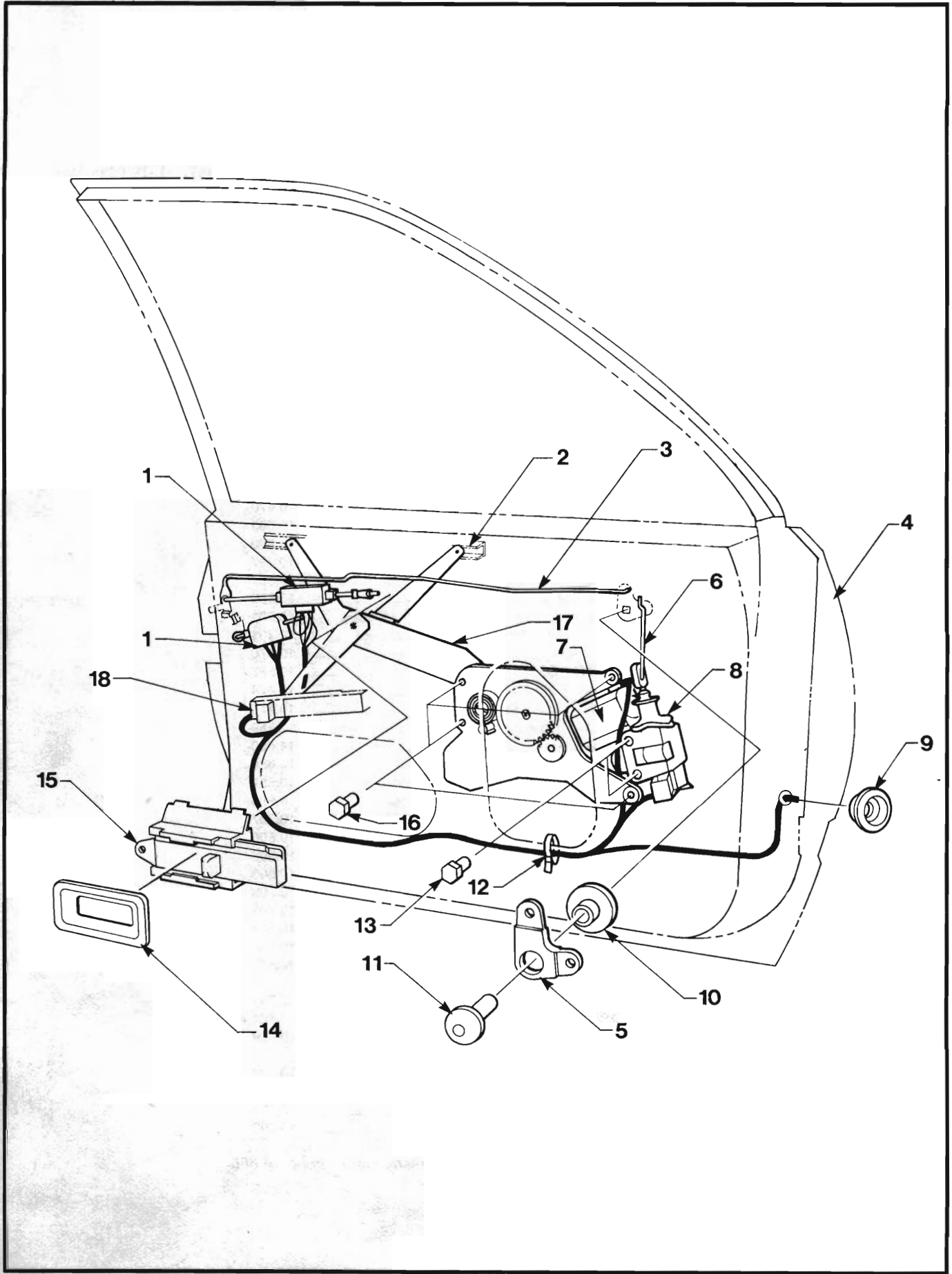
FRONT DOOR

EXC. POWER WINDOWS & ELECTRIC DOOR LOCKS

ILLUSTRATION OPPOSITE

REF. NO.	PART NAME	GROUP
1	BUMPER - Window lifter	10.685
2	CHANNEL ASM. - Front door glass lifter	10.685
3	COVER - Window frame - Inner.....	10.705
4	SCREW - Outer cover.....	10.705
5	COVER - Window frame - Outer.....	10.705
6	DOOR ASM. - Front.....	12.895
7	CHECK LINK ASM. - Front door.....	10.455
8	CHANNEL - Glass run - Felt	10.701
9	WEATHERSTRIP - Rubber.....	10.694
10	HANDLE - Door outside	10.527
11	ROD - Door lock remote control.....	10.506
12	CLIP - Anti rattle - Door rod	10.506
13	RETAINER - Door lock cylinder	10.551
14	CYLINDER - Door locking.....	10.550.
15	SHIM - Door lock cylinder.....	10.551
16	LOCK ASM. - Front door.....	10.470
17	ROD - Door lock to lock cylinder.....	10.563
18	CLIP - Spring - Rod connecting	10.506
19	NUT - Handle to door.....	10.527
20	GASKET - Outside door handle	10.537
21	ROD - Lock asm. to button	10.556
22	CHANNEL ASM. - Glass run rear - Metal	10.701
23	SCREW & WASHER - Guide rear to door	10.701
24	SEAL - Door lock.....	10.470
25	BUMPER - Door stop.....	10.587
26	SCREW - Door lock to door	10.474
27	SCREW - Door lock to door	10.474
28	BUTTON - Door inside locking.....	10.559
29	SCREW - Arm rest	14.686
30	ARM REST	14.686
31	ESCUTCHEON - Slider - Front door	10.559
32	NUT - Arm rest attaching - Door inside.....	14.686
33	HANDLE ASM. - Window regulator lift.....	10.797
34	DISC - Window regulator handle.....	10.806
35	SPRING - Handle retaining	10.806
36	SPRING - Window regulator handle	10.806
37	SCREW - Regulator to door	10.783
38	SCREW - Guide rail to door	10.701
39	HANDLE & CONTROL ASM. - Door inside.....	10.512
40	SEAL - Door handle	10.355
41(A)	WEATHERSTRIP	N.S.S.
42	MOULDING & WEATHERSTRIP - Front door belt	10.707
43	GLASS - Front door	10.681
44	ADJUSTER - Pull rod to outside handle.....	10.529
45	ROD - Front door outside handle to lock.....	10.529
46	CLIP - Spring - Rod to handle.....	10.529
47	WEATHERSTRIP - Rubber.....	10.694
48	SEAL - Handle to shaft	10.792
49	REGULATOR ASM.....	10.783

NOTE:- (A Part of Front Door Trim Asm. Refer group 14.685)

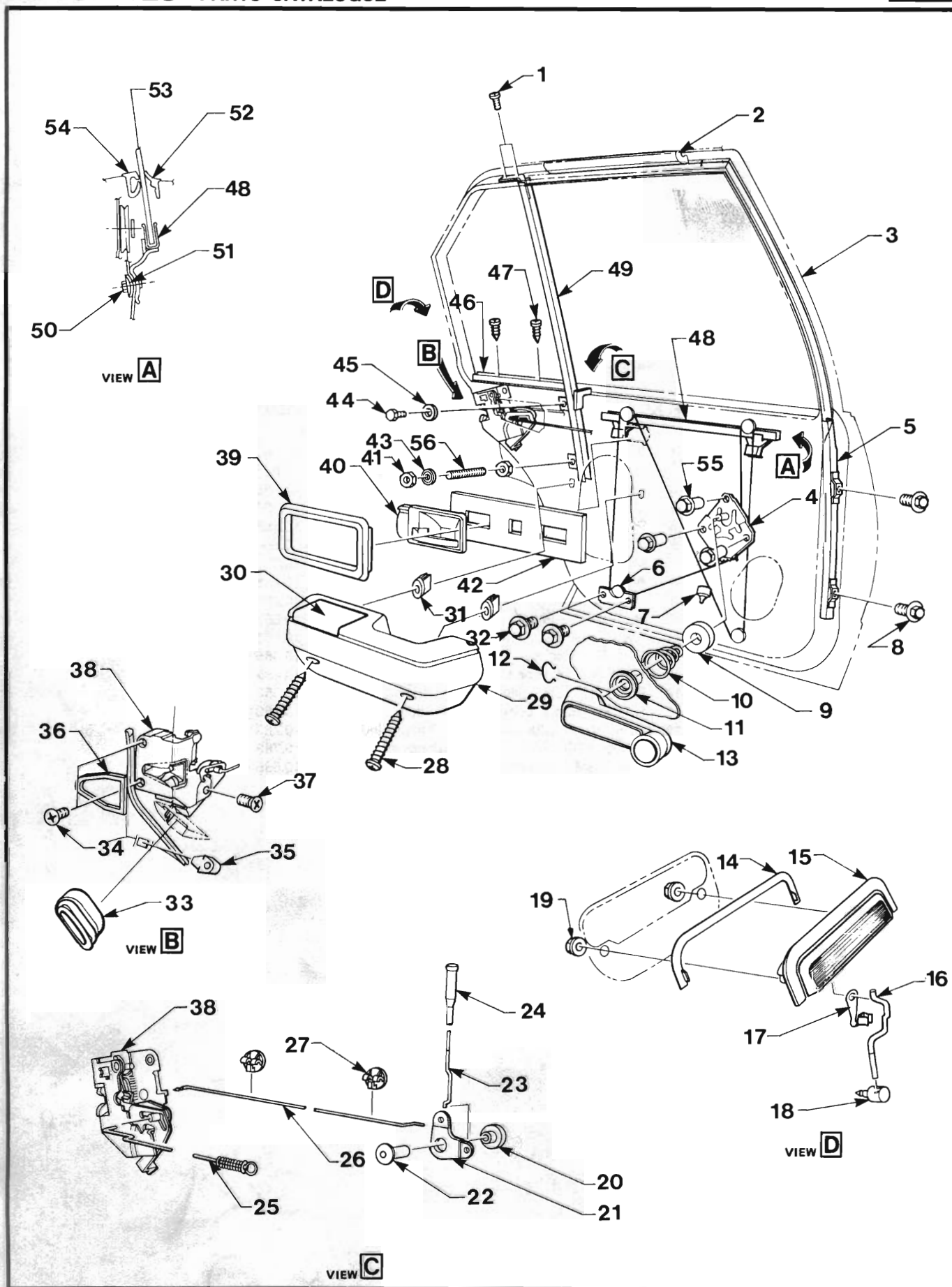




FRONT DOOR

POWER WINDOWS & ELECTRIC DOOR LOCKS

REF. NO.	PART NAME	GROUP	ILLUSTRATION OPPOSITE
1	SWITCH ASM. - Rod & harness	10.485	
2	CHANNEL ASM. - Front door glass lifter	10.685	
3	ROD - Control door inside - Electric door lock ...	10.556	
4	DOOR ASM. - Front.....	12.895	
5	PIVOT - Rod actuating.....	10.556	
6	ROD - Pivot to actuator.....	10.556	
7	MOTOR - Power windows.....	10.783	
8	ACTUATOR KIT - Electric door lock.....	10.485	
9	GROMMET - Harness.....	10.485	
10	RETAINER - Pivot	10.556	
11	PIN - Retainer	10.556	
12	STRAP - Harness to door panels.....	10.485	
13	SCREW - Actuator to door.....	10.485	
14	ESCUTCHEON - Slider - Front door	10.559	
15	SLIDER ASM. - Locking - Front door.....	10.559	
16	SCREW - Regulator to door - Power windows....	10.783	
17	REGULATOR ASM. - Power windows.....	10.783	
18	RAIL ASM. - Window lifter guide	10.685	





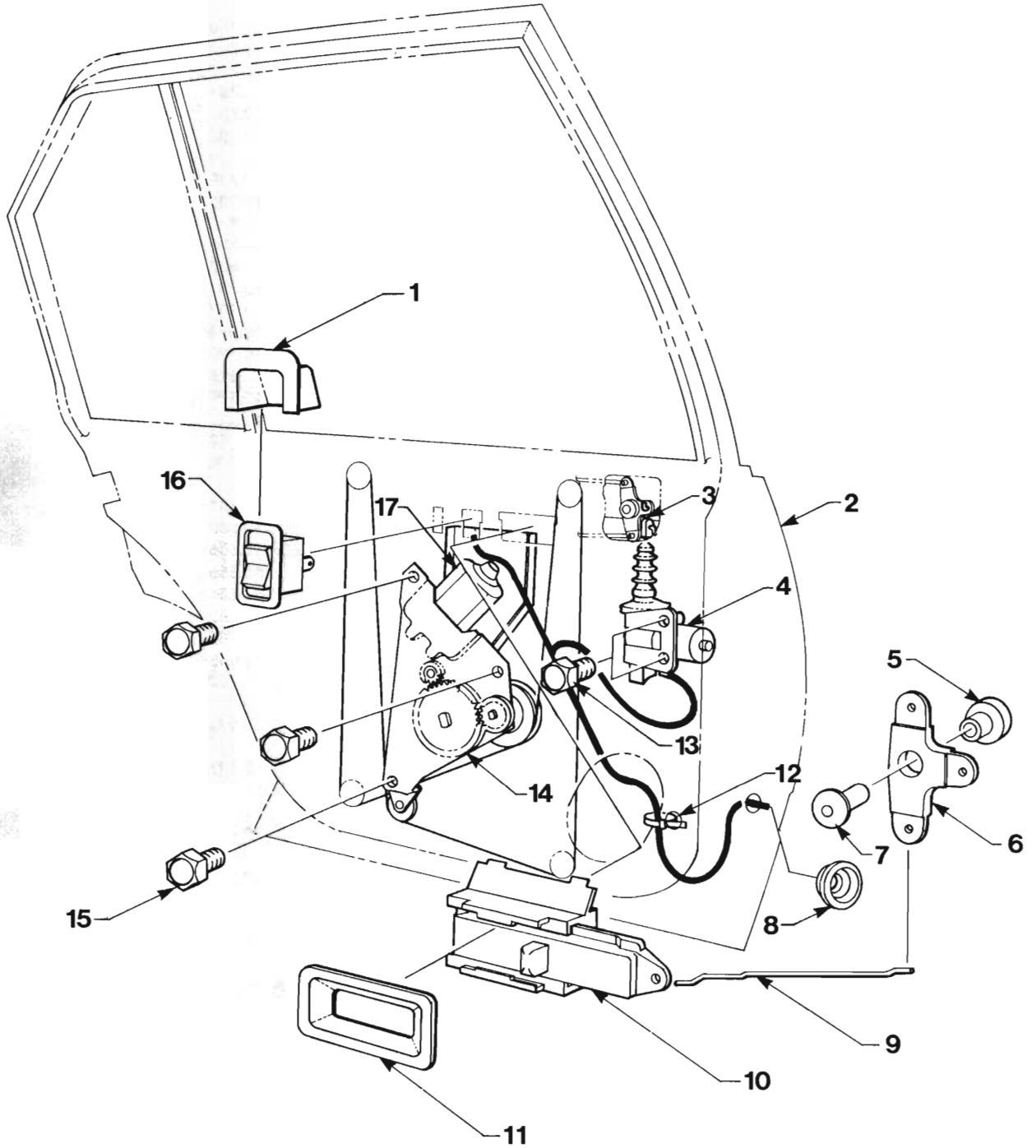
REAR DOOR

EXC. POWER WINDOWS & ELECTRIC DOOR LOCKS

ILLUSTRATION OPPOSITE

REF. NO.	PART NAME	GROUP
1	SCREW - Centre glass run channel to door - Adjusting.....	10.759
2	WEATHERSTRIP - Rear door - Rubber.....	10.694
3	DOOR ASM. - Rear.....	12.913
4	REGULATOR & CABLE ASM. - Rear door.....	10.791
5	CHANNEL ASM. - Glass run, front.....	10.759
6	BRACKET - Guide pulley.....	10.792
7	BUMPER - Support.....	10.759
8	SCREW - Front glass run channel to door.....	10.759
9	SEAL - Handle shaft.....	10.792
10	SPRING - Window regulator handle.....	10.806
11	DISC - Window regulator handle.....	10.806
12	SPRING - Handle retaining.....	10.806
13	HANDLE ASM. - Window regulator lift.....	10.797
14	GASKET - Outside door handle.....	10.537
15	HANDLE - Door outside.....	10.527
16	ROD - Rear door outside handle to lock.....	10.529
17	CLIP - Spring - Rod to handle.....	10.529
18	ADJUSTER - Pull rod to outside handle.....	10.529
19	NUT - Handle to door.....	10.527
20	RETAINER - Pivot.....	10.556
21	PIVOT - Rod actuating.....	10.556
22	PIN - Retainer.....	10.556
23	ROD - Pivot to button.....	10.556
24	BUTTON - Door inside locking.....	10.559
25	ROD - Door lock remote control.....	10.506
26	ROD - Pivot to lock.....	10.556
27	CLIP - Anti rattle.....	10.556
28	SCREW - Arm rest attaching.....	14.762
29	ARM REST.....	14.762
30	ASHTRAY ASM. - Rear door arm rest.....	12.045
31	NUT - Arm rest attaching.....	14.762
32	SCREW - Guide rail to door.....	10.701
33	SEAL - Lock safety lever.....	10.473
34	SCREW - Door lock to door.....	10.474
35	BUMPER - Door stop.....	10.587
36	SEAL - Door lock.....	10.470
37	SCREW - Door lock to door.....	10.474
38	LOCK ASM. - Rear door.....	10.473
39	ESCUTCHEON - Rear door inside handle & control.....	10.515
40	HANDLE & CONTROL ASM. - Door inside.....	10.512
41	NUT - Centre glass run channel to door.....	10.759
42	SEAL - Door control dust.....	10.355
43	WASHER - Centre glass run channel to door.....	10.759
44	SCREW - Guide rear to door.....	10.701
45	WASHER - Centre glass run channel to door.....	10.759
46	CHANNEL & SEAL ASM. - Lower.....	10.829
47	SCREW - Channel to door.....	10.829
48	CHANNEL - Rear door glass lifter.....	10.747
49	CHANNEL ASM. - Glass run centre.....	10.759
50	SCREW - Clamp to window.....	10.792
51	CLAMP - Cable attaching.....	10.792
52	MOULDING & WEATHERSTRIP.....	10.772
53	GLASS - Rear door front.....	10.741
54(A)	WEATHERSTRIP.....	N.S.S.
55	SCREW - Regulator to door.....	10.792
56	SCREW - Centre glass run channel to door.....	10.759

NOTE:- (A Part of Rear Door Trim Asm. Refer group 14.760)



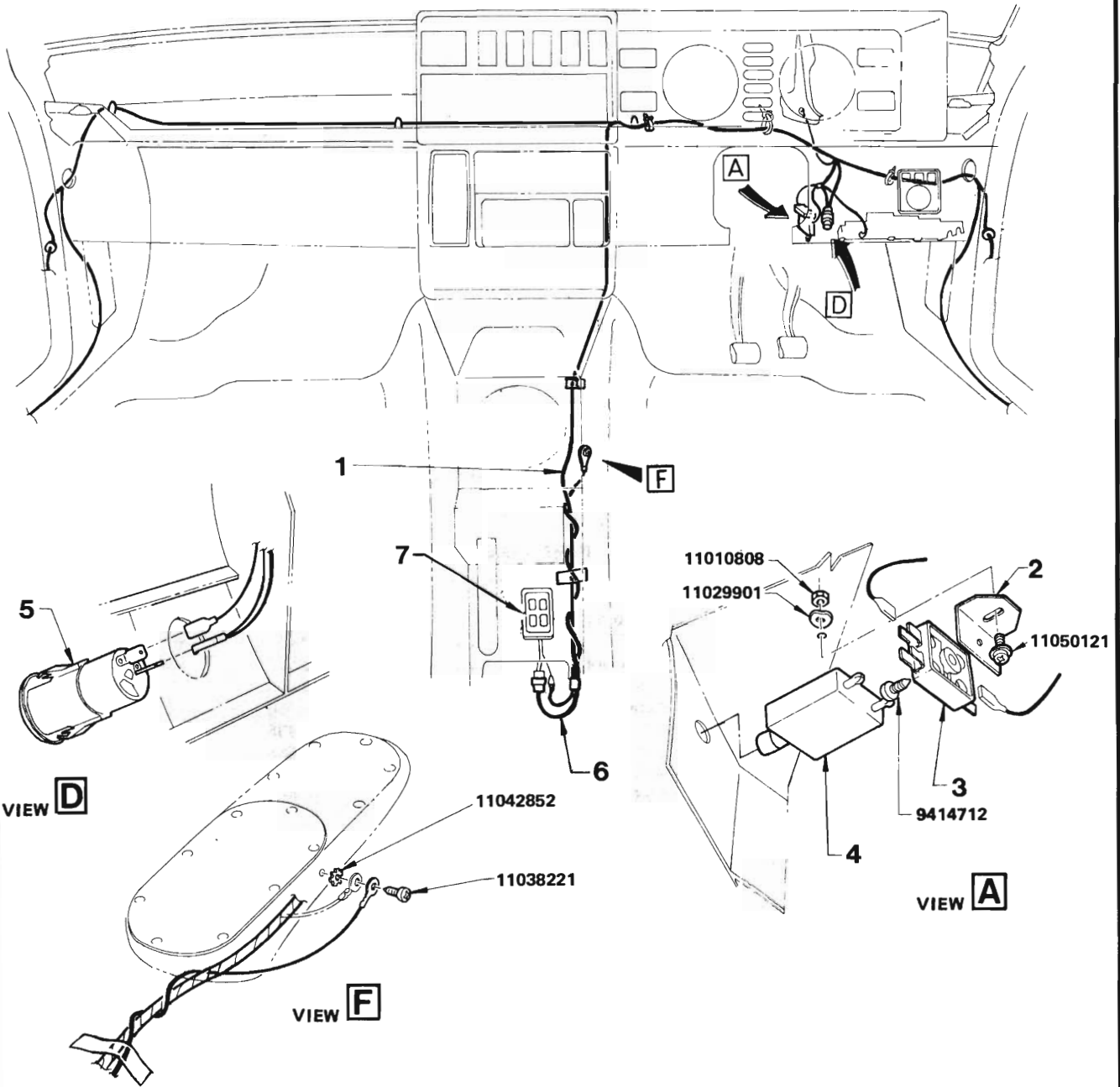


REAR DOOR

POWER WINDOWS & ELECTRIC DOOR LOCKS

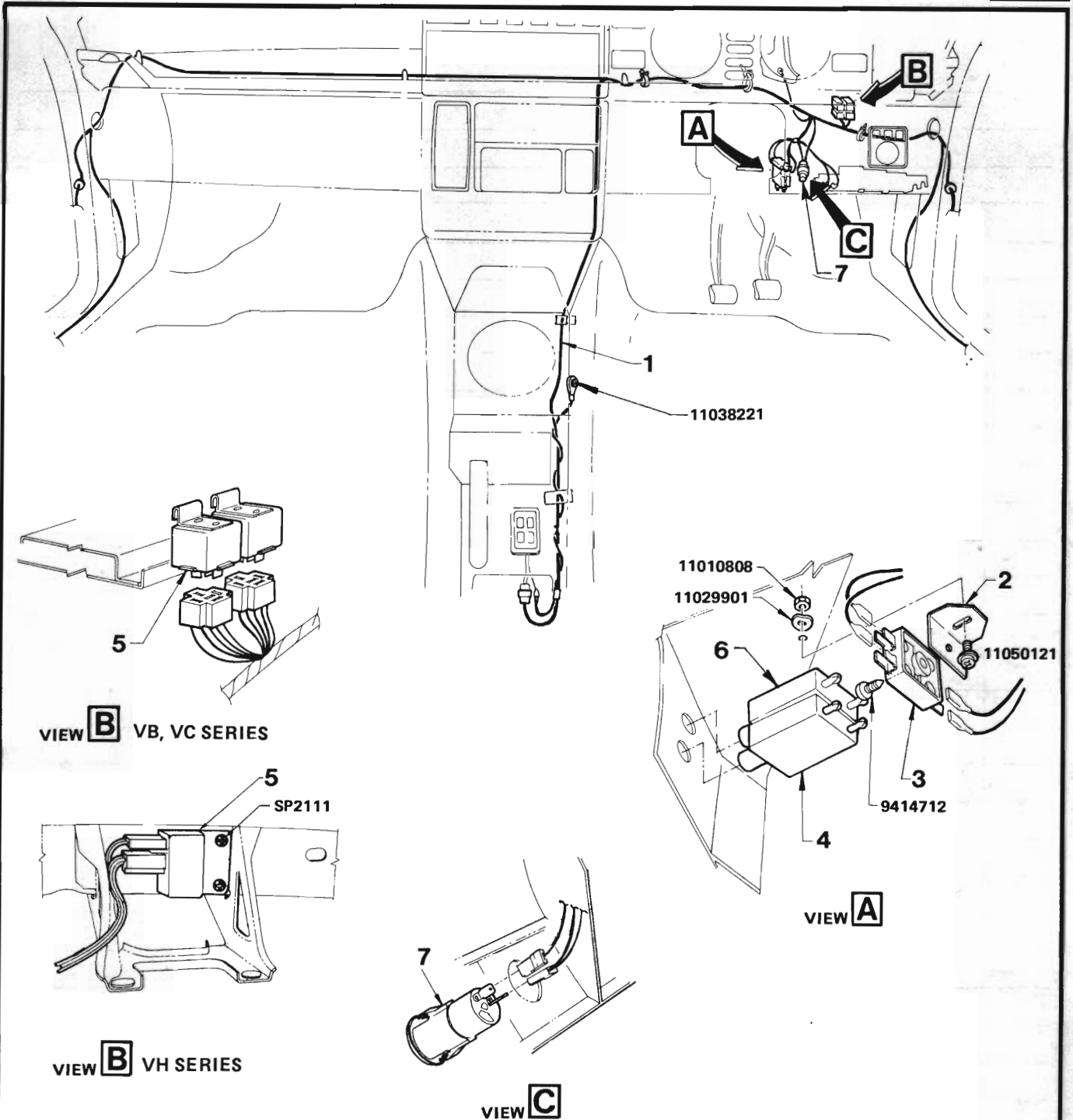
ILLUSTRATION OPPOSITE

REF. NO.	PART NAME	GROUP
1	DEFLECTOR - Switch water	10.777
2	DOOR ASM. - Rear	12.913
3	ROD - Pivot to actuator	10.556
4	ACTUATOR KIT	10.485
5	RETAINER - Pivot	10.556
6	PIVOT - Rod actuating	10.556
7	PIN - Retainer	10.556
8	GROMMET - Harness	10.485
9	ROD - Slide to pivot	10.556
10	SLIDER ASM. - Locking - Rear door	10.559
11	ESCUTCHEON - Slider - Rear door	10.559
12	STRAP - Harness to door inner panel	10.777
13	SCREW - Actuator to door	10.485
14	REGULATOR, CABLE & PULLEY ASM. - Power windows	10.791
15	SCREW - Regulator to door	10.791
16	SWITCH ASM. - Rear door	10.777
17	MOTOR - Power windows	10.783



POWER OPERATED WINDOWS

REF. NO.	PART NAME	GROUP
1	HARNESS ASM.	10.777
2	BRACKET - Circuit breaker.....	10.777
3	BASE PLATE ASM.....	10.777
4	CIRCUIT BREAKER ASM.....	10.777
5	SWITCH ASM. - Rear window over ride.....	10.777
6	HARNESS ASM. - Switch.....	10.777
7	SWITCH ASM. - Console	10.777



POWER OPERATED WINDOWS & ELECTRIC DOOR LOCKS

REF. NO.	PART NAME	GROUP
1	HARNES ASM. - Door lock & window lifter.....	10.485 10.777
2	BRACKET - Circuit breaker.....	10.485 10.777
3	BASE PLATE ASM. - Circuit breaker	10.485 10.777
4	CIRCUIT BREAKER ASM. - Door locks.....	10.485
5	RELAY ASM.	10.485
6	CIRCUIT BREAKER ASM. - Window lifter.....	10.777
7	SWITCH ASM. - Rear window override.....	10.777



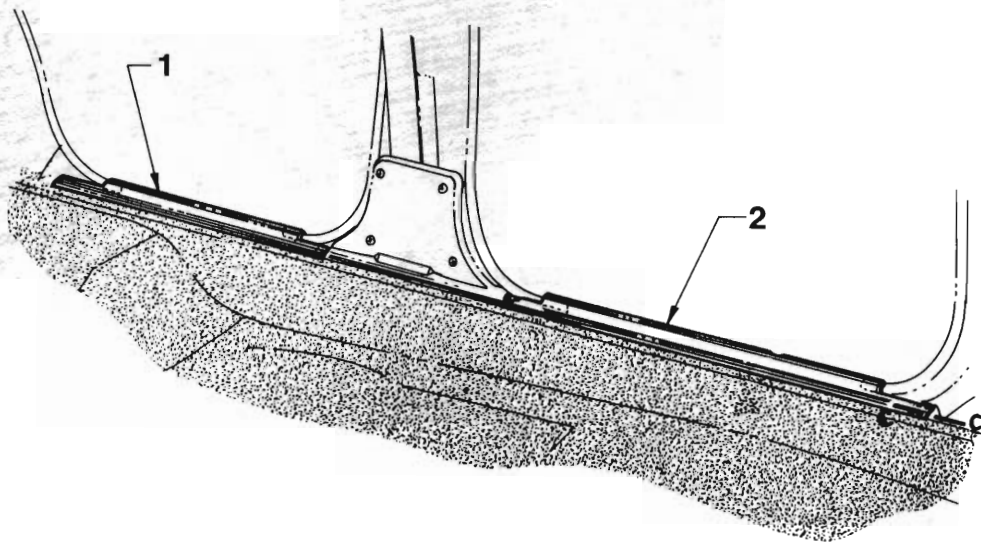
GROUP

11.000

REAR GLASS

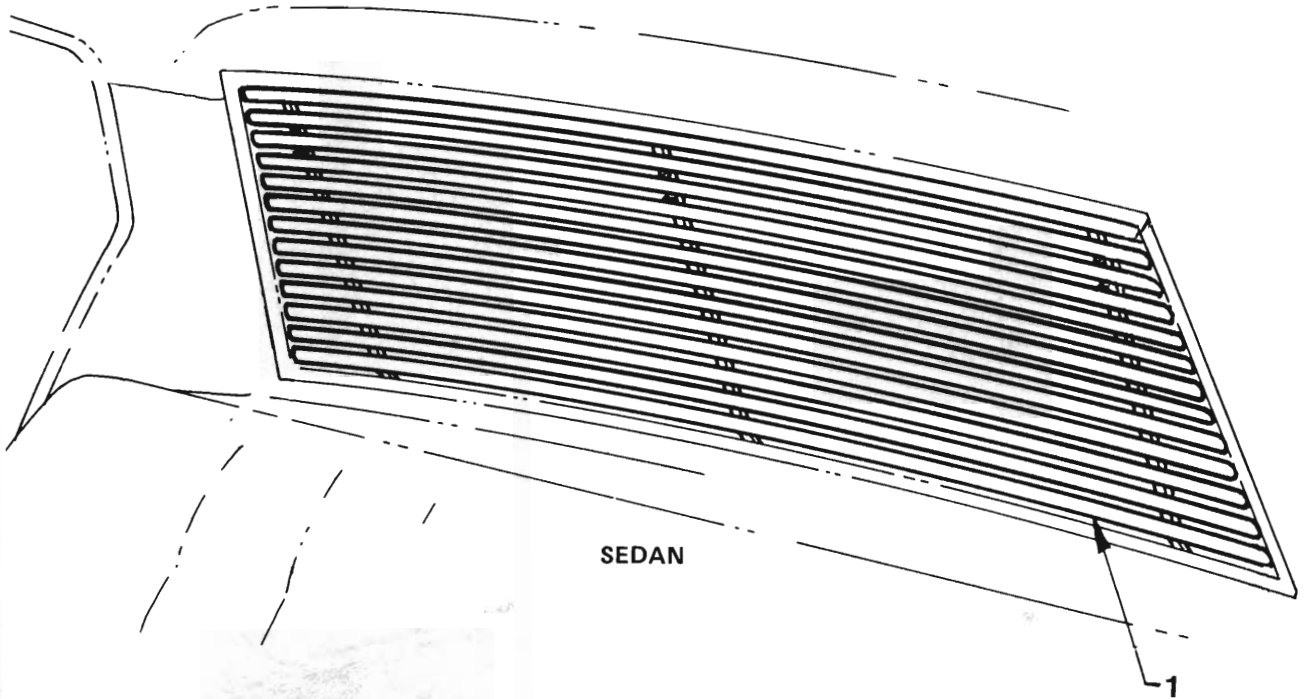
SEAT PARTS

INTERIOR LAMPS

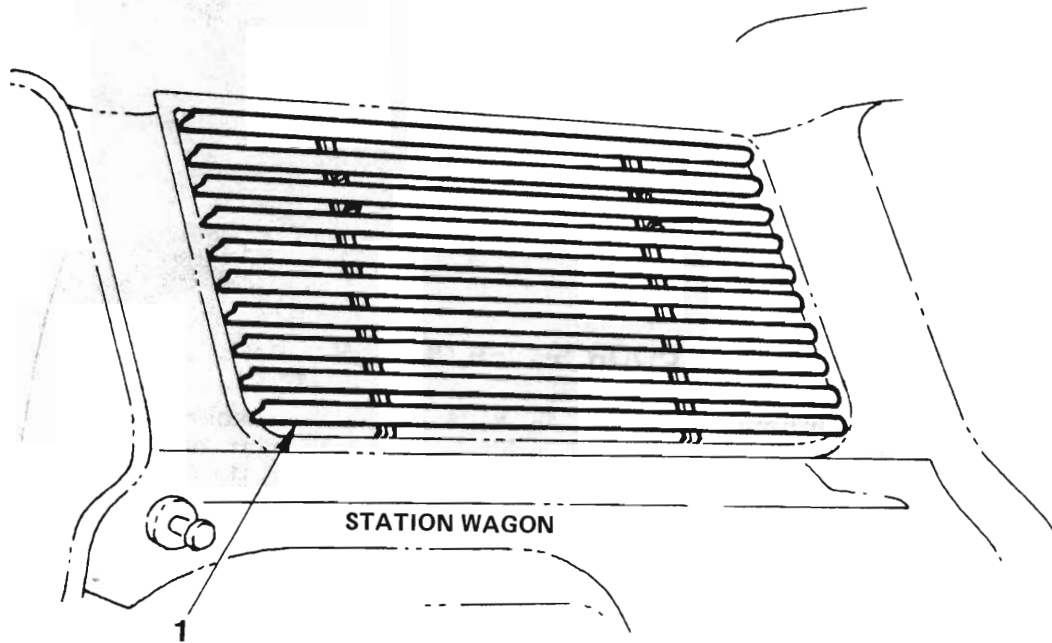


DOOR SCUFF PLATES

REF. NO.	PART NAME	GROUP
1	PLATE - Rear door scuff.....	11.179
2	PLATE - Front door scuff.....	11.175



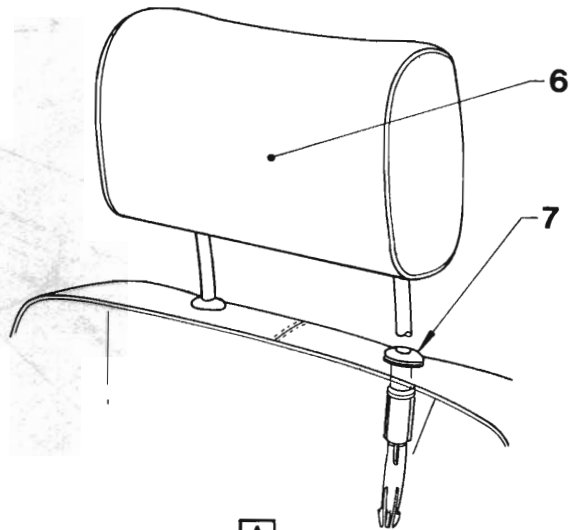
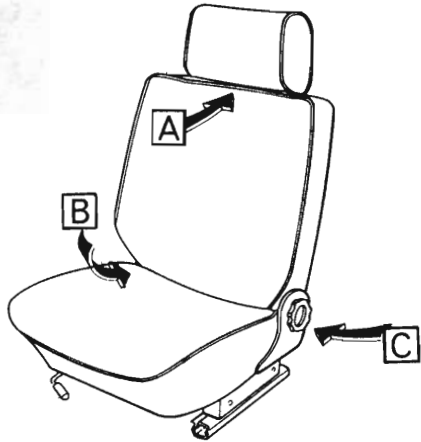
SEDAN



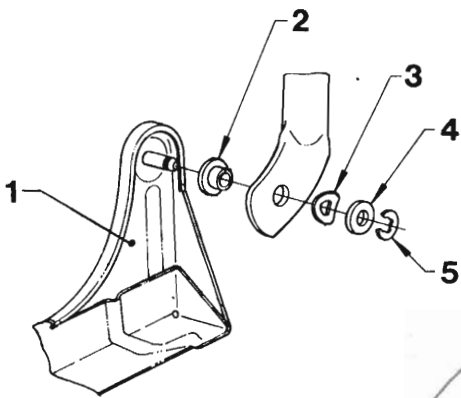
STATION WAGON

REAR WINDOW VENETIAN SHADE

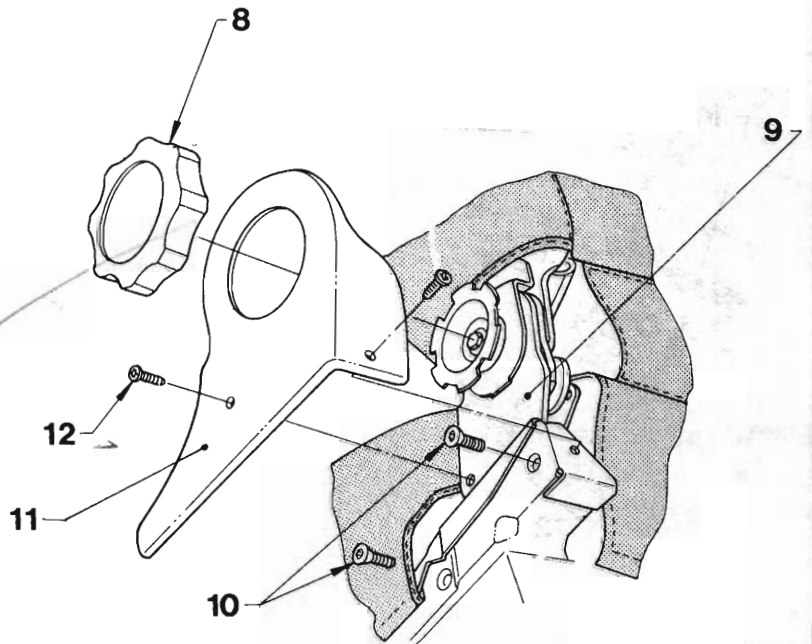
REF. NO.	PART NAME	GROUP
1	SHADE PACKAGE - Venetian	11.205



VIEW **A**



VIEW **B**

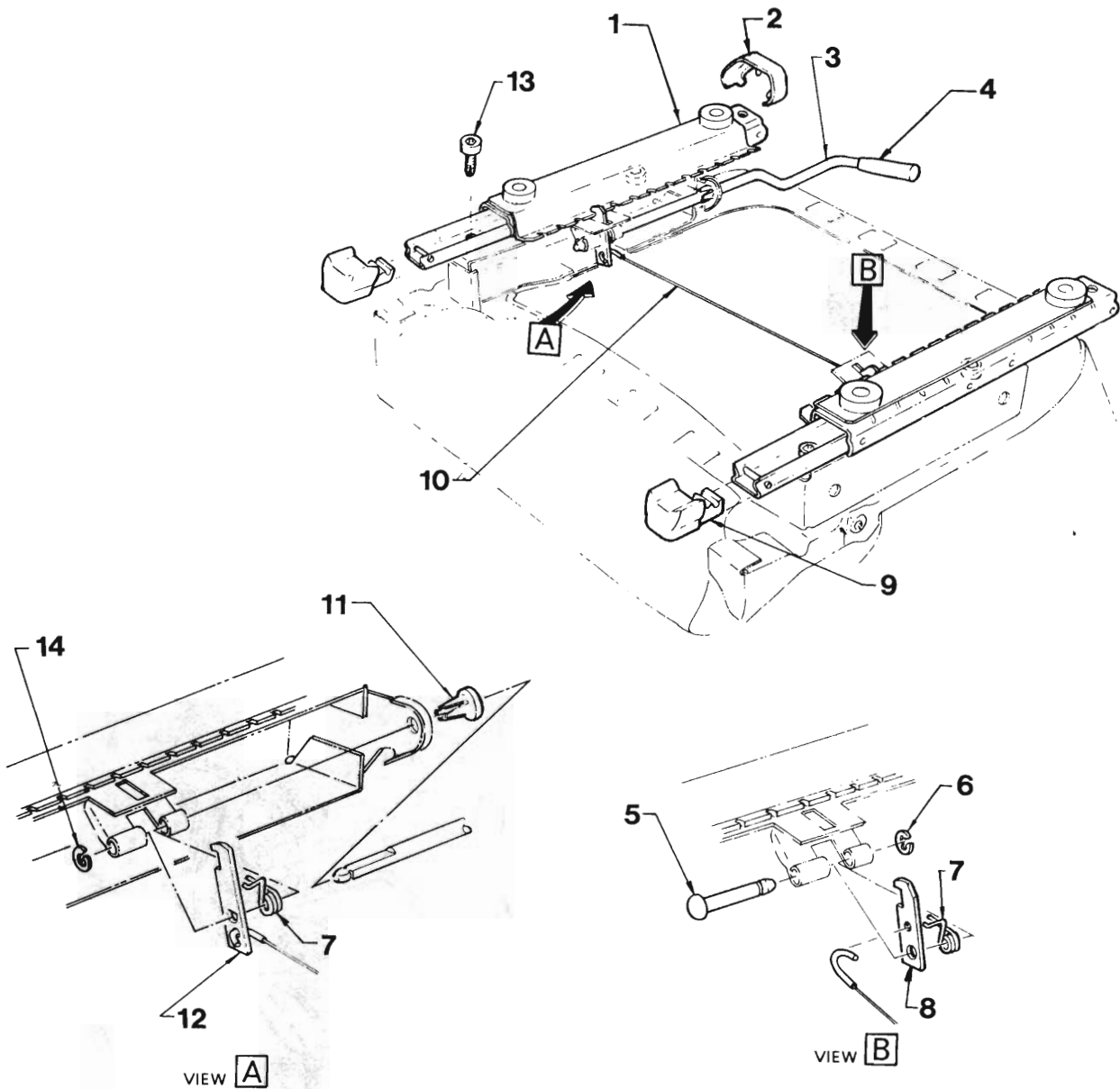


VIEW **C**

FRONT SEAT

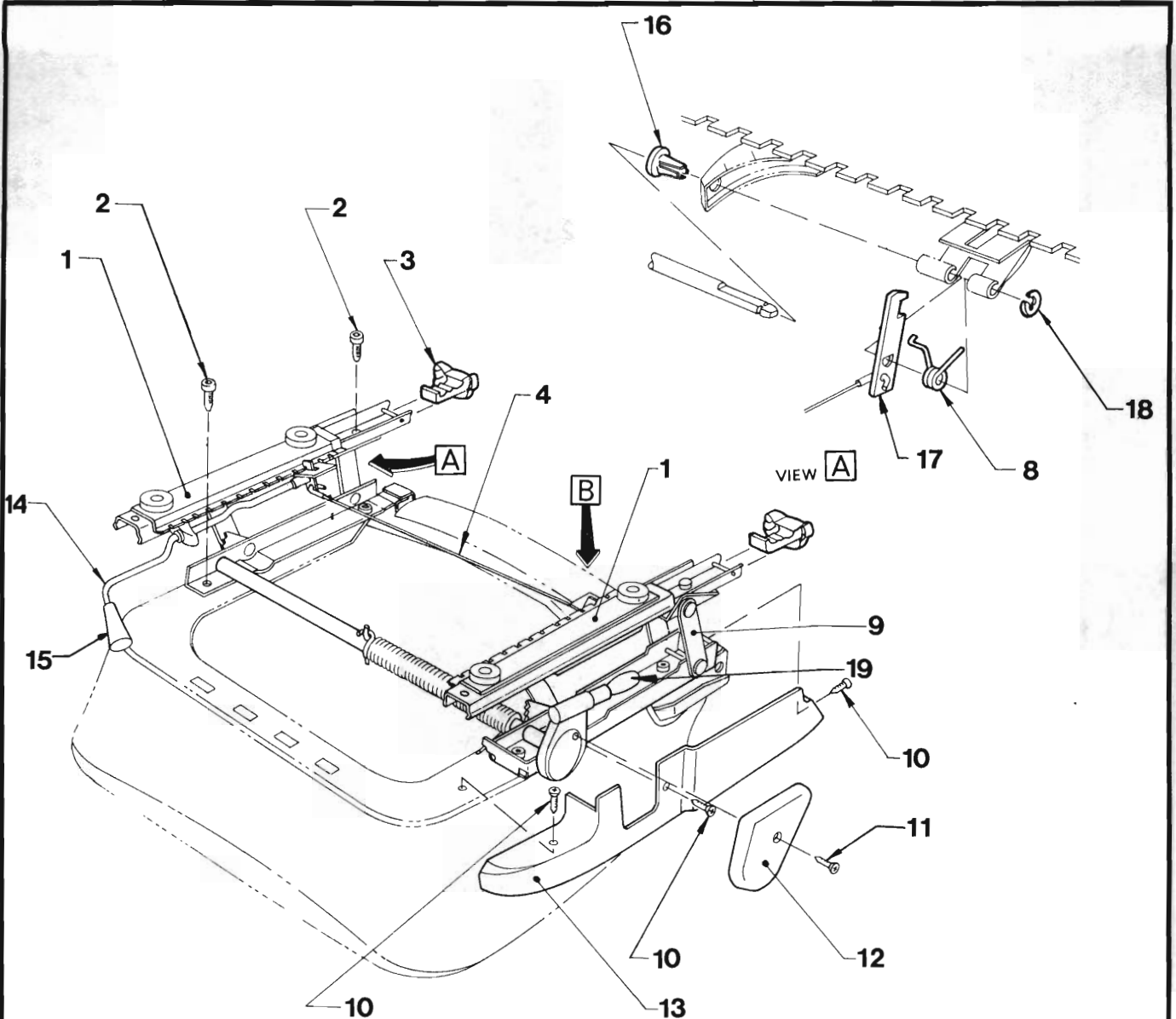
RECLINER MECHANISM & HEAD RESTRAINT

REF. NO.	PART NAME	GROUP
1	SUPPORT ASM. - Hinge	11.377
2	BUSH - Support	11.377
3	WASHER - Tension	11.377
4	WASHER - Support	11.377
5	CIRCLIP	11.377
6	HEAD RESTRAINT - Use components - Refer group 11.924	
7	SLEEVE - Head restraint	14.924
8	KNOB - Recliner	11.377
9	RECLINER ASM.	11.377
10	SCREW	11.377
11	COVER - Front seat recliner mechanism	11.377
12	SCREW - Front seat recliner mechanism cover..	11.377

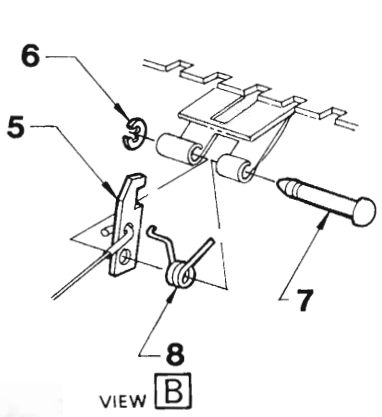


**FRONT SEAT ADJUSTER WITH ROD & KNOB CONTROL
EXC. VERTICAL LIFT SEAT**

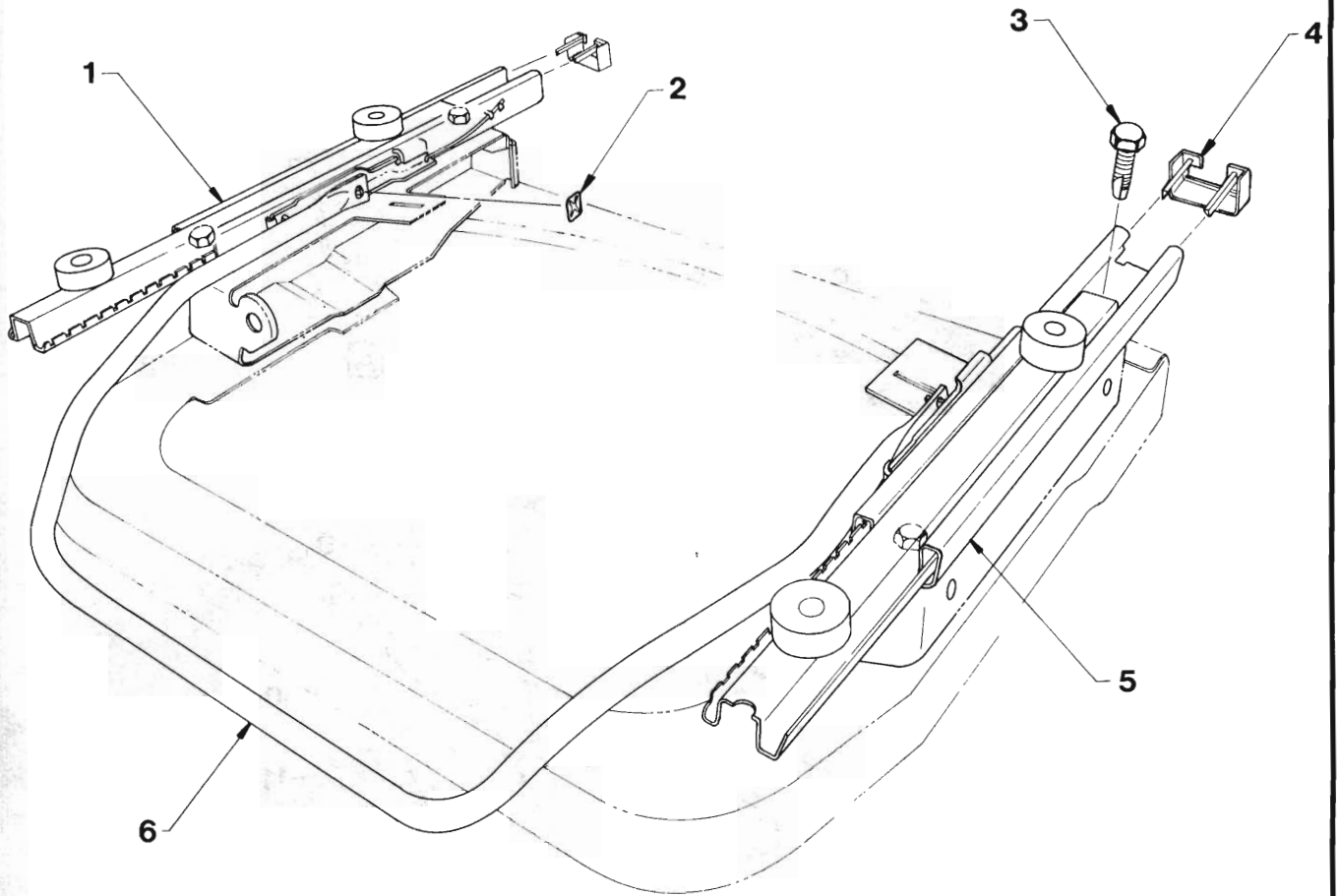
REF. NO.	PART NAME	GROUP
1	ADJUSTER ASM.....	11.561
2	CAP - Outer.....	11.561
3	ROD ASM. - Operating.....	11.588
4	GRIP - Operating rod.....	11.588
5	PIN - Lever pivot.....	11.561
6	CIRCLIP - Pin retaining.....	11.561
7	SPRING - Adjuster lever.....	11.581
8	LEVER - Adjusting outer.....	11.561
9	END PIECE - Adjuster.....	11.561
10	WIRE - Adjuster movement.....	11.589
11	BUSH - Operating rod.....	11.589
12	LEVER - Adjusting inner.....	11.561
13	SCREW - Adjuster to seat.....	11.561
14	CIRCLIP - Rod retaining.....	11.589



**FRONT SEAT ADJUSTER WITH ROD & KNOB CONTROL
VERTICAL LIFT SEAT**

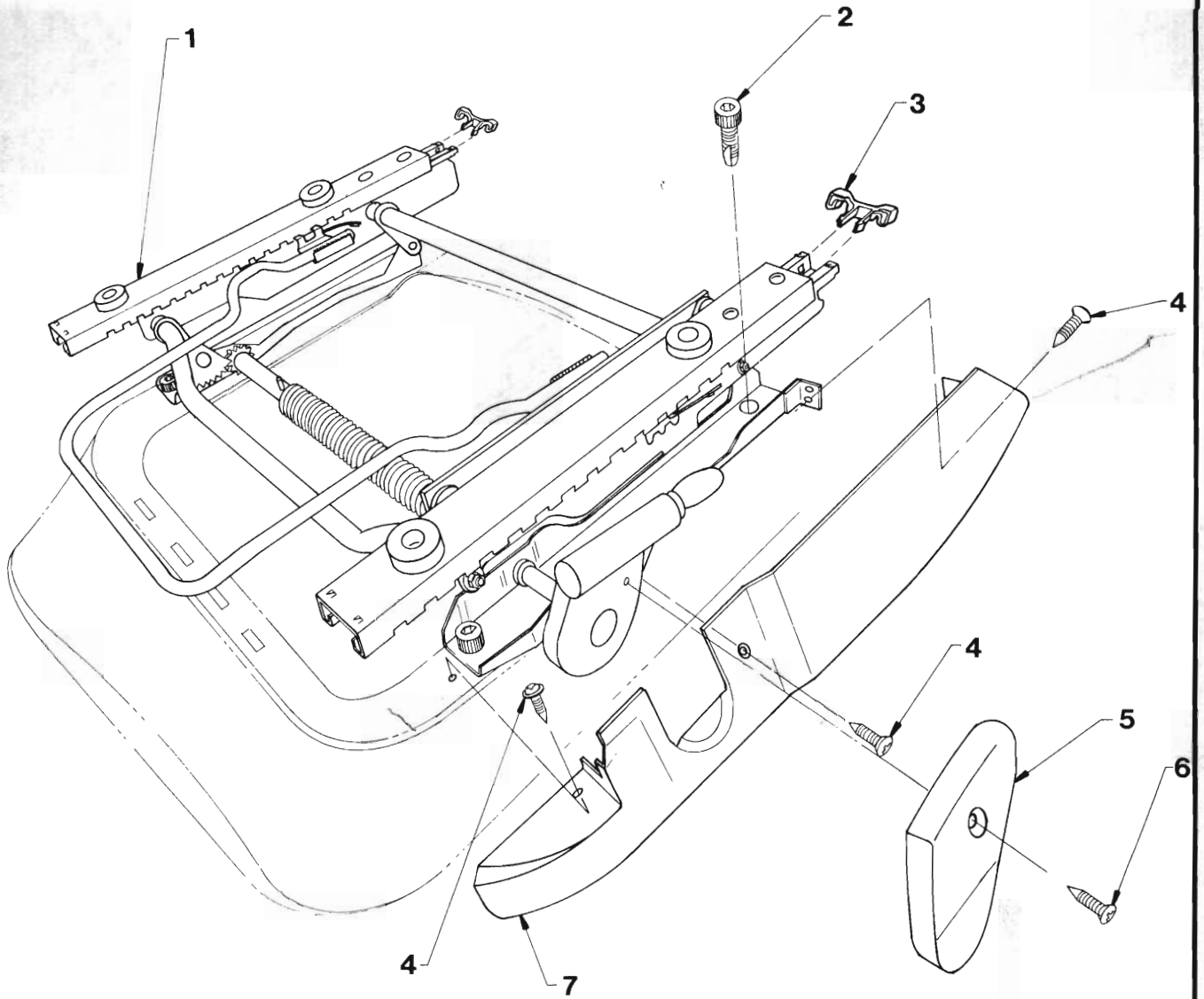


REF. NO.	PART NAME	GROUP
1	ADJUSTER - Fore & Aft movement.....	11.561
2	SCREW - Adjuster to seat	11.561
3	END PIECE - Adjuster	11.561
4	WIRE - Adjuster movement.....	11.589
5	LEVER - Outer	11.561
6	CIRCLIP - Pin retaining.....	11.561
7	PIN - Lever pivot.....	11.561
8	SPRING - Adjuster lever.....	11.581
9	ADJUSTER - Vertical lift.....	11.561
10	SCREW - Cover.....	11.573
11	SCREW - Lever cover.....	11.573
12	COVER - Lever	11.573
13	COVER - Height adjuster.....	11.573
14	ROD - Operating	11.588
15	GRIP - Operating rod.....	11.588
16	BUSH - Operating rod.....	11.589
17	LEVER - Inner.....	11.561
18	CIRCLIP - Rod retaining	11.589
19	GRIP - Adjusting lever	11.588



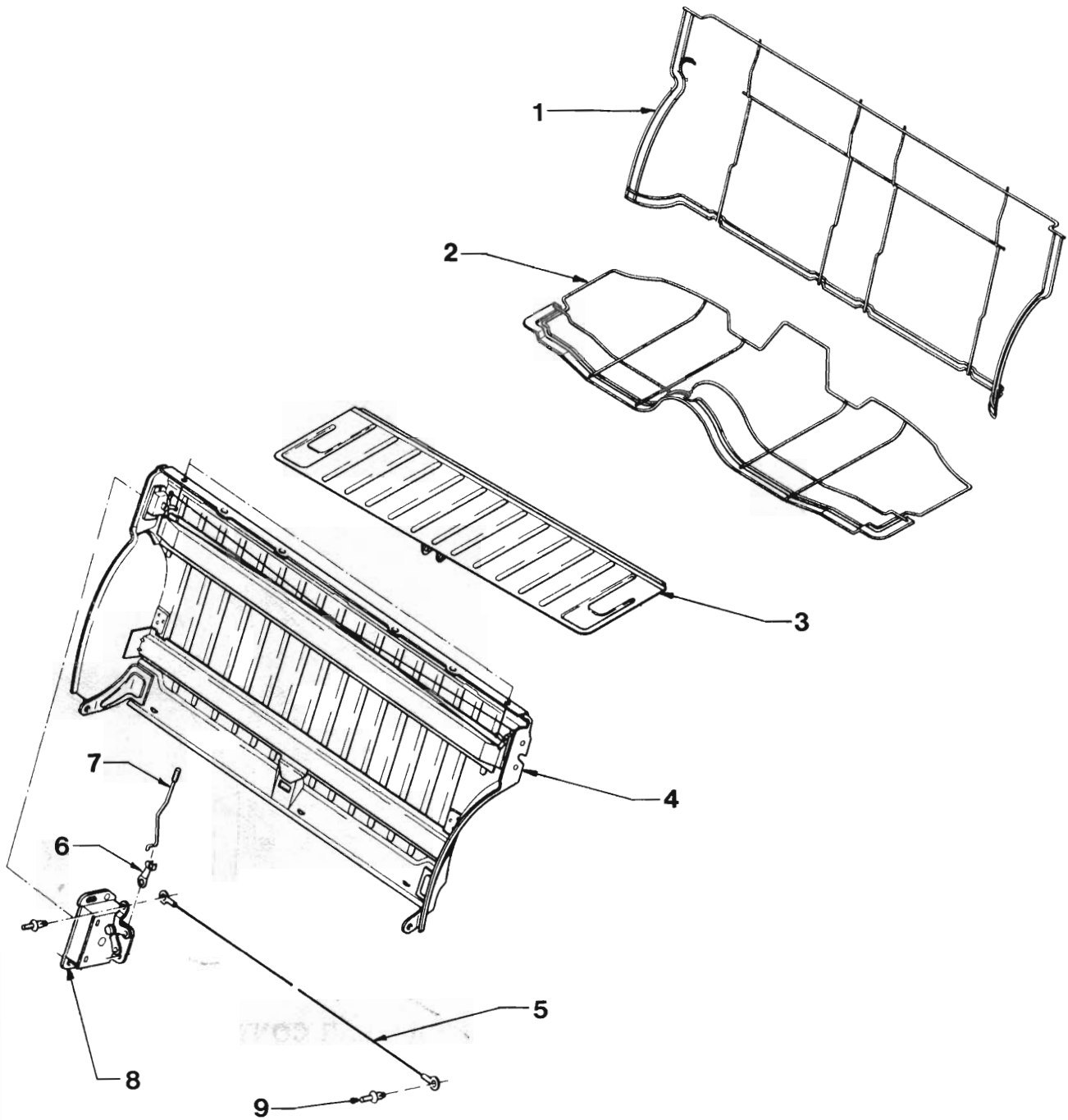
**FRONT SEAT ADJUSTER WITH FULL BAR CONTROL
EXC. VERTICAL LIFT SEAT**

REF. NO.	PART NAME	GROUP
1	ADJUSTER ASM. - LH	11.561
2	NUT - Operating rod to adjuster	11.588
3	SCREW - Adjuster to seat	11.561
4	END PIECE - Adjuster - LH Seat	11.561
5	ADJUSTER ASM. - RH	11.561
6	ROD ASM. - Operating	11.588



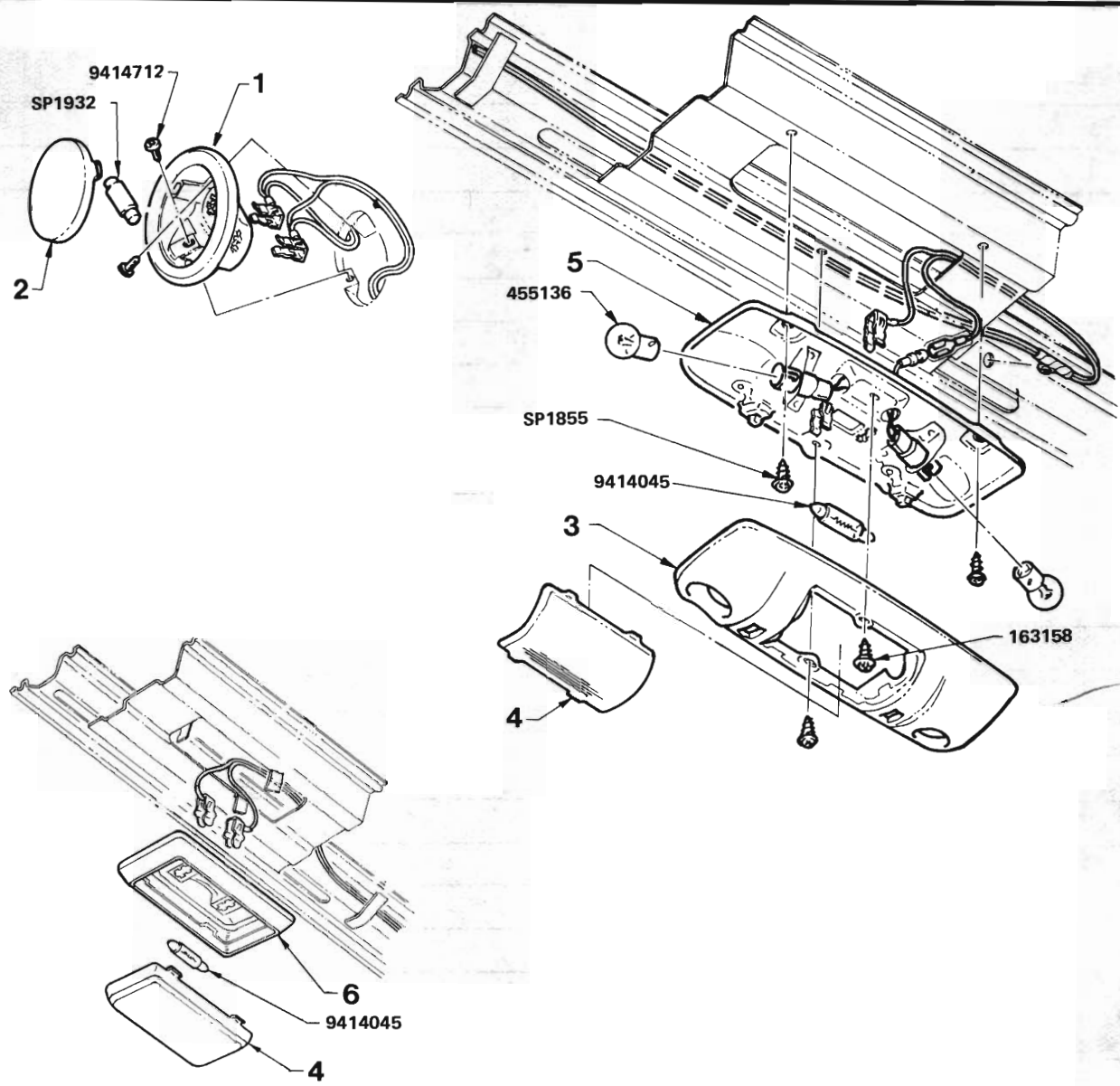
**FRONT SEAT ADJUSTER WITH FULL BAR CONTROL
VERTICAL LIFT SEAT
VK SERIES**

REF. NO.	PART NAME	GROUP
1	ADJUSTER ASM. - Vertical lift.....	11.561
2	SCREW - Adjuster to seat	11.561
3	END PIECE - Adjuster - RH Seat	11.561
4	SCREW - Cover	11.573
5	COVER - Lever	11.573
6	SCREW - Lever cover.....	11.573
7	COVER - Vertical lift seat adjuster	11.573



**REAR SEAT HARDWARE
35 BODY STYLES**

REF. NO.	PART NAME	GROUP
1	FRAME ASM. - Rear seat back.....	11.628
2	FRAME ASM. - Rear seat cushion.....	11.610
3	PANEL & HINGE - Filler.....	11.629
4	PANEL ASM. - Rear seat back & tonneau floor.	11.628
5	CABLE ASM. - Latch connecting.....	11.620
6	CLIP - Adjuster rod to latch.....	11.620
7	ROD - Actuating.....	11.620
8	LATCH ASM. - Stop.....	11.620
9	RIVET - Cable to latch.....	11.620



DOMES & REAR QUARTER LAMP

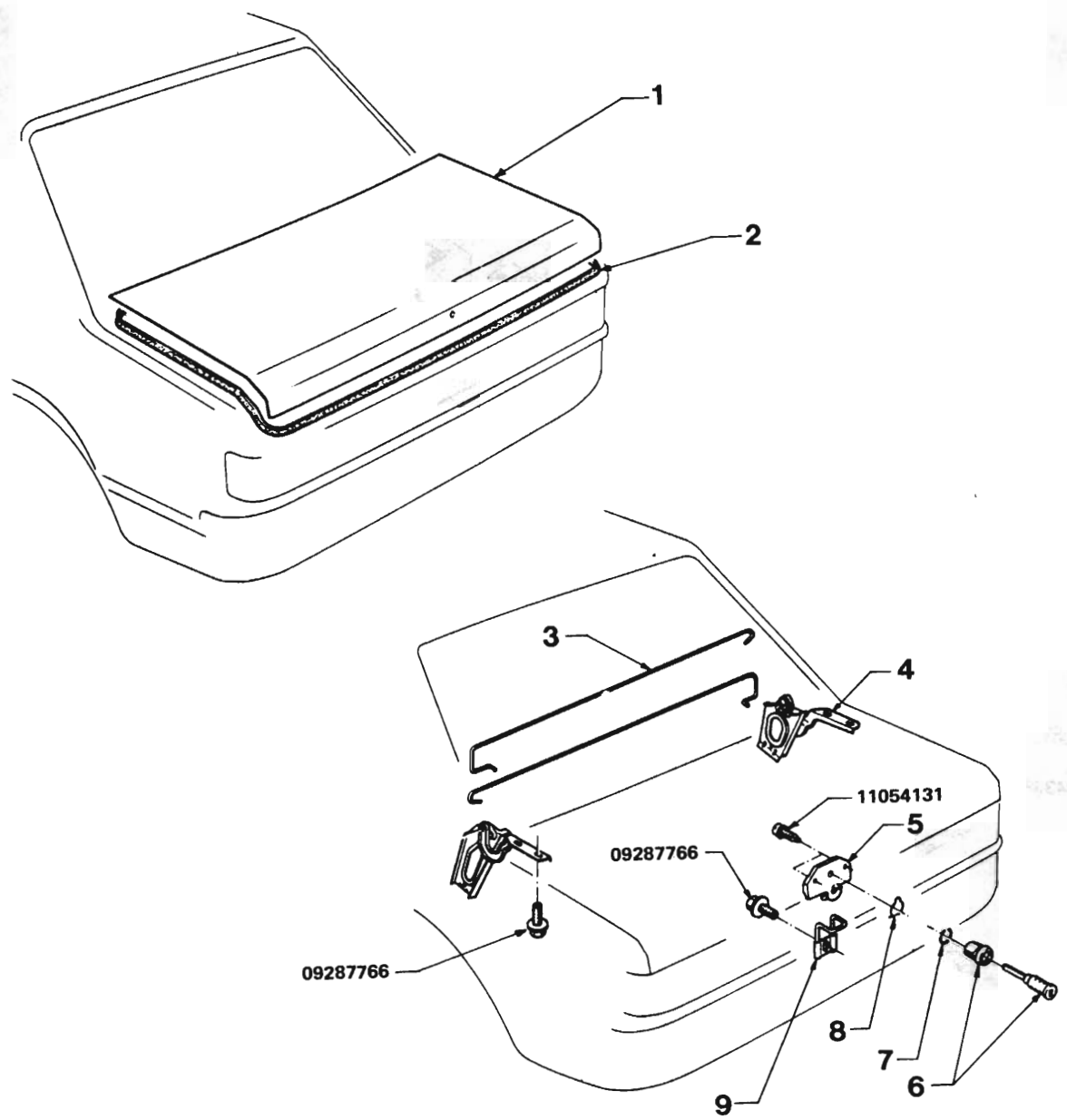
REF. NO.	PART NAME	GROUP
1	REFLECTOR - Quarter lamp	11.927
2	LENS - Quarter lamp	11.928
3	HOUSING ASM. - Dome lamp.....	11.928
4	LENS - Dome lamp	11.928
5	REFLECTOR - Dome lamp.....	11.927
6	BASE - Dome lamp.....	11.927



GROUP

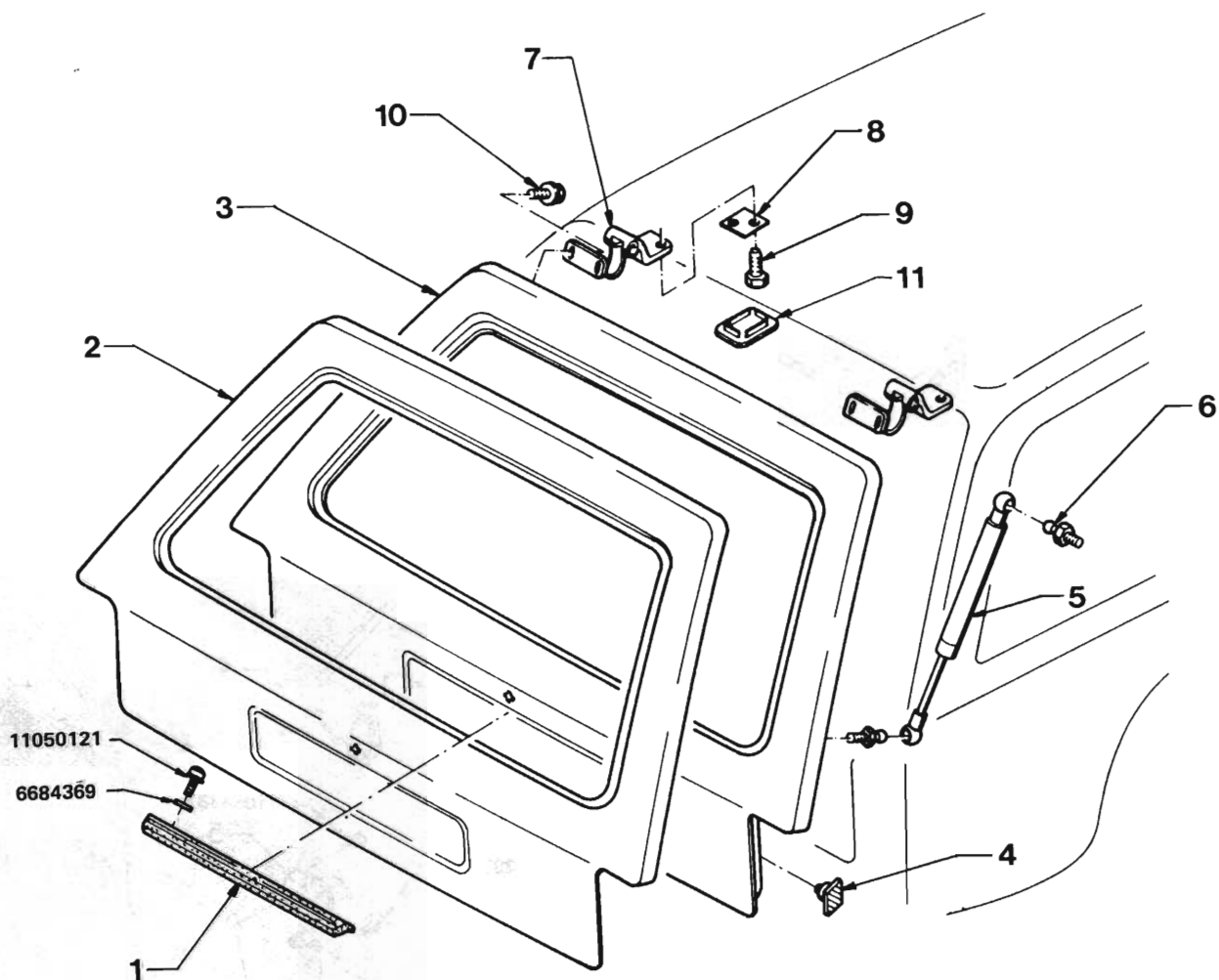
12.000

**BODY MOULDINGS
SHEET METAL**



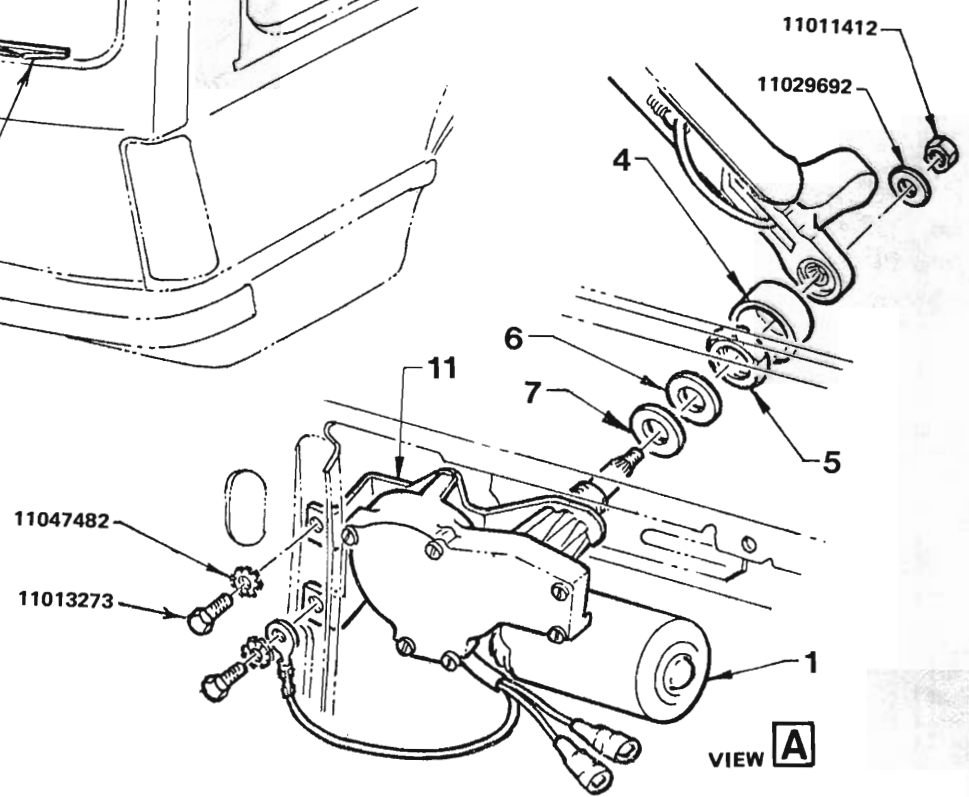
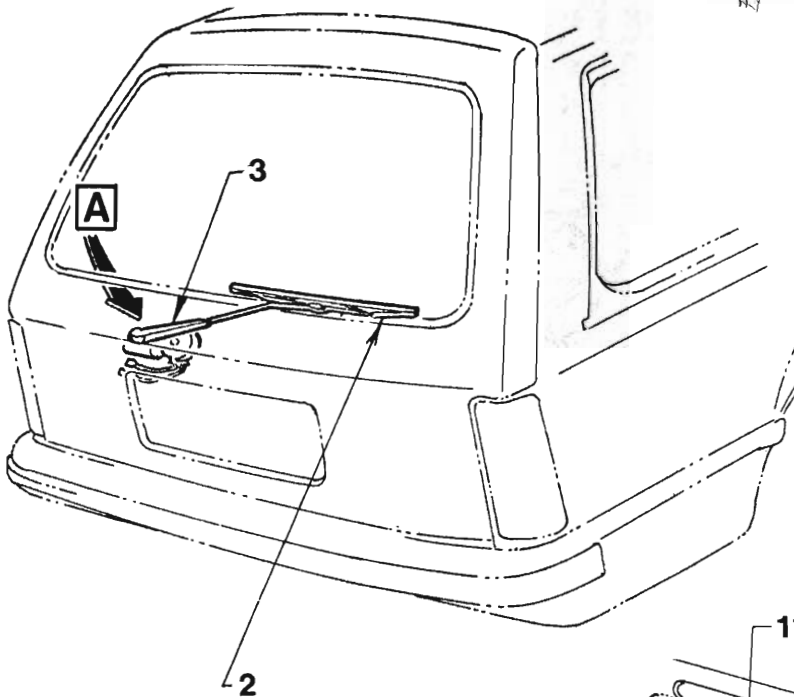
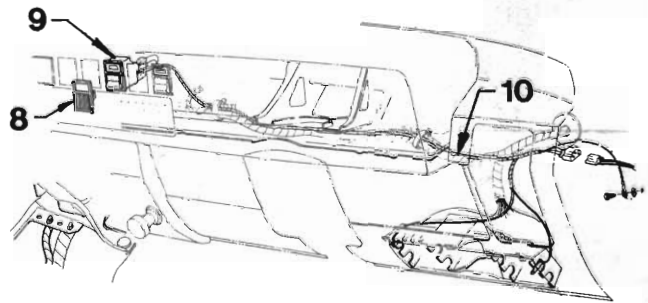
DECK LID HARDWARE

REF. NO.	PART NAME	GROUP
1	LID ASM. - Deck.....	12.181
2	WEATHERSTRIP - Deck lid.....	12.269
3	ROD - Deck lid torque.....	12.187
4	HINGE.....	12.184
5	LOCK ASM.	12.242
6	LOCK CYLINDER ASM.....	12.248
7	SEAL - Lock cylinder	12.248
8	SPRING - Lock cylinder retaining	12.248
9	STRIKER.....	12.237



END GATE HARDWARE

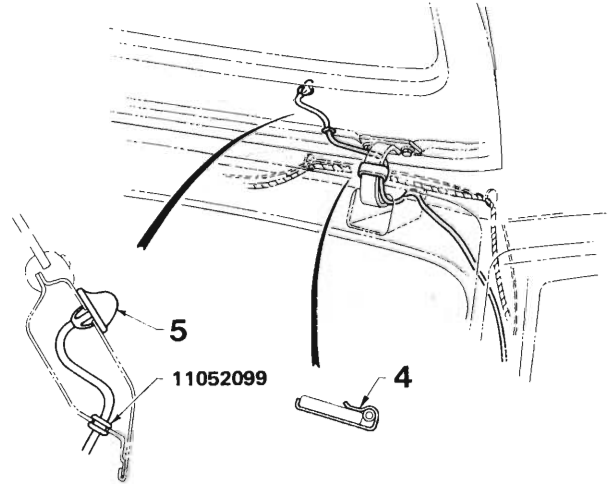
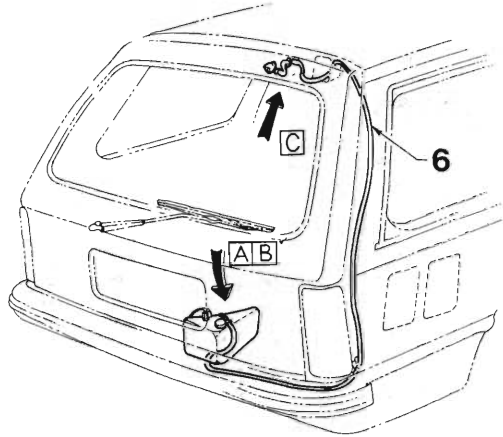
REF. NO.	PART NAME	GROUP
1	HANDLE - End gate.....	12.247
2	PANEL - End gate.....	12.179
3	GATE ASM.....	12.179
4	BUMPER - End gate.....	12.212
5	SUPPORT - End gate.....	12.203
6	STUD - Support.....	12.203
7	HINGE - End gate.....	12.184
8	GASKET - Hinge to roof.....	12.184
9	BOLT - Hinge to roof.....	12.184
10	BOLT - Hinge to lid.....	12.184
11	COVER - Hinge.....	12.184



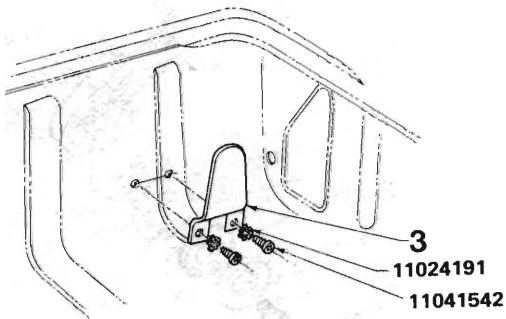
VIEW **A**

END GATE WINDOW WIPER

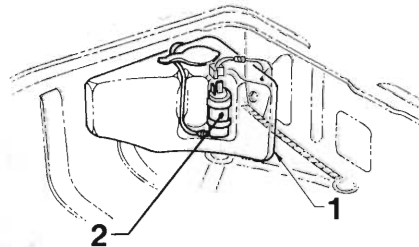
REF. NO.	PART NAME	GROUP
1	MOTOR ASM.	12.188
2	BLADE	12.188
3	ARM	12.188
4	CAP - Drive shaft.....	12.188
5	NUT - Drive shaft, Interior.....	12.188
6	WASHER - Drive shaft, Interior.....	12.188
7	PAD - Drive shaft.....	12.188
8	COVER - Switch hole closing.....	12.188
9	SWITCH ASM.....	12.188
10	HARNES ASM. - Wiper & washer switch.....	12.188
11	BRACKET - Motor support.....	12.188



VIEW **C**



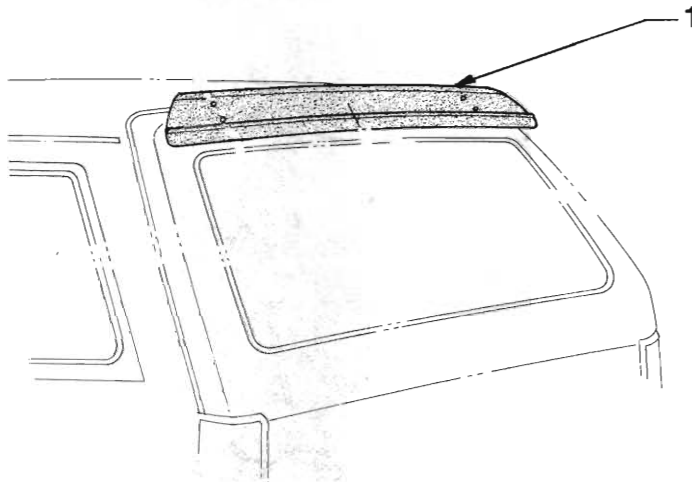
VIEW **A**



VIEW **B**

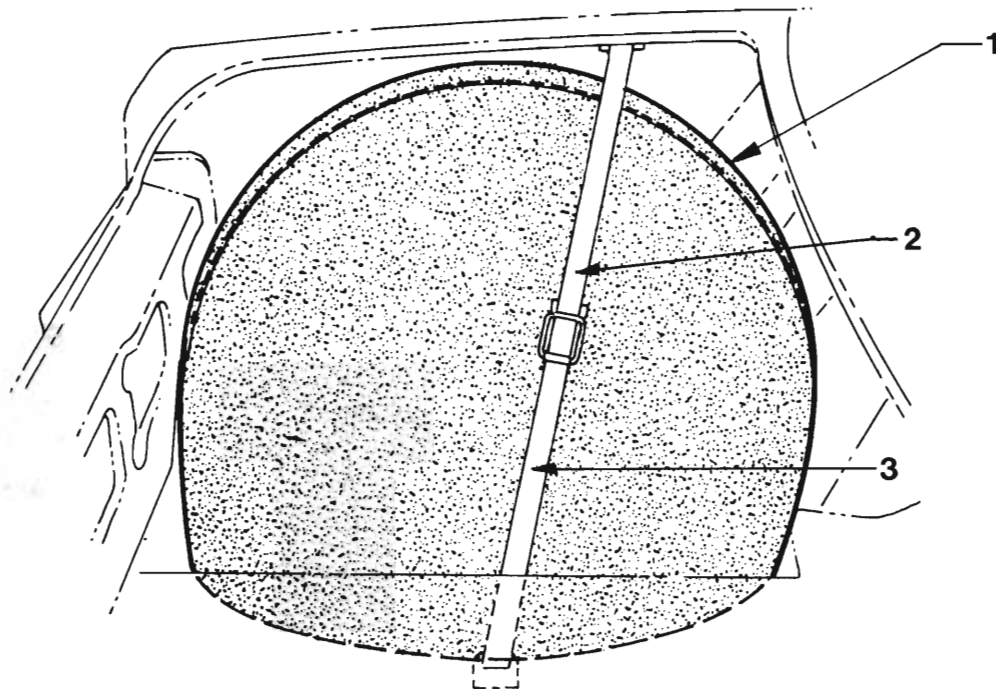
END GATE WINDOW WASHER

REF. NO.	PART NAME	GROUP
1	RESERVOIR ASM.	12.188
2	PUMP ASM.	12.188
3	BRACKET - Reservoir.....	12.188
4	CLIP - Hose.....	12.188
5	NOZZLE.....	12.188
6	HOSE - Pump to nozzle.....	12.188



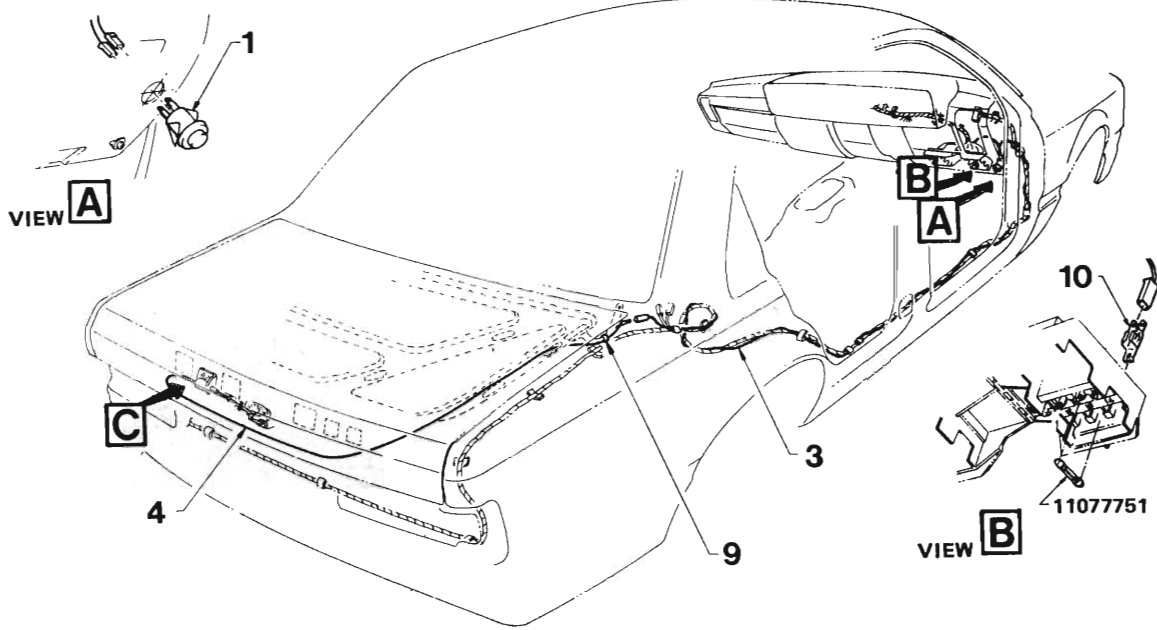
DEFLECTOR - END GATE DUST

REF. NO.	PART NAME	GROUP
1	DEFLECTOR PACKAGE.....	12.180

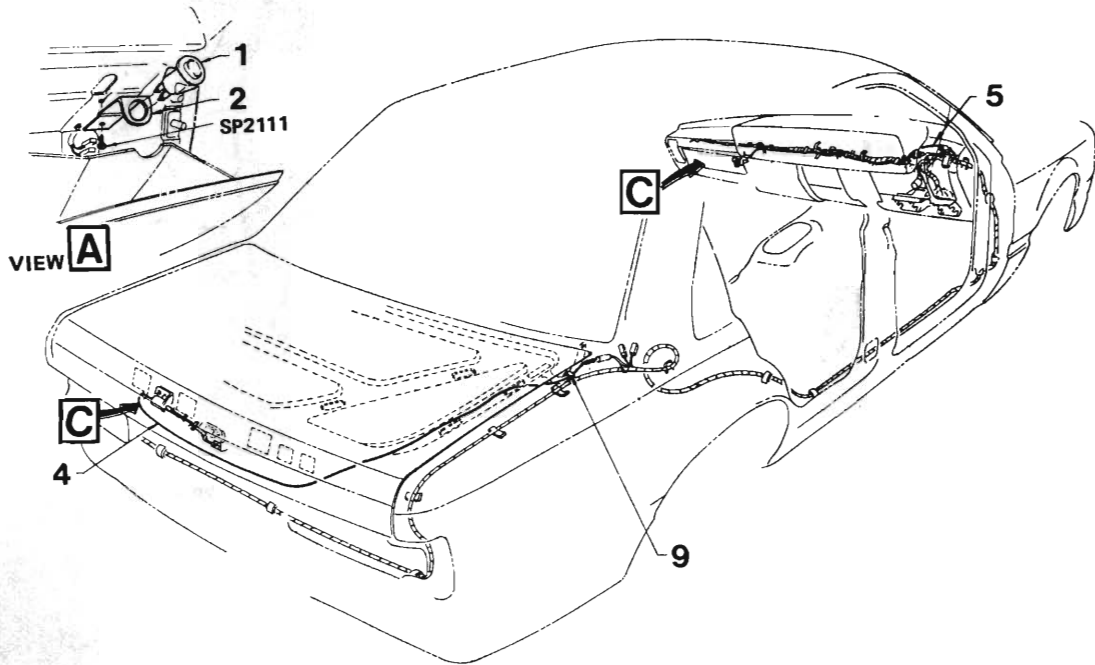


**COVER - SPARE WHEEL
8VL & 8VX SEDAN**

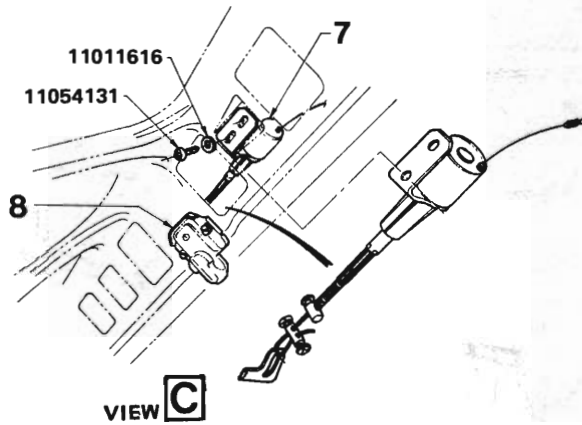
REF. NO.	PART NAME	GROUP
1	COVER.....	12.579
2	STRAP.....	7.629
3	BUCKLE - Strap anchor, Lower.....	7.629



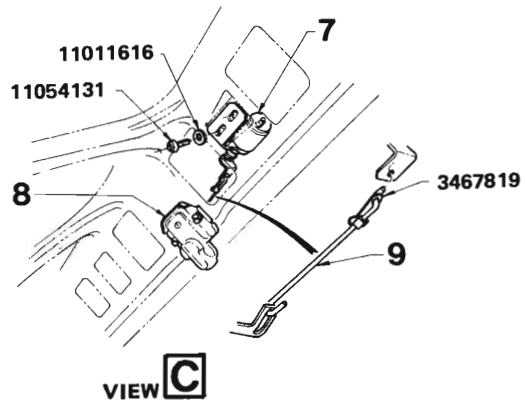
8VK - 8VL



8VX



BOSCH

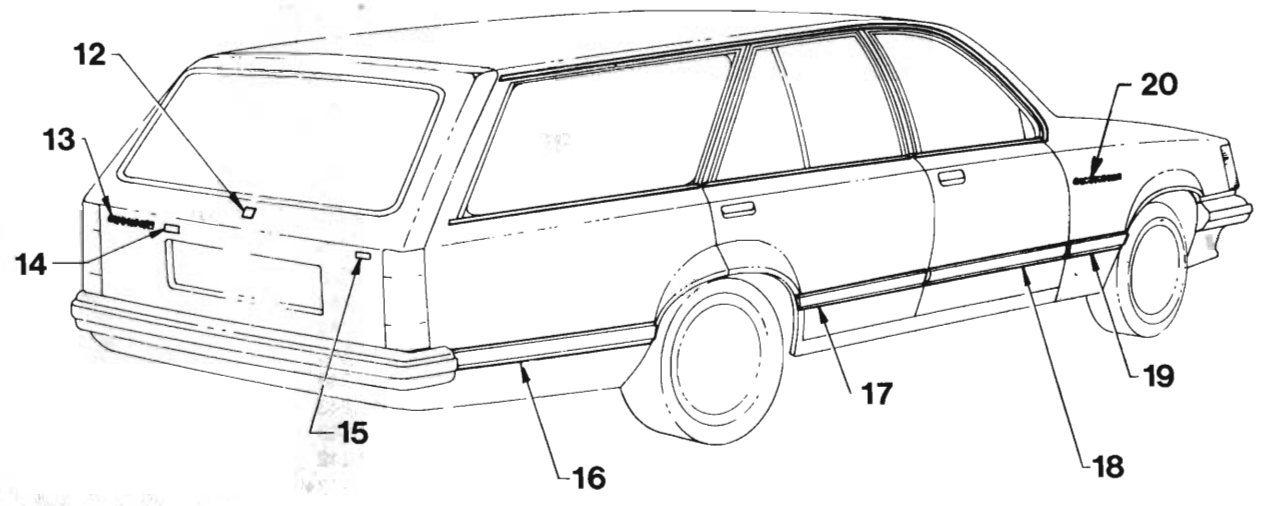
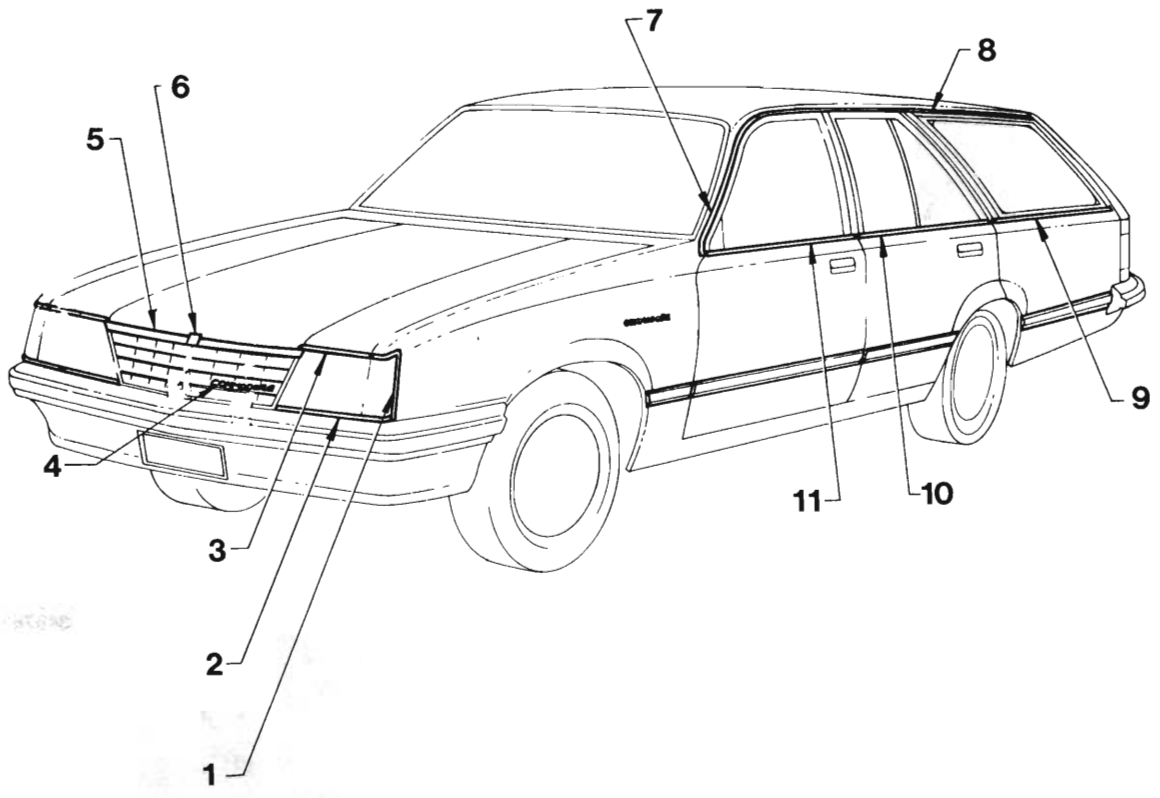


WILMOT BREEDEN

**DECK LID LOCK RELEASE
ELECTRIC**

ILLUSTRATION ABOVE & OPPOSITE

REF. NO.	PART NAME	GROUP
1	SWITCH - Lock release.....	12.243
2	BRACKET - Lock release switch	12.243
3	LEAD - Switch to solenoid lead	12.243
4	LEAD - Solenoid to switch lead	12.243
5	LEAD - Switch to body harness.....	12.243
6	SOLENOID ASM.....	12.243
7	LOCK ASM.	12.242
8	ROD - Solenoid.....	12.243
9	STRAP - Lead to hinge	12.243
10	TERMINAL - Fuse panel, 2 male blades.....	12.243



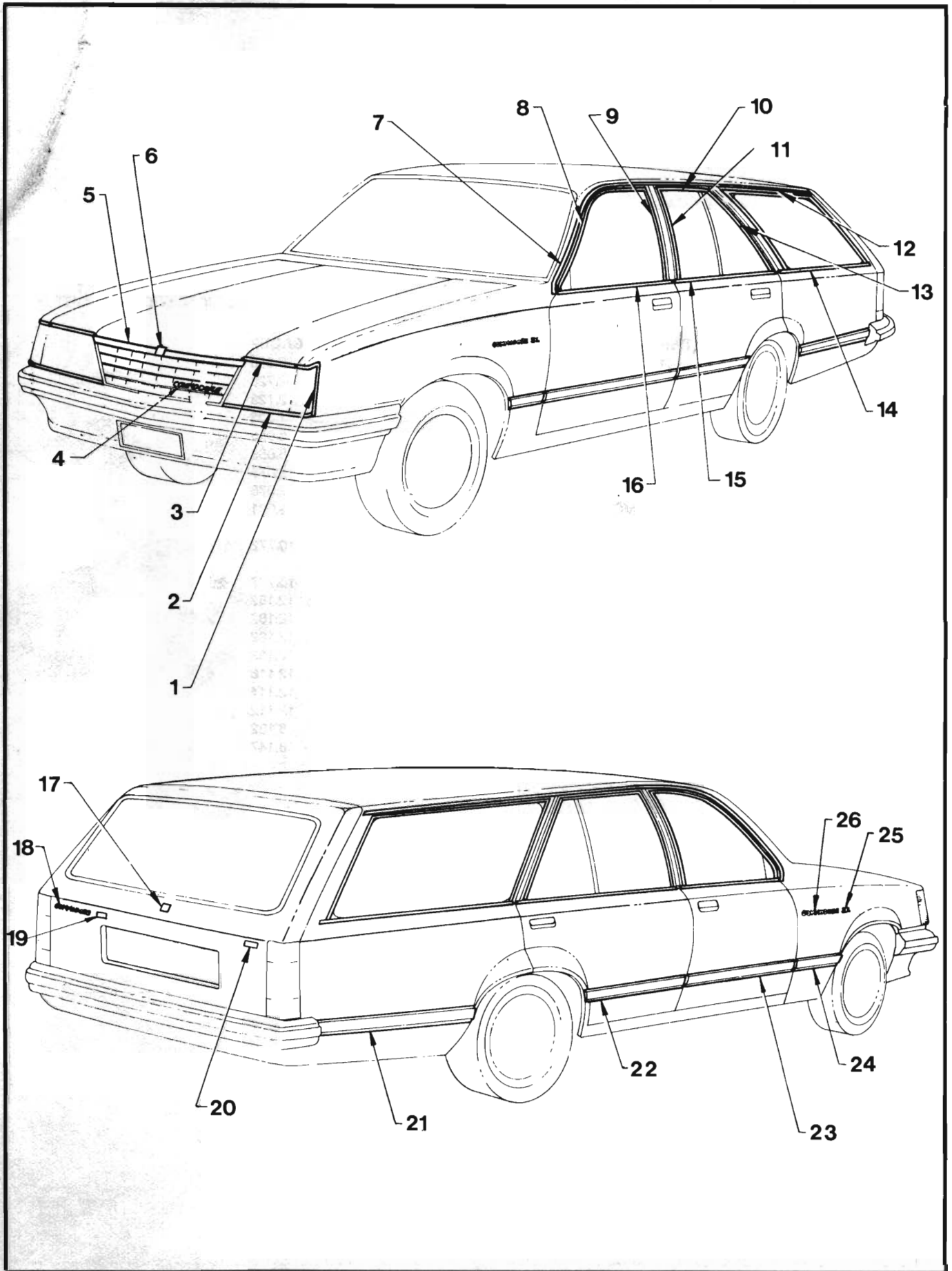


BODY MOULDINGS

**8VK35
VB SERIES**

ILLUSTRATION OPPOSITE

REF. NO.	PART NAME	GROUP
1	MOULDING - Turn signal lamp	2.586
2	MOULDING - Headlamp lower	2.728
3	MOULDING - Headlamp upper.....	2.728
4	PLATE - 'Commodore' name.....	1.303
5	MOULDING - Hood	8.055
6	EMBLEM - Hood.....	8.055
7	MOULDING - Roof pillar reveal, Front.....	12.075
8	MOULDING - Roof reveal, Side	12.075
9	MOULDING - Rear quarter glass	11.031
10	MOULDING & WEATHERSTRIP - Rear door belt	10.772
11	MOULDING & WEATHERSTRIP - Front door belt	10.707
12	EMBLEM - End gate	12.182
13	PLATE - 'Commodore' name.....	12.182
14	PLATE - Engine size name.....	12.182
15	PLATE - 'R.T.S.' name.....	12.182
16	MOULDING - Rear quarter side.....	12.116
17	MOULDING - Rear door side	12.114
18	MOULDING - Front door side.....	12.112
19	MOULDING - Front fender side	8.132
20	PLATE - 'Commodore' name.....	8.147





BODY MOULDINGS

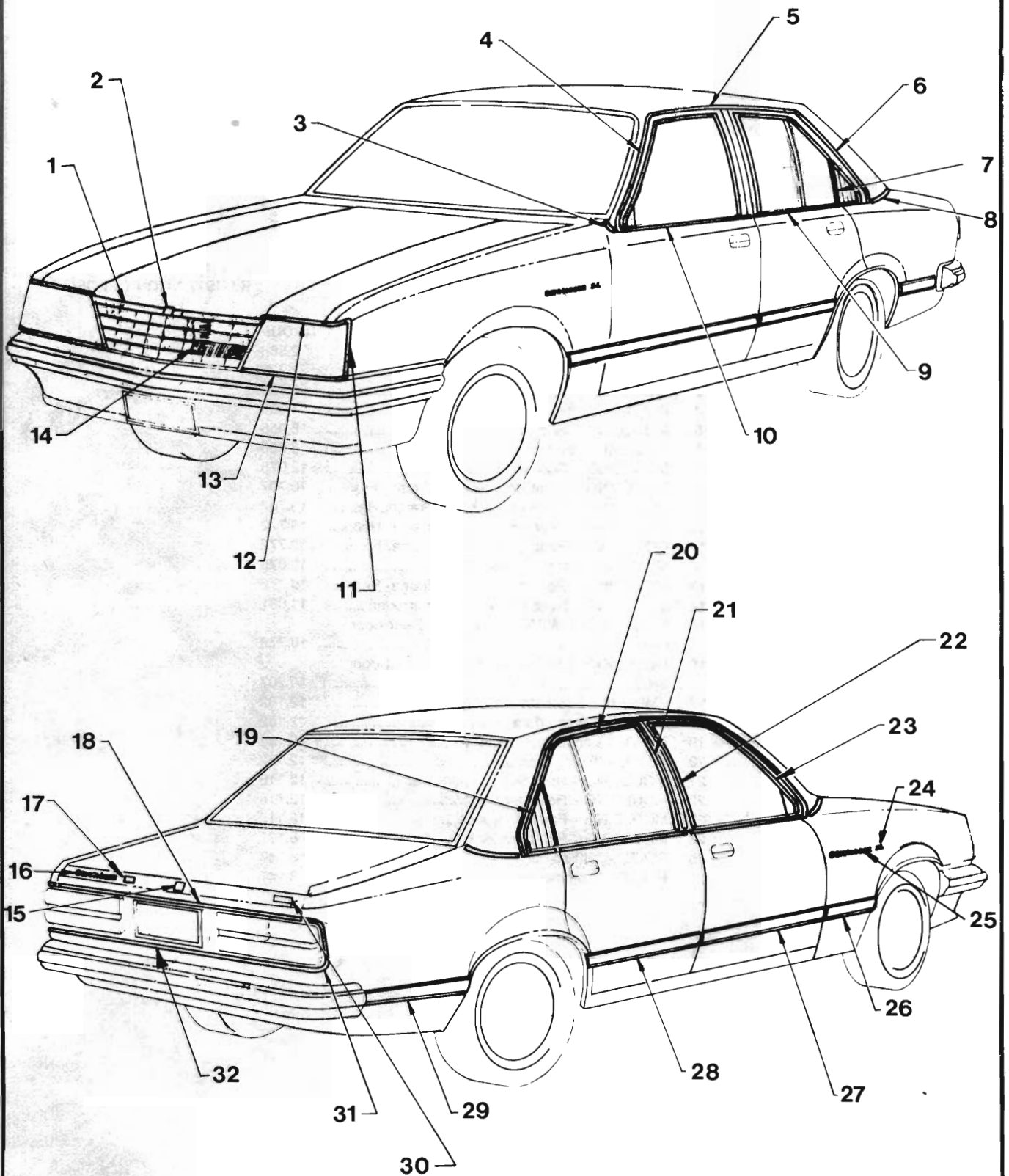
**8VL35
VB SERIES**

ILLUSTRATION OPPOSITE

REF. NO.	PART NAME	GROUP
1	MOULDING - Turn signal lamp	2.586
2	MOULDING - Headlamp lower	2.728
3	MOULDING - Headlamp upper.....	2.728
4	PLATE - 'Commodore' name.....	1.303
5	MOULDING - Hood	8.055
6	EMBLEM - Hood.....	8.055
7	MOULDING - Roof pillar reveal, Front.....	12.075
8	MOULDING - Front door window frame, Front....	10.707
9	MOULDING - Front door window frame, Rear.....	10.707
10	MOULDING - Rear door window frame, Upper ...	10.772
11	MOULDING - Rear door window frame, Front.....	10.772
12	MOULDING - Roof reveal, Side	12.075
13	MOULDING - Rear door window frame, Rear	10.772
14	MOULDING - Rear quarter glass surround	11.031
15	MOULDING & WEATHERSTRIP - Rear door belt.....	10.772
16	MOULDING & WEATHERSTRIP - Front door belt.....	10.707
17	EMBLEM - End gate	12.182
18	PLATE - 'Commodore' name.....	12.182
19	PLATE - Engine size name.....	12.182
20	PLATE - 'R.T.S.' name.....	12.182
21	MOULDING - Rear quarter side.....	12.116
22	MOULDING - Rear door side	12.114
23	MOULDING - Front door side.....	12.112
24	MOULDING - Front fender side	8.132
25	PLATE - 'SL' name	8.147
26	PLATE - 'Commodore' name.....	8.147



"V" SERIES PARTS CATALOGUE



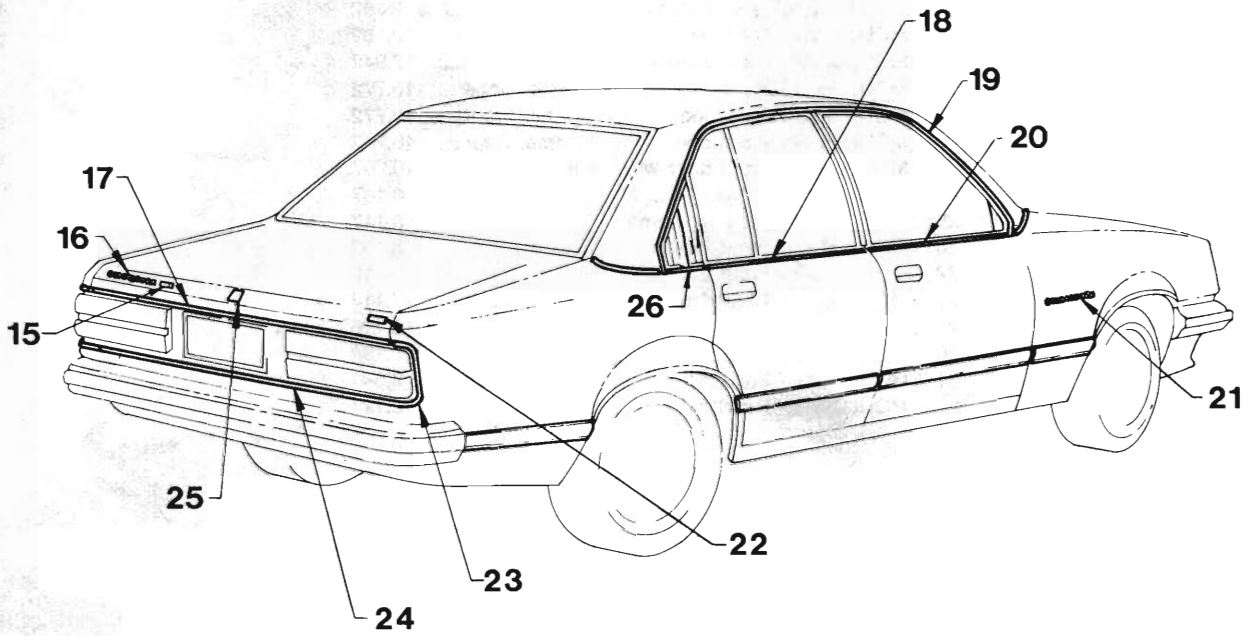
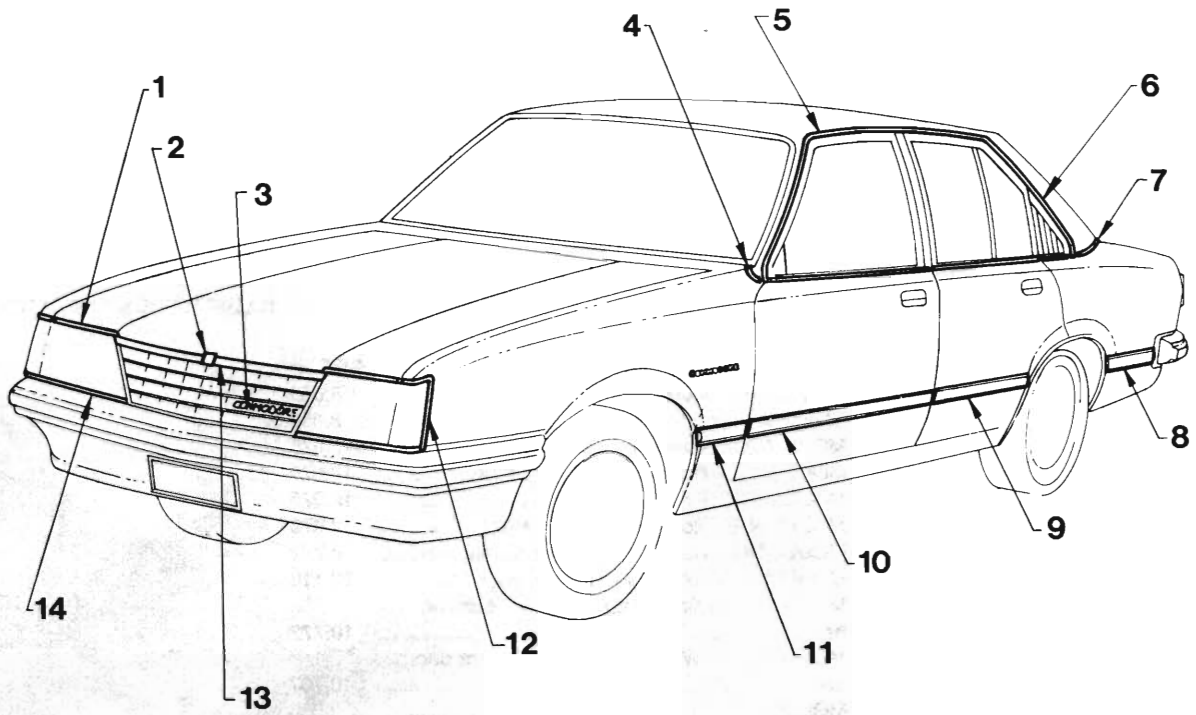


BODY MOULDINGS

**8VL69
VB SERIES**

ILLUSTRATION OPPOSITE

REF. NO.	PART NAME	GROUP
1	MOULDING - Hood	8.055
2	EMBLEM - Hood.....	8.055
3	MOULDING - Vinyl roof cover	12.075
4	MOULDING - Roof pillar reveal, Front.....	12.075
5	MOULDING - Roof reveal, Side	12.075
6	MOULDING - Roof pillar reveal, Rear.....	12.075
7	MOULDING - Rear door window frame, Rear	10.772
8	MOULDING - Rear quarter, Vinyl roof cover	12.116
9	MOULDING & WEATHERSTRIP - Rear door belt	10.772
10	MOULDING & WEATHERSTRIP - Front door belt	10.707
11	MOULDING - Turn signal lamp	2.586
12	MOULDING - Headlamp upper.....	2.728
13	MOULDING - Headlamp lower	2.728
14	PLATE - 'Commodore' name.....	1.303
15	EMBLEM - Deck lid.....	12.182
16	PLATE - 'Commodore' name.....	12.182
17	PLATE - Engine size name.....	12.182
18	MOULDING - Deck lid	12.182
19	MOULDING - Rear quarter ventilation grille.....	12.942
20	MOULDING - Rear door window frame, Upper ...	10.772
21	MOULDING - Rear door window frame, Front.....	10.772
22	MOULDING - Front door window frame, Rear.....	10.707
23	MOULDING - Front door window frame, Front....	10.707
24	PLATE - 'SL' name	8.147
25	PLATE - 'Commodore' name.....	8.147
26	MOULDING - Front fender side	8.132
27	MOULDING - Front door side.....	12.112
28	MOULDING - Rear door side	12.114
29	MOULDING - Rear quarter side.....	12.116
30	PLATE - 'R.T.S.' name.....	12.182
31	MOULDING - Tail lamp reveal.....	2.681
32	MOULDING - Rear end panel	12.121



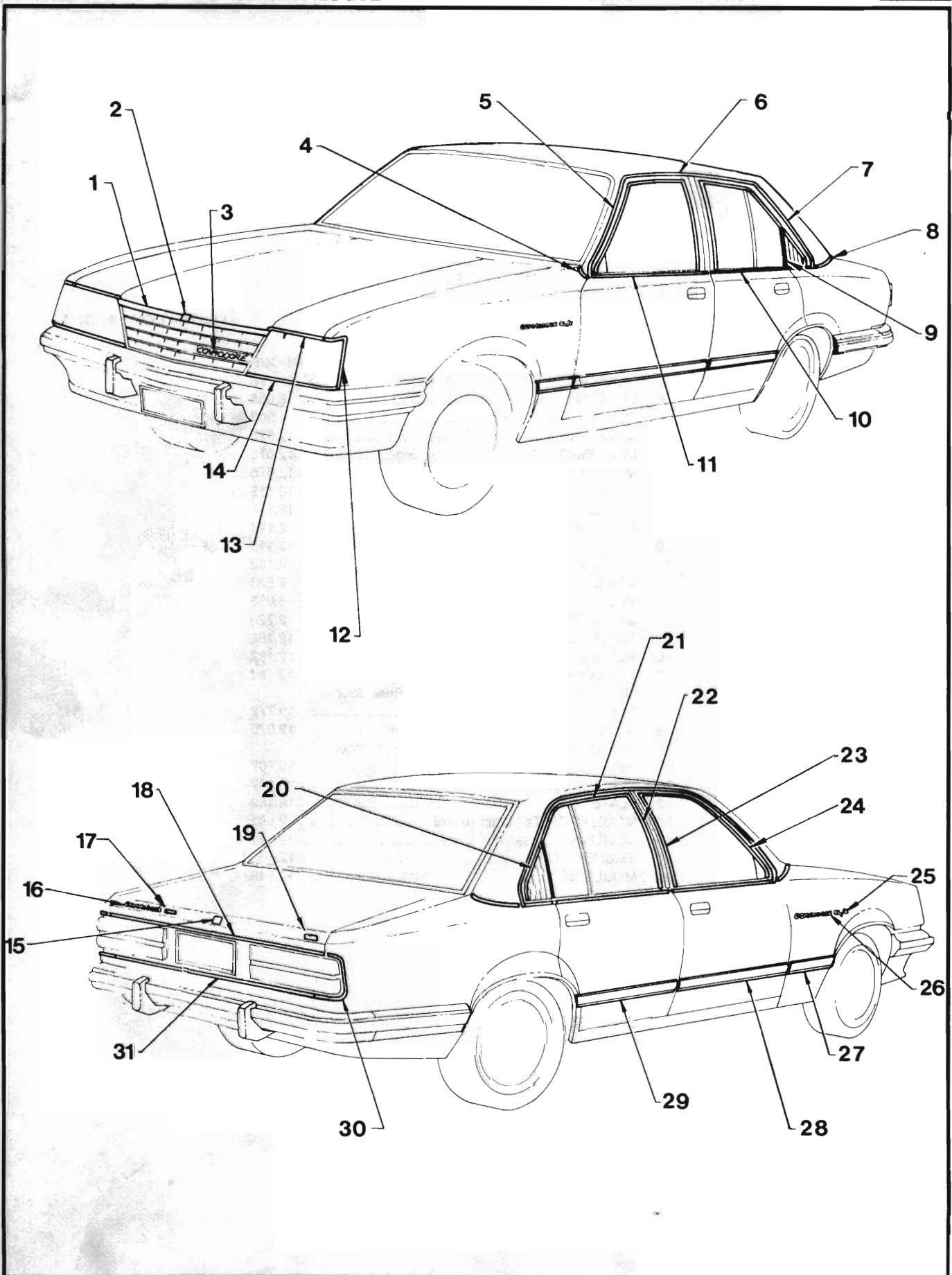


BODY MOULDINGS

**8VK69
VB SERIES**

ILLUSTRATION OPPOSITE

REF. NO.	PART NAME	GROUP
1	MOULDING - Headlamp upper.....	2.728
2	EMBLEM - Hood.....	8.055
3	PLATE - 'Commodore' name.....	1.303
4	MOULDING - Vinyl roof cover.....	12.075
5	MOULDING - Roof pillar reveal, Side.....	12.075
6	MOULDING - Roof pillar reveal, Rear.....	12.075
7	MOULDING - Rear quarter, Vinyl roof cover.....	12.116
8	MOULDING - Rear quarter side.....	12.116
9	MOULDING - Rear door side.....	12.114
10	MOULDING - Front door side.....	12.112
11	MOULDING - Front fender side.....	8.132
12	MOULDING - Turn signal lamp.....	2.586
13	MOULDING - Hood.....	8.055
14	MOULDING - Headlamp lower.....	2.728
15	PLATE - Engine size name.....	12.182
16	PLATE - 'Commodore' name, Deck lid.....	12.182
17	MOULDING - Deck lid.....	12.182
18	MOULDING & WEATHERSTRIP - Rear door belt.....	10.772
19	MOULDING - Roof pillar reveal, Front.....	12.075
20	MOULDING & WEATHERSTRIP - Front door belt.....	10.707
21	PLATE - 'Commodore' name.....	8.147
22	PLATE - 'R.T.S.' name.....	12.182
23	MOULDING - Tail lamp reveal.....	2.681
24	MOULDING - Rear end panel.....	12.121
25	EMBLEM - Deck lid.....	12.182
26	MOULDING - Rear quarter ventilation grille.....	12.942



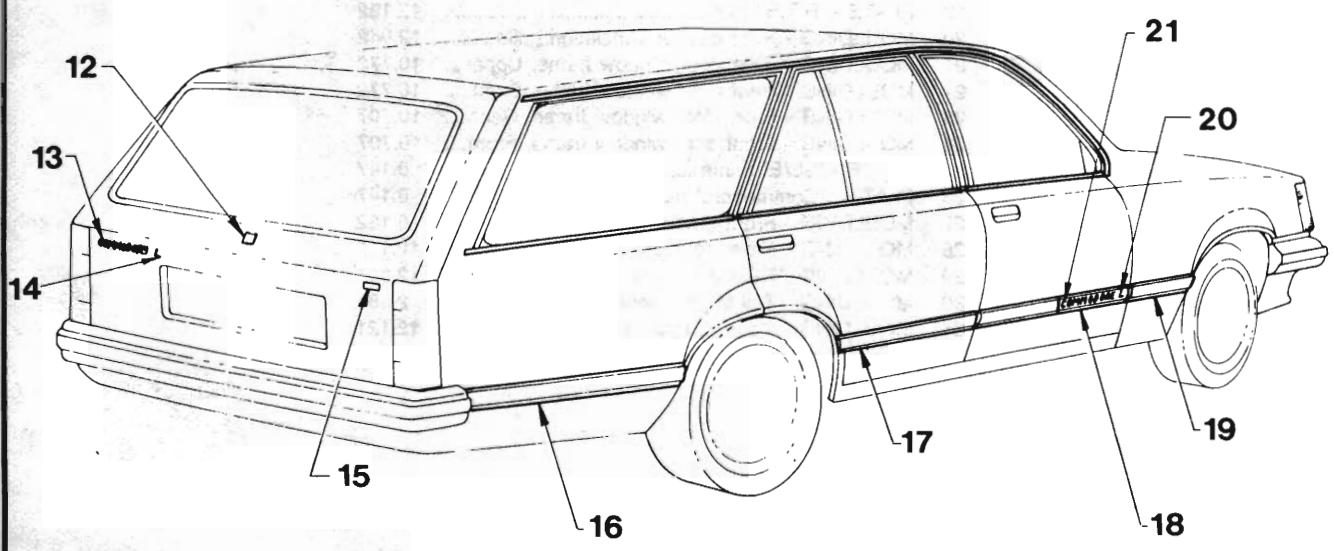
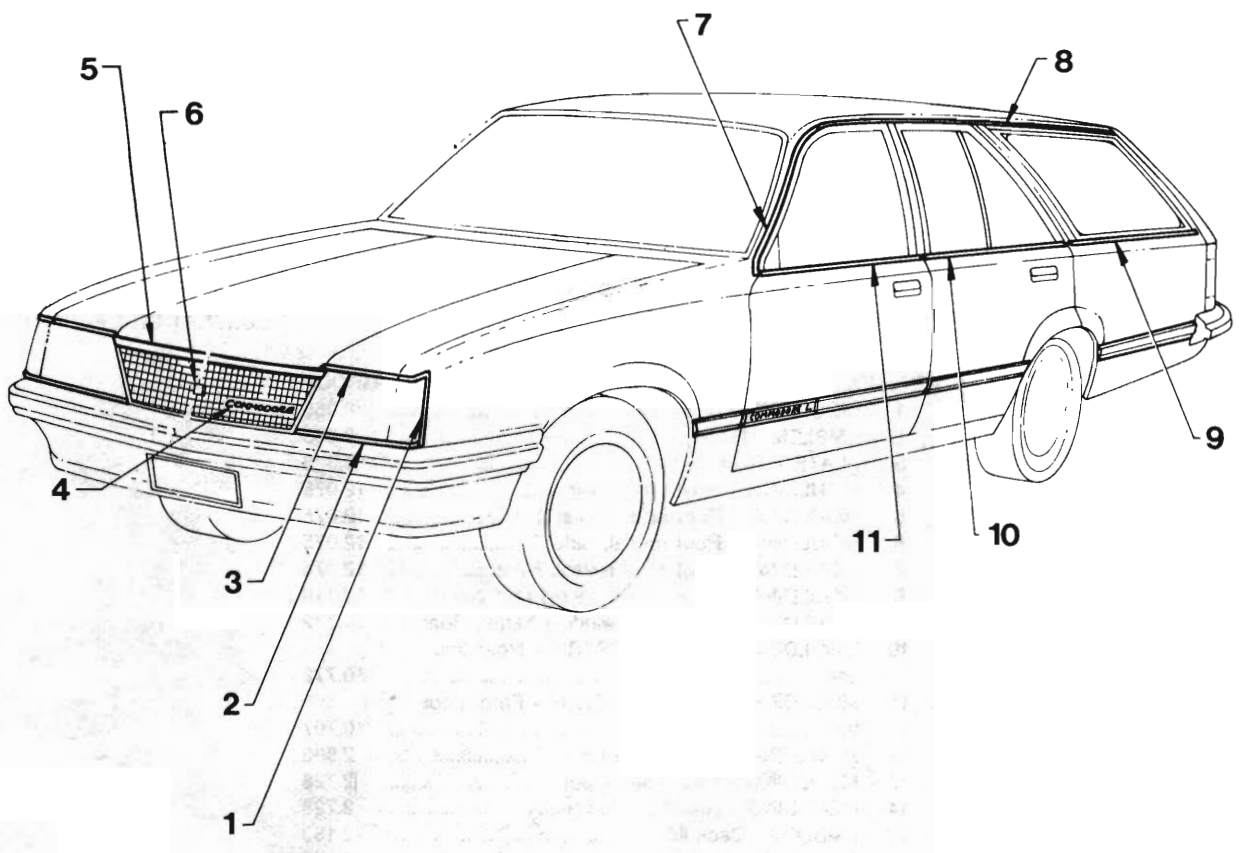


BODY MOULDINGS

**8VX69
VB SERIES**

ILLUSTRATION OPPOSITE

REF. NO.	PART NAME	GROUP
1	MOULDING - Hood	8.055
2	EMBLEM - Hood.....	8.055
3	PLATE - 'Commodore' name.....	1.303
4	MOULDING - Vinyl roof cover.....	12.075
5	MOULDING - Roof pillar reveal, Front.....	12.075
6	MOULDING - Roof reveal, Side.....	12.075
7	MOULDING - Roof pillar reveal, Rear.....	12.075
8	MOULDING - Rear quarter, Vinyl roof cover	12.116
9	MOULDING - Rear door window frame, Rear	10.772
10	MOULDING & WEATHERSTRIP - Rear door belt	10.772
11	MOULDING & WEATHERSTRIP - Front door belt	10.707
12	MOULDING - Turn signal lamp	2.586
13	MOULDING - Headlamp upper.....	2.728
14	MOULDING - Headlamp lower.....	2.728
15	EMBLEM - Deck lid.....	12.182
16	PLATE - 'Commodore' name, Deck lid.....	12.182
17	PLATE - Engine size name.....	12.182
18	MOULDING - Deck lid	12.182
19	PLATE - 'R.T.S.' name.....	12.182
20	MOULDING - Rear quarter ventilation grille.....	12.942
21	MOULDING - Rear door window frame, Upper ...	10.772
22	MOULDING - Rear door window frame, Front....	10.772
23	MOULDING - Front door window frame, Rear....	10.707
24	MOULDING - Front door window frame, Front....	10.707
25	PLATE - 'SL/E' name	8.147
26	PLATE - 'Commodore' name.....	8.147
27	MOULDING - Front fender.....	8.132
28	MOULDING - Front door side.....	12.112
29	MOULDING - Rear door side	12.114
30	MOULDING - Tail lamp reveal.....	2.681
31	MOULDING - Rear end panel	12.121



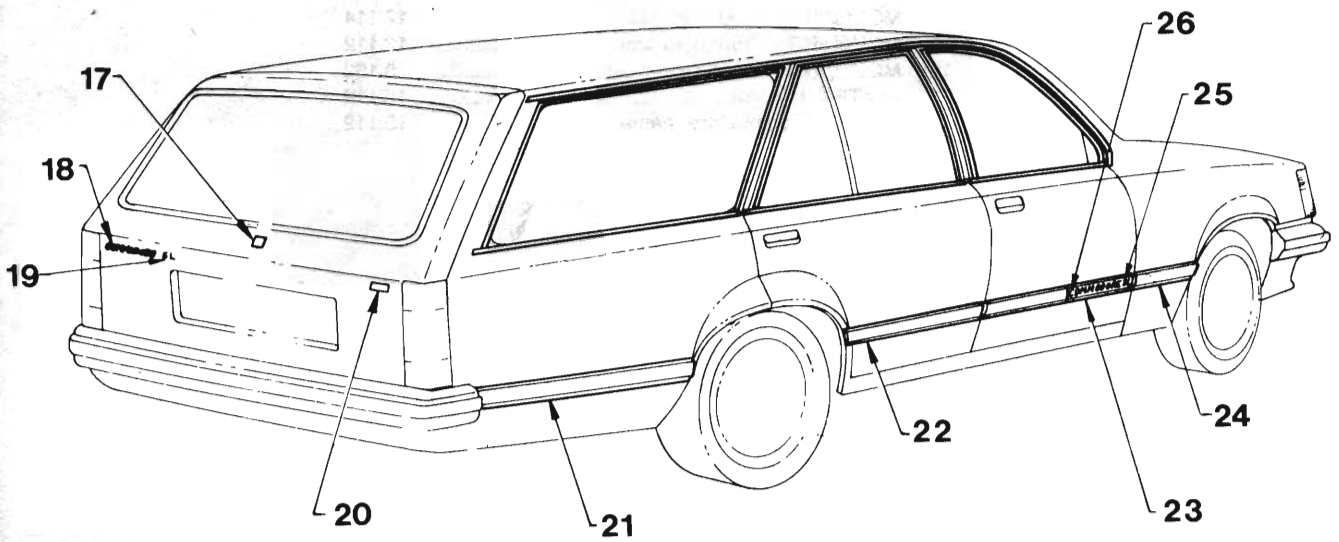
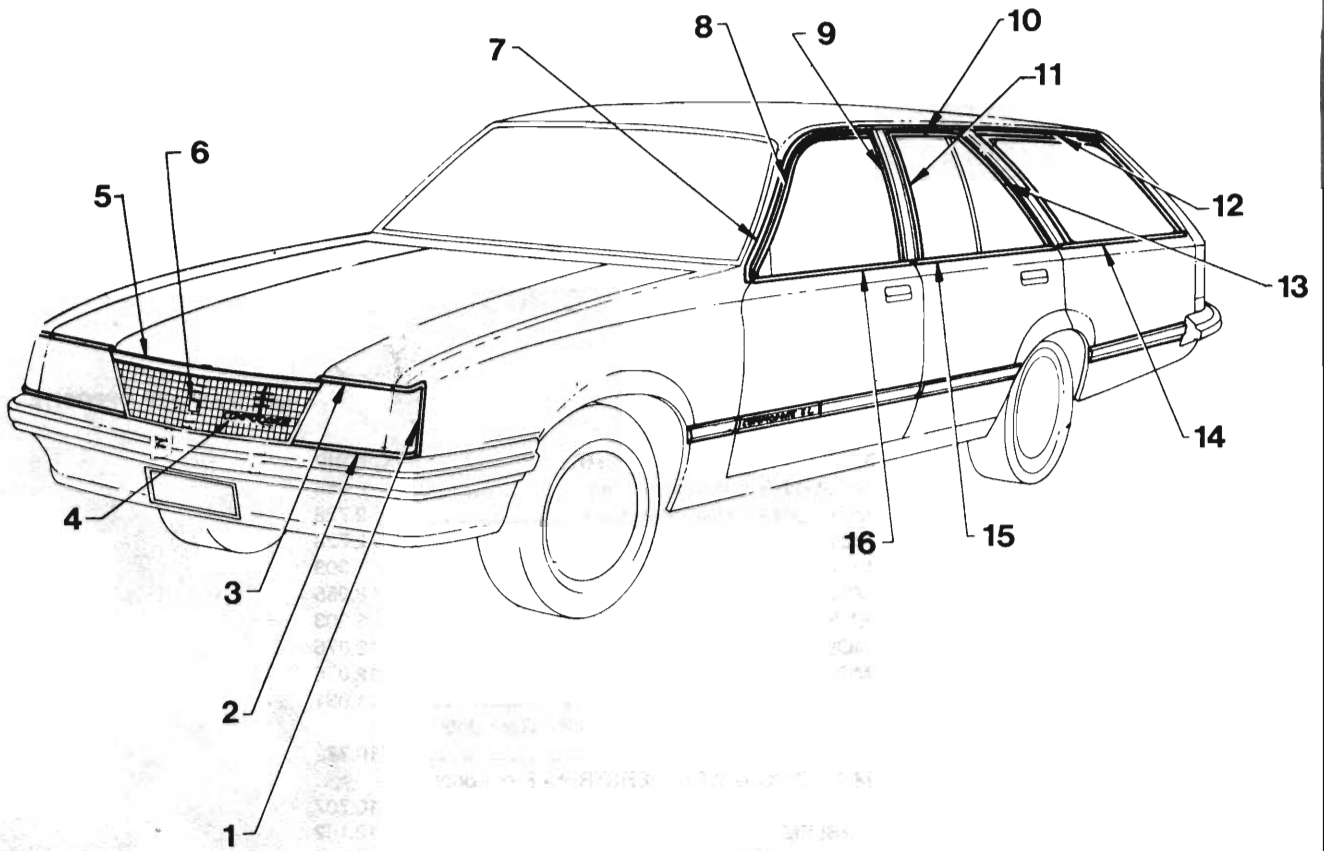


BODY MOULDINGS

**8VK35
VC SERIES**

ILLUSTRATION OPPOSITE

REF. NO.	PART NAME	GROUP
1	MOULDING - Turn signal lamp	2.586
2	MOULDING - Headlamp lower	2.728
3	MOULDING - Headlamp upper	2.728
4	PLATE - 'Commodore' name	1.303
5	MOULDING - Hood	8.055
6	EMBLEM - Radiator grille	1.303
7	MOULDING - Roof pillar reveal, Front	12.075
8	MOULDING - Roof reveal, Side	12.075
9	MOULDING - Rear quarter glass	11.031
10	MOULDING & WEATHERSTRIP - Rear door belt	10.772
11	MOULDING & WEATHERSTRIP - Front door belt	10.707
12	EMBLEM - End gate	12.182
13	PLATE - 'Commodore' name	12.182
14	PLATE - 'L' name	12.182
15	PLATE - 'R.T.S.' name	12.182
16	MOULDING - Rear quarter side	12.116
17	MOULDING - Rear door side	12.114
18	MOULDING - Front door side	12.112
19	MOULDING - Front fender side	8.132
20	PLATE - 'L' name	12.112
21	PLATE - 'Commodore' name	12.112



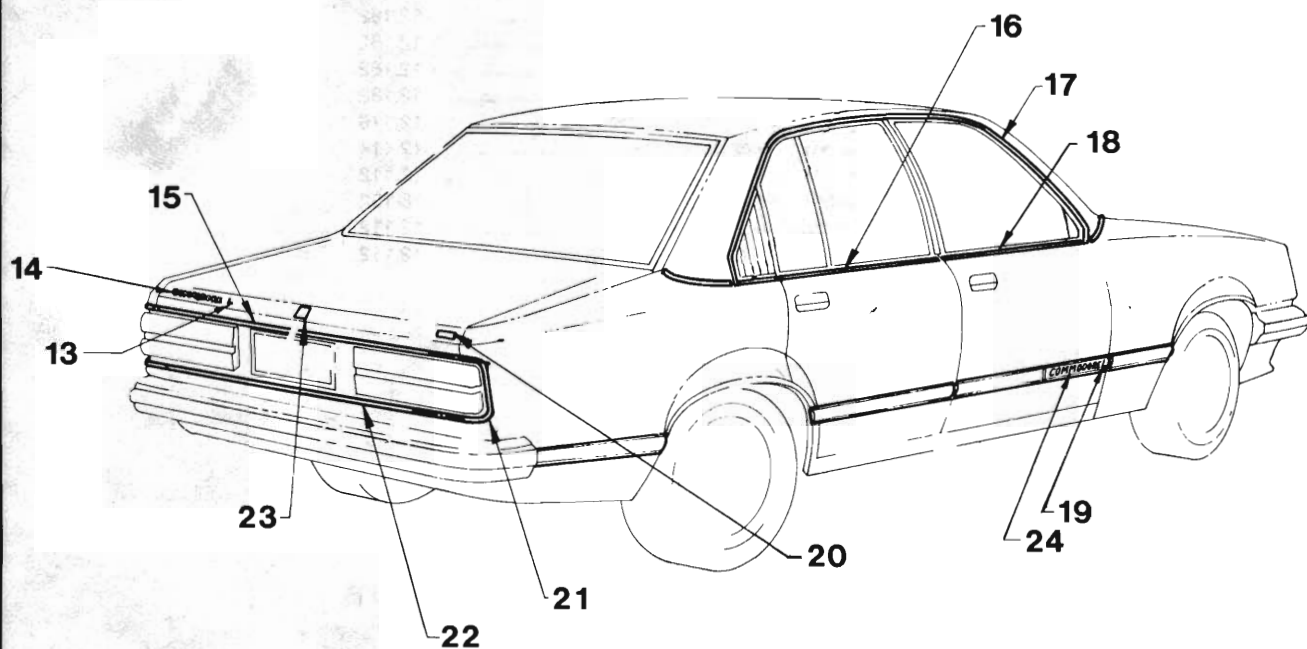
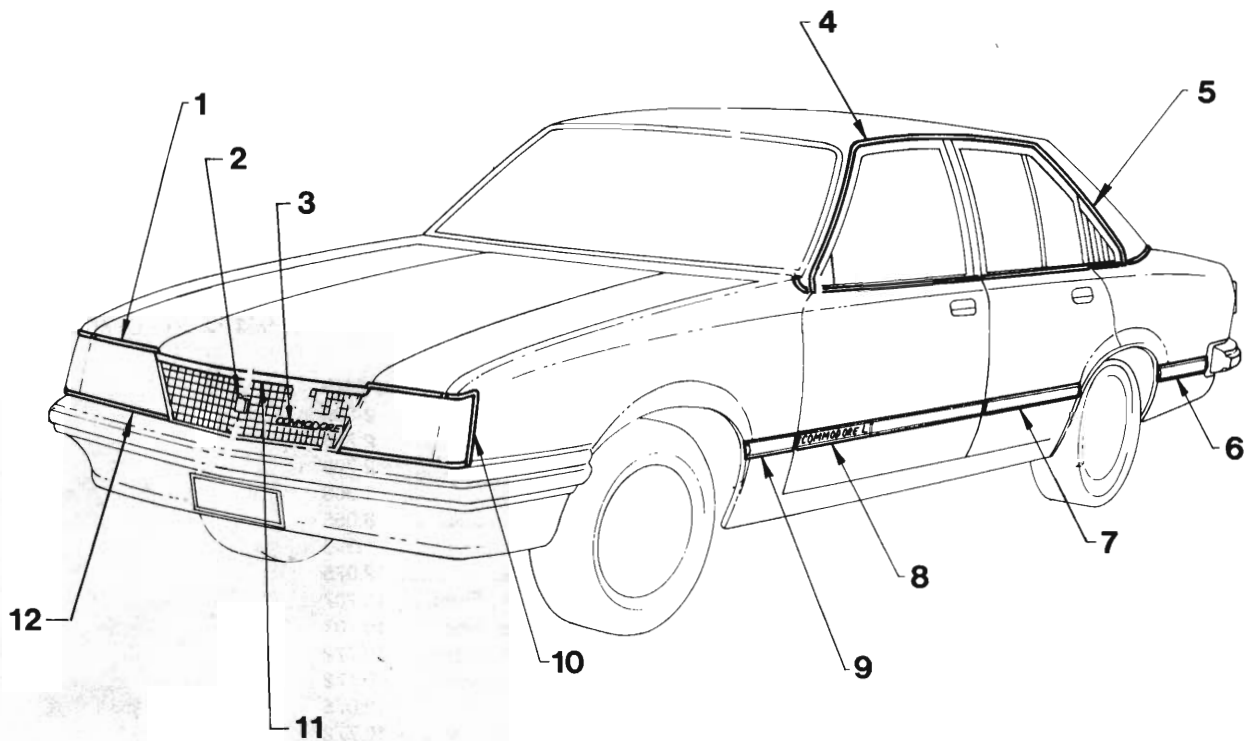


BODY MOULDINGS

**8VL35
VC SERIES**

ILLUSTRATION OPPOSITE

REF. NO.	PART NAME	GROUP
1	MOULDING - Turn signal lamp	2.586
2	MOULDING - Headlamp lower	2.728
3	MOULDING - Headlamp upper	2.728
4	PLATE - 'Commodore' name	1.303
5	MOULDING - Hood	8.055
6	EMBLEM - Radiator grille	1.303
7	MOULDING - Roof pillar reveal, Front	12.075
8	MOULDING - Front door window frame, Front....	10.707
9	MOULDING - Front door window frame, Rear....	10.707
10	MOULDING - Rear door window frame, Upper...	10.772
11	MOULDING - Rear door window frame, Front....	10.772
12	MOULDING - Roof reveal, Side	12.075
13	MOULDING - Rear door window frame, Rear	10.772
14	MOULDING - Rear quarter glass	11.031
15	MOULDING & WEATHERSTRIP - Rear door belt	10.772
16	MOULDING & WEATHERSTRIP - Front door belt	12.707
17	EMBLEM - End gate	12.182
18	PLATE - 'Commodore' name	12.182
19	PLATE - 'SL' name	12.182
20	PLATE - 'R.T.S.' name	12.182
21	MOULDING - Rear quarter side	12.116
22	MOULDING - Rear door side	12.114
23	MOULDING - Front door side	12.112
24	MOULDING - Front fender side	8.132
25	PLATE - 'SL' name	12.112
26	PLATE - 'Commodore' name	12.112



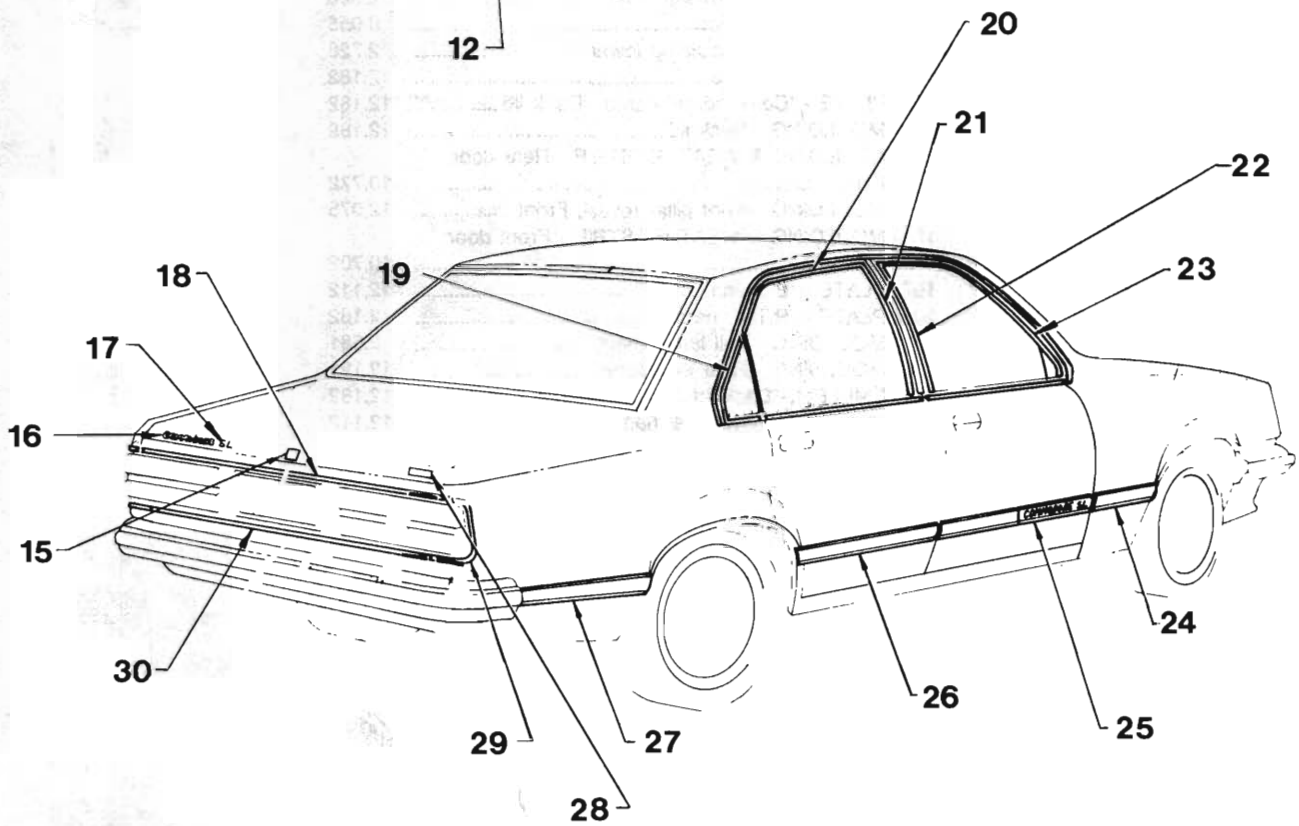
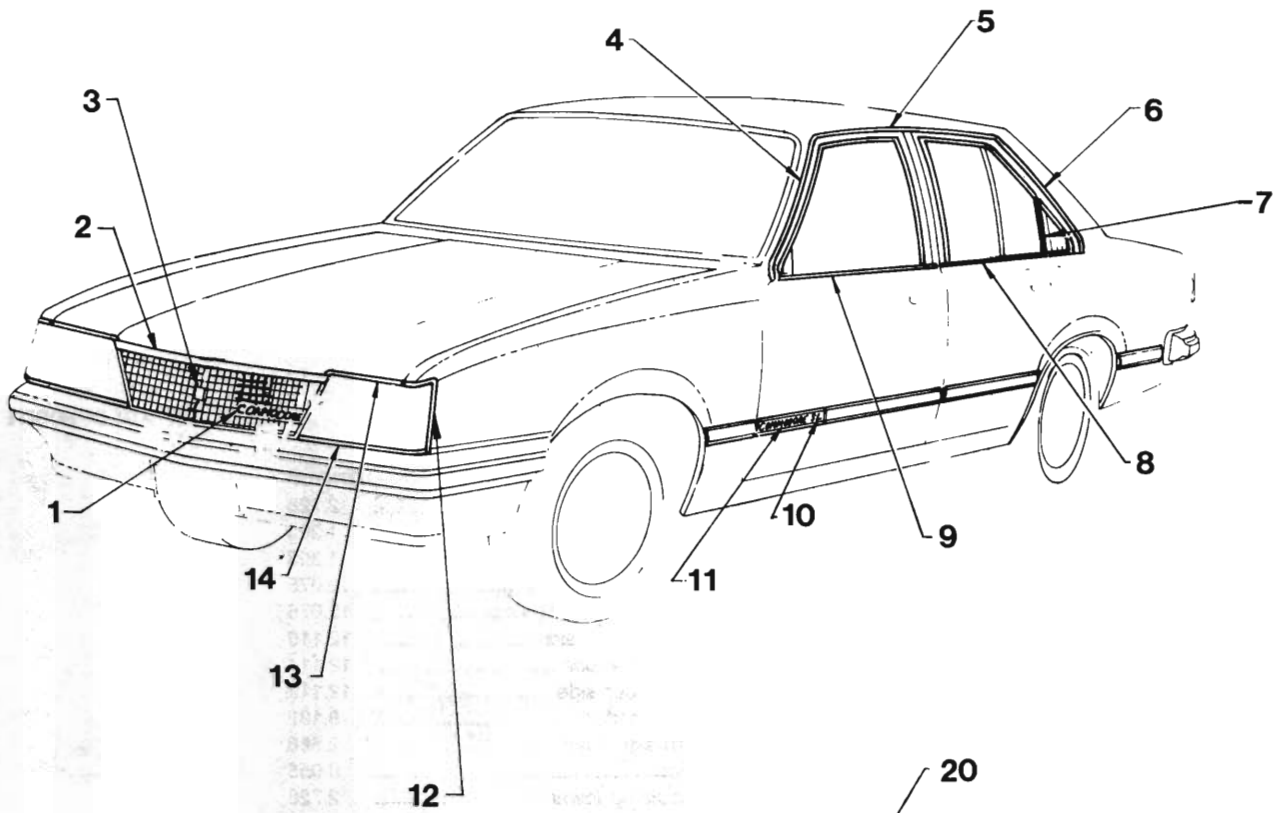


BODY MOULDINGS

**8VK69
VC SERIES**

ILLUSTRATION OPPOSITE

REF. NO.	PART NAME	GROUP
1	MOULDING - Headlamp upper.....	2.728
2	EMBLEM - Radiator grille.....	1.303
3	PLATE - 'Commodore' name.....	1.303
4	MOULDING - Roof reveal side.....	12.075
5	MOULDING - Roof pillar reveal, Rear.....	12.075
6	MOULDING - Rear quarter side.....	12.116
7	MOULDING - Rear door side.....	12.114
8	MOULDING - Front door side.....	12.112
9	MOULDING - Front fender.....	8.132
10	MOULDING - Turn signal lamp.....	2.586
11	MOULDING - Hood.....	8.055
12	MOULDING - Headlamp lower.....	2.728
13	PLATE - 'L' name.....	12.182
14	PLATE - 'Commodore' name - Deck lid.....	12.182
15	MOULDING - Deck lid.....	12.182
16	MOULDING & WEATHERSTRIP - Rear door belt.....	10.772
17	MOULDING - Roof pillar reveal, Front.....	12.075
18	MOULDING & WEATHERSTRIP - Front door belt.....	10.702
19	PLATE - 'L' name.....	12.112
20	PLATE - 'R.T.S.' name.....	12.182
21	MOULDING - Tail lamp reveal.....	2.681
22	MOULDING - Rear end panel.....	12.121
23	EMBLEM - Deck lid.....	12.182
24	PLATE - 'Commodore' name.....	12.112



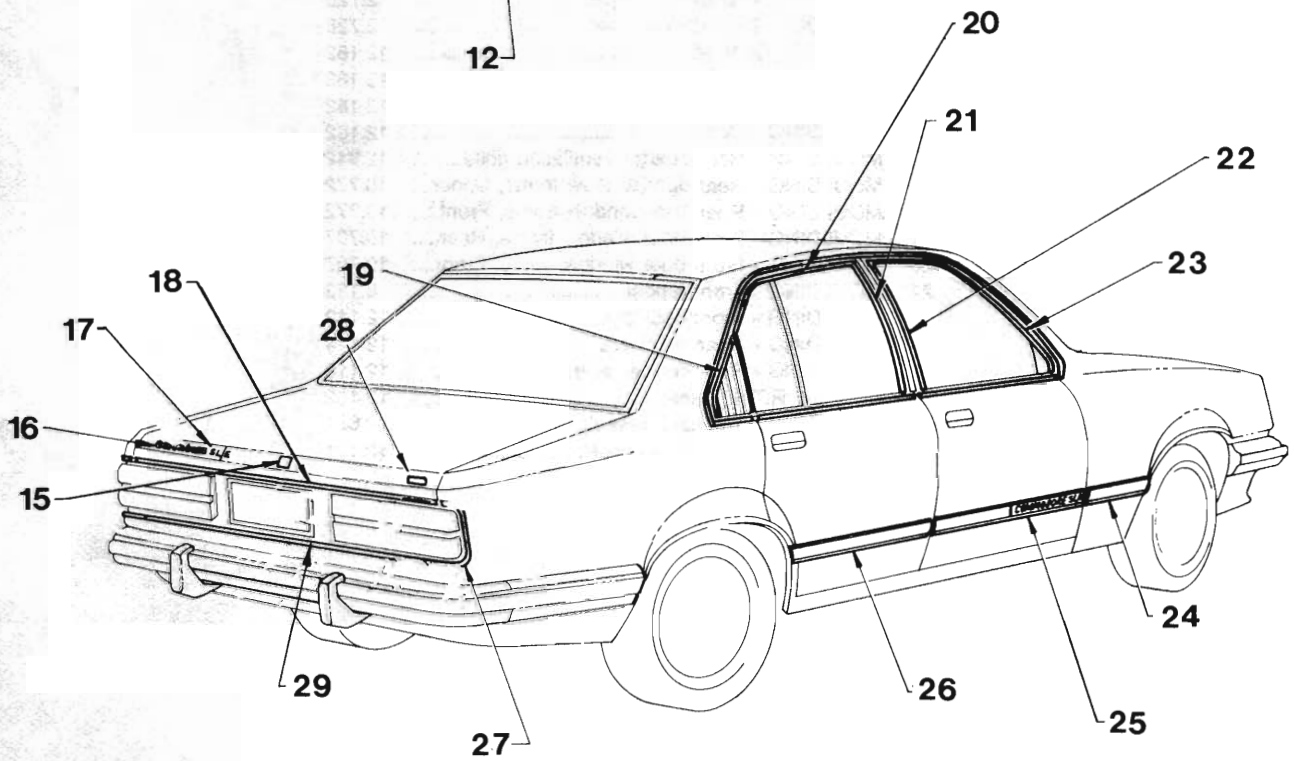
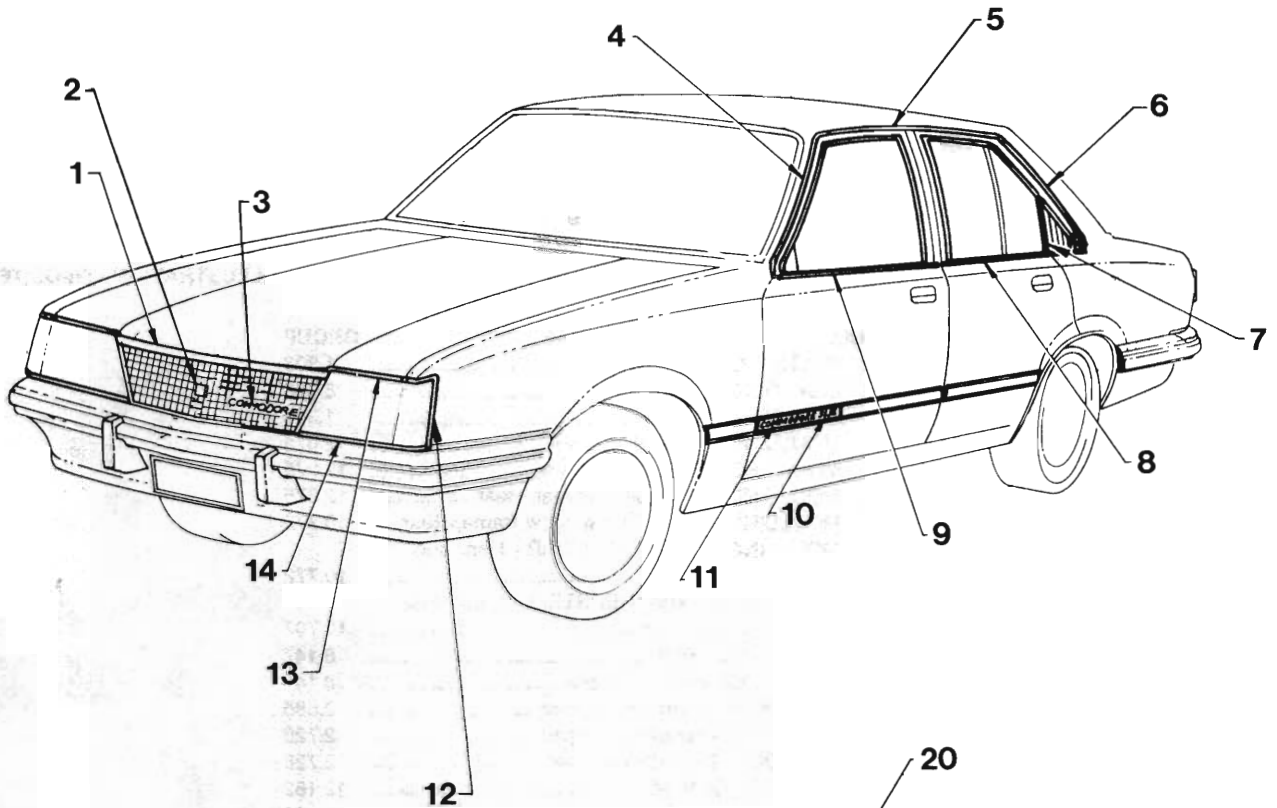


BODY MOULDINGS

**8VL69
VC SERIES**

ILLUSTRATION OPPOSITE

REF. NO.	PART NAME	GROUP
1	PLATE - 'Commodore' name.....	1.303
2	MOULDING - Hood.....	8.055
3	EMBLEM - Radiator grille.....	1.303
4	MOULDING - Roof pillar reveal, Front.....	12.075
5	MOULDING - Roof reveal, Side.....	12.075
6	MOULDING - Roof pillar reveal, Rear.....	12.075
7	MOULDING - Rear door window frame, Rear.....	10.772
8	MOULDING & WEATHERSTRIP - Rear door belt.....	10.772
9	MOULDING & WEATHERSTRIP - Front door belt.....	10.707
10	PLATE - 'SL' name.....	8.147
11	PLATE - 'Commodore' name.....	8.147
12	MOULDING - Turn signal lamp.....	2.586
13	MOULDING - Headlamp upper.....	2.728
14	MOULDING - Headlamp lower.....	2.728
15	EMBLEM - Deck lid.....	12.182
16	PLATE - 'Commodore' name.....	12.182
17	PLATE - 'SL' name.....	12.182
18	MOULDING - Deck lid.....	12.182
19	MOULDING - Rear quarter ventilation grille.....	12.942
20	MOULDING - Rear door window frame, Upper...	10.772
21	MOULDING - Rear door window frame, Front.....	10.772
22	MOULDING - Front door window frame, Rear.....	10.707
23	MOULDING - Front door window frame, Front....	10.707
24	MOULDING - Front fender.....	8.132
25	MOULDING - Front door side.....	12.112
26	MOULDING - Rear door side.....	12.114
27	MOULDING - Rear quarter side.....	12.116
28	PLATE - 'R.T.S.' name.....	12.182
29	MOULDING - Tail lamp reveal.....	2.681
30	MOULDING - Rear end panel.....	12.121



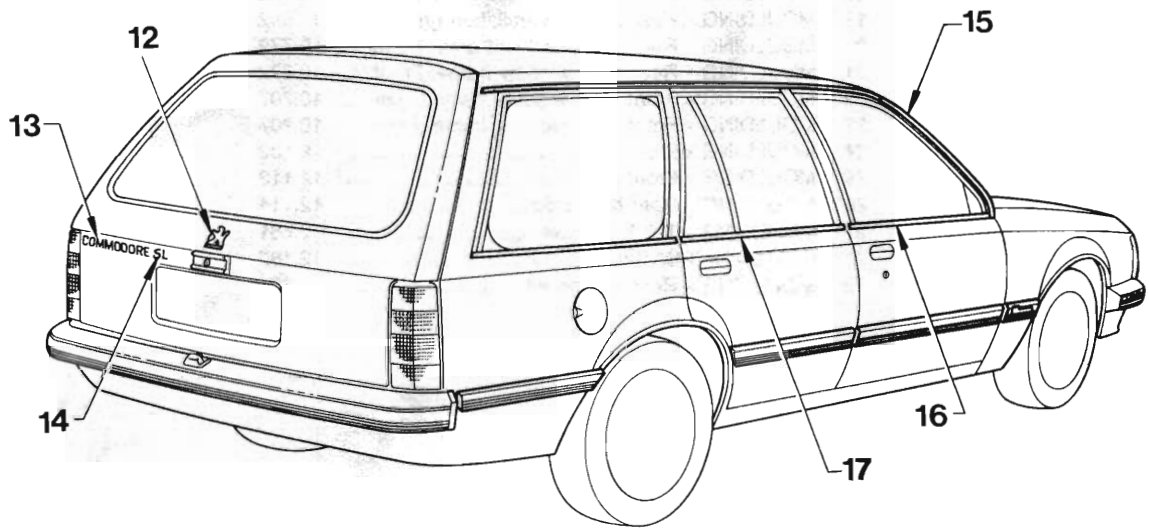
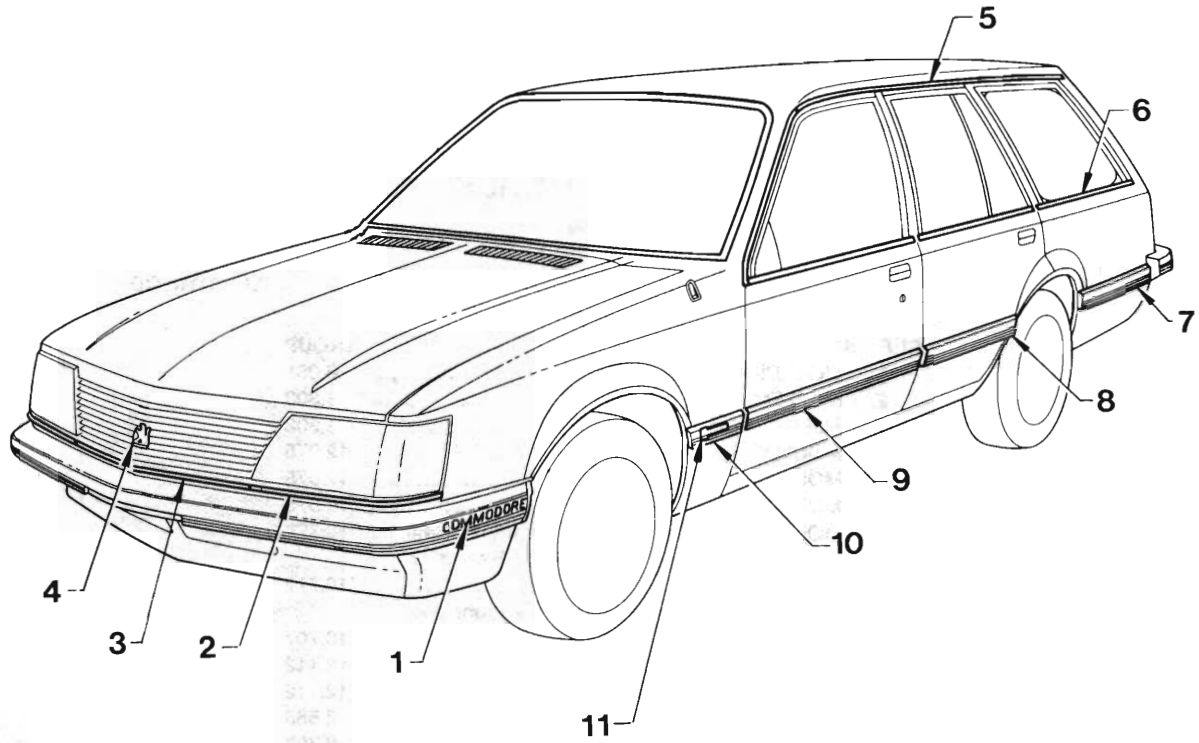


BODY MOULDINGS

**8VX69
VC SERIES**

ILLUSTRATION OPPOSITE

REF. NO.	PART NAME	GROUP
1	MOULDING - Hood	8.055
2	EMBLEM - Radiator grille	1.303
3	PLATE - 'Commodore' name	1.303
4	MOULDING - Roof pillar reveal, Front	12.075
5	MOULDING - Roof reveal, Side	12.075
6	MOULDING - Roof pillar reveal, Rear	12.075
7	MOULDING - Rear door window frame, Rear	10.772
8	MOULDING & WEATHERSTRIP - Rear door belt	10.772
9	MOULDING & WEATHERSTRIP - Front door belt	10.707
10	PLATE - 'SL/E' name	12.112
11	PLATE - 'Commodore' name	12.112
12	MOULDING - Turn signal lamp	2.586
13	MOULDING - Headlamp upper	2.728
14	MOULDING - Headlamp lower	2.728
15	EMBLEM - Deck lid	12.182
16	PLATE - 'Commodore' name	12.182
17	PLATE - 'SL/E' name	12.182
18	MOULDING - Deck lid	12.182
19	MOULDING - Rear quarter ventilation grille	12.942
20	MOULDING - Rear door window frame, Upper ...	10.772
21	MOULDING - Rear door window frame, Front	10.772
22	MOULDING - Front door window frame, Rear	10.707
23	MOULDING - Front door window frame, Front	10.707
24	MOULDING - Front fender	8.132
25	MOULDING - Front door side	12.112
26	MOULDING - Rear door side	12.114
27	MOULDING - Tail lamp reveal	2.681
28	PLATE - 'R.T.S.' name	12.182
29	MOULDING - Rear end panel	12.121

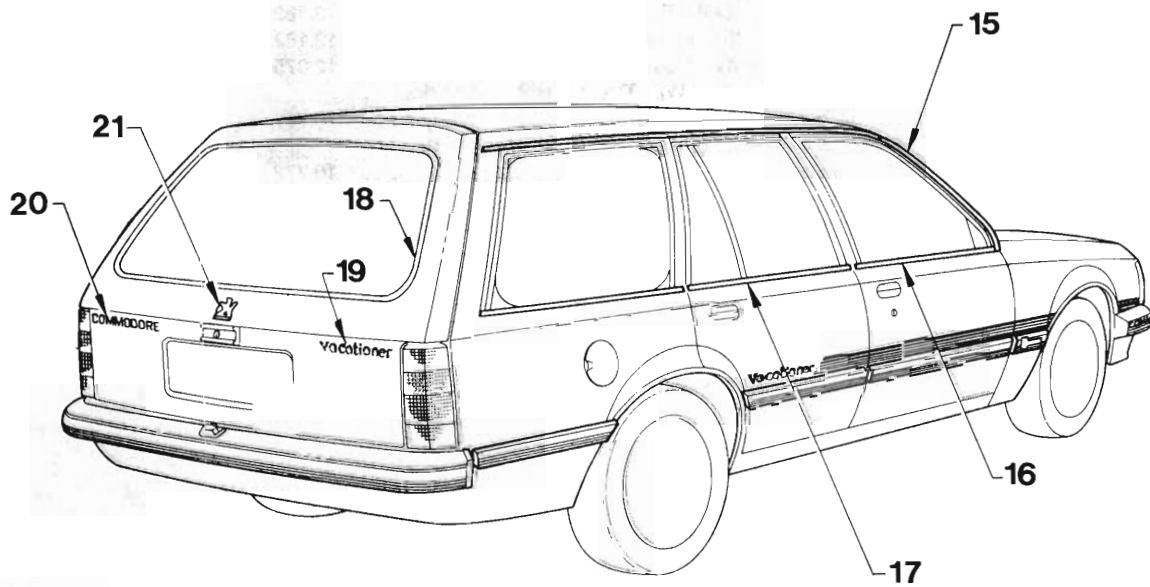
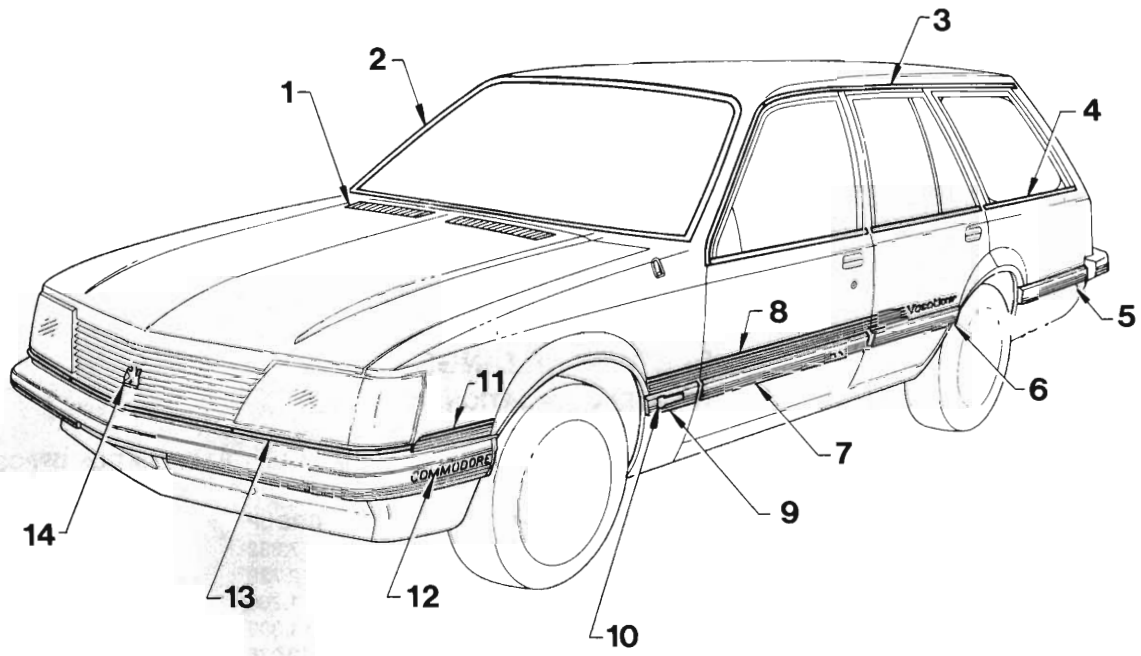




BODY MOULDINGS
8VK35 EXC. VACATIONER
VH SERIES

ILLUSTRATION OPPOSITE

REF. NO.	PART NAME	GROUP
1	PLATE ASM. - 'COMMODORE' name	7.832
2	MOULDING - Headlamp lower	2.728
3	MOULDING - Radiator grille lower.....	1.268
4	EMBLEM - Radiator grille.....	1.303
5	MOULDING - Roof reveal side.....	12.075
6	MOULDING - Rear quarter glass	11.031
7	MOULDING - Rear quarter side	12.116
8	MOULDING - Rear door side	12.114
9	MOULDING - Front door side.....	12.112
10	MOULDING - Front fender side	8.132
11	PLATE - '5 SPEED' name.....	8.147
12	EMBLEM - End gate	12.182
13	PLATE - 'COMMODORE' name	12.182
14	PLATE - 'SL' name	12.182
15	MOULDING - Roof pillar reveal, Front.....	12.075
16	MOULDING & WEATHERSTRIP - Front door belt	10.707
17	MOULDING & WEATHERSTRIP - Rear door belt	10.772



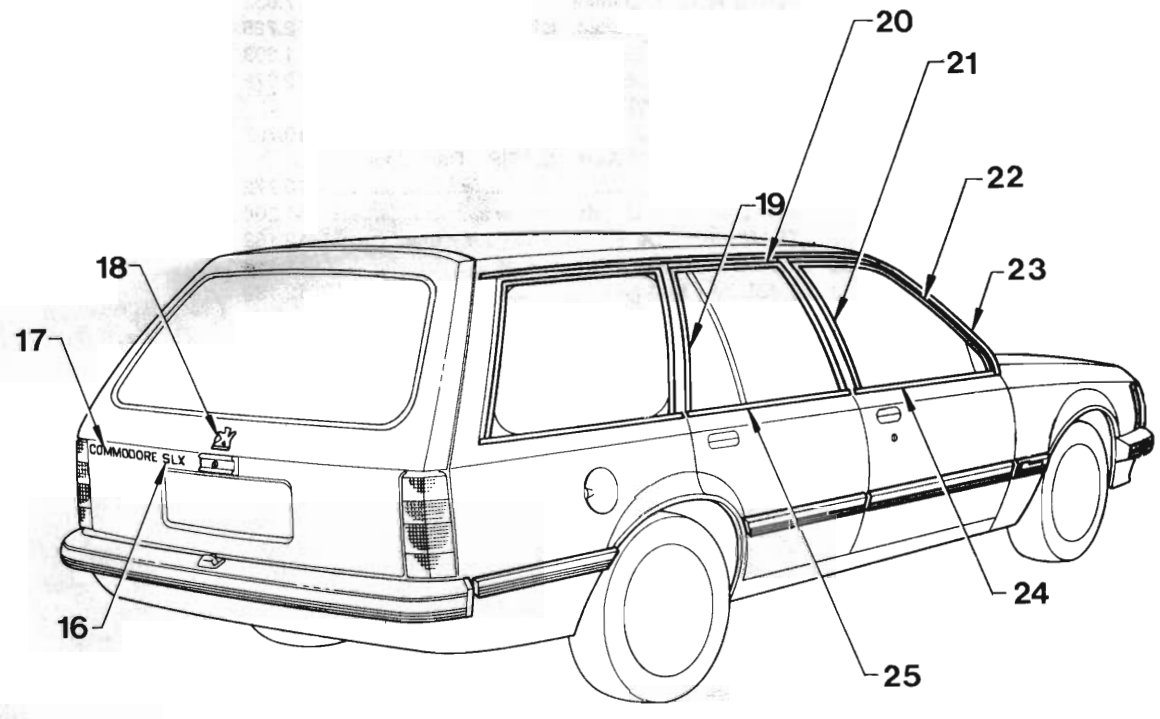
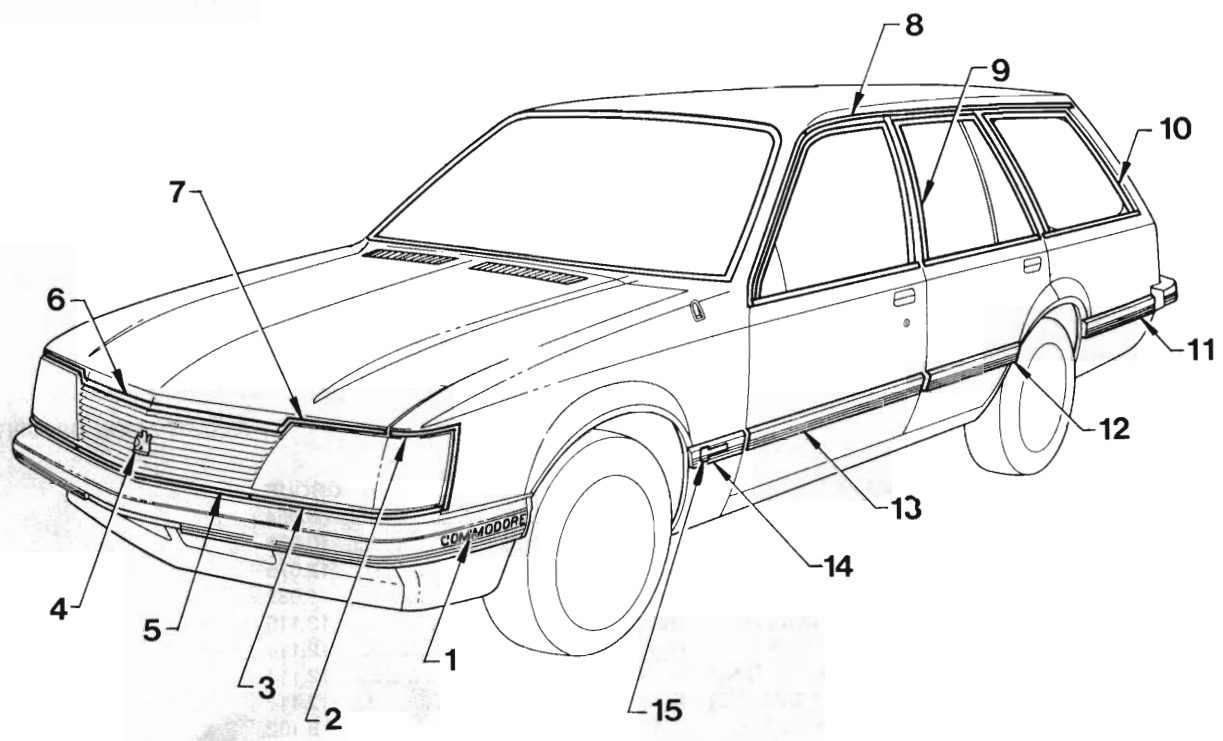


BODY MOULDINGS

**8VK35 VACATIONER
VH SERIES**

ILLUSTRATION OPPOSITE

REF. NO.	PART NAME	GROUP
1	GRILLE - Hood	8.054
2	INSERT - Windshield glass channel.....	10.093
3	MOULDING - Roof reveal side.....	12.075
4	MOULDING - Rear quarter glass	11.031
5	MOULDING - Rear quarter side	12.116
6	MOULDING - Rear door side	12.114
7	MOULDING - Front door side.....	12.114
8	TRANSFER - Front & rear door stripe.....	12.112
9	MOULDING - Front fender side	8.132
10	PLATE - '5 SPEED' name.....	8.147
11	TRANSFER - Front fender stripe.....	8.132
12	PLATE ASM. - 'COMMODORE' name	7.832
13	MOULDING - Headlamp lower	2.728
14	EMBLEM - Radiator grille.....	1.303
15	MOULDING - Roof reveal, Front.....	12.075
16	MOULDING & WEATHERSTRIP - Front door belt	10.707
17	MOULDING & WEATHERSTRIP - Rear door belt	10.772
18	MOULDING - End gate window	11.208
19	TRANSFER - Deck lid & end gate name.....	12.182
20	PLATE - 'COMMODORE' name	12.182
21	EMBLEM - End gate	12.182



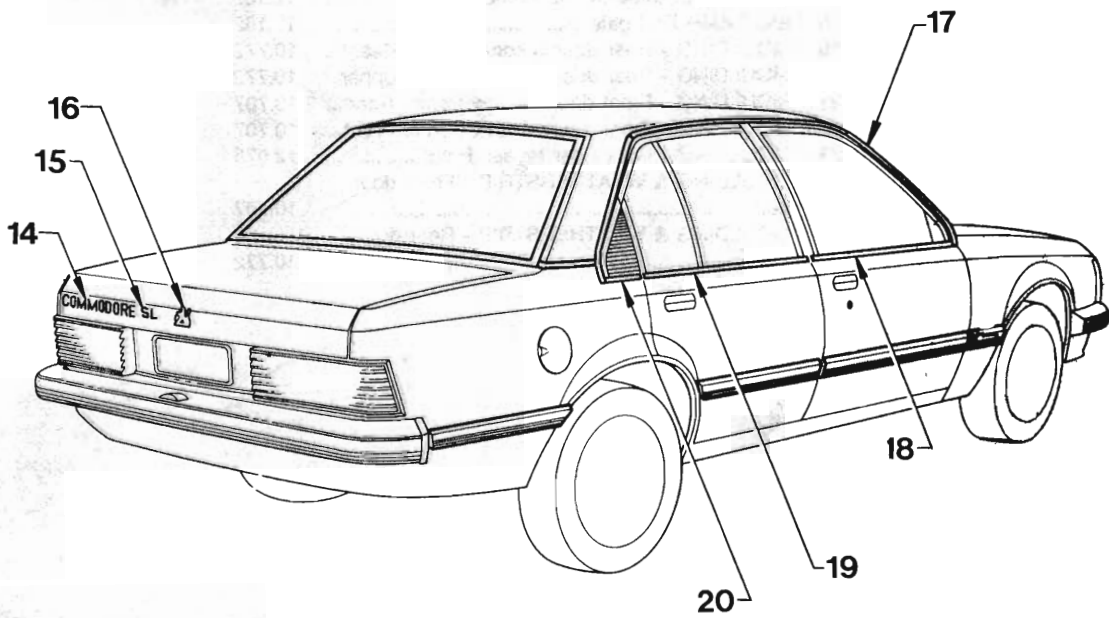
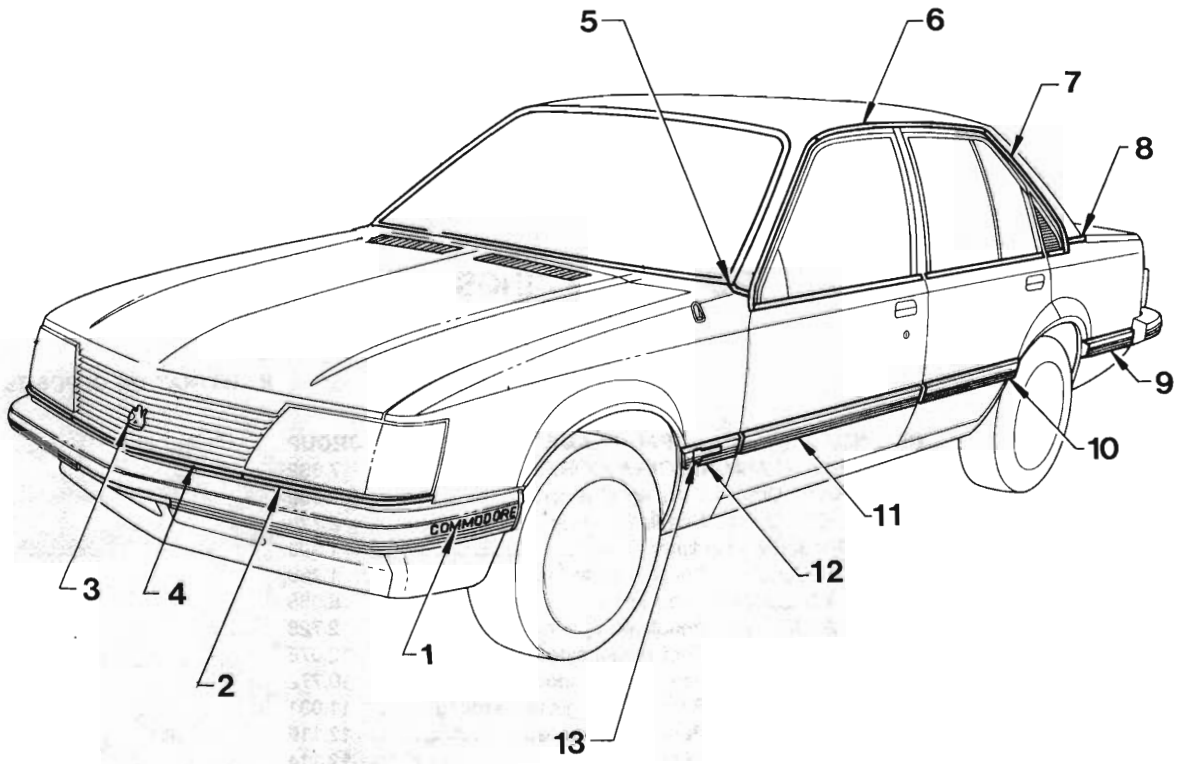


BODY MOULDINGS

**8VL35
VH SERIES**

ILLUSTRATION OPPOSITE

REF. NO.	PART NAME	GROUP
1	PLATE ASM. - 'COMMODORE' name	7.832
2	MOULDING - Turn signal lamp	2.586
3	MOULDING - Headlamp lower	2.728
4	EMBLEM - Radiator grille	1.303
5	MOULDING - Radiator grille lower	1.268
6	MOULDING - Hood centre	8.055
7	MOULDING - Headlamp upper	2.728
8	MOULDING - Roof reveal side	12.075
9	MOULDING - Rear door window frame, Front....	10.772
10	MOULDING - Rear quarter glass surround	11.031
11	MOULDING - Rear quarter side	12.116
12	MOULDING - Rear door side	12.114
13	MOULDING - Front door side	12.112
14	MOULDING - Front fender side	8.132
15	PLATE - '5 SPEED' name	8.147
16	PLATE - 'SLX' name	12.182
17	PLATE - 'COMMODORE' name	12.182
18	EMBLEM - End gate	12.182
19	MOULDING - Rear door window frame, Rear	10.772
20	MOULDING - Rear door window frame, Upper ...	10.772
21	MOULDING - Front door window frame, Rear....	10.707
22	MOULDING - Front door window frame, Front....	10.707
23	MOULDING - Roof pillar reveal, Front	12.075
24	MOULDING & WEATHERSTRIP - Front door belt	10.707
25	MOULDING & WEATHERSTRIP - Rear door belt	10.772

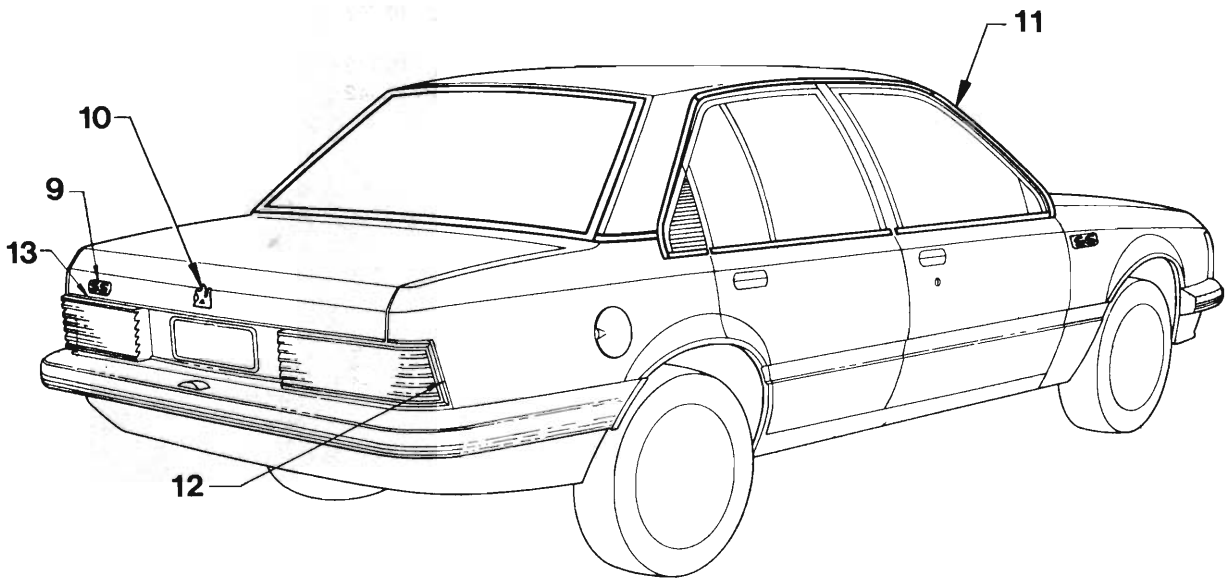
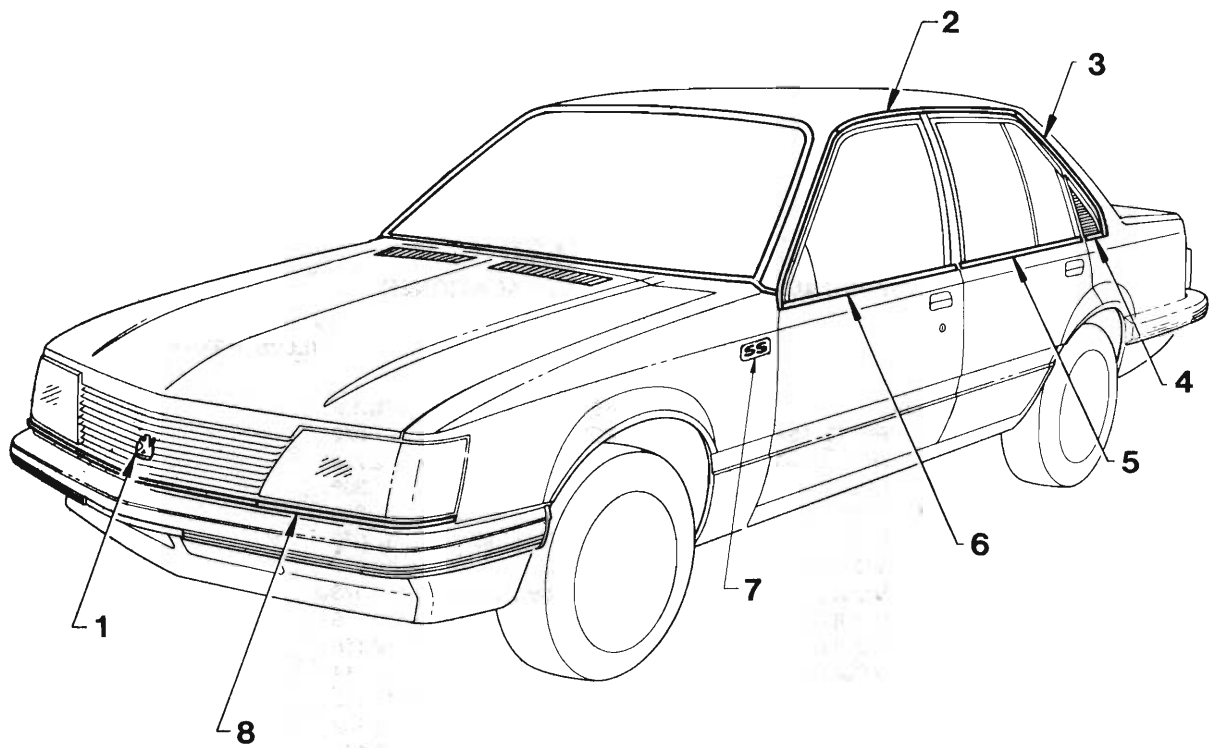




BODY MOULDINGS
8VK69 EXC. 'SS' COMMODORE, VACATIONER
VH SERIES

ILLUSTRATION OPPOSITE

REF. NO.	PART NAME	GROUP
1	PLATE ASM. - 'COMMODORE' name	7.832
2	MOULDING - Headlamp lower	2.728
3	EMBLEM - Radiator grille.....	1.303
4	MOULDING - Radiator grille lower.....	1.268
5	MOULDING - Roof pillar reveal - Vinyl roof.....	12.075
6	MOULDING - Roof reveal side.....	12.075
7	MOULDING - Roof pillar reveal, Rear.....	12.075
8	MOULDING - Rear quarter - Vinyl roof.....	12.116
9	MOULDING - Rear quarter side.....	12.116
10	MOULDING - Rear door side	12.114
11	MOULDING - Front door side.....	12.112
12	MOULDING - Front fender side	8.132
13	PLATE - '5 SPEED' name.....	8.147
14	PLATE - 'COMMODORE' name	12.182
15	PLATE - 'SL' name	12.182
16	EMBLEM - Deck lid.....	12.182
17	MOULDING - Roof pillar reveal, Front.....	12.075
18	MOULDING & WEATHERSTRIP - Front door belt	10.707
19	MOULDING & WEATHERSTRIP - Rear door belt	10.772
20	MOULDING - Rear quarter ventilation grille.....	12.942

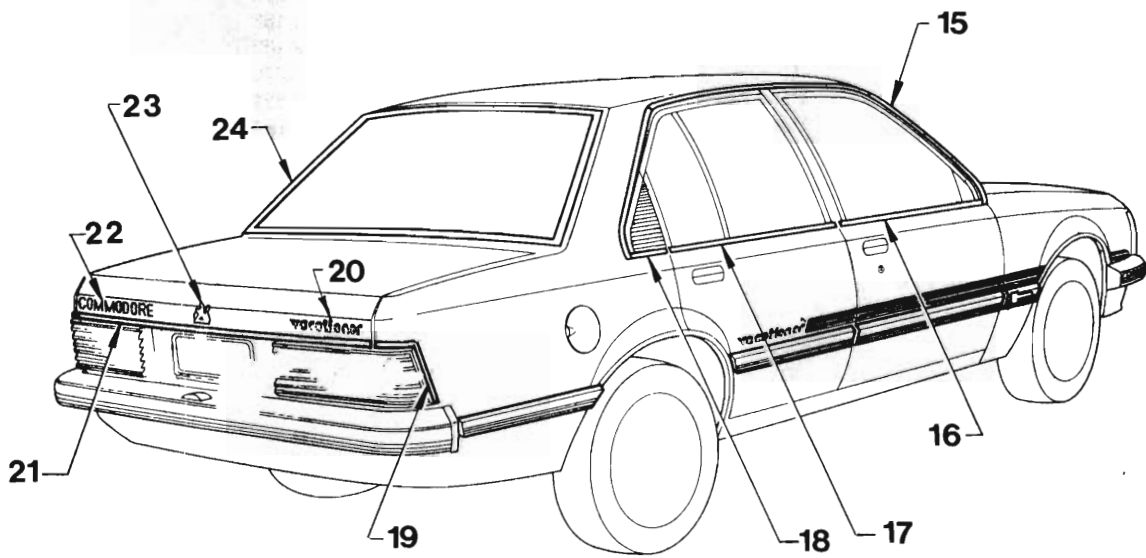
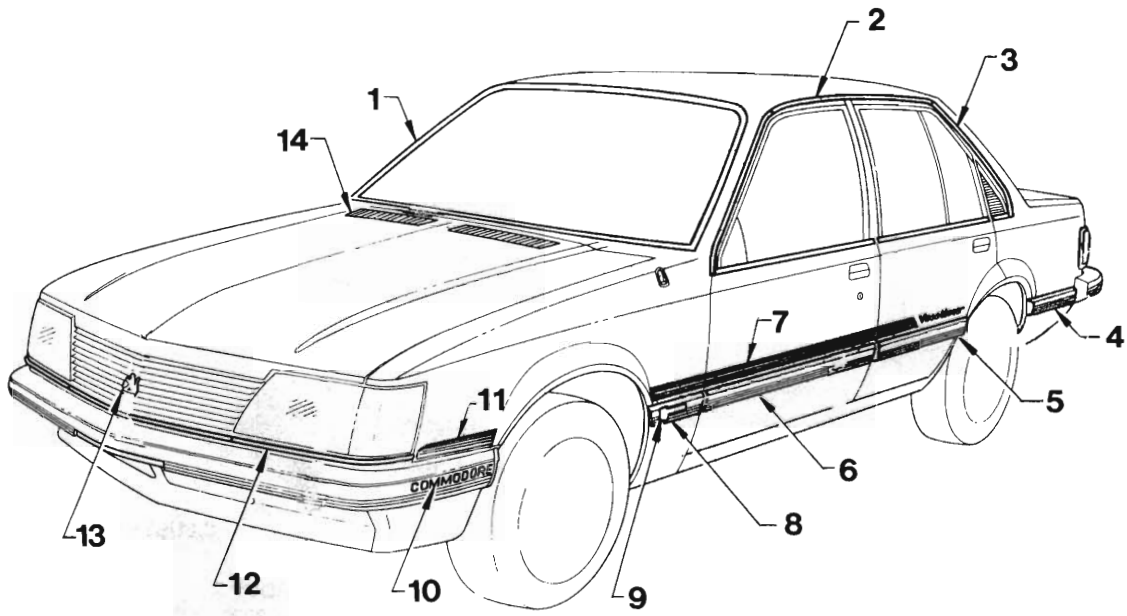




BODY MOULDINGS
8VK69 'SS' COMMODORE
VH SERIES

ILLUSTRATION OPPOSITE

REF. NO.	PART NAME	GROUP
1	EMBLEM - Radiator grille.....	1.303
2	MOULDING - Roof reveal, Side.....	12.075
3	MOULDING - Roof pillar reveal, Rear.....	12.075
4	MOULDING - Rear quarter ventilation grille.....	12.942
5	MOULDING & WEATHERSTRIP - Rear door belt.....	10.772
6	MOULDING & WEATHERSTRIP - Front door belt.....	10.707
7	TRANSFER - 'SS' name.....	8.147
8	MOULDING - Headlamp lower.....	2.728
9	TRANSFER - 'SS' name.....	12.182
10	EMBLEM - Deck lid - 'SS' Commodore.....	12.182
11	MOULDING - Roof pillar reveal, Front.....	12.075
12	MOULDING - Tail lamp reveal.....	2.681
13	MOULDING - Deck lid.....	12.182

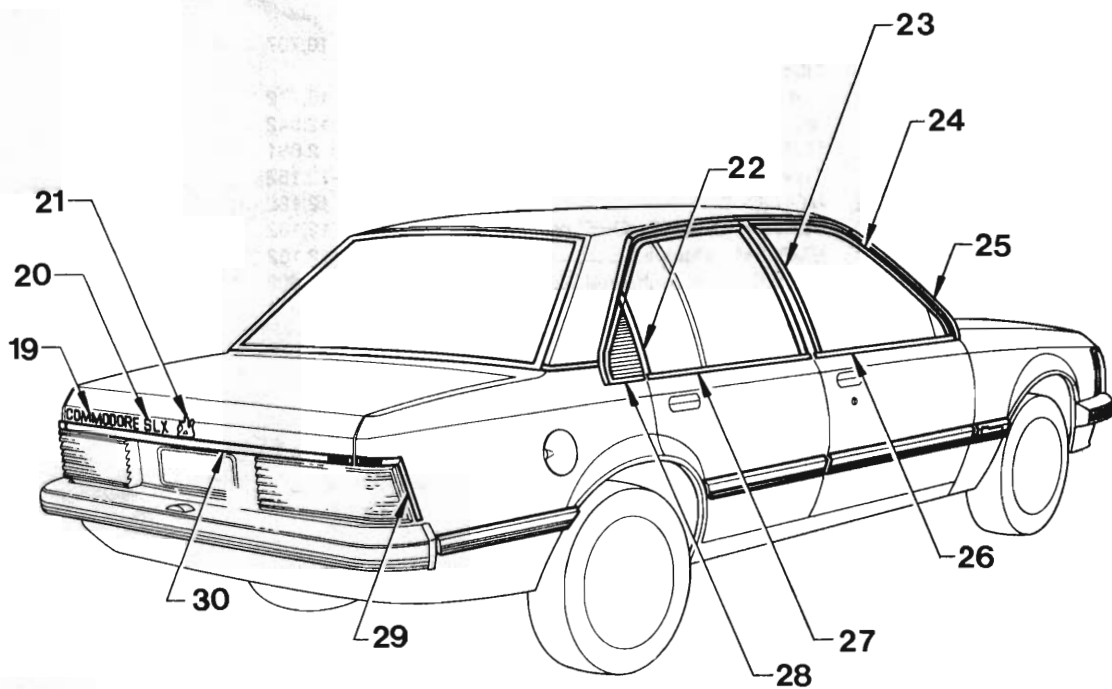
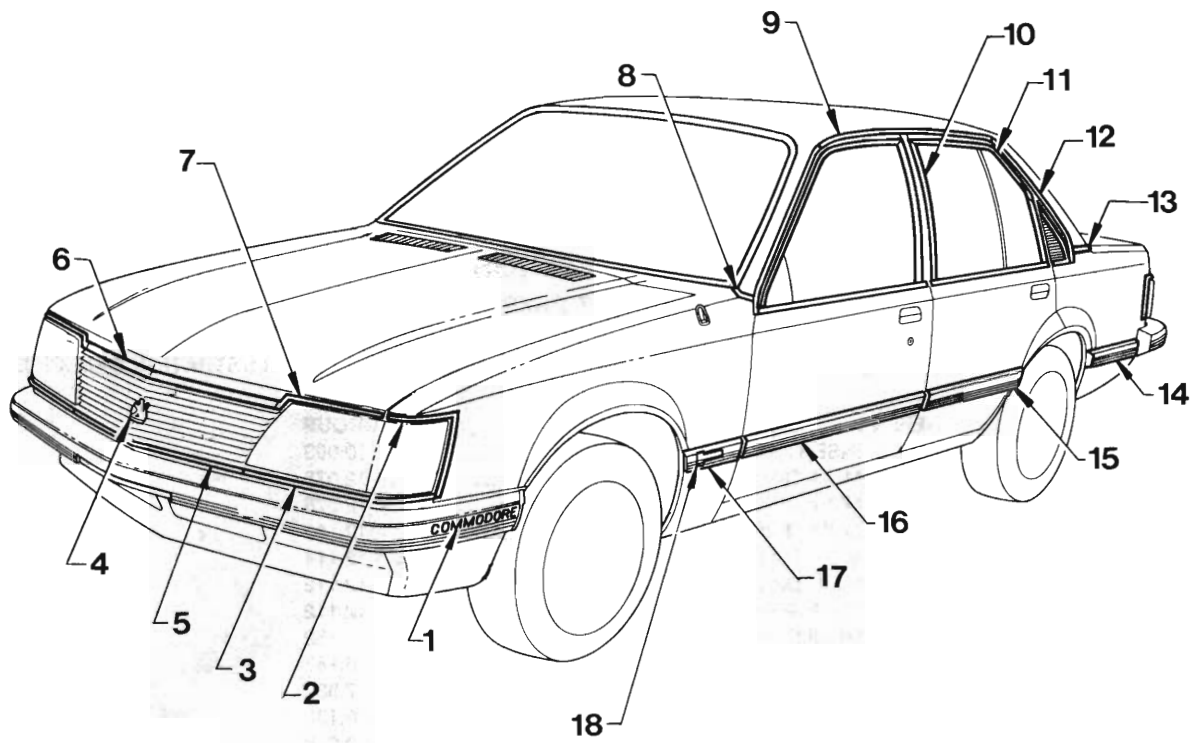




BODY MOULDINGS
8VK69 VACATIONER
VH SERIES

ILLUSTRATION OPPOSITE

REF. NO.	PART NAME	GROUP
1	INSERT - Windshield glass channel.....	10.093
2	MOULDING - Roof reveal side.....	12.075
3	MOULDING - Roof pillar reveal, Rear.....	12.075
4	MOULDING - Rear quarter side.....	12.116
5	MOULDING - Rear door side.....	12.114
6	MOULDING - Front door side.....	12.112
7	TRANSFER - Front & rear door stripe.....	12.112
8	MOULDING - Front fender side.....	8.132
9	PLATE - '5 SPEED' name.....	8.147
10	PLATE - 'COMMODORE' name.....	7.832
11	TRANSFER - Front fender stripe.....	8.132
12	MOULDING - Headlamp lower.....	2.278
13	EMBLEM - Radiator grille.....	1.303
14	GRILLE - Hood.....	8.054
15	MOULDING - Roof pillar reveal, Front.....	12.075
16	MOULDING & WEATHERSTRIP - Front door belt.....	10.707
17	MOULDING & WEATHERSTRIP - Rear door belt.....	10.772
18	MOULDING - Rear quarter ventilation grille.....	12.942
19	MOULDING - Tail lamp reveal.....	2.681
20	TRANSFER - Deck lid & end gate name.....	12.182
21	MOULDING - Deck lid.....	12.182
22	PLATE - 'COMMODORE' name.....	12.182
23	EMBLEM - Deck lid.....	12.182
24	INSERT - Glass channel.....	11.208





BODY MOULDINGS

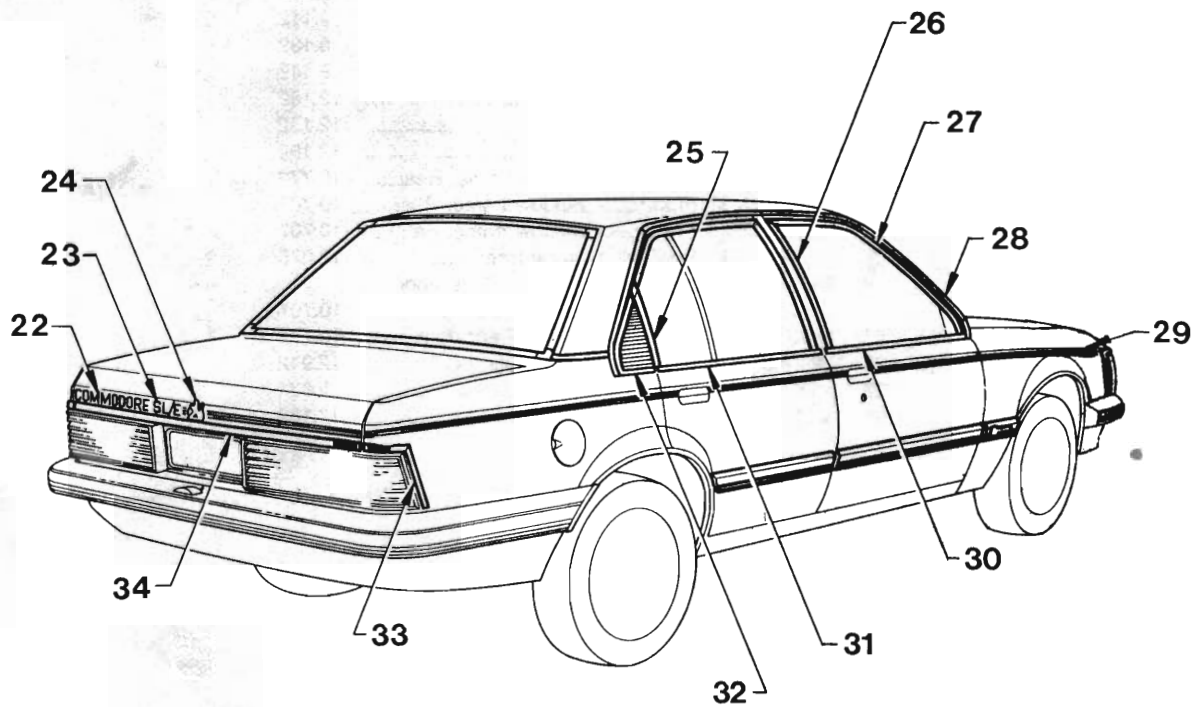
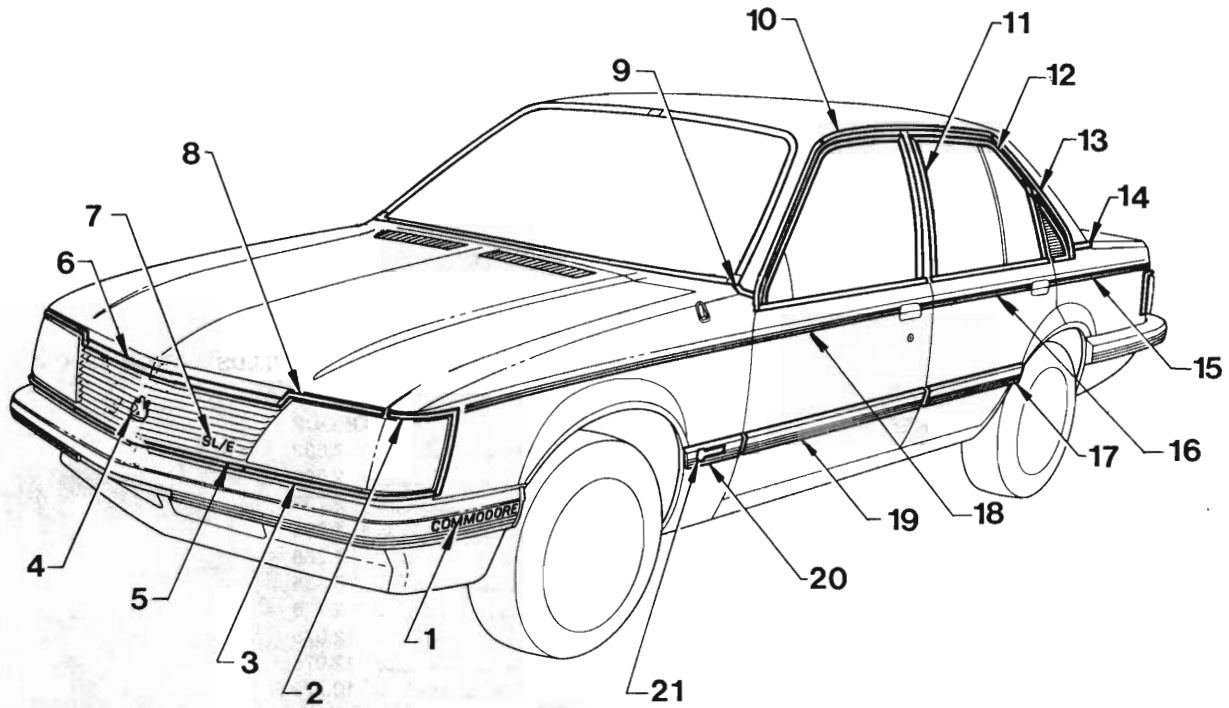
**8VL69
VH SERIES**

ILLUSTRATION OPPOSITE

REF. NO.	PART NAME	GROUP
1	PLATE ASM. - 'COMMODORE' name	7.832
2	MOULDING - Turn signal lamp	2.586
3	MOULDING - Headlamp lower	2.728
4	EMBLEM - Radiator grille	1.303
5	MOULDING - Radiator grille lower	1.268
6	MOULDING - Hood centre	8.055
7	MOULDING - Headlamp upper	2.728
8	MOULDING - Vinyl roof cover	12.075
9	MOULDING - Roof reveal side	12.075
10	MOULDING - Rear door window frame, Front....	10.772
11	MOULDING - Rear door window frame, Upper ...	10.772
12	MOULDING - Roof pillar reveal rear	12.075
13	MOULDING - Rear quarter vinyl roof	12.116
14	MOULDING - Rear quarter side	12.116
15	MOULDING - Rear door side	12.114
16	MOULDING - Front door side	12.112
17	MOULDING - Front fender side	8.132
18	PLATE - '5 SPEED' name	8.147
19	PLATE - 'COMMODORE' name	12.182
20	PLATE - 'SLX' name	12.182
21	EMBLEM - Deck lid	12.182
22	MOULDING - Rear door window frame, Rear	10.772
23	MOULDING - Front door window frame, Rear....	10.707
24	MOULDING - Front door window frame, Front....	10.707
25	MOULDING - Roof pillar reveal front	12.075
26	MOULDING & WEATHERSTRIP - Front door belt	10.707
27	MOULDING & WEATHERSTIP - Rear door belt ..	10.772
28	MOULDING - Rear quarter ventilation grille	12.942
29	MOULDING - Tail lamp reveal	2.681
30	MOULDING - Deck lid	12.182



"V" SERIES PARTS CATALOGUE



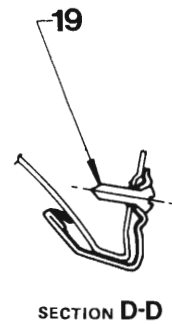
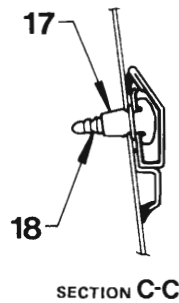
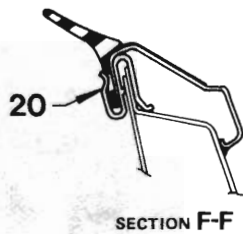
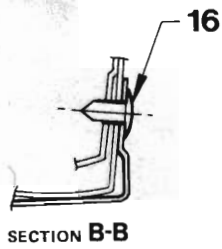
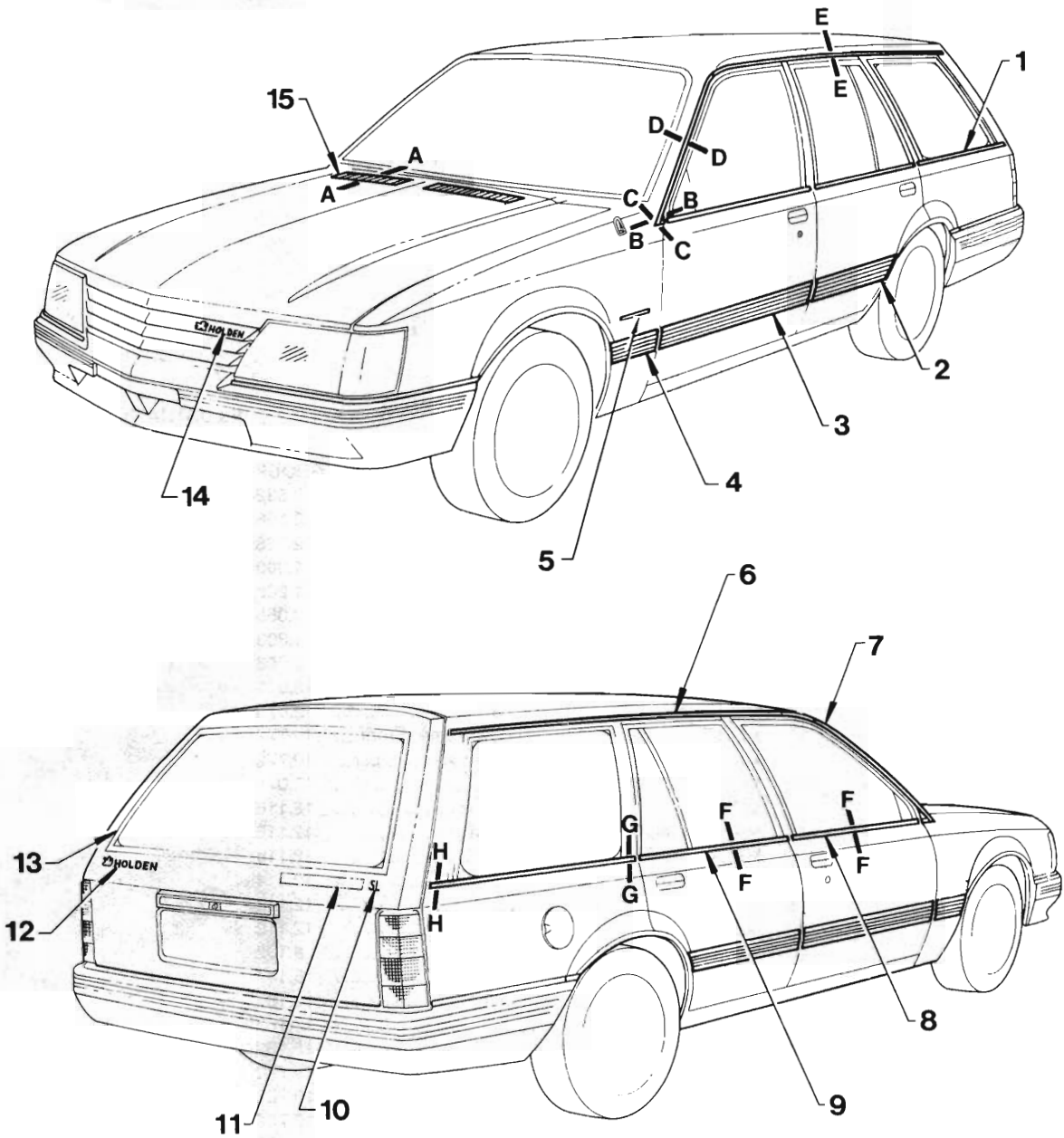


BODY MOULDINGS

**8VX69
VH SERIES**

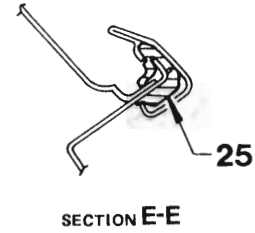
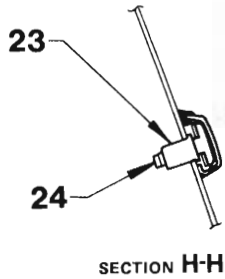
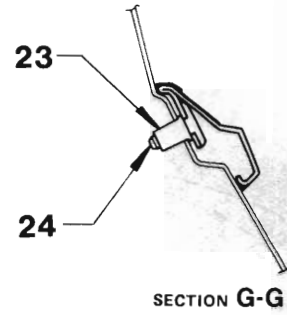
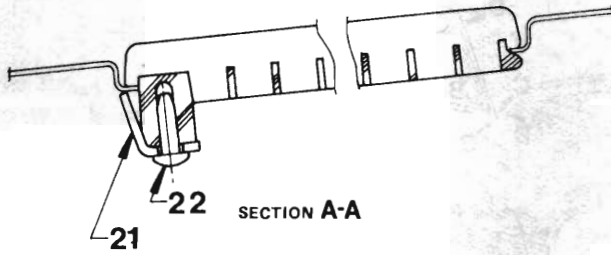
ILLUSTRATION OPPOSITE

REF. NO.	PART NAME	GROUP
1	PLATE ASM. - 'COMMODORE' name	7.832
2	MOULDING - Turn signal lamp	2.586
3	MOULDING - Headlamp lower	2.728
4	EMBLEM - Radiator grille	1.303
5	MOULDING - Radiator grille lower.....	1.268
6	MOULDING - Hood centre.....	8.055
7	PLATE - 'SL/E' name	1.303
8	MOULDING - Headlamp upper.....	2.728
9	MOULDING - Vinyl roof cover.....	12.075
10	MOULDING - Roof reveal side.....	12.075
11	MOULDING - Rear door window frame, Front....	10.772
12	MOULDING - Rear door window frame, Upper ...	10.772
13	MOULDING - Roof pillar reveal rear	12.075
14	MOULDING - Rear quarter vinyl roof	12.116
15	MASK - Rear quarter paint stripe	12.116
16	MASK - Rear door stripe.....	12.114
17	MOULDING - Rear door side	12.114
18	MASK - Front door stripe.....	12.112
19	MOULDING - Front door side.....	12.112
20	MOULDING - Front fender side	8.132
21	PLATE - '5 SPEED' name.....	8.147
22	PLATE - 'COMMODORE' name	12.182
23	PLATE - 'SL/E' name	12.182
24	EMBLEM - Deck lid.....	12.182
25	MOULDING - Rear door window frame, Rear	10.772
26	MOULDING - Front door window frame, Rear.....	10.707
27	MOULDING - Front door window frame, Front...	10.707
28	MOULDING - Roof pillar reveal, Front.....	12.075
29	MASK - Front fender stripe.....	8.132
30	MOULDING & WEATHERSTRIP - Front door belt	10.707
31	MOULDING & WEATHERSTRIP - Rear door belt	10.772
32	MOULDING - Rear quarter ventilation grille.....	12.942
33	MOULDING - Tail lamp reveal.....	2.681
34	MOULDING - Deck lid	12.182





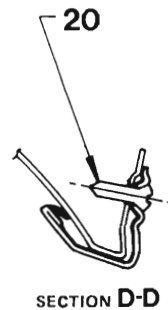
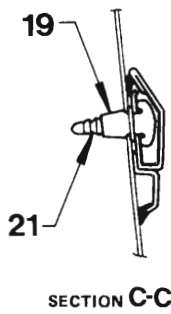
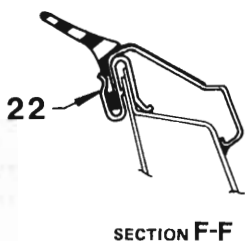
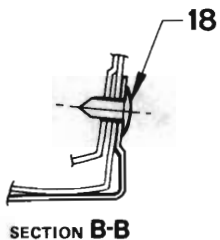
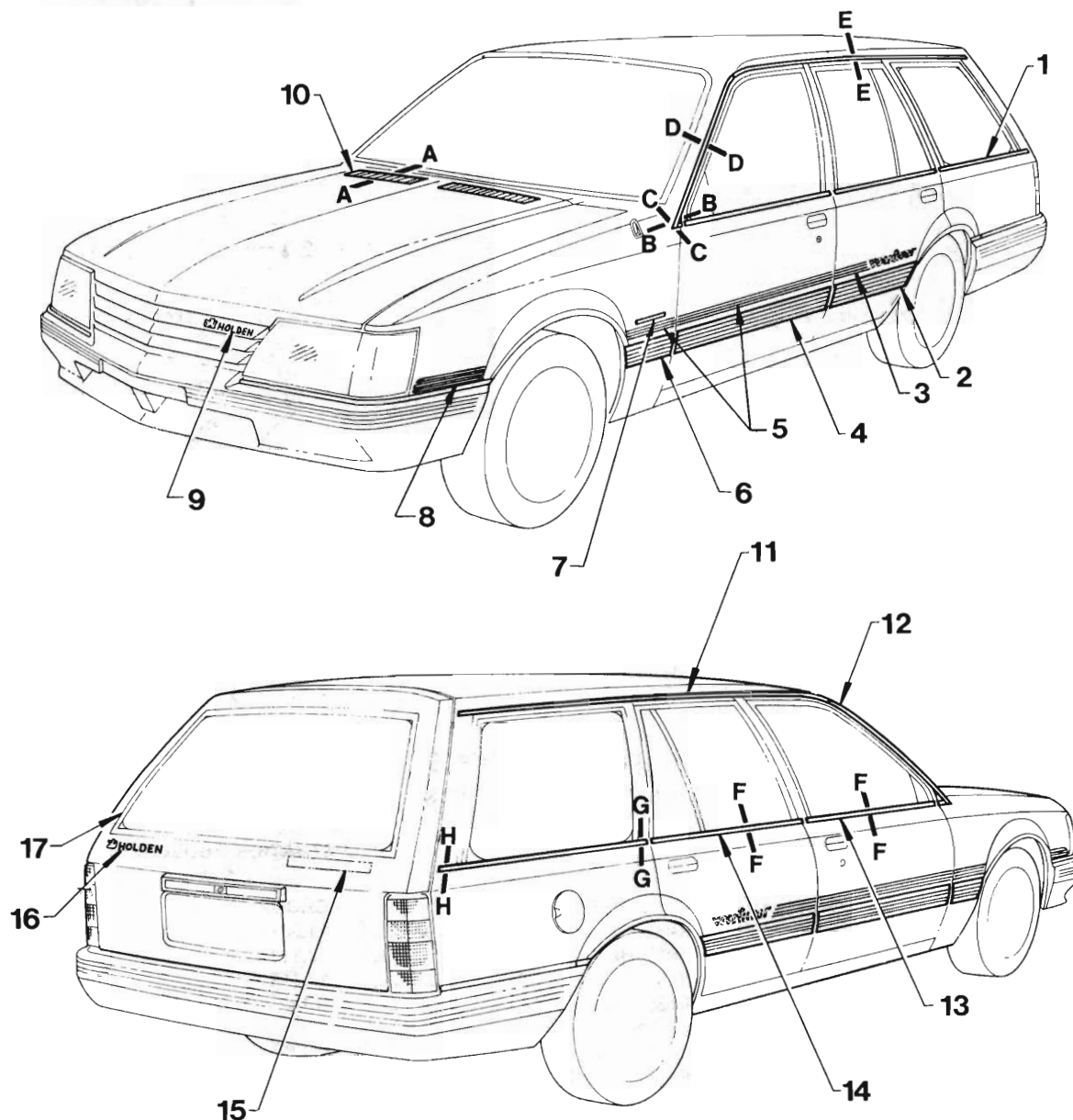
"V" SERIES PARTS CATALOGUE

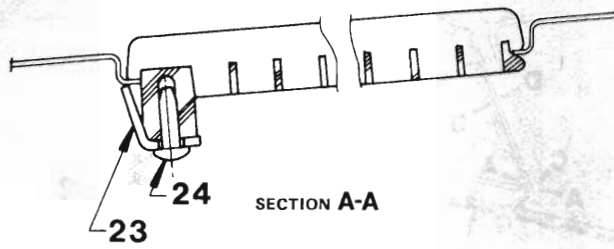


BODY MOULDINGS 8VK35 EXC. VACATIONER VK SERIES

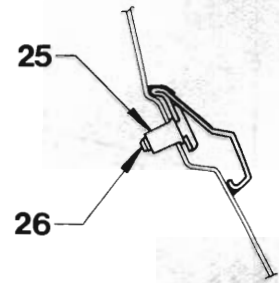
ILLUSTRATION ABOVE & OPPOSITE

REF. NO.	PART NAME	GROUP
1	MOULDING - Rear quarter glass reveal	11.031
2	MOULDING - Rear door side.....	12.114
3	MOULDING - Front door side.....	12.112
4	MOULDING - Front fender	8.132
5	PLATE - Front fender name - 'ELECTRONIC INJECTION'	8.147
6	MOULDING - Roof reveal side	12.075
7	MOULDING - Roof pillar reveal, Front	12.075
8	MOULDING - Front door belt reveal, Outer	10.707
9	MOULDING - Rear door belt reveal, Outer .	10.772
10	PLATE - End gate name - 'SL'.....	12.182
11	PLATE - End gate name - 'COMMODORE'	12.182
12	PLATE - End gate name - 'LION & HOLDEN'	12.182
13	MOULDING - End gate window.....	12.182
14	PLATE - Radiator grille name - 'HOLDEN' ..	1.303
15	GRILLE - Hood.....	8.054
16	SCREW - Moulding to fender.....	12.075
17	BUSH - Moulding to fender	12.075
18	CLIP - Moulding to fender	12.075
19	SCREW - Moulding to pillar	12.075
20	CLIP - Moulding to door.....	10.707
		10.772
21	CLIP - Grille retaining	8.054
22	SCREW - Grille retaining	8.054
23	GROMMET - Moulding to body	11.031
24	STUD - Moulding to body	11.031
25	CLIP - Moulding.....	12.075

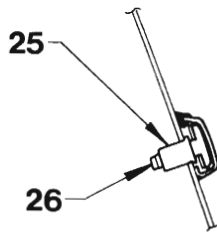




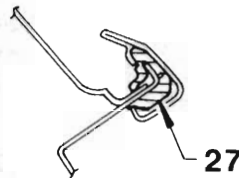
SECTION A-A



SECTION G-G



SECTION H-H



SECTION E-E

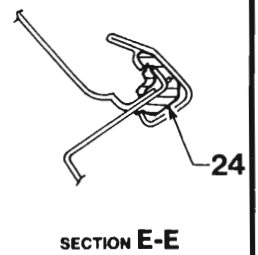
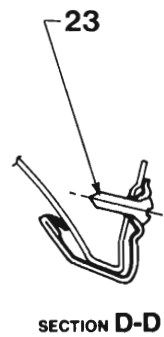
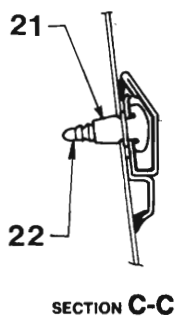
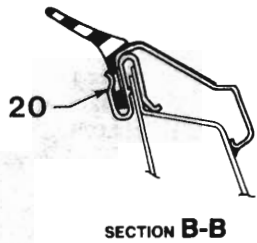
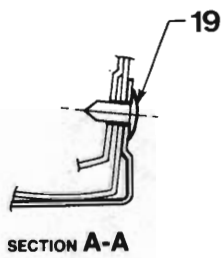
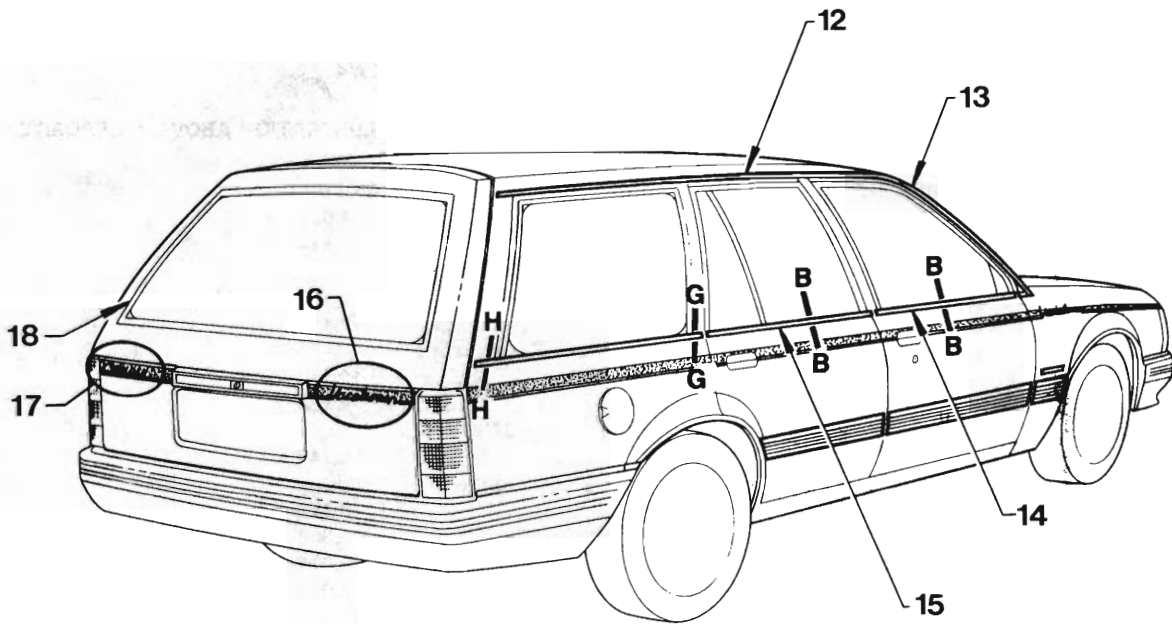
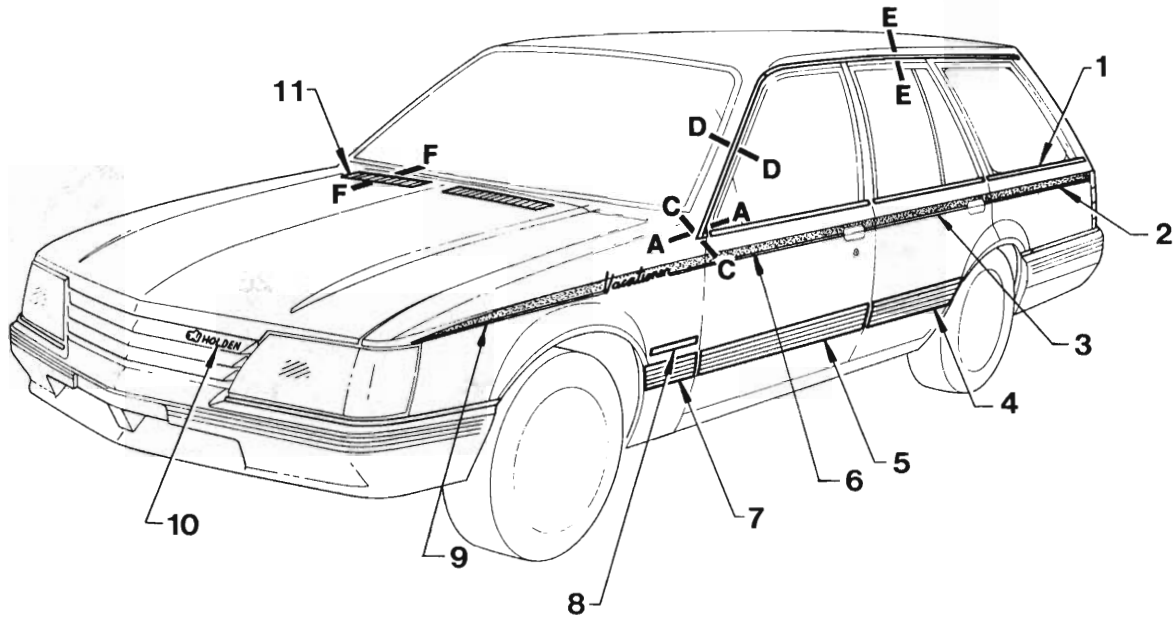
BODY MOULDINGS

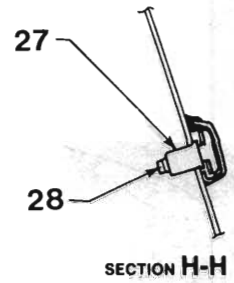
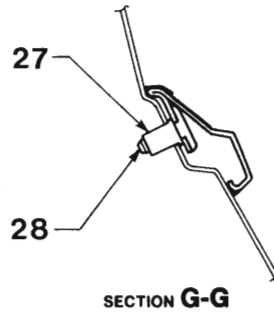
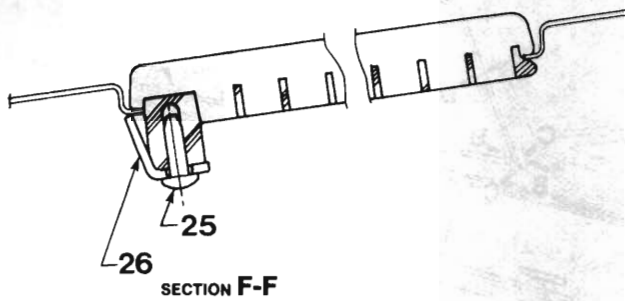
**8VK35 VACATIONER PRODUCTION OPTION XW4
VK SERIES**

ILLUSTRATION ABOVE & OPPOSITE

REF. NO.	PART NAME	GROUP
1	MOULDING - Rear quarter glass reveal.....	11.031
2	MOULDING - Rear door side.....	12.114
3	TRANSFER - Rear door stripe (Includes Vacationer name).....	12.114
4	MOULDING - Front door side.....	12.112
5	TRANSFER - Front door stripe (Covers rear of front wheel arch & front door).....	12.112
6	MOULDING - Front fender.....	8.132
7	PLATE - Front fender name - 'ELECTRONIC INJECTION'.....	8.147
8	TRANSFER - Front fender stripe (Front of wheel arch only).....	8.132
9	PLATE - Radiator grille name - 'HOLDEN'.....	1.303
10	GRILLE - Hood.....	8.054
11	MOULDING - Roof reveal side.....	12.075
12	MOULDING - Roof pillar reveal, Front.....	12.075
13	MOULDING - Front door belt reveal outer.....	10.707
14	MOULDING - Rear door belt reveal outer.....	10.772
15	TRANSFER - 'VACATIONER' - Name.....	12.182
16	PLATE - End gate name - 'LION & HOLDEN'	12.182
17	MOULDING - End gate window.....	12.182
18	SCREW - Moulding to fender.....	12.075
19	BUSH - Moulding to fender.....	12.075
20	SCREW - Moulding to pillar.....	12.075
21	CLIP - Moulding to fender.....	12.075
22	CLIP - Moulding to door.....	10.707
23	CLIP - Grille retaining.....	8.054
24	SCREW - Grille retaining.....	8.054
25	GROMMET - Moulding to body.....	11.031
26	STUD - Moulding to body.....	11.031
27	CLIP - Moulding.....	12.075

"V" SERIES PARTS CATALOGUE

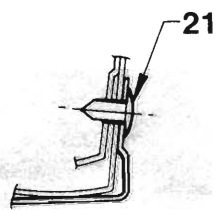
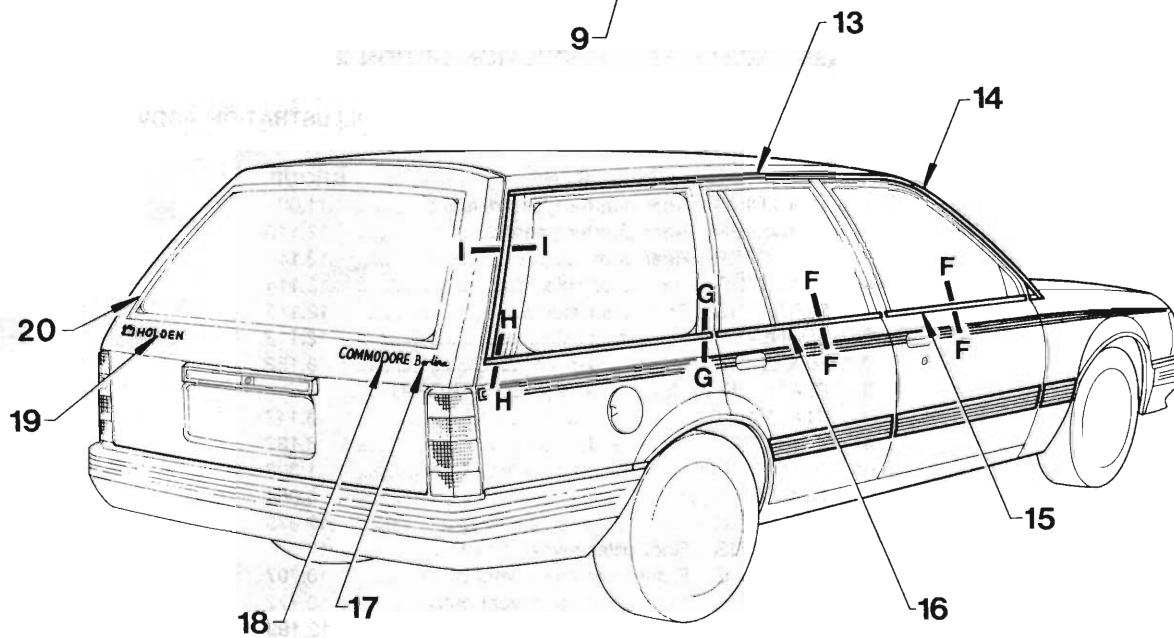
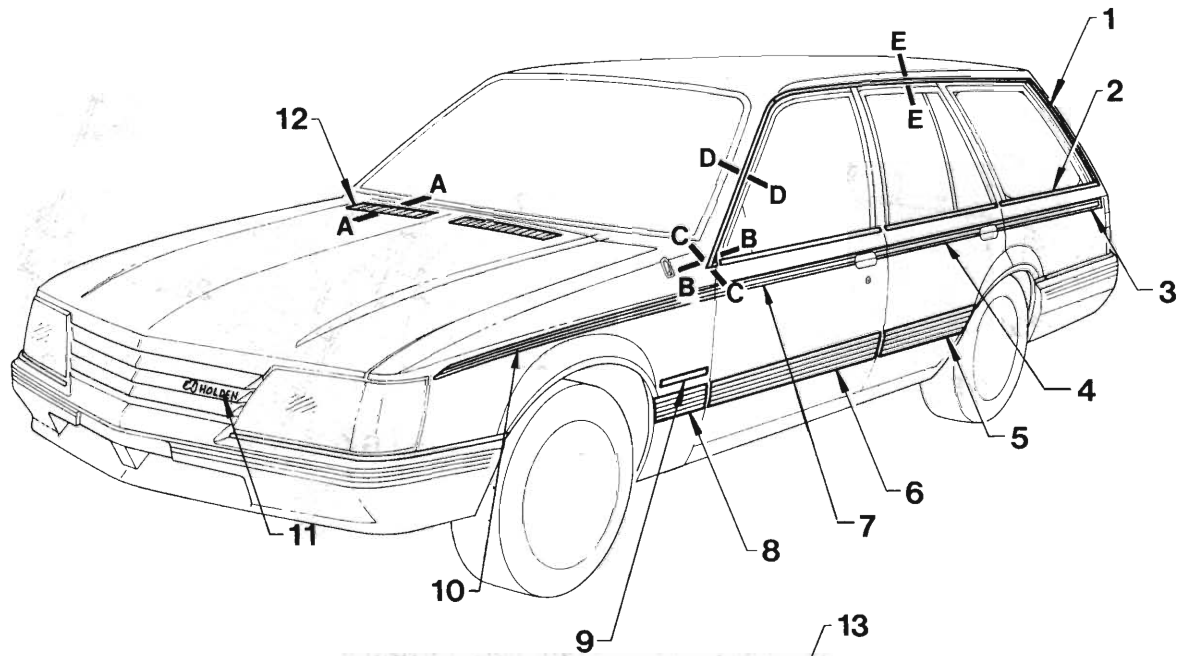




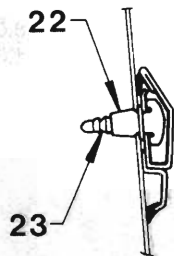
BODY MOULDINGS
8VK35 VACATIONER PRODUCTION OPTION XY8
VK SERIES

ILLUSTRATION ABOVE & OPPOSITE

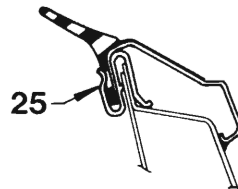
REF. NO.	PART NAME	GROUP
1	MOULDING - Rear quarter glass reveal.....	11.031
2	TRANSFER - Rear quarter panel.....	12.116
3	TRANSFER - Rear door.....	12.114
4	MOULDING - Rear door side.....	12.114
5	MOULDING - Front door side.....	12.112
6	TRANSFER - Front door.....	12.112
7	MOULDING - Front fender.....	8.132
8	PLATE - Front fender name - 'ELECTRONIC INJECTION'.....	8.147
9	TRANSFER - Front fender.....	8.132
10	PLATE - Radiator grille name - 'HOLDEN'.....	1.303
11	GRILLE - Hood.....	8.054
12	MOULDING - Roof reveal side.....	12.075
13	MOULDING - Roof pillar reveal, Front.....	12.075
14	MOULDING - Front door belt reveal outer.....	10.707
15	MOULDING - Rear door belt reveal outer.....	10.772
16	TRANSFER - End gate, RH.....	12.182
17	TRANSFER - End gate, LH.....	12.182
18	MOULDING - End gate window.....	12.182
19	SCREW - Moulding to fender.....	12.075
20	CLIP - Moulding to door.....	10.707
21	BUSH - Moulding to fender.....	12.075
23	SCREW - Moulding to pillar.....	12.075
24	CLIP - Moulding.....	12.075
25	SCREW - Grille retaining.....	8.054
26	CLIP - Grille retaining.....	8.054
27	GROMMET - Moulding to body.....	11.031
28	STUD - Moulding to body.....	11.031



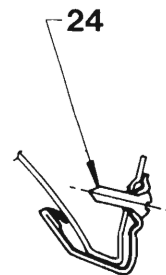
SECTION B-B



SECTION C-C



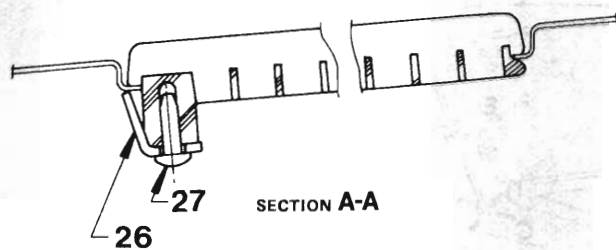
SECTION F-F



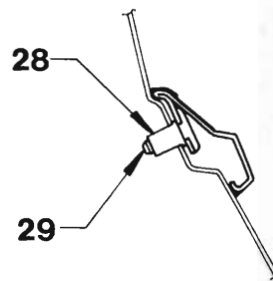
SECTION D-D



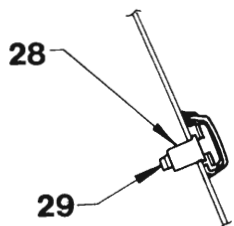
"V" SERIES PARTS CATALOGUE



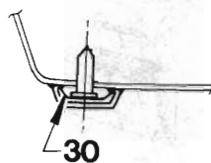
SECTION A-A



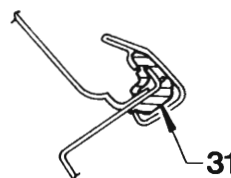
SECTION G-G



SECTION H-H



SECTION I-I



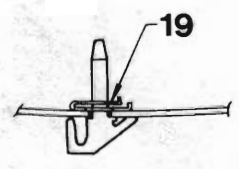
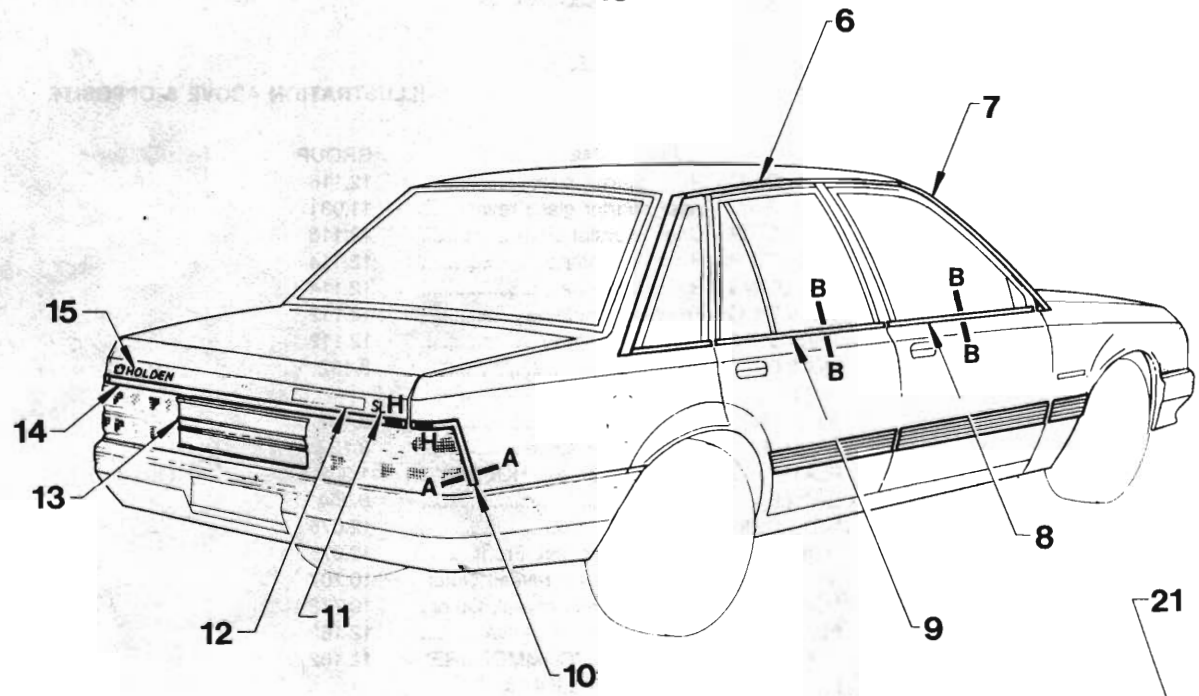
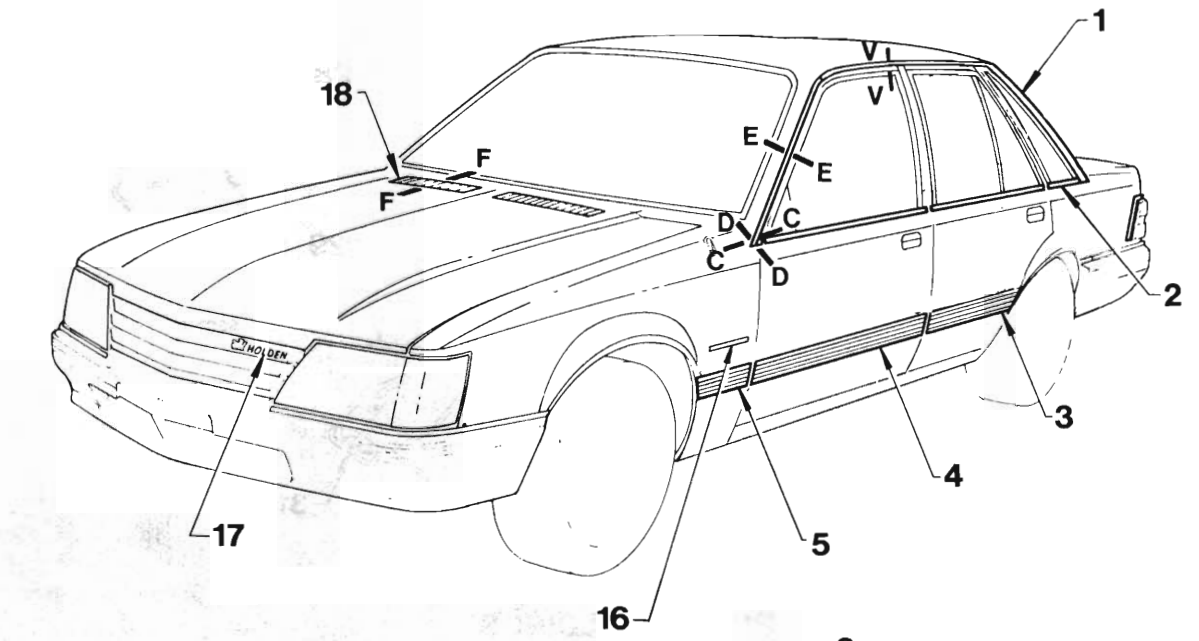
SECTION E-E

BODY MOULDINGS

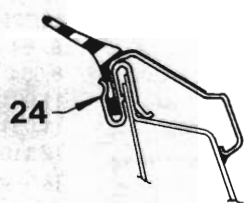
8VL35
VK SERIES

ILLUSTRATION ABOVE & OPPOSITE

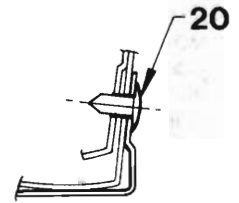
REF. NO.	PART NAME	GROUP
1	MOULDING - Rear quarter pillar	12.116
2	MOULDING - Rear quarter glass reveal	11.031
3	TRANSFER - Quarter panel stripe	12.116
4	TRANSFER - Rear door stripe	12.114
5	MOULDING - Rear door side	12.114
6	MOULDING - Front door side	12.112
7	TRANSFER - Front door stripe	12.112
8	MOULDING - Front fender	8.132
9	PLATE - Front fender name - 'ELECTRONIC INJECTION'	8.147
10	TRANSFER - Front fender stripe	8.132
11	PLATE - Radiator grille name - 'HOLDEN' ..	1.303
12	GRILLE - Hood	8.054
13	MOULDING - Roof reveal side	12.075
14	MOULDING - Roof pillar reveal, Front	12.075
15	MOULDING - Front door belt reveal, Outer	10.707
16	MOULDING - Rear door belt reveal, Outer .	10.772
17	PLATE - End gate name - 'BERLINA'	12.182
18	PLATE - End gate name - 'COMMODORE'	12.182
19	PLATE - End gate name - 'LION & HOLDEN'	12.182
20	MOULDING - End gate window	12.182
21	SCREW - Moulding to fender	12.075
22	BUSH - Moulding to fender	12.075
23	CLIP - Moulding to fender	12.075
24	SCREW - Moulding to pillar	12.075
25	CLIP - Moulding to door	10.707 10.772
26	CLIP - Grille retaining	8.054
27	SCREW - Grille retaining	8.054
28	GROMMET - Moulding to body	11.031
29	STUD - Moulding to body	11.031
30	CLIP - Moulding	12.116
31	CLIP - Moulding	12.075



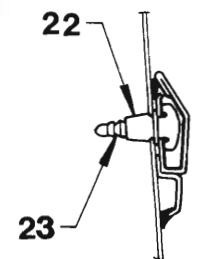
SECTION A-A



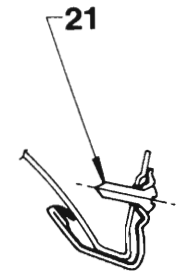
SECTION B-B



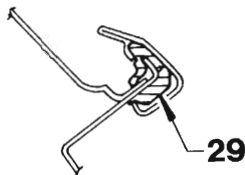
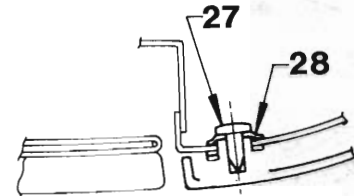
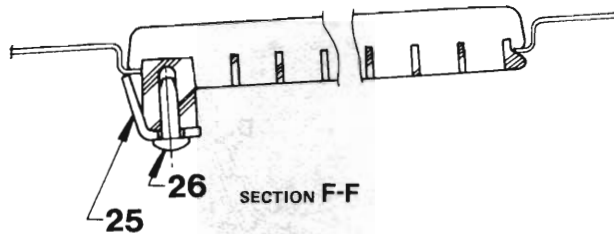
SECTION C-C



SECTION D-D



SECTION E-E



SECTION G-G

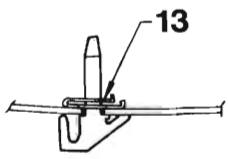
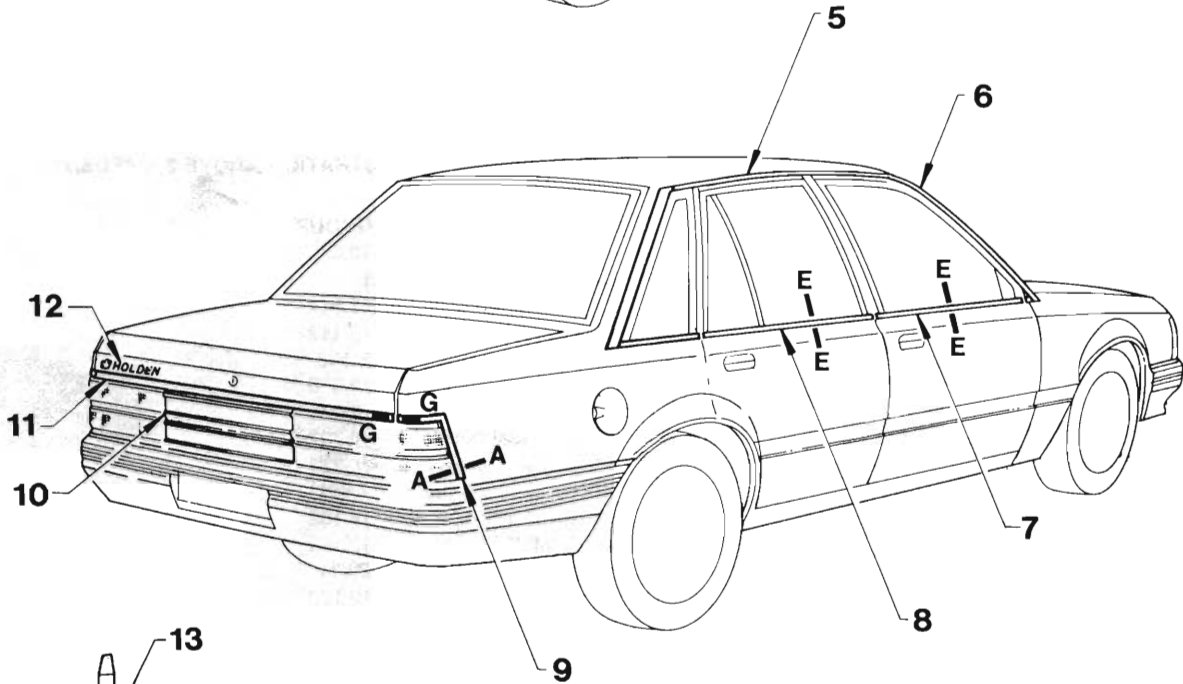
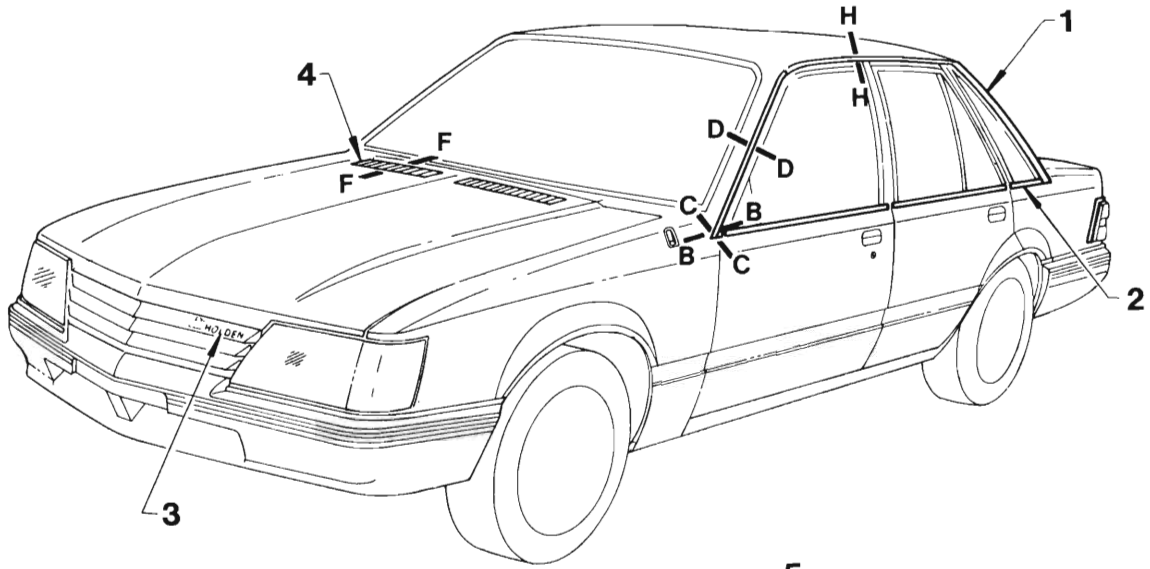
SECTION H-H

BODY MOULDINGS

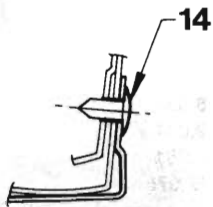
**8VK19 EXC. 'SS' COMMODORE, VACATIONER
VK SERIES**

ILLUSTRATION ABOVE & OPPOSITE

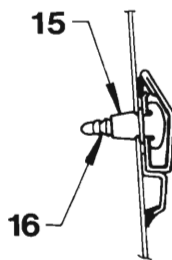
REF. NO.	PART NAME	GROUP
1	MOULDING - Roof pillar reveal, Rear	12.075
2	MOULDING - Rear quarter glass reveal	11.031
3	MOULDING - Rear door side	12.114
4	MOULDING - Front door side	12.112
5	MOULDING - Front fender	8.132
6	MOULDING - Roof reveal side	12.075
7	MOULDING - Roof pillar reveal, Front	12.075
8	MOULDING - Front door belt reveal outer ..	10.707
9	MOULDING - Rear door belt reveal outer...	10.772
10	MOULDING - Tail lamp reveal	2.681
11	PLATE - Deck lid name - 'SL'	12.182
12	PLATE - Deck lid name - 'COMMODORE' ..	12.182
13	EXTENSION - Tail lamp	2.681
14	MOULDING - Deck lid	12.182
15	PLATE - Deck lid name - 'LION & HOLDEN'	12.182
16	PLATE - Front fender name - 'ELECTRONIC INJECTION'	8.147
17	PLATE - Radiator grille name - 'HOLDEN' ..	1.303
18	GRILLE - Hood	8.054
19	NUT - Moulding retaining	2.681
20	SCREW - Moulding to fender	12.075
21	SCREW - Moulding to pillar	12.075
22	BUSH - Moulding to fender	12.075
23	CLIP - Moulding to fender	12.075
24	CLIP - Moulding to door	10.707
		10.772
25	CLIP - Grille retaining	8.054
26	SCREW - Grille retaining	8.054
27	SCREW - Moulding	2.681
28	WASHER - Moulding	2.681
29	CLIP - Moulding	12.075



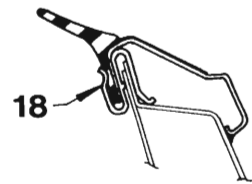
SECTION A-A



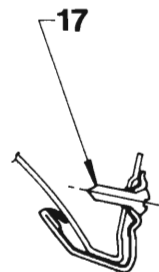
SECTION B-B



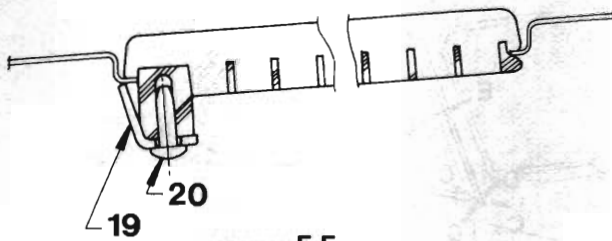
SECTION C-C



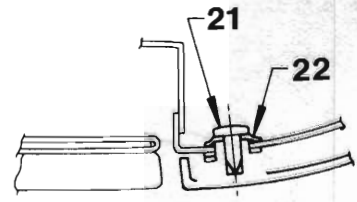
SECTION E-E



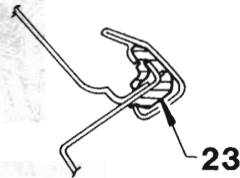
SECTION D-D



SECTION F-F



SECTION G-G

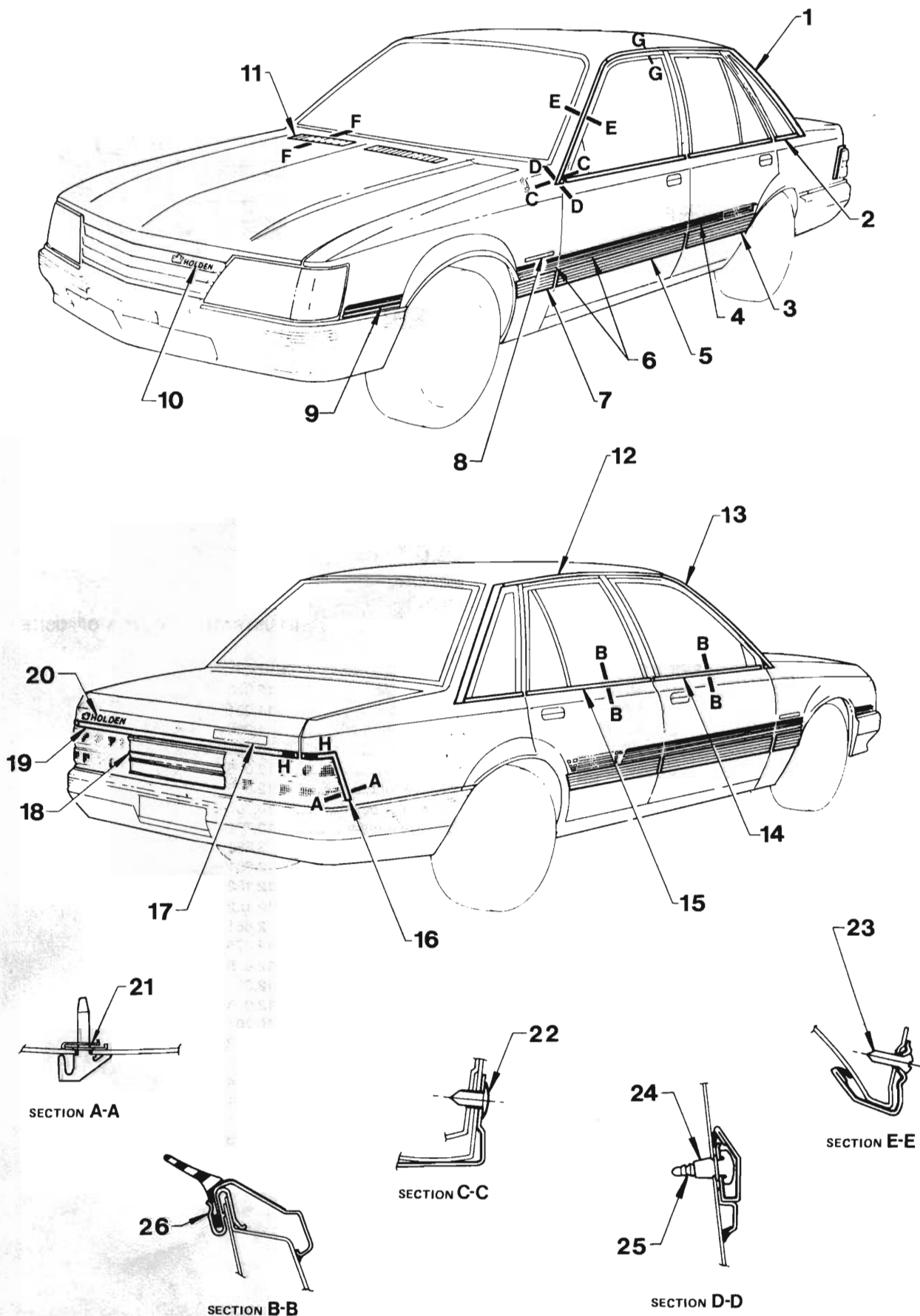


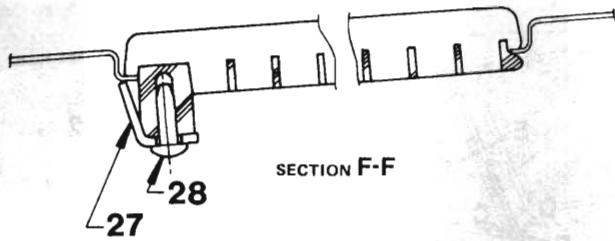
SECTION H-H

**BODY MOULDINGS
'SS' COMMODORE
VK SERIES**

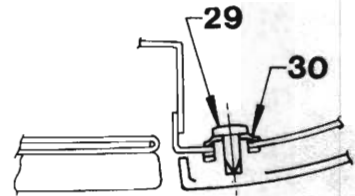
ILLUSTRATION ABOVE & OPPOSITE

REF. NO.	PART NAME	GROUP
1	MOULDING - Roof pillar reveal, Rear.....	12.075
2	MOULDING - Rear quarter glass reveal.....	11.031
3	PLATE - Radiator grille name - 'HOLDEN'.....	1.303
4	GRILLE - Hood.....	8.054
5	MOULDING - Roof reveal side.....	12.075
6	MOULDING - Roof pillar reveal, Front.....	12.075
7	MOULDING - Front door belt reveal outer.....	10.707
8	MOULDING - Rear door belt reveal outer.....	10.772
9	MOULDING - Tail lamp reveal.....	2.681
10	EXTENSION - Tail lamp.....	2.681
11	MOULDING - Deck lid.....	12.182
12	PLATE - Deck lid name - 'LION & HOLDEN'.....	12.182
13	NUT - Moulding retaining.....	2.681
14	SCREW - Moulding to fender.....	12.075
15	BUSH - Moulding to fender.....	12.075
16	CLIP - Moulding to fender.....	12.075
17	SCREW - Moulding to pillar.....	12.075
18	CLIP - Moulding to door.....	10.707
		10.772
19	CLIP - Grille retaining.....	8.054
20	SCREW - Grille retaining.....	8.054
21	SCREW - Moulding.....	2.681
22	WASHER - Moulding.....	2.681
23	CLIP - Moulding.....	12.075

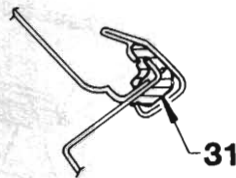




SECTION F-F



SECTION H-H



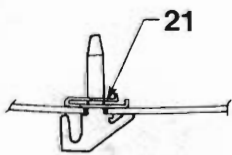
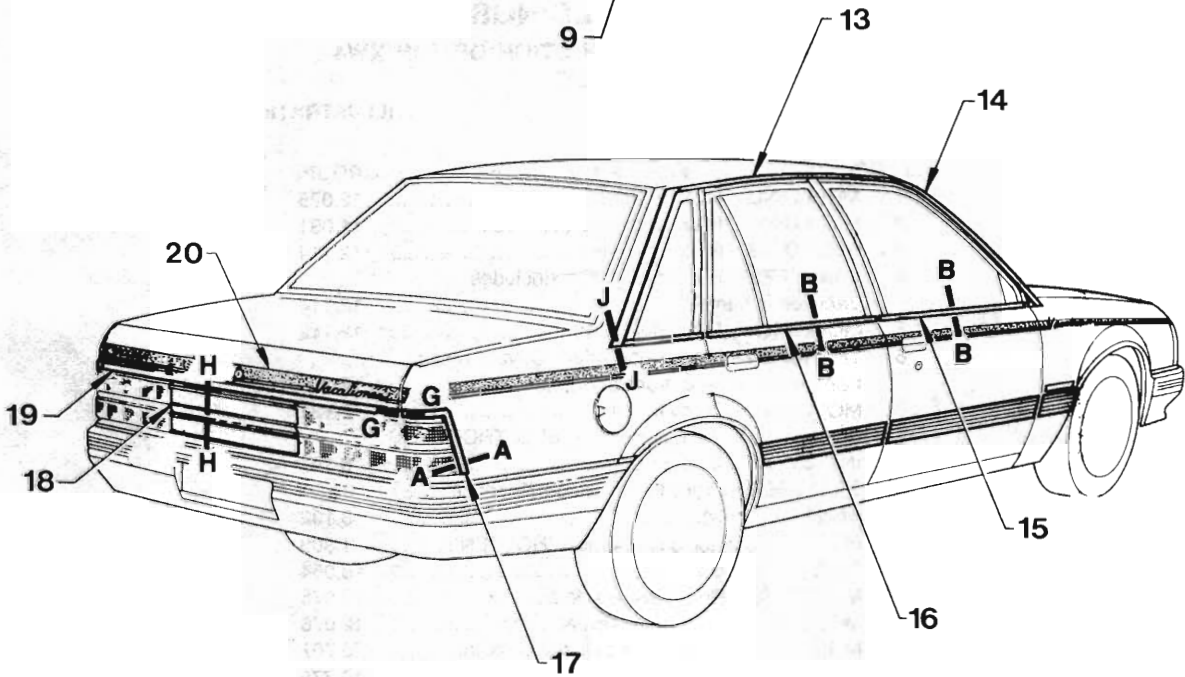
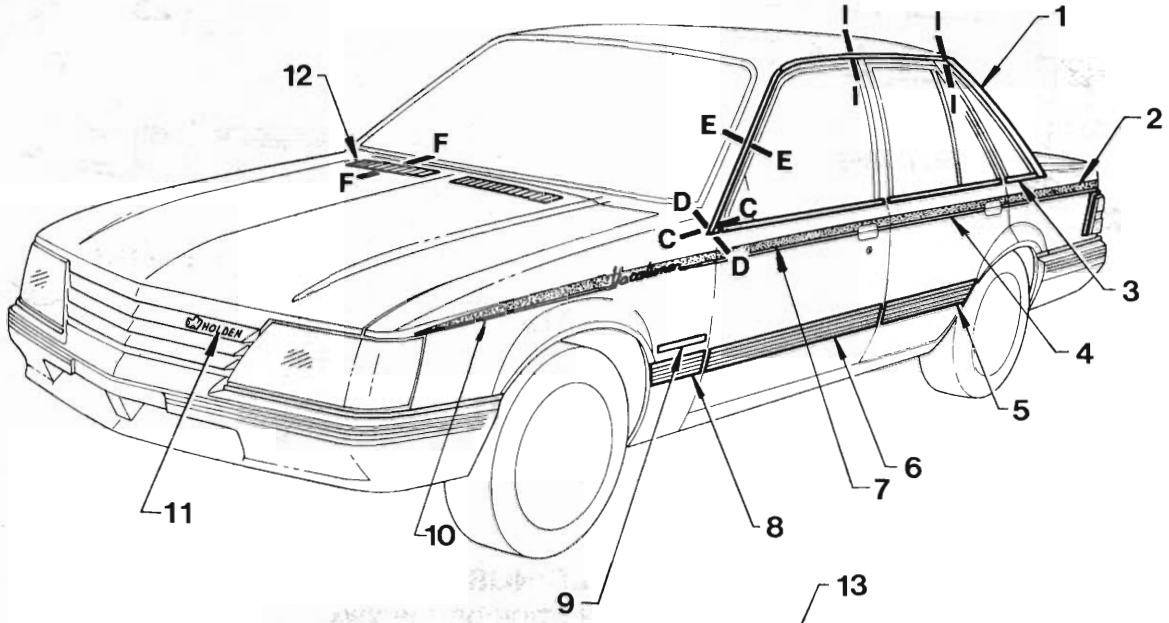
SECTION G-G

BODY MOULDINGS

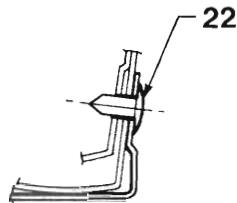
**8VK19 VACATIONER PRODUCTION OPTION XW4
VK SERIES**

ILLUSTRATION ABOVE & OPPOSITE

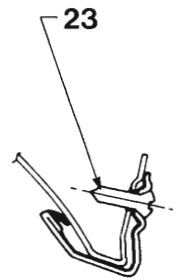
REF. NO.	PART NAME	GROUP
1	MOULDING - Roof pillar reveal, Rear.....	12.075
2	MOULDING - Rear quarter glass reveal.....	11.031
3	MOULDING - Rear door side.....	12.114
4	TRANSFER - Rear door stripe (Includes Vacationer name).....	12.114
5	MOULDING - Front door side.....	12.112
6	TRANSFER - Front door stripe (Covers rear of front wheel arch & front door).....	12.112
7	MOULDING - Front fender.....	8.132
8	PLATE - Front fender name - 'ELECTRONIC INJECTION'.....	8.147
9	TRANSFER - Front fender stripe (Front of wheel arch only).....	8.132
10	PLATE - Radiator grille name - 'HOLDEN'.....	1.303
11	GRILLE - Hood.....	8.054
12	MOULDING - Roof reveal side.....	12.075
13	MOULDING - Roof pillar reveal, Front.....	12.075
14	MOULDING - Front door belt reveal outer.....	10.707
15	MOULDING - Rear door belt reveal outer.....	10.772
16	MOULDING - Tail lamp reveal.....	2.681
17	TRANSFER - 'VACATIONER' - Name.....	12.182
18	EXTENSION - Tail lamp.....	2.681
19	MOULDING - Deck lid.....	12.182
20	PLATE - Deck lid name - 'LION & HOLDEN'.....	12.182
21	NUT - Moulding retaining.....	2.681
22	SCREW - Moulding to fender.....	12.075
23	SCREW - Moulding to pillar.....	12.075
24	BUSH - Moulding to fender.....	12.075
25	CLIP - Moulding to fender.....	12.075
26	CLIP - Moulding to door.....	10.707
27	CLIP - Grille retaining.....	8.054
28	SCREW - Grille retaining.....	8.054
29	SCREW - Moulding.....	2.681
30	WASHER - Moulding.....	2.681
31	CLIP - Moulding.....	12.075



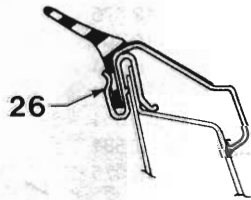
SECTION A-A



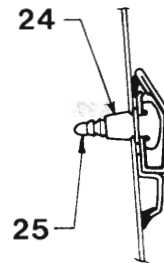
SECTION C-C



SECTION E-E



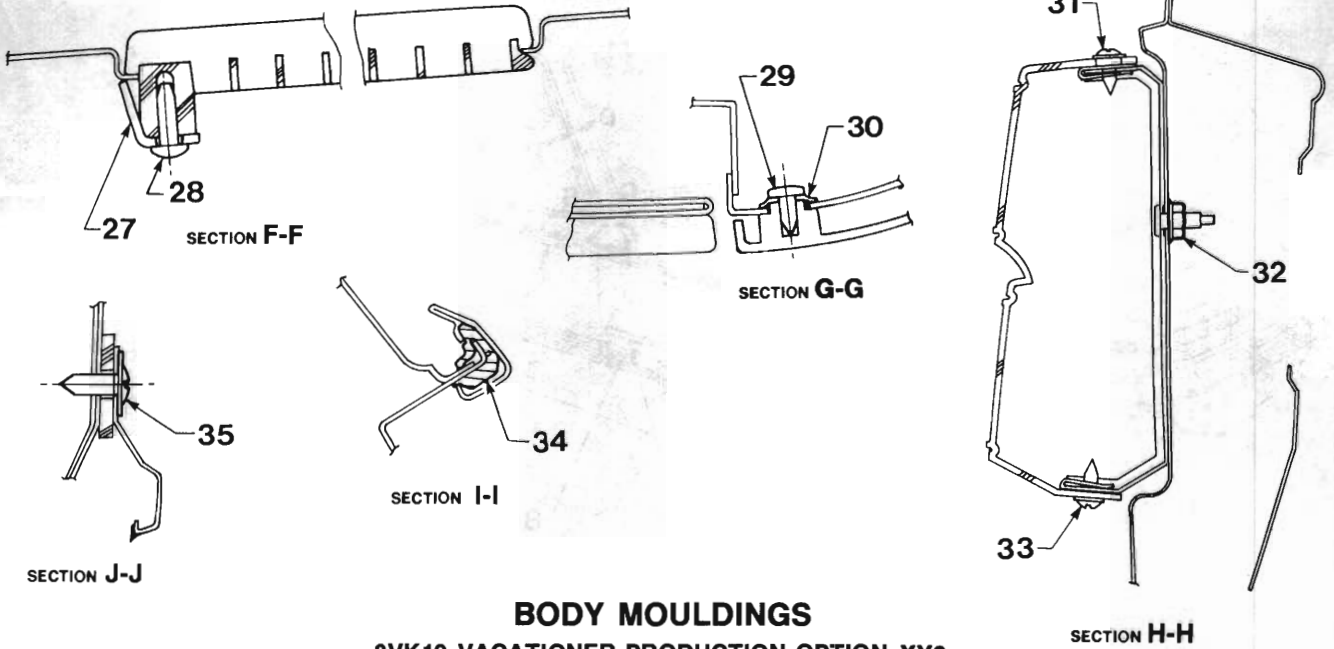
SECTION B-B



SECTION D-D



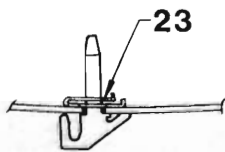
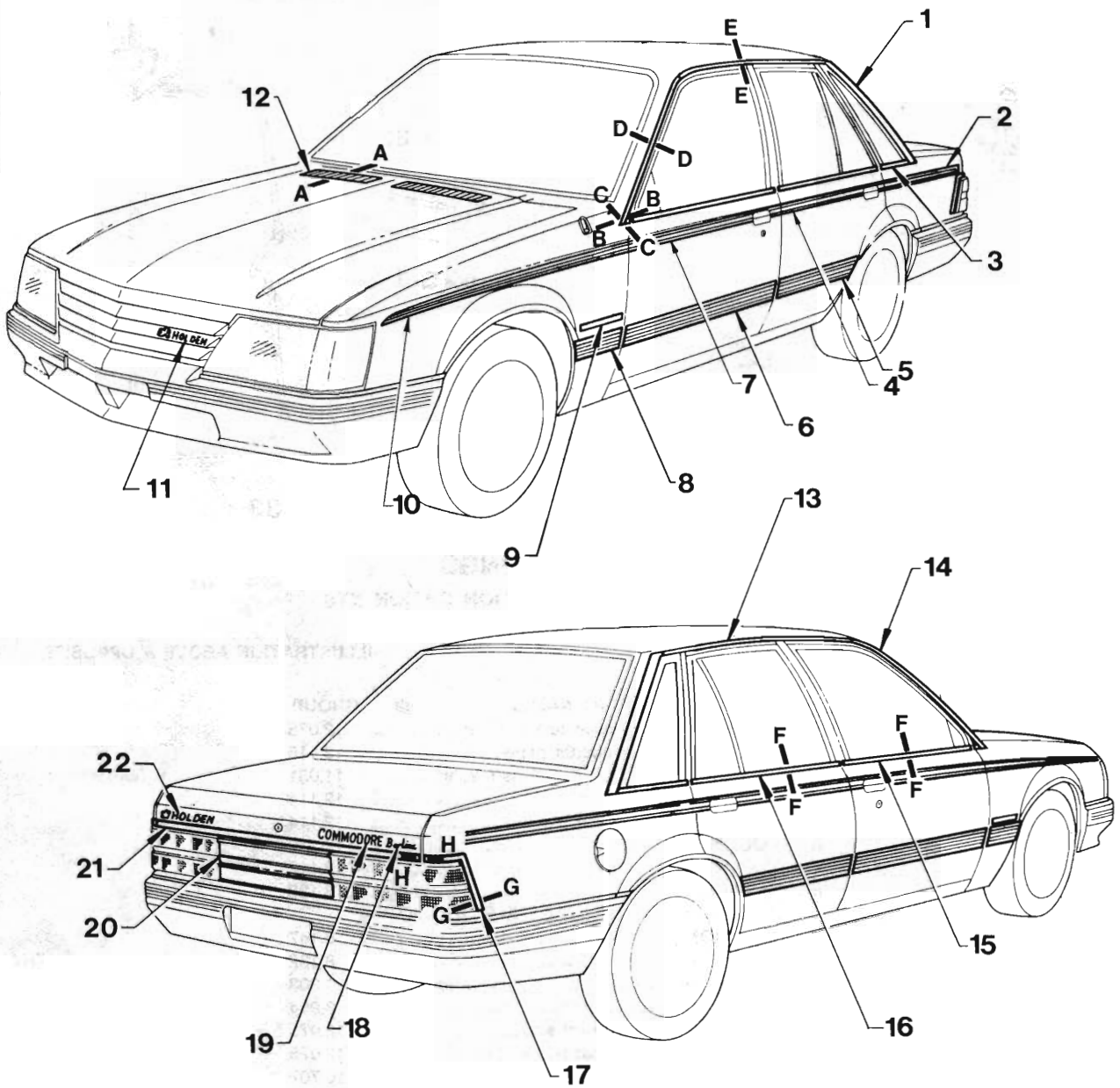
"V" SERIES PARTS CATALOGUE



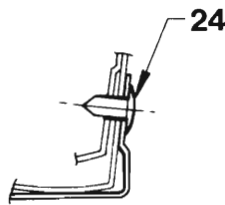
BODY MOULDINGS 8VK19 VACATIONER PRODUCTION OPTION XY8 VK SERIES

ILLUSTRATION ABOVE & OPPOSITE

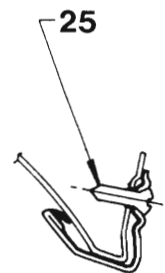
REF. NO.	PART NAME	GROUP
1	MOULDING - Roof pillar reveal, Rear.....	12.075
2	TRANSFER - Rear quarter panel.....	12.116
3	MOULDING - Rear quarter glass reveal.....	11.031
4	TRANSFER - Rear door stripe.....	12.114
5	MOULDING - Rear door side.....	12.114
6	MOULDING - Front door side.....	12.112
7	TRANSFER - Front door.....	12.112
8	MOULDING - Front fender.....	8.132
9	PLATE - Front fender name - 'ELECTRONIC INJECTION'.....	8.147
10	TRANSFER - Front fender.....	8.132
11	PLATE - Radiator grille name - 'HOLDEN'.....	1.303
12	GRILLE - Hood.....	8.054
13	MOULDING - Roof reveal side.....	12.075
14	MOULDING - Roof pillar reveal, Front.....	12.075
15	MOULDING - Front door belt reveal outer.....	10.707
16	MOULDING - Rear door belt reveal outer.....	10.772
17	MOULDING - Tail lamp reveal.....	2.681
18	EXTENSION - Tail lamp.....	2.681
19	MOULDING - Deck lid.....	12.182
20	TRANSFER - Deck lid.....	12.182
21	NUT - Moulding retaining.....	2.681
22	SCREW - Moulding to fender.....	12.075
23	SCREW - Moulding to pillar.....	12.075
24	BUSH - Moulding to fender.....	12.075
25	CLIP - Moulding to fender.....	12.075
26	CLIP - Moulding to door.....	10.707
27	CLIP - Grille retaining.....	8.054
28	SCREW - Grille retaining.....	8.054
29	SCREW - Moulding.....	2.681
30	WASHER - Moulding.....	2.681
31	SCREW - Extension to lamp upper.....	2.681
32	NUT - Extension to rear end panel.....	2.681
33	SCREW - Extension to lamp lower.....	2.681
34	CLIP - Moulding.....	12.075
35	SCREW - Garnish moulding.....	11.031



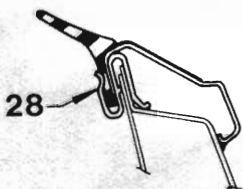
SECTION G-G



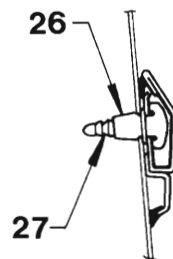
SECTION B-B



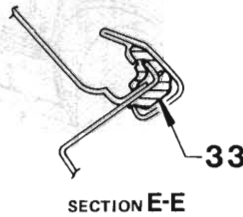
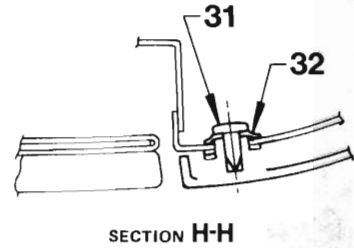
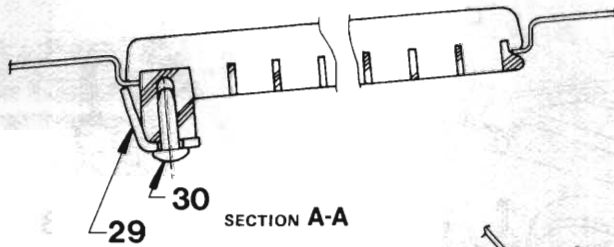
SECTION D-D



SECTION F-F



SECTION C-C

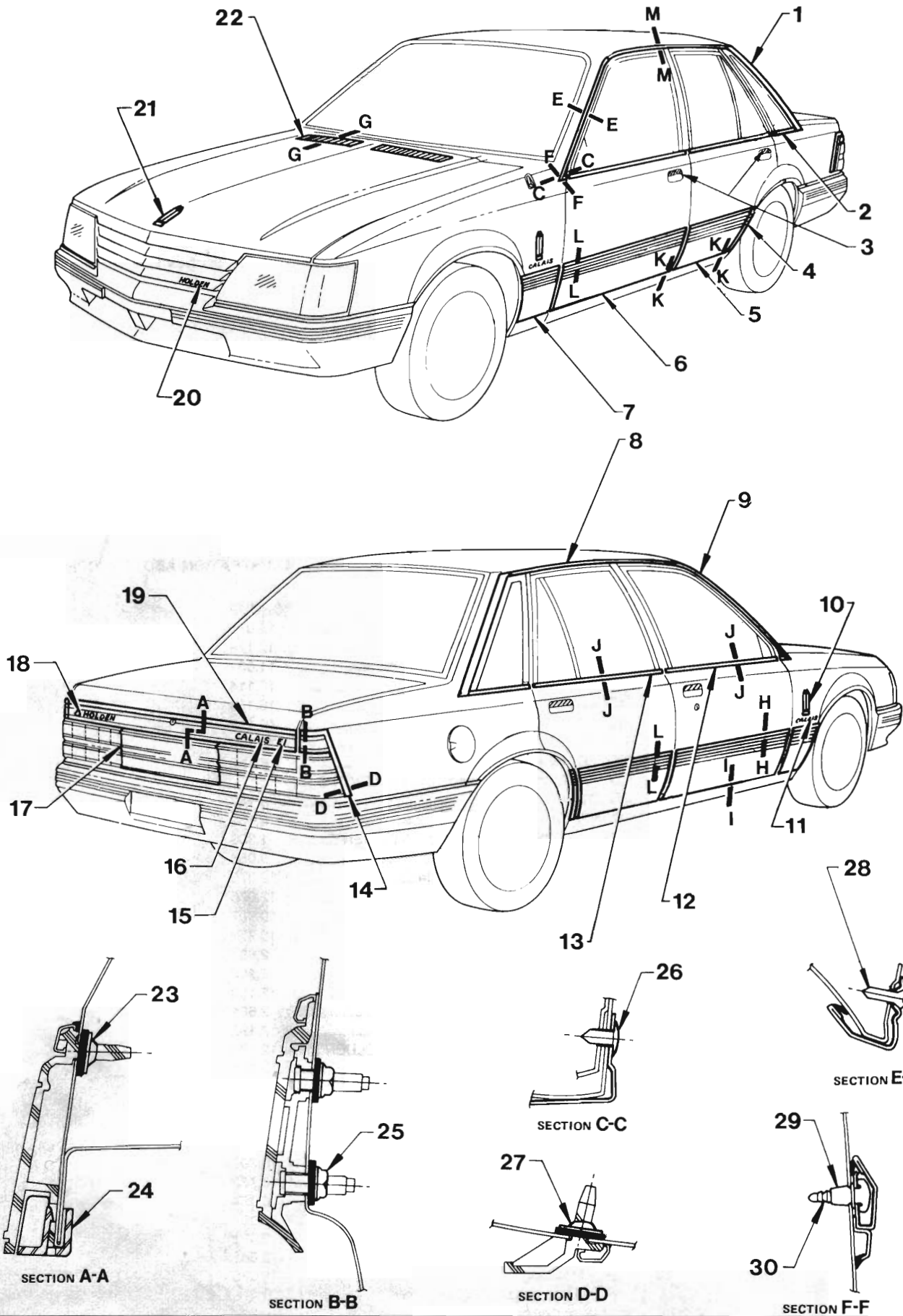


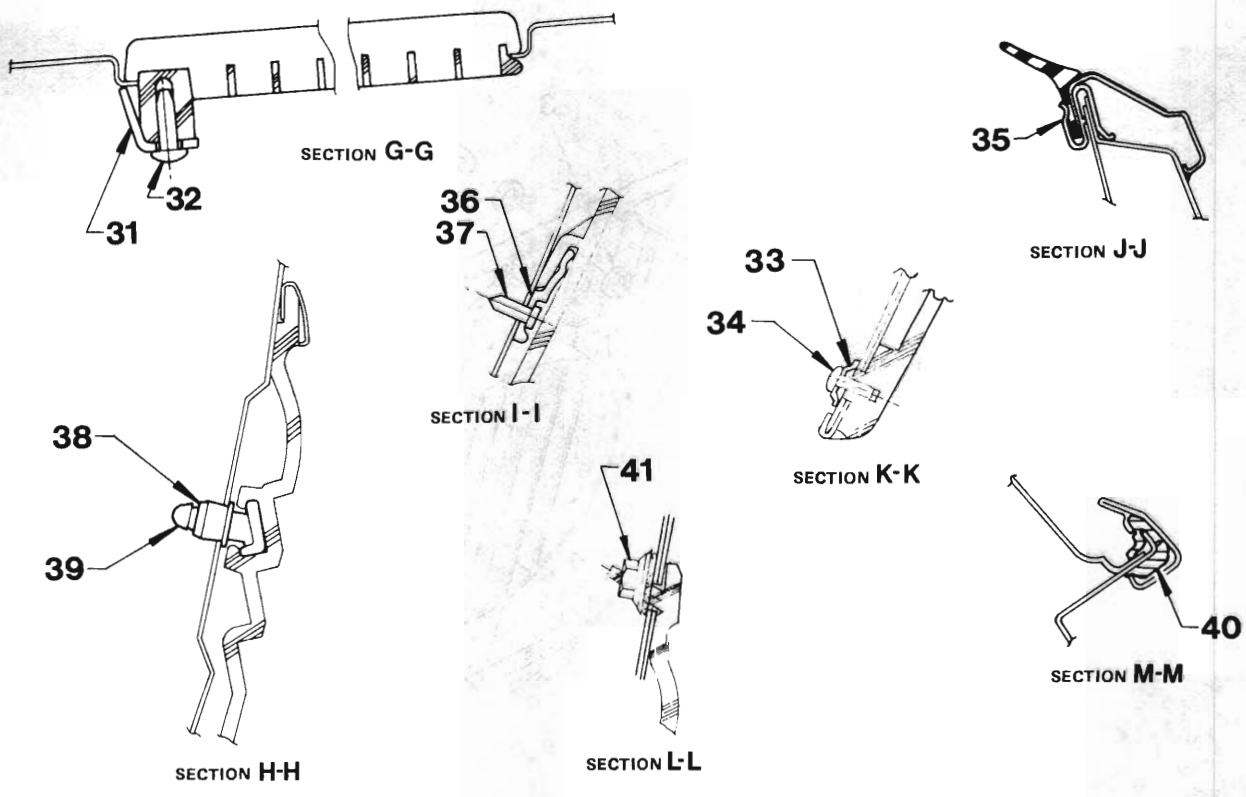
BODY MOULDINGS

8VL19
VK SERIES

ILLUSTRATION ABOVE & OPPOSITE

REF. NO.	PART NAME	GROUP
1	MOULDING - Roof pillar reveal, Rear.....	12.075
2	TRANSFER - Quarter panel stripe.....	12.116
3	MOULDING - Rear quarter glass reveal.....	11.031
4	TRANSFER - Rear door stripe.....	12.114
5	MOULDING - Rear door side.....	12.114
6	MOULDING - Front door side.....	12.112
7	TRANSFER - Front door stripe.....	12.112
8	MOULDING - Front fender.....	8.132
9	PLATE - Front fender name - 'ELECTRONIC INJECTION'.....	8.147
10	TRANSFER - Front fender stripe.....	8.132
11	PLATE - Radiator grille name - 'HOLDEN'.....	1.303
12	GRILLE - Hood.....	8.054
13	MOULDING - Roof reveal side.....	12.075
14	MOULDING - Roof pillar reveal, Front.....	12.075
15	MOULDING - Front door belt reveal outer.....	10.707
16	MOULDING - Rear door belt reveal outer.....	10.772
17	MOULDING - Tail lamp reveal.....	2.681
18	PLATE - Deck lid name - 'BERLINA'.....	12.182
19	PLATE - Deck lid name - 'COMMODORE'.....	12.182
20	EXTENSION - Tail lamp.....	2.681
21	MOULDING - Deck lid.....	12.182
22	PLATE - Deck lid name - 'LION & HOLDEN'.....	12.182
23	NUT - Moulding retaining.....	2.681
24	SCREW - Moulding to fender.....	12.075
25	SCREW - Moulding to pillar.....	12.075
26	BUSH - Moulding to fender.....	12.075
27	CLIP - Moulding to fender.....	12.075
28	CLIP - Moulding to door.....	10.707
	10.772
29	CLIP - Grille retaining.....	8.054
30	SCREW - Grille retaining.....	8.054
31	SCREW - Moulding.....	2.681
32	WASHER - Moulding.....	2.681
33	CLIP - Moulding.....	12.075



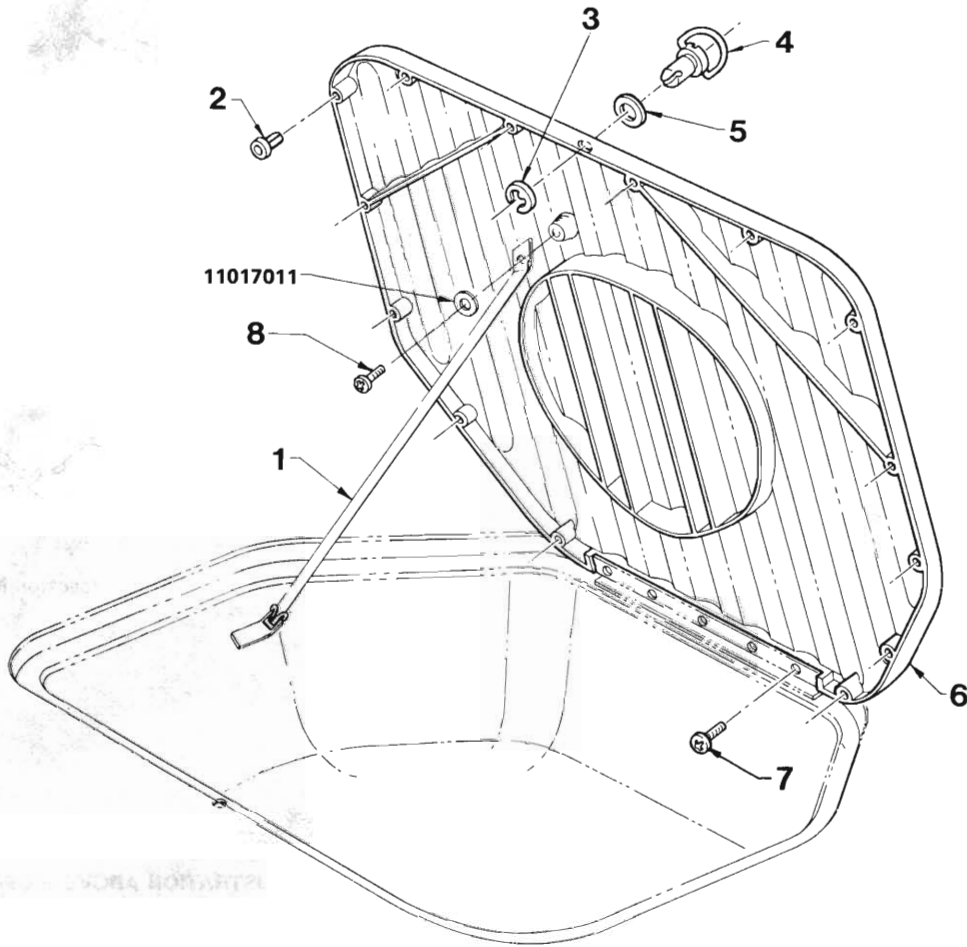


BODY MOULDINGS

8VX19
VK SERIES

ILLUSTRATION ABOVE & OPPOSITE

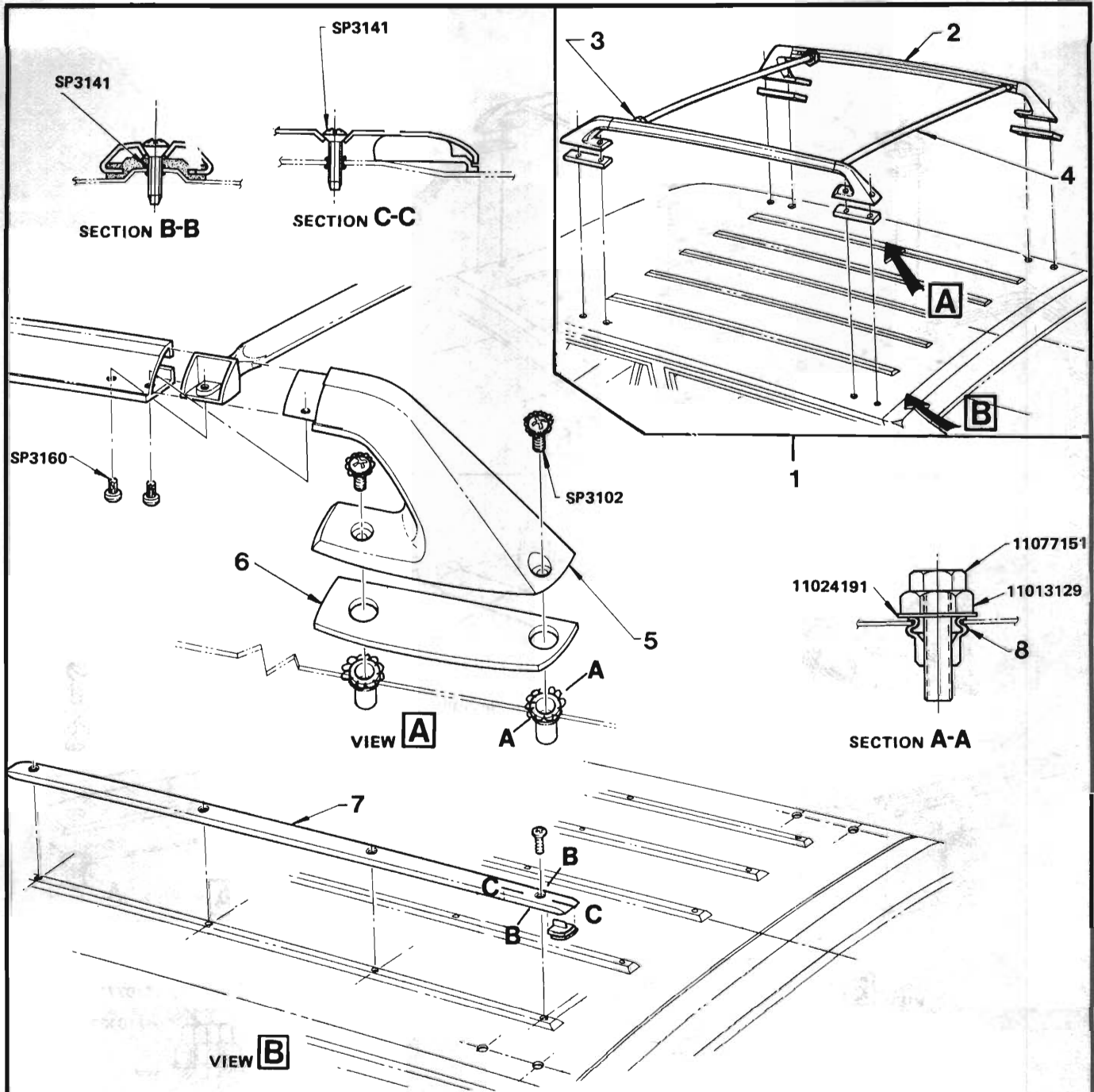
REF. NO.	PART NAME	GROUP	REF. NO.	PART NAME	GROUP
1	MOULDING - Roof pillar reveal, Rear.....	12.075	26	SCREW - Moulding to fender.....	12.075
2	MOULDING - Rear quarter glass reveal.....	11.031	27	NUT - Moulding retaining.....	2.681
3	INSERT - Door outside handle.....	10.527	28	SCREW - Moulding to pillar.....	12.075
4	MOULDING - Rear quarter side, Front.....	12.116	29	BUSH - Moulding to fender.....	12.075
5	MOULDING - Rear door side.....	12.114	30	CLIP - Moulding to fender.....	12.075
6	MOULDING - Front door side.....	12.112	31	CLIP - Grille retaining.....	8.054
7	MOULDING - Front fender.....	8.132	32	SCREW - Grille retaining.....	8.054
8	MOULDING - Roof reveal side.....	12.075	33	WASHER - Moulding to door.....	12.112
9	MOULDING - Roof pillar reveal, Front.....	12.075	34	SCREW - Moulding to door.....	12.112
10	EMBLEM - Front fender.....	8.147	35	CLIP - Moulding to door.....	10.707
11	PLATE - Front fender name - 'CALAIS'.....	8.147	36	CLIP - Moulding to door.....	12.112
12	MOULDING - Front door belt reveal outer.....	10.707	37	SCREW - Moulding to door.....	12.112
13	MOULDING - Rear door belt reveal outer.....	10.772	38	BUSH - Moulding to door.....	12.112
14	MOULDING - Tail lamp reveal.....	2.681	39	RETAINER - Moulding to door.....	12.112
15	PLATE - Deck lid name - 'EI'.....	12.182	40	CLIP - Moulding.....	12.075
16	PLATE - Deck lid name - 'CALAIS'.....	12.182	41	NUT - Moulding to door.....	12.112
17	EXTENSION - Tail lamp.....	2.681			12.114
18	PLATE - Deck lid name - 'LION & HOLDEN'.....	12.182			12.114
19	MOULDING - Deck lid.....	12.182			12.114
20	PLATE - Radiator grille name - 'HOLDEN'.....	1.303			12.112
21	EMBLEM - Hood.....	8.054			12.114
22	GRILLE - Hood.....	8.054			12.075
23	NUT - Moulding retaining.....	12.182			12.112
24	CLIP - Moulding retaining.....	12.182			12.114
25	NUT - Moulding retaining.....	2.681			



SPARE WHEEL COMPARTMENT COVER

**35 BODY STYLES
VB, VC, VH, VK SERIES**

REF. NO.	PART NAME	GROUP
1	STRAP - Cover	12.579
2	BUMPER - Cover	12.579
3	CIRCLIP - Lock pin retainer	12.579
4	PIN ASM. - Lock	12.579
5	WASHER - Lock pin	12.579
6	PANEL ASM. - Moulded P.M.C.	12.579
7	SCREW - Hinge to cover	12.579
8	SCREW - Strap to cover	12.579



LUGGAGE RACK PACKAGE - A.T.M.

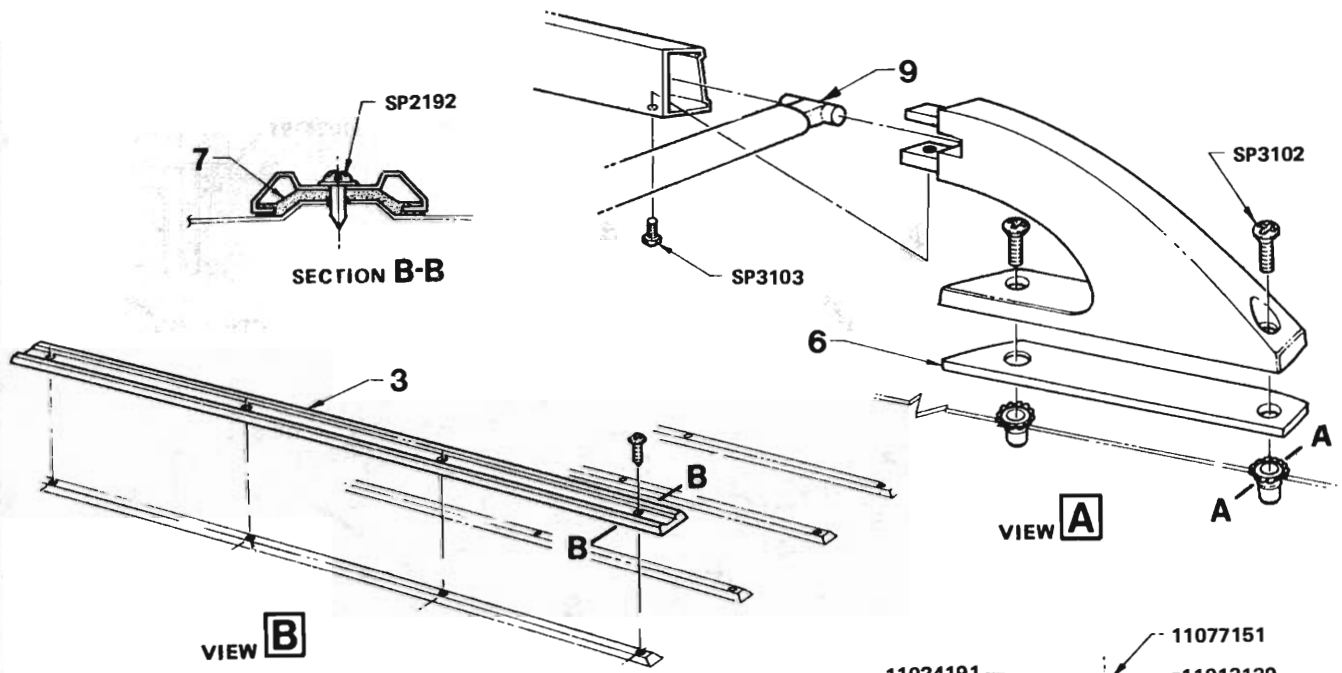
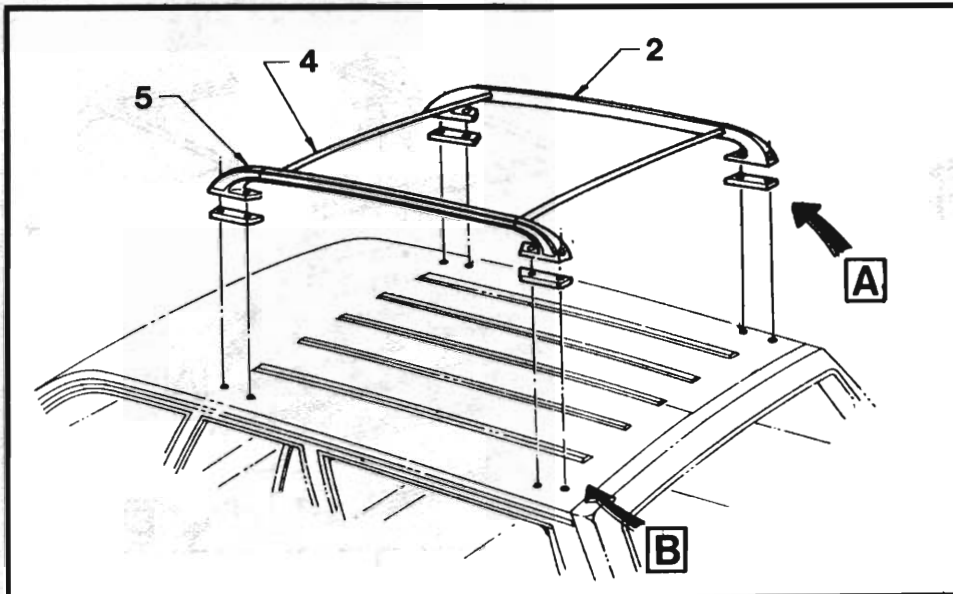
VB, VC, VH SERIES

REF. NO.	PART NAME	GROUP
1	LUGGAGE RACK PACKAGE.....	12.815
2	BAR - Side.....	12.815
3	BAR - Front.....	N.S.
4	BAR - Rear.....	N.S.
5	BRACKET.....	12.815
6(A)	GASKET - Bracket.....	N.S.S.
7	SLAT ASM.....	12.815
8	NUTSERT - Bracket to roof panel.....	

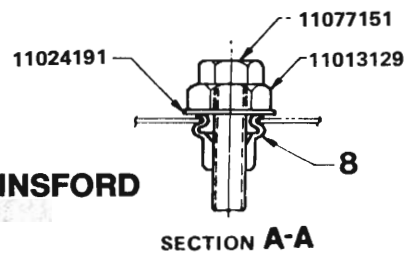
NOTE:- (A Part of Small Parts Kit. Refer Group 12.815)



"V" SERIES PARTS CATALOGUE

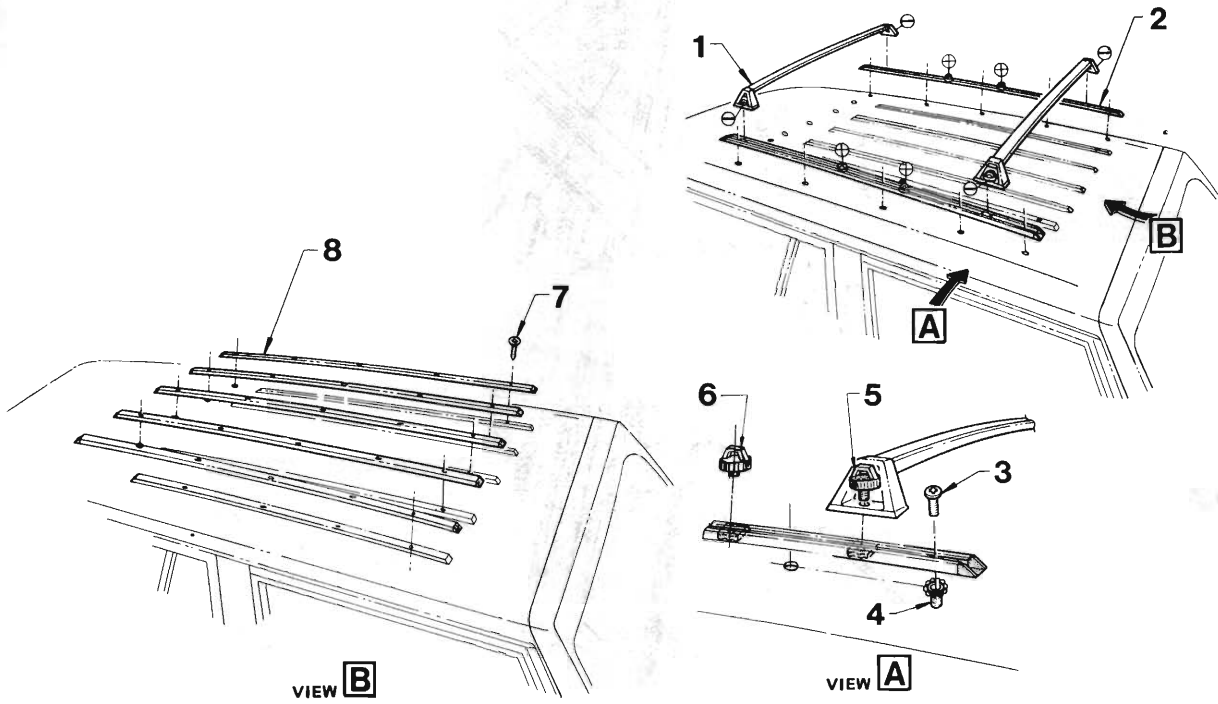


LUGGAGE RACK PACKAGE - RAINSFORD VB, VC, VH SERIES



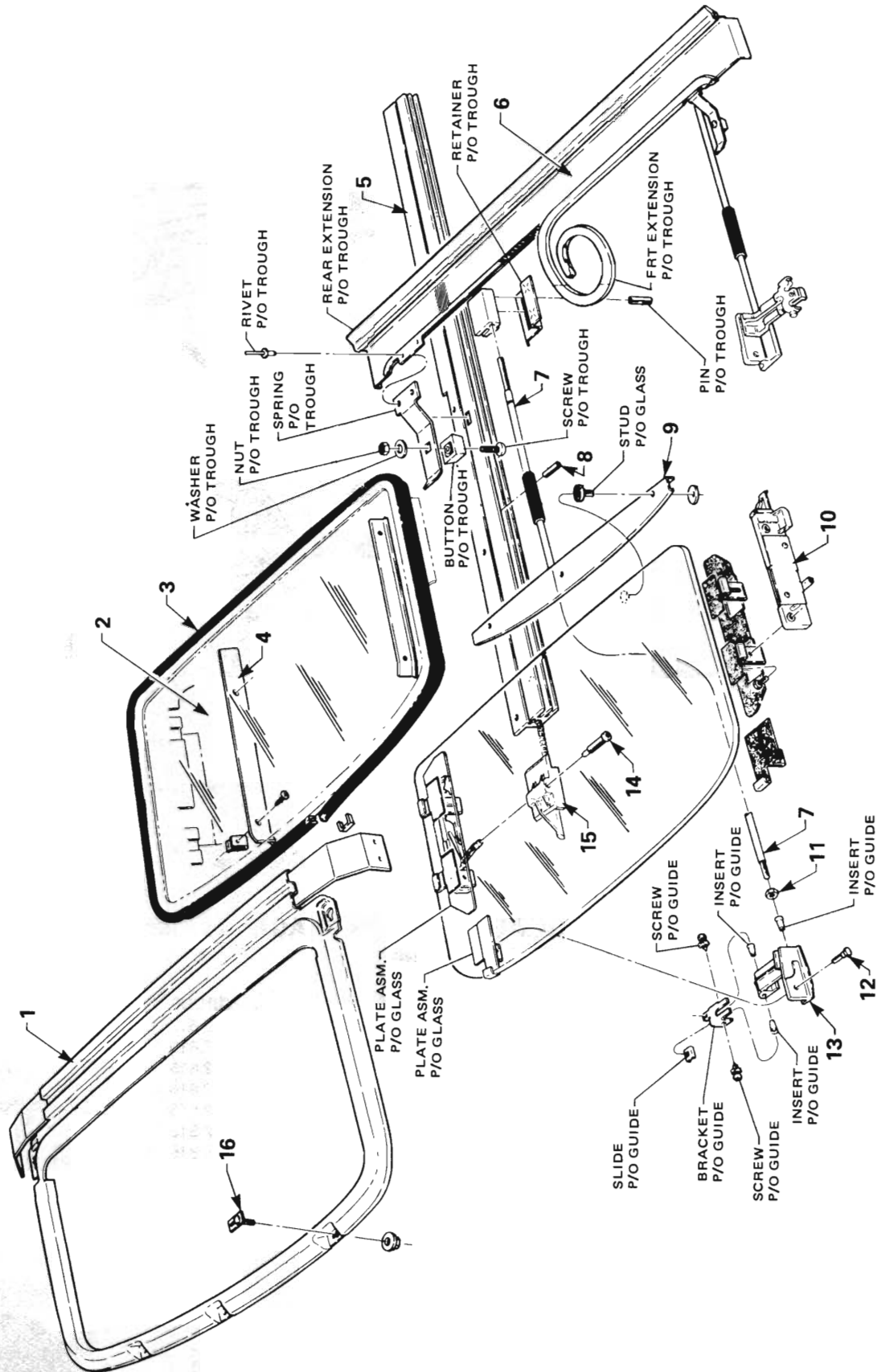
REF. NO.	PART NAME	GROUP
1	LUGGAGE RACK PACKAGE.....	12.815
2	BAR ASM. - Side.....	12.815
3	SLAT - Luggage rack.....	12.815
4	BAR - Cross.....	N.S.
5	BRACKET - Mounting.....	N.S.
6(A)	GASKET - Bracket.....	N.S.S.
7	GASKET - Slat.....	N.S.
8	NUTSERT - Bracket to roof panel.....	12.815
9	TEE - Crossbar to side bar.....	12.815

NOTE:- (A Part of Small Parts Kit. Refer Group 12.815)



LUGGAGE RACK PACKAGE
VK SERIES

REF. NO.	PART NAME	GROUP
1	BAR ASM. - Cross.....	12.815
2	SLAT - Outer	12.815
3	SCREW - Outer slat to roof.....	12.815
4	NUT - Outer slat to roof.....	12.815
5	SCREW ASM. - Cross bar	12.815
6	SCREW ASM. - Tie down	12.815
7	SCREW - Inner slat to roof.....	12.815
8	SLAT - Inner.....	12.815





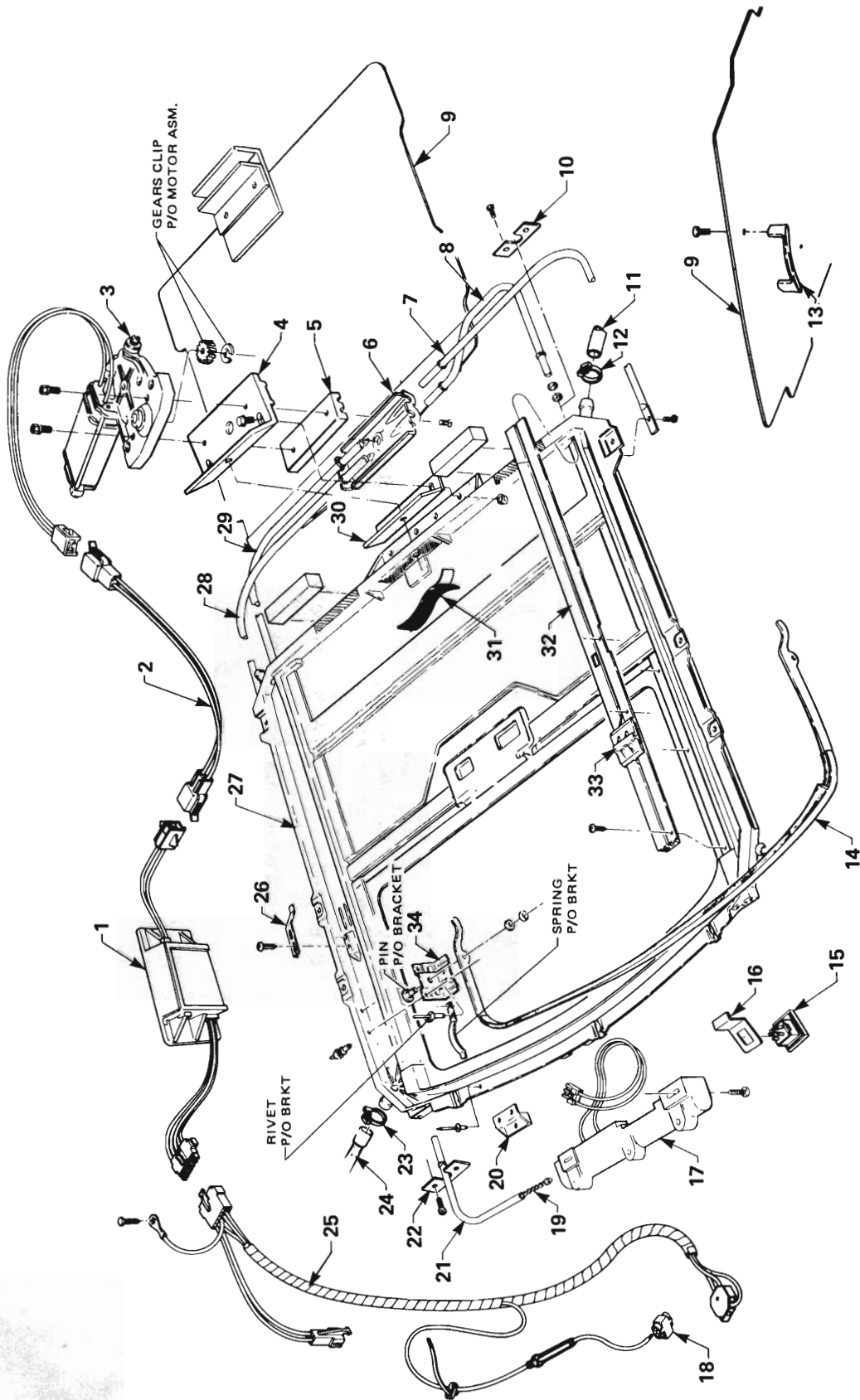
SUNROOF - ELECTRIC

ILLUSTRATION OPPOSITE

REF. NO.	PART NAME	GROUP
1	REINFORCEMENT - Roof panel opening	N.S.
2(B)	GLASS ASM.	N.S.
3(B)	SEAL - Glass panel.....	12,810
4	COVER - Interior trim.....	N.S.
5(A)	TRACK - RH.....	N.S.
6(A)	TROUGH ASM.	N.S.
7(A)	ROD	N.S.
8(A)	PIN	N.S.
9(B)	REINFORCEMENT - Glass rear.....	N.S.
10(B)	BLOCK ASM. - Cam, LH.....	N.S.
11(A)	NUT - Jam	N.S.
12(A)	BOLT - Front guide, Shoulder	N.S.
13(A)	GUIDE ASM. - Front, RH	N.S.
14(A)	SHAFT - Rear guide.....	N.S.
15(A)	GUIDE ASM. - Rear, RH	N.S.
16	RETAINER & STUD ASM.	N.S.

NOTE:- (A Part of Housing Asm. (Complete)

(B Part of Glass Asm. (Complete)



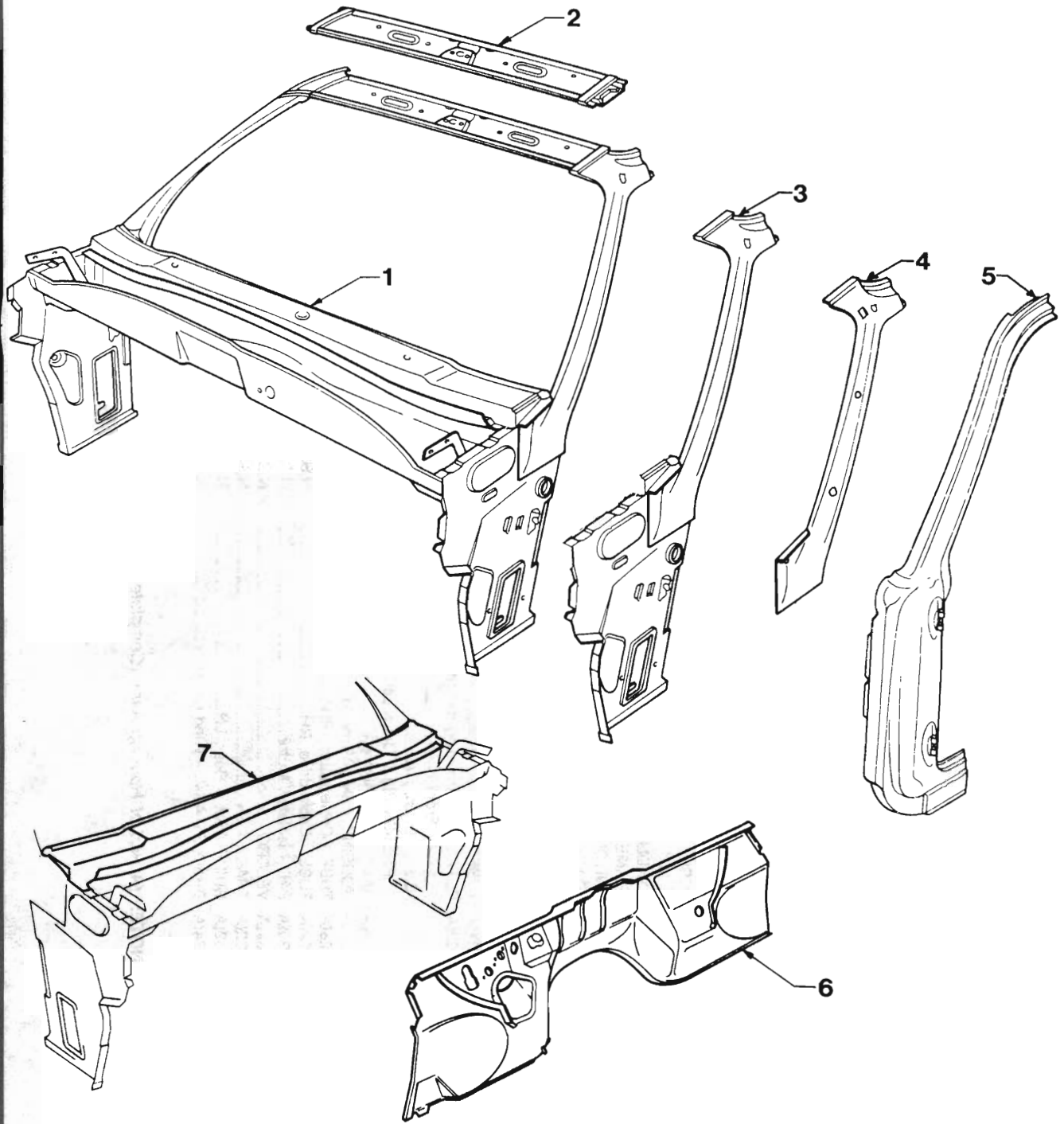


SUNROOF - ELECTRIC

ILLUSTRATION OPPOSITE

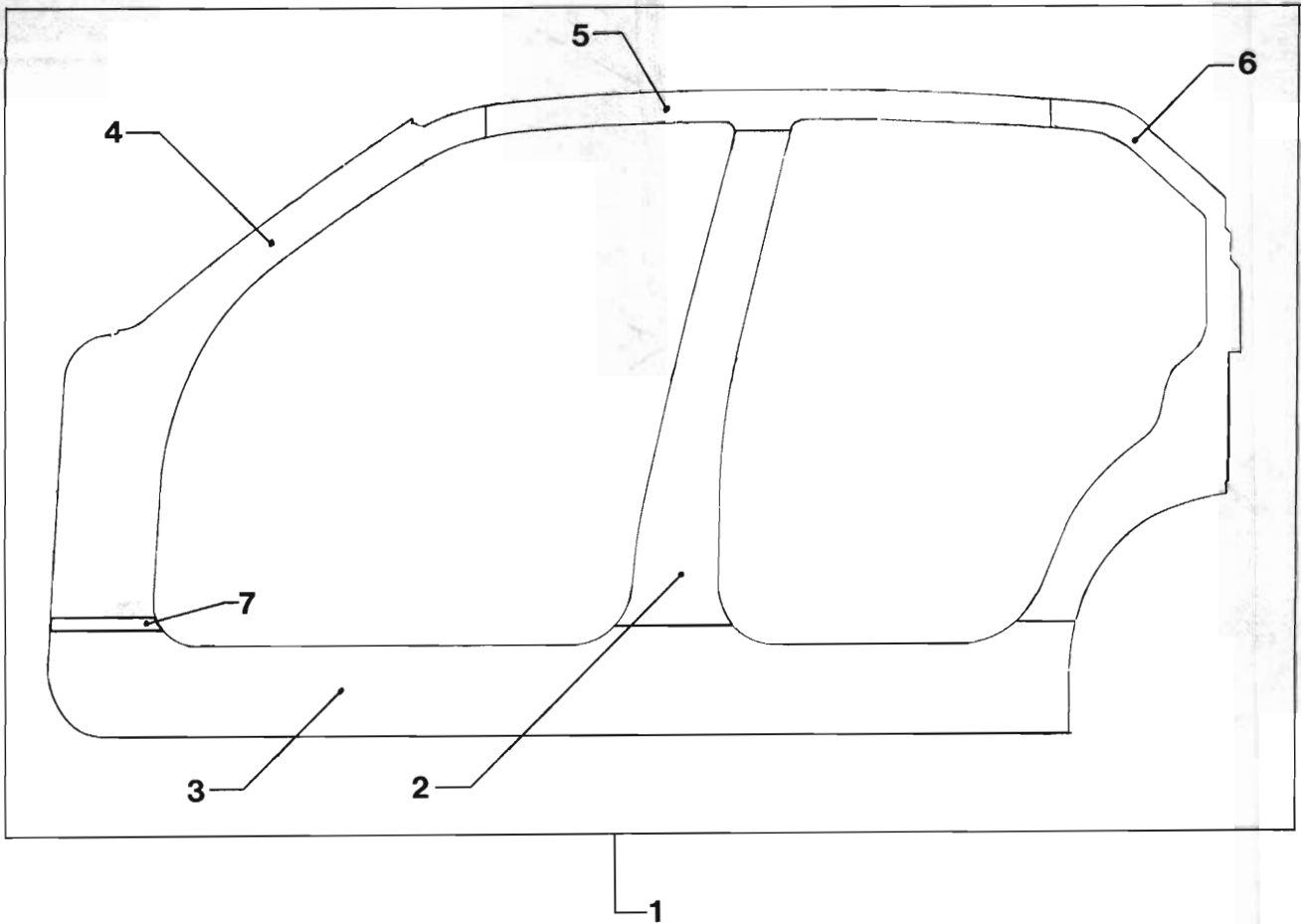
REF. NO.	PART NAME	GROUP
1	MODULE ASM.	12,810
2	HARNESS ASM. - Module to drive asm.	N.S.
3(A)	DRIVE ASM. - Electric	12,810
4(A)	BRACKET - Motor mounting.....	N.S.
5(A)	RETAINER - Cable.....	N.S.
6(A)	COVER - Cable.....	N.S.
7(A)	TUBE - Cable return, LH.....	N.S.
8(A)	TUBE - Cable return, RH.....	N.S.
9(A)	FRAME ASM. - Sun screen.....	N.S.
10(A)	RETAINER - Cable tube.....	N.S.
11	HOSE - Drain, Rear.....	N.S.
12	CLAMP - Rear hose.....	N.S.
13	HANDLE - Sun screen.....	N.S.
14(A)	FRAME ASM. - Wind deflector.....	N.S.
15	SWITCH ASM.....	12,810
16(A)	BRACKET - Switch mounting.....	N.S.
17(A)	SWITCH ASM. - Limit.....	12,810
18	CONNECTOR - Wire quick.....	N.S.
19(A)	CABLE - Switch actuating.....	N.S.
20(A)	BRACKET - Limit switch mounting.....	N.S.
21(A)	TUBE - Switch actuating.....	N.S.
22(A)	RETAINER - Actuating switch tube.....	N.S.
23	CLAMP - Front hose.....	N.S.
24	HOSE - Drain, Rear.....	N.S.
25	HARNESS ASM. - Universal.....	N.S.
26(A)	RAMP - Roof sliding.....	N.S.
27(A)	HOUSING ASM. - Bonded.....	N.S.
28(A)	TUBE - Cable return, RH.....	N.S.
29(A)	TUBE - Cable drive, RH.....	N.S.
30(A)	PAD - Isolator, Motor.....	N.S.
31(A)	VELCRO - Hook.....	N.S.
32(A)	TRACK - LH.....	N.S.
33(A)	GUIDE ASM. - Rear, LH.....	N.S.
34(A)	BRACKET ASM. - Wind deflector.....	N.S.

NOTE:- (A Part of Housing Asm. (Complete)



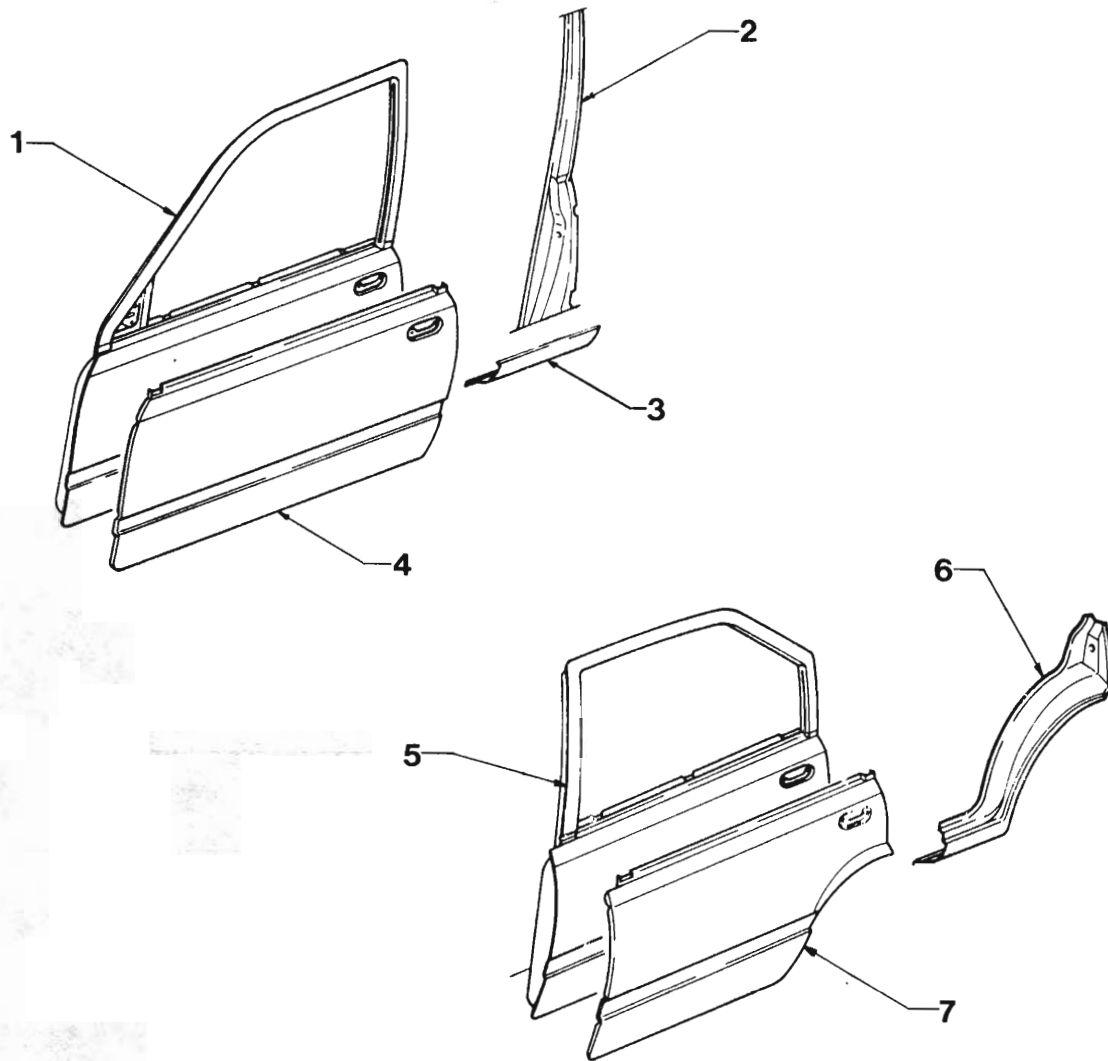
COWL FRONT

REF. NO.	PART NAME	GROUP
1	COWL ASM. - Body front end.....	12.804
2	FRAME - Windshield upper.....	12.807
3	PANEL - Cowl & pillar side.....	12.804
4	REINFORCEMENT - Pillar.....	12.840
5	PILLAR ASM. - Outer.....	12.840
6	PANEL - Dash lower.....	12.804
7	PANEL - Cowl upper.....	12.804



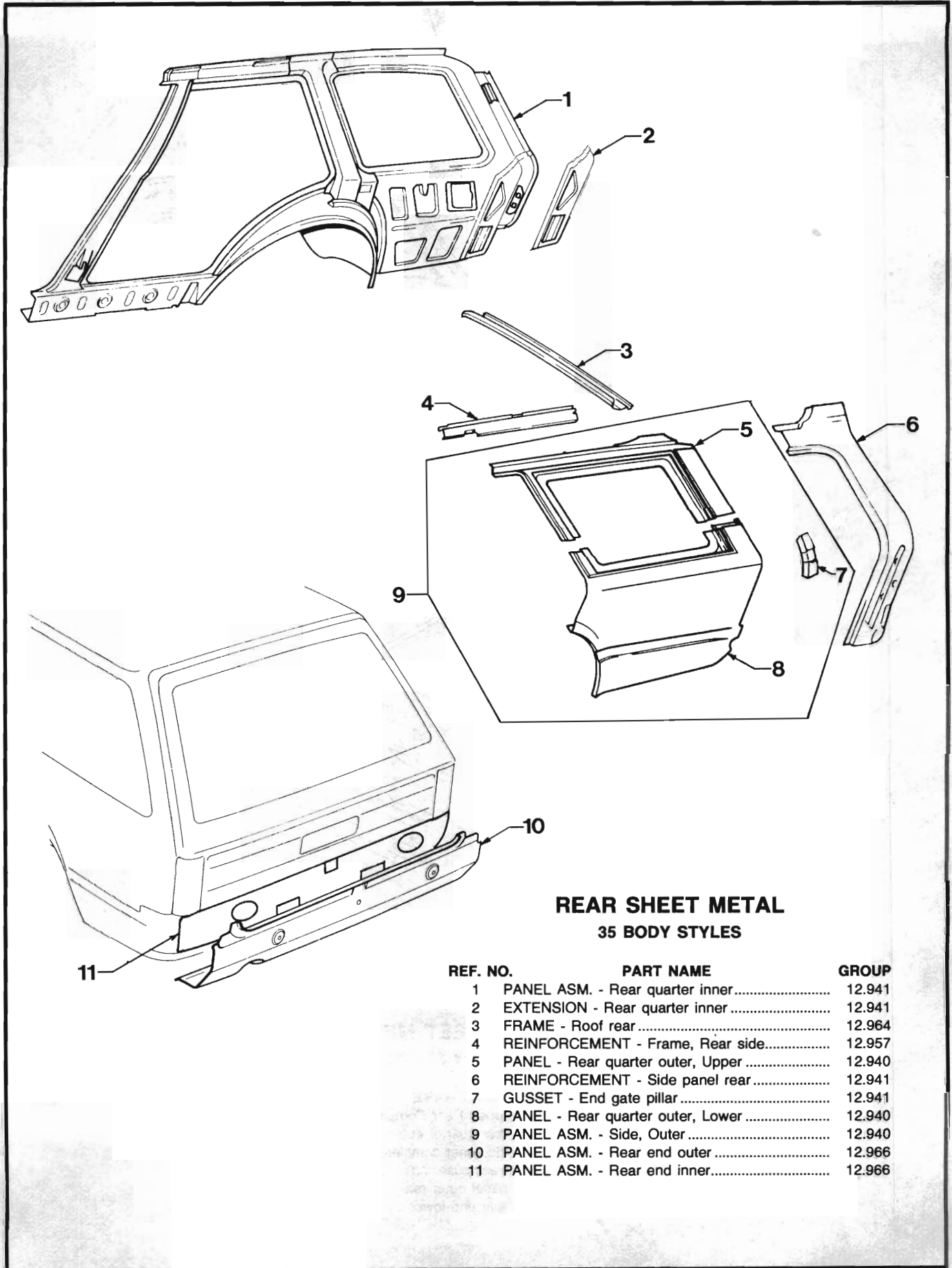
FRAME - DOOR OPENING

REF. NO.	PART NAME	GROUP
1	FRAME ASM. - Door opening	12.491
2	PANEL ASM. - Centre pillar, Outer.....	12.491
2	PANEL ASM. - Centre pillar, Inner	N.S.S.
3	PANEL ASM. - Rocker.....	12.934
4	PILLAR ASM. - Front body	12.840
5	RAIL - Roof side.....	12.956
6	PANEL ASM. - Rear body lock pillar.....	12.942
7	PANEL - Lower sealing.....	12.840



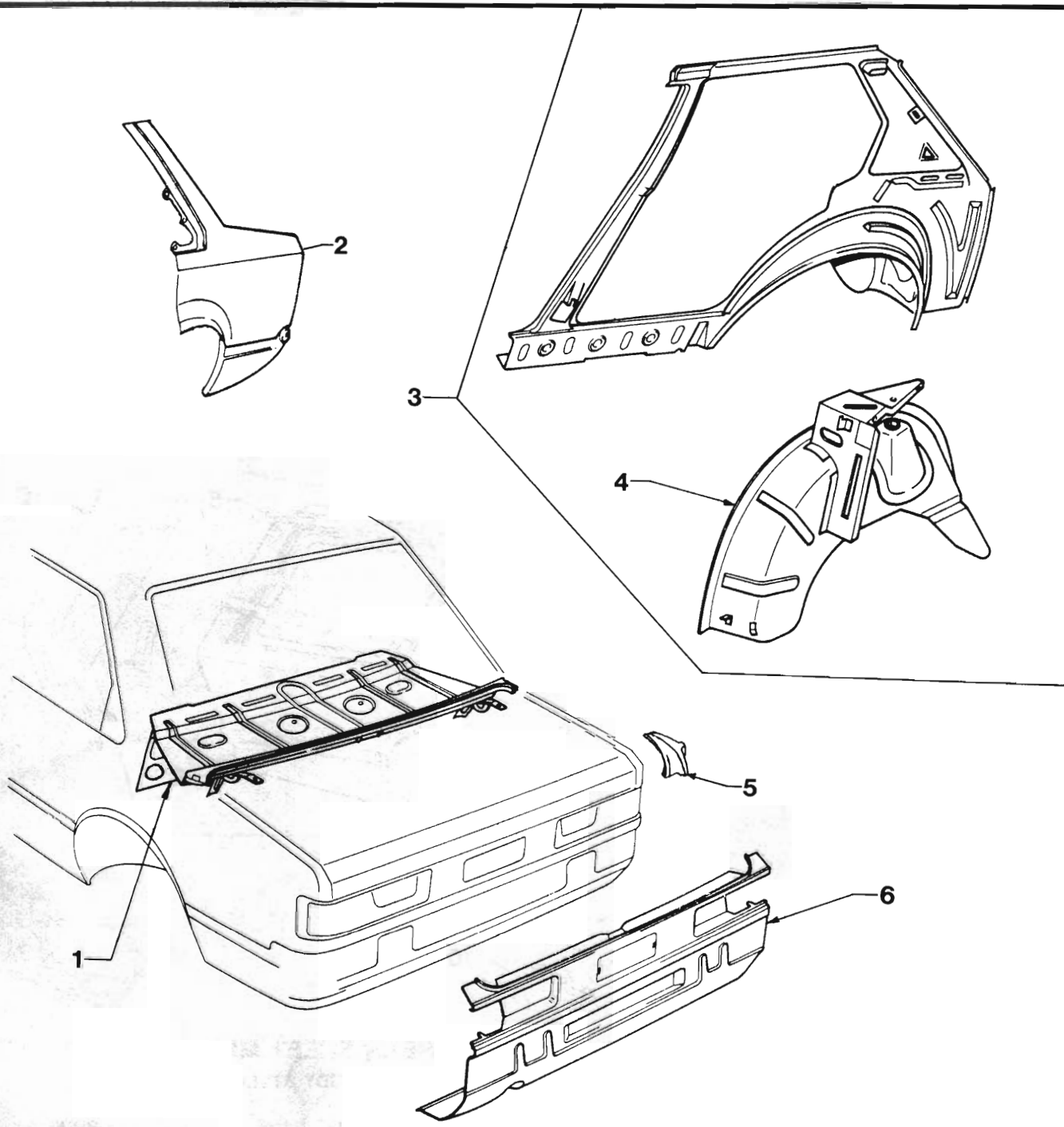
DOOR PANELS

REF. NO.	PART NAME	GROUP
1	DOOR ASM. - Front.....	12.895
2	PANEL - Centre pillar, Outer	12.491
2	PANEL - Centre pillar, Inner	N.S.S.
3	PANEL - Centre pillar, Lower.....	12.491
4	PANEL ASM. - Front door outer	12.895
5	DOOR ASM. - Rear.....	12.913
6	PANEL - Rear body lock pillar	12.942
7	PANEL ASM. - Rear door outer.....	12.913



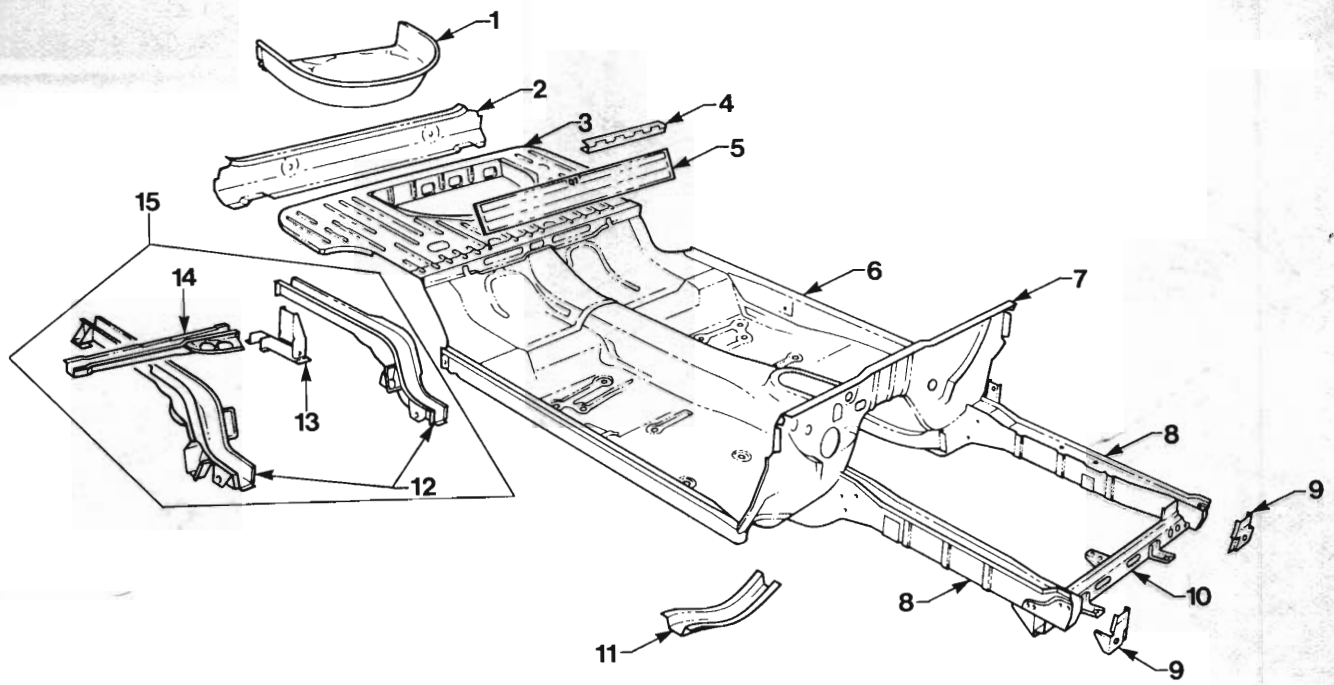
**REAR SHEET METAL
35 BODY STYLES**

REF. NO.	PART NAME	GROUP
1	PANEL ASM. - Rear quarter inner.....	12.941
2	EXTENSION - Rear quarter inner	12.941
3	FRAME - Roof rear	12.964
4	REINFORCEMENT - Frame, Rear side.....	12.957
5	PANEL - Rear quarter outer, Upper	12.940
6	REINFORCEMENT - Side panel rear	12.941
7	GUSSET - End gate pillar	12.941
8	PANEL - Rear quarter outer, Lower	12.940
9	PANEL ASM. - Side, Outer	12.940
10	PANEL ASM. - Rear end outer	12.966
11	PANEL ASM. - Rear end inner.....	12.966



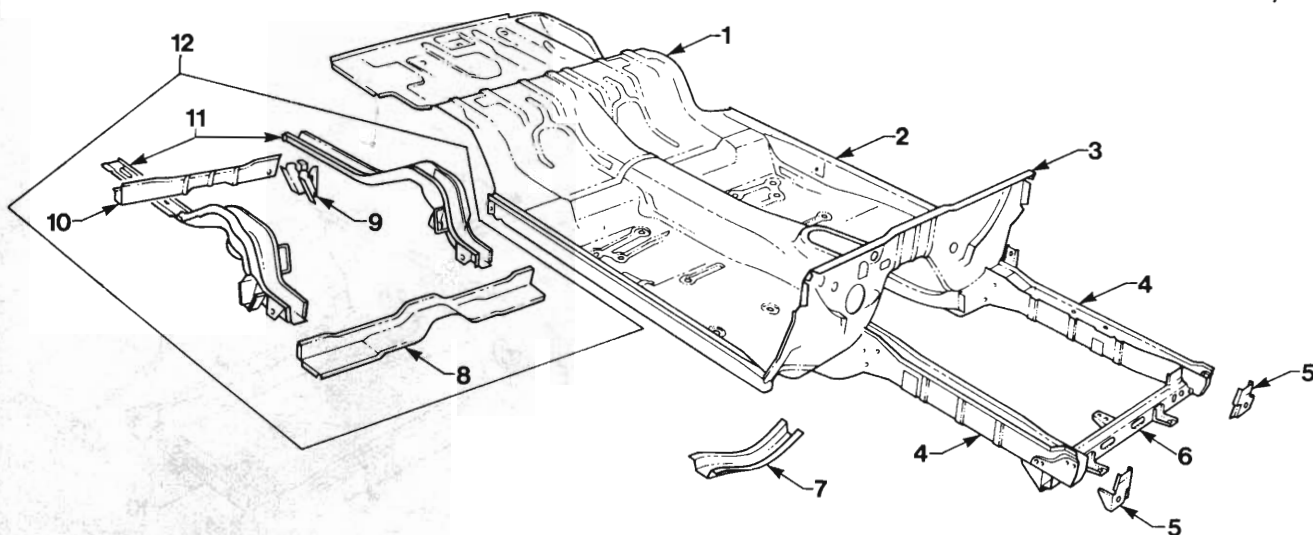
**REAR SHEET METAL
69 BODY STYLES**

REF. NO.	PART NAME	GROUP
1	PANEL ASM. - Upper, Rear Compartment.....	12.971
2	PANEL ASM. - Rear quarter outer.....	12.940
3	PANEL ASM - Side, inner complete.....	12.941
4	PANEL - Rear wheelhouse	12.944
5	GUSSET - Side panel outer rear	12.940
6	PANEL ASM. - Rear end lower	12.966



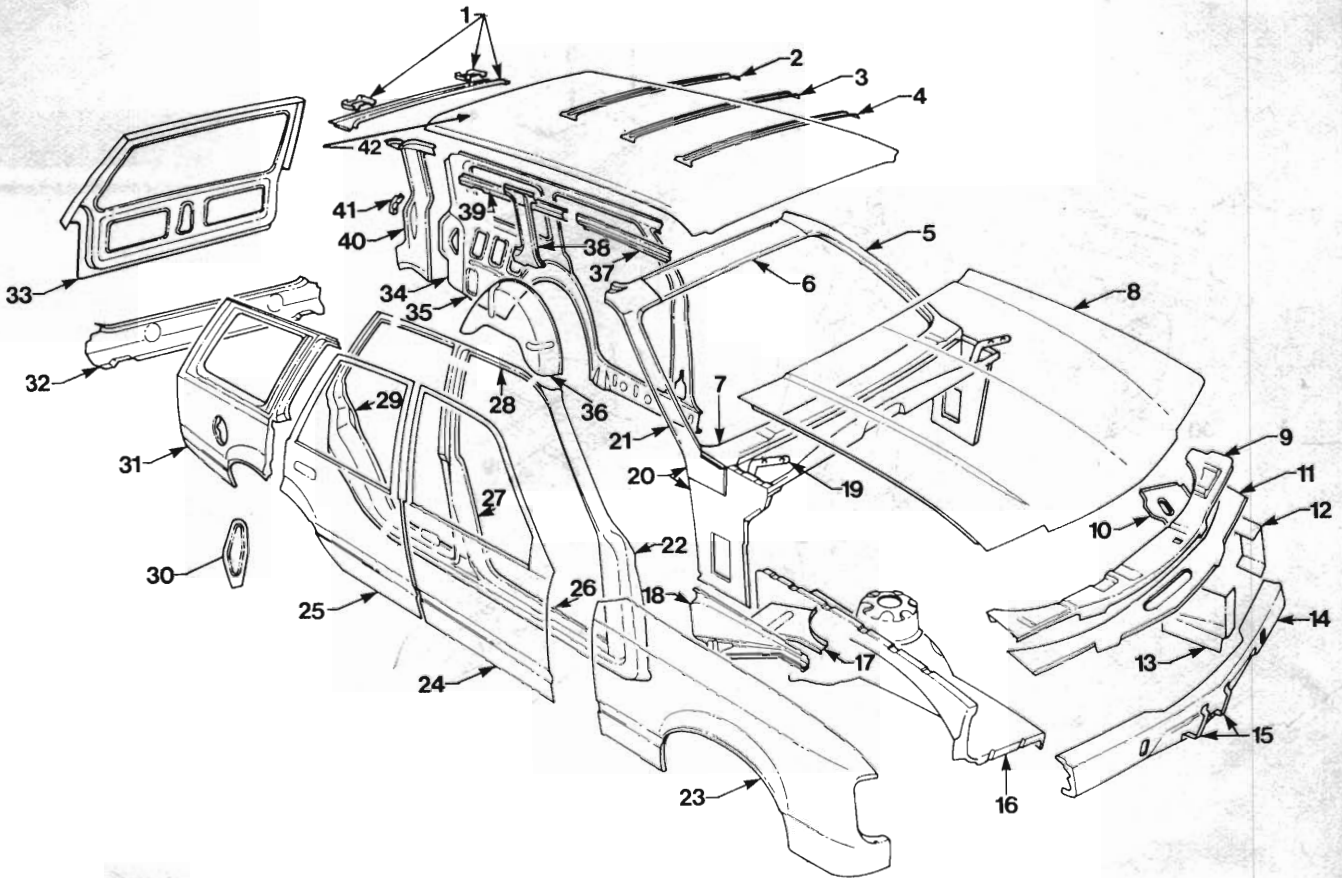
**BODY PANELS
STATION WAGON
35 STYLES**

REF. NO.	PART NAME	GROUP
1	PANEL - Spare wheel trough	12.981
2	PANEL ASM. - Rear end lower.....	12.966
3	PANEL ASM. - Rear floor	12.981
4	HINGE - Panel	N.S.S.
5	PANEL & HINGE - Filler.....	11.629
6	PAN ASM. - Front floor	12.980
7	PANEL - Dash lower	12.804
8	FRAME ASM. - Front.....	7.003
9	COVER - Front member, Lateral.....	7.003
10	CROSSMEMBER ASM. - Frame front.....	7.010
11	BRIDGE - Crossmember centre	7.012
12	FRAME ASM. - Side	7.000
13	BRACKET - Panhard rod.....	5.418
13	7.014
13-14	CROSSMEMBER & BRACKET - Panhard rod.....	7.014
15	FRAME ASM. - Rear.....	7.014



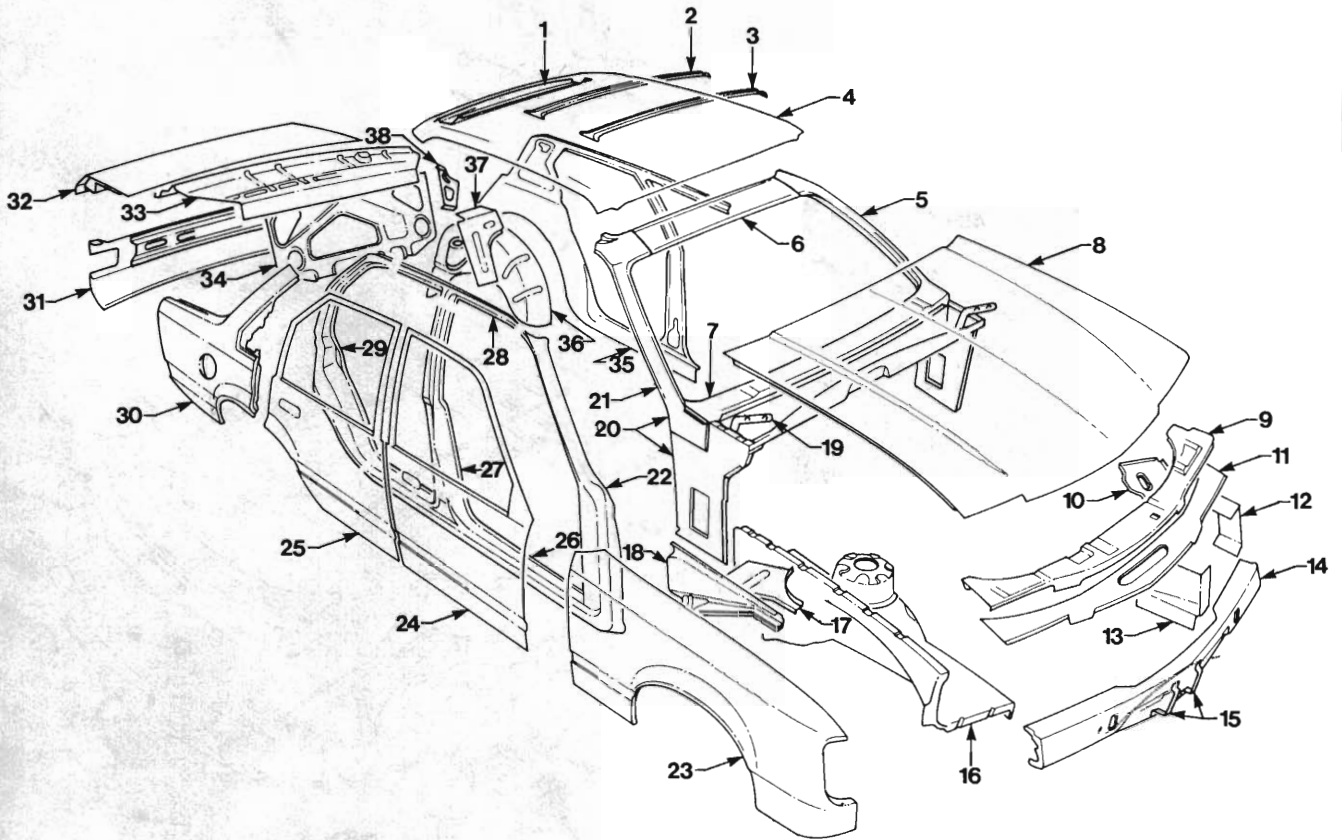
**BODY PANELS
SEDAN
69 & 19 STYLES**

REF. NO.	PART NAME	GROUP
1	PAN ASM. - Rear floor.....	12.981
2	PAN - Front floor.....	12.980
3	PANEL - Dash lower.....	12.804
4	FRAME ASM. - Front.....	7.003
5	COVER - Front member, Lateral.....	7.003
6	CROSSMEMBER ASM. - Front front.....	7.010
7	BRIDGE - Crossmember - Centre.....	7.012
8	CROSSMEMBER - Centre.....	N.S.S.
9	BRACKET - Panhard rod.....	5.418
9	7.014
9-10	CROSSMEMBER & BRACKET - Panhard rod....	7.014
11	FRAME ASM. - Side.....	7.006
12	FRAME ASM. - Rear.....	7.014



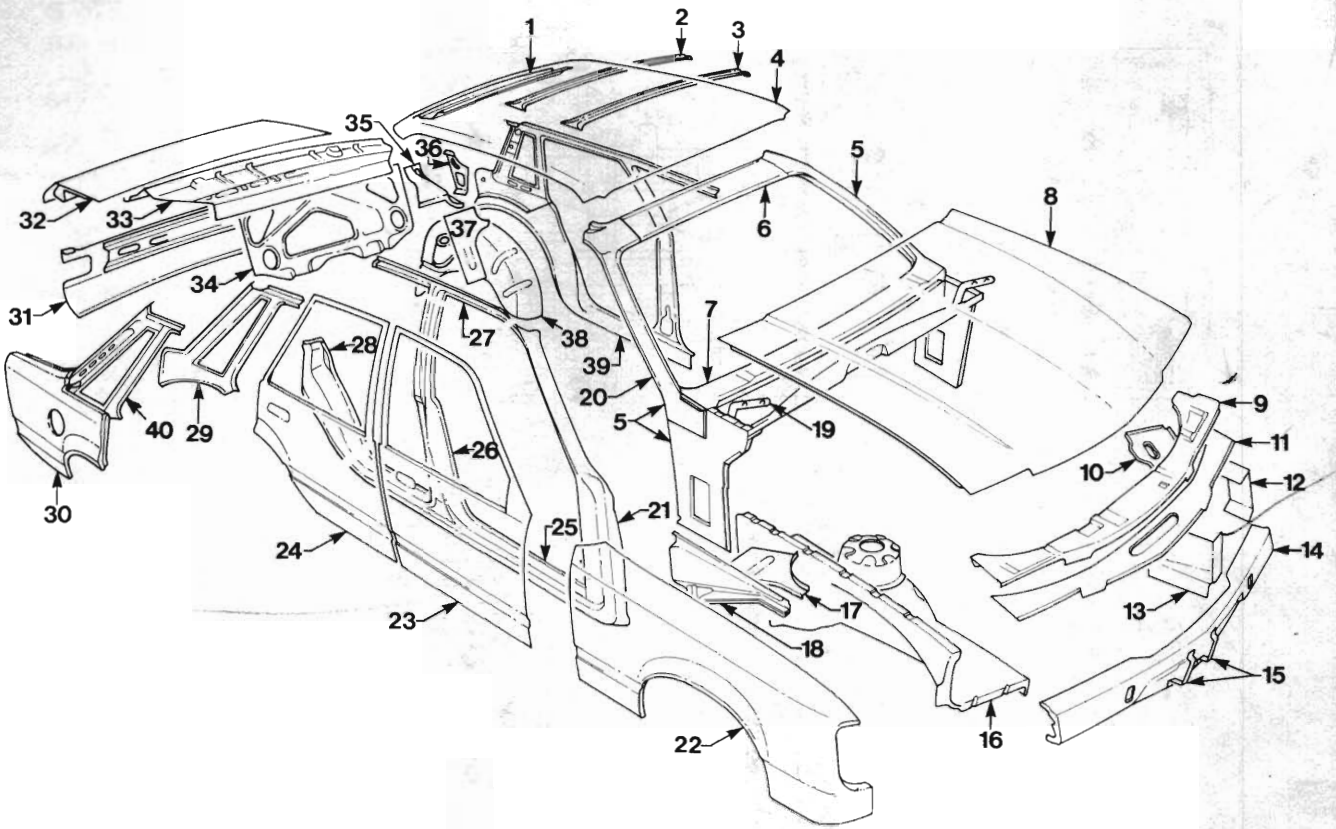
**BODY PANELS
STATION WAGON
35 STYLES**

REF. NO.	PART NAME	GROUP	REF. NO.	PART NAME	GROUP
1	FRAME - Roof rear	12.964	22	PILLAR ASM. - Front body outer	12.840
2	BOW - Roof	12.952	23	FENDER ASM. - Front	8.130
3	BOW - Roof	12.952	24	PANEL ASM. - Front door outer	12.895
4	BOW - Roof	12.952	25	PANEL ASM. - Rear door outer	12.913
5	PANEL - Cowl & pillar side	12.804	26	PANEL ASM. - Rocker outer	12.934
6	FRAME - Windshield upper	12.807	27	PANEL ASM. - Centre pillar outer	12.491
7	PANEL - Cowl upper	12.804	28	RAIL - Roof side	12.956
8	PANEL ASM. - Hood	8.000	29	PANEL ASM. - Rear body lower pillar	12.942
9	PANEL - Radiator support upper	1.270	30	GUARD - Fuel filler stone	3.003
10	CARRIER ASM. - Battery	2.333	31	PANEL ASM. - Rear quarter outer	12.940
11	REINFORCEMENT - Upper panel	1.270	32	PANEL ASM. - Rear end lower	12.966
12	EXTENSION - Upper air flow guide panel	8.153	33	GATE ASM. - End gate	12.179
13	SUPPORT - Radiator side	1.270	34	EXTENSION - Rear quarter inner	12.941
14	PANEL - Valence	1.263	35	PANEL ASM. - Rear quarter inner	12.941
15	BRACKET - Licence plate mounting	7.800	36	PANEL - Rear wheelhouse	12.944
16	PANEL - Front fender skirt	8.153	37	REINFORCEMENT - Frame front side	12.957
17	SUPPORT - Fender skirt panel to brace	8.153	38	REINFORCEMENT ASM. - Lock pillar	12.942
18	BRACE - Front fender skirt panel	8.153	39	REINFORCEMENT - Frame rear side	12.957
19	HINGE ASM. - Hood	8.015	40	REINFORCEMENT - Side panel rear	12.941
20	PANEL - Cowl & pillar side	12.804	41	GUSSET - Rear quarter inner	12.941
21	REINFORCEMENT - Pillar	12.840	42	PANEL - Roof	12.810



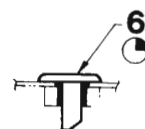
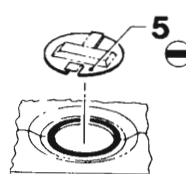
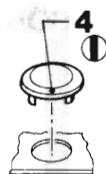
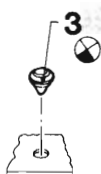
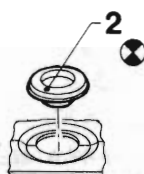
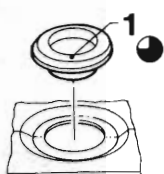
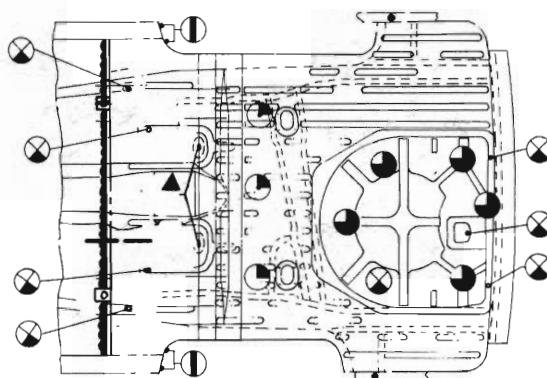
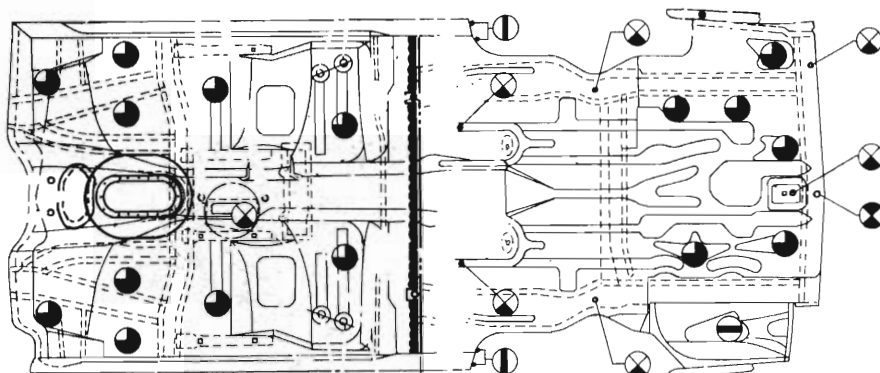
**BODY PANELS
SEDAN
69 STYLES**

REF. NO.	PART NAME	GROUP	REF. NO.	PART NAME	GROUP
1	FRAME - Roof rear	12.964	20	PANEL - Cowl & pillar side	12.804
2	BOW - Roof	12.952	21	REINFORCEMENT - Pillar	12.840
3	BOW ASM. - Centre	12.952	22	PILLAR ASM. - Front body outer	12.840
4	PANEL - Roof	12.810	23	FENDER ASM. - Front	8.130
5	PANEL - Cowl & pillar side	12.804	24	PANEL ASM. - Front door outer	12.895
6	FRAME - Winshield upper	12.807	25	PANEL ASM. - Rear door outer	12.913
7	PANEL - Cowl upper	12.804	26	PILLAR ASM. - Rocker outer	12.934
8	PANEL ASM. - Hood	8.000	27	PANEL ASM. Centre pillar outer	12.491
9	PANEL - Radiator support upper	1.270	28	RAIL - Roof side	12.956
10	CARRIER ASM. - Battery	2.333	29	PANEL ASM. - Rear body lock pillar	12.942
11	REINFORCEMENT - Upper panel	1.270	30	PANEL ASM. - Rear quarter outer	12.940
12	EXTENSION - Upper air flow guide panel	8.153	31	PANEL ASM. - Rear end lower	12.966
13	SUPPORT - Radiator side	1.270	32	LID ASM. - Deck	12.181
14	PANEL - Valence	1.263	33	PANEL ASM. - Rear compartment upper	12.971
15	BRACKET - Licence plate mounting	7.800	34	PANEL ASM. - Rear seat back	11.628
16	PANEL - Front fender skirt	8.153	35	PANEL ASM. - Side inner (Less wheelhouse)	12.941
17	SUPPORT - Fender skirt panel to brace	8.153	35-36	PANEL ASM. - Side inner (Complete)	12.941
18	BRACE - Fender skirt panel	8.153	36-37	PANEL - Rear wheelhouse	12.944
19	HINGE ASM. - Hood	8.015	37	BRACE - Wheelhouse	N.S.S.
			38	HINGE & SUPPORT ASM. - Deck lid	12.184



**BODY PANELS
SEDAN
VK 19 STYLES**

REF. NO.	PART NAME	GROUP	REF. NO.	PART NAME	GROUP
1	FRAME - Roof rear.....	12.964	21	PILLAR ASM. - Front body outer.....	12.840
2	BOW - Roof rear.....	12.952	22	FENDER ASM. - Front.....	8.130
3	BOW - Centre, includes light bracket.....	12.952	23	PANEL ASM. - Front door outer.....	12.895
4	PANEL - Roof.....	12.810	24	PANEL ASM. - Rear door outer.....	12.913
5	PANEL - Cowl & pillar side.....	12.804	25	PANEL - Rocker outer.....	12.934
6	FRAME - Windshield upper.....	12.807	26	PANEL ASM. - Centre pillar outer.....	12.491
7	PANEL - Cowl upper.....	12.804	27	RAIL - Roof side.....	12.956
8	PANEL ASM. - Hood.....	8.000	28	PANEL ASM. - Rear body lock pillar.....	12.942
9	PANEL - Radiator support upper.....	1.270	29	PANEL - Window frame inner.....	12.941
10	CARRIER ASM. - Battery.....	2.333	30	PANEL ASM. - Rear quarter outer.....	12.940
11	REINFORCEMENT - Upper panel.....	1.270	31	PANEL ASM. - Rear end lower.....	12.966
12	EXTENSION - Upper air flow guide panel to fender.....	8.153	32	LID ASM. - Deck.....	12.181
13	SUPPORT - Radiator side.....	1.270	33	PANEL ASM. - Rear compartment upper.....	12.971
14	PANEL - Valence.....	1.263	34	PANEL ASM. - Rear seat back.....	11.628
15	BRACKET - Licence plate mounting.....	7.800	35	EXTENSION - Wheel house brace.....	N.S.S.
16	PANEL - Fender skirt.....	8.153	36	HINGE & SUPPORT ASM. - Deck lid.....	12.184
17	SUPPORT - Fender skirt panel to brace.....	8.153	37	BRACE - Rear wheel house.....	N.S.S.
18	BRACE - Fender skirt panel.....	8.153	38	PANEL - Rear wheel house.....	12.944
19	HINGE ASM. - Hood.....	8.015	39	PANEL ASM. - Side inner (Less wheelhouse).....	12.941
20	REINFORCEMENT - Pillar.....	12.840	38-39	PANEL ASM. - Side inner (Complete).....	12.941
			40	PANEL - Window frame outer.....	12.940



FLOOR PAN SEALING

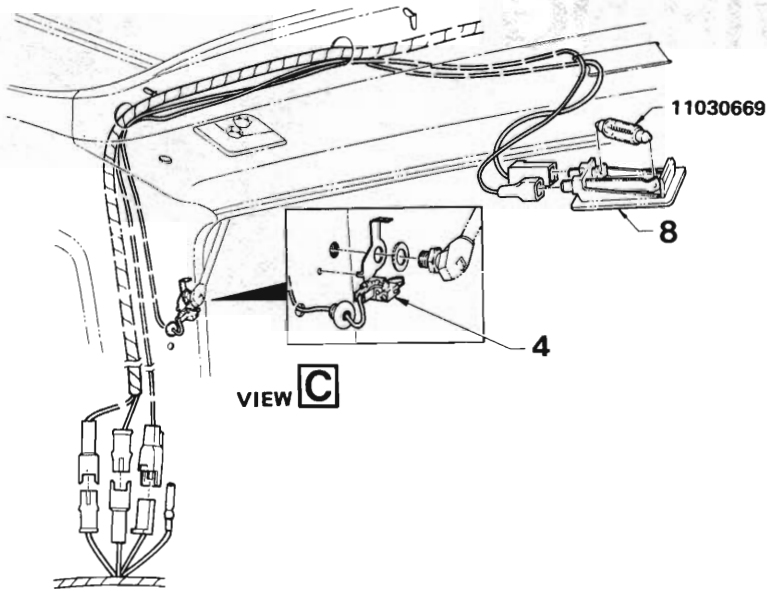
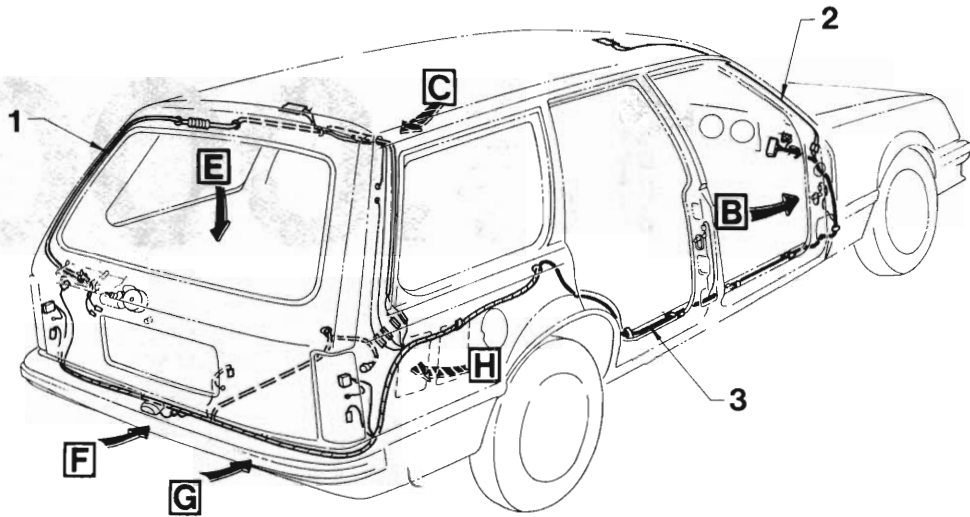
REF. NO.	PART NAME	GROUP
1	PLUG - Paint drain hole sealing, 45mm dia., Rubber.....	12.980
2	PLUG - Paint drain hole sealing, 28mm dia., Rubber.....	12.980
3	PLUG - Paint drain hole sealing, 12mm dia., Rubber.....	12.980
4	CAP - Paint plug locking, 30mm dia., Plastic.....	12.981
5	PLUG - Paint drain hole sealing, 57mm dia., Metal.....	12.980
6	FASTENER - Parcel shelf.....	15.024



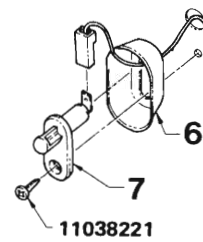
GROUP

13.000

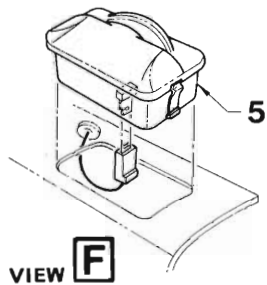
BODY WIRING



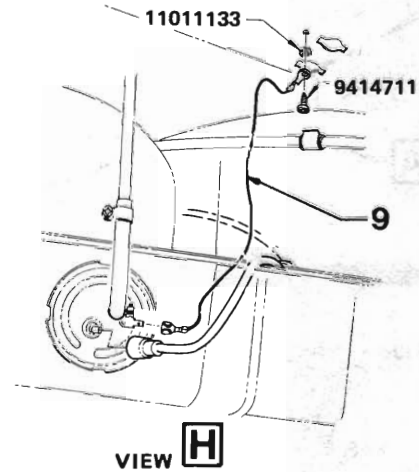
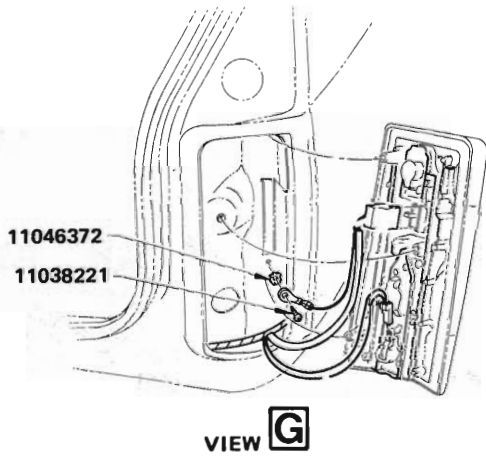
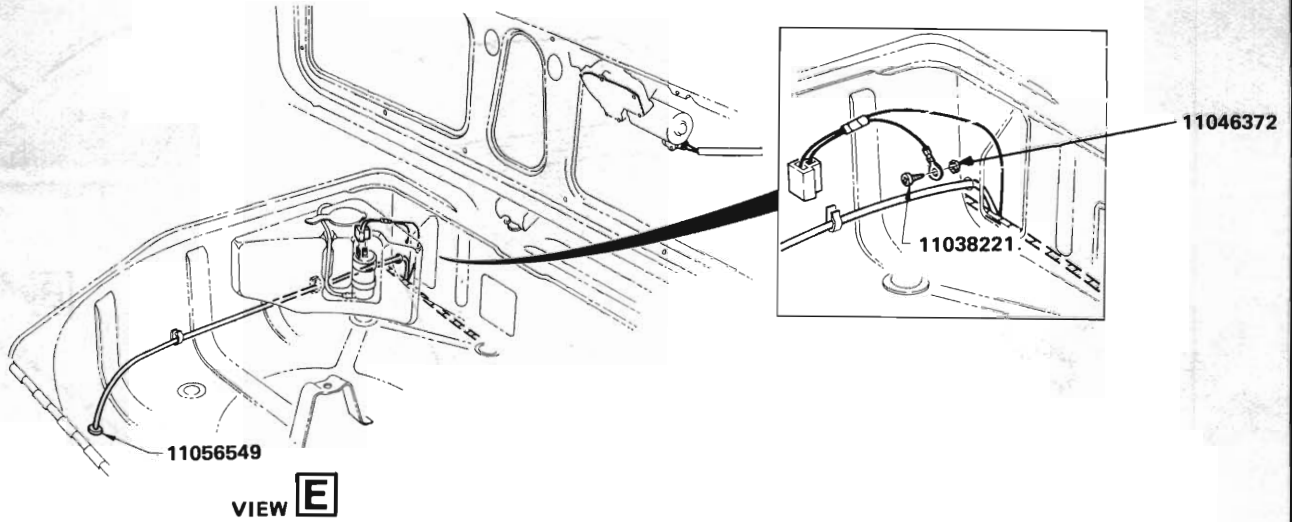
VIEW **C**



VIEW **B**



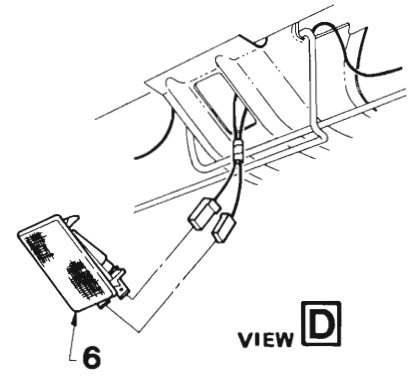
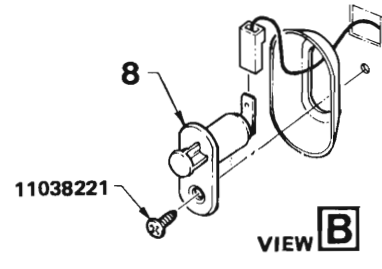
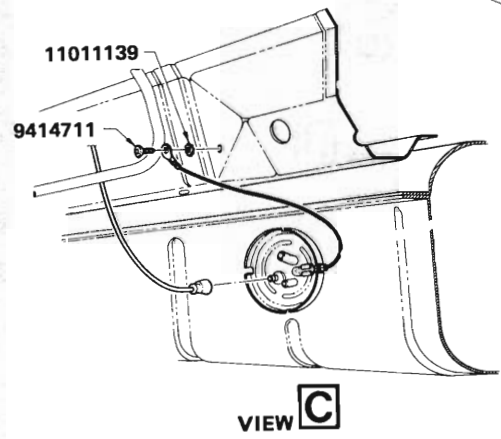
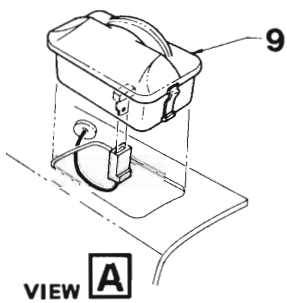
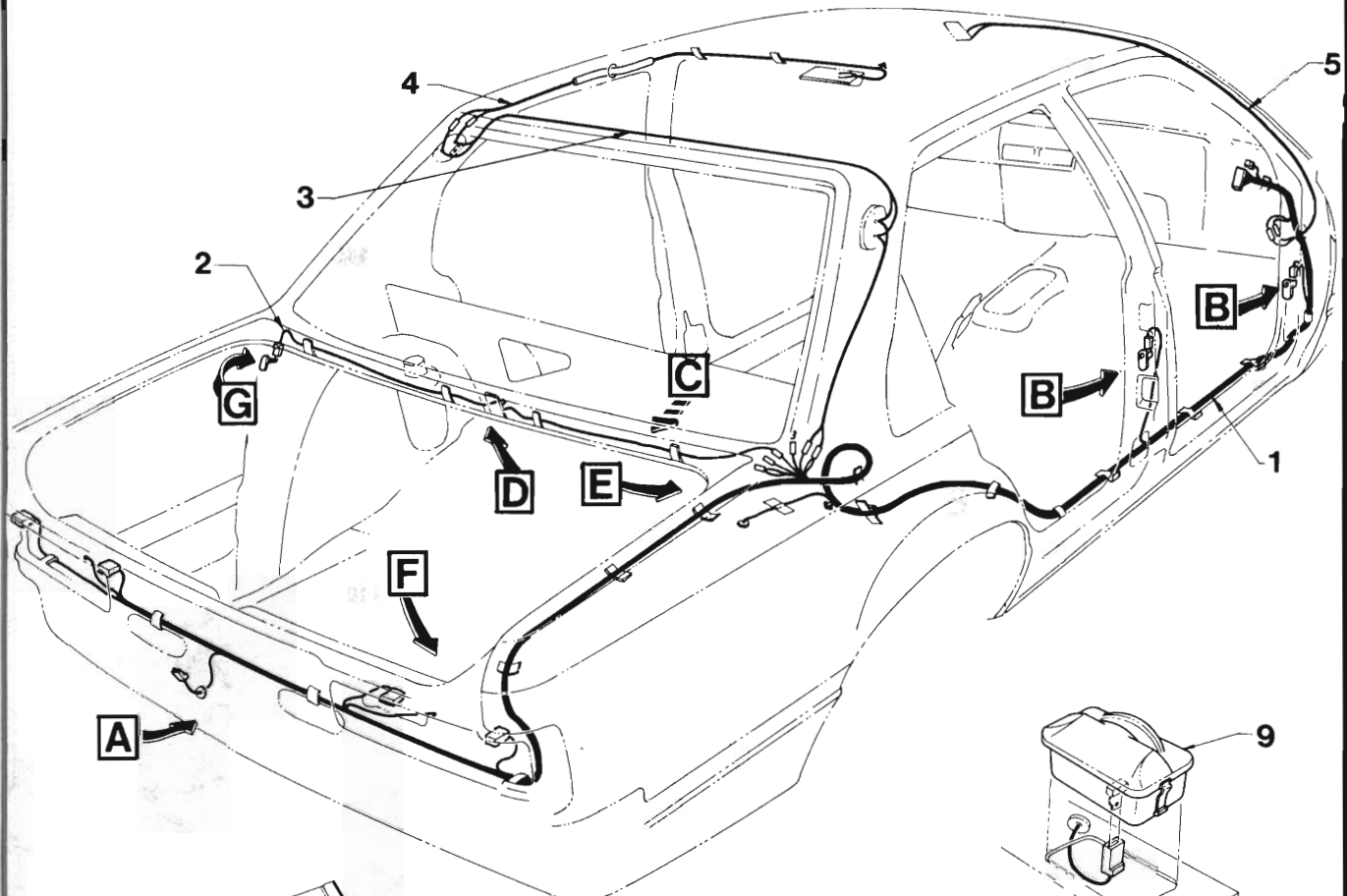
VIEW **F**

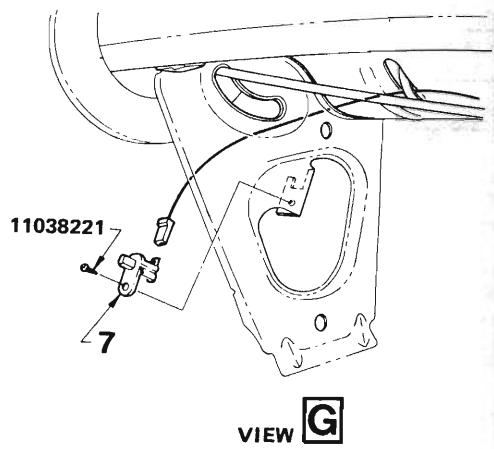
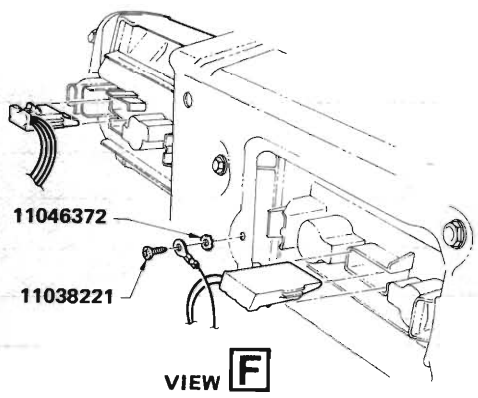
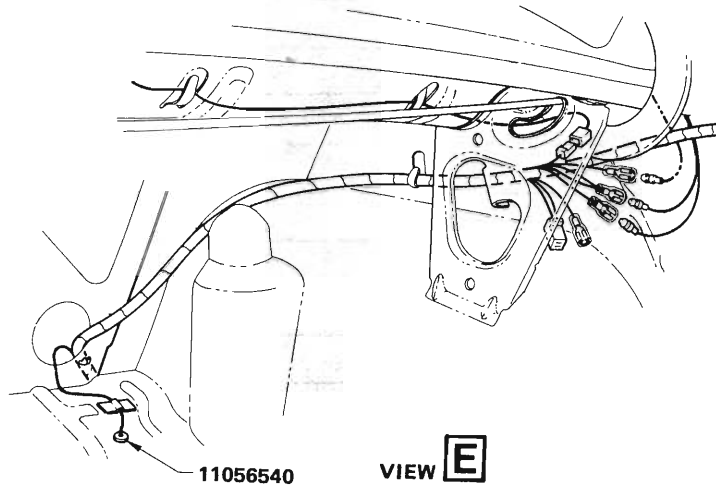


**BODY WIRING
35 BODY STYLES**

ILLUSTRATION ABOVE & OPPOSITE

REF. NO.	PART NAME	GROUP
1	HARNESS ASM. - End gate upper.....	12.188
2	LEAD ASM. - Dome lamp	11.927
3	HARNESS ASM. - Body wiring.....	13.090
4	SWITCH ASM. - Rear compartment lamp	9.988
5	LAMP ASM. - Rear licence plate	2.700
6	SEAL - Dome lamp switch.....	11.950
7	SWITCH ASM. - Courtesy lamp	11.950
8	LAMP ASM. - Rear compartment	9.988
9	LEAD ASM. - Fuel gauge.....	3.107





BODY WIRING
69 BODY STYLES

ILLUSTRATION ABOVE & OPPOSITE

REF. NO.	PART NAME	GROUP
1	HARNESS ASM.	13.090
2	LEAD ASM. - Rear compartment.....	9.988
3	HARNESS ASM. - Quarter lamp.....	11.927
4	LEAD ASM. - Dome & reading lamp.....	11.927
5	LEAD ASM. - Dome lamp.....	11.927
6	LAMP ASM. - Rear compartment.....	9.988
7	SWITCH ASM. - Rear compartment.....	9.988
8	SWITCH ASM. - Courtesy lamp.....	11.950
9	LAMP ASM. - Rear licence.....	2.700



"V" SERIES PARTS CATALOGUE

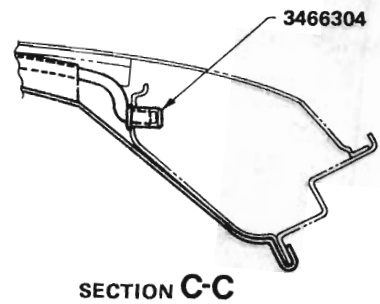
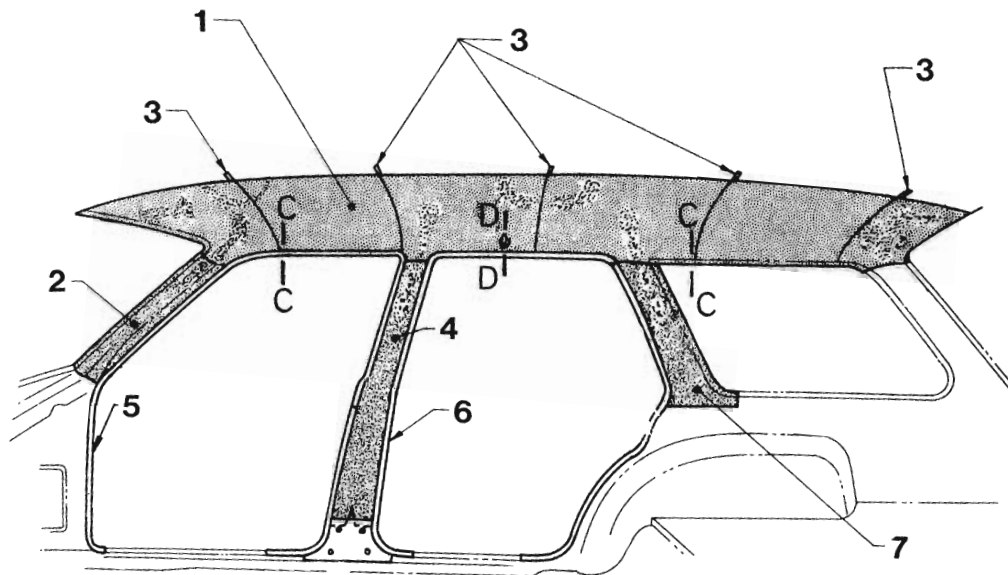
GROUP

14.000

**INTERIOR TRIM
SEAT BELTS**



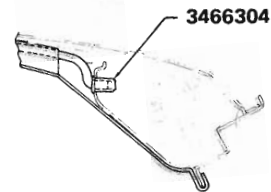
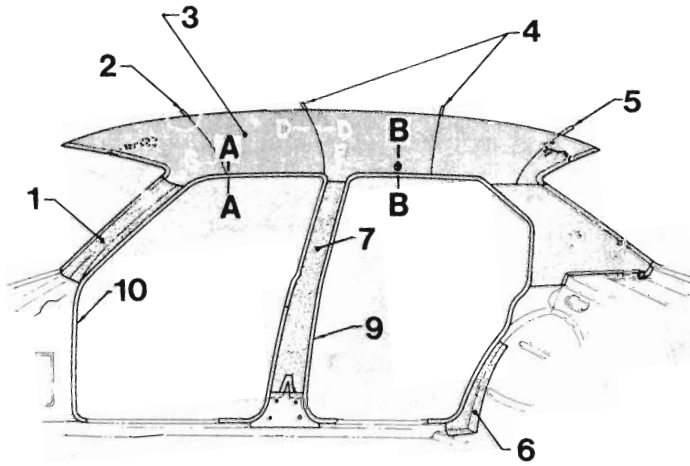
"V" SERIES PARTS CATALOGUE



HEADLINING

35 BODY STYLES

REF. NO.	PART NAME	GROUP
1	HEADLINING ASM.	14.640
2	TRIM - Front body pillar	10.051
3	WIRE - Headlining	12.955
4	TRIM - Centre pillar upper	14.730
5	WINDLACE - Front door.....	10.694
6	WINDLACE - Rear door.....	10.694
7	TRIM - Rear quarter side panel upper.....	15.100
8	HOOK & PIN - Coat.....	15.388



SECTION A-A



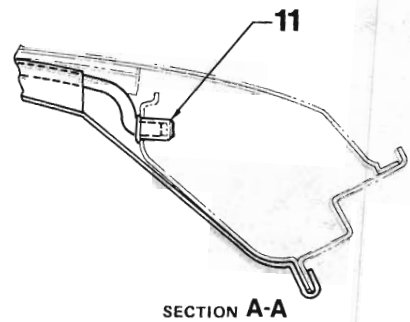
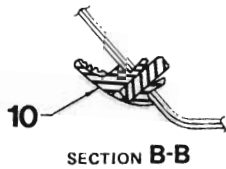
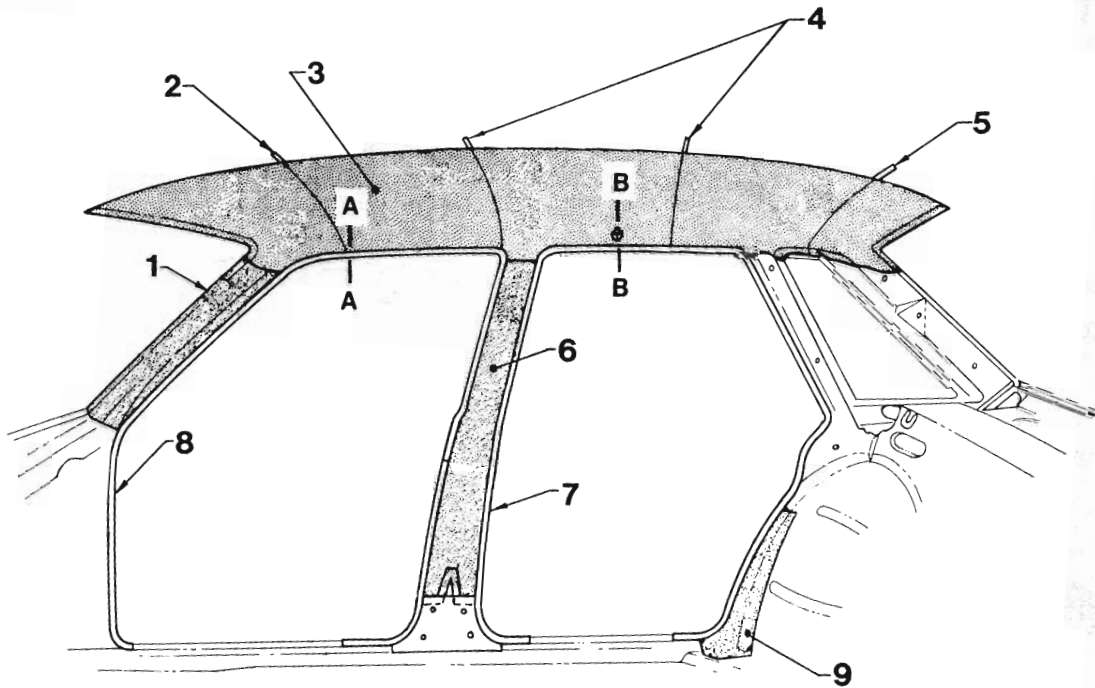
SECTION B-B

**HEADLINING
69 BODY STYLES**

REF. NO.	PART NAME	GROUP
1	TRIM - Front body pillar	10.051
2	WIRE - Headlining listing	12.955
3	HEADLINING ASM.	14.640
4	WIRE - Headlining listing	12.955
5	WIRE - Headlining listing	12.955
6	TRIM - Rear quarter side, Lower	15.100
7	TRIM - Centre pillar, Upper	14.730
8	HOOK & PIN - Coat	15.388
9	WEATHERSTRIP - Rear door opening	10.694
10	WEATHERSTRIP - Front door opening	10.694

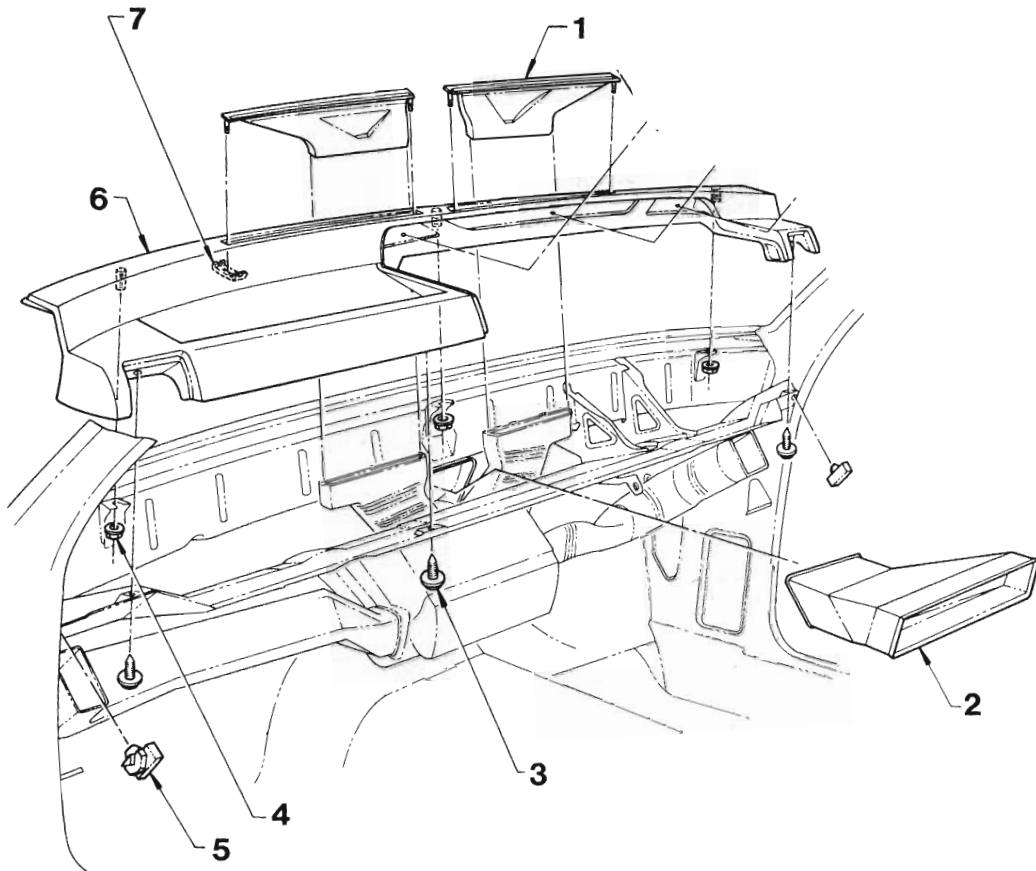


"V" SERIES PARTS CATALOGUE



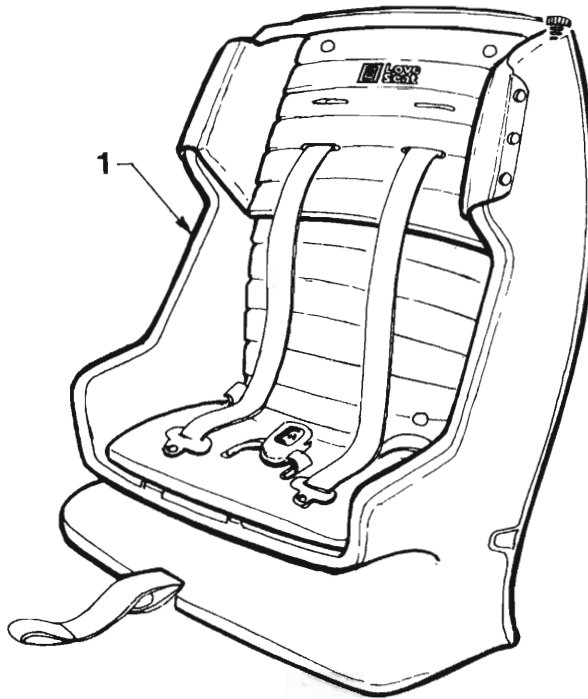
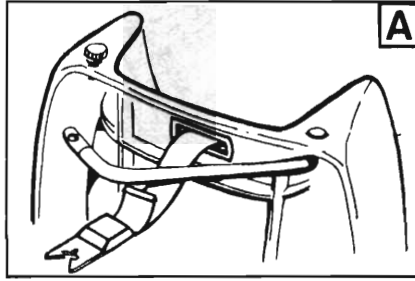
HEADLINING 19 BODY STYLES

REF. NO.	PART NAME	GROUP
1	TRIM - Front body pillar	10.051
2	WIRE - Headlining	12.955
3	HEADLINING ASM.	14.640
4	WIRE - Headlining listing	12.955
5	WIRE - Headlining listing	12.955
6	TRIM - Centre pillar upper	14.730
7	WINDLACE - Rear door opening	10.694
8	WINDLACE - Front door opening.....	10.694
9	TRIM - Rear Quarter side lower.....	15.100
10	HOOK & PIN - Coat	15.388
11	GROMMET - Headlining listing.....	12.955



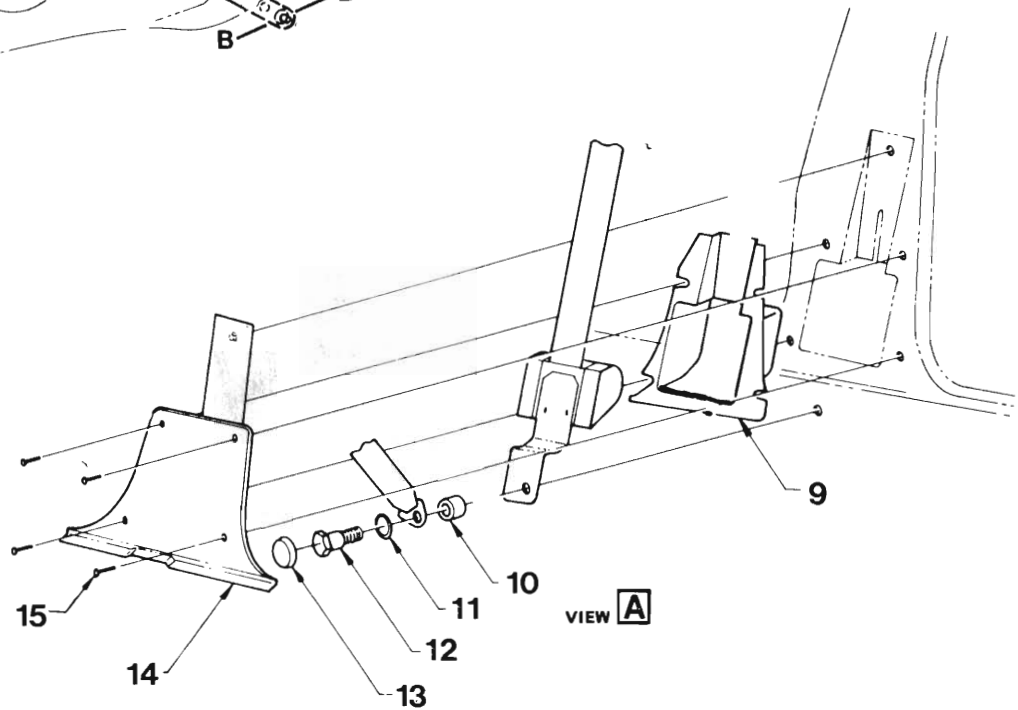
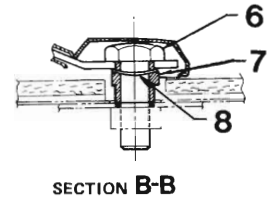
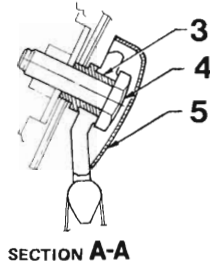
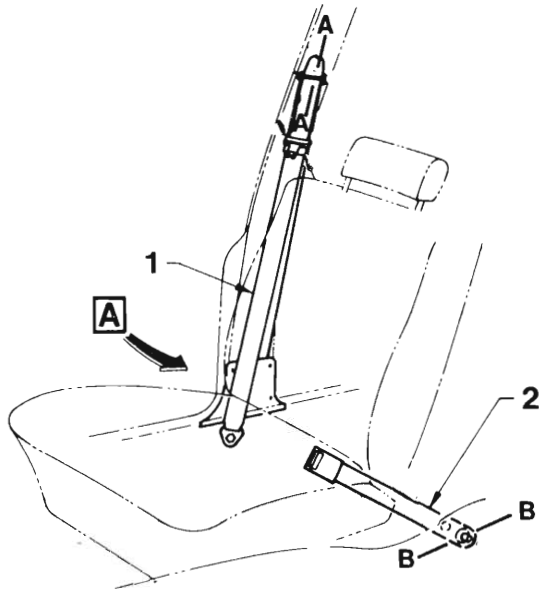
**INSTRUMENT PANEL PAD
VK SERIES**

REF. NO.	PART NAME	GROUP
1	NOZZLE - Demist outlet.....	9.779
2	DUCT - Air outlet - Centre.....	9.262
3	SCREW - Upper pad to bracket.....	14.655
4	NUT - Upper pad to reinforcement.....	14.655
5	BUMPER - Instrument panel lower.....	10.230
6	PAD ASM. - Instrument panel.....	14.655
7	NUT - Demist nozzle to instrument panel.....	9.779



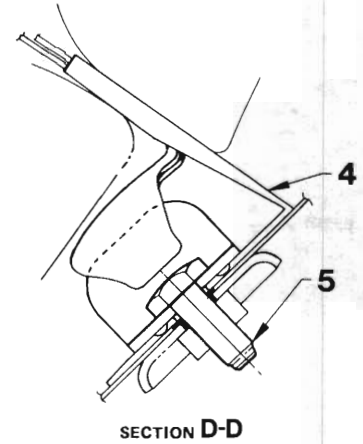
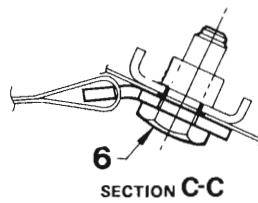
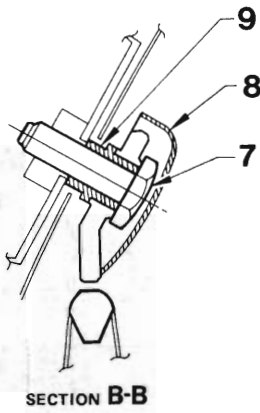
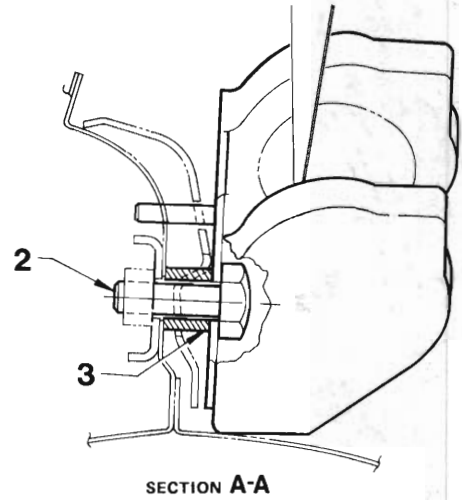
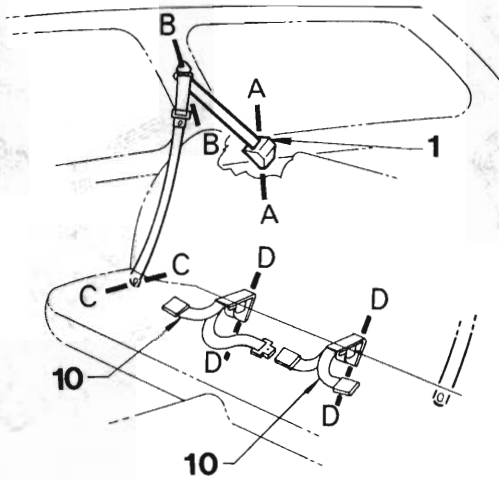
CHILD SAFETY SEAT

REF. NO.	PART NAME	GROUP
1	SAFETY SEAT PACKAGE.....	14.870



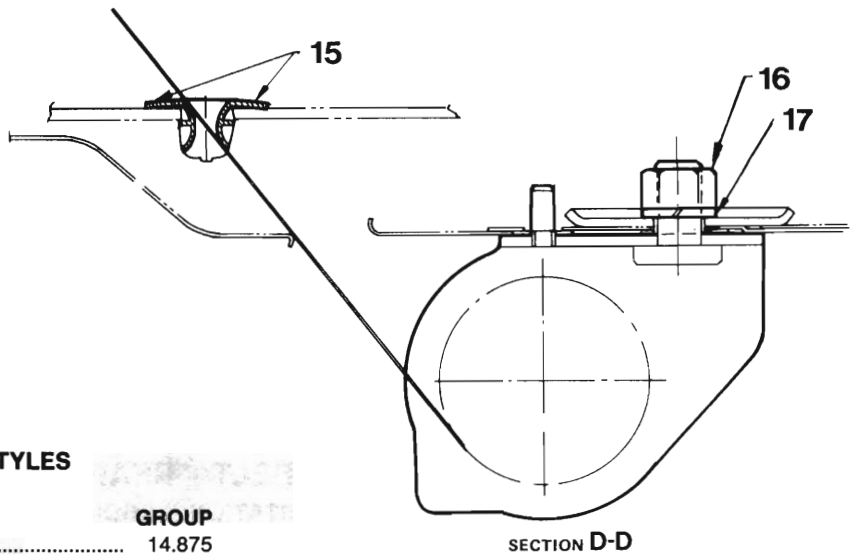
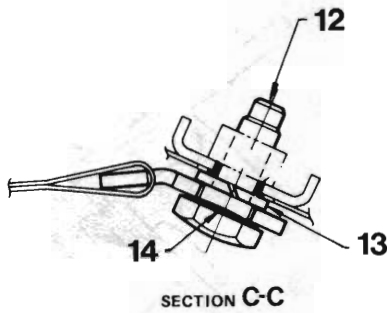
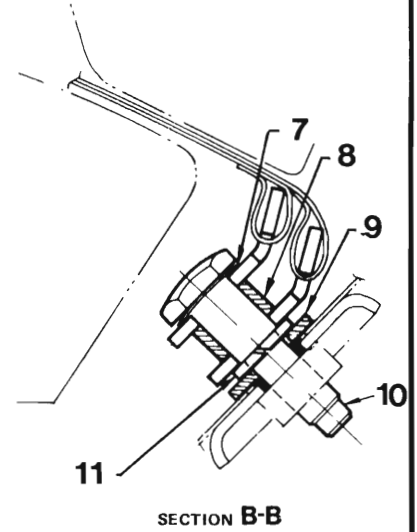
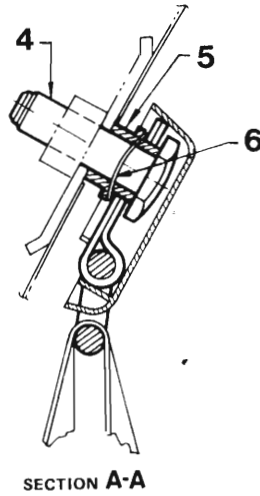
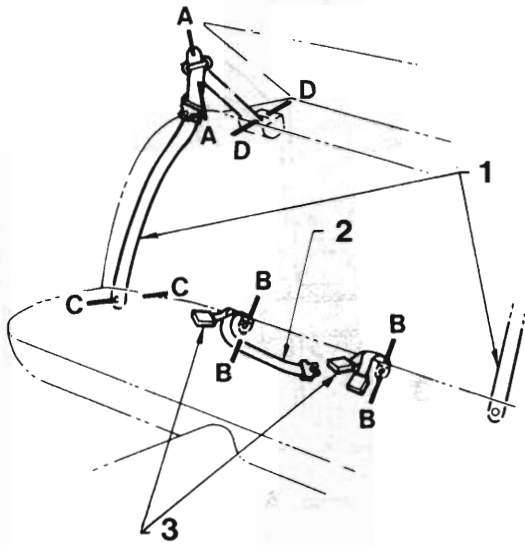
**SEAT BELTS
FRONT SEAT**

REF. NO.	PART NAME	GROUP
1	BELT & RETRACTOR ASM.....	14.875
2	BUCKLE ASM.....	14.875
3	SPACER - Sash guide to pillar.....	14.875
4	BOLT - Sash guide to pillar.....	14.875
5	COVER - Seat belt bolt upper.....	14.875
6	BOLT - Buckle to underbody.....	14.875
7	SPACER - Buckle to underbody.....	14.875
8	WASHER - Buckle to underbody.....	N.S.
9	CAP - Retractor belt inner.....	14.875
10	SPACER - Retractor to rocker panel.....	14.875
11	WASHER - Retractor to rocker panel.....	14.875
12	BOLT - Retractor to rocker panel.....	14.875
13	COVER - Belt to rocker cover.....	14.875
14	COVER - Seat belt retractor outer.....	14.875
15	PIN - Retractor cover.....	14.875



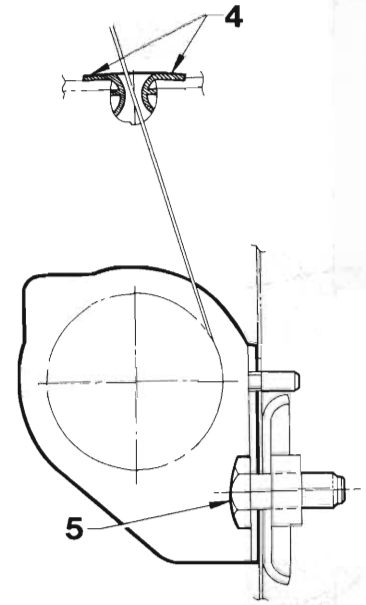
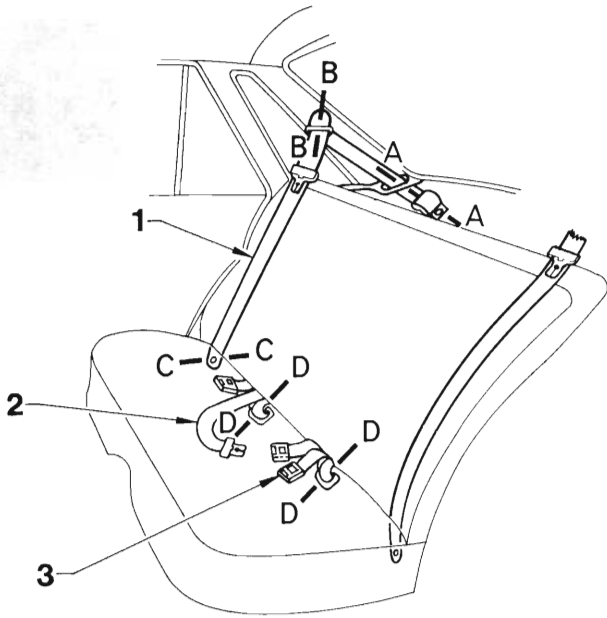
**SEAT BELT - REAR SEAT
STATION WAGON**

REF. NO.	PART NAME	GROUP
1	BELT ASM. - Lap & shoulder.....	14.875
2	BOLT - Retractor to side panel.....	14.875
3	SPACER - Retractor to side panel.....	14.875
4	SLEEVE - Belt retainer.....	14.875
5	BOLT - Belt to underbody.....	14.875
6	BOLT - Belt to wheelhouse.....	14.875
7	BOLT - Belt to side panel, Upper.....	14.875
8	COVER - Seat belt bolt, Upper.....	14.875
9	SPACER - Belt -to side panel, Upper.....	14.875
10	BUCKLE ASM.....	14.875

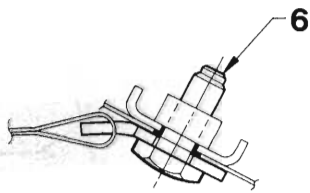


**SEAT BELT
REAR SEAT
SEDAN EXC. 19 BODY STYLES**

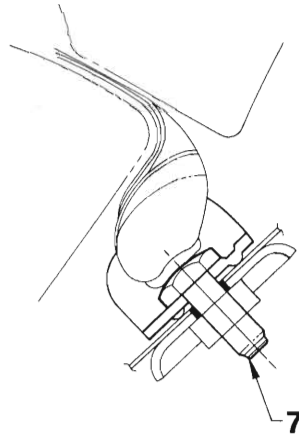
REF. NO.	PART NAME	GROUP
1	BELT ASM. - Lap & shoulder.....	14.875
2	BELT ASM. - Centre lap.....	14.875
3	BUCKLE ASM.....	14.875
4	BOLT - Belt to side panel, Upper.....	14.875
5	SPACER - Belt to side panel, Upper.....	14.875
6	WASHER - Belt to side panel, Upper.....	14.875
7	WASHER - Belt to underbody, Wave.....	14.875
8	SPACER - Belt to underbody.....	14.875
9	WASHER - Belt to underbody, Flat.....	14.875
10	BOLT - BELT to underbody.....	14.875
11	WASHER - Belt to underbody, Lock.....	14.875
12	BOLT - Belt to wheelhouse.....	14.875
13	WASHER - Belt to wheelhouse, Lock.....	14.875
14	WASHER - Belt to wheelhouse, Wave.....	14.875
15	GUIDE - Retractor.....	14.875
16	NUT - Retractor to package tray.....	14.875
17	WASHER - Retractor to package tray, Lock.....	14.875



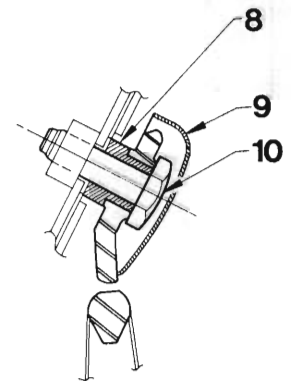
SECTION A-A



SECTION C-C



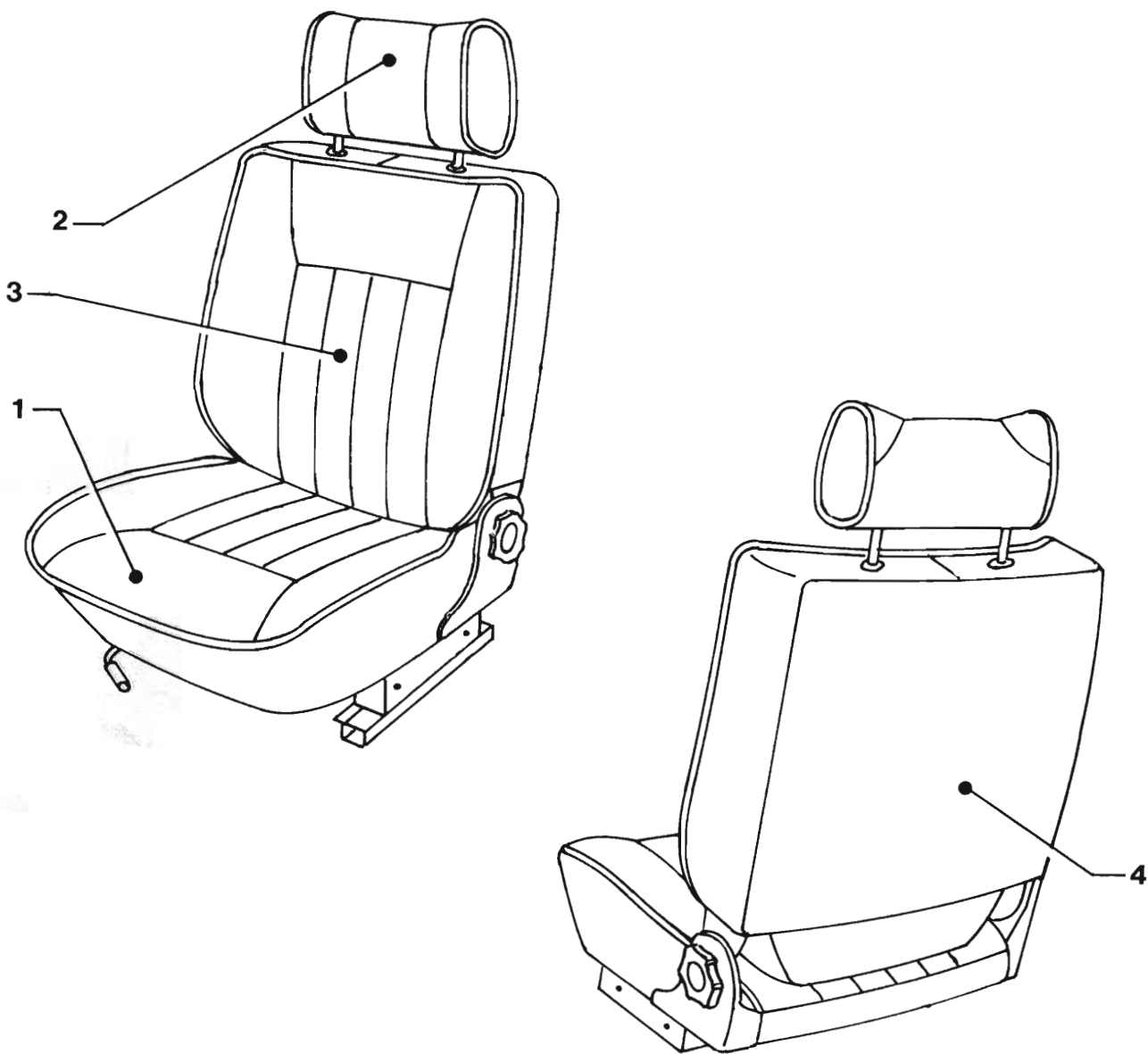
SECTION D-D



SECTION B-B

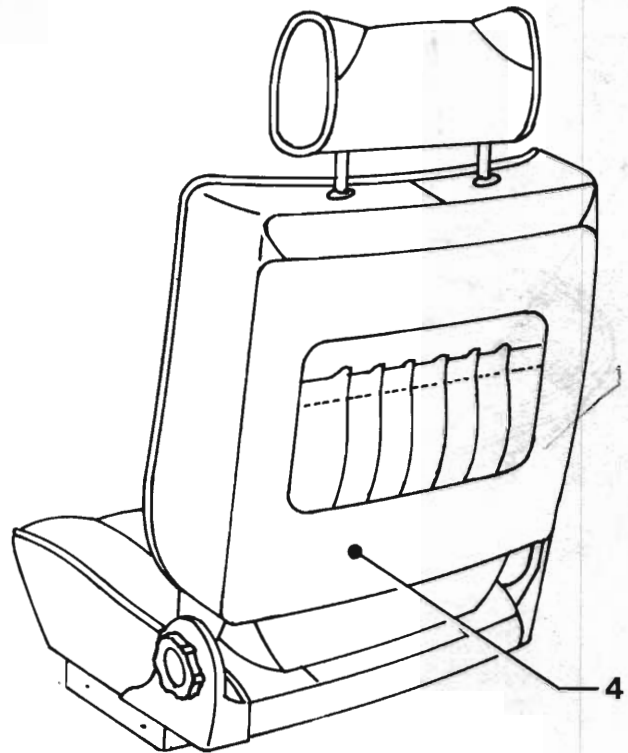
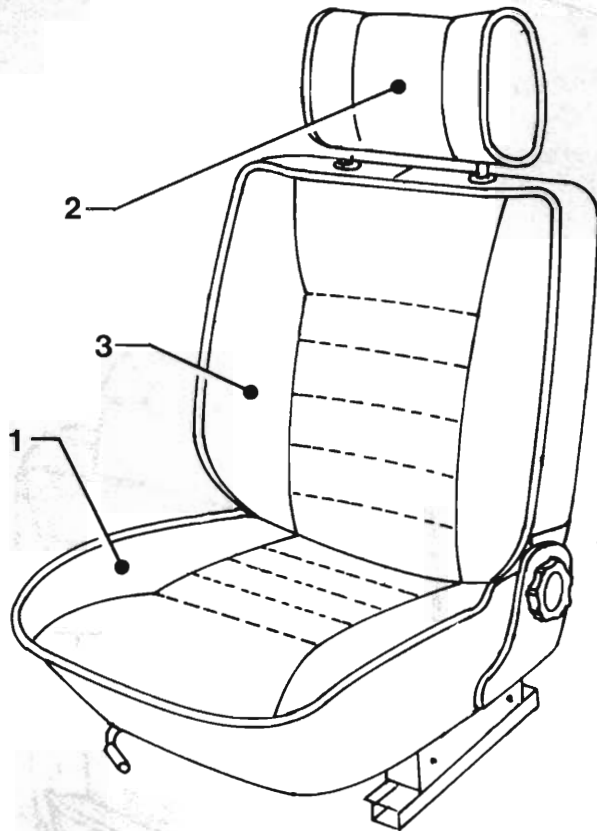
**SEAT BELT
REAR SEAT
SEDAN 19 BODY STYLE**

REF. NO.	PART NAME	GROUP
1	BELT ASM. - Lap & shoulder	14.875
2	BELT ASM. - Centre lap.....	14.875
3	BUCKLE ASM. - Lap & shoulder	14.875
4	GUIDE - Retractor	14.875
5	BOLT - Belt to side panel upper.....	14.875
6	BOLT - to wheelhouse.....	14.875
7	BOLT - Belt to underbody.....	14.875
8	SPACER - Belt to side panel upper	14.875
9	COVER - Seat belt sash guide - Retractor type .	14.875
10	BOLT - Belt to side panel upper.....	14.875



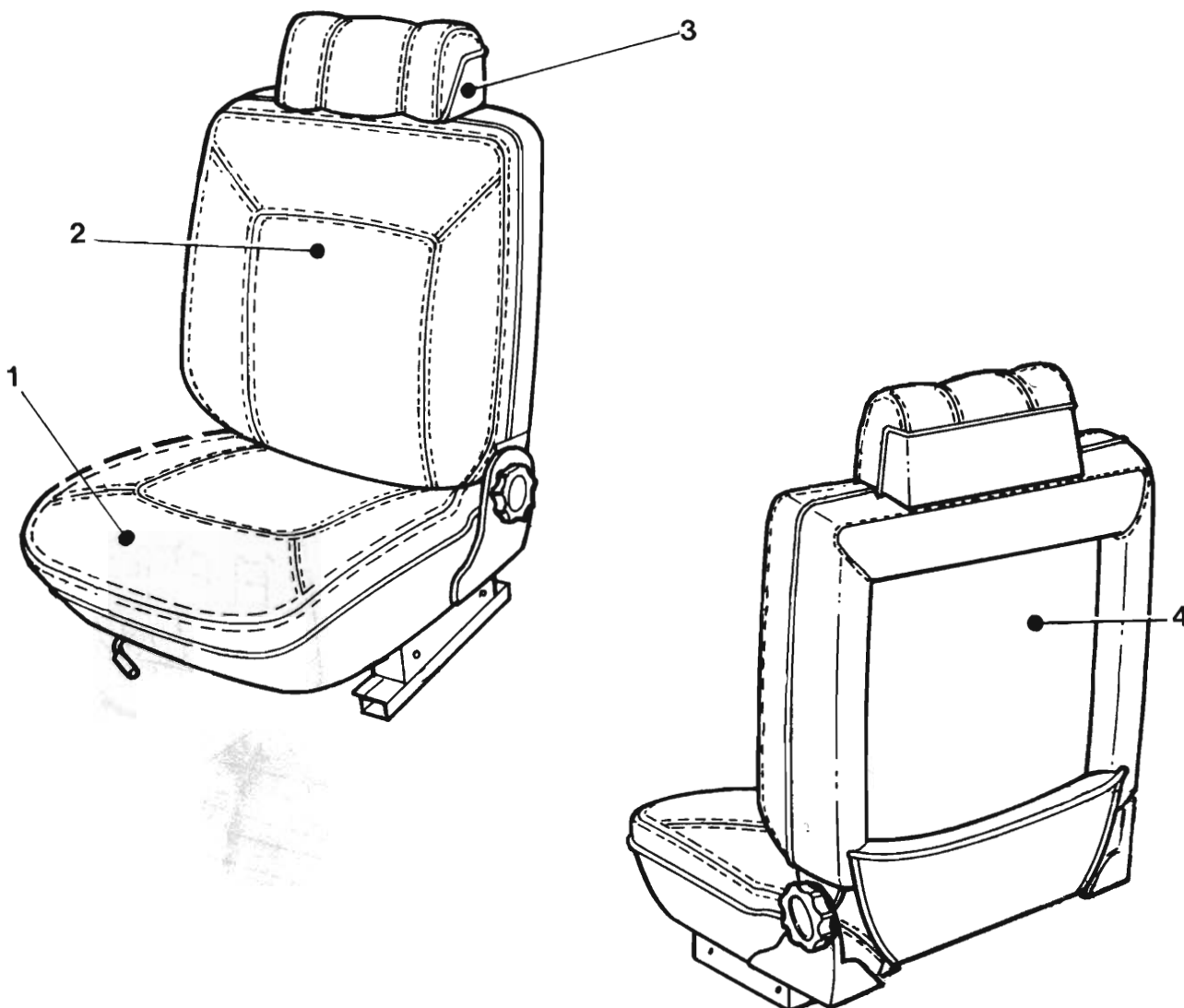
INTERIOR TRIM
MODEL CODE 8VK, 8VL
VB, VC, VH SERIES

REF. NO.	PART NAME	GROUP
1	COVER - Front seat cushion	14.880
2	COVER - Front seat head restraint	14.924
3	COVER - Front seat back	14.800
4	TRIM - Front seat back rear	14.810



**INTERIOR TRIM
MODEL CODE 8VX69
VB, VC SERIES**

REF. NO.	PART NAME	GROUP
1	COVER - Front seat cushion.....	14.880
2	COVER - Front seat head restraint.....	14.924
3	COVER - Front seat back.....	14.800
4	TRIM - Front seat back rear.....	14.810

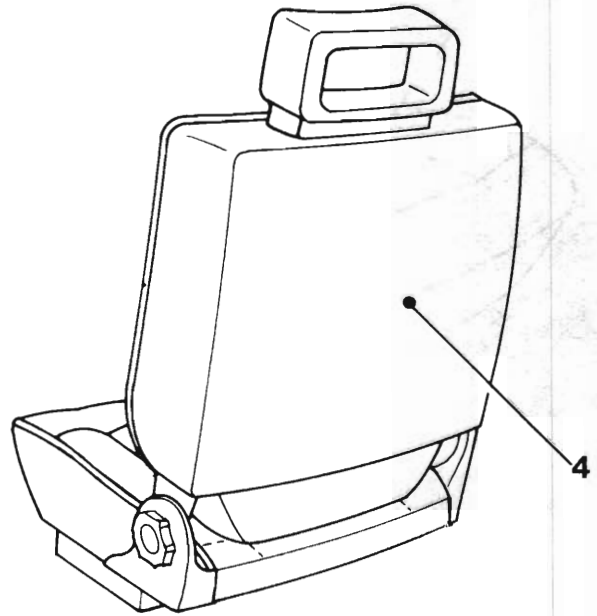
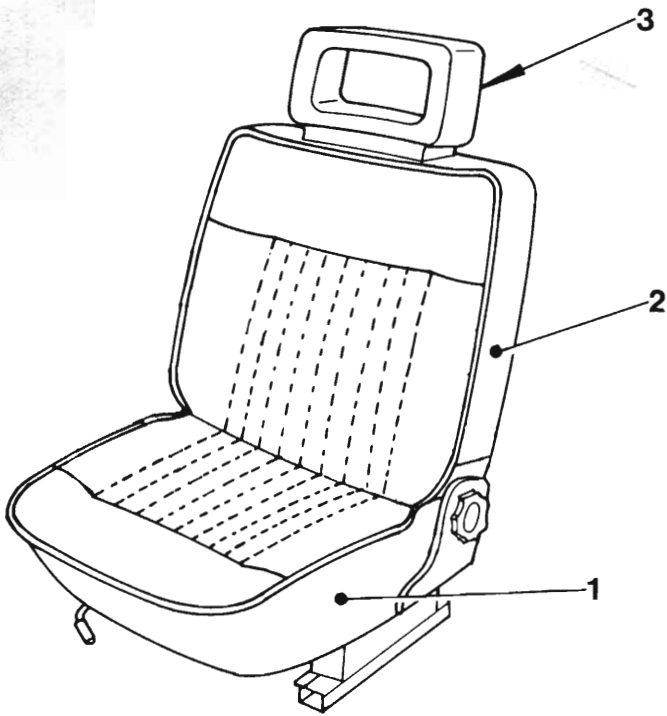


**INTERIOR TRIM
MODEL CODE 8VX69
VH SERIES**

REF. NO.	PART NAME	GROUP
1	COVER - Front seat cushion	14.880
2	COVER - Front seat back	14.800
3	COVER - Front seat head restraint	14.924
4	TRIM - Front seat back rear	14.810

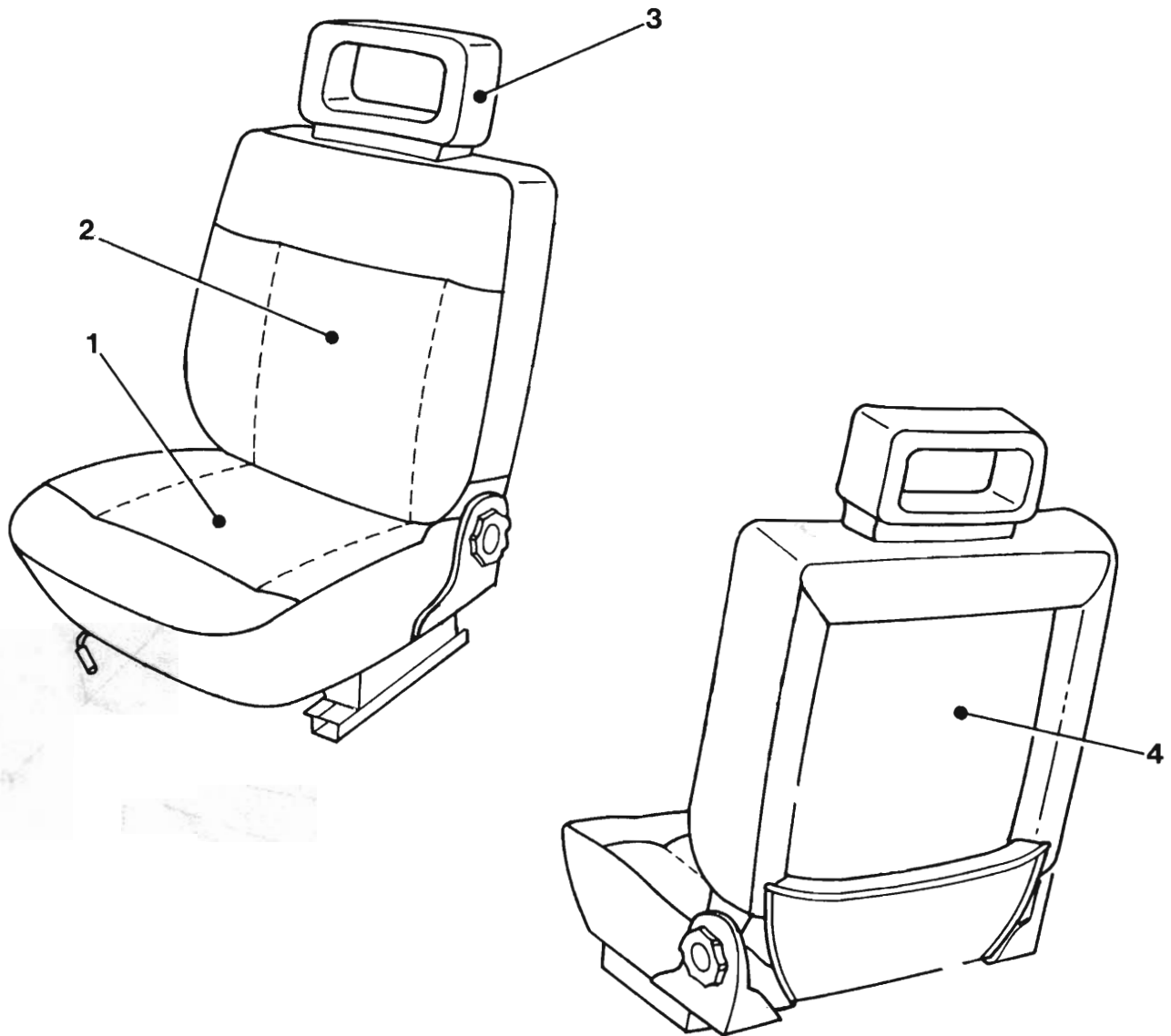


"V" SERIES PARTS CATALOGUE



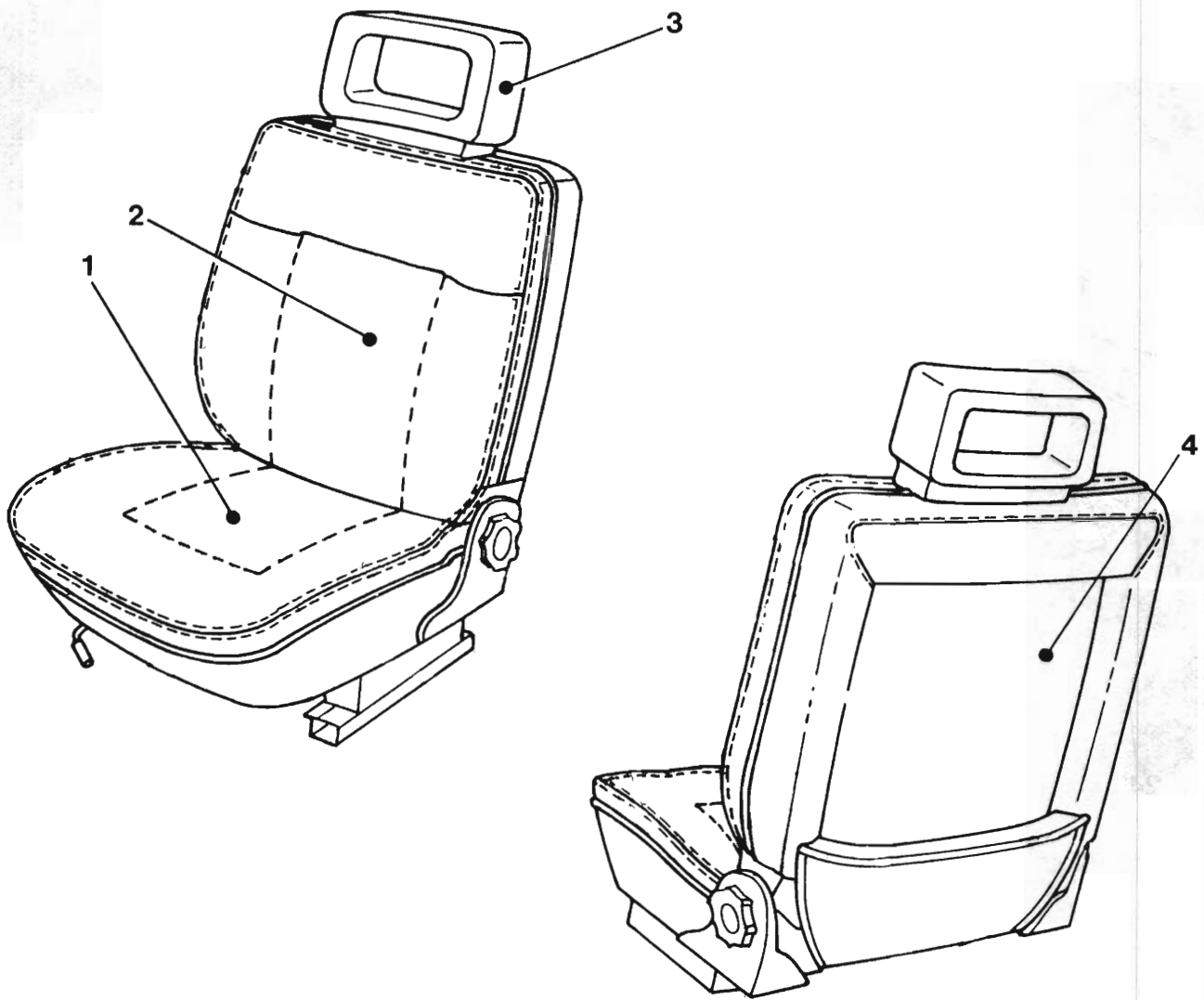
INTERIOR TRIM MODEL CODE 8VK VK SERIES

REF. NO.	PART NAME	GROUP
1	COVER - Front seat cushion.....	14.810
2	COVER - Front seat back.....	14.800
3	HEAD RESTRAINT - Front seat	14.924
4	TRIM - Front seat back rear.....	14.810



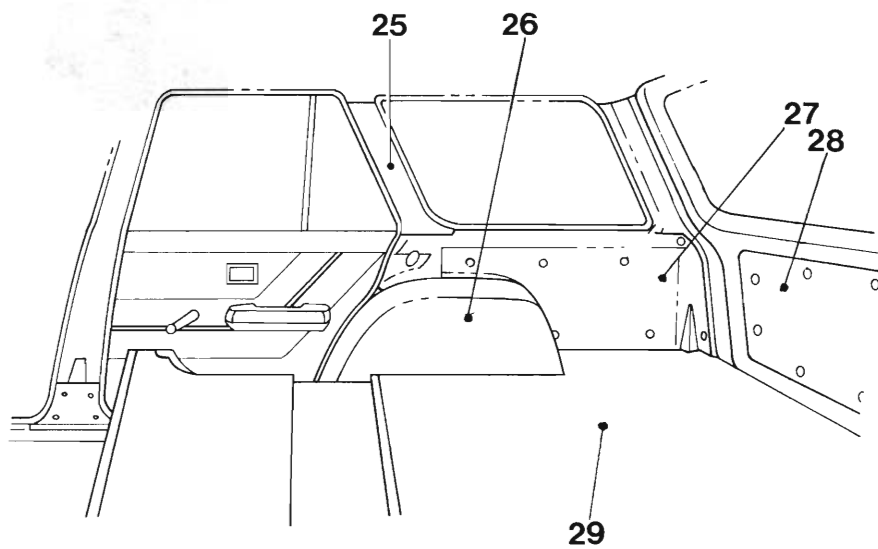
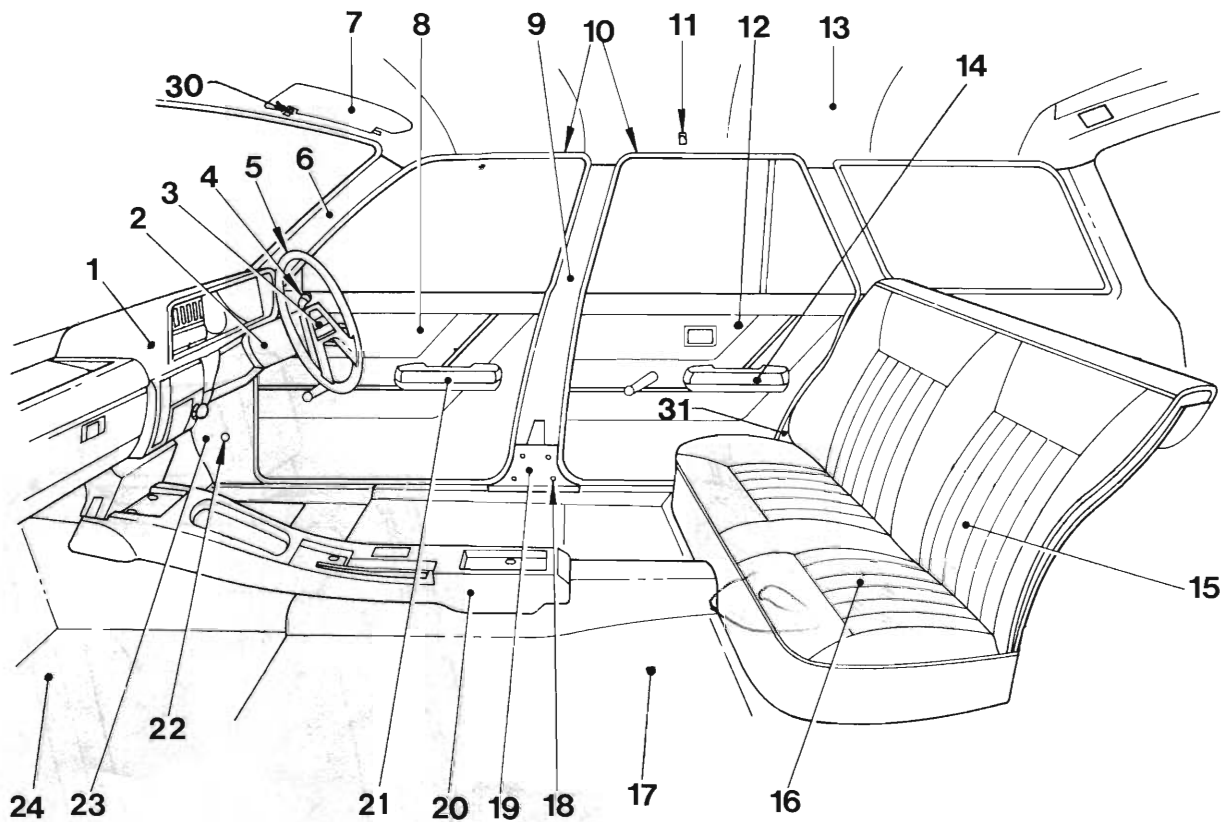
**INTERIOR TRIM
MODEL CODE 8VL
VK SERIES**

REF. NO.	PART NAME	GROUP
1	COVER - Front seat cushion	14.880
2	COVER - Front seat back	14.800
3	HEAD RESTRAINT - Front seat.....	14.924
4	TRIM - Front seat back rear.....	14.810



**INTERIOR TRIM
MODEL CODE 8VX
VK SERIES**

REF. NO.	PART NAME	GROUP
1	COVER - Front seat cushion.....	14.880
2	COVER - Front seat back.....	14.800
3	HEAD RESTRAINT - Front seat.....	14.924
4	TRIM - Front seat back rear.....	14.810

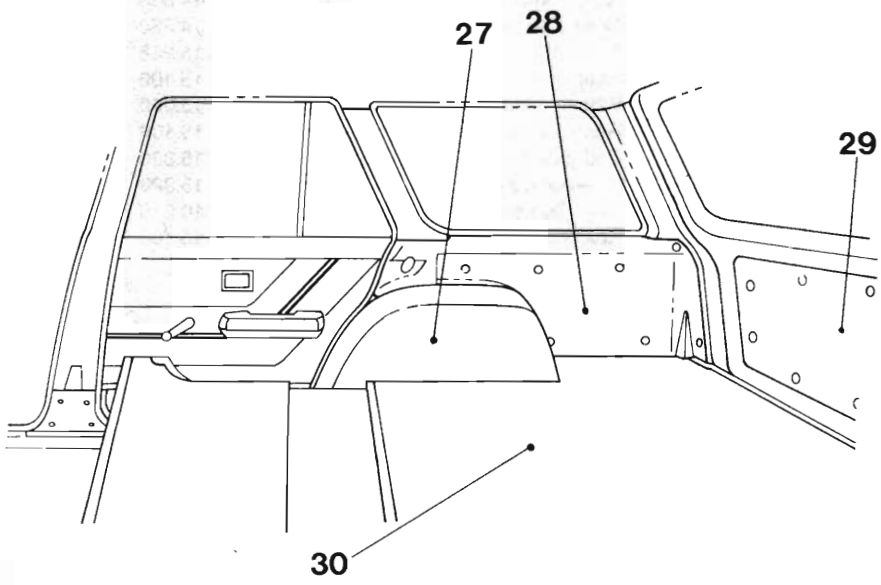
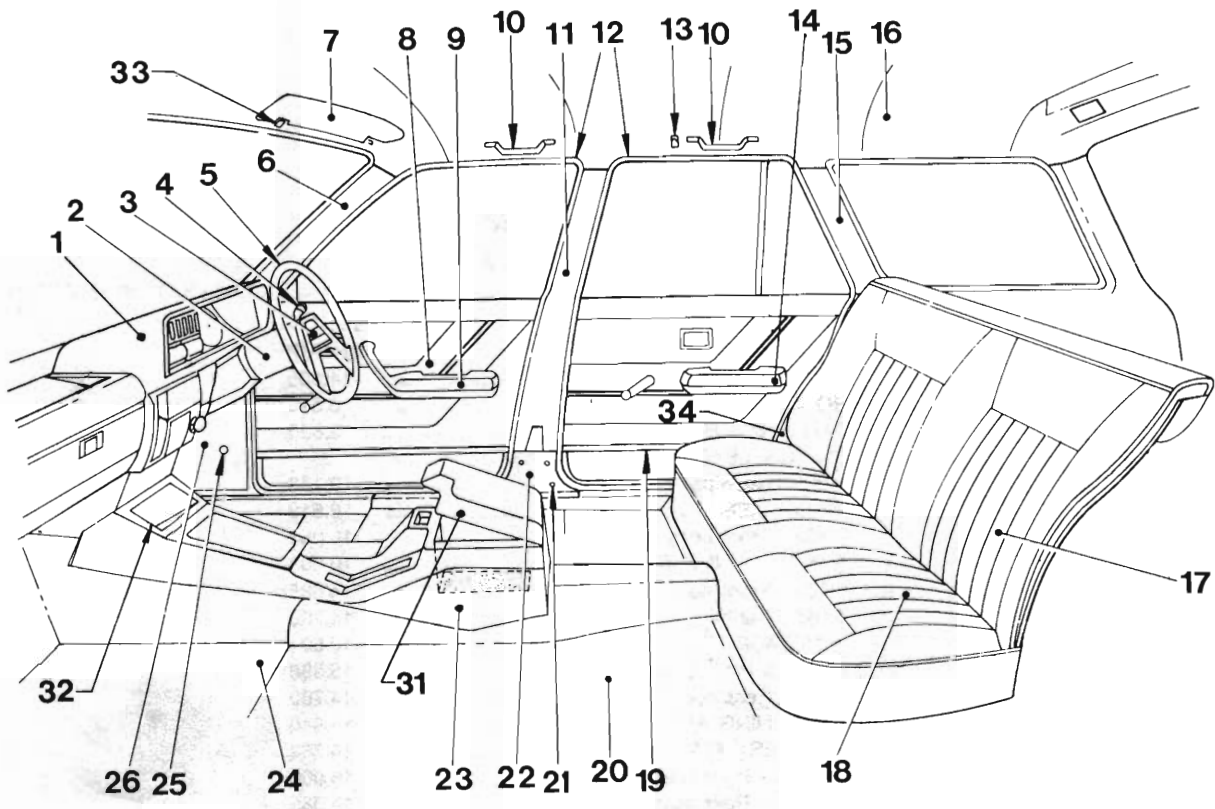




**INTERIOR TRIM
MODEL CODE 8VK35**

ILLUSTRATION OPPOSITE

REF. NO.	PART NAME	GROUP
1	PAD - Instrument panel	14.655
2	HOUSING - Steering column	6.518
3	BAR ASM. - Horn actuating.....	2.830
4	SWITCH, LEVER & HARNESS ASM. - Windshield wiper & dimmer.....	10.163
5	WHEEL ASM. - Steering.....	6.513
6	TRIM - Front body pillar	10.051
7	SUN VISOR & PIVOT ASM.	10.203
8	TRIM - Front door	14.685
9	TRIM - Centre pillar upper	14.730
10	WINDLACE - Door opening.....	10.694
11	HOOK & PIN - Coat.....	15.388
12	TRIM - Rear door	14.760
13	HEADLINING ASM.	14.640
14	ARM REST ASM. - Rear door.....	14.762
15	COVER - Rear seat back.....	15.000
16	COVER - Rear seat cushion.....	15.035
17	CARPET - Rear floor	15.306
18	PIN - Seat belt retractor cover	14.875
19	COVER - Seat belt retractor.....	14.875
20	HOUSING ASM. - Console.....	10.240
21	ARM REST ASM. - Front door.....	14.686
22	FASTENER - Cowl side panel lower trim	14.630
23	TRIM - Cowl side panel lower	14.630
24	CARPET - Front floor.....	15.286
25	TRIM - Rear quarter side panel upper.....	15.100
26	TRIM - Wheelhouse	15.099
27	TRIM - Rear quarter side lower	15.100
28	TRIM - End gate panel.....	15.320
29	CARPET - Rear compartment floor	15.320
30	RETAINER - Sun visor.....	10.219
31	TRIM - Rear quarter side, Lower	15.100

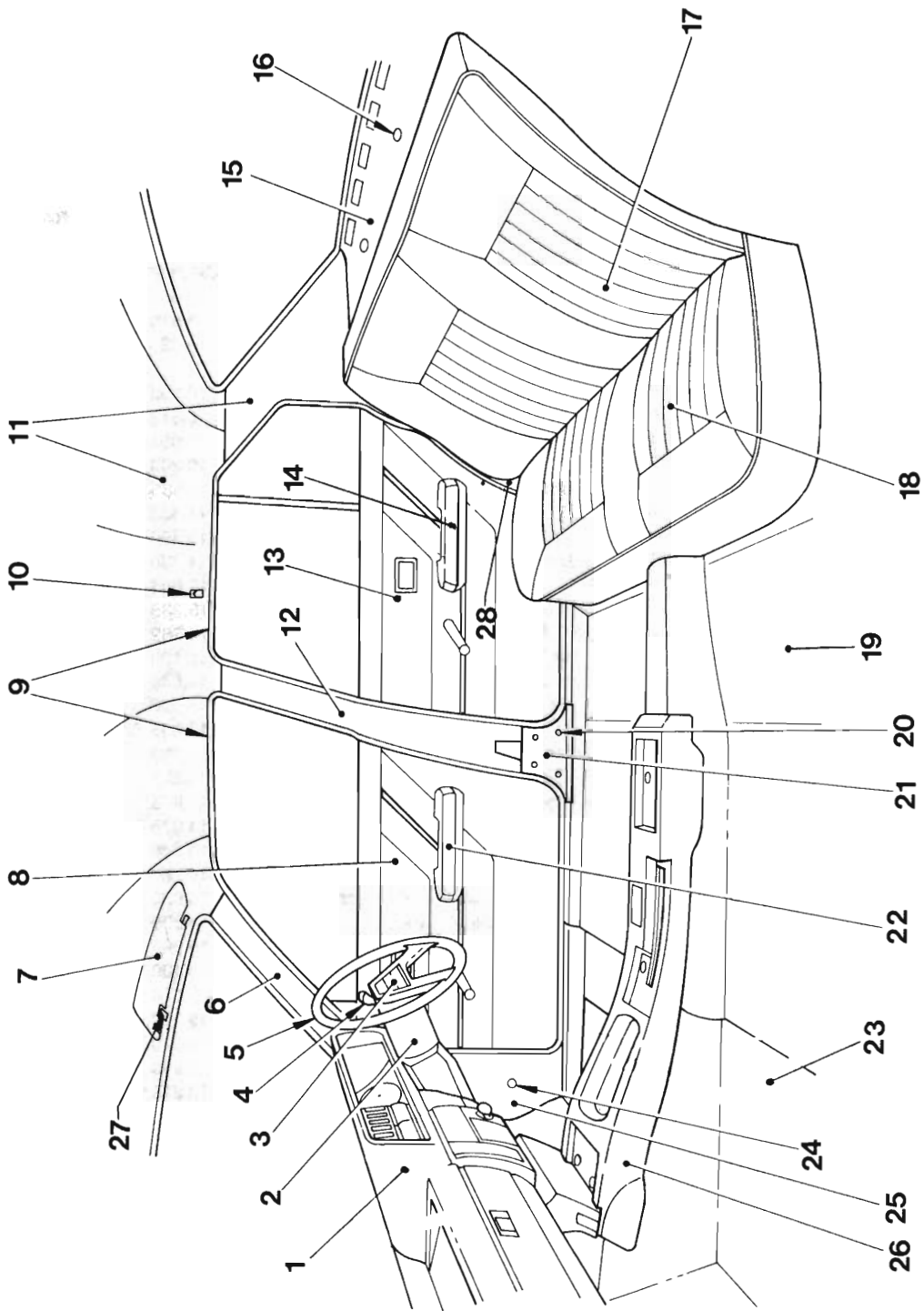




**INTERIOR TRIM
MODEL CODE 8VL35**

ILLUSTRATION OPPOSITE

REF. NO.	PART NAME	GROUP
1	PAD - Instrument panel	14.655
2	HOUSING - Steering column	6.518
3	BAR ASM. - Horn actuating	2.830
4	SWITCH, LEVER & HARNESS ASM. - Windshield wiper & dimmer	10.163
5	WHEEL ASM. - Steering	6.513
6	TRIM - Front body pillar	10.051
7	SUN VISOR & PIVOT ASM.	10.203
8	TRIM - Front door	14.685
9	ARM REST ASM. - Front door	14.686
10	HANDLE - Assist	15.390
11	TRIM - Centre pillar upper	14.730
12	WINDLACE - Door opening	10.694
13	HOOK & PIN - Coat	15.388
14	ARM REST ASM. - Rear door	14.762
15	TRIM - Rear quarter side panel upper	15.100
16	HEADLINING ASM.	14.640
17	COVER - Rear seat back	15.000
18	COVER - Rear seat cushion	15.035
19	TRIM - Rear door	14.760
20	CARPET - Rear floor	15.306
21	PIN - Seat belt retractor cover	14.875
22	COVER - Seat belt retractor	14.875
23	HOUSING ASM. - Console	10.240
24	CARPET - Front floor	15.286
25	FASTENER - Cowl side panel lower trim	14.630
26	TRIM - Cowl side panel lower	14.630
27	TRIM - Wheelhouse	15.099
28	TRIM - Rear quarter side lower	15.100
29	TRIM - End gate panel	15.320
30	CARPET - Rear compartment floor	15.320
31	ARMREST ASM. - Console	10.240
32	POCKET - Console, Front	10.240
33	RETAINER - Sun visor	10.219
34	TRIM - Rear quarter side, Lower	15.100



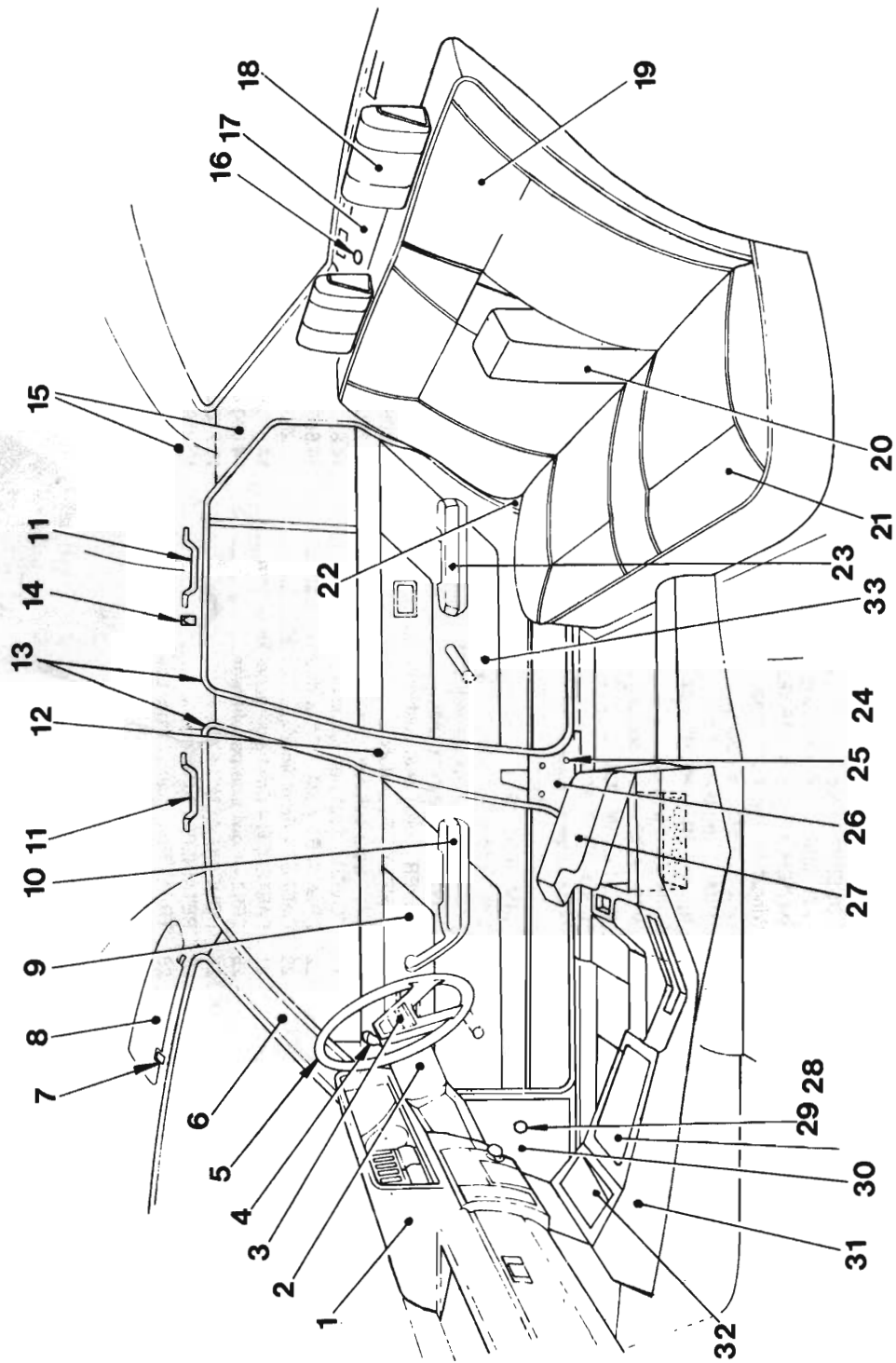


INTERIOR TRIM

MODEL CODE 8VK69 EXC. 'SS' COMMODORE

ILLUSTRATION OPPOSITE

REF. NO.	PART NAME	GROUP
1	PAD ASM. - Instrument panel	14.655
2	HOUSING - Steering column	6.518
3	BAR ASM. - Horn actuating	2.830
4	SWITCH, LEVER & HARNESS ASM. - Windshield wiper & dimmer	10.163
5	WHEEL ASM. - Steering	6.513
6	TRIM - Front body pillar	10.051
7	SUN VISOR & PIVOT ASM.	10.203
8	TRIM - Front door	14.685
9	WINDLACE - Door opening	10.694
10	HOOK & PIN - Coat	15.388
11	HEADLINING ASM.	14.640
12	TRIM - Centre pillar upper	14.730
13	TRIM - Rear door	14.760
14	ARM REST ASM. - Rear door	14.762
15	SHELF ASM. - Package tray rear	15.024
16	FASTENER - Package tray trim	15.024
17	COVER - Rear seat back	15.000
18	COVER - Rear seat cushion	15.035
19	CARPET - Rear floor	15.306
20	PIN - Seat belt retractor cover	14.875
21	COVER - Seat belt retractor	14.875
22	ARM REST ASM. - Front door	14.686
23	CARPET - Front floor	15.286
24	FASTENER - Cowl side panel lower trim	14.630
25	TRIM - Cowl side panel lower	14.630
26	HOUSING ASM. - Console	10.240
27	RETAINER - Sunvisor	10.219
28	TRIM - Rear quarter side, Lower	15.100





INTERIOR TRIM
8VK69 SS COMMODORE
VH SERIES

ILLUSTRATION OPPOSITE

REF. NO.	PART NAME	GROUP
1	PAD ASM. - Instrument panel.....	14.655
2	HOUSING - Steering column.....	6.518
3	BAR ASM. - Horn actuating.....	2.830
4	SWITCH, LEVER & HARNESS ASM. - Windshield wiper & dimmer.....	10.163
5	WHEEL ASM. - Steering.....	6.513
6	TRIM - Front body pillar.....	10.051
7	RETAINER - Sun visor.....	10.219
8	SUN VISOR & PIVOT ASM.....	10.203
9	TRIM ASM. - Front door.....	14.685
10	ARMREST ASM. - Front door.....	14.686
11	HANDLE - Assist grip.....	15.390
12	TRIM - Centre pillar upper.....	14.730
13	WINDLACE - Door opening.....	10.694
14	HOOK - Coat.....	15.388
15	HEADLINING ASM.....	14.640
16	FASTENER - Package tray trim.....	15.024
17	SHELF ASM. - Package tray rear.....	15.024
18	COVER - Rear seat head restraint.....	15.038
19	COVER - Rear seat back.....	15.000
20	COVER - Rear seat back armrest.....	15.040
21	COVER - Rear seat cushion.....	15.035
22	TRIM - Rear quarter side, Lower.....	15.100
23	ARMREST ASM. - Rear door.....	14.762
24	CARPET - Rear door.....	15.306
25	PIN - Seat belt retractor cover.....	14.875
26	COVER - Seat belt retractor.....	14.875
27	ARMREST ASM. - Console.....	10.240
28	CARPET - Front floor.....	15.286
29	FASTENER - Cowl side panel lower.....	14.630
30	TRIM - Cowl side panel lower.....	14.630
31	HOUSING ASM. - Console.....	10.240
32	POCKET - Console front.....	10.240
33	TRIM ASM. - Rear door.....	14.760

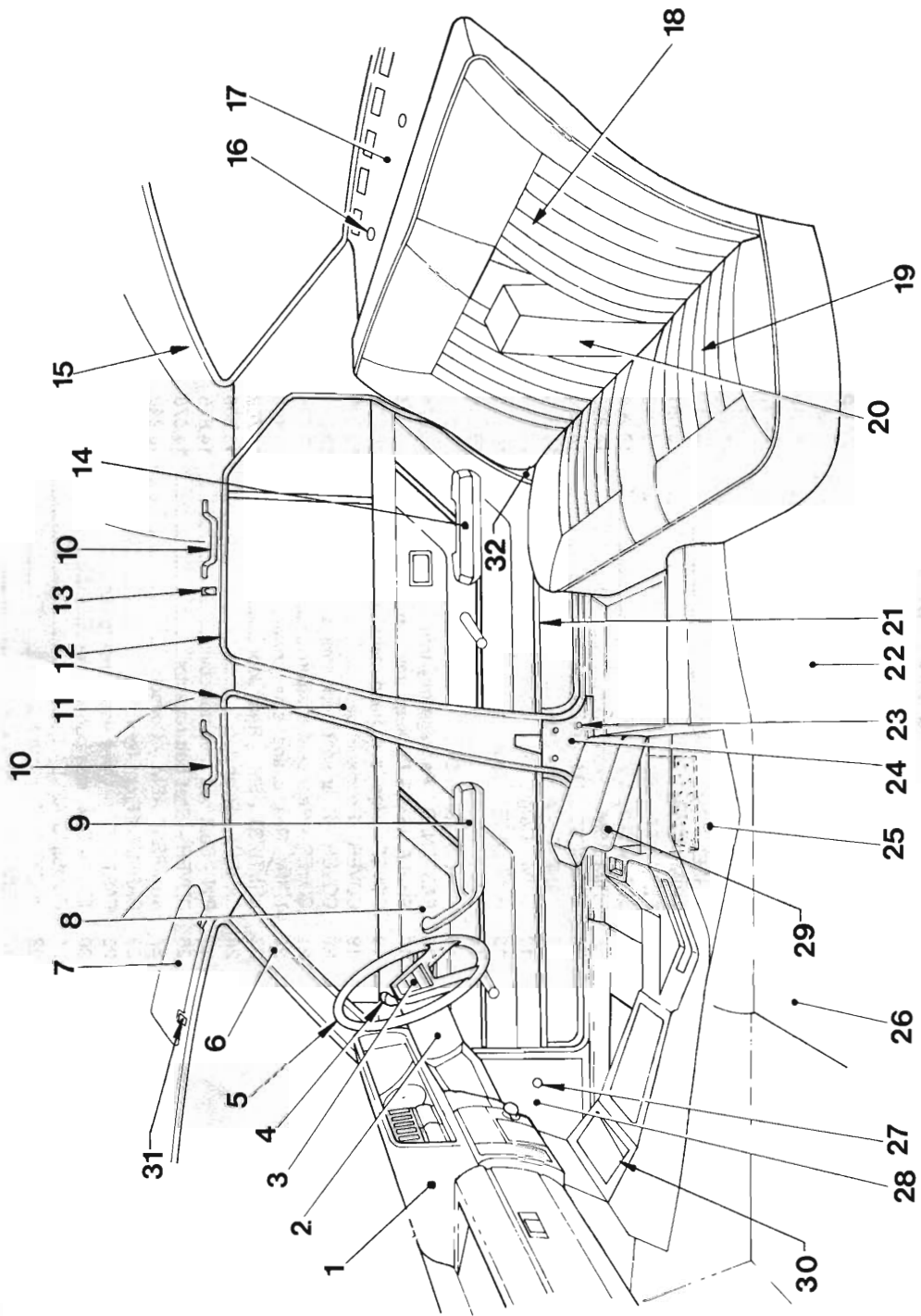
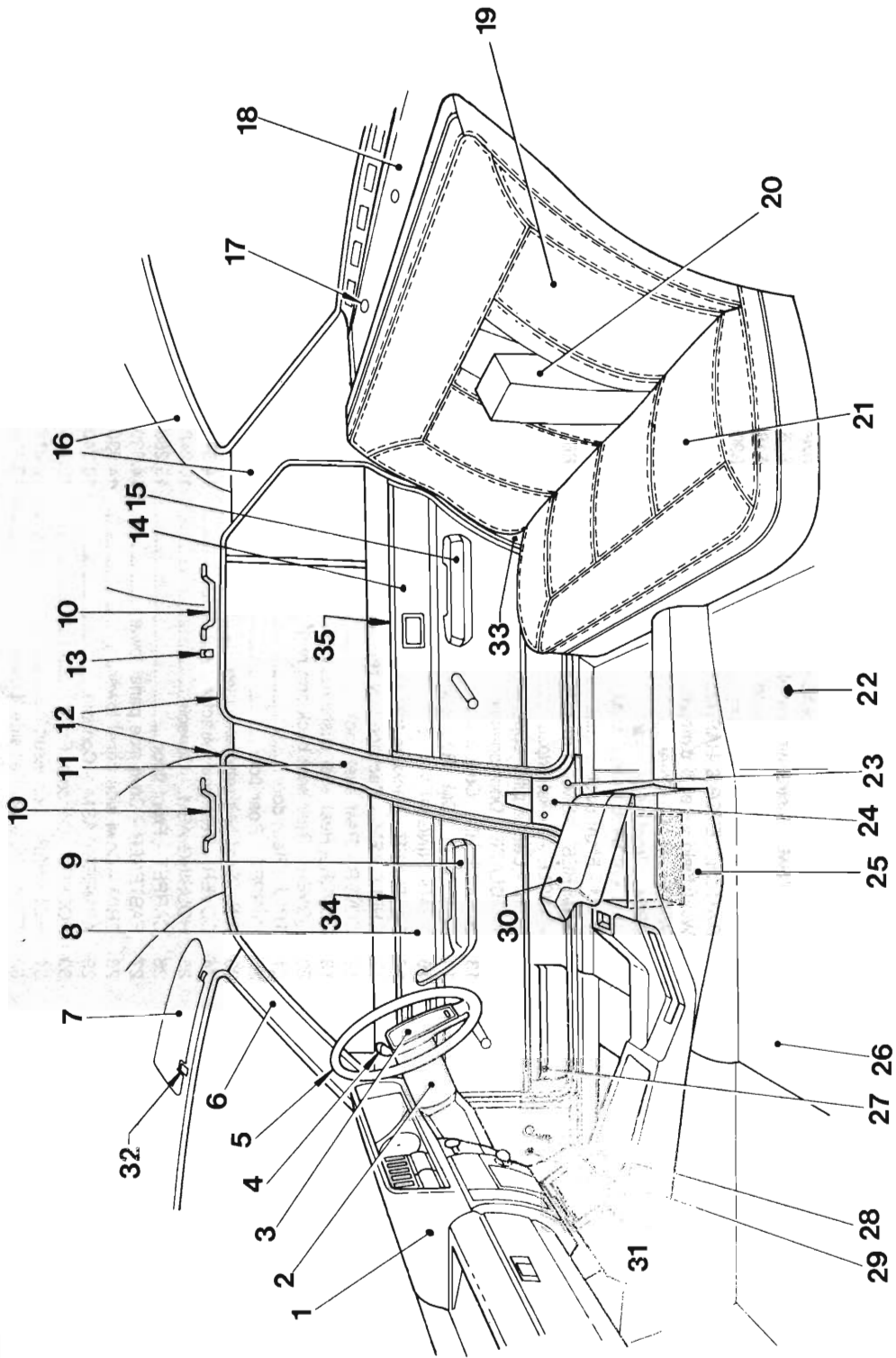




ILLUSTRATION OPPOSITE

**INTERIOR TRIM
MODEL CODE 8VL69**

REF. NO.	PART NAME	GROUP
1	PAD ASM. - Instrument panel.....	14.655
2	HOUSING - Steering column.....	6.518
3	BAR ASM. - Horn actuating.....	2.830
4	SWITCH, LEVER & HARNESS ASM. - Windshield wiper & dimmer.....	10.163
5	WHEEL ASM. - Steering.....	6.513
6	TRIM - Front body pillar.....	10.051
7	SUN VISOR & PIVOT ASM.	10.203
8	TRIM - Front door.....	14.685
9	ARM REST ASM. - Front door.....	14.686
10	HANDLE - Assist grip.....	15.390
11	TRIM - Centre pillar upper.....	14.730
12	WINDLACE - Door opening.....	10.694
13	HOOK & PIN - Coat.....	15.388
14	ARM REST ASM. - Rear door.....	14.762
15	HEADLINING ASM.	14.640
16	FASTENER - Package tray trim.....	15.024
17	SHELF ASM. - Package tray rear.....	15.024
18	COVER - Rear seat back.....	15.000
19	COVER - Rear seat cushion.....	15.035
20	COVER - Rear seat back arm rest.....	15.040
21	TRIM - Rear door.....	14.760
22	CARPET - Rear floor.....	15.306
23	PIN - Seat belt retractor cover.....	14.875
24	COVER - Seat belt retractor.....	14.875
25	HOUSING ASM. - Console.....	10.240
26	CARPET - Front floor.....	15.286
27	FASTENER - Cowl side panel lower.....	14.630
28	TRIM - Cowl side panel lower.....	14.630
29	ARMREST ASM. - Console.....	10.240
30	POCKET - Console, Front.....	10.240
31	RETAINER - Sun visor.....	10.219
32	TRIM - Rear quarter side, Lower.....	15.100

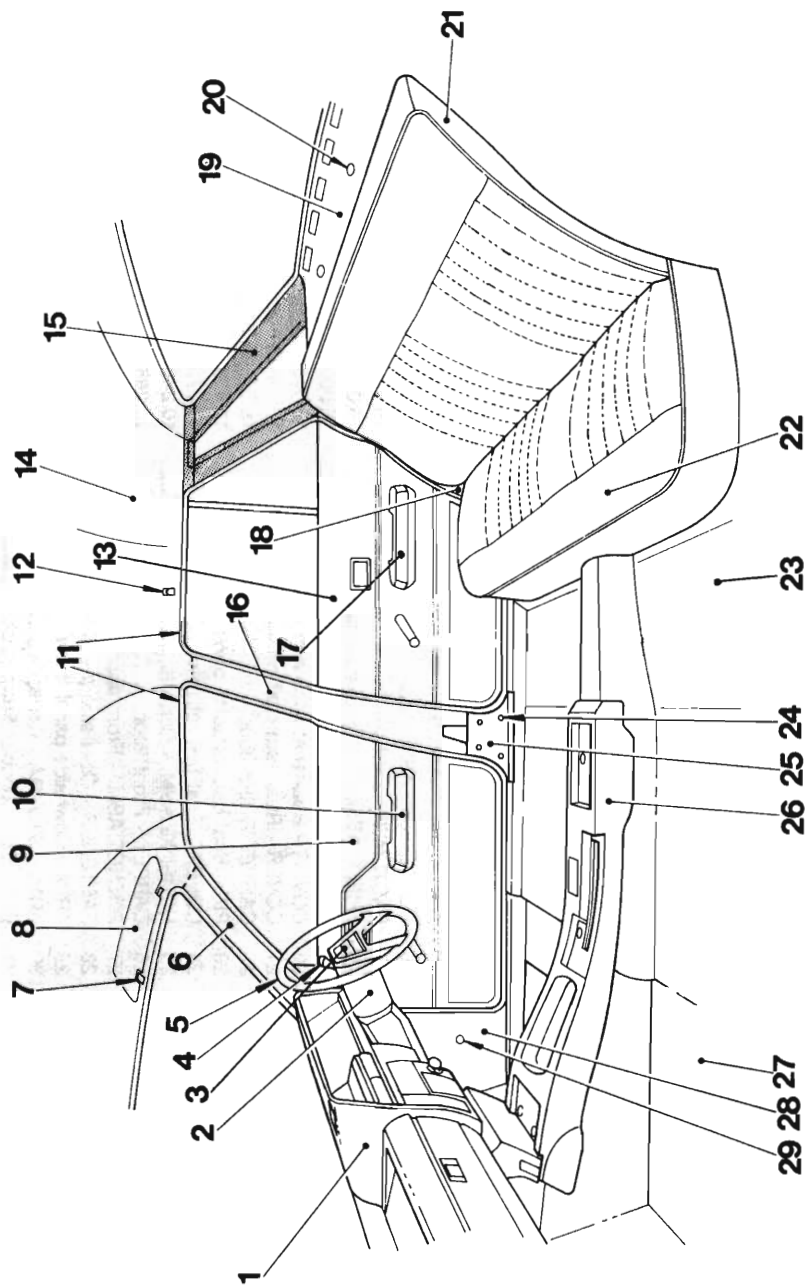




INTERIOR TRIM
MODEL CODE 8VX69

ILLUSTRATION OPPOSITE

REF. NO.	PART NAME	GROUP
1	PAD ASM. - Instrument panel.....	14.655
2	HOUSING - Steering column.....	6.518
3	BAR ASM. - Horn actuating.....	2.830
4	SWITCH, LEVER & HARNESS ASM. - Windshield wiper & dimmer.....	10.163
5	WHEEL ASM. - Steering.....	6.513
6	TRIM - Front body pillar.....	10.051
7	SUN VISOR & PIVOT ASM.....	10.203
8	TRIM - Front door.....	14.685
9	ARM REST ASM. - Front door.....	14.686
10	HANDLE - Assist grip.....	15.390
11	TRIM - Centre pillar upper.....	14.730
12	WINDLACE - Door opening.....	10.694
13	HOOK & PIN - Coat.....	15.388
14	TRIM - Rear door.....	14.760
15	ARM REST ASM. - Rear door.....	14.762
16	HEADLINING ASM.....	14.640
17	FASTENER - Package tray trim.....	15.024
18	SHELF ASM. - Package tray rear.....	15.024
19	COVER - Rear seat back.....	15.000
20	COVER - Rear seat back arm rest.....	15.040
21	COVER - Rear seat cushion.....	15.035
22	CARPET - Rear floor.....	15.306
23	PIN - Seat belt retractor cover.....	14.875
24	COVER - Seat belt retractor.....	14.875
25	HOUSING ASM. - Console.....	10.240
26	CARPET - Front floor.....	15.286
27	POCKET ASM. - Front door.....	14.692
28	FASTENER - Cowl side panel lower.....	14.630
29	TRIM - Cowl side panel lower.....	14.630
30	ARMREST ASM. - Console.....	10.240
31	POCKET - Console, Front.....	10.240
32	RETAINER - Sun visor.....	10.219
33	TRIM - Rear quarter side, Lower.....	15.100
34	MOULDING - Front door trim - Upper.....	14.691
35	MOULDING - Rear door trim - Upper.....	14.764

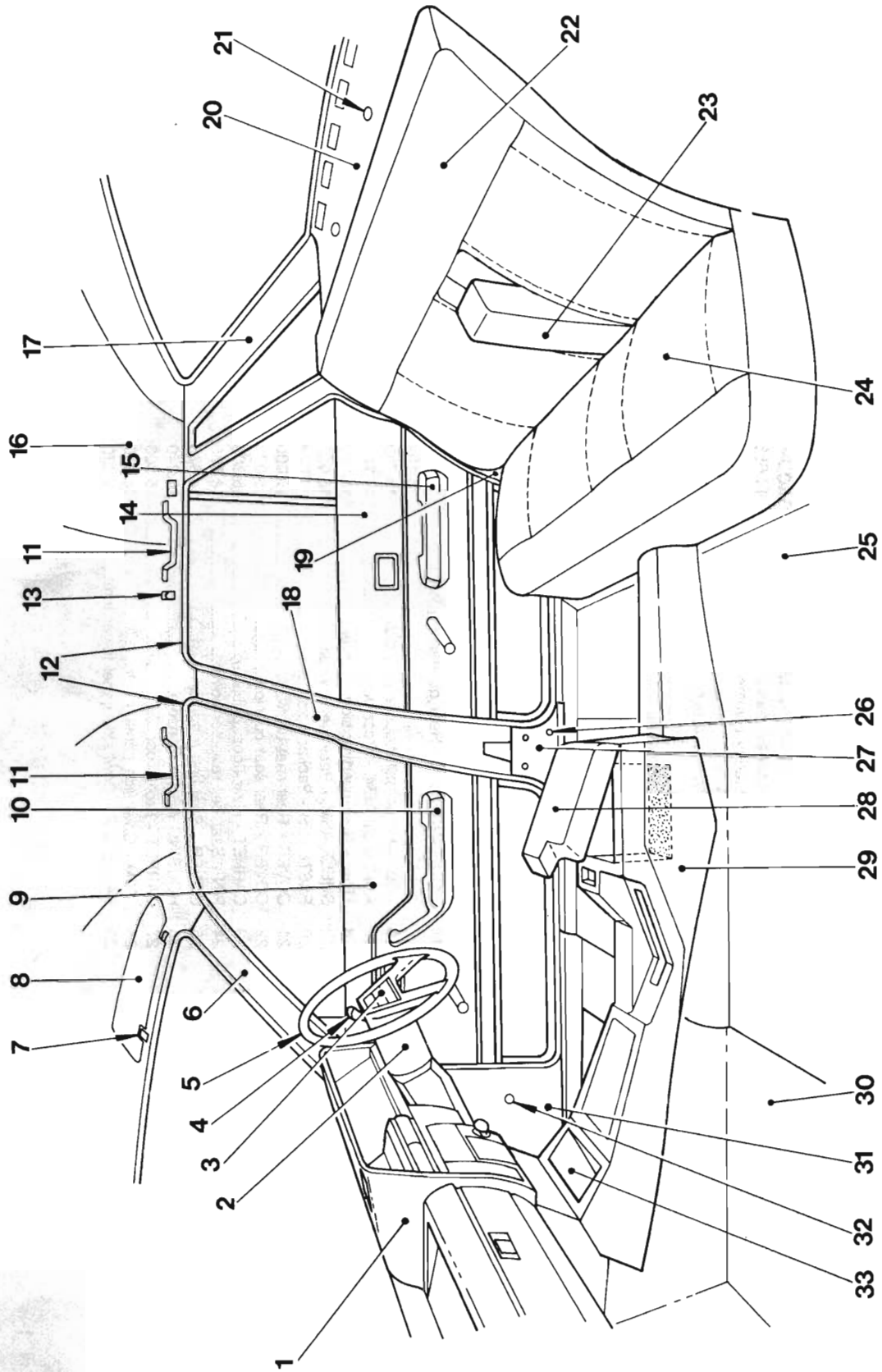




**INTERIOR TRIM
MODEL CODE 8VK19
VK SERIES**

ILLUSTRATION OPPOSITE

REF. NO.	PART NAME	GROUP
1	PAD ASM. - Instrument panel.....	14.655
2	HOUSING - Steering column.....	6.518
3	BAR ASM. - Horn actuating.....	2.830
4	SWITCH LEVER & HARNESS ASM. - Windshield wiper & dimmer.....	10.163
5	WHEEL ASM. - Steering.....	6.513
6	TRIM - Front body pillar.....	10.051
7	RETAINER - Sunvisor.....	10.219
8	SUNVISOR & PIVOT ASM.....	10.203
9	TRIM ASM. - Front door.....	14.685
10	ARMREST ASM. - Front door.....	14.686
11	WINDLACE - Door opening.....	10.694
12	HOOK & PIN - Coat.....	15.388
13	TRIM ASM. - Rear door.....	14.760
14	HEADLINING ASM. -.....	14.640
15	MOULDING ASM. - Rear quarter window trim inner.....	15.101
16	TRIM - Centre pillar upper.....	14.730
17	ARMREST ASM. - Rear door.....	14.762
18	TRIM - Rear quarter side - Lower.....	15.100
19	SHELF ASM. - Package tray rear.....	15.024
20	FASTENER - Package tray trim.....	15.024
21	COVER - Rear seat back.....	15.000
22	COVER - Rear seat cushion.....	15.035
23	CARPET - Rear floor.....	15.306
24	PIN - Seat belt retractor cover.....	14.875
25	COVER - Seat belt retractor.....	14.875
26	HOUSING ASM. - Console.....	10.240
27	CARPET - Front floor.....	15.306
28	TRIM - Cowl side panel lower.....	14.630
29	FASTENER - Cowl side panel lower trim.....	14.630

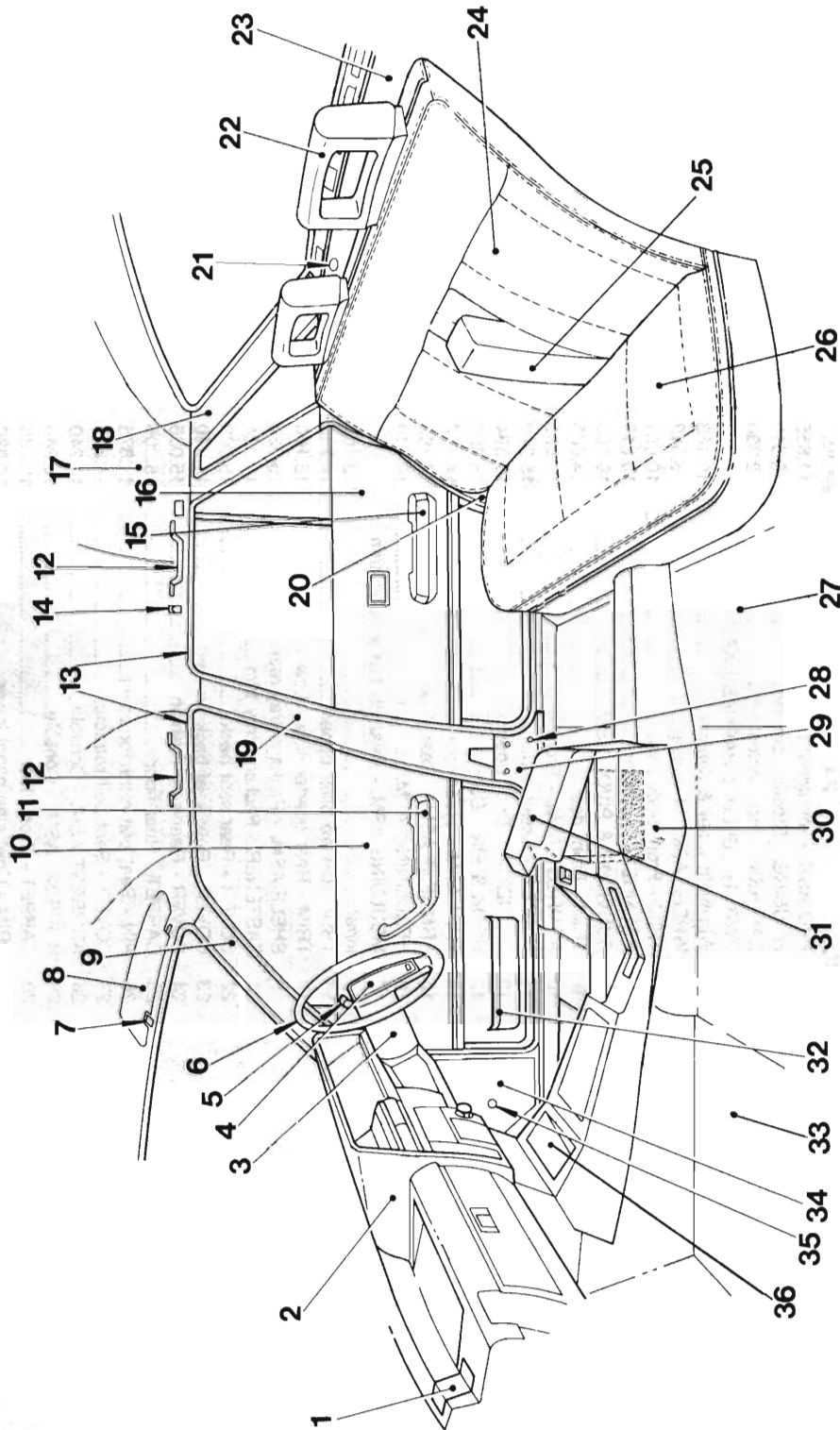




INTERIOR TRIM
MODEL CODE 8VL19
VK SERIES

ILLUSTRATION OPPOSITE

REF. NO.	PART NAME	GROUP
1	PAD ASM. - Instrument panel.....	14.655
2	HOUSING - Steering column.....	6.518
3	BAR ASM. - Horn actuating.....	2.830
4	SWITCH, LEVER & HARNESS ASM. - Winshield wiper & dimmer.....	10.163
5	WHEEL ASM. - Steering.....	6.513
6	TRIM - Front body pillar.....	10.051
7	RETAINER - Sunvisor.....	10.219
8	SUNVISOR & PIVOT ASM.....	10.203
9	TRIM - Front door.....	14.685
10	ARMREST ASM. - Front door.....	14.686
11	HANDLE - Assist grip.....	15.390
12	WINDLACE - Door opening.....	10.694
13	HOOK & PIN - Coat.....	15.388
14	TRIM ASM. - Rear door.....	14.760
15	ARMREST ASM. - Rear door.....	14.762
16	HEADLINING ASM.....	14.640
17	MOULDING ASM. - Rear quarter window trim inner.....	15.101
18	TRIM - Centre pillar upper.....	14.730
19	TRIM - Rear quarter side - Lower.....	15.100
20	SHELF ASM. - Package tray rear.....	15.024
21	FASTENER - Package tray trim.....	15.024
22	COVER - Rear seat back.....	15.000
23	COVER - Rear seat back armrest.....	15.040
24	COVER - Rear seat cushion.....	15.035
25	CARPET - Rear floor.....	15.306
26	PIN - Seat belt retractor cover.....	14.875
27	COVER - Seat belt retractor.....	14.875
28	ARMREST ASM. - Console.....	10.240
29	HOUSING ASM. - Console.....	10.240
30	CARPET - Front floor.....	15.286
31	TRIM - Cowl side panel lower.....	14.630
32	FASTENER - Cowl side panel lower trim.....	14.630
33	POCKET - Console front.....	10.240





**INTERIOR TRIM
MODEL CODE 8VX19
VK SERIES**

ILLUSTRATION OPPOSITE

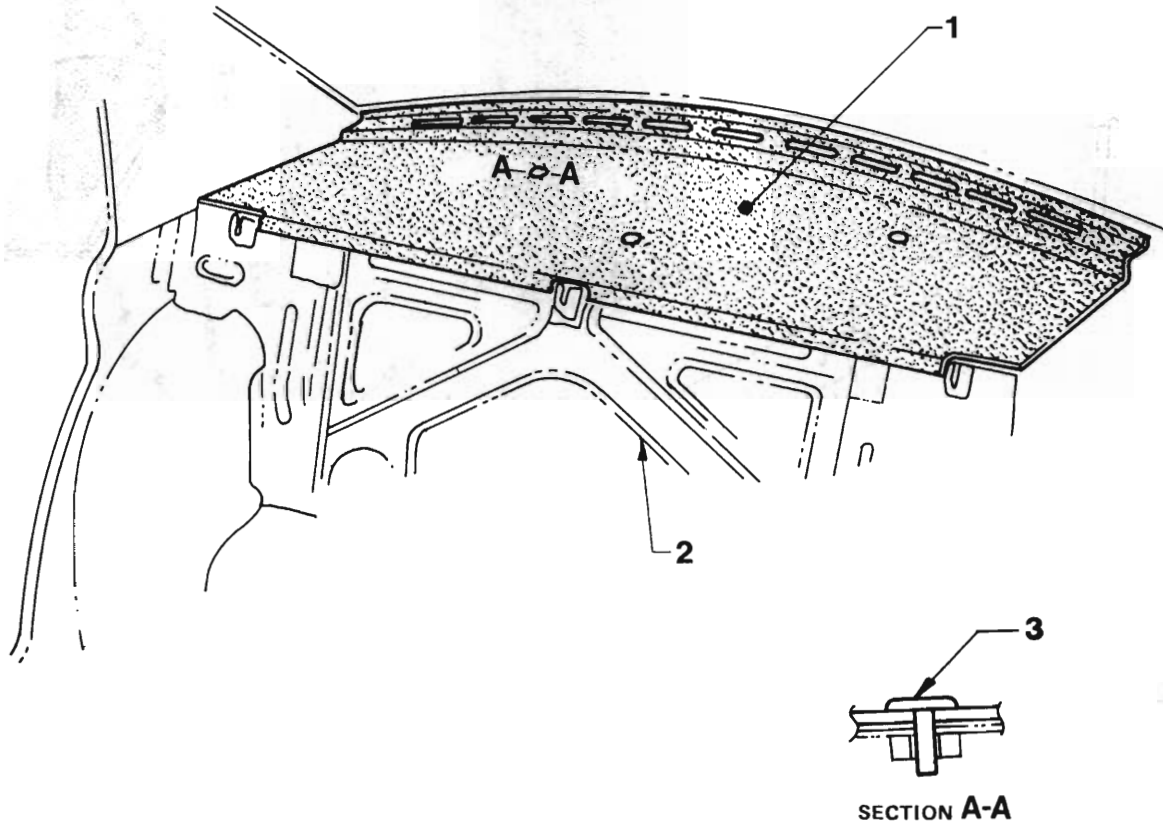
REF. NO.	PART NAME	GROUP
1	SPEAKER & LEAD ASM.....	9.650
2	PAD ASM. - Instrument panel.....	14.655
3	HOUSING - Steering column.....	6.518
4	BAR ASM. - Horn actuating.....	2.830
5	SWITCH LEVER & HARNESS ASM. - Winshield wiper & dimmer.....	10.163
6	WHEEL ASM. - Steering.....	6.513
7	RETAINER - Survivor.....	10.219
8	SUNVISOR & PIVOT ASM.....	10.203
9	TRIM - Front body pillar.....	10.051
10	TRIM ASM. - Front door.....	14.685
11	ARMREST ASM. - Front door.....	14.686
12	HANDLE - Assist grip.....	15.390
13	WINDLACE - Door opening.....	10.694
14	HOOK & PIN - Coat.....	15.388
15	ARMREST ASM. - Rear door.....	14.762
16	TRIM ASM. - Rear door.....	14.760
17	HEADLINING ASM.....	14.640
18	MOULDING ASM. - Rear quarter window trim inner.....	15.101
19	TRIM - Centre pillar upper.....	14.730
20	TRIM - Rear quarter side lower.....	15.100
21	FASTENER - Package tray trim.....	15.024
22	HEAD RESTRAINT - Rear seat.....	15.038
23	SHELF ASM. - Package tray rear.....	15.024
24	COVER - Rear seat back.....	15.000
25	COVER - Rear seat back armrest.....	15.040
26	COVER - Rear seat cushion.....	15.035
27	CARPET - Rear floor.....	15.306
28	PIN - Seat belt retractor cover.....	14.875
29	COVER - Seat belt retractor.....	14.875
30	HOUSING ASM. - Console.....	10.240
31	ARMREST ASM. - Console.....	10.240
32	POCKET ASM. - Front door.....	14.692
33	CARPET - Front floor.....	15.286
34	TRIM - Cowl side panel lower.....	14.630
35	FASTENER - Cowl side panel lower trim.....	14.630
36	POCKET - Console front.....	10.240



GROUP

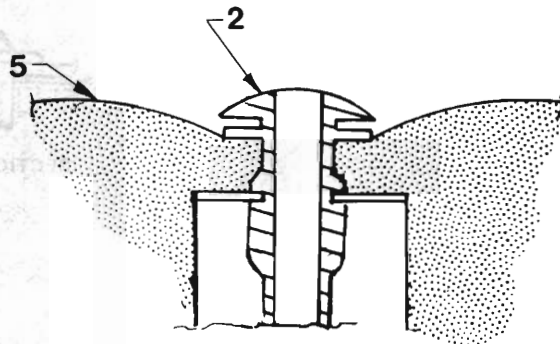
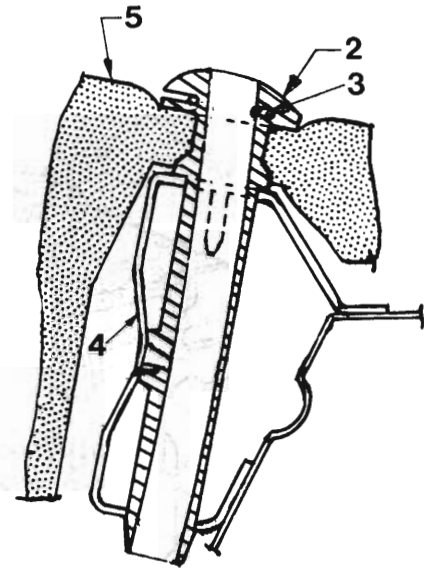
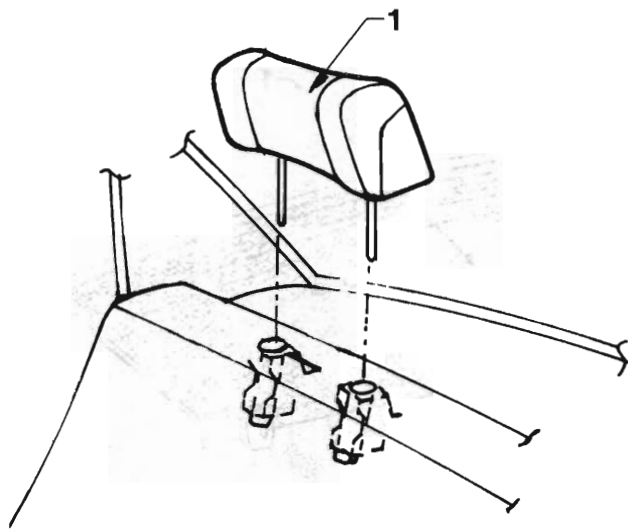
15.000

**REAR SEAT TRIM
CARPETS**



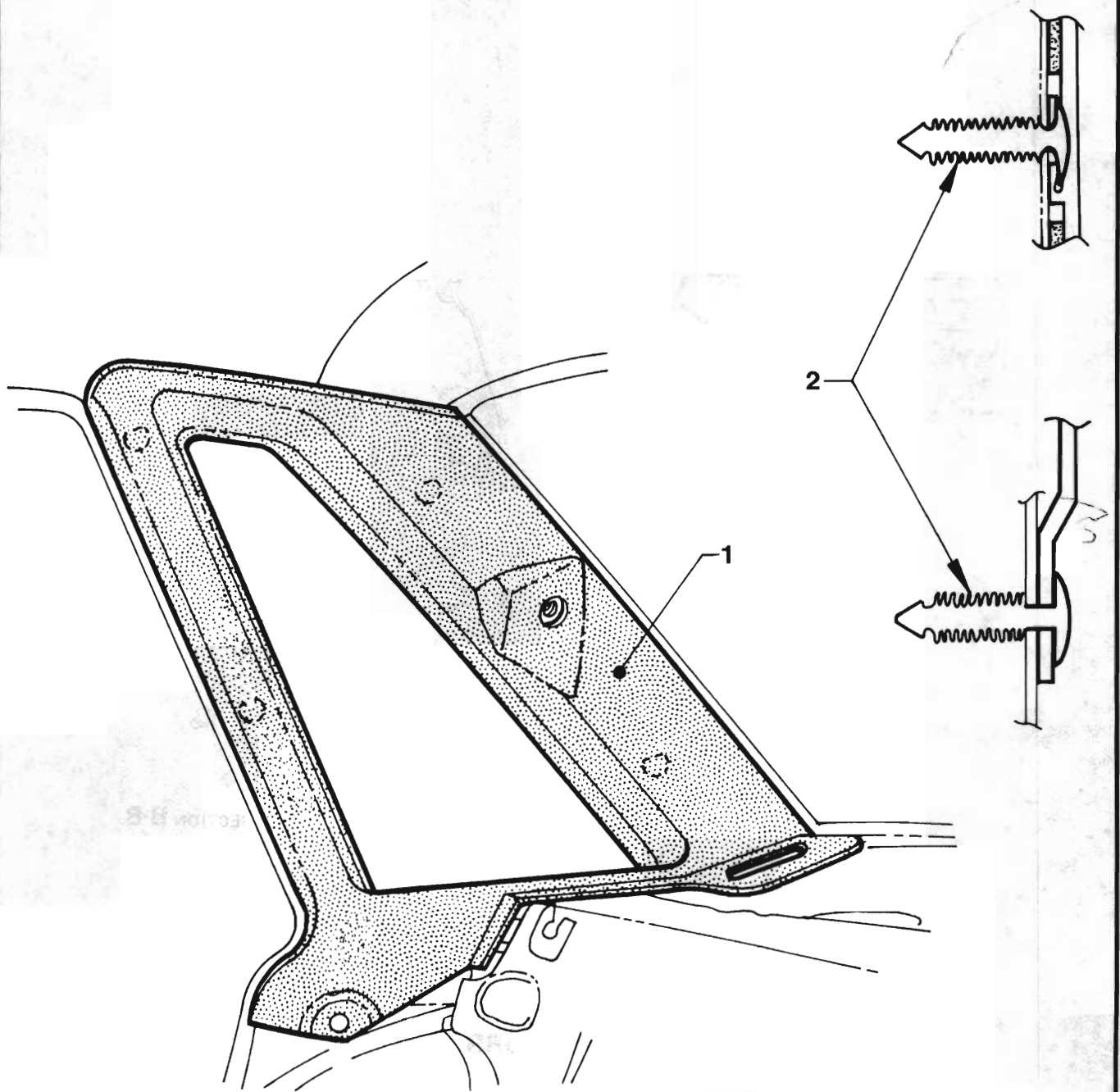
SHELF - PACKAGE TRAY REAR

REF. NO.	PART NAME	GROUP
1	SHELF ASM.	15.024
2	PANEL ASM. - Upper, Rear compartment	12.971
3	FASTENER - Package tray rear shelf	15.024



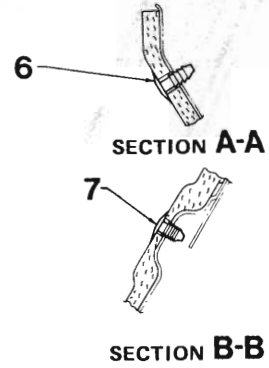
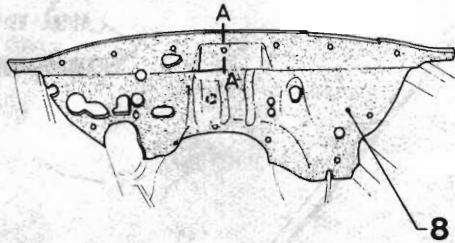
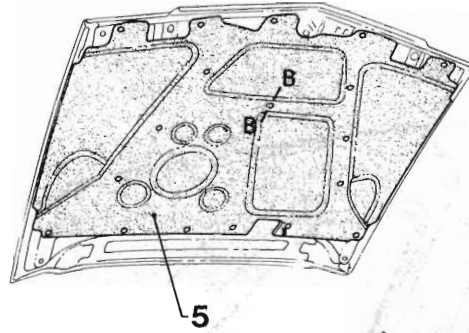
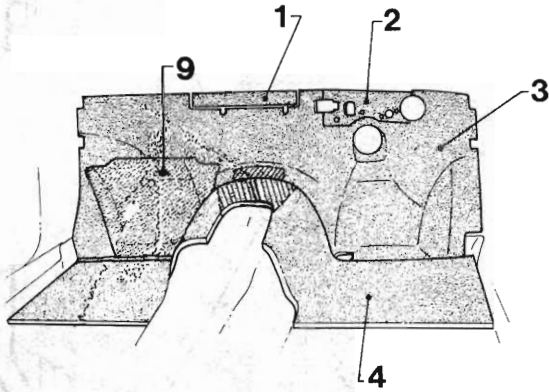
REAR SEAT HEAD RESTRAINT

REF. NO.	PART NAME	GROUP
1	HEAD RESTRAINT - Rear seat	15.038
2	SLEEVE ASM.	15.038
3	SPRING - Head restraint to sleeve, Locating	N.S.S.
4	BRACKET - Mounting	15.038
5	PAD.....	15.038



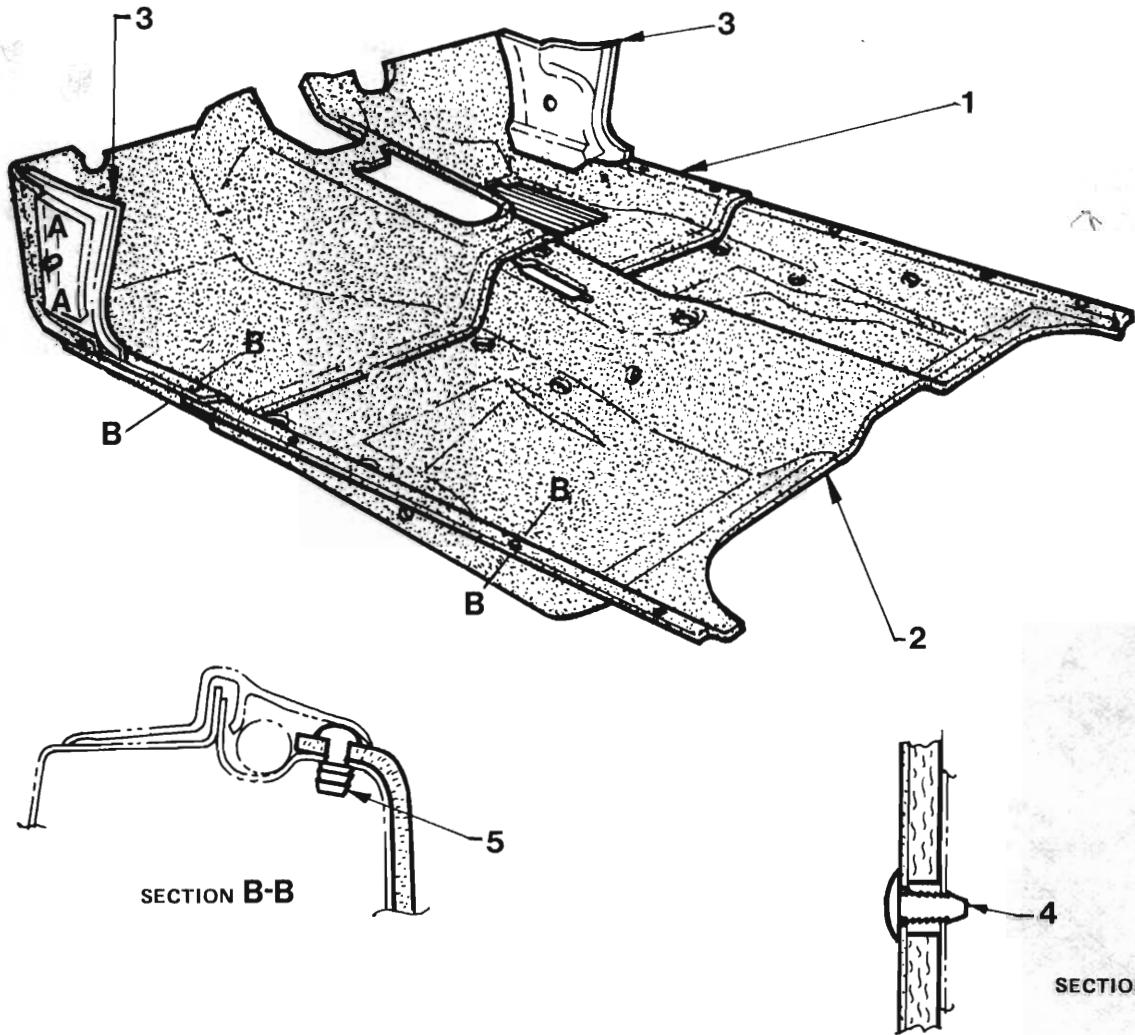
REAR QUARTER WINDOW TRIM
19 BODY STYLES
VK SERIES

REF. NO.	PART NAME	GROUP
1	MOULDING ASM. - Rear quarter window trim inner	15.101
2	FASTENER - Rear quarter window trim inner moulding	15.101



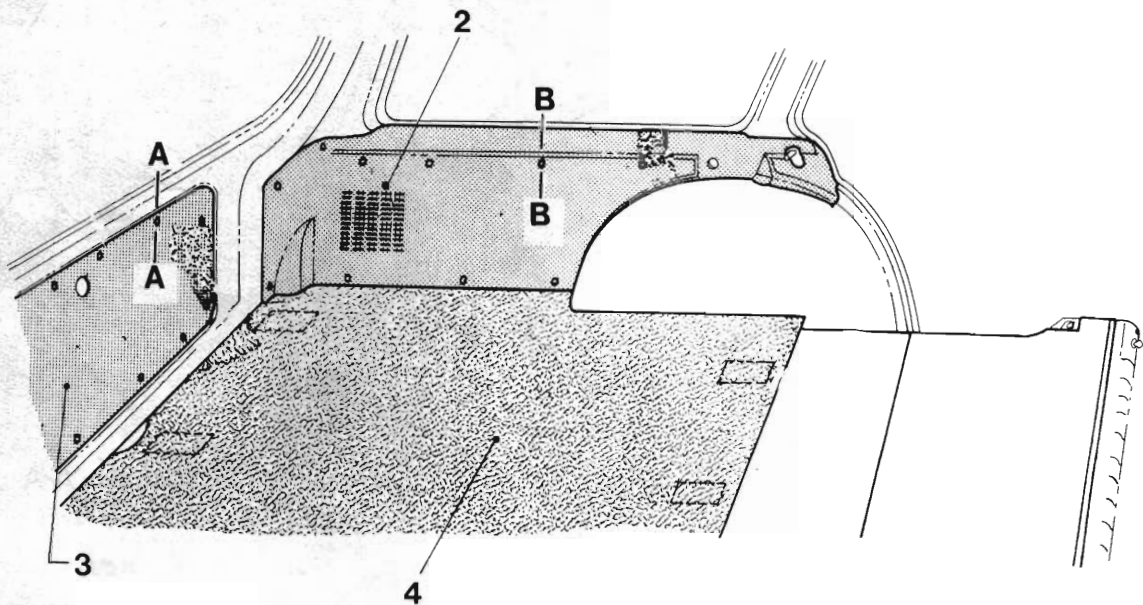
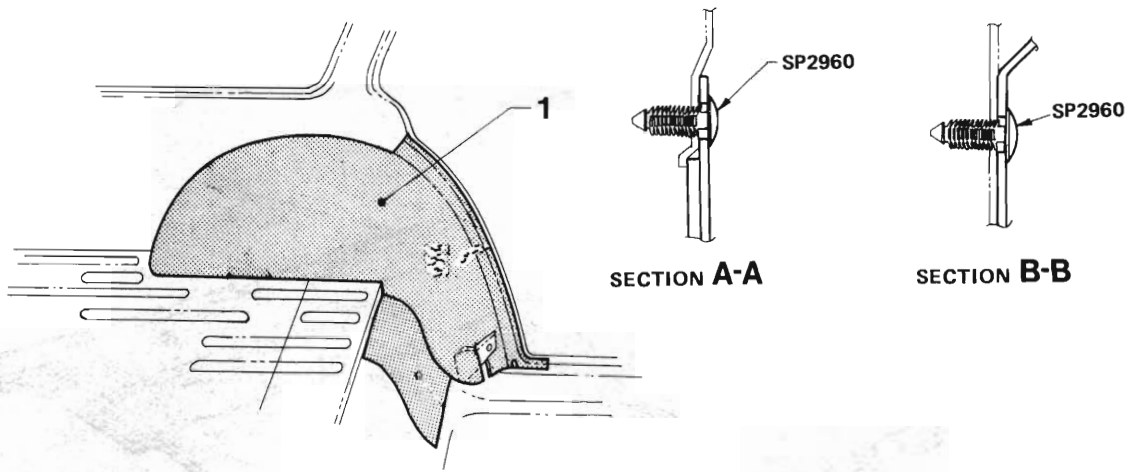
INSULATORS

REF. NO.	PART NAME	GROUP
1	INSULATOR - Dash panel, Inner centre.....	15.280
2	INSULATOR - Dash panel, Brake pedal support	4.634
3	INSULATOR - Dash panel, Inner lower	15.280
4	INSULATOR - Front floor.....	15.286
5	INSULATOR - Engine hood	8.021
6	RETAINER - Dash panel.....	15.280
7	FASTENER - Engine hood.....	8.021
8	INSULATOR - Dash panel, Outer	15.280
9	PAD - Front floor - LH.....	15.286



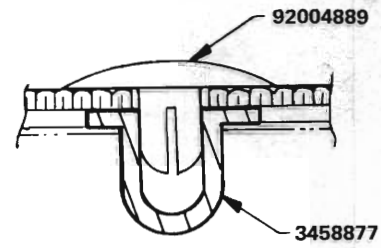
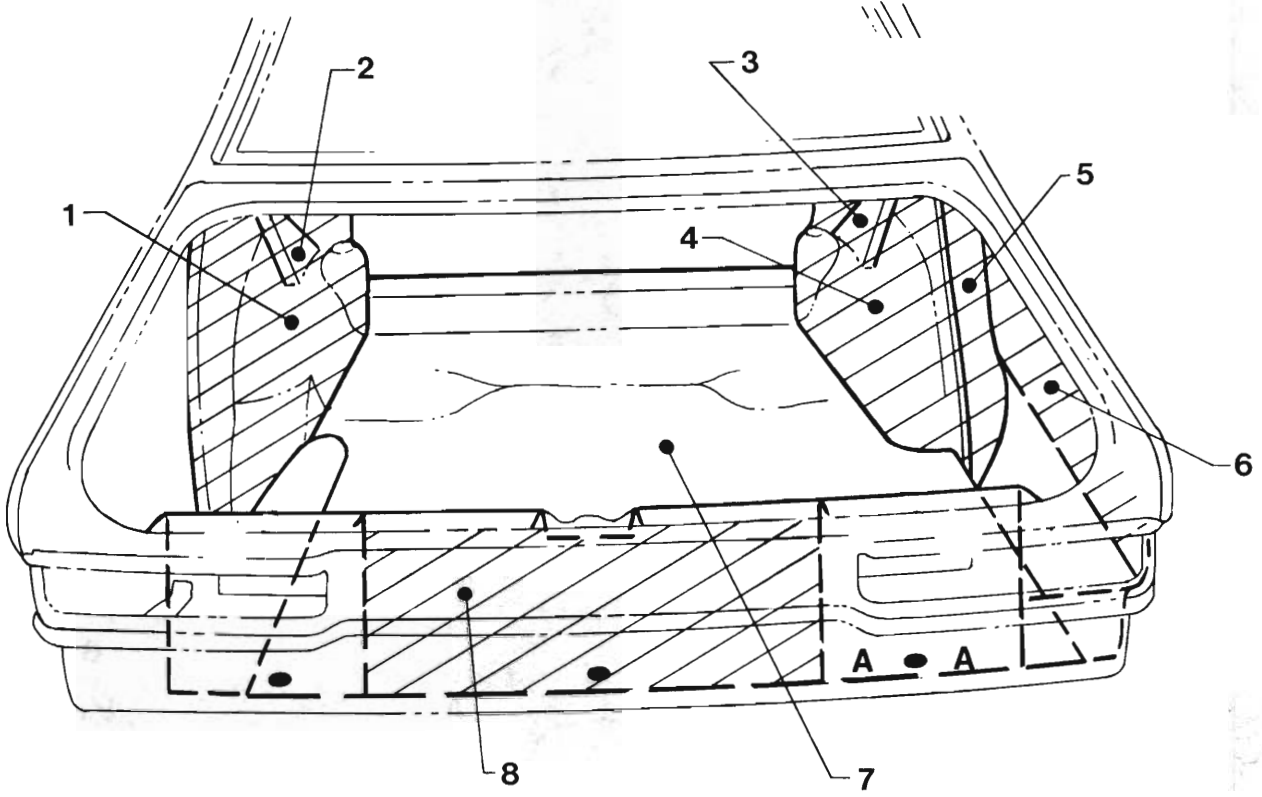
FLOOR MATS & CARPETS

REF. NO.	PART NAME	GROUP
1	CARPET - Front floor.....	15.286
2	CARPET - Rear floor.....	15.306
3	TRIM - Cowl side panel lower.....	14.630
4	FASTENER - Cowl side panel lower trim.....	14.630
5	BUTTON - Front carpet attaching.....	15.300
5	BUTTON - Rear carpet attaching.....	15.306



**REAR COMPARTMENT TRIM
35 BODY STYLES**

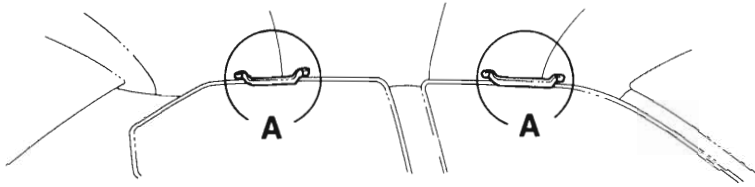
REF. NO.	PART NAME	GROUP
1	TRIM - Wheelhouse	15.099
2	TRIM - Rear quarter side - Lower	15.100
3	TRIM - End gate panel	15.320
4	CARPET - Rear compartment floor	15.320



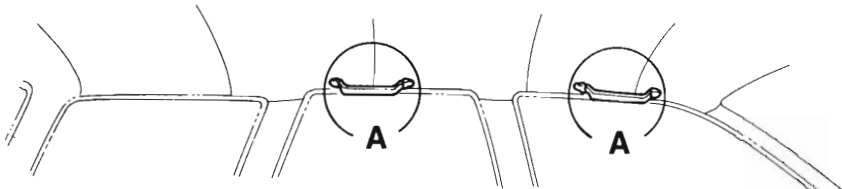
SECTION A-A

LUGGAGE COMPARTMENT TRIM
SEDAN

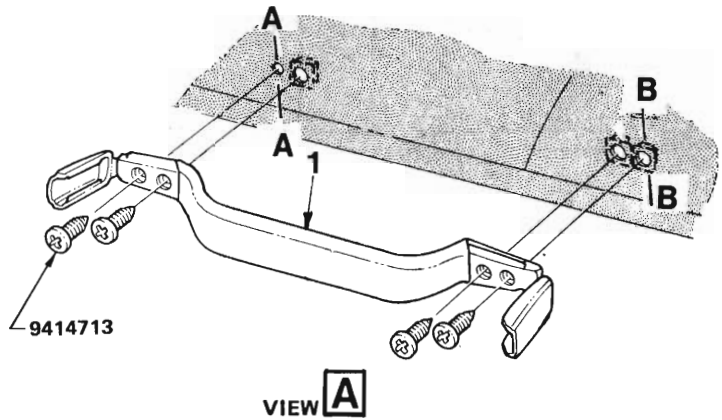
REF. NO.	PART NAME	GROUP
1	CARPET - Wheelhouse inner, LH.....	15.222
2	CARPET - Hinge support, LH.....	15.222
3	CARPET - Hinge support, RH.....	15.222
4	CARPET - Wheelhouse inner, RH.....	15.222
5	CARPET - Wheelhouse outer.....	15.222
6	CARPET - Quarter side.....	15.222
7	CARPET/MAT - Floor.....	15.222
8	CARPET - Rear.....	15.222



SEDAN

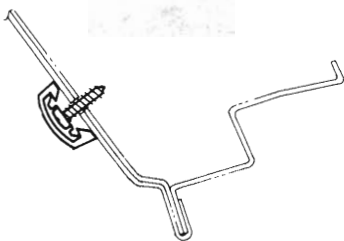


STATION WAGON

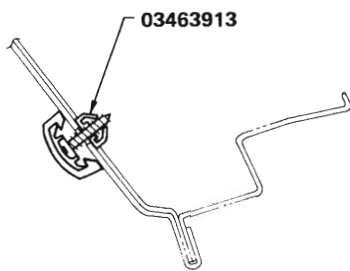


9414713

VIEW **A**



SECTION A-A



SECTION B-B

HANDLE - ASSIST GRIP

REF. NO.	PART NAME	GROUP
1	HANDLE - Assist	15.390